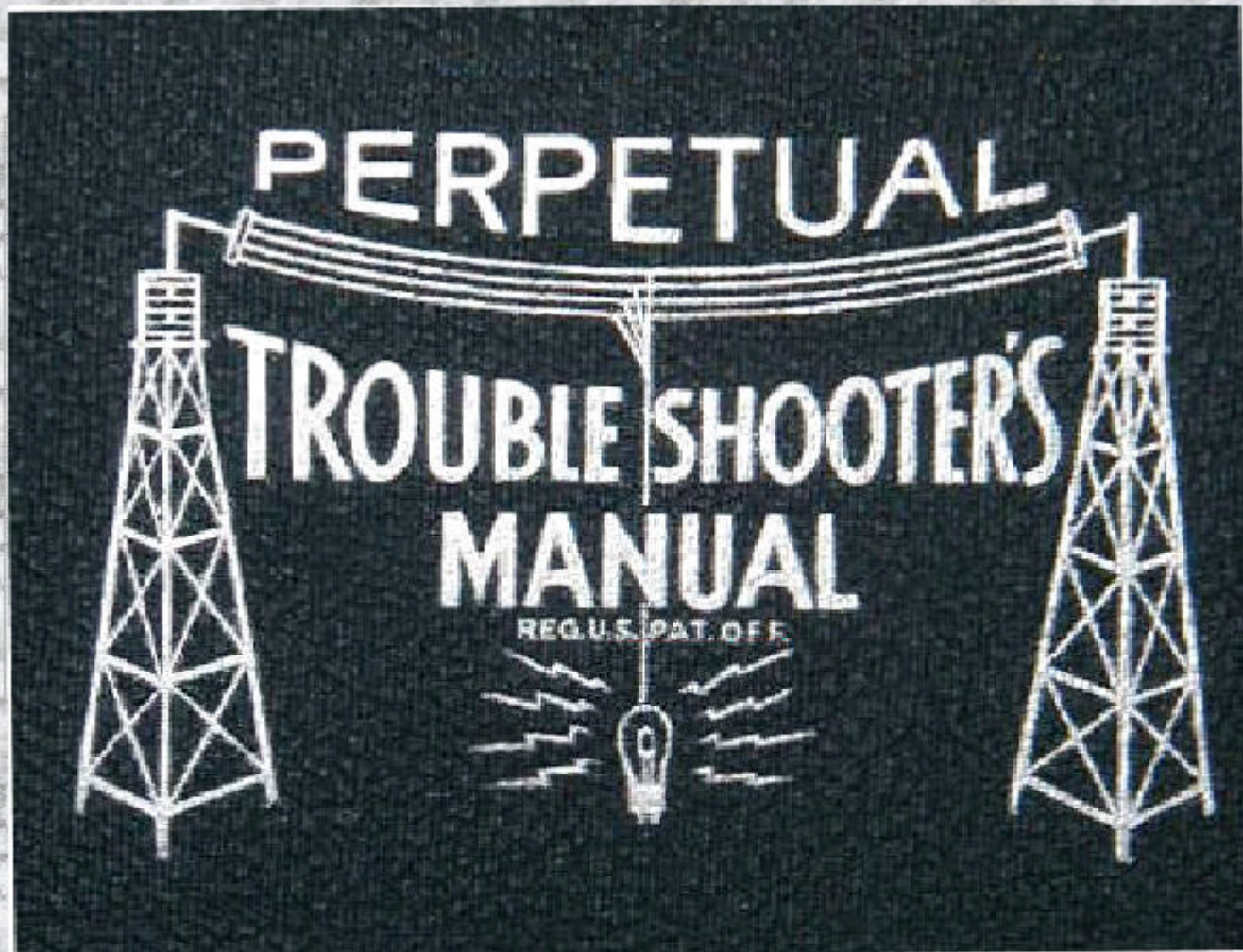


# ***RIDER'S*** **VOLUME - XIV**



**COVERING LATE 1942  
THROUGH  
1945**



MODEL 4136

## AIR KING PRODUCTS CO., INC.

**FAILURE OF MECHANISM TO CHANGE TO THE NEXT RECORD:** An old record may occasionally be found (made before the introduction of automatic phonographs) that does not carry the needle close enough to the turntable spindle to set the changer mechanism in operation. Should one of these old records be used, moving the "REJECT" button will operate the changer mechanism. Need for doing this can be avoided by placing the old record at the top of the stack, so that it will come into position last.

**SELECTION OF NEW RECORDS:** When buying records inspect them carefully to be sure that they do not have chipped edges and that they are perfectly flat. Records that are warped or "saucer shaped" or that have chipped edges may not operate properly in the phonograph mechanism.

**TO AVOID WARPING OF RECORDS, NEVER LEAVE RECORDS RESTING ON THE SHELF PLATES WHEN RECORD PLAYER IS SHUT OFF.**

**IF NOISE DEVELOPS:** Scratching indicates worn records. Poor tone is evidence of a worn needle. Some records will wear longer than others, even if kept equally clean. This is due not only to quality of manufacture and care given the records, but also to the kind of music recorded.

**OILING:** For oiling, remove the turntable by lifting it straight up with both hands. Remove the cadmium plated screw marked "Oil Hole" in the illustration. Put in a few drops of oil (S. A. E. 20) and replace the screw. The motor should be oiled about once a year with this oil, at which time it is advisable to put a drop of oil on all friction surfaces of the mechanism.

**ADJUSTING THE STARTING POSITION OF NEEDLE:** Should the pickup arm not come down with the needle the proper distance from the edge of the record, it may be adjusted as follows:

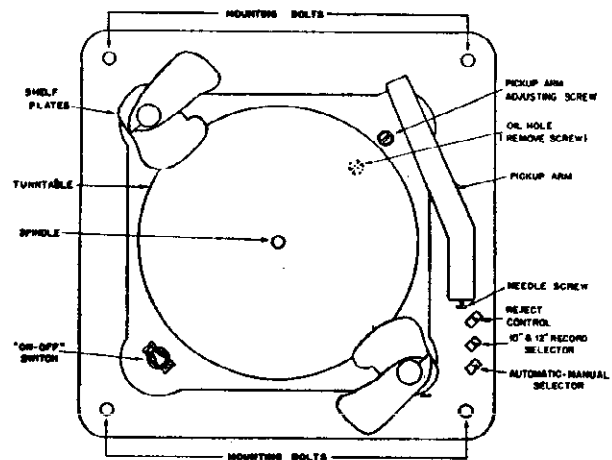
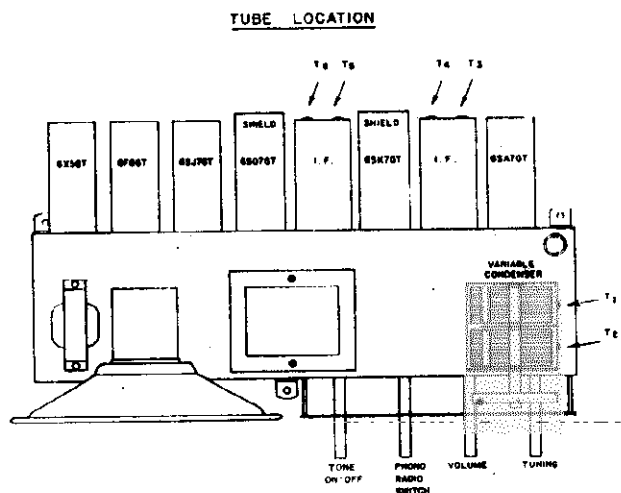
Place a record on the turntable and rotate the turntable by hand. Push the "REJECT" button while continuing to rotate the turntable, until the needle is just about to touch the record as at the start of playing. Loosen the pickup arm adjusting screw about one turn (see illustration). Shift the screw slightly in its slot (which will move the pickup arm and needle) until the needle is at the proper distance from the edge of the record. Then tighten the pickup arm adjusting screw.

**LOADING THE RECORDS FOR AUTOMATIC OPERATION:** This mechanism automatically plays in sequence up to twelve 10" records or ten 12" records at one set-up. ALL RECORDS MUST BE THE SAME SIZE FOR EACH SET-UP.

The changer plates should be turned so that the larger bottom shelf plates are toward the center of the turntable. The stack of records should then be placed over the spindle and allowed to rest on the shelf plates.

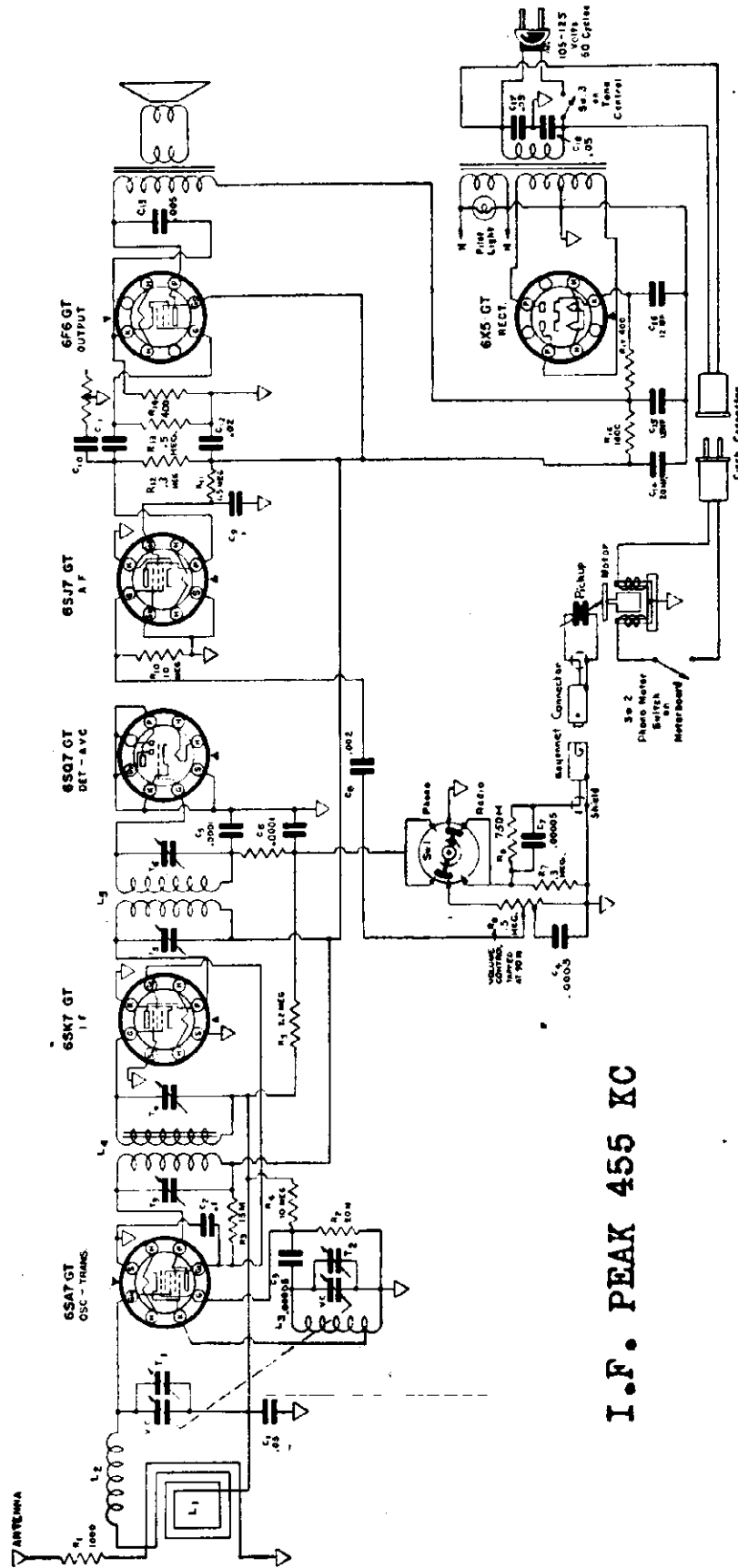
Move the slide button so that the marking "10" or "12" is exposed, in agreement with the size of the records to be played.

Move the AUTOMATIC-MANUAL button so that "AUTOMATIC" is exposed.



**STARTING THE MECHANISM:** With the radio turned on and set for record reproduction, snap the turntable switch on. The pickup should be on its rest. Push the "REJECT" button. (The button returns to its normal position automatically.) This will release the bottom record from the stack and the pickup arm will drop to its proper position on the record and start playing. When the end of the record is reached, the mechanism will automatically lift the pickup arm from the played record, will drop the next record into position, and will bring the pickup arm into place for playing this record. The mechanism will continue to repeat the last record until switched off.

AIR KING PRODUCTS CO., INC.

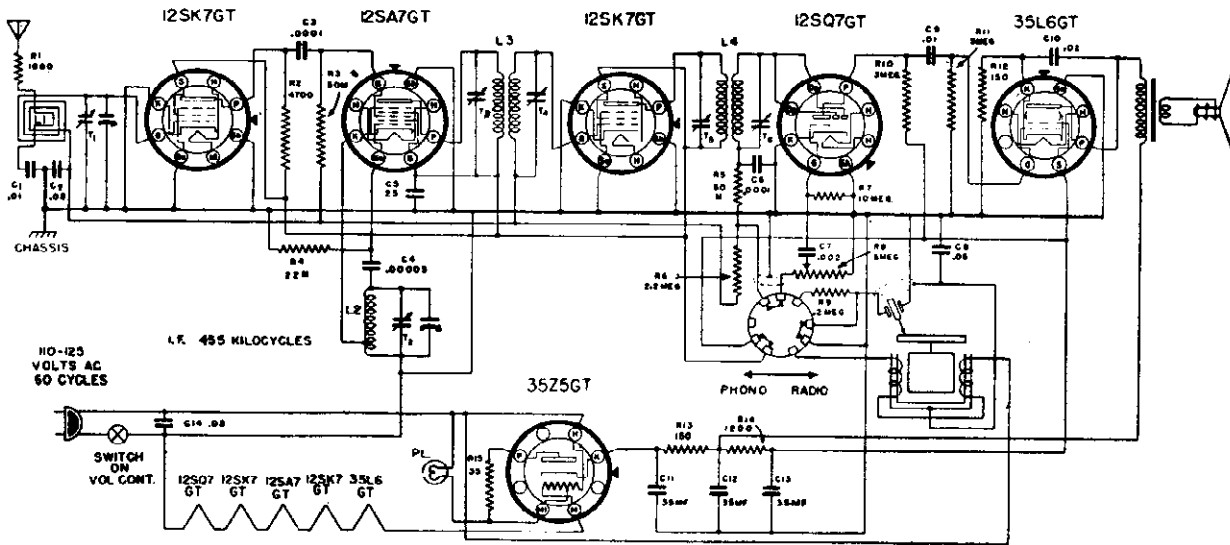


I.F. PEAK 455 KC

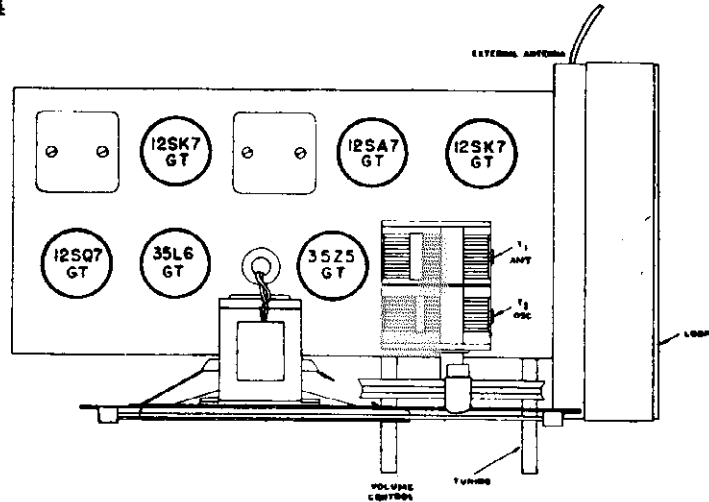
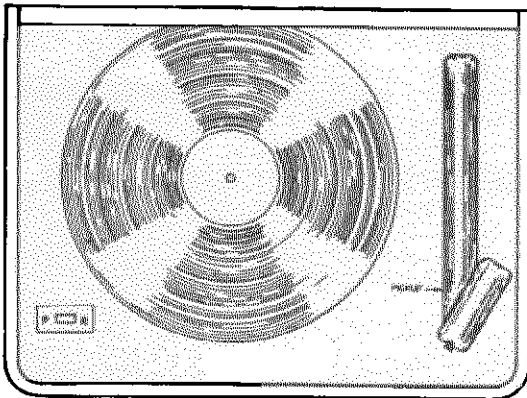
PART NUMBER	DESCRIPTION	SCHEMATIC LOCATION
1104536	Cable—Dial and Spring	
1104331	Cartridge—Crystal	
11028125	Coil—Antenna Loop	L1
11028124	Coil—Loading	L2
11028123	Coil—Oscillator	L3
	Condenser—.05, 400 volts	C1
	Condenser—.1, 400 volts	C2
	Condenser—.00005 mica	C3
	Condenser—.0001 mica	C4
	Condenser—.002, 400 volts	C5
	Condenser—.1, 400 volts	C6
	Condenser—.0025, 400 volts	C7
	Condenser—.02, 400 volts	C8
	Condenser—.005, 800 volts	C9
	Condenser—.70 mfd, 12 mfd, 12 mfd, 350 volt, electrolytic	C10, C12
	Resistor—1000 ohms, 1/2 watt	R1
	Resistor—20,000 ohms, 1/2 watt	R2
	Resistor—15,000 ohms, 1/2 watt	R3
	Resistor—10 megohms, 1/2 watt	R4, R10
	Resistor—2.2 megohms, 1/2 watt	R5
	Resistor—3 megohms, 1/2 watt	R7, R12
	Resistor—50,000 ohms, 1/2 watt	R8
	Resistor—75 megohms, 1/2 watt	R9
	Resistor—1.5 megohms, 1/2 watt	R11
	Resistor—400 ohms, 1/2 watt, wire-wound	R13
	Resistor—1600 ohms, 2 watt, wire-wound	R14
	Resistor—400 ohms, 1 watt, wire-wound	R15, R16
	Condenser—.03 moulded mica	C17
	Condenser—.05 moulded mica	C18
	Control—"Off-tone", .5 megohm with switch	R15
	Control—Volume, .5 megohm (tap at 90,000)	R16
	Resistor—1000 ohms, 1/2 watt	R1
	Resistor—20,000 ohms, 1/2 watt	R2
	Resistor—15,000 ohms, 1/2 watt	R3
	Resistor—10 megohms, 1/2 watt	R4, R10
	Resistor—2.2 megohms, 1/2 watt	R5
	Resistor—3 megohms, 1/2 watt	R7, R12
	Resistor—50,000 ohms, 1/2 watt	R8
	Resistor—75 megohms, 1/2 watt	R9
	Resistor—1.5 megohms, 1/2 watt	R11
	Resistor—400 ohms, 1/2 watt, wire-wound	R13
	Resistor—1600 ohms, 2 watt, wire-wound	R14
	Resistor—400 ohms, 1 watt, wire-wound	R15, R16

MODEL 4234  
 MODELS 4232, 4233  
 4246, 4248  
 4252, 4254

AIR KING PRODUCTS CO., INC.



MODEL 4234



ALIGNMENT FOR MODELS 4232, 4233, 4234, 4246, 4248, 4252, 4254

Alignment Frequencies:

- I. F. .... 455 K.C.
- R. F. .... 1500 K.C.

**I. F. Alignment**

Connect an output meter across the voice coil. Rotate the volume to maximum. Set test oscillator to 455 K.C. and apply signal to lug on stator of gang condenser to which loop is connected through a .05 Mfd. capacitor. Align the second I. F. transformer trimmers, next adjust the first I. F. transformer trimmers. Keep test oscillator output as low as a readable meter reading will permit.

**R. F. Alignment**

Set the dial pointer and generator at 1500 K.C. Run a wire from the output terminal of the generator, having

it come near the receiver. However, no metallic connection is made between the signal generator and the receiver.

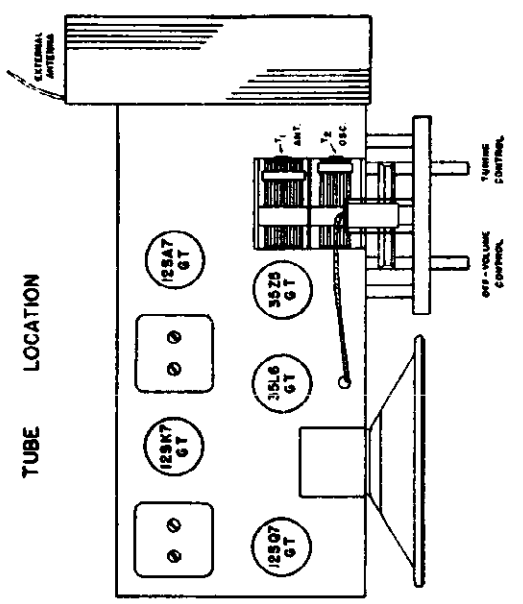
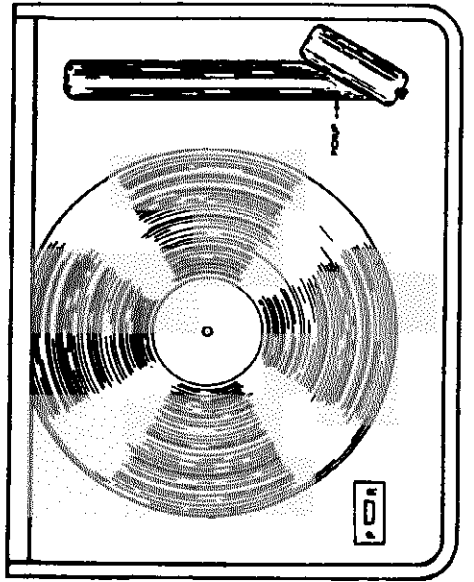
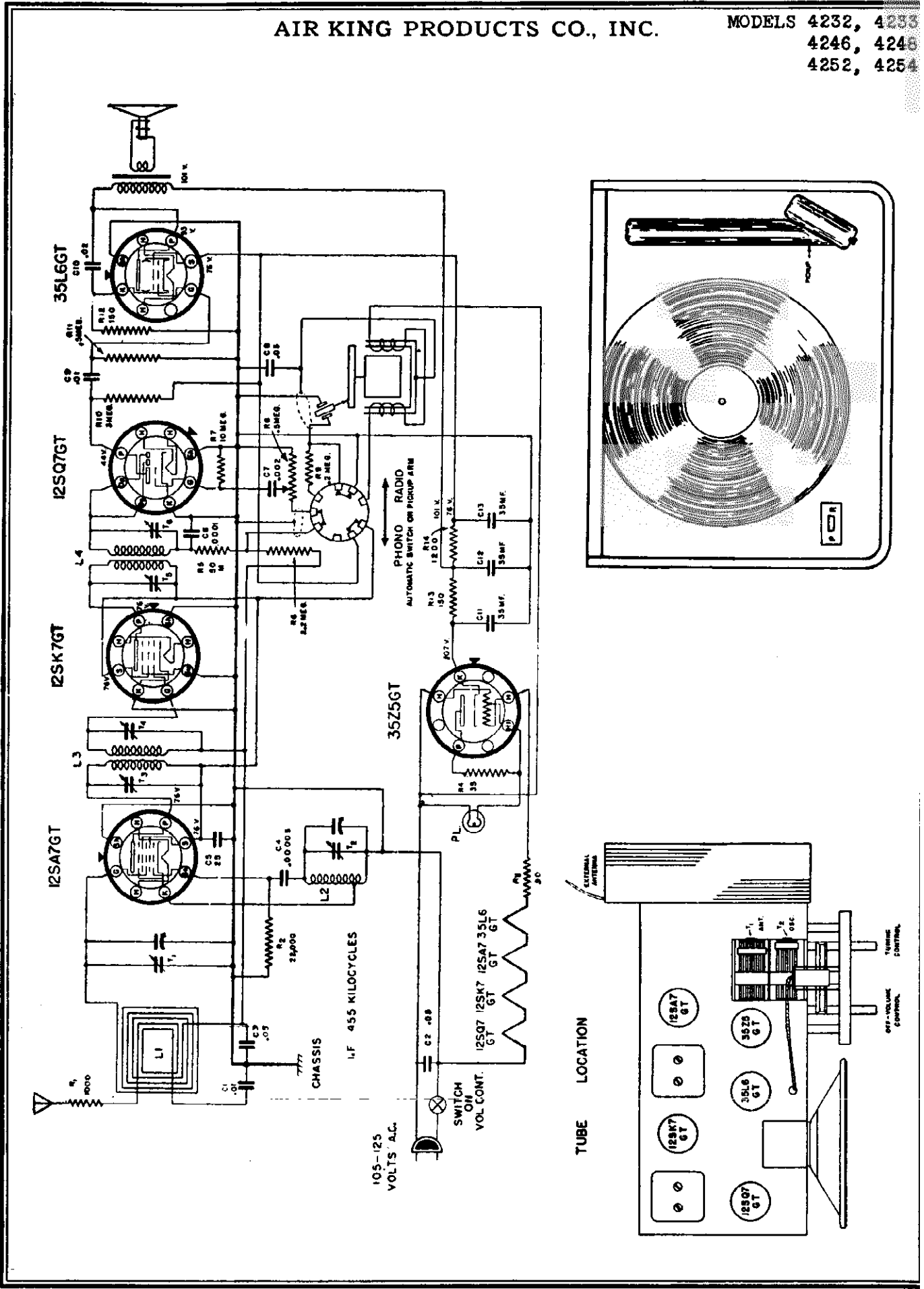
Peak the oscillator trimmer for maximum output and then the antenna trimmer.

If the variable condenser plates have become bent or damaged, it may be necessary to adjust them for tracking, at 600 K.C. The oscillator plates are adjusted first, then the antenna plates are adjusted for maximum output at 600 K.C.

This radio is a compact, table model phono-radio superheterodyne receiver using six tubes and operates from an A.C. source of power. This receiver tunes the broadcast band of frequencies, covering the range of 540-1720 kilocycles.

AIR KING PRODUCTS CO., INC.

MODELS 4232, 4233  
4246, 4248  
4252, 4254

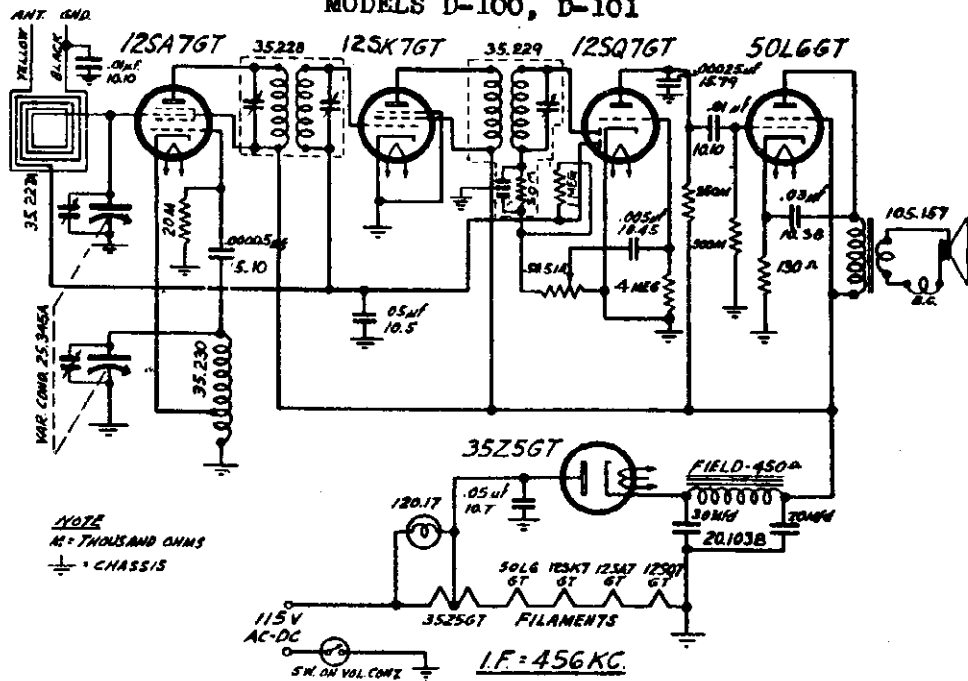




MODELS D-100, D-101  
MODELS D-104, D-105

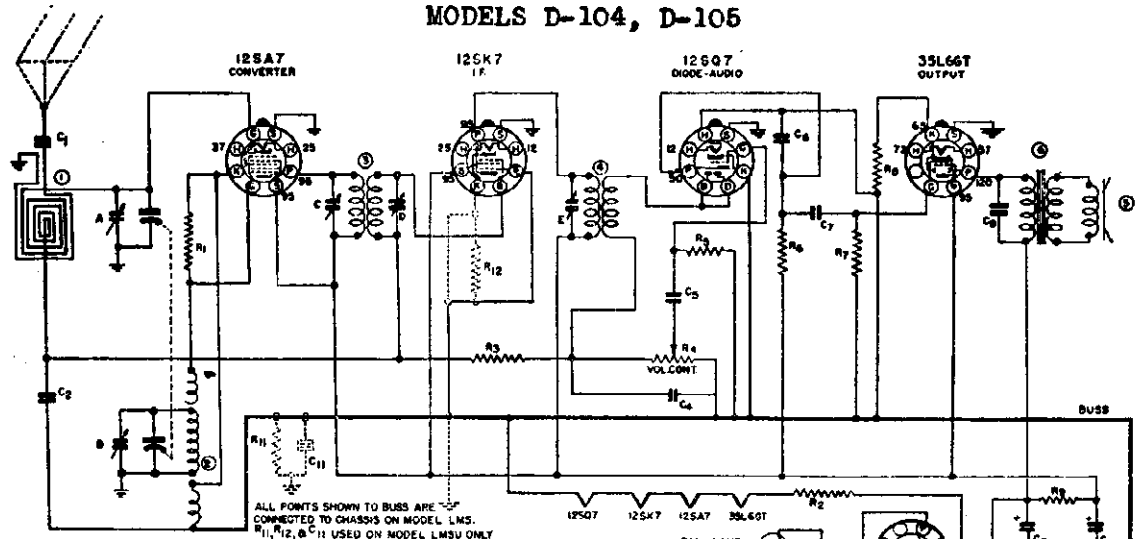
ALLIED RADIO CORP.

MODELS D-100, D-101



NOTE  
M = THOUSAND OHMS  
⊥ = CHASSIS

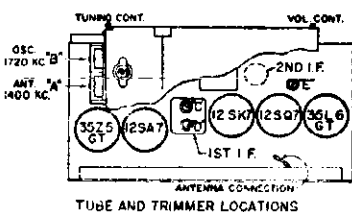
MODELS D-104, D-105



ALL POINTS TO BUSS ARE CONNECTED TO CHASSIS ON MODEL LMSU. R11, R12, & C11 USED ON MODEL LMSU ONLY

DIAG. PART NO.	DESCRIPTION	DIAG. PART NO.	DESCRIPTION
R1	N-127 20,000 OHM .5W. 20%	1	N-4523 ANTENNA COIL LOOP
R2	N-4618 80 OHM .5W. 10%	2	N-3298 OSCILLATOR COIL
R3	N-1232 1 MEG OHM .5W. 20%	3	N-3876 1 SC. LF. TRANSFORMER
R4	N-3877 5 MEG OHM VOL. CONT.	4	N-3754 8 M.D. LF. TRANSFORMER
R5	N-419 5 MEG OHM .5W. 20%	5	N-4318 4" SPEAKER
R6	N-261 250,000 OHM .5W. 20%	6	N-3899 OUTPUT TRANSFORMER
R7	N-1264 300,000 OHM .5W. 20%		
R8	N-3756 800 OHM .5W. 10%		
R9	N-3344 1000 OHM .5W. 20%		
R10	N-1762 25 OHM .5W. 20%		
R11	N-3778 150,000 OHM .5W. 20%		
R12	N-4482 250 OHM .5W. 20%		
C1	N-1344 .01 MFD. 400V.		
C2	N-1345 .05 MFD. 200V.		
C3	N-1346 .05 MFD. 400V.		
C4	N-1374 100 MMFD.		
C5	N-2712 .004 MFD.		
C6	N-1481 .0005 MFD.		
C7	N-1344 .01 MFD. 400V.		
C8	N-1376 .02 MFD. 400V.		
C9	N-3302 35 MFD. 150V. ELECT.		
C10	N-3302 30 MFD. 150V. ELECT.		
C11	N-3080 .22 MFD. 200V.		

NOTE VOLTAGES SHOWN ARE FROM TERMINAL TO BUSS.....HEATER VOLTAGES ARE A.C. WHEN LINE VOLTAGE IS ALTERNATING.



I.F. 456 KC.

5 TUBE AC-DC  
SUPERHETERODYNE  
SINGLE BAND





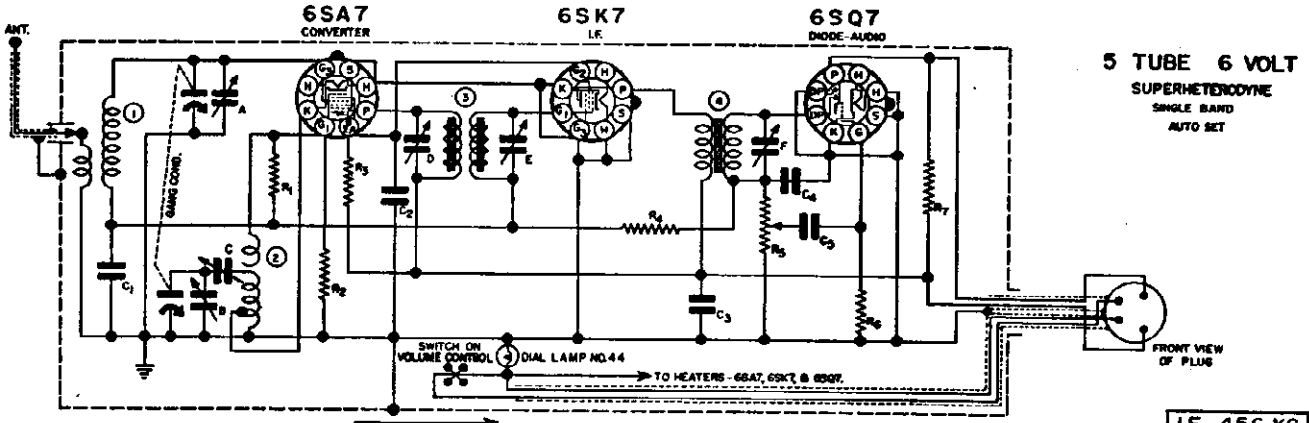




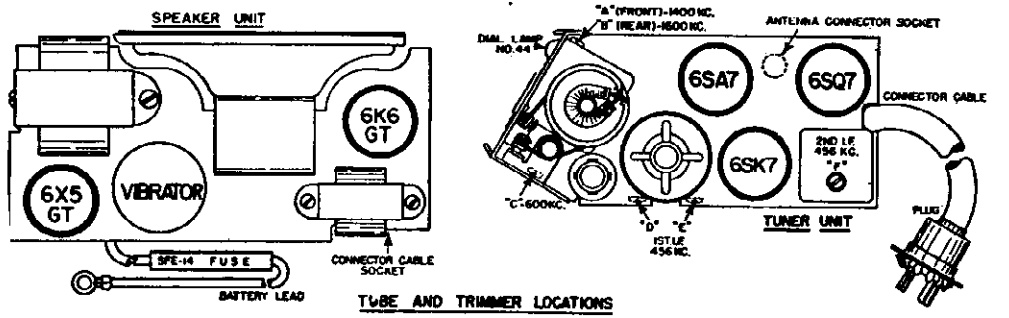
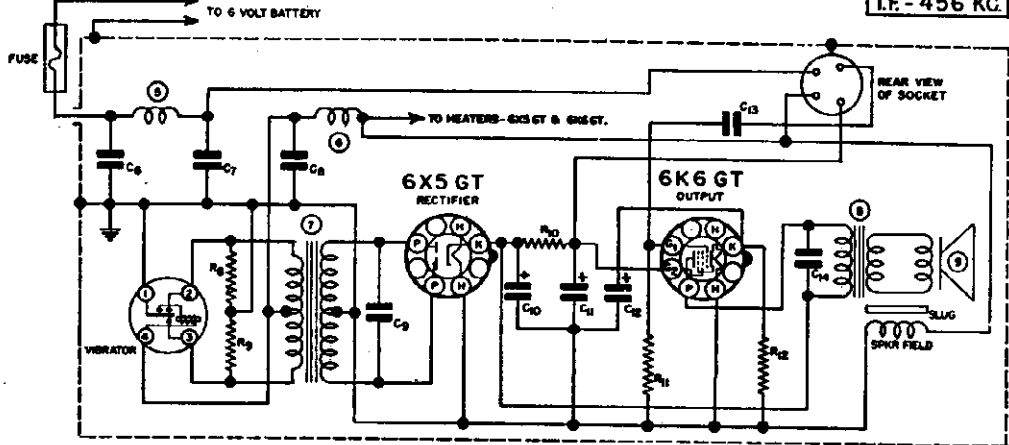


MODELS D-130, B-17140

ALLIED RADIO CORP.



PART NO.	DESCRIPTION
R1 N-4231	10 MEGOHM .5WATT 20%
R2 N-4025	22,000 OHM .5WATT 20%
R3 N-4229	10,000 OHM 1 WATT 10%
R4 N-1262	1 MEGOHM .5WATT 20%
R5 N-4125	0.5 MEGOHM VOLUME CONTROL
R6 N-4061	4.7 MEGOHM .5WATT 20%
R7 N-4230	330,000 OHM .5WATT 20%
R8 N-1481	75 OHM .5WATT 20%
R9 N-1481	75 OHM .5WATT 20%
R10 N-4227	820 OHM 1 WATT 10%
R11 N-4027	470,000 OHM .5WATT 20%
R12 N-4226	680 OHM .5WATT 10%
C1 N-2594	.05 MFD. 200 VOLT
C2 N-1351	.1 MFD. 200 VOLT
C3 N-1825	.1 MFD. 400 VOLT
C4	100 MMFD. (IN 2ND I.F. CAN)
C5 N-1347	.006 MFD. 600 VOLT
C6 N-2807	.0002 MFD. SPARK PLATE
C7 N-2814	.5 MFD. 100 VOLT
C8 N-2814	.5 MFD. 100 VOLT
C9 N-4276	.006 MFD. 1200 VOLT
C10	18 MFD 350 W.V.
C11 N-4176	14 MFD 350 W.V. ELECTROLYTIC
C12	30MFD 25 W.V.
C13 N-3094	.01 MFD. 400 VOLT
C14 N-2817	.015 MFD. 600 VOLT
1 N-4191	ANTENNA COIL
2 N-4172	OSCILLATOR COIL
3 N-4170	1ST. I.F. TRANSFORMER
4 N-4171	2ND. I.F. TRANSFORMER
5 N-4183	MOTOR NOISE CHOKE
6 N-4184	HASH CHOKE
7 N-4161	VIBRATOR TRANSFORMER
8 N-4176	OUTPUT TRANSFORMER
9 N-4175	5" DYNAMIC SPEAKER
N-4180	VIBRATOR
N-4183	GANG CONDENSER
N-2798	BATTERY LEAD
N-4368	BATTERY LEAD EXTENSION



INSTALLATION GRILLE MOUNTING

Remove the cloth on the sponge rubber pad and press the pad on the front of the speaker case. Figure 1 shows a rear view of a typical grille installation and Figure 2 shows a side view along with arrangements of the clamps and strap lugs. Hold the speaker unit in place behind the grille of the car and determine the hole positions for the strap lugs. These positions will vary with different cars. In cars having no ash tray or other ornamentation above the center of the grille, one strap will be sufficient. In other cars it is necessary to use two straps in order to make the screw heads symmetrical about the ash tray or decoration. Be careful that the straps will not cover the plug from the tuner unit. Also, before drilling the holes for mounting the speaker unit, hold the tuner unit in place to determine if any of the bolts holding the speaker unit in place will interfere with the mounting of the tuner unit. Attach the strap lugs to the straps (Fig. 2B and 2C) and fasten the straps to top and bottom of grille as shown in Figure 2A.

Hold the speaker unit in place and make a slight bend in the upper straps and the lower straps so there is about 1" clearance between the lower and upper straps. Use these bends to locate the clamps in the proper positions. Fasten the clamps to the upper and lower straps as shown in Figure 2D. Slip the two portions of the clamps together and turn the screw to take all the slack out of the straps. Next, drill the two holes in the lower flange of the dash for the tuner mounting, mount the tuner unit and securely bolt into place.

Plug the cable from the tuner unit into the speaker unit, taking care that the plug is all the way in so the flange on the plug is resting on the case. After the antenna has been installed according to directions furnished with it, plug into the socket in the tuner unit. (see section on antenna). Connect the battery cable as described in the section on battery connections.

ALLIED RADIO CORP.

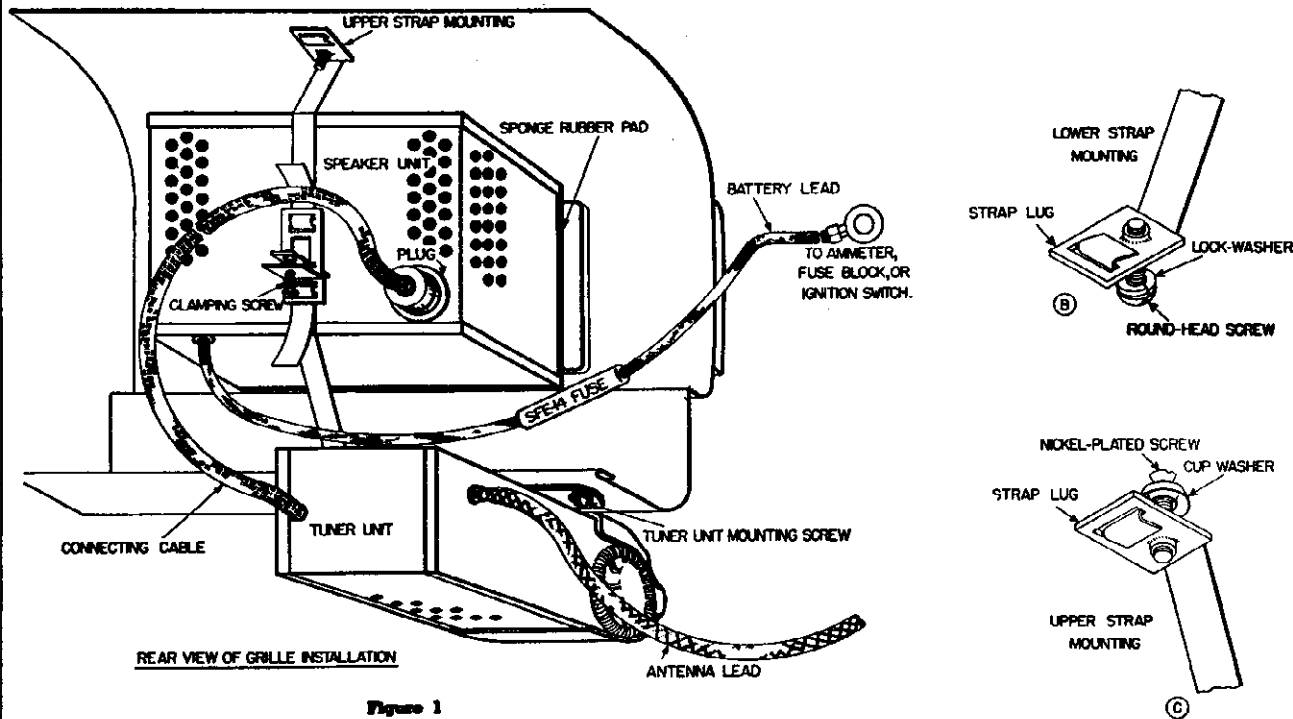
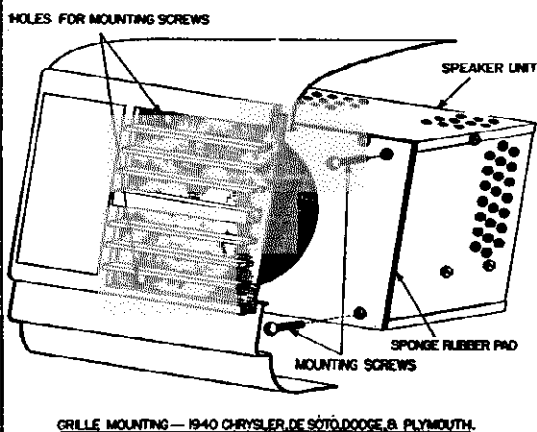


Figure 1



GRILLE MOUNTING—1940 CHRYSLER, DESOTO, DODGE & PLYMOUTH.

FIGURE 3

**FIRE WALL MOUNTING**

For cars not having a grille, special accessories which include a baffle housing, the necessary mounting hardware, and an extended battery lead can be obtained from your dealer.

**ANTENNA**

This receiver is designed for use with whip type antennas of the cowl or hinge mounting types. Either is suitable and both will work equally well. The cowl type is recommended for permanent installations and requires a minimum of attention once installed.

Mechanical details of installation will depend on the individual peculiarities of the antenna as manufactured, but in general, the lead-in should be shielded at all points between the antenna where it enters the car and the receiver case itself.

At the antenna end of the lead-in the shielding should be well grounded to the body of the car and no unshielded part of the antenna wire is permitted inside the car. Most of the whip type aeriels are adjustable in length, in general, the signal pick-up being greater as the length is increased.

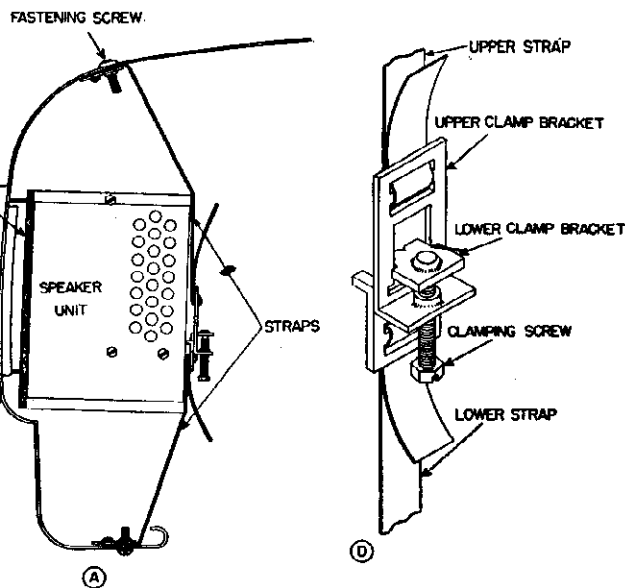


Figure 2

**SPECIAL GRILLE MOUNTINGS**

On 1940 Chrysler, Dodge, DeSoto and Plymouth, it is not necessary to mount the speaker unit with straps as special provision has been made to take care of these cars, (see Figure 3). Take a sharp pointed tool and from the rear of the grille, pierce the grille at the four small holes arranged around the speaker opening. Hold the speaker unit in place and with the four small screws furnished, fasten the unit in place from the front of the grille. Use the rubber pad on the front of the speaker unit. On some cars with ash trays or other devices on the lower ledge of the dash panel near the center of the grille, it is possible to move them to one side or the other to place the tuner unit in a more convenient position. It is advisable to have the tuner unit within easy reach of the driver.

MODELS D-130, B-17140

## ALLIED RADIO CORP.

## BATTERY CONNECTION

The battery lead extending from the rear of the speaker case should be connected to one of the two terminal posts of the ammeter, the fuse block, or to the ignition switch depending upon the make of car. The most accessible point for connection can readily be determined by inspection. This receiver will operate on any polarity of the battery without any adjustment of the receiver.

## GROUND

This connection is automatically made when the receiver units are fastened in position. Rotate the left hand knob toward you and the dial will become illuminated. This knob is the combined volume control and "ON-OFF" switch. If dial fails to light check the battery connection, look for a burned-out fuse, and make certain the cable from the tuner unit is plugged into the speaker unit.

## TUNING PROCEDURE

A range of 535 to 1600 kilocycles is covered by turning the right hand knob or tuning control. The knob on the left hand side of the case is the combined volume control and "on-off" switch. To tune in a station, turn this knob towards you and the dial will become illuminated. Allow

the set to warm up for about a minute, turn the right hand knob until the station you desire is heard with maximum volume and clarity, then adjust to the required volume with the volume control. Never adjust the volume by detuning.

## ALIGNMENT DATA AND SERVICING

**NOTE:** Lack of sensitivity and poor quality may be due to any one or a combination of causes such as weak or defective tubes or speaker, open or grounded bias resistor, defective by-pass condenser, or defective antenna or ground. Never attempt to realign set until all other possible sources of trouble have been first thoroughly investigated and definitely proven not to be the cause.

**GENERAL DATA.** The alignment of this receiver requires the use of a test oscillator that will cover the frequencies of 456, 600, 1400 and 1600 KC. and an output meter to be connected across the primary or secondary of the output transformer. If possible, all alignments should be made with the volume control on maximum and the test oscillator output as low as possible, to prevent the AVC from operating and giving false readings.

**CORRECT ALIGNMENT PROCEDURE.** The intermediate frequency (I.F.) stages should be aligned properly as the first step. After the I.F. transformers have been properly ad-

justed and peaked, the antenna and oscillator should be aligned.

**I. F. ALIGNMENT.** With the gang condenser set at minimum, adjust the test oscillator to 456 KC and connect the output to the grid of the first detector tube (6SA7) through a .05 or .1 mfd. condenser. The ground on the test oscillator should be connected to the chassis ground. Align all three trimmers to peak or maximum reading on the output meter.

**ANT. AND OSC. ALIGNMENT.** Connect the antenna to the generator through a 65 MMF dummy\* and set the dial and generator at 1600 KC (gang at minimum capacity). Align the BC oscillator trimmer for maximum output. Set the test oscillator at 1400 KC and tune in the signal with the dial and adjust the antenna trimmer for maximum output.

Next set the test oscillator at 600 KC and tune in the signal with the dial. Adjust the 600 KC padder for maximum output while slowly rocking the gang condenser at the 600 KC position on the dial. If this padder is badly out of adjustment it is necessary to repeat the 1600 and 1400 KC adjustments.

\*If the antenna is aligned using a whip antenna shielded lead use a 30 MMF dummy antenna.

## INSTALLATION AND SERVICE HINTS

## MOTOR NOISE ELIMINATION

Interference from motor noise may be encountered due to the peculiarities of certain automobiles. This type of interference can be recognized by the presence of a regular popping sound when the motor is running, especially on the weaker stations.

The following list of suggestions will be helpful in eliminating or reducing motor noise interference. It may not be necessary to follow any of these suggestions. They are to be followed only if motor noise is present after complete installation. The suggestions are listed in the correct sequence and only in rare instances will it be necessary to do all of the things listed. (See Fig. 4).

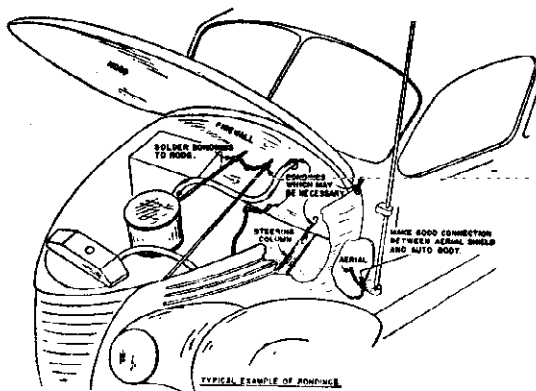


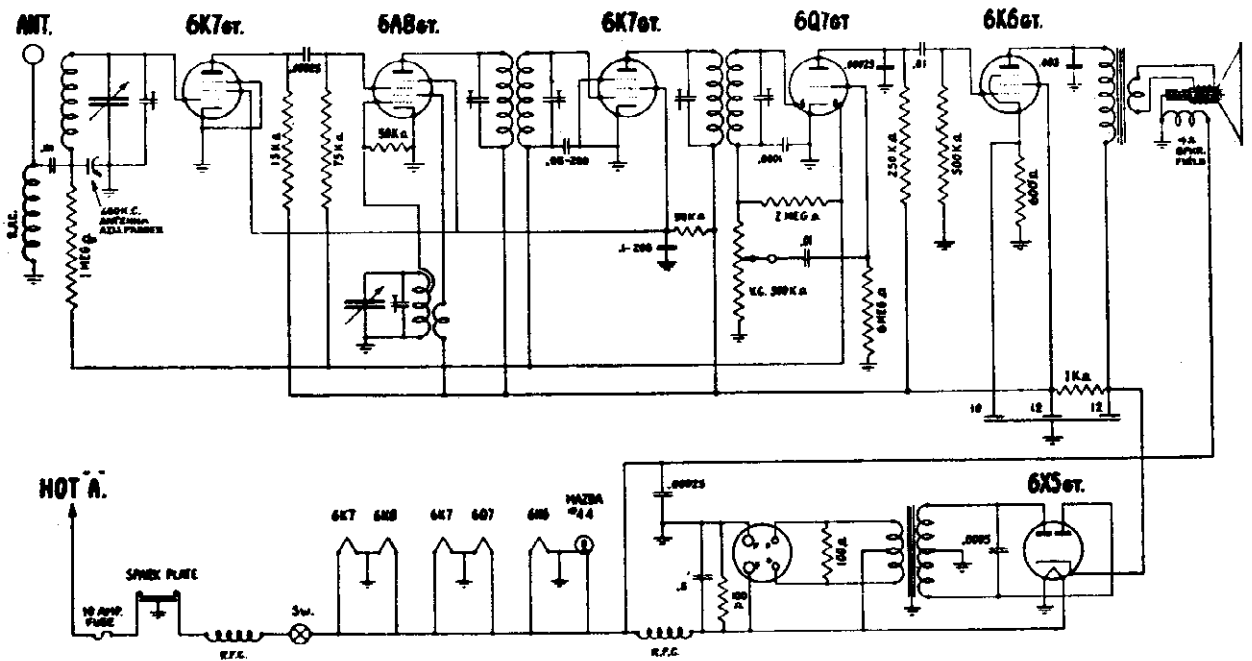
Figure 4

1. Ground the antenna lead-in shield at one or more points to the cowl or any other metal surface in contact with the lead-in.
2. Move the battery lead around to a point of least noise pick-up and fasten in place with tying cord or tape. Keep this lead as far away from the tuner unit as possible.
3. Bond together the throttle rod, choke rod and any metal tubing with a piece of copper braid and ground to the fire wall. This should be done on the engine side.
4. Bond steering post to firewall.
5. Bond hood, side panel and other protective covering for engine if it is not making a positive contact to the body.

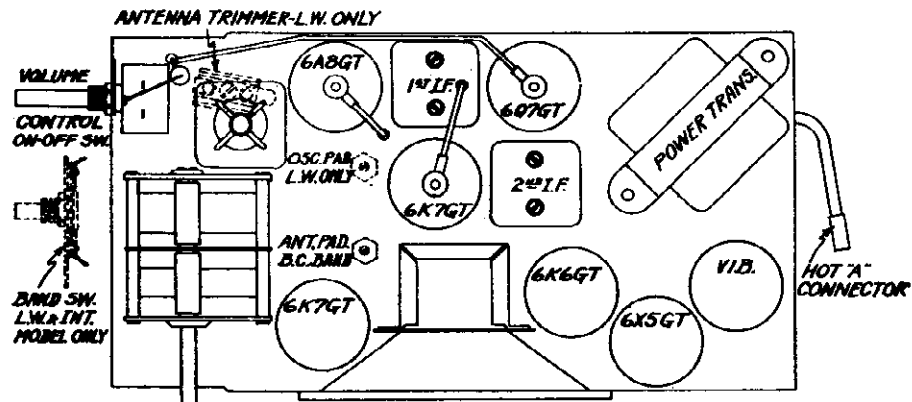
In extreme cases, a distributor resistor and generator condenser will reduce noise interference to a minimum. These parts are available at your dealer.

From the standpoint of motor noise, the whip type antenna recommended has been found to be the most satisfactory. It is advisable to use this type antenna even if the car is equipped with a built-in antenna.

ALLIED RADIO CORP.



I.F. PEAK 456 KC



This radio is designed to operate on 6 volts D.C. only. A special model is built to operate on 12 volts D.C and it will carry a tag plainly marked so. The tuning range covers the Standard Broadcast Band from 538 to 1550 kilocycles

**BATTERY CONNECTION**

A single, heavy insulated wire lead extends from a hole in the rear of the set. This lead has a fuse receptacle containing a 10 ampere fuse, in the center of its length, and a connecting lug on the end. The lug is connected to the terminal post on the car's ammeter so that a discharge is shown on the meter when the radio is in operation.

The fuse receptacle may be disconnected at any time to change the fuse, or to remove the radio. On the 12 volt model the fuse should be of a 5 ampere rating instead of 10.



MODEL D-131

## ALLIED RADIO CORP.

**ANTENNA CONNECTION**

The shielded antenna lead supplied with the radio is plugged into the receptacle provided in the underside of the radio. The other end is connected to the lead from the antenna and taped so the connection cannot touch the cable shield or any metal part of the car. If the automobile has a built-in antenna, the lead should be found behind the dash, extending from the right or left-hand corner post. It is important that this lead be cut and connected to the shielded set lead as close to the corner post as possible, to eliminate antenna pickup of motor noise.

On cars where it is necessary to install an antenna, a "fish-pole" type, an "over-the-roof" type, or a "under-the-running board" type, may be used. Two antennas, one mounted under each running board, are recommended for the best reception, as the noise on the radio will increase as the size of the antenna decreases.

The lead from the antenna should be shielded, direct, and as short as is practical. It should not be twisted around any part of the car, and should not lead thru the motor compartment. All connections should be clean, tight, soldered, and insulated with tape. The antenna must never touch any part of the car.

Instructions for mounting any particular type of antenna are packed with the antenna

**ANTENNA MATCHING ADJUSTMENT**

As the sizes and types of antennas vary considerably, it is necessary to adjust the radio to "match" the antenna used. To do this, tune in a station, accurately, at roughly 600 kilocycles, reduce the volume of the set, pry out the plug on the underside of the set, insert a screw driver, and turn for maximum output. Replace the plug when this has been accomplished, and the radio is ready to operate efficiently on any station.

**MOTOR NOISE ELIMINATION**

To eliminate motor noise, a condenser and a suppressor are supplied with the radio. The condenser is mounted on the generator with its lead connected to the terminal of the generator output on the generator side rather than on the battery side. The heavy insulated lead in the center of the distributor cap is pulled out, the suppressor inserted in its place, and the heavy lead inserted in the end of the suppressor.

This, with the antenna installed properly will eliminate motor noise in most cars. In some of the older cars it may be necessary to install a condenser similar to the generator condenser, bolted to the dash or a good ground, with the lead connected to the ammeter with the set battery lead. When a built-in roof antenna is used, a condenser should be connected to the dome light lead where it passes through the right or left hand post to the roof. The condenser should be bolted to grounded metal.

**PUSH BUTTON ADJUSTMENT**

Six push button station selectors are incorporated in this receiver, and each may be set to select any frequency or station within the range of the set.

To adjust each button, follow these instructions.

1. With the set in operation, tune in any station the push button is to be set for, with the right hand tuning knob.
2. Keep a firm grip on the tuning knob so the station will not be detuned, and turn the push button about one turn to the left to loosen the mechanism. Press the button all the way in and turn it to the right until it is tight.

Repeat these operations with the other five buttons, setting each for a different station. Insert the correct call letter tab into the space provided in the panel just above the push buttons.

**TECHNICAL INSTRUCTIONS**

A good output meter should be used in all alignment adjustments. This meter should be of the high resistance A.C. type, with a low range scale of 2.5 or 3 volts. The leads are connected across the voice coil terminals of the speaker.

**I. F. ALIGNMENT**

Set the variable condenser at minimum capacity, (dial pointer at 1550 K.C.). Connect the two leads from a good, modulated signal generator, the ground lead to the radio chassis and the other lead through a .1 mfd. condenser, to the grid cap of the 6A8GT with the tube's grid lead still in place.

Connect the leads from a fully charged 6 volt storage battery to the receiver chassis and battery lead, the polarity being reversible.

With the set in operation and the volume control full on, set the signal generator to 456 K.C. and increase its output until the signal is heard in the set's speaker. Starting with the second I. F., adjust the I. F. trimmers for maximum output, decreasing the signal generator output as the receiver output increases.

The generator output in all the alignment adjustments should be adjusted so the meter will read approximately 4 volts continually.

**R. F. ALIGNMENT**

With the variable condenser still full open, set the generator to 1550 K.C. Connect the generator lead to the antenna lead through a .0001 mfd. condenser as dummy antenna. Adjust the oscillator trimmer for maximum output. Set the receiver dial and the generator to 1400 K.C. so the signal comes through, and adjust the antenna trimmer for maximum output.

Set the receiver dial and generator to 600 K.C. and adjust the oscillator padder for maximum output by rocking the variable condenser (with the tuning knob) as the padder is adjusted.

Return the dial and generator setting to 1400 K.C. and check for alignment.

ALLIED RADIO CORP.

- Power Consumption . . . 8.1 Amperes at 6.3 Volts
- Power Output . . . 6 Watts Undistorted  
8 Watts Maximum
- Sensitivity . . . 1 Microvolt at .5 Watt Output  
(L-D Switch in Distance Position)
- Selectivity . . . 38 KC Broad at 1000 Times Signal
- Tuning Frequency Range . . . 540 to 1560 KC
- Intermediate Frequency . . . 458 KC
- Speaker . . . 8" Electro-Dynamic DRIVER

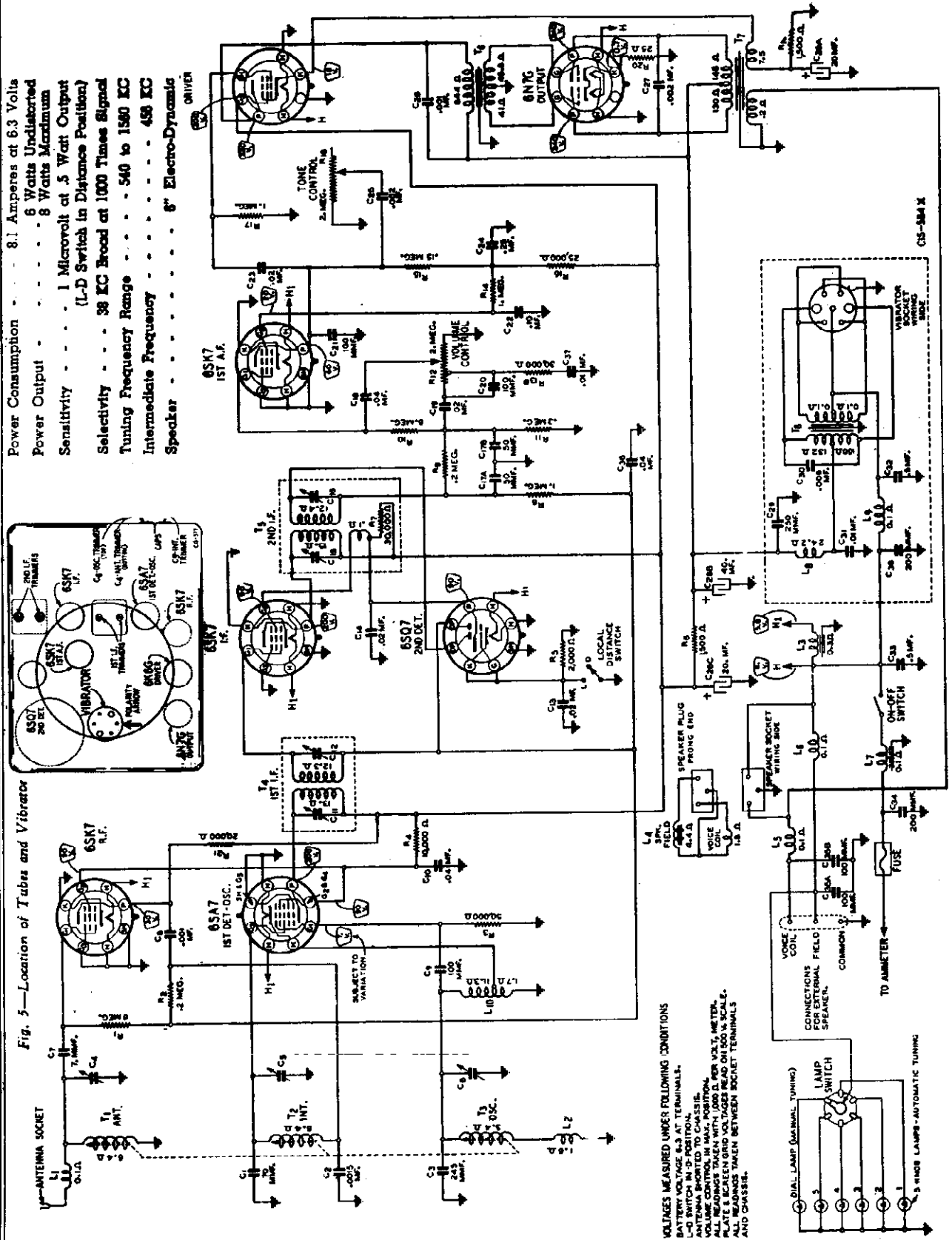


Fig. 5—Location of Tubes and Vibrator

VOLTAGES MEASURED UNDER FOLLOWING CONDITIONS

- BATTERY VOLTAGE B<sub>3</sub> AT TERMINALS.
- L-O SWITCH IN 2-POSITION.
- ANTENNA SHORTED TO CHASSIS.
- VOLUME CONTROL IN MAX. POSITION.
- VOICE COIL IN CENTER POSITION.
- PLATE & SCREEN GRID VOLTAGES READ ON 100 V. SCALE.
- ALL READINGS TAKEN BETWEEN SOCKET TERMINALS AND CHASSIS.

MODEL D-132

ALLIED RADIO CORP.

chased if it is required. The outline of the hole necessary for a 6 inch speaker (speakers in radio) is shown on the cardboard. Cut the cardboard to size so that it covers all of the grille opening that is not covered by the speaker.

Several pieces of felt are also provided to be used around the rim of the speaker in those cars in which the grille is curved or bent.

**Replacing Tubes and Vibrator**

To remove the tubes or vibrator, remove the screw on the grille plate. Take off grille plate and pull the speaker out of the case. The speaker is held in place by 2 spring clamps. The tubes and vibrator are now accessible for replacement.

**Local-Distance Switch**

This switch is located on the cover of the chassis case. LOCAL—While driving in the city or close to broadcasting stations, it is best to leave the switch in the "local" (L) position for least noise.

DISTANCE—When driving in the country or when listening to distant stations, best results are obtained with the switch in the "distance" (D) position. In this position, the sensitivity is at a maximum.

**Procedure for Setting the Stations**

There are 6 positions of the Automatic Station Mechanism. Five of these are Automatic Station positions and one is the Manual Tuning position. A sixth station may be tuned in with the Manual Tuning Knob. If the position of this knob is not disturbed, the sixth station will be automatically tuned in when the Automatic Station Mechanism is in the Manual Tuning position.

The different positions are reached by pushing the Automatic Station Knob firmly and gently all the way in and releasing this knob so that it snaps all the way back. Pushing in the knob once in this manner will advance the mechanism to the next position, twice will move it to the second position, etc.

When the radio is in the Manual Tuning position, the dial is illuminated. When it is in any of the 5 station setting positions, one of the numbers on the Automatic Station Knob is illuminated.

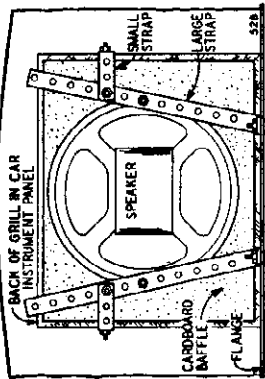


Fig. 4—External Speaker Connections. One Method of Mounting, and Cutting Off Bare Ground Wire When Speaker is Mounted Externally.

with a clip and insert the solid pin tips in the clips—See Fig. 4. Pass the cable through the same hole in the cover provided for the other wires. Push each of the connectors at the other end of the cable over the prong of the speaker plug, matching the color as shown in Fig. 4. Be sure the insulating sleeves cover the connectors completely. Tape over the speaker plug and connectors. Replace the cover. Two perforated straps are provided which may be used as mounting brackets to secure the speaker in back of the grille. The method of mounting will vary in different cars. If the spring clamps on the back of the speaker frame interfere with the mounting, they may be cut off.

In the mounting shown in Fig. 4, the long and short straps have each been cut in two pieces and attached as indicated. The speaker should be supported at two points on the rim 180 degrees apart. Secure the straps under any nearest by screw head or nut which is convenient. Frequently it will be advisable, as shown in Fig. 4, to bend the straps under the flange at the bottom of the instrument panel and then drill two holes in the flange through which to extend the mounting bolts.

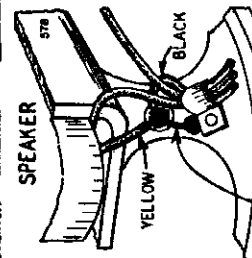
A piece of cardboard is provided for use as a baffle. This is cut for a 5 1/2 inch speaker which may be purchased from the manufacturer.

**Mounting Speaker in Back of Instrument Panel Grille**

Some automobiles have a grille in the instrument panel, in back of which a speaker may be mounted. The speaker may be taken out of the case should it be desired to mount it in back of such a grille. Remove the grille plate and speaker from the case (see article "Replacing Tubes and Vibrator"). Pull out the speaker plug. Replace the grille, putting the round cardboard gasket under the grille. Cut off the bare ground wire on the speaker as shown in Fig. 4.

At one side of the speaker grille is a rectangular cover. Unscrew this cover at each end and remove the screws. These clips, each a different color, will be seen. Using the 24 inch, 3 wire cable supplied with the radio, match the color of each wire

used in this unit is a 6-8 volt automobile type lamp (Bulb No. 51).



**Inserting Vibrator Unit**  
IMPORTANT—The vibrator unit can be inserted in two ways. The proper method of insertion will depend on which terminal of the car battery is grounded. If the POSITIVE (+) terminal of the car battery is grounded, line up the + mark on the top of the vibrator with the arrow on the vibrator. If the NEGATIVE (-) terminal of the car battery is grounded, line up the - mark on the top of the vibrator with the arrow on the vibrator.

On one side of the chassis case is a hole (See Fig. 3) through which the vibrator is inserted for cars on which the positive terminal of the battery is grounded. If no paint mark is visible, the vibrator is inserted for cars with the negative terminal of the battery grounded.

After the antenna is connected, tune in a weak signal at approximately 1000 KC with the volume control about three-fourths on. Turn the adjusting screw of the antenna trimmer (CA) up or down until maximum output is obtained. See Fig. 3 for location of this trimmer.

**Bolting Chassis in Place**

Put the chassis in place on the fire wall extending the mounting bolt through the drilled hole in the fire wall. If the chassis must be spaced away from the fire wall, first assemble the wood spacer on the mounting bolt.

See article "Locating the Chassis and Drilling Mounting Hole"

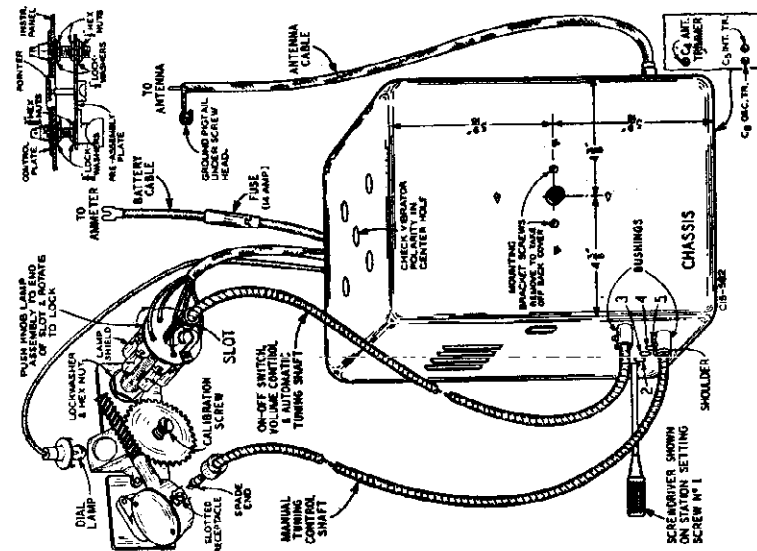


Fig. 3—General Installation View

**ANTENNA CABLE**  
Keep the antenna cable as far away from car wiring as possible and ground the pigtail of the antenna cable shield at the antenna end, otherwise ignition noise may be picked up. The length of the pigtail from the grounding point to the end of the antenna cable should be kept as short as possible, preferably not over one inch.

When the antenna cable is connected to an antenna lead coming down the pillar post, the shielded cable should be pushed several inches up into the pillar post.

**Final Installation Items**

**Before Mounting Chassis**  
Before mounting the chassis to the fire wall, it is advisable in most cases to complete the wiring connections. The stations should be set for Automatic Tuning at this time if this procedure cannot be followed after the chassis is mounted.

**Battery Cable and Fuse**

The battery connection is made at the ammeter. The end of the battery

# ALLIED RADIO CORP.

**PERMING MOTOR ARM**—In extreme cases of motor noise, it is advisable to perm the distributor rotor arm, that is, increase the length of the arm by using a small machinist's hammer. This will lessen the gap between the rotor arm and the stationary contacts thus reducing the spark. Be sure, after perming the arm, that it does not strike the stationary contact.

**SPARK PLUG SUPPRESSORS**—If motor noise persists, spark plug suppressors must be installed. One suppressor is put on each plug. These are not regularly supplied with the radio and must be purchased extra. Ninety-five percent of all cars will not require spark plug suppressors. Care should be taken that a good mechanical and electrical connection is made between the spark plug, suppressors, and plug wires.

**WHEEL OR BRAKE STATIO**—Noise from this source is generally experienced only when an under car antenna is being used. To determine if noise is being caused from this source, set the car in motion; then with the motor shut off and the clutch disengaged, apply the brakes. If the noise stops, the source of the static is in the wheels. The use of a front or rear wheel static eliminator will generally end the trouble.

Try a .5 mfd. condenser from the "Hot" side of the coil primary to ground.  
The electric gauges used for oil, water, and gas are often a source of interference and bypass condensers should be tried.

**HIGH AND LOW TENSION LEADS**—In some cases the high and low tension leads between the coil and distributor are run close together. In some cars, they are in the same conduit. If this is the case, remove the low tension lead from this conduit. In any event, keep the high and low tension leads as far apart from each other as possible. If separating the two leads is not sufficient, shield and ground the shield of the low tension lead.

**GROUNDING MOTOR AND OTHER PARTS**—The motor must, in every case, be well grounded to the frame of the car. If it is not, use a very heavy, braided lead for this purpose, similar to a storage battery ground lead. In like manner, it may be necessary to check the grounding of the metal fire wall, instrument panel, transmission, radiator, hood, and muffler to the frame of the automobile. To obtain a good electrical connection, scrape off the paint, if necessary, at the point where ground contact is made.

**Then Reinsert Antenna Cable Plug**  
If motor noise is heard when the antenna cable is reconnected, proceed as follows until the noise is satisfactorily reduced:

**DOME LIGHT LEAD**—Noise due to radiation from the dome light lead is generally experienced only when a roof antenna is being used. Disconnect the dome light lead connection at the back of the instrument panel and ground this wire. If this is found to reduce the noise noticeably, interference is being radiated by the dome light lead. Reconnect the dome light lead and then connect a .5 mfd. bypass condenser between the point at which this lead leaves the pillar post and ground.

**BYPASS CONDENSER**—Try a .5 mfd. bypass condenser from the antenna to ground and see if interference is reduced. Install this condenser permanently if there is an improvement.

In like manner, try a .5 mfd. condenser from car fuse to ground, switch to ground, tail light and stop light connections to ground, windshield wiper and various other electrical connections to ground, noting what effect these condensers have on the noise pick-up.

loudest point. The final motion of the setting screw should be to the right (clockwise). The station is now set for position No. 1.

Next advance the mechanism to position No. 2 by depressing the Automatic Station Knob once more. Tune in the second station on your list by adjusting setting screw No. 2 as explained above.

If you have difficulty in knowing when this station is tuned in, push the Automatic Tuning Knob 4 times to reach the Manual Tuning position. Then tune in this station with the Manual Tuning Knob, noting the program that is being broadcast. Push in the Automatic Station Knob twice to get the mechanism back into position No. 2 and again tune in this station by carefully adjusting setting screw No. 2 until the station is clearest and loudest.

Proceed in like manner to set any remaining stations on your list.

## Suppression of Motor Noise

**BONDING CABLES**—Try grounding to the fire wall all cables and tubing which pass through it such as oil lines, gas lines, etc. By means of a file, contact can be established between any of the lines and the fire wall in order to determine whether such a ground will reduce the noise.

To bond the cables to the fire wall, clean the point of contact, wrap a length of braided shielding around the cable, and solder the connection. Then solder the end of the shielding to the fire wall or ground it under a screw head if one is convenient. Sufficient play should be left in the bonding shielding so that movement of the cables or tubing will not loosen this shielding from the fire wall.

**BONDING STEERING COLUMN, ETC.**—It is possible for the steering column, foot pedals, and brake lever to carry interference to the back of the fire wall at which point it may affect the radio. See if each of these items is well grounded to the frame of the car. By means of a file or a braided shielding jumper, contact can be established between any of these items and the frame in order to determine whether or not such a ground will reduce the noise. A piece of one inch braided shielding should be used if such a ground is necessary and this shielding may be grounded under a screw head, nut, or may be soldered in position.

**Automatic Station Knob once.** As shown in Fig. 3, there are 5 small holes in the chassis case through which the station setting screws are reached.

Insert a small bladed screwdriver in the opening for setting screw No. 1 and turn this screw in or out until the desired station (the one previously tuned in) is heard. Turning the screw in (clockwise) will tune in stations with lower kilocycle numbers while turning the screw out (counter-clockwise) will tune in stations with higher kilocycle numbers.

There is a card supplied with the radio on which is a frequency scale. Using the screwdriver as a guide, this scale will show the approximate frequency (kilocycle number) at which the setting screw is set.

Be sure not to tune in some other station broadcasting the same program. Turn the screw slowly back and forth until this station is clearest and fully tuned in to the clearest and

Make a list of your favorite stations, those which you tune in regularly. There may be any number up to and including 6 in this list.

Any station setting position may be used for any station you can receive although it is better to put the stations on your list in frequency order.

**First get the mechanism in the Manual Tuning position.** If the dial is illuminated, it is already in this position. If one of the numbers illuminated, depress this knob one or more times until every number is dark.  
Select the first station from the list you have made and carefully tune in this station by rotating the Manual Tuning Knob. Determine what program is being broadcast.  
Then advance the mechanism to position No. 1 by depressing the

The following procedure has been found to be effective in reducing motor noise to a satisfactory level in most cars. Follow the steps in the order given. Additional procedure, which may be required in exceptional cases of motor noise, is not covered here and will be found by referring to current literature on this subject.

**GENERATOR CONDENSER**—A generator condenser is required in all cases. Connect the condenser lead to the battery terminal of the generator. The case and mounting strap connect the other side of the condenser to ground. This unit must, therefore, be well grounded at its mounting.

**CAUTION**—In cars with automatic regulators, it is important not to connect the condenser across the

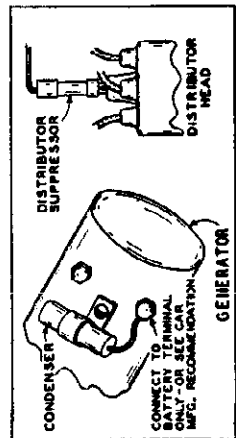


Fig. 7—Generator Condenser and Distributor Suppressor

## Service Data (For Professional Service Men)

### ALIGNMENT PROCEDURE

Remove Grille, Speaker, Trimmer Caps and Rear Cover. Allow Chassis and Signal Generator to "Heat Up" for several minutes.

The following equipment is required for aligning:  
A Signal Generator which will provide an accurately calibrated signal at the test frequencies as listed.

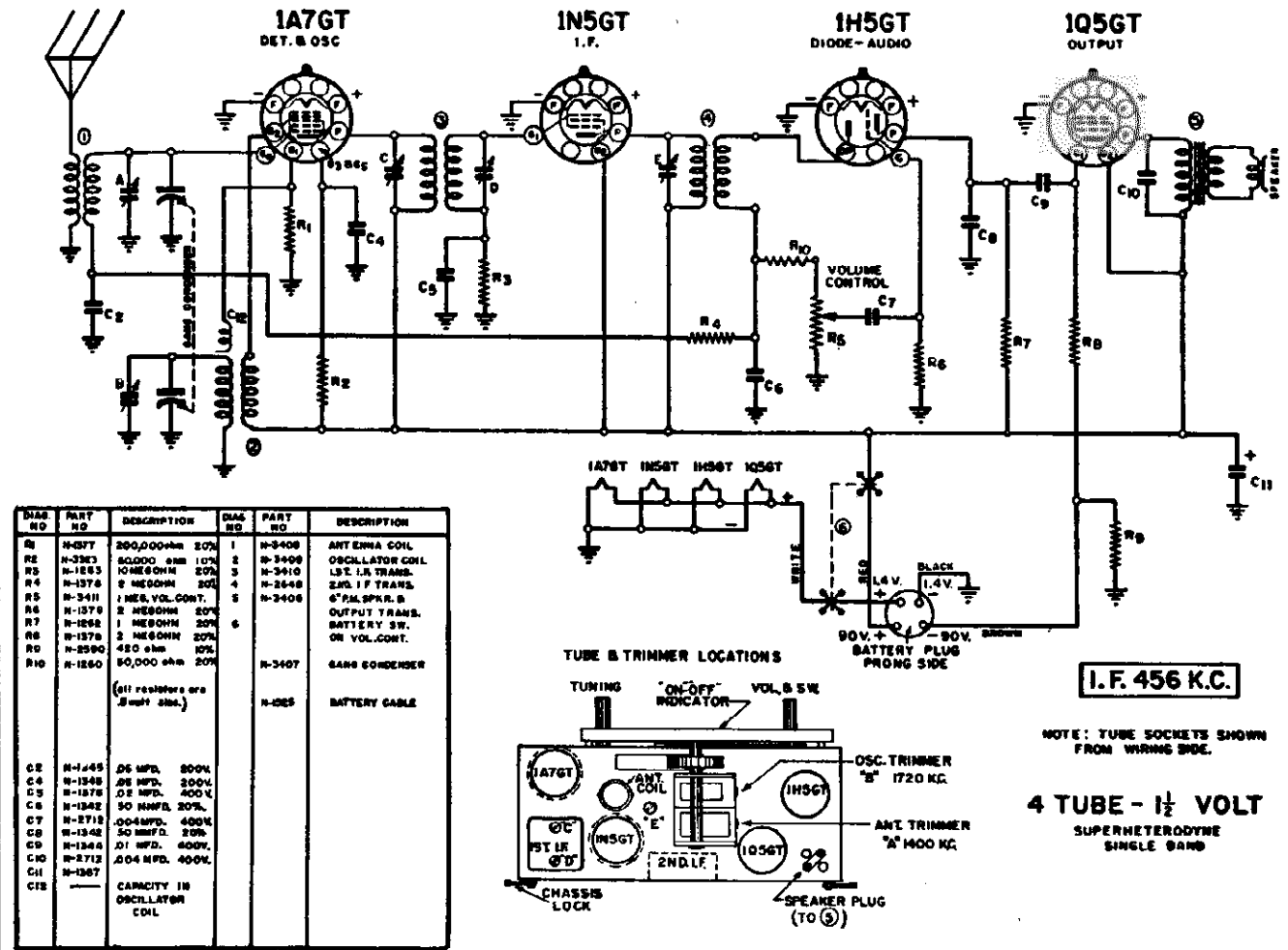
Output Indicating Meter—Non-Metallic Screwdriver.  
Dummy Antenna—.05 mfd. See Note A.

SIGNAL GENERATOR FREQUENCY SETTING	DUMMY ANTENNA	IRON CORE SETTING	ADJUST TRIMMERS TO MAXIMUM [See Fig. 3 and 5]
456 KC	Control Grid (prog. No. 4) 50K 1/2 in. dia. tube	.05 mfd.	1st I.F. (C11) & (C12) 2nd I.F. (C13) & (C14)
1560 KC	Antenna Cable See Note A	See Note A	Oscillator (C4)
1000 KC	Antenna Cable Reassemble Radio—Install in Car—Connect Car Antenna to Radio.	See Note A	1st (C5) 2nd (C6)

**Car Antenna Readjustment**—Tune in weak signal near 1000 KC—Readjust Antenna Trimmer C4 for maximum output.  
NOTE A—Insert the antenna cable plug in rear of the antenna cable through the antenna cable socket on the chassis. The total capacity of the antenna cable and dummy antenna should be 40 mfd. If the cable, for example, has a capacity of 20 mfd., use a 20 CALIBRATION—To calibrate the radio, tune in a station of known frequency. At the back of the pointer disc shaft is the calibration screw. Turn this screw with the fingers until the pointer on the dial scale is at the frequency of the station being received.



ALLIED RADIO CORP.



ALIGNMENT PROCEDURE

**GENERAL DATA.** The alignment of this receiver requires the use of a test oscillator that will cover the frequencies of 456, 600, 1400 and 1720 KC and an output meter to be connected across the primary or secondary of the output transformer. If possible, all alignments should be made with the volume control on maximum and the test oscillator output as low as possible to prevent the AVC from operating and giving false readings.

**CORRECT ALIGNMENT PROCEDURE.** The intermediate frequency (I.F.) stages should be aligned properly as the first step. After the I.F. transformers have been properly adjusted and peaked, the broadcast band should be adjusted.

**I. F. ALIGNMENT.** With the gang condenser set at minimum, adjust the test oscillator to 456 KC and connect the output to the

grid of the first detector tube (1A7GT) through a .05 or .1 mfd. condenser. The ground on the test oscillator should be connected to the chassis ground. Align all three I.F. trimmers to peak or maximum reading on the output meter.

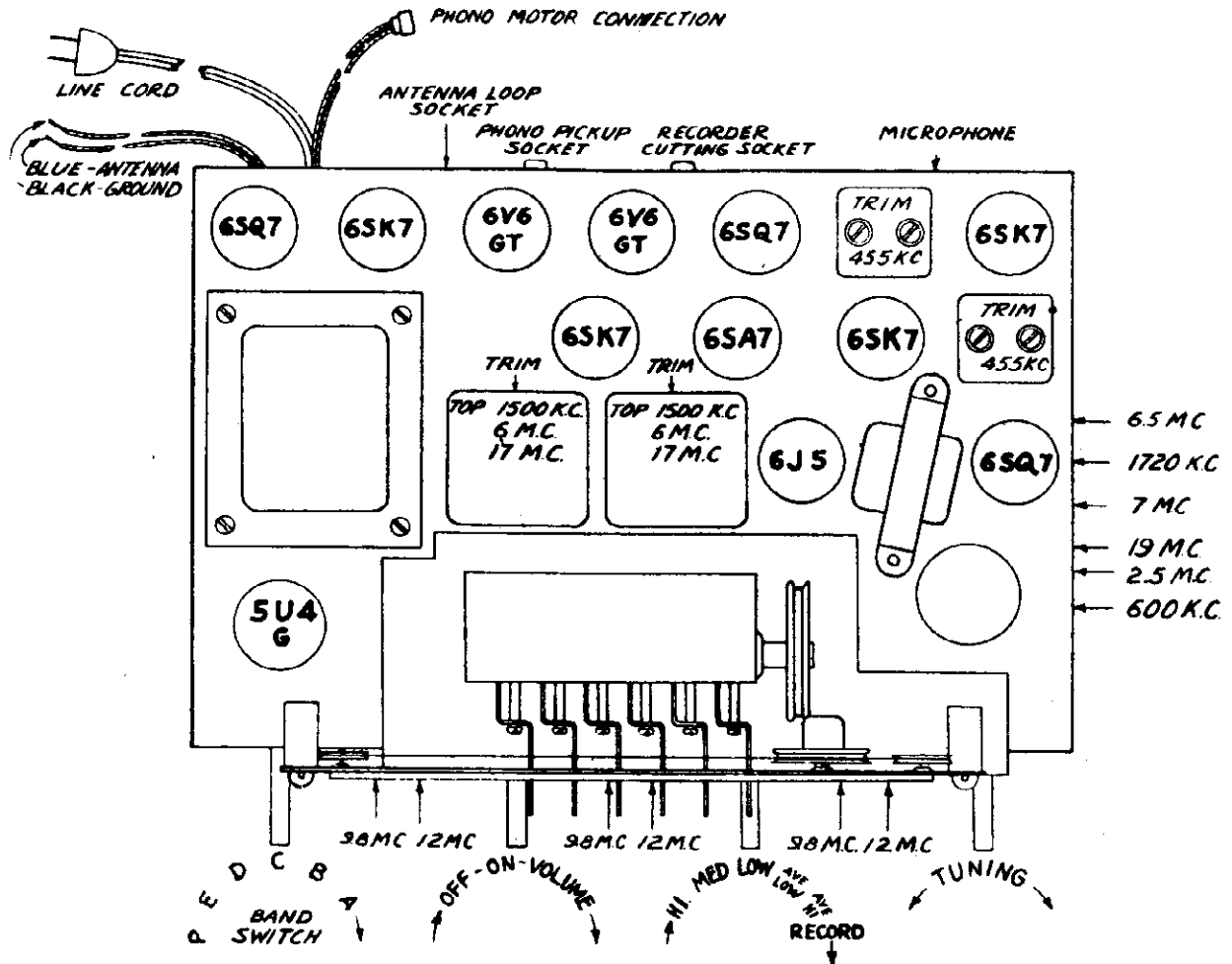
**BROADCAST BAND ALIGNMENT.** Connect the antenna to the generator through a 200 MMFD dummy and set the dial and generator at 1720 KC (gang at minimum capacity). Align the BC oscillator trimmer for maximum output. Set the test oscillator at 1400 KC and tune in the signal with the dial and adjust the antenna trimmer for maximum output.

Next set the test oscillator at 600 KC and check the sensitivity to determine if the gang or the coils have been damaged.



ALLIED RADIO CORP.

TUBE LAYOUT



SETTING UP OF PUSH BUTTONS

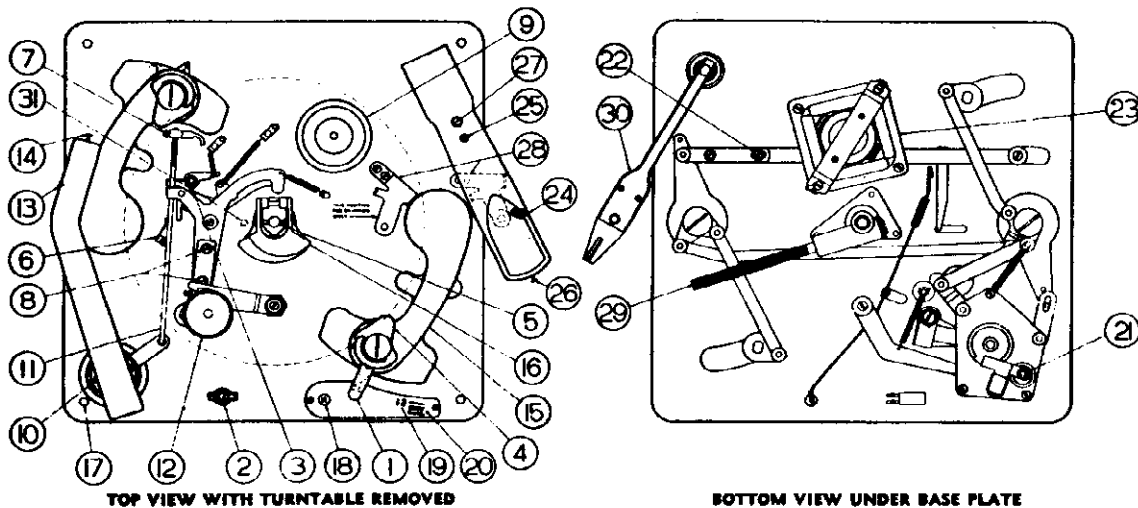
1. Turn the set on and allow it to operate for at least fifteen minutes before setting the push buttons.
2. Remove the push buttons by pulling them away from the set. If they are difficult to remove, they may be pried off by inserting a nail file in the call station slot and pulling toward you.
3. Select six strong stations, preferably local or nearby stations. Remove the call letter tabs of the chosen six stations from the complete list of station tabs supplied with this receiver.
4. Using a screw driver, loosen the screw left exposed by removing the push button (See figure 2).
5. Push the loosened adjustment screw lightly with a screw driver (do not turn), and tune in one of the desired stations with the Station Selector Knob until it is heard with the best tone. This will correspond to maximum bass and minimum treble of "hiss".
6. Hold the station exactly in tune with the Station Selector Knob and tighten the adjustment screw while pushing it lightly.
7. Replace the push button.
8. Insert the proper station tab in the push button slot.
9. Follow this procedure for each push button until all buttons are adjusted.
10. "Push Button Stations" will be tuned accurately by pushing the push button all the way to its stop.



MODELS D-150, D-195, D-196

ALLIED RADIO CORP.

## RECORD CHANGER-RECORDER



- (1.) Lever for setting to play 10-inch or 12-inch records. Manual playing or Remove records. Mechanism as shown is set for playing 10-inch records.
- (2.) "On" and "Off" switch for operating the record playing mechanism. Not used on some models.
- (3.) Trip mechanism designed to handle automatically records with either spiral run-in or oscillating grooves.
- (4.) Record Support Fingers.
- (5.) Turntable Shaft.
- (6.) Trip Rod Tension Spring.
- (7.) Adjustment for run-in or spiral grooved records.
- (8.) Adjusting lock screws for controlling position of power take-off wheel(12).
- (9.) Rubber-tired Drive Wheel. By means of a spring, this wheel contacts the steel pulley on the motor and the inside flange of the turntable; driving the table in clockwise rotation.
- (10) Adjusting screws for locking tone arm in position so that needle will rest properly on edge of record.
- (11) Trip Rod.
- (12) Rubber-tired power take-off wheel. It is through the trip mechanism this wheel contacts the inside flange of the turntable during the change cycle from one record to the next, but does not operate during the playing of a record.
- (13) Pickup Arm.
- (14) Needle Set Screw.
- (15) Record Support Arm.
- (16) Master Trip Cam.
- (17) Mounting Holes. Rubber washers or springs should be used when bolting changer in cabinet to absorb possible vibration.
- (18) Reject Button. By pressing this button, changing mechanism operates immediately regardless of needle position on the record. Also by pressing this button, the first record will drop on turntable.
- (19) Position for Lever (1) when playing 12-inch records.
- (20) Position for Lever (1) for Manual playing, Removing records or Cutting records.
- (21) Adjusting screw for setting vertical movement for tone arm. If properly set, no further adjustment will be necessary.
- (22) Adjustable Tie Bar used for positioning record support arms. The adjustment of this bar properly made should require no further attention.
- (23) Rim Drive Electric Motor. Be sure Voltage and Cycles are correct for your Power Line.

MODELS D-150, D-195, D-196  
MODELS D-160, D-161

ALLIED RADIO CORP.

MODELS D-150, D-195, D-196

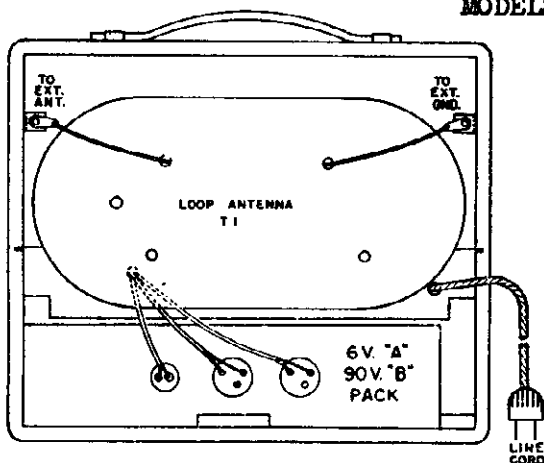
RECORD CHANGER-RECORDER DATA - continued

- (24) Cutter Arm. At all times except when actually recording, cutter arm is placed on cutting arm support rest (28).
- (25) Adjusting Screw by which the tension on the cutter head equalizing spring may be varied for different types of records.
- (26) Cutting Stylus clamp screw.
- (27) Adjusting Screw and Lock Nut for proper spacing between cutter arm and record.
- (28) Cutter Arm Support Rest. Holds cutter arm out of the way when automatic record changer is in use and also removes all strain on cutter-head equalizing spring. Mounted in inside position for shipping purposes. Before attempting to use mechanism it is necessary to move rest to the outside position shown.
- (29) Lead Screw.
- (30) Follower Arm and Spring Cam. This arm and cam mesh with lead screw(29) to provide lateral motion of cutter arm during recording.
- (31) Retractable Pin in turntable for driving home recording disc.

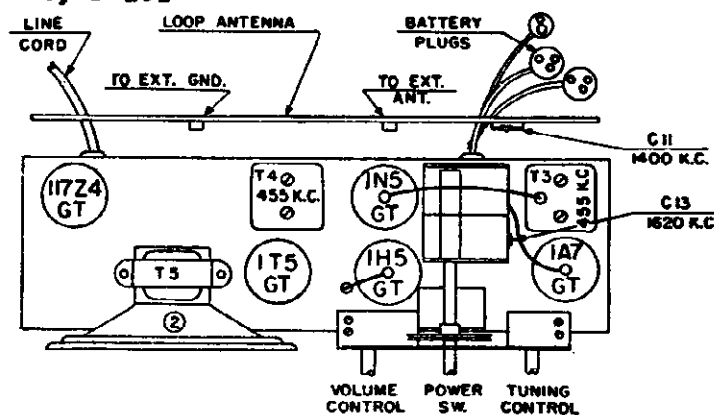
CUTTING HEAD AND ARM ADJUSTMENTS MODELS D-150, D-195, D-196

There is a possibility, that these adjustments may have been altered after leaving our factory; if so, the following information should be sufficient to make proper read-adjustments. With record blank on turntable, cutting stylus in cutting head and cutting arm lowered on the record, the cutting stylus clamp screw(26) should be centered in the slot through which it protrudes. This condition should occur when the underside of the nose of cutter arm is approximately 1/4 inch above record surface. If this height of the arm differs appreciably, adjustments may be made by adjusting screw and lock nut(27). A cut of at least ten turns should now be made on the record blank. Remove record and hold so light is reflected from surface just out, then relative width of cut can be observed. When properly adjusted, grooves are just about as wide as space between grooves. For readjustments; turn adjusting screw(25) to right to increase depth and width of cut and to left to decrease the depth or width. Turn screw in quarter or half-turns only as this adjustment is very critical. When cutting head is properly adjusted and arm is raised to approximately 45 degrees, cutting stylus screw should just rest on bottom of slot and cutting head almost flat.

MODELS D-160, D-161



LOCATION OF PARTS IN CABINET

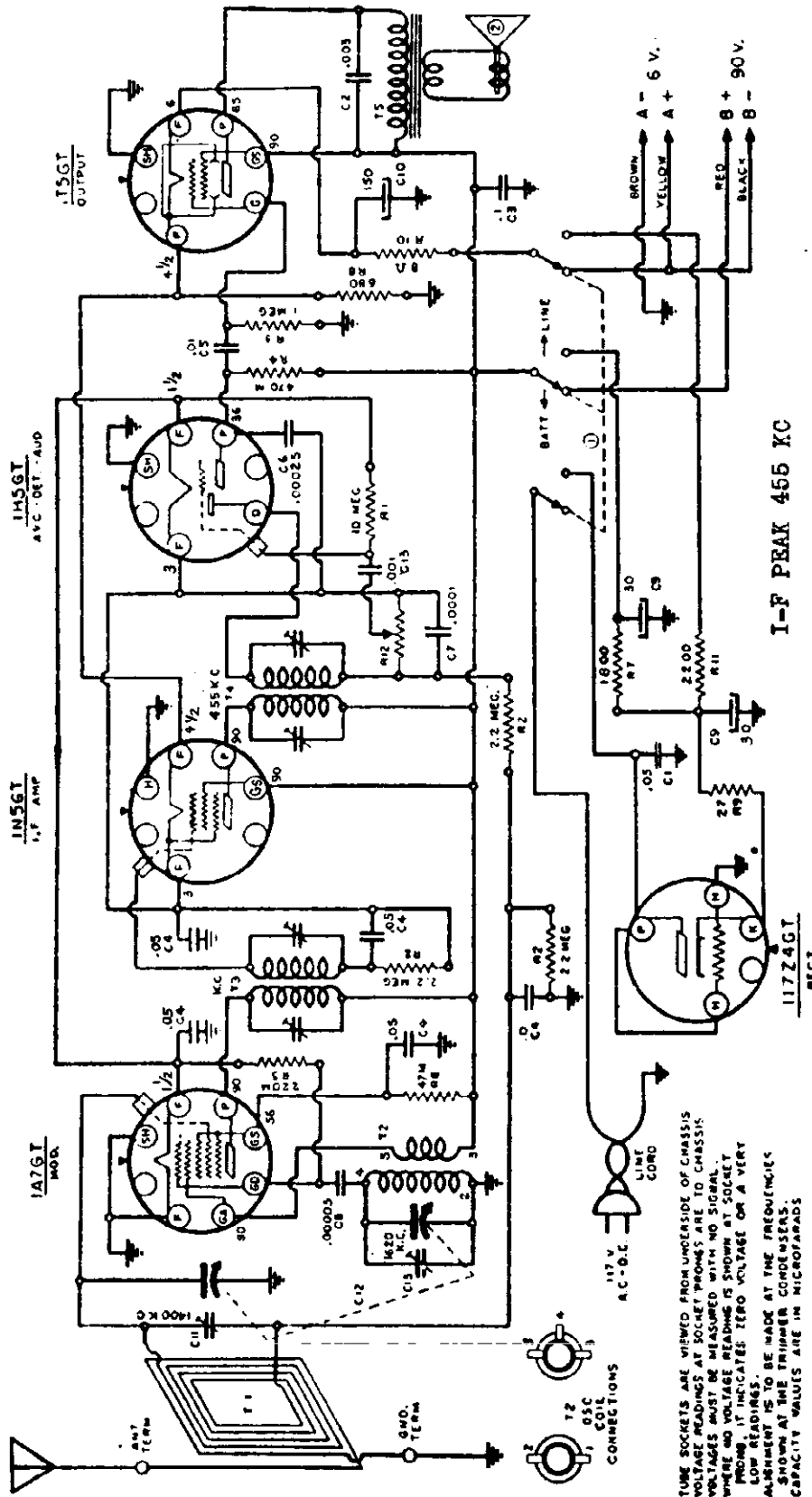


LOCATION OF PARTS ON TOP OF CHASSIS  
INSTALLATION

If the receiver is purchased complete with battery, it is ready for operation. If it is purchased without battery, it is necessary (for battery operation) to install one Ray-O-Vac No. AB694-3 or General Dry Battery No. 60A-4FL4, or an equivalent, combination 90v. and 6v. battery pack. (See figure below for installation). It is not necessary to install battery to operate receiver on a 117 volt A.C. or D.C. supply.

MODELS D-160, D-161

ALLIED RADIO CORP.



TUNE SOCKETS ARE VIEWED FROM UNDERSIDE OF CHASSIS VOLTAGE READINGS AT SOCKET PINS ARE TO CHASSIS VOLTAGES MUST BE MEASURED WITH NO SIGNAL WHERE NO VOLTAGE READING IS SHOWN AT SOCKET, IT INDICATES ZERO VOLTAGE ON A VERY LOW READING. ALIGNMENT IS TO BE MADE AT THE FREQUENCIES SHOWN AT THE TRIMMER CONDENSERS. CAPACITY VALUES ARE IN MICROFARADS

CODE	PART NO.	DESCRIPTION	CODE	PART NO.	DESCRIPTION	CODE	PART NO.	DESCRIPTION	CODE	PART NO.	DESCRIPTION
C1	1607	.05 MFD	R1	80-193	10 MEGOHM	T1	82-25	LOOP ANTENNA			
C2	18-139	.003	R2	80-179	2.2	T2	10-310	OSCILLATOR COIL			
C3	18-115	.01	R3	80-195	1	T3	10-379	1ST. I.F. TRANSFORMER			
C4	1622	.05	R4	80-178	470 M OHM	T4	10-343	2ND. I.F. TRANSFORMER			
C5	16-121	.01	R5	80-180	220 M	T5		OUTPUT TRANSFORMER			
C6	1504	.00025 MFD	R6	80-177	47M						
C7	1501	.0001	R7	80-237	1800						
C8	1503	.00003	R8	80-239	580						
C9	18-236	150 MFD	R9	80-231	27						
C10	20-124	150 MFD	R10	80-152	2200						
C11	20-124	150 MFD	R11	24-150	1 MEGOHM						
C12	18-124	150 MFD	R12		1 MEGOHM						

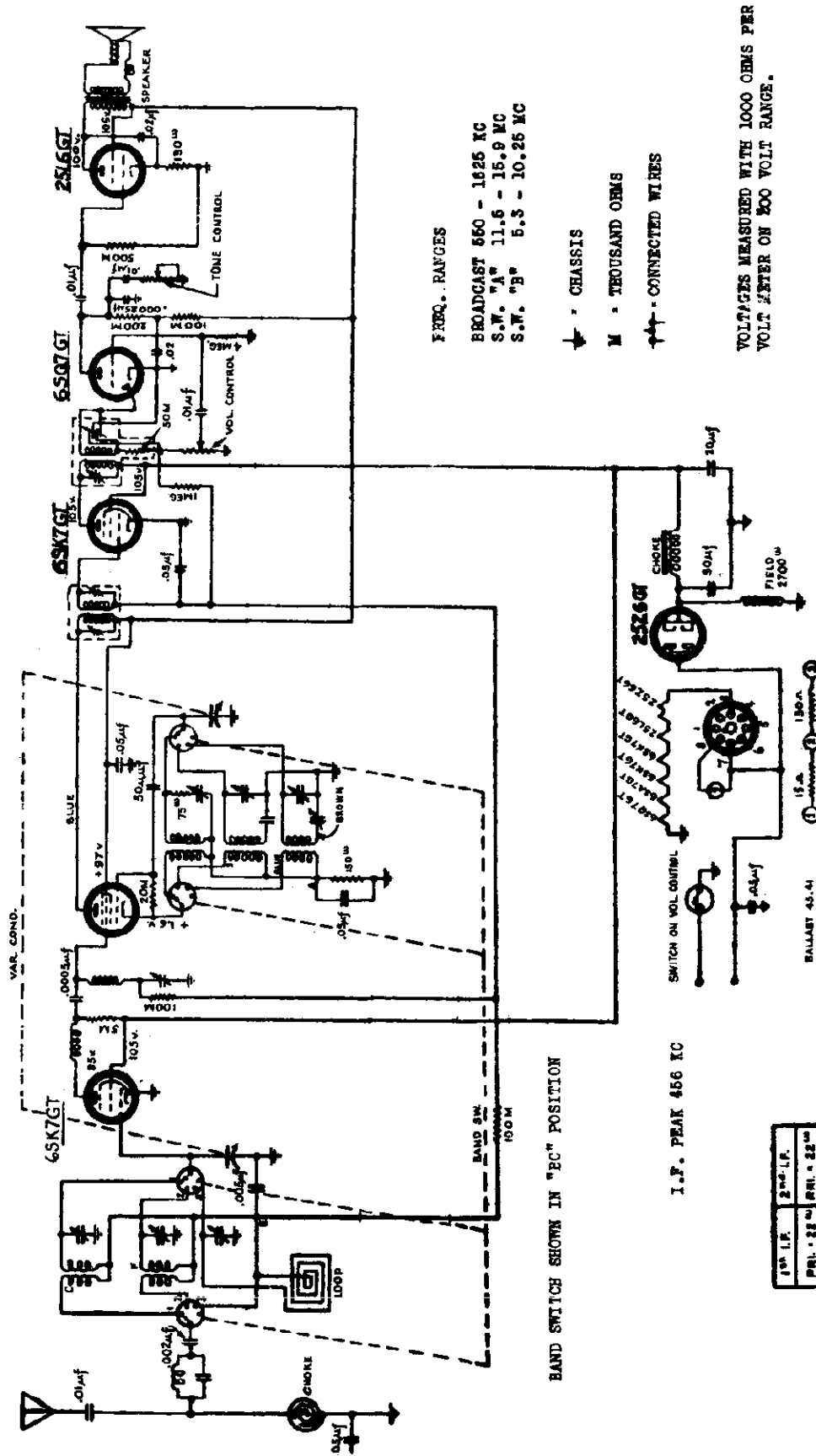






MODEL D-175

ALLIED RADIO CORP.



FREQ. RANGES

BROADCAST 560 - 1625 KC  
 S.W. "A" 11.5 - 15.9 MC  
 S.W. "B" 5.5 - 10.25 MC

⬇ = CHASSIS

M = THOUSAND OHMS

⚡ = CONNECTED WIRES

VOLTAGES MEASURED WITH 1000 OHMS PER VOLT METER ON 500 VOLT RANGE.

BAND SWITCH SHOWN IN "EC" POSITION

I.F. PEAK 456 KC

1 <sup>st</sup> L.F.	2 <sup>nd</sup> L.F.
PR. - 22 <sup>ohm</sup>	PR. - 22 <sup>ohm</sup>
SEC. - 22 <sup>ohm</sup>	SEC. - 22 <sup>ohm</sup>





MODEL D-176

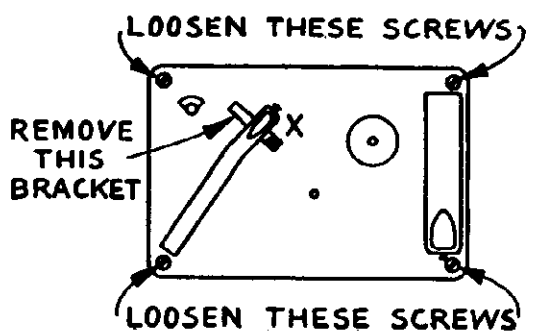
ALLIED RADIO CORP.

## INSTALLATION

The recorder is rigidly mounted for shipping purposes. To prepare the unit for operation, loosen the four corner screws on the recorder and allow the unit to float on its rubber mountings. Remove the small bracket (X) which holds the tone arm in place.

Place the turntable disc on the spindle and press the motor drive wheel under so that it allows the disc to settle on its bearing.

See illustration.



Schematic Location	Part Number	Description
		<b>CHASSIS PARTS</b>
	4417	Button, Snap (Dial Mounting)
	8931	Cable, Tuning Tube
	2163	Cable, drive
	3227	Cap, Grid
R18	8910	Control, Volume and Switch
	1732	Cord, Line
	6424	Clamp, Linecord
	4314	Clamp, Tapped—For Tuning Tube
	4315	Clamp, Plain—For Tuning Tube
L3	8422	Coil, Oscillator
L1	8423	Coil, Tracking
C1a,b	8911	Condenser, Variable (with Pulley)
C2,3	8504	Condenser, Dual Trimmer
C15a,b,c	8425	Condenser, Electrolytic (20-250)—(20-150)—(20-150)
C4		Condenser, 100 Mmf. Mica
C5,14		Condenser, 1 Mfd. 200 v.
C6		Condenser, .05 Mfd. 200 v.
C7		Condenser, 250 Mmf. Mica
C8		Condenser, 100 Mmf. Mica
C9		Condenser, .002 Mfd. 600 v.
C10,16		Condenser, .01 Mfd. 400 v.
C11		Condenser, .05 Mfd. 400 v.
C12,13		Condenser, .001 Mfd. 600 v.
C17		Condenser, .005 Mfd. 600 v.
	7209	Grommet, Tuner Assembly Mtg.
	9121	Dial Chart
	8941	Microphone Socket Assembly
	6244	Pulley, Idler
	5026	Pointer
	6158	Pilot Lite
	1207	Retainer, "C" Washer (Holds Tuning Shaft)
R1		Resistor, 20M, 1/3 Watt
R2		Resistor, 200 Ohm, 1/3 Watt
R3,4,14,16		Resistor, 1 Meg. 1/3 Watt
R5		Resistor, 10 Meg. 1/3 Watt
R6,7,8,9,11		Resistor, 200M. 1/3 Watt
R10		Resistor, 120 Ohm, 1/2 Watt
R12		Resistor, 1000 Ohm, 1 Watt
R13		Resistor, 35 Ohm, 1/2 Watt
R15		Resistor, 2 Meg. 1/3 Watt
R17		Resistor, 1 Meg (in Tuning Tube Socket)
R19,20,21,22		Resistor, 50M, 1/3 Watt
R23		Resistor, 4 Meg. 1/3 Watt
	8440	Socket, Dual Dial Lamp
	8648	Spring, Drive Cable
	8427	Shaft, Drive
	8428	Switch, Tone Control
	8932	Switch, Master Control
	8919	Speaker, 6 1/2" Dynamic
T4	8918	Transformer, Power, 60 cycle
T4	8933	Transformer, Power, 50 cycle
T3	89191	Transformer, Output
T1	8434	Transformer, 1st IF
T2	8435	Transformer, 2nd IF

LOOSEN THESE SCREWS  
CABINET ASSEMBLY PARTS

	Back for Cabinet
	Book, Instruction
8462	Bushing, Rubber (Recorder Unit Mtg.)
9205	Carton, Shipping
9210	Cabinet
9206	Escutcheon
2750	Knob, Motor Switch
8487	Knob, Tuning
8488	Knob, Tone
8489	Knob, Volume
8925	Knob, Master Control Switch
8491	Loop Antenna Assembly
9208	Plate, Instruction
8477	Plate, Motor-on-off
8287	Plug, 1 Prong (for Cutter Leads)
3288	Plug, 1 Prong (for Phono Pickup Leads)
8493	Plug, 2 Prong (for Motor Leads)
8454	Switch, Motor
2997	Washer, Rubber (for Recorder Mtg.)

## RECORDER UNIT PARTS

6943	Hex Nut for Pivot Post
6947	Motor Mounting Screw
6948	Adjusting Screw (Follower Arm)
9413	Turntable Shaft Locking Screw
9417	Recorder Arm Rest
9418	Follower Arm Complete
9424	Pickup Cartridge
9426	Pickup Arm Complete
9428	Cutter Head Tension Spring
9484	Magnetic Cutter Head with Leads
9434	Recorder Arm Complete
9438	Pivot Post Return Spring
9450	10" One-piece Turntable
9456	Turntable Drive Disc Stud Clip
9458	Lead Screw and Pinion Assembly
9463	Turntable Drive Disc Tension Spring
9464	Turntable Shaft
9466	Turntable Drive Disc
9467	Turntable Drive Disc Mounting Bracket Assembly

The following parts are for models with ONE-PIECE

## TURNABLE ONLY

9469	Retractable Pin Spring
9470	Retractable Pin
9472	Rotor Shaft Pulley
9474	Rotor Shaft Pulley Set-Screw
9481	Motor 60 Cycle
9482	Motor 50 Cycle

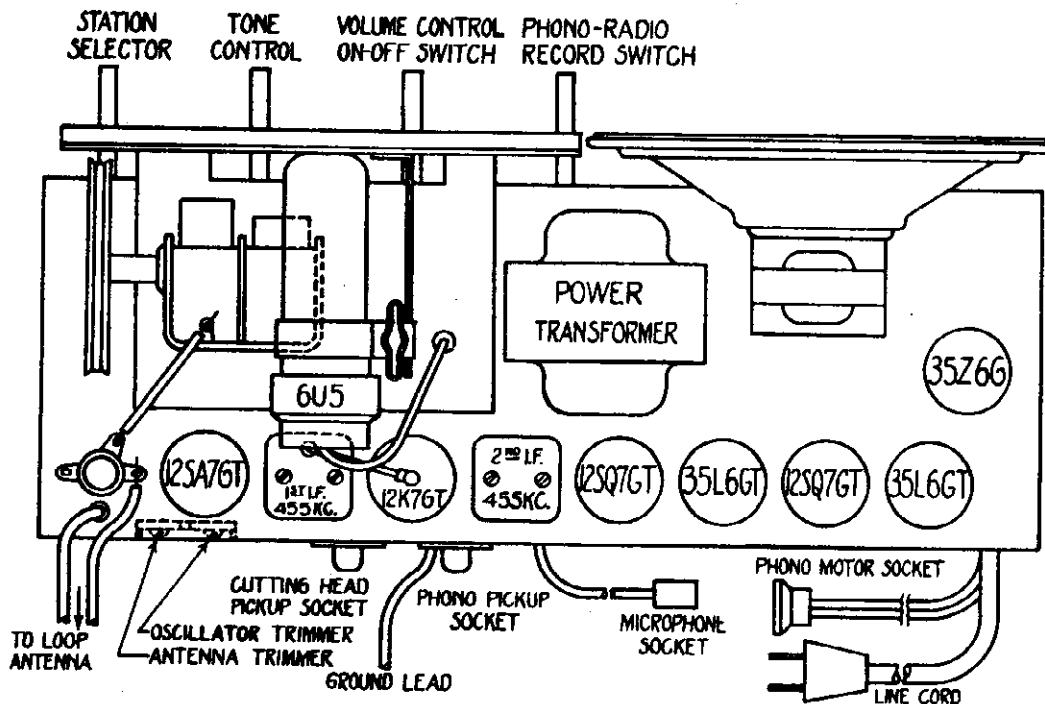
ALLIED RADIO CORP.

ALIGNMENT PROCEDURE

Output meter connection . . . . . Across speaker voice coil  
 Connection of generator ground lead . . . . . To Chassis  
 Connection of generator output lead . . . . . See chart below  
 Dummy antenna value to be used in series with generator . . . . . See chart  
 Position of volume control . . . . . Full on (Clockwise)

POSITION OF VARIABLE	GENERATOR FREQUENCY	DUMMY ANTENNA	GENERATOR CONNECTION	TRIMMERS ADJUSTED (IN ORDER SHOWN)
Open (Min. capacity)	455 kc.	.1 mfd.	Ant. section of variable	T2, T1.
Min. capacity	1720 kc.	50 mmf.	Ant. Terminal	Oscillator Trimmer
Tune in signal from generator	1400 kc.	50 mmf.	Ant. Terminal	Antenna Trimmer

ALL ALIGNMENT OPERATIONS MUST BE DONE WITH THE MASTER CONTROL SWITCH IN THE NO. 1 (RADIO) POSITION.



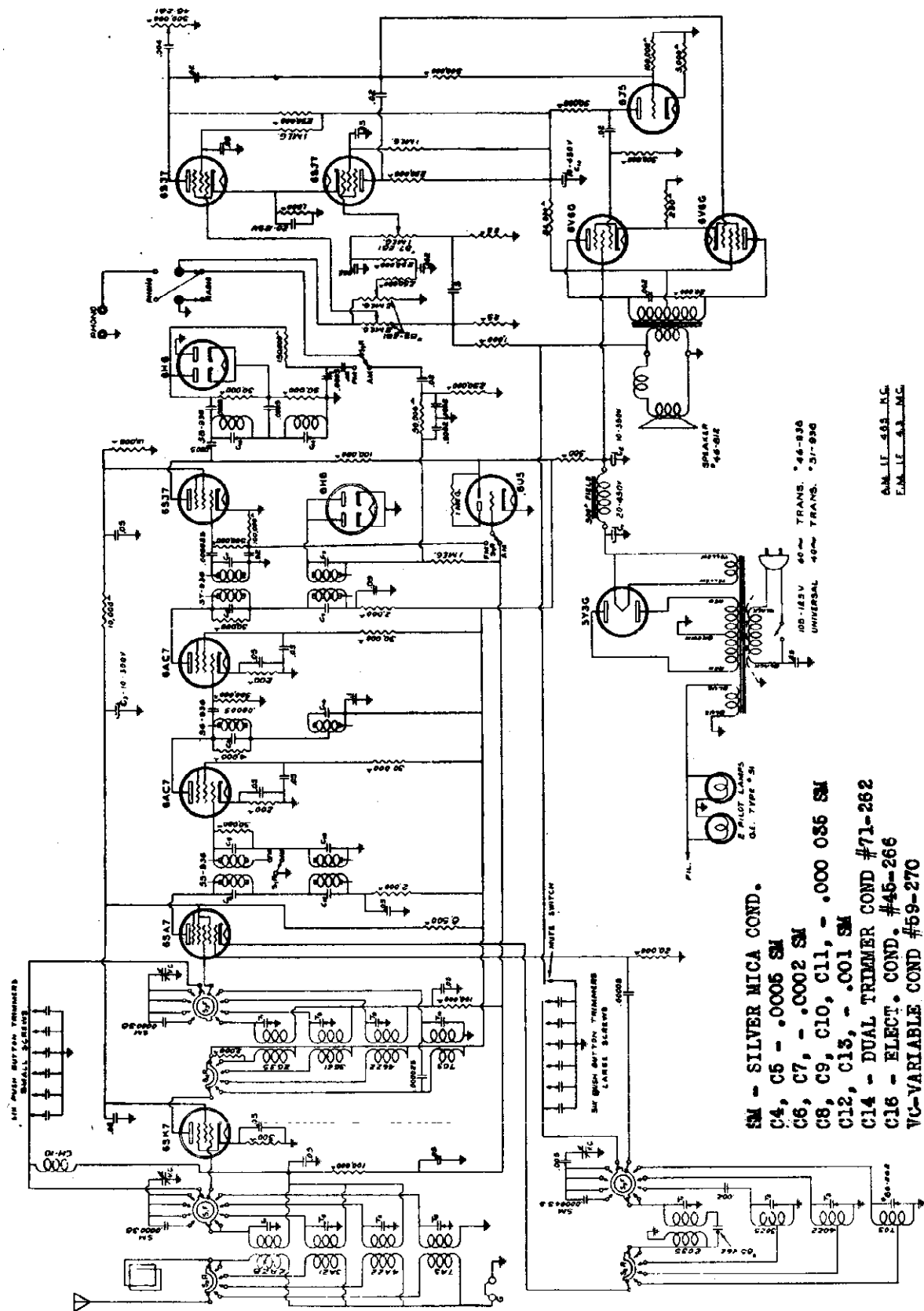
RECORDING ARM ADJUSTMENTS

The recorder arm and recording head are adjusted at the factory for best operation. The following paragraph tells how to correct these adjustments should they, for any reason, become changed from their factory setting.

The bottom of the recording arm should be exactly 1/4 inch from the surface of the record. This should be measured beside the needle retaining screw on the end of the arm. The screw for making this adjustment can be found when the arm is raised, on a small platform near the hinge. Turning the adjusting screw to the left raises the arm, turning to the right lowers it. In making an adjustment turn the screw only a small fraction of a turn at a time.

Make a cut of at least ten or fifteen turns to see whether or not the needle is exerting the correct pressure on the record. This is correct when the groove cut by the needle is of approximately the same width as the space between grooves. On top of the cutting arms is a flat head screw. Turning this screw to the right increases the depth of cut, to the left decreases it. This adjustment is quite critical and the screw should be turned not more than 1/4 turn at a time.

ALLIED RADIO CORP.



- SM - SILVER MICA COND.
- C4, C5 - .0005 SM
- C6, C7, - .0002 SM
- C8, C9, C10, C11, - .000 036 SM
- C12, C13, - .001 SM
- C14 - DUAL TRIMMER COND #71-262
- C16 - ELECT. COND. #45-266
- VC-VARIABLE COND #59-270
- C1, C2, C3, - ELECT. COND #51-266
- S2R, ETC. -SECTION TWO REAR - BAND SWITCH #57-914A
- TRIMMER CONDS. #87-262- T1, T2, T3, T4, T5, T6, T7, T8, T9, T10, T11

AM. I. E. 443 .K.C.  
FIL. I. E. 3.3 .M.C.

ALLIED RADIO CORP.

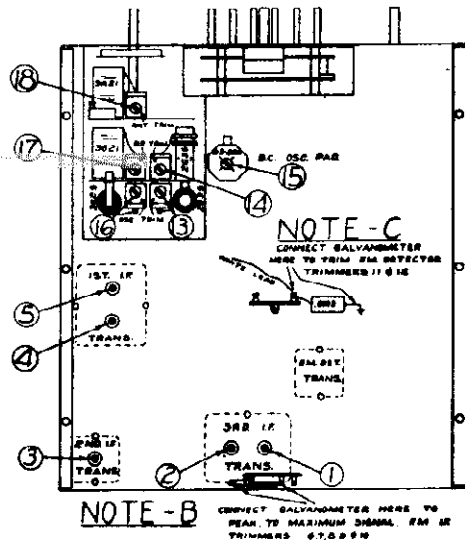
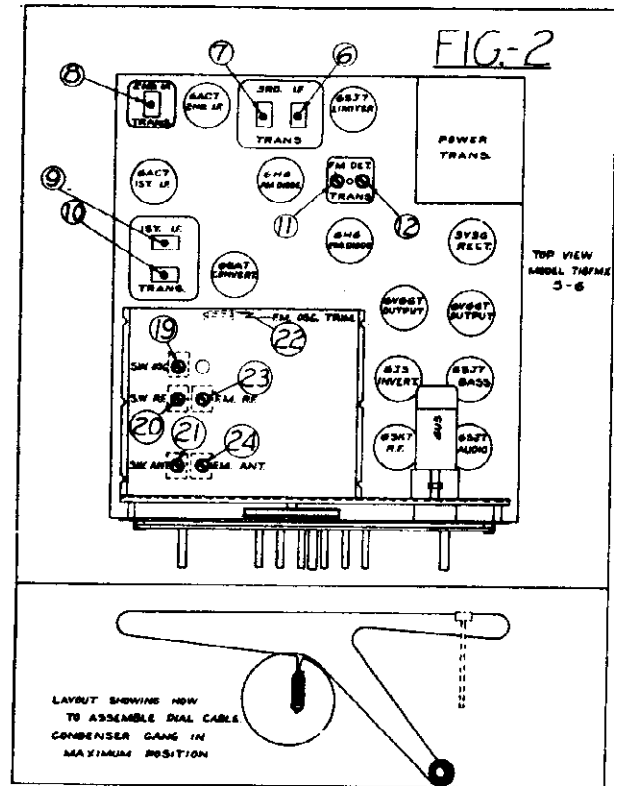


FIG-1

BOTTOM VIEW OF CHASSIS



SOCKET VOLTAGE READINGS

\* Socket Terminal Number

Voltage taken from ground with voltage at 117 Volts AC. Drop across speaker field 65 V. Use at least a 1000 Ohm per Volt Meter. High voltage reading off rectifier 300 V. DC.

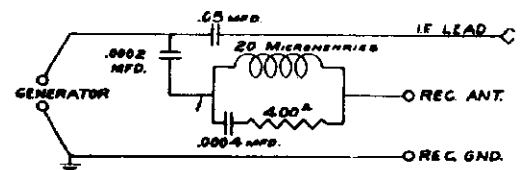
TUBE	FUNCTION	CATH.	SG.	PLATE		
6SK7	R.F.	5	* 100	230		
		5	6	8		
6SA7	Converter		100	220		
			4	3		
6AC7	1st. I.F.	3	155	225		
		5	6	8		
6AC7	2nd I.F.	3	155	210		
		5	6	8		
6SJ7	Limiter		65	65		
			6	8		
6H6	FM Des-Det.					
6H6	AM Det.					

TUBE	FUNCTION	CATH.	SG.	PLATE		
6SJ7	A.F.	1	20	25		
		5	6	8		
6SJ7	Bass Boost	1	20	25		
		5	6	8		
6U5	Tuning Eye			230		
6J5	Inverter	6		80		
		8		3		
6V6GT	Output	14	235	225		
		8	4	3		
6V6GT	Output	14	235	225		
		8	4	3		
5Y33	Rectifier					

ALIGNMENT PROCEDURE

EQUIPMENT REQUIRED:

1. SIGNAL GENERATOR to accurately cover the alignment frequencies as shown below.
2. GALVANOMETER 75 microamperes center "0" (Such as Simpson Type 25) USE SERIES RESISTOR OF 100,000 Ohms in positive lead. Leads from meter to set to be as short as possible.
3. OUTPUT METER (0 to 3 V. AC if used in voice coil circuit).
4. DUMMY ANTENNA. Although the values as shown in below table for antenna load may be satisfactory we urgently recommend the circuit as shown at the right to properly take care of the various frequencies to accomplish the correct alignment.



MODEL D-182, D-197

## ALLIED RADIO CORP.

START ALIGNMENT WITH:

Treble and Bass controls turned toward left, Volume Control full ON to right and Band Switch in Broadcast position. After checking for pointer travel to last line above 550, set dial to point where there is no interference with generator signal and proceed with AM-IF alignment.

DUMMY ANTENNA	SIG. GEN. CONNECTION TO	GEN. FREQ.	BAND SW. POSITION	DIAL SETTING	ORDER OF TRIMMER ADJUSTMENTS	TRIMMER FUNCTION	SEE NOTE
.05 Mfd.	Grid of 6SA7	465 KC	BC	Off Station	See Fig. 1 ① ② ③ ④ ⑤	AM I.F. peak to max. output	A
"	Grid of 6SA7 - re-move tuned circuit	4.3 MC Unmod.	FM	"	See Fig. 2 ⑥ ⑦ ⑧ ⑨ ⑩	FM I.F. See Fig. 1 Galvanometer Position	B
"	"	4.4 MC	FM	"	Turn ⑪ down tight - Then adjust ⑫	FM Detector See Fig. 2	C
"	"	4.3 MC	FM	"	After ⑫, adjust ⑪ for zero deflection	FM Detector See Fig. 2	D
400 Ohm Resistor	"A" Ant. post	1400 KC	BC	1400 KC	See Fig. 1 ⑬ then ⑭	BC Osc. and RF	E
"	"	600 KC	BC	600 KC	⑮ Rock Dial	BC Osc. Pad.	E
"	"	5 MC	Police	5 MC	⑯ ⑰ ⑱	Osc. - RF - Ant. Check image at 4.1	E
"	"	16 MC	S.W.	16 MC	⑲ ⑳ ㉑	Osc. - RF - Ant. Check image at 15.1	E
"	"	48 MC 8th Har. of 6 MC	FM	48 MC	㉒ ㉓ ㉔	FM Osc. - RF - Ant.	E

NOTE A: When a re-alignment is made of either the AM I.F. or FM I.F. it should not be necessary to turn the adjustments very far in either direction. The AM I.F. adjustments are reached through holes in the base from underside of chassis. Should the screws be turned too far in, they might fall out of position which would require that the coil be re-assembled. At the other extreme, if the screws are forced too far out, there is danger of breaking the iron cores.

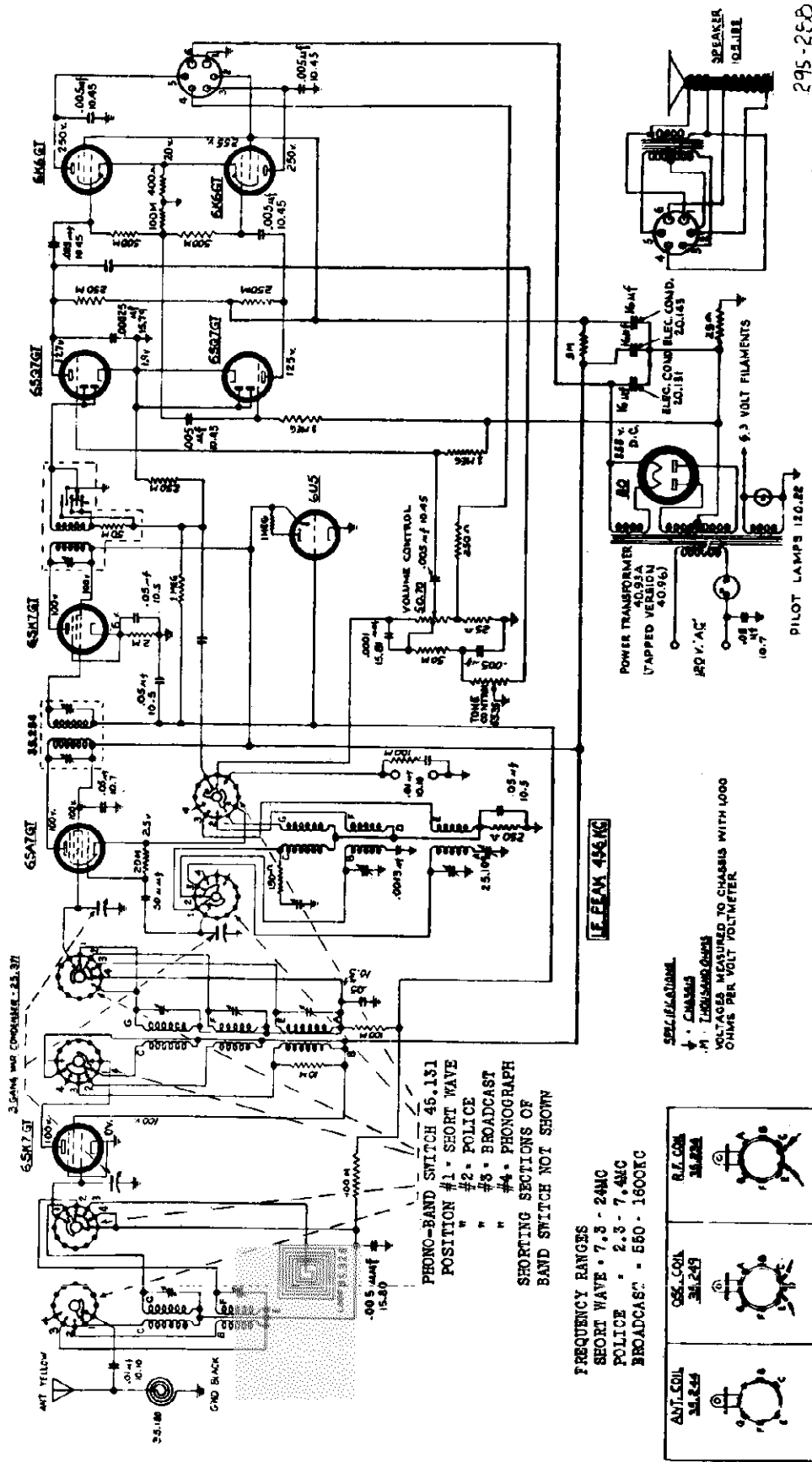
NOTE B: Connect Galvanometer from tap of limiter grid load circuit to ground. See Fig. 1. Adjust for max. current. Normal gain should give deflection (with meter as specified) of 22 with 2,000 to 3,000 microvolt input. Now shift generator frequency each side of 4.3; that is, to 4.2 and 4.4. The drop-in meter deflection should be approximately proportional to change in frequency. If not, recheck alignment.

NOTE C: With Galvanometer connected to FM Detector output (See Fig. 1) and Trimmer 11 turned all the way in temporarily, adjust Trimmer 12 for max. deflection at 4.4 MC. Normal gain should give deflection of 9 with 2,000 to 3,000 microvolts input.

NOTE D: After trimmer 12 is adjusted to 4.4, adjust Trimmer 11 to zero deflection at 4.3. Then shift generator to 4.2 MC. Meter should then show deflection approximately same as at 4.4 at reverse polarity. If the I.F. circuits are ever readjusted, always recheck detector afterwards.

NOTE E: Peak for greatest deflection of output meter.

ALLIED RADIO CORP.



295-250

IF PEAK 454KC

PHONO-BAND SWITCH 45.151  
 POSITION #1 - SHORT WAVE  
 " #2 - POLICE  
 " #3 - BROADCAST  
 " #4 - PHONOGRAPH  
 SHORTING SECTIONS OF  
 BAND SWITCH NOT SHOWN

FREQUENCY RANGES  
 SECRET WAVE - 7.3 - 24MC  
 POLICE - 2.3 - 7.4MC  
 BROADCAST - 550 - 1600KC

SCALE IN OHMS  
 ↓ - CHANGING  
 .1 - THOUSANDS OF  
 VOLTS AS MEASURED TO CHASSIS WITH 1000  
 OHMS PER VOLT VOLTMETER

ANT. COIL 25.24μ	6SK7GT	6SA7GT	6SR7GT	6AV6GT

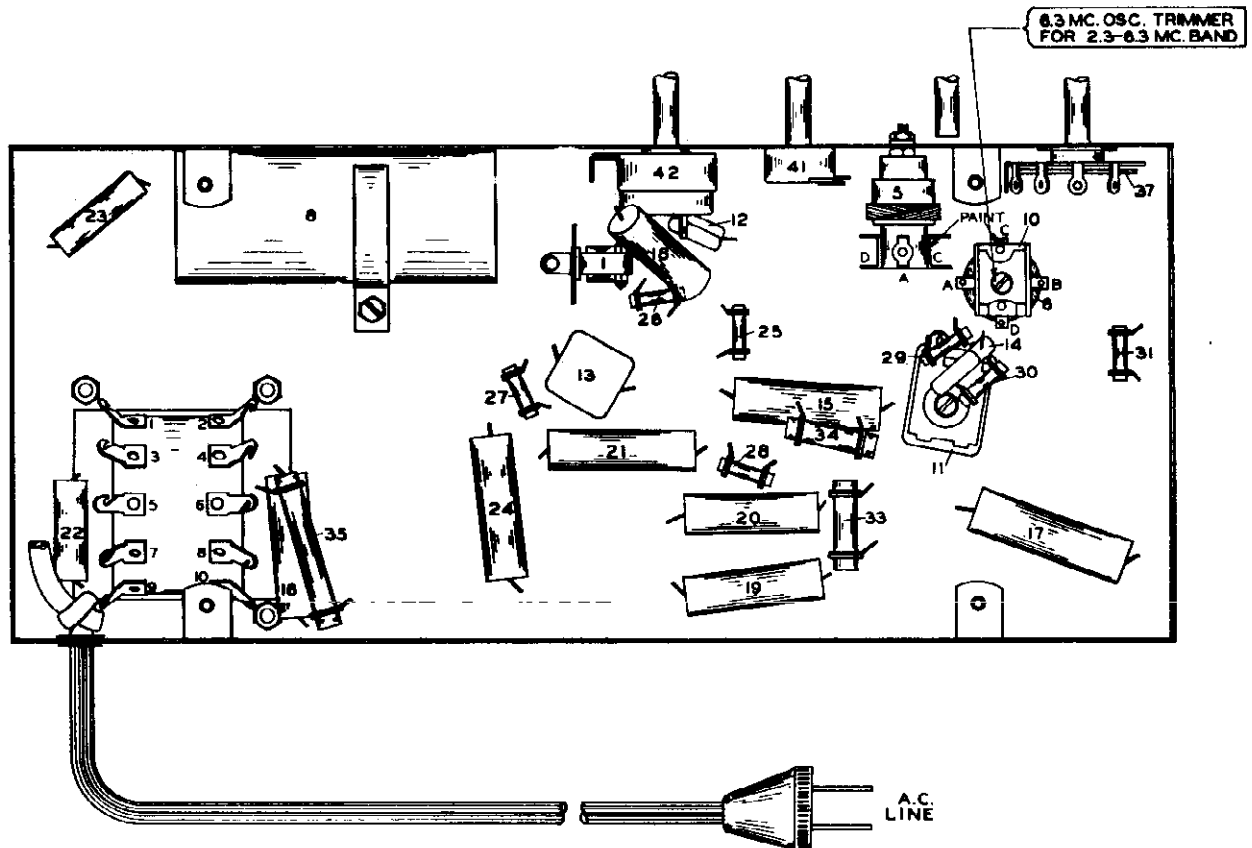
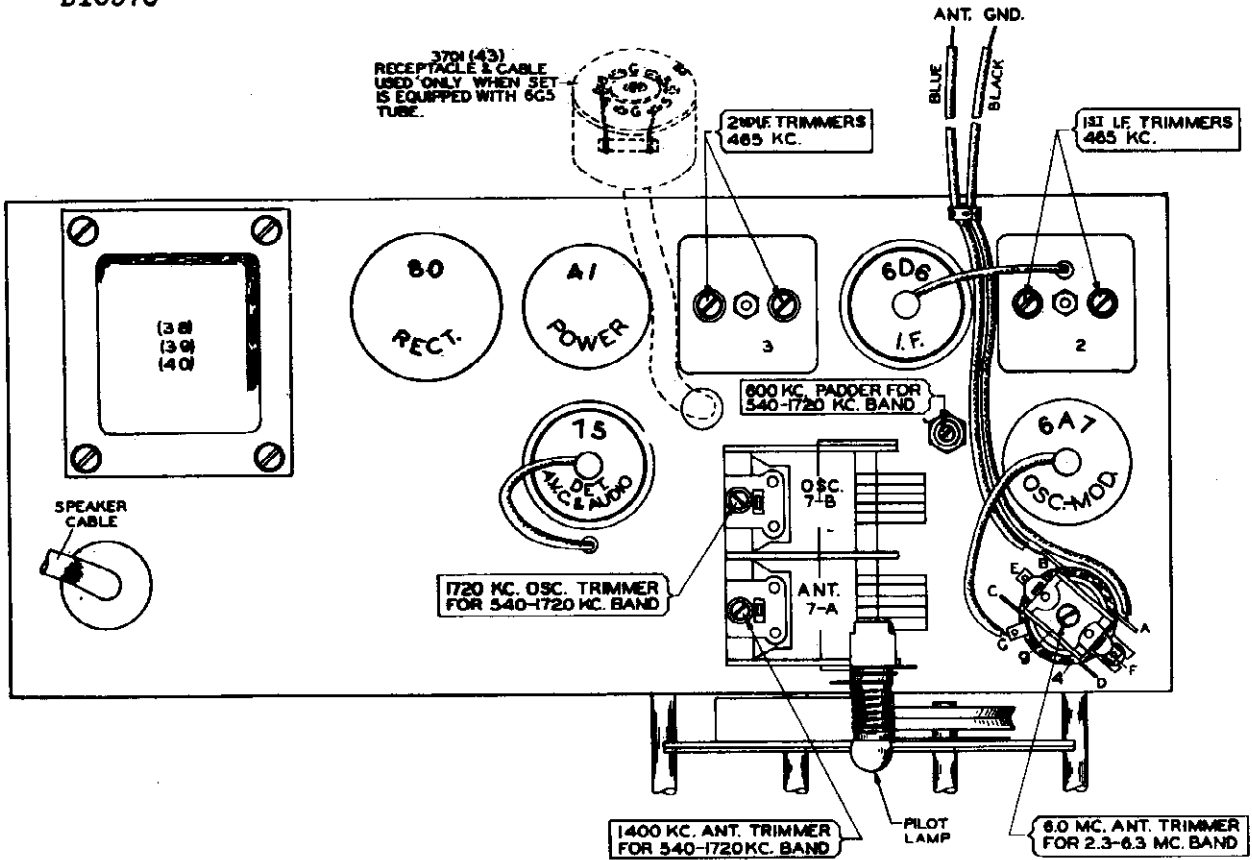






MODELS B10562, B10563,  
B10570

ALLIED RADIO CORP.



## ALLIED RADIO CORP.

**ALIGNING 1720-540 KILOCYCLE BAND:**

- (a) Remove test oscillator lead from grid of the 6A7 tube and attach it to the receiver antenna lead through a .00025 Mfd. series condenser.
- (b) Check tuning dial adjustment by turning gang condenser until plates touch maximum capacity stop (completely in mesh), at which point the dial needle must be exactly even with the last line at the low frequency end of the dial calibration. If the dial needle does not point exactly to the last line move needle to correct position.
- (c) Set receiver dial and test oscillator frequency to EXACTLY 1720 kilocycles.
- (d) Bring in 1720 KC test oscillator signal to maximum output by adjusting the trimmer condenser mounted on top of the oscillator section of the gang condenser.
- (e) Looking at the front of the receiver the rear section of the gang condenser is the oscillator section.
- (f) Tune receiver dial and set test oscillator frequency to EXACTLY 1400 kilocycles.
- (g) Adjust trimmer on top of the front section gang condenser (antenna section) for maximum 1400 kilocycle test signal response.
- (h) Tune receiver dial and set test oscillator frequency to approximately 600 kilocycles.
- (i) While rocking the tuning condenser back and forth adjust 600 KC oscillator padder condenser which is accessible through the hole in the top of the chassis adjacent to the gang condenser for maximum 600 kilocycle signal response.

**ALIGNING 2.3-6.3 MEGACYCLE BAND:**

- (a) Replace .00025 Mfd. Test oscillator antenna lead series condenser with a 400 ohm resistor.
- (b) Adjust band selector switch for 2.3-6.3 megacycles band operation, tune receiver dial and set test oscillator frequency to EXACTLY 6.3 megacycles.
- (c) Bring in 6.3 megacycle test oscillator signal to maximum output by adjusting 6.3 M.C. oscillator trimmer.
- (d) Tune receiver dial and test oscillator frequency to EXACTLY 6 megacycles, and adjust 6 M.C. antenna trimmer for maximum sensitivity.

**AC OPERATED SUPERHETERODYNE RECEIVER**

Some of these models are equipped with a 6G5 Cathode ray visual tuning indicator tube. The parts and connections shown in dotted lines on the circuit and parts layout diagrams are used only when the 6G5 tube is incorporated in the receiver.

**ALIGNMENT PROCEDURE:**

Lack of sensitivity, selectivity or poor tone quality may be due to any one or a combination of causes such as weak or defective tubes or speaker, open or grounded bias resistor, bypass condenser, inadequate or excessively long antenna, etc. Never attempt to realign set until all other possible sources of trouble have been first thoroughly investigated and definitely proven not to be the cause.

**NOTE:** BE SURE TO FOLLOW PROCEDURE CAREFULLY WHEN ALIGNING. OTHERWISE THE RECEIVER WILL BE INSENSITIVE AND THE DIAL CALIBRATION WILL BE INCORRECT. THE TRIMMERS AND PADDING CONDENSER WILL BE REFERRED TO BY THEIR FUNCTION AS INDICATED ON THE PARTS DIAGRAM.

IT IS ABSOLUTELY NECESSARY THAT AN ACCURATELY CALIBRATED TEST OSCILLATOR WITH SOME TYPE OF OUTPUT MEASURING DEVICE BE USED WHEN ALIGNING THE RECEIVER.

**ALIGNING I.F. STAGE AT 465 KILOCYCLES:**

- (a) Connect the ground lead of the test oscillator to the chassis or set ground lead. Connect the other lead of the test oscillator to the grid cap of the 6A7 tube through a .02 Mfd. series condenser. DO NOT REMOVE GRID CLIP.
- (b) Set test oscillator to EXACTLY 465 kilocycles and turn receiver volume control on full.
- (c) Peak each of the second I.F. transformer trimmers.
- (d) Peak each of the first I.F. transformer trimmers.

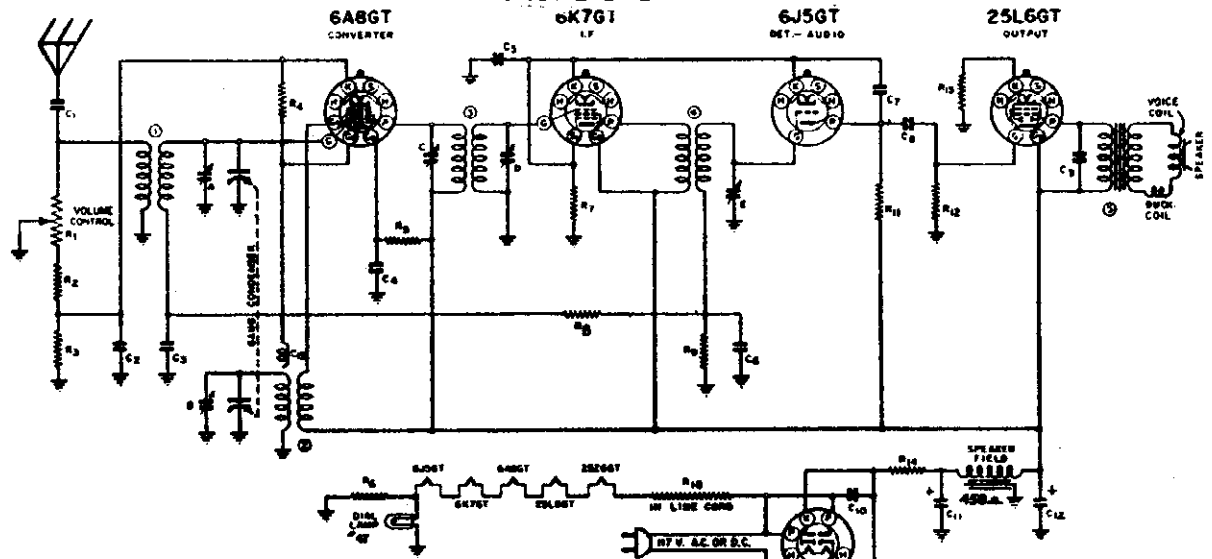
To assure most accurate trimmer setting repeat above adjustment several times always using lowest possible test oscillator output consistent with readable output meter scale deflection.



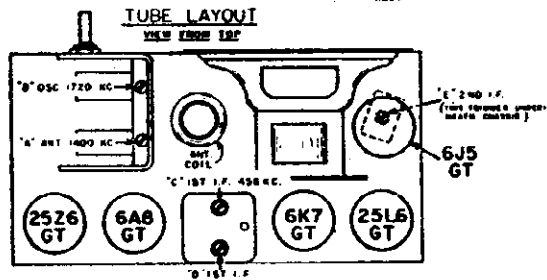
ALLIED RADIO CORP.

MODEL B-10700,  
B-10702 LATE

MODEL B-10700

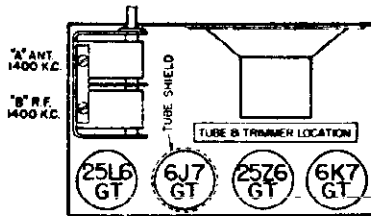
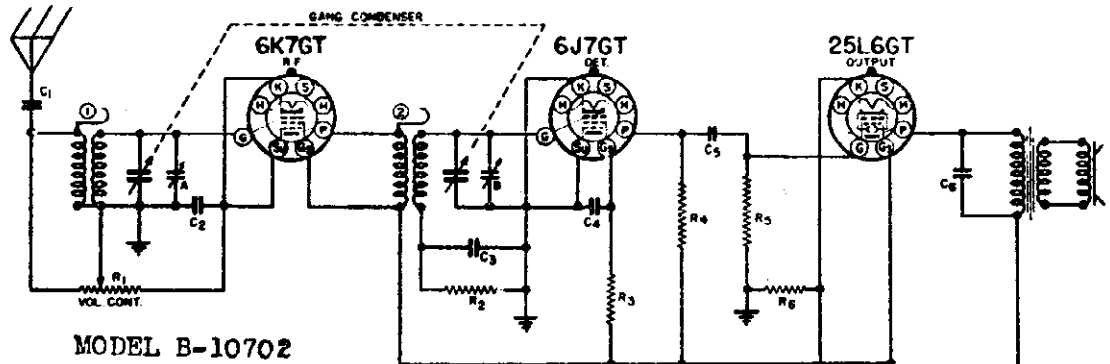


PART NO.	DESCRIPTION	QTY	PART NO.	DESCRIPTION	
R1	10,000 OHM VOL. COIL	1	N-434	.05 MFD. 400V	
R2	350 OHM STOP IN S.C.	1	N-435	.05 MFD.	
R3	10,000 OHM	1	N-436	B MFD.	
R4	80,000 OHM	1		CAPACITY MULLER IN	
R5	30,000 OHM	1		OSCILLATOR COIL	
R6	35 OHM	1	N-437	2 MB I.F. TRANS.	
R7	150 OHM	1			
R8	600 OHM	1			
R9	1.0 MEG OHM	1			
R10	2.0 MEG OHM	1			
R11	150 OHM IN LINE COND.	1	N-438	ANTENNA COIL	
R12	200,000 OHM .5W	1	N-439	OSCILLATOR COIL	
R13	300,000 OHM	1	N-440	1ST I.F. TRANS.	
R14	125 OHM	1	N-441	2ND I.F. TRANS.	
R15	25 OHM	1	N-470	5" SPK. & TRANS.	
C1	N-1344	.01 MFD.	400 V.	N-143	GANG CONDENSER
C2	N-1345	.05 MFD.	200 V.		
C3	N-1346	.05 MFD.	200 V.		
C4	N-1347	.05 MFD.	200 V.		
C5	N-1348	.05 MFD.	200 V.		
C6	N-1349	.05 MFD.	200 V.		
C7	N-1350	.05 MFD.	200 V.		
C8	N-1351	.05 MFD.	200 V.		
C9	N-1352	.05 MFD.	200 V.		
C10	N-1353	.05 MFD.	200 V.		



I.F. 456 KC.

5 TUBE A.C.-D.C.  
SUPERHETERODYNE  
SINGLE BAND

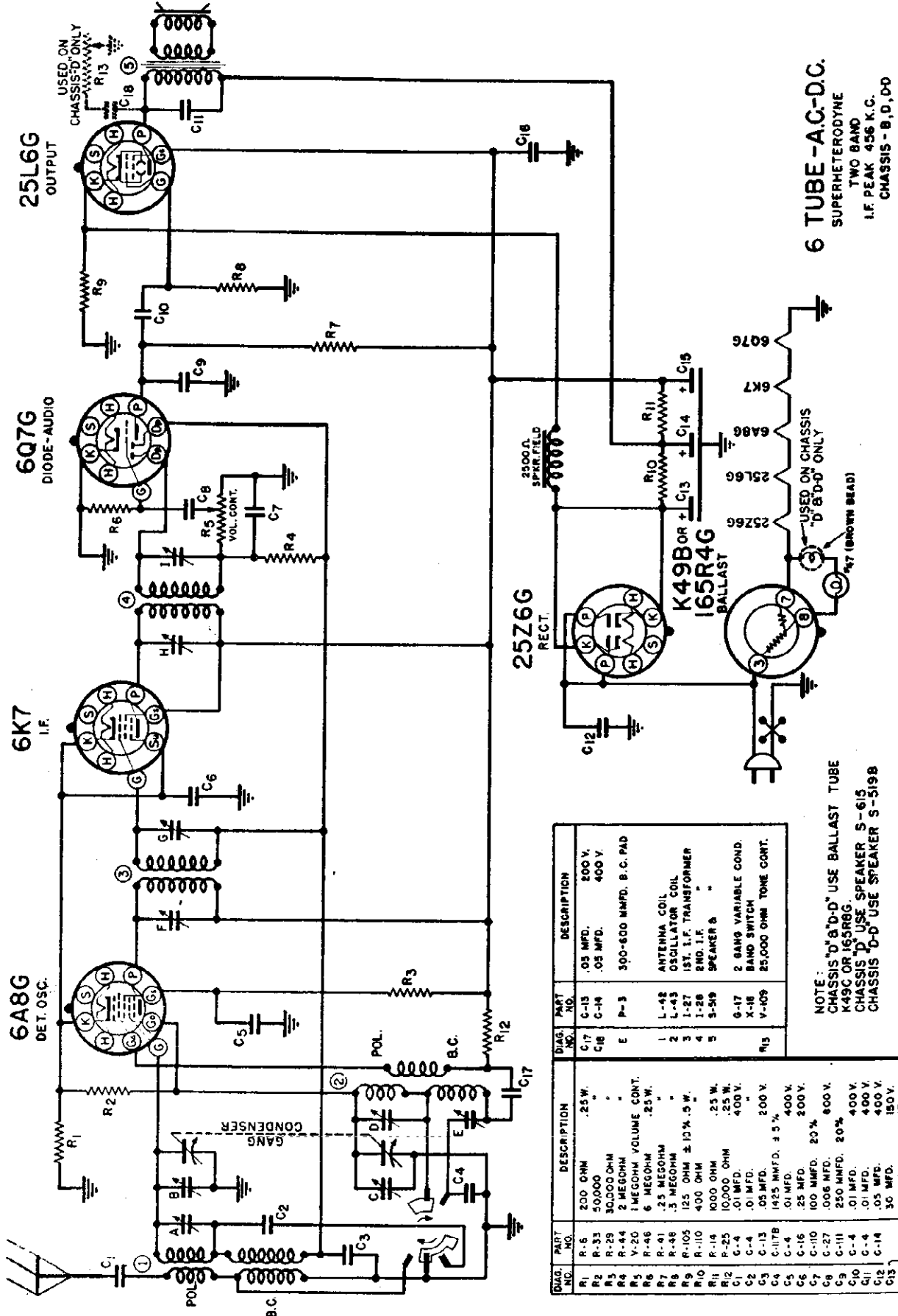


DIAG. NO.	PART NO.	DESCRIPTION	QTY	PART NO.	DESCRIPTION	
C1	N-1344	.01 MFD.	400 V.	R1	V-23	25,000 OHM VOL.
C2	N-1345	.05 MFD.	200 V.	R2	N-141K	3.5 MEG. 5 W.
C3	N-1346	.05 MFD.	200 V.	R3	N-141.9	6 MEG. 5 W.
C4	N-1347	.05 MFD.	200 V.	R4	N-262	1 MEG. 5 W.
C5	N-1348	.05 MFD.	200 V.	R5	N-1264	5 MEG. 5 W.
C6	N-1349	.05 MFD.	200 V.	R6	N-141E	125 OHM ±10% 5 W.
C7	N-1346	.05 MFD.	400 V.	R7	N-1420	125 OHM 1 W.
C8		15 MFD.	150 WV.	R8	N-1417	3000 OHM .5 W.
C9	G-233	8 MFD.	150 WV.	R9	N-1415	30 OHM 1 C.W.
C10		6 MFD.	150 WV.	R10	N-1251	25 OHM 1 W.
	S-300	SPEAKER		L1	L-110	ANTENNA COIL
	G-25	GANG CONDENSER		L11	L-111	RF COIL

4 TUBE I.F.F.

MODELS E-10704, E-10800  
MODELS E-10803, E-10818

ALLIED RADIO CORP.



DIAG. NO.	PART NO.	DESCRIPTION
C-15	G-15	.05 MFD. 200 V.
C-16	C-16	.05 MFD. 400 V.
E	P-3	300-600 MMFD. B. C. PAD
1	L-43	ANTENNA COIL
2	L-43	OSCILLATOR COIL
3	L-27	1ST. I.F. TRANSFORMER
4	L-28	2ND. I.F. "
5	S-519	SPEAKER B "
G-17	G-17	2 GANG VARIABLE COND.
X-16	X-16	BAND SWITCH
V-109	V-109	25,000 OHM TONE CONT.

NOTE:  
CHASSIS "D" & "D-D" USE BALLAST TUBE K49C OR 165R8G.  
CHASSIS "D" USE SPEAKER S-615  
CHASSIS "D-D" USE SPEAKER S-519B

DIAG. NO.	PART NO.	DESCRIPTION
R-1	R-1	200 OHM .25 W.
R-2	R-33	50,000
R-3	R-28	30,000 OHM
R-4	R-44	2 MEGOHM
R-5	V-20	1 MEGOHM VOLUME CONT.
R-6	R-46	6 MEGOHM .25 W.
R-7	R-41	25 MEGOHM
R-8	R-48	3 MEGOHM
R-9	R-105	125 OHM ± 10% .5 W.
R-10	R-110	400 OHM
R-11	R-14	1000 OHM .25 W.
R-12	R-25	10,000 OHM .25 W.
C-1	G-4	.01 MFD. 400 V.
C-2	G-4	.01 MFD.
C-3	G-13	.05 MFD. 200 V.
C-4	C-117B	1425 MMFD. ± 5%
C-5	C-4	.01 MFD.
C-6	C-16	25 MFD. 400 V.
C-7	C-10	100 MMFD. 20% 600 V.
C-8	C-27	1006 MFD.
C-9	C-111	250 MMFD. 20% 400 V.
C-10	C-4	.01 MFD. 400 V.
C-11	C-4	.01 MFD. 400 V.
C-12	C-14	.05 MFD. 150 V.
C-13	C-13	30 MFD. 150 V.
C-14	C-257	10 MFD. 150 V.
C-15	C-13	30 MFD. 150 V.
C-16	C-13	.05 MFD. 200 V.

MODELS E-10704, E-10800  
MODELS E-10803, E-10818

ALLIED RADIO CORP.

ALIGNMENT DATA AND SERVICING

MODELS E-10704, E-10800; MODELS E-10803, E-10818

**GENERAL DATA.** The alignment of this receiver requires the use of a test oscillator that will cover the frequencies of 456, 600, 1500, 2500 and 6000 KC and an output meter to be connected across the primary or secondary of the output transformers. If possible, all alignments should be made with the volume control on maximum and the test oscillator output as low as possible to prevent the AVC from operating and giving false readings.

**CORRECT ALIGNMENT PROCEDURE.** The intermediate frequency (I.F.) stages should be aligned properly as the first step. After the I.F. transformers have been properly adjusted and peaked, the Broadcast and Police bands in the order given, should be the next procedure.

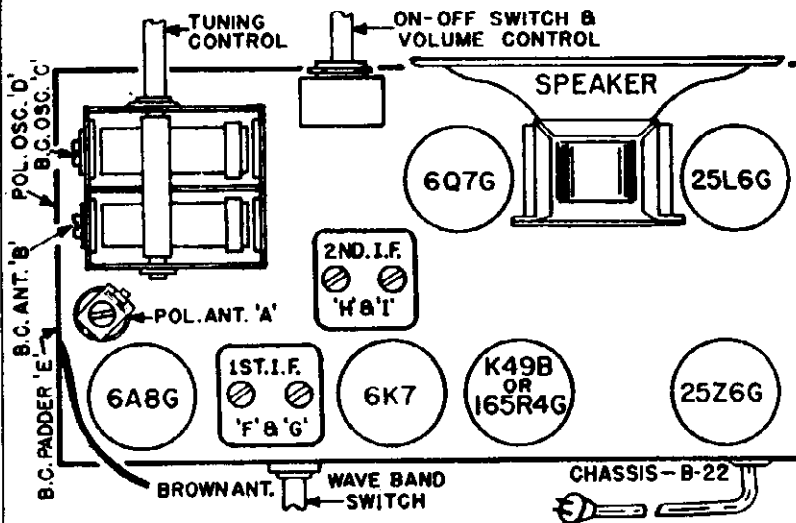
**I. F. ALIGNMENT.** With the wave switch in the Broadcast Band and the gang condenser set at minimum, adjust the test oscillator to 456 KC and connect the output to the grid of the first detector tube (6A8G) through a .05 or .1 mfd. condenser. The ground on the test oscillator should be con-

nected to the chassis ground. Align all four I.F. trimmers to peak or maximum reading on the output meter.

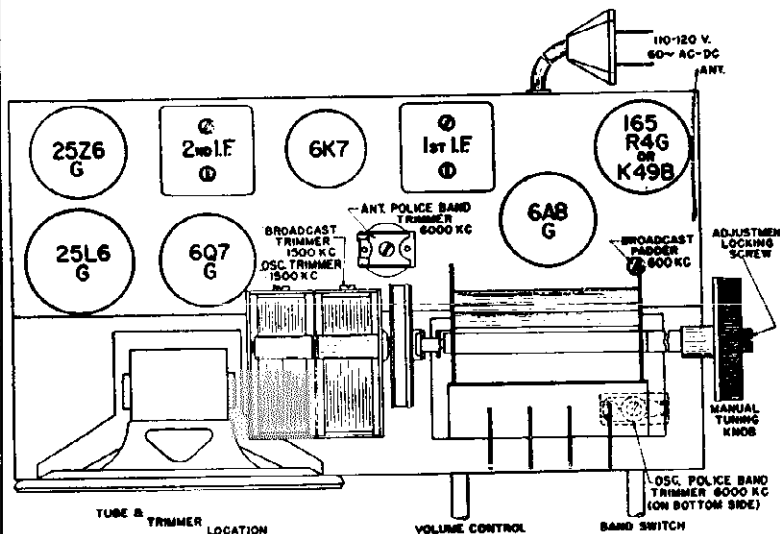
**BROADCAST BAND ALIGNMENT.** With the switch turned to the broadcast position, connect the antenna to the generator through a 200 MMF dummy and set the dial and generator at 1500 KC. Align the BC oscillator trimmer first and then the BC antenna trimmer. Set the generator at 600 KC and adjust the BC pad by rocking the gang back and forth while adjusting the pad until the maximum output is obtained. Recheck the adjustment at 1500 KC as the pad adjustment may have caused misalignment.

**POLICE BAND ALIGNMENT.** Change the band switch to the police position and with a 400 ohm dummy antenna instead of the 200 MMF dummy, align the police oscillator and antenna trimmers with the generator set at 6000 KC and the dial set at the same frequency. Next set the generator at 2500 KC and tune in the signal to check sensitivity. The pad is fixed and alignment at the point will be correct unless the pad or either of the coils have been damaged.

MODELS E-10803, E-10818



MODELS E-10704, E-10800



PUSH-BUTTON ADJUSTMENT  
MODELS E-10704, E-10800

**ADJUSTMENT.** It is well to remember at this time that the accuracy of Automatic Station Selection depends wholly on the care exercised by the individual setting up the stations.

The first procedure in setting up stations is to loosen the adjustment locking screw by turning 3 or 4 turns to the left. Any coin may be used for this purpose. The locking screw is located in the center of the Manual Tuning control knob at the right side of the cabinet.

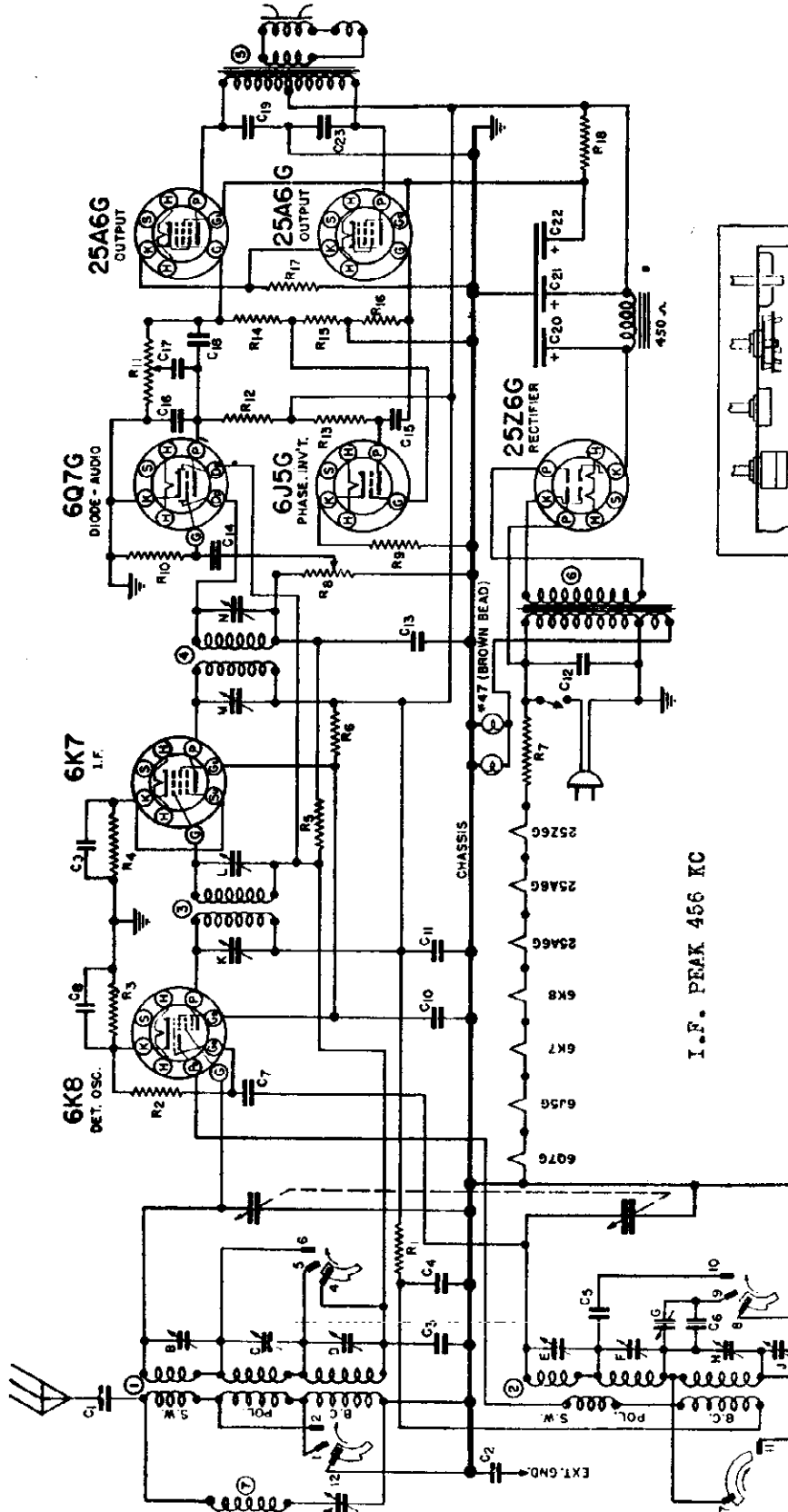
With the set in operation, fully depress any one push button and hold down while tuning any station desired to be automatically operated from this button. When the station is tuned to resonance, that is, maximum clarity and volume, release push button. Depress a second button and tune to another station while holding the push button depressed. Release push button and repeat procedure for the remaining two push buttons.

The settings should now be locked by securely tightening the locking screw, meanwhile hold the manual tuning knob to prevent turning.

A set of station call letter tabs and celluloid cover discs is furnished to mark each push button. Remove tabs from perforated sheet with station call letters corresponding to stations set up. Insert tab in recessed top of push button and cover with the celluloid discs which snap in place.

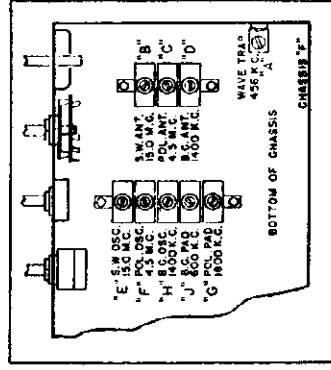
MODELS E-10707,  
E-10870 LATE

ALLIED RADIO CORP.



I. F. PEAK 456 KC

7 TUBE A.C.  
SUPERHETERODYNE  
THREE BAND  
I.F. PEAK 456 K.C.  
CHASSIS - F

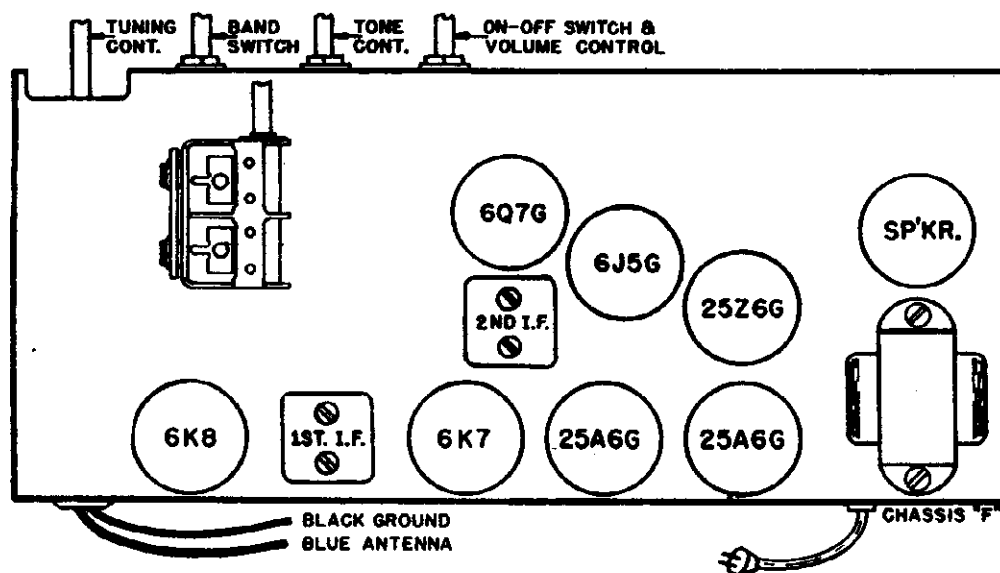


TRIMMER LOCATION 7 TUBE A.C.

DIAG. PART NO.	DESCRIPTION	QIAC. PART NO.	DESCRIPTION	QIAC. PART NO.	DESCRIPTION	QIAC. PART NO.	DESCRIPTION
C1	.01 MFD.	R1	5000 OHM	R1	5000 OHM	R1	5000 OHM
C2	.05 MFD.	R2	200 OHM	R2	200 OHM	R2	200 OHM
C3	.05 MFD.	R3	250 V.	R3	250 V.	R3	250 V.
C4	.05 MFD.	R4	400 V.	R4	400 V.	R4	400 V.
C5	4,000 MMFD.	R5	300 V.	R5	300 V.	R5	300 V.
C6	50 MMFD.	R6	600 V.	R6	600 V.	R6	600 V.
C7	.05 MFD.	R7	25 MEGOHM 5%	R7	25 MEGOHM 5%	R7	25 MEGOHM 5%
C8	.05 MFD.	R8	45,000 OHM 5%	R8	45,000 OHM 5%	R8	45,000 OHM 5%
C9	.05 MFD.	R9	5,000 OHM	R9	5,000 OHM	R9	5,000 OHM
C10	.01 MFD.	R10	1.0 W.	R10	1.0 W.	R10	1.0 W.
C11	.01 MFD.	R11	1.0 W.	R11	1.0 W.	R11	1.0 W.
C12	.01 MFD.	R12	1.0 W.	R12	1.0 W.	R12	1.0 W.
C13	.01 MFD.	R13	1.0 W.	R13	1.0 W.	R13	1.0 W.
C14	.01 MFD.	R14	1.0 W.	R14	1.0 W.	R14	1.0 W.
C15	.01 MFD.	R15	1.0 W.	R15	1.0 W.	R15	1.0 W.
C16	.01 MFD.	R16	1.0 W.	R16	1.0 W.	R16	1.0 W.
C17	.01 MFD.	R17	1.0 W.	R17	1.0 W.	R17	1.0 W.
C18	.01 MFD.	R18	1.0 W.	R18	1.0 W.	R18	1.0 W.
C19	.01 MFD.	R19	1.0 W.	R19	1.0 W.	R19	1.0 W.
C20	.01 MFD.	R20	1.0 W.	R20	1.0 W.	R20	1.0 W.
C21	.01 MFD.	R21	1.0 W.	R21	1.0 W.	R21	1.0 W.
C22	.01 MFD.	R22	1.0 W.	R22	1.0 W.	R22	1.0 W.
C23	.01 MFD.	R23	1.0 W.	R23	1.0 W.	R23	1.0 W.
C24	.01 MFD.	R24	1.0 W.	R24	1.0 W.	R24	1.0 W.
C25	.01 MFD.	R25	1.0 W.	R25	1.0 W.	R25	1.0 W.
C26	.01 MFD.	R26	1.0 W.	R26	1.0 W.	R26	1.0 W.
C27	.01 MFD.	R27	1.0 W.	R27	1.0 W.	R27	1.0 W.

MODELS E-10707, E-10870

## ALLIED RADIO CORP.



## ALIGNMENT DATA AND SERVICING

**GENERAL DATA.** The alignment of this receiver requires the use of a test oscillator that will cover the frequencies of 456, 600, 1400, 1800, 4500, 6000 and 15000 KC and an output meter to be connected across the primary or secondary of the output transformers. If possible, all alignments should be made with the volume control on maximum and the test oscillator output as low as possible to prevent the AVC from operating and giving false readings.

**CORRECT ALIGNMENT PROCEDURE.** The intermediate frequency (I.F.) stages should be aligned properly as the first step. After the I.F. transformers have been properly adjusted and peaked, the wave trap and then the Short Wave, Police and Broadcast bands in the order given, should be the next procedure.

**I. F. AND WAVE TRAP ALIGNMENT.** With the wave switch in the Broadcast Band and the gang condenser set at minimum, adjust the test oscillator to 456 KC and connect the output to the grid of the first detector tube (6K8) through a .05 or .1 mfd. condenser. The ground on the test oscillator should be connected to the chassis ground. Align all four I.F. trimmers to peak or maximum reading on the output meter. After aligning the I.F.'s, have the band switch in the broadcast band and the generator set at 456 KC. Connect the antenna lead to the generator through a 200 MMF condenser. Adjust the wave trap trimmer to give a minimum signal. It will be necessary to increase the output of the generator to secure an accurate minimum with the wave trap. (A)

**SHORT WAVE BAND ALIGNMENT.** Change the band switch to the S. W. position and connect the generator to the antenna with a 400 ohm dummy. Adjust the S. W.

oscillator to give a maximum output with the dial at 1500 KC. Next adjust the S. W. antenna to give a maximum peak and check dial to prevent alignment on the image frequency. With a strong signal input turn the dial to approximately 1 M. C. lower in frequency and pick up the image frequency. If the image is not received, it will be necessary to return the dial to 15000 KC to reduce the capacity in the oscillator trimmer until a second signal is received. Proceed as before with the alignment of the antenna and recheck for image frequency. Check the sensitivity at 6000 KC to determine if the coils and mica pad are not defective.

**POLICE BAND ALIGNMENT.** Change the band switch to the police position and, with the same dummy antenna, line up the police oscillator trimmer and police antenna trimmer in the same way as for the short wave band, setting the dial at 4500 KC and the generator at the same frequency. Check for image frequency at approximately 1 MC lower on the dial as described for the short wave band. Next, set the generator at 1800 KC and tune in the signal with the dial. Adjust the police pad by rocking the gang back and forth while adjusting the pad until maximum output is attained. Recheck the adjustment at 4500 KC as the pad adjustment may have caused misalignment.

**BROADCAST BAND ALIGNMENT.** With the switch turned to the broadcast position, connect the antenna to the generator through a 200 MMF dummy and set the dial and generator at 1400 KC. Align the BC oscillator trimmer and BC antenna trimmer. Set the generator at 600 KC and adjust the BC pad as described for the police band. Return to 1400 KC and recheck alignment at this point.

## PUSH-BUTTON ADJUSTMENT

**ADJUSTMENT.** All adjustments are simply made from the front of the cabinet without the use of tools since the push-button knobs serve this purpose.

To make adjustments, turn each knob to the left about 1 complete turn. The knob is knurled to provide a positive grip for this purpose. A groove is also provided across the knob for use of a small coin to lock each setting with ease and surety.

With the knob turned free, depress as far as possible and hold down, meanwhile tune to any desired station with the manual

tuning control. At this point, the automatic push button knob should be turned to the right until securely tightened. Be sure the knob is being held down in position while it is being tightened. To assure accurate adjustment, the volume control should be set at a moderate level and the station tuned in slowly to a point of maximum volume and clarity.

It is not necessary to follow any particular sequence of stations since each button is adjustable to any station.

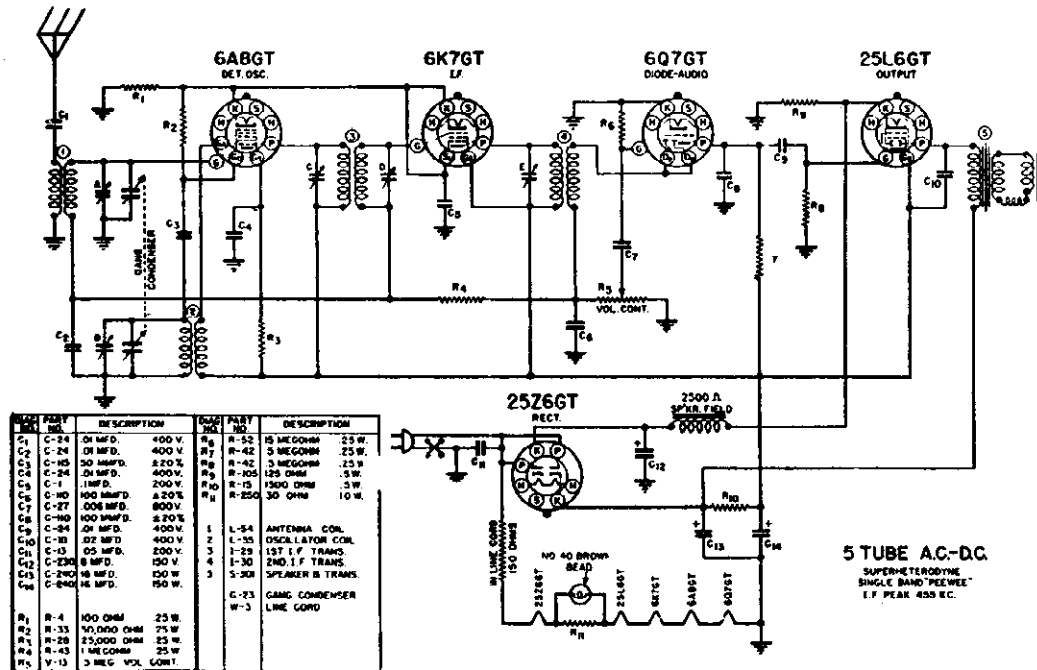
With each button definitely set and securely tightened to the selected stations, the tuner is ready for operation.





MODELS E-10801, E-10802  
MODEL E-10806

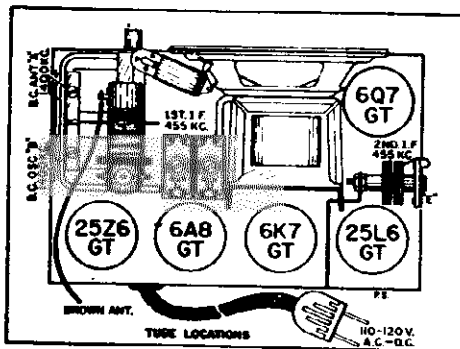
ALLIED RADIO CORP.



REF. DESIG.	DESCRIPTION	VAL.	PART NO.	DESCRIPTION	VAL.
C-24	OH MFD.	400 V.	R-32	15 MEGOHM	25 W.
C-24	OH MFD.	400 V.	R-37	3 MEGOHM	25 W.
C-25	50 MMFD.	250 V.	R-38	3 MEGOHM	25 W.
C-26	OH MFD.	400 V.	R-39	125 OHM	.5 W.
C-1	1MFD.	200 V.	R-15	1500 OHM	.5 W.
C-10	100 MMFD.	250 V.	R-20	30 OHM	10 W.
C-27	100 MMFD.	800 V.			
C-8	100 MMFD.	250 V.			
C-24	OH MFD.	400 V.	L-54	ANTENNA COIL	
C-10	25 MFD.	400 V.	L-35	OSCILLATOR COIL	
C-13	55 MFD.	200 V.	I-29	1ST I.F. TRANS.	
C-230	8 MFD.	150 V.	I-30	2ND I.F. TRANS.	
C-240	18 MFD.	150 V.	S-20	SPEAKER B TRANS.	
C-240	18 MFD.	150 V.			
			G-23	GANG CONDENSER	
			W-3	LINE CORD	
R-4	100 OHM	25 W.			
R-33	10,000 OHM	25 W.			
R-20	25,000 OHM	25 W.			
R-43	1 MEGOHM	25 W.			
R-15	3 MEG. VOL. CONT.				

MODELS E-10801, E-10802

ALIGNMENT DATA AND SERVICING

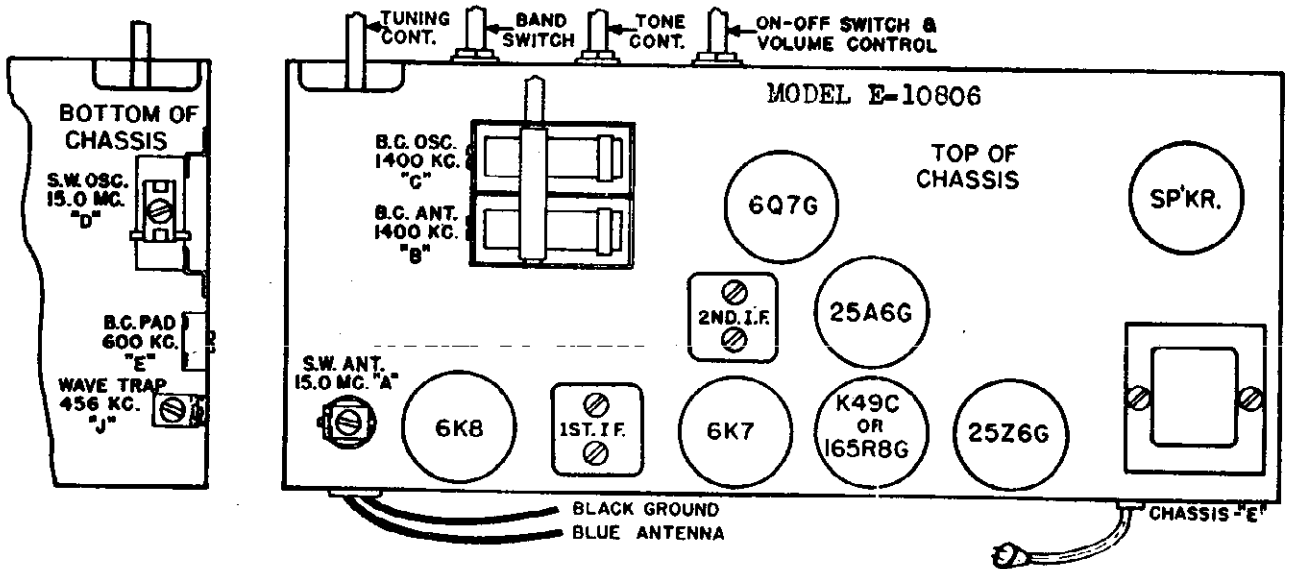


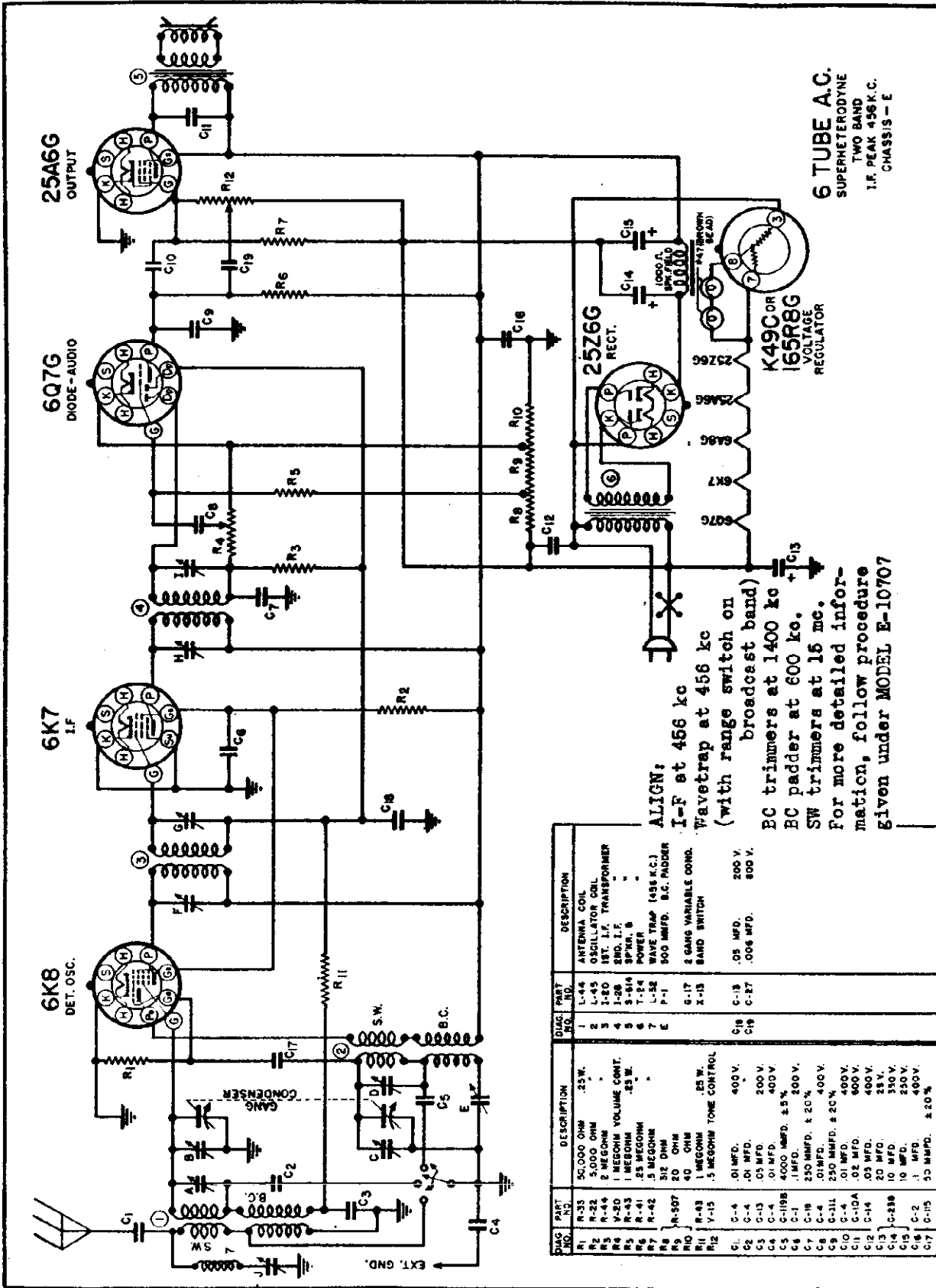
**GENERAL DATA.** The alignment of this receiver requires the use of a test oscillator that will cover the frequencies of 455 and 1400 KC and an output meter to be connected across the primary or secondary of the output transformers. If possible, all alignments should be made with the volume control on maximum and the test oscillator output as low as possible to prevent the AVC from operating and giving false readings.

**CORRECT ALIGNMENT PROCEDURE.** The intermediate frequency (I.F.) stages should be aligned properly as the first step. After the I.F. transformers have been properly adjusted and peaked, the Broadcast should be aligned.

**I. F. ALIGNMENT.** With the gang condenser set at minimum, adjust the test oscillator to 455 KC and connect the output to the grid of the first detector tube (6A8GT) through a .05 or .1 mfd. condenser. The ground on the test oscillator should be connected to the chassis ground. Align all four I. F. trimmers to peak or maximum reading on the output meter.

**BROADCAST BAND ALIGNMENT.** Connect the antenna to the generator through a 100 MMF dummy and set the dial and generator at 1400 KC. Align the BC oscillator trimmer first and then the BC antenna trimmer.





6 TUBE A.C.  
SUPERHETERODYNE  
TWO BAND  
I.F. PEAK 456 K.C.  
CHASSIS - E

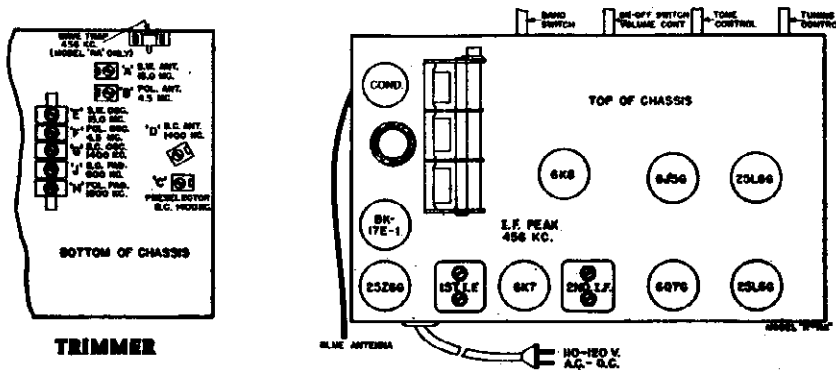
ALIGN:  
I-F at 456 kc  
Wavetrap at 1400 kc  
(with range switch on  
broadcast band)  
BC trimmers at 1400 kc  
BC padder at 600 kc.  
SW trimmers at 15 mc.  
For more detailed infor-  
mation, follow procedure  
given under MODEL E-10707

DISC NO.	PART NO.	QTY.	DESCRIPTION
R1	R-23	50,000 OHM	.25 W.
R2	R-24	5,000 OHM	
R3	R-20	2 MEGOHM	
R4	V-20	1 MEGOHM VOLUME CONT.	
R5	R-43	1 MEGOHM	
R6	R-41	.25 MEGOHM	.25 W.
R7	R-42	.5 MEGOHM	
R8	R-307	512 OHM	
R9	R-43	20 OHM	
R10	R-43	40 OHM	
R11	Y-15	.5 MEGOHM TONE CONTROL	
R12	Y-15	.5 MEGOHM TONE CONTROL	
C1	C-4	.01 MFD.	400 V.
C2	C-4	.01 MFD.	200 V.
C3	C-13	.05 MFD.	200 V.
C4	C-4	.01 MFD.	400 V.
C5	C-119B	4,000 MMFD. ±5%	200 V.
C6	C-1	.1 MFD.	200 V.
C7	C-18	250 MMFD. ±20%	400 V.
C8	C-4	.01 MFD.	400 V.
C9	C-111	250 MMFD. ±20%	400 V.
C10	C-4	.01 MFD.	400 V.
C11	C-10A	.02 MFD.	600 V.
C12	C-14	.05 MFD.	480 V.
C13	C-239	20 MFD.	350 V.
C14	C-239	10 MFD.	250 V.
C15	C-2	.1 MFD.	400 V.
C16	C-2	.1 MFD.	400 V.
C17	C-15	50 MMFD. ±20%	
L-44	ANTENNA COIL		
L-45	OSCILLATOR COIL		
L-50	1ST. I.F. TRANSFORMER		
S-20	2ND. I.F.		
S-21A	SPKR. 8		
S-21B	POWER		
L-54	WAVE TRAP (456 K.C.)		
P-1	500 MMFD. B.C. PADDER		
G-17	2 GANG VARIABLE COND.		
X-13	BAND SWITCH		
C-18	.05 MFD.	200 V.	
C-19	.006 MFD.	800 V.	



MODEL E-10807

ALLIED RADIO CORP.



**GENERAL DATA.** The alignment of this receiver requires the use of a test oscillator that will cover the frequencies of 456, 600, 1400, 2200, 5000, 6000 and 15000 KC and an output meter to be connected across the primary or secondary of the output transformers. If possible, all alignments should be made with the volume control on maximum and the test oscillator output as low as possible to prevent the AVC from operating and giving false readings. (All adjustments on Model "RA" must be made with "Manual" button depressed.)

**CORRECT ALIGNMENT PROCEDURE.** The intermediate frequency (I.F.) stages should be aligned properly as the first step. After the I.F. transformers have been properly adjusted and peaked, the wave trap and then the Short Wave, Police and Broadcast bands in the order given, should be the next procedure. (Wave trap is not used on Model "R".)

**I. F. AND WAVE TRAP ALIGNMENT.** With the wave switch in the Broadcast Band and the gang condenser set at minimum, adjust the test oscillator to 456 KC and connect the output to the grid of the first detector tube (6K8) through a .05 or .1 mfd. condenser. The ground on the test oscillator should be connected to the chassis ground. Align all four I.F. trimmers to peak or maximum reading on the output meter. After aligning the I.F.'s, have the band switch in the broadcast band and the generator set at 456 KC. Connect the antenna lead to the generator through a 200 MMF condenser. Adjust the wave trap trimmer to give a minimum signal. It will be necessary to increase the output of the generator to secure an accurate minimum with the wave trap. (Wave trap data applies to Model "RA" only.)

**SHORT WAVE BAND ALIGNMENT.** Change the band switch to the S. W. position and connect the generator to the antenna with a 400 ohm dummy. Adjust the S. W. oscillator to give a maximum output with the dial at 15000 KC. Next adjust the S. W. antenna to give a maximum peak and check dial to prevent alignment on the image frequency. With a strong signal input turn the dial to approximately 1 M. C. lower in frequency and pick up the image frequency. If the image is not received, it will be necessary to return the dial to 15000 KC to reduce the capacity in the oscillator trimmer until a second signal is received. Proceed as before with the alignment of the antenna and recheck for image frequency. Check the sensitivity at 6000 KC to determine if the coils and mica pad are not defective.

**POLICE BAND ALIGNMENT.** Change the band switch to the police position and, with the same dummy antenna, line up the police oscillator trimmer and police antenna trimmer in the same way as for the short wave band, setting the dial at 5000 KC and the generator at the same frequency. Check for image frequency at approximately 1 MC lower on the dial as described for the short wave band. Next, set the generator at 2200 KC and tune in the signal with the dial. Adjust the police pad by rocking the gang back and forth while adjusting the pad until maximum output is attained. Recheck the adjustment at 5000 KC as the pad adjustment may have caused misalignment.

**BROADCAST BAND ALIGNMENT.** With the switch turned to the broadcast position, connect the antenna to the generator through a 200 MMF dummy and set the dial and generator at 1400 KC. Align the BC oscillator trimmer and the two BC antenna trimmers. Set the generator at 600 KC and adjust the BC pad as described for the police band. Return to 1400 KC and recheck alignment at this point.

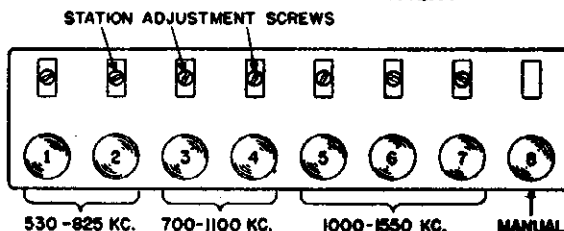
PUSH-BUTTON ADJUSTMENT

**SETTING-UP PROCEDURE.** To set up a list of stations on the automatic tuner proceed as follows:

- (1) Make a list of the stations you listen to most frequently.
- (2) Determine their frequencies from a station list or by adding a zero to their position on the dial, thus: 56 is 560 KC.
- (3) Arrange them in order, starting with the lowest frequency first; then the next highest and so on until not more than seven of your favorite stations have been selected.
- (4) Select the proper button for each station, starting at the top of your list (the lowest frequency station) and determine if it is within the required range of button No. 1 as shown on the button diagram below. If it is in this range assign button No. 1 to this station. If not, assign this station to the next button to the right that has the required range to accommodate this station. Take the second station on your list and determine if it can be assigned to the button to the right of the one already assigned. If it can be applied, proceed to the next button. If not, go to the next button to the right which has the proper range to accommodate the station. Proper assigning of stations to buttons will make it possible to set up the buttons to all the principal stations in every locality.
- (5) Turn the band switch to the broadcast position and depress button No. 8 (manual button at extreme right); then tune

- in with the manual tuning control, the station on the top of your list (the lowest frequency station).
- (6) Depress the button assigned to this station and with a screw driver carefully turn the screw head above the depressed button until the station you desire is tuned in. **Never try to turn the screw past the ends of its travel as you will damage the tuner.** The screw has approximately twenty complete turns.
- (7) When the station is picked up adjust the screw carefully for maximum volume and least noise. Push the manual button and the same station will be heard if you have tuned in the correct station.
- (8) Select a tab with the proper call letters, insert in slot above push button and then cover with celluloid tab.

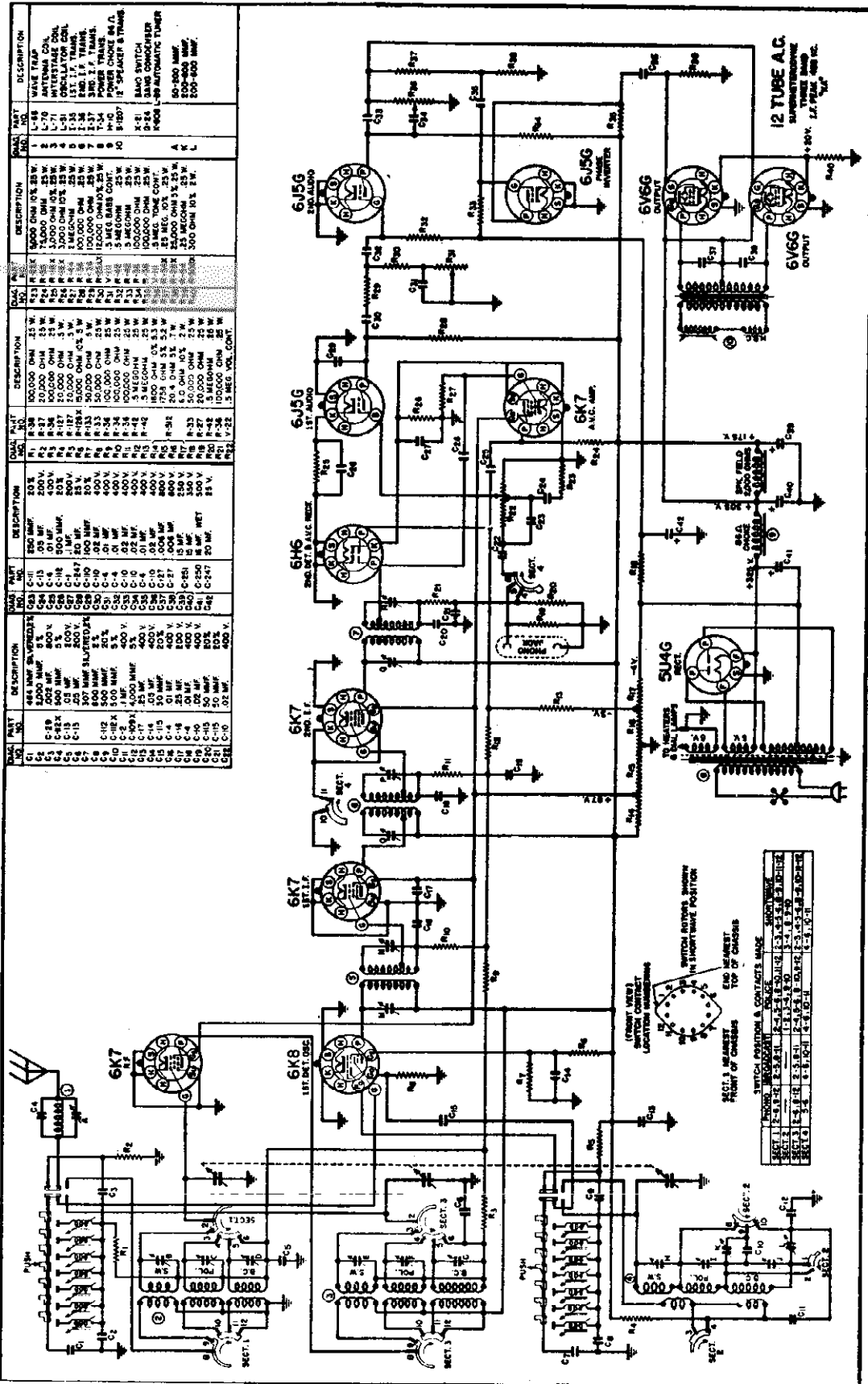
PUSH BUTTON ARRANGEMENT



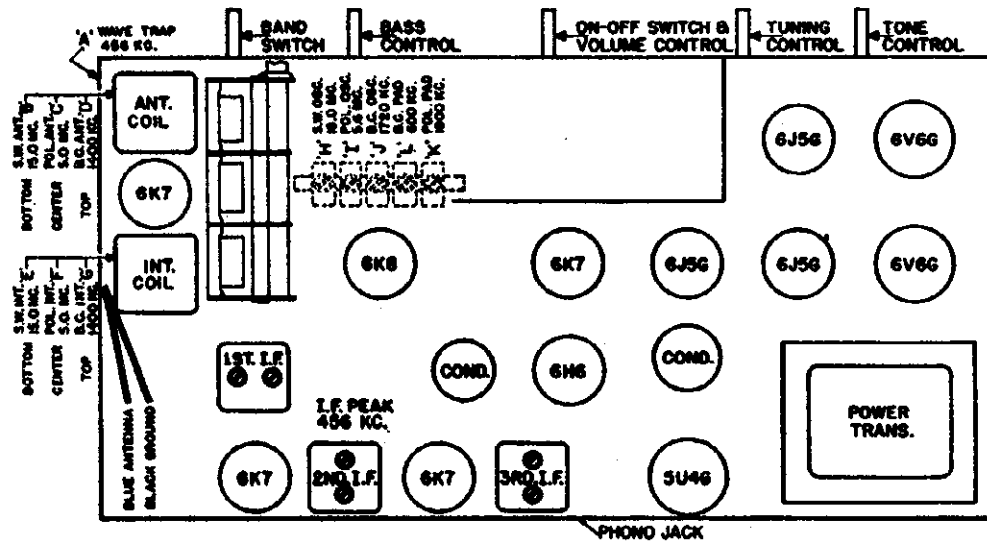


MODELS E-10821, E-10822

ALLIED RADIO CORP.



ALLIED RADIO CORP.



ALIGNMENT PROCEDURE

**GENERAL DATA.** The alignment of this receiver requires the use of a test oscillator that will cover the frequencies of 456, 600, 700, 1400, 1720, 1800, 5000, 5600, 6000, 15000 and 18100 KC and an output meter to be connected across the primary or secondary of the output transformer. If possible, all alignments should be made with the volume control on maximum and the test oscillator output as low as possible to prevent the AVC from operating and giving false readings. (All adjustments on sets with automatic tuning must be made with "Manual" button depressed.)

**CORRECT ALIGNMENT PROCEDURE.** The intermediate frequency (I.F.) stages should be aligned properly as the first step. After the I.F. transformers have been properly adjusted and peaked, the wave trap and then the Short Wave, Police and Broadcast bands in the order given, should be the next procedure.

**I. F. AND WAVE TRAP ALIGNMENT.** With the wave switch in the Broadcast Band and the gang condenser set at minimum, adjust the test oscillator to 456 KC and connect the output to the grid of the first detector tube (6K8) through a .05 or .1 mfd. condenser. The ground on the test oscillator should be connected to the chassis ground. Align all six I.F. trimmers to peak or maximum reading on the output meter. After aligning the I.F.'s, have the band switch in the broadcast band and the generator set at 456 KC. Connect the antenna lead to the generator through a 200 MMF condenser. Adjust the wave trap trimmer to give a minimum signal. It will be necessary to increase the output of the generator to secure an accurate minimum with the wave trap.

**SHORT WAVE BAND ALIGNMENT.** Change the band switch to the S. W. position and connect the generator to the antenna with a 400 ohm dummy. Adjust the S. W. oscillator to give a maximum output at 18100 KC with the dial at the extreme left. Set the signal generator and receiver dials to 15000 KC and adjust the S.W. antenna and R. F. trimmers (bottom row) to give a maximum peak and check dial to prevent alignment on the image frequency. With a

strong signal input turn the dial to approximately 1 M. C. lower in frequency and pick up the image frequency. If the image is not received, it will be necessary to return the dial to 18100 KC to reduce the capacity in the oscillator trimmer until a second signal is received. Proceed as before with the alignment of the antenna and recheck for image frequency. Check the sensitivity at 6000 KC to determine if the coils and mica pad are not defective.

**POLICE BAND ALIGNMENT.** Change the band switch to the police position and, with the same dummy antenna, line up the police oscillator trimmer at 5600 KC with the receiver pointer at the extreme left end of the dial and then adjust the police antenna and R. F. trimmers (center row) in the same way as for the short wave band, setting the dial at 5000 KC and the generator at the same frequency. Check for image frequency at approximately 1 MC lower on the dial as described for the short wave band. Next, set the generator at 1800 KC and tune in the signal with the dial. Adjust the police pad by rocking the gang back and forth while adjusting the pad until maximum output is attained. Recheck the adjustment at 5000 KC as the pad adjustment may have caused misalignment.

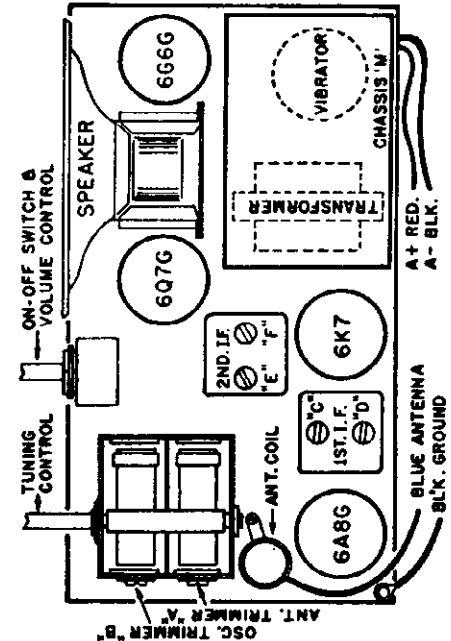
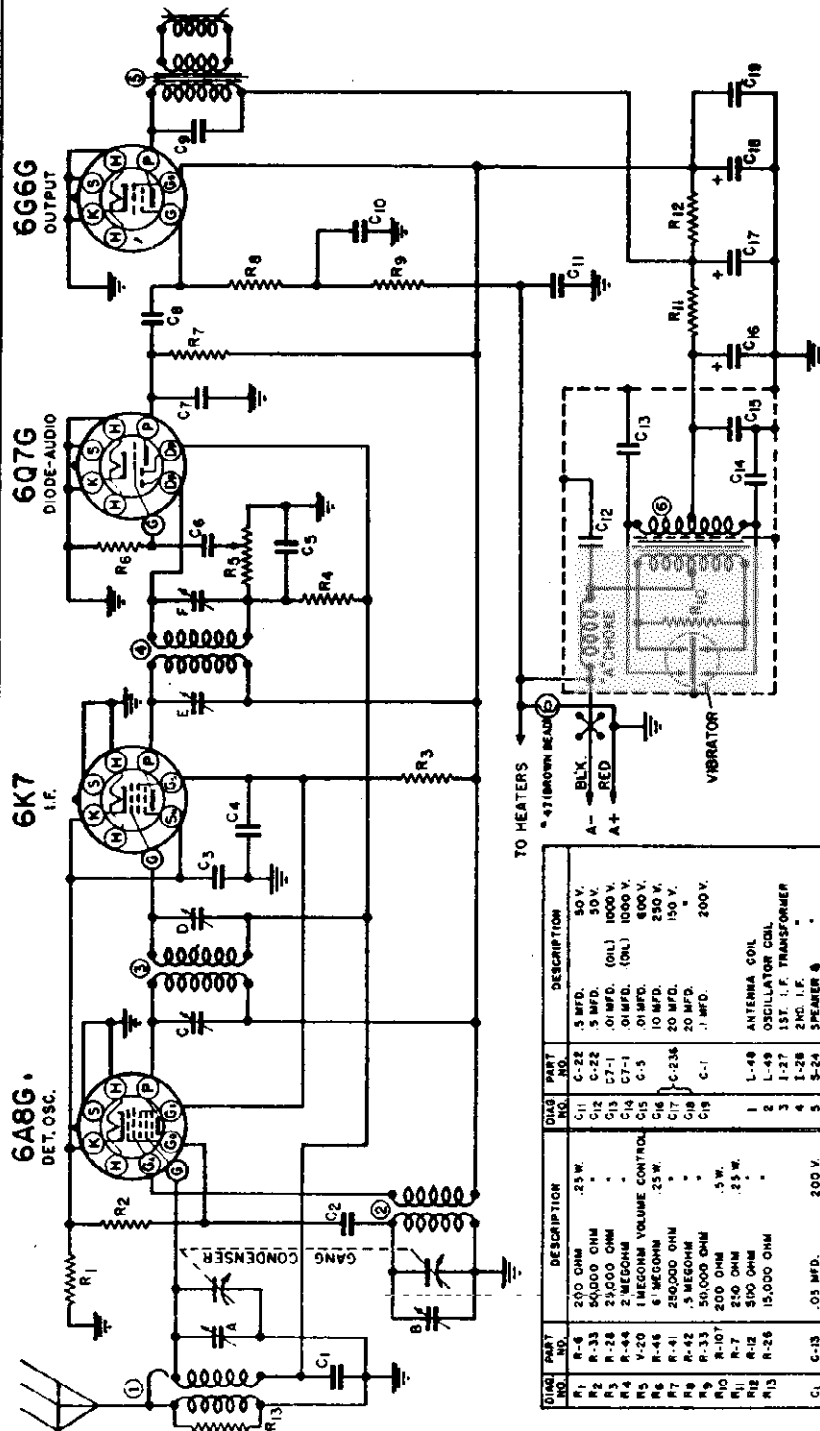
**BROADCAST BAND ALIGNMENT.** With the switch turned to the broadcast position, connect the antenna to the generator through a 200 MMF dummy and set the dial to the extreme left and the generator at 1720 KC. Align the BC oscillator trimmer for maximum output, then set the generator to 1400 KC, tune in the signal on the receiver and adjust the BC antenna and R.F. trimmers (top row). Set the generator at 600 KC and adjust the BC pad as described for the police band. Return to 1400 KC and recheck alignment at this point. Next tune in a signal from a station of known frequency close to 700 KC. If the dial does not indicate correctly, set your signal generator to 700 KC, tune in the signal and after loosening the dial drum by releasing the set screws, adjust the drum so that the pointer indicates 700 KC. Tighten the set screws and check on the station near that frequency to see whether the calibration is satisfactory, then check on several other stations as a final check.

FOR DATA ON PUSH-BUTTON ADJUSTMENT, SEE MODEL E-10807.



MODELS E-10831, E-10832

ALLIED RADIO CORP.

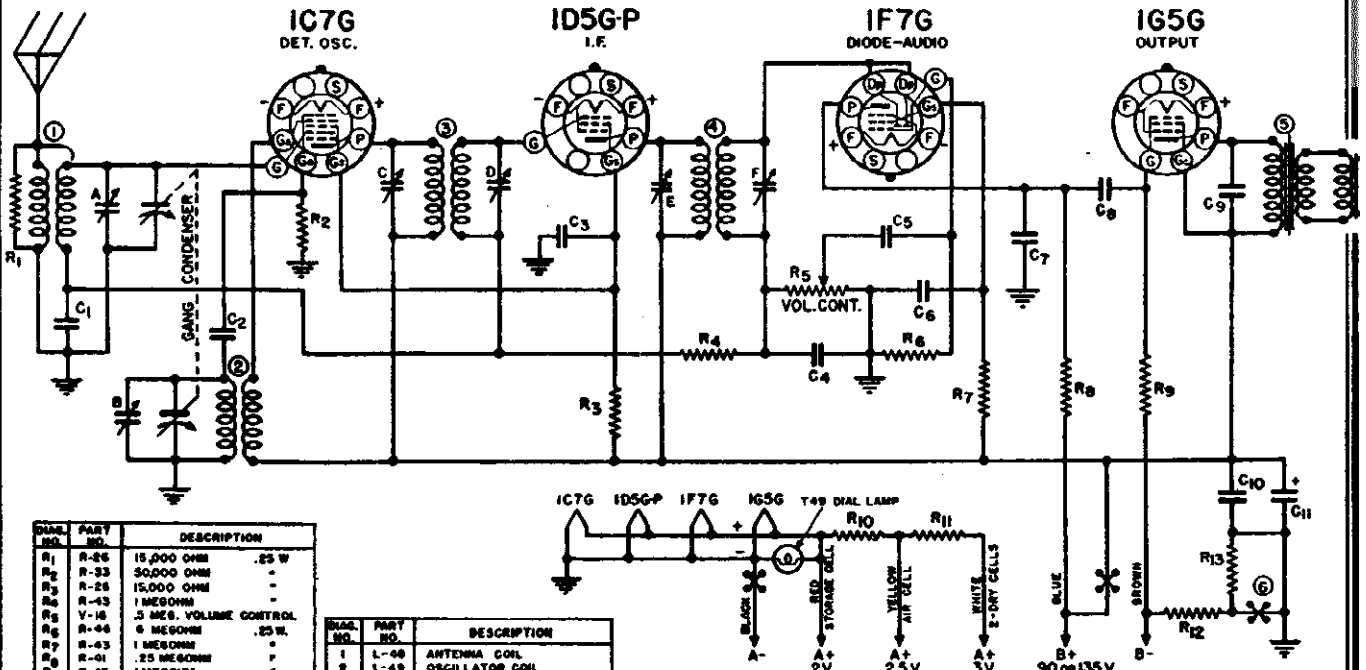


DIAG. PART NO.	DESCRIPTION	DESCRIPTION
R1	240 OHM	50 V.
R2	500 OHM	50 V.
R3	50,000 OHM	500 V.
R4	21,000 OHM	(ONL) 1000 V.
R5	2 MEGOHM	(ONL) 1000 V.
R6	1 MEGOHM	500 V.
R7	1 MEGOHM VOLUME CONTROL	250 V.
R8	1 MEGOHM	150 V.
R9	250,000 OHM	200 V.
R10	5 MEGOHM	200 V.
R11	50,000 OHM	200 V.
R12	200 OHM	5 V.
R13	250 OHM	5 V.
R14	500 OHM	5 V.
R15	15,000 OHM	5 V.
C1	.05 MFD.	200 V.
C2	100 MMFD.	200 V.
C3	.25 MFD.	200 V.
C4	1 MFD.	200 V.
C5	100 MMFD.	200 V.
C6	.025 MFD.	600 V.
C7	250 MMFD.	400 V.
C8	.01 MFD.	400 V.
C9	.008 MFD.	500 V.
C10	.03 MFD.	200 V.
L-49	ANTENNA COIL	
L-27	OSCILLATOR COIL	
L-28	1ST. I.F. TRANSFORMER	
L-29	2ND. I.F. TRANSFORMER	
S-24	SPEAKER	
T-22	POWER	
G-19	5 GANG VARIABLE CONDENSER	
ZOK	"A" CHOKES	
F-4	SYNCHRONOUS VIBRATOR	

**I.F. ALIGNMENT.** With the gang condenser set at minimum, adjust the test oscillator to 456 KC and connect the output to the grid of the first detector tube (6A8G) through a .05 or .1 mid. condenser. The ground on the test oscillator can be connected to the chassis ground. Align all four I.F. trimmers to peak or maximum reading on the output meter.

**BROADCAST BAND ALIGNMENT.** Connect the antenna to the generator through a 200 MMF dummy and set the dial and generator at 1400 KC. Align the BC oscillator trimmer and BC antenna trimmer. Set the generator at 600 KC and tune in the signal to check sensitivity at this point to determine if coils or gang condenser have not been damaged.

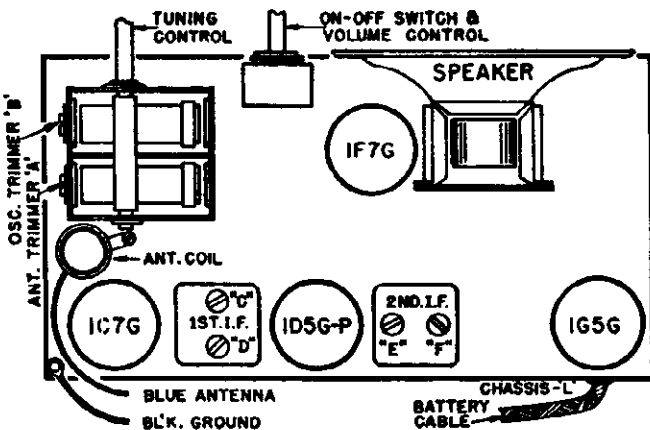
ALLIED RADIO CORP.



PART NO.	DESCRIPTION	VALUE	POWER
R-26	15,000 OHM		.25 W.
R-33	50,000 OHM		
R-28	15,000 OHM		
R-43	1 MEGOHM		
V-16	5 MES. VOLUME CONTROL		
R-46	6 MEGOHM		.25 W.
R-43	1 MEGOHM		
R-41	.25 MEGOHM		
R-43	1 MEGOHM		
R-306	.66 OHM	CANDOM	
R-40	400 OHM	10%	.25 W.
R-10	400 OHM	10%	.25 W.
C-1	.05 MFD.		200 V.
C-10	100 MMFD.		20%
C-1	.1 MFD.		200 V.
C-12	500 MMFD.		20%
C-27	.006 MFD.		500 V.
C-4	.01 MFD.		400 V.
C-11	250 MMFD.		20%
C-4	.01 MFD.		400 V.
C-27	.006 MFD.		500 V.
C-13	.05 MFD.		200 V.
C-230	8 MFD.		150 V.

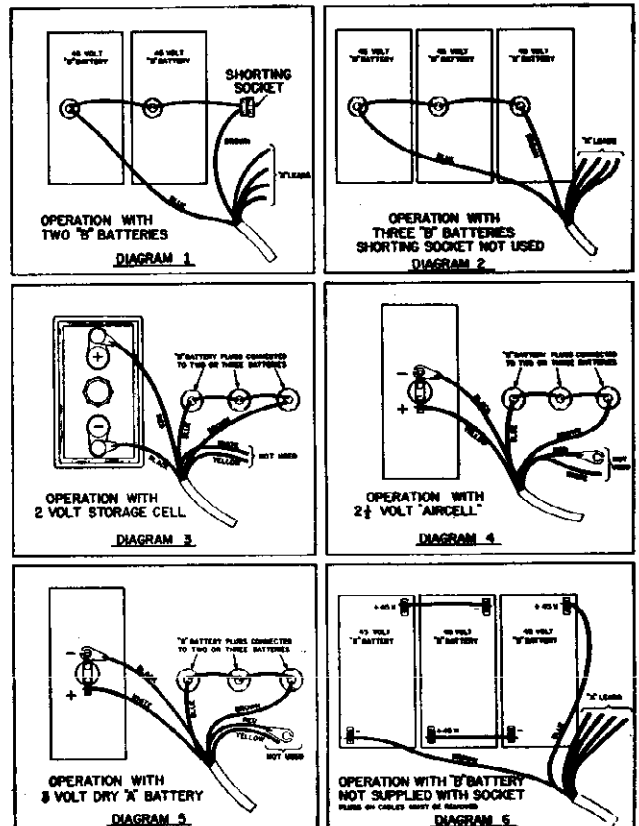
PART NO.	DESCRIPTION
1	L-48 ANTENNA COIL
2	L-49 OSCILLATOR COIL
3	I-20 1ST. I.F. TRANSFORMER
4	I-21 2ND. I.F.
5	S-25 5" P.M. SPKR. & TRANS.
6	X-103 BATTERY ECONOMY SWITCH
7	Q-19 2 GANG VARIABLE COND.
8	W-208 BATTERY CABLE

4 TUBE - 2 VOLT  
SUPERHETERODYNE  
SINGLE BAND  
I.F. PEAK 456 K.C.  
CHASSIS - L



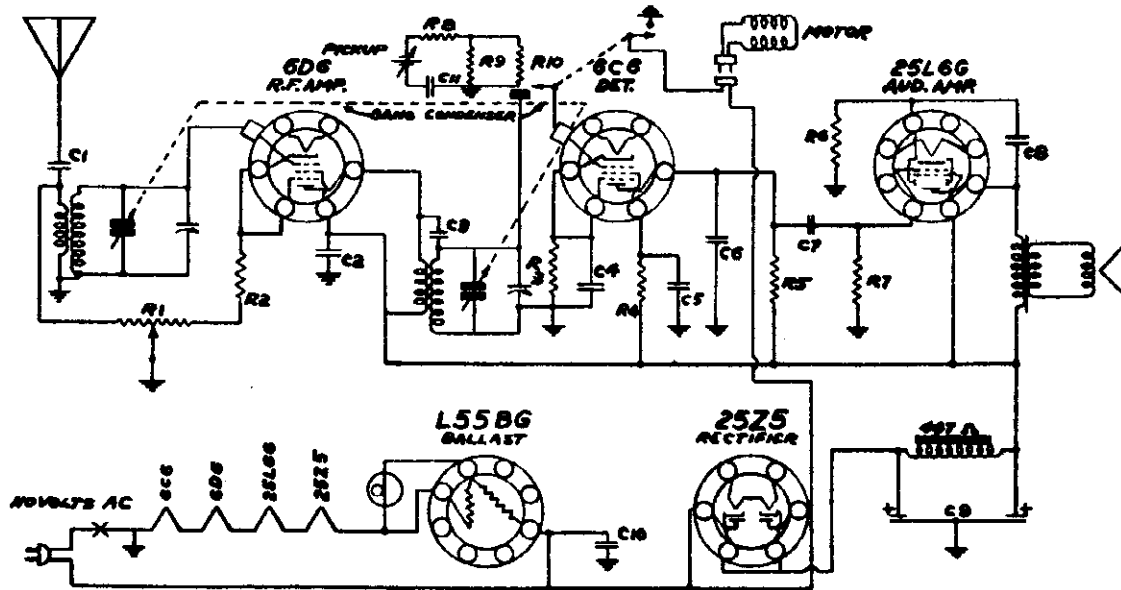
**I. F. ALIGNMENT.** With the gang condenser set at minimum, adjust the test oscillator to 456 KC and connect the output to the grid of the first detector tube (1C7G) through a .05 or .1 mfd. condenser. The ground on the test oscillator should be connected to the chassis ground. -- Align all four I.F. trimmers to peak or maximum reading on the output meter.

**BROADCAST BAND ALIGNMENT.** Connect the antenna to the generator through a 200 MMF dummy and set the dial and generator at 1400 KC. Align the BC oscillator trimmer and BC antenna trimmer. Set the generator at 600 KC and tune in the signal to check sensitivity at this point to determine if coils or gang condenser have not been damaged.



MODEL E-10863

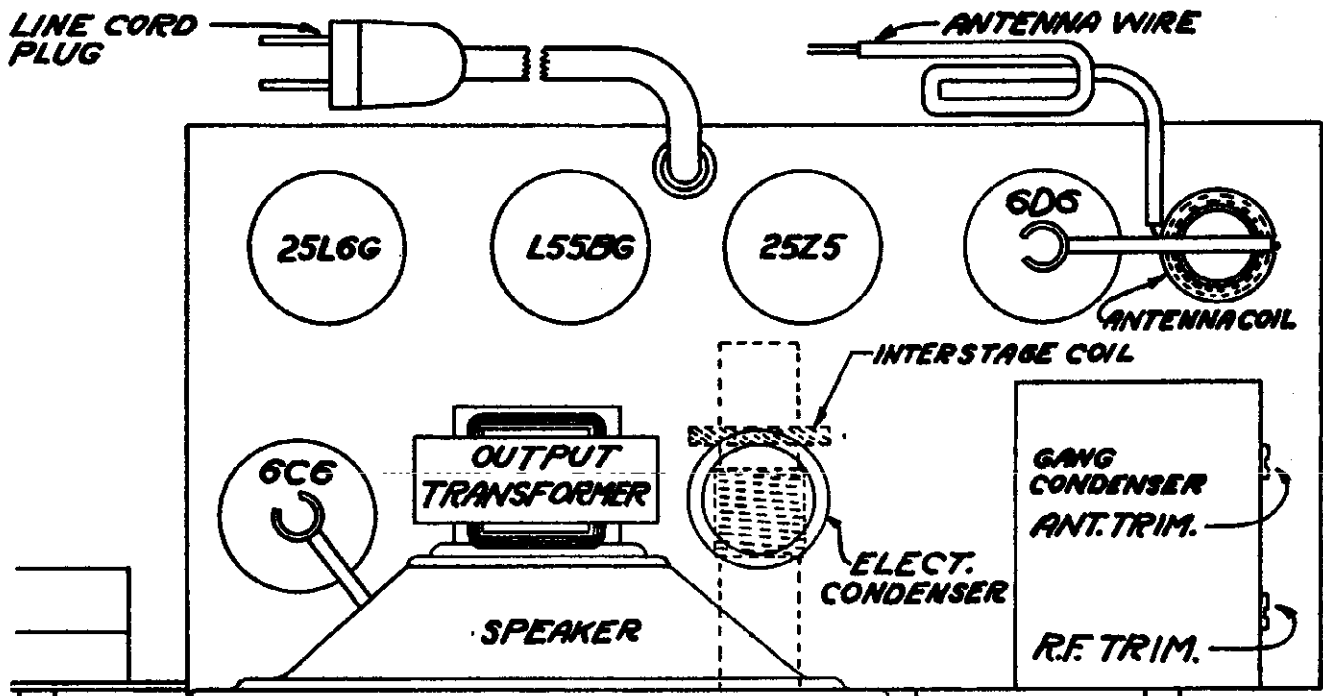
ALLIED RADIO CORP.



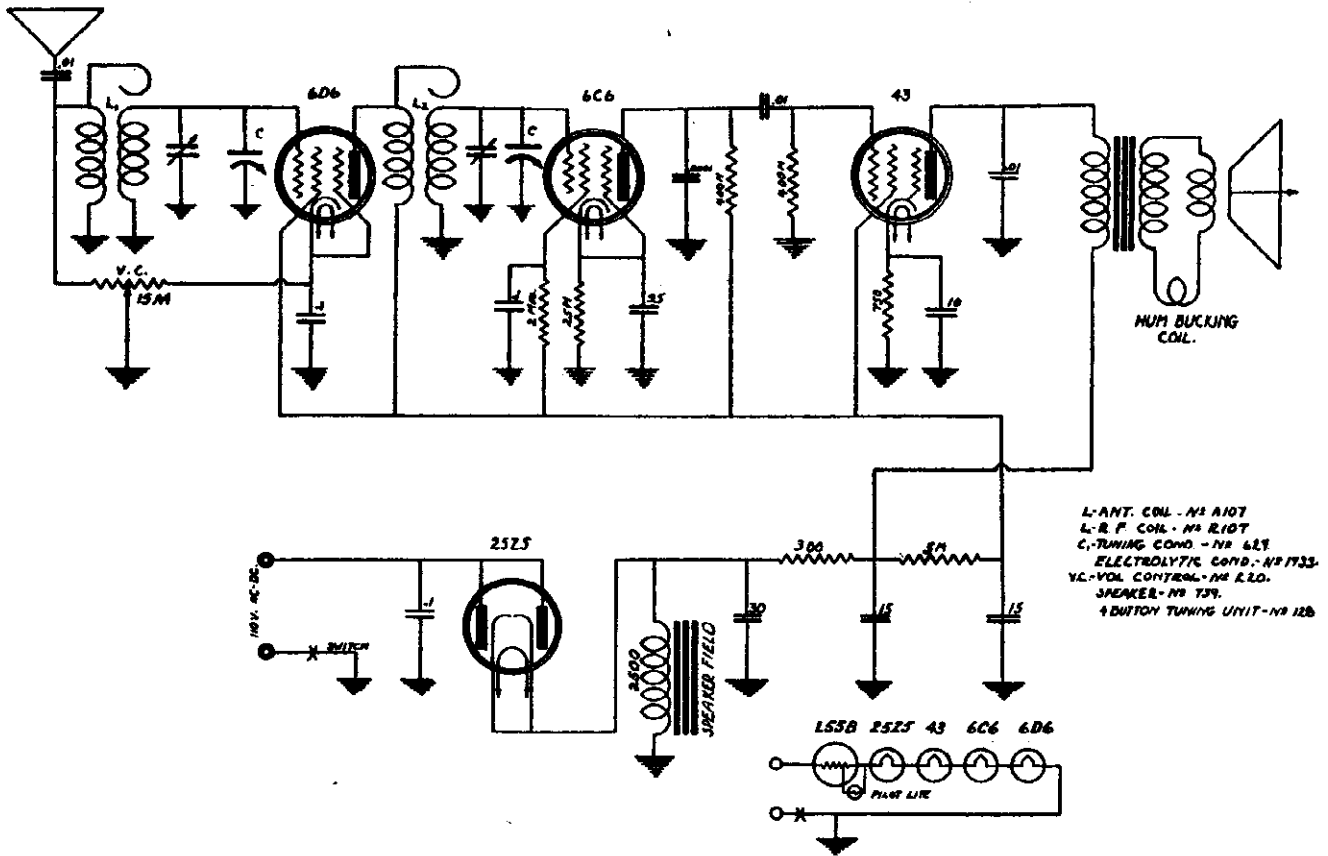
CONDENSERS			RESISTORS		
NO.	CAPACITY	TYPE	NO.	OHMS	WATTS
C1	.002 MFD	400 V.	R1	75,000	VOL. CONT.
C2	.1	200 V.	R2	250	
C3	1.5 μf.	GIMNIK	R3	25,000	
C4	.25 MFD	200 V.	R4	2,000,000	
C5	.1	200 V.	R5	500,000	
C6	.0002	500 V.	R6	110	WIRE WOUND
C7	.01	400 V.	R7	500,000	
C8	.02	400 V.	R8	1,000,000	
C9	16-16	150V. ELECT.	R9	250,000	
C10	.1	500 V.	R10	500,000	PHONO VOL. CONT.
C11	.005	500 V.			

**ALIGNMENT DATA AND SERVICING**

Connect a signal generator to the antenna lead of the receiver through a 100 Mmf. condenser. Set the dial pointer at 1400 KC. Set the generator at 1400 KC. Now adjust the antenna and RF trimmers of the gang condenser to maximum output.

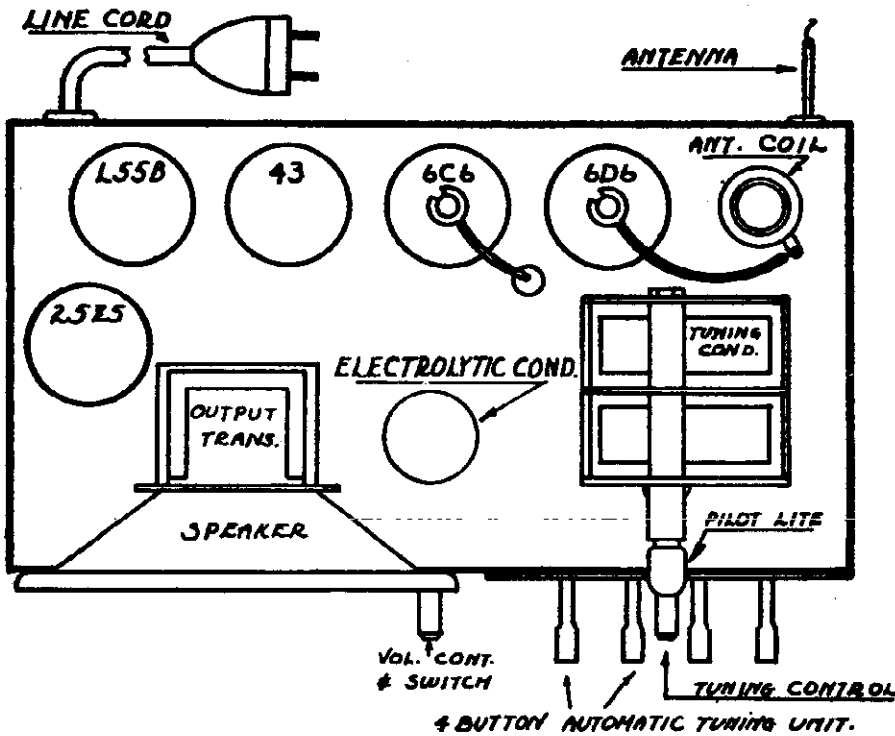


ALLIED RADIO CORP.



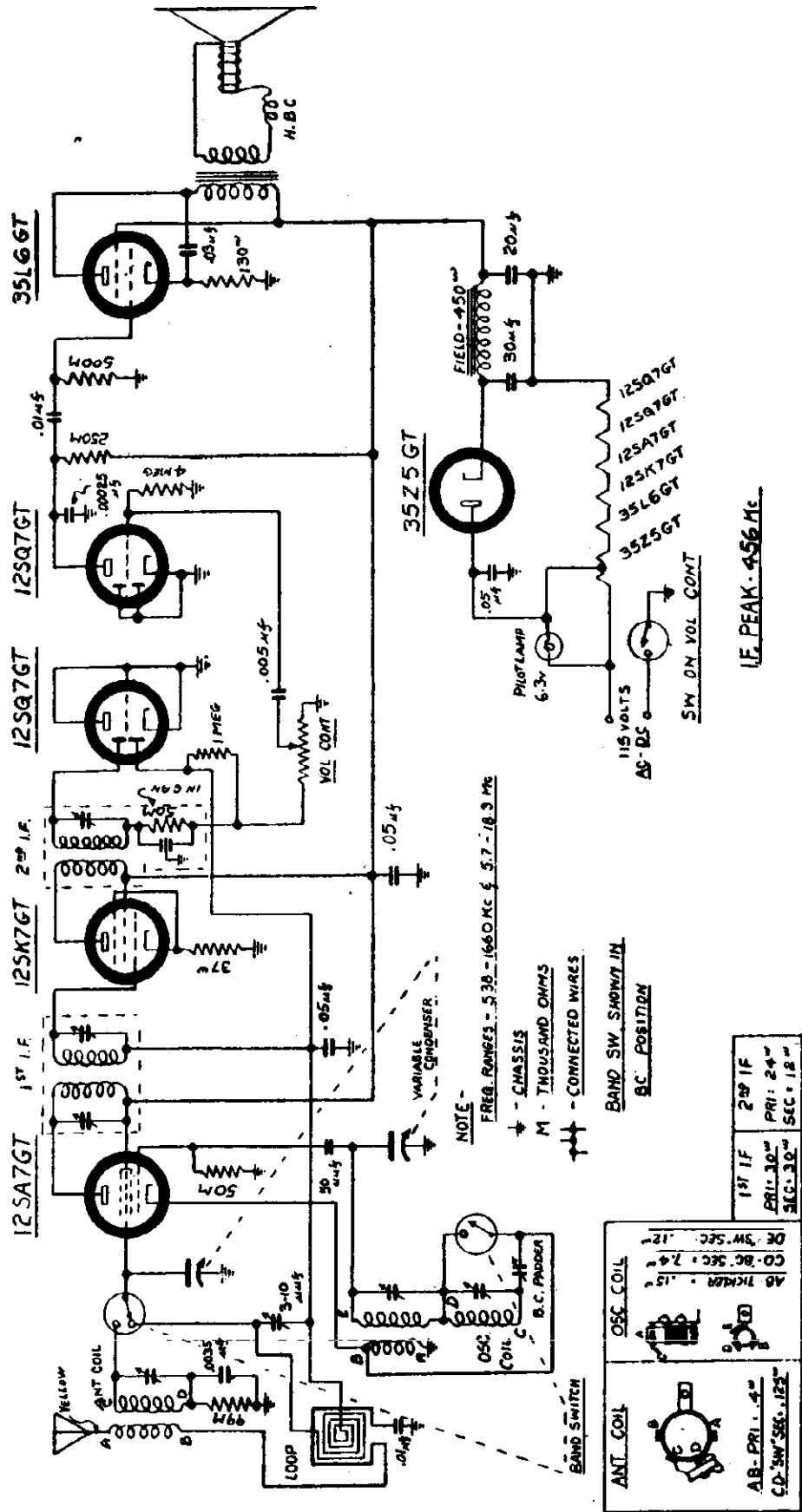
ALIGNMENT

A dummy antenna of approximately 180 mufd. should be used and connected to antenna with aerial coil left unwound. Align at 1400 kc with dial set at 1400 and volume control at maximum. Check the alignment at 1000 kc and at 600 kc. The receiver should check OK at these points. It is only necessary to adjust at one point on the dial.









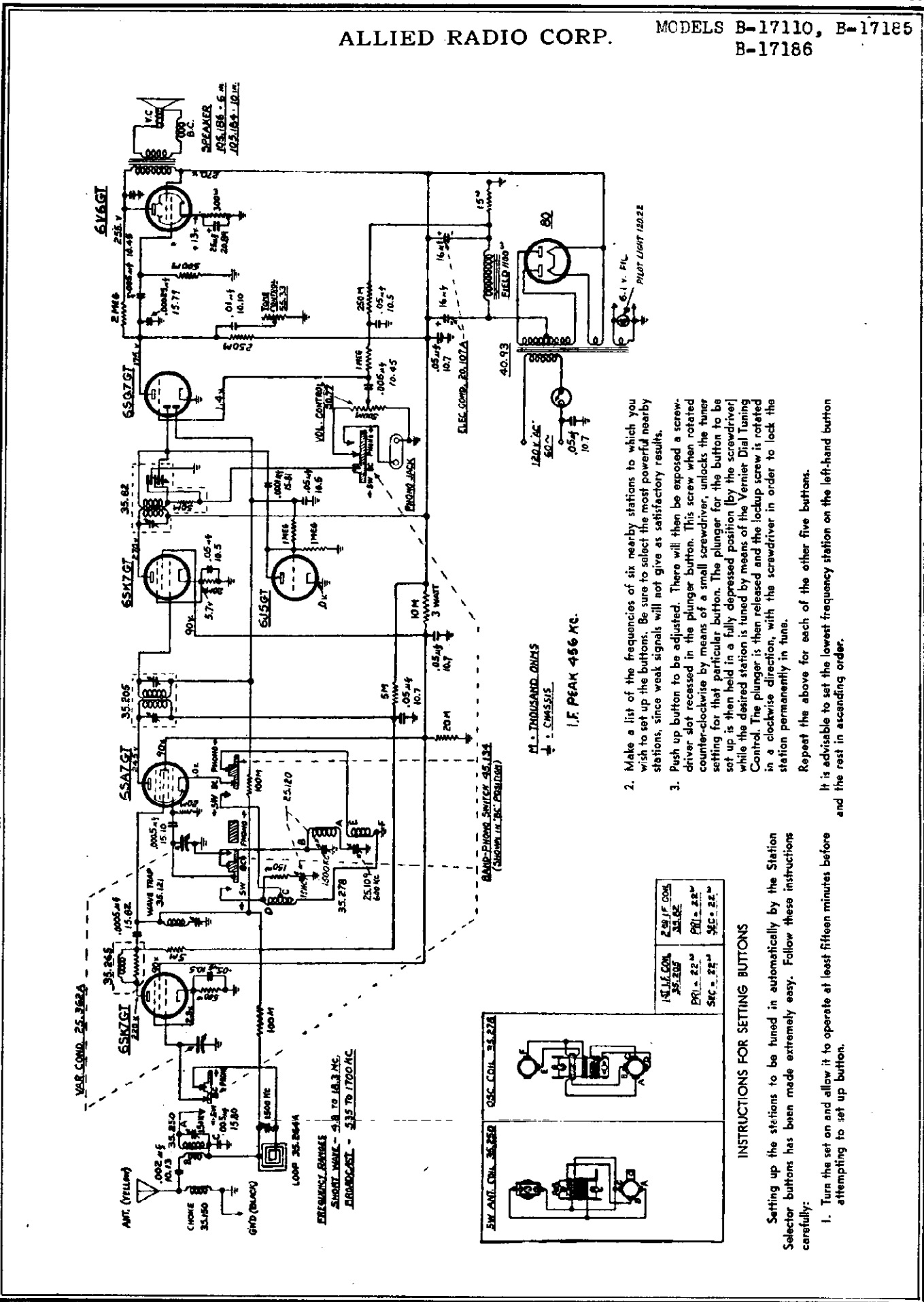






ALLIED RADIO CORP.

MODELS B-17110, B-17185  
B-17186



2. Make a list of the frequencies of six nearby stations to which you wish to set up the buttons. Be sure to select the most powerful nearby stations, since weak signals will not give as satisfactory results.
3. Push up button to be adjusted. There will then be exposed a screw-driver slot recessed in the plunger button. This screw when rotated counter-clockwise by means of a small screwdriver, unlocks the tuner setting for that particular button. The plunger for the button to be set up is then held in a fully depressed position (by the screwdriver) while the desired station is tuned by means of the Vernier Dial Tuning Control. The plunger is then released and the lockup screw is rotated in a clockwise direction, with the screwdriver in order to lock the station permanently in tune.

Repeat the above for each of the other five buttons.

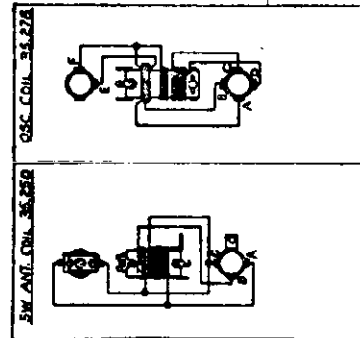
It is advisable to set the lowest frequency station on the left-hand button and the rest in ascending order.

11 THOUSAND OHMS  
± 0.055%  
I.F. PEAK 456 KC.

INSTRUCTIONS FOR SETTING BUTTONS

Setting up the stations to be tuned is automatically by the Station Selector buttons has been made extremely easy. Follow these instructions carefully:

1. Turn the set on and allow it to operate at least fifteen minutes before attempting to set up button.

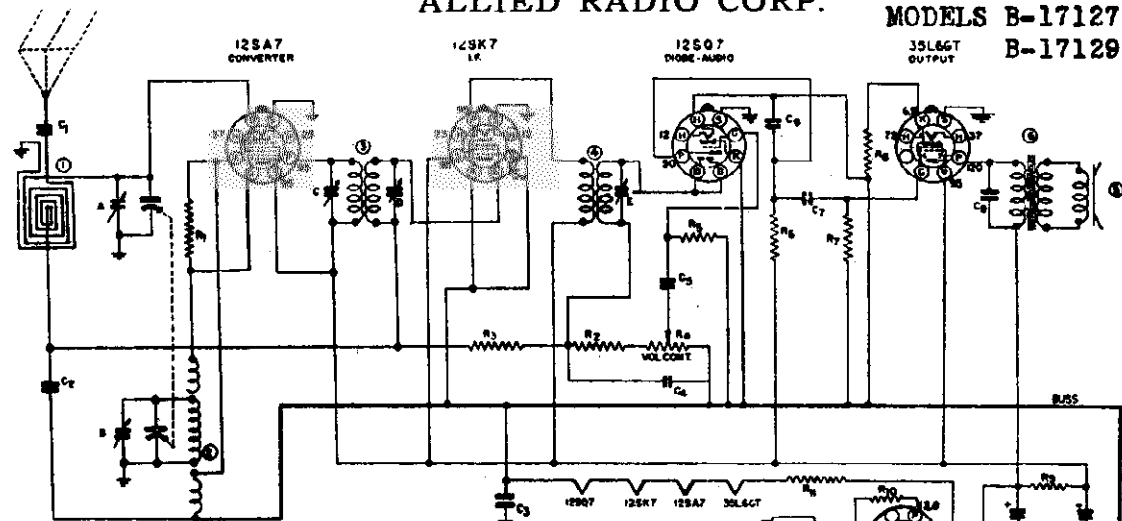


14-11-100K	2.50 IF COIL
35.250	35.250
PR1 = 2.2M	PR1 = 2.2M
SEC = 2.2M	SEC = 2.2M



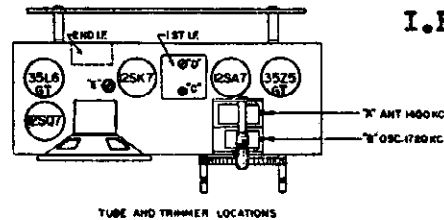
ALLIED RADIO CORP.

MODELS B-17125, B-17126  
MODELS B-17127, B-17128  
B-17129



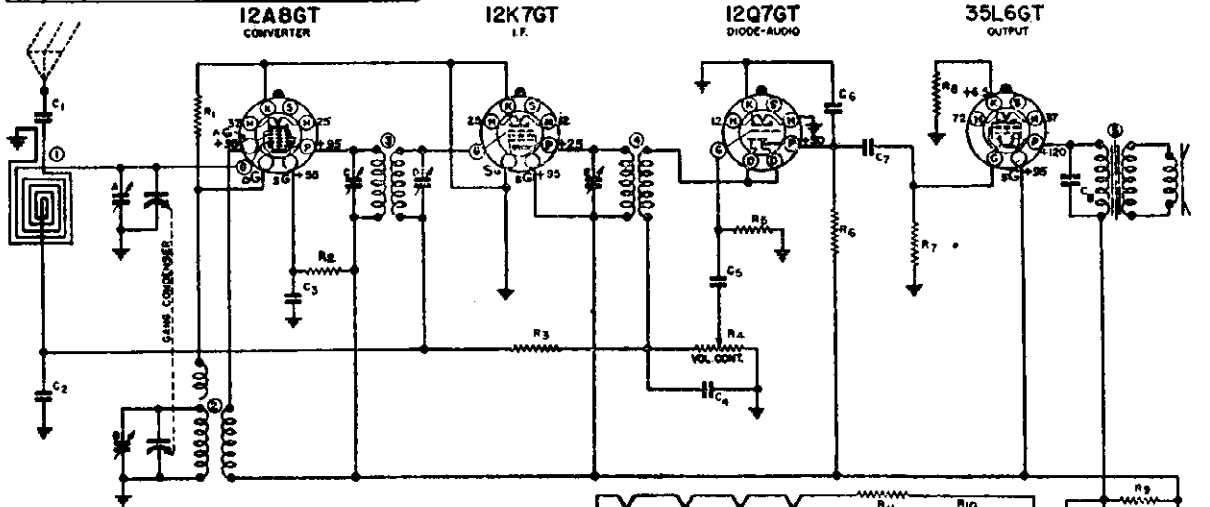
DIAG. NO.	PART NO.	DESCRIPTION	DIAG. NO.	PART NO.	DESCRIPTION
R1	N-4837	20,000 OHM .5W 20%	1	N-3288	ANTENNA COIL LOOP
R2	N-2861	50,000 OHM .5W 20%	2	N-3298	OSCILLATOR COIL
R3	N-2822	1 MEGOHM .5W 20%	3	N-3300	1ST I.F. TRANSFORMER
R4	N-3301	.5 MEGOHM VOL. CONT.	4	N-3301	2ND I.F. TRANSFORMER
R5	N-3488	5 MEGOHM .5W 20%	5	N-3289	5" SPEAKER
R6	N-4249	250,000 OHM .5W 20%	6	N-3289	OUTPUT TRANSFORMER
R7	N-2854	500,000 OHM .5W 20%			
R8	N-364	250 OHM .5W 10%			
R9	N-3341	1000 OHM .5W 20%			
R10	N-742	25 OHM .5W 20%			
R11	N-468	80 OHM .5W 10%			
				N-2897	2 GANG CONDENSER
C1	N-1344	.01 MFD. 400V.			
C2	N-1343	.05 MFD. 200V.			
C3	N-1308	.22 MFD. 200V.			
C4	N-1374	100 MMFD.			
C5	N-1371	.004 MFD. 400V.			
C6	N-1447	.0005 MFD. 400V.			
C7	N-1344	.01 MFD. 400V.			
C8	N-1376	.02 MFD. 400V.			
C9	N-1366	30 MFD. 50V. ELECTRO.			
C10	N-1368	15 MFD. 150V. ELECTRO.			
C11	N-1346	.05 MFD. 400V.			

NOTE: VOLTAGES SHOWN ARE FROM TERMINAL TO BUSS. HEATER VOLTAGES ARE A.C. WHEN LINE VOLTAGE IS ALTERNATING.



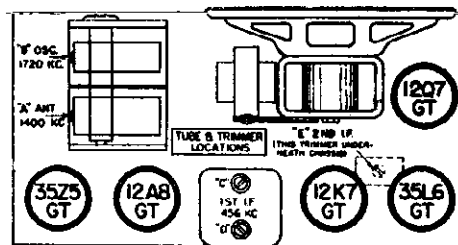
I.F. - 456 KC

MODELS B-17125,  
B-17126



DIAG. NO.	PART NO.	DESCRIPTION	DIAG. NO.	PART NO.	DESCRIPTION
R1	N-1260	50,000 OHM .5W 20%	1	N-2902	ANTENNA COIL LOOP
R2	N-1259	15,000 OHM .5W 20%	2	N-1452	OSCILLATOR COIL
R3	N-1262	1 MEGOHM .5W 20%	3	N-1598	1ST I.F. TRANSFORMER
R4	N-2688	.5 MEGOHM VOL. CONT.	4	N-2890	2ND I.F. TRANSFORMER
R5	N-1263	10 MEGOHM .5W 20%	5	N-2889	4-1/2" SPEAKER & TRANS.
R6	N-1377	200,000 OHM .5W 20%			
R7	N-1244	500,000 OHM .5W 20%			
R8	N-136	250 OHM .5W 10%			
R9	N-1257	2,000 OHM .5W 20%			
R10	N-742	25 OHM .5W 20%			
R11	N-468	80 OHM .5W 10%			
				N-2897	2 GANG CONDENSER
C1	N-1344	.01 MFD. 400V.			
C2	N-1343	.05 MFD. 200V.			
C3	N-1343	.05 MFD. 200V.			
C4	N-1374	100 MMFD.			
C5	N-1344	.01 MFD. 400V.			
C6	N-1447	.0005 MFD. 400V.			
C7	N-1344	.01 MFD. 400V.			
C8	N-1376	.02 MFD. 400V.			
C9	N-1366	30 MFD. 50V. ELECTRO.			
C10	N-1368	15 MFD. 150V. ELECTRO.			
C11	N-1346	.05 MFD. 400V.			

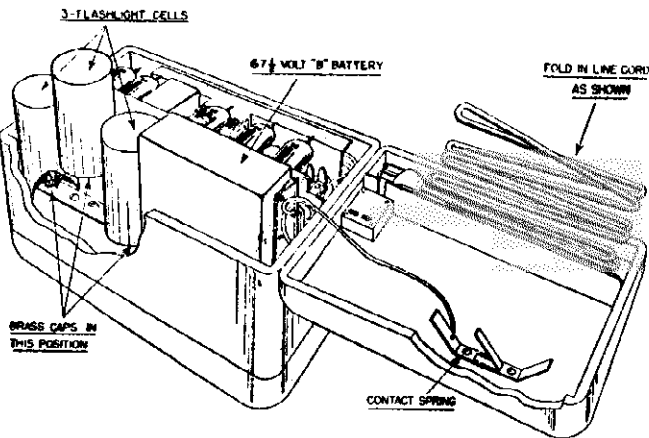
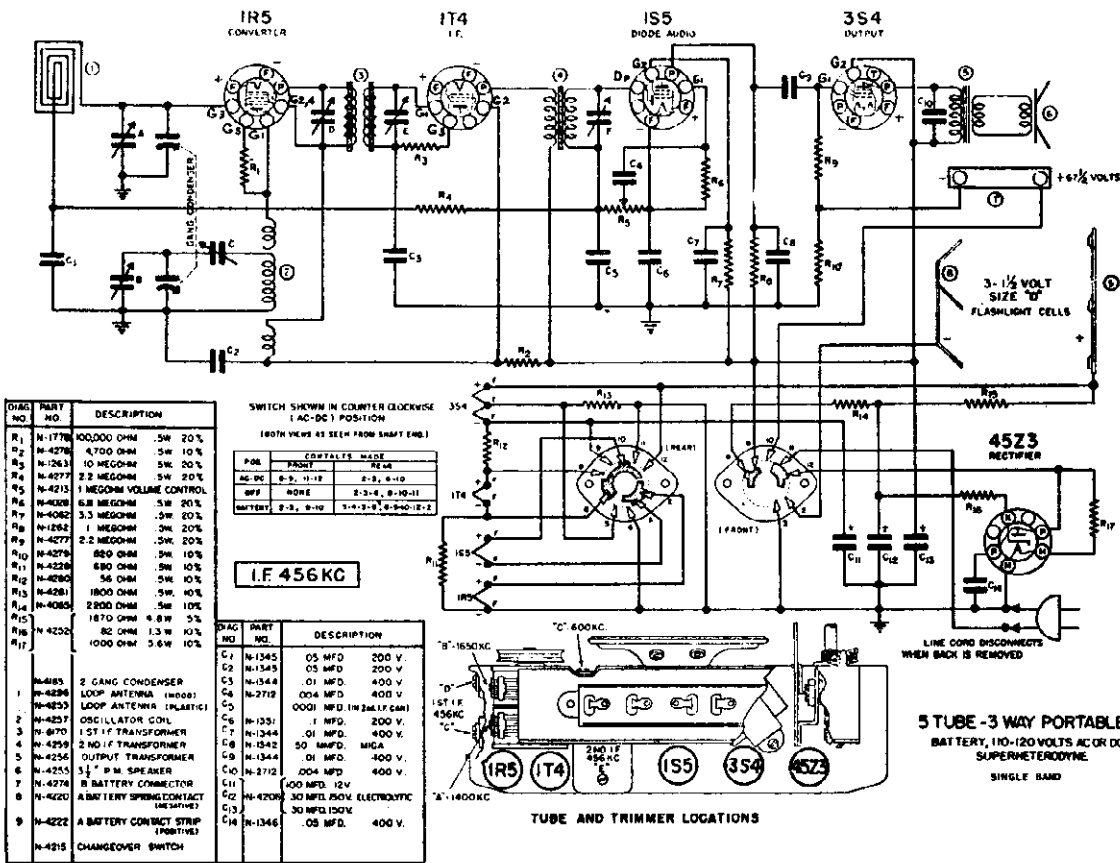
NOTE: VOLTAGES SHOWN ARE FROM TERMINAL TO CHASSIS BARE. HEATER VOLTAGES ARE A.C. WHEN LINE VOLTAGE IS ALTERNATING.



MODELS B-17127,  
B-17128,  
B-17129

MODELS B-17132, B-17133  
B-17134

ALLIED RADIO CORP.



**BATTERIES.** The receiver requires three standard flashlight cells for the "A" battery and one 67 volt "B" battery. The three "A" cells will give 25 hours of service and the "B" battery will give 50 hours of service. Use two sets of these "A" cells during the life of one "B" battery for the most economical operation. The "A" cells are standard flashlight cells which are 2-5/16" long and 1-5/16" in diameter and are usually marked size D. These cells can be purchased from any store that handles flashlights. The cells should not be older than the date limit stamped on the case by the manufacturer if satisfactory life is to be expected from them. The 67 volt "B" battery is approximately 2 5/8" x 1 5/8" x 3 1/4". This battery can be obtained from most radio stores and will have the numbers indicated below for the various manufacturers.

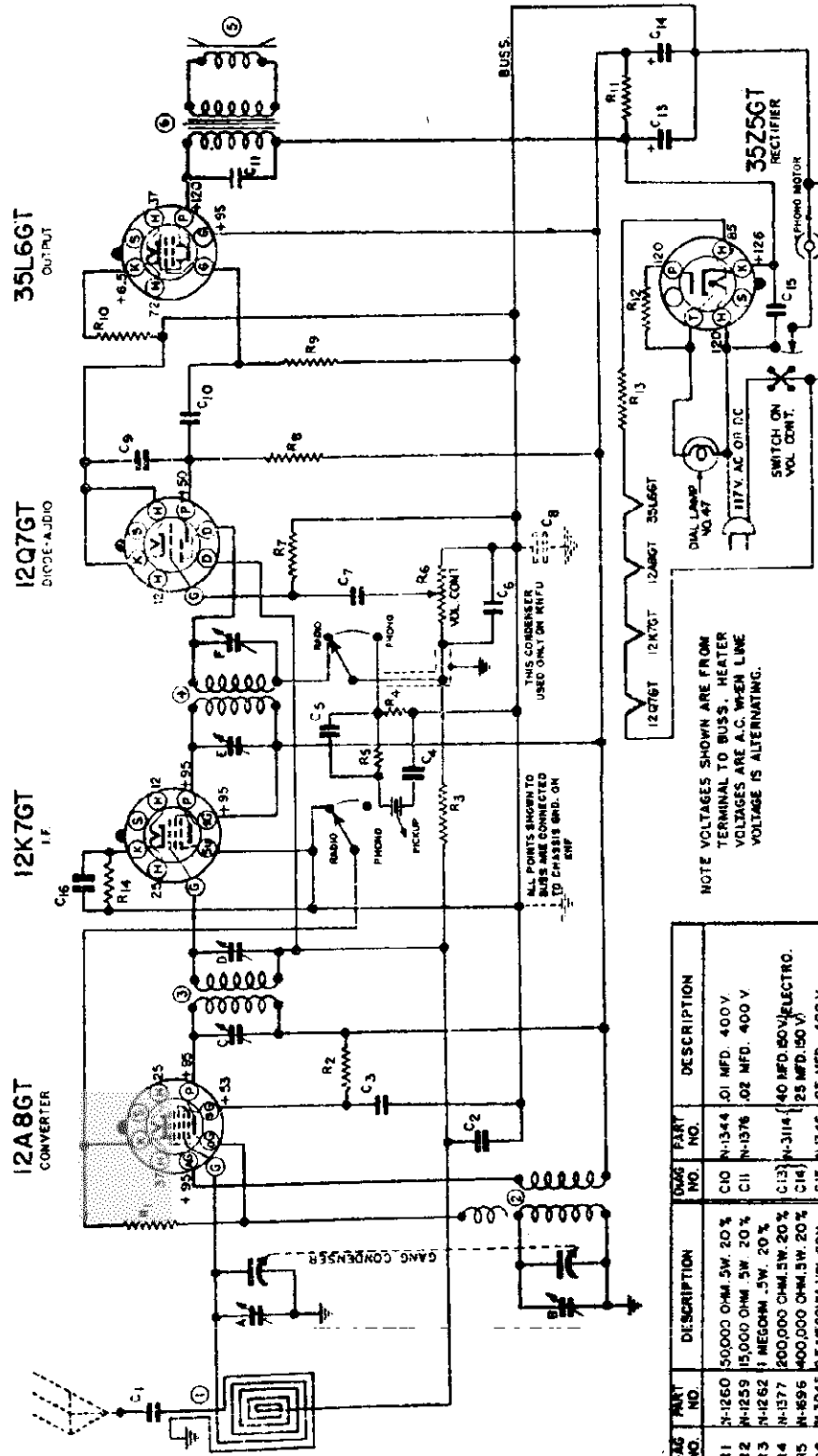
Manufacturers	Designation
Burgess	XX45
Eveready	467
General Dry Battery	W45A
Ray-O-Vac	P4367

**CAUTION.** Never leave dead batteries in the receiver or store the receiver with the batteries in it for long periods as the batteries are apt to swell and damage the radio.

**BROADCAST BAND ALIGNMENT.** Make a loop consisting of two turns of wire approximately one foot in diameter and connect across the generator terminals. Place this loop parallel to the loop antenna and about six inches away from it. Set the dial and generator at 1650 KC (gang at minimum capacity). Adjust the oscillator trimmer for maximum output. Set the generator at 1400 KC and tune in the signal. Adjust the antenna trimmer for maximum output. Next set the test oscillator at 600 KC and tune in the signal with the dial. Adjust the 600 KC padder for maximum output while slowly rocking the gang at the 600 KC position on the dial. If this padder is badly out of adjustment it is necessary to repeat the 1650 and 1400 KC adjustments.

**I. F. ALIGNMENT.** Remove the chassis and loop antenna from the cabinet and set them up on the bench so that they occupy exactly the same respective positions on the bench as they did in the cabinet. Care should be taken to have no iron or other metal near the loop. Do not make this set-up on a metal bench. With the gang condenser set at minimum, adjust the test oscillator to 456 KC and connect the output to the grid of the first detector tube (IR5) through a .05 or .1 mfd. condenser. The ground on the test oscillator should be connected to the chassis ground. Align all three I.F. trimmers to peak or maximum reading on the output meter.

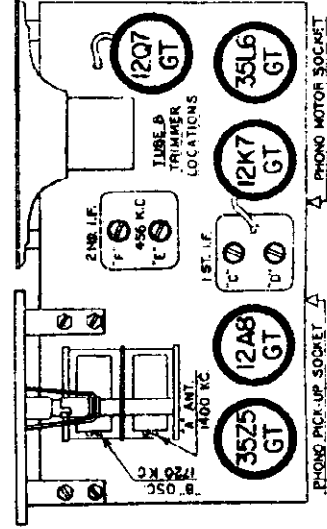
ALLIED RADIO CORP.



I.F. 456 KC.

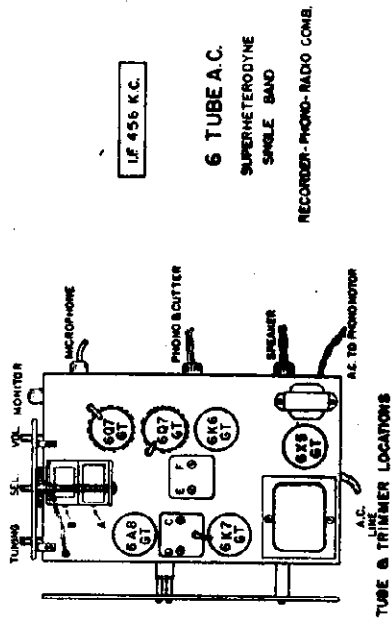
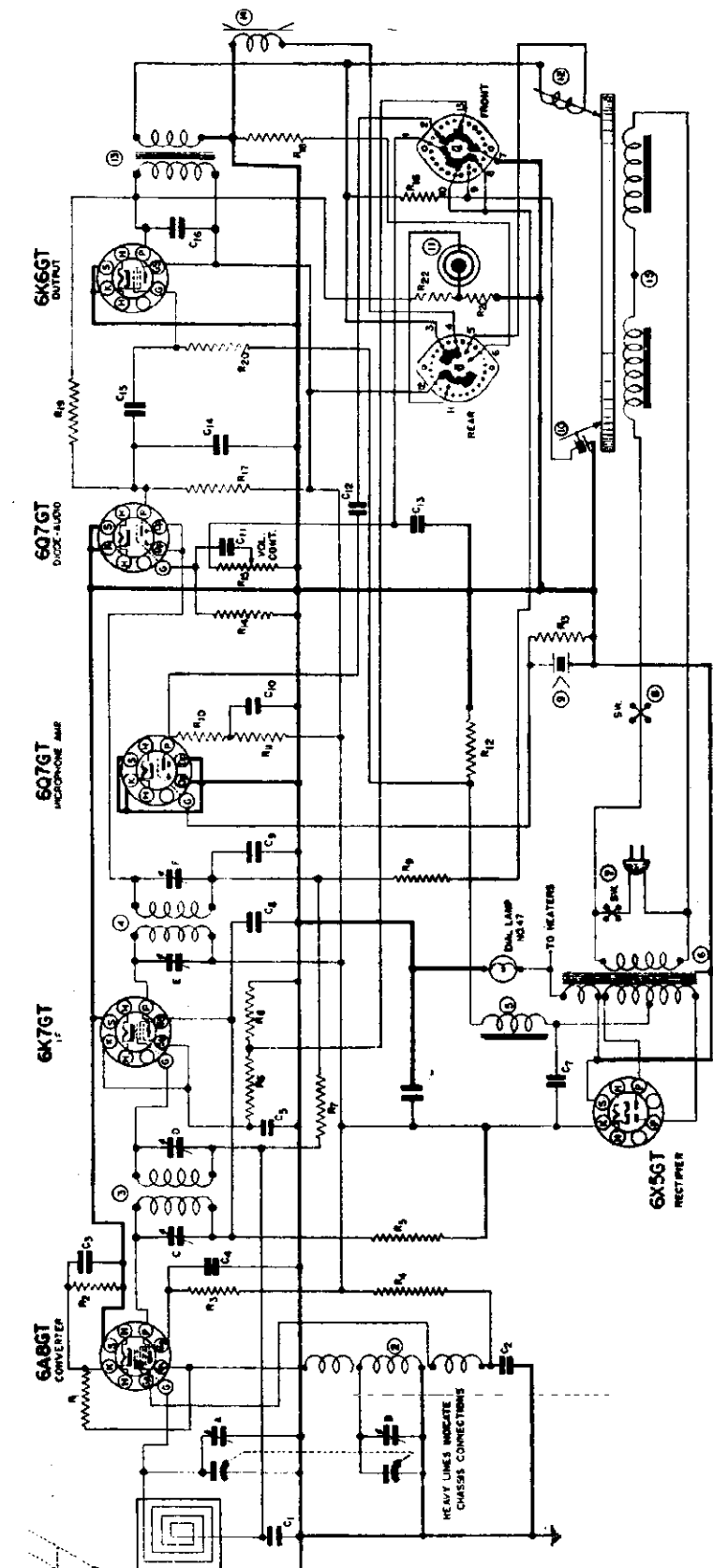
5 TUBE AC-DC SUPERMETRODYNE SINGLE RAMP PHONO COMBINATION

NOTE VOLTAGES SHOWN ARE FROM TERMINAL TO BUSS. HEATER VOLTAGES ARE A.C. WHEN LINE VOLTAGE IS ALTERNATING.



DIAG. NO.	PART NO.	DESCRIPTION	PART NO.	DESCRIPTION
R1	N-1260	50000 OHM .5W. 20%	C10	N-1344 .01 MFD. 400V.
R2	N-1259	15000 OHM .5W. 20%	C11	N-1376 .02 MFD. 400 V.
R3	N-1262	1 MEG OHM .5W. 20%	C12	N-3114 40 MFD. 80V. ELECTRO.
R4	N-1377	200,000 OHM .5W. 20%	C13	N-1438 25 MFD. 150 V.
R5	N-1696	400,000 OHM .5W. 20%	C14	N-1346 .05 MFD. 400 V.
R6	N-3043	0.5 MEG OHM VOL. CON.	C15	N-1351 .1 MFD. 200 V.
R7	N-1263	10 MEG OHM .5W. 20%	C16	N-3048 LOOP ANTENNA COIL
R8	N-1377	200,000 OHM .5W. 20%	1	N-1438 OSCILLATOR COIL
R9	N-1264	500,000 OHM .5W. 20%	2	N-3043 1ST. I.F. TRANSFORMER
R10	N-1616	250 OHM .5W. 10%	3	N-3044 2ND. I.F. TRANSFORMER
R11	N-1237	2000 OHM .5W. 20%	4	N-2624 5" PM. SPEAKER
R12	N-1742	25 OHM .5W. 20%	5	N-3568 OUTPUT TRANSFORMER
R13	N-1518	80 OHM 2W. 10%		
R14	N-2487	200 OHM .5W. 20%		
C1	N-1344	.01 MFD. 400V.		
C2	N-1345	.05 MFD. 200V.		
C3	N-1345	.05 MFD. 200 V.		
C4	N-2642	.09 MFD. 200 V.		
C5	N-1447	0005 MFD. 400V		
C6	N-1374	0001 MFD. MICA		
C7	N-1344	.01 MFD. 400 V.		
C8	N-3040	22 MFD. 200 V.		
C9	N-14-7	10005 MFD. 400V.		

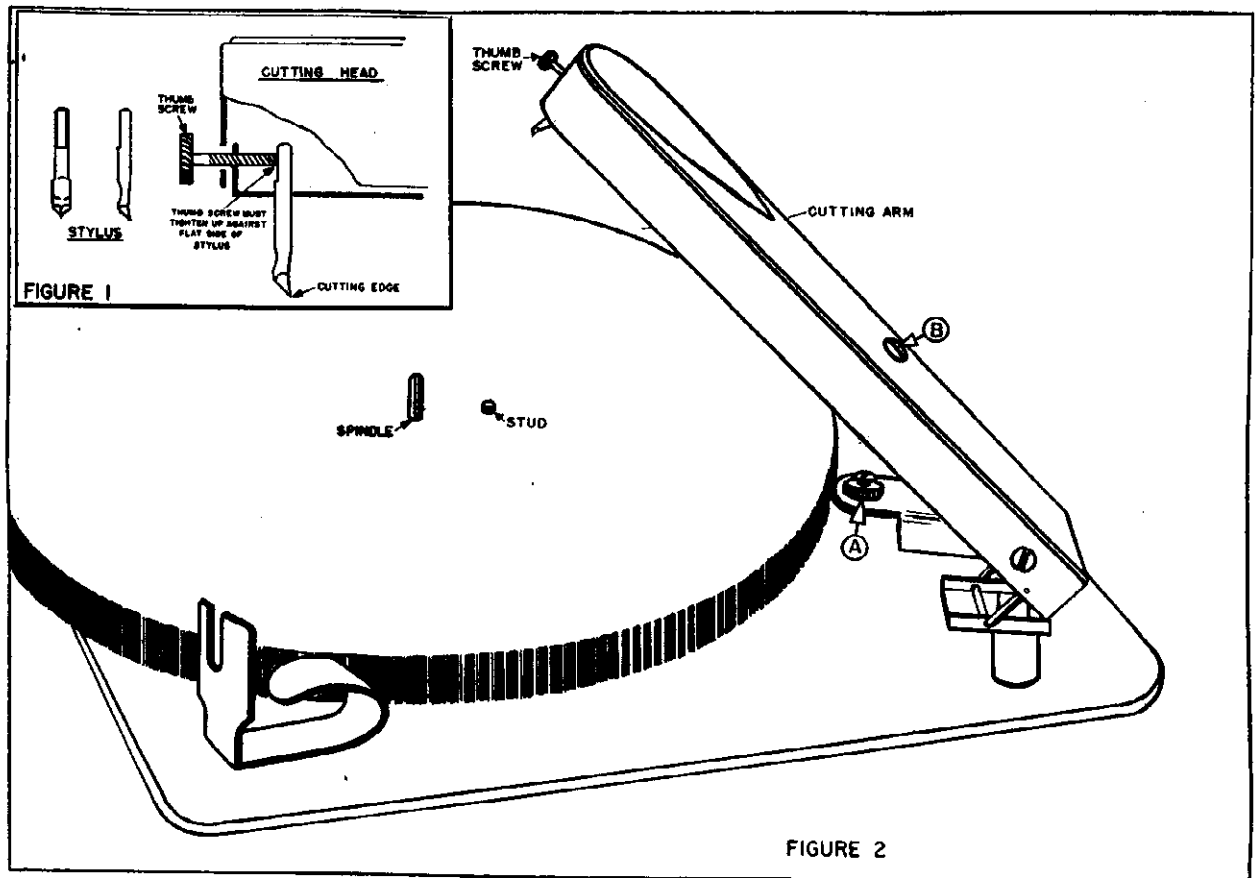
ALLIED RADIO CORP.



SELECTOR SWITCH	CONTACTS
MONITOR	1-2, 3-4, 5-6, 7-8, 9-10, 11-12, 13-14, 15-16, 17-18, 19-20, 21-22, 23-24, 25-26, 27-28, 29-30, 31-32, 33-34, 35-36, 37-38, 39-40, 41-42, 43-44, 45-46, 47-48, 49-50, 51-52, 53-54, 55-56, 57-58, 59-60, 61-62, 63-64, 65-66, 67-68, 69-70, 71-72, 73-74, 75-76, 77-78, 79-80, 81-82, 83-84, 85-86, 87-88, 89-90, 91-92, 93-94, 95-96, 97-98, 99-100
MICROPHONE	1-2, 3-4, 5-6, 7-8, 9-10, 11-12, 13-14, 15-16, 17-18, 19-20, 21-22, 23-24, 25-26, 27-28, 29-30, 31-32, 33-34, 35-36, 37-38, 39-40, 41-42, 43-44, 45-46, 47-48, 49-50, 51-52, 53-54, 55-56, 57-58, 59-60, 61-62, 63-64, 65-66, 67-68, 69-70, 71-72, 73-74, 75-76, 77-78, 79-80, 81-82, 83-84, 85-86, 87-88, 89-90, 91-92, 93-94, 95-96, 97-98, 99-100
PHONO	1-2, 3-4, 5-6, 7-8, 9-10, 11-12, 13-14, 15-16, 17-18, 19-20, 21-22, 23-24, 25-26, 27-28, 29-30, 31-32, 33-34, 35-36, 37-38, 39-40, 41-42, 43-44, 45-46, 47-48, 49-50, 51-52, 53-54, 55-56, 57-58, 59-60, 61-62, 63-64, 65-66, 67-68, 69-70, 71-72, 73-74, 75-76, 77-78, 79-80, 81-82, 83-84, 85-86, 87-88, 89-90, 91-92, 93-94, 95-96, 97-98, 99-100
A.C. TO PHONO MOTOR	1-2, 3-4, 5-6, 7-8, 9-10, 11-12, 13-14, 15-16, 17-18, 19-20, 21-22, 23-24, 25-26, 27-28, 29-30, 31-32, 33-34, 35-36, 37-38, 39-40, 41-42, 43-44, 45-46, 47-48, 49-50, 51-52, 53-54, 55-56, 57-58, 59-60, 61-62, 63-64, 65-66, 67-68, 69-70, 71-72, 73-74, 75-76, 77-78, 79-80, 81-82, 83-84, 85-86, 87-88, 89-90, 91-92, 93-94, 95-96, 97-98, 99-100

COMPONENT NO.	DESCRIPTION	TYPE	VALUE	DESCRIPTION	NO.	DESCRIPTION
1	6A8GT CONVERTER	6A8GT		CONVERTER	1	6A8GT CONVERTER
2	6K7GT IF	6K7GT		IF AMPLIFIER	2	6K7GT IF
3	6Q7GT MICROPHONE AMP	6Q7GT		MICROPHONE AMPLIFIER	3	6Q7GT MICROPHONE AMP
4	6Q7GT DOUBLE AUDIO	6Q7GT		DOUBLE AUDIO AMPLIFIER	4	6Q7GT DOUBLE AUDIO
5	6X6GT SPEAKER	6X6GT		SPEAKER	5	6X6GT SPEAKER
6	6X5GT RECTIFIER	6X5GT		RECTIFIER	6	6X5GT RECTIFIER
7	6K6GT	6K6GT		6K6GT	7	6K6GT
8	6K7GT	6K7GT		6K7GT	8	6K7GT
9	6Q7GT	6Q7GT		6Q7GT	9	6Q7GT
10	6X6GT	6X6GT		6X6GT	10	6X6GT
11	6X5GT	6X5GT		6X5GT	11	6X5GT
12	6K6GT	6K6GT		6K6GT	12	6K6GT
13	6K7GT	6K7GT		6K7GT	13	6K7GT
14	6Q7GT	6Q7GT		6Q7GT	14	6Q7GT
15	6X6GT	6X6GT		6X6GT	15	6X6GT
16	6X5GT	6X5GT		6X5GT	16	6X5GT
17	6K6GT	6K6GT		6K6GT	17	6K6GT
18	6K7GT	6K7GT		6K7GT	18	6K7GT
19	6Q7GT	6Q7GT		6Q7GT	19	6Q7GT
20	6X6GT	6X6GT		6X6GT	20	6X6GT
21	6X5GT	6X5GT		6X5GT	21	6X5GT
22	6K6GT	6K6GT		6K6GT	22	6K6GT
23	6K7GT	6K7GT		6K7GT	23	6K7GT
24	6Q7GT	6Q7GT		6Q7GT	24	6Q7GT
25	6X6GT	6X6GT		6X6GT	25	6X6GT
26	6X5GT	6X5GT		6X5GT	26	6X5GT
27	6K6GT	6K6GT		6K6GT	27	6K6GT
28	6K7GT	6K7GT		6K7GT	28	6K7GT
29	6Q7GT	6Q7GT		6Q7GT	29	6Q7GT
30	6X6GT	6X6GT		6X6GT	30	6X6GT
31	6X5GT	6X5GT		6X5GT	31	6X5GT
32	6K6GT	6K6GT		6K6GT	32	6K6GT
33	6K7GT	6K7GT		6K7GT	33	6K7GT
34	6Q7GT	6Q7GT		6Q7GT	34	6Q7GT
35	6X6GT	6X6GT		6X6GT	35	6X6GT
36	6X5GT	6X5GT		6X5GT	36	6X5GT
37	6K6GT	6K6GT		6K6GT	37	6K6GT
38	6K7GT	6K7GT		6K7GT	38	6K7GT
39	6Q7GT	6Q7GT		6Q7GT	39	6Q7GT
40	6X6GT	6X6GT		6X6GT	40	6X6GT
41	6X5GT	6X5GT		6X5GT	41	6X5GT
42	6K6GT	6K6GT		6K6GT	42	6K6GT
43	6K7GT	6K7GT		6K7GT	43	6K7GT
44	6Q7GT	6Q7GT		6Q7GT	44	6Q7GT
45	6X6GT	6X6GT		6X6GT	45	6X6GT
46	6X5GT	6X5GT		6X5GT	46	6X5GT
47	6K6GT	6K6GT		6K6GT	47	6K6GT
48	6K7GT	6K7GT		6K7GT	48	6K7GT
49	6Q7GT	6Q7GT		6Q7GT	49	6Q7GT
50	6X6GT	6X6GT		6X6GT	50	6X6GT
51	6X5GT	6X5GT		6X5GT	51	6X5GT
52	6K6GT	6K6GT		6K6GT	52	6K6GT
53	6K7GT	6K7GT		6K7GT	53	6K7GT
54	6Q7GT	6Q7GT		6Q7GT	54	6Q7GT
55	6X6GT	6X6GT		6X6GT	55	6X6GT
56	6X5GT	6X5GT		6X5GT	56	6X5GT
57	6K6GT	6K6GT		6K6GT	57	6K6GT
58	6K7GT	6K7GT		6K7GT	58	6K7GT
59	6Q7GT	6Q7GT		6Q7GT	59	6Q7GT
60	6X6GT	6X6GT		6X6GT	60	6X6GT
61	6X5GT	6X5GT		6X5GT	61	6X5GT
62	6K6GT	6K6GT		6K6GT	62	6K6GT
63	6K7GT	6K7GT		6K7GT	63	6K7GT
64	6Q7GT	6Q7GT		6Q7GT	64	6Q7GT
65	6X6GT	6X6GT		6X6GT	65	6X6GT
66	6X5GT	6X5GT		6X5GT	66	6X5GT
67	6K6GT	6K6GT		6K6GT	67	6K6GT
68	6K7GT	6K7GT		6K7GT	68	6K7GT
69	6Q7GT	6Q7GT		6Q7GT	69	6Q7GT
70	6X6GT	6X6GT		6X6GT	70	6X6GT
71	6X5GT	6X5GT		6X5GT	71	6X5GT
72	6K6GT	6K6GT		6K6GT	72	6K6GT
73	6K7GT	6K7GT		6K7GT	73	6K7GT
74	6Q7GT	6Q7GT		6Q7GT	74	6Q7GT
75	6X6GT	6X6GT		6X6GT	75	6X6GT
76	6X5GT	6X5GT		6X5GT	76	6X5GT
77	6K6GT	6K6GT		6K6GT	77	6K6GT
78	6K7GT	6K7GT		6K7GT	78	6K7GT
79	6Q7GT	6Q7GT		6Q7GT	79	6Q7GT
80	6X6GT	6X6GT		6X6GT	80	6X6GT
81	6X5GT	6X5GT		6X5GT	81	6X5GT
82	6K6GT	6K6GT		6K6GT	82	6K6GT
83	6K7GT	6K7GT		6K7GT	83	6K7GT
84	6Q7GT	6Q7GT		6Q7GT	84	6Q7GT
85	6X6GT	6X6GT		6X6GT	85	6X6GT
86	6X5GT	6X5GT		6X5GT	86	6X5GT
87	6K6GT	6K6GT		6K6GT	87	6K6GT
88	6K7GT	6K7GT		6K7GT	88	6K7GT
89	6Q7GT	6Q7GT		6Q7GT	89	6Q7GT
90	6X6GT	6X6GT		6X6GT	90	6X6GT
91	6X5GT	6X5GT		6X5GT	91	6X5GT
92	6K6GT	6K6GT		6K6GT	92	6K6GT
93	6K7GT	6K7GT		6K7GT	93	6K7GT
94	6Q7GT	6Q7GT		6Q7GT	94	6Q7GT
95	6X6GT	6X6GT		6X6GT	95	6X6GT
96	6X5GT	6X5GT		6X5GT	96	6X5GT
97	6K6GT	6K6GT		6K6GT	97	6K6GT
98	6K7GT	6K7GT		6K7GT	98	6K7GT
99	6Q7GT	6Q7GT		6Q7GT	99	6Q7GT
100	6X6GT	6X6GT		6X6GT	100	6X6GT

## ALLIED RADIO CORP.



## GENERAL INFORMATION FOR MAKING RECORDINGS

**STYLUS.** Before cutting a record the stylus should be tightened, as it has a tendency to work loose due to the vibration of the cutting head. The fine point of the stylus should not be touched against any metal or otherwise abused, as it is liable to lose its cutting qualities. Only the best grade of stylus should be used for this purpose, as the success of recording depends to a large extent on the condition of the stylus point. Your dealer will be glad to supply the proper stylus for this recorder as recommended by the manufacturer. Be sure the stylus you buy is the same length as the one now used, otherwise it may be necessary to change the cutting arm or head adjustment as described in the following paragraph. If the stylus is cutting properly, it will throw out a fine shaving towards the center of the record, and will cut quietly, without any scratching noise. The resulting grooves will be shiny, not dull, and the background noise when playing the record back will be very low.

**CUTTING ARM AND HEAD ADJUSTMENT.** The recorder unit was properly adjusted and records were cut on it at the factory, but there is a possibility that this equipment may be thrown out of adjustment due to shipping, and the following information is given so that you may determine if the head is properly adjusted for

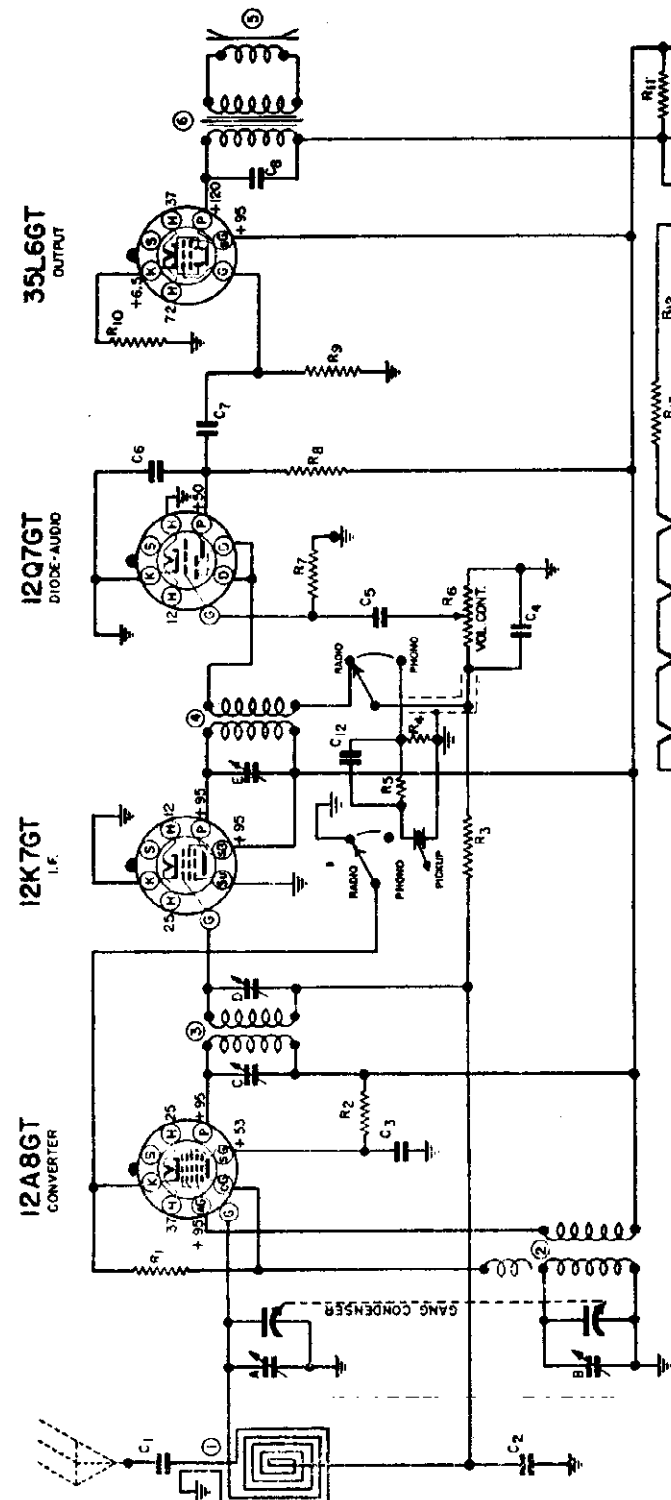
satisfactory recording. Place a blank record on the turntable without the motor running. Lower the cutting head to this record and note if the set screw which holds the stylus in place is in the center of the slot on the end of the cutting head. If this condition exists, the cutting head is in the correct position. If not, adjust screw A (figure 2), which is located near the pivot of the cutting arm and becomes exposed when the arm is lifted to a vertical position. To make the correct adjustment, this screw should be raised or lowered as required, and its lock nut tightened. Next, make a short blank recording to determine if the correct spring tension is applied to the cutting head. After this blank cutting is made, examine the record to see if the grooves are of the same width as the space between the grooves. If the groove is found to be too shallow (not as wide as the space), turn screw B (figure 2), which is located on the top of the cutting arm, in a clockwise direction. This will increase the depth of cut. If, on the other hand, you find the groove is too deep (wider than the space), turn this screw to the left and make another test cutting to determine if the correct spring adjustment has been made. The proper adjustment is one in which the groove is exactly as wide as the uncut portion between grooves. Successful recordings cannot be made unless the cutting head is correctly adjusted.

When placing the cutting head on a record, lift the head to a 45-degree position and move the head over the starting position on the record. Lower the head slowly to the record. If the stylus is not over the correct starting position, raise the head to 45-degrees before moving to a new position. Never move the cutting head until it is raised to a 45-degree position.



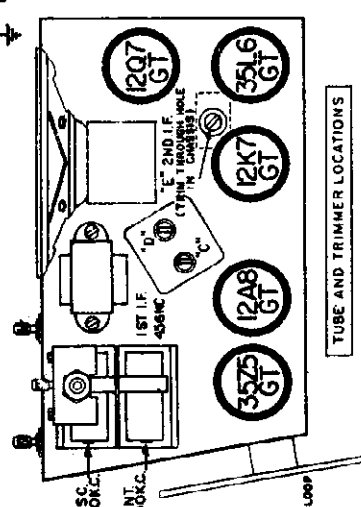
MODELS B-17137, B-17138

ALLIED RADIO CORP.



DIAG. NO.	PART NO.	DESCRIPTION	DIAG. NO.	PART NO.	DESCRIPTION
R1	N-1260	50,000 OHM 5W. 20 %	C9	N-2915	35 MFD. 150V. ELECTRO.
R2	N-1627	20,000 OHM 5W. 20 %	C10	N-1346	20 MFD. 50V.
R3	N-1262	1 MEGOHM 5W. 20 %	C11	N-1447	.05 MFD. 400 V
R4	N-1653	300,000 OHM 5W. 20 %	C12	N-1447	.0005 MFD. 400 V
R5	N-1636	400,000 OHM 5W. 20 %			
R6	N-2876	.5 MEGOHM VOL. CONT.			
R7	N-1263	10 MEGOHM 5W. 20 %	1	N-2745	ANTENNA COIL LOOP
R8	N-1377	200,000 OHM 5W. 20 %	2	N-1452	OSCILLATOR COIL
R9	N-1264	500,000 OHM 5W. 20 %	3	N-2808	1ST I.F. TRANSFORMER
R10	N-1616	250 OHM 5W. 10 %	4	N-2890	2ND I.F. TRANSFORMER
R11	N-1517	2500 OHM 5W. 20 %	5	N-2914	4" PH. SPEAKER
R12	N-1614	50 OHM 5W. 20 %	6	N-2952	OUTPUT TRANSFORMER
R13	N-1618	80 OHM 2W. 10 %	E	N-1549	2ND I.F. TRIMMING COND.
				N-2875	2 GANG CONDENSER
C1	N-1344	.01 MFD. 400 V		N-2094	MOTOR ON-OFF SWITCH
C2	N-1345	.05 MFD. 200 V		N-2577	RADIO-PHONO SWITCH
C3	N-1345	.05 MFD. 200 V		N-2921	PHONO MOTOR B TURNABLE
C4	N-1374	.0001 MFD. MICA		N-2832	CRYSTAL PICK-UP
C5	N-1344	.01 MFD. 400 V			
C6	N-1447	.0005 MFD. 400V.			
C7	N-1344	.01 MFD. 400V.			
C8	N-1376	.02 MFD. 400V.			

NOTE: VOLTAGES SHOWN ARE FROM TERMINAL TO CHASSIS BASE HEATER VOLTAGES ARE A C WHEN LINE VOLTAGE IS ALTERNATING



5 TUBE AC-DC SUPERMETEODYNE SINGLE BAND PHONO COMBINATION

I.F. 456 KC.

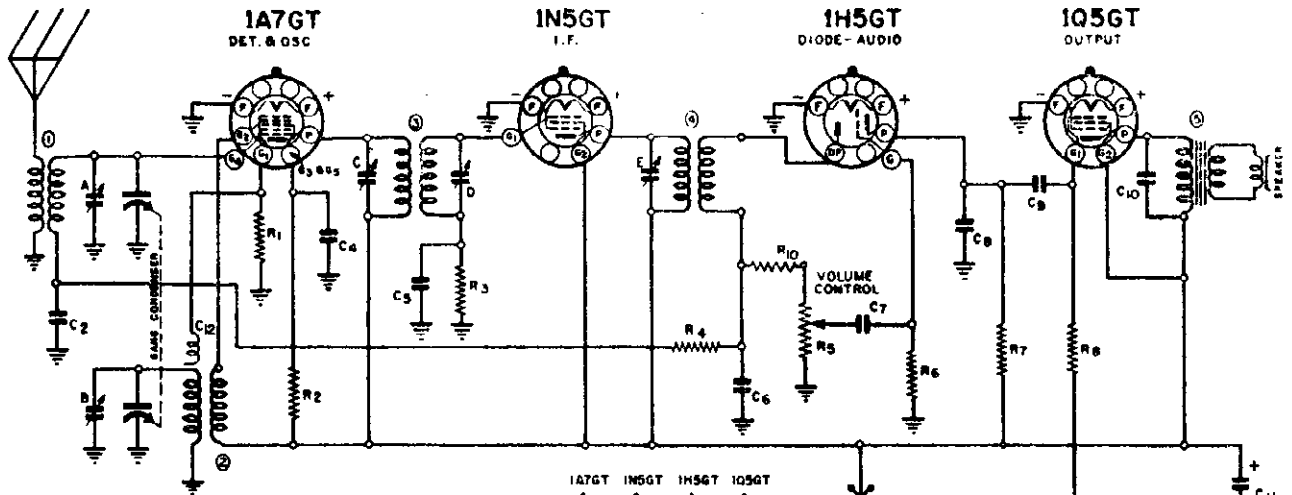
\*A\* 140K.C. I.F. \*B\* 0.5CC 1720K.C.

TUBE AND TRIMMER LOCATIONS

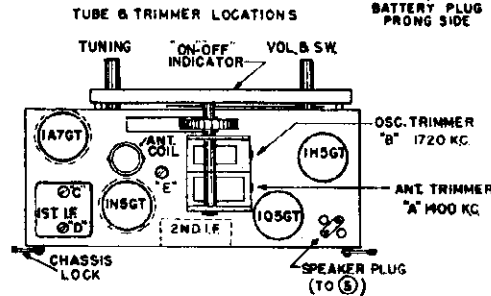
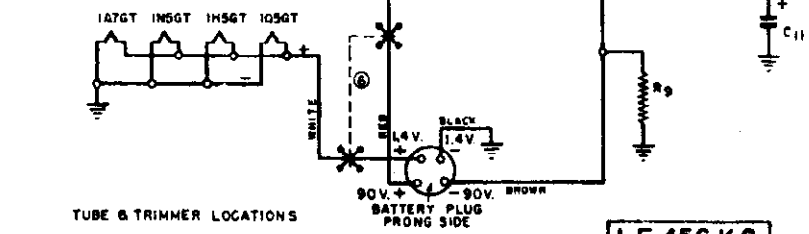
MODELS B-17141, B-17142  
MODEL B-17145

ALLIED RADIO CORP.

MODELS B-17141, B-17142



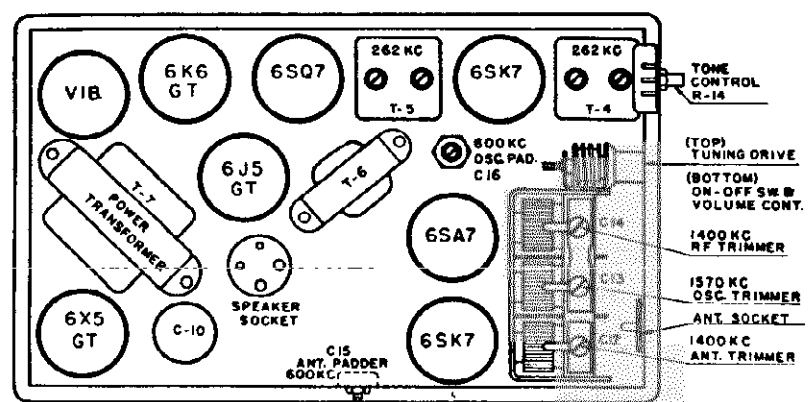
DIAG. NO.	PART NO.	DESCRIPTION	DIAG. NO.	PART NO.	DESCRIPTION
M	N-577	200,000 ohm 20%	1	N-3408	ANTENNA COIL
PP	N-323	50,000 ohm 10%	2	N-3409	OSCILLATOR COIL
R3	N-1253	10 MEG OHM 20%	3	N-3410	1ST. I.F. TRANS.
R4	N-1378	2 MEG OHM 20%	4	N-2848	2ND. I.F. TRANS.
R5	N-3411	1 NEG. VOL. CONT.	5	N-3408	6" X 1/2" SPR. & OUTPUT TRANS.
R6	N-1378	2 MEG OHM 20%	6		BATTERY SW. ON VOL. CONT.
R7	N-1252	1 MEG OHM 20%			
R8	N-1378	2 MEG OHM 20%			
R9	N-2590	420 ohm 20%			
R10	N-1250	50,000 ohm 20%			
		(all resistors are 5 watt sim.)		N-3407	GANG CONDENSER
				N-1585	BATTERY CABLE
C2	N-1343	0.5 MFD. 200V.			
C4	N-1343	0.5 MFD. 200V.			
C5	N-1376	0.2 MFD. 400V.			
C6	N-1342	30 MMFD. 20%			
C7	N-8712	0.04 MFD. 400V.			
C8	N-1342	30 MMFD. 20%			
C9	N-1344	0.1 MFD. 400V.			
C10	N-8712	0.04 MFD. 400V.			
C11	N-1367				
C12		CAPACITY IN OSCILLATOR COIL			



NOTE: TUBE SOCKETS SHOWN FROM WIRING SIDE.

4 TUBE - 1 1/2 VOLT  
SUPERHETERODYNE  
SINGLE BAND

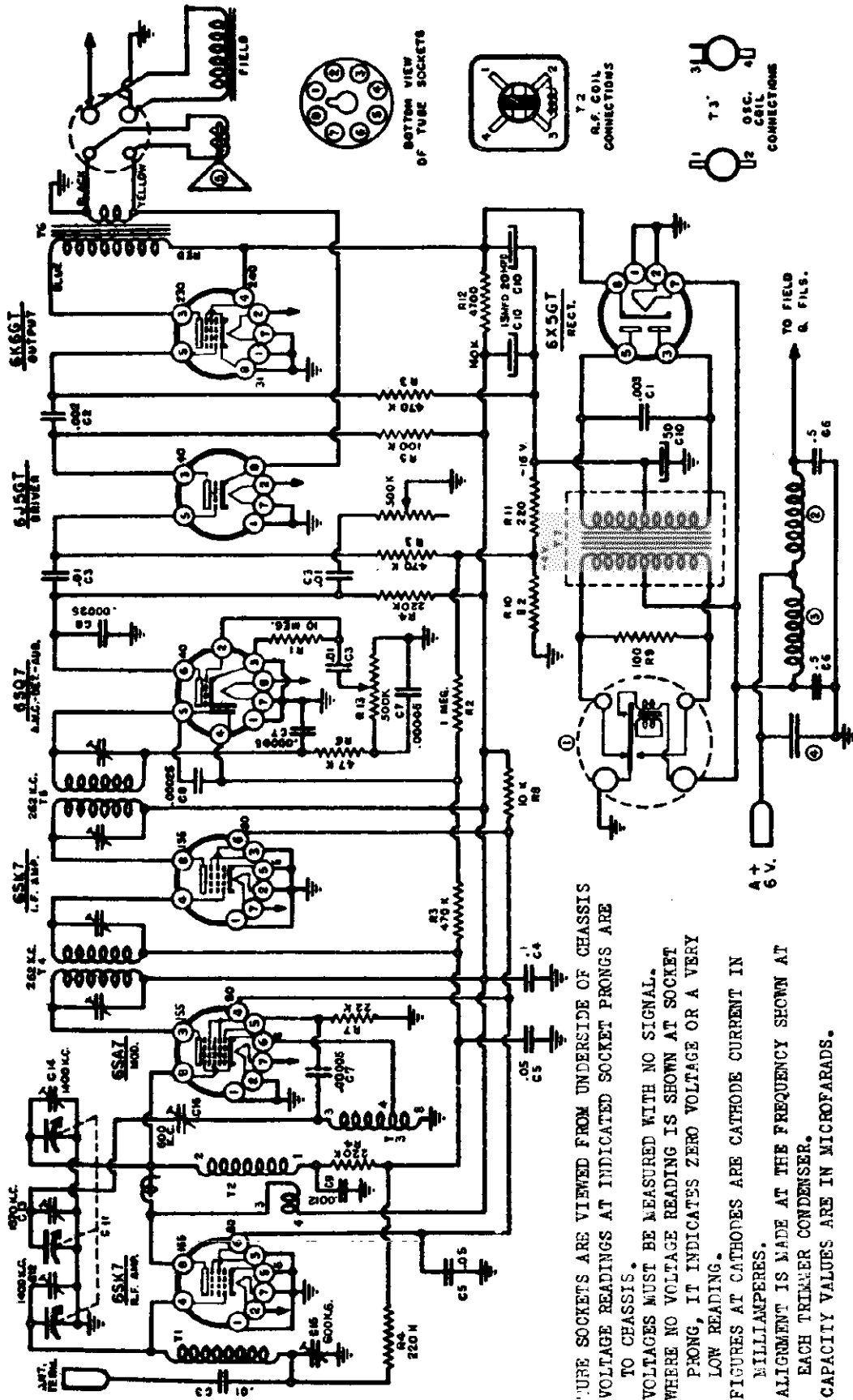
MODEL B-17145



LOCATION OF PARTS ON TOP OF CHASSIS FIG. 6

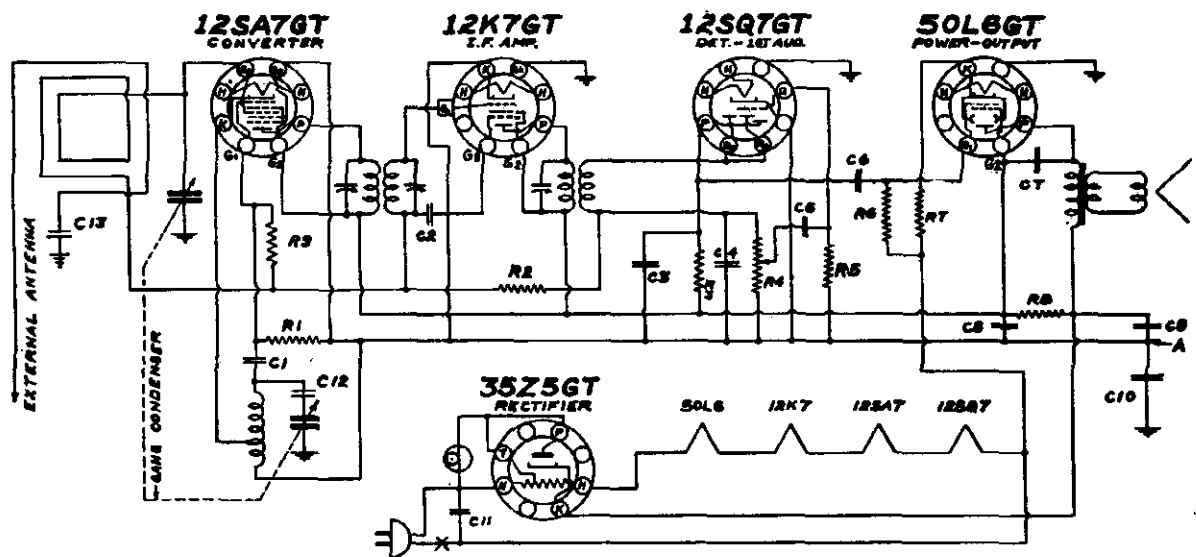
MODEL B-17145

ALLIED RADIO CORP.



TUBE SOCKETS ARE VIEWED FROM UNDERSIDE OF CHASSIS VOLTAGE READINGS AT INDICATED SOCKET PRONGS ARE TO CHASSIS.  
 VOLTAGES MUST BE MEASURED WITH NO SIGNAL. WHERE NO VOLTAGE READING IS SHOWN AT SOCKET PRONG, IT INDICATES ZERO VOLTAGE OR A VERY LOW READING.  
 FIGURES AT CATHODES ARE CATHODE CURRENT IN MILLIAMPERES.  
 ALIGNMENT IS MADE AT THE FREQUENCY SHOWN AT EACH TRIMMER CONDENSER.  
 CAPACITY VALUES ARE IN MICROFARADS.

ALLIED RADIO CORP.



RESISTORS				CAPACITORS			
NO.	OHMS	WATTS	TOL.	NO.	MEG.	VOLTS	TOL.
R1	20,000	1/2	10%	C1	.0001	MICA	400
R2	2 MEG.	1/2	10%	C2	.02	400	20.0
R3	250,000	1/2	10%	C3	.0005	MICA	30.0
R4	500,000	V.C.	1	C4	.00025	MICA	.25
R5	5 MEG.	1/2	10%	C5	.01	400	.05
R6	500,000	V.C.	1	C6	.002	800	.02
R7	150,000	1/2	10%	C7	.01	400	.05
R8	150,000	1/2	10%	C8	.01	400	.05
R9	15 MEG.	1/2	10%	C9	.01	400	.05
R10	150,000	1/2	10%	C10	.05	400	.05
R11	150,000	1/2	10%	C11	.02	400	.05
R12	150,000	1/2	10%	C12	.02	400	.05
R13	150,000	1/2	10%	C13	.001	600	.05

I.F. 455 K.C.  
TUBES SHOW BOTTOM VIEW

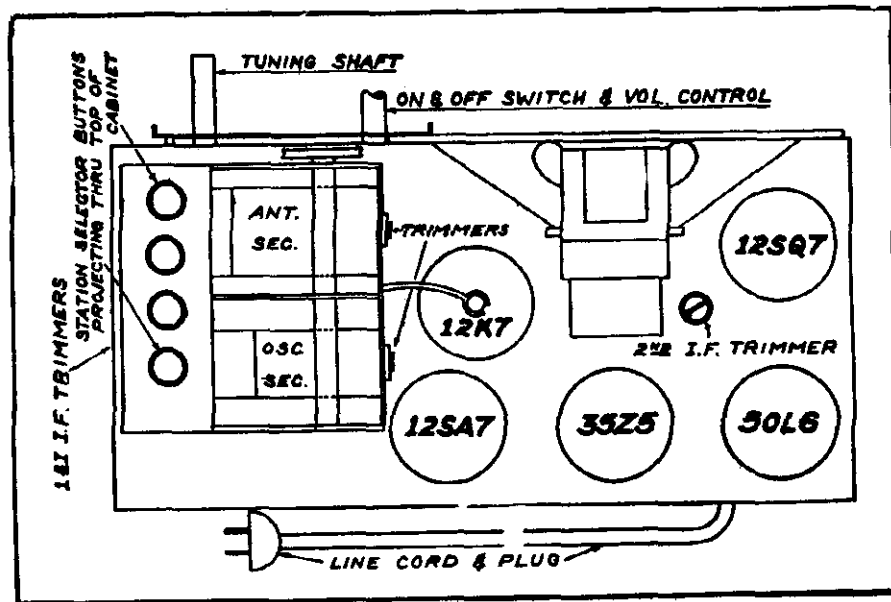


Fig. 1—Top View

**BROADCAST BAND ALIGNMENT**

Set the gang condenser to minimum capacity and adjust the oscillator trimmer to receive this signal. After this has been carefully done, the next step is to set the signal generator to 1400KC and after tuning in the signal adjust the antenna trimmer to peak. This is all that is necessary for the alignment unless the plates of the gang condenser have been bent out of shape. In case of bent plates, set the signal generator and the receiver to 600 KC and bend the plates into the position for maximum output.

**ALIGNMENT**  
If possible, all alignments should be made with the volume control on maximum and the signal generator output as low as possible, to prevent the AVC from operating and giving false readings.

**I-F ALIGNMENT.** Adjust the signal generator to 455 kc and connect the output to the grid of the first detector tube (12SA7) through a .05 or .1 mfd. condenser. Connect ground of signal generator to chassis ground through a .1 mfd. condenser. On models which include condenser C10, connect ground of signal generator to floating ground or point "A" on schematic thru a .1 mfd. condenser. Align all i-f trimmers to peak or maximum reading on output meter.

MODEL B-17150

ALLIED RADIO CORP.

**SERVICE INFORMATION**

**PROCEDURE FOR SETTING UP PUSH BUTTONS**

There are four push buttons located on the top by means of which four stations may be selected (See Fig. 1). Make a list of four stations tuned in regularly. Loosen one of the push buttons by turning the push button knob counter clockwise a turn or less and push it in; while holding the button in, tune in a desired station by means of the station selector. Turn the selector very slowly back and forth until the signal is clearest. Now while holding the push button in, tighten it by turning clockwise. Release the push button and turn the station selector to one end of the dial; then check the button by pushing it in and if the station is tuned to the center of the area on the dial covered by the station the adjustment is correct.

Release the push button and loosen another push button and repeat the above procedure, doing this for the remaining buttons. If it is desired to change a button to a different station simply loosen the push button and re-set.

The dial is now set up for quick tuning and all that is necessary is to push the button of the desired station all the way in and then release.

**PILOT LIGHT**

The intensity of the pilot light will vary slightly with different stations; strong stations will cause it to dim slightly, but when the radio is set at high volume the pilot light will become slightly brighter. If the pilot light burns out, it should be replaced as soon as possible.

In some of these receivers the condensers C10 and C12 are omitted. The point "A" on the schematic is then connected to the chassis.

**Voltages**—Line 115 Volts AC—Power Consumption 30 Watts.  
 Volume Control maximum. Antenna shorted to ground. Meter 1000 ohms per volt, 150 volt scale.  
 Plate (P) of 12SA7 and 12K7 tubes to point "A" ..... 80 volts  
 Screen (G2) of 12SA7 and 12K7 tubes to point "A" ..... 82 volts  
 Plate (P) of 50L6 tube to point "A" ..... 97 volts  
 Screen (G2) of 50L6 tube to point "A" ..... 82 volts  
 Cathode (K) of 50L6 tube to point "A" ..... 5.5 volts  
 Cathode (K) of 35Z5 tube to point "A" ..... 102 volts

**Speaker** (Part No. P3553) 5" PM Type

D.C. voice coil resistance ..... 3.4 ohms  
 Voice coil impedance at 400 cycles ..... 3.8 ohms

**Oscillator Coil** (Part No. P3347)

Looking at the connection end in a clockwise direction starting at the chassis the terminals are No. 1, end of winding; No. 2, start of winding; No. 3, tap.

No. 2 and No. 1—Resistance 4.8 ohms.  
 No. 3 and No. 1—Resistance 4.2 ohms.

**First I.F. Transformer** (Part No. P3345)

Primary—Blue, plate; red, B+—Resistance 32.1 ohms.  
 Secondary—White, grid; black, AVC—Resistance 33.2 ohms.

**Second I.F. Transformer** (Part No. P3364)

Primary—Blue, plate; red B+—Resistance 24.2 ohms.  
 Secondary—White, grid; black, AVC—Resistance 24.1 ohms.

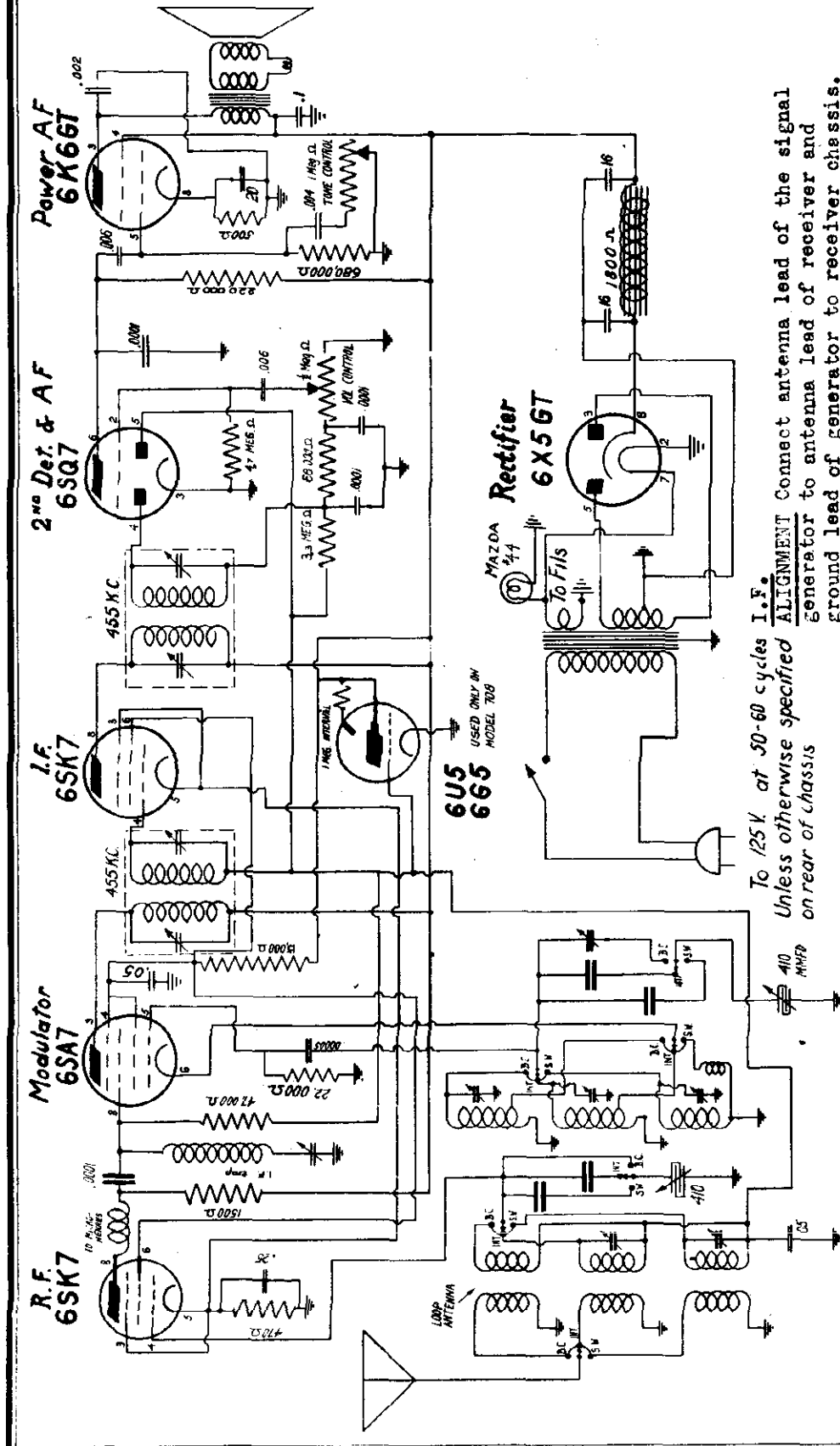
**Electrolytic Condenser** (Part No. P3355)

Red, 30 mfd., 150 volt; green, 20 mfd., 150 volt; black, negative for both sections.

**Loop Antenna**

Since the loop antenna acts also as the antenna coil the set will not operate with the loop antenna disconnected.

ALLIED RADIO CORP.



**I.F.** at 50-60 cycles  
**ALIGNMENT** Unless otherwise specified  
 on rear of chassis

**Power AF 6K6GT**  
**2<sup>nd</sup> Det. & AF 6SQ7**  
**I.F. 6SK7**  
**Modulator 6SA7**  
**R.F. 6SK7**

**Rectifier 6X5GT**  
**6U5 665**

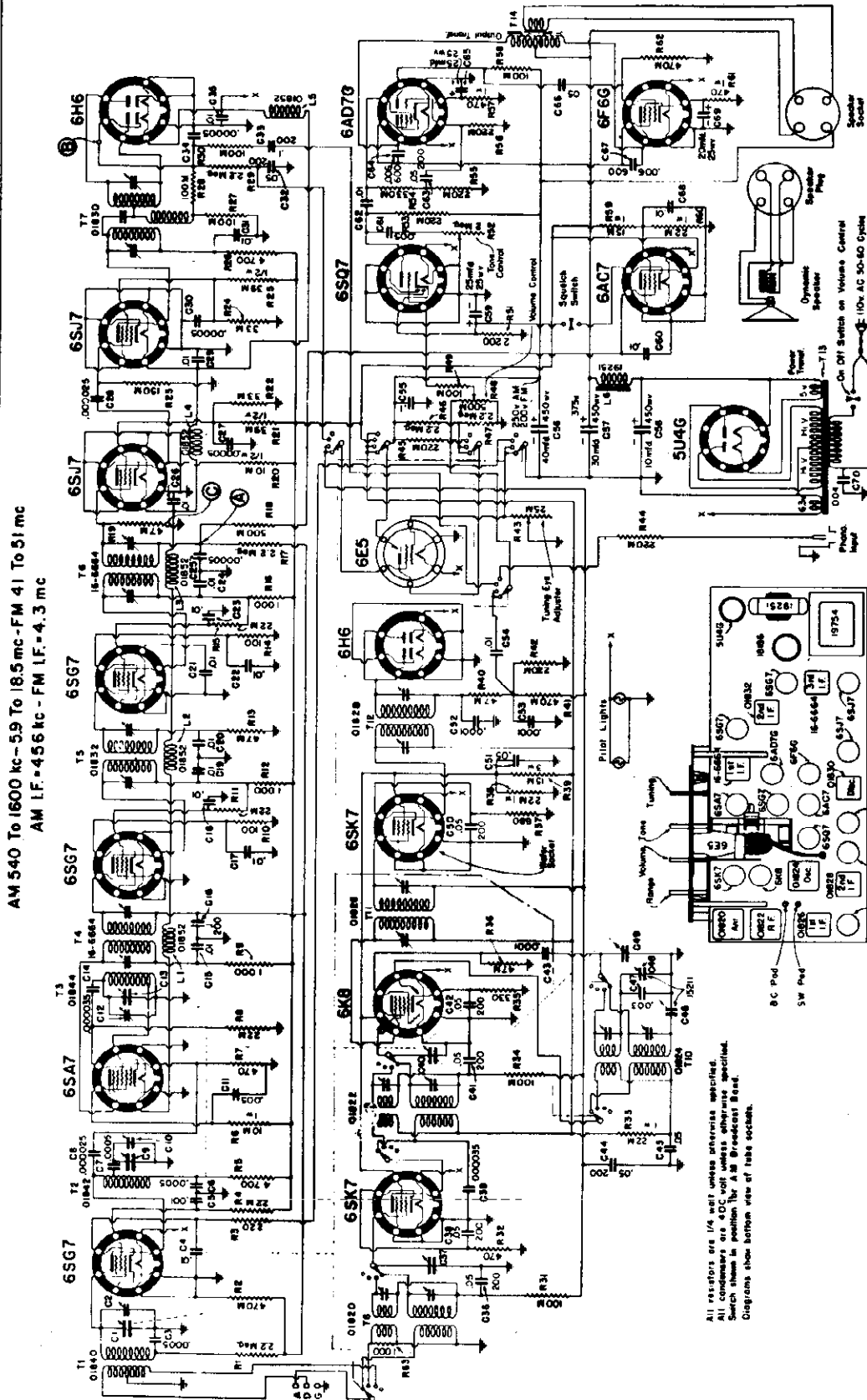
**TO 125V**  
**16/1800V**

**SHORT WAVE ALIGNMENT** For 4.7-10 mc. Turn wave band switch knob to this band. Adjust the generator and receiver to 10 mc. and peak the trimmers for maximum signal. The low frequency is automatically adjusted by a fixed calibrated padder. For 11.5 - 24 mc. Turn wave band switch knob to this band. Adjust the generator and receiver to 22 mc. Peak trimmers for maximum signal. The low frequency is automatically adjusted by a fixed calibrated padder.

**BROADCAST ALIGNMENT** Remove short from variable condenser. Have the wave band switch on broadcast position. Adjust the generator and receiver to 1500 kc. Peak trimmers for maximum signal. Adjust generator and receiver to 600 kc and peak the broadcast padder for maximum signal. The variable condenser should be "rocked" during this operation.

MODEL B-17170

ALLIED RADIO CORP.



AM 540 To 1600 kc - 5.9 To 18.5 mc - FM 41 To 51 mc  
 AM LF = 4.56 kc - FM LF = 4.3 mc

**ANTENNA SYSTEM**  
 This receiver is designed to use the same antenna on all three bands, and may be used with either a dipole (doublet) antenna or with a regular broadcast antenna having a single lead-in wire.  
 The dipole antenna lead-in (consisting of two wires, should be connected to the terminals marked "A" and "D" on the terminal strip on the back of the chassis.  
 If a regular broadcast antenna with a single lead-in wire is used, this wire should be connected to the terminal marked "A"; the terminal marked "D" is then left unconnected.

**TUNING INDICATOR ADJUSTMENT**  
 A control is provided on the back of the chassis for this adjustment. It is the short shaft with the screw-driver slot. To make the necessary adjustment, first turn the band switch to the F-M position. Remove the 6S77 second-limit tube from its socket and turn the control shaft on the rear of the chassis until the eye is just closed, but is not overlapped. The receiver should, of course, be turned on for this adjustment. This completes the adjustment and the 6S77 tube may be replaced in its socket. This adjustment once properly set will retain its correct setting for long periods of time, but should be checked periodically to insure the best operation of the eye.

**TUNING INDICATOR ADJUSTMENT**  
 A control is provided on the back of the chassis for this adjustment. It is the short shaft with the screw-driver slot. To make the necessary adjustment, first turn the band switch to the F-M position. Remove the 6S77 second-limit tube from its socket and turn the control shaft on the rear of the chassis until the eye is just closed, but is not overlapped. The receiver should, of course, be turned on for this adjustment. This completes the adjustment and the 6S77 tube may be replaced in its socket. This adjustment once properly set will retain its correct setting for long periods of time, but should be checked periodically to insure the best operation of the eye.

**ALIGNMENT PROCEDURE**

The minimum of equipment required for correctly aligning this receiver is listed below.

A modulated service oscillator or signal generator capable of generating the frequencies 466 KC, 600 KC, 1400 KC, 6.0 MC, 16.0 MC and 46.0 MC.  
An output meter.

A 0-200 or a 0-100 microampere meter.

An oscilloscope with vertical and horizontal amplifiers. A wide-band frequency-modulated generator or "wobulator" covering the intermediate frequency of 4.3 MC and with either 400-cycle or 60-cycle modulation. It must be capable of producing a deviation frequency of 150 KC. (Total frequency swing of 300 KC.)

While this instruction sheet describes the use of a generator for F-M alignment which has 400-cycle modulation and which has provision for bringing out the 400-cycle voltage for application to the horizontal plates of the oscilloscope, it is also possible to use a generator with 60-cycle modulation, and to use the 60-cycle sweep which is built into the oscilloscope, instead of obtaining the synchronizing voltage from the generator. If the service man has been using such a generator for A-M visual alignment he will be familiar with his instrument and will be able to adapt it to this alignment procedure.

Although it is possible to align this receiver with a generator or wobulator not having quite as great a total frequency swing as 300 KC, it will be difficult to get satisfactory results. Note that the I-F response curve in Figure 1 is flat over a region about 150 KC wide. An unsymmetrical response curve in an F-M receiver quite seriously affects its performance at low signal levels. It is therefore essential to have proper equipment for alignment in order to get the best results.

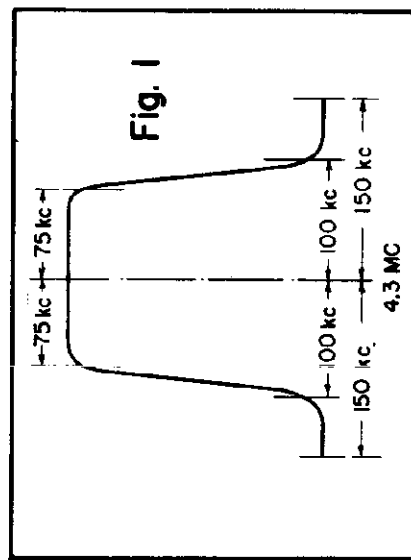


Fig. 1

**A-M ALIGNMENT**

The alignment of the A-M portion of this receiver is conventional and should be carried out as follows:

- Connect the output meter to the receiver by any of the usual methods.
- Connect the A-M signal generator between the chassis and the grid of the 6K8 tube, using a .0005-mfd. to .25-

mfd. condenser between the grid and the high side of the generator output. Do not remove the grid clip for this operation. The range switch should be turned to the Broadcast band and the dial pointer set near 600 KC. Tune the signal generator to 456 KC and proceed to align the four I-F trimmers for maximum output. On this and on all following adjustments turn the audio control on full and use as weak a signal from the generator as will give a satisfactory indication on the output meter.

The generator should now be connected to the antenna-and-ground terminal strip. Leave "D" unconnected. Use a proper dummy antenna in series with the high side of the generator output (200-mmf. for Broadcast; 400-ohms for Short-Wave).

**SHORT-WAVE BAND**

Turn the range switch to the Short-Wave position and set the tuning dial and the signal generator to 16.0 MC. Adjust the oscillator trimmer (top trimmer in oscillator coil) to maximum response. If two responses of nearly equal intensity are found, adjust for the one with the trimmer farthest open. Now adjust the top trimmers in the Antenna and R-F coils for maximum response. Since at this frequency, the R-F tuning slightly affects the oscillator frequency, it will be necessary to rock the tuning condenser slightly while adjusting the R-F trimmer in order to keep the signal tuned in.

Set the signal generator to 6.0 MC and tune in this signal with the receiver dial. Now, while rocking the tuning condenser back and forth, adjust the S-W oscillator padding condenser. (The rear section of the dual padder located in the top of the chassis over the range switch) for maximum output. This adjustment is not critical and the tuning of the S-W padder will be found to be quite broad.

**BROADCAST BAND**

Turn the range switch to the Broadcast position and substitute the 200-mmf. dummy antenna for the 400 ohms. Set the dial and the generator to 1400 KC and adjust the oscillator trimmer (bottom trimmer on oscillator coil) to maximum response. Next adjust the bottom trimmers of the Antenna and R-F coils for maximum response.

Now set the generator to 600 KC and tune in the signal with the dial. Rocking the gang condenser slightly, adjust the oscillator padder (front section of the dual padder) for maximum response. This adjustment will be much sharper than the padding adjustment on the short-wave band.

This completes the alignment of the A.M. portion of the receiver.

**F-M ALIGNMENT**

The F-M alignment, discriminator alignment and R-F alignment.

For the first operation, I-F alignment, connect the output of the frequency-modulated generator between the grid of the 6SG7 2nd IF stage and chassis, using an .05-mfd. condenser in series with the high side of the generator output and connecting this condenser to the 6SG7 grid. Leave the grid lead of the 6SG7 tube connected. Now connect the synchronizing voltage output from the

generator to the input of the horizontal amplifier of the oscilloscope. Note: The ground lead from the generator should always be connected to the chassis near the tube to whose grid the generator is connected to avoid spurious regeneration phenomena which change the shape of the IF curve.

Now connect the input to the oscilloscope vertical amplifier between chassis and the low potential end of the last I-F transformer (point "A" in circuit diagram) using a 100,000-ohm resistor in series with the high side. This resistor should be located at the receiver end of the connecting wires and should be connected with a short lead to the Point "A".

Having made the set-up, turn on the oscilloscope and the frequency-modulated generator. Turn down the receiver volume control. Set the generator to 4.3 MC and the deviation frequency (if calibrated on the generator) to 150 KC. Turn the vertical gain control of the oscilloscope well up and the horizontal gain control just high enough to give almost full-screen deflection of the horizontal pattern. Using just enough output from the generator to give good deflection on the screen adjust the trimmers of the last I-F transformer for the greatest gain and to give a pattern that is centered in the screen and that is symmetrical. This pattern should be similar to the one shown in Figure 2

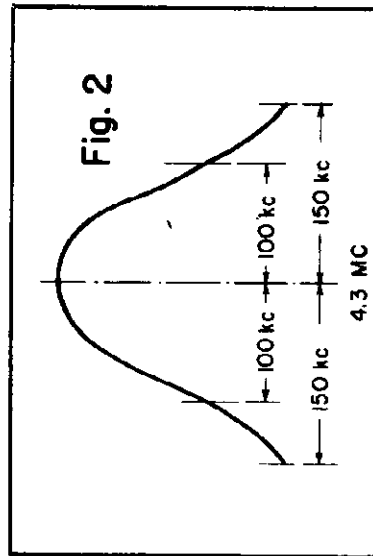


Fig. 2

Now without changing the generator frequency, remove the generator connection from the grid of the 6SG7 2nd I-F amplifier and place it on the grid of the 6SG7 1st I-F amplifier, using the .05-mfd. condenser as before, and changing the position of the ground lead as described above. Again use only enough output from the generator to give good vertical deflection on the screen, and adjust the trimmers of the second I-F transformer in the same manner as before. The curve shape should remain practically the same as it was before.

Now remove the generator connections (ground as well as "hot") from the 6SG7 first I-F amplifier and place them on the signal grid and ground of the 6SA7, again using the .05-mfd. condenser. Proceed as before, turning down the output from the generator until there is just enough for good vertical deflection on the oscilloscope screen. Adjust the trimmers of the first I-F transformer for the greatest gain and to give a pattern similar to the one shown in Figure 2.



**FM ALIGNMENT - continued**

In all of the foregoing adjustments note that the oscilloscope vertical amplifier gain control has been turned well toward maximum gain, and that a low input from the generator has been used. The reason for this is that, as higher signal input levels are used, the response curve of the I-F amplifier stages will change shape. If the symmetry of the response curve is kept good at low input levels, then any dissymmetry occurring at high input levels will be unimportant, since at high input levels the limiter tube will level out the response before the signal reaches the discriminator.

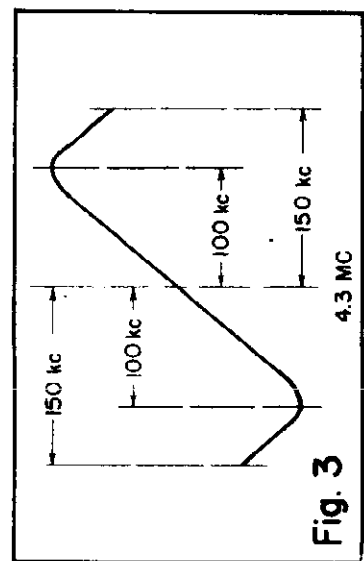
Should the I-F circuits for any reason be badly misaligned, the first 6SG7 I-F stage may oscillate when the input from the generator is placed on the grid of the 6SG7 second I-F tube, making it difficult to get a readable pattern on the oscilloscope screen. Should this condition occur, the remedy is to remove the 6SG7 first I-F tube from its socket until the last I-F stage has been aligned.

This completes the alignment of the I-F stages and the alignment of the discriminator comes next. Before proceeding with the discriminator alignment, however, it will be necessary to balance the tuning-eye circuit. With the 6SJ7 second-limiter tube removed from its socket, adjust the eye balance control, which is the short shaft with the screw driver slot on the back of the chassis, until the eye just closes but does not overlap. Now replace the 6SJ7 second-limiter tube.

**DISCRIMINATOR ALIGNMENT**

Leaving the set up as it was when the I-F alignment was completed, adjust the generator frequency until the I-F response pattern on the oscilloscope screen is centered and is symmetrical.

Now remove the connection to the low-potential side of the 1st I-F coil, which is the lead containing the 100-300-ohm resistor, and move this connection to the 6H6 discriminator cathode marked "B" in the circuit diagram. The pattern on the oscilloscope screen will go off scale and the input from the generator will have to be decreased. If the generator leakage is bad and its output cannot be turned down to a sufficiently low level, the oscilloscope vertical amplifier gain control may be turned down. With the set up made as described and with the generator deviation frequency still set at 150 KC, adjust the trimmer on the primary side of the discriminator coil (The red Trimmer Screw) for greatest vertical deflection on the oscilloscope screen.



**Fig. 3**

Next adjust the trimmer on the secondary side of this coil until a pattern similar to the one shown in Figure 3 is obtained. This adjustment is quite critical and should be made so that the pattern is as near symmetrical as possible. If the portion of the pattern in Figure 3 which appears straight, is not quite straight on the oscilloscope screen it may be made so by a slight readjustment of the trimmer on the primary side of the coil. Before leaving the adjustment of the discriminator coil a further refinement in the adjustment of the secondary trimmer should be made as follows: Decrease the frequency deviation of the generator from 150 KC to about 100 KC, or until the pattern on the oscilloscope screen just takes in the straight portion of the curve. Now, watching the action of the tuning eye, make a very slight readjustment of the secondary trimmer of the discriminator coil until the eye just closes but does not overlap. This completes two steps in the I-F alignment and the connections to the frequency-modulated generator and the oscilloscope may now be removed.

**ANTENNA, R-F AND OSCILLATOR**

In order to align the R-F Antenna and Oscillator circuits, an amplitude-modulated signal generator covering the range of 42-50 MC and a 0-200 microampere meter may be used. The signal generator need not be modulated.

Connect the meter in series with the ground end of the grid resistor of the 6SJ7 first-limiter tube, with the positive side of the meter to ground. This point is marked "C" in the circuit diagram. Now apply the output of the signal generator to the antenna and ground posts of the terminal strip on the back of the chassis which are marked "A" and "G". Leave "D" unconnected. Set the receiver dial and the signal generator to 46 MC and adjust the oscillator trimmer, which is the air trimmer mounted on top of the middle section of the tuning condenser, for maximum deflection on the 0-200 microampere meter. If two positions of the oscillator trimmer give almost equal deflection on the meter, select the point with the trimmer farthest in mesh. Since the oscillator on this band operates below the signal frequency. Keep the generator output adjusted to such a value that about one quarter of full scale deflection is obtained on the meter. Next adjust the R-F trimmer, mounted on the front section of the tuning condenser, for maximum deflection of the meter; then perform the same operation for the antenna trimmer, which is mounted on the back section of the tuning condenser. The adjustment of the R-F trimmer affects the oscillator frequency slightly and the tuning condenser should be rocked back and forth when making this adjustment in order to keep the oscillator tuned to the signal frequency. If two points of response are found on the R-F or antenna trimmers, the point which requires the least amount of capacity in these trimmers should be selected.

As a final check of antenna, R-F and oscillator adjustment, signals from the generator should be tuned in at various points on the band to see that the sensitivity is equal over the band.

**SERVICE DATA FOR PROFESSIONAL SERVICE MEN**

Power Supply: 110-125 Volts, 50-60 Cycles.  
Intermediate Frequency: A-M, 456 KC; F-M, 4.3 MC.  
The socket voltages are given in the voltage chart at the right. Variations of line voltage, variations between tubes, and tolerances allowed on components will cause

these voltages to vary somewhat. The chart is given only as a guide, and should be recognized as such.

In replacing parts or in making adjustments, care should be exercised to see that all connections are made to the same points from which they were removed, and that components and leads occupy the same original positions. Lead lengths, and ground return paths are quite critical in some parts of this receiver, and trouble will be avoided by adhering strictly to the original layout.

**NOTES ON VOLTAGE CHART**

- \* These voltages are AC and should not be measured with a DC Voltmeter.
  - a These points show a slight voltage indication due to the thermal noise of the receiver unless one of the limiter tubes is removed from its socket.
  - b This voltage must be measured with the Interstation Noise Silencer Switch in the "on" position.
  - N A varying negative voltage of 15 to 20 volts may be measured at this point, depending upon the setting of the tuning condenser.
- All voltages indicated above are measured with a 1000-ohm-per-volt meter with a line voltage of 117 volts.

**NORMAL OPERATING VOLTAGES**

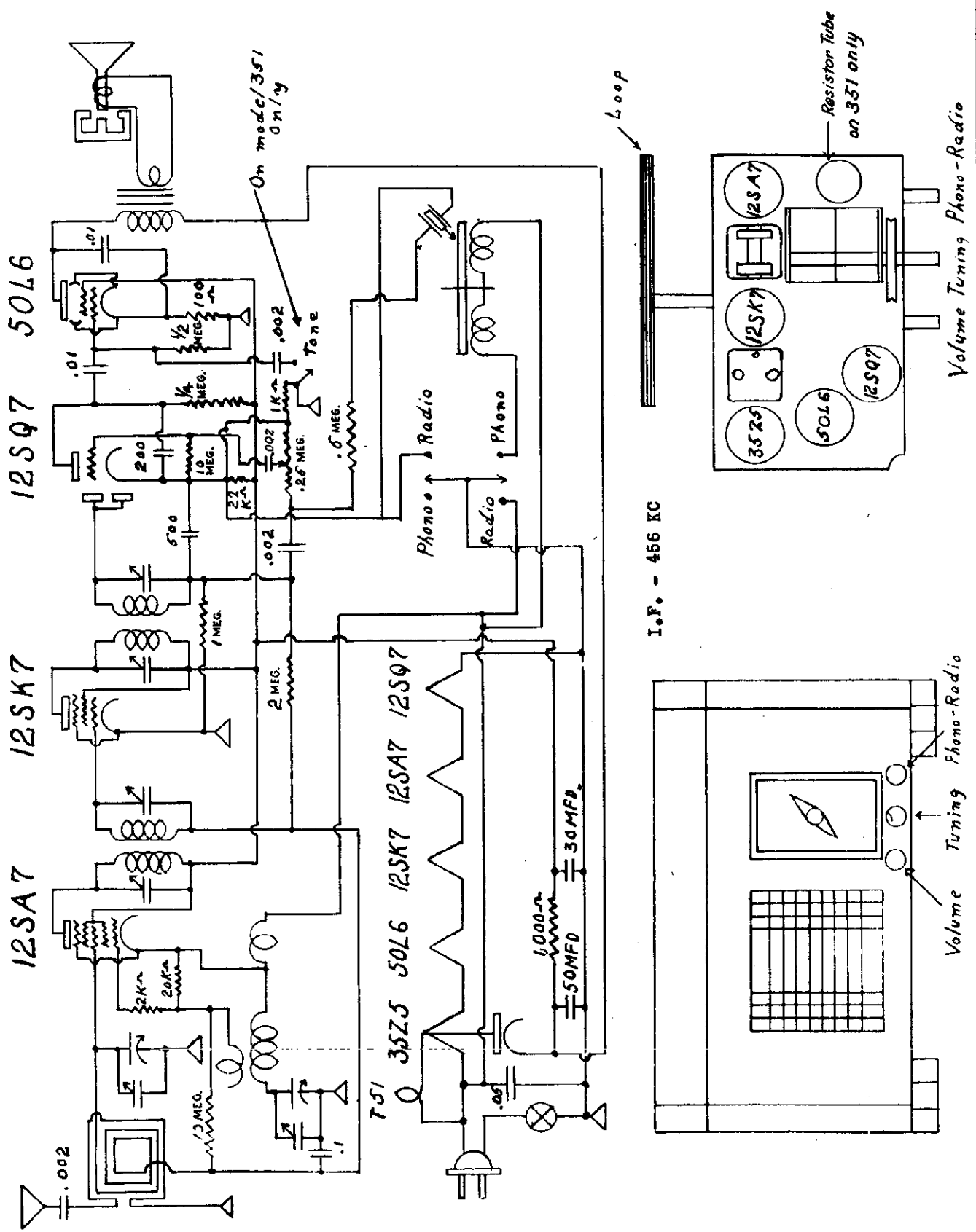
On Tube Socket Terminals Designated by RMA Number  
Voltages shown below are measured with Range Switch turned to F-M Position.

Tube	Use	1	2	3	4	5	6	7	8
6SG7	FM RF Amp.	0	0	2.1	0	2.1	120	6.3*	145
6SA7	FM Converter	0	6.3*	185	95	0	0	0	0
6SG7	FM 1st I-F	0	0	1.3	0	1.3	105	6.3*	175
6SG7	FM 2nd I-F	0	0	1.2	0	1.2	105	6.3*	175
6SJ7	FM 1st Lim.	0	6.3*	0	0	0	65	0	135
6SJ7	FM 2nd Lim.	0	6.3*	0	0	0	65	0	165
6H6	FM Discrim.	0	6.3*	0g	0g	0a	0	0	0
6AC7	Silencer	0	0	0	0	0	3b	110	6.3* 185

Voltages shown below are measured with Range Switch turned to Broadcast Position.

Tube	Use	1	2	3	4	5	6	7	8
6SK7	AM RF Ampl.	0	6.3*	0	0	3.5	90	0	250
6K8	AM Converter	0	0	250	90	N	160	6.3*	2.7
6SK7	AM I-F Ampl.	0	0	0	0	3.5	90	6.3*	2.7
6H8	AM Detector	0	0	0	0	0	0	6.3*	0
6SQ7	Audio Ampl.	0	0	1.0	0	0	90	6.3*	0
6AD7G	Audio Ampl.	0	6.3*	350	250	0	85	0	16.5
6F6G	Power Ampl.	0	0	350	250	0	0	6.3*	16.5
5U4G	Rectifier	0	400	0	380*	0	380*	0	400
6E5	Tuning Ind.	-	-	-	-	-	-	-	-

AUTOMATIC RADIO & TELEV. CO., INC.



I.F. - 456 KC

Loop

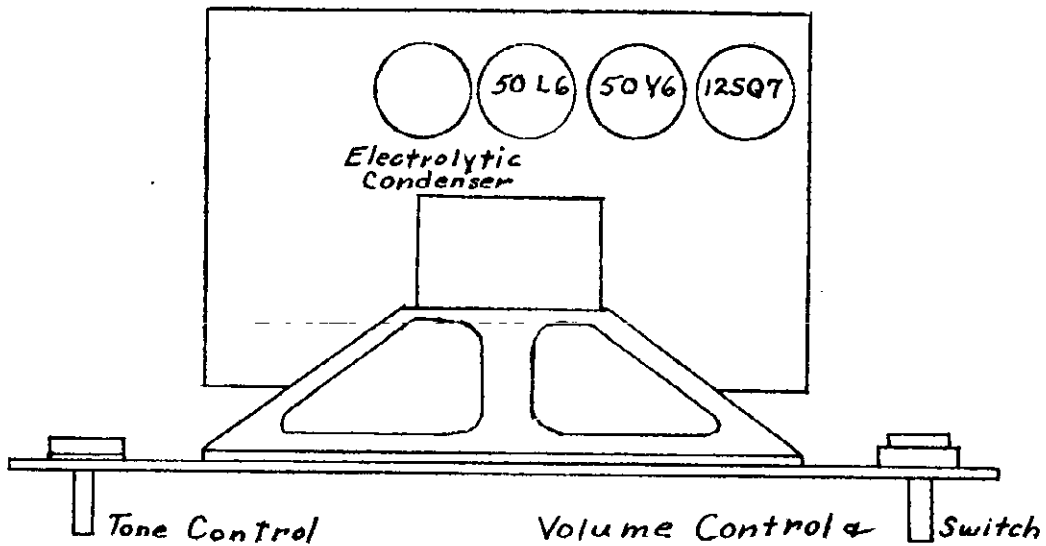
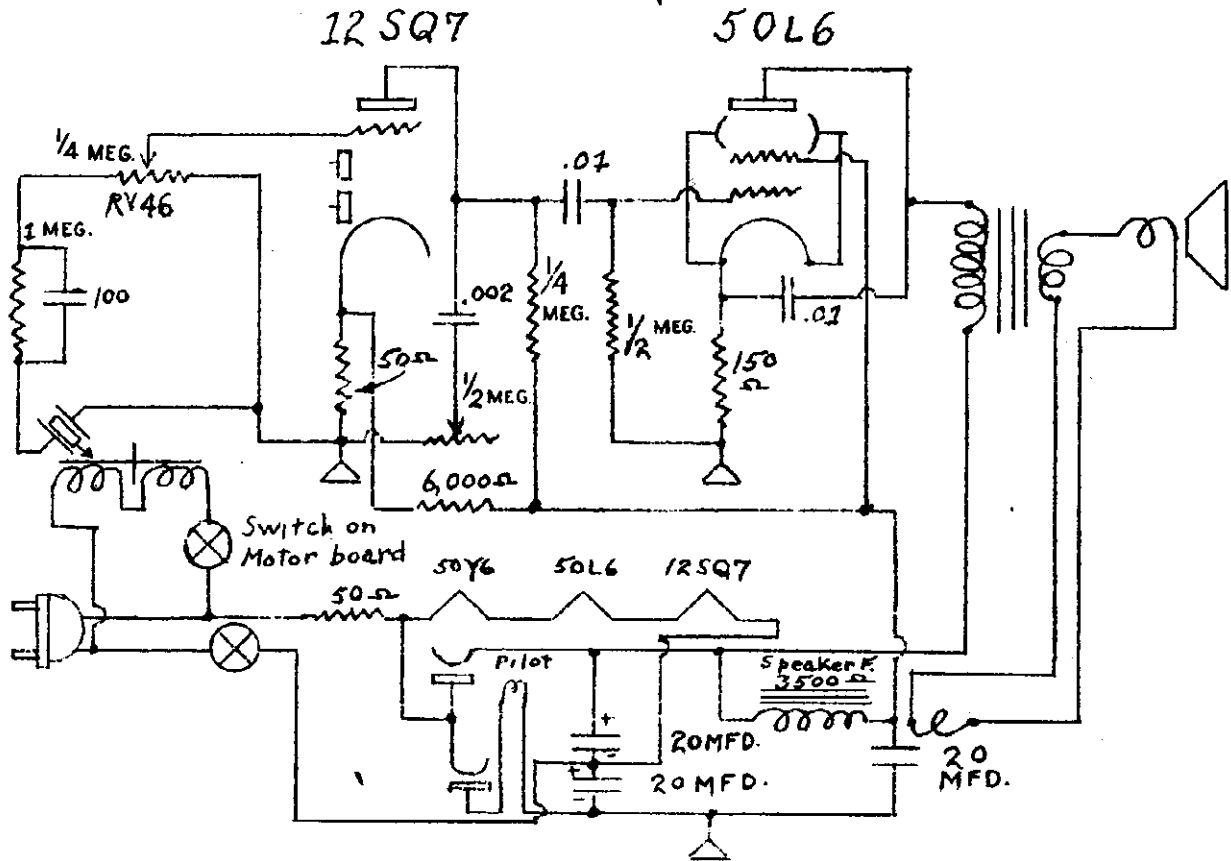
Resistor Tube  
on 351 only

Volume Tuning Phono-Radio

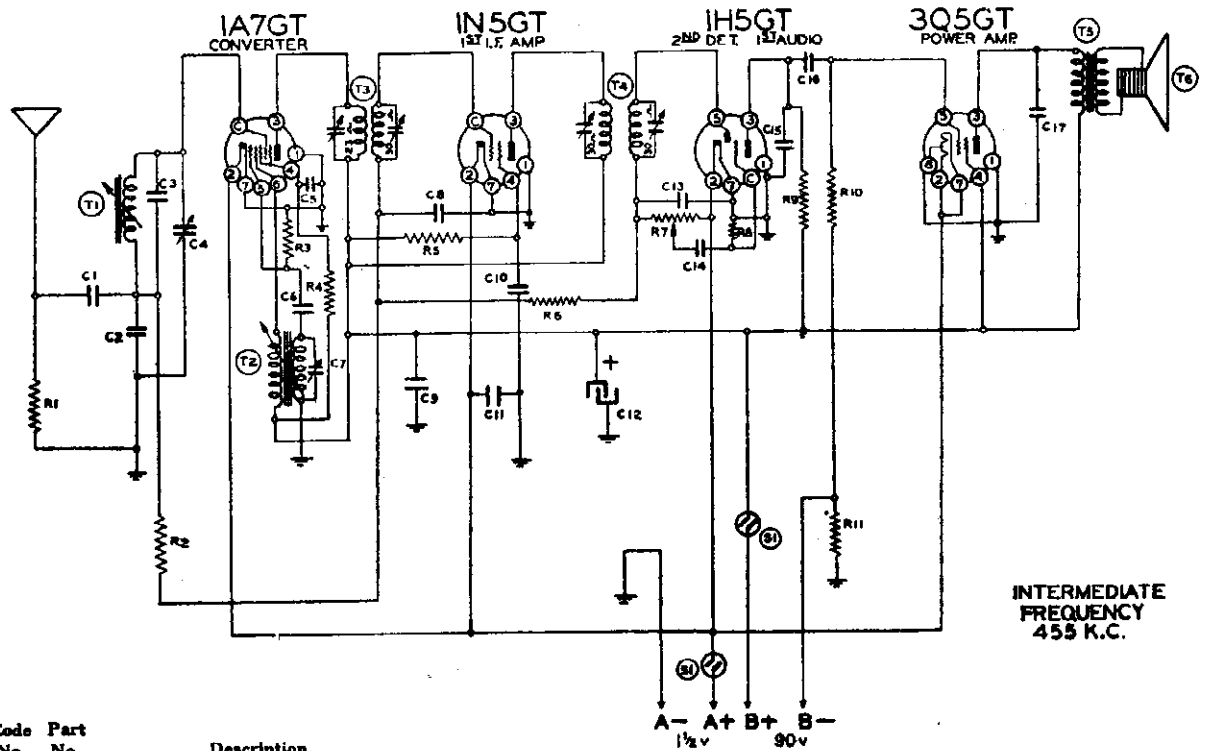
Volume Tuning Phono-Radio

AUTOMATIC RADIO & TELEV. CO., INC.

MODEL 265. FOR SEEBURG "C" RECORD CHANGER, SEE RIDER'S "AUTOMATIC RECORD CHANGERS AND RECORDERS"



BELMONT RADIO CORP.



INTERMEDIATE  
FREQUENCY  
455 K.C.

Code No.	Part No.	Description
----------	----------	-------------

RESISTORS

R1	13017	10M ohm— $\frac{1}{2}$ w.
R2	1304	3 megohm— $\frac{1}{2}$ w.
R3	1309	200M ohm— $\frac{1}{2}$ w.
R4	130194	35M ohm— $\frac{1}{2}$ w.
R5	13094	50M ohm— $\frac{1}{2}$ w.
R6	1304	3 megohm— $\frac{1}{2}$ w.
R7	101250	1 megohm—Volume control and switch— $\frac{1}{2}$ w.
R8	130257	5 megohm— $\frac{1}{2}$ w.
R9	13019	1 megohm— $\frac{1}{2}$ w.
R10	130146	2 megohm— $\frac{1}{2}$ w.
R11	13079	400 ohm— $\frac{1}{2}$ w.

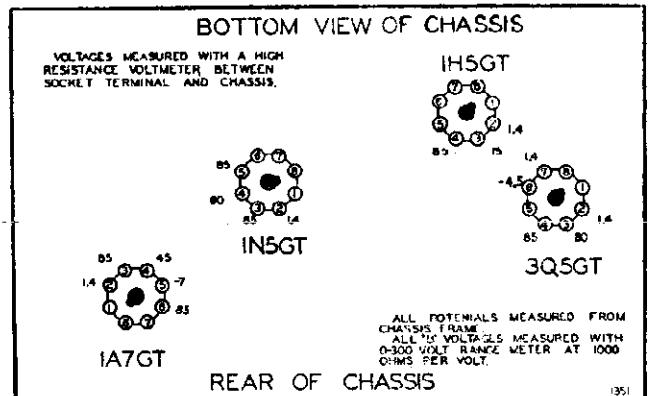
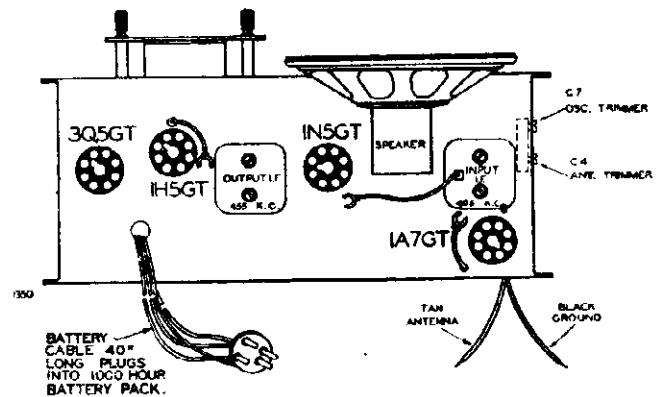
CONDENSERS

C1	12936	.0003 mica
C2	100112	.001 x 200 v.
C3	129177	.000045—Ceramicon
C4	124165	Antenna trimmer
C5	1009	.05 x 200 v.—Condenser
C6	12912	.00025 mica
C7	124165	Oscillator trimmer
C8	1009	.05 x 200 v. Condenser
C9	1006	.25 x 200 v. Condenser
C10	10020	.1 x 200 v.
C11	10017	.5 x 120 v.
C12	119117B	10 mfd. x 150 v. Lytic
C13	1295	.0001 mica
C14	10012	.003 x 600 v. Condenser
C15	1295	.0001 mica
C16	10026	.02 x 400 v. Condenser
C17	1007	.005 x 600 v.

C4 and C7 are in same unit.

PARTS

T1	1364	Antenna Coil
T2	1364	Oscillator Coil Permeability tuning assem. Complete.
T3	108202	Input I. F. Coil 455 Kc.
T4	108153B	Output I. F. Coil 455 Kc.
T5	10591B	Output transformer
T6	114238	5" P.M. speaker
S1		Switch-on Volume Control



MODEL 4B16, Series A  
MODEL 6A27, Series A

BELMONT RADIO CORP.

**TECHNICAL DATA MODEL 4B16, SERIES A**

Power Consumption . . . . . A—250 Amp. B .014 Amps. Sensitivity for 50 Milliwatt Output: 45 Microvolts Average  
Power Output . . . . . 160 Milliwatts Undistorted Selectivity - 48 KC at 1000 Times Signal at 1000 KC  
Tuning Frequency Range . . . . . 540 to 1700 KC

**ALIGNMENT PROCEDURE**

The following equipment is required for aligning.  
• Dummy antenna, 1 mfd. and 200 mmf.

• Volume control—Maximum all adjustments.  
• Connect ground lead of radio chassis to ground post of signal generator.

BAND	SIGNAL GENERATOR Frequency Setting	Dummy Antenna	Connection to Radio	Position of Iron Cores (Dial Setting)	Trimmers Adjusted (In Order Shown)	Trimmer Function	Adjustment
455 Kc. I. F.	455 Kc.	.1 MFD.	Connect to Grid of 1A7	Iron Cores All the way out	Two trimmers on top of output I. F. can	Output I. F.	maximum output
	455 Kc.	.1 MFD.	Connect to Grid of 1A7	Iron Cores All the way out	Two trimmers on top of input I. F. can	Input I. F.	maximum output
BROAD-CAST BAND	1700 Kc.	.1 MFD.	Connect to Grid of 1A7	Iron Cores All the way out	Trimmer (C7) (See chassis view)	Oscillator	maximum output
	1700 Kc.	200 MMF.	Connect to Antenna Clip	Iron Cores All the way out	Trimmer (C4) (See chassis view)	Antenna	maximum output
	1400 Kc.	200 MMF.	Connect to Antenna Clip	Turn Dial to 1400 Kc.	Adjust position of antenna coil (See coil assembly view)	Antenna Coil Adjustment	maximum output (See Note "A")
	1700 Kc.	200 MMF.	Connect to Antenna Clip	Turn Dial to 1700 Kc.	Adjust trimmer (C4) (See chassis view)	Antenna	Check for tracking (See Note "B")

NOTE "A"—The antenna coil assembly is made so that it is movable. When making the adjustment as given in the alignment procedure move the coil assembly very slowly. It can be moved by hand or by pivoting one edge of the blade of a screwdriver in the hole and engaging the blade in the gear teeth of the coil form.

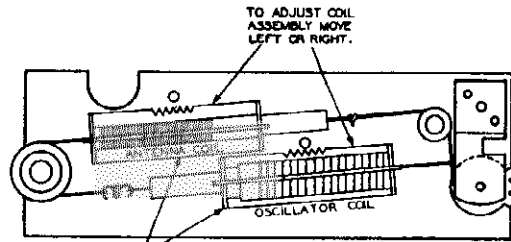
NOTE "B"—After the antenna coil has been tracked at 1400 Kc. it is necessary to check the antenna trimmer (C4) adjustment again at 1700 Kc. If no appreciable change in trimmer adjustment is made the coil is in track, if the trimmer requires considerable change it will be necessary to again adjust the position of the antenna coil at 1400 Kc. These two adjustments should be tried several times until no change of trimmer adjustment is required at 1700 Kc.

**TECHNICAL DATA—Model No. 6A27**

SERIES A

Power Consumption Radio Only . . . . . 70 Watts  
Motor Only . . . . . 20 Watts  
Power Output . . . . . 2.1 Watts Undistorted  
Sensitivity for 500 Milliwatt Output: 15 Microvolts Average  
Selectivity - 51 KC Broad at 1000 Times Signal at 1000 KC  
Tuning Frequency Range Broadcast Band - 530 to 1600 KC  
Shortwave Band - 5.46 to 18.3 MC  
Intermediate Frequency . . . . . 455 KC  
Speaker . . . . . 10 in. Electro Dynamic

MODEL 4B16, SERIES A



NOTE: THE ANTENNA COIL ASSEMBLY IS MADE SO THAT IT IS MOVABLE LEFT OR RIGHT. WHEN MAKING THE ADJUSTMENT AS GIVEN IN THE ALIGNMENT PROCEDURE MOVE COIL ASSEMBLY VERY SLOWLY  
**COIL ASSEMBLY VIEW**

**ALIGNMENT PROCEDURE MODEL 6A27, SERIES A**

• Volume control—Maximum all adjustments.  
• Connect radio ground to ground post of signal generator with a short heavy lead.  
• Connect dummy antenna valve in series with generator output lead.  
• Connect output meter across primary of output transformer.  
• Allow chassis and signal generator to "heat up" for several minutes.

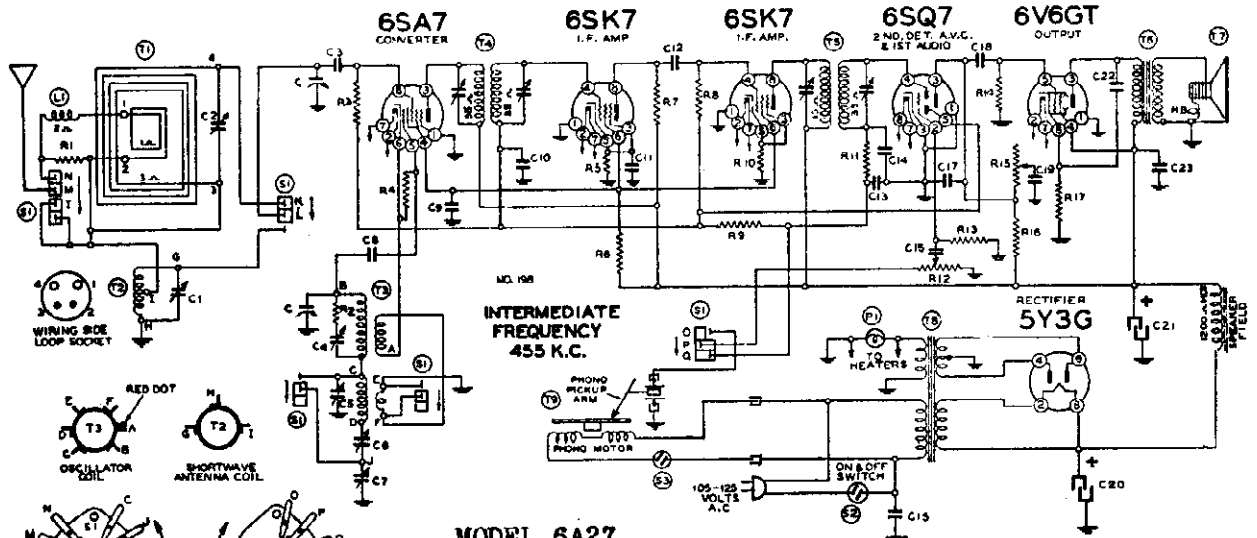
The following equipment is required for aligning:  
• An all wave signal generator which will provide an accurately calibrated signal at the test frequencies as listed.  
• Output indicating meter.  
• Non-metallic screwdriver.  
• Dummy antennas—1-mfd., 200 mmf., 400 ohms.

BAND	SIGNAL GENERATOR Frequency Setting	Dummy Antenna	Connection to Radio	Position of Band Switch	Variable Condenser Setting	Trimmers Adjusted (In Order Shown)	Trimmer Function	Adjustment
I. F.	455 Kc.	.1 MFD	Grid of 6SA7 Mixer	Broadcast	Rotor full open (Plates out of mesh)	Trimmers on top (See Top View)	Input and Output I. F.	Adjust to maximum output
SHORT WAVE BAND (See Note A)	17 Mc.	400 Ohms	External Antenna and Ground	Short Wave	Set Dial at 17 Mc.	Trimmer C4	Short Wave oscillator	Adjust to maximum output
	17 Mc.	400 Ohms	External Antenna and Ground	Short Wave	Set Dial at 17 Mc.	Trimmer C1	Short Wave antenna	Adjust to maximum output
	6 Mc.	400 Ohms	External Antenna and Ground	Short Wave	Set Dial at 6 Mc.	Trimmer C7	Short Wave oscillator series pad	Adjust to maximum peak dial. (See note "C")
BROAD-CAST BAND (See Note A)	1600 Kc.	200 mmf.	Grid of 6SA7	Broadcast	Rotor full open (Plates out of mesh)	Trimmer C3	Broadcast oscillator	Adjust to maximum output
	530 Kc.	200 mmf.	Grid of 6SA7	Broadcast	Rotor full closed	Trimmer C6	Broadcast oscillator series pad	Adjust to maximum output
LOOP ALIGN-MENT (See Note B)	1400 Kc.	200 mmf.	External Antenna and Ground	Broadcast	Set Dial at 1400 Kc.	Trimmer C2 (See Top View)	Broadcast antenna	Adjust to maximum output
	600 Kc.	200 mmf.	External Antenna and Ground	Broadcast	Set Dial at 600 Kc.	Trimmer C5 (See Top View)	Broadcast oscillator series pad	Adjust to maximum output

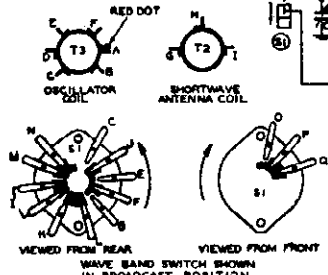
NOTE "A"—The signal generator is connected to the "ANT." and "GND." leads when aligning the Short Wave Band and to the grid of the 6SA7 tube and ground terminal when setting the Broadcast Band oscillator and frequencies (1600 and 530 K. C.). The loop antenna should be connected to the radio when making these adjustments.  
NOTE "B"—Loop alignment is made with the chassis mounted in the cabinet and the loop antenna connected. The signal generator is connected to the "ANT." and "GND." leads.

NOTE "C"—Turn the dial back and forth slightly (rock) and adjust trimmer until the peak of greatest intensity is obtained. Attenuate the signal from the signal generator to prevent the leveling-off action of the AVC.  
After each band is completed, repeat the procedure as a final check.

BELMONT RADIO CORP.



MODEL 6A27 Series A



CONDENSERS

C1	102137	Two gang variable condenser
C2	124149	S. W. Antenna trimmer
C3	124149	B. C. Antenna trimmer
C4	1292	.0005 mica
C5	124142	S. W. Oscillator trimmer
C6	124142	B. C. Oscillator trimmer
C7	124146	B. C. Padding Condenser
C8	12960	S. W. Padding Condenser
C9	10013	150 mmfd. mica
C10	10022	.05 x 400 v.
C11	1009	.05 x 200 v.
C12	1292	.0005 mica
C13	129161	.0001 mica
C14	129161	.0001 mica
C15	10061	.02 x 600 v.
C16	10025	.002 x 600 v.
C17	12912	.00025 mica
C18	10026	.02 x 400 v.
C19	10071	.004 x 600 v.
C20	119115	16 mfd. x 400 w. v. lytic
C21	119115	16 mfd. x 400 w. v. lytic
C22	10019	.006 x 600 v.
C23	1001	.1 x 400 v.

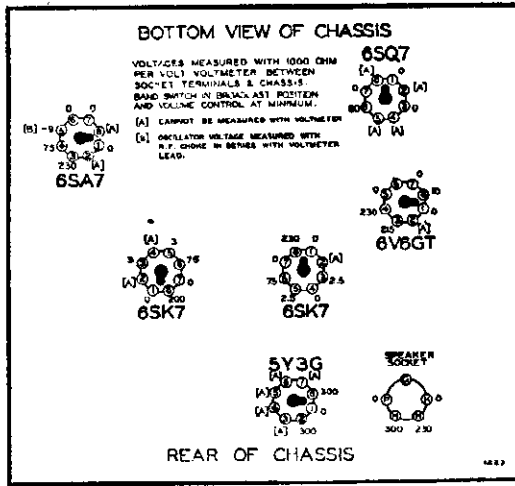
RESISTORS

R1	13071	4000 ohm—1/2 w.
R2	130128	20 ohm—1/2 w.
R3	13019	1 megohm—1/2 w.
R4	130236	30M ohm—1/2 w.
R5	130283	750 ohm—1/2 w.
R6	130324	18M ohm—1 watt
R7	130218	5M ohm—1/2 w.
R8	13020	100M ohm—1/2 w.
R9	130170	3 megohm—1/2 w.
R10	130222	350 ohm—1/2 w.
R11	13012	50M ohm—1/2 w.
R12	101232	1 megohm volume control
R13	130233	10 megohm—1/2 w.
R14	1303	500M ohm—1/2 w.
R15	101231	1 megohm tone control
R16	130172	250M ohm—1/2 w.
R17	130323	270 ohm—1 watt

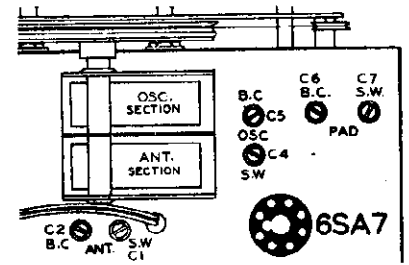
PARTS

T1	111208	Loop antenna assembly
T2	111184	S. W. Antenna Coil
T3	110154	B. C. and S. W. Oscillator Coil
T4	108169E	Input I. F. Coil—455 kc.
T5	108106U	Output I. F. Coil—455 kc.
T6	105118	Output Transformer
T7	114222	10" Electro Dynamic Speaker

T8	104225B	60 cycle power transformer
	and 104238B	25 cycle power transformer
T9	104306	60 cycle Record Changer and Phono Assembly
S1	125132	Phono-band switch
S2		Switch on volume control
S3		Switch on record changer
L1	12312	R. F. Choke coil
P1	10794	Pilot light bulb No. T-44



REAR OF CHASSIS



MODEL 6A27 Series A; MODEL 671, SERIES C

Automatic Record Changer—Operating Instructions

Setting for Record Size

This mechanism plays up to twelve 10" or ten 12" records at one set-up. All records must be of the same size for each set-up. To set for record size it is necessary to move the 10"-12" button so that it will indicate correct size record and the auto-manual button to indicate automatic.

Loading

See that both lower shelf plates are turned toward center of turntable. If they are not, grasp the post just below the shelf plate and rotate post until it falls into proper position, with both shelf plates correctly turned toward center of turntable. Place the stack of records over center pin so they will rest on the two shelf plates.

To Turn The Phonograph On

Push the motor switch to "on" position. Motor will then start.

Rejecting A Record

Press the button marked "Reject." This can be done any time after the needle has come in contact with the record. The mechanism will immediately start the change cycle.

Removing Played Records

First switch off motor. Then take hold of both posts, just below the shelf plates, and turn them out of the way. Place pick-up in position on arm rest. Lift the played records from the turntable. Taking hold of posts as before move plates until post again falls into on play position. The changer may be loaded with a new stack of records.

Manual Operation and Tone Arm

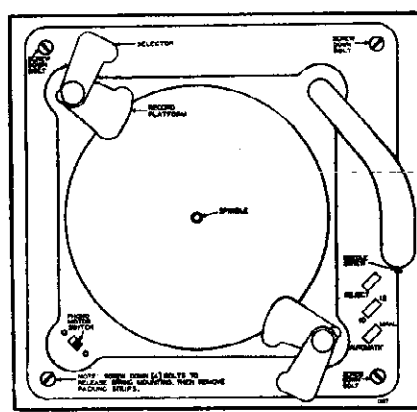
The tone arm should not be handled while in automatic position. If it is desired to remove the tone arm from a record, the Automatic and Manual button should be placed in the Manual position.

If Changer Is Left Running

No damage will be done if you forget to turn off Changer after it has played its entire load of records. It will simply repeat the last record until stopped or reloaded.

Oiling

Normally, this mechanism should require no additional lubrication. However, a drop of any good machine oil may be applied on both ends of the motor shaft, then be loaded with a new stack of records.



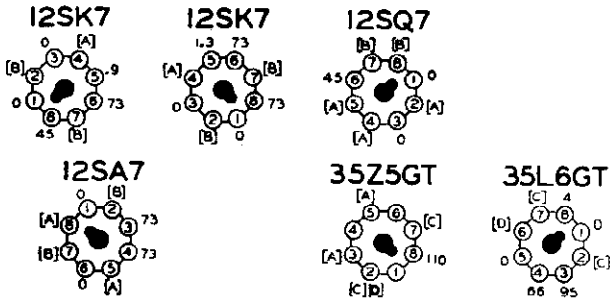
MODELS 6D18, 6D19  
Series A

BELMONT RADIO CORP.

**BOTTOM VIEW OF CHASSIS**

VOLTAGES MEASURED WITH 1000 OHM PER VOLT VOLTMETER BETWEEN SOCKET TERMINALS AND B— WITH A LINE VOLTAGE OF 117 VOLTS.

[A] CANNOT BE READ WITH VOLTMETER.  
[B] 12 VOLTS A.C. BETWEEN PINS B & B.  
[C] 32 VOLTS A.C. BETWEEN PINS 2 & 7.  
[D] 117 VOLTS A.C. BETWEEN PINS 0 & 0.



**REAR OF CHASSIS**

NO. 1111

To check for open by-pass condensers, shunt each condenser with another condenser of the same capacity and voltage rating which is known to be good, until the defective unit is located.

Excessive hum, stuttering, low volume and a reduction in all D. C. voltages is usually caused by a shorted electrolytic condenser; open by-pass condensers frequently cause oscillation and distorted tone.

It is important during alignment that the same distance between the loop antenna and the chassis be maintained as when the chassis is installed in the cabinet.

Slight adjustments to the oscillator and antenna circuits can be made without removing the chassis from the cabinet through two holes which are provided on the bottom of the cabinet

The two adjustments on the variable gang condenser can be reached with a long insulated type screw driver through these two holes.

**ALIGNMENT PROCEDURE**

**IMPORTANT:**—See alignment instructions

- Volume control—Maximum all adjustments.
- Connect B— of radio chassis to ground post of signal generator through .1 Mfd. condenser.
- Connect dummy antenna valve in series with generator output lead.
- Connect output meter across primary of output transformer.
- Allow chassis and signal generator to "heat up" for several minutes.

The following equipment is required for aligning:

- An all wave signal generator.
- Output indicating meter.
- Non-metallic screwdriver
- Dummy antenna—.1 Mfd

BAND	SIGNAL GENERATOR Frequency Setting	Dummy Antenna	Connection to Radio	Variable Condenser Setting	Trimmers Adjusted (in Order Shown)	Trimmer Location	Adjustment
I. F.	455 Kc.	.1 MFD.	Grid of 12SA7	Rotor full open (Plates out of mesh)	Four Trimmers on Top (See Fig. 1)	Output and Input I. F.	Adjust to maximum output
BROAD-CAST BAND	1450 Kc.	.1 MFD.	Grid of 12SA7	Rotor full open (Plates out of mesh)	Trimmer bottom of rear section of gang. (See bottom of radio)	Broadcast Oscillator	Adjust to maximum output
BROAD-CAST BAND	1400 Kc.	See Note "A"		Set dial at 1400 Kc.	Trimmer bottom of front section of gang. (See bottom of radio)	Broadcast Antenna	Adjust to maximum output

**NOTE "A"** Lay the output lead from the generator in back of the loop antenna. Turn up the output of the generator, picking up the energy in the loop antenna without any electrical connection from the generator.

**FREQUENCY RANGE**  
330 to 1600 K.C.

Power Consumption..... 25 Watts  
Power Output..... 1 Watt Undistorted, 17 Watts Maximum  
Intermediate Frequency..... 455 K.C.

**PROCEDURE FOR SETTING THE AUTOMATIC TUNER PUSH BUTTONS**

1. Make a list of six stations you tune in regularly. There are six push buttons on the front of the radio by means of which six stations may be tuned automatically. (See "B," Fig. 2.)

2. Punch out the call letters of the stations you have selected from the set of station call letter tabs supplied.

On the front of each automatic tuner button an opening is provided for inserting the call letter tabs. (See "A" Fig. 2.)

Insert the call letter tabs in the rectangular openings in each of the automatic tuner push buttons.

3. Stations may be set up in any sequence desired. Press any one of the automatic tuner push buttons down all the way.

4. Hold the push button down firmly, and tune set very carefully to station desired, until station is heard clearly and with maximum volume

Release the push button.

5. Press down another automatic tuner push button. Hold it down FIRMLY and carefully tune in next station desired. Release this push button.

Follow this procedure until you have selected all of your favorite stations.

6. Now rotate the tuning knob to the right (clockwise) as far as it will turn, and with a coin (quarter), tighten the special locking screw ("C") in the center of the tuning knob. (See Fig. 2.)

It is VERY IMPORTANT that this locking screw is turned until it is ABSOLUTELY TIGHT.

This screw will lock in place all the stations you have selected on the automatic tuner push buttons. (Note: Locking screw "C" is loose when radio is shipped from factory.)

**CHANGING STATIONS:**

If you should desire to change any station you have selected to another, hold the tuning knob securely and with a coin loosen the locking screw "C" one or two turns. Hold down push button on which the station is to be changed and tune in new station desired. Release the push button.

Be sure to retighten the locking screw, otherwise the stations you have previously selected will not stay adjusted to the push buttons.

The set is now set up for automatic tuning.

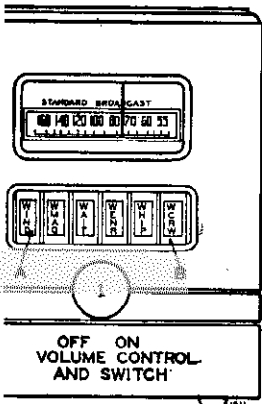
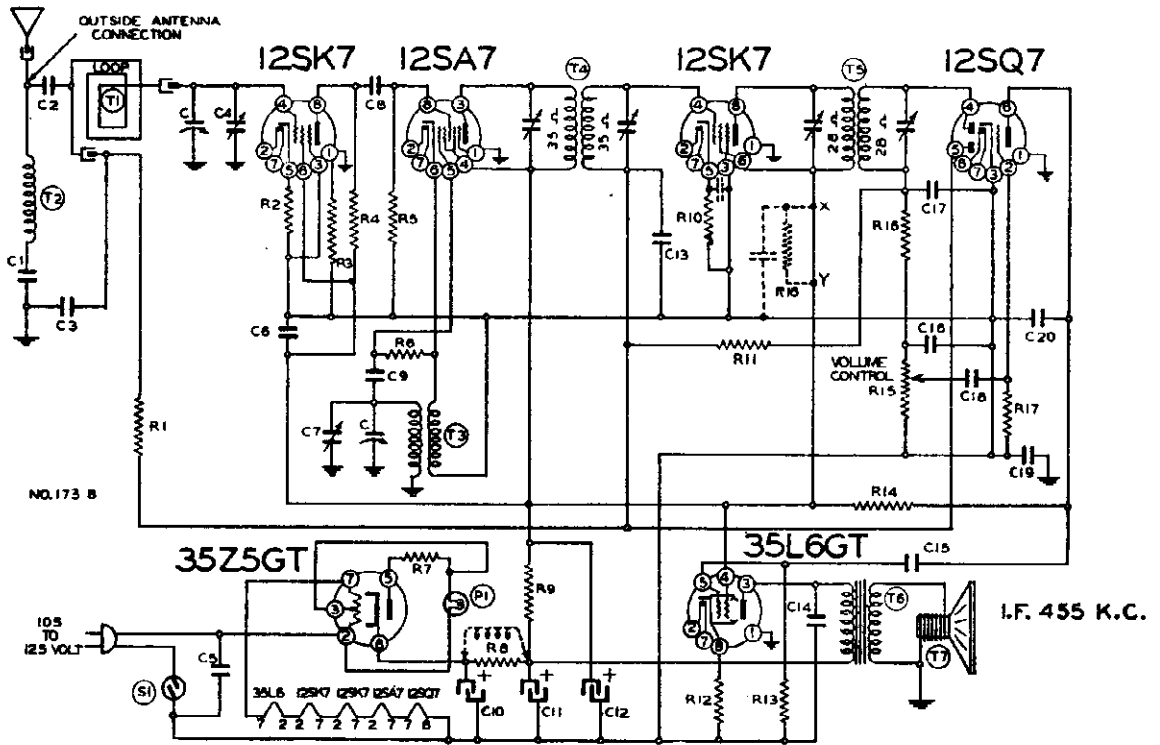


FIG. 2

BELMONT RADIO CORP.

MODELS 6D18, 6D19,  
Series A



Circuit Diagram Ref. Part No. Description

RESISTORS

R1	130100	150M ohms—1/2 w.
R2	130168	100 ohms—1/2 w.
R3	130100	150M ohms—1/2 w.
R4	130218	5M ohms—1/2 w.
R5	130220	100M ohms—1/2 w.
R6	13094	50M ohms—1/2 w.
R7	130215	25 ohms—1/2 w.
R8	130296	200 ohms—1 w.
R9	130287	1200 ohms—1 w.
R10	130166	150 ohms—1/2 w.
R11	1304	3 megohm—1/2 w.
R12	130166	150 ohm—1/2 w.
R13	1303	500M ohm—1/2 w.
R14	1309	200M ohm—1/2 w.
R15	101211	1 megohm—volume control and switch
R16	13012	50M ohm—1/2 w.
R17	130257	5 megohm—1/2 w.
R18	13064	3500 Ohm—1/2 w.

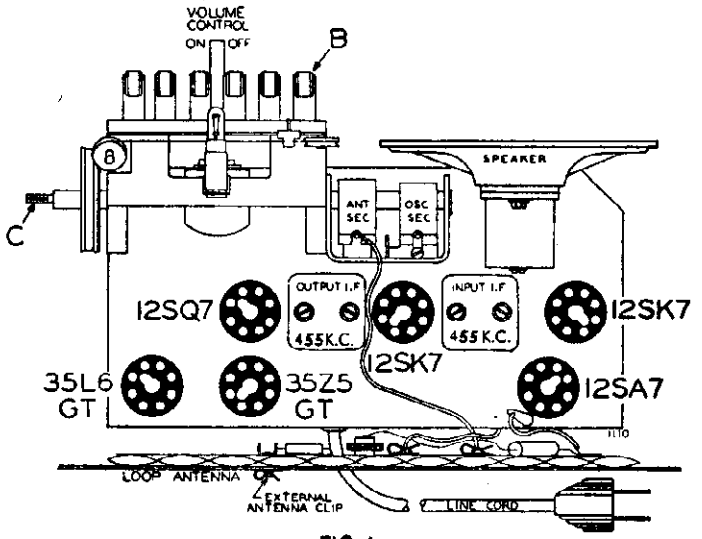
CONDENSERS

C	102136	Two gang variable condenser
C1	10011	.01 x 400 v.
C2	129132	.000125 mica
C3	10026	.02 x 400 v.
C4	1001	B.C. antenna trimmer
C5	1006	.1 x 400 v.
C6	1006	.25 x 200 v.
C7	1006	B.C. Oscillator Trimmer
C8	1295	.0001 mica
C9	1295	.0001 mica
C10	11994	40 mfd.—150 w.v. lytic
C11	11994	20 mfd.—150 w.v. lytic
C12	11994	20 mfd.—150 w.v. lytic
C13	1009	.05 x 200 v.
C14	10026	.02 x 400 v.
C15	100106	.004 x 600 v.
C16	12939	.00005 mica
C17	1295	.0001 mica
C18	10025	.002 x 600 v.
C19	100110	.2 x 400 v.
C20	1295	.0001 mica
C21	10020	.1 x 200 Volt
C22	10020	.1 x 200 Volt

C10, C11, C12 are in same unit

PARTS

T1	111145	Loop Antenna Assembly
T2	1237	Loading Coil
T3	110128	Oscillator Coil
T4	108140G	Input I.F. Coil—455 kc.
T5	108145C	Output I.F. Coil—455 kc.
T6	10595B	Output Transformer
T7	114191	5" P.M. Speaker
T7	114265	5" Electrodynamic Speaker
S1		On-off switch
P1	107249	T-47 Pilot light



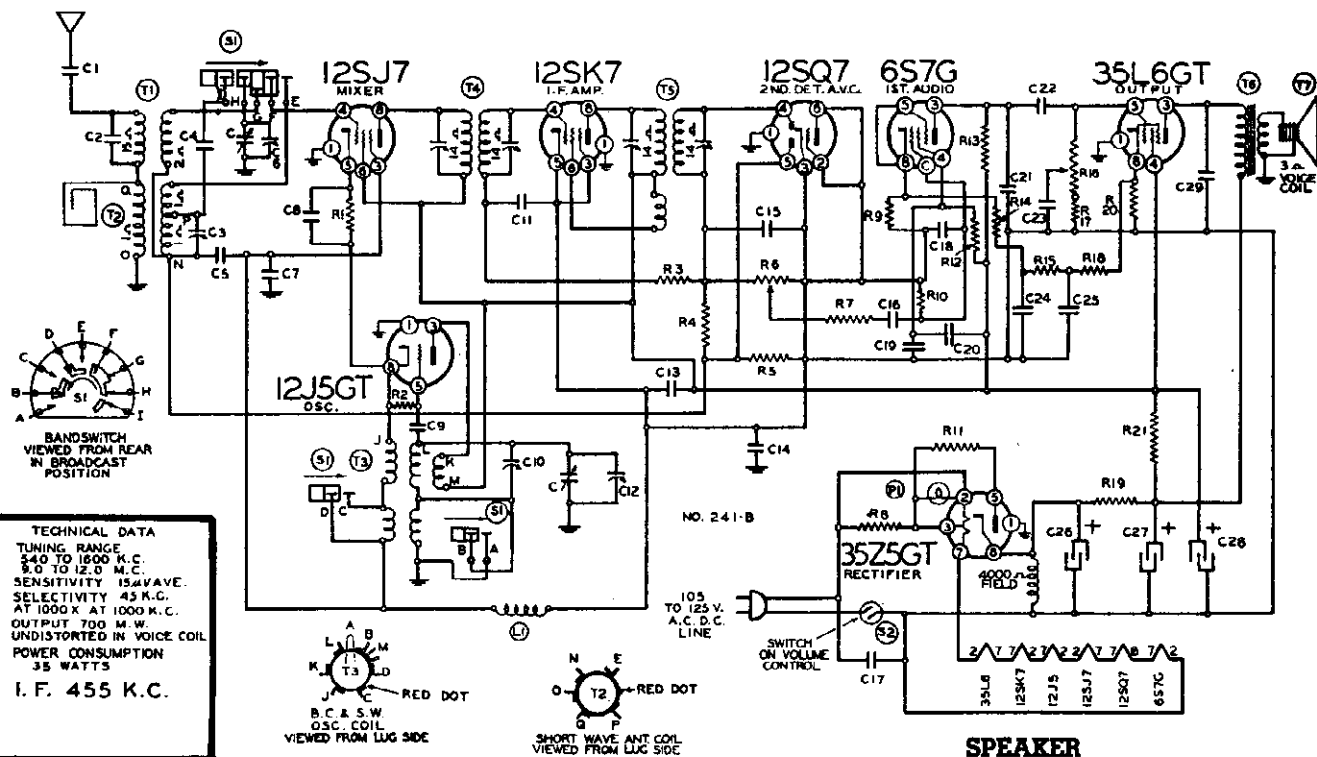
NOTE: Some sets of this model were made for glass tubes only. Where glass tubes were used items C21—C22—R18 shown in dotted lines, were added to the circuit and the B + Line was opened between points X + 4.

On some sets R8 is replaced by a speaker field; R9 is also eliminated and C11 and C12 are connected in parallel.



MODEL 7D22, Series B

BELMONT RADIO CORP.



**TECHNICAL DATA**  
 TUNING RANGE  
 540 TO 1500 K.C.  
 9.0 TO 12.0 M.C.  
 SENSITIVITY 15μVAVE.  
 SELECTIVITY 45 K.G.  
 AT 1000 K. AT 1000 K.C.  
 OUTPUT 700 M.W.  
 UNDISTORTED IN VOICE COIL  
 POWER CONSUMPTION  
 35 WATTS  
 I. F. 455 K.C.

Part No.	Schematic Diagram Reference	Description	No. Used In Set
----------	-----------------------------	-------------	-----------------

**CONDENSERS**

100128	C5	.05 x 120 Volt Tubular Condenser.....	1
100119	C7, C14	.1 x 400 Volt Tubular Condenser.....	2
100127	C8	.01 x 120 Volt Tubular Condenser.....	2
100020	C13, C19, C24	C25 .1 x 200 Volt Tubular Condenser.....	4
1009	C11	.05 x 200 Volt Tubular Condenser.....	1
100138	C17	.03 x 400 Volt Tubular Condenser.....	1
10019	C16, C23	.006 x 500 Volt Tubular Condenser.....	2
10037	C1	.003 x 600 Volt Tubular Condenser.....	1
100142	C20	.04 x 200 Volt Tubular Condenser.....	1
100130	C21, C22	Dual Condenser—.00025 x .02 x 400 Volt.....	1
10011	C29	.01 x 400 Volt Tubular Condenser.....	1
119129		Electrolytic Filter Cond. Added for 25 Cycle Only. 40 Mfd. x 150 Volts Across C22 and 20 Mfd. x 150 Volts Across C21.....	1
119128	C26, C27, C28	Electrolytic Filter Condenser. 40 Mfd.—20 Mfd.—20 Mfd. x 150 Volts, 50-60 Cycles.....	1
124139	C3, C10	S.W. Antenna and Oscillator Trimmer Condenser.....	2
129181	C4	.000445 Mica Type Condenser—3%.....	1
12921	C15	.0002 Mica Type Condenser—20%.....	1
1295	C9, C18	.0001 Mica Type Condenser—20%.....	2
12960	C2	.00015 Mica Type Condenser—20%.....	1
12912	C19	.00025 Mica Type Condenser—20%.....	1

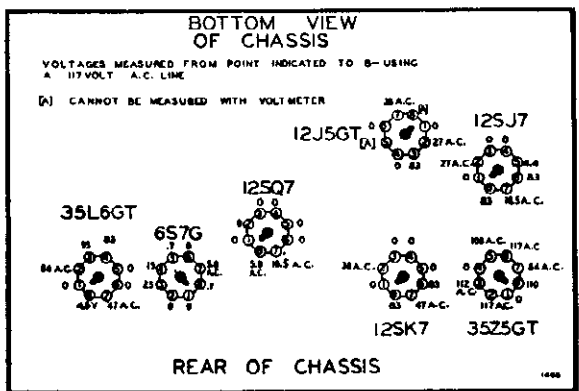
**RESISTORS**

130218	R1	5M Ohm—1/2 Watt Resistor—10%.....	1
130166	R8, R20	150 Ohm—1/2 Watt Resistor—10%.....	2
13084	R19	200 Ohm—1/2 Watt Resistor—20%.....	1
130128	R11	20 Ohm—1/2 Watt Resistor—20%.....	1
13012	R2, R7	50M Ohm—1/2 Watt Resistor—20%.....	2
130287	R21	1200 Ohm—1 Watt Resistor—10%.....	1
130350	R3, R5	3.2 Megohm—1/2 Watt Resistor—20%.....	2
13035	R4	2 Megohm—1/2 Watt Resistor—20%.....	1
130257	R10	5 Megohm—1/2 Watt Resistor—25%.....	1
13092	R9	1M Ohm—1/2 Watt Resistor.....	1
130354	R12	525M Ohm—1/2 Watt Resistor.....	1
130103	R13	100M Ohm—1/2 Watt Resistor.....	1
130193	R14, R18	3M Ohm—1/2 Watt Resistor.....	2
130355	R15	8M Ohm—1/2 Watt Resistor.....	1
130100	R17	150M Ohm—1/2 Watt Resistor.....	1

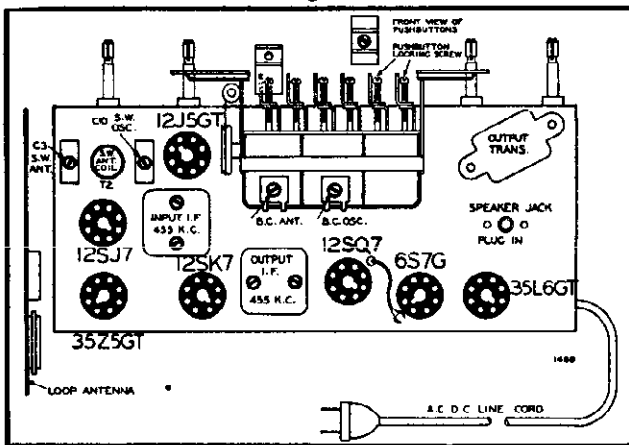
**COILS**

108206	T4	Input I.F. Coil Complete in Can.....	1
108205	T5	Output I.F. Coil Complete in Can.....	1
110184	T3	B.C.-S.W.—Oscillator Coil.....	1
111249	T2	S.W. Antenna Coil Complete.....	1
111251	T1	Loop Antenna Assembly.....	1
12316	L1	Choke Coil.....	1

114262	T7	Six Inch Electro Dynamic Speaker (Less Output Transformer).....	1
105134	T6	Output Transformer for Speaker.....	1



**Voltage Chart**



FOR ALIGNMENT, SEE INDEX

BELMONT RADIO CORP.

MODEL 7D22,  
Series B  
MODEL 507,  
Series B

ALIGNMENT PROCEDURE MODEL 507, SERIES B

- Volume control—Maximum all adjustments.
  - Connect generator ground to negative "B" at plug terminal (grey wire).
  - Connect dummy antenna wire in series with generator output lead.
  - Connect output meter across primary of output transformer.
  - Allow chassis and signal generator to "heat up" for several minutes.
- The following equipment is required for aligning:
- All all wave signal generator which will provide an accurately calibrated signal at the test frequencies as listed.
  - Output indicating meter.
  - Non-metallic screwdriver.
  - Dummy antennas—1 Mfd., 20 Mmi.

BAND	Frequency Setting	Dummy Antenna	Connections to Radio	Variable Condenser Setting	Trimmers Adjusted (in Order Shown)	Trimmer Function	Adjustment
I. F.	465 Kc.	.1 MFD.	Grid of 1A7GT Tube	Rotor full open (Plates out of mesh)	Four trimmers on top (See Fig. 2)	Output and input I. F.	Adjust to maximum output (See Note "A")
BROAD-CAST BAND	1500 Kc.	.1 MFD.	Grid of 1A7GT Tube	Rotor full open (Plates out of mesh)	Trimmer Rear section of gang (See Fig. 2)	Oscillator	Adjust to maximum output (See Note "A")
	1400 Kc.	200 Mmi.	Antenna and Ground Terminals of Loop	Set dial at 1400 Kc.	Trimmer C16 (See Fig. 1)	Antenna	Adjust to maximum output (See Note "B")

**NOTE "A"**—The loop antenna need not be connected to the radio when making these adjustments. The ground of the signal generator is connected to the negative "B" wire of the radio and the other lead from the signal generator in series with .1 MFD. dummy to the grid of the 1A7GT tube.

**NOTE "B"**—This adjustment should be made with the ground lead of the signal generator connected to the ground terminal of the loop assembly. The other lead of the signal generator is connected in series with a .200 Mmi. dummy to the antenna terminal of the loop assembly.

It is important when making this adjustment that the same distance between the loop antenna and the chassis be maintained as when the chassis and loop are installed in the cabinet.

It is important during alignment that the same distance between the loop antenna and the chassis be maintained as when the chassis is installed in the cabinet.

Power Consumption.....(On A.C. or D.C.) 35 Watts  
Power Output.....100 Milliwatts Undistorted, 200 Milliwatts Maximum  
Intermediate Frequency.....465 Kc.

MODEL 7D22, SERIES B

Setting the Pushbuttons

Make a list of your 6 favorite stations—push out the call letters of these stations from the call letter same way. When you have set your stations insert the call letters of each station in the front of the hole in front of one of the pushbuttons and proper button and put one of the celluloid tabs over the pushbutton locking screw (to the left) the station call letter.

To change stations simply repeat the above procedure.

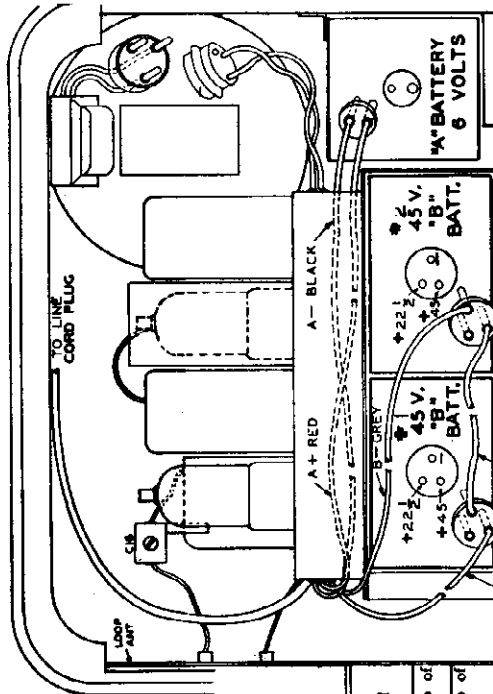
ALIGNMENT PROCEDURE MODEL 7D22, SERIES B

- Volume control—Maximum all adjustments.
- Connect B—of radio chassis to ground post of signal generator through .1 Mfd. condenser.

BAND	Frequency Setting	Dummy Antenna	Connections to Radio	Position of Band Switch	Variable Condenser Setting	Trimmers Adjusted to Maximum
I. F.	455 Kc.	.1 MFD.	Grid of 12SK7 Mixer	Broadcast	Rotor full open (Plates out of mesh)	Two trimmers on top of Output I. F.
	455 Kc.	.1 MFD.	Grid of 12SK7 Mixer	Broadcast	Rotor full open (Plates out of mesh)	Two trimmers on top of Input I. F.
SHORT WAVE BAND	12 Mc.	400 Ohms	External Antenna and B—	Short Wave	Set Dial at 12 Mc.	S.W. Osc. trimmer C18 S.W. Ant. trimmer C3
BROAD-CAST BAND	1600 Kc.	.1 mmi.	Grid of 12S7	Broadcast	Rotor full open (Plates out of mesh)	B.C. Osc. trimmer C12 on Gang
	1400 Kc.	200 mmi.	External Antenna and B—	Broadcast	Set Dial at 1400 Kc.	B.C. Ant. trimmer C6

**NOTE:** The Oscillator Frequency is lower than the signal frequency and should be aligned accordingly.

The loop antenna should be connected to the radio when making all adjustments.



MODEL 11A25, Series B  
MODEL 11A25, Series C

BELMONT RADIO CORP.

### Technical Data

Power Consumption - - - - - Chassis Only 120 Watts Selectivity - 36 KC Broad at 1000 Times Signal at 1000 KC  
Record Changer 20 Watts  
Power Output - - - - - 5 Watts Undistorted Tuning Frequency Range Broadcast Band - 540 to 1580 KC  
Sensitivity for 500 Milliwatt Output: 6 Microvolts Average Short Wave Band - - 5.5 to 18.5 MC

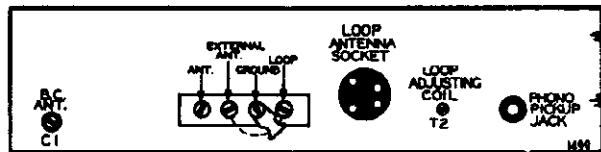
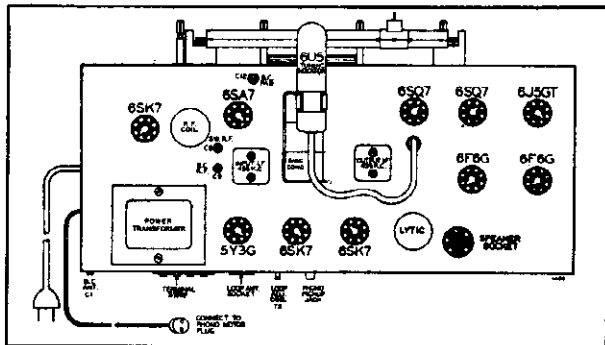
### Alignment Procedure

- Volume control—Maximum all adjustments.
- Connect dummy antenna value in series with generator output lead.

BAND	SIGNAL GENERATOR		Connection to Radio	Position of Band Switch	Variable Condenser Setting	Trimmers Adjusted to Maximum (in Order Shown)
	Frequency Setting	Dummy Antenna				
I. F.	455 Kc	.1 MFD.	Grid of 6SK7 I. F.	Broadcast	Rotor full open (Plates out of mesh)	Two trimmers on top Output I. F.
	455 Kc	.1 MFD.	Grid of 6SA7 Mixer	Broadcast	Rotor full open (Plates out of mesh)	Two trimmers on top Input I. F.
SHORT WAVE BAND	17 Mc.	400 Ohms	External Antenna and Ground	Short Wave	Set Dial at 17 Mc.	C13, S.W. Osc.
	17 Mc.	400 Ohms	External Antenna and Ground	Short Wave	Set Dial at 17 Mc.	C8, S.W. R.F., C2 S.W. Antenna
	6 Mc.	400 Ohms	External Antenna and Ground	Short Wave	Set Dial at 6 Mc.	C11 S.W. Osc Series Pad See Note "A"
BROAD-CAST BAND	1580 Kc.	200 mmf.	Grid of 6SK7 R. F. Tube	Broadcast	Rotor full open (Plates out of mesh)	C14 B.C. Osc.
	540 Kc.	200 mmf.	Grid of 6SK7 R. F. Tube	Broadcast	Set Dial at 540 Kc. (Plates in Mesh)	C12 B.C. Osc. Series Pad
	1400 Kc.	200 mmf.	Grid of 6SK7 R. F. Tube	Broadcast	Set Dial at 1400 Kc.	C9 B.C. R.F.
LOOP ALIGNMENT	1400 Kc.	200 mmf.	External Antenna and Ground	Broadcast	Set Dial at 1400 Kc.	C1 B.C. Ant.
	600 Kc.	200 mmf.	External Antenna and Ground	Broadcast	Set Dial at 600 Kc.	T2 Iron Core Tracking Coil

NOTE "A"—Turn the dial back and forth slightly (rock) and adjust trimmer until the peak of greatest intensity is obtained

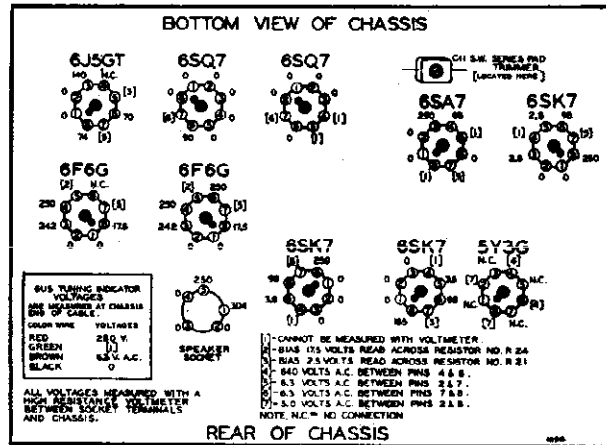
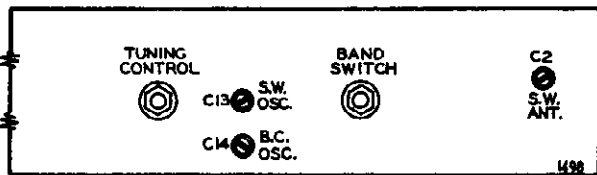
After each band is completed, repeat the procedure as a final check.



### ANTENNA AND GROUND TERMINALS

When using an external antenna and ground, move the metal strap (connector bar) from terminal marked LOOP and connect it to terminal marked EXTERNAL ANT.

The antenna and ground wires should then be connected to the terminals marked "Ant."—"Gnd."



BUS TUNING INDICATOR  
ONE HUNDRED VOLTS  
ONE HUNDRED VOLTS AT CHASSIS  
END OF CABLE.

COLOR WIRE	VOLTAGES
RED	250 V.
GREEN	100 V.
BROWN	50 V. A.C.
BLACK	0

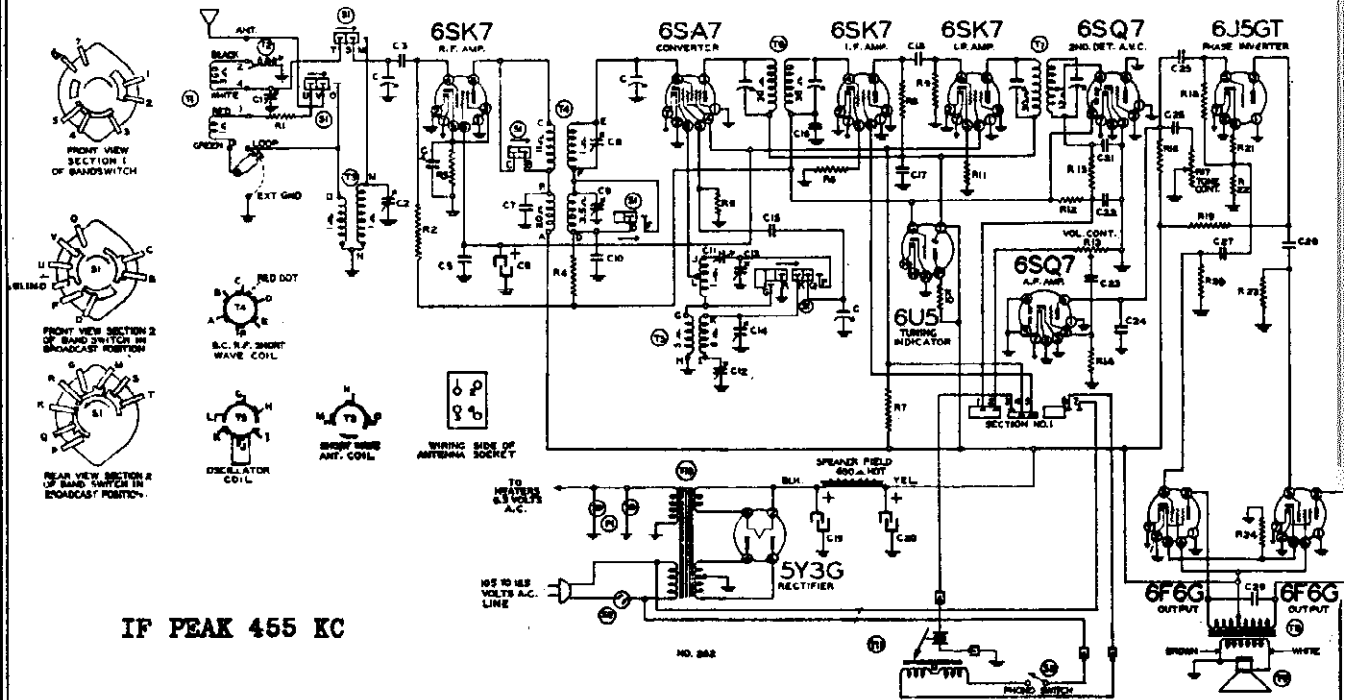
- (1) - CANNOT BE MEASURED WITH VOLTMETER.
  - (2) - BIAS 175 VOLTS READ ACROSS RESISTOR NO. R 24
  - (3) - BIAS 24 VOLTS READ ACROSS RESISTOR NO. R 21
  - (4) - 840 VOLTS A.C. BETWEEN PINS 4 & 5.
  - (5) - 63 VOLTS A.C. BETWEEN PINS 2 & 7.
  - (6) - 63 VOLTS A.C. BETWEEN PINS 7 & 8.
  - (7) - 5.0 VOLTS A.C. BETWEEN PINS 2 & 8.
- NOTE: N.C. = NO CONNECTION

### REAR OF CHASSIS VOLTAGE CHART

THE SERIES B IS EQUIPPED WITH A SEEBURG TYPE C RECORD CHANGER, SERIES C WITH AN OAK. SERVICE DATA ON THIS EQUIPMENT IS FOUND IN RIDER'S "AUTOMATIC RECORD CHANGERS AND RECORDERS".

BELMONT RADIO CORP.

MODEL 11A25, Series B  
MODEL 11A25, Series C



IF PEAK 455 KC

Part No.	Schematic Diagram Reference	Description	No Used In Set
----------	-----------------------------	-------------	----------------

**CONDENSERS**

102129	B C	Three Gang Variable Condenser	1
10020	C4	.1 x 200 Volt Tubular Condenser	1
10026	C10, C16, C25	.02 x 400 Volt Tubular Condenser	3
10025	C23	.002 x 600 Volt Tubular Condenser	1
1009	C27	.05 x 200 Volt Tubular Condenser	1
10013	C28	.05 x 400 Volt Tubular Condenser	1
10011	C26	.01 x 400 Volt Tubular Condenser	1
10071	C29	.004 x 600 Volt Tubular Condenser	1
100117	C5, C17	25 x 400 Volt Tubular Condenser	2
119124	C6, C19, C20	Electrolytic Filter Condenser—10 Mfd. x 350 V.; 25 Mfd. x 450 V.; 25 Mfd. x 450 V.	1
124117	C2	S.W. Antenna Trimmer	1
124131	C8, C9	S.W. and B.C. R.F. Trimmer—Dual	1
124130	C13, C14	S.W. and B.C. Osc. Trimmer—Dual	1
124132	C1	B.C. Antenna Trimmer	1
129157	C12	.000525 Compression Cond.—B.C. Pad	1
1292	C3, C18	.0005 Mica Type Condenser—20%	2
129160	C7	.0004 Mica Type Condenser—20%	1
12939	C15	.00005 Mica Type Condenser—20%	1
1295	C21, C22	.001 Mica Type Condenser—20%	2
129156	C11	.0024 Compression Mica Condenser	1
12912	C24	.00025 Mica Type Condenser—20%	1

**RESISTORS**

101278	R13, S2	Volume Control and Switch (500M Ohms) Less Shaft	1
101279	R17	Tone Control (1 Megohm) Less Shaft	1
115834		Shaft Only for Volume and Tone Controls	2
13019	R2, R18	1 Megohm— $\frac{1}{2}$ Watt Resistor—20%	2
1305	R4	300M Ohm— $\frac{1}{2}$ Watt Resistor—20%	1
130208	R5	40M Ohm— $\frac{1}{2}$ Watt Resistor—20%	1
13054	R6, R11	500 Ohm— $\frac{1}{2}$ Watt Resistor—20%	2
130263	R8	12M Ohm— $\frac{1}{2}$ Watt Resistor—20%	1
13020	R9, R19, R22	100M Ohm— $\frac{1}{2}$ Watt Resistor—20%	3
130304	R7	12M Ohm—2 Watt Resistor—10%	1
13012	R15	50M Ohm— $\frac{1}{2}$ Watt Resistor—20%	1
130170	R12	3 Megohm— $\frac{1}{2}$ Watt Resistor—25%	1
130257	R14	5 Megohm— $\frac{1}{2}$ Watt Resistor—30%	1
13043	R21	2500 Ohm— $\frac{1}{2}$ Watt Resistor—20%	1
1303	R20, R23	500M Ohm— $\frac{1}{2}$ Watt Resistor—20%	2
13011	R16	250M Ohm— $\frac{1}{2}$ Watt Resistor—20%	1
130311	R24	300 Ohm—1 Watt Resistor—20%	1
13099	R3	300 Ohm— $\frac{1}{2}$ Watt Resistor—20%	1
13024	R1	400 Ohm— $\frac{1}{2}$ Watt Resistor—20%	1
	R10	1 Megohm—In Eye Socket	1

**COILS**

108169	K T6	Input I.F. Coil Complete in Can	1
108130	G T7	Output I.F. Coil Complete in Can	1
10957	T4	B.C.—S.W. R.F. Coil Complete in Can	1
110149	T5	B.C.—S.W. Oscillator Coil	1
111176	T3	S.W. Antenna Coil	1
111153	T2	Loop Adjusting Coil With Iron Slug	1
111257	T1	Loop Antenna Assembly	1

Part No.	Schematic Diagram Reference	Description	No Used In Set
----------	-----------------------------	-------------	----------------

**SPEAKER**

114275	T9	Ten Inch Electrodynamc Speaker (Less Output Transformer)	1
--------	----	--	---

**TRANSFORMERS**

10554B	T8	Output Transformer for Speaker	1
104202C	T10	Power Transformer, 50 to 60 Cycles 105-125 Volt Primary	1
104203C		Power Transformer 25 to 60 Cycles 105-125 Volt Primary	1

**BANDSWITCH**

125186	S1	Radio-Phono-Band Switch Complete	1
--------	----	----------------------------------	---

**MISCELLANEOUS**

107266		Line Cord and Plug	1
13447		Rubber Cushions to Float Chassis	4
121308		Eight Prong Octal Molded Socket for Speaker	1
121210		Eight Prong Octal Molded Socket	10
107169		Socket and Cable Assembly for Tuning Eye	1
10794	P1	6-8 Volt Pilot Lite Bulb Type T-44	2
107403		Socket Assembly for Pilot Lite	2
11757A		Bracket for Tuning Eye	1
11757B		Clamp for Tuning Eye	1
11757C		Wing Bolt for Above	1

**DIAL AND TUNING PARTS**

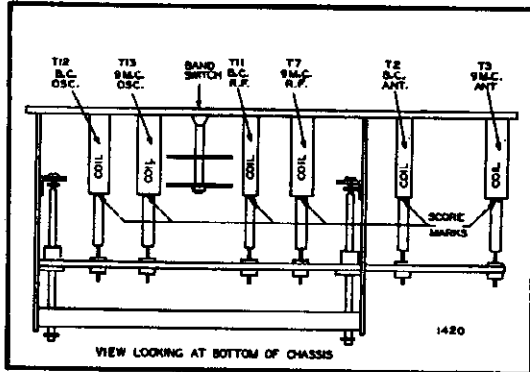
1121042		Dial Scale	1
1121040-14		Escutcheon for Dial	2
1121036		Pointer	1
128787-14		Knob—"Tuning"	4
117930		Tuning Shaft	1
112954		Pulley with Bushing	1
1279		String for Dial	Yd.
120197		Coiled Tension Spring for Dial String	1

**RECORD CHANGER COMPARTMENT**

104301	S2	Automatic Record Changer Complete Seeburg "C" 115 Volts A.C. 60 Cycles	1
10794	P2	N1 Cartridge	1
107388		Indicator Light Bulb	1
		Socket Assembly for Pilot Lite	1

MODEL 11A55, Series A

BELMONT RADIO CORP.



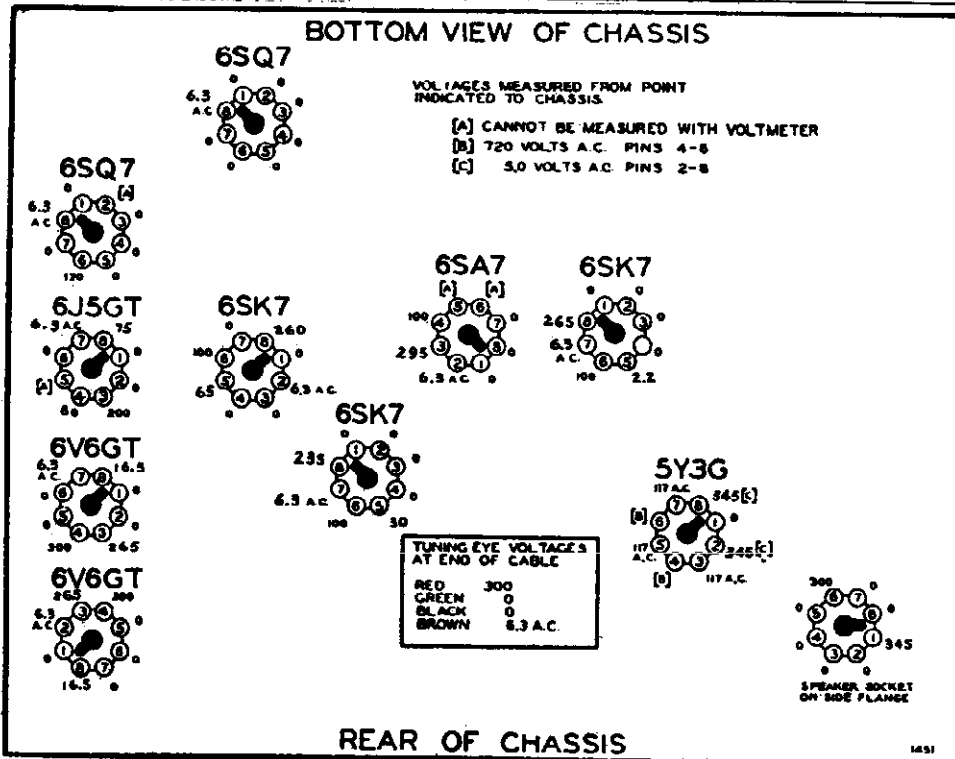
IRON CORE ADJUSTMENT VIEW

**IMPORTANT:** Before removing chassis, remove the escutcheon and dial scale and then the pointer which is fastened to the pointer carriage by a small screw.

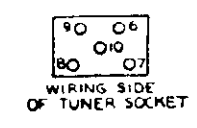
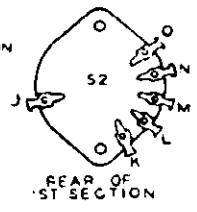
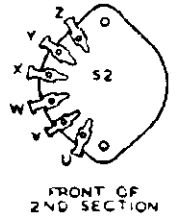
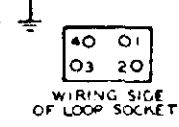
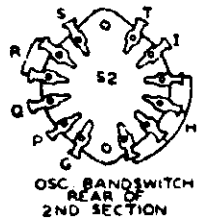
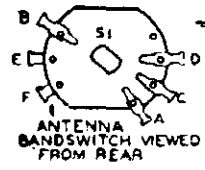
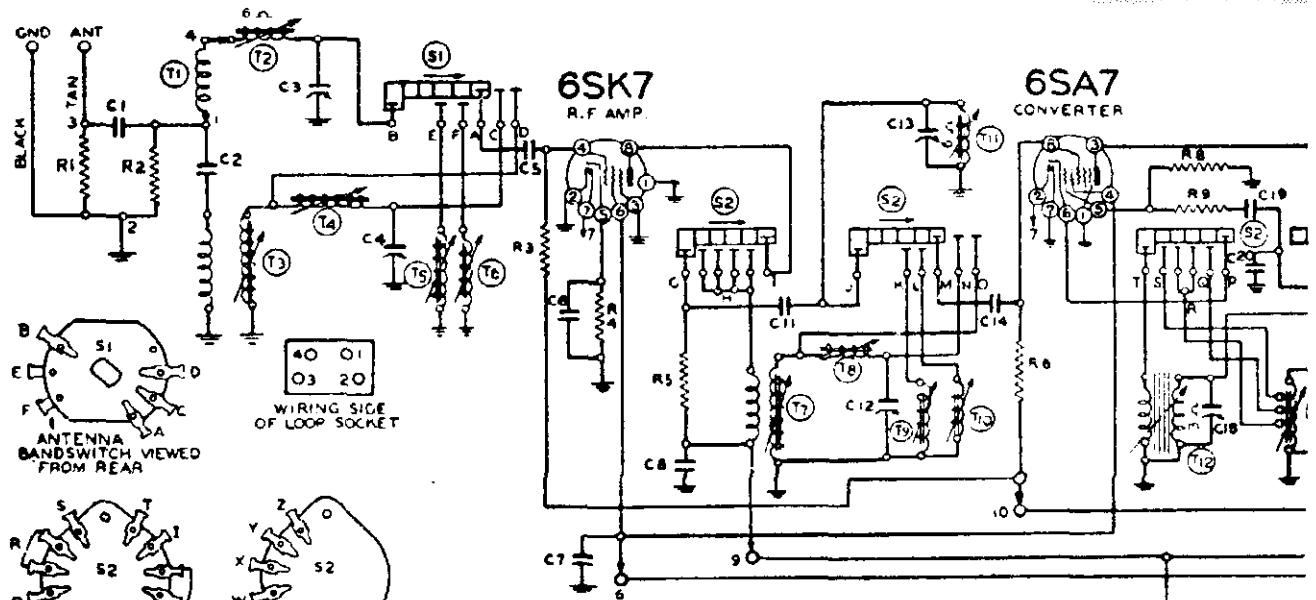
**ALIGNMENT PROCEDURE**

- Tone control—Treble.
- Volume control—Maximum all adjustments.
- Use an all wave signal generator which will provide an accurately calibrated signal at the test frequencies as listed.

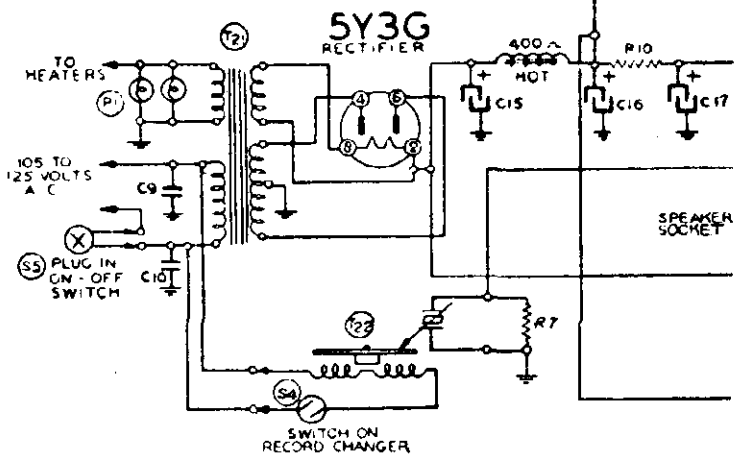
BAND	SIGNAL GENERATOR			Position of Band Switch	Dial Pointer Setting	Trimmers Adjusted To Maximum
	Frequency Setting	Dummy Antenna	Connection to Radio			
I. F.	455 Kc.	.1 MFD.	Grid of 6SK7 (I.F.)	Broadcast	Set Dial at 1600 Kc.	On Top of Output I. F.
	455 Kc.	.1 MFD.	Grid of 6SA7	Proadcast	Set Dial at 1600 Kc.	On Top of Input I.F.
31 METER BAND	9.6 Mc.	400 ohms	Antenna lead	31M	Set Dial at 9.6 Mc.	(See Trimmer View) C21—Osc. (See Trimmer View) C12—R.F. (See Chassis View) C4—Ant.
49 METER BAND	6.1 Mc.	400 ohms	Antenna lead	49M	Set Dial at 6.1 Mc.	(See Trimmer View) T14—Osc. (See Trimmer View) T8—R.F. (See Trimmer View) T4—Ant.
25 METER BAND	11.8 Mc.	400 ohms	Antenna lead	25M	Set Dial at 11.8 Mc.	(See Trimmer View) T15—Osc. (See Trimmer View) T9—R.F. (See Trimmer View) T5—Ant.
19 METER BAND	15.2 Mc.	400 ohms	Antenna lead	19M	Set Dial at 15.2 Mc.	(See Trimmer View) T16—Osc. (See Trimmer View) T10—R.F. (See Trimmer View) T6—Ant.
BROAD CAST BAND	1600 Kc.	200 mmf.	Antenna lead	Broadcast	Set Dial at 1600 Kc.	(See Trimmer View) C18—Osc. (See Trimmer View) C13—R.F. (See Chassis View) C3—Ant.
	1400 Kc.	200 mmf.	Antenna lead	Broadcast	Set Dial at 1400 Kc.	Rotate Core T11—R.F. Rotate Core T2—Ant. (See Iron Core Adjustment View)



REAR OF CHASSIS



TECHNICAL DATA	
TUNING RANGES	
BROADCAST	540 TO 1600 K.C.
49 METER	5.9 TO 6.2 MC
31 METER	9.1 TO 10.0 MC
25 METER	11.4 TO 12.2 MC
19 METER	14.9 TO 15.5 MC
SENSITIVITY - 5 MICROWOLTS	
AVERAGE FOR 1/2 WATT	
SELECTIVITY - 30 K.C. AT 1000 K.C.	
POWER CONSUMPTION - 150 WATTS	
RADIO CHASSIS 125 WATTS	
PHONO MOTOR 25 WATTS	
POWER OUTPUT 10 WATTS	
UNDISTORTED IN VOICE COIL	
I.F. 455 K.C.	



**MAIN CHASSIS PARTS LIST**

**CONDENSERS**

1009	C29, C30	.05 x 200 Volt Tubular Condenser	2
10037	C37	.033 x 600 Volt Tubular Condenser	1
10013	C28, C35	.05 x 400 Volt Tubular Condenser	2
1001	C26	.1 x 400 Volt Tubular Condenser	1
10065	C23, C24	.015 x 400 Volt Tubular Condenser	2
10022	C27	.05 x 200 Volt Tubular Condenser	1
100134	C34	.006 x 120 Volt Tubular Condenser	1
10061	C9, C10	.02 x 600 Volt Bakelite Condenser	2
11969	C25	Electrolytic Filter Condenser. 16 Mfd. x 350 Volts	1
119112	C15, C16, C17	Electrolytic Filter Condenser. 30 Mfd.; 30 Mfd.; 10 Mfd. x 450 Volts	1
119112B	C15, C16, C17	Electrolytic Filter Condenser 30 Mfd.; 30 Mfd.; 10 Mfd. x 450 Volts.	1
1292	C1, C22	.0005 Mica Type Condenser-20%	2
12912	C36	.0025 Mica Type Condenser-20%	1
12939	C33	.00005 Mica Type Condenser-20%	1
129161	C31, C32	.0001 Mica Dual Condenser-10%	1

**RESISTORS**

101275	R23	Volume Control (2.8 Megohm)	1
125180	R30, S3	Tone Control and Phono-Radio Switch (1 Megohm)	1
13070	R12	500 Ohm-1/2 Watt Resistor-10%	1
13082	R13	10M Ohm-1/2 Watt Resistor-10%	1
130317	R16	250 Ohm-2 Watt Resistor-10%	1
13094	R21, R24, R27	50M Ohm-1/2 Watt Resistor-10%	3
130192	R19	2M Ohm-1/2 Watt Resistor-10%	1
130235	R15	1500 Ohm-1/2 Watt Resistor-10%	1
130218	R26	5M Ohm-1/2 Watt Resistor-10%	1
130172	R29	250M Ohm-1/2 Watt Resistor-10%	1
13019	R20	1 Megohm-1/2 Watt Resistor-20%	1
13020	R14	100M Ohm-1/2 Watt Resistor-20%	1

1307	R25	40M Ohm-1/2 Watt Resistor-10%	1
130238	R22	400M Ohm-1/2 Watt Resistor-20%	1
1303	R7, R17, R18, R28	500M Ohm-1/2 Watt Resistor-20%	4
130232	R1, R2	25M Ohm-1/2 Watt Resistor-10%	2
10667	R10	16M Ohm-3.5 Watt Resistor-10%	1

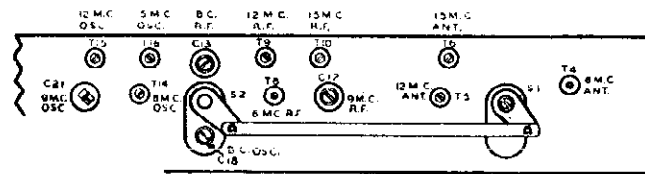
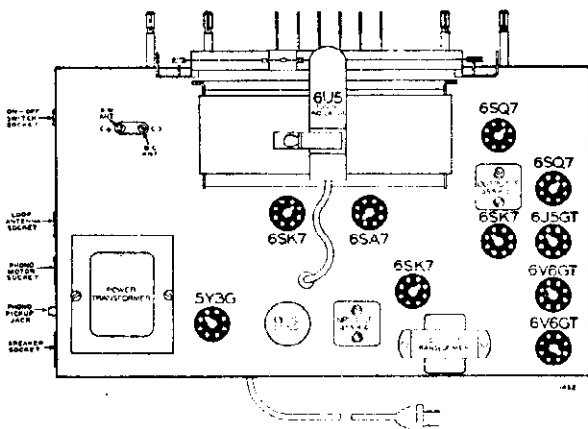
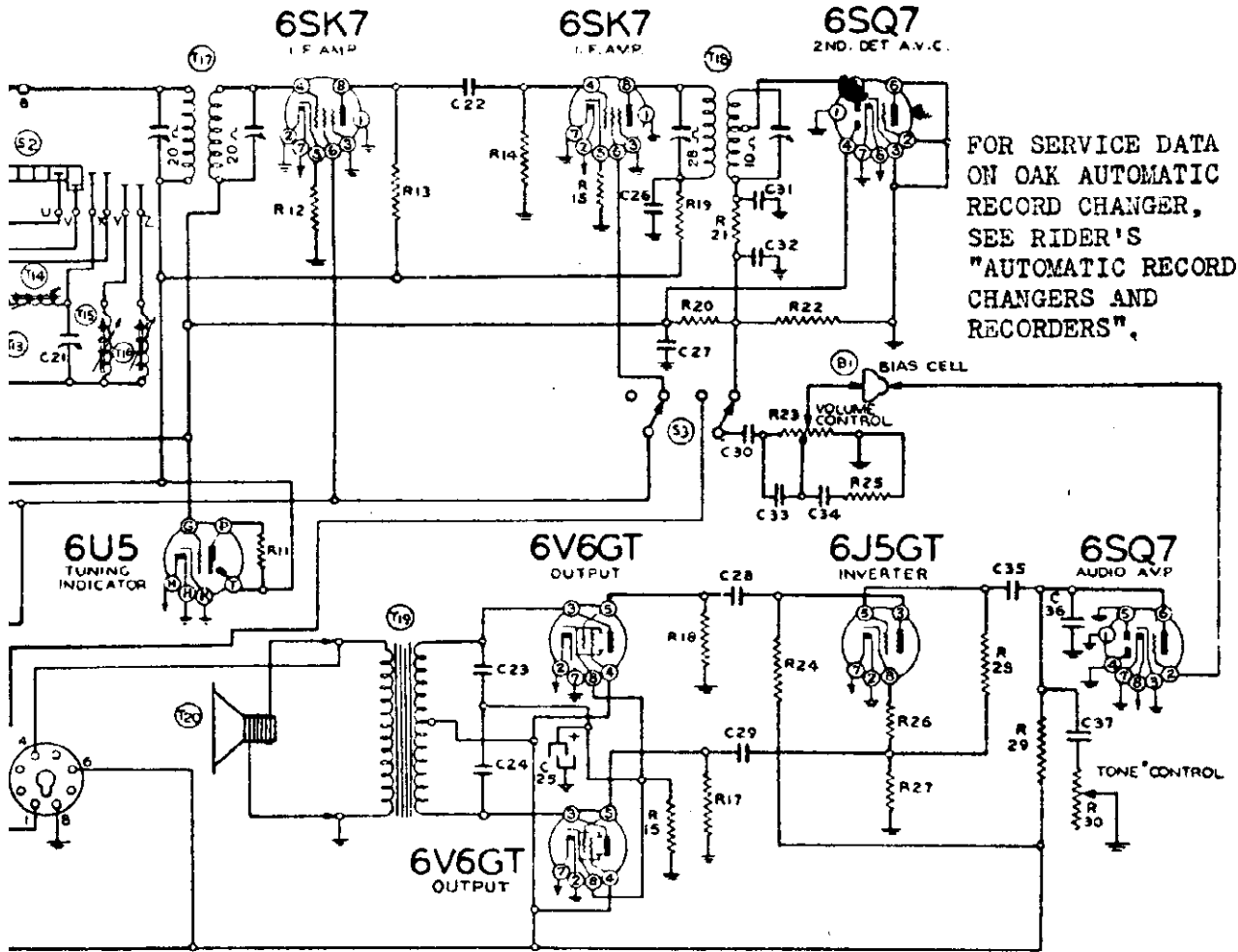
**TUNER CHASSIS PARTS LIST**  
**CONDENSERS**

10020	C6	.1 x 200 Volt Tubular Condenser	1
10047	C2	.002 x 600 Volt Tubular Condenser	1
10074	C7, C8	.1 x 400 Volt Tubular Condenser	2
124138	C12	9 Mc., R.F. Adjustable Trimmer Condenser I	1
124139	C13	B.C., R.F. Adjustable Trimmer Condenser I	1
124143	C3, C4	B.C. and 9 Mc. Dual Adjustable Antenna Trimmer Condenser	1
124144	C18	B.C. Oscillator Adjustable Trimmer Condenser	1
124145	C21	9 Mc. Oscillator Adjustable Trimmer Condenser	1
1292	C5, C14	.0005 Mica Type Condenser-20%	1
129165	C19	.00005 Mica Type Condenser-10%	1
129168	C11	.00001 Mica Type Condenser-20%	1
129167	C20	.0002 Silver Mica Type Condenser-3%	1

**RESISTORS**

13019	R3, R6	1 Megohm-1/2 Watt Resistor-20%	2
130218	R5	5M Ohm-1/2 Watt Resistor-10%	1
130232	R8	25M Ohm-1/2 Watt Resistor-10%	1
130239	R4	250 Ohm-1/2 Watt Resistor-10%	1
	R11	1 Megohm-In Tuning Eye Cable	1
130174	R9	50 Ohm-1/2 Watt Resistor	1

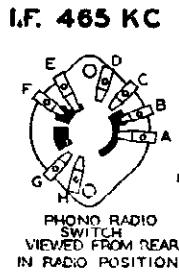
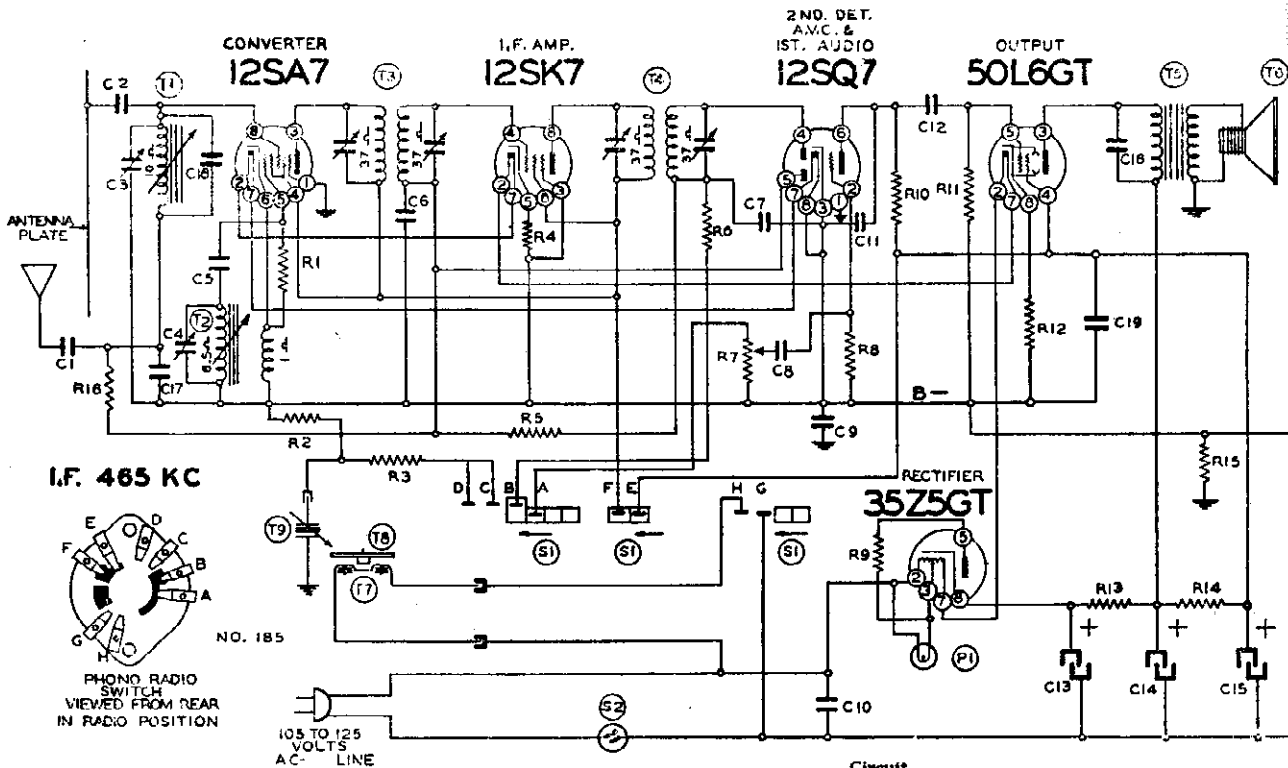
RADIO CORP.



TRIMMER VIEW

1453

BELMONT RADIO CORP.



**Circuit Ref. No. Part No. Description**

**RESISTORS**

R1	130176	20M ohm—1/2 w.
R2	130118	600M ohm—1/2 w.
R3	130118	600M ohm—1/2 w.
R4	130556	100 ohm—1/2 w.
R5	130170	3 megohm—1/2 w.
R6	13012	50M ohm—1/2 w.
R7	101217	1/2 megohm—volume control
R8	130257	5 megohm—1/2 w.
R9	130215	25 ohm—1/2 w.
R10	1309	200M ohm—1/2 w.
R11	13037	750 ohm—1/2 w.
R12	130166	450 ohm—1/2 w.
R13	13097	200 ohm—1/2 w.
R14	130287	1200 ohm—1 watt
R15	1309	200M ohm—1/2 w.
R16	1309	200M—1/2 w.

**CONDENSERS**

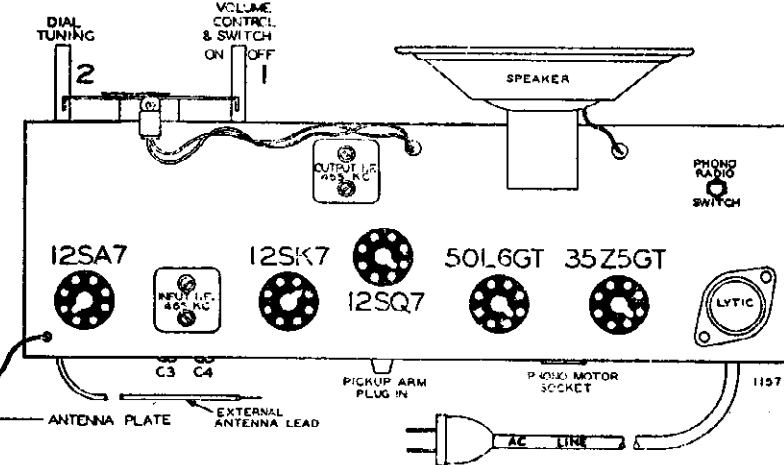
C1	1295	.0001 Mica Condenser
C2	129114	.0003 mid. mica
C3	124136	Antenna Trimmer
C4	124136	Oscillator Trimmer
C5	1295	.0001 mica
C6	1009	.05 x 200 v.
C7	1295	.0001 mica
C8	10025	.002 x 600 v.
C9	100119	.1 x 400 v.
C10	1001	.1 x 400 v.
C11	12912	.00025 mica
C12	10019	.006 x 600 v.
C13	11994	40 mfd. lytic—150 w. v.
C14	11994	20 mfd. lytic—150 w. v.
C15	11994	20 mfd. lytic—150 w. v.
C16	10011	.01 x 400 v.
C17	129162	.0008 Mica Condenser
C18	129163	.000025 Ceramic Condenser
C19	10013	.05 x 400 v. Cond.

C3 and C4 in same unit  
C13, C14 and C15 are in same unit

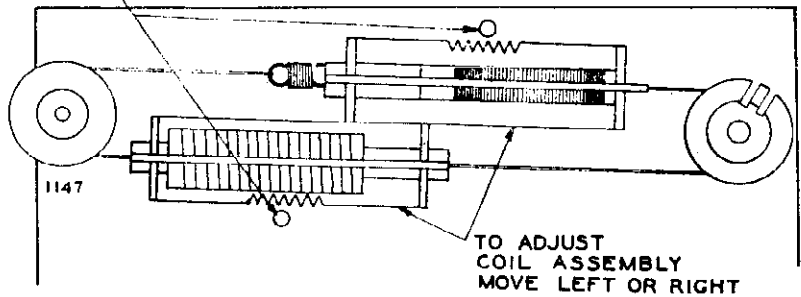
**PARTS**

T1	112866	Antenna Coil—Permeability tuning assembly complete
T2	112866	Oscillator Coil
T3	108140F	Input I. F. Coil—465 kc.
T4	108145D	Output I. F. Coil—465 kc.
T5	105108	Output Transformer
T6	114193	5" P.M. Speaker
T7	104206	Phono Motor
T8	12228	Turntable
T9	114194	Phono pick up arm
S1	125113	Phono Switch
S2		Switch on volume control
P1	.107249	Pilot light T47

T1 and T2 in same unit



NOTE "A" THE ANTENNA COIL ASSEMBLY IS MADE SO THAT IT IS MOVABLE LEFT OR RIGHT. WHEN MAKING THE ADJUSTMENT AS GIVEN IN THE ALIGNMENT PROCEDURE MOVE THE COIL ASSEMBLY VERY SLOWLY. IT CAN BE MOVED BY HAND OR BY PIVOTING ONE EDGE OF THE BLADE OF A SCREWDRIVER IN THE HOLE AND ENGAGING THE BLADE IN THE GEAR TEETH OF THE COIL FORM.





MODEL 533, Series C

BELMONT RADIO CORP.

ALIGNMENT PROCEDURE

- Volume control—Maximum all adjustments.
- Connect — B of radio chassis to ground post of signal generator through .1 Mfd. condenser.
- Connect dummy antenna valve in series with generator output lead.
- Connect output meter across primary of output transformer.
- Allow chassis and signal generator to "heat up" for several minutes.

- An all wave signal generator which will provide an accurately calibrated signal at the test frequencies as listed.
- Output indicating meter.
- Non-metallic screwdriver.
- Dummy antennas—.1 Mfd., and 20 Mmf.

The following equipment is required for aligning.

BAND	SIGNAL GENERATOR Frequency Setting	Dummy Antenna	Connection to Radio	Position of Iron Cores (Dial Setting)	Trimmers Adjusted (In Order Shown)	Trimmer Function	Adjustment
I. F.	465 Kc.	.1 MFD.	Connect to Antenna Plate (See Fig. 4)	Iron Cores All the way out	Two trimmers on top (See Fig. 1)	Output I. F.	Adjust to maximum output
	465 Kc.	.1 MFD.	Connect to Antenna Plate (See Fig. 4)	Iron Cores All the way out	Two trimmers on top (See Fig. 1)	Input I. F.	Adjust to maximum output
BROADCAST BAND	1690 Kc.	.1 MFD.	Connect to Antenna Plate (See Fig. 4)	Iron Cores All the way out	Trimmer C4 (See Fig. 4)	Oscillator	Adjust to maximum output
	1690 Kc.	200 MMF.	Connect to Antenna Lead (See Fig. 4)	Iron Cores All the way out	Trimmer (C3) (See Fig. 4)	Antenna	Adjust to maximum output
	1400 Kc.	200 MMF.	Connect to Antenna lead (See Fig. 4)	Turn Dial to 1400 Kc.	Adjust position of antenna coil right or left.	Antenna Coil Adjustment	(See Note "A") Adjust to maximum output
	1690 Kc.	200 MMF.	Connect to Antenna lead (See Fig. 4)	Turn Dial to 1690 Kc.	Adjust trimmer (C3) (See Fig. 4)	Antenna	Check for tracking (See Note "B")

NOTE "A"—The antenna coil assembly is made so that it is movable right or left. When making the adjustment as given in the alignment procedure move the coil assembly very slowly. It can be moved by hand or by pivoting one edge of the blade of a screwdriver in the hole and engaging the blade in the gear teeth of the coil form.

NOTE "B"—After the antenna coil has been tracked at 1400 Kc. it is necessary to check the antenna trimmer (C3) adjustment again at 1690 Kc. If no appreciable change in trimmer adjustment is made the coil is in track. If the trimmer requires considerable change it will be necessary to again adjust the position of the antenna coil at 1400 Kc. These two adjustments should be tried several times until no change of trimmer adjustment is required at 1690 Kc.

Power Consumption ..... Radio Only 30 Watts  
 Power Output ..... 900 Milliwatts Undistorted, 1.7 Watts Maximum  
 Intermediate Frequency ..... 465 K.C.  
 FREQUENCY RANGE  
 535 to 1690 K.C.

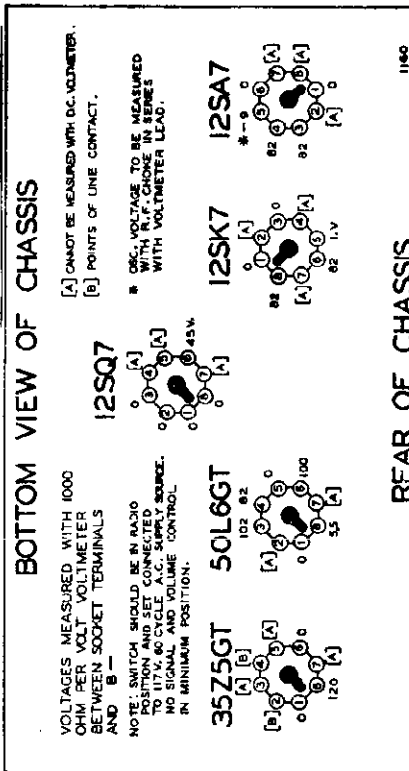


FIG. 4.—TRIMMER

BELMONT RADIO CORP.

MODEL 579, Series A  
Ser. No. 225040 up

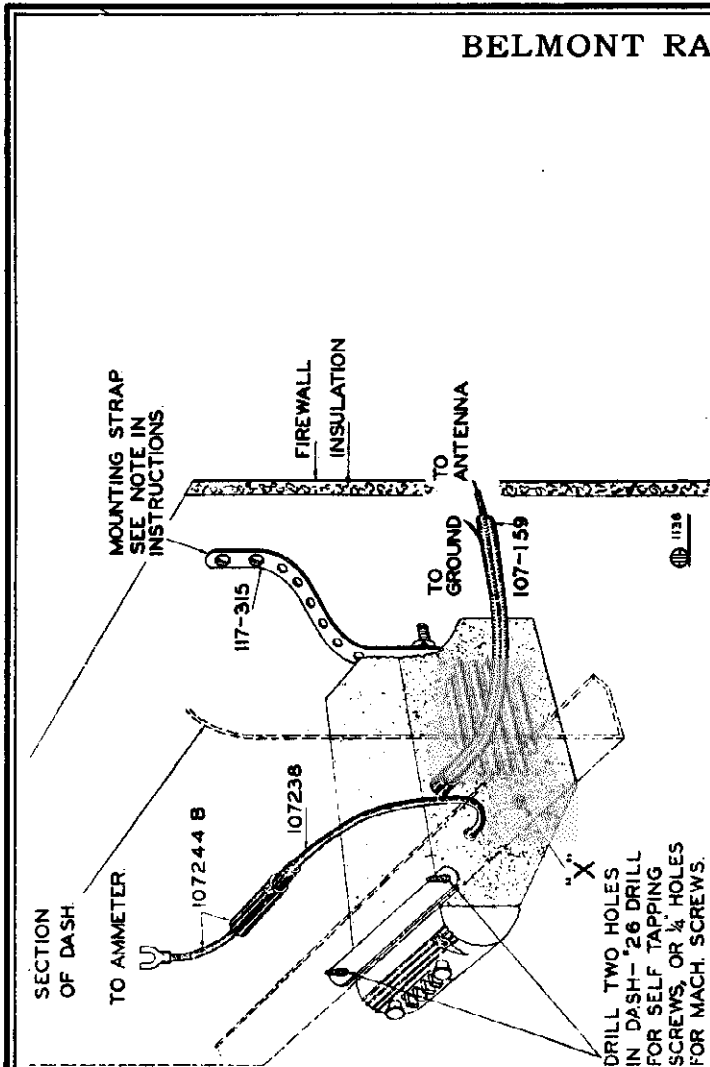


FIG. 1—GENERAL INSTALLATION VIEW

**BROADCAST ALIGNMENT**

1. With variable condenser in its minimum capacity position, connect test oscillator set at 1550 K.C. in series with broadcast dummy to the antenna lead of receiver.
2. Adjust oscillator trimmer of variable condenser to resonance. (This adjustment is the rear section of the two-gang condenser—see top view, Fig. 3).
3. Shift test oscillator to 1400 K.C. and pick up signal by rotating condenser and adjust antenna trimmer (front section of gang condenser) to resonance (see top view, Fig. 3).
4. Re-set test oscillator to 600 K.C. and rotate variable condenser to 600 K.C. Adjust series pad in the antenna circuit for maximum gain. This pad is mounted on the side of the antenna can, adjustment "X."
5. Go back and check 1400 K.C. If adjustment is made here, check 600 K.C. again.
6. Check for sensitivity at 1000 K.C. by setting test oscillator to this frequency and picking up the signal by rotating variable condenser. Under no circumstances bend plates of variable condenser sections to correct tracking.

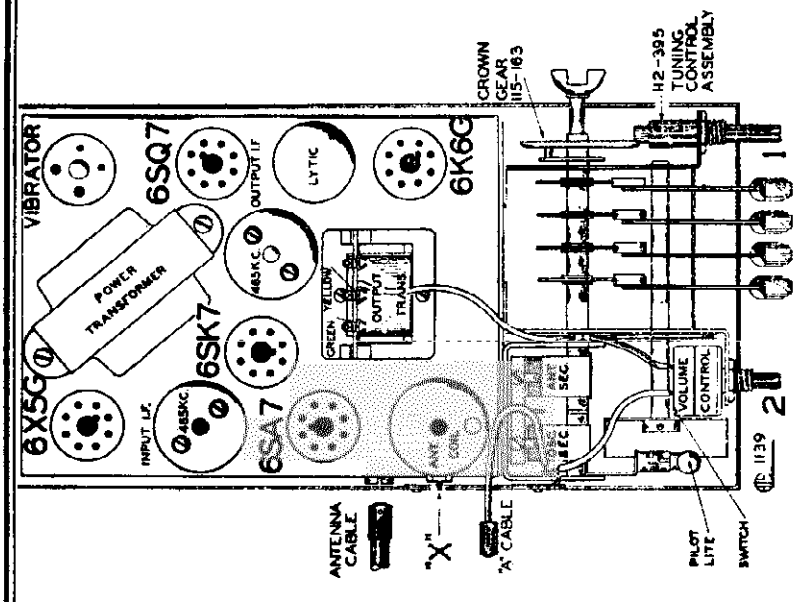


FIG. 3—TOP VIEW  
**ADJUST ANTENNA TRIMMER**

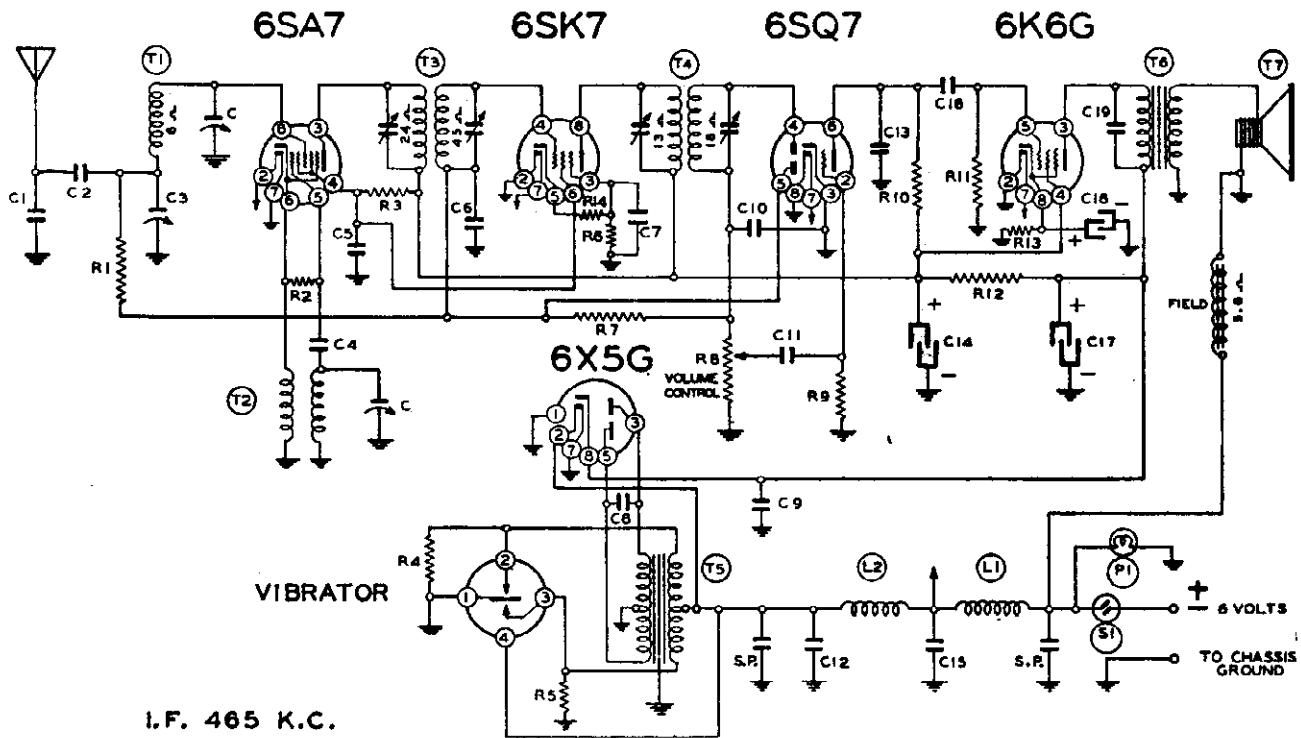
Tune in a weak signal at approximately 600 K.C. with volume control about three-fourths on. Adjust trimmer screw "X" until maximum output is obtained. (See Fig. 1. Adjustment "X" on right side of radio).

**I.F. ALIGNMENT: (485 I.C.)**

1. With variable condenser in its minimum capacity position (plates entirely out of mesh) and with volume control full on, connect test oscillator set at 465 K.C. in series with I.F. dummy antenna, to grid of 6SK7 I.F. tube.
2. Adjust trimmer condensers of output I.F. transformer No. 106121 to resonance with oscillator.
3. Move test oscillator connection to grid of 6SA7 tube and adjust trimmer condensers of input I.F. transformer No. 106139 to resonance with oscillator. There are two adjustments on each and they are accessible from the top of the transformer shield and should be adjusted with an insulated screw driver. (See Fig. 3)

MODEL 579, Series A  
Ser. No. 225040 up

BELMONT RADIO CORP.



I.F. 465 K.C.

Circuit Diagram Ref. Part No. No.

Description

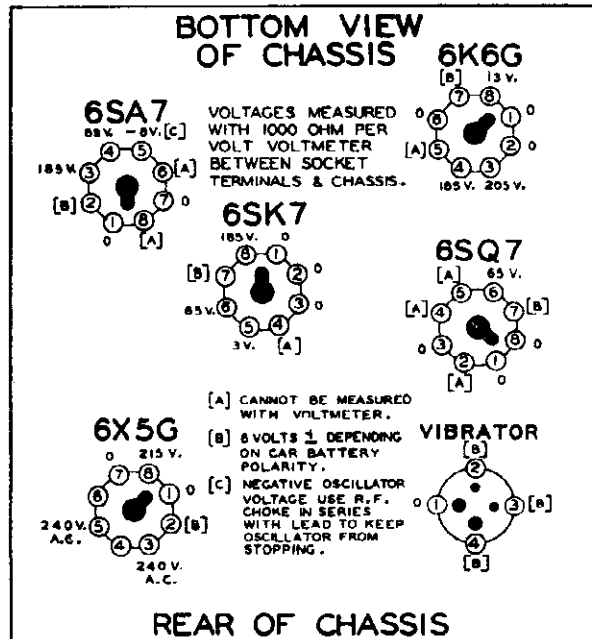
RESISTORS

R1	13011	250M ohm—1/2 w.
R2	130236	30M ohm—1/2 w.
R3	130307	15M ohm—1 watt
R4	13060	100 ohm—1/2 w.
R5	13060	100 ohm—1/2 w.
R6	13070	500 ohm—1/2 w.
R7	1304	3 megohm—1/2 w.
R8	101110	1 megohm volume control
R9	130257	5 megohm—1/2 w.
R10	13011	250M ohm—1/2 w.
R11	1303	500M ohm—1/2 w.
R12	130199	1500 ohm—1 watt
R13	130401	600 ohm—1/2 w.
R14	130174	50 ohm—1/2 w.

CONDENSERS

C	10269	2 gang variable condenser
C1	1293	.0002 mica
C2	10055	.01 x 400 volts
C3	12434	Adj. Antenna Trimmer
C4	12921	.0002 mica
C5	100115	.05 x 400 v.
C6	1009	.05 x 200 v.
C7	10020	.1 x 200 v.
C8	10034	.005 x 1200 v
C9	12912	.00025 mica
C10	1295	.001 mica
C11	10025	.002 x 600 v.
C12	10031	.5 x 120 v.
C13	1292	.0005 mica
C14	119105	15 ufd. lytic x 350 w. v.
C15	10031	.5 x 120 v.
C16	10078	.01 x 200 v.
C17	119105	15 ufd. lytic x 350 w. v.
C18	119105	20 ufd. lytic x 25 w. v.
C19	10087	.01 x 600 v.

C14, C17 and C18 in same unit



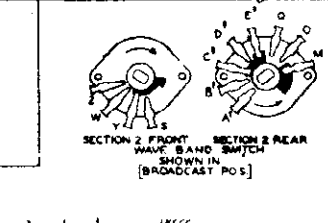
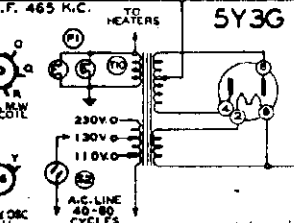
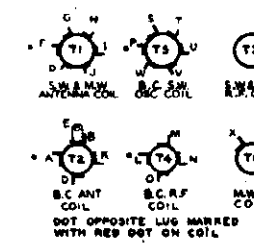
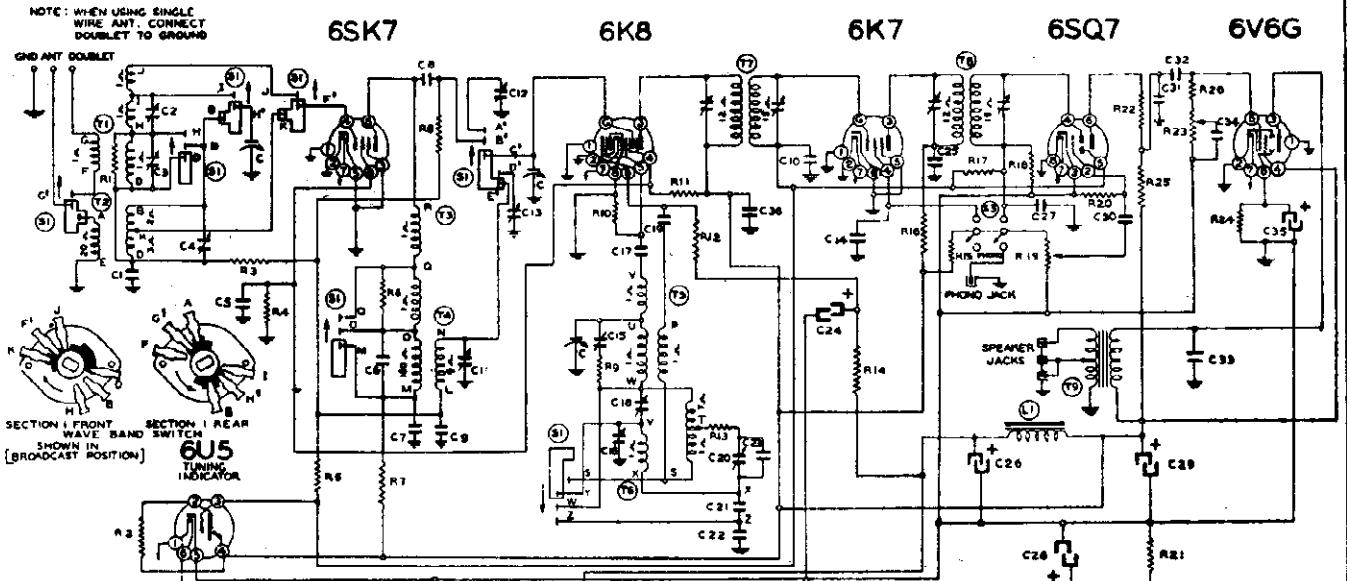
REAR OF CHASSIS

FIG. 4

PARTS

T1	11195B	Antenna Coil
T2	110146	Oscillator Coil
T3	108139	Input I. F. Coil—465 kc.
T4	108121B	Output I. F. Coil—465 kc.
T5	104131	Power Transformer
T6	10567	Output Transformer
T7	114114-R	5" Dynamic Speaker (5.6 ohm field)
L1	10568	"A" Choke
L2	10566	"A" Choke
S1		Switch on volume control
P1	10797	Pilot light (T5) 6-8 volts
S.P.	11749	(2) Spark Plates

BELMONT RADIO CORP. MODELS 708-391, 708-398, 708-378 etc  
 Chassis 708, Series C  
 Ser. No. OC375300 up



- C18 124119 B.C. Oscillator Trimmer
  - C19 10025 .002 x 600 v.
  - C20 124119 B.C. Padding Condenser
  - C21 129149 .0028 Compression M.W. Pad
  - C22 129105 .0035 Compression S.W. Pad
  - C23 12959 .0003 mica
  - C24 11981 16 uf. lytic x 400 w. v.
  - C25 1001 .1 x 400 v.
  - C26 119100 30 uf. lytic x 450 w. v.
  - C27 1295 .0001 mica
  - C28 11991 40 uf. lytic x 25 w. v.
  - C29 119100 30 uf. lytic x 450 w. v.
  - C30 10025 .002 x 600 v.
  - C31 12912 .00025 mica
  - C32 10026 .02 x 400 v.
  - C33 10097 .02 x 600 v.
  - C34 10078 .01 x 200 v.
  - C35 119100 40 uf. lytic-25 w. v.
  - C36 10013 .05 x 400 v.
- C26, C29, and C35 in same unit.

Circuit Diagram No.	Ref. Part No.	Description
<b>RESISTORS</b>		
R1	13094	50M ohm-1/2 w.-10%
R2	1303	500M ohm-1/2 w.
R3	13020	100M ohm
R4	13012	50M ohm-1/2 w.
R5	13026	1000 ohm-1/2 w.
R6	130232	25M ohm-1/2 w.
R7	13026	1000 ohm-1/2 w.
R8	13019	1 megohm-1/2 w.
R9	13097	200 ohm-1/2 w.
R10	13012	50M ohm-1/2 w.
R11	130304	12M ohm-2 watt
R12	13017	10M ohm-1/2 w.
R13	130299	10 ohm-1/2 w.
R14	13017	10M ohm-1/2 w.
R15	13020	100M ohm-1/2 w.
R16	13023	2M ohm-1/2 w.
R17	1304	3 megohm-1/2 w.
R18	1304	3 megohm-1/2 w.
R19	101205	1 megohm volume control
R20	130225	15 megohm-1/2 w.
R21	130303	35 ohm-1/2 w.
R22	13012	50M ohm-1/2 w.
R23	101206	150M ohm tone control
R24	130227	250 ohm-1 watt
R25	1302	75M ohm-1/2 w.
R26	13017	10M ohm-1/2 w.

Circuit Diagram No.	Ref. Part No.	Description
<b>CONDENSERS</b>		
C	102121	3 gang variable condenser
C1	10090	.02 x 400 v.
C2	124118	S.W. Antenna Trimmer
C3	124118	M.W. Antenna Trimmer
C4	124118	B.C. Antenna Trimmer
C5	10013	.05 x 400 v.
C6	12938	.00005 mica
C7	10090	.02 x 400 v.
C8	10090	.02 x 400 v.
C9	10090	.02 x 400 v.
C10	1009	.05 x 200 v.
C11	124119	B.C. R.F. Trimmer
C12	124119	S.W. R.F. Trimmer
C13	124119	M.W. R.F. Trimmer
C14	10013	.05 x 400 v.
C15	124119	S.W. Oscillator Trimmer
C16	124119	M.W. Oscillator Trimmer
C17	12962	.00003 Mica

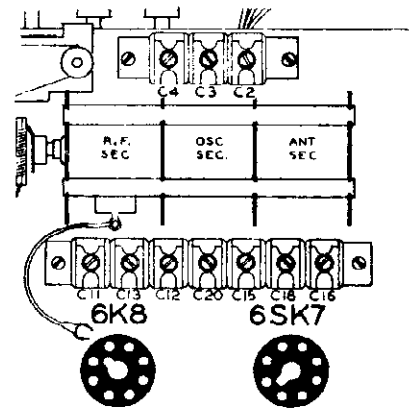
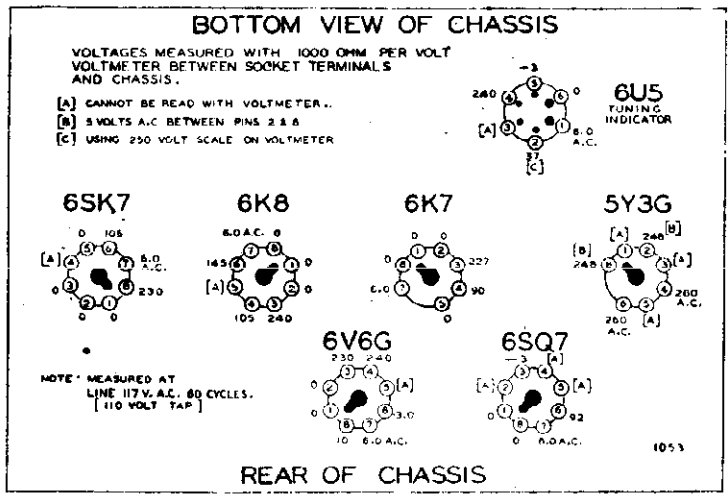
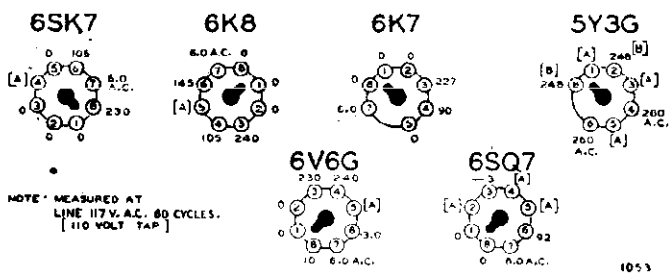


FIG. 3-TOP OF CHASSIS



BOTTOM VIEW OF CHASSIS

VOLTAGES MEASURED WITH 1000 OHM PER VOLT VOLTMETER BETWEEN SOCKET TERMINALS AND CHASSIS.  
 [A] CANNOT BE READ WITH VOLTMETER.  
 [B] 5 VOLTS A.C. BETWEEN PINS 2 & 8  
 [C] USING 250 VOLT SCALE ON VOLTMETER



NOTE: MEASURED AT LINE 117 V. A.C. 60 CYCLES. [110 VOLT TAP]

REAR OF CHASSIS

MODELS 708-391, 708-398, 708-378 etc BELMONT RADIO CORP.  
 Chassis 708, Series C  
 Ser. No. OC375300 up  
 MODEL 716, Series A

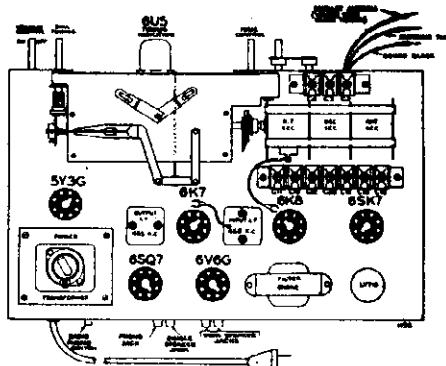


FIG. 1—TOP VIEW

MODEL 708, Series C  
 Serial No. OC375300  
 and up.

SERVICE NOTES:

Voltages taken from different points of circuit to chassis are measured with volume control full on, all tubes in their sockets and speaker connected, with a volt meter having a resistance of 1000 ohms per volt.

IN ORDER TO PREVENT SIGNAL FROM ACTING UPON AVC AND AFFECTING ACCURACY OF VOLTAGE MEASUREMENTS, AERIAL AND GROUND LEADS SHOULD BE SHORT CIRCUITED WHILE MAKING MEASUREMENTS.

Excessive hum, stuttering, low volume and a reduction in all D. C. voltages is usually caused by a shorted electrolytic condenser; open by-pass condensers frequently cause oscillation and distorted tone.

To check for open by-pass condensers, short each condenser with another condenser of the same capacity and voltage rating, which is known to be good, until the defective unit is located.

ALIGNMENT PROCEDURE

- Tune control—in middle position.
- Volume control—Maximum all adjustments.
- Connect radio chassis to ground post of signal generator with a short heavy lead.
- Connect dummy antenna valve in series with generator output lead.
- Connect output meter across primary of output transformer.
- Allow chassis and signal generator to "heat up" for several minutes.

- The following equipment is required for aligning.
- An all wave signal generator which will provide an accurately calibrated signal at the test frequencies as listed.
- Output indicating meter.
- Non-metallic screwdriver.
- Dummy antennas—1 ml., 200 meg. 400 ohms.

BAND	SIGNAL GENERATOR Frequency Setting	Dummy Antenna	Connection to Radio	Position of Band Switch	Variable Condenser Setting	Trimmers Adjusted (in Order Shown)	Trimmer Function	Adjustment
I. F.	485 Kc.	.1 MFD.	Grid of 6K7 I. F. Tube	Broadcast	Rotor full open (Plates out of mesh)	Two trimmers on top (See Fig. 1)	Output I. F.	Adjust to maximum output
	485 Kc.	.1 MFD.	Grid of 6K8	Broadcast (Extreme Left Rotation)	Rotor full open (Plates out of mesh)	Two trimmers on top (See Fig. 1)	Input I. F.	Adjust to maximum output
SHORT WAVE BAND	23 Mc.	400 ohms	Antenna lead	Short Wave (Extreme Right Rotation)	Set Dial at 23 MC	Trimmer (C15) (See Fig. 3)	Short wave oscillator	See Note "A" Adjust to maximum output
	23 Mc.	400 ohms	Antenna lead	Short Wave (Extreme Right Rotation)	Dial Set at 23 MC	Trimmer (C1, C12) (See Fig. 3)	Short wave antenna and R. F.	See Note "B" Adjust to maximum output
MEDIUM WAVE BAND	4.5 Mc.	400 ohms	Antenna lead	Medium Wave	Set Dial at 4.5 MC	Trimmer (C16) (See Fig. 3)	Medium wave oscillator	Adjust to maximum output
	4.5 Mc.	400 ohms	Antenna lead	Medium Wave	Set Dial at 4.5 MC	Trimmer (C1, C13) (See Fig. 3)	Medium wave antenna and R. F.	Adjust to maximum output
BROAD-CAST BAND	200 Kc.	200 meg.	Antenna lead	Broadcast (Extreme Left Rotation)	Rotor full open (Plates out of mesh)	Trimmer (C11) (See Fig. 3)	Broadcast oscillator	Adjust to maximum output
	100 Kc.	200 meg.	Antenna lead	Broadcast	Set Dial at 100 Kc.	Trimmer (C1, C11) (See Fig. 3)	Broadcast antenna and R. F.	Adjust to maximum output
	100 Kc.	200 meg.	Antenna lead	Broadcast	Set Dial at 100 Kc.	Trimmer (C12) (See Fig. 3)	Broadcast oscillator series pad	Adjust to maximum peak dial (See note "C")

NOTE "A"—It is extremely necessary when making this adjustment that the fundamental oscillator signal be tuned in and not the image frequency which will fall below the fundamental. As an example of this a fundamental 23 megacycle signal can be tuned in not only at 23 on the dial, but also at approximately 22 megacycles.

NOTE "B"—When adjusting the antenna and R.F. trimmers be sure and "follow" the signal to exact resonance by slight readjustment of the gang condenser as trimmer reaction on oscillator frequency is quite noticeable at high frequencies.

NOTE "C"—Turn the dial back and forth slightly (rock) and adjust trimmer until the peak of greatest intensity is obtained.

Attenuate the signal from the signal generator to prevent the leveling-off action of the AVC.

After each range is completed, repeat the procedure as a final check.

Test Frequencies Used.	Kilocycles	Meters
I. F.	465	645.1
Short Wave	23000	13
Medium Wave	6500	46.1
Broadcast	2000	150
	1800	166.6
	550	545.4

BAND	FREQUENCY RANGE
Broadcast	500—2,000 Kc. (600—150 Meters)
Medium	1.95—7.0 Mc. (153.8—42.8 Meters)
Short Wave	6.9—24.0 Mc. (43.4—12.5 Meters)
Power Consumption	.65 Watts at 117 Volts
Power Output	4 Watts Undistorted, 6.5 Watt Maximum

MODEL 716, Series A

ALIGNMENT PROCEDURE

CAUTION: A—D.C. reading vacuum tube voltmeter must be used to make some of the following adjustments.

- Volume control—Minimum all adjustments.
- Connect radio chassis to ground post of signal generator with a short heavy lead.
- Connect dummy antenna valve in series with generator output lead.
- Allow chassis and signal generator to "heat up" for several minutes.

- The following equipment is required for aligning:
- An all wave signal generator which will provide an accurately calibrated signal at the test frequencies as listed.
- Vacuum tube voltmeter.
- Non-metallic screwdriver.
- Dummy antennas—1 ml., 400 ohms.

BAND	SIGNAL GENERATOR Frequency Setting	Dummy Antenna	Connection to Radio	Dial Pointer Setting	Trimmers Adjusted (in Order Shown)	Trimmer Function	Adjustment
I. F.	4.5 Mc.	.1 MFD.	Grid of 6SK7 No. 2	45 Mc.	Two trimmers on top of T3	Detector I. F.	Adjust to maximum voltage (See Note "A")
	4.3 Mc.	.1 MFD.	Grid of 6SA7	45 Mc.	Two trimmers on top of T2	Input I. F.	Adjust to maximum voltage (See Notes "A" and "B")
	4.5 Mc.	.1 MFD.	Grid of 6SK7 No. 1	45 Mc.	Two trimmers on top of T1	Mid I. F.	Adjust to maximum voltage (See Notes "A" and "B")
	4.3 Mc.	.1 MFD.	Grid of 6B8	45 Mc.	Trimmer with red dot on top of T4	Disc. I. F.	Adjust to zero response (See Note "D")
R. F.	485 Kc. and 495 Kc.	.1 MFD.	Grid of 6B8	45 Mc.	Trimmer without red dot on top of T5	Disc. I. F.	See Notes "D" and "E"
	30.5 Mc.	400 Ohms	Antenna Lead	30.5 Mc.	C1	Det. Ant.	Adjust to maximum voltage (See Note "A")

NOTE "A". Connect a D.C. reading vacuum tube voltmeter in parallel with C1. Use only enough signal to obtain a medium scale deflection. Use an unmodulated signal.

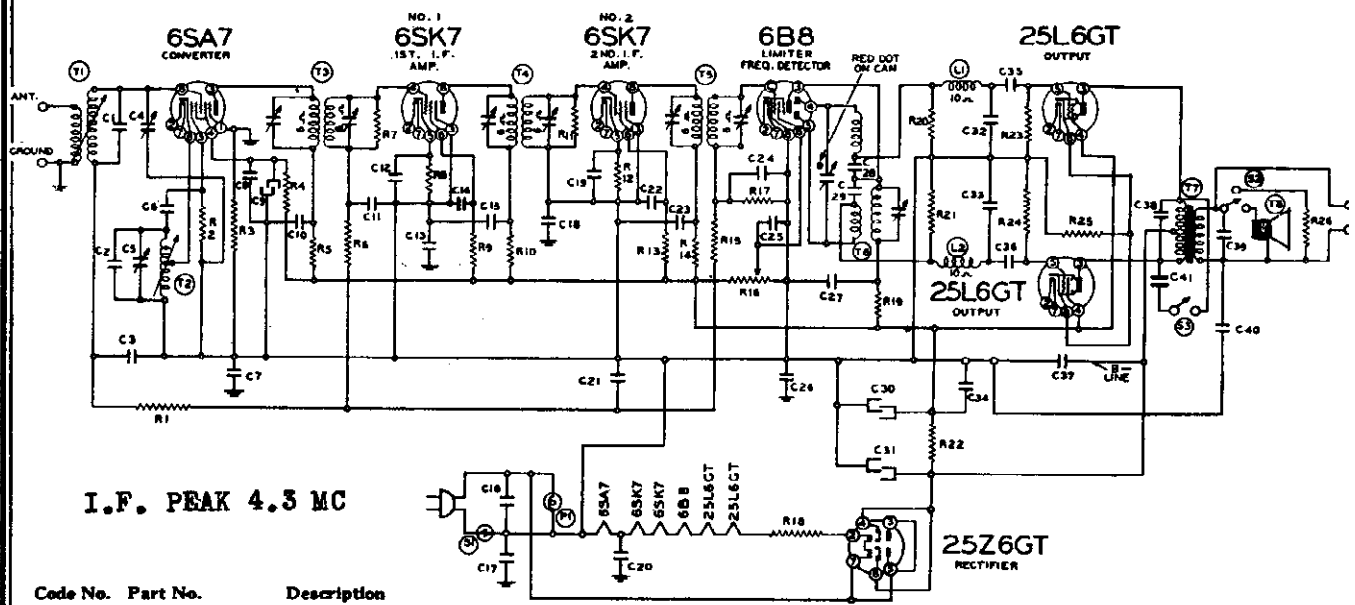
NOTE "B". Before aligning this stage, trimmer of T5 must be adjusted to maximum capacity and the other adjusted to minimum capacity.

NOTE "C". Do not readjust or "Go Over" the I.F. adjustments after the above procedure has been followed or unsymmetrical wave shape will result.

NOTE "D". Connect an output meter across the speaker voice coil. Use a modulated signal.

NOTE "E". Adjust trimmer so that the same output reading will be obtained with the signal generator set at both 485 K.C. and 495 K.C. that is, 75 K.C. each side of the I.F. frequency. Check adjustment of trimmer with red dot after this adjustment.

BELMONT RADIO CORP.



I.F. PEAK 4.3 MC

Code No. Part No. Description

RESISTORS

R1	BE13020	100M ohm-1/2 w.
R2	BE1301	25M ohm-1/2 w.
R3	BE130100	150M ohm-1/2 w.
R4	BE13023	2M ohm-1/2 w.
R5	BE13023	2M ohm-1/2 w.
R6	BE13020	100M ohm-1/2 w.
R7	BE130337	110M ohm-1/2 w.
R8	BE130239	250 ohm-1/2 w.
R9	BE13023	2M ohm-1/2 w.
R10	BE13023	2M ohm-1/2 w.
R11	BE130338	175M ohm-1/2 w.
R12	BE130239	250 ohm-1/2 w.
R13	BE13023	2M ohm-1/2 w.
R14	BE13023	2M ohm-1/2 w.
R15	BE13019	1 megohm-1/2 w.
R16	BE101247	50M ohm-Volume control
R17	BE130341	200M ohm-1/2 w.
R18	BE10664	60 ohm-6 watt
R19	BE13023	2M ohm-1/2 w.
R20	BE130102	500M ohm-1/2 w.
R21	BE130102	500M ohm-1/2 w.
R22	BE130335	350 ohm-1 watt
R23	BE130102	500M ohm-1/2 w.
R24	BE130102	500M ohm-1/2 w.
R25	BE130336	75 ohm-1 watt
R26	BE10665	3 ohm-1 watt

CONDENSERS

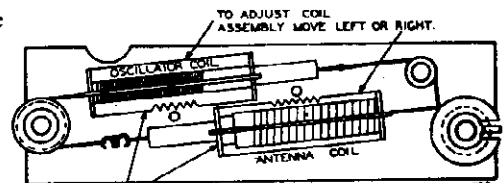
C1	BE129174	.0001 ceramicon
C2	BE129173	.000035 ceramicon
C3	BE10078	.01 x 200 v.
C4	BE124164	Antenna trimmer
C5	BE124164	Oscillator trimmer
C6	BE1295	.0001 mica
C7	BE10093	.05 x 200 v.
C8	BE10078	.01 x 200 v.
C9	BE119122	10 mfd. x 150 w. v. lytic

C10	BE10078	.05 x 200 v.
C11	BE10078	.01 x 200 v.
C12	BE10078	.01 x 200 v.
C13	BE10093	.05 x 200 v.
C14	BE10078	.01 x 200 v.
C15	BE10078	.01 x 200 v.
C16	BE1001	.1 x 400 v.
C17	BE10093	.05 x 200 v.
C18	BE10093	.05 x 200 v.
C19	BE10078	.01 x 200 v.
C20	BE10093	.05 x 200 v.
C21	BE10020	.1 x 200 v.
C22	BE10078	.01 x 200 v.
C23	BE10078	.01 x 200 v.
C24	BE1295	.0001 mica
C25	BE10020	.1 x 200 v.
C26	BE10093	.05 x 200 v.
C27	BE10078	.01 x 200 v.
C28	BE12921	.0002 mica
C29	BE12921	.0002 mica
C30	BE119121	60 mfd. x 150 w. v. lytic
C31	BE119121	40 mfd. x 150 w. v. lytic
C32	BE1295	.0001 mica
C33	BE1295	.0001 mica
C34	BE10078	.01 x 200 v.
C35	BE10078	.01 x 200 v.
C36	BE10078	.01 x 200 v.

PARTS

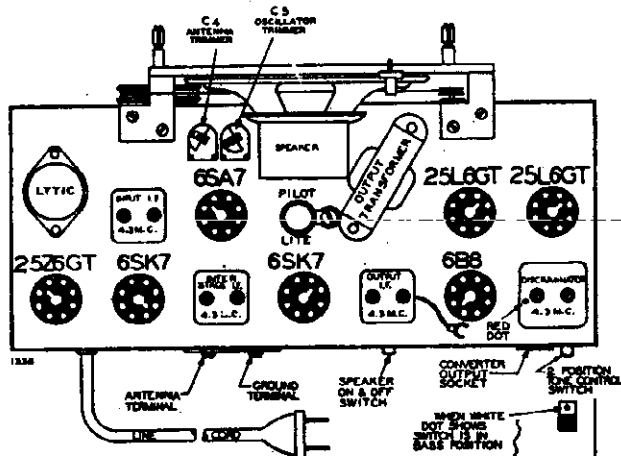
T1	BE1365	Antenna coil Permeability tuning Assembly complete
T2		Oscillator coil
T3	BE108189	Input I.F. coil
T4	BE108190	Interstage I.F. coil
T5	BE108191	Output I.F. coil
T6	BE108192	Discriminator coil
T7	BE105126	Output transformer
T8	BE114235	5" P.M. speaker
L1	BE12312	R.F. choke coil
L2	BE12312	R.F. choke coil
S1		On-off switch on volume control
S2	BE12561	On-off speaker switch
P1	BE107290	Pilot lite 110 v.-7 1/2 watt
S3	BE12588B	Tone control switch

VIEW LOOKING AT BOTTOM OF CHASSIS



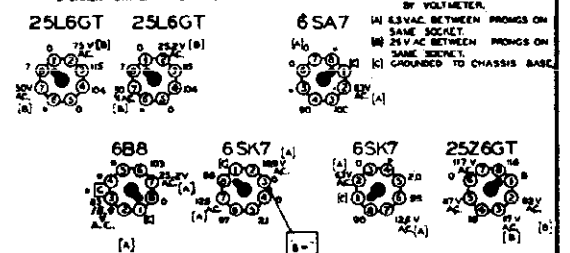
NOTE "A" - THE ANTENNA COIL ASSEMBLY IS MADE SO THAT IT IS ADJUSTABLE LEFT OR RIGHT. WHEN MAKING THE ADJUSTMENT AS GIVEN IN THE ALIGNMENT PROCEDURE MOVE THE COIL ASSEMBLY VERY SLOWLY.

COIL ASSEMBLY VIEW



BOTTOM VIEW OF CHASSIS

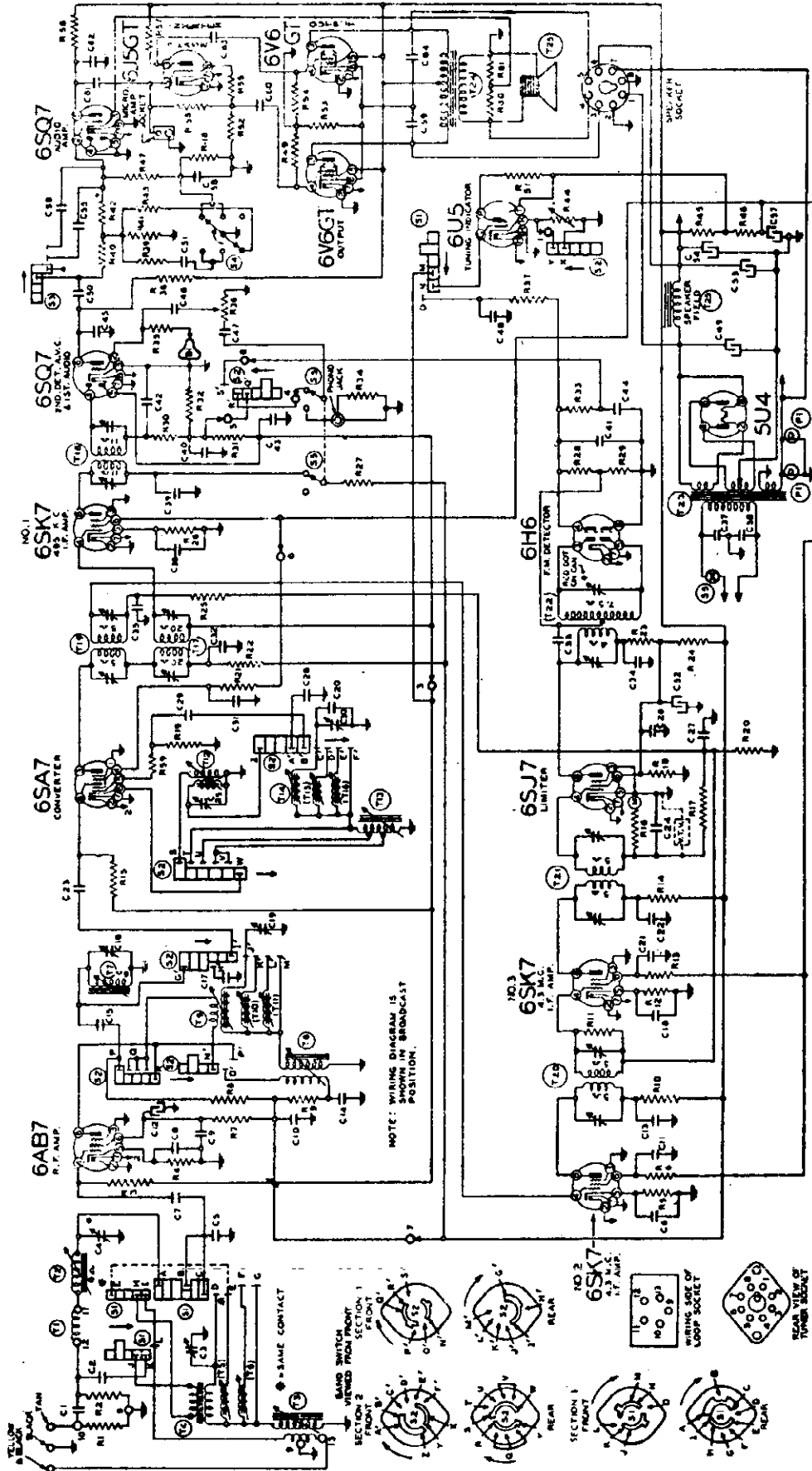
VOLTAGES MEASURED WITH A HIGH RESISTANCE VOLTMETER BETWEEN SOCKET TERMINALS AND 3-1/2" LINE VOLUME CONTROL IN MAX. POSITION AND ANTENNA TERMINAL SHORTED TO GROUND. SPEAKER SWITCH IN "OFF" POSITION.



REAR OF CHASSIS

MODEL 1401, Series A  
MODEL 1401, Series B

BELMONT RADIO CORP.



NO. 886

I.F. PEAK: A.M. 455 KC  
F.M. 4.3 MC

BELMONT RADIO CORP.

MODEL 1401, Series A  
MODEL 1401, Series B

Code No.	Part No.	Description
<b>PARTS</b>		
T1	BE111236	Loop antenna assembly
T2	BE111195	B.C. antenna coil
T3	BE111232	F.M. antenna coil
T4	BE111233	9 mc. antenna coil
T5	BE111234	12 mc. antenna coil
T6	BE111235	15 mc. antenna coil
T7	BE10962	B.C. R.F. coil
T8	BE10967	F.M. R.F. coil
T9	BE10964	9 mc. R.F. coil
T10	BE10966	12 mc. R.F. coil
T11	BE10965	15 mc. R.F. coil
T12	BE110161	B.C. oscillator coil
T13	BE110178	F.M. oscillator coil
T14	BE110175	9 mc. oscillator coil
T15	BE110177	12 mc. oscillator coil
T16	BE110176	15 mc. oscillator coil
T17	BE108177	455 kc. input I.F. transformer
T18	BE108176	455 kc. output I.F. transformer
T19	BE108197	1st F.M. I.F. transformer
T20	BE108198	2nd F.M. I.F. transformer
T21	BE108197B	Limiter I.F. transformer
T22	BE108199	Detector I.F. transformer
T23	BE104262	Power transformer
T24	BE105115	Output transformer
T25	BE114237	12" dynamic speaker
S1	BE125148	Antenna bandswitch
S2	BE125147	R.F., oscillator, audio bandswitch
S3	BE125149	Treble switch
S4	BE125123	Bass switch
S5	BE125125	Off-radio-phonograph switch
P1	BE10794	2 6-8 volts pilot light T44
B1	BE11622	Bias cell 1-252

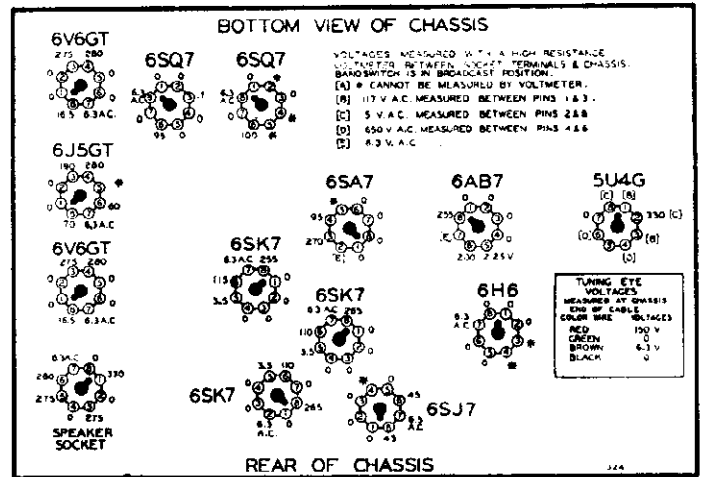
**CONDENSERS**

C1	BE1292	.0005 mica	C33	BE1295	.0001 mica
C2	BE10047	.002-600 v.	C34	BE100123	.02-200 v.
C3	BE124163	F.M. antenna trimmer	C35	BE100123	.02-200 v.
C4	BE124163	B.C. antenna trimmer	C36	BE100-20	1-200 v.
C5	BE129167	.0002 silver mica	C37	BE10061	.02-600 v.
C6	BE10078	.01-200 v.	C38	BE10061	.02-600 v.
C7	BE1292	.0005 mica	C39	BE1001	1-400 v.
C8	BE10020	1-200 v.	C40	BE129161	.0001 mica
C9	BE1001	1-400 v.	C41	BE1295	.0001 mica
C10	BE10074	1-400 v.	C42	BE129161	.0001 mica
C11	BE100-11	.01-400 v.	C43	BE10020	1-200 v.
C12	BE119-69	16-350 v. lytic	C44	BE1295	.0001 mica
C13	BE100-11	.01-400 v.	C45	BE12912	.00025 mica
C14	BE100-26	.02-400 v.	C46	BE10019	.006-600 v.
C15	BE129168	.00001 mica	C47	BE10020	1-200 v.
C16	BE10078	.01-200 v.	C48	BE1009	.05-200 v.
C17	BE129167	.0002 silver mica	C49	BE119112	30 mid. x 450 w.v. lytic
C18	BE124139	B.C. R.F. trimmer	C50	BE1001	1-400 v.
C19	BE124162	F.M. R.F. trimmer	C51	BE100118	.008-600 v.
C20	BE129168	.00001 mica	C52	BE119112	10 mid. x 350 w.v. lytic
C21	BE10011	.01-400 v.	C53	BE119-112	30 mid. x 450 w.v. lytic
C22	BE10011	.01-400 v.	C54	BE119-73B	16 mid. x 400 w.v. lytic
C23	BE1292	.0005 mica	C55	BE12938	.00005 mica
C24	BE12938	.00005 mica	C56	BE129166	.000125 mica
C25	BE124161	B.C. oscillator trimmer	C57	BE119-69	16 mid. x 350 w.v. lytic
C26	BE10020	1-200 v.	C58	BE100-12	.003-600 v.
C27	BE100-9	.05-200 v.	C59	BE100-65	.015-600 v.
C28	BE124162	.000135 silver mica	C60	BE1009	.05-200 v.
C29	BE1295	.0001 mica	C61	BE10013	.05-400 v.
C30	BE124145	F.M. oscillator trimmer	C62	BE12912	.00025 mica
C31	BE10074	1-400 v.	C63	BE10013	.05-400 v.
C32	BE100-11	.01-400 v.	C64	BE10065	.015-600 v.

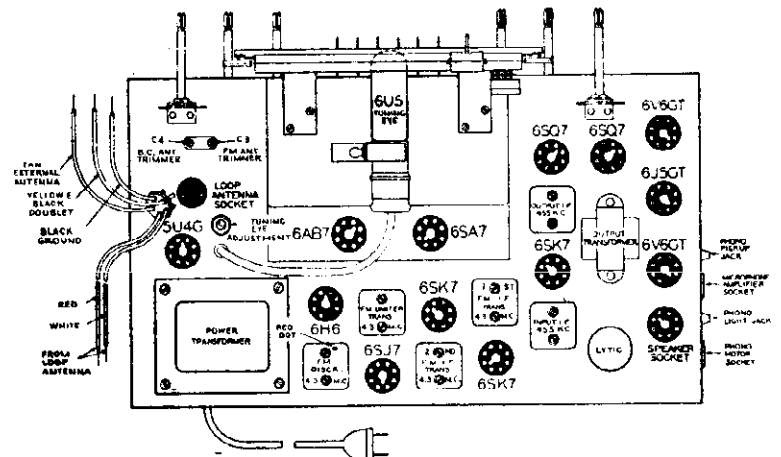
C12 and C57 are in same unit.  
C49 and C52 and C53 are in same unit.

**RESISTORS**

R1	BE130232	25M ohm-1/2 w.
R2	BE130232	25M ohm-1/2 w.
R3	BE13019	1 megohm-1/2 w.
R4	BE13084	700 ohm-1/2 w.
R5	BE130339	350 ohm-1/2 w.
R6	BE13023	2M ohm-1/2 w.
R7	BE13076	30M ohm-1/2 w.
R8	BE130235	1500 ohm-1/2 w.
R9	BE13023	2M ohm-1/2 w.
R10	BE13023	2M ohm-1/2 w.
R11	BE130342	350M ohm-1/2 w.
R12	BE130339	350M ohm-1/2 w.
R13	BE13023	2M ohm-1/2 w.
R14	BE13023	2M ohm-1/2 w.
R15	BE13019	1 megohm-1/2 w.
R16	BE130172	250M ohm-1/2 w.
R17	BE13019	1 megohm-1/2 w.
R18	BE130149	15M ohm-1/2 w.
R19	BE130232	25M ohm-1/2 w.
R20	BE13020	100M ohm-1/2 w.
R21	BE13023	2M ohm-1/2 w.
R22	BE13023	2M ohm-1/2 w.
R23	BE13026	1M ohm-1/2 w.
R24	BE130291	50M ohm-1 w.
R25	BE130172	250M ohm-1/2 w.
R26	BE13081	250 ohm-1/2 w.
R27	BE13023	2M ohm-1/2 w.
R28	BE130163	400M ohm-1/2 w.
R29	BE130163	400M ohm-1/2 w.
R30	BE13094	50M ohm-1/2 w.
R31	BE13019	1 megohm-1/2 w.
R32	BE130172	250M ohm-1/2 w.
R33	BE13019	1 megohm-1/2 w.
R34	BE1303	500M ohm-1/2 w.
R35	BE13019	1 megohm-1/2 w.
R36	BE101249	1 megohm-volume control
R37	BE1304	3 megohm-1/2 w.
R38	BE130172	250M ohm-1/2 w.
R39	BE130232	25M ohm-1/2 w.
R40	BE13080	150M ohm-1/2 w.
R41	BE130172	250M ohm-1/2 w.
R42	BE130309	350M ohm-1/2 w.
R43	BE13066	75M ohm-1/2 w.
R44	BE101248	25M ohm-tuning eye control
R45	BE130319	10M ohm-2 w.
R46	BE130199	150M ohm-1 w.
R47	BE13060	150M ohm-1/2 w.
R48	BE130146	2 megohm-1/2 w.
R49	BE1303	500M ohm-1/2 w.
R51	BE13094	500M ohm-in tuning eye cable
R52	BE13094	50M ohm-1/2 w.
R53	BE130317	250 ohm-1/2 w.
R54	BE1303	500M ohm-1/2 w.
R55	BE130218	5M ohm-1/2 w.
R56	BE130172	250M ohm-1/2 w.
R57	BE13094	50M ohm-1/2 w.
R58	BE1303	500M ohm-1/2 w.
R59	BE130215	25 ohm-1/2 w.
R60	BE13082	10M ohm-1/2 w.
R61	BE130235	1500 ohm-1/2 w.



**VOLTAGE CHART**





MODEL 1401, Series A  
MODEL 1401, Series B

BELMONT RADIO CORP.

**SETTING PUSHBUTTONS**

Make a list of your 6 favorite stations. Push out the call letters of these stations from the call letter sheets supplied. Insert a call letter in the slot on top of each pushbutton.

Next pull one of the pushbuttons all the way out as far as it will come (pull, with fingers on top and bottom of button). Now tune in the station you want with the tuning knob—Tune back and forth until the station is clear and distinct. Now push the button hard all the way in to lock the station in place. (push directly on front of button) Continue setting each pushbutton in the same way. Pressing the proper button will now tune the station you want. If it does not do so you did not push the button hard enough to lock in place when setting up the station.

To change stations simply repeat the procedure above.

**FOR DATA ON SEEBURG TYPE B AUTOMATIC RECORD CHANGER, SEE RIDER'S "AUTOMATIC RECORD CHANGERS AND RECORDERS".**

- Volume control—Minimum all adjustments.
- Connect radio chassis to ground post of signal generator with a short heavy lead.
- Connect dummy antenna valve in series with generator output lead.
- Allow chassis and signal generator to "heat up" for several minutes.

**ALIGNING INSTRUCTIONS**

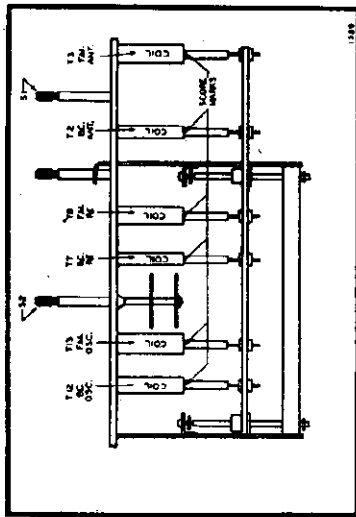
**CAUTION.**—No aligning adjustments should be attempted without first thoroughly checking over all other possible causes of trouble, such as poor

installations, open or grounded antenna systems, low line voltage, defective tubes, condensers and resistors. In order to properly align this radio, the chassis should be removed from the cabinet. Although the short wave bands on this radio are of the band spread type the Alignment Procedure is not difficult. However because each short wave scale covers only a small portion of the short wave spectrum you must do the work carefully and your oscillator must be accurate.

Do not realign the band spread scales unless you are positive they are out of adjustment. When adjustment is necessary proceed as follows.

Rotate each iron core until the fine score marks are even with the edge of the coil forms.

You are now ready to continue with the trimmer adjustments as shown on the alignment chart.

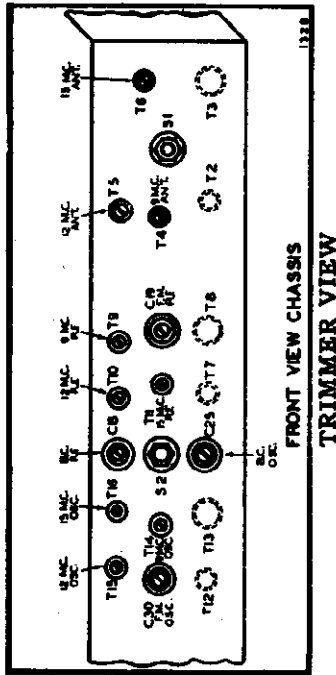


IRON CORE ADJUSTMENT VIEW

- The following equipment is required for aligning:
- An all wave signal generator which will provide an accurately calibrated unmodulated signal at the test frequencies as listed.
  - Vacuum Tube Voltmeter.
  - Non-metallic screwdriver.
  - Dummy antennas—1 ml. and 100 ohms.

BAND	SIGNAL GENERATOR Frequency Setting	Dummy Antenna	Connection to Radio	Position of Band Switch	Dial Pointer Setting	Trimmers Adjusted In Order Shown	Trimmer Function	Adjustment
F. M. L. F.	4.3 Mc.	.1 MFD.	Grid of 6SK7 No. 3	F.M.	45 Mc.	Two Trimmers on Top of T21	Limiter I. F. Coil	Adjust to Maximum Voltage (See Note "A")
	4.3 Mc.	.1 MFD.	Grid of 6SA7	F.M.	45 Mc.	Two Trimmers on Top of T19	Input I. F. Coil	Adjust to Maximum Voltage (See Note "A" and "B")
	4.3 Mc.	.1 MFD.	Grid of 6SJ7	F.M.	45 Mc.	Two Trimmers on Top of T20	2nd I. F. Coil	Adjust to Maximum Voltage (See Note "A" and "C")
F. M. R. F.	595 and 605 K.C.		Grid of 6SJ7	F.M.	45 Mc.	Trimmer with red dot on top of T2	Disc I. F. Coil	Adjust to zero voltage (See Note "D")
	50.5 Mc.	100 ohms	Douglas Antenna Lead	F.M.	50.5 Mc.	Trimmer without red dot on top of T2	Disc I. F. Coil	See Notes "D" and "E"
								Adjust to Maximum Voltage (See Note "A")

BELMONT RADIO CORP.



FRONT VIEW CHASSIS  
TRIMMER VIEW

NOTE "A". Connect a D.C. reading vacuum tube voltmeter in parallel with C24. Use only enough signal to get a medium scale deflection.

NOTE "B". Before aligning this stage, one trimmer of T20 must be adjusted to maximum capacity and the other adjusted to minimum capacity.

NOTE "C". Do not realign or "Go over" the L.F. adjustments after the above procedure has been followed for an unsymmetrical wave shape will result.

NOTE "D". Connect across prongs 4 and 8 of 6H6 socket, a D.C. reading vacuum tube voltmeter.

NOTE "E". Adjust trimmer so that the same voltage reading will be obtained with the signal generator set at both 425 K.C. and 475 K.C. One of these frequencies will produce a negative voltage and the voltmeter leads must be reversed if a zero-center meter is not available.

I. F.—R. F.—Alignment

CAUTION: A D.C. reading vacuum tube voltmeter must be used to make the following adjustments.

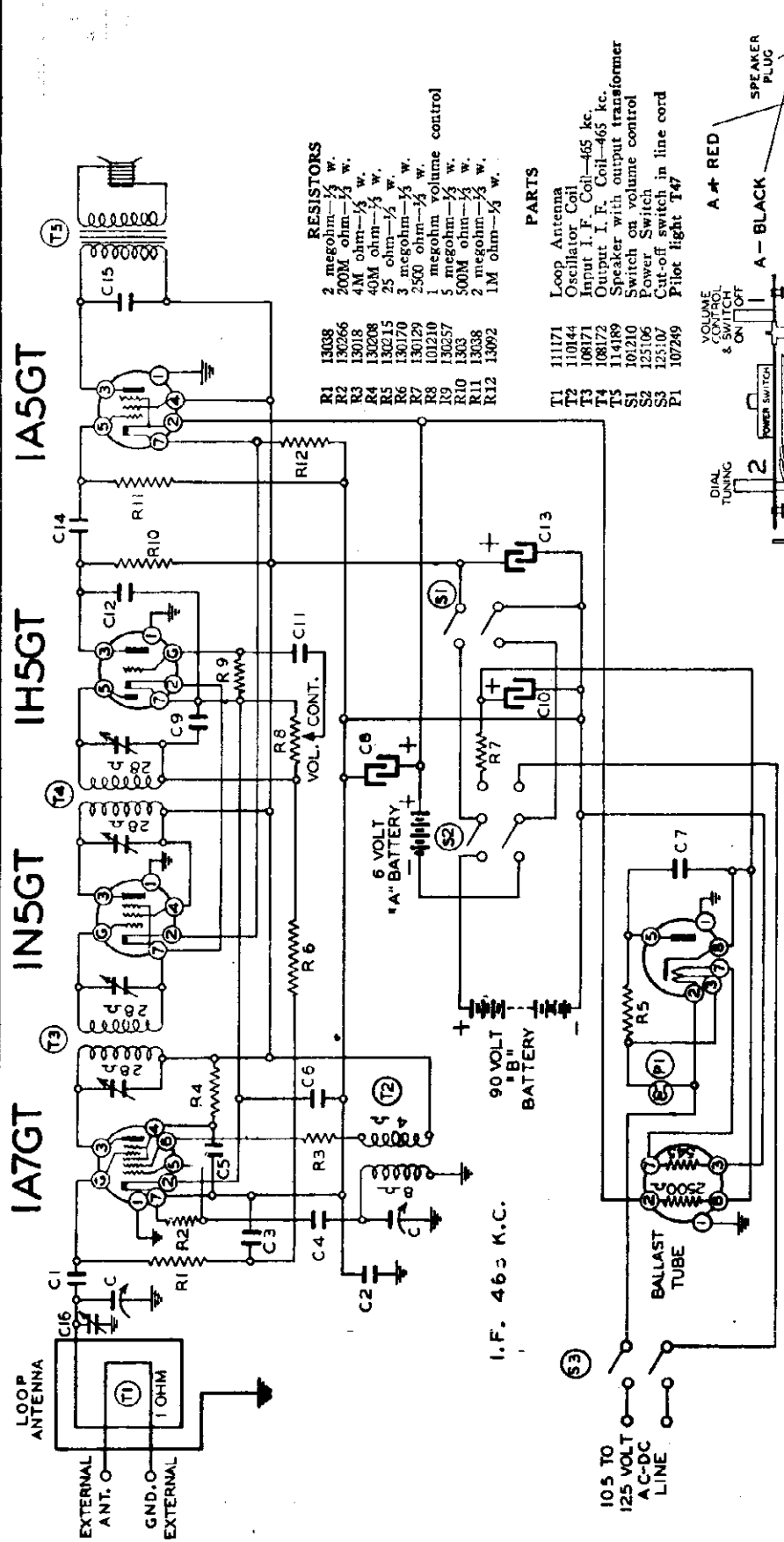
- Tone control—Treble
  - Volume control—Maximum all adjustments.
  - Connect radio chassis to ground post of signal generator with a short heavy lead.
  - Connect dummy antenna valve in series with generator output lead.
  - Connect output meter across primary of output transformer.
  - Allow chassis and signal generator to "heat up" for several minutes.
- The following equipment is required for aligning:
- An all wave signal generator which will provide an accurately calibrated signal at the test frequencies as listed.
  - Output indicating meter.
  - Non-metallic screwdriver.
  - Dummy antennas—1 mf., 200 mmf., and 400 ohms.

BAND	SIGNAL GENERATOR Frequency Setting	Dummy Antenna	Connections to Radio	Position of Band Switch	Dial Pointer Setting	Trimmers Adjusted in Order Shown	Trimmer Function	Adjustment
I. F.	455 Kc.	.1 MFD.	Grid of 6SK7 No. 1	Broadcast	Set Dial at 1600 Kc.	Two Trimmers on Top of T18	Output I. F.	Adjust to maximum output
	455 Kc.	.1 MFD.	Grid of 6SA7	Broadcast	Set Dial at 1600 Kc.	Two Trimmers on Top of T17	Input I. F.	Adjust to maximum output
BROAD-CAST BAND	1400 Kc.	200 mmf.	Antenna lead	Broadcast	Set Dial at 1600 Kc.	(See Trimmer View) C25 (See Trimmer View) C18 (See Trimmer on Top) C4	Osc. R. F. Ant.	Adjust to maximum output
	1400 Kc.	200 mmf.	Antenna lead	Broadcast	Set Dial at 1400 Kc.	Rotate Core T7 (See Iron Core Adjustment View)	R. F. Ant.	Adjust to maximum output

NOTE: The F. M., I. F. and R. F. band MUST be aligned before the three standard short wave bands can be properly aligned. The osc. and R. F. adjustments must be done simultaneously for each of the standard short wave bands.

31 METER BAND	9.6 Mc.	400 ohms	Antenna lead	31M	Set Dial at 9.6 Mc.	(See Trimmer View) T14 (See Trimmer View) T9 (See Trimmer on Top) T4	Osc. R. F. Ant.	Adjust to maximum output
25 METER BAND	11.8 Mc.	400 ohms	Antenna lead	25M	Set Dial at 11.8 Mc.	(See Trimmer View) T15 (See Trimmer View) T10 (See Trimmer View) T5	Osc. R. F. Ant.	Adjust to maximum output
19 METER BAND	15.2 Mc.	400 ohms	Antenna lead	19M	Set Dial at 15.2 Mc.	(See Trimmer View) T16 (See Trimmer View) T11 (See Trimmer View) T6	Osc. R. F. Ant.	Adjust to maximum output

BELMONT RADIO CORP.



- RESISTORS**
- 13038 2 megohm— $\frac{1}{2}$  w.
  - R2 130266 200M ohm— $\frac{1}{2}$  w.
  - R3 13018 4M ohm— $\frac{1}{2}$  w.
  - R4 130208 40M ohm— $\frac{1}{2}$  w.
  - R5 130215 25 ohm— $\frac{1}{2}$  w.
  - R6 130170 3 megohm— $\frac{1}{2}$  w.
  - R7 130129 250 ohm— $\frac{1}{2}$  w.
  - R8 102120 1 megohm volume control
  - R9 130257 5 megohm— $\frac{1}{2}$  w.
  - R10 1303 500M ohm— $\frac{1}{2}$  w.
  - R11 13038 2 megohm— $\frac{1}{2}$  w.
  - R12 13092 1M ohm— $\frac{1}{2}$  w.

- PARTS**
- T1 111171 Loop Antenna
  - T2 110144 Oscillator Coil
  - T3 108171 Input I. F. Coil—465 kc.
  - T4 108172 Output I. F. Coil—465 kc.
  - T5 114189 Speaker with output transformer
  - S1 10210 Switch on volume control
  - S2 125106 Power Switch
  - S3 125107 Cut-off switch in line cord
  - P1 107249 Pilot light T47

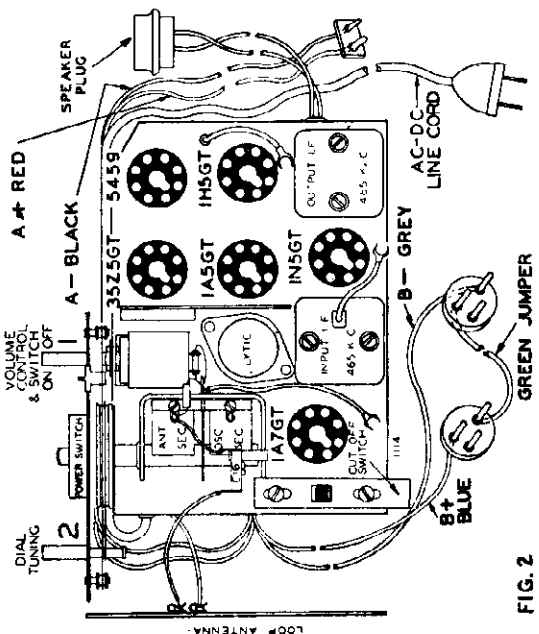
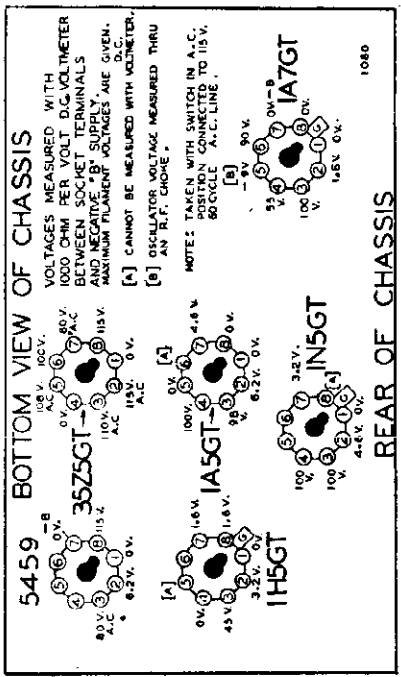


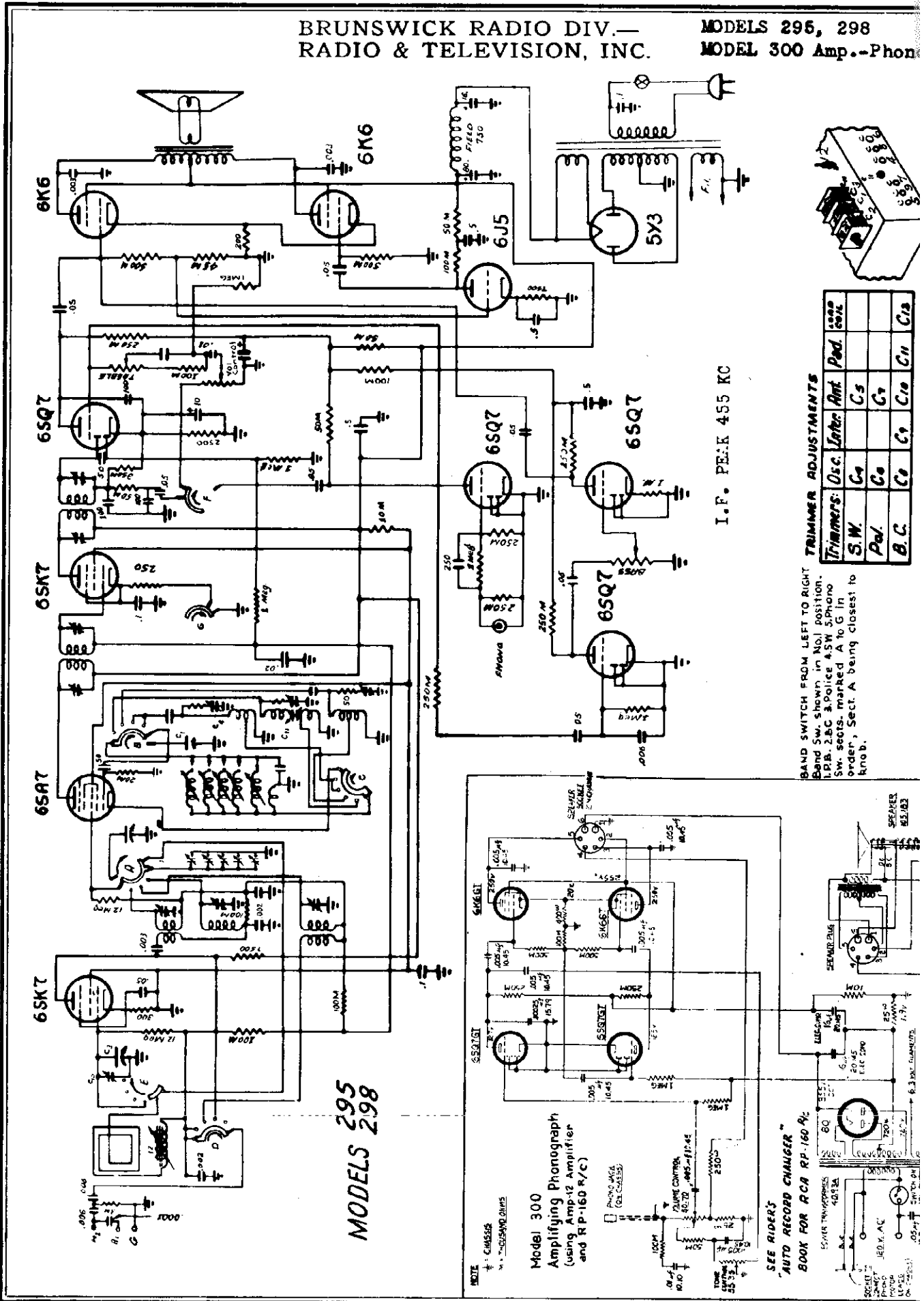
FIG. 2

- CONDENSERS**
- 102125 2 gang variable condenser
  - 12912 .0025 .2 mid. x 400 V.
  - C2 100110 .05 x 200 V.
  - C3 1009 .05 x 200 V.
  - C4 12912 .0025 .2 mid. x 400 V.
  - C5 1009 .05 x 200 V.
  - C6 10020 .1 x 200 V.
  - C7 10011 .01 x 400 V.
  - C8 119104 Lytic 200 mid. x 6 W. V.
  - C9 10011 .01 x 400 V.
  - C10 119104 Lytic 40 mid. x 150 W. V.
  - C11 10025 .002 x 600 V.
  - C12 1292 .005 mid.
  - C13 119104 Lytic 20 mid. x 150 W. V.
  - C14 10011 .01 x 400 V.
  - C15 10025 .002 x 600 V.
  - C16 124116 Adjustable antenna trimmer
- C8, C10 and C13 in same unit

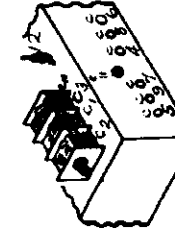


BRUNSWICK RADIO DIV.—  
RADIO & TELEVISION, INC.

MODELS 295, 298  
MODEL 300 Amp.-Phono



I. F. PEAK 455 KC

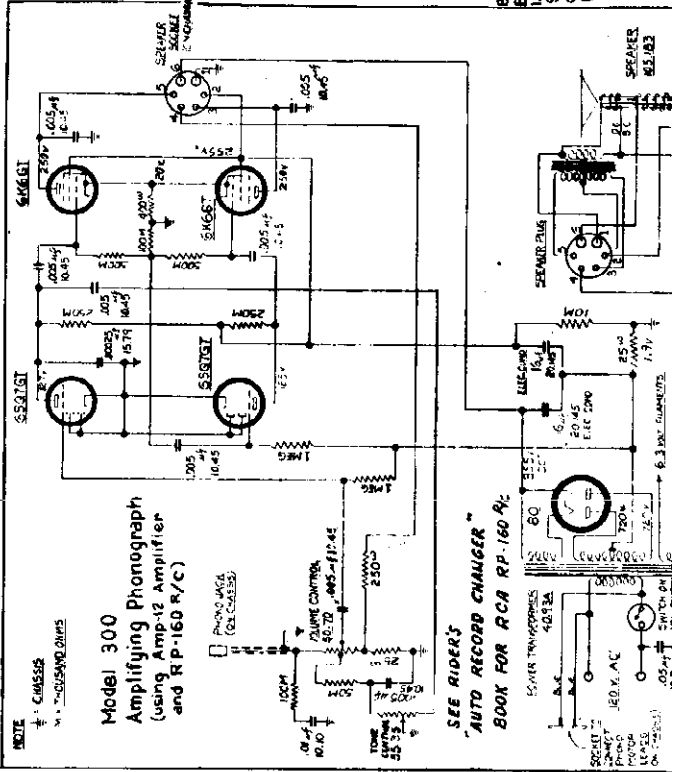


TRIMMER ADJUSTMENTS

Trimmers:	Dec.	Later	Ant.	Pod.	100%
S.W.	C <sub>4</sub>	C <sub>5</sub>	C <sub>7</sub>	C <sub>10</sub>	C <sub>12</sub>
Pol.	C <sub>6</sub>	C <sub>8</sub>	C <sub>9</sub>	C <sub>11</sub>	C <sub>13</sub>
B.C.	C <sub>3</sub>	C <sub>1</sub>	C <sub>2</sub>	C <sub>10</sub>	C <sub>11</sub>

BAND SWITCH FROM LEFT TO RIGHT:  
Band Sw. shown in No. 1 position.  
I.F.B. 2 & 3. Police 4 SW 5-Phono  
Sw. sects. marked A to G in  
order, Sect. A being closest to  
kno b.

MODELS 295  
298



NOTE  
+ CHASSIS  
W. C. SAND 21045

Model 300  
Amplifying Phonograph  
(using Amp12 Amplifier  
and RP-160 R/C)

SEE RIDER'S  
"AUTO RECORD CHANGER"  
BOOK FOR RCA RP-160 R/C

MODELS 295, 296

## BRUNSWICK RADIO DIV.— RADIO & TELEVISION, INC.

### ALIGNMENT INSTRUCTIONS

Re-alignment of this receiver should not be attempted unless all other possible causes of faulty operation have been thoroughly investigated. An accurately calibrated signal generator which will cover the necessary wave bands, and an output meter for indicating the effect of adjustments are required.

During the alignment procedure all adjustments should be made under the following conditions:

- 1) Line Voltage as indicated on instruction sheet.
- 2) Volume & Treble controls at maximum volume positions, Bass at Minimum.
- 3) Minimum Input from signal generator.

I. F. Adjustment - The signal generator is set at 455KC and is connected to the grid of the converter tube (6SA7) through a .5 MFD condenser. Be sure to connect a resistor of approximately 25,000 Ohms between the converter grid and ground so that the grid circuit is at ground potential for D.C. It is necessary to disconnect the grid from the rest of the circuit.

The Input I. F. Transformer trimmers-are both adjusted for maximum output as indicated by the output meter connected across either the voice coil or the primary coil of the loud speaker.

The Output I. F. Transformer trimmers-are adjusted for maximum output as indicated on the output meter. The Input I.F. should now be rechecked for maximum response.

Short Wave - Set the band switch to the short wave band. Connect the signal generator thru a standard dummy antenna to the antenna and ground leads of the receiver. Set the generator at 17MC; turn the condenser until a response is indicated. The pointer should coincide with the 17MC mark on the dial. Adjust the short wave antenna trimmer (#5, see diagram) for maximum output while rocking the condenser gang from left to right.

#### POLICE BAND

With signal generator set at 6 megacycles, tune in the signal. The pointer setting should correspond with the 6MC marking on the dial. If this is not so, adjust the police oscillator trimmer (C-6, see diagram) till it does. Now adjust the police antenna trimmer (C7) for maximum output.

#### BROADCAST BAND

It is desirable to align this band on the loop. The signal generator is coupled to the receiver by means of a 2 or 3 turn loop. Set the band switch in the broadcast position and condenser plates completely out of mesh. Set the signal generator at 1630KC and adjust the broadcast oscillator trimmer (#8, see diagram) until a response is indicated on the output meter. The generator is now set at 1400KC. Turn the variable condenser until a response is indicated. The dial pointer should now coincide with the 1400KC mark on the dial. Now adjust the broadcast inter-stage trimmer (#9) for maximum. Set the generator at 600KC and rotate the variable condenser until a response is indicated. Adjust the broadcast oscillator padder condenser (#11) for maximum response while "Rocking" the gang condenser. The antenna loading coil (#12) is now checked for maximum response. The High Frequency adjustment should then be re-checked.

#### Push Button Alignment

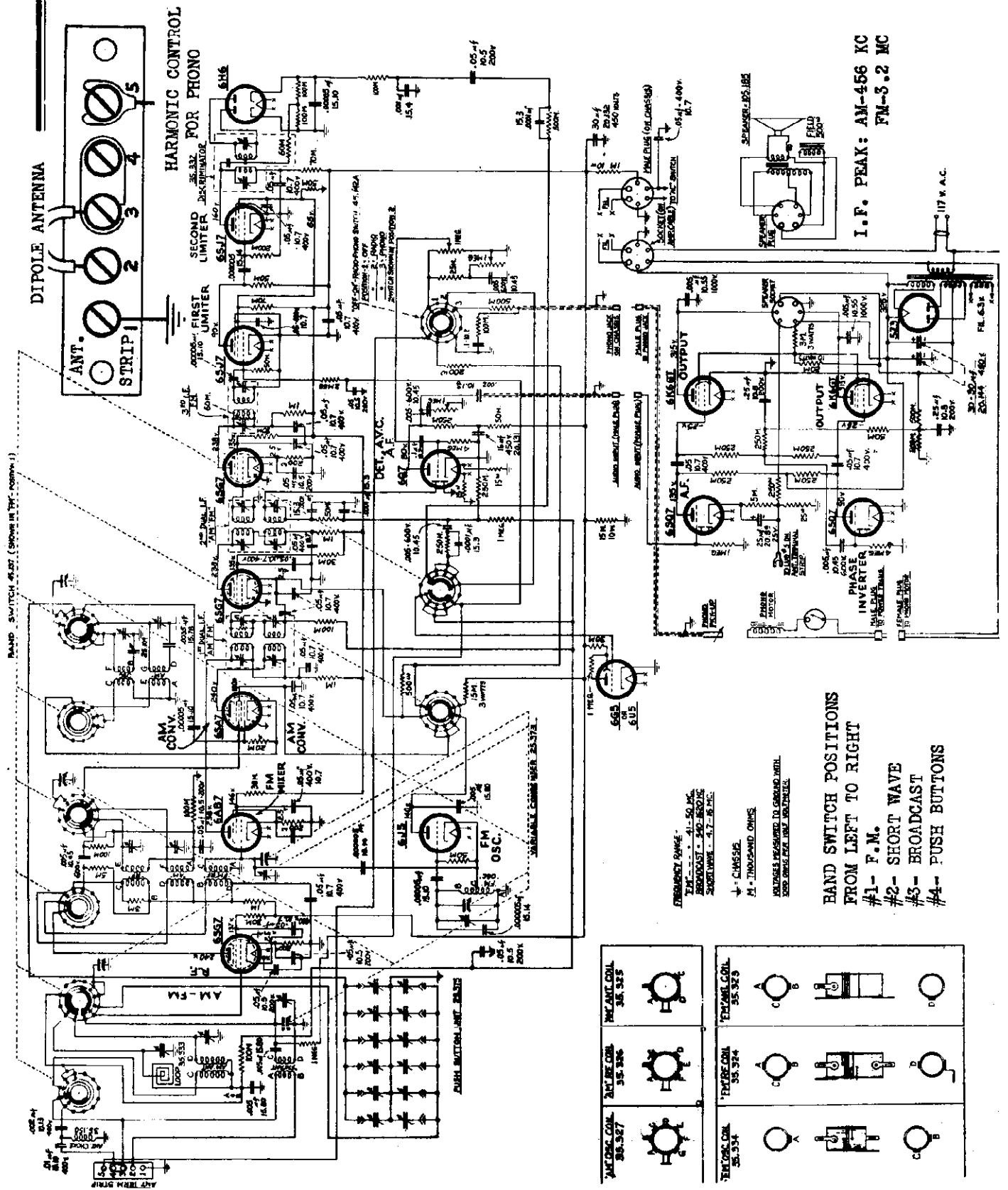
Looking into the back of the cabinet directly behind the buttons, above the dial will be seen two rows of screws. These are painted in various colors. Viewed from the rear these are; from left to right, YELLOW, BLUE, BLUE, ORANGE, and ORANGE. Each of these may be adjusted to cover a band of frequencies as tabulated below:

Yellow	- 1130 to 1600 kilocycles
Blue	- 690 to 1180 kilocycles
Orange	- 540 to 950 kilocycles

The bottom row of adjusting screws are the oscillators which determine the frequency of the station to be received. The upper row is for the antenna adjustment.

The simplest procedure, when a suitable oscillator is available, is to feed the desired frequency into the antenna, depress the button; turn the oscillator screw till the signal is picked up, then reduce the output from the oscillator so that it is just audible. Now adjust the antenna trimmer for maximum. Proceed to the next button and repeat the operation. In the absence of such equipment, turn the Band Switch for dial tuning of broadcast stations. Start at the low frequency end of the band and tune in the program of the station it is desired to receive. Note the frequency of this station. Without touching the tuning, throw the Band Switch over to the Push Button position. Depress the first button, corresponding to the orange screws. Slowly rotate the lower (oscillator) orange screw till the same program is received. Check this by switching back to dial tuning. (Broadcast position on the band switch). When this has been determined, the signal may now be clarified by carefully adjusting the trimmer of the same color (orange) directly above it. Now repeat the operation by tuning in, on the dial, the next station, of a higher frequency that it is desired to set up; and so on until all five have been aligned. Note that there are two BLUE and two ORANGE SETS of screws. Each button will cover only a range of frequencies as noted above, and therefore a group of stations falling within these limits must be selected. The antenna trimmer in each case is directly over the corresponding oscillator.

BRUNSWICK RADIO DIV.—  
RADIO & TELEVISION, INC.



I. F. PEAK: AM-456 KC  
FM-3.2 MC

FREQUENCY RANGE - 41-50 MC  
FM - 2.4-20.0 MC  
SHORT WAVE - 4.7-16 MC

↓ - CHASSIS  
A - THROUGH CHASSIS

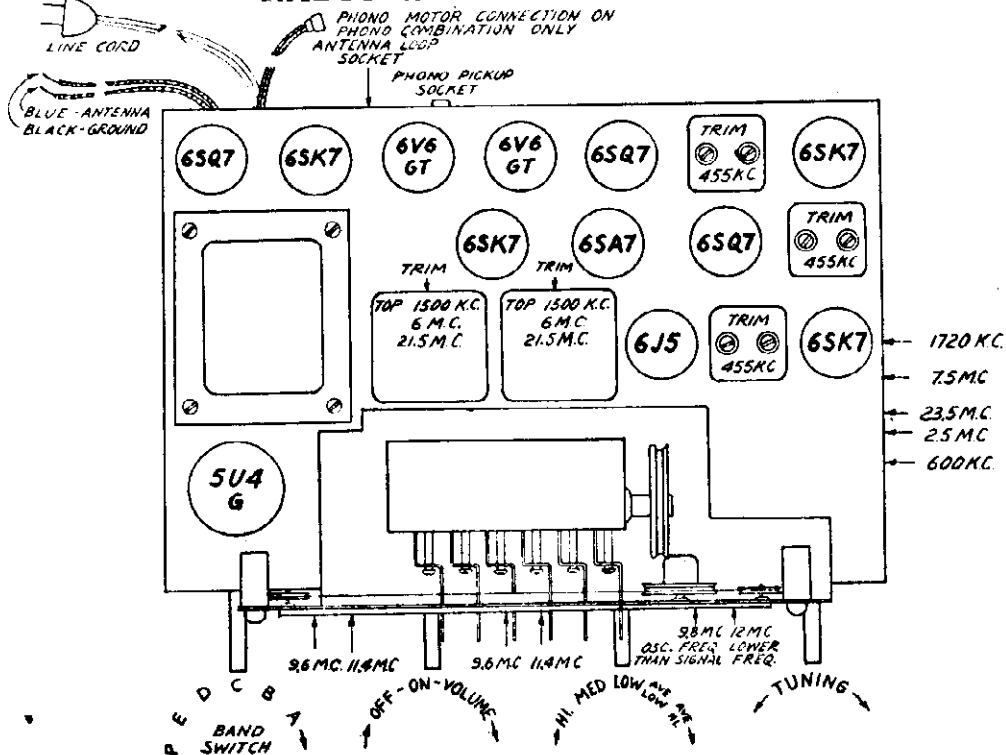
VOLTAGES MEASURED IN SECONDARY WITH  
TUBE CHASSIS FROM TUBULAR RECTIFIER

BAND SWITCH POSITIONS  
FROM LEFT TO RIGHT  
#1- F.M.  
#2- SHORT WAVE  
#3- BROADCAST  
#4- PUSH BUTTONS

AMP. OSC. COIL 35-327	REL. DE. COIL 35-328	MC ANT. COIL 35-325	TEMP. COIL 35-324	TEMP. ANT. COIL 35-323
TEMP. COIL 35-324	TEMP. ANT. COIL 35-323	TEMP. COIL 35-324	TEMP. ANT. COIL 35-323	TEMP. COIL 35-324

MODELS 400, 400 1/2,  
500, 600

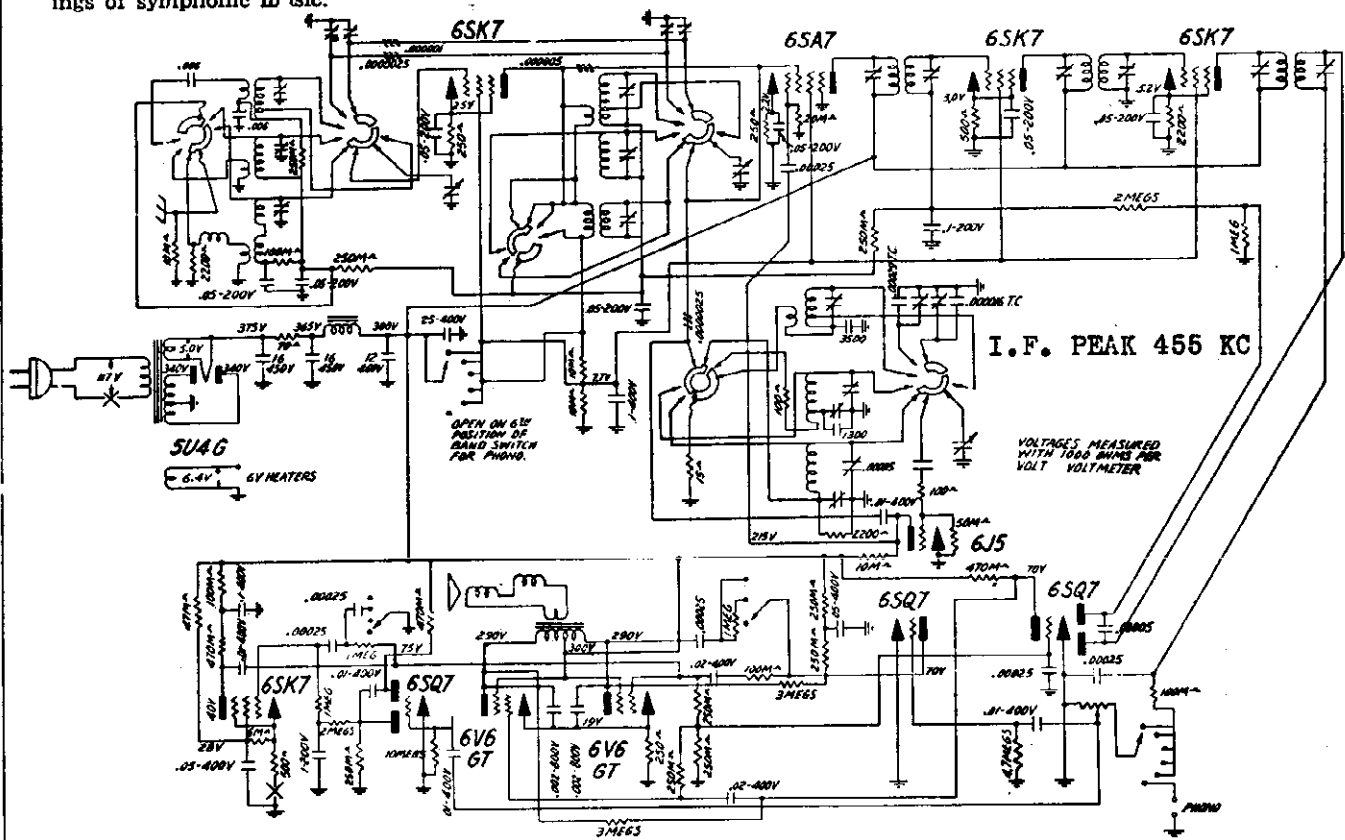
BRUNSWICK RADIO DIV.—  
RADIO & TELEVISION, INC.



**AUTOMATIC VOLUME EXPANSION AND AUTOMATIC BASS COMPENSATION (AVE-ABC):**

These two devices are incorporated in one, and their function is entirely automatic. They function by turning the third knob from the left to the fourth and fifth positions from the left. The fourth position corresponds to a maximum of bass, a minimum of treble, and a minimum of needle scratch on phonograph records. The fifth position corresponds to a maximum of treble.

This device can be used on organ, chamber, or symphonic music. **IT SHOULD NOT BE USED ON VOICE OR SHORT WAVES,** and is not desirable on popular orchestrations. It is especially effective on phonograph recordings of symphonic music.



CONTINENTAL RADIO & TELEV. CORP.

**POWER SUPPLY**

This receiver is designed to operate on a single unit Ray-O-Vac No. AB-82, Burgess 17G-D60, Eveready 748, Bond 0528 or General 60DL-11L Battery. No other batteries are required as this battery is a combination 90 volt "B" battery and a 1½ volt "A" battery. To use separate batteries a P2863 battery adapter cable is required.

**Antenna Coil (Part No. G-5724)**

Looking at the connection end starting at the chassis in a clockwise direction the terminals are: No. 1, AVC; No. 2, grid; No. 3, Ant.; No. 4, ground. No. 4 is grounded to the mounting bracket.

**Oscillator Coil (Part No. 2412) (Red Dot)**

Looking at the connection end (with dot) starting at the chassis in a clockwise direction the terminals are: No. 1, grid; No. 2, plate; No. 3 B+; No. 4, ground.

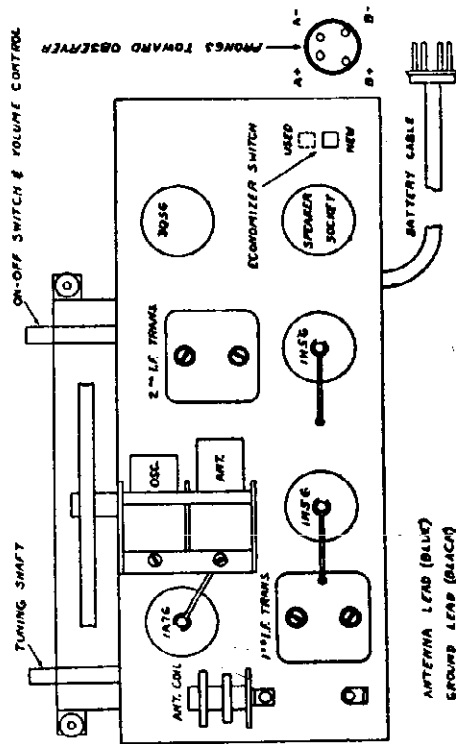
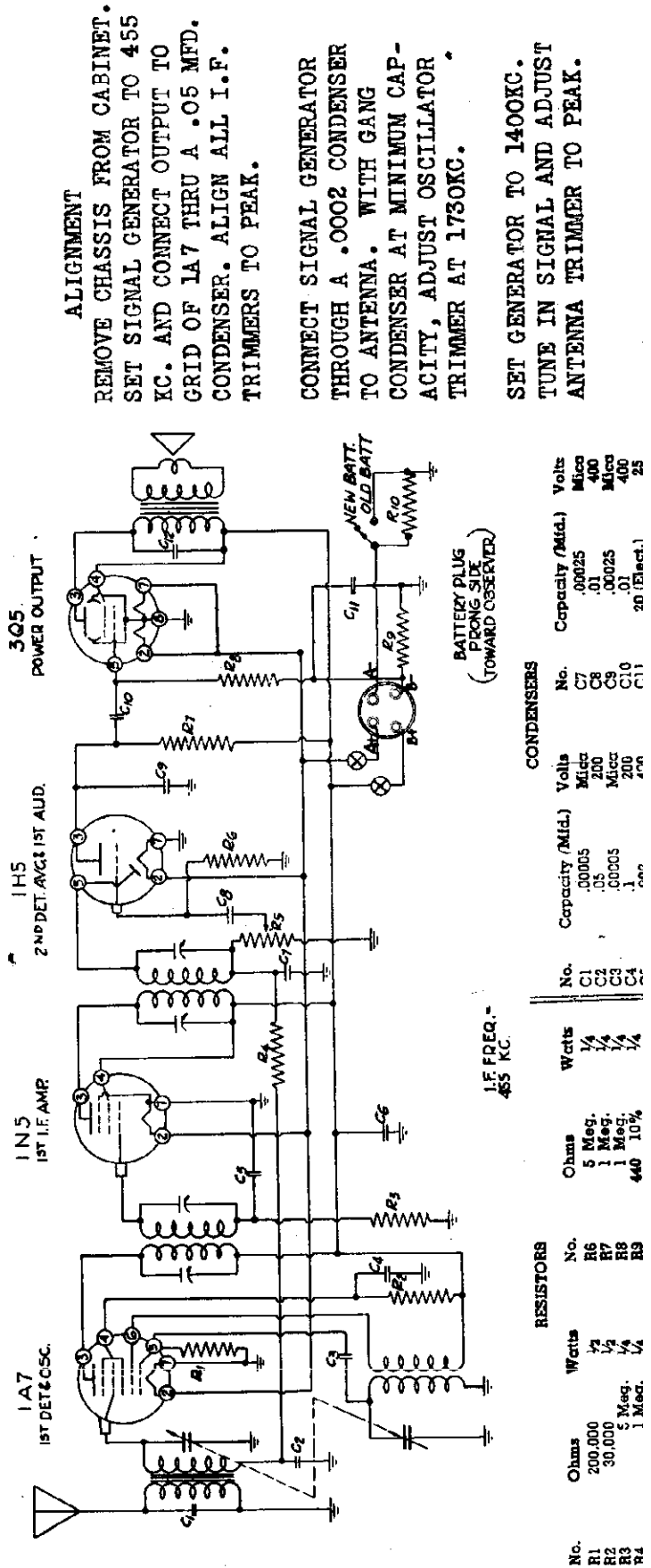


Fig. 1—Top View



**ALIGNMENT**

REMOVE CHASSIS FROM CABINET.  
SET SIGNAL GENERATOR TO 455 KC. AND CONNECT OUTPUT TO GRID OF 1A7 THRU A .05 MFD. CONDENSER. ALIGN ALL I.F. TRIMMERS TO PEAK.

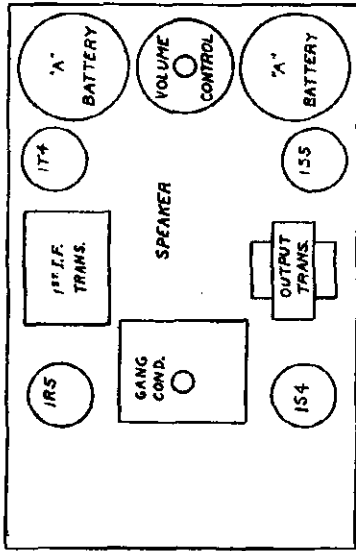
CONNECT SIGNAL GENERATOR THROUGH A .0002 CONDENSER TO ANTENNA. WITH GANG CONDENSER AT MINIMUM CAPACITY, ADJUST OSCILLATOR TRIMMER AT 1730KC.

SET GENERATOR TO 1400KC. TUNE IN SIGNAL AND ADJUST ANTENNA TRIMMER TO PEAK.



MODEL G4  
MODEL G5

CONTINENTAL RADIO & TELEV. CORP.

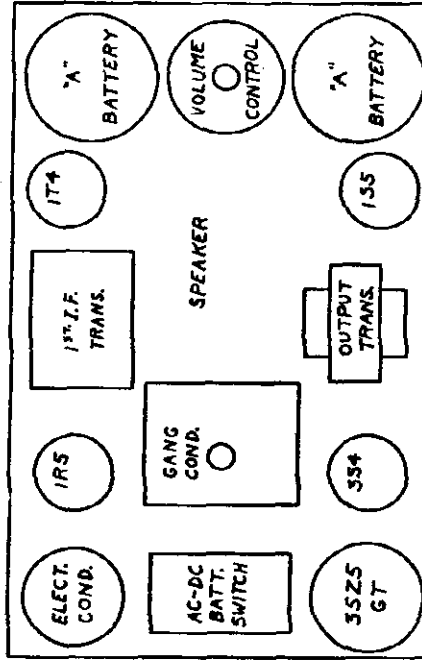


TOP VIEW OF MODEL G4

VOLTAGES MODELS G4 and G5

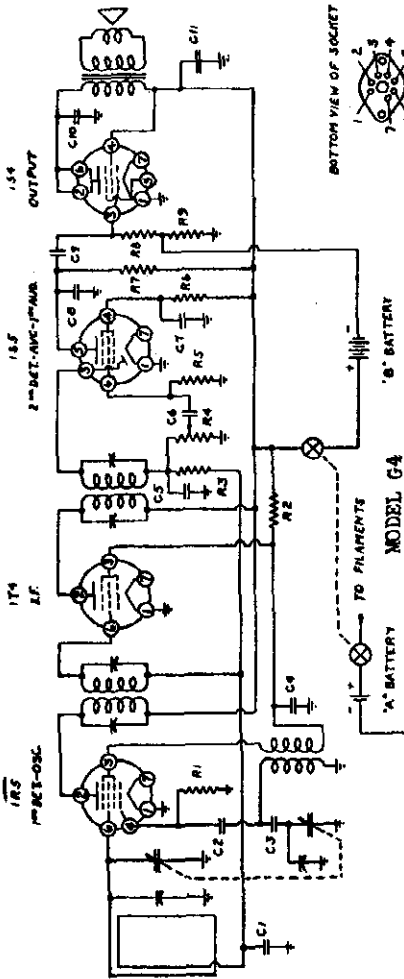
Volume control maximum and no signal tuned in. Meter 1000 ohms per volt, 150 volt scale.

- Plate (2) of 1R5 tube to ground.....66 volts
- Screen (3) of 1R5 tube to ground.....45 volts
- Plate (2) of 1T4 tube to ground.....66 volts
- Screen (3) of 1T4 tube to ground.....45 volts
- Plate (2) and (6) of 1S4 tube to ground.....66 volts
- Screen (4) of 1S4 tube to ground.....67½volts

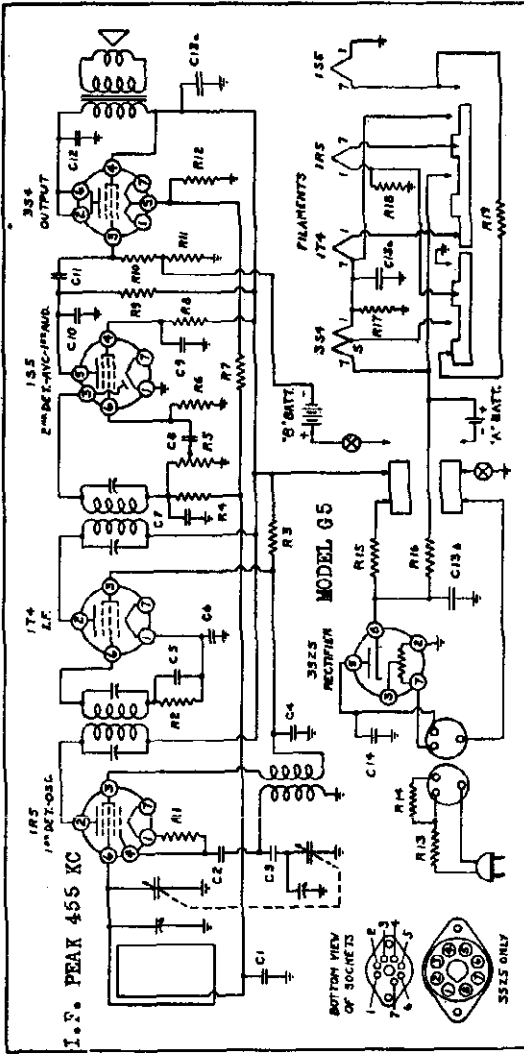


TOP VIEW OF MODEL G5

- ALIGNMENT FOR 4,65  
I.F. PEAK - 455 KC  
TRIM OSC. - 1730 KC  
TRIM ANT. - 1400 KC.
- BATTERIES  
1 EVEREADY 467 OR BURGESS  
"B" BATTERY AND TWO #2  
FLASHLIGHT CELLS.



RESISTORS		CONDENSERS	
No.	Ohms	No.	Capacity (Mfd.)
R1	100,000	C1	.0005
R2	5,000-10%	C2	.0005
R3	2,000,000	C3	.0005
R4	1,000,000	C4	.01
R5	10,000,000	C5	.01
		C6	.01
		C7	.01
		C8	.01
		C9	.01
		C10	.01
		C11	.01

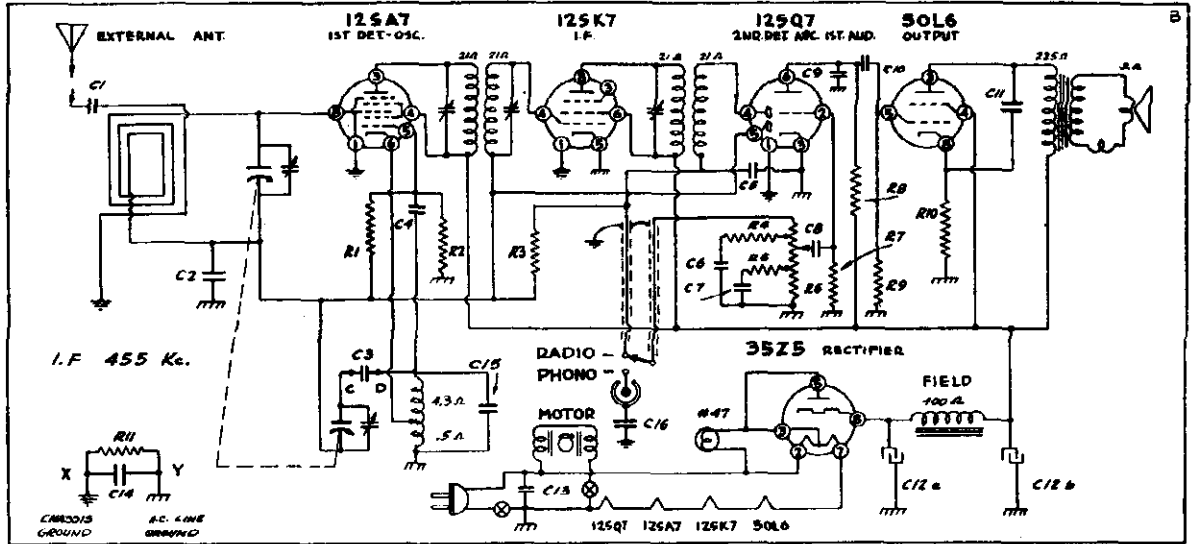


RESISTORS		CONDENSERS	
No.	Ohms	No.	Capacity (Mfd.)
R1	100,000	C1	.0005
R2	5,000-10%	C2	.0005
R3	2,000,000	C3	.0005
R4	1,000,000	C4	.01
R5	10,000,000	C5	.01
R6	1,000,000	C6	.01
R7	1,000,000	C7	.01
R8	1,000,000	C8	.01
R9	1,000,000	C9	.01
R10	1,000,000	C10	.01
		C11	.01
		C12	.01
		C13	.01
		C14	.01

AC-DC Battery Switch shown in AC-DC position.

RESISTORS		CONDENSERS	
No.	Ohms	No.	Capacity (Mfd.)
R11	150-10%	C1	.0005
R12	3,000-10%	C2	.0005
R13	350	C3	.01
R14	1,000,000	C4	.01
R15	1,000,000	C5	.01
R16	1,000,000	C6	.01
R17	1,000,000	C7	.01
R18	1,000,000	C8	.01
R19	1,000,000	C9	.01
R20	1,000,000	C10	.01
R21	1,000,000	C11	.01
R22	1,000,000	C12	.01
R23	1,000,000	C13	.01
R24	1,000,000	C14	.01

CONTINENTAL RADIO & TELEV. CORP.



Volume control tapped at 100,000 ohms and 200,000 ohms from zero end.

In model L5 only, X and Y are connected together. R11, C14, and C3 are not used. C is connected to D.

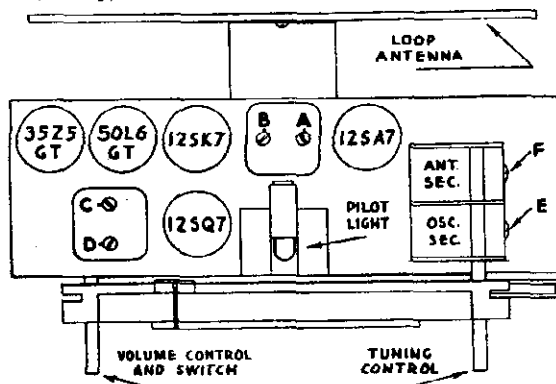
RESISTORS

Circuit	Ohms	Type
R1	10,000,000	1/2w
R2	25,000	1/2w
R3	1,000,000	1/2w
R4	50,000	1/2w
R5	30,000	1/2w
R6	50,000	V.C.
R7	5,000,000	1/2w
R8	250,000	1/2w
R9	500,000	1/2w
R10	150	1/2w
R11	150,000	1/2w

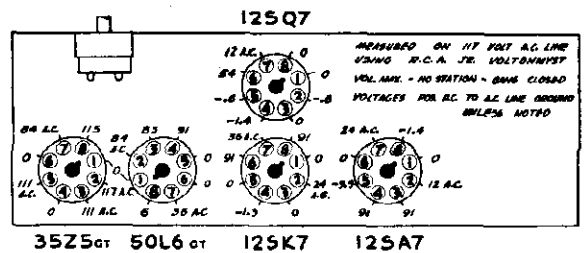
CONDENSERS

Circuit	Capacity	Type
C1	.005	600V
C2	.1	200V
C3	.02	400V
C4	.00005	Mica
C5	.00025	Mica
C6	.01	400V
C7	.01	400V
C8	.01	400V
C9	.0005	Mica
C10	.01	400V
C11	.02	400V
C12a	30. Elect	150V
C12b	50. Elect	150V
C13	.05	400V
C14	.2	200V
C14	.16 (XL5 only)	200V
C15	.00002-10%	Mica
C16	.2	200V

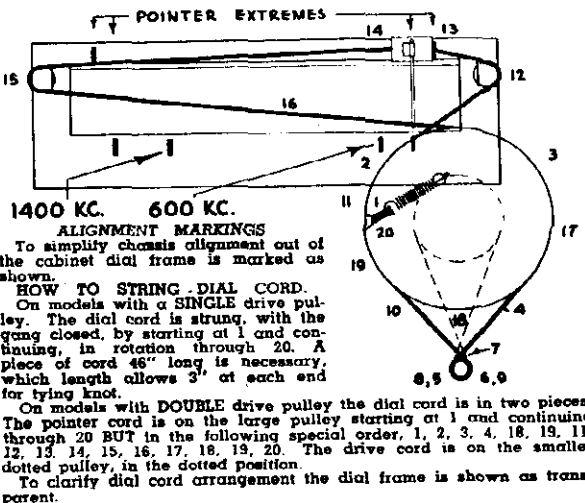
Set to be used on 110-120 volts A.C. (Alternating Current) 60 cycles, ONLY. Current consumption: Radio only, 25w. Phono, only, 15w.



Top View—Tube and Trimmer Location



Voltagess are positive D.C. unless noted. Measured from chassis with R.C.A. Jr. Volt Ohmyst. On XL5 Series use floating ground instead of chassis.



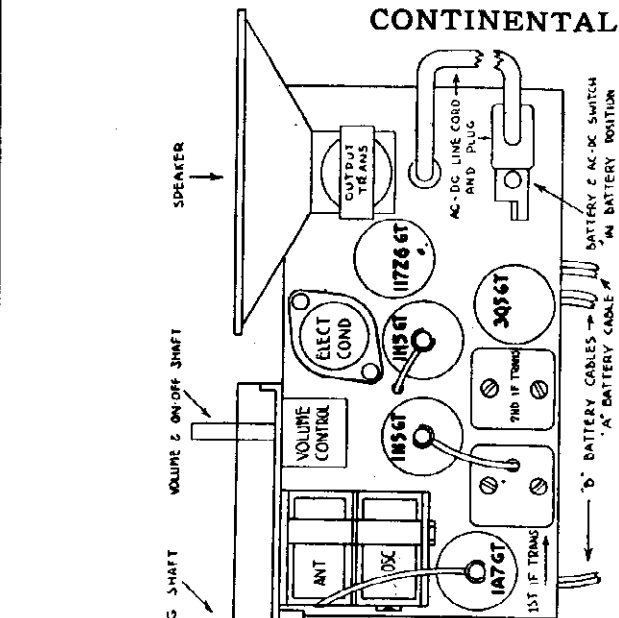
ALIGNMENT

Point	Component	Value	Frequency	Notes
1	Tuning Cond. Ant. Stator	.1 Mfd.	455 Kc.	A, B, C, D, I.F.
2	Tuning Cond. Ant. Stator	.1 Mfd.	1630 Kc.	E Osc.
3	Loop Radiator	Two feet from Radio No Connection	1400 Kc.	F (See Ant. (Note))

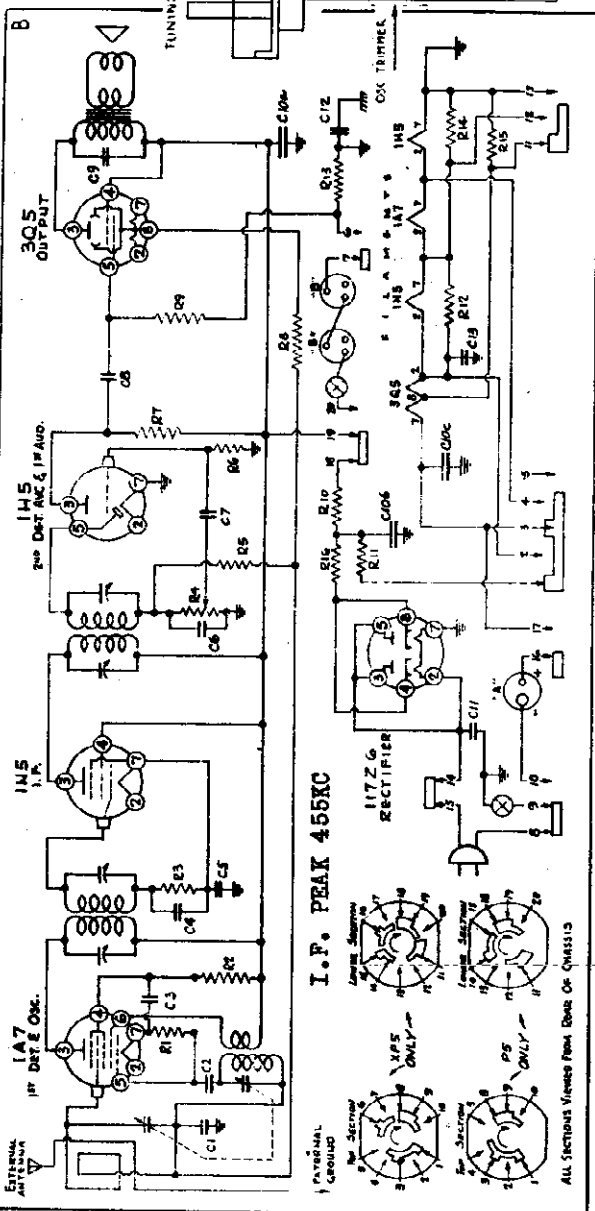
NOTE: IF ANT. TRIMMER IS ON LOOP, USE THREE-TURN LOOP 10" IN DIAMETER IN SERIES WITH 400 OHMS CONNECTED TO SIGNAL GENERATOR.

MODELS P5, XP5

CONTINENTAL RADIO & TELEV. CORP.



ALIGNMENT: I. F. PEAK - 455 KC  
 OSC. TRIMMER - 1600 KC  
 ANT. TRIMMER - 1400 KC



CONDENSERS

Volts	No.	Capacity (Mfd.)	Volts
200	C9	.002	600
Mica	C10a	50. Elect.	150
400	C10b	30. Elect.	150
Mica	C10c	100. Elect.	25
200	C11	.05	400
Mica	C12	.05	400
200	C13	100. Elect.	10

RESISTORS

Ohms	No.	Capacity (Mfd.)	Watts
2,000,000	C1	.05	1/2
1,500,000	C2	.00005	1/2
50,000	C3	.01	1/2
1,000,000	C4	.001	1/2
3,000,000	C5	.00025	1/2
15,000,000	C6	.001	1/2
1,000,000	C7	.001	1/2
10,000,000	C8	.001	1/2

RESISTORS

Ohms	No.	Watts
200,000	R9	1/2
50,000	R10	1/2
5,000,000	R11	1/2
1,000,000	R12	1/2
3,000,000	R13	1/2
15,000,000	R14	1/2
1,000,000	R15	1/2
10,000,000	R16	1/2

In Model P5 only, switch points 6, 7, 16 and 17 are not used. switch point 5 is not used in either model.

**Voltagess**—Line 117.5 Volts AC—Power Consumption 25 Watts.  
 Volume control maximum and no signal tuned in. Meter 1000 ohms per volt, 150 volt scale.

- Plate (3) of 1A7 tube to common ground.....100 volts
- Screen (4) of 1A7 tube to common ground.....62 volts
- Anode grid (6) of 1A7 tube to common ground.....100 volts
- Filament (2) to (7) of 1A7 tube.....1.35 volts
- Plate (3) of 1N5 tube to common ground.....100 volts
- Screen (4) of 1N5 tube to common ground.....102 volts
- Filament (2) to (7) of 1N5 tube.....1.3 volts
- Plate (3) of 1H5 tube to common ground.....38 volts
- Filament (2) to (7) of 1H5 tube.....1.35 volts
- Plate (3) of 3Q5 tube to common ground.....98 volts
- Screen (4) of 3Q5 tube to common ground.....102 volts
- Filament (7) to (8) of 3Q5 tube.....1.3 volts
- Filament (2) to (8) of 3Q5 tube.....1.35 volts
- Plate (3) or (5) of 11726 tube to common ground.....117.5v. (AC)
- Cathode (4) or (8) of 11726 tube to common ground.....128 volts
- Filament (2) to (7) of 11726 tube.....117.5v. (AC)

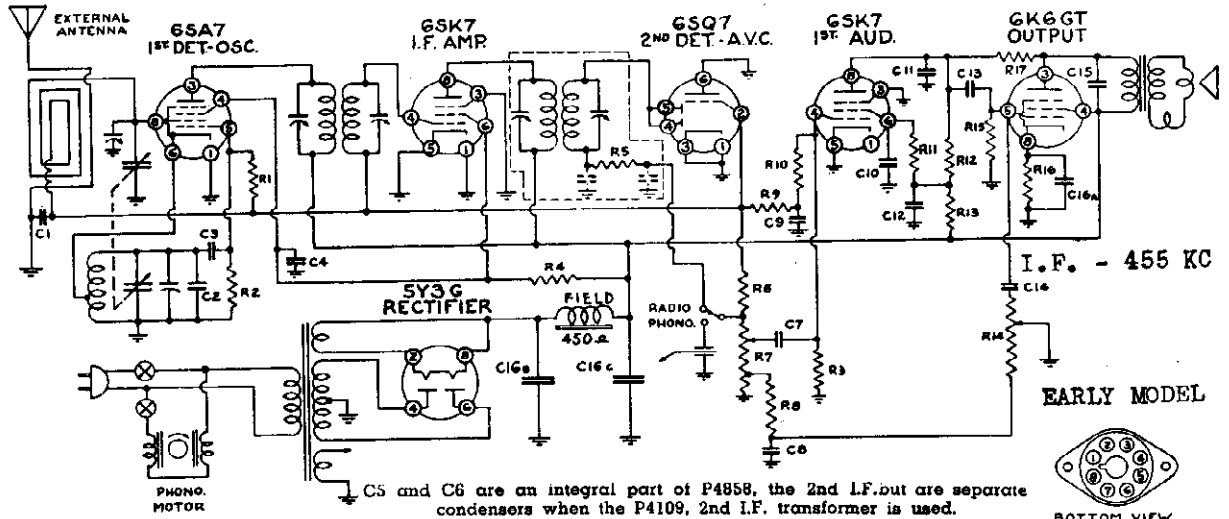
**Oscillator Coil (Part No. P5020)**  
 Looking at the connection end in a clockwise direction starting at the chassis the terminals are No. 1, grid; No. 2, plate; No. 3, B+; No. 4, ground.  
 Primary—No. 2 and No. 3—Resistance.....2.2 ohms  
 Secondary—No. 4 and No. 1—Resistance.....4.9 ohms  
**First I.F. Transformer (Part No. P4859)**  
 Primary—Red white, B+; blue white, plate—Resistance.....7.5 ohms  
 Secondary—White, grid; black white, AVC—Resistance.....17.3 ohms  
**Second I.F. Transformer (Part No. P4874)**  
 Primary—Blue white, plate; red white B+—Resistance.....17.8 ohms  
 Secondary—White, grid; black white, AVC—Resistance.....13.1 ohms

**Power Change Switch**  
 The power change switch connects the tube filaments in series (7½ volts) on AC-DC operation and parallel (1½ volts) on battery operation.

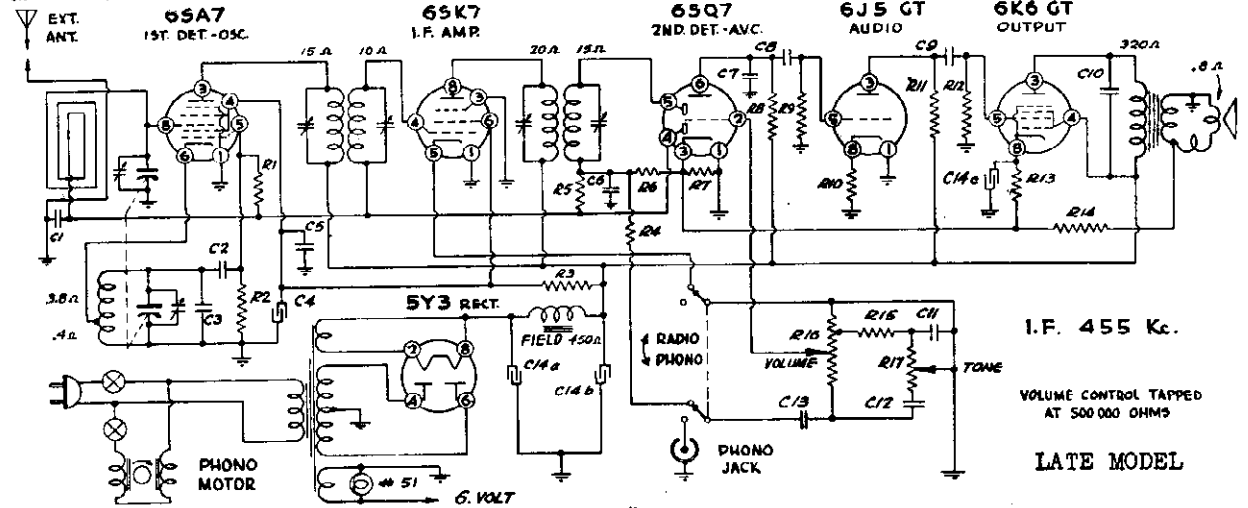
- No. R1
- R2
- R3
- R4
- R5
- R6
- R7
- R8

CONTINENTAL RADIO & TELEV. CORP.

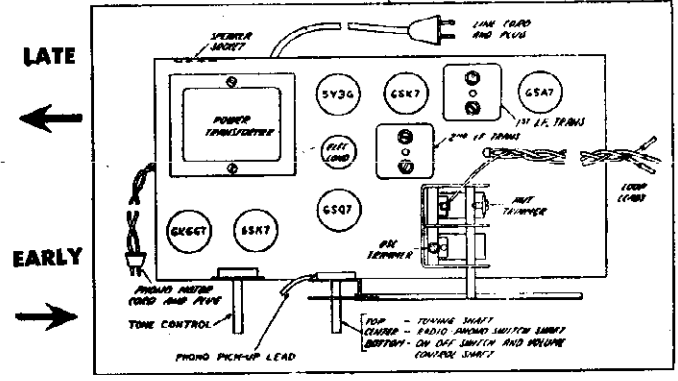
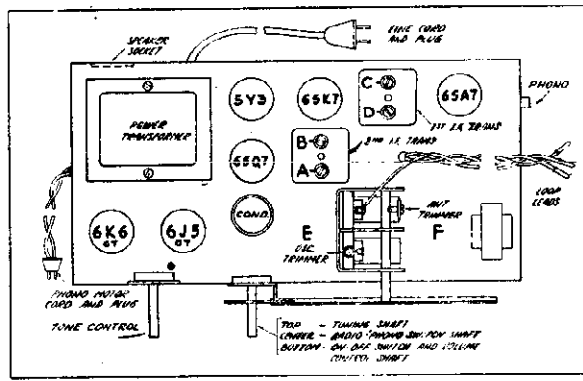
MODELS N6, early;  
N6, late



RESISTORS				CONDENSERS							
No.	Ohms	Watts	No.	Ohms	Watts	No.	Capacity (Mfd.)	Volts	No.	Capacity (Mfd.)	Volts
R1	10,000,000	1/4	R10	5,000,000	1/2	C1	.05	200	C10	.05	400
R2	20,000	1/2	R11	1,000,000	1/2	C2	.00025-10%	Mica	C11	.00025	Mica
R3	5,000,000	1/2	R12	250,000	1/2	C3	.00005	Mica	C12	.1	400
R4	15,000-10%	1/2	R13	50,000	1/2	C4	.05	400	C13	.01	400
R5	70,000	1/2	R14	500,000	T.C.	C5	.0001	Mica	C14	.005	600
R6	2,000,000	1/2	R15	500,000	1/2	C6	.0001	Mica	C15	.002	600
R7	500,000	V.C.	R16	600-10%	1/2	C7	.01	400	C16a	20.	25
R8	20,000	1/2	R17	3,000,000	1/2	C8	.02	200	C16b	20.	350
R9	1,000,000	1/2				C9	.05	200	C16c	20.	350



RESISTORS				CONDENSERS							
Circuit	Ohms	Type	No.	Ohms	Watts	Circuit	Capacity	Type	No.	Capacity	Volts
R1	10,000,000	1/2w.	R9	500,000	1/2w.	C1	.05	200v.	C8	.01	400v.
R2	20,000	1/2w.	R10	3,000	1/2w.	C2	.00005	Mica	C9	.02	400v.
R3	15,000	2w.	R11	50,000	1/2w.	C3	.000025	Mica	C10	.02	400v.
R4	150,000	1/2w.	R12	250,000	1/2w.	C4	8.Elect	150v.	C11	.02	400v.
R5	2,000,000	1/2w.	R13	600	1/2w.	C5	.05	400v.	C12	.002	600v.
R6	250,000	1/2w.	R14	350	1/2w.	C6	.00025	Mica	C13	.002	600v.
R7	22	1/2w.	R15	30	1/2w.	C7	.00025	Mica	C14a	20.Elect.	350v.
R8	250,000	1/2w.	R16	1,000,000	V.C.				C14b	20.Elect.	350v.
			R17	500,000	T.C.				C14c	12.Elect.	25v.



ALIGNMENT: I.F. 455 KC, OSC. TRIM 1630 KC, ANT TRIM 1400

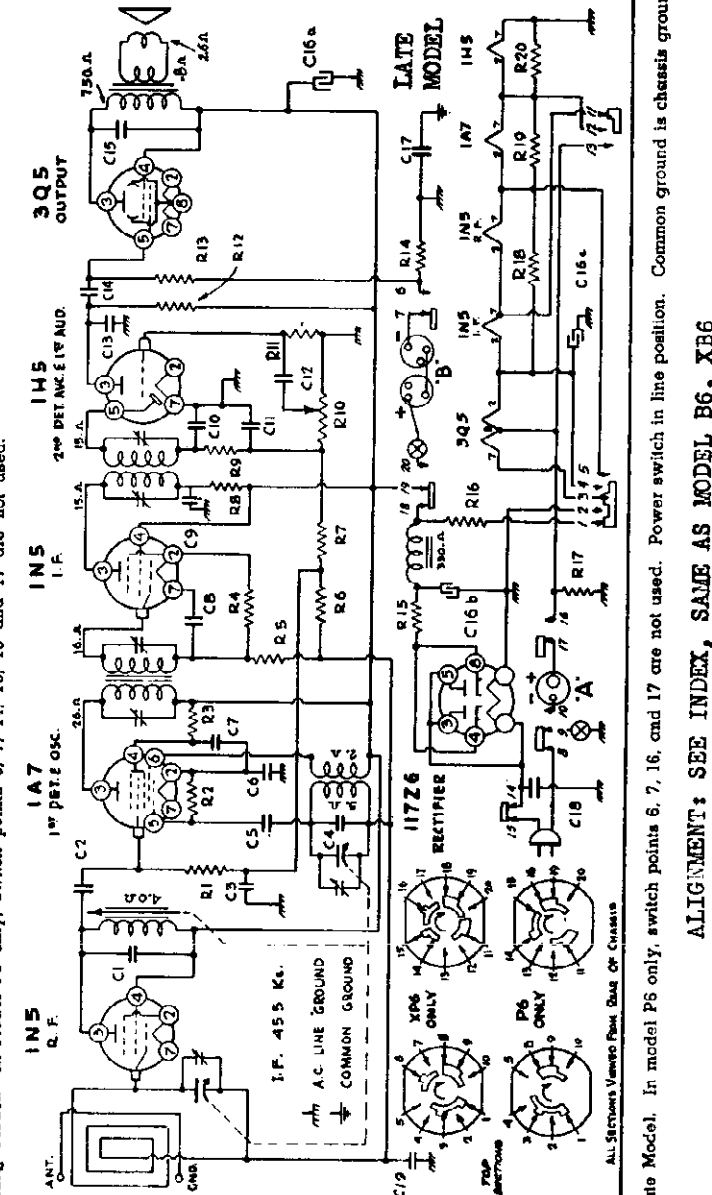
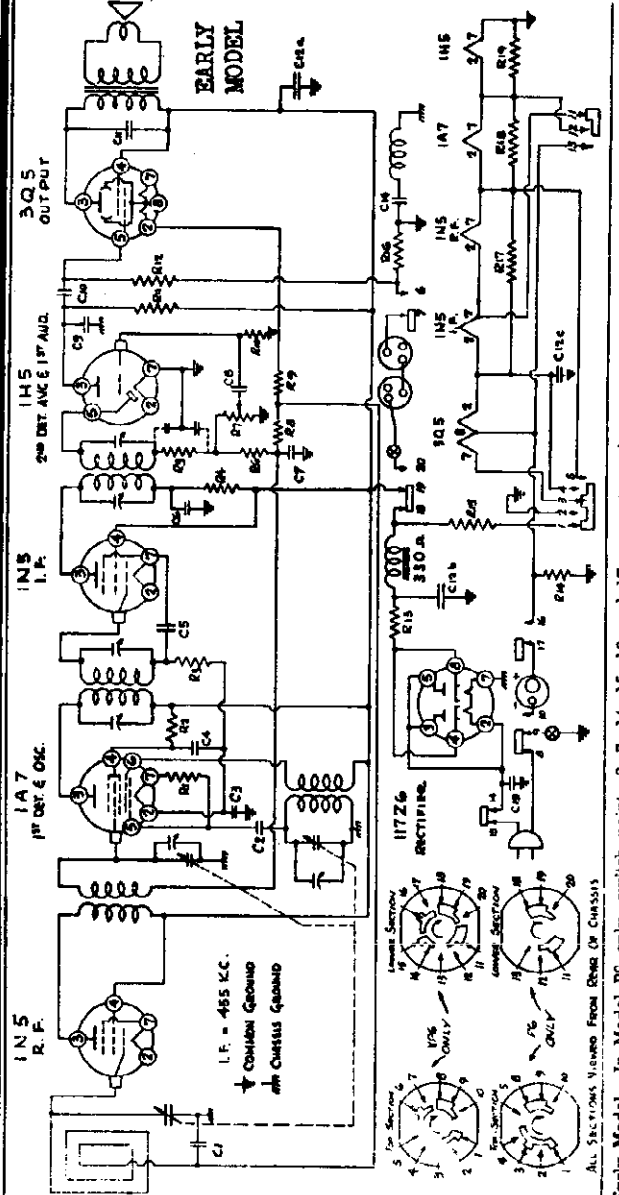
MODELS P6, XP6, early;  
P6, XP6, late **CONTINENTAL RADIO & TELEV. CORP.**

RESISTORS		CONDENSERS	
No.	Ohms	No.	Capacity (Mfd.)
R1	200,000	C1	.05
R2	50,000	C2	.00005
R3	5,000,000	C3	.25
R4	5,000	C4	.01
R5	70,000	C5	.001
R6	3,000,000	C6	.1
R7	1,000,000	C7	.05
R8	5,000,000	C8	.05
R9	10,000,000	C9	.001
R10	15,000,000	C10	.001

RESISTORS		CONDENSERS	
No.	Ohms	No.	Capacity (Mfd.)
R11	1,000,000	C11	.00025
R12	2,000,000	C12	.001
R13	1,000	C13	.50
R14	100	C14	50
R15	2,150-10%	C15	30
R16	400-10%	C16	30
R17	500-10%	C17	100
R18	200-10%	C18	100
R19	110-10%	C19	100

RESISTORS		CONDENSERS	
No.	Ohms	No.	Capacity (Mfd.)
R1	15,000,000	C11	.0001
R2	1,000,000	C12	.01
R3	2,000,000	C13	.00025
R4	400	C14	.01
R5	400	C15	.002
R6	2,150	C16	40
R7	3,000	C17	30
R8	500	C18	100
R9	200	C19	1
R10	110	C20	.05
		C21	.05



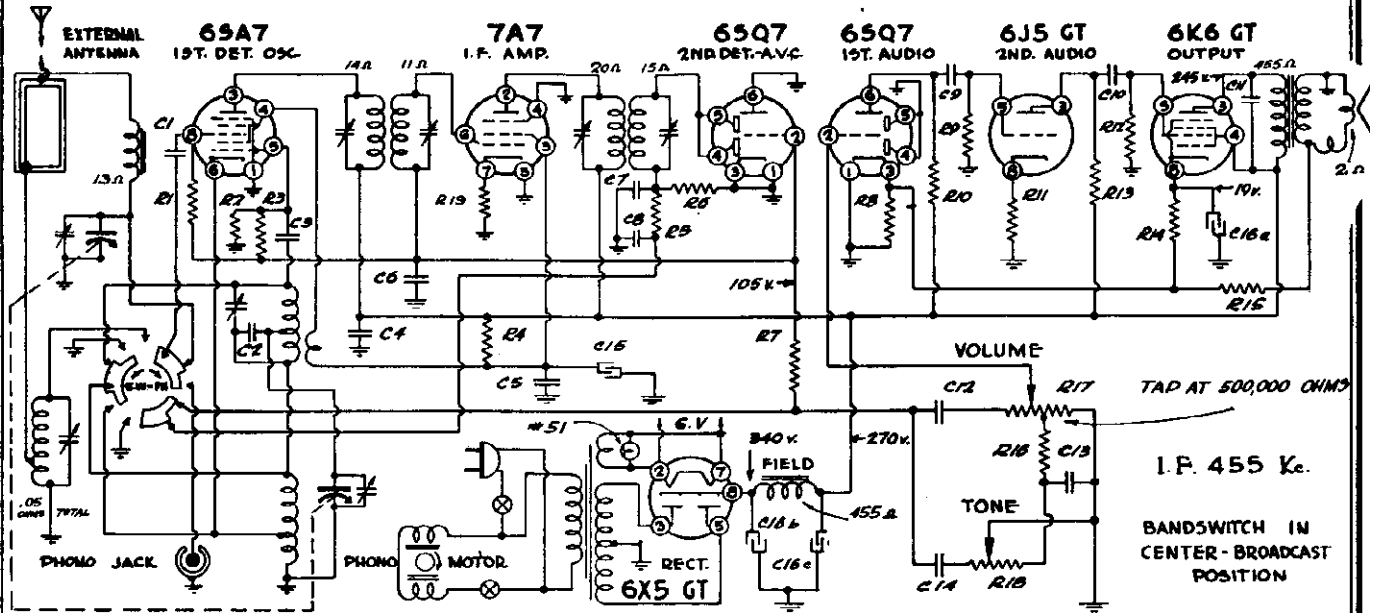
Early Model. In Model P6 only, switch points 6, 7, 14, 15, 16 and 17 are not used.

Late Model. In model P6 only, switch points 6, 7, 16, and 17 are not used. Power switch in line position. Common ground is chassis ground.

**ALIGNMENT: SEE INDEX, SAME AS MODEL B6, XB6**

CONTINENTAL RADIO & TELEV. CORP.

MODEL C7



RESISTORS

Circuit	Ohms	Type
R1	100,000	1/2 w
R2	20,000	1/2 w
R3	10,000,000	1/2 w
R4	15,000	2 w
R5	150,000	1/2 w
R6	500,000	1/2 w
R7	1,000,000	1/2 w
R8	22-10%	1/2 w
R9	500,000	1/2 w
R10	250,000	1/2 w
R11	3,000	1/2 w
R12	250,000	1/2 w
R13	50,000	1/2 w
R14	600-10%	1/2 w
R15	300-10%	1/2 w
R16	30,000	1/2 w
R17	1,000,000	V.C.
R18	500,000	T.C.
R19	100	1/2 w

CONDENSERS

Circ't	Capacity	Type
C1	.0001	Mica
C2	.00025	Mica
C3	.00005	Mica
C4	.05	400V.
C5	.05	400V.
C6	.05	200V.
C7	.0001	Mica
C8	.0001	Mica
C9	.01	400V.
C10	.02	400V.
C11	.02	600V.
C12	.002	600V.
C13	.02	200V.
C14	.002	600V.
C15	8. Elect.	150V.
C16a	12. Elect.	25V.
C16b	20. Elect.	350V.
C16c	20. Elect.	350V.

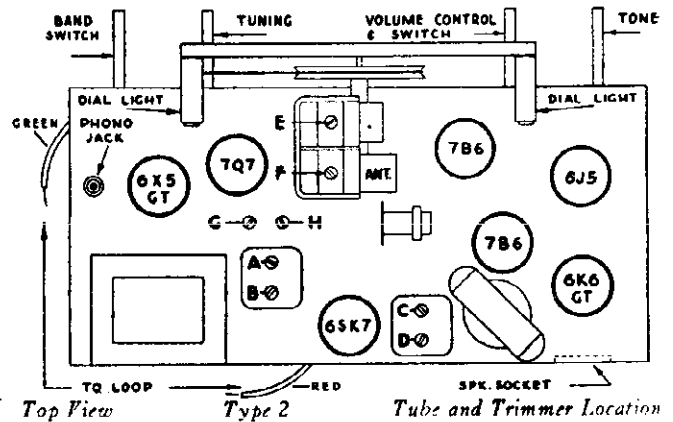
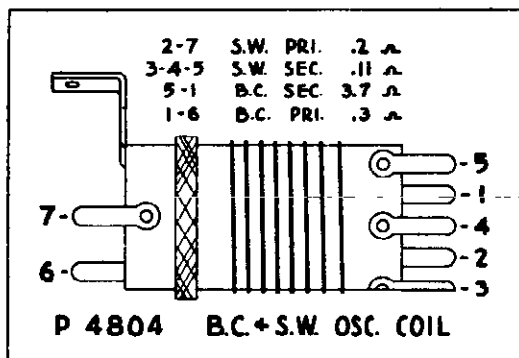
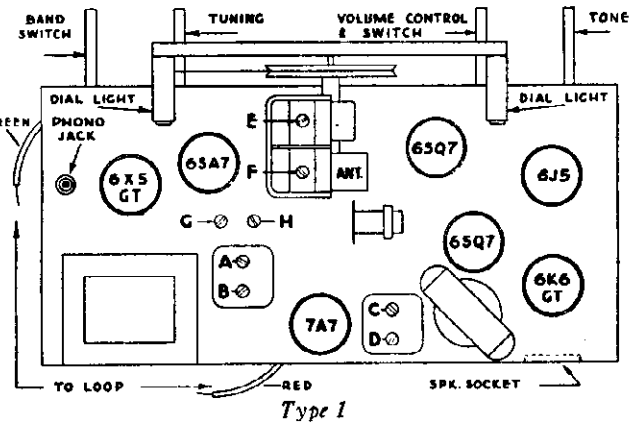
Line—117 volts, 60 cycles, A.C.—Set volume control at max.

Wattage: Radio only, 60 watts; Record changer only, 15 watts.

Voltages shown are positive D.C. from chassis to socket terminal unless noted.

R.C.A. Jr. Volt Ohmyst used. No station tuned in.

The C7 chassis has been made with either of two tube complements as shown in Type 1 and Type 2 Top Views. The only characteristics which change are tube socket connections due to variance between standard and loctal pin numberings.



FOR ALIGNMENT, SEE INDEX FOR MODEL C6



## CONTINENTAL RADIO &amp; TELEV. CORP.

## PARTS LIST

RESISTORS		CONDENSERS		TRIMMER IDENTIFICATION	
R1	3,000,000 ohms	R48	500,000 ohms	C44	.05 mfd.
R2	100 "	R49	27 "	C45	.00002 " T.C.
R3	5,000 "	R50	1,000,000 "	C46	.00005 " Mica
R4	100,000 "	R51	100,000 "	C47	20. " Elec.
R5	50,000 "	R52	50,000 "	C48	20. " "
R6	5,000 "			C49	.00025 " Mica
R7	2,000,000 "				
R8	25,000 "	C1	.00006 mfd. Mica	A.	I.F. 455 Kc.
R9	25,000 "	C2	.000250 " "	B.	I.F. 455 Kc.
R10	1,000 "	C3	.05 " "	C.	I.F. 455 Kc.
R11	20,000 "	C4	.00078 " Mica Silver	D.	I.F. 455 Kc.
R12	100,000 "	C5	.0005 " " "	E.	Osc, Broadcast
R13	10,000 "	C6	.00025 " "	F.	Osc, 31 meter
R14	100,000 "	C7	.05 " "	G.	R.F., 31 meter
R15	1,000,000 " V.C. (Tapped at 300,000 ohms and 600,000 ohms from Ground.)	C8	.05 " "	H.	Antenna, 31 meter
R16	50,000 ohms	C9	.005 " Mica	I.	F.M. Disc. Sec.
R17	1,000 "	C10	.00006 " "	J.	F.M. Disc. Pri.
R18	25,000 "	C11	.00005 " "	K.	I.F. 4.3 Mc. F.M.
R19	50,000 "	C12	.05 " "	L.	I.F. 4.3 Mc. F.M.
R20	20,000 "	C13	.05 " "	M.	I.F. 4.3 Mc. F.M.
R21	10,000 "	C14	.05 " "	N.	I.F. 4.3 Mc. F.M.
R22	200,000 "	C15	.05 " "	O.	Oscillator, F.M.
R23	40,000 "	C16	.01 " "	P.	R.F., F.M.
R24	60,000 "	C17	.05 " "	Q.	Antenna, F.M.
R25	1,000 "	C18	.05 " "	R.	Antenna, Broadcast
R26	4,000,000 "	C19	.00005 " Mica	S.	R.F., Broadcast
R27	6,000 "	C20	.00005 " "		
R28	25,000 "	C21	.05 " "		
R29	50,000 "	C22	.00002 " "		
R30	1,000,000 "	C23	.05 " "		
R31	100,000 "	C24	.00015 " Mica Silver		
R32	100,000 "	C25	.1 " "		
R33	50,000 "	C26	.00027 " " Silver		
R34	50,000 "	C27	.00003 " " "		
R35	100,000 "	C28	.00025 " " "		
R36	100,000 "	C29	.00025 " " "		
R37	100,000 "	C30	.0015 " "		
R38	300 "	C31	.00003 " Mica		
R39	500,000 "	C32	.005 " " 600 V.		
R40	500,000 "	C33	.005 " " 600 V.		
R41	25,000 "	C34	.02 " "		
R42	250,000 "	C35	.02 " "		
R43	250,000 "	C36	.05 " "		
R44	500,000 "	C37	.01 " "		
R45	250,000 "	C38	.1 " "		
R46	250,000 "	C39	.00025 " Mica		
R47	500,000 "	C40	.01 " "		
		C41	.00025 " Mica		
		C42	.0005 " " Silver		
		C43	.003 " "		



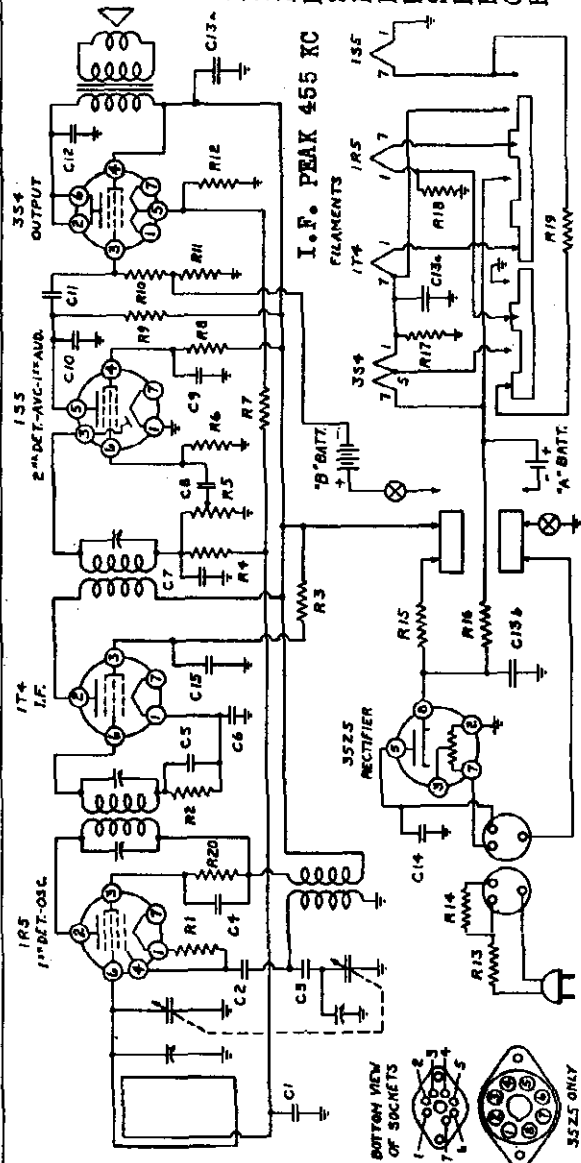
MODEL 29-G5

CONTINENTAL RADIO & TELEV. CORP.

VOLTAGES

Line 117 volts AC  
 Power Consumption 35 watts  
 Volume Control maximum  
 and no signal tuned in.  
 Meter 1000 ohms per volt,  
 150 volt scale.

Plate (2) of 1R5 tube to ground.....66 volts  
 Screen (3) of 1R5 tube to ground.....45 volts  
 Filament (7) to (1) of 1R5 tube.....1.4 volts  
 Plate (2) of 1T4 tube to ground.....66 volts  
 Screen (3) of 1T4 tube to ground.....45 volts  
 Filament (7) to (1) of 1T4 tube.....1.3 volts  
 Filament (7) to (1) of 1S5 tube.....1.8 volts  
 Plate (2) and (6) of 3S4 tube to ground.....66 volts  
 Screen (4) of 3S4 tube to ground.....67½ volts  
 Filament (1) to (5) of 3S4 tube.....1.3 volts  
 Filament (7) to (5) of 3S4 tube.....1.3 volts  
 Cathode (8) of 35Z5 tube to ground.....90 volts  
 Filament (2) of 35Z5 tube to ground.....37.5v.(AC)



AC-DC-Battery Switch shown in AC-DC position.

RESISTORS

No.	Watts	Ohms
R1	1/4	100,000
R2	1/4	5,000,000
R3	1/4	25,000-10%
R4	1/4	5,000,000-10%
R5	1/4	1,000,000
R6	1/4	10,000,000
R7	1/4	10,000,000-10%
R8	1/4	1,000,000
R9	1/4	2,000,000
R10	1/4	750-10%
R11	1/4	

Ohms

5,000-10%	1/4
80	part of
350	1/4 cord
2,000-10%	1/4
1,750-10%	1/4
1,700-10%	1/4
1,600-10%	1/4
85-10%	1/4
10,000	(wire-ground)

CONDENSERS

No.	Capacity (Mid.)	Volts
C1	.05	200
C2	.0001	Micro
C3	.004-10-2%	Micro
C4	.01	150
C5	.01	150
C6	.1	150
C7	.00025	Micro
C8	.01	200
C9	.05	200

ALIGNMENT

IF 455 KC
OSC. trim. 1630 KC
Ant. trim. 1400 KC

Oscillator Coil (Part No. P4722)

Looking at the connection end in a clockwise direction starting at the mounting bracket the terminals are: No. 1, ground (direct to mounting bracket); No. 2, plate; No. 3, B+; No. 4, grid.  
 Primary—No. 2 and No. 3—Resistance.....3.4 ohms  
 Secondary—No. 1 and No. 4—Resistance.....2.6 ohms

First I.F. Transformer (Part No. P4610)

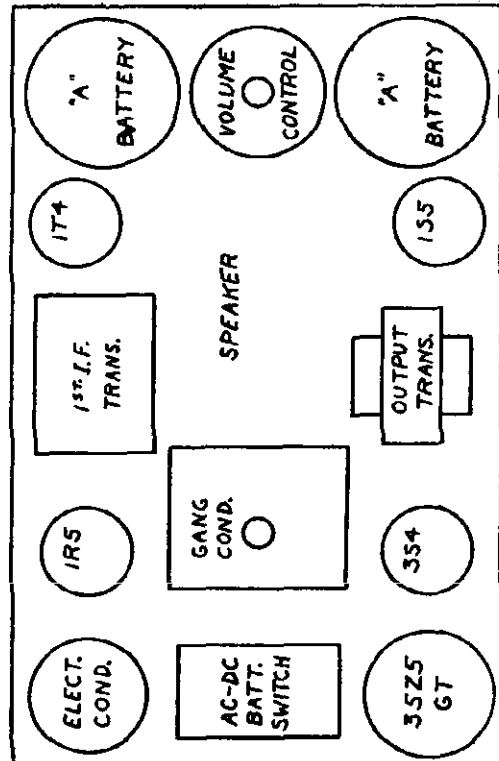
The primary leads are on one end (opposite sides) and the secondary leads on the other end. The red dots indicate the end of the windings. The primary and secondary windings are identical.  
 Resistance (primary or secondary).....16.7 ohms

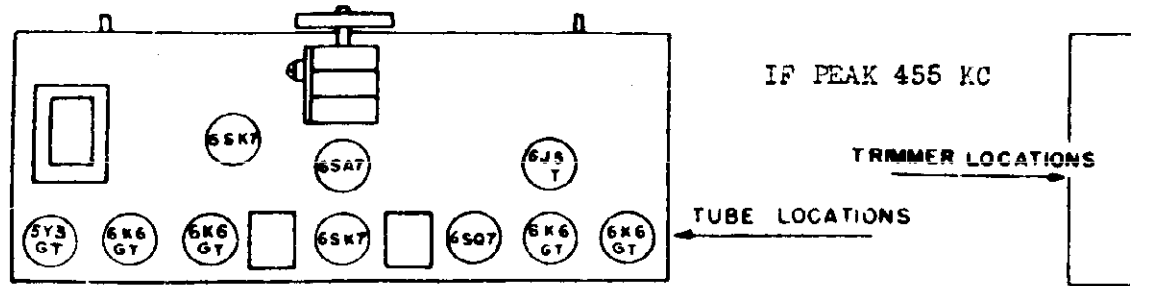
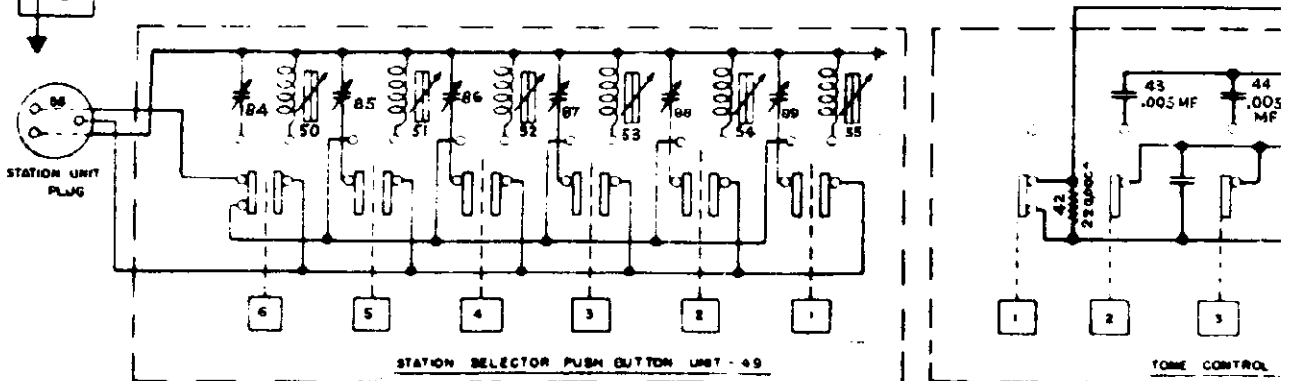
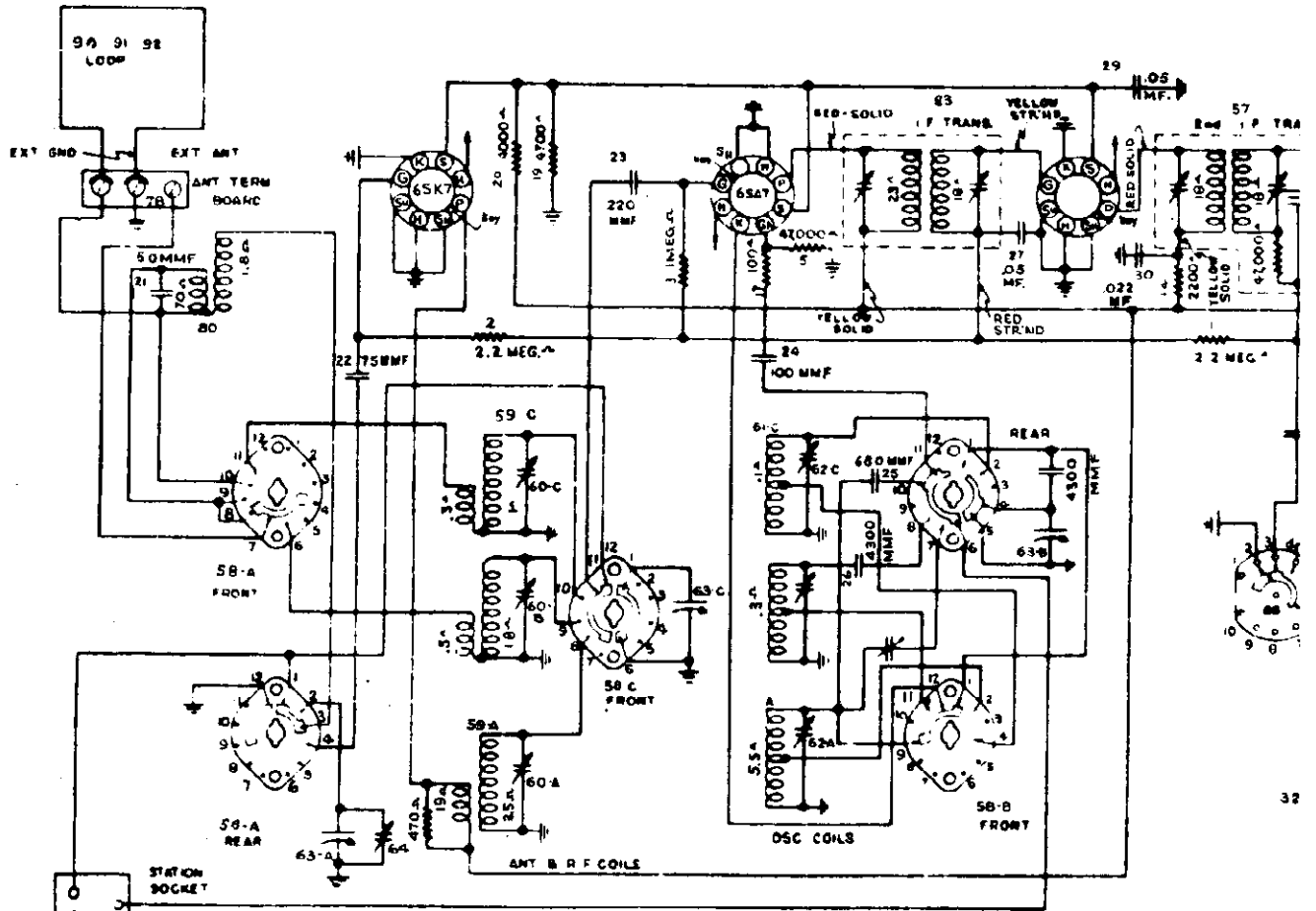
Second I.F. Transformer (Part No. P4712)

Looking at the coil starting at the lug nearest the red dot in a clockwise direction the terminals are: No. 1, start of pri.; No. 2, start of sec.; No. 3, end of sec.; No. 4, end of pri.  
 Primary—No. 1 and No. 4—Resistance.....43.3 ohms  
 Secondary—No. 2 and No. 3—Resistance.....34.2 ohms

Power Change Switch

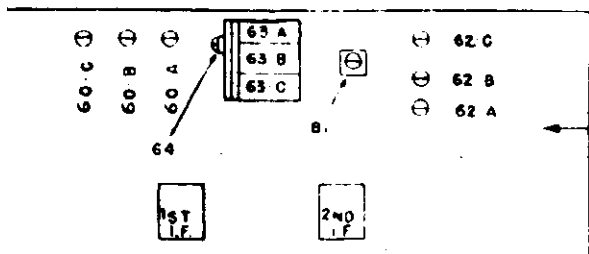
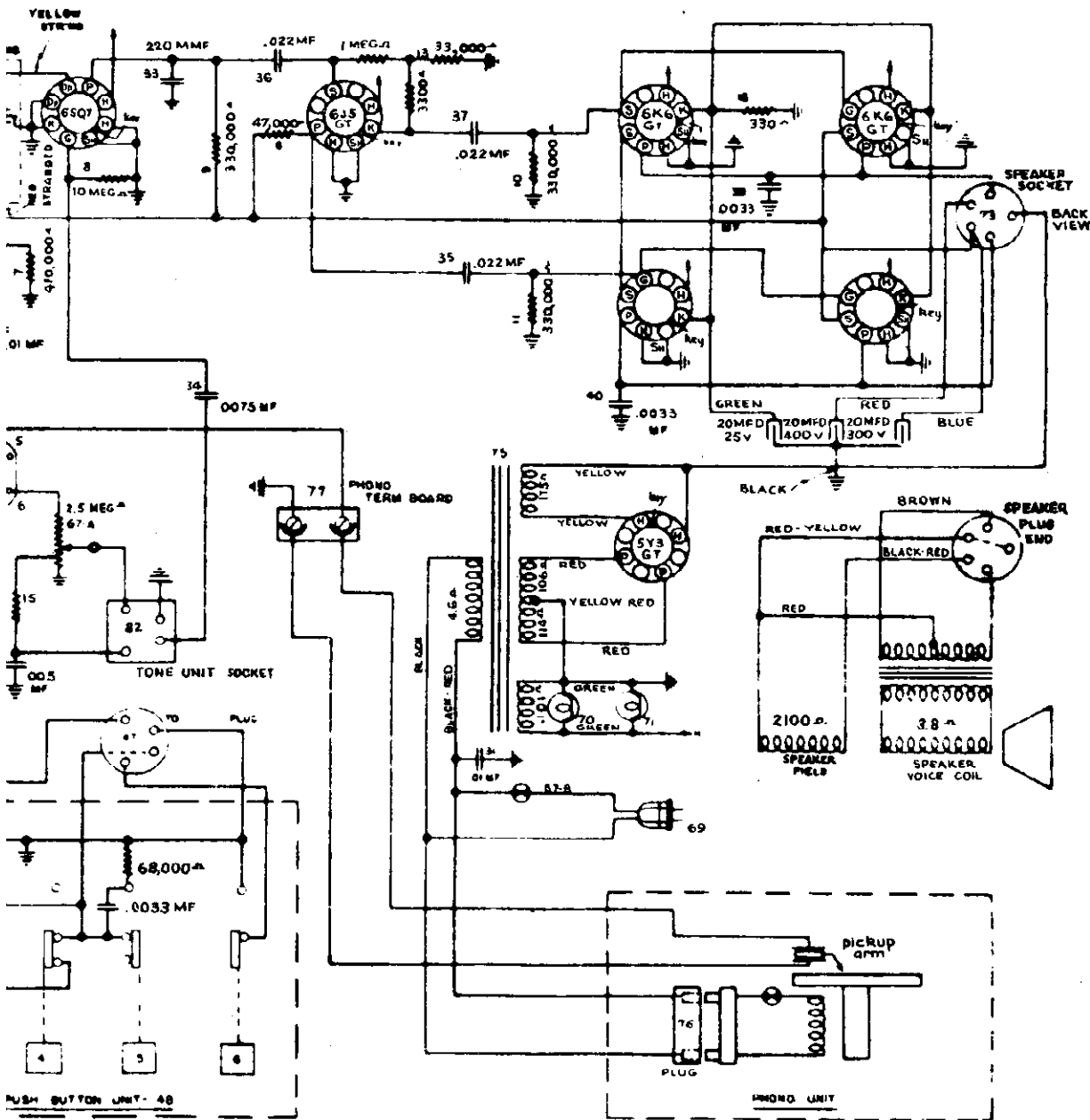
The power change switch connects the tube filaments in series (7½ volt) on AC-DC operation and parallel (1½ volt) on battery operation.





Y CORP.

MODELS 03CA, 03CB, 03CC,  
03CP, 03CQ, 03CR.  
Chassis 95



- 60 A - BC R-F
- 60 B - POLICE ANT
- 60 C - SW ANT
- 62 A - BC OSC
- 62 B - POLICE OSC
- 62 C - SW OSC
- 64 - BC ANT
- 81 - OSC PADDER BC
- 62 C
- 62 B
- 62 A

THE CROSLLEY CORP.

MODELS 03CA, 03CB, 03CC,  
03CP, 03CQ, 03CR  
Chassis 95

ALIGNMENT PROCEDURE

Preliminary

Output Meter Connections.....Plate to Plate of Adjacent 6K6's  
Generator Ground Connection.....To Chassis or Ground Lead  
Dummy Antenna to be in Series with Generator Output.....See Chart Below  
Position of Volume Control.....Fully On  
Position of Master Tone Control.....All Buttons Out

ALIGNMENT PROCEDURE CHART

Signal Generator							
Alignment Seq.	Dummy Antenna	Frequency Setting	Input Connection to Receiver	Band Switch	Tuning Cond. Setting	Trimmer Adjusted	Remarks
1.	.02MF.	455Kc.	Stator lug Rear section of Gang Cond.	B.C.	Fully open	2nd 1-F (2) 1st 1-F (2)	Adjust for Maximum. Adjust for Maximum.
2.	.0002MF.	1620Kc.	Antenna Terminal	B.C.	Fully open	B.C."OSC" 62A	Adjust for peak; gang does not have to tune thru signal. Loop must be connected.
3.	.0002MF.	1400Kc.	Antenna Terminal	B.C.	Approx. 140 on dial	B.C."Ant."64 B.C."R-F" 60A	Adjust for max. output. Do not touch B.C. Osc. trimmer. Adjust for maximum output.
4.	.0002MF.	600Kc.	Antenna Terminal	B.C.	Approx. 60 on dial	B.C."OSC" Series 81	Adjust for max. output while rocking gang thru signal.
5.	400 ohm (Carbon)	6.5Mc.	Antenna Terminal	Police	Fully open	Pol "OSC" 62P	Adjust for peak; gang does not have to tune thru signal. And repeat No. 3
6.	400 ohm (Carbon)	6.0Mc	Antenna Terminal	Police	Approx. 6.0	Pol "ANT." 60B	Adjust for maximum output.
8.	400 ohm (Carbon)	18.3Mc.	Antenna Terminal	S.W.	Fully open	S.W."OSC" 62C	Adjust for peak. Gang does not have to tune thru signal.
9.	400 ohm (Carbon)	18.0Mc	Antenna Terminal	S.W.	Approx. 18	S.W."ANT." 60C	Adjust for maximum output while rocking gang thru signal.
10.	Repeat the above alignment procedure for more accurate adjustments. Always keep signal generator output as low as possible to prevent action of the A. V. C. circuit.						

**IMPORTANT ALIGNMENT NOTES:** When aligning the shortwave bands "OSC" trimmers care must be exercised to see that the circuits are aligned on the correct frequency and not on the image which is approximately 910 kilocycles less as indicated on the Receiver dial. To check, increase generator output, tune-in the generator frequency and then tune-in the image frequency which should be weaker than the fundamental and come in approximately 910 kilocycles lower on the Receiver dial than the fundamental. If image cannot be tuned-in, the "OSC" trimmer is adjusted to the wrong peak. (Correct peak is the second peak on trimmer from the closed position).

ADJUSTING PUSH BUTTONS TO STATIONS.

1—To simplify setup carefully preset "ANT" adjusting screw by turning clockwise until moderately tight and then backing out (turning counter-clockwise) the oscillator ADJUSTING SCREWS until the threaded portion extends approximately 1/4 inch. DO NOT EXERT PRESSURE.

2—Turn band switch to the "American" position and carefully manually tune in the station to which the No. 1 Push Button is to be set.

3—Turn band switch to the "Automatic" position and with a small screw driver carefully turn the No. 1 push button oscillator adjusting screw in a clockwise direction until the station previously tuned in manually is heard again. Adjust for maximum output on speaker.

4—Adjust No. 1 Ant. adjusting screw for maximum output in speaker.

5—Repeat above procedure for remaining buttons to be set.

6—From call letter sheets supplied, carefully remove the call letters of the stations to which the buttons have been set.

7—Break celluloid into separate "V" and insert call letter tab in "V", then slide into push button from side.

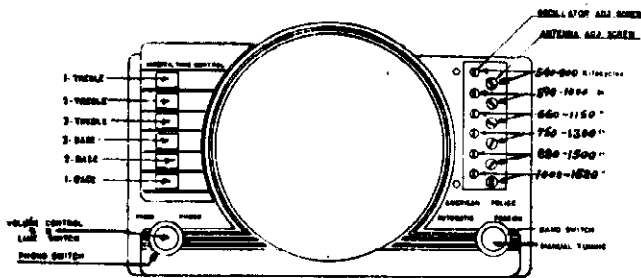


Fig. 1

TUBE VOLTAGE CHART

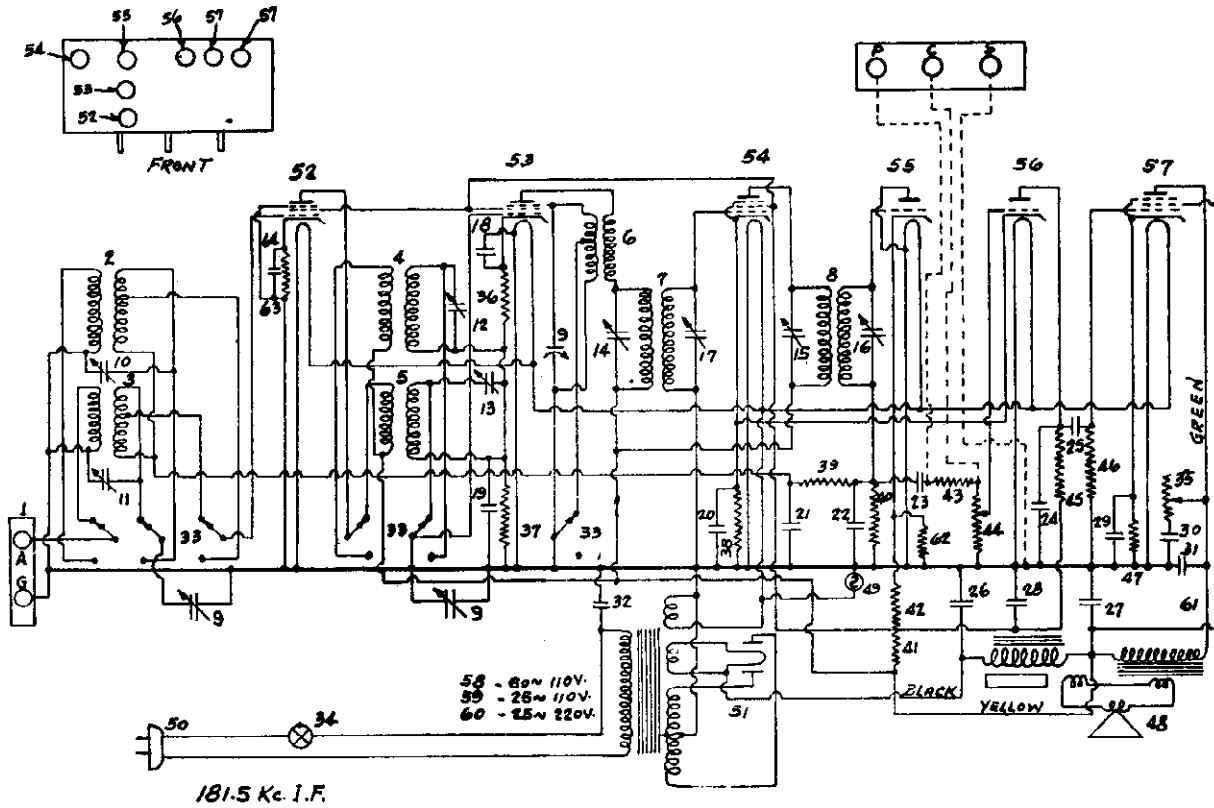
Socket voltages measured at 117.5 V. Line (between socket pin and chassis) with 1000 OHM PER VOLT, 500 V. RANGE VOLTMETER (D.C.)

TUBE FUNCTION	1	2	3	4	5	6	7	8
6SK7 R. F. Amplifier	Gnd	Gnd	Gnd	0	Gnd	80	6.3 A.C.	175
6SA7 Converter	Gnd	Gnd	175	80	Neg	0	6.3 A.C.	0
6SK7 1.F Amplifier	Gnd	Gnd	Gnd	0	Gnd	80	6.3 A.C.	175
6SQ7 Det. A. V. C. 1st A. F.	Gnd	0	Gnd	Gnd	0	67	6.3 A.C.	Gnd
6J5GT Phase Inverter	Gnd	Gnd	125	0	0	...	6.3 A.C.	Gnd
6K6GT (4) P. P. Parallel Output	Gnd	Gnd	295	175	0	...	6.3 A.C.	...
5Y3G Rectifier	N.C.	300	...	A.C.	...	A.C.	...	300

Max. Power Output.....12.0 Watts  
Voltage may vary 10% of values given.  
Power Consumption.....90 Watts  
Drop Across Speaker Field.....125 Volts

MODEL 7V2

THE CROSLLEY CORP.

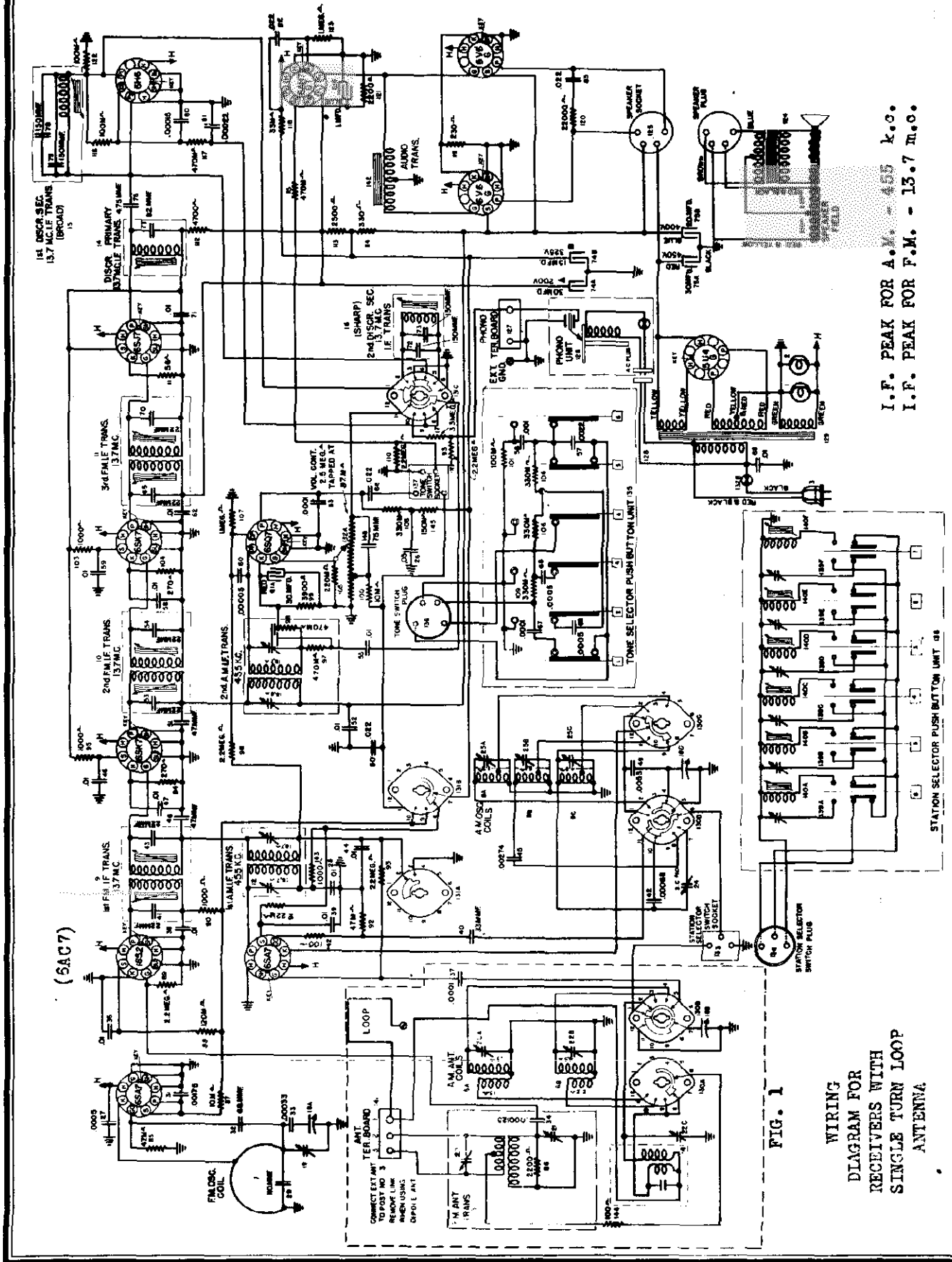


PARTS LIST—MODEL 7V2

\* Figures in 2nd last column refer to parts shown in wiring diagram of Model 7V2

Qty.	Part No.	Description	Item	List Each	Qty.	Part No.	Description	Item	List Each
1	G15-32000	Ant. Transformer Coll L. F. (Short Wave)	2	.60		G18-23550	Power Transformer 110 Volt 25 cy.	58	4.75
1	G16-32000	Ant. Transformer Coll H. F. (Broadcast)	3	.45		G19-23550	Power Transformer 220 Volt 25 cy.	60	4.75
1	G8-32001	R. F. Transformer Coll L. F.	4	.60	1	B-21491C	A. C. Cord & Plug	50	.50
1	G8-32001	R. F. Transformer Coll H. F.	5	.50	1	LW-20204	Ant.-Gnd. Terminal	1	.15
1	G11-22002	Osc. Transformer Coll	6	.70					
1	G5-32003	1st I. F. Transformer Coll	7	.70					
1	G1-32003	2nd I. F. Transformer Coll	8	.80					
7	W25200	Coll Socket		.05	1	W29150B	12.-6.-8. Mfd. 25 V.-450 V.-450 V. Cond.	27-28	2.60
5	W25024A	Coll Shield (Large)		.10	1	W26104B	12. Mfd. 475 Volt Cond.	29	1.25
2	W25025A	Coll Shield (Small)		.10	1	W24048B	0.1 Mfd. 200 Volt Cond.	20	.15
7	W26801	Insulating Washer		.05	1	W23142	0.02 Mfd. 400 Volt Cond.	21	.30
7	W21541B	Retaining Ring		.05	1	W23537A	0.001-0.03 Mfd. 400 V.-100 V. Cond.	24-25	.30
1	G1-20609	L. F. & H. F. ANT. Trimmer Cond.	10-11	.20	1	W25517A	0.05-0.008 Mfd. 400 V.-400 V. Cond.	30-31	.30
1	G1-20609	L. F. & H. F. R. F. Trimmer Cond.	12-13	.20	1	W30803	0.01 Mfd. 400 Volt Cond.	32	.20
1	G1-33007	1st & 2nd I. F. Primary and 2nd I. F. Secondary Trimmer Cond.	14-15	.70	1	W29200B	0.00017-0.03 Mfd. 400 V.-400 V. Cond.	66-67	.25
1	W25008A	1st I. F. Sec. Trimmer Cond. Adj. Blade	16	.05	1	W29821	0.02 Mfd. 200 Volt Cond.	68	.15
1	W32201B	Dial Support Brkt.	17	.05	1	W28623	0.02-0.02 Mfd. 200 V.-200 V. Cond.	69-70	.25
1	G6-32084	Dial Drive Assm.		1.20					
1	W32208A	Dial Hand		.05					
1	G14-33002	Variable Tuning Condenser							
		Gang	43	3.75	3	W25067	275 Ohm	30-36	
1	W25666B	Level Control (Volume)	44	.90					
1	W25694B	Tone Control & Line Switch	34-35	1.10	1	31064	4500 Ohm	68	.15
2	G4-27134	Light Bracket Assm.	49	.30	1	26577	3 Megohm	37	.15
1	H30690D	6 Pole D. T. Switch	33	1.90	1	21454	1 Megohm	39	.15
3	G24-27456	58 Socket	52-53		1	W29471	8500-25000 Ohm	40	.15
			54	.10	2	23785	300000 Ohm	41-42	.45
2	G18-27456	56 Socket	55-56	.10	1	21408	150000 Ohm	43-46	.15
1	G43-27456	2A5 Socket	57	.10	1	W23521	450 Ohm	45	.15
1	G8-27456	80 Socket	51	.10	1	W30137	450 Ohm	47	.15
3	W26010	Tube Shield Base (58 Tube)		.05	1	W31009A	Speaker Cable	62	.15
3	B26009C	Tube Shield		.10	1	W32373	Knob (Large)	61	.10
1	G17-23559	Power Transformer 110 Volt 60 cy.	58	3.25	3	W32352	Knob (Small)	10	.10
					1	B21385	Tube & Condenser Shield	20	.20

THE CROSLEY CORP.



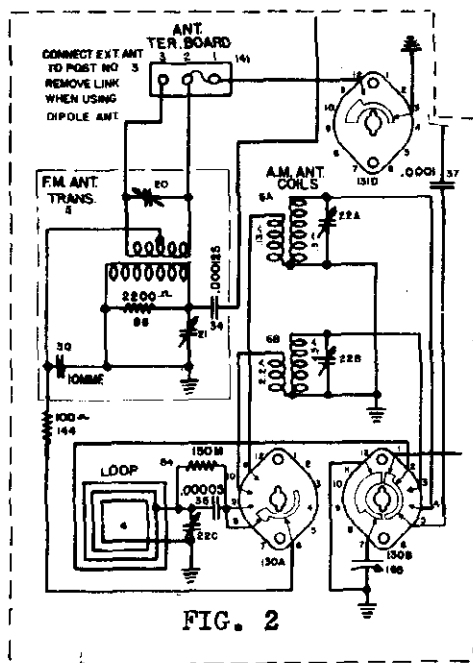
I. F. PEAK FOR A.M. - 455 K.C.  
I. F. PEAK FOR F.M. - 13.7 M.C.

FIG. 1

WIRING  
DIAGRAM FOR  
RECEIVERS WITH  
SINGLE TURN LOOP  
ANTENNA

MODELS 22CA, 22CB, 22CP  
Chassis 59 AM-FM

THE CROSLLEY CORP.



**SPECIAL NOTE**

If the loop antenna has multiple turns, Fig. 2 is substituted for the portion of the schematic enclosed by dotted lines in Fig. 1.

**TUNING RANGES**

American Broadcast 540 to 1630 KC (555 to 184 Meters)  
Police Amateur, etc., 1600 to 5200 KC (187 to 57.5 Meters)  
Shortwave (Foreign) 5.2 to 18.0 MC (57.5 to 16.6 Meters)  
Frequency Modulation 42 to 50 MC (7.1 to 6.0 Meters)

**FUNCTIONAL SWITCH**

The left-hand-inner knob controls the functional switch. From left to right, they are: "A. M.", "FM-1" "FM-2" and "PHONO" Use "FM-1" for sharp clear reception of stations operating on channels where adjacent channel stations might interfere. "FM-2" provides high fidelity reception over a broader range

**TUBE VOLTAGE CHART**

SOCKET VOLTAGES MEASURED AT 117.5 V. LINE (BETWEEN SOCKET PIN AND CHASSIS)  
WITH 1000 OHM PER VOLT, 500 V. RANGE VOLTMETER

TUBE	FUNCTION	1	2	3	4	5	6	7	8	POSITION OF FUNCTION SW
6SA7	Oscillator	Gnd	Gnd	290	100	-8	0	6.3	0	A. M.
6SA7	Converter—A. M.	Gnd	Gnd	260	260	-2	0	6.3	Gnd	F. M. 1 or 2
6AC7	Det.—1st F. M.	Gnd	Gnd	Gnd	-6	Gnd	85	6.3	280	F. M. 1 or 2
6SK7	I. F. Amp. (A. M. 1st FM)	Gnd	Gnd	Gnd	0	8	100	6.3	300	A. M.
6SK7	I. F. Amp. 2nd F. M.	Gnd	Gnd	Gnd	0	3	100	6.3	190	F. M. 1 or 2
6SJ7	Limiter F. M.	Gnd	Gnd	Gnd	0	.5	200	6.3	100	F. M. 1 or 2
6H6	Discriminator	Gnd	Gnd	-5(FM)	+5(AM)	-5(FM)	J.B.	6.3	Gnd	Note range settings for 3, 4 & 5
6SQ7	Det. A. M.—1st A. F.	Gnd	0	1	.4	0	140	6.3	Gnd	F. M. or A. M.
6AH7GT	2nd A. F. Driver	0	2	195	7	0	160	6.3	Gnd	F. M. or A. M.
6V6	Output	Gnd	Gnd	330	310	2	N.C.	6.3	20	F. M. or A. M.
6V6	Output	Gnd	Gnd	330	310	2	N.C.	6.3	20	F. M. or A. M.
5U4	Rectifier	N.C.	400	J.B.	360AC	J.B.	360AC	J.B.	400	

MAX. POWER OUTPUT..... 15 WATTS  
POWER CONSUMPTION..... 120 WATTS  
DROP ACROSS SPEAKER FIELD..... 80 VOLTS

J. B.—Junction Block. N. C.—No Connection.

Voltages may vary 10% of values given.

**SET-UP PROCEDURE**

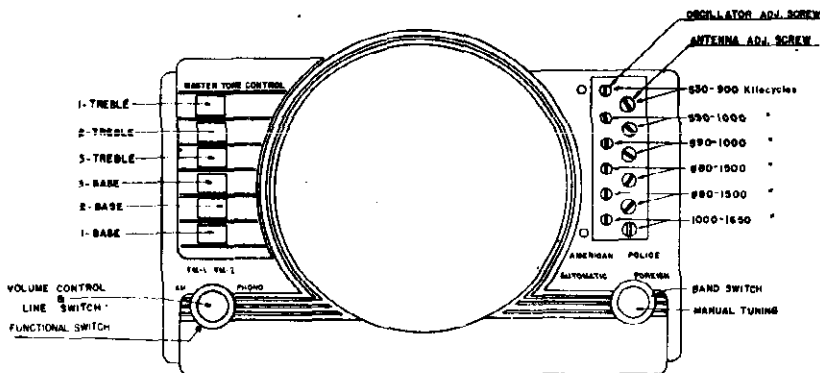
Remove station selector push button escutcheon. Turn the receiver on and let it operate for a sufficient length of time to permit the tubes to reach their normal operating conditions.

Note: To simplify the set up and insure accurate adjustments the following pre-adjustments should be made.

Tighten all Antenna Trimmer screws moderately tight. See Fig. 1. Turn the Oscillator adjusting screws to the left (counter clockwise) until the threaded portion extends approximately 1/2 inch.

continued

**PUSH-BUTTON ADJUSTMENT**



THE CROSLLEY CORP.

F. M. ALIGNMENT

EQUIPMENT NECESSARY: 1 modulated signal gen- erator accurately calibrated and an output meter.

- 1. Connect output meter from plate to plate 6V6's.
2. Remove F. M. oscillator tube—6S47 to right of gang.
3. Connect generator input to 14 pin of 6S47 F. M. limiter tube and generator ground to chassis.

F. M. R-F ALIGNMENT

- (a) Check Dial Calibration
1. Leave generator output connected to antenna —replace FM oscillator 6S47.
2. Set generator to exactly 12.5 MC (fourth harmonic is 50 MC). Tune in 50 MC signal on dial, null between peaks.
3. Set generator to 10.3 MC (fourth harmonic— 49 MC). Tune in 43 MC signal on dial, null between peaks. Correct dial calibration by bending osc. plate on gang.

- (b) Set Generator to 11.5 MC (fourth harmonic—46 MC).
4. Remove dipole shorting clip (not on all models) and ground 22 dipole lug. Place a 100 ohm carbon resistor between terminals 22 and 23.
5. Connect signal generator output to 23 terminal.
6. Tune dial to either of signal peaks (not null).
7. Turn FM antenna primary trimmer; item 20, all the way in.
8. Adjust FM antenna secondary trimmer, item 21, for peak.

- 9. Repeak FM antenna primary.
10. Check at 42 MC (Gen. 12.5 MC), 50 MC (Gen. 12.5 MC), output meter readings should be approximately the same over band, with slight humps on ends.

NOTE: If there is an appreciable variation between readings on the output meter on the frequencies in step 10, carefully repeat complete R-F alignment.

NOTE: If some receivers oscillate at one end of dial and not at the other end, it is possible that the rod lead (top) on the FM oscillator coil is too close to the secondary side. This lead should be dressed down toward the chassis and closest to the grounded end of oscillator coil, using top as reference point.

PUSH-BUTTON ADJUSTMENT (cont'd)

Note: Care should be taken when adjusting the oscillator screws so that the selected station is not passed over. Turn the screws slowly. It is essential that the frequency (kilocycles) of the station selected is within the range of the push button to be set for that station. See Fig.

- 1. Turn the band change switch to the "American" position. Using the station selector knob, carefully tune in the station to which the No. 1 push button is to be set. Note program.
2. Turn the band change switch to the "Automatic" position, depress No. 1 push button, and using a small screw driver, carefully turn in a clockwise direction the Oscillator adjusting screw until the station previously tuned in manually is heard again. Adjust for maximum output in the speaker.
3. Adjust the Antenna adjusting screw for maximum volume in the speaker.
4. Turn band change switch from "Automatic" to "American" and back again to check if adjustment has been correctly made. There should be no change in tone quality when switched from one to the other.
5. Repeat above procedure for the remaining push buttons.

To tune the receiver with the push buttons, set the band change switch on "Automatic" and depress completely the button corresponding to the station you wish to hear.

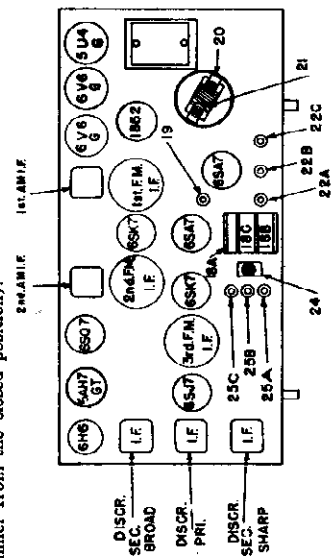
Preliminary Output Meter Connections: Plate to Plate of 6V6's Generator Ground Connection To chassis or Ground Lead Dummy Antenna to be in series with generator output. See Chart, Below Position of Volume Control Fully On Position of Master Tone Control All Buttons Out

A. M. ALIGNMENT PROCEDURE CHART

Table with columns: Signal Generator, Align Sequence, Frequency Setting, Input Connection to Receiver, Band Switch, Tuning Cond., Trimmer Adjusted, Remarks. Rows include steps for dummy antenna, 455 Kc, 1630 Kc, 960 Kc, 1400 Kc, 50 ohm carbon, 5.0 Mc, 19.5 Mc, 19.0 Mc, and repeating steps for series adjustments.

IMPORTANT ALIGNMENT NOTES

When aligning the shortwave bands "OSC" trimmers care must be exercised to see that the circuits are aligned on the correct frequency and not on the image which is approximately 910 kilocycles less as indicated on the Receiver dial. To check, increase generator output, tune in the generator frequency and then tune-in the image frequency which should be weaker than the fundamental and come in approximately 910 kilocycles lower on the Receiver dial than the fundamental. If image cannot be tuned-in, the "OSC" trimmer is adjusted to the wrong peak. (Correct peak is the second peak on trimmer from the closed position).





MODELS 22CA, 22CB, 22CP  
Chassis 59 AM-FM

THE CROSLLEY CORP.

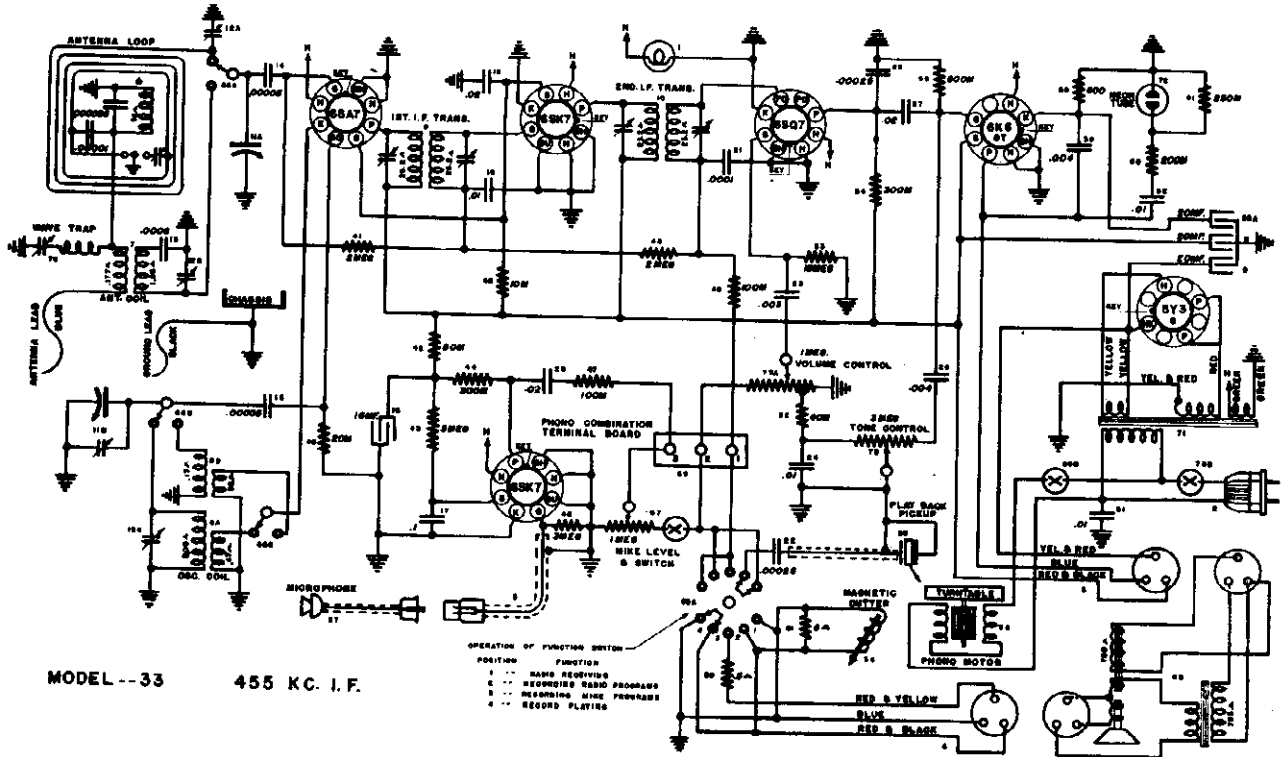
PARTS LIST, MODELS 22CA-CB-CP—CHASSIS MODEL No. 59

Figures in first column refer to parts in Diagrams.

ITEM No.	PART No.	DESCRIPTION	ITEM No.	PART No.	DESCRIPTION
1	48885	Dial Light 6 V.	97	30002-23	Res. 470,000 Ohm 1/2 W.
2	48886	Dial Light 6 V.	98	30002-23	Res. 470,000 Ohm 1/2 W.
	132343-6	Keutcheon & Lens.	99	132614-1	Res. 3900 Ohm 1/2 W.
	132346-1	Lens.	100	30002-13	Res. 10,000 Ohm 1/2 W.
	132347-1	Gasket.	101	30002-19	Res. 100,000 Ohm 1/2 W.
	132390-1	Dial Pointer.	102	30002-22	Res. 330,000 Ohm 1/2 W.
	132321-5	Dial Face Assem.	103	30002-7	Res. 1000 Ohm 1/2 W.
	48899	Screw—Dial Face Mtr. (2)	104	132579-1	Res. 270 Ohm 1/2 W.
	49637-22	Light Socket Assem.	105	30002-21	Res. 220,000 Ohm 1/2 W.
	133167-4	Drive Cord Assem.	106	30002-22	Res. 330,000 Ohm 1/2 W.
	132584-1	Tuning Shaft Assem.	107	30002-25	Res. 1 Megohm 1/2 W.
	49786-1	Drive Shaft Br'g.	108	30002-22	Res. 330,000 Ohm 1/2 W.
	132808-1	Drive Shaft Br'g.	109	30002-22	Res. 330,000 Ohm 1/2 W.
3	132300-2	A. C. Power Plug & Cable	110	30002-27	Res. 2.2 Megohm 1/2 W.
4	132709-3	Antenna Coil.	111	132579-1	Res. 56 Ohm 1/2 W.
5	32000-289	F. M. Ant. Trans. Assem.	112	132579-1	Res. 4700 Ohm 1 W.
6A	(32000-238)	(AM Ant. Coil H. F.	113	132576-1	Res. 2500 Ohm 4 W. Carbon.
6B		(AM Ant. Coil Pol.	114	132574-1	Res. 330 Ohm 2 W. Carbon.
7	132463	F. M. Osc. Coil Assy.	115	30002-23	Res. 470,000 Ohm 1/2 W.
8A	(32002-265)	A. M. Osc. Coil H. F.	116	132679-3	Res. 100,000 Ohm Ceramic.
8B		A. M. Osc. Coil Pol.	117	30002-23	Res. 470,000 Ohm 1/2 W.
8C		A. M. Osc. Coil B. C.	118	30002-16	Res. 33,000 Ohm 1/2 W.
9	32004-270	1st F. M. I. F. Trans.	119	132579-1	Res. 220 Ohm 2.5 W. Cer.
10	32004-270	2nd F. M. I. F. Trans.	120	132777-1	Res. 22,000 Ohm 3 W. Carbon.
11	32004-270	3rd F. M. I. F. Trans.	121	30002-6	Res. 2200 Ohm 1/2 W.
12	32004-277	1st A. M. I. F. Trans.	122	132579-3	Res. 100,000 Ohm Ceramic.
13	32004-278	2nd A. M. I. F. Trans.	123	30002-25	Res. 1 Megohm 1/2 W.
14	32004-280	Discr. Primary I. F. Trans.	124	132348-7	Speaker.
15	32004-281	1st Discr. Sec. I. F. Trans.		45580-A	Grommet (4) Spkr. Mtr.
16	32000-281	2nd Discr. Sec. I. F. Trans.		32783	Flat Washer (4) Spkr. Mtr.
17	30002-28	Res. 3.3 Megohm 1/2 W.		N-5	Nut (4) Spkr. Mtr.
18A	(132296-3)	Var. Cond. F. M. Section.		L-3	Lock Washer (4) Spkr. Mtr.
18B		Var. Cond. A. M. Ant. Section.		131512	Headed Bushing (4) Spkr. Mtr.
18C		Var. Cond. A. M. Osc. Section.	125	28807-103	Speaker Socket.
19	132583-1	F. M. Osc. Trimmer Cond.	126	132467	Phono Unit Assem.
20	49034	F. M. Ant. Trimmer.	127	26719-66	Phono Ter. Board.
21	131756-3	F. M. Ant. Sec. Trimmer.	128		Photo A. C. Cable.
22A	(132386-1)	A. M. Ant. Trimmer H. F.	129	132601-3	Power Trans.
22B		A. M. Ant. Trimmer Pol.	130a	(132580-1)	Band Switch Ant. Sec.
22C		Trimmer A. M. B. C. Loop.	130b		Band Switch Ant. Sec.
23			130c		Band Switch Osc. Sec.
24	49059-1	B. C. Padder Cond.—600 Kc.	130d		Band Switch Osc. Sec.
25A	(132396-1)	Trimmer H. F. Osc.	131		Function Switch A. M. I. F.
25B		Trimmer Pol. Osc.	131b		Function Switch F. M. I. F.
25C		Trimmer B. C. Osc.	131c		Function Switch F. M. & Phono.
26	39001-41	Cond. .05 Mf. 400 V. Paper.	131d		Function Switch F. M. Ant.
27	39001-5	Cond. .005 Mf. 600 V. Paper.	132A	(132864-1)	Volume Control.
28	132627-1	Cond. .01 Mf. Bakelite.	132B		A. C. Power Switch.
29	132627-2	Cond. .110 Mmf. Ceramic.	133	47133	Ant. Ter. Board.
30	34007-7	Cond. .00175 Mf. Mica.	134	132427-2	Res. 100 Ohm 1/2 W.
31	132582-2	Cond. .68 Mmf. Ceramic.	135	132427-1	Res. 1000 Ohm 1/2 W.
32	132591-8	Cond. .00033 Mf. Ceramic.	136	39002-1	Res. 100 Ohm 1/2 W.
33	132591-6	Cond. .000125 Mf. Ceramic.	137	39002-20	Res. 150 Ohm 1/2 W.
34			138	39002-27	Res. 2.2 Megohm 1/2 W.
35			139A	39002-28	Res. 3.3 Megohm 1/2 W.
36	132627-1	Cond. .01 Mf. Bakelite.	139B	132581-1	Cabinet 22CA.
37	39004-1	Cond. .0001 Mf. Mica.	139C	132612-1	Cabinet 22CP.
38	132627-1	Cond. .01 Mf. Bakelite.	139D	132714-1	Cabinet 22CB.
39	132627-1	Cond. .01 Mf. Bakelite.	139E	132715-1	Carton 22CA.
40	39004-4	Cond. 100 Mmf. Mica.	139F	132715-1	Carton 22CB.
41	132581-3	Cond. 22 Mmf. Ceramic.	140A	132715-1	Carton 22CP.
42	132581-37	Cond. 680 Mmf. Mica.	140B	32571-1	Screw—Chassis Mtr. (4) 22CA, CB & CP.
43	132591-3	Cond. 22 Mmf. Ceramic.	140C	44725	Flat Washer—Chassis Mtr. (4) 22CA, CB & CP.
44	132627-1	Cond. .01 Mf. Bakelite.	140D	132323-2	Mtr. Spring Bottom (4) 22 CA, CB & CP.
45	34005-35	Cond. 2740 Mmf. Mica.	140E	132322-1	Mtr. Spring Top (4) 22 CA, CB & CP.
46	132591-4	Cond. 47 Mmf. Ceramic.	140F	132323-1	Knob (2) 22 CA-CB-CP.
47	132627-1	Cond. .01 Mf. Bakelite.	141	132341-1	Knob Large (2) CA-CB-CP.
48	132627-1	Cond. .01 Mf. Bakelite.	142	132398-1	Cabinet Protector.
49	34005-34	Cond. 8300 Mmf. Mica.	143	131411-1	Knob Spring.
50	39001-53	Cond. .022 Mf. 200 V.	144	132423	Push Switch Assem.
51	132591-4	Cond. 47 Mmf. Ceramic.	145	132656	Tone Switch Assem.
52	132627-1	Cond. .01 Mf. Bakelite.	146	132296-1	Push Button.
53	132591-3	Cond. 22 Mmf. Ceramic.	147	132397-1	Tone Button.
54	132591-3	Cond. 22 Mmf. Ceramic.		132397-2	Tone Button.
55	132627-1	Cond. .01 Mf. Bakelite.		132397-3	Tone Button.
56	39001-7	Cond. .001 Mf. 600 V. Paper.		132397-4	Tone Button.
57	39001-9	Cond. .0022 Mf. 600 V. Paper.		132397-5	Tone Button.
58	132627-1	Cond. .01 Mf. Bakelite.		132397-6	Tone Button.
59	132627-1	Cond. .01 Mf. Bakelite.		50628-A	Button Springs (12).
60	39004-5	Cond. 50 Mmf. Mica.		132478-2	Envelope Assem. 22CA-CB.
61A	(132679-2)	Cond. 10 Mfd. Electro.		132478-4	Envelope Assem. 22CP.
61B		Cond. 1 Mfd. Electro.		134232	Di. Pole Antenna.
62	132627-1	Cond. .01 Mf. Bakelite.		134215-1	Instruction Envelope.
63	39004-7	Cond. 100 Mmf. Mica.		43652	Speaker Plug Retainer Clamp.
64	39001-5	Cond. .0003 Mf. 600 V.		45808	# 8 x 1/2 P. K. Screw.
65	132591-3	Cond. 22 Mmf. Ceramic.		133174	Record Chgr. Assem. 22CP.
66	39001-15	Cond. .022 Mf. 600 V.		132473-2	Hinge Roller (2).
67	39001-1	Cond. 100 Mmf. 600 V.		132473-3	Hinge Roller Stud (2).
68	39001-5	Cond. .0005 Mf. 600 V.		5066	Nut Hinge Roller Stud (2).
69	30805	Cond. .01 Mf. 120 V. A. C.		132443-1	Hinge Assem. R. H.
70	132591-3	Cond. 22 Mmf. Ceramic.		132443-2	Hinge Assem. L. H.
71	132627-1	Cond. .01 Mf. Bakelite.		132537-1	Slide Rail (3).
72	132591-7	Cond. 150 Mmf. Ceramic.		131133	Screw (9) Slide Rail.
73	132591-7	Cond. 150 Mmf. Ceramic.		132580-1	Screw (8) Hinge Assem.
74A	(132571-1)	Cond. 30 Mfd. 200 V. Electro.		132454-5	Record Changer Cable.
74B		Cond. 15 Mfd. 325 V. Electro.		134050	Cabinet Back.
75A		Cond. 30 Mfd. 450 V. Electro.		5-80	Screw (8) Cabinet Back.
75B		Cond. 20 Mfd. 400 V. Electro.		134531	Complete Fold. Brkt. for Radio Comp. Door.
76	132591-1	Cond. 4.75 Mmf. Ceramic.		132434-1	Station Call Letters.
77	132591-5	Cond. 82 Mmf. Ceramic.		132399-1	Call Letter Covers.
78	132591-7	Cond. 150 Mmf. Ceramic.			
79	132591-7	Cond. 150 Mmf. Ceramic.			
80	39004-8	Cond. 150 Mmf. Mica.			
81	39001-3	Cond. 220 Mmf. 600 V. Paper.			
82	39001-15	Cond. .022 Mf. 600 V. Paper.			
83	39001-63	Cond. .022 Mf. 300 V. Paper.			
84					
85	132579-1	Res. 47,000 Ohms Ceramic.			
86	39002-6	Res. 2200 Ohms 1/2 W.			
87	132578-1	Res. 10,000 Ohms 1/2 W.			
88	39020	Res. 120,000 Ohms 1/2 W.			
89	132579-2	Res. 2.2 Megohm Ceramic.			
90	39002-7	Res. 1000 Ohms 1/2 W.			
91	132577-1	Res. 22,000 Ohms 3 W.			
92	39002-17	Res. 47,000 Ohms 1/2 W.			
93	39002-27	Res. 2.2 Megohms 1/2 W.			
94	132672-1	Res. 270 Ohms 1/2 W.			
95	39002-7	Res. 1000 Ohms 1/2 W.			
96	39002-27	Res. 2.2 Megohm 1/2 W.			

THE CROSLY CORP.

WIRING DIAGRAM



MODEL --33 455 KC. I.F.

FOR RECORDER, RECORD CHANGER, P.A. SYSTEM - SEE MODEL 33BG AND  
 GENERAL INDUSTRIES MODEL R-70 IN RIDER'S BOOK, "AUTOMATIC  
 RECORD CHANGER AND RECORDERS", AND ALSO VOLUME X11, PAGES 12-39  
 TO 12-43 INCLUSIVE.

VOLTAGE CHART

ALL VOLTAGES MEASURED FROM SOCKET PIN TO CHASSIS @ 117.5 VOLT LINE

TUBE SECTION	SOCKET PIN NUMBER							
	1	2	3	4	5	6	7	8
6SA7—Osc.-Mod.....	0	0	200	81.5	9	0	6.3	0
6SK7—I. F. Amp. ....	0	0	0	0	0	81.5	6.3	200
6SQ7—Det. A.V.C.—1st A.F. ....	0	0	0	0	0	74	6.3	0
6K6GT—Output.....	0	0	184	200	0	0	6.3	12.5
6SK7—Mike Amp. ....	0	0	0	0	0	+	6.3	+
5Y3G—Rectifier.....	0	5.0	0	268 A.C.	0	268 A.C.	0	240

All voltages measured with 1000 OHM/Volt Voltmeter except heaters. Voltages may vary 10% of values given.

DROP ACROSS SPEAKER FIELD.....40 Volts

MAXIMUM POWER OUTPUT @ 130 V. LINE (approx.)..... 3 Watts

MAXIMUM POWER CONSUMPTION @ 130 V. LINE.....55 Watts

\*Phono Motor 40 Watts additional.

MODEL C33CA

THE CROSLEY CORP.

RADIO RECEIVER ALIGNMENT PROCEDURE

PRELIMINARY

Output Meter Connections..... Plate to Screen of 6K6GT  
 Generator Ground Connection..... To chassis or Ground Lead  
 Dummy Antenna to be in series with generator output..... See Chart Below  
 Position of Volume Control..... Fully On  
 Position of Tone Control..... Treble or Speech

Alignment Sequence	Dummy Antenna	Frequency Setting	Input to Receiver	Band Switch	Tuning Cond. Setting	Trimmers Adjusted	Remarks
1.	.02MF	455 Kc.	Ant. Lead (Blue)	B. C.	Fully Open	2nd I-F (2) 1st I-F (2)	Adjust for Maximum output. Adjust for Maximum output.
2.	400 ohm (carbon)	15.3 Mc.	Ant. Lead (Blue)	S. W.	Fully Open	S. W. "OSC" (on gang)	Adjust for Peak. See foot note.
3.	400 ohm (carbon)	15.0 Mc.	Ant. Lead (Blue)	S. W.	Approx. 15 on dial	S. W. "ANT" center trimmer on right end	Adjust for Maximum while rocking gang back and forth.
4.	.0002 MF.	1650 Kc.	Ant. Lead (Blue)	B. C.	Fully Open	B. C. "OSC" front trimmer on right end	Adjust for peak. Make sure the switch on loop is in B. C. position.
5.	.0002 MF.	1400 Kc.	Ant. Lead (Blue)	B. C.	Approx. 140 on dial	B. C. "ANT" rear trimmer on right end	Adjust for Maximum output.
6.	.0002 MF.	2.5 Mc.	Ant. Lead (Blue)	B. C. and switch on loop to Pol.	Approx. 2.5 on dial lower right corner	Pol. Ant on loop	Adjust for Maximum output.

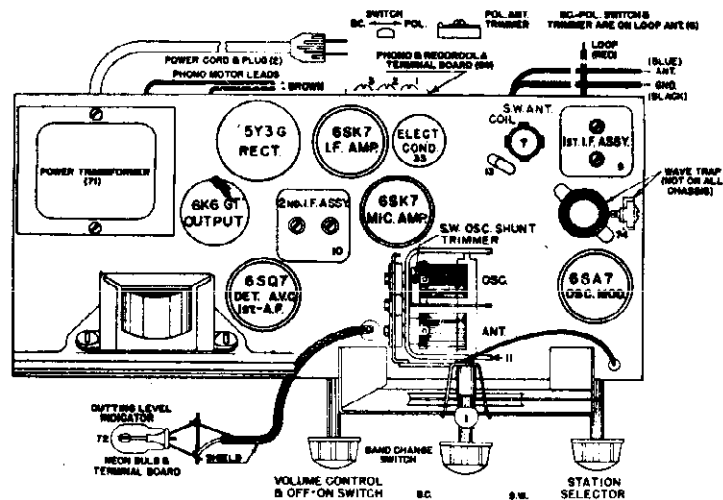
IMPORTANT ALIGNMENT NOTES

When aligning the shortwave bands "OSC" trimmers care must be exercised to see that the circuits are aligned on the correct frequency which is approximately 910 kilocycles less as indicated on the dial. To check, increase generator output, tune-in the generator frequency and then tune-in the image frequency which should be weaker than the fundamental and come in approximately 910 kilocycles lower on the dial than the fundamental. If image cannot be tuned-in, the "OSC" trimmer is adjusted to the wrong peak. (Correct peak is the second peak on trimmer from the closed position). Repeat the original alignment procedure for more accurate adjustments.

Always keep signal generator output as low as possible to prevent action of the A.V.C. circuit.

WAVE TRAP ADJUST.

The wave trap should be adjusted last. Feed a 455 kc signal through a .0002 mfd. condenser to the antenna lead of the receiver. With the band selector switch on the broadcast band, the dial set to 60, and the volume control full on, adjust the wave trap trimmer condenser to minimum.



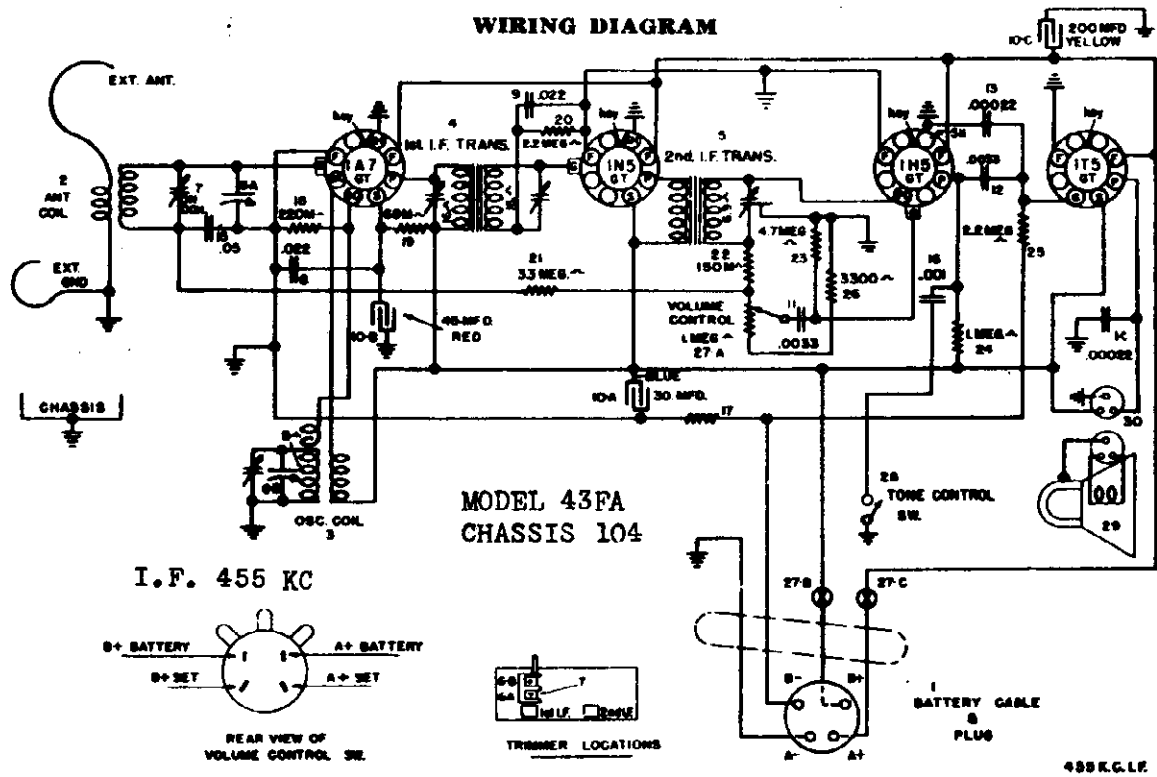




MODEL 43FA, Chassis 104  
 MODELS 53FA, 53FB, Ch. 105, 106

THE CROSLEY CORP.

WIRING DIAGRAM

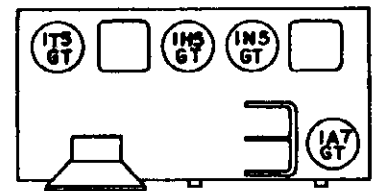


**BATTERIES REQUIRED**—One No. CR-69 Crosley "A and B" Battery Pack (1.5 Volt "A"—90 Volt "B").

**SOCKET VOLTAGES**

Measured from "B" minus using 1000 Ω/V Voltmeter, 100 V. Range, no signal input

Type	Tube	Function	Battery Pack (GR-69)			
			Filament Volt	Plate Volt	Screen Volt	Osc. Anode
1A7GT	Osc. Modulator		1.5	82	11	82
1N5GT	I. F. Amplifier		1.5	82	82	....
1H5GT	Det.-A. S. C. 1st A. F.		1.5	+	....	....
1T5GT	Out Put		1.5	82	82	....



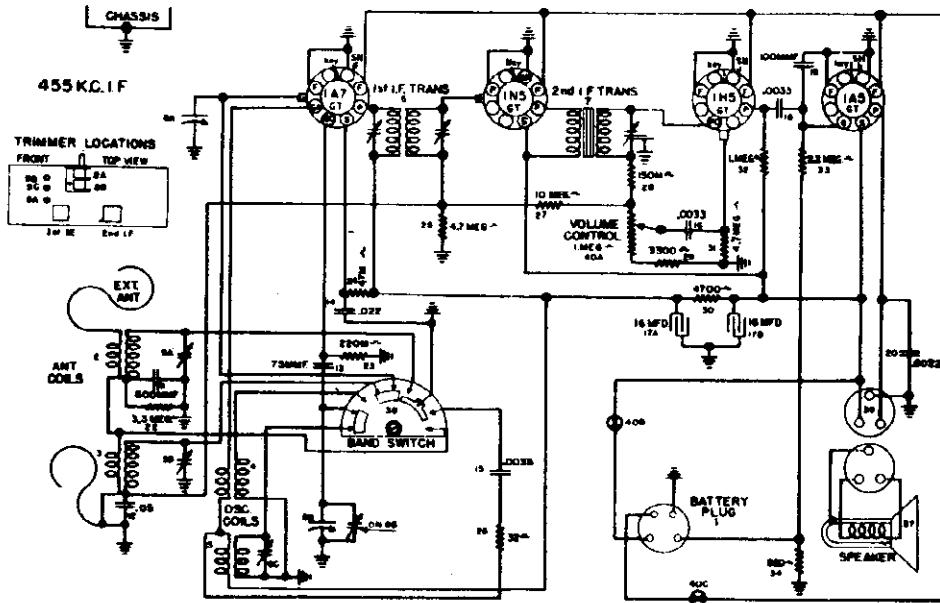
**MODEL 43FA, Chassis 104, MODELS 53FA, 53FB, Chassis 105, 106**  
**ALIGNMENT PROCEDURE**

Volume Control on full Output meter connected to Plate and Screen of 1T5GT

SIGNAL GENERATOR		DUMMY ANTENNA	TUNING COND. SETTING	TRIMMERS TO ADJUST (See Fig. 1)	REMARKS
FREQUENCY SETTING	CONNECTION TO RADIO				
455 Kc	Ant. Lead	.0001 MF	Fully Open	2nd 1-F (1)	Adjust for maximum signal.
455 Kc	Ant. Lead	.0001 MF	Fully Open	1st 1-F (2)	Adjust for maximum signal. Located top of 1st 1-F ass'y.
1650	Ant. Lead	.0001 MF	Fully Open	"OSC" Shunt on gang	Adjust for maximum output Gang does not have to tune through signal.
1400	Ant. Lead	.0001 MF	140 on dial	"ANT" shunt on Coil	Adjust for maximum output

THE CROSLEY CORP.

WIRING DIAGRAM



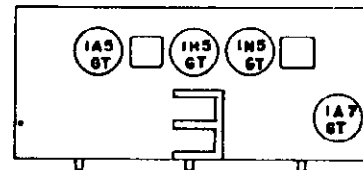
**BATTERIES REQUIRED**—One No. CR-69 Crosley "A and B" Battery Pack (1.5 Volt "A"—90 Volt "B").

**SOCKET VOLTAGES**

Measured from "B" minus using 1000 Ω/V

Voltmeter, 250 V. Range, no signal input

Tube		Battery Pack (GR-69)			
Type	Function	Filament Volt	Plate Volt	Screen Volt	Osc. Anode
1A7GT	Osc. Modulator	1.5	72	40	72
1N5GT	I. F. Amplifier	1.5	84	84	....
1H5GT	Det.-A. S. C. 1st A. F.	1.5	17	....	....
1A5GT	Out Put	1.5	81	84	....



**ALIGNMENT PROCEDURE**

Volume Control on full Output meter connected to Plate and Screen of 1T5GT

Align. Seq.	Dummy Antenna	Freq'cy Setting	Connec'n to Radio	Band Switch	Tun'g Cond. Setting	Trimmer Adjusted	Remarks
<b>Signal Generator</b>							
1.	.02 MF	455 KC.	Antenna Lead	BC	Fully Open	2nd I-F(1) 1st I-F(2)	Adjust for maximum signal. Adjust for maximum signal.
2.	400 ohm Carbon Resistor	15.3 MC.	Antenna Lead	S.W.	Fully Open	S. W., "Osc."	Adjust for maximum output.
3.	400 ohm Carbon	15.0 MC.	Antenna Lead	S.W.	15 on Dial	S.W. "Ant."	Adjust for maximum signal while rocking gang through it.
4.	.0002 MF.	1650 KC.	Antenna Lead	BC	Fully Open	B.C. "Osc."	Adjust for maximum output. Gang does not have to tune through signal.
5.	.0002 MF.	1400 KC.	Antenna Lead	BC	140 Dial	B.C. "Ant."	Adjust for maximum output.

Repeat above procedures for more accurate adjustments.

Maximum power output at 90 V. "B"—approx. 340 M. W.

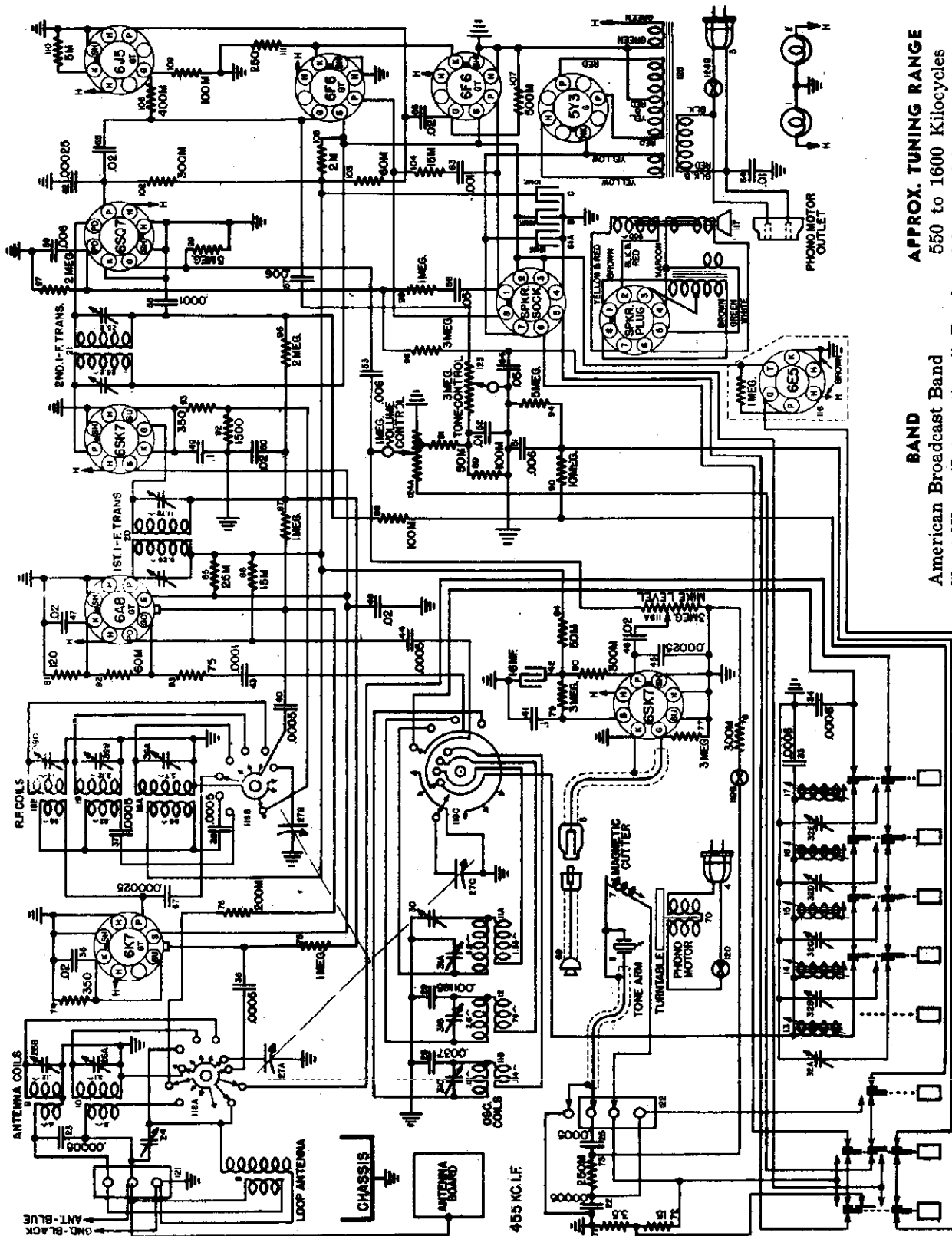
A Battery drain at 1.5 volts. .20 Amp.; "B" Battery drain at 90 V., 11 M. A.





MODELS 48 Late, 48BF,  
48CB

THE CROSLLEY CORP.



**BAND**  
 American Broadcast Band  
 Short Wave (International) Band  
 Police Band (Special Service)

**APPROX. TUNING RANGE**  
 550 to 1600 Kilocycles  
 6.0 to 18.0 Megacycles  
 1.6 to 5.0 Megacycles

THE CROSLLEY CORP.

RADIO RECEIVER ALIGNMENT PROCEDURE

- Preliminary  
 Output Meter Connections.....Plate to Plate of 6F6G's  
 Generator Ground Connection.....To chassis or Ground Lead  
 Dummy Antenna to be in series with generator output.....See Chart Below  
 Position of Volume Control.....Fully On  
 Position of Tone Control.....Treble or Speech  
 Position of Function Switch.....Radio  
 Position of Mike Level Control.....All the Way to Left (Off)

Signal Generator							
Align- ment Sequence	Dummy Antenna	Frequency Setting	Input Connection to Receiver	Band Switch	Tuning Cond. Setting	Trimmer Adjusted	Remarks
1.	.02 MF.	455 Kc.	Grid of 6A8GT	B. C.	Fully open	2nd I-F (2) 1st I-F (2)	Adjust for Maximum. Adjust for Maximum.
2.	.0002 MF.	1650 Kc.	Ant. Lead (Blue)	B. C.	Fully open	B. C. "OSC" Trimmer	Adjust for peak; gang does not have to tune thru signal.
3.	.0002 MF.	600 Kc.	Ant. Lead (Blue)	B. C.	Approx. 60 on dial	B. C. "OSC" Series Trimmer	Adjust for maximum output while rocking gang thru signal.
4.	Repeat Step No. 2 to check possible shift due to series adjustment						
5.	.0002 MF.	1400 Kc.	Ant. Lead (Blue)	B. C.	Approx. 140 on dial	B. C. "ANT" Trimmer B. C. "R-F" Trimmer	Adjust for maximum output; do not touch B. C. Osc. Trimmer. Adjust for maximum output while rocking gang thru signal.
6.	400 ohm (carbon)	5.3 Mc.	Ant. Lead (Blue)	Police	Fully open	Pol "OSC"	Adjust for peak; gang does not have to tune thru signal.
7.	400 ohm (carbon)	5. Mc.	Ant. Lead (Blue)	Police	Approx. 5.0	Pol "ANT" and "R-F" Trimmers	Adjust for maximum output while rocking gang thru signal.
8.	400 ohm (carbon)	18.3 Mc.	Ant. Lead (Blue)	S. W.	Fully open	S. W. "OSC"	Adjust for peak. Gang does not have to tune thru signal.
9.	400 ohm (carbon)	18.0 Mc.	Ant. Lead (Blue)	S. W.	Approx. 18	S. W. "ANT" and "R-F" Trimmers	Adjust for maximum output while rocking gang thru signal.

When aligning the shortwave bands "OSC" trimmers care must be exercised to see that the circuits are aligned on the correct frequency and not on the image which is approximately 910 kilocycles less as indicated on the dial. To check, increase generator output, tune-in the generator frequency and then tune-in the image frequency which should be weaker than the fundamental and come in approximately 910 kilocycles lower on the dial than the fundamental. If image cannot be tuned-in, the "OSC" trimmer is adjusted to the wrong peak. (Correct peak is the second peak on trimmer from the closed position).

Repeat the original alignment procedure for more accurate adjustments. Always keep signal generator output as low as possible to prevent action of the A.V.C. circuit.

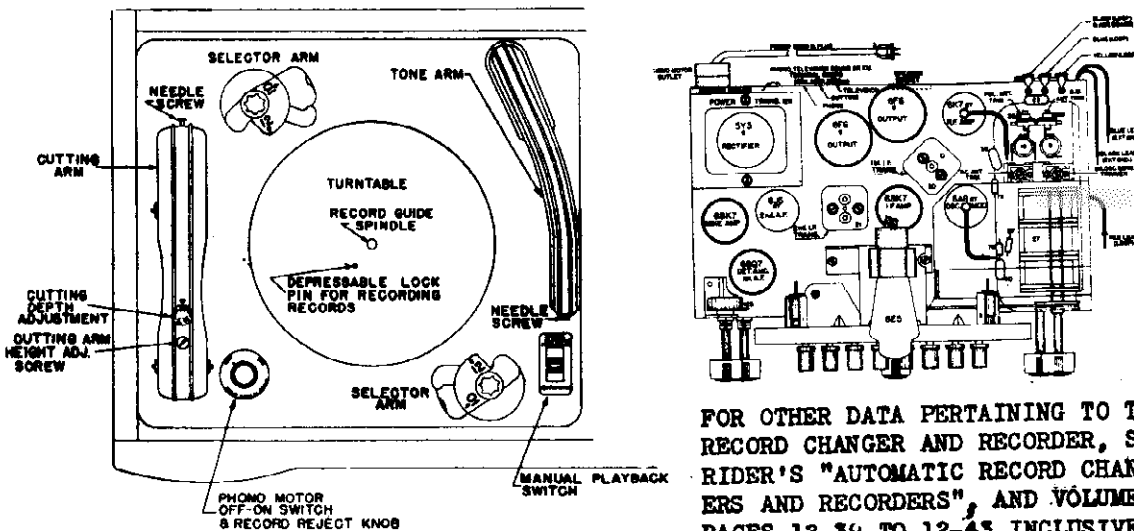
SOCKET VOLTAGES MEASURED @ 117.50 VOLTS LINE (BETWEEN SOCKET PIN AND CHASSIS)  
 WITH 1000 OHM PER VOLT, 500 VOLT RANGE VOLTMETER D.C.)

TUBE	FUNCTION	SOCKET PIN NUMBER							
		1	2	3	4	5	6	7	8
6K7GT	R-F Amp.	.....	.....	195	78.6	.....	2.0	*6.3	2.0
6A8GT	Osc.-Mod.	.....	.....	195	78.6	.....	136	*6.3	1.0
6SK7	I-F Amp.	.....	.....	.....	.....	5.5 B.C. 2.6 S.W.	78.6	*6.3	234
6SQ7	Det. A.V.C. 1st A-F	.....	.....	.....	.....	.....	110	*6.3	.....
6J5GT	Phase Invert	.....	.....	118	195	.....	110	*6.3	4.5
6F6G	Output	.....	.....	220	228	.....	.....	*6.3	15.0
6F6G	Output	.....	.....	220	228	.....	.....	*6.3	15.0
6SK7	Mike Amp.	.....	.....	.....	.....	.....	.....	*6.3	POS.
5Y3G	Rectifier	.....	305 D.C.	.....	*325	.....	*325	.....	305 D.C.
6E5	Indicator	.....	.....	.....	225	.....	*6.3	.....	.....

\*Measured with A.C. volt meter  
 VOLTAGE DROP ACROSS SPEAKER FIELD=77 VOLTS  
 MAXIMUM POWER OUTPUT @ 130 V. Line=7.5 Watts  
 POWER CONSUMPTION @ 117.5 V. Line=Radio 80 Watts, Phono Motor 35 Watts—TOTAL=115 WATTS  
 Voltages may vary 10% of values given.

MODELS 48, 48BF, 48CB

## THE CROSLLEY CORP.



FOR OTHER DATA PERTAINING TO THE RECORD CHANGER AND RECORDER, SEE RIDER'S "AUTOMATIC RECORD CHANGERS AND RECORDERS", AND VOLUME XI, PAGES 12-39 TO 12-43 INCLUSIVE.

## ADJUSTING PUSH BUTTONS TO STATIONS

## SET-UP PROCEDURE

Remove push button escutcheon. Turn the receiver "on" and leave operate a sufficient length of time to permit the tubes to reach normal operating conditions.

**NOTE:** To simplify the set up and insure accurate adjustments the following pre-adjustments should be made.

Tighten all the "ANT" Trimmer screws just moderately tight. See Fig. 3.

Turn the "OSC" adjusting screws to the left (counter clockwise) until the end of the screw is about flush (even) with the top of the "ANT" padder condenser. **NOTE:** Care should be exercised when adjusting the "OSC" screws so that the selected station is not passed over; turn screws slowly.

It is essential that the frequency (Kilocycles) of the station selected is within the range of the push button to be set for that station, see Fig. 3.

1. Turn the band switch to "B" position, first notch from left end. Using the station selector knob (upper right) carefully tune in the station to which the No. 4 push button is to be set. Note program.
2. Turn the band switch to the left ("A") and using a small screw driver, carefully turn (in a clockwise direction) the "OSC" screw for the No. 4 push button (first screw on left in the upper row), until the station you tuned in (Manually) is heard again. Adjust for maximum output in speaker (narrowest width of shadow on tuning indicator tube).
3. Adjust the No. 4 push button "ANT" adjusting screw for maximum volume in speaker, (narrowest width of shadow on tuning indicator tube).
4. Turn band switch one notch to right "B" then back to "A" to check if push button is correctly adjusted.
5. The set-up for No. 4 push button is now complete. Set up remaining buttons to be set, following the same procedure, adjusting the "OSC" screw first, then the "ANT" padder screw.
6. After all the buttons have been set, they should be rechecked to insure accurate adjustments.

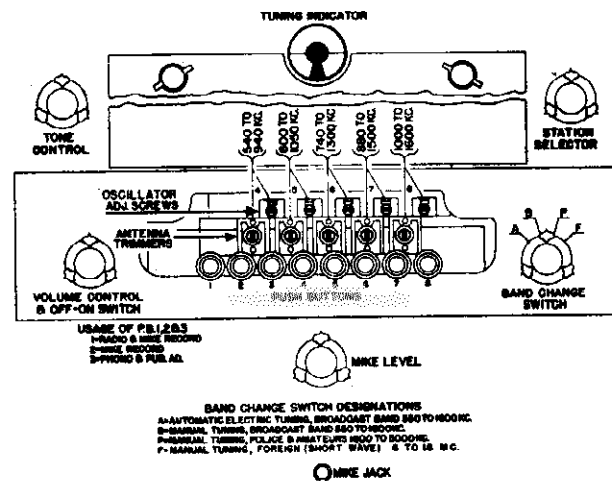
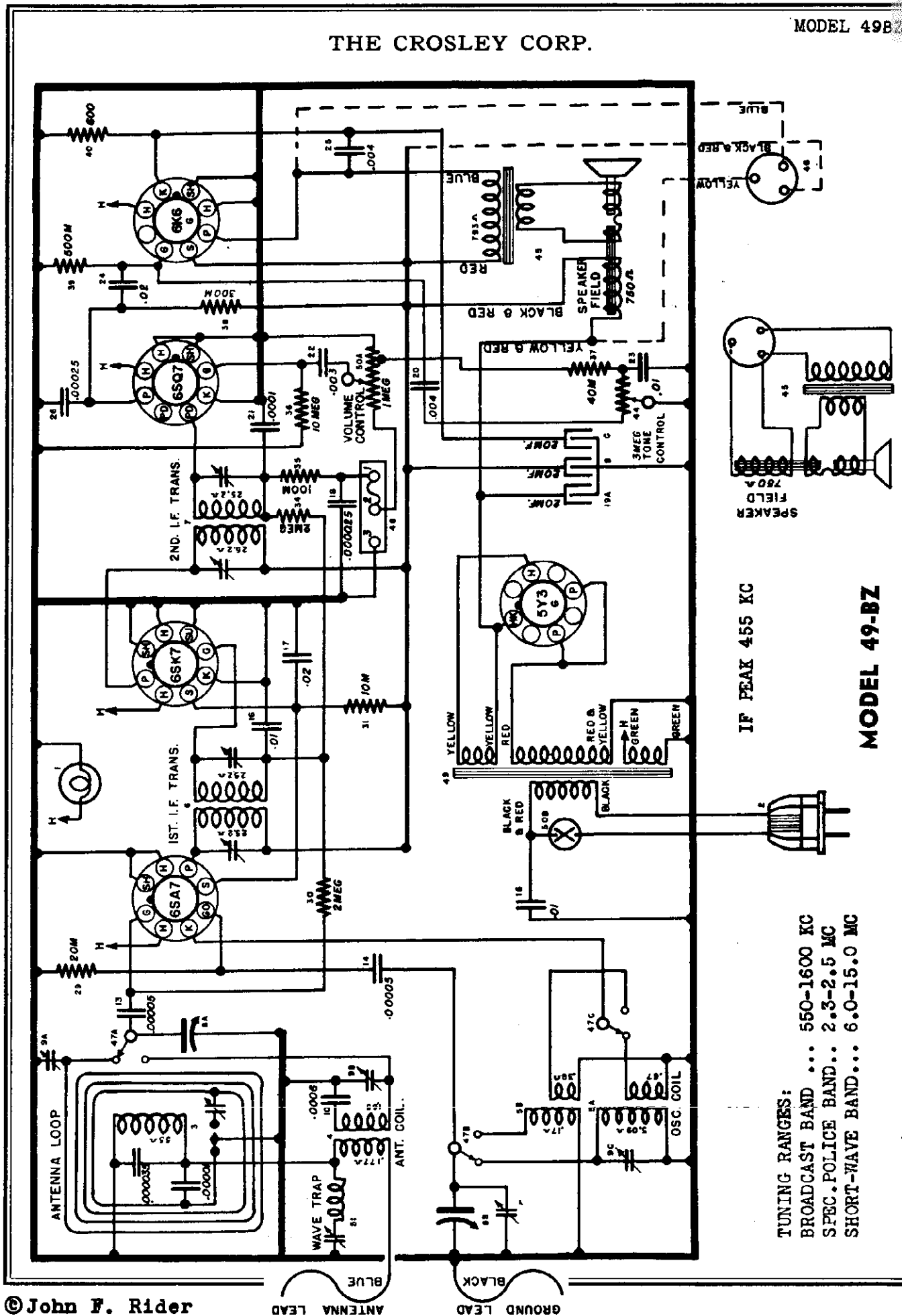


FIG. 3

THE CROSLLEY CORP.



© John F. Rider

MODEL 49BZ

THE CROSLLEY CORP.

ALIGNMENT PROCEDURE

PRELIMINARY

Output meter connections.....Plate to Screen 6K6GT  
 Generator ground connection.....To chassis or ground lead  
 Dummy antenna to be in series with generator output.....See chart below  
 Position of volume control.....Fully on  
 Position of tone control.....Treble or speech

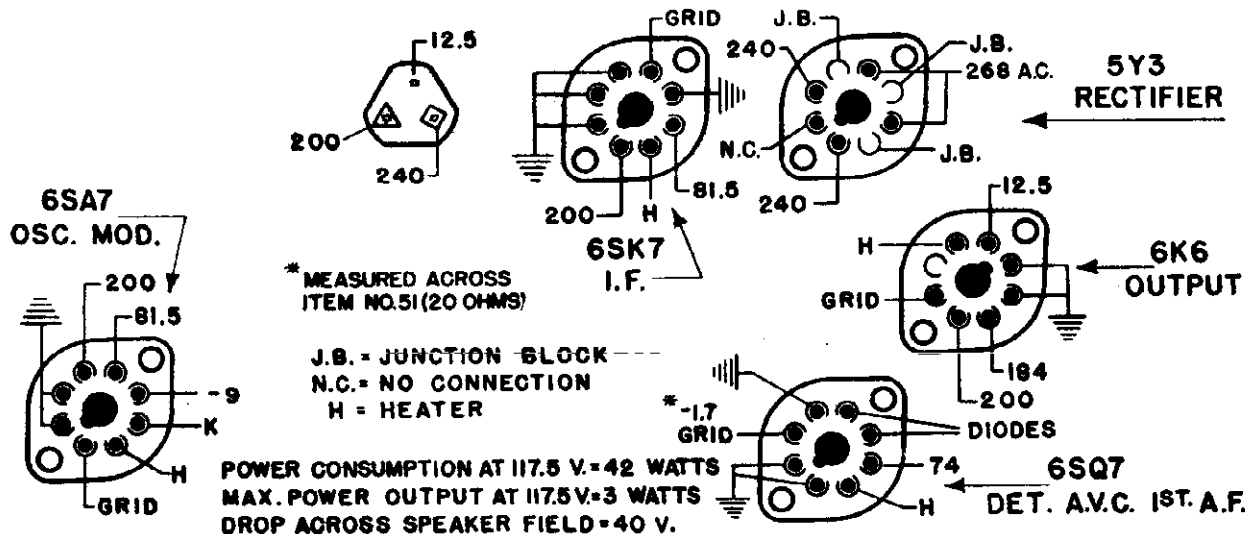
ALIGNMENT PROCEDURE CHART

Alignment Sequence	Signal Generator Dummy Antenna	Frequency Setting	Input Connection To Receiver	Band Switch	Tuning Cond.	Trimmer Adjusted	Remarks
1	.02 Mf.	455 Mc.	Ant. Lead	B. C.	Fully open	2nd I-F 1st I-F	Adjust for maximum output.
2	400 Ohm Carbon	15.4 Mc.	Ant. Lead	S. W.	Fully open	S. W. "OSC" rear section of gang	Adjust for Peak.
3	400 Ohm Carbon	15.0 Mc.	Ant. Lead	S. W.	Approx. 15 on dial	S. W. Ant.	Adjust for maximum output while rocking gang thru signal.
4	.0002 Mf.	1650 Kc.	Ant. Lead	B. C.	Fully open	B. C. "OSC"	Adjust for peak; gang does not have to tune thru signal.
5	.0002 Mf.	1400 Kc.	Ant. Lead	B. C.	Approx. 140 on dial	D. C. Ant.	Adjust for maximum output.
6	.0002 Mf.	2.5 Mc.	Ant. Lead	B. C. and switch on loop to FOL.	Approx. 2.5 on dial	POL. Ant. on loop	Adjust for maximum output.

When aligning the shortwave band "OSC" trimmer care must be exercised to see that the circuit is aligned on the correct frequency and not on the image which is approximately 910 kilocycles less AS INDICATED ON THE DIAL. To check, increase generator output, tune-in the generator frequency and then tune-in the image frequency which should be weaker than the fundamental and come in approximately 910 kilocycles LOWER ON THE DIAL than the fundamental. If image cannot be tuned-in, the "OSC" trimmer is adjusted to the wrong peak. (Correct peak is the second peak on trimmer from the closed position).

Repeat the original alignment procedure for more accurate adjustments. Always keep signal generator output as low as possible to prevent action of the A. V. C. Circuit.

SOCKET VOLTAGE CHART



J.B. = JUNCTION BLOCK  
 N.C. = NO CONNECTION  
 H = HEATER  
 POWER CONSUMPTION AT 117.5 V. = 42 WATTS  
 MAX. POWER OUTPUT AT 117.5 V. = 3 WATTS  
 DROP ACROSS SPEAKER FIELD = 40 V.

VOLTAGES MEASURED BETWEEN SOCKET PIN & GROUND WITH A 250 VOLT, 1000 OHMS PER VOLT, VOLT METER. READINGS MAY VARY 10%.

THE CROSLY CORP.

**PHONO CONNECTIONS**

This chassis is so constructed as to be adaptable to a phonograph pick-up (high impedance type) for the reproduction of recordings. The terminals may also be used for the reproduction of television sound as supplied by a suitable television converter unit. The double pole double throw switch for changing from Radio to Phono or television sound, should be connected as shown in the diagram (Fig. 3). The terminals are coded as follows: 1, 2, 3, respectively. The No. 2 terminal connects to the high side of the phono pickup or television A-F connections.

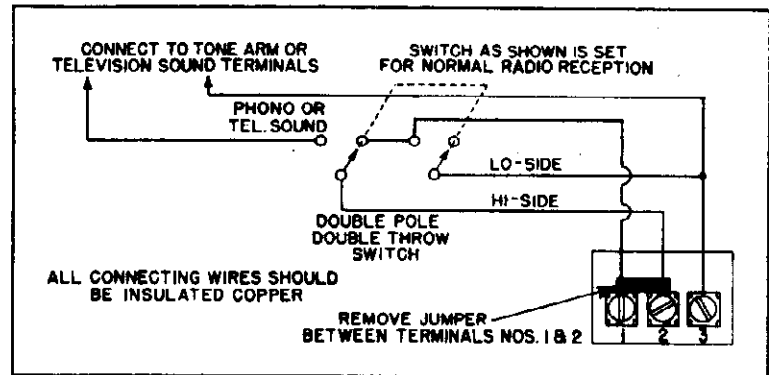


FIG. 3

**NOTE:** The jumper wire between No. 1 and No. 2 terminals must be removed when phono-radio switch is connected. If phono switch is removed, it is absolutely essential that the jumper wire between No. 1 and No. 2 terminals be replaced. Be sure all connections are right.

The No. 3 terminal is the ground or low side connection. The No. 1 terminals should be connected to the No. 3 terminals by some means (as indicated in the above diagram). This prevents any radio signals from the receiver proper interfering with the Phono or Television sound reproduction.

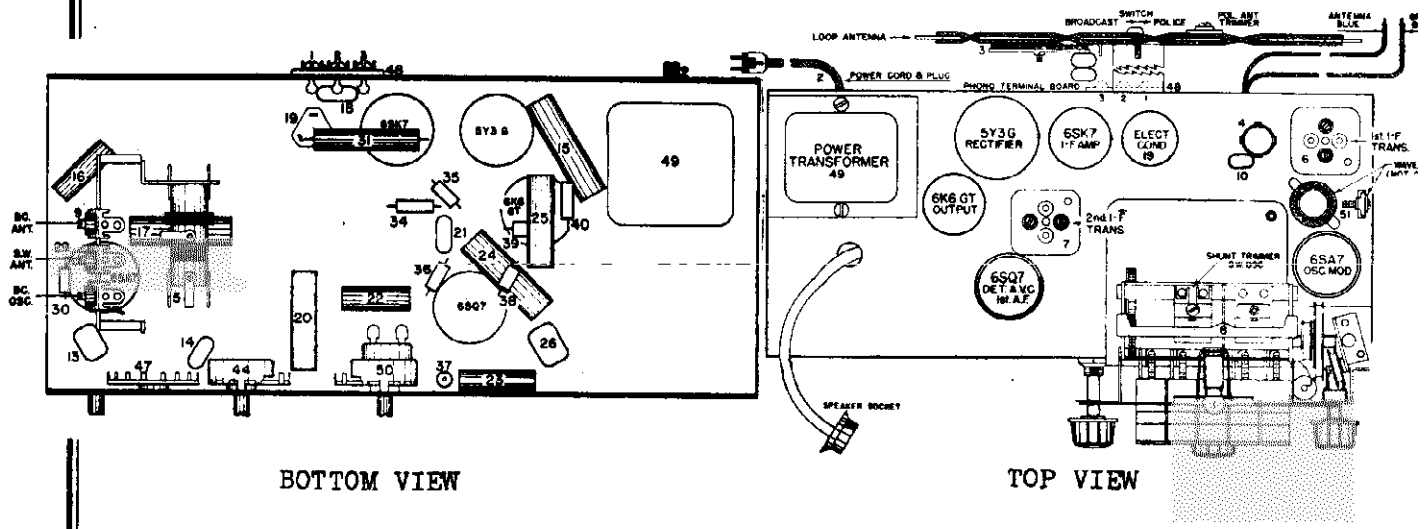
**SETTING THE PUSH BUTTONS**

The push buttons are easily and accurately set from the front of the receiver without removing any panels, etc.

Determine the five favorite stations to which the buttons are to be set and remove their call letters from the stations tab list supplied.

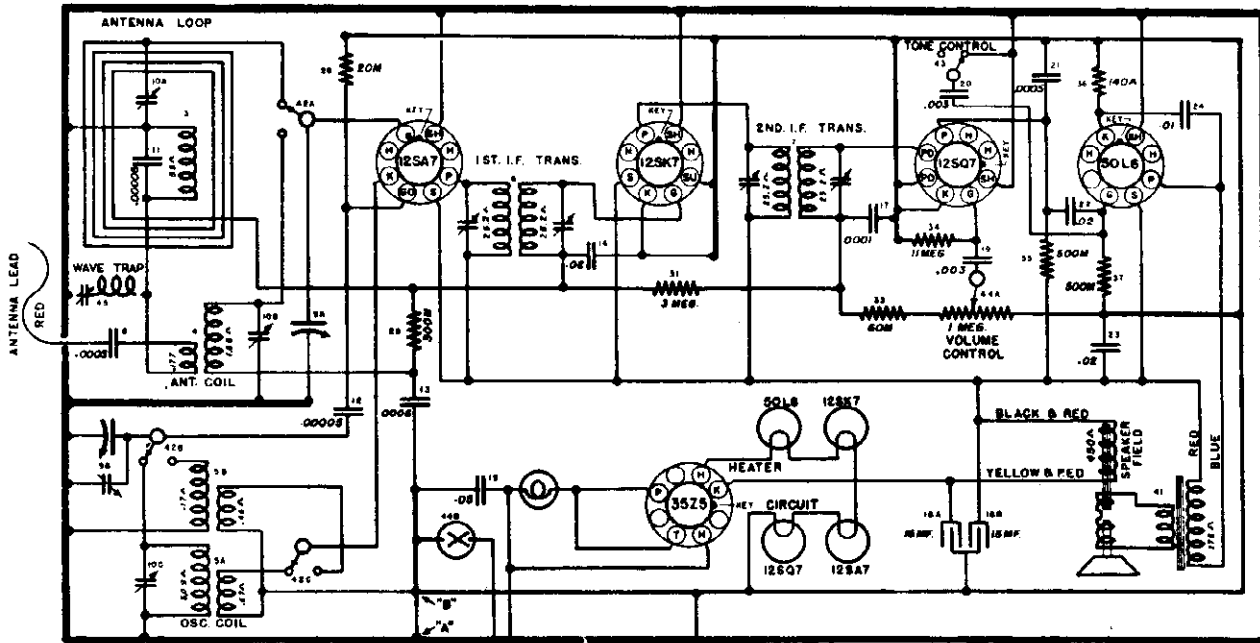
Place the call letters in the buttons in the order of their frequency (Kilocycles), that is, the station which is tuned-in nearest the 55 end of the dial should be placed in the left hand buttons, etc. After the call letters have been placed in the buttons, break five pieces from the scored celluloid strip supplied and snap into place over the call letter tabs in the buttons to protect and hold them in place.

To set the push buttons, lift up on push button and the setting screw is easily accessible through cutout on right side of button. With a small screw driver loosen the setting screws two or three turns (DO NOT REMOVE)



MODELS TH52, TH52W, TH52J  
Chassis 65, 65JW

THE CROSLLEY CORP.



TUBES MAY BE METAL OR GT TYPES

455 KC. I.F.

TO MAKE UNDERWRITERS APPROVED MODELS REMOVE CONNECTION BETWEEN 'A' & 'B' AND REPLACE WITH .25MF. 100V. CONDENSER W-47413

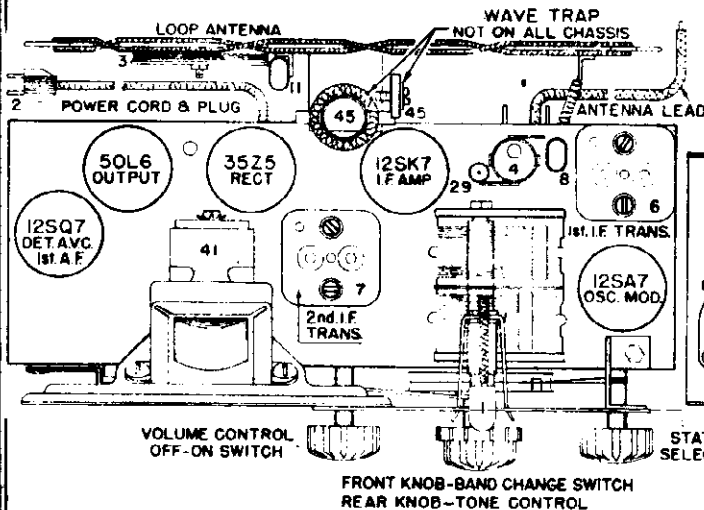
30322 400MA W-25191 1/4 W. 450V

ON ALL U.S. APPR. MODELS ONLY INCORPORATE SHELL HOOKUP ON 12SK7 TUBE AS INDICATED

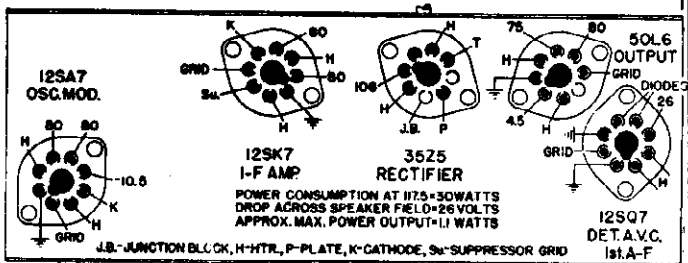
**GROUND:** Never Attach a Ground Wire to This Receiver.

**TUNING RANGE**

Broadcast band — 1600 to 540 Kilocycles  
Short wave band — 15 to 6 Megacycles



Top View



VOLTAGES MEASURED BETWEEN SOCKET PIN & GND. SIDE OF VOL. CONT. WITH 250VOLT, 1000 OHMS. PER. VOLT METER. READINGS MAY VARY 10%.

Socket Voltage Chart

## THE CROSLLEY CORP.

## ALIGNMENT PROCEDURE

## 1.—Aligning I-F TO 455 Kc.

(a) Connect the output lead of the signal generator through a .0001 mf. condenser to the antenna lead extending from the rear of the chassis. Do not use a ground return from the signal generator unless it is found to be absolutely necessary. If necessary a small condenser (.001 mf.) should be connected in series with the ground lead of the signal generator and the chassis.

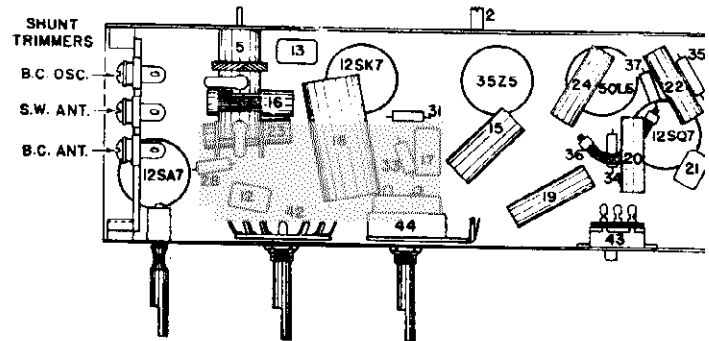
(b) Open tuning gang condenser all the way (plates completely out of mesh). Turn volume control to maximum.

(c) Set the signal generator to 455 kilocycles.

(d) Adjust the two trimmer condensers on top of 2nd I-F assembly (Fig. 2) for maximum output

(e) Adjust the two trimmer condensers on top of the 1st I-F assembly (Fig. 2) for maximum output.

(f) Repeat (d) and (e) for more accurate adjustments.



Bottom View

## 2.—Aligning R-F Amplifier.

The short wave band 6-15 mc., must be aligned before the Broadcast Band 540-1600 kc.

(a) Connect the signal generator output lead through a dummy antenna (400 ohm carbon resistor) to lead (Blue or Red) extending from rear of chassis. Turn the band switch to S. W. (right) and open tuning condenser all the way.

(b) Set signal generator to 15.0 megacycles.

(c) Adjust the S. W. "OSC" trimmer condenser (Fig. 2) (on rear section of gang) for maximum output. The gang should just tune through this signal.

(d) Tune in 15.0 mc. signal with gang and while slowly rocking gang through signal, adjust the S. W. "ANT" trimmer condenser for maximum output. (Center trimmer on right end of chassis)

NOTE: When aligning the Short Wave band care should be exercised so that the circuits are aligned on the fundamental rather than on the image frequency which is approximately 910 kilocycles more than the fundamental. To check this increase the output of the signal generator approximately 10 times and try to tune in both, the fundamental, at the signal generator frequency as indicated on the dial and the image which should be approximately 910 kilocycles lower (approximately 14) on the dial.

(e) Repeat (c) and (d) for more accurate adjustments.

(f) Replace 400 ohm carbon antenna dummy with a .0001 mf. condenser. Turn band switch to the Broadcast band, open gang condenser all the way, etc.

(g) Set the signal generator to 1650 kilocycles.

(h) Adjust B. C. "OSC" trimmer (rear trimmer right end of chassis) Fig. 2, for maximum output.

(i) Set signal generator to 1400 kilocycles.

(j) Tune in generator signal for maximum output then adjust B. C. "ANT" trimmer (front trimmer right end of chassis) Fig. 2, for maximum output.

(k) Repeat (h) and (j) for more accurate adjustments.

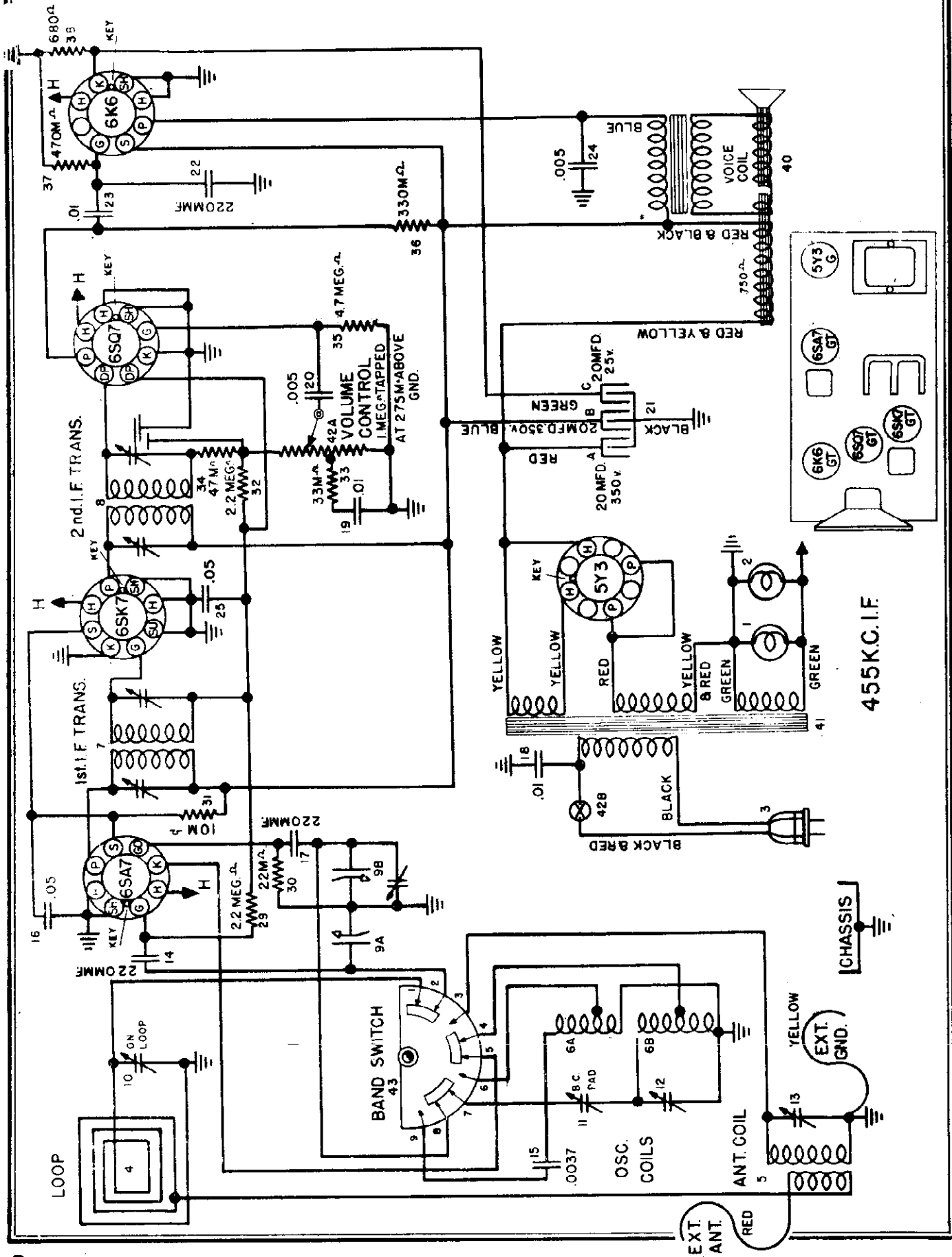
## WAVE TRAP — 65W Chassis Only

The wave trap should not be adjusted until all other adjustments have been made. To make the adjustment, feed a 455 kilocycle signal from the signal generator through a .0001 mfd. condenser into the antenna terminal of the receiver. With the band selector switch turned to the Broadcast Band position, the gang condenser set to approximately 60 on the dial, and the volume control full on, adjust the trimmer condenser on the wave trap for MINIMUM output. Should the interfering station be operating on a frequency of slightly more or less than 455 kilocycles, the exact frequency should be determined with the aid of the signal generator. Then, instead of feeding a 455 kilocycle signal into the receiver the exact frequency of the interfering signal should be used. If it is not possible to determine the exact frequency of the interfering signal an antenna may be attached to the receiver and the receiver turned to the position where the interfering signal is most noticeable. Then adjust the wave trap for minimum interference.



MODEL 52TL, Chassis 86

THE CROSLLEY CORP.



THE CROSLY CORP.

TUBE VOLTAGE CHART

SOCKET VOLTAGES MEASURED AT 117.5 V. LINE (BETWEEN SOCKET PIN AND CHASSIS) WITH 1000 OHM PER VOLT, 500 V. RANGE VOLTMETER (D. C.)

TUBE	FUNCTION	PIN NUMBER							
		1	2	3	4	5	6	7	8
6SA7—OSC.—Mod.		0	0	180	73		0	6.3 A. C.	0
6SK7—I. F. Amplifier		0	0	0	0	0	73	6.3 A. C.	180
6SQ7—Det. A. S. C. 1st A. F.		0	0	0	0	0	68	6.3 A. C.	0
6K6G or GT—Output		0	0	160	180	0	180	6.3 A. C.	9
5Y3G—Rectifier		0	225		270 A. C.		270 A. C.		225

MAX. POWER OUTPUT.....3.0 WATTS.  
 POWER CONSUMPTION.....55 WATTS.  
 DROP ACROSS SPEAKER FIELD.....45 VOLTS.

Voltages may vary 10% of values given.

ALIGNMENT PROCEDURE

Output Meter Connections.....Plate and Screen of 6K6G  
 Generator Ground Connection.....To Chassis or Ground Lead  
 Dummy Antenna to be in series with generator output.....See Chart Below  
 Position of Volume Control.....Fully Open

ALIGNMENT PROCEDURE CHART

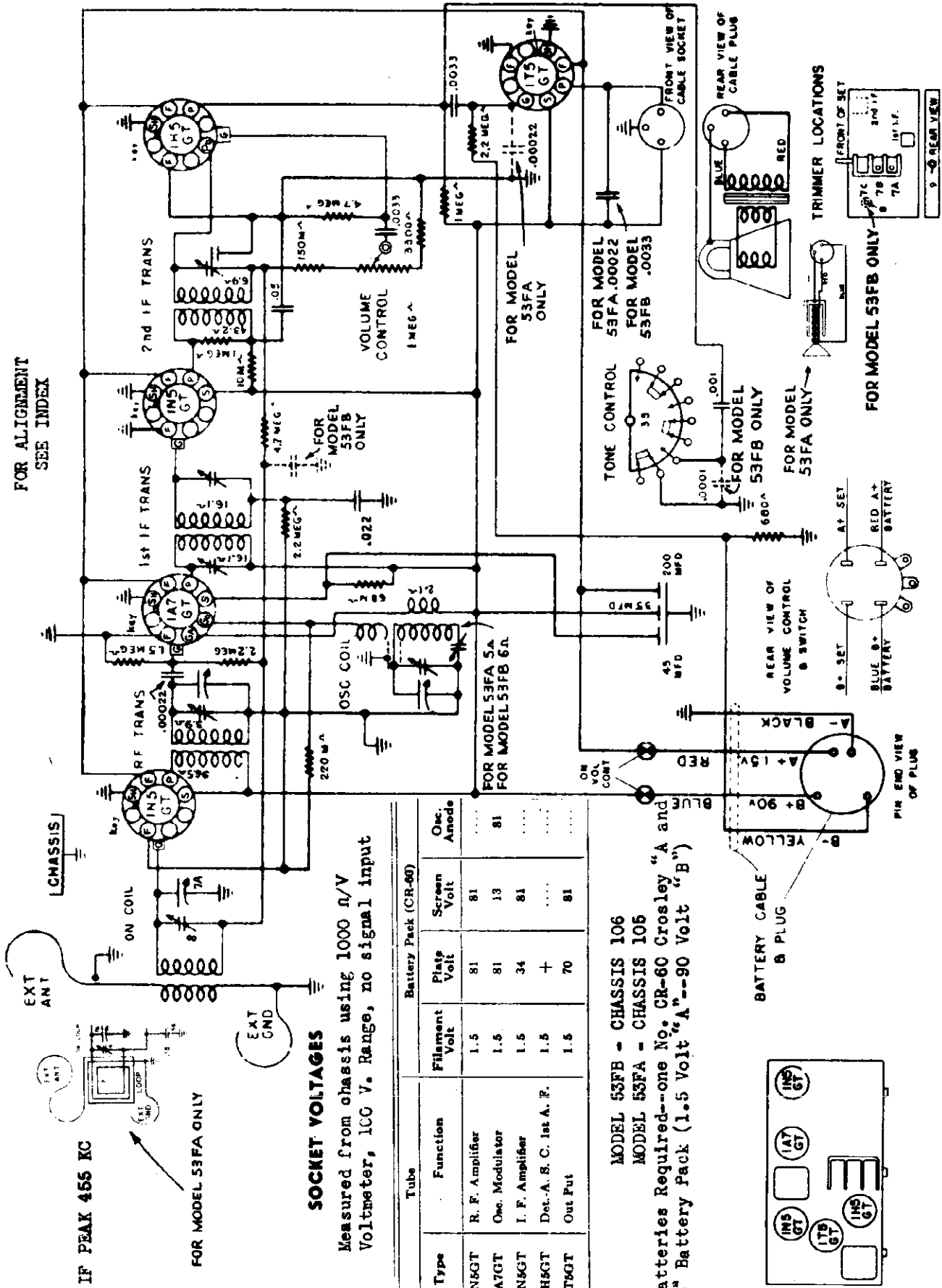
Align-ment Sequence	Signal Generator		Input Connection to Receiver	Band Switch	Tuning Cond. Setting	Trimmer Adjusted	Remarks
	Dummy Antenna	Frequency Setting					
1.	.02 MF.	455 Kc.	Stator lug Rear section of Gang Cond.	B. C.	Fully open	2nd I-F (2) 1st I-F (2)	Adjust for Maximum Adjust for Maximum.
2.	400 ohm (carbon)	19.3 Mc.	Ant. Terminal	S. W.	Fully open	S. W. "OSC"	Adjust for peak. Gang does not have to tune thru signal.
3.	400 ohm (carbon)	18.0 Mc.	Ant. Terminal	S. W.	Approx. 18	S. W. "ANT" Trimmer	Adjust for maximum output while rocking gang thru signal. do not touch B. C. Osc. Trimmer.
4.	.0002 MF.	1650 Kc.	Ant. Terminal	R. C.	Fully open	B. C. "OSC" Trimmer	Adjust for peak; gang does not have to tune thru signal. Loop must be connected.
5.	.0002 MF.	600 Kc.	Ant. Terminal	B. C.	Approx. 80 on dial	B. C. "OSC" Series Trimmer	Adjust for maximum output while rocking gang thru signal.
6.	.0002 MF.	1400 Kc.	Ant. Terminal	B. C.	Approx. 140 on dial	B. C. LOOP "ANT" Trimmer	Adjust for maximum output do not touch B. C. Osc. Trimmer.
7.	Repeat the above alignment procedure for more accurate adjustments. Always keep signal generator output as low as possible to prevent action of the A. S. C. circuit.						

**IMPORTANT ALIGNMENT NOTES** — When aligning the shortwave band "OSC" trimmer care must be exercised to see that the circuit is aligned on the correct frequency and not on the image which is approximately 910 kilocycles less as indicated on the Receiver dial. To check, increase generator output tune-in the generator frequency and then tune-in the image frequency which should be weaker than the fundamental and come in approximately 910 kilocycles lower on the Receiver dial than the fundamental. If image cannot be tuned-in, the "OSC" trimmer is adjusted to the wrong peak. (Correct peak is the second peak on trimmer from the closed position.)

MODEL 53FA, Chassis 105  
 MODEL 53FB, Chassis 106

THE CROSLLEY CORP.

FOR ALIGNMENT  
 SEE INDEX



IF PEAK 455 KC

FOR MODEL 53FA ONLY

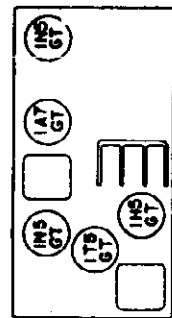
**SOCKET VOLTAGES**

Measured from chassis using 1000 n/V Voltmeter, 100 V. Range, no signal input

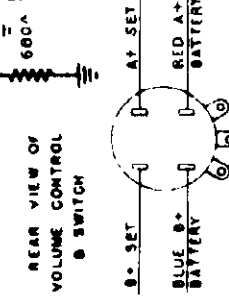
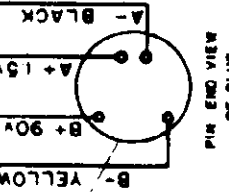
Type	Function	Battery Pack (CR-60)			Osc. Anode
		Filament Volt	Plate Volt	Screen Volt	
1N5GT	R. F. Amplifier	1.5	81	81	81
1A7GT	Osc. Modulator	1.5	81	13	81
1N5GT	I. F. Amplifier	1.5	34	81	81
1H5GT	Det.-A. S. C. 1st A. P.	1.5	+	...	...
1T5GT	Out Put	1.5	70	81	81

MODEL 53FB - CHASSIS 106  
 MODEL 53FA - CHASSIS 105

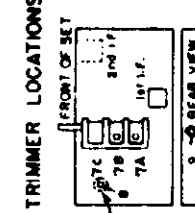
Batteries Required--one No. CR-60 Crosley "A" and "B" Battery Pack (1.5 Volt "A"--90 Volt "B")



BATTERY CABLE B PLUG



TRIMMER LOCATIONS



FOR MODEL 53FB ONLY

FOR MODEL 53FA ONLY

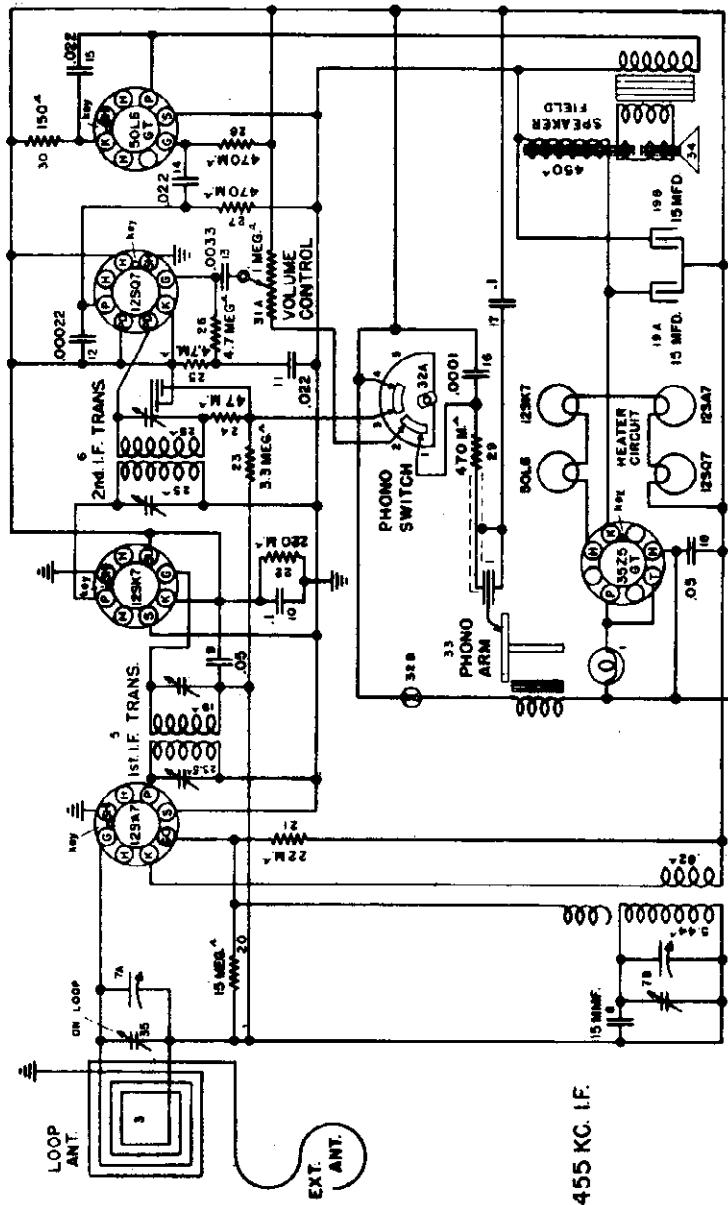
FOR MODEL 53FB ONLY

FOR MODEL 53FA ONLY

FOR MODEL 53FB ONLY

FOR MODEL 53FA ONLY

THE CROSLEY CORP.

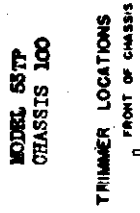


TUBE VOLTAGE CHART

Socket Voltage is measured @ 117.5 V line (BETWEEN SOCKET PINS AND B-) WITH 1000 OHM PER VOLT—500 V. RANGE D. C. VOLTMETER.

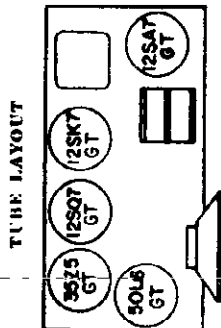
TUBE	FUNCTION	1	2	3	4	5	6	7	8
128A7	Out. Mod.			80	85	Neg.	0		Neg.
128K7	L.F. Amp.			0	Neg.	0	85		85
129Q7	Det., Etc.		0	0	0	0	Neg.	40	0
50L6	B. P. O.					80	85	0	
32Z5	Rect.							117.5A.C.	110

All voltages may vary 10% of values indicated. Neg. indicates Neg. reading on Voltmeter Scale but of too small a value to record accurately. Power consumption at 117.5 V. line, 80 watts. Phono Motor 20 watts additional. Drop across Speaker Field—36 V. Current thru Speaker Field—90 M. A.



TRIMMER LOCATIONS FRONT OF CHASSIS

TUNING RANGE — Broadcast Band 1600 to 540 kilocycles, or 18.75 to 565 meters.



TUBE LAYOUT

ALIGNMENT PROCEDURE

Preliminary Output Meter Connections.....Plate and screen of 50L6 Generator Ground Connections.....To Chassis through .001 MF. Cond. Dummy Antenna to be in series with generator output.....See chart below Position of Volume Control.....Fully on

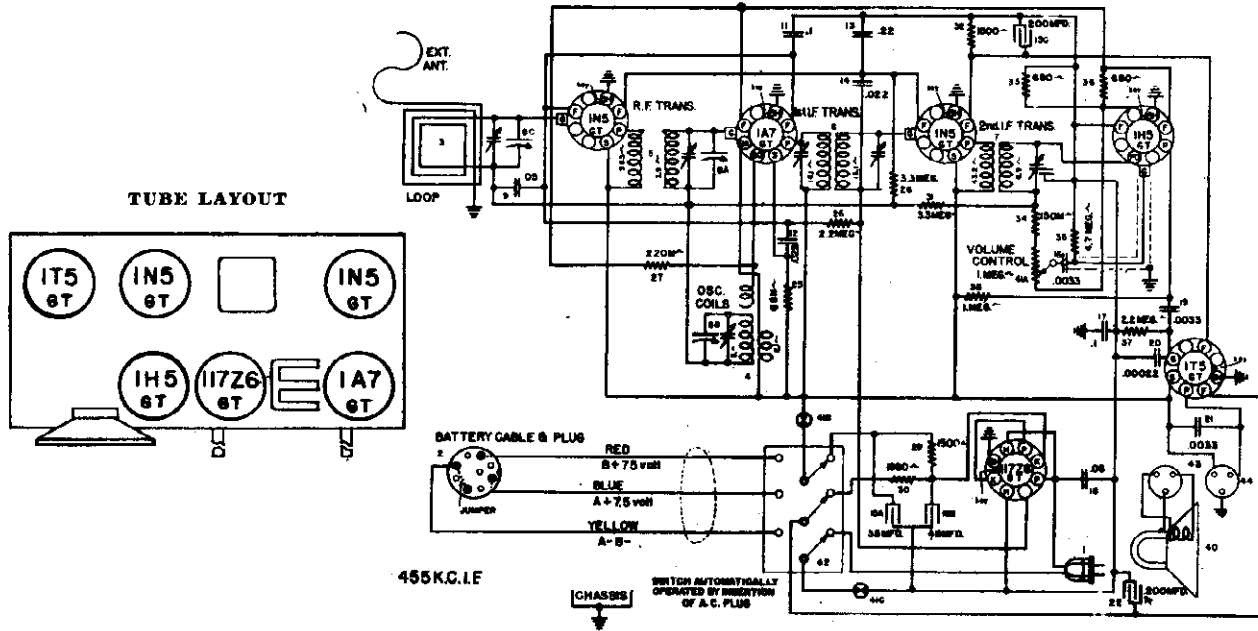
ALIGNMENT PROCEDURE CHART

Align-ment Seq.	Dummy Antenna	Frequency Setting	Input Coupling Switch	Photo. Switch	Tuning Setting	Trimmer Adjusted	Remarks
1	.000 MF.	455 Kc.	Antenna Low	Radio	Fullly Open	1st L.P. (3) 2nd L.P. (5)	Adjust for maximum signal. Adjust for maximum signal.
2	.000 MF.	1020 Kc.	Antenna Low (red)	Radio	Fullly Open	B. C. "Out."	Adjust for maximum output. Quant does not have to tune through signal
3	.000 MF.	1400 Kc.	Antenna Low (red)	Radio	140 Dial	B. C. "Ant."	Adjust for maximum output.

Repeat the original alignment procedure for more accurate adjustments. Always keep signal generator output as low as possible to prevent action of the A.V.C. circuit.

MODELS 62PA, 62PB  
Chassis 68

THE CROSLLEY CORP.



**BATTERIES REQUIRED** — one No. CR68 CROSLLEY "A and B" Battery Pack (7.5-Volt "A" and 75-Volt "B") OR EQUIVALENT

**SOCKET VOLTAGES — Models 62-PA and 62-PB**

Measured from "B" minus using 1000 Ω/V

Voltmeter, 100 V. Range, no signal input

Tube	Function	@ 117.5-Volt Line				Battery Pack			
		Filament Volt	Plate Volt	Screen Volt	Cathode Volt	Filament Volt	Plate Volt	Screen Volt	Cathode Volt
1N5GT	R. F. Amplifier	3.8	.....	.....	.....	4.6	75	75	.....
1A7GT	Osc. Modifier	2.6	80	31	.....	3.1	75	28	.....
1N5GT	I. F. Amplifier	5.0	80	80	.....	6.1	75	75	.....
1H5GT	Det.-A. V. C. 1st A. F.	1.3	7	.....	.....	1.6	4.5	.....	.....
1T5GT	Out Put	6.2	72	80	100	7.7	68	75	.....
117Z6GT	Rectifier	117.5 A. C.		117.5 A. C.		.....	.....	.....	.....

**ALIGNMENT PROCEDURE**

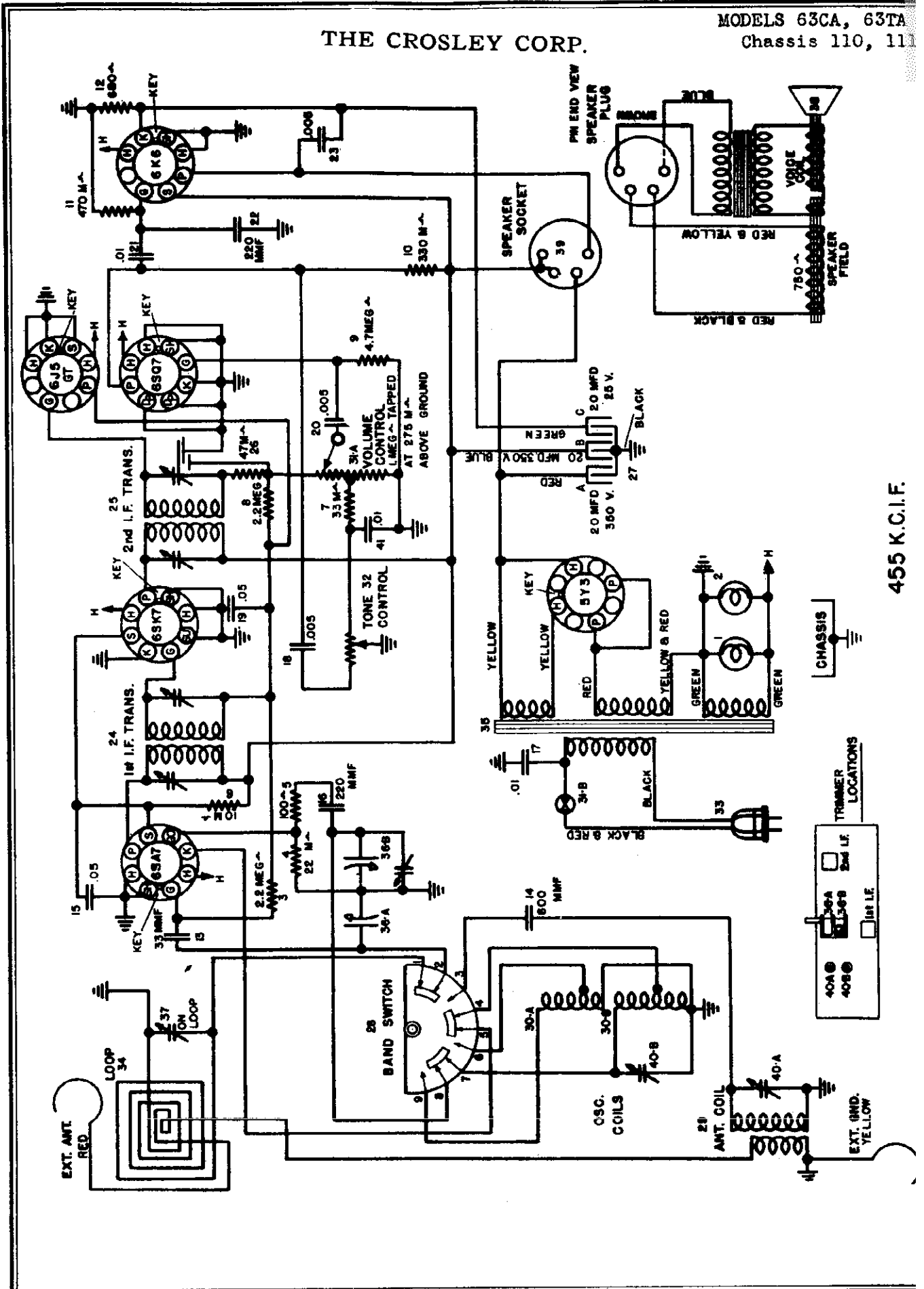
Volume Control on full Output meter connected to Plate and Screen of 1T5GT

FREQUENCY SETTING	CONNECTION TO RADIO	DUMMY ANTENNA	TUNING COND. SETTING	TRIMMERS TO ADJUST (See Fig. 1)	REMARKS
455 Kc	Ant. Lead	.0001 MF	Fully open	2nd 1-F (1) front chassis flange	Adjust for maximum signal.
455 Kc	Ant. Lead	.0001 MF	Fully open	1st 1-F (2)	Adjust for maximum signal. Located top of 1st 1-F ass'y.
1850	Ant. Lead	.0001 MF	Fully open	"OSC" Shunt on gang	Adjust for maximum output. Gang does not have to tune through signal.
1400	Ant. Lead	.0001 MF	140 on dial	"ANT" shunt on gang	Adjust for maximum output.
1400	Ant. Lead	.0001 MF	140 on dial	"RF" shunt on gang	Adjust for maximum output.
600	Ant. Lead	.0001 MF	60 on dial	Iron core in "OSC" coil	Adjust for maximum output while rocking gang.

Repeat above for more accurate adjustments  
Maximum power output @ 75 V. "B" — approx. 200 M. W.

A Battery drain @ 6 volts, .05 Amp.; "B" Battery drain @ 75 V., 9 M. A.; @ Power consumption @ 117.5 volts line — 25 Watts

THE CROSLLEY CORP.



455 K.C.I.F.

MODELS 63CA, 63TA  
Chassis 110, 111

THE CROSLEY CORP.

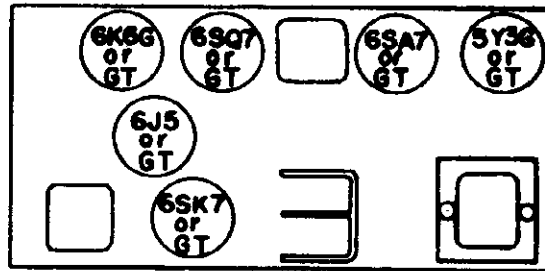
TUBE VOLTAGE CHART

Voltages measured with 1000 ohm per volt meter on the 500 volt range between socket pin and chassis

TUBE	FUNCTION	PIN NUMBER							
		1	2	3	4	5	6	7	8
6SA7—OSC.—Mod.				180	73			6.3 A. C.	
6SK7—I. F. Amplifier							73	6.3 A. C.	180
6J5—Detector A. J. C.								6.3 A. C.	
6SQ7—1st A. F.							68	6.3 A. C.	
6K6G or GT—Output			180	180				6.3 A. C.	9
5Y3G—Rectifier		225			270 A.C.		270 A.C.		225

MAX. POWER OUTPUT, 3.0 WATTS. POWER CONSUMPTION, 60 WATTS. DROP ACROSS SPEAKER FIELD, 45 VOLTS. Voltages may vary 10% of values given.

TUBES	FUNCTION
1—6SA7 GT	Oscillator-Modulator
1—6SK7 GT	Intermediate Frequency Amplifier
1—6J5 GT	Detector A. V. C.
1—6SQ7 GT	1st Audio Amplifier
1—6K6 GT	Pentode Output
1—5Y3 GT	Rectifier



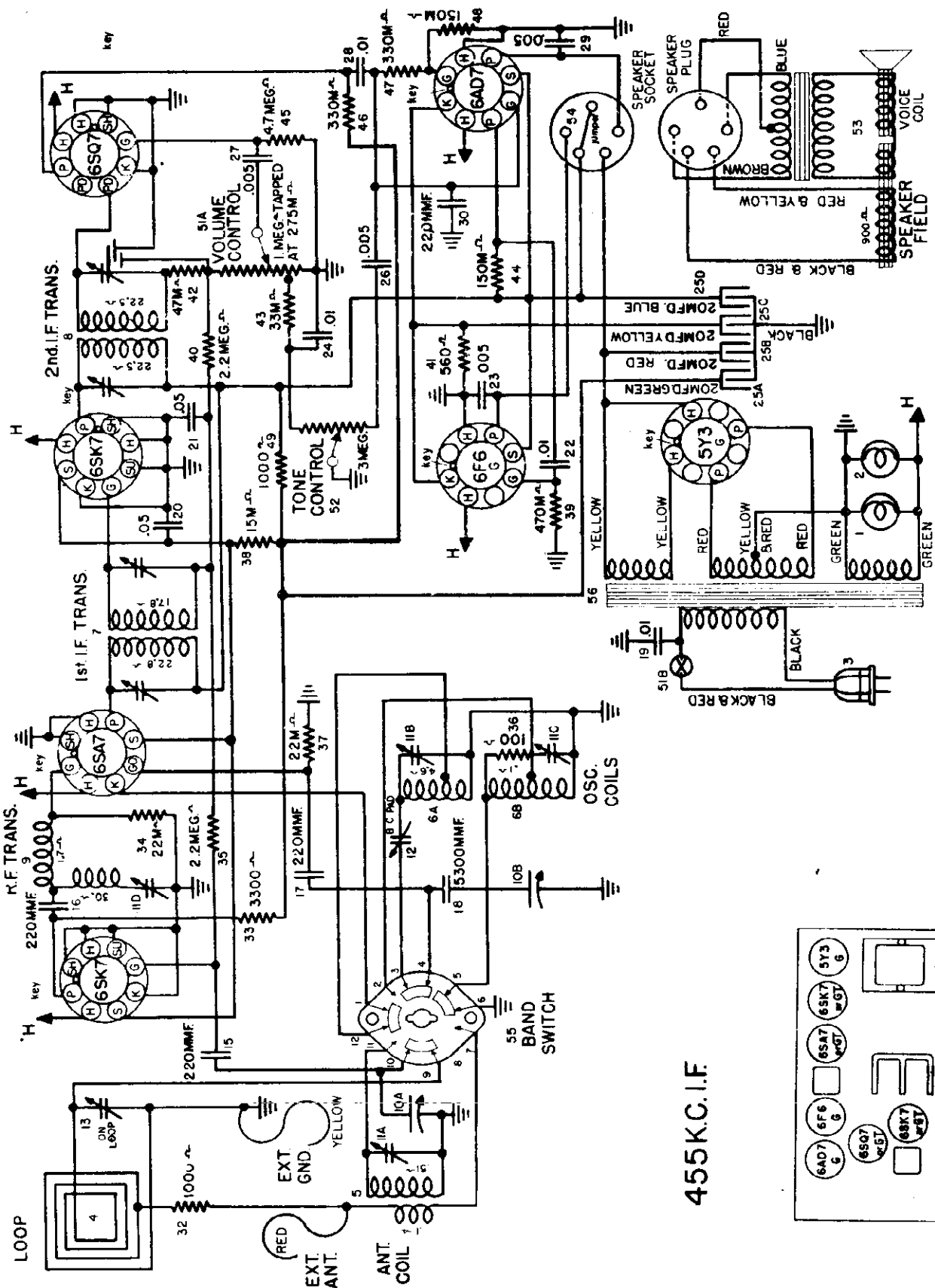
ALIGNMENT PROCEDURE

- Output Meter Connections.....Plate and Screen of 6K6GT
- Generator Ground Connection.....To Chassis or Ground Lead
- Dummy Antenna to be in series with generator output.....See Chart Below
- Position of Volume Control.....Fully On

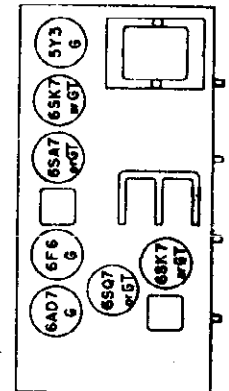
Signal Generator							
Align-ment Seq.	Dummy Antenna	Frequency Setting	Input Connection to Receiver	Band Switch	Tuning Cond. Setting	Trimmer Adjusted	Remarks
1.	.02 MF.	455 Kc.	Stator lug rear section of Gang Cond.	B. C.	Fully open	2nd I-F (2) 1st I-F (2)	Adjust for Maximum. Adjust for Maximum.
2.	400 ohm (carbon)	15.3 Mc.	Ant. Terminal	S. W.	Fully open	S. W. "OSC"	Adjust for peak. Gang does not have to tune thru signal.
3.	400 ohm (carbon)	15.0 Mc.	Ant. Terminal	S. W.	approx. 18	S. W. "ANT" Trimmer	Adjust for maximum output while rocking gang thru signal. Do not touch B. C. Osc. Trimmer.
4.	.0002 MF.	1620 Kc.	Ant. Terminal	B. C.	Fully open	B. C. "OSC" Trimmer	Adjust for peak; gang does not have to tune thru signal. Loop must be connected.
5.	.0002 MF.	1400 Kc.	Ant. Terminal	B. C.	Approx. 140 on dial	B. C. "ANT" Trimmer	Adjust for maximum output. Do not touch B. C. OSC. Trimmer.
6.	Repeat the above alignment procedure for more accurate adjustments. Always keep signal generator output as low as possible to prevent action of the A. S. C. circuit.						

**IMPORTANT ALIGNMENT NOTES**—When aligning the shortwave band "OSC" trimmer care must be exercised to see that the circuit is aligned on the correct frequency and not on the image which is approximately 910 kilocycles less as indicated on the Receiver dial. To check, increase generator output tune-in the generator frequency and then tune-in the image frequency which should be weaker than the fundamental and come in approximately 910 kilocycles lower on the Receiver dial than the fundamental. If image cannot be tuned-in, the "OSC" trimmer is adjusted to the wrong peak. (Correct peak is the second peak on trimmer from the closed position.)

THE CROSLLEY CORP.



455 KC. I.F.





MODEL 72TA, Chassis 79

THE CROSLLEY CORP.

TUBE VOLTAGE CHART

SOCKET VOLTAGES MEASURED AT 117.5 V. LINE (BETWEEN SOCKET PIN AND CHASSIS) WITH 1000 OHM PER VOLT, 500 V. RANGE VOLTMETER (D. C.)

TUBE	FUNCTION	PIN NUMBER							
		1	2	3	4	5	6	7	8
6SK7—R. F. Amplifier.....		0	0	0	0	0	80	6.3 A. C.	235
6SA7—OSC.—Mod.....		0	0	260	80	0	0	6.3 A. C.	0
6SK7—I. F. Amplifier.....		0	0	0	0	0	80	6.3 A. C.	260
6SQ7—Det. A. S. C. 1st A. F.....		0	0	0	0	0	85	6.3 A. C.	0
6AD7—Phase Inverter and output.....		0	0	255	280	0	180	6.3 A. C.	23
6F6—Output.....		0	0	255	280	0	235	6.3 A. C.	23
5Y3G—Rectifier.....		N. C.	330	J. B.	300A.C.	J. B.	300 A. C.	J. B.	330

MAX. POWER OUTPUT..... 6.5 WATTS.  
 POWER CONSUMPTION..... 85 WATTS.  
 DROP ACROSS SPEAKER FIELD..... 70 VOLTS.  
 J. B.—Junction Block. N. C.—No Connection.

Voltages may vary 10% of values given.

ALIGNMENT PROCEDURE

- Output Meter Connections..... Plate of 6AD7 to Plate of 6F6
- Generator Ground Connection..... To Chassis or Ground Lead
- Dummy Antenna to be in series with generator output..... See Chart Below
- Position of Volume Control..... Fully On
- Position of Tone Control..... Treble or Speech

ALIGNMENT PROCEDURE CHART

Signal Generator							
Align-ment Sequence	Dummy Antenna	Frequency Setting	Input Connection to Receiver	Band Switch	Tuning Cond. Setting	Trimmer Adjusted	Remarks
1.	.02 MF.	455 Kc.	Stator lug Rear section of Gang Cond.	B. C.	Fully open	2nd I-F (2) 1st I-F (2)	Adjust for Maximum. Adjust for Maximum.
2.	.02 MF.	455 Kc.	Stator lug Rear section of Gang Cond.	B. C.	Fully open	Adj. Wave Trap Trimmer.	Adjust for Minimum.
3.	.0002 MF.	1650 Kc.	Ant. Terminal	B. C.	Fully open	B. C. "OSC" Trimmer	Adjust for peak; gang does not have to tune thru signal. Loop must be connected.
4.	.0002 MF.	600 Kc.	Ant. Terminal	B. C.	Approx. 80 on dial	B. C. "OSC" Series Trimmer	Adjust for maximum output while rocking gang thru signal.
5.	Repeat Step No. 3 to check possible shift due to series adjustment.						
6.	.0002 MF.	1400 Kc.	Ant. Terminal	B. C.	Approx. 140 on dial	B.C. LOOP "ANT" Trimmer	Adjust for maximum output do not touch B. C. Osc. Trimmer.
7.	400 ohm (carbon)	18.3 Mc.	Ant. Terminal	S. W.	Fully open	S. W. "OSC"	Adjust for peak. Gang does not have to tune thru signal.
8.	400 ohm (carbon)	18.0 Mc.	Ant. Terminal	S. W.	Approx. 18	S. W. "ANT" Trimmer	Adjust for maximum output while rocking gang thru signal. do not touch B. C. Osc. Trimmer.
9.	Repeat the above alignment procedure for more accurate adjustments. Always keep signal generator output as low as possible to prevent action of the A. S. C. circuit.						

**IMPORTANT ALIGNMENT NOTES** — When aligning the shortwave band "OSC" trimmer care must be exercised to see that the circuit is aligned on the correct frequency and not on the image which is approximately 910 kilocycles less as indicated on the Receiver dial. To check, increase generator output tune-in the generator frequency and then tune-in the image frequency which should be weaker than the fundamental and come in approximately 910 kilocycles lower on the Receiver dial than the fundamental. If image cannot be tuned-in, the "OSC" trimmer is adjusted to the wrong peak. (Correct peak is the second peak on trimmer from the closed position.)

THE CROSLY CORP

MODELS 83CA, 83CB, 83CC,  
83CP, 83CQ, 83TA  
Chassis 96

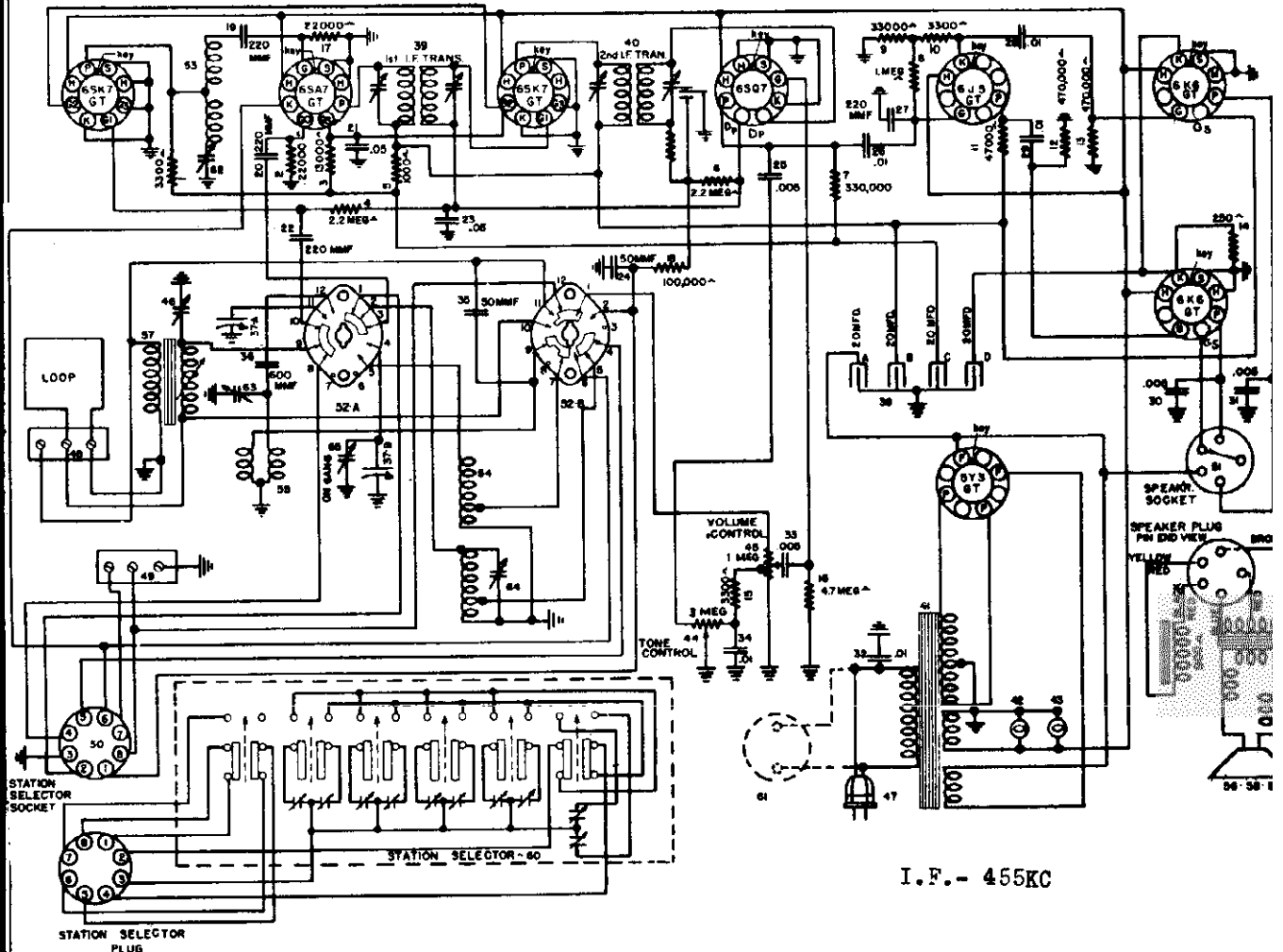
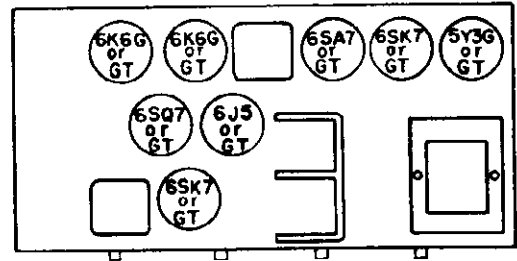
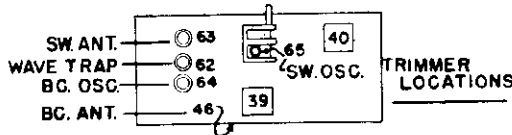
TUBE VOLTAGE CHART

Socket voltages measured at 117.5 V. Line (between socket pin and chassis) with 1000 OHM PER VOLT, 500 V. RANGE VOLT METER (D.C.)

TUBE	FUNCTION	PIN NUMBER							
		1	2	3	4	5	6	7	8
6SK7GT—R. F. Amplifier.....		0	0	0	0	0	70	6.3 A. C.	175
6SA7GT—OSC.—Mod.....		0	0	235	70	0	0	6.3 A. C.	0
6SK7GT—L. F. Amplifier.....		0	0	0	0	0	70	6.3 A. C.	235
6SQ7GT—Det. A. S. C. 1st A. F.....		0	0	0	0	0	40	6.3 A. C.	0
6J5GT—Phase Inverter.....		0	0	155	0	0	0	6.3 A. C.	46
6K9GT—(2)—Output.....		0	0	230	235	0	0	6.3 A. C.	16
5Y3Q—Rectifier.....			330		355A.C.		355A.C.	J. B.	330

MAX. POWER OUTPUT..... 6.8 WATTS  
 POWER CONSUMPTION..... 85 WATTS  
 DROP ACROSS SPEAKER FIELD..... 95 VOLTS  
 PHONO MOTOR..... 25 WATTS

Voltages may vary 10% of values given.



MODELS 83CA, 83CB, 83CC, 83CP, 83CQ, 83TA Chassis 96 THE CROSLLEY CORP.

**ADJUSTING PUSH BUTTONS TO STATIONS: MODELS 83CA and 83CQ:** There are six push buttons, five of which may be pre-set to any station whose frequency (kilocycles) is within range covered by that button. See Figure No. 1.

On Model 83CA, the left hand push button is to be used only when an external Record Player is connected to the Phono terminals on rear of chassis.

On Model 83CQ, the lower push button must be depressed to place the Automatic Record Changer in operation.

**SET-UP PROCEDURE:** Carefully remove the push button escutcheon. Turn receiver on and let it operate a sufficient length of time to permit the tubes to reach normal operating conditions.

1. Turn the band change switch to "A" (American) position. Using manual tuning knob, carefully tune in the station to which the No. 2 push button is to set. Note program.
2. Turn band change switch to "P" (Push Button) position. Depress No. 2 push button and using a small screw driver, carefully turn the OSCILLATOR adjusting screw until the station previously tuned-in manually is heard again. Adjust for maximum volume in speaker.
3. Adjust the No. 2 push button ANTENNA for maximum volume in speaker.
4. Turn band switch from "P" to "A" and back again to check if adjustment has been correctly made. There should be no change in tone quality when switched from one to the other.
5. Repeat above procedure for remaining buttons.
6. Select station call letters to which the push buttons have been set from the sheets supplied. Place them in the windows over corresponding push buttons. After tabs are in place, break celluloid covers from strip furnished and snap them in place over the tabs.

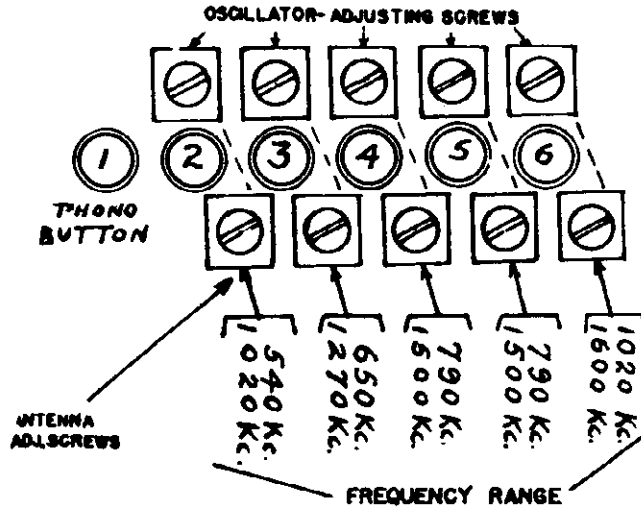


Fig. 1.

**ALIGNMENT PROCEDURE**

Output Meter Connections..... Plate to Plate of 6K6  
 Generator Ground Connection..... To Chassis or Ground Lead  
 Dummy Antenna to be in series with generator output..... See Chart Below  
 Position of Volume Control..... Fully On  
 Position of Tone Control..... Treble or Speech

**Signal Generator**

Align-ment Seq.	Dummy Antenna	Frequency Setting	Input Connection to Receiver	Band Switch	Tuning Cond. Setting	Trimmer Adjusted	Remarks
1.	.02 MF.	455 Kc.	Stator lug front section of Gang Cond.	A	Fully open	2nd I-F (2) 1st I-F (2)	Adjust for Maximum. Adjust for Maximum.
2.	.02 MF.	455 Kc.	Stator lug front section of Gang Cond.	A	Fully open	Adj. Wave Trap Trimmer.	Adjust for Minimum.
3.	400 ohm (carbon)	15.3 Mc.	Ant. Terminal	F	Fully open	S. W. "OSC"	Adjust for peak. Gang does not have to tune thru signal.
4.	400 ohm	15.0 Mc.	Ant. Terminal	F	Approx. 15	S. W. "ANT"	Adjust for maximum output while rocking gang thru signal. Do not touch B. C. Osc. Trimmer.
5.	.0002 MF.	1630 Kc.	Ant. Terminal	A	Fully open	B. C. "OSC" Trimmer	Adjust for peak; gang does not have to tune thru signal. Loop must be connected.
6.	.0002 MF.	600 Kc.	Ant. Terminal	A	Approx. 60 on dial	B. C. "OSC" Series	Adjust iron core on rear of chassis for maximum output.
7.	.0002 MF.	1400 Kc.	Ant. Terminal	A	Approx. 140 on dial	B. C. "ANT" Trimmer Rear Chassis	Adjust for maximum output. Do not touch B. C. Osc. Trimmer.
8.	Repeat the above alignment procedure for more accurate adjustments. Always keep signal generator output as low as possible to prevent action of the A. V. C. circuit.						

**IMPORTANT ALIGNMENT NOTES**—When aligning the shortwave band "OSC" trimmer care must be exercised to see that the circuit is aligned on the correct frequency and not on the image which is approximately 910 kilocycles less as indicated on the Receiver dial.

THE CROSLY CORP.

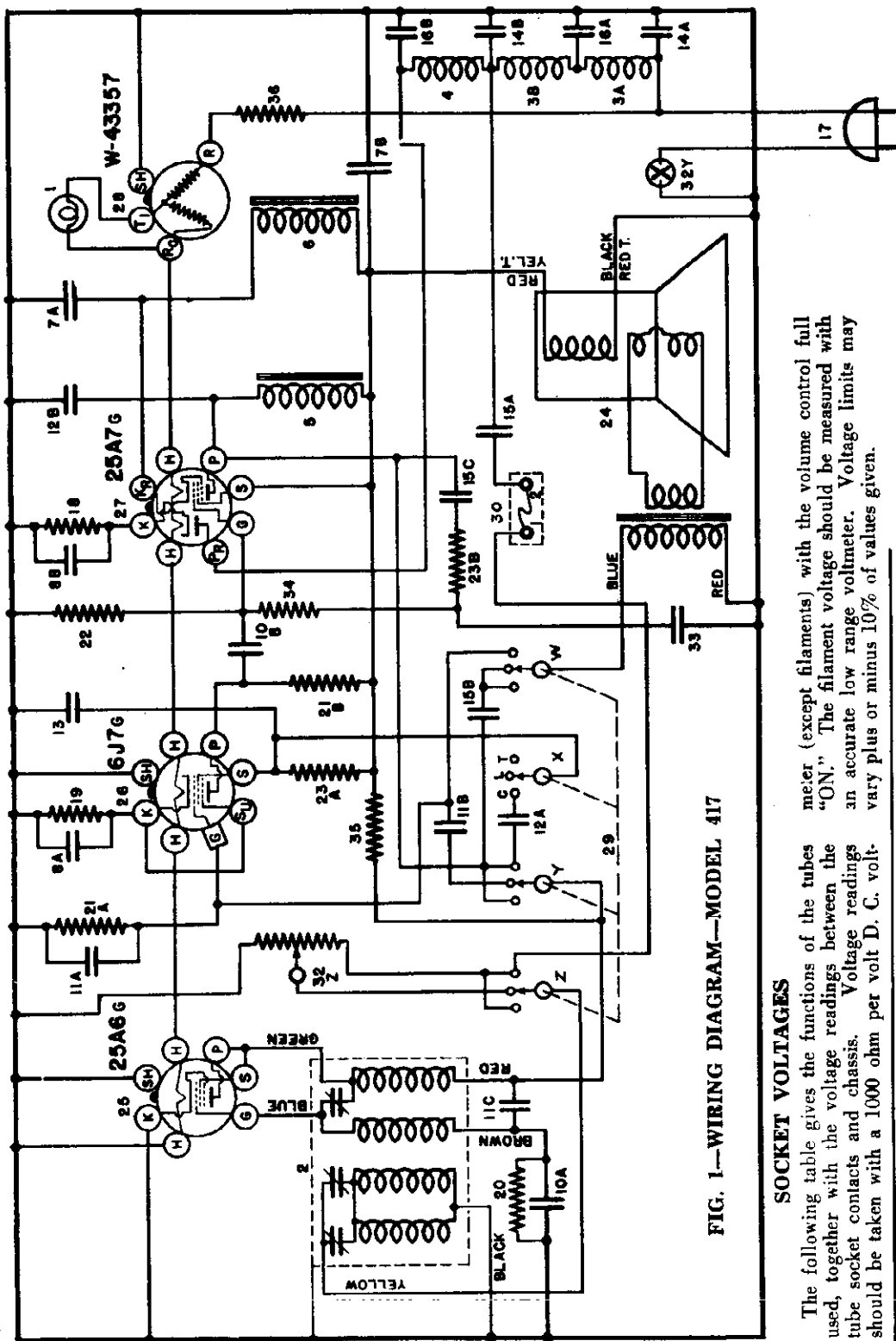


FIG. 1--WIRING DIAGRAM--MODEL 417

SOCKET VOLTAGES

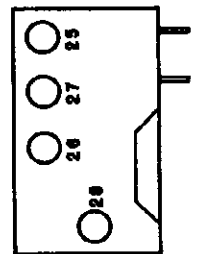
The following table gives the functions of the tubes (except filaments) with the volume control full meter (except filaments) with the volume control full "ON." The filament voltage should be measured with used, together with the voltage readings between the tube socket contacts and chassis. Voltage readings should be taken with a 1000 ohm per volt D. C. voltmeter. Voltage limits may vary plus or minus 10% of values given.

TUBE SOCKET VOLTAGE READINGS

Tube	Function	H	P	S	K
25A6G	Oscillator and Det.	25	7	5	0
6J7G	Audio Driver	3.8	105	90	1.3
25A7G	Rectifier	25	90	95	11
	Modulator		90	95	11
	Output		90	95	
	Ballast		95		

Rc--R 48 Volts, T1--R 43 Volts

\* Voltage drop across speaker field 95 volts.  
Power consumption 50 watts.  
All readings taken on 117.5 volt a. c. line.



JUNE 1938  
MODEL--417  
OPERATING FREQ. 90 KCS.

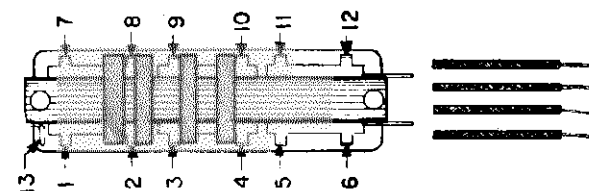


Fig. 6

THE CROSLLEY CORP.

SPECIFICATIONS

The Crosley Chattabox is a two way loud speaking communication system which may be used between offices or departments in a large organization, between rooms in a home such as 1st floor and recreation room or between 1st floor and nursery or 1st floor and garage, at sports events for communication between

judges and announcer, at mines for communication between the surface and interior, etc.

The units are designed to operate on 100-125 volt power supply lines, either A. C. or D. C. When transmitting, a carrier frequency of approximately 90 kilocycles is routed over the regular power supply lines. The carrier frequency will not, however, pass through large inductances such as transformer windings.

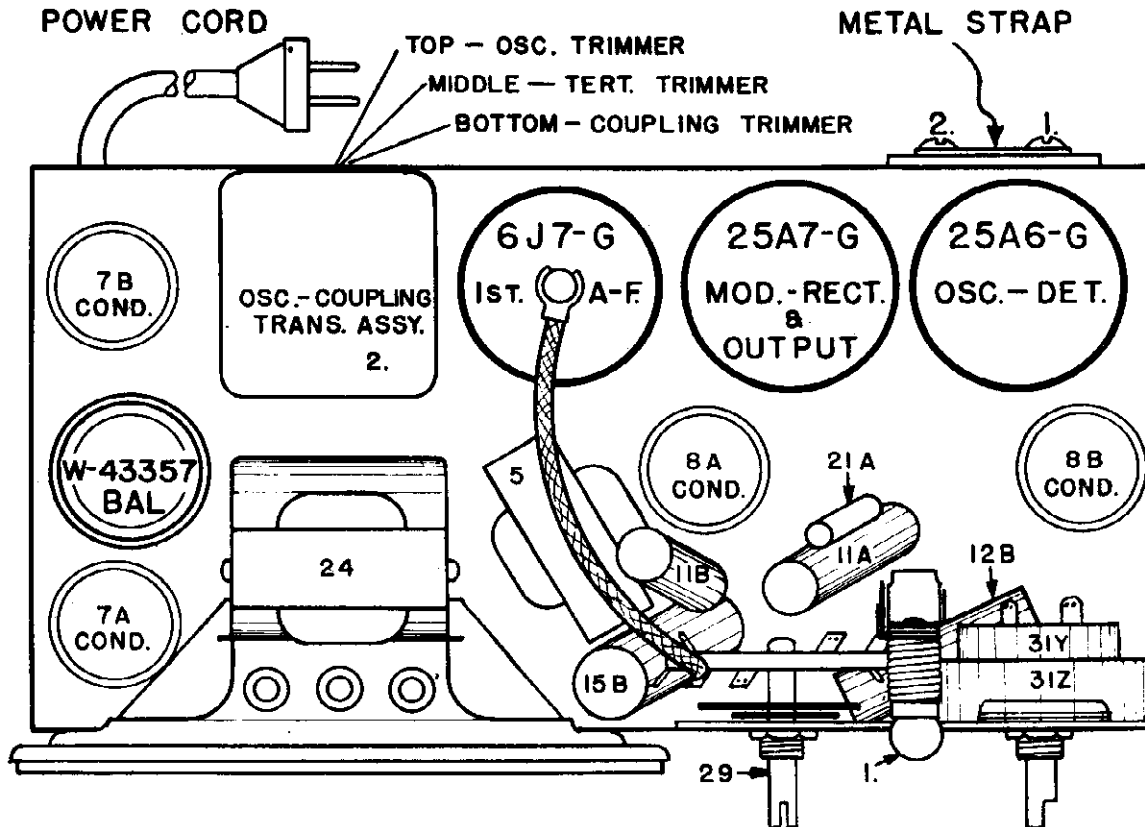


Fig. 2. Top View Model 417

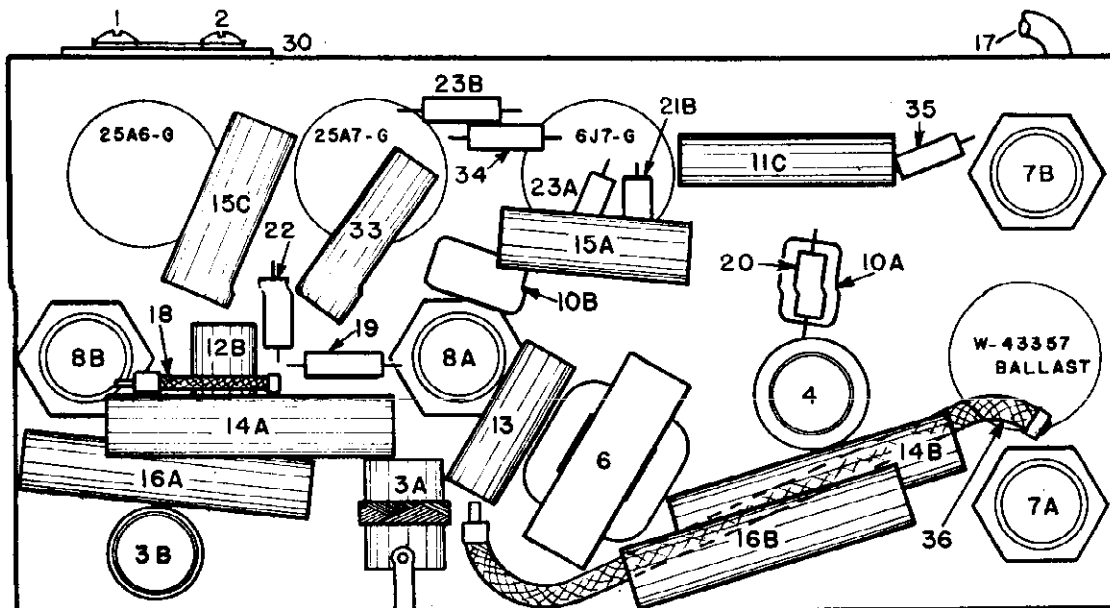


Fig. 3. Bottom View Model 417

## THE CROSLY CORP.

## CIRCUIT CHANGES

Several circuit changes should be made in all earlier models before any tests or adjustments are made. (1) The free terminal of the volume control should be connected to chassis, (2) item 35 should be changed to the value shown in the Parts List, (3) item 36 should be added and (4) Remove the triple-tuned transformer from the chassis and then remove its can.

Referring to Fig. 6, connect a jumper wire between lugs 10 and 11 and another jumper wire between lugs 9 and 12. Attach a solder lug to the top end of the coil form, No. 13. Remove the black lead and two coil leads from lug 3 and solder them to the new lug, No. 13.

After these circuit changes have been made, the condenser and resistor which were required in the direct transmission line of the earlier units, will no longer be required.

## ALIGNMENT PROCEDURE

## Equipment Required

- (1) Standard 400 cycle modulated signal generator.
- (2) Output meter.
- (3) Radio receiving set.
- (4) Two Chattaboxes which are known to be in good operating condition.

## Procedure

Arrange the equipment as shown in Fig. 4.

- (a) Feed a 400 cycle modulated signal into the receiver and tune the receiver to this signal.
- (b) Place one of the good Chattaboxes in front of the speaker of the radio. Turn the Chattabox "ON" and lock the switch in the "TALK" position.
- (c) Place the unit to be aligned in an adjacent room and connect to the same electric circuit as the good unit in the other room is connected.
- (d) The second good unit should be set up in the same room as the unit to be aligned. Its switch should remain in the "LISTEN" position.
- (e) Connect the output meter from the plate of the 25A7G tube to chassis of the unit being aligned. A .1

mfd., or larger, condenser should be connected in series with one of the leads.

(f) Turn the unit "ON" and with the switch in the "LISTEN" position, adjust all three trimmers on the triple-tuned transformer for maximum reading on the output meter. (Fig. 2.)

(g) Lock the switch in the "TALK" position. The signal produced in the good unit will be the beat note produced by the interaction of the unit being aligned and the good unit in the other room. CAUTION: The volume level of the good unit receiving the beat note should be kept low enough to prevent a microphonic howl.

(h) Adjust the top trimmer on the triple-tuned transformer until the note in the good unit is reduced almost to zero beat.

(i) Throw the switch lever back and forth several times between the "LISTEN" and "TALK" positions, listening each time to the tone of the beat note. If the note changes in pitch or disappears altogether, readjust the top trimmer. Repeat this operation until the note is stable and as close as possible to zero beat.

## Alternate Method

If the units to be aligned are not too far out of adjustment a quick alignment may be made without the use of special equipment.

(a) Place the two units to be aligned in the same room and turn them "ON." Leave one set in the "LISTEN" position and lock the other in the "TALK" position.

(b) If they are not too far out of adjustment a microphonic howl will be heard between them. Retard the volume control on the one which is receiving until the howl is just audible.

(c) Adjust all three trimmer condensers on the triple-tuned transformer in the unit which is acting as a transmitter for maximum howl.

(d) Repeat operations (b) and (c) until maximum interaction is obtained.

(e) Reverse the functions of the two units and repeat the above procedure.

Figures in first column refer to parts in Diagrams.					
Item No.	Part No.	Description	Item No.	Part No.	Description
1	W —44337	Bulb—Dial Light	22	—36322	Resistor, 500,000 Ohm $\frac{1}{4}$ W. Ins.
2	G151—32002	Osc. and Coupling Coil Assy.	23A	—35602	Resistor, 1 Megohm $\frac{1}{4}$ W. Ins.
3A	G1 —32007	R-F. Filter Choke	23B	—35602	Resistor, 1 Megohm $\frac{1}{4}$ W. Ins.
3B	G1 —32007	R-F. Filter Choke	24	269BL6"U"	Speaker—Spec. No. 5-B-103
4	G2 —32007	R-F. Filter Choke		—45172	V. C. and Cone Assy.
5	G18 —29535	Audio Choke		—45292	Output Transformer
6	G17 —29535	Rectifier Filter Choke	25	G161—36400	Socket, Type 25A6
7A	W —43280	Condenser, 25 Mf. 150 V.	26	G157—36400	Socket, Type 6J7
7B	W —43280	Condenser, 25 Mf. 150 V.	27	G181—36400	Socket, Type 25A7
8A	W —44434	Condenser, 50 Mf. 25 V.	28	G170—36400	Socket Ballast—W-43357
8B	W —44434	Condenser, 50 Mf. 25 V.	29	B —44333	Switch—Listen, Talk and Signal
9		None	30	G40 —26719	Direct Line Term. Board
10A	G3 —34002	Condenser, .0005 Mf. 200 V.	31		None
10B	G3 —34002	Condenser, .0005 Mf. 200 V.	32	—44612	Vol. Cont. (5,000-Ohm) and Line Switch
11A	W —30270	Condenser, .001 Mf. 400 V.	33	W —28619	Condenser, .006 Mf. 200 V.
11B	W —30270	Condenser, .001 Mf. 400 V.	34	—35927	Resistor, 2 Megohm $\frac{1}{4}$ W. Ins.
11C	W —30270	Condenser, .001 Mf. 400 V.	35	—38623	Resistor, 750,000 Ohm $\frac{1}{4}$ W. Ins.
12A	W —23191A	Condenser, .01 Mf. 400 V.	36	W —45418	Resistor, 50 Ohm 6W. Flex.
12B	W —23191A	Condenser, .01 Mf. 400 V.		7DF	Cabinet
13	W —27216	Condenser, .05 Mf. 200 V.		W —43320	Knob (Vol. Cont.)
14A	W —23615	Condenser, .05 Mf. 400 V.		W —44616B	Switch Lever
14B	W —23615	Condenser, .05 Mf. 400 V.		W —44617A	Switch Lock
15A	W —24049C	Condenser, .1 Mf. 200 V.		W —29023	Bezel (Jewel)
15B	W —24049C	Condenser, .1 Mf. 200 V.		W —28723B	Jewel
15C	W —24049C	Condenser, .1 Mf. 200 V.		—44460	Cabinet Back
16A	W —22688	Condenser, .1 Mf. 400 V.		W —23012	Resistor (40 Ohm) Direct Line
16B	W —22688	Condenser, .1 Mf. 400 V.			
17	B —33906B	Power Cord and Plug			
18	W —29585	Resistor, 600 Ohm $\frac{1}{2}$ W. Flex.			
19	—35934	Resistor, 6,500 Ohm $\frac{1}{4}$ W. Ins.			
20	—36760	Resistor, 20,000 Ohm $\frac{1}{4}$ W. Ins.			
21A	—35601	Resistor, 300,000 Ohm $\frac{1}{4}$ W. Ins.			
21B	—35601	Resistor, 300,000 Ohm $\frac{1}{4}$ W. Ins.			

MODEL A459, Roamio

THE CROSLLEY CORP.

**SPECIFICATIONS**  
 This model Roamio is a two unit five-tube super-heterodyne receiver, designed expressly for installation in the Crosley automobile. It incorporates a mechanical push button tuning system of simple, rugged trouble free construction. The tubes used and their functions are as follows: one 6A8 as oscillator-modulator, one 6SK7 I.F. amplifier, one 6SQ7 as diode detector, A. V. C., and 1st audio, one 6K6GT as pentode output and one 6X5GT as rectifier. Bias for the 6A8 and 6SK7 is obtained from the drop across item 30, a 160 ohm resistor and bias for the 6K6GT is obtained from the drop across item 41, a 600 ohm resistor. The 6SQ7 is operated at zero bias. A. V. C. is supplied to the 6A8 and 6SK7 through item 32, a

500,000 ohm filter and item 33, a 1 megohm filter respectively. The B circuit is filtered by means of item 39, a 1,400 ohm resistor, and the two 10 mf. sections of item 27, a three section electrolytic condenser. Item 14 is a chemical temperature compensating condenser used in the oscillator circuit to prevent station drift.

**TUBES AND VOLTAGE LIMITS**

The following table gives the functions of the tubes used, together with the voltage readings between the tube socket contacts and chassis. Voltage readings should be taken with a 1,000 ohm per volt, 250 volt voltmeter, (except filaments) with the volume control full "ON" and no signal input. The filament voltages should be measured with an accurate low range voltmeter.

**TUBE SOCKET VOLTAGE READINGS**

Tubes	Function	No. 1	No. 2	No. 3	No. 4	No. 5	No. 6	No. 7	No. 8
6A8	OSC-MOD.	GND.	GND.	206	102	-4.5	101	6	3
6SK7	I-F Amplifier	GND.	GND.	GND.	Grid	3	102	6	207
6SQ7	Det., A.V.C., 1st A-F	GND.	Grid	0	Diode	67	6	6	GND
6K6GT	Output	GND.	GND.	230	Grid	213	210 J.B.	6	14
6X5GT	Rectifier	GND.	GND.	A.C.	A.C.	—	—	6	245

Maximum Power Output—approximately 3.6 watts.  
 Normal "A" Drain—8.5 amperes.  
 GND.—Ground. J.B.—Junction Block.

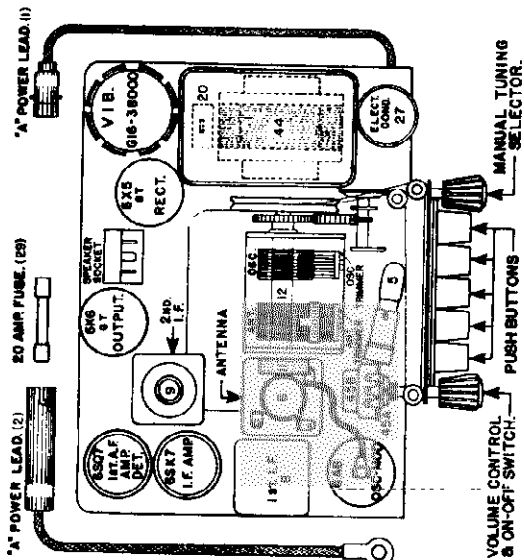


Fig. 2-A—Top View Model A-459

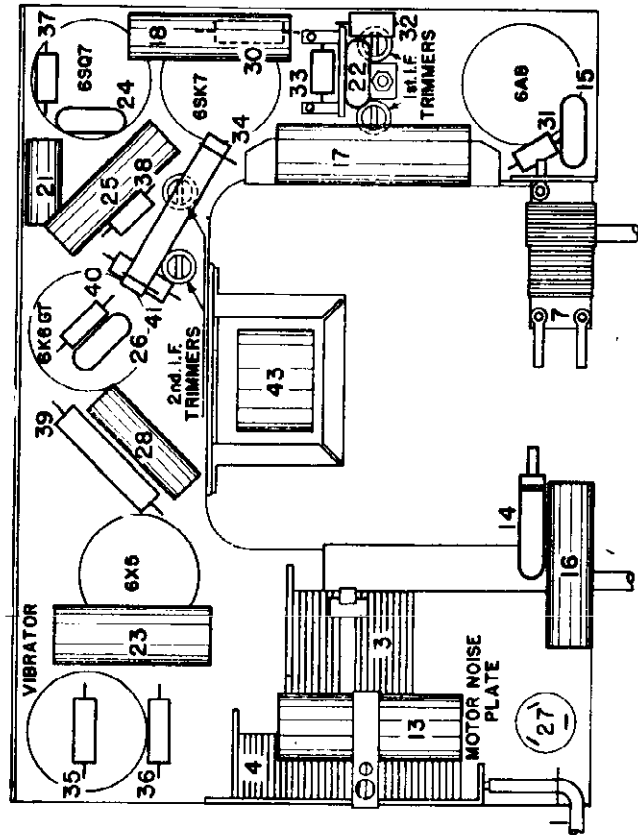


Fig. 3-A—Bottom View Model A-459

**ALIGNMENT PROCEDURE**

All the circuits in this receiver are very accurately adjusted at the factory and normally should need no further adjustment. However, if it is definitely known that an adjustment is necessary such as when an I.F. assembly has been changed and etc., the circuit can best be properly aligned with the use of a MODULATED SIGNAL GENERATOR and an output meter.

**CONNECTING OUTPUT METERS**

Connect the output meter to the plate and screen of the 6K6GT output tube. Be sure the meter is protected from D. C. by connecting a condenser (0.1 mf. or larger—not electrolytic) in series with one of the meter leads.

**1. Aligning the I-F to 485 Kilocycles.**

(a) Connect the ground lead from the signal generator to the chassis frame. Connect the high side of generator through an .02 mf. condenser to the grid cap of the 6A8 oscillator-modulator (leaving the tube's grid connector in place). Care should be exercised to keep signal generator leads as far as possible from the other grid leads.

(b) Open gang condenser all the way (minimum) turn volume control to maximum and then set signal generator to 455 kilocycles.

(c) Adjust both 2nd I.F. trimmers for maximum output. Trimmers are accessible from bottom of the chassis, Fig. 3.

(d) Adjust both 1st I.F. trimmers for maximum output. Trimmers are accessible from bottom of the chassis, Fig. 3.

(e) Repeat (c) and (d) with as low an output as

gives a reasonable indication on output meter for more accurate adjustment.

**2. Aligning the R-F.**

(a) The output lead from the signal generator should be connected through a .0001 mf. condenser to the "ANT" connection of the receiver.

(b) Set the signal generator to 1400 kilocycles.

(c) Adjust the station selector to 140 on the dial.

(d) Adjust the trimmer on the "OSC" section of the tuning condenser for maximum output.

(e) Adjust the trimmer on the "ANT" section of the tuning condenser for maximum output.

(f) Readjust the station selector for maximum output.

(g) Repeat operation (e) for more accurate adjustment.

**3. Setting the Push Buttons.**

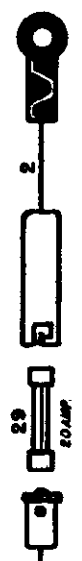
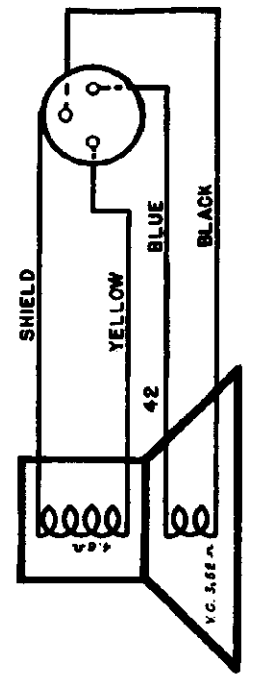
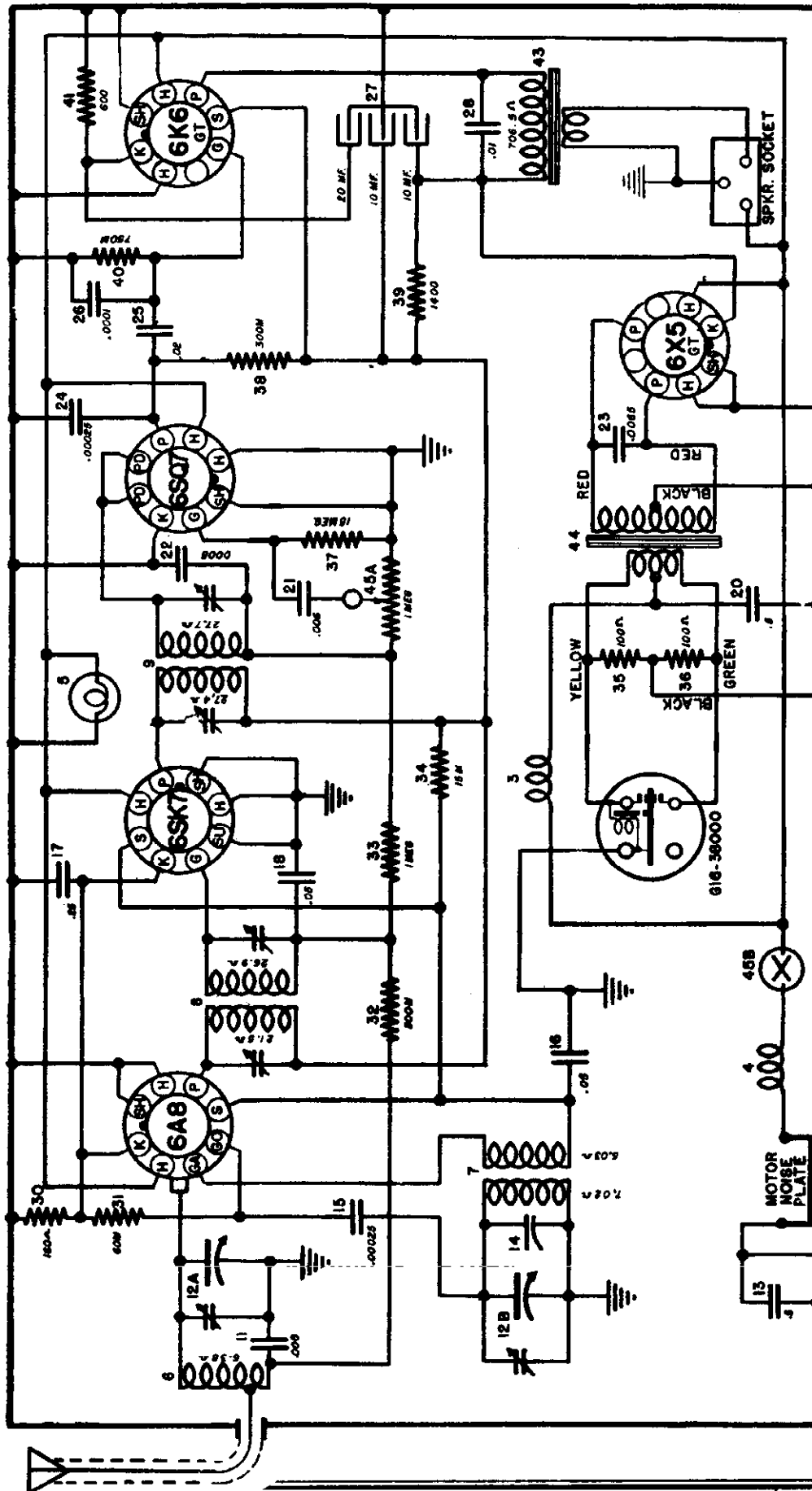
The push buttons are easily and accurately set from the front of the receiver.

To set push buttons, remove button by pulling straight out and the setting screw is easily accessible. Loosen the screws of the buttons to be set (two or three turns to the left).

By means of the manual tuning knob tune-in AS ACCURATELY AS POSSIBLE, the station for which the button is to be set. REMEMBER: the accuracy of the push buttons depends upon how accurate YOU tune-in the station when setting them.

With a small screw driver push the key all the way down. While holding the key down, securely tighten the setting screws. It is essential that you apply pressure while tightening the setting screws, in order to keep mechanism lined up with station tuned-in.

THE CROSLY CORP.



455 KC. I.F.



MODEL 539, MODEL J539  
MODEL 5539, MODEL J5539

THE CROSLLEY CORP.

**TUBES AND VOLTAGE LIMITS**

The following table gives the functions of the tubes used, together with the voltage readings between the tube socket contacts and chassis. Voltage readings should be taken with a 1000 ohm per volt, 250 volt voltmeter (except filaments) with the volume control full "ON" and no signal input, measured on a 117.5 volt AC line and voltage may vary plus or minus 10% of the values given.

**MODEL 539, J539, 5539, J5539**

**TUBE SOCKET VOLTAGE READINGS**

Tube	Function	No. 1	No. 2	No. 3	No. 4	No. 5	No. 6	No. 7	No. 8	No. 9
2AS8CT	Oscillator-Mediator	—	—	96	—	—	—	—	—	—
2SK7GT	I-F Amplifier	—	—	—	—	10	86	—	—	95
2S07GT	Det. AVC, A-F Amplifier	—	—	—	—	—	—	35	—	—
50L5GT	Output	—	—	96	—	—	—	—	—	—
35Z5GT	Rectifier	—	—	—	96	—	—	—	—	100

Lower output approximately 2.5 watts.  
Voltage measurement approximately 35 watts.  
Voltage across 75 ohm resistor.  
\*Measured across 75 ohm resistor.

**Aligning the I-F Amplifier.**

- (a) Leave signal generator output lead connected to the antenna lead (BLUE). Set signal generator to 1712 kilocycles for models without a loop antenna, or to 1620 kilocycles for models equipped with a loop antenna.
- (b) With the condenser gang turned to the minimum capacity position, adjust the trimmer condenser on the "OSC" section of the gang for maximum output. It is not necessary that the receiver tune through this signal.
- (c) Set the signal generator to 1400 kilocycles.
- (d) Tune in the 1400 kilocycles in the region of 140 on the dial for maximum output.
- (e) Adjust the trimmer condenser on the "ANT" section of the gang for maximum output.
- (f) Repeat the above for more accurate adjustments.

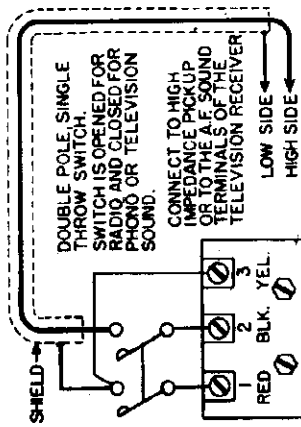
**WAVE TRAP**

Some models without the loop antenna are equipped with a wave trap for the purpose of eliminating interference from code stations which operate on a frequency of approximately 455 kilocycles. This assembly consists of a coil, a fixed condenser and a trimmer condenser as illustrated by the dotted lines in the Wiring Diagram (item 30).

The wave trap should not be adjusted until all other adjustments have been made. To make the adjustment, feed a 455 kilocycle signal from the signal generator through a 50 mmf. condenser into the antenna terminal of the receiver. With the gang condenser open and the volume control full on, adjust the trimmer condenser on the wave trap for MINIMUM output.

Should the interfering station be operating on a frequency of slightly more or less than 455 kilocycles, the exact frequency should be determined with the aid of the signal generator. Then, instead of feeding a 455 kilocycle signal into the receiver, the exact-frequency of the interfering signal should be used. If it is not possible to determine the exact frequency of the interfering signal, the antenna may be attached to the receiver and the receiver tuned to the position where the interfering signal is most noticeable. Then adjust the wave trap for minimum interference.

**PHONO CONNECTIONS 539, J-5539**



Some chassis are so constructed as to be adaptable to a phonograph pickup (high impedance type) for the reproduction of recordings. The terminals may also be used for the reproduction of television sound as supplied by a suitable television converter unit. The double pole single throw switch for changing from Radio to Phono or television sound, should be connected as shown in the above diagram.

**SPECIFICATIONS**

Model 539—This model is a phonograph combiner. Model designed for 110 volt 50-60 cycle operation. The radio chassis used in this model is almost identical to Model 5539 (Phono-Radio switch replaces tone control switch).

The phonograph motor is small, efficient and self-starting. The pickup or tone arm is an improved crystal cartridge type having a high output with an unusual wide frequency response. The turn table is rim driven. Special receptacles are provided for new and used needles.

The later series of this model were equipped with adjustable loop antennas.

Model J-539—This model is identical with model 539 except that it has a 1:1 isolating power transformer (for receiver) and slightly different phono motor. Model 5539—This model is a five tube, single band superheterodyne receiver. It is designed for operation on 110 volt power circuits, either DC or 50-60 cycle AC.

Model J-5539—This model is the same as Model 5539 except that it is designed for 110 volt, 50-60 cycle operation only.

**ALIGNMENT PROCEDURE**

**MODELS 539, J539, 5539, J5539**

**NOTE:** The chassis of this receiver is connected to one side of the power lines and for this reason all test equipment should be thoroughly insulated in order that the power supply will not become short-circuited while aligning the receiver. This does not apply to the J models which have isolating power transformers.

**CONNECTING OUTPUT METER**

Connect one terminal of the output meter to the plate and the other terminal to the screen of the 50L5GT output tube. Be certain that the meter is protected from DC by connecting a condenser (.1 mfd. or larger—not electrolytic) in series with one of the leads.

**Tuning the I-F Amplifier To 455 Kilocycles.**

- (a) Connect the output of the signal generator through a 100 mmf. condenser to the antenna connection (BLUE LEAD) on the receiver. Do not use a ground return from the signal generator, unless it is found to be absolutely necessary. If it is found to be necessary, a small condenser (approximately .001 mfd.) should be connected in series with the ground terminal of the signal generator and the receiver chassis. KEEP THE GENERATOR LEADS AS FAR AS POSSIBLE FROM THE GRID LEADS OF THE OTHER SCREEN GRID TUBES.
- (b) Set the station selector so that the plates of the condenser gang are completely out of mesh and turn the volume control to the right (ON).
- (c) Set the signal generator to 455 kilocycles.
- (d) Adjust the 2nd I-F trimmer condensers (Fig. 2) for maximum reading on the output meter.
- (e) Adjust the 1st I-F trimmer condensers (Fig. 2) for maximum output.
- (f) Repeat operations (d) and (e) for more accurate adjustments.

**ALWAYS USE THE LOWEST SIGNAL GENERATOR OUTPUT THAT WILL GIVE A REASONABLE READING ON THE OUTPUT METER.**

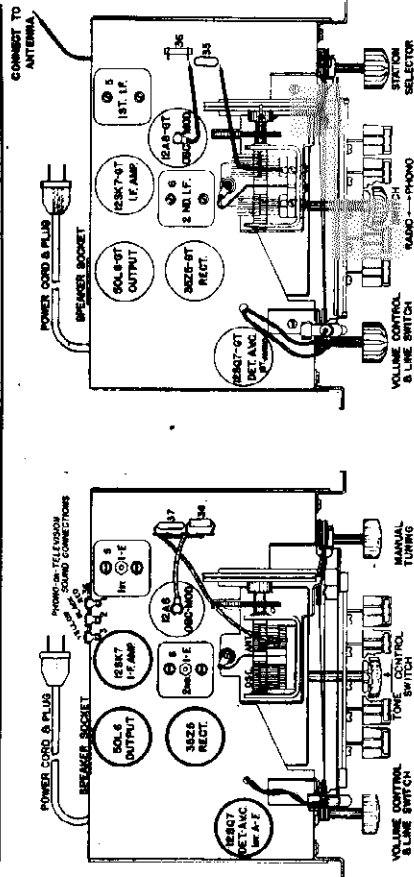


Fig. 2—Top View Model 539

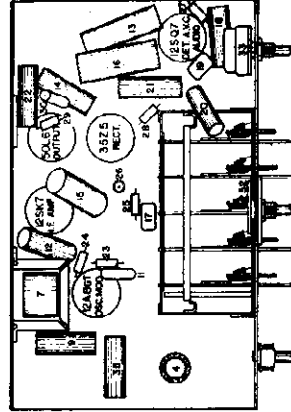


Fig. 4—Top View Model 539

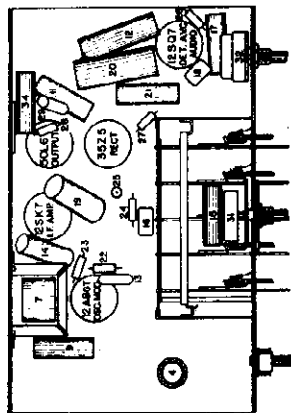


Fig. 3—Bottom View Model 5539

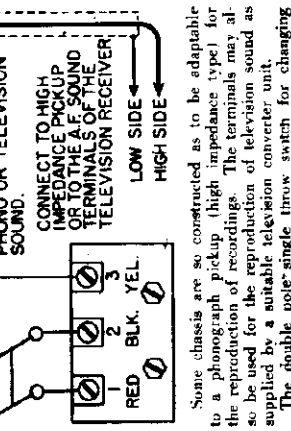
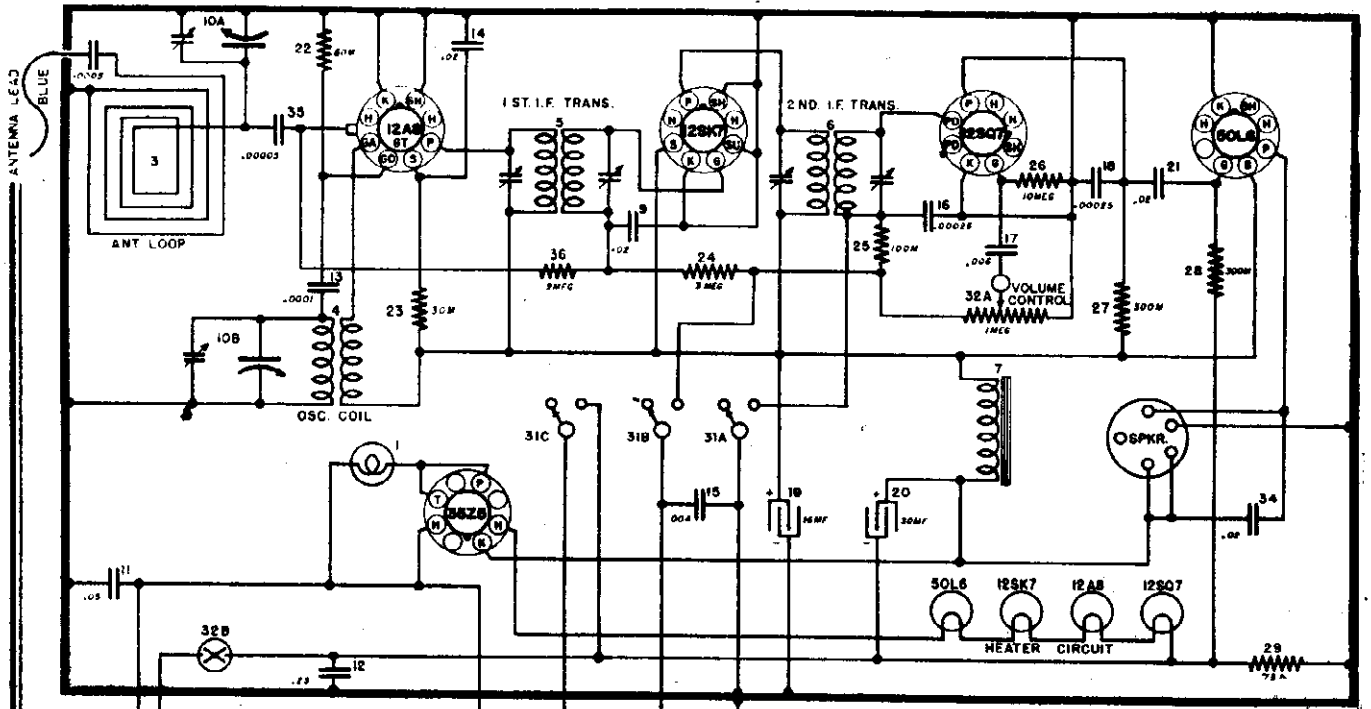


Fig. 5—Bottom View Model 539

THE CROSLY CORP.

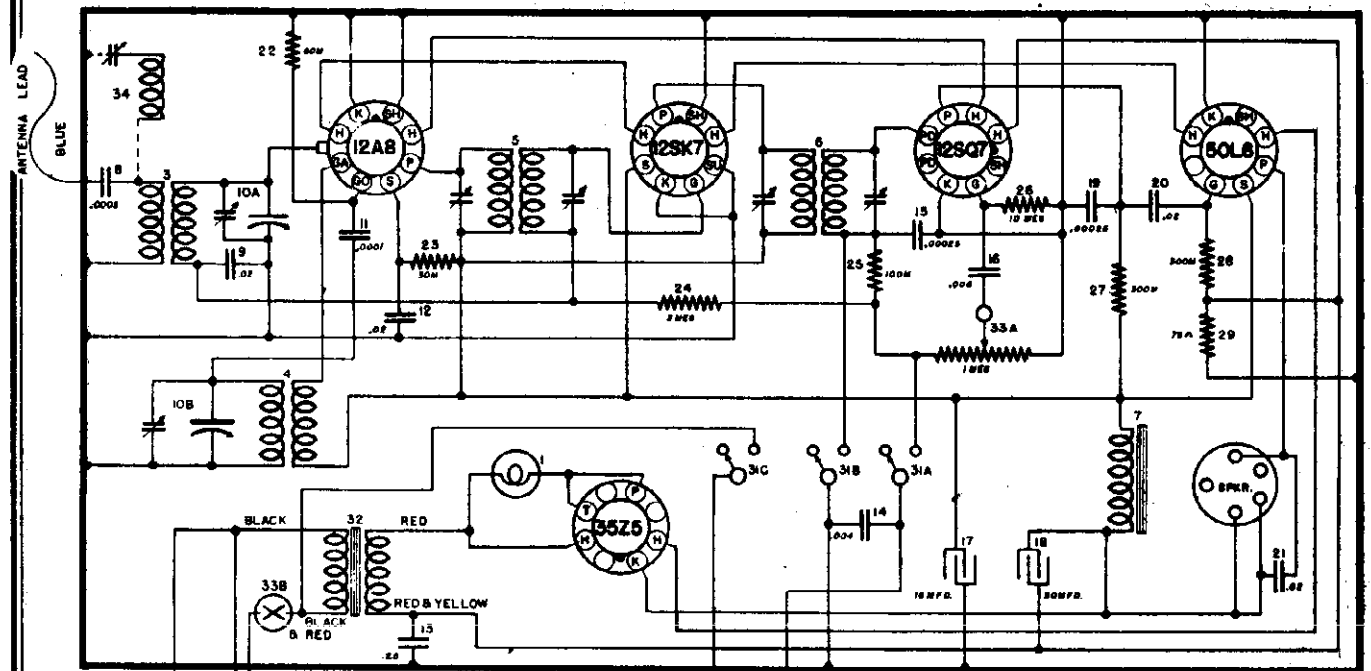
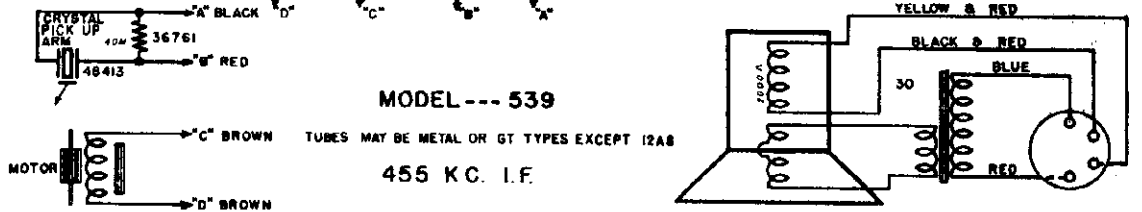
MODEL 539  
MODEL J539



MODEL --- 539

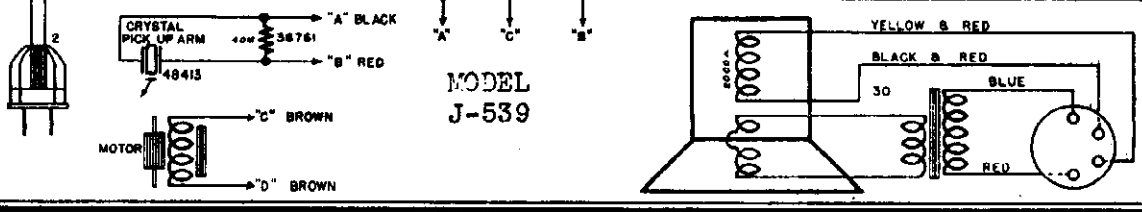
TUBES MAY BE METAL OR GT TYPES EXCEPT 12AB

455 KC. I.F.



MODEL J-539

455 KC. I.F.



MODEL A559, Roamio

THE CROSLY CORP.

TUBES AND VOLTAGE LIMITS

The following table gives the functions of the tubes used, together with the voltage readings between the tube socket contacts and the receiver chassis. Voltage readings taken with a 1000 ohm per volt, 500 volt voltmeter (except filaments) with receiver in operating condition and no signal input. The filament voltages should be measured with an accurate low range D. C. voltmeter (approximately 0 to 10 volts). Voltage limits may vary plus or minus 10% of values given.

Tube	Function	H	P	S	5 <sub>u</sub>	K	G <sub>a</sub>	G <sub>c</sub>
6AB7	Oscillator-Modulator	6.0	100	75	—	2.4	75	—
6SK7	I-F Amplifier	6.0	100	—	—	9	—	—
6SQ7	Diode Detector & A-F Amp.	6.0	45	—	—	0	—	—
6Y6GT	Output	6.0	105	100	—	5.6	—	—
6X5	Rectifier	4.0	—	—	—	1.20	—	—

Power Output approximately 4 Watts.  
Battery Drain approximately 6.6 Amperes at 6 Volts.

SPECIFICATIONS

This model Crosley Roamio is a single unit five-tube superheterodyne receiver. A highly efficient superheterodyne circuit employs five tubes to the utmost advantage as follows: one 6AB7 as an oscillator and mixer or modulator; one 6SK7 as an intermediate frequency amplifier; one 6Y6GT as power output amplifier and a 6X5 as a rectifier. A full wave vibrator is used. Bias for the 6AB7 and 6SK7 tubes is obtained across item 27 (168 ohm resistor), the 6SQ7 is operated at zero bias. Bias for the 6Y6GT is developed across item 37, a 160 ohm resistor.

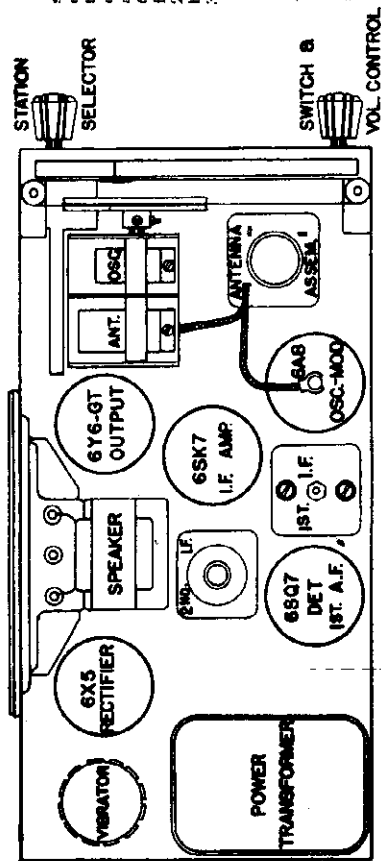


Fig. 2—Top View Model A-559

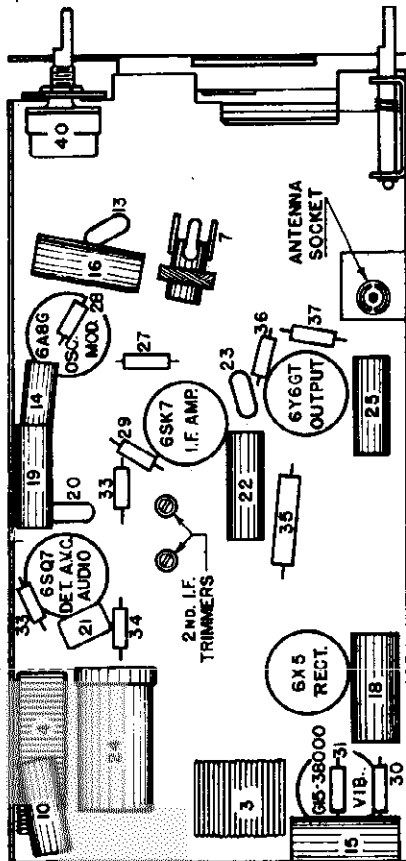


Fig. 3—Bottom View Model A-559

**REPLACING THE A-559 DRIVE CORD**

- 1.—Remove the broken cord and the cord tension spring.
- 2.—Cut a 30 inch length of drive cord and tie the tension spring approximately 4 inches from one end. Thread both ends through the eyelet in the large pulley from the inside. Hook the other end of the spring to the catch in the pulley and bend catch to secure spring.
- 3.—Close the condenser gang and see that the eyelet in pulley is on top and that the end of the condenser shaft is flush with the inside of the pulley.
- 4.—Take the long end of cord and place on small brass idler pulley on the right side of the dial bracket.

Loop around pulley in a clockwise direction and then around idler pulley on the left side of the dial bracket, continue on over the top of the large pulley and down to the drive shaft. From the under side of drive shaft wrap 2 turns around shaft in a counter-clockwise direction, bringing cord up on the left side of large pulley. Be sure the cord is on all the pulleys, then tie a knot, pulling with sufficient force to stretch the tension spring to within 1/2-inch of the edge of pulley.

- 5.—Close gang and place the pointer on the cord at the extreme left end of the dial. Check to see that pointer travels full length of the dial. It may be advisable to place some "ARATEX" or other liquid adhesive on cord where it fits into the pointer.

ALIGNMENT PROCEDURE

All the circuits in this receiver are very accurately adjusted at the factory and normally should need no further adjustment. However, if it is definitely known that an adjustment is necessary the circuits can best be properly aligned with the use of a modulated signal generator and an output meter.

CONNECTING OUTPUT METER

Connect the output meter to P and S of the 6Y6GT Output tube. Be sure the meter is protected from D. C. by connecting a condenser .1 mfd. or larger—not electrolytic in series with one of the leads.

1. Tuning the I-F Amplifier To 455 Kilocycles.

- (a) Connect the output of the signal generator through a .02 mfd. or larger, condenser to the top cap of the 6AB7 tube, leaving the tube's grid clip in place. Connect the ground lead from the signal generator to the receiver chassis frame. KEEP THE GENERATOR LEADS AS FAR AS POSSIBLE FROM THE GRID OF THE OTHER SCREEN GRID TUBES.
- (b) Adjust the station selector so that the rotor plates of the tuning condenser are completely disengaged and turn Vol. Cont. to maximum position (RIGHT).
- (c) Set the signal generator to 455 kilocycles.
- (d) Adjust both 2nd I-F trimmer condensers for maximum output. Fig. 3.
- (e) Adjust both trimmers located on the 1st I-F transformer for maximum output.
- (f) Repeat operations (d) and (e) for more accurate adjustments.

IN ORDER TO PREVENT A. V. C. ACTION ADJUSTMENT.

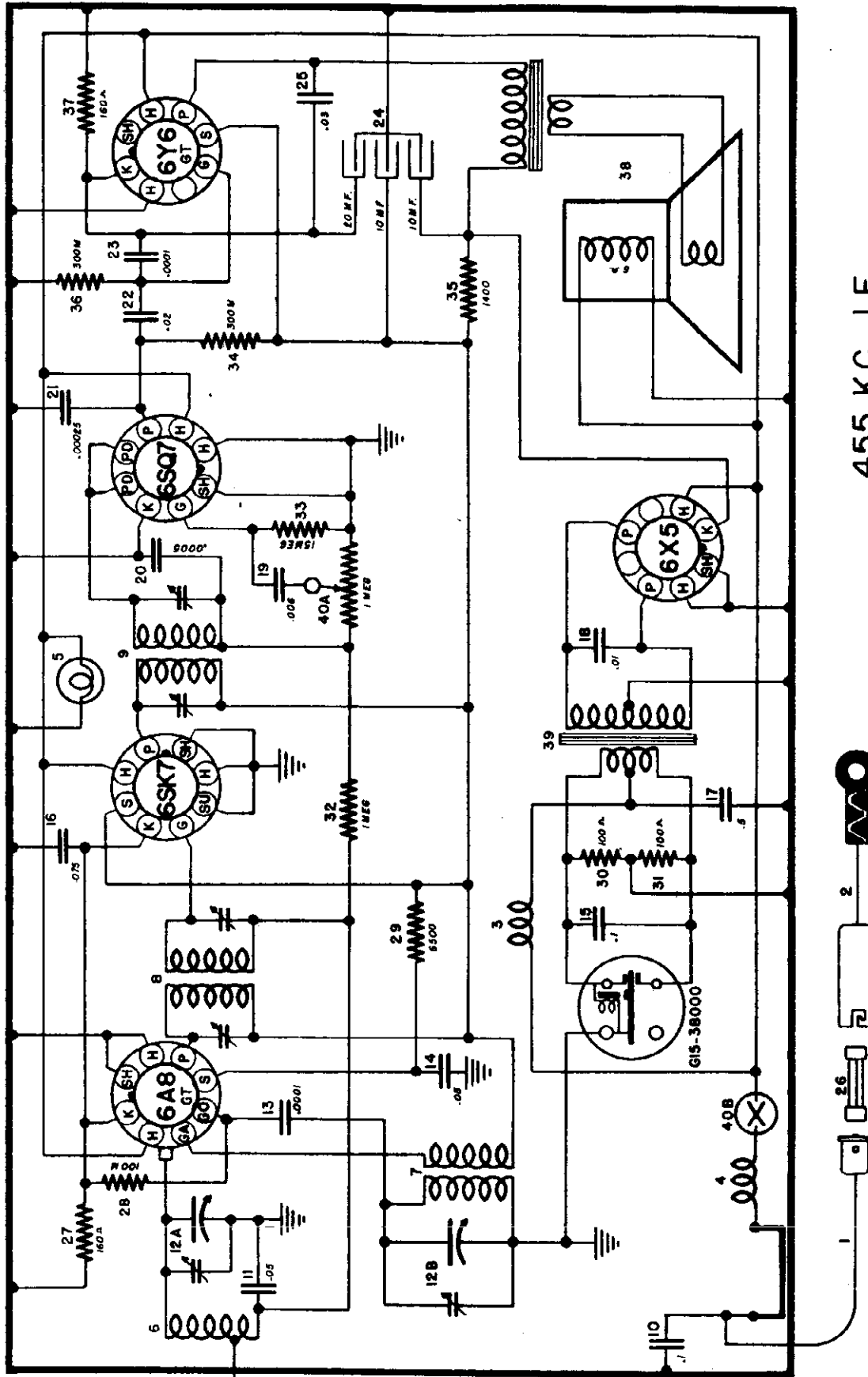
WAYS USE THE LOWEST SIGNAL GENERATOR OUTPUT THAT WILL GIVE A REASONABLE OUTPUT METER READING.

2. Aligning R-F Amplifier.

To obtain the greatest gain from the R. F. amplifier, the capacity of the dummy antenna should be equal to the capacity of the antenna with which the receiver is to be used. The capacities of auto. radio antennas range from 65 mmf. (.00065 mf) to 250 mmf. (.00025 mf), depending upon the size and type. If the receiver is adjusted for maximum efficiency when used with an antenna having a high capacity, it will not operate at its maximum efficiency on an antenna having a much lower capacity and vice versa.

- (a) If the receiver is to be used with a whip or streamlined antenna, the output lead from the signal generator should be connected through a .0001 mf condenser to the "Ant" connection of the receiver. If a large antenna such as a tuning board type or built-in top antenna is to be used, a .0002 mf. condenser should be used in place of the .0001 mf. condenser.
- (b) Set the signal generator to 1400 kilocycles.
- (c) Adjust the station selector to 140 on the dial.
- (d) Adjust the trimmer on the "OSC" section of the tuning condenser for maximum output.
- (e) Adjust the trimmer on the "ANT" section of the tuning condenser for maximum output.
- (f) Readjust the station selector for maximum output. DO NOT READJUST THE OSC. TRIMMER.
- (g) Repeat operation (e) for more accurate adjustment.

THE CROSLEY CORP.



455 KC. I.F.  
MODEL - A559

FIG. 1—WIRING DIAGRAM—MODEL A-559



THE CROSLLEY CORP.

The following table gives the functions of the tubes used, together with the voltage readings between the tube socket contacts and the negative side of the "A" battery circuit (chassis). Voltage readings should be taken with a 1000 ohm per volt, 250 volt voltmeter (except filaments) with receiver in operating condition and the volume control full on and no signal input. The filament voltages should be measured with an accurate low range D-C voltmeter (Approximately 0 to 10 volts). Voltage limits may vary plus or minus 10% of values given.

TUBE SOCKET VOLTAGE DATA

MODELS 579, 5579, 6579

TUBE SOCKET VOLTAGE READINGS

Tube	Function	SOCKET PIN NUMBER							
		No. 1	No. 2	No. 3	No. 4	No. 5	No. 6	No. 7	No. 8
1B7G	OSC MOD.	GND.	1.5	78	35	G.	78	GND.	N.C.
1P5G	1st I.F. Amp.	GND.	1.5	41	80	N.C.	N.C.	GND.	N.C.
1N5U	2nd I.F. Amp.	GND.	1.5	93	N.C.	N.C.	N.C.	GND.	N.C.
1H5G	Det. AVC, 1st A-F	N.C.	1.5	22	N.C.	90 I.B.	90 I.B.	GND.	N.C.
1Q5G	Output	-5 I.B.	1.5	85	90	G.	N.C.	GND.	N.C.

Initial bias = -5 volts measured across item 20--350 Ohms.  
 Power Output Approximately 500 M.W.  
 "A" Battery Drain = 350 M.A. @ 1.5 volts.  
 "B" Battery Drain = 15 M.A. @ 90 volts.  
 GND. = Ground. N.C. = No Connection. J.B. = Junction Block. G. = Grid.

ALIGNMENT PROCEDURE

All the circuits in this receiver are very accurately adjusted at the factory and normally should need no further adjustment. However, if it is definitely known that an adjustment is necessary, the circuits can best be properly aligned with the use of a modulated signal generator and an output meter.

CONNECTING OUTPUT METER

Connect one terminal of the output meter to the plate and the other terminal to the screen of the 1Q5G Output tube. Be sure the meter is protected from D.C. by connecting a condenser (.1 mfd. or larger—not electrolytic) in series with one of the leads.

Tuning the I-F Amplifier To 455 Kilocycles.

- Connect the output of the signal generator through a .02 mfd. or larger condenser to the top cap of the 1B7G Osc. Mod. tube, leaving the tube's grid clip in place. Connect the ground lead from the signal generator to the "GND" terminal of the receiver.
- Set the station selector so that the tuning condenser plates are completely meshed. Turn the volume control knob to the right (ON).
- Set the signal generator to 455 kilocycles.
- Adjust both trimmers located on top of the 2nd I-F transformer assembly for maximum output. Fig. 2.
- Adjust both trimmers located on top of the 1st I-F transformer assembly for maximum output.
- Check operations (d) and (e) for more accurate adjustments.

ALWAYS USE THE LOWEST SIGNAL GENERATOR OUTPUT THAT WILL GIVE A REASONABLE OUTPUT METER READING.

2. Aligning R-F Amplifier.

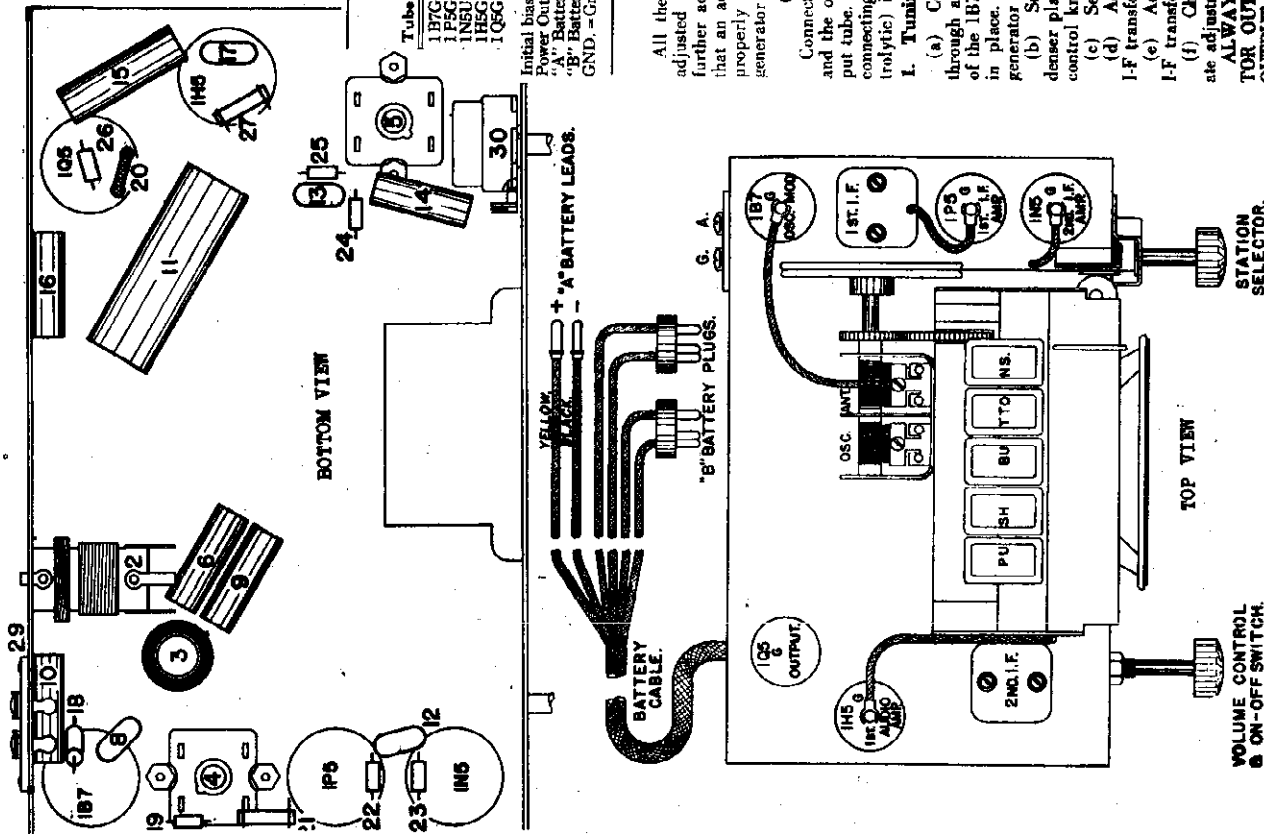
(a) Connect the output lead from the signal generator through a .0001 mfd. condenser to the "ANT." terminal of the receiver. Connect generator ground lead to the chassis.

- Set signal generator to 1712 kilocycles.
- Open condenser gang all the way.
- Adjust "OSC" trimmer on gang to 1712 kc. signal, the gang should just tune through this signal.
- Set signal generator to 1400 kilocycles.
- Tune-in 1400 kc. signal with station selector, should be approximately 140 on dial.
- Adjust "ANT." trimmer on gang for maximum output. Do not readjust "OSC" trimmer. Repeat above operations for more accurate adjustments.

SETTING THE PUSH BUTTONS

If any of the circuits have been readjusted it may be necessary to reset the push button tuning system. Remove the push buttons by pulling straight up. Loosen set screws a turn or two by turning to the left. Then tune-in as accurately as possible the station to which the button is to be set. With the screw driver inserted in adjustment screw slot push the key all the way down and while holding in that position securely tighten the adjusting screw. It should be remembered that when tightening the adjusting screw in this manner, to all apply a steady pressure when tightening the screw in order to keep the key aligned with the station tuned-in.

Repeat the above procedure for resetting the rest of the buttons.



THE CROSLLEY CORP

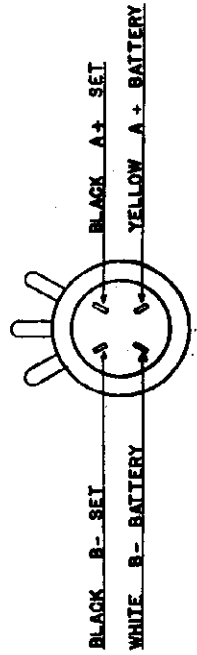
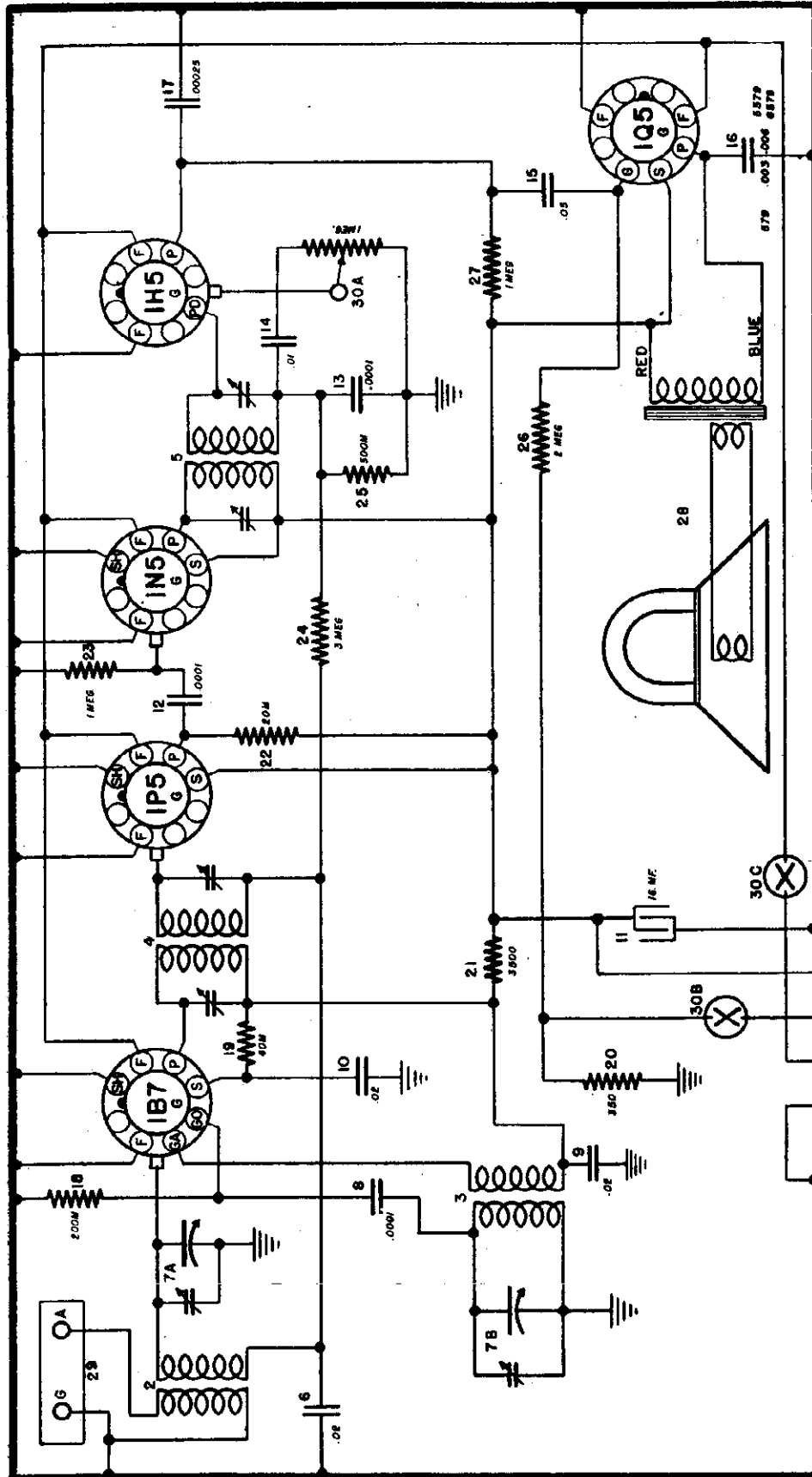


FIG. 1—WIRING DIAGRAM—MODELS 579, 5579, 6579

MODELS-579,5579&6579  
455 K.C. I.F.

MODEL 589  
MODEL 5589

THE CROSLEY CORP.

are as follows, one 1B7C as oscillator-modulator, one 1P5C as 1st I-F amplifier, one 1NSC (resistance coupled) 2nd I-F amplifier, one 1H5C as diode detector, A. V. C. and 1st audio amplifier and one 1Q5G as beam power output. The initial bias for all the tubes (except 1Q5G) is obtained from voltage drop across item 29, a 350 ohm resistor which is in the negative "B" leg.

**TUBES AND VOLTAGE LIMITS**

The following table gives the functions of the tubes used, together with the voltage readings between the tube socket contacts and the negative side of the "A" battery circuit (chassis). Voltage readings should be taken with a 1000 ohm per volt, 250 volt voltmeter (except filaments) with receiver in operating condition and the volume control full on and no signal input. The filament voltages should be measured with an accurate low range D-C voltmeter (Approximately 0 to 10 volts). Voltage limits may vary plus or minus 10% of values given.

Tube	Function	SOCKET PIN NUMBER					No. 8
		No. 1	No. 2	No. 3	No. 4	No. 5	
1B7C	Osc. Mod.	GND.	1.5	78	35	78	GND.
1P5G	1st I-F Amp.	GND.	1.5	41	50	50	N.C.
1NSU	2nd I-F Amp.	GND.	1.5	90	50	50	N.C.
1H5C	Det., AVC, 1st A-F	N.C.	1.5	22	N.C.	90	Diode
1Q5G	Output	-5 J.B.	1.5	85	90	90	N.C.

Initial bias = 5 volts measured across item 20-350 Ohms.

Power Output Alignment: 500 mW. GND. = Ground. N.C. = No Connection. J.B. = Junction Block.

**ALIGNMENT PROCEDURE**

All the circuits in this receiver are very accurately adjusted at the factory and normally should need no further adjustment. However, if it is definitely known that an adjustment is necessary the circuits can best be properly aligned with the use of a modulated signal generator and an output meter.

**CONNECTING OUTPUT METER**

Connect one terminal of the output meter to the plate and the other terminal to the screen of the 1Q5G Output tube. Be sure the meter is protected from D. C. by connecting a condenser (1. mfd. or larger—not electrolytic) in series with one of the leads.

**1. Tuning the I-F Amplifier To 455 Kilocycles.**

- (a) Connect the output of the signal generator through a .02 mfd. or larger condenser to the top cap of the 1B7C Osc-Mod. tube, leaving the tube's grid clip in place. Connect the ground lead from the signal generator to the "GND" terminal of the receiver.
- (b) Set the station selector so that the tuning condenser plates are completely out of mesh. Turn the volume control knob to the right (ON) and band switch to B. C. position.
- (c) Set the signal generator to 455 kilocycles.
- (d) Adjust both trimmers located on top of the 2nd I-F transformer assembly for maximum output. Fig. 2.
- (e) Adjust both trimmers located on top of the 1st I-F transformer assembly for maximum output.
- (f) Check operations (d) and (e) for more accurate adjustments.

**ALWAYS USE THE LOWEST SIGNAL GENERATOR OUTPUT THAT WILL GIVE A REASONABLE OUTPUT METER READING.**

**2. Aligning E-F Amplifier.**

- (a) Connect the output lead of the signal generator

**SPECIFICATIONS**

Models 589 and 5589 are five-tube two band superheterodyne receivers designed for operation from batteries. The batteries required are one Crosley "A & B" Battery Pack No. CR-28 or one 1.5 Volt plug in type "A" (Eveready No. A-1300) and two .45 Volt plug in "B" batteries (Eveready No. 386) or equivalent. The frequency range is divided into two bands as follows:

- American Broadcast—1725 to 540 Kilocycles
- Short Wave Band—5.7 to 18.3 Megacycles.

Model 589 is a table model with the band change switch mounted on the rear of the chassis. Model 5589 is the console version of the 589 with tone control added and all controls on the front.

**CIRCUIT DESCRIPTION**

The circuit is a conventional superheterodyne and does not contain any regeneration. The tubes employed

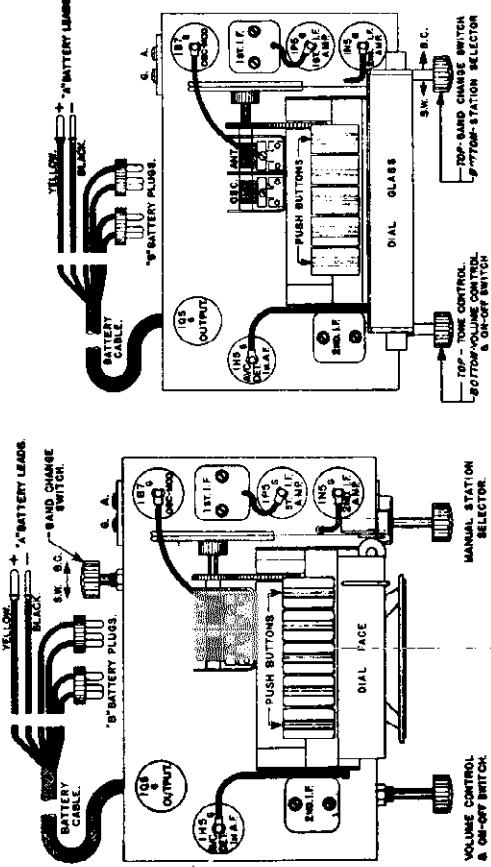


Fig. 2-A—Top View Model 589

Fig. 2-B—Top View Model 5589

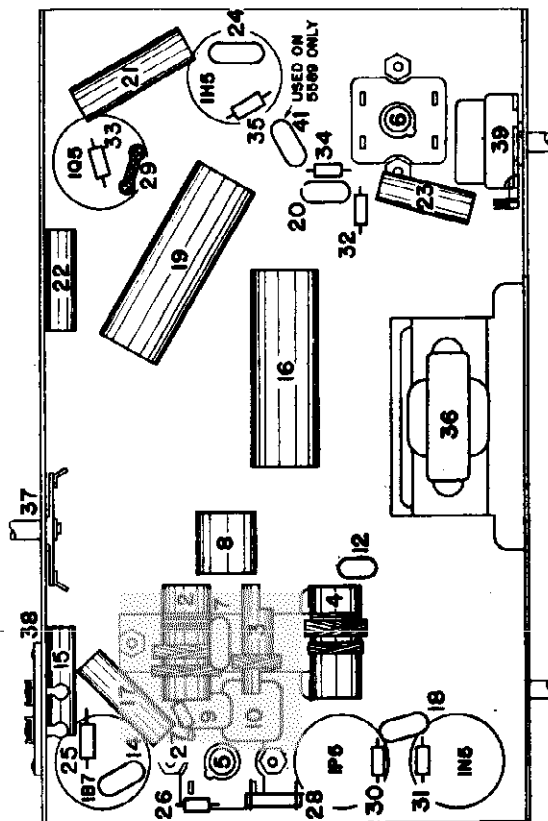
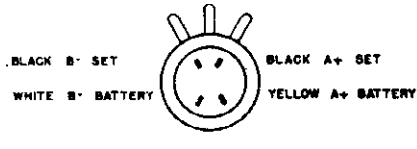
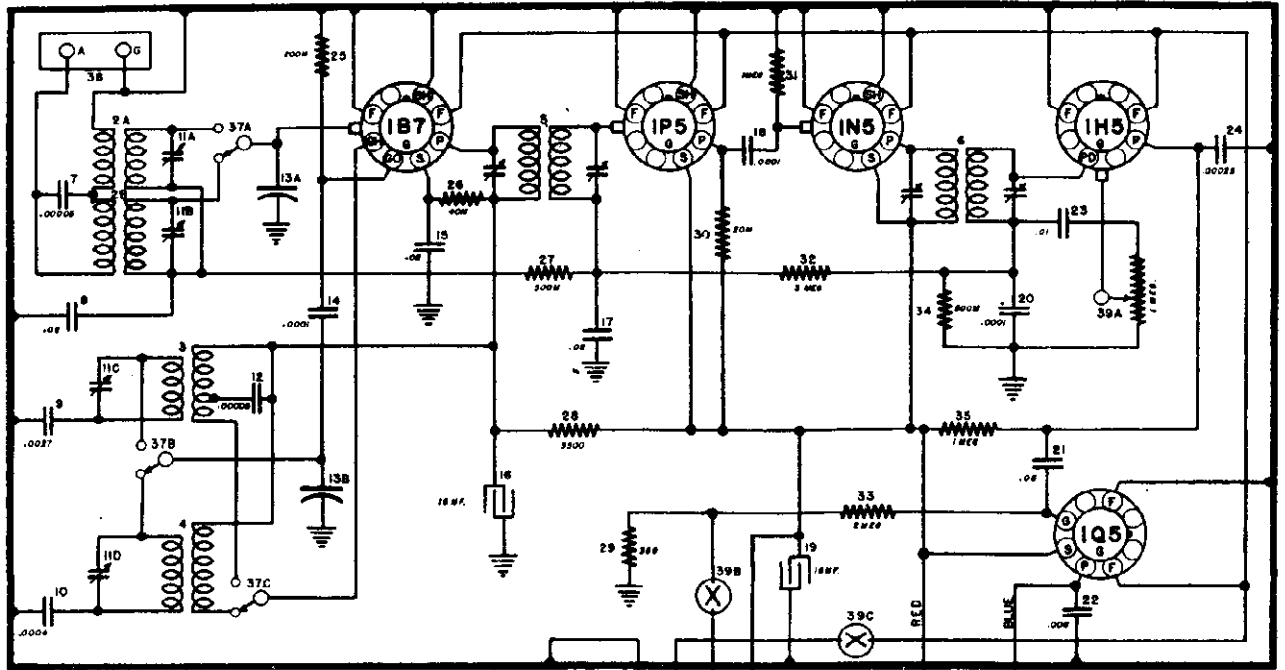


Fig. 2-B—Bottom View Models 589, 5589

THE CROSLY CORP.

MODEL 589  
MODEL 5589



MODEL - 589  
455 KC. I.F.

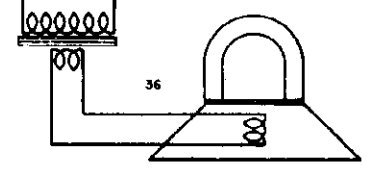
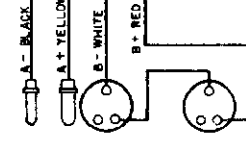
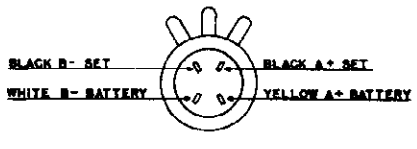
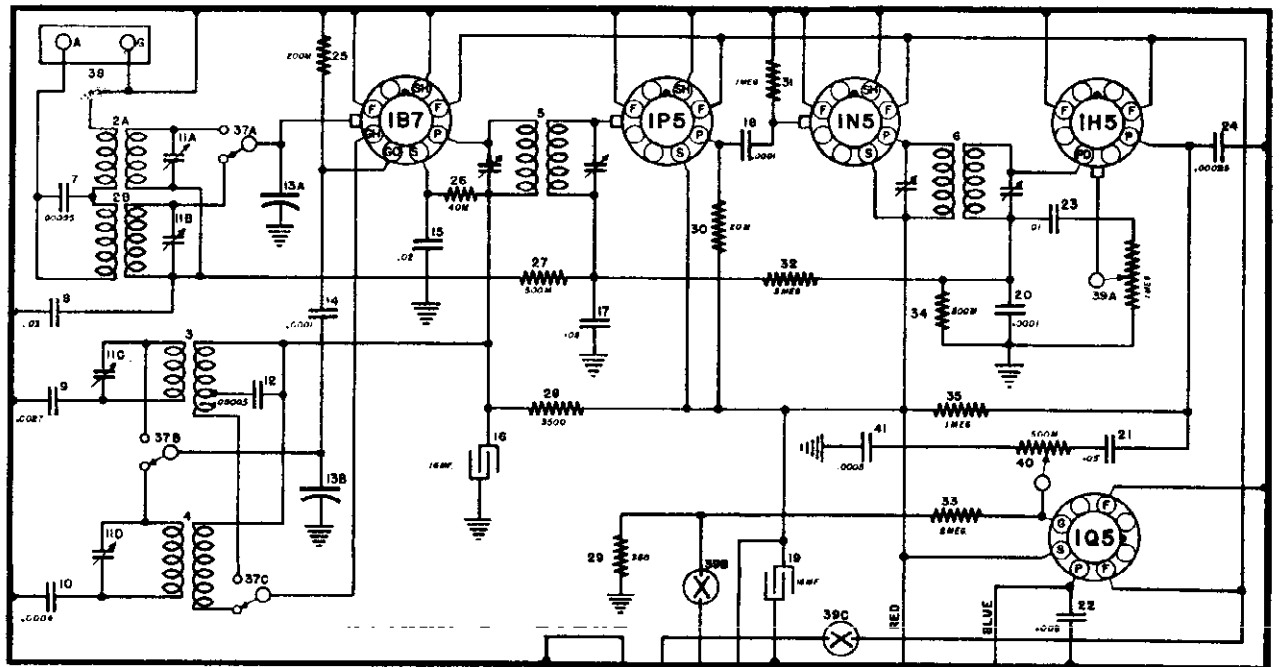


FIG. 1-A—WIRING DIAGRAM—MODEL 589



MODEL - 5589  
455 KC. I.F.

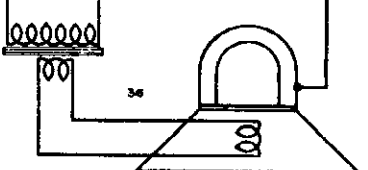
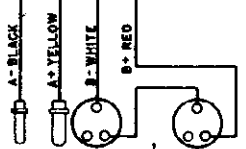


FIG. 1-B—WIRING DIAGRAM—MODEL 5589



MODEL 48  
MODEL 618

THE CROSLLEY CORP.

PARTS LIST — MODEL 48

Item No.	Part No.	DESCRIPTION	Item No.	Part No.	DESCRIPTION	Item No.	Part No.	DESCRIPTION
1	43587	Bulb, Dial Light	104	36318	Res. 1500 Ohm 1/2 W. Ins.	121	G68-26719	Terminal Board, Loop Ant.
2	43587	Bulb, Dial Light	105	23013	Res. 2000 Ohm 1/2 W. Flex.	122	G50-26719	Terminal Board, Phone
3	45785-A	Cable & Power Plug	106	36321	Res. 400,000 Ohm 1/4 W. Ins.	123	130741-A	Vol. Control, 1 Meg. Ohm
4	130857	Cable & Plug (Phone Motor)	107	36322	Res. 500,000 Ohm 1/4 W. Flex.	124	47783-A	Switch (Power)
5	G294-34003	Cable & Socket (Mike)	108	130657	Res. 100,000 Ohm 1/2 W. Ins.	125	130784	Transformer (Power)
6	130657	Crystal Cart. (Tone Arm)	109	35600	Res. 100,000 Ohm 1/2 W. Ins.	130624-A	130783	Escutcheon, Magic Eye, 1
7	130654	Cutter, Magnetic	110	49945	Res. 5000 Ohm 1/4 W. Ins.	130625	130627	Escutcheon, Neon Tube, 1
8	G2-130234	Loop A.F. Osc.	111	49708	Res. 250 Ohm 2 W. Ins.	130626	130618	Escutcheon & Dial, 1
9	G224-32000	Coil H.F. Ant.	112			130772	Escutcheon Mfg. Screws, Dial & Tube, 8	
10	G225-32000	Coil B.C. Osc.	113			130772	Escutcheon Mfg. Screws, Magic Eye, 3	
11	G341-32002	Coil H.F. Osc.	114			130787	Escutcheon Push But., 1	
12	G242-32002	Coil Pol. Osc.	115			130824	Escutcheon Push Button Screws, 4	
13	G224-32002	Coil P.B. Osc. 540-940 Kc.	116			180160-A	Push Button Switch, 1	
14	G235-32003	Coil P.B. Osc. 600-1050 Kc.	117	130815	Sock. & Cable Magic Eye	181456	Protector, Cabinet, 1	
15	G287-32002	Coil P.B. Osc. 740-1300 Kc.	118	G2-130728	Speaker & Plug	180424	Chassis Mtg. Strap (R.H.) (1)	
16	G288-32002	Coil P.B. Osc. 880-1850 Kc.	119	47219	Flat Washer	190427	Chassis Mtg. Strap (L.H.) (1)	
17	G239-32002	Coil P.B. Osc. 1000-1600 Kc.	120	37953	Spkr. Headed Bushing, 4	45580-A	Chassis Grommet, Rubber (6)	
18A	G114-32001	Coil B.C. R.F. Sect.		48219	Spkr. Mtg. Brkt., 4	190425	Chassis Mtg. Brkt. (2)	
18B	G115-32001	Coil H.F. R.F. Sect.		32814	Speaker Mts. Brkt. Screws, 8	181512	Chassis Headed Bush. (6)	
19	G115-32001	Coil Pol. R.F. 1st I-F. Trans.		N-5096	Spkr. Mtg. Brkt. Nuts, 4	43885	Chassis Mtg. Screw, 8	
20	G248-32004	Coil I-F. Trans.		130857	Speaker Mtg. Brkt. Flat Washer	130952	Chassis End Plate (L.H.) 1	
21	G249-32004	Coil I-F. Trans.		190487	Switch, Band Change	130981	Chassis End Plate (R.H.) 1	
22	G5-34002	Cond. 50 Mmf. Mica	118A	130858	Switch, Band Change	130197	Knob (5)	
23	G5-34002	Cond. 60 Mmf. Mica	118B		Switch, Band Change	49859	Iron Core, 5	
24	49932	Cond. Trimmer	118C		Switch, Band Change			
25	G3-34002	Cond. 50 Mmf. Mica	119A	130802	Mike Level, 3 Meg. Ohm			
26A	37958-A	Cond. Pol. Ant. Trimmer	119B		Switch			
26B		Cond. H.F. Ant. Trimmer	120	130858	Switch, Phone Motor			
27A	49929	Var. Cond. Ant. Sect.						
27B	49929	Var. Cond. R.F. Sect.						
27C		Var. Cond. Osc. Sect.						
28	G17-34005	Cond. 3700 Mmf. Mica						
29	G14-34005	Cond. 1185 Mmf. Mica						
30	130108	Cond. B.C. Osc. Ser. Trim.						
31A	36561-A	Cond. B.C. Osc. Trimmer						
31B		Cond. Pol. Osc. Trimmer						
31C		Cond. H.F. Osc. Trimmer						
32A	49923	Cond. P.B. Trim. 540-940 Kc.						
32B	49934	Cond. P.B. Trim. 600-1050 Kc.						
32C	49936	Cond. P.B. Trim. 740-1300 Kc.						
32D	49937	Cond. P.B. Trim. 880-1850 Kc.						
32E	49938	Cond. P.B. Trim. 1000-1600 Kc.						
33	G21-34002	Cond. 800 Mmf. Mica						
34	G21-34002	Cond. 800 Mmf. Mica						
35	45780-B	Cond. .02 Mf. 160 V. Paper						
36	G3-34002	Cond. 500 Mmf. Mica						
37	G3-34002	Cond. 500 Mmf. Mica						
38	G3-34002	Cond. 500 Mmf. Mica						
39A	45961-A	Cond. B.C. R.F. Trimmer						
39B		Cond. Pol. R.F. Trimmer						
39C		Cond. S. R.F. Trimmer						
40	G3-34002	Cond. 500 Mmf. Mica						
41	22898	Cond. .1 Mf. 400 V. Paper						
42	48132	Cond. .16 Mf. 250 V. Elect.						
43	G3-34002	Cond. 500 Mmf. Mica						
44	G3-34002	Cond. 500 Mmf. Mica						
45	G-134002	Cond. 250 Mmf. Mica						
46	80488	Cond. .02 Mf. 400 V. Paper						
47	45780-B	Cond. .02 Mf. 160 V. Paper						
48	30488	Cond. .02 Mf. 400 V. Paper						
49	50105	Cond. .1 Mf. 160 V. Paper						
50	45780-B	Cond. .02 Mf. 160 V. Paper						
51	34713	Cond. .02 Mf. 160 V. Paper						
52	130171	Cond. .01 Mf. 100 V. Paper						
53	34713	Cond. .02 Mf. 160 V. Paper						
54	45817-A	Cond. .05 Mf. 160 V. Paper						
55	G3-34002	Cond. 500 Mmf. Mica						
56	32790-B	Cond. .05 Mf. 400 V. Paper						
57	45810-B	Cond. .008 Mf. 180 V. Paper						
58	34718	Cond. .008 Mf. 180 V. Paper						
59								
60								
61A	130246	Cond. 15 Mf. 450 V. Elect.						
61B		Cond. 15 Mf. 450 V. Elect.						
61C		Cond. 10 Mf. 450 V. Elect.						
62	G1-34002	Cond. 250 Mmf. Mica						
63	30270	Cond. .01 Mf. 400 V. Paper						
64	30906	Cond. .02 Mf. 400 V. Paper						
65	30488	Cond. .02 Mf. 400 V. Paper						
66	30488	Cond. .02 Mf. 400 V. Paper						
67	G6-34002	Cond. 25 Mmf. Mica						
68								
69	130764	Microphone (Crystal)						
70	130870	Motor, Phone 90-110 V.						
71	130654	Res. 3.5 Ohm 1/2 W. Ins.						
72	130655	Res. 15 Ohm 2 W. Ins.						
73	36976	Res. 250,000 Ohm 1/4 W. Ins.						
74	39916	Res. 250 Ohm 1/4 W. Ins.						
75	35602	Res. 3 Meg. 1/2 W. Ins.						
76	35930	Res. 300,000 Ohm 1/4 W. Ins.						
77	36688	Res. 3 Meg. 1/2 W. Ins.						
78	35601	Res. 300,000 Ohm 1/4 W. Ins.						
79	36688	Res. 3 Meg. 1/2 W. Ins.						
80	35601	Res. 300,000 Ohm 1/4 W. Ins.						
81	130811	Res. 120 Ohm 1/4 W. Ins.						
82	35602	Res. 60,000 Ohm 1/4 W. Ins.						
83	47699	Res. 75 Ohm 1/4 W. Ins.						
84	40757	Res. 50,000 Ohm 1/4 W. Ins.						
85	130818	Res. 25,000 Ohm 1 W. Ins.						
86	47819	Res. 15,000 Ohm 1 W. Ins.						
87	35602	Res. 1 Meg. 1/2 W. Ins.						
88	35600	Res. 100,000 Ohm 1/4 W. Ins.						
89	35600	Res. 100,000 Ohm 1/4 W. Ins.						
90	50965	Res. 100,000 Ohm 1/4 W. Ins.						
91	40757	Res. 50,000 Ohm 1/4 W. Ins.						
92	130488	Res. 1500 Ohm 1/4 W. Ins.						
93	35616	Res. 250 Ohm 1/4 W. Ins.						
94	47131	Res. 3 Meg. 1/2 W. Ins.						
95	35927	Res. 2 Meg. 1/2 W. Ins.						
96	36688	Res. 3 Meg. 1/2 W. Ins.						
97	35927	Res. 2 Meg. 1/2 W. Ins.						
98	35602	Res. 1 Meg. 1/2 W. Ins.						
99	47131	Res. 3 Meg. 1/2 W. Ins.						
100								
101								
102	35601	Res. 300,000 Ohm 1/4 W. Ins.						
103	35928	Res. 60,000 1/4 W. Ins.						

PARTS LIST—MODEL 618

Figures in first column refer to parts in Diagrams.

Item No.	Part No.	Description	Item No.	Part No.	Description
1	W-43567	Dial Light Bulb	33	-42401B	Resistor, 99 Ohm 1/4 W. Ins.
2	G2-45398	D. L. Socket Assy.	34	-21237A	Resistor, 60,000 Ohm 1/4 W. Carb.
3	G148-32000	Ant. Coil, B-C	35	-44009	Resistor, 3,000 Ohm 1/4 W. Ins.
4	G171-32000	Ant. Coil, H-F	36	W-25937	Resistor, 275 Ohm 1/4 W. Flex.
5	G146-32002	Osc. Coil, B-C	37	W-23013	Resistor, 2,000 Ohm 1/4 W. Flex.
6	G144-32002	Osc. Coil, H-F	38	W-21965	Resistor, 375 Ohm 1 W. Flex.
7	G166-32004	1st I-F. Assy.—455 Kc.	39	W-21454	Resistor, 1 Megohm 1/2 W. Carb.
8	W-44498A	2nd I-F. Assy.—455 Kc.	40	W-28106	Resistor, 500 Ohm 1/4 W. Flex.
9	W-44012	Condenser, 40 Mf. 300 V.	41	G103-28907	Socket Speaker
10	G16-34000	Condenser, 16 Mf. 250 V.	42	G156-36400	Socket, Type 6A8
11	G14-34002	Condenser, 400 Mmf. H-F. Osc. Series	43	G171-36400	Socket, Type 6U7
12	G2-34002	Condenser, 400 Mmf. B-C. Osc. Series	44	G160-36400	Socket, Type 6Q7
13	G2-34002	Condenser, .0001 Mf. Molded	45	G172-36400	Socket, Type 6K6
14	G13-34002	Condenser, .00035 Mf. Molded	46	G187-36400	Socket, Type 5W4
15	G13-34002	Condenser, .00035 Mf. Molded	47	W-40911	Tube Shield
16	W-23142	Condenser, .02 Mf. 400 V. Tub.	48	465BP15 "M"	Speaker, Mfg. Spec. 1-D-1197
17	W-23142	Condenser, .02 Mf. 400 V. Tub.	49	-45186	One and V. C. Assy.
18	W-28621	Condenser, .02 Mf. 200 V. Tub.	50	-45187	Field Coil (750 Ohm, 75 M. A.)
19	W-28621	Condenser, .02 Mf. 200 V. Tub.	51	-45188	Output Transformer
20	W-28621	Condenser, .02 Mf. 200 V. Tub.	52	-44681	Speaker Plug
21	W-36541	Condenser, .02 Mf. 160 V. Tub.	53	-44955	Band Selector Switch
22	W-36541	Condenser, .02 Mf. 160 V. Tub.	54	-44796	Local-Distance Switch
23	W-36541	Condenser, .02 Mf. 160 V. Tub.	55	MG17-44755	Arm, Sleeve and Clamp Assy.
24	W-36541	Condenser, .02 Mf. 160 V. Tub.	56	-44024B	Tone Control and Switch
25	W-36541	Condenser, .02 Mf. 160 V. Tub.	57	-44467	Volume Control (1 Meg.)
26	W-30805	Condenser, .01 Mf. 400 V. Tub.	58	-44695	Power Trans., 60 Cy.—110 V.
27	W-30323	Condenser, .01 Mf. 200 V. Tub.	59	-44697	Power Trans., 50 Cy.—110 V.
28	W-23615	Condenser, .05 Mf. 400 V. Tub.	60	-44698	Power Trans., 50 Cy.—220 V.
29	W-34712	Condenser, .25 Mf. 160 V. Tub.	61	-44696	Power Trans., 25 Cy.—110 V.
30	G3-34002	Condenser, .0005 Mf. Molded	62	-44694	Power Trans., 25 Cy.—220 V.
31	W-45715	H-F. Osc. Trimmer	63	G27-26719	Ant. and Gnd. Terminal Assy.
32	W-45715	B-C. Osc. Trimmer (Temp. Compensated)	64	G39-26719	Phone Terminal Assy.
33	W-45715	H-F. Ant. Trimmer	65	G170-32004	Way Trap (455 Kc.)
34	W-4				



MODEL 618

## THE CROSLLEY CORP.

## (C) SIGNAL INPUT FREQUENCIES

American Broadcast Band  
High Frequency Band

Minimum Capacity Signal  
1,725 Kilocycles  
18,300 Kilocycles

Shunt Alignment Signal  
1,400 Kilocycles  
18,000 Kilocycles

**ALIGNMENT PROCEDURE**

All the circuits in this receiver are very accurately adjusted at the factory and normally should need no further adjustment. However, if it is definitely known that an adjustment is necessary the circuits may be properly aligned with the use of a modulated signal generator and an output meter.

**CONNECTING OUTPUT METER**

Connect the output meter to the plates of the two 6K6G Output tubes. Be certain that the meter is protected from D. C. by connecting a condenser (.1 mfd. or larger—not electrolytic) in series with one of the leads.

**Tuning I-F Amplifier To 455 Kilocycles.**

(a) Connect the output of the signal generator through a .02 mfd. condenser to the top cap of the 6U7G tube, leaving the tube's grid lead in place. Connect the ground lead from the signal generator to the ground terminal of the receiver. **KEEP THE GENERATOR LEADS AS FAR AS POSSIBLE FROM THE GRID LEADS OF THE OTHER SCREEN GRID TUBES.**

(b) Set the station selector so that the tuning condenser plates are completely out of mesh. Turn the volume control knob to the right (ON) and turn the tone control knob to the left (TREBLE).

(c) Turn the band selector switch to the Broadcast Band.

(d) Turn the Local-Distance switch to the "Distance" position.

(e) Set the signal generator to 455 kilocycles.

(f) Adjust both trimmer condensers located on top of the 2nd I-F transformer for maximum output.

(g) Transfer the signal generator lead to the top cap of the 6A8G tube, leaving the tube's grid clip in place.

(h) Close the middle trimmer of the 1st I-F transformer. Do not force adjustment screw.

(i) Adjust the top and then the bottom trimmers of the 1st I-F transformer for maximum output.

(j) Adjust the middle trimmer of the 1st I-F transformer for maximum output.

**DO NOT ADJUST THE TRIMMER CONDENSERS LOCATED ON THE 2ND I-F TRANSFORMER WITH THE SIGNAL GENERATOR LEAD CONNECTED TO THE 6A8G TUBE.**

**ALWAYS USE THE LOWEST SIGNAL GENERATOR OUTPUT THAT WILL GIVE A REASONABLE READING ON THE OUTPUT METER.**

**Aligning The R-F Amplifier.**

When aligning the R-F amplifier the output lead from the signal generator is connected to the antenna (A) terminal of the receiver. For the Broadcast Band a 200 mmf. condenser should be connected in series with the output lead of the signal generator and for the High Frequency Band a 250 ohm carbon resistor should be used in place of the condenser.

(a) With the station selector adjusted so that the tuning condenser plates are completely out of mesh and the band selector switch set for the band being aligned, adjust the "OSC" shunt trimmer so that the **MINIMUM CAPACITY SIGNAL** ¶ (C) is heard (it is not necessary that the receiver tune through this signal).

(b) Adjust the station selector so that the **SHUNT ALIGNMENT** signal is tuned-in with maximum output.

Then adjust the "ANT" shunt trimmer for maximum output. Readjust the station selector slightly so that the generator signal is tuned-in with maximum output and check the adjustment of the "ANT" trimmer. **DO NOT READJUST THE OSCILLATOR TRIMMER.**

**NOTE:** When shunt aligning the High Frequency Band care should be exercised so that the circuits will be aligned on the correct frequency rather than on the image frequency which is approximately 910 kilocycles less than the fundamental. To check on this, increase the output of the signal generator 10 times, or more, and try to tune-in the signal both at the generator frequency as indicated on the station selector dial and at approximately 910 kilocycles less than the correct frequency. If the circuits have been properly aligned the signal can be tuned-in at both positions but much stronger at the correct frequency.

**WAVE TRAP**

Some chassis of this model are equipped with a wave trap for the purpose of eliminating interference from code stations which operate on a frequency of approximately 455 kilocycles. This assembly is located on the underneath side of the chassis and consists of a coil, a fixed condenser and a trimmer condenser as illustrated by dotted lines in the Wiring Diagram (item 55).

The wave trap should not be adjusted until all other adjustments have been made. To make the adjustment, feed a 455 kilocycle signal from the signal generator through a 200 mmf. condenser into the antenna terminal of the receiver. With the band selector switch turned to the Broadcast Band position, the gang condenser open and the volume control full on, adjust the trimmer condenser on the wave trap for **MINIMUM** output.

Should the interfering station be operating on a frequency of slightly more or less than 455 kilocycles, the exact frequency should be determined with the aid of the signal generator. Then, instead of feeding a 455 kilocycle signal into the receiver the exact frequency of the interfering signal should be used. If it is not possible to determine the exact frequency of the interfering signal the antenna may be attached to the receiver and the receiver turned to the position where the interfering signal is most noticeable. Then adjust the wave trap for minimum interference.

**SETTING THE PUSH BUTTONS**

The push buttons may be quickly and accurately set from the front of the receiver. It is not necessary that all the buttons be set at the same time. Insert a small screw driver in the hole in the front of each push button to be set and loosen (Do not remove) the set screw in the bottom of the hole.

Determine the favorite broadcasting stations whose call letters are to be placed in the push buttons. By means of the conventional tuning knob, tune-in **AS ACCURATELY AS POSSIBLE** the station having the highest frequency—that is the station nearest the 1500 kilocycle end of the dial. Completely depress and hold the No. 1 push button and **SECURELY TIGHTEN THE SET SCREW**. No. 1 push button is the one toward the high frequency end of the dial.

The push button system is now correctly set for the 1st station. Follow through with the same procedure, setting the other stations in the order of their frequency (kilocycles). Detach the call letters of the favorite stations from the list supplied with your receiver and press them into the openings in the front of the push buttons. Thin pieces of clear celluloid are supplied in a small envelope and should be snapped in place over the call letters to protect and hold them in place.

THE CROSLLEY CORP.

**CIRCUIT DESCRIPTION**

The 6Q7G tube serves as the detector and amplifier and supplies AVC voltage to the grids of the 6A8C and 6U7G tubes. The speaker field is located in the negative leg of the power supply. Phase inversion is obtained in the output circuit by the voltage developed across a 3000 ohm resistor, item 55.

**SOCKET VOLTAGES**

The tube socket voltages are measured from the tube socket contacts to the chassis with a 1000 ohm per volt, 500-volt D. C. voltmeter (except filaments) with receiver in operating condition and no signal input. The filament voltages should be measured with an accurate low range A. C. voltmeter (approximately 0-10 volts). Readings may vary plus or minus 10% of values given.

**TUBE SOCKET VOLTAGE READINGS**

Tube	Function	H	P	S	K	Ga	Ga
6A8C	Oscillator-Mechanator	6.3	200	100	3.5	-15	156
6U7G	I-F Amplifier	6.3	200	100	1.5	---	---
6Q7G	Det. AVC & AF Amp.	6.3	68	---	1.5	---	---
6K6G	(2) Output	6.3	215	215	1.5	---	---
5W4	Rectifier	5.0	---	---	285	---	---

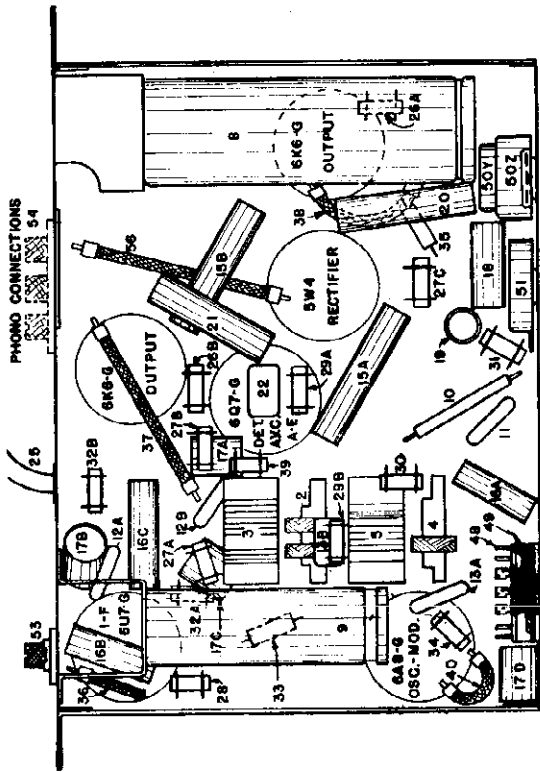
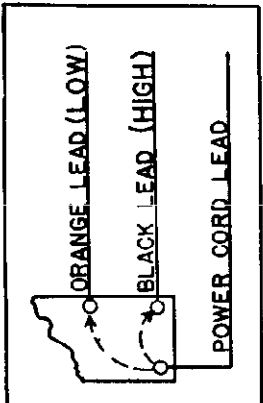


Fig. 3. Bottom View Model 618

**SPECIAL POWER TRANSFORMER**

In localities where the voltage variation on 50 or 60 cycle power supply lines is greater than customary commercial limits, special 50-60 cycle power transformers are available. These transformers have a "high" and "low" voltage tap on the under side of the chassis. The "high" voltage lead (BLACK) and the "low" voltage lead (ORANGE) are connected to a terminal strip near the transformer.

The voltage range of the "low" tap of the 95-130 volt transformer is from 95 to 112½ volts and of the "high" tap is from 112½ to 130 volts. The range of the "low" tap of the 190-260 volt transformer is from 190 to 225 volts and of the "high" tap is from 225 to 260 volts. The accompanying illustration shows the connections

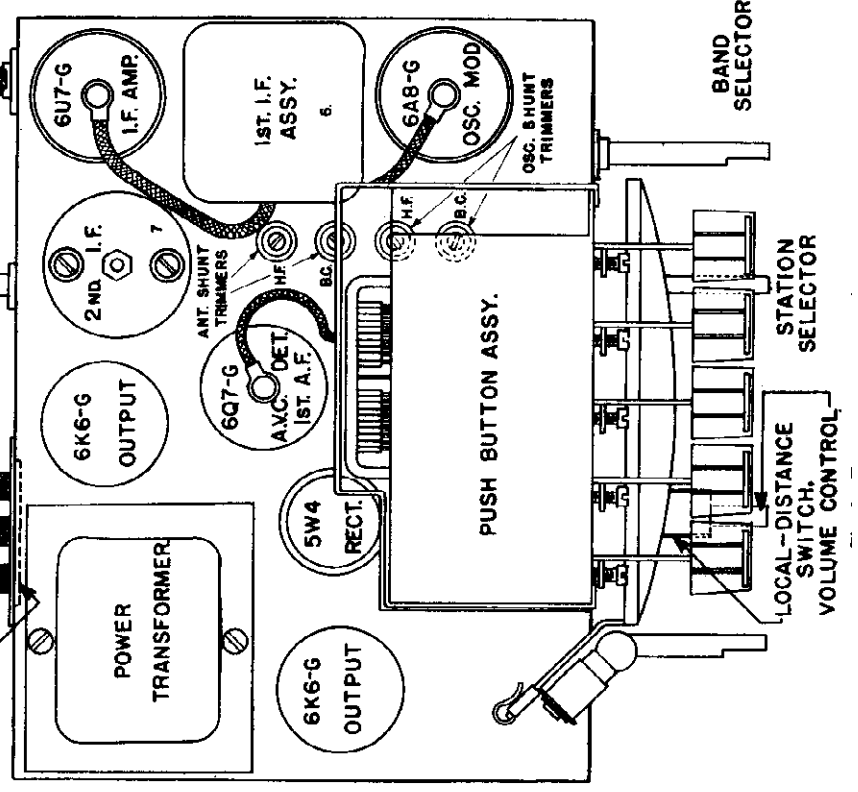


for changing from high to low or low to high line voltage. Note the "jumper" wire which is attached to the terminal at which one side of the power cord is attached. The other end of this jumper wire should be connected to the ORANGE or BLACK lead of the transformer primary, according to the line voltage the receiver is to be used on.

NOTE: Any change made in the power supply circuit of the receiver should be plainly stamped or otherwise permanently recorded on the rear of the chassis.

**REPLACING DIAL DRIVE CORD**

- To replace the dial drive cord, the following procedure should be carefully followed.
- (1) Remove the chassis from the cabinet.
  - (2) Remove the dial glass, pointer and dial mounting bracket.
  - (3) Remove the broken cord and the tension spring.
  - (4) Double a 48" length of drive cord. Insert the doubled end through the eyelet (from the outside) in the pulley on the end of the tuning condenser gang. Tie a knot in the cord so as to form a loop about 3/4" long. Close the gang so that the eyelet in the pulley will be "down." Hook the looped cord over the catch provided in the pulley opposite the eyelet.
  - (5) Bring one end of the cord forward and over the top idler pulley. Continue the cord under and around to the top of the pulley on the pointer shaft (3/4" turn). With the pointer shaft pulley set so that its eyelet is in the "up" position, thread the cord through the eyelet.
  - (6) Bring the other end of the cord back and over the condenser gang pulley. Continue it down and over the lower idler pulley to the left-hand side of the rubber grommet and then over the top of the pointer shaft pulley. This lead should cross behind the down lead to the rubber grommet. Make one complete loop around the pointer shaft pulley and back to the eyelet. Thread the lead through the eyelet and tie a knot in the two ends of the cord so that it will be about 1/2" from the eyelet when the cord is drawn taut. Hook one end of the tension spring over the knot and hook the other end to the catch provided opposite the eyelet. Cut off the excess cord and if bees' wax is available, apply a small amount to the knot as an added protection against slipping.



**MODEL 629, First, Second  
and Third Series**
**THE CROSLLEY CORP.**
**CIRCUIT DESCRIPTION**

Six glass (octal) tubes are used and their functions are as follows: one 6A8G as oscillator-modulator, one 6K7G as I-F amplifier, one 6Q7G as diode detector and A. V. C., and 1st audio, one 6P5G as 2nd audio amplifier, one 6AC5G dynamic coupled power output and one 5Y3G as a half-wave rectifier.

The tube socket voltages are measured from the tube socket contacts to the chassis with a 1000 ohm per volt, 500-volt D. C. voltmeter (except filaments) with receiver in operating condition and no signal input. The filament voltages should be measured with an accurate low range A. C. voltmeter (approximately 0-10 volts). Readings may vary plus or minus 10% of values given.

**TUBE SOCKET VOLTAGE READINGS**

Tube	Function	H	P	S	K	G	Ga	Go
6A8G	Oscillator-Modulator	6.3	230	68	—	—	68	Neg.
6K7G	I-F Amplifier	6.3	230	68	—	—	—	—
6Q7G	Detector—A. V. C.—1st A-F	6.3	74	—	—	—	—	—
6P5G	Driver	6.3	230	—	+13	—	—	—
6AC5G	Power Output	6.3	225	—	—	+13	—	—
5Y3G	Rectifier	5.0	—	—	—	—	—	—

Voltage drop across speaker field 44 volts.

Maximum power output approximately 5 watts.

Power consumption at 117.5 volts approximately 85 watts with phono operating.

**ALIGNMENT PROCEDURE**

All the circuits in this receiver are very accurately adjusted at the factory and normally should need no further adjustment. However, if it is definitely known that an adjustment is necessary the circuits may be properly aligned with the use of a modulated signal generator and an output meter.

**CONNECTING OUTPUT METER**

Connect one side of the output meter to the plate of the 6AC5G Output tube and the other to the plate of the 6P5G. Be certain that the meter is protected from D. C. by connecting a condenser (.1 mfd. or larger—not electrolytic) in series with one of the leads.

**Tuning I-F Amplifier To 455 Kilocycles.**

(a) Connect the output of the signal generator through a .02 mfd. condenser to the top cap of the 6A8C tube, leaving the tube's grid lead in place. Connect the ground lead from the signal generator to the ground terminal of the receiver. **KEEP THE GENERATOR LEADS AS FAR AS POSSIBLE FROM THE GRID LEADS OF THE OTHER SCREEN GRID TUBES.**

(b) Set the station selector so that the tuning condenser plates are completely out of mesh. Turn the volume control knob to the right (ON).

(c) Set the signal generator to 455 kilocycles.

(d) Adjust both trimmers located on top of the 2nd I-F transformer for maximum output. (Item 6, Fig. 2).

(e) Adjust both trimmers located on top of the 1st I-F transformer for maximum output. (Item 5, Fig. 2).

(f) Check operations (d) and (e) for more accurate adjustment.

**ALWAYS USE THE LOWEST SIGNAL GENERATOR OUTPUT THAT WILL GIVE A REASONABLE READING ON THE OUTPUT METER.**

**Aligning R-F Amplifier.**

When aligning the R. F. amplifier the output lead from the signal generator is connected to the antenna lead of the receiver, a 200 mmf. condenser should be connected in series with the output lead of the signal generator.

(a) With the station selector adjusted so that the tuning condenser plates are completely out of mesh adjust the "OSC" shunt trimmer so that the **MINIMUM CAPACITY SIGNAL** (C) is heard (it is not necessary that the receiver tune through this signal).

**(C) SIGNAL INPUT FREQUENCIES**

**I-F Alignment Signal**  
455 Kilocycles (Models Without Loop)  
455 Kilocycles (Models With Loop)

**Minimum Capacity Signal**  
1,725 Kilocycles  
1,620 Kilocycles

**Shunt Alignment Signal**  
1,400 Kilocycles  
1,400 Kilocycles

(b) Adjust the station selector so that the **SHUNT ALIGNMENT** signal is tuned-in with maximum output. Then adjust the "ANT" shunt trimmer for maximum output. Readjust the station selector slightly so that the generator signal is tuned-in with maximum output and check the adjustment of the "ANT" trimmer. **DO NOT READJUST THE OSCILLATOR TRIMMER.**

If any of the circuits have been re-adjusted it may be necessary to reset the push buttons.

**SETTING THE PUSH BUTTONS**

Remove push button and with a small screw driver loosen the set screws a turn or two. With the manual tuning knob, tune-in as **ACCURATELY AS POSSIBLE** the station whose call letters were in the button or that station for which the button is to be set. Then push the key all the way down and while you hold it in that position **SECURELY TIGHTEN** the set screw.

**WAVE TRAP**

Some chassis of this model may be equipped with a wave trap for the purpose of eliminating interference from code stations which operate on a frequency of approximately 455 kilocycles. (Not in models having a loop antenna). This assembly is located on the underneath side of the chassis and consists of a coil and a trimmer condenser as illustrated by dotted lines in the Wiring Diagram (item 31).

The wave trap should not be adjusted until all other adjustments have been made. To make the adjustment, feed a 455 kilocycle signal from the signal generator through a 100 mmf. condenser into the antenna terminal of the receiver. With the band selector switch turned to the Broadcast Band position, the gang condenser closed and the volume control full on, adjust the trimmer condenser on the wave trap for **MINIMUM** output.

Should the interfering station be operating on a frequency of slightly more or less than 455 kilocycles, the exact frequency should be determined with the aid of the signal generator. Then, instead of feeding a 455 kilocycle signal in the receiver the exact frequency of the interfering signal should be used. If it is not possible to determine the exact frequency of the interfering signal the antenna may be attached to the receiver and the receiver tuned to the position where the interfering signal is most noticeable. Then adjust the wave trap for minimum interference.









MODEL 1218

THE CROSLLEY CORP.

**SPECIFICATIONS**

This model Crosley radio is a 12-tube AC receiver designed for Standard Broadcast and Short Wave reception, and incorporates such features as push but-

ton electric tuning, automatic volume control, Local-Distance switch and push pull parallel output. The tuning range is divided into three bands as follows:

- 535-1725 Kilocycles or 555-173 Metres (American Broadcast Band)
- 2.0- 6.8 Megacycles or 150-44.5 Metres (Police & Amateur Band)
- 6.6- 22 Megacycles or 45.5-13.5 Metres (High Frequency or Foreign Band)

**PARTS LIST—MODEL 1218**

Figures in first column refer to parts in Diagrams.

Item No.	Part No.	Description
1AB	W —43567	Dial Light Bulb
	G8 —45398	Dial Light Socket Assy.
2	G145—32000	Ant. Coil, B-C.
3	G146—32000	Ant. Coil, Pol.
4	G147—32000	Ant. Coil, H-F.
5	G94 —32001	R-F. Coil, B-C.
6	G95 —32001	R F. Coil, Pol.
7	G96 —32001	R-F. Coil, H-F.
8	G148—32002	Osc. Coil, B-C.
9	G149—32002	Osc. Coil, Pol.
10	G150—32002	Osc. Coil, H-F.
11	G161—32004	1st I-F. Assy.
12	G166—32004	2nd I-F. Assy.
13	W —44672	Condenser, 40 Mf. 125 V.
14	W —44054	Condenser, 30 Mf. 350 V.
15	W —36057B	Condenser, 40 Mf. 300 V.
16	G1 —44886	Condenser, Temp. Compensating
17	G5 —34002	Condenser, .00005 Mf. Molded
18A	G1 —34002	Condenser, .00025 Mf. Molded
18B	G1 —34002	Condenser, .00025 Mf. Molded
19A	W —35936	Condenser, .05 Mf. 200 V.
19B	W —35936	Condenser, .05 Mf. 200 V.
20A	W —28621	Condenser, .02 Mf. 200 V.
20B	W —28621	Condenser, .02 Mf. 200 V.
20C	W —28621	Condenser, .02 Mf. 200 V.
21A	W —32378	Condenser, .01 Mf. 400 V.
21B	W —32378	Condenser, .01 Mf. 400 V.
22	W —29910A	Condenser, .25 Mf. 200 V.
23	W —24049C	Condenser, .1 Mf. 200 V.
24A	W —35139	Condenser, .004 Mf. 400 V.
24B	W —35139	Condenser, .004 Mf. 400 V.
25	W —30805	Condenser, .01 Mf. 400 V.
26	W —37988	Condenser, .017 Mf. 400 V.
27	G58 —33002	3 Section Var. Tun. Condenser
	B —44815B	Dial Face (Glass)
	W —45587A	Dial Mask (Metal)
	C —44814A	Dial Support Bracket
	W —44262	Ring—Dial Glass Support
	W —44127	Dial Hand (Pointer)
	W —40486	Screw (Hand Mtg.)
	G1 —43564	Pulley and Hub Assy. (Drive Cord)
	—41582	Drive Cord (23 in.)
	W —44908	Idler Stud
	W —44989	Spring—Drive Cord Tension
	W —44907A	Idler Pulley
	W —45448	Drive Belt
	—45449	Friction Tubing—Motor Shaft
28	—40769	B-C Osc. Series Trimmer (.00052 Mf.) Variable
29	G23 —34000	Pol. Osc. Fixed Series Condenser (.00156 Mf.)
30	G24 —34000	H-F. Osc. Fixed Series Condenser (.005525 Mf.)
31	W —35951A	3 Section Shunt Trimmer Assy.
32		
33	B —33906A	Power Cord and Plug
34	—35930	Resistor, 200,000 Ohm 1/4W. Ins.
35	—34883	Resistor, 2 Megohm 1/4W. Carb.
36	—21237A	Resistor, 60,000 Ohm 1/4W. Carb.
37	—44008	Resistor, 10,000 Ohm 2W. Carb.
38	—23616	Resistor, 15,000 Ohm 1W. Carb.
39A	—35600	Resistor, 100,000 Ohm 1/4W. Ins.
39B	—35600	Resistor, 100,000 Ohm 1/4W. Ins.
40	—37583	Resistor, 2.5 Megohm 1/4W. Carb.
41	—37245	Resistor, 1.5 Megohm 1/4W. Carb.
42A	—23785	Resistor, 500,000 Ohm 1/4W. Carb.
42B	—23785	Resistor, 500,000 Ohm 1/4W. Carb.
42C	—23785	Resistor, 500,000 Ohm 1/4W. Carb.
43	—21455	Resistor, 300,000 Ohm 1/4W. Carb.
44	—37472	Resistor, 50,000 Ohm 1/4W. Carb.
45	W —28589	Resistor, 350 Ohm 1/4W. Flex.
46	W —44456	Resistor, 250 Ohm 3W. Flex.
47	W —37630	Resistor, 21 Ohm 1/4W. Flex.

Item No.	Part No.	Description
48	W —23013	Resistor, 2,000 Ohm 1/4W. Flex.
49A	—42401B	Resistor, 99 Ohm 1/4W. W. W. Ins.
49B	—42401B	Resistor, 99 Ohm 1/4W. W. W. Ins.

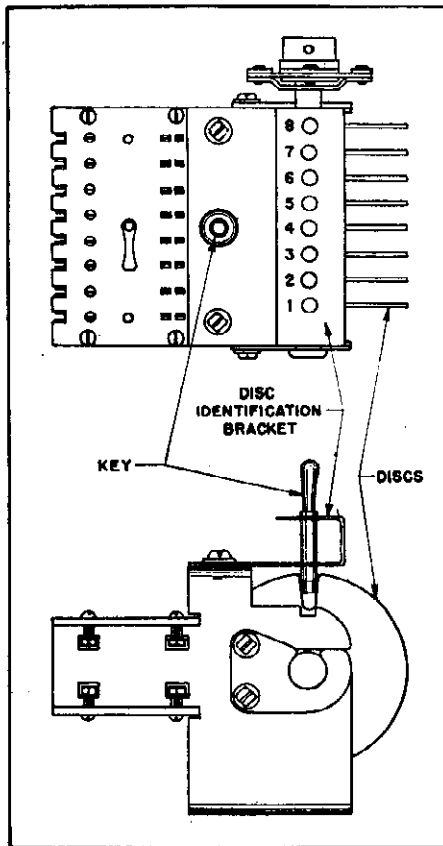


Fig. 5

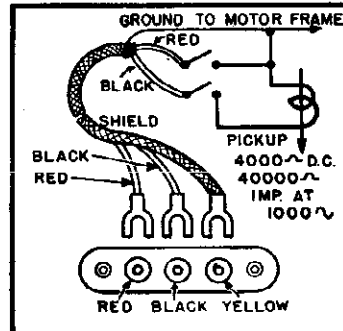
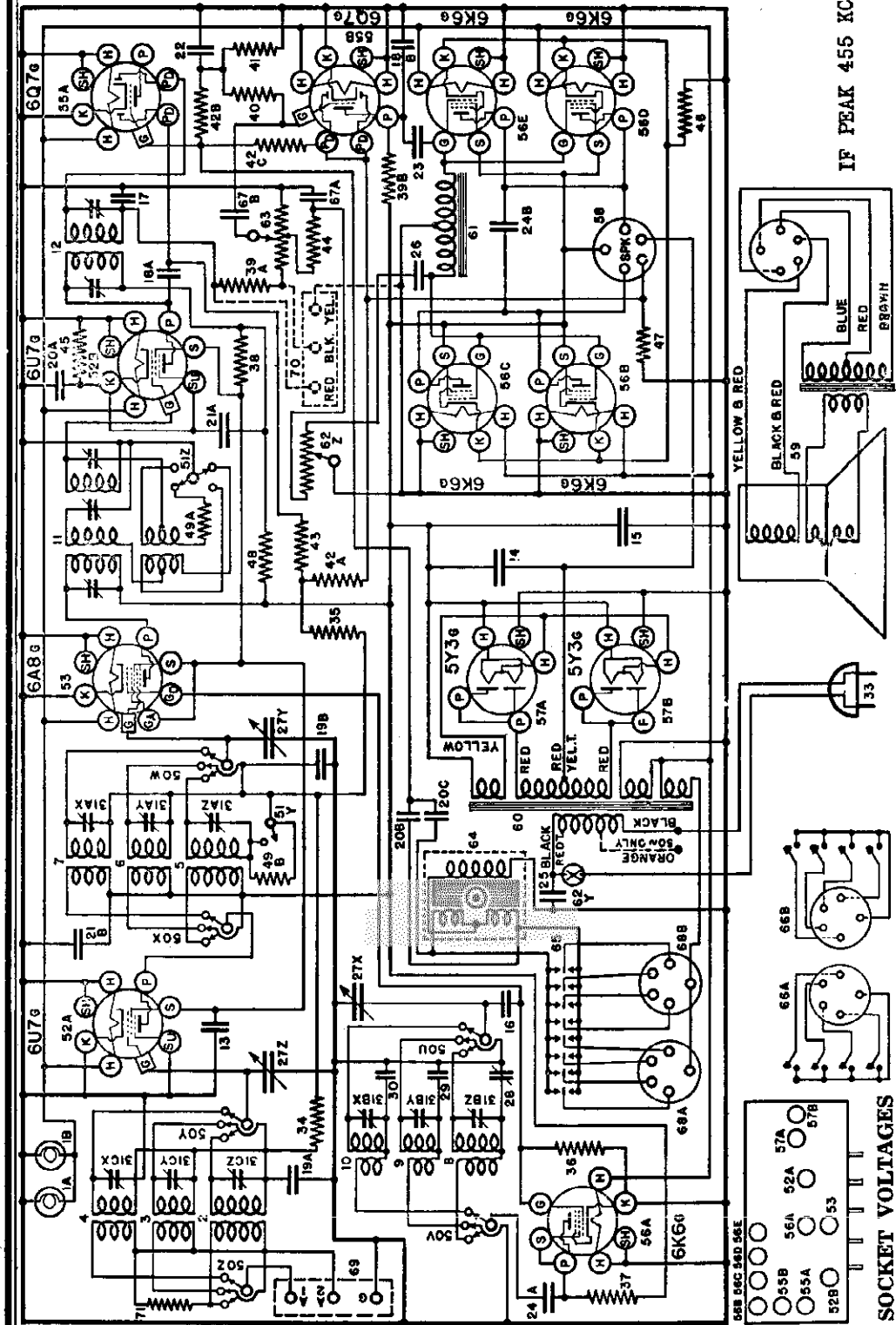


Fig. 4 Phonograph Pickup

THE CROSLLEY CORP.



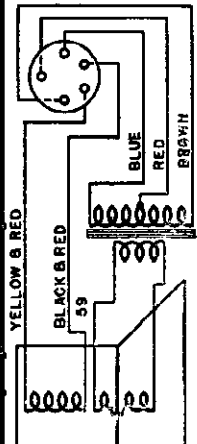
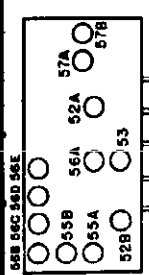
IF PEAK 455 KC

SOCKET VOLTAGES

The tube socket voltages are measured from the tube socket contacts to the chassis with a 1000 ohm per volt, 500 volt D. C. voltmeter (except filaments) with the receiver in operating condition and no signal input. The volume control should be turned full "ON," the tone control should be turned to the "TREBLE" position (counter-clockwise), the Local-Distance switch should be turned to the "Distance" position and the condenser gang should be rotated to the minimum capacity position. The filament voltages should be measured with an accurate low range A. C. voltmeter (approximately 0-10. volts). Readings may vary plus or minus approximately 120 watts at 117.5 volts. Power consumption approximately 12 watts.

TUBE SOCKET VOLTAGE READINGS

Tube	Function	H	P	S	Su	K	Go	Ga
6U7g	R. F. Amplifier	6.3	255	95	0	0	95	95
6A8g	Modulator	6.3	255	95	0	0	95	95
6K6g	Oscillator	6.3	125	125	3	3	95	95
6U7g	I. F. Amplifier	6.3	255	95	0	0	95	95
6Q7g	Det., AVC & "Squelch"	6.3	0	255	0	0	95	95
6Q7g	1st A. F. Amplifier	6.3	185	255	0	22	95	95
6K6g	(4) Output	6.3	245	255	0	22	95	95
5Y3g	(2) Rectifier	5.0	---	---	---	255	---	---

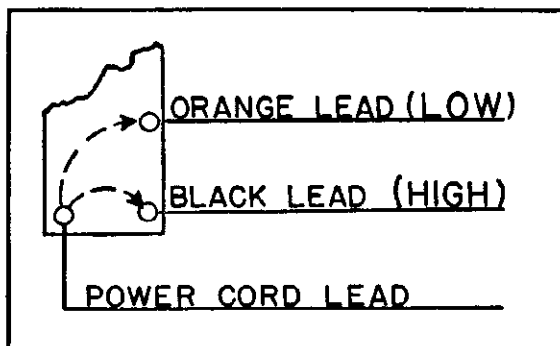


**SPECIAL POWER TRANSFORMER ADJUSTMENT**

In localities where the voltage variation on 50 or 60 cycle power supply lines is greater than customary commercial limits, special 50-60 cycle power transformers are available. These transformers have a "high" and "low" voltage tap on the under side of the chassis. The "high" voltage lead (BLACK) and the "low" voltage lead (ORANGE) are connected to a terminal strip near the transformer.

The voltage range of the "low" tap of the 95-130 volt transformer is from 95 to 112½ volts and of the "high" tap is from 112½ to 130 volts. The range of the "low" tap of the 190-260 volt transformer is from 190 to 225 volts and of the "high" tap is from 225 to 260 volts.

The accompanying illustration shows the connections for changing from high to low or low to high line voltage. Note the "jumper" wire which is attached to the terminal at which one side of the power cord is attached. The other end of this jumper wire should be connected to the ORANGE or BLACK lead of the transformer



primary, according to the line voltage the receiver is to be used on.

NOTE: Any change made in the power supply circuit of the receiver should be plainly stamped or otherwise permanently recorded on the rear of the chassis.

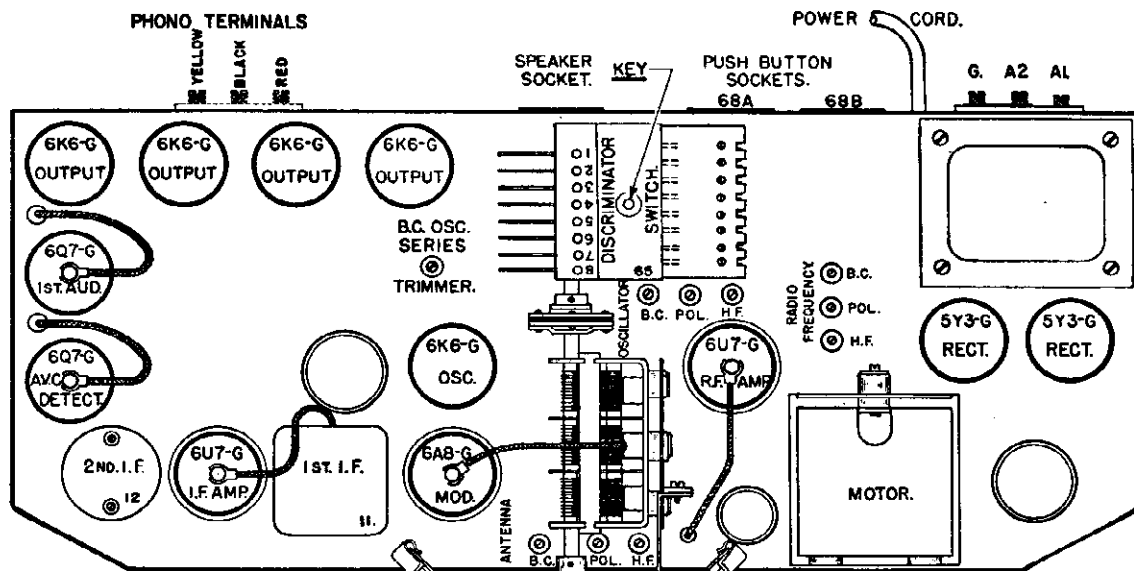


Fig. 2. Top View Model 1218

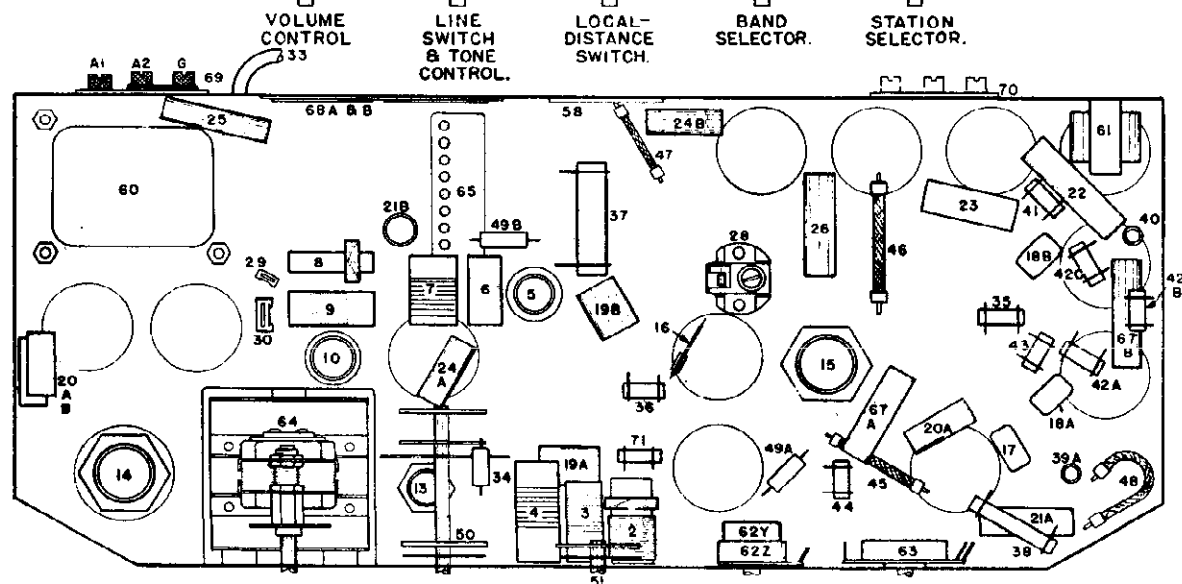


Fig. 3. Bottom View Model 1218

THE CROSLY CORP.

CHASSIS MODEL 1218

ALIGNMENT PROCEDURE  
CONNECTING OUTPUT METER

Connect the output meter to the plates of the two 6K6G Output tubes. Be certain that the meter is protected from D. C. by a condenser (.1 mfd. or larger—not electrolytic) in series with one of the leads.

Tuning I-F Amplifier To 455 Kilocycles.

(a) Connect the output of the signal generator through a .02 mfd. condenser to the top cap of the 6U7G 1st I-F Amp. tube, leaving the tube's clip in place. Connect the ground lead from the signal generator to the ground terminal of the receiver. KEEP THE GENERATOR LEADS AS FAR AS POSSIBLE FROM THE GRID LEADS OF THE OTHER SCREEN GRID TUBES.

(b) Set the station selector so that the tuning condenser plates are completely out of mesh. Turn the volume control knob to the right (ON) and turn the tone control knob to the left (TREBLE).

(c) Set the band selector switch on the Broadcast Band.

(d) Turn the Local-Distance Switch to the "Distance" position (Right).

(e) Set the signal generator to 455 kilocycles.

(f) Adjust both trimmer condensers located on top of the 2nd I-F transformer for maximum output.

(g) Transfer the signal generator lead to the top cap of the 6A8G tube, leaving the tube's grip clip in place.

(h) Close the middle trimmer of the 1st I-F transformer. (Do not force adjustment screw).

(i) Adjust the top and then the bottom trimmers of the 1st I-F transformer for maximum output.

(j) Adjust the middle trimmer of the 1st I-F transformer for maximum output.

DO NOT ADJUST THE TRIMMER CONDENSERS LOCATED ON THE 2ND I-F TRANSFORMER WITH THE SIGNAL GENERATOR LEAD CONNECTED TO THE 6A8G TUBE.

ALWAYS USE THE LOWEST SIGNAL GENERATOR OUTPUT THAT WILL GIVE A REASONABLE READING ON THE OUTPUT METER.

Aligning The R-F Amplifier.

When aligning the R-F amplified the output lead from the signal generator is connected to the "ANT" terminal of the receiver. For the Broadcast Band a 200 mmf. condenser should be connected in series with the output lead of the signal generator and for the High Frequency and Police Bands a 400 ohm carbon resistor should be used in place of the condenser.

Each band should first be SHUNT ALIGNED and then SERIES ALIGNED where provision is made for series alignment (Broadcast Band). The band selector switch should be set for the band being aligned and the signal generator should be set to the frequency in-

dicated for each adjustment, ¶ (D) below.

(a) With the station selector adjusted so that the tuning condenser plates are completely out of mesh, adjust the "OSC" shunt trimmer until the MINIMUM CAPACITY SIGNAL (D) is heard (it is not necessary that the receiver tune through this signal).

(b) Adjust the station selector so that the SHUNT ALIGNMENT SIGNAL (D) is tuned-in with maximum output. Then adjust the "R-F" and "ANT" shunt trimmers for maximum output. Readjust the station selector slightly so that the generator signal is tuned-in with maximum output and check the adjustment of the "R-F" and "ANT" trimmers. DO NOT READJUST THE OSCILLATOR TRIMMER.

NOTE: When shunt aligning the Police and High Frequency Bands care must be exercised so that the circuits will be aligned on the correct frequency rather than on the image frequency which is approximately 910 kilocycles less than the fundamental. To check on this increase the output of the signal generator ten times, or more, to try to tune-in the signal both at the generator frequency as indicated on the station selector dial and at approximately 910 kilocycles less than the correct frequency. If the circuits have been properly aligned the signal can be tuned-in at both positions but much stronger at the correct frequency.

(c) To align the series trimmer (See Fig. 2), set the signal generator to the frequency indicated below (D) and then tune-in this signal with the station selector for maximum output. To obtain the best adjustment for the series trimmer, it will be necessary to rotate the station selector back and forth slightly while adjusting the trimmer for maximum output. Minor tolerance variations in series alignment at 2500 kilocycles in the Police Band and at 7000 kilocycles in the High Frequency Band may be compensated for by slight repositioning of the grid lead of the antenna coil in the Band affected.

PUSH BUTTON TUNING SYSTEM

The push button electric tuning system employed in this receiver incorporates eight push buttons, a selector switch and an electric motor. The discriminator switch, item 65—also Fig. 5, incorporates eight metallic discs, each of which operates in conjunction with a different push button to tune-in some favorite station. That is, the 1st push button on the left as you face the front of the cabinet works with No. 1 disc, and the 2nd push button works with No. 2 disc, etc.

(D) SIGNAL INPUT FREQUENCIES

American Broadcast Band	Min. Cap. Signal	Shunt Align.	Series Align.
Police & Amateur Band	1850 Kilocycles	1700 Kilocycles	600 Kilocycles
High Frequency Band	8900 Kilocycles	6000 Kilocycles	
	22 Megacycles	18 Megacycles	

CHASSIS 7V2

General Description . . .

Chassis 7V2 is used in the Dual Seventy and Dual Seventy Lowboy. It is a seven tube dual range receiver covering the regular broadcast band and the next higher frequency band to 5000 Kc. The actual ranges are 535 to 1700 and 1650 to 5000. The chassis is a three gang superheterodyne employing a tuned radio frequency stage in both frequency bands. It has automatic volume control and continuous stepless tone control. The actual tone quality is greatly enhanced through the use of an 8" speaker in the table model and a 10" in the console. The intermediate frequency is 181.5 Kc.

Tubes Used and Their Function . . .

The tubes used are type 58 R.F. amplifier, type 58 oscillator modulator, type 58 I.F. amplifier, type 56 diode, type 56 A.F. amplifier, type 2A5 output and type 80 rectifier. The tube voltages are shown in the table below:

All voltages are plus or minus 10%. All D.C. voltages are measured to chassis at 117.5 line with 1000 ohms per volt, 250 volt voltmeter. Power demand is 65 watts at 110 volt, 60 cycles.

Type	Where Used	E1	Ep	Eq	Ek	Eqg	Esup
58	R.F.	2.5	260	0	0	125	0
58	Osc-Mod	2.5	260	31	34	125	0
58	I.F.	2.5	260	0	4	125	4
56	Diode	2.5	0	0	0	—	—
56	A.F.	2.5	50	0	4	—	—
2A5	Output	2.5	250	0	15	260	—
80	Rectifier	4.8	400AC	—	370	—	—

Power Supply System . . .

The power supply system consists of a power transformer, part No. 58 for 110 volt, 60 cycle, part No. 59 for 110 volt, 25 cycle, and part No. 60 for 220 volt, a rectifier tube type 80, wet electrolytic condenser, part No. 26, the speaker field as a filter choke, and dry electrolytic condenser, part No. 27.

Alignment Procedure . . .

To align the I.F. amplifier, it is necessary that there be available a suitable modulated oscillator capable of adjustment to 181.5 Kc. with good accuracy. This oscillator should have an attenuator so that the strength of the oscillator output can be adjusted. Connect the high side of the output of the oscillator, which has been adjusted to 181.5 Kc., to the control grid connection on the top of the 58 oscillator modulator tube through an .02 Mfd. series condenser. The low side of the oscillator is to be connected to chassis. Set the oscillator to a convenient level and adjust the I.F. trimmers for maximum signal output. These I.F. trimmer adjustments are located on the side and top of the chassis, as indicated in the diagram. To make the I.F. adjustment, it is necessary that a standard 3/4" (across flats) hexagon socket wrench be used. The

wrench should be insulated. Always make these I.F. adjustments very carefully and go over the adjustments several times to be sure that the peak has been reached.

To align the receiver at broadcast frequencies, it is necessary that an adjustable oscillator having frequencies of 1400 and 600 Kc., together with a suitable attenuator and dummy antenna, be available. Set the oscillator to 1400 Kc. and connect the high side of the oscillator to the receiver antenna terminal through a .0002 Mfd. (dummy antenna) condenser. Turn the tuning control of the receiver to 140 on the dial. THERE ARE TWO SERIES OF THE 7V2 CHASSIS. IN ONE SERIES THE OSCILLATOR TRIMMER IS LOCATED ON THE TOP OF THE GANG CONDENSER, WHILE IN THE OTHER SERIES A DOUBLE TRIMMER IS LOCATED UNDER THE CHASSIS ALONG WITH THE ANTENNA AND R.F. TRIMMERS. IN THE SECOND SERIES THERE ARE NO TRIMMERS AT ALL ON TOP OF THE GANG CONDENSER SO THAT IT IS VERY EASY TO DISTINGUISH WHICH TYPE OF SET IS BEING SERVICED. For the first series, align the oscillator trimmer on top of the gang for best signal. For the second series, align

SETTING PUSH BUTTONS

To set the electric tuning system, turn the receiver "ON" and depress No. 1 push button. When the dial pointer stops rotating, the key slot in No. 1 disc on the selector switch will be in the "UP" position. Remove the key from its mounting and place it (knob up) through No. 1 hole in the disc identification bracket. If it does not drop into the slot in the disc, push it in with the fingers.

Turn the Local-Distance switch to the "Distance" position. By means of the station selector knob, tune-in AS ACCURATELY AS POSSIBLE, the station whose call letters have been placed in No. 1 push button. Then remove the key.

NOTE: The push button which will ordinarily be used for POLICE calls does not lock in the depressed position. It serves as a release for all other push buttons and should be depressed before operating the manual tuning control.

By means of the manual tuning knob, turn the dial pointer to some other position. Then check the setting by pressing the button which has been set. If the pointer stops too soon or goes too far, a second setting will be necessary.

To make the second setting, observe how far the pointer stops from the second position for that station. Replace the key in the disc and tune far enough to the side of the correct position to make allowance for the difference noted in the first setting.

The electric tuning system is now correctly set for the 1st station. Follow through with this same procedure until the proper adjustments have been made for all eight of the favorite stations. When tuning the receiver by means of the push buttons, the Local-Distance switch should be turned to the "Local" position.

Tuning Motor

Should the clutch on the tuning motor fail to operate satisfactorily, either by not engaging or not releasing when it should, the two tension springs located on the back of the motor should be readjusted.

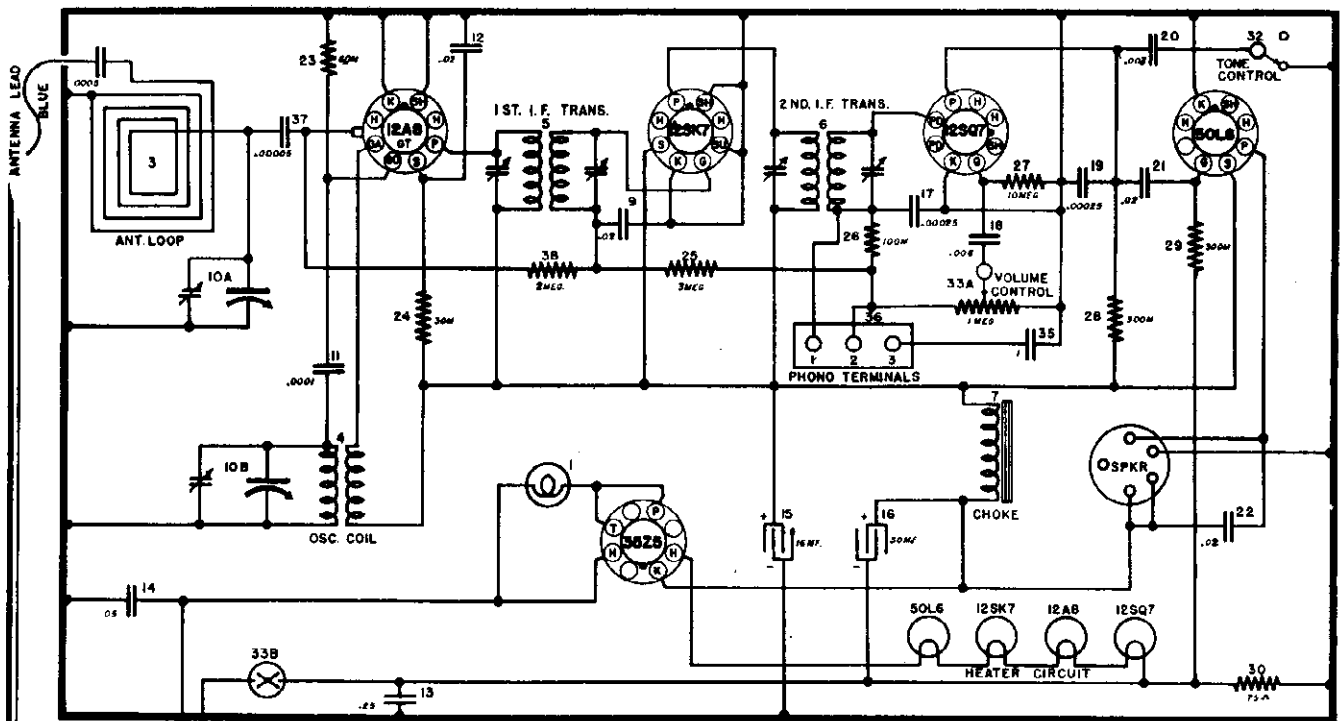
With the receiver slitting in its normal operating position, bend both tension springs until the clutch will not engage. Slowly decrease the tension on both springs until the clutch engages and releases satisfactorily. Check the operation of the motor several times to be certain that the tension is correct.

the oscillator trimmer under the chassis for the broadcast band for best signal. In either case then go on and align the antenna and other trimmers located under the chassis for maximum signal. Always work with the weakest possible signal from the modulated oscillator for best accuracy. The performance of the receiver may now be checked at 600 Kc. by setting the modulated oscillator to 600 and the receiver dial to that point around 60 which gives best reception. Sometimes it is possible to make a slight improvement in the performance at this point by bending some of the gang condenser plates. This operation should be done very carefully so that no short circuiting of the condenser plates results.

To align a receiver in the high frequency band, it is necessary that a suitable modulated oscillator capable of covering frequencies of 1700 and 4000 Kc., together with an attenuator, be available. Set the oscillator to 4000 Kc., and for the first series of receivers adjust the dial in the region of 4000 Kc. for best signal. For the second series of receivers, set the dial to 4000 Kc., and adjust the oscillator trimmer located under the chassis for the high frequency band for maximum signal. With either series now go on and adjust the antenna and R.F. trimmers for the high frequency band located under the chassis for best signal. Set the modulated oscillator to 1700 Kc. and the receiver may then be checked at this point.

MODEL 5539  
MODEL J5539

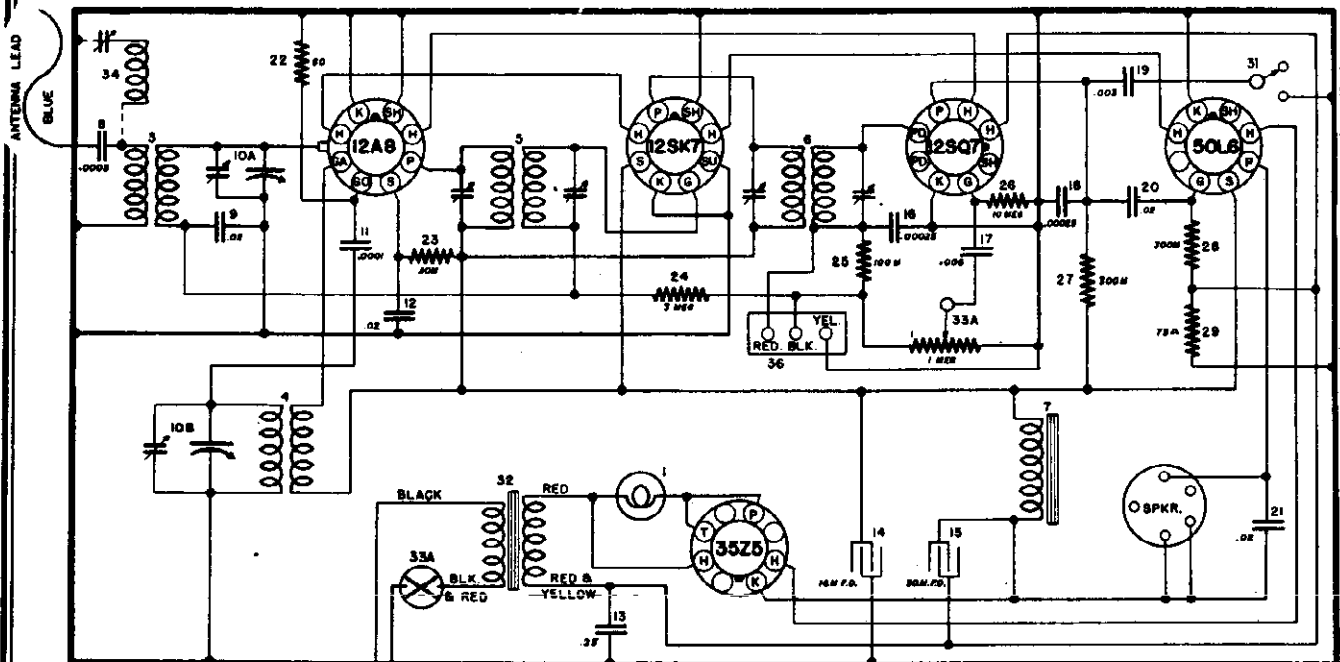
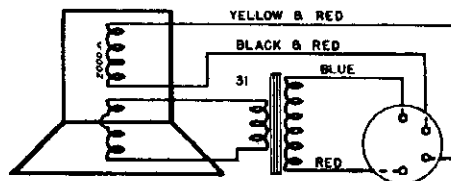
THE CROSLEY CORP.



MODEL --- 5539

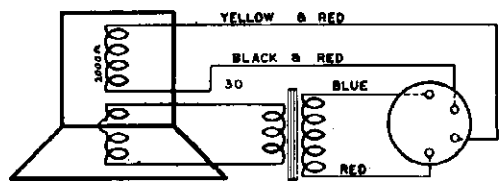
TUBES MAY BE METAL OR GT TYPES EXCEPT 12A8

455 KC. I.F.



455 KC. I.F.

MODEL  
J-5539



THE CROSLY CORP.

maximum reading on the output meter.  
 (e) Adjust the trimmer condensers located on the 1st I-F transformer for maximum output.

**ALWAYS USE THE LOWEST SIGNAL GENERATOR OUTPUT THAT WILL GIVE A REASONABLE OUTPUT METER READING.**

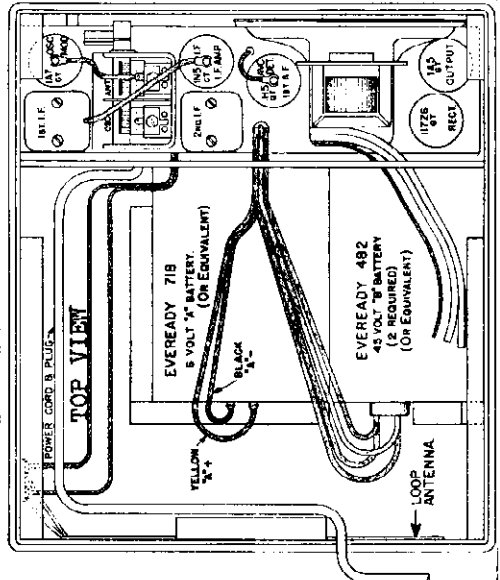
When aligning the R-F amplifier the output lead from the signal generator should be connected through a .0001 mf. condenser to RED wire connecting to the loop and the ground lead to the receiver chassis (through a condenser).

Before aligning receiver check the position of the pointer by opening gang all the way, the pointer should then split the 1600 kilocycle calibration point.

- (a) Set the signal generator to 1400 kilocycles.
- (b) Tune gang to 140 on the dial, then adjust oscillator trimmer (rear section of gang) for maximum output.
- (c) Adjust antenna trimmer (front section gang) for maximum output.

**RELAY**  
 The receiver, when plugged into 110 volt circuit, will operate on the batteries until rectifier arms up and trips the relay. When relay trips there should be no decrease or dead spot in output as rectifier should be warmed up sufficiently to carry load and give a slight increase in output due to higher plate voltage available.

In earlier models the relays have three sets of contacts and the single side must make contact at all times. The double side must make contact when batteries are used and both contacts (double contact side) must break when operated on 110 volt circuits. Later models the single contact side was omitted and a flexible braid connection used instead.



The "b" voltage is filtered by means of item 25, a 2,600 ohm resistor and item 11—a 16 mf. electrolytic and one section of item 15 (twin electrolytic) 16 mf. condenser.

The relay automatically disconnects the batteries from the circuit when the receiver is operated on 100-volt circuits.

**TUBES AND VOLTAGE LIMITS**

The following table gives the functions of the tubes used, together with the voltage readings between the tube socket contacts and chassis. Voltage readings should be taken with a 1,000 or more ohm per volt, 50 volt voltmeter with the volume control full "ON" and no signal input. The filament voltages should be measured with an accurate high resistance, low range voltmeter. When measured on a 117.5 volt A.C. line voltage limits may vary plus or minus 10% of values given.

**VOLTAGE READINGS—WITH 90 VOLTS "B" AND 6 VOLTS "A"**

Tube	PIN NUMBER							
	No. 1	No. 2	No. 3	No. 4	No. 5	No. 6	No. 7	No. 8
1A7GT Oscillator-Modulator	0	1.5	95	54	Neg.	95	—	—
1N5GT I-F Amplifier	0	4.5	95	95	—	—	3.0	—
1H5GT Det. AVC, 1st Audio	0	3.0	15	15	—	—	1.5	8 J.B.
1A5GT Output	0	6.0	92	95	—	8 J.B.	1.5	—
117Z6GT Rectifier	0	0	0	95	0	0	0	6.0

**VOLTAGE READINGS—@ 117.5 VOLT LINE (A. C.)**

Tube	PIN NUMBER							
	No. 1	No. 2	No. 3	No. 4	No. 5	No. 6	No. 7	No. 8
1A7GT Oscillator-Modulator	0	1.4	104	62	-3	104	—	—
1N5GT I-F Amplifier	0	4.5	104	101	—	—	3.0	—
1H5GT Det. AVC, 1st Audio	0	3.0	17	17	—	Diode	1.5	50 J.B.
1A5GT Output	0	6.0	100	104	—	30	4.5	—
117Z6GT Rectifier	58.5 A.C.	117.5 A.C.	117.5 A.C.	135	117.5 A.C.	0	0	124

**Tuning the I-F Amplifier To 455 Kilocycles.**

- (a) Connect the output of the signal generator through a .02 mf. condenser to the grid cap of the 1A7GT oscillator-modulator tube leaving the tube's grid cap in place. Do not use a ground return from the signal generator unless it is found to be absolutely necessary. If it is found to be necessary, a small condenser (approximately .001 mfd.) should be connected in series with the ground terminal of the signal generator and the receiver chassis. **KEEP THE GENERATOR LEADS AS FAR AS POSSIBLE FROM THE GRID LEADS OF THE OTHER SCREEN GRID TUBES.**
- (b) Set the station selector so that the plates of the condenser gang are completely out of mesh and turn the volume control to the right (ON).
- (c) Set the signal generator to 455 kilocycles.
- (d) Adjust the 2nd I-F trimmer condensers for

**CIRCUIT DESCRIPTION**  
 The filaments of the 1.4 volt tubes are connected in series and have plate current compensating resistors in one, item 36, a 250 ohm resistor across the 1A7GT filament and the other, item 37, a 1,400 ohm resistor from the negative leg of the 1A5GT to chassis.

When used on 110 volt power circuits one half the 117Z6GT supplies the filament voltage and the other half the B voltage. The rectified voltage for the filament string is well filtered by the following, item 35, which is a 7½-watt 110-volt miniature lamp and does triple duty—1. regulates the voltage—2, acts as a filter—3, as an ON-OFF indicator; item 28 a 375 ohm resistor and item 32A, the relay coil which serves as a choke and their associated electrolytic condensers, i. e., item 15, 16 mf.—item 38, 16 mf. and item 16, 125 mf. The above mentioned miniature lamp (item 35) should always be replaced with an exact duplicate should replacement become necessary.

**ALIGNMENT PROCEDURE**

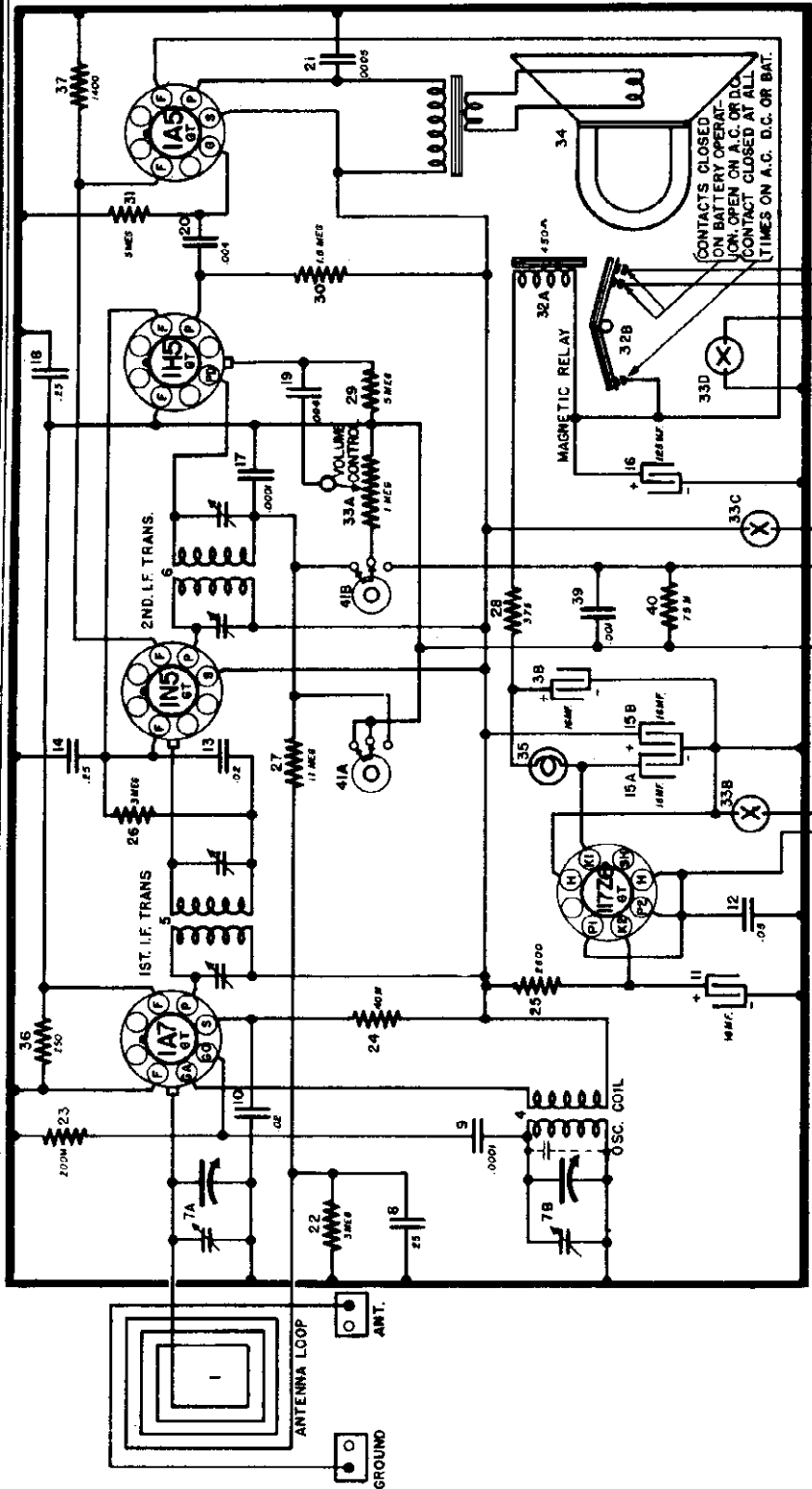
The chassis of this receiver is connected to one side of the power supply and for this reason all test equipment should be thoroughly insulated in order that the power supply will not become short circuited while aligning the receiver.

To align the receiver it will be necessary to remove the screws which fasten the Phono-board and carefully lift up front end to gain access to trimmer condensers.

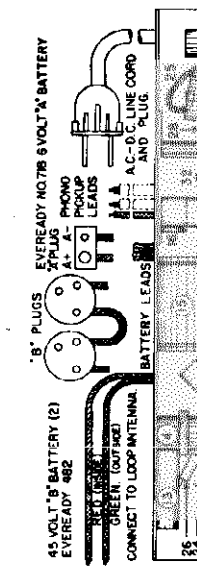
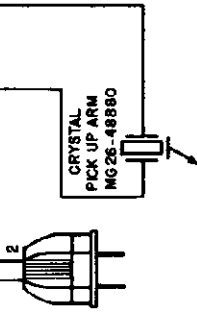
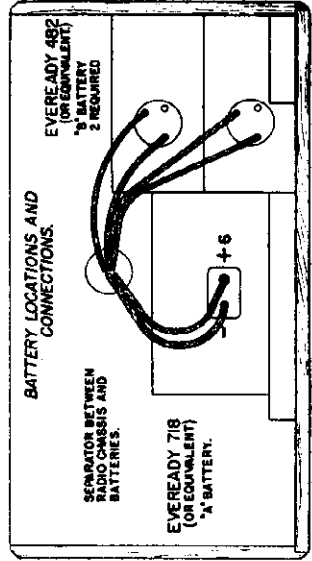
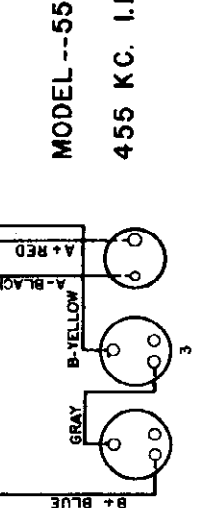
**CONNECTING OUTPUT METER**  
 Connect one terminal of the output meter to the plate and the other terminal to the screen of the 1A5GT output tube. Be certain that the meter is protected from D. C. by connecting a condenser (.1 mfd. or larger—not electrolytic) in series with one of the leads.

MODEL 5549

THE CROSLLEY CORP.



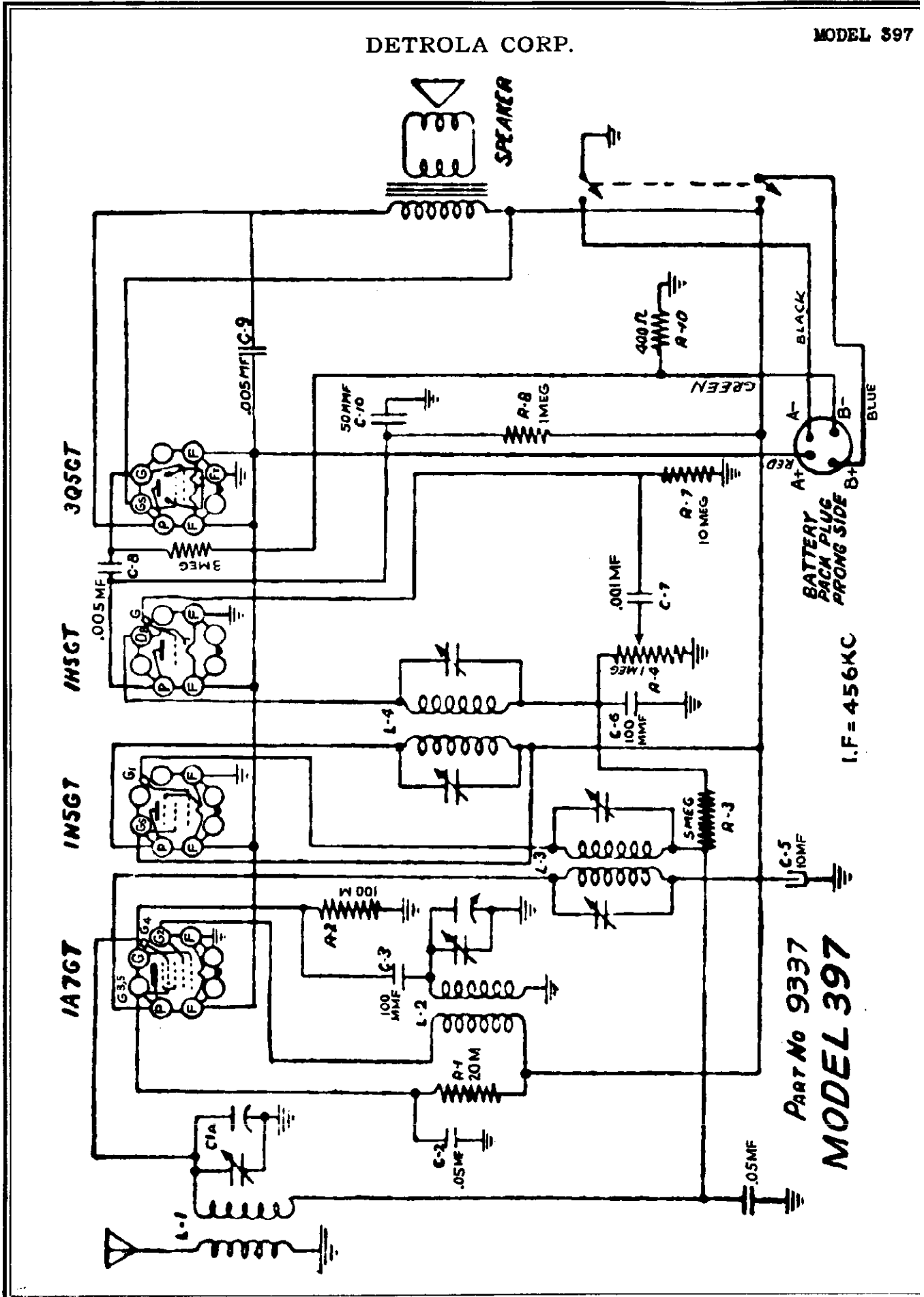
MODEL--5549  
455 KC. I.F.



BOTTOM VIEW

DETROLA CORP.

MODEL 397



Part No 9337  
MODEL 397

I.F. = 456 KC

BATTERY PACK PLUG  
PRONG SIDE  
A+  
A-  
B+  
B-  
RED  
BLACK  
BLUE



MODEL 397  
 MODEL 408  
 MODEL 428

DETROLA CORP.

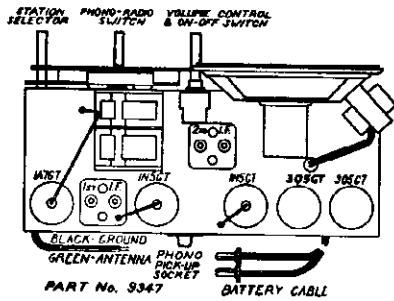
MODELS 400, 401,  
 402, Series

MODEL 428 ALIGNMENT PROCEDURE

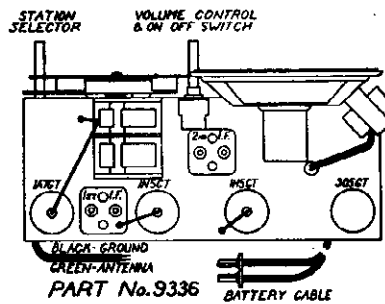
Output meter connection.....Across speaker voice coil  
 Phono Radio Switch.....Radio Position  
 Connection of generator ground lead.....To Chassis  
 Connection of generator output lead.....See chart below  
 Dummy antenna value to be used in series with generator.....See chart  
 Position of volume control.....Full on (Clockwise)  
 Position of Tone Control.....In Brilliant Position

POSITION OF TUNING DIAL	GENERATOR FREQUENCY	DUMMY ANTENNA	GENERATOR CONNECTION	TRIMMERS ADJUSTED
High Frequency end	455 kc.	.1 mfd.	6SA7 Grid	Align IF. Four Trimmers
Low Frequency end	535 kc.	.1 mfd.	6SA7 Grid	Oscillator Trimmer
1400 kc.	1400 kc.	200 mmf.	Antenna Lead—with built-in antenna connected	Set limit of Band
10 mc.	10 mc.	400 ohms	Antenna Lead—with built-in antenna connected	Antenna Trimmer
9.6 mc.	9.6 mc.	400 ohms	Antenna Lead—with built-in antenna connected	Tune to max.
				Short wave oscillator trimmer
				Set limit of band
				Short wave antenna trimmer
				Tune to max.

FOR RECORD CHANGER SEE MODELS N-100 AND N-200  
 IN RIDER'S "AUTOMATIC RECORD CHANGER AND RECORDER" BOOK

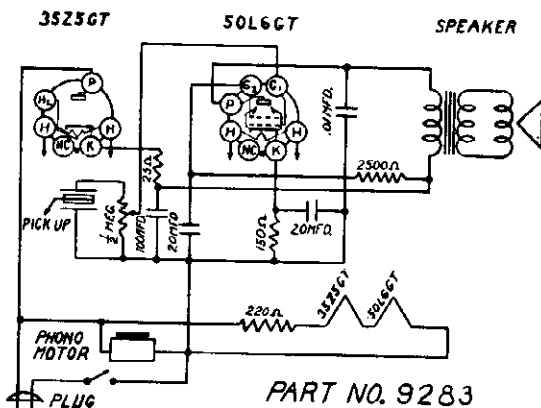


MODEL 408

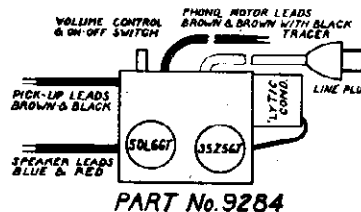


MODEL 397

FOR OTHER DATA SEE INDEX



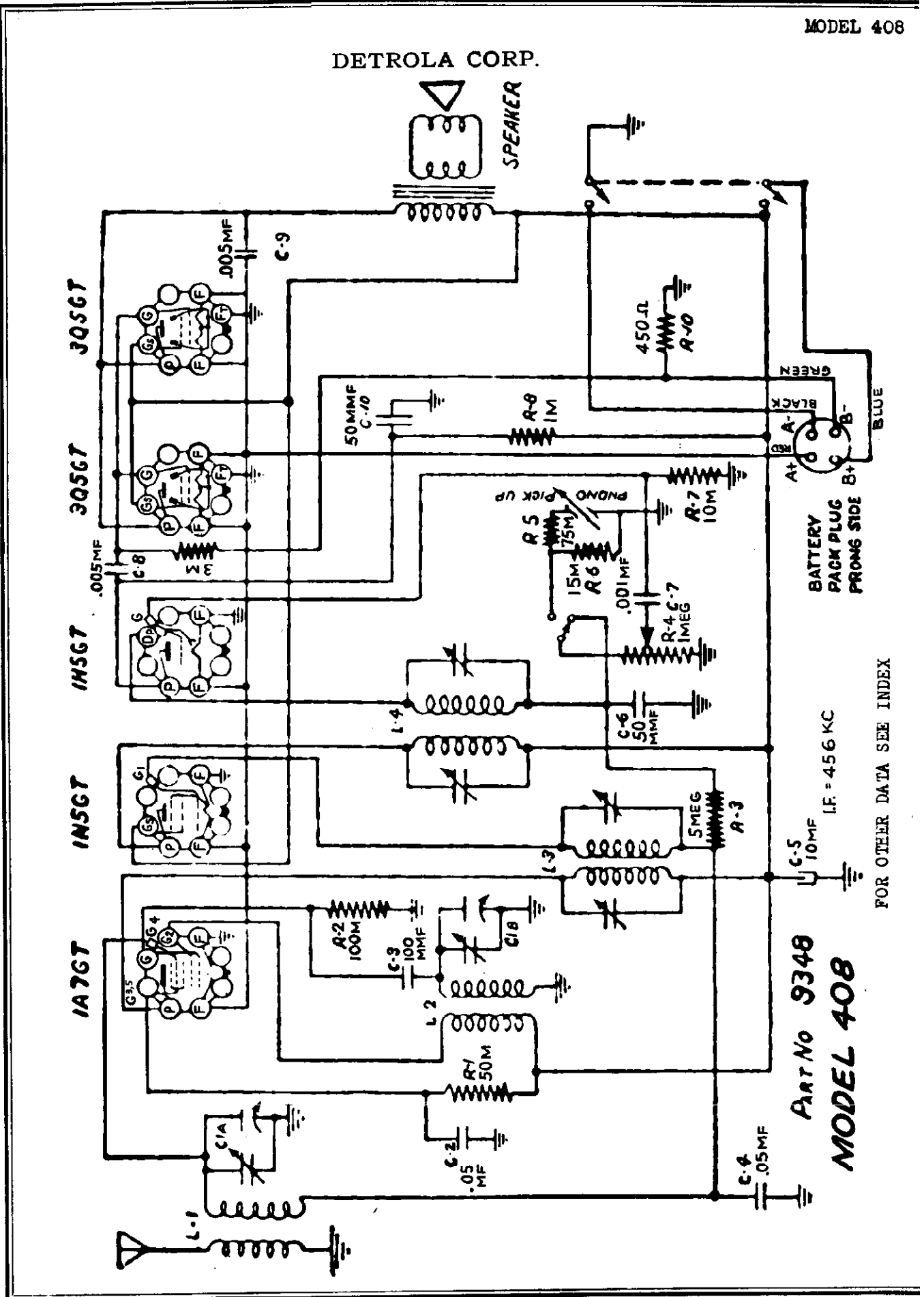
PART NO. 9283



PART No. 9284

PHONO MODELS  
 400 SERIES  
 401 SERIES  
 402 SERIES

DETROLA CORP.



PART No 9348  
MODEL 408

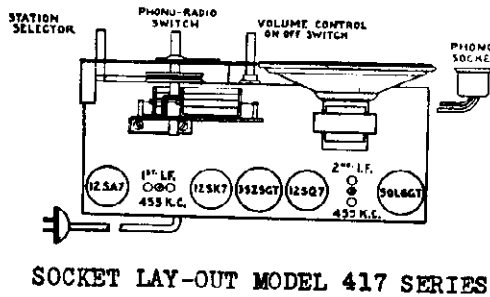
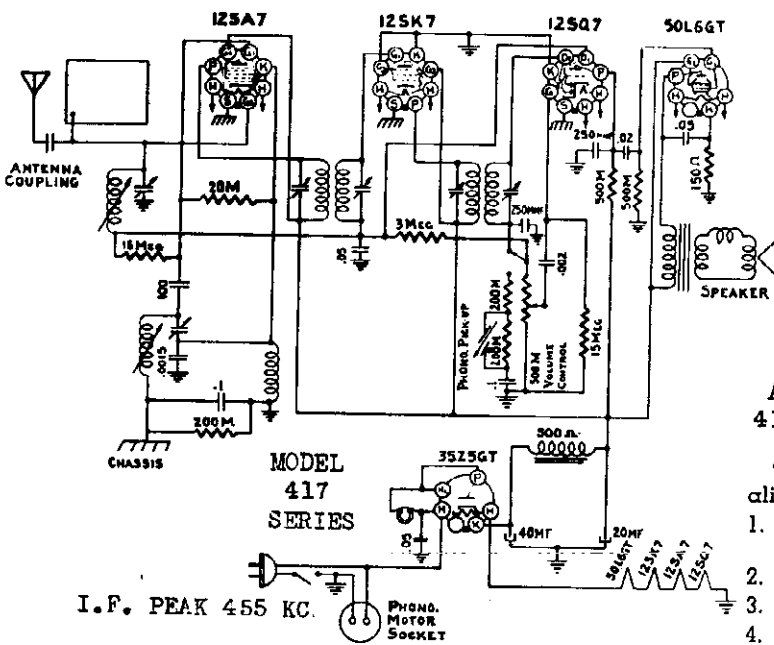
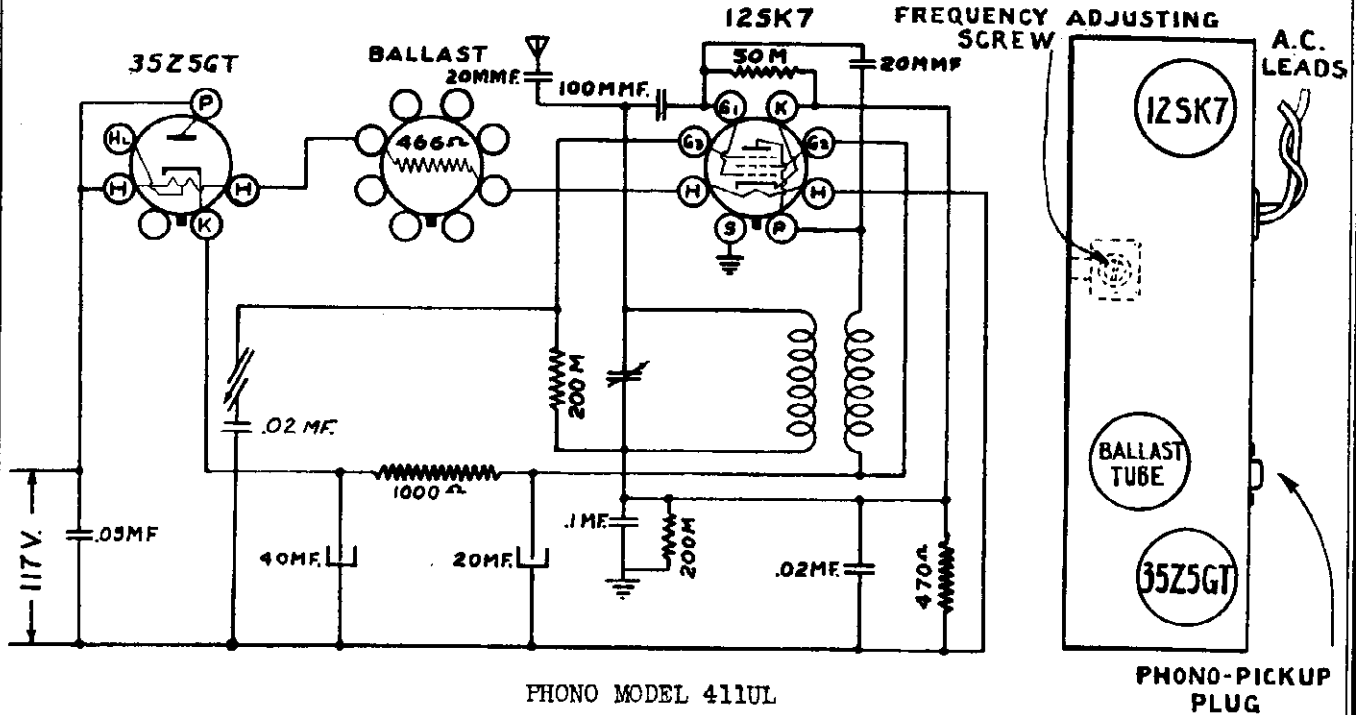
FOR OTHER DATA SEE INDEX

MODEL 411-UL, MODEL 417 Series,  
 MODELS 419, 421 Series, 421-1  
 DETROLA CORP.

**TO CHANGE THE FREQUENCY**

If a broadcast station is received at the same frequency as the wireless record changer, reset the frequency of the wireless record changer as follows:

1. Tune your radio to any frequency between 1250 and 1700 kilocycles that is free of interference.
2. Let the wireless record changer overhang the edge of a table for enough to reach the **frequency adjusting screw** through slot in the bottom cover.
3. While the wireless record changer is playing a record, tune the **frequency adjusting screw** until the recording is heard through your radio.



**ALIGNMENT PROCEDURE FOR MODELS 417 SERIES, 419, 421 SERIES, 421-1**

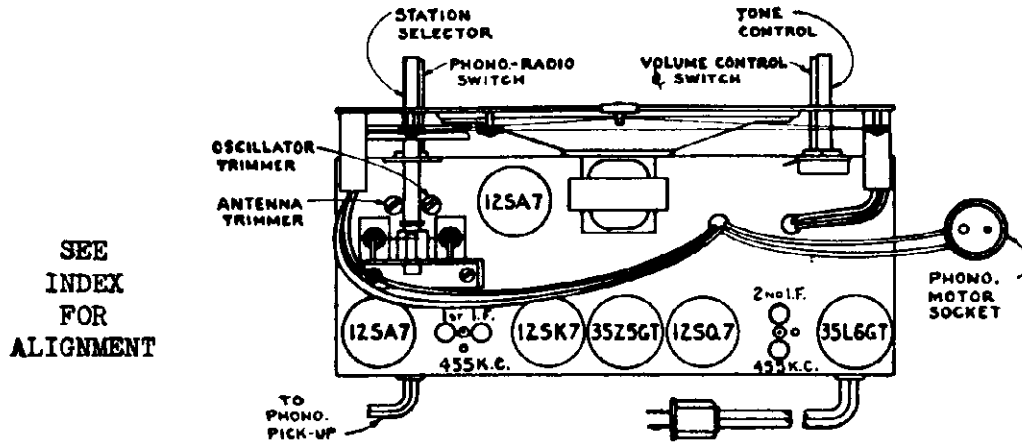
The following equipment is necessary to properly align this chassis:

1. A signal generator which will provide an accurately calibrated signal at the frequencies listed.
2. An output meter.
3. A non-metallic screw driver.
4. Dummy antennae—.1 mfd., 200 mmf.

GENERATOR	CONNECTION AT RADIO	DUMMY ANTENNA	DIAL	TRIMMER TO TUNE	REMARKS
I. F. 455 kc	12SA7 Grid	.1 mfd	H. F. end	I. F. Transformers	Tune to Max.
1720 kc	Ext. Ant. Wire	200 mmf	H. F. end	Oscillator Trimmer	Set Limit of band
1400 kc	Ext. Ant. Wire	200 mmf	1400	Antenna Trimmer	Tune to Max.

DETROLA CORP.

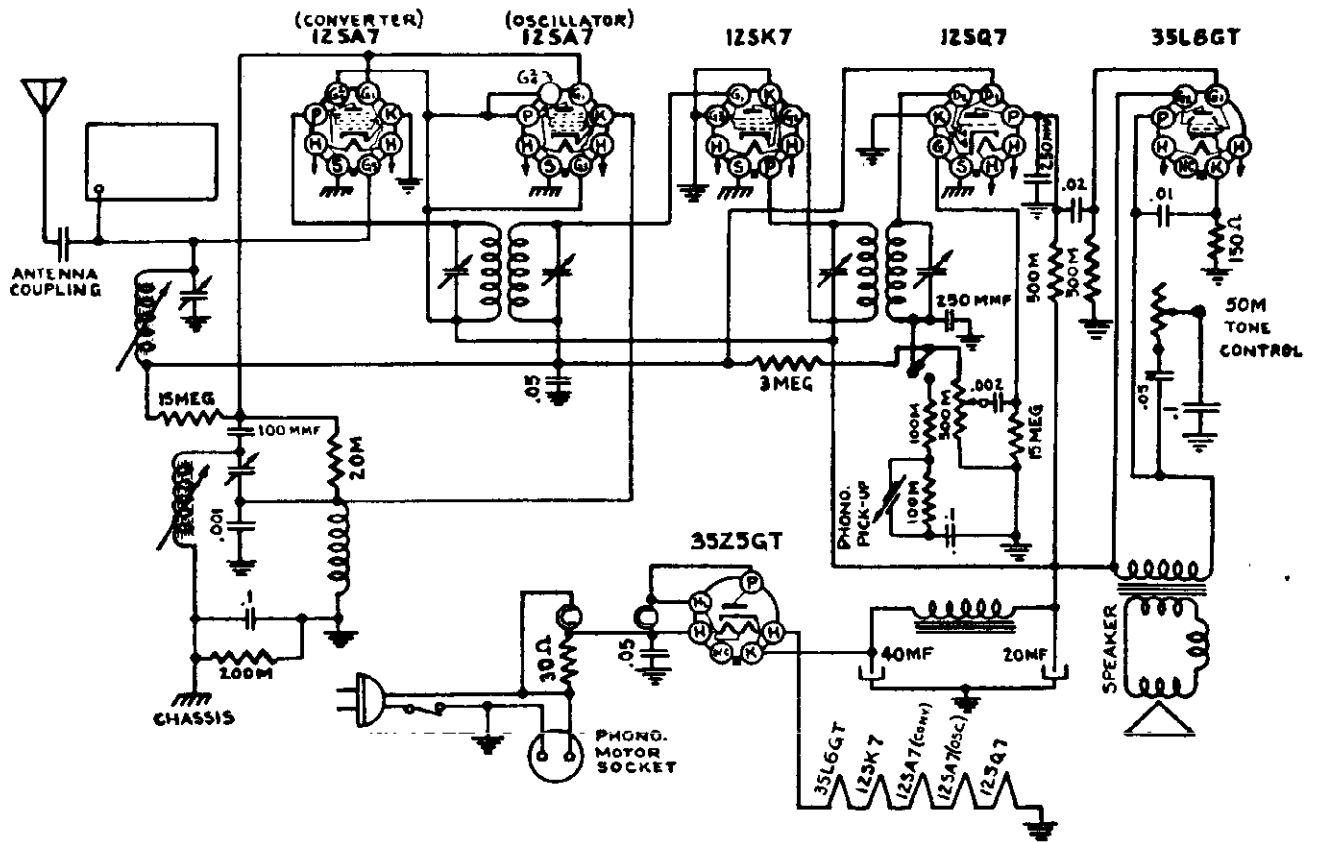
MODEL 419



SEE INDEX FOR ALIGNMENT

SOCKET LAYOUT

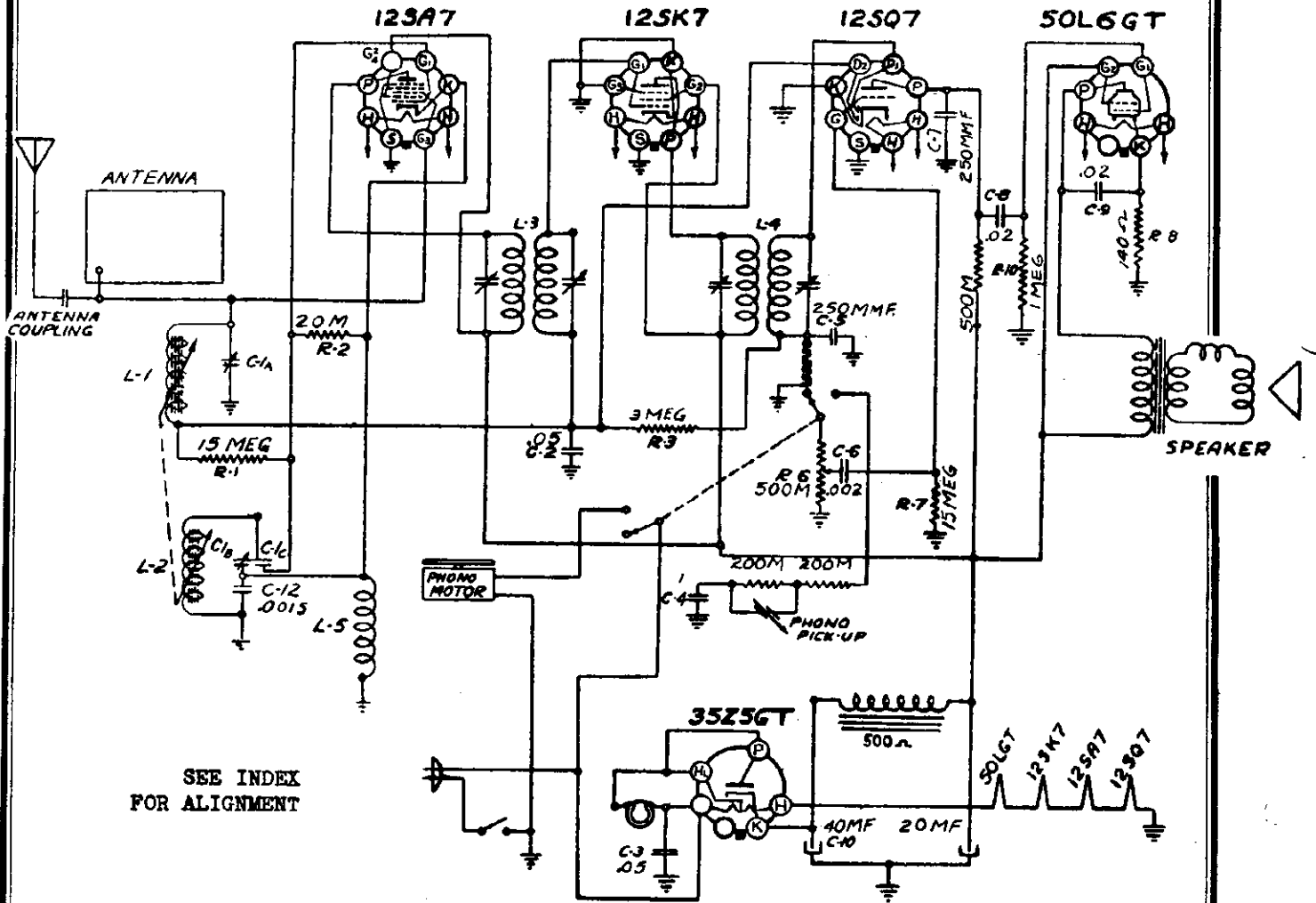
IF PEAK 455 KC



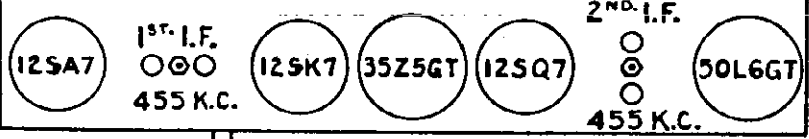
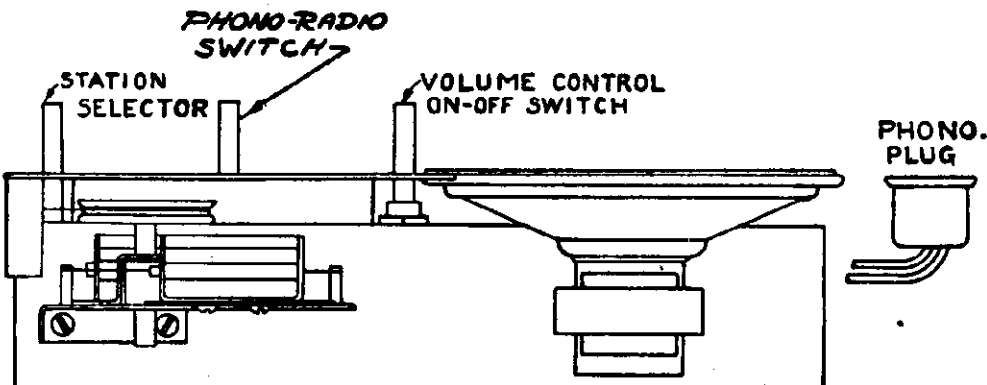
MODEL 419

MODELS 421 Series,  
421-1

DETROLA CORP.



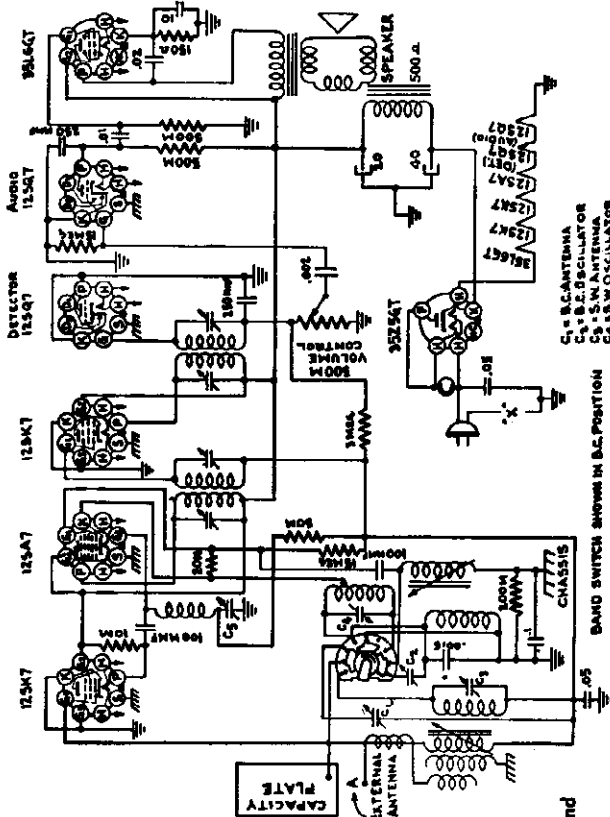
SEE INDEX  
FOR ALIGNMENT



I.F. PEAK 455 KC

MODEL 421 SAME AS  
MODEL 421-1 WITH  
THE EXCEPTION OF  
R8 AND R10 WHICH  
IS 150Ω AND 500M  
Ω RESPECTIVELY

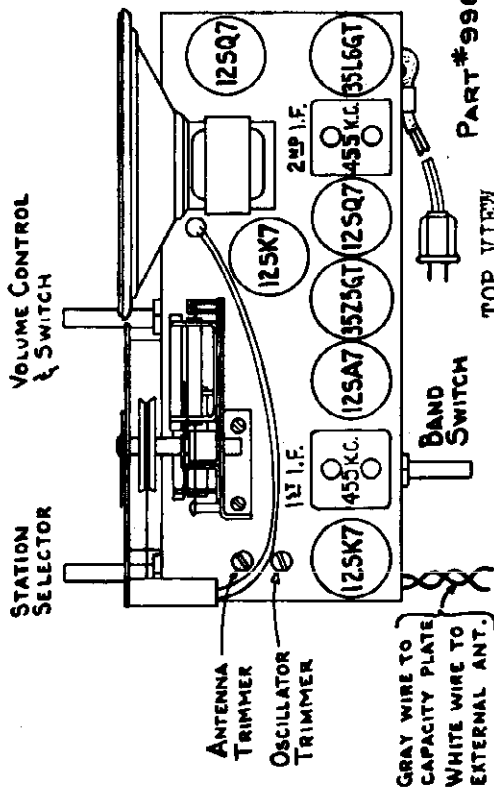
DETROLA CORP.



C1 - B.C. ANTENNA  
C2 - B.C. OSCILLATOR  
C3 - S.W. ANTENNA  
C4 - S.W. OSCILLATOR  
C5 - WAVE TRAP

BAND SWITCH SHOWN IN B.C. POSITION

I.F. PEAK 455 KC



TOP VIEW

**ALIGNMENT PROCEDURE**

**WARNING!** This information is to be used by a COMPETENT SERVICE MAN ONLY and not by an untrained person.

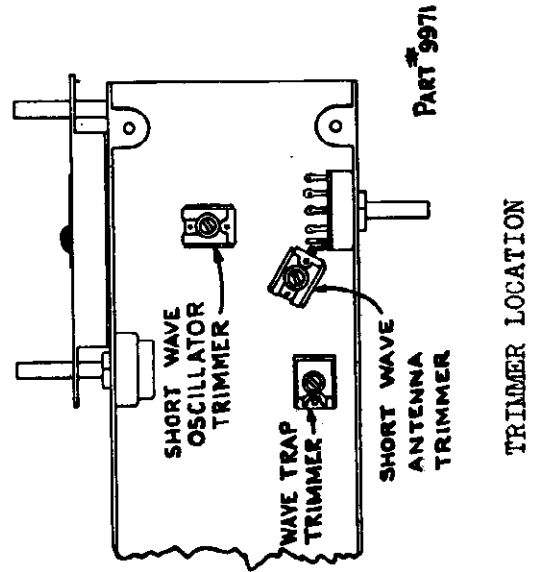
**TUBES:**

- 1-125K7—R.F.
- 1-125A7—Oscillator—Converter
- 1-125K7—I.F. Amplifier
- 1-125Q7—Detector A.V.C.
- 1-125Q7—Audio Amplifier
- 1-35L6GT—Power Output
- 1-35Z5GT—Rectifier

The following equipment is necessary to properly align this chassis:

1. A signal generator which will provide an accurately calibrated signal at the frequencies listed.
2. An output meter.
3. A non-metallic screw driver.
4. Dummy Antenna—.1 mfd., 200 mmf, 400 ohm.

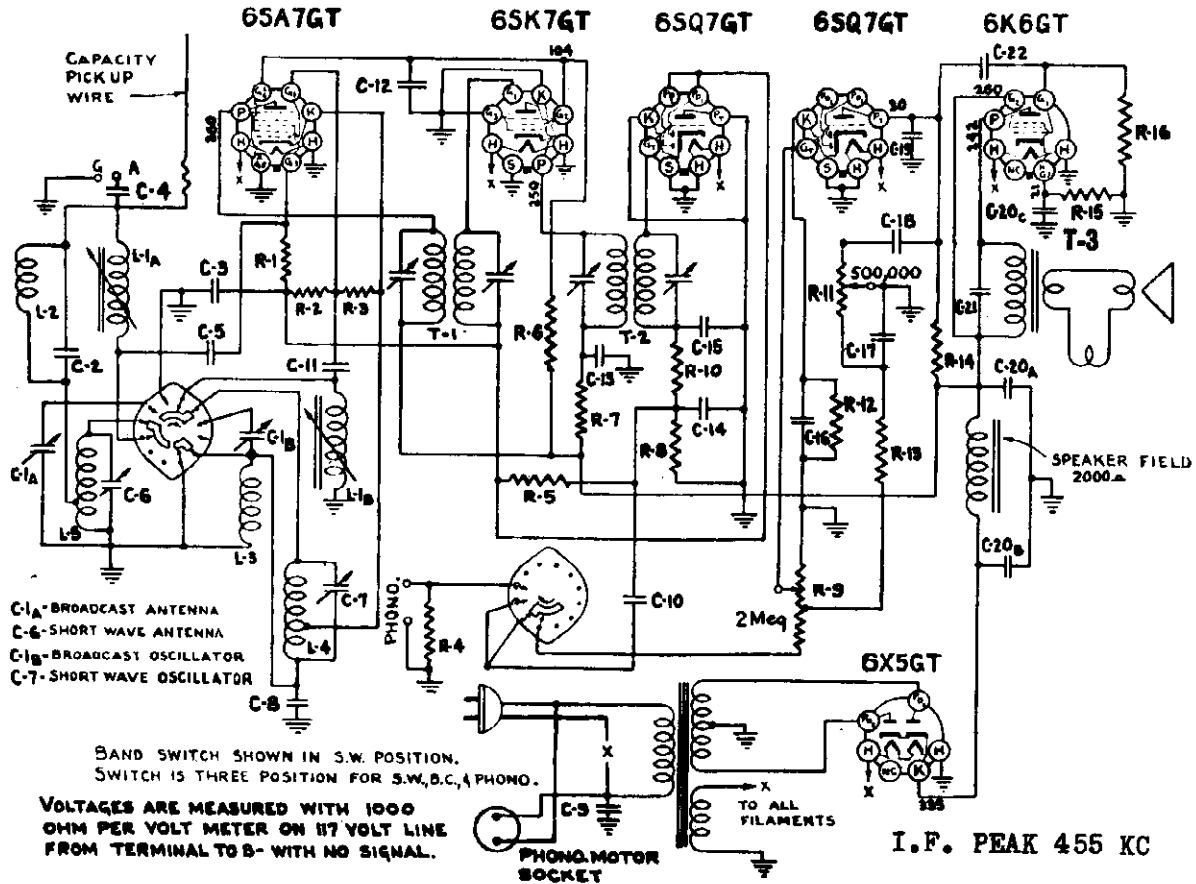
POSITION OF TUNING DIAL	GENERATOR FREQUENCY	DUMMY ANTENNA	GENERATOR CONNECTION	TRIMMERS ADJUSTED
High Freq. End	455 K.C.	.1 mfd.	125A7 Grid	Align I.F. 4 Trimmers
High Freq. End	455 K. C.	.1 mfd.	125K7 RF	Wave Trap Trimmer Adjust to Min.
Low Freq. End	540 K.C.	.1 mfd.	125K7 Grid	Oscillator Trimmer Set limit of band
1400 K.C.	7400 K.C.	200 mmf.	Antenna Lead with capacity plate in operating position.	Antenna Trimmer Tune to Max.
10 M.C.	10 M.C.	400 ohms.	Capacity Plate in position.	Oscillator Trimmer Set limit of band
9.6 M.C.	9.6 M.C.	400 ohms.	Antenna Lead Capacity Plate in position.	Antenna Trimmer Tune to Max.



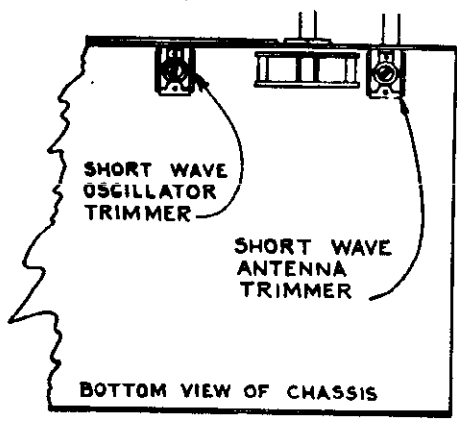
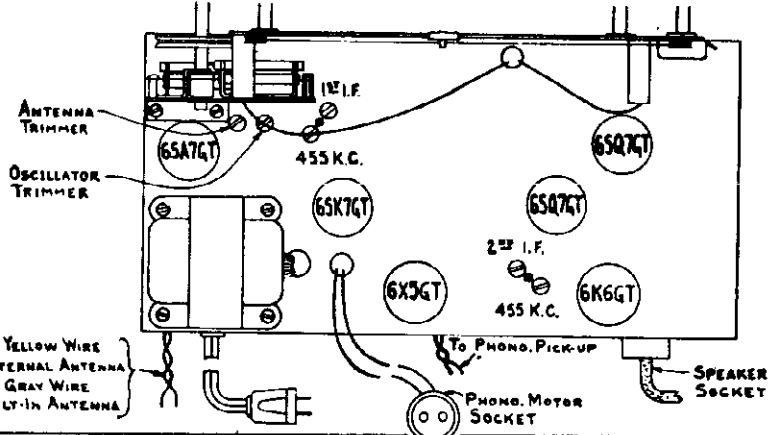
TRIMMER LOCATION

MODEL 428

DETROLA CORP.

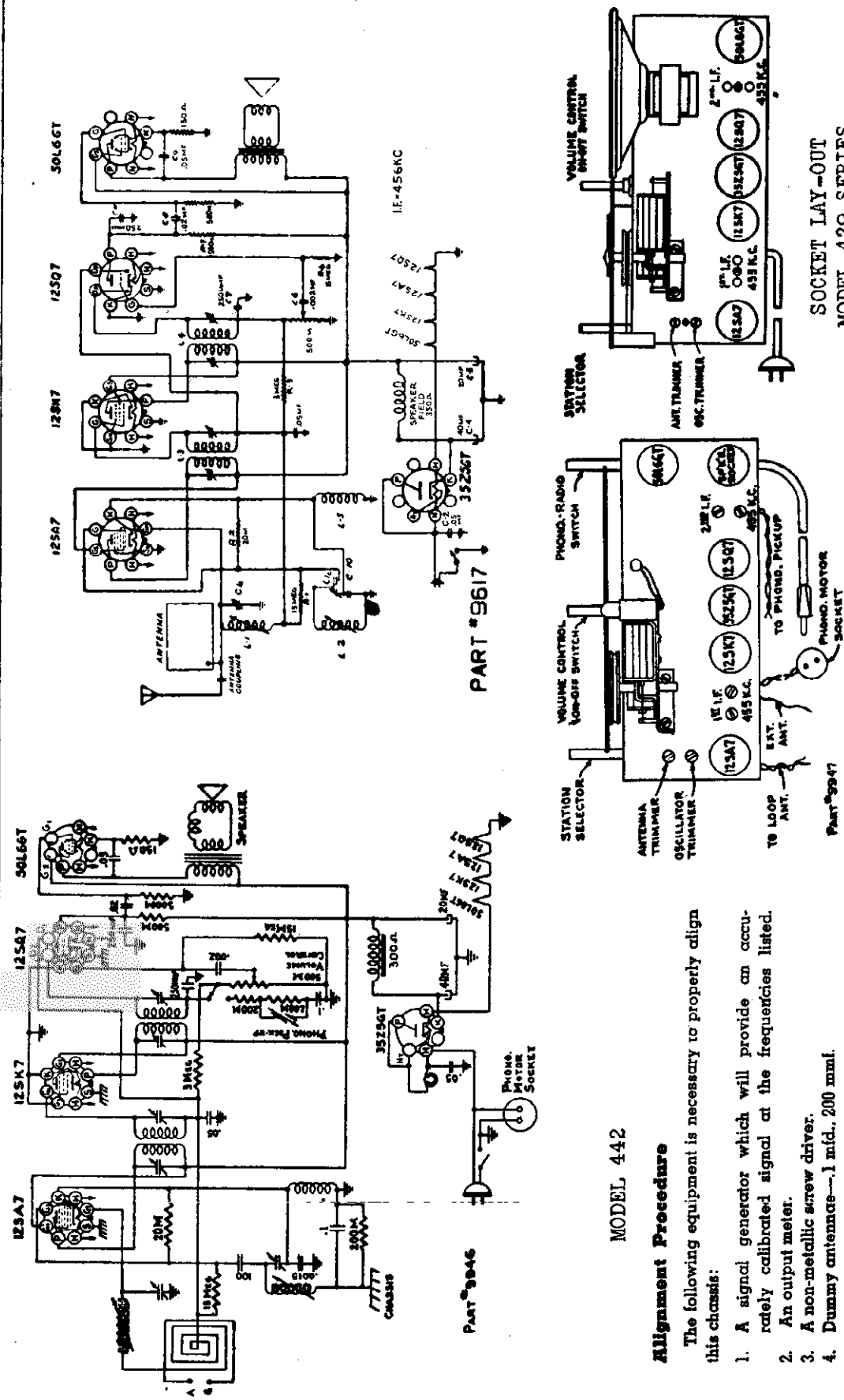


CHASSIS PARTS			CHASSIS PARTS		
Schematic Location	Part Number	Description	Schematic Location	Part Number	Description
C-4	D5399	Condenser—Mica 20 mmf.	R-15	D9661	Resistor—1W—500 ohm.
C-5, 11, 14, 15,	D1285	Condenser—Mica 100 mmf.	R-7	D8965	Resistor—1/3W—1M
C-2	D9627	Condenser—Mica 150 mmf.	R-12	D7125	Resistor—1/3W—5M
C-19	D1286	Condenser—Mica 250 mmf.	R-6	D10056	Resistor—1/3W—12M
C-1a, b	D9719	Condenser—Dual Trimmer	R-3	D7121	Resistor—1/3W—20M
C-6, 7	D9704	Condenser—Trimmer	R-10, 13	D8580	Resistor—1/3W—50M
C-8	D9672	Condenser—Paper .0015 mfd.—400V	R-4	D7123	Resistor—1/3W—400M
C-21	D824	Condenser—Paper .002 mfd.—600V	R-16, 8, 14	D6722	Resistor—1/3W—500M
C-10, 17, 18	D2782	Condenser—Paper .005 mfd.—600V	R-1	D6723	Resistor—1/3W—1 meg.
C-22	D568	Condenser—Paper .01 mfd.—400V	R-5	D7959	Resistor—1/3W—3 meg.
C-3	D580	Condenser—Paper .05 mfd.—200V	R-2	D8402	Resistor—1/3W—15 meg.
C-9, 13	D563	Condenser—Paper .05 mfd.—400 V.		D10203	Socket—Pilot Lamp
C-12	D575	Condenser—Paper.1 mfd.—400V		D5247	Studs—Pulley
C-20a,b,c	D9657	Condenser—Elect. (b15 mf.-400) (a10 mf.-330) (c10mf.-50)		D9662	Switch—Wave Band
	D3915	Cord—Line	L-1a, L-1b	D9663	Tuner—Permeability
	D6158	Lamp—Pilot—No. 47 Mazda	T-1	D9664	Transformer—Power
	D9660	Pointer	T-2	D9993	Transformer—1st. I. F.
	D6244	Pulley—Wood	T-3	D9893	Transformer—2nd I. F.
				D10055-1	Output Transformer



MODEL 429 Series  
MODEL 442

DETROLA CORP.



MODEL 442

**Alignment Procedure**

The following equipment is necessary to properly align this chassis:

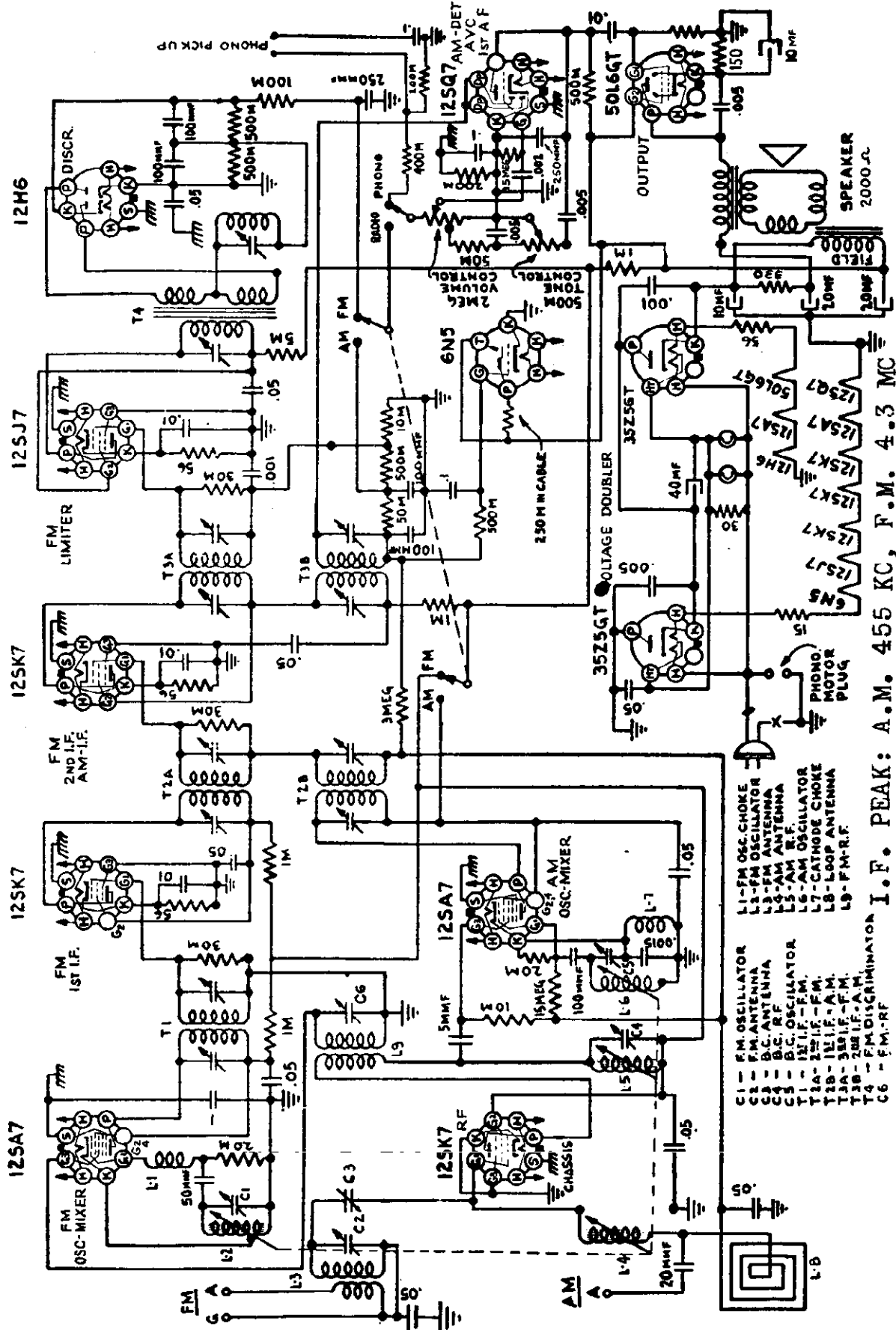
1. A signal generator which will provide an accurately calibrated signal at the frequencies listed.
2. An output meter.
3. A non-metallic screw driver.
4. Dummy antennae—1 mid., 200 mmi.

GENERATOR	CONNECTION AT RADIO	DUMMY ANTENNA	DIAL	TRIMMER TO TUNE	REMARKS
I. F. 455kc	12SA7 Grid	.1 mid.	H. F. End	I. F. Transformers	Tune to Max.
1620kc.	Ext. Ant. Wire	200 mmi.	H. F. End	Oscillator Trimmer	Set Limit of Band
1400kc.	Ext. Ant. Wire	200 mmi.	1400	Antenna Trimmer	Tune to Max.

SOCKET LAY-OUT  
MODEL 429 SERIES

INTERMEDIATE  
FREQUENCY  
PEAK  
455 KC





- L1 - FM OSC. CHOKE
- L2 - FM OSCILLATOR
- L3 - FM ANTENNA
- L4 - FM ANTENNA
- L5 - AM R.F.
- L6 - AM OSCILLATOR
- L7 - CATHODE CHOKE
- L8 - LOOP ANTENNA
- L9 - FM-R.F.
- C1 - FM OSCILLATOR
- C2 - FM ANTENNA
- C3 - B.C. ANTENNA
- C4 - B.C. RF
- C5 - B.C. OSCILLATOR
- T1A - 1st I.F. - FM.
- T1B - 1st I.F. - FM.
- T2A - 2nd I.F. - FM.
- T2B - 2nd I.F. - FM.
- T3A - FM LIMITER
- T3B - FM LIMITER
- T4 - FM DISCRIMINATOR
- C6 - FM-RF

I.F. PEAK: A.M. 455 KC, F.M. 4.3 MC

DETROLA CORP.

**ALIGNMENT PROCEDURE**

The alignment of this receiver is one of the most important operations performed by a service man. Follow all instructions and read all notes.

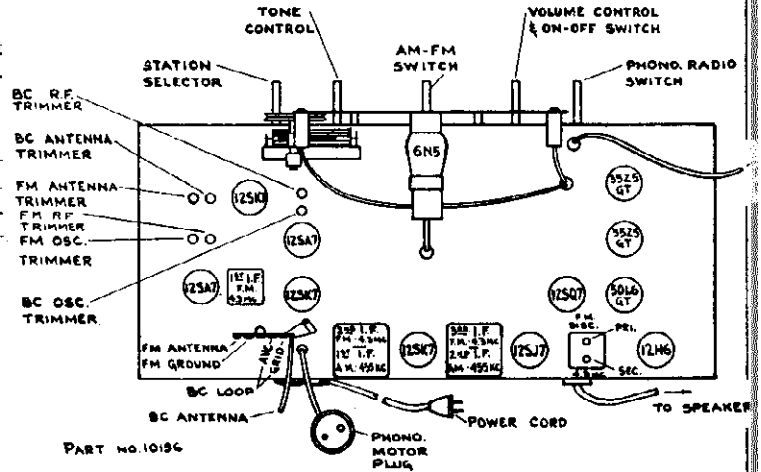
**EQUIPMENT REQUIRED**

1. Signal generator which will provide an accurately calibrated signal at the frequencies listed.
2. An output meter: Must be vacuum tube voltmeter or a high impedance microampere indicating device.
3. A non-metallic screw driver.
4. Dummy antenna as specified.

\* Connection is (B—) to No. 6 pin 12H6

• Connection is (B—) to No. 6 pin 12H6

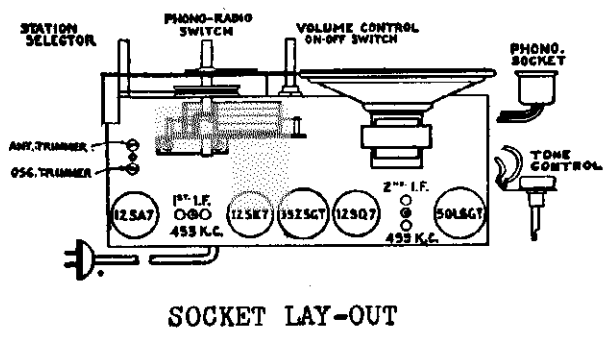
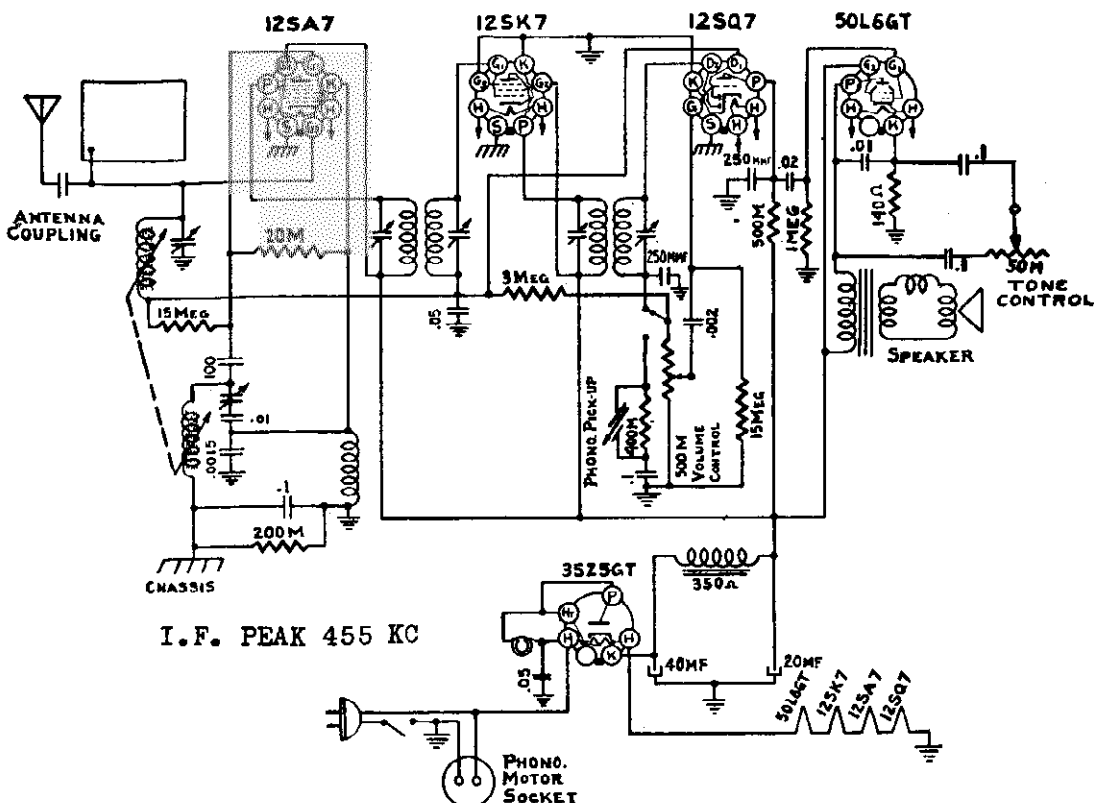
† Coil adjusted by loosening screws and sliding coil



Operation Sequence	Generator Frequency	Output Meter Connection	Function	A.M. F.M. Switch	Dial Position	Dummy	Generator Connection	Trimmer
1	455 K.C.	Across Voice Coil	Tune to Maximum	A.M.	H.F. End	.1 Mfd.	A.M. 12SA7 Grid	A.M. I.F. 4 Trimmers
2	4.3 Meg.	A *	Tune to Maximum	F.M.	H.F. End	.1 Mfd.	12SJ7 Grid	Disc Pri.
3	4.3 Meg.	B •	Tune to Minimum	F.M.	H.F. End	.1 Mfd.	12SJ7 Grid	Disc Sec.
4 Repeat Operations No. 2 and No. 3								
5	4.3 Meg.	A	Tune to Maximum	F.M.	H.F. End	.1 Mfd.	2nd I.F. 12SK7 Grid	3rd F.M. I.F. Trimmers
6	4.3 Meg.	A	Tune to Maximum	F.M.	H.F. End	.1 Mfd.	1st I.F. 12SK7 Grid	2nd F.M. I.F. Trimmers
7	4.3 Meg.	A	Tune to Maximum	F.M.	H.F. End	.1 Mfd.	F.M. Conv. 12SA7 Grid	1st F.M. I.F. Trimmers
8	540 K.C.	Across Voice Coil	Set Osc. To Scale	A.M.	L.F. End	.1 Mfd.	A.M. 12SA7 Grid	A.M. Osc. Trimmer
9	1000 K.C.	Across Voice Coil	To Calibrate Osc. Coil	A.M.	1000 K.C.	.1 Mfd.	A.M. 12SA7 Grid	Move Osc. Coil To Correct Calibration
10 Repeat Operation No. 8								
11	1400 K.C.	Across Voice Coil	Tune to Maximum	A.M.	1400 K.C.	.1 Mfd.	R.F. 12SK7 Grid	A.M. R.F. Trimmer
12	600 K.C.	Across Voice Coil	Move R.F. Coil to Track	A.M.	600 K.C.	.1 Mfd.	R.F. 12SK7 Grid	Move R.F. Coil †
13 Repeat Operation No. 11								
14	1400 K.C.	Across Voice Coil	Trim Ant. Loop Con. in Position	A.M.	1400 K.C.	200 Mmf.	A.M. Antenna	A.M. Ant. Trimmer
15	600 K.C.	Across Voice Coil	Move Ant. Coil to Track	A.M.	600 K.C.	200 Mmf.	A.M. Antenna	Move Ant. Coil To Track
16 Repeat Operation No. 14								
17	47. Meg.	A	Set Osc. To Scale	F.M.	47. Meg.	100 Ohms	F.M. Antenna	F.M. Osc. Trimmer
18	47. Meg.	A	Tune to Maximum	F.M.	47. Meg.	100 Ohms	F.M. Antenna	F.M. R.F. Trimmer
19	45 M.C.	A	Tune to Maximum	F.M.	45 M.C.	100 Ohms	F.M. Antenna	F.M. Ant. Trimmer

MODEL 448

DETROLA CORP.



**MAIN PARTS**

#	DESCRIPTION
559	Reel—Antenna.....
1207	Retainer—Shaft.....
9546	Shaft—Drive.....
9073	Switch—Phono-radio.....
9473	Transformer 2nd I.F.....
9472	Transformer 1st I.F.....
9581	Tuner—Permeability.....
9733	Speaker—5" Dynamic.....
10179	Book—Instruction.....
9923	Book—Changer Instruction.....
7084	Crystal—Dial.....

**ALIGNMENT PROCEDURE**

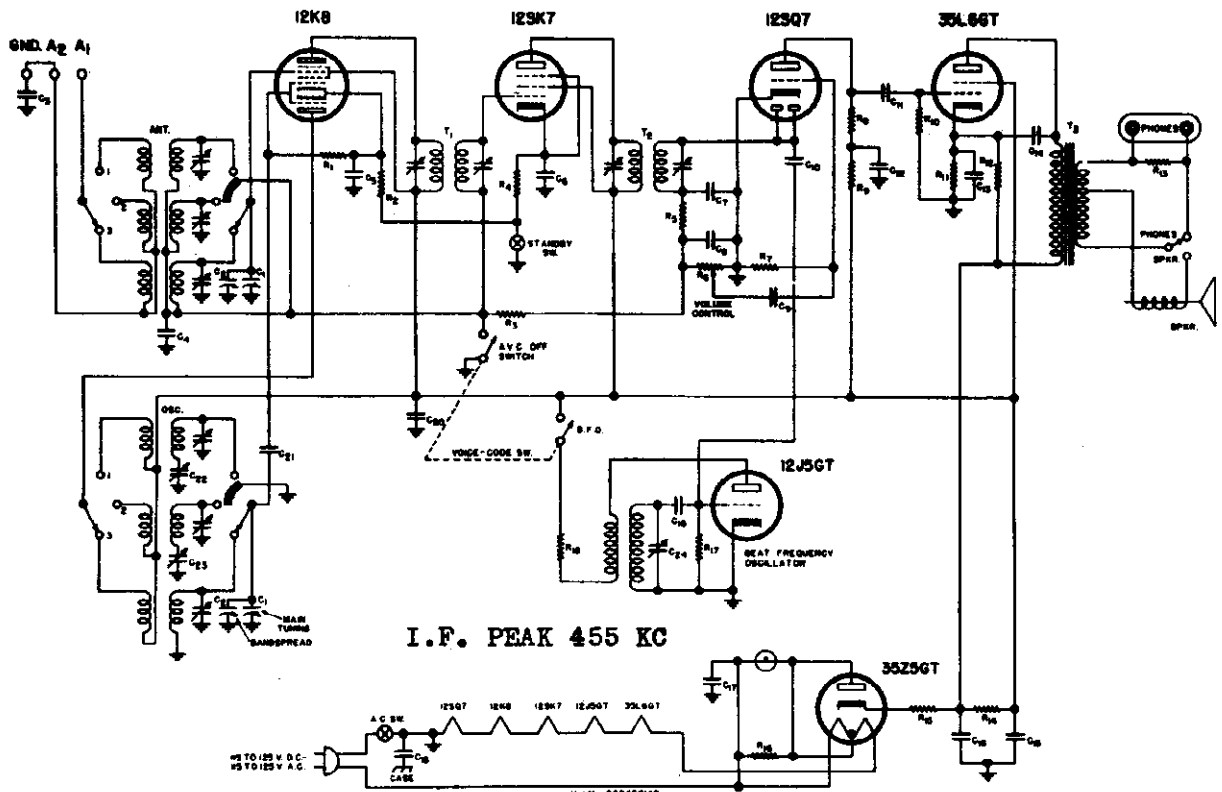
- Output meter connection.....Across speaker voice coil
- Connection of generator ground lead.....To Chassis
- Connection of generator out put lead.....See chart below
- Dummy antenna value to be used in series with generator.....See chart
- Position of volume control.....Full on (Clockwise)

GENERATOR	CONNECTION AT RADIO	DUMMY ANTENNA	DIAL	TRIMMERS TO TUNE	REMARKS
IF 455 KC	12SA7 GRID	.1 mfd.	H. F. End	IF Transformers 4 Trimmers	Tune to Max.
1720 KC	Antenna	200 mmf.	H. F. End (1720)	Oscillator Trimmer	Set Limit of Band
1400 KC	"	"	1400	Antenna Trimmer	Tune to Max.

Repeat above Alignment Procedure at least once.

ECHOPHONE RADIO MFG. CO.

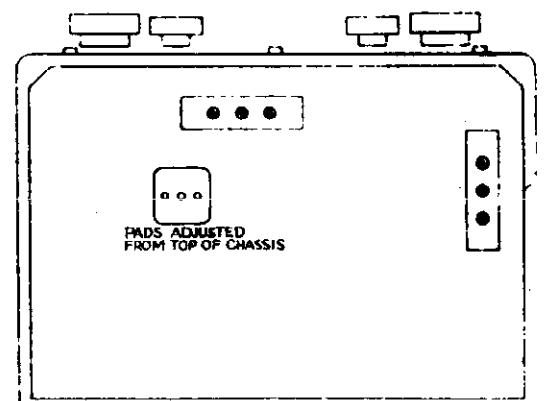
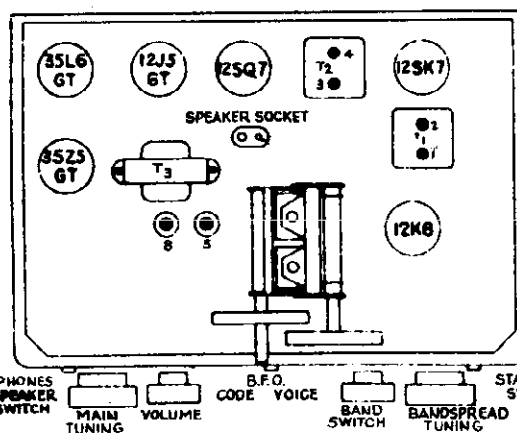
MODEL EC-1



C1	530 mmf	Main tuning	16	40.	mfd	150	4	400	
2		Band Spread	17	.02	mfd	400	5	50,000	
3	.01	mfd	400	18	.25	mfd	200	6	500,000
4	.05	mfd	200	19	150	mmf	Section of C24	7	10,000,000
5	.02	mfd	400	20	.05	mfd	200	8	250,000
6	.05	mfd	200	21	50	mmf		9	100,000
7	100	mmf		22	600	mmf	Pad	10	500,000
8	100	mmf		23	1,900	mmf	Pad	11	150
9	.005	mfd	200	24	450	mmf	BFO Trimer	12	7,500
10	10	mmf						13	15
11	.01	mfd	400					14	750
12	.05	mfd	200	R1		50,000		15	25
13	20.	mfd	25	2		300		16	300
14	.01	mfd	400	3		2,000,000		17	50,000
15	30.	mfd	150					18	500



TRIMMER LOCATION



MODEL EC-1

## ECHOPHONE RADIO MFG. CO.

## Alignment Procedure

## EQUIPMENT NEEDED FOR ALIGNING:

- \* An all wave signal generator which will provide an accurately calibrated signal at test frequencies listed.
- \* Output indicating meter.
- \* Non-metallic screw driver.
- \* Dummy antennas 400 ohm, 200 mmfd and .1 mfd.
- \* Volume control - Maximum all adjustments.
- \* Connect B - of radio chassis to ground post of signal generator through .1 mfd. condenser.
- \* Connect Dummy antenna value in series with generator output lead.
- \* Connect output meter across primary of output transformer.
- \* Allow chassis and signal generator to "heat up" for several minutes.

<u>BAND</u>	<u>Signal Generator</u> Frequency Setting	<u>Dummy</u> Antenna	<u>Pad</u>	<u>Trimmers</u>	<u>Adjustment</u>
I. F.	455 kc	.1 mfd.	none	# 1-2-3-4 on top of IF can	Adjust to maximum output
1	600 kc 1800 kc	200 mmf 200 mmf	#5 none	none #6-7	maximum output maximum output
2	2.5 mc 7.0 mc	400 ohm 400 ohm	#8 none	none #9-10	maximum output
3	no padding 28 mc	condenser on this band 400 ohm		#11-12	maximum output

## Specifications

Power Consumption	35 watt
Power Output	600 milliwatts undistorted
Sensitivity (for .05 watts output)	20 microvolts average
Selectivity	54 kc at 1000 times down at 1000 kc
Frequency Range	545 kc to 30.5 mc
Intermediate Frequency	455 kc
Speaker	5 inch PM dynamic

## NOTES ON OPERATION

**ANTENNA:** This receiver will require a piece of wire connected to A-1 terminal of the antenna terminal strip appearing on the rear apron of the receiver's chassis. Very satisfactory operation of the receiver throughout its 3 band tuning range will be secured by using an outside antenna approximately 50 to 75 feet long including leadin. This antenna should be erected as high as possible and removed from surrounding objects. Be sure the antenna is insulated from the ground at all points. For minimum interference it should be at right angles to street car lines, power lines and other electrical apparatus in the vicinity. When using this type of antenna the jumper between A2 and G terminals should remain connected. A doublet antenna can be used and should be connected to terminals A1 - A2. The jumper can remain connected between A2 and G or removed depending upon its favorable effect on reception. A ground can be connected to the G terminal and should be used only when it materially improves the operation of the receiver.

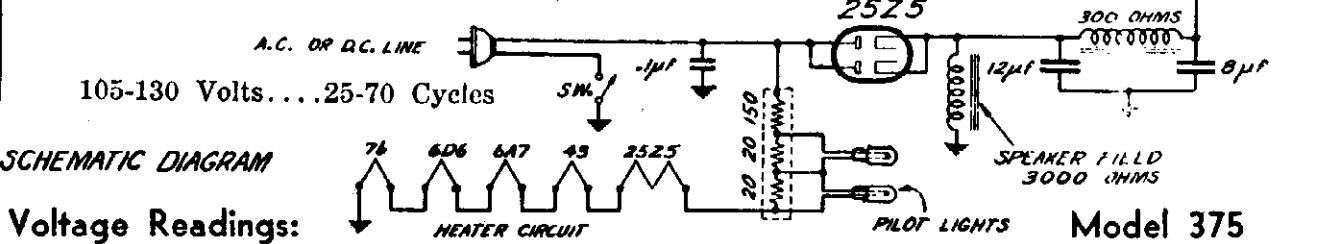
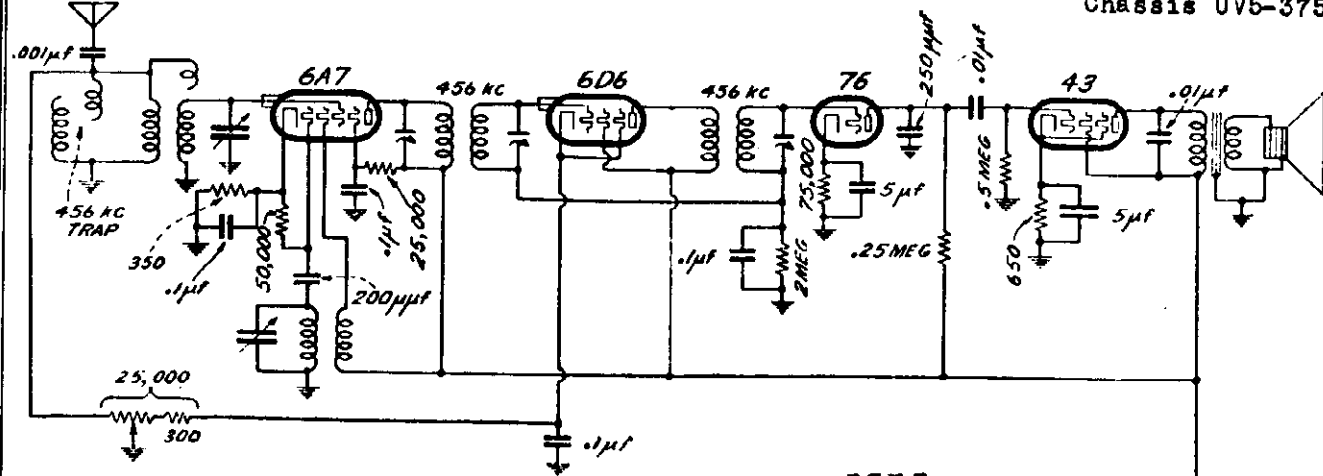
**BANDSPREAD:** This control will be of most help on the higher frequencies covered by bands 2 and 3. The bandspread control varies in much smaller quantities the capacity of the main tuning condenser. For fine adjustment the bandspread control will prove to be of great help. When this control is adjusted a pointer moves horizontally in front of a numbered scale which is at the bottom of the main dial. This scale can be used for reference points and should be used in conjunction with the logging scale appearing on the outer edge of the main dial. **NOTE:** The bandspread pointer should be left at 0 if the main dial calibration is to be accurate. When the bandspread control is used the main tuning dial pointer should be left at a frequency slightly higher than the desired signal - operating the bandspread control will then enable you to easily and accurately tune in the signal.

**BFO - ON-OFF:** CODE-VOICE switch in the ON position disconnects the automatic volume control or AVC circuit and also supplies a beat note for the copying of code or CW stations. This feature will be of help in locating weak broadcasting or phone signals. After they are located the switch should be thrown to the VOICE position which will remove the BFO whistle.

**NOTE:** The EC-1 Receiver can be used as a test code oscillator by connecting a Mackey in series with the phones. The BFO switch should be placed in the CODE position and a broadcast station carrier tuned in. Operation of the key will then provide a signal which will sound like CW code transmission.

**STANDBY:** This switch is used should the receiver be operated in conjunction with a transmitter and makes the receiver inoperative during transmission periods by removing the plate voltage from the tubes.

CHASSIS DB, DB1, EMERSON RADIO & PHONOGRAPH CORP. MODEL 375  
DL Chassis UV5-375



**SCHEMATIC DIAGRAM**

**Voltage Readings:**

Readings should be taken with volume control on full, using a d-c voltmeter of 1000 ohms-per-volt. Measurements given are for a line voltage of 117.5 volts, 60 cycles and are measured from point indicated to ground with the antenna grounded to the metal chassis.

	Plate	Screen	Cathode	Suppressor	Osc. Plate
6A7 Oscillator-modulator	100	55	3	---	100
6D6 I-f.	100	100	3	3	---
76 Detector	50	---	5	---	---
43 Output	90	100	14	---	---

**Model 375**  
Chassis Model UV5-375  
  
**Tuning Range**  
540 to 1530 Kilocycles  
(550 to 195 Meters)

IF PEAK 456 KC

Voltage across speaker field, 125 volts.

CONVENTIONAL ALIGNMENT. SEE SPECIAL SECTION RIDER'S VOLUME VIII.

The following tubes are employed:  
1— 6A7 Oscillator-modulator.  
1— 6D6 I-f amplifier.  
1— 76 Detector and automatic overload control.  
1— 43 Pentode power output tube.  
1— 25Z5 Dual half-wave rectifier.

Part No.	Description		
KKT-134	Antenna coil		
KKT-135	Oscillator coil	GGR-128	Ballast resistor
UUT-180	First i-f transformer	PPC-200	Variable condenser
UUT-181	Second i-f transformer	PPC-201	Combination by-pass and filter cond
KKT-138	Filter choke	KS-38B	5" Dynamic speaker
PPR-168	Volume control	KL-6	Pilot light

**CHASSIS DB, DB1, DL  
PRODUCTION CHANGES**

DB and DB1 chassis which use second i-f transformer, part number 7BT-489 or 7FT-513B may use 7BT-550B for replacement. In DB and DB1 chassis bearing serial numbers below 2,817,946, resistor R2, 15 megohms, was not used.  
DL chassis which use (a) first i-f, part number 6JT-466DU may use 7BT-488 for replacement. (b) second i-f transformer, part number 6XT-514, may use 7BT-550B for replacement. (c) dual electrolytic, part number 6JC-466AU or 6JC-466D may use 6JC-426C for replacement.

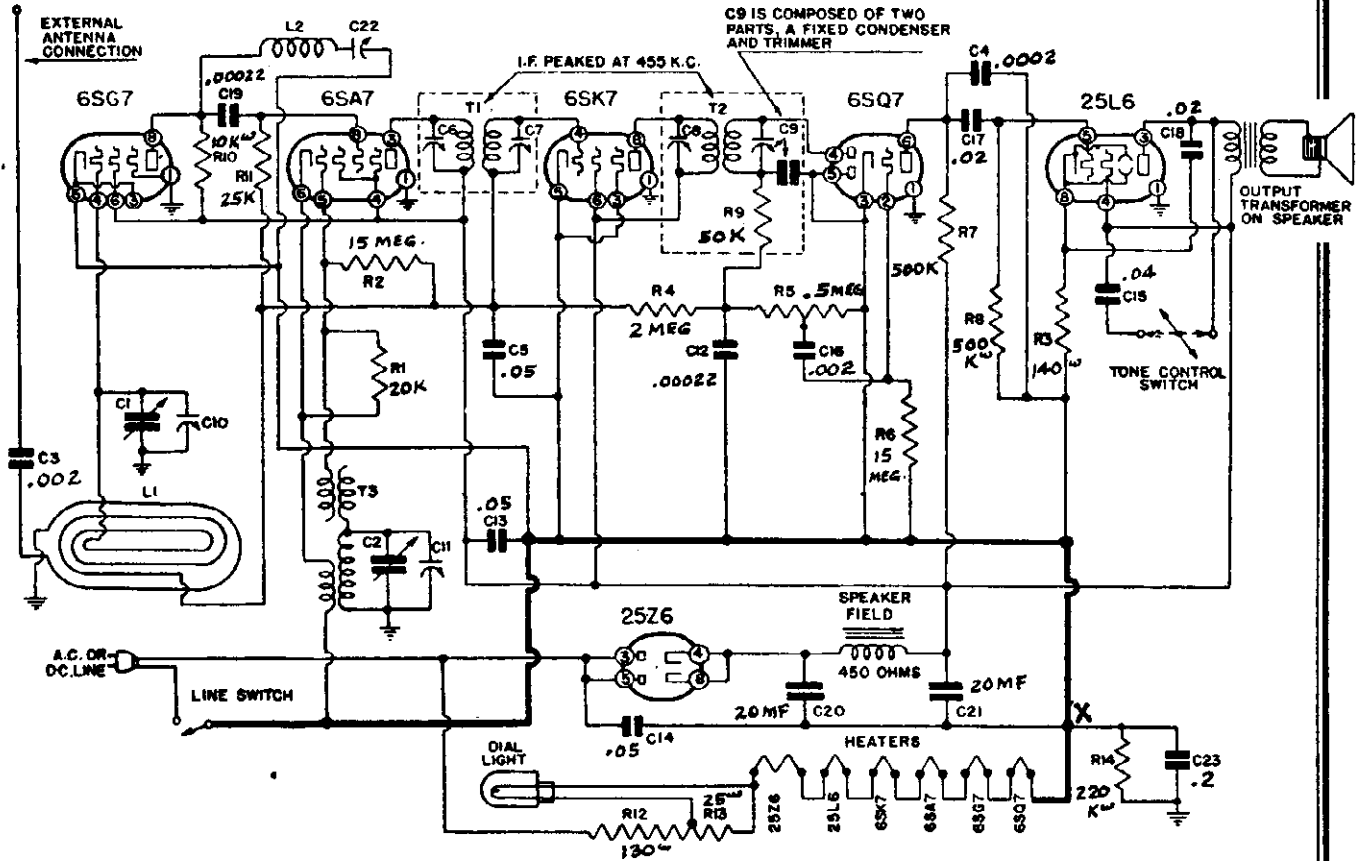
MODELS GA-439, GA-441

Chassis GA

EMERSON RADIO & PHONOGRAPH CORP.

MODELS GA1-439, GA1-441

Chassis GA1



SCHEMATIC DIAGRAM FOR MODELS GA AND GA1

Note: 1—On Model GA R14 and C23 are omitted and point "X" as indicated in schematic is connected to chassis.

SEE NOTES ON ALTERNATE TUBES USED.  
FOR OTHER DATA SEE INDEX

REPLACEMENT PARTS LIST

*Item	Part No.	DESCRIPTION	†C10, C11		‡Trimmers, part of variable condenser.
L1	7BW-179	Loop assembly	C12, C19	4XC-394A	0.00022 mica condenser
L2	9LT-619A	455 k.c. wave-trap (GA)	C13	BC-12	0.05 mf, 200 volt tubular condenser
L2	9LT-619B	455 k.c. wave-trap (GA1)	C14	LC-64	0.05 mf, 400 volt tubular condenser
T1	8CT-566E	Double-tuned 455 k.c. first i-f transformer (GA1)	C15	9PC-554	0.04 mf, 200 volt tubular condenser
T1	8CT-566D	Double-tuned 455 k.c. first i-f transformer (GA)	C17, C18	LC-65	0.02 mf, 400 volt tubular condenser
T2	9HT-438B	Double-tuned 455 k.c. second i-f transformer	C19	4XC-394A	0.00022 mica condenser
T3	10BT-666A	Oscillator coil (GA1)	C20, C21	6JC-426Q	Dual 20 mf, 150 volt, dry electrolytic condenser
T3	10BT-666	Oscillator coil (GA)	C22		Trimmer, part of L2
R1	LR-60	20,000 ohm 1/4 watt carbon resistor	C23	2CC-208	0.2 mf, 200 volt tubular condenser
R2, R6	4XR-327	15 megohm 1/4 watt carbon resistor		9HS-541	5" dynamic speaker (GA-439)
R3	3FR-293	140 ohm 1/4 watt wire-wound resistor		9HS-549A	4"x6" oval dynamic speaker (GA-441)
R4	HR-42	2 megohm 1/4 watt carbon resistor		9PS-602	5" dynamic speaker (GA1-439)
R5	9PR-447	Volume control .5 meg. (Model 431)		9PS-601	4"x6" oval dynamic speaker (GA1-441)
R5	9PR-447A	Volume control .5 meg. (Model 439)		9PS-551A	Tone control switch (GA-439, GA1-439)
R7, R8	KR-56	500,000 ohm 1/4 watt carbon resistor		9PS-551	Tone control switch (GA-441, GA1-441)
R9		50,000 ohm 1/4 watt carbon resistor, part of T2		9PS-550B	Line switch (GA-439, GA1-439)
R10	LR-65	10,000 ohm 1/4 watt carbon resistor		9PS-550	Line switch (GA-441, GA1-441)
R11	OR-73	25,000 ohm 1/4 watt carbon resistor			DIAL PARTS
R12, R13	9HR-489	Balloon resistor: R12—130 ohm, 12.5 watt; R13—25 ohm, 2.5 watt		9PB-80B	Pilot light socket
R14	10TR-485	220,000 ohm 1/4 watt carbon resistor		6JL-104	Pilot light, 6.3 volt, .15 amp., Mazda No. 47
C1, C2	9PC-533	Two-gang variable condenser		9HH-83A	Drive shaft (GA-439, GA1-439)
C3, C16	3HC-274	0.002 mf, 600 volt tubular condenser		9HH-83	Drive shaft (GA-441, GA1-441)
C4	5AC-384	0.0002 mf, 600 volt tubular condenser		6QZ-863	Drive cord
C5	BC-12	0.05 mf, 200 volt tubular condenser		6QW-169	Drive cord spring
C6, C7, C8, C9		Trimmers, part of i-f transformers		9PD-145B	Glass dial (GA-439, GA1-439)
				9PD-145A	Glass dial (GA-441, GA1-441)

\*Item number locates the article on the schematic diagram.  
†Not supplied separately.

## EMERSON RADIO &amp; PHONOGRAPH CORP.

MODELS GA-439, GA-441  
Chassis GA  
MODELS GA1-439, GA1-441  
Chassis GA1

## ADJUSTMENTS

An oscillator with frequencies of 455, 600 and 1400 kc is required.

An output meter should be used across the voice coil or output transformer for observing maximum response.

Always use as weak a test signal as possible when aligning the receiver.

## Location of Coils and Trimmer Adjustments

The first i-f transformer is mounted on top of the chassis deck next to the loop antenna. The trimmers are accessible through holes in the top of the can.

The second i-f transformer is mounted on top of the chassis next to the 25L6 tube. The trimmers are accessible through holes in the top of the can.

The trimmers for the antenna loop and the oscillator coil are located on the variable condenser. The front section is for the oscillator. The rear section is for the antenna loop. The oscillator coil is located beneath the chassis deck.

The 455 kc wave-trap is located below the chassis deck.

## hf and Wave-trap Alignment

Swing the variable condenser to the minimum capacity position. Feed 455 kc to the grid of the 12SA7 tube through a .01 mf condenser and adjust the four i-f trimmers for maximum response.

Feed 455 kc to the external antenna lead and adjust the wave-trap for minimum response.

## R-f Alignment

Set the dial pointer at 140. Feed 1400 kc from the signal generator into a loop of wire about one foot in diameter. Hold this radiating loop about 12 inches away from and parallel to the receiver loop antenna. Advance the input to the loop until a satisfactory deflection is obtained on the output meter. Adjust first the oscillator trimmer then the antenna trimmer for maximum response. If the loop antenna has been replaced it may be necessary to retrack the loop inductance. With the dial set at 60 feed 600 kc to the antenna lead. A portion of the outside may be swung to either side of the center to give maximum response. Repeat the trimmer alignment at 140.

## VOLTAGE ANALYSIS

Readings should be taken with a 1000 ohms-per-volt meter. Voltages listed below are from point indicated to B minus (line switch) with the volume control turned on full and no signal. Line voltage for these readings was 117.5 volts, 60 cycles, a.c. All readings except heaters and cathodes were taken on 250 volt scale. Measurements made with 117.5 volts d.c. will be lower than those given below.

Tube	Plate	Screen	Cathode	Fil.
6SG7 or 7H7	87	39	0	6.3
6SA7	87	87	0	6.3
6SK7 or 7A7	87	87	0	6.3
6SQ7 or 7B6	32	—	0	6.3
25L6	79	87	6.0	25

Voltage at 25Z6 cathode—120 volts.  
Voltage across speaker field—32 volts.  
Voltage across pilot light—4.5 volts.

## DESCRIPTION

TYPE: Single-band superheterodyne.

FREQUENCY RANGE: 540-1630 kc.

NUMBER OF TUBES: Six.

TYPE OF TUBES:

- 1—6SG7 or \*7H7, r-f amplifier
- 1—6SA7, pentagrid oscillator-modulator
- 1—6SK7 or \*7A7, i-f amplifier
- 1—6SQ7 or \*7B6, diode detector, a-f amplifier, a.v.c.
- 1—25L6, beam power output
- 1—25Z6, half-wave rectifier.

POWER SUPPLY: A.C. or D.C.

VOLTAGE RATING: 105-125 volts.

POWER CONSUMPTION: 30 watts.

\*Some receivers use lock-in tubes instead of equivalent octal types. Due to different socket requirements these tubes are not directly interchangeable.

## GENERAL NOTES

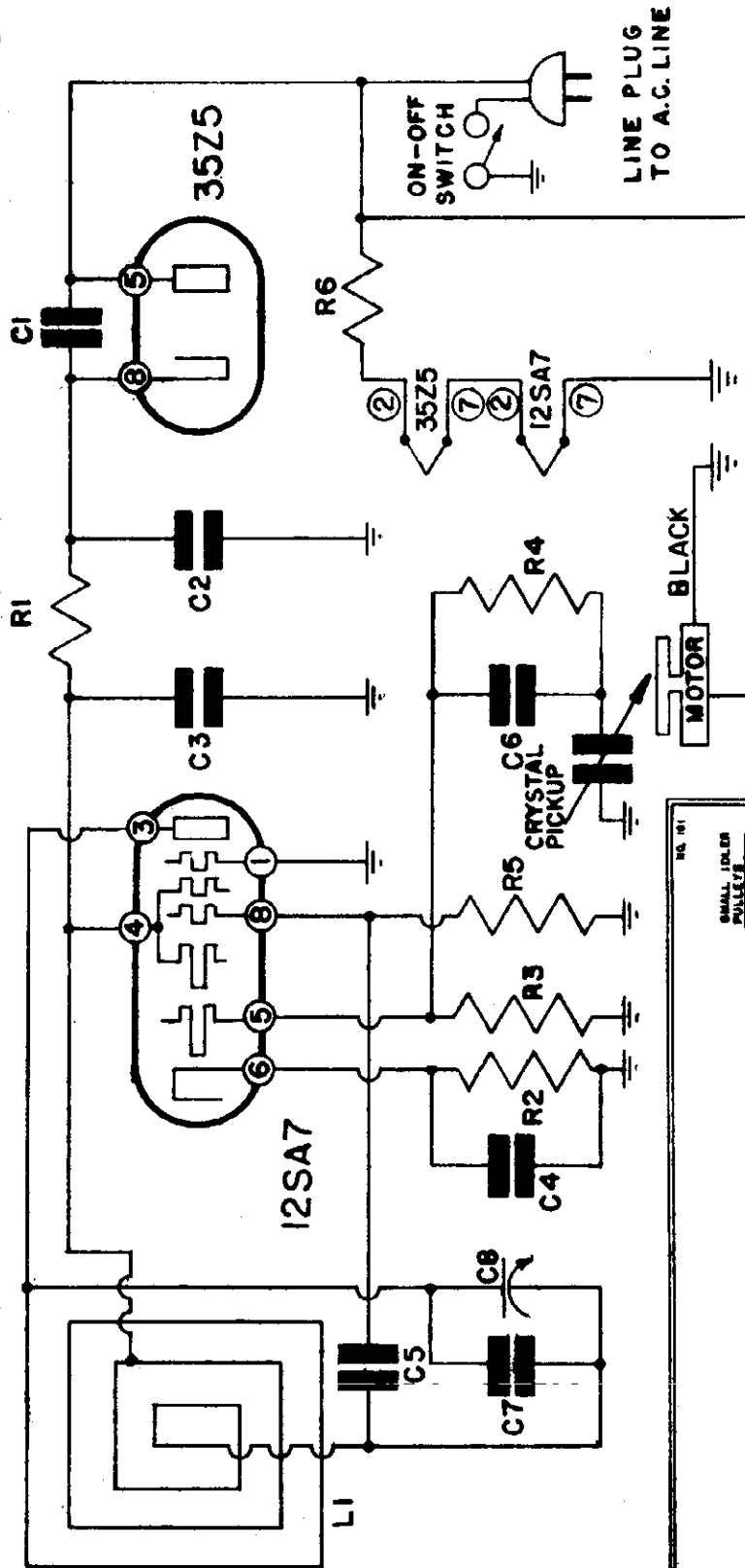
1. If replacements are made or the wiring disturbed in the r-f section of the circuit, the receiver should be carefully re-aligned.
2. In operating the receiver on d.c. it may be necessary to reverse the line plug for correct polarity.
3. The receiver has a self-contained antenna and does not require additional antenna connections. For permanent home installations, however, if it is desired to improve reception of weak stations, an additional outdoor antenna should be used. For this purpose a lead has been brought out of the rear near the line cord.
4. The self-contained loop antenna has directional properties. It is important, therefore, once the station is tuned in, that the cabinet be rotated on its base back and forth through a quarter of a circle (90 degrees), and left at the position where the station is received with maximum volume.



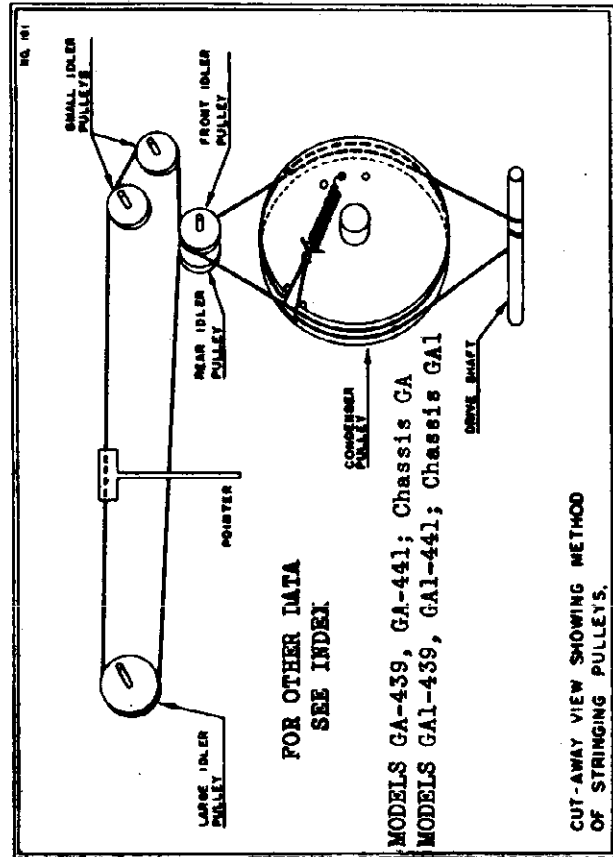
MODEL GJ-449,  
Chassis GJ

EMERSON RADIO & PHONOGRAPH CORP.

MODELS GA-439, GA-441  
Chassis GA  
MODELS GAI-439, GAI-441  
Chassis GAI



ITEM	PART NO.	DESCRIPTION
C1	ECC-132	.1 MF. 400 VOLT TUBULAR CONDENSER
C2	2CC-208	.2 MF. 200 VOLT "
C3	6YC-450	40 MF. 135 VOLT ELECTROLYTIC COND.
C4	1C-43A	5 MF. 25 VOLT "
C5	GRC-441	.00045 MICA CONDENSER TYPE "W"
C6	75C-500	.000 025 MF. MICA CONDENSER TYPE "O"
C7	5LC-410A	.000 11 MF. "
C8	10JC-567	TRIMMER CONDENSER
R1	LR-64	5000 OHM 1/4 WATT
R2	KR-50	500 OHM 1/4 WATT
R3	KR-56	500,000 OHM 1/4 WATT
R4	3RR-274	5 MEGOHM 1/4 WATT
R5	LR-60	20,000 OHM 1/4 WATT
R6	10JR-467	METAL CLAD BALLAST RESISTOR

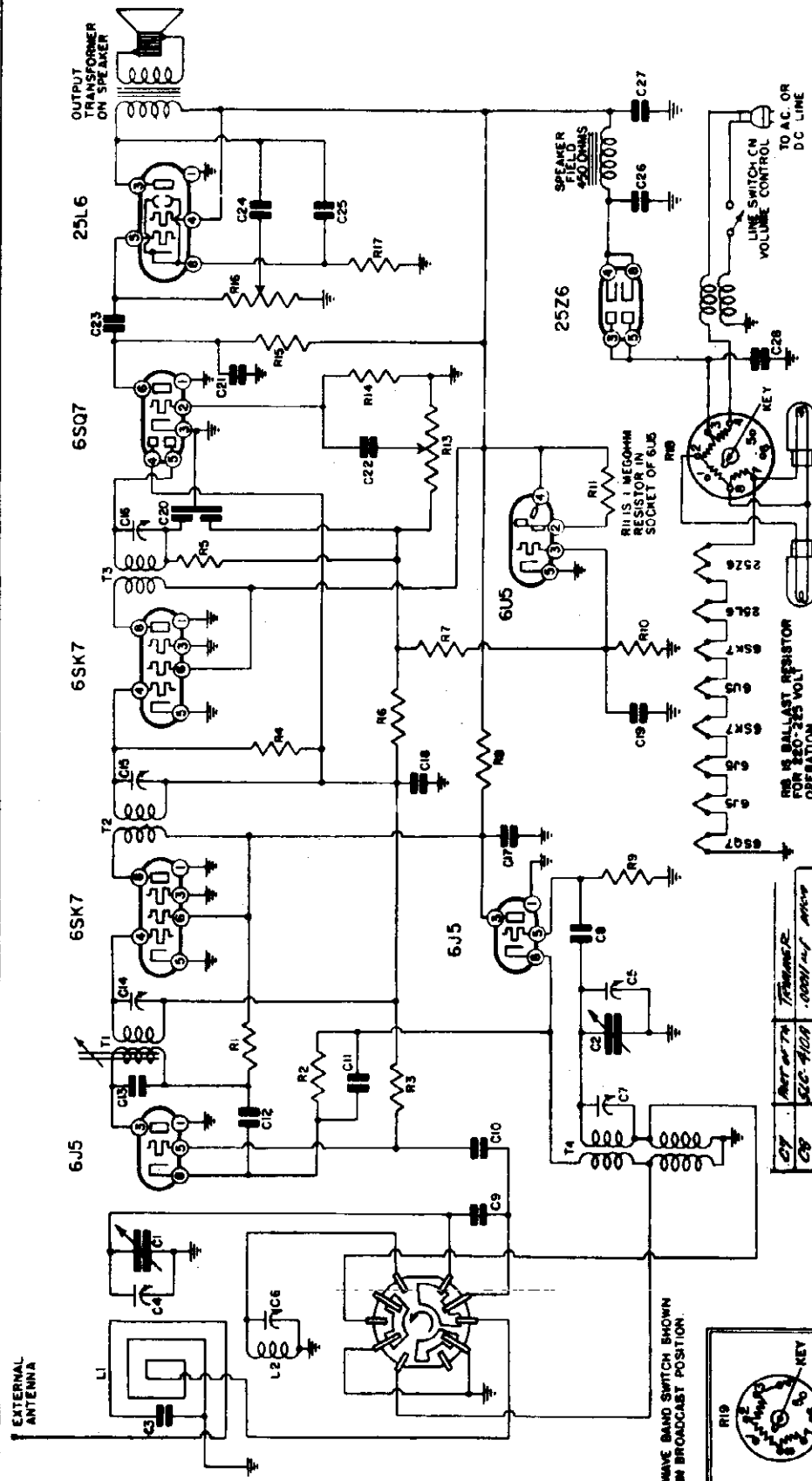


FOR OTHER DATA  
SEE INDEX

MODELS GA-439, GA-441; Chassis GA  
MODELS GAI-439, GAI-441; Chassis GAI

CUT-AWAY VIEW SHOWING METHOD  
OF STRINGING PULLEYS.

EMERSON RADIO & PHONOGRAPH CORP.



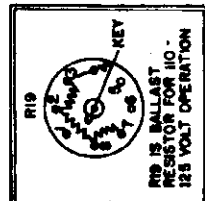
R12	10M-471	Variable Condenser
R13	4M-287	15 mfd 100v
R14	25K-478	470,000 Ohms
R15	10M-472	10M Ohms
R16	35K-283	350,000 Ohms
R17	10M-501	10M Ohms
R18	10M-500	10M Ohms

C26	60C-471E	20-100K
C27	40C-150	150 pF
C28	10C-61	.05 mfd 400V
R1	10K-65	10,000 Ohms
R2	20K-374	20,000 Ohms
R3	50K-400	50,000 Ohms
R4	100K-400	100,000 Ohms
R5	200K-73	200,000 Ohms
R6	500K-400	500,000 Ohms
R7	1M-400	1,000,000 Ohms
R8	2M-77	2,000,000 Ohms
R9	5M-400	5,000,000 Ohms
R10	10M-575	10,000,000 Ohms
R11	20M-400	20,000,000 Ohms

C17	ANT-74	TRIMMER
C18	50C-410A	.0001 mfd 500V
C19	40C-600	.0001 mfd 400V
C20	50C-410A	.0001 mfd 500V
C21	RC-12	.05 mfd 300V
C22	RC-12	.05 mfd 300V
C23	RC-12	.05 mfd 300V
C24	RC-12	.05 mfd 300V
C25	RC-12	.05 mfd 300V
C26	ANT-74	TRIMMER
C27	ANT-74	TRIMMER
C28	ANT-74	TRIMMER
C29	RC-12	.05 mfd 300V
C30	RC-12	.05 mfd 300V
C31	RC-12	.05 mfd 300V
C32	RC-12	.05 mfd 300V
C33	RC-12	.05 mfd 300V
C34	RC-12	.05 mfd 300V
C35	RC-12	.05 mfd 300V

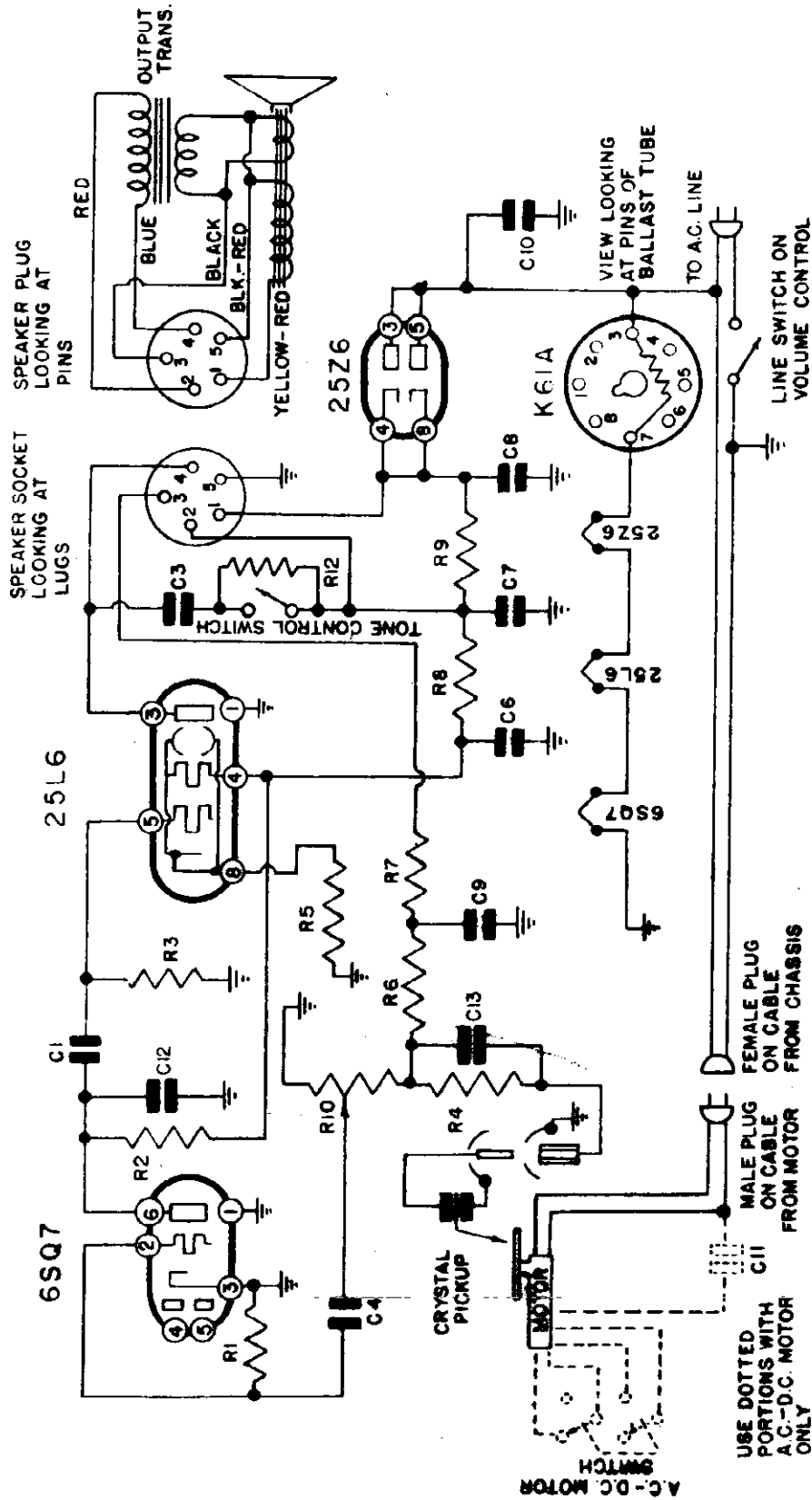
ITEM	PART NO.	DESCRIPTION
L1	10M-570	10M Ohm Inductor
L2	10M-649	5M Ohm Inductor
T1	10M-651	1st I.F. TRANS.
T2	10M-652	2nd I.F. TRANS.
T3	10M-653	3rd I.F. TRANS.
T4	10M-654	OSC. COIL
C1	10M-576	VARIABLE
C2	10M-574	.002 mfd 400V
C3	10M-572	.002 mfd 400V
C4	10M-571	.002 mfd 400V
C5	10M-570	.002 mfd 400V
C6	10M-569	.002 mfd 400V

I.F. PEAK 455 KC



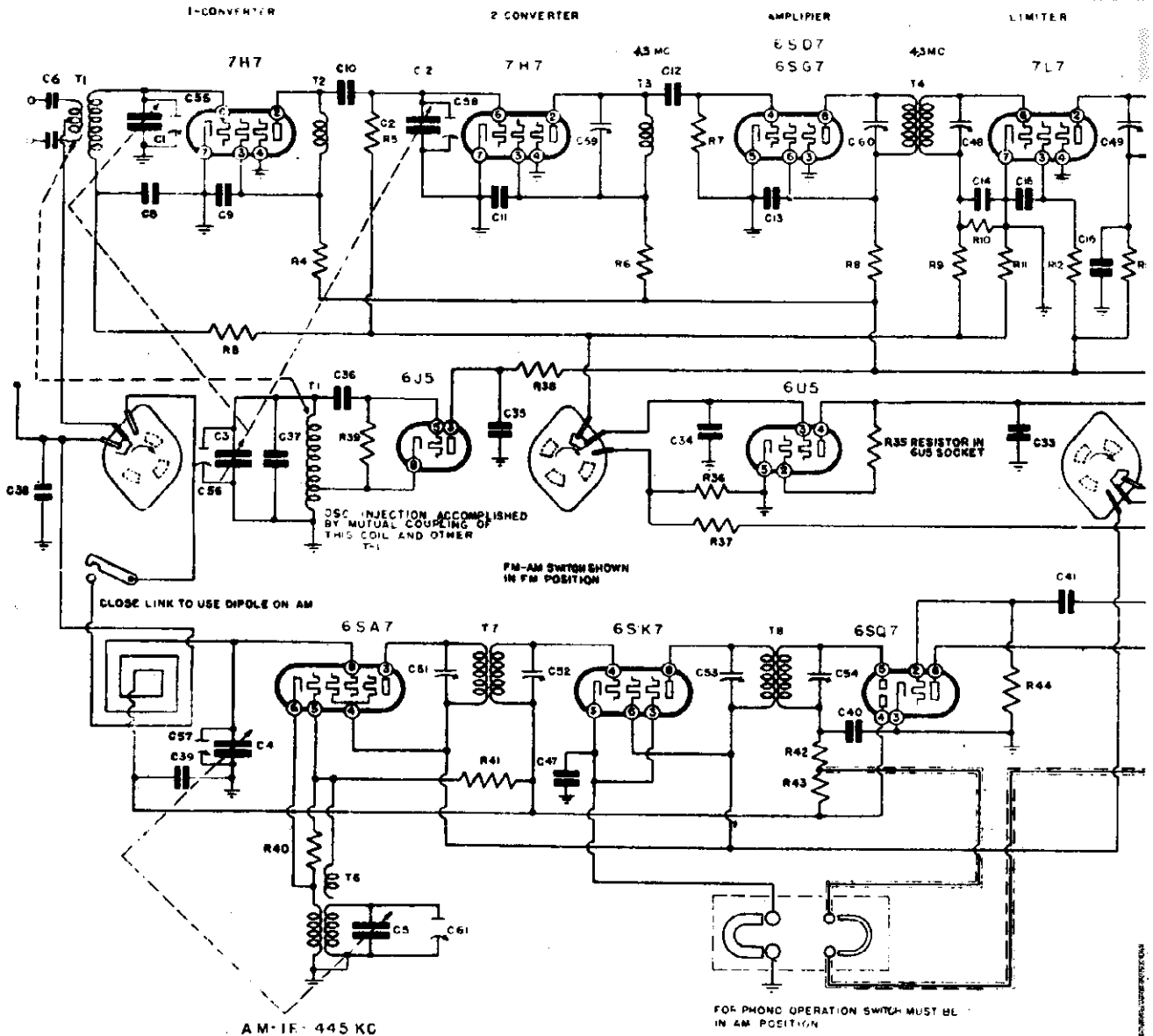
MODEL GL-457,  
Chassis GL

EMERSON RADIO & PHONOGRAPH CORP.



ITEM	PART NO.	DESCRIPTION
R1	4XR-317	15 MEG. 1/4W
R2	91R-470	470,000 1/4W
R3	91R-470	470,000 1/4W
R4	92R-479	2.2 MEG. 1/4W
R5	91R-401	150Ω 1/2W W.W.
R6	KR-57	1 MEG. 1/4W
R7		47,000 1/4W
R8	TUR-39A	2,200 1/4W
R9	91R-495	100 1W
R10	91R-459	VOLUME CONTROL
R11	K-61-A	BALLAST TUBE
R12	TUR-39A	2,200 1/4W
C1		
C2		
C3		
C4		
C5		
C6		
C7		
C8		
C9		
C10		
C11		
C12		
C13		
SW1	91C-513D	20 MFD. 150V.
	"	40 MFD. 150V.
	"	20 MFD. 150V.
	FC-79	.02 MFD. 200V.
	LC-64	.05 MFD. 400V.
	BC-12	.05 MFD. 200V.
	IC-47	.0005 MFD. MCA
	44C-39M	.00022 MFD. MCA
	91S-565B	TOBE CONTROL SWITCH

# EMERSON RADIO & PHO

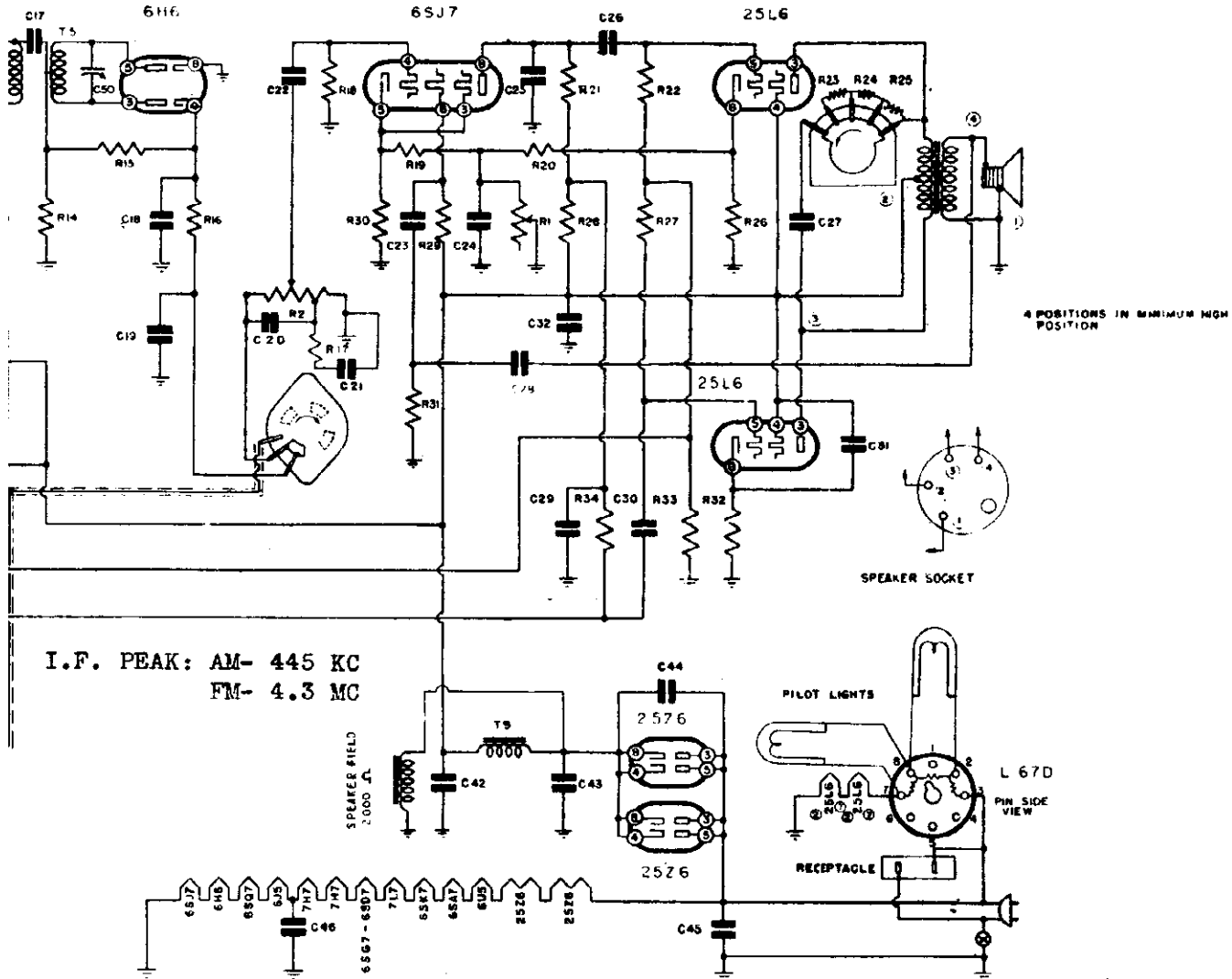


SYMBOL	DESCRIPTION	VALUE	SYMBOL	VALUE
T1	FM OSC & ANTENNA COIL		C13	.002 mf MICA TYPE "W"
T2	FM 2nd R-F COIL		C14	.00006 mf MICA TYPE "O"
T3	FM 1st I-F COIL		C15	.002 mf MICA TYPE "W"
T4	FM 2nd I-F COIL		C16	.001 mf MICA TYPE "W"
T5	FM DISCRIMINATOR TRANS.		C17	PART OF T2
T6	AM OSC COIL		C16	.00006 mf MICA TYPE "O"
T7-	AM 1st I-F TRANS.		C19	.0003 mf MICA TYPE "O"
T8	AM 2nd I-F TRANS.		C20	.0005 mf MICA TYPE "W"
T9	IRON CORE FILTER CHOKE		C21	.002 mf 600 V. ROLL TYPE
L-1	LOOP ANTENNA		C22	.002 mf 600 V. ROLL TYPE
C1, C2, C3	FM 3 GANG VARIABLE		C23	.05 mf 200 V. ROLL TYPE
C4, C5	AM 2 GANG VARIABLE		C24	.05 mf 200 V. ROLL TYPE
C6	.00006 mf MICA TYPE "O"		C25	.00022 mf MICA TYPE "O"
C7	.00006 mf MICA TYPE "O"		C26	.002 mf 600 V. ROLL TYPE
C8	.0005 mf MICA TYPE "W"		C27	.04 mf 400 V. ROLL TYPE
C9	.002 mf MICA TYPE "W"		C28	.1 mf 200 V. ROLL TYPE
C10	.0005 mf MICA TYPE "W"		C29	.1 mf 200 V. ROLL TYPE
C11	.002 mf MICA TYPE "W"		C30	.01 mf 400 V. ROLL TYPE
C12	.0005 mf MICA TYPE "W"		C31	.0001 mf MICA TYPE "O"
			C32	DUAL 40 mf 150V. ELECTROLYTIC
			C33	DUAL 40 MF 150V. ELECTROLYTIC
			C34	.05 mf 200 V. ROLL TYPE
			C35	.000
			C36	.000
			C37	.000
			C38	.002
			C39	.05
			C40	.000
			C41	.002
			C42	DUAL
			C43	DUAL
			C44	.004
			C45	.05
			C46	.001
			C47	.05
			R1	TOMI
			R2	VOLA
			R3	4.7
			R4	470
			R5	3.3
			R6	470
			R7	1 M
			R8	470

NOGRAPH CORP.

MODEL FM-460:  
Chassis FM

DISCRIMINATOR



I.F. PEAK: AM- 445 KC  
FM- 4.3 MC

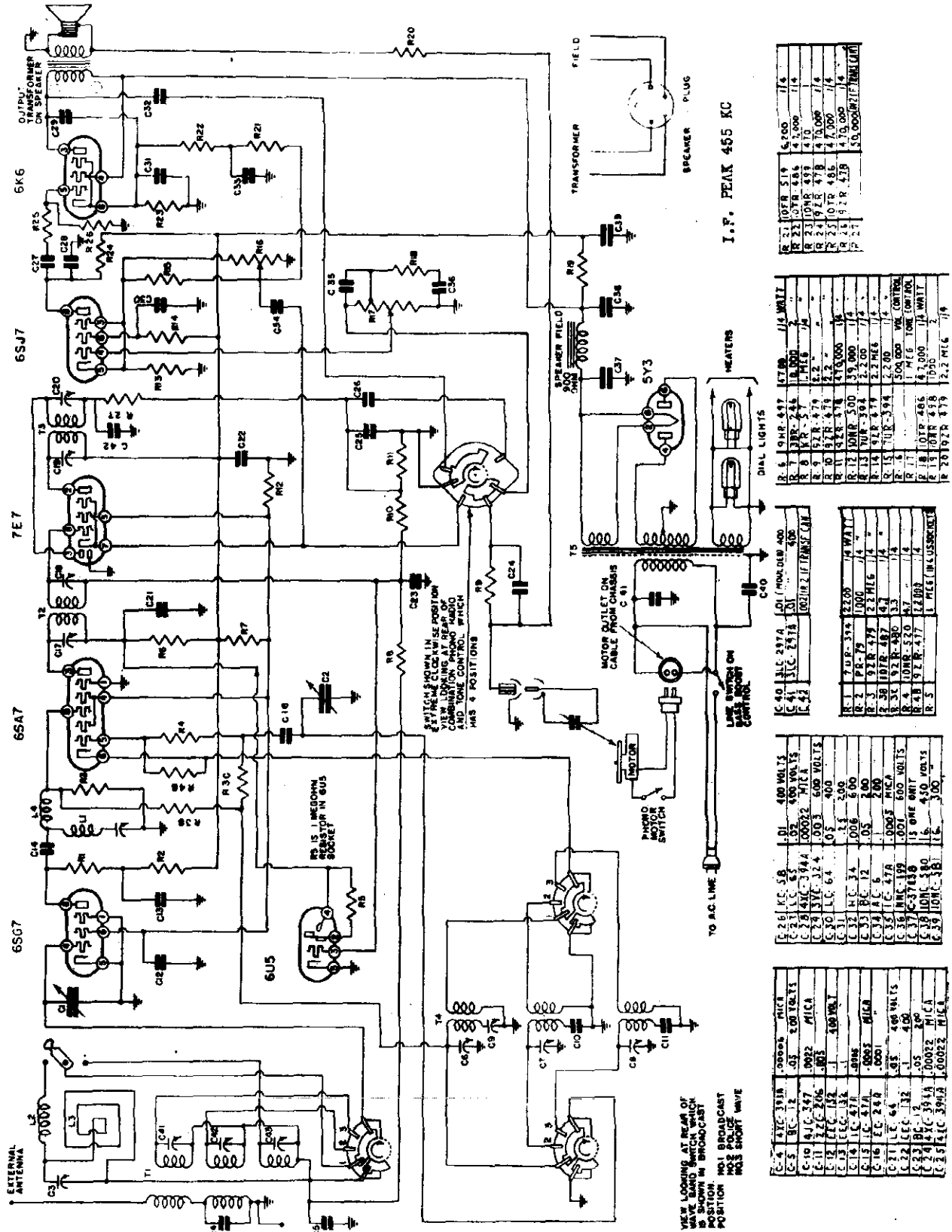
- 5 mf MICA TYPE "W"
- 1 mf MICA TYPE "O"
- 0.5 mf MICA TYPE "O"
- mf 600V. ROLL TYPE
- mf 200V. ROLL TYPE
- 0.1 mf MICA TYPE "O"
- mf 600 V. ROLL TYPE
- 40 mf 150 V. ELECTROLYT.
- 40 mf 150 V. ELECTROLYT.
- mf 600 V. ROLL TYPE
- mf 400 V. ROLL TYPE
- mf MICA TYPE "W"
- mf 200 V. ROLL TYPE

- CONTROL
- ME CONTROL
  - MEG.  $\frac{1}{4}$  W.
  - MEG.  $\frac{1}{4}$  W.
  - MEG.  $\frac{1}{4}$  W.
  - MEG.  $\frac{1}{4}$  W.
  - G.  $\frac{1}{4}$  W.
  - MEG.  $\frac{1}{4}$  W.

- |     |          |                  |     |          |                  |
|-----|----------|------------------|-----|----------|------------------|
| R9  | 3.3 MEG. | $\frac{1}{4}$ W. | R31 | 100,000  | $\frac{1}{4}$ W. |
| R10 | 47,000   | $\frac{1}{4}$ W. | R32 | 150      | $\frac{1}{2}$ W. |
| R11 | 3.3 MEG. | $\frac{1}{4}$ W. | R33 | 220,000  | $\frac{1}{4}$ W. |
| R12 | 68,000   | $\frac{1}{4}$ W. | R34 | 470,000  | $\frac{1}{4}$ W. |
| R13 | 22,000   | $\frac{1}{4}$ W. | R35 | 1 MEG.   | in 6U5           |
| R14 | 100,000  | $\frac{1}{4}$ W. | R36 | 10 MEG.  | $\frac{1}{8}$ W. |
| R15 | 100,000  | $\frac{1}{4}$ W. | R37 | 4.7 MEG. | $\frac{1}{4}$ W. |
| R16 | 100,000  | $\frac{1}{4}$ W. | R38 | 470      | $\frac{1}{4}$ W. |
| R17 | 47,000   | $\frac{1}{4}$ W. | R39 | 27,000   | $\frac{1}{4}$ W. |
| R18 | 2.2 MEG. | $\frac{1}{4}$ W. | R40 | 22,000   | $\frac{1}{4}$ W. |
| R19 | 25,000   | $\frac{1}{4}$ W. | R41 | 15 MEG.  | $\frac{1}{4}$ W. |
| R20 | 30,000   | $\frac{1}{4}$ W. | R42 | 47,000   | $\frac{1}{4}$ W. |
| R21 | 470,000  | $\frac{1}{4}$ W. | R43 | 3.3 MEG. | $\frac{1}{4}$ W. |
| R22 | 470,000  | $\frac{1}{4}$ W. | R44 | 10 MEG.  | $\frac{1}{4}$ W. |
| R23 | 10,000   | $\frac{1}{8}$ W. |     |          |                  |
| R24 | 2,700    | $\frac{1}{8}$ W. |     |          |                  |
| R25 | 470      | $\frac{1}{8}$ W. |     |          |                  |
| R26 | 150      | $\frac{1}{8}$ W. |     |          |                  |
| R27 | 470,000  | $\frac{1}{4}$ W. |     |          |                  |
| R28 | 47,000   | $\frac{1}{4}$ W. |     |          |                  |
| R29 | 2.2 MEG. | $\frac{1}{4}$ W. |     |          |                  |
| R30 | 3,900    | $\frac{1}{4}$ W. |     |          |                  |

# EMERSON RADIO & PHONOGRAPH CORP.

## MODEL GF-452 Chassis GP



I.P. PEAK 455 KC

6 S 6 7	6 S 6 7	6 S 6 7	6 S 6 7
10	10	10	10
10	10	10	10
10	10	10	10
10	10	10	10
10	10	10	10
10	10	10	10
10	10	10	10

R-6	9NR-497	17.99	1/4 WATT
R-7	3TR-246	8.00	"
R-8	4R-57	2.2	"
R-9	52R-479	2.2	"
R-10	62R-478	2.2	"
R-11	92R-478	2.2	"
R-12	10R-300	39.00	1/4
R-13	70R-394	2.20	1/4
R-14	92R-479	2.20	1/4
R-15	70R-394	2.20	1/4
R-16	92R-479	2.20	1/4
R-17	10R-300	39.00	1/4
R-18	10R-300	39.00	1/4
R-19	10R-300	39.00	1/4
R-20	10R-300	39.00	1/4

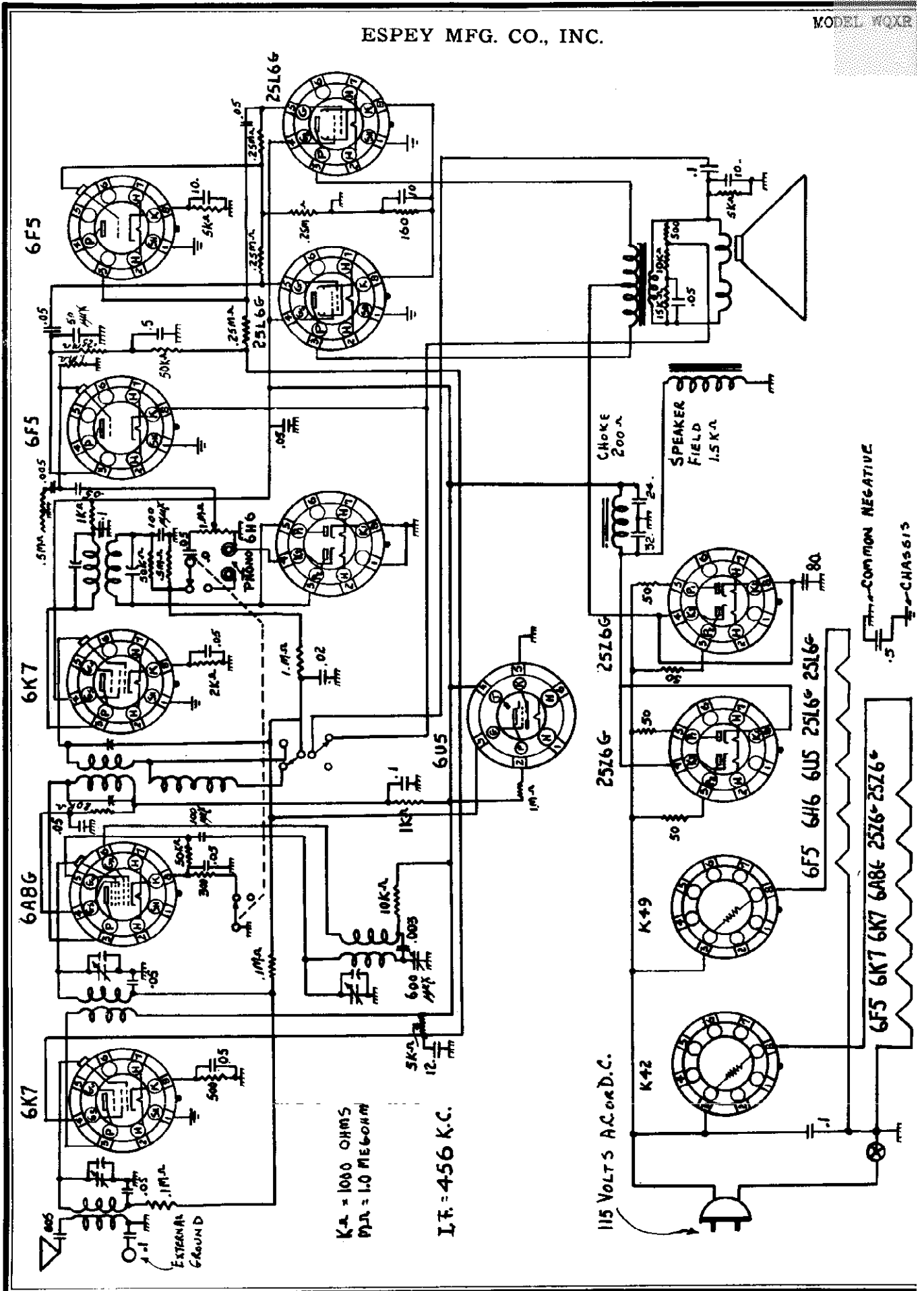
C-40	31C-287A	1.01	MO-DEW 400
C-41	31C-287A	1.01	MO-DEW 400
C-42	31C-287A	1.01	MO-DEW 400
C-1	70R-394	2.20	1/4 WATT
C-2	70R-394	2.20	1/4 WATT
C-3	70R-394	2.20	1/4 WATT
C-4	70R-394	2.20	1/4 WATT
C-5	70R-394	2.20	1/4 WATT
C-6	70R-394	2.20	1/4 WATT
C-7	70R-394	2.20	1/4 WATT
C-8	70R-394	2.20	1/4 WATT
C-9	70R-394	2.20	1/4 WATT

C-26	KC-56	D1	400 VOLTS
C-27	LC-65	52	500 VOLTS
C-28	4XC-394A	000022	MICA
C-29	3VC-324	.003	600 VOLTS
C-30	LC-64	.05	500
C-31	LC-34	.15	500
C-32	HC-34	.005	500
C-33	BC-12	.05	500
C-34	AC-6	.005	MICA
C-35	LC-37A	.001	500 VOLTS
C-36	MC-199	.001	500 VOLTS
C-37	AC-374	15 ONE BRIT	
C-38	LC-380	.1	450 VOLTS
C-39	HC-381	.1	450 VOLTS
C-40	HC-381	.1	450 VOLTS

C-2	17C-318	.00005	MICA
C-5	HC-12	.05	500 VOLTS
C-10	81C-347	.0022	MICA
C-11	71C-206	M5	100 WVT
C-13	LC-132	.05	500
C-14	LC-132	.05	500
C-15	LC-37A	.0005	MICA
C-16	LC-249	.0001	MICA
C-17	LC-64	.05	500 VOLTS
C-18	LC-64	.05	500
C-19	LC-64	.05	500
C-20	LC-64	.05	500

VIEW LOOKING AT REAR OF WAVE BAND SWITCH WHICH IS SHOWN IN BROADCAST POSITION  
 NO.1 BROADCAST  
 NO.2 POLICE  
 NO.3 SHORT WAVE

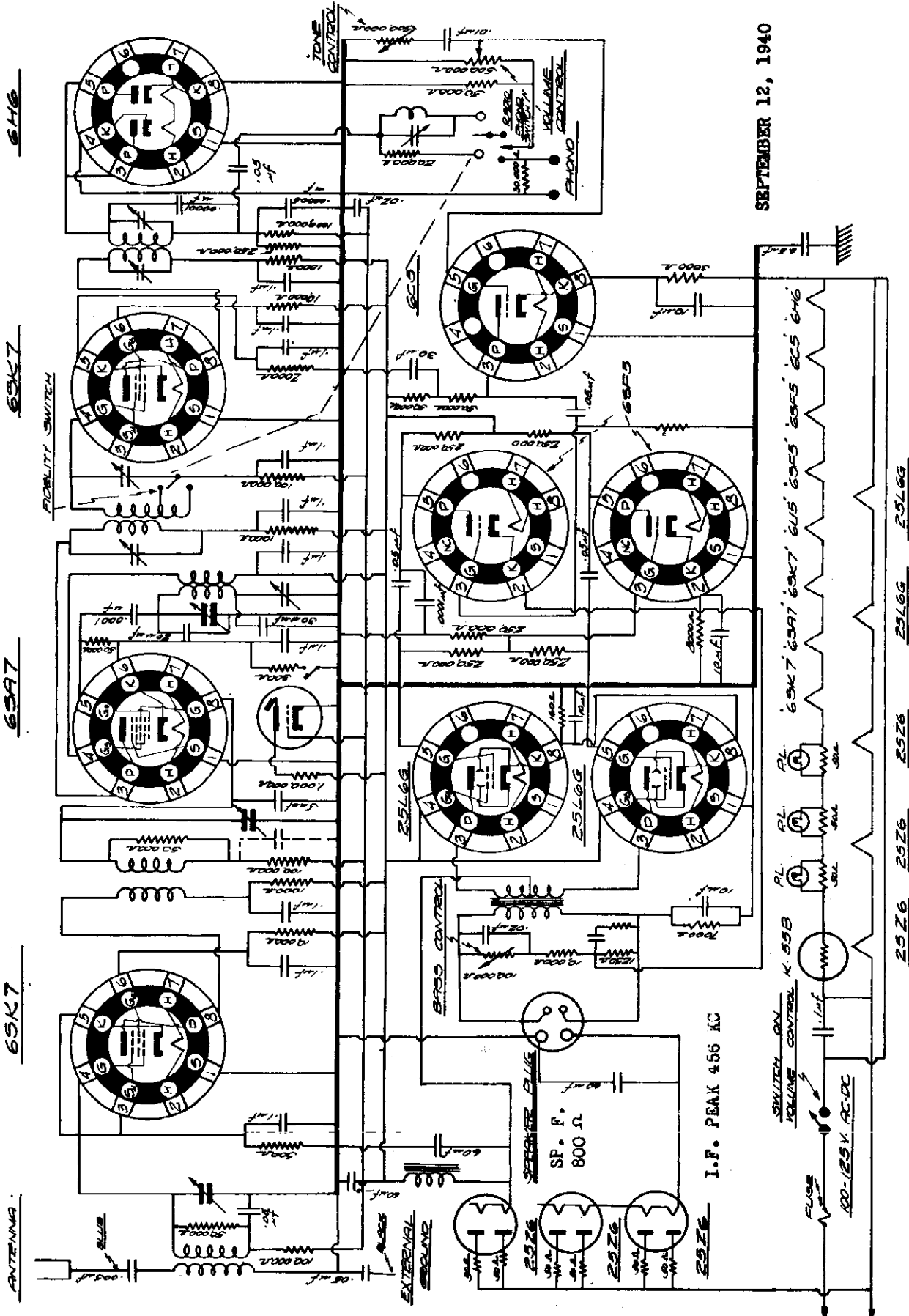
ESPEY MFG. CO., INC.



MODEL WQXR, Series A, B

ESPEY MFG. CO., INC.

SEPTEMBER 12, 1940



6X6

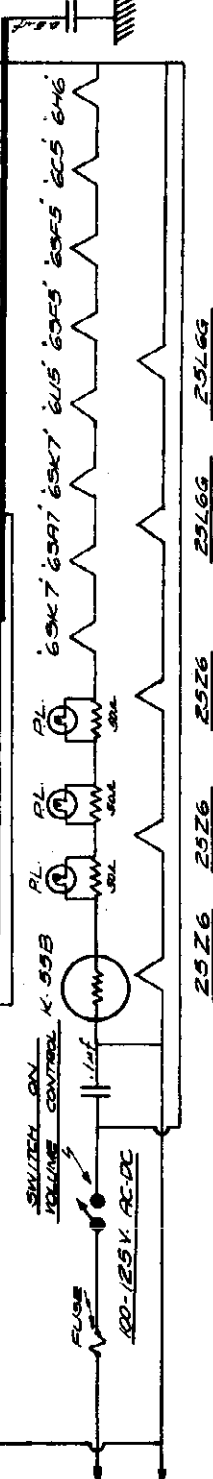
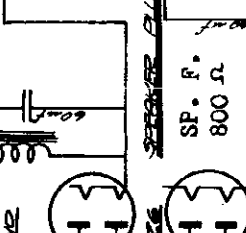
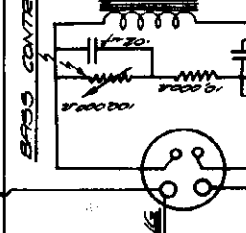
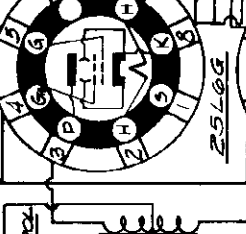
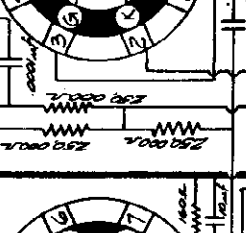
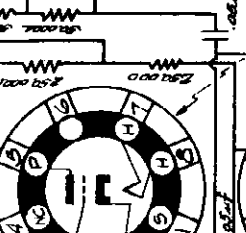
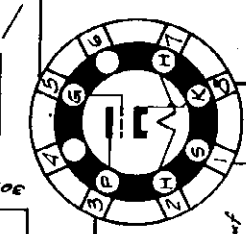
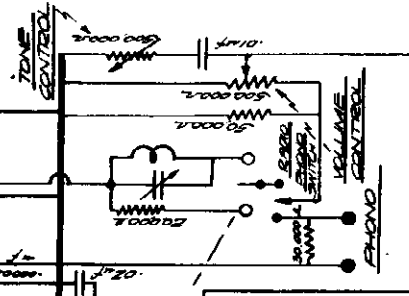
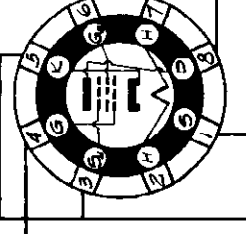
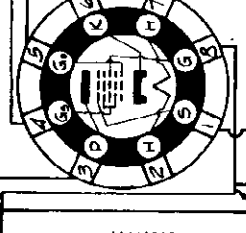
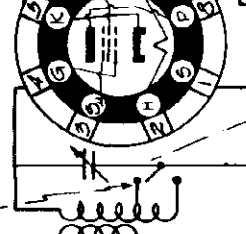
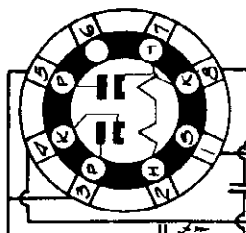
6X7

6S97

6SK7

ANTENNA

MODULITY SWITCH

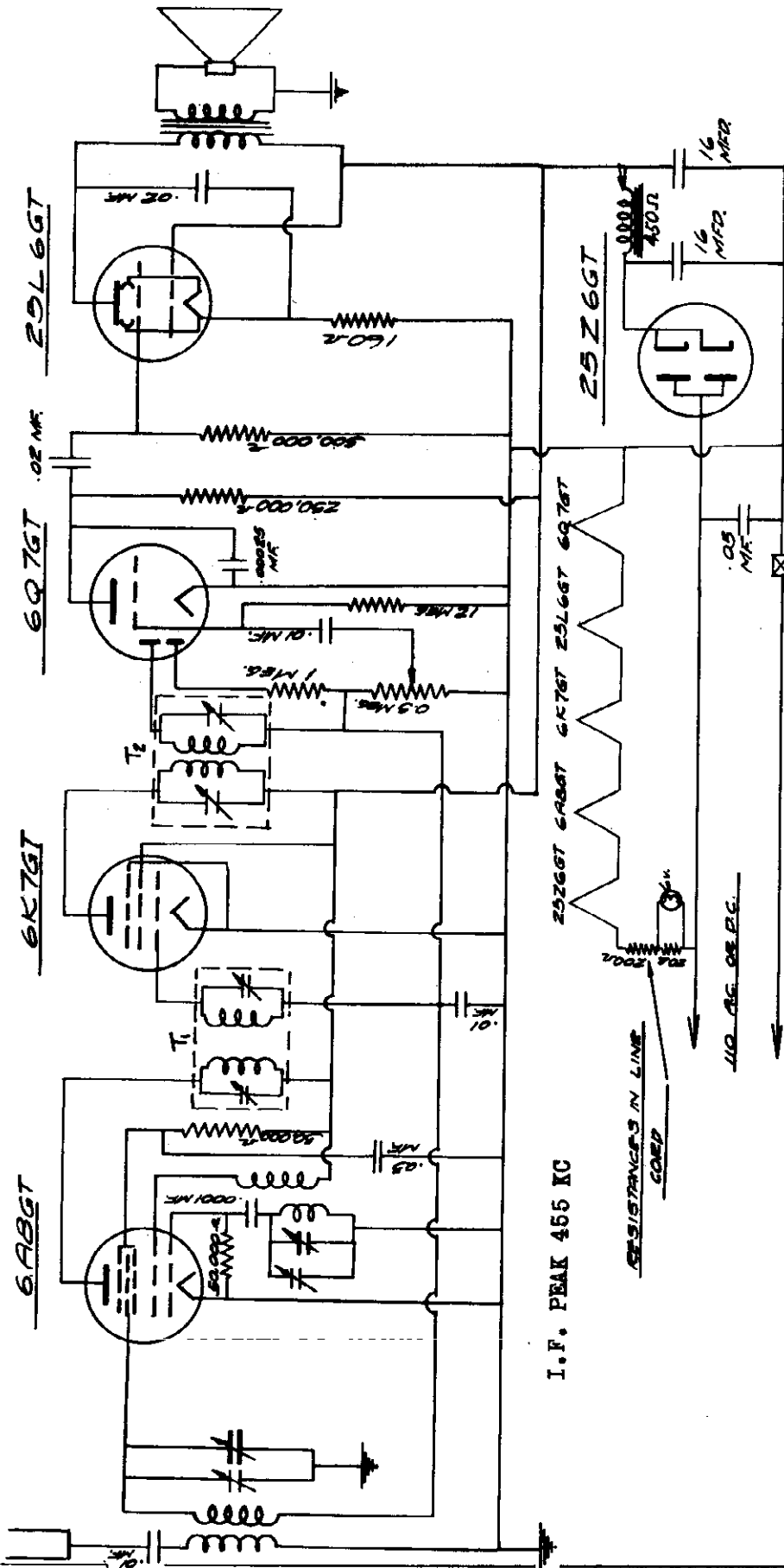






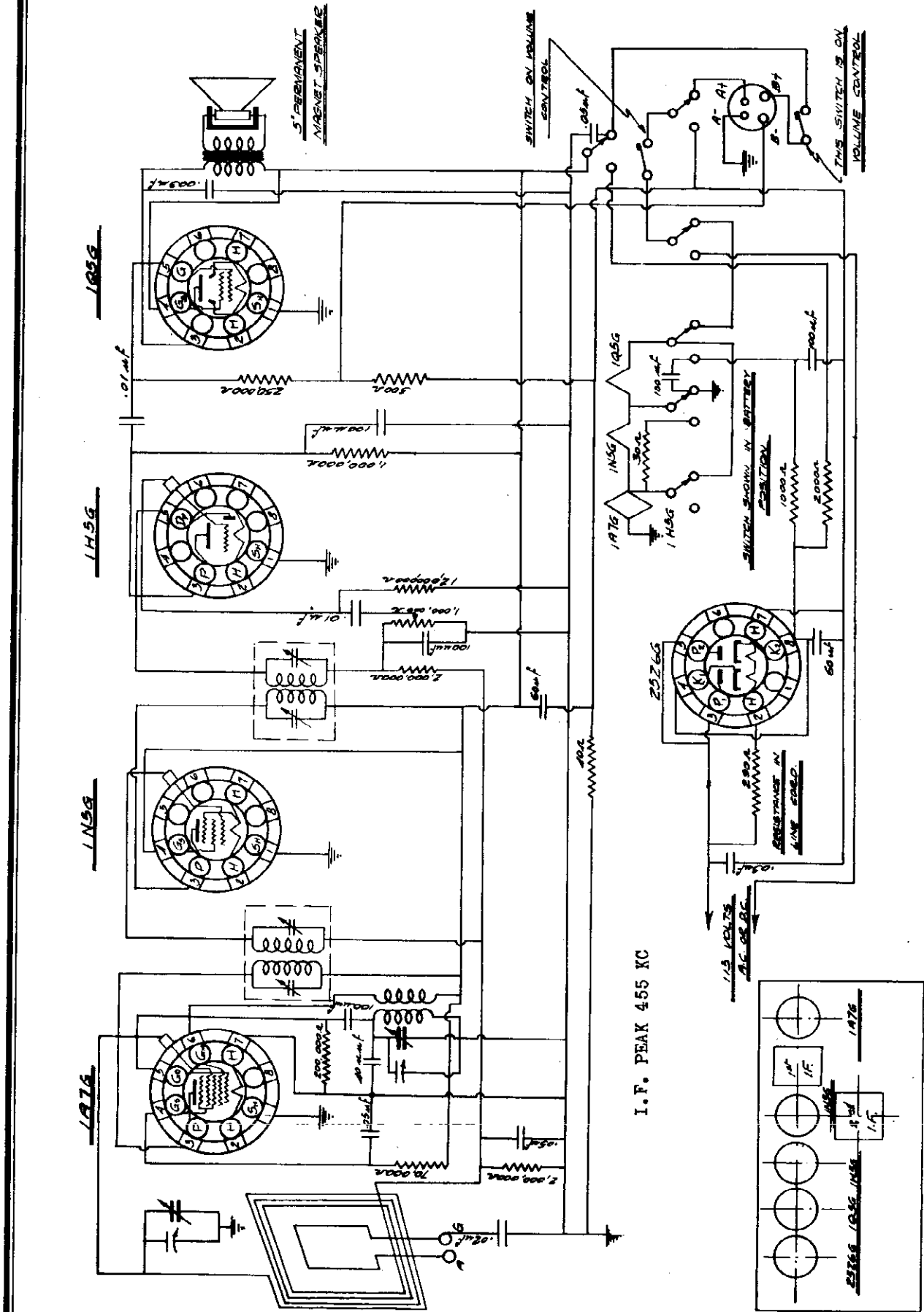
MODEL 851

ESPEY MFG. CO., INC.

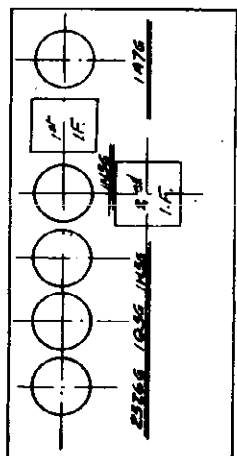


ESPEY MFG. CO., INC.

MODEL 958



I. F. PEAK 455 KC



TUBE LAYOUT

MODEL 964

ESPEY MFG. CO., INC.

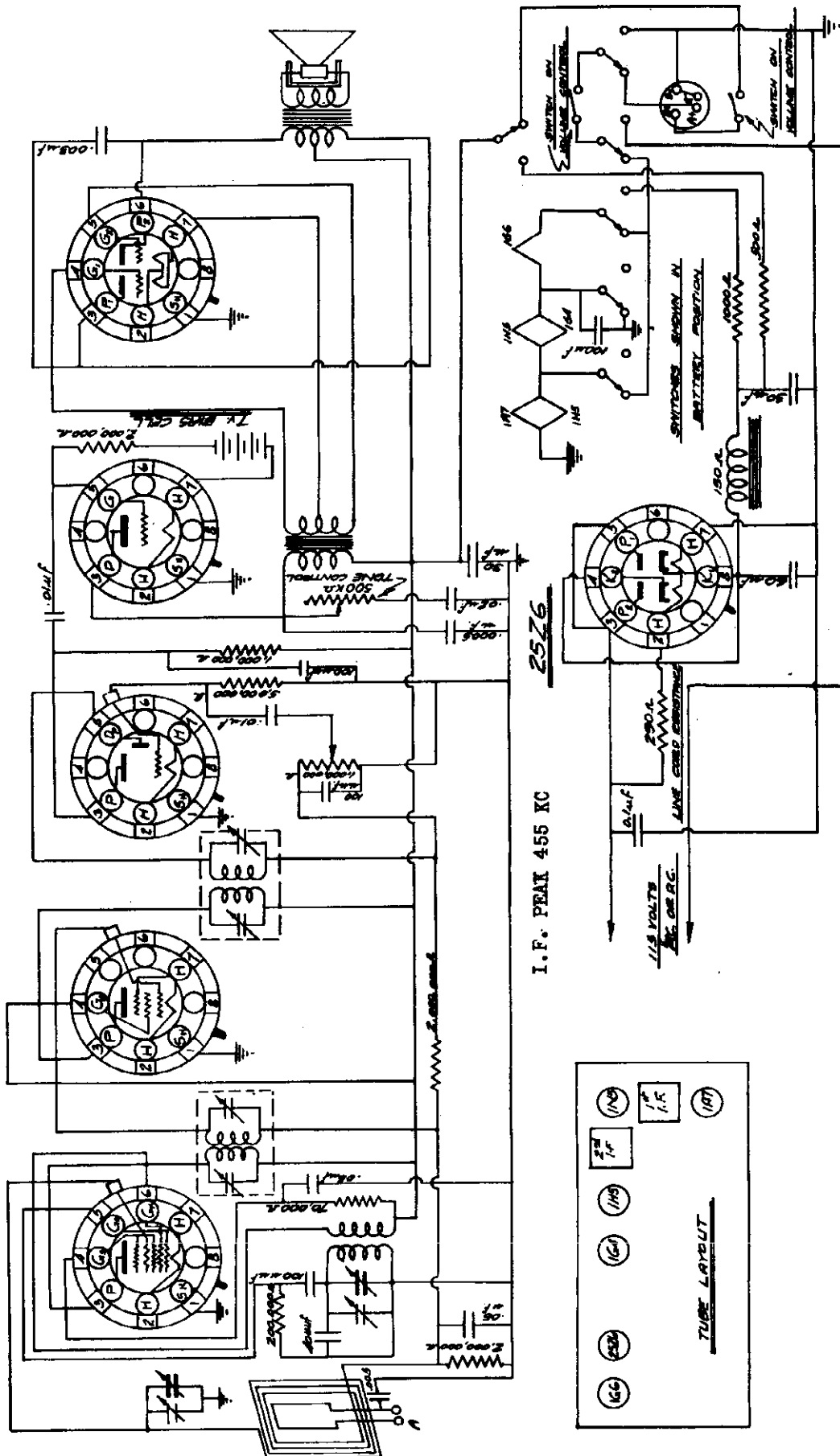
166

164

1H5

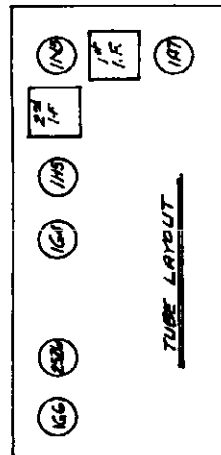
1N5

1A7



25Z6

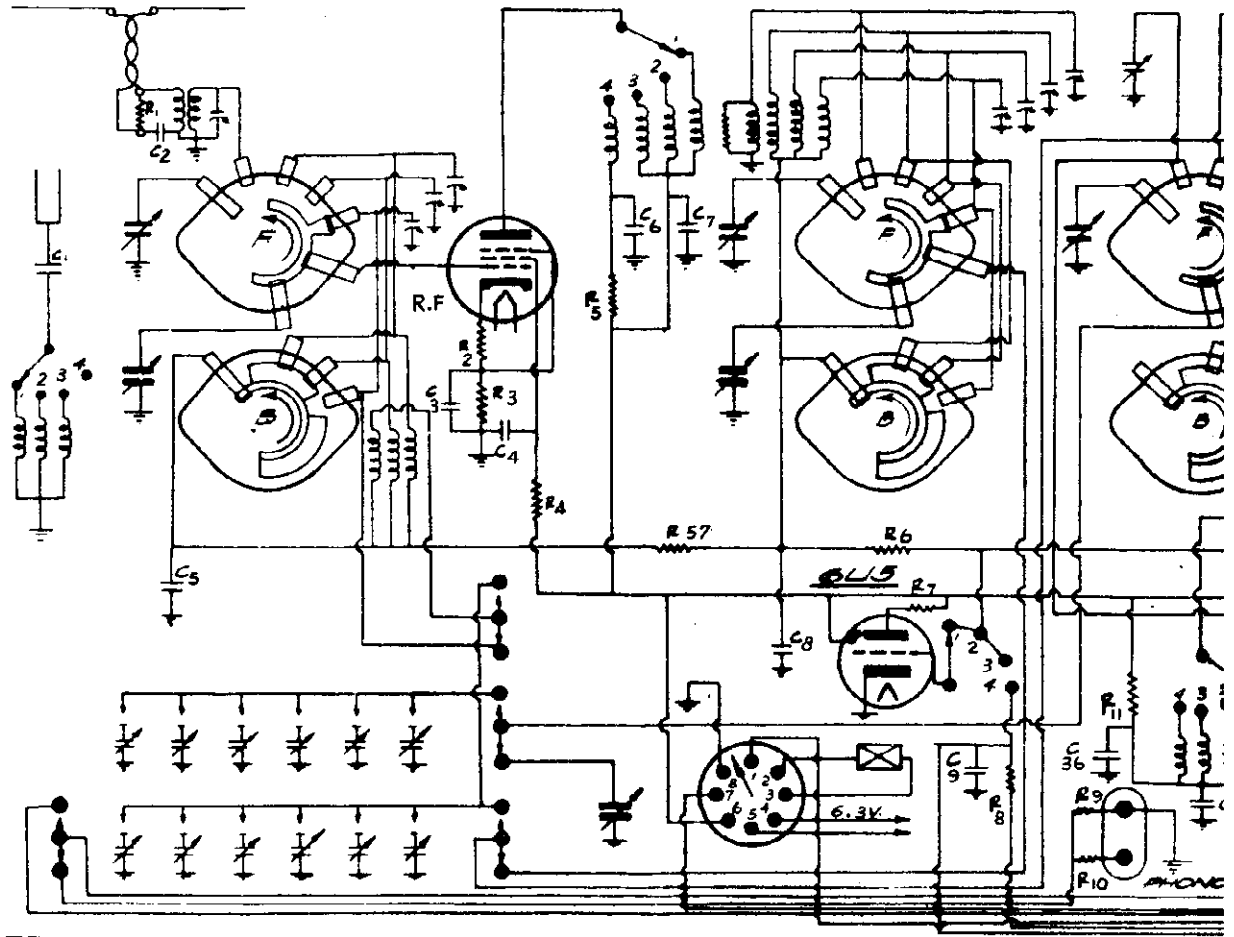
I. F. PEAK 455 KC







747



R1	200Ω
R2	50Ω
R3	100Ω
R4	30KΩ
R5	1000Ω
R6	100KΩ
R7	1MΩ
R8	1MΩ
R9	50KΩ
R10	250KΩ
R11	10KΩ
R12	50KΩ
R13	200Ω
R14	25KΩ
R15	1000Ω
R16	100KΩ
R17	75000Ω
R18	1MΩ
R19	1/2MΩ
R20	10MΩ
R21	2MΩ
R22	25000Ω
R23	100KΩ
R24	200Ω
R25	30KΩ
R26	4000Ω
R27	1/2MΩ
R28	1000Ω
R29	30KΩ

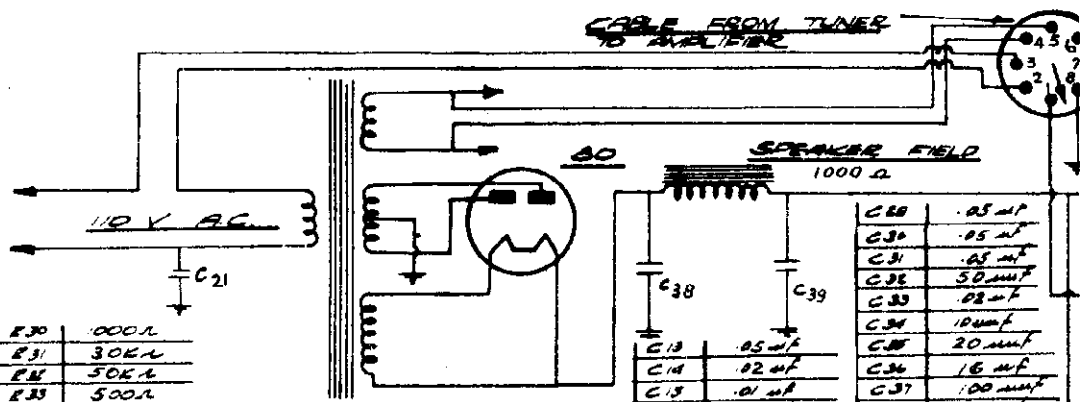
R30	1000Ω
R31	30KΩ
R32	50KΩ
R33	500Ω
R34	1000Ω
R35	25000Ω
R36	20000Ω
R37	12000Ω
R38	12000Ω
R39	50KΩ
R40	100KΩ
R41	100KΩ
R42	100KΩ
R43	100KΩ
R44	100KΩ
R45	100KΩ
R46	250KΩ
R47	240Ω

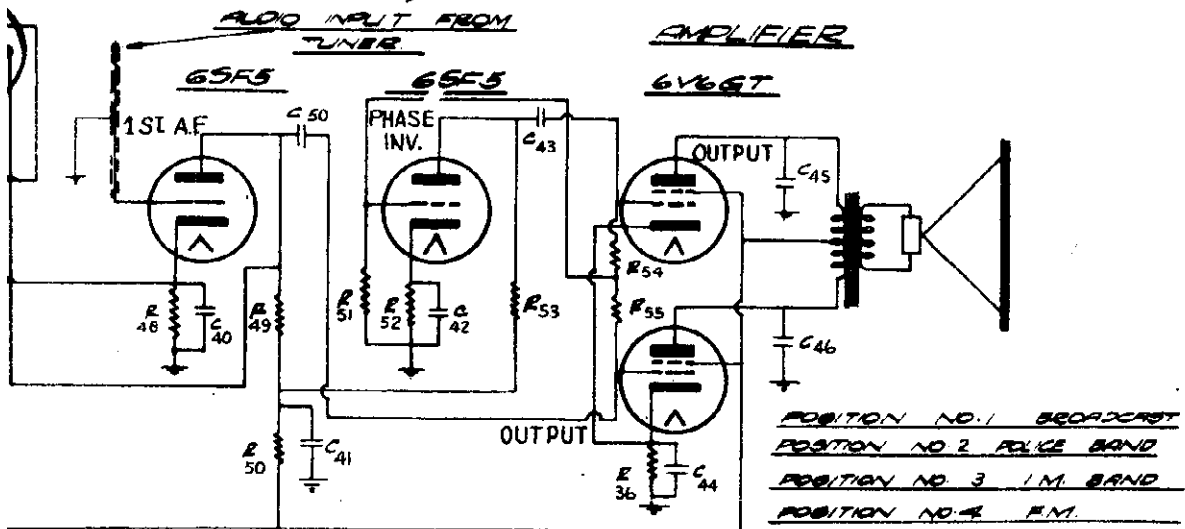
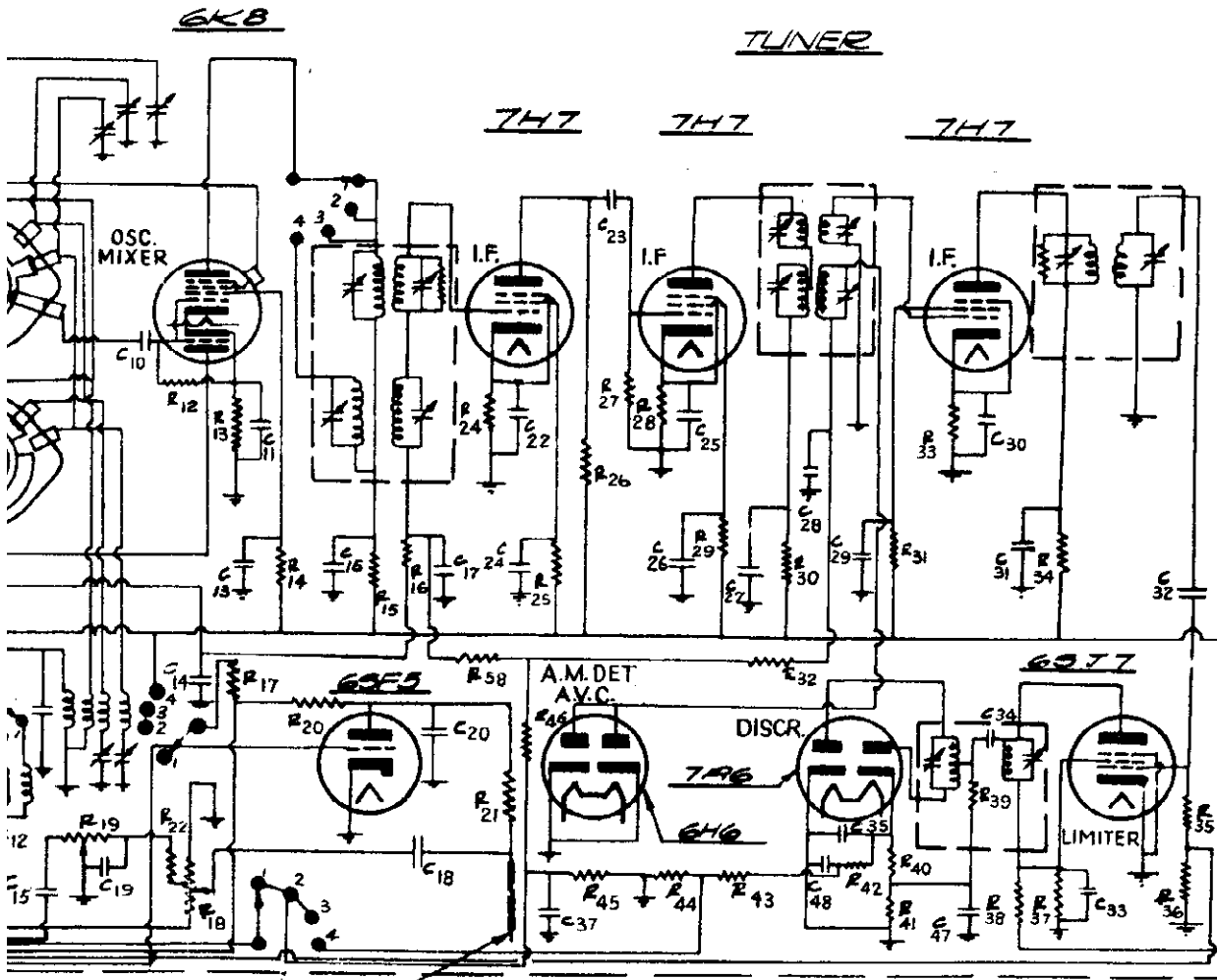
R47	50KΩ
R48	10000Ω
R49	100KΩ
R50	50KΩ
R51	100KΩ
R52	1000Ω
R53	100KΩ
R54	250KΩ
R55	250KΩ
R56	100KΩ
R57	1MΩ
R58	1MΩ

C1	.001μF
C2	.00025μF
C3	.05μF
C4	.02μF
C5	.02μF
C6	.02μF
C7	.1μF
C8	.02μF
C9	.05μF
C10	50μF
C11	.05μF
C12	.05μF

C13	.05μF
C14	.02μF
C15	.01μF
C16	.05μF
C17	.02μF
C18	.005μF
C19	.05μF
C20	250μF
C21	.1μF
C22	.05μF
C23	.0001μF
C24	.05μF
C25	.05μF
C26	.05μF
C27	.05μF
C28	.05μF
C29	.0001μF

C30	.05μF
C31	.05μF
C32	.05μF
C33	50μF
C34	.05μF
C35	10μF
C36	20μF
C37	16μF
C38	100μF
C39	16μF
C40	16μF
C41	10μF
C42	10μF
C43	.01μF
C44	25μF
C45	.006μF
C46	.006μF
C47	100μF
C48	16μF
C49	5μF 5%
C50	.01μF

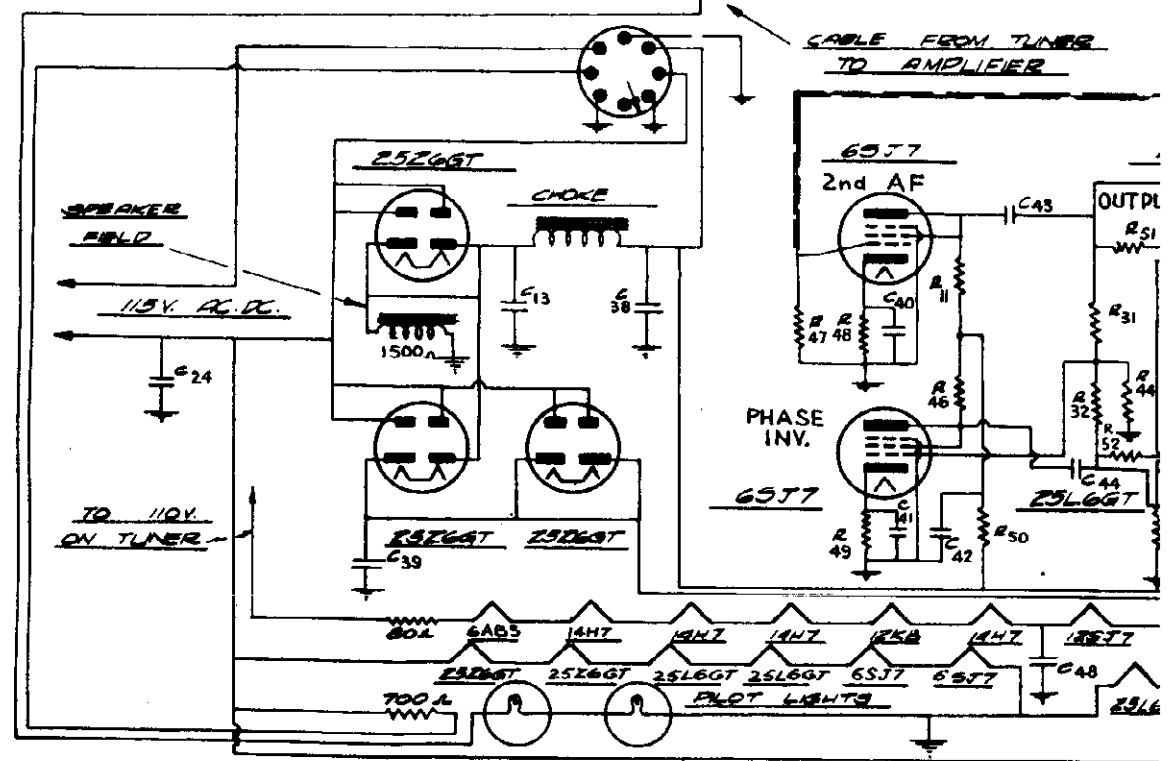
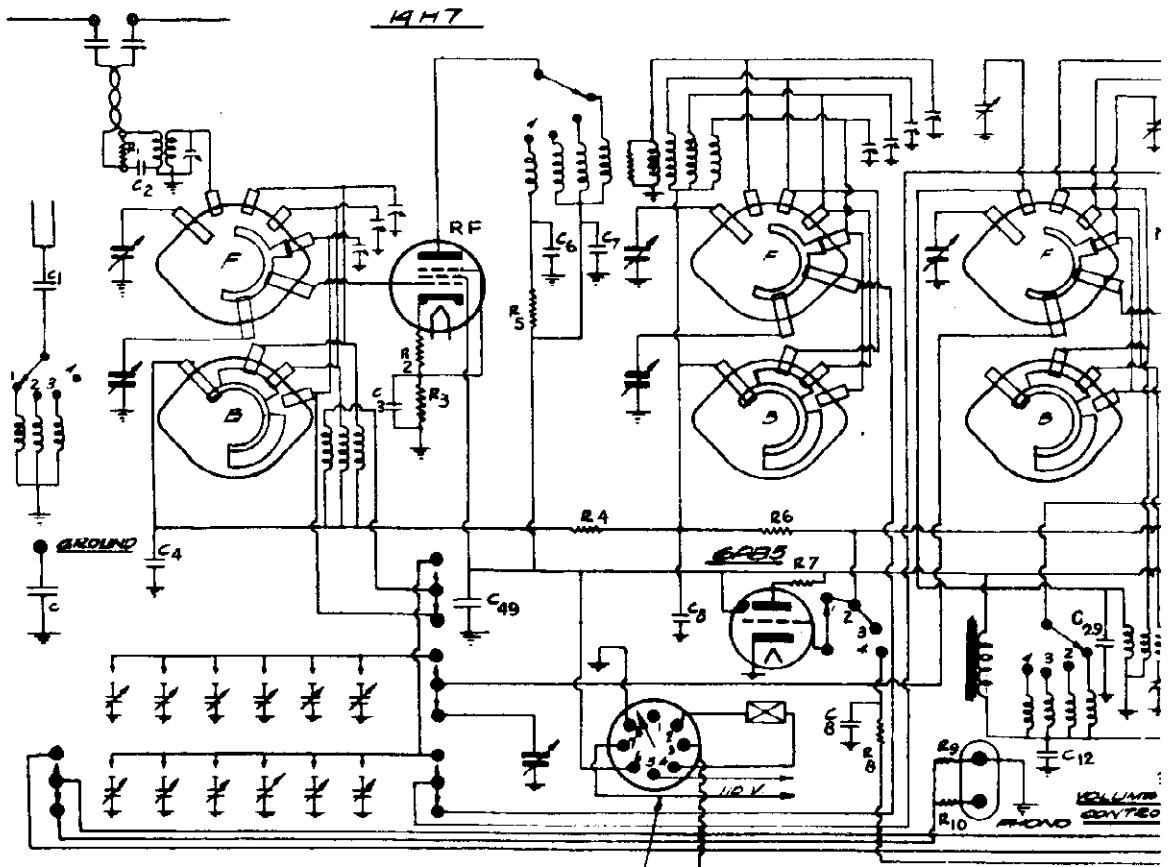


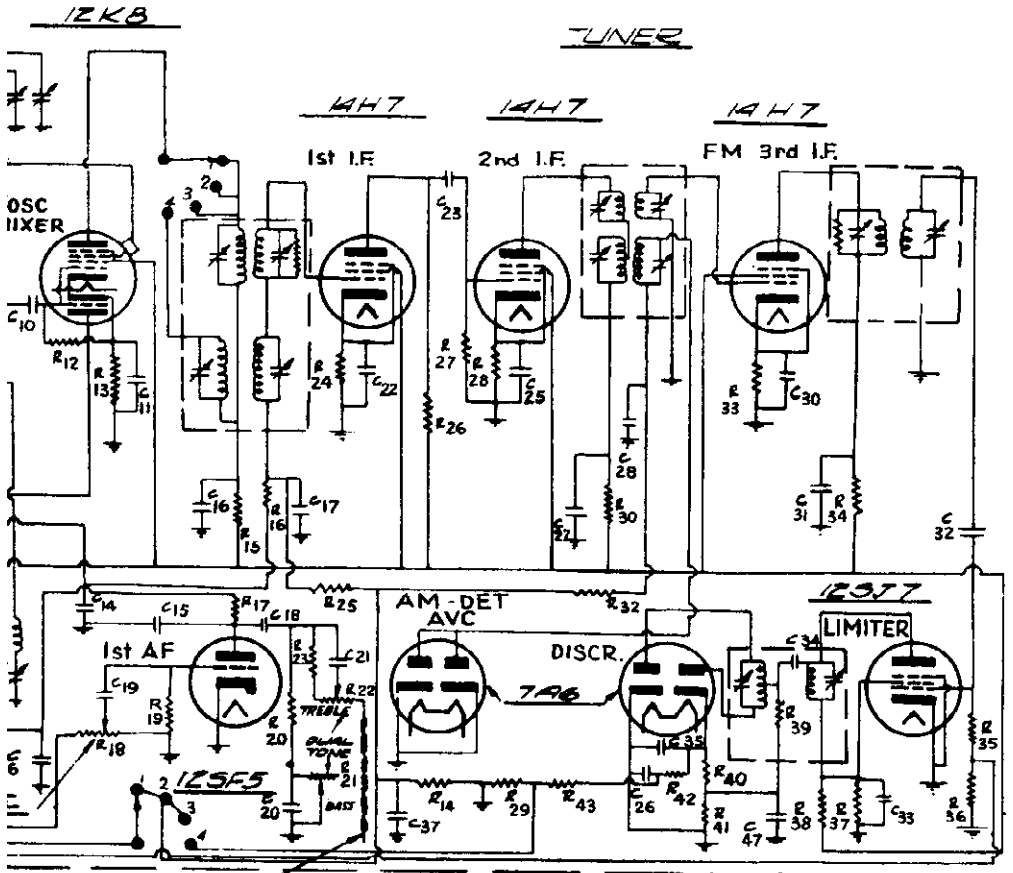


- POSITION NO. 1 BROADCAST
- POSITION NO. 2 POLICE BAND
- POSITION NO. 3 I.M. BAND
- POSITION NO. 4 F.M.
- F - FRONT OF BAND SWITCH
- B - BACK OF BAND SWITCH
- BAND SWITCH SHOWN IN
- BROADCAST POSITION

I.F. PEAK: A.M. 455 KC  
 F.M. 4.3 MC

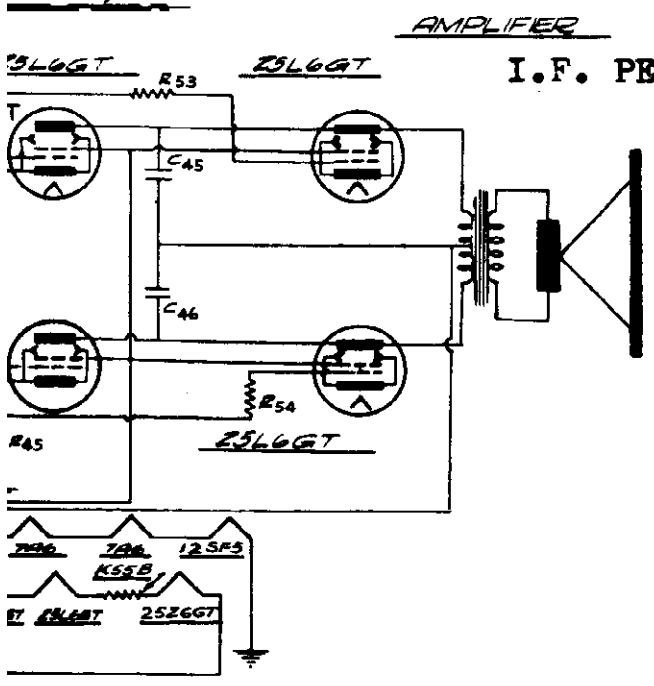






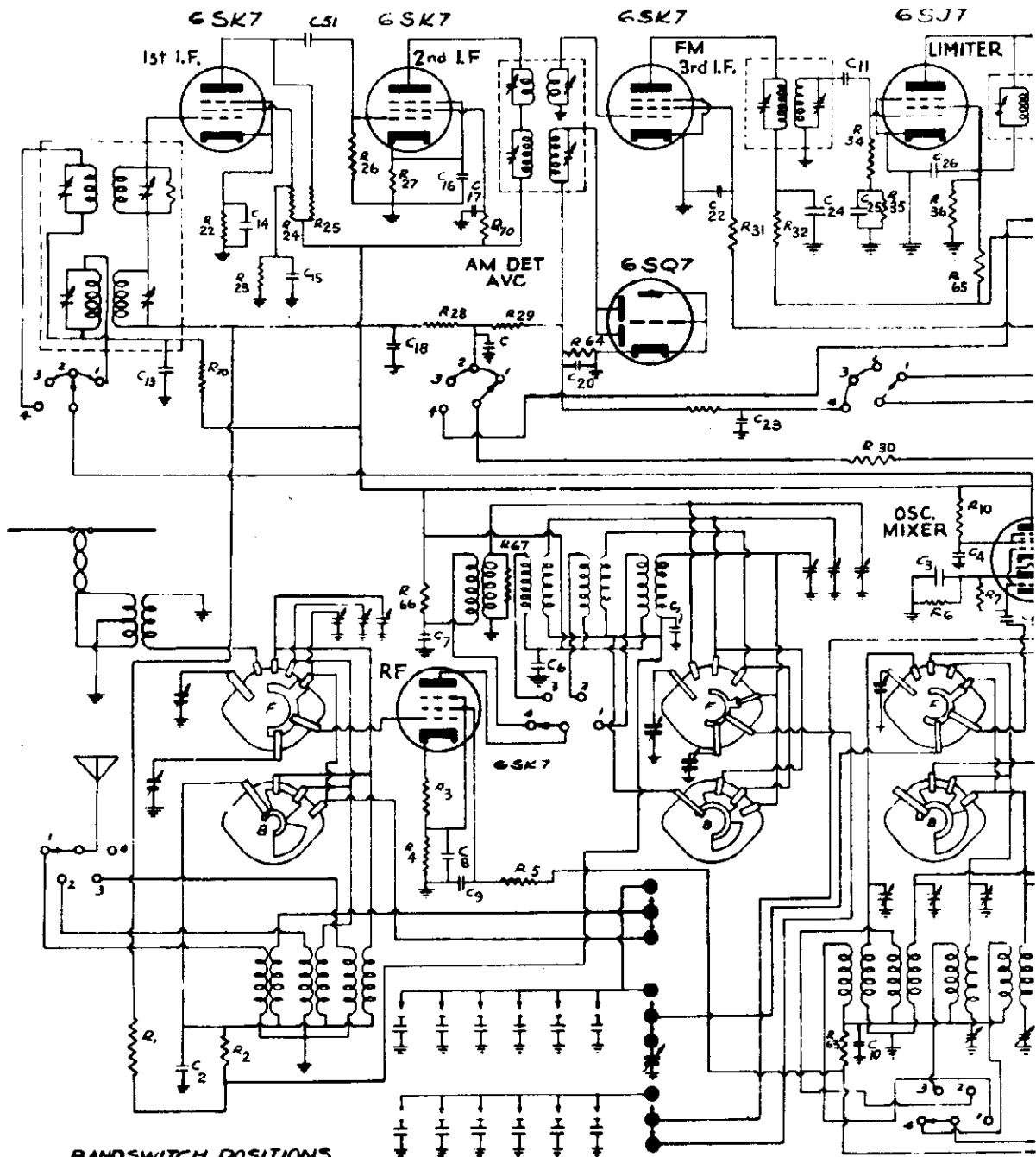
R 1	500Ω
R 2	50Ω
R 3	100Ω
R 4	100KΩ
R 5	1000Ω
R 6	100KΩ
R 7	1 MEG
R 8	1 MEG
R 9	500Ω
R 10	250KΩ
R 11	250KΩ
R 12	50KΩ
R 13	300Ω
R 14	250KΩ
R 15	1000Ω
R 16	100KΩ
R 17	250KΩ
R 18	1/2 MEG
R 19	5 MEG
R 20	5000Ω
R 21	250KΩ
R 22	250KΩ
R 23	100KΩ
R 24	200Ω
R 25	1 MEG
R 26	4000Ω
R 27	1/2 MEG
R 28	200Ω
R 29	25KΩ
R 30	1000Ω
R 31	250KΩ
R 32	50KΩ
R 33	500Ω
R 34	1000Ω
R 35	25,000Ω
R 36	20,000Ω
R 37	12,000Ω
R 38	12,000Ω
R 39	50KΩ
R 40	100KΩ
R 41	100KΩ
R 42	100KΩ
R 43	250KΩ
R 44	50Ω
R 45	80Ω
R 46	250KΩ
R 47	50Ω
R 48	10,000Ω
R 49	10,000Ω
R 50	500Ω
R 51	500Ω
R 52	500Ω
R 53	500Ω
R 54	500Ω

AUDIO INPUT FROM TUNER



I.F. PEAK: A.M. 455 KC  
F.M. 4.3 MC

C 1	.001 μf
C 2	250 μmf
C 3	.05 μf
C 4	.01 μf
C 5	.02 μf
C 6	.02 μf
C 7	.01 μf
C 8	.02 μf
C 9	.05 μf
C 10	50 μmf
C 11	.05 μf
C 12	.05 μf
C 13	50 μf
C 14	.02 μf
C 15	.001 μf
C 16	.05 μf
C 17	.02 μf
C 18	.02 μf
C 19	.004 μf
C 20	.01 μf
C 21	.005 μf
C 22	.05 μf
C 23	.001 μf
C 24	.05 μf
C 25	.05 μf
C 26	.05 μf
C 27	.05 μf
C 28	.05 μf
C 29	.05 μf
C 30	.05 μf
C 31	.05 μf
C 32	.05 μf
C 33	.05 μf
C 34	.05 μf
C 35	.05 μf
C 36	.05 μf
C 37	.05 μf
C 38	.05 μf
C 39	.05 μf
C 40	.05 μf
C 41	.05 μf
C 42	.05 μf
C 43	.05 μf
C 44	.05 μf
C 45	.05 μf
C 46	.05 μf
C 47	.05 μf
C 48	.05 μf
C 49	.05 μf
C 50	.05 μf
C 51	.05 μf
C 52	.05 μf
C 53	.05 μf
C 54	.05 μf
C 55	.05 μf
C 56	.05 μf
C 57	.05 μf
C 58	.05 μf
C 59	.05 μf
C 60	.05 μf
C 61	.05 μf
C 62	.05 μf
C 63	.05 μf
C 64	.05 μf
C 65	.05 μf
C 66	.05 μf
C 67	.05 μf
C 68	.05 μf
C 69	.05 μf
C 70	.05 μf
C 71	.05 μf
C 72	.05 μf
C 73	.05 μf
C 74	.05 μf
C 75	.05 μf
C 76	.05 μf
C 77	.05 μf
C 78	.05 μf
C 79	.05 μf
C 80	.05 μf
C 81	.05 μf
C 82	.05 μf
C 83	.05 μf
C 84	.05 μf
C 85	.05 μf
C 86	.05 μf
C 87	.05 μf
C 88	.05 μf
C 89	.05 μf
C 90	.05 μf
C 91	.05 μf
C 92	.05 μf
C 93	.05 μf
C 94	.05 μf
C 95	.05 μf
C 96	.05 μf
C 97	.05 μf
C 98	.05 μf
C 99	.05 μf
C 100	.05 μf



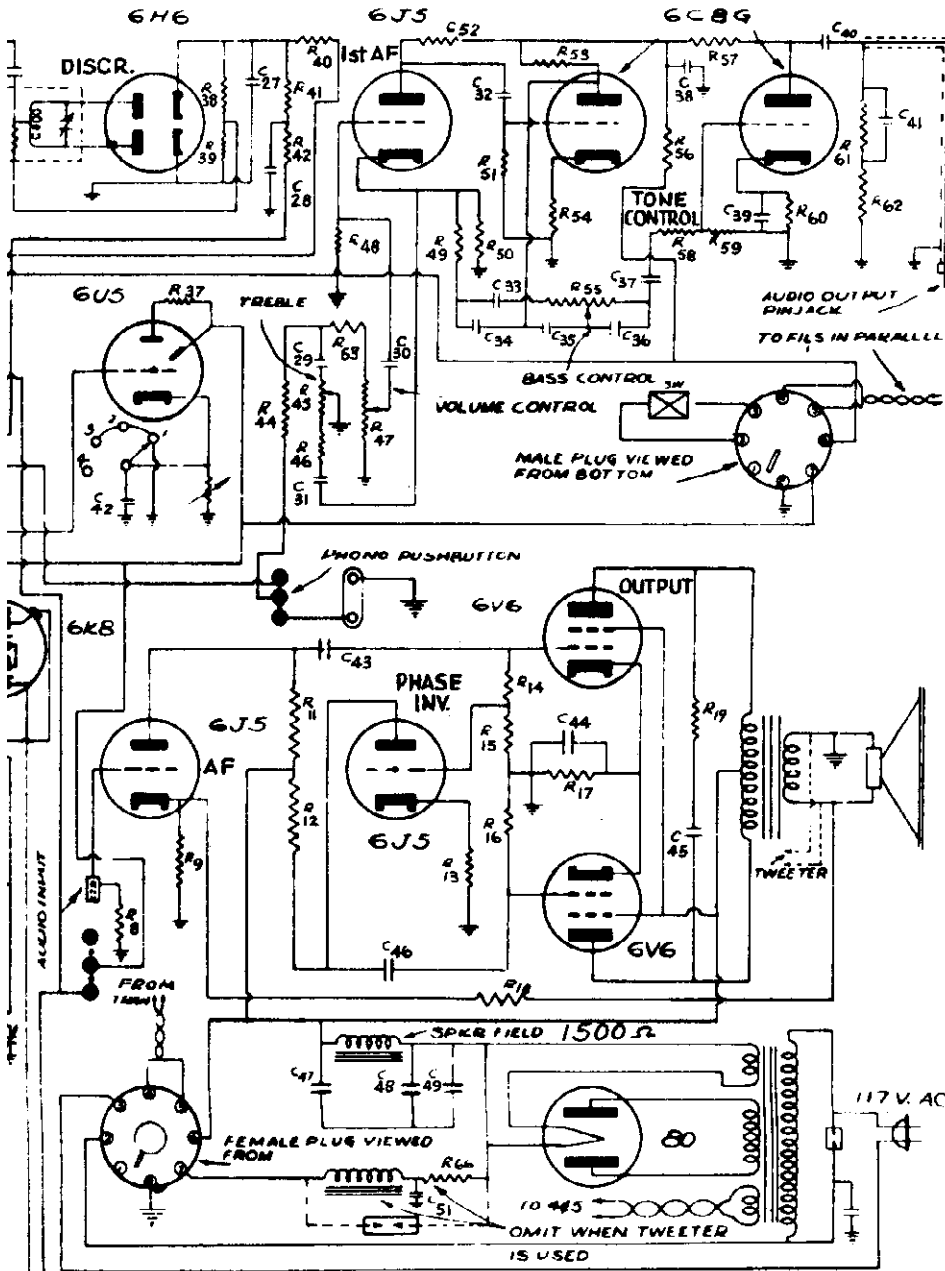
**BANDSWITCH POSITIONS**

- 1. BROADCAST
- 2. POLICE AND AMATEUR
- 3. SHORT WAVE
- 4. FREQ. MOD.

F=FRONT OF BANDSWITCH  
B=BACK OF BANDSWITCH

C1
C2
C3
C4
C5
C6
C7
C8

CO., INC.



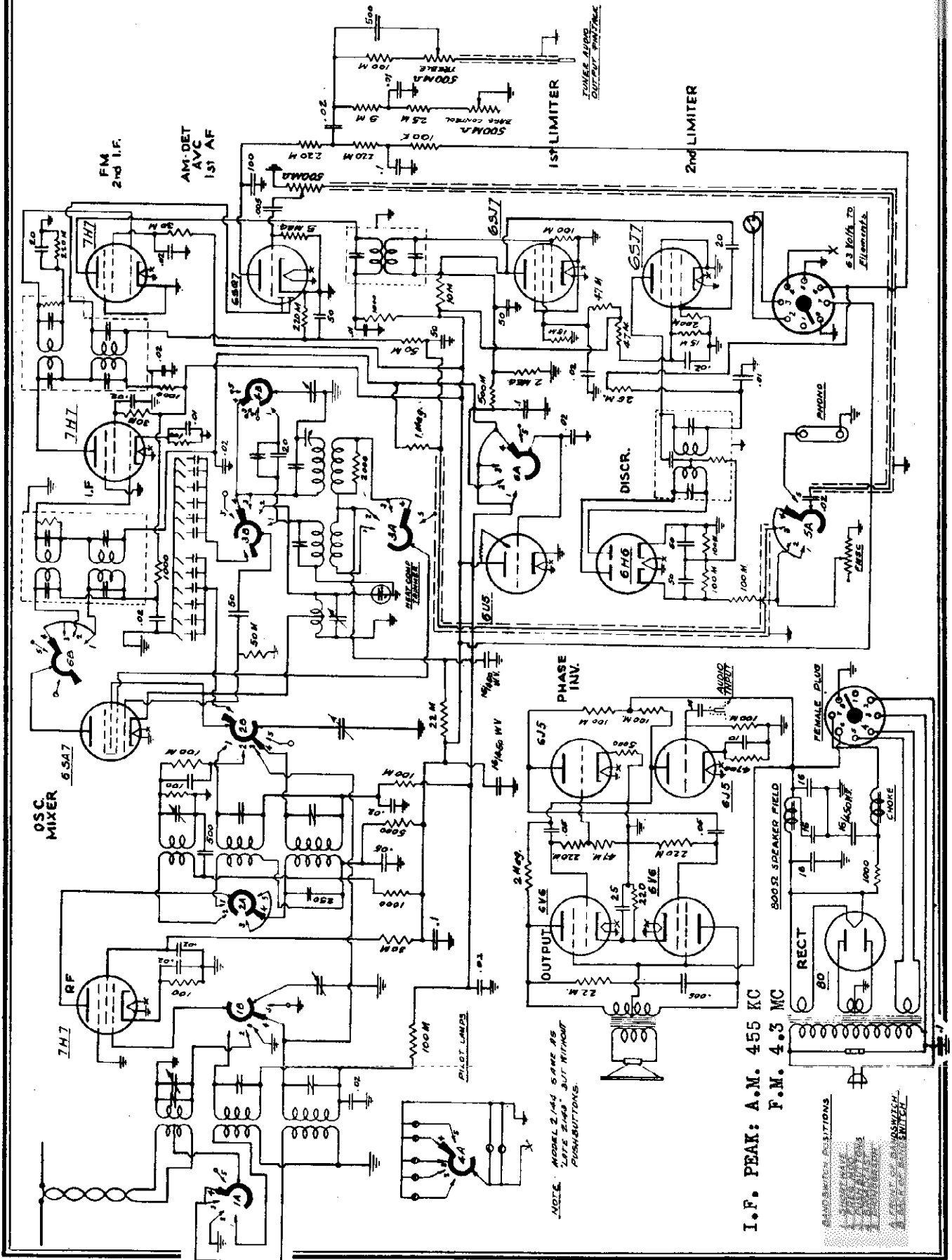
R1	100K
R2	100K
R3	50K
R4	100
R5	30K
R6	200
R7	50K
R8	100K
R9	4K
R10	25K
R11	100K
R12	100K
R13	4K
R14	250K
R15	50K
R16	250K
R17	250
R18	50K
R19	25K
R20	1K
R21	1K
R22	200
R23	50K
R24	25K
R25	10K
R26	0.5MEG
R27	100
R28	100K
R29	1.0MEG
R30	100K
R31	50K
R32	1A
R33	50K
R34	50K
R35	350K
R36	10K
R37	1.0MEG
R38	100K
R39	100K
R40	250K
R41	100K
R42	10K
R43	15A
R44	200K
R45	5MEG
R46	4K
R47	0.5MEG
R48	250K
R49	50K
R50	2K
R51	500K
R52	50K
R53	50K
R54	2K
R55	2MEG
R56	50K
R57	50K
R58	200K
R59	20K
R60	2K
R61	250K
R62	100K
R63	100K
R64	150K
R65	2K
R66	1K
R67	7500

I.F. PEAK: A.M. 455 KC  
F.M. 4.3 MC

0.02 ufd	C9	0.02	C17	0.05	C25	0.00025	C33	0.1	C41	0.0005	C49	10.0
0.02	C10	0.02	C18	0.02	C26	0.02	C34	0.005	C42	0.05	C50	0.05
0.015	C11	0.00005	C19	0.02	C27	0.00025	C35	0.1	C43	0.05	C51	16.0 ufd
0.05	C12		C20	0.00005	C28	0.00025	C36	0.001	C44	25.0		
0.00005	C13	0.05	C21	0.05	C29	0.001	C37	0.05	C45	0.005		
0.02	C14	0.05	C22	0.05	C30	0.1	C38	8.0	C46	0.05		
0.02	C15	0.05	C23	0.00005	C31	0.05	C39	10.0	C47	10.0		
0.05	C16	0.05	C24	0.05	C32	0.1	C40	0.05	C48	16.0		

ESPEY MFG. CO., INC.

MODEL 2143 1a  
MODEL 2144



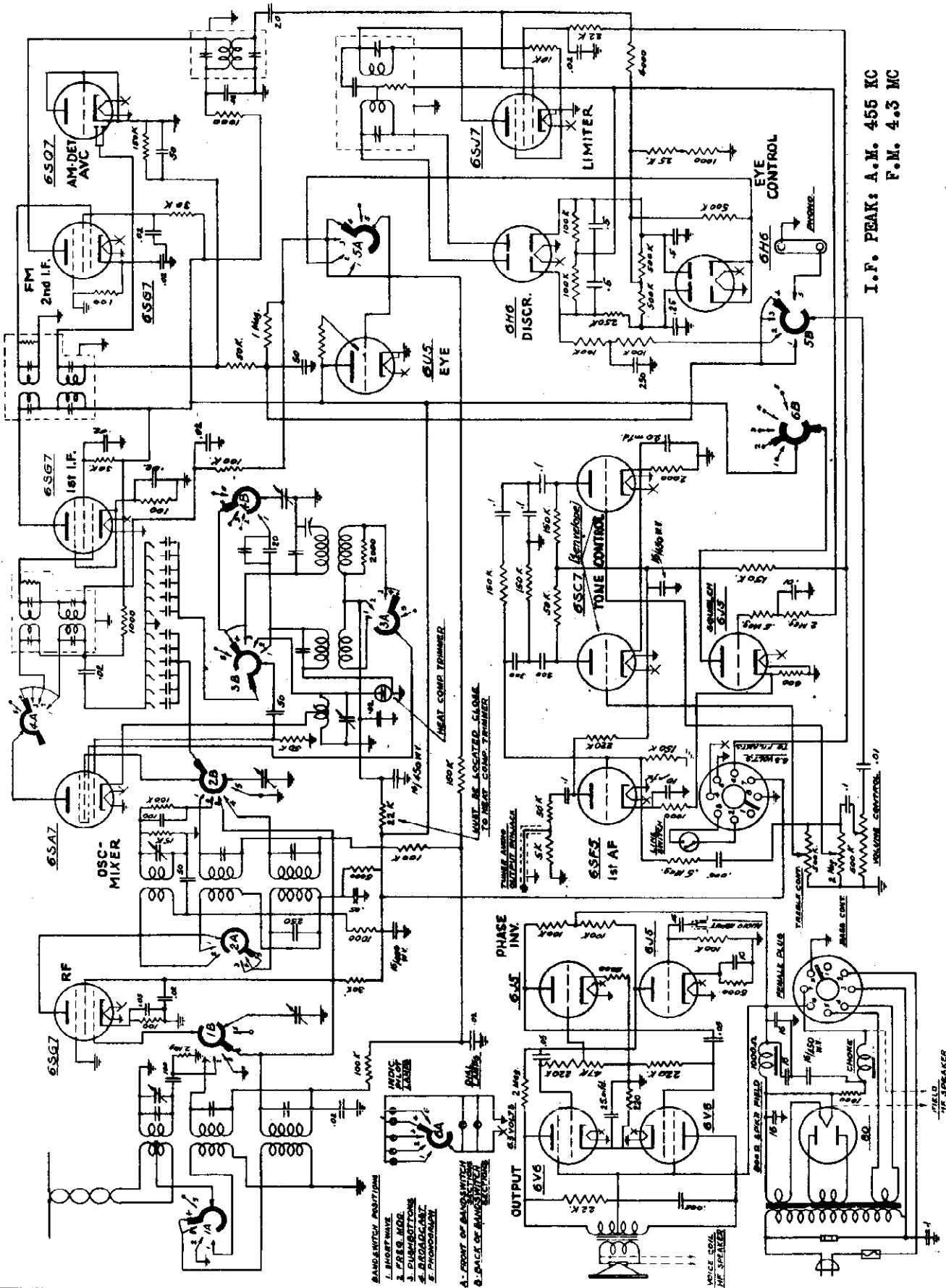
NOTE: MODEL 2144 SAME AS  
MODEL 2143, BUT WITHOUT  
PUSHBUTTONS.

I.F. PEAK: A.M. 455 KC  
F.M. 4.3 MC

BASED ON THE FOLLOWING CONDITIONS:  
1. 100% MODULATION  
2. 100% EFFICIENCY  
3. 100% LINEARITY  
4. 100% STABILITY  
5. 100% RELIABILITY

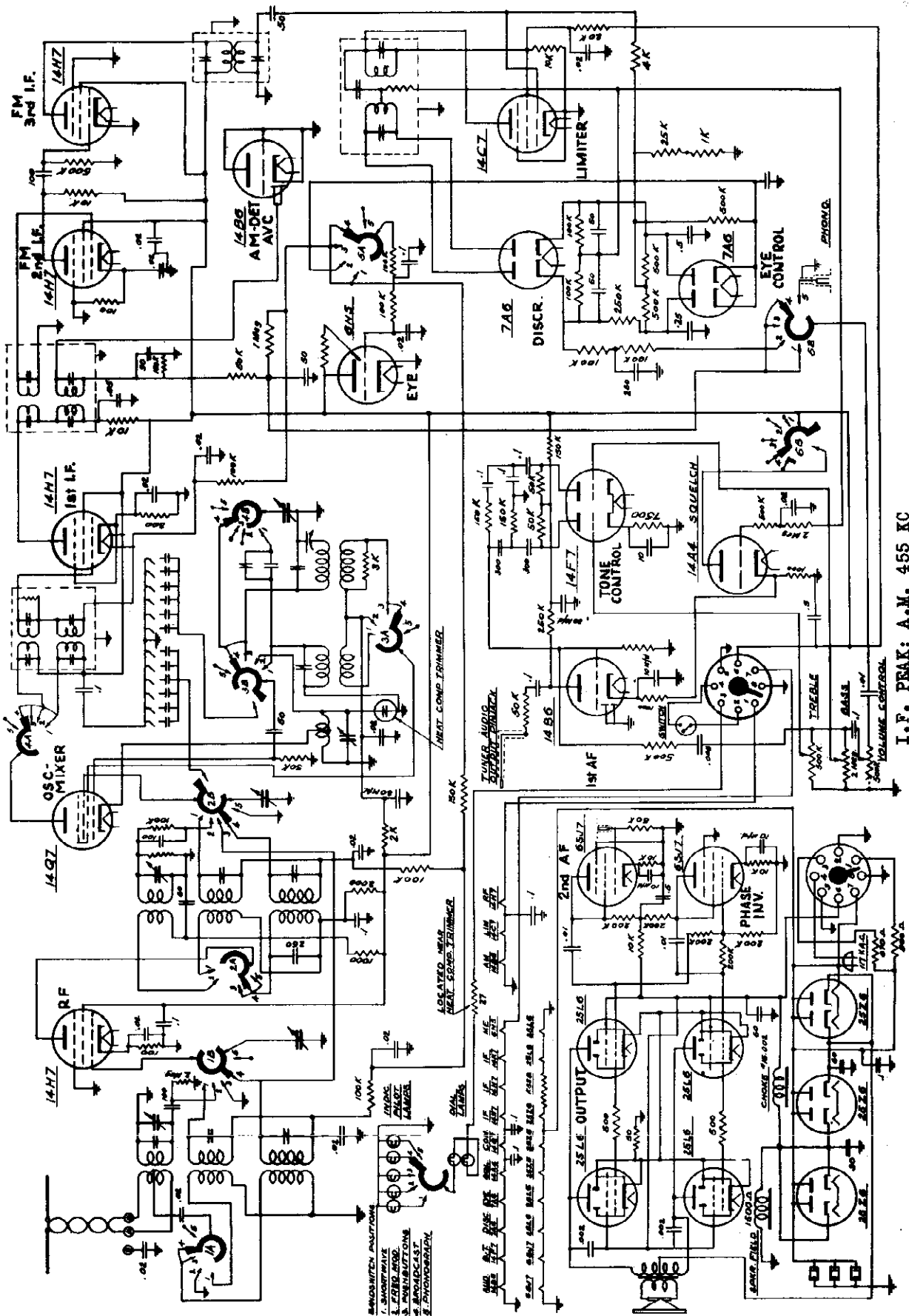
MODEL 2170

ESPEY MFG. CO., INC.



I.F. PEAK: A.M. 455 KC  
F.M. 4.5 MC

ESPEY MFG. CO., INC.



I. F. PEAK: A.M. 455 KC  
F.M. 4.3 MC

- BANDSWITCH POSITIONS
1. SHORTWAVE
  2. FREQ. ADJ.
  3. PHONO/CAST.
  4. PHONO/CAST.

LOCATED NEAR  
NEXT SERVICE TRIMMER

TUNER ADJUST  
SERVO MOTOR

LOCATED NEAR  
NEXT SERVICE TRIMMER

LOCATED NEAR  
NEXT SERVICE TRIMMER

LOCATED NEAR  
NEXT SERVICE TRIMMER

LOCATED NEAR  
NEXT SERVICE TRIMMER

LOCATED NEAR  
NEXT SERVICE TRIMMER

LOCATED NEAR  
NEXT SERVICE TRIMMER

LOCATED NEAR  
NEXT SERVICE TRIMMER

LOCATED NEAR  
NEXT SERVICE TRIMMER

LOCATED NEAR  
NEXT SERVICE TRIMMER

LOCATED NEAR  
NEXT SERVICE TRIMMER

LOCATED NEAR  
NEXT SERVICE TRIMMER

LOCATED NEAR  
NEXT SERVICE TRIMMER

LOCATED NEAR  
NEXT SERVICE TRIMMER

LOCATED NEAR  
NEXT SERVICE TRIMMER

LOCATED NEAR  
NEXT SERVICE TRIMMER

LOCATED NEAR  
NEXT SERVICE TRIMMER

LOCATED NEAR  
NEXT SERVICE TRIMMER

LOCATED NEAR  
NEXT SERVICE TRIMMER

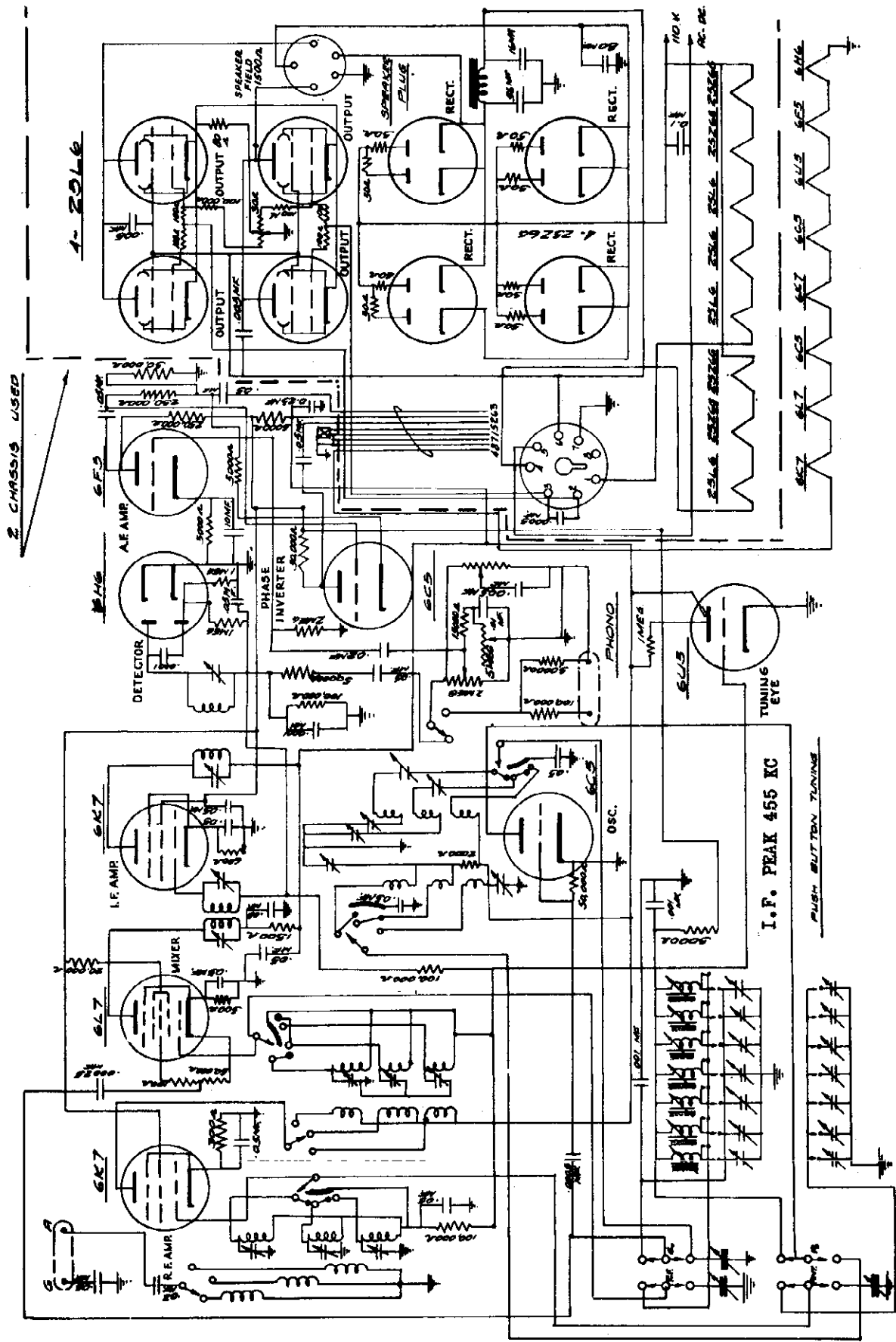
LOCATED NEAR  
NEXT SERVICE TRIMMER

LOCATED NEAR  
NEXT SERVICE TRIMMER

LOCATED NEAR  
NEXT SERVICE TRIMMER

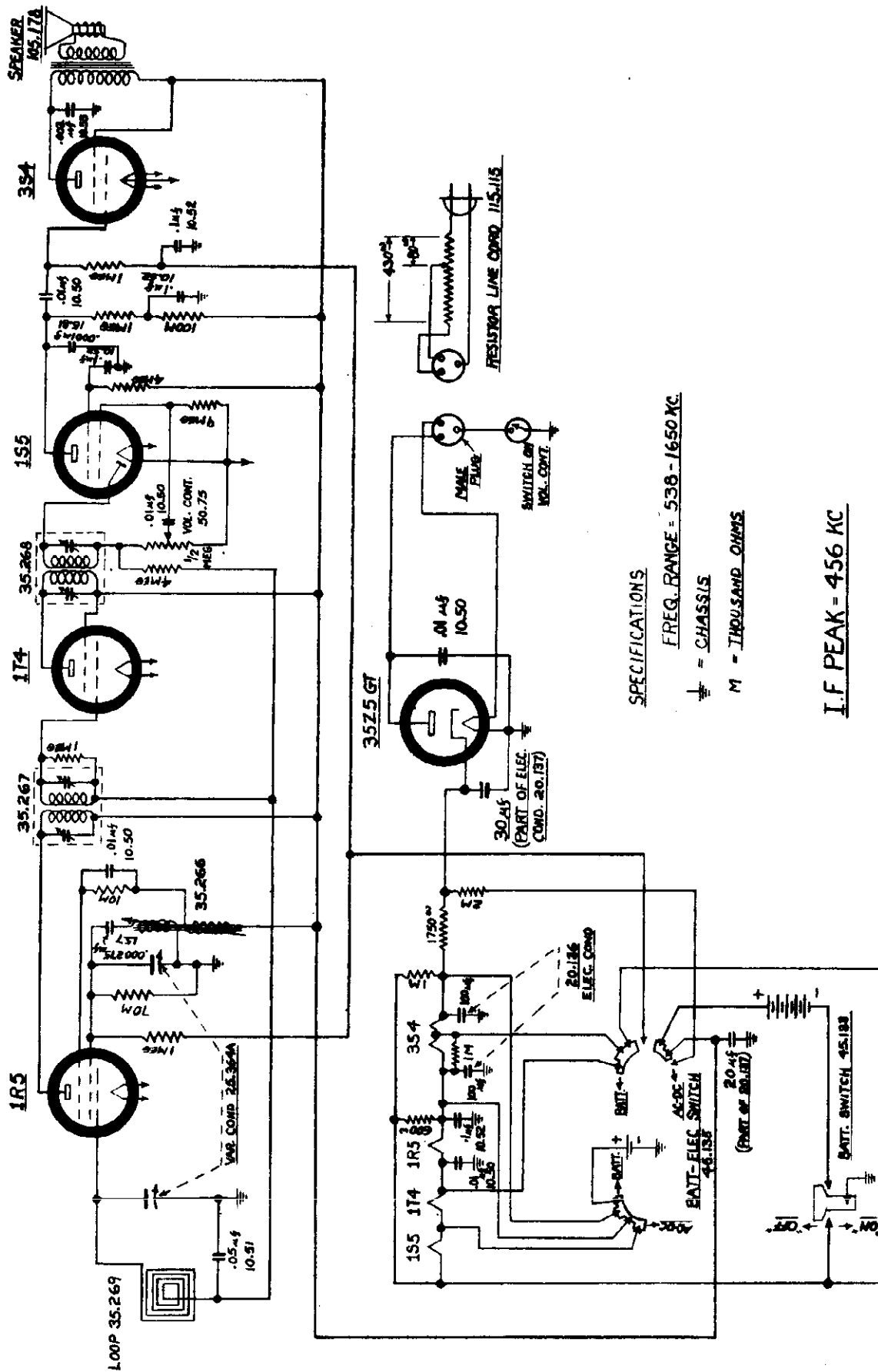
MODEL 9161

ESPEY MFG. CO., INC.





FADA RADIO & ELECTRIC CO.



SPECIFICATIONS

FREQ. RANGE - 538 - 1650 KC.

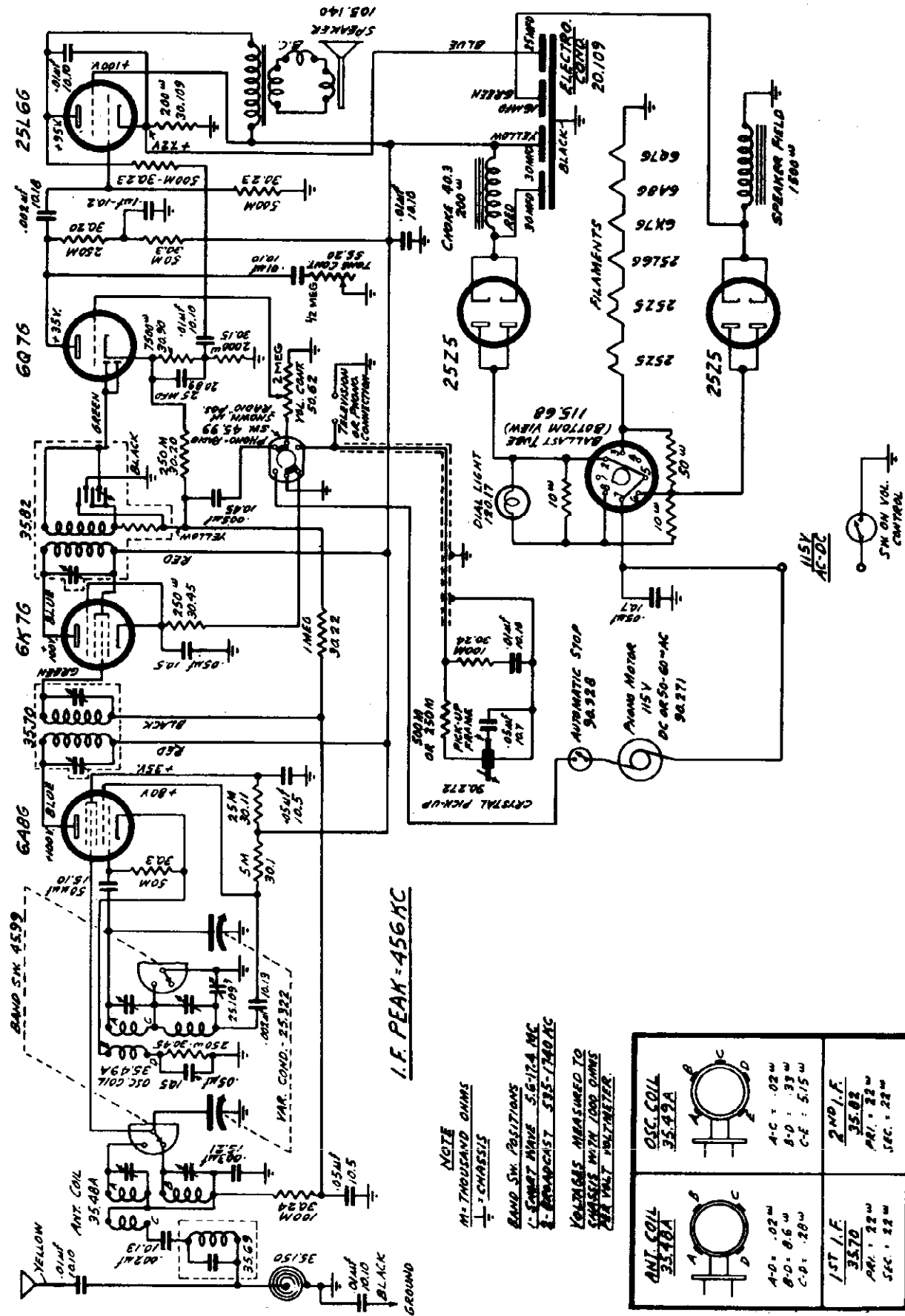
⊥ = CHASSIS

M = THOUSAND OHMS

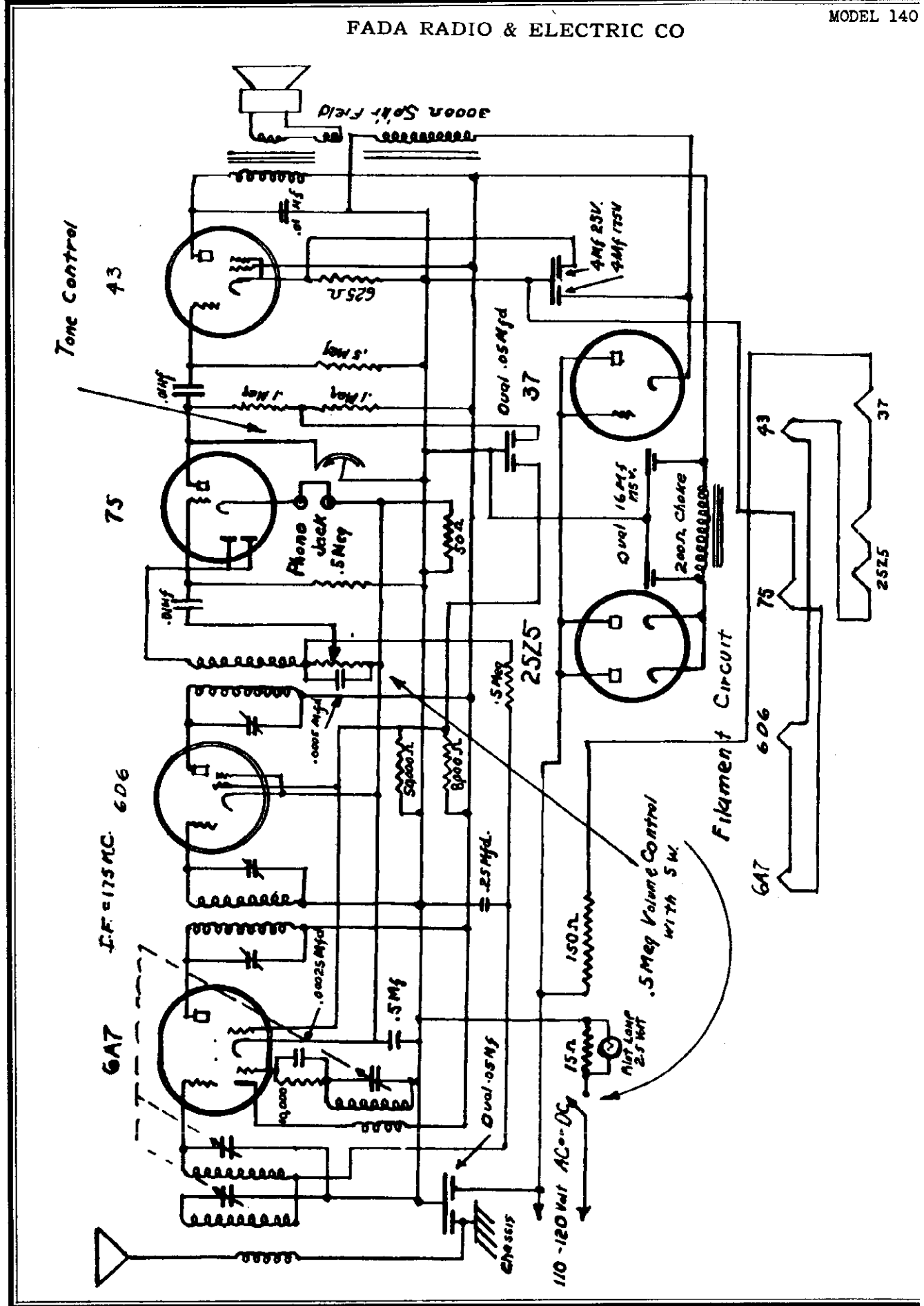
I.F. PEAK - 456 KC

MODEL 75PC

FADA RADIO & ELECTRIC CO

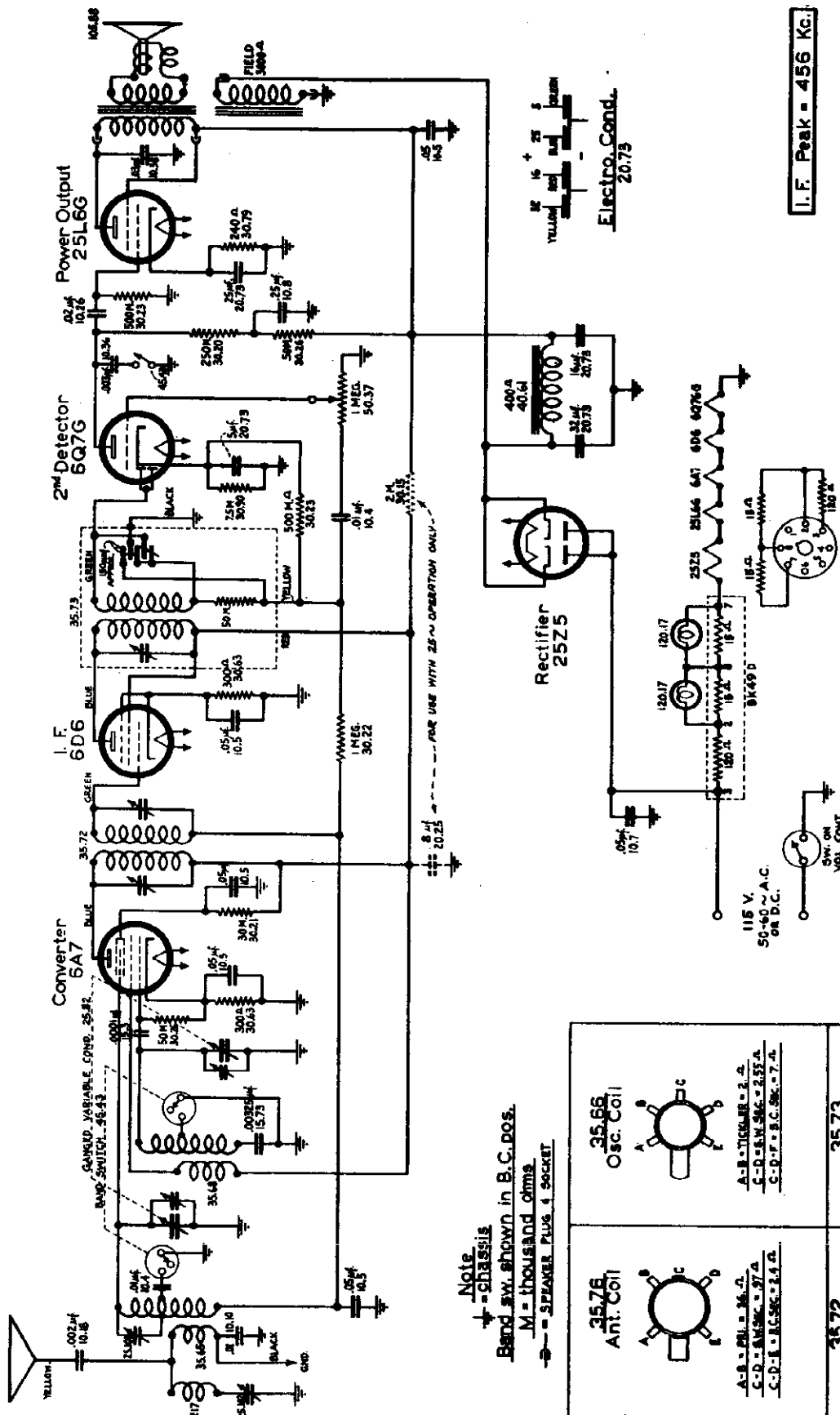


FADA RADIO & ELECTRIC CO



MODEL 361

FADA RADIO & ELECTRIC CO



I.F. Peak = 456 Kc.

Note  
 \* = chassis  
 Band sw. shown in B.C. pos.  
 M = thousand ohms  
 - = SPEAKER PLUG 4 SOCKET

<p>35.76 Ant. Coil</p> <p>A-B = PRI. = 36 Ω          C-D = SEC. = 37 Ω          C-D-F = B.C. SW. = 7 Ω</p>	<p>35.66 Osc. Coil</p> <p>A-B = TUNER = 2 Ω          C-D = SW. SW. = 25 Ω          C-D-F = B.C. SW. = 7 Ω</p>
<p>35.72 100 P.F.</p> <p>PRI. &amp; SEC. = 28 Ω</p>	<p>35.73 200 P.F.</p> <p>PRI. &amp; SEC. = 28 Ω</p>

Bottom View of Ballast  
 BK49D

NOTE: FOR 250 V. OPERATION, BALLAST TUBE 115-44 IS USED

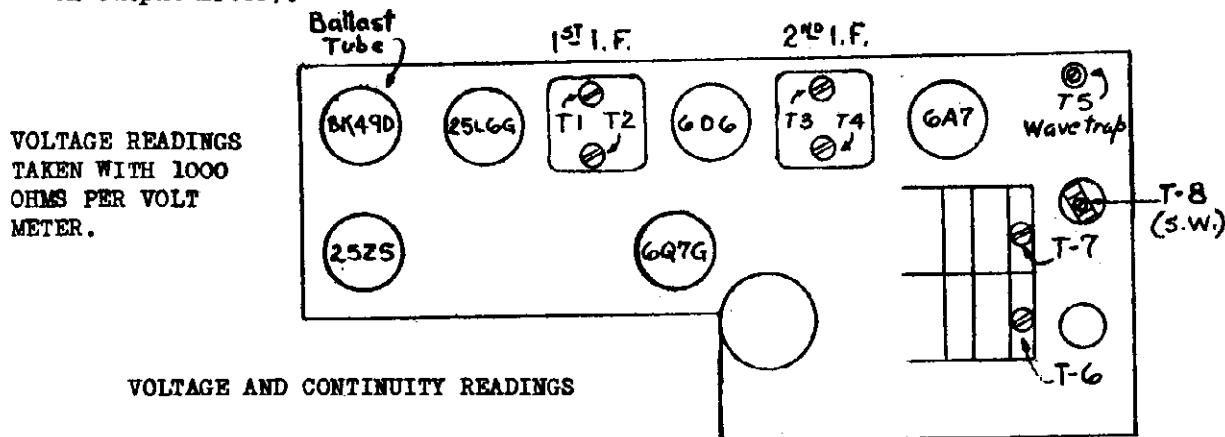
FADA RADIO & ELECTRIC CO

MODEL 361

ALIGNMENT TABLE

WAVE BAND	DIAL FREQUENCY	GENERATOR FREQUENCY	DUMMY ANTENNA	GENERATOR CONNECTED TO	ADJUST TRIMMER
B.C.	1000 KC	456 KC	.001 mfd. 50,000 ohms	Control grid of 6A7 tube	T-1, T-2, T-3, T-4
B.C.	550 KC	456 KC	200 mmfd. condenser	Yellow antenna lead	T-5*
B.C.	1500 KC	1500 KC	200 mmfd. condenser	Yellow antenna lead	T-6, T-7
S.W.	2.4 MC	2.4 MC	400 ohm resistor	Yellow antenna lead	T-8
B.C.	1500 KC	1500 KC	200 mmfd. condenser	Yellow antenna lead	T-7

\*This is a wave trap alignment. Adjust for minimum signal (lowest deflection on output meter).



VOLTAGE AND CONTINUITY READINGS

Line voltage 116 A.C. - Input watts - 52

TYPE OF TUBE	POSITION OF TUBE	PLATE VOLTS	PLATE MA CURRENT	CATHODE VOLTS	SCREEN GRID VOLTS
6A7	1st Detector	105	1.6	1.5	52
	Oscillator	105	2.2	---	---
6D6	I.F. Amp.	105	7.4	3.0	105
6Q7G	2nd Detector	42	.2	.8	---
25L6G	Pwr. Pentode	92	30.0	8.2	97
25Z5	Rectifier	---	90.0 TOTAL	---	---

VOLTAGES ACROSS ELECTROLYTIC CONDENSER (PART #20.73)

1st SECTION	2nd SECTION
125	105

Voltage across 3,000 ohm speaker field - - - - - 125 volts  
 " " 400 " filter choke - - - - - 20.0 "

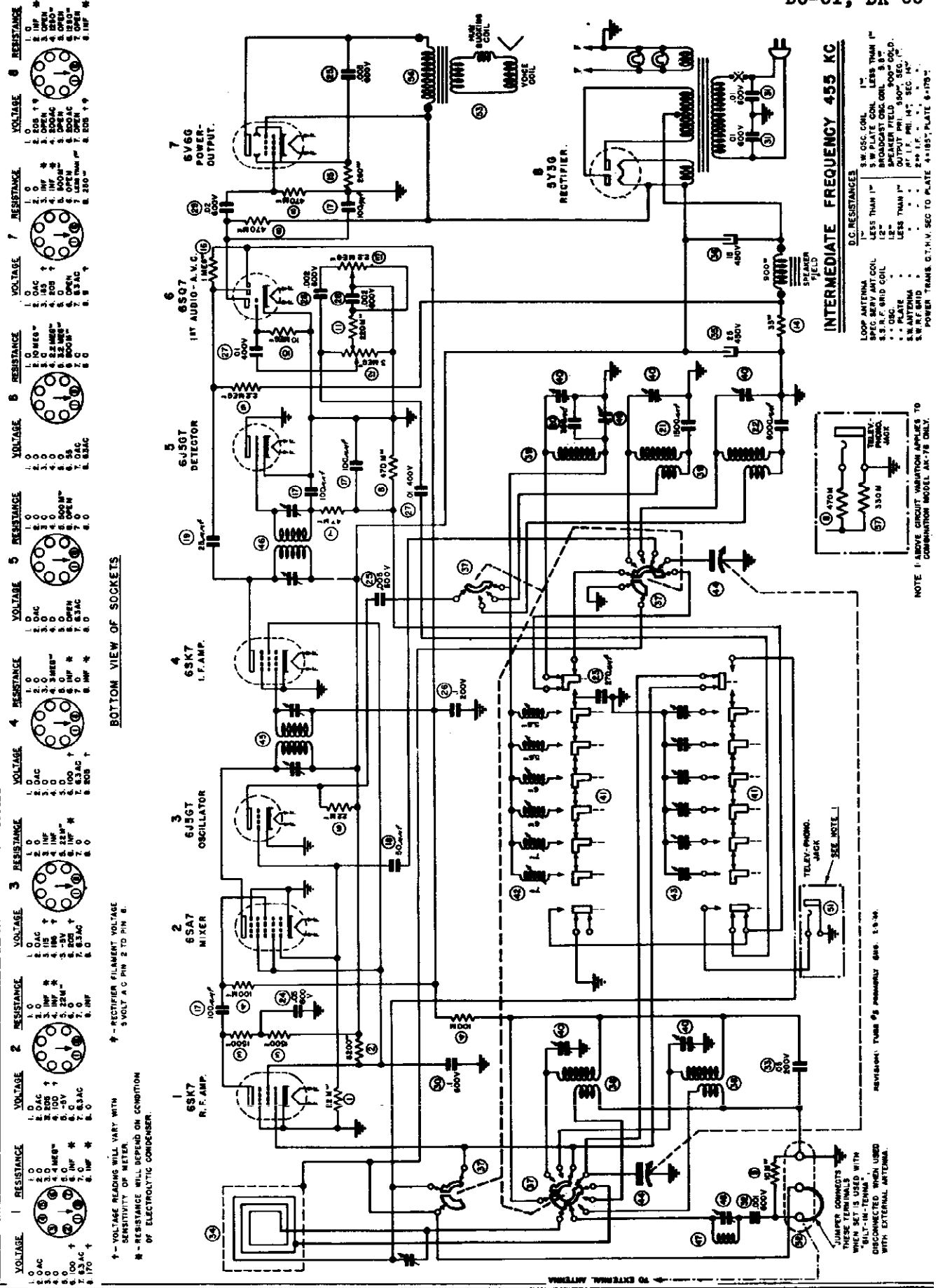
SPEAKER D.C. RESISTANCE VALUES

PART NO.	FIELD COIL	AUDIO TRANS. PRI.	AUDIO TRANS. SEC.	V.C.
105.88	3,000*	130 ohms*	.8 ohms*	3.2

\*These are cold D.C. resistance values.



FARNSWORTH TELEV. & RADIO CORP. MODELS BC-72, BC-80, BC-81, BK-86



VOLTAGE	RESISTANCE	VOLTAGE	RESISTANCE	VOLTAGE	RESISTANCE	VOLTAGE	RESISTANCE	VOLTAGE	RESISTANCE	VOLTAGE	RESISTANCE	VOLTAGE	RESISTANCE
1. 0 AC	1. 0	1. 0 AC	1. 0	1. 0 AC	1. 0	1. 0 DC	1. 0	1. 0 AC	1. 0	1. 0 AC	1. 0	1. 0 AC	1. 0
2. 0	2. 0	2. 100	2. 100	2. 0	2. 0	2. 100	2. 100	2. 0	2. 0	2. 0	2. 0	2. 0	2. 0
3. 0	3. 0	3. 100	3. 100	3. 0	3. 0	3. 100	3. 100	3. 0	3. 0	3. 0	3. 0	3. 0	3. 0
4. 0	4. 0	4. 100	4. 100	4. 0	4. 0	4. 100	4. 100	4. 0	4. 0	4. 0	4. 0	4. 0	4. 0
5. 0	5. 0	5. 100	5. 100	5. 0	5. 0	5. 100	5. 100	5. 0	5. 0	5. 0	5. 0	5. 0	5. 0
6. 0	6. 0	6. 100	6. 100	6. 0	6. 0	6. 100	6. 100	6. 0	6. 0	6. 0	6. 0	6. 0	6. 0
7. 0	7. 0	7. 100	7. 100	7. 0	7. 0	7. 100	7. 100	7. 0	7. 0	7. 0	7. 0	7. 0	7. 0
8. 0	8. 0	8. 100	8. 100	8. 0	8. 0	8. 100	8. 100	8. 0	8. 0	8. 0	8. 0	8. 0	8. 0
9. 0	9. 0	9. 100	9. 100	9. 0	9. 0	9. 100	9. 100	9. 0	9. 0	9. 0	9. 0	9. 0	9. 0
10. 0	10. 0	10. 100	10. 100	10. 0	10. 0	10. 100	10. 100	10. 0	10. 0	10. 0	10. 0	10. 0	10. 0

BOTTOM VIEW OF SOCKETS

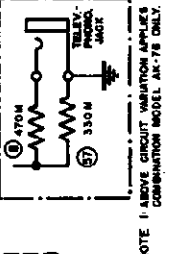
9 - RECTIFIER FILAMENT VOLTAGE  
5 VOLT A.C. PIN 2 TO PIN 8

\* - VOLTAGE READINGS WILL VARY WITH SENSITIVITY OF METER  
# - RESISTANCE WILL DEPEND ON CONDITION OF ELECTROLYTIC CAPACITOR

INTERMEDIATE FREQUENCY 455 KC

D.C. RESISTANCES

- 1" 3 W. OSC. COIL
- 1" 3 W. PLATE COIL
- 1" 3 W. R.F. GRID COIL
- 1" 3 W. R.F. GRID COIL
- 1" 3 W. R.F. GRID COIL
- 1" 3 W. R.F. GRID COIL
- 1" 3 W. R.F. GRID COIL
- 1" 3 W. R.F. GRID COIL
- 1" 3 W. R.F. GRID COIL
- 1" 3 W. R.F. GRID COIL

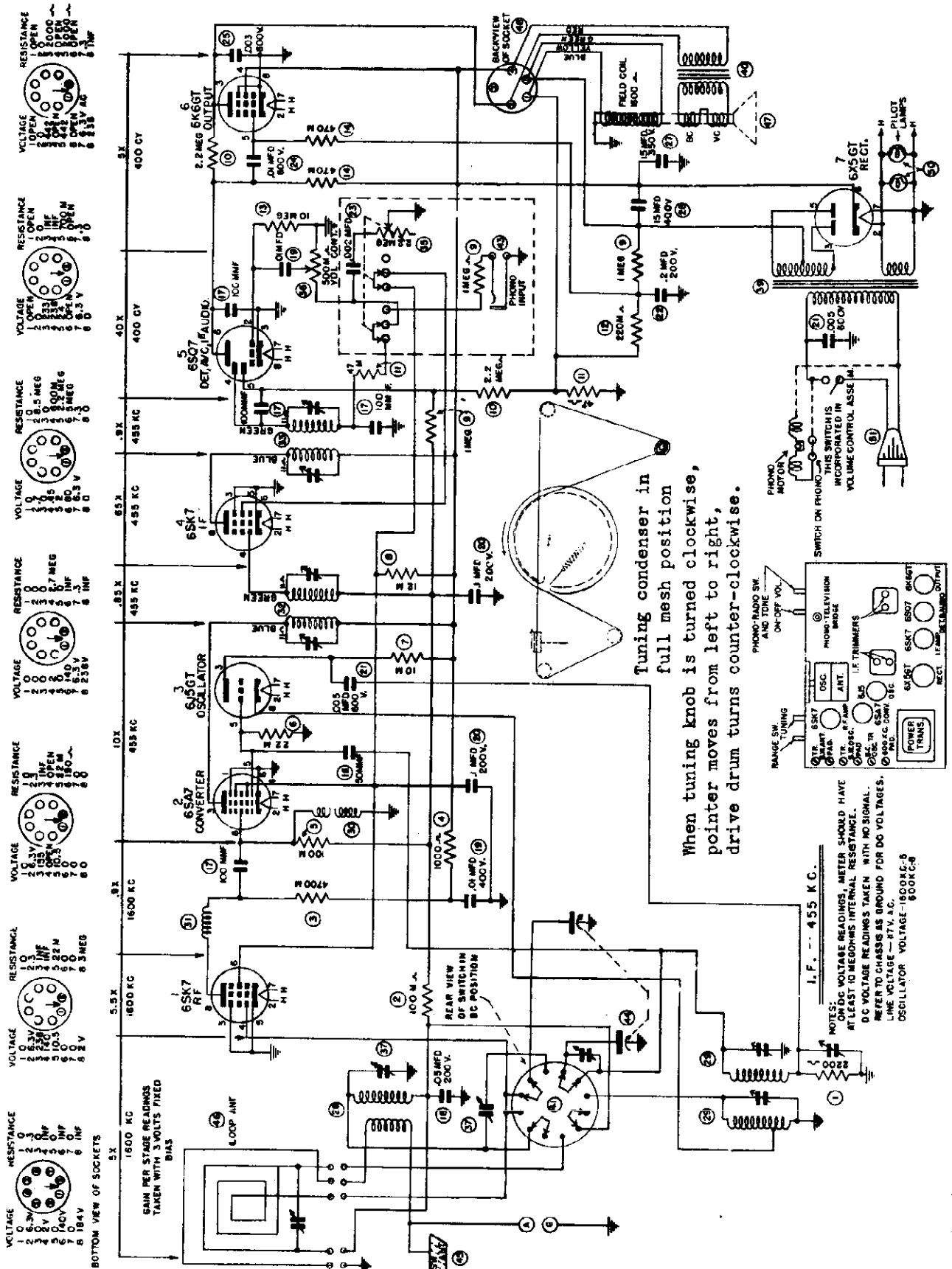


NOTE: 1 - ABOVE CIRCUIT VARIATION APPLIES TO COMBINATION MODEL AK-78 ONLY.

REVISION: TUBE #5, PREVIOUSLY 6AV 5-3-54

MODELS DK-73, DK-75  
Ch. C-140-1, C-140-2

FARNSWORTH TELEV. & RADIO CORP.



Tuning condenser in full mesh position. When tuning knob is turned clockwise, pointer moves from left to right, drive drum turns counter-clockwise.



FARNSWORTH TELEV. & RADIO CORP. Ch. C-140-1,

C-140-2

EQUIPMENT AND PROCEDURE FOR ALIGNMENT

WHEN ALIGNING THIS RECEIVER A SIGNAL GENERATOR CALLIBRATED AT 455 Kc, 600 Kc 1500 Kc, 1720 Kc, 9.5 Mc, 12 Mc, AND 12.1 Mc, ALSO AN OUTPUT INDICATOR AR REQUIRED. ALL ADJUSTMENTS SHOULD BE MADE WITH THE VOLUME CONTROL SET FOR MAXIML VOLUME, KEEPING THE GENERATOR OUTPUT AS LOW AS POSSIBLE TO PREVENT A.V.C. ACTIC AND FALSE READINGS. BEFORE RE-ALIGNING THE SET BE SURE ALL ADJUSTING SCREWS FC THE IRON CORE OSCILLATOR COILS ARE FLUSH WITH OR INSIDE THE CHASSIS BASE.

CONNECT THE LOW SIDE OF THE SIGNAL GENERATOR TO THE TERMINAL MARKED G. (GROUND) AND THE HIGH SIDE OF THE GENERATOR TO THE TERMINAL MARKED A. (ANTENNA). (SEE FIG.A)

CAUTION—OFTEN TWO PEAKS ARE FOUND AT 12.1 Mc. USE THE ONE FOUND AT THE MAXIML SETTING OF THE OSCILLATOR TRIMMER.

CAUTION—BE SURE AND REMOVE THE DIAL POINTER BEFORE REMOVING THE SET FROM TH CABINET.

STEPS	USE IN SERIES WITH ANTENNA	SET GENERATOR AT	SET GANG AT	ADJUST	LOCATED	TO OBTAIN	
1.	SET VOLUME CONTROL AT MAXIMUM						
2.	250 MMFD.	455 Kc.	NOTE A	2ND I.F. TRIMMERS	TOP 2ND I.F. TRAN.	MAXIMUM OUTPUT	
3.				1ST I.F. TRIMMERS	TOP 1ST I.F. TRAN.		
4.				1720 Mc.	1720		B.C. R.F. TRIMMER
5.		1500 Kc.	1500	B.C. R.F. TRIMMER	ON THE LOOP		
6.		600 Kc.	600 Kc. ROCK GANG	B.C. PADDER	SEE FIG.		
7.		RECHECK 1600 Kc.					
8.	400 OHMS	12.1 Mc.	12.1 Mc.	S.W. OSC. TRIMMER			
9.		12.1 Mc.	12.1 Mc.	S.W. R.F. TRIMMER			
10.		9.5	9.5 Mc. ROCK GANG	S.W. PADDER			

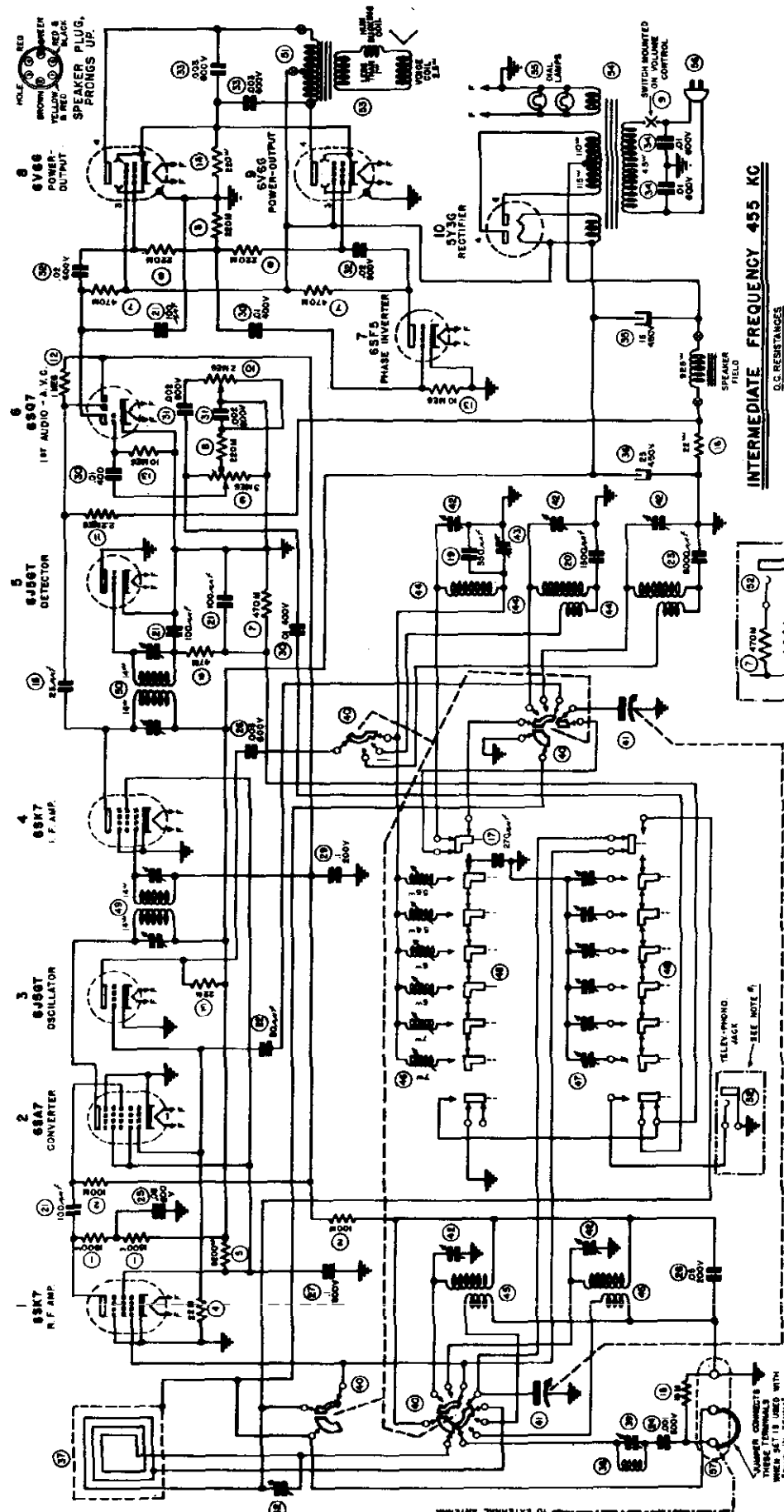
MODELS BC-92, BC-101, FARNSWORTH TELEV. & RADIO CORP.  
BC-102

VOLTAGE	1 RESISTANCE	2 RESISTANCE	3 RESISTANCE	4 RESISTANCE	5 RESISTANCE	6 RESISTANCE	7 RESISTANCE	8 RESISTANCE	9 RESISTANCE	10 RESISTANCE
0	0	0	0	0	0	0	0	0	0	0
1	2	2	2	2	2	2	2	2	2	2
2	3	3	3	3	3	3	3	3	3	3
3	4	4	4	4	4	4	4	4	4	4
4	5	5	5	5	5	5	5	5	5	5
5	6	6	6	6	6	6	6	6	6	6
6	7	7	7	7	7	7	7	7	7	7
7	8	8	8	8	8	8	8	8	8	8
8	9	9	9	9	9	9	9	9	9	9
9	10	10	10	10	10	10	10	10	10	10
10	11	11	11	11	11	11	11	11	11	11
11	12	12	12	12	12	12	12	12	12	12
12	13	13	13	13	13	13	13	13	13	13
13	14	14	14	14	14	14	14	14	14	14
14	15	15	15	15	15	15	15	15	15	15
15	16	16	16	16	16	16	16	16	16	16
16	17	17	17	17	17	17	17	17	17	17
17	18	18	18	18	18	18	18	18	18	18
18	19	19	19	19	19	19	19	19	19	19
19	20	20	20	20	20	20	20	20	20	20
20	21	21	21	21	21	21	21	21	21	21
21	22	22	22	22	22	22	22	22	22	22
22	23	23	23	23	23	23	23	23	23	23
23	24	24	24	24	24	24	24	24	24	24
24	25	25	25	25	25	25	25	25	25	25
25	26	26	26	26	26	26	26	26	26	26
26	27	27	27	27	27	27	27	27	27	27
27	28	28	28	28	28	28	28	28	28	28
28	29	29	29	29	29	29	29	29	29	29
29	30	30	30	30	30	30	30	30	30	30
30	31	31	31	31	31	31	31	31	31	31
31	32	32	32	32	32	32	32	32	32	32
32	33	33	33	33	33	33	33	33	33	33
33	34	34	34	34	34	34	34	34	34	34
34	35	35	35	35	35	35	35	35	35	35
35	36	36	36	36	36	36	36	36	36	36
36	37	37	37	37	37	37	37	37	37	37
37	38	38	38	38	38	38	38	38	38	38
38	39	39	39	39	39	39	39	39	39	39
39	40	40	40	40	40	40	40	40	40	40
40	41	41	41	41	41	41	41	41	41	41
41	42	42	42	42	42	42	42	42	42	42
42	43	43	43	43	43	43	43	43	43	43
43	44	44	44	44	44	44	44	44	44	44
44	45	45	45	45	45	45	45	45	45	45
45	46	46	46	46	46	46	46	46	46	46
46	47	47	47	47	47	47	47	47	47	47
47	48	48	48	48	48	48	48	48	48	48
48	49	49	49	49	49	49	49	49	49	49
49	50	50	50	50	50	50	50	50	50	50
50	51	51	51	51	51	51	51	51	51	51
51	52	52	52	52	52	52	52	52	52	52
52	53	53	53	53	53	53	53	53	53	53
53	54	54	54	54	54	54	54	54	54	54
54	55	55	55	55	55	55	55	55	55	55
55	56	56	56	56	56	56	56	56	56	56
56	57	57	57	57	57	57	57	57	57	57
57	58	58	58	58	58	58	58	58	58	58
58	59	59	59	59	59	59	59	59	59	59
59	60	60	60	60	60	60	60	60	60	60

LINE VOLTAGE - 110  
RECTIFIER FILAMENT VOLTAGE 5 V.A.C.  
MEASURED FROM PH. 2 TO PH. 8 OF  
SOCKET NO.

BOTTOM VIEW OF SOCKETS

\* - VOLTAGE READINGS WILL VARY WITH  
SENSITIVITY OF METER.  
\* - RESISTANCE WILL DEPEND ON CONDITION  
OF ELECTROLYTIC CONDENSER.



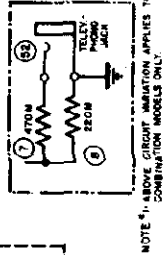
INTERMEDIATE FREQUENCY 455 KC

D.C. RESISTANCES

LOOP ANTENNA  
SPEC. SEV. ANT. COIL  
5.5 P.P. 0.105 INCH  
SW. PLATE

LESS THAN 1" SW. PLATE COIL  
LESS THAN 1" 5.5 P.P. 0.105 INCH  
LESS THAN 1" SW. PLATE  
C. MEASURED FROM PH. 3 TO 9  
OF EACH OUTPUT TUBE.

POWER TRANS. CT. V. SEC. TO PLATE 4-160-1 PLATE 9-119



NOTE: ABOVE CONNECTION APPLIES TO  
CONTINUOUS MODELS ONLY.

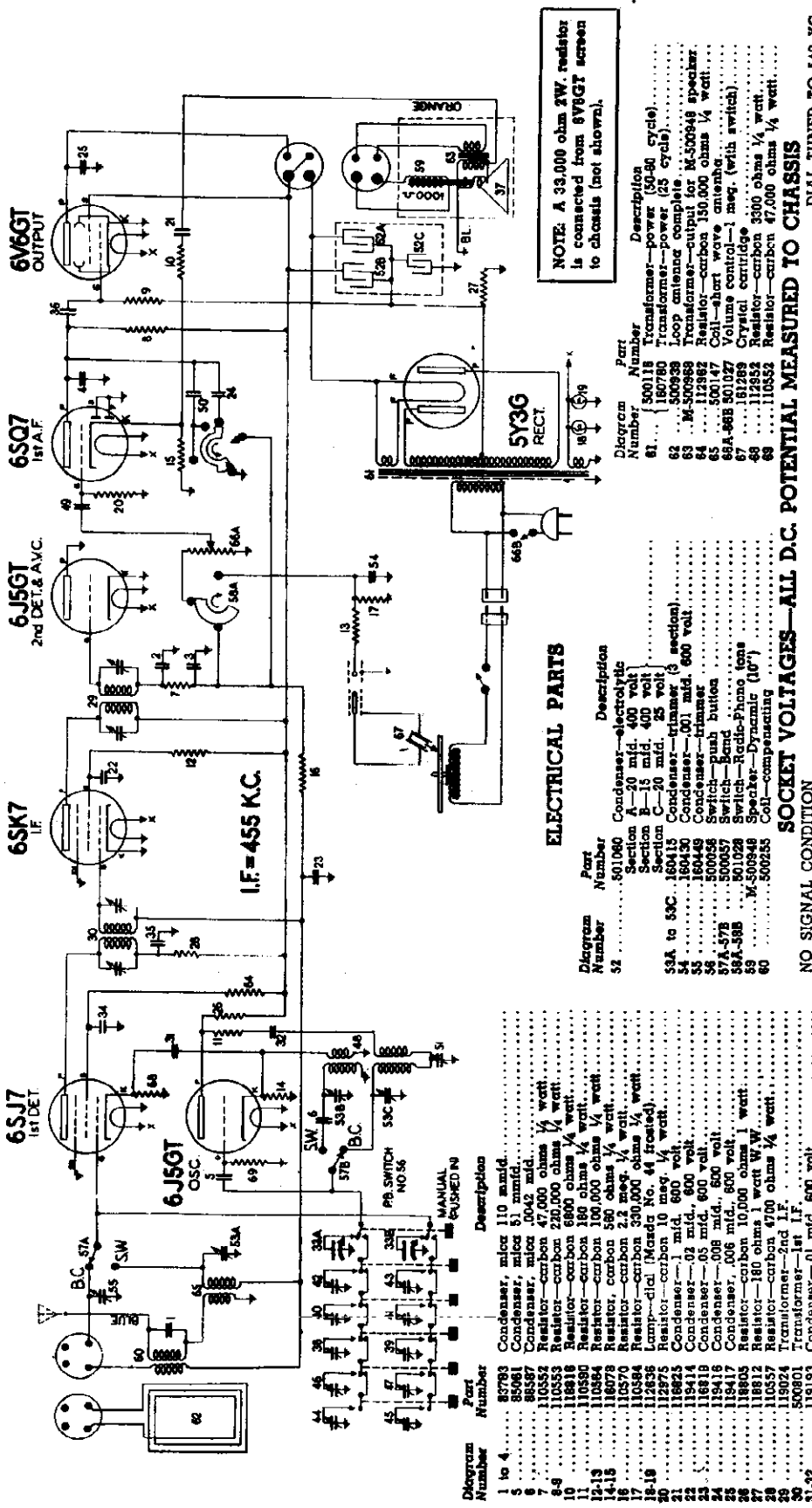
REVISION TUB. NO. PREVIOUS EDITIONS. 2-1-44

PLUGS CONNECT TO THESE TERMINALS WHEN SET IS USED WITH 'MULTI-IN-TERM.' DISCONNECTED WHEN USED WITH OTHER ANTENNA.

TO EXTERNAL ANTENNA

FIRESTONE TIRE & RUBBER CO.

MODEL S-7393-  
Code A-400



NOTE: A 33,000 ohm 2W resistor is connected from 6V6GT screen to chassis (not shown).

ELECTRICAL PARTS

Diagram Number	Part Number	Description
52	501080	Condenser—electrolytic
	Section A—10 mid. 400 volt	
	Section B—20 mid. 400 volt	
	Section C—30 mid. 400 volt	
53A to 53C	160415	Condenser—trimmer (3 sections)
54	160430	Condenser—trimmer (3 sections)
55	160430	Condenser—trimmer (3 sections)
56	500056	Switch—push button
57A-57B	500057	Switch—band
58A-58B	501028	Switch—Radio-Phono tone
59	M-500948	Speaker—Dynamc (10")
60	500255	Coll.—compensating
61	500118	Transformer—power (50-50 cycle)
62	160780	Transformer—power (25 cycle)
63	300938	Loop antenna—complete
64	M-500949	Transformer—output for M-500949 speaker
65	501027	Resistor—carbon 150,000 ohms 1/4 watt
66	501027	Coll.—short wave antenna
67	68A-68B 501027	Volute control—1 meg. (with switch)
68	112453	Control cartridge 300 ohms 1/4 watt
69	112453	Resistor—carbon 47,000 ohms 1/4 watt

SOCKET VOLTAGES—ALL D.C. POTENTIAL MEASURED TO CHASSIS

NO SIGNAL CONDITION

DIAL TUNED TO 540 KC.

TUBE	FUNCTION	H	K	G	S	SU	P	D <sub>1</sub>	D <sub>2</sub>
6SJ7	1st Det.	6.0 A.C.	9.0	0	105	0	220		
6J5GT	Osc.	6.0 A.C.	0	-3			165		
6SK7	I.F.	6.0 A.C.	0	0	46	0	230		
6J5GT	2nd Det.—A.V.C.	6.0 A.C.	0	0			0		
6SQ7	1st A.F.	6.0 A.C.	1	0			75	0	0
6V6GT	Output	6.0 A.C.	0	Note A	230		220		
5Y3G	Rectifier	5.0 A.C.							Plates 350 V.A.C. to C.T.

NOTE A: The 6V6GT grid bias voltage is -13.5 volts measured across resistor No. 27. Use a high resistance voltmeter of at least 1000 ohms per volt.

MODEL S-7393-1,  
Code A-400  
MODEL S-7400-1

FIRESTONE TIRE & RUBBER CO.

TO SET UP THE BUTTONS FOR AUTO-MATIC TUNING:

1. Turn the set on and allow it to operate at least fifteen minutes before attempting to set up the buttons.
2. Make a list of the frequencies of five nearby stations to which you wish to set up the buttons. Be sure to select the most powerful nearby stations, since weak signals will not give as satisfactory results.
3. Turn the set around so that the back of the set is facing you. Through the ten holes in the plate just under the dial will be seen ten adjusting screws (see Fig. 1). These screws are used to tune in the stations that the buttons are to be set to.
4. Each of the push buttons can be made to tune in stations in a definite frequency range as shown in Fig. 1. It is imperative that in setting up the buttons, you select stations whose frequency is in the indicated range of that button.
5. Turn the BAND SWITCH to the "AM" position, push in the button labeled "MANUAL," then using the tuning knob (see Fig. 1) tune in the station you wish to set to button No. 1.
6. Push in button No. 1 and using a screwdriver turn adjusting screw No. 1a until the station you had previously tuned in is again heard. If it is not heard, advance the volume control and adjust the screw again. Be sure to adjust screw No. 1a to the point where the program is heard with the deepest tone.
7. Insert the screwdriver in adjusting screw No. 1b and turn it until the program is heard with deepest tone. Now again check the setting of screw No. 1a making sure it is adjusted to give maximum volume.
8. The set-up for button No. 1 is now complete.
9. To set up the remaining buttons use the same procedure; push in the "MANUAL" button, tune in the station using the tuning knob; push in the button to be set up; adjust its associated "a" adjusting screw until the station is tuned in (screw 2a for button No. 2 etc., see Fig. 1); the associated "b" screw is then adjusted for deepest tone as before.

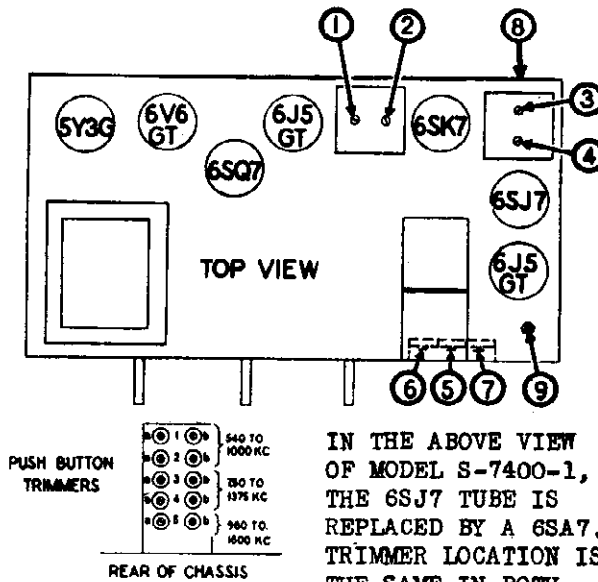


Fig. 1

IN THE ABOVE VIEW OF MODEL S-7400-1, THE 6SJ7 TUBE IS REPLACED BY A 6SA7. TRIMMER LOCATION IS THE SAME IN BOTH MODELS.

ALIGNMENT EQUIPMENT & PROCEDURE

1. Connect the output meter across the voice coil or from plate of the 6V6GT output tube to chassis through a .1 mfd. condenser. (The more sensitive type should be connected across the voice coil.)
2. Connect the ground lead of the signal generator to the receiver chassis.
3. Turn the RADIO-PHONO TONE SWITCH to the "Radio-Speech" position.
4. Turn the volume control to the maximum position and keep it in this position throughout the alignment procedure.
5. Push in the "Manual" button and keep it pushed in. Check the pointer to see that it is correctly set to 540 KC. with gang in full mesh.
6. The loop must be connected as indicated in circuit diagram at all times.

Dummy Ant. in Series with Sig. Gen.	Connection of Sig. Generator Output to Receiver	Signal Generator Frequency	Band Switch Position	Receiver Dial Setting	Trimmer Number	Trimmer Description	Type of Adjustment
.1 MFD. Condenser	Lug on front Section of Gang Cond.	455 KC	American	Any Point Where It Does Not Affect the Signal	1-2	2nd LF.	Adjust for Maximum Output. Then repeat Adjustment.
					3-4	1st LF.	
400 OHM Carbon Resistor	Antenna Terminal (Blue Wire)	16 MC	Foreign	16 MC	5	Foreign Oscillator	Adjust for Maximum Output. Check to see if Proper Peak was Obtained by Tuning in Image at Approx. 15.1 MC. If Image does not appear, Realign at 16 MC, with Trimmer Screw farther out. Recheck Image.
400 OHM Carbon Resistor	Antenna Terminal (Blue Wire)	16 MC	Foreign	Tune to 16 MC Generator Signal	6	Foreign Antenna	Adjust for Maximum Output. Try to Increase Output by Detuning Trimmer and Retuning Receiver Dial until Maximum Output is Obtained.
200 MMFD. Mica Condenser	Antenna Terminal (Blue Wire)	1500 KC	American	1500 KC	7	Broadcast Oscillator (Shunt)	Adjust for Maximum Output.

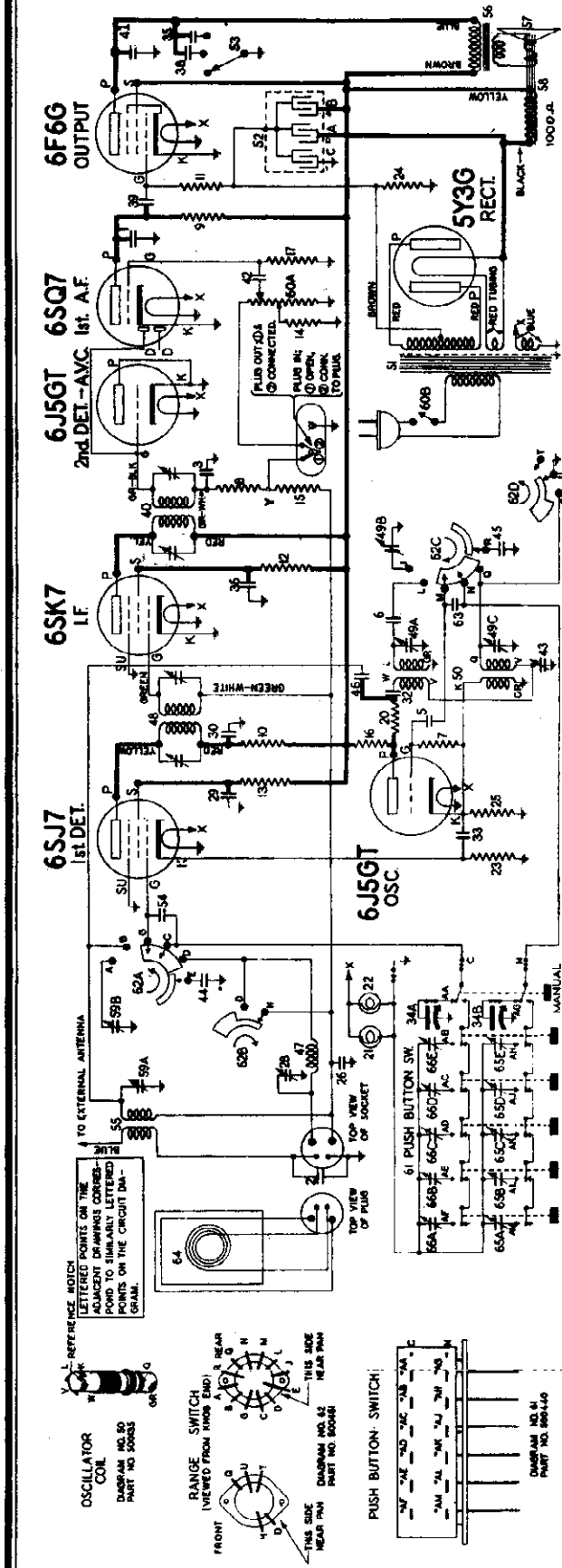
Now replace the chassis and loop antenna in the cabinet before proceeding further.

200 MMFD. Mica Condenser	Antenna Terminal (Blue Wire)	1500 KC	American	Tune to 1500 KC Generator Signal	8	Broadcast Antenna	Adjust for Maximum Output.
200 MMFD. Mica Condenser	Antenna Terminal (Blue Wire)	600 KC	American	Tune to 600 KC Generator Signal	9	Broadcast Oscillator (Series)	Adjust for Maximum Output. Try to Increase Output by Detuning Trimmer and Retuning Receiver Dial until Maximum Output is Obtained.

FIRESTONE TIRE & RUBBER CO.

MODEL 8-7397-1

Code A-393



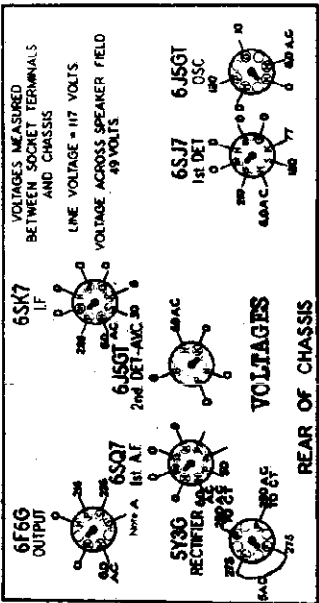
NOTE: A 110 MMFD. MICA CONDENSER IS CONNECTED FROM POINT "Y" TO CHASSIS.

ELECTRICAL PARTS

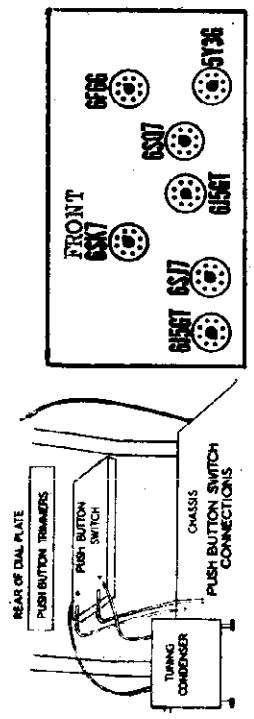
I.F. PEAK 455 KC

Diagram Number	Part Number	Description
1	87783	Condenser—mica 110 mmfd.
2-3	83538	Condenser—mica 260 mmfd.
4	85061	Condenser—mica 51 mmfd.
5	88887	Resistor—carbon 47,000 ohms 1/4 watt
6	110552	Resistor—carbon 220,000 ohms 1/4 watt
7-8	110553	Resistor—carbon 4700 ohms 1/4 watt
9	110557	Resistor—carbon 170,000 ohms 1/4 watt
10	110559	Resistor—carbon 10,000 ohms 1/4 watt
11	110564	Resistor—carbon 22,000 ohms 1/4 watt
12-13	110570	Resistor—carbon 2.2 M ohms 1/4 watt
14	110571	Resistor—carbon 10,000 ohms 1/4 watt
15	110572	Resistor—carbon 10 M ohms 1/4 watt
16	112976	Resistor—carbon 330,000 ohms 1/4 watt
17	110584	Resistor—carbon 180 ohms 1/4 watt
18-19	110580	Dial Light Bulb—6.3 volt (Mazda No. 44)
20	110628	Resistor—carbon 3900 ohms 1/4 watt
21-22	112952	Resistor—300 ohm 1/4 watt w.w.
23	117075	Resistor—560 ohms 1/4 watt
24	116078	Condenser—.05 mfd. 500 volt.
25	116819	Condenser—trimmer
26-27	119132	Condenser—.01 mfd. 800 volt.
28	119193	Condenser—variable tuning
29 to 33	119791	Condenser—.02 mfd. 800 volt.
34A-34B	119880	Condenser—.04 mfd. 800 volt.
35	119414	Condenser—.08 mfd. 600 volt.
36-37	119416	Condenser—.05 mfd. 800 volt.
38	118619	Transformer—2nd I.F.
39	119024	Condenser—.005 mfd. 600 volt.
40	119417	Condenser—.005 mfd. 600 volt.
41	119417	Condenser—.005 mfd. 600 volt.

NOTE: RESISTOR No. 7 RETURNS TO CHASSIS INSTEAD OF CATHODE AS SHOWN.



NOTE A: Grid voltage on the 6F6G output tube is —17 volts measured across resistor No. 21. Use a high resistance voltmeter of 1000 ohms per volt.



MODEL S-7397-9  
Code A-393

## FIRESTONE TIRE & RUBBER CO.

### ALIGNMENT EQUIPMENT & PROCEDURE

THIS RECEIVER MAY BE ALIGNED IN THE CABINET WITH LOOP CONNECTED

1. Connect the output meter across the voice coil or from the plate of the 6F6G output tube to chassis through a .1 mfd. condenser.
2. Connect the ground lead of the signal generator to the receiver chassis.
3. Make sure that the wires coming from the chassis and push button switch are connected as shown in the figure below.
4. Push in the "manual" button and keep it pushed in. Check the pointer to see that it is correctly set to 540 KC. with gang in full mesh.
5. Turn the volume control to the maximum volume position, and the tone control to the "speech" position.
6. FOLLOW THE ORDER OF ALIGNMENT INDICATED BELOW.

Dummy Ant. in Series with Sig. Gen.	Connection of Sig. Generator Output to Receiver	Signal Generator Frequency	Band Switch Position	Receiver Dial Setting	Trimmer Number	Trimmer Description	Type of Adjustment
.1 MFD Condenser	Lug on Outer Section of Gang Cond.	455 KC	Broadcast	Any Point Where It Does Not Affect the Signal	1-2	2nd I.F.	Adjust for Maximum Output. Then repeat Adjustment.
					3-4	1st I.F.	
400 OHM Carbon Resistor	Blue Lead from Chassis	16 MC	Foreign	16 MC	5	Foreign Oscillator	Adjust for Maximum Output. Check to see if Proper Peak was Obtained by Tuning in Image at Approx. 15.1 MC. If Image does not appear, Realign at 16 MC, with Trimmer Screw farther out. Recheck Image.
400 OHM Carbon Resistor	Blue Lead from Chassis	16 MC	Foreign	Tune to 16 MC Generator Signal	6	Foreign Antenna	Adjust for Maximum Output. Try to Increase Output by Detuning Trimmer and Retuning Receiver Dial until Maximum Output is Obtained.
400 OHM Carbon Resistor	Blue Lead from Chassis	11.5 MC	25-31 M	11.5 MC	7	Spread Band Oscillator	Adjust for Maximum Output. Check to see if Proper Peak was Obtained by Tuning in Image at Approx. 10.6 MC. If Image does not appear, Realign at 11.5 MC, with Trimmer Screw farther out. Recheck Image.
400 OHM Carbon Resistor	Blue Lead from Chassis	11.5 MC	25-31 M	Tune to 11.5 MC Generator Signal	8	Spread Band Antenna	Adjust for Maximum Output.
No Connection	Place Lead from Signal Gen. Near Loop	1500 KC	Broadcast	1500 KC	9	Broadcast Oscillator (Shunt)	Adjust for Maximum Output.

NOW PLACE THE CABINET BACK AND LOOP ANTENNA INTO POSITION AT THE BACK OF THE CABINET.

No Connection	Place Lead from Signal Gen. Near Loop	1500 KC	Broadcast	Tune to 1500 KC Generator Signal	10	Broadcast Antenna	Adjust for Maximum Output.
No Connection	Place Lead from Signal Gen. Near Loop	600 KC	Broadcast	Tune to 600 KC Generator Signal	11	Broadcast Oscillator (Series)	Adjust for Maximum Output. Try to Increase Output by Detuning Trimmer and Retuning Receiver Dial until Maximum Output is Obtained.

#### TO SET UP THE BUTTONS FOR AUTOMATIC TUNING:

1. Turn the set on and allow it to operate at least fifteen minutes before attempting to set up the buttons.
2. Make a list of the frequencies of five nearby stations to which you wish to set up the buttons. Be sure to select the most powerful nearby stations, since weak signals will not give as satisfactory results.
3. Turn the set around so that the back of the set is facing you and remove the cabinet back. **DO NOT DISCONNECT ANY WIRES WHICH COME FROM THE CABINET BACK.**
4. Just behind the dial plate, when viewed from the rear, will be seen ten push button adjusting screws (see Fig. 1). These screws are used to tune in the stations that the buttons are to be set to.
5. Each of the push buttons can be made to tune in stations in a definite frequency range as shown in Fig. 1.  
Buttons No. 1 and 2 may be set up to any station which operates between 540 and 1000 KC. in frequency. Buttons No. 3 and 4 may be set up to stations operating between 750 and 1375 KC., while button No. 5 may be set up to stations operating between 980 and 1600 KC.
6. Turn the band switch to the "AM" position, push in the button labeled "MANUAL," then using the tuning knob (see Fig. 1) tune in the station you wish to set to button No. 1.
7. Push in button No. 1 and using a screwdriver, turn adjusting screw No. 1a (the extreme right hand screw) until the station you had previously tuned in is again heard. If it is not heard, advance the volume control and adjust the screw again. Be sure to adjust screw No. 1a to the point where the program is heard with the deepest tone.
8. Insert the screwdriver in screw No. 1b (just to the left of and behind, 1a) and turn it until the program is heard with the deepest tone. Check the setting of screw No. 1a, making sure it still is adjusted to give deepest tone.
9. The set-up for button No. 1 is now complete.
10. To set up the remaining buttons use the same procedure; push in the "MANUAL" button; tune in the station, using the tuning knob; push in the button to be set up; adjust its associated "a" adjusting screw until the station is tuned in (screw 2a for button No. 2, etc., see Fig. 1); the associated "b" screw is then adjusted for deepest tone as before.

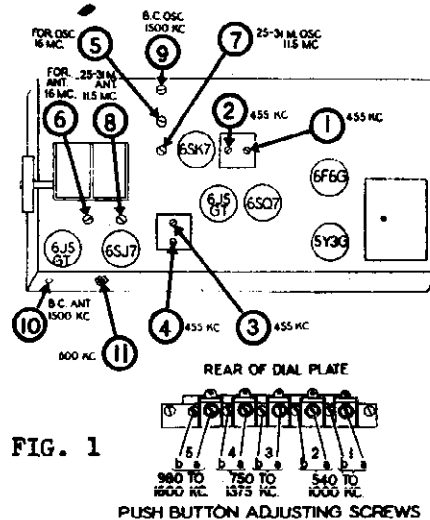
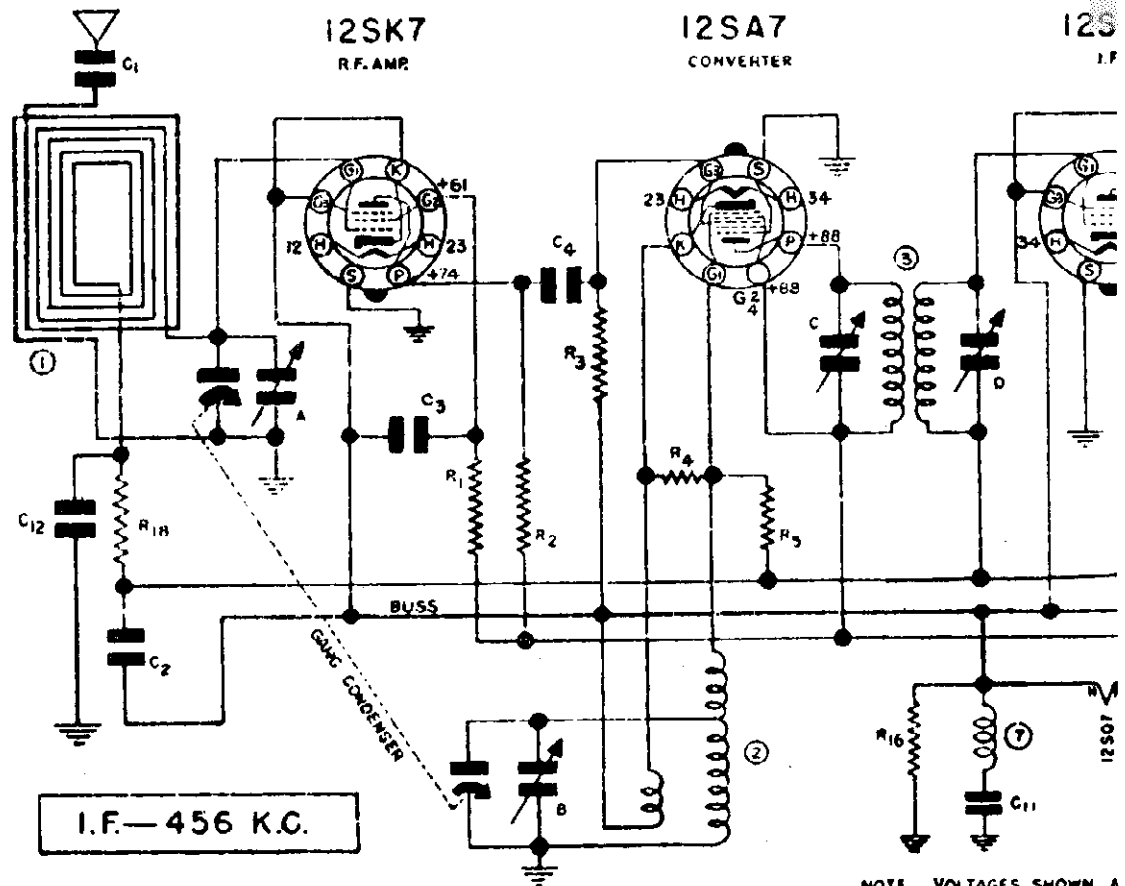


FIG. 1

PUSH BUTTON ADJUSTING SCREWS



NOTE: VOLTAGES SHOWN A TO BUSS. MEAS. AT A.C. WHEN LINE ALTERNATING.

DIAG NO.	PART NO.	DESCRIPTION	DIAG NO.	PART NO.	DESCRIPTION
C1	N-1344	.01 MFD. 400V. 20%	R11	N-4067	80 OHM .5 W. 10%
C2	N-1345	.05 MFD. 200V. 20%	R12	N-4026	220,000 OHM .5 W. 20%
C3	N-1346	.05 MFD. 200V. 20%	R13	N-3006	470 OHM .5 W. 10%
C4	N-2383	150 MMFD. MICA 20%	R14	N-4068	33 OHM 1.0 W. 20%
C5	N-1374	100 MMFD. MICA 20%	R15	N-4068	33 OHM 1.0 W. 20%
C6	N-1344	.01 MFD. 400V. 20%	R16	N-4026	220,000 OHM .5 W. 20%
C7	N-1447	.0005 MFD. 400V. 20%	R17	N-1615	100 OHM .5 W. 10%
C8	N-1344	.01 MFD. 400V. 20%	R18	N-1262	1 MEGOHM .5 W. 20%
C9	N-1376	.02 MFD. 400V. 20%	R19	N-4033	25,000 OHM TONE CONTROL
C10	N-1346	.05 MFD. 400V. 20%			
C11	N-3080	.22 MFD. 200V. 10%			
C12	N-1344	.05 MFD. 200V. 20%	1	N-4032	ANTENNA LOOP COIL
C13		.40 MFD. 150 V. } ELECTROLYTIC	2	N-3298	OSCILLATOR COIL
C14		.20 MFD. 150 V. }	3	N-4069	1ST. I.F. TRANSFORMER
C15		.30 MFD. 150 V. }	4	N-4073	2ND. I.F. TRANSFORMER
C16	N-1346	.05 MFD. 400V. 20%	5	N-4060	OUTPUT TRANSFORMER
			6	N-4030	6" P.M. SPEAKER
			7		CHOKER (WOUND ON C13)
R1	N-1259	15,000 OHM .5 W. 20%			
R2	N-4065	2200 OHM .5 W. 10%			
R3	N-4063	47,000 OHM .5 W. 20%			
R4	N-4025	22,000 OHM .5 W. 20%			
R5	N-1263	10 MEGOHM .5 W. 20%			
R6	N-4062	3.3 MEGOHM .5 W. 20%			
R7	N-4064	33,000 OHM .5 W. 20%			
R8	N-4071	0.5 MEGOHM VOLUME CONTROL			
R9	N-4061	4.7 MEGOHM .5 W. 20%			
R10	N-4027	470,000 OHM .5 W. 20%			
				N-4031	2 GANG CONDENSER

6 T

SL

DRAWN H.M.

JANL

**I. F. ALIGNMENT.** With the test oscillator to the first detector tube condenser. The ground on the ground buss, indicated trimmers to peak or maximize.

**BROADCAST BAND ALIGNMENT.** Connect the test oscillator to 200 mmfd. (.0002) condenser minimum capacity, set the oscillator (or 1720 KC. the test oscillator at 1400 KC. Adjust the condenser to maximum signal. Next set in signal on condenser to

TIRE & RUBBER CO.

12SK7

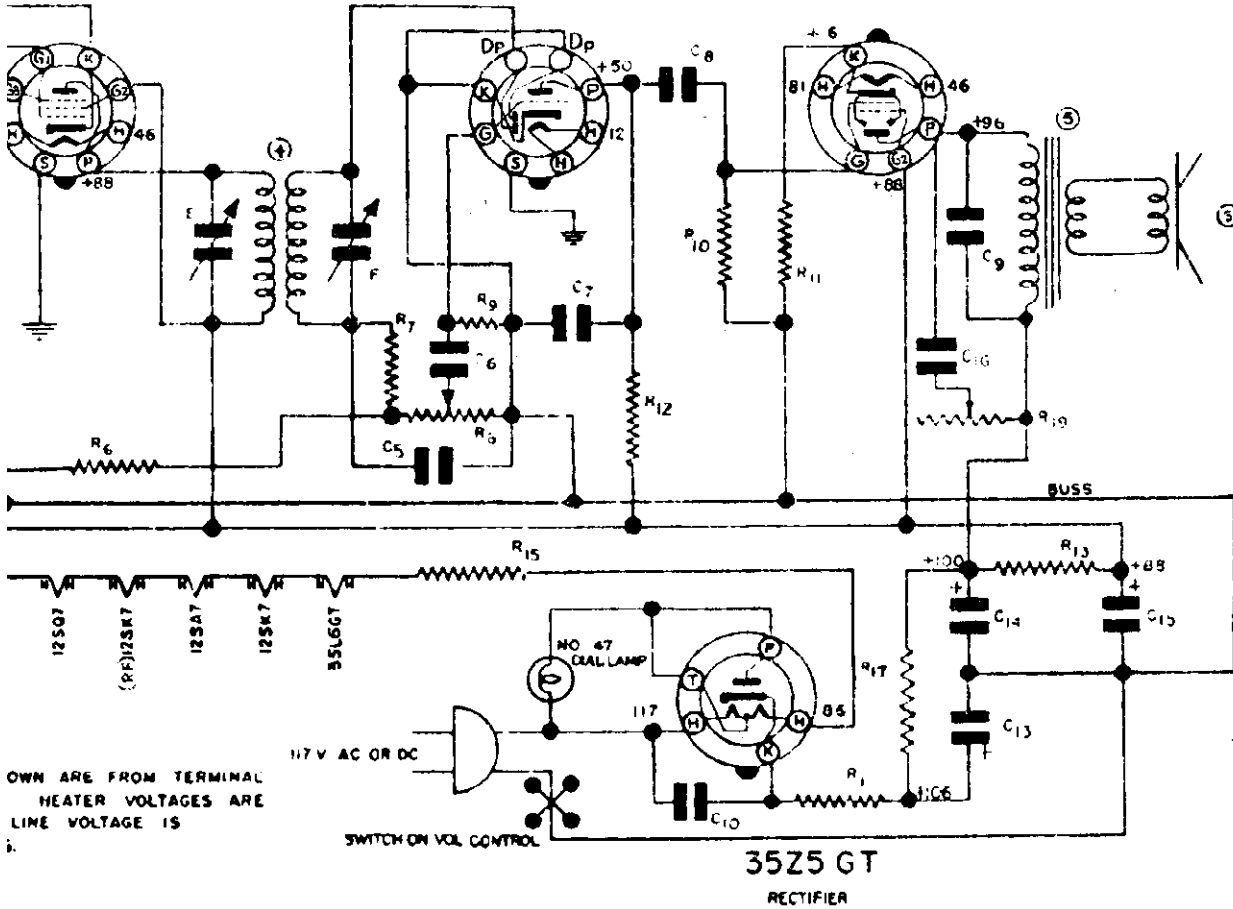
1 F

12SQ7

DIODE-AUDIO

35L6 GT

OUTPUT



OWN ARE FROM TERMINAL  
HEATER VOLTAGES ARE  
LINE VOLTAGE IS

6 TUBE A.C.-D.C.

SUPERHETERODYNE

SINGLE BAND

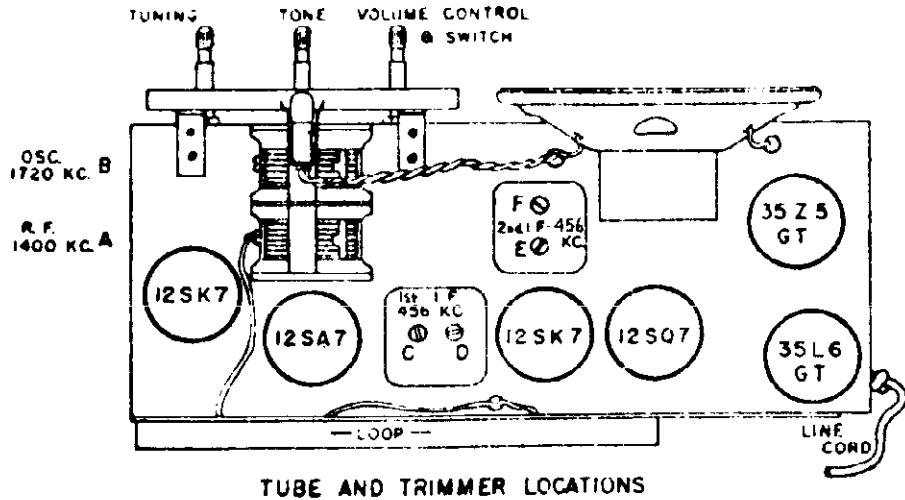
N.H.H. APPROVED *L.H. 12/28/41*

JANUARY 31, 1941.

With the gang condenser set at minimum, adjust to 458 KC and connect the output to the grid tube (12SA7) through a .05 or .1 mfd. condenser. The test oscillator should be connected to diatrod in circuit diagram. Align all four I.F. maximum reading on the output meter.

**ALIGNMENT.** Remove the chassis from the bench, taking care that no metal is near the chassis. Setup on a metal bench.

connect the antenna to the antenna of the set through a condenser. With the gang condenser set at minimum, set the test oscillator at 1720 KC, and adjust (10 KC trimmer) on gang condenser. Next—set test oscillator at 1400 KC, and tune in the signal on the gang condenser. Then set the antenna trimmer (or 1400 KC trimmer) for maximum signal. Next set the test oscillator at 600 KC, and tune per to check alignment of coils.

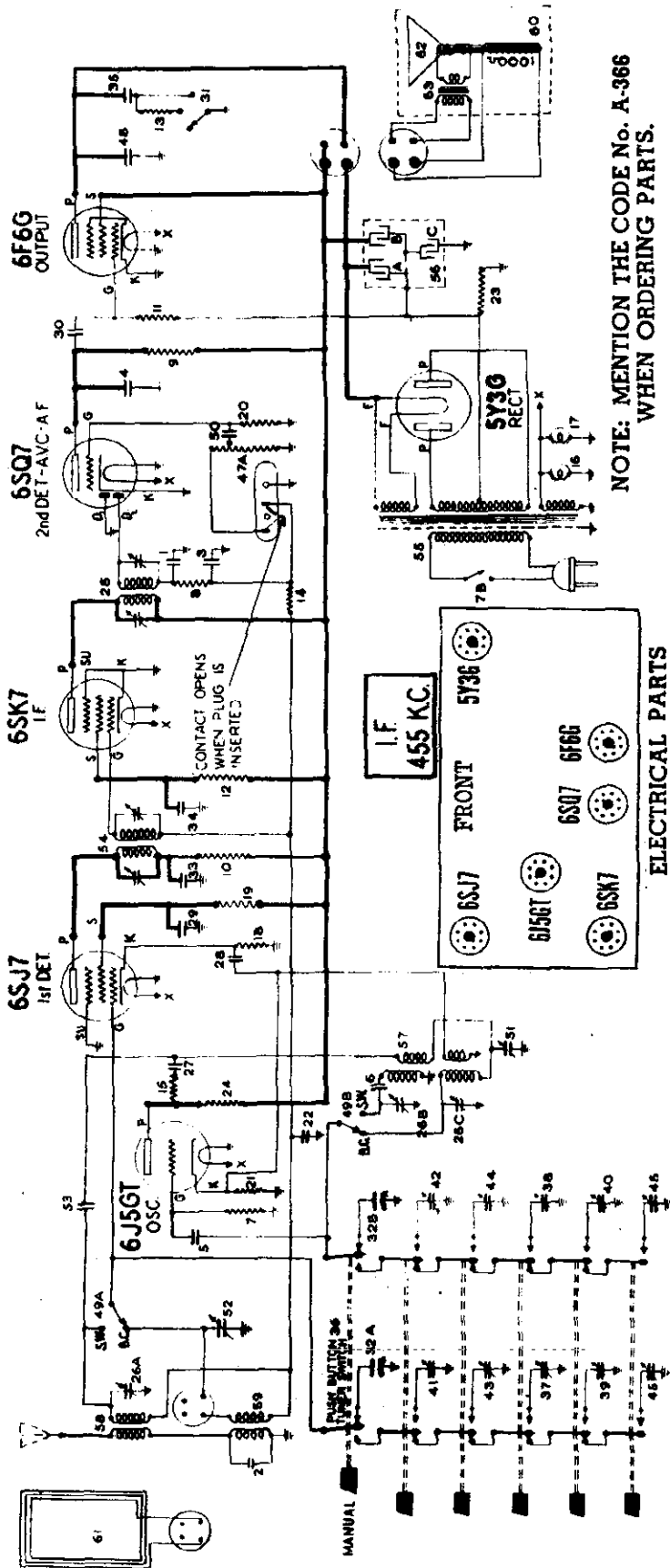


TUBE AND TRIMMER LOCATIONS



FIRESTONE TIRE & RUBBER CO.

MODELS S-7398-5  
S-7398-6, Code  
A-366



NOTE: MENTION THE CODE NO. A-366  
WHEN ORDERING PARTS.

**ELECTRICAL PARTS**

Diagram Number	Part Number	Description
47A-47B	119779	Volume control .02 meg. (with switch)
48	119817	Condenser .004 mid. 800 volt.
49A-49B	119859	Switch-band
50	119875	Condenser-.002 mid. 600 volt.
51	119934	Condenser-padder
52	160449	Condenser-trimmer
53	161315	Condenser-trimmed wire-5 mmid.
54	500191	Transformer-1st I.F. (60 cycles)
55	500137	Transformer-power (60 cycles)
	500202	Transformer-power (25 cycles)
	500248	Condenser-electrolytic 20 mid. 350 volt
	500249	10 mid. 350 volt 20 mid. 25 volt
	500255	Coil-oscillator
	M-500280	Coil-short wave antenna
	500295	Coil-B.C. antenna loading
	M-500303	Speaker-dynamic (6")
	M-500302	Loop antenna & cabinet back
		Cone & Voice coil for M-500280 speaker.
		Transformer output for M-500280 speaker

**SOCKET VOLTAGES — ALL D.C. POTENTIAL MEASURED TO CHASSIS**

NO SIGNAL CONDITION

TUBE	FUNCTION	H	K	G	S	SU	P	D <sub>1</sub>	D <sub>2</sub>
6S17	1st DET.	6.0 A.C.	6.5	0	140	0	215		
6J5GT	OSC.	6.0 A.C.	0	-3	0	0	160		
6SK7	I.F.	6.0 A.C.	0	0	60	0	225		
6SQ7	2nd DET.—A.V.C. & A.F.	6.0 A.C.	0	0	Note A	0	90	0	0
6F6G	OUTPUT	6.0 A.C.	0	Note A	225		215		
5Y3G	RECTIFIER	5.0 A.C.							Plates 350 V.A.C to C.T.

**NOTE A:** The bias for this grid is —15 volts measured across resistor No. 23.  
Use a high resistance voltmeter of at least 1000 ohms per volt.

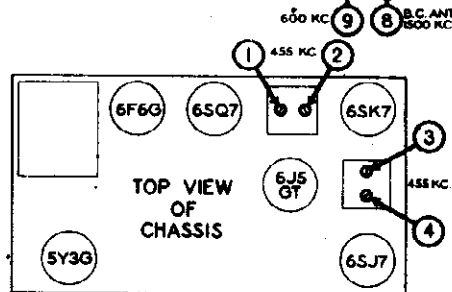
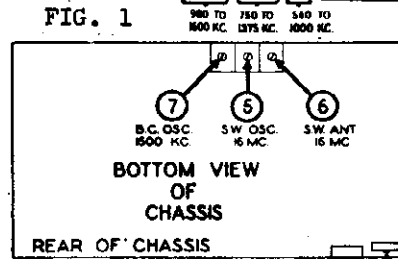
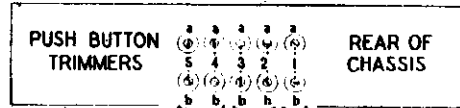
Diagram Number	Part Number	Description
1	85539	Condenser, mica 260 mmid.
2-3-4	83783	Condenser, mica 110 mmid.
5	85081	Condenser, mica 51 mmid.
6	88587	Condenser, mica .0042 mid.
7-8	110552	Resistor-carbon 47,000 ohms 1/2 watt
9	110553	Resistor-carbon 220,000 ohms 1/2 watt
10	110557	Resistor-carbon 4,700 ohms 1/2 watt
11	110559	Resistor-carbon 100,000 ohms 1/2 watt
12	110564	Resistor-carbon 10,000 ohms 1/2 watt
13	110569	Resistor-carbon 22 meg. 1/2 watt
14	110570	Resistor-carbon 180 ohms 1/2 watt
15	110590	Resistor-carbon 6.8 ohms 1/2 watt
16-17	110629	Diode light bulb-6.3 volt ( Mazda No. 44)
18	112562	Resistor-carbon 3,300 ohms 1/2 watt
19	112562	Resistor-carbon 350,000 ohms 1/2 watt
20	112575	Resistor-carbon 10 meg. 1/2 watt
21	112678	Resistor-carbon 10 meg. 1/2 watt
22	116919	Resistor-.05 mid. 600 volt
23	117075	Resistor-300 ohm 1 watt W.W.
24	118005	Resistor-carbon 10,000 ohms 1 watt
25	118024	Transformer-2nd I.F.
26A to 26C	119174	Condenser-Trimmer 3 section
27 to 30	119193	Condenser-.01 mid. 600 volt
31	119289	Switch-tone
32A-32B	119291	Condenser-variable tuning
33 to 35	119414	Condenser-.02 mid. 600 volt
36	119603	Push button-Switch
37 to 40	119653	Condenser-Push Button trimmer 750 to 1375 KC.
41 to 44	119664	Condenser-Push Button trimmer 980 to 1800 KC.
45-46	119753	Condenser-Push Button trimmer (540 to 1000 KC.)

MODELS S-7398-5, S-7398-6 FIRESTONE TIRE & RUBBER CO.

Code A-366

TO SET UP THE BUTTONS FOR AUTOMATIC TUNING:

1. Turn the set on and allow it to operate at least fifteen minutes before attempting to set up the buttons.
2. Make a list of the frequencies of five nearby stations to which you wish to set up the buttons. Be sure to select the most powerful nearby stations, since weak signals will not give as satisfactory results.
3. Turn the set around so that the back of the set is facing you. Through the ten holes in the back of the chassis will be seen ten adjusting screws. (See Fig. 1). These screws are used to tune in the stations that the buttons are to be set to.
4. Each of the push buttons can be made to tune in stations in a definite frequency range as shown in Fig. 1. It is imperative that in setting up the buttons you select stations whose frequency is in the indicated range of that button. ALWAYS TRY TO SELECT THE BUTTON WHICH CAN BE SET UP TO A STATION WHOSE FREQUENCY IS WELL WITHIN THE BUTTON'S OPERATING RANGE.
5. Turn the hand switch to the "AM" position, push in the button labeled "MANUAL," then using the tuning knob (see Fig. 1) tune in the station you wish to set to button No. 1.
6. Push in button No. 1 and using a screwdriver turn adjusting screw No. 1a (the top one) until the station you had previously tuned in is again heard. If it is not heard, advance the volume control and adjust the screw again. Be sure to adjust screw No. 1a to the point where the program is heard with the deepest tone.
7. Insert the screwdriver in adjusting screw No. 1b (the one below 1a) and turn it until the program is heard with the deepest tone. Now again check the setting of screw No. 1a, making sure it is adjusted to give the deepest tone.
8. The set-up for button No. 1 is now complete.
9. To set up the remaining buttons use the same procedure; push in the "MANUAL" button; tune in the station, using the tuning knob; push in the button to be set up; adjust its associated "a" adjusting screw until the station is tuned in (screw 2a for button No. 2, etc., see Fig. 1); the associated "b" screw is then adjusted for deepest tone as before.



ALIGNMENT EQUIPMENT & PROCEDURE

1. Connect the output meter across the voice coil or from plate to the 8F6G output tube to chassis through a .1 mfd. condenser. (The more sensitive type should be connected across the voice coil.)
2. Connect the ground lead of the signal generator to the receiver chassis.
3. Turn the volume control to the maximum position and keep it in this position throughout the alignment procedure.
4. Push in the "Manual" button and keep it pushed in. Check the pointer to see that it is correctly set to 540 KC. with gang in full mesh.
5. The loop must be connected as indicated in circuit diagram at all times.

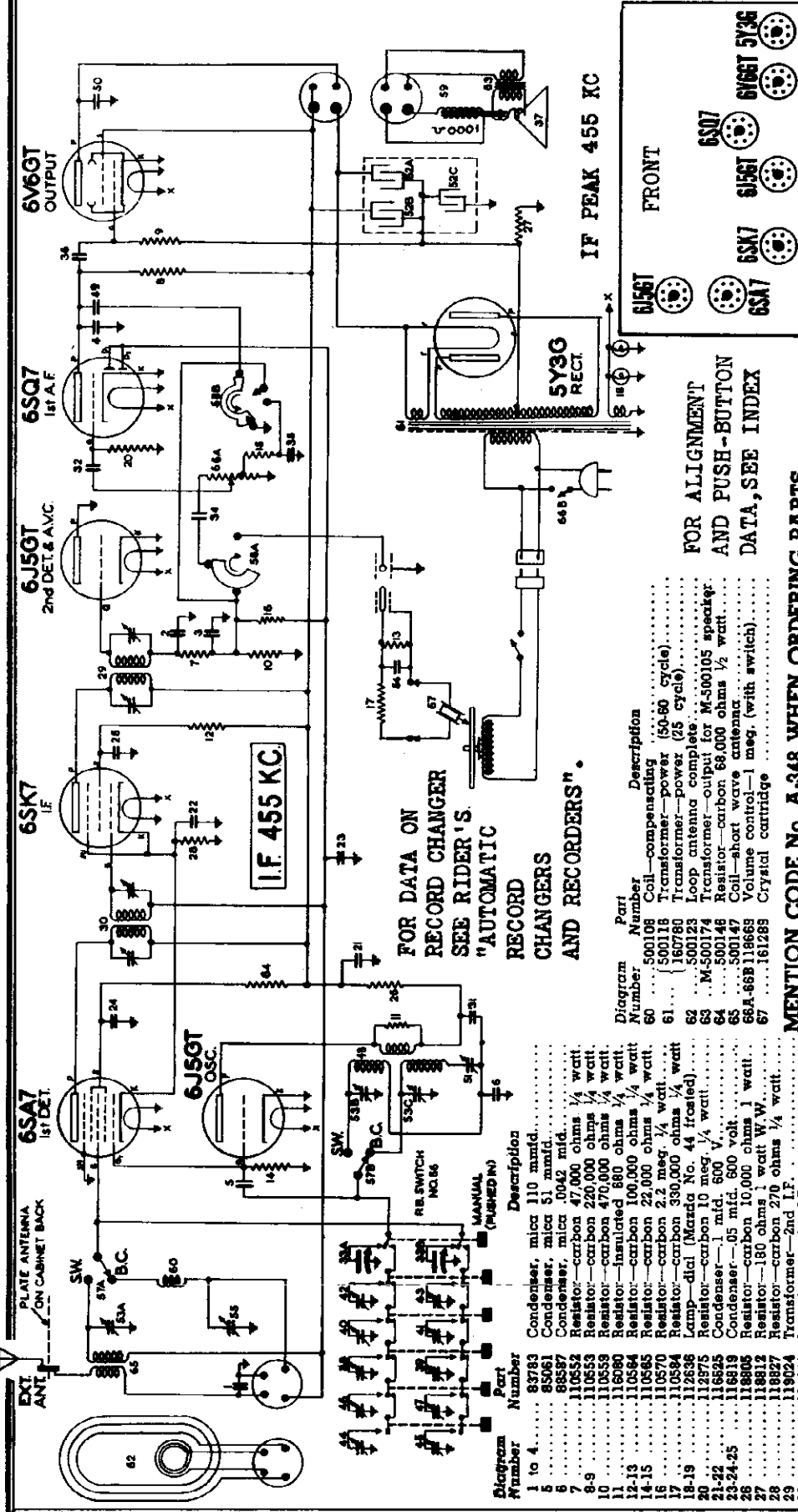
Dummy Ant. in Series with Sig. Gen.	Connection of Sig. Generator Output to Receiver	Signal Generator Frequency	Band Switch Position	Receiver Dial Setting	Trimmer Number	Trimmer Description	Type of Adjustment
.1 MFD. Condenser	Lug on Front Section of Gang Cond.	455 KC	American	Any Point Where It Does Not Affect the Signal	1-2	2nd I.F.	Adjust for Maximum Output. Then repeat Adjustment.
					3-4	1st I.F.	
400 OHM Carbon Resistor	Antenna Terminal (Blue Wire)	16 MC	Foreign	16 MC	5	Foreign Oscillator	Adjust for Maximum Output. Check to see if Proper Peak was Obtained by Tuning in Image at Approx. 15.1 MC. If image does not appear, Realign at 16 MC, with Trimmer Screw further out. Recheck Image.
400 OHM Carbon Resistor	Antenna Terminal (Blue Wire)	16 MC	Foreign	Tune to 16 MC Generator Signal	6	Foreign Antenna	Adjust for Maximum Output. Try to Increase Output by Detuning Trimmer and Retuning Receiver Dial until Maximum Output is Obtained.
200 MMFD. Mica Condenser	Antenna Terminal (Blue Wire)	1500 KC	American	1500 KC	7	Broadcast Oscillator (Shunt)	Adjust for Maximum Output.

Now replace the chassis and loop antenna in the cabinet before proceeding further.

200 MMFD. Mica Condenser	Antenna Terminal (Blue Wire)	1500 KC	American	Tune to 1500 KC Generator Signal	8	Broadcast Antenna	Adjust for Maximum Output.
200 MMFD. Mica Condenser	Antenna Terminal (Blue Wire)	600 KC	American	Tune to 600 KC Generator Signal	9	Broadcast Oscillator (Series)	Adjust for Maximum Output. Try to Increase Output by Detuning Trimmer and Retuning Receiver Dial until Maximum Output is Obtained.

FIRESTONE TIRE & RUBBER CO.

MODEL S-7400-1



FOR DATA ON RECORD CHANGER SEE RIDER'S "AUTOMATIC RECORD CHANGERS AND RECORDERS".

FOR ALIGNMENT AND PUSH-BUTTON DATA, SEE INDEX

Diagram Number	Part Number	Description
60	500108	Coil—compensating
61	500118	Transformer—power (50-60 cycle)
61	160780	Transformer—power (25 cycle)
62	500123	Loop antenna complete
63	M-500174	Transformer—output for M-500105 speaker
64	500146	Resistor—carbon 68,000 ohms 1/2 watt
65	500147	Coil—short wave antenna
66A-66B	118669	Volume control—1 meg. (with switch)
67	161288	Crystal cartridge

MENTION CODE NO. A-348 WHEN ORDERING PARTS.

SOCKET VOLTAGES—ALL D.C. POTENTIAL MEASURED TO CHASSIS

DIAL TUNED TO 540 KC.

TUBE	H	K	G	G <sub>1</sub>	S	SU	P	D <sub>1</sub>	D <sub>2</sub>
6SA7	1st Det.	3.2	0	-5	73		242		
6J5GT	Osc.	0	-5				152		
6K7	I. F.	3.2	0		96	3.2	242		
6J5GT	2nd Det.-A.V.C.	0	0				0		
6SQ7	1st A.F.	0	0				75	0	0
6V6GT	Output	0	Note A				218		
5Y3G	Rectifier	5.0 A.C.							Plates 350 V.A.C. to C.T.

NO SIGNAL CONDITION

TUBE	H	K	G	G <sub>1</sub>	S	SU	P	D <sub>1</sub>	D <sub>2</sub>
6SA7	1st Det.	6.0 A.C.	3.2	0	-5	73	242		
6J5GT	Osc.	6.0 A.C.	0	-5			152		
6K7	I. F.	6.0 A.C.	3.2	0	96	3.2	242		
6J5GT	2nd Det.-A.V.C.	6.0 A.C.	0	0			0		
6SQ7	1st A.F.	6.0 A.C.	0	0			75	0	0
6V6GT	Output	6.0 A.C.	0	Note A			218		
5Y3G	Rectifier	5.0 A.C.							Plates 350 V.A.C. to C.T.

NOTE A: The 6V6GT grid bias voltage is -13.5 volts measured across resistor No. 27. Has a high resistance voltmeter of at least 1000 ohms per volt.

EXT. ANT. ON CABINET BACK

SW 6SA

B.C. 60

SW 6J5

B.C. 60

SW 6K7

B.C. 60

SW 6J5

B.C. 60

SW 6SQ

B.C. 60

SW 6V6

B.C. 60

SW 5Y3

B.C. 60

SW 6V6

B.C. 60

SW 5Y3

B.C. 60

SW 6V6

B.C. 60

SW 5Y3

B.C. 60

SW 6V6

B.C. 60

SW 5Y3

B.C. 60

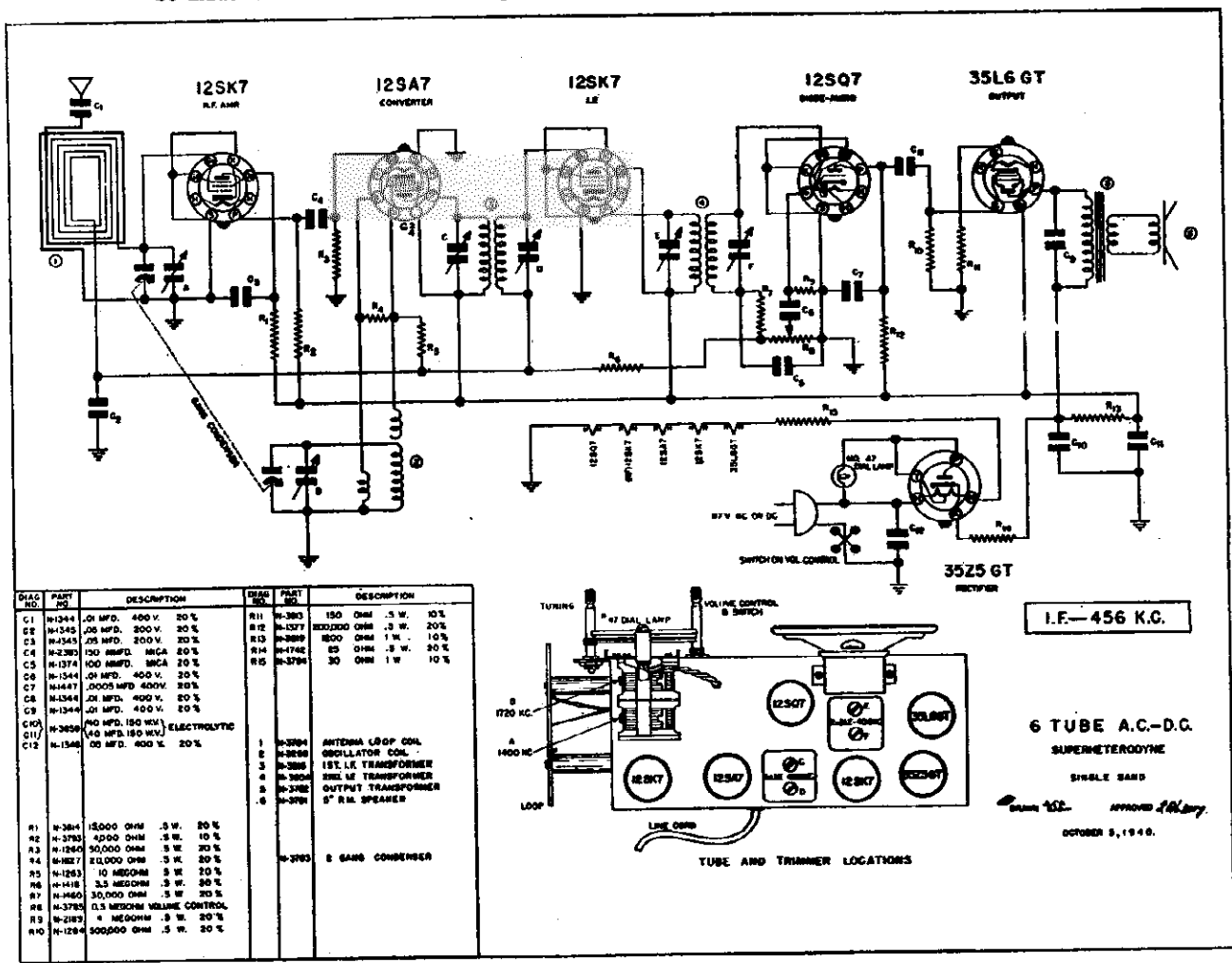
SW 6V6

B.C. 60

MODEL S-7403-2

FIRESTONE TIRE & RUBBER CO.

Voltages shown on the circuit diagram are from socket terminals to chassis base. In measuring voltages use a voltmeter having a resistance of at least 1000 ohms per volt. Allowances should be made for variations in line voltage.



ALIGNMENT DATA AND SERVICING

Lack of sensitivity and poor tone quality may be due to any one or a combination of causes such as weak or defective tubes or speaker, open or grounded bias resistor, bypass condenser, etc. Never attempt to realign set until all other possible sources of trouble have been first thoroughly investigated and definitely proved not to be the cause.

**NOTE:** IT IS ABSOLUTELY NECESSARY THAT AN ACCURATELY CALIBRATED TEST OSCILLATOR WITH SOME TYPE OF OUTPUT MEASURING DEVICE BE USED WHEN ALIGNING THE RECEIVER AND THAT THE PROCEDURE BE CAREFULLY FOLLOWED, OTHERWISE THE RECEIVER WILL BE INSENSITIVE AND THE DIAL CALIBRATION WILL BE INCORRECT. THE TRIMMERS WILL BE REFERRED TO BY THEIR FUNCTION AS INDICATED ON THE PARTS DIAGRAM.

ALIGNMENT PROCEDURE

**GENERAL DATA.** The alignment of this receiver requires the use of a test oscillator that will cover the frequencies of 456, 600, 1400 and 1720 KC and an output meter to be connected across the primary or secondary of the output transformer. If possible, all alignments should be made with the volume control on maximum and the test oscillator output as low as possible to prevent the AVC from operating and giving false readings.

**CORRECT ALIGNMENT PROCEDURE.** The intermediate frequency (I.F.) stages should be aligned properly as the first step. After the I.F. transformers have been properly adjusted and peaked, the broadcast band should be adjusted.

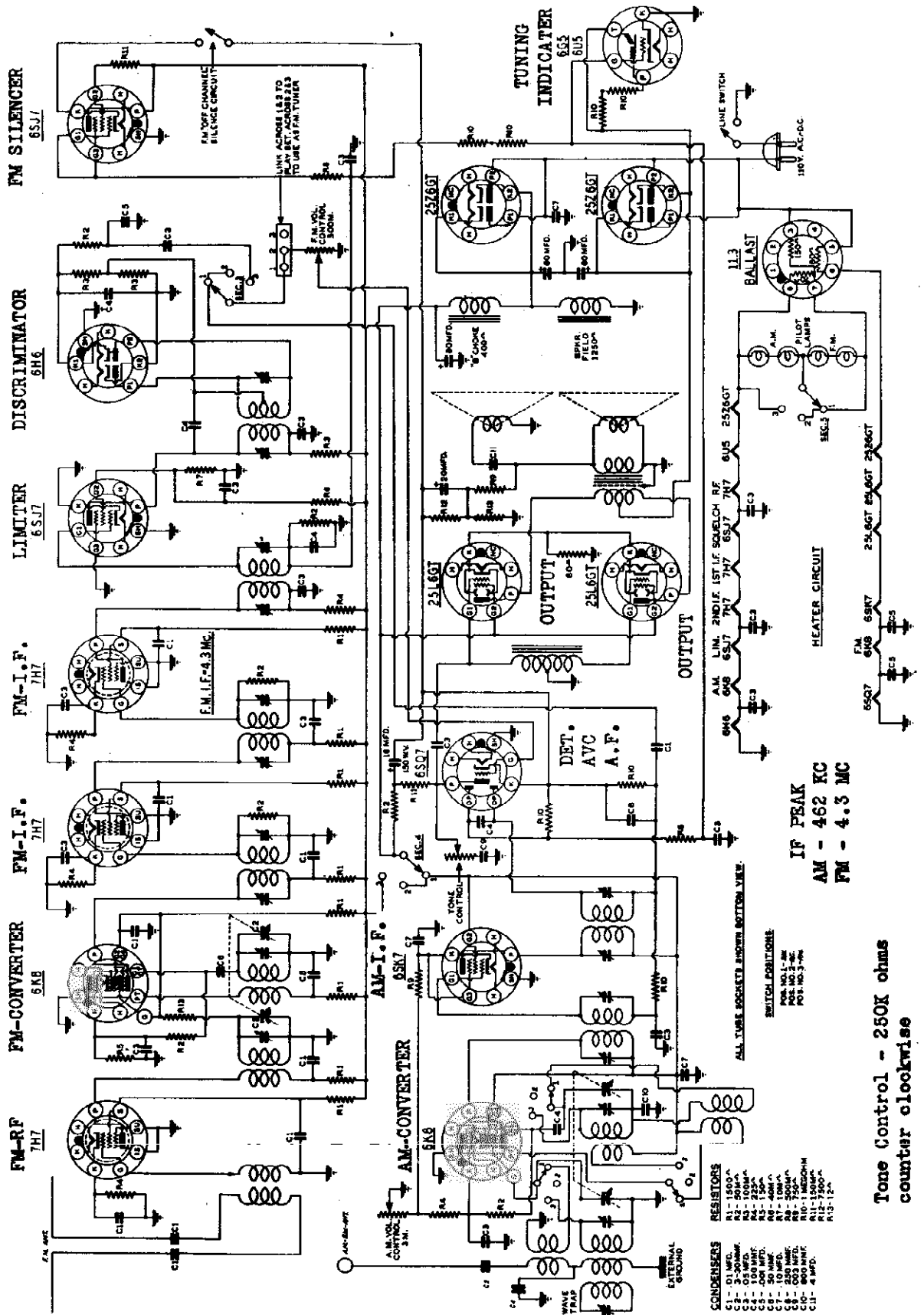
**I. F. ALIGNMENT.** With the gang condenser set at minimum, adjust the test oscillator to 456 KC and connect the output to the grid of the first detector tube (12SA7) through a .05 or .1 mfd. con-

denser. The ground on the test oscillator should be connected to the chassis ground. Align all four I.F. trimmers to peak or maximum reading on the output meter.

**BROADCAST BAND ALIGNMENT.** Remove the chassis from the cabinet and set on a bench, taking care that no metal is near the loop. Do not make this setup on a metal bench.

Connect the test oscillator to the antenna of the set through a 200 mmfd. (.0002) condenser. With the gang condenser set at minimum capacity, set the test oscillator at 1720 KC, and adjust the oscillator (or 1720 KC trimmer) on gang condenser. Next—set the test oscillator at 1400 KC, and tune in the signal on the gang condenser. Adjust the antenna trimmer (or 1400 KC trimmer) for maximum signal. Next set the test oscillator at 600 KC, and tune in signal on condenser to check alignment of coils.

FREED RADIO CORP.



- CONDENSERS**  
 C1 - 0.1 MFD.  
 C2 - 0.01 MFD.  
 C3 - 20 MFD.  
 C4 - 100 MFD.  
 C5 - 50 MFD.  
 C6 - 10 MFD.  
 C7 - 10 MFD.  
 C8 - 20 MFD.  
 C9 - 100 MFD.  
 C10 - 100 MFD.  
 C11 - 4 MFD.
- RESISTORS**  
 R1 - 1500 $\Omega$   
 R2 - 1000 $\Omega$   
 R3 - 1000 $\Omega$   
 R4 - 225 $\Omega$   
 R5 - 1000 $\Omega$   
 R6 - 1000 $\Omega$   
 R7 - 10K $\Omega$   
 R8 - 500 $\Omega$   
 R9 - 1500 $\Omega$   
 R10 - 1500 $\Omega$   
 R11 - 1500 $\Omega$   
 R12 - 1500 $\Omega$   
 R13 - 1500 $\Omega$

IF PEAK  
 AM - 462 KC  
 FM - 4.3 MC

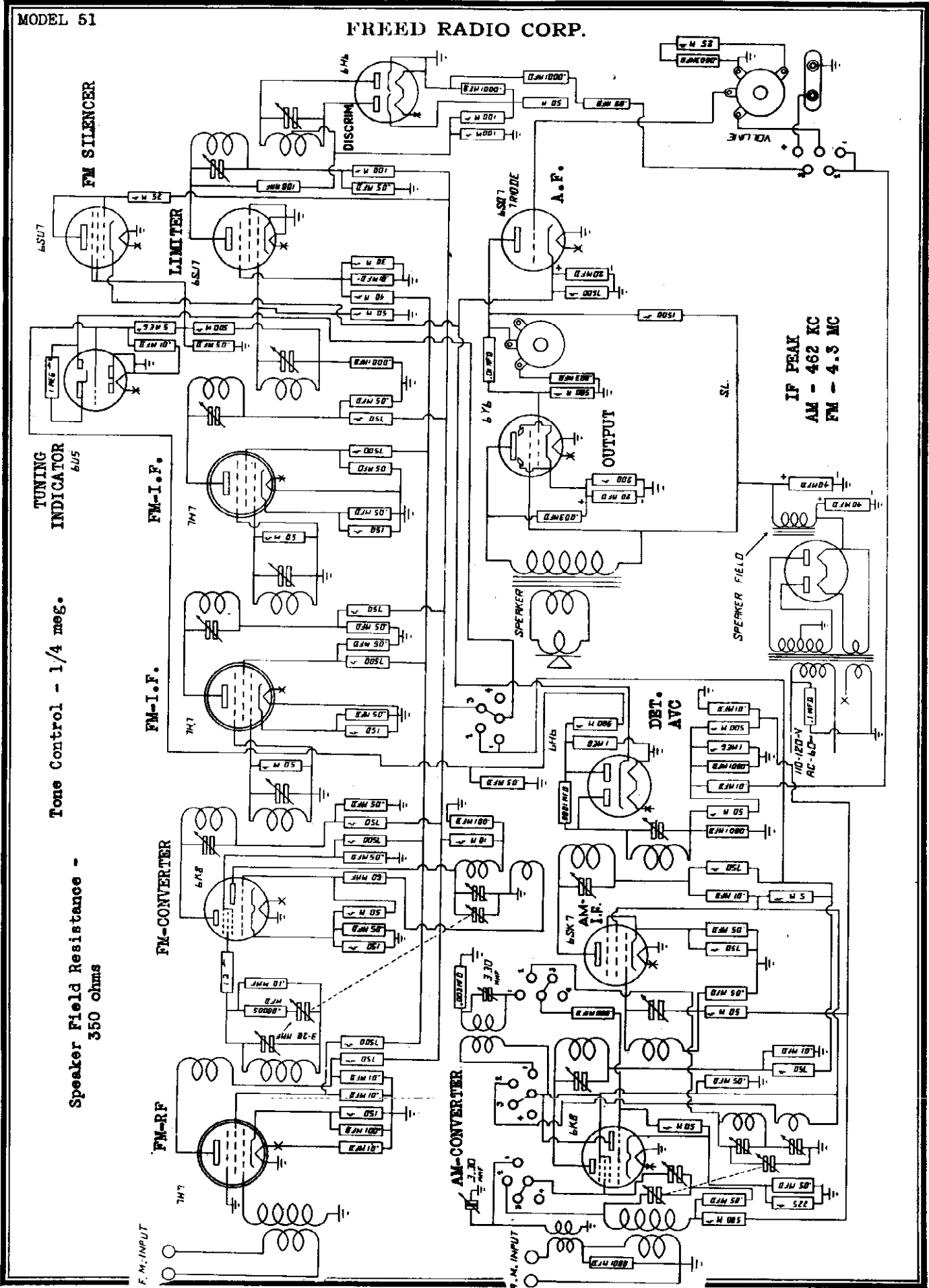
Tone Control - 250K ohms  
 counter clockwise

SWITCH POSITIONS:  
 POS. NO. 1 - AM  
 POS. NO. 2 - FM  
 POS. NO. 3 - FM

ALL TUBE SOCKETS SHOWN BOTTOM VIEW.

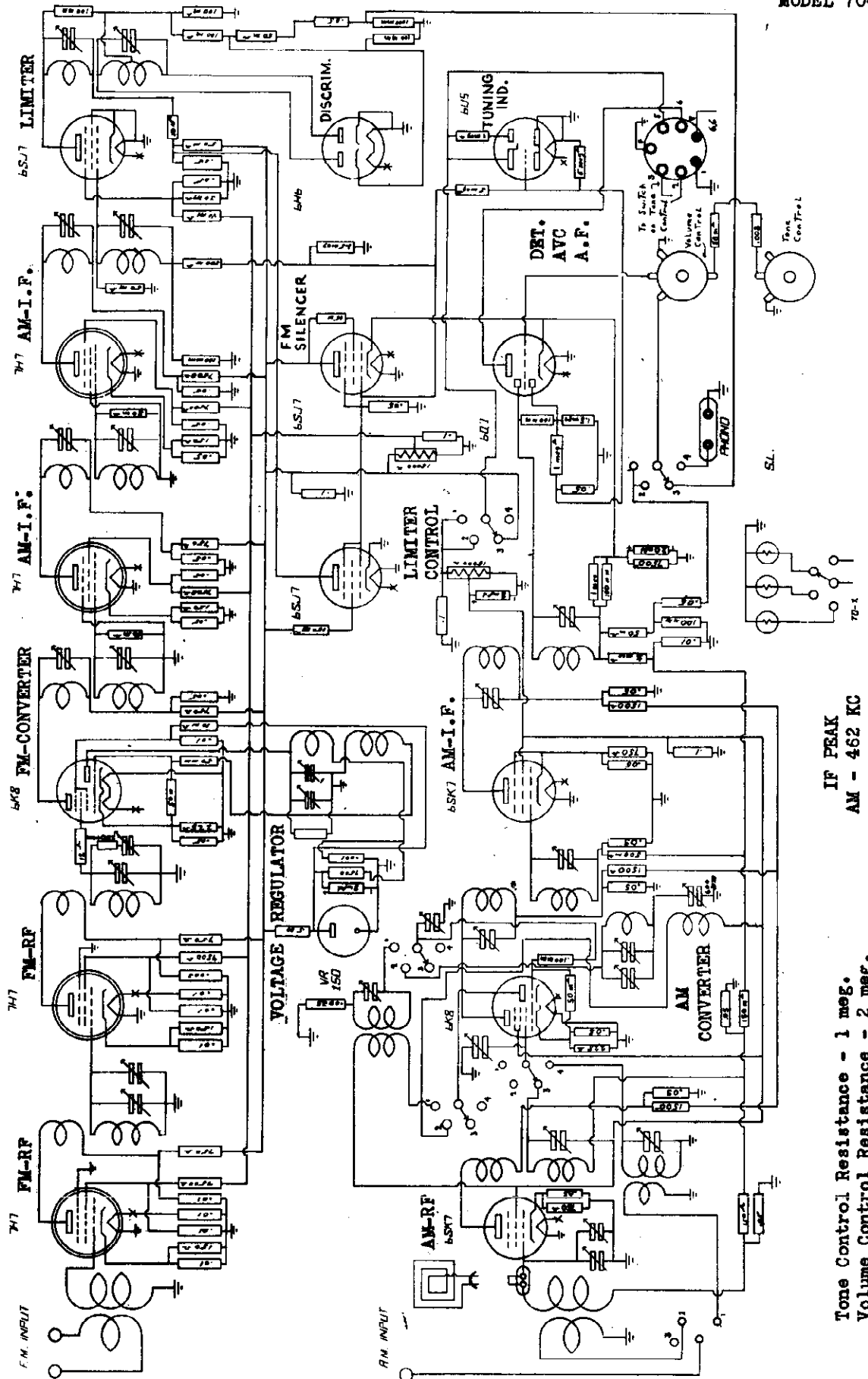
MODEL 51

FREED RADIO CORP.



FREED RADIO CORP.

MODEL 52  
MODEL 70-110

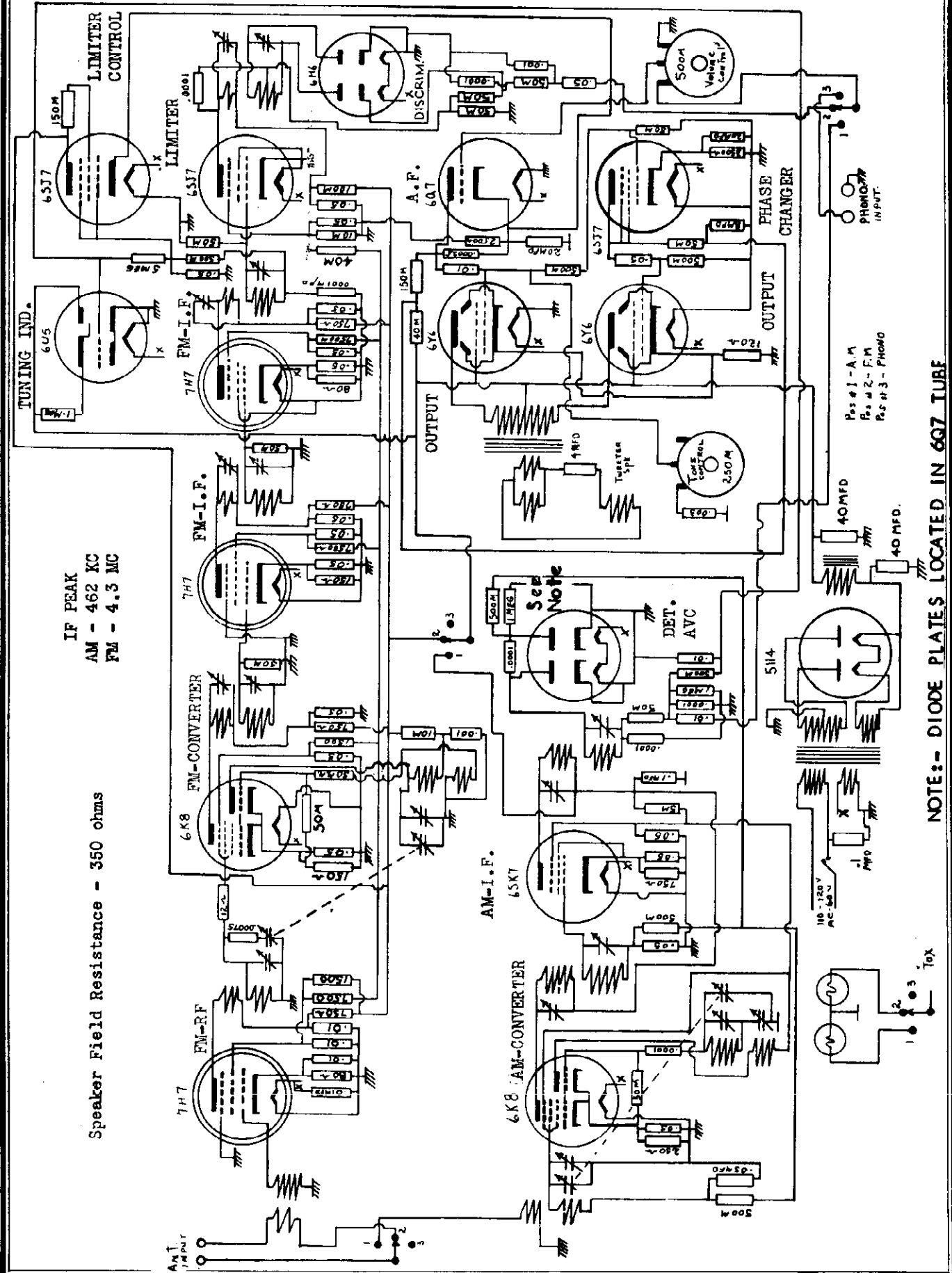


IF PEAK  
AM - 462 KC  
FM - 4.3 MC

Tone Control Resistance - 1 meg.  
Volume Control Resistance - 2 meg.

MODEL 57-71

FREED RADIO CORP.



IF PEAK  
AM - 462 KC  
FM - 4.3 MC

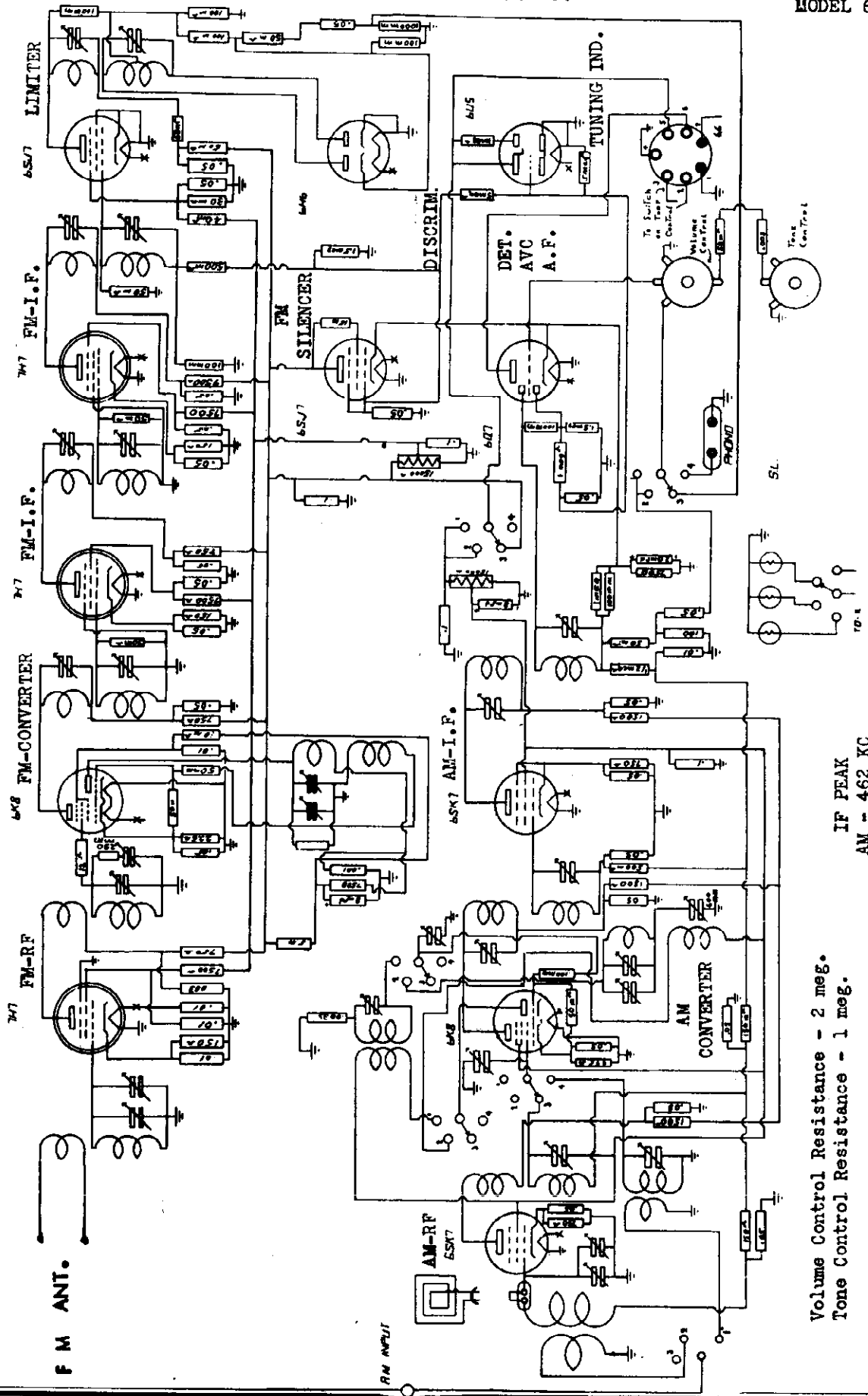
Speaker Field Resistance - 350 ohms

Pos #1 - A.M.  
Pos #2 - F.M.  
Pos #3 - PHONO

NOTE:- DIODE PLATES LOCATED IN 6Q7 TUBE



FREED RADIO CORP.

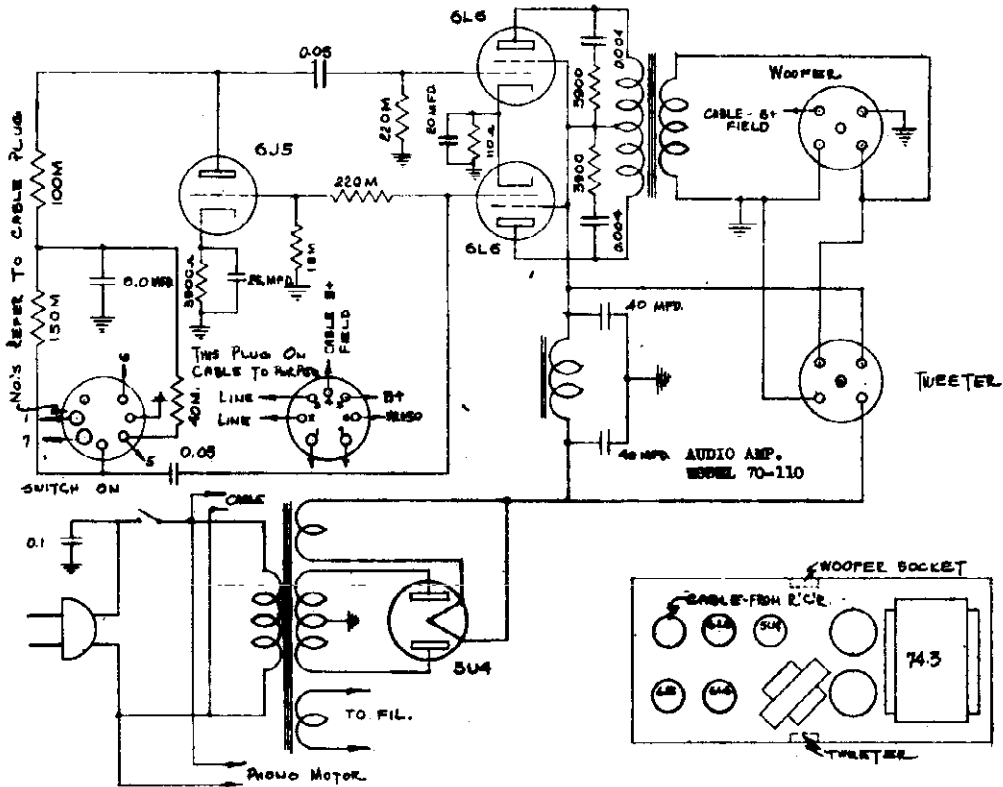
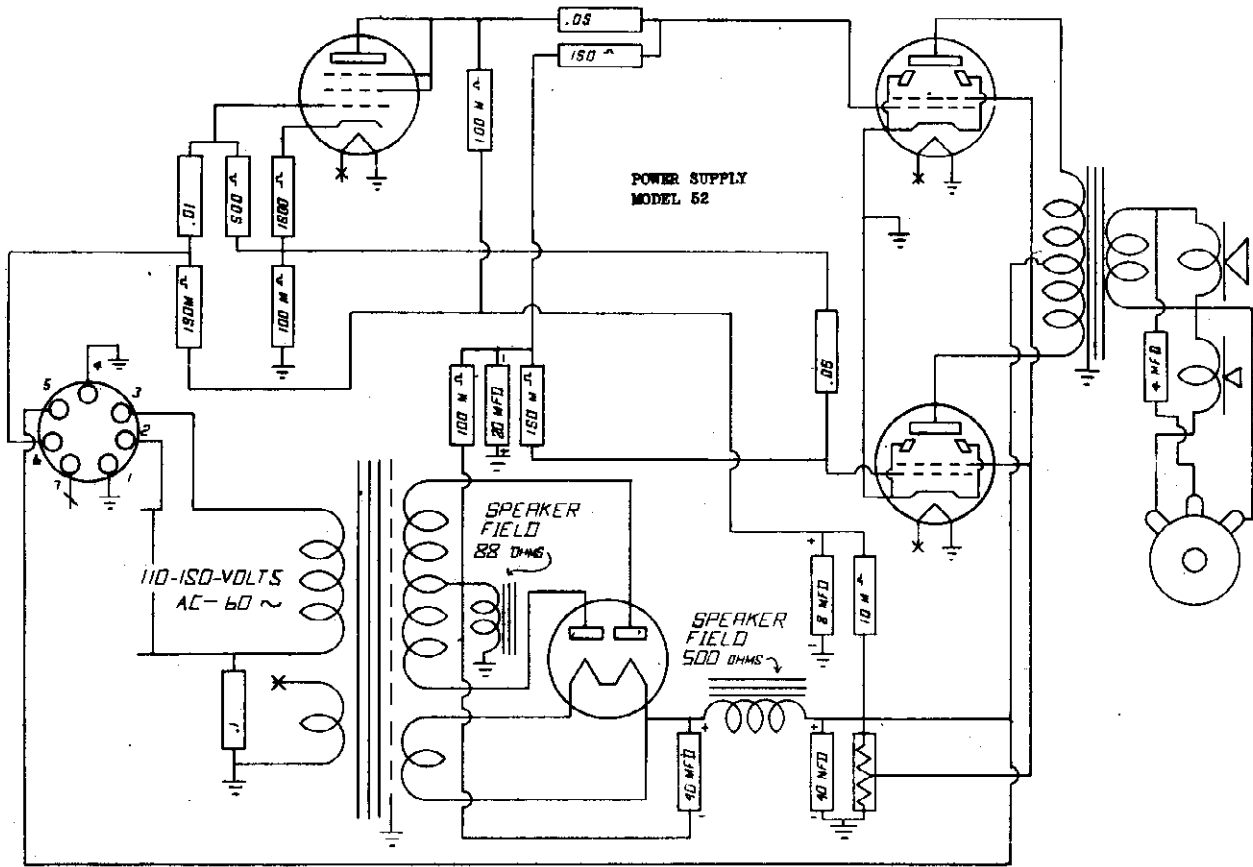


IF PEAK  
 AM - 462 KC  
 FM - 4.3 MC

Volume Control Resistance - 2 meg.  
 Tone Control Resistance - 1 meg.

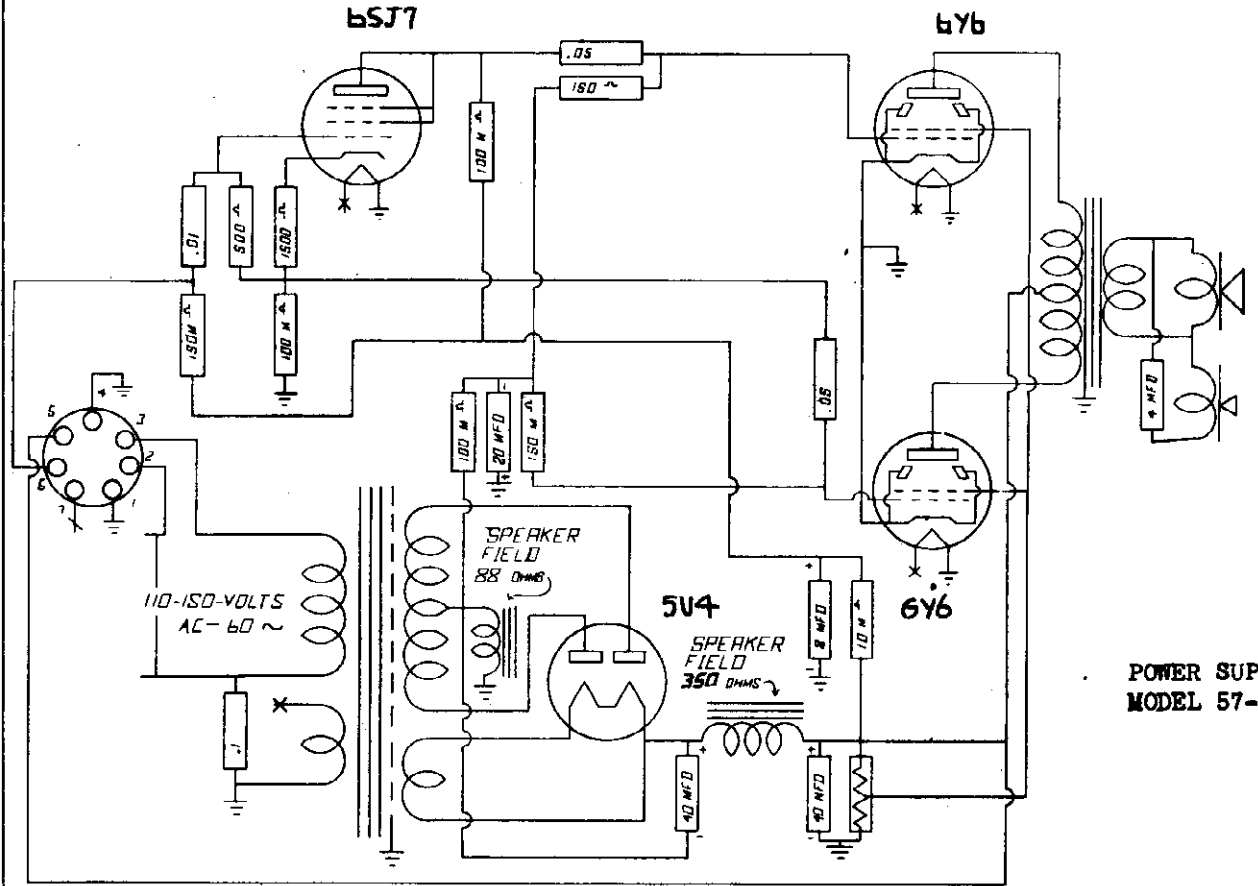
MODEL 52  
 MODEL 70-110

FREED RADIO CORP.

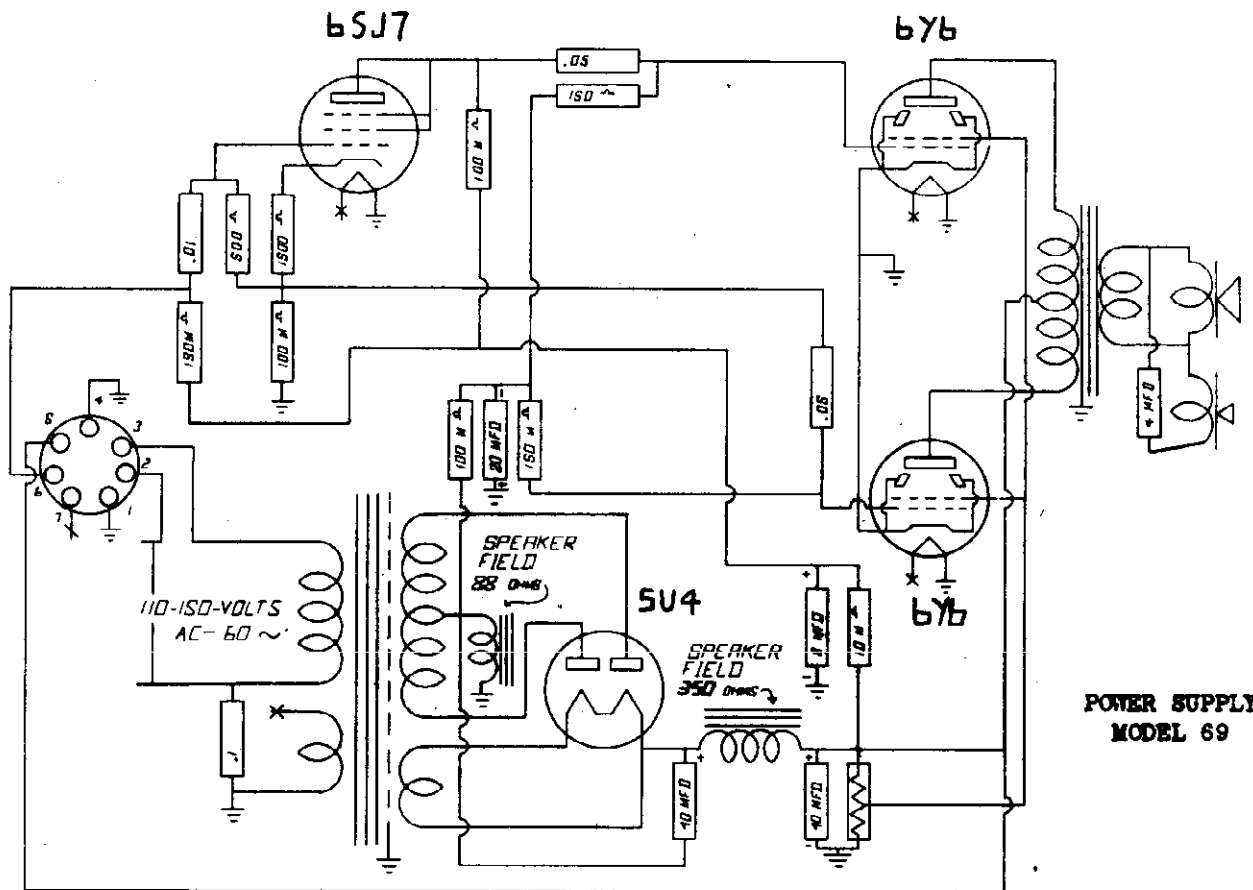


FREED RADIO CORP.

MODEL 57-57.  
MODEL 69



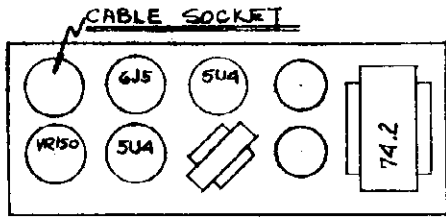
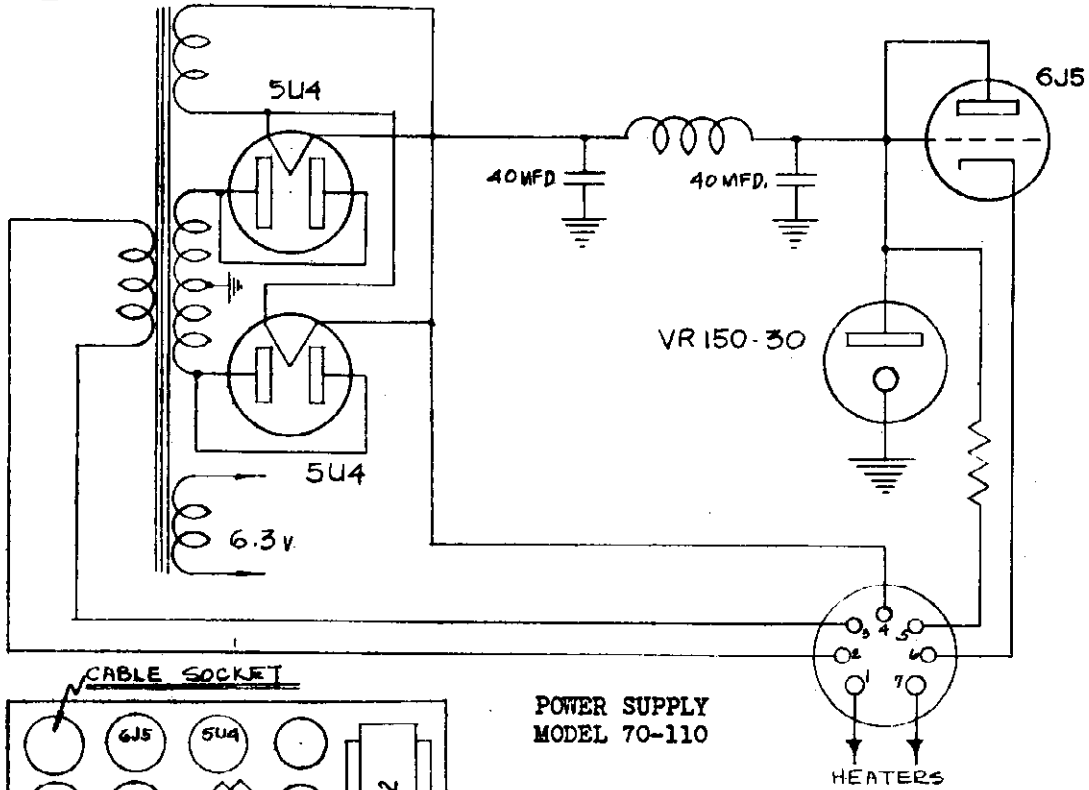
POWER SUPPLY  
MODEL 57-57A



POWER SUPPLY  
MODEL 69

MODEL 70-110  
MODEL 71-71A

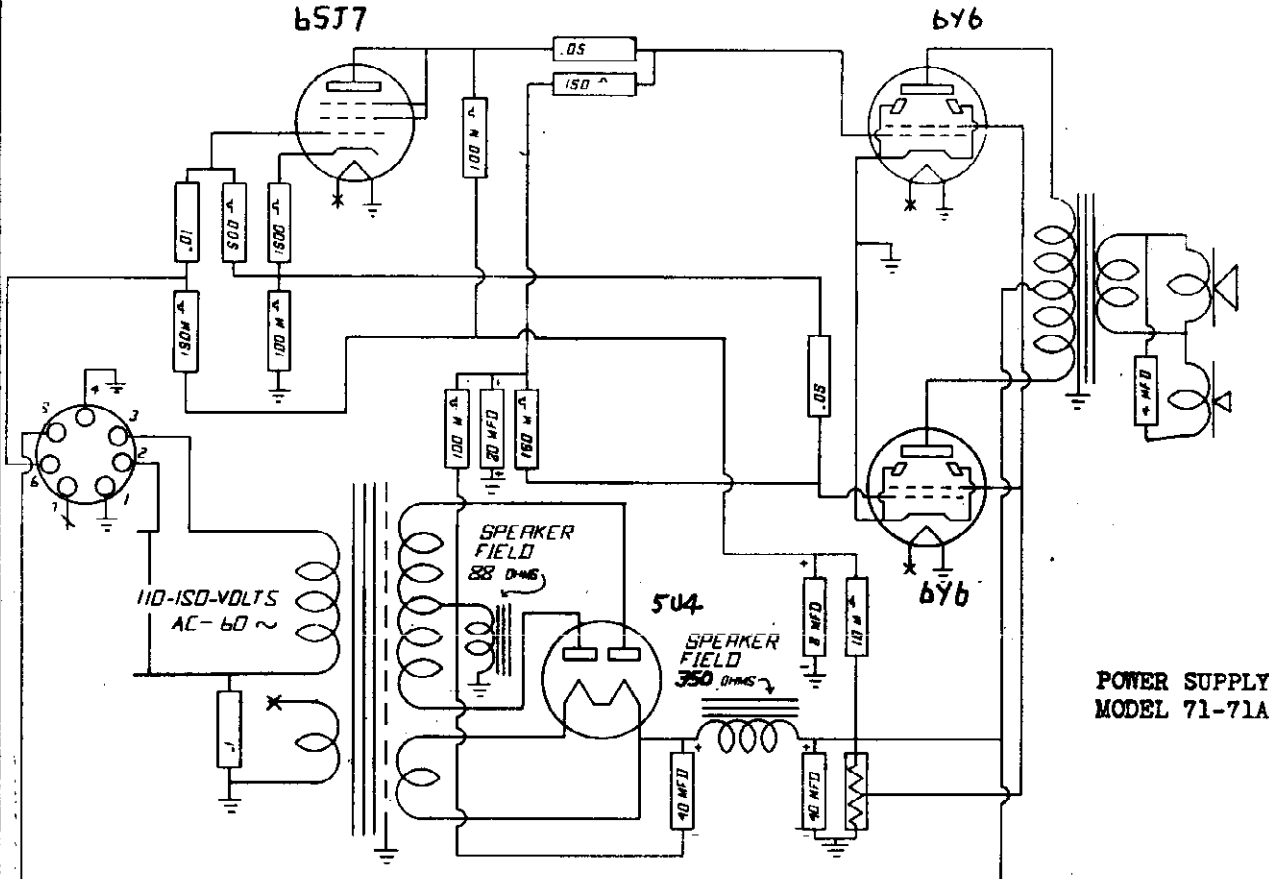
FREED RADIO CORP.



CHASSIS LAYOUT - TOP VIEW  
6J5

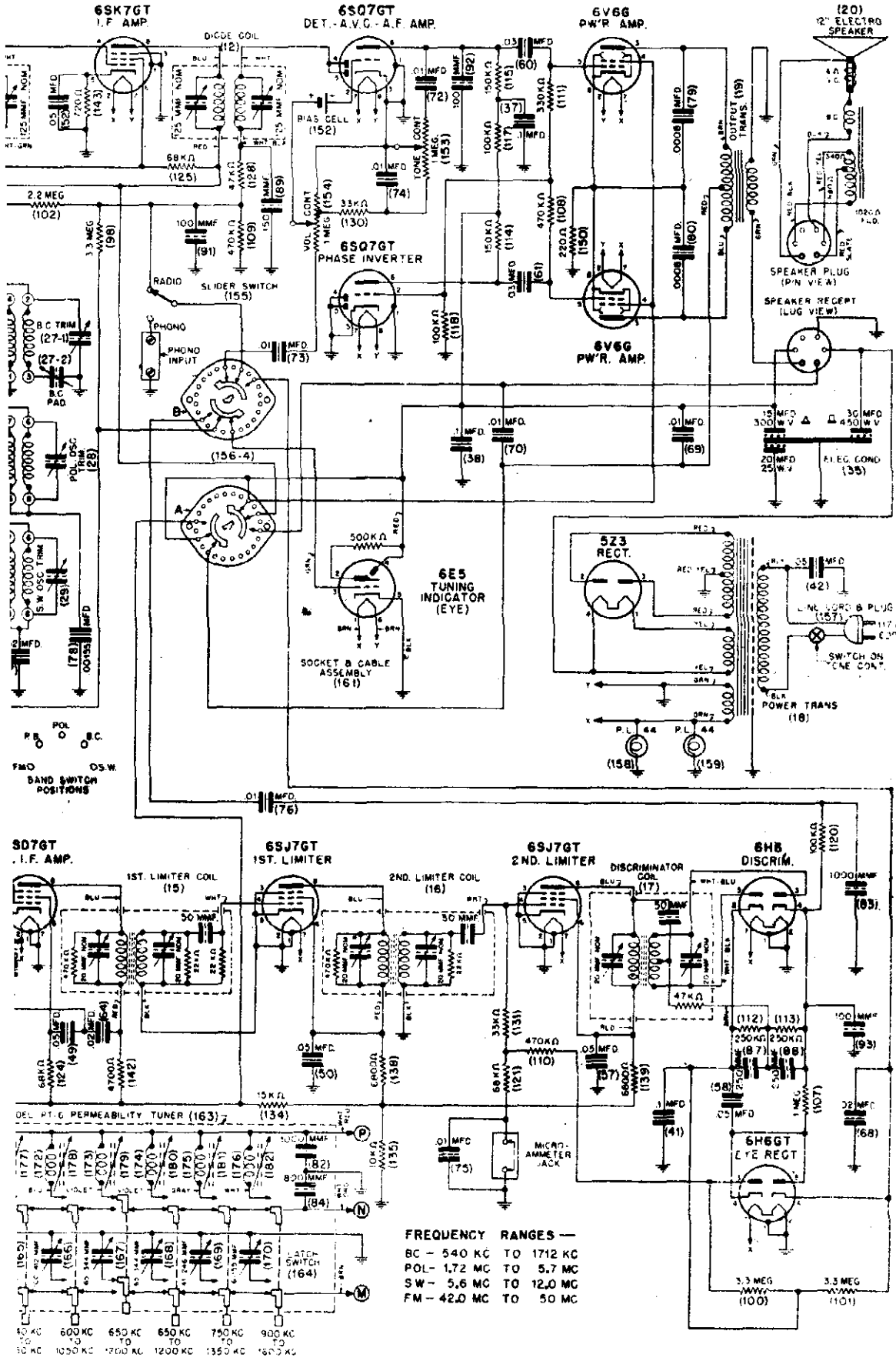
POWER SUPPLY  
MODEL 70-110

THIS SOCKET ON CHASSIS RECEIVES PLUG FROM OTHER POWER PACK. FOR DETAILS SEE DWG. NO. B

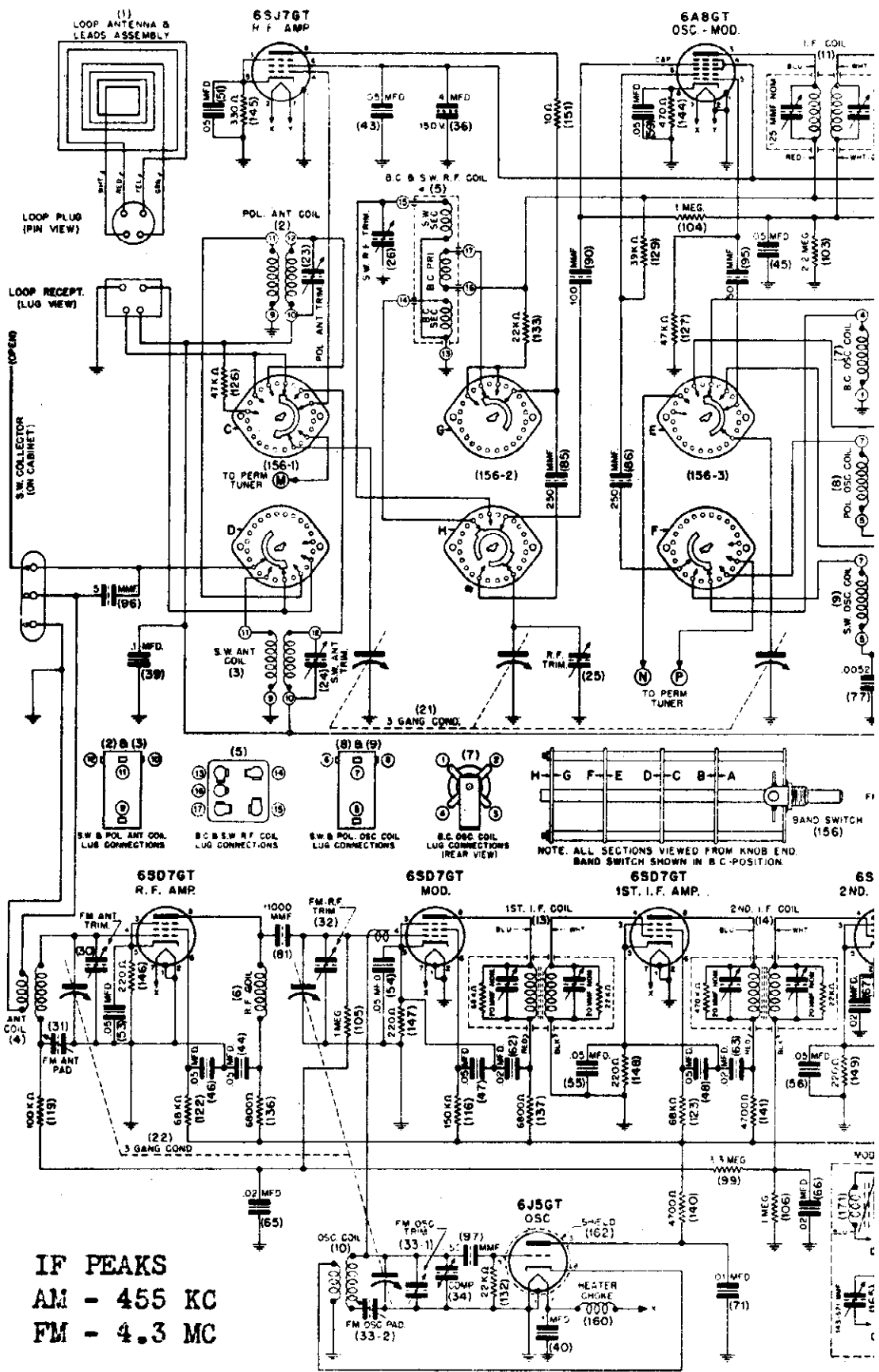


POWER SUPPLY  
MODEL 71-71A

WIN MFG. CO.



**FREQUENCY RANGES —**  
 BC - 540 KC TO 1712 KC  
 POL - 1.72 MC TO 5.7 MC  
 SW - 5.6 MC TO 12.0 MC  
 FM - 42.0 MC TO 50 MC



IF PEAKS  
 AM - 455 KC  
 FM - 4.3 MC

GALVIN MFG. CO.

ALIGNMENT CHART  
F. N. SECTION

Operations in Order	Gang Set at	Dummy Antenna	Generator Connected to	Tune Trimmer Number	Generator Modulated 400 C.P.S.	Generator Unmodulated	Generator Set at	Read Micrometer	Read Output Voltmeter	Band Switch Set at	See Note
1	Min.	1000 M.F. With 10,000 Ohms Slanted across output terminals of signal generator.	Grid V-2	1 to Min.	X		4.3 M.C.		X	F.M.	A
2	Min.		Grid V-2	2 to Max.	X		4.3 M.C.		X	F.M.	
3	Min.		Grid V-2	1 to Valley of 2-Peaks	X		4.3 M.C.		X	F.M.	B
4	Min.		Grid V-3	3 to Min.		X	4.3 M.C.	X		F.M.	A
5	Min.		Grid V-3	4 to Max.		X	4.3 M.C.	X		F.M.	
6	Min.		Grid V-3	3 to Max.		X	4.3 M.C.	X		F.M.	
7	Min.		Grid V-4	5 to Min.		X	4.3 M.C.	X		F.M.	A
8	Min.		Grid V-4	6 to Max.		X	4.3 M.C.	X		F.M.	
9	Min.		Grid V-4	5 to Max.		X	4.3 M.C.	X		F.M.	
10	Min.		Grid V-5	7 to Min.		X	4.3 M.C.	X		F.M.	A
11	Min.		Grid V-5	8 to Max.		X	4.3 M.C.	X		F.M.	
12	Min.		Grid V-5	7 to Max.		X	4.3 M.C.	X		F.M.	
13	Min.		Grid V-6	9 to Min.		X	4.3 M.C.	X		F.M.	A
14	Min.		Grid V-6	10 to Max.		X	4.3 M.C.	X		F.M.	
15	Min.		Grid V-6	9 to Max.		X	4.3 M.C.	X		F.M.	
16	Min.	100 ohms	A & G	11 to Max.		X	50 M.C.	X		F.M.	C
17	48 M.C.	100 ohms	A & G	12 to Max.		X	48 M.C.	X		F.M.	C
18	48 M.C.	100 ohms	A & G	13 to Max.		X	48 M.C.	X		F.M.	C
19	42 M.C.	100 ohms	A & G	14 to Max.		X	42 M.C.	X		F.M.	C

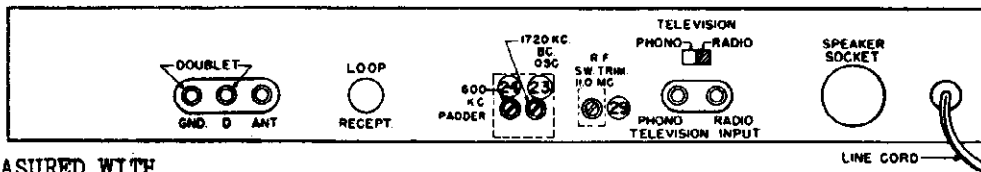
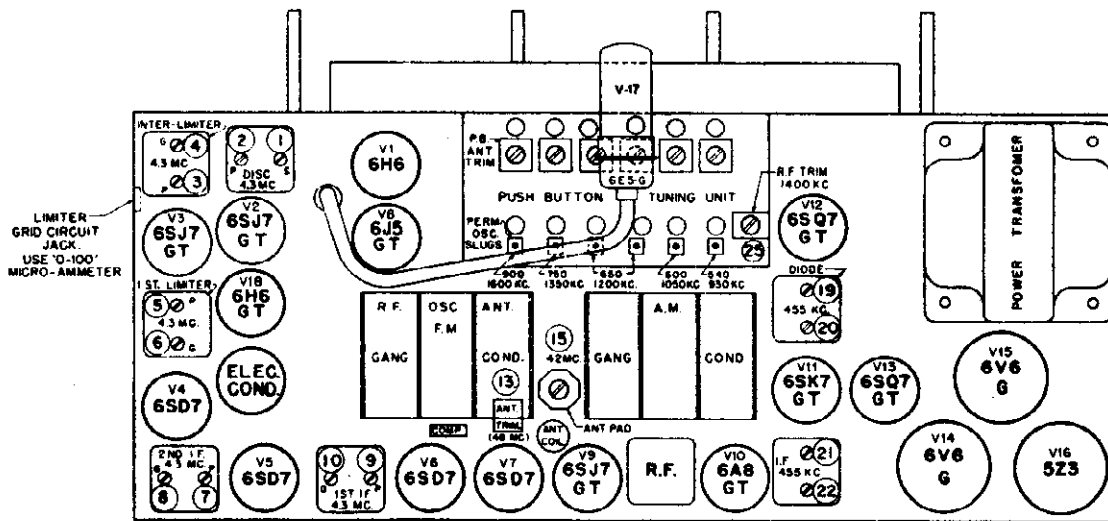
A. N. SECTION

Operations in Order	Gang Set at	Dummy Antenna	Generator Connected to	Tune Trimmer Number	Generator Modulated 400 C.P.S.	Generator Unmodulated	Generator Set at	Read Micrometer	Read Output Voltmeter	Band Switch Set at	See Note
20	Min	1 Mfd.	V-10 Grid	19-20 21-22	X		455 K.C.		X	B.C.	
21	1720 K.C.	1 Mfd.	V-9 Grid	23	X		1720 K.C.		X	B.C.	
22	600 K.C.	1 Mfd.	A & G	25	X		600 K.C.		X	B.C.	
23	1400 K.C.	1 Mfd.	V-9 Grid	24	X		1400 K.C.		X	B.C.	
24	5.7 M.C.	400 Ohms.	V-9 Grid	26	X		5.7 M.C.		X	P01	
25	5.5 M.C.	400 Ohms.	A & G	27	X		5.5 M.C.		X	P01	
26	12.2 M.C.	400 Ohms.	V-9 Grid	28	X		12.2 M.C.		X	S.W.	
27	11.0 M.C.	400 Ohms.	A & G	29	X		11.0 M.C.		X	S.W.	
28	11.0 M.C.	400 Ohms.	A & G	30	X		11.0 M.C.		X	S.W.	

NOTE A: Detune by reducing trimmer capacity. Rotate trimmer adjusting screw counterclockwise one turn. NOTE B: Two peaks will be present; tune to the valley between them. NOTE C: If receiver does not cover frequency range, readjust all trimmers bearing Note C.

GALVIN MFG. CO.

MODEL 17FM41



SENSITIVITY MEASURED WITH VOLUME CONTROL SET AT MAXIMUM. OUTPUT METER CONNECTED ACROSS VOICE COIL. .38 VOLTS CORRESPONDS WITH .06 WATT.

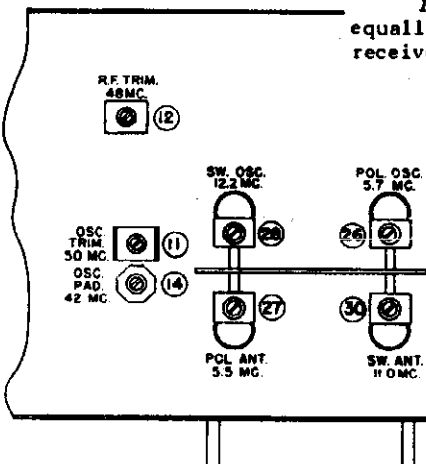


TRIMMER DETAIL

SENSITIVITY AND STAGE GAIN MEASUREMENTS

Average Microvolt Input	Generator Set At	Generator Feeder Connected To	Dummy Antenna Capacity	Leak Resistance	Output Meter Reading
3250	455 K.C.	I.F. Grid	.1 Mfd.	.5 Meg.	.38
55	455 K.C.	Mod. Grid	.1 Mfd.	.5 Meg.	.38
60	600 K.C.	Mod. Grid	.1 Mfd.	.5 Meg.	.38
9	600 K.C.	R.F. Grid	.1 Mfd.	.5 Meg.	.38
8	600 K.C.	Ant.Terminal	200 Mmf.	None	.38

**IMPORTANT:** The following precautions must be taken; each is equally important, and perfect alignment which is a necessity in an FM receiver, cannot be accomplished unless you follow these instructions:



1. The adjusting screw driver cannot have a metal tip, no matter how small.
2. The chassis should be insulated from ground during alignment.
3. The ground lead of the signal generator must be connected to the cathode return lead of the same tube to which the generator is connected.
4. Clips should not be used on the shielded lead of the generator. It is recommended that the leads be soldered to the tube socket and cathode return.
5. Volume control is set at maximum. Reduce output with signal generator attenuator.



GALVIN MFG. CO.

MODEL 36C-1  
MODEL 36C-2

ALIGNMENT CHART MODEL 36C-1

Operations In Order	Gang Condenser Set At	Dummy Antenna	Generator Connected To	Adjust Trimmers No.	Generator Set At
1	Minimum	.1 Mfd.	Osc.-Mod. Grid	1-2-3-4	262 K.C.
2	1600 K.C.	.1 Mfd.	Osc.-Mod. Grid	5	1600 K.C.
3	545 K.C.	.1 Mfd.	Osc.-Mod. Grid	6	545 K.C.
4	1400 K.C.	*	To Special Dummy	7	1400 K.C.
5	1400 K.C.	*	To Special Dummy	8	1400 K.C.
6	600 K.C.	*	To Special Dummy	9	600 K.C.

\* Use Special Dummy Part No. 26767 or Booster Coil Part No. 24A26751 in series with a 35 Mmf. Condenser.

ALIGNMENT CHART MODEL 36C-2

Operations In Order	Gang Condenser Set At	Dummy Antenna	Generator Connected To	Adjust Trimmers No.	Generator Set At
1	Minimum	.1 Mfd.	Osc.-Mod. Grid	1-2-3-4	455 K.C.
2	1400 K.C.	.1 Mfd.	Osc.-Mod. Grid	5	1400 K.C.
3	1400 K.C.	*	To Special Dummy	6	1400 K.C.
4	600 K.C.	*	To Special Dummy	7	600 K.C.

\* Use Special Dummy Part No. 26767 or Booster Coil Part No. 24A26751 in series with a 35 Mmf. Condenser.

MODEL 36-C1

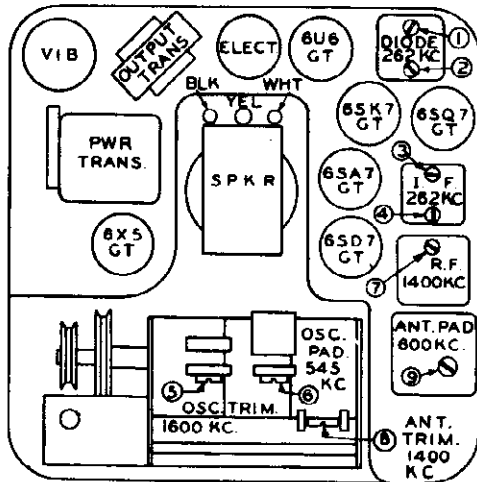
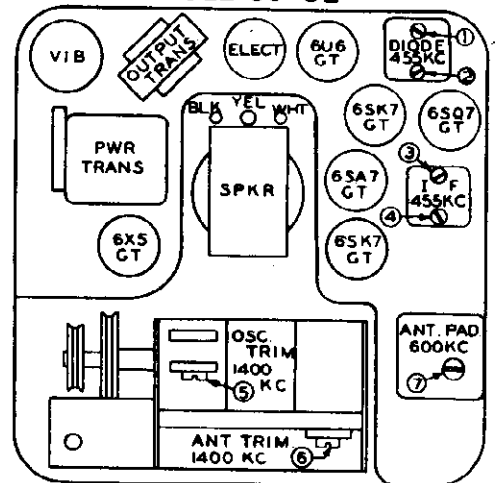


Fig. 1

MODEL 36-C2



69A26764

Fig. 2

SENSITIVITY AND STAGE GAIN MEASUREMENT MODEL 36C-1

Average Microvolt Input *	Generator Set At	Generator Feeder Connected To	Dummy Antenna Capacity	Leak Resistance	Output Meter Reading **
22,250	262 K.C.	I.F. Grid	.1 Mfd.	.5 Meg.	1.74
700	262 K.C.	Mod. Grid	.1 Mfd.	.5 Meg.	1.74
710	600 K.C.	Mod. Grid	.1 Mfd.	.5 Meg.	1.74
13	600 K.C.	R.F. Grid	.1 Mfd.	.5 Meg.	1.74
3	600 K.C.	Ant. Lead	***	None	1.74

Volume Control Set At Maximum

Tone Control Set At Voice.

\* 1 Watt = 1.74 Volts

\*\* Output meter connected across voice coil.

\*\*\* Use Special Dummy Part No. 1X26767 or Booster Coil Part No. 24A26751 in series with a 35 Mmf. Condenser.

SENSITIVITY AND STAGE GAIN MEASUREMENT MODEL 36C-2

Average Microvolt Input *	Generator Set At	Generator Feeder Connected To	Dummy Antenna Capacity	Leak Resistance	Output Meter Reading **
10,000	455 K.C.	I.F. Grid	.1 Mfd.	.5 Meg.	1.74
560	455 K.C.	Mod. Grid	.1 Mfd.	.5 Meg.	1.74
625	600 K.C.	Mod. Grid	.1 Mfd.	.5 Meg.	1.74
90	600 K.C.	R.F. Grid	.1 Mfd.	.5 Meg.	1.74
12	600 K.C.	Ant. Lead	***	None	1.74

Volume Control Set At Maximum

Tone Control Set At Voice.

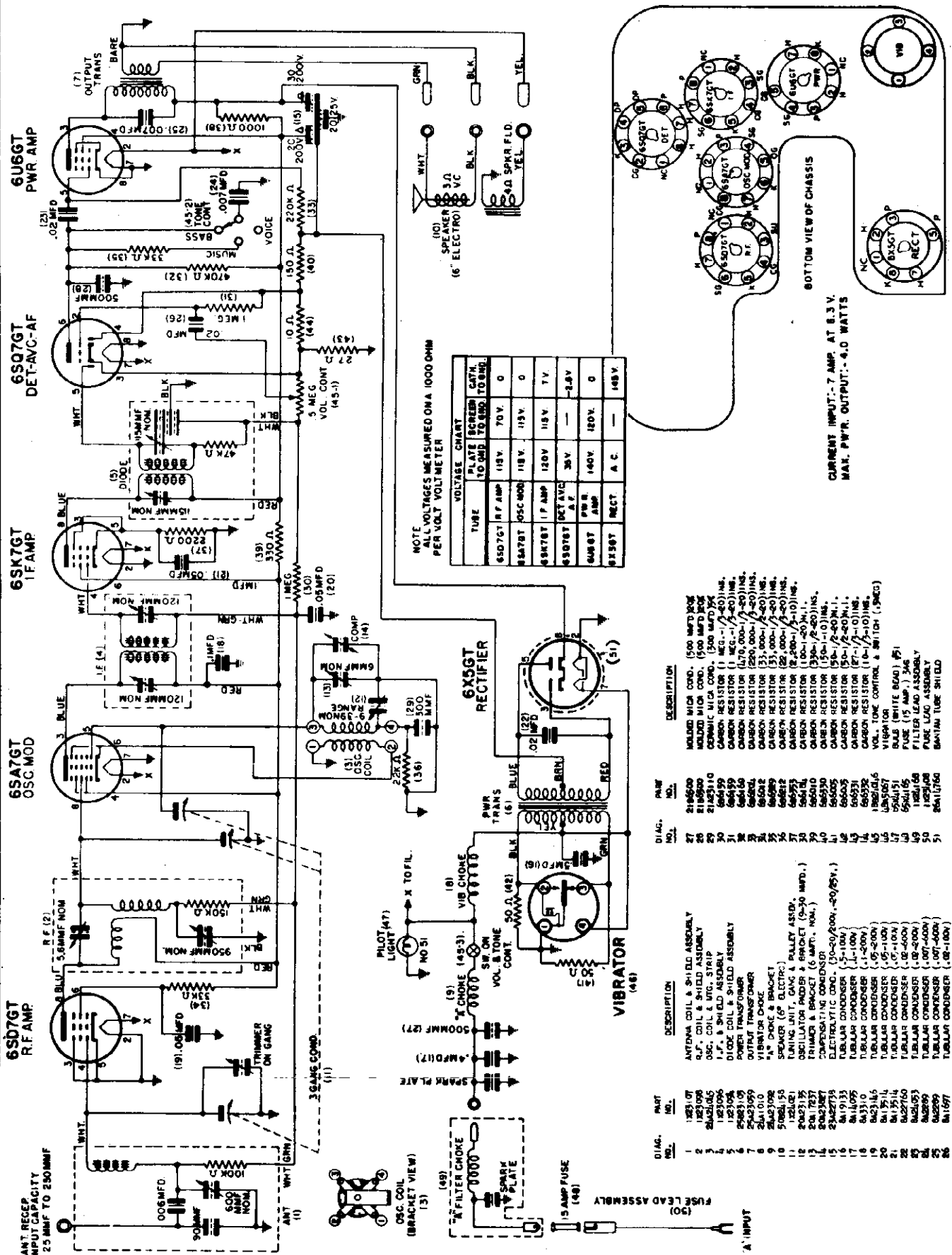
\* 1 Watt = 1.74 Volts

\*\* Output meter connected across voice coil.

\*\*\* Use Special Dummy Part No. 1X26767 or Booster Coil Part No. 24A26751 in series with a 35 Mmf. Condenser.

MODEL 36C-1

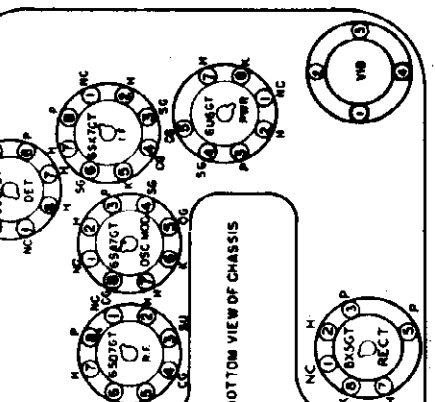
GALVIN MFG. CO.



NOTE: ALL VOLTAGES MEASURED ON A 1000 OHM PER VOLT VOLTMETER

TUBE	PLATE SCREEN CATH. (TO SHIELD TO BOND TO BOND)	GRID
6SD7GT	115V	70V 0
6SA7GT	115V	115V 0
6SK7GT	120V	115V TV
6SQ7GT	120V	115V TV
6U6GT	140V	120V 0
6X5GT	140V	120V 0

DIAG. NO.	PART NO.	DESCRIPTION
1	1X83107	ANTENNA COIL & SHIELD ASSEMBLY
2	1X83108	R.F. COIL & SHIELD ASSEMBLY
3	2X42103	OSC. COIL & VTC. STRIP
4	1X83106	I.F. & SHIELD ASSEMBLY
5	1X83105	DIODE COIL & SHIELD ASSEMBLY
6	2X42104	POWER TRANSFORMER
7	2X42105	VIBRATOR CHOKES
8	2X42106	"A" CHOKES & BRACKET
9	1X83109	SPEAKER (6" ELECTRIC)
10	1X83110	TUNING UNIT, GANG, & PULLY ASSY.
11	1X83111	OSCILLATOR PADDER & BRACKET (9-30 MFD.)
12	2X42112	PRIMER & BRACKET (5 MFT., NON.)
13	2X42113	COMPENSATING CONDENSER
14	2X42114	ELECTROLYTIC COND. (30-20/200, -20/25V.)
15	1X83115	TUBULAR CONDENSER (.5-100)
16	1X83116	TUBULAR CONDENSER (.4-100)
17	1X83117	TUBULAR CONDENSER (.3-200)
18	1X83118	TUBULAR CONDENSER (.2-200)
19	1X83119	TUBULAR CONDENSER (.15-100)
20	1X83120	TUBULAR CONDENSER (.1-100)
21	1X83121	TUBULAR CONDENSER (.07-100)
22	1X83122	TUBULAR CONDENSER (.05-100)
23	1X83123	TUBULAR CONDENSER (.03-100)
24	1X83124	TUBULAR CONDENSER (.02-100)
25	1X83125	TUBULAR CONDENSER (.01-100)



BOTTOM VIEW OF CHASSIS

CURRENT INPUT: 7 AMP. AT 8.3 V.  
MAR. P.W.R. OUTPUT: 4.0 WATTS

ANT. RECAP. CAPACITY 25 MFD TO 250 MFD



VIBRATOR



FILTER CHOKES



FUSE LEAD ASSEMBLY

GALVIN MFG. CO.

MODEL 36C-  
MODEL 36C-  
MODEL 51F1

MODELS 36-C1, 36-C2 DIAL CORD INSTRUCTIONS  
TUNING CORD

1. Remove the chassis from the housing, and place on service bench.
2. Remove the broken string.
3. Turn the condenser gang to fully meshed position.
4. Cut a length of 30 lb. silk fish cord 25 inches long.
5. Thread one end of cord through Hole (x) in drive pulley and with an ordinary paper clip fasten to tuning control bracket so that cord will stay in place.
6. In a clockwise direction, wind cord one full turn around drive pulley and up to tuning shaft. (See Fig. 3.)
7. Route cord 7 turns around tuning shaft as shown in Fig. 3 and down to drive pulley.
8. Continue in a clockwise direction around drive pulley and through hole (x).
9. Slip the two cord ends through eyelet (Part No. 5S7824) inside of pulley.
10. Knot the two cord ends together and fasten to one end of spring (Part No. 4A1A14759). Hook other end of spring to hole (y) in drive pulley.
11. With a pair of pliers pinch eyelet on cord and place drop of shellac on cord knot.

MODELS 36-C1, 36-C2 POINTER CORD

1. Remove the chassis from housing and place on service bench.
2. Remove broken string.
3. Set condenser gang to fully meshed position.
4. Cut a length of 18 lb. silk fish cord 27 inches long.
5. Thread one end of cord through hole (c) in condenser pulley and with an ordinary paper clip fasten it to the tuning shaft bracket to hold in place. (See Fig. 4.)
6. In a clockwise direction run cord one turn around condenser pulley, under brake shoe and over to idler pulley No. 3 and around it in a counter-clockwise direction.
7. Route string across chassis to idler pulley No. 2, and around it in a counter-clockwise direction.
8. Route cord back across chassis and down over idler pulley No. 1.
9. Route cord down and around condenser pulley turn to hole (c).
10. Remove the paper clip from end of cord and knot the two ends of cord together inside of drive pulley and fasten one end of spring (Part No. 4A1A1091) to cord and the other end to hook in condenser pulley.
11. Cut off surplus cord.
12. To set pointer to correct frequency, tune in a station of known frequency and adjust pointer on string.
13. Fasten pointer to string with a drop of shellac. Place a drop of shellac on cord knot.

MODEL 51 F 12 SENSITIVITY AND STAGE GAIN MEASUREMENTS

Average Microvolt Input	Generator Set At	Generator Feeder Connected To	Dummy Antenna Capacity	Leak Resistance	Output Meter Reading
2600	455 K.C.	I.F. Grid	.1 Mfd.	.5 Meg.	.38
25	455 K.C.	Mod. Grid	.1 Mfd.	.5 Meg.	.38
30	600 K.C.	Mod. Grid	.1 Mfd.	.5 Meg.	.38
4.5	600 K.C.	Ant. Terminal	200 Pmf.	None	.38

MODEL 51 F 12 ALIGNMENT CHART

Operations In Order	Gang Condenser Set At	Dummy Antenna	Generator Connected To	Adjust. Trimmers No.	Generator Set At
1	Minimum	.1 Mfd.	Osc.-Mod.	1-2-3-4	455 K.C.
2	1720 K.C.	.1 Mfd.	Osc.-Mod.	5	1720 K.C.
3	1400 K.C.	200 Pmf.	Ant. Lead.	6	1400 K.C.

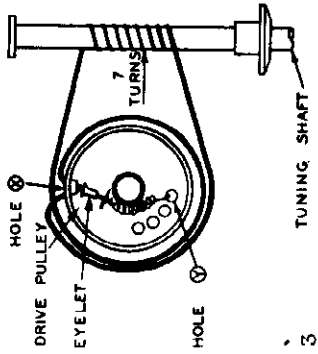


Fig. 3

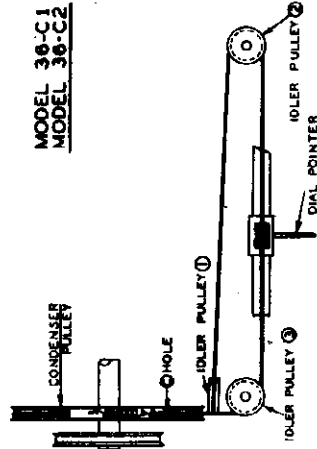
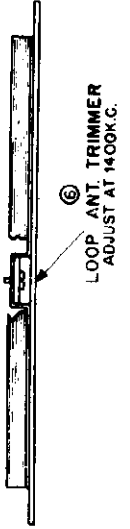
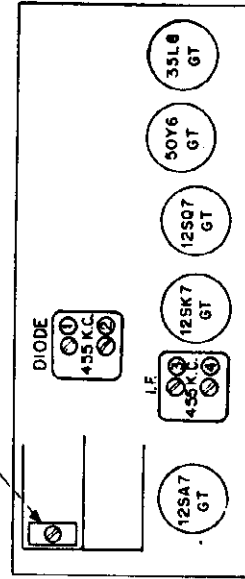


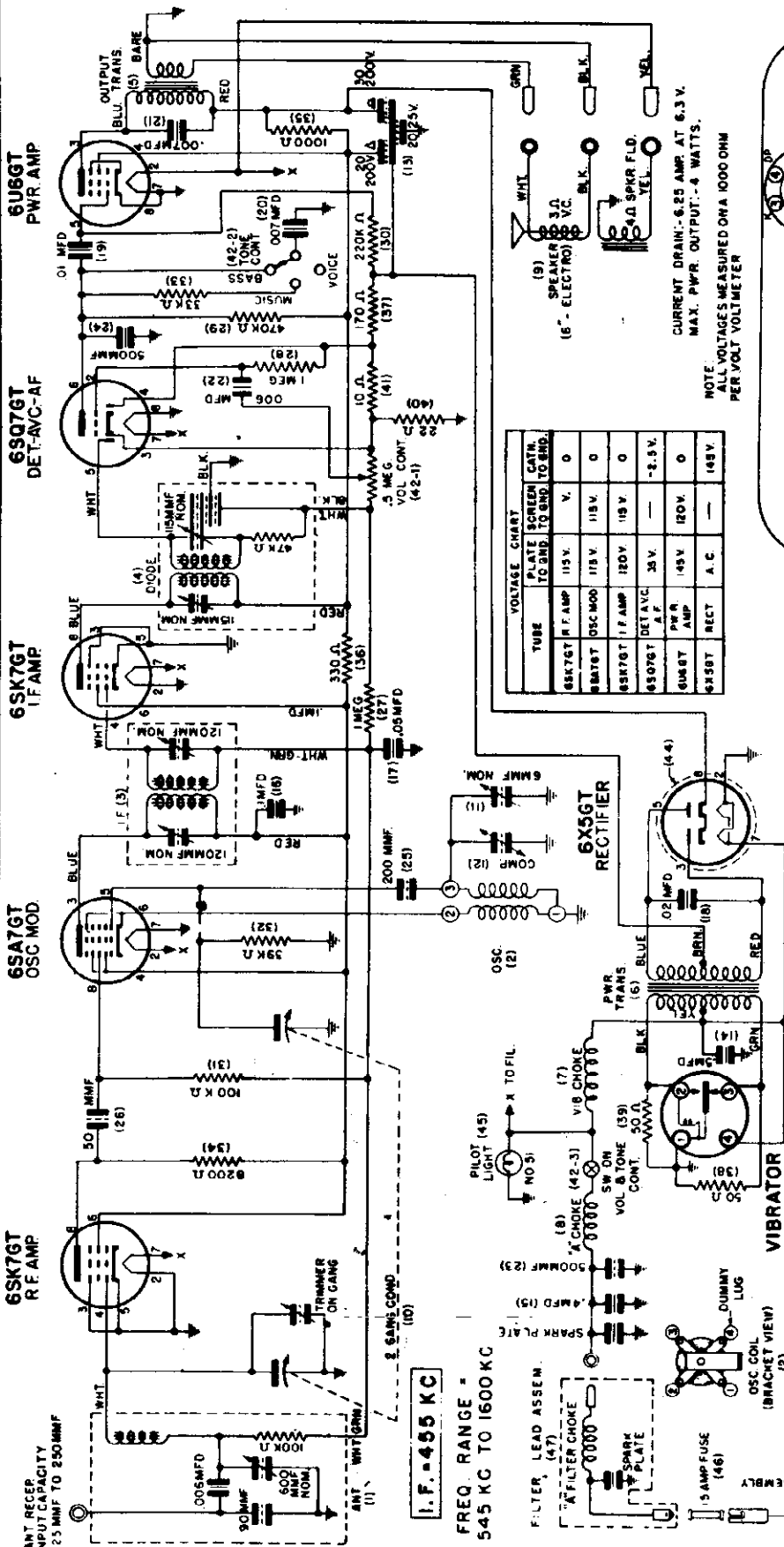
Fig. 4

OSC. TRIMMER  
ADJUST AT 1720 K.C.

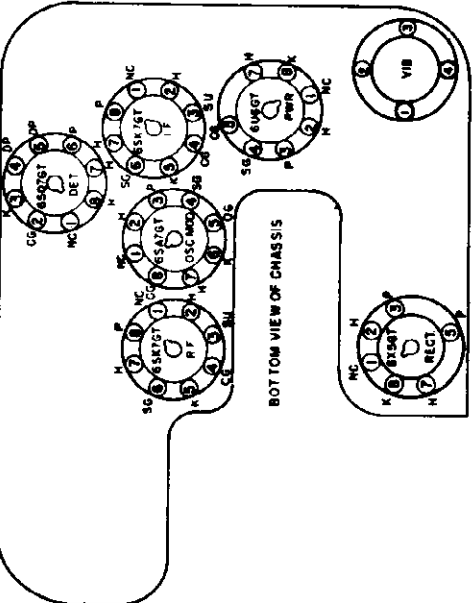
MODEL 51 F 12



MODEL 36C-2



TUBE	PLATE SCREEN CATH. TO GND TO BND.
6SK7GT R.F. AMP	115 V. 0
6SA7GT OSC MOD.	115 V. 0
6SK7GT I.F. AMP	120 V. 0
6SQ7GT DET. A.F.	25 V. -2.5 V.
6U8GT PWR. AMP	145 V. 120 V. 0
6X5GT RECT.	A.C. - 145 V.



- | DIAG. NO. | PART NO. | DESCRIPTION  |
|-----------|----------|--|
| 1         | 12L583   | ANTENNA COIL & SHIELD ASSEMBLY                       |
| 2         | 24G779   | OSCILLATOR COIL                                      |
| 3         | 12L579   | I.F. COIL & SHIELD ASSEMBLY                          |
| 4         | 12L577   | DIODE COIL & SHIELD ASSEMBLY                         |
| 5         | 25A2195  | OUTPUT TRANSFORMER                                   |
| 6         | 25A2193  | POWER TRANSFORMER                                    |
| 7         | 24A1700  | VIBRATOR CHOKES                                      |
| 8         | 24A2392  | "A" CHOKES & RECTIFIER                               |
| 9         | 24A2154  | TUNING UNIT, CHOKES & PULLEY ASSEMBLY (2 GANG)       |
| 10        | 12L543   | COMPENSATING & RECTIFYING COILS                      |
| 11        | 20A2158  | COMPENSATING & RECTIFYING COILS (20.30/200K, 20/20V) |
| 12        | 8A19133  | TUBULAR CONDENSER (1-1000)                           |
| 13        | 8A11095  | TUBULAR CONDENSER (1-1000)                           |
| 14        | 8A3310   | TUBULAR CONDENSER (.05-1000)                         |
| 15        | 8A11914  | TUBULAR CONDENSER (.02-5000)                         |
| 16        | 8A22760  | TUBULAR CONDENSER (.01-2000)                         |
| 17        | 8A22819  | TUBULAR CONDENSER (.007-5000)                        |
| 18        | 8A22819  | TUBULAR CONDENSER (.007-5000)                        |
| 19        | 8A22819  | TUBULAR CONDENSER (.007-5000)                        |
| 20        | 8A22819  | TUBULAR CONDENSER (.007-5000)                        |
| 21        | 218A650  | WELDED MICA COND. (500 MFD) 20K                      |
| 22        | 218A650  | WELDED MICA COND. (500 MFD) 20K                      |

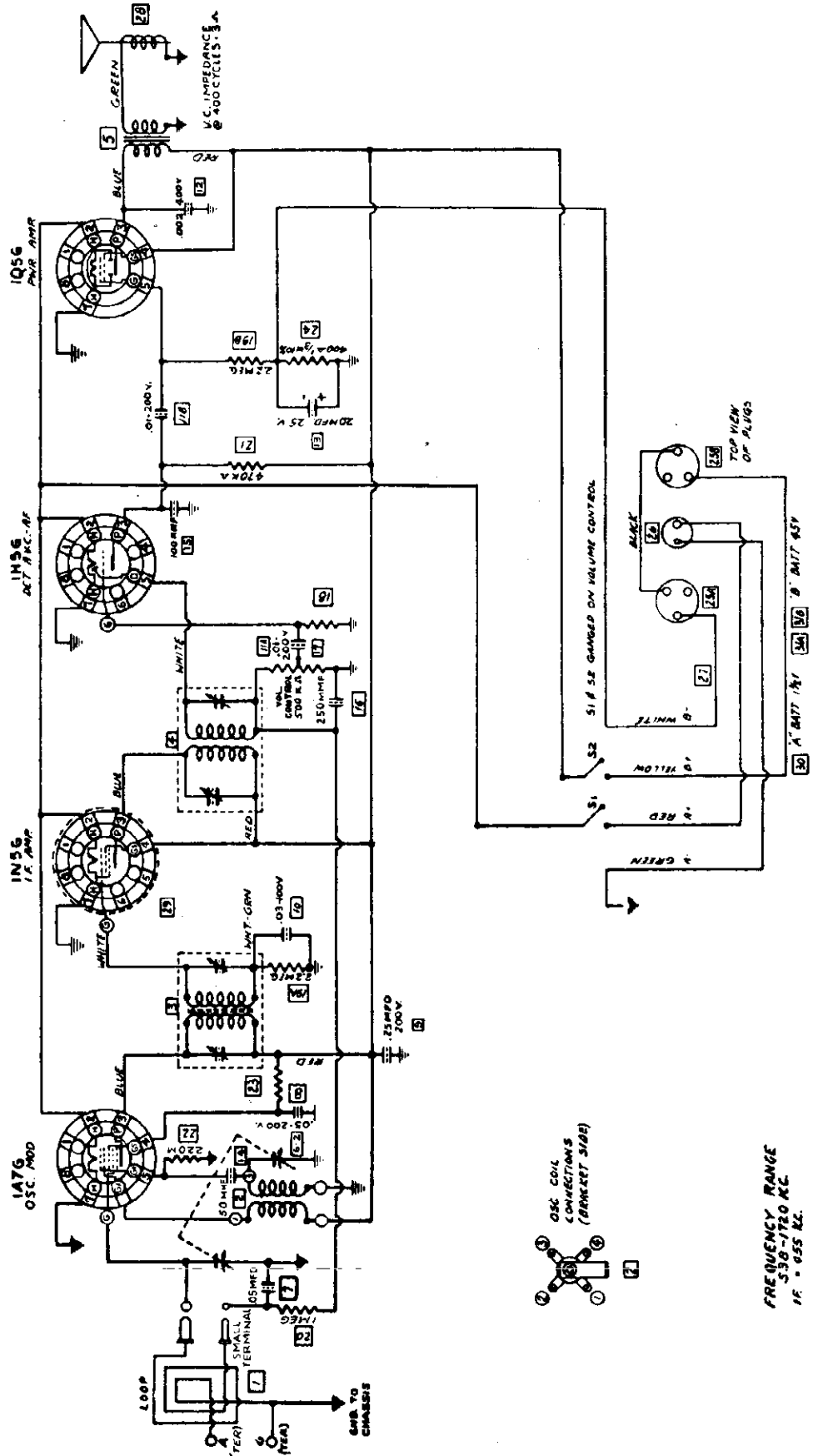
I. F. = 455 KC  
 FREQ. RANGE = 545 KC TO 1600 KC

CURRENT DRAIN - 6.25 AMP AT 6.3 V.  
 MAX. PWR. OUTPUT - 4 WATTS.  
 NOTE - ALL VOLTAGES MEASURED ON A 1000 OHM PER VOLT VOLTMETER

FUSE LEAD ASSEMBLY (48)

A INPUT

GALVIN MFG. CO.



MODEL 41D

FREQUENCY RANGE  
530-1750 KC.  
IF - 455 KC.

MODELS 49BT1, 49BT2  
 MODEL 41H  
 MODELS 41D, 51D, 52D

GALVIN MFG. CO.

ALIGNMENT PROCEDURE

MODELS 49BT1 AND 49BT2

1. Connect signal generator to control grid of first detector tube (1A7G) through a .05 MF condenser, and to chassis. Do not remove grid cap. Also connect output meter across speaker voice coil. Turn condenser gang completely out of mesh.
2. Set signal generator to 455 KC and carefully adjust the two I.F. trimmers and the one diode trimmer to point showing highest reading on output meter.
3. Connect signal generator to antenna and ground leads using a .0002 MF condenser in antenna lead.
4. Set signal generator and receiver dial both at 1700 KC. Adjust osc. trimmer (on condenser gang) until 1700 KC signal is heard.
5. Set signal generator at 1400 KC and turn condenser gang to the signal at 1400 KC. Adjust antenna trimmer (on condenser gang) to point showing highest reading on output meter.

**MODEL 41H**

ALIGNMENT PROCEDURE

1. Connect signal generator to control grid of first detector tube (1A7GT) through a .05 MF Condenser, and to chassis. Do not remove grid cap. Also connect output meter across speaker voice coil. Turn condenser gang completely out of mesh. The loop must be connected to the chassis at all times.

2. Set Signal generator at 455 K.C. and carefully adjust the two I.F. trimmers and the two DIODE trimmers to point showing highest reading on output meter.

3. Turn signal generator to 1720 K.C. and, with condenser gang completely out of mesh adjust OSC. trimmer (on small sec-

tion of condenser gang) until 1720 K.C. signal is heard.

4. Place chassis in cabinet, connect loop terminals, and fasten back on cabinet.

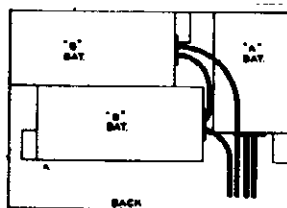
5. Remove plug from side of cabinet to expose ANT. trimmer.

6. Tune in a weak station near 1400 or 1500 K.C. and adjust ANT. trimmer through hole in cabinet for maximum volume.

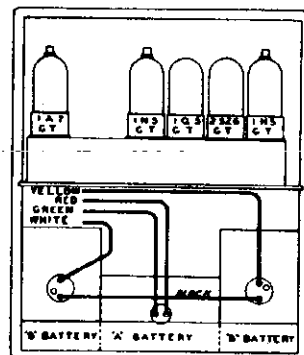
There are no further adjustments.

**MODELS 41D, 51D, AND 52D**

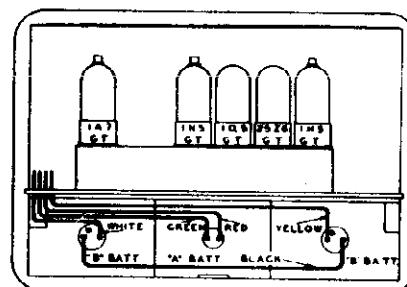
POSITION AND CONNECT BATTERIES AS SHOWN BELOW



MODEL 41D

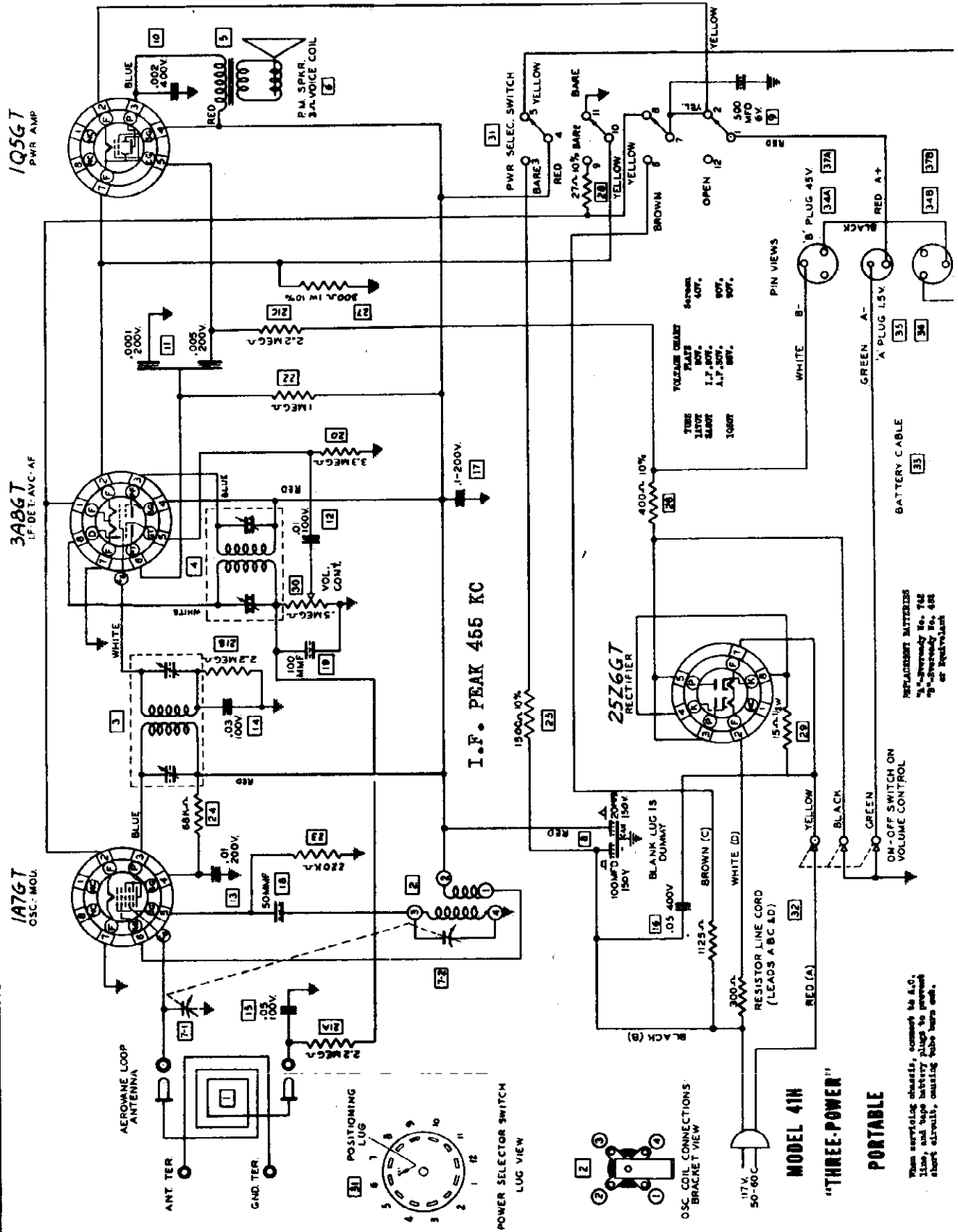


MODEL 51D



MODEL 52D

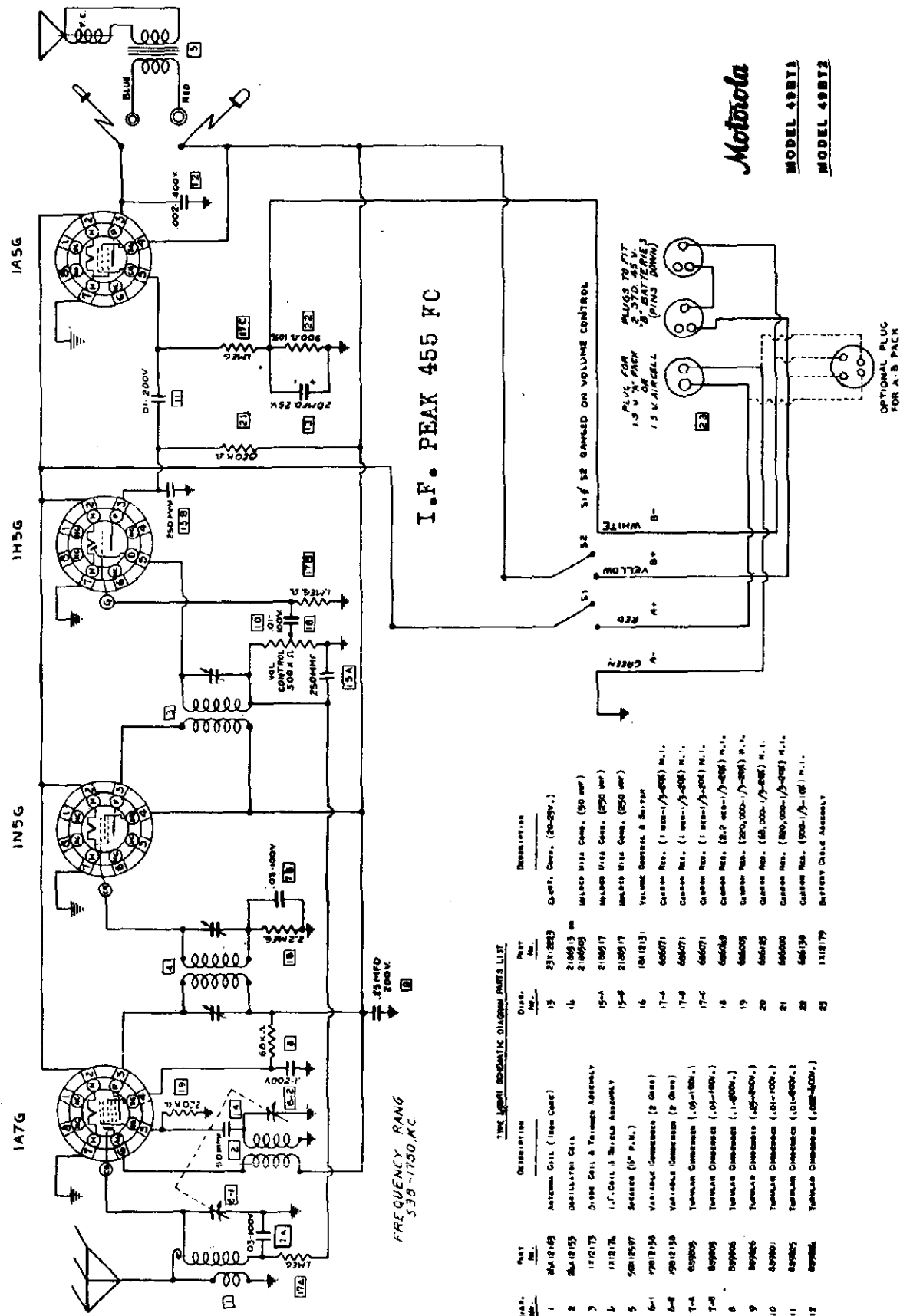
GALVIN MFG. CO.



**Motorola**

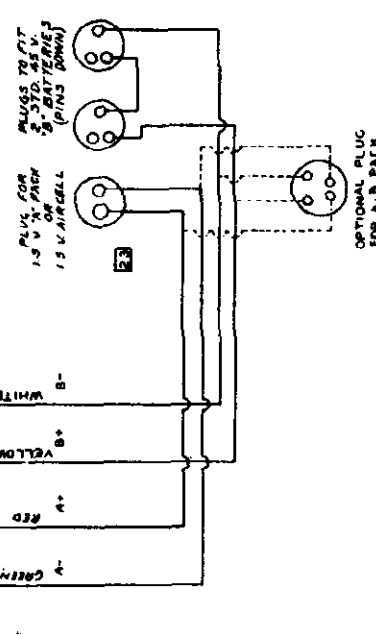
**MODEL 49BT1**

**MODEL 49BT2**



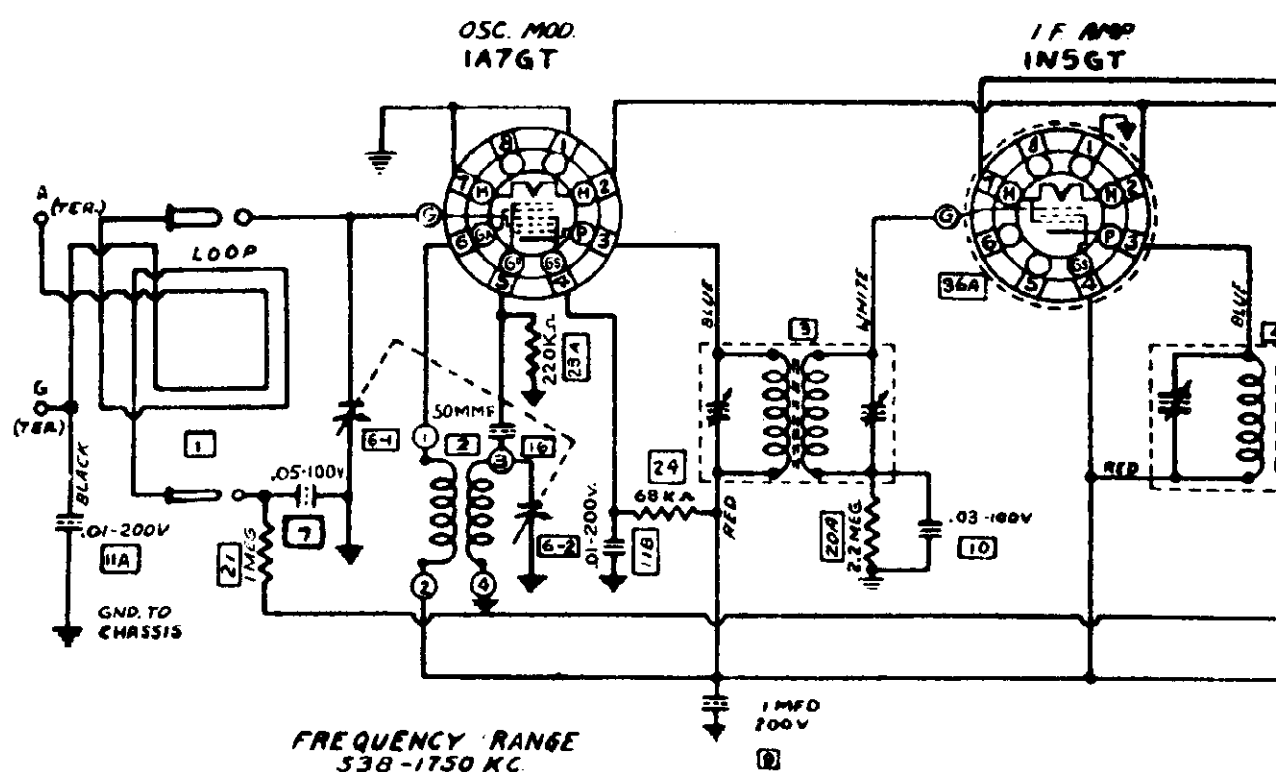
THE FOLLOWING IS A LIST OF PARTS

Q'ty.	Part No.	Description	Description
1	2A10165	Antenna Coil (Iron Core)	Q'ty. 1, Case. (20-27V.)
2	2A10155	Oscillator Coils	1A5G 1/2 W. Coils. (50 mH)
3	1A10173	Drive Coil & Transformer Assembly	1H5G 1/2 W. Coils. (50 mH)
4	1A10174	I.F. Coils & Transformer Assembly	1H5G 1/2 W. Coils. (50 mH)
5	50A10597	Screen (5" P.B.)	Volume Control & Screen
6-1	17A10134	Variable Condensers (2 Core)	Custom Res. (1 sec-1/2-20K) M.I.
6-4	19B10130	Variable Condensers (2 Core)	Custom Res. (1 sec-1/2-20K) M.I.
7-4	809005	Tunable Condensers (.05-100K.)	Custom Res. (1 sec-1/2-20K) M.I.
7-8	809005	Tunable Condensers (.05-100K.)	Custom Res. (1 sec-1/2-20K) M.I.
8	809006	Tunable Condensers (.05-100K.)	Custom Res. (1 sec-1/2-20K) M.I.
9	809006	Tunable Condensers (.05-100K.)	Custom Res. (1 sec-1/2-20K) M.I.
10	809007	Tunable Condensers (.05-100K.)	Custom Res. (1 sec-1/2-20K) M.I.
11	809007	Tunable Condensers (.05-100K.)	Custom Res. (1 sec-1/2-20K) M.I.
12	809008	Tunable Condensers (.05-100K.)	Custom Res. (1 sec-1/2-20K) M.I.
	1181179	Refrigerator Cable Assembly	



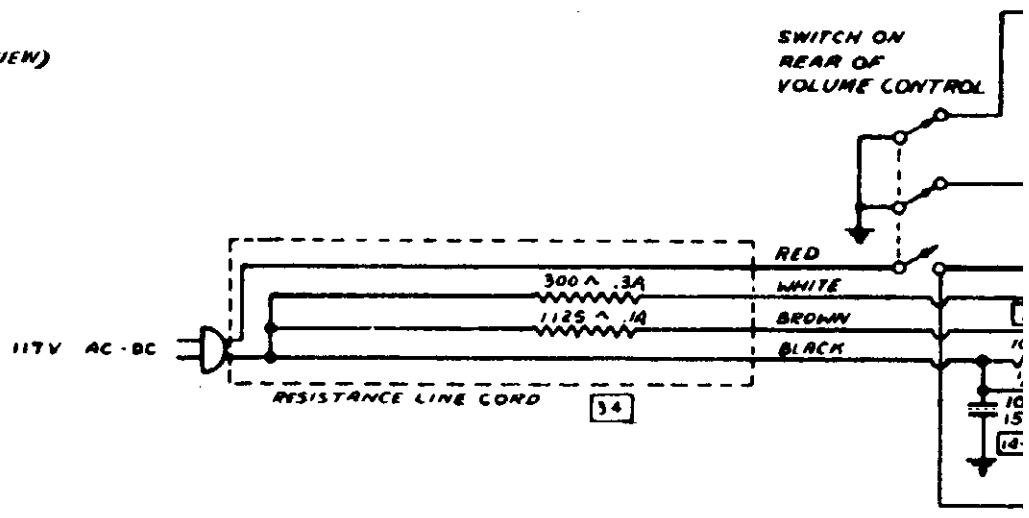
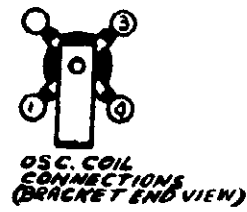
FREQUENCY RANGE  
530-1750 KC.



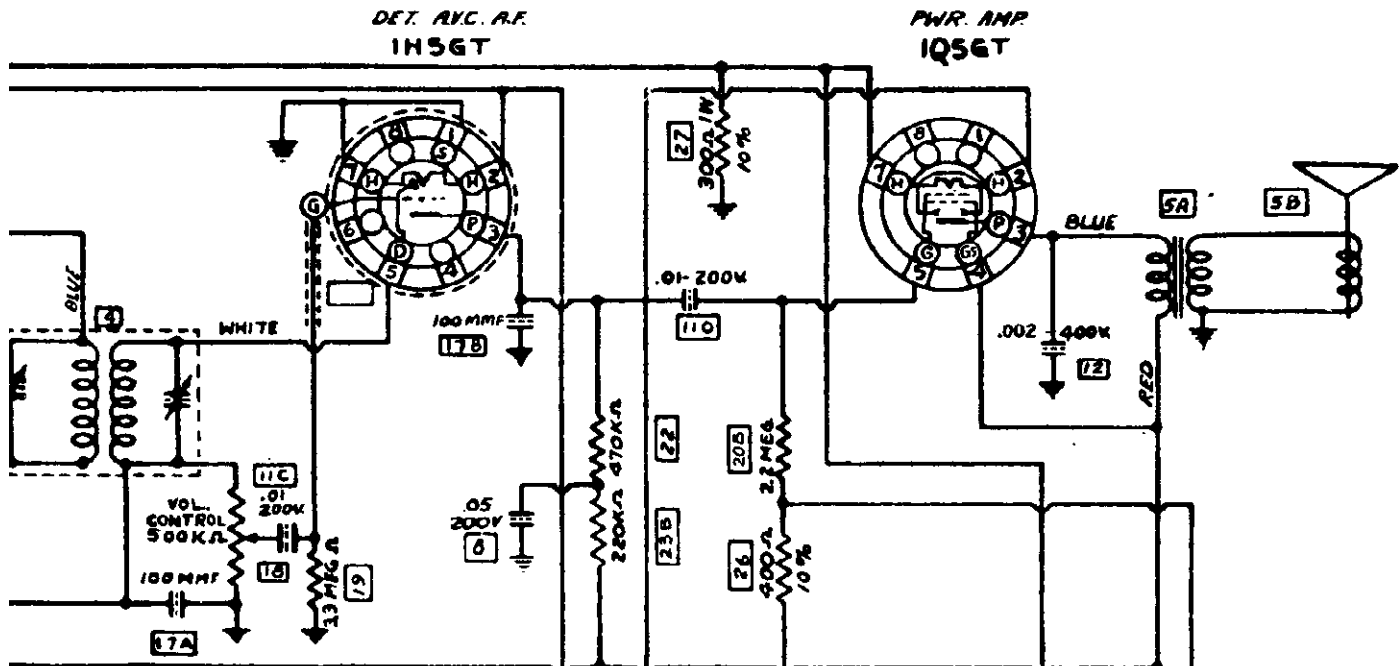


FREQUENCY RANGE  
538-1750 KC.  
I.F. - 455 K.C.

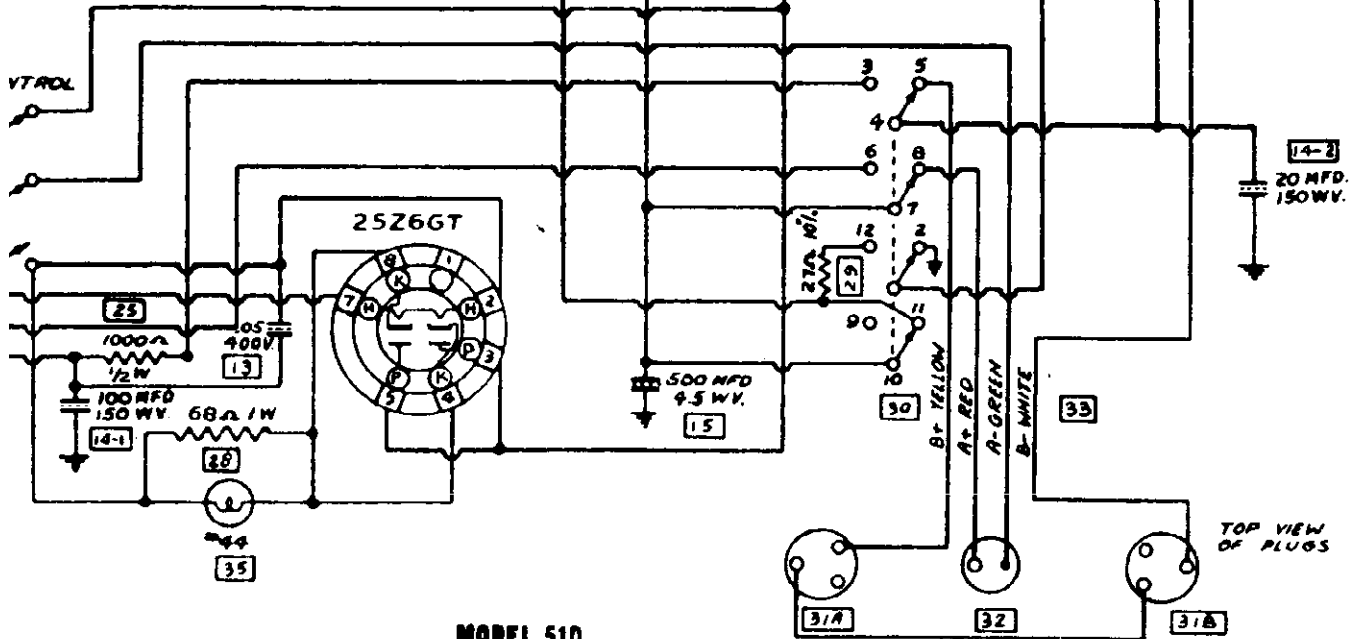
NOTE: 1NC  
MUS



IN MFG. CO.



NOTE: 1N5GT AND 1H5GT TUBES  
MUST HAVE METAL SHELL BASE



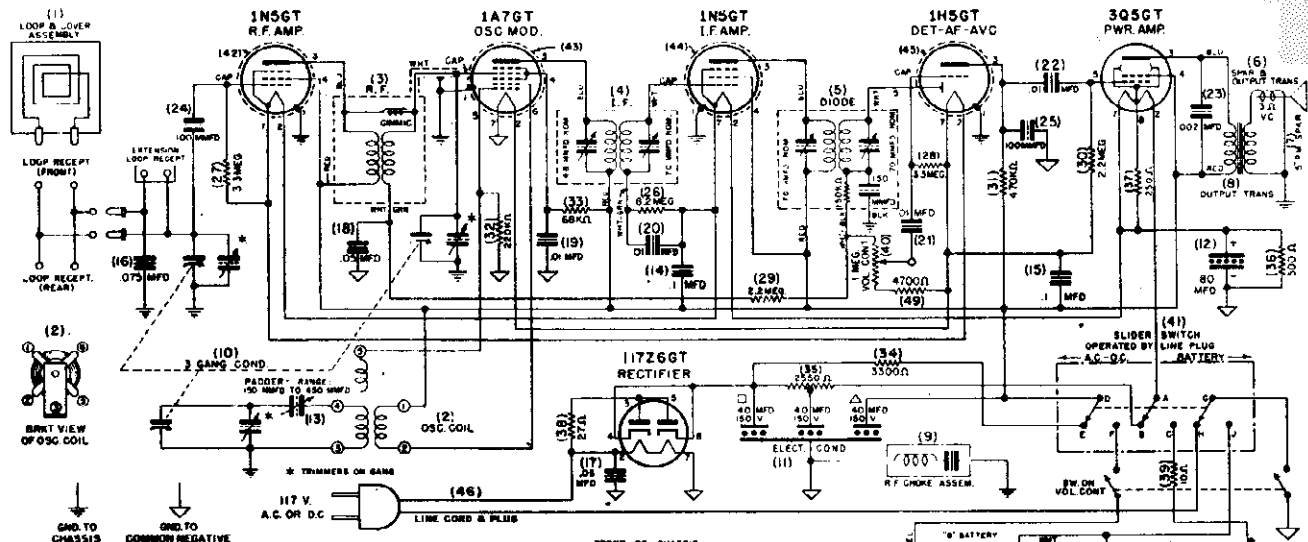
MODEL 51D  
MODEL 52D

37 'A' BAT. 1 V. 38A 38B 'B' BAT. 45 V.

TOP VIEW  
OF PLUGS

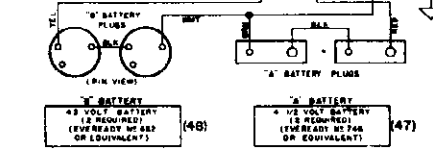
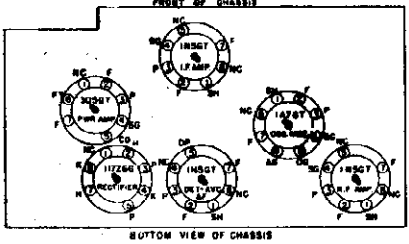
GALVIN MFG. CO.

MODELS 61L11, 61L12



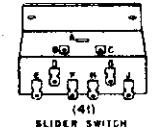
I.F. = 455 KC  
 FREQUENCY RANGE  
 535 KC TO 1600 KC

MODELS  
 61L11  
 61L12



VOLTAGE CHART

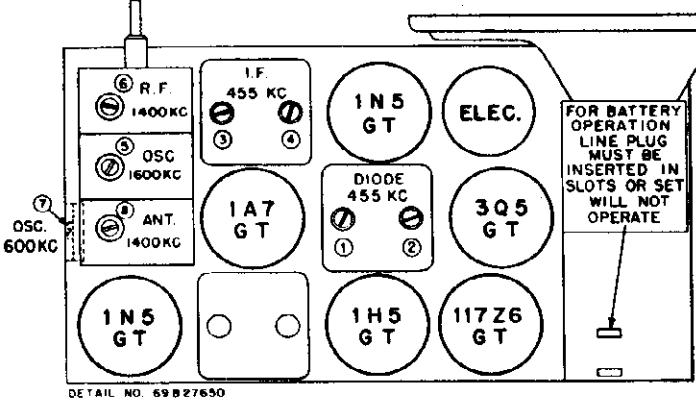
TUBE	PLATE TO B-	SCREEN TO B-	GRID PLATE TO B-
1N5GT R.F. AMP	85V	85V	—
1A7GT OSC MOD	85V	40V	85V
1N5GT I.F. AMP	85V	85V	—
1H5GT DET-AM-AVC	30V	—	—
3Q5 PWR AMP	80V	85V	—
117Z6 RECT.	LINE VOLTAGE (117V)	—	125V AT CATN.



CURRENT DRAIN

	A.C. BATT	D.C. BATT
"A"	48 MA	45 MA
"B"	14 MA	14.5 MA

NOTE: ALL VOLTAGES MEASURED ON A 4000 OHMS PER VOLT VOLTMETER, 117V. A.C. OR BATTERY INPUT. MAX. PWR OUTPUT 500 MILLIWATTS.



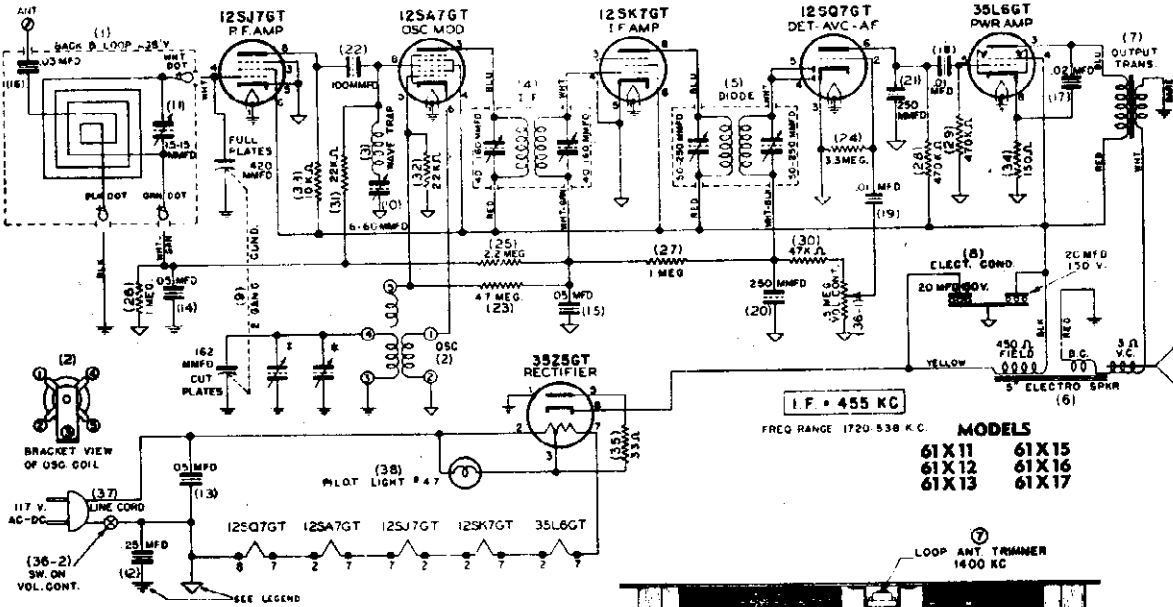
Models 61L11 & 61L12

- 1 24X27467 Front Cover & Loop (Model 61L12)
- 24X25846 Front Cover & Loop (Model 61L11)
- 2 24A25936 Oscillator Coil
- 3 1X25906 R.F. Coil & Shield Assembly
- 4 1X25904 I.F. Coil & Shield Assembly
- 5 1X25902 Diode Coil & Shield Assembly
- 6 50B25891 Speaker & Output Transformer
- 7 50K25892 Speaker (5" P.M.) Only
- 8 25K25893 Output Transformer Only
- 9 1A25935 R.F. Choke Assembly
- 10 19B25923 Variable Condenser (3 Gang)
- 11 23A25889 Elect. Condenser (40-40 MFD/150V)
- 12 23A25888 Elect. Condenser & Strap (80 MFD-25V)
- 13 27A25899 Padder Condenser (Range 150 MFD To 450 MFD)
- 14 8S9806 Tubular Condenser (.1-200V)
- 15 8S9806 Tubular Condenser (.1-200V)
- 16 8A25559 Tubular Condenser (.075-200V)
- 17 8S9816 Tubular Condenser (.05-400V)
- 18 8S9805 Tubular Condenser (.05-100V)
- 19 8S9825 Tubular Condenser (.01-200V)
- 20 8A25939 Tubular Condenser (.01-100V)
- 21 8S9801 Tubular Condenser (.01-100V)
- 22 8S9801 Tubular Condenser (.01-100V)
- 23 8S9824 Tubular Condenser (.002-400V)

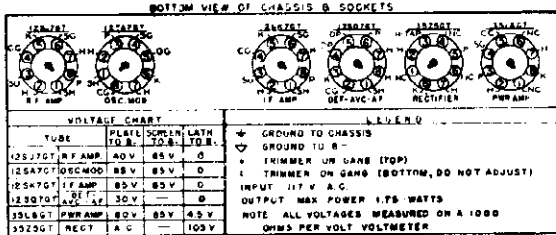
- 24 21B6511 Molded Mica Cond. (100 MFD) 20%
- 25 21B6511 Molded Mica Cond. (100 MFD) 20%
- 26 6B6310 Carbon Resistor (8.2 Meg-1/3-20) Ins.
- 27 6B6201 Carbon Resistor (3.3 Meg-1/3-20) Ins.
- 28 6B6201 Carbon Resistor (3.3 Meg-1/3-20) Ins.
- 29 6B6202 Carbon Resistor (2.2 Meg-1/3-20) Ins.
- 30 6B6202 Carbon Resistor (2.2 Meg-1/3-20) Ins.
- 31 6B6160 Carbon Resistor (470,000-1/3-20) Ins.
- 32 6B6349 Carbon Resistor (220,000-1/3-10) Ins.
- 33 6B6256 Carbon Resistor (68,000-1/3-20) Ins.
- 34 6B6084 Carbon Resistor (3,300-1/3-20) N.I.
- 35 17A25877 W.W. Resistor (2550-5-5)
- 36 6B6461 Carbon Resistor (500-1/3-10) Ins.
- 37 6B6404 Carbon Resistor (250-1/3-10) Ins.
- 38 6B6241 Carbon Resistor (27-1/2-10) N.I.
- 39 6B6418 Carbon Resistor (10-1/3-10) Ins.
- 40 18A25882 Vol. Control & Switch (1 Meg)
- 41 40A27114 Slider Switch & Bracket
- 42 26A14760 Tube Shield (Bantam)
- 43 26A14760 Tube Shield (Bantam)
- 44 26A14760 Tube Shield (Bantam)
- 45 26A14760 Tube Shield (Bantam)
- 46 30B20329 Line Cord & Plug (6 Ft.)
- 47 48X20379 "A" Battery (4-1/2 Volt) (2 Required) (Eveready #746 or Equivalent)
- 48 48X16844 "B" Battery (45 Volt) (2 Required) (Eveready #482 or Equivalent)
- 49 6B6203 Carbon Resistor (.4,700-1/3-20) Ins.

MODELS 61X11, 61X12, 61X13  
61X15, 61X16, 61X17

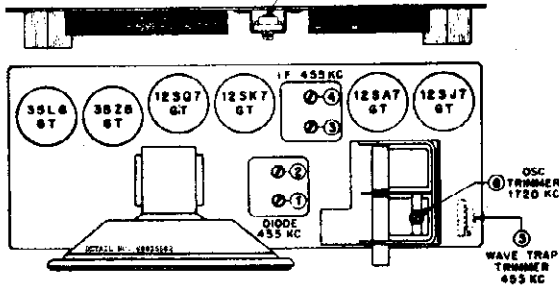
GALVIN MFG. CO.



MODELS  
61X11 61X15  
61X12 61X16  
61X13 61X17



TUBE	PLATE	SCREEN	LATH	GROUND TO CHASSIS
125J7GT P.F. AMP	AD5	85V	0	GROUND TO B-
125A7GT OSC MOD	85V	85V	0	TRIMMER ON GANG (TOP)
125K7GT I.F. AMP	85V	85V	0	TRIMMER ON GANG (BOTTOM, DO NOT ADJUST)
125Q7GT DET.-AVC.-AF	30V	0	0	INPUT 117 V. A.C.
35L6GT PWR AMP	30V	85V	45V	OUTPUT MAX POWER 1.75 WATTS
35Z5GT RECT. A.C.	0	105V	0	NOTE: ALL VOLTAGES MEASURED ON A 1000 OHMS PER VOLT VOLTMETER



POINTER AND GANG DRIVE CORD RESTRAINING INSTRUCTIONS

1. Remove the chassis from cabinet.
2. Remove broken string.
3. Turn gang to fully meshed position.
4. Cut a 35" length of 30 lb. silk cord.
5. Tie one end of cord to tension spring (Part No. 41A14111).
6. Hook other end of spring to gang drive pulley
7. Pass cord through slot in gang drive pulley and wind, in a counter-clockwise direction, around and down to tuning shaft.

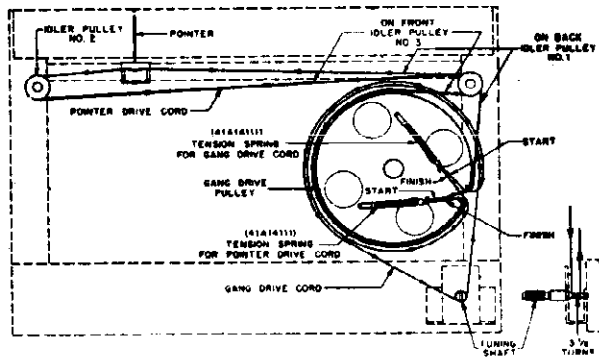
8. Wind cord 3-1/2 turns counter-clockwise around tuning shaft exactly as shown in Fig. 2.
9. Route cord up and wind one full turn around gang drive pulley, in a counter clockwise direction, to slot.
10. Pass cord through slot and tie cord to spring.
- NOTE: Before tying cord, adjust length so that spring will exert a light pull on cord.
11. Place a drop of shellac on cord knot.

POINTER DRIVE CORD

1. Remove the chassis from cabinet.
2. Remove broken string.
3. Turn gang to fully meshed position.
4. Cut a 40" length of 30 lb. silk cord.
5. Tie one end of cord to tension spring (Part No. 41A14111).
6. Hook other end of spring to gang drive pulley
7. Pass cord through slot in gang drive pulley and route cord upward to idler pulley No. 1 (Back pulley).
8. Route cord in a counter-clockwise direction around idler pulley No. 1 and across chassis to idler pulley No. 2.
9. Continue in a counter-clockwise direction around idler pulley No. 2 and back across chassis to idler pulley No. 3 (Front Pulley).

10. Continue in a clockwise direction around idler pulley No. 3 and in a counter-clockwise direction around gang drive pulley to slot.
11. Pass cord through slot and tie to spring.
- NOTE: Before tying cord, adjust length so that spring will exert a light pull on cord.
12. Replace pointer on cord. To calibrate, tune in a station of known frequency and adjust pointer on cord to indicate station frequency. Fasten to cord with a drop of shellac.
13. Place a drop of shellac on cord knot.

MODELS  
51 F 12  
61 x 11  
61 x 12  
61 x 13



GALVIN MFG. CO.

MODELS 61L11, 61L12  
 MODELS 61X11, 61X12, 61X13  
 61X15, 61X16, 61X17

MODELS 61L11, 61L12  
 SENSITIVITY AND STAGE GAIN MEASUREMENTS

Average Microvolt Input	Generator Set At	Generator Feeder Connected To	Dummy Antenna Capacity	Leak Resistance	Output Meter Reading
5500	455	I.F. Grid	.1 Mfd.	.5 Meg.	.38
105	455	Mod. Grid	.1 Mfd.	.5 Meg.	.38
110	600	Mod. Grid	.1 Mfd.	.5 Meg.	.38
6	600	R.F. Grid	.1 Mfd.	None	.38

MODELS 61X11, 61X12, 61X13, 61X15, 61X16, 61X17  
 SENSITIVITY AND STAGE GAIN MEASUREMENTS

Average Microvolt Input	Generator Set At	Generator Feeder Connected To	Dummy Antenna Capacity	Leak Resistance	Output Meter Reading
4750	455 K.C.	I.F. Grid	.1 Mfd.	.5 Meg.	.38
110	455 K.C.	Mod. Grid	.1 Mfd.	.5 Meg.	.38
55	600 K.C.	Mod. Grid	.1 Mfd.	.5 Meg.	.38
7	600 K.C.	R.F. Grid	.1 Mfd.	.5 Meg.	.38
6	600 K.C.	Ant.Terminal	200 Mmfd.	None	.38

OUTPUT METER CONNECTED ACROSS SPEAKER VOICE COIL; .38 VOLT  
 CORRESPONDS TO AN OUTPUT OF .05 WATT.

MODELS

61 L 11 61 L 12

ALIGNMENT CHART

Operations In Order	Gang Condenser Set At	Dummy Antenna	Generator Connected To	Adjust Trimmers No.	Generator Set At
1	Minimum	.1 Mfd.	Osc.Mod.Grid	1-2-3-4	455 K.C.
2	Minimum*	.1 Mfd.	R.F. Grid	5	1600 K.C.
3	1400 K.C.	.1 Mfd.	R.F. Grid	6	1400 K.C.
4	600 K.C.	.1 Mfd.	R.F. Grid	7**	600 K.C.
5	1400 K.C.	None	***	8	1400 K.C.
6	Repeat above steps for maximum accuracy.				

- \* Adjust pointer to zero.
  - \*\* Rock condenser until greatest output is obtained.
  - \*\*\* Connect output of signal generator to a 5" diameter 3 turn loop. With volume on full and output meter connected across voice coil bring loop close enough to receiver loop (receiver loop should be 1 front up position) until an output of 50 Milliwatts is obtained. 50 Milliwatts = .38 Volts on output meter.
- Vary distance between generator and receiver loop to maintain this output during alignment.  
 NOTE: Trimmer No. 8 is adjusted with chassis in cabinet.

MODELS

61X11 61X12 61X13 61X14 61X15 61X16 61X17

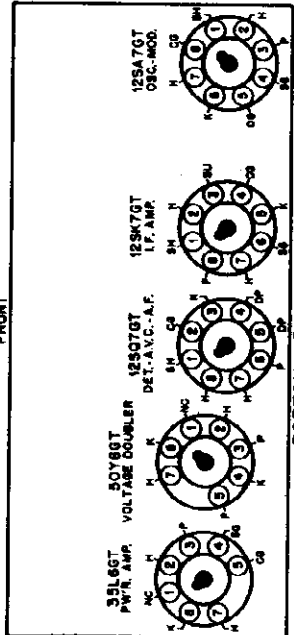
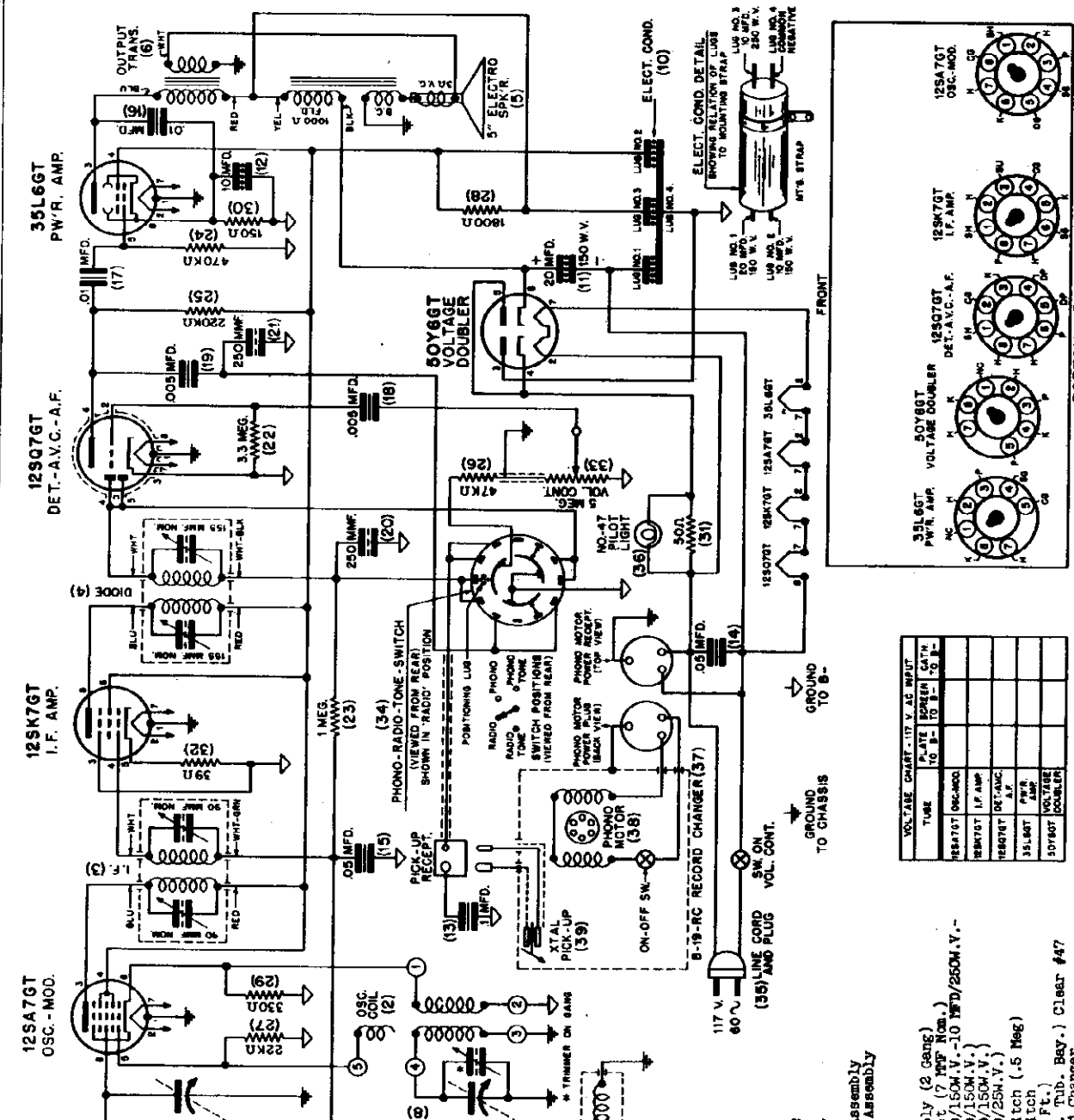
ALIGNMENT CHART

Operations In Order	Gang Condenser Set At	Dummy Antenna	Generator Connected To	Adjust Trimmers No.	Generator Set At
1	Minimum	.1 Mfd.	R.F. Grid	1-2-3-4	455 K.C.
2	Minimum	.1 Mfd.	R.F. Grid	5*	455 K.C.
3	1720 K.C.	.1 Mfd.	R.F. Grid	6	1720 K.C.
4	1400 K.C.	200 Mmfd.	Ant.Terminal	7	1400 K.C.

\* Adjust for Minimum Response (I.F. Wave Trap)

MODEL 51F12

GALVIN MFG. CO.



VOLTAGE CHART - 117 V. AC INPUT

TUBE	PLATE SCREEN CATH	TO B-	TO B-	TO B-
12SA7GT	OSC.-MOD.			
12SK7GT	I.F. AMP.			
12SQ7GT	DET.-A.V.C.			
35L6GT	P.W. AMP.			
50Y6GT	VOLTAGE DOUBLER			

I.F. = 455 KC  
 FREQUENCY RANGE  
 530 KC TO 1720 KC

- Model 51F12
- |    |          |   |
|----|----------|---|
| 1  | 1X30738  | Back & Loop Assembly                      |
| 2  | 24A26942 | Oscillator Coil                           |
| 3  | 1X30645  | I.F. Coil & Shield Assembly               |
| 4  | 1X30471  | Diode Coil & Shield Assembly              |
| 5  | 50R31087 | Speaker (5" Electro)                      |
| 6  | 25A2053  | Output Transformer                        |
| 7  | 1K31408  | R.F. Choke Assembly (2 Gang)              |
| 8  | 1Y26949  | Gang & Pulley Assembly (7 MPF Nom.)       |
| 9  | 20A18740 | Trimmer & "U" Bracket (10 MPF/150M.V.)    |
| 10 | 23A31059 | Elect. Cond. (20 MPF/150M.V.)             |
| 11 | 23A30679 | Elect. Cond. (20 MPF/150M.V.)             |
| 12 | 25A22535 | Elect. Cond. (20 MPF/150M.V.)             |
| 33 | 18A14629 | Volume Control & Switch (.5 Meg)          |
| 34 | 40A30749 | Phono-Radio-Tone Switch                   |
| 35 | 50A151   | Line Cord & Plug (6 Ft.)                  |
| 36 | 65X11854 | Bulb (6.3V.-.15 Amp, Tub. Bay.) Clear #47 |
| 37 | 1K30760  | Model B-19-RC Record Changer              |
| 38 | 59B27687 | Phono Motor & Mounting Plate (117V.-60C)  |
| 39 | 59K30759 | Crystal Pickup                            |



MODEL 71A

GALVIN MFG. CO.

ALIGNMENT PROCEDURE

MODEL 71-A

1. Connect signal generator to control grid of modulator tube through a .1 MFD. condenser and to chassis ground. Do not remove grid cap. Connect output meter across speaker voice coil. Turn band switch to "Broadcast" position. Turn condenser gang completely out of mesh.
2. Set signal generator at 455 K.C. and carefully adjust the four I.F. trimmers (located in top of I.F. coil cans) to point showing highest reading on output meter.
3. Leave band switch in "Broadcast" position. Connect signal generator to antenna lead and chassis, using a 200 MF. condenser in antenna lead.
4. Set signal generator and receiver dial both at 1750 K.C. Adjust B.C. Oscillator trimmer until 1750 K.C. signal is heard.
5. Set signal generator at 1400 K.C. and turn condenser gang to the signal at 1400 K.C. Adjust B.C. Antenna trimmer to point showing highest reading on output meter.
6. Set signal generator at 600 K.C. and rock pointer at 600 K.C. position on dial scale while adjusting B.C. padder until combination is found which gives highest output reading.
7. Turn band switch to "Police" position. Connect antenna lead to signal generator through a 400 ohm resistor.
8. Set signal generator and receiver dial both at 5.7 M.C. Adjust police oscillator trimmer until 5.7 M.C. signal is heard.
9. Set signal generator at 5.5 M.C. and turn conden-

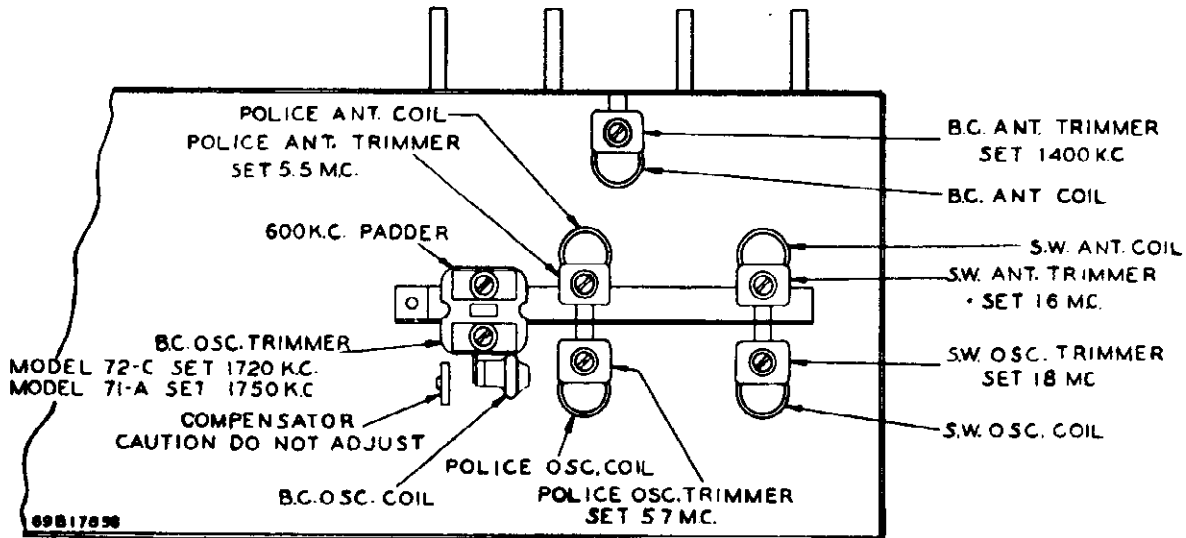
- ser gang to signal at 5.5 M.C. Adjust Police Antenna trimmer to point giving greatest output reading while slightly rocking condenser gang.
10. Turn band switch to "Short Wave" position, still using 400 ohm carbon resistor in antenna lead to signal generator.
11. Set signal generator and receiver dial both at 18.0 M.C. Adjust S.W. Oscillator trimmer until 18.0 M.C. signal is heard.
12. Set signal generator at 16 M.C. and turn condenser gang to the signal at 16 M.C. Adjust S.W. Ant. trimmer to point giving greatest output reading, while slightly rocking condenser gang.
13. Padders on "Police" and "Short Wave" bands are fixed.

Note: Under no circumstances should "Police" and "Short Wave" padder be adjusted.

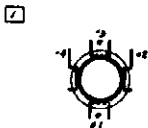
MODEL 72-C

( SAME AS 71-A EXCEPT FOR THE FOLLOWING STEPS: )

1. Loop must be connected to chassis during alignment.
3. Connect signal generator to antenna lead through 400 ohm resistor.
4. Adjust for 1720 K.C. instead of 1750 K.C.
5. Model 72C has no antenna trimmer. Continue alignment as for Model 71-A.



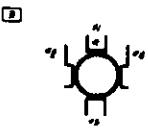
TWO TYPES OF COILS HAVE BEEN USED WHICH ARE IDENTICAL EXCEPT FOR LEAD POSITIONS. COILS OF TYPE A AND TYPE B ARE IDENTICAL EXCEPT FOR LEAD POSITIONS. COILS SHOWN WITH SHOWN LEADS OF TYPE



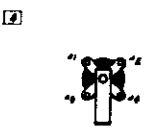
BC ANT. COIL CONNECTIONS (TYPE A)  
1 ON TYPE A "2" LEAD IS PLACED UNDER #3 LEAD



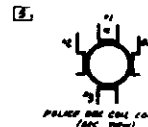
POLICE ANT. COIL CONNECTIONS (TYPE A)  
1 ON TYPE A "2" LEAD IS PLACED UNDER #3 LEAD



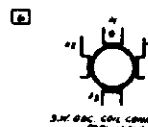
S.W. ANT. COIL CONNECTIONS (TYPE A)  
1 ON TYPE A "2" LEAD IS PLACED UNDER #3 LEAD



BC OSC. COIL CONNECTIONS (TYPE A)  
1 ON TYPE A "2" LEAD IS PLACED UNDER #3 LEAD



POLICE OSC. COIL CONNECTIONS (TYPE A)  
1 ON TYPE A "2" LEAD IS PLACED UNDER #3 LEAD



S.W. OSC. COIL CONNECTIONS (TYPE A)  
1 ON TYPE A "2" LEAD IS PLACED UNDER #3 LEAD



BAND SWITCH RIGHT SECTION (TYPE A)  
IN "B.C." POSITION



BAND SWITCH LEFT SECTION (TYPE A)  
IN "B.C." POSITION

MODEL 71-A



MODEL 71A  
MODEL 72C

## GALVIN MFG. CO.

## SENSITIVITY AND STAGE GAIN MEASUREMENTS

## 71-A AND 72-C

All stage gain measurements must be made with volume control set for full volume and tone control in treble position. The shielded lead from the signal generator is connected to the grid terminal of the tube through a .1 MF condenser with a 500 M ohm resistor connected as a leak resistor between the grid of the tube and the grid lead which has been removed.

To measure overall sensitivity of the Model 72-C, connect the signal generator to the coupling turn in the loop, using a 400 ohm dummy. The lead, including the resistor, should be thoroughly shielded and the receiver must be at least 3 feet away from the signal generator.

## MODEL 71-A

Microvolt Input *	Generator Set at	Generator Connected to	Dummy Antenna Capacity	Leak Resistance	Output Meter **
2500	455	I.F. Grid	.1 Mfd	.5 Meg	.38 Volt
35	455	Mod. Grid	.1 Mfd	.5 Meg	.38 Volt
40	600	Mod. Grid	.1 Mfd	.5 Meg	.38 Volt
10	600	Ant. Lead	200 mmf.	None	.38 Volt

\* For .05 Watts output. \*\* Output meter connected across voice coil.

## MODEL 72-C

Microvolt Input *	Generator Set at	Generator Connected to	Dummy Antenna Capacity	Leak Resistance	Output Meter Reading **
2100	455	I.F. Grid	.1	.5 meg	.38 volts
35	455	Mod. Grid	.1	.5 meg	.38 volts
45	600	Mod. Grid	.1	.5 meg	.38 volts
7	600	Ant. Lead	400 ohms	none	.38 volts

\* For .05 Watts output

\*\* Output meter connected across voice coil

## VOLTAGE CHART 71-A

TUBE	POSITION	PLATE	SCREEN	CATHODE	OSC. GRID	ANODE GRID
6A7	Mod.-Osc.	165	90	3	12	165
6D6	I.F.	165	90	3	-	-
6SQ7GT	Inverter	105	-	-	-	-
6SQ7GT	Driver	105	-	-	-	-
25B6G	Output	210	170	31	-	-
25B6G	Output	210	170	31	-	-
25Z5	Rect.	117	-	208	-	-

Line Voltage 117 AC 60 Cycle All Reading to B minus Volume control set at Maximum

## VOLTAGE CHART 72-C

TUBE	POSITION	PLATE	SCREEN	CATHODE	OSC. PLATE
6A9GT	Mod.-Osc.	185	80	1.3	110
6K7GT	I.F.	185	80	1.2	-
6SQ7GT	Det.-AVC-A.F.	95	-	0	-
6SQ7GT	Phase Inv.	95	-	0	-
6V6G	Output	260	185	8.2	-
6V6G	Output	260	185	8.2	-
5W4GT	Rect.	AC	-	260	-

Line Voltage 117 AC. 60 cycle Measurements are from socket terminal indicated to chassis ground using 1000 ohms per volt meter. Volume control set at maximum

MODEL 71A

GALVIN MFG. CO.

MODEL 71-A SCHEMATIC DIAGRAM PARTS LIST

Diag. No.	Part No.	Description	Diag. No.	Part No.	Description
1	24A17043	B.C. Antenna Coil (Violet & Black Dots)	26	8S9813	Tubular Condenser (.005-600V.)
2	24A16787	Police Antenna Coil	27	8S9801	Tubular Condenser (.01-100V.)
3	24A16788	S. W. Antenna Coil	28	21B6503	Molded Mica Cond. (50 mmf) 20%
4	24K17049	B.C. Osc. Coil (Violet & Brown Dots)	29	21B6511	Molded Mica Cond. (100 mmf) 20%
5	24A16789	Police Oscillator Coil	30	21B6500	Molded Mica Cond. (500 mmf) 20%
6	24A16790	S. W. Oscillator Coil	31	6B6071	Carbon Res. (1 meg-1/3-20) N.I.
7	1X17014	I.F. Coil & Shield Assembly	32	6B6122	Carbon Res. (220,000-1/3-10) N.I.
8	1X17032	Diode Coil & Shield Assembly	33	6B6130	Carbon Res. (150,000-1/3-10) N.I.
9	25A16761	Output Transformer	34	6B6020	Carbon Res. (47,000-1/3-20) N.I.
10	50B16808	Speaker (8" Electro) & Cable	35	6B6088	Carbon Res. (22,000-1/2-20) N.I.
11	1X14887	Tuner, Gang & Pulley	36	6B6101	Carbon Res. (4700-1/3-20) N.I.
12	20A16803	Trimmer & L Brkt. (2-22) R.H.	37	6B6226	Carbon Res. (150-1/3-20) N.I.
13	20K16825	Trimmer & L Brkt. (2-22) L.H.	38	6B6227	Carbon Res. (10-1/3-10) N.I.
14	20K10996	B. C. Trimmer & Padder	39	17X15296	Ins. W. W. Resistor (50-5-10)
15	20K17439	S. W. Padder (4200 mmf)	40	17X15296	Ins. W. W. Resistor (39-5-10)
16	20A17439	Police Padder (2500 mmf)	41	6B6123	Carbon Res. (10,000-1/3-10) N.I.
17	23A16805	Electrolytic Condenser (3 Section)	42	18A17041	Volume Control & Switch (.5 meg)
18	23A16291	Electrolytic Condenser (16-150V.)	43	18A16083	Tone Control (1 meg)
19	8S9802	Tubular Condenser (.02-400V.)	44	40A16796	Band Switch Section (Front)
20	8S9814	Tubular Condenser (.1-100V.)	45	40K16797	Band Switch Section (Rear)
21	8S9805	Tubular Condenser (.06-100V.)	46	20A11047	Compensating Condenser
22	8S9821	Tubular Condenser (.05-200V.)	47	48X10089	Bias Cell
23	8S9807	Tubular Condenser (.1-400V.)	48	26X10881	Tube Shield Shell
24	8S9804	Tubular Condenser (.03-400V.)	49	26X10882	Tube Shield Cap
25	8S9825	Tubular Condenser (.01-200V.)	50	65X12028	Bulb (6.3V-.25 A Tub. Bay.) White
			51	30A151	Line Cord & Plug (6 feet)

MODEL 71-A DIAL CORD INSTRUCTIONS

- Cut a length of 24# test dial drive cord 34 inches long.
- Turn gang to fully meshed position.
- Push dial drive shaft down.
- Thread end of cord thru slot "G" in drive pulley.
- With an ordinary paper clip fastened cord to drive disc "H" to hold in place.
- Wind cord in a clock-wise direction one half turn around the drive pulley and up to the front idler pulley "B".
- Run cord across dial to idler pulley "B" and around it in a clock-wise direction.
- Continue cord back across chassis and over rear idler pulley "C".
- Continue cord down to drive pulley "A" and clockwise around it one and one half turns to the slot "G".
- Knot both ends of cord securely together inside the slot.
- Tie in one end of tension spring.
- Hook the other end of tension spring into hole in drive pulley "A".
- Replace the dial pointer.
- To set pointer to correct frequency, tune in a station of known frequency and adjust position of pointer on string.
- Secure pointer to string with a drop of shellac or good grade household cement.

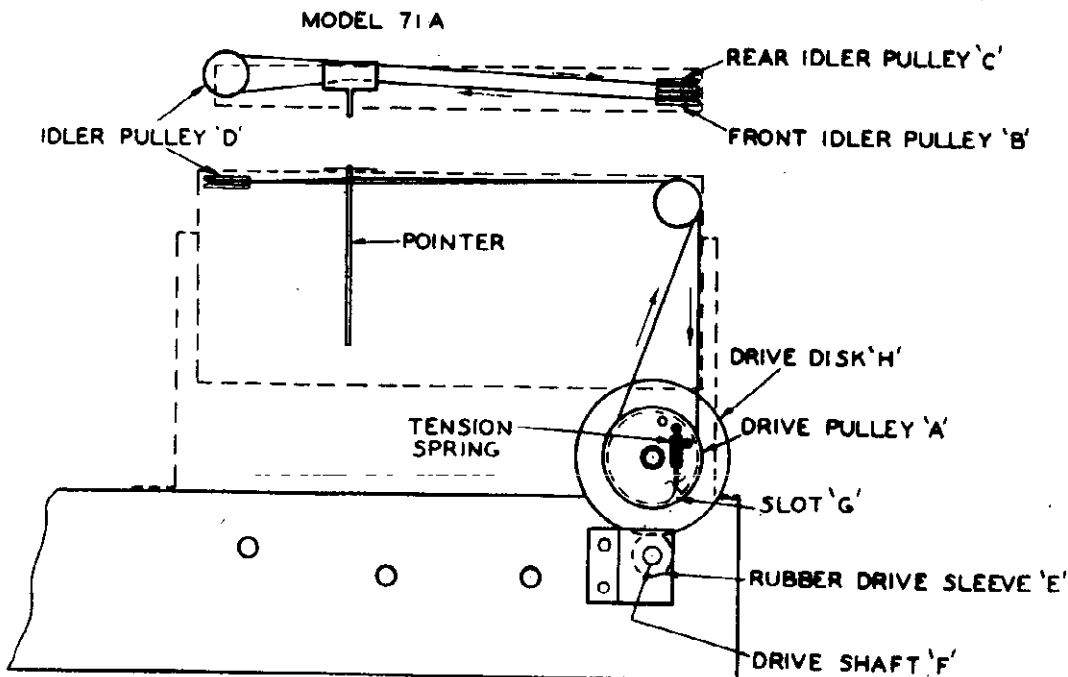
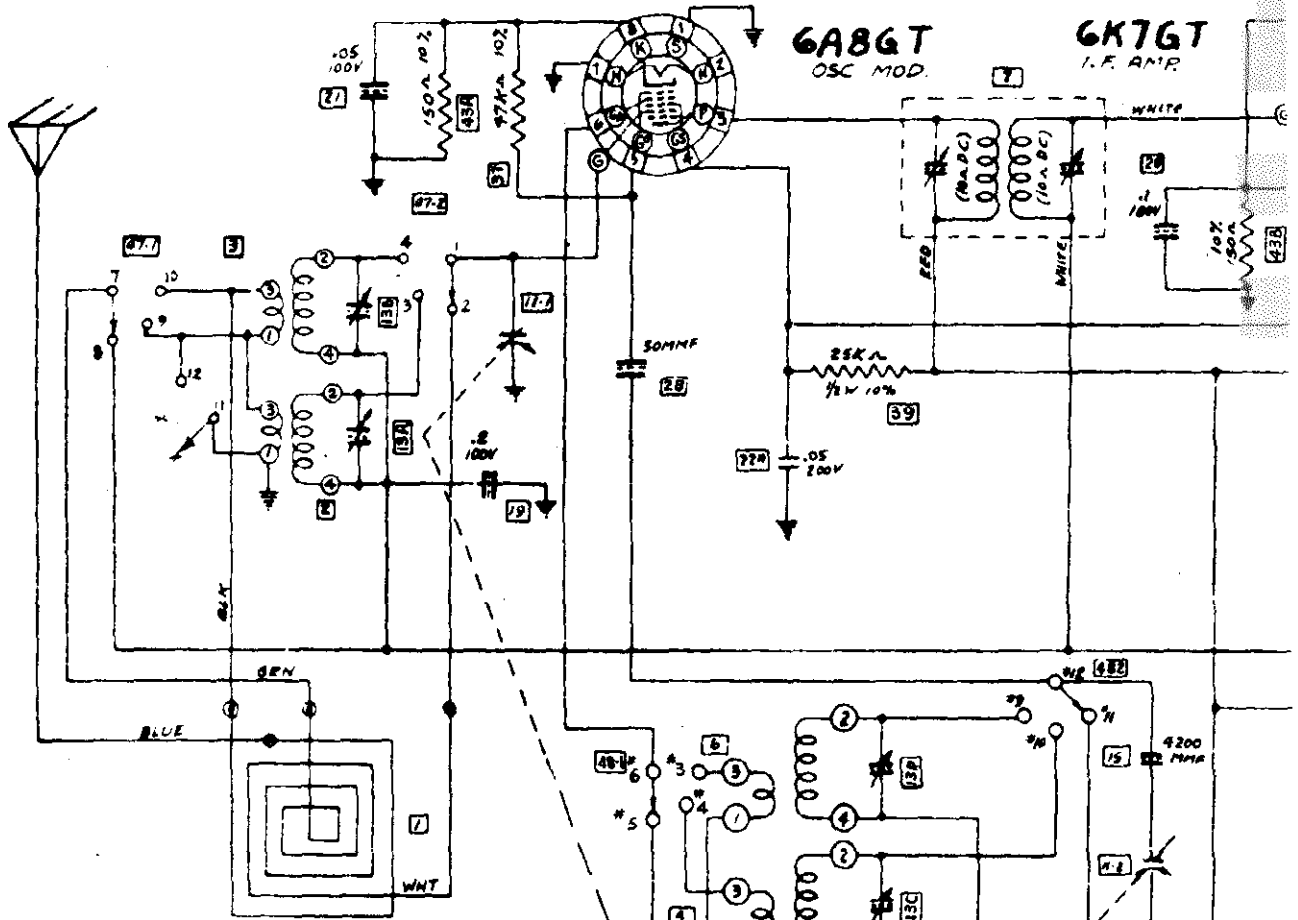


Fig. 21

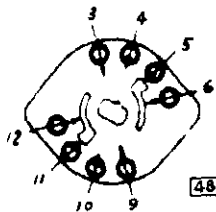
GALVIN ME

6AB6T  
OSC MOD.

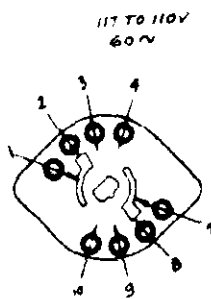
6K7GT  
I.F. AMP.



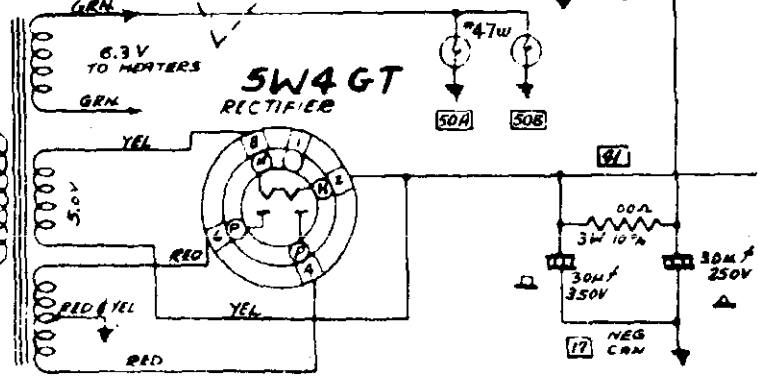
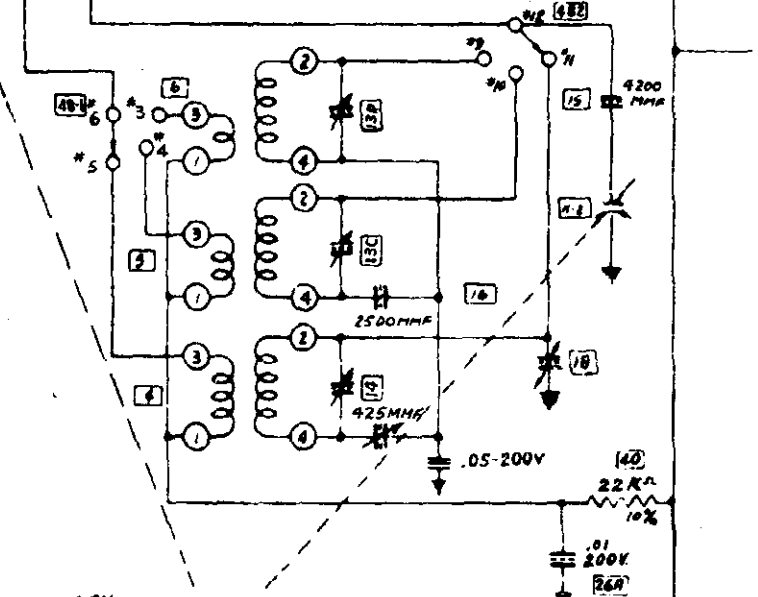
I.F. PEAK 455 KC



BAND SWITCH REAR SECTION  
(LUG VIEW)  
IN B C POSITION



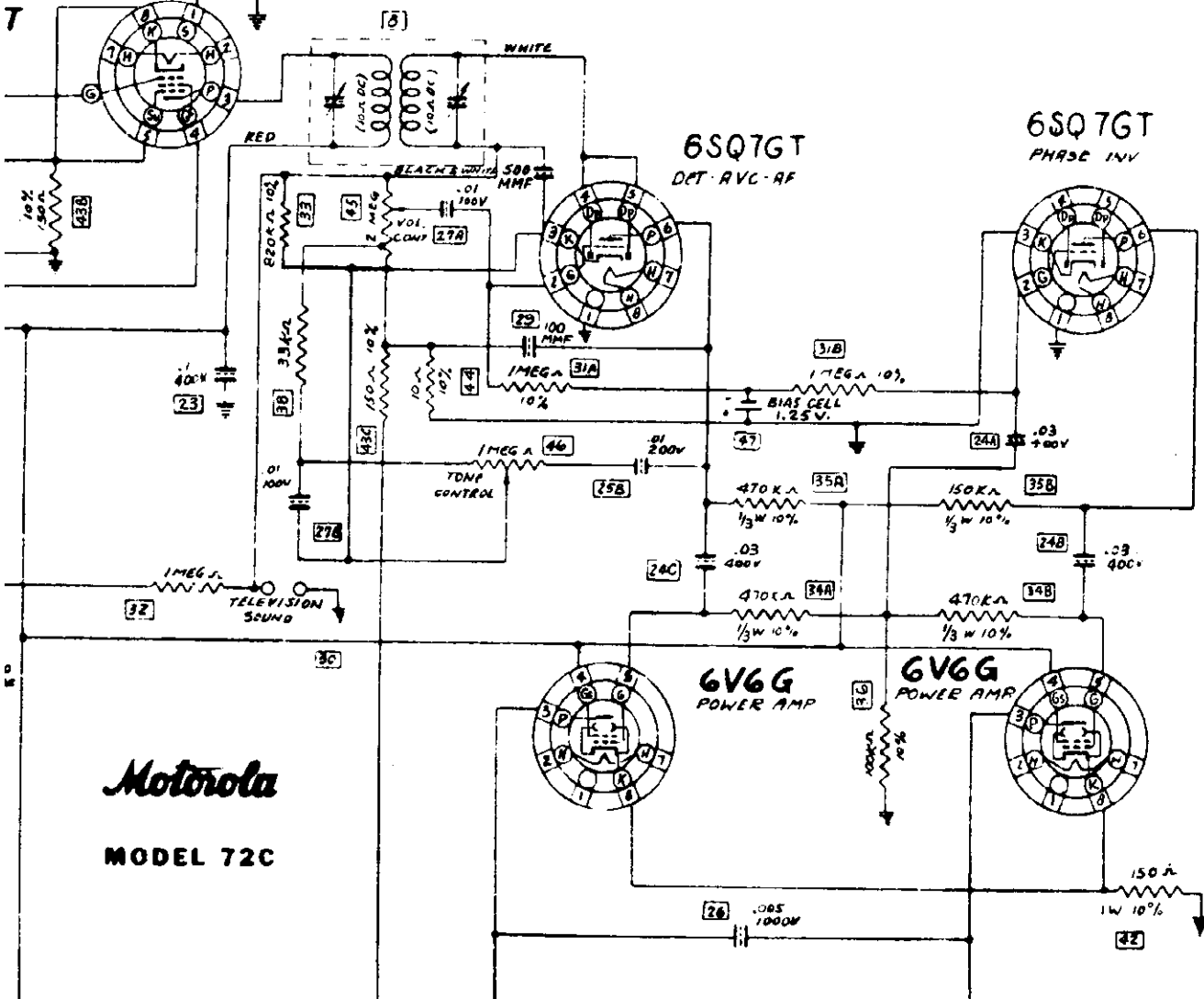
BAND SWITCH FRONT SECTION  
FRONT VIEW  
BROADCAST POSITION



BANDSWITCH FRONT SECTION  
REAR VIEW  
BROADCAST POSITION

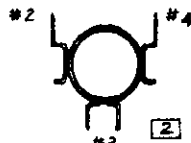
N MFG. CO.

MODEL 72C

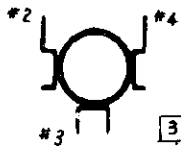


**Motorola**  
MODEL 72C

COILS SHOWN WITH SPRING LUGS AT TOP



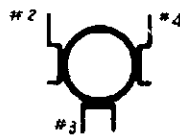
POLKE ANT COIL CONNECTIONS  
#1 LUG IS PLACED UNDER #3 LUG



S.W. ANT COIL CONNECTIONS  
(PRI VIEW)  
#1 LUG IS PLACED UNDER #3 LUG



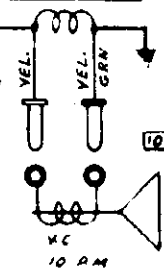
BC OSC COIL CONNECTIONS  
(BRACKET VIEW)



POLKE OSC COIL CONNECTIONS  
(SEC. VIEW)  
#1 LUG IS PLACED UNDER #3 LUG



S.W. OSC COIL CONNECTIONS  
(PRI VIEW)  
#1 LUG IS PLACED UNDER #3 LUG



30K 250V

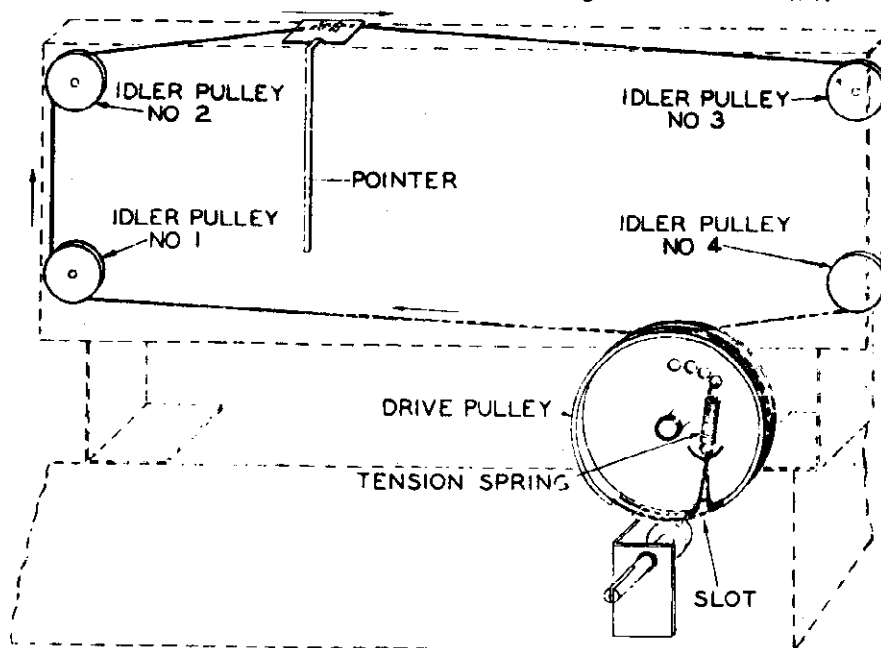
## GALVIN MFG. CO.

## MODEL 72-C SCHEMATIC DIAGRAM PARTS LIST

Diag. No.	Part No.	Description	Diag. No.	Part No.	Description
1	1B16743	Loop Antenna Assembly	26	8S9808	Tubular Condenser (.005-1000V.)
2	24A16787	Police Ant. Coil ("C" Band)	27	8S9801	Tubular Condenser (.01-100V.)
3	24A16788	S. W. Ant. Coil ("D" Band)	28	21B6503	Molded Mica Cond. (50 mmf) 20%
4	24K17049	B. C. Osc. Coil (Vio-Brn)	29	21B6511	Molded Mica Cond. (100 mmf) 20%
5	24A16789	Police Osc. Coil ("C" Band)	30	21B6500	Molded Mica Cond. (500 mmf) 20%
6	24A18790	S. W. Osc. Coil ("D" Band)	31	6B6252	Carbon Res. (1 meg-1/3-10) N.I.
7	1X17492	I. F. Coil & Shield Assembly	32	6B6071	Carbon Res. (1 meg-1/3-20) N.I.
8	1X17493	Diode Coil & Shield Assembly	33	6B6245	Carbon Res. (820,000-1/3-10) N.I.
9	25A17674	Output Transformer	34	6B6246	Carbon Res. (470,000-1/3-10) N.I.
10	50C17711	Speaker (10" P.M.)	35	6B6130	Carbon Res. (150,000-1/3-10) N.I.
11	1X14967	Tuner, Gang & Pulley	36	6B6030	Carbon Res. (100,000-1/3-10) N.I.
12	25B17423	Power Transformer	37	6B6068	Carbon Res. (47,000-1/3-10) N.I.
13	20K16625	Trimmer & L Brkt. (2-22) L.H.	38	6B6037	Carbon Res. (33,000-1/3-10) N.I.
14	20K10996	B. C. Trimmer & Padder	39	6B6248	Carbon Res. (25,000-1/2-10) N.I.
15	20K17439	S. W. Padder (4200 mmf)	40	6B6251	Carbon Res. (22,000-1/3-10) N.I.
16	20A17438	Police Padder (2500 mmf)	41	6B6250	Carbon Res. (3900-3-10) N.I.
17	23A17422	Electrolytic Condenser (FP)	42	6B6253	Carbon Res. (150-1-10) N.I.
18	20A11047	Compensating Condenser	43	6B6247	Carbon Res. (150-1/3-10) N.I.
19	8S9829	Tubular Condenser (.2-100V.)	44	6B6227	Carbon Res. (10-1/3-10) N.I.
20	8S9814	Tubular Condenser (.1-100V.)	45	18A17425	Vol. Cont. & Switch (2 meg)
21	8S9805	Tubular Condenser (.05-100V.)	46	18A16083	Tone Control (1 meg)
22	8S9821	Tubular Condenser (.05-200V.)	47	40A17424	Band Switch Section (Ant.)
23	8S9807	Tubular Condenser (.1-400V.)	48	40K16797	Band Switch Section (Osc.)
24	8S9804	Tubular Condenser (.03-400V.)	49	48X10089	Bias Cell (1W)
25	8S9825	Tubular Condenser (.01-200V.)	50	65X17689	Bulb (6.3V.-15A Tub.Bay.) White #47W
			51	30A151	Line Cord & Plug (6 feet)

## MODEL 72-C - DIAL CORD INSTRUCTIONS

- Cut a length of 24 lb. test dial drive cord 44 inches long.
- Turn gang to fully meshed position.
- Push dial drive shaft down.
- Thread end of cord thru slot in drive pulley. See Fig. 24
- With an ordinary paper clip fasten cord to drive shaft bracket.
- Wind cord in a counter-clockwise direction one and one half turns around drive pulley and across chassis to idler pulley No.1.
- Route cord around idler pulley No.1 and up to idler pulley No.2 as shown in diagram.
- Continue cord across chassis and over to idler pulley No.3.
- Continue cord down to idler pulley No.4 and around it in a clockwise direction to drive pulley and around it in a counter-clockwise direction to slot.
- Knot both ends of cord securely together inside the slot.
- Tie in one end of tension spring.
- Hook the other end of tension spring into hole in drive pulley.
- Lace in the dial pointer.
- To set pointer to correct frequency, tune in a station of known frequency and adjust position of pointer on string.
- Secure pointer to string with a drop of shellac or good household cement.



MODEL FM82

GALVIN MFG. CO.

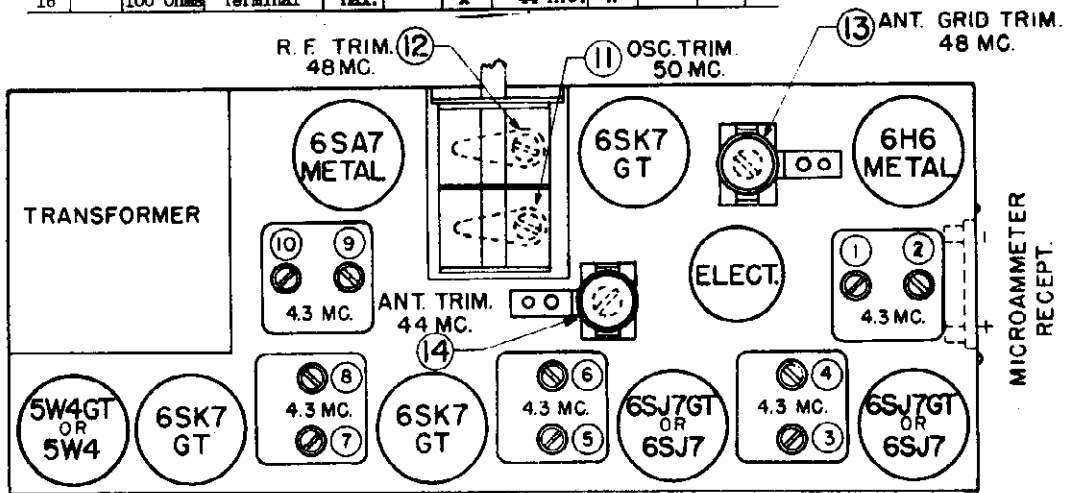
Operations in Order	Generator Set at	Dummy Antenna	Generator Connected to	Tune Trimmer Number	Generator Modulated	400 C.P.F. Generator Unmodulated	Generator Set at	Read Microammeter	Read Output Voltmeter	See Note
1	Min.	Shunted across output terminals of signal generator. 1000 M.M.F. With 10,000 Ohms	2nd Limiter Grid	2 to Min.	X		4.3 M.C.	X	A	
2	Min.		2nd Limiter Grid	1 to Max.	X		4.3 M.C.	X		
3	Min.		2nd Limiter Grid	2 to Min.	X		4.3 M.C.	X		
4	Min.		Ant. Terminal	3 to Max.		X	4.3 M.C.	X		
5	Min.		Ant. Terminal	4 to Max.		X	4.3 M.C.	X		
6	Min.		Ant. Terminal	5 to Max.		X	4.3 M.C.	X		
7	Min.		Ant. Terminal	6 to Max.		X	4.3 M.C.	X		
8	Min.		Ant. Terminal	7 to Max.		X	4.3 M.C.	X		
9	Min.		Ant. Terminal	8 to Max.		X	4.3 M.C.	X		
10	Min.		Ant. Terminal	9 to Max.		X	4.3 M.C.	X		
11	Min.		Ant. Terminal	10 to Max.		X	4.3 M.C.	X		
12	Min.	100 Ohms	Ant. Terminal	11 to Max.		X	50.4 M.C.	X		
13		100 Ohms	Ant. Terminal	12 to Max.		X	48 M.C.	X		
14		100 Ohms	Ant. Terminal	14 to Min.		X	48 M.C.	X	A	
15		100 Ohms	Ant. Terminal	13 to Max.		X	48 M.C.	X		
16		100 Ohms	Ant. Terminal	14 to Max.		X	44 M.C.	X		

**ALIGNMENT**

CONNECT AN AMPLIFIER TO THIS UNIT WHEN ALIGNING  
USE A 0-100 MICROAMMETER

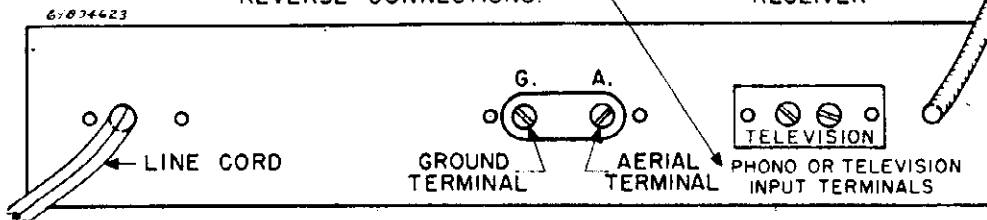
**NOTE A**

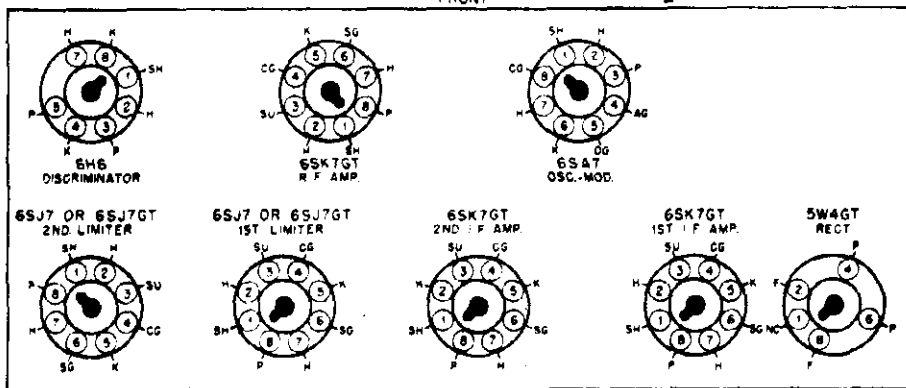
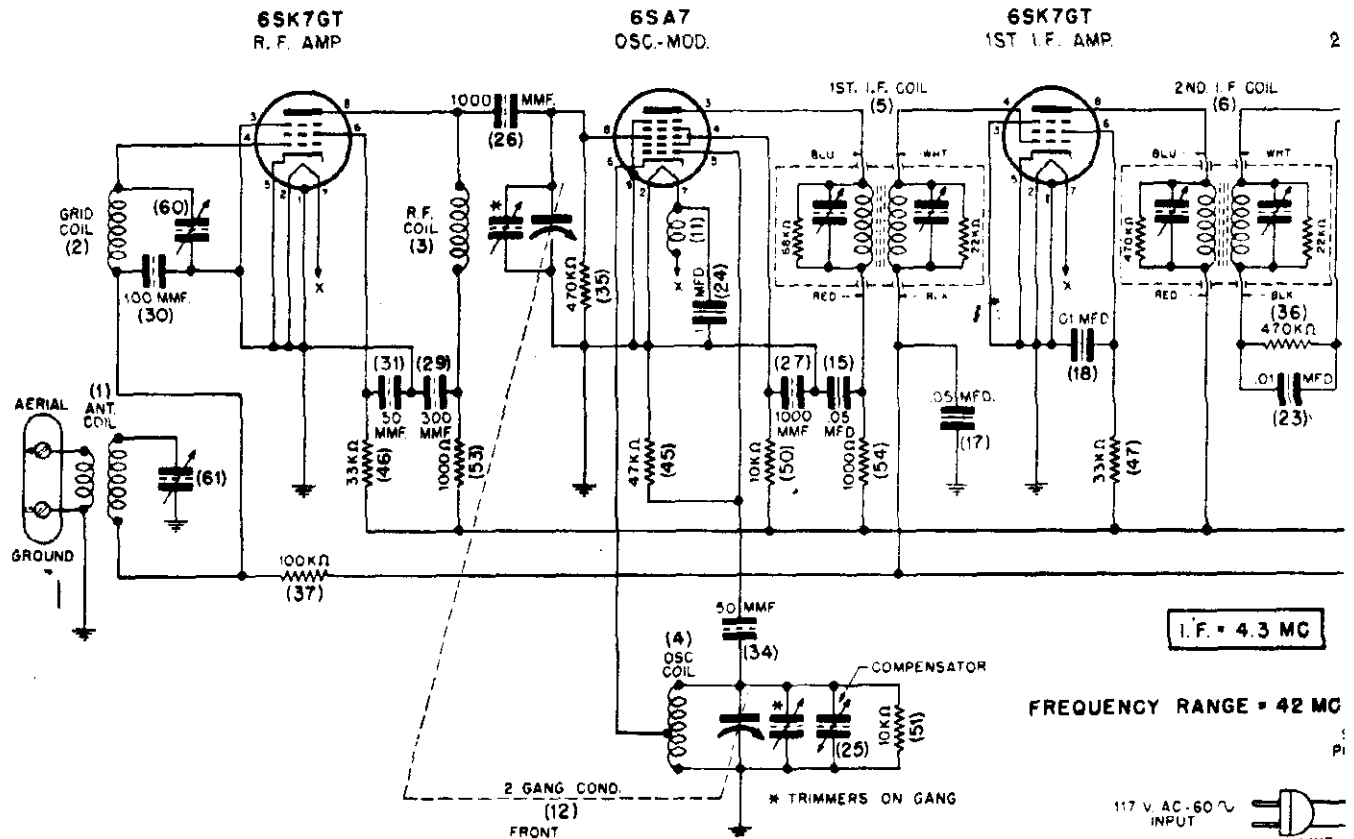
DEFINE BY REDUCING THE TRIMMER CAPACITY. ROTATE THE TRIMMER ADJUSTING SCREW COUNTERCLOCKWISE ONE TURN



NOTE: IF RECEIVER HUMS REVERSE CONNECTIONS.

TO PHONO INPUT TERMINALS ON RECEIVER





BOTTOM VIEW OF CHASSIS

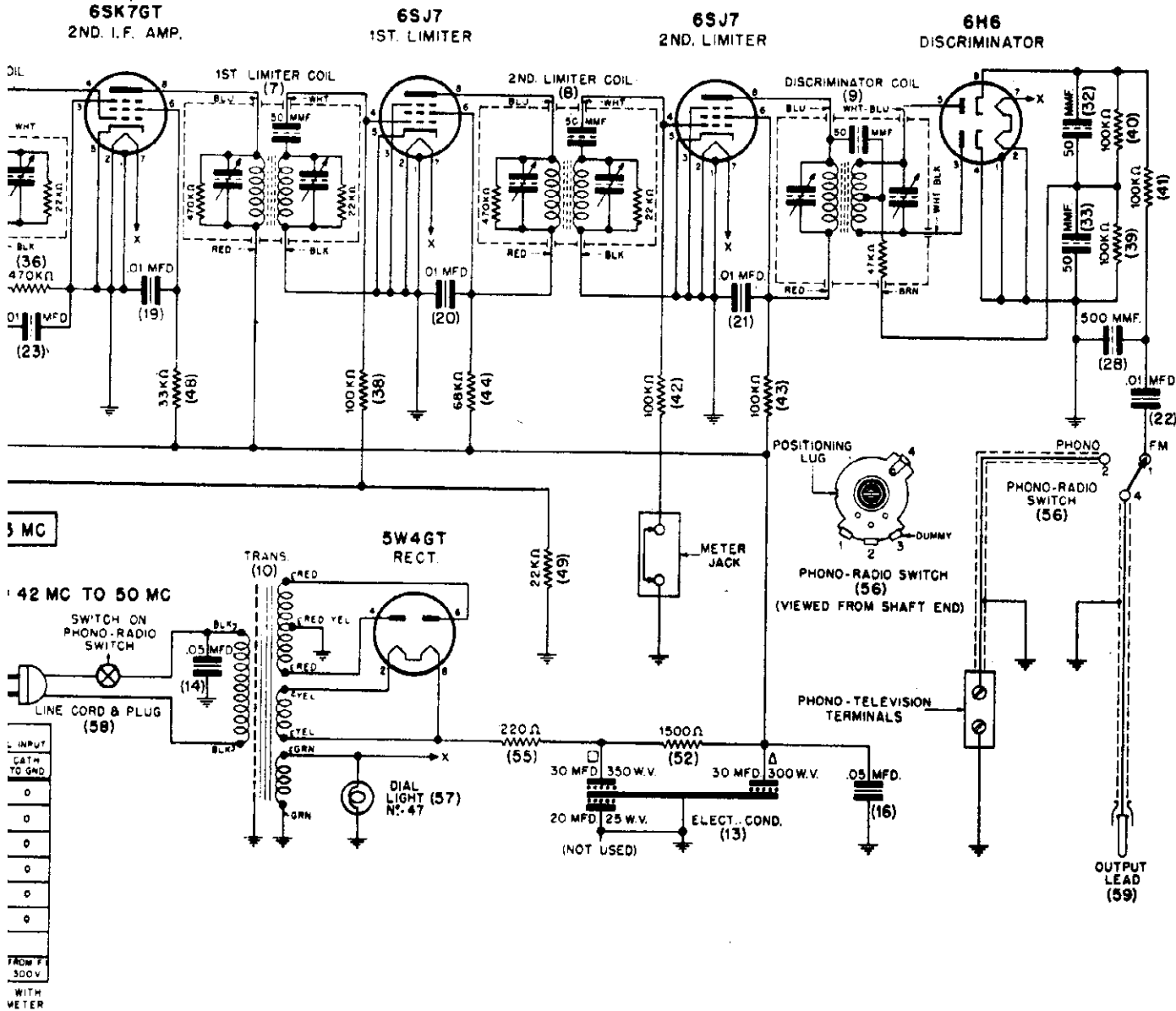
VOLTAGE CHART			
TUBE	PLATE TO GND	SCREEN TO GND	CATH TO GND
6SK7GT R.F. AMP	180V	80V	0
6SA7 OSC. MOD.	185V	110V	0
6SK7GT 1ST I.F. AMP	185V	80V	0
6SK7GT 2ND I.F. AMP	188V	80V	0
6S7 1ST LIMITER	40V	40V	0
6S7 2ND LIMITER	35V	38V	0
6H6 DISCRIM.	---	---	---
5W4GT RECT.	AC	---	FROM P. 300V

NOTE: ALL VOLTAGES MEASURED WITH A 20,000 OHM PER VOLT VOLTMETER

- |    |          |  |    |          |   |
|----|----------|--|----|----------|---|
| 1  | 24A31269 | Antenna Coil   | 15 | 8S9816   | Tubular Condenser (.05 MFD-400V.V.)     |
| 2  | 24A31270 | Grid Coil  | 16 | 8S9816   | Tubular Condenser (.05 MFD-400V.V.)     |
| 3  | 24A31268 | R.F. Coil  | 17 | 8S9805   | Tubular Condenser (.05 MFD-100V.V.)     |
| 4  | 24A31267 | Oscillator Coil  | 18 | 8S9809   | Tubular Condenser (.01 MFD-400V.V.)     |
| 5  | 1X31305  | 1st I.F. Coil & Shield Assembly  | 19 | 8S9809   | Tubular Condenser (.01 MFD-400V.V.)     |
| 6  | 1X31307  | 2nd I.F. Coil & Shield Assembly  | 20 | 8S9809   | Tubular Condenser (.01 MFD-400V.V.)     |
| 7  | 1X31311  | 1st Limiter Coil & Shield Assembly   | 21 | 8S9809   | Tubular Condenser (.01 MFD-400V.V.)     |
| 8  | 1X31313  | 2nd Limiter Coil & Shield Assembly   | 22 | 8S9809   | Tubular Condenser (.01 MFD-400V.V.)     |
| 9  | 1X31315  | Discriminator Coil & Shield Assembly   | 23 | 8A25839  | Tubular Condenser (.01 MFD-100V.V.)     |
| 10 | 25B21248 | Power Transformer  | 24 | 8S9814   | Tubular Condenser (.1 MFD-100V.V.)      |
| 11 | 24X28467 | Heater Choke   | 25 | 20A31711 | Compensating Condenser                  |
| 12 | 1X31337  | Gang & Pulley Assembly (2 Gang)  | 26 | 21B6595  | Molded Mica Cond. (1000MFD-10%-300W.V.) |
| 13 | 23A27718 | Elect. Cond. (30 MFD/350W.V.-30 MFD/300W.V. 20 MFD/25W.V.) (25 MFD Section Not Used) | 27 | 21B6595  | Molded Mica Cond. (1000MFD-10%-300W.V.) |
| 14 | 8A28966  | Tubular Condenser (.05 MFD-600W.V.)  | 28 | 21B6531  | Molded Mica Cond. (500MFD-20%-400W.V.)  |

IN MFG. CO.

MODEL FM-82

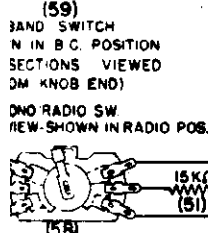
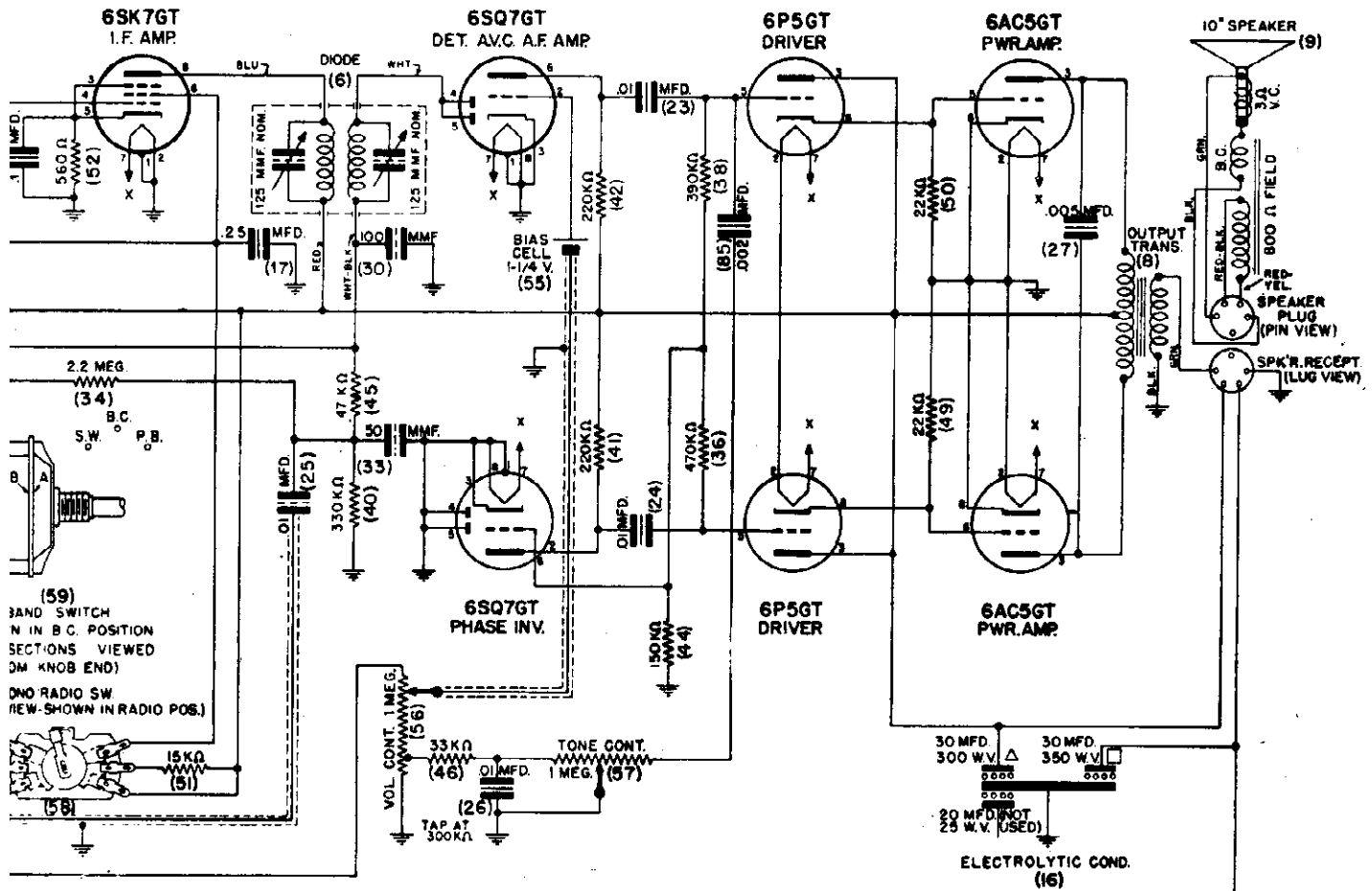


29	21B6608	Molded Mica Cond.	(300MMF-10%-400W.V.)	
30	21B6511	Molded Mica Cond.	(100MMF-20%-400W.V.)	
31	21B6588	Molded Mica Cond.	(50 MTF-20%-400W.V.)	
32	21B6588	Molded Mica Cond.	(50 MTF-20%-400W.V.)	
33	21B6588	Molded Mica Cond.	(50 MTF-20%-400W.V.)	
34	21A26226	Ceramic Tubular Condenser	(50 MMF)	
35	6B6160	Carbon Resistor	(470,000 $\Omega$ -1/3 Watt-20%)	Ins.
36	6B6160	Carbon Resistor	(470,000 $\Omega$ -1/3 Watt-20%)	Ins.
37	6B6165	Carbon Resistor	(100,000 $\Omega$ -1/3 Watt-20%)	Ins.
38	6B6165	Carbon Resistor	(100,000 $\Omega$ -1/3 Watt-20%)	Ins.
39	6B6165	Carbon Resistor	(100,000 $\Omega$ -1/3 Watt-20%)	Ins.
40	6B6165	Carbon Resistor	(100,000 $\Omega$ -1/3 Watt-20%)	Ins.
41	6B6165	Carbon Resistor	(100,000 $\Omega$ -1/3 Watt-20%)	Ins.
42	6B6369	Carbon Resistor	(100,000 $\Omega$ -1/3 Watt-10%)	Ins.
43	6B6030	Carbon Resistor	(100,000 $\Omega$ -1/3 Watt-10%)	N.I.
44	6B6079	Carbon Resistor	(68,000 $\Omega$ -1/3 Watt-10%)	N.I.

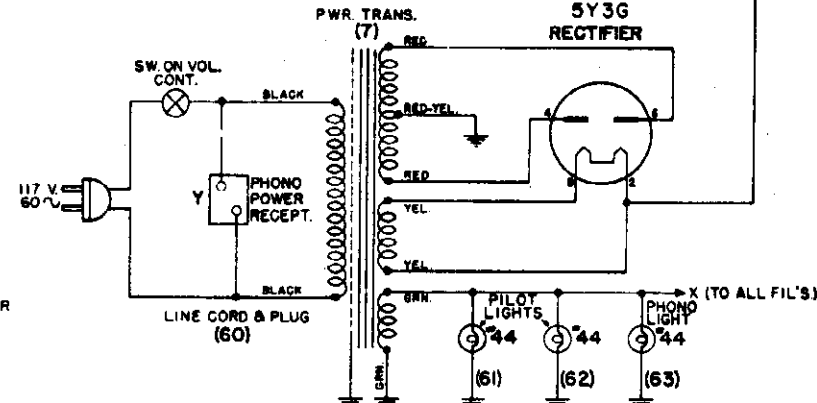
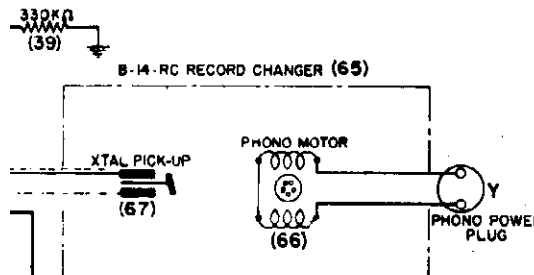
45	6B6051	Carbon Resistor	(47,000 $\Omega$ -1/3 Watt-20%)	Ins.
46	6B6037	Carbon Resistor	(33,000 $\Omega$ -1/3 Watt-20%)	N.I.
47	6B6037	Carbon Resistor	(33,000 $\Omega$ -1/3 Watt-20%)	N.I.
48	6B6037	Carbon Resistor	(33,000 $\Omega$ -1/3 Watt-20%)	N.I.
49	6B6212	Carbon Resistor	(22,000 $\Omega$ -1/3 Watt-20%)	Ins.
50	6B6106	Carbon Resistor	(10,000 $\Omega$ -1 Watt-20%)	N.I.
51	6B6255	Carbon Resistor	(10,000 $\Omega$ -1/3 Watt-20%)	Ins.
52	17A31304	W.W. Resistor	(1500 $\Omega$ -10 Watt-10%)	
53	6B6053	Carbon Resistor	(1000 $\Omega$ -1/3 Watt-20%)	N.I.
54	6B6053	Carbon Resistor	(1000 $\Omega$ -1/3 Watt-20%)	N.I.
55	6B6152	Carbon Resistor	(220 $\Omega$ -1 Watt-20%)	N.I.
56	40A31303	Phono-Radio Switch	(2 Position)	
57	65X11864	Bulb	(6.3V.-.15 Amp. Tub. Bay.)	Clear #47
58	30A151	Line Cord & Plug	(6 Ft.)	
59	1K31329	Output Lead Assembly	(6 Ft.)	
60	20A31302	Trimmer & "2" Bracket	(15 MTF Nom.)	
61	20A31302	Trimmer & "Z" Bracket	(15 MTF Nom.)	



WIN MFG. CO.



(59) 3-AND SWITCH  
N IN B.C. POSITION  
SECTIONS VIEWED  
DM KNOB END  
DNO RADIO SW  
(NEW SHOWN IN RADIO POS.)



VOLTAGE CHART				
TUBE	FUNCTION	PLATE TO GND.	SCREEN TO GND.	CATHODE TO GND.
6SK7GT	I.F. AMP.	235 V.	85 V.	1 V.
6SA7GT	OSC. MOD.	235 V.	100 V.	0
6SK7GT	I.F. AMP.	235 V.	100 V.	4.75 V.
6SQ7GT	DET. A.V.C. & A.F. AMP.	140 V.	—	0
6SQ7GT	PHASE INV.	85 V.	—	0
6P5GT	DRIVER	235 V.	—	12 V.
6P5GT	DRIVER	235 V.	—	12 V.
6AC5GT	PWR. AMP.	225 V.	—	0
6AC5GT	PWR. AMP.	225 V.	—	0
5Y3G	RECT.	A.C.	—	FROM FIL. 350 V.

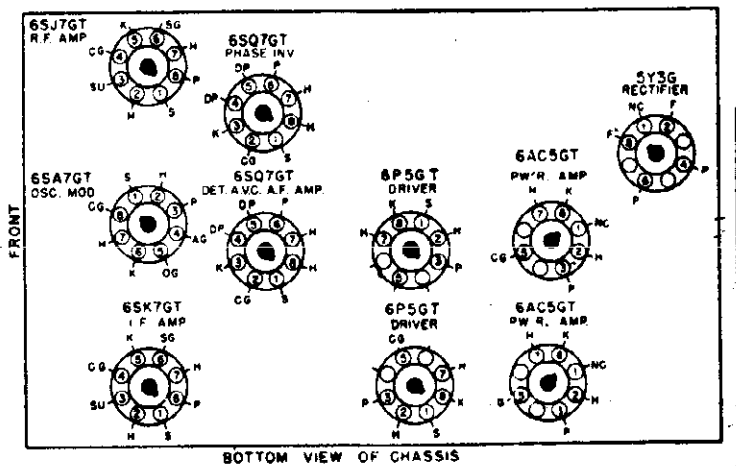
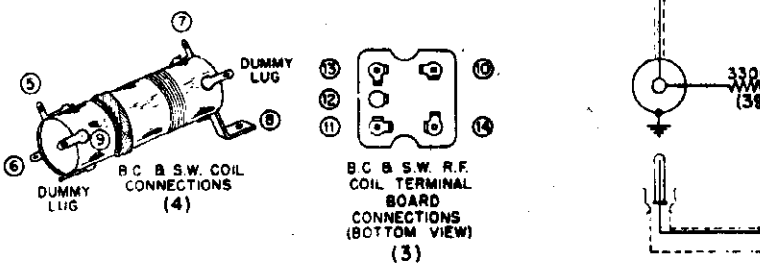
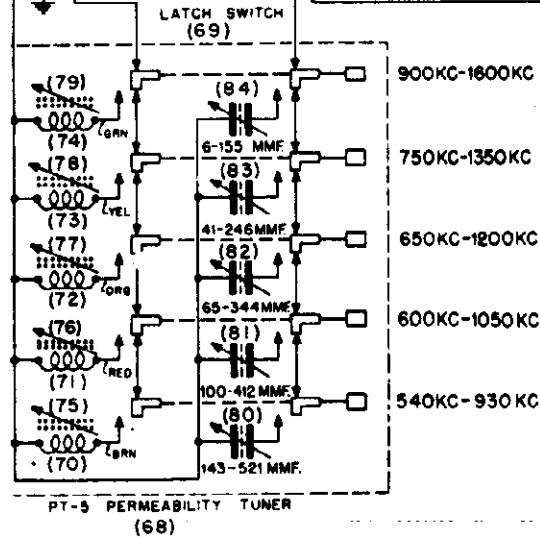
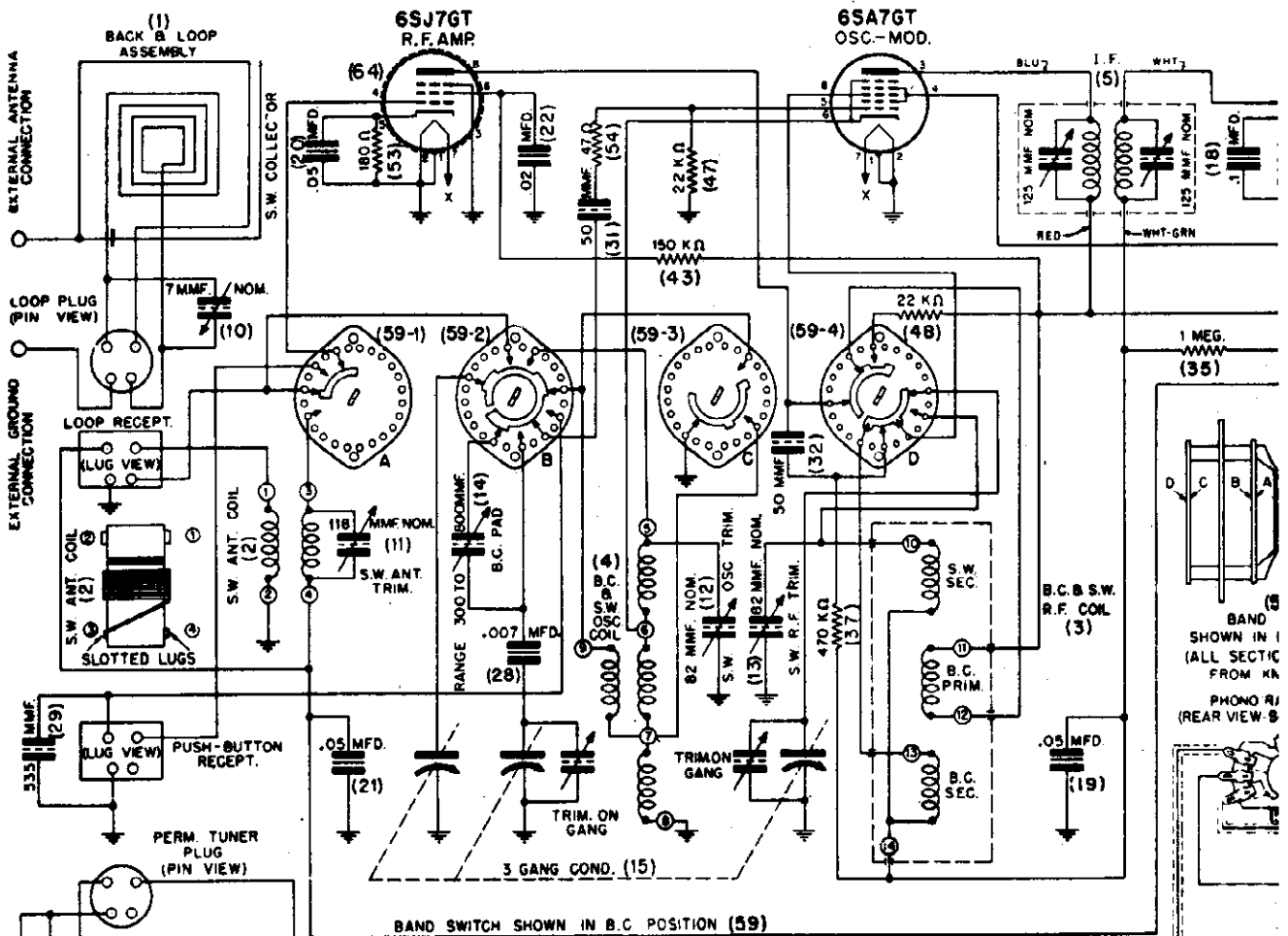
**FREQUENCY RANGES**  
B.C. - 538 K.C. TO 1720 K.C.  
S.W. - 5.6 M.C. TO 12.2 M.C.

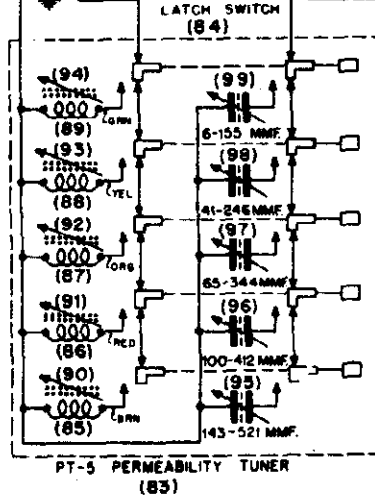
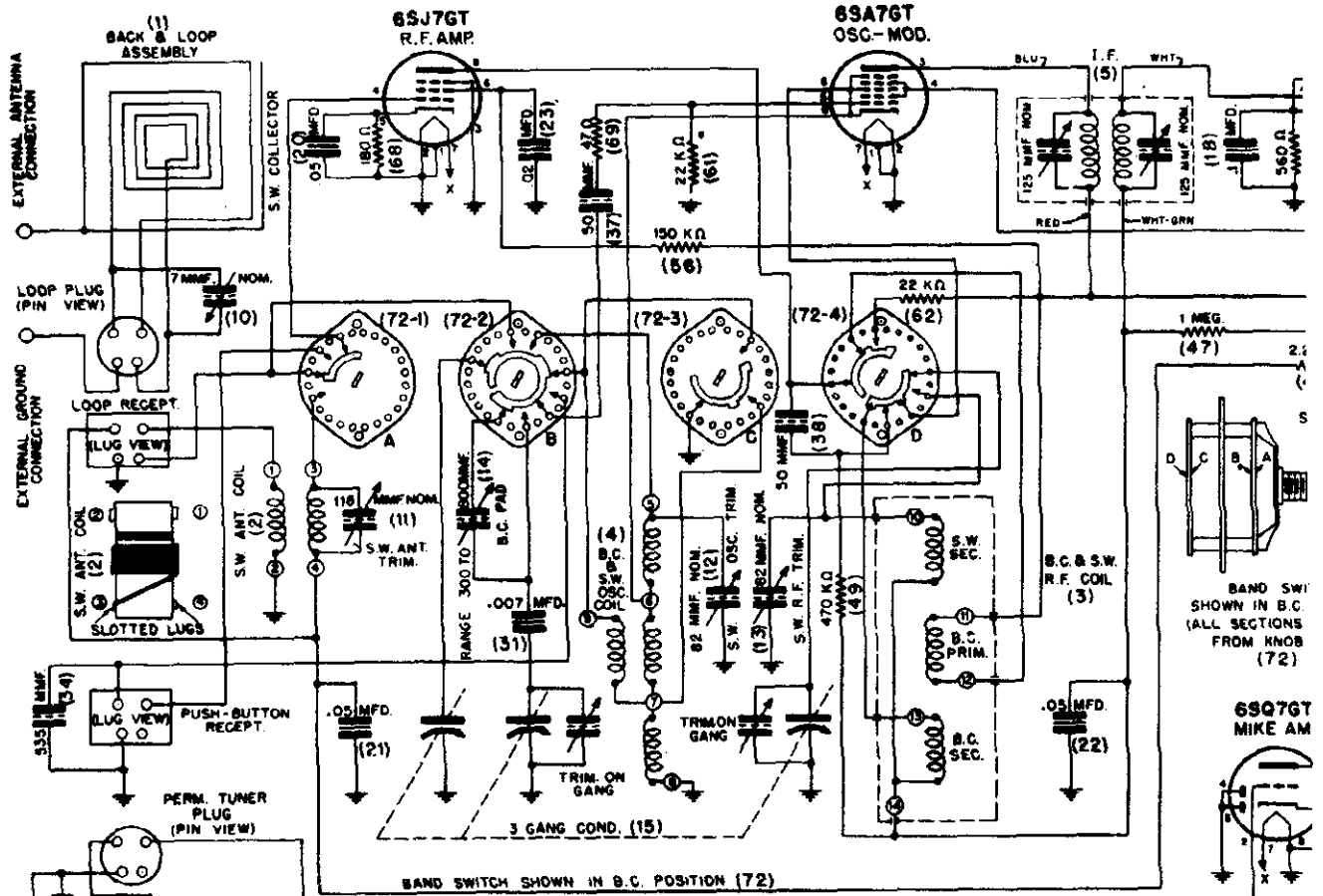
I.F. = 455 K.C.

**MODELS**  
101 F 21  
101 F 22

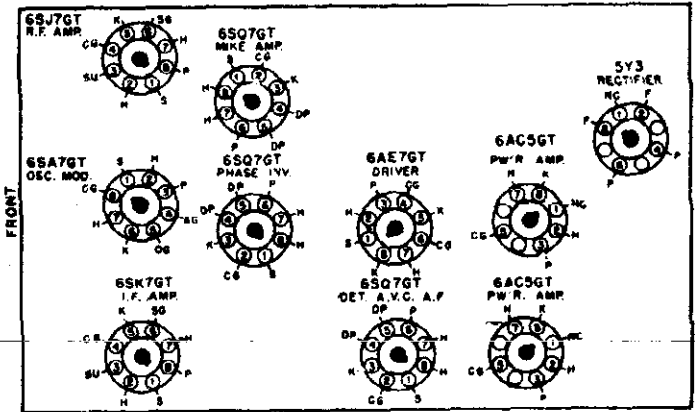
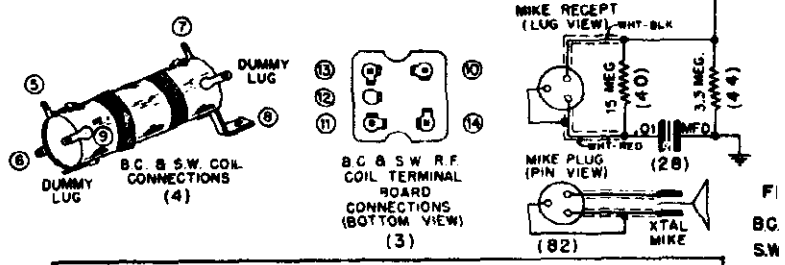
MODELS 101F21, 101F22

GALVIN





MODEL 101 R 21



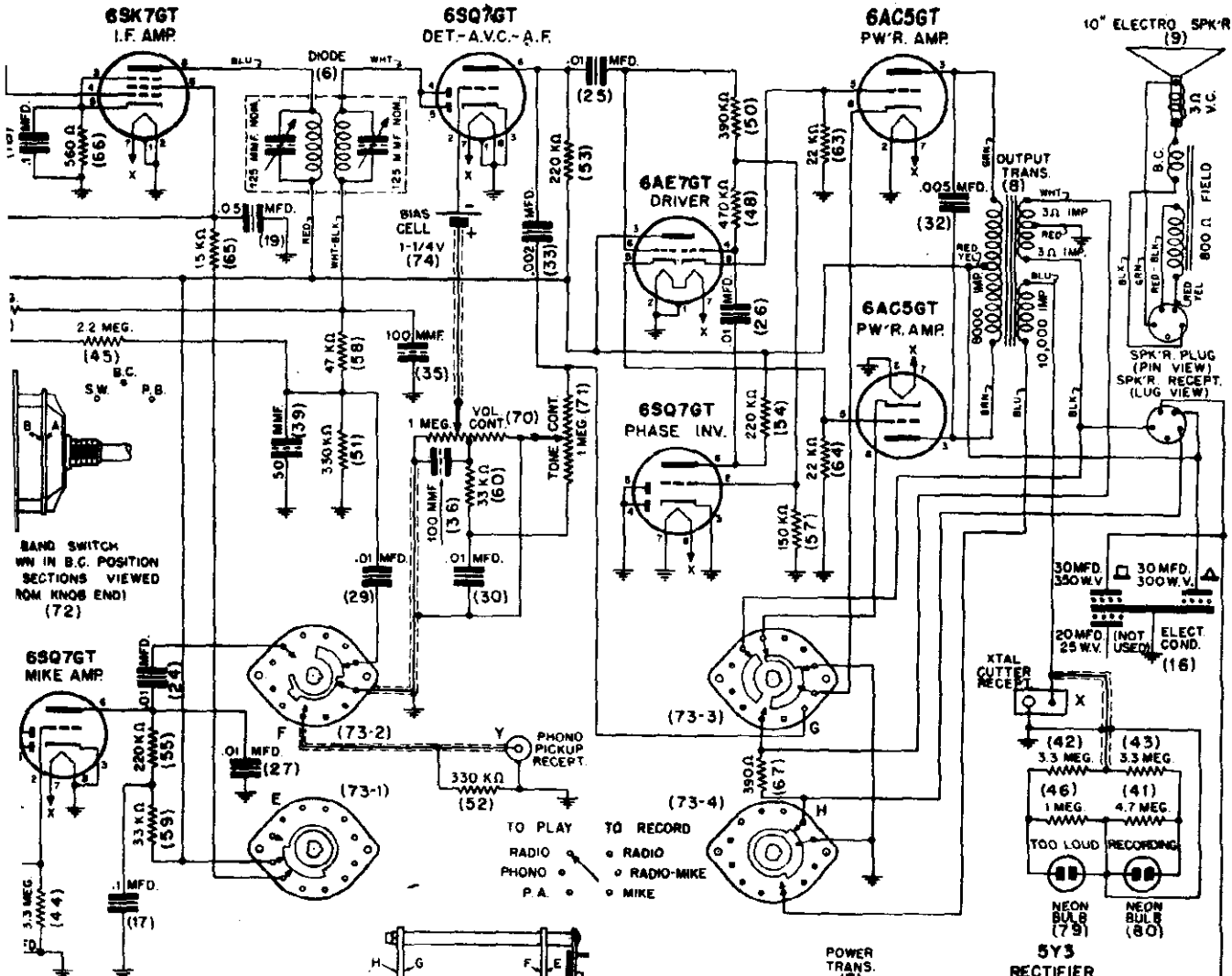
BOTTOM VIEW OF CHASSIS

- |    |          |   |    |          |   |
|----|----------|---|----|----------|---|
| 1  | 1X26229  | Back & Loop Assembly                    | 12 | 20A27273 | Trimmer & "Z" Bracket (82 MF Nom.)            |
| 2  | 24A27298 | Short Wave Antenna Coil                 | 13 | 20A27273 | Trimmer & "Z" Bracket (82 MF Nom.)            |
| 3  | 1X27274  | B.C. & S.W. R.F. Coil & Shield Assembly | 14 | 20A17935 | B.C. Padder (Single) (Range 300-800 MF)       |
| 4  | 24A27297 | B.C. & S.W. Oscillator Coil             | 15 | 19K22219 | Variable Condenser (3 Gang) & Pulley Assembly |
| 5  | 1X28203  | I.F. Coil & Shield Assembly             | 72 | 40B27295 | Band Switch (3 Pos.)                          |
| 6  | 1X28232  | Diode Coil & Shield Assembly            | 73 | 47B28216 | Radio-Recorder Switch (6 Pos.)                |
| 7  | 25B28217 | Power Transformer                       | 74 | 43X10089 | Bias Cell (1-1/4V.)                           |
| 8  | 25B28215 | Output Transformer                      | 75 | 30K21859 | Line Cord & Plug (9 Ft.)                      |
| 9  | 60A28568 | Speaker (10" Electro)                   | 76 | 65X19867 | Bulb (6.3V.-.25 Amp. Tub. Bay) Clear #44      |
| 10 | 20A18740 | Trimmer & "Z" Bracket (7 MF Nom.)       | 77 | 65X19867 | Bulb (6.3V.-.25 Amp. Tub. Bay) Clear #44      |
| 11 | 20A18736 | Trimmer & "Z" Bracket (118 MF Nom.)     | 78 | 65X19867 | Bulb (6.3V.-.25 Amp. Tub. Bay) Clear #44      |

NOTE: ALL PER VOL SWITCHES INPUT. B

VIN MFG. CO.

MODEL 101R21



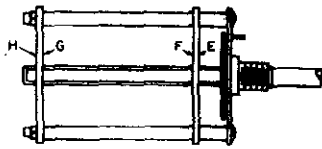
BAND SWITCH  
WH IN B.C. POSITION  
SECTIONS VIEWED  
FROM KNOB END)  
(72)

6SQ7GT  
MIKE AMP  
(24)

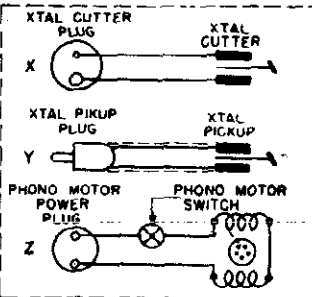
FREQUENCY RANGES  
BC-538 KC TO 1720 KC  
S.W.-5.6 MC TO 12.2 MC  
LF=455 KC

TUBE	VOLTAGE CHART	PLATE TO GND.	SCREEN TO GND.	CATHODE TO GND.
6SK7GT	R.F. AMP.	250 V.	90 V.	1.25 V.
6SA7GT	OSC. MOD.	250 V.	100 V.	0
6SK7GT	I.F. AMP.	250 V.	90 V.	3 V.
6SQ7GT	DET. A.V.C. A.F.	170 V.	—	0
6SQ7GT	PHASE INVERT.	180 V.	—	0
6SQ7GT	MIKE AMP.	100 V.	—	0
6AE7GT	DRIVER	225 V.	—	10V(1) 10V(2)
6AC5GT	P.W.R. AMP.	250 V.	—	11 V.
6AC5GT	P.W.R. AMP.	250 V.	—	14 V.
5Y5	RECT.	300 V.	—	—

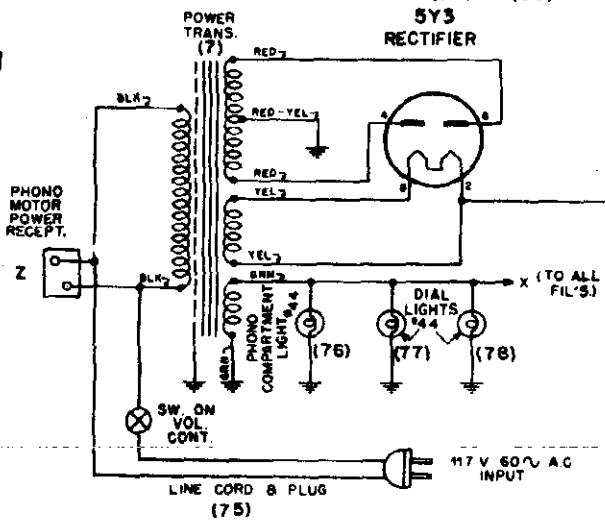
NOTE: ALL VOLTAGES MEASURED WITH A 20,000Ω PER VOLT VOLTMETER. LINE VOLTAGE - 117 V. SWITCHES IN B.C. & RADIO POSITION. NO SIGNAL INPUT. MAXIMUM POWER OUTPUT - 7 WATTS



RECORDER-RADIO SWITCH  
SHOWN IN RADIO POSITION  
(ALL SECTIONS VIEWED  
FROM KNOB END)  
(73)



W2RC RECORDER CHANGER  
(81)



LINE CORD & PLUG  
(75)

- 79 65X22177 Neon Bulb
- 80 65X22177 Neon Bulb
- 81 59D28429 Model W2RC Recorder Changer (Complete)
- 82 1K28991 Microphone & Plug Assembly
- 83 1X28240 Model PT-5 Perm. Tuner
- 84 40B27243 Latch Switch (Complete) 5 P.B.
- 85 24B27311 Perm. Osc. Coil (Brown) #1
- 86 24K27312 Perm. Osc. Coil (Red) #2
- 87 24K27313 Perm. Osc. Coil (Orange) #3
- 88 24K27314 Perm. Osc. Coil (Yellow) #4

- 90 67A27283 Iron Core & Adjusting Screw
- 91 67A27283 Iron Core & Adjusting Screw
- 92 67A27283 Iron Core & Adjusting Screw
- 93 67A27283 Iron Core & Adjusting Screw
- 94 67A27283 Iron Core & Adjusting Screw
- 95 20A27381 P.B. Antenna Trimmer (143 MFD To 521 MFD) #1
- 96 20K27382 P.B. Antenna Trimmer (100 MFD To 412 MFD) #2
- 97 20K27383 P.B. Antenna Trimmer (65 MFD To 344 MFD) #3
- 98 20K27384 P.B. Antenna Trimmer (41 MFD To 246 MFD) #4

GALVIN MFG. CO.

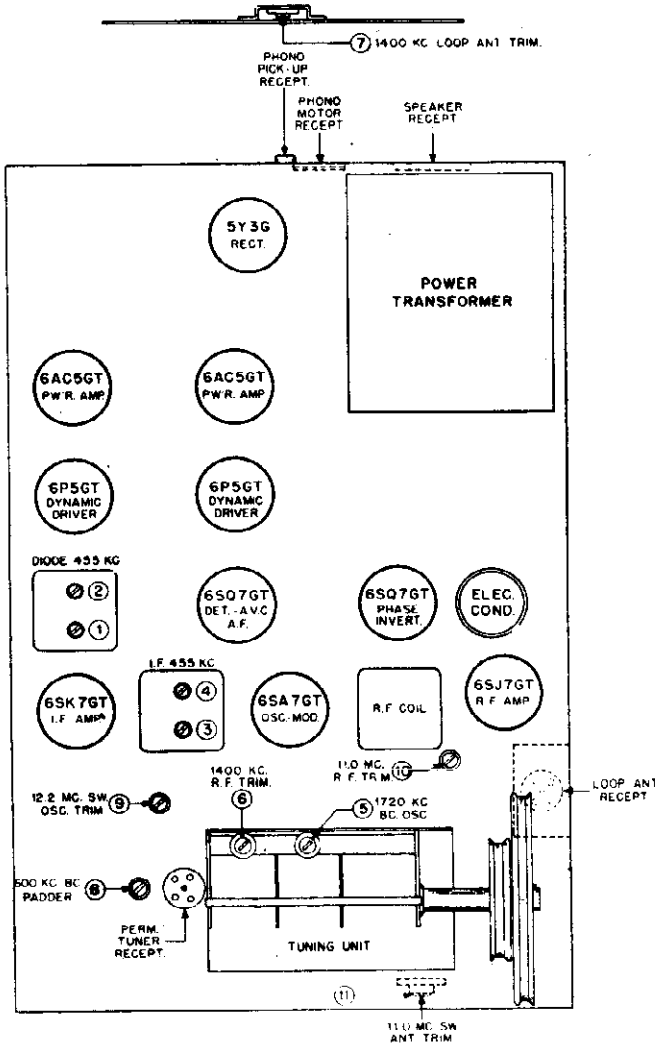
MODELS 101F21, 101F22

MODEL 101 F 21 SENSITIVITY AND STAGE GAIN MEASUREMENTS

Average Microvolt Input	Generator Set At	Generator Feeder Connected To	Dummy Antenna Capacity	Leak Resistance	Output Meter Reading
2500	455 K.C.	I.F. Grid	.1 Mfd.	.5 Meg.	.38
45	455 K.C.	Mod. Grid	.1 Mfd.	.5 Meg.	.38
50	600 K.C.	Mod. Grid	.1 Mfd.	.5 Meg.	.38
2	600 K.C.	R.F. Grid	.1 Mfd.	.5 Meg.	.38
2	600 K.C.	Ant.Terminal	200 Mmf.	None	.38

MODELS 101 F 21 AND 101 F 22 ALIGNMENT CHART

Operations In Order	Gang Condenser Set At	Dummy Antenna	Band Switch Set At	Generator Connected To	Adjust Trimmers No.	Generator Set At
1	1720 K.C.	.1 Mfd.	B.C.	Osc.Mod.Grid	1-2-3-4	455 K.C.
2	1720 K.C.	200 Mmf.	B.C.	R.F.Grid	5	1720 K.C.
3	1400 K.C.	200 Mmf.	B.C.	Ext.Ant.	6	1400 K.C.
4	1400 K.C.	200 Mmf.	B.C.	Connection	7	1400 K.C.
5	600 K.C.	200 Mmf.	B.C.	Ext.Ant.	8	600 K.C.
5	12.2 M.C.	400 Ohms.	S.W.	Connection	9	12.2 M.C.
7	11.0 M.C.	400 Ohms.	S.W.	Ext.Ant.	10	11.0 M.C.
8	11.0 M.C.	400 Ohms.	S.W.	Connection	11	11.0 M.C.



Models 101F21 & 22

- 1 1X28239 Back & Loop Assembly (Model 101F21)
- 1 1X30955 Back & Loop Assembly (Model 101F22)
- 2 24A27298 Short Wave Antenna Coil
- 3 1X27274 B.C. & S.W. R.F. Coil & Shield Assembly
- 4 24A27297 B.C. & S.W. Oscillator Coil
- 5 1X28203 I.F. Coil & Shield Assembly
- 6 1X28232 Diode Coil & Shield Assembly
- 7 25B2817 Power Transformer
- 8 25B27661 Output Transformer
- 9 50B28568 Speaker (10" Electro)
- 10 20A18740 Trimmer & "U" Bracket (7 MFF Nom.)
- 11 20A27226 Trimmer & "Z" Bracket (118 MFF Nom.)
- 12 20A27273 Trimmer & "Z" Bracket (82 MFF Nom.)
- 13 20A27273 Trimmer & "Z" Bracket (82 MFF Nom.)
- 14 20A17935 B.C. Padder (Single) Range 300-800 MFF
- 15 1X28219 Gang Cond. & Pulley Assembly (3 Gang)
- 16 23A27718 Elect. Cond. (30 MFD/350V.V.-30 MFD/300V.V.-20 MFD/25V.V.)
- 29 21A28020 Mica Condenser (535 MFF-3%-500V.V.)
- 30 21B6511 Molded Mica Cond. (100 MFF-20%-400V.V.) Brn.0
- 31 21B6503 Molded Mica Cond. (50 MFF-20%-400V.V.) Brn.0
- 32 21B6503 Molded Mica Cond. (50 MFF-20%-400V.V.) Brn.0
- 33 21B6503 Molded Mica Cond. (50 MFF-20%-400V.V.) Brn.0
- 34 8B6202 Carbon Resistor (2.2 Meg-1/3 Watt-20%) Ins.
- 55 48X10089 Bias Cell
- 56 18A22065 Volume Control & Switch (1 Meg)
- 57 18A21481 Tone Control (1 Meg)
- 58 40A23221 Phono-Radio Switch (D.P.D.T.)
- 59 40B27295 Band Switch (3 Position)
- 60 30K21859 Line Cord & Plug (9 Ft.)
- 61 65X10867 Bulb (6.3V.-.25 Amp. Tub. Bay.) Clear #44
- 62 65X10867 Bulb (6.3V.-.25 Amp. Tub. Bay.) Clear #44
- 63 65X10867 Bulb (6.3V.-.25 Amp. Tub. Bay.) Clear #44
- 64 26A14760 Bantam Tube Shield
- 65 1X27690 Model B-14-RC Record Changer (Complete)
- 66 59B27687 Phono Motor & Mtg. Plate Only (117V.-60C)
- 67 59K27571 Phono Pickup Arm (Complete)
- 68 1X28240 Model PT-5 Permeability Tuner
- 69 40B27243 Latch Switch (Complete) 5 P.B.
- 70 24B27311 Perm. Osc. Coil (Brown) #1
- 71 24K27312 Perm. Osc. Coil (Red) #2
- 72 24K27313 Perm. Osc. Coil (Orange) #3
- 73 24K27314 Perm. Osc. Coil (Yellow) #4
- 74 24K27315 Perm. Osc. Coil (Green) #5
- 75 67A27283 Iron Core & Adjusting Screw
- 76 67A27283 Iron Core & Adjusting Screw
- 77 67A27283 Iron Core & Adjusting Screw
- 78 67A27283 Iron Core & Adjusting Screw
- 79 67A27283 Iron Core & Adjusting Screw
- 80 20A27381 P.B. Antenna Trimmer (143 MFF To 521 MFF) #1
- 81 20K27382 P.B. Antenna Trimmer (100 MFF To 412 MFF) #2
- 82 20K27383 P.B. Antenna Trimmer (65 MFF To 344 MFF) #3
- 83 20K27384 P.B. Antenna Trimmer (41 MFF To 246 MFF) #4
- 84 20K27385 P.B. Antenna Trimmer (6 MFF To 155 MFF) #5
- 85 899824 Tubular Condenser (.002 MFD-400V.V.)

MODEL 101F21  
MODEL 101R21

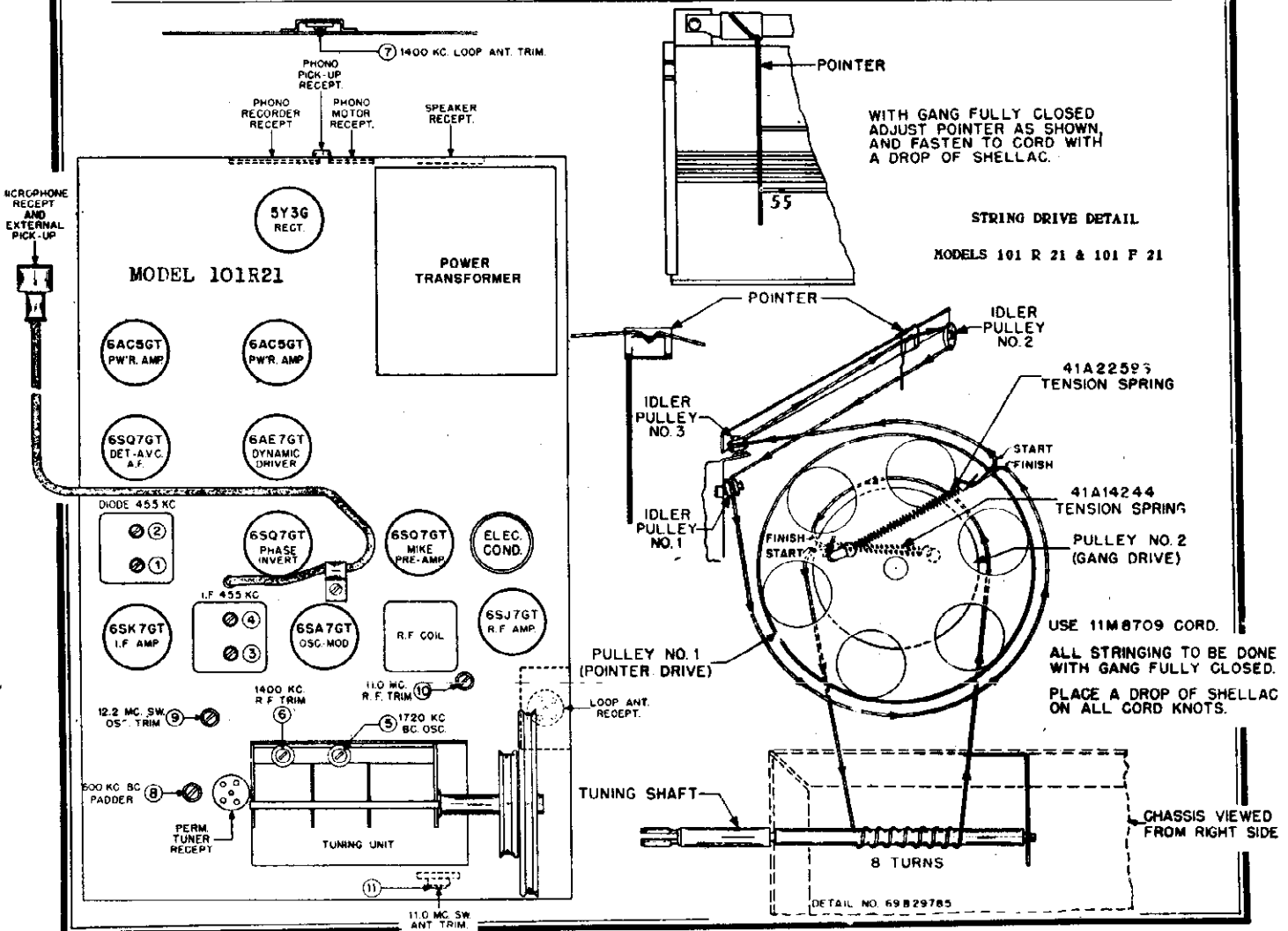
GALVIN MFG. CO.

MODEL 101R21 SENSITIVITY AND STAGE GAIN MEASUREMENTS

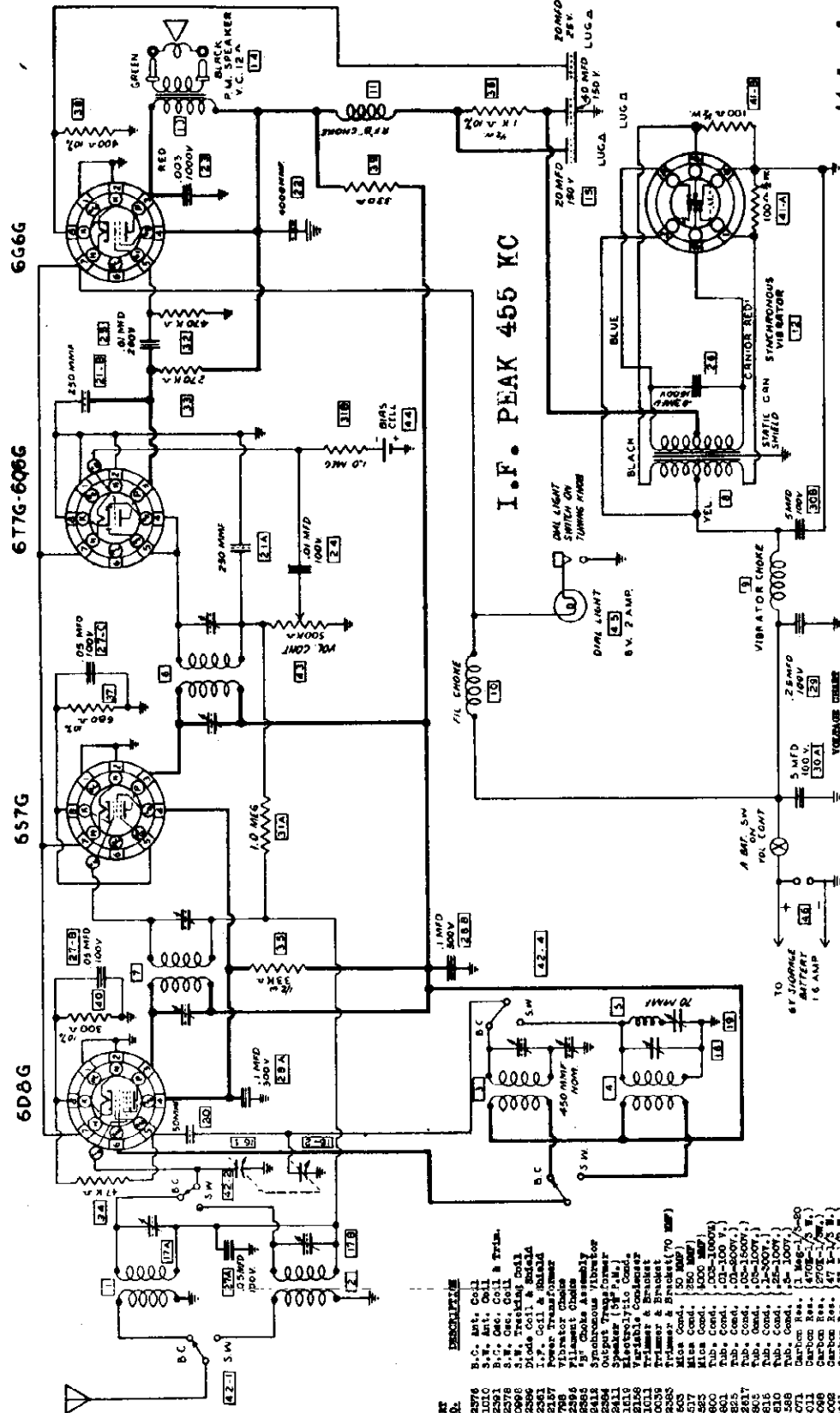
Average Microvolt Input	Generator Set At	Generator Feeder Connected To	Dummy Antenna Capacity	Leak Resistance	Output Meter Reading
2500	455 K.C.	I.F. Grid	.1 Mfd.	.5 Meg.	.38
45	455 K.C.	Mod. Grid	.1 Mfd.	.5 Meg.	.38
50	600 K.C.	Mod. Grid	.1 Mfd.	.5 Meg.	.38
2	600 K.C.	R.F. Grid	.1 Mfd.	.5 Meg.	.38
2	600 K.C.	Ant. Terminal	200 Mmf.		

MODEL 101R21 ALIGNMENT CHART

Operations In Order	Gang Condenser Set At	Dummy Antenna	Band Switch Set At	Generator Connected To	Adjust Trimmers No.	Generator Set At
1	1720 K.C.	.1 Mfd.	B.C.	Osc. Mod. Grid	1-2-3-4	455 K.C.
2	1720 K.C.	200 Mmf.	B.C.	R.F. Grid	5	1720 K.C.
3	1400 K.C.	200 Mmf.	B.C.	Ext. Ant. Connection	6	1400 K.C.
4	1400 K.C.	200 Mmf.	B.C.	Ext. Ant. Connection	7	1400 K.C.
5	600 K.C.	200 Mmf.	B.C.	Ext. Ant. Connection	8	600 K.C.
5	12.2 M.C.	400 Ohms.	S.W.	Ext. Ant. Connection	9	12.2 M.C.
7	11.0 M.C.	400 Ohms.	S.W.	Ext. Ant. Connection	10	11.0 M.C.
8	11.0 M.C.	400 Ohms.	S.W.	Ext. Ant. Connection	11	11.0 M.C.



GALVIN MFG. CO.



**Motorola**

**MODEL 496BT1**

**I. F. PEAK 455 KC**

TUBE	VOLTAGE	PLATE	MESH	SCREEN	GRID	BIAS
6D6G	155	115	1.0	125	-	-
6S7G	175	115	1.0	125	-	-
6T7G-6Q8G	155	115	1.0	125	-	-
6G6G	155	140	5.6	-	-	-

Measured with 1000 ohms per volt meter.  
Battery - 6.3 volts.

QTY.	PART NO.	DESCRIPTION
1	8413776	B.C. Ant. Coil
1	8413780	S.W. Ant. Coil
1	8413781	S.W. Osc. Coil
1	8413782	S.W. Osc. Coil
1	8413783	S.W. Trimming Coil
1	1112386	Diode Coil & Shield
1	1112387	I.F. Coil & Shield
1	2414728	500 OHM Resistor
1	1112388	450 OHM Filament Choke
1	1112389	50 Ohm Assembly
1	4812418	Synchronous Vibrator
1	5032411	Speaker (5" P.M.)
1	2414729	Electrolytic Cond.
1	1812126	Variable Condenser
1	2014033	Trimmer & Bracket
1	2014034	Trimmer & Bracket
1	2014035	Trimmer & Bracket (70 MF)
1	2125517	Mica Cond. (50 MF)
1	2125518	Mica Cond. (50 MF)
1	2125519	Mica Cond. (50 MF)
1	2125520	Mica Cond. (50 MF)
1	2125521	Mica Cond. (50 MF)
1	2125522	Mica Cond. (50 MF)
1	2125523	Mica Cond. (50 MF)
1	2125524	Mica Cond. (50 MF)
1	2125525	Mica Cond. (50 MF)
1	2125526	Mica Cond. (50 MF)
1	2125527	Mica Cond. (50 MF)
1	2125528	Mica Cond. (50 MF)
1	2125529	Mica Cond. (50 MF)
1	2125530	Mica Cond. (50 MF)
1	2125531	Mica Cond. (50 MF)
1	2125532	Mica Cond. (50 MF)
1	2125533	Mica Cond. (50 MF)
1	2125534	Mica Cond. (50 MF)
1	2125535	Mica Cond. (50 MF)
1	2125536	Mica Cond. (50 MF)
1	2125537	Mica Cond. (50 MF)
1	2125538	Mica Cond. (50 MF)
1	2125539	Mica Cond. (50 MF)
1	2125540	Mica Cond. (50 MF)
1	2125541	Mica Cond. (50 MF)
1	2125542	Mica Cond. (50 MF)
1	2125543	Mica Cond. (50 MF)
1	2125544	Mica Cond. (50 MF)
1	2125545	Mica Cond. (50 MF)
1	2125546	Mica Cond. (50 MF)
1	2125547	Mica Cond. (50 MF)
1	2125548	Mica Cond. (50 MF)
1	2125549	Mica Cond. (50 MF)
1	2125550	Mica Cond. (50 MF)
1	2125551	Mica Cond. (50 MF)
1	2125552	Mica Cond. (50 MF)
1	2125553	Mica Cond. (50 MF)
1	2125554	Mica Cond. (50 MF)
1	2125555	Mica Cond. (50 MF)
1	2125556	Mica Cond. (50 MF)
1	2125557	Mica Cond. (50 MF)
1	2125558	Mica Cond. (50 MF)
1	2125559	Mica Cond. (50 MF)
1	2125560	Mica Cond. (50 MF)
1	2125561	Mica Cond. (50 MF)
1	2125562	Mica Cond. (50 MF)
1	2125563	Mica Cond. (50 MF)
1	2125564	Mica Cond. (50 MF)
1	2125565	Mica Cond. (50 MF)
1	2125566	Mica Cond. (50 MF)
1	2125567	Mica Cond. (50 MF)
1	2125568	Mica Cond. (50 MF)
1	2125569	Mica Cond. (50 MF)
1	2125570	Mica Cond. (50 MF)
1	2125571	Mica Cond. (50 MF)
1	2125572	Mica Cond. (50 MF)
1	2125573	Mica Cond. (50 MF)
1	2125574	Mica Cond. (50 MF)
1	2125575	Mica Cond. (50 MF)
1	2125576	Mica Cond. (50 MF)
1	2125577	Mica Cond. (50 MF)
1	2125578	Mica Cond. (50 MF)
1	2125579	Mica Cond. (50 MF)
1	2125580	Mica Cond. (50 MF)
1	2125581	Mica Cond. (50 MF)
1	2125582	Mica Cond. (50 MF)
1	2125583	Mica Cond. (50 MF)
1	2125584	Mica Cond. (50 MF)
1	2125585	Mica Cond. (50 MF)
1	2125586	Mica Cond. (50 MF)
1	2125587	Mica Cond. (50 MF)
1	2125588	Mica Cond. (50 MF)
1	2125589	Mica Cond. (50 MF)
1	2125590	Mica Cond. (50 MF)
1	2125591	Mica Cond. (50 MF)
1	2125592	Mica Cond. (50 MF)
1	2125593	Mica Cond. (50 MF)
1	2125594	Mica Cond. (50 MF)
1	2125595	Mica Cond. (50 MF)
1	2125596	Mica Cond. (50 MF)
1	2125597	Mica Cond. (50 MF)
1	2125598	Mica Cond. (50 MF)
1	2125599	Mica Cond. (50 MF)
1	2125600	Mica Cond. (50 MF)
1	2125601	Mica Cond. (50 MF)
1	2125602	Mica Cond. (50 MF)
1	2125603	Mica Cond. (50 MF)
1	2125604	Mica Cond. (50 MF)
1	2125605	Mica Cond. (50 MF)
1	2125606	Mica Cond. (50 MF)
1	2125607	Mica Cond. (50 MF)
1	2125608	Mica Cond. (50 MF)
1	2125609	Mica Cond. (50 MF)
1	2125610	Mica Cond. (50 MF)
1	2125611	Mica Cond. (50 MF)
1	2125612	Mica Cond. (50 MF)
1	2125613	Mica Cond. (50 MF)
1	2125614	Mica Cond. (50 MF)
1	2125615	Mica Cond. (50 MF)
1	2125616	Mica Cond. (50 MF)
1	2125617	Mica Cond. (50 MF)
1	2125618	Mica Cond. (50 MF)
1	2125619	Mica Cond. (50 MF)
1	2125620	Mica Cond. (50 MF)
1	2125621	Mica Cond. (50 MF)
1	2125622	Mica Cond. (50 MF)
1	2125623	Mica Cond. (50 MF)
1	2125624	Mica Cond. (50 MF)
1	2125625	Mica Cond. (50 MF)
1	2125626	Mica Cond. (50 MF)
1	2125627	Mica Cond. (50 MF)
1	2125628	Mica Cond. (50 MF)
1	2125629	Mica Cond. (50 MF)
1	2125630	Mica Cond. (50 MF)
1	2125631	Mica Cond. (50 MF)
1	2125632	Mica Cond. (50 MF)
1	2125633	Mica Cond. (50 MF)
1	2125634	Mica Cond. (50 MF)
1	2125635	Mica Cond. (50 MF)
1	2125636	Mica Cond. (50 MF)
1	2125637	Mica Cond. (50 MF)
1	2125638	Mica Cond. (50 MF)
1	2125639	Mica Cond. (50 MF)
1	2125640	Mica Cond. (50 MF)
1	2125641	Mica Cond. (50 MF)
1	2125642	Mica Cond. (50 MF)
1	2125643	Mica Cond. (50 MF)
1	2125644	Mica Cond. (50 MF)
1	2125645	Mica Cond. (50 MF)
1	2125646	Mica Cond. (50 MF)
1	2125647	Mica Cond. (50 MF)
1	2125648	Mica Cond. (50 MF)
1	2125649	Mica Cond. (50 MF)
1	2125650	Mica Cond. (50 MF)
1	2125651	Mica Cond. (50 MF)
1	2125652	Mica Cond. (50 MF)
1	2125653	Mica Cond. (50 MF)
1	2125654	Mica Cond. (50 MF)
1	2125655	Mica Cond. (50 MF)
1	2125656	Mica Cond. (50 MF)
1	2125657	Mica Cond. (50 MF)
1	2125658	Mica Cond. (50 MF)
1	2125659	Mica Cond. (50 MF)
1	2125660	Mica Cond. (50 MF)
1	2125661	Mica Cond. (50 MF)
1	2125662	Mica Cond. (50 MF)
1	2125663	Mica Cond. (50 MF)
1	2125664	Mica Cond. (50 MF)
1	2125665	Mica Cond. (50 MF)
1	2125666	Mica Cond. (50 MF)
1	2125667	Mica Cond. (50 MF)
1	2125668	Mica Cond. (50 MF)
1	2125669	Mica Cond. (50 MF)
1	2125670	Mica Cond. (50 MF)
1	2125671	Mica Cond. (50 MF)
1	2125672	Mica Cond. (50 MF)
1	2125673	Mica Cond. (50 MF)
1	2125674	Mica Cond. (50 MF)
1	2125675	Mica Cond. (50 MF)
1	2125676	Mica Cond. (50 MF)
1	2125677	Mica Cond. (50 MF)
1	2125678	Mica Cond. (50 MF)
1	2125679	Mica Cond. (50 MF)
1	2125680	Mica Cond. (50 MF)
1	2125681	Mica Cond. (50 MF)
1	2125682	Mica Cond. (50 MF)
1	2125683	Mica Cond. (50 MF)
1	2125684	Mica Cond. (50 MF)
1	2125685	Mica Cond. (50 MF)
1	2125686	Mica Cond. (50 MF)
1	2125687	Mica Cond. (50 MF)
1	2125688	Mica Cond. (50 MF)
1	2125689	Mica Cond. (50 MF)
1	2125690	Mica Cond. (50 MF)
1	2125691	Mica Cond. (50 MF)
1	2125692	Mica Cond. (50 MF)
1	2125693	Mica Cond. (50 MF)
1	2125694	Mica Cond. (50 MF)
1	2125695	Mica Cond. (50 MF)
1	2125696	Mica Cond. (50 MF)
1	2125697	Mica Cond. (50 MF)
1	2125698	Mica Cond. (50 MF)
1	2125699	Mica Cond. (50 MF)
1	2125700	Mica Cond. (50 MF)

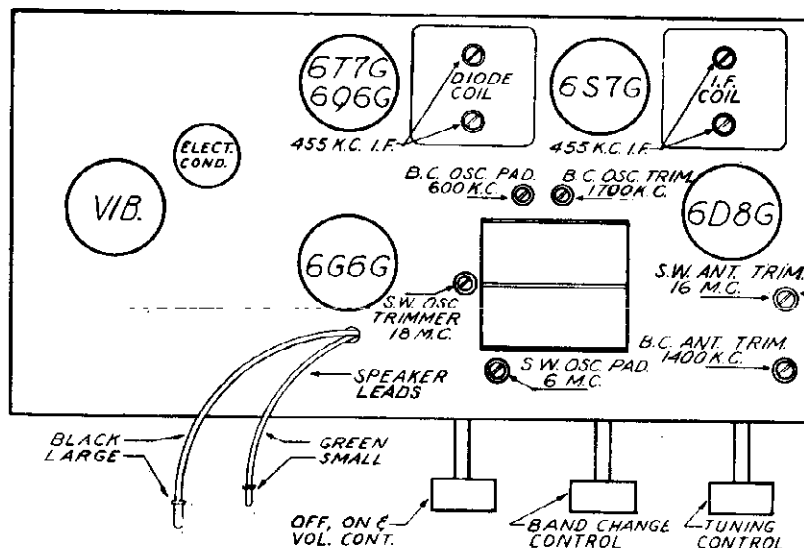
MODEL 496BT1

GALVIN MFG. CO.

## ALIGNMENT PROCEDURE

MODEL 496BT1

1. Connect signal generator to control grid of Osc.-Mod. tube (6D8G) through a .05 MF. condenser and to chassis. Do not remove grid cap. Also connect output meter across speaker voice coil. Turn band switch to "Broadcast" position. Turn condenser gang completely out of mesh.
2. Set signal generator at 455 K.C. and carefully adjust the four I.F. trimmers (located in top of I.F. coil cans) to point showing highest reading on output meter.
3. Leave band switch in "Broadcast" position. Connect signal generator to antenna and ground terminals, using a .0002 MF condenser in antenna lead.
4. Set signal generator and receiver dial both at 1700 K.C. Adjust B.C. OSC. trimmer until 1700 K.C. signal is heard.
5. Set signal generator at 1400 K.C. and turn condenser gang to the signal at 1400 K.C. Adjust BC ANT. trimmer to point showing highest reading on output meter.
6. Set signal generator at 600 K.C. and rock pointer at 600 K.C. position on dial scale, while adjusting BC padder, until combination is found which gives highest output reading. (NOTE: If there is noise level at 600 K.C., padder can be adjusted to maximum noise without rocking gang and without use of signal generator. Use short wire for pick-up if necessary.)
7. Turn band switch to "Short Wave" position. Replace .0002 MF condenser in signal generator lead with a 400 ohm carbon resistor.
8. Set signal generator and receiver dial both at 18.0 MC. Adjust S.W. OSC. trimmer until 18.0 MC signal is heard.
9. Set signal generator at 16.0 MC and turn condenser gang to signal at 16.0 MC. Adjust S.W. ANT. trimmer to point giving greatest output reading. (Use non-metallic screw driver.)
10. Set signal generator at 6.0 MC and rock pointer at 6.0 MC position on dial scale, while adjusting S.W. padder, until combination is found which gives highest output reading. (NOTE: May also be adjustable to maximum noise.)





GAMBLE-SKOGMO, INC.

MODEL C6D11,  
Series B

Part No.	Schematic Diagram Reference	Description	No. Selling Uses in Set Each
102153	C1, C4, C20, C21	Two Gang Condenser Complete with Tuner Assembly and Ant. and Osc. Trimmers	6.00
10206	C7, C18	.02 x 400 Volt Tubular Condenser	.25
10225	C15	.05 x 500 Volt Tubular Condenser	.25
10220	C2	.1 x 200 Volt Tubular Condenser	.25
10010	C5	.2 x 400 Volt Tubular Condenser	.25
119135	C6, C10, C11	Electrolytic Filter Condenser. 20 Mfd. x 150 V.; 40 Mfd. x 150 V.	1.25
1295	C3, C12, C13, C14	.0001 Mica Type Condenser—20%	.25

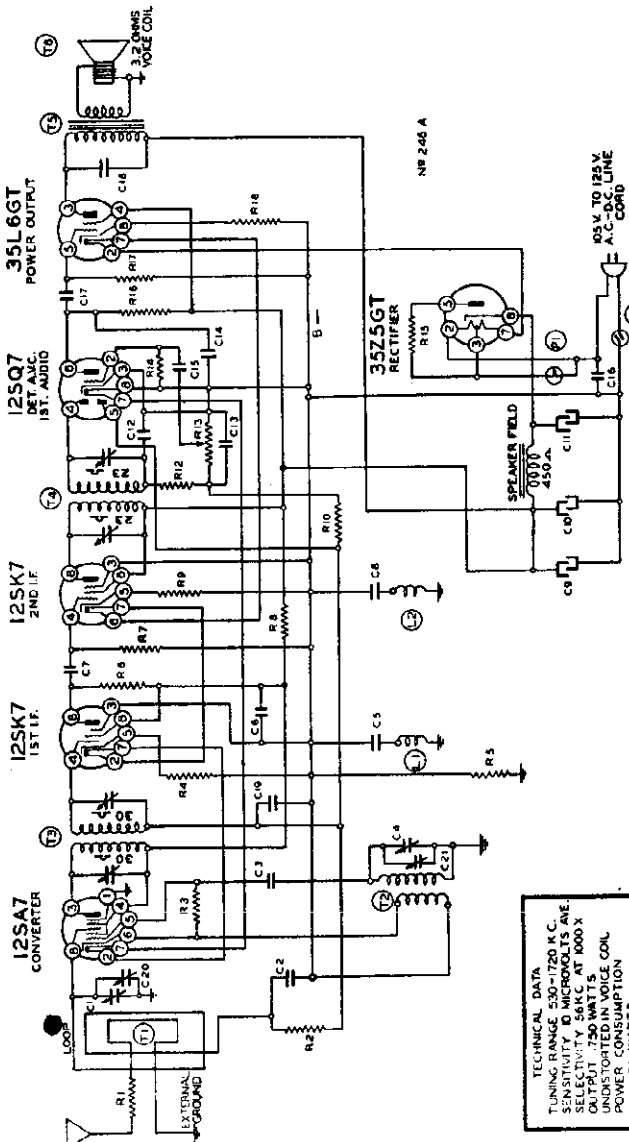
CONDENSERS

RESISTORS

101274	R13, S1	Volume Control and Switch (1 Megohm)	1.00
13082	R6	10M Ohm—1/2 Watt Resistor—10%	.20
13094	R10	5 Megohm—1/2 Watt Resistor—20%	.20
130216	R3	1M Ohm—1/2 Watt Resistor—20%	.20
130166	R18	100 Ohm—1/2 Watt Resistor—10%	.20
13015	R17	25 Ohm—1/2 Watt Resistor—10%	.20
130257	R14	5 Megohm—1/2 Watt Resistor—20%	.20
13020	R12	100M Ohm—1/2 Watt Resistor—20%	.20
13099	R16	200M Ohm—1/2 Watt Resistor—10%	.20
130168	R4	100 Ohm—1/2 Watt Resistor—20%	.20
13035	R7	500M Ohm—1/2 Watt Resistor—10%	.20
13097	R9	200 Ohm—1/2 Watt Resistor—10%	.20
130345	R1, R8	1M Ohm—1/2 Watt Resistor—10%	.20
130100	R2, R5	150M Ohm—1/2 Watt Resistor—20%	.20

COILS

1081409	T3	Input I. F. Coil Complete in Can	1.00
1081450	T4	Output I. F. Coil Complete in Can	1.00
110446	T2	Oscillator Coil	.75
111260	T1	Loop Antenna Assembly—Specify Color	1.25
105140	L1	I. F. Filter Choke	.05
108141	L2	Filter Choke	.05



PRICES SUBJECT TO CHANGE  
WITHOUT NOTICE

October 1941

ALIGNMENT PROCEDURE

- Volume control—Maximum all adjustments.
- Connect B- of radio chassis to ground post of signal generator through .1 Mfd. condenser.

BAND	SIGNAL GENERATOR Frequency Setting	Dummy Antenna	Connection to Radio	Variable Condenser Setting	Trimmers Adjusted to Maximum
I. F.	455 Kc.	.1 MFD.	Grid of 12SK7 2nd I. F.	Rotor full open (Plates out of mesh)	Two trimmers on top of Output I. F.
	455 Kc.	.1 MFD.	Grid of 12SA7 Converter	Rotor full open (Plates out of mesh)	Two trimmers on top of Input I. F.
BROAD CAST BAND	1770 Kc.	.1 mmf.	Grid of 12SA7	Rotor full open (Plates out of mesh)	Osc. trimmer C21
	1400 Kc.	200 mmf.	External Antenna and B-	Set Dial at 1400 K. C.	See voltage chart view Ant. trimmer C20
					See voltage chart view

The loop antenna should be connected to the radio and in its proper position when making all adjustments.

BOTTOM VIEW OF CHASSIS

MEASUREMENTS TAKEN WITH A HIGH RESISTANCE VOLTMETER FROM "B-" TO DESIGNATED POINTS.



REAR OF CHASSIS

VOLTAGE CHART

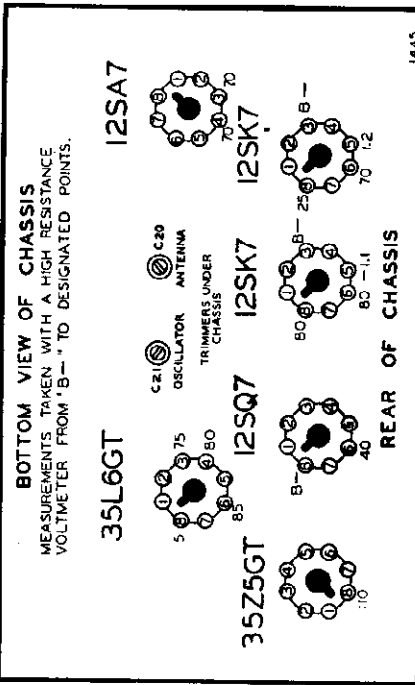
MODEL C8D13,  
Series A

GAMBLE-SKOGMO, INC.

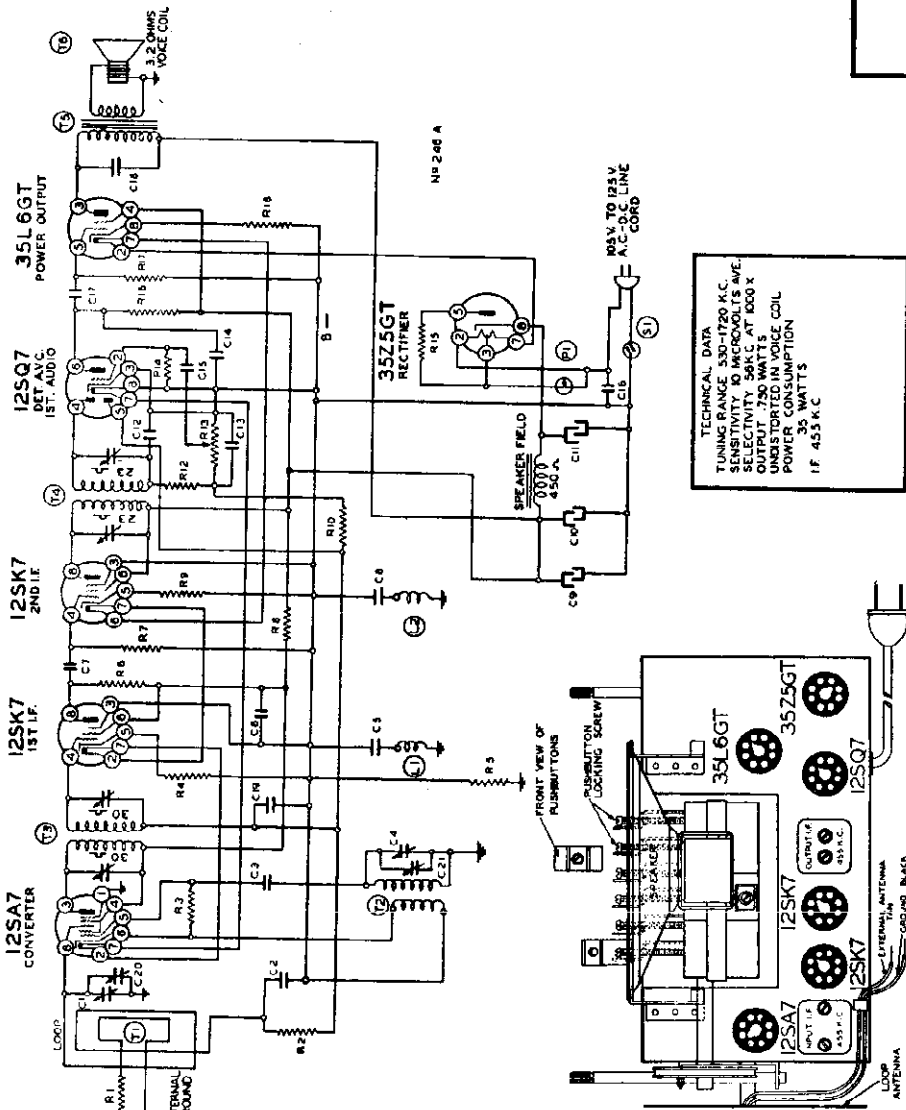
Part No.	Schematic Diagram Reference	Description	No. Used In Set	Selling Price Each
<b>CONDENSERS</b>				
102153	C1, C4, C20, C21	Two Gang Condenser Complete with Tuner Assembly and Ant. and Osc. Trimmers	1	6.00
10025	C8, C17, C18	.02 x 400 Volt Tubular Condenser	3	.25
10025	C15	.05 x 200 Volt Tubular Condenser	2	.25
10099	C19	.1 x 200 Volt Tubular Condenser	2	.25
10020	C6	.1 x 400 Volt Tubular Condenser	1	.25
10010	C3	.1 x 400 Volt Tubular Condenser	1	.25
19135	C9, C10, C11	Electrolytic Filter Condenser, 20 Mfd. x 150 V.; 20 Mfd. x 150 V.; 40 Mfd.	3	1.25
1295	C3, C7, C12, C13, C14	.0001 Mica Type Condenser—20%	5	.25
<b>RESISTORS</b>				
101274	R13, S1	Volume Control and Switch (1 Megohm)	1	1.00
13062	R6	10M Ohm—1/2 Watt Resistor—10%	1	.20
13064	R10	3 Megohm—1/2 Watt Resistor—20%	1	.20
13023	R3	20M Ohm—1/2 Watt Resistor—20%	1	.20
190166	R18	150 Ohm—1/2 Watt Resistor—10%	1	.20
130215	R15	25 Ohm—1/2 Watt Resistor—10%	1	.20
130257	R17	1 Megohm—1/2 Watt Resistor—20%	1	.20
130257	R14	1 Megohm—1/2 Watt Resistor—20%	1	.20
13020	R16	100 Ohm—1/2 Watt Resistor—20%	1	.20
13020	R12	200M Ohm—1/2 Watt Resistor—20%	1	.20
13033	R4	100 Ohm—1/2 Watt Resistor—10%	1	.20
13033	R7	500M Ohm—1/2 Watt Resistor—10%	1	.20
130397	R9	1M Ohm—1/2 Watt Resistor—10%	1	.20
130345	R1, R8	1M Ohm—1/2 Watt Resistor—10%	2	.20
130100	R2, R5	150M Ohm—1/2 Watt Resistor—20%	2	.20
<b>COILS</b>				
108140P	T3	Input I. F. Coil Complete in Can	1	1.00
10145G	T4	Output I. F. Coil Complete in Can	1	1.00
10145G	T2	Oscillator Coil	1	.75
11126	T1	Loop Antenna Assembly—Specify Color	1	1.25
105140	L1	Loop Filter Choke	1	.06
105141	L2	Filter Choke	1	.06

PRICES SUBJECT TO CHANGE WITHOUT NOTICE

October 1941



VOLTAGE CHART



**ALIGNMENT PROCEDURE**

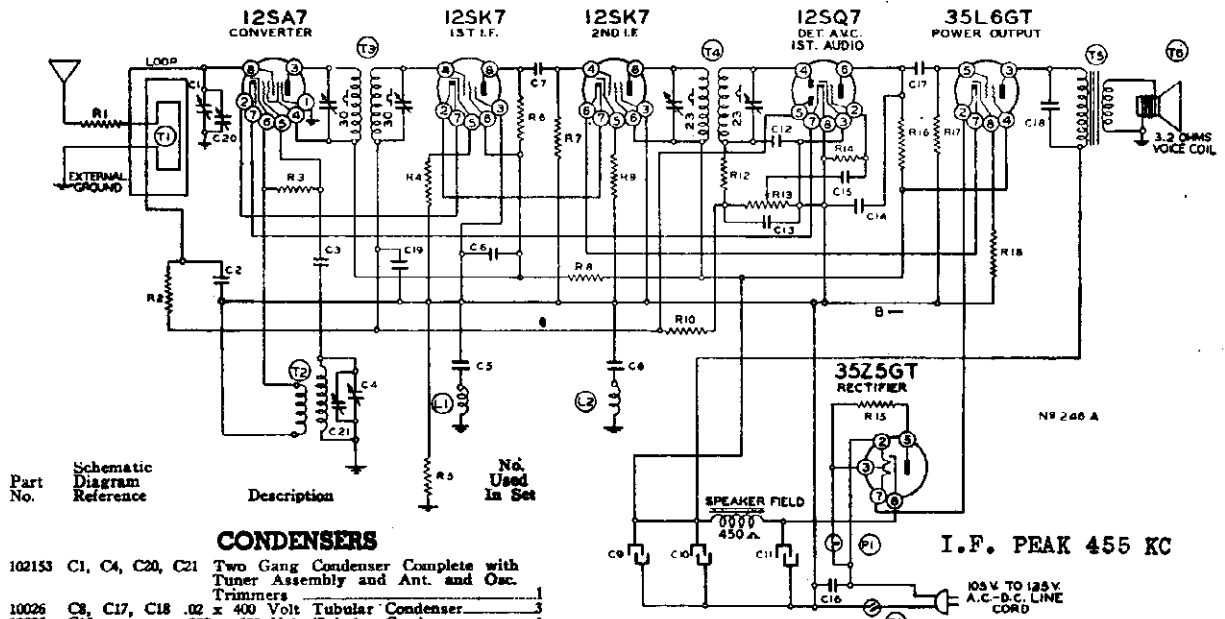
- Volume control—Maximum all adjustments.
- Connect B- of radio chassis to ground post of signal generator through .1 Mfd. condenser.

BAND	SIGNAL GENERATOR Frequency Setting	Dummy Antenna	Connection to Radio	Variable Condenser Setting	Trimmers Adjusted to Maximum
I. F.	455 Kc.	.1 MFD.	Grid of 12SK7 2nd I. F.	Rotor full open (Plates out of mesh)	Two trimmers on top of Output I. F.
I. F.	455 Kc.	.1 MFD.	Grid of 12SA7 Converter	Rotor full open (Plates out of mesh)	Two trimmers on top of Input I. F.
BROAD CAST BAND	1720 Kc.	.1 mfd.	Grid of 12SA7	Rotor full open (Plates out of mesh)	Osc. trimmer C21 See voltage chart view
BROAD CAST BAND	1600 Kc.	200 mmf.	External Antenna and B-	Set Dial at 1600 K. C.	Ant. trimmer C20 See voltage chart view

The loop antenna should be connected to the radio and in its proper position when making all adjustments.

GAMBLE-SKOGMO, INC.

MODEL C6D16, Series A



Part No.	Schematic Diagram Reference	Description	No. Used in Set
----------	-----------------------------	-------------	-----------------

**CONDENSERS**

102153	C1, C4, C20, C21	Two Gang Condenser Complete with Tuner Assembly and Ant. and Osc. Trimmers	1
10026	C8, C17, C18	.02 x 400 Volt Tubular Condenser	3
10025	C15	.02 x 500 Volt Tubular Condenser	1
10029	C2, C19	.05 x 200 Volt Tubular Condenser	2
10020	C3	.1 x 200 Volt Tubular Condenser	1
100110	C5	.3 x 400 Volt Tubular Condenser	1
1001	C16	.1 x 400 Volt Tubular Condenser	1
119135	C9, C10, C11	Electrolytic Filter Condenser, 20 Mfd. x 150 V.; 20 Mfd. x 150 V.; 40 Mfd. x 150 V.	1
1295	C3, C7, C12, C13, C14	.0001 Mica Type Condenser—20%	5

**RESISTORS**

101274	R13, S1	Volume Control and Switch (1 Megohm)	1
13082	R6	10M Ohm— $\frac{1}{2}$ Watt Resistor—10%	1
1304	R10	3 Megohm— $\frac{1}{2}$ Watt Resistor—20%	1
13021	R3	20M Ohm— $\frac{1}{2}$ Watt Resistor—20%	1
130166	R18	150 Ohm— $\frac{1}{2}$ Watt Resistor—10%	1
130215	R15	25 Ohm— $\frac{1}{2}$ Watt Resistor—10%	1
13019	R17	1 Megohm— $\frac{1}{2}$ Watt Resistor—20%	1
130237	R14	5 Megohm— $\frac{1}{2}$ Watt Resistor—25%	1
13020	R12	100M Ohm— $\frac{1}{2}$ Watt Resistor—20%	1
1309	R16	200M Ohm— $\frac{1}{2}$ Watt Resistor—20%	1
130168	R4	100 Ohm— $\frac{1}{2}$ Watt Resistor—10%	1
1303	R7	500M Ohm— $\frac{1}{2}$ Watt Resistor—20%	1
13097	R9	200 Ohm— $\frac{1}{2}$ Watt Resistor—10%	1
130345	R1, R8	1M Ohm— $\frac{1}{2}$ Watt Resistor—10%	1
130100	R2, R5	150M Ohm— $\frac{1}{2}$ Watt Resistor—20%	2

**COILS**

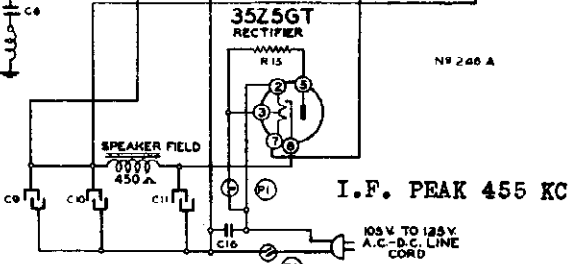
106140P	T3	Input I. F. Coil Complete in Can	1
106145G	T4	Output I. F. Coil Complete in Can	1
110146	T2	Oscillator Coil	1
111260	T1	Loop Antenna Assembly—Specify Color	1
105140	L1	I. F. Filter Choke	1
105141	L2	Filter Choke	1

**SPEAKER**

11463	T6	4 x 6 Inch Oval Electrodynamic Speaker (Less Output Transformer)	1
105106C	T5	Output Transformer for Speaker	1

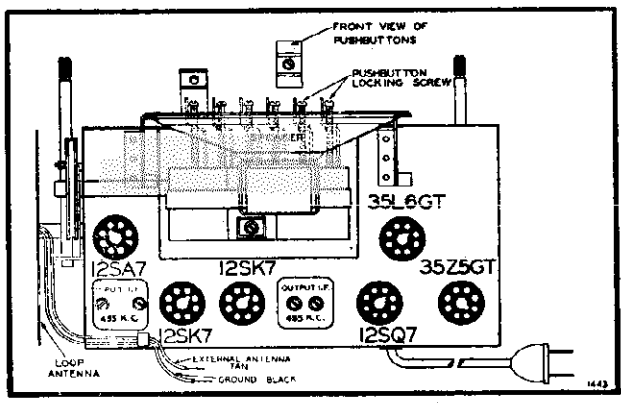
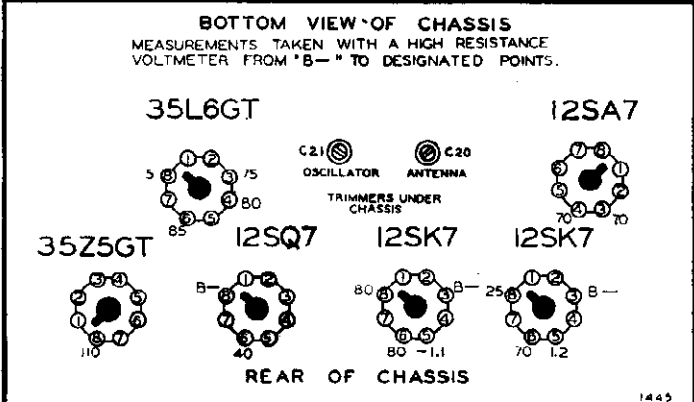
**MISCELLANEOUS**

107249	P1	6-8 Volt Pilot Lite Bulb, Type T-47	1
107389		Socket Assembly for Pilot Lite	1
10798		Line Cord and Plug	1
121210		8 Prong Molded Octal Sockets	6



**DIAL AND TUNING PARTS**

1121012	Dial Scale	1
112998	Diffuser	1
131211	Snap-in Rivets to Fasten Dial	2
1121013	Pointer	1
120377	Coiled Tension Spring for Dial String	2
120314	String for Dial	Per Yd.
120424	Spring-On Tuning Shaft	1
1209	String for Tuning Shaft	Per Yd.
117922	Tuning Shaft	1
128699-14	Pushbuttons—Left—Walnut	3
128700-14	Pushbuttons—Right—Walnut	3
131383	Screw Driver	1
128523-14	Knob—Walnut	2
112973	Set of Station Call Letters	1
112979	Set of Tabs for Call Letters	1



Chassis View, Showing Tube Location and the External Antenna and Ground Leads

**Setting the Pushbuttons**

Make a list of your 6 favorite stations—push out the call letters of these stations from the call letter sheets supplied. Next insert a long slim screw driver into the hole in front of one of the pushbuttons and unscrew the pushbutton locking screw (to the left) several turns. Now with the screw driver still engaged in the locking screw slot push it all the way in. Hold it in this position and tune in the station you want with the tuning knob. Now tighten up the pushbutton locking screw by turning it to the right. Tighten firmly. Continue setting each button in the same way. When you have set your stations insert the call letter of each station in the front of the proper button and put one of the celluloid tabs over the station call letter.

To change stations simply repeat the above procedure.

If you are unable to set a station on any particular button it is probably because the pushbutton locking screw has not been loosened (turned to the left).

MODEL C6D16, Series A  
MODEL C6D18, Series A

GAMBLE-SKOGMO, INC.

**PUSH BUTTON ADJUSTMENT  
MODEL C6D18**

Insert the call letter tabs in the rectangular openings in each of the automatic tuner push buttons.

Stations may be set up in any sequence desired. Press any one of the automatic tuner push buttons down all the way.

Hold the push button down firmly, and tune set very carefully to station desired, until station is heard clearly and with maximum volume

Release the push button.

Press down another automatic tuner push button. Hold it down FIRMLY and carefully tune in next station desired. Release this push button.

Follow this procedure until you have selected all of your favorite stations.

Now rotate the tuning knob to the right (clockwise) as far as it will turn, and with a coin (quarter), tighten the special locking screw ("C") in the center of the tuning knob, (See Fig. 2).

It is VERY IMPORTANT that this locking screw is turned until it is ABSOLUTELY TIGHT.

This screw will lock in place all the stations you have selected on the automatic tuner push buttons. (Note: Locking screw "C" is loose when radio is shipped from factory.)

The following equipment is required for aligning:

- An all wave signal generator.
- Output indicating meter.
- Non-metallic screwdriver
- Dummy antenna—.1 Mfd

**ALIGNMENT PROCEDURE**

- Volume control—Maximum all adjustments.
- Connect B— of radio chassis to ground post of signal generator through .1 Mfd condenser.

BAND	SIGNAL GENERATOR Frequency Setting	Dummy Antenna	Connection to Radio	Variable Condenser Setting	Trimmers Adjusted to Maximum
L. F.	455 Kc. 455 Kc.	.1 MFD. .1 MFD.	Grid of 12SK7 2nd L. F. Grid of 12SA7 Converter	Rotor full open (Plates out of mesh) Rotor full open (Plates out of mesh)	Two trimmers on top of Output I. F. Two trimmers on top of Input I. F.
BROAD-CAST BAND	1720 Kc. 1400 Kc.	.1 mmf. 200 mmf.	Grid of 12SA7 External Antenna and B—	Rotor full open (Plates out of mesh) Set Dial at 1400 K. C.	Occ. trimmer C1 See voltage chart view Aut trimmer C20 See voltage chart view

The loop antenna should be connected to the radio and in its proper position when making all adjustments.

**ALIGNMENT  
MODEL C6D18**

Slight adjustments to the oscillator and antenna circuits can be made without removing the chassis from the cabinet through two holes which are provided on the bottom of the cabinet.

**ALIGNMENT PROCEDURE**

**IMPORTANT!—See alignment instructions**

- Volume control—Maximum all adjustments.
- Connect B— of radio chassis to ground post of signal generator through .1 Mfd. condenser.
- Connect dummy antenna value in series with generator output lead.
- Connect output meter across primary of output transformer.
- Allow chassis and signal generator to "heat up" for several minutes.

**SIGNAL GENERATOR**

BAND	Frequency Setting	Dummy Antenna	Connection to Radio	Variable Condenser Setting	Trimmers Adjusted (in Order Shown)	Trimmer Function	Adjustment
L. F.	455 Kc.	.1 MFD.	Grid of 12SA7	Rotor full open (Plates out of mesh)	Four Trimmers on Top (See Fig. 1)	Output and Input I. F.	Adjust to maximum output
BROAD-CAST BAND	1650 Kc. 1400 Kc.	.1 MFD. See Note "A"	Grid of 12SA7	Rotor full open (Plates out of mesh) Set dial at 1400 Kc.	Trimmer bottom of rear section of gang. Trimmer bottom of front section of gang. (See bottom of radio)	Broadcast Oscillator Broadcast Antenna	Adjust to maximum output Adjust to maximum output

**NOTE "A"** Lay the output lead from the generator in back of the loop antenna. Turn up the output of the generator, picking up the energy in the loop antenna without any electrical connection from the generator.

It is important during alignment that the same distance between the loop antenna and the chassis be maintained as when the chassis is installed in the cabinet.

Power Output \_\_\_\_\_ Watt Undistorted, 17 Watts Maximum  
Intermediate Frequency \_\_\_\_\_ 455 K.C.

GAMBLE-SKOGMO, INC.

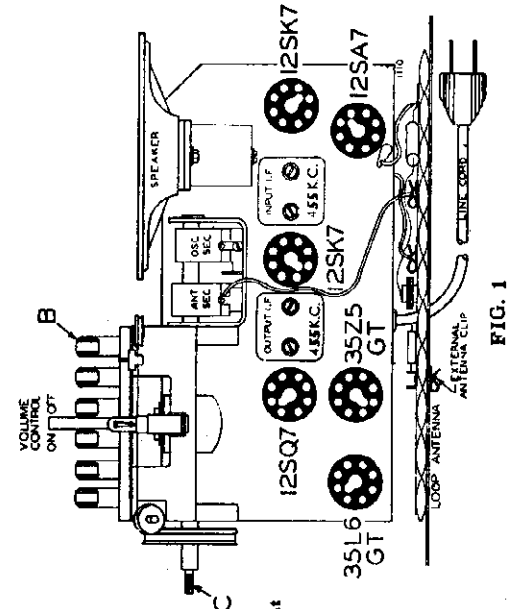
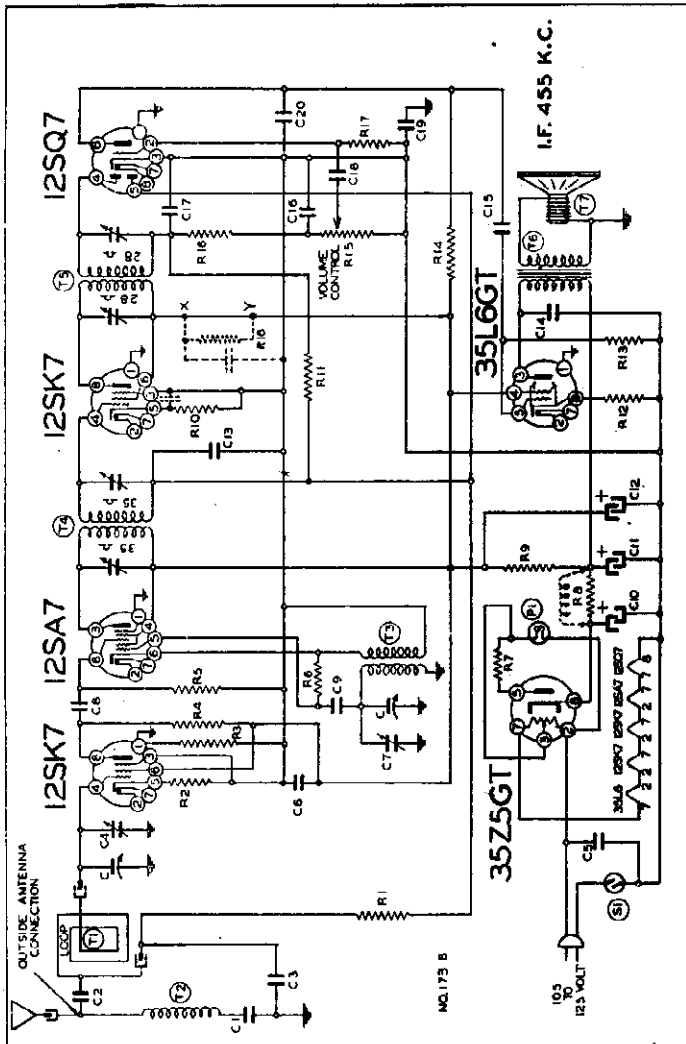
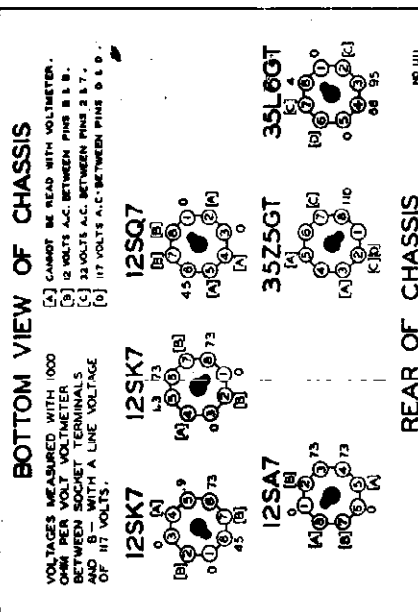


FIG. 1

NOTE: Some sets of this model were made for glass tubes only. Where glass tubes were used items C21-C22-R18 shown in dotted lines, were added to the circuit and the B + Line was opened between points X + 4.

On some sets R8 is replaced by a speaker field; R9 is also eliminated and C11 and C12 are connected in parallel.



REAR OF CHASSIS

Circuit Diagram Ref.	Part No.	Description
C10	11894	40 mfd.-150 w.v. Lytic
C11	11894	20 mfd.-150 w.v. Lytic
C12	11894	20 mfd.-150 w.v. Lytic
C13	10026	.05 x 200 v.
C14	10026	.004 x 600 v.
C15	10026	.004 x 600 v.
C16	12939	.00005 mica
C17	12939	.00001 mica
C18	10025	.002 x 400 v.
C19	100110	.2 x 400 v.
C20	1295	.0001 mica
C21	10020	.1 x 200 Volt
C22	10020	.1 x 200 Volt
C10, C11, C12 are in same unit		
T1	111145	Loop Antenna Assembly
T2	1237	Loading Coil
T3	110128	Oscillator Coil
T4	108140G	Input I.F. Coil-45 kc.
T5	108145C	Output I.F. Coil-45 kc.
T6	109531	5" P.M. Speaker
T7	114265	5" Electrodynamic Speaker
S1	114265	On-off switch
P1	107249	T-47 Pilot Light

Circuit Diagram Ref.	Part No.	Description
R1	130100	150M ohm-1/4 w.
R2	130168	100 ohm-1/4 w.
R3	130100	50M ohm-1/4 w.
R4	13028	50M ohm-1/4 w.
R5	13028	50M ohm-1/4 w.
R6	13094	50M ohm-1/4 w.
R7	130215	25 ohm-1/4 w.
R8	130296	200 ohm-1 w.
R9	130287	1200 ohm-1 w.
R10	130166	150 ohm-1/4 w.
R11	1304	5 megohm-1/4 w.
R12	130166	50 ohm-1/4 w.
R13	1309	200M ohm-1/4 w.
R14	101211	1 megohm-volume control
R15	13012	50M ohm-1/4 w.
R16	130237	5 megohm-1/4 w.
R18	13064	3500 Ohm-1/4 w.

Circuit Diagram Ref.	Part No.	Description
C1	10216	Two grid variable condenser
C2	130132	.00025 mica
C3	10226	.02 x 400 v.
C4	1001	B.C. antenna trimmer
C5	1006	.1 x 400 v.
C6	1295	B.C. Oscillator Trimmer
C7	1295	.0001 mica
C8	1295	.0001 mica

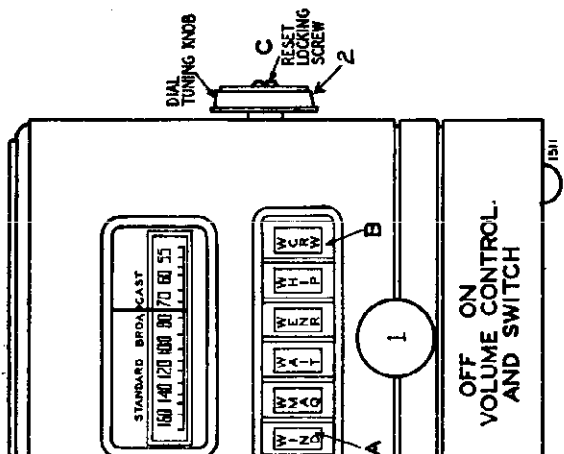
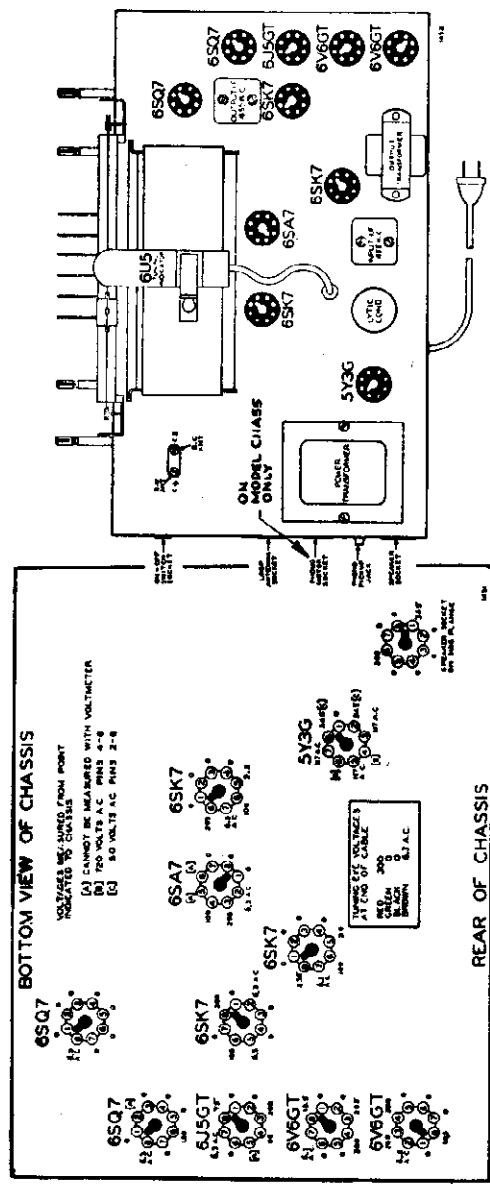
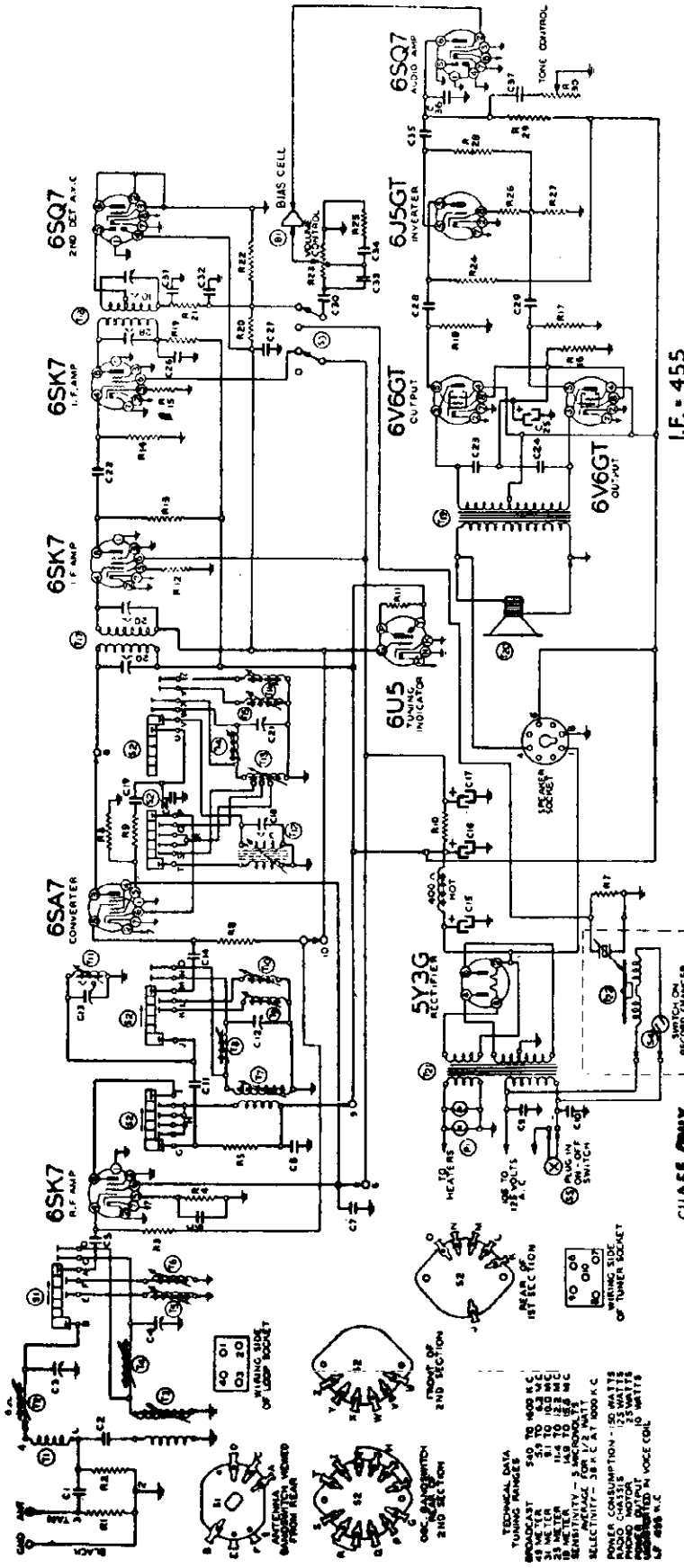


FIG. 2

MODEL C11A54, Series A  
MODEL C11A55, Series A

GAMBLE-SKOGMO, INC.



**Setting the Pushbuttons**

Make a list of your 6 favorite stations. Push out the call letters of these stations from the call letter sheets supplied. Insert a call letter in the slot on top of each pushbutton.

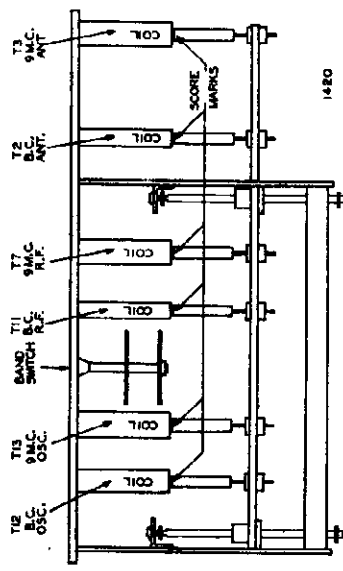
Next pull one of the pushbuttons all the way out as far as it will come. Now tune in the station you want with the tuning knob—Tune back and forth until the station is clear and distinct. Now push the button hard all the way in to lock the station in place. Continue setting each pushbutton in the same way. Pressing the proper button will now tune the station you want. If it does not do so you did not push the button hard enough to lock it in place when setting up the station.

GAMBLE-SKOGMO, INC.

MODEL C11A54, Series A
MODEL C11A55, Series A
MODEL 12A51, Series A

Table with columns: BAND, SIGNAL GENERATOR Frequency Setting, Antenna, Connection to Radio, Position of Band Switch, Dial Pointer Setting, Trimmer Adjusted To Maximum. Includes rows for 31 METER, 49 METER, 25 METER, 19 METER, BROAD-CAST, and BAND.

COIL DATA
MODEL C11A54 SERIES A
MODEL C11A55 SERIES A
MODEL 12A51 SERIES A



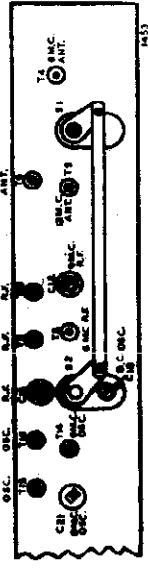
RECORD CHANGER PARTS LIST
Part No. 104267

Table of parts list for the record changer, including Motor, Motor Mounting Kit, Motor On-Off Switch, Line Cord and Plug, Rubber Idler Wheel, Rubber Wheel Tension Spring, Turntable, Upper and Lower Shelf Blade Assembly, Pickup Cartridge, Rubber Pickup Spring, Rest, Rest Buffer, Rest 10-12, and Needle Screw.

Do not realign the band spread scales unless you are positive they are out of adjustment. When adjustment is necessary proceed as follows.

Tune set to high frequency end of dial scale on any band. Rotate each iron core until the fine score marks are even with the edge of the coil forms.

You are now ready to continue with the trimmer adjustments as shown on the alignment chart.



PARTS LIST FOR
MODEL C11A54 SERIES A
MODEL C11A55 SERIES A

Large parts list table with columns: Part No., Schematic Diagram Reference, Description, No. Used In Set. Includes sections for RESISTORS, TRANSFORMERS, COILS, and CONDENSERS.

Model C11A55 has an Oak RC/1 record changer. See Rider's "Automatic Record Changers and Recorders" book.

MODELS 1128, 1682

GAMBLE-SKOGMO, INC.

ALIGNMENT INSTRUCTIONS

The receiver and generator should be allowed to warm up for a few minutes. The volume control should be set at maximum. The following chart gives connections and operations in their order for proper alignment of this receiver.

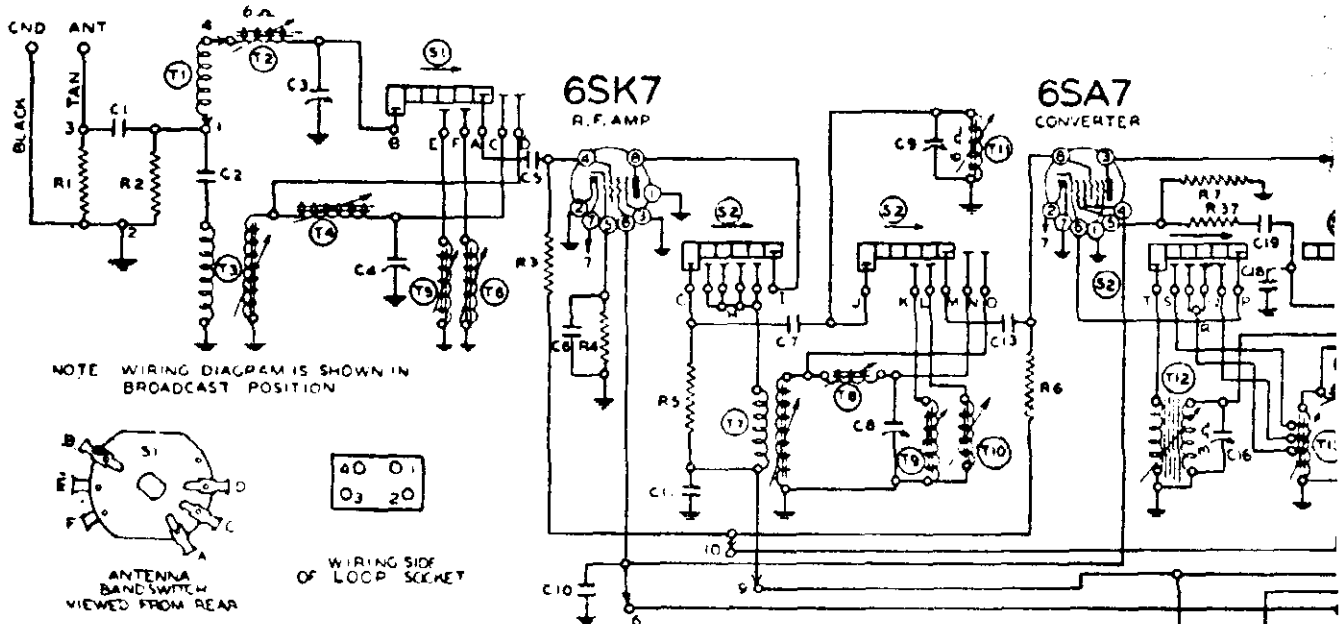
SEE CIRCUIT DIAGRAM FOR TRIMMER LOCATIONS

Generator Frequency	Connection at Radio	Dummy Antenna	Range Switch Setting	Dial Setting	Trimmers to Tune	Approx. Sensitivity .05 Watt O. P.
I. F. 456 k.c.	Center Stator of Var. Cond.	.1 Mfd.	B. C.	H. F. End	I. F. Trans. Tune to Max.	65 to 75 Mv.
B. C. 1650 k.c.	Ant.	200 Mmf.	B. C.	H. F. Limit of Travel	B. C. Osc.	—
1400 k.c.	"	"	"	1400— See Note "A"	B. C. RF. "Loop Tune to Max.	20 Mv.
600 k.c.	"	"	"	600— Rock Rotor	Padder	15 Mv.
11.6 m.c.	Ant.	400 Ohms	S. W.	11.6 m.c.	S. W. Osc	40 to 50 Mv.
9.6 m.c.	Ant.	400 Ohms	S. W.	Check Dial at 9.6 Mc.		

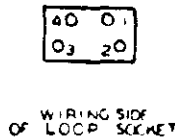
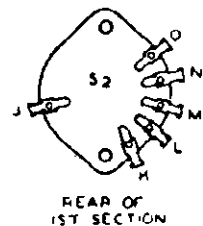
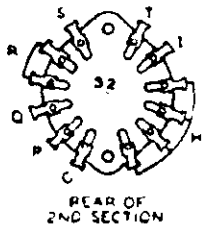
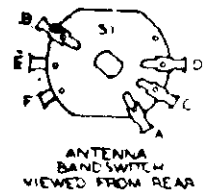
Note "A" If the pointer is not at 1400 kc with a 1400 kc signal it may be loosened from the dial cord and moved to correct the calibration. This should be checked across the band to arrive at the optimum condition.

Note "B" Care should be taken not to align on the image frequency. This may be checked by rotating the dial of the signal generator. Another signal should be heard at dial frequency plus 912 kc. This signal should be checked carefully on all short wave bands, making sure the lowest frequency signal agrees with the dial setting in frequency and that it is the stronger of the two.



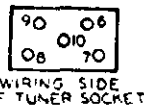
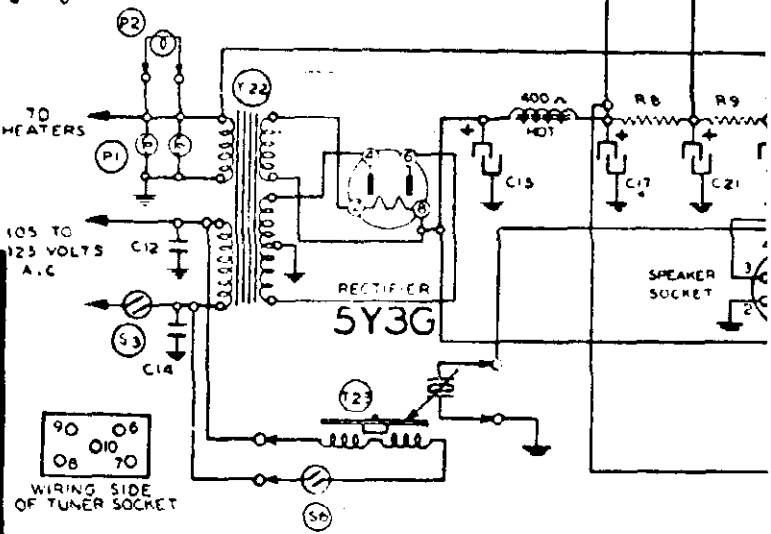


NOTE: WIRING DIAGRAM IS SHOWN IN BROADCAST POSITION



WIRING SIDE OF LOOP SOCKET

TECHNICAL DATA	
TUNING RANGES	
BROADCAST	540 TO 1600 K.C.
49 METER	5.9 TO 6.2 M.C.
31 METER	9.1 TO 10.0 M.C.
25 METER	11.4 TO 12.2 M.C.
19 METER	14.9 TO 15.5 M.C.
SENSITIVITY 5 MICROVOLTS	
AVERAGE FOR 1/2 WATT	
SELECTIVITY 30 K.C. AT 1000 MC	
AT 1000 X SIGNAL	
POWER CONSUMPTION 150 WATTS	
RADIO CHASSIS 125 WATTS	
PHONO MOTOR 25 WATTS	
POWER OUTPUT 100 WATTS	
UNDISTORTED IN VOICE COIL	
I.F. 455 K.C.	



WIRING SIDE OF TUNER SOCKET

Code Part No. Description

**RESISTORS**

R1	130232	25M ohm-1/4 w.
R2	130232	25M ohm-1/4 w.
R3	130119	1 megohm-1/4 w.
R4	130239	250 ohm-1/4 w.
R5	130218	5M ohm-1/4 w.
R6	130119	1 megohm-1/4 w.
R7	130232	25M ohm-1/4 w.
R8	130318	6M ohm-2 w.
R9	130319	10M ohm-2 w.
R10		1 megohm in tuning indicator cable
R11	130070	500 ohm-1/4 w.
R12	130082	10M ohm-1/4 w.
R13	130235	1500 ohm-1/4 w.
R14	130192	2M ohm-1/4 w.
R15	130192	2M ohm-1/4 w.
R16	130119	1 megohm-1/4 w.
R17	13013	500M ohm-1/4 w.
R18	130317	2.0 ohm-2 w.
R19	1303	500M ohm-1/4 w.
R20	13094	50M ohm-1/4 w.
R21	130316	120M ohm-1/4 w.
R22	101229	500M ohm volume control
R23	130191	1.5 megohm-1/4 w.

R24	13094	50M ohm-1/4 w.
R25	130218	5M ohm-1/4 w.
R26	13094	50M ohm-1/4 w.
R27	130172	250M ohm-1/4 w.
R28	1303	500M ohm-1/4 w.
R29	130172	250M ohm-1/4 w.
R30	130232	25M ohm-1/4 w.
R31	13080	150M ohm-1/4 w.
R32	130309	350M ohm-1/4 w.
R33	130266	200M ohm-1/4 w.
R34	13066	75M ohm-1/4 w.
R35	13080	150M ohm-1/4 w.
R36	130146	2 megohm-1/4 w.
R37	130174	50 ohm-1/4 w.

**CONDENSERS**

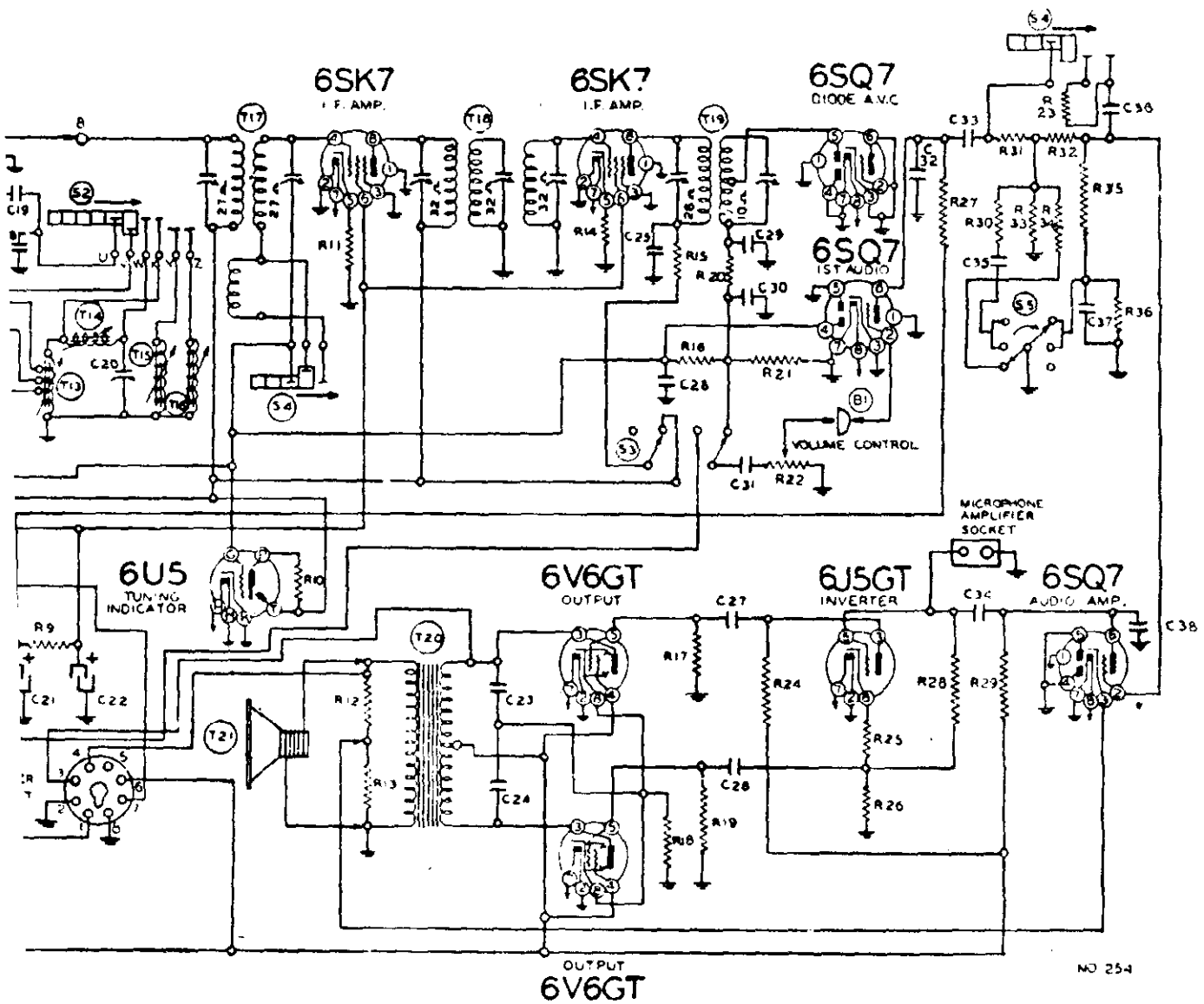
C1	1292	.0005 mica
C2	10047	.002 x 600 v.
C3	124143	B.C. antenna trimmer
C4	124143	9 mc. antenna trimmer
C5	1292	.0005 mica
C6	10020	.1 x 200 v. tubular
C7	129168	.00001 mica
C8	124138	9 mc. R.F. trimmer
C9	124139	B.C. R.F. trimmer
C10	10074	.1 x 400 v.
C11	10074	.1 x 400 v.
C12	10061	.02 x 600 v.

C13	1292	.0005 mica
C14	10061	.02 x 600 v.
C15	119112	30.0 mfd. lytic
C16	124144	B.C. oscillator trimmer
C17	119112	30.0 mfd. lytic x 450 v.w.
C18	129167	.0002 silver mica
C19	129165	.00005 mica
C20	124145	9 mc. oscillator trimmer
C21	119112	10.0 mfd. lytic
C22	11969	16 mfd. x 350 v.w.
C23	10065	.015 x 600 v.
C24	10065	.015 x 600 v.
C25	1001	.1 x 400 v.
C26	10020	.1 x 200 v.
C27	10013	.05 x 400 v.
C28	1009	.05 x 200 v.
C29	1295	.0001 mica
C30	1295	.0001 mica
C31	10020	.1 x 200 v.
C32	12912	.00025 mica
C33	1001	.1 x 400 v.
C34	10013	.05 x 400 v.
C35	100118	.008 x 400 v.
C36	129185	.00009 mica
C37	10037	.003 x 600 v.
C38	12912	.00025 mica

C3 and C4 in same unit  
C15, C17 and C21 in same unit  
B1 11622 Bias cell 1.25 volt

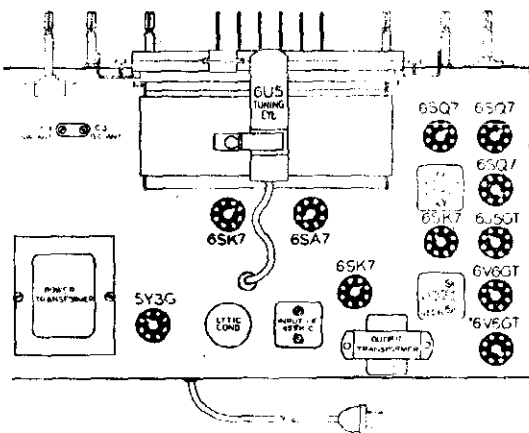


E-SKOGMO, INC.

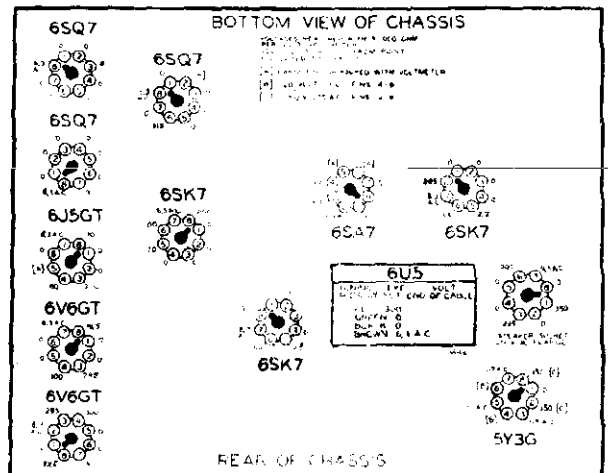


NO 254

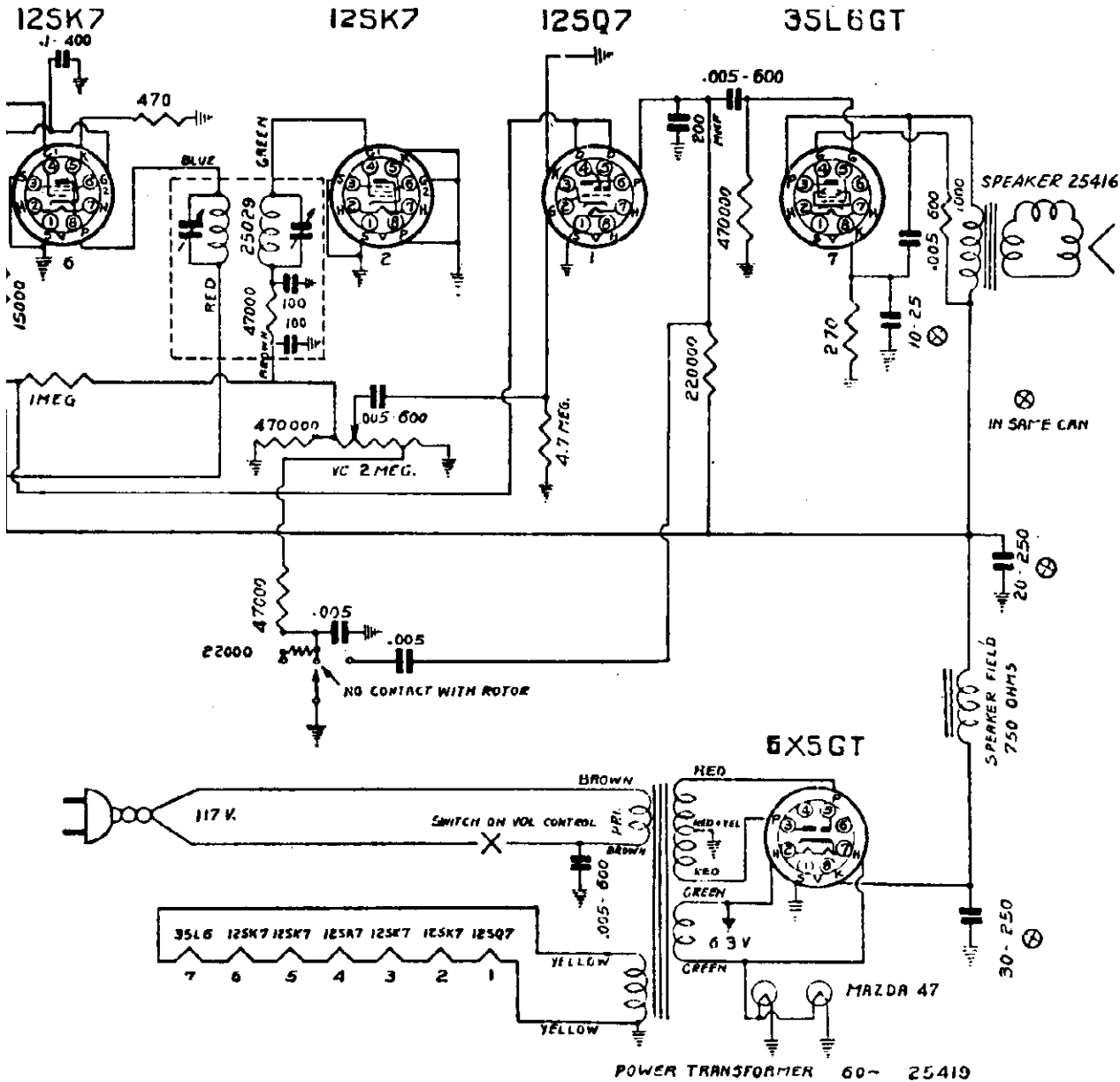
I.F. PEAK 455 KC



FOR EITHER THE  
SEEBURG MODEL B  
OR OAK MODEL  
RC-1 RECORD  
CHANGER, SEE  
RIDER'S  
"AUTOMATIC  
RECORD CHANGERS  
AND RECORDERS".



KOGMO, INC.



I.F. PEAK 456 KC

MODELS 1128 + 1682

**SPECIFICATIONS**

Tuning Ranges:

Broadcast Band 540 to 1650 kc

Short Wave Band 9.1 — 12.0 mc

Sensitivity: For .05 watt output:

(Loop)

K7 on

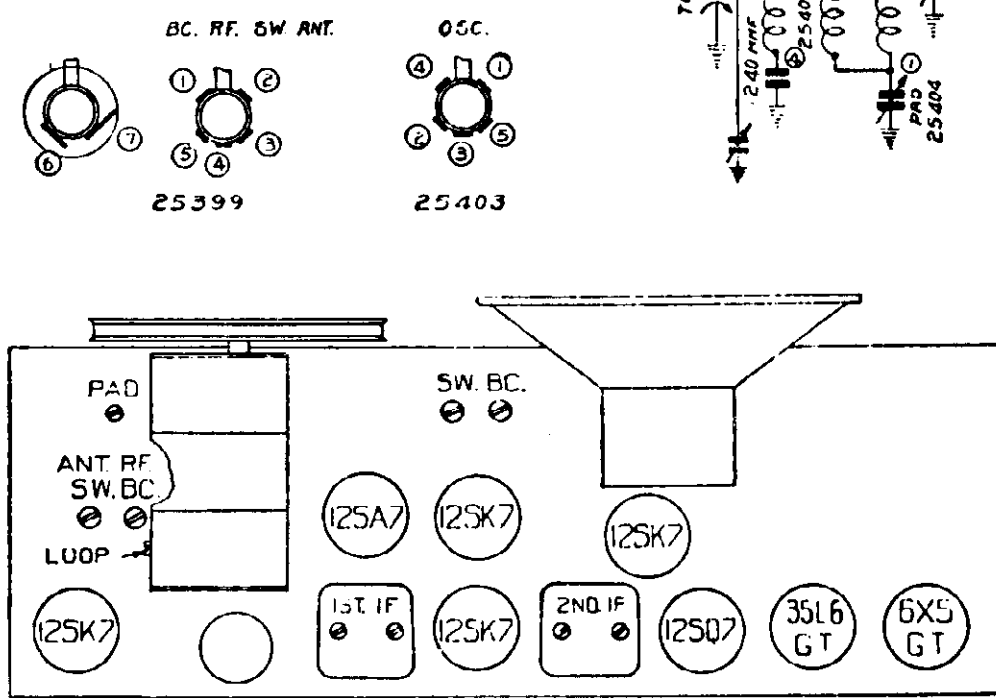
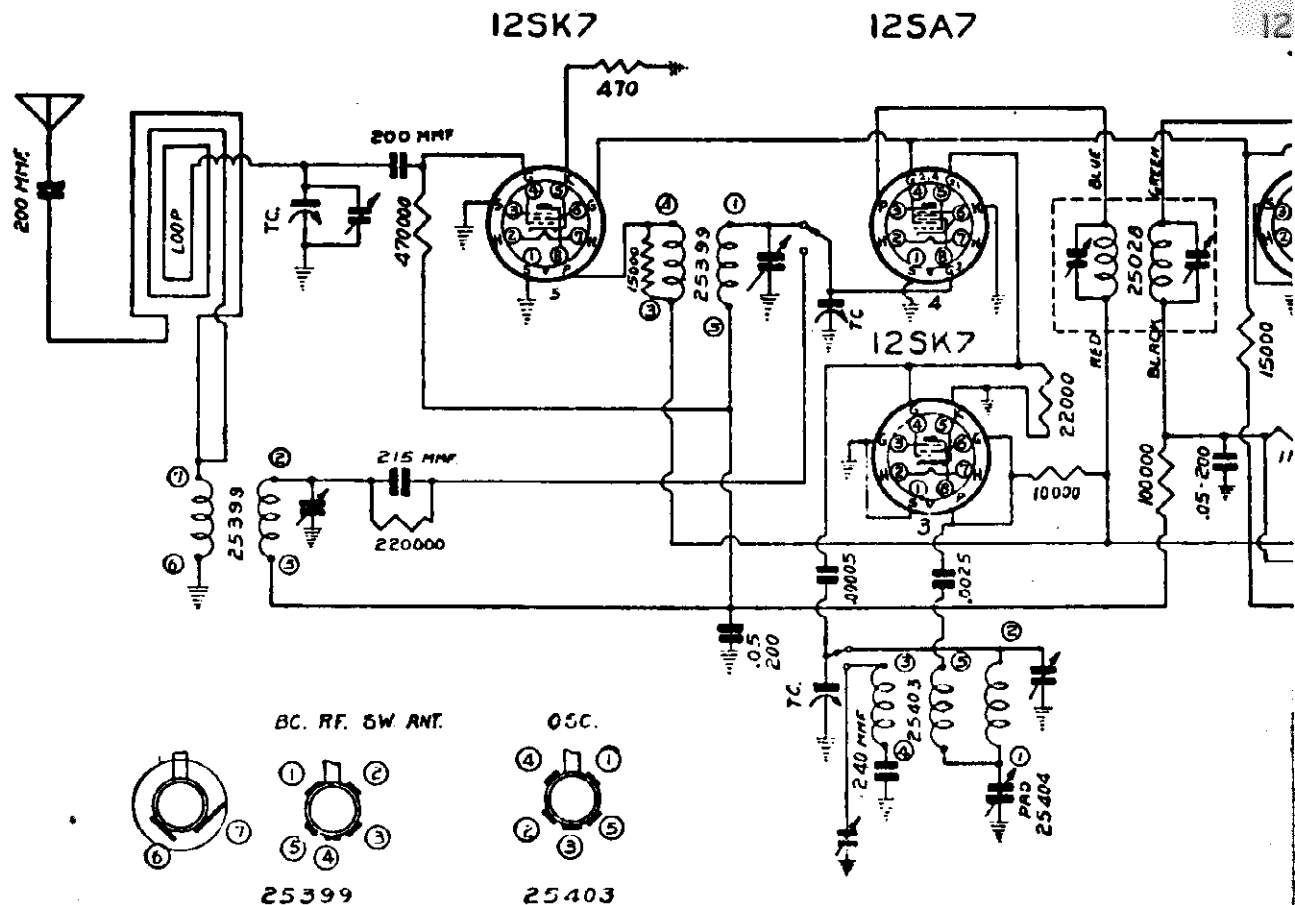
Broadcast Band 15 to 20 Microvolts

S W Band 40 to 60 "

MODELS 1128, 1682

GAMBLE-SKC

12



TRIMMER LOCATIONS

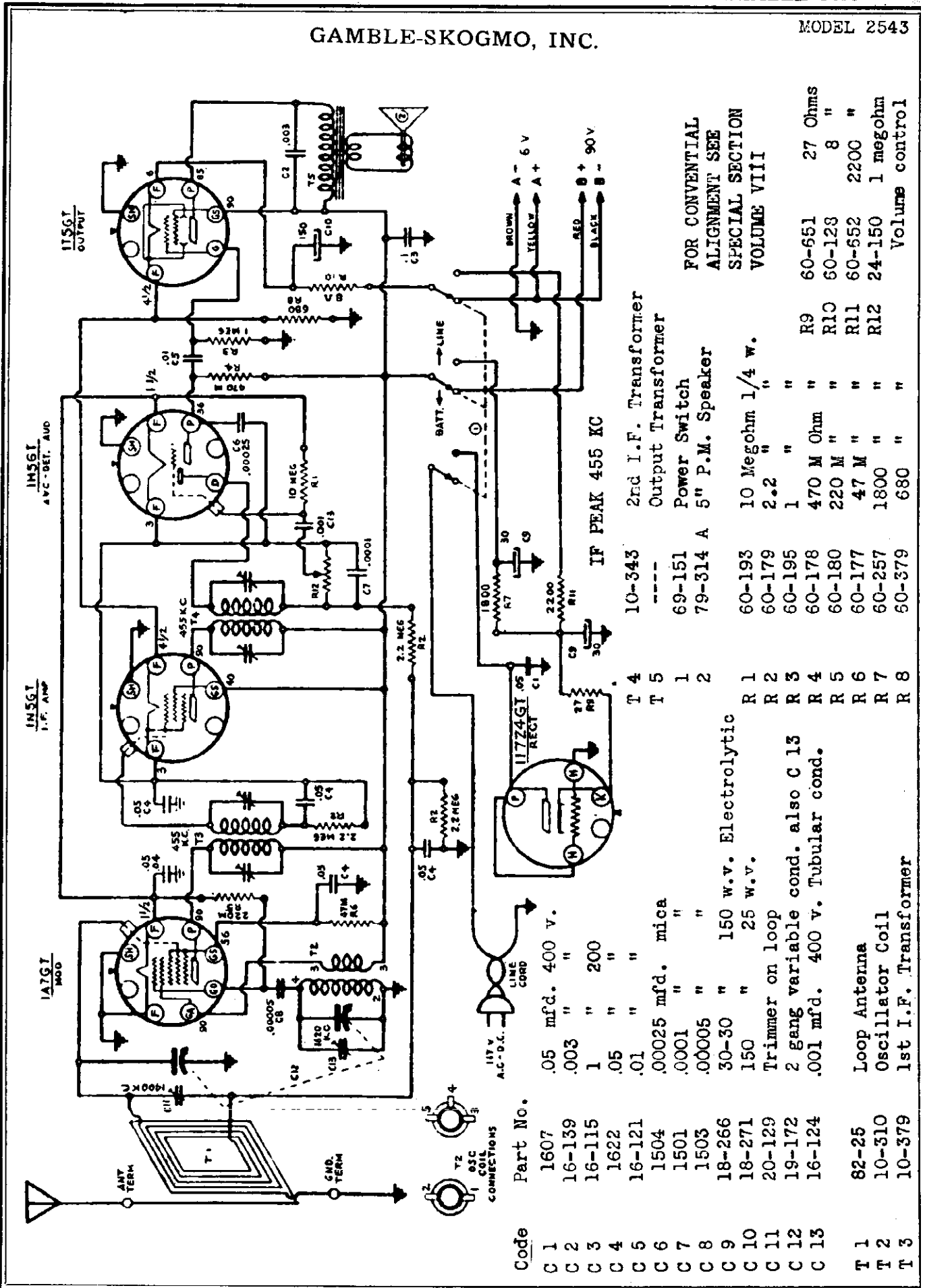
**SPECII**

Watts input at 117 V. line: 45      Watts output: 1.7 Undistorted      2.7 Maximum  
 Selectivity at 1000 times signal — 34kc band width      Intermediate frequency 456kc  
 Speaker 5 1/4" Electrodynamic, 750 ohm field

I. F. 456kc at 12SA7 grid (Stator of middle section of variable condenser) 50 to 60 Microvolts.  
 Tube Functions: 12SK7 R. F., 12SA7 first detector, 12SK7 oscillator, 12SK7 IF amplifier, 12SK7 second detector, 12SQ7 first audio, 35L6GT power output. 6X5GT rectifier. Voltages will be found on circuit diagram.

GAMBLE-SKOGMO, INC.

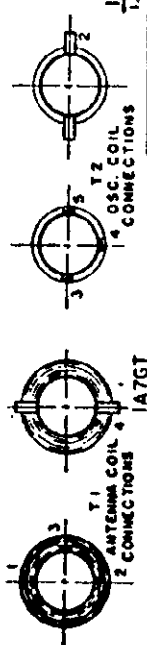
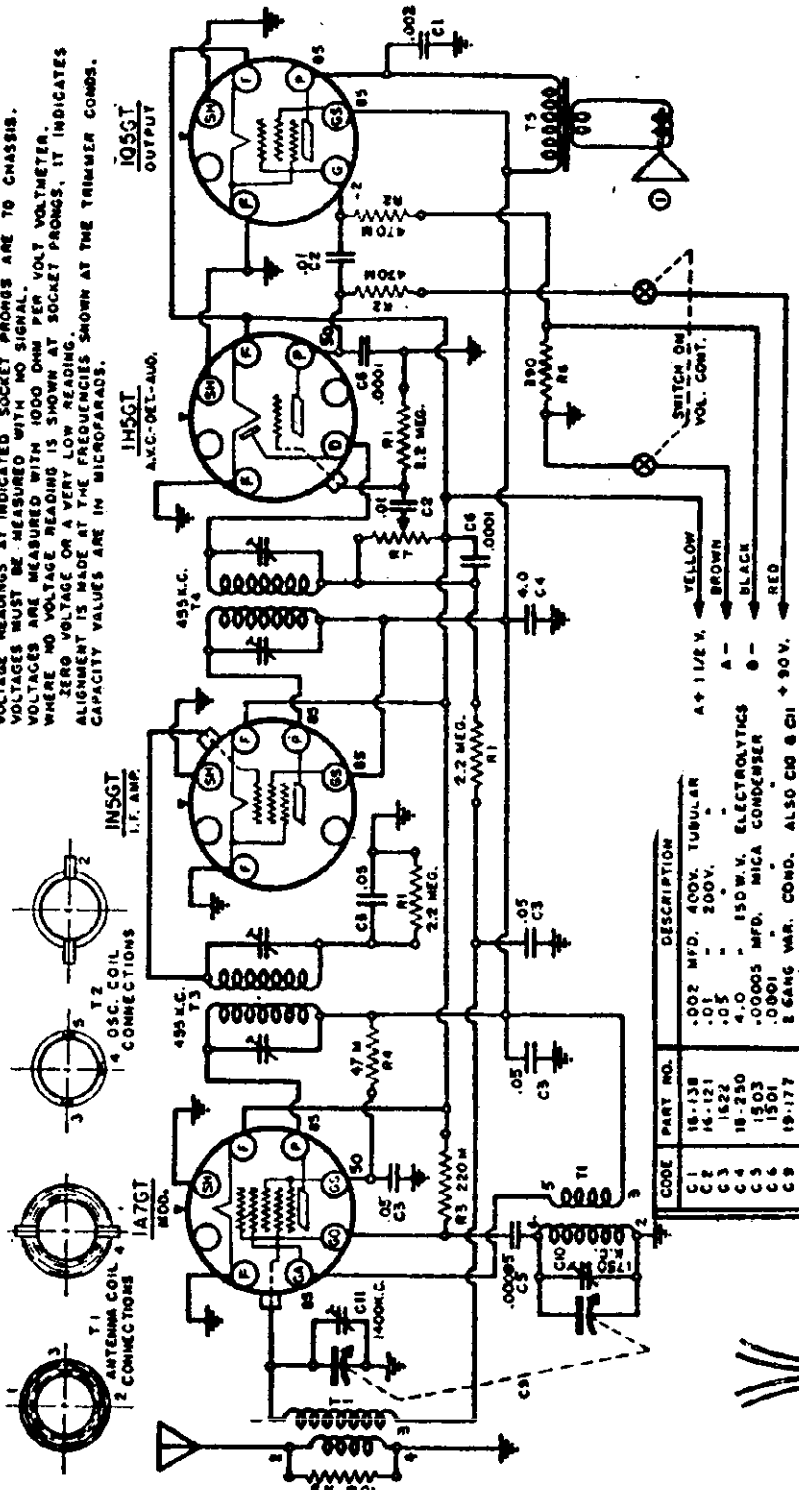
MODEL 2543



FOR CONVENTIONAL ALIGNMENT SEE SPECIAL SECTION VOLUME VIII

Code	Part No.	Description	Value
C 1	1607	.05 mfd. 400 v.	
C 2	16-139	.003 "	
C 3	16-115	1 " 200 "	
C 4	1622	.05 " "	
C 5	16-121	.01 " "	
C 6	1504	.00025 mfd. mica	
C 7	1501	.0001 " "	
C 8	1503	.00005 " "	
C 9	18-266	30-30 " 150 w.v. Electrolytic	
C 10	18-271	150 " 25 w.v.	
C 11	20-129	Trimmer on loop	
C 12	19-172	2 gang variable cond. also C 13	
C 13	16-124	.001 mfd. 400 v. Tubular cond.	
T 1	82-25	Loop Antenna	
T 2	10-310	Oscillator Coil	
T 3	10-379	1st I.F. Transformer	
T 4	10-343	2nd I.F. Transformer	
T 5	---	Output Transformer	
R 1	60-193	10 Megohm 1/4 w.	
R 2	60-179	2.2 "	
R 3	60-195	1 "	
R 4	60-178	470 M Ohm "	
R 5	60-180	220 M " "	
R 6	60-177	47 M " "	
R 7	60-257	1800 " "	
R 8	60-379	680 " "	
R 9	60-651	27 Ohms	
R 10	60-123	8 " "	
R 11	60-552	2200 " "	
R 12	24-150	1 megohm	
		Volume control	

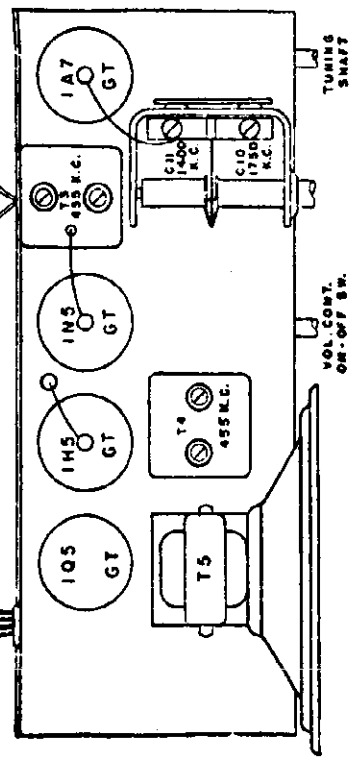
TUBE SOCKETS ARE VIEWED FROM UNDERSIDE OF CHASSIS. VOLTAGE READINGS AT INDICATED SOCKET PRONGS ARE TO CHASSIS. VOLTAGE MUST BE MEASURED WITH NO SIGNAL. VOLTAGES ARE MEASURED WITH 1000 OHM SIGNAL. WHERE NO VOLTAGE READING IS SHOWN, ONLY PER VOLT VOLTMETER. ZERO VOLTAGE OR A VERY LOW READING. ALIGNMENT IS MADE AT THE FREQUENCIES SHOWN AT THE TRIMMER COMBS. CAPACITY VALUES ARE IN MICROFARADS.

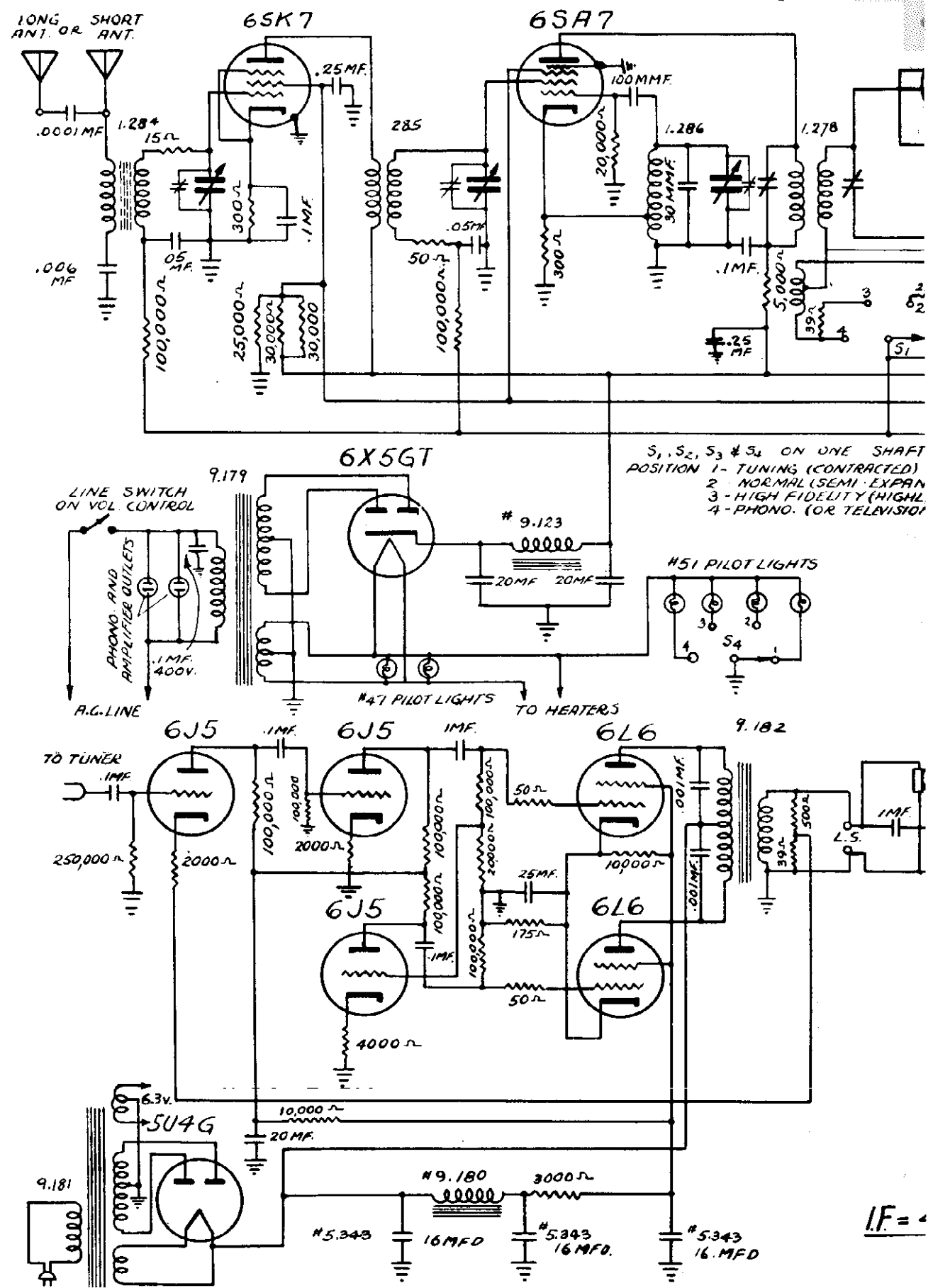


CODE	PART NO.	DESCRIPTION
C1	18-138	.002 MFD. 400V. TUBULAR
C2	18-132	.01
C3	18-250	4.0
C4	18-250	150 W.V. ELECTROLYTICS
C5	1503	.0005 MFD. MICA CONDENSER
C6	1503	.0001
C8	19-177	5 GANG VAR. COND. ALSO C10 & C11

CODE	PART NO.	DESCRIPTION
Y1	10-396	ANTENNA TRANSFORMER
Y2	10-395	OSCILLATOR
Y3	10-842	1 ST. I.F.
Y4	10-943	2 ND. I.F.
Y5	.....	OUTPUT TRANS. (ON SPKR.)
	79-322	P.M. SPEAKER

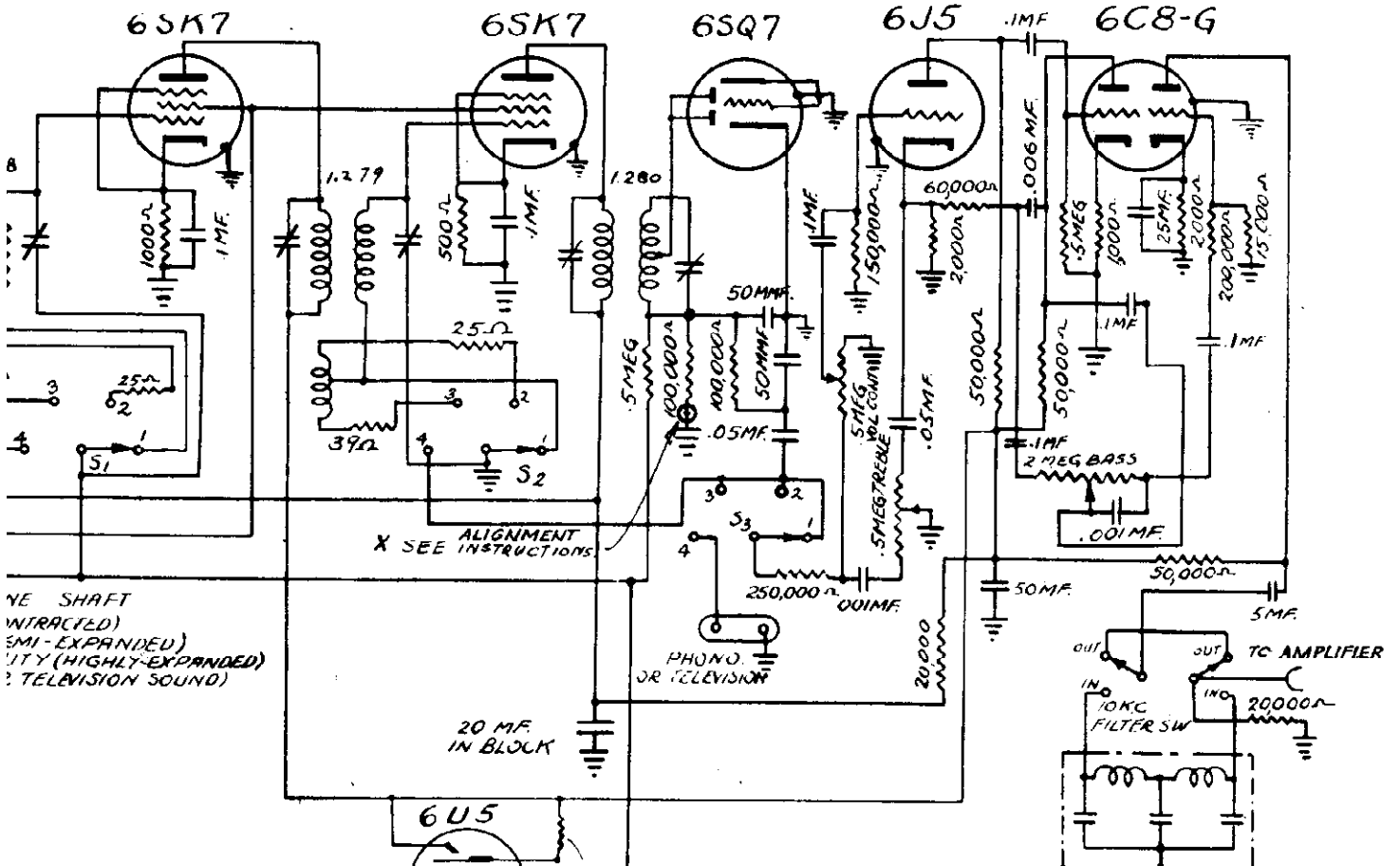
CODE	PART NO.	DESCRIPTION
R1	50-179	2.2 MEGOHM 1/4 W. RESISTOR
R2	50-178	470M OHM
R3	50-160	220M
R4	50-177	47M
R5	50-215	10M
R6	50-221	390
R7	24-154	1 MEGOHM VOLUME CONTROL



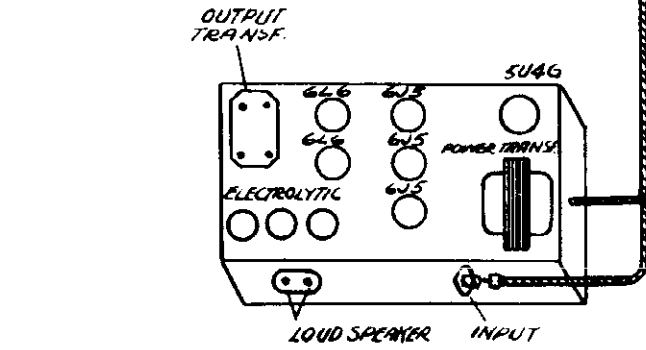
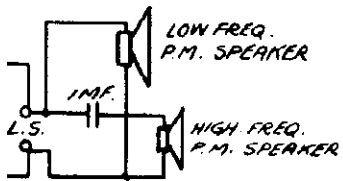


OD ELECTRONICS CORP.

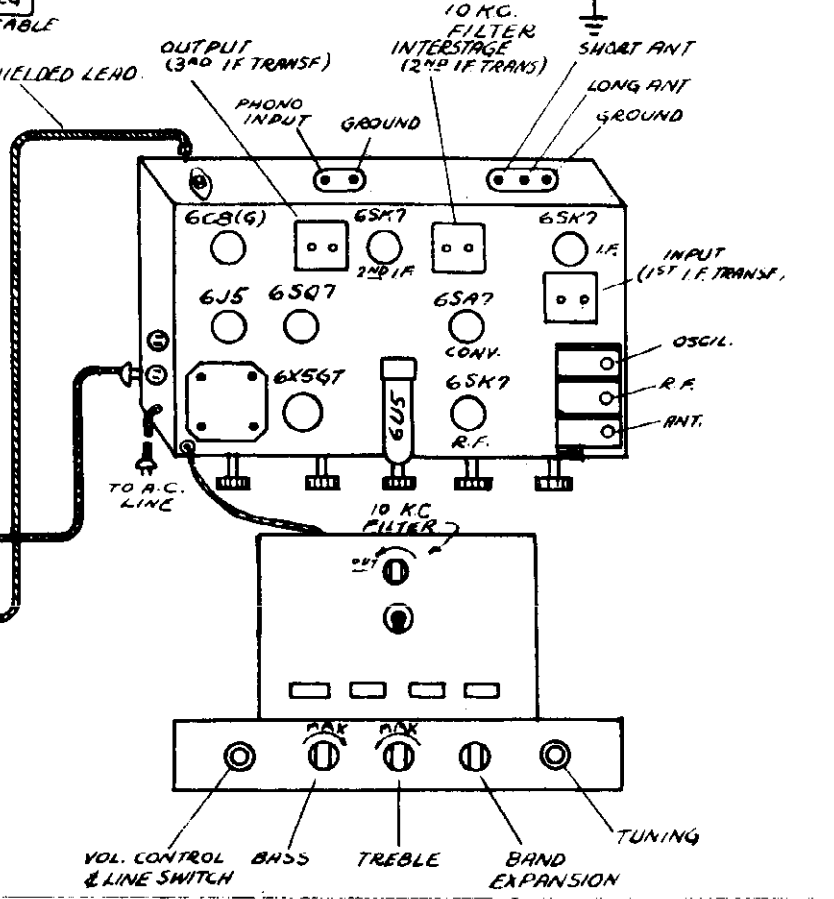
HIGH FIDELITY



YE SHAFT  
 (TRACTED)  
 MI-EXPANDED)  
 ITY (HIGHLY-EXPANDED)  
 TELEVISION SOUND)



IF = 455 K.C.





## GAROD ELECTRONICS CORP.

HIGH FIDELITY

## ALIGNMENT INSTRUCTIONS

Realignment of this receiver should not be attempted unless all other causes of faulty operation have been carefully investigated. In any event it should be performed only by a competent serviceman. Under no circumstances should alignment be attempted without a generator.

The final results obtained from the receiver will be largely determined by the i.f. alignment. It is therefore essential that the recommended procedure be followed exactly and with the greatest care.

A 0.1 mfd dummy should be connected between the generator and the #8 (control) grid of the 6SA7 converter tube. It will not be necessary to disconnect the coil and condenser leads unless the output of the generator is less than 0.1 volts. If this should be necessary a 0.1 meg resistor should be connected between the grid and ground, after the leads are removed, to provide a d.c. return.

With the power off, connect a 20,000 ohm-per-volt voltmeter across the 100,000 ohm diode load resistor or a 0-100 microammeter in series with the load at the point marked with an "X" on the schematic diagram.

With all connections made as described above, set the generator to 455 kc. Turn the receiver on and allow the tubes to warm up. If the set requires alignment only, no major changes having been necessary, proceed with the alignment as below. Otherwise, align the set roughly to 455 kc with the selector switch in the "TUNING" position. Use low generator output and work back from the diode transformer to the input.

Now increase the generator output to 0.1 volts. About 10 volts will be developed across the load and the current through it will be close to 100 microamperes. Tighten the primary trimmer (marked with red paint) on the diode transformer and adjust the secondary trimmer for maximum response. Then retune the primary trimmer for an exact peak.

Repeat this procedure on the interstage and input transformers in that order. Set the selector switch to "HIGH-FIDELITY" and carefully readjust the diode trimmers for maximum output. These adjustments will be broad and should be made with great care. This will complete the i.f. alignment. NO OTHER ADJUSTMENTS SHOULD BE MADE TO ANY I.F. TRIMMERS.

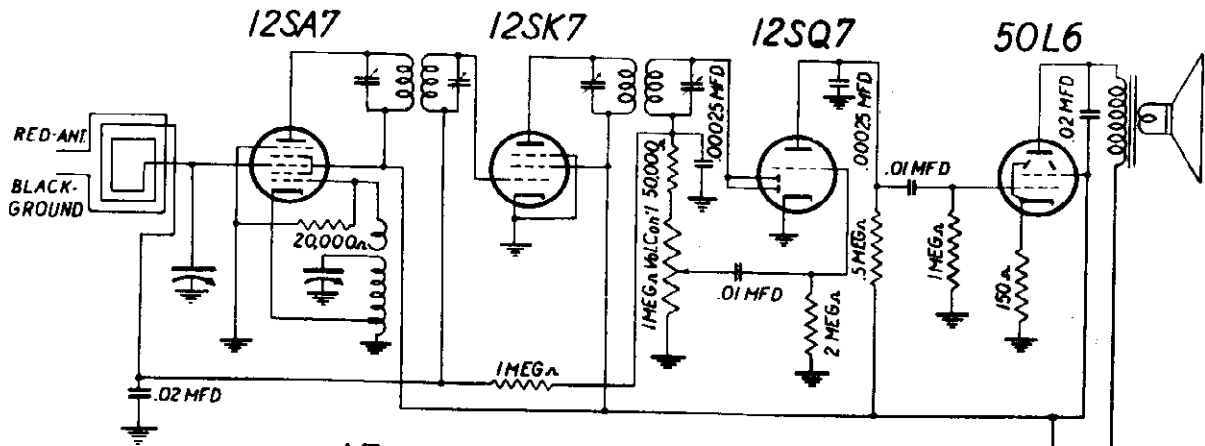
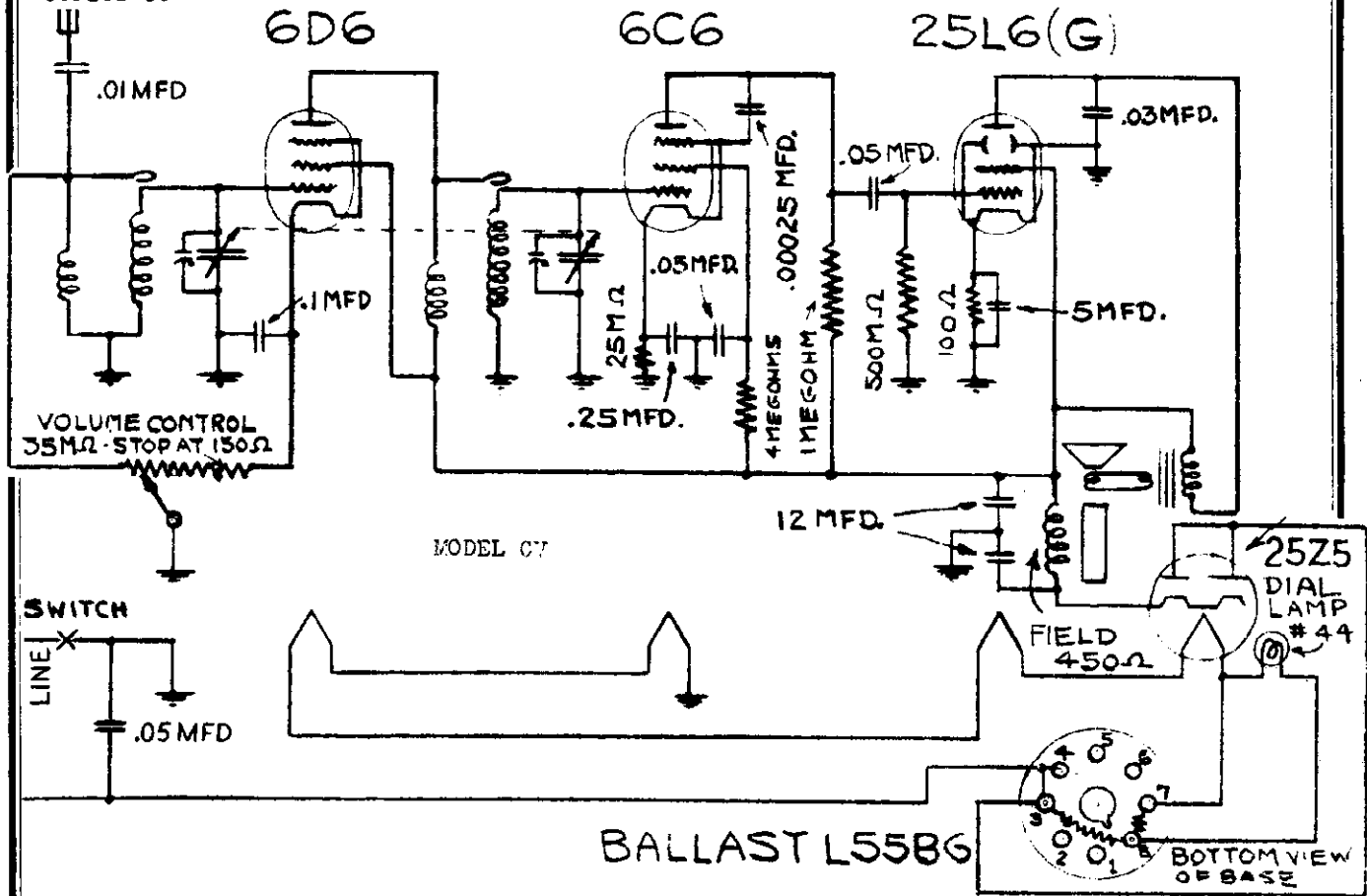
The i.f. amplifier should now be checked for symmetry by detuning the generator equal amounts each way from 455 kc and comparing the outputs. Up to 15 kc deviation the difference between comparative readings should be 5% or less. Greater differences indicate misalignment and the procedure should be repeated.

## R.F. ALIGNMENT

Connect the generator to the "LONG ANTENNA" binding post through a "standard" dummy antenna, or a 0.00025 mfd mica condenser in series with a 400 ohm carbon resistor. With the variable condenser set at minimum capacity and the generator at 1750 kc, adjust the oscillator trimmer until a response is obtained. Then set the generator to 1500 kc and tune in the signal. Adjust the r.f. and antenna trimmers for maximum response in the order given, keeping the generator output as low as possible.

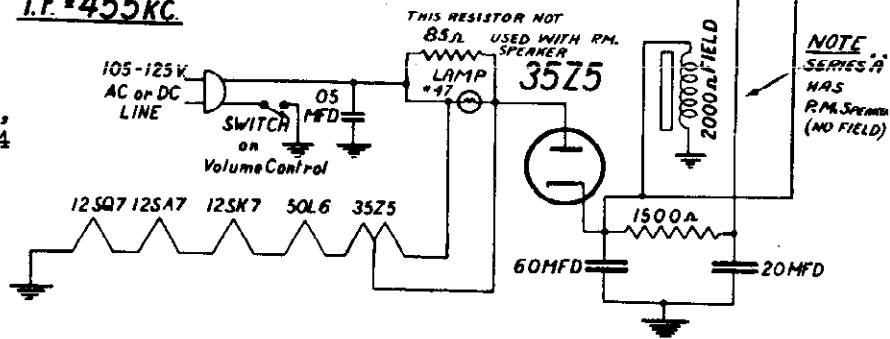
GAROD ELECTRONICS CORP.

MODEL CV  
 MODELS 1B50, 1B51,  
 1B52, 1B53, 1B54  
 Series 50



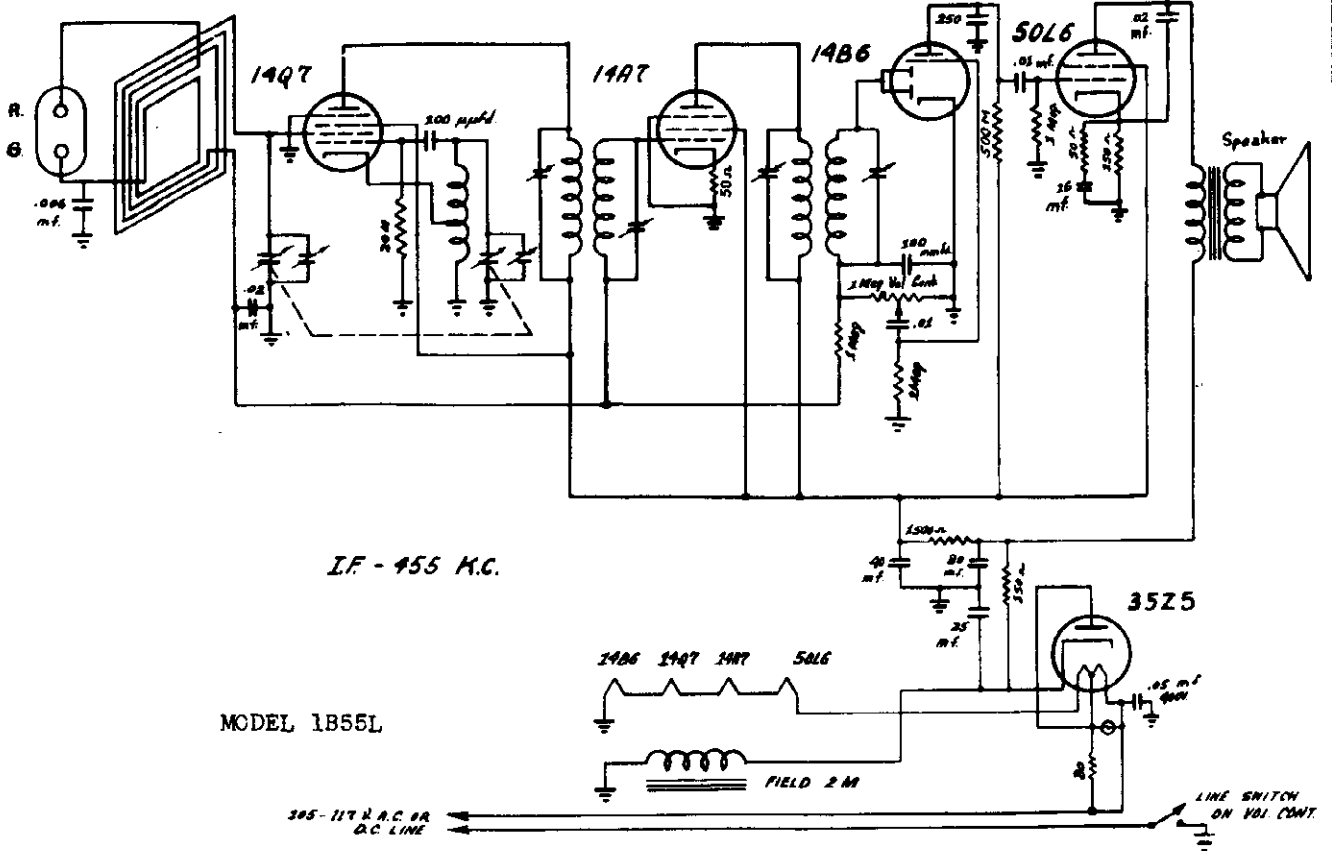
IF = 455 KC.

MODEL 1B50, 1B51,  
 1B52, 1B53, 1B54  
 SERIES 50



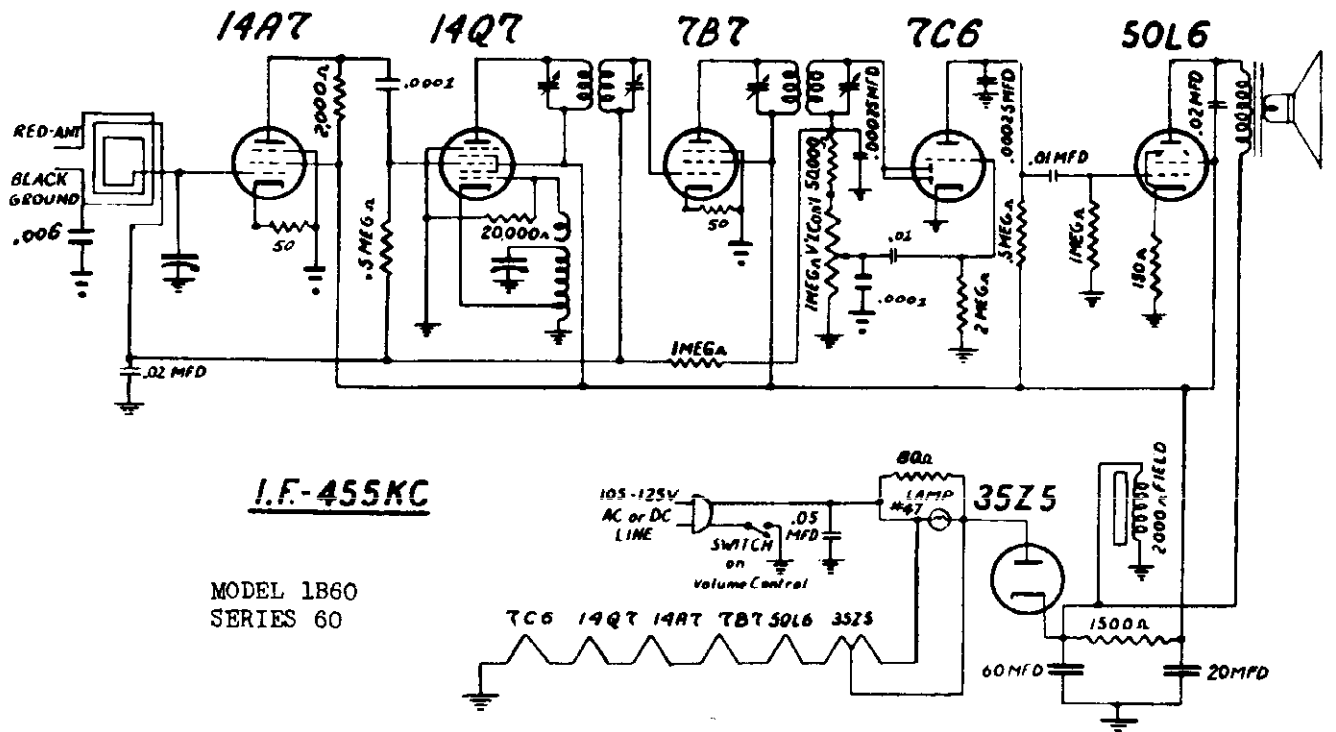
GAROD ELECTRONICS CORP.

MODEL 1B55L  
MODEL 1B60, Series 60



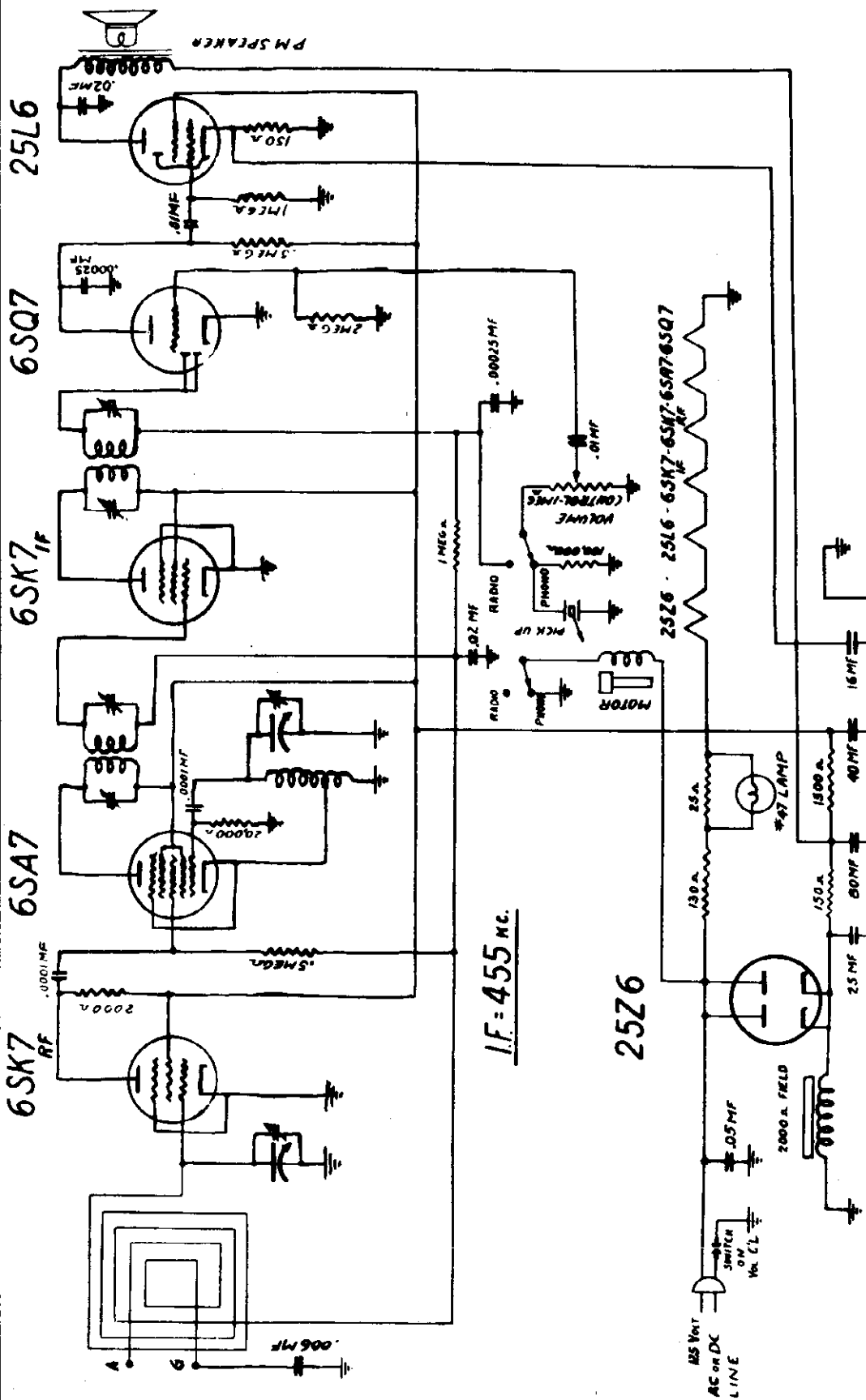
ALIGNMENT FOR BOTH RECEIVERS

Should it become necessary to realign the receiver at any time, proceed in the usual manner by first adjusting the I.F. transformers, for maximum output as indicated by an output meter connected across the voice coil. Then turn the dial to 1500 KC. Set the signal generator (or 1500 KC local station) to this frequency and tune in the signal by means of the oscillator trimmer on the variable condenser, (Front section). Then adjust the antenna trimmer for maximum output. No other adjustments are necessary.



MODELS 1C611, 1C611D

GAROD ELECTRONICS CORP.

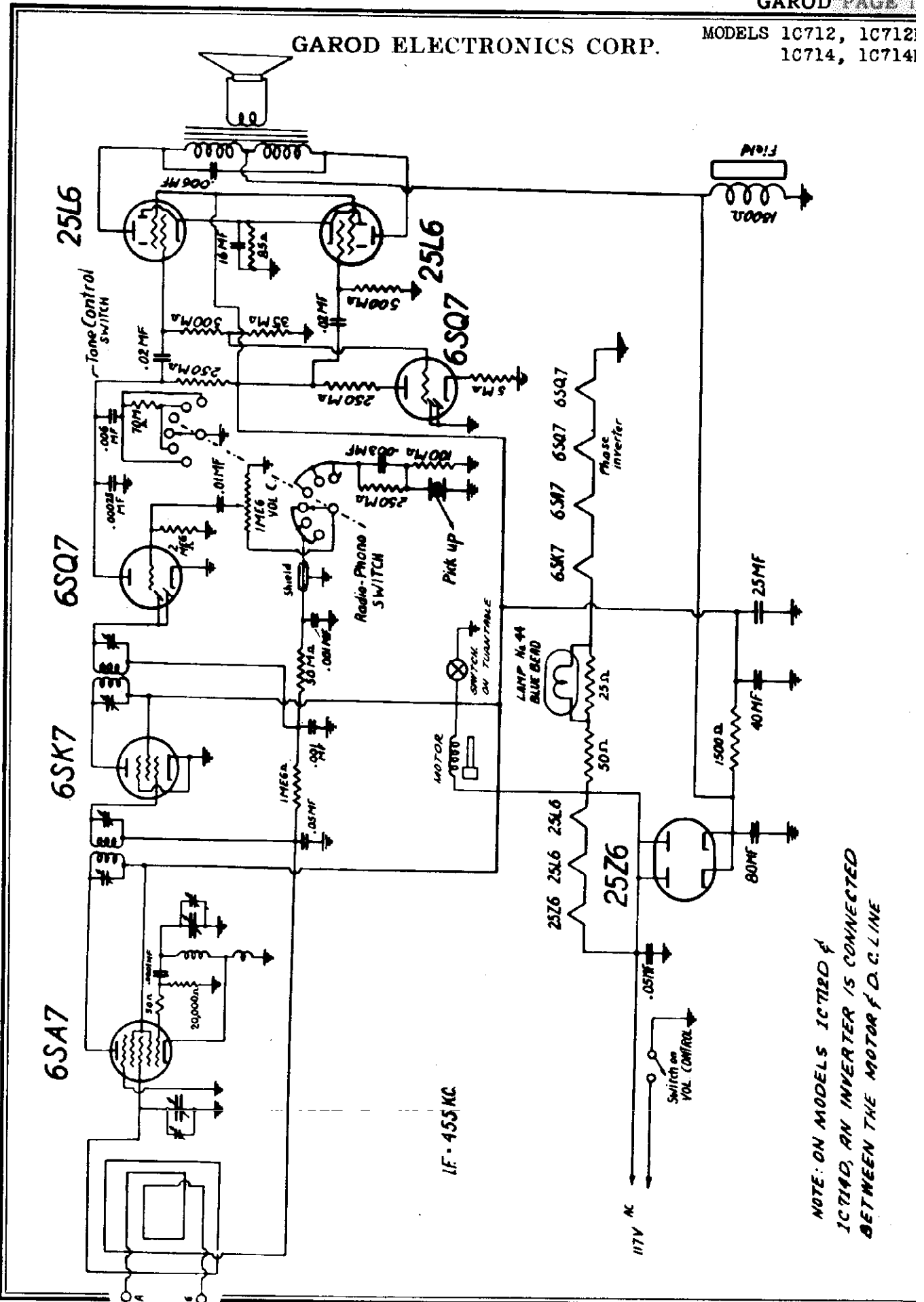


ALIGNMENT - Should it become necessary to re-align the receiver at any time, proceed in the usual manner by first adjusting the I.F. transformer, for maximum output as indicated by an output meter connected across the voice coil. Then turn the dial to approximately 1400KC. Set the signal generator (or 1400KC local station) to this frequency and tune in the signal by means of the oscillator trimmer on the variable condenser, (front section). Then adjust the antenna trimmer for maximum

MODEL 1C611D IS THE SAME EXCEPT AN AC-DC INVERTER IS CONNECTED BETWEEN THE MOTOR AND DC LINE.

GAROD ELECTRONICS CORP.

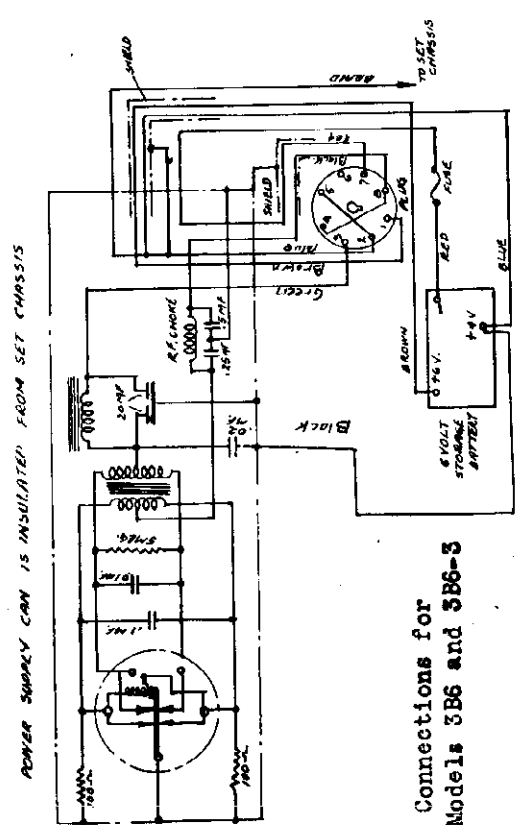
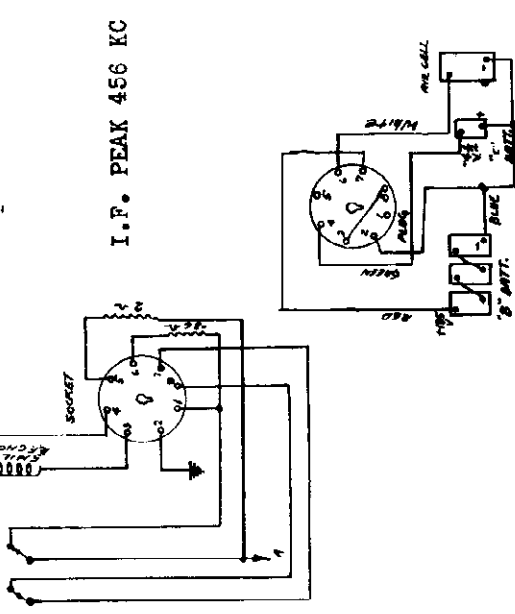
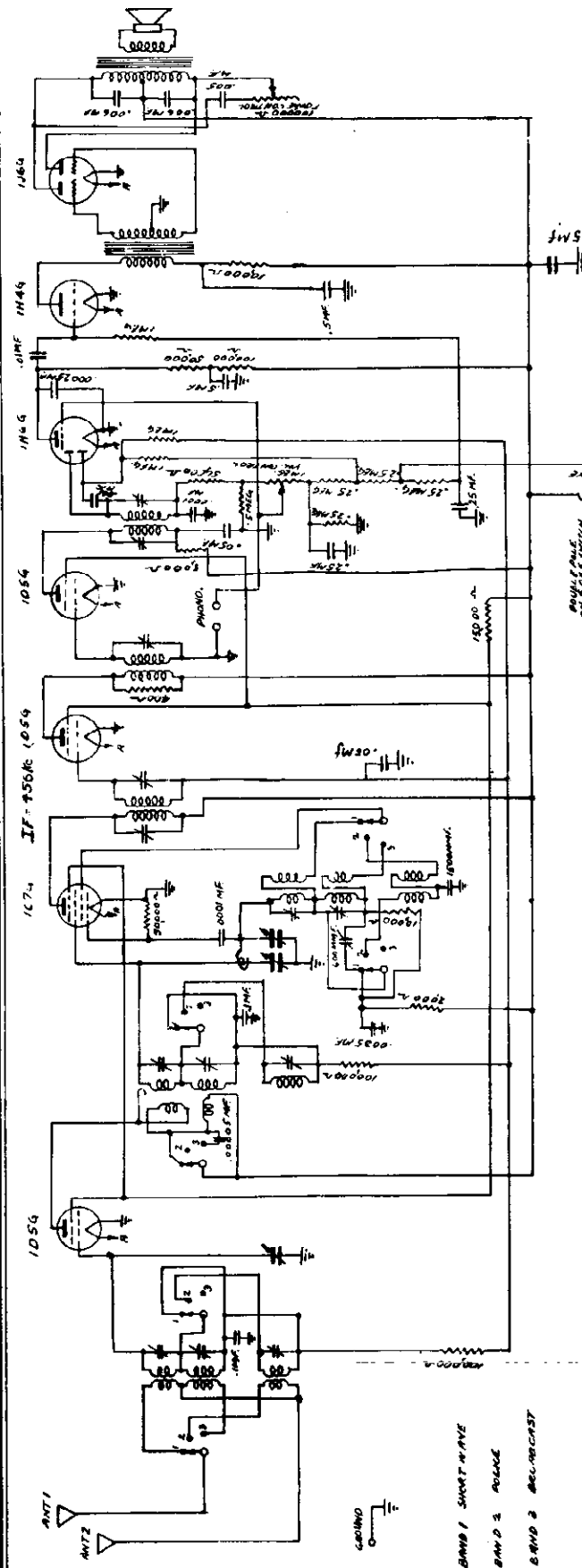
MODELS 1C712, 1C713  
1C714, 1C714A



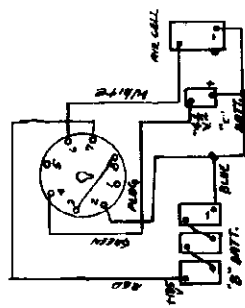
NOTE: ON MODELS 1C712 & 1C714D, AN INVERTER IS CONNECTED BETWEEN THE MOTOR & D.C. LINE

MODELS 3B2, 3B2-3  
MODELS 3B6, 3B6-3

GAROD ELECTRONICS CORP.



Connections for Models 3B2 and 3B2-3

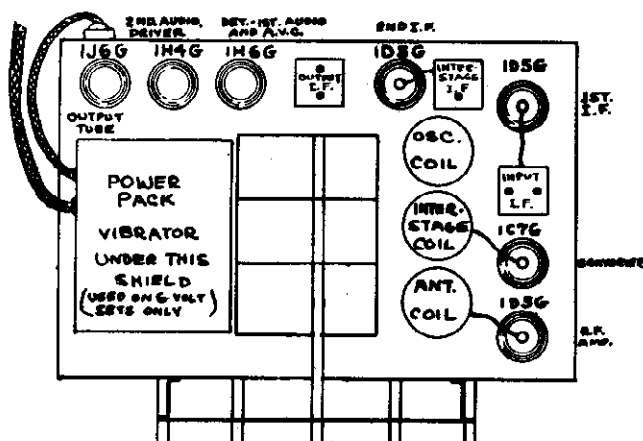


ANTENNA CONNECTION: Three antenna terminals are provided, marked G-A2-A1. If a doublet antenna is used, the two lead-in wires, or the two leads from the transformer are connected to A-1 and A-2 and a ground to the G terminal. (This ground may be unnecessary in certain cases.) If, however, the usual type of antenna with only one lead-in is used, this is connected to A-1. The G and A-2 are connected together and both to a ground connection.

## GAROD ELECTRONICS CORP.

## CAUSES OF FAILURE TO OPERATE

1. First check all connections to batteries.
2. See that polarity is correct.
3. Check voltage of all Batteries across their terminals. "B" batteries should measure more than 35 volts (for a 45-volt Block), the "C" battery over 4 volts. An Air Cell should be replaced when the voltage falls below 2 volts. This also applies to a 2 volt storage cell. A 6 volt storage battery should not drop below 5.8 volts. If a charger has been installed, check by means of a volt meter as to whether the charger is delivering voltage and if an ammeter is available check the charging rate.
4. If all batteries are O.K., see if the fuse has been blown, as a result of a short circuit or excessive current due to a defective vibrator whose contacts are sticking. (For 6 volt operation). The vibrator may be reached by removing the screws holding the power pack can in place. Remove the vibrator from its socket and insert a new fuse. If when the vibrator is plugged in the fuse blows, it will be necessary to obtain a replacement vibrator from your dealer. Screw the cover back on again or noisy reception may result.
5. If the dial lights up with Pilot Light switch turned "ON," and the vibrator operates, as evidenced by a slight buzzing when the ear is placed close to the vibrator, it will be necessary to check all voltages, which should be approximately as indicated above. Exact voltages will be determined by the condition of the batteries.
6. If all voltages are approximately correct, check for alignment as described previously.
7. Short life of the Air Cell may be due to failure to turn the set OFF at night or continuous use of the pilot lights. The water level in the Air Cell must be maintained as indicated by the marker provided for that purpose.



## INSTRUCTIONS FOR INSTALLATION AND OPERATION

## CURRENT

This receiver may be operated from either of two types of Power Supply as follows:

1. A 6 volt storage battery, which may be an automobile battery, though a battery specially designed for radio use is to be preferred. If a 100 ampere hour battery is used, and the receiver is operated about three hours per day, it will require recharging after about three weeks of use. A preferred arrangement is to use a Wind-Driven generator which may be connected to the battery to automatically keep it fully charged. The only attention necessary in that case is to check the water level in the battery periodically. Where the Wind Velocity is low, a small Gasoline driven generator may be used which will operate about 15 hours on a gallon of gas, but since the charger is not in constant use, the cost of operation of the radio is very low, and besides, one or two small lamps can be operated from the same power source.
2. An "Air Cell," 3 "B" Batteries and a "C" battery will, when used, have a life of approximately 9 months for the air cell and about one year for the "B" and "C" batteries. The air cell can not be recharged but must be replaced by a new one. The exact life will depend upon the discharge rate, thus if it is used less than 3 hours a day, a longer life may be expected, and if used for example 6 hours per day, the life may be reduced to 6 months. Whichever type of power is most suited may be used, although results will be about the same in all cases.

INSTALLATION - Fig. 1 shows the connections to be used when operated from a 6 volt storage battery (and wind driven or gas engine generator).

NOTE THAT 2 OF THE CLIPS CONNECT TO THE SAME TERMINAL. THIS MUST BE DONE EXACTLY AS SHOWN. DO NOT SNAP ONE CLIP ON THE BATTERY LUG AND THE OTHER CLIP ON TO THE FIRST ONE OR CONSIDERABLE BACKGROUND NOISE WILL RESULT. DO NOT CONNECT BOTH WIRES TO THE SAME CLIP, EVEN THOUGH BOTH GO TO THE SAME TERMINAL. DO NOT SHORTEN OR LENGTHEN ANY OF THE BATTERY WIRES.

BE SURE THAT THE POLARITY OF THE BATTERIES IS AS SHOWN, OR THE RECEIVER WILL NOT OPERATE, OR TUBES MAY BE BURNED OUT.

BE SURE THAT THE ON-OFF SWITCH ON THE VOLUME CONTROL IS TURNED TO THE "OFF" POSITION BEFORE MAKING ANY CONNECTIONS AND CHECK THOROUGHLY BEFORE THIS SWITCH IS TURNED ON.

## AIR CELL OPERATION

Figure 2 shows the connection when an air cell is to be used with "B" and "C" batteries. The Power Pack is linked to the receiver chassis by a flexible cord and plug. This is needed only for 6 Volt operation. For use with batteries, this plug is removed from the socket on the rear of the chassis. A special cord is inserted and connected as shown in Fig. 2.

A separate switch is provided for the pilot light, which may be turned ON for tuning and turned OFF to save battery drain without, of course, impairing the receiver operation. On storage battery operation, the pilot lights should be left ON, since this equalises the drain on all cells of the battery.

MODELS 3B2, 3B2-3  
MODELS 3B6, 3B6-3

GAROD ELECTRONICS CORP.

SERVICE NOTES FOR THE MODEL 3B6-3B2  
7 TUBE, 3 BAND BATTERY SUPERHETERODYNE RECEIVER  
ALIGNMENT PROCEDURE

Realignment of this receiver should not be attempted unless all other possible causes of faulty operation have been thoroughly investigated. An accurately calibrated signal generator which will cover the necessary wave-bands and an output meter for indicating the effect of adjustments are required.

It is important to remember that in receivers of this kind which are equipped with automatic volume control it is necessary to use the minimum possible signal from the signal from the signal generator; otherwise the A.V.C. action will tend to nullify the variations in output as the trimmers are adjusted.

**I.F. ADJUSTMENT**--The signal generator is set at 466 kc. and is connected to the grid of the first detector (1C7C). With the oscillator section of the tuning condenser short-circuited and the receiver volume control at its maximum position, the I.F. trimmers are adjusted for maximum output. These trimmers may be found on tops of the I.F. transformer shield cans.

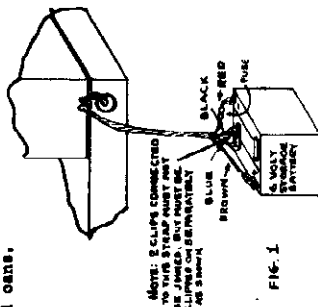


FIG. 1

**16 MEGACYCLE ADJUSTMENT**--The high side of the signal generator is connected to the antenna lead of the receiver and the low side to the ground lead. The receiver and the signal are both tuned to a frequency of 16 mc. with the selector switch in position for short-wave band no. 1. The oscillator trimmer condenser is adjusted so that the 16 mc. signal is tuned in exactly at the 16 mc. calibration point, with the volume control on full and the signal generator adjusted for minimum input. The antenna pre-selector and first detector trimmers are then adjusted in the order named for maximum output. These trimmers are located on the sides of the shield cans and are opposite the lower openings. This is the only adjustment on Band #1.

**1600 K.C. ADJUSTMENT**--With the band selector switch in position for operation on the Broadcast band and the receiver and signal generator both set at 1600 K.C. the procedure outlined above is repeated. The oscillator trimmer is found on the rear coil can, and is opposite the upper opening. The antenna pre-selector and interstage coil trimmers are located in the same positions on the corresponding shield cans.

The signal generator is set at 600 K.C. and the signal tuned in on the dial. The paddler condenser for this band is adjusted for maximum gain while the gang tuning condenser is rocked slightly to the right and left. The 1500 K.C. adjustment should then be rechecked. The 600 K.C. Padder is located on the right chassis apron and is towards the rear.

**3 MC. ADJUSTMENT**--The band selector switch is set in position for operation of the Short Wave No. 2 band. The receiver and signal generator are both set at 3 Mc. and the procedure outlined above is repeated. The oscillator trimmer is found on the Police Band Coil located under the chassis and is towards the rear. The other trimmers for this band are located in similar positions on the corresponding coils.

The signal generator is set at 1.7 Mc. and the signal tuned in on the dial. The paddler condenser for the police band is adjusted for maximum response while the gang tuning condenser is rocked slightly to the right and left. The 3 Mc. adjustment should then be rechecked. The 1.7 Mc. Padder is located on the right chassis apron and is the front one of the two.

MODEL 3B6-3B2

TUBE	FUNCTION	FIL.	PLATE	SCREEN	OSC. PL.
1D6G	R. F. Amp.	4.0	136	67.5	
1C7C	Converter	2.0	136	67.5	80
1D6G	1st I.F. Amp.	2.0	135	67.5	
1D6G	2nd I.F. Amp.	2.0	126	67.5	
1R6G	Det. & 1st Audio	2.0	75		
1R4G	Driver	2.0	110		
136C	Audio Output	2.0	135		

All voltages are measured from socket terminals to chassis and with a 1000 Ohms per volt voltmeter. The set must be in operation and the Wave Band Switch in broadcast position with battery fully charged and new "B" batteries.

Filament voltages are taken from filament prong to filament prong at tube socket.

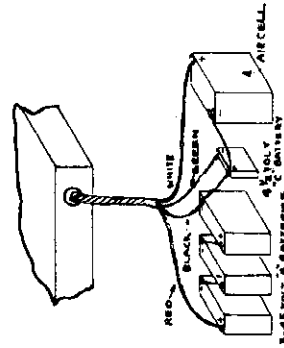
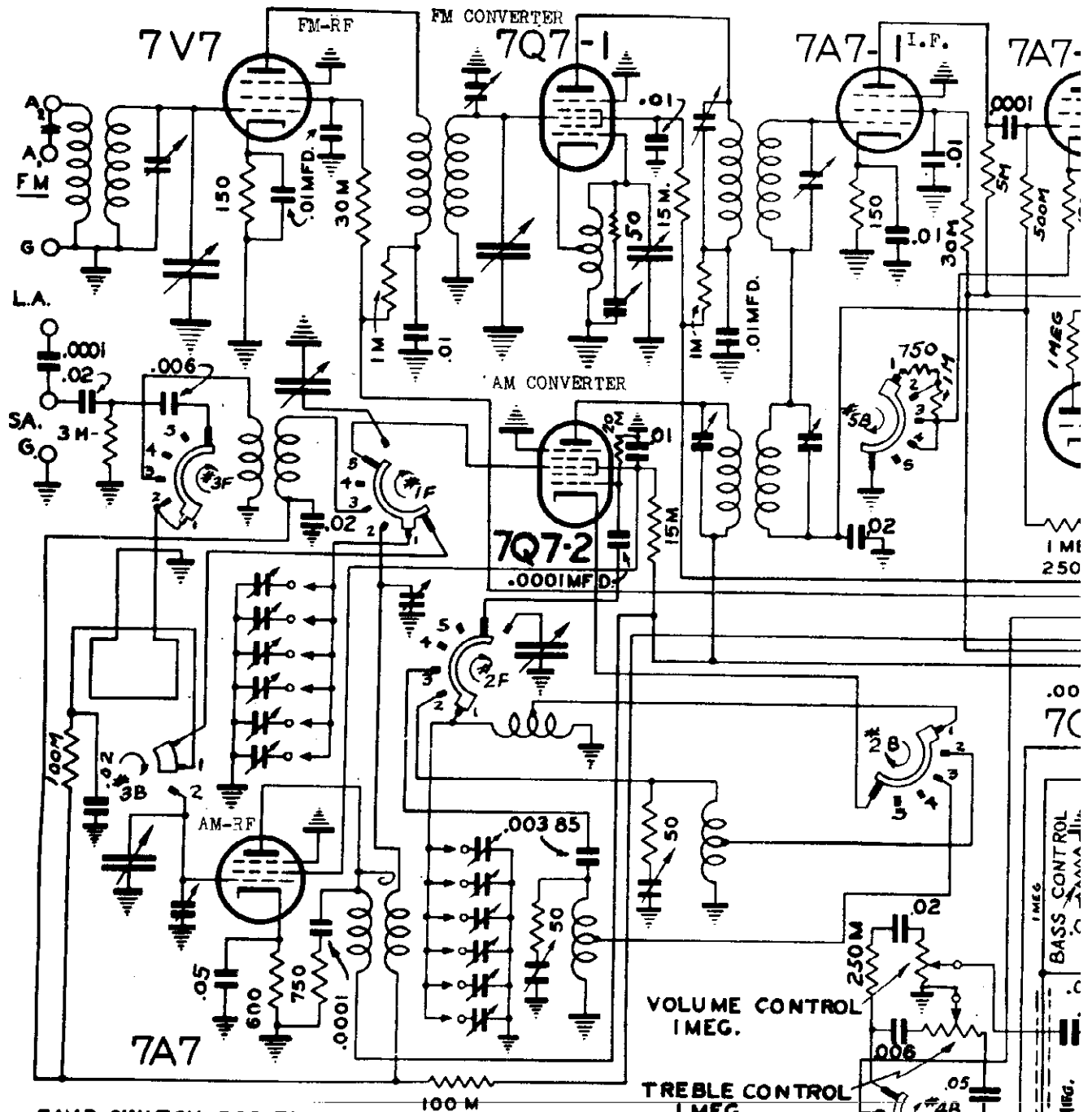


FIG. 2





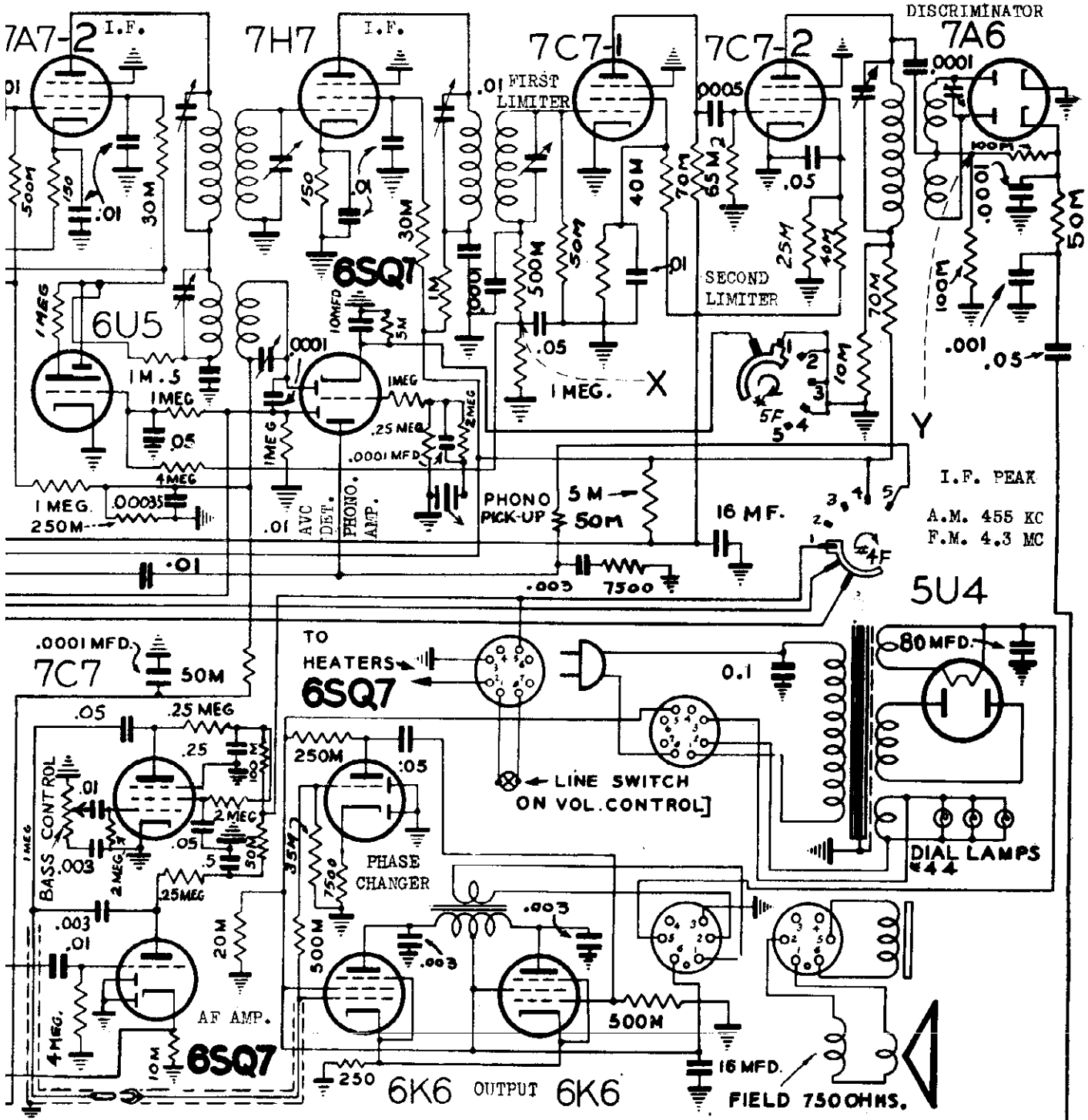
**BAND SWITCH POSITIONS**

- 1 - PUSH BUTTONS
- 2 - BROADCAST
- 3 - SHORT WAVE
- 4 - FREQUENCY MODULATION
- 5 - PHONOGRAPH

DESIGNATIONS ADJACENT TO SWITCH INDICATE POSITION OF WAFERS.

ECTRONICS CORP.

MODEL 3P1812, Series 180



ERS.

SERIES 180

## GAROD ELECTRONICS CORP.

FREQUENCY MODULATION, AMPLITUDE MODULATION, RADIO-PHONOGRAPH COMBINATIONALIGNMENT PROCEDURE

Re-alignment of this receiver should not be attempted unless all other possible causes of faulty operation have been thoroughly investigated. An accurately calibrated signal generator which will cover the necessary wave bands, and an output meter and microammeter for indicating the effect of adjustments are required.

During the alignment procedure all adjustments should be made under the following conditions:

- 1) Line Voltage as indicated on instruction sheet.
- 2) Volume, Treble and Bass controls at maximum volume positions.
- 3) Minimum Input from signal generator. (as required to give a sufficient reading on the indicating instrument)

If this procedure is not adhered to, all adjustments will appear very broad and incorrect alignment may result.

AMPLITUDE MODULATION (Broadcast and Short Wave)

I.F. ALIGNMENT - Set the Signal Generator to 455KC and connect to the grid of the 7Q7 A.M. converter tube. Adjust trimmers #1, 2, 3 and 4 (see diagram) of the A.M. I.F. transformers for maximum output as indicated by an output meter connected across the speaker voice coil.

1630KC - Now connect the output of the Signal Generator to the L.A.-Broadcast Antenna terminal, rotate the tuning dial so that the condenser plates are entirely out of mesh. BAND SWITCH is in the BROADCAST position. Set the Signal Generator to 1630KC and adjust the oscillator trimmer (#5, see diagram) for maximum response.

1500KC - Reset the generator to 1500KC and tune in this signal on the receiver. Adjust the B.C. antenna trimmer (#7) and the B.C. interstage trimmer (#6) for maximum output.

600KC - With the generator at 600KC, tune in the signal, then while rocking the dial, align the 600KC padder (#8, on front of chassis).

SHORT WAVE - Set the BAND SWITCH to SHORT WAVE. Signal Generator is still connected as for broadcast. The condenser is opened to minimum capacity and the Short Wave oscillator trimmer (#9) is adjusted so that at this position the receiver tunes to 18.3 Megacycles.

17 M.C. ADJUSTMENT - Now set the generator to 17 M.C., tune in the signal and adjust the Antenna trimmer (#10) for maximum response.

FREQUENCY MODULATION - For the F.M. Band a Signal Generator which will cover the band (40 to 50 megacycles) and a 500 microamp D.C. meter are required.

To align the F.M.-I.F. with Modulation OFF, set the Signal Generator to 4.3 M.C., connect to the grid of the first F.M.-I.F. tube. (7A7-1). The microammeter is connected with the Negative side to chassis and the Positive thru a 250,000 ohm resistor to the low side of the 500,000 ohm resistor in the grid return circuit of the 1st limiter tube (7C7-1), (See point "X" on the circuit diagram).

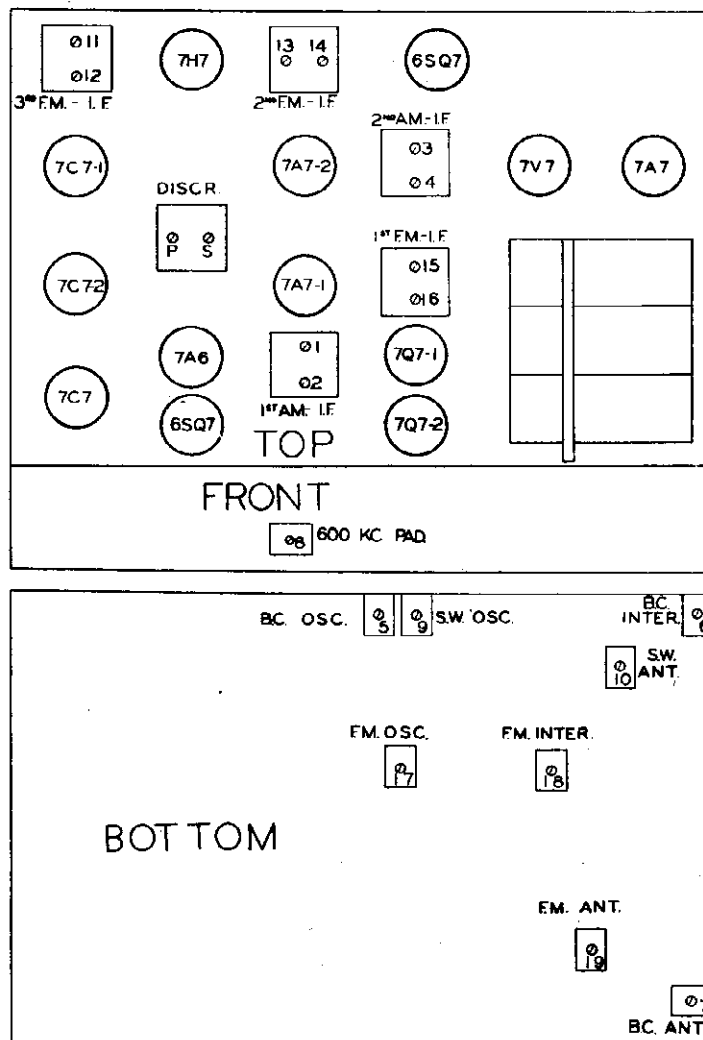
Adjust the primaries and secondaries of the 3rd and 2nd F.M.-I.F. transformers for the highest reading on the microammeter.

Now reconnect the output of the generator to the grid of the F.M. converter (7Q7-1), and realign the 1st, 2nd, and 3rd I.F.'s.

NOTE--Stop the Signal Generator. There should be no reading on the microammeter. If there is, the I.F. amplifier is oscillating. This should be eliminated by checking all by-passes, grounds, and grounding of I.F. shield cans.

MODEL 3P1812  
Series 180

## GAROD ELECTRONICS CORP.

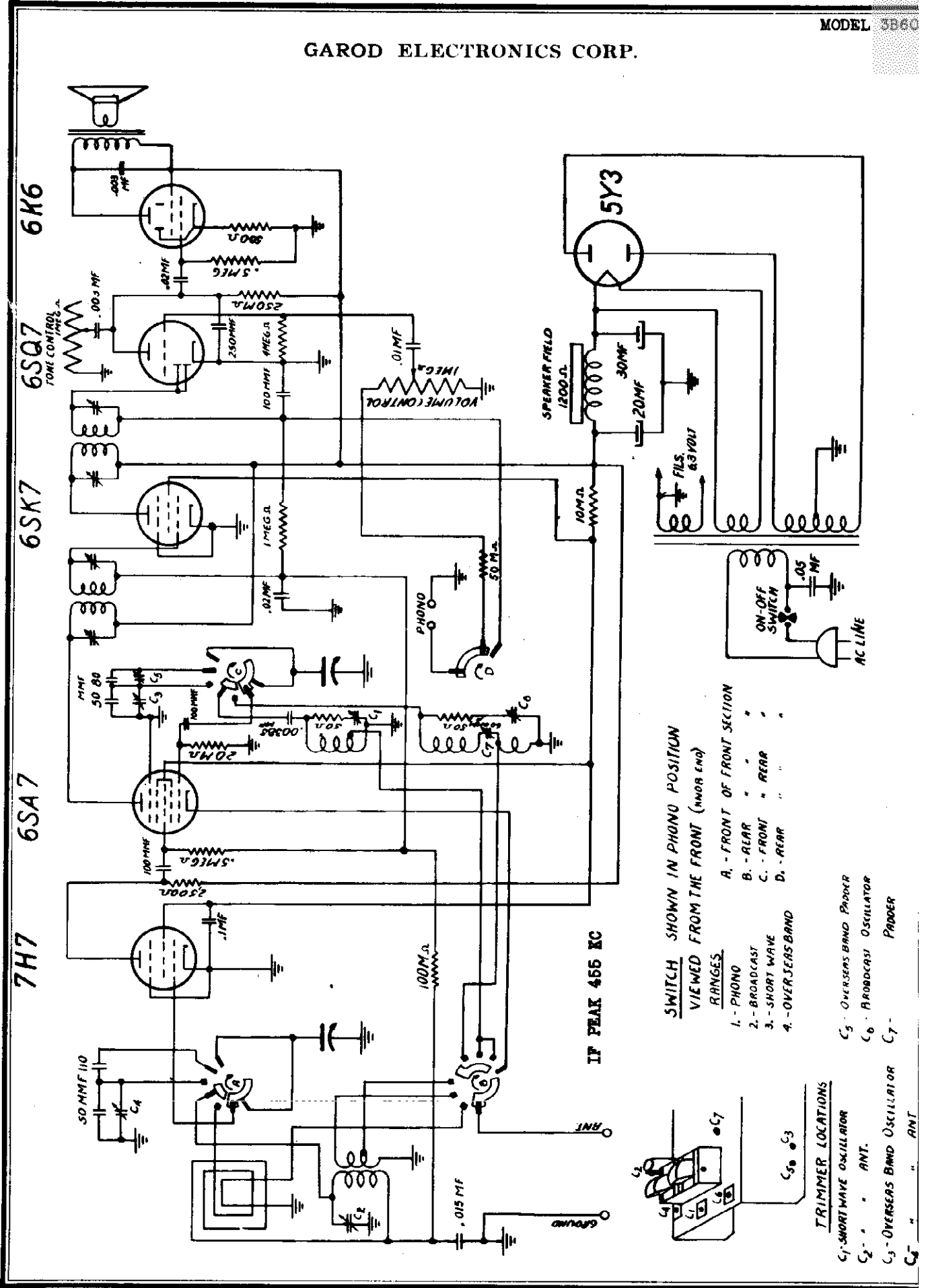


**DISCRIMINATOR ALIGNMENT** - This is the most critical adjustment on the F.M. band. If improperly done, distortion will result, and general operation will be unsatisfactory. Leave the generator connected to the F.M. converter grid. The microammeter is connected (thru the 250,000 ohm resistor) to the junction of the two 100,000 ohm load resistors of the discriminator diode (6H6). This point is connected to the #4 lug on this socket, which is not connected internally to the tube and is used as a dummy lug only. This is point "Y" on the circuit diagram. Rotate the primary trimmer marked "P" on the discriminator shield can, for maximum reading. Now reconnect the meter across the entire load (both resistors) at the cathode. This is lug #7 on the 6H6 socket. Without disturbing the generator, rotate the secondary trimmer "S" till the most negative reading is obtained, then slowly continue rotation till ZERO current reading is reached.

**F.M.-R.F. ALIGNMENT** - Connect the Signal Generator to the F.M. Ant terminal (A-2). Set the Generator to approximately 44 M.C. Adjust the antenna trimmer (#19; see trimmer layout diagrams) for maximum output as indicated by a microammeter connected in the limiter, as for the I.F. alignments; or the tuning eye may be used as an indicator. Then align the F.M. interstage trimmer for maximum. Should the F.M. calibration be off, due to drift or aging of components, the correction can be made by resetting the oscillator trimmer (#17).

**NOTE** - In the absence of a high frequency Signal Generator for F.M. alignment, where powerful local stations operating near this frequency are available, this adjustment can be made by connecting a large antenna to the receiver, and going thru the procedure outlined above.

GAROD ELECTRONICS CORP.



SWITCH SHOWN IN PHONO POSITION  
VIEWED FROM THE FRONT (WARD END)

- | RANGES             | A. - FRONT OF FRONT SECTION |
|--------------------|-----------------------------|
| 1. - PHONO         | ·                           |
| 2. - BROADCAST     | ·                           |
| 3. - SHORT WAVE    | ·                           |
| 4. - OVERSEAS BAND | ·                           |

- $C_3$  - OVERSEAS BAND PADDOR  
 $C_6$  - BROADCAST OSCILLATOR  
 $C_7$  - OVERSEAS BAND OSCILLATOR  
 $C_5$  - ANT.

- TRIMMER LOCATIONS  
 $C_1$  - SHORT WAVE OSCILLATOR  
 $C_2$  - ANT.  
 $C_3$  - OVERSEAS BAND OSCILLATOR  
 $C_4$  - ANT.

MODEL 3B60  
MODEL 3B70

## GAROD ELECTRONICS CORP.

### ALIGNMENT INSTRUCTIONS

Re-alignment of this receiver should not be attempted unless all other possible causes of unsatisfactory performance have been thoroughly investigated. An accurately calibrated signal generator which will cover the necessary wave bands, and an output meter for indicating the effect of adjustments, are required.

During the alignment procedure all adjustments should be made under the following conditions:

- 1) Line Voltage as indicated on instruction sheet.
- 2) Volume & Tone controls at maximum volume positions.
- 3) Minimum Input from signal generator.

If this procedure is not adhered to, all adjustments will appear very broad. This is due to the action of the automatic volume control.

I.F. Adjustment - Set the signal generator at 455 KC and connect to the grid of the 6SA7 converter tube thru a .1 MFD condenser. It is unnecessary to disconnect the grid from the rest of the circuit. Have the Band Switch in the #2 (Broadcast) position, and dial tuned to 1630 KC (condenser plates fully open). If hum modulation is encountered which is not cleared up by reversing the receiver's line plug, shunt a resistor of about 25000 ohms across the signal generator output.

The Input I.F. Transformer Trimmers - are both adjusted for maximum output as indicated by the output meter connected across either the voice coil or the primary coil of the loud speaker.

The Output I.F. Transformer trimmers - are adjusted for maximum output as indicated on the output meter. The Input I.F. should now be re-checked for maximum output.

#### Short Wave Band

Set the band switch to the third position which is the Short Wave Band. Connect the signal generator thru a standard dummy antenna, or thru a 400 ohm resistor to the antenna and ground leads of the receiver. Set the generator at 17.MC. Tune the variable condenser to 17.MC on the dial. Adjust the S.W. osc. trimmer (marked #1 on diagram and on chassis sketch) for maximum response. If response is had at two points on this trimmer, choose the looser setting (higher frequency). Next adjust the S.W. antenna trimmer #2 (mounted on top of S.W. antenna coil) for maximum response, while rocking the tuning condenser slightly from left to right.

Overseas Band - Set the band switch to the fourth position. Turn the dial control knob to the extreme high frequency end so that the condenser plates are entirely out of mesh. The signal generator is left connected as for the short wave band. The generator is set at 12 MC and the corresponding osc. trimmer #3 is adjusted until a response is indicated at the lower capacity setting of the trimmer. Now adjust the antenna trimmer #4 for maximum response. Set the generator at 9.4 MC and turn the variable condenser until the signal is picked up. The padder for this band, trimmer #5, is now adjusted for maximum output while rocking the condenser gang from left to right. The 12 MC adjustment should then be rechecked.

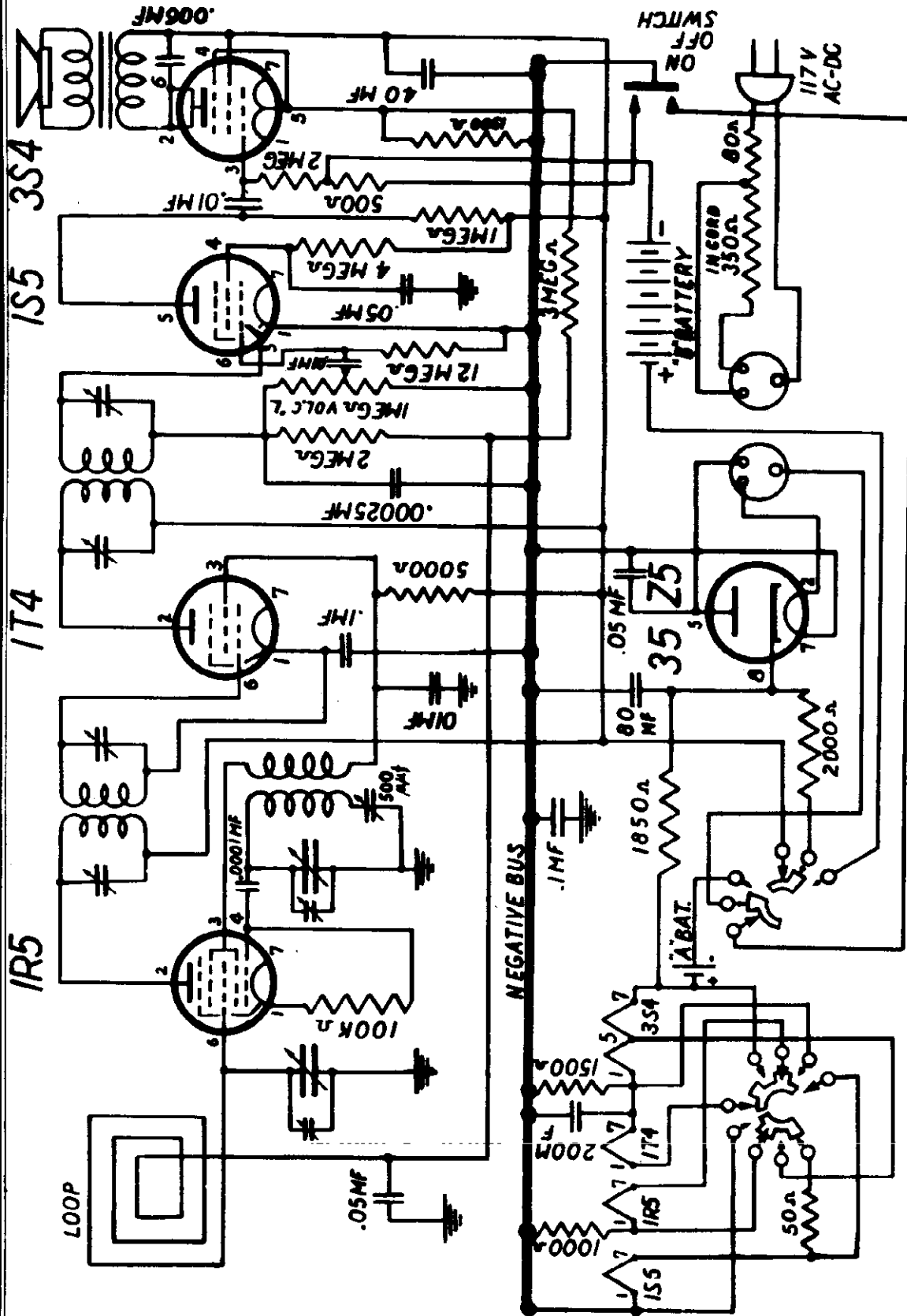
#### Broadcast Band

It is desirable to align this band on the loop. The signal generator is coupled to the receiver by means of a 2 or 3 turn loop which is placed about a foot from the receiver's loop. Set the Band Switch in the Broadcast position and condenser plates completely out of mesh. Set the signal generator at 1630 KC and adjust the broadcast oscillator trimmer #6 until a response is indicated on the output meter. The generator is now set at 1500 KC. Turn the variable condenser until a response is indicated. The dial pointer should now co-incide with the 1500 KC mark on the dial. Set the generator at 600 KC and turn the variable condenser control until a response is indicated. Adjust the broadcast oscillator padder condenser #7 for maximum response while "rocking" the gang condenser. The high frequency adjustments should now be re-checked.



MODEL BP20

GAROD ELECTRONICS CORP.



# MODEL-BP20

### I.F. - 455 KC.

BATTERIES - For use where no power is available, the following batteries are required:

- 1-Eveready #467 (67 Volt midget "B" battery) or equivalent.
- 3-Eveready #950 (1½ Volt Flashlight cell) or equivalent.



## GAROD ELECTRONICS CORP.

## ALIGNMENT FOR MODEL BP20

**ALIGNMENT** - Should it become necessary to align the receiver, the signal generator is connected thru a small condenser to the grid of the First Detector Tube 1R5. The I. F. frequency is 455KC and the I.F. transformers are adjusted for maximum output as indicated on an output meter connected across the voice coil. The signal generator is now set to 1400KC and coupled loosely to the loop antenna by a coupling coil of one or two turns. If the dial pointer does not indicate this frequency, reset the oscillator trimmer (lower section of the Gang Condenser) so that it does. Now adjust the antenna (upper trimmer on Gang Condenser) for maximum output. Change the signal generator frequency to 600KC and tune in the signal. Adjust the 600KC padder to give maximum output while rocking the tuning condenser.

## ALIGNMENT FOR MODEL C200

**ALIGNMENT INSTRUCTIONS**

Re-alignment of this receiver should not be attempted unless all other possible causes have been thoroughly investigated. An accurately calibrated signal generator which will cover the necessary wave band, and an output meter for indicating the effect of adjustments are required.

During the alignment procedure all adjustments should be made under the following conditions:

- 1) Line Voltage as indicated on instruction sheet.
- 2) Volume and Tone control at maximum volume positions.
- 3) Minimum Input from signal generator.

If this procedure is not adhered to, all adjustments will appear very broad. This is due to the action of the automatic volume control.

**I. F. Adjustment** - The signal generator is set at 455KC and is connected to the grid of the converter tube 6SA7 through a .5 MFD condenser. Be sure to connect a resistor of approximately 25,000 OHMS between the converter grid and ground so that the grid circuit is at ground potential for D.C. The Grid need not be disconnected from the rest of the circuit.

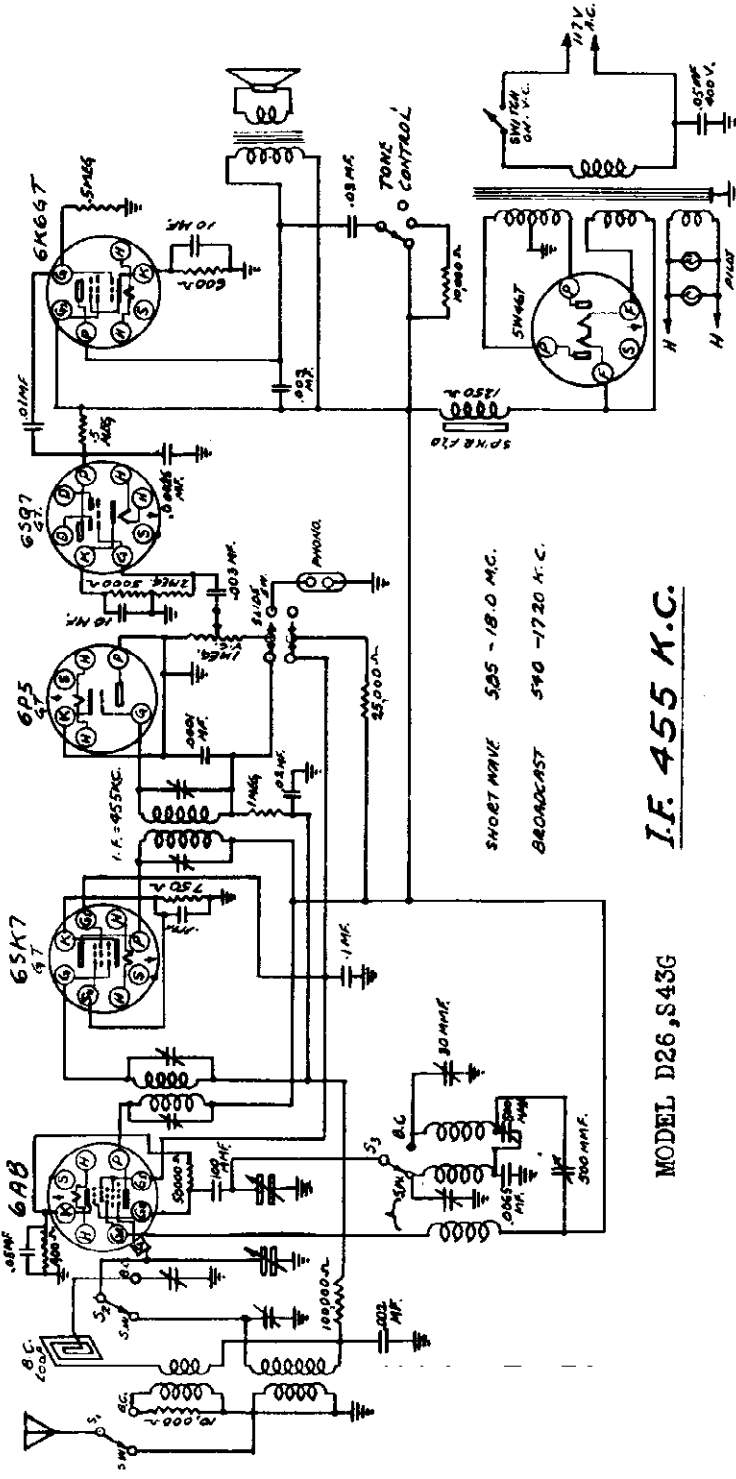
**The Input I.F.** - Transformer trimmers are both adjusted for maximum output as indicated by the output meter connected across either the voice coil or the primary coil of the loud speaker.

**The Output I.F.** - Transformer trimmers are adjusted for maximum output as indicated on the output meter. The Input I.F. should now be re-checked for maximum output.

It is desirable to align the RF section on the loop. The signal generator is coupled to the receiver by means of a 2 or 3 turn loop. Set the switch to the RADIO position with condenser plates completely out of mesh. Set the signal generator at 1630KC and adjust the oscillator trimmer (front section of the variable condenser) until a response is indicated on the output meter. The generator is now set at 1500KC. Turn the variable condenser until a response is indicated. The dial pointer should now co-incide with the 1500KC mark on the dial. Now adjust the loop trimmer (rear section of the variable condenser) for maximum response. There are no other adjustments required.

MODELS D26, S43G  
MODEL D42

GAROD ELECTRONICS CORP.



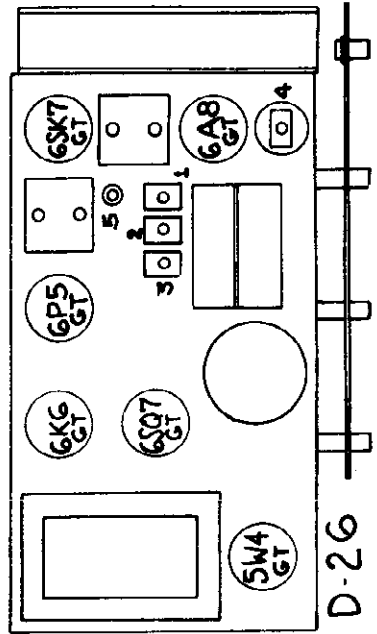
SHORT WAVE 525 - 18.0 MC.  
BROADCAST 540 - 1720 K.C.

I.F. 455 K.C.

MODEL D26, S43G

- 1-BCAST-ANT-1500KC
- 2-BCAST-OSC-1720KC
- 3-SHT WVE-OSC-18 MC
- 4-SHT WVE-ANT-157KC
- 5-BCAST-PAD-600KC

MODEL D26, S43G

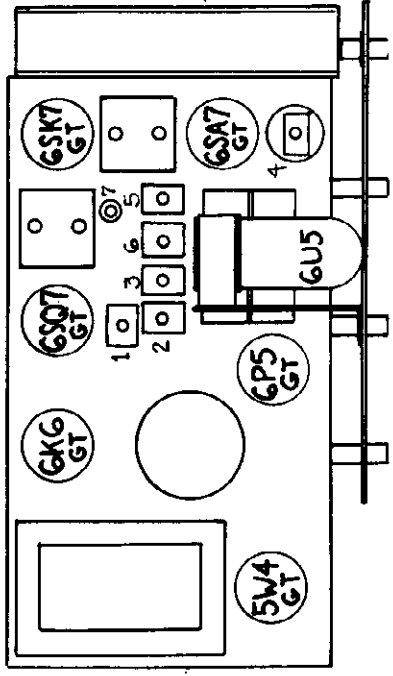


D-26

MODELS D26, S43G: This model is distinguished from Model #D-26 in that the Phono-Radio attachment is wired thru a cable directly to Phonograph unit. The Phono-Radio switch will therefore be found mounted to the motor board of the phonograph instead of to the radio chassis

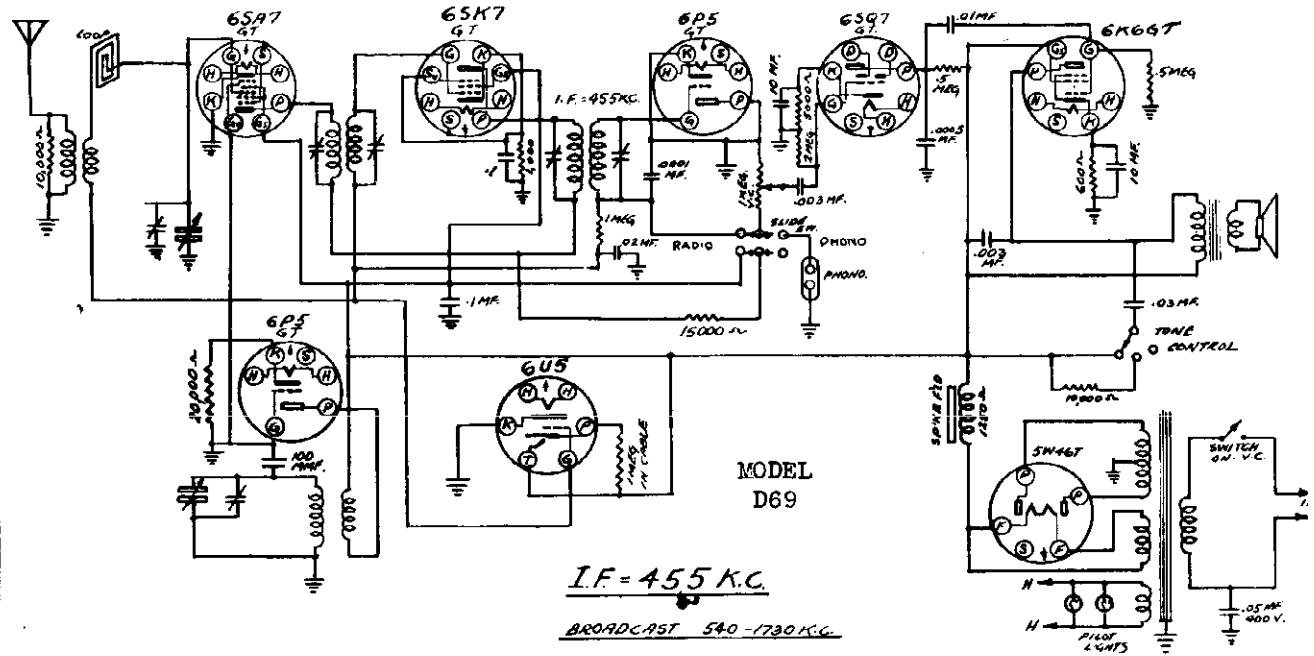
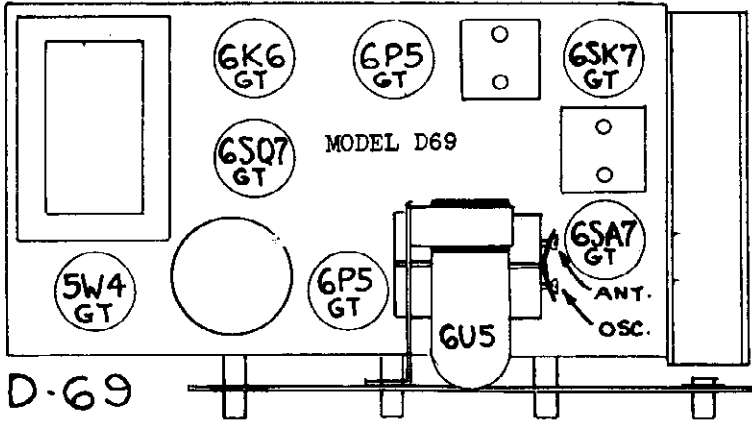
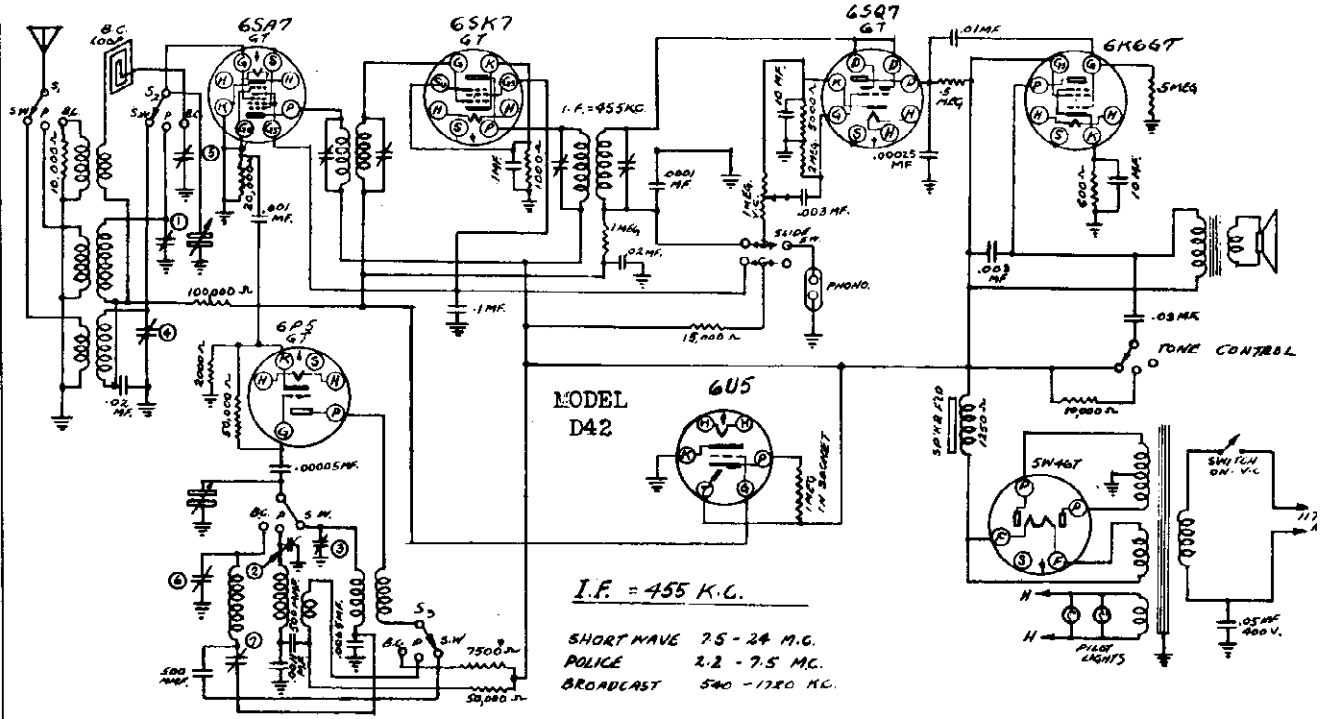
MODEL  
D-42

- 1-POL-ANT-6.55MC.
- 2-POL-OSC-1555MC.
- 3-SHT WVE-OSC-24MC.
- 4-SHT WVE-ANT-20MC.
- 5-BCAST-ANT-1500KC.
- 6-BCAST-OSC-1720KC
- 7-BCAST-PAD-600KC



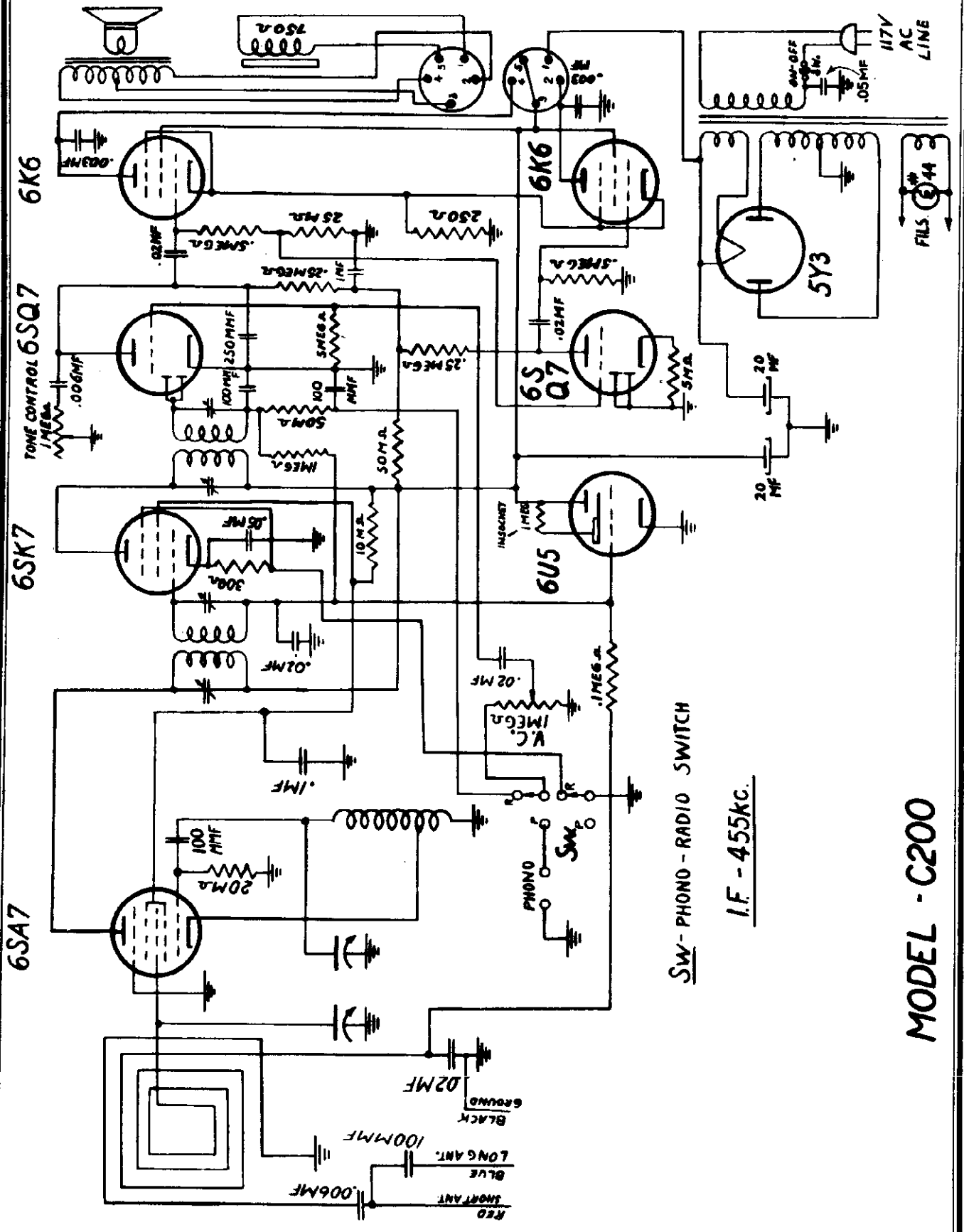
GAROD ELECTRONICS CORP.

MODEL D4  
MODEL D6



MODEL C200

GAROD ELECTRONICS CORP.

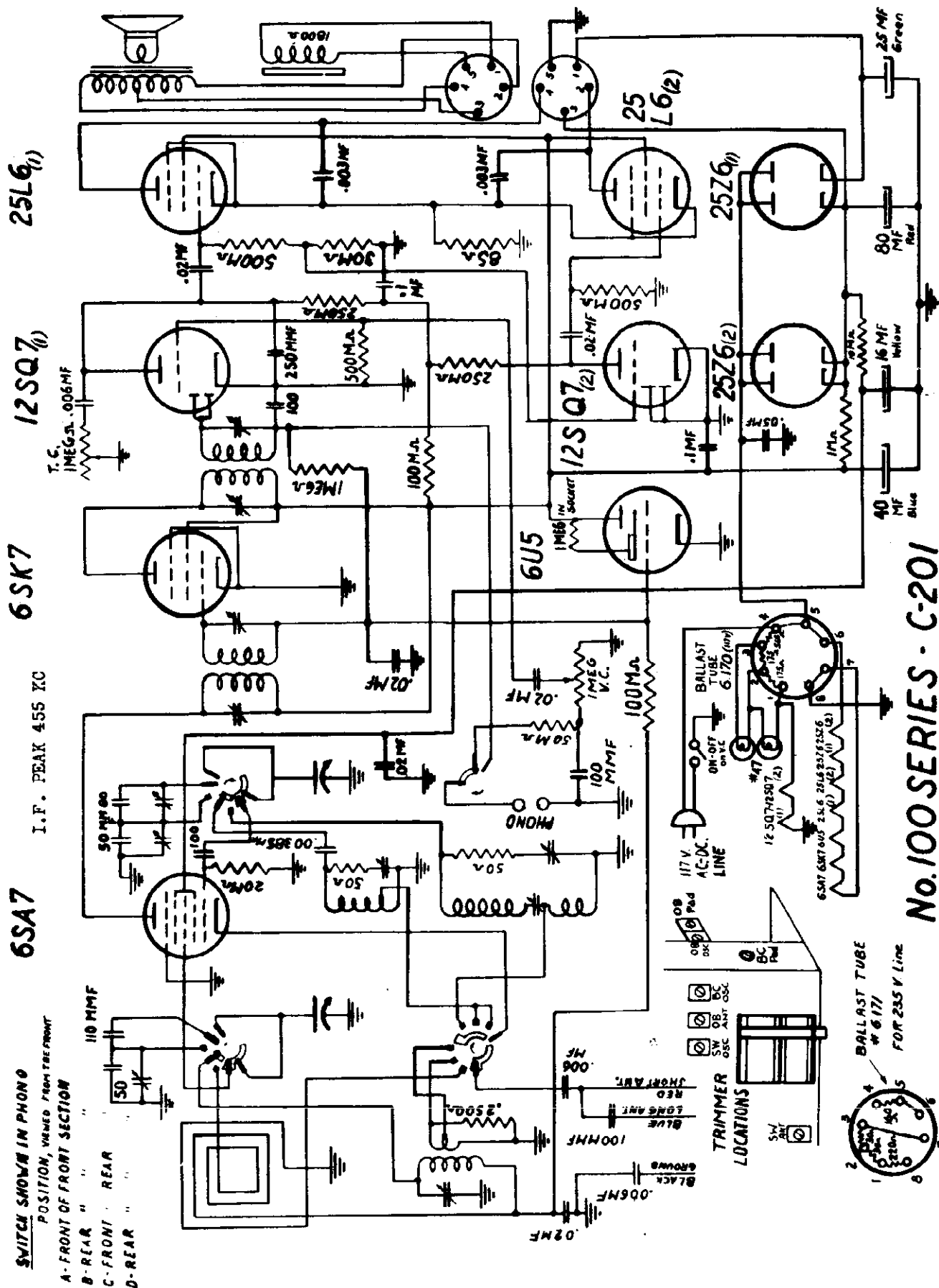


SW - PHONO - RADIO SWITCH

I.F. - 455KC.

MODEL - C200

GAROD ELECTRONICS CORP.



25L6<sub>(1)</sub>

12SQ7<sub>(1)</sub>

6SK7

6SA7

6U5

I.F. PEAK 455 KC

SWITCH SHOW IN PHONO POSITION, VIEWED FROM THE FRONT

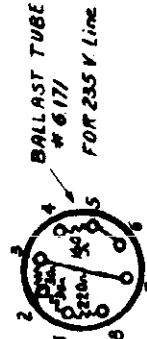
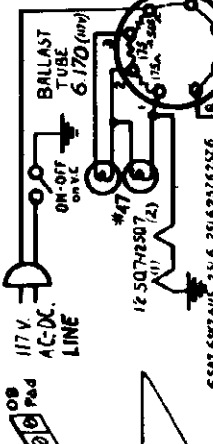
A - FRONT OF FRONT SECTION

B - REAR " "

C - FRONT REAR

D - REAR " "

TRIMMER LOCATIONS



No. 100 SERIES - C-201

MODEL C201, Series 100  
MODELS C205, C210,  
Series 80

GAROD ELECTRONICS CORP.

ALIGNMENT INSTRUCTIONS

Re-alignment of this receiver should not be attempted unless all other possible causes have been thoroughly investigated. An accurately calibrated signal generator which will cover the necessary wave bands, and an output meter for indicating the effect of adjustments are required.

During the alignment procedure all adjustments should be made under the following conditions:

- 1) Line Voltage as indicated on instruction sheet.
- 2) Volume & Tone control at maximum volume positions.
- 3) Minimum Input from signal generator.

If this procedure is not adhered to, all adjustments will appear very broad. This is due to the action of the automatic volume control.

I. F. Adjustment - The signal generator is set at 455 KC and is connected to the grid of the converter tube 6SA7 through a .5 MFD condenser. Be sure to connect a resistor of approximately 25,000 OHMS between the converter grid and ground so that the grid circuit is at ground potential for D.C. It is unnecessary to disconnect the grid from the rest of the circuit.

The Input I. F. Transformer trimmers - are both adjusted for maximum output as indicated by the output meter connected across either the voice coil or the primary coil of the loud speaker.

The Output I. F. Transformer trimmers - are adjusted for maximum output as indicated on the output meter. The Input I. F. should now be re-checked for maximum output.

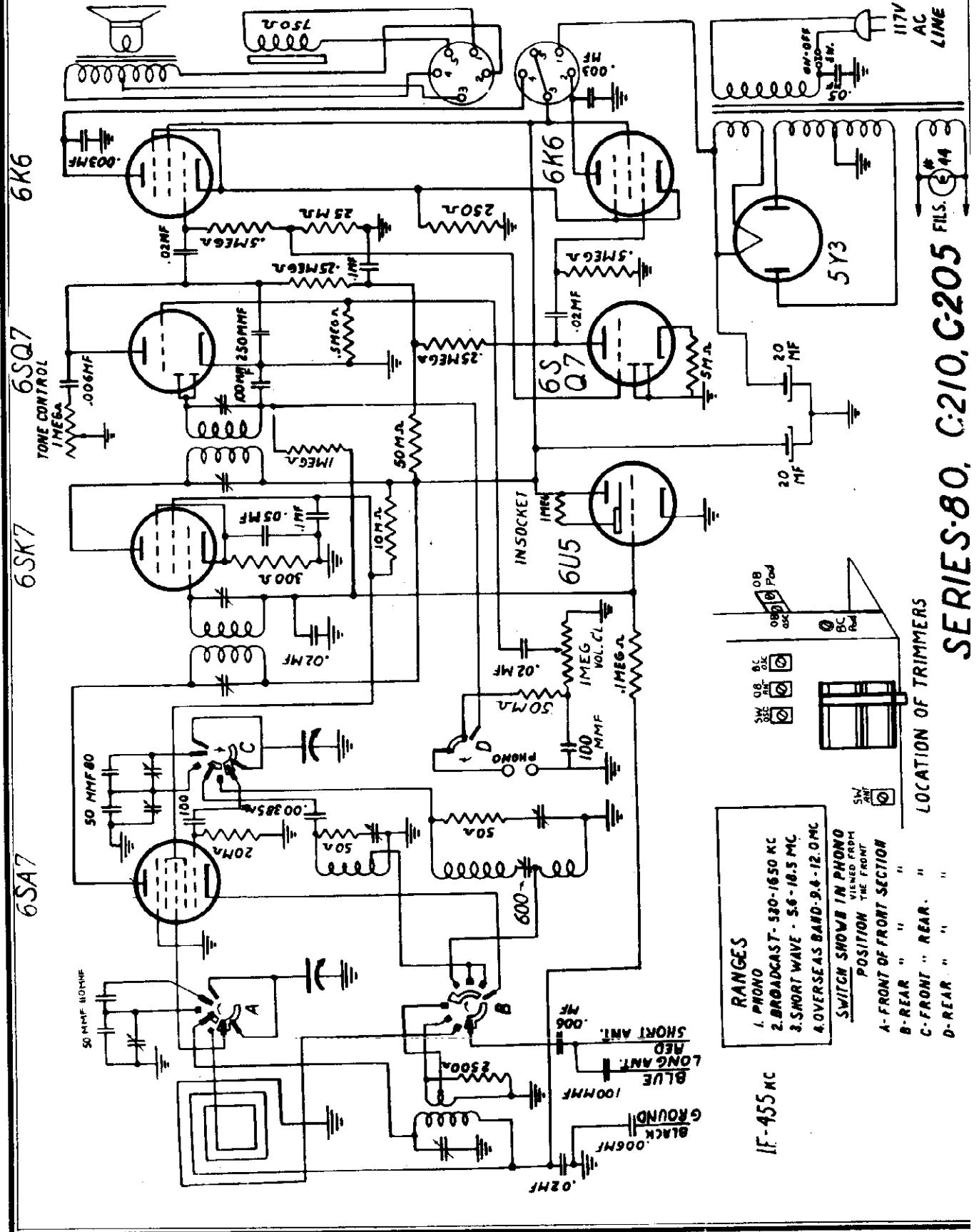
Short Wave Band Adjustment - Set the band switch to the third position which is short wave band #1. Connect the signal generator thru a standard dummy antenna to the antenna and ground leads of the receiver. Set the generator at 17 MC turn the condenser until a response is indicated. The pointer should coincide with the 17 MC mark on the dial. Adjust the antenna trimmer for the short wave band for maximum output while rocking the condenser gang from left to right.

OVERSEAS - Set the band switch to the fourth position. Turn the dial control knob to the extreme high frequency end so that the condenser plates are entirely out of mesh. The signal generator is left connected as for the short wave band. The generator is set at 12 MC and the corresponding osc. trimmer is opened until a response is indicated at the lower capacity setting of the trimmer. Now adjust the antenna trimmer for maximum. Set the generator at 9.4 MC and turn the variable condenser until the signal is picked up. The padder for this band (see sketch) is now adjusted for maximum output while rocking the condenser gang from left to right. The 12 MC adjustment should then be rechecked.

Broadcast Band

It is desirable to align this band on the loop. The signal generator is coupled to the receiver by means of a 2 or 3 turn loop. Set the band Switch in the Broadcast position and condenser plates completely out of mesh. Set the signal generator at 1600 KC and adjust the broadcast oscillator trimmer until a response is indicated on the output meter. The generator is now set at 1500 KC. Turn the variable condenser until a response is indicated. The dial pointer should now coincide with the 1500 KC mark on the dial. Set the generator at 600 KC and turn the variable condenser control until a response is indicated. Adjust the broadcast oscillator padder condenser for maximum response while "rocking" the gang condenser. The high frequency adjustments should now be re-checked.

GAROD ELECTRONICS CORP.



**RANGES**  
 1. PHONO  
 2. BROADCAST - 530-1650 KC  
 3. SHORT WAVE - 5.6-18.5 MC  
 4. OVERSEAS BAND - 9.4-12.0 MC

**SWITCH SHOW IN PHONO POSITION VIEWED FROM THE FRONT**

A - FRONT OF FRONT SECTION	"	"
B - REAR "	"	"
C - FRONT " REAR.	"	"
D - REAR "	"	"

**LOCATION OF TRIMMERS**

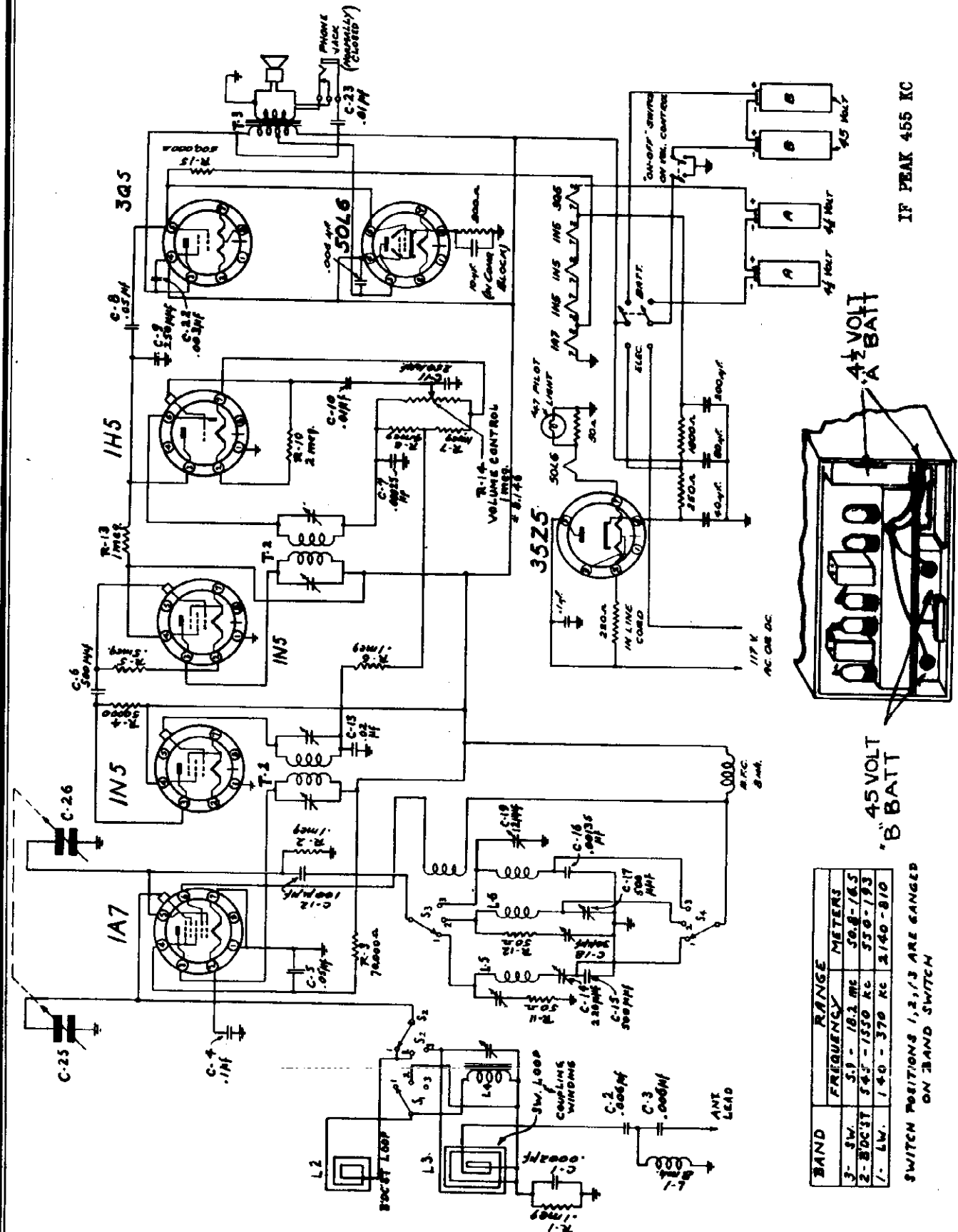
IF - 455 KC

BLACK - GROUND  
 BLUE - LONG ANT.  
 RED - SHORT ANT.

SERIES 80, C210, C205 FILS. 644

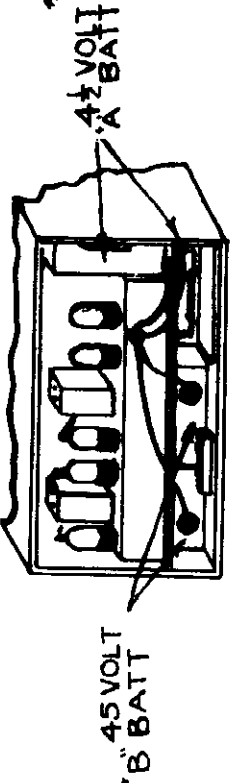
GAROD ELECTRONICS CORP.

MODEL BP307



BAND	RANGE	FREQUENCY	METERS
3- SW	3.9 - 18.2 MC	50.8-16.5	
2- BDCST	345 - 1550 KC	350-193	
1- LW	140 - 370 KC	3140-810	

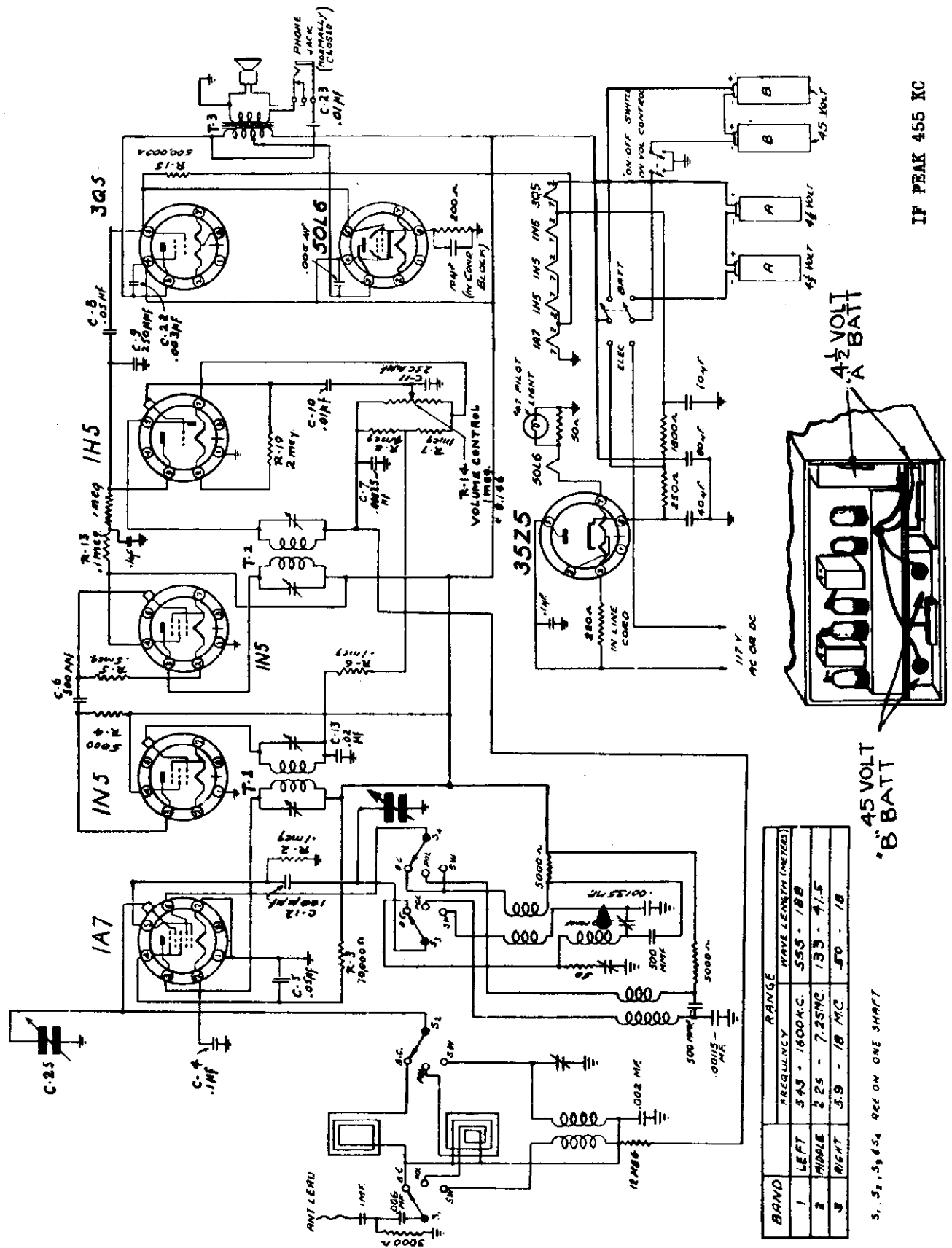
SWITCH POSITIONS 1, 2, 3 ARE GANGED ON BAND SWITCH



IF PEAK 455 KC

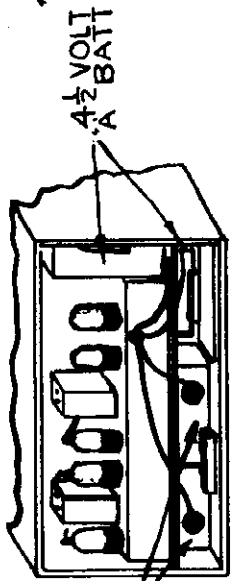


GAROD ELECTRONICS CORP.



BAND	RANGE	WAVE LENGTH (METERS)
1	LEFT 545 - 1600 KC.	555 - 188
2	MIDDLE 2.25 - 7.25 MC	133 - 41.5
3	RIGHT 3.9 - 10 MC	50 - 18

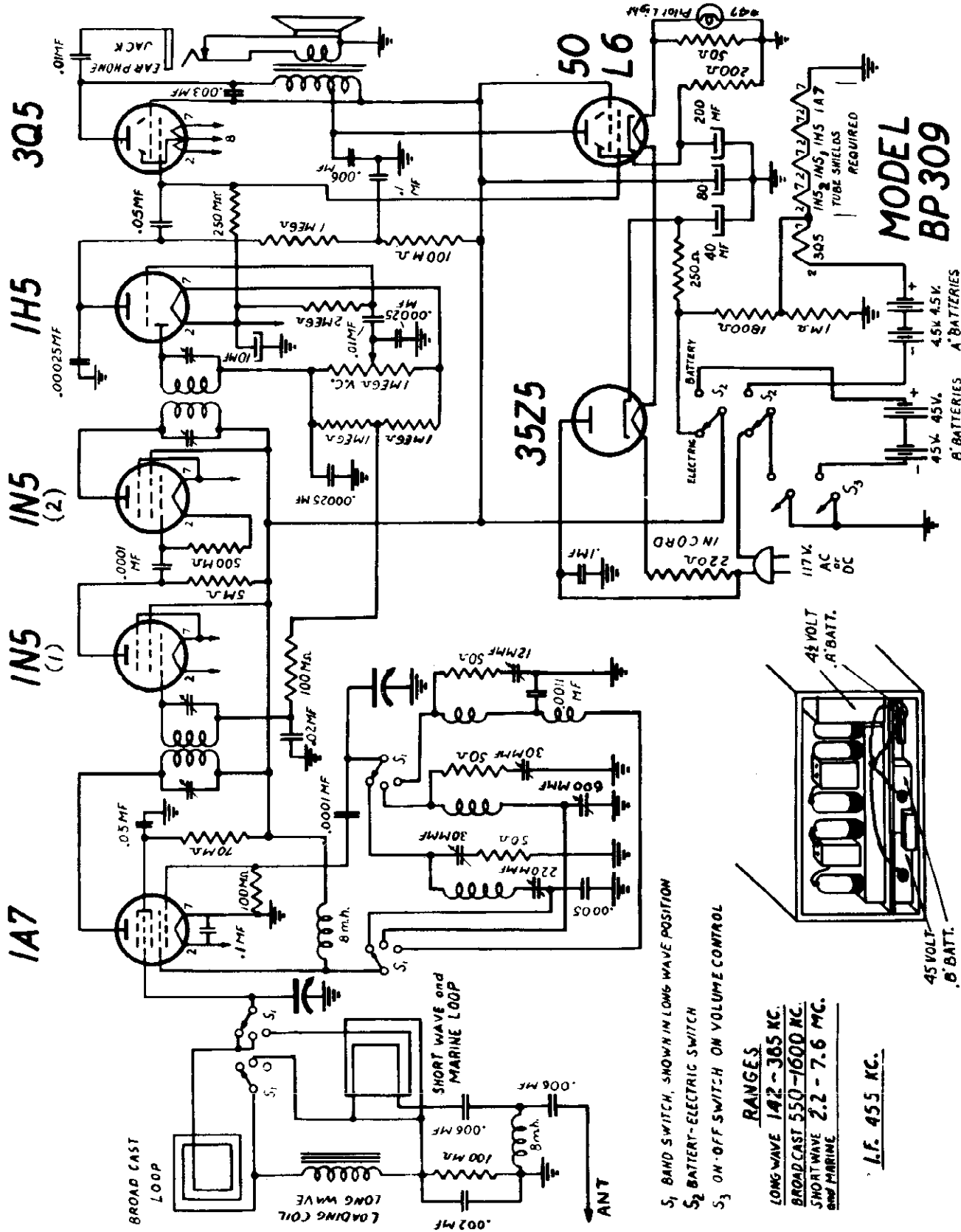
S. 3, 5, 6, 5, REC ON ONE SHIRT



IF PEAK 455 KC

MODEL BP309

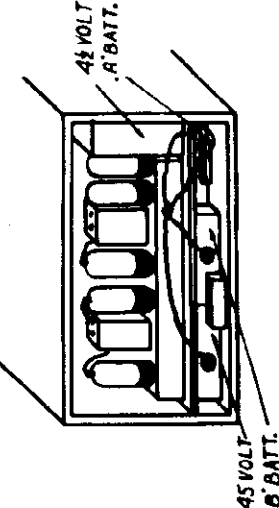
GAROD ELECTRONICS CORP.



**MODEL  
BP 309**

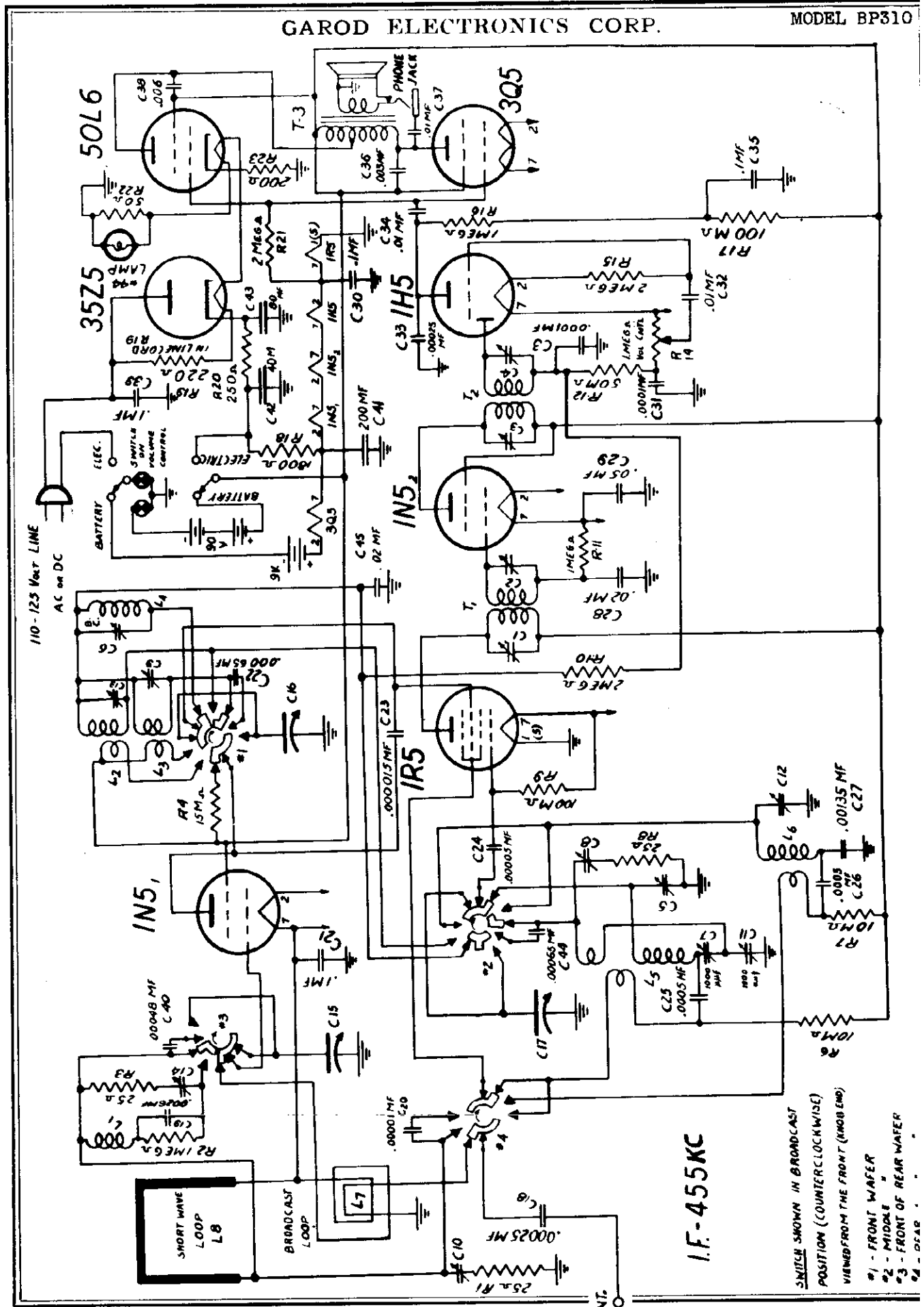
**RANGES**  
 LONG WAVE 142 - 365 KC.  
 BROADCAST 550 - 1600 KC.  
 SHORT WAVE 2.2 - 7.6 MC.  
 5MW MARINE  
 I.F. 455 KC.

- S<sub>1</sub> BAND SWITCH, SHOWN IN LONG WAVE POSITION
- S<sub>2</sub> BATTERY-ELECTRIC SWITCH
- S<sub>3</sub> ON-OFF SWITCH ON VOLUME CONTROL



GAROD ELECTRONICS CORP.

MODEL BP310



I.F.-455KC

SWITCH SHOWN IN BROADCAST  
 POSITION (COUNTERCLOCKWISE)  
 VIEWED FROM THE FRONT (KNOB END)

- #1 - FRONT WAFER
- #2 - MIDDLE "
- #3 - FRONT OF REAR WAFER
- #4 - REAR "

MODEL BP310

GAROD ELECTRONICS CORP.

ALIGNMENT PROCEDURE

All adjustments except the IF should be made on Loop operation. A loop consisting of two turns of heavy wire about one foot in diameter and placed about two feet from the set loop should be connected to the signal generator. For IF adjustment the "hot" side of the signal generator may be connected to the front section of the Three Gang Variable condenser thru a blocking condenser (.05 mfd). The condenser is set with the plates fully open and the Band Switch in the Broadcast position.

**IMPORTANT.** In taking the chassis out of the cabinet for servicing, it becomes necessary to disconnect the SHORT WAVE loop. Do not unsolder the lugs from the rod, but instead unsolder the leads from the lugs. If these lugs are moved the Inductance of the loop will be changed and it will be impossible to align the SHORT WAVE Bands properly. Do not lengthen these leads or shorten them. To get at the trimmers for alignment, unsolder the loop leads, take out the chassis and with the chassis outside of the cabinet reconnect them.

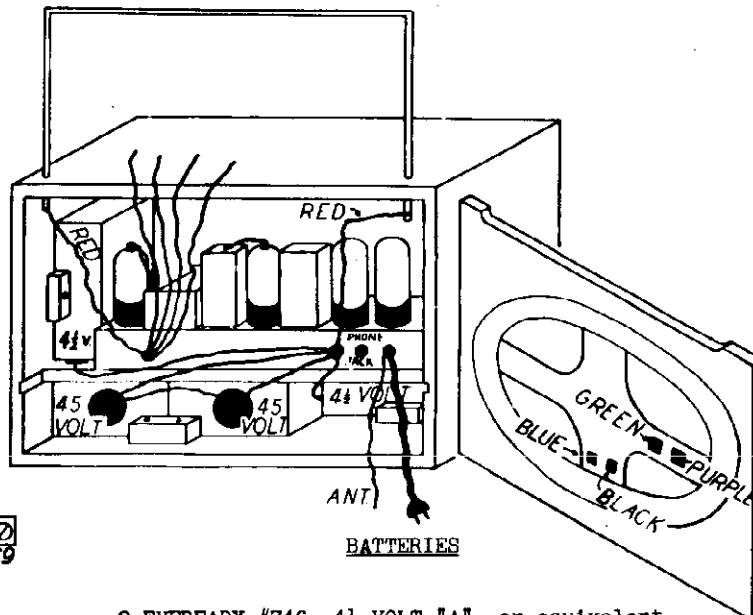
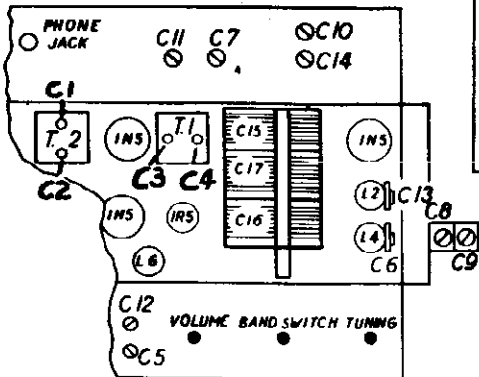
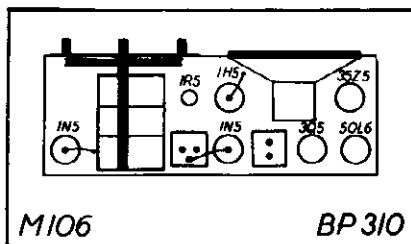
In aligning the series padders at 600KC and 9.5 megacycles, the variable condenser should be rocked back and forth until maximum output is obtained as indicated on the output meter.

It is also advisable to do this while making the 17MC adjustment since there is some reaction between circuits.

Proceed in accordance with the tabulation on the next page. For location of the trimmers SEE SKETCH. The position of the trimmers in the circuit is indicated in the circuit diagram by a corresponding number.

SIGNAL GENERATOR FREQUENCY			BAND	ADJUST TRIMMERS FOR MAXIMUM OUTPUT IN SEQUENCE INDICATED (SEE SKETCH)	REMARKS
A	455 MC		I.F.	1--2--3--4	I. F. Trimmers
B	1500 KC		B.C.	5--6	Set dial to 1500 KC
C	600 KC		B.C.	7	Recheck adjustment "B"
D	17 MC		S.W.2	8--9--10	Set dial to 17 MC (rock condenser slightly)
E	9.5 MC		S.W.2	11	Recheck adjustment "D"
F	8.5 MC		S.W.1	12--13--14	

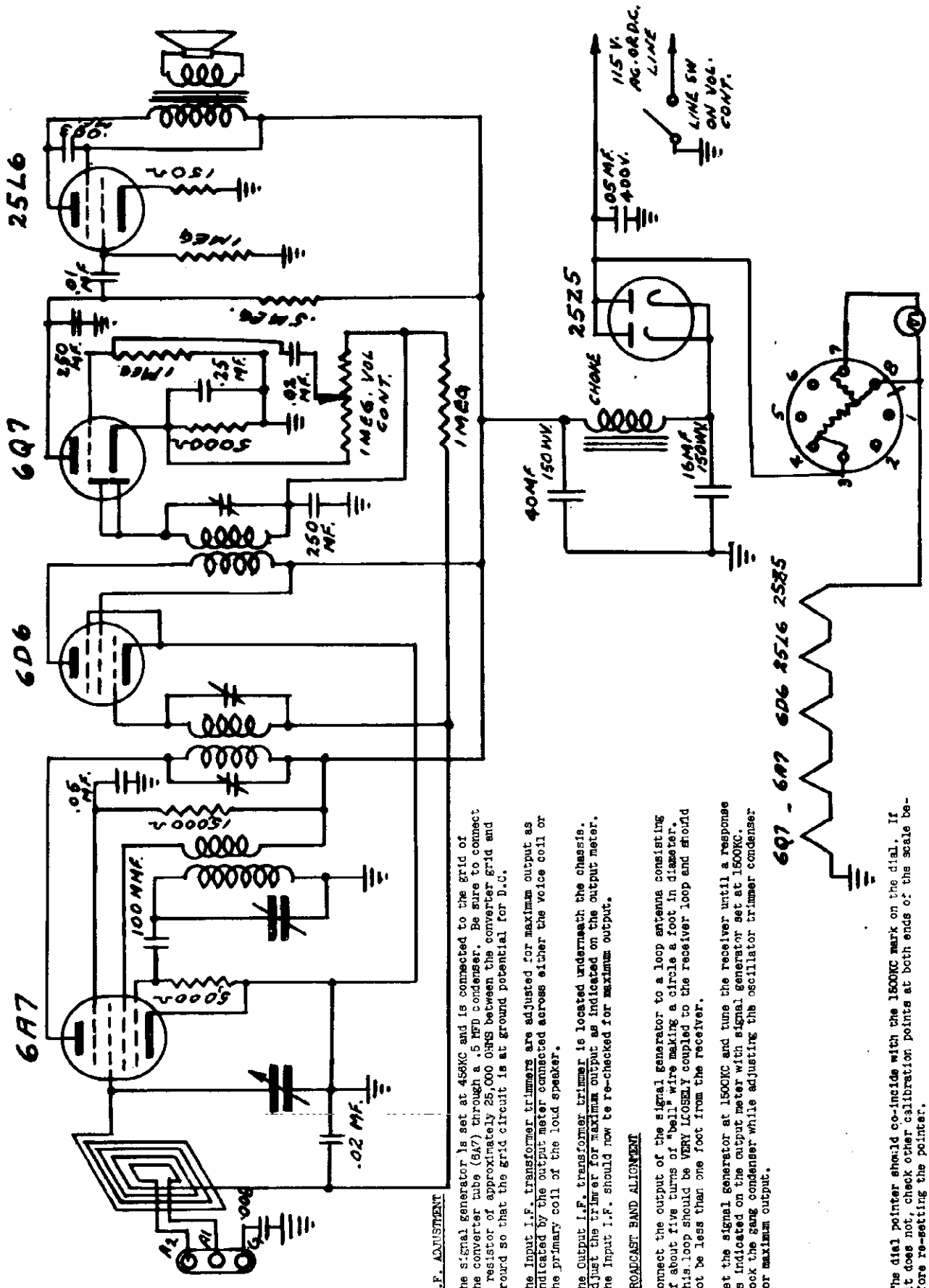
**SENSITIVITY** BROADCAST-LOOP OPERATION-75 MICROVOLTS PER METER (AVERAGE) FOR 50 MW OUTPUT ANTENNA - 5 MICROVOLTS (AVERAGE)  
 SHORT WAVE-LOOP OPERATION 100 MICROVOLTS PER METER (AVERAGE)



2-EVEREADY #746, 4½ VOLT "A", or equivalent.

2-EVEREADY #482, 45 VOLT "B", or equivalent.

GAROD ELECTRONICS CORP.



I.F. ADJUSTMENT

The signal generator is set at 450KC and is connected to the grid of the converter tube (6A7) through a .5 MFD condenser. Be sure to connect a resistor of approximately 25,000 OHMS between the converter grid and ground so that the grid circuit is at ground potential for D.C.

The Input I.F. transformer trimmers are adjusted for maximum output as indicated by the output meter connected across either the voice coil or the primary coil of the loud speaker.

The Output I.F. transformer trimmer is located underneath the chassis. Adjust the trimmer for maximum output as indicated on the output meter. The Input I.F. should now be re-checked for maximum output.

BROADCAST BAND ALIGNMENT

Connect the output of the signal generator to a loop antenna consisting of about five turns of "bell" wire making a circle a foot in diameter. This loop should be VERY LOOSELY coupled to the receiver loop and should not be less than one foot from the receiver.

Set the signal generator at 1500KC and tune the receiver until a response is indicated on the output meter with signal generator set at 1500KC. Rock the gang condenser while adjusting the oscillator trimmer capacitor for maximum output.

The dial pointer should co-inside with the 1500KC mark on the dial. If it does not, check other calibration points at both ends of the scale before re-setting the pointer.

MODEL 1040

GAROD ELECTRONICS CORP.

MODEL 3120

MODEL 3120 ALIGNMENT INSTRUCTIONS

Re-alignment of this receiver should not be attempted unless all other possible causes have been thoroughly investigated. An accurately calibrated signal generator which will cover the necessary wave bands, and an output meter for indicating the effect of adjustments are required.

During the alignment procedure all adjustments should be made under the following conditions:

- 1) Line Voltage as indicated on instruction sheet.
- 2) Volume & tone control at maximum volume positions.
- 3) **Minimum** input from signal generator.

If this procedure is not adhered to, all adjustments will appear very broad. This is due to the action of the automatic volume control.

**I.F. Adjustment** - The signal generator is set at 455 KC and is connected to the grid of the converter tube (5A8) through a .5 MFD condenser. Be sure to connect a resistor of approximately 25,000 OHMS between the converter grid and ground so that the grid circuit is at ground potential for D.C.

The input I.F. Transformer trimmers - are both adjusted for maximum output as indicated by the output meter connected across either the voice coil or the primary coil of the loud speaker.

The output I.F. Transformer trimmers - are adjusted for maximum output as indicated on the output meter. The input I.F. should now be re-checked for maximum output.

**Short Wave Band #1 Adjustment** - Set the band switch to the third position which is short wave band #1. Connect the signal generator thru a standard dummy antenna to the antenna and ground leads of the receiver. Set the generator at 19MC turn the condenser until a response is indicated. The pointer should coincide with the 19MC mark on the dial. Adjust the antenna trimmer for the short wave band for maximum output while rocking the condenser gang from left to right.

**Short Wave Band #2** - Set the band switch to the second position. Turn the dial control knob to the extreme high frequency end so that the condenser plates are entirely out of mesh. The signal generator is left connected as for band #1. The generator is set at 6.25MC and the Band #2 osc. trimmer is opened until a response is indicated, at the lower capacity setting of the trimmer. Set the generator at 8MC and turn the variable condenser until a response is indicated. The pointer should now coincide with the 8.MC mark on the dial. The antenna trimmer is then adjusted for maximum output while the condenser gang is rocked from right to left. Set the generator at 2.4MC and turn the variable condenser knob until a response is indicated. The pointer for this band is now adjusted for maximum output while rocking the condenser gang from left to right. The high frequency adjustments should then be re-checked.

Broadcast Band

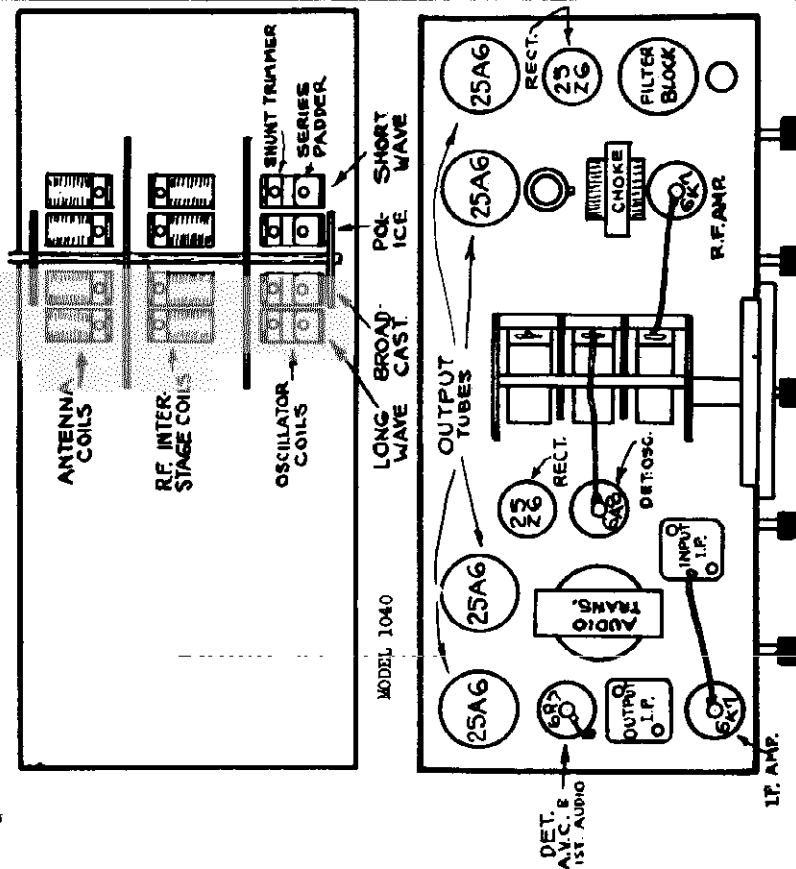
It is desirable to align this band on the loop. The signal generator is coupled to the receiver by means of a 2 or 3 turn loop. Set the Band Switch in the Broadcast position and condenser plates completely out of mesh. Set the signal generator at 1600 KC and adjust the broadcast oscillator trimmer until a response is indicated on the output meter. The generator is now set at 1400 KC. Turn the variable condenser until a response is indicated. The dial pointer should now coincide with the 1400KC mark on the dial. Set the generator at 600KC and turn the variable condenser control until a response is indicated. Adjust the broadcast oscillator padlock condenser for maximum response while "rocking" the gang condenser. The high frequency adjustments should now be re-checked.

ALIGNMENT PROCEDURE MODEL 1040

**I.F. ADJUSTMENT** - The signal generator is set at 455 kc. and is connected to the grid of the first detector (5A8). With the oscillator section of the tuning condenser short-circuited and the receiver volume control at its maximum position, the I.F. trimmers are adjusted for maximum output. These trimmers may be found on the tops of the I.F. Transformers.

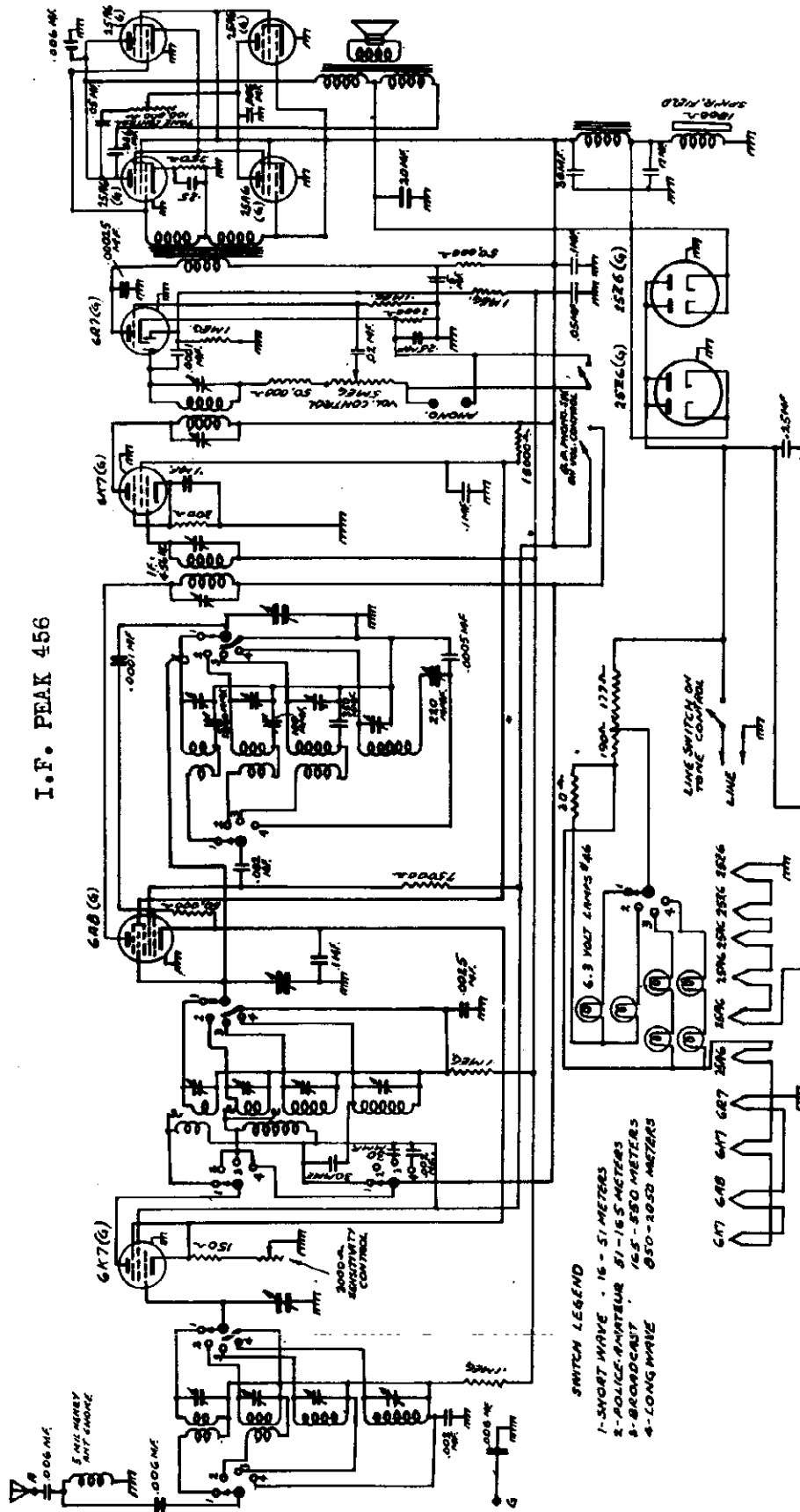
**19 MEGACYCLE ADJUSTMENT** - The high side of the signal generator is connected to the antenna lead of the receiver and the low side to the ground lead. The receiver and the signal are both tuned to a frequency of 19 mc. with the selector switch in position for band no. 1. The oscillator-trimmer condenser is adjusted so that the 19 mc signal is tuned in exactly at the 19 mc calibration point, with the volume control on full and the signal generator adjusted for minimum input. The antenna preselector and interstage trimmers are then adjusted in the order named for maximum output. These trimmers are located as indicated in the bottom view of the chassis.

**8 MEGACYCLE ADJUSTMENT** - The signal generator is set at 8 megacycles and the signal tuned in on the dial. The short wave padlock condenser is adjusted for maximum output while the gang condenser is rocked slightly to the right and left. The 18 megacycle adjustment should then be rechecked.



GAROD ELECTRONICS CORP.

I.F. PEAK 456



SWITCH LEGEND

- 1-SHORT WAVE - 16 - 51 METERS
- 2-POLICE-AMATEUR 51-165 METERS
- 3-BROADCAST 165-850 METERS
- 4-LONG WAVE 850-2050 METERS

TUBE FUNCTION HEATER PLATE SC. GR. CATH OSC. PL.

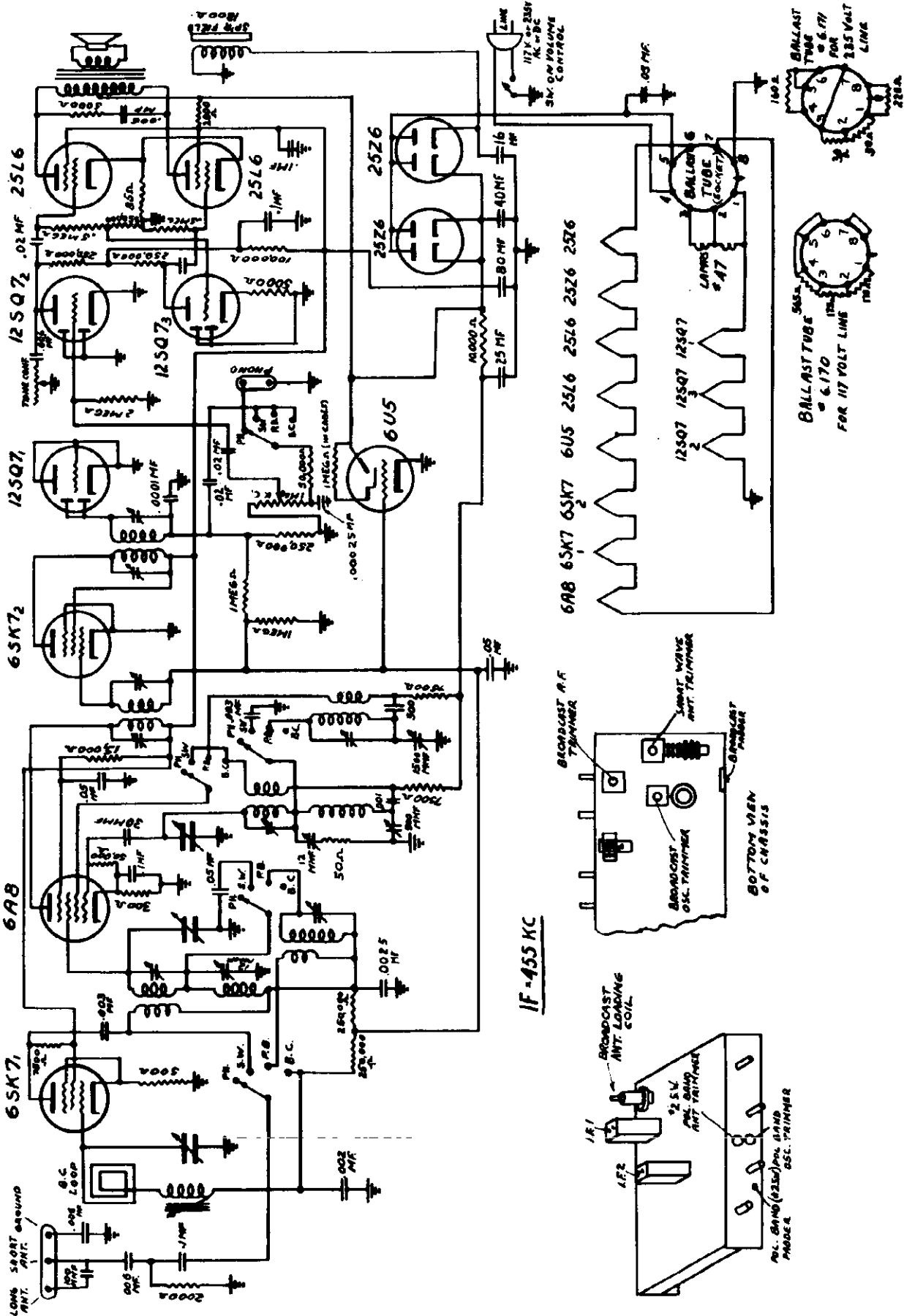
TUBE	FUNCTION	HEATER	PLATE	SC. GR.	CATH	OSC. PL.
6K7 (G)	Preselector	4.5	95	95	1.75	
6A6 (G)	Det. osc.	4.5	95	55	1.75	80
6K7 (G)	I F amp.	4.5	95	55	1.0	
6K7 (G)	2nd det. and 1st audio	4.5	40		2.0	
25A6 (G)	Audio output	21	120		15	
25Z6 (G)	Rectifier	21			120	

All voltages except filament, are measured from socket terminals to chassis and with a 1000 Ohms per volt voltmeter. The set must be in operation and the sensitivity control in its maximum clockwise position.

Filament voltages are taken from filament prong to filament prong at tube socket and measured with a low impedance AC voltmeter.

MODEL 3120

GAROD ELECTRONICS CORP.





GENERAL ELECTRIC CO.

**AUTOMATIC RECORD CHANGER****MODEL LRP-3****GENERAL**

This record changer is designed for use on a 110-volt 50-cycle power supply, but can easily be converted for 110-volt 60-cycle use by following the instructions under "Operation on 50- or 60-cycle Power Supplies."

**OPERATION**

The record changer will play up to eight 12-inch or nine 10-inch records at one loading. It will not play 12-inch and 10-inch records intermixed. The last record will repeat playing until the mechanism is stopped.

To load the record changer, both lower shelf plates of the record supports must be turned inward. This is done by grasping the post just below the shelf plate and rotating until it falls into the proper position. The stack of records rests over the spindle, on the two lower shelf plates.

The turntable switch is located at the front left corner of the motor board.

The Reject button is used to start the changer mechanism and to reject a particular record. To start the mechanism, or to reject a record being played, merely push the Reject button and release it. Rejecting can be done at any time after the needle has come in contact with the record, and will immediately start the mechanism on its change cycle.

The 10-12 button selects the position at which the pickup arm drops onto the record, i.e. for 10-inch or 12-inch records respectively. No repositioning of the support discs is necessary for changing to different record size.

The Auto-Manual button prepares the record changer for either automatic or manual operation. On Manual, the changer is used as an ordinary single-record player.

The mechanism should only be stopped while the needle is riding on the record. After the last record has been played, wait until the pickup arm has gone through the change-cycle and has dropped on to the first grooves of the record, before throwing the power switch "off." Then lift the pickup arm and carry it to the pickup rest. Stopping the mechanism during the change cycle will lock the pickup arm. To avoid damage to the mechanism, the pickup arm should only be handled with the Auto-Manual button in the Manual position.

**CAUTIONS**

1. Never use force to start or stop the motor or any part of the record-changing mechanism.
2. The use of cracked or chipped records may damage the pickup and needle.
3. Do not leave the records on the record posts or on the turntable, as they may warp, particularly in warm climates. Warped records may slide upon one another and result in unsatisfactory reproduction. Warped records may be flattened by placing them on a flat surface with a heavy flat article placed on top of them for a few days.
4. The use of warped records may also jam the mechanism. When the mechanism jams, turn off the power and rotate the turntable by hand in the reverse direction, for about ten turns.

**CABINET LEVELING**

For good operation, the record changer must be level. If the cabinet tilts to the left, the records may not drop smoothly and the pickup may drop and slide over the first grooves of the record. If the cabinet tilts to the right, the records may not drop smoothly, and the pickup may fail to enter the starting groove.

**NEEDLE**

This phonograph is equipped with a semi-permanent type needle and under normal operation should last for about four thousand playings. The needle should be inserted with the flat section to the screw and made secure. **DO NOT CHANGE THE POSITION OF THE NEEDLE ONCE IT HAS BEEN IN USE.** The needle screw should be tightened periodically.

**TURNTABLE SPEED**

The maximum allowable turntable speed is 81 rpm. The minimum allowable turntable speed, with the needle in the outside groove of a 12-inch record, is 76.6 rpm.

The number of records in the turntable makes practically no difference in the revolutions per minute (rpm).

**OILING**

All main moving parts of this record changer have oilless type bearings and should require no additional lubrication. However, a few drops of high-grade machine oil on the main bearings and friction surfaces, and to the oil wicks on both ends of the motor shaft may be applied at long intervals.

**OPERATION ON 50- OR 60-CYCLE POWER SUPPLIES**

The record changer is shipped from the factory adjusted for operation on a 50-cycle power supply. To change for 60-cycle operation, replace item (8) (Fig. 1) with the spare bushing supplied. (The spare bushing is shipped with each changer, tied to the frame with a piece of wire.) Sixty-cycle operation requires the smaller diameter bushing so as to reduce the turntable speed to 78 rpm. Note that if the mechanism is being operated on a 60-cycle power supply, and the turntable speed is too high, it means that too large a bushing is being used at (8) to drive the idler wheel (4), and that the smaller bushing should be used. Also, if the mechanism is being operated on a 50-cycle power supply, and the turntable speed is too low, it means that too small a bushing is being used at (8). Be sure the setscrew matches with the depression on the motor shaft and is securely tightened. When properly installed, the top of the bushing should be just a fraction below the top of the motor shaft.

MODEL LRP-3

GENERAL ELECTRIC CO.

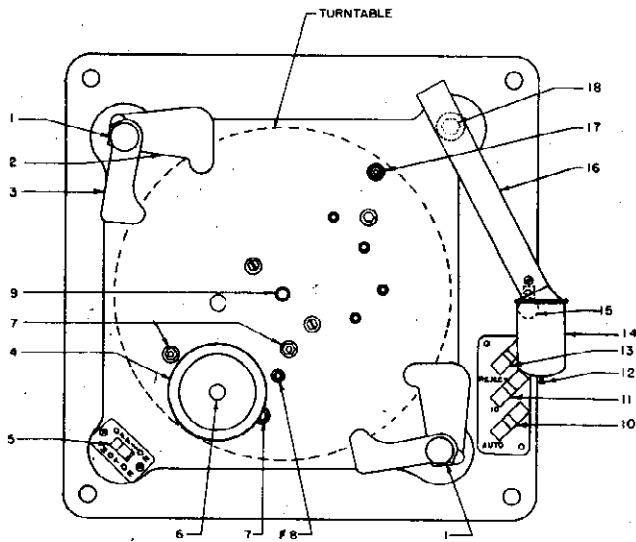


Fig. 1  
Top view of record changer with turntable removed

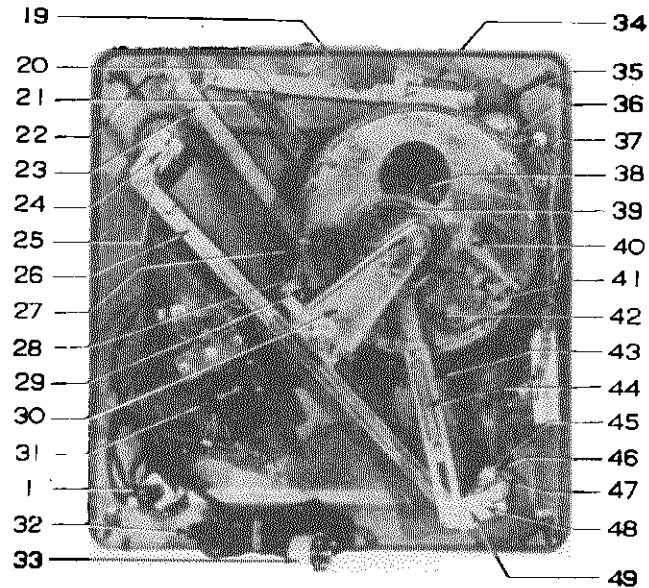


Fig. 2  
Bottom view of record changer with mechanism about three fourths of the way through a change cycle

DESCRIPTION OF PRINCIPAL PARTS

Symbol	Function
1	Changer post
2	Lower blade
3	Upper blade
4	Idle wheel
5	Motor switch
6	Spring clip
7	Motor mounting grommet
8	Motor bushing
9	Turntable shaft
10	Auto-Manual button
11	10-12 button
12	Needle setscrew
13	Start-Reject button
14	Pickup
15	Pickup rest
16	Pickup arm
17	Dropping point adjusting screw
18	Pickup lift adjusting screw
19	Index link
20	Reject return spring
21	Reject link
22	Control spring
23	Manual link
24	Short changer blade shaft
25	Driving crank
26	Changer shaft tie bar
27	Large gear
28	Cam stop lever
29	Cam stop spring
30	Sub-frame
31	Motor
32	Line cord
33	Line cord plug
34	Control spring
35	Pickup crank spring
36	Pickup crank
37	Pickup cord
38	Position trip screw
39	Eccentric
40	Pawl latch
41	Starting pawl
42	Starting pawl spring
43	Eccentric arm
44	Eccentric arm spring
45	Post washer
46	Post nut
47	Driving crank
48	Long changer shaft
49	Driving crank
50	Pickup crank roller
51	Pickup lift pin
52	Ratchet pawl spring
53	Ratchet pawl
54	Ratchet latch
55	Ratchet spring
56	Ratchet trip
57	Cam groove
58	Pinion
59	Cam extension spring
60	Cam extension
61	Pawl latch spring
62	Cam rim

CYCLE OF OPERATION\*

Pushing reject button (13) moves pawl latch (40) through reject link (21) and releases starting pawl (41) which is moved by starting pawl spring (42). The starting pawl (41) engages with lugs in pinion (58) and rotates the large gear (27) for approximately one revolution until the stop lever (28) rolls into the stop depression on the large gear. This entire movement is one complete turn of the large gear and is one complete change cycle of the record changer. When the large gear turns, the eccentric (39) pushes the eccentric arm (43) through the eccentric arm spring (44). This moves the driving crank (49) and turns the blades (2) and (3). The other set of blades are turned simultaneously through driving crank (47), tie bar (26), and driving crank (25).

Pickup Arm

The lateral movement of the pickup arm is controlled during a change cycle by the pickup crank roller (50) on the pickup crank (36), following the cam groove (57) in the large gear (27).

The vertical movement of the pickup arm during a change cycle is controlled by the pickup pin (51) riding on the cam rim (62) on top of the large gear. On records which do not have a starting groove, the needle is pushed into the first groove by pickup crank spring (35). The tension of this spring may be adjusted by bending the lug to which it is attached on the base.

Position Trip

When the needle travels to within 1 1/4 inches from the center post, the pickup crank (36) moves the position trip screw (38) which is fastened to the pawl latch (40), and releases the starting pawl (41), starting the change cycle.

Oscillating Trip

When the needle travels into the eccentric groove on the inside of a record, the ratchet pawl (53) on the pickup crank (36) moves the ratchet latch (54), and releases the ratchet trip (56) which is moved by the ratchet spring (55). The ratchet trip (56) moves the pawl latch (40) which releases the starting pawl (41), and starts the change cycle.

The ratchet pawl (53) has a spring (52) which tends to hold the ratchet pawl (53) straight out from the end of the pickup crank (36).

\* The cycle of operation can be studied conveniently by pushing the Reject button, and revolving the turntable by hand.

GENERAL ELECTRIC CO.

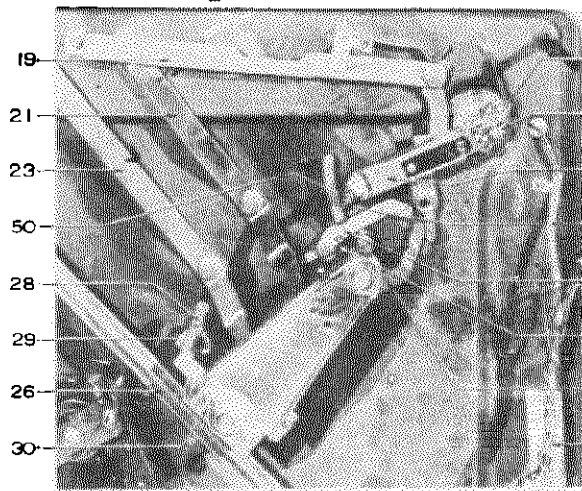


Fig. 3  
Bottom section view of record changer, with large gear removed

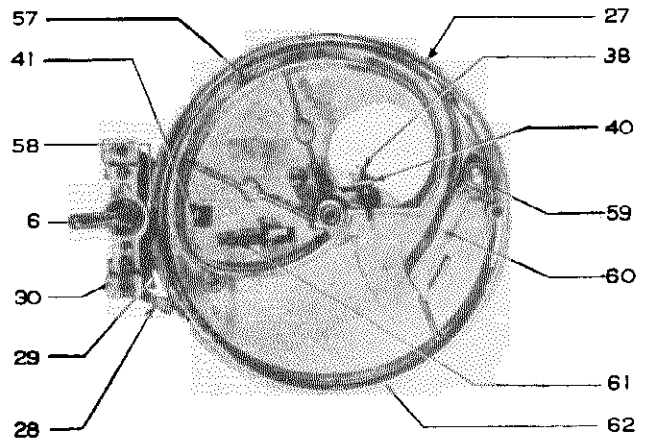


Fig. 4  
Top view of the large gear and sub-frame, showing assembly in neutral position (not in change cycle)

SERVICE ADJUSTMENTS

The turntable is driven by means of an eccentric friction drive wheel. The driving power is transferred from the motor bushing (8) to the idler wheel (4) and then to the rim of the turntable. It is important therefore, that the motor bushing (8) and the idler wheel (4) be kept clean of grease, oil, dirt, or any foreign matter. Any quick drying solvent like naphtha is satisfactory for cleaning these parts. Only occasional lubrication is required—see OILING.

A bind or jam in the mechanism can usually be relieved by rotating the turntable in a reverse direction.

Needle Drop Point

With the 10-12 button set for 10-inch records (number 10 showing), the needle should contact the record  $4\frac{3}{4}$  inches from the turntable shaft or about  $\frac{1}{4}$  inch from the edge of the record. This dropping point is adjusted by the adjustment screw (17) on top of the record changer. Turning this screw clockwise causes the needle to drop farther from the turntable shaft, while turning this screw counterclockwise causes the needle to drop nearer the turntable shaft. Turn the screw

only a fraction of a turn at one time, as about one-fourth turn of this adjustment screw changes the dropping point of the needle almost one fourth of an inch. The over-all range of this adjustment is secured in one turn of the adjustment screw.

Pickup Arm Lift

The lift of the pickup arm is adjusted by the adjustment nut (18) underneath the pickup arm. The top of the pickup arm (16) should rise to within about one-fourth inch from the under side of the lower blade. To lower the elevation of the pickup arm, turn the nut clockwise, and to raise the elevation, turn the nut counterclockwise.

Position Trip

The position trip is adjusted by turning the position trip screw (38). The trip should operate when the needle is moved to  $1\frac{3}{4}$  inches from the center post. To trip earlier, or farther from the center post, turn the screw clockwise, while to trip later, or nearer the center post, turn the screw counterclockwise.

REPLACEMENT PARTS LIST

Stock Number	Description
<b>MOTOR ASSEMBLY</b>	
RB-211	BRACKET—Motor mounting bracket assembly
RB-655	BUSHING—Motor bushing for 30 cycle operation
RB-656	BUSHING—Motor bushing for 60 cycle operation
RG-310	GROMMET—Motor mounting grommet
RM-162	MOTOR—50-60-cycle motor
<b>MOTORBOARD ASSEMBLIES</b>	
RS-648	SHELF—Upper and lower shelf blades assembly
RB-654	BUTTON—Control button assembly; Reject, 1021- and Auto-Man. buttons
RP-427	POST—Changer post
RS-649	SHAFT—Turntable shaft
RS-3152	SWITCH—Power switch
RT-948	TURNTABLE—Turntable
<b>OPERATING MECHANISM</b>	
RA-439	ARM—Eccentric arm assembly
RA-440	ARM—Eccentric arm
RB-212	BAR—Changer shaft tie bar
RB-213	BAR—Tie bar assembly
RB-403	BEARING—Upper bearing assembly
RB-657	BUSHING—Index bushing
RC-2080	CAM—Cam extension
RC-2081	CAM—Large gear cam
RC-2082	CRANK—Driving crank
RC-2083	CRANK—Pickup crank
RC-2084	CRANK—Pickup crank assembly
RF-209	FRAME—Sub-frame
RG-311	GEAR—Large gear assembly
RL-991	LATCH—Pawl latch
RL-992	LATCH—Ratchet latch
RL-993	LEVER—Cam stock lever

Stock Number	Description
<b>OPERATING MECHANISM (Continued)</b>	
RL-994	LINK—Index link
RL-995	LINK—Manual link
RL-996	LINK—Reject link
RP-428	PAWL—Starting pawl
RP-429	PAWL—Ratchet pawl
RS-650	SHAFT—Changer blade driving shaft
RS-651	SHAFT—Short changer blade shaft
RS-4079	SPRING—Cam extension spring
RS-4080	SPRING—Control spring
RS-4081	SPRING—Cam stop spring
RS-4082	SPRING—Eccentric arm slide spring
RS-4083	SPRING—Idler and tension spring
RS-4084	SPRING—Mounting spring
RS-4085	SPRING—Pawl latch spring
RS-4086	SPRING—Pickup crank spring
RS-4087	SPRING—Ratchet spring
RS-4088	SPRING—Ratchet pawl spring
RS-4089	SPRING—Reject return spring assembly
RS-4090	SPRING—Starting pawl spring
RS-524	STUD—Index bushing stud
RS-652	SUPPORT—Lower bearing support
RT-949	TRIP—Ratchet trip
RW-926	WHEEL—Idler wheel and clip assembly
<b>PICKUP ARM ASSEMBLY</b>	
RA-437	ARM—Pickup arm only
RC-8240	CORD—Pickup cord
RC-5016	PICKUP—Magnetic pickup head
RA-438	PICKUP—Magnetic pickup—complete
RL-806	COIL—Pickup coil
RS-8040	SCREW—Needle setscrew
RS-4096	SPRING—Pickup arm spring

MODELS LM-13, LM-14

MODELS LM-20, LM-21, LM-25

GENERAL ELECTRIC CO.

**GENERAL INFORMATION**

When connecting this record player to an AC/DC receiver insert a .25 mfd. 400 V. paper capacitor between the black lead of the record player and the chassis ground, and a .005 or .01 mfd. 400 V. paper capacitor between the green lead of the record player and the circuit traced in the radio.

**Radio Receiver Connections**

There are several different methods which may be used to connect the record player to the radio receiver depending upon the provisions incorporated in the radio for handling phonograph connections and upon the type of installation desired. Several methods are outlined below for superheterodyne receivers.

The process of changing from radio reception to record-player operation and vice versa requires either the manual insertion of the record-player leads in the radio circuit each time the process is performed or the use of a switch to automatically perform the operation. The convenience of a switching arrangement will so far outweigh the labor involved in manual operation that the slight additional cost of a switch will pass unnoticed.

There follow several general methods of installation which should not be assumed to be comprehensive or all-conclusive.

**Method No. 1.**—(For radios equipped with phono pin-jack terminals.) These Models are equipped with a plug for connecting to radios equipped with a phono pin jack. The green lead of the record player is connected to the pin terminal and the black lead to the shield of the plug. Some radio models automatically switch to record-player operation when the plug is inserted in the terminal; other models require pushing or rotating a switch incorporated on the radio control panel.

**Method No. 2.**—(For radios equipped with phono terminals.) Consult the instruction pamphlet which was supplied with your radio to determine which phono terminals are for connections to the record player. There may be three or four terminals, depending upon the type of radio. Determine which terminal is connected to the high side of the volume control. For radio operation, there will be a link connection between this volume-control terminal and the radio diode load terminal. On a three-terminal board, the remaining terminal will be chassis-ground. On a four-terminal board one of the remaining terminals will be chassis-ground and the other a diode return.

Using manual insertion of the record player into the radio circuits, it is only necessary to remove the link from between the diode load and volume-control terminals and reinsert it between the diode load and chassis ground terminals (on a three-terminal board), or between diode load and diode return (on a four-terminal board). The green lead on the record player is then connected to the volume control terminal and the black lead to the chassis ground terminal. To return to radio operation, merely remove the link and reinsert between the diode load and volume-control terminals. It may not be necessary to disconnect the record-player leads when returning to radio operation depending upon the circuit design in your radio receiver. If the tone quality and volume are impaired when the record player remains connected, then it will be necessary to remove the record-player leads from the radio terminals each time you turn from record-player performance to radio reception.

Using switch operation requires the use of a double-pole, double-throw toggle or rotary switch. The general method of connection is as shown in Fig. 1.

The record player can remain permanently connected when using this method of switch connection.

Some late radio models have the switch already incorporated in the push-button assembly.

**Method No. 3.**—(For radios not equipped with phono or pin-jack terminals but on which phono terminals are to be located.) First, pull the radio power-cord plug out of the power-supply socket; then remove the radio receiver chassis from the cabinet to allow access to the high side of the volume control. Unsolder the lead from the high side of the volume control and solder it on to one lead of a two-conductor shielded pair. Solder the other conductor of the shielded pair to the high side of the volume control. This shielded pair should be long enough to extend to the outside rear of the radio chassis. Solder the shields to the chassis. Procure a three-terminal board and mount it on the shelf of the cabinet at the rear of the chassis. Connect the shield to one outside terminal and the new volume-control conductor to the other outside terminal, leaving the center terminal for the remaining conductor. Connect the record player to the two outside terminals. When record-player operation is desired, interconnect the center terminal and the shield terminal. When radio operation is desired, interconnect the center terminal and the volume-control terminal. It may be necessary, depending upon the circuit in your radio receiver, to remove the record-player leads from the terminals each time radio reception is to be enjoyed. Tone and volume performance will indicate connection requirements. A switch may be inserted to perform the changeover operations by connecting as shown in Fig. 1. (Read descriptive material pertaining to Fig. 1.)

**Method No. 4.**—Some radio models will permit satisfactory record-player operation with the green lead of the record player connected to grid of the first audio tube and the black lead connected to the chassis ground. This method, however, requires tuning the radio to a dead spot on the band and may, in addition, require shorting the antenna to ground. **NOTE.**—Do not remove radio grid lead from the first audio tube.

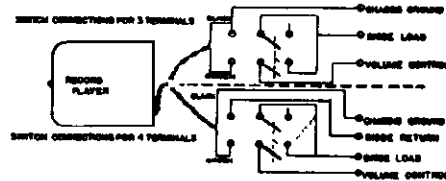
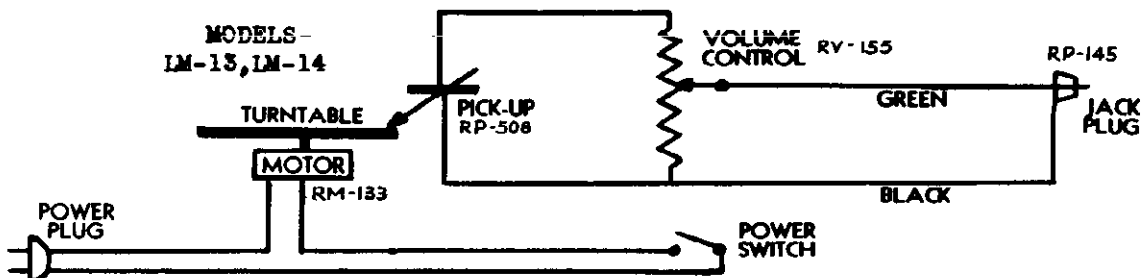
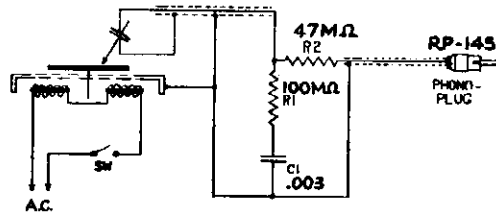


Fig. 1

MODELS LM-20, LM-21, LM-25

FOR SERVICE DATA ON RECORD CHANGER MODEL LRP-170, SEE RIDER'S "AUTOMATIC RECORD CHANGERS AND RECORDERS"



GENERAL ELECTRIC CO.

GENERAL INFORMATION

Chassis Removal

Note: Care must be exercised in removing either the cabinet back or chassis to avoid changing the shape of either the short-wave or broadcast loop antenna. Any alteration in the loop will change its inductance and throw the receiver out of alignment.

ALIGNMENT CHART

Table with 8 columns: Step, Connect Test-Osc. to, Test-Osc. Setting, Pointer Setting, Adjust Trimmers for Max. Output. Rows 1-8 describe alignment steps for various frequency bands and components like C5A, C5B, C5C, C2B, C2A, C2C.

\* Use minimum capacity peak. \*\* Rock gang condenser when making alignment.

Special Service Information

The following data will be very useful to servicemen equipped with vacuum-tube voltmeters or similar voltage-measuring instruments.

- (1) Stage gain: Antenna Post to Converter Grid—4.3 at 1000 KC Converter Grid to 6SK7 Grid—42 at 455 KC 6SK7 Grid to 6SQ7 Diode Plate—100 at 455 KC (2) Audio gain: .06 volts, 400 cycles signal across volume control with control set to maximum will give approximately 1/2-watt speaker output. (3) DC voltage developed across oscillator grid resistor (R4) averages 10.5 volts at 1000 KC or 8.0 volts at 10,000 KC. \* Variations of +10 or -20% permissible.

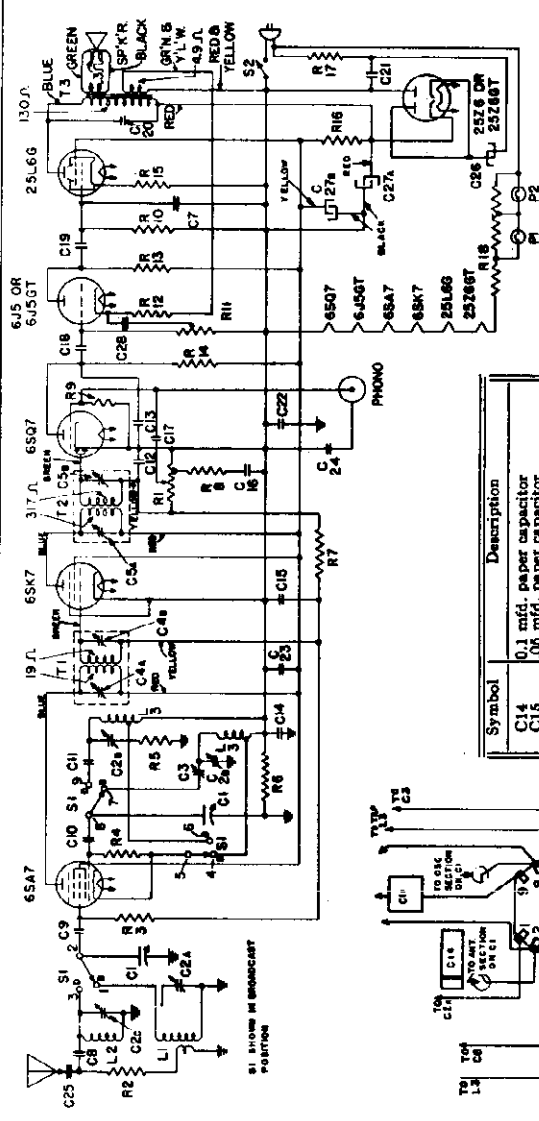
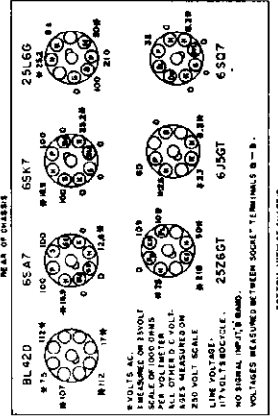


Table with 3 columns: Symbol, Description, and Component Value. Lists components like R6 (470,000 ohms carbon resistor), C14 (0.1 mfd. paper capacitor), C28 (30 mfd. 250 V. dry electrolytic), etc.

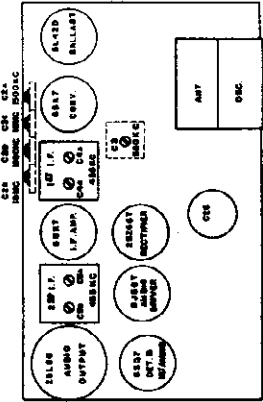


Fig. 2. Trimmer Location

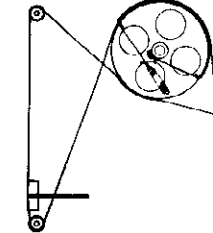


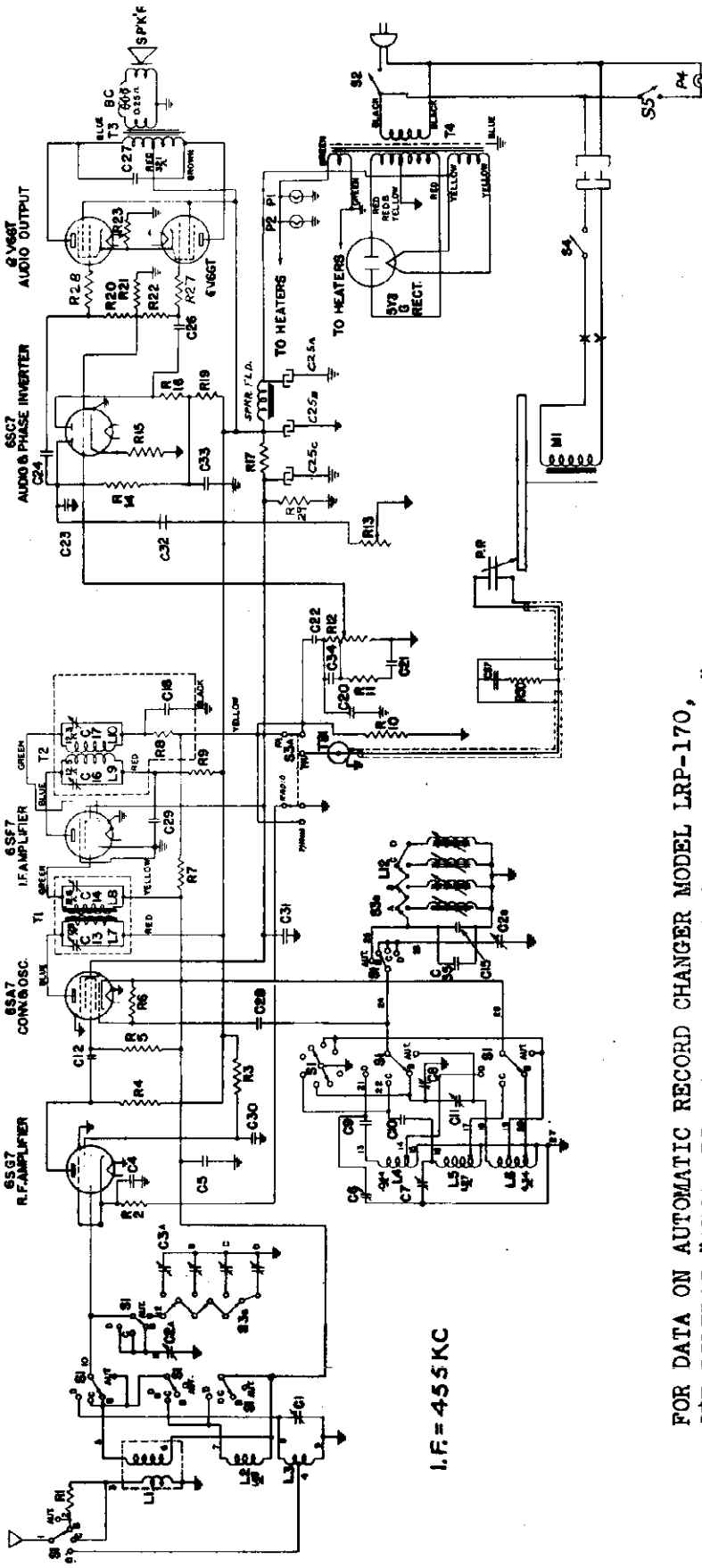
Fig. 1. Dial Stringing Diagram

Alignment Procedure

The location of trimmers is shown in Fig. 2. All RF trimmers are accessible through holes in the back cover or through the bottom of the cabinet. The alignment procedure is given in table form. All IF alignments may be made with the chassis removed from the cabinet. However the RF alignments are made with the chassis and loop antennas securely bolted in the cabinet, as the relative position of the loop antenna with respect to the chassis materially affects it. The RF signal should be capacity coupled by placing a two foot wire for an antenna on the test-oscillator output post (high side). Keeping this antenna two feet or more from the receiver loop will generally insure freedom from too much coupling. Metal objects such as meters, tools, etc., should not be placed on top of the receiver cabinet.

MODEL 30  
MUSAPHONIC

GENERAL ELECTRIC CO.



I.F. = 455 KC

FOR DATA ON AUTOMATIC RECORD CHANGER MODEL LRP-170,  
SEE RIDER'S "AUTOMATIC RECORD CHANGERS AND RECORDERS"

Symbol	Description	Symbol	Description	Symbol	Description	Symbol	Description
C1	"D" Band trimmer	C24	.02 mfd. 600-V paper	L12a	Push-button coil assembly	R19	100,000 ohms, 1/4-watt carbon
C2a	Tuning condenser	C25a	15 mid. 450-V	L12b	1,000 ohms, 1/4-watt carbon	R20	300,000 ohms, 1/4-watt carbon
C3a	Push-button trimmer strip	C26	10 mid. 350-V	L12c	220 ohms, 1/4-watt carbon	R21	50,000 ohms, 1/4-watt carbon
C3b		C27	.04 mid. 600-V paper	L12d	47,000 ohms, 1/4-watt carbon	R22	300,000 ohms, 1/4-watt carbon
C3c		C28	.002 mfd. mica	R1	1,000 ohms, 1/4-watt carbon	R23	320 ohms, 2-watt carbon
C3d		C29	47 mmf. mica	R2	220 ohms, 1/4-watt carbon	R24	470,000 ohms, 1/4-watt carbon
C4	.01 mid. 600-V paper	C30	.01 mid. 600-V paper	R3	47,000 ohms, 1/4-watt carbon	R25	1,000 ohms, 1/4-watt carbon
C5	.05 mid. 600-V paper	C31	.01 mid. 600-V paper	R4	47,000 ohms, 1/4-watt carbon	R26	1,000 ohms, 1/4-watt carbon
C6	"B" Band osc. trimmer	C32	.005 mid. 600-V paper	R5	22,000 ohms, 1/4-watt carbon	R27	100 ohms, 1/4-watt carbon
C7	"C" Band osc. trimmer	C33	.1 mid. 600-V paper	R6	2.2 meg. 1/4-watt carbon	R28	10,000 ohms, 1-watt carbon
C8	"D" Band osc. trimmer	C34	100 mmf. mica	R7	47,000 ohms, 1/4-watt carbon	R29	47,000 ohms, 1-watt carbon
C9	4700 mmf. ± 5% mica	C35	150 mmf. temp. compensating	R8	270,000 ohms, 1/4-watt carbon	R30	180,000 ohms, 1/4-watt carbon
C10	2000 mmf. ± 5% mica	C36	.001 mid. 600-V paper	R9	470,000 ohms, 1/4-watt carbon	S1	Band-change switch
C11	"B" paddler	C37	"B" band loop	R10	68,000 ohms, 1/4-watt carbon	S2	Power switch (on tone control)
C12	100 mmf. mica	L1	"C" RF coil	R11	2 meg. tap at 1 meg. (volume control)	S3a	Push-button switch assembly
C15	800 mmf. silvered mica	L2	"D" Band loop	R12	2 meg. with switch (tone control)	T1	1st I.F. transformer
C18	200 mmf. mica	L3	"D" Band osc. coil	R13	470,000 ohms, 1/4-watt carbon	T2	2nd I.F. transformer
C20	100 mmf. mica	L4	"C" Band osc. coil	R14	3900 ohms, 1/4-watt carbon	T3	Output transformer
C21	.0042 mid. 600-V paper	L5	"D" Band osc. coil	R15	1 meg. 1/4-watt carbon	T4	60-60-cycle power transformer
C22	.005 mid. 600-V paper	L6	"B" Band osc. coil	R16	12,000 ohms, 1/4-watt carbon	TBL	Phono-jack
C23	220 mmf. mica			R17		SPKR	12-inch electrodynamic 400-ohm field

GENERAL ELECTRIC CO.

MODEL 30  
MUSAPHONIC

The following data is taken with a vacuum-tube voltmeter or similar measuring device.

- (1) Stage Gains  
 Antenna post to RF Grid . . . . 6.5 at 1000 KC  
 RF Grid to Converter Grid . . . . 10 at 1000 KC  
 Converter Grid to IF Grid . . . . 45 at 1000 KC  
 Converter Grid to IF Grid . . . . 60 at 455 KC  
 IF Grid to 6SF7 diode plate . . .110 at 455 KC
- (2) Audio Gains  
 .09 volts, 400-cycle signal across volume control with control set to maximum will give approximately 1/2-watt output to speaker.
- (3) D-C voltage developed across oscillator-grid resistor R6 averages 7 volts at 1000 KC, 9 volts at 4000 KC, or 6 volts at 10,000 KC.

Variations of  $\pm 20\%$  permissible. All readings taken with minus 1 1/2-volt fixed bias on AVC bus.

ALIGNMENT CHART

Step	Test Osc. Connection	Test Osc. Setting	Pointer Setting	Adjust Trimmers
1	6SF7 IF Grid in series with .05 mfd.	455 KC	"BC" Band 550 KC	C17 and C16 for Maximum
2	6SA7 Conv. Grid in series with .05 mfd.	455 KC	"BC" Band 550 KC	C14 and C13 for Maximum
3	Capacity Coupled	580 KC	"BC" Band 580 KC	C11** for Maximum
4	Capacity Coupled	1500 KC	"BC" Band 1500 KC	C8** (Osc.) for Maximum
5	Capacity Coupled	580 KC	"BC" Band 580 KC	C11** for Maximum
6	Capacity Coupled	5 MC	"SW1" Band 5 MC	C7** (Osc.) for Maximum
7	Capacity Coupled	17.8 MC	"SW2" Band 17.8 MC	C6* (Osc.) to signal
8	Capacity Coupled	17.8 MC	"SW2" Band 17.8 MC	C1** (Ant.) for maximum

\* Correct peak is at low capacity.

\*\* Rock gang condenser when making alignment.

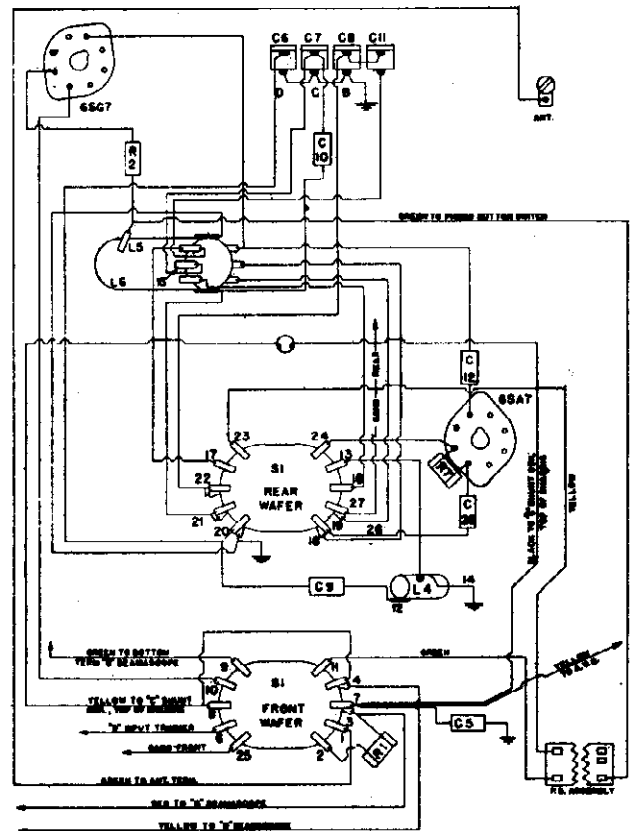
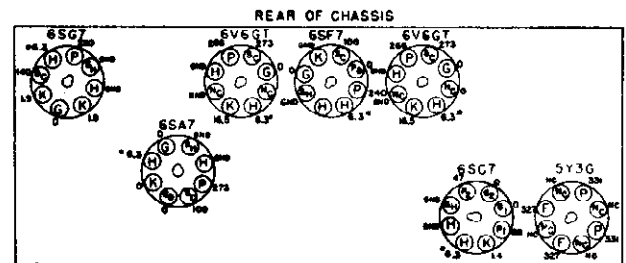


Fig. 2. Switch Wiring



BOTTOM VIEW OF CHASSIS

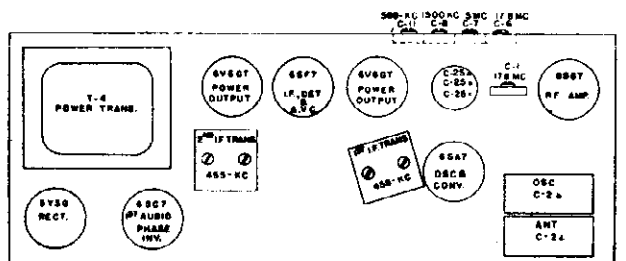


FIG. 5

MODEL LRP-32

GENERAL ELECTRIC CO.

## MODEL LRP-32

### AUTOMATIC RECORD CHANGER

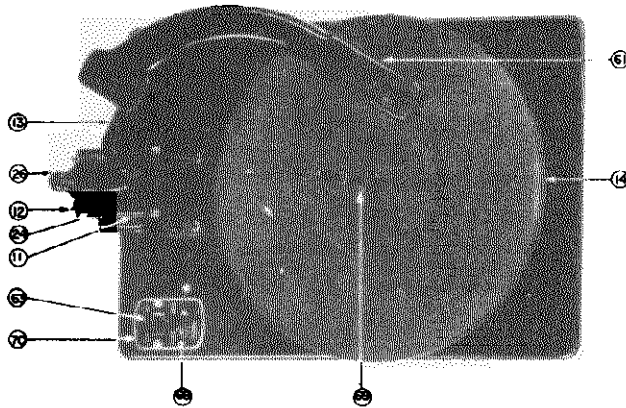


Fig. 1  
Top View of Mechanism

#### GENERAL

This record changer is designed for use on a 115-volt 60-cycle power supply. It is of the fully automatic type, handling either 10- or 12-inch records. It will not, however, play 10- and 12-inch records intermixed.

Before checking a record changer in the cabinet, make sure the mounting bolts are released and the cardboard spacers removed; otherwise, the changer will not properly feed records from the magazine and the tone arm will not land correctly on the record. If adjustments are made with the changer bolted down and the mounting bolts then released, the adjustments will have to be remade.

During shipment the master gear may shift and become meshed out of time, so that if the changer is started under these circumstances, it will jam. To prevent this, be certain that the tone arm is free, that is, in the playing position before turning on the motor. If the changer is in "cycle" the motion of the tone arm will be restricted. The turntable should then be rotated backwards until the master gear (3) disengages from the drive shaft pinion gear (47). The foregoing operation is necessary only if out of time and should be an installation check.

#### AUTOMATIC OPERATION

Before operating the changer, be sure the tone arm is in the rest position, and can be moved freely by hand. If not, a "cycle" must be completed. To do this, push power switch to ON position, push control button to REJECT position and release. The mechanism will turn through the change cycle and after the tone arm is free the unit is ready for loading.

Insert spindle (69) in center post. Adjust record shelf (11) to the position of the size record to be played and flip the "Hold Down" arm (26) away from spindle. Load up to twelve 10-inch or ten 12-inch records. They should be supported by the record spindle at the center and the record shelf at the edge. Return the "Hold Down" arm to the top of the stack of records. Place the control button in "AUTOMATIC" position and turn the power on. Push the control button to "REJECT" if necessary. The mechanism will now operate and play automatically the records loaded on it. When the last record has dropped down, the mechanism will continue to repeat it.

Allow the mechanism to complete the changing cycle, that is, wait until the tone arm has just landed and starts playing the last record. Turn power OFF. Move tone arm off turntable. Remove record spindle and remove records.

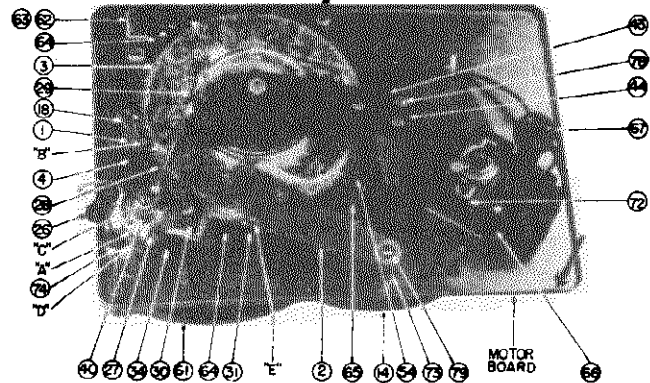


Fig. 2  
Bottom View of Mechanism

#### MANUAL OPERATION

To operate the changer manually push the control button to the "MANUAL" position and allow it to remain there. When playing records manually do not use the spindle. It is advisable to rotate the record shelf to the 12-inch position and flip the hold down arm out of the way.

#### CAUTIONS

1. Never use force to stop or start the motor or any part of the record changer mechanism.
2. The use of cracked or chipped records may damage the crystal or sapphire.
3. Records should not be left on the record supports or on the turntable as they may warp, particularly in warm climates.
4. The use of warped records may result in unsatisfactory operation since they tend to slide on one another. Warped records may be flattened by placing them on a flat surface and loading them with a heavy article.
5. Handle the spindle (69) with care since a bent spindle may cause changer to "wow."
6. SEE LUBRICATION.

#### CABINET LEVELING

For good operation the record changer must be level. If not level the tone arm may land incorrectly and the records may not drop freely.

#### CRYSTAL AND NEEDLE

The crystal is of the low-pressure type and is equipped with a permanent sapphire stylus which is not replaceable in the field. Because of the low pressure the voltage output is approximately one-half volt. The cartridge is mounted between two viscoloid blocks to reduce noise and vibration.

#### TURNTABLE SPEED

The motor is of the fixed speed type and cannot be varied. The turntable is driven at the rim through the motor drive mechanism as shown in Fig. 8. Due to commercial tolerance it is impossible to secure motors which will run exactly 78.26 RPM. Limits are from 76.59 to 80.00 RPM.

#### REMOVAL OF TURNTABLE

The turntable is threaded onto the drive shaft and may be removed by blocking the gears and rotating the turntable in a counterclockwise direction.



## GENERAL ELECTRIC CO.

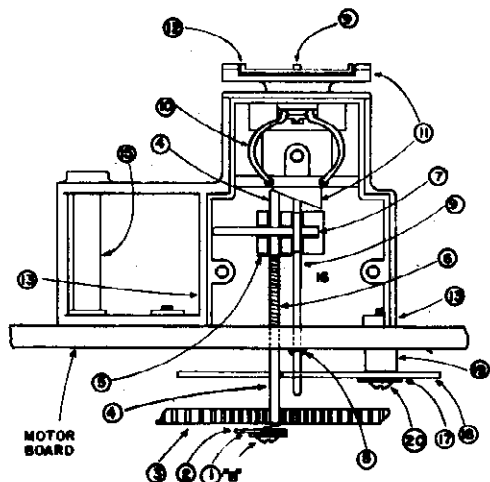


Fig. 3  
Record Support Shelf and Post Mechanism

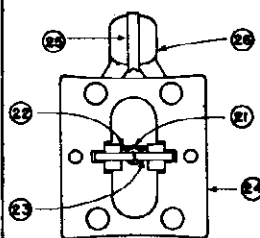


Fig. 4  
Shelf Cover

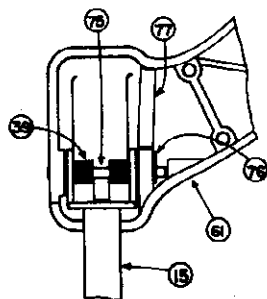


Fig. 5  
Tone Arm Base & Support Bkt.

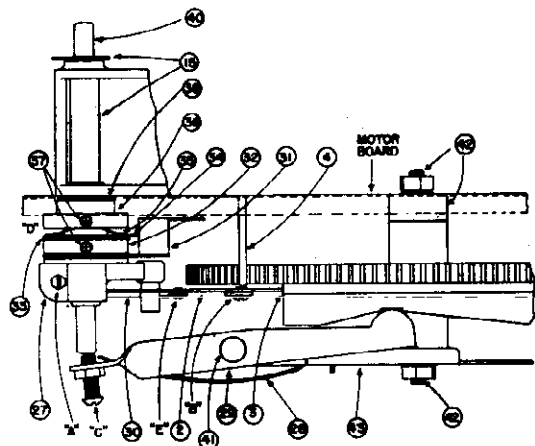


Fig. 6  
Tone Arm Control Mechanism

## LUBRICATION

CAUTION: *Do not* lubricate any of the following parts:

1. Friction trip assembly "D."
2. Tone arm support bracket tube (15).
3. Starting lever (50) and trip lever (54) at overlap.
4. Tone arm hinge pin (75).
5. Contact between trip finger (31) and trip lever (54).
6. Spring on end of trip lever (54).

Use light machine oil on the following parts:

1. Lift lever rivet (41).
2. Turntable drive shaft (48) at felt washer above motorboard and at felt washer (46).
3. Tone arm swing lever bushing (79).
4. Ejector cam bushing (19).
5. Starting lever at bearing pin (56) and at starting lever extension rivet.

Use light grease (Lubriplate or equivalent) on the following parts:

1. Record hold down spring rods upper (22) and lower (23).
2. At contact point between record shelf (11) and hold-down spring (10).
3. Interceptor shaft (4) at bearing point on motorboard.
4. Vertical cam (3A).
5. Horizontal cam (3B).
6. Master gear (3) and stud (42) (55).

## CYCLE OF OPERATION

Fig. 9 shows the relative positions of the various levers, which contribute to the change cycle, at rest. Note that the back end of the trip lever (54) is over the back end of the starting lever (50). The distance the trip lever maintains over the starting lever determines to some degree the sensitivity of the tripping operation.

Assuming a record to be playing, the operation is as follows (see Fig. 9): The tone arm (61) moving in on the record causes the friction lever (34) to continually "pull in." The friction between the tone arm and this lever is determined by adjustment "D." As the friction lever (34) "pulls in" it pushes the trip finger (31) causing it to push on the trip lever (54). In the meantime the small extension on the upper part of the rotating drive shaft pinion gear (47) continually strikes the spring on the end of the trip lever causing it to move back. As long as these two operations continue no tripping takes place. But a sudden motion of the tone arm, such as produced by the trip groove at the end of the record, causes the entire mechanism to move in rapidly before the extension on the drive shaft pinion gear can push it back. Under this condition the trip lever moves off the back end of the starting lever allowing it to drop.

In its normal position the starting lever (50) has an extension at the gear end which lies between the starting pin (49) and the drive shaft gear extension (see Fig. 7). When the starting lever drops, as indicated above, the extension engages the starting pin (49) forcing the master cam and gear (3) to turn. The starting pin and starting lever extension engage long enough to allow the teeth to mesh and complete the rotation.

As the master cam and gear (3) rotates the vertical cam operates the lift lever (29) and through the lift rod (40) causes the tone arm to rise. At the same time the swing lever (2) follows the horizontal cam and, through the crank arm (27), causes the tone arm to move out beyond the edge of the record. In the meantime the ejector pin (52) on the master cam and gear has moved through about 100 degrees and engages the ejector cam. This motion transmitted through the rocker arm (9) causes the ejector (12) to move inward and push a record off its supports.

The swing lever (2), because of the tension spring (65), follows the horizontal cam and, through the crank arm (27), pulls the tone arm to its starting position. The vertical cam, in the meantime, lowers the tone arm, through the lift lever (29) and lift rod (40), onto the record. The feed-in spring (30) exerts a gentle pressure until the needle has reached the first record groove. This completes the cycle.

## SERVICE ADJUSTMENTS

"A" Adjustment of 10-inch Landing Position. (See Fig. 6)

This adjustment is made by loosening the machine screw on the tone arm crank (27), positioning the tone arm (6)

MODEL LRP-32

## GENERAL ELECTRIC CO.

and the crank (27) and retightening the screw. It will be noticed that the tone arm, on completing a cycle, does not come straight down on the record edge but curves inward as it comes down. This is due to the action of the feed-in spring (30). Therefore, the adjustment of the landing position is best made by a trial and error method. For example, if the tone arm lands inside the starting edge, estimate the distance and allow mechanism to complete changing cycle. Then holding the crank with one hand, push out on the arm with other. Try the landing by putting the mechanism through a cycle. If not correct, repeat until the correct position is found. The setscrew on the tone arm crank (27) must be loosened each time before adjustment and tightened afterward. Upon completion of the adjustment be sure the machine screw is very tight to avoid possibility of future slippage.

**"B" Adjustment of 12-inch Landing Position. (See Figs. 3 and 6)**

This adjustment is made by loosening the machine screw at the end of the swing lever (2) and positioning the link. When the support shelf (11) is rotated to the 12-inch position, the interceptor rod (4) moves down and acts as a stop for the swing lever, preventing it from moving in to the base of the horizontal cam (3B). Under this condition the swing lever cannot move the crank arm (27) as far as it did on the 10-inch position. The adjustment "B" should be made by the trial and error method until the arm lands correctly. If the 10-inch landing position must be readjusted for any reason the 12-inch landing position will also have to be readjusted.

**"C" Vertical Lift Adjustment. (See Fig. 6)**

The hex nut should be loosened and the screw adjusted until the tone arm just clears beneath a stack of records on the supports. The nut must then be tightened to maintain the position.

**"D" Friction Trip Adjustment. (See Fig. 6)**

A special Bristol setscrew wrench should be available (see parts list) to make this adjustment or a small screwdriver, the blade of which has been ground down, will suffice. The setscrew (37) on the upper collar (36) only need be loosened. The upper collar is threaded onto the lower collar (32) and the friction pressure, maintained by the spring washer (35), may be varied by rotating the upper collar with respect to the lower. Too much pressure on the friction lever may cause early tripping or may even cause the tone arm to be pushed back. On the other hand, too little pressure may cause the mechanism to fail to trip. Care must be used in making this adjustment and the use of oil must be avoided.

**"E" Feed-in Spring Adjustment. (See Fig. 6)**

The feed-in spring (30) must be adjusted so that it exerts a slight pressure on the tone arm crank (27). If a very small increase or decrease in pressure is required the spring may be bent, being very careful not to break it. Otherwise, the screw holding the feed-in spring to the swing lever (2) should be loosened, the position of the spring changed and the screw tightened.

**Miscellaneous Adjustments. (See Fig. 9)**

As mentioned under the cycle of operation, the tripping sensitivity is determined by the overlap of the trip lever (54) over the starting lever (50). The greater this overlap the more tripping action is required and conversely, the less the overlap the more sensitive the tripping action becomes. This overlap can be varied by bending the spring on the end of the trip lever (54). If the spring is bent away from the drive shaft pinion gear (47) the overlap will be decreased or if bent toward the drive shaft pinion gear the overlap will be increased. Great care must be exercised when bending this spring as it will break easily. It should be bent as near the outer end as practical, never close to the rivets.

The action of the ejector can be varied somewhat by changing the position of ejector pin (52) on the master cam and gear (3). This is accomplished by loosening the two screws holding the ejector pin to the master gear and positioning the ejector pin as required.

The starting lever (50) should be in such a position in relation to the starting pin (49) that the teeth will mesh properly. In case they do not, the starting lever must be bent accordingly. The starting pin should protrude about  $\frac{1}{4}$  inch.

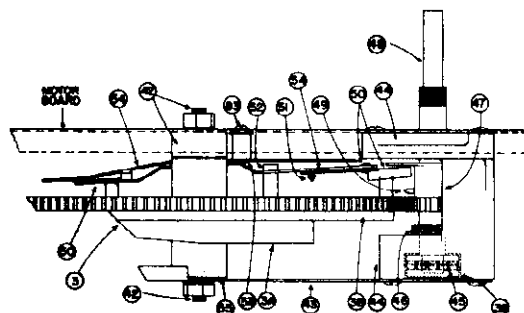


Fig. 7  
Changer Drive Mechanism

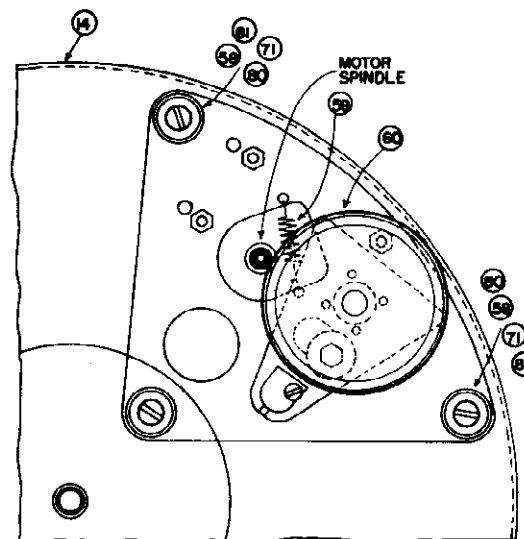


Fig. 8  
Motor Drive Mechanism

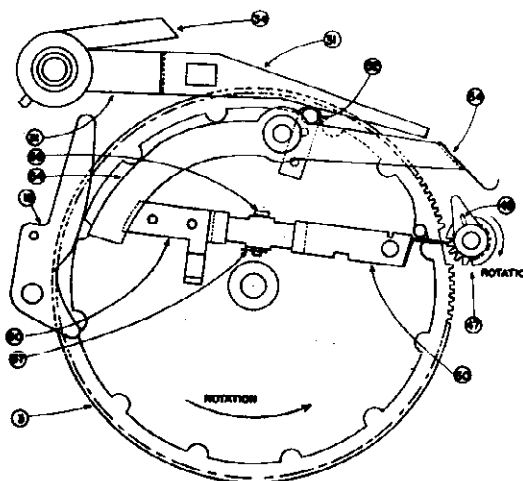


Fig. 9  
Drive and Trip Mechanism

## GENERAL ELECTRIC CO.

## SERVICE HINTS

**Mechanism Trips Early**

Adjustment "D" may be too tight or there may be too little overlap between the trip lever (54) and the starting lever (50). Bend spring on end of trip lever (54).

**Mechanism Fails to Trip**

Adjustment "D" may be too loose or there may be oil on friction washer (33). Or there may be too much overlap between the trip lever (54) and the starting lever (50). Bend spring on end of starting lever (54).

**Mechanism Continues to Cycle**

The end of the starting lever (50) may not be rising above starting pin (49). Starting lever (50) or the trip lever (54) may be bent.

**Irregular Landing on 10- and 12-inch Records**

Check the feed-in Spring (30). May be bent or out of

adjustment. The spring may get on the wrong side of the crank arm (27) pin and result in no feed-in action at all.

**Mechanism Jams**

The end of the starting lever (50) may be bent or the gears may be out of time. The end of the starting lever may rise too high and catch on the pinion gear extension. This could be caused by a bent starting lever or a bent trip lever (54). Any excessive friction or rubbing could cause mechanism to slow down.

**Mechanism Fails to Eject Records**

The rocker arm (9) may be bent or it may be binding at the motorboard. The ejector pin (52) may need adjustment. Chipped or warped record may also be responsible.

**"Wow"**

A bent record spindle (69) will usually cause this. It could also be caused by a flat on the motor drive wheel (60).

## REPLACEMENT PARTS LIST

Stock Number	Symbol	Description
RL-9011	1	LINK—12 in. landing adjustment link.....
RL-9012	2	LEVER—Swing lever and adj. link.....
	3	GEAR—Master gear and cam.....
RG-723	3A	CAM—Vertical cam (part of 3).....
	3B	CAM—Horizontal cam (part of 3).....
RS-9053	4	SHAFT—12 in. record interceptor shaft.....
RH-127	5	COTTER—H.P. cotter.....
RS-4101	6	SPRING—Interceptor shaft spring.....
RP-436	7	PIN—Ejector rocker arm pin.....
RS-4098	8	SPRING—Ejector rocker arm spring.....
RA-441	9	ARM—Ejector rocker arm.....
RS-4100	10	SPRING—Record support shelf hold-down spring.....
RS-656	11	SHELF—Record support shelf.....
RE-1000	12	EJECTOR—Record ejector.....
RP-434	13	POST—Record support and tone arm post (plastic).....
RT-9002	14	TURNTABLE.....
RB-214	15	BRACKET—Tone arm bracket and tube assembly.....
RP-435	16	PLATE—Back cover plate.....
	17	WASHER—No. 8 plain washer.....
RC-2089	18	CAM—Ejector cam.....
RB-680	19	BUSHING—Ejector cam bushing.....
	20	SCREW—8/32 x 1 in. RHMS.....
RS-4105	21	SPRING—Hold-down arm spring.....
RP-437	22	PIN—Hold-down spring pin (upper).....
RP-438	23	PIN—Hold-down spring pin (lower).....
RC-2088	24	COVER—Record support cover (plastic).....
RB-703	25	BAND—Rubber band.....
RA-443	26	ARM—Record hold-down arm.....
RA-444	27	ARM—Crank arm.....
RS-4099	28	SPRING—Lift lever spring.....
RL-9005	29	LEVER—Lift lever.....
RS-4106	30	SPRING—Feed-in spring.....
RF-759	31	FINGER—Trip finger.....
RC-2090	32	COLLAR—Lower collar.....
FW-141	33	WASHER—Trip lever friction washer (cork).....
RL-9004	34	LEVER—Friction lever.....
RW-139	35	SPRING—Washer spring.....
RC-2091	36	COLLAR—Upper collar.....
RS-6041	37	SCREW—6/32 x 1/4 in. Bristol setscrew.....
RW-138	38	WASHER—Cork washer.....
RS-4103	39	SPRING—Tone arm spring.....
RB-954	40	ROD—Tone arm lift rod.....
RB-955	41	RIVET—Lift lever rivet.....
RS-527	42	STUD—Master gear stud.....
RP-439	43	PLATE—Tie-plate.....
RB-218	44	BRACKET—Drive shaft support bracket.....

\* Used on previous changers.

† Purchase locally (not stocked).

Stock Number	Symbol	Description
RB-405	45	BEARING—Thrust (ball) bearing.....
RW-142	46	WASHER—Felt washer.....
RG-722	47	GEAR—Drive shaft pinion gear.....
RS-9054	48	SHAFT—Drive shaft.....
RP-433	49	PIN—Starting pin.....
RL-9001	50	LEVER—Starting lever assembly.....
RS-4104	51	SPRING—Starting lever spring.....
RP-431	52	PIN—Ejector pin.....
RB-661	53	BUSHING—Trip lever bushing.....
RL-9003	54	LEVER—Trip lever.....
RW-143	55	WASHER—Thrust washer.....
RP-440	56	PIN—Starting lever pin.....
RH-127	57	COTTER—H.P. cotter.....
RG-312	58	GROMMET—Motor mounting grommet.....
*RS-493	59	SPRING—Motor drive tension spring.....
*RW-928	60	WHEEL—Motor drive wheel.....
RA-442	61	ARM—Tone arm (plastic).....
RC-2092	62	COVER—Switch cover.....
RS-3153	63	SWITCH—Power switch.....
RR-956	64	ROD—Reject rod.....
RS-4102	65	SPRING—Swing lever spring.....
RM-164	66	MOTOR—60 cycle motor.....
*RP-040	67	PLUG—Motor plug (A.C.).....
RK-1074	68	KNOB—Control button.....
RS-966	69	SPINDLE—Record spindle.....
RE-234	70	ESCUTCHEON—Switch escutcheon.....
RS-660	71	SPACER—Motor mounting spacer.....
RS-528	72	SHIM—Viscoloid dampening shim (crystal and motor).....
RB-662	73	BUSHING—Swing lever bushing.....
RG-314	74	GROMMET—Rubber grommet.....
RP-432	75	PIN—Hinge pin.....
RH-128	76	COTTER—H.P. cotter.....
RC-2094	77	CLIP—Spring clip.....
	78	SCREW—8/32 x 1/4 in. RHMS.....
	79	SCREW—10/32 x 1 1/4 in. RHMS.....
	80	SCREW—6/32 x 1/4 in. RHMS.....
	81	WASHER—No. 6 plain washer.....
	83	SCREW—8/32 x 1/4 in. RHMS.....

## PARTS NOT ILLUSTRATED

RW-144	WASHER—Slotted washer on drive shaft (top of motorboard).....
RW-250	WRENCH—6/32 Bristol wrench.....
*RP-145	PLUG—Phono plug.....
RS-4112	SPRING—Reject rod spring.....
*RC-5010	CRYSTAL—Crystal cartridge.....
*RS-4124	SPRING—Conical Support Spring.....

MODEL 40  
MUSAPHONIC

GENERAL ELECTRIC CO.

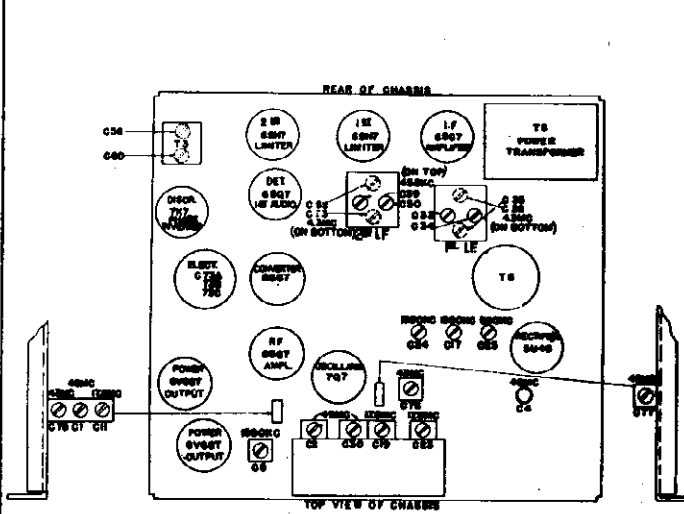
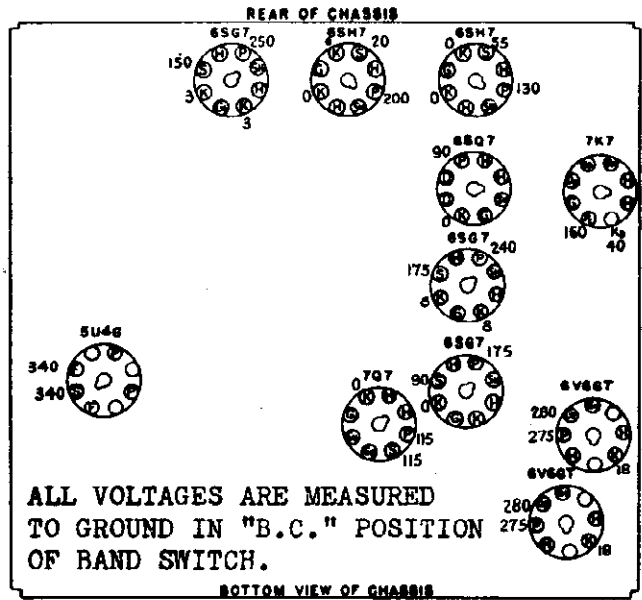


Fig. 2. Trimmer Location



ALL VOLTAGES ARE MEASURED TO GROUND IN "B.C." POSITION OF BAND SWITCH.

Fig. 1. Socket Voltages

SWITCH WIRING

The band switch terminals are numbered in the Switch Wiring Diagram, Fig. 6, to assist in locating the corresponding numbered points on the Schematic Diagram, Fig. 5. Switch section 1 in Fig. 6 is represented as S1, section 2 is represented as S2, etc., on the Schematic Diagram, Fig. 5.

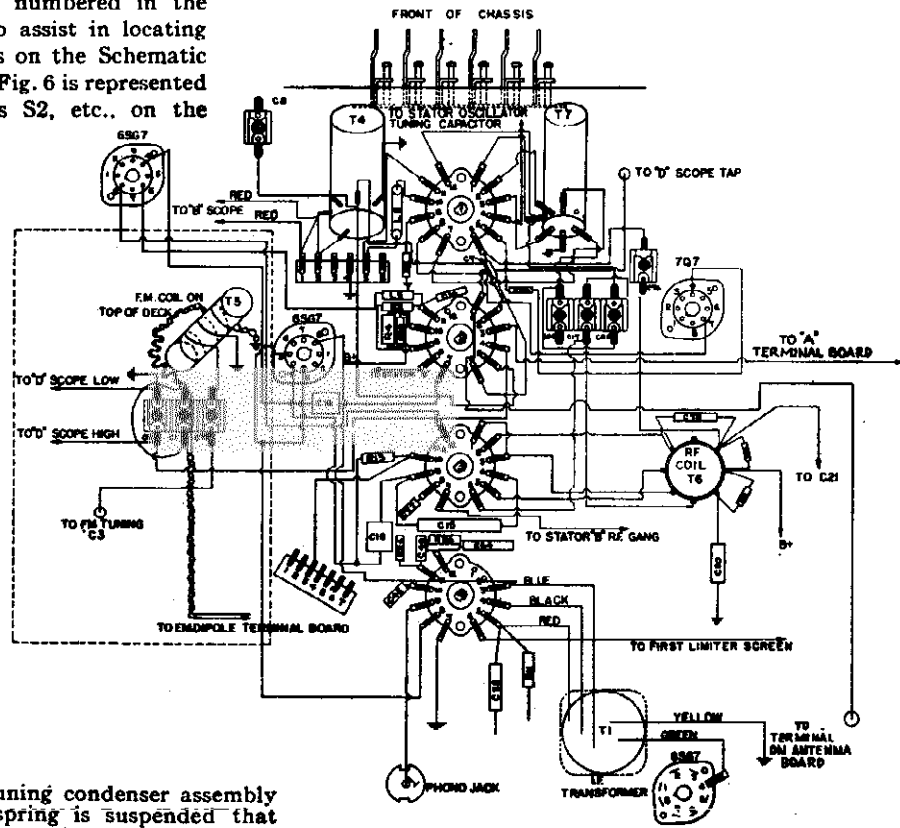
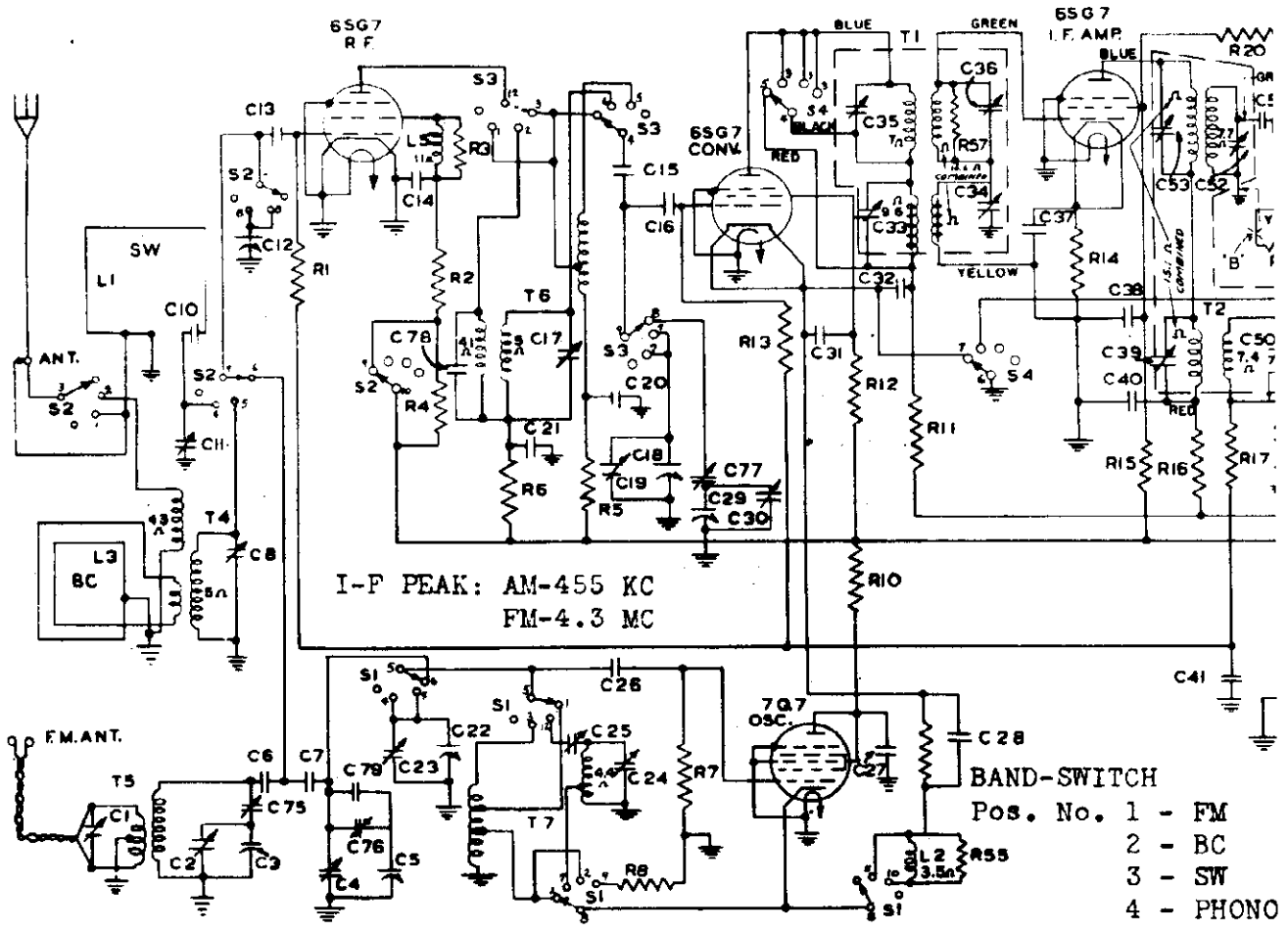


Fig. 6. Switch Wiring

Rotor Balance Spring

On the right-hand side of the tuning condenser assembly is a wire bracket from which a spring is suspended that connects to the drive drum of the tuning condenser. The proper adjustment of this spring counterbalances the weight of the condenser drive assembly and prevents backlash. For chassis mounted horizontally the spring must be in the rear notch of wire bracket.



I-F PEAK: AM-455 KC  
FM-4.3 MC

**BAND-SWITCH**  
Pos. No. 1 - FM  
2 - BC  
3 - SW  
4 - PHONO

- |              |                                   |       |                                 |      |                                |
|--------------|-----------------------------------|-------|---------------------------------|------|--------------------------------|
| C-1          | F.M. Ant Trimmer                  | C-51  | 33 mmf., mica capacitor         | R-20 | 220,000 ohm, carbon resistor   |
| C-2          | P.N.-RF Trimmer                   | C-54  | .01 mfd., paper capacitor       | R-21 | 8,200 ohm, carbon resistor     |
| C-3          | Tuning Gang Cond.                 | C-55  | 22 mmf., mica capacitor         | R-22 | 180,000 ohm, carbon resistor   |
| C-4          | F.M. Osc. Trimmer                 | C-56  | .02 mfd., paper capacitor       | R-23 | 47,000 ohm, carbon resistor    |
| C-5          | Tuning Gang Cond.                 | C-57  | .07 mmf., mica capacitor        | R-26 | 6.8 megohm, carbon resistor    |
| C-6          | 47 mmfd. Mica                     | C-61  | 2 mmf., compensating capacitor  | R-27 | 2 megohm, volume control       |
| C-7          | 10 mmfd. Temp. Compensating Cond. | C-62  | 8 mmf., mica capacitor          | R-28 | 68,000 ohm, carbon resistor    |
| C-8          | B.C. Ant. Trimmer                 | C-63  | .01 mfd., paper capacitor       | R-29 | 22 ohm, carbon resistor        |
| C-10         | 5000 mmfd. Mica                   | C-64  | 220 mmf., mica capacitor        | R-30 | 470 ohm, carbon resistor       |
| C-11         | S.W. Ant. Trimmer                 | C-65  | 100 mmf., mica capacitor        | R-31 | 2.2 megohm, carbon resistor    |
| C-12         | Tuning Gang Cond.                 | C-66  | .01 mfd., paper capacitor       | R-32 | 1.0 megohm, carbon resistor    |
| C-13         | 220 mmfd. Mica                    | C-67  | .05 mfd., paper capacitor       | R-33 | 10,000 ohm, carbon resistor    |
| C-14         | .02 mfd.                          | C-68  | .005 mfd., paper capacitor      | R-34 | 68,000 ohm, carbon resistor    |
| C-15         | .05 mfd.                          | C-69  | .002 mfd., paper capacitor      | R-35 | 22,000 ohm, carbon resistor    |
| C-16         | 47 mmfd. Mica                     | C-70  | 30 mfd., dry electrolytic       | R-36 | 68,000 ohm, carbon resistor    |
| C-17         | B.C. R.F. Trimmer                 | C-71  | 15 mfd., dry electrolytic       | R-37 | 100,000 ohm, carbon resistor   |
| C-18         | Tuning Gang Cond.                 | C-72  | 10 mfd., dry electrolytic       | R-40 | 3,300 ohm, carbon resistor     |
| C-19         | S.W. R.F. Trimmer                 | C-73a | 20 mfd., dry electrolytic       | R-41 | 470,000 ohm, carbon resistor   |
| C-20         | 8600 mmfd. Mica                   | C-73b | .05 mfd., paper capacitor       | R-42 | 82,000 ohm, carbon resistor    |
| C-21         | .05 mfd.                          | C-73c | "FM" RF padder                  | R-43 | 220,000 ohm, carbon resistor   |
| C-22         | Tuning Gang Cond.                 | C-74  | "FM" Oscillator padder          | R-44 | 0.5 megohm treble-tone control |
| C-23         | S.W. Osc. Trimmer                 | C-75  | "FM" Converter padder           | R-46 | 2,500 ohm, wire wound resistor |
| C-24         | B.C. Osc. Trimmer                 | C-76  | 270 mmf., mica capacitor        | R-47 | 1,000 ohm, carbon resistor     |
| C-25         | B.C. Osc. Padder                  | C-77  | 65 mmf., compensating capacitor | R-48 | 220,000 ohm, carbon resistor   |
| C-26         | 66 mmfd. Temp. Compensating Cond. | C-78  | 1.5 megohm, carbon resistor     | R-49 | 270 ohm, carbon resistor       |
| C-27         | .05 mfd.                          | C-79  | 3,900 ohm, carbon resistor      | R-50 | 220,000 ohm, carbon resistor   |
| C-28         | .005 mfd.                         | R-1   | 100,000 ohm, carbon resistor    | R-51 | 1,000 ohm, carbon resistor     |
| C-29         | Tuning Gang Cond.                 | R-2   | 33,000 ohm, carbon resistor     | R-52 | 8,200 ohm, carbon resistor     |
| C-30         | F.N.-R.F. Trimmer                 | R-3   | 2,200 ohm, carbon resistor      | R-55 | 100,000 ohm, carbon resistor   |
| C-31, 32     | .02 mfd.                          | R-4   | 33,000 ohm, carbon resistor     | R-56 | 47,000 ohm, carbon resistor    |
| C-33, 34     | A.N.-I.F. Trimmer                 | R-5   | 330 ohm, carbon resistor        | R-57 | 220,000 ohm, carbon resistor   |
| C-35, 36     | F.N. I.F. Trimmer                 | R-6   | 1,200 ohm, carbon resistor      | R-58 | 820,000 ohm, carbon resistor   |
| C-37, 38     | .05 mfd.                          | R-7   | 10,000 ohm, carbon resistor     | S-1  | Band switch                    |
| C-39         | A.N. I.F. Trimmer                 | R-8   | 2,200 ohm, carbon resistor      | S-5  | Bass tone switch               |
| C-40         | .02 mfd.                          | R-9   | 330 ohm, carbon resistor        | S-6  | Squelch switch                 |
| C-41         | .05 mfd.                          | R-10  | 1.5 megohm, carbon resistor     | S-7  | Power switch (combined R-14)   |
| C-42         | .003 "                            | R-11  | 22,000 ohm, carbon resistor     | T-1  | 1st IF transformer             |
| C-43, 44, 45 | .01 "                             | R-12  | 1.5 megohm, carbon resistor     | T-2  | 2nd IF transformer             |
| C-46         | .005 "                            | R-13  | 330 ohm, carbon resistor        | T-3  | Discriminator IF transformer   |
| C-47, 48, 49 | 100 mmfd. Mica                    | R-14  | 15,000 ohm, carbon resistor     | T-4  | "BC" Band antenna transformer  |
| C-50         | A.N. I.F. Trimmer                 | R-15  | 2,200 ohm, carbon resistor      | T-5  | "FM" Band antenna transformer  |
|              |                                   | R-16  | 2.2 megohm, carbon resistor     |      |                                |
|              |                                   | R-17  | 150,000 ohm, carbon resistor    |      |                                |
|              |                                   | R-18  | 100,000 ohm, carbon resistor    |      |                                |
|              |                                   | R-19  | 100,000 ohm, carbon resistor    |      |                                |



## GENERAL ELECTRIC CO.

Table I IF ALIGNMENT WITH OSCILLOSCOPE—"FM" CHANNEL

Step	Input Signal Connected to	Input Frequency	Band and Pointer Setting	Trimmer Adjustment	Comments
1	6SG7 converter grid in series with 22 mmf.	4.3 MC & ±200 KC Sweep	"FM" Band 42 MC	C52 C53	Connect high side of oscilloscope in series with 470,000 ohm resistor to R19 at point "B." Connect low side to chassis ground. Peak trimmers for resultant curve shown in Fig. 3.
2	6SG7 converter grid in series with 22 mmf.	4.3 KC & ±200 KC Sweep	"FM" Band 42 MC	C35 C36	
3	Repeat Step 1				
4	Repeat Step 2				
5	6SG7 converter grid in series with 22 mmf.	4.3 MC & ±200 KC Sweep	"FM" Band 42 MC	C60 C58	Connect high side of oscilloscope in series with 470,000 ohm resistor to R36, point "A." Connect low side to chassis ground. Peak trimmers for resultant curve shown in Fig. 4. C60 is aligned when curve crosses midway in vertical plane. Proper alignment of C58 gives straightest sides to curve near crossover point.

Table II IF ALIGNMENT WITH METER—"FM" CHANNEL

Step	Input Signal Connected to	Input Frequency	Band and Pointer Setting	Trimmer Adjustment	Comments
1	6SG7 converter grid in series with 22 mmf.	Unmodulated 4.3 MC signal	"FM" Band 42 MC	C52 C53 C35 C36	Connect the 10-volt scale of a 20,000 ohm per volt voltmeter in series with a 470,000 ohm resistor between point "B" and ground. Peak all trimmers for maximum output using just enough input signal to give a satisfactory output reading.
2	Repeat Step 1				
3	6SG7 converter grid in series with 22 mmf.	Unmodulated 4.3 MC signal	"FM" Band 42 MC	C60 C58	Connect the 10-volt scale of a 20,000 ohm per volt voltmeter in series with a 470,000-ohm resistor between points "A" and ground. With C60 purposely detuned, peak C58 for maximum meter reading. Align C60 for the 0 voltage point where the meter reading changes from a positive to negative value. Use as low a signal input as necessary to give a satisfactory meter reading.

Table III RF ALIGNMENT—"FM" CHANNEL

Step	Input Signal Connected to	Input Frequency	Band and Pointer Setting	Trimmer Adjustment	Comments
1	Direct to "FM" Antenna Post	Unmodulated 49 MC signal	"FM" Band 49 MC	C4 (Osc.)	Connect the 10-volt range of a 20,000 ohm per volt voltmeter in series with a 470,000-ohm resistor to point "B." The other side of the voltmeter lead connects to chassis ground. Peak trimmers for maximum meter reading using just enough signal input to give satisfactory meter reading.
2	Direct to "FM" Antenna Post	Unmodulated 49 MC Signal	"FM" Band 49 MC	C2 C30	
3	Direct to "FM" Antenna Post	Unmodulated 43 MC Signal	"FM" Band 43 MC	C76 (Osc.)	
4	Direct to "FM" Antenna Post	Unmodulated 43 MC Signal	"FM" Band 43 MC	C75 C77	
5	Capacitively Coupled to "FM" Antenna	Unmodulated 46 MC Signal	"FM" Band 46 MC	C1	
6	Repeat Step 1				Using built-in dipole adjust C1 for maximum output with Signal Generator capacitively coupled to it, (place lead about 2 ft. from dipole) or on an outside station.
7	Repeat Step 2				

Table IV IF, "BC," and "SW" ALIGNMENT—"AM" CHANNEL

Step	Input Signal Connected to	Input Frequency	Band and Pointer Setting	Trimmer Adjustment	Comments
1	6SG7 converter grid in series with .05 mfd.	455 KC Modulated	"BC" Band 550 KC	C50 C39 C34 C33	Connect 5.0-volt AC voltmeter across the voice coil of the speaker. Peak all trimmers for maximum output. All RF alignments must be made with the chassis in the cabinet.  *When aligning the SW oscillator trimmer, use maximum capacity peak. The image frequency should appear at 18,710 KC.  **Rock gang condenser when making alignment.
2	Capacity Coupled	17.8 MC Modulated	"SW" Band 17.8 MC	C23*	
3	Capacity Coupled	17.8 MC Modulated	"SW" Band 17.8 MC	C19** C11	
4	Capacity Coupled	1500 KC Modulated	"BC" Band 1500 KC	C24	
5	Capacity Coupled	1500 KC Modulated	"BC" Band 1500 KC	C17 C8	
6	Capacity Coupled	580 KC Modulated	"BC" Band 580 KC	C25**	
7	Repeat Steps 4 and 5				

Fig. 3

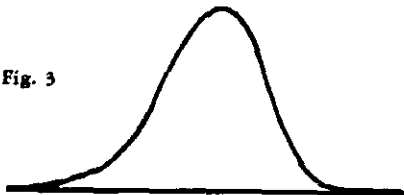
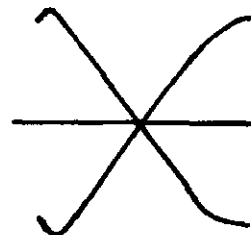


Fig. 4



MODEL 40  
MUSAPHONIC

## GENERAL ELECTRIC CO.

**Oscillator-converter Circuit**

The first 6SG7 tube acts as a conventional RF amplifier when operating in the Short-wave or Broadcast bands. However, in order to obtain optimum gain, the above tube becomes the first converter of a double or cascade converter system when operating in the FM band.

This cascade converter system consists of the two 6SG7 converter tubes and an oscillator tube 7Q7, with their associated circuits. The tuning condensers for the two converters and oscillator are low capacity sections and ganged together as usual. The antenna tuning circuit consisting of T5 and C3 tunes the FM band from 42 to 50 megacycles; the second converter tuned circuit consisting of a portion of T6 and C29 tunes from 23.15 to 27.15 megacycles; while the oscillator tuned circuit consisting of C5 and a portion of T7 tunes from 18.85 to 22.85 megacycles. The oscillator voltage is capacity coupled to the grid of the first converter tube through C-7. This produces, by heterodyne action, a signal to which the plate circuit of this first converter is tuned. The first converter tube also provides a gain of unity for the oscillator frequency. Accordingly, oscillator voltage is also applied to the grid of the second 6SG7 converter tube which produces in its plate circuit the IF frequency of 4.3 megacycles.

To illustrate the action consider an FM signal of 42 MC to which the receiver is tuned. The oscillator frequency for this setting of the tuning control is 18.85 MC and it heterodynes in the 1st converter tube with the 42 MC signal to form 23.15 MC (42-18.85). The 23.15 MC signal, in turn, beats with oscillator signal in the 2nd converter to produce the 4.3 MC intermediate frequency.

**IF Amplifier**

The IF amplifier operates as a dual amplifier in that it will operate either at the 455 KC required for the Broadcast and SW bands or at 4.3 MC required for the FM band, without the need of switching transformers except at the primary of the 1st IF. When the IF is operating at 455 KC, the primary and secondary coils of the 4.3 MC section of T1 and T2 are such a low impedance that they can be considered as shorted across; while when operating at 4.3 MC, the primary and secondary trimmers of the 455 KC section of T1 and T2 are such a low impedance that they effectively short out this portion of the transformer. Thus the frequency at which the IF is operating is applied across the proper section of the dual transformers and is amplified by the IF tubes.

**Cascade Limiter Circuit**

The limiter circuit consists of two resistance coupled 6SH7 tubes in series. Each limiter operates at zero initial bias and low screen voltage. Both grid circuits are designed for self-biasing and the use of capacity-resistance networks provides enough time delay to retain the grid bias between signal peaks. The action of the limiter is such that as soon as a signal is applied to the grid of the tube the grid draws current. This grid current charges up the capacitor across the grid resistor and at the same time establishes a bias through current drain in the resistor. The circuit is so designed that negative signal swings are all beyond plate current cutoff and positive signal peaks are cut off by plate current saturation. The value of the 1st limiter capacity-resistance network is so chosen as to limit noise amplitudes. This arrangement leaves the 2nd limiter with the very much simplified task of reducing the remaining noise to the desired level.

**FM Station Silencer**

This circuit operates on amplitude modulated signals to produce squelch or quieting of the audio amplifier. Since the noise limiter circuits only operate when an FM carrier is present, noise between stations will ride through with undiminished amplitude. This amplitude modulation appears in the last noise limiter plate circuit and develops a voltage across R35. This voltage is rectified by one diode of the 6SQ7 tube and then applied to the 1st audio grid circuit of this tube provided the switch S6 is open. This rectified DC voltage is sufficient to completely bias off this audio tube so that no signal is passed. When a sufficiently strong FM signal is received so that the noise limiters operate with satisfactory signal strength, the noise or amplitude signal is reduced so low that the proper bias is restored to the 6SQ7 audio amplifier and the audio signal is then passed through to the output and phase inverter circuits. This squelch voltage can be manually removed by closing switch S6 so that weak FM stations that have considerable noise present can be received if desired.

**FM CHANNEL ALIGNMENT**

Due to good stability of components and the wide band characteristics of the IF amplifier circuits, alignment should be unnecessary under normal conditions. However, if alignment is necessary, the procedure is given in table form on page 3 with the location of all trimmers shown in Fig. 2.

**IF Alignment**

It is preferable to align the IF amplifier by means of a cathode ray oscilloscope and a 4.3 megacycle signal generator with a superimposed 200 KC sweep frequency. Many signal generators and mechanical frequency wobblers are available wherein the above requirements are fulfilled. As for example: G-E Model TMV-97-C Test Oscillator used in conjunction with the G-E Frequency Modulator TMV-128A will give a sufficient sweep of 200 KC when operated in the "HI" position in conjunction with the 3100-6800 KC band of the Test Oscillator. When the Frequency Modulator is added to the Test Oscillator, the Test Oscillator calibration no longer is accurate, thus making necessary a recalibration. The following procedure may be followed. With a factory aligned receiver where the IF alignment can be assumed to be accurate, connect the above equipment to show the IF selectivity curve as described in Table I. When the two curves are brought together (by tuning Test Oscillator rather than receiver IF trimmers) so that they coincide, take the reading of the signal generator as being the proper point for 4.3 MC with 200 KC sweep alignment. As a further check on the accuracy, another signal generator where the 4.3 MC calibration is accurately known can be coupled to the same point of input as the Test Oscillator and Modulator are coupled and then when the 2nd single frequency generator (4.3 MC) is turned ON, a beat note should be observed at the peak of the resonance curve on the oscilloscope. If this beat note is not at the peak retune the Test Oscillator-Modulator until it does appear at this point.

Where the above equipment is not available, satisfactory alignment can be accomplished by using the equipment and procedure given in Table II. This makes use of an unmodulated RF signal of 4.3 MC and a high resistance (20,000 ohm per volt) voltmeter. The calibration of the signal generator must be accurately known.

A dummy antenna of 50 mmf. or less should be used in series with the signal generator input to the receiver when all IF alignments are made.

**RF Alignment**

Make all Frequency Modulation RF alignments with the chassis in the cabinet. The alignment procedure is given in Table III on page 3. The image signal should be below 46 MC when the oscillator is properly set.

**AM CHANNEL ALIGNMENT**

The Amplitude Modulation Channel of the receiver is aligned by following the procedure as outlined in Table IV. All IF alignment may be made with the chassis either installed in or removed from the cabinet. The RF alignment, however, must be made with the chassis and loop antennas securely fastened into their respective places in the cabinet as their relative position in respect to each other affects the alignment. The RF signal should be capacity coupled to the loop antennas by placing a two-foot wire for an antenna on the test-oscillator output post (high side). Keeping this antenna two feet or more from the receiver loops will generally insure freedom from too much coupling.

**SERVICE HINTS****Replacement of Components**

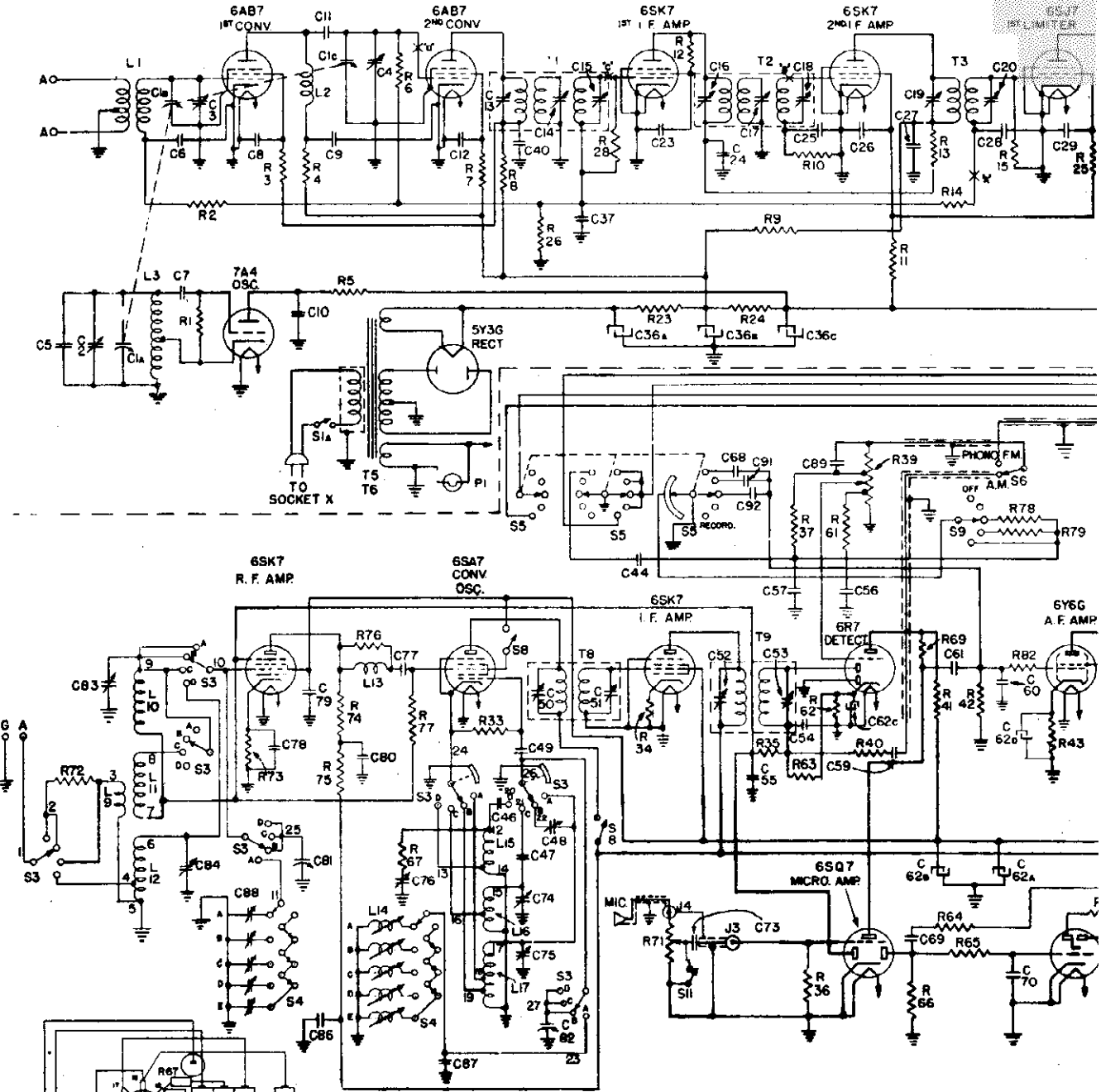
When servicing the FM portion of this receiver and especially when replacing parts, care should be exercised to return all components including wiring to the original position occupied in the chassis. The positioning of parts and wiring is very critical. When replacing coils or IF transformers, maintain the lead lengths provided and use the same terminals to which the original coil or transformer was connected.

**Pointer Focusing**

The focusing of the pointer on the dial scale is accomplished by increasing or decreasing the pointer distance from the dial scale. This is a rather critical adjustment and can be varied enough by loosening the mounting bolts and moving the chassis either back or forward in the cabinet until properly focused and then tightening mounting bolts.



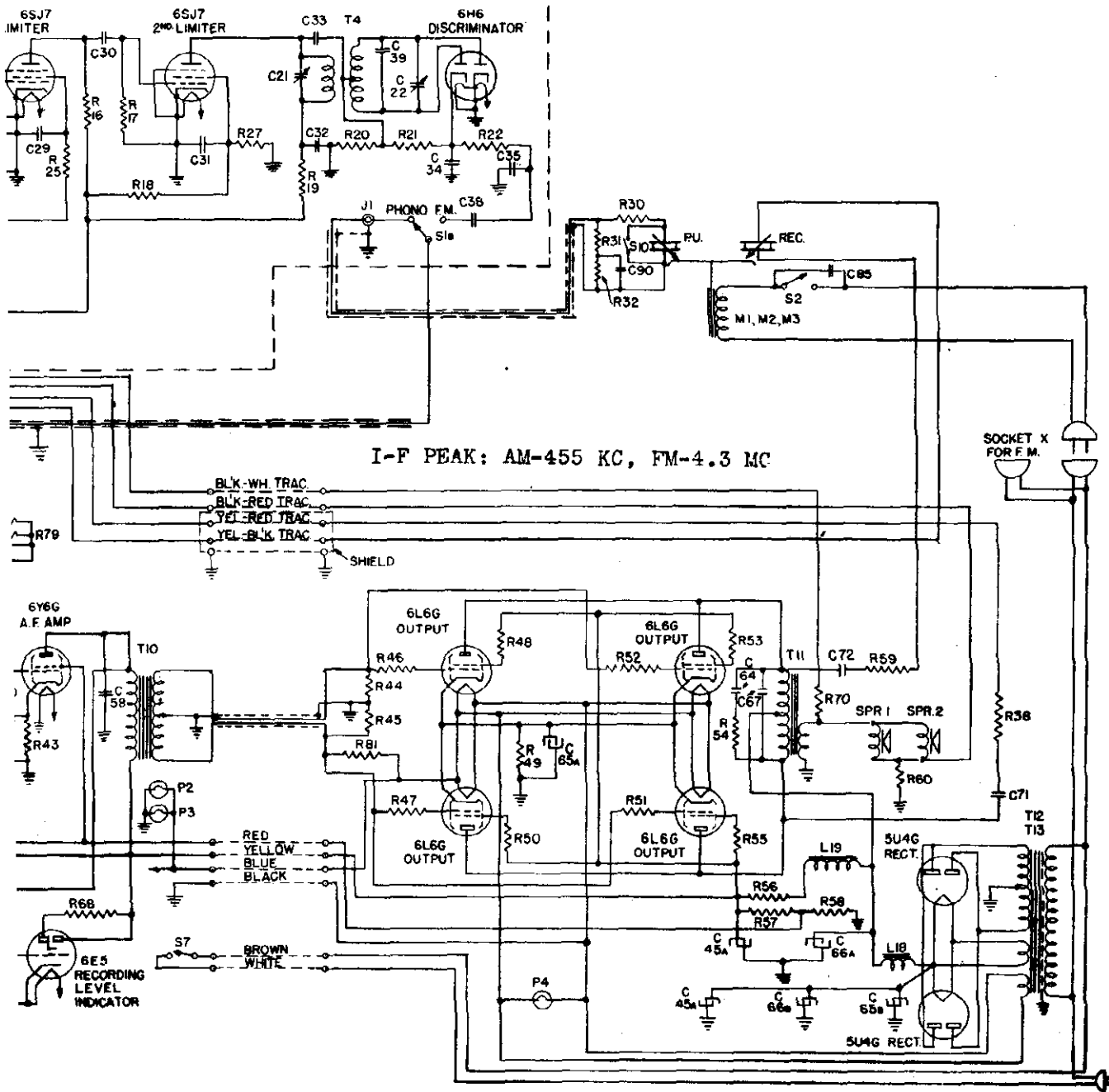
# GENERAL ELI



- |               |                             |             |                          |             |              |
|---------------|-----------------------------|-------------|--------------------------|-------------|--------------|
| C1a, b, c     | Tuning condenser (PM)       | C49         | 47 mmf. mica cap.        | C86         | .05 mfd. pa  |
| C2            | 5-24 mmf. trimmer           | C54         | 220 mmf. mica cap.       | C47         | 750 silvered |
| C3, 4         | Trimmers on cond. C1        | C55         | .75 mfd. paper cap.      | C88         | Selector tri |
| C5            | 40 mmf. temp. compensated   | C56         | .008 mfd. paper cap.     | C89         | 270 mmf. m   |
| C6            | 470 mmf. mica cap.          | C57         | .0025 mfd. paper cap.    | C90         | .005 mfd. p  |
| C7            | 50 mmf. temp. compensated   | C58, 59     | .005 mfd. paper cap.     | C91         | .0032 mfd.   |
| C8, 9, 10, 11 | 470 mmf. mica cap.          | C60         | 150 mmf. mica cap.       | C92         | .0015 mfd.   |
| C12, 23, 24   | .01 mfd. paper cap.         | C61         | .05 mfd. paper cap.      | R1          | 33,000 ohm   |
| C25           | 47 mmf. mica cap.           | C62a, b     | 15 mfd. dry electrolytic | R2          | 3.3 megohm   |
| C26, 27       | .01 mfd. paper cap.         | C62c, d     | 40 mfd. dry electrolytic | R3          | 8,800 ohm    |
| C28, 29       | 47 mmf. mica cap.           | C64         | .005 mfd. paper cap.     | R4          | 2,200 ohm    |
| C30           | 22 mmf. mica cap.           | C65a        | 20 mfd. dry electrolytic | R5          | 1,000 ohm    |
| C31, 32       | 47 mmf. mica cap.           | C65b        | 10 mfd. dry electrolytic | R6          | 3.3 megohm   |
| C33           | 50 mmf. temp. compensated   | C66a, b     | 10 mfd. dry electrolytic | R7          | 12,000 ohm   |
| C34           | 47 mmf. mica cap.           | C67         | .001 mfd. paper cap.     | R8, 9       | 1,500 ohm    |
| C35           | 220 mmf. mica cap.          | C68         | .0072 mfd. paper cap.    | R10         | 47,000 ohm   |
| C36a          | 15 mfd. dry electrolytic    | C69         | .001 mfd. paper cap.     | R11         | 15,000 ohm   |
| C36b          | 30 mfd. dry electrolytic    | C70         | .05 mfd. paper cap.      | R12         | 47,000 ohm   |
| C36c          | 10 mfd. dry electrolytic    | C71, 72     | .02 mfd. paper cap.      | R13         | 2,200 ohm    |
| C37           | 0.1 mfd. paper cap.         | C73         | .05 mfd. paper cap.      | R14         | 2.2 megohm   |
| C38           | .02 mfd. paper cap.         | C74         | 7-.65 mmf. trimmer       | R15         | 47,000 ohm   |
| C39           | 8 mmf. temp. compensated    | C75         | 5-40 mmf. trimmer        | R16         | 10,000 ohm   |
| C40           | .01 mfd. paper cap.         | C76         | 3-30 mmf. trimmer        | R17         | .18 megohm   |
| C41           | .02 mfd. paper cap.         | C77         | 100 mmf. mica cap.       | R18         | 68,000 ohm   |
| C42           | 10 mfd. dry electrolytic    | C78, 79, 80 | .01 mfd. paper cap.      | R19         | 22,000 ohm   |
| C43 a, b      | 0.008 mfd. polystyrene cap. | C81, 82     | Tuning cond. (AM)        | R20, 21, 22 | .10 megohm   |
| C44           | 2400 mmf. mica cap.         | C83, 84     | 1.8-20 mmf. trimmer      | R23         | 1,200 ohm    |
| C45           | "BC" padder                 | C85         | Line capacitor           | R24         | 3,300 ohm    |

ELECTRIC CO.

MODELS 60, 80



mfd. paper cap.  
 silvered mica  
 ctor trimmers  
 mmf. mica cap.  
 5 mfd. paper cap.  
 32 mfd. paper cap.  
 15 mfd. paper cap.  
 100 ohm carbon  
 megohm carbon  
 10 ohm carbon  
 10 ohm carbon  
 10 ohm carbon  
 megohm carbon  
 100 ohm carbon  
 100 ohm carbon  
 100 ohm carbon  
 100 ohm carbon  
 100 ohm carbon  
 100 ohm carbon  
 100 ohm carbon  
 megohm carbon  
 100 ohm carbon  
 100 ohm carbon  
 100 ohm carbon  
 megohm carbon  
 100 ohm carbon  
 megohm carbon  
 10 ohm W.W.  
 10 ohm carbon

R25  
 R26  
 R27, 28  
 R30, 31  
 R32  
 R33  
 R34  
 R35  
 R36  
 R37, 38  
 R38  
 R40, 41  
 R42  
 R43  
 R44, 45  
 R46, 47  
 R48  
 R49  
 R50  
 R51, 52  
 R53  
 R54  
 R55  
 R56  
 R57  
 R58  
 R59  
 R60

47,000 ohm carbon  
 47 megohm carbon  
 47,000 ohm carbon  
 .10 megohm carbon  
 .27 megohm carbon  
 22,000 ohm carbon  
 150 ohm carbon  
 2.2 megohm carbon  
 4.7 megohm carbon  
 47,000 ohm carbon  
 2.0 meg. vol. control  
 47,000 ohm carbon  
 270 ohm carbon  
 680 ohm carbon  
 1,000 ohm carbon  
 100 ohm carbon  
 110 ohm W.W.  
 100 ohm carbon  
 1,000 ohm carbon  
 100 ohm carbon  
 10,000 ohm carbon  
 100 ohm carbon  
 390 ohm W.W.  
 4,000 ohm carbon  
 5,500 ohm W.W.  
 47,000 ohm carbon  
 40 ohm W.W.

R61  
 R62  
 R63  
 R64  
 R65, 66  
 R67  
 R68  
 R69  
 R70  
 R71  
 R72  
 R73  
 R74  
 R75  
 R76  
 R77  
 R78  
 R79  
 R81  
 R82  
 S1a, b  
 S2  
 S3  
 S4, 6, 8  
 S5  
 S7, 9  
 S10  
 S11

56,000 ohm carbon  
 4,700 ohm carbon  
 .15 megohm carbon  
 .68 megohm carbon  
 2.2 megohm carbon  
 27 ohm carbon  
 1.0 megohm carbon  
 .10 megohm carbon  
 4.5 ohm W.W.  
 2.0 meg. vol. control  
 1,000 ohm carbon  
 47 ohm carbon  
 3,300 ohm carbon  
 1,000 ohm carbon  
 10,000 ohm carbon  
 47,000 ohm carbon  
 47 megohm carbon  
 10 megohm carbon  
 .22 megohm carbon  
 1000 ohm carbon  
 Pwr.-FM-Phono Switch  
 Phono motor switch  
 Hand switch  
 Station selector sw.  
 Treble tone control  
 Pwr.-Bass tone control  
 Phono silence switch  
 Microphone switch

T1  
 T2  
 T3  
 T4  
 T5, 6  
 T8  
 T9  
 T10  
 T11  
 T12, 13  
 P1, 2, 3, 4  
 M1, 2, 3  
 REC  
 L1  
 L2  
 L3  
 L9, 10  
 L11  
 L12  
 L13  
 L14  
 L15  
 L18  
 L17  
 L18, 19

1st IF trans. (FM)  
 2nd IF trans. (FM)  
 3rd IF trans. (FM)  
 Discrim. IF trans. (FM)  
 Power trans. (FM)  
 1st IF trans. (AM)  
 2nd IF trans. (AM)  
 Interstage audio trans.  
 Output trans.  
 power trans. (AM)  
 Pilot lamps  
 Phono motor  
 Recorder unit  
 Ant. coil (FM)  
 RF coil (FM)  
 Oscillator coil (FM)  
 "BC" loop antenna  
 "SW1" ant. coil  
 "SW2" loop antenna  
 RF Choke coil  
 Station selector coils  
 "SW2" Osc. coil  
 "SW1" Osc. coil  
 "BC" Osc. coil  
 Filter chokes

GENERAL ELECTRIC CO.

ALIGNMENT CHART

Step	Test-Osc. Connect to	Test-Osc. Setting	Pointer Setting	Tune Trimmer for Max. Output
1	6SK7 IF Grid in Series with .05 mfd.	455 KC	"BC" Band 550 KC	C52 and C53
2	6SA7 Conv. Grid in Series with .05 mfd.	455 KC	"BC" Band 550 KC	C50 and C51
3	Use Capacity Coupling	580 KC	"BC" Band 580 KC	C48 **
4	Use Capacity Coupling	1500 KC	"BC" Band 1500 KC	C75 and C83
5	Use Capacity Coupling	580 KC	"BC" Band 580 KC	C48 **
6	Use Capacity Coupling	6.0 MC	"SW1" Band 6.0 MC	C74
7	Use Capacity Coupling	21.0 MC	"SW2" Band 21.0 MC	C76 *
8	Use Capacity Coupling	21.0 MC	"SW2" Band 21.0 MC	C84 **

\* Use minimum capacity peak.  
 \*\* Rock gang tuning condenser for optimum peak.

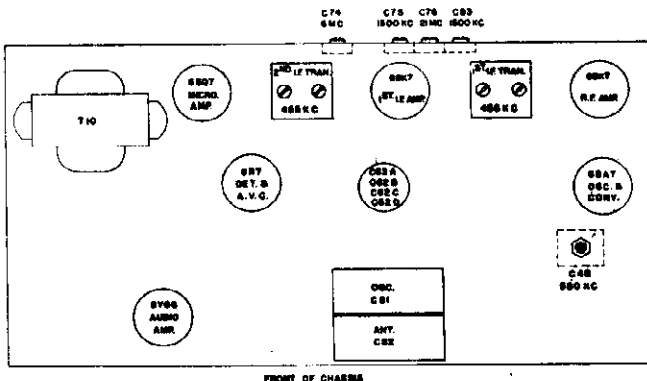


Fig. 3. SW-BC Trimmer Location

Alignment—BC and Short-wave Chassis

The alignment procedure, shown in table form, should be made with the chassis bolted in the cabinet. All RF alignment can be performed by capacity-coupling the test-oscillator signal to the respective built-in loop antenna of the band being aligned. Use a three-foot piece of wire connected as an antenna to the high side of the test-oscillator output. Bring this wire to within three feet of the proper loop antenna of the band in use. Metal objects such as meters, tools, etc., should not be brought in close proximity to the built-in loop antenna.

Before making the RF alignment make sure the pointer is set to the line at the low frequency end of the dial scale when the gang condenser plates are closed. Output meter alignment is preferable and the meter may be connected across the voice coil leads, then turn volume control partially up. Keep the signal input as low as possible to avoid AVC action.

Alignment—FM Receiver

Equipment

In order to perform the necessary alignment operations on this Translator the following equipment is recommended:

- (1) A good signal generator capable of giving a 46 MC

- signal with adjustable output voltage.
- (2) A wide band signal generator covering 4.3 MC with a sweep circuit of plus or minus 200 KC.
- (3) A cathode ray oscilloscope.
- (4) A 0-100 microammeter.

I.F. Alignment

Alignment of the I.F. transformers must be performed stage by stage and no over-all adjustments should be made after completing the stage by stage adjustments.

Connect the high side of the oscilloscope input through a 470,000 ohm carbon resistor to point "A" on the 1st limiter 6SJ7 load circuit. The ground side of the oscilloscope input connects to the chassis. Progressively apply a wide band signal generator output of 4.3 MC to points "B," "C" and "D" of the 2nd I.F., 1st I.F. and 2nd converter grids. Use a .05 mfd. capacitor between the generator output and points "B" and "C." Use a 22 mmf. capacitor between the generator output and point "D." Connect the ground lead of the wide band signal generator output to the chassis at the same point to which the oscilloscope ground is connected. Align the primary and secondary I.F. transformer trimmers for maximum vertical deflection of the oscilloscope curve. The third circuit trimmers (C14 and C17) of the 1st and 2nd I.F. transformers should be adjusted to give maximum broadness to the peak of the oscilloscope curve consistent with maximum vertical deflection. The I.F. curve should not be broadened beyond that point where the vertical deflection of the oscilloscope curve is reduced.

Discriminator Alignment

Remove the oscilloscope input connections from the limiter load and connect the high lead directly to the audio output. Connect the ground lead to the chassis using the same point to which the generator ground is connected. Apply the wide band generator signal of 4.3 MC through a 22 mmf. capacitor to point "D" on the 2nd converter grid. Adjust the discriminator transformer (T4) primary trimmer (C21) for maximum vertical deflection on the oscilloscope. Align the secondary trimmer (C22) for center crossover of the two curves. Retrim the primary trimmer (C21) for straight crossover lines if necessary.

R.F. Alignment

Connect a 0-100 microammeter in series with a 470,000 ohm resistor between chassis and point "A" on the load circuit of the 1st limiter tube, 6SJ7. The resistor should be between the meter and point "A." Apply a 46 MC generator signal to the antenna input terminals of the Translator. Set dial pointer to 46 MC and align oscillator trimmer (C2). The image signal should be below 46 MC when the oscillator is properly set. Peak the converter trimmers (C3 and C4) for maximum output.

NOTE. If oscillations develop in the I.F. circuits during alignment it is probably due to the generator and oscilloscope ground connections. Be sure these ground connections are made to the same point on the chassis. Changing ground points will generally assist in eliminating instability.

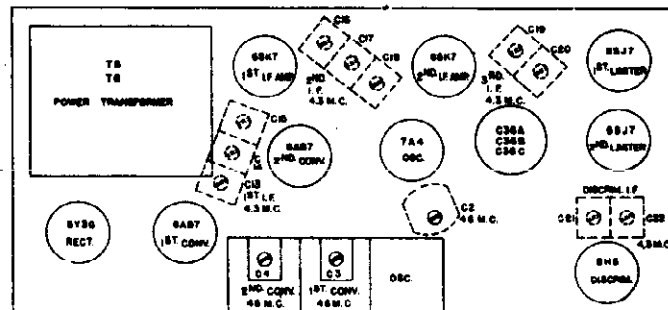


Fig. 4. FM Trimmer Location

MODELS 60, 80

# GENERAL ELECTRIC CC.

## Special Service Information

The following information will be very useful in servicing receivers if a vacuum tube voltmeter or similar voltage measuring instrument is available.

- (1) Stage Gains
  - (a) Antenna Post to R.F. Grid at
 

1000 KC.....	5.0
4000 KC.....	2.5
18,000 KC.....	2.5
  - (b) R.F. Grid to Converter Grid at
 

1000 KC.....	5.0
4000 KC.....	3.0
18,000 KC.....	2.0
  - (c) R.F. on Converter Grid to I.F. on 1st I.F. Grid at
 

1000 KC.....	47
4000 KC.....	47
18,000 KC.....	45
  - (d) I.F. on Converter Grid to I.F. on 1st I.F. Grid at
 

455 KC.....	55
-------------	----
  - (e) I.F. Amplifier Grid to Detector Plate at
 

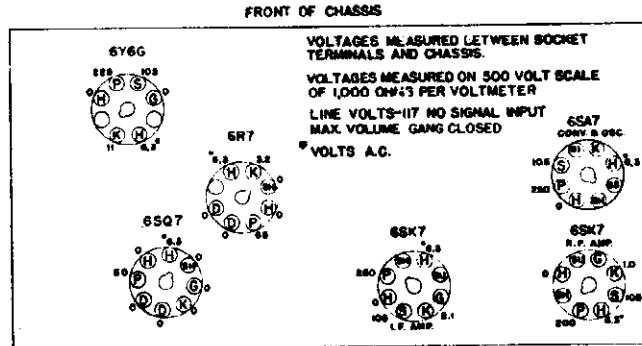
455 KC.....	70
-------------	----
- (2) Voltage across Volume Control to Give 1/2-watt Speaker Output† at 400 cycles..... .05 volts
- (3) DC Voltage Developed across Oscillator Grid Resistor R-33 at
 

1000 KC.....	7.5
4000 KC.....	7.5
18,000 KC.....	5.0

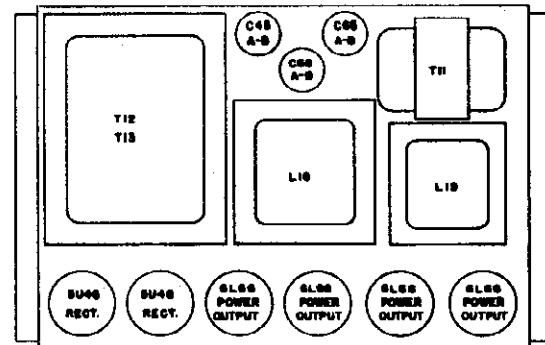
†Variations of ±20% permissible. All readings obtained with enough input signal to give 1/2-watt speaker output.  
 ‡1/2-watt speaker output at 400 cycles is equivalent to a reading of 1.41 volts as measured by a high resistance AC voltmeter across the voice coil leads of the two speakers connected in parallel.

cap. and insert four centering shims in the air gap. Tighten the clamping set screws; remove the shims and replace dust cover.

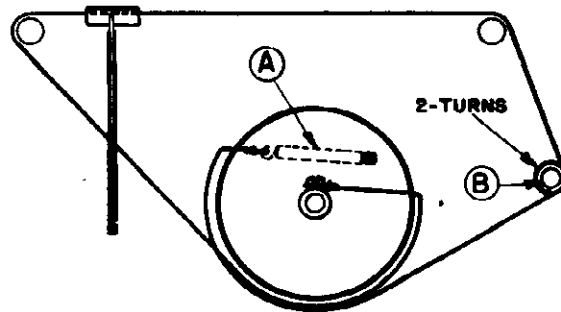
NOTE--In no case should the magnet be loosened or removed from the assembled position.



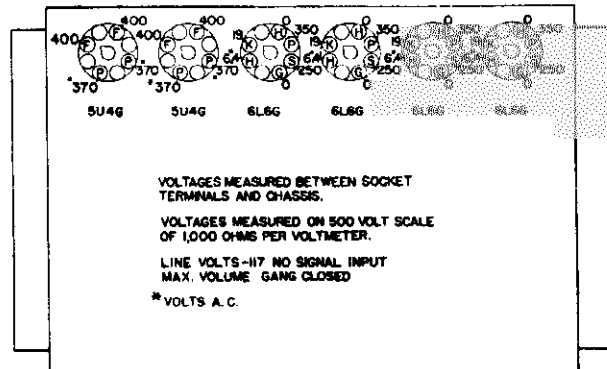
Socket Voltages—AM Chassis



Power Unit Component Layout



Dial Cord Stringing Diagram



BOTTOM VIEW OF CHASSIS

Socket Voltages—Power Unit

## Phono-FM-Television Connection

If a television picture receiver with sound converter, a separate record player, or a frequency modulation translator (Model 60) is desired to be used with either of these models proceed as follows. On Model 80, remove the black shielded plug connection to the rear of the broadcast short-wave receiver rear chassis deck; on Model 60, remove the shielded lead to left of broadcast short-wave receiver rear chassis deck; then make the plug connection to the auxiliary unit. General Electric plug, Stock No. RP-145, fits the pin jack. To switch the receiver from radio to auxiliary unit operation, merely depress the Phono-FM push button selector key.

## Service Hints

1. Audio howl is traceable usually to the 6Y6G audio driver tube. In making new tube replacements, it may be necessary to try several before a quiet tube is found.
2. A method of setting up broadcast automatic station selector buttons which will assure drift-proof adjustment is to screw the iron core all the way out and then turn slowly inward until the desired station is tuned in.
3. The black speaker lead should be connected to the 10-inch speaker terminal which is grounded to the speaker frames. When replacing a speaker, make sure of the proper phasing. With the speaker terminal boards facing each other, the interconnecting leads should be crossed.

## Reproducers

The voice coil is accurately centered at the factory and should seldom give trouble. In case the voice coil needs recentering, loosen the three hex head clamping screws which hold the voice coil spider assembly; remove the voice coil dust

GENERAL ELECTRIC CO.

# DELUXE AUTOMATIC RECORD CHANGER

and

## RECORDING UNIT

USED IN *Musaphonic* MODELS 60 AND 80

### RECORD CHANGER MODEL JM-1C

This deluxe automatic record changer and home recording unit is standard equipment in the above model receivers and is designed for operation on a 110-volt alternating-current source. The record changer will play up to fifteen 10-inch and 12-inch records intermixed, while the recording mechanism is designed to record on record blanks which have not been pre-grooved.

#### OPERATING CONTROLS

##### Power Controls

To turn power "on," press the red push button (AK) in Fig. 1 until the power switch clicks. To turn power "off" press down on tone arm rest (AH).

##### Index and Record-reject Control

This control consists of the switch knob (AI) pointer (AJ) and push button (AK). The selector knob provides for either manual or automatic operation of the mechanism. Turn pointer and knob assembly to "A" for automatic operation. Turn pointer and knob assembly to "M" for manual operation.

To reject a record being played, or to start the record changing cycle, push down on the red push button (AK) as far as it will go.

##### Record Holder Shelf Plates

These three assemblies consist of the selector plate (BA), center plate (BB) and shelf plate (BC). These plates are hinged so that they may be raised to a vertical position for clear access to the turntable.

#### GENERAL DESCRIPTION OF PHONO CHANGE CYCLE

An automatic record player for records of two sizes has three principal duties to perform. These duties are here performed by three mechanisms inter-connected and built together, but largely separate in their operation. The motion for each is originated in one central cam gear which has three different and individual cam surfaces. The cam gear (FK) is normally at rest while a record is being played, but is put into operation by contact of a latch lever (AD) (located in the cam gear) with the teeth of an intermediate drive gear (CI). This motion takes place only when the unit is put into a change cycle. The cam gear then turns one full revolution to complete the change cycle and stops in a neutral position.

1. THE RECORD CHANGING MECHANISM is brought into operation by a segment (CH) (or lever) with a roller (EJ) at one end which runs in a cam groove in the cam gear (FK) as it turns, which drives with an oscillating motion the three pulleys (FG) by means of a metal tape (DD). The pulleys are fastened to the lower ends of the changer shafts (DL), which in turn transmit their motion to the changer plates (BC) which are fastened with setscrews to the upper ends of the shafts. When the changer plate assembly is revolved, the record resting on the shelf plates (BC) is released to the turntable.

2. THE PICK-UP OPERATING MECHANISM is likewise brought into operation originally by a cam surface on the cam gear (FK) which operates a raising lever (CA) that receives a rocking motion from the cam gear (FK) through a roller (CD) which is part of the raising lever assembly. The flat spring on the opposite end of this lever (CA) is carried upward against a lifter pin (FW) which raises the pick-up (AG), thus lifting the needle from the record. This motion also moves the hollow pick-up shaft (FX) upward, pressing together the locating plate (ES), the cork friction disc, (EV) and swing bracket (FY). While the needle is raised from the record, the swing bracket (FY) receives an angular or swinging motion from the cam gear

(FK) to a lever and link assembly (EK) and carries with it the locating plate (ES) which is directly connected to the pick-up. The pick-up (AG) is thus carried out beyond the turntable while the changer plates (BC) drop a record, and is then brought back to the proper position to start playing. If there is no record resting on changer plates (BC) when the cycle starts, the pick-up arm (AG) will then remain out beyond the turntable and descend on the pick-up rest (AH) automatically shutting off the motor after the last record has been played.

3. MECHANISM FOR BRINGING NEEDLE INTO CORRECT STARTING POSITION ON THE RECORD. This mechanism must operate fairly accurately for both 10-inch and 12-inch records. Partly due to this requirement, the starting position is not determined by the cam action, as this cam surface on the cam gear (FK) is so designed that the movement of the lever and link assembly (EK) would normally carry the pick-up arm (AG) farther toward the turntable shaft (BF) than would ever be desirable as a starting adjustment. Therefore, the travel of the pick-up arm (AG) toward the turntable shaft (BF) is stopped at the proper point for lowering onto the record by two eccentric adjusting studs on the locating plate (ES) which comes into contact with the stop arm (EQ) which is automatically pre-set by the record which is about to be released from the changer plates (BC) to the turntable. If a 12-inch record is about to be played, it rests on the center changer plate (BB) of the master changer post (which is located directly behind the pick-up arm (AG), causing same to push downward on center pin (EA) which in turn pushes downward on the center plate lifter lever (DF) which is pivoted on a hinge pin (DH) in the pulley (FG). This brings the upper end of center plate lifter lever (EB) toward the pulley hub. When the pulley is oscillated or driven by the tape (DD), the upper end of this lever (EB) will travel on the inside of the crescent shaped cam (EC). This will move the setting lever (EQ) (which is fastened to the same hub as the stop lever) in such a position that stop lever will contact the 12-inch eccentric adjusting stud on the locating plate which accurately measures the starting point of the needle on a 12-inch record. A 10-inch record which is about to be played will not rest on the center plate (BB), therefore the center plate and center pin (EA) and lever (DF) will be held upward by a spring (DI) on the pulley. The upper end of the center plate lifter lever (EB) will therefore be further away from the pulley hub and will travel on the outside of the crescent shaped cam (EC) moving the setting lever and stop lever (EQ) in such a position that stop lever will touch the 10-inch eccentric adjusting stud (ES) also on the locating plate which accordingly measures the starting point of the needle on a 10-inch record. After the last record has been dropped from the changer plates and played, the lower changer plate (BC) is pushed upward by the no-record control pin. The no-record selecting lever (EP) is also carried up so that when pulley is oscillated the no-record lever sweeps the setting lever and stop lever (EQ) to the position where the stop lever engages with a heel on the locating lever (ES) and holds pick-up (AG) out beyond the turntable. Then when the pick-up (AG) descends, it depresses the pick-up rest (AH), thereby tripping switch (CG) and shutting off the motor.

#### RECORDING MECHANISM DESCRIPTION

The recording unit which mounts on the main phono motor board by the hex nut (11) and the mounting screw (12), is shown in Fig. 4. This unit is not shown mounted in Figs. 1, 2 and 3 for purposes of clarity.

The gear (10) of the recording unit meshes with the main drive pinion gear (CJ). This pinion gear drives the recording arm through a friction clutch drive principle. Since this gearing mechanism is in operation continuously while the turntable is operating, it is important to place the recording arm on its rest when not in use.

MODELS 60, 80  
MODEL JM-1C

GENERAL ELECTRIC CO.

SERVICE NOTES AND ADJUSTMENTS

Oiling

The recorder and record changer mechanism should be lubricated once a year with a few drops of good light machine oil at each of the following points:

1. Three oil holes in motor gear housing.
2. Turntable spindle bearings.
3. Recorder pivot arm spindle.
4. All other bearing points.

Caution: Never oil the friction clutch at any time as it will cause slippage.

If squeaks are heard, compare the squeak with and with-

out a load of records, as any stack of records in motion is apt to squeak with a pin through their centers.

This can be corrected by rubbing a little wax on the turntable shaft. See that all three 1/4-inch round wicks in the motor frame are in position and are thoroughly saturated with oil (as it may not be if insufficient oil or too heavy oil has been used). Lift out all three motor wicks with tweezers. See if old oil has become "gummy" (commonly due to use of low-grade oil or low viscosity oil). If necessary, clean gummed-up wicks with kerosene. See that each is saturated with a fine oil, then before replacing them, drop a little fine oil into the holes. The gear box of the motor is packed with a semi-fluid grease at the factory, and it should never be necessary to take it apart for lubrication purposes.

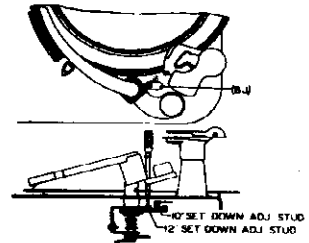
RECORD CHANGER AND RECORDING UNIT ADJUSTMENTS

Adjustments Nos. 1, 2, 3, 15 and 16 can be made from the top of the record player. All adjustments are correctly made at the factory and ordinarily need never be altered. However, should it become necessary to re-adjust due to tampering or accident, proceed as indicated in the following chart.

1

ADJUSTING  
LANDING  
POSITION OF  
NEEDLE ON  
RECORD

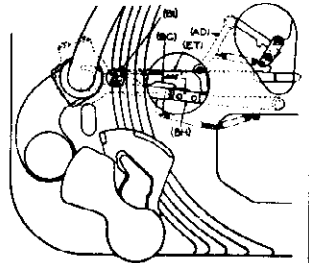
The position at which the needle lowers to the record can be adjusted by inserting a screw driver through hole (BJ) just in back of tone arm. For adjusting the 10-inch set-down, insert screw driver into the inside eccentric adjusting stud. For adjusting the 12-inch set-down, insert screw driver into the outside slotted stud. Turn very slightly clockwise or counterclockwise to move needle landing in or out. The proper adjustment for the needle landing is 1/8 inch in from the outer edge of the record.



2

ADJUSTING  
TRIP CAM FOR  
CORRECT  
CLEARANCE  
BETWEEN  
TRIP LEVER  
AND TRIP  
ARM

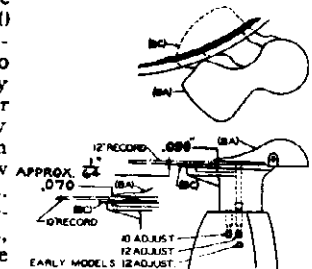
Insert screw driver through hole (BI) in main plate and locate it into slotted stud. Adjust eccentric cam so that the distance between the trip lever (BG) and trip arm (BH) is approximately .005 in. This can best be done by first adjusting the trip eccentric cam at (BI) so that there is no clearance or gap, then back off very slightly until trip lever (BG) is free to pulsate with the clutch motion or action of the release lever (ET). If the clearance is not sufficient between the trip lever (BG) and trip arm (BH) the pulsating motion of the clutch release lever (ET) will gradually cause the trip lever to move the trip arm enough to trip the trigger (AD) and start a change cycle. If gap is too great the trip lever will not move far enough to start a change cycle at the end of a record.



3

ADJUSTMENT  
FOR CHANGER  
PLATES

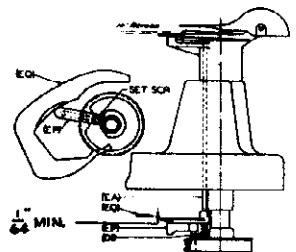
To adjust the distance between the selector plate (BA) and the shelf plate (BC) for 10-inch records, first select a 10-inch record that is approximately .070 in. thick. Then position it on changer and start a change cycle to revolve changer plates. Stop the turntable by hand just as the selector plate (BA) is about to touch the record, and shut off the motor. Then slowly turn the turntable by hand, allowing selector plates to contact edge of record so that it just slides over record, touching the surface lightly. Check all three selector plates and if any adjustment is necessary, it can be done by inserting a No. 10 Allen wrench in the setscrew holes located in the sides of the changer posts. Turn setscrew slightly clockwise to raise the selector plate and counterclockwise to lower it. The setscrew for adjusting the 10-inch record setting, and the one for 12-inch record setting is shown in the adjacent drawing. To adjust for 12-inch records, select a 12-inch record that is approximately .090 in. thick, then follow same procedure as for adjusting 10-inch records.



4

NO-RECORD  
SELECTING  
LEVER AD-  
JUSTMENT

First be sure that spring tension on spring (DI) is strong enough to lift the center blade raising pin (EA) properly and fully, but not so strong that one 10-inch record will not fully depress pin and lever. Then with setscrew loose in no-record selecting lever (EP) and pin held down by weight of one 10-inch record, slide no-record selecting lever (EP) into position so that it will just clear under lower edge of the lower cam setting lever (EQ) by approximately 1/64 in. clearance. Then tighten setscrew and check adjustment with and without a record, also be sure that without a record, the fin on no-record selecting lever (EP) swings above cam setting lever (EQ) and portion of lever (EP), indicated by arrow, sweeps stop lever (EQ) on cam setting lever into position shown in upper illustration of adjustments 12 and 13.



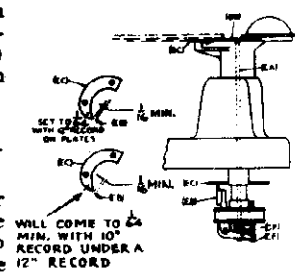
GENERAL ELECTRIC CO.

ADJUSTMENTS

5

LIFTER LEVER DIFFERENTIAL ADJUSTMENT

Place a 12-inch record over the turntable spindle so that the record rests on the shelf plates. Then check the center plate lifter lever (EB) and see that point of this lever will just slide inside of center arm lifter cam (EC). Then place a 10-inch record under the 12-inch record so that the 10-inch record will rest on shelf plate (BC) and the 12-inch record will then touch center plate (BB) which presses down center pin (EA) and accordingly moves lifter plate (EB) closer to outside face of lifter cam (EC) than it would without the 12-inch record on top of the 10-inch record. The lever (EB) should then follow the outside of the center arm lifter cam (EC). If it is necessary to re-adjust, this can be done by means of adjusting screw (CE) and lock nut (CF) to balance out the contact of lever (EB) on both sides of cam (EC) in relation to starting point of cam.



6

LIFTER LEVER CLEARANCE ADJUSTMENT

Check the distance between the leading edges of the center plate lifter lever (EB) and center arm lifter cam (EC) with a 12-inch record resting on the shelf plates. It should be a minimum of  $\frac{1}{8}$  in. It should not be necessary to check this adjustment unless the tape clamp screws on the pulley (FG) have been loosened. To re-adjust after screws have been loosened, first set pulley so that when the slack in the tape line is taken up in the direction of forward motion of the tape segment (CH), there will be the necessary  $\frac{1}{8}$  in. clearance as mentioned above.

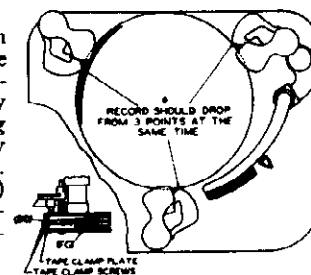
Note: If this adjustment is "OFF" most likely changer plate synchronization will also be off. Check adjustment No. 7.

7

CHANGER PLATE SYNCHRONIZATION

The synchronization of changer plates can be checked by placing one 10-inch record on the shelf plates. Then start a change cycle allowing it to continue until plates are just about ready to release the record. It can then be determined which plate is either slow or fast. This plate can then be adjusted by loosening the screws on the tape clamp which hold the tape (DD) from slipping in the pulley (FG). Then slightly move changer plate whatever is necessary to synchronize it with the other two plates so that record will drop evenly. Then tighten tape clamp screws securely. (Also check adjustment No. 6.)

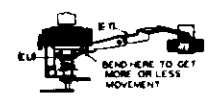
Note: Tape line should have a very slight amount of slack. Check by grasping tape line with thumb and index finger and moving it in and out approximately  $\frac{1}{4}$  in. with a moderate pressure.



8

CLUTCH RELEASE LEVER ADJUSTMENT

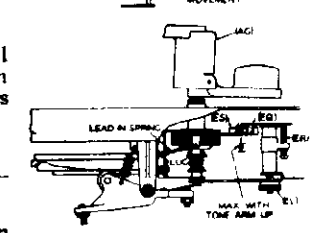
The fork on clutch release lever (ET) should be adjusted so that it only slightly moves the friction clutch with a sharp kick rather than a wavy movement. To get more or less movement of the clutch, bend the release lever (as shown in upper illustration). Also be sure that both prongs of fork on release lever (ET) contact the pressure release sleeve (EU) simultaneously. At no time should fork ride the pressure release sleeve between impulses, as the clutch would then be held open and changer would not trip.



9

SETTING CAM ADJUSTMENT

By means of the adjusting screw (ER) set stop lever (EQ) so that there will be  $\frac{1}{2}$  in. maximum overlap on eccentric studs (ES). If there is not enough overlap, the stop lever (EQ) will slide off instead of holding on eccentric studs (ES) on stop lug, while measuring set-down of tone arm (AG).



10

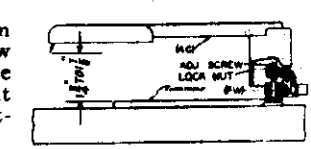
SLIDE-IN ADJUSTMENT

To adjust the power of the tone arm lead-in, bend the lug on lead-in spring to give it more or less tension; too much tension may cause needle to slide in on record. The knurled nut (EL) adjusts the distance tone arm will swing in, before clutch is disengaged. If clutch is still engaged after needle lands on record it may cause slide-in. Turning nut (EL) clockwise should correct slide-in if lead-in spring tension is correct.

11

TONE ARM HEIGHT ADJUSTMENT

This can be adjusted by means of an adjusting screw in the tone arm assembly (AG). The tone arm elevating pin (FW) presses against this screw which should be adjusted so that the distance between the point of needle (in tone arm) and the turntable is  $1\frac{1}{4}$  in. to  $1\frac{3}{8}$  in., which is the equivalent of approximately seventeen 10-inch records. When correct height adjustment is made, tighten lock nut on adjusting screw securely.



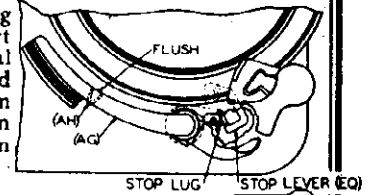
MODELS 60, 80  
MODEL JM-1C

GENERAL ELECTRIC CO.

RECORD CHANGER AND RECORDING UNIT ADJUSTMENTS (Cont'd)

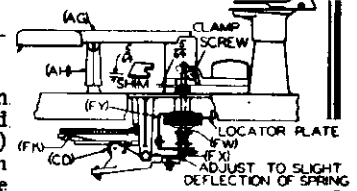
12  
TONE ARM  
SWING  
ADJUSTMENT

First raise tone arm (AG) by hand and slightly loosen clamp screw on tone arm shaft head. Then start a change cycle and shut off power supply to motor when tone arm (AG) is being held in stop position above the tone arm rest (AH) and stop lever (EQ) (on setting cam assembly) is contacting stop lug on locator plate (which is part of the tone arm shaft assembly). Then insert a  $\frac{1}{16}$ -in. shim between tone arm shaft head and bearing race to set vertical clearance (which must be approximately  $\frac{1}{16}$  in.) so that clutch will be engaged for moving trip lever when tone arm is down on record and align tone arm (AG) flush with tone arm rest (AH) as shown in upper illustration. Tighten clamp screw securely and remove  $\frac{1}{16}$  in. shim, then check action of tone arm and adjust needle landing as in adjustment No. 1, if necessary:



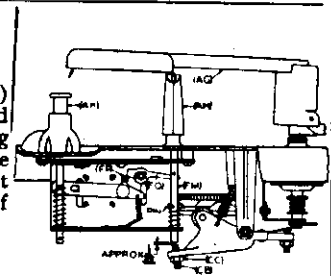
13  
RAISING  
LEVER  
PRESSURE  
ADJUSTMENT

To make this adjustment first put unit into change cycle, then stop it when roller (CD) is at the highest point on the cam (FK), then loosen lock nut and turn screw under flat lifter spring clockwise until tone arm elevating pin (FW) and shaft (FX) are completely raised and flat spring contacts the tone arm shaft (FX) holding clutch assembly firmly in the high position against tone arm swing bracket (FY) and only slightly deflecting the flat spring. Then tighten lock nut securely.



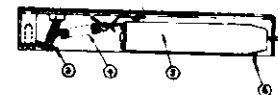
14  
SWITCH  
SHUT-OFF  
ADJUSTMENT

Start a change cycle by pressing push button (AK) so that roller (FP) holds switch latch (FQ) in a loaded position. Then stop turntable by hand when cam gear is in position (shown in illustration) and pin on rest shaft is sliding down gradually and when switch latch (FQ) trips, hold rest shaft in that position and adjust screw (CB) to within approximately  $\frac{1}{16}$  in. from end of shaft (FM), tighten lock nut (CC) securely and check operation.



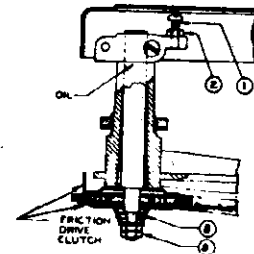
15  
ADJUSTING  
DEPTH OF  
RECORDING  
NEEDLE CUT

The adjustment for cut of needle pressure is thumbscrew (3) shown in illustration. This adjustment regulates the spring tension of pressure spring (4) on the pivoted cutting head (5), and by turning the thumbscrew to the left or right will increase or decrease the pressure on the needle. The correct setting is determined by inspecting a cut record under a magnifying glass. The width of the groove should be approximately the same as the width of the uncut record surface between the grooves.



16  
ADJUSTING  
HEIGHT OF  
RECORDING  
ARM

The adjusting height screw (1) and lock nut (2) are for adjusting the height of the recording arm above the turntable. The height of the tip of the needle is approximately  $\frac{1}{8}$  in. from the record surface when the cartridge (5) is held by the screw (7) in the "UP" position. If it is necessary to adjust the height of arm to provide a final adjustment of the cutting needle pressure, loosen lock nut (2) and with screw driver, turn adjusting screw (1) counterclockwise to raise the arm or clockwise to lower the arm. Then tighten the lock nut.



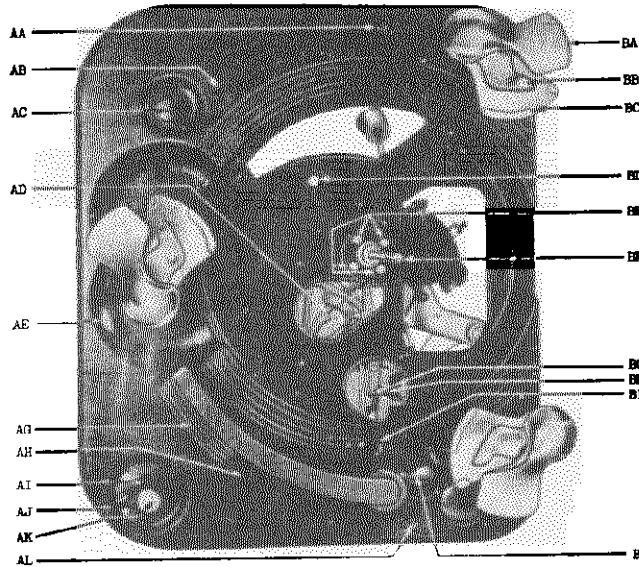
TROUBLE SHOOTING

Cases of failure to operate satisfactorily will generally be found due to either neglect of proper lubrication, to tampering with the mechanism after it leaves the factory, or to injuries accidentally sustained as by external vibration or by impact of some heavy object. In addition, there is always the possibility that any kind of spring may "go dead" (cease to operate without any visible breakage), even though the utmost factory

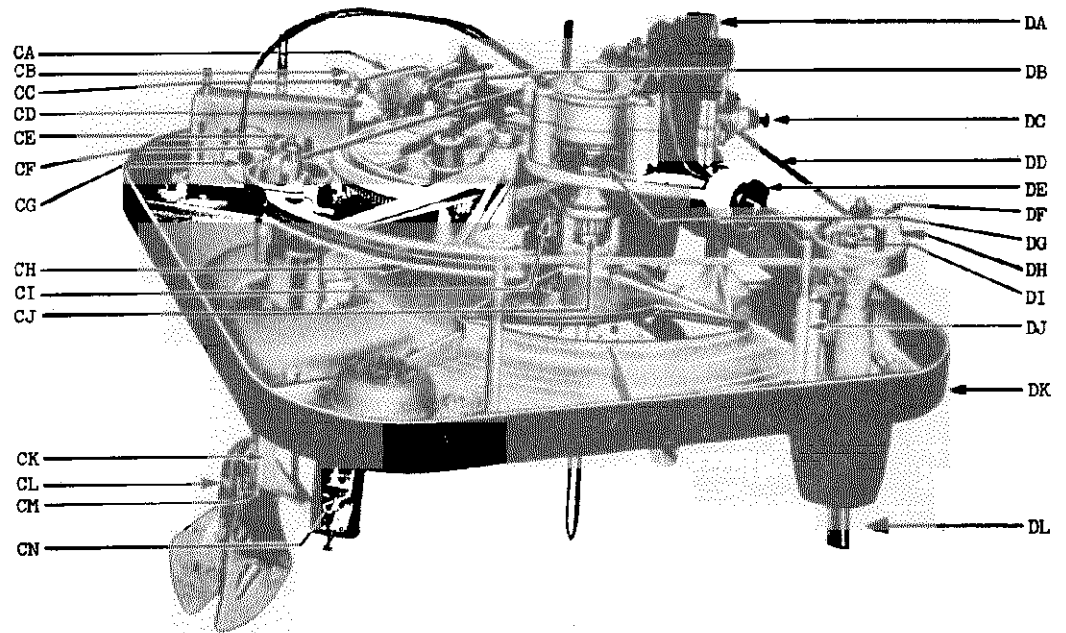
precautions are taken against it—or that setscrews may work loose due to external vibration. For tightening setscrews, an Allen (hexagon) wrench is required. Be sure that setscrews are properly seated on the holes or flats provided. Damage from tampering is likely to take the form of bent parts. Never bend any part during examination.



GENERAL ELECTRIC CO.



Top View A-B  
Fig. 1



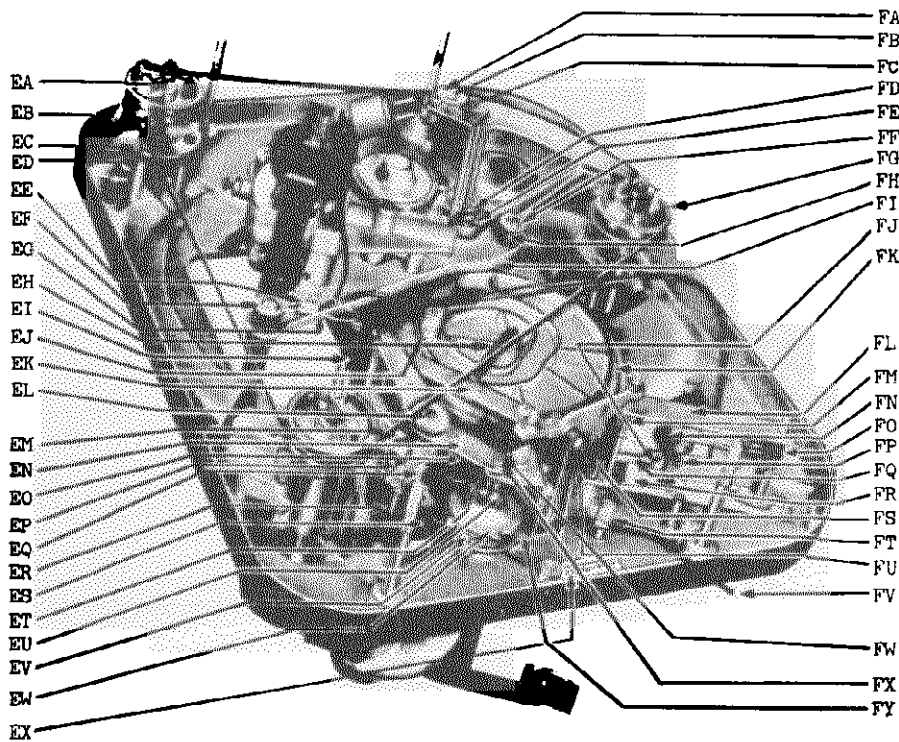
Bottom View C-D  
Fig. 2

REPLACEMENT PARTS LIST—MODEL JM-1C RECORD PLAYER AND RECORDER

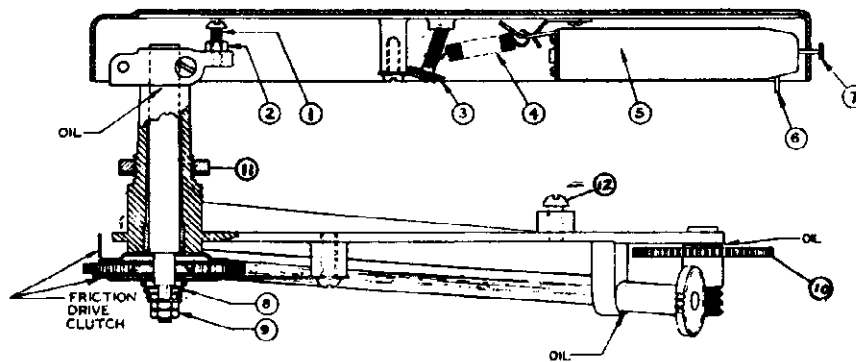
Symbol	Stock No.	Description	Symbol	Stock No.	Description
<b>RECORD PLAYER ASSEMBLY</b>					
AD	RL-967	LATCH—Cam latch and trigger assembly	CJ	RG-717	GEAR—Drive pinion gear
AH	RR-854	REST—Phono tone arm rest support	CK	RB-1127	BRACKET—Changer plate bracket
AI	RK-1025	KNOB—Manual-automatic selector knob	CL	RP-413	PIN—Plate hinge pin
AK	RB-643	BUTTON—Reject control button	CM	RP-414	PIN—Plate lifting pin
BA, BB, BC	RP-2012	PLATE—Selector plate	CN	RC-5010	CRYSTAL—Phono crystal pick-up
BB	RX-092	ASSEMBLY—Changer plate assembly	DA	RM-150	MOTOR—60 cycle phono motor
BB	RP-2010	PLATE—Shelf plate	DA	RM-151	MOTOR—50 cycle phono motor
BF	RP-2011	PLATE—Center plate	DB	RS-8021	SCREW—Raising lever trunion screw
BG	RL-968	LEVER—Trip lever assembly	DD	RT-938	TAPE—Cycling control tape
BH	RA-426	ARM—Trip arm assembly	DF	RX-095	ASSEMBLY—Centerplate lifter assembly
CA	RX-093	ASSEMBLY—Raising lever assembly	DG	RC-2041	COUPLING—Motor coupling assembly
CB, CE	RS-8020	SCREW—Adjusting screw	DH	RP-415	PIN—Plate lifter pin
CD	RR-946	ROLLER—Raising lever arm roller	DI	RS-4036	SPRING—Plate lifter spring
CG	RS-3106	SWITCH—Phono power switch	DL	RP-416	PIN—Plate post stem
CH	RX-094	ASSEMBLY—Tape control segment assembly	EA	RP-417	PIN—Centerplate raising pin
CI	RG-718	GEAR—Intermediate gear assembly	EC	RC-2042	CAM—Center arm lifter cam
			ED	RS-8022	SCREW—Arm lifter cam mounting screw
			EG	RC-8211	CONNECTOR—Motor grounding lead
			EH	RS-4035	SPRING—Swing lever spring
			EI	RS-4034	SPRING—Trip arm spring

MODELS 60, 80  
Model JM-1C

GENERAL ELECTRIC CO.



Bottom View E-F  
Fig. 3



Recorder Unit  
Fig. 4

REPLACEMENT PARTS LIST—MODEL JM-1C RECORD PLAYER AND RECORDER (Cont'd)

Symbol	Stock No.	Description	List Price	Symbol	Stock No.	Description
EJ	RR-947	ROLLER—Roller for tape control segment.	\$0.10	PK	RC-2045	CAM—Main cam and gear assembly.
EK	RL-969	LEVER—Swing lever and bracket assembly.	1.20	PL	RX-096	ASSEMBLY—Phono motor switch plate assembly.
EL	RN-015	NUT—Setting lever thumbnut.	.20	PM	RS-9025	SHAFT—Phono tone arm rest shaft.
EM	RS-4033	SPRING—Trip lever spring.	.05	PN	RS-4031	SPRING—Switch latch spring.
EN	RS-638	SUPPORT—Swing bracket support.	.45	PO	RS-9024	SHAFT—Push button control shaft.
EO	RS-4032	SPRING—Clutch brake spring.	.05	PL	RL-972	LATCH—Switch latch gear.
EP	RL-970	LEVER—No-record selecting lever.	.30	PU	RS-4030	SPRING—Phono tone arm raising lever spring.
EQ	RC-2043	CAM—Setting cam assembly.	1.20	FW	RP-418	PIN—Phono tone arm elevating pin.
ES	RS-9026	SHAFT—Phono tone arm shaft assembly.	2.10	FX	RS-9023	SHAFT—Phono tone arm shaft.
ET	RL-971	LEVER—Clutch release lever assembly.	.50		RS-3105	SWITCH—Crystal shorting switch.
EU	RS-959	SLEEVE—Pressure release sleeve.	.20		RS-8019	SCREW—Spindle housing mtd. screws.
EV	RW-130	WASHER—Cork friction washer.	.05-3		RT-939	TURNTABLE—Turntable assembly.
EW	RC-2044	CUP—Tone arm bottom friction cup.	.10			
FA	RW-131	WASHER—Retainer washer.	.05-3			
FC	RS-8023	SCREW—Binder head screw.	.05-4		RA-425	ARM—Cutter arm complete.
FG	RP-332	PULLEY—Post pulley.	1.05	(5)	RC-5009	CRYSTAL—Crystal cutter head.
FH	RG-308	GROMMET—Motor plate mounting grommet.	.05		RG-716	GEAR—Recorder assembly less cutting arm and cartridge.
FI	RP-2013	PLATE—Motor mounting plate.	.60	(7)	RS-876	SCREW—Crystal needle screw.
				(4)	RS-4029	SPRING—Crystal tension spring.

**GENERAL ELECTRIC CO.**  
**TROUBLE SHOOTING REFERENCE CHART**

MODELS 60, 80  
MODEL JM-1C

SYMPTOM	CHECK
1. Mechanism is slow in starting, or motor overheats	a. Lubrication b. For too high or low line voltage c. For motor winding damage
2. Motor is slow starting	a. Lubrication. Old or gummy oil b. Changer may be in too cold place. Give chance to warm before trying other checks
3. Changer is noisy when in cycle	a. Lubrication. Check if any part is loose or bent and is rubbing against moving part
4. Changer fails to trip after playing record while set on "A" automatic	a. Adjustments Nos. 2, 8
5. Changer fails to trip when push button is pressed (pointer set on "A")	a. Adjustment No. 2 b. Switch assembly (FL) for obstruction or a bent or loose part
6. Trips too soon or before record has finished playing	a. Adjustment No. 2 b. For not enough clutch action. Bend forked release lever (ET) slightly to increase
7. Tone arm lifts immediately without playing record or continues cycling	a. Adjustment No. 2 b. For proper operation cam latch and trigger assembly (AD)
8. Tone arm lifts but does not swing out properly	a. Adjustment No. 13
9. Tone arm falls off record or misses record completely	a. Adjustments Nos. 1, 12 b. For too much clearance between cork clutch disc and tone arm switch bracket (FY). Adjust by means of the thumb nut (EL), turn counterclockwise
10. Tone arm slides in several grooves on record	a. Adjustments Nos. 9, 10
11. Tone arm fails to pull in first groove on record properly	a. Adjustment No. 9
12. Tone arm lands too far in or out on record	a. Adjustment No. 1 b. For loose or bent parts
13. Tone arm lands in middle of record	a. Adjustment No. 9
14. Tone arm fails to clear stack of sixteen 10-inch records	a. Adjustment No. 11
15. Tone arm lands for 10-inch record when playing a 12-inch record	a. Adjustments Nos. 5, 6
16. Changer cycles with pointer set on "M" for manual operation	a. Adjustment No. 2 b. For loose setscrew in knob (AI) c. That manual latch (FR) holds trip link rod (FS) from moving
17. Changer jams and stops	a. Adjustments Nos. 7, 14
18. Record jams	a. For off-size record or defective edge b. Adjustment No. 3
19. 12-inch record is not dropped by one of shelves	a. Adjustment No. 5
20. One or more shelves drop 2 records at a time	a. Adjustment No. 3
21. Changer fails to turn off automatically after last record is played	a. Adjustments Nos. 4, 9, 14
22. Records drop unevenly from shelf plates to turntable	a. Adjustment No. 7
23. Tone arm varies when set down on record	a. For loose tone arm shaft head on shaft (FX) b. Adjustment No. 9
24. "WOW" in record reproduction	a. For warped or defective records b. For bent motor mounting plate (FI) c. For motor shaft out of alignment with turntable shaft
25. Record is driven but not heard or not heard with proper volume	a. That pickup cord is plugged in b. Amplifier and speaker connections c. For open pickup crystal
26. Noisy or intermittent noise from speaker during change cycle	For dust particles or grease on silencing switch contacts This switch is mounted on the power switch assembly (FL)



GENERAL ELECTRIC CO.

MODELS X-105A, X-105V  
MODEL X-105VB

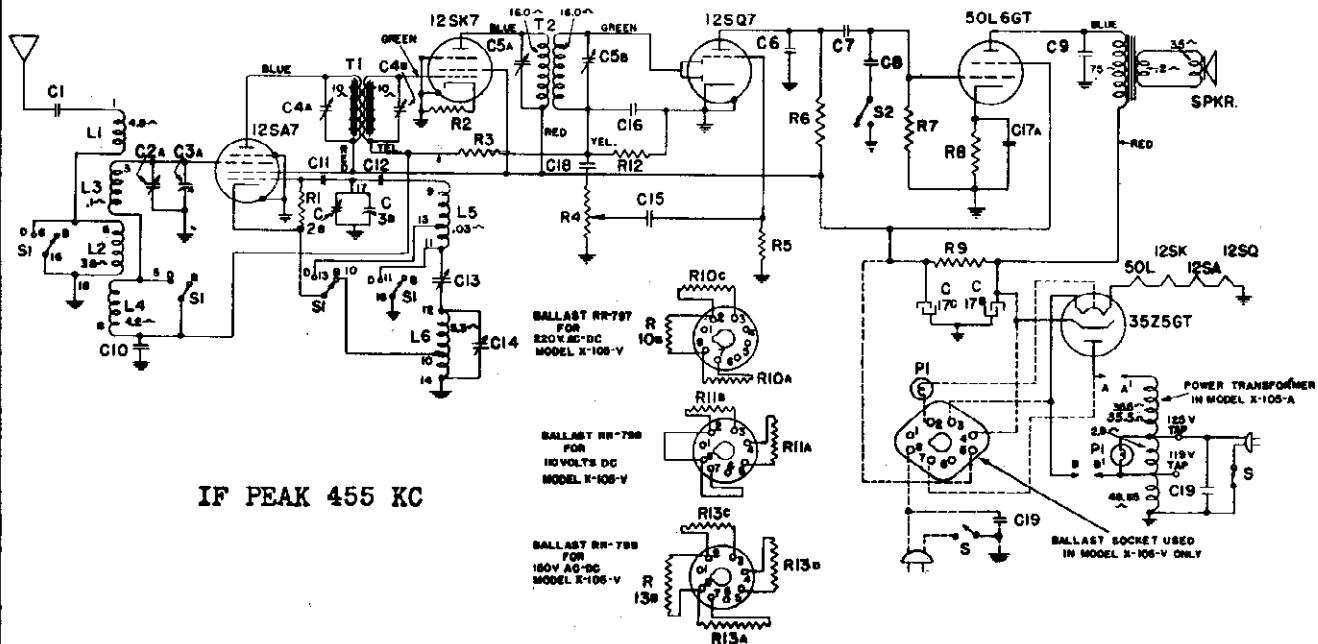


Fig. 1. Schematic Diagram Models X-105A and X-105V

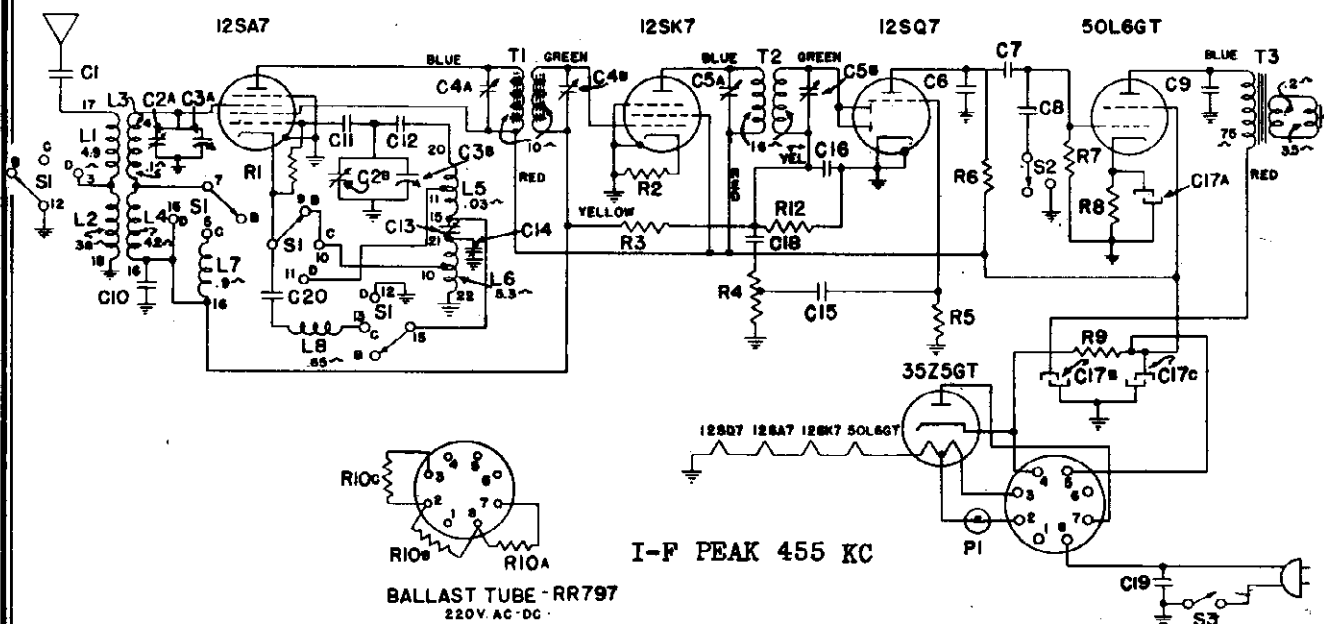
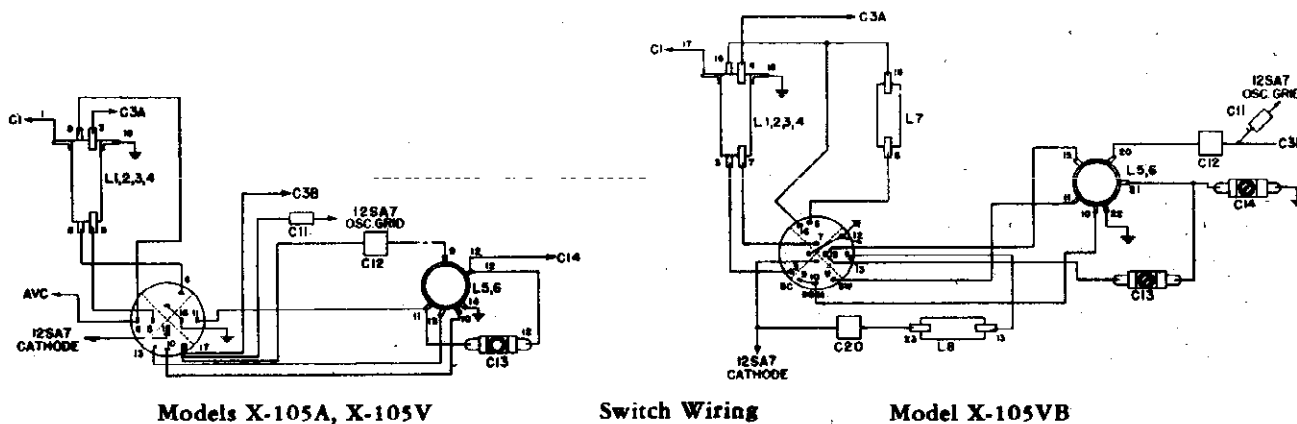
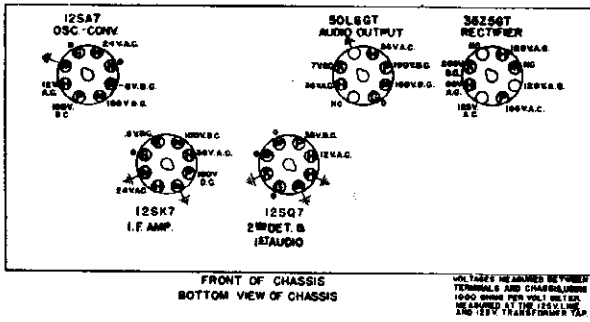


Fig. 2. Schematic Diagram Model X-105VB

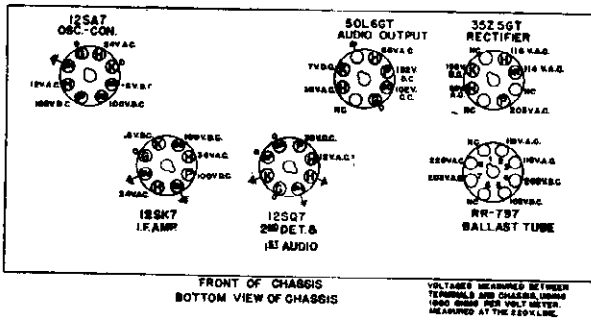


MODELS X-105A, X-105V  
MODEL X-105VB

GENERAL ELECTRIC CO.



Model X-105A



Models X-105V, X-105VB

ALIGNMENT PROCEDURE  
ALL MODELS

The alignment procedure, shown in table form, is made with the chassis removed from the cabinet.

Since the dial scale is not a part of the main chassis, it is necessary to use the special alignment scale glued to the back side of dial scale reflector plate. Use can then be made of the rear pointer guide as the tuning reference pointer. Before making the alignment, close the condenser plates completely. Then viewed from the rear, the pointer should be slid along the cord until the left hand edge of the pointer slide corresponds to the first mark on the right side of the rear scale. After making the alignment on this basis, it may be found after reassembly in the cabinet that the gang closed position of the pointer does not correspond to the first mark on the dial. If this is the case, slide the pointer on the drive cord until it is directly behind the first mark on the dial. This will make the calibration correct without further alignment.

Output meter alignment is preferable and the meter may be connected across the voice coil leads, then turn volume control partially up. Keep the signal input as low as possible to avoid AVC action.

The special band on the Model X-105VB does not require alignment.

ALIGNMENT CHART

Step	Test—Osc. Connect to	Osc. Output Frequency	Pointer Setting	Tune Trimmer for Max. Output
1	12SK7 IF Grid in Series with .05 mfd.	455 KC	Standard Band 550 KC	C3A C3B
2	12SA7 Grid in Series with .05 mfd.	455 KC	Standard Band 550 KC	C4A C4B
3	Ant. Post in Series with 200 mmf. and 400 ohms	18.0 MC	Short-wave Band 18.0 MC	(C2B) Osc.* (C2A) Ant.**
4	Ant. Post in Series with 200 mmf. and 400 ohms	580 KC	Standard Band 580 KC	C13**
5	Ant. Post in Series with 200 mmf. and 400 ohms	1500 KC	Standard Band 1500 KC	C14**

\* Use minimum capacity peak.  
\*\* Rock gang condenser for optimum peak.

PARTS LIST ALL MODELS

Stock No.	Symbol	Description
*RC-039	C-1	CAPACITOR—.01 Mfd., 600 V. paper
RC-7055	C-2a, 2b, 3a, 3b	CONDENSER Tuning condenser and trimmers
*RC-293	C-6	CAPACITOR—.470 mmf., mica
*RC-039	C-7	CAPACITOR—.01 Mfd., 600 V. paper
*RC-011	C-8	CAPACITOR—.002 Mfd., 600 V. paper
*RC-193	C-9	CAPACITOR—.008 Mfd., 600 V. paper
*RC-072	C-10	CAPACITOR—.05 Mfd., 200 V. paper
*RC-216	C-11	CAPACITOR—.47 mmf., mica
*RC-365	C-12	CAPACITOR—2800 mmf., mica
*RC-6550	C-13	CAPACITOR—640-790 mmf., "BC" padler
*RC-8537	C-14	CAPACITOR—2-18 mmf., "B" oscillator trimmer
*RC-039	C-15	CAPACITOR—.01 Mfd., 600 V. paper
*RC-274	C-16	CAPACITOR—330 mmf., mica
	C-17a	CAPACITOR—20 Mfd., 25 V. dry electrolytic
RC-5190	C-17b	CAPACITOR—40 Mfd., 250 V. dry electrolytic
	C-17c	CAPACITOR—30 Mfd., 250 V. dry electrolytic
*RC-023	C-18	CAPACITOR—.005 Mfd., 600 V. paper
*RC-116	C-19	CAPACITOR—.02 Mfd., line capacitor
*RC-357	C-20	CAPACITOR—3600 mmf., mica (Model X-105VB)
*RQ-1295	R-1	RESISTOR—33,000 ohm, 1/4 W. carbon
*RQ-1227	R-2	RESISTOR—47 ohm, 1/4 W. carbon
*RQ-1343	R-3	RESISTOR—3.3 megohm, 1/4 W. carbon
*RV-126	R-4	VOLUME CONTROL—2.0 megohm control
*RQ-1349	R-5	RESISTOR—3.6 megohm, 1/4 W. carbon
*RQ-1323	R-6, -7	RESISTOR—470,000 ohm, 1/4 W. carbon
*RQ-1239	R-8	RESISTOR—150 ohm, 1/4 W. carbon
*RQ-768	R-9	RESISTOR—3300 ohm, 3 W. carbon
RR-797	R-10a, 10b, 10c	RESISTOR—220 V. ballast tube
RR-798	R-11a, 11b	RESISTOR—110 V. ballast tube
*RQ-1323	R-12	RESISTOR—470,000 ohm, 1/4 W. carbon
RR-799	R-13a, b, c, d	RESISTOR—150 V. ballast tube

ALL MODELS

SPECIAL SERVICE INFORMATION

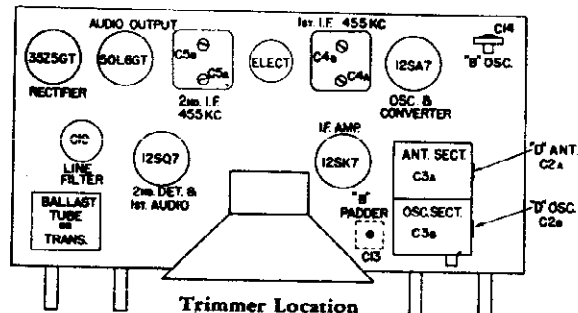
The following information will be very useful in servicing receivers if a vacuum tube voltmeter or similar voltage measuring instrument is available.

- Stage Gains
  - Antenna Post to Converter Grid at:
    - 1000 KC.....7.6
    - 3000 KC.....2.4
    - 18000 KC.....2.7
  - IF on Converter Grid to IF on 12SK7 Grid:
    - 455 KC.....87
  - IF Amplifier Grid to Diode Plates:
    - 455 KC.....66
- Voltage across the diode load to give 1/2-volt speaker output at 400 cycles—.06 volts
- DC voltage developed across oscillator grid resistor (R1) at:
  - 1000 KC.....6.8 volts
  - 3000 KC.....6.0 volts
  - 18000 KC.....8.0 volts

Load-speaker

The voice coil is accurately and permanently centered at the factory and should seldom give trouble. In case a voice coil needs recentering, it will be necessary to replace the entire cone and voice coil assembly. Assembly instructions accompany each replacement cone.

NOTE: In no case should the magnet be removed from the assembly position as it will lose magnetism.



Trimmer Location

ALL MODELS

MODELS LFC-115, LFC-116  
**GENERAL ELECTRIC CO. MODELS LFC-1118, LFC-1128,**  
 LFC-1228

**SUPPLEMENTARY TECHNICAL INFORMATION**

**MANUAL TUNING ASSEMBLY**

**Lock-in Dial Drive**

This assembly is added to late production receivers to facilitate easier tuning particularly on the short-wave band. On early production receivers, on which a direct pressure drive was used, this drive may be installed, in most cases without removing the chassis from the cabinet. Fig. 1 shows the parts used in making up this assembly.

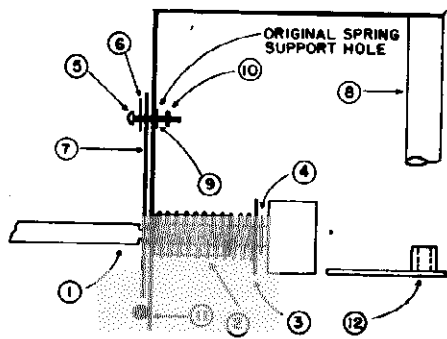


Fig. 1. Lock-in Dial Drive Assembly

The component parts are: (1) Tuning shaft, (2) Coil spring, (3) 3/4-inch O.D. Washer, (4) 7/16-inch O.D. Washer, (5) 4-40 5/16-inch screw, (6) Spring mounting lug, (7) Spring cotter, (8) Condenser gang dial drive support post, (9) Lock washer, (10) 4 40 Hex. nut, (11) Gang condenser bracket, (12) Drive wheel.

When it is desired to add this assembly to an early receiver, it will be found helpful if the following steps are observed:

- A—Remove Pt. 12 and original drive shaft (1).
- B—Assemble parts shown, Fig. 1—Grease Pt. (4) and shaft where it passes through bushing and spring cotter.
- C—Assemble short end cotter for clearance of wire welded to bracket.
- D—Finger tighten nut (10) placing spring mounting lug (6) in vertical position.
- E—Connect original spring between drive assembly (12) and new spring mounting lug (6).
- F—Bend post (8) if necessary to allow approximately 1/8 inch clearance, between rubber drive and part (12)—Bend in direction of arrow to increase clearance.

G—Reassemble part (12) and end supporting bracket.  
 H—Solder nut (10) to screw (5) to prevent nut coming off after assembly or apply cement (Glyptal or equivalent) for same purpose. **DO NOT TIGHTEN NUT (10) WITH A WRENCH. TIGHTEN ONLY LIGHTLY WITH FINGERS.**

To engage the tuning control for manual tuning, press inward firmly while rotating the control counterclockwise, then clockwise until the holding clip releases which will be evidenced by a slight "click." The tuning control will now remain engaged and need merely be rotated in either direction until the desired station is tuned in.

To use the Touch Tuning keys the control is disengaged by pulling out on it until a "click" is heard signifying that the spring cotter has engaged. The Touch Tuning keys may now be used in the usual manner.

**ELECTRICAL CIRCUIT CHANGES**

The 820,000-ohm resistor, R58, connected between terminal 7 on band change switch wafer S2 and junction of R26 and R31, has been removed.

Band change switch wafer S4 has been replaced by an entirely new wafer. Contact 6, on this wafer, is connected to the screen of the 6SH7 1st limiter tube, instead of being grounded as originally shown. This serves the purpose of shorting out the screen during all but FM reception. Contact 7 has been grounded instead of being connected to the 2nd 6SG7 cathode. Contact 8 has been added and is connected to the 2nd 6SG7 cathode.

If replacement of the switch is necessary, it is recommended that the changer indicated be made at the same time. Should it be found desirable to make these changes without replacing the entire switch assembly, a new wafer S4 may be ordered. (See parts list.)

Tubular capacitor C42 may be changed from 0.004 mfd. to 0.003 mfd. and capacitor C54 may be changed from 47 mfd. mica to 0.01 mfd. paper.

**ALIGNMENT DATA**

In Table III of the original service notes, it was indicated in Step 5, that the Input Signal be fed directly to the "FM" antenna post. It is recommended that this be changed and that the Signal Generator be capacitively coupled to the built-in dipole. This is accomplished by connecting a lead to the output "high" part of the Signal Generator and running it near the built-in dipole. Trimmer C1 should then be peaked for maximum output.

An "FM" broadcast station may be used for this adjustment provided its frequency is near 40 MC (not over 47 MC and not under 45 MC) and provided its signal input is so low that the limiter circuit remains inoperative.

Note: The squelch circuit must be inoperative while these adjustments are being made.

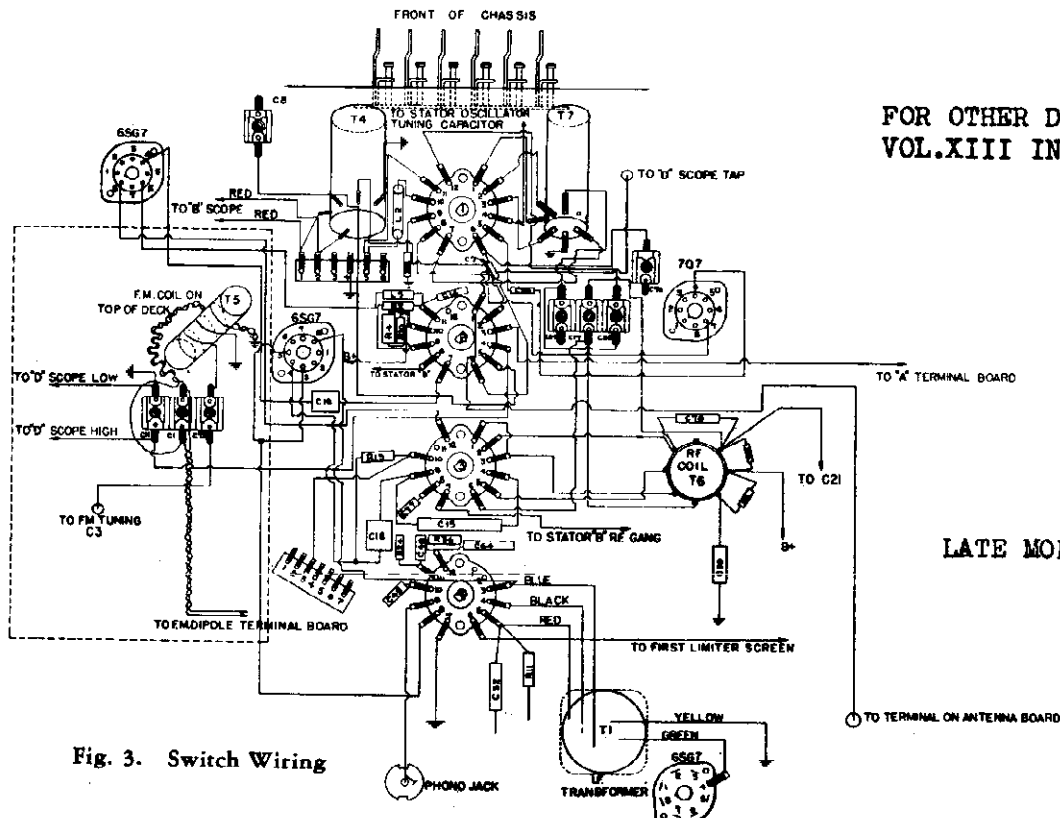


Fig. 3. Switch Wiring

FOR OTHER DATA, SEE  
 VOL. XIII INDEX

LATE MODEL

MODEL HM-171  
MODEL HM-185

GENERAL ELECTRIC CO.

**TELEVISION RECEIVERS**  
**(REVISED FOR NEW STANDARDS)**  
CHANGES IN THE SCHEMATIC DIAGRAM

FOR ORIGINAL DATA  
SEE VOL. XI INDEX

- 1- A RESISTOR OF 4700 OHMS IS CONNECTED ACROSS THE PRIMARY OF THE I.F. TRANSFORMER T7.
- 2- THE RESISTOR R123 IS CHANGED FROM 3900 TO 4700 OHMS.
- 3- A RESISTOR OF 4700 OHMS IS CONNECTED ACROSS THE PRIMARY OF THE I.F. TRANSFORMER T6.
- 4- A RESISTOR OF 220,000 OHMS IS CONNECTED BETWEEN THE JUNCTION OF R145 AND R146 AND GROUND.
- 5- A RESISTOR OF 330 OHMS IS INSERTED IN THE CONTROL GRID LEAD OF THE PICTURE TUBE.

REVISED TELEVISION ALIGNMENT PROCEDURE

The problem of aligning the several circuits in a television receiver is much more involved and requires more specialized equipment than the alignment of conventional radio receivers. Fortunately, the use of stable components in carefully engineered circuits of wide-band characteristic reduces to a minimum the necessity for alignment under normal operating conditions. Should alignment become necessary the following equipment will be needed:

- (A) For Video I. F. Alignment
- (1) Cathode ray oscilloscope.
  - (2) Wide-band sweep oscillator capable of sweeping from 7.5 to 15 MC.
  - (3) Marker system either provided in sweep oscillator or from separate signal generator for locating 12.75 and 10.75 MC points.
- (B) Sound I.F. Alignment

- (1) Cathode ray oscilloscope.
  - (2) Wide-band sweep oscillator capable of sweeping from 7.75 to 8.75 MC.
  - (3) Marker system either provided in sweep oscillator or from separate signal generator for locating 8.15 and 8.35 MC points.
- (C) R.F. Alignment
- (1) Cathode ray oscilloscope
  - (2) Wide-band sweep oscillator capable of sweeping the following bands:
    - (a) 50 to 56 MC
    - (b) 60 to 66 MC
    - (c) 66 to 72 MC
    - \* (d) 78 to 84 MC

\* Those receivers which were aligned at the factory for Band No. 4 must use this r-f sweep frequency.

VIDEO I.F. ALIGNMENT

Input Freq.	Point of Input	Adjustments	Comments
1.			Connect vertical input cable of cathode ray oscilloscope across resistor R-182 of 6F8G video detector.
2. 7.5-15 MC Sweep	Control grid of 6AB7 (2nd video I.F.)		Connect output tap of video I.F. sweep oscillator to control grid of 6AB7 (2nd video I.F.). Connect ground lead to chassis. Turn contrast control (R-108) to about half of maximum or to a point which gives satisfactory vertical deflection without overloading. Set horizontal centering and gain controls on oscilloscope to give suitable horizontal deflection. Adjust sweep phase to give curve similar to Fig. 7, curve 1.

NOTE: If sweep oscillator has marker points internally supplied, steps 3 and 4 may be omitted.

Signal Input	Point of Input	Adjustments	Comments
3. Same as in No. 2 plus 12.75 MC	Same as in No. 2		Superimpose an accurately calibrated 12.75 MC signal in parallel with sweep signal. Signal will appear on sweep curve in oscilloscope as a wiggle, the center of which is a thin black line. With a pen or crayon mark this point on the screen of the oscilloscope. (NOTE: Hereafter the horizontal controls on the oscilloscope must not be touched.)
4. Same as in No. 2 plus 10.75 MC	Same as in No. 2		Superimpose an accurately calibrated 10.75 MC signal in parallel with sweep signal. Mark screen at point where signal appears on curve as in No. 3 above.
5. 7.5-15 MC Sweep	Control grid 6AC7 (4th video IF)	Iron cores of detector transformer T-6	Do not touch horizontal controls of oscilloscope. Adjust iron cores of T-6 until curve appears similar to Fig. 7, curve 1, with relatively flat top, 12.75 MC mark at corner of one side and 10.75 MC mark at corner of other side. These conditions plus maximum amplitude insure correct alignment.
6. 7.5-15 MC Sweep	Control grid 6AB7-3rd video IF	Iron cores of 4th video transformer T-5	Adjust iron cores for maximum gain, flatness and proper centering between markers as described in step No. 5 and illustrated in Fig. 7, curve 1.
7. 7.5-15 MC Sweep	Control grid 6AB7 (2nd video IF)	Iron cores of 3rd video transformer T-4	Adjust primary and secondary iron cores for maximum gain, flatness and proper centering. See Fig. 7, curve 1.
8. 7.5-15 MC Sweep	Converter grid, 6F8G	Iron cores of 2nd video transformer T-3 & 1st video transformer T-2	Connect low tap to grid (on top of tube). Adjust primary and secondary iron cores for maximum gain, flatness and proper centering. See Fig. 7, curve 1.
9. 14.25 MC	Converter grid, 6F8G	Series iron core of 3rd video transformer T-4	Connect low tap to grid. Reduce horizontal gain to minimum. Adjust iron core for minimum line length.



## GENERAL ELECTRIC CO.

## REVISED TELEVISION ALIGNMENT PROCEDURE CONT.

## AUDIO I.F. ALIGNMENT

NOTE: In order to obtain frequency modulation detection in the sound channel with good fidelity, the audio I.F. amplifiers must be aligned to give a satisfactory selectivity curve for slope detection. For this reason a sweep generator and oscilloscope are necessary to obtain the resultant curve shown in Fig. 7, curve 3.

Signal Input	Point of Input	Adjustments	Comments
1. 8.25 MC with 30% tone modulation	6F8G converter grid	Tune all audio I.F. iron cores	Use an oscilloscope or high resistance voltmeter across —audio output terminals of HM171 or volume control, R126, of the Model HM185. Set tone control for maximum high frequency response. Peak all trimmers for a maximum output.
2. 7.75 to 8.75 MC sweep	Grid of 2nd audio I.F., 6SK7		Connect oscilloscope input to chassis ground and junction of resistors (R204 and R125 in HM-171) (R125 and R190 in HM185) at diode load. Superimpose an accurately calibrated 8.15 MC signal in parallel with sweep signal. This signal will appear on sweep curve in oscilloscope as a wiggle at the center of which a mark should be made with pen or crayon on oscilloscope screen. (Hereafter the horizontal controls on the oscilloscope must not be adjusted.) Next an 8.35 MC signal mark should similarly be made.

NOTE: If sweep oscillator has marker points internally supplied, omit step 2.

3. 7.75 to 8.75 MC sweep	Converter grid 6F8G	Adjust iron cores of 1st audio I.F. coil L12 and the 2nd audio I.F. transformer T-9	With oscilloscope connected as in step 2, adjust cores until curve appears as in Fig. 7, curve 3 being sure that the steep side of curve lies between the 8.15 and 8.35 MC markers as indicated. NOTE: The shape of the curve between 8.15 and 8.35 MC must be straight, otherwise distortion will result in FM reception.
--------------------------	---------------------	---	--

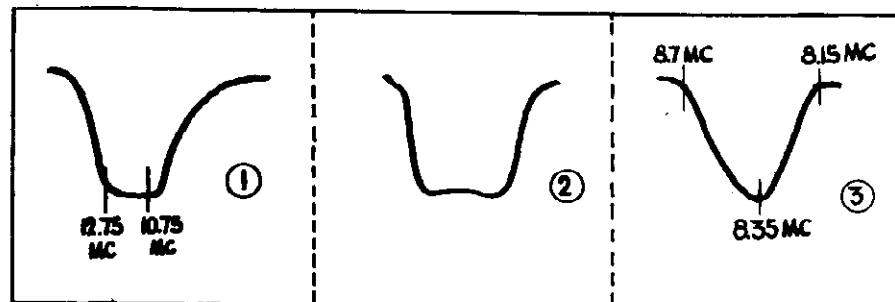


Fig. 7. Television Alignment Curves

TELEVISION ALIGNMENT PROCEDURE  
R.F. ALIGNMENT

Signal Input	Point of Input	Adjustments	Comments
1.		Band width adjustment coupling condenser	Turn C-78 in until tight, then open approximately 1/16 of a turn.
2. 50 to 56 MC Sweep	Antenna terminals	(L-8), (C-70), (C-67)	Connect oscilloscope to junction R124 and C25; open circuit R178, short R102 to ground. Depress No. 1 push button. Set tuning control to mid-rotation. Adjust L-8 until curve is centered between maximum horizontal sweep points. Adjust C-70 and C-67 for maximum amplitude. See Fig. 7, curve 2.
3. 60 to 66 MC Sweep	Antenna terminals	(L-9), (C-71), (C-68)	Depress No. 2 push button. Leave tuning control at mid-rotation point. Adjust L-9 for centering; C-71 and C-68 for maximum amplitude. See Fig. 7, curve 2.
4. 66 to 72 MC Sweep*	Antenna terminals	(L-10), (C-72), (C-69)	Depress No. 3 push button. Adjust L-10 for centering; C-72; C-69 for maximum amplitude. See Fig. 7, curve 2.
5. Calibrated signal generator 65.75 MC, 65.75 MC, 71.75 MC** with 30% tone modulation.	Antenna terminals	(L8), (L9), (L10)	To align oscillator for various bands, set tuning control (C-3) at mid-rotation; then set brass slugs of coils L8, L9, L10 until maximum audio tone is heard.

\* In some localities this sweep will be 78 to 84 megacycles.

\*\* 83.75 Megacycles when Band No. 4 is set up on the No. 3 key.

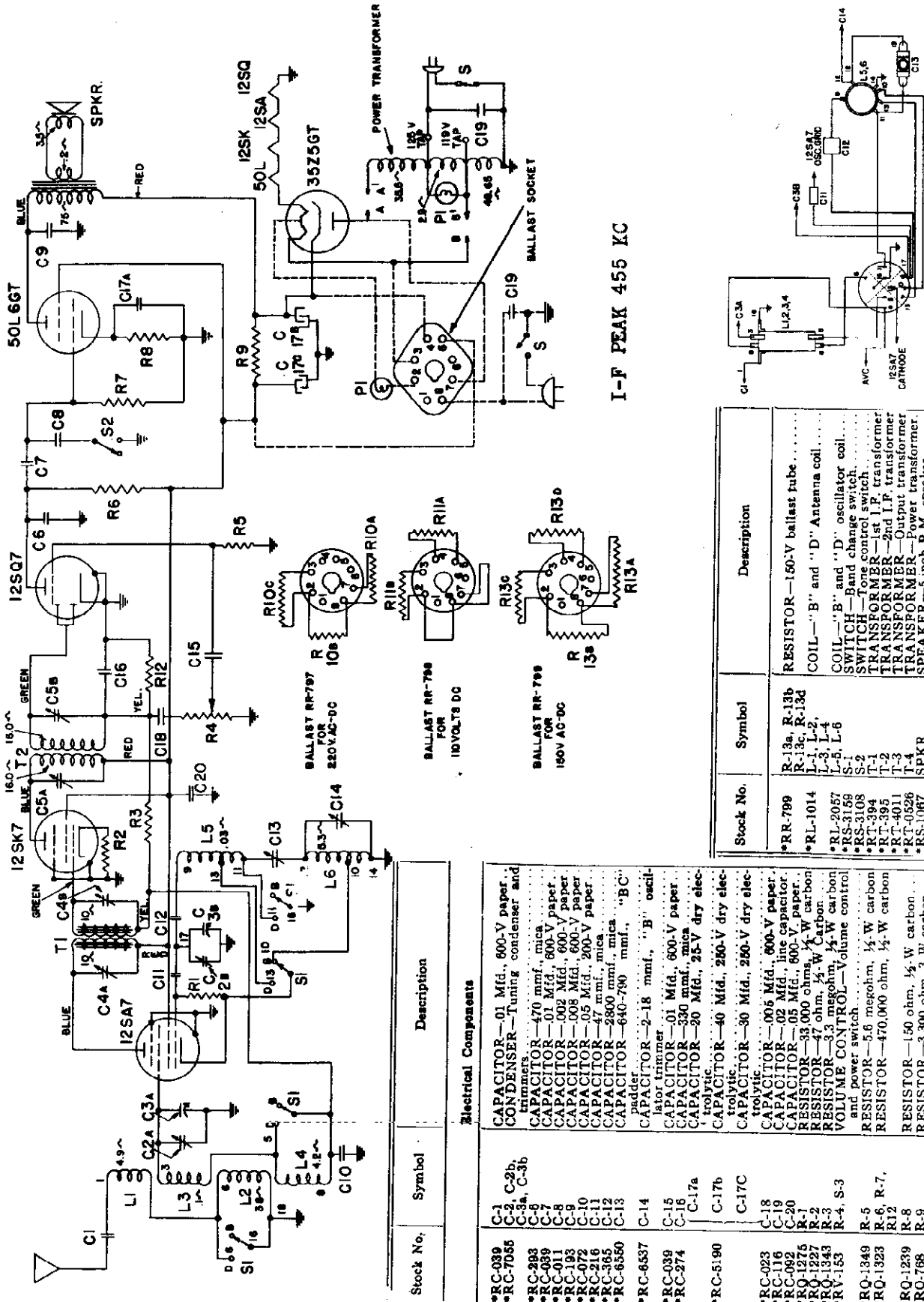
## WAVE TRAP ALIGNMENT

1. 11.75 MC with 400 cycle modulation	Antenna terminals	Wave trap trimmer, C-95	Adjust for minimum signal response as seen on oscilloscope after connections made in Step 2 are re-established; then connect oscilloscope across R182.
---------------------------------------	-------------------	-------------------------	--

OTHER SERVICE DATA SAME AS IN EARLY MODEL

MODEL X-225A  
MODEL X-225V

GENERAL ELECTRIC CO.



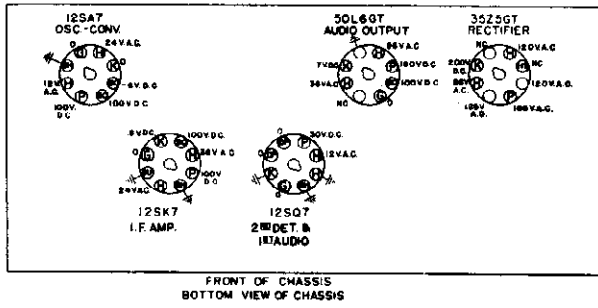
I-F PEAK 455 KC

Stock No.	Symbol	Description
*RR-799	R-13a, R-13b	RESISTOR—150-V ballast tube
*RL-1014	R-1, L-2, L-3, L-4	COIL—"B" and "D" Antenna coil
*RL-2057	L-5, L-6	COIL—"B" and "D" oscillator coil
*RS-3159	S-1	SWITCH—Band change switch
*RS-3108	S-2	SWITCH—Tone control switch
*RT-394	T-1	TRANSFORMER—1st I.F. transformer
*RT-395	T-2	TRANSFORMER—2nd I.F. transformer
*RT-4011	T-3	TRANSFORMER—Output transformer
*RT-0526	T-4	TRANSFORMER—Power transformer
*RS-1067	SPKR	SPEAKER—5-inch P. M. speaker

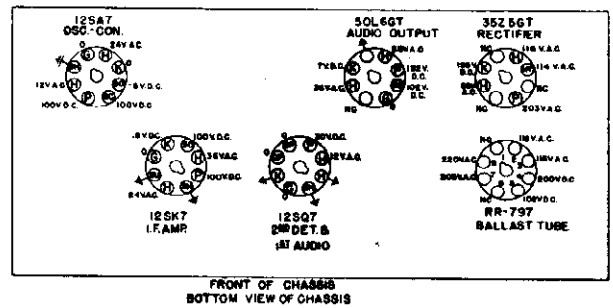
Stock No.	Symbol	Description
*RC-039	C-1	CAPACITOR—01 Mfd., 600-V paper, trimmers
*RC-17055	C-2, C-2b, C-3a, C-3b	CONDENSER—Tuning condenser and trimmers
*RC-093	C-7	CAPACITOR—470 mmf., mica
*RC-059	C-8	CAPACITOR—01 Mfd., 600-V paper
*RC-011	C-9	CAPACITOR—002 Mfd., 600-V paper
*RC-193	C-10	CAPACITOR—008 Mfd., 600-V paper
*RC-072	C-11	CAPACITOR—05 Mfd., 200-V paper
*RC-216	C-12	CAPACITOR—47 mmf., mica
*RC-365	C-13	CAPACITOR—2800 mmf., mica
*RC-6350	C-13	CAPACITOR—640-790 mmf., "BC" padder
*RC-6537	C-14	CAPACITOR—2-18 mmf., "B" oscillator trimmer
*RC-039	C-15	CAPACITOR—01 Mfd., 600-V paper
*RC-374	C-16	CAPACITOR—330 mmf., mica
*RC-5190	C-17a, C-17b, C-17c	CAPACITOR—20 Mfd., 25-V dry electrolytic; 40 Mfd., 250-V dry electrolytic; 30 Mfd., 250-V dry electrolytic
*RC-023	C-18	CAPACITOR—005 Mfd., 600-V paper
*RC-116	C-19	CAPACITOR—02 Mfd., line capacitor
*RC-092	C-20	CAPACITOR—05 Mfd., 600-V paper
*RQ-1275	R-1	RESISTOR—33,000 ohms, 1/4-W carbon
*RQ-1227	R-2	RESISTOR—47 ohms, 1/4-W carbon
*RV-153	R-3	VOLUME CONTROL—Volume control and power switch
*RQ-1349	R-5	RESISTOR—5.6 megohm, 1/4-W carbon
*RQ-1323	R-6, R-7, R-8	RESISTOR—470,000 ohm, 1/4-W carbon
*RQ-1299	R-10	RESISTOR—150 ohm, 1/4-W carbon
*RQ-768	R-9	RESISTOR—3,300 ohm, 3-W carbon
*RR-797	R-10a, R-10b, R-10c	RESISTOR—220-V ballast tube
*RR-795	R-11a, R-11b	RESISTOR—110-V ballast tube

GENERAL ELECTRIC CO.

MODEL X-225A  
MODEL X-225V



Model X-225A



Model X-225V

SERVICE DATA FOR BOTH MODELS

Power Supply

Model X-225A transformer has two primary voltage taps which allow operation at the voltages shown on the label. This receiver is connected at the factory to operate on the 125-volt tap (black and red). In localities where the line voltage does not exceed 120 volts, the transformer may be connected to use the 120-volt tap (black and yellow).

The Model X-225V is designed for use with the 220-volt ballast resistor RR-797 so that it may be operated from either an AC or DC power supply. However, this receiver can be converted to operate on the following line voltages as follows:

150-volt AC/DC (range 135-165 volts)

Remove ballast tube RR-797 from socket and substitute ballast tube resistor RR-799.

110-volt DC (range 100-120 volts)

Remove ballast tube RR-797 from socket and substitute ballast tube resistor RR-798.

When operated with these special ballast resistors and lower power supplies than 220 volts, the audio power output and socket voltages will be reduced.

ALIGNMENT PROCEDURE

The alignment procedure, shown in table form, is made with the chassis removed from the cabinet.

Since the dial scale is not a part of the main chassis, it is necessary to use the special alignment scale glued to the back side of dial scale reflector plate. Use can then be made of the rear pointer guide as the tuning reference pointer. Before making the alignment, close the condenser plates completely. Then viewed from the rear, the pointer should be slid along the cord until the left-hand edge of the pointer slide corresponds to the first mark on the right side of the rear scale. After making the alignment on this basis, it may be found after reassembly in the cabinet that the gang closed position of the pointer does not correspond to the first mark on the dial. If this is the case, slide the pointer on the drive cord until it is directly behind the first mark on the dial. This will make the calibration correct without further alignment.

Output meter alignment is preferable and the meter may be connected across the voice coil leads, then turn volume control partially up. Keep the signal input as low as possible to avoid AVC action.

SPECIAL SERVICE INFORMATION

The following information will be very useful in servicing receivers if a vacuum tube voltmeter or similar voltage measuring instrument is available.

- (1) Stage Gains
  - (a) Antenna Post to Converter Grid at:
    - 1000 KC.....7.6
    - 3000 KC.....2.4
    - 18000 KC.....2.7
  - (b) IF on Converter Grid to IF on 12SK7 Grid:
    - 455 KC.....87
  - (c) IF Amplifier Grid to Diode Plates:
    - 455 KC.....66
- (2) Voltage across the diode load to give 1/2-volt speaker output at 400 cycles—.06 volts
- (3) DC voltage developed across oscillator grid resistor (R1) at:
  - 1000 KC.....6.8 volts
  - 3000 KC.....8.0 volts
  - 18000 KC.....8.0 volts

ALIGNMENT CHART

Step	Test—Osc. Connect to	Osc. Output Frequency	Pointer Setting	Tune Trimmer for Max. Output
1	12SK7 IF Grid in Series with .05 mfd.	455 KC	Standard Band 560 KC	C5A C5B
2	12SA7 Grid in Series with .05 mfd.	455 KC	Standard Band 560 KC	C4A C4B
3	Ant. Post in Series with 200 mmf. and 400 ohms	18.0 MC	Short-wave Band 18.0 MC	(C2B) Osc.* (C2A) Ant.**
4	Ant. Post in Series with 200 mmf. and 400 ohms	580 KC	Standard Band 580 KC	C13*
5	Ant. Post in Series with 200 mmf. and 400 ohms	1500 KC	Standard Band 1500 KC	C14**

\* Use minimum capacity peak.  
\*\* Rock gang condenser for optimum peak.

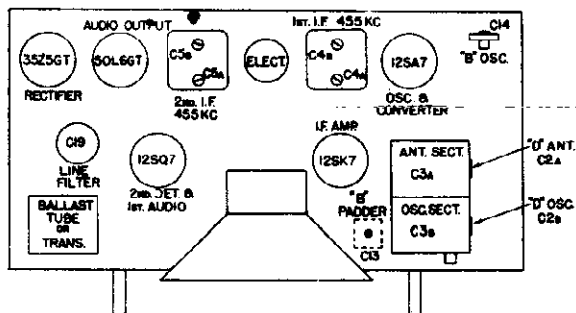


Fig. 3. Trimmer Location

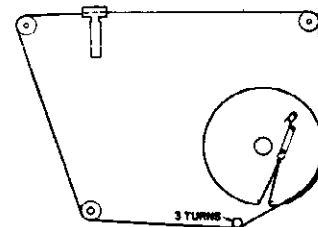


Fig. 4. Dial Stringing Diagram

MODEL HM-225B  
MODEL HM-226B

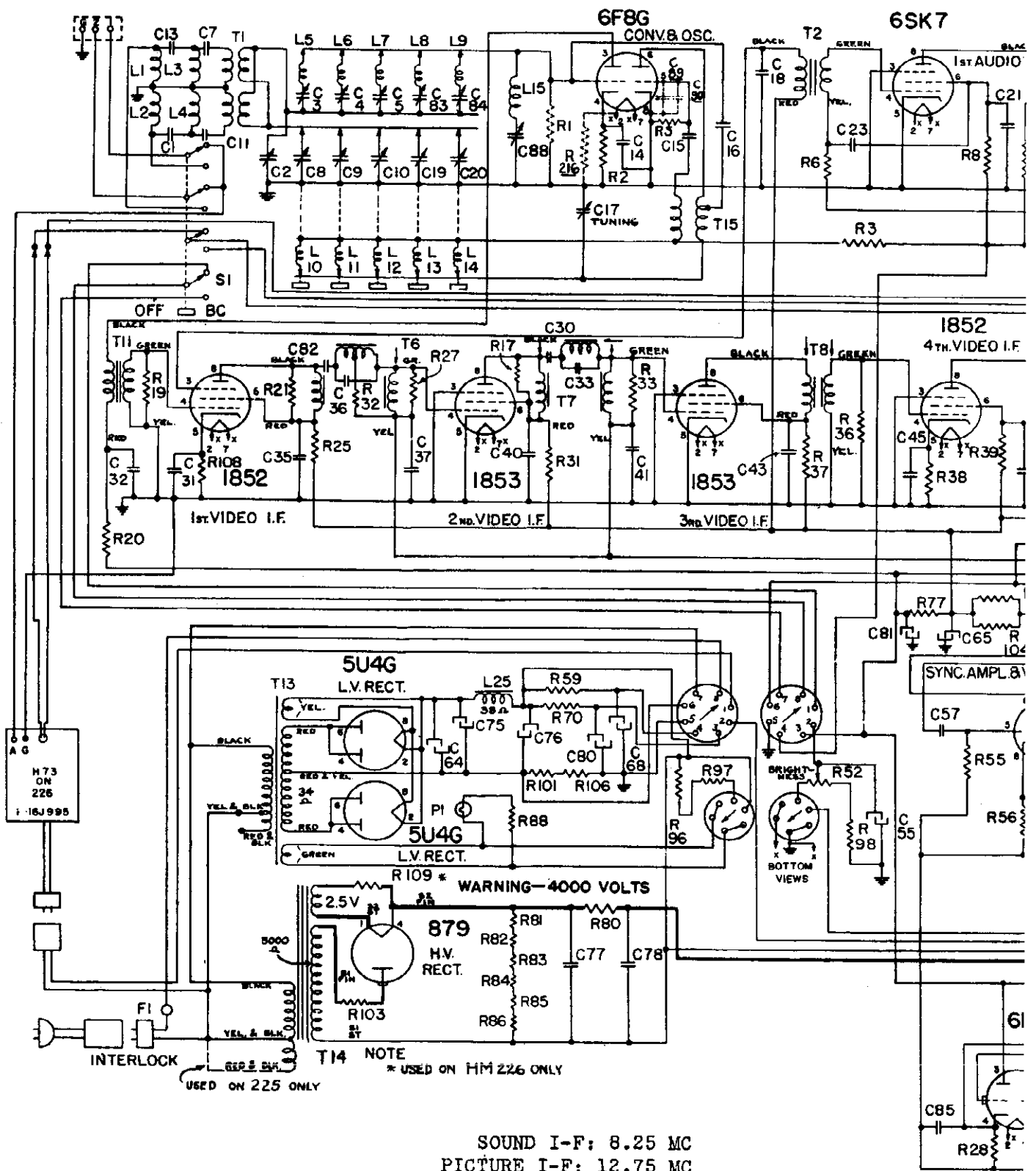
## GENERAL ELECTRIC CO.

## TELEVISION SCHEMATIC DIAGRAM

## PARTS DESCRIPTION LIST REVISED FOR NEW STANDARDS

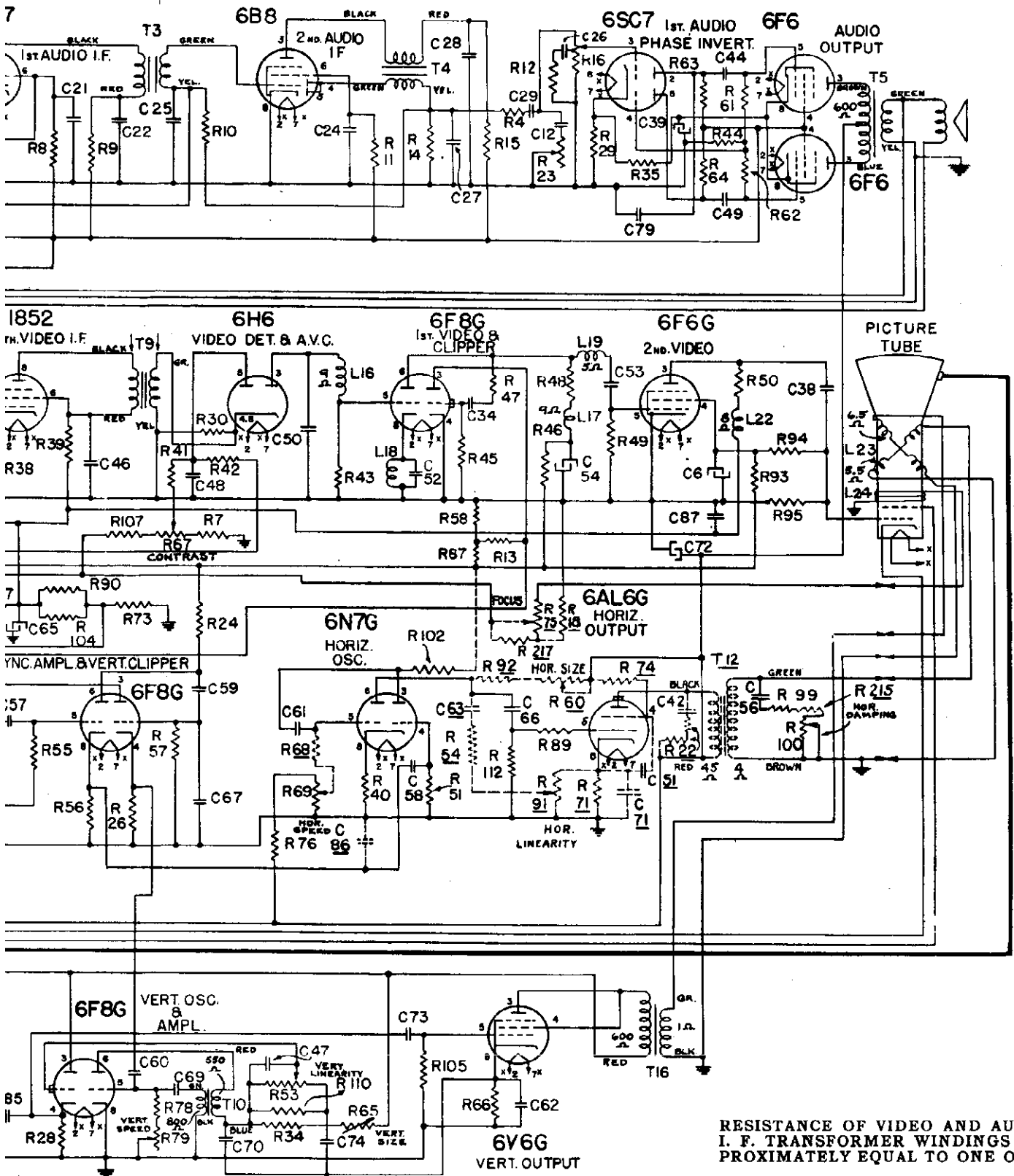
Models HM-225B and HM-226B

SYMBOL	DESCRIPTION	SYMBOL	DESCRIPTION	SYMBOL	DESCRIPTION
C-1	47 mmf. mica L.P.F. capacitor	C-81	20 mfd. 450 V. dry electrolytic (See C-6, 54)	R-53	2.0 megohms vertical linearity control
C-2	55-185 mmf. padder	C-82	330 mmf. mica L.P.F. capacitor	R-54	10,000 ohms carbon resistor
C-3	20-200 mmf. trimmer	C-83	20-200 mmf. trimmer	R-55	1.0 megohm carbon resistor
C-4	20-200 mmf. trimmer	C-84	20-200 mmf. trimmer	R-56	1,000 ohms carbon resistor
C-5	20-200 mmf. trimmer	C-85	.01 mfd. paper capacitor	R-57	2.2 megohm carbon resistor
C-6	10 mfd. 450 V. dry electrolytic (See C-54, 81)	C-86	.002 mfd. paper capacitor	R-58	10,000 ohms carbon resistor
C-7	82 mmf. mica L.P.F. capacitor	C-87	.25 mfd. paper capacitor	R-59	1,500 ohms 6 W. wire wound resistor (See R-101)
C-8	20-200 mmf. trimmer	C-88	20-200 mmf. trimmer	R-60	2 megohms horizontal size control
C-9	20-200 mmf. trimmer	C-89	7 mmf. Temp. compensating capacitor	R-61	220,000 ohms carbon resistor
C-10	2-12 mmf. trimmer	C-90	7 mmf. Temp. compensating capacitor	R-62	220,000 ohms carbon resistor
C-11	82 mmf. mica L.P.F. capacitor	L-1	Wave trap coil	R-63	220,000 ohms carbon resistor
C-12	.005 mfd. paper capacitor	L-2	Wave trap coil	R-64	220,000 ohms carbon resistor
C-13	47 mmf. mica L.P.F. capacitor	L-3	Wave trap coil	R-65	2.0 megohms vertical size control
C-14	.005 mfd. paper capacitor	L-4	Wave trap coil	R-66	820 ohms 1 W. carbon resistor
C-15	33 mmf. mica capacitor	L-5	R.F. coil band No. 1	R-67	10,000 ohms contrast control
C-16	4 mmf. mica L.P.F. capacitor	L-6	R.F. coil band No. 2	R-68	180,000 ohms carbon resistor
C-17	Air trimmer	L-7	R.F. coil band No. 3	R-69	100,000 ohms horizontal speed control
C-18	150 mmf. mica capacitor	L-8	R.F. coil band No. 4	R-70	400 ohms 17.9 W. wire wound resistor
C-19	2-12 mmf. trimmer	L-9	R.F. coil band No. 5	R-71	180 ohms 2 W. carbon resistor
C-20	2-12 mmf. trimmer	L-10	Osc. coil band No. 1	R-72	1,000 ohms carbon resistor
C-21	.005 mfd. paper capacitor	L-11	Osc. coil band No. 2	R-74	6,800 ohms 1 W. carbon resistor
C-22	.005 mfd. paper capacitor	L-12	Osc. coil band No. 3	R-75	200 ohms 2 W. focus control
C-23	.005 mfd. paper capacitor	L-13	Osc. coil band No. 4	R-76	1.0 megohm carbon resistor
C-24	.005 mfd. paper capacitor	L-14	Osc. coil band No. 5	R-77	700 ohms 7.4 W. wire wound resistor
C-25	.01 mfd. paper capacitor	L-15	Wave trap assembly	R-78	220,000 ohms carbon resistor
C-26	.005 mfd. paper capacitor	L-16	Video diode choke	R-79	500,000 ohms vertical speed control
C-27	150 mmf. mica capacitor	L-17	Video diode choke	R-80	470,000 ohms 1 W. carbon resistor
C-28	.005 mfd. paper capacitor	L-18	Video cathode choke	R-81	2.2 megohms 1 W. carbon resistor
C-29	.05 mfd. paper capacitor	L-19	Video choke	R-82	2.2 megohms 1 W. carbon resistor
C-30	330 mmf. mica capacitor	L-22	Video choke	R-83	2.2 megohms 1 W. carbon resistor
C-31	.005 mfd. paper capacitor	L-23	Deflection yoke coil	R-84	2.2 megohms 1 W. carbon resistor
C-32	.005 mfd. paper capacitor	L-24	Focus coil	R-85	2.2 megohms 1 W. carbon resistor
C-33	55 mmf. mica L.P.F. capacitor	L-25	Filter choke	R-86	2.2 megohms 1 W. carbon resistor
C-34	.02 mfd. paper capacitor	R-1	1 megohm carbon resistor	R-87	220,000 ohms 1/2 W. carbon resistor
C-35	.005 mfd. paper capacitor	R-2	2,200 ohms carbon resistor	R-88	33 ohms 1 W. wire wound resistor
C-36	33 mmf. mica L.P.F. capacitor	R-3	10,000 ohms 1 W. carbon resistor	R-89	330 ohms carbon resistor
C-37	.005 mfd. paper capacitor	R-4	47,000 ohms carbon resistor	R-90	33,000 ohms 2 W. carbon resistor
C-38	.005 mfd. paper capacitor	R-5	27,000 ohms carbon resistor	R-91	1,000 ohms horizontal linearity control
C-39	20 mfd. 25 V. dry electrolytic (See C-72)	R-6	1.0 megohm carbon resistor	R-92	220,000 ohms carbon resistor
C-40	.005 mfd. paper capacitor	R-7	1,000 ohms carbon resistor	R-93	39,000 ohms 1 W. carbon resistor
C-41	.005 mfd. paper capacitor	R-8	100,000 ohms carbon resistor	R-94	10 megohms carbon resistor
C-42	100 mmf. mica capacitor	R-9	2,200 ohms carbon resistor	R-95	2.2 megohms carbon resistor
C-43	.005 mfd. paper capacitor	R-10	1.0 megohm carbon resistor	R-96	6,800 ohms carbon resistor
C-44	.05 mfd. paper capacitor	R-11	220,000 ohms carbon resistor	R-97	22,000 ohms 1 W. carbon resistor
C-45	.005 mfd. paper capacitor	R-12	47,000 ohms carbon resistor	R-98	10,000 ohms carbon resistor
C-46	.005 mfd. paper capacitor	R-13	180,000 ohms carbon resistor	R-99	700 ohms 7.4 W. wire wound resistor
C-47	150 mmf. mica capacitor	R-14	100,000 ohms carbon resistor	R-100	400 ohms damping control
C-48	.05 mfd. paper capacitor	R-15	2,200 ohms carbon resistor	R-101	150 ohms 9 W. wire wound (See R-59)
C-49	.05 mfd. paper capacitor	R-16	500,000 ohms volume control	R-102	100,000 ohms carbon resistor
C-50	10 mmf. mica capacitor	R-17	2,200 ohms carbon resistor	R-103	100,000 ohms 1 W. carbon resistor
C-51	0.1 mfd. paper capacitor	R-18	150 ohms 7.4 W. wire wound resistor	R-104	33,000 ohms 2 W. carbon resistor
C-52	22 mmf. mica capacitor	R-19	1,500 ohms carbon resistor	R-105	470,000 ohms carbon resistor
C-53	0.5 mfd. paper capacitor	R-20	2,200 ohms carbon resistor	R-106	270 ohms 2 W. carbon resistor
C-54	5 mfd. 450 V. dry electrolytic (See C-6, 81)	R-21	2,700 ohms carbon resistor	R-107	10,000 ohms carbon resistor
C-55	5 mfd. 450 V. dry electrolytic (See C-65)	R-22	82,000 ohms 2 W. carbon resistor	R-108	220 ohms carbon resistor
C-56	.04 mfd. paper capacitor	R-23	500,000 ohms tone control	R-109	0.6 ohms carbon (2 in parallel—HM-226-7B only)
C-57	0.1 mfd. paper capacitor	R-24	10,000 ohms 1 W. carbon resistor	R-110	2.2 megohms carbon resistor
C-58	150 mmd. mica capacitor	R-25	2,200 ohms carbon resistor	R-112	470,000 ohms carbon resistor
C-59	.05 mfd. paper capacitor	R-26	10,000 ohms carbon resistor	R-215	240 ohms 2 W. carbon resistor
C-60	.002 mfd. paper capacitor	R-27	2,700 ohms carbon resistor	R-216	47 ohms 1 W. insulated W.W. resistor
C-61	470 mmf. mica capacitor	R-28	47,000 ohms carbon resistor	R-217	180 ohms 1 W. carbon resistor
C-62	40 mfd. 25 V. dry electrolytic	R-29	15 ohms wire wound resistor	T-1	Antenna transformer
C-63	470 mmf. mica capacitor	R-30	3,300 ohms carbon resistor	T-2	1st audio I.F. transformer
C-64	30 mfd. 450 V. wet electrolytic	R-31	2,200 ohms carbon resistor	T-3	2nd audio I.F. transformer
C-65	30 mfd. 450 V. dry electrolytic (See C-55)	R-32	6,800 ohms carbon resistor	T-4	3rd audio I.F. transformer
C-66	.06 mfd. paper capacitor	R-33	1,500 ohms carbon resistor	T-5	Audio output transformer
C-67	.02 mfd. paper capacitor	R-34	1.0 megohm carbon resistor	T-6	2nd video I.F. transformer
C-68	30 mfd. 450 V. wet electrolytic	R-35	270 ohms 2 W. carbon resistor	T-7	3rd video I.F. transformer
C-69	.02 mfd. paper capacitor	R-36	2,200 ohms carbon resistor	T-8	4th video I.F. transformer
C-70	.02 mfd. paper capacitor	R-37	2,200 ohms carbon resistor	T-9	5th video I.F. transformer
C-71	.05 mfd. paper capacitor	R-38	180 ohms carbon resistor	T-10	Vertical oscillator transformer
C-72	40 mfd. 450 V. dry electrolytic (See C-39)	R-39	2,200 ohms carbon resistor	T-11	1st video I.F. transformer
C-73	0.5 mfd. paper capacitor	R-40	470 ohms carbon resistor	T-12	Horizontal output transformer
C-74	.01 mfd. paper capacitor	R-41	27,000 ohms carbon resistor	T-13	Low voltage power transformer
C-75	30 mfd. 450 V. wet electrolytic	R-42	10,000 ohms carbon resistor	T-14	High voltage power transformer
C-76	30 mfd. 450 V. wet electrolytic	R-43	3,300 ohms carbon resistor	T-15	Oscillator transformer
C-77	.06 mfd. 4000 V. paper capacitor	R-44	220,000 ohms carbon resistor	T-16	Vertical output transformer
C-78	.06 mfd. 4000 V. paper capacitor	R-45	1.0 megohm carbon resistor		
C-79	.005 mfd. paper capacitor	R-46	15,000 ohms 2 W. carbon resistor		
C-80	30 mfd. 450 V. wet electrolytic	R-47	10,000 ohms carbon resistor		
		R-48	4,700 ohms carbon resistor		
		R-49	470,000 ohms carbon resistor		
		R-50	820 ohms 2 W. carbon resistor		
		R-51	2,200 ohms carbon resistor		
		R-52	10,000 ohms brightness control		



FOR ORIGINAL DATA  
SEE VOL. XI INDEX

L ELECTRIC CO.



## GENERAL ELECTRIC CO.

## IMPORTANT NOTE

COMBINATION TELEVISION AND RADIO RECEIVER MODEL HM-226B  
CONSISTS OF THE TELEVISION RECEIVER MODEL HM-225B REVISED  
FOR NEW STANDARDS AND RADIO RECEIVER MODEL HM226-7A.

## ALIGNMENT REVISED FOR NEW STANDARDS

## TELEVISION ALIGNMENT PROCEDURE

The problem of aligning the several circuits in a television receiver is much more involved and requires more specialized equipment than the alignment of conventional radio receivers. Fortunately, the use of stable components in carefully engineered circuits of wide-band characteristics reduces to a minimum the necessity for alignment under normal operating conditions. Should alignment become necessary the following equipment will be needed:

## (A) For Video I.F. Alignment

- (1) Cathode ray oscilloscope
- (2) Wide-band sweep oscillator capable of sweeping from 7.5 to 15 MC.

(3) Marker system either provided in sweep oscillator or from separate signal generator for locating 12.75 and 9.75 MC points.

## (B) Sound I.F. Alignment

- (1) Cathode ray oscilloscope
- (2) Wide band sweep oscillator capable of sweeping from 7.75 to 8.75 MC.

## (C) R.F. Alignment

- (1) Cathode ray oscilloscope
- (2) Wide-band sweep oscillator capable of sweeping the following bands.
 

(a) 50 to 56 MC	(d) 78 to 84 MC
(b) 60 to 66 MC	(e) 84 to 90 MC
(c) 66 to 72 MC	

## VIDEO I. F. ALIGNMENT

Input Freq.	Point of Input	Adjustments	Comments
1.			Connect vertical input cable of cathode ray oscilloscope across resistor R-43 of 6H6 video detector.
2. 7.5-15MC Sweep	Control grid of 6AB7 (2nd video I.F.)		Connect low output tap of video I.F. sweep oscillator to control grid of 6AB7 (2nd video I.F.). Connect ground lead to chassis. Turn contrast control (R-67) to about half of maximum or to a point which gives satisfactory vertical deflection without overloading. Set horizontal centering and gain controls on oscilloscope to give suitable horizontal deflection. Adjust sweep phase to give curve similar to Fig. 8, curve 2.

NOTE: If sweep oscillator has marker points internally supplied, steps 3 and 4 may be omitted.

3. Same as in No. 2 plus 12.75 MC	Same as in No. 2		Superimpose an accurately calibrated 12.75 MC signal in parallel with sweep signal. Signal will appear on sweep curve in oscilloscope as a wiggle, the center of which is a thin black line. With a pen or crayon mark this point on the screen of the oscilloscope. (NOTE: Hereafter the horizontal controls on the oscilloscope must not be touched.)
4. Same as in No. 2 plus 9.75 MC	Same as in No. 2		Superimpose an accurately calibrated 9.75 MC signal in parallel with sweep signal. Mark screen at point where signal appears on curve as in No. 2 above.
5. 7.5-15 MC Sweep	Control grid of 6AC7 (4th video IF)	Iron cores of detector transformer T-9	Connect high tap of video I.F. sweep oscillator to control grid of 6AC7 (4th video I.F.). (Do not touch horizontal controls of oscilloscope.) Turn sweep phase to give as near a single curve as possible. Adjust iron cores of T-9 until curve appears similar to Fig. 8, curve 1, with relatively flat top. 12.75 MC mark half-way down one side and 9.75 MC mark at corner of other side. These conditions plus maximum amplitude insure correct alignment.
6. 7.5-15 MC Sweep	Control grid of 6AB7 (3rd video IF)	Iron cores of 4th video transformer T-8.	Connect low tap of video I.F. sweep oscillator to control grid of 6AB7 (3rd video I.F.). Adjust iron cores for maximum gain, flatness and proper centering between markers as described in step No. 5 and illustrated in Fig. 8, curve 1.
7. 7.5-15 MC Sweep	Control grid of 6AB7 (2nd video IF)	Iron cores of 3rd video transformer T-7.	Connect low tap to grid. Adjust primary and secondary iron cores for maximum gain, flatness and proper centering. Adjust series iron core for sharp cut-off on 9.75 MC side of curve. See Fig. 8, curve 3.
8. 7.5-15 MC Sweep	Control grid of 6AC7 (1st video I.F.)	Iron cores of 2nd video transformer T-6	Connect low tap to grid. Adjust primary and secondary iron cores for maximum gain, flatness and proper centering. Adjust series iron core for sharp cut-off on 12.75 MC side of curve. See Fig. 8, curve 3.
9. 7.5-15 MC Sweep	Converter Grid, 6P8G	Iron cores of 1st video transformer T-11	Connect low tap to grid. Adjust iron cores for maximum gain flatness and proper centering. 12.75 MC response must be equal to or slightly greater than 50% of the maximum response as indicated in Fig. 8, curve 4.
10. 14.25 MC	Converter Grid, 6P8G	Series iron core of 2nd video transformer T-6	To check alignment of 14.25 MC trap proceed as follows: Connect low tap to grid. Reduce horizontal gain of oscilloscope to minimum. Adjust iron core for minimum line length.
11. 8.25 MC	Converter Grid, 6P8G	Series iron core of 3rd video transformer T-7	To check alignment of 8.25 MC trap proceed as follows: Connect low tap to grid. Reduce horizontal gain of oscilloscope to minimum. Adjust iron core for minimum line length.

MODEL HM-225B.  
MODEL HM-226B

**GENERAL ELECTRIC CO**  
**ALIGNMENT REVISED FOR NEW STANDARDS**  
**R. F. ALIGNMENT**

Signal Input	Point of Input	Adjustments	Comments
1.		Band width adjustment coupling condenser	Turn (C-2) in until tight, then open approximately $\frac{1}{4}$ of a turn. Connect oscilloscope to junction of R-20 and C-32. Open-circuit B+ end of R-3 and short-circuit R-2.
2. 50 to 56 MC sweep	Antenna terminals	(L-10), (C-3), (C-8)	Depress band No. 1 push button. Set tuning control to mid-rotation. Adjust L-10 until curve is centered between maximum horizontal sweep points. Adjust C-3 and C-8 for maximum amplitude. See Fig. 8, curve 4.
3. 60 to 66 MC sweep	Antenna terminals	(L-11), (C-4), (C-9)	Depress band No. 2 push button. Adjust L-11 for centering; C-4 and C-9 for maximum amplitude. See Fig. 8, curve 4.
4. 66 to 72 MC sweep	Antenna terminals	(L-12), (C-5), (C-10)	Depress band No. 3 push button. Adjust L-12 for centering; C-5 and C-10 for maximum amplitude. See Fig. 8, curve 4.
5. 78 to 84 MC sweep	Antenna terminals	(L-13), (C-83), (C-19)	Depress band No. 4 push button. Adjust L-13 for centering; C-83 and C-19 for maximum amplitude. See Fig. 8, curve 4.
6. 84 to 90 MC sweep	Antenna terminals	(L-14), (C-84), (C-20)	Depress band No. 5 push button. Adjust L-14 for centering; C-84 and C-20 for maximum amplitude. See Fig. 8, curve 4.

**WAVE TRAP ALIGNMENT**

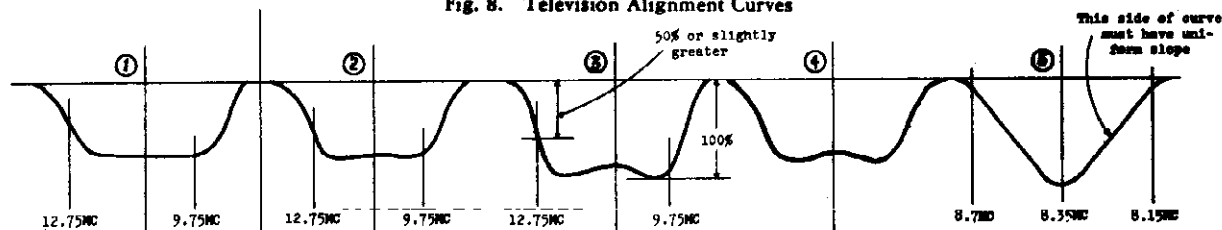
1. 11.75 MC With modulation	Antenna terminals	Wave trap trimmer, C-88	Adjust for maximum dip in oscilloscope curve, with oscilloscope connected to diode load resistor R-43.
-----------------------------	-------------------	-------------------------	--

**AUDIO I.F. ALIGNMENT**

NOTE: In order to obtain frequency modulation detection in the sound channel with good fidelity, the audio I.F. amplifiers must be aligned to give a satisfactory selectivity curve for slope detection. For this reason a sweep generator and oscilloscope are necessary to obtain the resultant curve shown in Fig. 8, curve 5.

1.			Connect vertical input cable of cathode ray oscilloscope between junction of R-4 and C-29 chassis.
2. 8.25 MC with 30% tone modulation	Grid of 6F8G converter.	Iron cores of all audio transformers	Align for maximum amplitude
3. 7.75 to 8.75 MC Sweep	Control grid of 6B8		Superimpose an accurately calibrated 8.15 MC signal in parallel with sweep signal and mark center of beat "wiggle" on oscilloscope screen as in step 3 of Video IF alignment. Also obtain an 8.35 MC beat signal mark on the oscilloscope screen. The steep straight portion of the over-all audio IF response curve must extend between these limits.
4. 7.75 to 8.75 MC Sweep	Control grid of converter 6F8G	Iron cores of audio IF transformers T2, T3 and T4.	Adjust iron cores until curve has been shaped as shown by curve 5, Fig. 7. It is important that the steep side be straight between 8.15 and 8.35 MC. The more gradual slope on the other side should extend from 8.35 MC to approximately 8.7 MC. Very few turns of the cores should be required to obtain the desired result. No more than 30% loss in peak over-all response should result from this process.

Fig. 8. Television Alignment Curves



**IMPORTANT NOTES**

OTHER SERVICE DATA NOT LISTED IS THE SAME AS FOR THE ORIGINAL TELEVISION RECEIVER.

FOR SERVICE DATA ON THE REGULAR RADIO CHASSIS OF THE COMBINATION TELEVISION AND RADIO RECEIVER MODEL HM-226B, SEE MODEL HM226-7A.

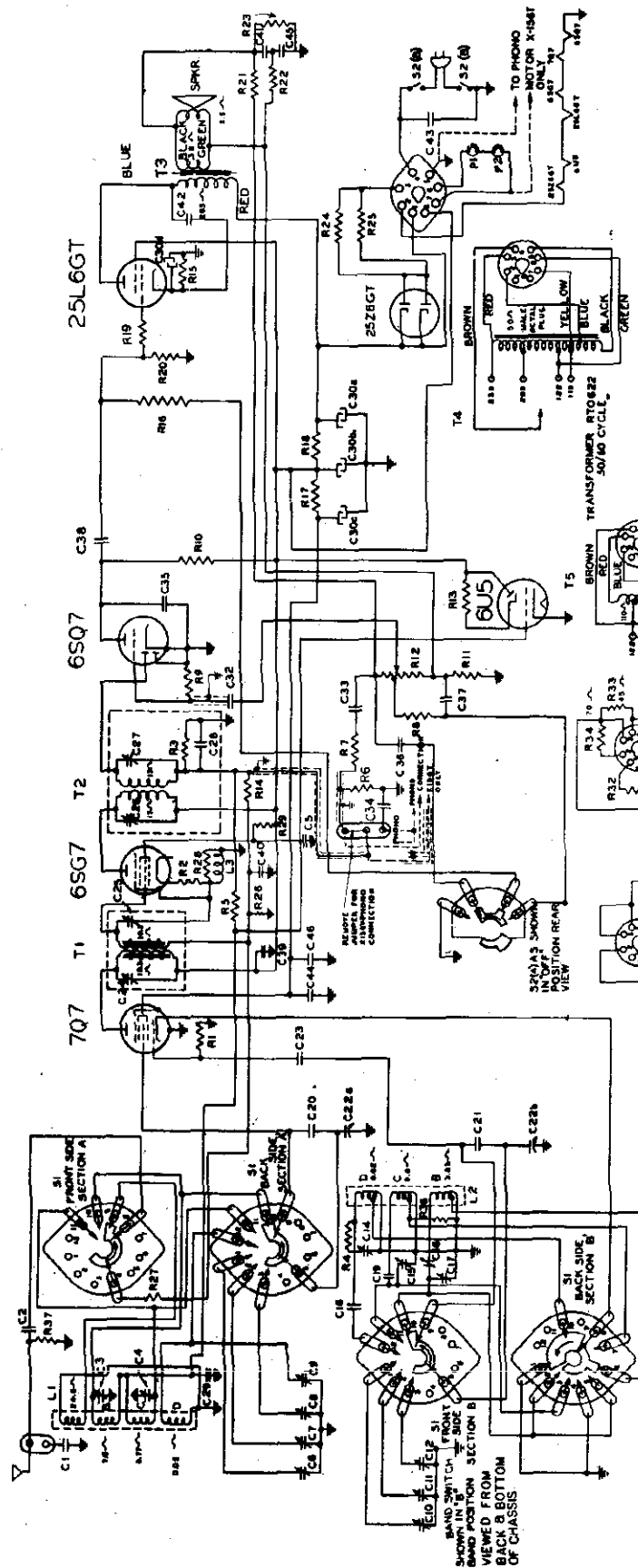
**CHANGE IN CIRCUIT OPERATION**

The horizontal oscillator is a multi-vibrator with speed controlled by varying the small positive grid voltage through R-69. The horizontal pulses are passed through proper wave shaping and amplifier circuits to the horizontal deflection coils of the picture tube. Horizontal linearity is adjustable by varying R-91. Horizontal sweep size is controlled by R-60 in the plate circuit of the 6F8G. The series circuits across the primary and secondary of the 6AL6G output transformer damp the output transient. Damping is adjustable through R-100.



GENERAL ELECTRIC CO.

MODEL X-2



I-F PEAK 455 KC

BALLAST TUBES RESISTANCES MEASURED WHEN COLD

BALLAST TUBE RR7007  
200-240 V AC-DC

BALLAST TUBE RT008  
145-215 V DC ONLY

TRANSFORMER RT082  
28 CYCLE

TRANSFORMER RT0822  
50/10 CYCLE

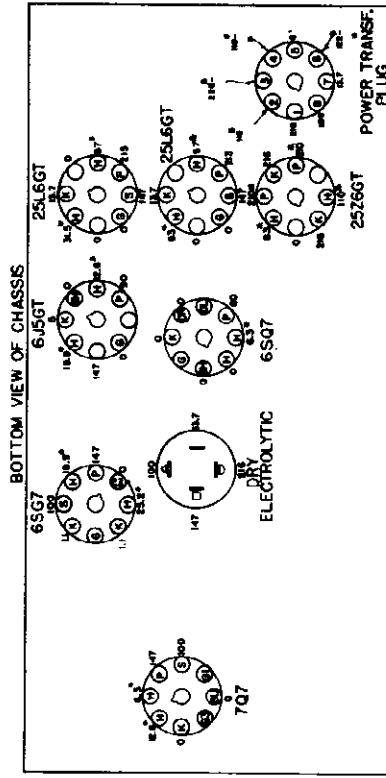
C-1	CAPACITOR—0.1 mfd., 600-V paper.	R-28	RESISTOR—470,000 ohm, 1/4-W carbon.
C-2	CAPACITOR—0.01 mfd., 600-V paper.	R-29	RESISTOR—47,000 ohm, 1/4-W carbon.
C-3, 4	CAPACITOR—.01 mfd., 600-V paper.	R-30	RESISTOR—180,000 ohm, 1/4-W carbon.
C-5	TRIMMER—0.05 mfd., 600-V paper.	R-31	RESISTOR—10 megohm, 1/4-W carbon.
C-6, 7, 8 & 9	CAPACITOR—220 mmf., mica.	R-32	RESISTOR—330,000 ohm, 1/4-W carbon.
C-10, 11, 12	TRIMMER—Antenna trimmer strip.	R-33	RESISTOR—330,000 ohm, 1/4-W carbon.
C-13, 14, 15, 16, 17	TRIMMER STRIP—Oscillator trimmer strip.	R-34	RESISTOR—270 ohm, 1/4-W carbon.
C-18	CAPACITOR—5600 mmf., mica.	R-35	RESISTOR—1 megohm, 1/4-W carbon.
C-19	CAPACITOR—1800 mmf., mica.	R-36	RESISTOR—4.7 megohm, 1/4-W carbon.
C-20, 21	CAPACITOR—45 mmf., compensating capacitor.	R-37	RESISTOR—180 ohm, 1/4-W carbon.
C-22a, 22b	CONDENSER—2-gang tuning condens.	R-38	RESISTOR—3300 ohm, 1/4-W carbon.
C-23	CAPACITOR—40 mmf., compensating capacitor.	R-39	RESISTOR—1000 ohm, 1/4-W carbon.
C-29	CAPACITOR—0.5 mfd., 200-V paper.	R-40	RESISTOR—1700 ohm, 1/4-W carbon.
C-30a	CAPACITOR—40 mfd., 300-V dry elec.	R-41	RESISTOR—8.2 megohm, 1/4-W carbon.
C-30b	CAPACITOR—50 mfd., 250-V dry elec.	R-42	RESISTOR—220 ohm, 1/4-W carbon.
		R-43	RESISTOR—300,000 ohm, 1/4-W carbon.
		R-44	RESISTOR—22 ohm, 1/4-W carbon.
		R-45	RESISTOR—2.2 megohm, 1/4-W carbon.
		R-46	RESISTOR—470,000 ohm, 1/4-W carbon.
		R-47	RESISTOR—47,000 ohm, 1/4-W carbon.
		R-48	RESISTOR—180,000 ohm, 1/4-W carbon.
		R-49	RESISTOR—10 megohm, 1/4-W carbon.
		R-50	RESISTOR—330,000 ohm, 1/4-W carbon.
		R-51	RESISTOR—270 ohm, 1/4-W carbon.
		R-52a, 2b	RESISTOR—1 megohm, 1/4-W carbon.
		L-1	COIL—Antenna coil (all bands).
		L-2	COIL—Oscillator coil (all bands).
		L-3	COIL—IP neutralizing coil.
		T-1	TRANSFORMER—1st I.F. transformer.
		T-2	TRANSFORMER—2nd I.F. transformer.
		T-3	TRANSFORMER—Output transformer.
		T-4	TRANSFORMER (Model X-226).
		T-5	TRANSFORMER—2.5-cycle power transformer (Model X-226C).
			SPEAKER—6 1/2" P.M. speaker.

MODEL X-226  
MODEL X-228

GENERAL ELECTRIC CO.

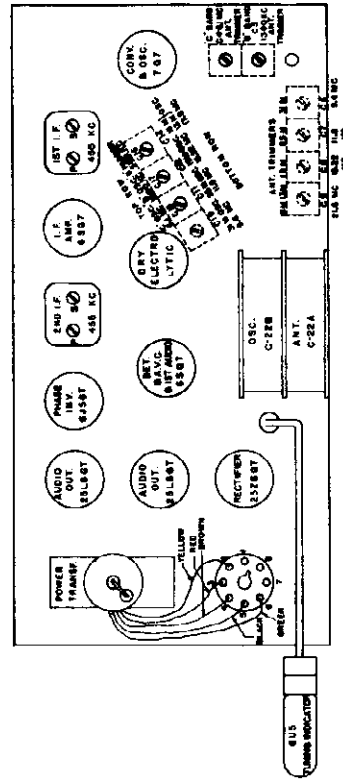
**MODEL X-228**

Variations of  $\pm 20\%$  permissible. All measurements taken with R-26 shorted across.

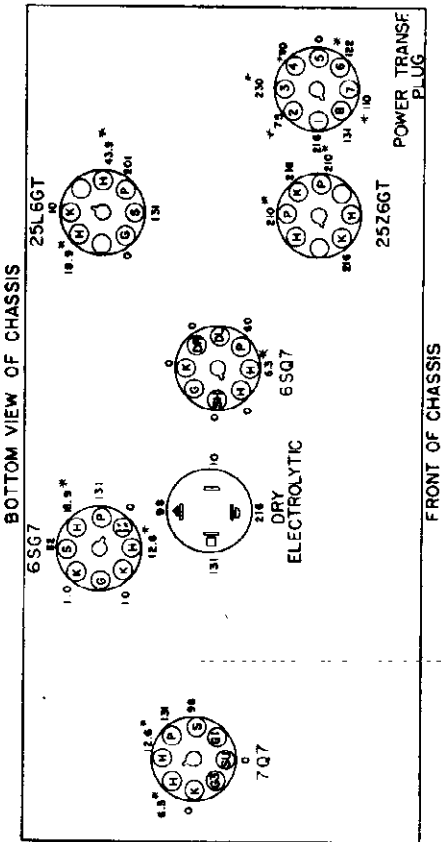


FRONT OF CHASSIS

VOLTAGES INDICATED BY ASTERISK (\*) ARE AC VOLTAGES.  
VOLTAGES READ WITH 1000 OHMS/VOLT METER  
ON 250-VOLT SCALE



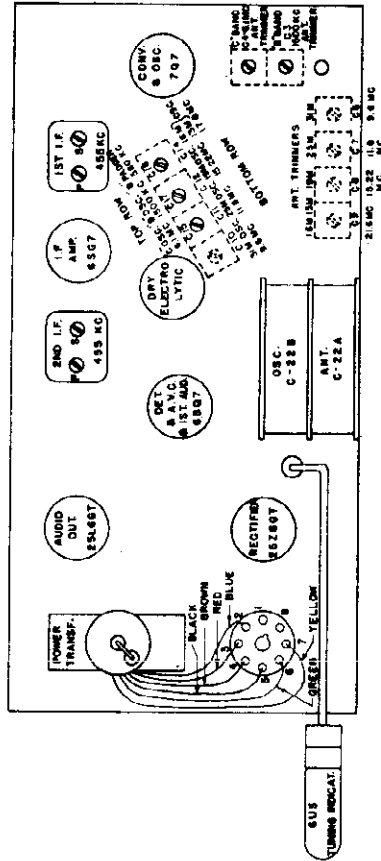
**MODEL X-226**



FRONT OF CHASSIS

**Fig. 3 Socket Voltages**

Variations of  $\pm 20\%$  permissible. All measurements taken with R-26 shorted across.



GENERAL ELECTRIC CO.

MODEL X-224  
MODEL X-221

MODEL X-226

Alignment Procedure

The alignment procedure shown in table form is made either with the chassis in or removed from the cabinet. If the chassis is removed from the cabinet, to make the RP alignment, the dial which is fastened to the cabinet cannot be used for calibration reference. Use must be made of one of the edges of the paper scale fastened on the rear of the dial reflector. The gang condenser completely closed, the oscillator rider should be lined up with the dial reflector plate. This can be accomplished by sliding the pointer rider on the cord until it does. The selected RP alignment. There are two 17.8 reference points on the paper scale on the rear of the dial reflector plate. The one towards the 16 frequency end of the dial is the proper one to use for a reference point in SW2 band alignment. The SW2 band alignment does not require adjustment. This band is taken care of when the 16-meter spread-band is aligned.

Spread-Band Alignment

Since accuracy in frequency calibration is very essential for proper alignment of the spread-bands, it is impractical to use the oscillator test oscillator for this purpose unless a special calibration is first made. The actual reception of short-wave stations of known frequency in the band to be checked is probably the most satisfactory method of determining the proper setting of the oscillator trimmers in these bands. The oscillator trimmer should be adjusted so that the station appears at the correct position on the dial. RP alignment can be made with the aid of the calibration of the test oscillator. The calibration of the test oscillator may be checked by zero beating the test oscillator in a short-wave station of known frequency. By taking several successive alignment points, it will afford a calibration of a high degree of accuracy in case you wish to use the test oscillator for alignment in these bands.

ALIGNMENT CHART

Table with 11 rows and 5 columns: Step, Test Osc. Connected to, Test-Osc. Setting, Band and Output, The Minimum Capacity Peak is Obtainable.

Load-speaker

The voice coil is accurately and permanently centered at the factory and should seldom give trouble. In case a voice coil comes recurring, it will be necessary to replace the entire coil assembly. In no case should you attempt to move the magnet in the assembly.

MODEL X-228

BAND CHANGE SWITCHING

The following charts show the switch points connected for any one position of the wave change switch. The numbers shown in each box indicate the switch points connected to the switch. As for example, the numbers 5-9-10 indicate these switch points are all connected together for this particular position of the switch.

BAND SWITCH CONNECTIONS

Table with 13 rows and 5 columns: Band in Use, Section "A" Front Side, Section "A" Back Side, Section "B" Front Side, Section "B" Back Side.

SPECIAL SERVICE INFORMATION

The following information will be very useful in servicing receivers if a vacuum voltmeter or similar voltage measuring instrument is available.

NOTE: Connection to converter grid must be made directly to tube grid and not to gang condenser on spread bands.

- (1) Stage gains: (a) Antenna Post to Converter Grid, through 440 ohms and 200 mfd. in series, at Stand. 1000 KC. 5.4, 31 M. 9.6 MC. 1.8, SW1 1000 KC. 3.7, 25 M. 11.8 MC. 1.8, SW2 18000 KC. 1.1, 16-13 M. 15.22 MC. 1.4, 16-13 M. 17.8 MC. 1.0. (b) RP on Converter Grid to IP on 6SG7 grid at Stand. 1000 KC. 6.1, 31 M. 9.6 MC. .65, SW1 4000 KC. 7.1, 19 M. 11.8 MC. .69, SW2 18000 KC. 7.1, 16-13 M. 15.22 MC. 7.1. (c) IF on Converter Grid to IP on 6SG7 grid at 485 KC.-85. (d) IF Grid to diode plate at 455 KC.-180. (2) Voltage across the diode load to give 1/2-watt speaker output at 400 cycles-1046 V. (3) DC voltage developed across oscillator and resistor (R1) at Stand. 1000 KC. 8.3 V., 31 M. 4.4 V., SW1 4000 KC. 7.7 V., 25 M. 4.6 V., SW2 18000 KC. 5.0 V., 16-13 M. 4.4 V., 16-13 M. 3.7 V.

MODEL X-226

CONVERSION FOR SPECIAL LINE VOLTAGES

The Model X-226 can be converted for operation on the following line voltages in cases where the power transformer is replaced with a ballast tube power transformer. The power transformer must be removed from the chassis to insure the insulation. When operated with these special resistors and lower power supplies than 220 volts, the audio power output and socket voltages will be reduced.

220 Volts AC/DC—(Range 200-240 Volts) Remove transformer from chassis of X-226, insert ballast tube resistor RR-1067, and change rating on label to read 220 volts AC/DC.

180 Volts DC—(Range 160-200 Volts) Remove transformer from chassis of X-226, insert the ballast tube resistor RR-7003, and change rating on label so that it reads 180 volts DC.

PHONOGRAPH INSTALLATION

1. Remove the link from terminals 1 and 2, and replace it between terminals 2 and 3.

2. Connect the record player to terminals 1 and 3. If the record player transformer has a high-impedance pickup a matching transformer must be used. It is very important that the high side of the pickup is shielded to prevent hum interference. This shield should be connected to terminal No. 3 and the high side pick-up lead to terminal No. 1.

If, on operating the record player, external radio signals leak through, turn the tuning control to a position where no radio signals would be received. Complete silencing of the external radio signals can be obtained by grounding the antenna. If, in operating the record player, there is appreciable hum interference, reverse the record player phonomotor power cord plug in the power supply outlet.

MODEL X-228

117 Volts DC—(Range 105-129 Volts)

Remove transformer from chassis of X-228, insert the ballast tube resistor RR-7004 and change the label on the receiver.

NOTE:—The power output on this receiver can be raised if the resistors R-18, R-24 and R-25 are shorted across. Two other transformers are available for AC operation. The transformer T5 can be substituted in the Model X-228 so that it can be operated on 220-volt circuits. Re-mark the label T6 can be used in the Model X-228 receiver for operation on 50/60 cycle circuits where a 145-ohm resistor is required. The cold resistance of all ballast tubes is shown directly on the schematic diagram, Fig. 2.

MODEL X-228

PHONOGRAPH INSTALLATION

Connect the record player output leads to the terminals marked 1 and 2. The high side of the pickup is connected to terminal No. 1, while the low side or ground is connected to terminal No. 2. With some low-impedance type of pickups, a suitable matching transformer may have to be used. It is very important that the high side pickup lead be shielded to prevent hum interference. This shield should be connected to terminal No. 2. If, in operating the record player, there is appreciable hum interference, reverse the motor power-cord plug in the power-supply outlet.

PHONE CONTROL SWITCH CONNECTIONS

Table with 5 columns: Position in Use, Section "C" Back Side, Section "C" Front Side.

MODEL X-228

CONVERSION FOR SPECIAL LINE VOLTAGES

The Model X-228 can be converted for operation on the following line voltages in cases where the power transformer is replaced with a ballast tube power transformer. The power transformer must be removed from the chassis to insure the insulation. When operated with these special resistors and lower power supplies than 220 volts, the audio power output and socket voltages will be reduced.

220 Volts AC/DC—(Range 200-240 Volts) Remove transformer from chassis of X-228, insert ballast tube resistor RR-1067, and change rating on label to read 220 volts AC/DC.

180 Volts DC—(Range 160-200 Volts) Remove transformer from chassis of X-228, insert the ballast tube resistor RR-7003, and change rating on label so that it reads 180 volts DC.

PHONOGRAPH INSTALLATION

1. Remove the link from terminals 1 and 2, and replace it between terminals 2 and 3.

2. Connect the record player to terminals 1 and 3. If the record player transformer has a high-impedance pickup a matching transformer must be used. It is very important that the high side of the pickup is shielded to prevent hum interference. This shield should be connected to terminal No. 3 and the high side pick-up lead to terminal No. 1.

If, on operating the record player, external radio signals leak through, turn the tuning control to a position where no radio signals would be received. Complete silencing of the external radio signals can be obtained by grounding the antenna. If, in operating the record player, there is appreciable hum interference, reverse the record player phonomotor power cord plug in the power supply outlet.

MODEL X-228

CONVERSION FOR SPECIAL LINE VOLTAGES

The Model X-228 can be converted for operation on the following line voltages. In all cases where the power transformer is replaced with a ballast resistor, the power transformer must be removed from the chassis as the radiant heat from the transformer is likely to injure the transformer insulation. When operated with these special resistors and lower power supplies than 220 volts, the audio power output and socket voltages will be reduced.

220 Volts AC/DC—(Range 200-240 Volts)

Remove transformer from chassis of X-228, insert ballast tube resistor RR-7003, and note change on label.

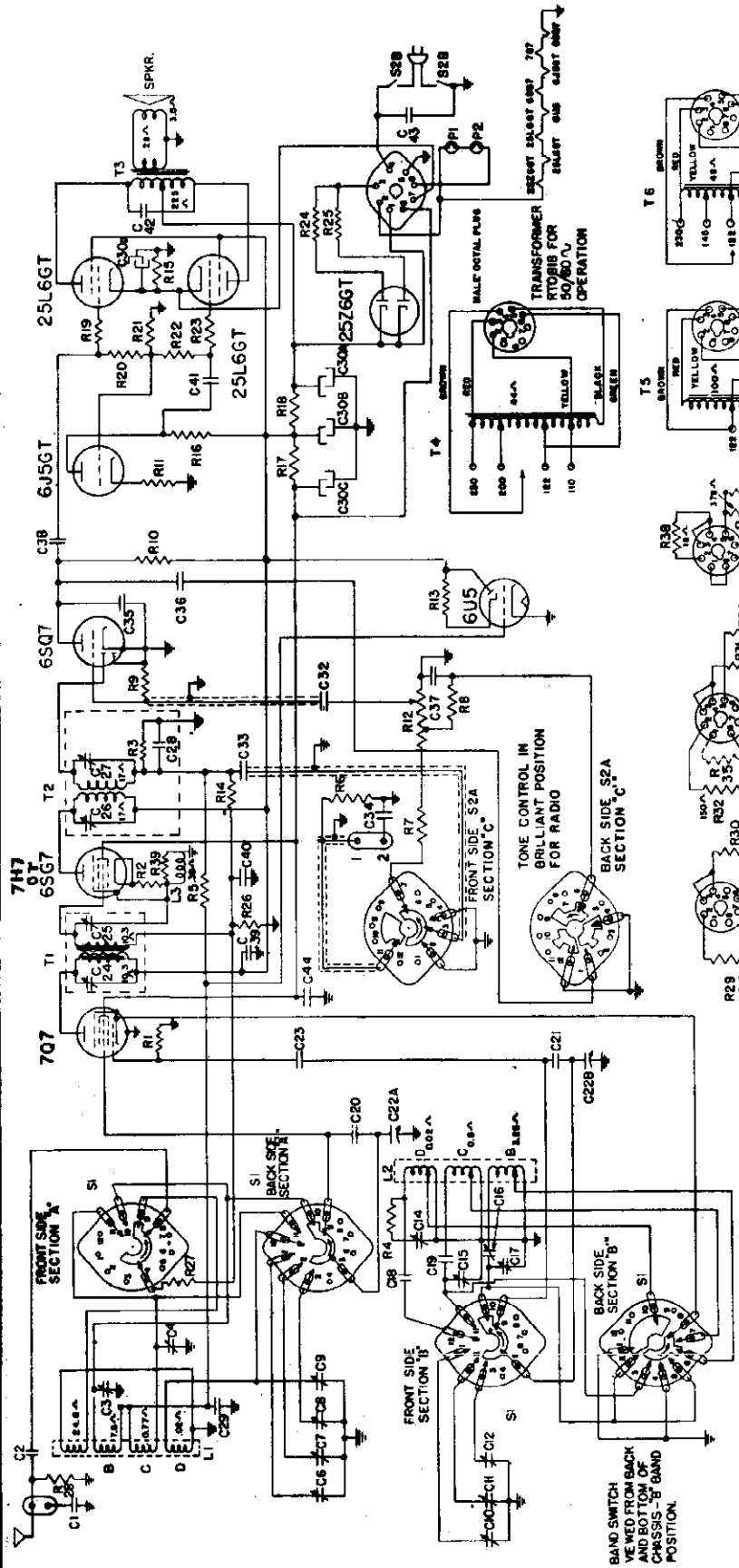
180 Volts DC—(Range 160-200 Volts)

Remove transformer from chassis of X-228, insert the ballast tube resistor RR-7004 and change the label on the receiver.

NOTE:—The 8200 ohm, 1-watt resistor (R-23) shown in dotted lines for the RR-7004 ballast tube schematic is a power output tube. In order to increase the sensitivity and power output of this receiver when operating in this voltage range, this resistor may be installed externally across the terminals 1 and 8 of the ballast tube socket.

MODEL X-228

GENERAL ELECTRIC CO.



BALLAST TUBE RESISTANCES MEASURED WHEN COLD

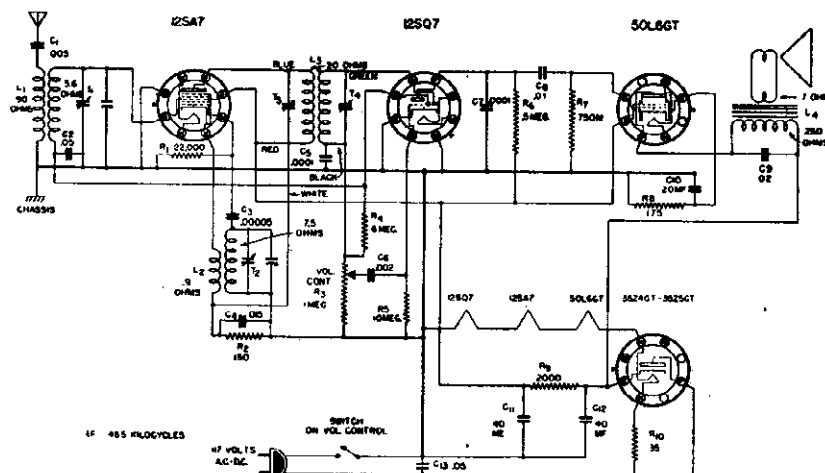
I-F PEAK 455 KC

C1	CAPACITOR—0.1 mfd., 600 v. paper.	R-11	RESISTOR—3300 ohm, 1/2 W., carbon control.	S-1	SWITCH—Band change switch.
C2	CAPACITOR—0.01 mfd., 600 v. paper.	R-12	RESISTOR—200-240V AC-DC	S-2A, -2B	SWITCH—Tone control and power switch.
C3	CAPACITOR—0.01 mfd., 600 v. paper.	R-13	RESISTOR—1 megohm, 1/2 W., carbon.	L-1	COIL—Antenna coil (all bands).
C4	CAPACITOR—0.005 mfd., 600 v. paper.	R-14	RESISTOR—4.7 meg., 1/2 W., carbon.	L-2	COIL—Oscillator coil (all bands).
C5	CAPACITOR—0.005 mfd., 600 v. paper.	R-15	RESISTOR—220 ohm, 2 W., carbon.	L-3	COIL—I.F. neutralizing coil.
C6, 7, 8, 9	TRIMMER—Antenna trimmer strip.	R-16	RESISTOR—85,000 ohm, 1/2 W., carbon.	T-1	TRANSFORMER—1st IF transformer.
C10, 11, 12, 13, 14, 15, 16, 17	TRIMMER STRIP—Oscillator trimmer strip.	R-17	RESISTOR—3900 ohm, 1/2 W., carbon.	T-2	TRANSFORMER—2nd IF transformer.
C18	CAPACITOR—5600 mmf., mics.	R-18	RESISTOR—2700 ohm, 1/2 W., carbon.	T-3	TRANSFORMER—Output transformer.
C19	CAPACITOR—1800 mmf., mics.	R-19	RESISTOR—1000 ohm, 1/2 W., carbon.	T-4	TRANSFORMER—50/60 cycle power transformer.
C-20, 21	CAPACITOR—45 mmf., compensating capacitor.	R-20	RESISTOR—150,000 ohm, 1/2 W., carbon.	T-5	TRANSFORMER—25-cycle power transformer.
C-22a, 22b	CONDENSER—2 gang tuning condenser.	R-21	RESISTOR—50,000 ohm, 1/2 W., carbon.	T-6	TRANSFORMER—50/60 cycle power transformer (special service).
C-23	CAPACITOR—40 mmf., compensating capacitor.	R-22	RESISTOR—270,000 ohm, 1/2 W., carbon.	SPKR	SPEAKER—10-inch PM dynamic.
C-29	CAPACITOR—0.5 mfd., 200 v. paper.	R-23	RESISTOR—1000 ohm, 1/2 W., carbon.		
C-30a	CAPACITOR—20 mfd., 250 v. dry electrolytic.	R-24	RESISTOR—3.9 meg., 1/2 W., carbon.		
C-30b	CAPACITOR—40 mfd., 250 v. dry electrolytic.	R-25	RESISTOR—560,000 ohm, 1/2 W., carbon.		
C-30c	CAPACITOR—20 mfd., 250 v. dry electrolytic.	R-26	RESISTOR—160-200 volt ballast.		
C-30d	CAPACITOR—20 mfd., 25 v. dry electrolytic.	R-27	RESISTOR—8200 ohm, 1 W., carbon.		
C-32	CAPACITOR—0.1 mfd., 600 v. paper.	R-28, -29	RESISTOR—200-240 volt ballast.		
		R-30	RESISTOR—100,000 ohm, 1/2 W., carbon.		
		R-31	RESISTOR—8200 ohm, 1 W., carbon.		
		R-32	RESISTOR—117 v. DC ballast.		
		R-33	RESISTOR—100,000 ohm, 1/2 W., carbon.		
		R-34	RESISTOR—100,000 ohm, 1/2 W., carbon.		
		R-35	RESISTOR—100,000 ohm, 1/2 W., carbon.		
		R-36	RESISTOR—100,000 ohm, 1/2 W., carbon.		
		R-37	RESISTOR—100,000 ohm, 1/2 W., carbon.		
		R-38	RESISTOR—100,000 ohm, 1/2 W., carbon.		
		R-39	RESISTOR—100,000 ohm, 1/2 W., carbon.		
		R-40	RESISTOR—100,000 ohm, 1/2 W., carbon.		
		R-41	RESISTOR—100,000 ohm, 1/2 W., carbon.		
		R-42	RESISTOR—100,000 ohm, 1/2 W., carbon.		
		R-43	RESISTOR—100,000 ohm, 1/2 W., carbon.		
		R-44	RESISTOR—100,000 ohm, 1/2 W., carbon.		
		R-45	RESISTOR—100,000 ohm, 1/2 W., carbon.		
		R-46	RESISTOR—100,000 ohm, 1/2 W., carbon.		
		R-47	RESISTOR—100,000 ohm, 1/2 W., carbon.		
		R-48	RESISTOR—100,000 ohm, 1/2 W., carbon.		
		R-49	RESISTOR—100,000 ohm, 1/2 W., carbon.		
		R-50	RESISTOR—100,000 ohm, 1/2 W., carbon.		

DIAL SCALE MECHANISM

- CORD—Dial cord assembly (45 inches).
- DRUM—Condenser drive drum assembly.
- DIAL—Dial scale.
- INDICATOR—Band change indicator.

# GENERAL ELECTRIC CO



## SERVICE NOTES

Intermediate Frequency.....	455 K.C.
Tuning Frequency Range.....	540-1720 K.C.
Audio, Power Output (Beam Power).....	2 Watts
P. M. Speaker.....	Cone Diameter—3 <sup>3</sup> / <sub>4</sub> inches
Voice Coil Impedance (400 cycles).....	3.5 Ohms

## OPERATING VOLTAGES (Approximately)

(Measured with respect to chassis at 117 Volt Line)

TUBES		SCREEN VOLTS*	PLATE VOLTS*
12SA7.....	Converter Oscillator	90	90
12SQ7.....	Detector—A.V.C.—1st Audio	—	45
50L6GT.....	Output	90	112
35Z5GT or 35Z4GT.....	Rectifier	Voltage at Anode 120	

\* 300 Volt Range of 1000 Ohm-per-Volt Meter

### I. F. Alignment

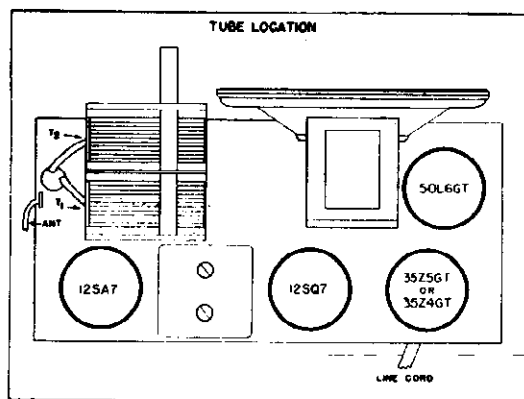
Connect an output meter across the voice coil. Rotate the volume to maximum. Set test oscillator to 455 K.C. and apply signal through a .05 Mfd. capacitor to lug on stator of gang condenser to which antenna coil is connected. Align the I. F. transformer trimmers, going over twice. Keep test oscillator output as low as a readable meter reading will permit.

### R. F. Alignment

Stretch out antenna hank to its full length. Set the dial pointer and generator at 1500 K.C. Run a wire from the output terminal of the generator, having it come near the antenna wire on the receiver. However, no metallic connection is made between the signal generator and the receiver.

Peak the oscillator trimmer for maximum output and then the antenna trimmer.

If the variable condenser plates have become bent or damaged, it may be necessary to adjust them for tracking, at 600 K.C. The oscillator plates are adjusted first, then the antenna plates are adjusted for maximum output at 600 K.C.

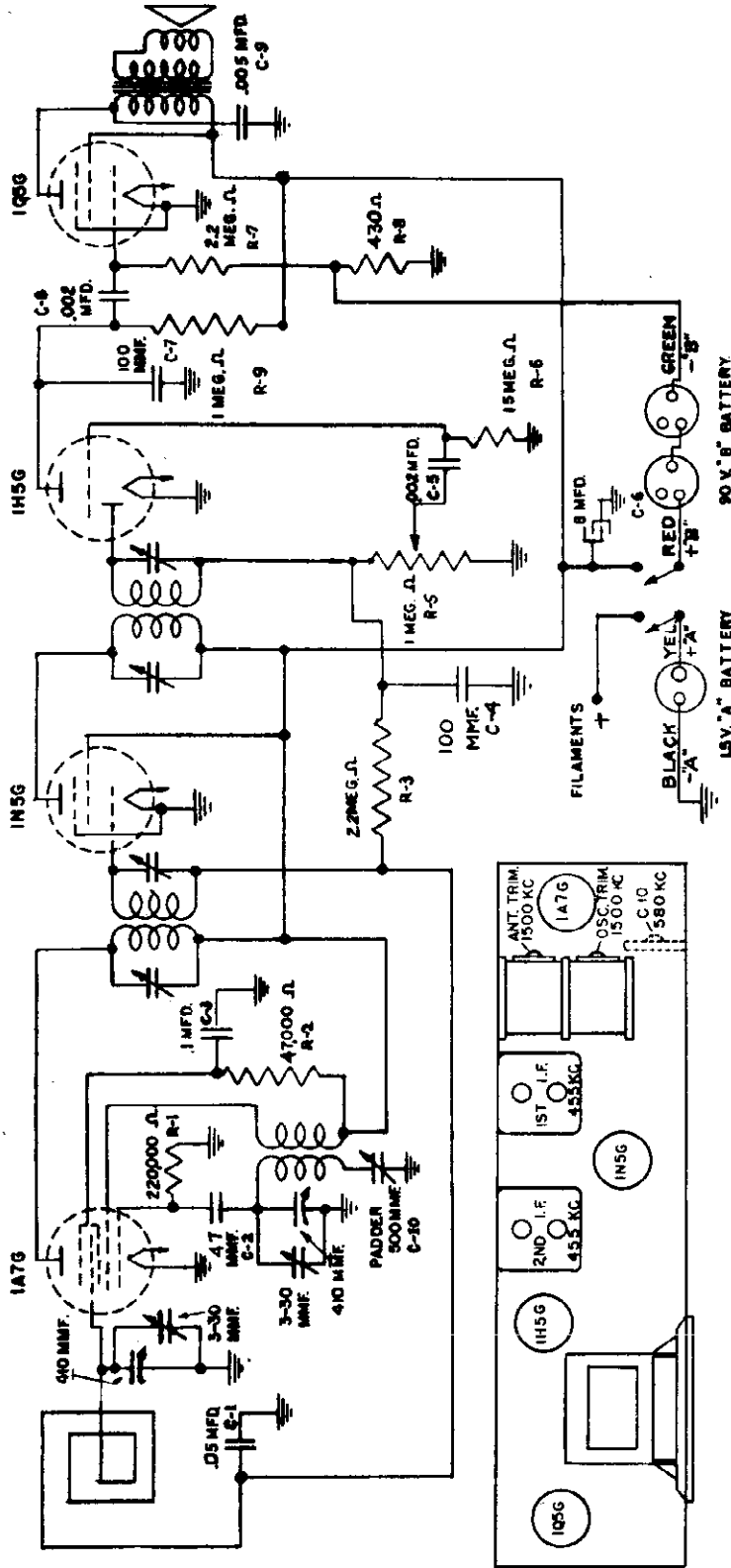


### Alignment Frequencies:

I. F.....	455 K.C.
R. F.....	1500 K.C.

MODELS HB-410, HB-411

GENERAL ELECTRIC CO.



These receivers are designed to operate with new longer life batteries of the following types:

- "A" battery - Eveready #745 or equivalent
- "B" batteries - two Eveready Layerbilt #482 or equivalent

These batteries fit easily into the compartment provided with the "A" battery on the bottom and the two "B" batteries resting on the "A" battery. Insert the battery plugs firmly into their respective sockets.

Battery supplies of the following types may be used when the recommended batteries are not available:

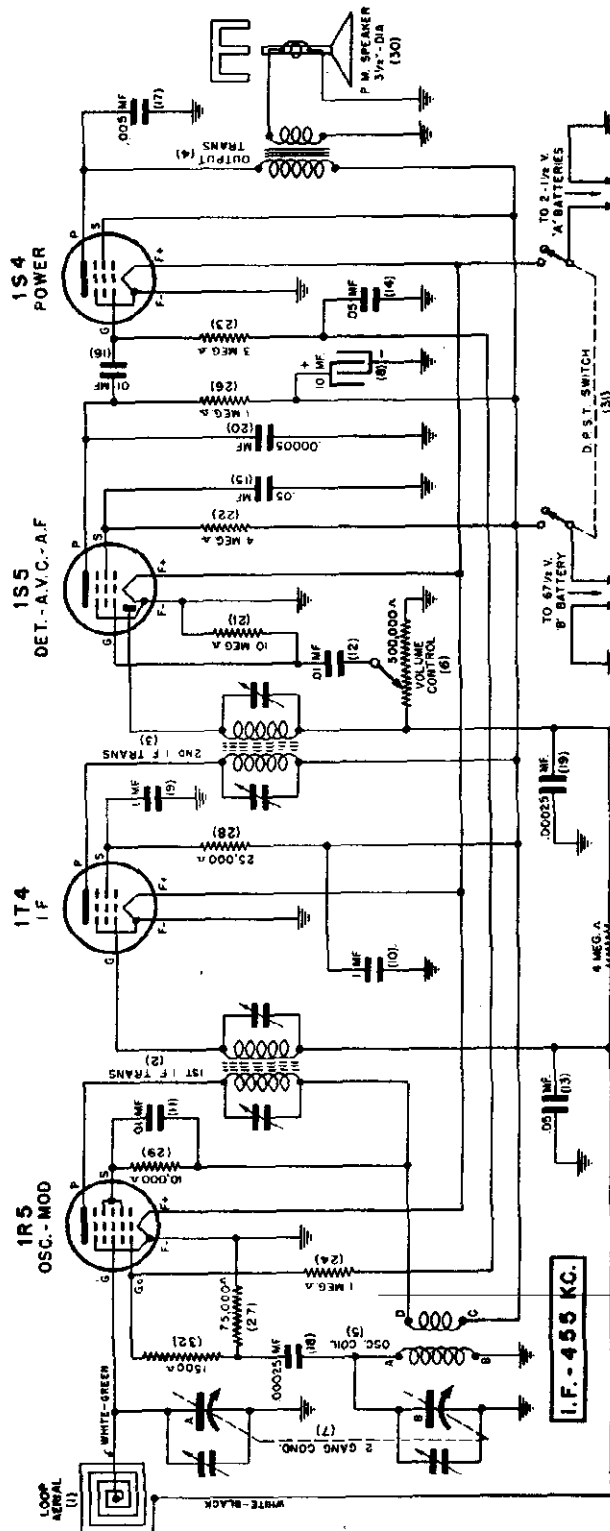
- "A" supply - one, General 4-F-1 or Eveready #742 or equivalent
- "B" supply - two, General V-30-AA or Eveready #738 or equivalent

Place the batteries in the compartment beneath the chassis. If separate battery supplies are used, place the "A" battery on the right side and the two "B" batteries in the remaining space. Insert the battery plugs firmly into their respective sockets.

Alignment Frequencies...IF- 455 KC  
Broadcast ....1500 KC and 580 KC

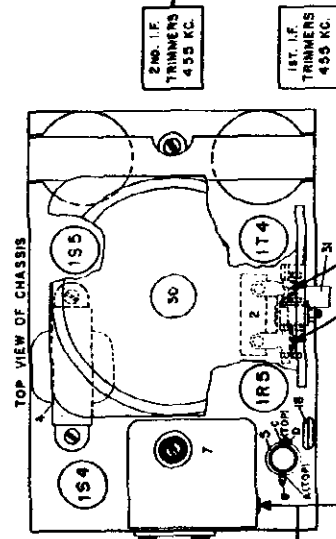
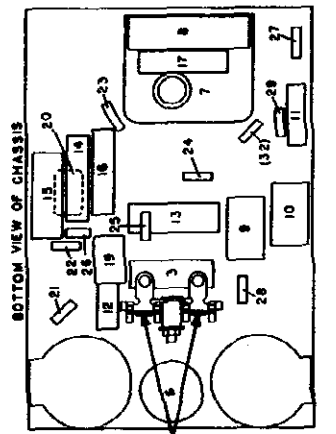
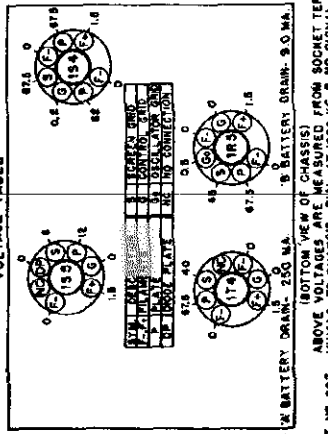
NOTE:- The chassis must be removed from the carrying case when aligning. Since the location of the back cover, loop, chassis and battery affect alignment considerably, the position of these components when aligning should duplicate that found in the carrying case. A non-metallic object should be used to hold the back cover-loop assembly in position during alignment.

GENERAL ELECTRIC CO.



NOTE: NUMBERS SHOWN IN PARENTHESES ARE ILLUSTRATION NUMBERS.

VOLTAGE TABLE



**ALIGNMENT PROCEDURE**

the first I.F. transformer trimmers. Keep test oscillator output as low as a readable meter reading will permit.

**R.F. Alignment**

Couple test oscillator output to loop in case cover. Adjust test oscillator and receiver dial to exactly 1600 K.C. Change test oscillator trimmer for maximum output. Change test oscillator signal and receiver dial to approximately 1400 K.C. Then while rocking gang condenser trimmer 1400 K.C. antenna trimmer for maximum output.

**Alignment Frequencies** I.F. .... 455 K.C.  
R.F. .... 1600 & 1400 K.C.

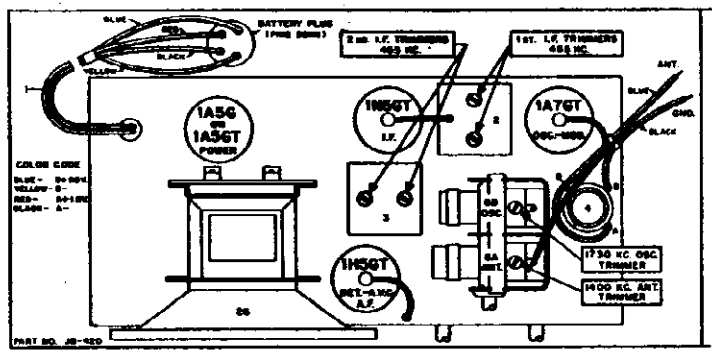
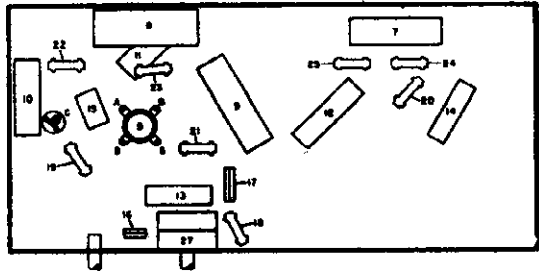
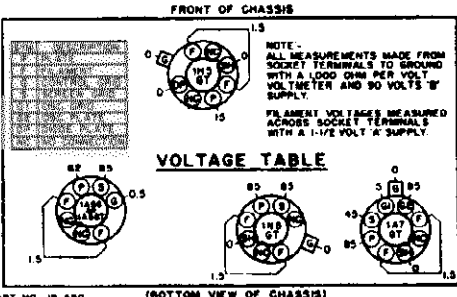
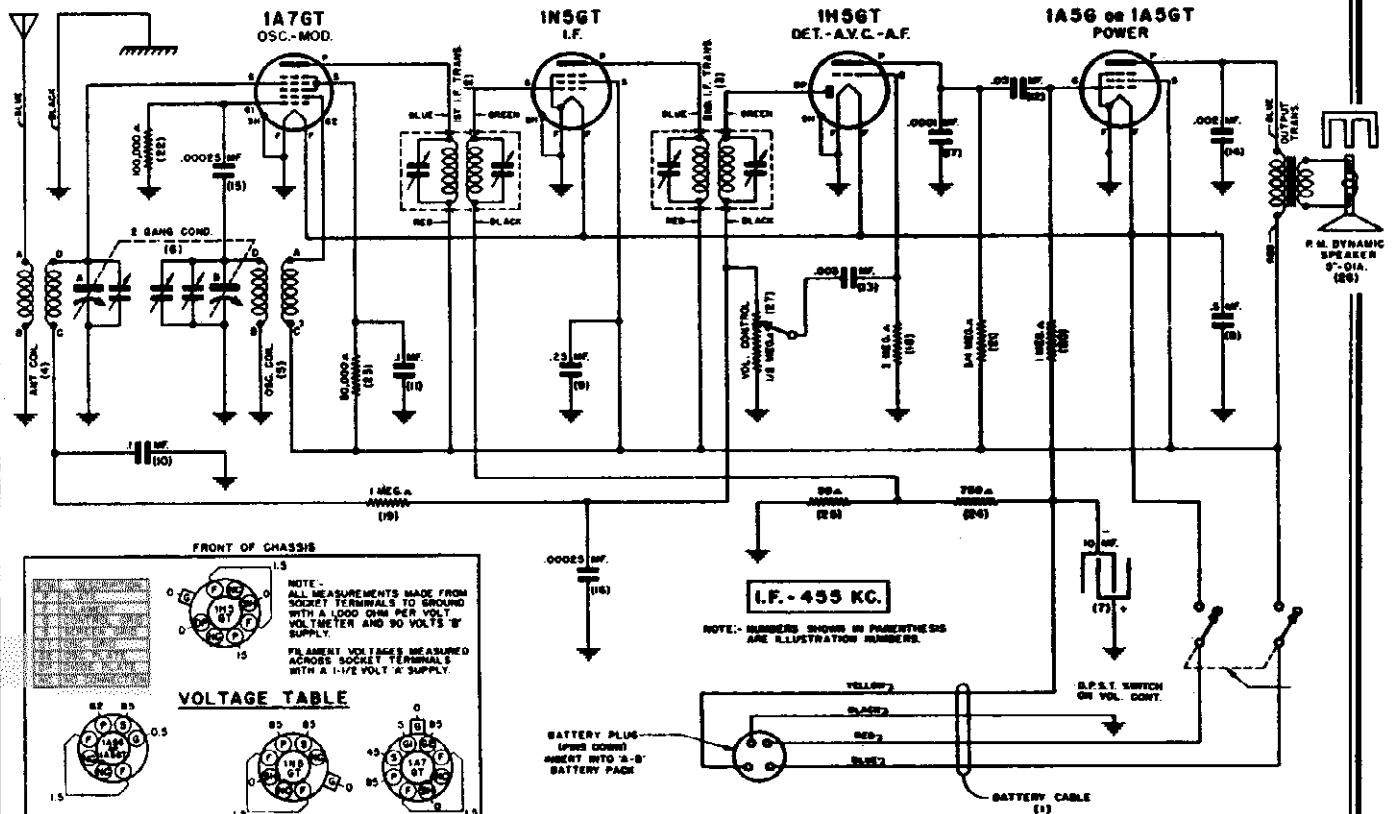
**I.F. Alignment**

Connect an output meter across the voice coil. Rotate volume to maximum. Set test oscillator to 455 K.C. and apply signal to lug on stator of gang condenser to which loop is connected through a .05 Mfd. capacitor. Align the second I.F. transformer trimmers, next adjust

PART NO. 227

MODEL JB-420

GENERAL ELECTRIC CO.



**SERVICE NOTES**

- Tuning Control Drive Ratio.....6:1
- Battery Specifications.....Eveready No. 748 or equivalent
- Intermediate Frequency.....455 K.C.
- Tuning Frequency Range.....540-1730 K.C.
- Maximum Power Output.....200 Milliwatts
- Loud Speaker.....Cone Diameter—5 Inches
- Voice Coil Impedance.....(400 Cycles) 5 Ohms
- Tubes: Converter-Oscillator 1A7GT, I.F. 1N5GT, Detector A.V.C. 1H5GT, Power Output 1A5G.

**ALIGNMENT PROCEDURE**

- Alignment Frequencies I.F. ....455 K.C.
  - I.F. Alignment R.F. ....1730 & 1400 K.C.
- Connect an output meter across the voice coil. Rotate

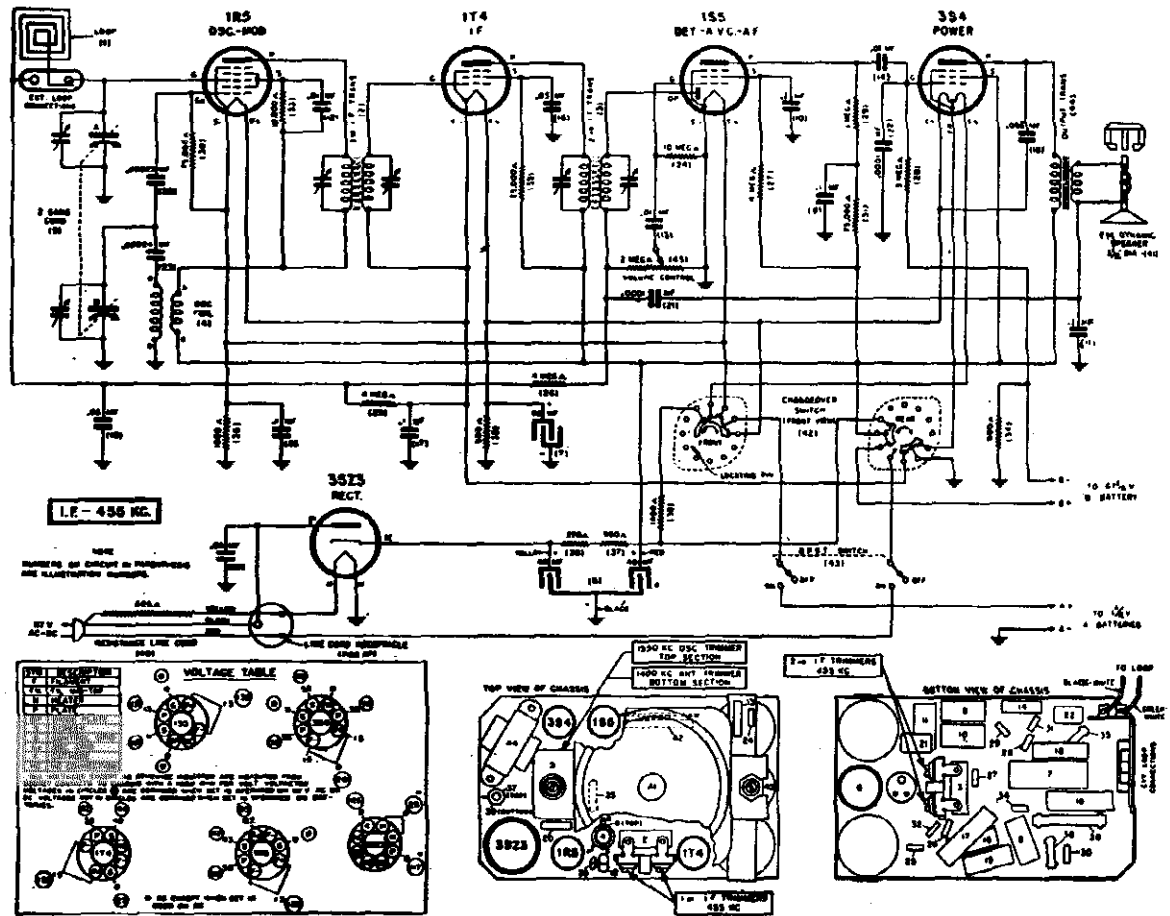
the volume control to maximum. Set test oscillator to 455 kilocycles and apply signal to control grid of 1A7GT tube through a .05 Mfd. capacitor. Align the second I.F. transformer trimmers, next adjust the first I.F. transformer trimmers. Do not remove the grid leads from the tube when applying test oscillator signal—keep the test oscillator output as low as a readable meter reading will permit.

**R.F. Alignment**

Attach high side of test oscillator output to blue antenna receiver lead through a .00025 Mfd. condenser, and low side to black lead. Adjust test oscillator and receiver dial to exactly 1730 kilocycles. Peak 1730 kilocycle oscillator trimmer for maximum output. Change test oscillator signal and receiver dial to approximately 1400 kilocycles. Then while rocking gang condenser trim 1400 kilocycle antenna trimmer for maximum output.



GENERAL ELECTRIC CO.



SERVICE NOTES

Tuning Control Drive Ratio ..... 6:1  
 Battery Specification ..... 2-1½ Volt "A" Eveready No. 550 or Equivalent 1-67½ Volt "B" Eveready No. 647 or Equivalent  
 Intermediate Frequency ..... 455 K.C.  
 Tuning Frequency Range ..... 540-1550 K.C.  
 Maximum Power Output ..... Battery—120 Milliwatts AC-DC 160 Milliwatts  
 Loud Speaker ..... Cone Diameter—3 Inches  
 Voice Coil Impedance ..... (400 Cycles) 8.5 Ohms

ALIGNMENT PROCEDURE

**Alignment Frequencies** I.F. .... 455 K.C.  
 R.F. .... 1550 & 1400 K.C.  
**I.F. Alignment** Connect an output meter across the voice coil. Rotate the volume to maximum. Set test oscillator to 455 K.C. and apply signal to lug on stator of gang condenser to which loop is connected through a .05 Mfd. capacitor. Align the second I.F. transformer trimmers, next adjust the first I.F. transformer trimmers. Keep test oscillator

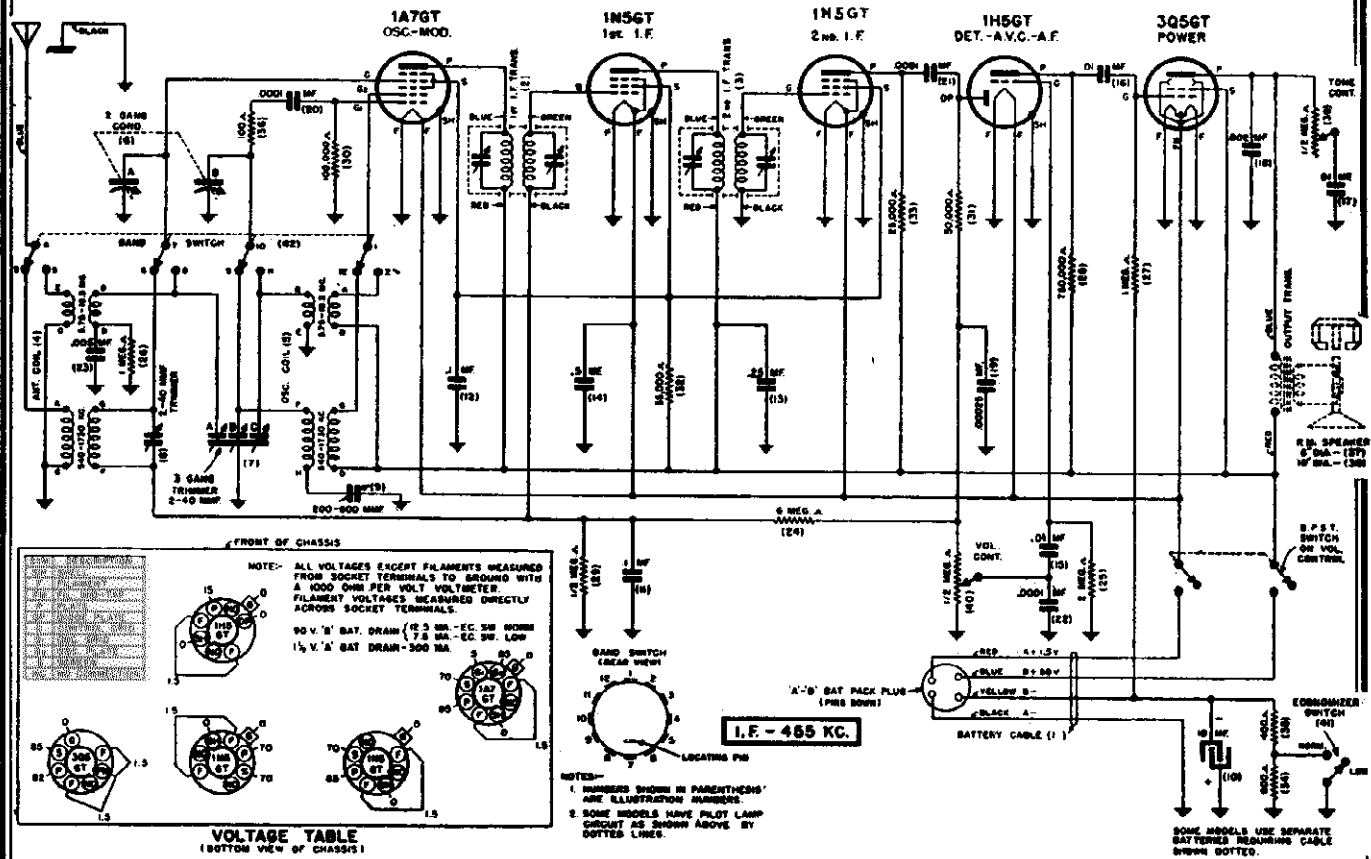
output as low as a readable meter reading will permit.  
**R.F. Alignment** Couple test oscillator output to loop in case cover. Adjust test oscillator and receiver dial to exactly 1550 K.C. Peak 1550 K.C. oscillator trimmer for maximum output. Change test oscillator signal and receiver dial to approximately 1400 K.C. Then while rocking gang condenser trim 1400 K.C. antenna trimmer for maximum output.

NOTE:- Oscillator coil RL-2052EX and padder condenser RC-257EX replace part No. RL-2052E Oscillator coil and RC-257E mica .00024 Mfd. padder condenser which were used in first production. It is important to remember that the RL-2052E and RL-2052EX oscillator coils and the RC-257E .00024 Mfd. and RC-257EX .000275 Mfd. condensers cannot be interchanged. When RL-2052EX coil is used the .000275 Mfd. padder condenser RC-257EX must be used. With RL-2052E oscillator coil the .00024 Mfd. condenser RC-257E must be used.

Sets having part RL-2052EX oscillator coil and RC-257EX oscillator padder condenser can be identified by the letter "A" which will be found stamped on the back of the chassis.

MODELS JB-520, JB-525

GENERAL ELECTRIC CO.



Tuning Control Drive Ratio.....	6:1
Battery Specifications.....	Eveready No. 748 or equivalent
Intermediate Frequency .....	455 K.C.
Tuning Frequency Range.....	{ 540-1730 K.C. 5.75-18.3 M.C.
Maximum Power Output.....	450 Milliwatts
Loud Speaker.....	Cone Dia. JB520—6 Inches
Loud Speaker.....	Cone Dia. JB525—10 Inches

**ALIGNMENT PROCEDURE**

**Alignment Frequencies**

I. F.....	455 K.C.
R. F. 1730-540 K. C. Band.....	1730 & 1400 & 600 K.C.
R. F. 5.75-18.3 M. C. Band.....	18.3 & 15 M.C.

**1730-540 K.C. Band R.F. Alignment**

Attach high side of test oscillator output to blue antenna receiver lead through a .00025 Mfd. condenser and low side to black lead. Adjust test oscillator and receiver dial to exactly 1730 kilocycles. Peak 1730 kilocycle oscillator trimmer for maximum output. Change test oscillator signal and receiver dial to approximately 1400 kilocycles. Then while rocking gang condenser trim 1400 kilocycle antenna trimmer for maximum output.

Change test oscillator signal and receiver dial to 600 K.C. While rocking gang condenser trim 600 K.C. Osc. padder for maximum output.

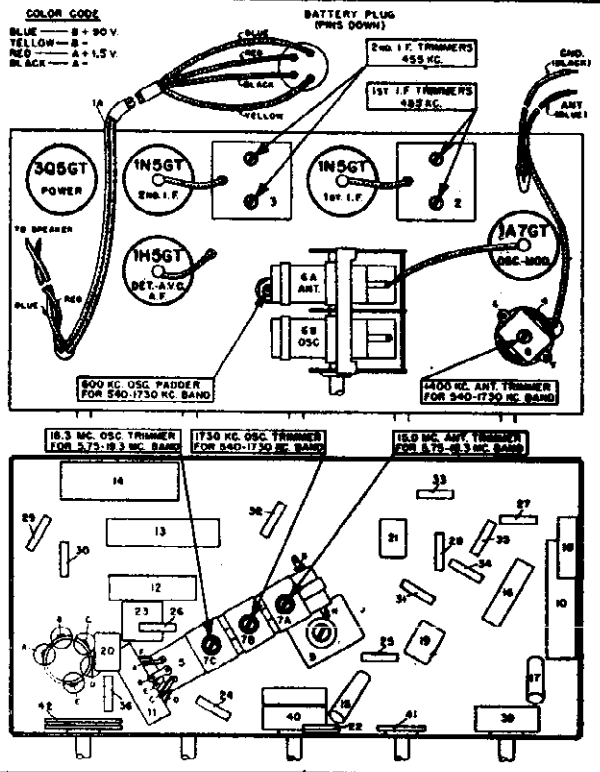
**5.75-18.3 M.C. Band R.F. Alignment**

Change .00025 Mfd. condenser dummy load in series with blue antenna lead to 400 ohm carbon resistor.

Adjust test oscillator and receiver dial to exactly 18.3 M.C. Peak 18.3 M.C. oscillator trimmer for maximum output. Be sure to use proper peak. If more than one peak is noticed, back off trimmer to minimum capacity, then screw down trimmer (add capacity) until the second peak—which is the proper one—is tuned in. Then while rocking gang condenser adjust 15 M.C. antenna trimmer for maximum output.

**I.F. Alignment**

Connect an output meter across the voice coil. Rotate the volume control to maximum. Set test oscillator to 455 kilocycles and apply signal to control grid of 1A7GT tube through a .05 Mfd. capacitor.



GENERAL ELECTRIC CO.

MODEL LB-530X

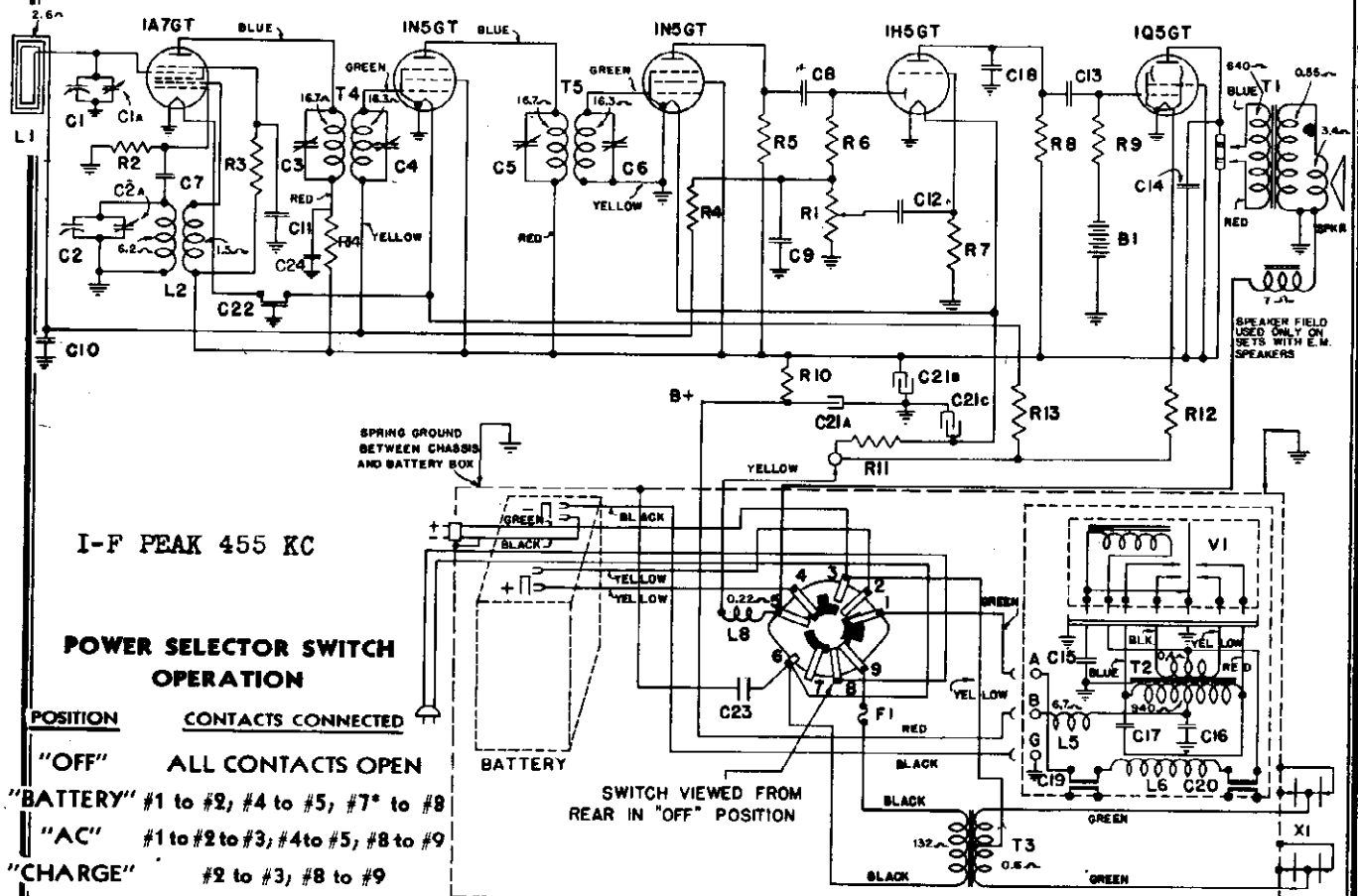


Fig. 1. Schematic Diagram

REPLACEMENT PARTS LIST—MODEL LB-530X

Stock No.	Symbol	Description
*RC-7054	C-1, 2	CONDENSER—Tuning condenser and trimmers
*RC-216	C-7	CAPACITOR—47 mmf, mica
*RC-235	C-8, 9	CAPACITOR—100 mmf, mica
*RC-072	C-10	CAPACITOR—.05 Mfd., 200 V. paper
*RC-096	C-11	CAPACITOR—.01 Mfd., 200 V. paper
*RC-023	C-12, 13	CAPACITOR—.005 Mfd., 600 V. paper
*RC-039	C-14	CAPACITOR—.01 Mfd., 600 V. paper
*RC-096	C-15	CAPACITOR—.01 Mfd., 200 V. paper
*RC-072	C-16	CAPACITOR—.05 Mfd., 200 V. paper
*RC-027	C-17	CAPACITOR—.006 Mfd., 100 V. paper
*RC-235	C-18	CAPACITOR—100 mmf, mica
*RC-156A	C-19, 20	CAPACITOR—.05 Mfd., 120 V.
*RC-5189	C-21A, 21B	CAPACITOR—15 Mfd., 150 V. dry electrolytic
	C-21C	CAPACITOR—1200 Mfd., 2 V. dry electrolytic
*RC-156A	C-22	CAPACITOR—.05 Mfd., 120 V. paper
*RC-092	C-23	CAPACITOR—.05 Mfd., 600 V. paper
*RC-092	C-24	CAPACITOR—.05 Mfd., 600 V. paper
*RV-125	R-1	VOLUME CONTROL—.05 megohm volume control
*RQ-1315	R-2	RESISTOR—220,000 ohm, 1/2 W. carbon
*RQ-1299	R-3	RESISTOR—47,000 ohm, 1/2 W. carbon
*RQ-1339	R-4	RESISTOR—2.2 megohm, 1/2 W. carbon
*RQ-1293	R-5	RESISTOR—27,000 ohm, 1/2 W. carbon
*RQ-1299	R-6	RESISTOR—47,000 ohm, 1/2 W. carbon
*RQ-1347	R-7	RESISTOR—4.7 megohm, 1/2 W. carbon
*RQ-1331	R-8	RESISTOR—1.0 megohm, 1/2 W. carbon
*RQ-1339	R-9	RESISTOR—2.2 megohm, 1/2 W. carbon

Stock No.	Symbol	Description
*RQ-1259	R-10	RESISTOR—1,000 ohm, 1/2 W. carbon
*RQ-1208	R-11, 12, 13	RESISTOR—8.2 ohm, 1/2 W. carbon
*RQ-1271	R-14	RESISTOR—3,300 ohm, 1/2 W. carbon
*RC-2056	B-1	CELL—5.0 V. bias cell assembly
*RL-5005	L-1	LOOP—Loop antenna and cover assembly
*RL-2055	L-2	COIL—Oscillator coil
*RL-367	L-5	CHOKE—B choke
*RL-366	L-6	CHOKE—Vibrator choke
*RL-365	L-8	CHOKE—Filament supply choke
*RS-3115	SW1	SWITCH—Power selector switch
*RT-4010	T-1	TRANSFORMER—Output transformer (Used with PM speaker only)
RT-4029	T-1	TRANSFORMER—Output transformer
*RT-0525	T-2	VIBRATOR—Vibrator power transformer
*RT-0528	T-3	TRANSFORMER—50-60 cycle rectifier step-down transformer
*RT-0527	T-3	TRANSFORMER—25 cycle rectifier step-down transformer (Available with PM speaker only)
*RT-393	T-4	TRANSFORMER—1st I.F. transformer
*RT-392	T-5	TRANSFORMER—2nd I.F. transformer
*RV-204	V-1	VIBRATOR—Power supply synchronous vibrator
*RR-802	X-1	RECTIFIER—Copper oxide rectifier disc
RS-1066	Spkr	SPEAKER—PM speaker
RS-1094	Spkr	SPEAKER—EM speaker

(CONT'D)

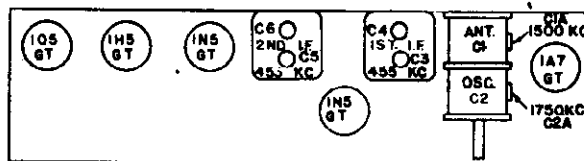
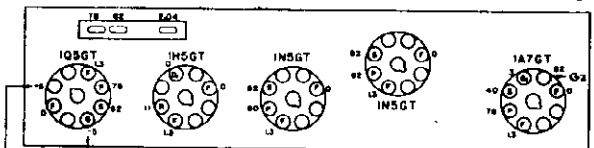


Fig. 3. Trimmer Location



Socket Voltages

DIR BATTERY—MEASURE WITH ZERO CURRENT VOLTMETER ONLY.

POWER SWITCH ON "AC" WITH CHARGER OPERATING BATTERY VOLTAGE—.8 V. VIBRATOR—.8 V. VOLTAGE—.8 V. DC AT 1000 AC, ZERO SIGNAL, ZERO VOLUME. ALL MEASUREMENTS EXCEPT BIAS BATTERY AND DC FILAMENT MADE WITH 1000 OHMS PER VOLT VOLTMETER, 150 VOLT SCALE.

Fig. 2.

MODEL LB-530X  
 MODELS L-540, L-541, L-542  
 L-543, L-542M,  
 L-543M, L-580

GENERAL ELECTRIC CO.  
**MODEL LB-530X**

MISCELLANEOUS PARTS (CONTD)

*RB-1032	BOARD—External loop terminal board.
*RB-1035	BOARD—2-prong male connector for LM-1 charging cable.
*RB-1040	BOARD—Terminal board (located on vibrator box).
*RB-1041	BOARD—Filament and speaker lead terminal board (on chassis).
*RC-863	CORD—Power cord.
*RC-2016	CLIP—Osc. coil clip.
*RC-2057	CLAMP—Bias cell clamp.
*RC-8217	CORD—Pointer drive cord.
*RC-9039	CONE—PM speaker cone.
*RC-9051	CONF—EM speaker cone.
*RD-198	DIAL—Dial scale.
*RE-222	ESCUTCHEON—Selector switch escutcheon.
*RG-016	GRID CAP—Control grid clip.
*RG-436	GRILLE—Cabinet speaker grille.
*RH-124	COTTER—Hairpin cotter.
*RK-1039	KNOB—Selector switch knob.
*RK-1040	KNOB—Volume or tuning control knob.
*RP-1019	POINTER—Dial scale pointer.
*RS-219	SOCKET—Vibrator socket.
*RS-238	SOCKET—Octal base tube socket.
*RS-463	SPRING—Drive cord tension spring.
*RS-9033	SHAFT—Tuning shaft and cotter.
*RT-941	TUBE—Vent tube.
*RX-101	ASSEMBLY—Fuse container assembly.

\* Used on previous receivers.

**ALIGNMENT PROCEDURE**

**I.F. Alignment**

Connect an output meter across the voice coil. Turn volume control to maximum. Set test oscillator to 455 KC and keep the oscillator output as low as a readable meter reading will permit.

Apply signal to 1A7GT converter grid through .05 Mfd. capacitor and align progressively the trimmers in the 2nd and 1st I.F. transformer cans.

**R.F. Alignment**

With loop swung upright to its normal operating position, adjust the signal generator to 1750 KC and loosely couple a wire from the output terminal of the signal generator, so that the receiver loop will pick-up the signal. Set the gang condenser to minimum capacity and adjust the oscillator trimmer (C2A) to receive the signal. After this has been done, set the signal generator to 1500 KC and tune the receiver until this signal is tuned in. Adjust the R.F. trimmer (1A) for maximum output. In case of bent plates in the condenser, set the signal generator and the receiver to 600 KC and bend plates into the position for maximum output.

**MODELS L-540, L-541, L-542, L-543, L-542M, L-543M, L-580**  
 SPECIFICATIONS

**Physical Dimensions**

	Height	Width	Depth
L-540, L-541	7 <sup>1</sup> / <sub>8</sub> "	10 <sup>1</sup> / <sub>2</sub> "	6 <sup>1</sup> / <sub>8</sub> "
L-542, L-543, L-542M, L-543M	7 <sup>1</sup> / <sub>8</sub> "	10 <sup>3</sup> / <sub>8</sub> "	6 <sup>3</sup> / <sub>8</sub> "
L-580	7 <sup>1</sup> / <sub>8</sub> "	9 <sup>1</sup> / <sub>4</sub> "	6 <sup>1</sup> / <sub>8</sub> "

**Tuning Control Drive Ratio**.....7:1

**Electrical Specifications**

Rating A-6.. 105-117 volts, 50-60 cycles or 105-117 volts D-C; 30 watts.  
 Rating C-2.. 105-117 volts, 25 cycles or 105-117 volts D-C; 30 watts.

**Tuning-Frequency Range**.....550-1720 KC

**Intermediate Frequency**.....455 KC

**Maximum Power Output**.....1.5 watts

**Loud-speaker—PM Dynamic**

Outside cone diameter.....4 inches  
 Voice coil impedance (400 cycles).....3.5 ohms

**Tubes**

Converter and oscillator.....	GE-12SA7 or GT
IF Amplifier.....	GE-12SK7 or GT
Detector, AVC, audio.....	GE-12SQ7 or GT
Power output.....	GE-50L6GT
Rectifier.....	GE-35Z5GT
Dial Lamp.....	MAZDA No. 47

**GENERAL INFORMATION**

All models are five-tube AC-DC superheterodyne receivers. The Models L-541, L-543, L-543M and L-580 are Underwriters' approval version of Models L-540, L-542 and L-542M.

**SPECIFICATIONS**

**Physical Dimensions**

Height.....	11 <sup>1</sup> / <sub>4</sub> inches
Width.....	13 <sup>1</sup> / <sub>4</sub> inches
Depth.....	4 <sup>3</sup> / <sub>4</sub> inches
Weight (with battery).....	16 pounds

**Electrical Rating**

Charging from AC Line—PM Speaker  
 110-125 Volts AC—50-60 cycles—6 watts  
 110-125 Volts AC—25-60 cycles—10 watts

Charging from AC Line—EM Speaker  
 110-125 Volts AC—50-60 cycles—8 watts

Receiver Power Consumption  
 PM Speaker—2.1 Volts DC, 1.3 amperes—2.7 watts  
 EM Speaker—2.1 Volts DC, 1.6 amperes—3.4 watts

Receiver battery requirement:  
 Willard 2.0 volts No. 20-2 or equivalent rechargeable battery.

Charging from Storage Battery (using LM-1 Charging Cable):  
 6.3 Volts DC.....1.4 amperes  
 Fuse: GE No. 2548—<sup>1</sup>/<sub>4</sub>-ampere rating.

**Tuning Frequency Range**.....550-1750 KC

**Electrical Power Output**

Maximum......225 milliwatts

**Loud-speaker—PM Dynamic—EM Dynamic**

Cone Diameter......5 inches  
 Voice Coil Impedance.....3.5 ohms  
 (400 cycles)

**Tubes**

Converter-Oscillator.....	GE-1A7GT
1st I.F. Amplifier.....	GE-1N5GT
2nd I.F. Amplifier.....	GE-1N5GT
Detector & 1st Audio.....	GE-1H5GT
Power Output.....	GE-1Q5GT

**GENERAL INFORMATION**

For information regarding the rectifier and battery operation, refer to the Model LB-530 service note.

On receivers using an EM speaker an additional spliced wire runs to the speaker for the field supply. This spliced wire should be well taped at all times.

**ALIGNMENT PROCEDURE**

**Alignment Frequencies**

IF.....	455 KC
RF.....	1500 KC

The location of all trimmers is shown in Fig. 1.

**IF Alignment**

Connect an output meter across the voice coil. Turn the volume control to maximum. Set test oscillator to 455 KC and keep the oscillator output as low as a readable meter reading will permit.

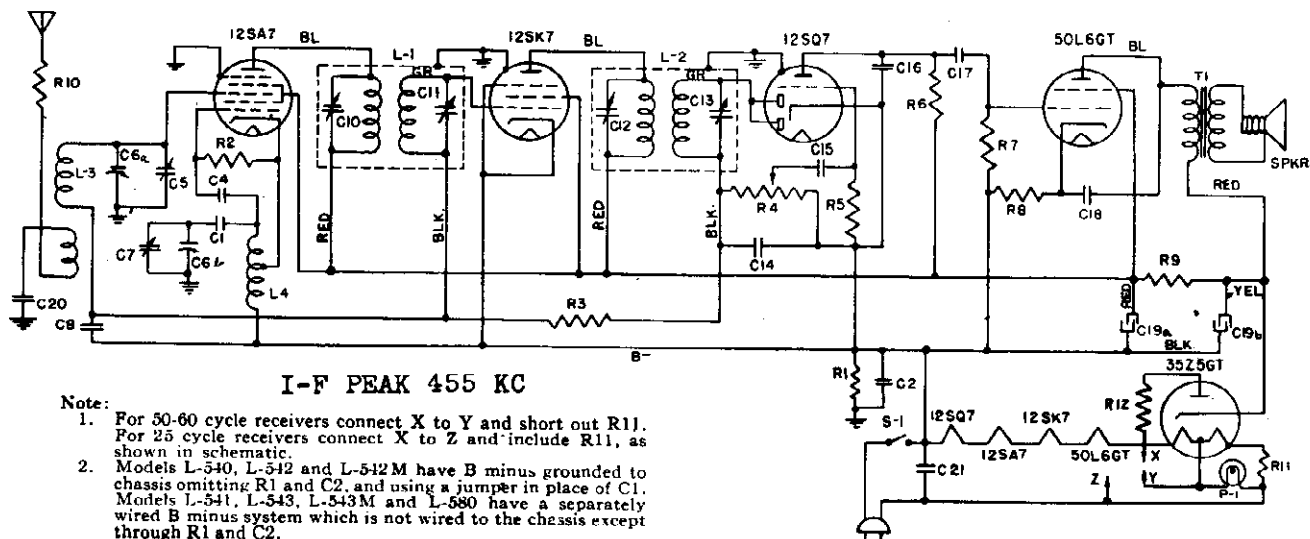
Apply signal to the converter grid through a .05 mfd. capacitor and align progressively the trimmers in the 2nd and 1st IF transformers.

**RF Alignment**

Close the gang condenser by rotating the tuning control. Slide the pointer along the cord until it lines up with the first dial marking on the left. Now rotate the tuning control until the pointer is over the 1500 KC dial mark. Apply a 1500 KC signal to the receiver by means of a standard loop antenna. Align the oscillator trimmer (C-7) to bring in the signal and peak the signal by adjusting the antenna trimmer (C-5) (See Fig. 1 for trimmer locations.)

MODELS L-540, L-541, L-542  
L-543, L-542M,  
L-543M, L-580

## GENERAL ELECTRIC CO.



### REPLACEMENT PARTS LIST

Models L-540, L-541, L-542, L-543, L-542-M, L-543-M, L-580

Stock Number	Symbol	Description	Stock Number	Description
*RC-072	C-1	CAPACITOR—.05 mfd. 200-V paper	<b>MISCELLANEOUS PARTS</b>	
*RC-130	C-2	CAPACITOR—.02 mfd. 400-V paper	*RB-023	BOARD—4-lug terminal board
*RC-235	C-4	CAPACITOR—100 mmf. mica	*RB-971	BACK COVER—Cabinet back cover (Model L-580)
*RC-2039	C-6a,	CONDENSER—Tuning condenser (Includes	*RB-982	BACK COVER—Cabinet back cover (Models L-540,
	b	trimmers C-5, C-7)		L-541)
*RC-072	C-8	CAPACITOR—.05 mfd. 200-V paper	*RB-983	BACK COVER—Cabinet back cover (Models L-542,
*RC-274	C-14	CAPACITOR—330 mmf. mica		L-543, L-542M, L-543M)
*RC-023	C-15	CAPACITOR—.005 mfd. 600-V paper	*RB-1128	BRACKET—Dial lamp bracket assembly
*RC-274	C-16	CAPACITOR—330 mmf. mica	*RC-8154	CORD—Power cord
*RC-039	C-17	CAPACITOR—.01 mfd. 600-V paper	*RC-8196	CABLE—Tuning condenser drive cable (32 inches)
*RC-048	C-18	CAPACITOR—.02 mfd. 600-V paper	*RC-9015	CONE—4-inch Speaker cone assembly
*RC-5174	C-19a	CAPACITOR—20 mfd. 150-V dry electrolytic,	*RD-770	DIAL—Dial scale
	C-19b	30 mfd. 150-V dry electrolytic	*RF-205	FASTENER—Back cover fastener (Model L-580)
*RC-039	C-20	CAPACITOR—.01 mfd. 600-V paper	*RP-207	FASTENER—Back cover fasteners (Models L-540,
*RC-092	C-21	CAPACITOR—.05 mfd. 600-V paper		L-541, L-542, L-543, L-542M, L-543M)
*RQ-1319	R-1	RESISTOR—330,000 ohms, 1/4-W carbon	*RF-206	FASTENER—Window fasteners
*RQ-1291	R-2	RESISTOR—22,000 ohms, 1/4-W carbon	*RH-124	HAIRPIN COTTER—Tuning shaft retaining cotter
*RQ-1339	R-3	RESISTOR—2.2 megohms, 1/4-W carbon	*RH-806	HANDLE—Blue cabinet handle (Model L-580)
*RV-108	R-4,	VOL. CONTROL—.5 megohm Volume Control	*RK-092	KNOB—Control knob (Models L-540, L-541, L-542,
	S-1	and power switch		L-543, L-542M, L-543M)
*RQ-1347	R-5	RESISTOR—4.7 megohms, 1/4-W carbon	RK-1071	KNOB—Control knob (Model L-580)
*RQ-1317	R-6	RESISTOR—270,000 ohms, 1/4-W carbon	*RTX-001	NUT—Control mounting pal nut
*RQ-1323	R-7	RESISTOR—470,000 ohms, 1/4-W carbon	*RP-1003	POINTER—Dial scale pointer
*RQ-1239	R-8	RESISTOR—150 ohms, 1/4-W carbon	*RS-238	SOCKET—Octal tube socket
*RQ-1461	R-9	RESISTOR—1500 ohms, 1-W carbon	*RS-295	SOCKET—Dial lamp socket
*RQ-1255	R-10	RESISTOR—680 ohm, 1/4-W carbon	*RS-444	SPRING—Knob spring
*RQ-1214	R-11	RESISTOR—13 ohm, 1/4-W carbon	*RS-463	SPRING—Drive cable tension spring
*RQ-1365	R-12	RESISTOR—15 ohm, 1/4-W carbon	*RS-1821	SHIELD—50L6GT tube shield
*RT-3015	L-1	TRANSFORMER—1st I.F. Transformer	*RS-9027	SHAFT—Drive shaft
*RT-376	L-2	TRANSFORMER—2nd I.F. Transformer	*RW-053	WINDOW—Dial scale window
*RL-584	L-3	BEAM-A-SCOPE—Loop antenna assembly	*RW-101	WASHER—Felt washer
*RL-2068	L-4	COIL—Oscillator coil	RZ-294	CABINET—Ivory Catalin cabinet less back (Model
*RS-1059	SPKR	SPEAKER—1 in. PM Speaker with transformer		L-580)
*RT-4004	T1	TRANSFORMER—Output speaker transform-		

\* Used on previous receivers.

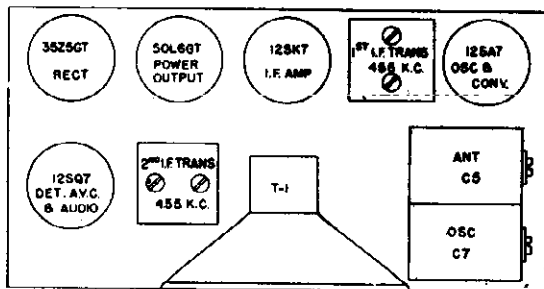


Fig. 1. Tube and Trimmer Location

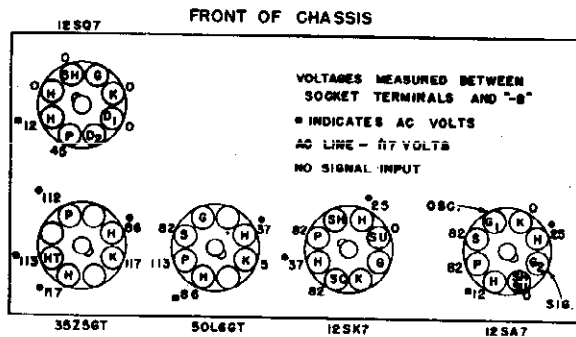
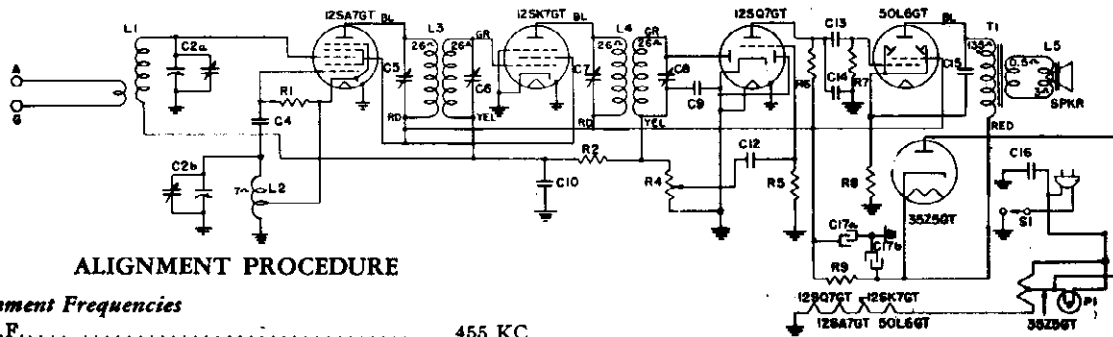


Fig. 2. Socket Voltages

MODEL JCP-562

GENERAL ELECTRIC CO.



ALIGNMENT PROCEDURE

Alignment Frequencies

I.F. .... 455 KC  
 R.F. .... 1650 and 1500 KC

The location of all trimmers is shown in Figure 1.

I.F. Alignment

Connect an output meter across the voice coil. Turn the volume control to maximum. Set test oscillator to 455 KC and keep the oscillator output as low as a readable meter reading will permit.

Apply signal to the converter grid of the 12SA7GT through a 0.05 mfd. capacitor and align progressively the trimmers in the 2nd and 1st I.F. transformer cans. Do not remove the grid lead from the 12SA7GT.

R.F. Alignment

To insert the R.F. signal use either a standard I.R.E. dummy between the signal generator and the receiver antenna post or a loop connected across the generator output which can be magnetically coupled to the receiver Beam-a-Scope. When using an I.R.E. dummy antenna for R.F. alignment, the ground lead from the signal generator to the receiver ground post should be omitted.

With the gang condenser wide open, align oscillator trimmer (C-2b) to 1650 KC. Change generator signal to 1500 KC, tune receiver to the signal and peak antenna trimmer (C-2a) for maximum output.

Precaution

If the signal generator is AC operated use an isolating transformer between the power supply and the radio receiver power input. The use of an isolating capacitor is not recommended as AC current through the capacitor will introduce hum modulation and/or create the possibility of a burned-out signal generator attenuator.

Special Service Information

The following information will be found very useful in servicing receivers if a vacuum tube voltmeter or similar voltage measuring instrument is available.

- (1) Stage Gains Gain  
 Antenna to 12SA7GT grid... 3 to 3.5 at 1000 KC‡  
 12SA7GT grid to 12SK7GT grid... 50 at 455 KC‡  
 12SK7GT grid to 12SQ7GT detector plate... 50 at 455 KC‡  
 Gains shown in the first two stages do not contain the conversion gain which amounts to 1.1 at 1000 KC.
- (2) 0.15 volt, 400 cycle signal across the volume control will give ½ watt speaker output. (Volume control turned to maximum.)
- (3) Average DC voltage developed across oscillator grid leak... 15 volts

‡ Variations of +10%, -20% permissible.  
 The glass tubes used in the I.F. amplifier and 2nd detector stages are interchangeable with metal tubes.

Tuning Control Drive Ratio..... 4.5:1

Tuning Frequency Range..... 540-1600 KC

Intermediate Frequency..... 455 KC

Electrical Power Output (117-line volts)

Undistorted..... 1.3 watts  
 Maximum..... 1.9 watts

Loud-speaker—"Alnico" Magnetic Dynamic

Outside Cone Diameter..... 5 inches  
 Voice Coil Impedance (400 cycles)..... 3.5 ohms

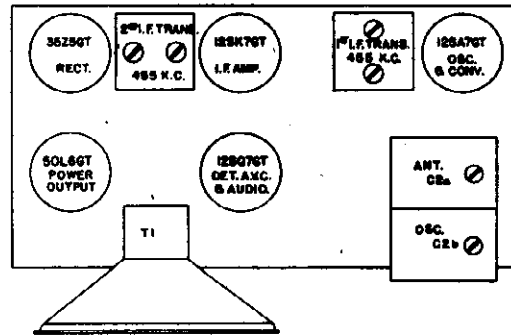


Fig. 1. Trimmer Location

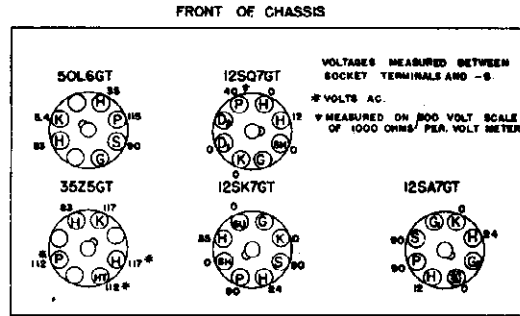
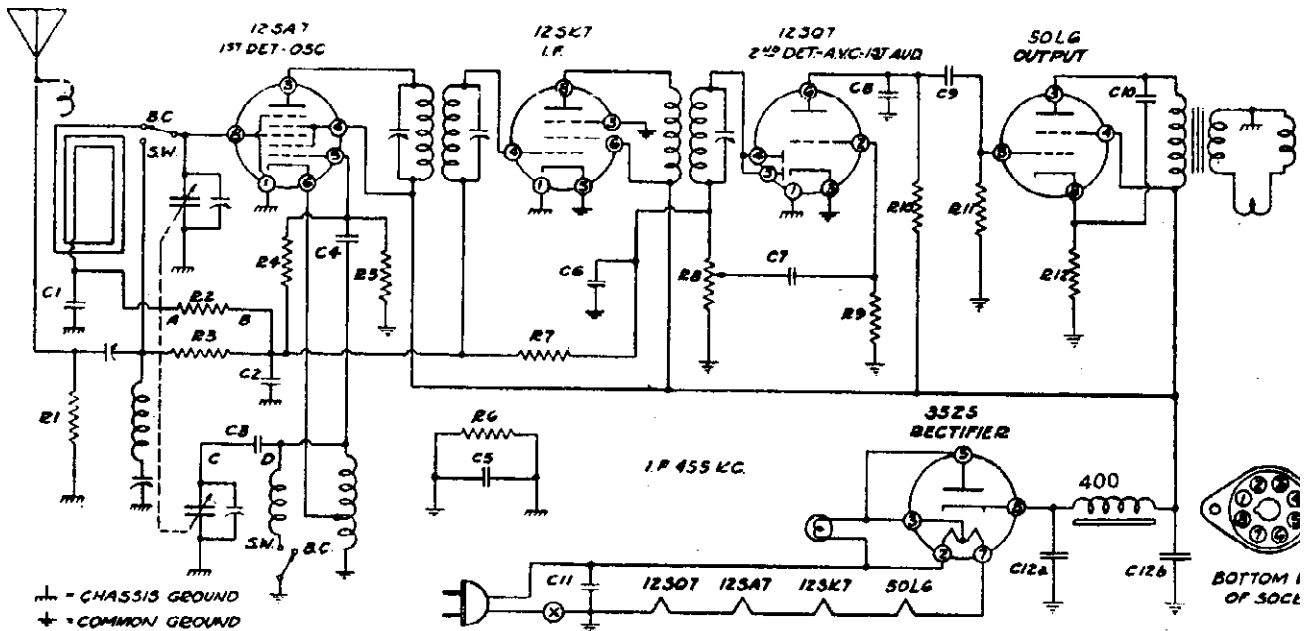


Fig. 3. Socket Voltages

Parts Description List

Sym.	Description	Sym.	Description	Sym.	Description
C-2a	Antenna Section Tuning Condenser	C-13	.005 mfd. paper capacitor	P-1	Dial lamp, MAZDA No. 47
C-2b	Oscillator Section Tuning Condenser	C-14	330 mfd. mica capacitor	R-1	33,000 ohms carbon resistor
C-4	47 mfd. mica capacitor	C-15	.01 mfd. paper capacitor	R-2	2.2 megohms carbon resistor
C-5	25-140 mfd. I.F. trimmer	C-16	.05 mfd. paper capacitor	R-4	0.5 megohm volume control
C-6	25-140 mfd. I.F. trimmer	C-17a	30 mfd. 150 V. dry electrolytic	R-5	4.7 megohms carbon resistor
C-7	25-140 mfd. I.F. trimmer	C-17b	40 mfd. 150 V. dry electrolytic	R-6	470,000 ohms carbon resistor
C-8	25-140 mfd. I.F. trimmer	L-1	Beam-a-Scope	R-7	470,000 ohms carbon resistor
C-9	470 mfd. mica capacitor	L-2	Oscillator coil	R-8	150 ohms carbon resistor
C-10	.05 mfd. paper capacitor	L-3	1st I.F. transformer	R-9	1200 ohms 1 W. carbon resistor
C-12	.03 mfd. paper capacitor	L-4	2nd I.F. transformer		

GENERAL ELECTRIC CO.



RESISTORS				CONDENSERS							
No.	Ohms	Watts	No.	Ohms	Watts	No.	Capacity (Mfd.)	Volts	No.	Capacity (Mfd.)	Volts
R1	250,000	1/4	R8	500,000	V.C.	C2	.05	200	C3	.01	400
R3	250,000	1/4	R9	3,000,000	1/4	C4	.0001	Mica	C10	.02	400
R4	10,000,000	1/4	R10	250,000	1/4	C6	.00025	Mica	C11	.05	400
R5	25,000	1/4	R11	500,000	1/4	C7	.005	400	C12a	30	Elec. 150
R7	2,000,000	1/4	R12	150-10%	1/4	C8	.0005	Mica	C12b	20	Elec. 150

All common grounds become chassis grounds, C1, C3, C5, R2, and R6 are omitted. Point "A" is connected to point "B" and point "C" to point "D."

SERVICE INFORMATION

- Voltages**—Line 117 Volts AC—Power Consumption 30 Watts. Volume Control maximum. Meter 1000 ohms per volt, 150 volt scale.
- Plate (3) of 12SA7 tube to common ground.....93 volts
  - Screen (4) of 12SA7 tube to common ground.....95 volts
  - Plate (8) of 12SK7 tube to common ground.....93 volts
  - Screen (6) of 12SK7 tube to common ground.....95 volts
  - Plate (3) of 50L6 tube to common ground.....90 volts
  - Screen (4) of 50L6 tube to common ground.....95 volts
  - Cathode (8) of 50L6 tube to common ground.....5.5 volts
  - Cathode (8) of 35Z5 tube to common ground.....122 volts

- Speaker**—5" Dynamic.
- Field Resistance .....400 ohms
  - Voice coil impedance at 400 cycles.....4.0 ohms

Oscillator and Short Wave Antenna Coil

- Looking at the five terminal connection end in a clockwise direction starting at the mounting bracket, the connections are: No. 1, ground; No. 2, grid; No. 3, B.C. osc. tap; No. 4, open; No. 5, open. Looking at the other end in a clockwise direction starting at the mounting bracket, the connections are: No. 6, pad; No. 7, open; No. 8, switch; No. 9, ant.
- No. 1 and No. 2—Resistance.....69 ohms
  - No. 1 and No. 3—Resistance.....4 ohm
  - No. 3 and No. 2—Resistance.....6.5 ohms
  - No. 6 and No. 9—Resistance......3 ohm
  - No. 8 and No. 2—Resistance......3 ohm

First I.F. Transformer

- Primary—Blue, plate; red, B+—Resistance 20.4 ohms.
- Secondary—White, grid; Black, AVC—Resistance 20.3 ohms.

Second I.F. Transformer

- Primary—Blue, plate; red, B+—Resistance 22.2 ohms.
- Secondary—White, diode; black, AVC—Resistance 22.1 ohms.

ALIGNMENT PROCEDURE

General Data

The alignment of this receiver requires the use of signal generator that will cover the frequencies of 455, 60 1400, 1630, 3000 and 6000 K.C., and an output meter to be connected across the primary or secondary of the output transformer. If possible, all alignments should be made with the volume control on maximum and the signal generator output as low as possible, to prevent the AVC from operating and giving false readings.

I.F. Alignment

Adjust the signal generator to 455 K.C. and connect the output to the grid of the first detector tube (12SA7) through a .05 or .1 mfd. condenser. Connect ground of signal generator to chassis ground through a .1 mfd. condenser. Align all I.F. trimmers to peak or maximum reading on the output meter.

Broadcast Band Alignment

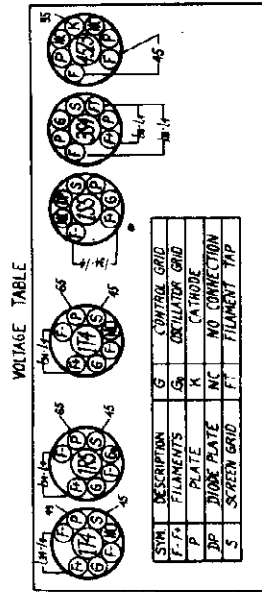
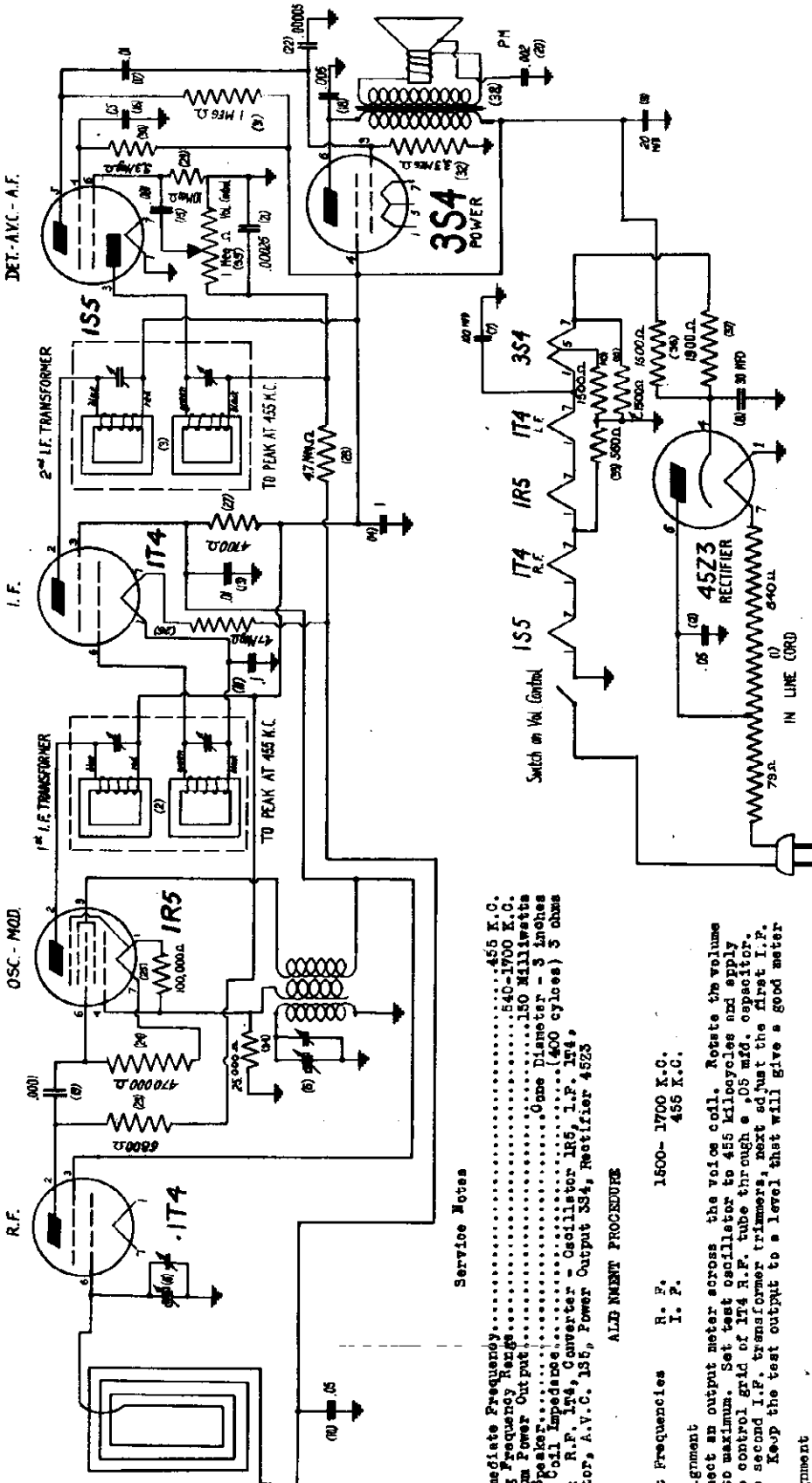
Adjust the signal generator to 1630 K.C. and connect the output to the antenna lead, through a .0002 mfd. mica condenser. Set the gang condenser to minimum capacitance and adjust the oscillator trimmer to receive this signal. After this has been carefully done, the next step is to set the signal generator to 1400 K.C. and after tuning in the signal adjust the B.C. antenna trimmer to peak. In case of bent plates, set the signal generator and the receiver to 600 K.C. and bend the plates into the position for maximum output.

Short Wave Band Alignment

Set the signal generator to 6000 K.C., tune the signal and adjust the short wave antenna trimmer to give maximum output. Set the signal generator to 3000 K.C., tune the signal and then slowly increase or decrease the short wave antenna padding condenser and at the same time continue to tune back and forth across the signal with the receiver until the maximum reading is obtained on the output meter.

MODEL L-622

GENERAL ELECTRIC CO.



**VOLTAGE TABLE**

BOTTOM VIEW OF CHASSIS  
ALL FILAMENT VOLTAGES MEASURED ACROSS SOCKET TERMINALS OTHER VOLTAGES MEASURED FROM SOCKET TERMINAL TO GROUND WITH A 100Ω PER NET VOLT-METER

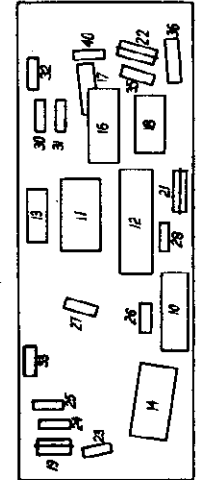
**Service Notes**

- Intermediate Frequency..... 455 K.C.
- Tuning Frequency Range..... 540-1700 K.C.
- Maximum Power Output..... 1.50 Milliwatts
- Loud Speaker..... 3 inches
- Voice Coil Impedance..... 8 ohms
- Diode..... (400 cycles) 5 ohms
- Tubes: R.F. 1r5, Converter - Oscillator IR5, I.F. 1r4, Detector, A.V.C. 1r5, Power Output 3r4, Rectifier 4523

**ALIGNMENT PROCEDURE**

- Alignment Frequencies**  
R. F. 1600- 1700 K.C.  
I. F. 455 K.C.
- I. F. Alignment**  
Connect an output meter across the voice coil. Rotate the volume control to maximum. Set test oscillator to 455 kilocycles and apply signal to control grid of I.T4 R.F. tube through a .05 mfd. capacitor. Align the second I.F. transformer trimmer, next adjust the first I.F. trimmer. Keep the test output to a level that will give a good meter reading.
- R.F. Alignment**  
Place a one turn coupling not closer than six inches from the receiver Beam-scope which is located in the front cover. Apply a 1700 kilocycles signal to the coupling loop. Adjust the receiver to 1700 kilocycles by turning the variable capacitor until it is in the extreme clockwise position. Align the oscillator trimmer (C-1A). Set the signal generator to 1500 kilocycles. Turn the receiver tuning condenser until the generator signal is picked up. Peak (C-1B) for maximum output.
- The Beam-scope leads should be dressed the same after the components are mounted in the cabinet as during alignment.

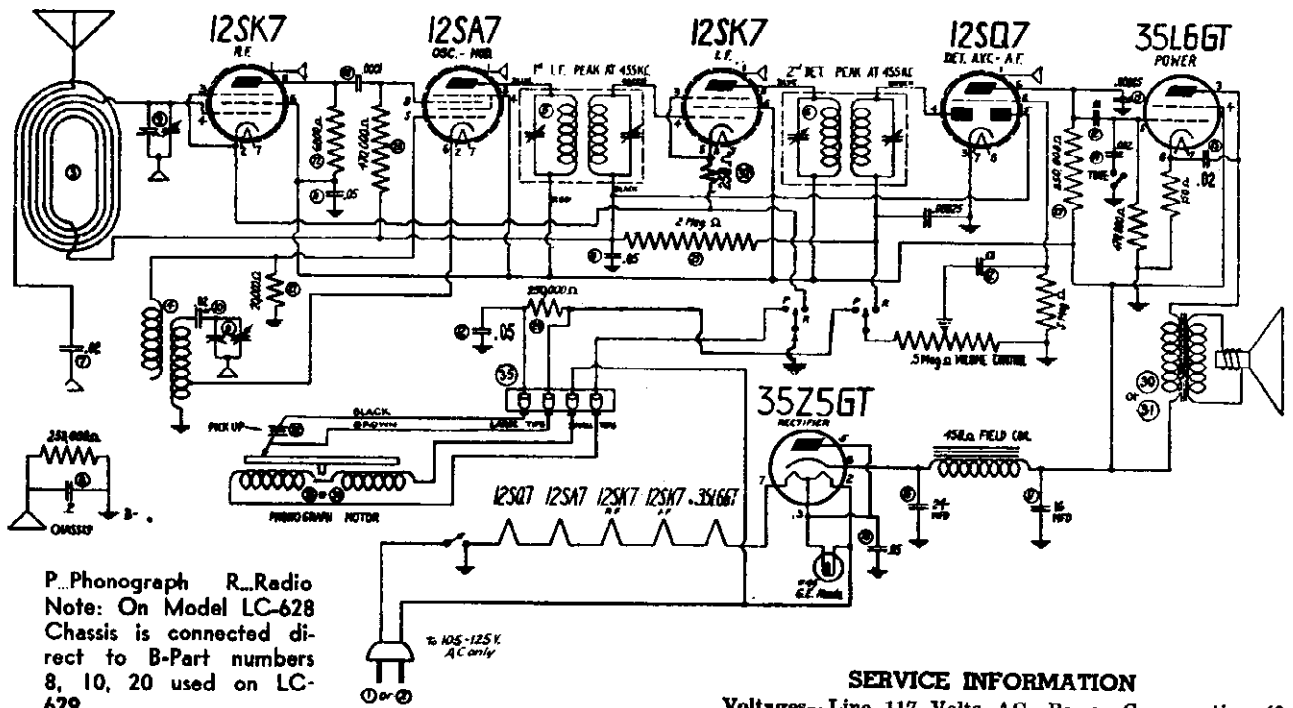
**BOTTOM VIEW OF CHASSIS**  
PARTS 15, 20, 29, 34, 37 LOCATED ON TOP OF CHASSIS



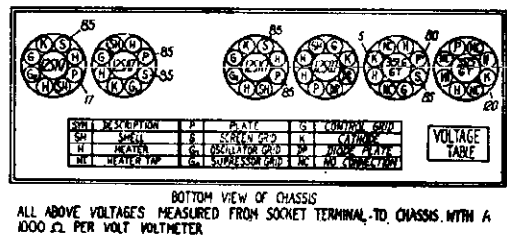
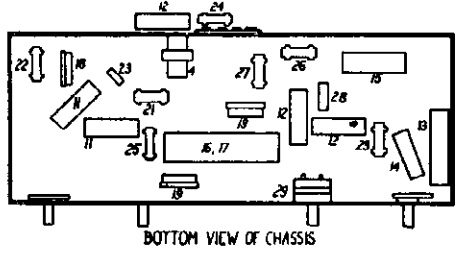
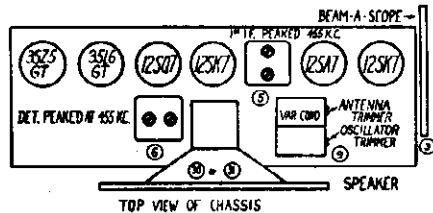


GENERAL ELECTRIC CO.

MODELS LC-628, LC-629, LC-638



P...Phonograph R...Radio  
 Note: On Model LC-628  
 Chassis is connected direct to B-Part numbers 8, 10, 20 used on LC-629



SERVICE INFORMATION

Voltages—Line 117 Volts AC—Power Consumption 40 Watts including Phonograph Motor. Volume Control maximum. Meter 1000 ohms per volt, 250 volt scale.  
 Plate (8) of 12SK7 R. F. tube to common ground 17 volts  
 Screen (6) of 12SK7 R. F. tube to common ground 85 volts  
 Plate (3) of 12SA7 tube to common ground 85 volts  
 Screen (4) of 12SA7 tube to common ground 85 volts  
 Plate (8) of 12SK7 I. F. tube to common ground 85 volts  
 Screen (6) of 12SK7 I. F. tube to common ground 85 volts  
 Plate (3) of 35L6GT tube to common ground 80 volts  
 Screen (4) 35L6GT tube to common ground 85 volts  
 Cathode (8) of 35L6GT tube to common ground 5.0 volts  
 Heater (2) and (7) of 12SA7 tube 12.4 volts AC  
 Heater (2) and (7) of 12SK7 R. F. tube 12.4 volts AC  
 Heater (2) and (7) of 12SK7 I. F. tube 12.4 volts AC  
 Heater (8) and (7) of 12SQ7 tube 12.4 volts AC  
 Heater (2) and (7) of 35L6GT tube 35.0 volts AC  
 Heater (2) and (7) of 35Z5GT tube 35.0 volts AC

SERVICE NOTES

Tuning Control Drive Radio 12:1  
 Power Consumption (with phono) 40 watts  
 Intermediate Frequency 455 K.C.  
 Tuning Frequency Range 540-1700 K.C.  
 Maximum Power Output 0.9 watts  
 Loud Speaker Cone Diameter—5 inches  
 Voice Coil Impedance (at 400 cycles) 3 ohms  
 Tubes: R. F. amplifier 12SK7 Converter—Oscillator 12SA7, I. F. 12SK7, Detector, A. V. C. 12SQ7, Power Output 35L6GT, Rectifier 35Z5GT.

ALIGNMENT PROCEDURE

Alignment Frequencies I. F. 455 K. C.  
 R. F. 1700 & 1400 K. C.

I. F. Alignment

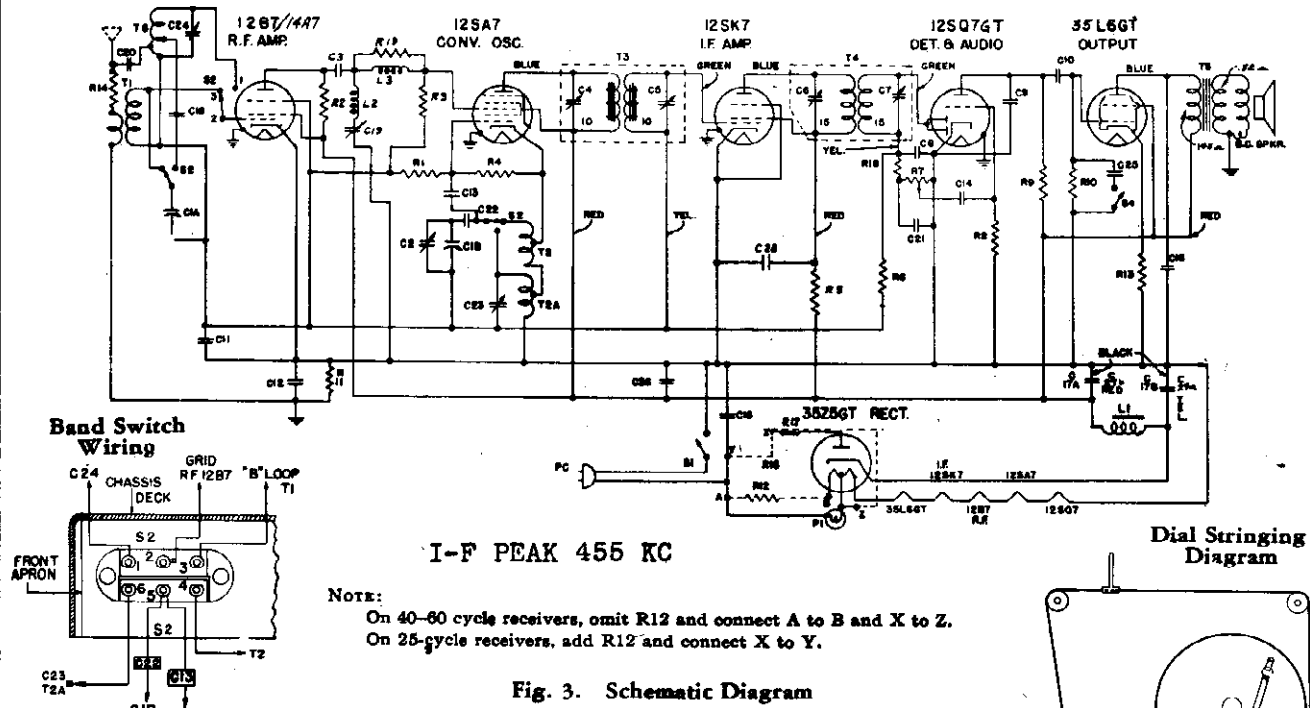
Connect an output meter across the voice coil. Rotate the volume control to maximum. Set test oscillator to 455 kilocycles and apply signal to control grid of 12SK7 R. F. through a .05 mfd. capacitor. Align the second I. F. transformer trimmers, next adjust the first I. F. transformer trimmers. Keep the test oscillator output to a level that will give a good meter reading.

R. F. Alignment

Attach high side of test oscillator to flexible lead extending from rear of chassis through a .00025 mfd. condenser. Connect the low side to the receiver chassis. Adjust the test oscillator and receiver to 1700 kilocycles. Peak 1700 kilocycles oscillator trimmer for maximum output. Change test oscillator signal and receiver dial to approximately 1400 kilocycles. Then while rocking gang condenser, trim 1400 kilocycles antenna trimmer for maximum output.

MODELS L-631, L-642, L-674

GENERAL ELECTRIC CO.



I-F PEAK 455 KC

NOTE:  
On 40-60 cycle receivers, omit R12 and connect A to B and X to Z.  
On 25-cycle receivers, add R12 and connect X to Y.

Fig. 3. Schematic Diagram

Stock No.	Symbol	Description
RC-7067	C1a, 1b	CONDENSER—Tuning condenser.
RT-892	C2, 24	TRIMMER—"B" band oscillator and "D" band ant. trimmers.
*RC-235	C3	CAPACITOR—100 mmf., mica
*RC-274	C8	CAPACITOR—330 mmf., mica
*RC-242	C9	CAPACITOR—150 mmf., mica
*RC-039	C10, 15, 26, C28	CAPACITOR—.01 mfd., 600-V paper.
*RC-092	C11, 16	CAPACITOR—.05 mfd., 600-V paper.
*RC-104	C12	CAPACITOR—1 mfd., 600-V paper.
*RC-216	C13	CAPACITOR—47 mmf., mica
*RC-023	C14	CAPACITOR—.005 mfd., 600-V paper.
RC-8206	C17a, C17b	CAPACITOR—30 mfd., 30 mfd., 150-V electrolytic.
*RC-259	C18	CAPACITOR—250 mmf., mica
RC-6569	C19	CAPACITOR—Wave trap trimmer.
*RC-209	C20	CAPACITOR—39 mmf., mica
*RC-235	C21	CAPACITOR—100 mmf., mica
*RC-048	C22	CAPACITOR—.02 mfd., 600-V paper.
RC-6560	C23	CAPACITOR—"D" Band oscillator trimmer.
*RC-053	C25	CAPACITOR—.0032 mfd., 600-V paper.
*RC-6183	C27a, C27b	CAPACITOR—60 mfd., 50 mfd., 150-V Electrolytic (25-cycle only).
*RO-1365	R1	RESISTOR—15 megohm, 1/4-W carbon.
*RO-1275	R2	RESISTOR—4700 ohm, 1/4-W carbon.
*RO-1299	R3, 18	RESISTOR—47,000 ohm, 1/4-W carbon.
*RO-1295	R4	RESISTOR—33,000 ohm, 1/4-W carbon.
*RO-1251	R5	RESISTOR—470 ohm, 1/4-W carbon.
*RO-1339	R6	RESISTOR—2.2 megohm, 1/4-W carbon.
*RV-120	R7, S1	VOL. CONTROL—0.5 megohm with power switch (Model L-674).
*RV-131	R7, S1	VOL. CONTROL—0.5 megohm with power switch (Models L-631, L-642).
*RO-1349	R8	RESISTOR—5.6 megohm, 1/4-W carbon.
*RO-1315	R9	RESISTOR—220,000 ohm, 1/4-W carbon.
*RO-1323	R10, 11	RESISTOR—47,000 ohm, 1/4-W carbon.
*RO-1213	R12	RESISTOR—12 ohm, 1/4-W carbon.
*RO-1237	R13	RESISTOR—120 ohm, 1/4-W carbon.
*RO-1255	R14	RESISTOR—680 ohm, 1/4-W carbon.
*RO-1215	R17	RESISTOR—15 ohm, 1/4-W carbon.
*RO-1307	R19	RESISTOR—100,000 ohm, 1/4-W carbon.
RL-608	L2	COIL—Wave trap coil.
RL-177	L3	COIL—Choke coil.
RL-6000	T1	LOOP—"B" band loop and cabinet back assembly.
RL-2077	T2	COIL—"B" band oscillator coil.
RL-2078	T2A	COIL—"D" band oscillator coil.
*RT-385	T3	TRANSFORMER—1st IF transformer.
*RT-3022	T4	TRANSFORMER—2nd IF transformer.
RT-4026	T5	TRANSFORMER—Output transformer.
RL-5002	T6	LOOP—"SW" band loop antenna (Model L-674).
RL-6003	T6	LOOP—"SW" band loop antenna (Models L-631, 642).
RS-1090	SPKR	SPEAKER—Electro-dynamic speaker (450 ohm field).
RS-3151	S2	SWITCH—Band change switch.
RS-3108	S4	SWITCH—Tone control switch.

\* Used on previous receivers.

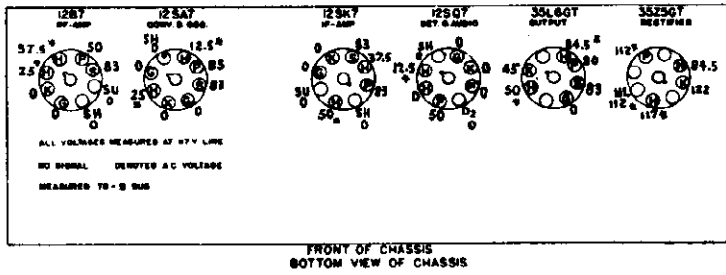
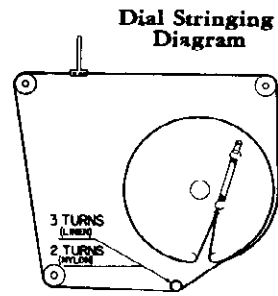


Fig. 2. Socket Voltages

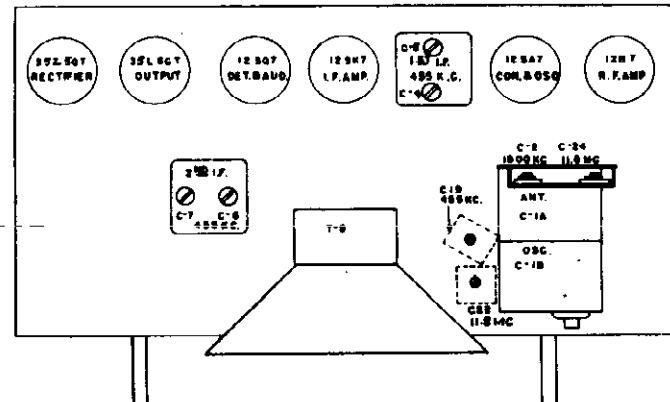


Fig. 1. Trimmer Location

GENERAL ELECTRIC CO. MODELS L-631, L-642, L-674  
MODEL L-641

**SPECIFICATIONS**

Models L-631, L-642 and L-674

Intermediate Frequency ..... 455 KC

Electrical Power Output  
Undistorted ..... 0.6 watts  
Maximum ..... 1.5 watts

Load-speaker Electro-dynamic  
Outside cone diameter ..... 5 inches  
Voice coil impedance ..... 3.5 ohms  
Field coil resistance ..... 480 ohms

**Tubes**  
RF Amplifier ..... 6X4  
Converter, Oscillator ..... 6X4  
IF Amplifier ..... 6X4  
Detector, 1st Audio and AVC ..... 6X4  
Audio output ..... 6X4  
Rectifier ..... 6X4  
Pilot Lamp ..... MAZDA 51

**GENERAL INFORMATION**  
Models L-631, L-642 and L-674 are six-tube AC-DC superheterodyne receivers which have full Underwriters' approval.

**ALIGNMENT CHART**

Step	Test-Occ. Connection	Test-Occ. Setting	Pointer Setting	Adjust Trimmers
1	6SK7 IF Grid in series with .05 mfd. capacitor	455 KC	"BC" Band 500 KC	C8 and C7 for maximum
2	6SA7 Conv. Grid in series with .05 mfd. capacitor	455 KC	"BC" Band 500 KC	C4 and C5 for maximum
3	6SK7 RF Grid in series with .05 mfd. capacitor	455 KC	"BC" Band 500 KC	C16 for maximum
4	Capacity Coupled	580 KC	"BC" Band 500 KC	C22 for maximum
5	Capacity Coupled	1600 KC	"BC" Band 1600 KC	C3 and C4 for maximum
6	Capacity Coupled	580 KC	"BC" Band 500 KC	C23 for maximum
7	Capacity Coupled	11.8 MC	"SW" Band 11.8 MC	C24 for signal
8	Capacity Coupled	11.8 MC	"SW" Band 11.8 MC	C24 for (Auk.) for maximum

\* Connect tank at low capacity.  
\*\* Rock gang condenser when making alignment.  
\*\*\* Caution: Always use an isolating transformer in the power supply line.

**ALIGNMENT PROCEDURE**

The location of trimmers is shown in Fig. 1. All RF trimmers are accessible through holes in the back cover or bottom of the cabinet. The alignment procedure is given in table form. All IF adjustments may be made with the chassis removed from the cabinet. However, the RF adjustments should be made with the chassis in the cabinet, as the relative position of the loop antennas securely bolted in the cabinet, as the relative position of the loop antennas with respect to the chassis materially affects alignment. The RF signal should be capacity-coupled by placing a two-foot wire for an antenna on the test oscillator output post (high side). Keeping the antenna two-feet or more from the receiver loop will generally insure freedom from too much coupling. Metal objects such as meters, tools, etc., should not be placed on top of the receiver cabinet.

**ALIGNMENT CHART**

Step	Test-Occ. Connection	Test-Occ. Setting	Pointer Setting	Adjust Trimmers
1	6SK7 IF Grid in series with .05 mfd. capacitor	455 KC	"BC" Band 500 KC	C8 & C7 for maximum
2	6SA7 Conv. Grid in series with .05 mfd. capacitor	455 KC	"BC" Band 500 KC	C4 & C5 for maximum
3	6SK7 RF Grid in series with .05 mfd. capacitor	455 KC	"BC" Band 500 KC	C16 for maximum
4	Capacity Coupled	580 KC	"BC" Band 500 KC	C22 for maximum
5	Capacity Coupled	1600 KC	"BC" Band 1600 KC	C3 & C4 for maximum
6	Capacity Coupled	580 KC	"BC" Band 500 KC	C23 for maximum
7	Capacity Coupled	11.8 MC	"SW" Band 11.8 MC	C24 for signal
8	Capacity Coupled	11.8 MC	"SW" Band 11.8 MC	C24 for (Auk.) for maximum

\* Use minimum capacity peak.  
\*\* Rock gang condenser when making alignment.

**ALIGNMENT CHART**

Step	Test-Occ. Connection	Test-Occ. Setting	Pointer Setting	Adjust Trimmers
1	6SK7 IF Grid in series with .05 mfd. capacitor	455 KC	"BC" Band 500 KC	C8 & C7 for maximum
2	6SA7 Conv. Grid in series with .05 mfd. capacitor	455 KC	"BC" Band 500 KC	C4 & C5 for maximum
3	6SK7 RF Grid in series with .05 mfd. capacitor	455 KC	"BC" Band 500 KC	C16 for maximum
4	Capacity Coupled	580 KC	"BC" Band 500 KC	C22 for maximum
5	Capacity Coupled	1600 KC	"BC" Band 1600 KC	C3 & C4 for maximum
6	Capacity Coupled	580 KC	"BC" Band 500 KC	C23 for maximum
7	Capacity Coupled	11.8 MC	"SW" Band 11.8 MC	C24 for signal
8	Capacity Coupled	11.8 MC	"SW" Band 11.8 MC	C24 for (Auk.) for maximum

\* Use minimum capacity peak.  
\*\* Rock gang condenser when making alignment.

**Special Service Information**

The following data will be very useful to servicemen who have available, vacuum-tube voltmeters or similar voltage-measuring instruments:

(1) Stage Gains  
Antenna Post to RF Grid—5 at 1000 KC; 2.5 at 10 MC  
RF Grid to Converter Grid—8 at 1000 KC; 1.8 at 10 MC  
Converter Grid to IF Grid—45 at 455 KC  
IF Grid to Diode Plates—75 at 455 KC

(2) Audio Gains  
16 volts, 400 cycles, signal across volume control with control set to maximum will give approximately 1/2-watt output to speaker.

(3) DC voltage developed across oscillator grid resistor R4, averages 9 volts at 1000 KC or 8 volts at 10,000 KC.

Variations of 20% permissible. All readings obtained with enough signal input to give 1/2-watt output to speaker.

**SPECIFICATIONS**

Model L-641

Intermediate Frequency ..... 455 KC

Electrical Power Output  
Undistorted ..... .3 watts  
Maximum ..... .5 watts

Load-speaker—Electro-dynamic  
Outside Cone Diameter ..... 5 1/4 inches  
Voice Coil Impedance (40 cycles) ..... 3.5 ohms

**Tubes**  
RF Amplifier ..... 6X4  
Converter, Oscillator ..... 6X4  
IF Amplifier ..... 6X4  
Detector, 1st Audio and AVC ..... 6X4  
Power Output ..... 6X4  
Rectifier ..... 6X4  
Dial Lamps ..... MAZDA No. 44

**GENERAL INFORMATION**  
Model L-641 is a six-tube superheterodyne receiver bearing Underwriters' Approval. In late production receivers some all metal RF sockets are used in place of the bakelite sockets with glass plug-in tubes to replace metal tubes with glass plug-in tubes. This is advisable. Very little change in gain will be apparent with either type provided the set is properly aligned.

**ALIGNMENT PROCEDURE**

The location of trimmers is shown in Fig. 1. All oscillator and RF trimmers are accessible through a slot in the back cover of the cabinet. The alignment procedure is given in table form. All IF adjustments may be made with the chassis removed from the cabinet. However, the RF adjustments are made with the chassis and loop antennas securely fastened in the cabinet, as the relative position of the loop antennas with respect to

**ALIGNMENT CHART**

Step	Test-Occ. Connection	Test-Occ. Setting	Pointer Setting	Adjust Trimmers
1	6SK7 IF Grid in series with .05 mfd. capacitor	455 KC	"BC" Band 500 KC	C8 & C7 for maximum
2	6SA7 Conv. Grid in series with .05 mfd. capacitor	455 KC	"BC" Band 500 KC	C4 & C5 for maximum
3	6SK7 RF Grid in series with .05 mfd. capacitor	455 KC	"BC" Band 500 KC	C16 for maximum
4	Capacity Coupled	580 KC	"BC" Band 500 KC	C22 for maximum
5	Capacity Coupled	1600 KC	"BC" Band 1600 KC	C3 & C4 for maximum
6	Capacity Coupled	580 KC	"BC" Band 500 KC	C23 for maximum
7	Capacity Coupled	11.8 MC	"SW" Band 11.8 MC	C24 for signal
8	Capacity Coupled	11.8 MC	"SW" Band 11.8 MC	C24 for (Auk.) for maximum

\* Use minimum capacity peak.  
\*\* Rock gang condenser when making alignment.

**Special Service Information**

The following data are taken with a vacuum-tube voltmeter or similar voltage-measuring device.

(1) Stage Gains  
Antenna Post to RF Grid ..... 5 at 1000 KC  
RF Grid to Converter Grid ..... 9 at 1000 KC  
Converter Grid to IF Grid ..... 40 at 1000 KC  
IF Grid to diode plates ..... 80 at 455 KC  
Audio Gains ..... 90 at 455 KC

(2) Audio Gains  
1.4 volts, 4000 cycles signal across volume control with control set to maximum will give approximately 1/2 watt speaker output.

(3) DC voltage developed across oscillator grid resistor R4 averages 10 volts at 1000 KC or 8 volts at 10,000 KC.

Variations of 20% permissible. All readings taken with AVC shunted out.

**ALIGNMENT CHART**

Step	Test-Occ. Connection	Test-Occ. Setting	Pointer Setting	Adjust Trimmers
1	6SK7 IF Grid in series with .05 mfd. capacitor	455 KC	"BC" Band 500 KC	C8 & C7 for maximum
2	6SA7 Conv. Grid in series with .05 mfd. capacitor	455 KC	"BC" Band 500 KC	C4 & C5 for maximum
3	6SK7 RF Grid in series with .05 mfd. capacitor	455 KC	"BC" Band 500 KC	C16 for maximum
4	Capacity Coupled	580 KC	"BC" Band 500 KC	C22 for maximum
5	Capacity Coupled	1600 KC	"BC" Band 1600 KC	C3 & C4 for maximum
6	Capacity Coupled	580 KC	"BC" Band 500 KC	C23 for maximum
7	Capacity Coupled	11.8 MC	"SW" Band 11.8 MC	C24 for signal
8	Capacity Coupled	11.8 MC	"SW" Band 11.8 MC	C24 for (Auk.) for maximum

\* Use minimum capacity peak.  
\*\* Rock gang condenser when making alignment.

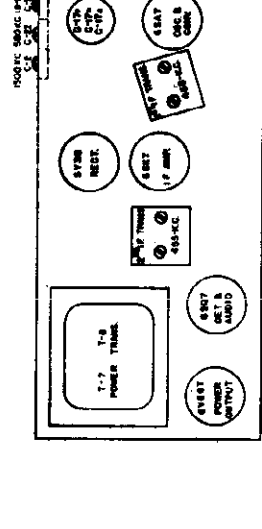
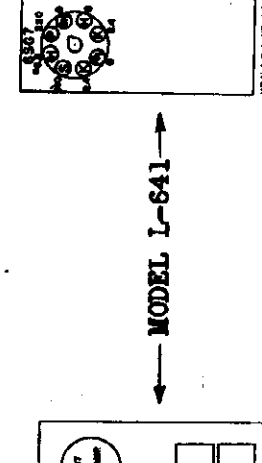


Fig. 1. Trimmer Location

Fig. 2. Socket Voltages

MODEL L-641

GENERAL ELECTRIC CO.

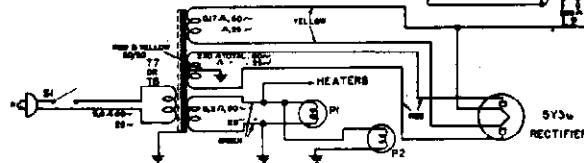
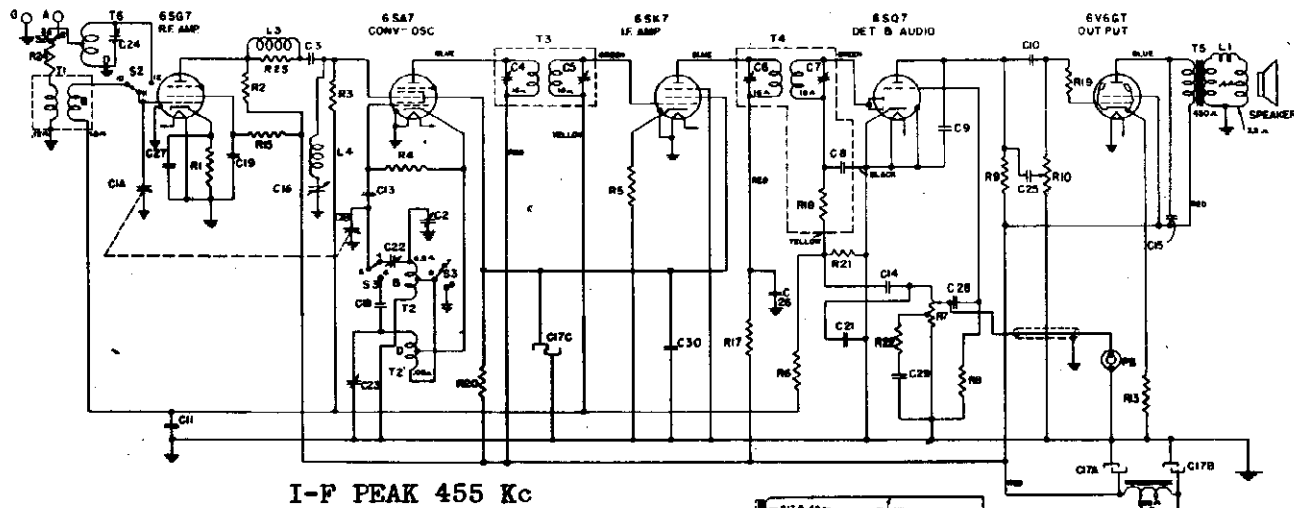


Fig. 3. Schematic

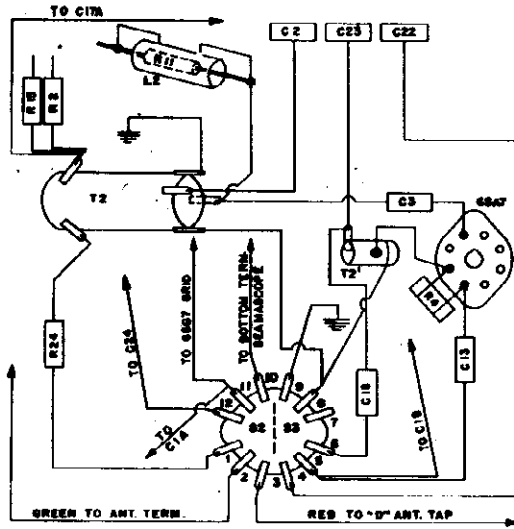


Fig. 4. Switch Wiring Diagram

Stock No.	Symbol	Description
RC-7065	C1A, 1B	CONDENSER—Tuning condenser.
RC-6570	C2, 16, 22, 23	CAPACITOR—"B" Oscillator trimmer, Wave trap trimmer, "B" padder, and "D" oscillator trimmer.
RC-235	C3	CAPACITOR—100 mmf., mica.
RC-252	C8	CAPACITOR—200 mmf., mica.
RC-242	C9	CAPACITOR—150 mmf., mica.
RC-048	C10	CAPACITOR—.02 mfd., 600 V, paper.
RC-072	C11	CAPACITOR—.05 mfd., 200 V, paper.
RC-216	C13	CAPACITOR—47 mmf., mica.
RC-023	C14	CAPACITOR—.005 mfd., 600 V, paper.
RC-055	C15	CAPACITOR—.003 mfd., 600 V, paper.
RC-5205	C17a, 17b, 17c	CAPACITOR—10 mfd., 350 V, 15 mfd., 350V.—10 mfd., 250 V, dry electrolytic.
RC-390	C18	CAPACITOR—3900 mmf., mica.
RC-039	C19	CAPACITOR—.01 mfd., 600 V, paper.
RC-235	C21	CAPACITOR—100 mmf., mica.
RC-6553	C24	CAPACITOR—"D" antenna trimmer.
RC-023	C25	CAPACITOR—.005 mfd., 600 V, paper.
RC-047	C26	CAPACITOR—.01 mfd., 400 V, paper.
RC-017	C29	CAPACITOR—.0042 mfd., 600 V, paper.
RC-039	C30	CAPACITOR—.01 mfd., 600 V, paper.
RC-1245	R1	RESISTOR—270 ohm, 1/2-W, Carbon.
RC-1275	R2	RESISTOR—4700 ohm, 1/2-W, Carbon.
RC-1299	R3	RESISTOR—47,000 ohm, 1/2-W, Carbon.
RC-1291	R4	RESISTOR—22,000 ohm, 1/2-W, Carbon.
RC-1239	R5	RESISTOR—150 ohm, 1/2-W, carbon.
RC-1339	R6	RESISTOR—2.2 megohm, 1/2-W carbon.
RV-141	R7	VOL. CONTROL—2 meg. volume control.
RC-1355	R8	RESISTOR—10 megohm, 1/2-W, Carbon.
RC-1323	R9	RESISTOR—470,000 ohm, 1/2-W Carbon.

\* Used on previous receivers.

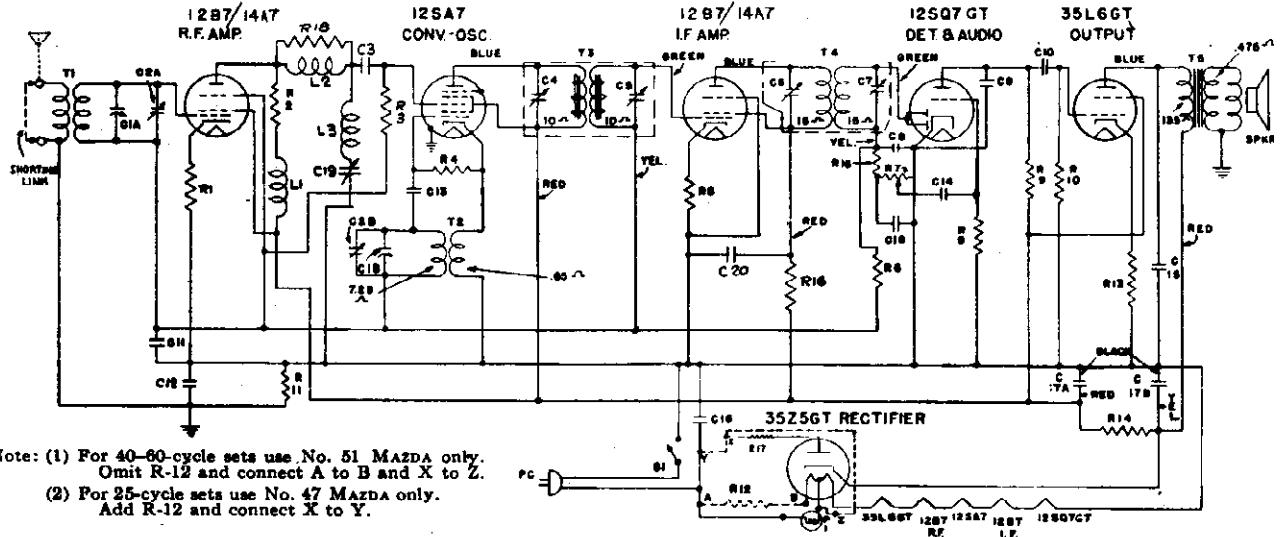
Stock No.	Symbol	Description
RT-726	R10, S1	TONE CONTROL—0.5 meg. control and power switch.
RC-1247	R13	RESISTOR—330 ohm, 1/2-W, Carbon.
RC-1299	R15	RESISTOR—47,000 ohm, 1/2-W, Carbon.
RC-1259	R17	RESISTOR—1000 ohm, 1/2-W, Carbon.
RC-1299	R18	RESISTOR—47,000 ohm, 1/2-W, Carbon.
RC-1259	R19	RESISTOR—1000 ohm, 1/2-W, Carbon.
RC-687	R20	RESISTOR—15,000 ohm, 2-W, Carbon.
RC-1315	R21	RESISTOR—220,000 ohm, 1/2-W, Carbon.
RC-1308	R22	RESISTOR—100,000 ohm, 1/2-W, Carbon.
RC-1251	R24	RESISTOR—470 ohm, 1/2-W, Carbon.
RC-1283	R25	RESISTOR—10,000 ohm, 1/2-W, Carbon.
RL-176	L3	COIL—Peaking coil.
RL-608	L4	COIL—Wave trap.
RL-577	T1	BEAM-A-SCOPE—"B" band loop and cabinet back assembly.
RL-2062	T2	COIL—Osc. coil band "B".
RL-2075	T2	COIL—Osc. coil "D" band.
RT-3005	T3	TRANSFORMER—1st I.F. Transformer.
RT-3006	T4	TRANSFORMER—2nd I.F. Transformer.
RT-4024	T5	TRANSFORMER—Output transformer.
RL-598	T6	BEAM-A-SCOPE—"D" band loop.
RT-0626	T7	TRANSFORMER—60 cycle power transformer.
RT-0627	T8	TRANSFORMER—25 cycle power transformer.
RS-3148	S2, S3	SWITCH—Band change switch.
RS-1088	SPKR	SPEAKER—5 in. dynamic speaker.

MISCELLANEOUS PARTS

RB-009	BOARD—Single lug terminal board.
RB-013	BOARD—Two lug terminal board.
RB-026	BOARD—Antenna terminal board.
RB-093	BOARD—Six lug terminal board.
RB-209	BRACKET—Pilot lamp bracket.
RB-1030	BOARD—Phono jack board.
RC-885	CORD—Power cord.
RC-1989	CUSHION—Tuning condenser mtg. cushion.
RC-8236	CORD—50 foot drive cord spool.
RC-8238	CABLE—Speaker cable and plug.
RC-9046	CONE—Speaker cone and voice coil assem.
RD-426	DRUM—Condenser drive drum.
RD-780	DIAL—Dial scale.
RP-1027	FASTENER—Back cover fastener.
RC-456	GRILLE—Cabinet grille cloth.
RK-091	KNOB—Volume or tuning knob.
RK-092	KNOB—Tone or band change knob.
RL-784	LAMP—Mazda No. 44 pilot lamp.
RP-1027	POINTER—Dial pointer assembly.
RS-2023	SOCKET—Octal tube socket.
RS-257	SOCKET—Electrolytic mtg. socket.
RS-444	SPRING—Volume or tuning knob spring.
RS-463	SPRING—Drive cord tension spring.
RS-511	SPACER—Tuning condenser mtg. spacer.
RS-265	SOCKET—Pilot lamp socket.
RS-4012	SPRING—Tone or band knob spring.
RS-9047	SHAFT—Tuning shaft and clip.
RT-952	TERMINAL—SW loop tap terminal.
RW-101	WASHER—Felt washer for knobs.

GENERAL ELECTRIC CO.

MODELS L-643, L-65  
L-663, L-67



I-F PEAK 455 KC

Stock No.	Symbol	Description
*RC-7039	C1a, C1b, C2a, C2b	CONDENSER—Tuning condenser
*RC-226	C3	CAPACITOR—100 mmf., mica
*RC-242	C8	CAPACITOR—330 mmf., mica
*RC-274	C9	CAPACITOR—150 mmf., mica
*RC-039	C10, C20	CAPACITOR—.01 mfd., 600 V. paper
*RC-072	C11	CAPACITOR—.05 mfd., 200 V. paper
*RC-104	C12	CAPACITOR—.01 mfd., 600 V. paper
*RC-216	C13	CAPACITOR—47 mmf., mica
*RC-023	C14	CAPACITOR—.005 mfd., 600 V. paper
*RC-048	C15	CAPACITOR—.02 mfd., 600 V. paper
*RC-092	C16	CAPACITOR—.05 mfd., 600 V. paper
*RC-5183	C17a, C17b	CAPACITOR—50 mfd., 60 mfd., 150 V. dry electrolytic
*RC-235	C18	CAPACITOR—100 mmf., mica
RC-6573	C19	CAPACITOR—Wave trap trimmer
*RQ-1215	R1	RESISTOR—47 ohm, 1/2 Watt carbon
*RQ-1275	R2	RESISTOR—4,700 ohm, 1/2 Watt carbon
*RQ-1299	R3	RESISTOR—47,000 ohm, 1/2 Watt carbon
*RQ-1295	R4	RESISTOR—33,000 ohm, 1/2 Watt carbon
*RQ-1235	R5	RESISTOR—100 ohm, 1/2 Watt carbon
*RQ-1339	R6	RESISTOR—2.2 megohm, 1/2 Watt carbon
*RV-120	R7, S1	VOLUME CONTROL—.5 megohm, combined with power switch
*RQ-1349	R8	RESISTOR—5.6 megohm, 1/2 Watt carbon
*RQ-1323	R9, R10, R11	RESISTOR—470,000 ohm, 1/2 Watt carbon
*RQ-1213	R12	RESISTOR—12 ohms, 1/2 Watt carbon
*RQ-1239	R13, R17	RESISTOR—150 ohms, 1/2 Watt carbon
*RQ-651	R14	RESISTOR—1000 ohms, 2 Watt carbon
*RQ-1299	R15	RESISTOR—47,000 ohms, 1/2 Watt carbon
*RQ-1251	R16	RESISTOR—470 ohms, 1/2 Watt carbon

\*Used in previous receivers.

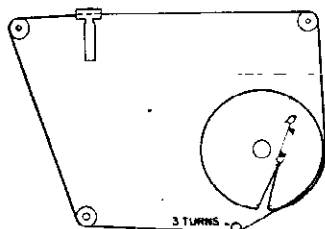


Fig. 1. Dial Stringing Diagram

Stock No.	Symbol	Description
RQ-1317	R18	RESISTOR—270,000 ohm, 1/2 Watt carbon
RL-178	L1	COIL—Plate choke coil
RL-179	L2	COIL—Series choke coil
RL-609	L3	COIL—Wave trap coil
RL-597	T1	LOOP ANTENNA—"BC" loop and cabinet back assembly
*RL-2048	T2	COIL—Oscillator coil
*RT-385	T3	TRANSFORMER—1st I.F. transformer
*RT-386	T4	TRANSFORMER—2nd I.F. transformer
*RT-4005	T5	TRANSFORMER—Output transformer
RS-1087	SPKR	SPEAKER—5-in. PM dynamic speaker

MISCELLANEOUS PARTS

- \*RB-008 BOARD—2-lug terminal
- \*RB-013 BOARD—2-lug terminal
- \*RB-984 BACK—Cabinet back
- \*RC-8081 CORD—Power cord
- \*RC-8224 CORD—Drive cord assembly (39-in.)
- RC-9057 CONE—5-in. cone assembly
- \*RD-761 SCALE—Dial scale
- \*RF-207 FASTENER—Cabinet back fastener
- \*RK-091 KNOB—Control knob and spring
- \*RP-334 PULLEY—Dial cord pulley on speaker frame
- \*RP-1026 POINTER—Dial pointer
- \*RS-238 SOCKET—Octal base tube socket
- \*RS-258 SOCKET—Pilot lamp socket
- \*RS-2015 SOCKET—12B7 tube socket
- \*RS-463 SPRING—Drive cord tension spring
- \*RS-444 SPRING—Knob springs
- \*RS-9029 SHAFT—Tuning shaft and cotter
- \*RW-101 WASHER—Felt washer for knobs

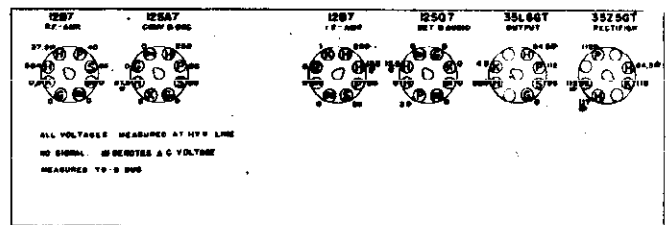


Fig. 3. Socket Voltages

MODELS L-643, L-653,  
L-663, L-673  
MODEL L-651

GENERAL ELECTRIC CO.

Models L-643, L-653, L-663, L-673

SPECIFICATIONS

Over-all Dimensions

Model	L-643 or L-663	L-653 or L-673
Height	7 1/2 inches	8 1/2 inches
Width	13 inches	13 1/4 inches
Depth	7 1/4 inches	7 inches

Electrical Rating

Rating "A"—105-125 volts AC/DC, 40-60 cycles AC, 35 watts  
Rating "C"—105-125 volts AC/DC, 25 cycles AC, 35 watts

Tuning Frequency Range..... 540-1720 KC.

Intermediate Frequency..... 455 KC.

Electrical Power Output (117 volt line)

Undistorted..... 1.0 watt  
Maximum..... 1.5 watts

Loudspeaker—PM Dynamic

Outside cone diameter..... 5 inches  
Voice coil impedance (400 cycles)..... 3.5 ohms

Tubes

RF Amplifier	GE-12B7/14A7
Converter-Oscillator	GE-12SA7
IF Amplifier	GE-12B7/14A7
Demodulator, Audio, and AVC	GE-12SQ7GT
Power Output	GE-35L6GT
Rectifier	GE-35Z6GT
Dial Lamp (See paragraph below)	MAZDA #47 or 51

GENERAL INFORMATION

Models L-643, L-653, L-663 and L-673 are six-tube, table model superheterodyne receivers, which are designed to operate from either an AC or DC power supply as specified on the label.

Models L-663 and L-673 are fully approved by Underwriters Laboratories.  
Use MAZDA No. 47 lamp only on 25-cycle receiver. Use MAZDA No. 51 in the 40-60-cycle receivers.

ALIGNMENT PROCEDURE

Alignment Frequencies

RF	1500 KC
IF	455 KC

The chassis must be removed from the cabinet to make the following alignment. The location of all trimmers is shown in Fig. 2.

IF Alignment

Connect an output meter across the voice coil. Turn the volume control to maximum. Set test oscillator to 455 KC and keep the oscillator output as low as a readable meter reading will permit.

Apply signal to the 12SA7 converter grid through a .05 mfd. capacitor and align progressively the trimmers in the 2nd and 1st IF transformers.

Wave-trap Alignment

Apply the 455 KC signal to the grid of the 12B7/14A7 RF amplifier through a .05 mfd. capacitor. Adjust the Wave-trap trimmer C-19 for minimum output.

RF Alignment

When making the following alignment the loop antenna must be bolted to the chassis by the screw and spacer mounting. The RF signal should be capacity coupled to the receiver loop by placing a two-foot piece of wire for an antenna on the test oscillator output post (high side). Keeping this

antenna two feet or more from the receiver loop will generally insure freedom from too much coupling. Metal objects such as meters, tools, etc., should not be placed in close proximity to the loop when making this alignment.

With the gang condenser plates completely closed, the pointer should line up with the first mark on the left of the scale. Set the signal generator to 1500 KC. Align (C-1b) to the signal while the pointer is on the 1500 KC mark. Peak (C-1a) for maximum output.

Special Service Information

The following information will be very useful to servicemen equipped with vacuum tube voltmeters or similar voltage measuring instruments.

- Stage Gains  
Antenna post to RF grid—5 at 1000 KC  
RF grid to converter grid—15 at 1000 KC  
Converter grid to IF grid—45 at 455 KC  
IF grid to 12SQ7 diode plate—75 at 455 KC
- Audio Gain  
.14 volts, 400 cycles signal across volume control with control set at maximum, will give approximately 1/2-watt speaker output.
- DC voltage developed across oscillator grid resistor (R4) averages 10.0 volts at 1000 KC.  
Variations of ±20% permissible. All readings obtained with enough signal input to give 1/2-watt speaker output.

MODEL L-651

SPECIFICATIONS

Over-all Dimensions

Height	8 1/4 inches
Width	13 1/4 inches
Depth	7 1/4 inches

Electrical Rating

105-125 volts AC/DC, 50-60 cycles AC, 30 watts.

Tuning Frequency Range..... 550-1720 KC

Intermediate Frequency..... 455 KC

Electrical Power Output (117 volts)

Undistorted..... 1.1 watts  
Maximum..... 1.6 watts

Loudspeaker—ELECTRODYNAMIC

Outside cone diameter..... 5 inches  
Voice coil impedance (400 cycles)..... 3.5 ohms  
Field coil resistance..... 450 ohms

Tubes

RF Amplifier	GE-12SK7
Converter-Oscillator	GE-12SA7
IF Amplifier	GE-12SK7
Detector, Audio, AVC	GE-12SQ7
Power Output	GE-35L6GT
Rectifier	GE-35Z6GT
Dial Lamp 110-125 volt, C-7 bulb, candelabra screw base	

GENERAL INFORMATION

Station Key Adjustments

The station key adjustments are located on the bottom of the cabinet through the slots designated as "Osc." and "RF." The extreme left trimmer in rows "Osc." and "RF" are corresponding adjustments for the first or extreme left station key. The second set of adjustment trimmers is for the No. 2 or second key from left; correspondingly the remaining sets of trimmers are for the station keys No. 3 and No. 4. All receivers to run for 15 minutes before making the following adjustments.

1. List desired station on key, then manually tune in station desired for this key.
2. Push in station key to be set-up, to its depressed position.

3. Adjust its corresponding "Osc." adjustment for the station signal which you tuned manually above and which is listed for the key. Peak adjustment for clearest reception.
4. Adjust corresponding "RF" adjustment for maximum signal strength.

5. Proceed in like manner for adjustment of remaining keys.

NOTE.—Clockwise rotation of adjustment screws lowers the frequency.

ALIGNMENT PROCEDURE

Alignment Frequencies

RF	1500 KC
IF	455 KC

The chassis must be removed from the cabinet as described above to make the following alignments. The locations of all trimmers are shown in Fig. 1.

IF Alignment

Connect an output meter across the voice coil. Turn the volume control to maximum. Set test oscillator to 455 KC and keep the oscillator output as low as a readable meter reading will permit.

Apply signal to the 12SA7 converter grid through a .05 mfd. capacitor and align progressively the trimmers in the 2nd and 1st IF transformers.

Wave Trap

Apply 455 KC signal to the grid of the 12SK7 RF Amplifier through a .05 mfd. capacitor. Adjust trimmer C29 for minimum output.

RF Alignment

When making the following alignment the loop antenna must be bolted to the chassis by the two mounting screws. Since the glass dial scale is fastened to the cabinet, it cannot be used for reference during the alignment of the chassis outside the cabinet. Use must be made, therefore, of the four calibration marks at the bottom flange of the dial scale reflector plate (immediately below end of dial scale pointer). These marks referring from left to right are as follows: Reference point, 580 KC, 1000 KC and 1500 KC.  
The RF signal should be capacity coupled to the receiver loop by placing a two-foot piece of wire for an antenna on the test oscillator output post (high side). Keeping this antenna two feet or more from the receiver loop will generally insure freedom from too much coupling. Metal objects such as meters, tools, etc., should not be placed in close proximity to the loop when making this alignment.

With the gang condenser plates completely closed, the end of the pointer should line up with the first mark to the left of the dial reflector plate. If it doesn't the pointer can be moved on the dial cord until it does. Set the signal generator to 1500 KC. Set pointer to the 1500 KC mark (extreme right flange mark) and align (C2B) to the signal. Peak (C2A) for maximum output.

Special Service Information

The following information will be useful to servicemen equipped with vacuum-tube voltmeters or similar voltage measuring instruments. When making the Stage Gain measurements in (1), the AVC bus should be shorted to B—

- Stage Gains  
Antenna post to converter grid..... 26 at 1000 KC  
RF grid to converter grid..... 5.6 at 1000 KC  
Converter grid to IF grid..... 25 at 455 KC  
IF grid to 12SQ7 diode plate..... 53 at 455 KC
- Audio Gain  
0.14 volts, 400 cycle signal across volume control with control set at maximum, will give approximately 1/2-watt speaker output.
- DC voltage developed across oscillator grid resistor (R4) averages 5.0 volts at 1000 KC.  
Variations of 20 per cent permissible. All readings obtained with enough signal input to give 1/2-watt speaker output.

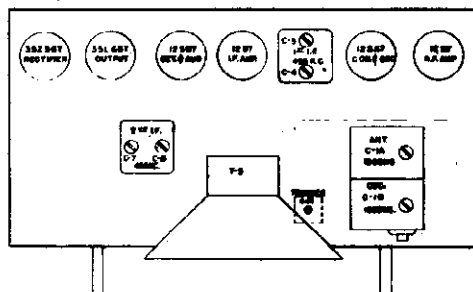


Fig. 2. Trimmer Location

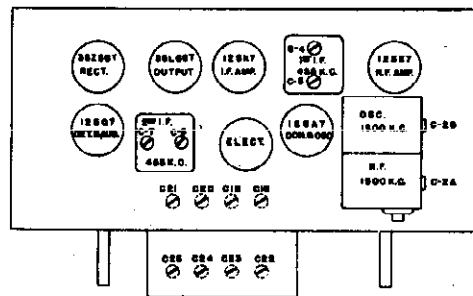
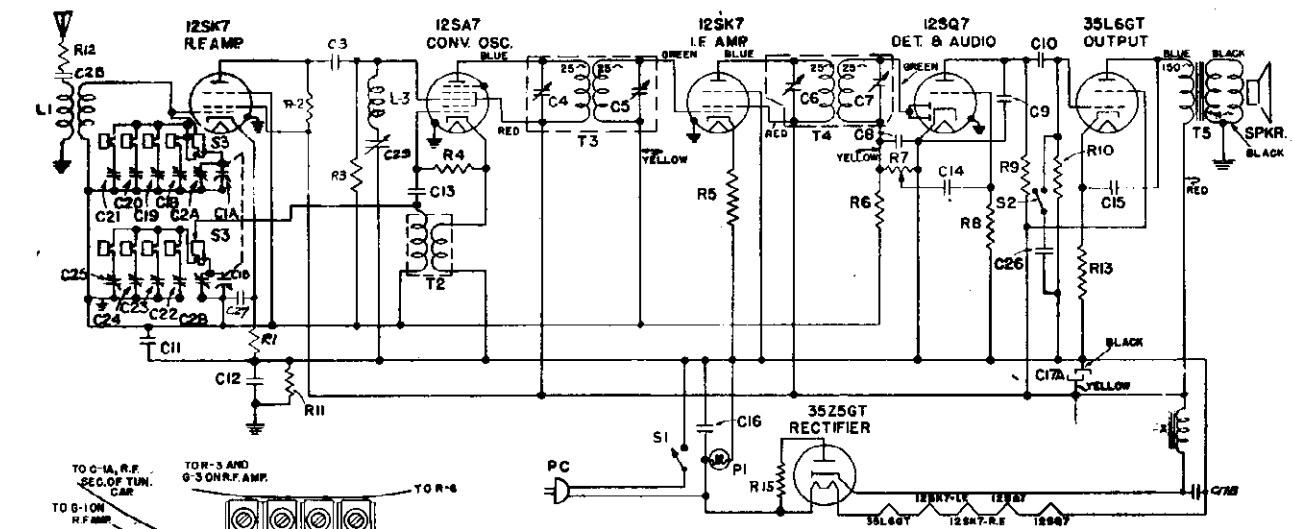


Fig. 1. Trimmer Location

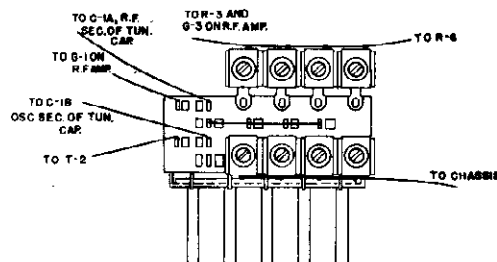
MODELS L-643, L-653, L-663, L-673

MODEL L-651

GENERAL ELECTRIC CO.



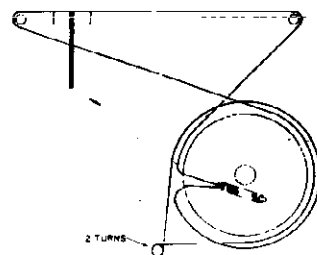
I-F PEAK 455 KC



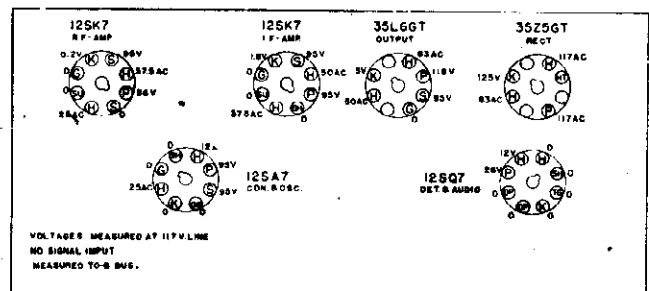
Selector Switch Wiring

Stock Number	Symbol	Description
*RC-7059	C1a, 1b	CONDENSER—Tuning condenser (with trimmer 2a, 2b mounted).
*RC-235	C3	CAPACITOR—100 mmf. mica.
*RC-274	C8, C9	CAPACITOR—330 mmf. mica.
*RC-039	C10	CAPACITOR—.01 mfd. 600-V paper.
*RC-072	C11	CAPACITOR—.05 mfd. 200-V paper.
*RC-104	C12	CAPACITOR—.1 mfd. 400-V paper.
*RC-216	C13	CAPACITOR—47 mmf. mica.
*RC-039	C14	CAPACITOR—.01 mfd. 600-V paper.
*RC-048	C15	CAPACITOR—.02 mfd. 600-V paper.
*RC-092	C16	CAPACITOR—.05 mfd. 600-V paper.
*RC-5194	C17a, C17b	CAPACITOR—60 mfd., 50 mfd. 150-V dry electrolytic.
*RT-881	C18, C19, C20, C21	TRIMMER STRIP—Station key adjustments (RF section).
*RT-882	C22, C23, C24, C25	TRIMMER STRIP—Station key adjustments (Osc. section).
*RC-016	C26	CAPACITOR—.002 mfd. 600-V paper.
*RC-048	C27	CAPACITOR—.02 mfd. 600-V paper.
*RC-039	C28	CAPACITOR—.01 mfd. 600-V paper.
RC-6572	C29	CAPACITOR—Wave trap trimmer.
*RQ-1231	R1	RESISTOR—68 ohm, 1/2-W carbon.
*RQ-1279	R2	RESISTOR—6800 ohm, 1/2-W carbon.
*RQ-1299	R3	RESISTOR—47,000 ohm, 1/2-W carbon.
*RQ-1295	R4	RESISTOR—33,000 ohm, 1/2-W carbon.
*RQ-1227	R5	RESISTOR—47 ohm, 1/2-W carbon.
*RQ-1339	R6	RESISTOR—2.2 meg. 1/2-W carbon.
*RV-123	R7, S1	VOL. CONTROL—.05 meg. control and power switch.
*RQ-1349	R8	RESISTOR—5.6 meg. 1/2-W Carbon.
*RQ-1323	R9, 10, 11	RESISTOR—470,000 ohm, 1/2-W carbon.
*RQ-1259	R12	RESISTOR—1,000 ohm, 1/2-W carbon.
*RQ-1239	R13	RESISTOR—150 ohm, 1/2-W carbon.
RQ-1414	R15	RESISTOR—15 ohm, 1-watt carbon.
*RS-3108	S2	SWITCH—Tone control switch.
*RS-3114	S3	SWITCH—Automatic tuning switch (less trimmers).
RL-596	L1	BEAM-A-SCOPE—Cabinet back and loop assembly.

\* Used on previous receivers.



Stock Number	Symbol	Description
RL-608	L3	COIL—Wave trap coil.
*RL-2053	T2	COIL—Oscillator coil and clip.
*RT-3002	T3	TRANSFORMER—1st IF transformer.
*RT-3003	T4	TRANSFORMER—2nd IF transformer.
*RT-4008	T5	TRANSFORMER—Output transformer.
RS-1086	SPKR	SPEAKER—5" Electrodynamic speaker (450 ohm field).
*RC-2047		MISCELLANEOUS PARTS
*RC-2054		CAM—Tone switch control cam and links.
*RC-8081		CLAMP—Electrolytic capacitor mounting clamp.
*RC-8215		CORD—Power cord.
*RC-8531		CORD—Drive cord assembly.
RC-9061		CARDS—Station call letter cards (set).
RD-779		CONE—Speaker cone assembly.
*RF-207		DIAL—Dial scale.
RG-455		FASTENER—Back cover snap fastener.
*RH-123		GRILLE CLOTH—Cabinet grille cloth.
		HAIRPIN COTTER—Tuning shaft re-training cotter.
*RK-228		KEY—Automatic station selector key.
*RK-1053		KNOB—Tone control wafer knob.
*RK-091		KNOB—Volume or tuning control knob.
*RM-516		MASK—Dial scale reflector flocked mask.
*RP-012		PLUG—Female speaker plug.
*RP-189		POINTER—Dial pointer.
*RP-2016		PLATE—Dial reflector plate assembly.
*RS-238		SOCKET—Octal base tube socket.
*RS-444		SPRING—Control knob spring.
*RS-463		SPRING—Drive cord tension spring.
*RS-1821		SHIELD—Tube shield.
RS-1824		SHIELD—Pilot lamp shield.
*RS-2008		SOCKET—Pilot lamp socket.
*RS-4012		SPRING—Station selector.
*RS-9040		SHAFT—Tuning shaft and cotter.
*RW-101		WASHER—Felt knob washer.
*RX-099		ASSEMBLY—Chassis mounting assembly.
RZ-286		CABINET—L651 cabinet (less back).

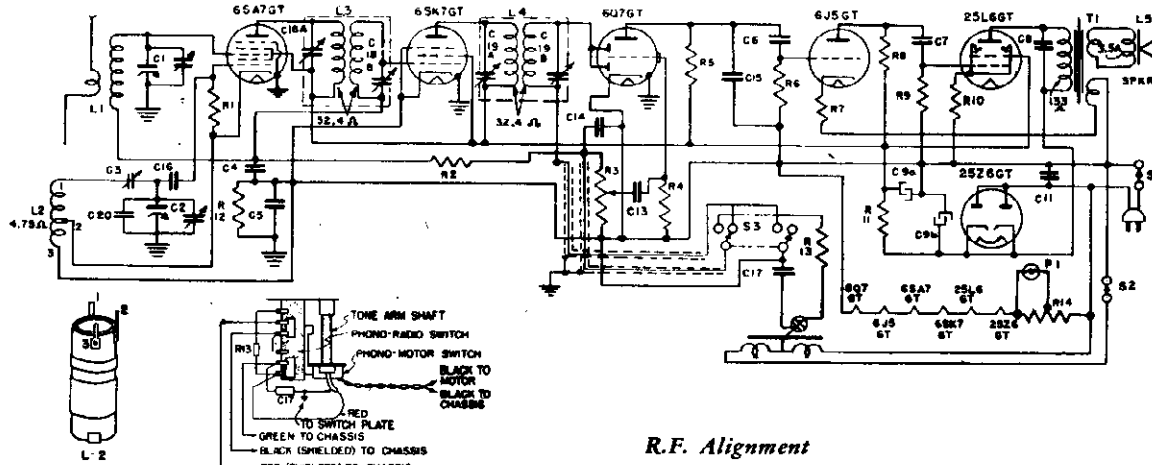


VOLTAGES MEASURED AT 117V LINE  
NO SIGNAL INPUT  
MEASURED TO-B BUC.

FRONT OF CHASSIS  
BOTTOM VIEW OF CHASSIS

MODEL LC-679

GENERAL ELECTRIC CO.



Stock No.	Symbol	Description
*RC-7017	C-1, -2	CONDENSER—Tuning condenser
*RC-6515	C-3	CAPACITOR—Oscillator padder
*RC-072	C-4	CAPACITOR—.05 Mfd., 200 V. paper
*RC-130	C-5	CAPACITOR—.02 Mfd., 400 V. paper
*RC-023	C-6, -7	CAPACITOR—.005 Mfd., 600 V. paper
*RC-039	C-8	CAPACITOR—.01 Mfd., 600 V. paper
*RC-5145	C-9a	CAPACITOR—.30 Mfd., 150 V.
*RC-5145	C-9b	CAPACITOR—.50 Mfd., 150 V.
*RC-062	C-11	CAPACITOR—.05 Mfd., 600 V. paper
*RC-060	C-13	CAPACITOR—.03 Mfd., 600 V. paper
*RC-293	C-14	CAPACITOR—470 Mmf., mica
*RC-250	C-15	CAPACITOR—220 Mmf., mica
*RC-216	C-16	CAPACITOR—47 Mmf., mica
*RC-104	C-17	CAPACITOR—.01 Mfd., 400 V. paper
*RC-226	C-20	CAPACITOR—10 Mmf., mica
*RO-1295	R-1	CAPACITOR—33,000 ohms, 1/4 W. carbon
*RO-1339	R-2	RESISTOR—2.2 megohm, 1/4 W. carbon
RV-119	R-3, S-1	VOLUME CONTROL—.5 megohm potentiometer
*RO-1365	R-4	RESISTOR—15 megohm, 1/4 W. carbon
*RO-1323	R-5	RESISTOR—470,000 ohms, 1/4 W. carbon
*RO-1331	R-6	RESISTOR—1.0 megohm, 1/4 W. carbon
*RO-1271	R-7	RESISTOR—3,300 ohms, 1/4 W. carbon
*RO-1297	R-8	RESISTOR—39,000 ohms, 1/4 W. carbon
*RO-1323	R-9	RESISTOR—470,000 ohms, 1/4 W. carbon
*RO-1239	R-10	RESISTOR—150 ohms, 1/4 W. carbon
*RO-1459	R-11	RESISTOR—1,000 ohms, 1 W. carbon
*RO-1323	R-12	RESISTOR—470,000 ohms, 1/4 W. carbon
*RO-1307	R-13	RESISTOR—100,000 ohms, 1/4 W. carbon
*RK-773	R-14	RESISTOR—BL42B ballast resistor
*RL-528	L-1	LOOP—Built-in antenna and back cover assembly
*RL-2016	L-2	COIL—Oscillator coil
*RT-341	L-3	TRANSFORMER—1st I.F. transformer
*RT-342	L-4	TRANSFORMER—2nd I.F. transformer
*RT-475	T-1	TRANSFORMER—Output transformer

**Electrical Rating**

A-6 Rating.....115 volts, 60 cycles AC, 75 watts  
 A-5 Rating.....115 volts, 50 cycles AC, 75 watts

**Tuning Frequency Range**.....550-1800 KC

**Intermediate Frequency**.....455 KC

**Electrical Power Output**

Undistorted.....2.0 watts  
 Maximum.....2.5 watts

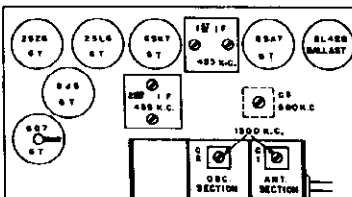
**Loud-speaker—PM Dynamic**

Outside cone diameter.....6.5 inches  
 Voice coil impedance (400 cycles).....3.5 ohms

**I.F. Alignment**

Connect an output meter across the voice coil. Turn the volume control to maximum. Set test oscillator to 455 KC and keep the oscillator output as low as a readable meter reading will permit.

Apply signal to the grid of the 6SK7GT through a .05-mfd capacitor and align the 2nd I.F. transformer. Repeat the procedure, applying the 455-KC signal to the control grid of the 6SA7GT and aligning the 1st I.F. transformer. Finish by over-all adjustments.



**R.F. Alignment**

With gang condenser plates completely closed, set dial pointer to the first mark at the left end of the scale. Apply a 1500-KC signal either through a standard I.R.E. dummy to the antenna terminal or through an additional loop connected to the generator output which can be magnetically coupled to the receiver Beam-a-Scope. Align (C-2) at 1500 KC and peak (C-1) for maximum output. Peak (C-3) on 580 KC while rocking the gang condenser. Retrim at 1500 KC.

**Precaution**

If the signal generator is A-C operated, use an isolating transformer between the power supply and the radio receiver power input. The use of an isolating capacitor is not recommended, as A-C current through the capacitor will introduce hum modulation and/or create the possibility of a burned out signal generator attenuator.

**Special Service Information**

The following data will be very useful to servicemen equipped with vacuum-tube voltmeters or similar voltage measuring instruments.

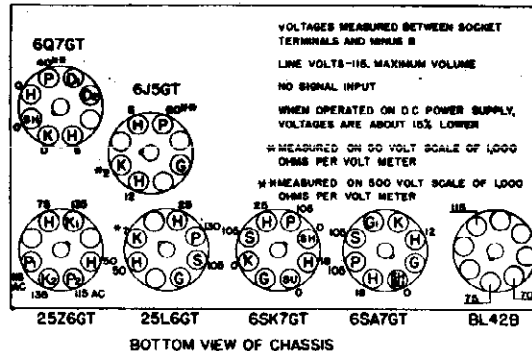
- (1) Stage gains\*  
 Antenna post to 6SA7GT grid.....4 at 1000 KC  
 6SA7GT grid to 6SK7GT grid.....30 at 455 KC  
 6SK7GT grid to 6Q7GT det. plate....100 at 455 KC
- (2) Audio Gains  
 .06 volts, 400 cycles signal across volume control with control set to maximum will give approximately 1/2 watt speaker output.
- (3) D-C voltage developed across oscillator grid resistor (R-1) averages 12 volts.  
 \* Variations of ±20% permissible.

**Loud-speaker**

The voice coil is accurately and permanently centered at the factory and should seldom give trouble. In case a voice coil needs recentering it will be necessary to replace the entire cone and voice-coil assembly.

NOTE.—In no case should the magnet be removed from the assembled position without remagnetizing after replacing it.

FRONT OF CHASSIS



VOLTAGES MEASURED BETWEEN SOCKET TERMINALS AND WIRING B  
 LINE VOLTS—115, MAXIMUM VOLUME  
 NO SIGNAL INPUT  
 WHEN OPERATED ON D.C. POWER SUPPLY, VOLTAGES ARE ABOUT 10% LOWER  
 \* MEASURED ON 50 VOLT SCALE OF 1,000 OHMS PER VOLT METER  
 \*\* MEASURED ON 500 VOLT SCALE OF 1,000 OHMS PER VOLT METER



GENERAL ELECTRIC CO.

SPECIFICATIONS

Over-all Dimensions

Height.....11 1/4 inches  
 Width.....17 inches  
 Depth.....11 inches

Electrical Rating

"A" rating, 110-125 volts, 50-60 cycles, 70 watts.  
 "C" rating, 110-125 volts, 25 cycles, 70 watts.

Tuning Frequency Range

"BC" Band.....550-1720 KC  
 "SW1" Band.....1.7-5.2 MC  
 "SW2" Band.....5.2-18.1 MC

Intermediate Frequency.....455 KC

Electrical Power Output

Undistorted.....3.5 watts  
 Maximum.....5.5 watts

Loud-speaker—PM Dynamic

Outside Cone Diameter.....6 1/2 inches  
 Voice Coil Impedance (400 cycles).....3.5 ohms

Tubes

RF Amplifier.....GE-6SG7  
 Converter, Oscillator.....GE-6SA7  
 IF Amplifier, Detector, AVC.....GE-6SF7  
 Audio Amplifier, Phase Inverter.....GE-6SC7  
 Power Output.....(2) GE-6K6GT  
 Rectifier.....GE-5W4GT  
 Dial Lamps.....(2) MAZDA No. 44

GENERAL INFORMATION

These service notes contain data on both early (†) and late (‡) productions of this receiver, replacing and correcting any preceding data. The main difference is that the late production contains a wave trap and peaking coil between the RF and converter stages. For early production receivers eliminate step 3 in alignment chart and use Fig. 1. For alignment of late production receivers, use Fig. 2. In all cases the symbol designations remain the same, but the physical locations of trimmers are changed.

ALIGNMENT PROCEDURE

The location of trimmers is shown below. All oscillator and RF trimmers are accessible through a slot through the back cover of the cabinet.

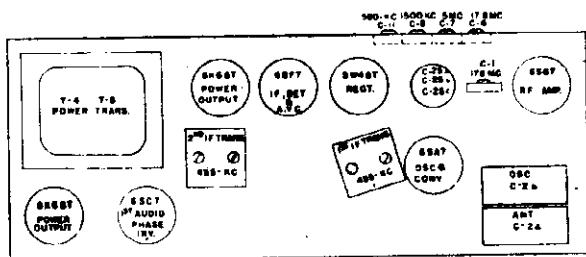


Fig. 1 Trimmer Location (†)

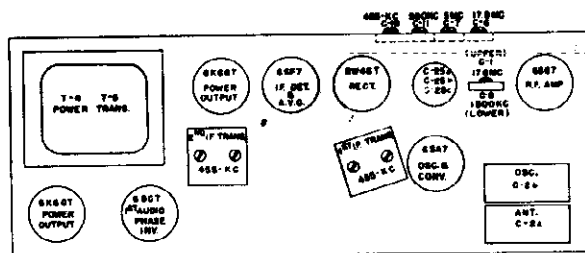


Fig. 2 Trimmer Location (‡)

The alignment procedure is given in table form. All IF alignments may be made with the chassis removed from the cabinet. However, the RF alignments are made with the chassis and loop antennas securely fastened in the cabinet as the relative position of the loop antenna with respect to the chassis materially affects it. The RF signal should be capacity coupled by placing a two-foot wire for an antenna on the test-oscillator output post (high side). Keeping this antenna two feet or more from the receiver loop will generally insure freedom from too much coupling. Metal objects such as meters, tools, etc., should not be placed on top of the receiver cabinet.

ALIGNMENT CHART

Step	Test-Osc. Connection	Test-Osc. Setting	Pointer Setting	Adjust Trimmers
1	6SK7 IF Grid in series with .05 mfd.	455 KC	"BC" Band 550 KC	C17 and C16 for maximum
2	6SA7 Conv. Grid in series with .05 mfd.	455 KC	"BC" Band 550 KC	C14 and C13 for maximum
† 3	6SG7 RF Grid in series with .05 mfd.	455 KC	"BC" Band 550 KC	C19 Wave trap for minimum
4	Capacity coupled	580 KC	"BC" Band 580 KC	C11 ** for maximum
5	Capacity coupled	1500 KC	"BC" Band 1500 KC	C8 ** (Osc.) for maximum
6	Capacity coupled	580 KC	"BC" Band 580 KC	C11 ** for maximum
7	Capacity coupled	5 MC	"SW1" Band 5MC	C7 ** (Osc.) for maximum
8	Capacity coupled	18 MC	"SW2" Band 18 MC	C6 * (Osc.) to signal
9	Capacity coupled	18 MC	"SW2" Band 18 MC	C1 ** (Ant.) for maximum

\*Use minimum capacity peak.  
 \*\*Rock gang condenser when making alignment.

Special Service Information

The following data are taken with a vacuum-tube voltmeter or similar voltage-measuring device.

- Stage Gains
  - Antenna Post to RF Grid 6.5 at 1000 KC
  - RF Grid to Converter Grid 10 at 1000 KC
  - Converter Grid to IF Grid 45 at 1000 KC
  - Converter Grid to IF Grid 60 at 455 KC
  - IF Grid to 6SF7 diode plates 110 at 455 KC
- Audio Gains
  - .16 volts, 400 cycles signal across volume control with control set to maximum will give approximately 1/2 watt speaker output.
- DC voltage developed across oscillator grid resistor R4 averages 10 volts at 1000 KC or 8.0 volts at 10,000 KC.

Variations of ±20% permissible. All readings taken with -1 1/2-volt fixed bias on AVC bus.

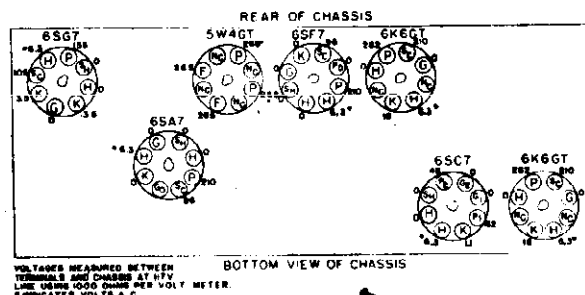
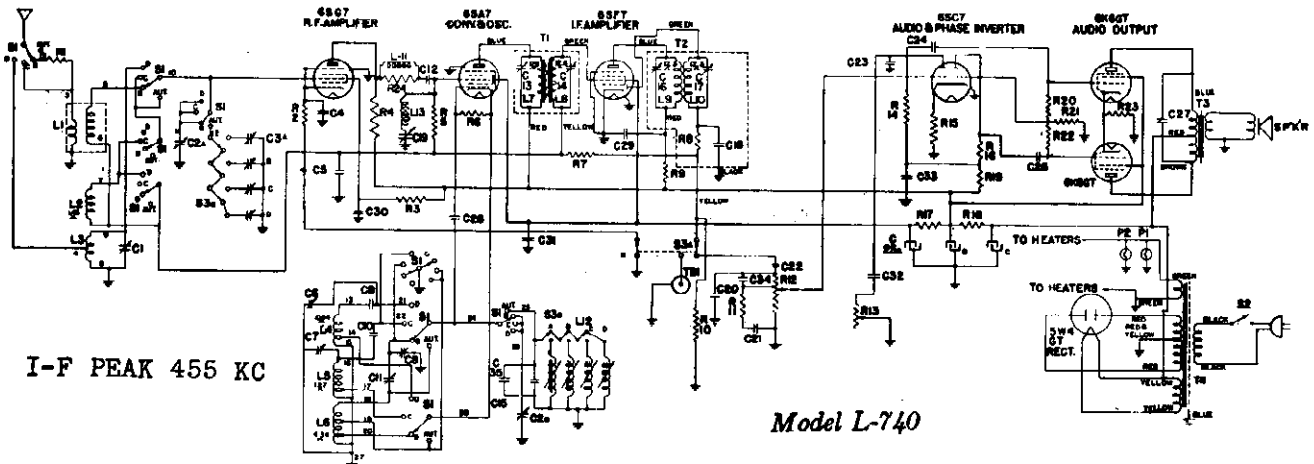


Fig. 3 Socket Voltages († and ‡)

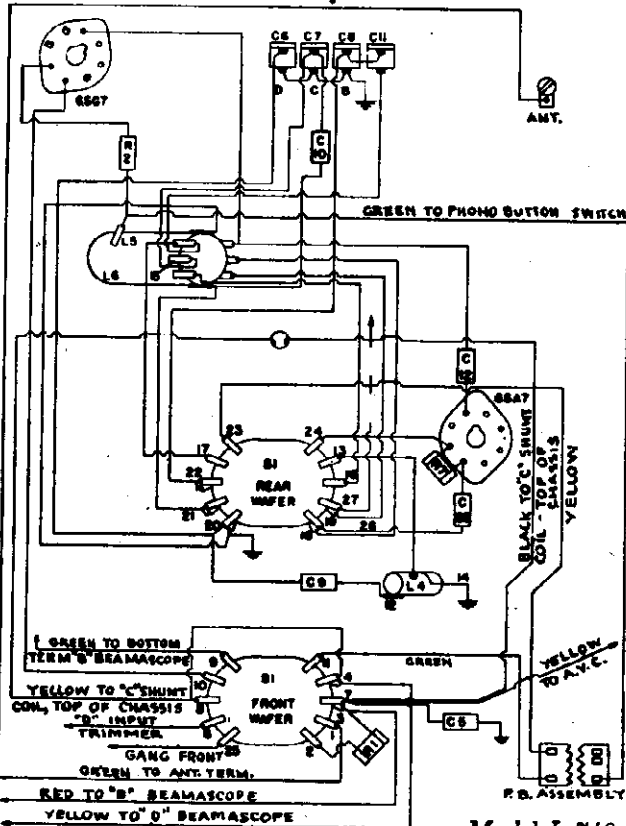
MODEL L-740  
(REVISED)

GENERAL ELECTRIC CO.



I-F PEAK 455 KC

Model L-740



Model L-740

Models LC-759, LC-759B and LC-768  
MODEL L-740

Stock No.	Symbol	Description
*RC-303	C-9	CAPACITOR—4700 mmf., mica
*RC-349	C-10	CAPACITOR—2000 mmf., mica
*RC-235	C-12	CAPACITOR—100 mmf., mica
RC-305	C-15	CAPACITOR—600 mmf., silvered mica
*RC-252	C-18	CAPACITOR—200 mmf., mica
*RC-235	C-20	CAPACITOR—100 mmf., mica
*RC-049	C-21	CAPACITOR—.004 mfd., 600 V, paper
*RC-023	C-22	CAPACITOR—.005 mfd., 600 V, paper
*RC-249	C-23	CAPACITOR—220 mmf., mica, 500 V.
*RC-048	C-24	CAPACITOR—.02 mfd., 600 V, paper
	C-25a	CAPACITOR—10 mfd., 250 V, dry electrolytic
	C-25b	CAPACITOR—15 mfd., 300 V, dry electrolytic
	C-25c	CAPACITOR—30 mfd., 350 V, dry electrolytic
*RC-048	C-26	CAPACITOR—.02 mfd., 600 V, paper
*RC-011	C-27	CAPACITOR—.002 mfd., 600 V, paper
*RC-216	C-28	CAPACITOR—47 mmf., mica
*RC-039	C-29, 30, 31	CAPACITOR—.01 mfd., 600 V, paper
*RC-023	C-32	CAPACITOR—.005 mfd., 600 V, paper
*RC-104	C-33	CAPACITOR—0.1 mfd., 600 V, paper
*RC-216	C-34	CAPACITOR—47 mmf., mica
*RC-329	C-35	CAPACITOR—150 mmf., compensating cap.
*RO-1251	R-1	RESISTOR—470 ohm, 1/4-W. carbon
*RO-1243	R-2	RESISTOR—220 ohm, 1/4-W. carbon
*RO-1293	R-3	RESISTOR—27,000 ohm, 1/4-W. carbon
*RO-1275	R-4, 8	RESISTOR—4,700 ohm, 1/4-W. carbon
*RO-1299	R-5, 10	RESISTOR—47,000 ohm, 1/4-W. carbon
*RO-1291	R-6	RESISTOR—22,000 ohm, 1/4-W. carbon
*RO-1339	R-7	RESISTOR—2.2 megohm, 1/4-W. carbon
*RO-1269	R-9	RESISTOR—2,700 ohm, 1/4-W. carbon
*RO-1308	R-11, 19, 21	RESISTOR—100,000 ohm, 1/4-W. carbon
RV-135	R-12	VOL. CONTROL—2 megohm
RT-723	R-13, S-2	TONE CONTROL—2 megohm with power switch
*RO-1323	R-14	RESISTOR—470,000 ohm, 1/4-W. carbon
*RO-1273	R-15	RESISTOR—3900 ohm, 1/4-W. carbon
*RO-1331	R-16	RESISTOR—1 megohm, 1/4-W. carbon
*RO-083	R-17	RESISTOR—10,000 ohm 2-W. carbon
*RR-357	R-18	RESISTOR—1,200 ohm, 7.4 watt, W.W.
*RO-1319	R-20, 22	RESISTOR—330,000 ohm, 1/4-W. carbon
*RO-1451	R-23	RESISTOR—470 ohm, 1-W. carbon
*RO-1283	R-24	RESISTOR—10,000 ohm, 1/4-W. carbon
RL-580	L-1	BEAM-A-SCOPE—"B" band loop and cabinet back assembly
*RL-167	L-2	COIL—"C" band R.F. coil
RL-581	L-3	BEAM-A-SCOPE—"D" band loop assembly
*RL-2065	L-4	COIL—"D" band oscillator coil
*RL-2066	L-5, -6	COIL—"B" and "C" band osc. coil
*RL-176	L-11	COIL—Peaking coil
*RL-9530	L-12a, b, c, and d	COIL—Push button coil assembly
*RL-608	L-13	COIL—Wave trap
*RS-3129	S-1	SWITCH—Band change switch
*RS-3130	S-3a, b	SWITCH—Push button switch
RT-3011	T-1	TRANSFORMER—1st I.F. transformer
RT-3012	T-2	TRANSFORMER—2nd I.F. transformer
RT-4015	T-3	TRANSFORMER—Speaker output transformer
RT-0724	T-4	TRANSFORMER—50/60 cycle power transformer
RT-0725	T-5	TRANSFORMER—25-cycle power transformer
*RS-1012	SPKR	SPEAKER—6 1/2 in. P.M. speaker

Stock No.	Symbol	Description
†RC-6553	C-1	CAPACITOR—"D" Band Ant. Trimmer
†RC-6565	C-1, 8	CAPACITOR—"D" Ant. and "B" Osc. trimmers
RC-7061	C-2a, C-2b	CONDENSER—2 gang condenser
RT-885	C-3a, b, c and d	TRIMMER STRIP—Push button trimmer strip
*RC-039	C-4	CAPACITOR—.01 mfd. 600 volt paper
*RC-072	C-5	CAPACITOR—.05 mfd. 200 volt paper
†RC-6555	C-6, 7, 8, 11	CAPACITOR—"B", "C" and "D" osc. trimmer and "B" padder
†RC-6566	C-6, 7, 11, 19	CAPACITOR—"D" and "C" Osc. trimmer, "B" padder and wave trap trimmer

\* Used on previous revisions.  
† Early production only.  
‡ Late production only.

GENERAL ELECTRIC CO.

MODELS LC-759, LC-759B  
LC-768

Cabinet Specifications

Model	Cabinet	Height	Width	Depth
LC-759	Mahogany Veneer	36"	34 3/4"	16 3/8"
LC-759B	Blonde Mahogany	36"	34 3/4"	16 3/8"
LC-768	Walnut Veneer	38"	28"	14 1/2"

Electrical Rating

Rating "A6" 110-125 volts, 60 cycles, 130 watts.  
Rating "A5" 110-125 volts, 50 cycles, 130 watts.

Tuning Frequency Range

"BC" Band.....550-1720 KC  
"SW1" Band.....1.7-5.2 MC  
"SW2" Band.....5.2-18.1 MC

Intermediate Frequency.....455 KC

Electrical Power Output

Undistorted.....7.5 watts  
Maximum.....12 watts

Load-speaker—Electrodynamic

Outside cone diameter.....11 1/4 inches  
Voice coil impedance (400 cycles)...5 ohms  
Field resistance.....400 ohms

Phonograph Mechanism

Type changer.....Model LRP-170  
Type pick-up.....Crystal  
Turntable speed.....78 RPM

Tubes

RF Amplifier.....GE-6SG7  
Converter-Oscillator.....GE-6SA7  
IF Amplifier, Demodulator, AVC.....GE-6SF7  
Audio Amplifier, Phase Inverter.....GE-6SC7  
Audio Output.....(2) GE-6V6GT  
Rectifier.....GE-5Y3G  
Dial Lamps.....MAZDA No. 44

GENERAL INFORMATION

These models are seven-tube three-band super-heterodyne receivers of conventional design using in combination an Automatic Record Changer. The service data on the Record Changer is contained in service notes LRPS-170.

Phonograph Tone Compensation

The schematic diagram as shown in Fig. 1, is as used in Model LC-768, with the tone compensation built into the changer. Models LC-759 and LC-759B have no compensation on the changer but it is built into the chassis as indicated in Fig. 3, otherwise the schematic is identical for all three receivers.

ALIGNMENT PROCEDURE

The location of trimmers is shown in Fig. 5. All oscillator and RF trimmers are accessible from the rear of the cabinet.

The alignment procedure is given in table form. All IF adjustments may be made with the chassis removed from the cabinet. However, the RF adjustments should be made with the chassis and loop antennas securely fastened in the cabinet, as the relative position of the loop antenna with respect to the chassis materially affects alignment. The RF signal should be capacity-coupled to the receiver loop by connecting a two-foot wire for an antenna on the test-oscillator output post (high side). Keeping this antenna two feet or more away from the receiver loop will generally insure freedom from too much coupling. Metal objects such as meters, tools, etc., should not be placed on top of the receiver cabinet.

Special Service Information

The following data is taken with a vacuum-tube voltmeter or similar measuring device.

- (1) Stage Gains  
Antenna post to RF Grid.....6.5 at 1000 KC  
RF Grid to Converter Grid....10 at 1000 KC  
Converter Grid to IF Grid....45 at 1000 KC  
Converter Grid to IF Grid....60 at 455 KC  
IF Grid to 6SF7 diode plate...110 at 455 KC
- (2) Audio Gains  
.09 volts, 400-cycle signal across volume control with control set to maximum will give approximately 1/2-watt output to speaker.

(3) D-C voltage developed across oscillator grid resistor R6 averages 7 volts at 1000 KC, 9 volts at 4000 KC, or 6 volts at 10,000 KC.

Variations of ±20% permissible. All readings taken with minus 1 1/2-volt fixed bias on AVC bus.

ALIGNMENT CHART

Step	Test Osc. Connection	Test Osc. Setting	Pointer Setting	Adjust Trimmers
1	6SF7 IF Grid in series with .05 mfd.	455 KC	"BC" Band 550 KC	C17 and C16 for Maximum
2	6SA7 Conv. Grid in series with .05 mfd.	455 KC	"BC" Band 550 KC	C14 and C13 for Maximum
3	Capacity Coupled	580 KC	"BC" Band 580 KC	C11** for Maximum
4	Capacity Coupled	1500 KC	"BC" Band 1500 KC	C8** (Osc.) for Maximum
5	Capacity Coupled	580 KC	"BC" Band 580 KC	C11** for Maximum
6	Capacity Coupled	5 MC	"SW1" Band 5 MC	C7** (Osc.) for Maximum
7	Capacity Coupled	17.8 MC	"SW2" Band 17.8 MC	C6* (Osc.) to signal
8	Capacity Coupled	17.8 MC	"SW2" Band 17.8 MC	C1** (Ant.) for Maximum

\* Correct peak is at low capacity.  
\*\* Rock gang condenser when making alignment.

FOR DATA ON AUTOMATIC RECORD CHANGER MODEL LRP-170, SEE RIDER'S "AUTOMATIC RECORD CHANGERS AND RECORDERS".

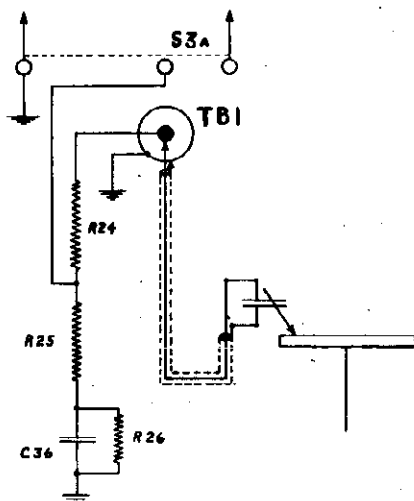
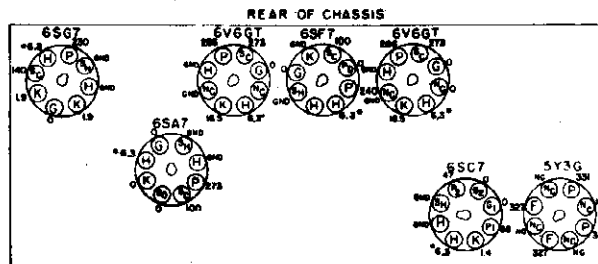


Fig. 3 Phonograph Tone Compensation (LC-759 and LC-759B)



VOLTAGES MEASURED BETWEEN TERMINALS AND CHASSIS AT 115V. LINE VOLTAGE, 1000 CYCLES PER VOLT METER. \* INDICATES VOLTS A.C.

Fig. 4 Socket Voltages

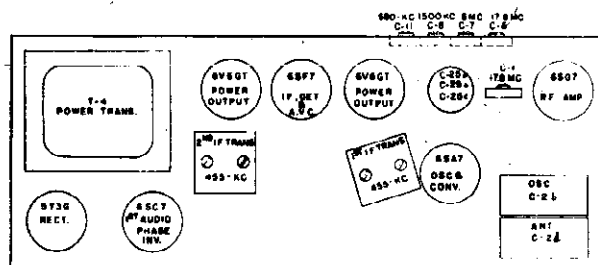
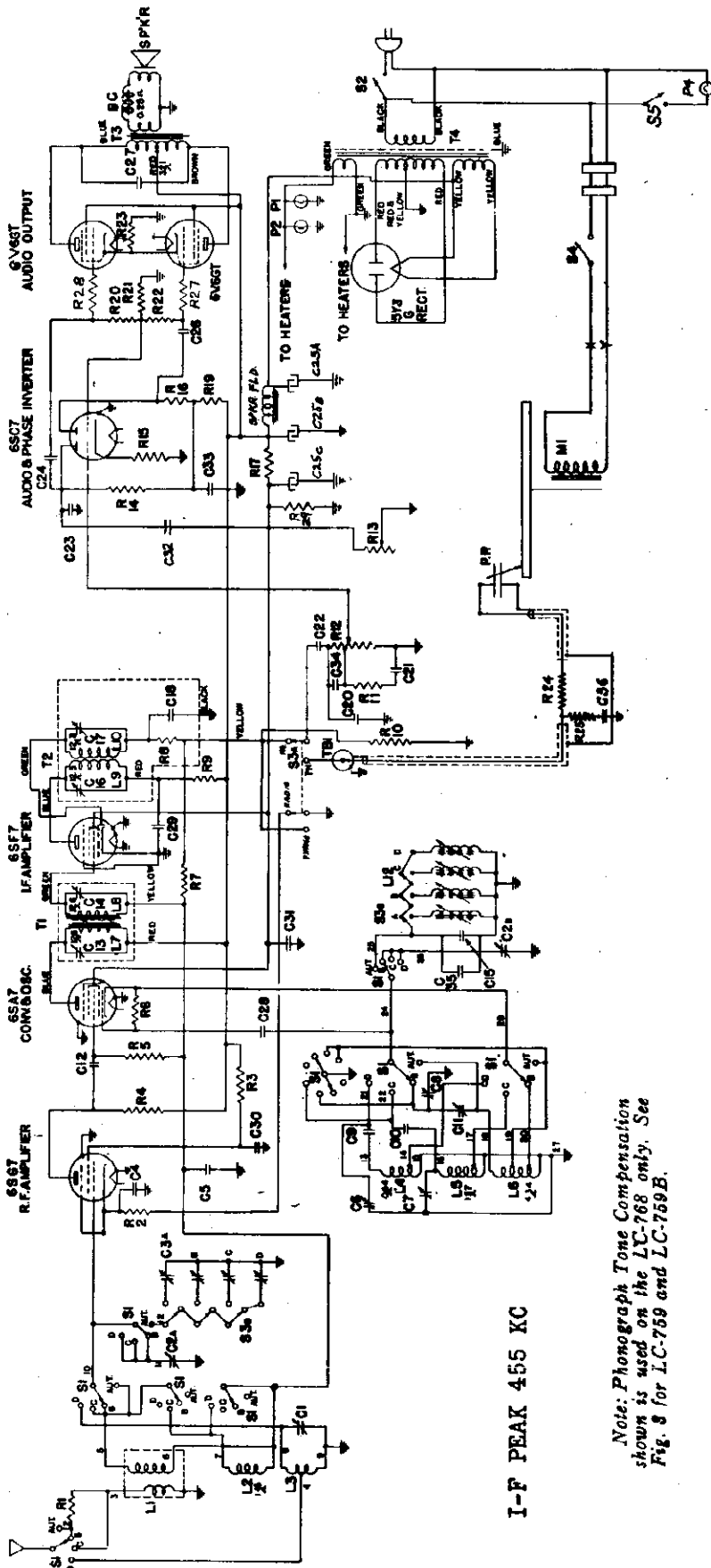


Fig. 5 Trimmer Location

MODELS LC-759, LC-759B,  
LC-768

GENERAL ELECTRIC CO.



Note: Photograph Tone Compensation shown is used on the LC-768 only. See Fig. 8 for LC-759 and LC-759B.

PARTS DESCRIPTION LIST

Symbol	Description	Symbol	Description	Symbol	Description
C1	"D" Band trimmer	L6	"B" Band osc. coil	R19	109,000 ohms, 1/4-watt carbon
C2a	Tuning condenser	L12a	Push button coil assembly	R20	330,000 ohms, 1/4-watt carbon
C2b	Push-button trimmer strip	L12b	1000 ohms, 1/4-watt carbon	R21	100,000 ohms, 1/4-watt carbon
C2c		L12c		R22	330,000 ohms, 1/4-watt carbon
C2d	.01 mid. 600-V paper	R1	220 ohms, 1/4-watt carbon	R23	220 ohms, 2-watt carbon
C3	.05 mid. 600-V paper	R2	47,000 ohms, 1/4-watt carbon	R24	47,000 ohms, 1/4-watt carbon (Fig. 3)
C4	"B" Band osc. trimmer	R3	47,000 ohms, 1/4-watt carbon	R25	100,000 ohms, 1/4-watt carbon (Fig. 3)
C5	"C" Band osc. trimmer	R4	47,000 ohms, 1/4-watt carbon	R26	470,000 ohms, 1/4-watt carbon (Fig. 3)
C6	"D" Band osc. trimmer	R5	47,000 ohms, 1/4-watt carbon	R27	1000 ohms, 1/4-watt carbon
C7	4700 mmf. 5% mica	R6	22,000 ohms, 1/4-watt carbon	R28	1000 ohms, 1/4-watt carbon
C8	2000 mmf. 5% mica	R7	2.2 meg. 1/4-watt carbon	R29	47,000 ohms, 1-watt, carbon
C9	"B" padder	R8	47,000 ohms, 1/4-watt carbon	S1	Power switch (on tone control)
C10	100 mmf. Mica	R9	2700 ohms, 1/4-watt carbon	S2	Push-button switch assembly
C11	500 mmf. Silvered Mica	R10	68,000 ohms, 1/4-watt carbon	S3a	Phono-comp. switch
C12	100 mmf. Mica	R11	2 meg. tap at 1 meg. (volume control)	S3b	1st IF Transformer
C13	200 mmf. Mica	R12	470,000 ohms, 1/4-watt carbon	T1	Output Transformer
C14	.0042 mid. 600-V paper	R13	3900 ohms, 1/4-watt carbon	T2	50-60-cycle power transformer
C15	220 mmf. Mica	R14	1 meg. 1/4-watt carbon	T3	Phono jack
C16	220 mmf. Mica	R15	12,000 ohms, 1/4-watt carbon	T4	1 1/2" Electro-dynamic 400 ohm field
C17		R16		TB1	
C18		R17		SPKR	
C19					
C20					
C21					
C22					
C23					
C24					
C25a					
C25b					
C25c					
C26					
C27					
C28					
C29					
C30					
C31					
C32					
C33					
C34					
C35					
C36					
L1					
L2					
L3					
L4					
L5					

## GENERAL ELECTRIC CO.

### TECHNICAL AND SERVICE INFORMATION

Since the Model JFM-165 consists of the Model J-718 radio chassis used in conjunction with the Model JFM-90 Frequency Modulation Translator, reference should be made to the service notes (RJS-718 and RJFMS-90) on these receivers for all technical and service information. When

ordering replacement parts, for the standard radio chassis, refer to the parts list on the J-718 receiver and make the removals as shown under the J-718 parts list below. When ordering parts for the FM chassis, refer to the parts list on the JFM-90 receiver and make additions and removals as in the JFM-90 parts list below. The additional parts listed are only common to the Model JFM-165 receiver.

### Electrical Rating

Rating	Power Supply (Volts)	Frequency (Cycles on AC)	Power Consumption AM and FM Receiver
A-6	105-125	60	145
A-5	105-125	50	145
C-2	105-125	25	155

### Loud-speaker—"Alnico" Magnet Dynamic

Outside Speaker Diameter.....14 inches  
Voice Coil Impedance.....3.5 ohms

### Tuning-Frequency Range

Broadcast Band.....540-1600 KC  
Short-wave Band No. 1.....2300-6900 KC  
Short-wave Band No. 2.....6900-22000 KC  
Frequency Modulation Band.....42.0-50.0 MC

### Intermediate Frequency

Broadcast and Short-wave Receiver.....455 KC  
Frequency Modulation Receiver.....4.3 MC

### Electrical Power Output

Undistorted.....4 watts  
Maximum.....5.5 watts

### Tubes

#### Frequency Modulation Chassis

1st Converter.....GE-6AB7  
2nd Converter.....GE-6AB7  
Oscillator.....GE-7A4  
I.F. Amplifier.....(2) GE-6SK7  
1st Limiter.....GE-6SJ7  
2nd Limiter.....GE-6SJ7  
Discriminator.....GE-6H6  
Rectifier.....GE-5Y3G

#### Broadcast and Short-wave Chassis

R.F. Amplifier.....GE-6SK7  
Converter and Oscillator.....GE-6SA7  
I.F. Amplifier.....GE-6SK7  
Det. Audio and AVC.....GE-6SQ7  
Audio Driver.....GE-6J5G or GT  
Audio Output.....GE-6Y6G  
Rectifier.....GE-5Y3G  
Pilot Lamps.....(5) MAZDA No. 44

## REPLACEMENT PARTS LIST

(For complete list of replacements refer to J-718 and JFM-90 service notes)

SEE VOLUMES XII AND XIII FOR ORIGINAL DATA OF J-718 & JFM 90  
Additions and substitutions

### MODEL JFM-165

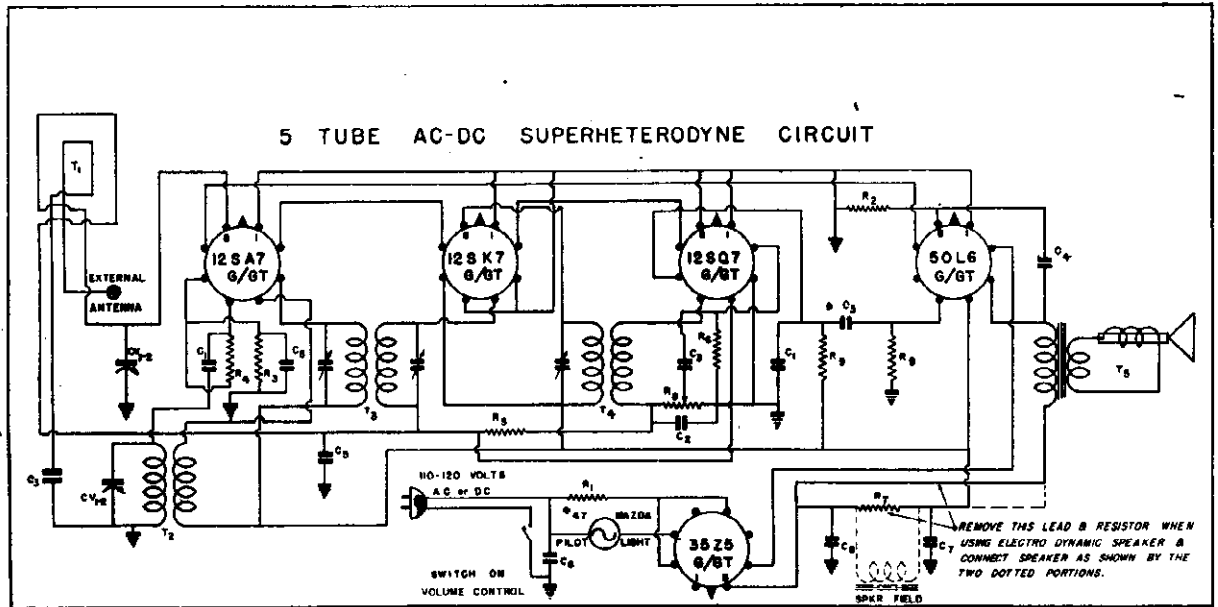
Stock No.	Description	List Price	Stock No.	Description	List Price
<b>J-718 Parts List</b>					
*RQ-1307	Remove resistors R-2, R-27, and R-28 RESISTOR—100,000 ohm, ½ W. carbon (R-2) (Pkg. 5).....	\$0.70	*RQ-1307	Remove R-22 RESISTOR—100,000 ohm, ½ W. carbon (R-22) (Pkg. 5).....	\$0.70
*RQ-1317	RESISTOR—270,000 ohm, ½ W. carbon (R-28) (Pkg. 5).....	.70	*RQ-1299	Substitute R-22 RESISTOR—47,000 ohm, ½ W. carbon (R-22) (Pkg. 5).....	.70
*RQ-1327	RESISTOR—680,000 ohm, ½ W. carbon (R-27) (Pkg. 5).....	.70	<b>Additional Parts JFM-165</b>		
*RC-039	Remove Capacitor C-27 CAPACITOR—.01 mfd., 600 V. paper (C-27).....	.25	RB-206	BOARD—FM chassis mounting boards.	1.00
<b>JFM-90 Parts List</b>					
RC-7041	Remove C-1 CONDENSER—Tuning condenser and station selector assembly (C-1a, 1b, 1c).....	5.00	RB-1037	BOARD—FM antenna terminal board	.10
RC-7044	Substitute C-1 CONDENSER—Tuning condenser assembly (C-1a, 1b, 1c).....	5.00	RG-423	GRILLE CLOTH—Cabinet grille cloth..	1.10
			RC-8204	CABLE—FM output connector cable and plug assembly.....	.35
			RC-8527	CARD—FM key tab card.....	.05
			RD-173	DIAL—Dial scale and escutcheon assembly—FM.....	.70
			RL-550	BEAM-A-SCOPE—Cylindrical Beam-a-Scope assembly.....	2.10
			RS-629	SUPPORT—Cylindrical Beam-a-Scope bottom support.....	1.00

\*Used on previous production receivers.

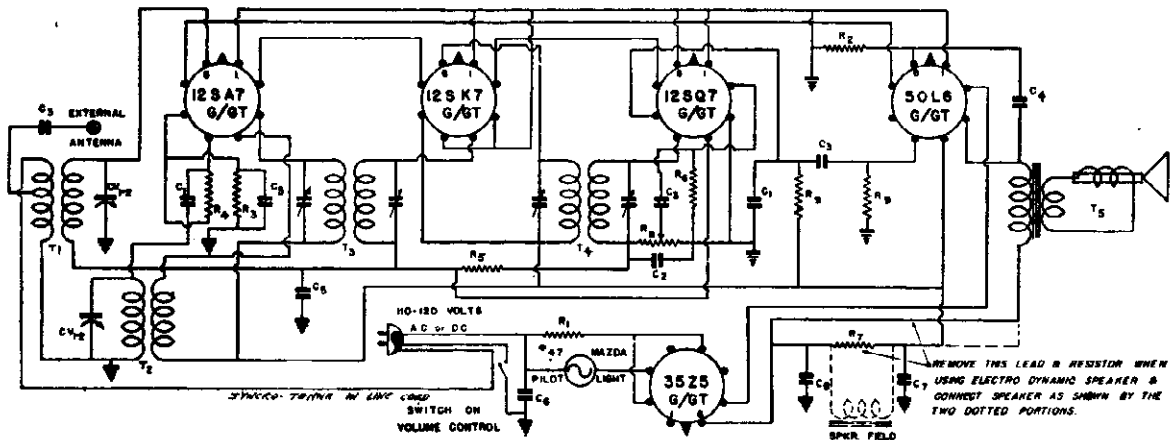
(Prices subject to change without notice)

Single End  
Tubes

GENERAL TELEVISION & RADIO CO. MODELS 19, 51, 57  
MODELS 26, 34, 47, 49,  
57, 88, 91.



**MODELS 19, 51 and 57**



**MODELS 26, 34, 47, 49, 57, 88 and 91**

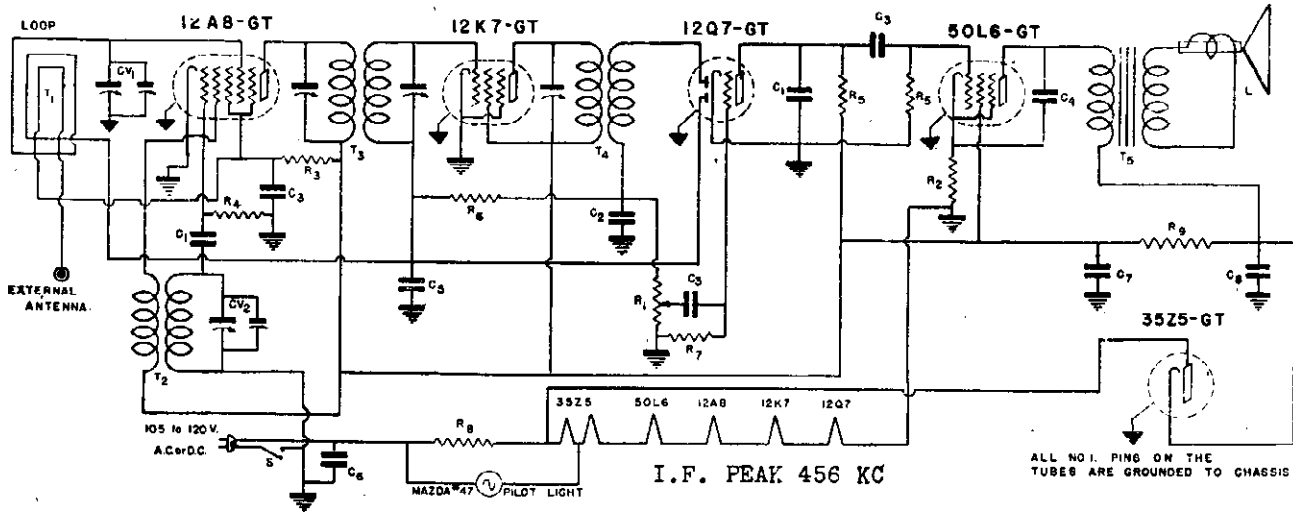
C <sub>1</sub>	.00055 MFD. 500 V. PAPER CONDENSER
C <sub>2</sub>	.0005 MFD. 500 V. " " "
C <sub>3</sub>	.01 MFD. 400 V. " " "
C <sub>4</sub>	.02 MFD. 400 V. " " "
C <sub>5</sub>	.05 MFD. 200 V. " " "
C <sub>6</sub>	.1 MFD. 400 V. " " "
C <sub>7</sub>	348 50 MFD. 150 W.V. ELECTROLYTIC CONDENSER
C <sub>8</sub>	348 40 MFD. 150 W.V. " " "
C <sub>9</sub>	" " " " " " "
D <sub>1,2</sub>	60000 TWO GANG VARIABLE CONDENSER
R <sub>1</sub>	10 OHM 1/4 WATT CARBON RESISTOR
R <sub>2</sub>	150 OHM 1/4 " " " "
R <sub>3</sub>	500 OHM 1/4 " " " "
R <sub>4</sub>	50000 OHM 1/4 " " " "
R <sub>5</sub>	2 MEGOHM 1/4 " " " "
R <sub>6</sub>	5 MEGOHM 1/4 " " " "
R <sub>7</sub>	2500 OHM 1/2 " " " "
R <sub>8</sub>	3000K 1/2 MEGOHM VOLUME CONTROL
R <sub>9</sub>	1/2 MEGOHM 1/4 WATT CARBON RESISTOR
T <sub>1</sub>	A-3 ANTENNA COIL
T <sub>2</sub>	O-8 OSCILLATOR COIL
T <sub>3</sub>	I-5 1st I.F. TRANSFORMER
T <sub>4</sub>	D-2 DIODE I.F. TRANSFORMER
T <sub>5</sub>	50W 8" P.M. SPEAKER

**TUBE LOCATION AND CHASSIS LAYOUT**

REMOVE THIS LEAD B RESISTOR WHEN USING ELECTRO DYNAMIC SPEAKER & CONNECT SPEAKER AS SHOWN BY THE TWO DOTTED PORTIONS.

**MODELS 19, 26, 34, 47, 49, 51, 57, 88 AND 91**

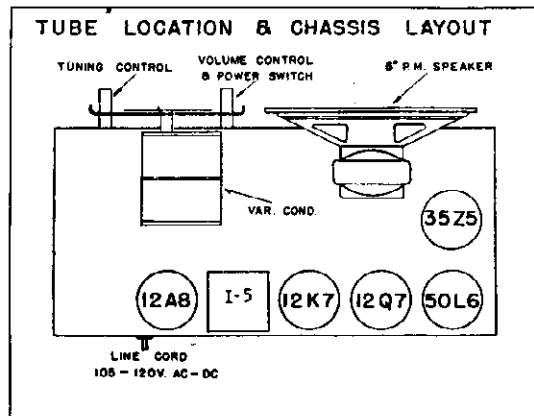
**MODELS 19, 51**  
**Double End Tubes GENERAL TELEVISION & RADIO CO.**  
**MODEL 530**



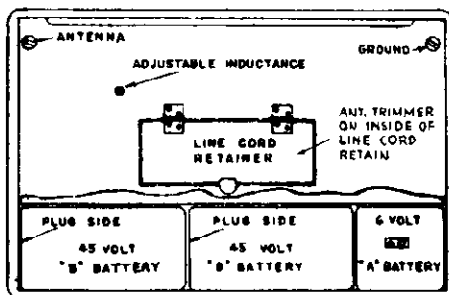
**MODELS 19 and 51**

DIA. NO.	PART NO.	DESCRIPTION
C <sub>1</sub>	—	.0025 MFD. 500 V. TUBULAR CONDENSER
C <sub>2</sub>	—	.0005 MFD. 200V. TUBULAR CONDENSER
C <sub>3</sub>	—	.01 MFD. 400V. TUBULAR CONDENSER
C <sub>4</sub>	—	.02 MFD. 400 V. TUBULAR CONDENSER
C <sub>5</sub>	—	.05 MFD. 200V. TUBULAR CONDENSER
C <sub>6</sub>	—	.1 MFD. 400V. TUBULAR CONDENSER
C <sub>7</sub>	IN 346	20 MFD. 150W.V. ELECTROLYTIC COND.
C <sub>8</sub>	IN 346	40 MFD 150 W.V. ELECTROLYTIC COND.
CV <sub>1-2</sub>	648	2 GANG VARIABLE CONDENSER
R <sub>9</sub>	—	2500 OHM 1/2 W. CARBON RESISTOR
L	838	P. M. SPEAKER
S	—	LINE SWITCH ON VOLUME CONTROL

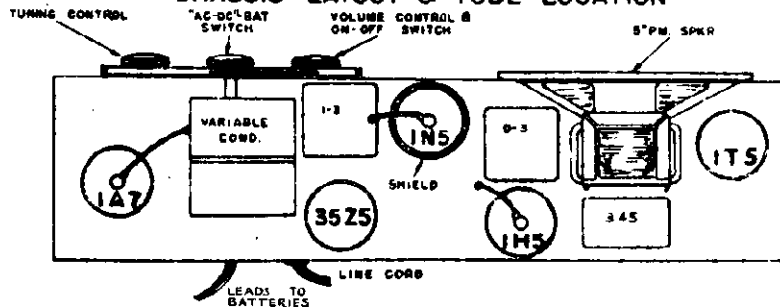
DIA. NO.	PART NO.	DESCRIPTION
R <sub>1</sub>	2009F	500,000 OHM VOLUME CONTROL
R <sub>2</sub>	—	150 OHM 1/2 WATT CARBON RESISTOR 10%
R <sub>3</sub>	—	50,000 OHM 1/2 WATT CARBON RESISTOR
R <sub>4</sub>	—	50,000 OHM 1/2 WATT CARBON RESISTOR
R <sub>5</sub>	—	500,000 OHM 1/2 WATT CARBON RESISTOR
R <sub>6</sub>	—	2 MEGOHM 1/2 WATT CARBON RESISTOR
R <sub>7</sub>	—	8 MEGOHM 1/2 WATT CARBON RESISTOR
R <sub>8</sub>	—	10 OHM 1/2 WATT CARBON RESISTOR
T <sub>1</sub>	3553	LOOP
T <sub>2</sub>	0-5	OSCILLATOR COIL
T <sub>3</sub>	1-5	INPUT I.F. TRANSFORMER
T <sub>4</sub>	D-5	OUTPUT I.F. TRANSFORMER
T <sub>5</sub>	IN 838	SPEAKER TRANSFORMER



**BACK VIEW OF CABINET**



**CHASSIS LAYOUT & TUBE LOCATION**



**MODEL 530**

**BATTERY REPLACEMENT**

If, when these batteries are to be replaced, longer service (200 hours or more) is desired, you may replace this pack with one (1) 4F4 "A" battery and two (2) V30B "B" batteries made by the same company, or their equivalent in another make.

GENERAL TELEVISION & RADIO CO.

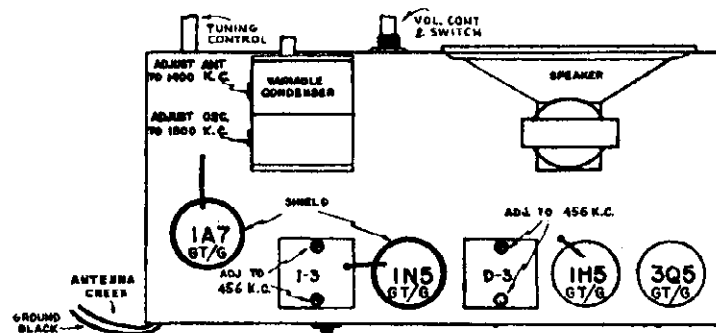


Fig. 1—Top View

**SERVICE NOTES**

Voltages taken from the different points of the circuit to chassis are measured with volume control in maximum position, all tubes in their sockets and with a volt meter having a resistance of 1000 ohms per volt. These voltages are clearly indicated on the voltage chart.

In order to prevent the signal from acting upon the AVC and affecting accuracy of voltage measurements, aerial and ground leads should be short circuited while making measurements.

All voltages should be measured with a new battery or one that gives 94½ volts under load. Resistance and actual connections of coils and transformers and speaker data are given under Service Information.

To check for open by pass condensers, shunt each condenser with another condenser of the same capacity and voltage

rating, which is known to be good until the defective unit is located.

Failure to operate, noisy or weak reception is usually due to defective tubes, the tubes making poor contact with sockets or grid clips making poor contact with the caps of the tubes. Tubes may be checked very easily by replacing with other tubes which are known to be good.

**ALIGNING INSTRUCTIONS**

All of the adjustments have been very carefully set with signal generators at the factory and require no further adjustment, unless it becomes necessary to replace a coil or transformer, or if the adjustments have been tampered with in the field. Under no circumstances attempt any adjustments without first making certain that adjustment is necessary and only after voltages, tubes and condensers have been checked and found to be normal. To properly re-align this receiver, a signal generator as well as an output meter, must be used.

**ALIGNMENT PROCEDURE**

- Volume control—Maximum all adjustments.
- Connect radio chassis to ground post of signal generator with a short heavy lead.
- Connect dummy antenna value in series with generator output lead.
- Connect output meter across primary of output transformer.
- Allow chassis and signal generator to "heat up" for several minutes.

The following equipment is required for aligning:

- An all wave signal generator which will provide as accurately calibrated signal at the test frequencies as listed.
- Output indicating meter.
- Non-metallic screwdriver.
- Dummy antennas—1 mf., 200 mmf.

BAND	SIGNAL GENERATOR Frequency Setting	Dummy Antenna	Connection to Radio	Variable Condenser Setting	Trimmers Adjusted (In Order Shown)	Trimmer Function	Adjustment
I.F.	456 KC.	.1 MFD.	Grid of 1N5G tube	Rotor full open (Plates out of mesh)	Two trimmers on top (See I3 Fig. 1)	Output I.F.	Adjust to Maximum output
	456 KC.	.1 MFD.	Grid of 1A7G tube	Rotor full open (Plates out of mesh)	Two trimmers on top (See D3 Fig. 1)	Input I.F.	Adjust to Maximum output
BROAD-CAST	1600 KC.	200 mmf.	Antenna lead	Rotor full open (Plates out of mesh)	Trimmer—(See Fig. 1)		Adjust to Maximum output
	1400 KC.	200 mmf.	Antenna lead	Set dial at 1400 KC.	Trimmer—(See Fig. 1)		Adjust to Maximum output

This is all that is necessary for the alignment unless the plates of the gang have been bent out of shape. In case of bent plates, set the signal generator and receiver to 600KC and bend the plates into the position for maximum output.

Attenuate the signal from the signal generator to prevent the leveling off-action of the AVC. After each band is completed, repeat the procedure as a final check.

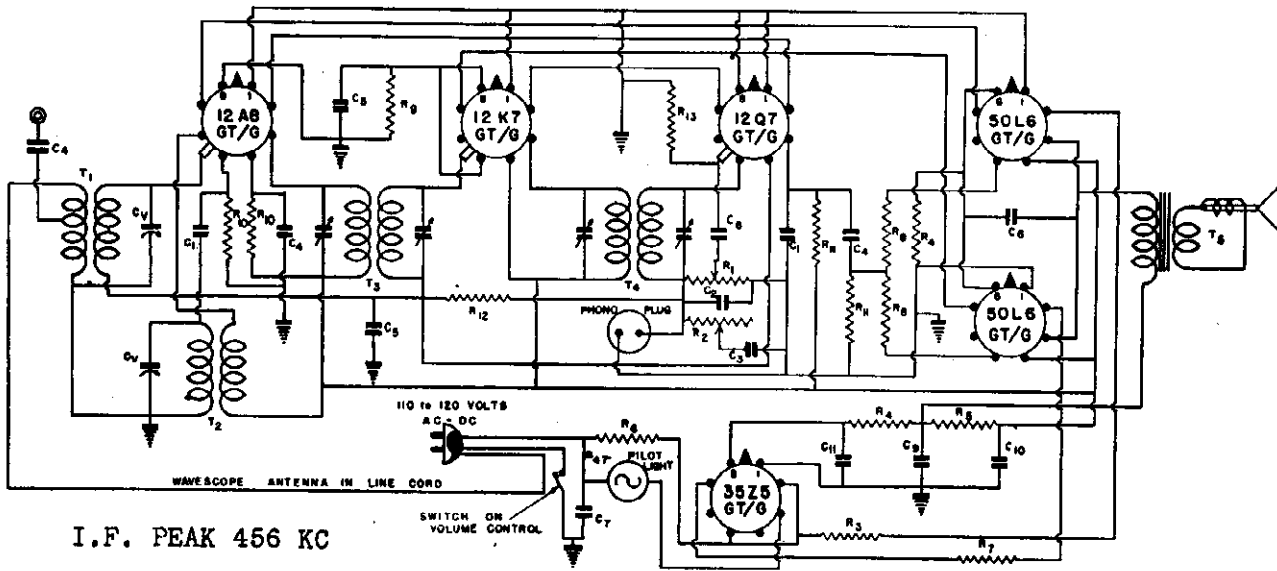
Frequency Range  
535 to 1730 K.C.

Power output .27 watt undistorted—.35 watt maximum  
Intermediate Frequency 456 K.C.



MODELS 54, 616  
MODEL F56W

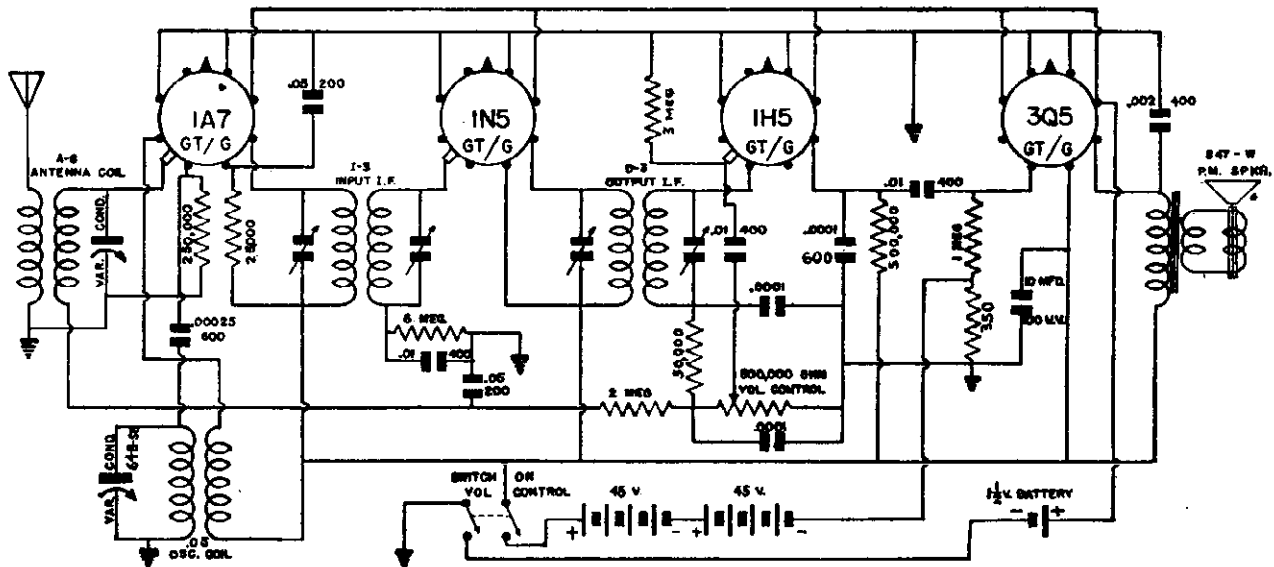
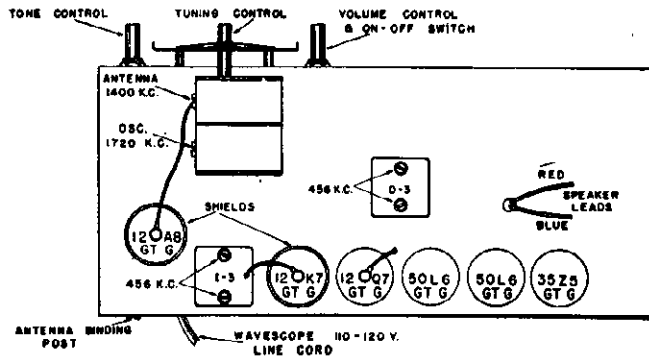
GENERAL TELEVISION & RADIO CO.



I.F. PEAK 456 KC

MODELS 616 and 54

- |     |   |        |            |              |              |             |
|-----|---|--------|------------|--------------|--------------|-------------|
| C   | — | .00025 | MFD.       | 500 V.       | PAPER        | CONDENSER   |
| C2  | — | .0005  | MFD.       | 500 V.       | "            | "           |
| C3  | — | .005   | MFD.       | 400 V.       | "            | "           |
| C4  | — | .01    | MFD.       | 400 V.       | "            | "           |
| C5  | — | .05    | MFD.       | 200 V.       | "            | "           |
| C6  | — | .05    | MFD.       | 200 V.       | "            | "           |
| C7  | — | .1     | MFD.       | 500 V.       | "            | "           |
| C8  | — | .1     | MFD.       | 500 V.       | "            | "           |
| C9  | — | .02    | MFD.       | 400 V.       | "            | "           |
| C10 | — | 348 15 | MFD.       | 150 W.V.     | ELECTROLYTIC | CONDENSER   |
| C11 | — | 348 20 | MFD.       | 150 W.V.     | "            | "           |
| C12 | — | 348 40 | MFD.       | 150 W.V.     | "            | "           |
| CV  | — | 648-98 | TWO GANG   | VARIABLE     | CONDENSER    |             |
| R1  | — | 5000X  | 1/2        | MEG OHM      | VOLUME       | CONTROL     |
| R2  | — | 2034X  | 250,000    | OHM          | TONE         | CONTROL     |
| R3  | — | 157    | 350        | OHM          | 5 WATT       | WIRE WOUND  |
| R4  | — | —      | 50         | OHM          | 1/2          | WATT CARBON |
| R5  | — | —      | 2500       | OHM          | 1/2          | "           |
| R6  | — | —      | 5          | OHM          | 1/2          | "           |
| R7  | — | —      | 46         | OHM          | 1            | "           |
| R8  | — | —      | 1000       | OHM          | 1/4          | "           |
| R9  | — | —      | 1500       | OHM          | 1/4          | "           |
| R10 | — | —      | 50000      | OHM          | 1/4          | "           |
| R11 | — | —      | 1/2        | MEG OHM      | 1/4          | "           |
| R12 | — | —      | 2          | MEG OHM      | 1/4          | "           |
| R13 | — | —      | 5          | MEG OHM      | 1/4          | "           |
| T1  | — | A-6    | ANTENNA    | COIL         |              |             |
| T2  | — | O-8    | OSCILLATOR | COIL         |              |             |
| T3  | — | 1-3    | 1st. I.F.  | TRANSFORMER  |              |             |
| T4  | — | D-3    | DIODE I.F. | TRANSFORMER  |              |             |
| T5  | — | 643    | 6 1/2"     | P.M. SPEAKER |              |             |



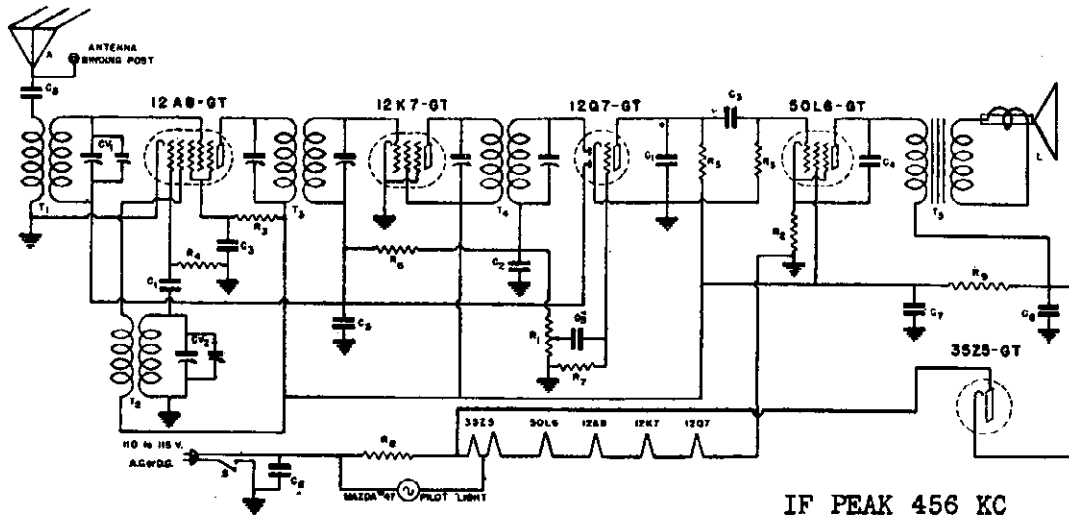
I.F. PEAK 456 KC

MODEL F56W

1 1/2 VOLT FARM BATTERY SET

GENERAL TELEVISION & RADIO CO.

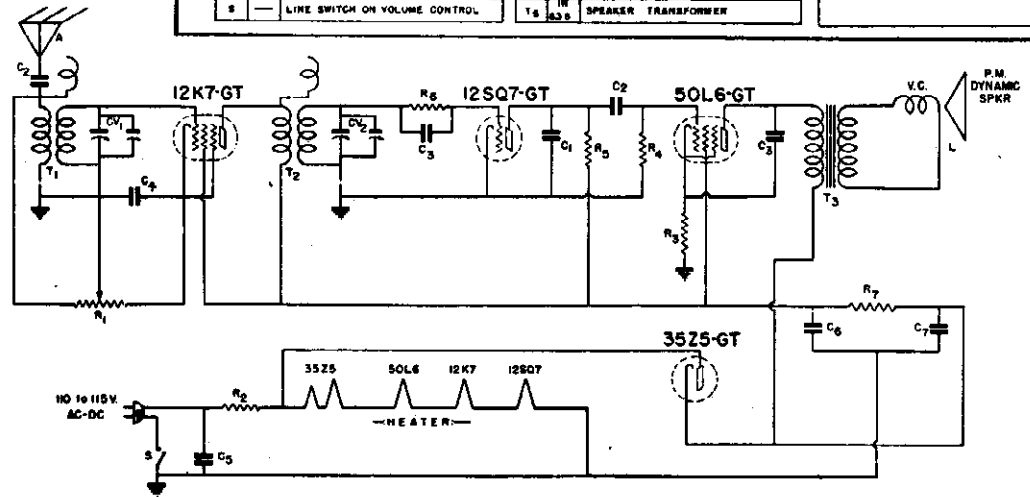
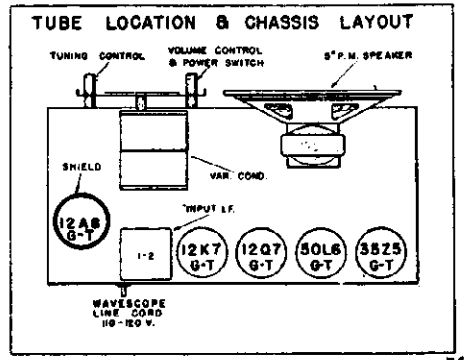
MODEL 520  
MODELS 411, 421



MODEL  
520

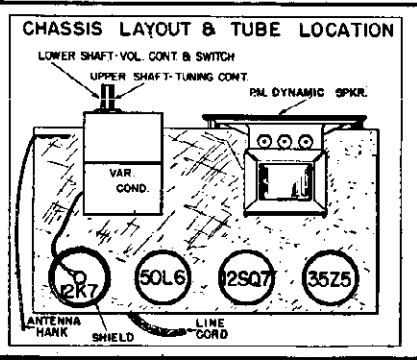
IF PEAK 456 KC

DIA. PART NO.	DESCRIPTION	DIA. PART NO.	DESCRIPTION
C <sub>1</sub>	.00025 MFD. 600 V. TUBULAR CONDENSER	R <sub>1</sub>	500,000 OHM VOLUME CONTROL
C <sub>2</sub>	.0005 MFD. 200 V. TUBULAR CONDENSER	R <sub>2</sub>	150 OHM 1/2 WATT CARBON RESISTOR
C <sub>3</sub>	.01 MFD. 400 V. TUBULAR CONDENSER	R <sub>3</sub>	30,000 OHM 1/2 WATT CARBON RESISTOR
C <sub>4</sub>	.02 MFD. 400 V. TUBULAR CONDENSER	R <sub>4</sub>	50,000 OHM 1/2 WATT CARBON RESISTOR
C <sub>5</sub>	.05 MFD. 200 V. TUBULAR CONDENSER	R <sub>5</sub>	500,000 OHM 1/2 WATT CARBON RESISTOR
C <sub>6</sub>	.1 MFD. 400 V. TUBULAR CONDENSER	R <sub>6</sub>	2 MEGOHM 1/2 WATT CARBON RESISTOR
C <sub>7</sub>	20 MFD. 150 V. ELECTROLYTIC COND.	R <sub>7</sub>	5 MEGOHM 1/2 WATT CARBON RESISTOR
CV <sub>1,2</sub>	40 MFD. 150 V. ELECTROLYTIC COND.	R <sub>8</sub>	10 OHM 1/2 WATT CARBON RESISTOR
CV <sub>1,2</sub>	2 BAND VARIABLE CONDENSER	T <sub>1</sub>	A-5-A ANTENNA COIL
R <sub>9</sub>	2500 OHM 1/2 W. CARBON RESISTOR	T <sub>2</sub>	O-5 OSCILLATOR COIL
A	WAVESCOPE AERIAL	T <sub>3</sub>	I-2 INPUT I.F. TRANSFORMER
L	838 P. M. SPEAKER	T <sub>4</sub>	D-8 OUTPUT I.F. TRANSFORMER
S	LINE SWITCH ON VOLUME CONTROL	T <sub>5</sub>	I-3 SPEAKER TRANSFORMER



MODELS  
411  
AND  
421

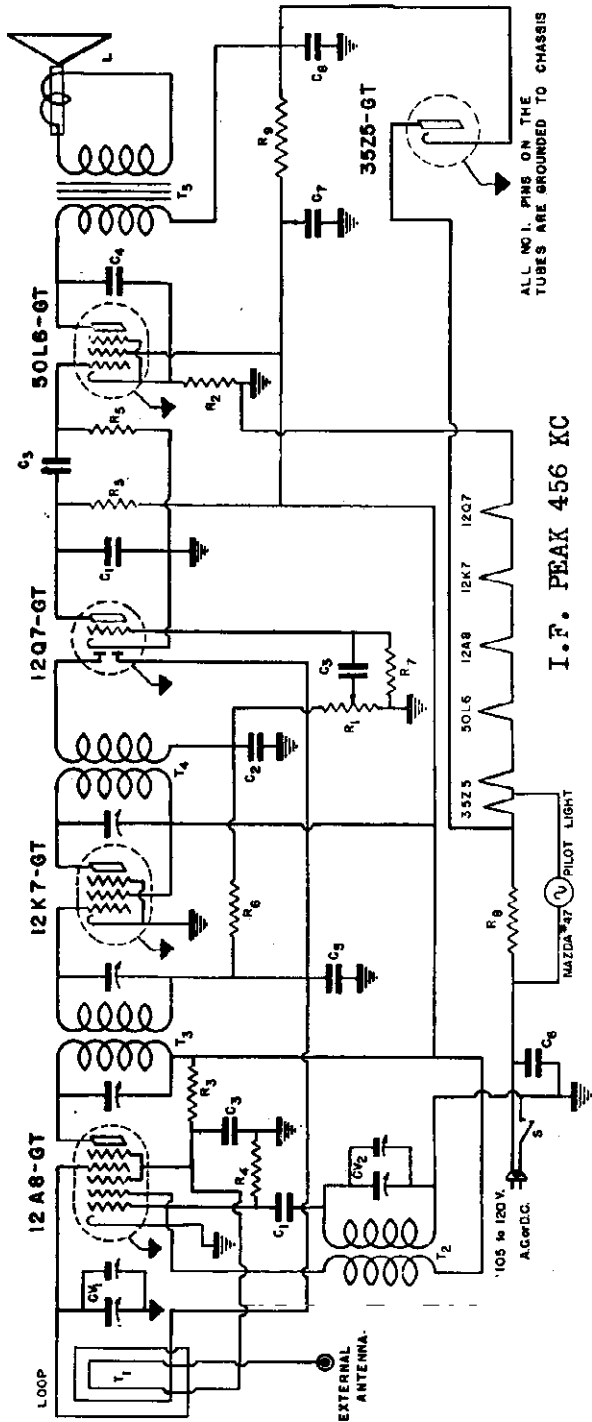
DIA. PART NO.	DESCRIPTION	DIA. PART NO.	DESCRIPTION
C <sub>1</sub>	.00025 MFD. 600 V. TUB. COND.	R <sub>1</sub>	10,000 OHM VOLUME CONTROL
C <sub>2</sub>	.01 MFD. 400 V. TUBULAR COND.	R <sub>2</sub>	40 OHM 1 WATT CARBON RESIST.
C <sub>3</sub>	.02 MFD. 400 V. TUBULAR COND.	R <sub>3</sub>	150 OHM 1/2 WATT CARBON RESIST.
C <sub>4</sub>	.05 MFD. 200 V. TUBULAR COND.	R <sub>4</sub>	1/2 MEGOHM 1/2 WATT CAR. RESIST.
C <sub>5</sub>	.05 MFD. 400 V. TUBULAR COND.	R <sub>5</sub>	1 MEGOHM 1/2 WATT CARBON RESIST.
C <sub>6</sub>	10 MFD. 150 V. TUBULAR COND.	R <sub>6</sub>	3 MEGOHM 1/2 WATT CAR. RESIST.
C <sub>7</sub>	30 MFD. 150 V. TUBULAR COND.	R <sub>7</sub>	5,000 OHM 1/2 WATT CAR. RESIST.
CV <sub>1,2</sub>	2 BAND VARIABLE COND.	S	LINE SWITCH ON VOLUME CONT.
T <sub>1</sub>	A-10 ANTENNA COIL	A	ANTENNA WIRE
T <sub>2</sub>	R-10 R.F. COIL	L	844 DYNAMIC SPEAKER P.M.
T <sub>3</sub>	844 SPEAKER TRANSFORMER		



MODELS 511A, 521

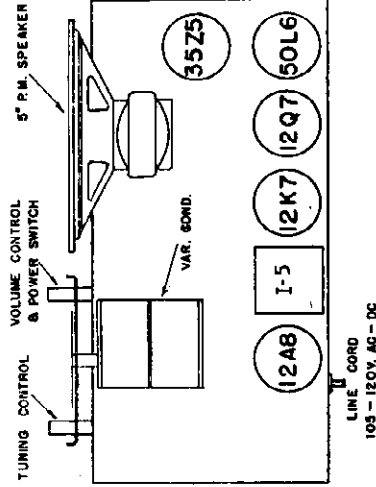
GENERAL TELEVISION & RADIO CO.

5 TUBE SUPERHETERODYNE RECEIVER AC-DC TYPE



I.F. PEAK 456 KC

TUBE LOCATION & CHASSIS LAYOUT

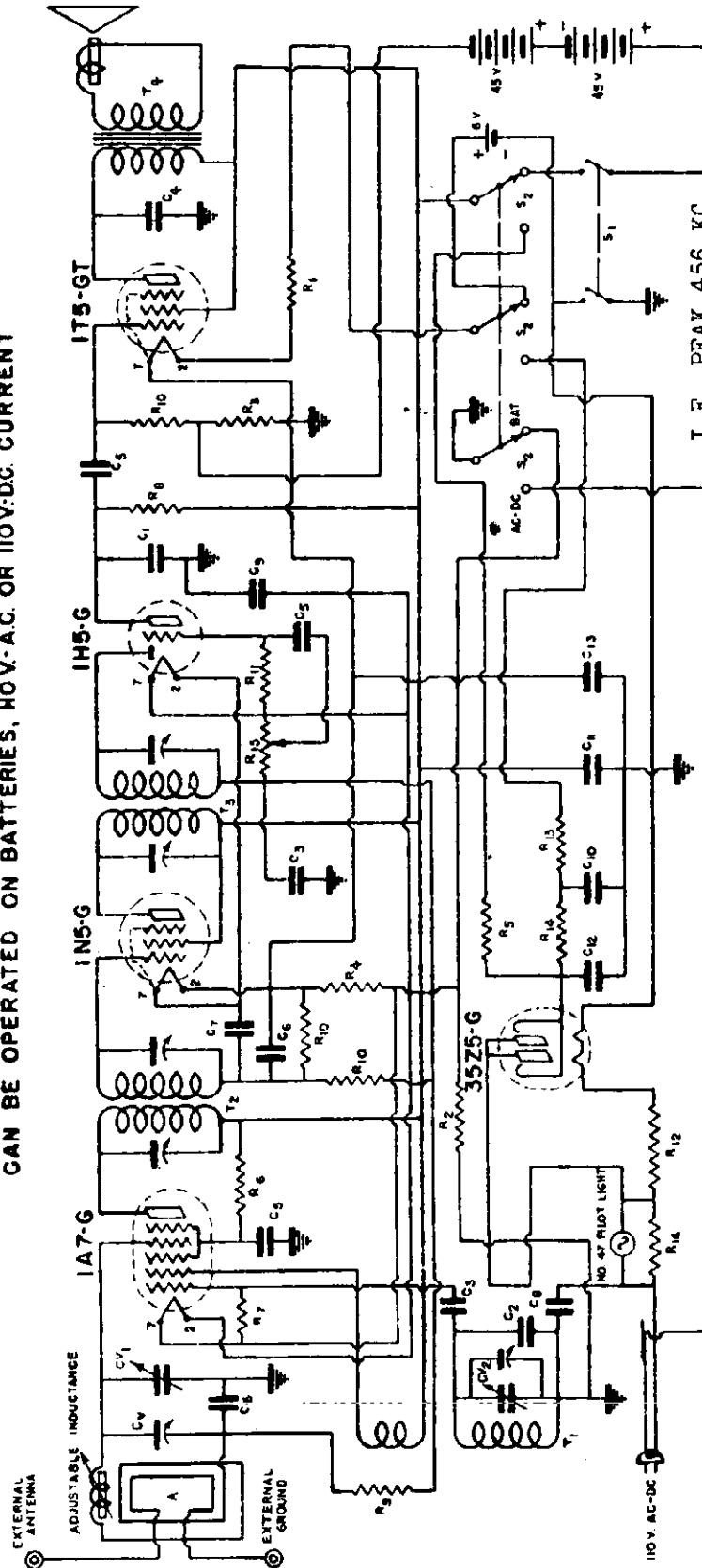


D.I.A. PART NO.	DESCRIPTION
R1	2000F 500,000 OHM VOLUME CONTROL
R2	150 OHM 1/2 WATT CARBON RESISTOR
R3	50000 OHM 1/2 WATT CARBON RESISTOR
R4	50000 OHM 1/2 WATT CARBON RESISTOR
R5	500,000 OHM 1/2 WATT CARBON RESISTOR
R6	2 MEGOHM 1/2 WATT CARBON RESISTOR
R7	6 MEGOHM 1/2 WATT CARBON RESISTOR
R8	10 OHM 1/2 WATT CARBON RESISTOR
T1	3553 LOOP
T2	0-5 OSCILLATOR COIL
T3	1-5 INPUT I.F. TRANSFORMER
T4	0-5 OUTPUT I.F. TRANSFORMER
T5	5S5 SPEAKER TRANSFORMER

D.I.A. PART NO.	DESCRIPTION
C1	5000F 500V TUBULAR CONDENSER
C2	5000F 200V TUBULAR CONDENSER
C3	21 MFD. 400 V. TUBULAR CONDENSER
C4	32 MFD. 400V. TUBULAR CONDENSER
C5	35 MFD. 200V. TUBULAR CONDENSER
C6	1 MFD. 400V. TUBULAR CONDENSER
C7	20 MFD. 150 W.V. ELECTROLYTIC COND.
C8	40 MFD. 150 W.V. ELECTROLYTIC COND.
C9	2 GANG VARIABLE CONDENSER
R9	2500 OHM 1/2 W. CARBON RESISTOR
L	5S5 P.M. SPEAKER
S	LINE SWITCH ON VOLUME CONTROL

GENERAL TELEVISION & RADIO CO.

5 TUBE SUPERHETERODYNE RECEIVER  
CAN BE OPERATED ON BATTERIES, 110V-AC. OR 110V-DC CURRENT

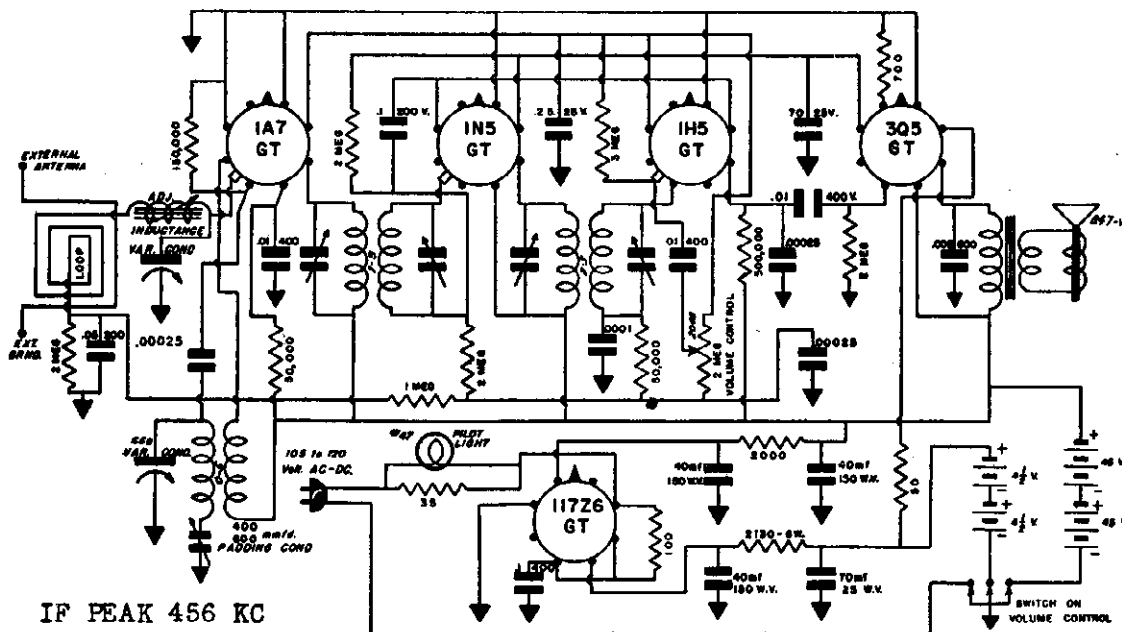


I.F. PEAK 456 KC

DIAG. NO.	DESCRIPTION
C1	.0001 MICA CONDENSER
C2	.00002 MICA CONDENSER 10%
C3	.00025 MFD. 600 V. TUBULAR COND.
C4	.002 MFD. 600 VOLT TUBULAR COND.
C5	.01 MFD. 400 V. TUBULAR COND.
C6	.05 MFD. 200 V. TUBULAR COND.
C7	.1 MFD. 200 V. TUBULAR COND.
C8	.1 MFD. 400 V. TUBULAR COND.
C9	.25 MFD. 25 V. TUBULAR COND.
C10	10 MFD. 35 V. ELECTROLYTIC COND.
C11	20 MFD. 150 V. " " "
C12	40 MFD. 150 V. " " "
C13	70 MFD. 6 V. " " "
Cv	2 TO 40 MFD. TRIMMER COND.
Cv1-2	2 GANG VARIABLE CONDENSER
A	LOOP ANTENNA
T1	OSCILLATOR COIL
T2	INPUT I.F. TRANSFORMER
T3	OUTPUT I.F. TRANSFORMER
T4	P.M. SPEAKER
R1	10 OHM 1/4 W. CARBON RESIST. 10%
R2	30 OHM 1/4 W. " " "
R3	100 OHM 1/4 W. " " "
R4	700 OHM 1/4 W. " " "
S1	SWITCH ON VOLUME CONTROL
S2	3-POLE TWO POSITION SWITCH
R5	3000 OHM 1/4 W. CARBON RESISTOR
R6	50,000 OHM 1/4 W. CARBON RESISTOR
R7	150,000 OHM 1/4 W. " " "
R8	1/2 MEGOHM 1/4 W. " " "
R9	1 MEGOHM 1/4 W. " " "
R10	2 MEGOHM 1/4 W. " " "
R11	3 MEGOHM 1/4 W. " " "
R12	520 OHM 12 WATT WIRE WOUND " " "
R13	400 OHM 1 WATT " " "
R14	2200 OHM 5 WATT " " "
R15	VOLUME CONTROL " " "
R16	30 OHM 1.2 WATT " " "

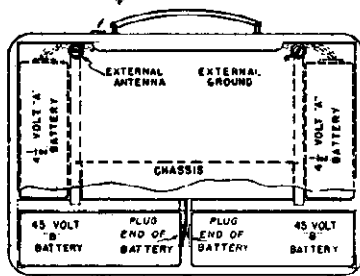
MODEL 536

GENERAL TELEVISION & RADIO CO.



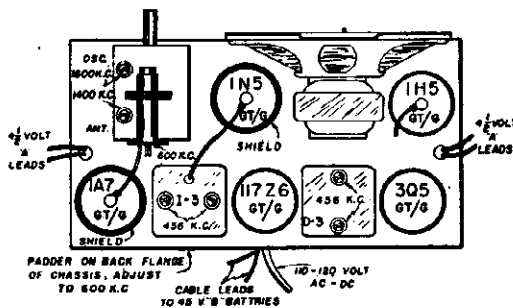
IF PEAK 456 KC

HOLE ON TOP THROUGH WHICH ANT. IS CONN.  
CAN BE TUNED WHEN SET IS  
IN THE CABINET



BACK VIEW OF CABINET

CHASSIS LAYOUT & TUBE LOCATION



BATTERIES

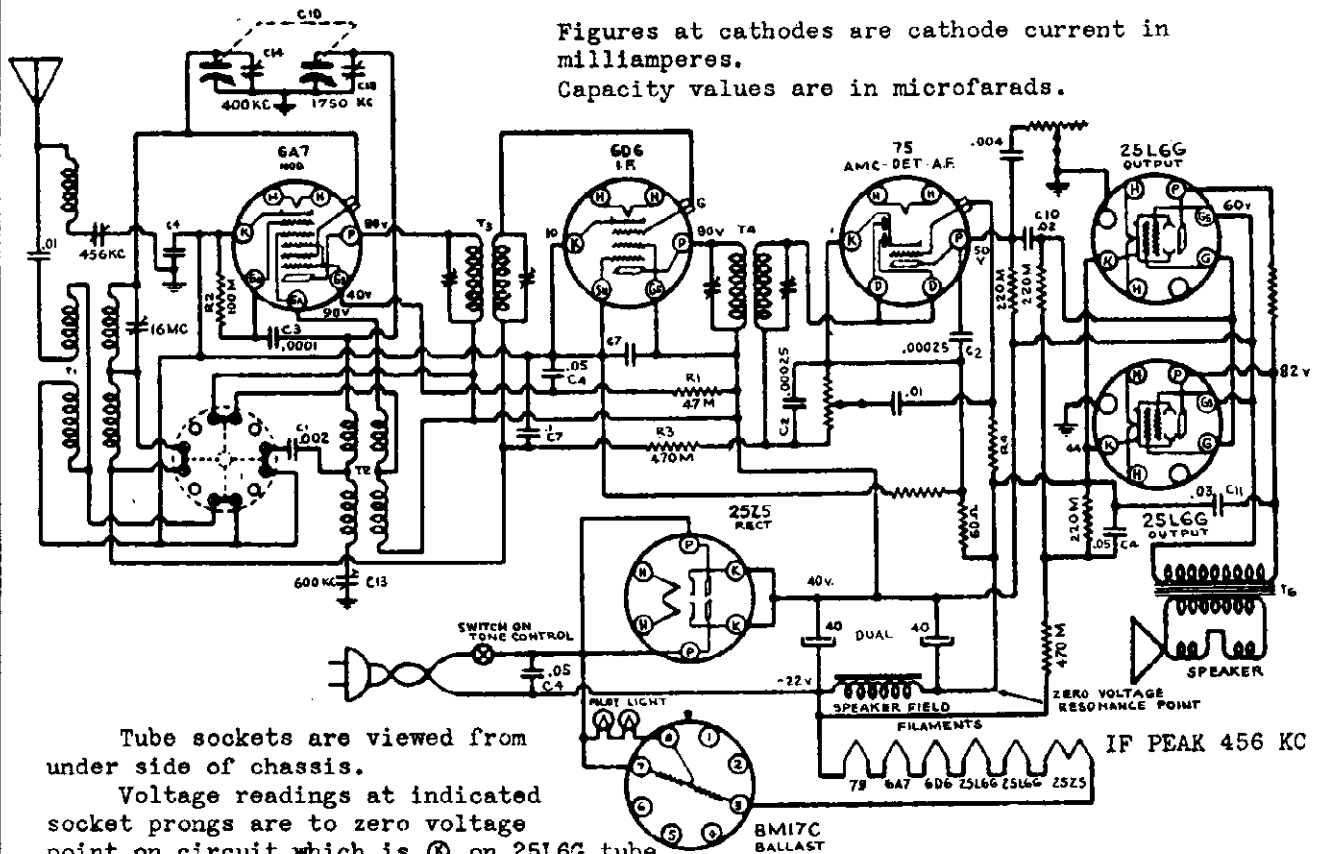
When the 45 volt B-batteries are tested and measure 30 volts or less, they should be replaced. The 4 1/2 volt A-batteries should be replaced when the reading is 3 volts or less.

The following kits of batteries can be used for replacement:

- |                                      |  |
|--------------------------------------|--|
| 2 RAY-O-VAC 45 volt "B" No. 7830.    | 2 USALITE 45 volt "B" No. 640              |
| 2 RAY-O-VAC 4 1/2 volt "A" No. P83A. | 2 USALITE 4 1/2 volt "A" No. 683.          |
| 2 BURGESS 45 volt "B" No. M30.       | 2 EVEREADY MINIMAX No. 482                 |
| 2 BURGESS 4 1/2 volt "A" No. G3.     | 2 EVEREADY MINIMAX 4 1/2 volt "A" No. 746. |

GOODYEAR TIRE & RUBBER CO., INC.

MODEL 015070  
Chassis 543



Tube sockets are viewed from under side of chassis.

Voltage readings at indicated socket prongs are to zero voltage point on circuit which is (X) on 25L6G tube.

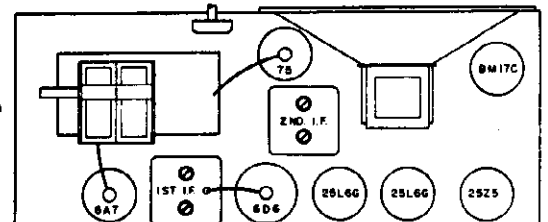
Voltages must be measured with no signal.

Alignment is to be made at the frequencies shown at the trimmer condensers.

Wave trap adjustment at 456 KC input is made to provide maximum reduction of signal.

Where no voltage reading is shown at socket prong, it indicates zero voltage or a very low reading.

FOR CONVENTIONAL ALIGNMENT  
SEE SPECIAL SECTION VOL.V111



LOCATION OF PARTS ON TOP OF CHASSIS

SETTING PUSH-BUTTONS

1. By means of the Station Selector Knob, tune in WITH THE RIGHT HAND AS ACCURATELY AS POSSIBLE the station having the lowest frequency—that is, your selected station which is tuned in nearest the right-hand side of the dial.
2. After the station has been tuned in accurately with the right hand, continue to hold it in its exact position firmly, and with the left hand loosen the Push-Button to be set up for that station by unscrewing the Push-Button about one turn to the left (counter-clockwise).
3. Continuing to hold the Station Selector Knob in its exact position, PUSH THE PUSH-BUTTON IN ALL THE WAY with the left hand.
4. After the Push-Button has been depressed all the way, tighten it gently toward the right (clockwise). Release Push-Button slowly and when in normal position grip button and tighten firmly.

The Push-Button tuning system is now correctly set up for your first selected station of lowest frequency and the Call Letter Tab for this station should be at the extreme right of the Call Letter Holder.

Follow through with this same procedure, setting up the other 5 stations in the order of their frequency—that is, the second station set up will be second lowest in frequency and the third station set up will be third lowest in frequency.

Carefully check each Push-Button for the accuracy of its setting. If, when tuning in any station with its Automatic Push-Button it does not have equal volume or clarity to that obtained with manual tuning, this may indicate the automatic adjustment for that station was not made accurately. Should there be any inaccuracy in any one of the Push-Button adjustments, correction can be made by repeating the above procedure for that button only. Do not reset those Push-Buttons that are accurately adjusted.

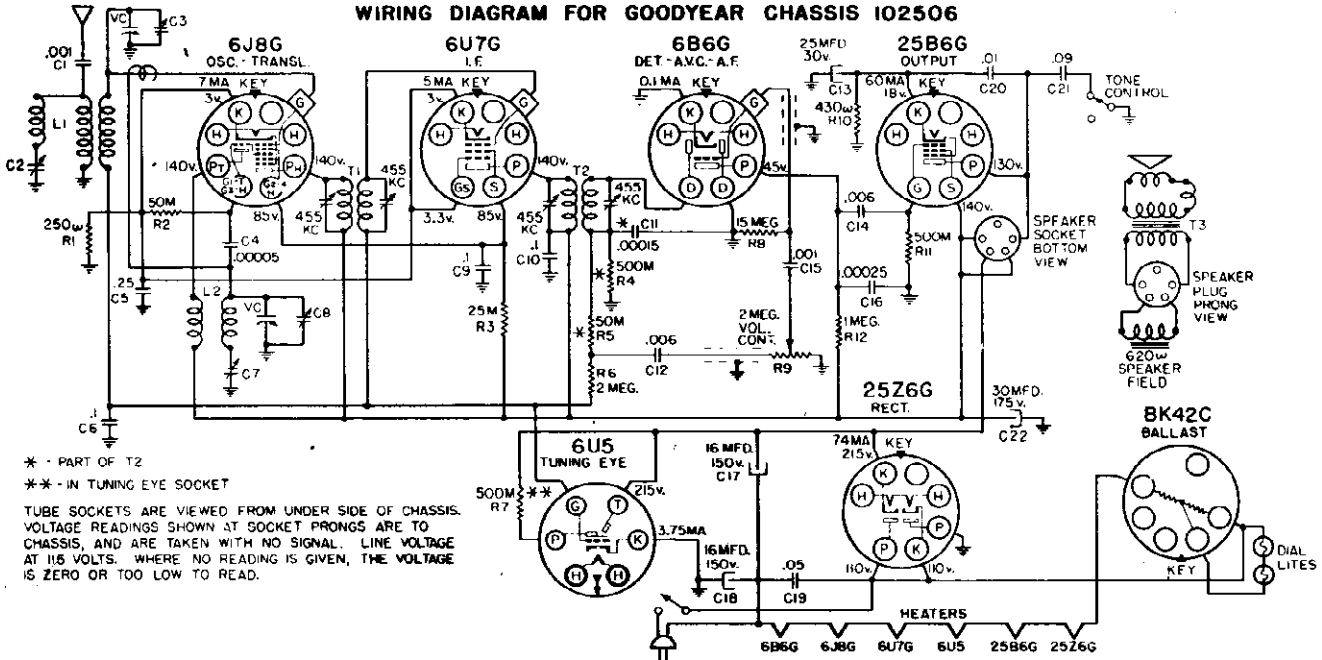
No further adjustments are necessary to operate your radio automatically or manually. To receive any one of your six selected stations for automatic operation, merely push in ALL THE WAY the Button set up for that station.

To receive all other stations in the regular manner, push in the Station Selector Knob and turn it to the frequency of the station desired.

MODEL 102506

GOODYEAR TIRE & RUBBER CO., INC.

WIRING DIAGRAM FOR GOODYEAR CHASSIS 102506



\* PART OF T2  
 \*\* - IN TUNING EYE SOCKET

TUBE SOCKETS ARE VIEWED FROM UNDER SIDE OF CHASSIS. VOLTAGE READINGS SHOWN AT SOCKET PRONGS ARE TO CHASSIS, AND ARE TAKEN WITH NO SIGNAL. LINE VOLTAGE AT 115 VOLTS. WHERE NO READING IS GIVEN, THE VOLTAGE IS ZERO OR TOO LOW TO READ.

ALIGNMENT PROCEDURE

PRELIMINARY:

- Output meter connection . . . . . Across loud speaker voice coil
- Output meter reading to indicate 500 milliwatts . . . . . 1.18 volts
- Dummy antenna value to be in series with generator output . . . . . See chart below
- Connection of generator output lead . . . . . See chart below
- Generator modulation . . . . . 30%, 400 cycles
- Position of Volume Control . . . . . Fully clockwise
- Position of Tone Control . . . . . .HI
- Position of Dial Pointer with variable fully closed . . . . . To fall on dot below 560 kc calibration mark.

POSITION OF VARIABLE	GENERATOR FREQUENCY	DUMMY ANTENNA	GENERATOR CONNECTION	TRIMMERS ADJUSTED (IN ORDER SHOWN)	TRIMMER FUNCTION
Closed	455 kc	.1 mfd.	6J8G Grid	T2, T1	IF Output IF Input
1400 kc	1400 kc	.0002 mfd.	Ant. Clip	C8	Translator
600 kc (rook)	600 kc	.0002 mfd.	Ant. Clip	C7	Padder

IMPORTANT ALIGNMENT NOTES

Where indicated by the word, "Rook", the variable should be rooked back and forth a degree or two while making the adjustment.

The alignment procedure should be repeated stage by stage, in the original order, for greatest accuracy. Always keep the output from the test oscillator at its lowest possible value to make the AVC action of the receiver ineffective.

PUSH BUTTON TUNING

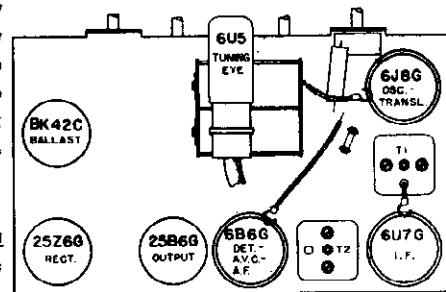
SETTING UP:

Unscrew (turn counter-clockwise) the push button two or three turns. (Use a token or screwdriver in the button slot to unscrew it, if necessary.) Push the button all the way in. Hold it in firmly and at the same time tune in your desired station. With your station tuned in, lock the adjustment by securely tightening (turn clockwise) the push button knob, using token or screwdriver. Hold the button in while tightening it. Unless the button is tightened securely, the adjustments may slip. Punch out the station's call letters from the sheet supplied and insert the call letters in the recess in the button. Then cover the call letters with one of the clear celluloid discs supplied.

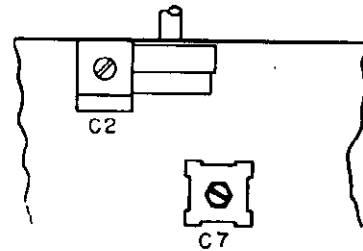
Proceed in the same manner for the remaining buttons. If a change in selection of stations is desired, the old call letters can be removed with a pin inserted in the slot under the call letters.

OPERATION:

"Push button stations" will be tuned in by pushing the button all the way in.

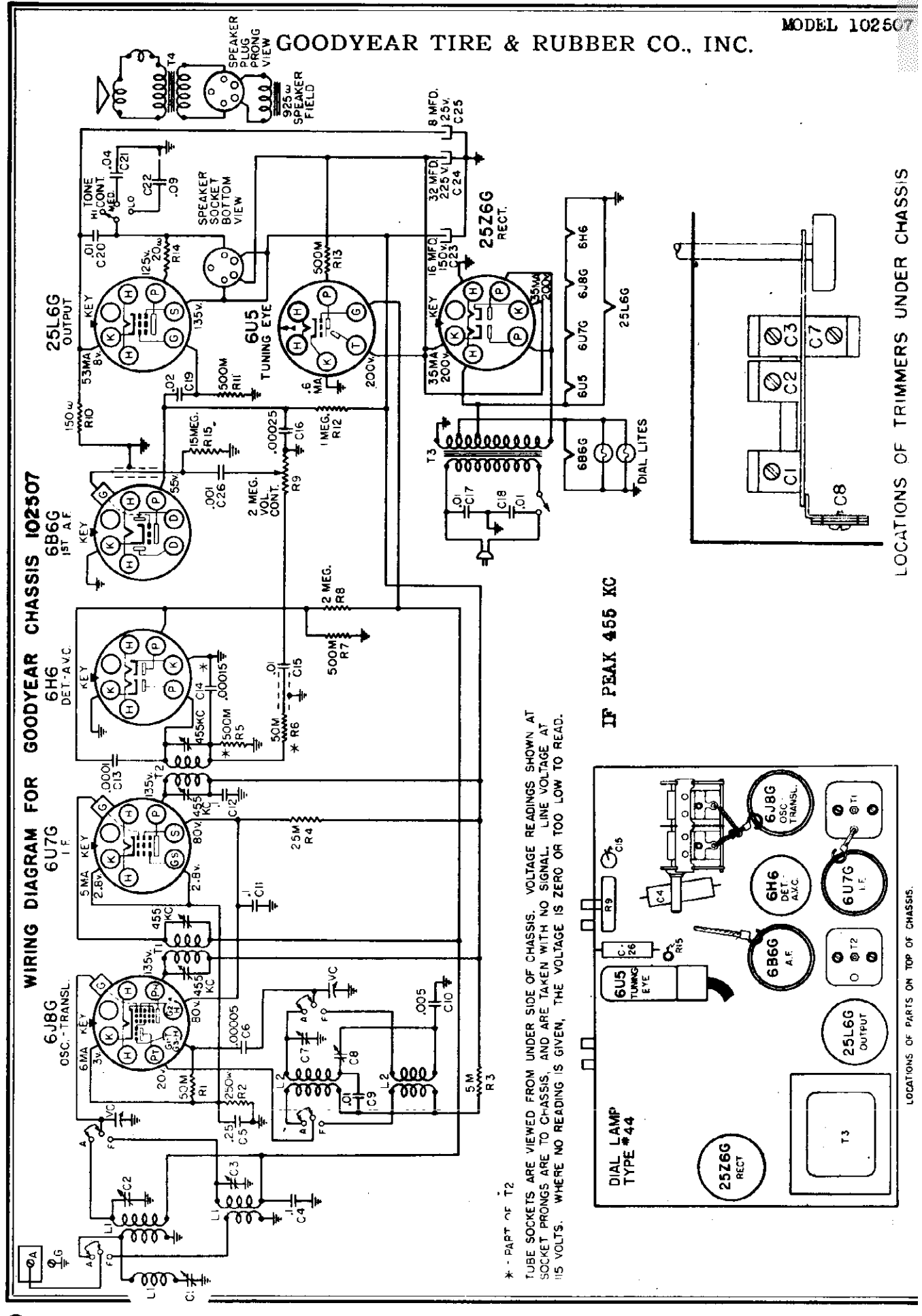


LOCATION OF PARTS ON TOP OF CHASSIS

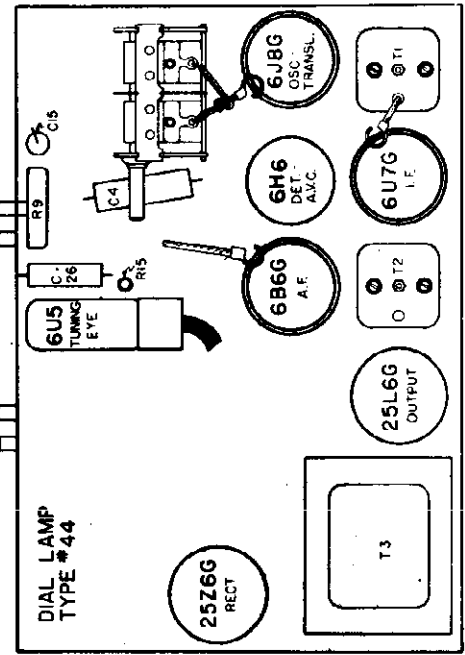


LOCATION OF TRIMMERS UNDER CHASSIS

GOODYEAR TIRE & RUBBER CO., INC.



\* - PART OF T2  
TUBE SOCKETS ARE VIEWED FROM UNDER SIDE OF CHASSIS. VOLTAGE READINGS SHOWN AT SOCKET PRONGS ARE TO CHASSIS, AND ARE TAKEN WITH NO SIGNAL. LINE VOLTAGE AT 115 VOLTS. WHERE NO READING IS GIVEN, THE VOLTAGE IS ZERO OR TOO LOW TO READ.



LOCATIONS OF TRIMMERS UNDER CHASSIS

LOCATIONS OF PARTS ON TOP OF CHASSIS.



MODEL 102507  
MODEL 102508

GOODYEAR TIRE & RUBBER CO., INC.

ALIGNMENT PROCEDURE

PRELIMINARY:

Output meter connection . . . . . Across loud speaker voice coil  
 Output meter reading to indicate 500 milliwatts Ch. 102508 . . . . . 0.98 volts  
 Output meter reading to indicate 500 milliwatts Ch. 102507 . . . . . 1.23 volts  
 Generator ground lead connection . . . . . Receiver chassis  
 Dummy antenna value to be in series with generator output . . . . . See chart below  
 Connection of generator output lead . . . . . See chart below  
 Generator modulation . . . . . 30%, 400 cycles  
 Position of Volume Control . . . . . Fully clockwise  
 Position of Tone Control . . . . . HI  
 Position of Dial Pointer with variable fully closed Ch. 102508 Center of block to left of  
 550 kc calibration mark.  
 Position of Dial Pointer with variable fully closed Ch. 102507 Center of first mark to left  
 of 550 kc calibration mark.

Ch. 102507

WAVE BAND SWITCH POSITION	POSITION OF VARIABLE	GENERATOR FREQUENCY	DUMMY ANTENNA	GENERATOR CONNECTION	TRIMMERS ADJUSTED (IN ORDER SHOWN)	TRIMMER FUNCTION
"AM"	Closed	455 kc	.1 mfd.	6J8G Grid	T3, T1	IF Output IF Input
"AM"	300 kc	455 kc*	.0003 mfd.	Ant. Term.	G1*	Wave Trap
"AM"	Fully open	1730 kc	.0003 mfd.	Ant. Term.	G7	Oscillator
"AM"	1400 kc	1400 kc	.0003 mfd.	Ant. Term.	G3	Translator
"AM"	800 kc (rock)	800 kc	.0003 mfd.	Ant. Term.	G8	Padder
"SW"	15 mc (rock)	15 mc	400 ohms	Ant. Term.	G3	Translator

IMPORTANT ALIGNMENT NOTES

\* The generator should be adjusted for high output. The trimmer should be adjusted for minimum output meter reading instead of the usual maximum reading. If the frequency of an interfering station around 455 kc is known, the generator should be adjusted to the frequency of that station instead of to 455 kc.

Where indicated by the word, "Rock", the variable should be rocked back and forth a degree or two while making the adjustment.

The alignment procedure should be repeated stage by stage, in the original order, for greatest accuracy. Always keep the output from the test oscillator at its lowest possible value to make the AVC action of the receiver ineffective.

Ch. 102508

WAVE BAND SWITCH POSITION	POSITION OF VARIABLE	GENERATOR FREQUENCY	DUMMY ANTENNA	GENERATOR CONNECTION	TRIMMERS ADJUSTED (IN ORDER SHOWN)	TRIMMER FUNCTION
"AM"	Closed	455 kc	.1 mfd.	5A8G Grid	T3, T1	IF Output IF Input
"SW"	15 mc (rock)	15 mc	400 ohms	Ant. Term.	G5	Translator
"9MG"	9.55 mc	9.55 mc	400 ohms	Ant. Term.	G7*, G6	Oscillator Translator
"AM"	1400 kc	1400 kc	.0003 mfd.	Ant. Term.	G8, G3, G2	Osc., Trans., Ant.
"AM"	800 kc (rock)	800 kc	.0003 mfd.	Ant. Term.	G9	Padder

IMPORTANT ALIGNMENT NOTES

The alignment must be done in the order given.

\*Two peaks can be had, one with the trimmer screwed further out than the other. The correct adjustment is with the trimmer screwed further out. The other peak is the image.

Where indicated by the word, "Rock", the variable should be rocked back and forth a degree or two while making the adjustment.

The alignment procedure should be repeated stage by stage, in the original order, for greatest accuracy. Always keep the output from the test oscillator at its lowest possible value to make the AVC action of the receiver ineffective.

GOODYEAR TIRE & RUBBER CO., INC.

MODEL 102507  
 MODEL 102508  
 MODEL 102509

MODEL 102507

PUSH BUTTON TUNING

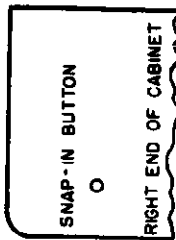
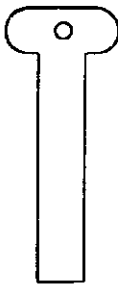


FIG. 1



KEY FOR LOCKING AND UNLOCKING PUSH-BUTTON MECHANISM.

FIG. 2

SETTING UP:

Leave the radio turned on for about 15 minutes before adjusting the push buttons. This "warming up" period will insure permanent and accurate settings.

1. Make a list of the stations that you want to set up for push button tuning. It is helpful to arrange the stations in the order of their frequency (kilocycles); that is, the station of lowest frequency will be #1, the station of next higher frequency #2, etc. The top left push button can be used for station #1, the lower left one for station #2, the next for station #3, etc. If you wish, short wave stations that can be tuned in on a SPREAD HAND scale can be set up for push button tuning. The stations selected must give strong and reliable reception.

2. Remove the four screws that hold the plate through which the push buttons protrude, and remove the plate. (This plate is called the "escutcheon".)

3. Push the tuning knob in and turn it so that the dial pointer comes to the left end of the dial. Engage the small screw driver supplied, with the slotted shaft that is between the tuning knob and the push buttons. Unlock the mechanism by pushing the shaft in and unscrewing it (turn counter-clockwise) about four turns. Then remove the screw driver.

4. Push the button that you wish to use for your #1 station, all the way in and hold it in firmly. Push the tuning knob in and turn it until your #1 station is tuned in exactly, as indicated by the tuning eye. Be as exact as possible in tuning your station since this will determine how accurately your station will be tuned whenever you use the push button. Then let go of the push button before turning the tuning knob again. If properly done, the tuning eye indication will not change when you let go of the push button.

5. Push in your #2 button. Hold it in firmly and tune in your #2 station accurately. Then let go of the push button; then the tuning knob. Proceed in the same manner for the other stations on your list.

**CAUTION:** Use the small screw driver supplied for performing the next operation. Use of a larger screw driver than the one supplied will result in too much force being applied to the locking mechanism and it may be damaged. Otherwise it may be impossible to obtain proper operation of the push buttons and the mechanism is liable to be permanently damaged.

6. After the last station has been set up, lock the mechanism by pushing the slotted shaft in and securely tightening it (turn clockwise), using the small screw driver, supplied (pushing the slotted shaft in will release the last push button. The dial pointer will move to the right end of the dial as the slotted shaft is turned.) Then remove the screw driver. If the slotted shaft remains pushed in when the screw driver is removed, turning it back and forth very slightly will release it.

After locking the mechanism, test the setting of each button by pushing it in. Then see if the station can be tuned still more accurately by using the tuning knob. Increased accuracy of tuning with the knob will be indicated by a narrower shadow of the tuning eye. If you find any stations that have not been correctly set up, unlock the mechanism, as described in Step 3, and readjust the setting. Be sure to lock the mechanism again before tuning any stations.

7. Punch out the call letters of your desired stations from the call letter sheets supplied. Insert the call letters in the recesses in the front of the push buttons. Cover the call letters with the clear celluloid tabs supplied. Replace the escutcheon.

8. You may change your choice of stations at any time by unlocking the mechanism as described in Step 3 and adjusting the button to the new station, as described in Step 4. Then relock the mechanism as described in Step 6. The call letters of the new station should be inserted in the proper push button.

Leave the radio turned on for about 15 minutes before adjusting the push buttons. This "warming up" period will insure permanent and accurate settings.

1. Make a list of the stations that you want to set up for push button tuning. It is advisable, but not necessary, to arrange the stations in the order of their frequency (kilocycles); that is, the station of lowest frequency will be #1, the station of next higher frequency #2, etc. The top left push button can be used for station #1, the lower left one for station #2, the next upper one for station #3, etc. If you wish, short wave stations may be set up for approximate push button tuning and then tuned accurately with the tuning knob. The stations selected must give strong and reliable reception.

2. Remove the four screws that hold the plate through which the push buttons protrude, and remove the plate. (This plate is called the "escutcheon".) If your radio is a table model (not a console), remove the snap-in button at the right side of the cabinet. See Fig. 1.

3. Push the tuning knob in and turn it so that the dial pointer comes to the right end of the dial. If your radio is a table model, a key, illustrated in Fig. 2, will be found in the instruction leaflet envelope. Insert this key in the hole in the side of the cabinet push button locking mechanism. Unscrew (turn counter-clockwise) the key a few turns, unlocking the mechanism. (A screw driver can be used for unlocking the mechanism instead of the key supplied.)

If yours is a console model, the mechanism can be unlocked by reaching in from the back of the cabinet and unscrewing (turning counter-clockwise) the wing nut, at the end of the mechanism, a few turns. (This can be done by hand.)

4. Push the button that you wish to use for your #1 station, all the way in and hold it in firmly. Push the tuning knob in and turn it until your #1 station is tuned in exactly. Then let go of the push button, making sure not to turn the tuning knob until you have let go of the button. (Turning the knob while the button is pushed in would spoil the accuracy of the adjustment.) Be as exact as possible in tuning your station since this will determine how accurately your station will be tuned whenever you use the push button.

5. Push in your #2 button. Hold it in firmly and tune in your #2 station accurately. Then let go of the push button and then the tuning knob. Proceed in the same manner for the other stations on your list.

6. When all of the stations have been set up, push the tuning knob in and turn it so that the dial pointer comes to the left end of the dial. Then lock the mechanism by tightening (turning clockwise) the slotted shaft with the key for table models. If yours is a console model, replace the snap-in button in the side of the cabinet.

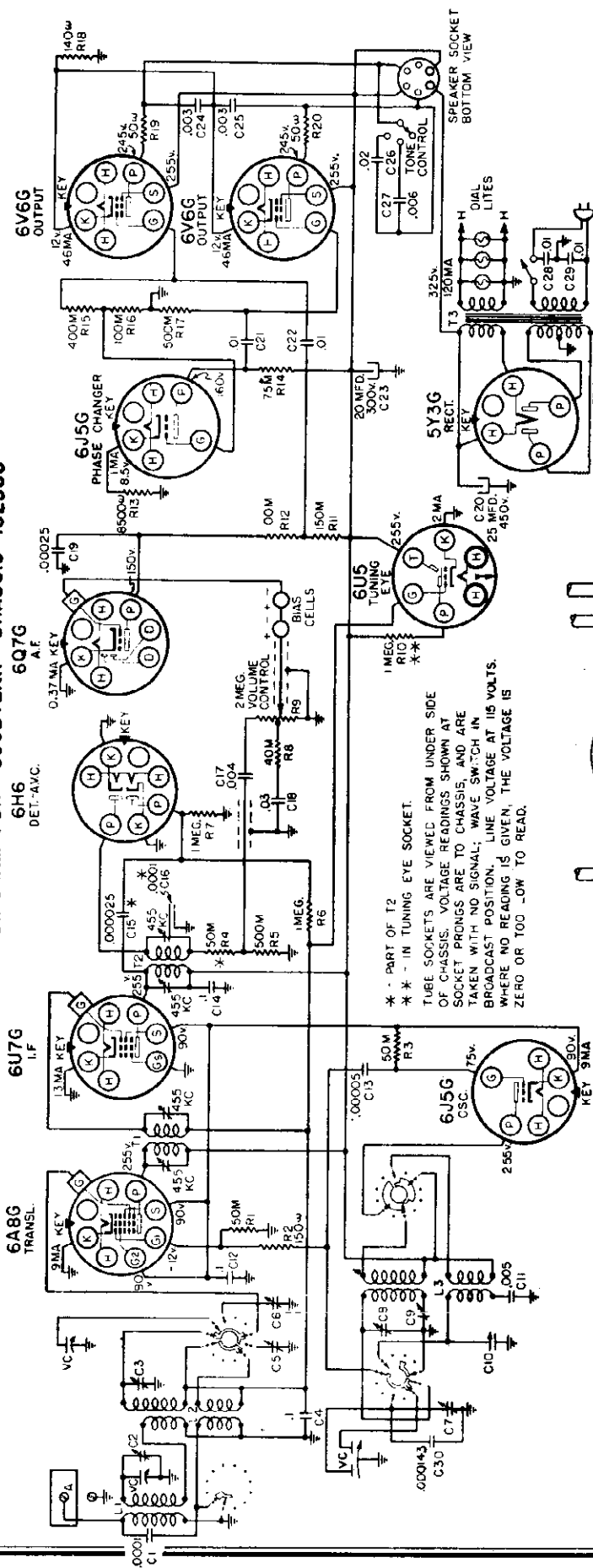
7. Punch out the call letters of your desired stations from the call letter sheets supplied. Insert the call letters in the celluloid holders at the back of the escutcheon. Be sure to replace the call letters so that they are opposite their respective push buttons. Then replace the escutcheon.

8. You may change your choice of stations at any time by unlocking the mechanism as described in Step 3 and adjusting the button to the new station, as described in Step 4. Then relock the mechanism as described in Step 6. The call letters of the new station should be inserted in the call letter holder in their proper position.

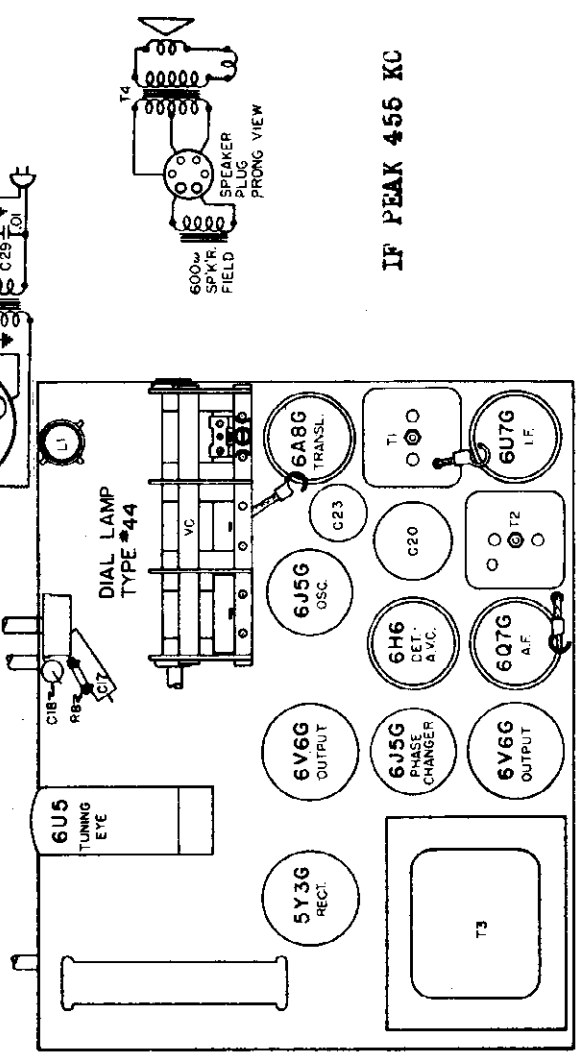
MODEL 102508

GOODYEAR TIRE & RUBBER CO., INC.

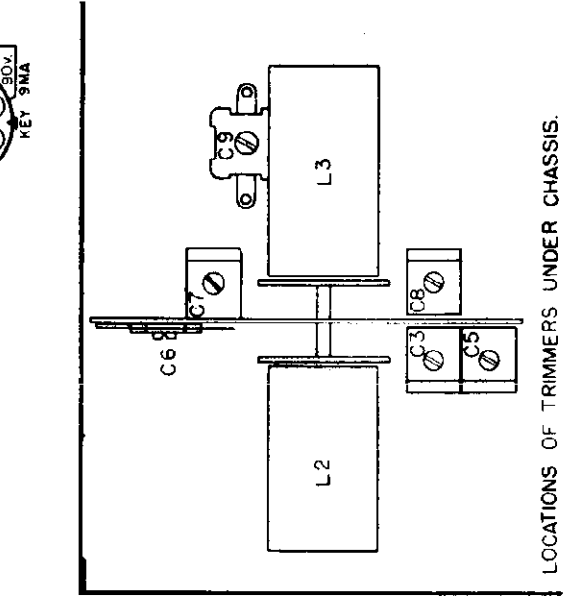
WIRING DIAGRAM FOR GOODYEAR CHASSIS 102508



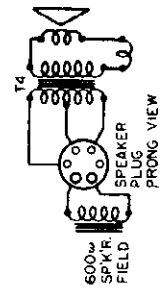
\* - PART OF T2  
 \*\* - IN TUNING EYE SOCKET.  
 TUBE SOCKETS ARE VIEWED FROM UNDER SIDE OF CHASSIS. VOLTAGE READINGS SHOWN AT SOCKET PRONGS ARE TO CHASSIS, AND ARE TAKEN WITH NO SIGNAL; WAVE SWITCH IN BROADCAST POSITION. LINE VOLTAGE AT 115 VOLTS. WHERE NO READING IS GIVEN, THE VOLTAGE IS ZERO OR TOO LOW TO READ.



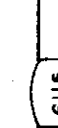
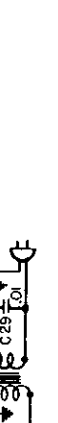
LOCATIONS OF PARTS ON TOP OF CHASSIS.

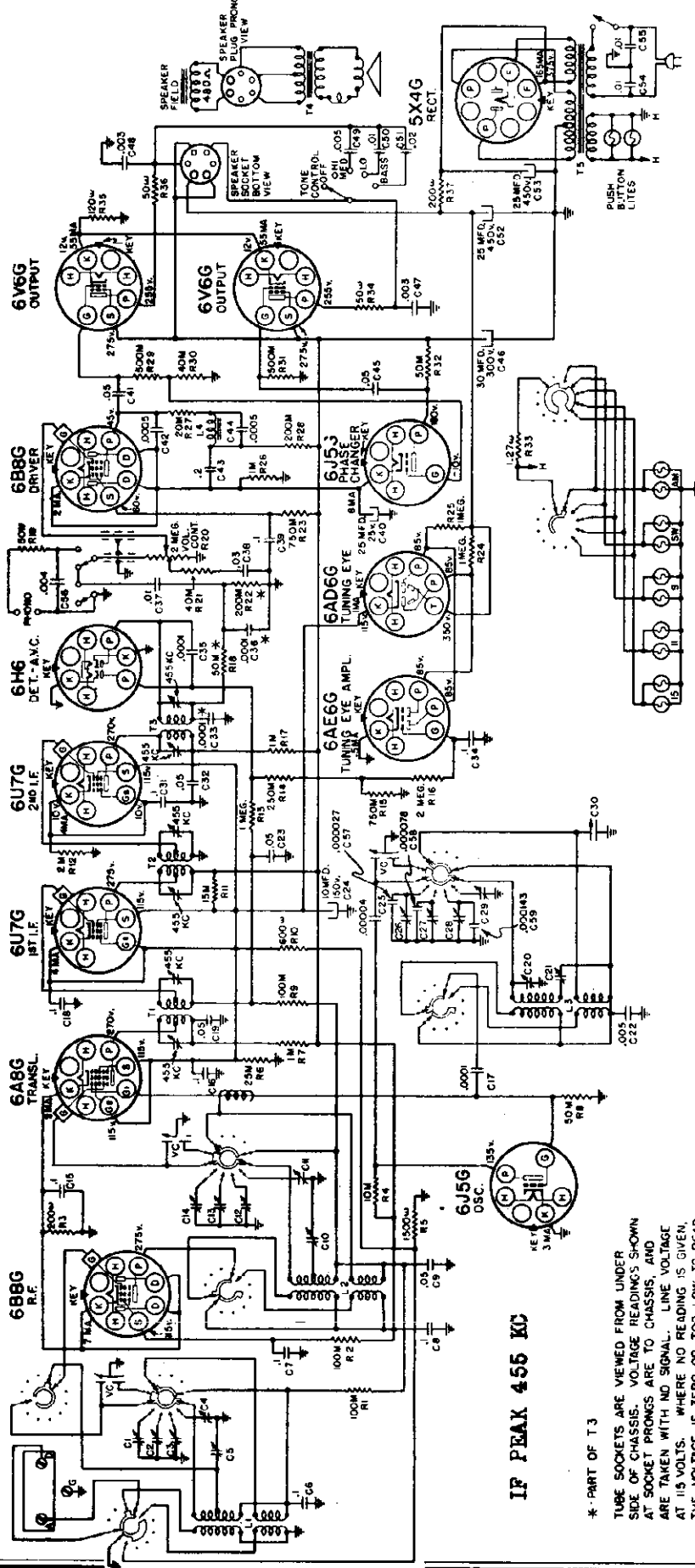


LOCATIONS OF TRIMMERS UNDER CHASSIS.



IF PEAK 456 KC





WIRING DIAGRAM FOR GOODYEAR CHASSIS 102509

**PHONOGRAPH OPERATION**

Provision is made so that your radio can be used to give high quality reproduction from phonograph records. The phonograph "pick up" must be of modern high impedance electric type. The Goodyear catalog #01110 record player is especially recommended.

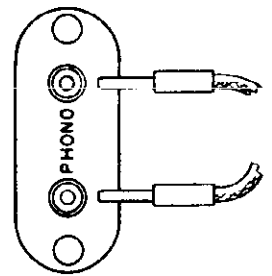
Push the two pin plugs, that will be found at the end of the cord attached to the record player, into the holes in the connection board provided at the rear of the radio. Try the plugs in both possible positions in the connection board, and leave them in the position giving better reproduction.

The knob at the back of the radio must be in the position marked "PHONO" for phonograph operation and in the position marked "RADIO" for radio reception. The radio volume and tone controls will also function for phono reproduction.

IF PEAK 455 KC

\* PART OF T 3

TUBE SOCKETS ARE VIEWED FROM UNDER SIDE OF CHASSIS. VOLTAGE READINGS SHOWN AT SOCKET PRONGS ARE TO CHASSIS, AND ARE TAKEN WITH NO SIGNAL. LINE VOLTAGE AT 115 VOLTS. WHERE NO READING IS GIVEN, THE VOLTAGE IS ZERO OR TOO LOW TO READ.



MODEL 102509

GOODYEAR TIRE & RUBBER CO., INC.

ALIGNMENT PROCEDURE

PRELIMINARY:

Output meter connection . . . . . Across loud speaker voice coil  
 Output meter reading to indicate 500 milliwatts . . . . . 1.06 volts  
 Generator ground lead connection . . . . . Receiver chassis  
 Dummy antenna value to be in series with generator output . . . . . See chart below  
 Connection of generator output lead . . . . . See chart below  
 Generator modulation . . . . . 30%, 400 cycles  
 Position of Volume Control . . . . . Fully clockwise  
 Position of Tone Control . . . . . HI  
 Position of Dial Pointer with variable fully closed . . . . . Center of block to left of 550 kc calibration mark.

<u>WAVE BAND SWITCH POSITION</u>	<u>POSITION OF VARIABLE</u>	<u>GENERATOR FREQUENCY</u>	<u>DUMMY ANTENNA</u>	<u>GENERATOR CONNECTION</u>	<u>TRIMMERS ADJUSTED (IN ORDER SHOWN)</u>	<u>TRIMMER FUNCTION</u>
"AM"	Closed	455 kc	.1 mfd.	6AB6 Grid	T3, T3, T1	IF Output, IF Interstage, IF Input.
"SW"	18 mc	18 mc	400 ohms	Ant. Term.	C29*	Oscillator
"SW"	15 mc (rock)	15 mc	400 ohms	Ant. Term.	C11, C4	Translator, RF
"9"	9.55 mc	9.55 mc	400 ohms	Ant. Term.	C28* C12 C3	Oscillator Translator RF
"11"	11.7 mc	11.7 mc	400 ohms	Ant. Term.	C27* C13 C2	Oscillator Translator RF
"15"	14.9 mc	14.9 mc	400 ohms	Ant. Term.	C36* C14 C1	Oscillator Translator RF
"AM"	1400 kc	1400 kc	.0002 mfd.	Ant. Term.	C20 C10 C5	Oscillator Translator RF
"AM"	600 kc (rock)	600 kc	.0002 mfd.	Ant. Term.	C21	Padder

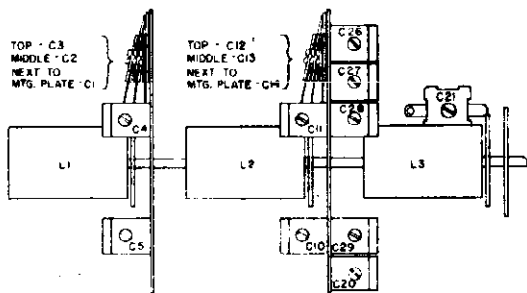
IMPORTANT ALIGNMENT NOTES

The alignment must be done in the order given.

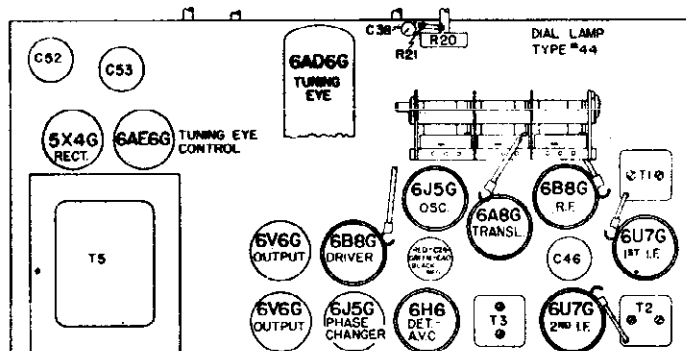
\*Two peaks can be had, one with the trimmer screwed further out than the other. The correct adjustment is with the trimmer screwed further out. The other peak is the image.

Where indicated by the word, "Rock", the variable should be rocked back and forth a degree or two while making the adjustment.

The alignment procedure should be repeated stage by stage, in the original order, for greatest accuracy. Always keep the output from the test oscillator at its lowest possible value to make the AVC action of the receiver ineffective.



LOCATIONS OF TRIMMERS UNDER CHASSIS.

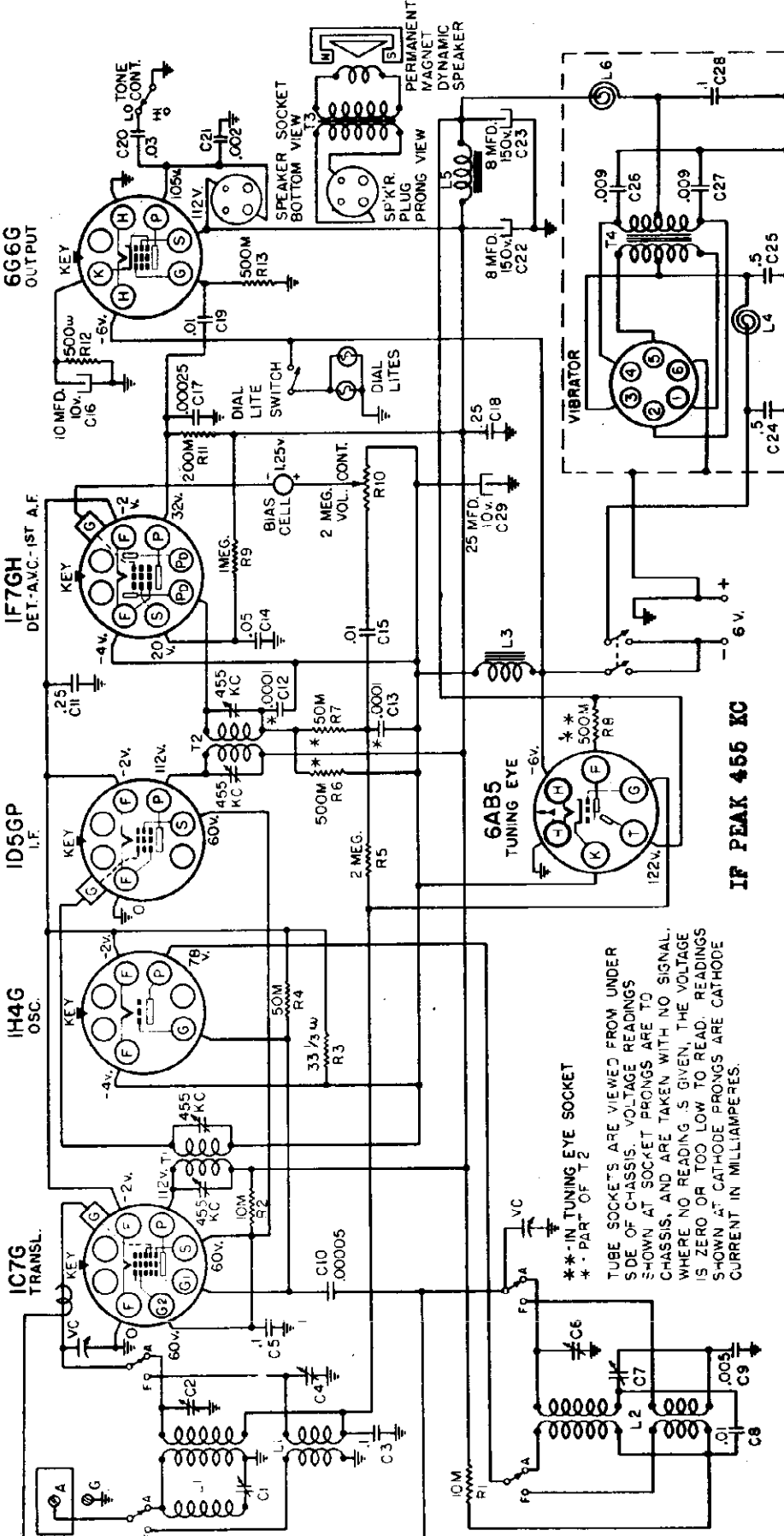


LOCATIONS OF PARTS ON TOP OF CHASSIS.

GOODYEAR TIRE & RUBBER CO., INC.

MODEL 102512  
MODEL 102513

WIRING DIAGRAM FOR GOODYEAR CHASSIS 102512



IF PEAK 455 KC

PUSH BUTTON TUNING

Ch. 102512, 102513

SETTING UP:

Unscrew (turn counter-clockwise) the push button two or three turns. (Use a penny in the button slot to unscrew it, if necessary.) Push the button all the way in. Hold it in firmly and at the same time tune in your desired station. With your station tuned in, look the adjustment by tightening the push button knob (turn clockwise). Hold the button in while tightening it. Punch out the station's call letters from the sheet supplied and insert the call letters in the recess in the button. Then cover the call letters with one of the clear celluloid discs supplied.

Proceed in the same manner for the remaining buttons. If a change in selection of stations is desired, the old call letters can be removed with a pin inserted in the slot under the call letters.

\*\* - IN TUNING EYE SOCKET  
\* - PART OF T2  
TUBE SOCKETS ARE VIEWED FROM UNDER SIDE OF CHASSIS. VOLTAGE READINGS SHOWN AT SOCKET PRONGS ARE TO CHASSIS, AND ARE TAKEN WITH NO SIGNAL. WHERE NO READING IS GIVEN, THE VOLTAGE IS ZERO OR TOO LOW TO READ. READINGS SHOWN AT CATHODE PRONGS ARE CATHODE CURRENT IN MILLIAMPERES.

MODEL 102512

GOODYEAR TIRE & RUBBER CO., INC.

ALIGNMENT PROCEDURE

PRELIMINARY:

- Output meter connection . . . . . Across loud speaker voice coil
- Output meter reading to indicate 50 milliwatts . . . . . 0.37 volts
- Generator ground lead connection . . . . . Receiver chassis
- Dummy antenna value to be in series with generator output . . . . . See chart below
- Connection of generator output lead . . . . . See chart below
- Generator modulation . . . . . 30%, 400 cycles
- Position of Volume Control . . . . . Fully clockwise
- Position of Tone Control . . . . . HI
- Position of Dial Pointer with variable fully closed . . . . . Horizontal

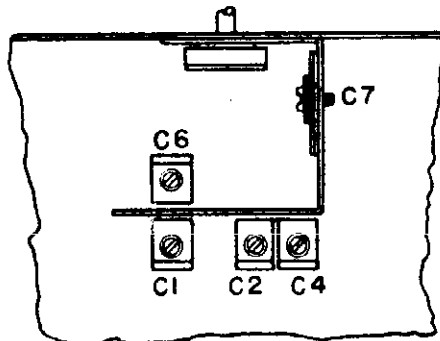
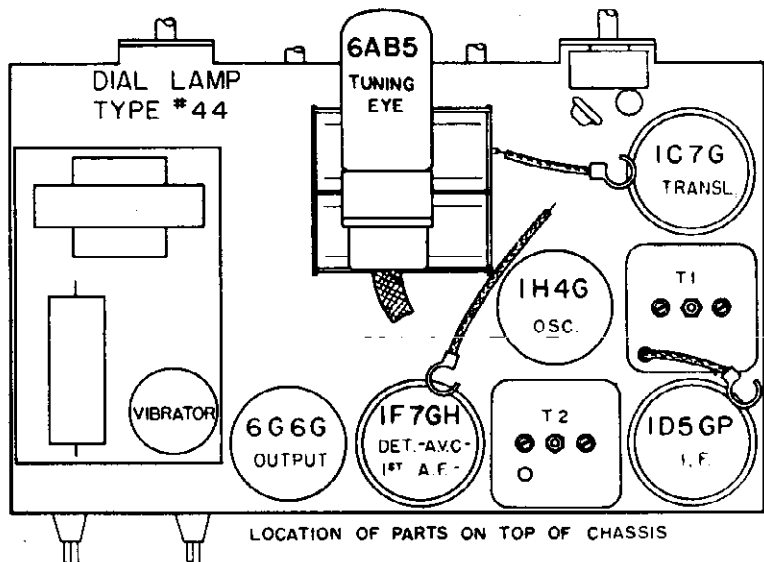
WAVE BAND SWITCH POSITION	POSITION OF VARIABLE	GENERATOR FREQUENCY	DUMMY ANTENNA	GENERATOR CONNECTION	TRIMMERS ADJUSTED (IN ORDER SHOWN)	TRIMMER FUNCTION
"AM"	Closed	455 kc	.1 mfd.	1C7G Grid	T3, T1	IF Output IF Input
"AM"	600 kc	455 kc*	.0002 mfd.	Ant. Term.	C1*	Wave Trap
"AM"	1400 kc	1400 kc	.0002 mfd.	Ant. Term.	C6, C2	Osc., Transl.
"AM"	800 kc(rock)	600 kc	.0002 mfd.	Ant. Term.	C7	Padder
"SW"	16 mc(rock)	16 mc	400 ohms	Ant. Term.	C4	Transl.

IMPORTANT ALIGNMENT NOTES

\* The generator should be adjusted for high output. The trimmer should be adjusted for minimum output meter reading instead of the usual maximum reading. If the frequency of an interfering station around 455 kc is known, the generator should be adjusted to the frequency of that station instead of to 455 kc.

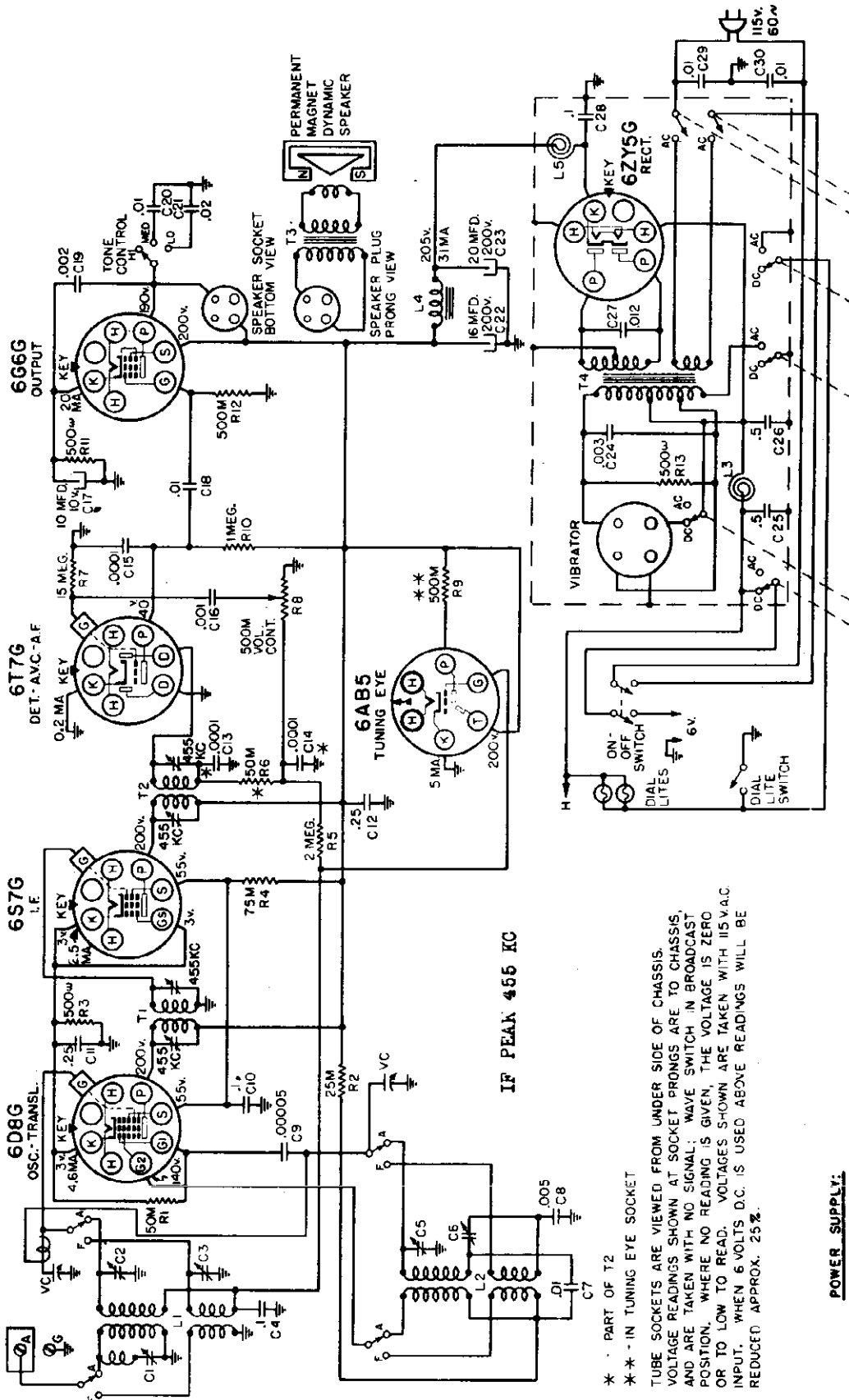
Where indicated by the word, "Rock", the variable should be rocked back and forth a degree or two while making the adjustment.

The alignment procedure should be repeated stage by stage, in the original order, for greatest accuracy. Always keep the output from the test oscillator at its lowest possible value to make the AVC action of the receiver ineffective.



LOCATIONS OF TRIMMERS UNDER CHASSIS

GOODYEAR TIRE & RUBBER CO., INC.



WIRING DIAGRAM FOR  
GOODYEAR CHASSIS 102513

\* PART OF T2  
\*\* - IN TUNING EYE SOCKET  
TUBE SOCKETS ARE VIEWED FROM UNDER SIDE OF CHASSIS. VOLTAGE READINGS SHOWN AT SOCKET PRONGS ARE TO CHASSIS, AND ARE TAKEN WITH NO SIGNAL; WAVE SWITCH IN BROADCAST POSITION, WHERE NO READING IS GIVEN, THE VOLTAGE IS ZERO OR TO LOW TO READ. VOLTAGES SHOWN ARE TAKEN WITH 115 V.A.C. INPUT. WHEN 6 VOLTS D.C. IS USED ABOVE READINGS WILL BE REDUCED APPROX. 25%.

**POWER SUPPLY:**

Either a 5 volt storage battery or a 115 volt, 50-80 cycle alternating current (AC) power supply may be used.

If a 5 volt storage battery is used, connect the clips at the ends of the flexible wires at the rear of the receiver, to the terminals of the storage battery. Either clip may be connected to either terminal. If AC supply is to be used, insert the power cord plug into a convenient receptacle. The storage battery connection clips will then be left unconnected. There is a knob at the rear of the receiver to be turned to the marking "5 volt" or "115 volt", depending upon the type of power supply used. No damage will result if the knob is turned to the wrong position although the receiver will not operate until the knob is turned to the position that corresponds with the type of power supply used.



MODEL 102513

GOODYEAR TIRE & RUBBER CO., INC.

ALIGNMENT PROCEDURE

PRELIMINARY:

- Output meter connection . . . . . Across Loud speaker voice coil
- Output meter reading to indicate 50 milliwatts . . . . . 0.33 volts
- Generator ground lead connection . . . . . Receiver chassis
- Dummy antenna value to be in series with generator output . . . . . See chart below
- Connection of generator output lead . . . . . See chart below
- Generator modulation . . . . . 30%, 400 cycles
- Position of Volume Control . . . . . Fully clockwise
- Position of Tone Control . . . . . HI
- Position of Dial Pointer with variable fully closed . . . . . Horizontal. To be along first heavy line below 550 kc

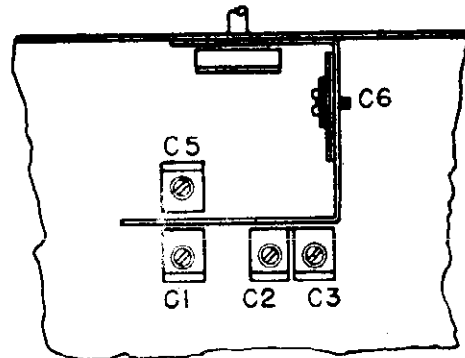
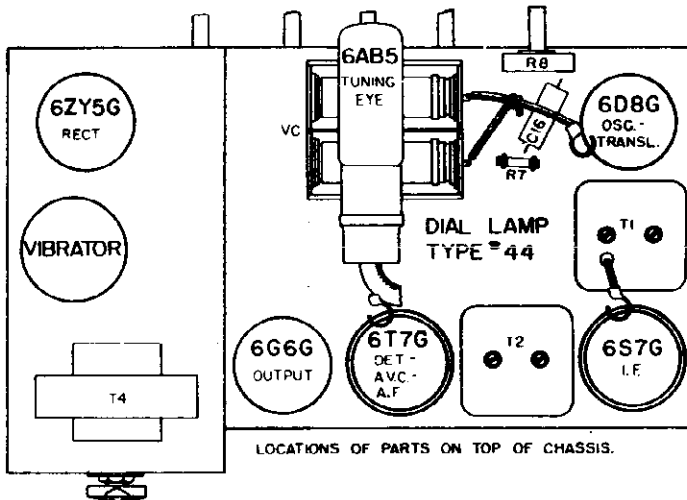
WAVE BAND SWITCH POSITION	POSITION OF VARIABLE	GENERATOR FREQUENCY	DUMMY ANTENNA	GENERATOR CONNECTION	TRIMMERS ADJUSTED (IN ORDER SHOWN)	TRIMMER FUNCTION
"AM"	Closed	455 kc	.1 mfd.	5D8G Grid	T3, T1	IF Output IF Input
"AM"	600 kc	455 kc*	.0003 mfd.	Ant. Term.	C1*	Wave Trap
"AM"	1500 kc	1500 kc	.0003 mfd.	Ant. Term.	C5, C3	Os., Transl.
"AM"	600 kc(rock)	600 kc	.0003 mfd.	Ant. Term.	C6	Padding
"SW"	15 mc(rock)	15 mc	400 ohms	Ant. Term.	C3	Transl.

IMPORTANT ALIGNMENT NOTES

\* The generator should be adjusted for high output. The trimmer should be adjusted for minimum output meter reading instead of the usual maximum reading. If the frequency of an interfering station around 455 kc is known, the generator should be adjusted to the frequency of that station instead of to 455 kc.

Where indicated by the word, "Rock", the variable should be rocked back and forth a degree or two while making the adjustment.

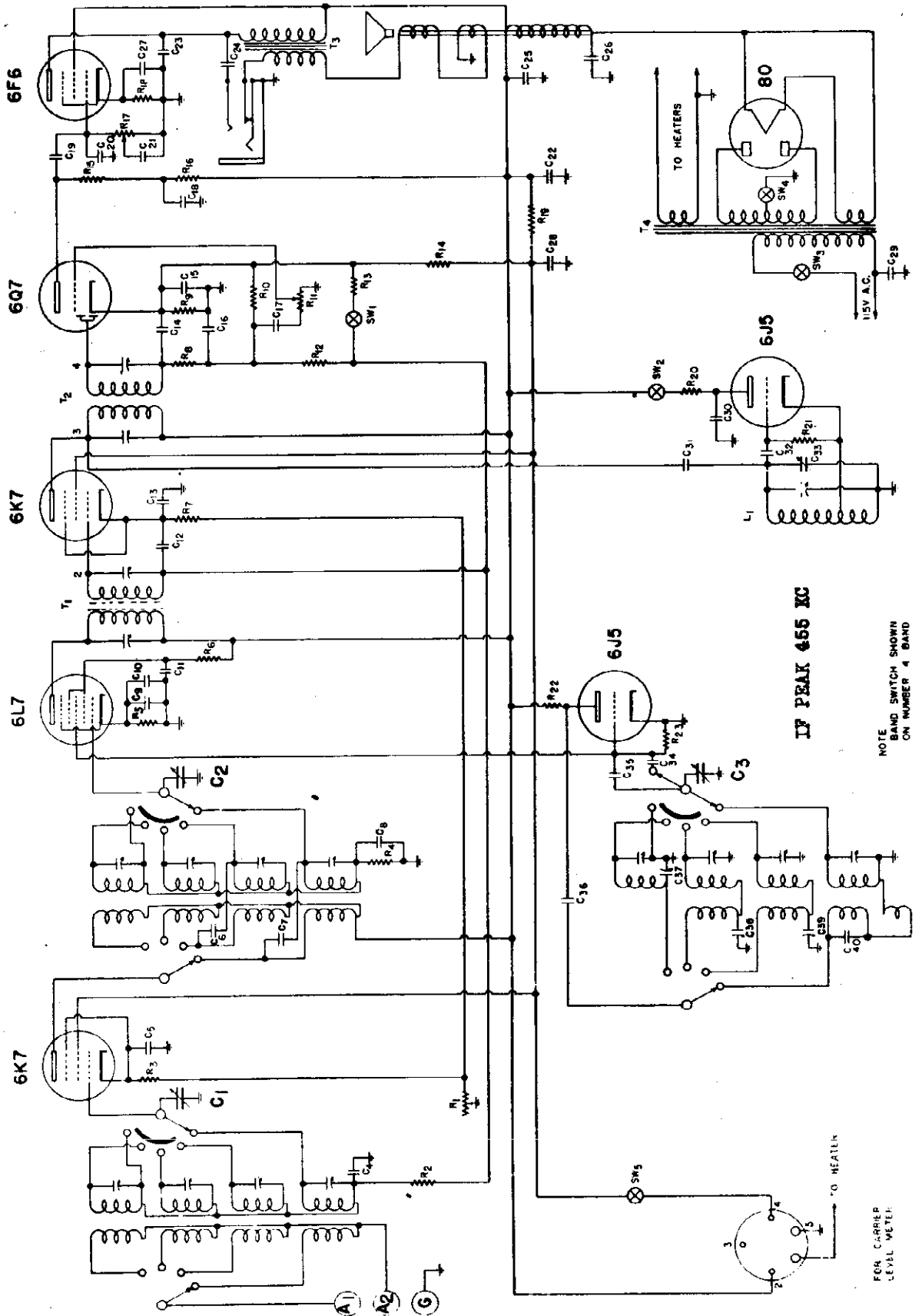
The alignment procedure should be repeated stage by stage, in the original order, for greatest accuracy. Always keep the output from the test oscillator at its lowest possible value to make the AVC action of the receiver ineffective.



LOCATIONS OF TRIMMERS UNDER CHASSIS

THE HALLICRAFTERS CO.

SCHEMATIC DIAGRAM - SKY CHAMPION - MODEL S-20



IF PEAK 455 KC

NOTE BAND SWITCH SHOWN ON NUMBER 4 BAND

FOR CARRIER LEVEL METER

MODEL S-20

THE HALLICRAFTERS CO.

No.	OHMS	VATTAGE	WATTAGE	Parts No.	No.	Capacity	Type	Voltage	Parts No.
R1	10,000	R. F. GAIN	1/3	25-029	C1	408 MMFD	MAIN	200	48-022
2	100,000	"	"	20-098	2		TUNING		
3	350	"	"	20-120	3				
4	100,000	"	"	20-093	4	.05 MFD		200	41-004
5	600	"	"	22-125	5	.05 "		200	41-004
6	30,000	1/3	1/3	22-075	6	10 MMFD	MICA		40-021
7	30,000	"	"	20-021	7	25 "	"		40-024
8	20,000	"	"	20-072	8	.05 MFD	"	200	41-004
9	300	"	"	20-021	9	.002 "	"		40-013
10	250,000	"	"	20-099	10	.05 "	"	200	41-004
11	500,000	A. F. GAIN	"	25-031	11	.05 "	"	400	41-005
12	1,000,000	"	1/3	20-108	12	.05 "	"	200	41-004
13	100	"	"	20-009	13	.02 "	"	200	41-002
14	25,000	1	1/3	20-073	14	100 MMFD	"	200	40-007
15	100,000	"	"	20-093	15	.1 MFD	"	200	41-005
16	50,000	"	"	20-084	16	100 MMFD	"	200	40-007
17	500,000	TO NE CONTROL	"	25-018	17	.05 MFD	"	400	41-004
18	500	"	"	20-025	18	.1 "	"	400	41-007
19	20,000	"	"	20-070	19	.05 "	"	400	41-005
20	25,000	"	"	23-073	20	.00025 "	"	400	40-024
21	100,000	1/3	1/3	20-093	21	.001 "	"	200	41-000
22	10,000	"	"	20-061	22	.1 "	"	400	41-007
23	50,000	1/3	1/3	20-084	23	.01 "	"	600	45-002
					24	.01 "	"	600	45-002
					25	8 "	"	450	42-021
					26	8 "	"	450	42-021
					27	10 "	"	25	41-007
					28	.1 "	"	400	41-007
					29	.01 "	"	400	41-001
					30	.01 "	"	400	41-001
SW 1		A. V. C.	SPST		31	1 MMFD	TWISTED PAIR		
2		B. F. O.	SPST		32	250 "	"		
3		AC ON-OFF (ON TONE CONTROL)			33	25 "	PITCH CONTROL		40-024
4		SEND - RECEIVE SPST			34	100 "	"		48-021
5		EXT "S" METER (ON RF GAIN)			35	25 "	"		40-024
					36	.002 MFD	"		40-013
					37	430 MMFD	PAD		44-025
					38	1,300 "	"		44-024
					39	2,100 "	"		44-025
					40	100 "	MICA		40-007

THE SKY-CHAMPION IS AN 8 TUBE 4 BAND SUPERHETERODYNE RECEIVER COVERING THE FOLLOWING FREQUENCIES:

BAND	COVERAGE
1	540 KC TO 1,800 KC
2	1.70 MC TO 5.75 MC
3	5.62 MC TO 18.40 MC
4	17.00 MC TO 44.00 MC

SEPARATE COILS ARE USED TO COVER EACH BAND. INDUCTIVE COUPLING TO THE ANTENNA PERMITS THE MAXIMUM TRANSFER OF SIGNAL ENERGY FROM EACH SEPARATE PRIMARY TO THE PARTICULAR SECONDARY COIL IN THE CIRCUIT. THE UNUSED COILS ARE SHORTED. THE CALIBRATION ON THE MAIN DIAL IS IN KILOCYCLES ON BAND #1 AND IN MEGACYCLES ON BANDS #2,3 AND 4.

THE SEND-RECEIVE SWITCH ENABLES THE OPERATOR TO MAKE THE RECEIVER IN-OPERATIVE TEMPORARILY DURING STAND-BY PERIODS. SHOULD THE RECEIVER BE USED IN CONJUNCTION WITH A TRANSMITTER THIS FEATURE WILL PROVE VALUABLE.

ANTENNA: ON THE BACK OF THE CHASSIS WILL BE FOUND THE ANTENNA, DOUBLET AND GROUND TERMINAL STRIP. A CONVENTIONAL SINGLE WIRE ANTENNA SHOULD BE CONNECTED TO A1, AND THE JUMPER BETWEEN A2 AND G LEFT CONNECTED. A .75 FOOT PIECE OF #14 ENAMELED WIRE INSULATED AND SUSPENDED IN THE CLEAR IS RECOMMENDED FOR THIS TYPE OF ANTENNA. IF A DOUBLET ANTENNA IS USED THE TWO WIRES OF THE LEAD-IN ARE CONNECTED TO A1 AND A2 AND THE JUMPER BETWEEN A2 AND G REMOVED. A GROUND CAN BE CONNECTED TO THE G TERMINAL WITH EITHER TYPE OF ANTENNA. IT IS SUGGESTED THAT A GROUND BE LEFT OFF THE RECEIVER ONLY IF IN SO DOING THE PERFORMANCE OF THE RECEIVER IS IMPROVED. THERE ARE SO MANY DIFFERENT VERSIONS OF ANTENNA SYSTEMS THAT WE SUGGEST TO THE USER WHO WISHES TO EXPERIMENT WITH THE VARIOUS TYPES THAT HE FIRST FAMILIARIZE HIMSELF WITH THE ANTENNA SECTION OF THE A.R.R.L. HANDBOOK.

THE A.V.C. OR AUTOMATIC VOLUME CONTROL SWITCH PROVIDES OPTIONAL USE OF A.V.C. WHEN RECEIVING MUSIC OR VOICE SIGNALS IT IS ADVISABLE THAT THE SWITCH BE IN THE "ON" POSITION. WHEN RECEIVING CODE TRANSMISSIONS THE SWITCH SHOULD ALWAYS BE IN THE "OFF" POSITION.

THE B.F.O. SWITCH MUST BE IN THE "ON" POSITION TO OBTAIN THE NECESSARY BEAT NOTE FOR THE RECEPTION OF CODE SIGNALS. USING THE B.F.O. WILL BE HELPFUL IN LOCATING THE CARRIERS OF DISTANT AND POSSIBLY WEAK BROADCASTING STATIONS. ONCE LOCATED, THE B.F.O. SHOULD BE TURNED OFF OR THE WHISTLE WILL INTERFERE WITH RECEPTION.

THE PITCH CONTROL - WHEN THE B.F.O. IS "ON" - WILL ALLOW YOU TO VARY THE FREQUENCY OF THE RESULTANT BEAT NOTE TO ONE THAT IS MOST PLEASING TO YOU. A HEADPHONE JACK IS MOUNTED IN AN ACCESSIBLE POSITION ON THE FRONT PANEL OF THE SKY-CHAMPION. ANY TYPE OF HEADPHONES CAN BE USED BECAUSE NO DIRECT CURRENT FLOWS IN THE HEADPHONE CIRCUIT. WHEN THE PHONES ARE PLUGGED IN THE LOUD SPEAKER IS AUTOMATICALLY DISCONNECTED.

ON THE BACK OF THE CHASSIS YOU WILL FIND A SOCKET INTO WHICH YOU CAN PLUG A TYPE SM-18 CARRIER LEVEL INDICATOR. WHEN THIS METER IS USED IT WILL BE NECESSARY TO ADVANCE THE R.F. GAIN CONTROL ON THE RECEIVER AS FAR AS IT WILL GO TO THE RIGHT. DOING THIS WILL OPERATE THE SWITCH WHICH IS MOUNTED ON THE BACK OF THIS CONTROL. ADDITIONALLY THE A.V.C. SWITCH SHOULD BE IN THE "ON" POSITION TO PROPERLY CONNECT THE METER IN THE CIRCUIT. THIS METER IS AVAILABLE THROUGH THE DEALER FROM WHOM YOU PURCHASED YOUR RECEIVER.

THE TUBE-LINE-UP OF THE S-20 SKY-CHAMPION IS AS FOLLOWS:

6K7	R.F. STAGE
6L7	1ST DETECTOR - MIXER
6J5G	H. F. OSCILLATOR
6K7	I. F. AMPLIFIER
6Q7B	2ND DETECTOR, A.V.C., 1ST STAGE OF AUDIO
6F6G	AUDIO OUTPUT STAGE
6J5G	BEAT FREQUENCY OSCILLATOR
80	RECTIFIER

THE HALLICRAFTERS CO.

ALIGNMENT

Set the controls as follows:

AVC and BFO switches to "OFF"; A-F and R-F gain controls to maximum volume; band switch on No. 1 band; main dial at 1800 kc or minimum capacity position.

Remove 6L7 grid cap. Connect signal generator through 0.1-mf condenser to grid of 6L7, and signal generator ground to chassis of set. Set signal generator to 455 kc. Adjust trimmers on T1 and T2 for exact resonance.

R-F Alignment

Replace the condenser in the signal generator lead with a 400-ohm resistor, connecting it to the A1 terminal on the rear of the chassis. Leave jumper between A2 and G terminals connected.

Band No. 1

Place band switch on No. 1 or broadcast band.

Set generator to 1400 kc and adjust main dial to that frequency.

Adjust the following trimmers for maximum signal:

- Oscillator CA
- Mixer CB
- Antenna CC

Reset generator and receiver to 600 kc and adjust the following padder for maximum signal: C37

Band No. 2

Place band switch on No.2 band.

Set generator and receiver to 4 mc and adjust the following trimmers for maximum signal:

- CJ CK CL

Reset generator and receiver to 1.8 mc and resonate padder C38 for maximum signal.

Band No. 3

Place band switch on No. 3 band.

Adjust generator and receiver to 14 mc and trim with CG,CH,and CL.

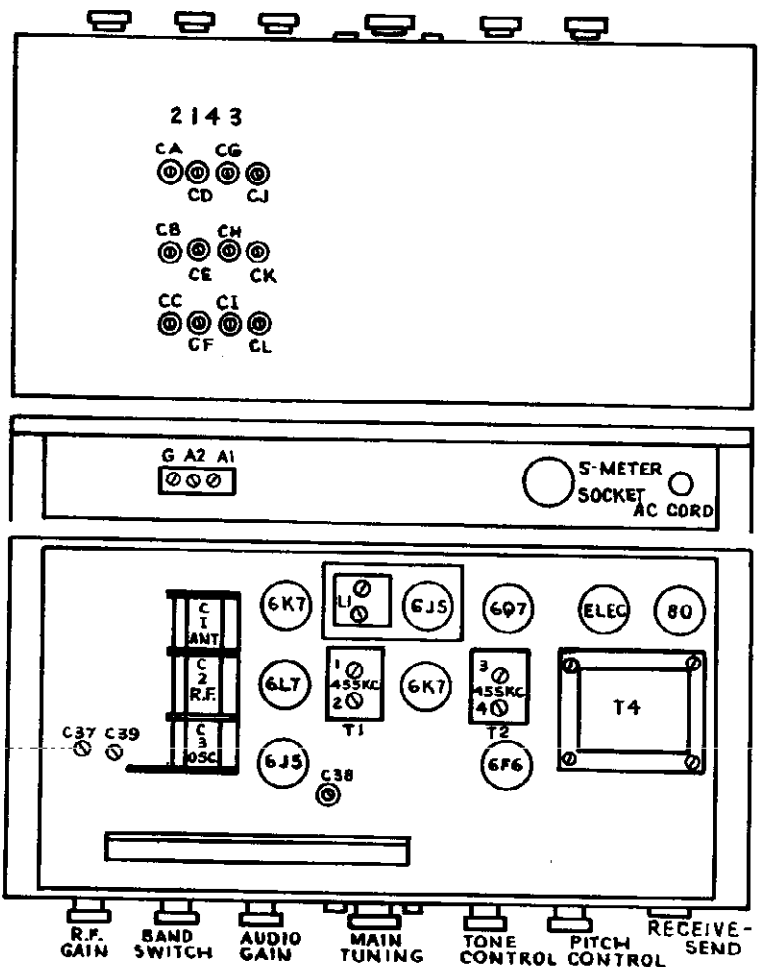
Reset generator and receiver to 7 mc and adjust padder C39.

Band No. 4

Place band switch on No.4 band.

Set generator and receiver to 40 mc and adjust CD, CE, and CF. Reset generator and receiver to 18 mc. There is no padder on the 4th band, but 18 mc should fall within 1 division with no other adjustments.

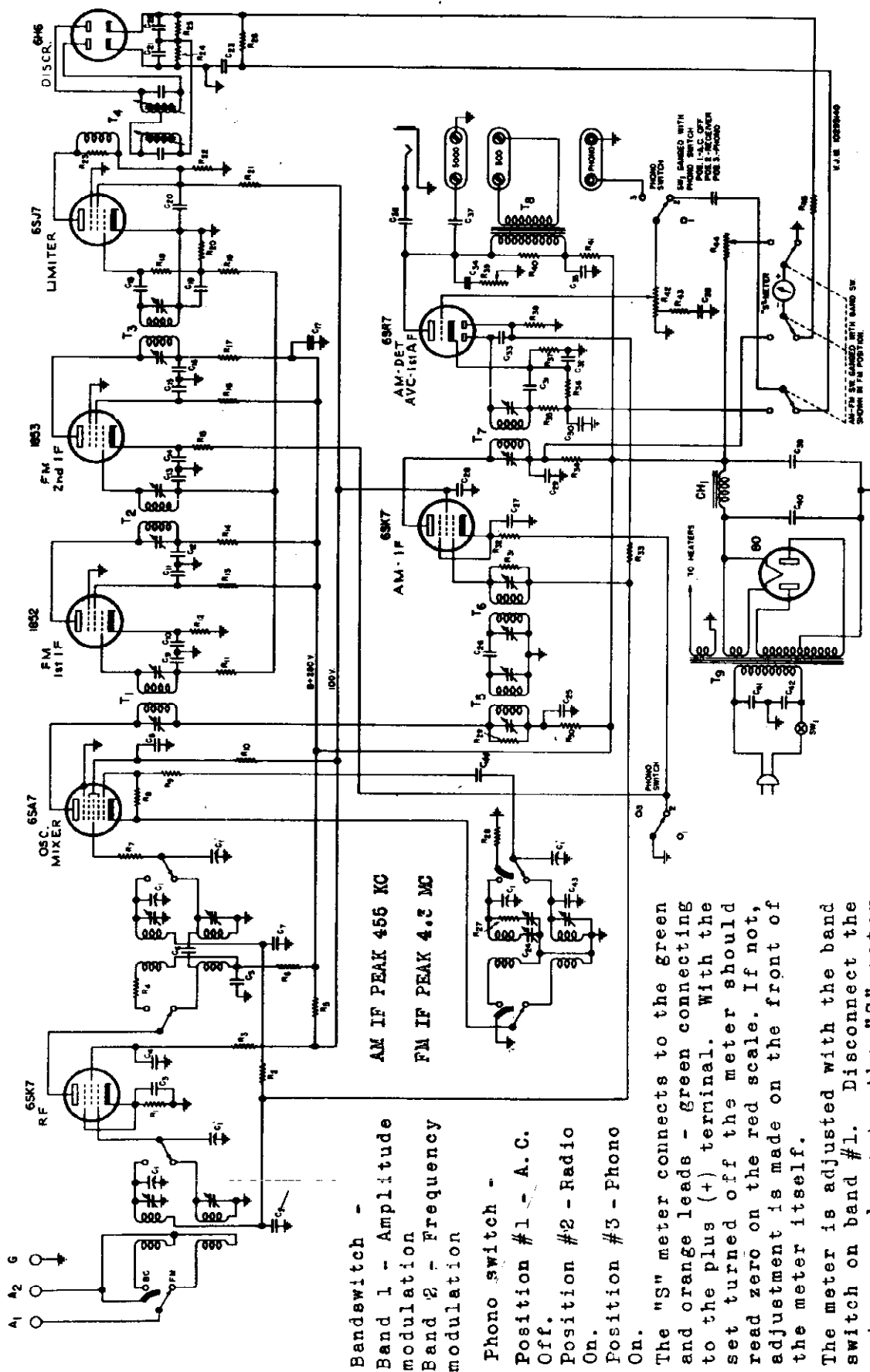
While making the above adjustments, rock the main condenser.



MODEL S-31

THE HALLICRAFTERS CO.

SCHEMATIC DIAGRAM - HIGH FREQUENCY I.M. - BROADCAST AM TUNER - MODEL S-31



Bandswitch -  
 Band 1 - Amplitude modulation  
 Band 2 - Frequency modulation  
 Phono switch -  
 Position #1 - A.C. Off.  
 Position #2 - Radio On.  
 Position #3 - Phono On.

The "S" meter connects to the green and orange leads - green connecting to the plus (+) terminal. With the set turned off the meter should read zero on the red scale. If not, adjustment is made on the front of the meter itself.  
 The meter is adjusted with the band switch on band #1. Disconnect the antenna and rotate the "S" meter adjustment on the rear of the chassis until the meter reads zero on the left side of the scale.

Note: Unground A<sub>2</sub> when using a doublet. Antenna should be erected as high as possible.

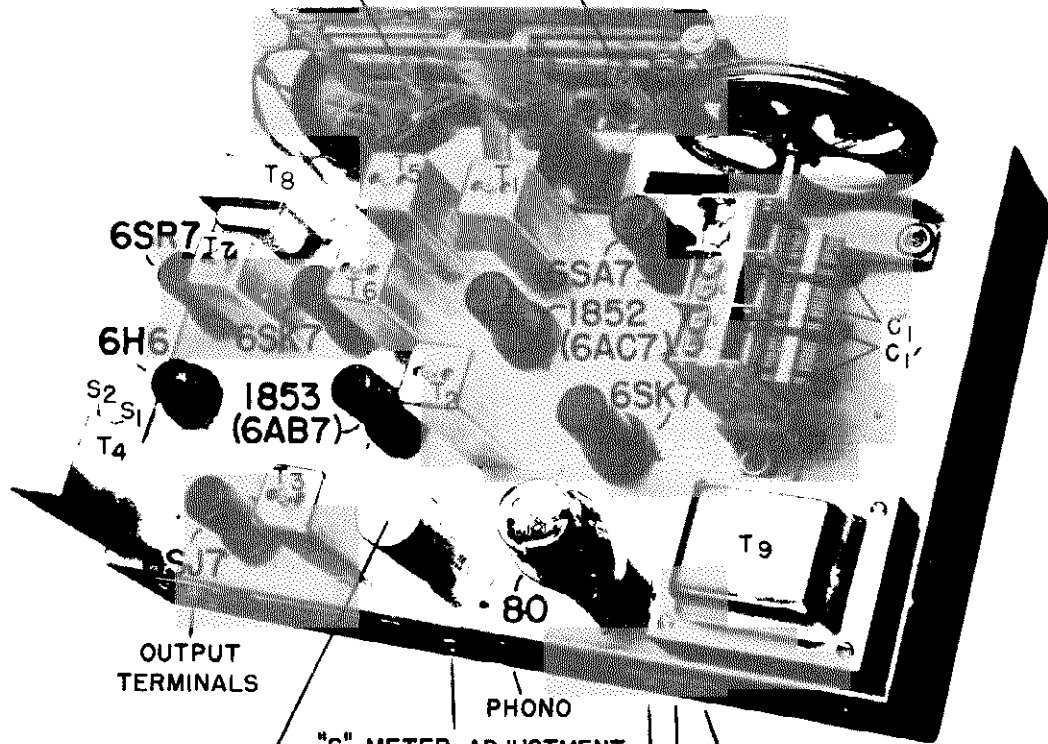
THE HALLICRAFTERS CO.

ALIGNMENT PROCEDURE	NO.	CAPACITY	VOLTAGE TYPE	NO.	OHMS	MATTAGE	OHMS	MATTAGE
Equipment needed and preliminary adjustments:								
An all wave signal generator which will provide an accurately calibrated signal at test frequencies listed.								
Output indicating meter.								
Non-metallic screw driver.								
Dummy antennas 100 ohm, and 0.1 mfd. Volume control - Maximum all adjustments.								
Tone control - Extreme clockwise position.								
Connect output meter across primary of output transformer.								
Allow chassis and signal generator to "heat up" for several minutes.								
Connect low side of generator to chassis (Gnd)								
Set gang condenser at minimum capacity for all I.F. adjustments.								
1 - 100,000 ohm resistor.								
1 - .002 mfd condenser.								
1 - 100 mfd condenser.								
<b>A.M. BROADCAST (BAND #1) ALIGNMENT, INTERMEDIATE FREQUENCY, (455 KC.)</b>								
1 - Tune signal generator to 435 kc.								
2 - Connect signal generator thru 0.1 condenser to 6SK7 I.F. (455 kc.) tube.								
3 - Align T <sub>7</sub> for maximum output.								
4 - Connect generator to either stator lug on center section of gang condenser thru a 0.1 mfd. condenser.								
5 - Align T <sub>5</sub> and T <sub>6</sub> for maximum output. (Do not realign T <sub>7</sub> ).								
<b>R.F. STAGES.</b>								
1 - Tune signal generator to 1400 kc.								
2 - Connect signal generator thru 100 ohms to A <sub>1</sub> - Ground A <sub>2</sub> .								
3 - Set receiver dial at 1400 kc. (140)								
4 - Adjust C <sub>A</sub> , C <sub>B</sub> and C <sub>3</sub> for maximum output.								
5 - Set generator at 600 kc.								
6 - Set dial at 600 kc. (60)								
7 - Adjust C <sub>F</sub> for maximum output.								
8 - Repeat steps 3 and 4.								
<b>F.M. BROADCAST (BAND #2) ALIGNMENT.</b>								
1 - Disconnect lead from high side of volume control.								
2 - Set bandswitch on #2 (FM) band.								
3 - Disconnect discriminator plate lead (white blue tracer) from plate (pin #E) of 6SR7 limiter tube.								
4 - Connect a 100,000 ohm resistor and an .002 mfd. condenser in series from plate (pin #B) of limiter to grid (pin #2) of 6SR7 audio amplifier.								
5 - Connect 100 mfd from (pin #2) grid of 6SR7 to chassis.								
6 - The 6SR7 will now operate as an amplitude modulation detector.								
7 - Set signal generator at 4.5 mc.								
8 - Connect signal generator thru 0.1 mfd. condenser to lug on small stator center section of gang condenser.								
9 - Adjust T <sub>1</sub> , T <sub>2</sub> and T <sub>3</sub> for maximum output keeping the signal generator at as low an output as possible.								
10 - Connect signal generator thru 100 ohm resistor to A <sub>1</sub> - ground A <sub>2</sub> .								
11 - Tune signal generator to 49 megacycles.								
12 - Set receiver dial at 49 megacycles.								
13 - Adjust C <sub>F</sub> , C <sub>B</sub> and C <sub>3</sub> for maximum output. NOTE: The oscillator tunes to the I.F. frequency side of the signal.								
14 - Tune signal generator to 43 megacycles.								
15 - Adjust C <sub>F</sub> , C <sub>B</sub> and C <sub>3</sub> for maximum output. NOTE: The oscillator tunes to the I.F. frequency side of the signal.								
16 - Tune signal generator to 43 megacycles.								
17 - Set dial at 43 mc.								
18 - Adjust positions of coil leads for maximum output.								
19 - Repeat steps 11, 12 and 13.								
20 - Replace the wire on the volume control. Remove the resistor-condenser combination from limiter, and connect the wires as they were.								
21 - Reconnect signal generator as for I.F. alignment and tune to 4.5 mc.								
22 - Set signal generator for strong output signal.								
23 - Adjust S <sub>1</sub> on T <sub>4</sub> until a null is obtained as indicated both by the meter and aurally.								
24 - Detune signal generator 100 kilocycles.								
25 - Tune S <sub>2</sub> for maximum output.								
26 - Tune signal generator back thru resonance and 100 kc to the other side of the I.F. frequency. The output should first drop and then rise to a value equal on both sides of the dip.								
27 - If the output is not equal on both sides of resonance, readjust S <sub>2</sub> .								
28 - If the output is still not equal on either side of resonance a slight shift of the null point obtained with S <sub>1</sub> may be necessary.								

MODEL S-31

THE HALLICRAFTERS CO.

150 MILLIAMPERE PILOT LIGHTS



OUTPUT TERMINALS

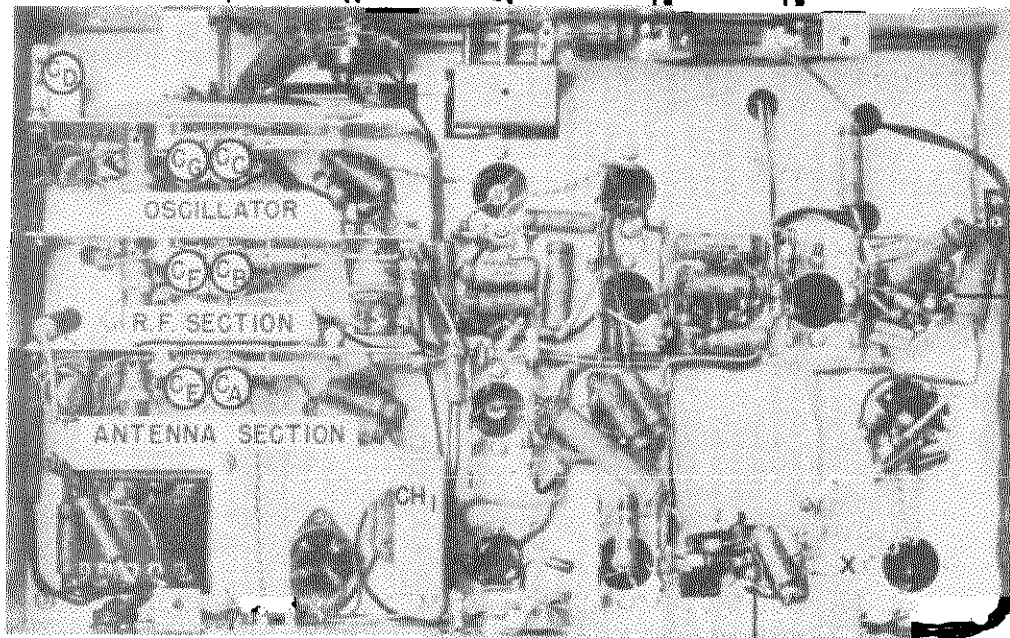
PHONO

"S" METER ADJUSTMENT

A1 A2 GND

ELECTROLYTIC  
C35 - C39 - C40

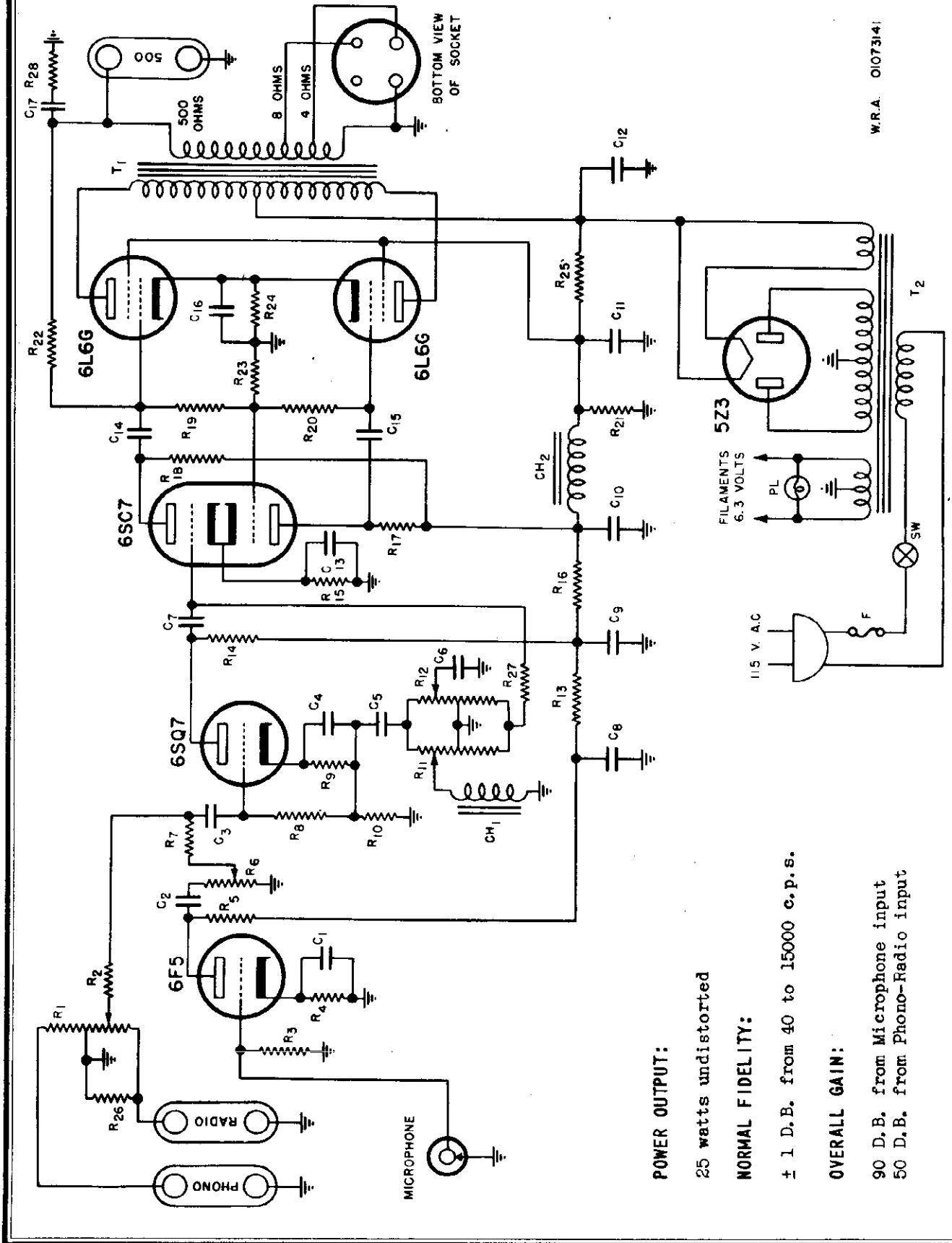
- BANDSWITCH
- A.C.-  
PHONO-  
RADIO-  
SWITCH
- TUNING  
CONTROL
- AUDIO  
GAIN  
CONTROL
- TONE  
CONTROL



"S" METER  
ADJUSTMENT

6SJ7

THE HALLICRAFTERS CO.



W.R.A. 01073141

**POWER OUTPUT:**

25 watts undistorted

**NORMAL FIDELITY:**

± 1 D.B. from 40 to 15000 c.p.s.

**OVERALL GAIN:**

90 D.B. from Microphone input

50 D.B. from Phono-Radio input



MODEL S-31-A

THE HALLICRAFTERS CO.

POWER CONSUMPTION:

100 watts

POWER SOURCE:

115 volts 60 cycle A. C.

PANEL DIMENSIONS:

19" x 8-3/4"

CHASSIS DIMENSIONS:

16-3/4" long - 9 1/2" wide  
OUTPUT:

500 ohms  
8 ohms and 4 ohms

Additional speakers may either be connected in series or in parallel, depending upon their impedances - parallel connection being preferred when possible. Since the available output impedances are 4, 8, and 500 ohms, it will be necessary to find a combination matching these values as close as possible. Ohm's law follows that 2- 8 ohm speakers in parallel gives 4 ohms, 2- 4 ohm speakers in series gives 8 ohms, 4- 8 ohm speakers in series parallel gives 8 ohms, etc.

**IMPORTANT:** This amplifier, unless otherwise marked, must be operated from 115-120 V. 60 cycle, alternating current. If you are in doubt, phone your electric light company. Be sure all tubes are in their sockets before inserting plug in receptacle.

**RADIO:** Although the S31A was designated as a companion unit to our MODEL S-31 Tuner for Frequency Modulated and Amplified Modulated Broadcast Reception, any suitable tuner having an output impedance of 500 ohms may be connected to the RADIO input strip. The upper terminal is grounded.

**PHONO:** Any high impedance phonograph pickup may be used in conjunction with the S31A by connecting to it the PHONO strip. Again, the top terminal is grounded.

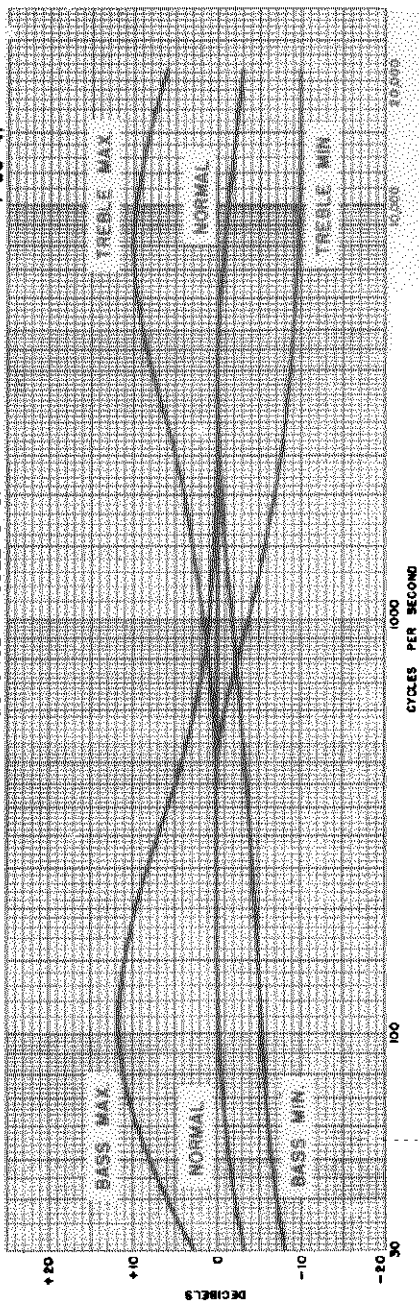
**MICROPHONE:** The microphone circuit is designed for high impedance microphones such as the crystal and dynamic types. The microphone receptacle is located on the rear apron of the chassis.

**SPEAKER:** The full high fidelity capabilities of the S31A amplifier will not be realized unless a speaker system is used which is capable of reproducing the full range of the amplifier. The frequency range offered by high fidelity FM extends from 40 to 15,000 cycles per second.

It is recommended that P.M. dynamic speakers be used to eliminate the necessity of good ground.

A.F. AMPLIFIER RESPONSE - MODEL S-31A

1-30-41



- R1 - 500,000- 500,000 vol. control
- R2 - 425-084
- R3 - 500,000 1/2 watt
- R4 - 1 meg.
- R5 - 3000 ohm "
- R6 - 250,000 "
- R7 - 500,000 vol. control #25-083
- R8 - 500,000 1/2 watt
- R9 - 1.0 meg.
- R10 - 2000 ohm "
- R11 - 10,000 ohm "
- R12 - 500,000- 500,000 Bass Control
- R13 - #25-082
- R14 - 500,000- 500,000 Treble Control
- R15 - #25-082
- R16 - 50,000 ohm 1 watt
- R17 - 100,000 ohm 1/2 watt
- R18 - 50,000 ohm 1 watt
- R19 - 100,000 ohm 1/2 watt
- R20 - 100,000 ohm "
- R21 - 250,000 ohm "
- R22 - 30,000 ohm 20 watt
- R23 - 250,000 ohm 1/2 watt
- R24 - 250,000 ohm "
- R25 - 3500 ohm 10 watt
- R26 - 500 ohm 10 watt
- R27 - 15,000 ohm 1/2 watt
- R28 - 3000 ohm 1/2 watt

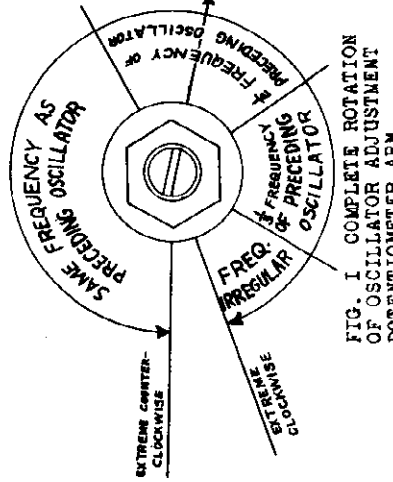
- C1 - 30 Mfd.- 25 volt Electrolytic
- C2 - 0.1 Mfd. 600 V. Paper
- C3 - 0.05 Mfd. - 200 V. Paper
- C4 - 30 Mfd. - 25 V. Electrolytic
- C5 - 1.0 Mfd. - 200 V. Paper
- C6 - 0.01 Mfd. - 600 V. Paper
- C7 - 0.1 Mfd. - 600 V. Paper
- C8-C9 - 8- 8 Mfd. - 475 V. Electrolytic
- C10-C11 - 8- 8 Mfd. - 475 V. Electrolytic
- C12 - 8- 8 Mfd. - 475 V. Electrolytic
- C13 - 30 Mfd. - 25 V. Electrolytic
- C14 - 0.1 Mfd. - 600 V. Paper
- C15 - 0.1 Mfd. - 600 V. Paper
- C16 - 0.01 Mfd. - 600 V. Paper
- C17 - 0.01 Mfd. - 600 V. Paper
- T1 - Output transformer A5349
- T2 - Power " P5229
- CH1 - Bass Choke #55-010
- CH2 - Filter Choke C1003
- PL - 6.3 v. - 0.15 amp. pilot lite
- F - 2 amp. fuse

HAMMOND INSTRUMENT CO.

The master oscillator is tuned by the condensers in the key-board and supplies frequencies for the highest octave of the six octave tonal range. The buffer oscillator, which is considered as a controlled oscillator although it has no adjustment potentiometer, is used as an electronic link between the master oscillator and the rest of the controlled oscillators and has its circuit constants predetermined so as to oscillate at the same frequency as the master oscillator. Each of the remaining controlled oscillators when supplied with the proper amount of locking signal should oscillate at one half the frequency of the preceding oscillator. This locking signal is the same signal that is generated by the preceding oscillator but the amplitude is regulated by the adjustment potentiometer and then impressed upon the grid of the following oscillator tube.

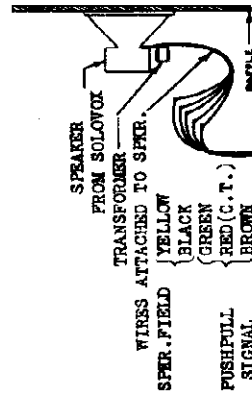
**CORRECT SETTINGS OF POTENTIOMETER ARM**

NOTE--Position of slot shown here does not necessarily mean that every slot will assume this position when correctly adjusted.



Assuming that the master and preceding oscillator are operating correctly, the following is an explanation of what happens in a complete rotation of an adjustment potentiometer. See figure #1. Turning the potentiometer to its extreme counter clockwise position the oscillator will operate at the same frequency as the preceding oscillator because the amplitude of the locking signal is too great. Now, turning the potentiometer clockwise, a point is reached where the oscillator locks-in at one-half the frequency of the preceding oscillator because the amplitude of the locking signal is of proper intensity to cause this condition. It is then operating exactly one octave below the preceding oscillator and for correct adjustment the potentiometer arm should be set mid-way between the top and bottom limits of this 1/2 frequency range. Turning the potentiometer further clockwise, a point will be reached where it will either lock-in at one-third the frequency (this is an octave and a fifth below musically speaking) or, it may refuse to lock-in and will start to hunt a frequency of its own which bears no definite mathematical relation to the frequency of the preceding oscillator. A "Gurgle" is usually present at the point where the oscillator starts to change to a different frequency.

Conditions that may make oscillator adjustment difficult or impossible are the following: 1. Improper operating voltages at the grid, plate or cathode of an oscillator tube. 2. Defective oscillator tube. 3. Inoperative master or buffer oscillator. 4. Defective parts associated with the oscillator circuits.



**EXTENDING CABLES**

Tell the customer "NO" who asks you to extend the three cables connecting keyboard to tone cabinet. Extension cables are not available from the factory. We definitely advise against splicing on longer wires. Critical tuning circuits are completed by some of these wires and a change in length may upset note-to-note tuning.

If it is desirable to move tone source farther from the keyboard than cables from tone cabinet permit, remove the loud speaker and extend its wires. Five wires are required. Make connections as shown in sketch. Be sure to mount the speaker in a baffle approximately size of Solovox case.

Maximum length 50"



**TUBE REPLACEMENTS**

Solovox tubes are excluded from 1 year guarantee which goes with each instrument. Tube manufacturer's regular guarantee applies. Tubes may be returned for replacement thru jobber or to us.

Free replacements are allowed only if tubes are not broken or damaged, actually test bad, and code marking shows them in guarantee. Obsolescence schedule is shown here for your guidance. Tubes with code dates other than those shown are obsolete and not subject to adjustment.

**ADJUSTMENT OF OSCILLATORS**

The service man should have a thorough knowledge of oscillator adjustment because he will most likely be called upon to perform this service more frequently than any other. A change in setting of the master tuning knob, a change of keyboards or installation of a new oscillator tube will necessitate readjustment of the oscillators. It is often advisable for the service man to give instructions on oscillator adjustment to the Solovox owner. The following is a detailed explanation of oscillator adjustment.

Code	Obsolete date
T-1	Jan. 1, 1942
N-1	Apr. 1, 1942
Z-1	July 1, 1942
V-1	Oct. 1, 1942
T-2	Jan. 1, 1943
N-2	Apr. 1, 1943

SOLVOX

## HAMMOND INSTRUMENT CO.

VIBRATO OPERATION

The vibrato effect is produced by a magnetically driven reed having a piece of powdered iron core attached to it in such a way as to move in and out of an inductance coil mounted near the reed thereby causing the inductance of the coil to vary periodically. This coil is connected to a tap on the master oscillator tuning coil and causes the oscillator frequency to vary. The reed, which has to be started mechanically, is given a "kick" by the vibrato starter spring when the volume control lever is pulled forward in turning "on" the instrument. After the reed is once started, the magnetic drive keeps it in motion as long as the instrument is "on" regardless of whether the vibrato tablet is "on" or "off".

The action of the reed may be described as follows: When the reed is moving towards the driving coil, L2, the vibrato driving contact is closed thus producing a strong magnetic field which pulls the reed towards the driving coil. When the reed reaches the end of its swing and starts to move away from the driving coil, the vibrato driving contact is open thus causing a collapse of the magnetic field. Then, when the reed reaches the end of its swing in this direction and starts moving towards the driving coil again, the cycle of action is repeated. The 175 ohm resistor is in series with the coil to prevent sparking of the contacts.

VIBRATO CHANGES - Several changes have been made in the vibrato assembly pertaining to the size and amount of the reed weight washers and the spacing between the reed and the driving magnet coil. The changes, with the serial number of the keyboard in which the change was made, are the following:

KBD Serial #15612 - The original 3 weight washers of 5/8" diameter were replaced with 3 weight washers of 3/4" diameter in order to decrease the vibrato speed. See Service letter 82.  
KBD Serial #4000 - The vibrato driving coil mounting bracket was moved back away from the reed 9/64" and only one 3/4" weight washer was used. This was done to reduce the vibrato mechanical noise to a minimum.

KBD Serial #52825 - The Vibrato driving coil mounting bracket was moved 1/16" closer to the reed and two 3/4" weight washers were used. This was done to insure reliable operation with an unobjectionable amount of noise and is the happy medium between the two previous changes.

VIBRATO TROUBLESHOOTING

VIBRATO NOISE - If a customer objects strongly to the vibrato mechanical noise in keyboards with serial numbers below 44000 it may be reduced by incorporating the following change: Move the driving coil back 1/16" and use only two 3/4" weight washers. By removing the coil from the mounting bracket and using long nose pliers the mounting bracket can be bent back to the required 1/16". A convenient way to assure the proper position of the driving coil is to measure the distance from the end of the brass coil mounting bracket to the inside edge of the flange

PROCEDURE FOR ADJUSTMENT OF OSCILLATORS. The primary requisites for adjusting oscillators are that the master and buffer are operating correctly and that you must start by adjusting the 2nd oscillator and then progressively adjust each succeeding oscillator. After you have become familiar with the method of adjustment as described in "To the SolvoX Owner" you may try the following method which is somewhat quicker. Push "on" the "Soprano" only and adjust the 2nd and 3rd oscillator by depressing F key in the middle and lowest octave respectively. Then, push "on" the "Bass" only and adjust the 4th, 5th and 6th oscillator by depressing F key in the highest, middle and lowest octave respectively. You may check adjustment of the six octave tonal range by running down the scale, first with the "Soprano" only "on" and then with the "Bass" only "on". Of course, in this check the low C key with the "Soprano" "on" should be chromatically related to the high B key with the "Bass" "on."

If the adjustment potentiometers should get so far out of adjustment that you become confused, the following hint may prove helpful. Turn all potentiometers to their extreme counter clockwise positions and then follow the normal oscillator adjustment procedure.

IMPROVEMENTS WHICH CAN BE ADDED TO EARLY MODELS.KEY TENSION

Lower key springs (control contacts) were increased in thickness effective with keyboard #15936. This change eliminates contact tip breakage and slightly increases key tension.

We suggest this improvement be added to early keyboards if trouble is experienced with broken contacts or customer complaints of light key tension. Material required: 12 AO-18538-0 contact spring assemblies (furnished with small tin of rocker arm grease) - \$1.20 per set, list. Time required: 1 hour. Replacement procedure is as follows:

1. Remove keyboard cover plate by taking out screws underneath and in back of key action. Slide metal screw strip at bottom of keyboard out and remove contact springs with a small screw driver.
2. Set keyboard on blocks to relieve pressure on keys and install new contact springs by manipulating bakelite key actuator into proper position. Make sure small anti-rattle spring is also threaded thru hole.
3. Apply a small amount of rocker arm grease at junction of actuator and contact arm. This will eliminate key squeaks sometimes noticeable. BE SURE TO USE LUBRICANT SPECIFICALLY BEARING OF IT TOUCHES CONTACTS.
4. Test to make sure contact is made when each key is depressed. If some contacts seem to make too lightly, bend tip down slightly - don't kink.
5. Now reassemble and test for normal operation.

## HAMMOND INSTRUMENT CO.

Solovox Keyboard starting with serial #52825. This change may be incorporated in any keyboard to insure reliable operation of the reed and to reduce mechanical noise.

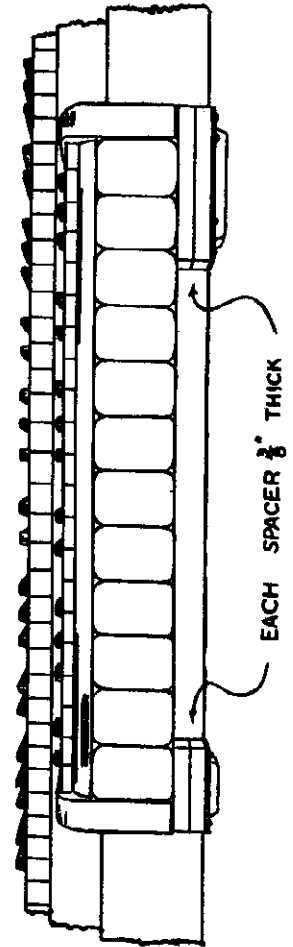
Another cause of vibrato stopping which applies to all keyboards regardless of serial number is grounding of the driving contact by a piece of foreign metal lodging between the contact arm and the chassis.

Also in shipment, the spring coil, which is used only as a flexible lead between the driving contact and the terminal lug, may change position and ground out against the chassis. This may result in intermittent operation.

#### KEYBOARD SPACERS

The Solovox keyboard should be so located that the distance between the surfaces of the piano white keys and the Solovox white keys is more than one and less than two inches. Occasionally the dimensions of a piano are such that the Solovox keyboard will not naturally fit within this range. For such instances a special bakelite bracket spacers which will raise the keyboard  $\frac{3}{8}$  inch are available at the factory. As many as three sets may be attached to the instrument, raising the keyboard  $\frac{3}{8}$ ,  $\frac{3}{4}$  or  $1\text{-}1/8$  inches as desired. The sketch below illustrates an installation requiring two sets of spacers.

It is important however, to pre-determine exactly how many spacers are to be used and to order exactly that amount so that the proper length screws will be received. Screws must not enter the bottom surface of the instrument more than  $1/8$  inch otherwise serious damage will result. When ordering please specify PO-18626-1 and PO-18627-1 spacers. Available in black only.



at the back of the chassis. For a two weight washer vibrato assembly the distance should be  $5/16$ " as shown in figure #1. Then readjust the position of the reed to the mid-point of the felt cushions as outlined in section 3 of Service Letter 8-2. It should be noted that in certain installations the vibrato noise may be accentuated by the keyboard construction of the piano.

**VIBRATO STOPPING** - A few cases of unreliable vibrato operation have been reported in keyboards using the single weight washers (Keyboard serial numbers between 44000 and 52824). The vibratos in this serial number group, while being very quiet, are more susceptible to stopping on account of low line voltage and slight imperfections of parts. Any slight drag on the vibrato driving contact will be transmitted to the reed and may cause slowing down or stopping of the reed. Driving contact drag may be caused by the following: 1- A burr on the light colored bakelite washer which causes friction between the washer and the brass stud. 2- Solder rosin deposits on the bakelite washers. 3- Spring tension on the bakelite washers too great.

If the vibrato in one of the keyboards listed in the above serial number group shows signs of being unreliable, we suggest the following remedy: Move the driving coil  $1/16$ " ~~upward~~ the reed and use two  $3/4$ " weight washers instead of one. As mentioned previously, a convenient way to assure the proper position of the driving coil is to measure the distance from the end of the brass coil mounting bracket to the inside edge of the flange at the back of the chassis. For a two weight washer vibrato assembly the distance should be  $5/16$ " as shown in figure #1. Adjust the reed to the mid-point between the stop felt cushions.

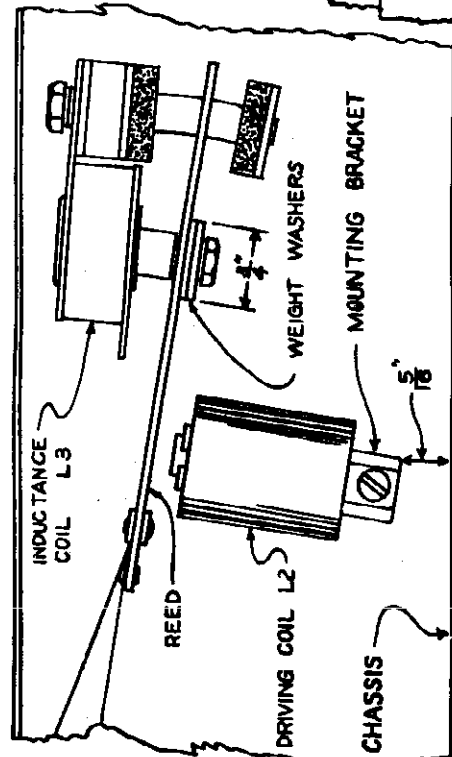


Fig. 1. Showing position of vibrato driving coil and vibrato reed using two weight washers - first used in

SOLOVOX

HAMMOND INSTRUMENT CO.

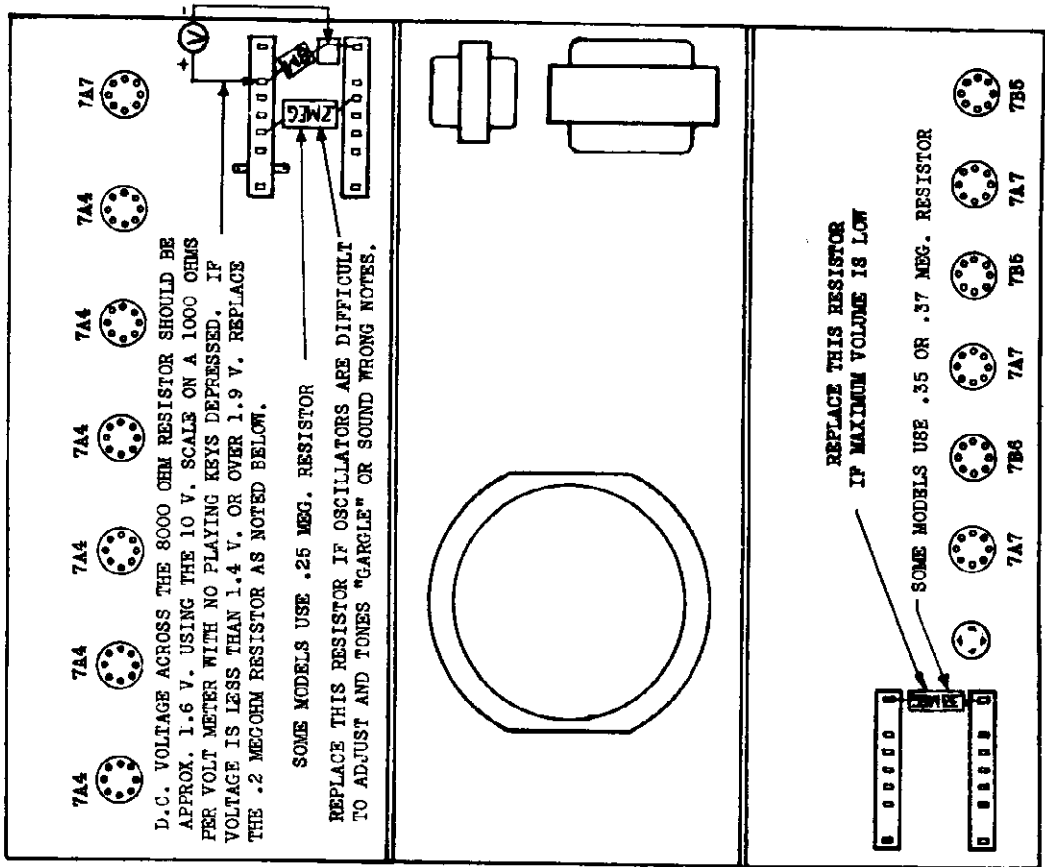


FIGURE 1

SPECIAL SOLOVOX SERVICE NOTES

**TROUBLE:-** Difficult or impossible to adjust oscillators -- some tones "gargle" or play wrong notes.

A survey in the field shows that 80% of all the Solovox service problems are confined to trouble experienced with a single fixed carbon resistor of critical value which makes it impossible to properly adjust the oscillators and causes the tones to "gargle" or play wrong notes when this resistor changes in value due to dampness.

This resistor is of the fixed carbon type having a value of 200,000 ohms (250,000 ohms for some models) and is connected in the voltage divider circuit for the bias on the controlled oscillators (shown at the upper left in the figure 1 wiring diagram supplied with each instrument). The physical location of this resistor in the Solovox tone cabinet is shown on the reverse side of this sheet. If the tones "gargle" or play wrong notes, connect a DC meter across the 8000 ohm wire wound resistor also shown on the reverse side of this sheet using a 1000 ohms per volt meter on the 10 volt scale. The meter should read approximately 2 volts with no keys depressed, and smoothly drops to zero and then to a slightly positive voltage as the top seven white keys are progressively played starting from the top key (key farthest to the right). If this voltage is low, remove the resistor and replace with a new one (such as an I.R.C. metallized resistor or Centralab resistor). If possible, use a 2 watt resistor as they are more stable than the 1 watt size. After replacing this resistor, be sure to readjust the oscillators as described on page 2 in "To Solovox Owners".

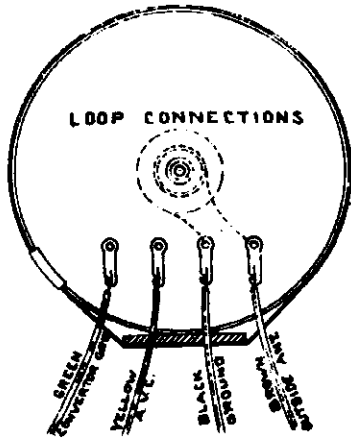
**TROUBLE:-** Volume low.

Ten percent of all Solovox service trouble lies with another fixed carbon resistor which increases in resistance due to humidity and thereby causes the maximum volume attainable to go down.

This resistor is also of the fixed carbon type, having a value of 350,000 ohms (370,000 ohms in some models) and is connected in the volume control voltage divider circuit shown at the lower right in the figure 1 wiring diagram. The physical location of this resistor is also shown on the reverse side of this sheet. If the volume is low even when the "maximum value control" is turned for maximum volume, remove it and replace with a new 300,000 or 250,000 ohm resistor (such as an I.R.C. metallized resistor or Centralab resistor). If possible, use a 2 watt resistor as they are more stable than the 1 watt size.

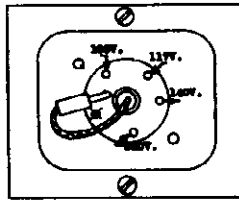
HOWARD RADIO CO.

MODELS 307-4,  
307TP-



The above diagram is shown for use should the loop ever be replaced or the connections broken.

Universal Type Transformer.



ROTATE TRANSPARENT DISC UNTIL HOLE IS IN LINE WITH DESIRED VOLTAGE TAP AND THEN INSERT PLUG. DO NOT TOUCH OR CHANGE VOLTAGE PLUG WHILE SET IS CONNECTED TO ELECTRIC CURRENT.

Voltages	Insert in
90-110 V.	100 V.
110-125 V.	117 V.
125-150 V.	140 V.
200-250 V.	230 V.

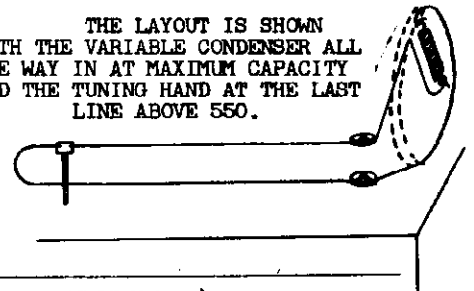
Dial Cord Layout - 300 Series

THE STRING TENSION of the drive string is maintained by the coil spring mounted on the large drive pulley. Too much tension will cause an extra load in tuning. Lack of tension will naturally cause backlash.

See that dial light sockets do not touch top edge of tuning hand as it moves across dial plate.

Since the pull against the large pulley is quite great, see that the set screws in the pulley hub to the condenser shaft are tight to avoid slipping.

THE LAYOUT IS SHOWN WITH THE VARIABLE CONDENSER ALL THE WAY IN AT MAXIMUM CAPACITY AND THE TUNING HAND AT THE LAST LINE ABOVE 550.



CONSUMPTION 50 WATTS

TUNING RANGES - 540 to 1700 KC, 2.2 to 7 MC, 7 to 22 MC, (555-175, 140-47, 47-13 Meters)

I. F. - 465 KC

TYPE - Conventional

POWER OUTPUT - (MAX.) - 2.7 WATTS; UPO 1.5 W.

CONTROLS - Upper left - Volume; Upper right - TUNING; Lower left - TONE and POWER SWITCH;

Lower right - BAND SWITCH, Clockwise movement shifts to higher frequency bands.

TUNING SYSTEM:-

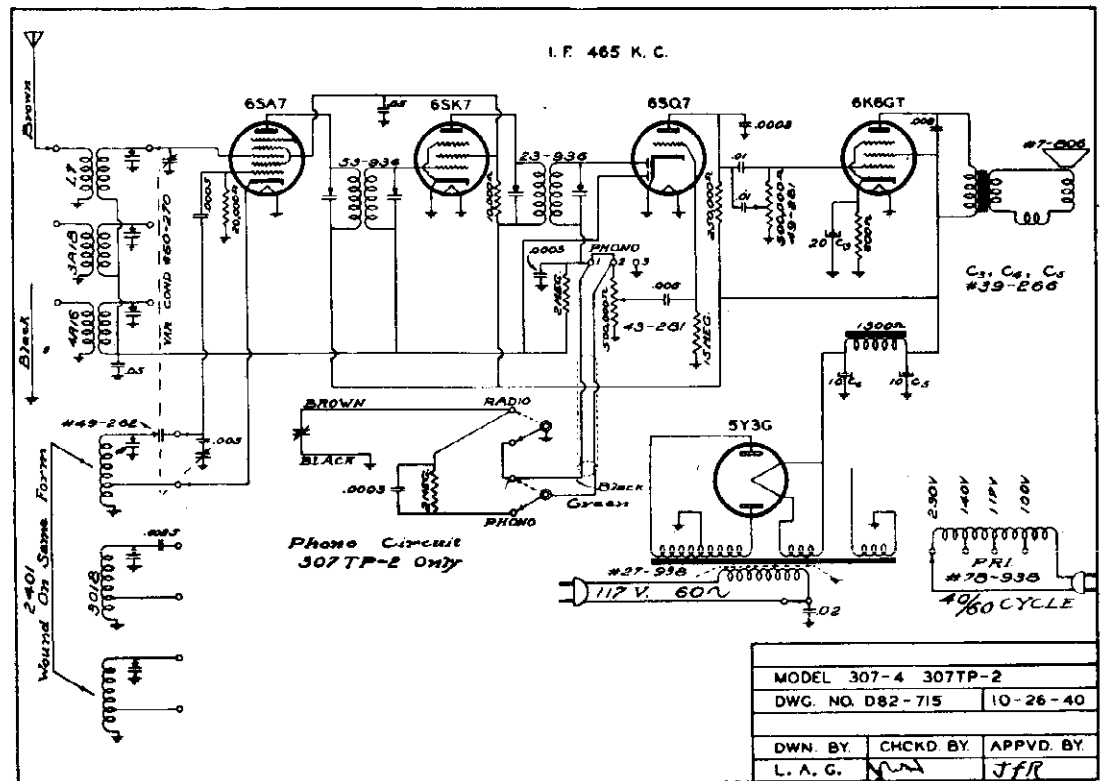
String driven horizontal movement hand, rubber tip friction tuning shaft -- Ratio 7 to 1.

SPEAKER = Electro-Dynamic

SIZE = 6"

V.C.IMP.(400CPS) = 4 Ohms

FIELD = 1300 Ohms



MODEL 307-4 307TP-2		
DWG. NO. D82-715	10-26-40	
DWN. BY	CHKD BY	APPVD BY
L. A. G.	JFR	JFR

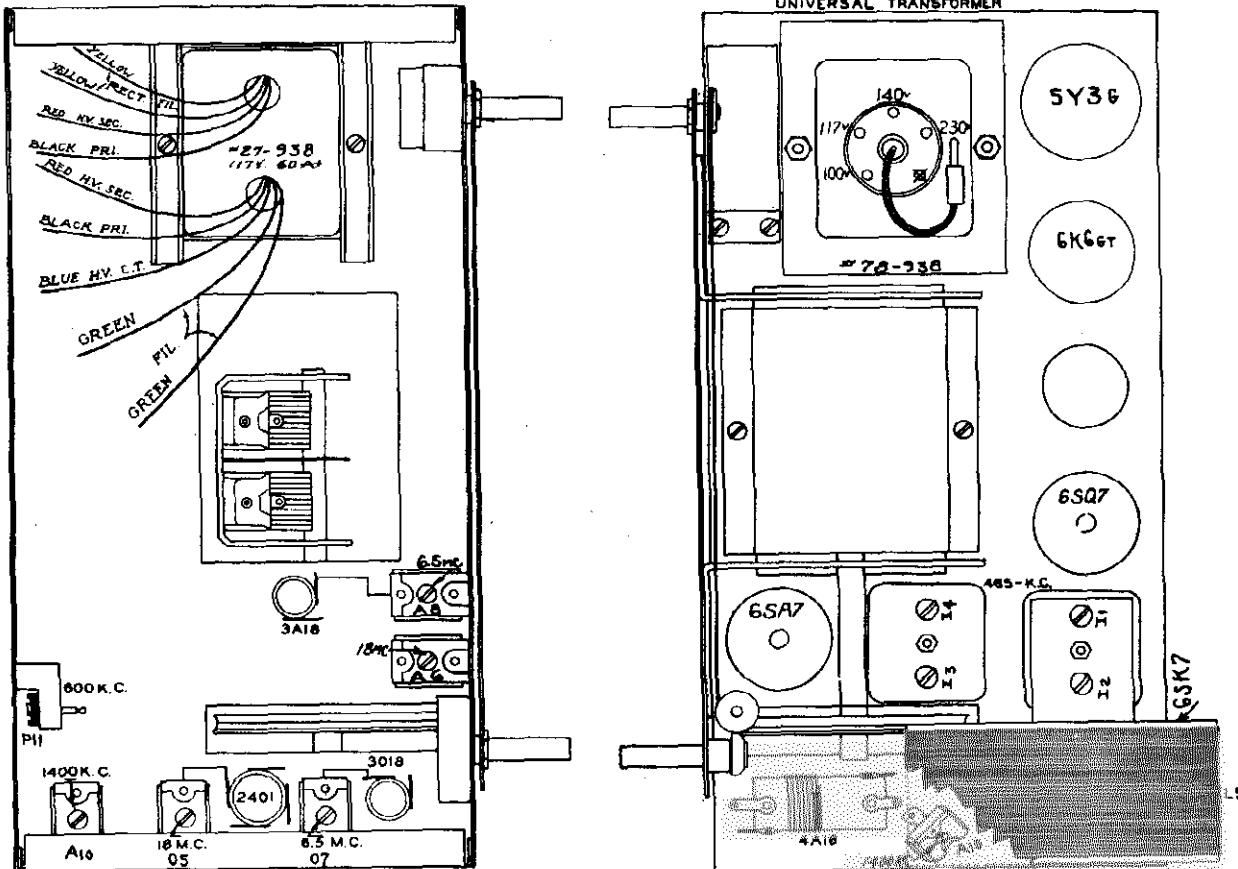
MODELS 307-4  
307TP-2

HOWARD RADIO CO.

SOCKET VOLTAGE READINGS:

Voltage taken from ground with line voltage at - 117 AC  
High Voltage reading off rectifier - 300 V.  
Drop across speaker field - 65 V.  
Voltage taken with 1,000 Ohm per volt meter.

TUBE	FUNCTION	CATH-ODE	SCR. GRID	PLATE	OSC. PLATE
6SA7	Mixer		105	245	105
6BK7	IF		105	245	
6SQ7	Det.			60	
5K6GT	Output	18	245	235	



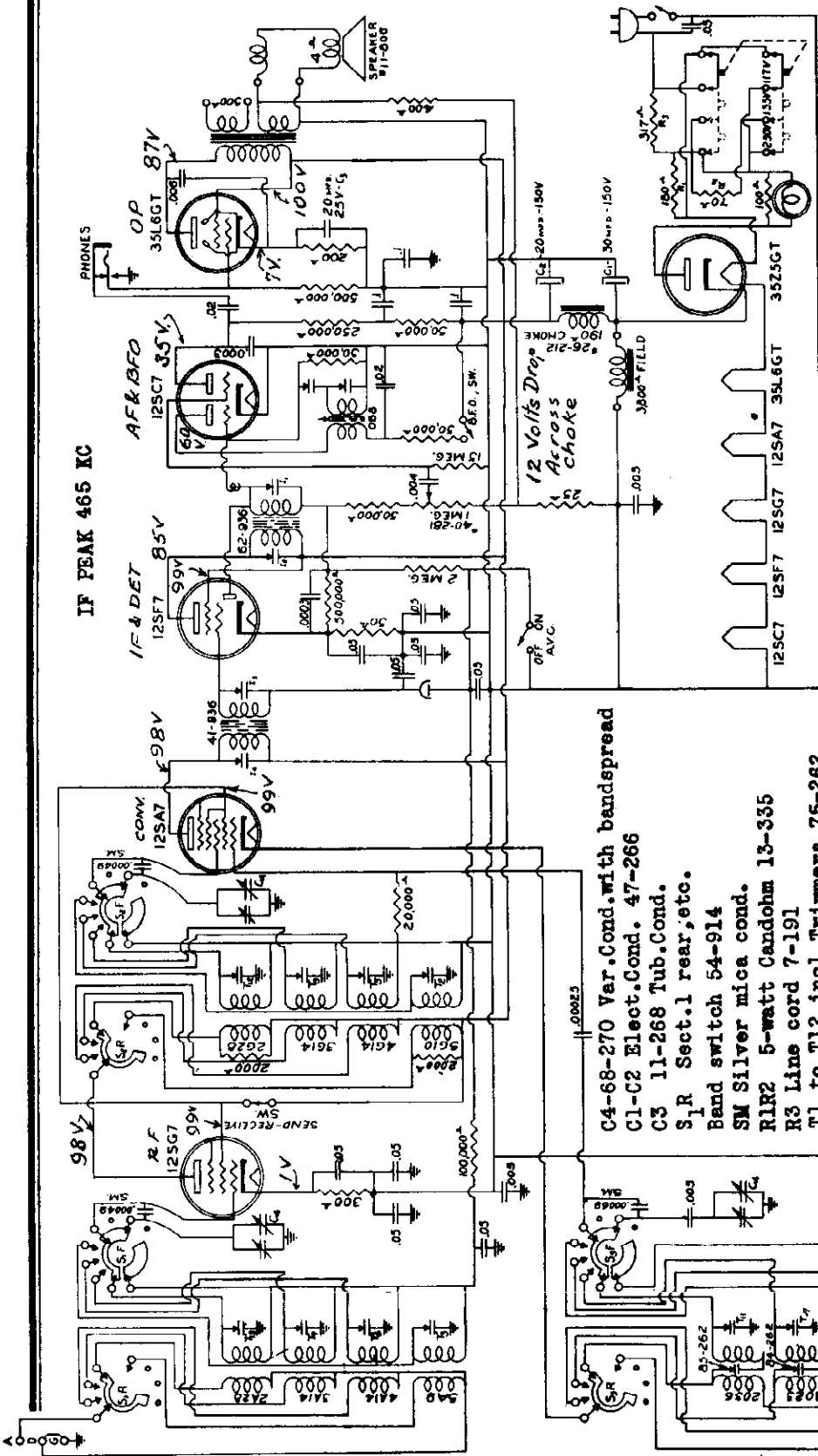
NOTES

- A - Each step of the alignment should be repeated in the original order for greater accuracy. Keep output from Signal Generator low. The I.F. trimmers are reached through the two holes on the top of each I.F. can.
- B - When aligning the short wave bands, do not adjust to the IMAGE frequency. For example, if the adjustment is correctly made at 18 MC, then a weaker image will be heard at 17,070 KC, in other words 930 KC less on the dial.
- C - When adjusting this pad, move the tuning hand back and forth and adjust padder until the peak of greatest intensity is obtained.
- D - See that the tuning hand is set exactly on the last line above 540 when the condenser is at maximum capacity.
- E - Check for oscillator cross-over between 18 and 22 MC. If necessary for stability, turn the antenna trimmer "IN" slightly.

ALIGNMENT PROCEDURE

Wave-Band Switch Position	Position of Dial Pointer	Signal Generator Frequency	Signal Generator Connection	See Note	Trimmers Adjusted (in order shown)	Trimmer Function
BC	Min.Cap.	465 KC	6SA7 Grid	A	I1, I2, I3, I4	IF
SW	18 ME	18 ME	Brown lead	B, D, E	O6, A6	Osc. Ant.
Int.	6.5 ME	6.5 ME	Brown lead		O7, A8	Osc. Ant.
BC	1400 KC	1400 KC	Brown lead		O9, A10	Osc. Ant.
BC	600 KC	600 KC	Brown lead	C	P11	Osc. Pad.

HOWARD RADIO CO.



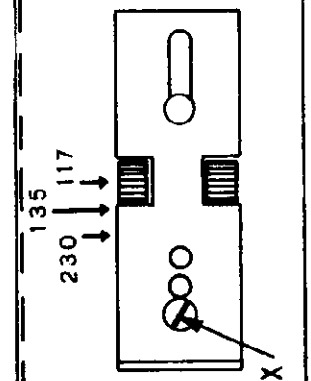
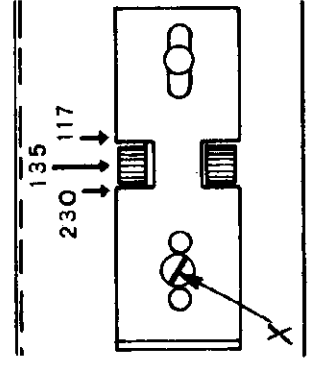
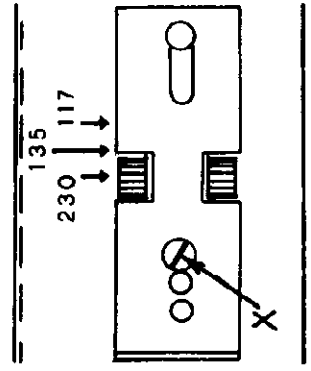
IF PEAK 465 KC

- C4-68-270 Var. Cond. with bandsread
- C1-C2 Elect. Cond. 47-266
- C3 11-268 Tub. Cond.
- S<sub>1</sub>R Sect. 1 rear, etc.
- Band switch 54-914
- SM Silver mica cond.
- R1R2 5-watt Candohm 13-335
- R3 Line cord 7-191
- T1 to T12 incl. Trimmers 75-262

For line voltage between 200 and 245 Volts

For line voltage between 125 and 150 Volts

For line voltage between 100 and 125 Volts



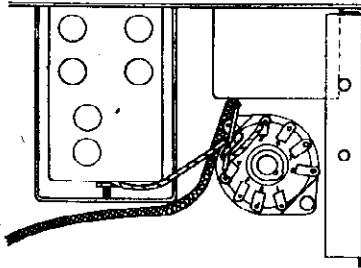
To change switch position, remove screw at "X" and slide guide plate until the black sections of the switch are opposite the required voltage range as shown by the arrow.



MODEL 445

HOWARD RADIO CO.

THE BEAT FREQUENCY OSCILLATOR



The adjacent figure shows an underneath view of the socket for the BFO 6J5 tube and its associated coil unit. The means of coupling this oscillator with the incoming signal is the conventional method of allowing small capacity between the BFO grid lead and the diode circuit. The shielded lead shown comes from the diode of the 2nd detector and is anchored on a dummy terminal of the BFO socket. The oscillator grid (green) lead is capacity coupled to this lead by one or more turns wrapped around the unshielded portion of the diode lead. THE AMOUNT OF THIS COUPLING IS CRITICAL.

INSUFFICIENT CAPACITY results in a weak beat oscillator or no apparent oscillator at all with weak incoming signals.

TOO MUCH CAPACITY COUPLING causes severe repeat BFO harmonics which appear all over the bands.

To increase or decrease the BFO action, remove the bottom from the cabinet and vary this coupling to suit. Keep in mind that should the turns be increased, there may be too much coupling if the turns are wound too TIGHT around the diode lead.

FOR TRIMMER LOCATIONS, SEE CHART BELOW

The alignment is made with the BFO Off, the AVC Off, and the Band Spread set to 100. The main dial hand must stop EXACTLY ON the last line at the end of the scale when the condenser is fully closed without force on the tuning control.

There will be an overload effect on powerful broadcast stations when the AVC is OFF.

NOTE 1: After the alignment of the I.F. stages is completed, align the BFO system as follows:

1. Set pitch control 3 turns back from the "IN" position and turn on the BFO Switch.
2. Adjust the trimmer in the BFO can to obtain maximum sound which will be a hissing noise. Turn tuning knob to be sure this sound is not some tunable frequency that is causing it.
3. Check beats against some broadcast station to determine if the strength of the beat is normal.

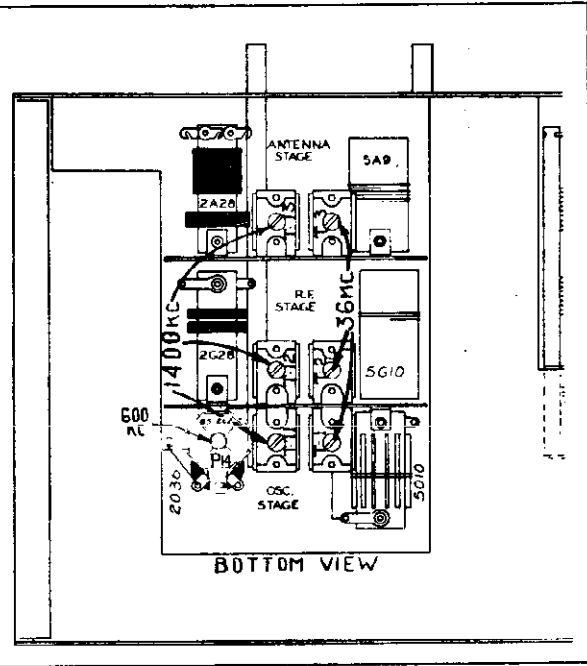
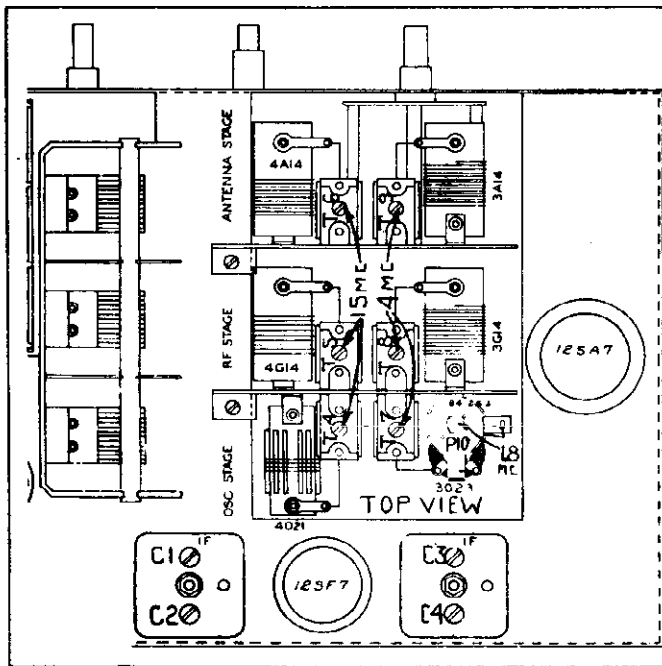
NOTE 2: In this band (17 to 43 MC) only the oscillator follows the received signal 465 KC lower in frequency. Therefore when checking for the image, if the alignment has been made at 36 MC, it will be found at about 37 MC. This will determine if the alignment was correctly made at 36 MC.

NOTE 3: Check for image on all bands except that 17 to 43 MC band at a point 930 KC lower on the dial.

NOTE 4: Rock main dial slightly for point of maximum signal as the padding condenser is being adjusted.

ALIGNMENT PROCEDURE

DUMMY ANTENNA	SIG. GEN. CONNECTION TO	GEN. FREQ.	BAND SW. POSITION	DIAL SETTING	SEE NOTE	ORDER OF TRIMMER ADJUSTMENTS	TRIMMER FUNCTION
.05 mfd.	Grid of 12SA7	465 KC	1.7-.55	Off Station	1	C1, C2, C3, C4	I.F.-peak
400 Res.	A & DG	1400 KC	1.7-.55	1.4		T11, T12, T13	Osc-RF-Ant.
"	"	600 KC	1.7-.55	.60	4	P14	Osc. Pad.
"	"	5 MC	5.5-1.7	5	3	T7, T8, T9	Osc-RF-Ant.
"	"	1.8 MC	5.5-1.7	1.8	4	P10	Osc. Pad.
"	"	16 MC	18-5.6	16 MC	3	T4, T5, T6	Osc-RF-Ant.
"	"	36 MC	43-17	36 MC	2	T1, T2, T3	Osc-RF-Ant.



## HOWARD RADIO CO.

## MODEL 718-X RADIO PHONO COMBINATION - NEW PRODUCTS MODEL 200 RECORD CHANGER

## DESCRIPTION OF OPERATION

To load the instrument with records, turn the changer blades AJ to the position as shown in the top view (counter-clockwise) and place a stack of ten 12" or twelve 10" records on the center spindle, allowing them to rest upon the lower changer blades.

The operation of the changer mechanism is controlled by means of the single button AG on the base plate AK. Turn the button to point to automatic. Then press down, to start cycle. The changer will then automatically play all records in the order stacked.

To remove records, after all have been played, lift slightly each set of changer blades AJ, and pivot clockwise approximately a half of a complete turn. (180°). There will then be no obstructions to prevent removing the records.

To change records any time when the needle is on the record, merely press down momentarily on the control button.

To play records singly, turn changer blades AJ away from center of table (clockwise), and turn the control button to Manual.

## DESCRIPTION OF CHANGE CYCLE

The change cycle consists of automatically removing the pickup arm from last played record, releasing the next record, and placing the pickup arm in the playing position. There are three conditions which cause the mechanism of the instrument to start and proceed through the change cycle.

1. Pressing down control button AG rotates reject rod BD. The bent end of BD (which is same as DC) strikes the ratchet casting DF, which is fastened to trip rod DE (BE in bottom view), rotating rod BE. This pivots the bent end of BE away from the end of follower CL, allowing the heavy end of follower CL to drop, pivoting about its axis (which extends through follower arm BJ and drive arm CJ) and engaging it in the worm CN. The worm CN has a left and right thread which carries the follower CL to the opposite end of CN and returns it. This action through the axis pin of follower CL causes the pivoting of drive arm CJ and clutch arm CK about their common axis.

The construction of drive arm CJ and clutch arm CK together with the clutch spring CG, provides protection against breakage of the instrument or records in case of jamming.

The clutch arm CK thrusts the drive link BL, actuating the blade bell crank BM, and in turn the blade crank CE through tie bar CF which is riveted to the blade bell crank BM. This action operates the changer blades AJ.

2. When a record has been played and the pickup arm has reached a definite distance from the center spindle following the spiral groove towards the center of the record, the stop adjusting screw DV in the pickup crank strikes the ratchet casting DF, which in turn rotates the trip rod DE, causing the engagement of the follower CL, etc.

3. Records that have an eccentric groove inside of the playing or modulated grooves will give the pickup arm AC an oscillatory movement. This oscillation is transmitted to the pickup crank DT, which, when in the playing position, drags the pawl DU across the ratchet DF, with the pawl spring DS tending to hold the pawl DU straight out, and any back movement of the arm DA and crank DT

causes the pawl DU to catch on the ratchet DF, pushing it away against the tension of ratchet spring DG and rotating trip rod DE. DE in turn releases follower CL, engaging it in worm CN, etc.

The operation of the pickup arm DA (AC in top view) is controlled by the cam DW which is synchronized with the changer blades AJ. The rack link BH transmits action from the blade bell crank BM, through the rack DD (BC in bottom view), to cam pinion DH.

The determination of the set down position of the pickup arm AC originates at the selector AA. As the changer blades AJ pivot in operation, the selector AA is intercepted by the edge of a record. This stops the rotation of the selector crank CC fastened to the selector (CD in bottom view), and in turn the axial movement of selector rod CB (same as DP), said axial movement being caused by selector spring DM.

The rod CB interferes with the axial movement of the pickup crank DT, in accordance with the size of the record passing through the blades AJ, causing the cam follower DR to follow the outer groove or to be allowed to ride into the inner groove in the face of cam DW. The outer groove controls the set-down position for 12" records, and the inner controls the 10" records.

## ADJUSTMENTS

Should the changer blades AJ be forceably turned out of proper adjustment, loosen the clamping screws in the blade crank CE and or the blade bell crank BM, and with the machine in neutral at the end of a cycle or in the playing position, turn the blades so that the upper blades are equi-distant and within  $\frac{1}{8}$ " of the edge of a 12" record. Then clamp screws securely.

To adjust the setdown position of tone arm, turn off the machine during cycle just before the pickup arm descends to a record, loosen the set screw in crank DT, and while holding the crank DT in place, turn the pickup arm AC until it is straight above the outside groove of the record. Then retighten the set screw.

The adjustment of the ratchet DF on rod DE (BE in bottom view); the selector crank CC on the switch button shaft; the small casting on the straight end of DC (BD in bottom view); and the selector crank CC on the selector CD are limited and obvious to the authorized repair man, from the description of cycle.

## REPLACING MOTOR

Remove idler wheel and the three motor mounting screws. Be sure to save metal bushing spacers, which slip inside of rubber grommets. These prevent rubber from being squeezed out of shape which would prevent proper cushioning of motor. Place motor of

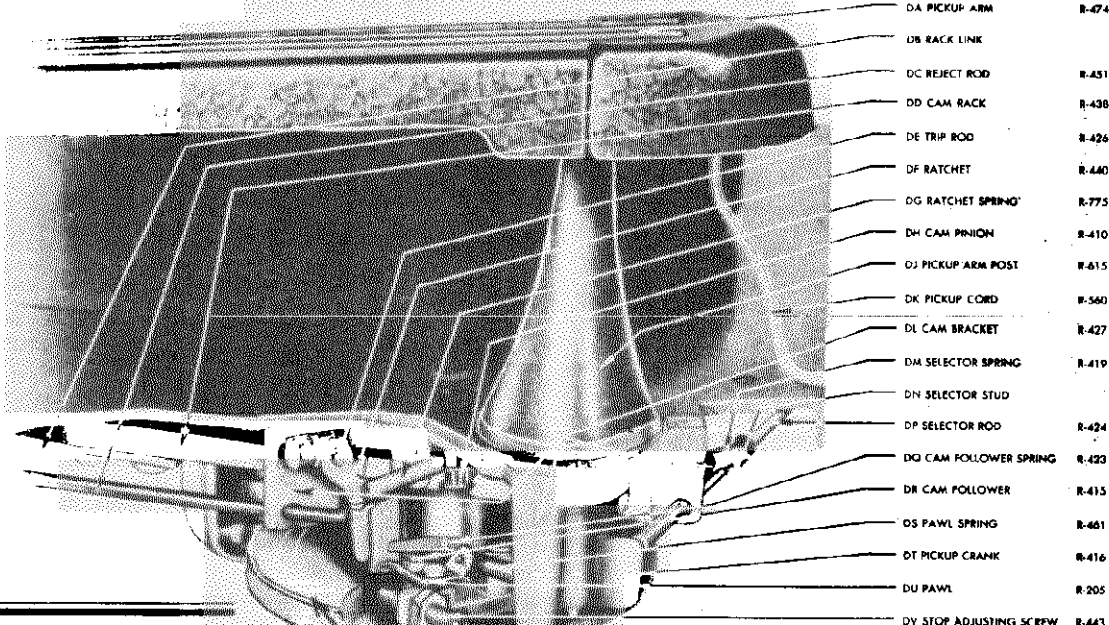
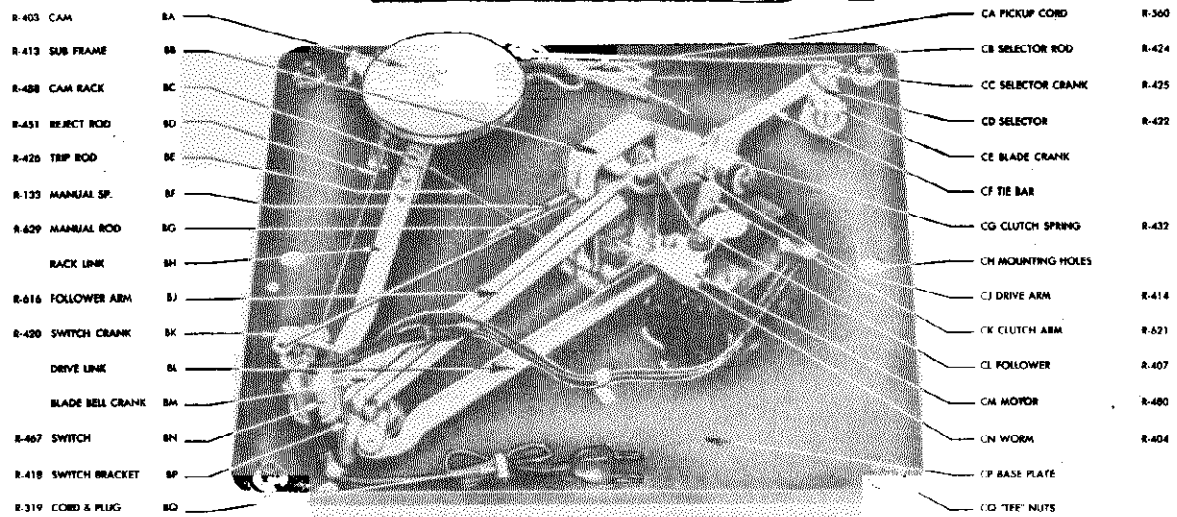
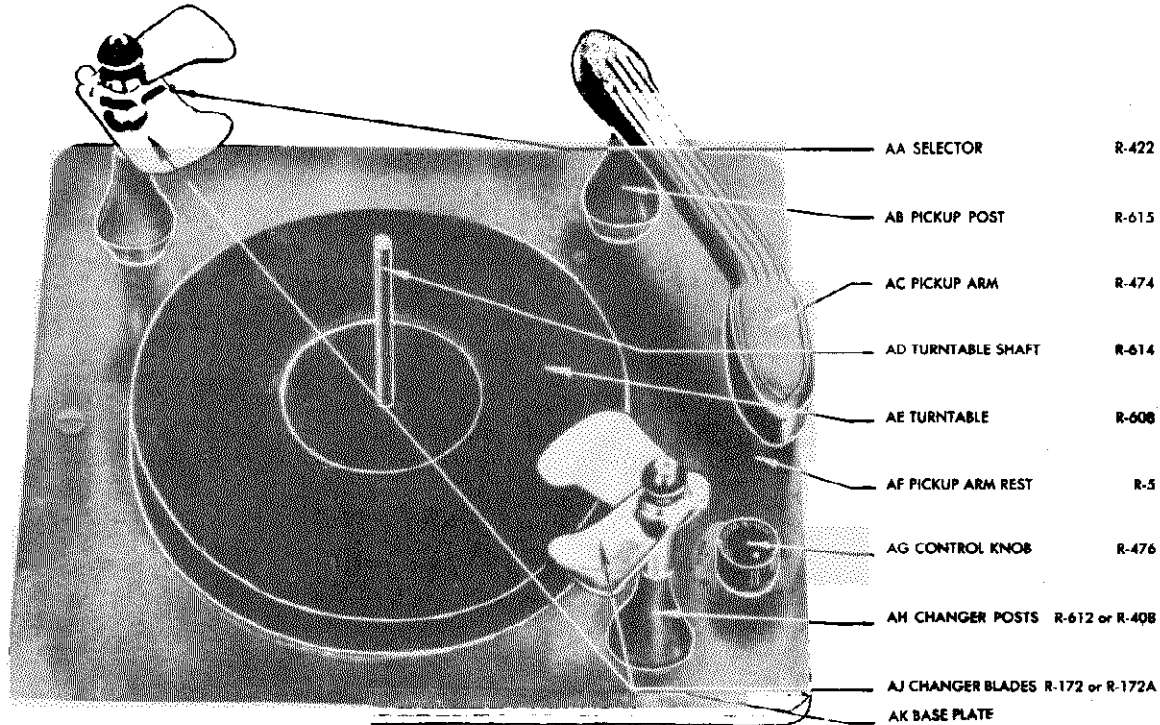
proper rating in same position as present motor and replace spacers, washers and screws as before.

## LUBRICATION

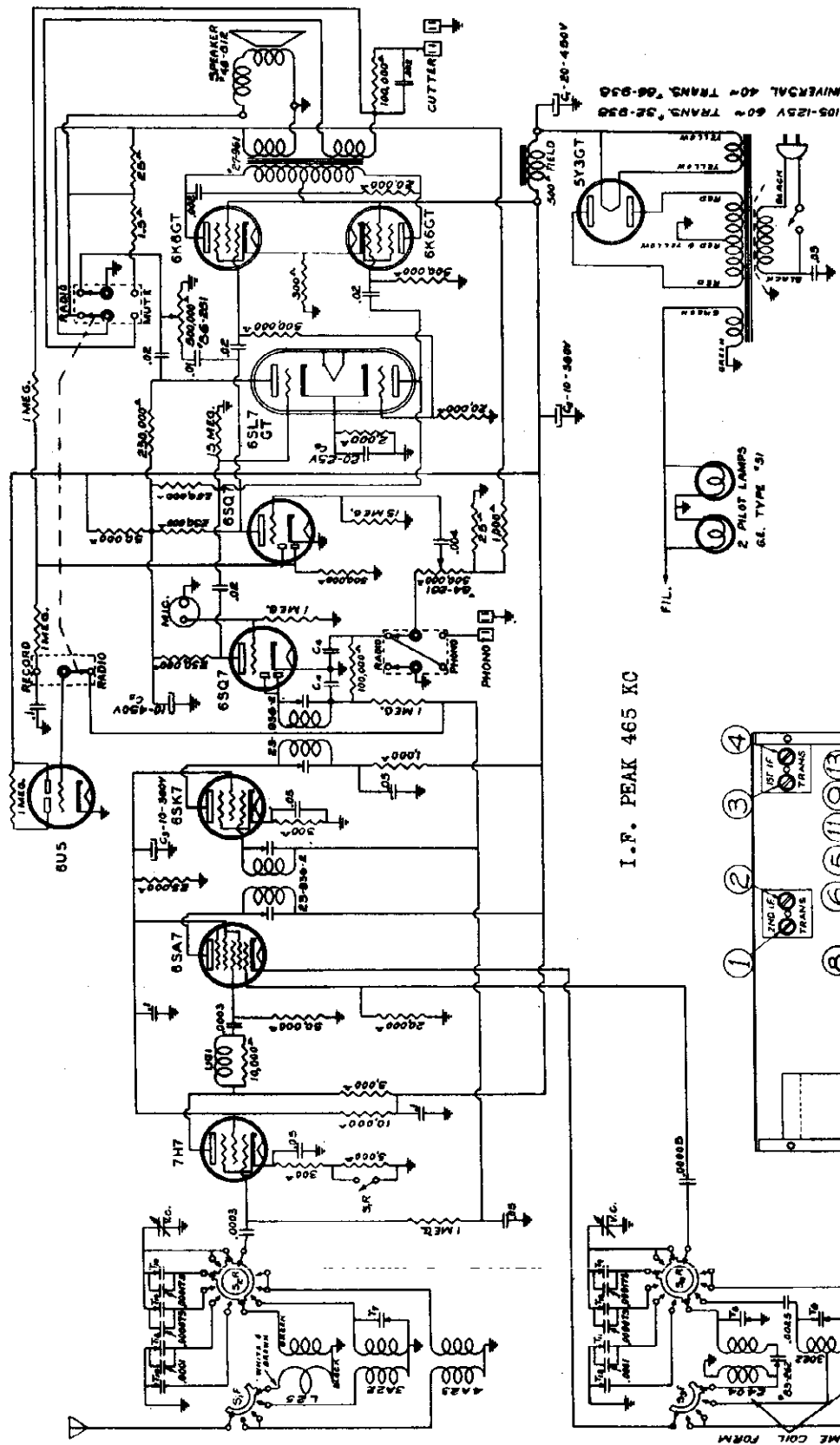
No lubrication should be necessary. However, in case of squeaks or stiffness of operation a drop of any good light machine oil on each of the bearings on the spindle worm, motor, and at other pivot points should be applied. Also, a light application of grease to the worm itself might help.

MODEL 718-X

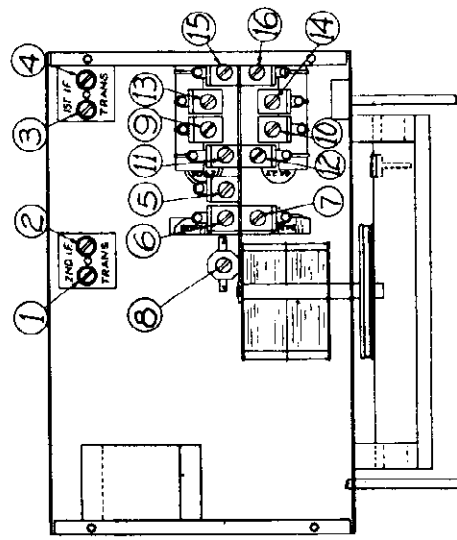
HOWARD RADIO CO.



HOWARD RADIO CO.



I. F. PEAK 465 KC



- VC - VARIABLE CONDENSER # 70-870
- C<sub>1</sub>, C<sub>2</sub> - ELECT. CONDENSER # 51-266
- C<sub>3</sub> - DUAL CONDENSER # 15-283 (200MMF)
- T<sub>1</sub>, T<sub>2</sub>, T<sub>3</sub>, T<sub>4</sub>, T<sub>5</sub> - TRIMMER COND. # 07-262
- S<sub>1</sub>, ETC. - SECTION ONE FRONT-BAND SWITCH # 58-914
- .001M., .000075M., .000175M. - SILVER MICA CONDENSERS
- C<sub>4</sub>, C<sub>5</sub> - ELECT. COND. # 53-266

S<sub>1</sub> - REAR OF SECTION ONE OF BAND SWITCH, SHORTS OUT 5,000Ω RESISTOR ON BANDS B, C & D.

ON SAME COIL FORM

MODEL 810

HOWARD RADIO CO.

EQUIPMENT REQUIRED:

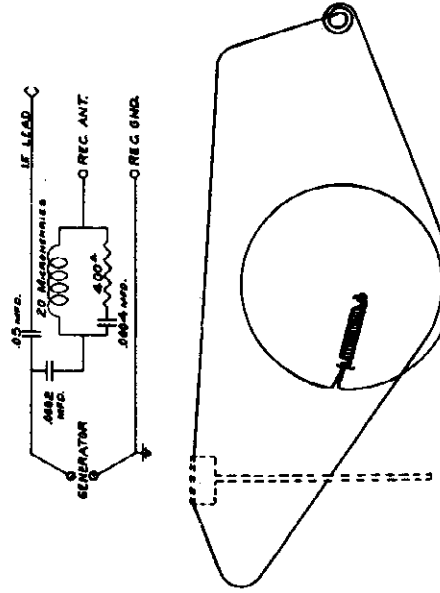
1. Signal generator to accurately cover the alignment frequencies shown in the table.
2. Output Meter (0 to 3 V. AC, if used in voice coil circuit).
3. Dummy Antenna. Although the values as shown in the table for antenna load may be satisfactory, we urgently recommend the circuit below to properly take care of the frequencies for correct alignment.

START ALIGNMENT WITH:

Volume control full "ON" to right and Band Switch in "A" Band position. After checking for pointer travel to last line above 550, set dial to point where there is no interference with generator signal and proceed with I.F. alignment.

NOTE THAT THIS IS A SPREAD BAND RECEIVER AND THE ALIGNMENT PROCEDURE IS NOT CONVENTIONAL. ONE SET OF COILS COVERS TWO SHORT WAVE BANDS WHICH ARE SPREAD BY MEANS OF PADDING CIRCUITS.

NOTE ALSO THAT A SETTING POINT FOR THE DIAL HAND POSITION IS GIVEN ON A DIFFERENT BAND OTHER THAN THE BAND BEING ALIGNED AND THE FREQUENCY SETTING OF THE GENERATOR. THIS IS NECESSARY TO OBTAIN THE PROPER BAND-SPREAD.



CONDENSER GANG IN MAXIMUM POSITION

LAYOUT SHOWING HOW TO ASSEMBLE DIAL CABLE ON MODEL 800-809 ETC, VERTICAL MOUNTING.

SOCKET VOLTAGE READINGS FOR MODEL 810

\* Socket Terminal Number

Voltage taken from ground with voltages at 117 volts AC. Drop across speaker field 55 V. Use at least a 1000 Ohm per Volt Meter. High voltage reading off rectifier 315 V.

TUBE	FUNCTION	CATH.	SG.	PLATE
6S7GT	R.F.	1 4	100 6	255 8
6SA7GT	Converter		100 4	260 3
6SK7GT	I.F.	3	100 6	255 8
6SQ7	Det.			85 6
6SQ7	Mic. Amp.			75 6

ALIGNMENT PROCEDURE FOR MODEL 810 SPREAD BAND

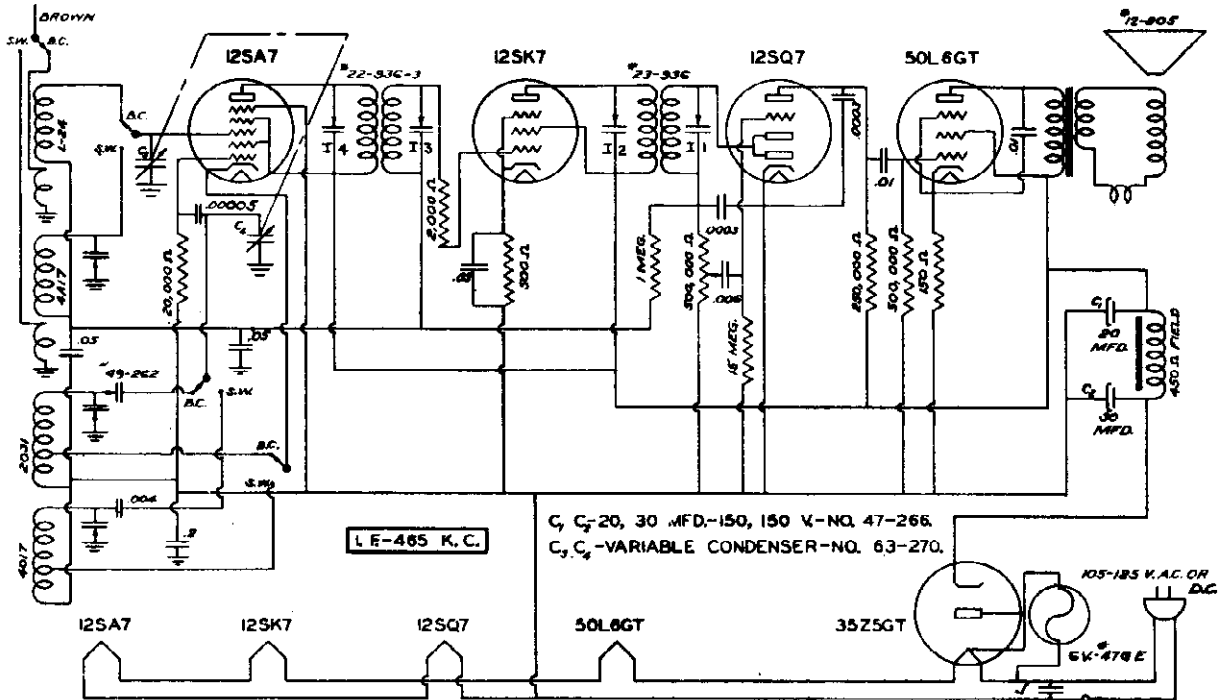
DUPPLY ANTENNA	SIG. GEN. CONNECTION TO	GEN. FREQ.	BAND SW. POSITION	DIAL SETTING	ORDER OF TRIMMER ADJUSTMENTS	TRIMMER FUNCTION	SEE NOTE
.05 Mfd.	Grid of 6SA7	465 KC	"A" Band	Off Station	See Pictorial ① ② ③ ④	I. F. peak to max. output	1
400 Ohm Resistor	Ant.	1400 KC	"A" Band	1400 KC	See Pictorial ⑤	BC Osc.	-
"	"	600 KC	"A" Band	600 KC	⑥ Rock Dial	BC Osc. Pad.	-
"	"	5 MC	"B" Band	5 MC	⑦ then ⑧	Pol. Band Osc. - Ant. Check Image at 4.1	-
"	"	10 MC	"C" Band	15.6 MC on "D" Band	⑨ then ⑩	⑨ Osc. Pad. ⑩ Ant. Pad.	2
"	"	12 MC	"C" Band	12 MC	⑪ then ⑫	⑪ Osc. Trimmer ⑫ Ant. Trimmer	2
"	"	16 MC	"D" Band	2.4 MC on "B" Band	⑬ then ⑭	⑬ Osc. Pad. ⑭ Ant. Pad.	3
"	"	20 MC	"D" Band	20 MC	⑮ then ⑯	⑮ Osc. Trimmer ⑯ Ant. Trimmer	3

NOTE 1: The I.F. adjustments are reached through holes in top of cans on under side of chassis.

NOTE 2: Trimmers 11 and 12 set to minimum capacity temporarily; peak 9 and 10. Then peak 11 and 12. Check dial calibration at 9, 10, and 12 MC.

NOTE 3: Trimmers 15 and 16 set to minimum capacity temporarily; peak 13 and 14. Then peak 15 and 16. Check dial calibration at 15, 16, 18, and 20 MC.

HOWARD RADIO CO.



VOLUME CONTROL AND SWITCH-NO. 69-281

TUNING RANGES = 540 to 1720 KC and 4.6 to 16 MC (178-550 and 18-65 Meters)

I. F. 465 KC TYPE Conventional POWER OUTPUT - (MAX.) 1 Watt UPO .5 W.

SPEAKER = Electro-dynamic SIZE = 5" V.C. IMP. (400CPS) = 5 Ohms FIELD = 450 Ohms

ALIGNMENT PROCEDURE

Wave-Band Switch Position	Position of Dial Pointer	Signal Generator Frequency	Signal Generator Connection	See Note	Trimmers Adjusted (In order shown)	Trimmer Function	Check for Image at
KC	540	465	Grid of 12SA7	A	I <sub>1</sub> , I <sub>2</sub> , I <sub>3</sub> , I <sub>4</sub>	IF	
MC	14 MC	14 MC	Ant. (Brown)	B	O <sub>5</sub> , A <sub>6</sub>	Osc. Ant.	13 MC
KC	1400 KC	1400 KC	Ant. (Brown)		O <sub>7</sub>	Osc.	

A- Each step of the alignment should be repeated in the original order for greater accuracy. Keep output from Signal Generator low. The I.F. trimmers are reached through the two holes in the top of each I.F. can.

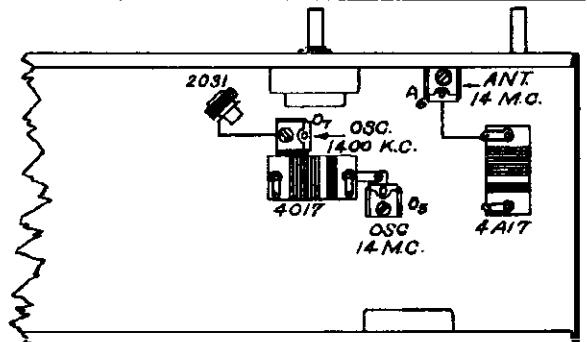
B- When aligning the short wave bands, do not adjust to the IMAGE frequency. For example, if the adjustment is correctly made at 14 MC, then a weaker image will be heard at 13,070 KC, in other words 930 KC less on the dial.

The tubes are connected in series in the order as shown by the schematic diagram.

The dual section filter condenser has a common negative, but note that it does not return to ground as the can is insulated from the chassis.

TUBE	FUNCTION	CATH.	SG.	PLATE
12SA7	Mixer	*	92 4	92 3
12SK7	I.F. Amp	2.1 5	92 6	92 8
12SQ7	Det.			42 6
50L6GT	Output	6 8	92 4	82 3
35Z5GT	Rectifier	121 8		

\* Socket Terminal Number.



SOCKET VOLTAGE READINGS

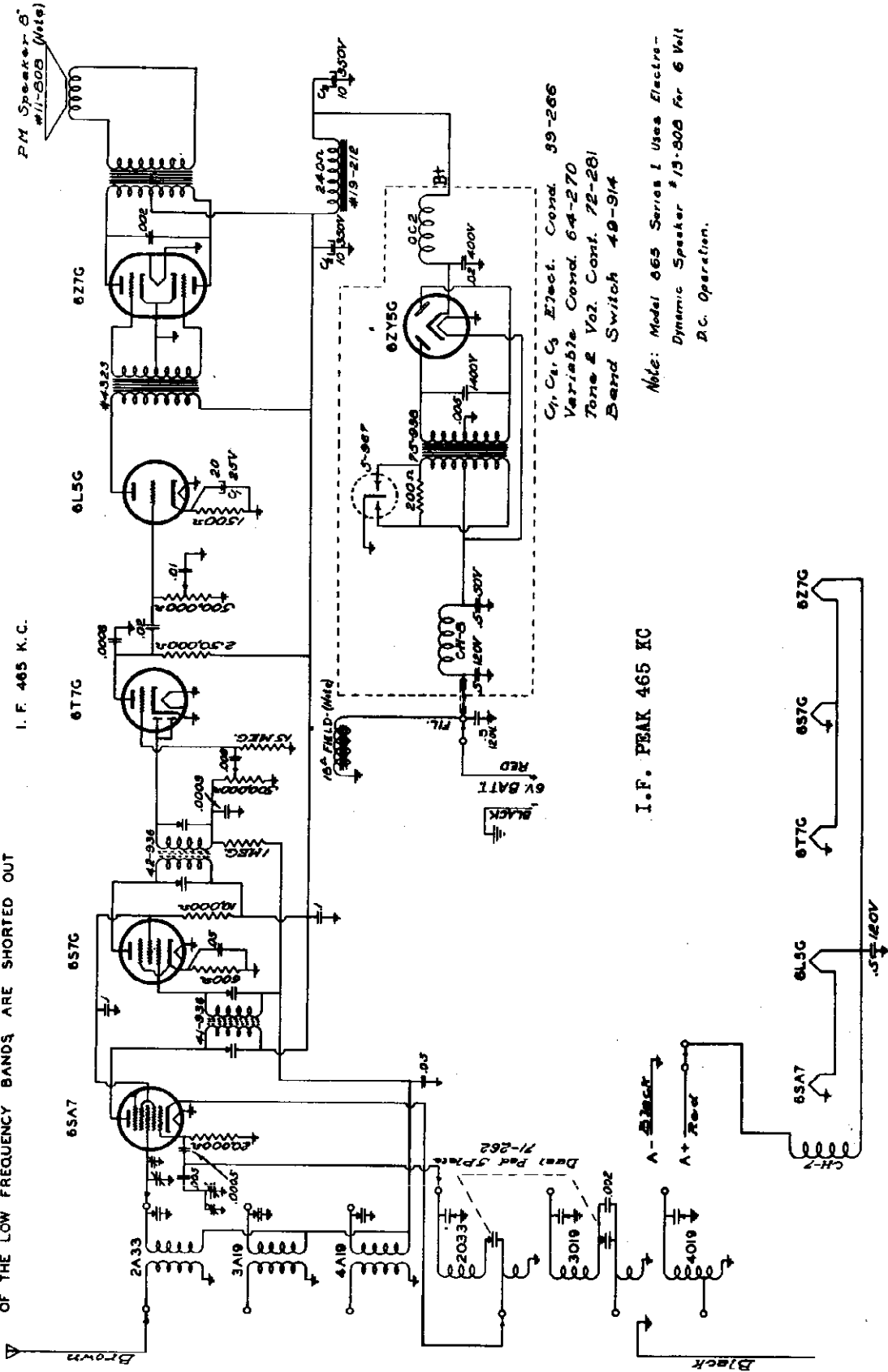
Voltage taken from B- with line voltage at 117 V. A.C.  
 High voltage reading off rectifier = 115V.  
 Drop across speaker field = 29V.  
 Use at least a 1000 Ohm per volt meter.  
 High voltage reading off rectifier = 121V.

MODEL 865

HOWARD RADIO CO.

AS SWITCH IS SET TO HIGHER FREQUENCY BANDS THE SECONDARY COILS OF THE LOW FREQUENCY BANDS ARE SHORTED OUT

I. F. 465 K.C.



Note: Model 865 Series I uses Electro-Dynamic Speaker #13-808 for 6 Volt D.C. Operation.

C<sub>1</sub>, C<sub>2</sub>, C<sub>3</sub> Elect. Cond. 99-266  
 Variable Cond. 6-4-270  
 Tone & Vol. Cont. 72-281  
 Band Switch 40-914

I.F. PEAK 465 KC

Brown

Black

HOWARD RADIO CO.

MODEL 865  
MODEL 868

POWER SUPPLY = 6 Volt Battery Supply

MODEL 865

DRAIN = 2.6 Amps.

ANTENNA SYSTEM = Conventional. Connect Antenna to BROWN lead. Connect Ground to BLACK lead.

TUNING RANGES = 540 to 1700 KC, 2.2 to 7 MC, 7 to 22 MC.

I.F. = 465 KC.

TYPE = Iron Core

POWER OUTPUT = (MAX.) = 2 WATTS.

CONTROLS: Lower Left, Volume; Middle left, Tone; Upper left, On-Off;  
Lower Right, Band Switch; Middle Right, Tuning; Upper right, Band Spread.

TUNING SYSTEM:

Horizontal dial, string drive, fly wheel tuning. Band Spread with 320 degree disc indicator.

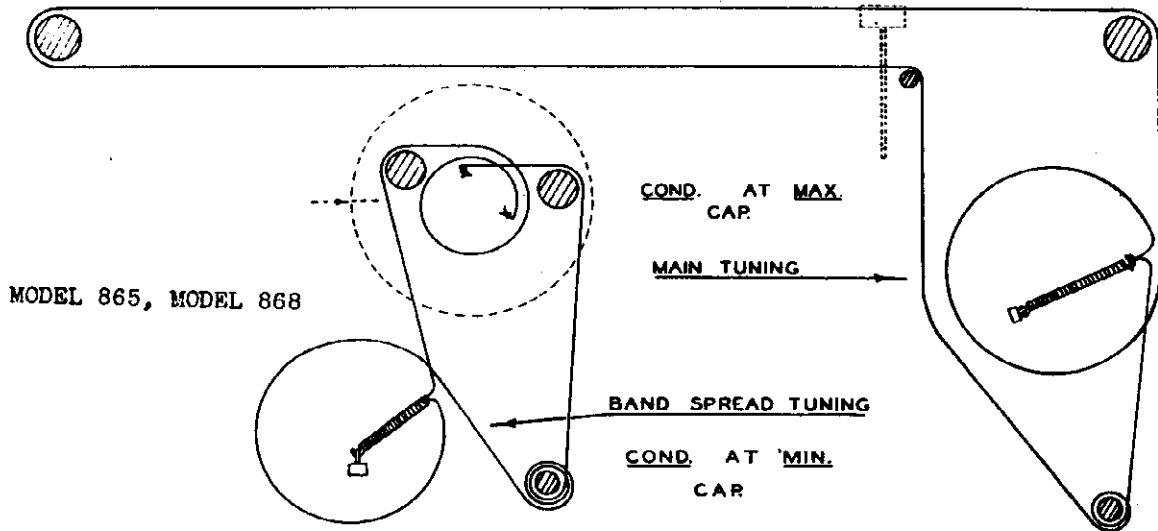
SPEAKER = Electro dynamic

SIZE = 8"

VOICE COIL = 3 OHMS (400 CPS)

FIELD = 15 OHMS

STRING LAYOUT INTERNATIONAL SERIES



MODEL 865  
ALIGNMENT PROCEDURE

See Fig. 1 and Fig. 2.

Wave-Band Switch Position	Position of Dial Pointer	Generator Frequency	Generator Connection	See Note	Trimmers Adjusted (In order shown)	Trimmer Function
Broadcast	Max. Cap.	465 KC	Converter Grid	A, D	I <sub>1</sub> , I <sub>2</sub> , I <sub>3</sub> , I <sub>4</sub>	IF
7-22 MC	21	21 MC	Ant. (Brown)	B	O <sub>5</sub> , A <sub>6</sub>	Osc., Ant.
2.2-7 MC	6	6 MC	" "	"	O <sub>7</sub> , A <sub>8</sub>	Osc., Ant.
2.2-7 MC	2.2	2.2 MC	" "	C	P <sub>9</sub>	Osc. Pad.
Broadcast	1400	1400 KC	" "	"	O <sub>10</sub> , A <sub>11</sub>	Osc., Ant.
Broadcast	600	600 KC	" "	C	P <sub>12</sub>	Osc. Pad.

A--Each step of the alignment should be repeated in the original order for greater accuracy. Keep output from Signal Generator low. The I.F. trimmers are reached through the two holes on the top of each I.F. can.

B--When aligning the short wave bands, do not adjust to the IMAGE frequency. For example, if the adjustment is correctly made at 21 MC, then a weaker image will be heard at 21,000 KC less 930 KC, or about 20,070 KC on the dial.

C--When adjusting this pad, move the tuning hand back and forth and adjust padder until the peak of greatest intensity is obtained.

D--See that the tuning hand is set exactly on the last line above 540 when the condenser is at maximum capacity.

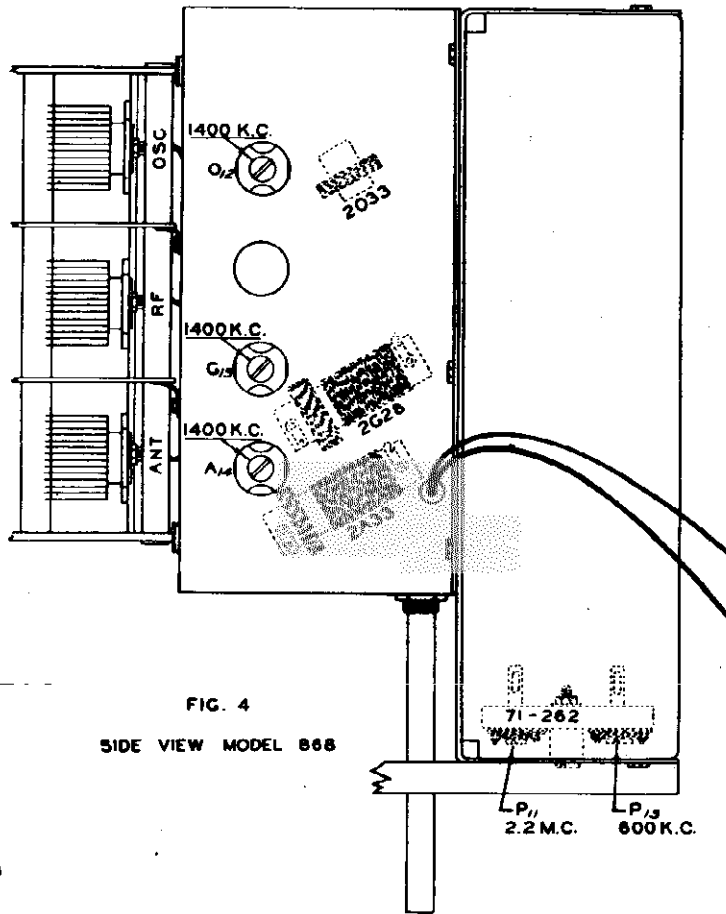
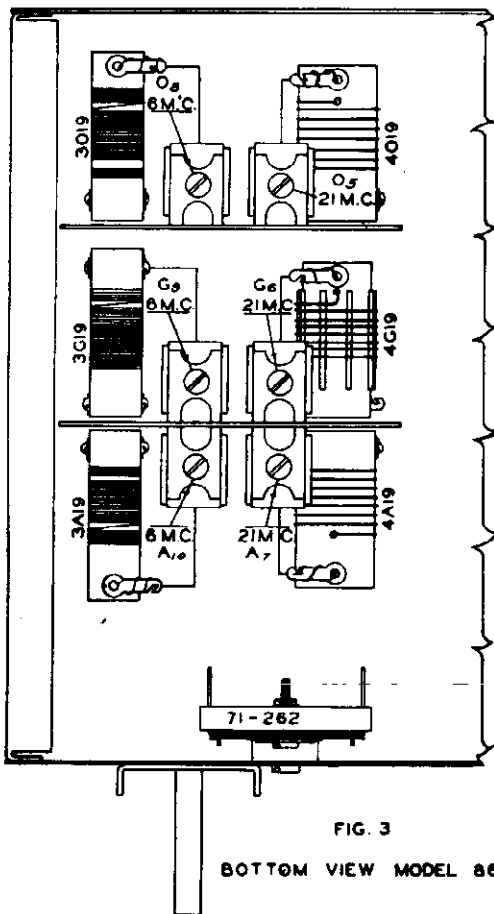
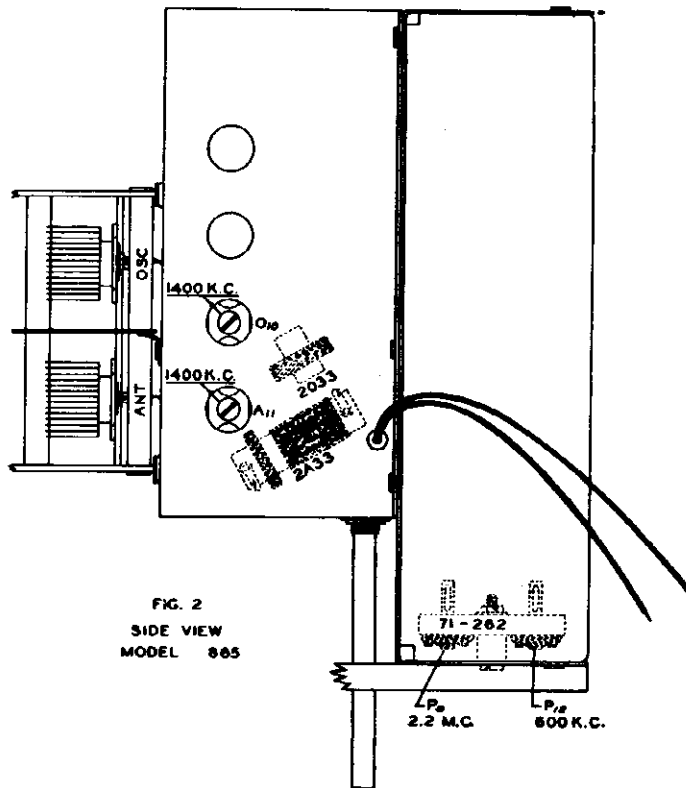
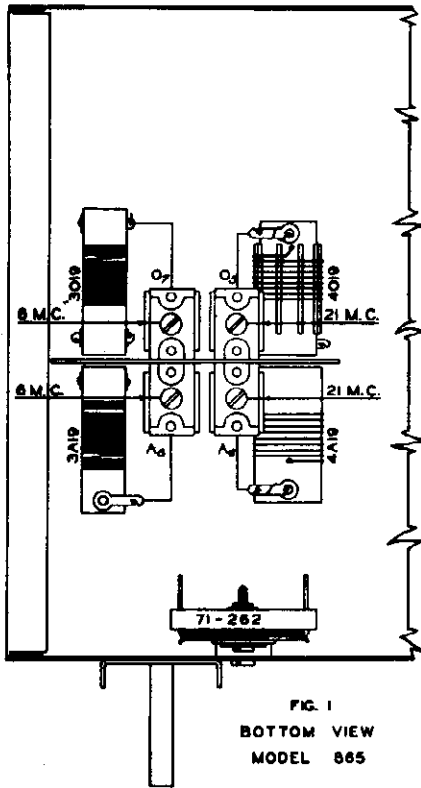
SOCKET VOLTAGES  
MODEL 865, 6 Volt

TUBE	FUNCTION	CATHODE	SCR. GRID	PLATE
68A7	Mixer	3	70	145
687G	IF	3	70	145
6T7G	Det.	x	x	50
6L5G	Audio	6 V. Bias	x	145
6Z7G	PP Output	x	x	140



MODEL 865  
MODEL 868

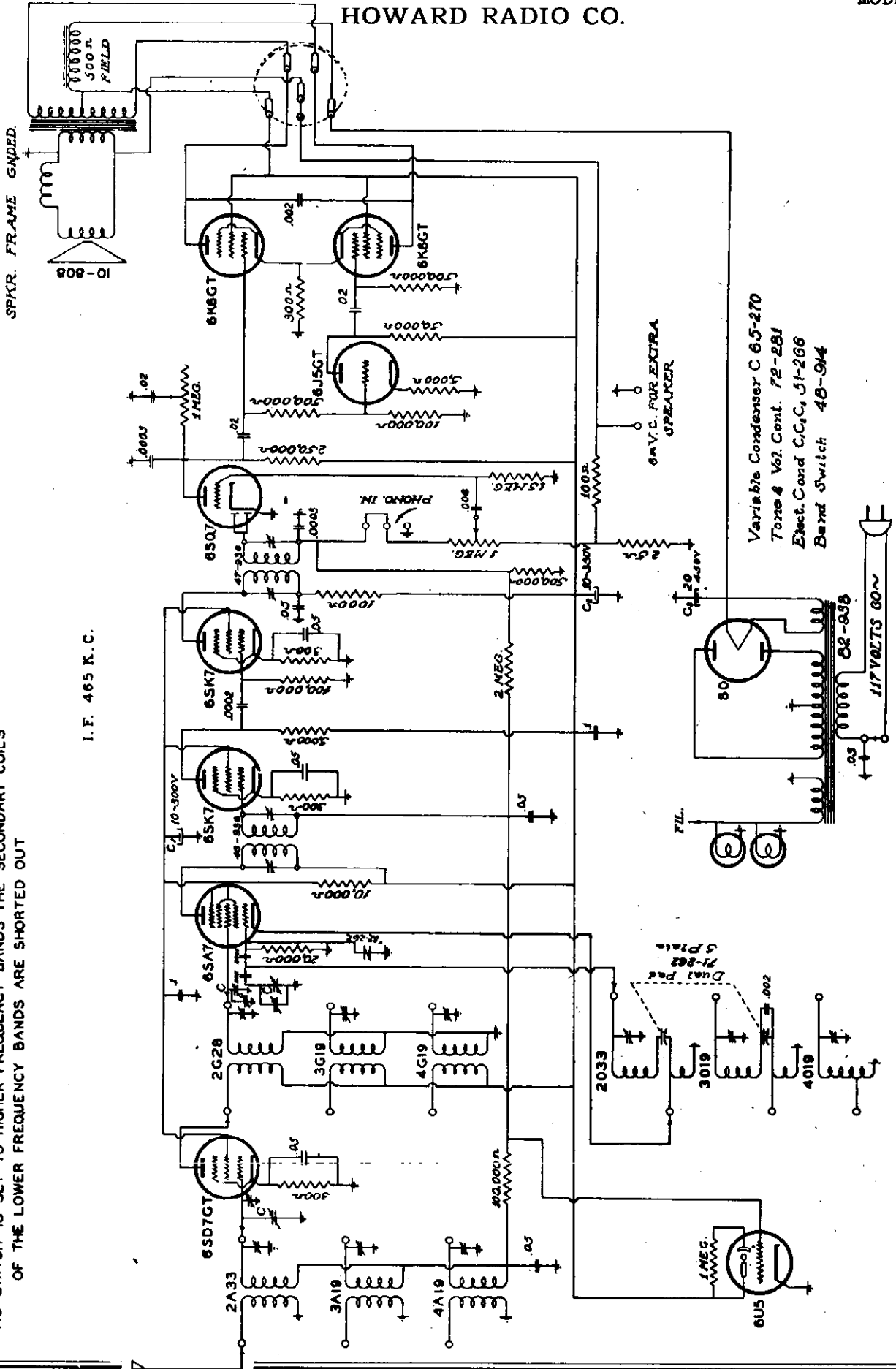
HOWARD RADIO CO.



HOWARD RADIO CO.

AS SWITCH IS SET TO HIGHER FREQUENCY BANDS THE SECONDARY COILS OF THE LOWER FREQUENCY BANDS ARE SHORTED OUT

I. F. 465 K. C.



Variable Condenser C 65-270  
Tone & Vol. Cont. 72-281  
Elect. Cond C<sub>6</sub>C<sub>7</sub> 51-266  
Band Switch 48-914

5 Plate  
71-262  
Dual Pad

PTL.

2.5 V.  
100.000  
C<sub>1</sub> 10-300V  
C<sub>2</sub> 20  
C<sub>3</sub> 20  
117VOLTS 60~

MODEL 868

HOWARD RADIO CO.

POWER SUPPLY-(Standard Models) = 105-125 V. 60 Cycle

CONSUMPTION - 95 WATTS

ANTENNA SYSTEM = Conventional. Connect Antenna to BROWN lead. Connect Ground to BLACK lead.

TUNING RANGES = 540 to 1700 KC, 2.2 to 7 MC, 7 to 22 MC.

I. F. = 465 KC. Two tuned stages and one resistance coupled stage.

POWER OUTPUT = (MAX.) 6 WATTS UPO = 4 W.

CONTROLS: Lower Left: Volume; Middle Left: Tone; Upper Left: Power Off-On;  
Lower Right: Band Switch; Middle Right: Tuning; Upper Right: Band Spread.

TUNING SYSTEM: Horizontal dial, string drive, fly wheel tuning. Band Spread with 320 degree disc indicator.

SPEAKER = Electro dynamic	SIZE = 8"	VOICE COIL = 3 OHMS (400 CPS)	FIELD = 500 OHMS
---------------------------	-----------	-------------------------------	------------------

MODEL 868  
ALIGNMENT PROCEDURE

Wave-Band Switch Position	Position of Dial Pointer	Generator Frequency	Generator Connection	See Note	Trimmers Adjusted (In order shown)	Trimmer Function
Broadcast	Max. Cap.	465 KC	Converter Grid	A, D	I1, I2, I3, I4	IF
7-22 MC	21	21 MC	Ant. (Brown)	B	O5, G6, A7	Osc, RF, Ant.
2.2-7 MC	6	6 MC	" "		O8, G9, A10	Osc, RF, Ant.
2.2-7 MC	2.2	2.2 MC	" "	C	P11	Osc, Pad.
Broadcast	1400	1400 KC	" "		O12, G13, A14	Osc, RF, Ant.
Broadcast	600	600 KC	" "	C	P15	Osc, Pad.

A--Each step of the alignment should be repeated in the original order for greater accuracy. Keep output from Signal Generator low. The I.F. trimmers are reached through the two holes on the top of each I.F. can.

B--When aligning the short wave bands, do not adjust to the IMAGE frequency. For example, if the adjustment is correctly made at 21 MC, then a weaker image will be heard at 21,000 KC less 930 KC, or about 20,070 KC on the dial.

C--When adjusting this pad, move the tuning hand back and forth and adjust padder until the peak of greatest intensity is obtained.

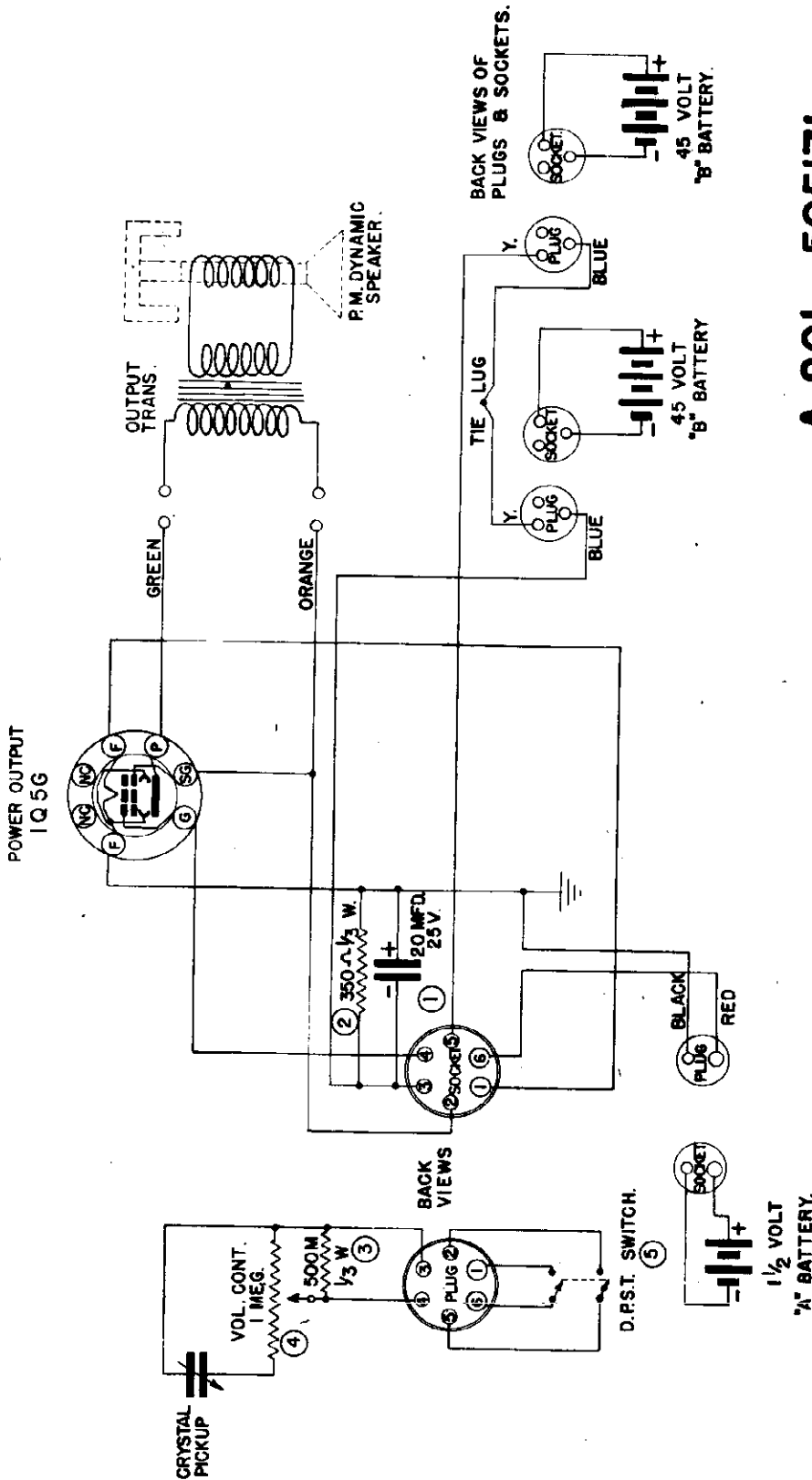
D--See that the tuning hand is set exactly on the last line above 540 when the condenser is at maximum capacity.

MODEL 868  
SOCKET VOLTAGE READINGS

Voltage taken from ground with line voltage at - 120 V.  
High voltage reading off rectifier - 300 V.  
Drop across speaker field - 65 V.  
Voltage taken with 1,000 Ohm per volt meter.

TUBE	FUNCTION	CATH-ODE	SCR. GRID	PLATE	OSC. PLATE	TUBE	FUNCTION	CATH-ODE	SCR. GRID	PLATE	OSC. PLATE
6SD7GT	R.F.	2.5	95	235		6K6GT	Output	17	235	225	
6SA7	Mixer		95	235	95	6K6GT	Output	17	235	225	
6SK7	I.F. Amp.	3	95	195		6J5GT	Inverter	7.5		145	
6SK7	I.F. Amp.	3	95	215		80	Rect.				
6SQ7	Diode-AVC			47		6U5	Tuning Eye			235	

THE MAGNAVOX CO.



# A-201 595171

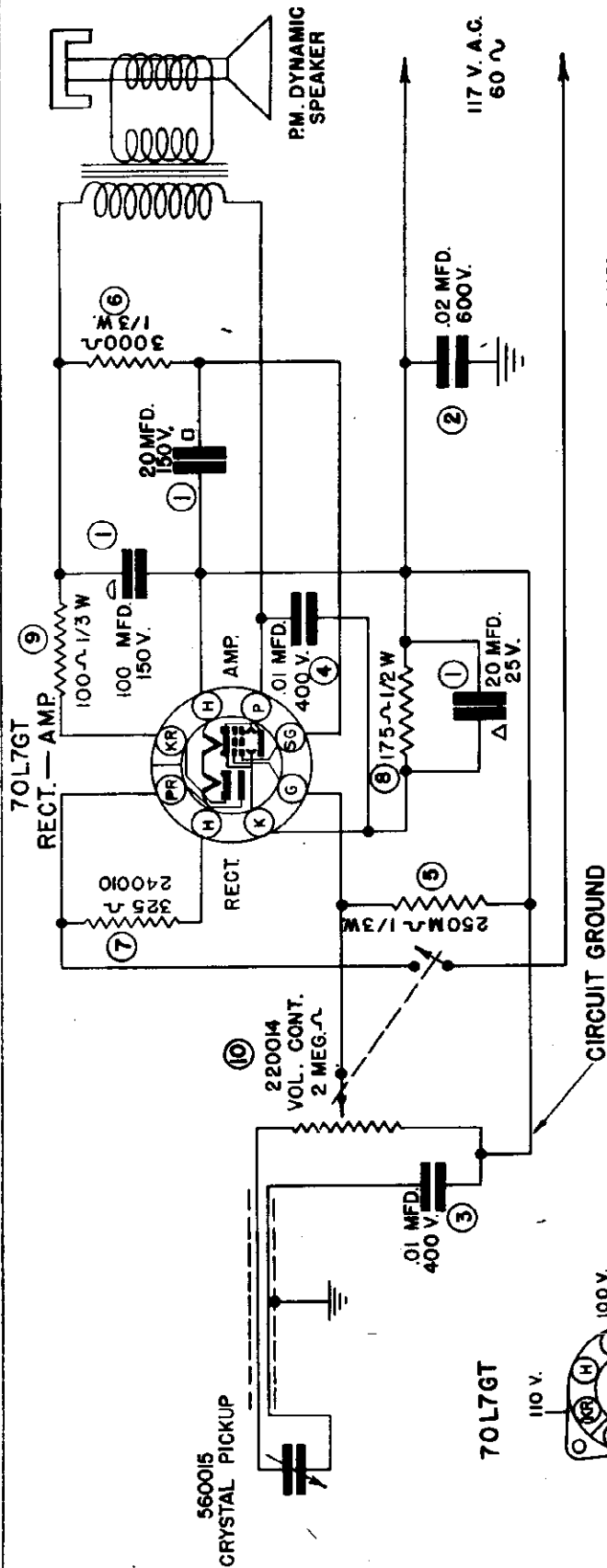
Illus. No.	Part No.	Part Name	Description
1.	273611	Condenser	Molanoite, 20 mfd, 25 V.
2.	230031	Resistor	Carbon, 350 ohm 1/3 W.
3.	239755	Resistor	Carbon, 500,000 ohm 1/3 W.
4.	220016	Control	Volume, 1 megohm
5.	160014	Switch	Off-on switch
	800009	Battery	Complete set of three batteries

**SPECIFICATIONS**

"A" Battery voltage.....	1.5 volt;
"B" Battery voltage.....	90 volt;
"A" Battery drain.....	.10 amp;
"B" Battery drain.....	.011 amp;
Power output.....	.27 watt;
Type tube.....	1Q5G;
Speaker transformer.....	8000 ohms;

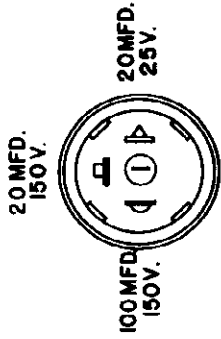
MODEL A-205

THE MAGNAVOX CO.



VOLTAGE TABLE

MEASURE ALL D.C. VOLTAGES FROM SOCKET TERMINALS TO CIRCUIT GROUND (NOT CHASSIS) WITH A 1000 OHM PER VOLT VOLTMETER LINE VOLTAGE 117 V. A.C. - MEASURE THE CATHODES ON 30 VOLT SCALE. ALL OTHERS ON 600 VOLT SCALE.



BOTTOM VIEW OF TUBE

Illus. No. Part No. Part Name Description

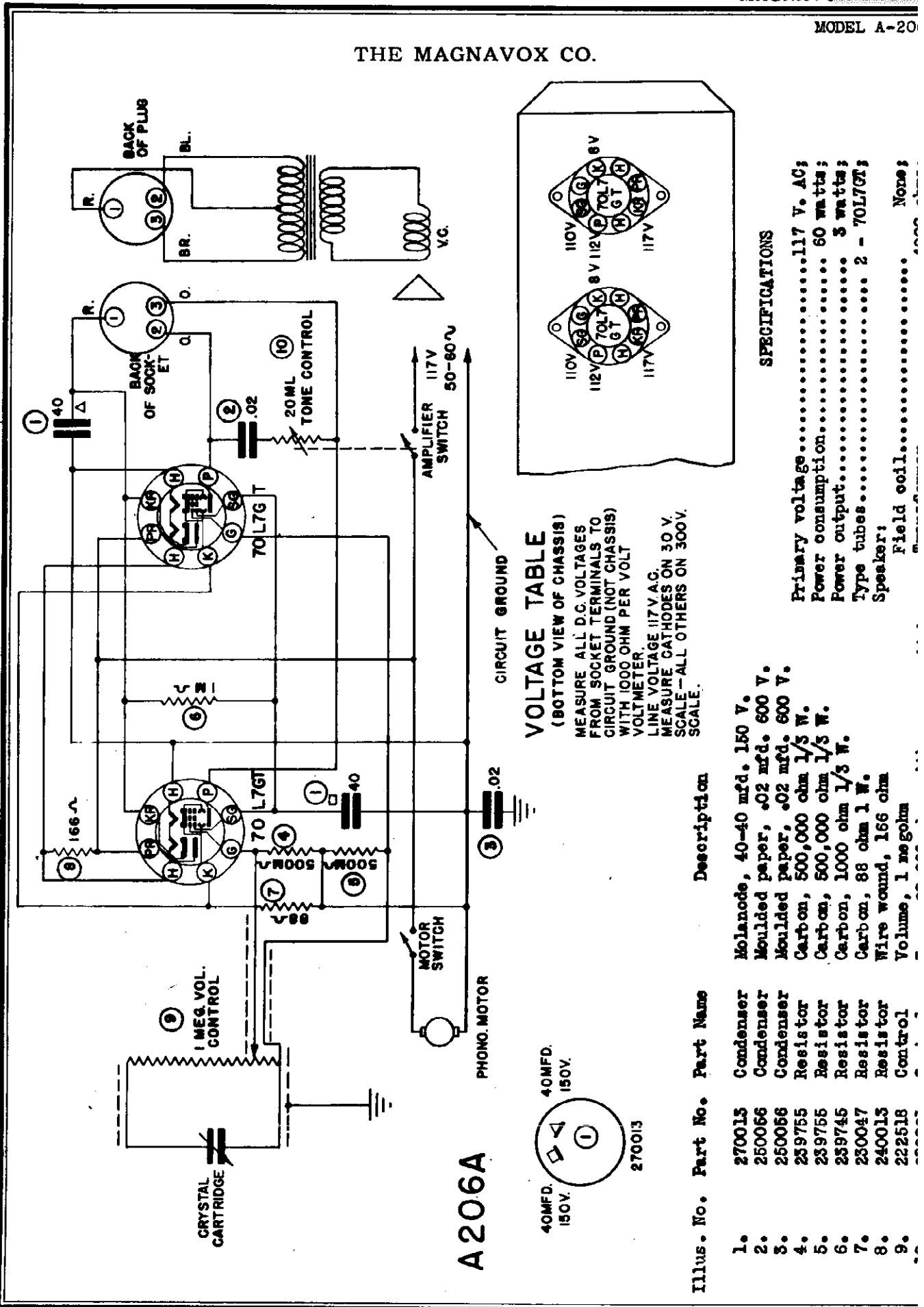
1.	270008	Condenser	Moloxide, 100 mfd, 150 V. 20 mfd, 150 V., 20 mfd, 25 V.
2.	250056	Condenser	Moulded paper, .02 mfd, 600 V.
3.	250054	Condenser	Moulded paper, .01 mfd, 400 V.
4.	250054	Condenser	Moulded paper, .01 mfd, 400 V.
5.	230010	Resistor	Carbon, 250,000 ohm 1/3 W.
6.	230032	Resistor	Carbon, 3000 ohm 1/3 W.
7.	240010	Resistor	Wire wound, 325 ohm ± 10%
8.	230037	Resistor	Carbon, 175 ohm 1/2 W.
9.	239744	Resistor	Carbon, 100 ohm 1/3 W.
10.	220014	Control	Volume, 2 megohm, with power switch

SPECIFICATIONS

Primary voltage.....	117 V. AC;
Power consumption.....	22 watts;
Power output.....	1 1/2 watts;
Type tube.....	1 - 70L7GT;
Speaker:	
Field Coil.....	None;
Transformer.....	3000 ohms;

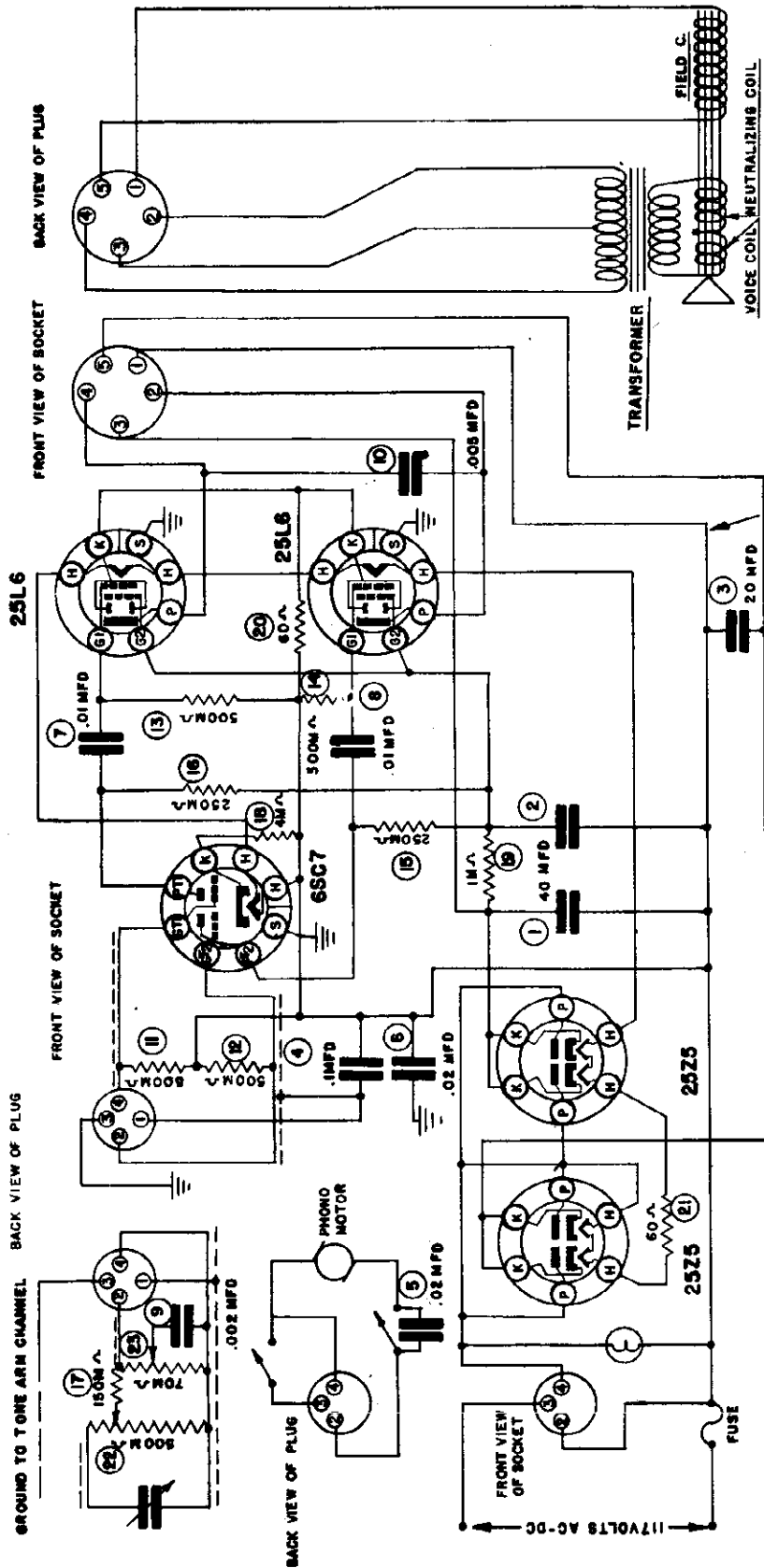
A-205

THE MAGNAVOX CO.



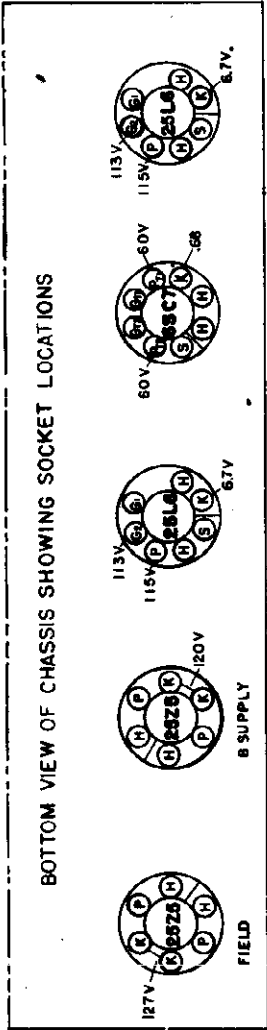
MODEL A-307P5

THE MAGNAVOX CO.



ALL SOCKET VOLTAGES EXCEPT THAT OF CATHODE ARE MEASURED CIRCUIT GROUND TO SOCKET USING THE 800V. SCALE OF A 1000 OHM PER VOLT VOLTMETER  
 LINE VOLTAGE 117V.  
 USE 50VOLT SCALE FOR MEASURING CATHODES

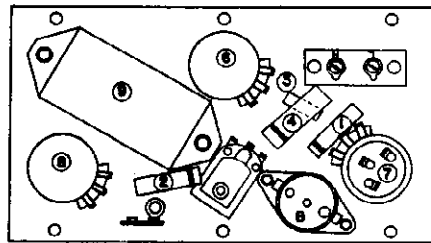
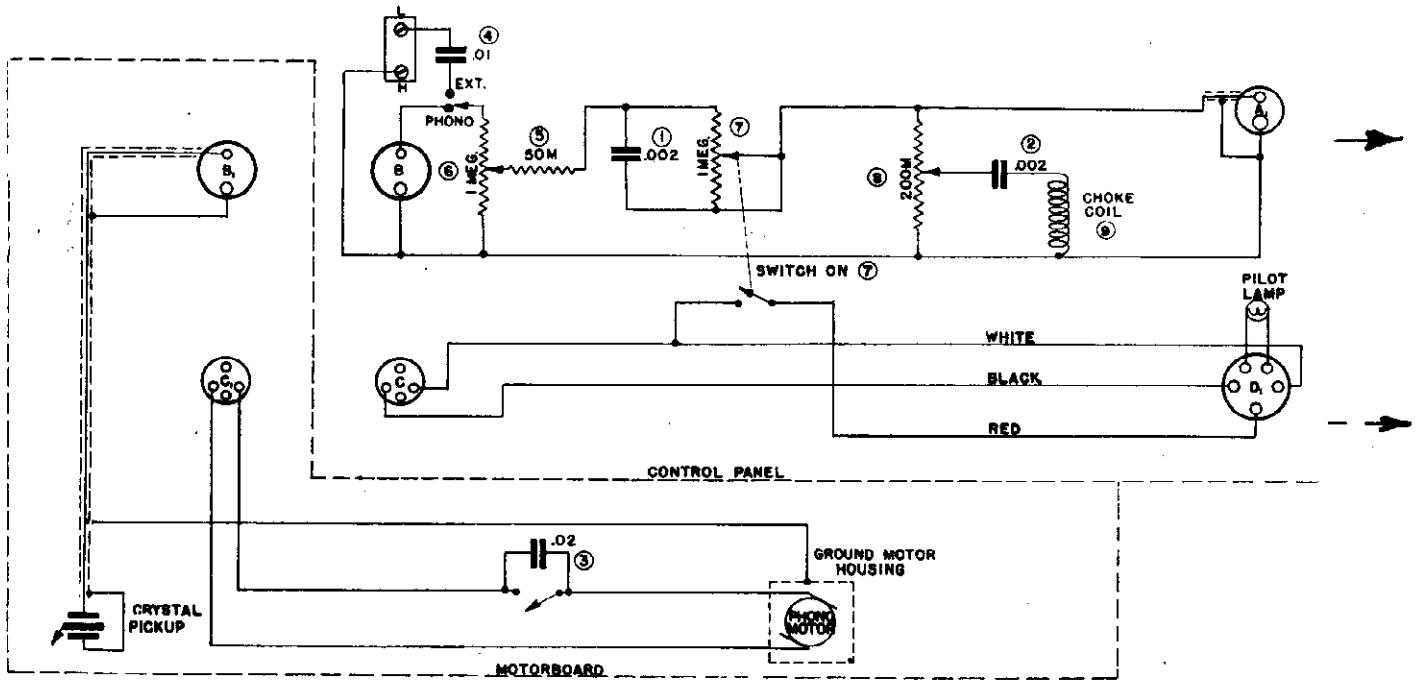
A-307P5



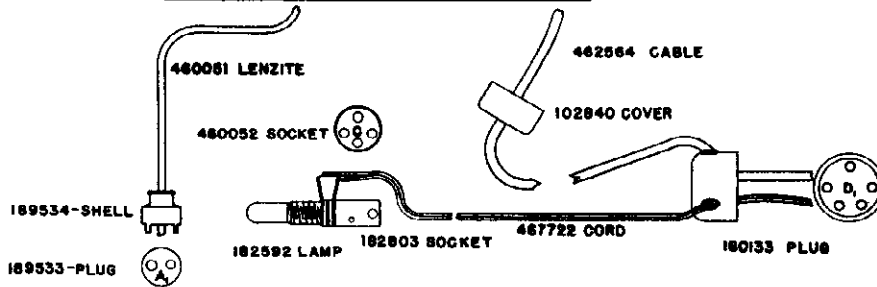
BOTTOM VIEW OF CHASSIS SHOWING SOCKET LOCATIONS

Primary voltage.....	117 V. AC-DC;
Power consumption.....	60 watts;
Power output.....	5 watts;
Type tubes.....	1 - 6SC7; 2 - 25L6; 2 - 25Z5;
Speaker:	
Field Coil.....	1800 ohms ;
Transformer.....	3000 ohms ;

FOR DATA AND PARTS LIST, SEE INDEX



FOR PARTS LIST, SEE INDEX

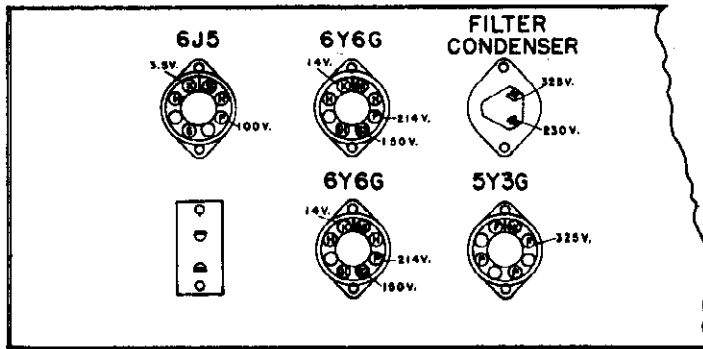
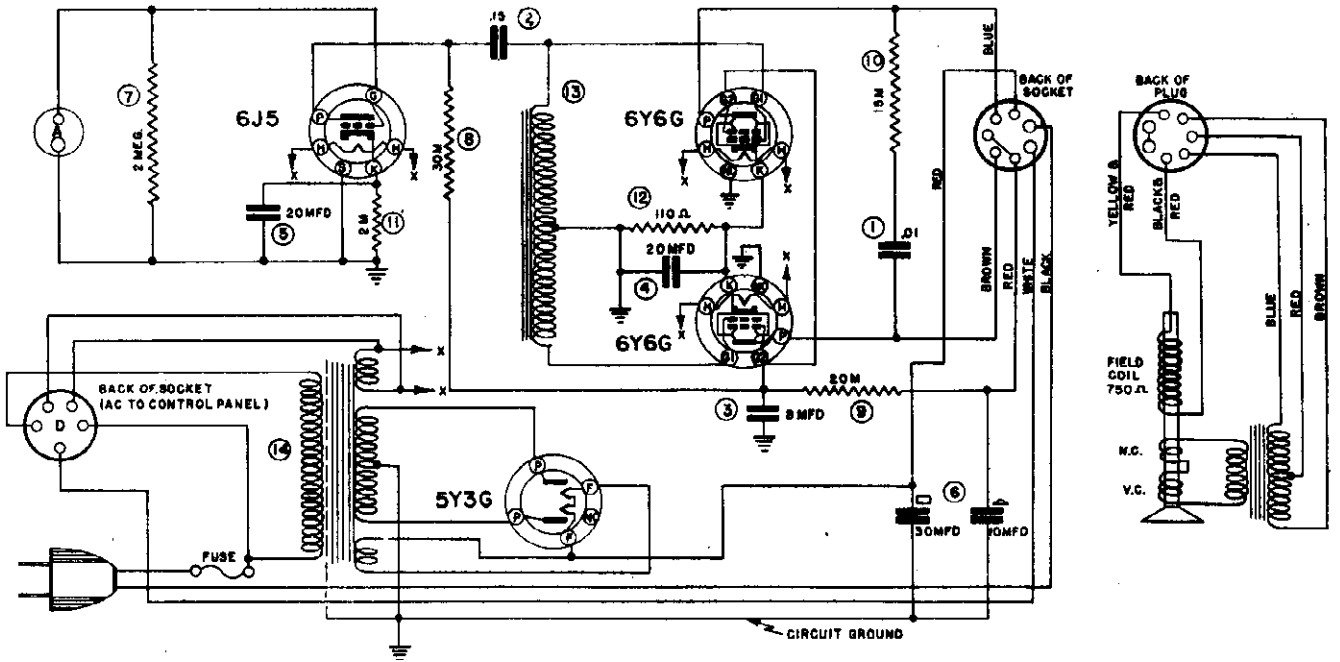


**SPECIFICATIONS**

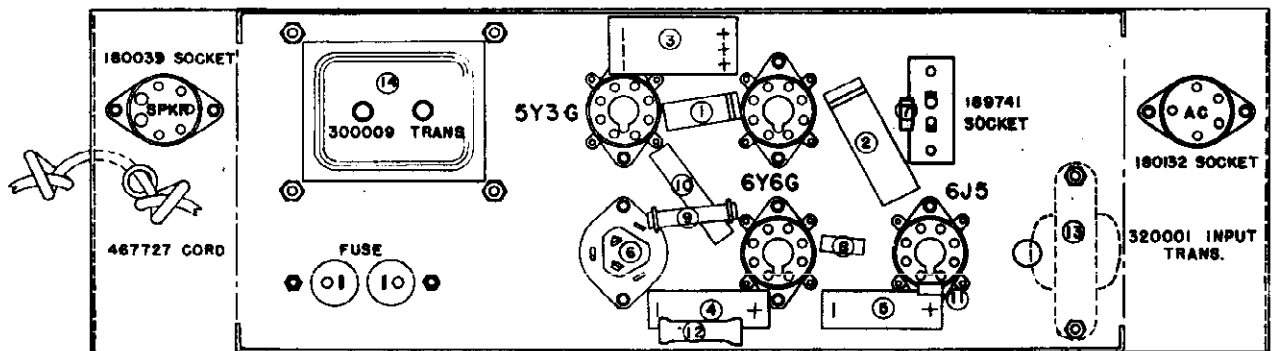
- Primary voltage.....117 V. AC;
- Power consumption.....100 watts;
- Power output..... 14 watts;
- Type tubes:..... 1 - 6J5G; 2 - 6Y6G; 1 - 5Y3G;
- Speaker:
  - Field coil..... 750 ohms;
  - Transformer.....5500 ohms;



E MAGNAVOX CO.

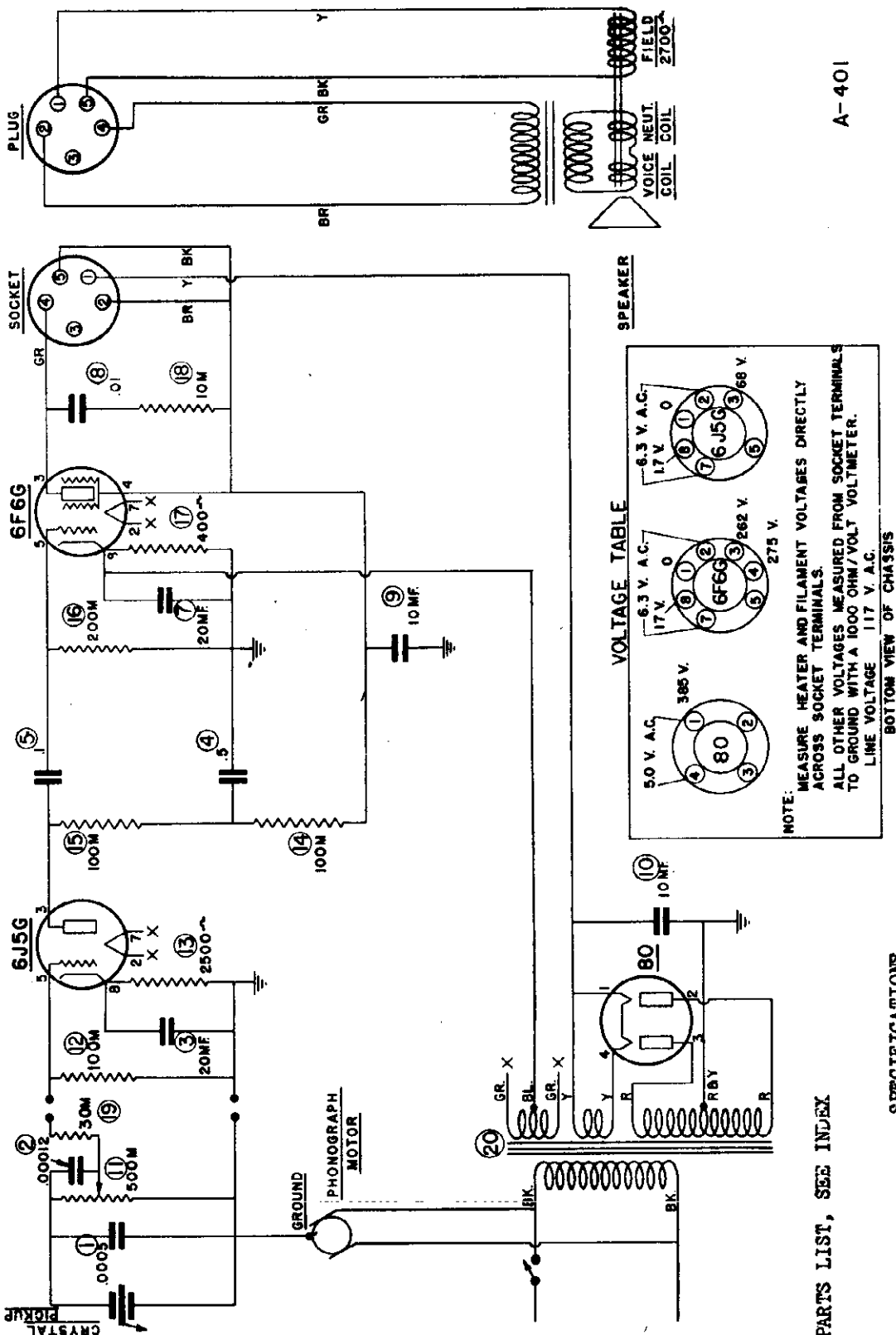


**VOLTAGE TABLE**  
 (BOTTOM VIEW OF CHASSIS)  
 MEASURE ALL D.C. VOLTAGES DIRECT TO CIRCUIT GROUND WITH A 1000 OHM PER VOLT VOLTMETER  
 LINE VOLTAGE 117 VOLTS AC



A-1101

THE MAGNAVOX CO.



FOR PARTS LIST, SEE INDEX

**SPECIFICATIONS**

- Primary voltage.....117 V. AC;
- Power consumption..... 45 watts;
- Power output..... 3 watts;
- Type tubes..... 1 - 6J5G, 1 - 6F6G, 1 - 80;
- Speaker:
- Field Coil..... 2700 ohms;
- Transformer..... 7000 ohms;

Several changes have been made in the values of parts used in this amplifier, since it was first released and it is suggested that the circuit of the amplifier requiring service be checked with the schematic shown in this bulletin and changes made if required.

A-401

MODEL A-307P5  
MODEL A-401

## THE MAGNAVOX CO.

Illus. No.	Part No.	Part Name	Description	MODEL A-401
1.	259774	Condenser	Moulded mica, .0005 mfd.	
2.	259470	Condenser	Tubular, .00012 mfd. 600 V.	
3. 7.	279912	Condenser	Electrolytic, 20-20 mfd. 25 V.	
4.	254147	Condenser	Tubular, .5 mfd. 400 V.	
5.	254158	Condenser	Tubular, .1 mfd. 400 V.	
8.	254158	Condenser	Tubular, .01 mfd. 400 V.	
9. 10.	279911	Condenser	Electrolytic, 10-10 mfd. 450 V.	
11.	223495	Control	Volume, 500,000 ohm	
12.	234445	Resistor	Carbon, 100,000 ohm 1/2 W.	
13.	234427	Resistor	Carbon, 2500 ohm 1/2 W.	
14.	234445	Resistor	Carbon, 100,000 ohm 1/2 W.	
15.	234445	Resistor	Carbon, 100,000 ohm 1/2 W.	
16.	234447	Resistor	Carbon, 200,000 ohm 1/2 W.	
17.	234509	Resistor	Carbon, 400 ohm 2 W.	
18.	234473	Resistor	Carbon, 10,000 ohm 1 W.	
19.	234437	Resistor	Carbon, 30,000 ohm 1/2 W.	
20.	500139	Transformer	Power, 117 V. 60 cycle	

## MODEL A-307P5

If a high resistance A.C. voltmeter is connected between the chassis and ground, a reading will be obtained, however this does not indicate that the amplifier is "hot". This condition is caused by the fact that a .02 mfd. condenser is connected between the chassis and the supply line, therefore a low resistance voltmeter should be used to determine if the amplifier is actually "hot". If a slight shock is felt when the chassis is touched and the amplifier is operating, the supply plug should be reversed in the receptacle to correct this condition. This could happen only if the amplifier was connected to an alternating current supply.

Low volume due to low plate voltage may be caused by an open fuse inside one of the 25Z5 tubes and can be checked by replacing the tubes.

Low output with distortion and hum, are most likely due to one or two defective 25L6 tubes.

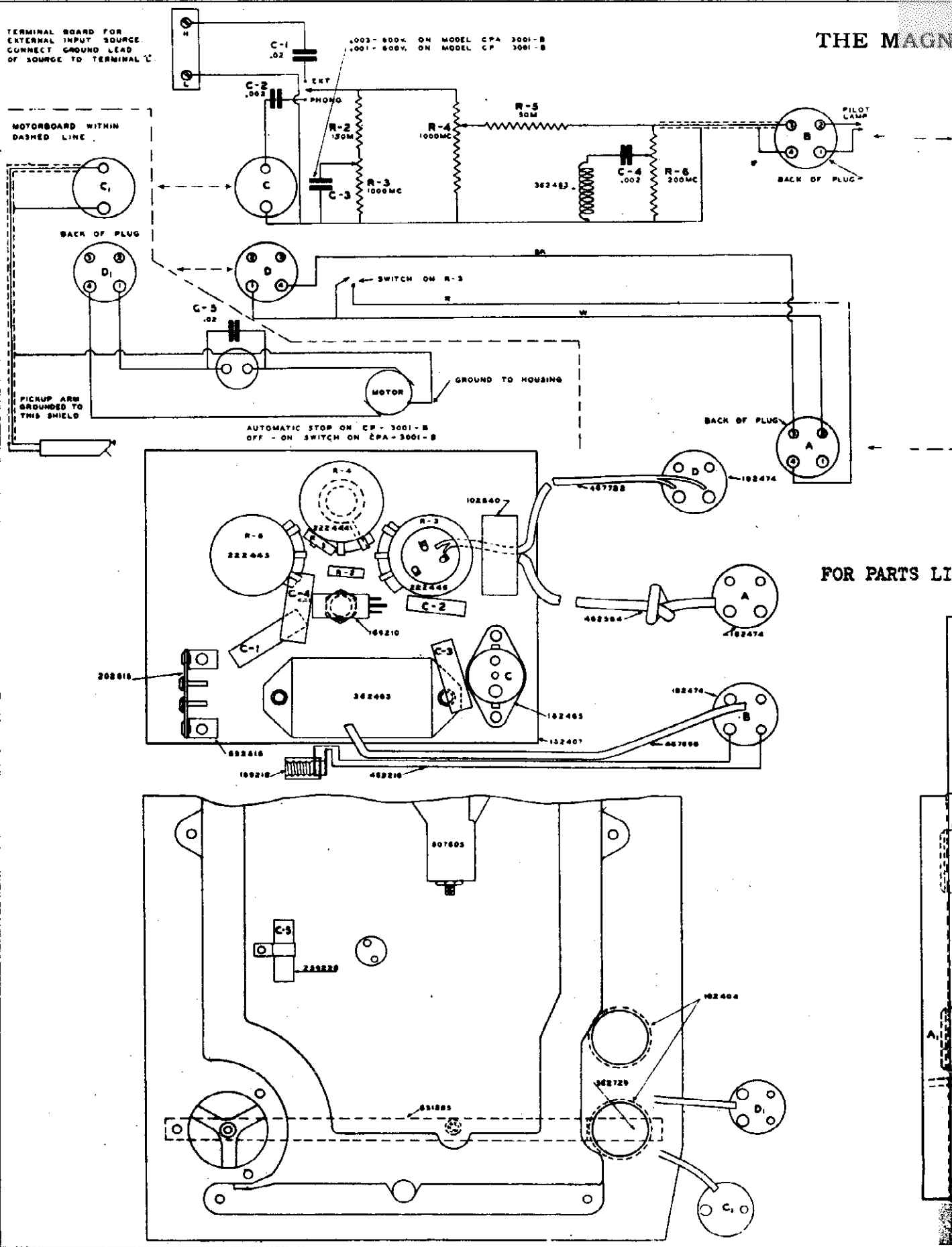
Illus. No.	Part No.	Part Name	Description
1.	270014	Condenser	Molanode, 40 mfd. 150 V.
2.	270014	Condenser	Molanode, 40 mfd. 150 V.
3.	270017	Condenser	Molanode, 20 mfd. 150 V.
4.	254152	Condenser	Tubular, .1 mfd. 200 V.
5.	254127	Condenser	Tubular, .02 mfd. 600 V.
6.	254127	Condenser	Tubular, .02 mfd. 600 V.
7.	254153	Condenser	Tubular, .01 mfd. 600 V.
8.	254153	Condenser	Tubular, .01 mfd. 600 V.
9.	254161	Condenser	Tubular, .002 mfd. 600 V.
10.	254180	Condenser	Tubular, .005 mfd. 600 V.
11.	239755	Resistor	Carbon, 500,000 ohm 1/3 W.
12.	239755	Resistor	Carbon, 500,000 ohm 1/3 W.
13.	239755	Resistor	Carbon, 500,000 ohm 1/3 W.
14.	239755	Resistor	Carbon, 500,000 ohm 1/3 W.
15.	230010	Resistor	Carbon, 250,000 ohm 1/3 W.
16.	230010	Resistor	Carbon, 250,000 ohm 1/3 W.
17.	239785	Resistor	Carbon, 150,000 ohm 1/3 W.
18.	230024	Resistor	Carbon, 4000 ohm 1/3 W.
19.	239745	Resistor	Carbon, 1000 ohm 1/3 W.
20.	234537	Resistor	Carbon, 60 ohm 1 W.
21.	247852	Resistor	Wire wound, 60 ohm W.L.
22.	223086	Control	Volume, 500,000 ohm
23.	220024	Control	Tone, 70,000 ohm, with power switch

TERMINAL BOARD FOR  
EXTERNAL INPUT SOURCE  
CONNECT GROUND LEAD  
OF SOURCE TO TERMINAL 'C'

MOTORBOARD WITHIN  
DASHED LINE

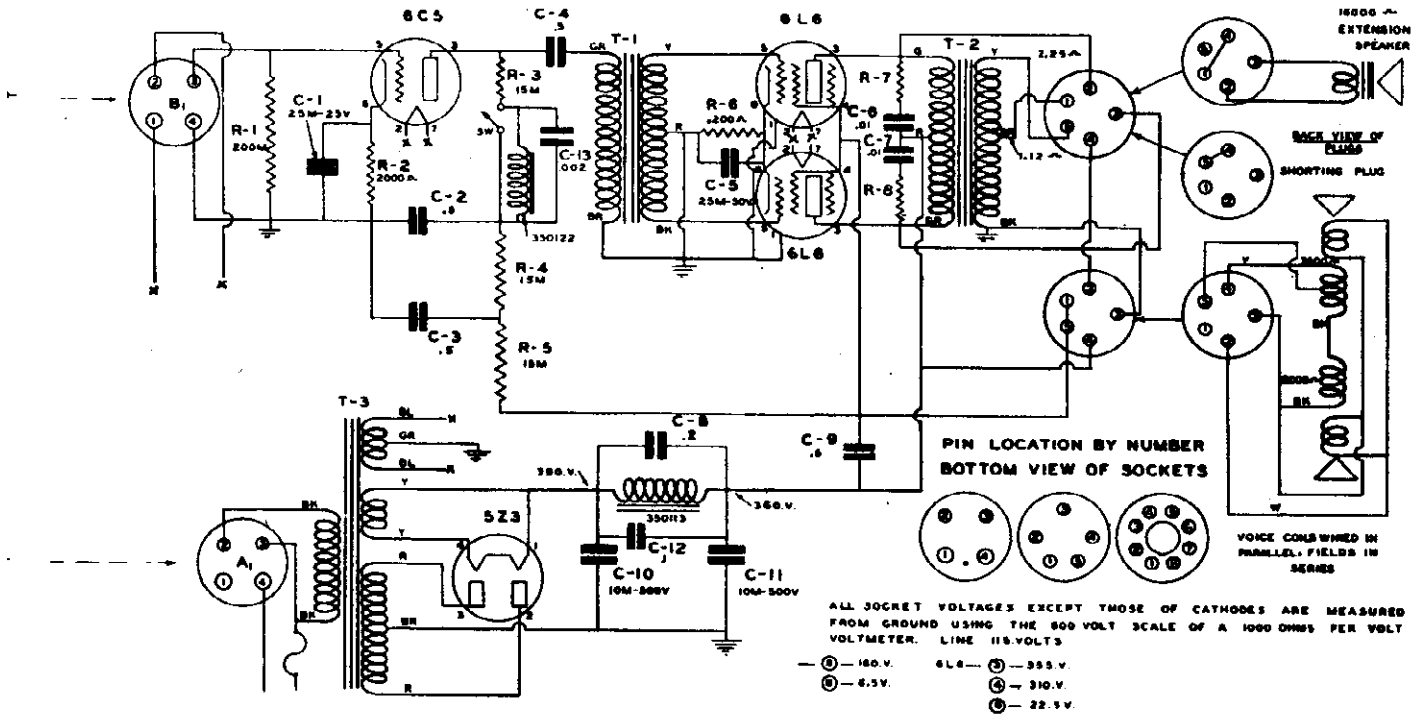
PICKUP ARM  
GROUNDED TO  
THIS SHIELD

AUTOMATIC STOP ON CP - 3001-B  
OFF - ON SWITCH ON CPA - 3001-B

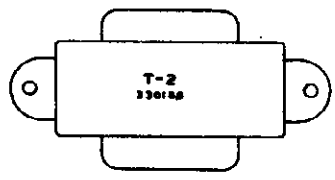


FOR PARTS LIST

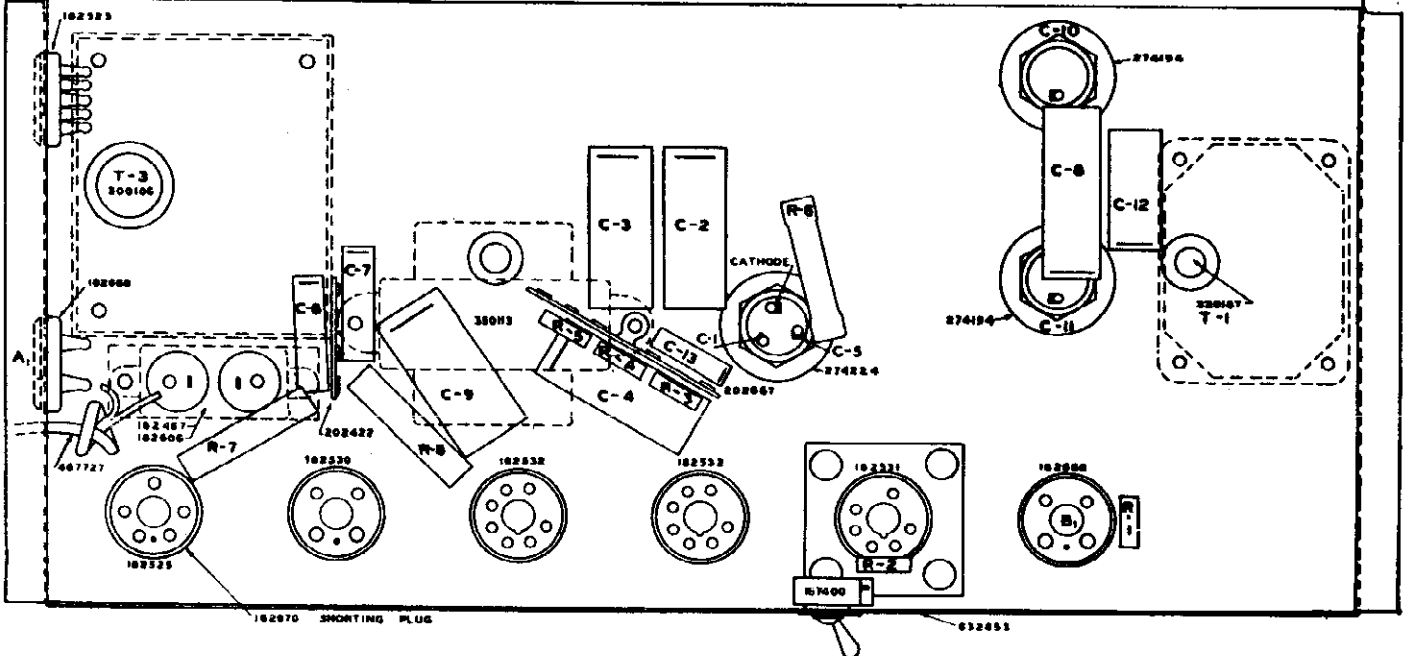
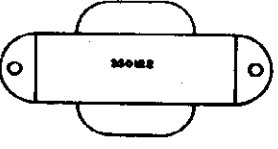
MAGNAVOX CO.



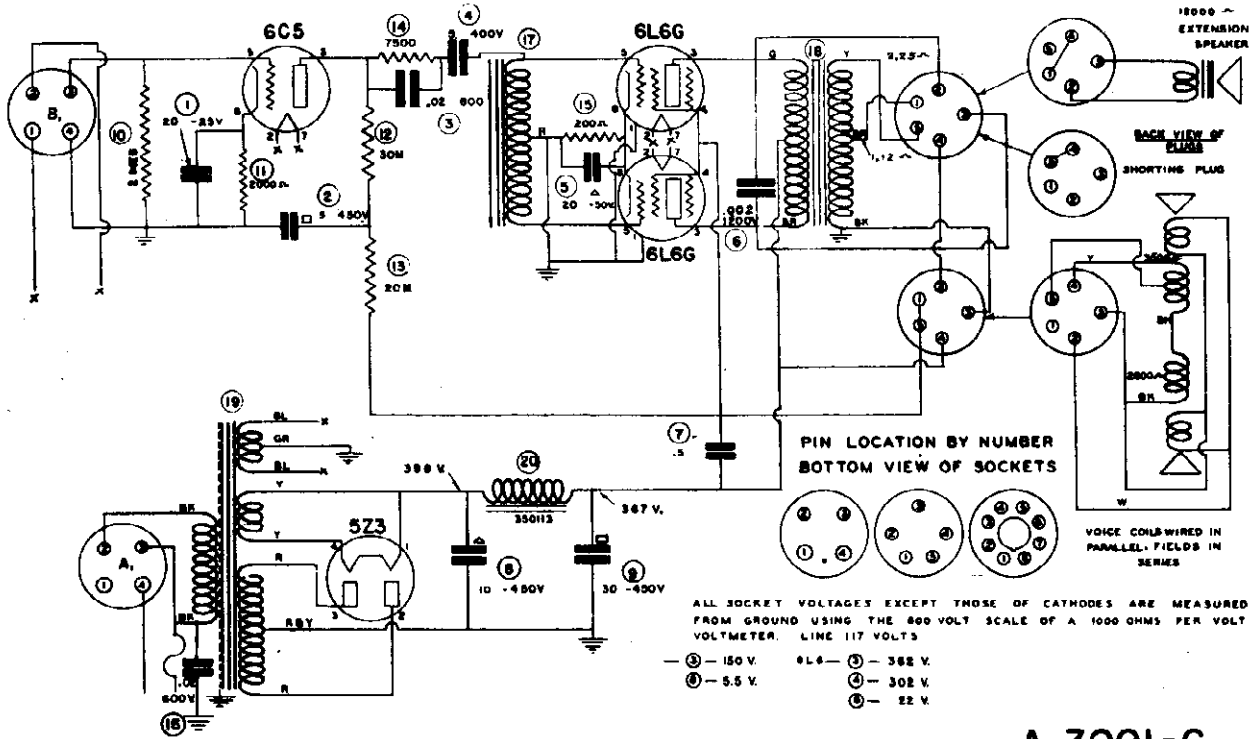
ARTS LIST, SEE INDEX



Primary voltage.....117 V. AC;  
 Power consumption.....134 watts;  
 Input impedance.....200M ohms;  
 Output impedance.....2.25 ohms;  
 Power output..... 25 watts;

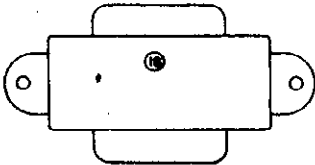


NAVVOX CO.

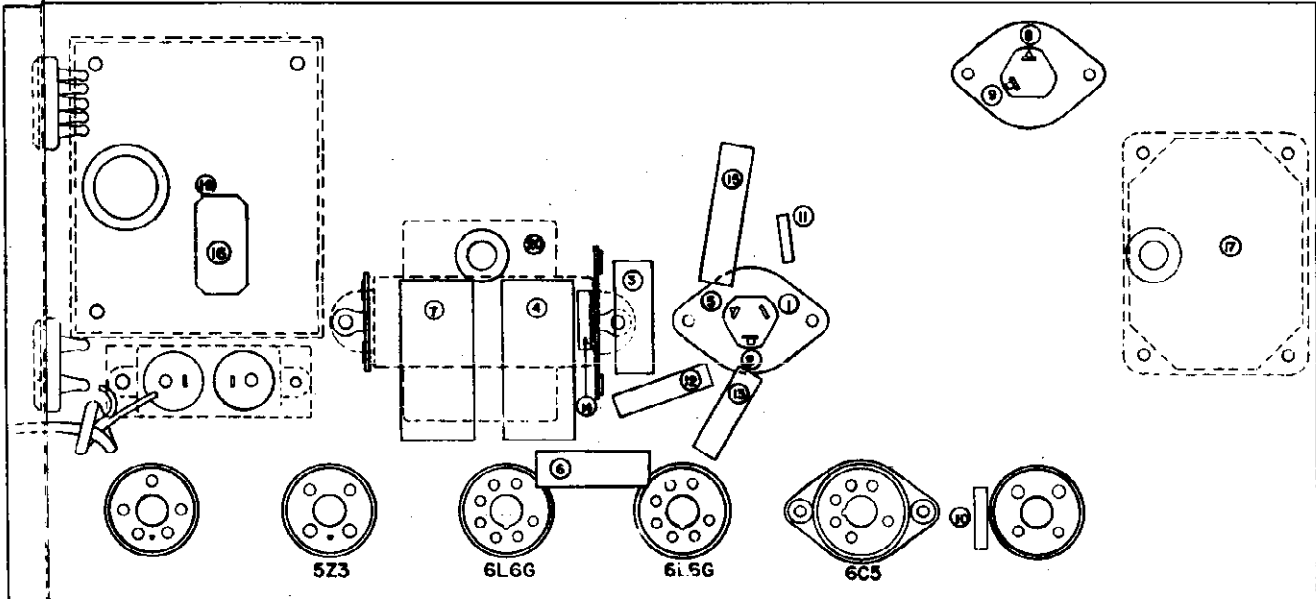


RTS LIST, SEE INDEX

A-3001-C

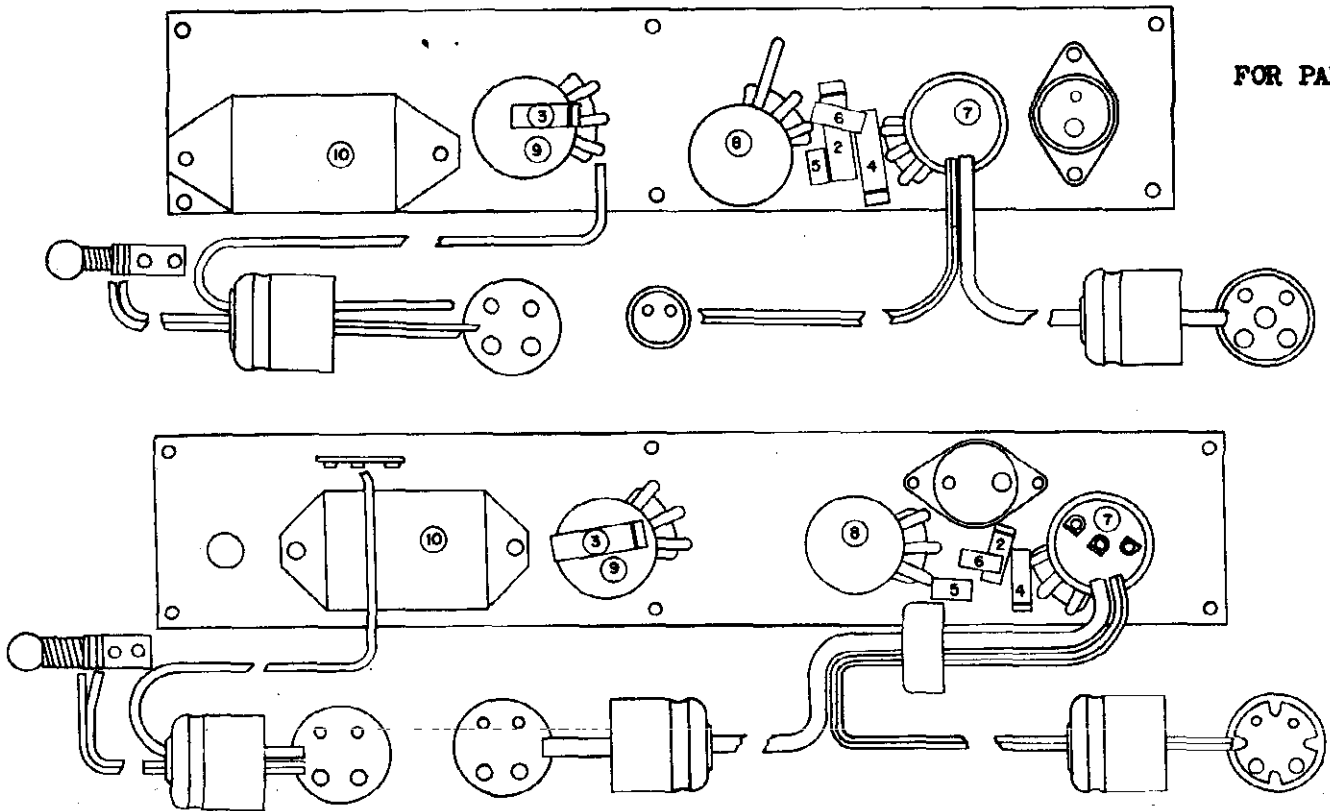
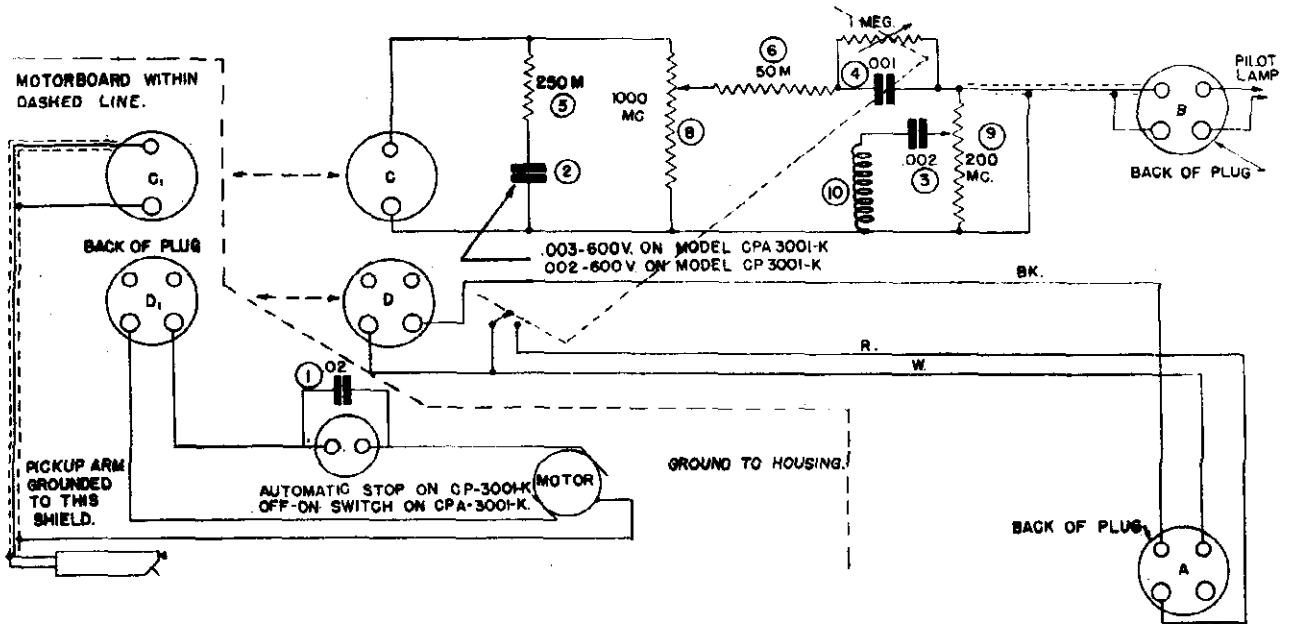


Primary voltage.....117 V. AC;  
 Power consumption.....134 watts;  
 Input impedance.....2 megohms;  
 Output impedance.....2.25 ohms;  
 Power output.....25 watts;



MODEL A-3001C

THE MAGNA



A pronounced hum in this amplifier may often be traced to an unbalance in 6L6G tubes. If substitution of new tubes fails to remedy the condition, the 6C5 tube should be replaced as a possible cure.

## THE MAGNAVOX CO.

In the earlier models of this amplifier, the interstage transformer was wired in the circuit in such a way that a D.C. voltage was applied to the primary winding, and occasionally causing corrosion in the leads. This trouble was corrected by grounding the low side of the primary winding (brown lead). The condenser coupling the 6C5 plate to the transformer is replaced with a .5 Mfd. value.

The capacity of the tuning condenser across the filter choke should be checked and its value is .2 Mfd., it should be replaced with a .3 Mfd. condenser.

A pronounced hum in this amplifier may often be traced to an unbalance in 6L6G tubes. If substitution of new tubes fails to remedy the condition, the 6C5 tube should be replaced as a possible cure.

<u>Illus. No.</u>	<u>Part No.</u>	<u>Part Name</u>	<u>Description</u>
C1. C5.	274224	Condenser	Electrolytic, 25 mfd. 25 V. 25 mfd. 50 V.
C2.	254147	Condenser	Tubular, .5 mfd. 400 V.
C3.	254147	Condenser	Tubular, .5 mfd. 400 V.
C4.	254147	Condenser	Tubular, .5 mfd. 400 V.
C6.	254153	Condenser	Tubular, .01 mfd. 600 V.
C7.	254153	Condenser	Tubular, .01 mfd. 600 V.
C8.	254182	Condenser	Tubular, .2 mfd. 200 V.
C9.	254147	Condenser	Tubular, .5 mfd. 400 V.
C10.	274194	Condenser	Electrolytic, 10 mfd. 500 V.
C11.	274194	Condenser	Electrolytic, 10 mfd. 500 V.
C12.	254152	Condenser	Tubular, .1 mfd. 200 V.
C13.	254161	Condenser	Tubular, .002 mfd. 600 V.
R1.	234447	Resistor	Carbon, 200,000 ohm 1/2 W.
R2.	234426	Resistor	Carbon, 2000 ohm 1/2 W.
R3.	234434	Resistor	Carbon, 15,000 ohm 1/2 W.
R4.	234434	Resistor	Carbon, 15,000 ohm 1/2 W.
R5.	234434	Resistor	Carbon, 15,000 ohm 1/2 W.
R6.	242607	Resistor	Wire wound, 200 ohm W. L.
R7.	234518	Resistor	Carbon, 7500 ohm 2 W.
R8.	234518	Resistor	Carbon, 7500 ohm 2 W.
T1.	320187	Transformer	Input
T2.	330188	Transformer	Output
T3.	300106	Transformer	Power, 117 V. AC, 60 cycle
1.	350122	Choke	Tone filter choke
	350113	Choke	Filter choke

## CONTROL PANEL

C1.	259228	Condenser	Tubular, .02 mfd. 600 V.
C2.	254161	Condenser	Tubular, .002 mfd. 600 V.
C3.	254142	Condenser	Tubular, .001 mfd. 600 V.
	254163	Condenser	Tubular, .003 mfd. 600 V.
C4.	254161	Condenser	Tubular, .002 mfd. 600 V.
C5.	259228	Condenser	Tubular, .02 mfd. 600 V.
R2.	234446	Resistor	Carbon, 150,000 ohm 1/2 W.
R3.	222446	Control	Bass, 1 megohm with switch
R4.	222444	Control	Volume, 1 megohm
R5.	234439	Resistor	Carbon, 50,000 ohm 1/2 W.
R6.	222445	Control	Treble, 200,000 ohm
	362463	Choke	Filter choke coil
	182465	Socket	Pickup receptacle



MODEL A-1101  
MODEL A-3001C

## THE MAGNAVOX CO.

## MODEL A1101 AMPLIFIER

Illus. No.	Part No.	Part Name	Description
1.	254153	Condenser	Tubular, .01 mfd. 600 V.
2.	254156	Condenser	Tubular, .15 mfd. 400 V.
3.	270012	Condenser	Molanode, 8 mfd. 350 V.
4.	273611	Condenser	Molanode, 20 mfd. 25 V.
5.	273611	Condenser	Molanode, 20 mfd. 25 V.
6.	273610	Condenser	Molanode, 30-10 mfd. 450 V.
7.	239757	Resistor	Carbon, 2 megohm 1/3 W.
8.	234437	Resistor	Carbon, 30,000 ohm 1/2 W.
9.	234475	Resistor	Carbon, 20,000 ohm 1 W.
10.	234521	Resistor	Carbon, 15,000 ohm 2 W.
11.	230058	Resistor	Carbon, 2000 ohm 1/3 W.
12.	230057	Resistor	Carbon, 110 ohm 5 W.
13.	320001	Transformer	Input transformer
14.	300009	Transformer	Power, 117 V. 50-60 cycle

## CONTROL PANEL

1.	254161	Condenser	Tubular, .002 mfd. 600 V.
2.	254161	Condenser	Tubular, .002 mfd. 600 V.
3.	259935	Condenser	Tubular, .02 mfd. 600 V.
4.	254153	Condenser	Tubular, .01 mfd. 600 V.
5.	239751	Resistor	Carbon, 50,000 ohm 1/3 W.
6.	222444	Control	Volume, 1 megohm
7.	222446	Control	Bass, 1 megohm, with power switch
8.	222445	Control	Treble, 200,000 ohm
9.	362463	Choke	Tone filter choke

## MODEL A3001C . AMPLIFIER

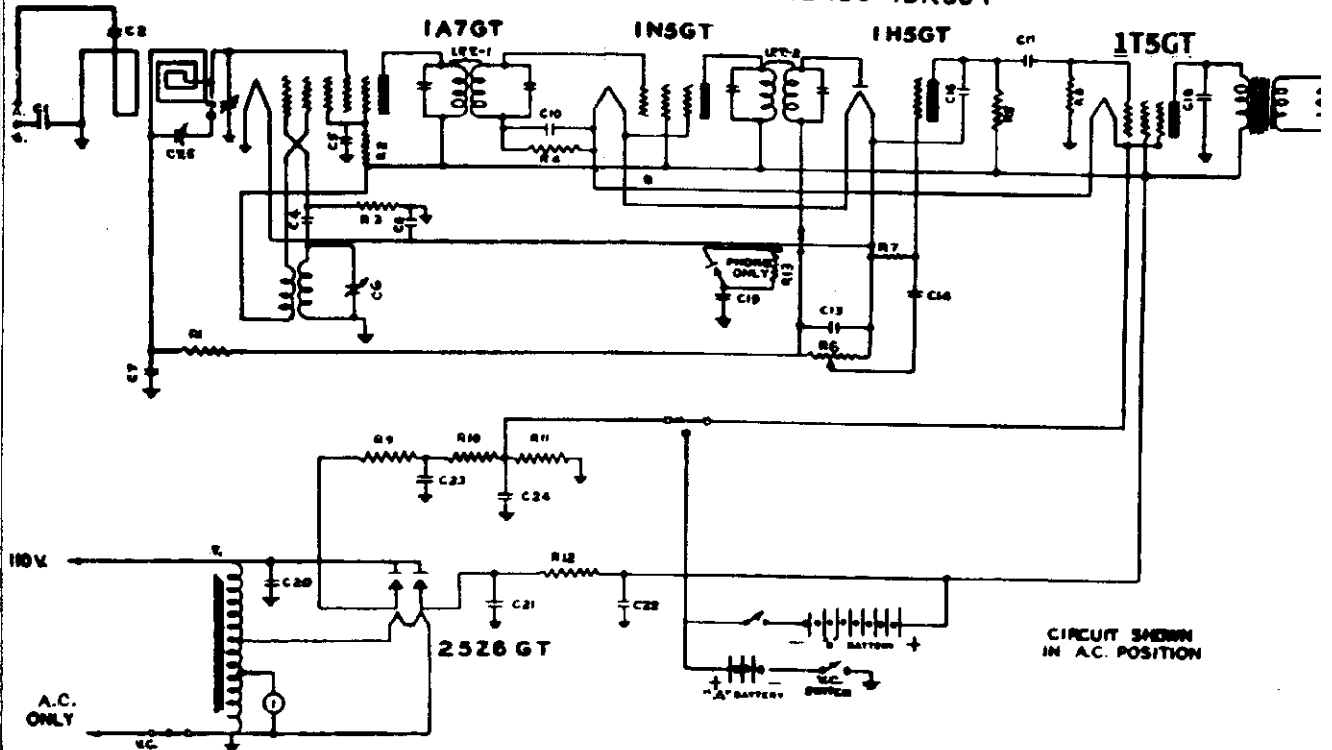
1, 2, 5.	270007	Condenser	Molanode, 20-20 mfd. 25V. 5mfd. 450 V.
3.	254127	Condenser	Tubular, .02 mfd. 600V.
4.	254147	Condenser	Tubular, .5 mfd. 400V.
6.	250064	Condenser	Tubular, .002 mfd. 1200V.
7.	254147	Condenser	Tubular, .5 mfd. 400V.
8, 9.	273610	Condenser	Molanode, 30-10 mfd. 450V.
10.	239757	Resistor	Carbon, 2 megohm 1/3 W.
11.	234426	Resistor	Carbon, 2000 ohm 1/2 W.
12.	234477	Resistor	Carbon, 30,000 ohm 1 W.
13.	234475	Resistor	Carbon, 20,000 ohm 1 W.
14.	239991	Resistor	Carbon, 7500 ohm 1/2 W.
15.	240009	Resistor	Wire wound 200 ohm, 5 W.
16.	259935	Condenser	Tubular, .02 mfd. 110 V. AC
17.	320240	Transformer	Input transformer
18.	330188	Transformer	Output transformer
19.	300106	Transformer	Power transformer
20.	350113	Choke	Filter choke

## CONTROL PANEL

1.	259935	Condenser	Tubular, .02 mfd. 110 V. AC
2.	254163	Condenser	Tubular, .003 mfd. 600 V.
	254161	Condenser	Tubular, .002 mfd. 600 V.
3.	254161	Condenser	Tubular, .002 mfd. 600 V.
4.	254142	Condenser	Tubular, .001 mfd. 600 V.
5.	230019	Resistor	Carbon, 250,000 ohm 1/2 W.
6.	234439	Resistor	Carbon, 50,000 ohm 1/2 W.
7.	222446	Control	Bass, 1 megohm with switch
8.	222444	Control	Volume, 1 megohm
9.	222445	Control	Treble, 200,000 ohm
10.	362463	Choke	Tone filter choke

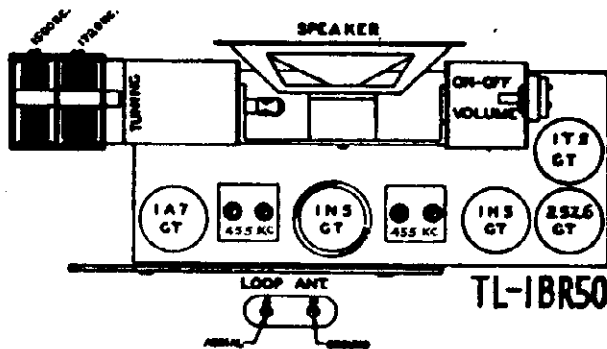
MAJESTIC RADIO & TELEV. CORP.

SCHEMATIC DIAGRAM-MODEL-1BR50-1BR50-P



CIRCUIT SHOWN  
IN A.C. POSITION

TUBE LAYOUT MODELS-1BR50-1BR50P



The tube complement is as follows:

- 1-1A7GT Converter
- 1-1N5GT Intermediate Frequency Amplifier
- 1-1H5GT Diode Detector, Automatic Volume Control, and Audio Driver
- 1-1T5GT Pentode Power Output Tube
- 1-25Z6G Half Wave Rectifier

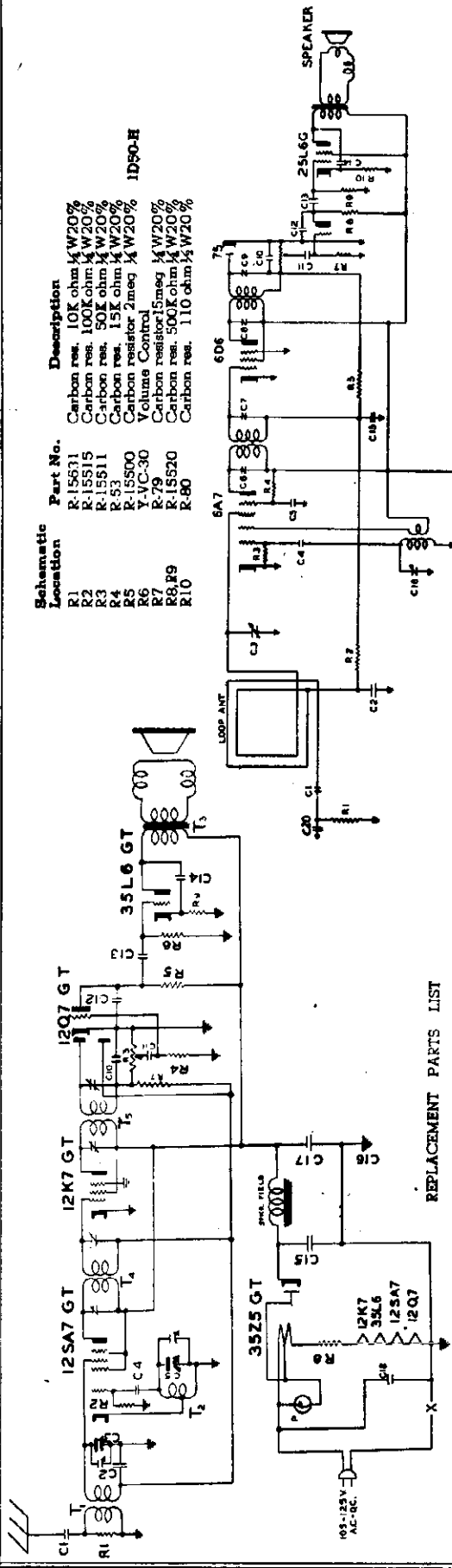
<u>Schematic</u>	<u>Part</u>	<u>Description</u>	<u>Schematic</u>	<u>Part</u>	<u>Description</u>
C2, C1			R1, R4	R-15500	2 meg.
C10, C17	C-15754	.01 mf	R2	R-15617	30K ohm
C3, C6	Y-CV-44	Var. Cond.	R3	R-15523	200K ohm
C13, C4, C16	CM-21	100 mmf	R5	R-15520	500K ohm
C5, C7	C-15752	.05 mf	R6	Y-VC-41	Vol. Cont.
C8	C-15761	.1 mf	R7	R-15559	3 meg.
C18, C14	C-15753	.002 mf	R8	R-15517	1 meg.
C19	C-15761	.1 mf	R9, R10, R11	Y-RC-10	Vol. Div. 350 800 300 ohm
C20	C-15756	.05 mf	R12	R-16	8K ohm
C21, C22	Y-CE-47	8-16 mf	R13	R-15512	250K ohm
C23, C24	Y-CE-57	40-100 mf			
T1	Y-TP-55	Pwr. Trans.			
IFT-1	Y-C1-77	1st I.F.			
IFR-2	Y-C1-78	2nd I.F.			

MODEL 1D50-H  
MODEL 1S49

MAJESTIC RADIO & TELEV. CORP.

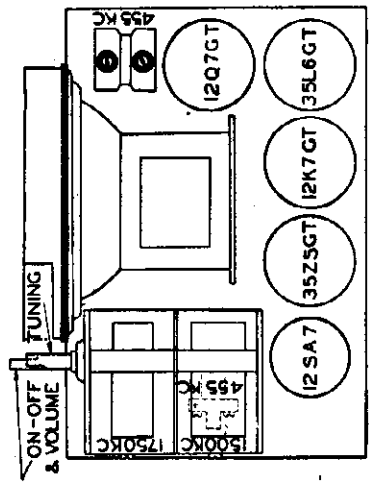
Schematic Location	Part No.	Description
R1	R-15531	Carbon res. 10K ohm 1/4W20%
R2	R-15515	Carbon res. 100K ohm 1/4W20%
R3	R-15511	Carbon res. 50K ohm 1/4W20%
R4	R-53	Carbon res. 15K ohm 1/4W20%
R5	R-15500	Carbon resistor 2meg 1/4W20%
R6	Y-VC-30	Volume Control
R7	R-79	Carbon resistor 15meg 1/4W20%
R8,R9	R-15520	Carbon res. 500K ohm 1/4W20%
R10	R-80	Carbon res. 110 ohm 1/2W20%

Schematic Location	Part No.	Description
C4	CM-29	Mica cond. .50 mmfd. 30%
C10,C13,C20	CM-30	Mica cond. .250 mmfd. 30%
C11	C-15754	Tubular cond. .01 mfd. 400V
C1	C-15774	Tubular cond. .002 mfd. 400V
C2,C14	C-15760	Tubular cond. .02 mfd. 400V
C5,C15	C-15752	Tubular cond. .05 mfd. 200V
C19	C-15756	Tubular cond. .05 mfd. 400V
C17,C18	Y-CE-50	Electrolytic Condenser



REPLACEMENT PARTS LIST

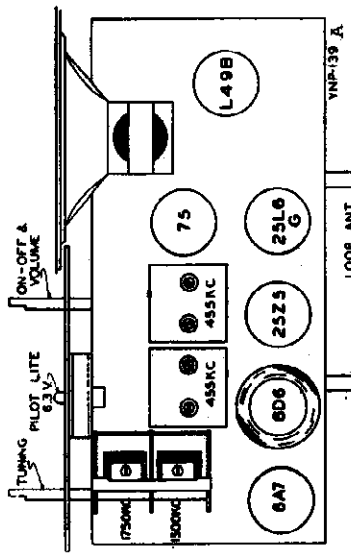
Schematic Location	Part No.	Description
R1	R-15531	Carbon res. 10K ohm 1/4W20%
R2	R-15510	Carbon res. 20K ohm 1/4W20%
R3	Y-VC-37	Volume Control
R4	R-79	Carbon resistor 15meg 1/4W20%
R5	R-15512	Carbon res. 250K ohm 1/4W20%
R6	R-15520	Carbon res. 500K ohm 1/4W20%
R7	R-15500	Carbon resistor 2meg 1/4W20%
R8	R-86	Carbon res. 70 ohm 1/2W20%
R9	R-98	Carbon res. 150 ohm 1/2W10%
C2	C-33	Tubular cond. .05 mfd. 200V
C1	C-18	Tubular cond. .01 mfd. 400V
C11	C-15753	Tubular cond. .002 mfd. 400V
C13	C-15754	Tubular cond. .01 mfd. 400V
C14,C18	C-15760	Tubular cond. .02 mfd. 400V
C4	CM-29	Mica cond. .50 mmfd.
C10	CM-30	Mica cond. .250 mmfd.
C12	CM-31	Mica cond. 100 mmfd.
T1	Y-CR-5	Oscillator Assembly
T2	Y-CS-10E	Speaker Transformer
T3	Y-CS-106	1st I. F. Transformer
T4	Y-CS-107	2nd I. F. Transformer



SCHEMATIC MODEL 1S49

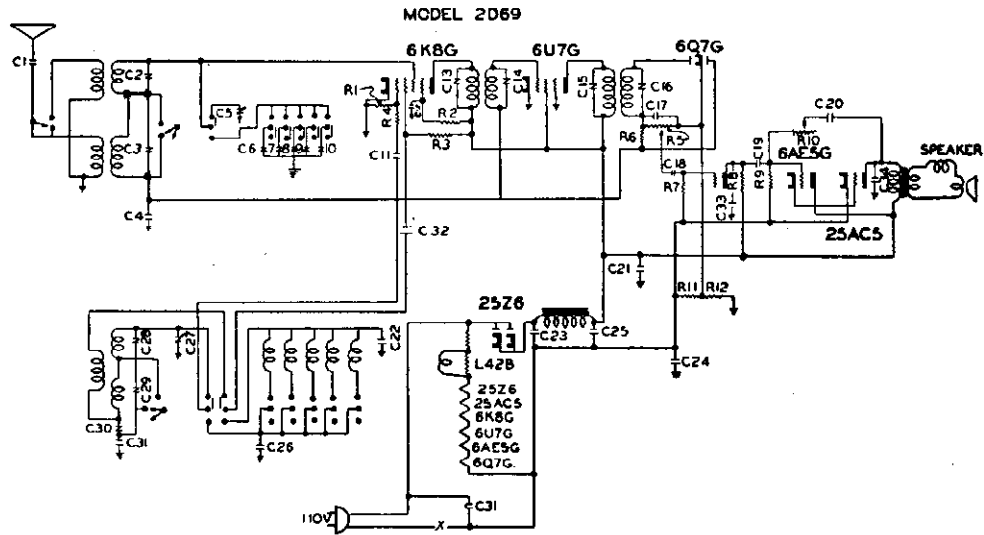
- 12SA7GT Frequency Converter
- 12K7GT IF Amplifier
- 12Q7GT 2nd Det., AVC, Audio Driver
- 35L6GT Beam Power Ampl.
- 3525GT Rectifier

TUBE LAYOUT - MODEL 1S49



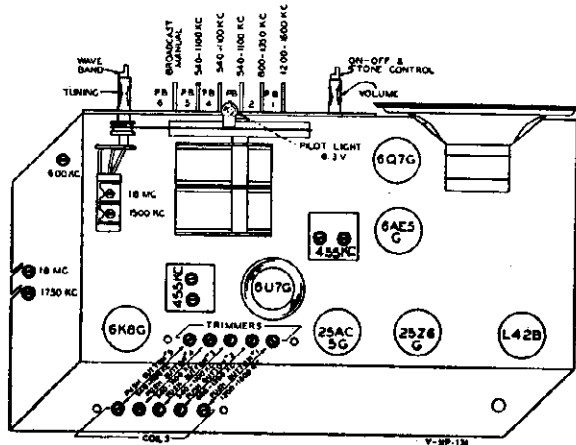
- 6A7 Frequency Converter
- 6D6 IF Ampl.
- 75 2nd Det., AVC, Audio Driver
- 25L6G Beam Power Ampl.
- 2525 Rectifier
- L49B Plug-in Ballast

MAJESTIC RADIO & TELEV. CORP.



PARTS LIST FOR MODEL 2D69

Schematic Location	Part No.	Description	Schematic Location	Part No.	Description
R1	R-54	Carbon res. 50K ohm 1/4 W20% (Insulated Type)	C1, C18, C19, C32, C34	C-15754	Tubular cond. .01 mfd. 400V
R2	R-53	Carbon res. 15K ohm 1/4 W20%	C4, C21	C-15752	Tubular cond. .05 mfd. 200V
R3	R-15541	Carbon res. 5K ohm 1/4 W20%	C31	C-15756	Tubular cond. .05 mfd. 400V
R4	R-15601	Carbon res. 100 ohm 1/4 W20%	C11	CM-29	Mica cond. 50 mmf. 30%
R5, R10	Y-VC-33	Volume and Tone Control	C17, C33	CM-31	Mica cond. 100 mmf. 30%
R6	R-15500	Carbon resistor 2meg. 1/4 W20%	C20	CM-30	Mica cond. 250 mmf. 30%
R7, R9	R-15517	Carbon resistor 1meg. 1/4 W20%	C22	CM-33	Mica cond. 250 mmf. 5% Sil.
R8	R-15512	Carbon res. 250K ohm 1/4 W20%	C26	CM-34	Mica cond. 150 mmf. 5% cap.
R11, R12	R-87	Carbon res. 70 ohm 1/4 W20%	C31	CM-9	Mica cond. 5500 mmf. 30%
			C2, C3, C28, C29	Y-CT-24	Antenna Trimmer
			C5, C27	Y-CV-33	Oscillator Trimmer
			C6, C7, C8, C9, C10	Y-CT-26	2 Gang Condenser
			C13, C14	Y-CT-1	Trimmer Strip
			C15, C16	Y-CT-1	I. F. Trimmer
			C30	Y-CT-27	Padder Condenser
			C23, C24, C25, CE-46		Electrolytic Condenser



- L42B Plug-in Ballast
- 6K8G Frequency Converter
- 6U7G IF Ampl.
- 6Q7G 2nd Det., AVC, AF Ampl.
- 6AE5G Driver
- 25Z6G Rectifier
- 25AC5G Power Output

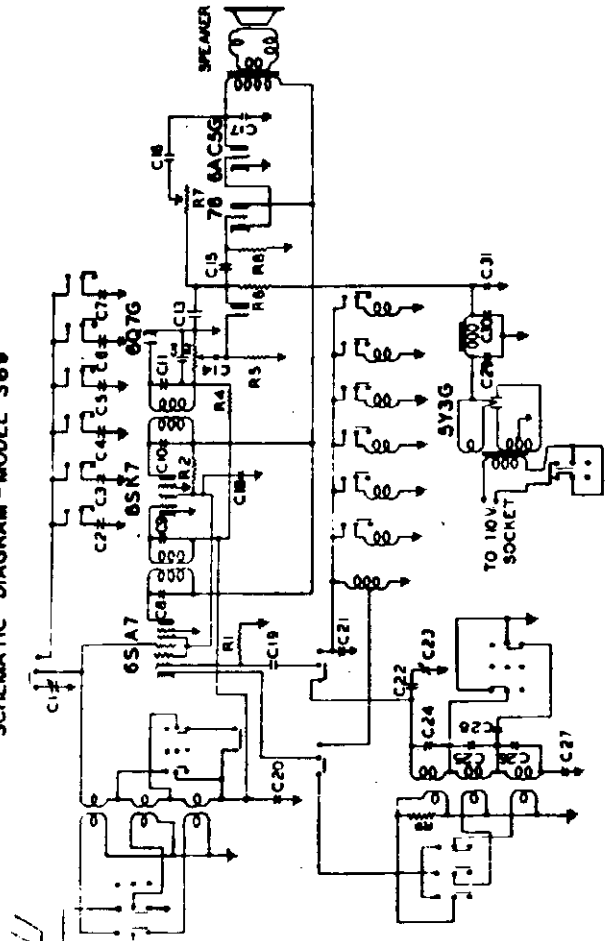
PUSH BUTTON ADJUSTMENT:

Push button in of desired station. At rear of receiver, adjust corresponding coil of chosen button until desired is heard with maximum volume and best tone. Adjust trimmer corresponding to chosen button until that station is heard with maximum volume. Repeat for all push buttons.

MODELS 3C69,  
369

MAJESTIC RADIO & TELEV. CORP.

SCHEMATIC DIAGRAM - MODEL 369



PARTS LIST MODELS 369 and 3C69

Part No.	Description	Schematic Location	Part No.	Description
Y-CT-4	Padding Condenser	C12, C13, C19	GM-31	Mica cond. 100 mmf. 30%
CB-52	Electrolytic	C16	GM-30	Mica cond. 250 mmf. 30%
C-15751	Tabular cond. .05 mfd. 200V	C22	GM-2	Mica cond. 4330 mmf. 5%
C-15754	Tabular cond. .01 mfd. 400V	C28	GM-36	Mica cond. 2770 mmf. 5%
C-15759	Tabular cond. .005 mfd. 600V	C31	GM-13	Mica cond. 100 mmf. 5%
C-15774	Tabular cond. .1 mfd. 400V	C2, C3, C4	Y-SW-20	Push-Button Switch
C-15774	Tabular cond. .02 mfd. 400V	C5, C6, C7	Y-CT-28	Trimmer strap
C-15756	Tabular cond. .05 mfd. 400V			

1. Select the stations that you wish to set up on the push-buttons.

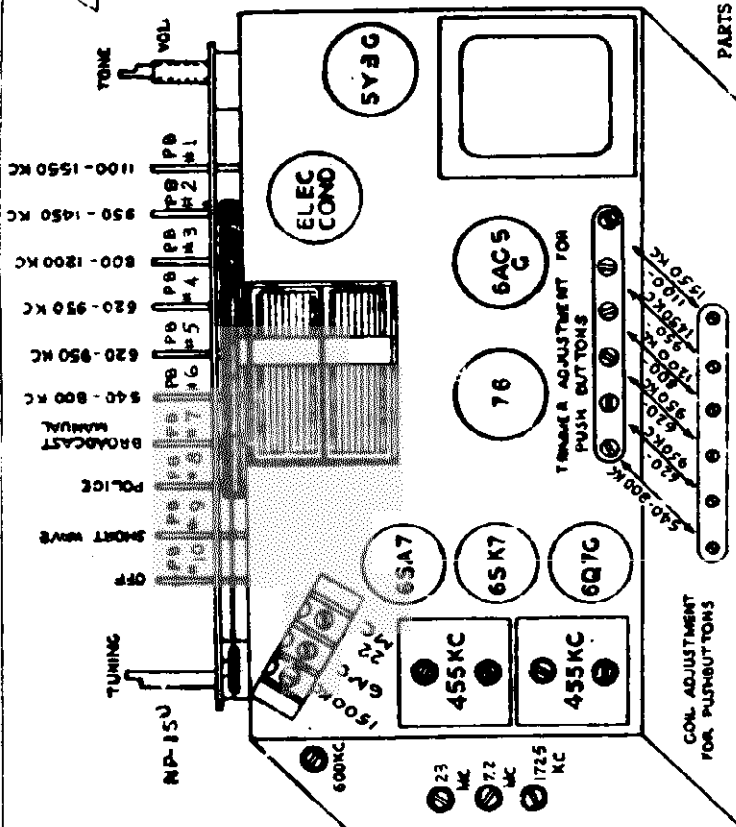
2. Determine on which push-buttons these stations should be set up, according to above table.

3. Push the button on which you should set up a particular station.

4. Using a screw driver, adjust the coil corresponding to the proper push-button until the desired station is heard with maximum volume and best tone.

5. Adjust the trimmer corresponding to the proper push-button until the desired station is heard with maximum volume.

6. Repeat for other push-buttons.



TUBE LAYOUT - MODEL 369

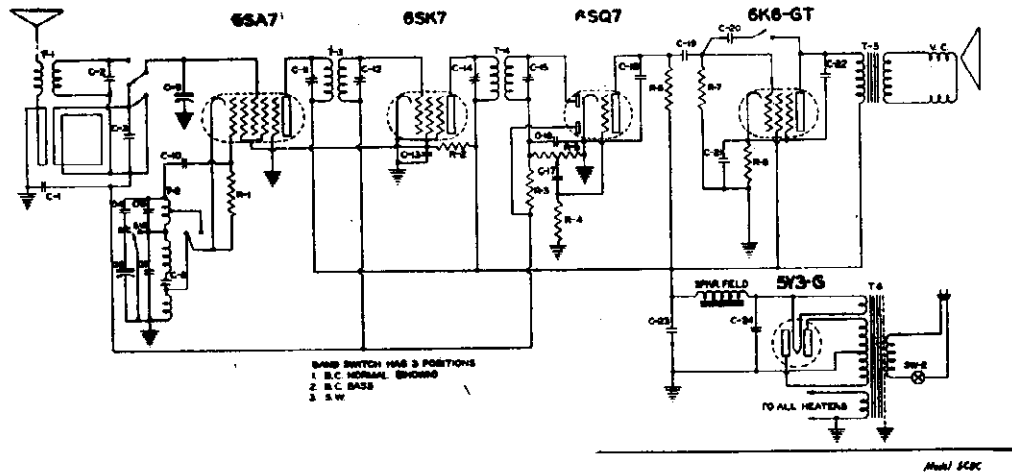
Schematic Location	Part No.	Description
C17	Y-CT-4	Volume and tone control
C19, C30	R-15510	Carbon res. 20K ohm 1/4W 20%
C20	R-15531	Carbon res. 10K ohm 1/4W 20%
C15	R-15517	Carbon res. 1K ohm 1/4W 20%
C17	R-79	Carbon res. 15 meg. 1/4W 20%
C31	R-15512	Carbon res. 250K ohm 1/4W 20%
C14	R-76	Carbon res. 40K ohm 1/4W 20%
C18		

The receiver operates with the following tubes:

- 1-6SA7 Single ended frequency converter
- 1-6SK7 Single ended intermediate frequency amplifier
- 1-6Q7G 2nd detector, A. V. C. and A. F. driver
- 1-78 Output tube driver
- 1-6AC5G Dynamically coupled output stage
- 1-5Y3G Rectifier

MAJESTIC RADIO & TELEV. CORP.

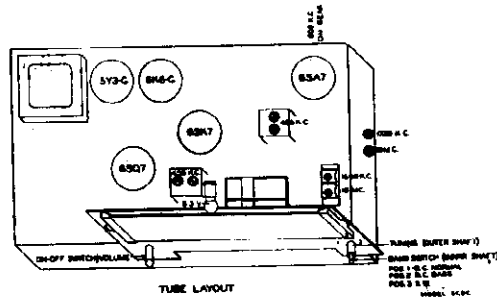
**SCHEMATIC DIAGRAM**



**REPLACEMENT PARTS LIST**

Schematic Location	Part No.	Description	Schematic Location	Part No.	Description
C1	C-15752	Tubular cond. .05 mfd. 200V	R1	R-15510	Carbon res. 20K ohm 1/2 W 20%
C13	C-15756	Tubular cond. .05 mfd. 400V	R2	R-15544	Carbon res. 15K ohm 1 W 20%
C17, C22	C-31	Tubular cond. .004 mfd. 400V	R3	R-15500	Carbon resistor 2meg 1/2 W 20%
C19	C-15754	Tubular cond. .01 mfd. 400V	R4	R-50	Carbon resistor 5meg 1/2 W 20%
C4	CM-9	Mica cond. 5500 mmfd. 5%	R6	R-15512	Carbon res. 250K ohm 1/2 W 20%
C10	CM-29	Mica cond. 50 mmfd.	R7	R-51	Carbon res. 500K ohm 1/2 W 20%
C16, C18	CM-30	Mica cond. 250 mmfd.	R8	R-126	Carbon res. 400 ohm 1/2 W 20%
C20	CM-31	Mica cond. 100 mmfd.	T1	Y-CS-96	Antenna Coil
C21, C23, C24	Y-CE-43	Electrolytic Condenser	T2	Y-OSA-13	Oscillator Coil
			T3	Y-CI-44	2nd I. F. Assembly
			T4	Y-IFA-100	1st I. F. Assembly

**TUBE LOCATION CHART**



- 6SA7GT Frequency Converter
- 6SK7GT IF Ampl.
- 6SQ7GT 2nd Det., AVC, AF Ampl.
- 6K6G Power Output
- 5Y3G Rectifier

MODEL 5CDC operates on 110 - 115 volts 60 Cycles

MODEL 5CEC operates on 110 - 115 volts 50 - 60 cycles

Frequency Ranges:-----

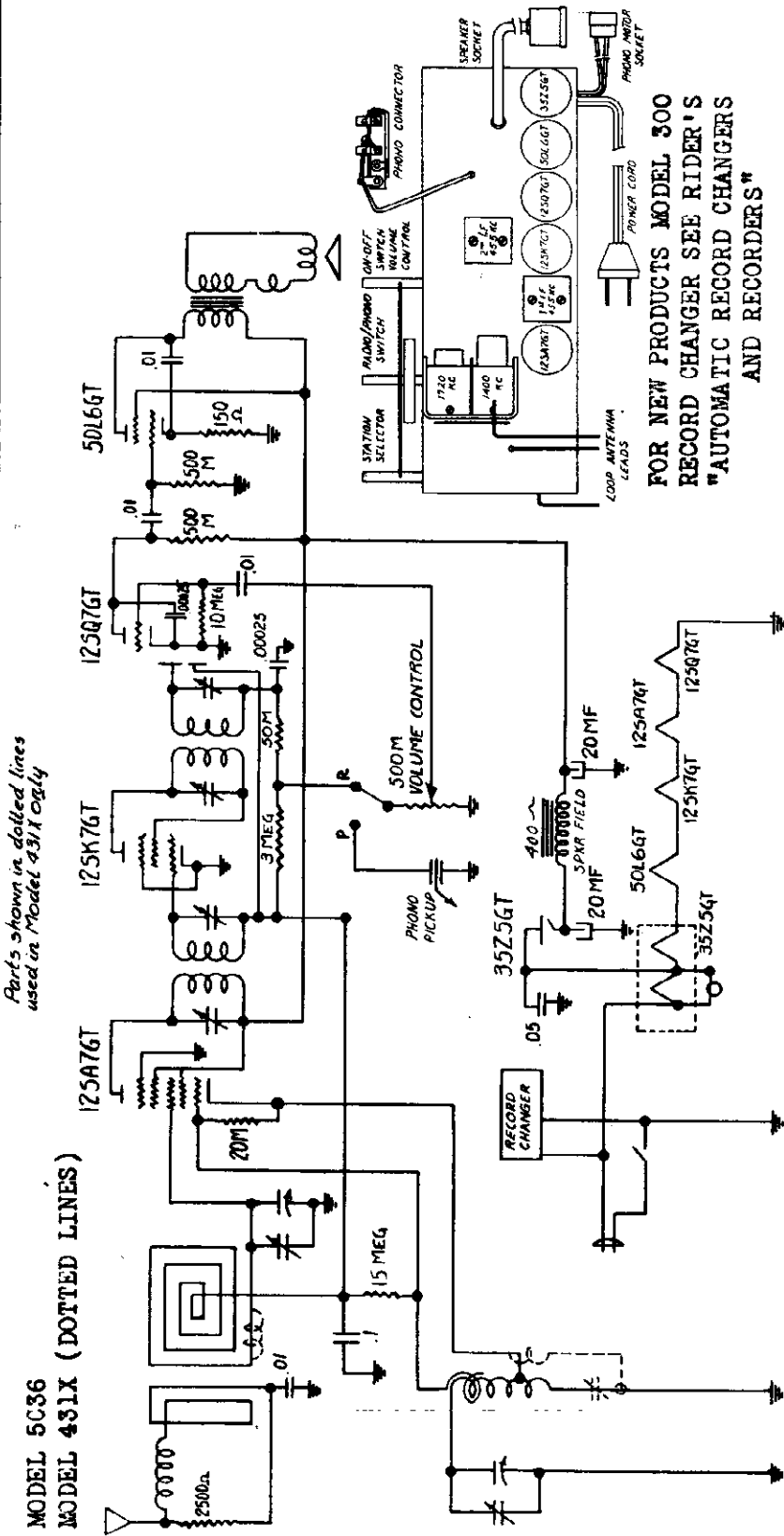
A - 538 to 1720 kilocycles - BC and some police calls

B - 5.8 to 18.6 megacycles - Foreign and Domestic Short Wave Bands

MODELS 5C36,  
431X

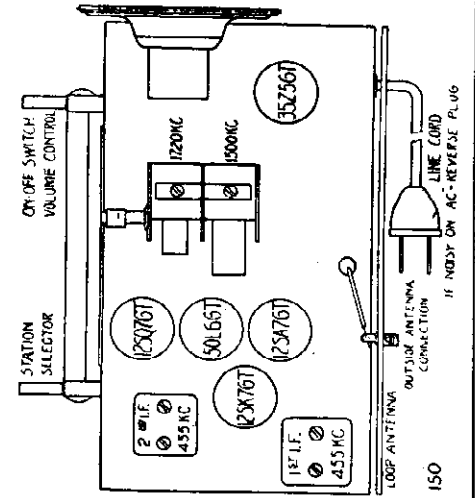
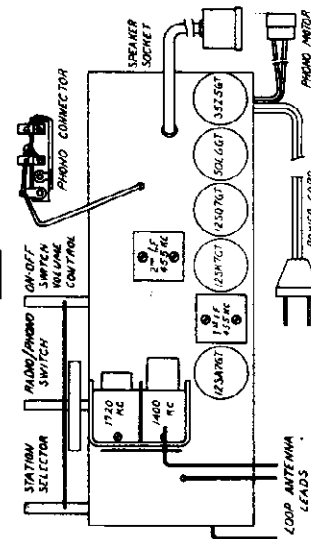
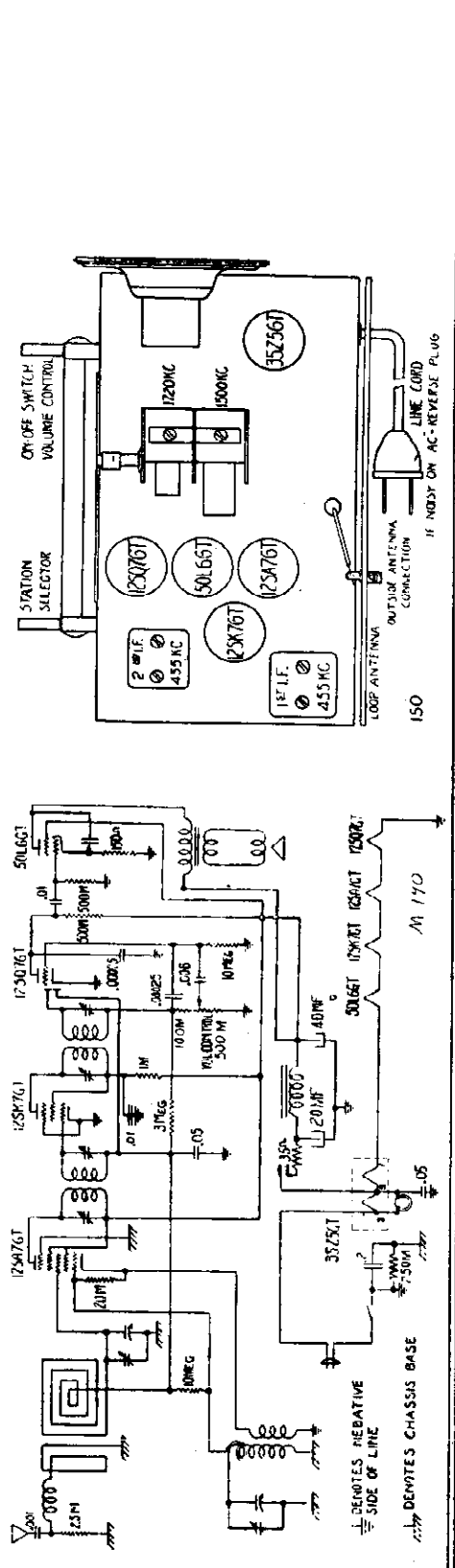
MODELS 5TU10,  
5TU10W

MAJESTIC RADIO & TELEV. CORP.



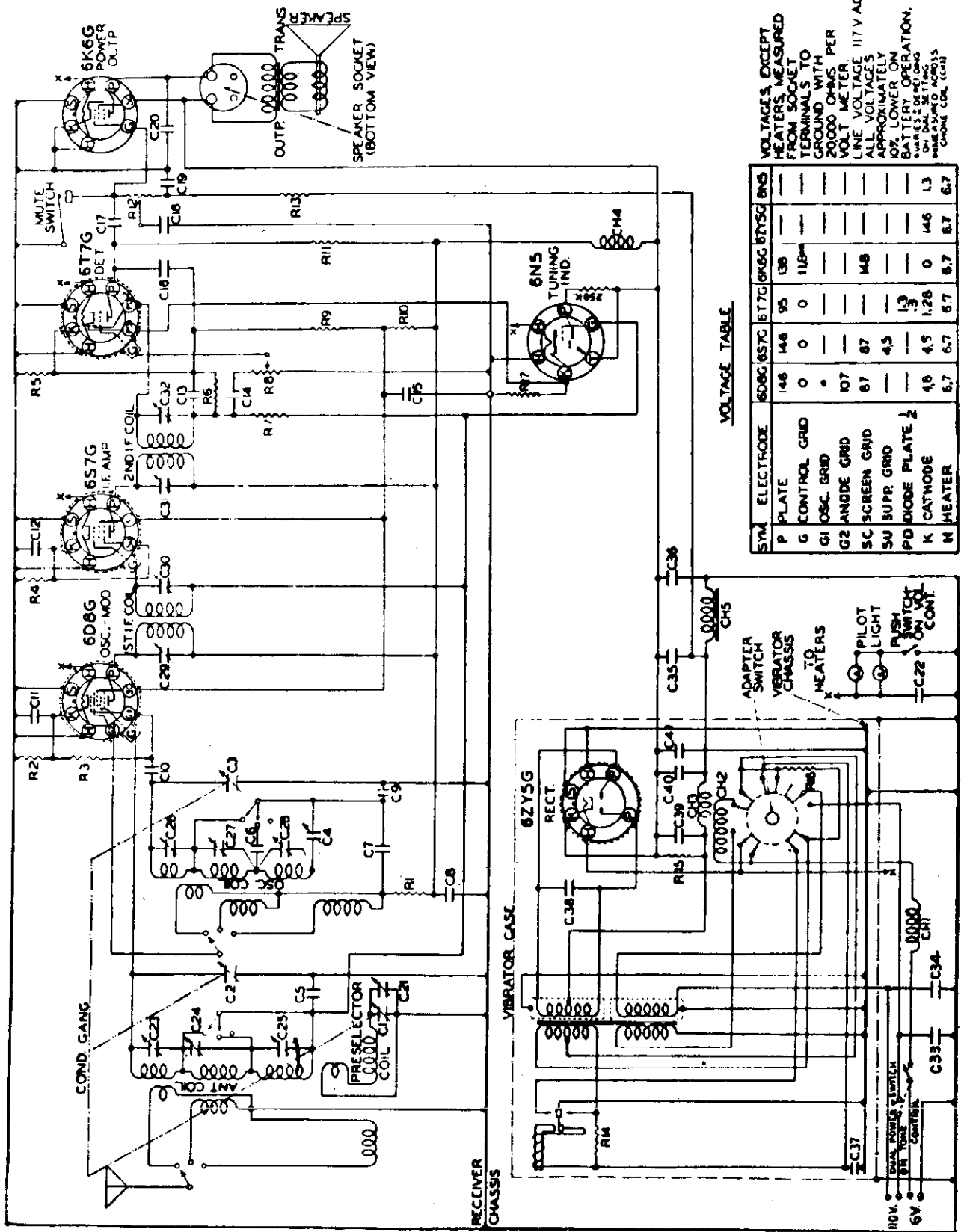
FOR NEW PRODUCTS MODEL 300  
RECORD CHANGER SEE RIDER'S  
"AUTOMATIC RECORD CHANGERS  
AND RECORDERS"

SCHEMATIC DIAGRAM MODEL 5TU10 & 5TU10W



MAJESTIC RADIO & TELEV. CORP.

MODELS 69, 690  
Chassis 169





MODELS 69, 690  
Chassis 169

MAJESTIC RADIO & TELEV. CORP.

HOW TO INDEX AUTOMATIC TUNING ON  
MODEL 690A CONSOLE

For manual tuning, turn the center knob marked Manual Automatic on the front of the cabinet to the left. For automatic tuning, turn it to the right.

SETTING UP OF PUSH BUTTONS

1—PRELIMINARY

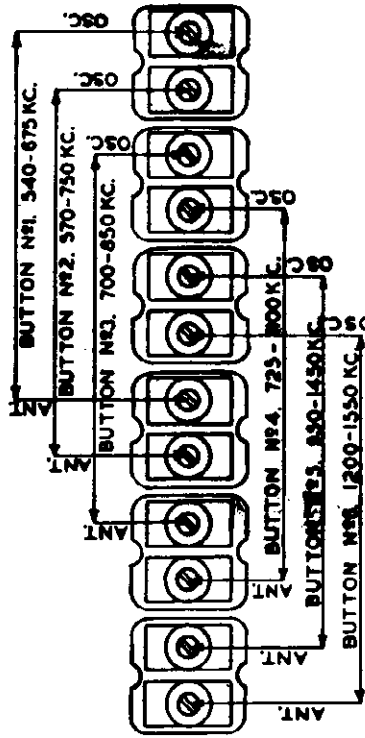
- a—Determine the frequency of your desired stations in kilocycles. This can be found in your newspaper.
- b—Determine on which push button each station should be logged by checking the frequency of each station with the allowed frequency coverage of each push button as shown on sketch.

2—PROCEDURE

- a—Turn Automatic Manual knob in the center of cabinet to the left to manual position and tune in the desired station manually to identify its program.
- b—Turn this same knob to the right to automatic position.
- c—Push in proper push button to be set.
- d—Using a screw driver, adjust the trimmer marked "Osc." corresponding to the proper push button until your station is heard with maximum volume and best quality. (See Sketch.)
- e—Then adjust the corresponding antenna trimmer as marked in sketch to the maximum volume.
- f—Repeat steps a, b, c, d, and e for other stations and push buttons.

Due to the changes of climatic conditions the trimmer condensers are apt to vary slightly. This can be overcome by slight readjustment with a screw driver on the respective trimmer condensers affected.

TRIMMER CONDENSERS VIEWED FROM BACK OF SET



Buttons are numbered in sequence from left to right when viewing the cabinet from the front. Thus No. 1 button is at the extreme left and No. 6 button is at the extreme right.

- No. 1 BUTTON is used for stations operating between 540 and 675 KC's
- No. 2 BUTTON is used for stations operating between 570 and 750 KC's
- No. 3 BUTTON is used for stations operating between 700 and 850 KC's
- No. 4 BUTTON is used for stations operating between 725 and 1100 KC's
- No. 5 BUTTON is used for stations operating between 950 and 1450 KC's
- No. 6 BUTTON is used for stations operating between 1200 and 1550 KC's

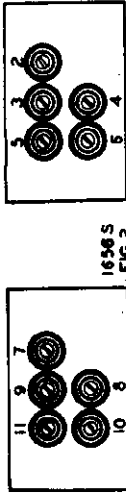
REPLACEMENTS PARTS LIST—CHASSIS 169

Schematic Location	Part No.	Description
C1, C2, C3	Y-CV-6	Cond. 3-Gang Variable
C11, C15, C39, C40	C-6	Cond. Tub. .05MF. 200V. (H.F.)
C41	C-13	Cond. Tub. .5MF. 180V. D.C.
C22, C37	C-14	Cond. Tub. .5MF. 120V. D.C.
C38	C-16	Cond. Tub. .007MF. 1500V.
C8	C-15751	Cond. Tub. .25MF. 200V.
C5, C12, C19	C-15761	Cond. Tub. .1MF. 200V.
C14, C17	C-15772	Cond. Tub. .02MF. 200V.
C18	C-7	Cond. Tub. .005MF. 600V.
C20	C-15753	Cond. Tub. .002MF. 600V.
C33, C34	C-5	Cond. Tub. .01MF. 400V. (H.F.)
C7	C-15754	Cond. Tub. .01MF. 400V.
C6	CM-1	Cond. Mica 2550MMF. 5%
C9	CM-2	Cond. Mica 4330 MMF. 5%
C16	CM-15918	Cond. Mica 100MMF. 20%
C10	CM-15929	Cond. Mica 50MMF. 20%
C13	CM-15928	Cond. Mica 250MMF. 20%
C35, C36	Y-CE-24	Cond. Elec. Dry 20MF. 250V.
C4	Y-CP-16472	Cond. Variable Padder 250-750MMF.
C21	Y-CP-16474	Cond. Presetor Trim. 1.5-15MMF.
C23, C24, C25	Y-CP-1	{ Cond. Ant. Trim. 3-30MMF.
C26, C27, C28	Y-CT-2	{ Cond. Osc. Trim. 3-30MMF.
C29, C30	Y-CT-2	{ Cond. 1st I.F. Trim.
C31, C32	Y-CT-2	{ Cond. 2nd I.F. Trim.
R15	R-35	Resistor Carbon 200K. 1/4W. 10% (Insulated Type)
R3	R-15511	Resistor Carbon 50K. 1/4W. 20%
R11	R-15605	Resistor Carbon 100K. 1/4W. 10%
R13	R-15512	Resistor Carbon 250K. 1/4W. 20%
R5	R-15537	Resistor Carbon 400 Ohms 1/4W. 10%
R6	R-15520	Resistor Carbon 500K. 1/4W. 20%
R7	R-15517	Resistor Carbon 1 MEG. 1/4W. 20%
R4	R-15519	Resistor Carbon 700 Ohms. 1/4W. 10%
R2	R-15533	Resistor Carbon 600 Ohms 1/4W. 10%
R10	R-36	Resistor Carbon 7500 Ohms 1/4W. 10%
R9	R-15572	Resistor Carbon 30K. 1/2W. 10%
R1	R-15536	Resistor Carbon 100 Ohms 1/4W. 10%
R14, R16	R-15571	Resistor Carbon 500 Ohms 1/4W. 10%
R17	Y-VC-3	Volume Control 1 MEG. and Push Switch
R8	Y-TC-2	Tone Control 1/2 MEG. and Switch
R12	Y-CK-1	"A" Choke Assembly
CH1, CH2	Y-CK-2	R.F. "B" Choke Assembly
CH3, CH4	Y-CK-6	Filter Choke 325 Ohms
CH5	Y-CS-9	Ant. Coil Assembly
	Y-CS-10	Osc. Coil Assembly
	Y-CI-1	1st. I.F. Coil Assembly
	Y-CS-11	Presetor Coil Assembly
	Y-CI-2	2nd I.F. Coil Assembly
	Y-SP-7	Speaker 6" (per. mag.)
Model 69	SPA-22	Speaker Voice Coil and Conc
	SPA-30	Speaker Transformer
	Y-SP-3	Speaker 8" (per. mag.)
Model 690	SPA-23	Speaker Voice Coil and Cone
	SPA-31	Speaker Transformer
	Y-TP-21	Power Transformer
	Y-V-1	Vibrator

MAJESTIC RADIO & TELEV. CORP.

MODEL 1656-S

SETTING UP OF PUSH BUTTONS



Model 1656-S has 12 push buttons. Number 12 push-button is used for the phonograph. Number one (1) push-button is used for distance reception.

To adjust the push-buttons, turn the band switch knob, the second one from the left, all the way to the left. Select stations to be set up on the push-buttons.

Push the button you wish to set. Going to the back of the receiver, adjust the coil corresponding to the push-button (see figure 2) by turning the screw in the center of the coil by means of a screw driver, until the station you desire to hear is heard with maximum volume and best quality, and the tuning indicator closes the most.

When the buttons are set up and the wave band switch is turned all the way to the left, counter clockwise, pushing any one of the buttons will cause the receiver to receive the station set up on that particular button.

It is desirable to turn the tone control to high fidelity when listening on the push-buttons.

Only local or strong stations should be set up on the push-buttons.

MODELS 69 AND 690  
CHASSIS 169

DIAL LIGHTS

Two No. 44 pilot lights are mounted within the dial assembly. In the event of replacing the defective light and inserting same back into dial.

ALIGNMENT PROCEDURE

Correct alignment is extremely important. The receiver is properly aligned at the factory and should not be disturbed unless it is absolutely necessary. The procedure is as follows: Turn wave change switch to broadcast position (full counter clockwise) and rotate variable condenser until it is about 50% engaged. Apply a 485 KC signal to the grid of 6A5G mixer tube through a tubular condenser on the order of .1 MFD. Referring to chassis layout, adjust C29, C30, C31 and C32 for maximum signal using of over one volt of indicating device such as an A.C. voltmeter or output meter across the wire coil of the speaker. It may be necessary to apply a very strong signal to check this alignment is approached. It is advisable to maintain as low a signal level as conveniently possible in order to minimize the possibility of misalignment resulting from A.C. and overload effects. If a squeal is heard while tuning, rotate the gang condenser slightly and it should disappear. Actually, the ground side of the generator should be connected to the chassis either directly or through the .1 MFD. condenser.

SHORT WAVE BAND

Rotate the wave band switch to full clockwise position. Connect high side of generator output to antenna lead, through a 40-ohm dummy antenna. Completely disengage variable condenser. Apply 18.5 Mc. signal. Increase trimmer C26 to a minimum capacity, slowly turn the screw so that the trimmer capacity increases until the signal is heard. Apply 18 Mc. signal, rotate gang condenser until this signal is heard. Adjust C28 for maximum response. It may be found desirable to "rock" generator frequency back and forth through signal to offset detuning effect from inter through medium of immunity coil and 5 Mc. respectively. When alignment at 16 megacycles, it is well to pinch and see that the trimmer C25 may indicate 2 maxima. The maximum obtained with the trimmer tighter is the desired one. This can be checked by leaving the gang condenser set and shifting the generator to a higher frequency viz: 17 megacycles, where the image should appear. If it is properly aligned, it should require about 10 times the signal voltage for the image to give the same output as the real signal.

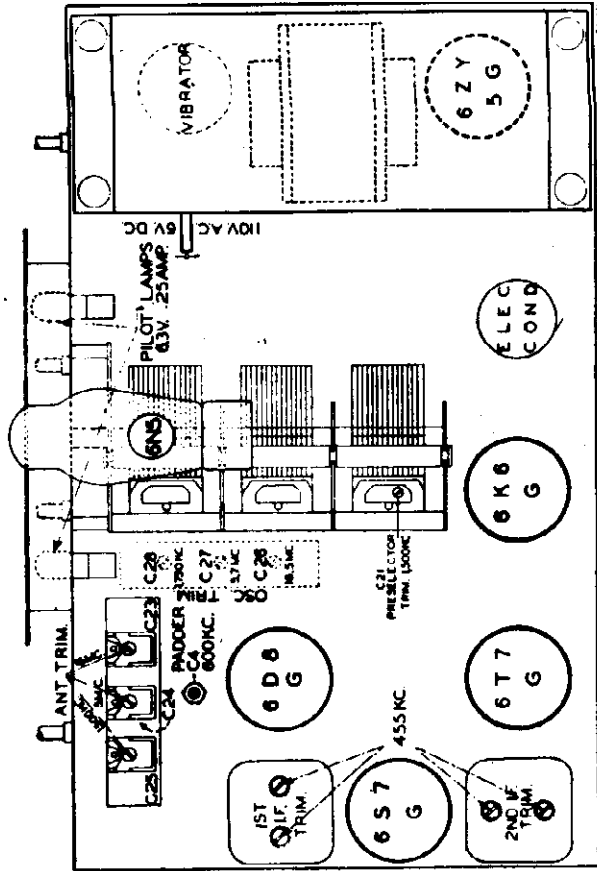
POLICE BAND

Shift waveband switch to middle position. Apply 6.7 meg. signal still using 400 ohm dummy antenna. Disengage variable condenser completely. Adjust trimmer C27 in the same manner as previous band until maximum signal is heard. Apply 5 Meg. signal, rotate gang condenser until same is heard. Adjust trimmer C24 until response is maximum. Check for image in the same manner as previous band. Check alignment at 3.5 and 2 megacycles respectively.

BROADCAST BAND

Use a 200 MFC. wire condenser for dummy antenna on this band. Shift wave change switch to full counter clockwise position. Adjust trimmer C21 and C25 to median tight position.

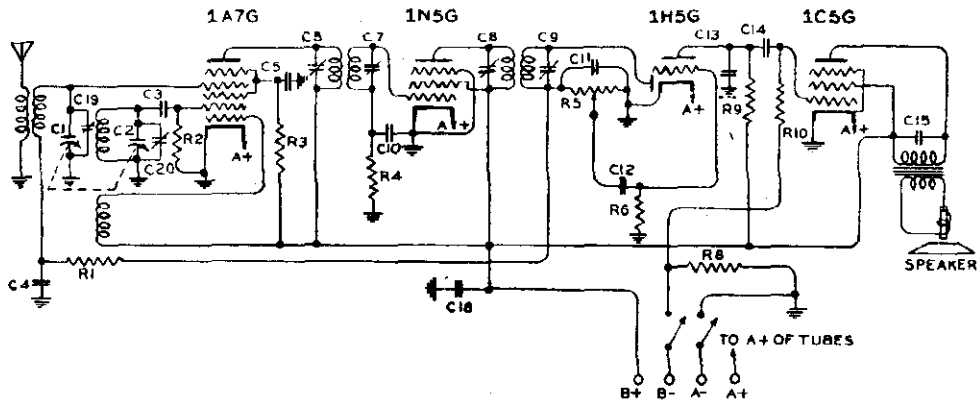
Rotate gang until dial pointer indicates 600 KC. Apply 600 KC signal and adjust pointer for maximum signal. Disengage gang completely and apply 1750 KC signal, adjust C24 for same. Apply 1600 KC signal, rotate gang until this frequency is found. Adjust trimmer C21 and C25 for maximum response. Shift gang to 600 KC and apply 600 KC signal. "Rock" gang condenser and adjust C4 for maximum signal. Disengage gang and apply 1750 KC signal; if necessary adjust C28 to bring same in.



CHASSIS LAYOUT  
MODELS 69 AND 690  
Chassis 169

MODEL 410-A

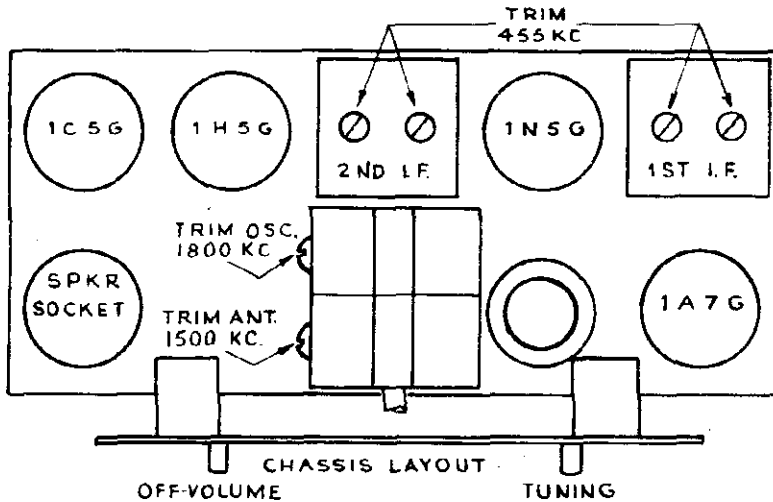
MAJESTIC RADIO & TELEV. CORP.



REPLACEMENT PARTS LIST

Schematic Location	Part No.	Description	Schematic Location	Part No.	Description
C4, C5	C-15752	.05 mfd. 200V	R9	R-15520	500K 1/4W 20%
C10, C12, C14	C-15763	.01 mfd. 200V	R10	R-15517	1 mΩ. 1/4W 20%
C15	C-25	.006 mfd. 400V	R8	R-72	600 ohms 1/4W 20%
C3, C11, C13	CM-15918	100 mfd. Type "O" Mica	R2	R-15523	200K 1/4W 20%
C1, C2	Y-CV-26	Variable Condenser	R6	R-15559	3 meg. 1/4W 20%
C6, C7, C8, C9	Y-CT-2	1. F. Trimmer condenser	R3	R-44	70K 1/4W 10%
C18	CE-35	8 mfd. 150V Electrolytic	R1, R4	R-15500	2 meg. 1/4W 20%
			R5	Y-V.C-26	Volume Control

TUBE LOCATION CHART



Batteries and battery packs recommended:

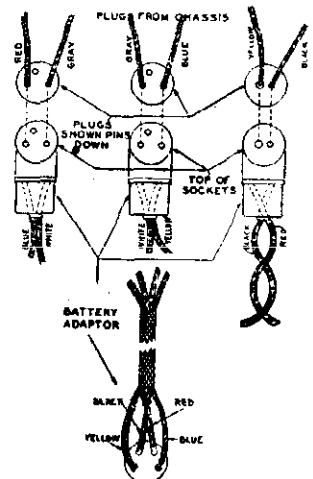
- BATTERIES:**
- 1-1/2 Volt "A" Battery
  - Eveready 742A
  - Ray-O-Vac P-94A or equivalent
  - 45 Volt "B" Battery
  - Eveready 762
  - Ray-O-Vac P-5303 or equivalent

- BATTERY PACKS:**
- General No. 60A-4H or equivalent
  - Eveready No. 748 " "
  - Ray-O-Vac No. AB94 " "

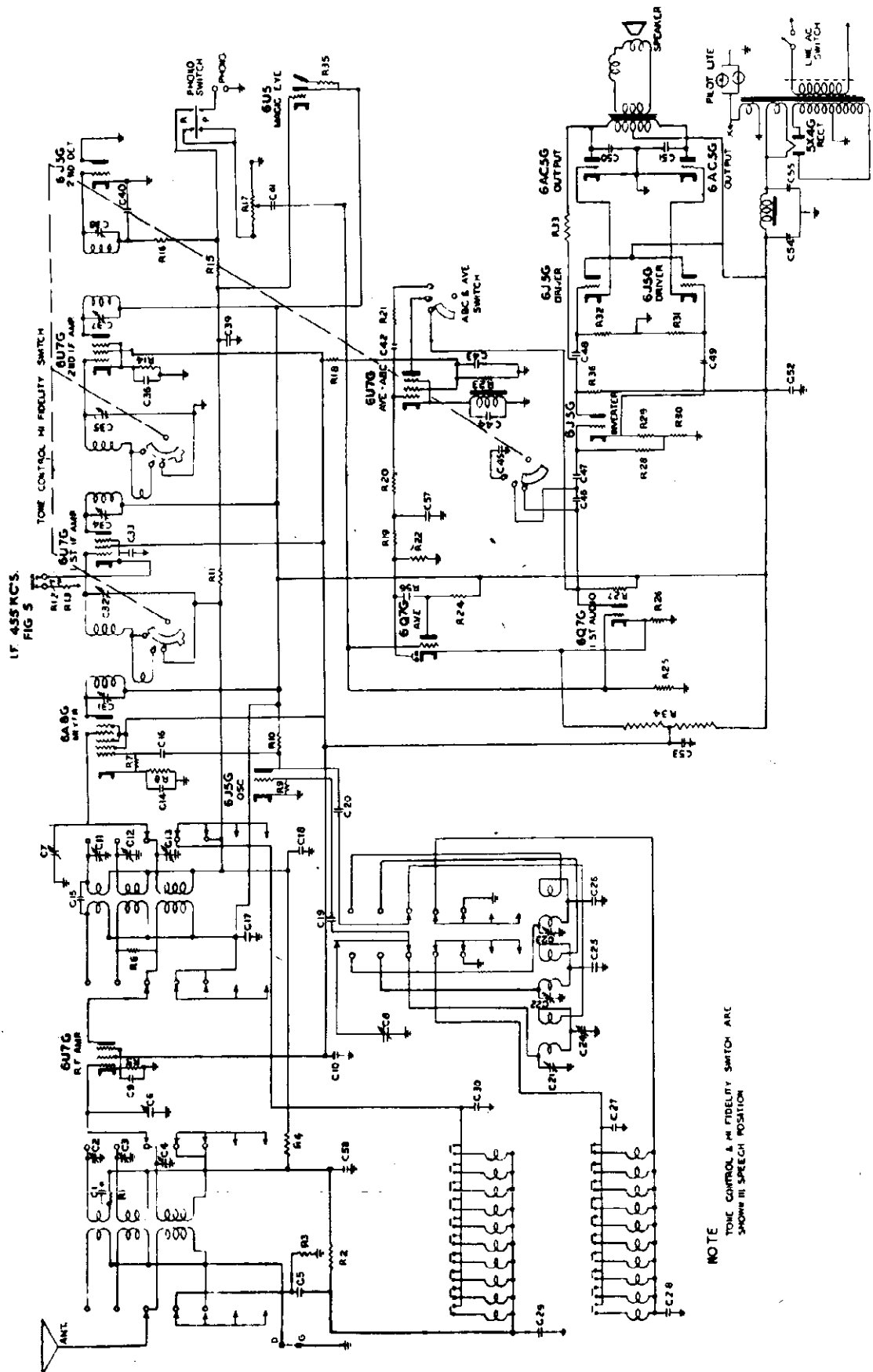
The battery adaptor is supplied for such battery packs as:

- Burgess No. 17GD60
- Ray-O-Vac No. AB-82

Method of Connecting Adaptor



MAJESTIC RADIO & TELEV. CORP.



MODEL 1656-S

MAJESTIC RADIO & TELEV. CORP.

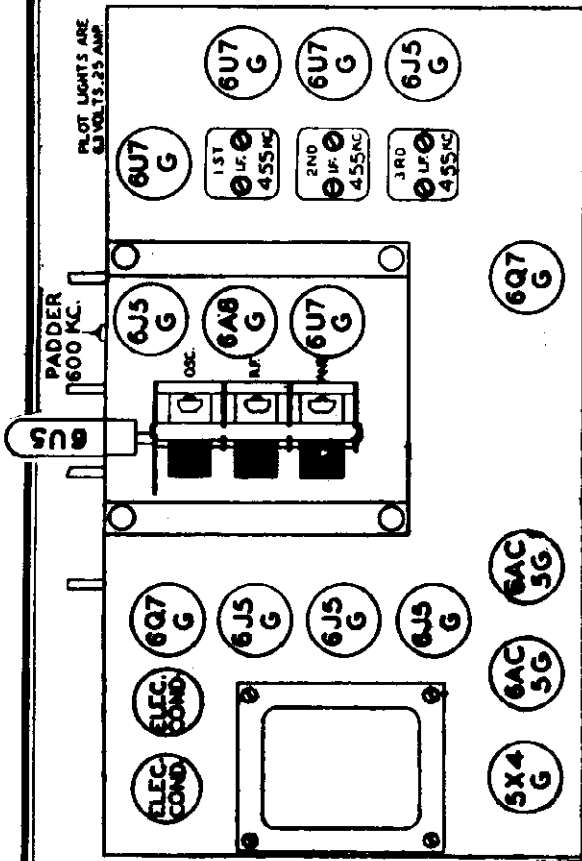


FIG. 3 CHASSIS LAYOUT (TOP VIEW)

CL15	CM-32	10 mmf.
CL16	CM-30	250 mmf.
CL19	CM-29	50 mmf.
C21, C22, C23	Y-CT-3	0.80 Trim.
C24	Y-CT-4	600 KC
C25	CM-35	1330 mmf.
C26	CM-36	2770 mmf.
C27	CM-25	274 mmf.
C28	CM-26	710 mmf.
C29	CM-27	2000 mmf.
C30	CM-24	484 mmf.
C31, C32, C34, C35, C37, C38	Y-CT-2	I.F. Trim.
C33, C36, C39, C53	C-15752	.05 mfd.
C40	CM-31	100 mmf.
C41, C47	C-15760	.02 mfd.
C42	C-31	.004 mfd.
C43	CL5761	.1 mfd
C44	C-9	.15 mfd.
C45, C56, C48, C49	C-15754	.01 mfd.
C46	C-30	.001 mfd.
C50, C51	C-32	.005 mfd.
C52	C-15750	.25 mfd.
C54	Y-CE-13	40 mfd.
C55	Y-CE-15	30 mfd.
C57	C-15770	.2 mfd.

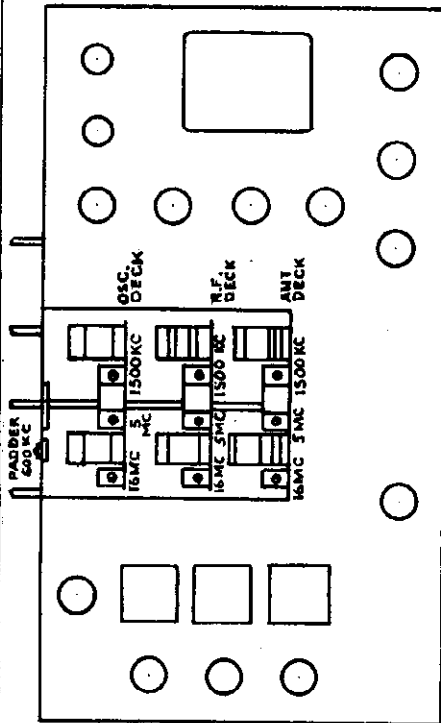


FIG. 4 CHASSIS LAYOUT (BOTTOM VIEW)

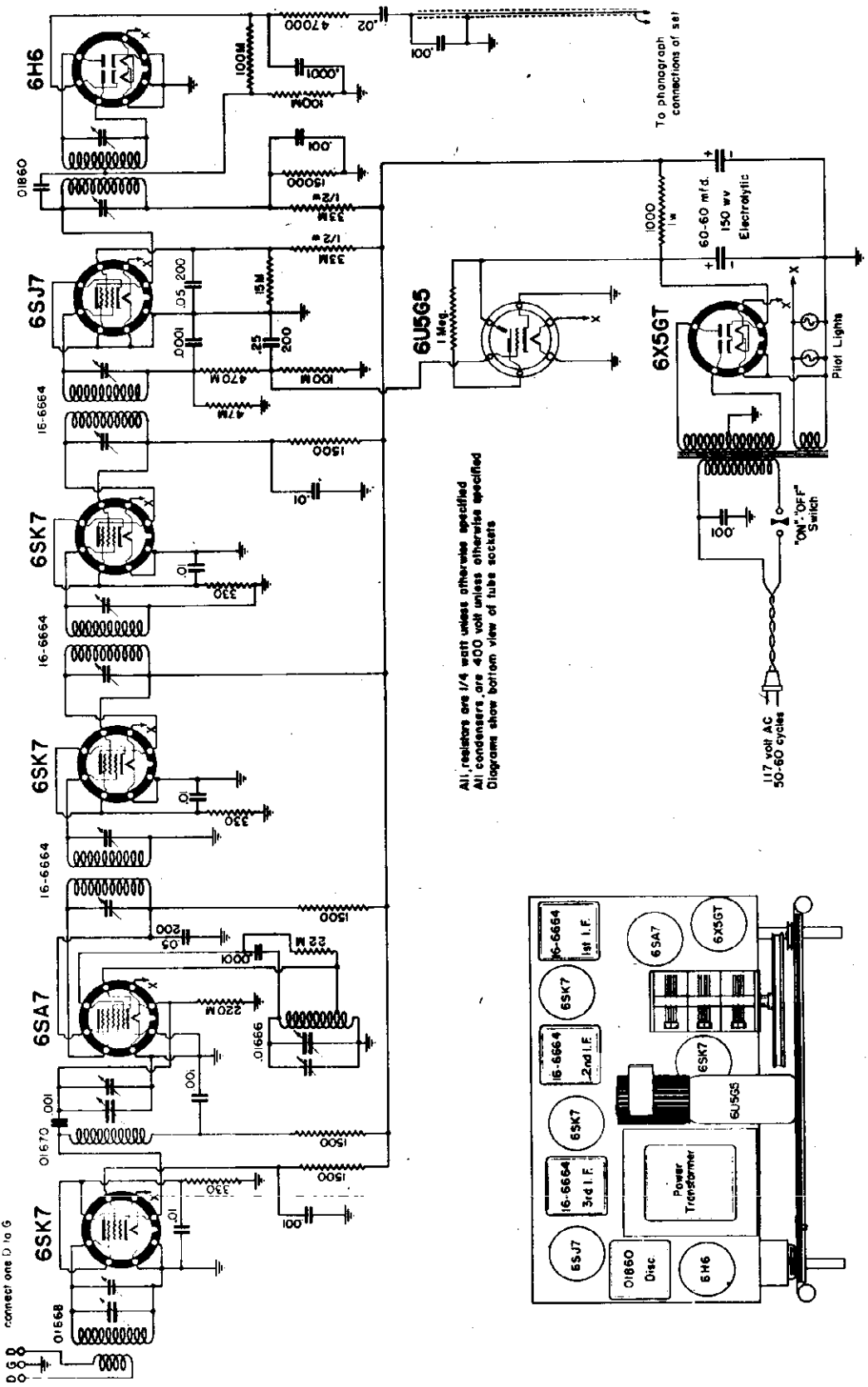
Part	Description
R1, R2, R4, R16	100K ohm
R3, R5	1000 ohm
R6	2500 ohm
R7, R9	50K ohm
R8	500 ohm
R10	25K ohm
R11, R20, R24, R31, R32	250K ohm
R12	10K ohm
R13	700 ohm
R14	1500 ohm
R15, R19, R21, R22, R25, R28	1 Megohm
R17	Vol. Cont.
R18	15K ohm
R23	5000 ohm
R26	100 ohm
R27	500K ohm
R29	3000 ohm
R30	22K ohm
R33	2 Megohm
R34	Candohm Res.
R35	2 Megohm
R36	25K ohm
C1, C9, C10, C14, C18, C58	.05 mfd.
C2, C3, C4	R.F. Trim.
C5, C17, C20	.01 mfd
C6	
C7	
C8	3-Gang Var.
CL1, CL2, CL3	Det. Trim.

MEISSNER MFG. CO.

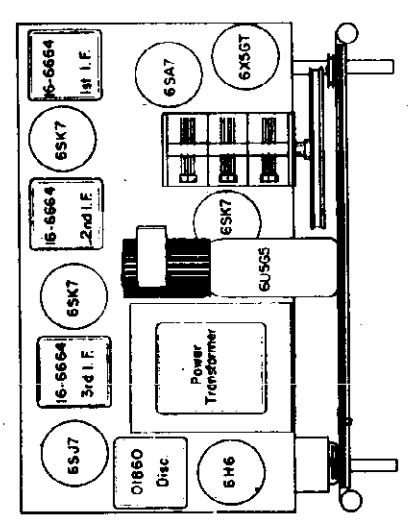
# 8 TUBE AC RECEPTOR FOR FM

41.2 TO 50.4 MC  
INTERMEDIATE FREQUENCY 4.3 MC

When double is not used  
connection D to G



All resistors are 1/4 watt unless otherwise specified  
All condensers are 450 volt unless otherwise specified  
Diagram shows bottom view of tube sockets



MODEL 9-1047A

MEISSNER MFG. CO.

## CONNECTIONS TO AN AC-DC RECEIVER

This Receptor is not recommended for use with any AC-DC receiver because of the hazards to safety involved in connecting this unit to an AC-DC set having its chassis con-

nected to the power line, and because of almost insurmountable hum troubles on sets having the chassis insulated from the power line.

### ALIGNMENT

Alignment of the Receptor may be accomplished by any competent Serviceman having the equipment usually used in alignment of All-Wave receivers. Neither a Frequency Modulated oscillator nor a Cathode Ray oscilloscope is necessary.

### DISCRIMINATOR ALIGNMENT

Connect the audio output leads of the Receptor to any convenient audio amplifier or "Phono" plug of any receiver, and connect on output meter (having a low range of 1 to 5 Volts) across the voice coil of the speaker. Temporarily increase the gain of the 6SJ7 limiter tube by shunting a 2,000-ohm resistor across the resistor thru which "B" voltage is supplied to the red wire of the discriminator transformer, No. 01860. Apply a 4.3-mc signal to the grid of the limiter tube through a .05-mfd coupling condenser.

When a Frequency Modulated signal is used for aligning the Discriminator, the adjustment is made for maximum output in much the same manner as the conventional alignment of a 456-KC (AM) I-F transformer on an AM signal, but if only an AM generator is available for alignment the Discriminator, the primary is aligned for maximum output and the secondary for balance or zero output, since one of the functions of the Discriminator is to eliminate amplitude modulated signals.

In tuning the secondary of the discriminator there are three places of minimum response; (1) out of resonance with the condenser too tight, (2) CORRECT, and (3) out of resonance, with the condenser too loose. The proper minimum has the characteristic that the signal rises very rapidly as the trimmer is turned IN EITHER DIRECTION. The other two minima mentioned above DO NOT have this characteristic and are incorrect. The trimmer farthest from the 6SJ7 tube tunes the secondary of the discriminator and by slowly rotating this trimmer the point of minimum audio response

will be found and will indicate correct alignment of this trimmer. Now MISTUNE this trimmer as little as possible but enough to hear a signal and to obtain an output meter indication with which to align the primary trimmer for MAXIMUM response. Leaving the secondary trimmer mistuned, to assist in the I-F alignment, move the signal input to the grid of the second 6SK7 I-F amplifier tube, and align this stage, always reducing input as sensitivity increases so as to remain below the level at which the "Limiter" works. Unless this precaution is observed, the resonance indication is broadened. In the same way align the remaining I-F transformers finishing with the signal applied to the 6SA7 grid. The SECONDARY of the discriminator may now be returned to minimum response and the 2000-ohm shunt resistor removed, completing the I-F alignment.

### R. F. ALIGNMENT

For reasons of stability, the oscillator in the Receptor operates on the low side of the R-F signal. Because of the high intermediate frequency (4.3 mc) there is no possibility of aligning the oscillator on the image. If there is reason to believe that the trimmers are badly out of alignment, a very practical initial adjustment would be to adjust ALL THREE TRIMMERS to a position about one-fourth turn from maximum capacity. Then apply a 48mc signal (or equivalent harmonic of some lower frequency) to the antenna terminals of the Receptor through a dummy antenna of 200 to 400 ohms, set the pointer to 48MC and adjust the trimmer on the center (oscillator) section of the gang condenser to give the maximum response OF THE TUNING EYE. Align the antenna (front) and R-F (rear) trimmers for maximum response and check the sensitivity at various points within the band. When properly aligned the antenna and oscillator trimmers are about one-fourth turn from maximum capacity with the R-F trimmer about two turns from minimum.

## SERVICE DATA (FOR PROFESSIONAL SERVICE MEN)

Power Consumption - - - - 45 Watts & 117 Volts A.C.  
Intermediate Frequency - - - - - 4.3 Megacycles  
Tuning Range - - - - - 40.5—50.5 Mc.

socket terminal with the chassis as the negative terminal except where a negative voltage reading is given in which case the chassis is positive. Readings marked "AC" indicate normal AC heater voltage and should not be read with a DC meter.

### VOLTAGES AT SOCKETS

The voltages that should be considered normal at each tube-socket terminal are indicated in the table below. All voltages indicated are measured between the socket terminal and ground (chassis). Readings shown are positive on the

These voltages are read with a Line Voltage of 117 Volts and no signal being received.

Readings are taken with a 1000-ohm-per-volt meter. Plate and screen voltages are read on the 250-volt scale. All readings under 50 volts are read on the 50-volt scale.

## VOLTAGE CHART

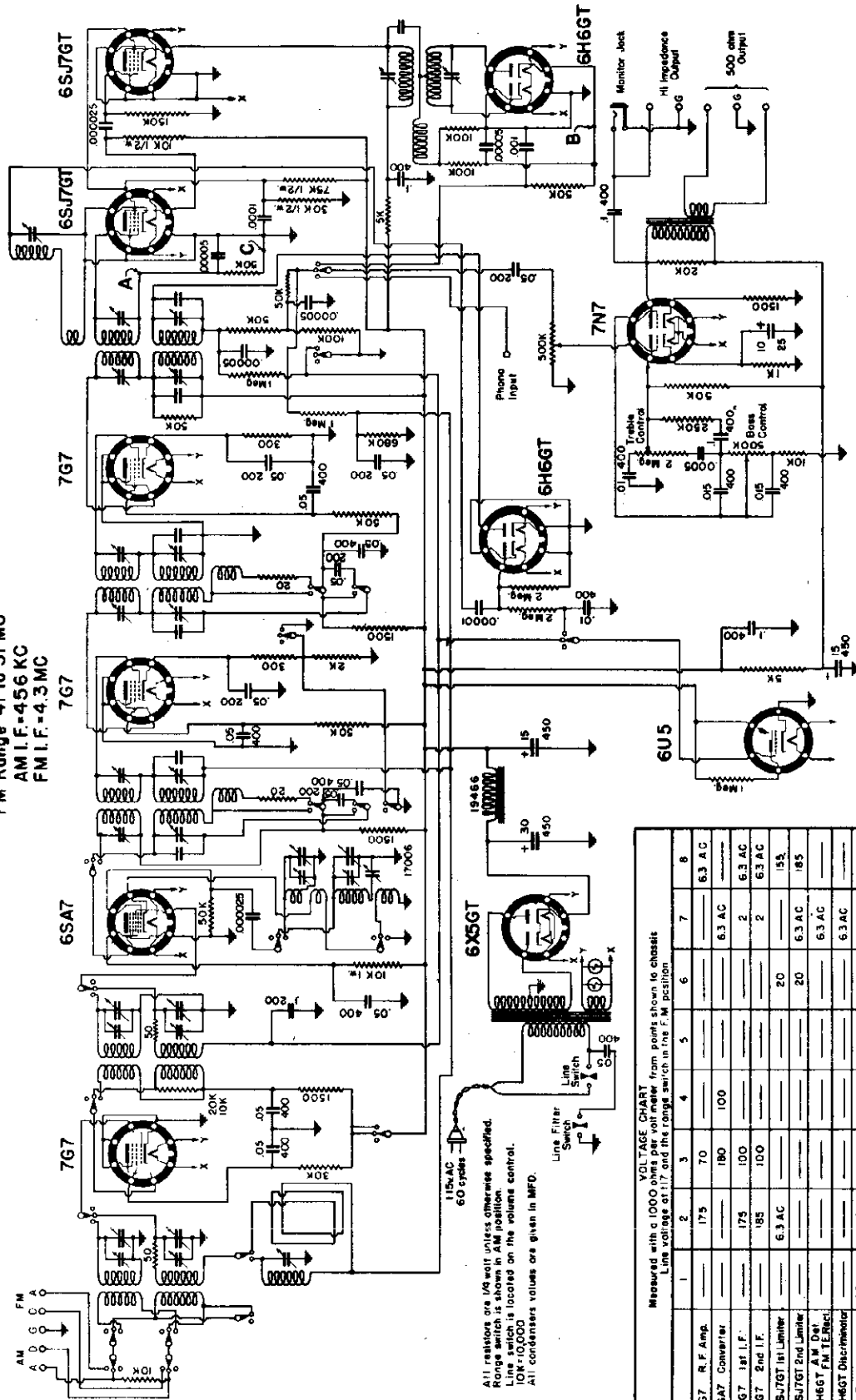
FUNCTION	TYPE	1	2	3	4	5	6	7	8
R. F. Amp.	6SK7	0	0	3.6	0	3.6	110	6.3AC	105
Mixer	6SA7	0	0	100	100	.....	0	6.3AC	0
1st IF	6SK7	0	0	3.6	0	3.6	110	6.3AC	110
2nd IF	6SK7	0	0	3.0	0	3.0	105	6.3AC	105
Limiter	6SJ7	0	0	0	0	0	38	6.3AC	26
Discr.	6H6	0	0	0	0	0	0	6.3AC	0
Tuning Eye	6U5	0	15	0	163	0	6.3AC	.....	.....
Rectifier	6x5GT	0	0	170 AC	NC	170AC	NC	6.3AC	170

MEISSNER MFG. CO.

9-1067

AM-FM HI-FIDELITY PA TUNER

AM Range 540 to 1630 KC  
 FM Range 41 to 51 MC  
 AM I.F. = 456 KC  
 FM I.F. = 4.3 MC



All resistors are 1/4 watt unless otherwise specified.  
 Range switch is shown in AM position.  
 Line switch is located on the volume control.  
 10K = 10,000  
 All condensers values are given in MFD.

VOLTAGE CHART

Measured with a 1000 ohms per volt meter from points shown to chassis  
 Line voltage at 117, and the range switch in the F.M. position

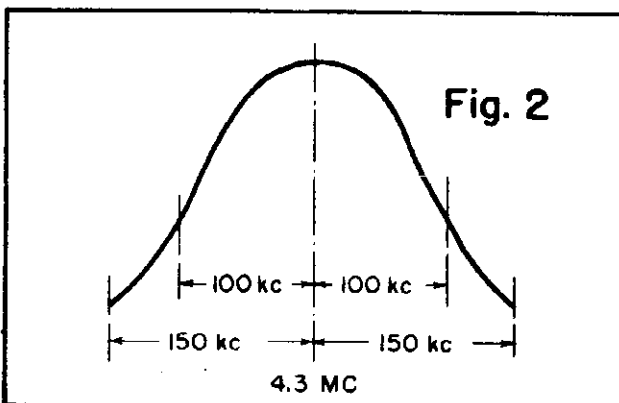
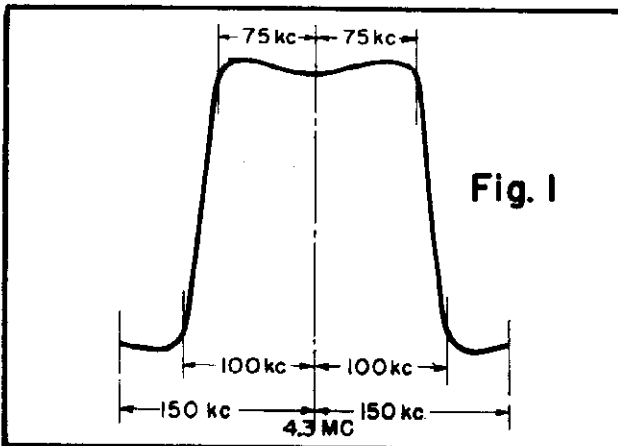
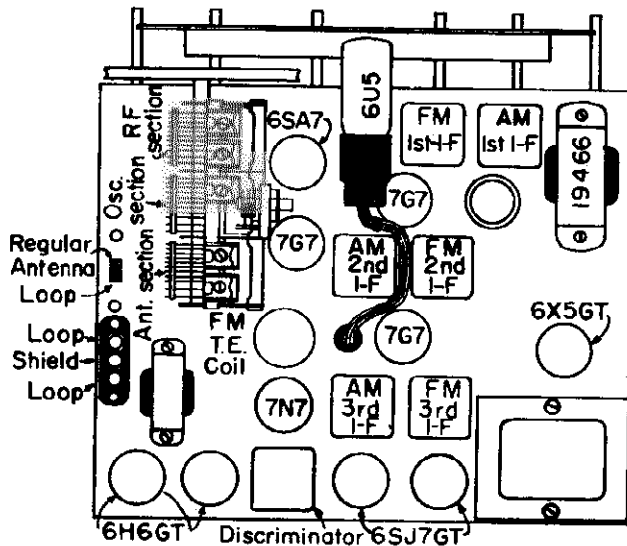
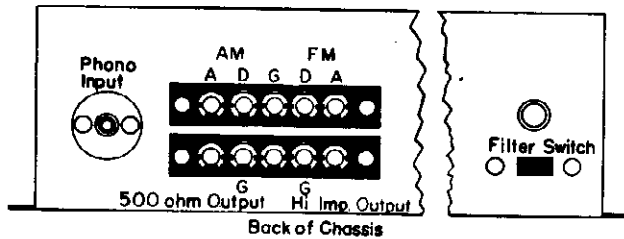
	1	2	3	4	5	6	7	8
7G7 R.F. Amp.	175	70	100	100	100	100	100	6.3 AC
6SA7 Converter	180	100	100	100	100	100	100	6.3 AC
7G7 1st I.F.	175	100	100	100	100	100	100	6.3 AC
7G7 2nd I.F.	185	100	100	100	100	100	100	6.3 AC
6S7GT 1st Limiter	6.3 AC	15.5	15.5	15.5	15.5	15.5	15.5	15.5
6S7GT 2nd Limiter	6.3 AC	20	20	20	20	20	20	6.3 AC 185
6H6GT A.M. Det.	6.3 AC	6.3 AC	6.3 AC	6.3 AC	6.3 AC	6.3 AC	6.3 AC	6.3 AC
6H6GT Discriminator	6.3 AC	6.3 AC	6.3 AC	6.3 AC	6.3 AC	6.3 AC	6.3 AC	6.3 AC
7N7 Audio Amp	4.8	185	185	185	185	185	185	1.6
6U5 Rectifier	6.3 AC	185 AC	185 AC	185 AC	185 AC	185 AC	185 AC	2.0
6U5 Tuning Eye	6.3 AC	185 AC	185 AC	185 AC	185 AC	185 AC	185 AC	2.0

Some pins not accessible for easy measurement

The unit is equipped with provision for phono input or other source of audio so that when used in a sound installation or when installed in a console for home use, the switching for external input to the amplifier is accomplished in the tuner, by turning the band switch to the third position, (extreme counter clockwise position).

Both high impedance output for feeding directly into the high impedance input of an amplifier, and balanced 500 ohm output for feeding into a transmission line, are provided, as well as a monitor jack on the front panel for feeding a monitor amplifier or headphones.





The two tuning ranges cover the standard broadcast band 540 KC to 1630 and the F. M. band 42 to 50 MC. The dial is calibrated directly in kilocycles on the broadcast band. For the F. M. band, the dial is calibrated directly in the call letter number assigned to the F. M. broadcasting station. For instance, W67C, is assigned to a station in Chicago, Ill. that operates on a frequency of 46.7 MC. This station will be received on a dial setting of 67. By placing a 4 in front and adding the decimal point, you will have the frequency in megacycles, on which the station is transmitting.

**ANTENNA CONNECTIONS**

Two separate sets of antenna connections are provided for the broadcast and F. M. bands. These may be found on the back of the chassis, near the phono input jack (see Fig. 4). A third set of terminals and a switch, for a broadcast loop antenna, are located on the top of the chassis (see Fig. 5).

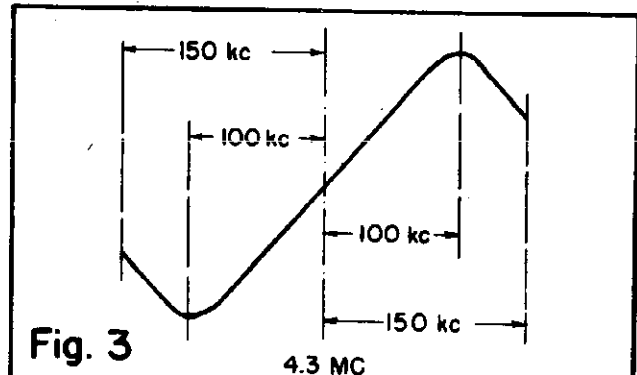
A shielded loop may be used with this unit. If a loop is used the two leads are to be connected to the two outside terminals marked loop in Fig. 5. The shield is to be connected to the center terminal marked shield in Fig. 5. Note: The leads of this loop should not be shortened or lengthened.

Any antenna system having a single wire lead-in for Broadcast reception, is connected to the terminal marked "A" on the Broadcast side of the terminal strip shown in Fig. 4.

The terminal marked "D" is then connected to gnd. In like manner, any antenna system having a single wire lead-in for F. M. reception is connected to the terminal marked "A" on the F. M. side of the terminal strip, and its corresponding "D" terminal is also connected to gnd. If such an antenna system is to be used for both Broadcast and F. M. reception, the two "A" terminals are connected together and both "D" terminals are connected to the gnd. terminal.

Any antenna system having a two wire lead-in for broadcast reception such as doublets and noise reducing antennas, has one of the lead-in wires connected to the terminal marked "A" on the Broadcast side of the terminal strip and the other lead-in wire connected to the terminal marked "D" on the broadcast side of the terminal strip. Any antenna system having a two wire lead-in for F. M. reception is connected in a like manner. The one lead-in wire connected to the "A" terminal on the F. M. side of the terminal strip and the other to the "D" terminal. If such an antenna is used for both Broadcast and F. M. reception, the two "A" terminals are connected together and the two "D" terminals are connected together.

In case no loop is to be used, the loop switch shown in Fig. 5 is set in the regular antenna position (toward the front of the chassis) and left there. When a loop is used, the switch is set in the loop position (toward the rear of the chassis). If, at some time when using the loop, a stronger signal is desired, this switch may be moved to the regular Antenna position. This switch is operative only on Broadcast reception and its position in no way affects the F. M. reception.



**SERVICE PRECAUTIONS**

In replacing parts or making adjustments care should be exercised to see that all connections are made to points from which they were removed and that components and leads occupy their original positions. Lead lengths and ground return paths are quite critical in some parts of the F. M. circuits and trouble will be avoided by adhering strictly to the original placement of parts.

**ALIGNMENT PROCEDURE**

The minimum of equipment necessary for correctly aligning this tuner is listed below:

- (1) A modulated service oscillator or signal generator capable of generating the frequencies 430 to 480 kilocycles, 600 kilocycles, 1400 kilocycles and 46 megacycles.
- (2) An audio amplifier.
- (3) An output meter.
- (4) A O-200 Microampere meter.
- (5) An oscilloscope with vertical and horizontal amplifiers.
- (6) A wide band frequency modulated generator or "wobulator" covering the intermediate frequency of 4.3 megacycles and with either 400 cycle or 60 cycle modulation. It should be capable of producing a deviation frequency of 150 kilocycles. (Total frequency swing of 300 kilocycles).

While this instruction sheet describes the use of a frequency-modulated generator which has 400 cycle audio voltage for application to the horizontal plates of the oscilloscope, it is also possible to use a generator having 60 cycle modulation and to use the 60 cycle sweep which is built into the oscilloscope instead of obtaining the sweep voltage from the generator. If the serviceman has been using such a generator for visual alignment, he will be familiar with his instrument and will be able to adopt it to his alignment.

Although it is possible to align the F. M. I. F. system of the tuner with a generator or "wobulator" not having as great frequency deviation as 150 kilocycles, it will be difficult to obtain as satisfactory results as with a wide band generator.

**A. M. ALIGNMENT**

The broadcast alignment of this tuner should be carried out as follows: Turn the range switch to the broadcast position and the fidelity switch to the sharp position. Connect an audio amplifier to the output of the tuner and connect the output meter in the output circuit of the audio amplifier in any conventional manner. Connect the A. M. signal generator between the grid of the 7G7 second I. F. tube and ground using a .05 microfarad condenser in series with the "hot" lead of the generator. Set the signal generator to 456 kilocycles and adjust the input to a value that will give a suitable reading on the output meter. For this adjustment and for all following adjustments of the A. M. channel, the volume control of the tuner should be turned full on. Since the response characteristic of the output transformer is very broad, it will be necessary to take special steps to align it. First, detune the primary circuit by connecting a fixed mica condenser of .003 to .005 microfarads between the plate of the 7G7 second I. F. tube and ground. Now adjust the secondary trimmer of the output I. F. coil for maximum response. (The secondary trimmer is identified by a dot of green paint on the trimmer screw.) Remove the condenser from the plate of the 7G7 second I. F. tube and adjust the primary trimmer for maximum response. No further adjustment of the secondary trimmer should be made.

Connect the signal generator, still set at 456 kilocycles and still using the .05 microfarad dummy, to the signal grid

of the 6SA7 Converter tube and adjust the four trimmers of the input and interstage transformers for maximum response. For this operation the fidelity switch should be set in the sharp position.

The response characteristic of the I. F. system should now be checked with the fidelity switch in the broad (clockwise) position. Swing the signal generator frequency over the range of 430 kilocycles to 480 kilocycles and by watching the output meter observe the shape of the response curve. If the alignment has been carefully performed, the response curve should have two peaks at approximately 446 kilocycles and 464 kilocycles with a slight dip between them, and the peaks should both be of the same amplitude. If this condition does not exist, the response curve may be corrected (within certain limits) by a very slight readjustment of the trimmers of the output transformer swinging the generator over the range of 430 to 480 kilocycles while making this adjustment to observe the effect on the response curve.

The RF alignment is made at 1400 kilocycles. The selectivity switch should be in the "sharp" position. If a loop antenna is to be used, it should be properly connected and the loop switch thrown to the position for loop operation. Connection should be made to the generator by wrapping a single turn of wire from the generator output around the loop housing. The oscillator, R. F. and antenna trimmers should be adjusted for maximum output. The padding operation is performed at 600 kilocycles. The dial should be rocked across the 600 kilocycle point while adjusting the padder to find the point of greatest response.

Now change the loop switch to the position for external antenna and connect the generator to the broadcast antenna terminal through a .0002 microfarad dummy antenna. The "D" terminal should be grounded.

With the generator and tuner set at 600 kilocycles, adjust the antenna padder condenser, located under the chassis, for maximum output.

If no loop antenna is used the above procedure is modified by setting the antenna padder at  $\frac{1}{4}$  turn from maximum and aligning in the conventional manner.

**F-M ALIGNMENT**

The F-M alignment is made in three major steps: Namely, I. F. alignment, discriminator alignment and R. F. alignment.

For the first operation, I. F. alignment, connect the output of the frequency-modulated generator between the grid of the 7G7 second I. F. stage and chassis, using a .05 mfd. condenser in series with the high side of the generator output and connecting this condenser to the 7G7 grid. Leave the grid of the 7G7 tube connected. Now connect the synchronizing voltage output from the generator to the input of the horizontal amplifier of the oscilloscope. Note: The ground lead from the generator should always be connected to the chassis near the tube to whose grid the generator is connected to avoid spurious regeneration phenomena which change the shape of the I. F. curve.

Now connect the input terminals of the oscilloscope vertical amplifier between chassis and the low potential end of the last I. F. transformer (point "A" in circuit diagram) using a 500,000 ohm resistor in series with the high side. This resistor should be located at the receiver end of the connecting wires and should be connected with a short lead to the point "A".

Having made the set-up, turn on the oscilloscope and the frequency-modulation generator. Turn down the receiver volume control. Set the generator to 4.3 MC and the divi-

MODEL 9-1067

MEISSNER MFG. CO.

ation frequency (if calibrated on the generator) to 150 KC. Turn the vertical gain control just high enough to give almost full-screen deflection of the horizontal pattern. Using just enough output from the generator to give good vertical deflection on the screen, adjust the trimmers of the last I. F. transformer for the greatest gain and to give a pattern that is centered on the screen and is symmetrical. This pattern should be similar to the one shown in Fig. 2.

Now without changing the generator frequency, remove the generator connection from the grid of the 7G7 second I. F. amplifier and place it on the grid of the 7G7 first I. F. amplifier, using the .05 mfd. condenser as before, and changing the position of the ground lead as described above. Again use only enough output from the generator to give good vertical deflection on the screen, and adjust the trimmers of the second I. F. transformer in the same manner as before. The curve shape should remain practically the same as it was before.

Now remove the generator connections (ground as well as "hot") from the 7G7 first I. F. amplifier and place them on the signal grid and ground of the 6SA7, again using the .05 mfd. condenser. Proceed as before, turning down the output from the generator until there is just enough for good vertical deflection on the oscilloscope screen. Adjust the trimmers of the first I. F. transformer for the greatest gain and to give a pattern similar to the one shown in Figure 1.

In all the foregoing adjustments, note that the oscilloscope vertical amplifier gain control has been turned well toward maximum gain, and that a low input from the generator has been used. The reason for this is that, as higher signal-input levels are used, the response curve of the I. F. amplifier stages will change shape. If the symmetry of the response curve is kept good at low input levels, then any dissymmetry occurring at high input levels will be unimportant, since at high input levels, the limiter tubes will level out the response before the signal reaches the discriminator.

Should the I. F. circuits for any reason be badly misaligned, the first 7G7 I. F. stage may oscillate when the input from the generator is placed on the grid of the 7G7 second I. F. tube, making it difficult to get a readable pattern on the oscilloscope screen. Should this condition occur, the remedy is to remove the 7G7 first I. F. tube from its socket until the last I. F. stage has been aligned.

This completes the alignment of the I. F. stages and the alignment of the discriminator comes next.

#### DISCRIMINATOR ALIGNMENT

Leaving the set-up as it was when the I. F. alignment was completed, adjust the generator frequency until the I. F. response pattern on the oscilloscope screen is centered and is symmetrical.

Now remove the connection to the low-potential side of the last I. F. coil, (point 'A') which is the lead containing the 500,000 ohm resistor, and move this connection to the 6H6 discriminator cathode marked "B" in the circuit diagram. The pattern on the oscilloscope screen may go off scale and the input from the generator will have to be decreased. If the generator leakage is bad and its output cannot be turned down to a sufficiently low level, the oscilloscope vertical amplifier gain control may be turned down. With the set-up made as described and with the generator deviation-frequency still set at 150 KC, adjust the trimmer on the primary side of the discriminator coil (the red trimmer screw) for greatest vertical deflection on the oscilloscope screen.

Next adjust the trimmer on the secondary side of this coil until a pattern similar to the one shown in Figure 3 is obtained. This adjustment is quite critical and should be made so that the pattern is as near symmetrical as possible. If the portion of the pattern in Figure 3 which appears straight, is not quite straight on the oscilloscope screen, it may be made so by a slight readjustment of the trimmer on the primary side of the coil.

#### ADJUSTMENT FOR F. M. TUNING INDICATOR

Decrease the modulation of the signal generator until only the straight part of the pattern of Figure 3 appears

on the oscilloscope screen and adjust the frequency of the generator to exact resonance with the receiver. Now adjust the trimmer in the top of the tuning indicator coil can for minimum shadow angle on the tuning eye.

#### ANTENNA, R. F. AND OSCILLATOR

In order to align the R. F. Antenna and Oscillator circuits, an amplitude-modulated signal generator covering the range of 42-50 MC and a O-200 microampere meter may be used. The signal generator need not be modulated.

Connect the meter in series with the ground end of the grid resistor of the first 6SJ7 limiter tube, with the positive side of the meter to ground. This point is marked "C" in the circuit diagram. Now apply the output of the signal generator to the F. M. antenna terminal through a 100 ohm dummy antenna, grounding the "D" terminal. Set the receiver dial and the signal generator to 46 MC and adjust the oscillator trimmer, which is the air trimmer mounted on top of the middle section of the tuning condenser, for maximum deflection on the O-200 microampere meter. If two positions of the oscillator trimmer give almost equal deflection on the meter, select the point with the trimmer farthest in mesh, since the oscillator on this band operates below the signal frequency. Keep the generator output adjusted to such a value that about one quarter of full scale deflection is obtained on the meter. Next adjust the R. F. trimmer, mounted on the front section of the tuning condenser, for maximum deflection of the meter; then perform the same operation for the antenna trimmer, which is mounted on the back section of the tuning condenser. The adjustment of the R. F. trimmer affects the oscillator frequency slightly and the tuning condenser should be rocked back and forth when making this adjustment in order to keep the oscillator tuned to the signal frequency. If two points of response are found on the R. F. or antenna trimmers, the point which requires the least amount of capacity in these trimmers should be selected.

As a final check of antenna, R. F. and oscillator adjustment, signals from the generator should be tuned in at various points on the band to see that the sensitivity is equal over the band.

#### MONITOR CONNECTION

The monitor jack on the front panel is connected to the high impedance output of the tuner and any monitoring device may be plugged in provided it is of high input impedance.

#### LINE FILTER SWITCH

Because of the fact that some audio power amplifiers are equipped with a line by-pass condenser and some are not, a switch is provided on the rear of the chassis for switching in or out a power line filter in the tuner chassis. After the tuner has been connected to an amplifier, this switch should be set in the position which gives the quietest reception.

#### TONE CONTROLS

The tone controls are Bass "Boost-Attenuate" and Treble "Boost-Attenuate" types and may be adjusted for the most pleasing results. They may be adjusted for flat response or may be adjusted to compensate the response characteristic of amplifier, speaker, phono pickup, etc.

#### FIDELITY SWITCH

The fidelity switch controls the width of pass-band in the broadcast I. F. channel and has two positions, "sharp" and "broad"; the "sharp" position being counter-clockwise. Accurate tuning of signals is difficult when the fidelity switch is in the broad position and it is recommended that signals be tuned in with the switch in the "sharp" position, after which it may be moved to "broad".

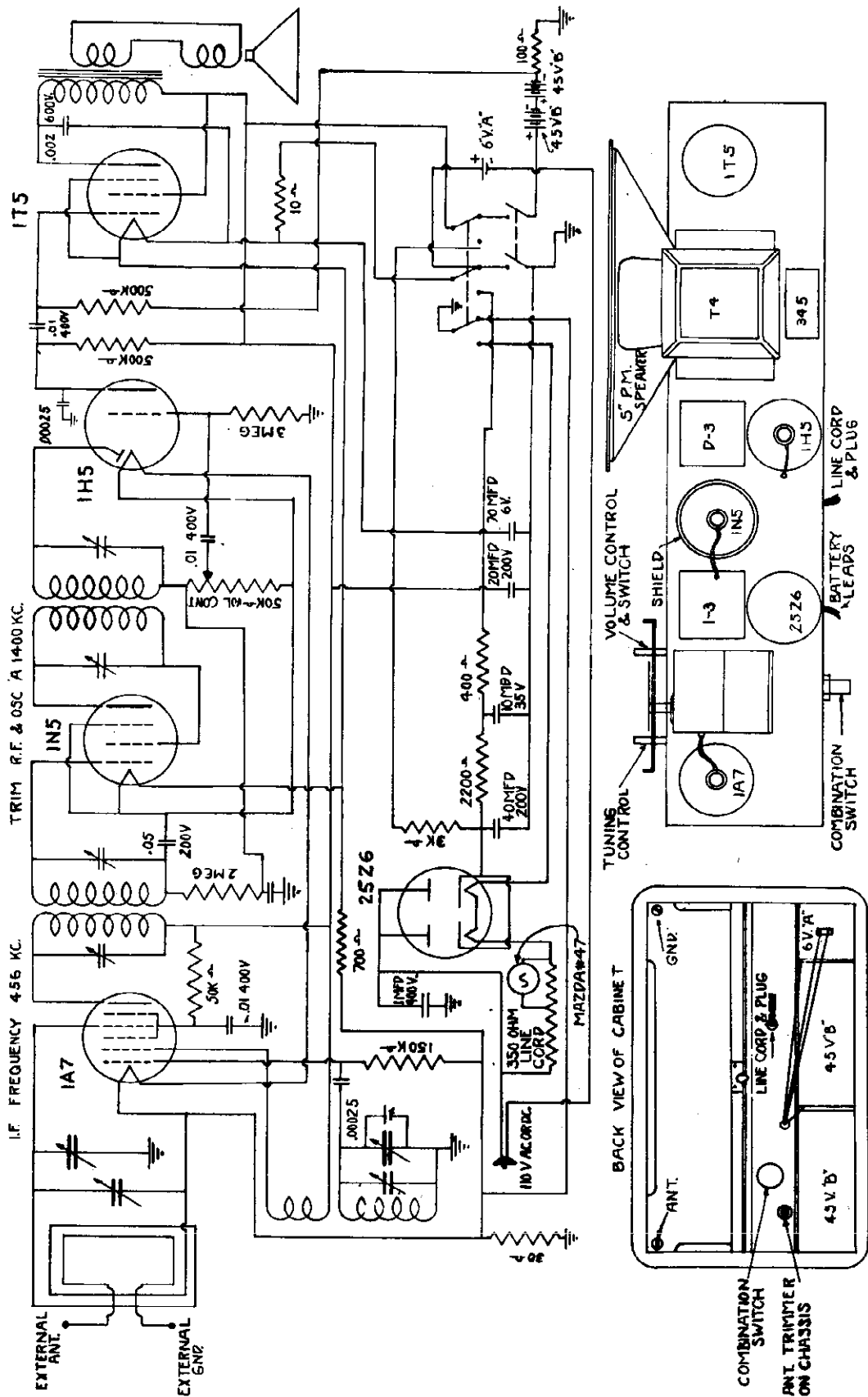
#### POWER SUPPLY

110-125 volts, 50-60 cycles.

#### INTERMEDIATE FREQUENCY

A. M. 456 kilocycles  
F. M. 4.3 megacycles

MIDWEST RADIO CORP.



When set is initially equipped with batteries, the antenna trimmer (as shown on back view of cabinet drawing) is properly adjusted at the factory and no further adjustment is necessary. However, in changing batteries, or installing outside antenna, it may be necessary to adjust this antenna trimmer. If so, proceed as follows:

- (1) Tune the receiver to a radio station somewhere near 1400 kilocycles, which is about 140 on the dial.
- (2) Adjust antenna trimmer with a screw driver very slowly until this station is heard the loudest.

No other adjustments are necessary in this set.

MIDWEST RADIO CORP.

MODEL 12-39

R27 250K Ohm, 1/2 W.	R28 50M	R29 1/2 W.
R108 200 Ohm, 2 W.	R319 Spring, Belt Ten.	R307 Speaker, 12 inch
R341 Coil Switch, On-Off	R342 Knob, 2 inch	R343 Motor
R344 Switch, Clicker	R345 Tone Switch	R346 Motor Switch
R347 Power Trans.	R173 1/8" I.F. Trans.	R152 500
R163 100	R164 2000	R151 Windowing
R153 100M	R20 200M	R21 500M
R22 1 Megohm	R23 3	R25 40M ohms

C314 35MFD 400V.	C380 30amp Variable	C401 Fish Line, Balbs
C381 Control, Volume	D 3 Dial Background	D 4 Dial Glass
C424 Knob, 1 inch	K25 Knob, 2 inch	M25 Motor
P 3 Panel, Molded	R46 Pilot Light-6.8	R59 Painted Slide
R11 200 Ohm, 1/2 W.	R12 500	R13 1000
R14 2000	R15 5000	R16 25K
R17 50M	R19 100M	R20 200M
R21 500M	R22 1 Megohm	R23 3
R25 40M ohms		

A 9 Antenna Strap	B 24 Brush Holder	B 27 Brush Clip
B 28 Brush Contact	C 26 Cable Plug, A.C.	C 45 Commutator Disk
C 46 Commutator Spring	C 211 Spring Trimmer	C 284 Osc. Padder
C 285 24 Mid. 500V	C 286 40 Mid. 350V	C 276 10 Mid. 1 Mile
C 277 25	C 280 100	C 285 2000
C 286 3000	C 287 200	C 300 60
C 300 1.01 MFD, 200V.	C 302 1.05	C 303 1.25
C 309 1.02	C 311 1.01	C 313 25

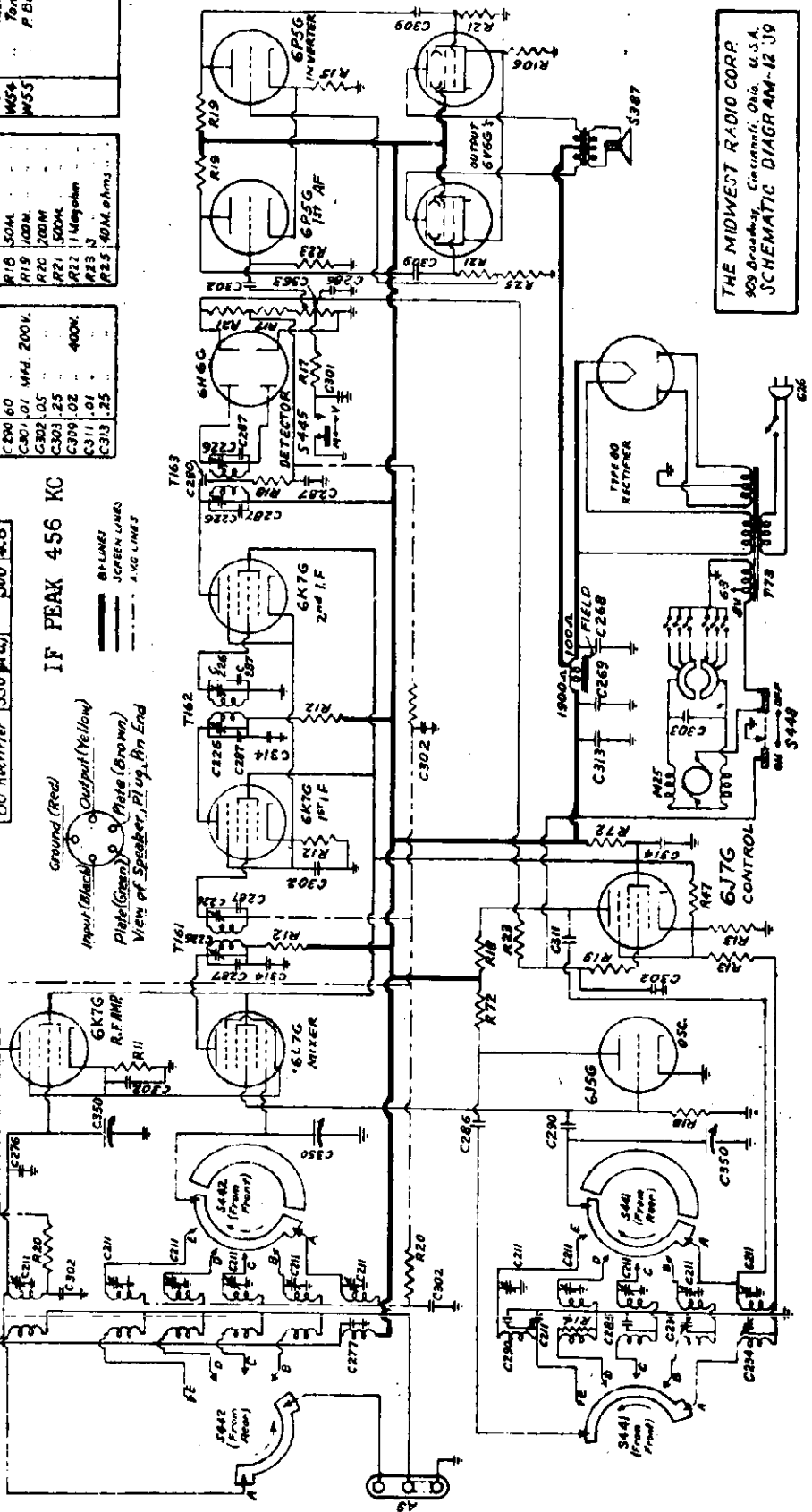
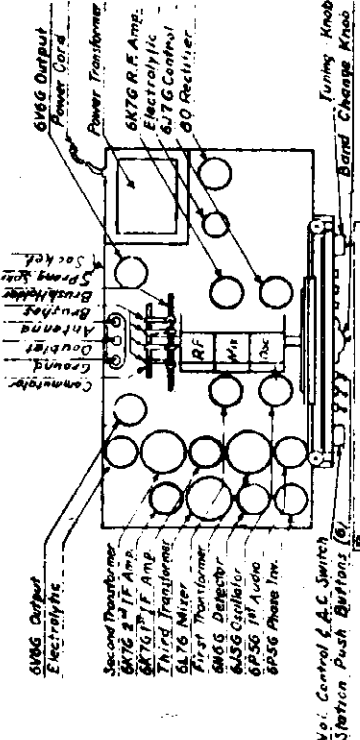
**OPERATING VOLTAGES**

No Signal. Volume Control Turned Off. Motor Switch in Off Position.  
Line Voltage 117Volts, 60 Cycles.  
Meter Used - 20,000 Ohms per Volt.

TUBE	MAX. VOLTAGE	MIN. VOLTAGE	TYPE	
6K7 R.F.	230	78	2.4	6.0
6L7 Mixer	233	78	2.4	6.0
6J5 Osc.	125	0	0	6.0
6J7 Control	100	78	4.4	6.0
6K7 1st I.F.	230	78	4.4	6.0
6K7 2nd I.F.	230	78	4.4	6.0
6P5 2nd Det.	135	0	0	6.0
6P5 Inverter	135	0	0	6.0
6V6 Output	200	220	12.5	16.0
80 Rectifier	350	400	300	4.0

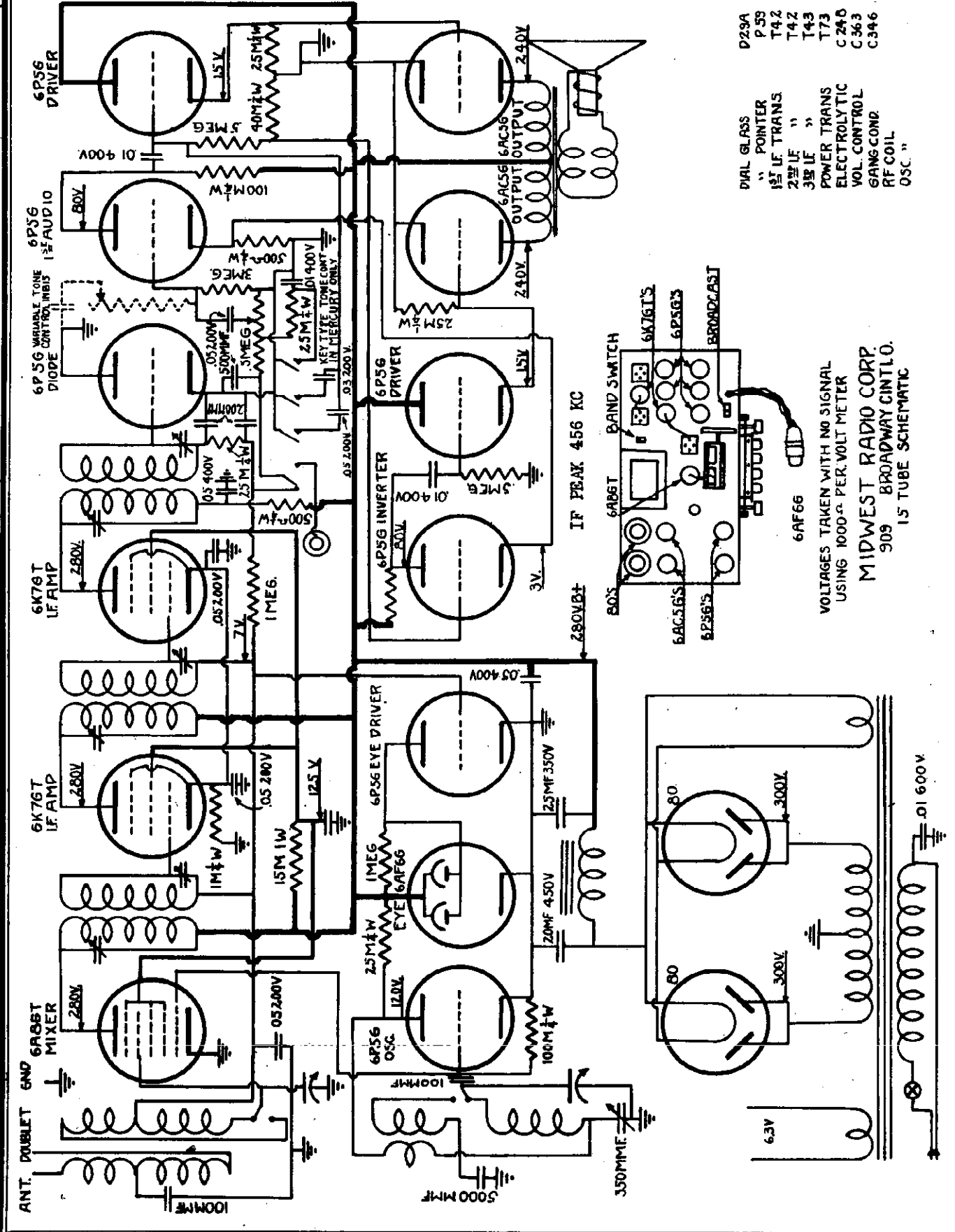
IF PEAK 456 KC

— SCREEN LINES  
— A.C. LINES

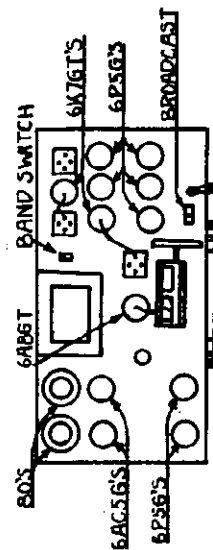


THE MIDWEST RADIO CORP.  
909 Broadway, Cincinnati, Ohio, U.S.A.  
SCHEMATIC DIAGRAM-12 39

MIDWEST RADIO CORP.



- D29A
  - P59
  - T42
  - T42
  - T43
  - T73
  - C246
  - C363
  - C346
- DIAL GLASS
  - " POINTER
  - IF TRANS.
  - " " "
  - 2 $\times$  IF " "
  - 3 $\times$  IF " "
  - POWER TRANS
  - ELECTROLYTIC
  - VOL. CONTROL
  - GANG COND.
  - RF COIL
  - OSC. "

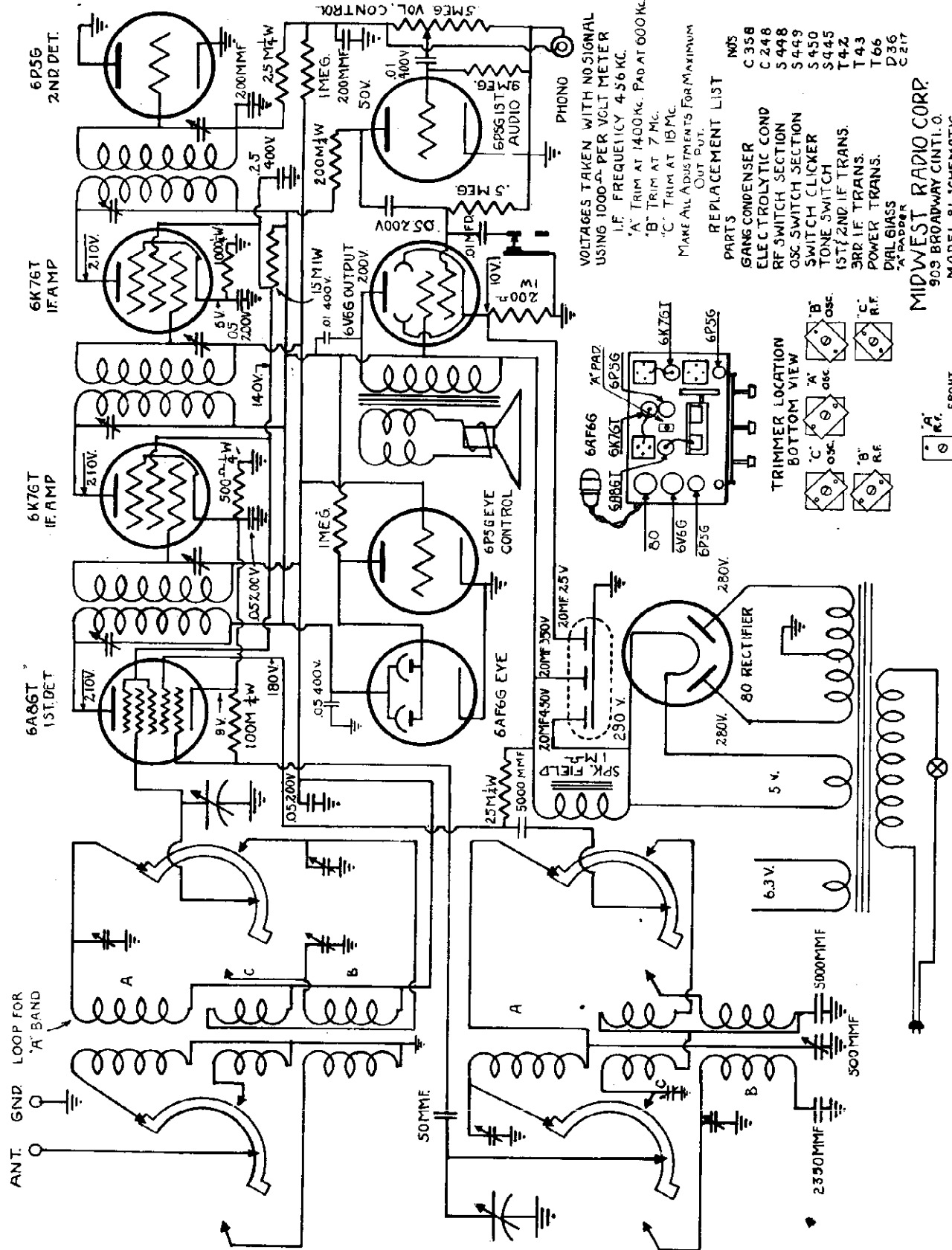


VOLTAGES TAKEN WITH NO SIGNAL USING 1000  $\pm$  PER. VOLT METER

**MIDWEST RADIO CORP.**  
909 BROADWAY CINTLO.  
15 TUBE SCHEMATIC

MODEL 91

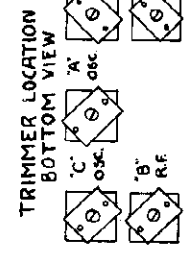
MIDWEST RADIO CORP.



VOLTAGES TAKEN WITH NO SIGNAL USING 1000Ω PER VOLT METER  
 IF FREQUENCY 4.56 KC.  
 'A' TRIM AT 1400 KC. PAD AT 600 KC.  
 'B' TRIM AT 7 MC.  
 'C' TRIM AT 18 MC.  
 MAKE ALL ADJUSTMENTS FOR MAXIMUM OUT PUT.

- REPLACEMENT LIST
- | PARTS               | NOS   |
|---------------------|-------|
| GANG CONDENSER      | C 358 |
| ELECTROLYTIC COND   | C 248 |
| RF SWITCH SECTION   | S 448 |
| OSC SWITCH SECTION  | S 449 |
| SWITCH CLICKER      | S 450 |
| TRIMMER             | T 42  |
| 1ST & 2ND IF TRANS. | T 43  |
| 3RD IF TRANS.       | T 44  |
| POWER TRANS.        | T 66  |
| DIAL GLASS          | D 36  |
| 'A' PADDER          | C 217 |

MIDWEST RADIO CORP.  
 909 BROADWAY CINTI. O.  
 MODEL 91 SCHEMATIC

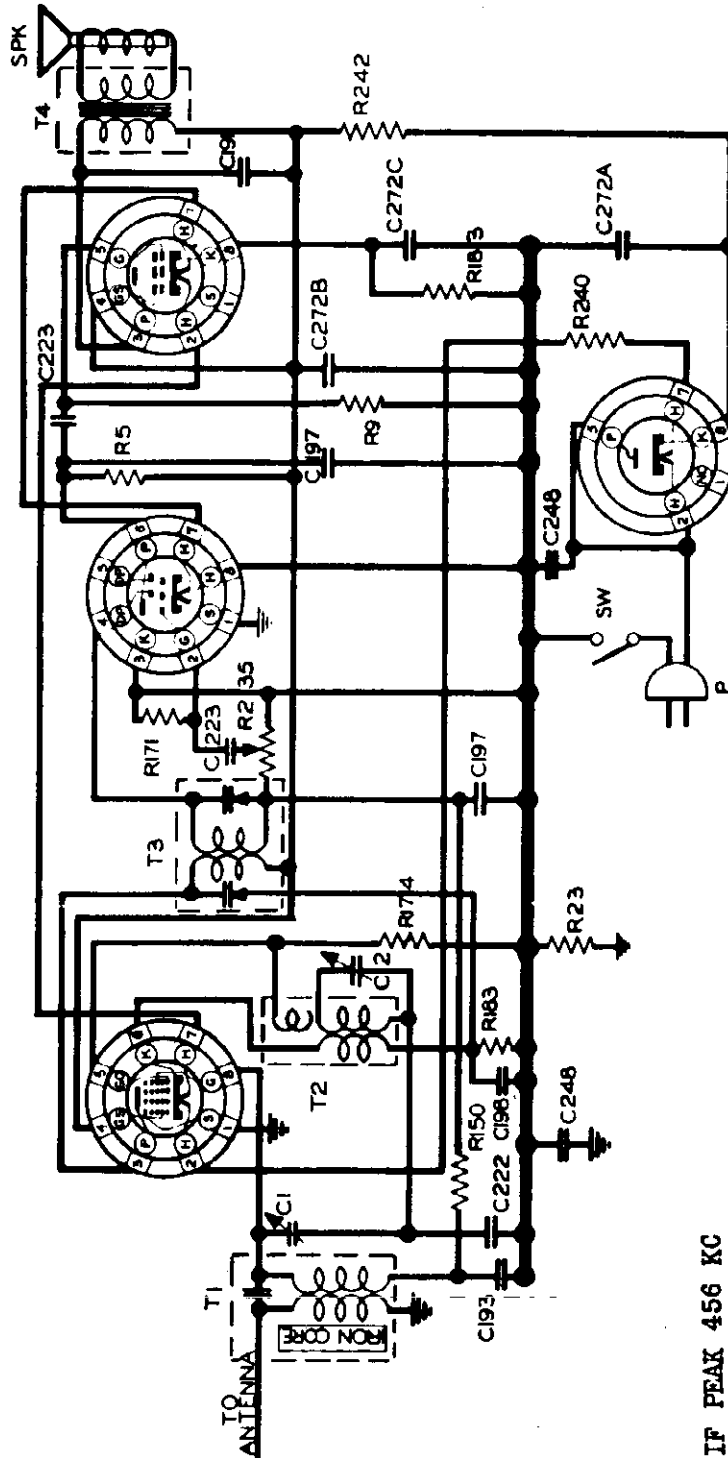


MIDWEST RADIO CORP.

12SA7 50L6GT

12SQ7

12SA7



IF PEAK 456 KC

35Z4GT or 35Z5GT

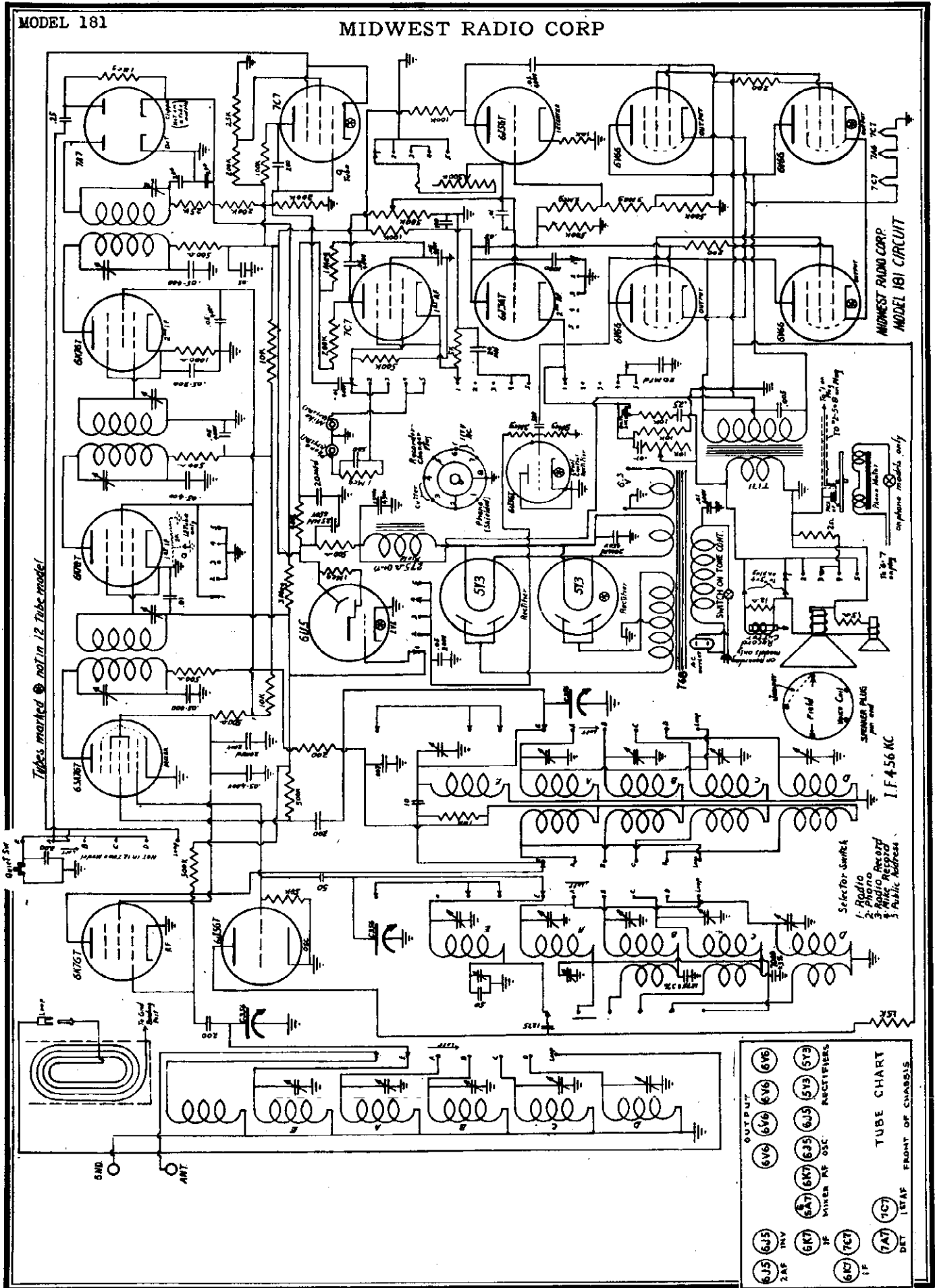
RESISTORS		CONDENSERS		MISCELLANEOUS UNITS				
R	OHM	W	Capacity	Volt	Part No.	Symbol	Description	Part No.
174	20K	1/4	.2	400	17-14317	T1	Antenna Coil	00-17130
9	1M.	1/4	.05	200	17-14274	T2	Oscillator Coil	00-17119
171	15M.	1/4	.05	400	17-14366	T3	I.F. Coil	00-17210
5	500K	1/4	.005	400	17-14279	T4	Output Trans.	00-17131
183	150	1/4	.002	400	17-14318	SPK.	Speaker	17-17209
235	2M.	V.C.	.01	400	17-14272			
23	250K	1/4	Two Gans	-----	17-17115			
240	47	1	Variable	-----				
150	5M.	1/4	40 MFD	150				
242	2000	1	20 MFD	150	17-14398			
			20 MFD	25				
			.0001	600	17-14278			

FREQUENCY RANGE  
1750 to 540 KC



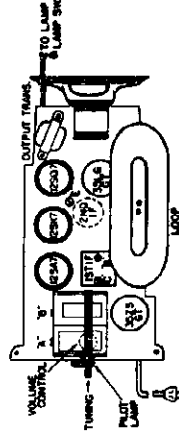
MODEL 181

MIDWEST RADIO CORP

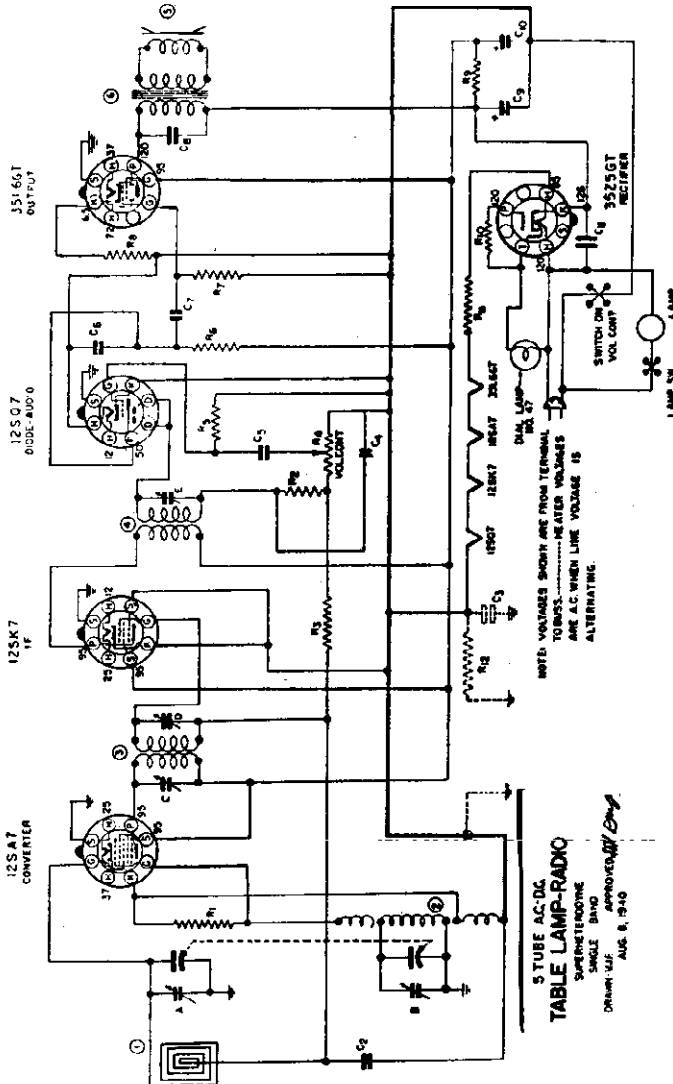


MITCHELL MFG. CO.

U.S. PAT. NO.	U.S. PAT. NO.	DESCRIPTION	QTY.	U.S. PAT. NO.	DESCRIPTION
1-14237	1-14237	20,000 OHM 5% 20K	1	1-3363	ANTENNA COIL LOOP
1-14238	1-14238	20,000 OHM 5% 20K	1	1-3364	OSCILLATOR COIL
1-14239	1-14239	1 MEG OHM 5% 20K	3	1-3365	1ST I.F. TRANSFORMER
1-14240	1-14240	3 MEG OHM 5% 20K	1	1-3366	2ND I.F. TRANSFORMER
1-14241	1-14241	6 MEG OHM 5% 20K	1	1-3367	4" SPEAKER
1-14242	1-14242	250,000 OHM 5% 20K	1	1-3368	OUTPUT TRANSFORMER
1-14243	1-14243	500,000 OHM 5% 20K	1		
1-14244	1-14244	100,000 OHM 5% 10K	1		
1-14245	1-14245	250,000 OHM 5% 20K	1		
1-14246	1-14246	500,000 OHM 5% 20K	1		
1-14247	1-14247	100,000 OHM 5% 10K	1		
1-14248	1-14248	250,000 OHM 5% 20K	1		
1-14249	1-14249	500,000 OHM 5% 20K	1		
1-14250	1-14250	100,000 OHM 5% 10K	1		
1-14251	1-14251	250,000 OHM 5% 20K	1		
1-14252	1-14252	500,000 OHM 5% 20K	1		
1-14253	1-14253	100,000 OHM 5% 10K	1		
1-14254	1-14254	250,000 OHM 5% 20K	1		
1-14255	1-14255	500,000 OHM 5% 20K	1		
1-14256	1-14256	100,000 OHM 5% 10K	1		
1-14257	1-14257	250,000 OHM 5% 20K	1		
1-14258	1-14258	500,000 OHM 5% 20K	1		
1-14259	1-14259	100,000 OHM 5% 10K	1		
1-14260	1-14260	250,000 OHM 5% 20K	1		
1-14261	1-14261	500,000 OHM 5% 20K	1		
1-14262	1-14262	100,000 OHM 5% 10K	1		
1-14263	1-14263	250,000 OHM 5% 20K	1		
1-14264	1-14264	500,000 OHM 5% 20K	1		
1-14265	1-14265	100,000 OHM 5% 10K	1		
1-14266	1-14266	250,000 OHM 5% 20K	1		
1-14267	1-14267	500,000 OHM 5% 20K	1		
1-14268	1-14268	100,000 OHM 5% 10K	1		
1-14269	1-14269	250,000 OHM 5% 20K	1		
1-14270	1-14270	500,000 OHM 5% 20K	1		
1-14271	1-14271	100,000 OHM 5% 10K	1		
1-14272	1-14272	250,000 OHM 5% 20K	1		
1-14273	1-14273	500,000 OHM 5% 20K	1		
1-14274	1-14274	100,000 OHM 5% 10K	1		
1-14275	1-14275	250,000 OHM 5% 20K	1		
1-14276	1-14276	500,000 OHM 5% 20K	1		
1-14277	1-14277	100,000 OHM 5% 10K	1		
1-14278	1-14278	250,000 OHM 5% 20K	1		
1-14279	1-14279	500,000 OHM 5% 20K	1		
1-14280	1-14280	100,000 OHM 5% 10K	1		
1-14281	1-14281	250,000 OHM 5% 20K	1		
1-14282	1-14282	500,000 OHM 5% 20K	1		
1-14283	1-14283	100,000 OHM 5% 10K	1		
1-14284	1-14284	250,000 OHM 5% 20K	1		
1-14285	1-14285	500,000 OHM 5% 20K	1		
1-14286	1-14286	100,000 OHM 5% 10K	1		
1-14287	1-14287	250,000 OHM 5% 20K	1		
1-14288	1-14288	500,000 OHM 5% 20K	1		
1-14289	1-14289	100,000 OHM 5% 10K	1		
1-14290	1-14290	250,000 OHM 5% 20K	1		
1-14291	1-14291	500,000 OHM 5% 20K	1		
1-14292	1-14292	100,000 OHM 5% 10K	1		
1-14293	1-14293	250,000 OHM 5% 20K	1		
1-14294	1-14294	500,000 OHM 5% 20K	1		
1-14295	1-14295	100,000 OHM 5% 10K	1		
1-14296	1-14296	250,000 OHM 5% 20K	1		
1-14297	1-14297	500,000 OHM 5% 20K	1		
1-14298	1-14298	100,000 OHM 5% 10K	1		
1-14299	1-14299	250,000 OHM 5% 20K	1		
1-14300	1-14300	500,000 OHM 5% 20K	1		



TUBE AND TRIMMER LOCATIONS



5 TUBE AC-DC SUPERHETERODYNE SINGLE BAND

DRAWN: JLF APPROVED: WJF Aug. 9, 1940

Lack of sensitivity and poor tone quality may be due to any one or a combination of causes such as weak or defective tubes or speaker, open or grounded bias resistor, bypass condenser, etc. Never attempt to realign set until all other possible sources of trouble have been first thoroughly investigated and definitely proved not to be the cause.

**NOTE: IT IS ABSOLUTELY NECESSARY THAT AN ACCURATELY CALIBRATED TEST OSCILLATOR WITH SOME TYPE OF OUTPUT MEASURING DEVICE BE USED WHEN ALIGNING THE RECEIVER AND THAT THE PROCEDURE BE CAREFULLY FOLLOWED, OTHERWISE THE RECEIVER WILL BE INSENSITIVE AND THE DIAL CALIBRATION WILL BE INCORRECT. THE TRIMMERS WILL BE REFERRED TO BY THEIR FUNCTION AS INDICATED ON THE PARTS DIAGRAM.**

**ALIGNMENT PROCEDURE**

**GENERAL DATA.** The alignment of this receiver requires the use of a test oscillator that will cover the frequencies of 456, 600, 1400 and 1720 KC and an output meter to be connected across the primary or secondary of the output transformer. If possible, all alignments should be made with the volume control on maximum and the test oscillator output as low as possible to prevent the AVC from operating and giving false readings.

**CORRECT ALIGNMENT PROCEDURE.** Remove the chassis from the cabinet and set on a bench taking care that no iron or other metal is near the loop. (See section on replacement of tubes). Do not make this setup on a metal bench. The intermediate frequency (I.F.) stages should be aligned properly as the first step. After the I.F. transformers have been properly adjusted and peaked, the broadcast band should be adjusted.

**I. F. ALIGNMENT.** With the gang condenser set at minimum, adjust the test oscillator to 456 KC and connect the output to the grid of the first detector tube (12SA7) through a .05 or .1 mfd. condenser. The ground on the test oscillator should be connected to the chassis ground. Align all three I.F. trimmers to peak or maximum reading on the output meter.

**BROADCAST BAND ALIGNMENT.** Connect the test oscillator to a loop transmitter and couple to the loop antenna on the receiver. With the gang condenser set at minimum capacity, set the test oscillator at 1720 K.C. and adjust the oscillator (or 1720 KC trimmer) on the gang condenser. Next—set the test oscillator at 1400 KC, and tune in the signal on the gang condenser. Adjust the antenna trimmer (or 1400 KC trimmer) for maximum signal. Next set the test oscillator at 600 KC, and tune in signal on condenser to check alignment of coils.

MODEL Lunitone

MITCHELL MFG. CO.

This new Radio-Lamp of yours incorporates the latest developments and refinements that radio engineers have devised. In order to realize the advantages to the fullest extent you must thoroughly understand its operation and use. Therefore it is important that you read the following pages carefully. PLEASE READ THESE INSTRUCTIONS ALL THE WAY THROUGH BEFORE ATTEMPTING TO USE THE RECEIVER.

**ASSEMBLY OF LAMP.** Screw the small shade on the lamp socket and screw the lamp bulb in the socket. Then place the large shade on the small shade and the assembly is complete.

**TYPE OF LAMP BULB REQUIRED.** This lamp is designed to use a three light bulb. This type of bulb will give three intensities of light and comes in two sizes. For normal illumination use the 30,

70 and 100 watt size with a medium base. For better illumination use the 50, 100 and 150 watt size with a medium base. Standard 60 or 100 watt bulbs can be used successfully in the lamp, but only one intensity of light will be obtained.

**TUBES USED.** Five tubes are used. Their type numbers and locations are shown on the tube location diagram inside the base of the lamp. Before attempting to replace tubes see the section on replacement of tubes.

**ANTENNA AND GROUND.** This radio lamp has a self contained loop antenna and requires no external antenna or ground. On weak stations the signal can be improved by rotating the lamp slightly.

**TUNING RANGE**

This receiver is designed to operate over the standard broadcast band which extends from 535 to 1720 Kilocycles (KC) (174 to 560 Meters) and includes the popular 1712 KC police channel.

**CONNECTING THE RADIO-LAMP**

Before connecting the radio-lamp be sure that your house is wired for the voltage and current for which the set is designed. If you are in doubt, call up your local power company for the necessary information. Connecting the set to a supply outlet furnishing the wrong type of current will result in improper operation or damage.

**POWER SUPPLY.** This receiver is designed to operate on any alternating current supply (AC) ranging from 110 to 120 volts, 50 to 60 cycles; or on any direct current supply (DC) ranging from 110 to 120 volts.

**SPECIAL INSTRUCTIONS FOR DC OPERATION.** When operating from a DC (direct current) power supply, it may be necessary to reverse the power cord plug in the wall socket before the receiver will function, due to the polarity condition of a direct current supply. If the receiver fails to perform after being turned on one minute, simply reverse the power plug.

**CONTROLS AND OPERATION**

**LAMP SWITCH.** The switch located in lamp socket must be turned in a clockwise direction to secure the three intensities of light if a

**SMALL KNOB.** (Manual Volume Control and "On-Off" Switch). Turn this knob to the extreme right. The switch will click and the dial will become illuminated with the volume wide open. Wait about a minute for the tubes to become heated. When signal comes in adjust volume as desired.

**TUNING DIAL.** (Station Selector)—Rotate the dial in the base of the lamp slowly over a narrow range of the dial at a point where the desired station is located, until the station is received with maximum volume; then readjust the volume control to the proper level. Never use the station selector to adjust volume as this practice results in distorted tone quality and deficient bass response. The Volume Control only is to be used for this purpose. For maximum clarity the indicator needle should be adjusted to the center of the area covered by the station being tuned.

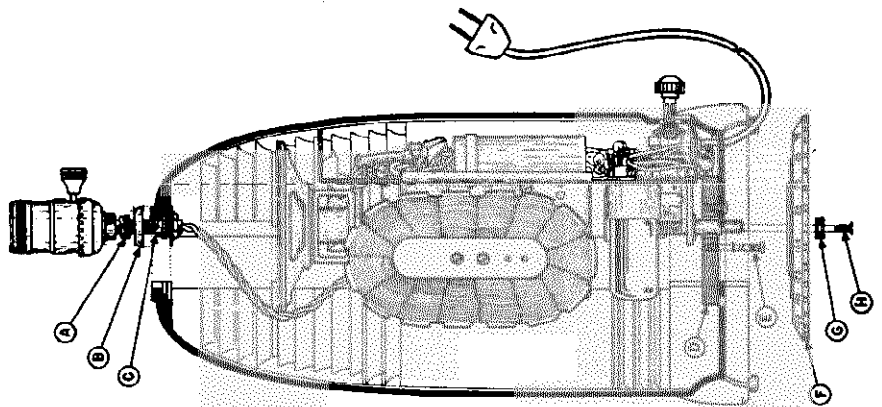
three light bulb is used. If a standard single light bulb is used only one intensity of light will be obtained.

**REPLACEMENT OF TUBES**

(See Figure 1)

Remove the shades and lamp bulb to prevent damage. Next loosen screw H and slip off washer G and the dial F. Next unscrew E and the screw next to it. (These screws have red heads). At the top of lamp just below the lamp socket, will be found nut A which must be loosened sufficiently to allow collar B to be moved high enough to allow the two halves of the lamp base to be separated.

If tubes are removed from their sockets for test or replacement purposes, make certain that each tube is placed in its proper socket. (See tube layout diagram in the base of the lamp). Failure to replace the tubes in their proper sockets may result in damage to the tube, or the receiver, or both.



## MONTGOMERY-WARD &amp; CO.

Crystal Pickup  
Cartridge DataTYPES OF CRYSTAL PICKUP CARTRIDGES USED ON AIRLINE RADIO-PHONOGRAPH COMBINATIONS.

In the past, substitutions have been made for crystal pickup cartridges on the basis of whether one crystal cartridge looked like another type, and whether it would fit in the pickup arm. This type of substitution usually causes trouble either in the operation of the record changer or by damaging the records because of improper needle pressure. (Needle pressure is the term used to describe the amount of pressure exerted upon a record by the point of the needle, and is equal to the weight of the pickup arm as weighed with a pencil scale while the pickup arm is in playing position.)

Since it is impossible to identify the pickup cartridge by the radio manufacturer's part number for this part, the attached list has been prepared to make identification easy and to enable you to replace any defective crystal pickup cartridge with the type which was originally intended to be used in the record player or record changer. Nearly all crystal pickup cartridges have the crystal pickup cartridge manufacturer's part number stamped on them. For instance, the permanent needle type which was used on the Model 912 Radio has a sticker on the cartridge with the number LP-6 stamped on the sticker. The radio manufacturer's part number for this crystal is J-22404, which does not appear on the cartridge in any place. To identify this cartridge would be rather difficult if you did not have a cross reference between the crystal cartridge manufacturer's part number and the radio manufacturer's part number. This list will give you that information and also the information as to what type of cartridge is used on each model radio.

In Columns 1, 2 and 3 are listed the radio model numbers, the part number assigned to the crystal cartridge by the radio manufacturer, and the part number assigned to the crystal cartridge by the crystal cartridge manufacturer. In columns 4, 5 and 6 are listed any information regarding the interchangeability of crystals, the output voltage of the crystal, and the recommended needle pressure at which the crystal cartridge should operate on the type of changer or record player with which it is used.

There are some cases in which two or more crystal cartridges were used on the same record changer or player, and on the same model radio. For example, refer to Model 732 and you will notice that a B-1, L-26 and an X-82CHZ crystal cartridge was used. Under the "Remarks" column, the notation is made that the B-1 is not interchangeable with the L-26 or the X-82CHZ, however, the X-82CHZ and L-26 could be interchanged if necessary. This same thing is true of the Model 906, which, also uses a B-1 type cartridge, an L-26 type cartridge and an X-82CHZ type cartridge.

One of the most important things to remember, when replacing crystal cartridges on record players or record changers, is that the output voltage of the crystal should coincide with the crystal that it is replacing, and if the needle pressure is not correct, changes in spring tension should be made until the pressure is suitable for the type crystal cartridge involved. For instance, some cases have come up where an LP-6 crystal cartridge has been used to replace an L-26 or an X-82CHZ. One of the first things that you will notice, after this type of replacement is made, is a fine black dust collecting on the records. This dust is actually part of the record itself which is being cut away by the sapphire point on the LP-6 cartridge. This cutting action is caused by an incorrect needle pressure, since the X-82CHZ cartridge requires from two to two and one-half ounces of needle pressure and the LP-6 requires only one to one and one-quarter ounces. Of course there are other factors which would cause the LP-6 cartridge to cut into a record, one of the main factors being a chipped sapphire needle point. Crystal cartridges cannot be interchanged indiscriminately, since some of the older type record changers required a needle pressure of two to two and one-half ounces in order to work the ratchet mechanism for tripping the record changer or due to friction in the changer arm.

If a crystal cartridge is used which requires only an ounce to an ounce and a quarter pressure, and the pressure on the needle is reduced to one or one and one-quarter ounces, in many cases the needle will not follow the grooves of the record and will jump grooves. This is caused by too light a needle pressure for that type of changer, providing the mechanism of the changer itself is not binding or jammed. When this happens, the LP-6 cartridge should not be used, as the maximum pressure should not exceed one and one-quarter ounces if any life is to be expected from the records.

Another factor to be considered when substituting crystal pickup cartridges is the amount of force with which the needle hits the record when the changer starts the cycle. That is, the amount of impact when the tone arm drops to the record in the outer groove. Some changers using replaceable needles were not too critical about this impact force; however, with a crystal cartridge using a sapphire needle, chipping might result if the needle comes in contact with the record at too great a force. On some changers it is possible to make adjustments so that the tone arm lowers at a lesser speed, thus decreasing the force of impact, but on other changers no adjustment can be made.

It is of utmost importance to consider all of the information given here before attempting to make substitutions other than those recommended by the record player or changer manufacturer. If you find any record players or record changers which have been altered, you should check to make sure that the substitute crystal cartridge is correct and will not cause trouble for the customer.

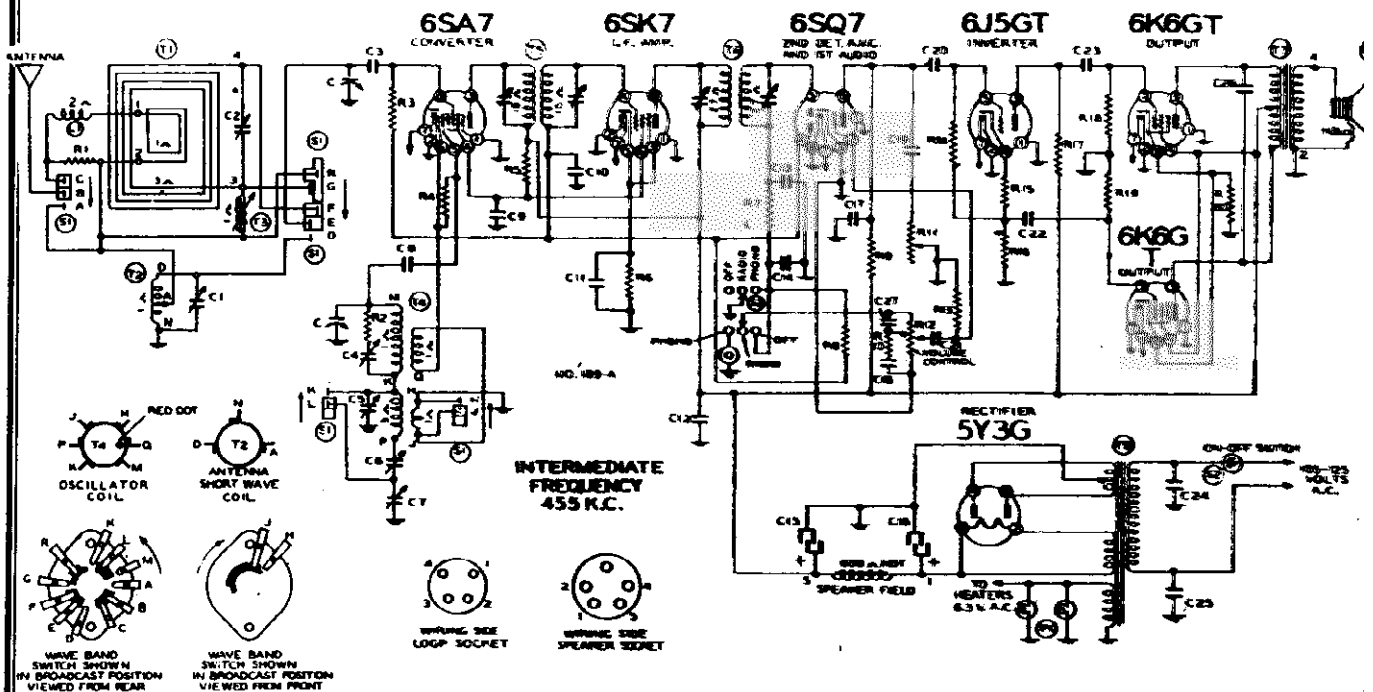
Crystal Pickup  
Cartridge Data

MONTGOMERY-WARD & CO.

RADIO MODEL NO.	CRYSTAL PICKUP PART NO. (RADIO MFR.)	CRYSTAL PICKUP PART NO. (CRYSTAL MFR.)	REMARKS	CRYSTAL OUTPUT VOLTAGE	RECOMMENDED NEEDLE PRESSURE	RADIO MODEL NO.	CRYSTAL PICKUP PART NO. (RADIO MFR.)	CRYSTAL PICKUP PART NO. (CRYSTAL MFR.)	REMARKS	CRYSTAL OUTPUT VOLTAGE	RECOMMENDED NEEDLE PRESSURE
362	114120	L-26A	114120 is complete tone arm	1.4	2 1/2-2 5/4 Oz.	809	SJ-22404	LP-6		.85	1-1 1/2 Oz.
398	B-1 J-22125 J-22202	B-1 L-26 X-82CHZ	B-1 not interchangeable with L-26 or X-82CHZ	2.5 1.4 1.0-1.25	2-2 1/2 Oz. 2-2 1/2 Oz. 2-2 1/2 Oz.	902 904	B-1 B-1 J-22125 J-22202	B-1 L-26 X-82CHZ	B-1 not interchangeable with L-26 or X-82CHZ	2.5 1.4 1.0-1.25	2-2 1/2 Oz. 2-2 1/2 Oz. 2-2 1/2 Oz.
399	J-22202	X-82CHZ		1.0-1.25	2-2 1/2 Oz.						
499	W21158	L-40		.60	1 1/2-1 1/2 Oz.	908	B-1 J-22125 J-22202	B-1 L-26 X-82CHZ	B-1 not interchangeable with L-26 or X-82CHZ	2.5 1.4 1.0-1.25	2-2 1/2 Oz. 2-2 1/2 Oz. 2-2 1/2 Oz.
500	114100*	305	114100 is complete tone arm								
510	28A10	L-22A	28A10 is complete tone arm	1.75	2-3/4 Oz.	908	J-22202	X-82CHZ		1.0-1.25	2-2 1/2 Oz.
515	114194	L-26A	114194 is complete tone arm	1.4	2-3/4 Oz.	909	J-22202	X-82CHZ		1.0-1.25	2-2 1/2 Oz.
523	BE-9-27098	W-1		.7 - .9	1 1/2-1 1/2 Oz.	912	J-22404	LP-6		.85	1-1 1/2 Oz.
614	28A25*	FE-212	28A25 is complete tone arm			914	4426-10	LP-6		.85	1-1 1/2 Oz.
615	BE-G-12114	L-26A		1.4	2-2 1/2 Oz.	1108	B-1 J-22125 J-22202	B-1 L-26 X-82CHZ	B-1 not interchangeable with L-26 or X-82CHZ	2.5 1.4 1.0-1.25	2-2 1/2 Oz. 2-2 1/2 Oz. 2-2 1/2 Oz.
620	J-22125	L-26A		1.4	2-2 1/2 Oz.						
623	28A25*	FE-212	28A25 is complete tone arm			1107	J-22202	X-82CHZ		1.0-1.25	2-2 1/2 Oz.
629	BE-G-12114	L-26		1.4	2-2 1/2 Oz.	1112	BE-4426-8	W-1		.7 - .9	1 1/2-1 1/2 Oz.
717	114120	L-26A	114120 is complete tone arm	1.4	2-3/4 Oz.	1113	J-22125	L-26		1.4	2-2 1/2 Oz.
719	114120	L-26A	114120 is complete tone arm	1.4	2-3/4 Oz.	1203	SJ-22404	LP-6		.85	1-1 1/2 Oz.
728	B	B		2.5	2 1/2-3 Oz.	1401	J-22404	LP-6		.85	1-1 1/2 Oz.
732	B-1 SJ-22202 SJ-22125	B-1 X-82CHZ L-26	B-1 not interchangeable with L-26 or X-82CHZ	2.5 1.0-1.25 1.4	2-2 1/2 Oz. 2-2 1/2 Oz. 2-2 1/2 Oz.	2208	28A10	L-22A	28A10 is complete tone arm	1.75	2-1/4-2-3/4 Oz.
733	J-22202	X-82CHZ		1.0-1.25	2-2 1/2 Oz.						
738-A	SE-27089	W-1		.7 - .9	1 1/2-1 1/2 Oz.						
740-A	O-4426-8	W-1		.7 - .9	1 1/2-1 1/2 Oz.						
741	J-22202	X-82CHZ		1.0-1.25	2-2 1/2 Oz.						
804	B	B		2.5	2 1/2-3 Oz.						
805	B	B		2.5	2 1/2-3 Oz.						

\* No information available

MONTGOMERY-WARD & CO.



Schematic Diagram Part Ref. No. No.

Description

RESISTORS

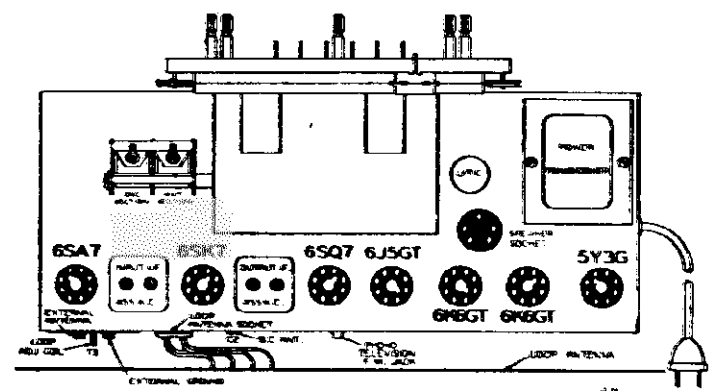
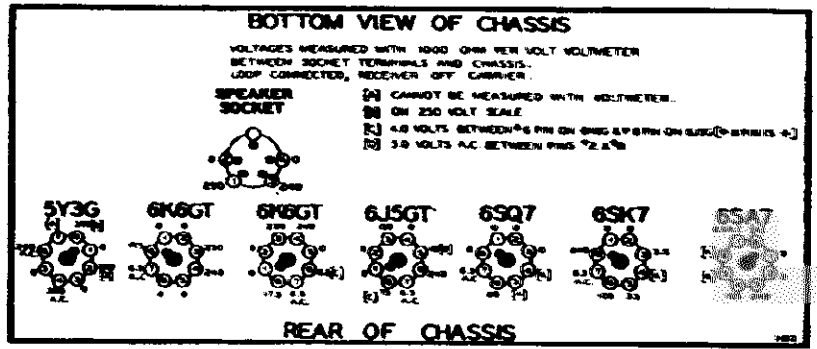
R1	13064	3500 ohm— $\frac{1}{2}$ w.
R2	130276	10 ohm— $\frac{1}{2}$ w.
R3	1304	3 megohm— $\frac{1}{2}$ w.
R4	130236	30M ohm— $\frac{1}{2}$ w.
R5	130307	15M ohm—1 w.
R6	13093	300 ohm— $\frac{1}{2}$ w.
R7	13012	50M ohm— $\frac{1}{2}$ w.
R8	13038	2 megohm— $\frac{1}{2}$ w.
R9	13011	250M ohm— $\frac{1}{2}$ w.
R10	130149	15M ohm— $\frac{1}{2}$ w.
R11	104223	Tone control—1 megohm
R12	101224	Volume Control— $\frac{1}{2}$ megohm
R13	130257	5 megohm— $\frac{1}{2}$ w.
R14	1303	500M ohm— $\frac{1}{2}$ w.
R15	130218	5M ohm— $\frac{1}{2}$ w.
R16	130103	100M ohm— $\frac{1}{2}$ w.
R17	130403	100M ohm— $\frac{1}{2}$ w.
R18	1303	500M ohm— $\frac{1}{2}$ w.
R19	1303	500M ohm— $\frac{1}{2}$ w.
R20	130320	320 ohm—1 watt

CONDENSERS

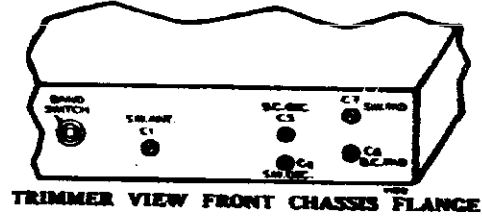
C	102133	2 gang variable condenser
C1	124116	Short wave antenna trimmer
C2	124141	B.C. antenna trimmer
C3	1292	.0005 mica
C4	124142	Dual adj. trimmer—S.W. osc. trimmer
C5	124142	Dual adj. trimmer—B.C. osc. trimmer
C6	124140	Dual adj. condenser—B.C. pad
C7	124140	Dual adj. condenser—S.W. pad
C8	12960	.00015 mica
C9	10013	.05 x 400 v.
C10	1009	.05 x 200 v.
C11	1009	.05 x 200 v.
C12	1001	.1 x 400 v.
C13	129161	Dual—.0001 mica
C14	129161	Dual—.0001 mica
C15	119108	16 mfd. x 450 w.v. lytic condenser
C16	119108	16 mfd. x 450 w.v. lytic condenser
C17	1295	.0001 mica
C18	100120	.035 x 200 v.
C19	10019	.006 x 600 v.
C20	10026	.02 x 400 v.
C21	10019	.006 x 600 v.
C22	10013	.05 x 400 v.
C23	10013	.05 x 400 v.
C24	10061	.02 x 600 v.
C25	10061	.02 x 600 v.
C26	10019	.006 x 600 v.
C27	129169	.00025 mica

C4 and C5, C6 and C7, and C13 and C14 are in the same units

T1	111220	Loop antenna assembly
T2	111184	Short wave antenna coil
T3	111183	Loop adjustable coil
T4	110854	B.C.—S.W. oscillator coil
T5	108178	Input L.F. coil—455 kc.
T6	108179	Output L.F. coil—455 kc.
T7	105112	Output transformer
T8	114226	6" Dynamic Speaker
T9	104212	Power transformer
L1	12312	R.F. Choke coil
S1	125119	Wave band switch
S2	125120	Radio-phonos On-off switch
Pl	10794	(2) Pilot light bulbs T-44



PARTS



MODEL O4BR-729

MONTGOMERY-WARD & CO.

**Pushbutton Tuning**

Make a list of your 6 favorite stations. Push out the call letters of these stations from the call letter sheets supplied. Insert a call letter in the slot on top of each pushbutton.

Next pull one of the pushbuttons all the way out as far as it will come (pull with fingers on top and bottom of button). Now tune in the station you want with the tuning knob—Tune back and forth until the station is clear and distinct. Now push the button hard all the way in to lock the station in place (push directly on front of button). Continue setting each pushbutton in the same way. Pressing the proper button will now tune the station you want. If it does not do so you did not push the button hard enough to lock it in place when setting up the station.

To change stations simply repeat the procedure above.

If television or frequency modulation (FM) programs ever become available in your community this radio may still be used in conjunction with the necessary converters.

The jack marked phono-television-FM in the top view will accommodate either the Phono or a television or FM converter.

- Selectivity - 45 KC Broad at 1000 Times Signal at 1000 KC
- Tuning Frequency Range Broadcast - 535 to 1600 KC
- Shortwave - 5.4 to 18.4 MC
- Intermediate Frequency - 455 KC
- Speaker - 6 in. Electro Dynamic

**ALIGNMENT PROCEDURE**

The following equipment is required for aligning:  
 • An all wave signal generator which will provide an accurately calibrated signal at the test frequencies as listed.  
 • Output indicating meter.  
 • Non-metallic screwdriver.  
 • Dummy antennas—1 m.f., 200 mmf., 400 ohm.

**Phonograph-Television or FM Jack**

Should you wish to use an external phonograph it should be plugged into the phono-jack shown in the top view.—The on-off radio-phonograph knob on the front panel will then switch from radio to phono operation.

- Power Consumption - 75 Watts
- Power Output - 3 Watts Undistorted
- Sensitivity for 500 Milliwatt Output: 20 Microvolts Average

• Volume control—Maximum all adjustments.  
 • Connect radio ground to ground post of signal generator with a short heavy lead.  
 • Connect dummy antenna valve in series with generator output lead.  
 • Connect output meter across primary of output transformer.  
 • All-w chassis and signal generator to "heat up" for several minutes.

BAND	SIGNAL GENERATOR Frequency Setback	Dummy Antenna	Connection to Radio	Position of Band Switch	Variable Condenser Setting	Trimmers adjusted (in Order Shown)	Trimmer Function	Adjustment
I. F.	455 Kc.	.1 MFD.	Grid of 6SK7 I. P.	Broadcast	Rotor full open (Plates out of mesh)	Two trimmers on top (See Top View)	Output I. F.	Adjust to maximum output
	655 Kc.	.1 MFD.	Grid of 6SA7 Mixer	Broadcast	Rotor full open (Plates out of mesh)	Two trimmers on top (See Top View)	Input I. F.	Adjust to maximum output
SHORT WAVE BAND (See Note A)	17 Mc.	400 Ohms	External Antenna and Ground	Short Wave	Set Dial at 17 Mc.	Trimmer C1	Short Wave oscillator	Adjust to maximum output
	17 Mc.	400 Ohms	External Antenna and Ground	Short Wave	Set Dial at 17 Mc.	Trimmer C1	Short Wave antenna	Adjust to maximum output
	6 Mc.	400 Ohms	External Antenna and Ground	Short Wave	Set Dial at 6 Mc.	Trimmer C7	Short Wave oscillator series pad	Adjust to maximum rock dial. (See note "C")
BROAD-CAST BAND (See Note A)	1600 Kc.	200 mmf.	Grid of 6SA7	Broadcast	Rotor full open (Plates out of mesh)	Trimmer C3	Broadcast oscillator	Adjust to maximum output
	535 Kc.	200 mmf.	Grid of 6SA7	Broadcast	Set Dial at 535 Kc.	Trimmer C6	Broadcast oscillator series pad	Adjust to maximum output
LOOP ALIGN-MENT (See Note B)	1400 Kc.	200 mmf.	External Antenna and Ground	Broadcast	Set Dial at 1400 Kc.	Trimmer C2 (See Top View)	Broadcast antenna	Adjust to maximum output
	600 Kc.	200 mmf.	External Antenna and Ground	Broadcast	Set Dial at 600 Kc.	Trimmer T3 (See Top View)	Iron Core Tracking Coil	Adjust to maximum output

NOTE "A"—The signal generator is connected to the "ANT." and "GND." terminals on the rear of the chassis when aligning the Short Wave Band and to the grid of the 6SA7 i-b-a and ground terminal when setting the Broadcast Band oscillator end frequencies, (1600 and 535 K. C.).

The loop antenna should be connected to the radio when making these adjustments.

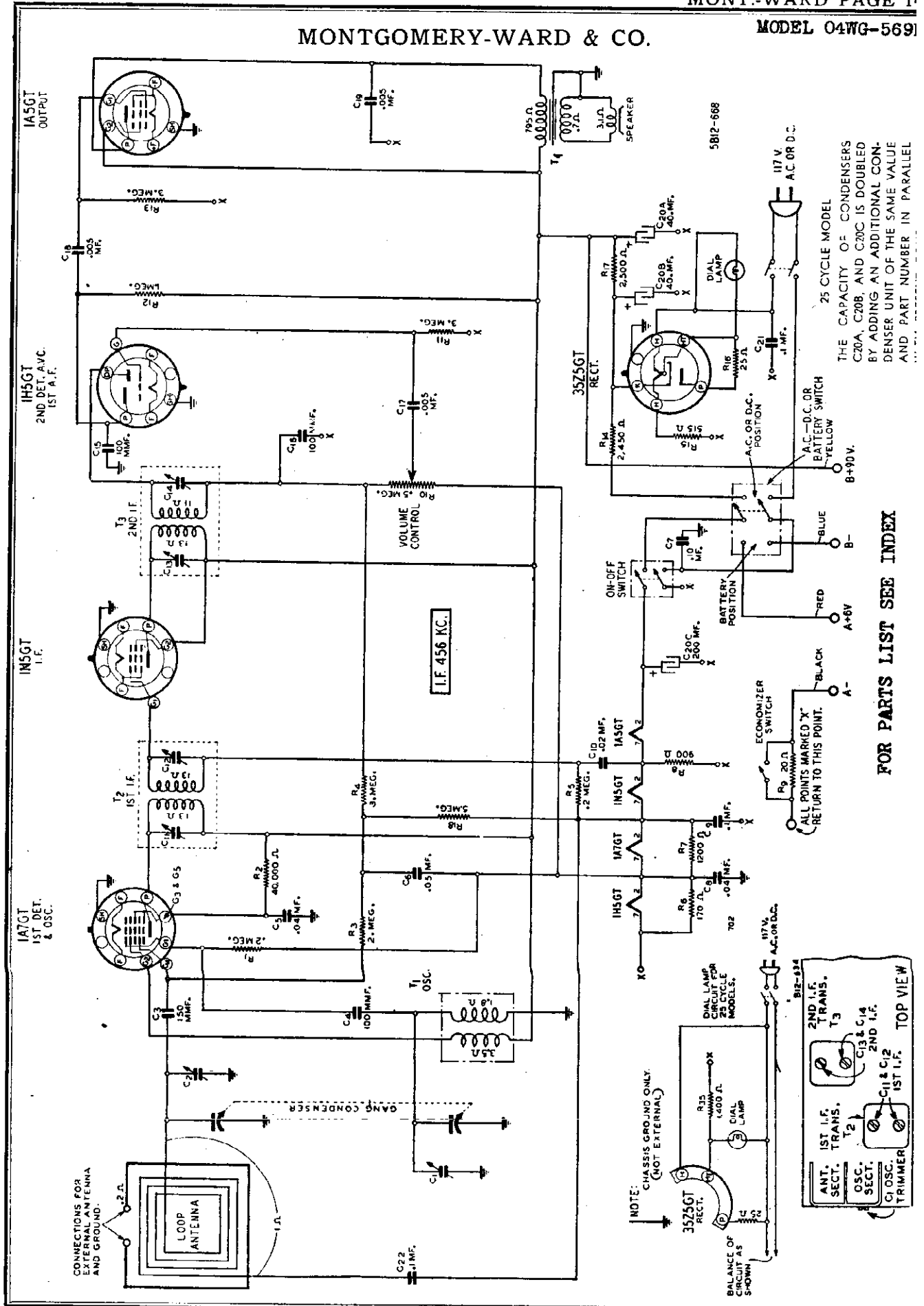
NOTE "B"—Loop alignment is made with the chassis mounted in the cabinet and the loop antenna connected. The signal generator is connected to the "ANT." and "GND." terminals.

NOTE "C"—Turn the dial back and forth slightly (rock) and adjust trimmer until the peak of greatest intensity is obtained. Attenuate the signal from the signal generator to prevent the leveling-off action of the AVC.

After each band is completed, repeat the procedure as a final check.

MONTGOMERY-WARD & CO.

MODEL 04WG-5691





MODEL O4WG-569B

MONTGOMERY-WARD & CO.

**DRIVE CORD REPLACEMENT**

Tie a knot with a small loop at each end of new drive cord. The distance between knots should be 29 1/4 inches.

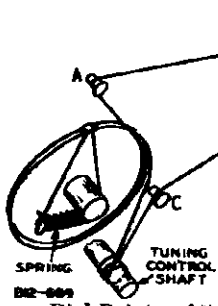
Thread one end of drive cord down through hole in groove of drive pulley. Place loop on hook on pulley. Turn gang condenser to completely closed position—See illustration.

Wind cord one complete turn counter-clockwise (from back of chassis) around drive pulley. Then pass cord over idler studs A, B, & C as shown.

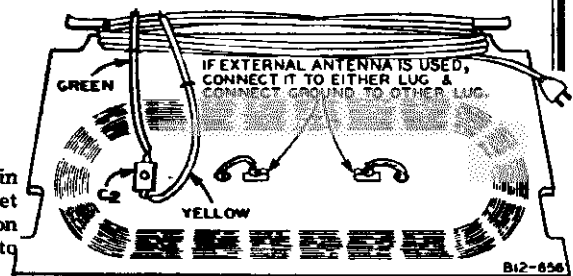
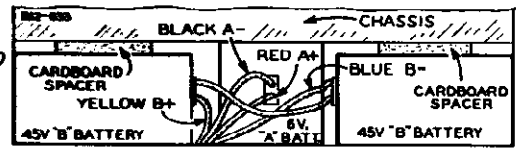
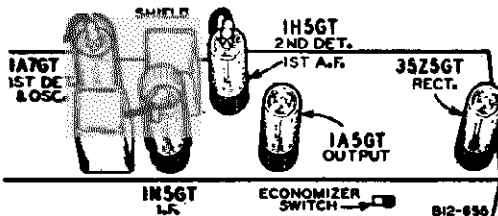
Wind 3 1/2 turns clockwise (from back of chassis) around tuning control shaft. These turns should progress toward chassis.

Wind 1 1/4 turns counter-clockwise (from back of chassis) around drive pulley. These turns should be on right side (from gang condenser

side of chassis) of pulley groove and should progress toward dial mounting plate. Thread cord through hole in groove of drive pulley. Hook loop on tension spring. Wind cord around drive pulley shaft—See illustration. Fasten free end of spring to hook on pulley.



**Dial Pointer Attachment**—Tune in a signal of known frequency. Set pointer at this frequency mark on the dial scale. Fasten pointer to drive cord—See illustration.



**SPECIFICATIONS**

**Input Voltages and Currents—Battery Operation**  
 "A" Battery ..... 6 Volts—50 Ma.  
 "B" Batteries ..... 90 Volts—9.5 Ma.  
**Power Consumption (At 117 volts AC Supply) 28 Watts**  
**Power Output**  
 Battery Operation ..... 70 Mw. Undistorted  
 160 Mw. Maximum  
 AC Operation ..... 70 Mw. Undistorted  
 160 Mw. Maximum

**Selectivity** - 50 KC Broad at 1000 Times Signal  
**Intermediate Frequency** - 456 KC  
**Speaker** - 5" P.M. Dynamic  
**Tuning Frequency Range** - 540 to 1600 KC  
**Sensitivity (For .05 Watt Output)**  
 External Antenna - 50 Microvolts Average

**ALIGNMENT PROCEDURE**

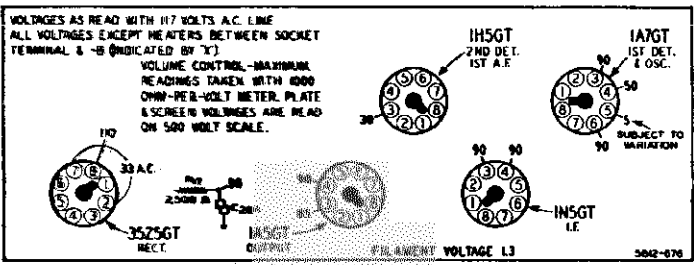
**Volume Control**—Maximum All Adjustments.  
 Allow Chassis and Signal Generator to "Heat Up" for several minutes.

The following equipment is required for aligning:  
 A Signal Generator which will provide an accurately calibrated signal at the test frequencies as listed.  
 Output Indicating Meter—Non-Metallic Screwdriver.  
 Dummy Antenna—.1 mf.

SIGNAL GENERATOR			DUMMY ANTENNA	CONDENSER SETTING	ADJUST TRIMMERS TO MAXIMUM
FREQUENCY SETTING	ANTENNA CONNECTION	GROUND CONNECTION			(See Trimmer Illustration below and Illustration of Back—Page 2)
456 KC	Signal Grid of 1st Det. (Top Cap)	Point "X" Prong No. 7 1H5GT—2nd Det.	.1 mf.	Turn Rotor to full open	1st I.F. (C11) & (C12) 2nd I.F. (C13) & (C14)
1400 KC	Signal Grid of 1st Det.	Same as Above	.1 mf.	Turn Rotor to full open	Oscillator (C1)
1400 KC	None—See Note A			Turn Rotor to max. output	Antenna (C2)

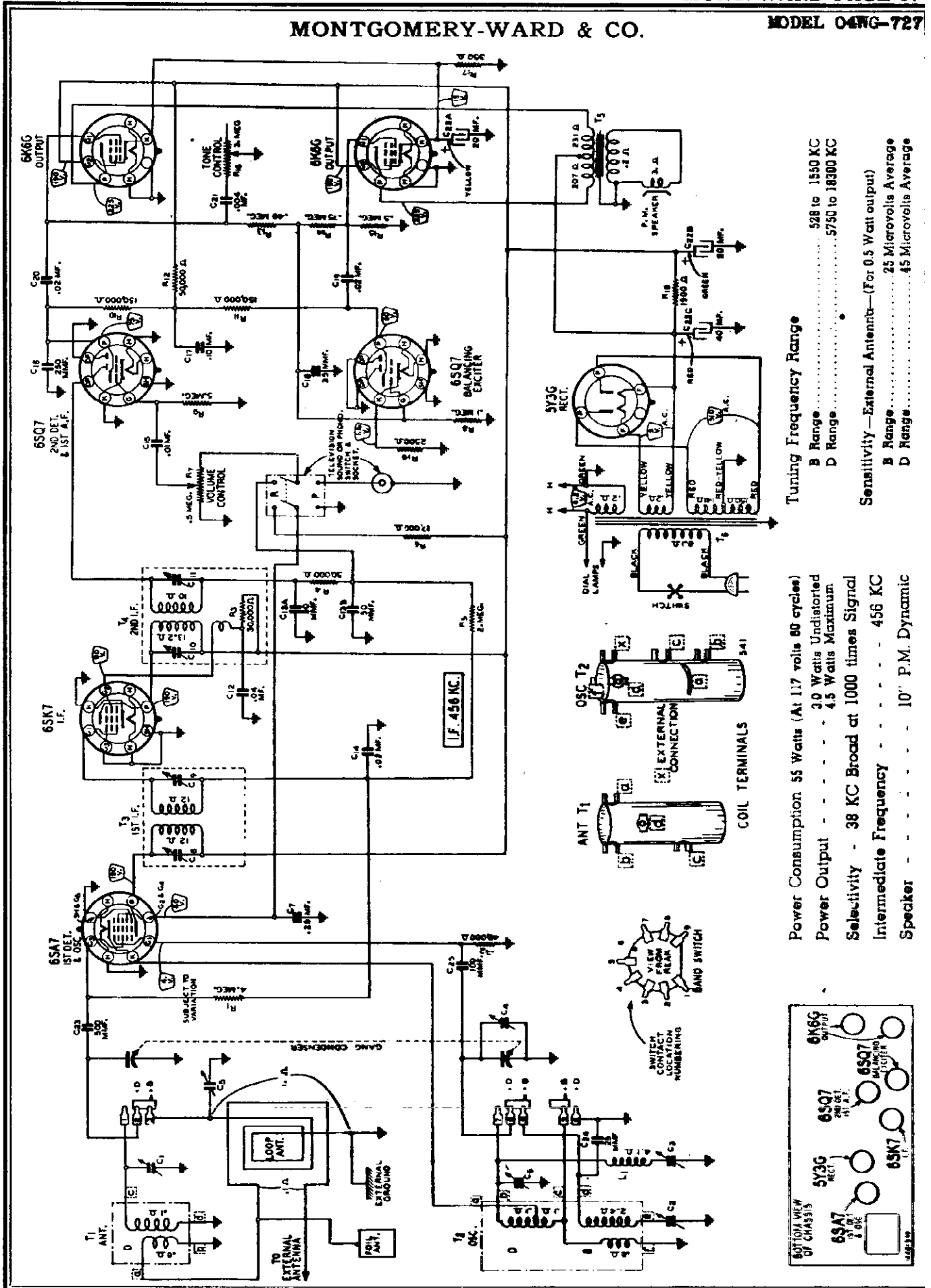
**NOTE A**—Chassis must be in cabinet. Connect a loop approximately one foot in diameter across the antenna and ground posts of the signal generator. The back of the cabinet must be in place. Place radio approximately 3 feet from loop so as to pick up signal. Radio should not be in proximity to any metal (metal bench, etc.).

**CALIBRATION**—Tune in an 800 KC signal. If the pointer is not at 800 KC on the dial, set pointer at the 800 KC mark on the dial scale.



MONTGOMERY-WARD & CO.

MODEL O4WG-727



**Tuning Frequency Range**

B Range ..... 528 to 1550 KC  
 D Range ..... 5790 to 18300 KC

**Sensitivity—External Antennas—(For 0.5 Watt output)**

B Range ..... 25 Microvolts Average  
 D Range ..... 45 Microvolts Average

**Power Consumption 55 Watts (At 117 volts 60 cycles)**

Power Output - - - - - 3.0 Watts Undistorted  
 4.5 Watts Maximum

Selectivity - 38 KC Broad at 1000 times Signal

Intermediate Frequency - - - - - 456 KC

Speaker - - - - - 10" P.M. Dynamic

MODEL O4WG-727

MONTGOMERY-WARD & CO.

Procedure for Setting the Station Buttons

**Setting a Station Button**  
Turn the manual tuning knob so that the dial pointer moves toward 1550 KC until the stop is reached. At the right side of the escutcheon (from the front) will be seen a cap which covers a hole in the escutcheon. See illustration. Pull off this cap.

At the end of the tube in back of the hole in the escutcheon is the locking screw. Using a small handled screwdriver, unlock the mechanism by turning this screw in a counter-clockwise direction several turns.

TO SET STATIONS ACCURATELY, DO NOT JAR THE RADIO OR BUTTONS WHILE THE MECHANISM IS UNLOCKED. Select the first station from the list; you have prepared, and carefully tune in this station by means of the manual tuning knob.

With one hand, hold the manual tuning knob to prevent it from turning, and with the other hand push one of the station buttons shown in the illustration off the way in. It is better to start with button No. 1.

Hold this button all the way in. With the other hand, see whether or not this station is still accurately tuned in by turning the tuning knob a slight amount, back and forth. Be sure to hold the button all the way in.

Release the button slowly after the station is tuned in.

**CAUTION**—Do not touch this button again while the mechanism is unlocked as the setting may be altered.

Carefully tune in the second station on your list. Then hold the tuning knob and push the second button slowly and firmly all the way in. Check for accurate tuning.

Proceed in the same manner to set any additional stations on your list on the remaining station buttons.

After all the stations are set, it will be necessary to lock the mechanism so that the settings will not change. Turn the manual tuning knob so that the dial pointer moves toward 1550 KC until the stop is reached. Then, with a SMALL HANDLED screwdriver, turn the locking screw in a clockwise direction until it is tight. Tighten the locking screw firmly but not excessively to avoid stripping the threads. Replace the cap over the hole.

Remove the correct station call letter tabs from the sheets supplied by bending the sheet back and forth at the score mark until the tab can be broken off. Press the tab all the way to the bottom of the space provided in the button. Cover the call letter tab with a celluloid tab, pressing this in until it snaps into place.

If at any time you wish to change the setting of a button from one station to another, repeat the above procedure. Changing the setting of one button will not affect the setting of any of the other buttons.

**Drive Cord Replacement**

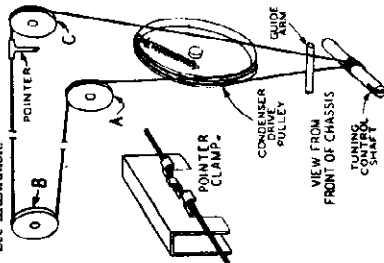
The one end of the new drive cord (approximately 70 inches in length) to tension spring. Turn gang condenser to full open position. Thread free end of drive cord up through hole in rim of condenser drive pulley and pull spring flush against pulley rim.

Wind one turn counter-clockwise from condenser drive pulley side of chassis) around drive pulley. This turn should progress to the left (from front of chassis). Pass cord in back of guide arm—see illustration. Then wind drive cord 3 1/2 turns counter-clockwise (from front of chassis) around tuning control shaft. Turns should progress away from the chassis.

Pass cord around pulleys C, B, and A as shown in illustration. Then wind cord 3/4 turn counter-clockwise (from condenser drive pulley side of chassis) around drive pulley. The turn should be at right side (from front of chassis) of pulley groove.

Thread cord through hole in pulley groove and knot securely to spring. Stretch spring and secure free end to hook on drive pulley.

**Dial Pointer Attachment**—Tune in a signal of known frequency. Set the pointer at this frequency on the dial scale. Secure pointer to cord—See illustration.



**Setting a Station Button**

Turn the manual tuning knob so that the dial pointer moves toward 1550 KC until the stop is reached. At the right side of the escutcheon (from the front) will be seen a cap which covers a hole in the escutcheon. See illustration. Pull off this cap.

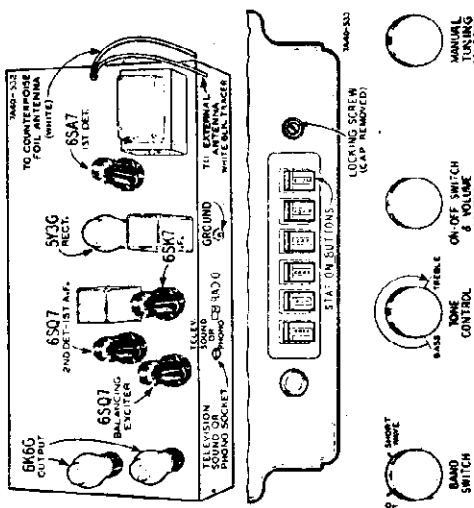
At the end of the tube in back of the hole in the escutcheon is the locking screw. Using a small handled screwdriver, unlock the mechanism by turning this screw in a counter-clockwise direction several turns.

TO SET STATIONS ACCURATELY, DO NOT JAR THE RADIO OR BUTTONS WHILE THE MECHANISM IS UNLOCKED. Select the first station from the list; you have prepared, and carefully tune in this station by means of the manual tuning knob.

With one hand, hold the manual tuning knob to prevent it from turning, and with the other hand push one of the station buttons shown in the illustration off the way in. It is better to start with button No. 1.

Hold this button all the way in. With the other hand, see whether or not this station is still accurately tuned in by turning the tuning knob a slight amount, back and forth. Be sure to hold the button all the way in.

Release the button slowly after the station is tuned in.

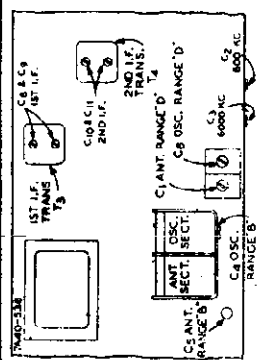


ALIGNMENT PROCEDURE		ADJUST TRIMMERS TO MAXIMUM	
The following equipment is required for aligning: An All Wave Signal Generator which will provide an accurately calibrated signal at the test frequencies as listed. Output Indicating Meter—Non-Metallic Screwdriver. Dummy Antennas—1 mf., 200 mf., and 400 ohms.			
SIGNAL GENERATOR FREQUENCY SETTINGS AT RADIO	DUMMY ANTENNA	CONDENSER SETTING	ADJUST TRIMMERS TO MAXIMUM
455 KC	Grid of 1st Det.	B Range	1st I.F. (C1) & (C2) 2nd I.F. (C10) & (C11)
<b>RANGE B</b>			
1550 KC	Antenna Lead	B Range	Oscillator Range B (C4)
1400 KC	Antenna Lead	B Range	Ant. Range B (C5)
600 KC	Antenna Lead	B Range	400 KC (C2)
<b>RANGE D</b>			
19300 KC	Antenna Lead	D Range	Oscillator Range D (C6)
17000 KC	Antenna Lead	D Range	Ant. Range D (C1)
4000 KC	Antenna Lead	D Range	4000 KC (C3)
<b>LOOP RANGE B</b>			
1400 KC	Antenna Lead	B Range	Ant. Range B (C5)

**NOTE B**—Turn the rotor back and forth and adjust the trimmer until the peak of greatest intensity is obtained.

**NOTE C**—Reinsert set in cabinet. Connect a loop approximately one foot in diameter across the antenna and ground points of the signal generator. Place signal generator so that the loop is between 3 and 10 feet from loop in cabinet.

**CAUTION**—When aligning the short wave band, be sure NOT to adjust at the image frequency. This can be checked as follows: Tune to 15,000 KC. The signal will then be heard at 15,000 KC on the dial of the radio. The image signal, which is much weaker, will be heard at 15,000 less 912 KC or 14,088 KC on the dial. It may be necessary to increase the input signal to hear "big image."



**NOTE A**—If the pointer is not at 1400 KC on the dial, remove pointer from drive cord. Tune in a 1400 KC signal. Set pointer at the 1400 KC mark on the dial scale. Attach pointer to drive cord.

After each range is completed, repeat the procedure as a final check.

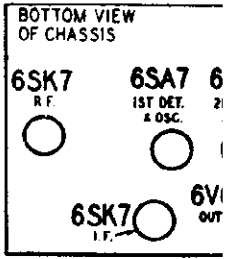
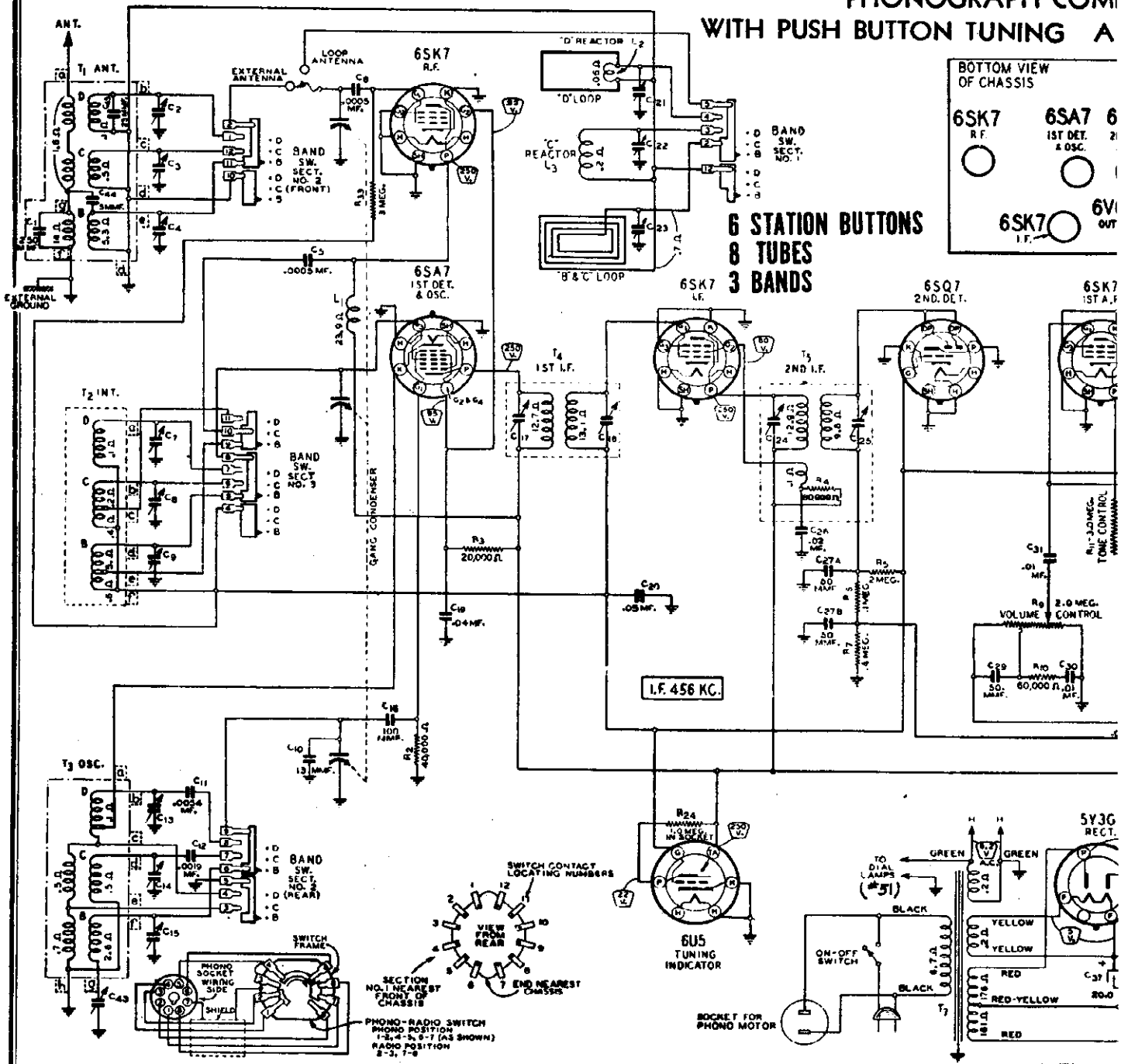
records may also be played through the radio. When phonograph or television sound reproduction is desired, the knob should be moved to the "Television Sound or Phonograph" position. For radio reception, the knob should be in the "Radio" position.

Television Sound or Phonograph Connections

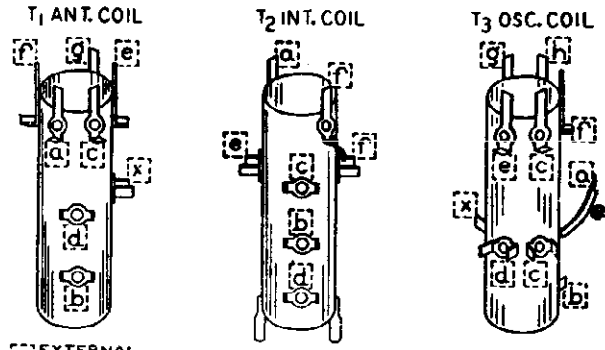
On the back panel of the chassis base is a switch and a socket for a single shielded pin tip at which connections are made. The connector on the cable from a television receiver or from a phonograph pickup can be inserted in the socket. (The cable connector must be a single shielded pin tip type.

If Television programs ever become available in your community, the studio amplifier and speaker of this radio may be used to reproduce Television sound in conjunction with any "Television Picture Receiver and Sound Converter." Photograph

# MONTGOMER PHONOGRAPH COMI WITH PUSH BUTTON TUNING A



**6 STATION BUTTONS  
8 TUBES  
3 BANDS**



## SPECIF

Power Consumption 71 Watts (At 117 volts 60 cycles)  
88 Watts (Phonograph Operating)

Power Output - - - - - 4.0 Watts Undistorted  
5.0 Watts Maximum

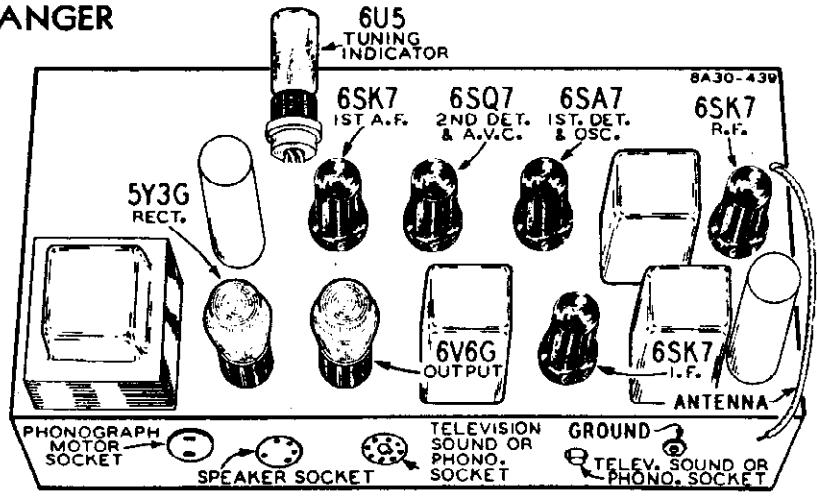
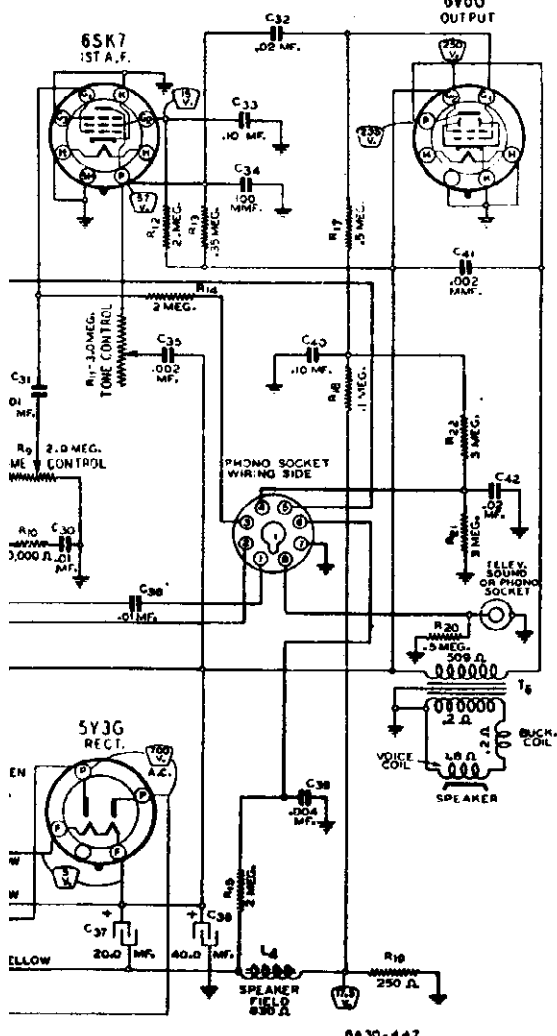
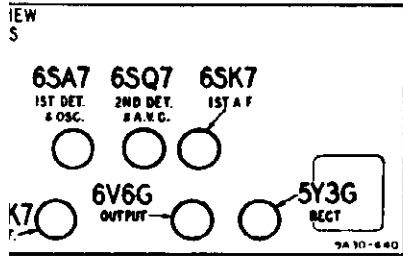
Selectivity - - 30 KC Broad at 1000 times Signal

Intermediate Frequency - - - - - 456 KC

Speaker - - - - - 10" Electro-Dynamic

Receivers of this model which are to be used on 25 cycle, 230 volt, or other service are so marked on label.

**MONTMERY-WARD & CO.**  
**COMBINATION RADIO**  
**RECORDING AND AUTOMATIC RECORD CHANGER**



**Antenna and Ground**

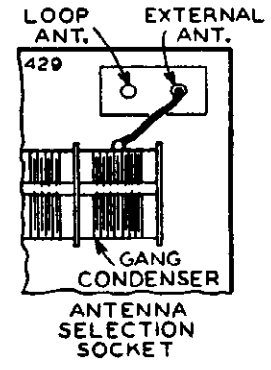
Two loop antennas are incorporated in the speaker chamber and may be used for broadcast band and short wave reception. For the reception of local or nearby stations, an outside antenna is usually not required. The use of the loop antenna may, in some locations, provide best broadcast band operation.

In general, however, more stations will be heard and noise will sometimes be reduced by using an outside antenna.

For best reception of short wave stations, an outside antenna is recommended.

A white wire will be found coming out of the chassis. Connect this wire to the outside antenna lead.

On the back panel of the chassis base is a screw (marked GND) under which the ground wire should be fastened.



**ANTENNA SELECTION SOCKET**

At the right front corner of the chassis base (from back of cabinet) is a 2 hole pin tip socket—See illustration. If it is desired to operate the radio using the loop antennas, the pin tip should be inserted in the hole farthest from the side of the chassis. If it is desired to operate the radio using an external antenna, insert the pin tip in the hole nearest the side of the chassis. The socket may be reached after removing the four wing nuts holding the cover over the opening in the cabinet back.

**SPECIFICATIONS**

Operating Frequency	Tuning Frequency Range	
Distorted Maximum	B Range.....	528 to 1730 KC
Signal	C Range.....	2200 to 7000 KC
456 KC	D Range.....	7000 to 22000 KC
Dynamic	Sensitivity (For 0.5 Watt output)	
	B Range.....	1.0 Microvolt Average
	C Range.....	1.0 Microvolt Average
	D Range.....	3.0 Microvolts Average

**Important**—A good antenna and ground are essential for best operation of this radio. Connections should be clean and tight. Do not use an old outside antenna as in most cases it will be unsatisfactory.

**Voltages at Sockets**

- Line Voltage—117.
- Volume Control—Maximum.
- Antenna Shorted to Ground.
- Readings taken with 1000 ohm-per-volt meter. Plate and screen voltages are read on 500 volt scale.

MONTGOMERY-WARD & CO.

ALIGNMENT PROCEDURE

SIGNAL GENERATOR		DUMMY ANTENNA	BAND SWITCH SETTING	CONDENSER SETTING	ADJUST TRIMMERS TO MAXIMUM
FREQUENCY SETTING	CONNECTION AT RADIO				
I. F.					1A29 ONLY
456 KC	Grid of 1st Det.	.1 mf.	B Range See Note A	Turn Rotor to Full Open	1st I.F. (C19) & (C20) 2nd I.F. (C24) & (C25) 3rd I.F. (C28) & (C29) 1st I.F. (C17) & (C18) 2nd I.F. (C24) & (C25)
RANGE B					Oscillator Range B (C15)
1730 KC	Antenna Lead	200 mmf.	B Range	Turn Rotor to Full Open	
1500 KC	Antenna Lead	200 mmf.	B Range	Turn Rotor to Max. Output Set Indicator to 1500 KC— See Note B	Ant. Range B (C4) Int. Range B (C9)
600 KC	Antenna Lead	200 mmf.	B Range	Turn Rotor to Max. Output	600 KC (C43) (C16 on 1A29) Rock Rotor—See Note C
RANGE C					
7000 KC	Antenna Lead	400 Ohm	C Range	Turn Rotor to Full Open	Oscillator Range C (C14)
6000 KC	Antenna Lead	400 Ohm	C Range	Turn Rotor to Max. Output	Antenna Range C (C3) Int. Range C (C8)
RANGE D					
22,000 KC	Antenna Lead	400 Ohm	D Range	Turn Rotor to Full Open	Oscillator Range D (C13) Ant. Range D (C2) Int. Range D (C7)
21,000 KC	Antenna Lead	400 Ohm	D Range	Turn Rotor to Max. Output	Rock Rotor—See Note C
LOOP RANGE B					
1500 KC See Note D	None—See Note D		B Range	Turn Rotor to Max. Output	Loop Trimmer (C23) See Note E
LOOP RANGE C					
6000 KC See Note D	None—See Note D		C Range	Turn Rotor to Max. Output	Loop Trimmer (C22) See Note E
LOOP RANGE D					
21,000 KC See Note D	None—See Note D		D Range	Turn Rotor to Max. Output	Loop Trimmer (C21) Rock Rotor—See Note C

Attenuate the signal from the signal generator to prevent the leveling-off action of the AVC.

After each range is completed, repeat the procedure as a final check.

NOTE A—For all adjustments, with the exception of the 3 loop range adjustments, the pin tip should be in the external antenna hole of the Antenna Selection Socket—See illustration on page one.

NOTE B—If the pointer is not at 1500 KC on the dial remove pointer from drive cord. Tune in a 1500 KC signal. Set pointer at the

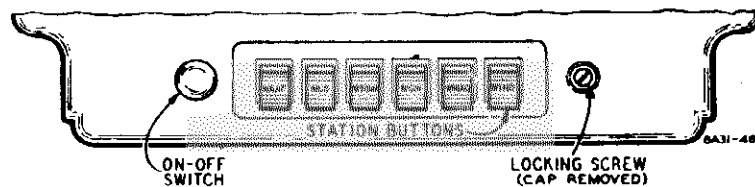
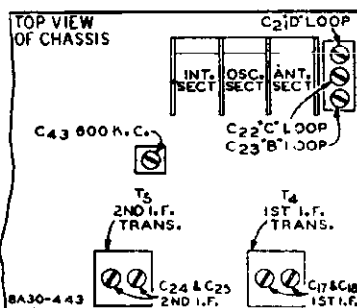
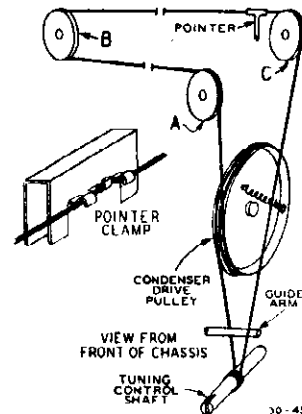
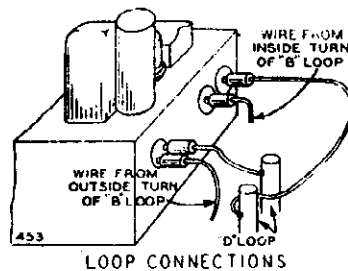
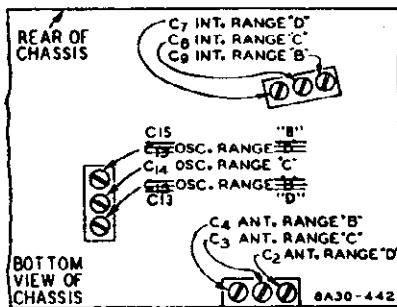
1500 KC mark on the dial scale. Attach pointer to drive cord.

NOTE C—Turn the rotor back and forth and adjust the trimmer until the peak of greatest intensity is obtained.

NOTE D—Re-install set in cabinet. Connect a loop approximately one foot in diameter across the antenna and ground posts of the signal generator. Place signal generator so that this loop is between 3 and 10 feet from loop in cabinet. Insert pin tip in loop antenna hole of Antenna Selection Socket—See illustration on schematic page.

Note E (CONSOLE MODELS)—Turn knob of loop until output is maximum.

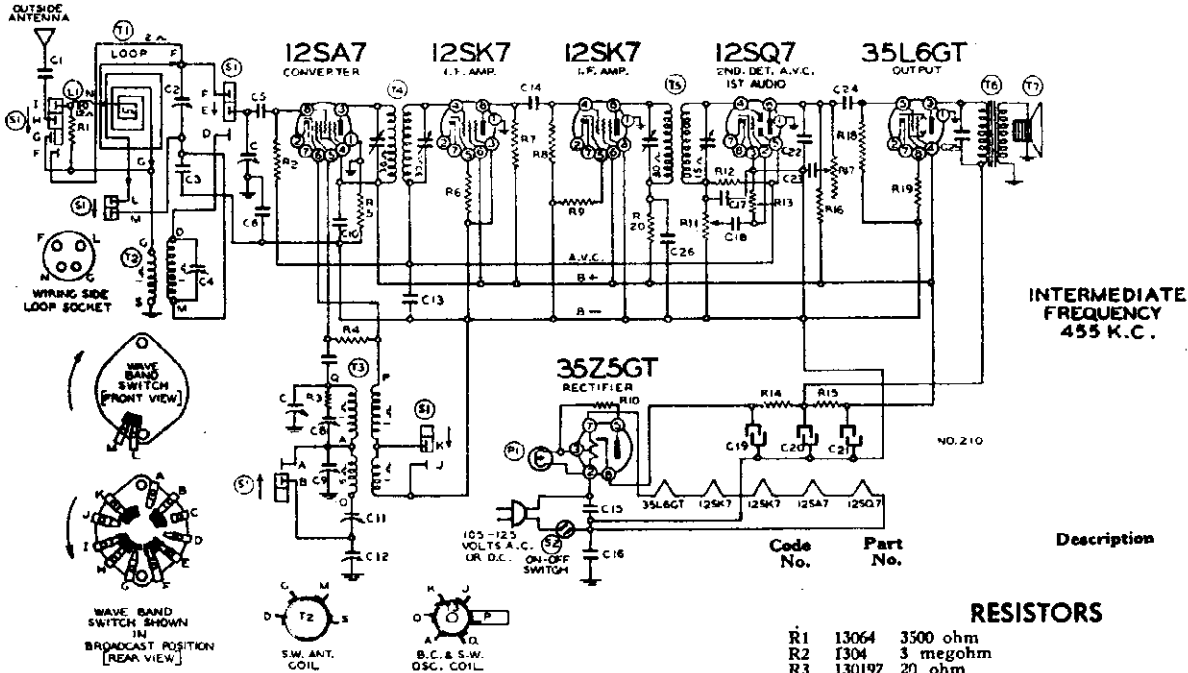
CAUTION—When aligning the short wave bands, be sure NOT to adjust at the image frequency. This can be checked as follows: Let us say the signal generator is set for 5000 KC. The signal will then be heard at 5000 KC on the dial of the radio. The image signal, which is much weaker, will be heard at 5000 less 912 KC, or 4088 KC on the dial. It may be necessary to increase the input signal to hear the image.



CONVENTIONAL PUSH BUTTON ADJUSTMENTS

MODEL 14BR-695

MONTGOMERY-WARD & CO.



INTERMEDIATE  
FREQUENCY  
455 K.C.

Description

RESISTORS

R1	13064	3500 ohm
R2	1304	3 megohm
R3	130197	20 ohm
R4	13076	30M ohm
R5	130100	150M ohm
R6	13097	200 ohm—1/4 w.
R7	13082	10M ohm—1/4 w.
R8	13019	1 megohm
R9	13083	300 ohm
R10	130215	25 ohm
R11	101215	1 megohm volume control
R12	1304	3 megohm
R13	130257	5 megohm
R14	130296	200 ohm—1 w.
R15	130287	1200 ohm—1 w.
R16	13011	250M ohm
R17	101216	1 megohm tone control
R18	1303	500M ohm
R19	130166	150 ohm
R20	13022	5M ohm—1/4 w.

CONDENSERS

C	102139	2 gang variable condenser
C1	10092	.001 x 600 v.
C2	124152	B.C. Antenna Trimmer
C3	1009	.05 x 200 v.
C4	124152	S.W. Antenna Trimmer
C5	1292	.0005 mica
C6	1001	.1 x 400 v.
C7	12960	.00015 mica
C8	124142	S.W. Oscillator trimmer
C9	124142	B.C. Oscillator trimmer
C10	1001	.1 x 400 v.
C11	124153	B.C. Oscillator pad
C12	124153	S.W. Oscillator pad
C13	1009	.05 x 200 v.
C14	1292	.0005 mica
C15	1001	.1 x 400 v.
C16	1001	.1 x 400 v.
C17	129158	.0002 mica
C18	10012	.003 x 600 v.
C19	11994	40 mfd. x 150 v. lytic
C20	11994	20 mfd. x 150 v. lytic
C21	11994	20 mfd. x 150 v. lytic
C22	1295	.0001 mica
C23	1007	.005 x 600 v.
C24	10011	.01 x 400 v.
C25	10026	.02 x 400 v.
C26	10013	.05 x 400 v.

C2 and C4 are in same unit C8 and C9 in same unit  
C11 and C12 in same unit  
C19, C20 and C21 in same unit

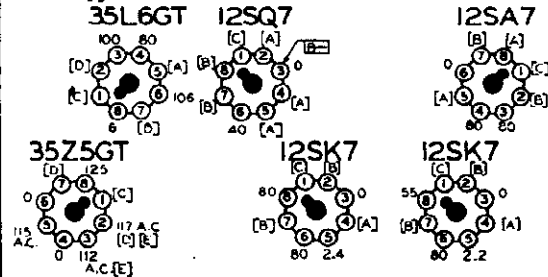
PARTS

T1	111217	Loop Antenna Assembly
T2	111219	S.W. Antenna coil
T3	110169	B.C. S.W. Oscillator Coil
T4	108169F	Input I.F. Coil—455 kc.
T5	108130F	Output I.F. Coil—455 kc.
T6	105104C	Output Transformer
T7	114224	5" P.M. Speaker
L1	1239	R.F. Choke coil
S1	125139	Wave band switch
S2		Switch on volume control
P1	107249	Pilot light

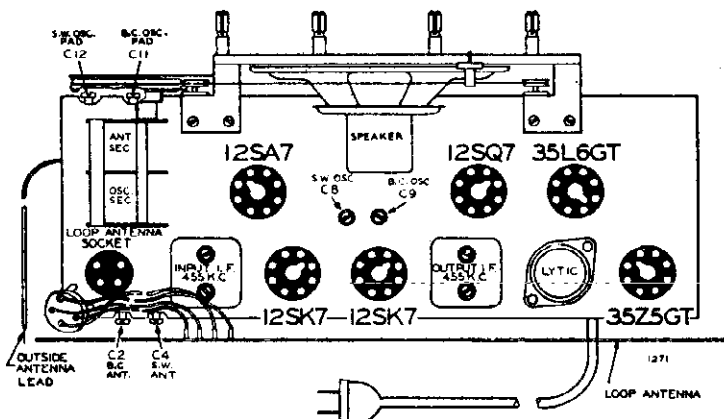
BOTTOM VIEW OF CHASSIS

VOLTAGES MEASURED WITH A 1000 OHMS PER VOLT  
VOLTMETER BETWEEN SOCKET TERMINALS & B—  
WITH NO SIGNAL INPUT & 117 VOLTS LINE.

- [A] CANNOT BE MEASURED WITH VOLTMETER.
- [B] 12V. A.C. BETWEEN PRONGS ON SAME SOCKET.
- [C] GROUND TO CHASSIS BASE.
- [D] 35V. A.C. BETWEEN PRONGS ON SAME SOCKET.
- [E] 5V. A.C. BETWEEN PRONGS ON SAME SOCKET.



REAR OF CHASSIS



FOR OTHER DATA SEE INDEX





MODELS 04WG-2672,  
14WG-2672C

MONTGOMERY-WARD & CO.

**SPECIFICATIONS**

**Input Voltages and Currents—Battery Operation**  
 "A" Batteries..... 9 Volts—80 Ma.  
 "B" Batteries..... 90 Volts—11.5 Ma.  
**Power Consumption (At 117 volts AC Supply) 28 Watts**  
**Power Output**  
 Battery Operation . . . . . 180 Mw. Undistorted  
 350 Mw. Maximum  
 AC Operation . . . . . 200 Mw. Undistorted  
 400 Mw. Maximum

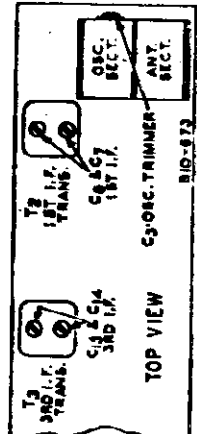
**Selectivity - 50 KC Broad at 1000 Times Signal**  
**Intermediate Frequency . . . . . 456 KC**  
**Speaker . . . . . 6" P.M. Dynamic**  
**Tuning Frequency Range . . . . . 540 to 1600 KC**  
**Sensitivity (For .05 Watt Output)**  
 External Antenna . . . . . 10 Microvolts Average

**ALIGNMENT PROCEDURE**

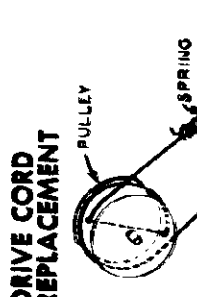
**Volume Control—Maximum All Adjustments.**  
**Allow Chassis and Signal Generator to "Heat Up" for several minutes.**  
 The following equipment is required for alignment:  
 A Signal Generator which will provide an accurately calibrated signal at the test frequencies as listed.  
 Output Indicating Meter—Non-Metallic Screwdriver.  
 Dummy Antennas—.1 mf., 50 mmf.

FREQUENCY SETTING	SIGNAL GENERATOR ANTENNA CONNECTION	GROUND CONNECTION	DUMMY ANTENNA	CONDENSER SETTING	ADJUST TRIMMERS TO MAXIMUM
486 KC	External Antenna Clip on Loop	External Ground Clip on Loop	.1 mf.	Turn Rotor to full open	1st I.F. (C1) & (C7) 3rd I.F. (C13) & (C14)
1600 KC	External Antenna Clip	External Ground Clip	.1 mf.	Turn Rotor to full open	Oscillator (C3)
1400 KC	External Antenna Clip See Note A	External Ground Clip	50 mmf.	Turn Rotor to max. output	Antenna (C2)

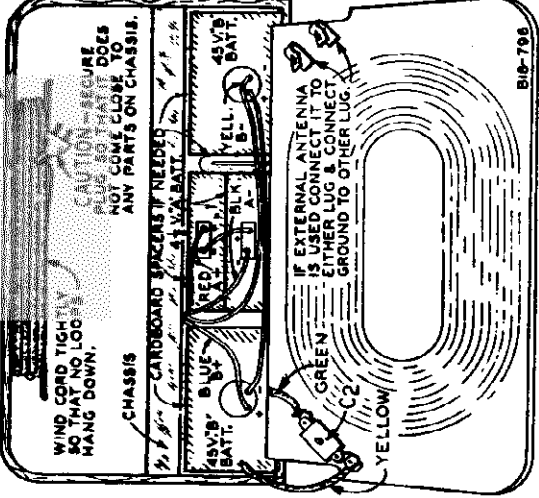
**NOTE A**—Reassemble chassis in cabinet. Close back on cabinet.



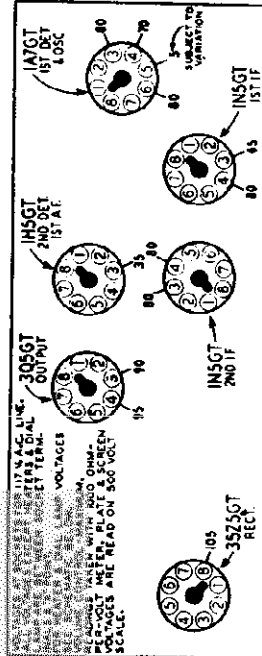
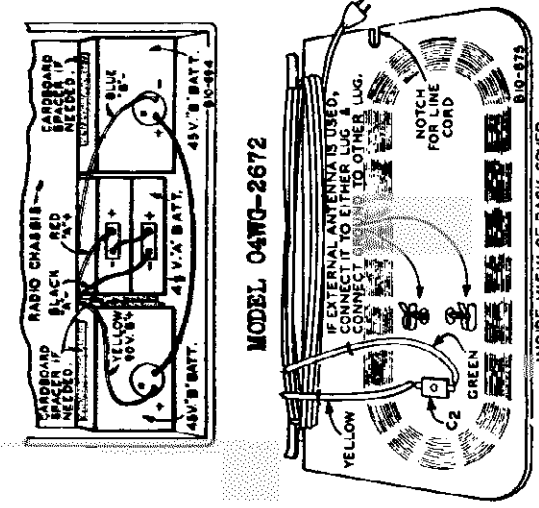
**CAUTION**  
 The metal chassis is connected to one side of the line through .20 mfd. Both AC and DC power lines are generally grounded on one side. If the side of the line not connected to the metal chassis through this capacity is grounded and the metal chassis comes in contact with an external ground, this capacity will be connected across the line and there will be an increase in hum.



**MODEL 14WG-2672C**



**MODEL 04WG-2672**



MONTGOMERY-WARD & CO.

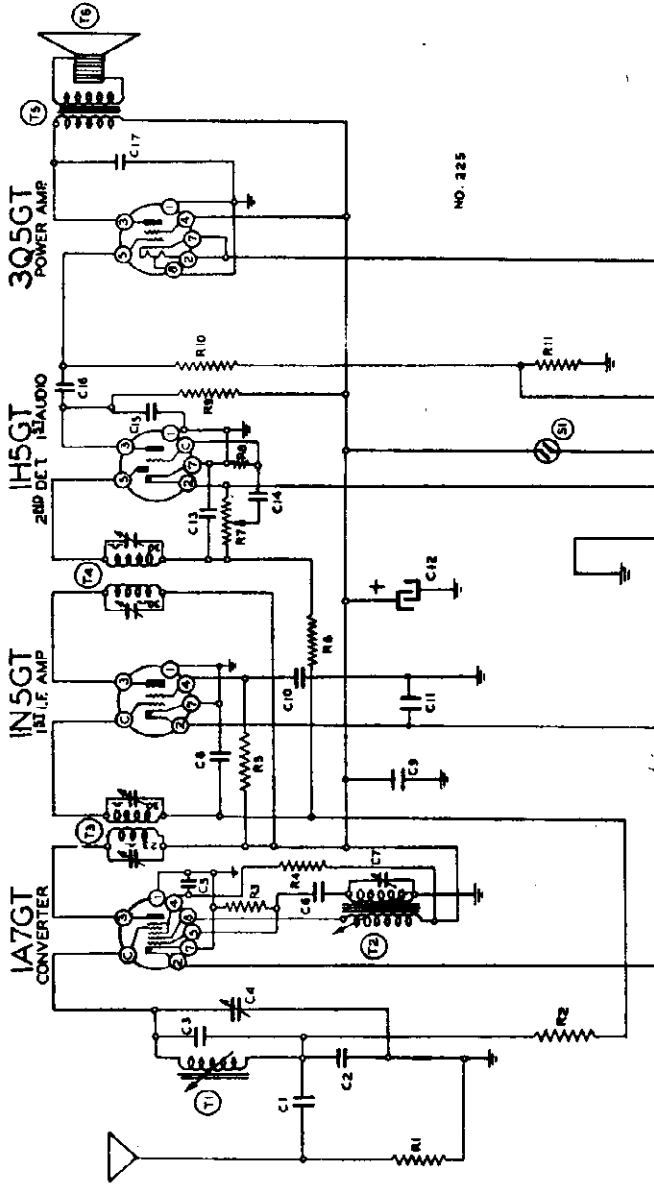
Code No. Part No. Description

**RESISTORS**

- R1 13017 10M ohm— $\frac{1}{2}$  w.
- R2 1304 3 megohm— $\frac{1}{4}$  w.
- R3 1309 200M ohm— $\frac{1}{4}$  w.
- R4 130194 35M ohm— $\frac{1}{2}$  w.
- R5 13094 50M ohm— $\frac{1}{2}$  w.
- R6 1304 3 megohm— $\frac{1}{4}$  w.
- R7 104250 1 megohm—Volume control and switch— $\frac{1}{4}$  w.
- R8 130257 5 megohm— $\frac{1}{2}$  w.
- R9 13019 1 megohm— $\frac{1}{4}$  w.
- R10 130146 2 megohm— $\frac{1}{4}$  w.
- R11 13079 400 ohm— $\frac{1}{4}$  w.

**CONDENSERS**

- C1 12936 .0003 mica
  - C2 100112 .001 x 200 v.
  - C3 129177 .000045—Ceramic
  - C4 124165 Antenna trimmer
  - C5 1009 .05 x 200 v.—Condenser
  - C6 12912 .00025 mica
  - C7 124165 Oscillator trimmer
  - C8 1009 .05 x 200 v. Condenser
  - C9 1006 .25 x 200 v. Condenser
  - C10 10020 .1 x 200 v.
  - C11 10017 .5 x 120 v.
  - C12 19117B 10 mid. x 150 v. Lytic
  - C13 1295 .0001 mica
  - C14 10012 .003 x 600 v. Condenser
  - C15 1295 .0001 mica
  - C16 10026 .02 x 400 v. Condenser
  - C17 1007 .005 x 600 v.
- C4 and C7 are in same unit.



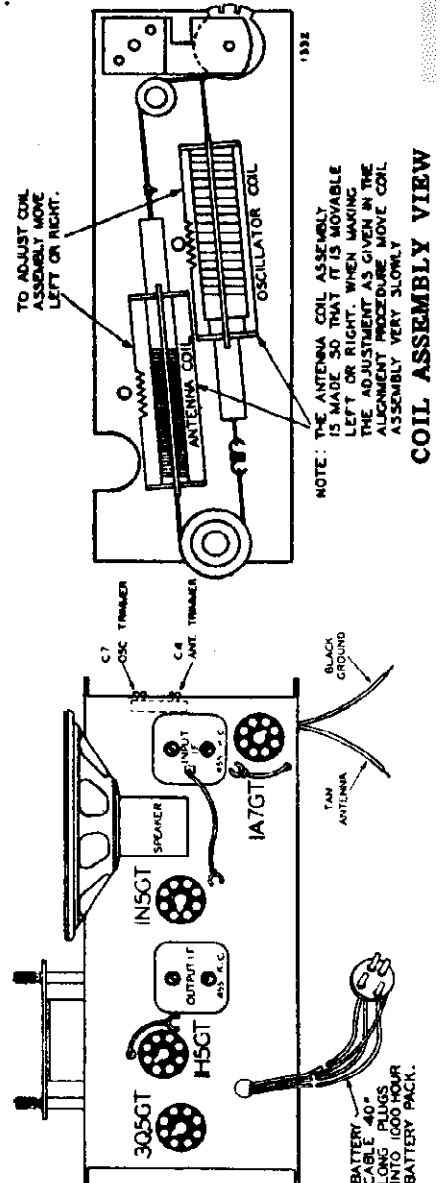
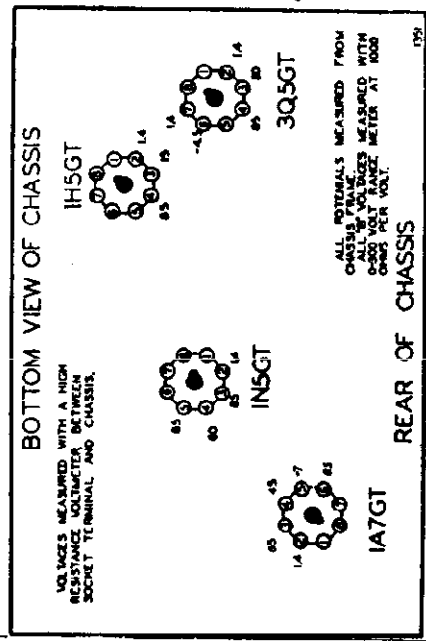
NO. 225

INTERMEDIATE  
FREQUENCY  
455 K.C.

**PARTS**

- T1 1364 Antenna Coil (Permeability tuning assem.)
- T2 1364 Oscillator Coil (Complete)
- T3 108202 Input I. F. Coil 455 kc.
- T4 108153B Output I. F. Coil 455 kc.
- T5 105918B Output transformer
- T6 114238 5" P.M. speaker
- S1 Switch-on Volume control

February 1941



COIL ASSEMBLY VIEW

NOTE: THE ANTENNA COIL ASSEMBLY IS MADE SO THAT IT IS MOVABLE LEFT OR RIGHT. WHEN MAKING THE ADJUSTMENT AS GIVEN IN THE ALIGNMENT PROCEDURE MOVE THE COIL ASSEMBLY VERY SLOWLY.

BLACK GROUND  
TAN ANTENNA

BATTERY PACK  
CABLE PLUGS  
LONG CABLE  
INPUT

ALL POTENTIALS MEASURED FROM CHASSIS FRAME. ALL VOLTAGES MEASURED WITH HIGH RESISTANCE VOLTMETER AT 1000 OHMS PER VOLT.

REAR OF CHASSIS

IA7GT

3Q5GT

MODELS 14BR-474,  
14BR-1474  
MODEL 14BR-695

MONTGOMERY-WARD & CO.

**Power Consumption** . . . . . A—250 Amp. B .014 Amps. **Sensitivity for 50 Milliwatt Output: 45 Microvolts Average**  
**Power Output** . . . . . 160 Milliwatts Undistorted **Selectivity** . . . . . 48 KC at 1000 Times Signal at 1000 KC  
**Tuning Frequency Range** . . . . . 540 to 1700 KC

BAND	SIGNAL GENERATOR Frequency Setting	Dummy Antenna	Connection to Radio	Position of Iron Cores (Dial Setting)	Trimmers Adjusted (in Order Shown)	Trimmer Function	Adjustment
I. F.	455 Kc.	.1 MFD.	Connect to Grid of 1A7	Iron Cores All the way out	Two trimmers on top of output I. F. can	Output I. F.	maximum output
	455 Kc.	.1 MFD.	Connect to Grid of 1A7	Iron Cores All the way out	Two trimmers on top of input I. F. can	Input I. F.	maximum output
BROAD-CAST BAND	1700 Kc.	.1 MFD.	Connect to Grid of 1A7	Iron Cores All the way out	Trimmer (C7) (See chassis view)	Oscillator	maximum output
	1700 Kc.	200 MMF.	Connect to Antenna Clip	Iron Cores All the way out	Trimmer (C4) (See chassis view)	Antenna	maximum output
	1400 Kc.	200 MMF.	Connect to Antenna Clip	Turn Dial to 1400 Kc.	Adjust position of antenna coil (See Note "A")	Antenna Coil Adjustment	maximum output
	1700 Kc.	200 MMF.	Connect to Antenna Clip	Turn Dial to 1700 Kc.	Adjust trimmer (C4) (See chassis view)	Antenna	Check for tracking (See Note "B")

**NOTE "A"**—The antenna coil assembly is made so that it is movable. When making the adjustment as given in the alignment procedure, move the coil assembly very slowly. It can be moved by hand or by pivoting one edge of the blade of a screwdriver in the hole and engaging the blade in the gear teeth of the coil form.

**NOTE "B"**—After the antenna coil has been tracked at 1400 Kc. it is necessary to check the antenna trimmer (C4) adjustment again at 1700 Kc. If no appreciable change in trimmer adjustment is made, the coil is in track. If the trimmer requires considerable change, it will be necessary to again adjust the position of the antenna coil at 1400 Kc. These two adjustments should be tried several times until no change of trimmer adjustment is required at 1700 Kc.

**ALIGNMENT PROCEDURE**  
MODEL 14BR-474  
MODEL 14BR-474

The following equipment is required for aligning:  
 Dummy antenna .1mf.  
 and 200 mmf.  
 Vol. control—Max. all adj's.  
 Comm. grd. lead of radio chassis to grd. post of signal generator.

FOR OTHER DATA SEE INDEX

**MODEL 14BR-695**  
**Power Consumption** . . . . . 35 Watts  
**Power Output** . . . . . 900 Milliwatts Undistorted  
**Sensitivity for 50 Milliwatt Output** . . . . . 15 Microvolts Average  
**Selectivity** - 46 KC Broad at 1000 Times Signal at 1000 KC  
**Tuning Frequency Range** . . . . . Broadcast - - - 540 to 1600 KC  
**Shortwave** . . . . . 5.6 to 18.3 MC  
**Intermediate Frequency** . . . . . 455 KC  
**Speaker** . . . . . 5 in. P.M. Dynamic

BAND	SIGNAL GENERATOR Frequency Setting	Dummy Antenna	Connection to Radio	Position of Band Switch	Variable Condenser Setting	Trimmers Adjusted (in Order Shown)	Trimmer Function	Adjustment
I. F.	455 Kc.	.1 MFD.	Grid of 12SK7 I. F. Mixer	Broadcast	Rotor full open (Plates out of mesh)	Two trimmers on top (See Top View)	Output I. F.	Adjust to maximum output
	455 Kc.	.1 MFD.	Grid of 12SA7 Mixer	Broadcast	Rotor full open (Plates out of mesh)	Two trimmers on top (See Top View)	Input I. F.	Adjust to maximum output
SHORT WAVE BAND	17 Mc.	400 Ohms.	External Antenna and B—	Short Wave	Set Dial at 17 Mc.	Trimmer C3	Short Wave oscillator	Adjust to signal
	17 Mc.	400 Ohms	External Antenna and B—	Short Wave	Set Dial at 17 Mc.	Trimmer C4	Short Wave antenna	Adjust to maximum output
	6 Mc.	400 Ohms	External Antenna and B—	Short Wave	Set Dial at 6 Mc.	Trimmer C12	Short Wave oscillator series pad	Adjust to maximum rock dial. (See note "A")
BROAD-CAST BAND	1600 Kc.	.1 mml.	Grid of 12SA7	Broadcast	Rotor full open (Plates out of mesh)	Trimmer C9	Broadcast oscillator	Adjust to signal
	1400 Kc.	200 mml.	External Antenna and B—	Broadcast	Set Dial at 1400 K. C.	Trimmer C3 (See Top View)	Broadcast antenna	Adjust to maximum output
	600 Kc.	200 mml.	External Antenna and B—	Broadcast	Set Dial at 600 K. C.	Trimmer C11 (See Top View)	Broadcast Series Pad	Adjust to maximum output (See Note "A")

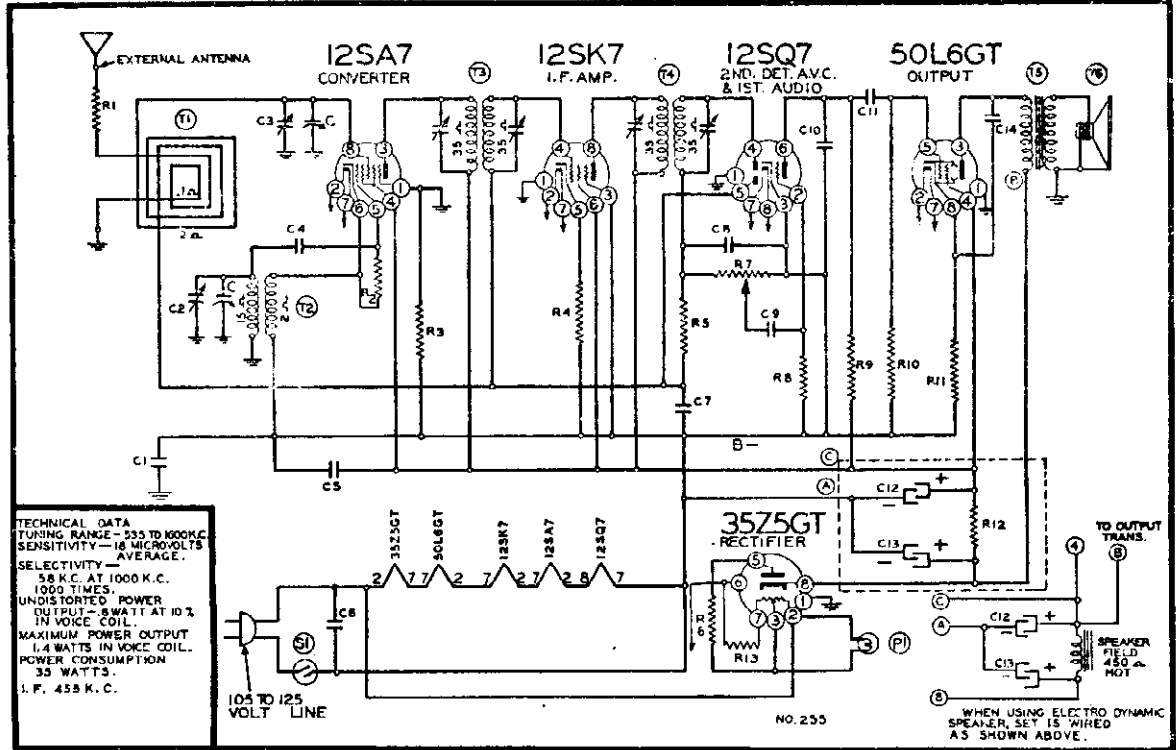
The loop antenna should be connected to the radio when making all adjustments—Loop alignment is made with the chassis mounted in the cabinet and the loop antenna connected.

**NOTE "A"**—Turn the dial back and forth slightly (rock) and adjust trimmer until the peak of greatest intensity is obtained.

Attenuate the signal from the signal generator to prevent the leveling-off action of the AVC. After each band is completed, repeat the procedure as a final check.

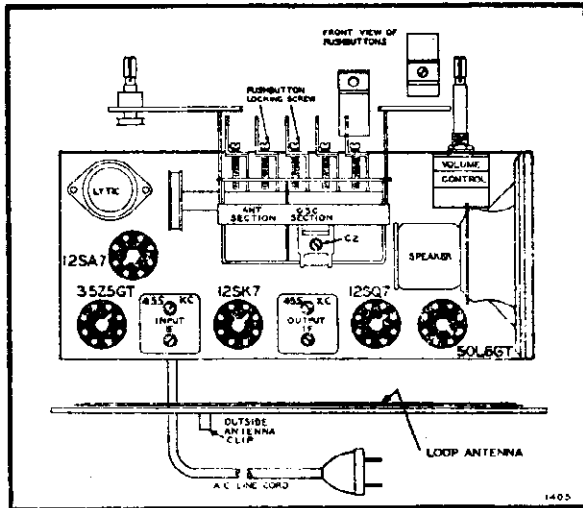
MONTGOMERY-WARD & CO.

MODELS 14BR-530A  
14BR-631A

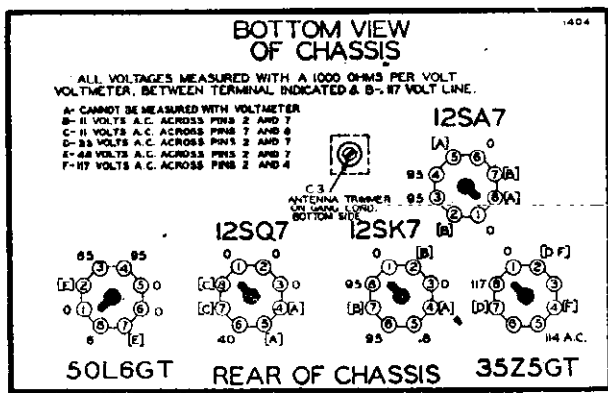


**TECHNICAL DATA**  
TUNING RANGE—535 TO 1600 K.C.  
SENSITIVITY—18 MICROVOLTS  
AVERAGE.  
SELECTIVITY—  
58 K.C. AT 1000 K.C.  
1000 TIMES.  
UNDISTORTED POWER  
OUTPUT—8 WATT AT 10%  
IN VOICE COIL.  
MAXIMUM POWER OUTPUT  
1.4 WATTS IN VOICE COIL.  
POWER CONSUMPTION  
35 WATTS.  
I. F. 458 K. C.

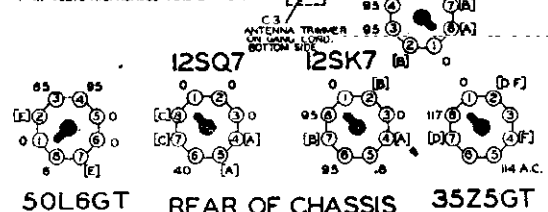
WHEN USING ELECTRO DYNAMIC  
SPEAKER, SET IS WIRED  
AS SHOWN ABOVE.



Chassis View, showing Tube Location and the Outside Antenna Clip.



ALL VOLTAGES MEASURED WITH A 1000 OHMS PER VOLT  
VOLTMETER, BETWEEN TERMINAL INDICATED & B-17 VOLT LINE.



Voltage Chart

**SETTING THE PUSHBUTTONS**

Make a list of your 5 favorite stations—push out the call letters of these stations from the call letter sheets supplied. Next insert a long slim screw driver into the hole in front of one of the pushbuttons and unscrew the pushbutton locking screw (to the left) several turns. Now with the screw driver still engaged in the locking screw slot push it all the way in. Hold it in this position and tune in the station you want with the tuning knob. Now tighten up the pushbutton locking screw by turning it to the right. Tighten firmly. Continue setting each button in the same way. When you have set your stations insert the call letter of each station in the front of the proper button and put one of the celluloid tabs over the station call letter.

To change stations simply repeat the above procedure.

If you are unable to set a station on any particular button it is probably because the pushbutton locking screw has not been unloosened (turned to the left).

**ANTENNA**

For best results, however, an outside antenna approximately 50 to 75 feet long including lead-in is recommended. It should be erected as high as possible and as far from surrounding objects as practical. For minimum interference it should be at right angles to street car lines, incoming power lines and other electrical apparatus which may be in the vicinity. A ground is not required.

Periodic inspection of the antenna system is recommended to be sure that all connections are clean and tight, and that the antenna is well insulated from the ground at all points.

MODELS 14BR-530A,  
14BR-531A

MONTGOMERY-WARD & CO.

REPLACEMENT PARTS LIST

In ordering parts refer to model number on chassis label.  
Use Only Genuine Factory Replacement Parts.

Part No.	Schematic Diagram Reference	Description	No. Used In Set	Selling Price Each
<b>CONDENSERS</b>				
BE10026	C14	.02 x 400 Volt Tubular Condenser	1	.12
BE100106	C11	.004 x 500 Volt Tubular Condenser	1	.12
BE10029	C3	.05 x 200 Volt Tubular Condenser	2	.12
BE10010	C1	.2 x 400 Volt Tubular Condenser	1	.12
BE1001	C6	.1 x 400 Volt Tubular Condenser	1	.12
BE10023	C9	.002 x 600 Volt Tubular Condenser	1	.12
BE11992	C12, C13	Electrolytic Filter Condenser. 50 to .60 Cycles. 20 Mfd.-40 Mfd. x 150 Volts	1	.74
NOTE: BE11992 can be used on 25 to 60 cycles if set uses Electrodynamic Speaker.				
BE11993	C12, C13	Electrolytic Filter Condenser. 25 Cycles. 40 Mfd.-60 Mfd. x 150 Volts	1	1.24
BE1295	C8	.001 Mica Type Condenser—20%	1	.12
BE12912	C10	.0025 Mica Type Condenser—20%	1	.12
BE12921	C4	.002 Mica Type Condenser—20%	1	.12

Part No.	Schematic Diagram Reference	Description	No. Used In Set	Selling Price Each
<b>RESISTORS</b>				
BE13026	R1	1M Ohm—1/4 Watt Resistor—20%	1	.10
BE1303	R9	500M Ohm—1/4 Watt Resistor—20%	1	.10
BE130166	R11	150 Ohm—1/4 Watt Resistor—10%	1	.10
BE1309	R3	200M Ohm—1/4 Watt Resistor—20%	1	.10
BE130237	R8	5 Megohm—1/4 Watt Resistor—25%	1	.10
BE1304	R5	3 Megohm—1/4 Watt Resistor—20%	1	.10
BE130174	R4	50 Ohm—1/4 Watt Resistor—10%	1	.10
BE13094	R2	50M Ohm—1/4 Watt Resistor—10%	1	.10
BE13027	R12	1200 Ohm—1/4 Watt Resistor—10%	1	.10
BE130215	R6	25 Ohm—1/4 Watt Resistor—10%	1	.10
BE13037	R10	750M Ohm—1/4 Watt Resistor—20%	1	.10
BE130293	R13	30 Ohm—1 Watt Resistor—20%	1	.10

Part No.	Schematic Diagram Reference	Description	No. Used In Set	Selling Price Each
<b>COILS</b>				
BE108140K	T3	Input I.F. Coil Complete in Can	1	.62
BE108141F	T4	Output I.F. Coil Complete in Can	1	.62
BE110145	T2	Oscillator Coil	1	.36
BE111252C	T1	Loop Antenna Only (Leads Back)	1	.80
BE128793		Back Only for Loop	1	

Part No.	Schematic Diagram Reference	Description	No. Used In Set	Selling Price Each
<b>SPEAKER</b>				
BE114256	T6	Five Inch Electrodynamic Speaker (Leads Output Transformer)	1	2.50
BE114248	T6	Five Inch P.M. Dynamic Speaker (Leads Output Transformer)	1	2.50
BE105108B	T5	Output Transformer for 114248 Speaker	1	.78

Part No.	Schematic Diagram Reference	Description	No. Used In Set	Selling Price Each
<b>MISCELLANEOUS</b>				
BE110265	R7, S1	Volume Control and Switch (1 Megohm)	1	.62
BE102142B	C, C2, C3	Two Gang Variable Condenser with 3 Buttons	1	3.00
		Automatic Tuner Assembly	1	
BE10798		Line Cord and Plug	1	.30
BE121210		Eight Prong Octal Socket	5	.10
BE107249	P1	6-8 Volt Pilot Lite Bulb. Type T-47	1	.10
BE107358		Socket Assembly for Pilot Lite	1	.10
BE132264		No. 8-18 x 1/4 Chassis Mounting Screws	3	.02
BE134123		Rubber Bumper for Bottom of Cabinet	4	.02
BE128655-36		Bakelite Cabinet—Walnut	1	2.40
BE128655-9		Bakelite Cabinet—Ivory Color	1	3.00

Part No.	Schematic Diagram Reference	Description	No. Used In Set	Selling Price Each
<b>DIAL AND TUNING PARTS</b>				
BE112945B		Dial Plate	1	.12
BE1121022		Dial Scale	1	.24
BE112964		Pointer	1	.06
BE112969		Crystal for Dial	1	.28
BE131211		Snap-in Rivet to Fasten Dial Scale	2	.02
BE120375		String for Dial	1	.12
BE120372		Coiled Tension Spring for Dial String	1	.02
BE112959		Pulley for Dial	1	.06
BE117910		Pointer Shaft	1	.06
BE117906		Tuning Shaft	1	.14
BE12869	36	Pushbutton—Walnut—Left	2	.08
BE128706	36	Pushbutton—Walnut—Right	3	.08
BE112973		Set of Station Call Letters	1	.12
BE112979		Set of Celluloid Tabs	1	.06
BE128686-37		Knob—Walnut—"Volume"	1	.12
BE128687-37		Knob—Walnut—"Tuning"	1	.12
BE128686-8		Knob—Ivory—"Volume"	1	.12
BE128687-8		Knob—Ivory—"Tuning"	1	.12
BE131363		Screw Driver	1	.06

NOTICE—There is a model number label on the chassis  
This model number identifies the radio as to year, manufacturer, chassis and issue number or letter. When ordering parts or writing, be sure to mention the complete model number.  
PRICES SUBJECT TO CHANGE WITHOUT NOTICE

ALIGNMENT PROCEDURE

- Volume control—Maximum all adjustments.
- Connect B—of radio chassis to ground post of signal generator through .1 Mfd. condenser.

BAND	SIGNAL GENERATOR			Variable Condenser Setting	Trimmers Adjusted to Maximum
	Frequency Setting	Dummy Antenna	Connection to Radio		
I. F.	455 Kc.	.1 MFD.	Grid of 12SK7 I. F.	Rotor full open (Plates out of mesh)	Two trimmers on top of Output I. F.
	455 Kc.	.1 MFD.	Grid of 12SA7 Mixer	Rotor full open (Plates out of mesh)	Two trimmers on top of Input I. F.
BROAD-CAST BAND	1600 Kc.	.1 mmf.	Grid of 12SA7	Rotor full open (Plates out of mesh)	B.C. Osc. trimmer C2 on Gang
	1400 Kc.	200 mmf.	External Antenna and B—	Set Dial at 1400 K. C.	B.C. Ant. trimmer C3 under Gang

The loop antenna should be connected to the radio and in its proper position when making all adjustments.

5 TUBE AC-DC  
PUSHBUTTON  
TUNING

DIAL PILOT LIGHT

If at any time the dial pilot lite should burn out, replace it as soon as you conveniently can.

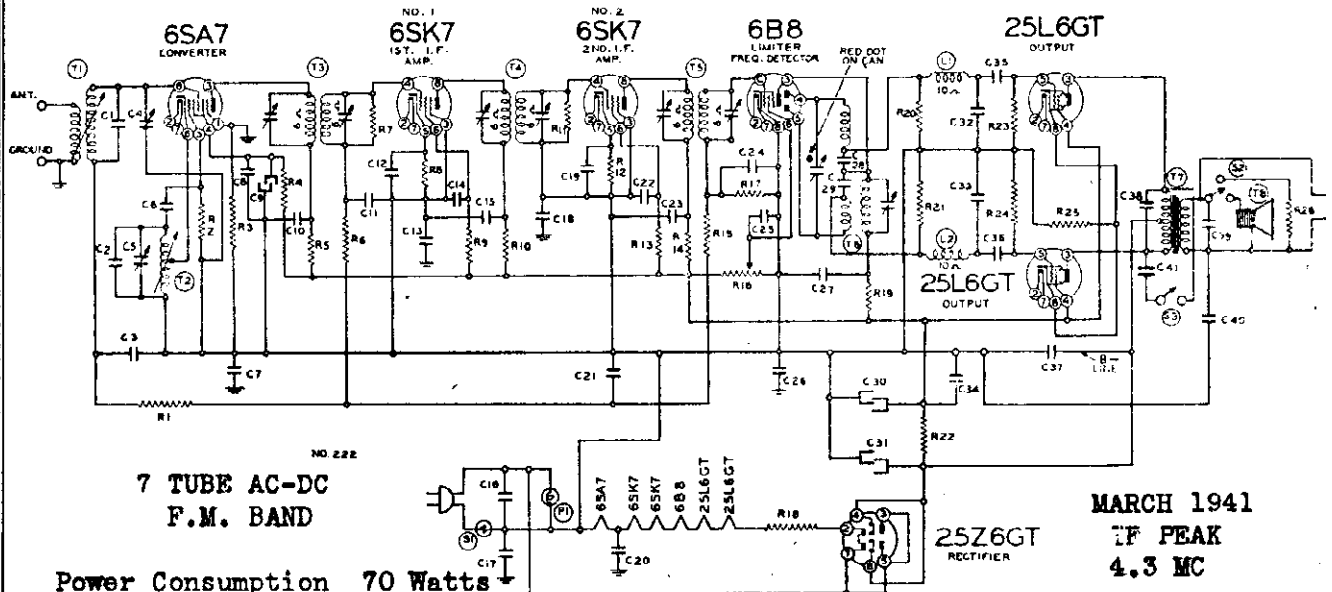
Prolonged use of the radio with the pilot lite not working may shorten the life of the 35Z5GT rectifier tube.

MODEL 14BR-530A  
MODEL 14BR-531A

NOVEMBER 1941

MONTGOMERY-WARD & CO.

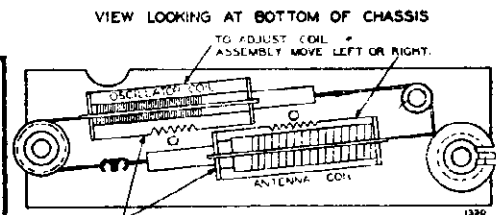
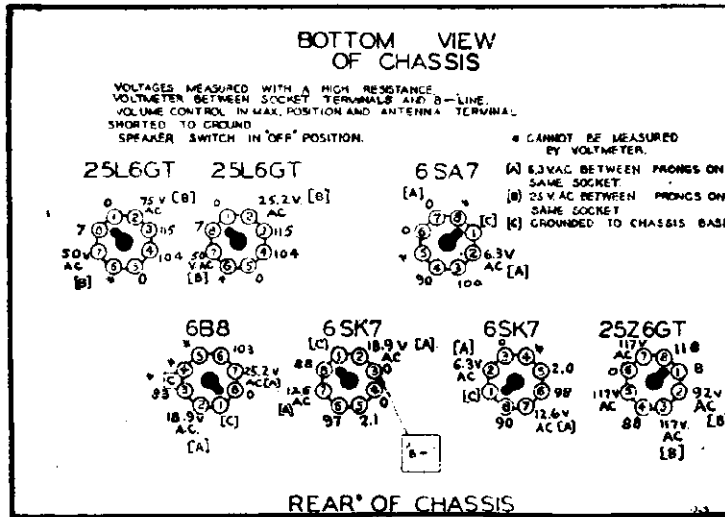
FREQUENCY MODULATION RECEIVER AND CONVERTER



7 TUBE AC-DC  
F.M. BAND

Power Consumption 70 Watts  
Power Output 4 Watts Undistorted  
Quieting Sensitivity: 30 Microvolts

MARCH 1941  
IF PEAK  
4.3 MC



COIL ASSEMBLY VIEW

SERVICE NOTES

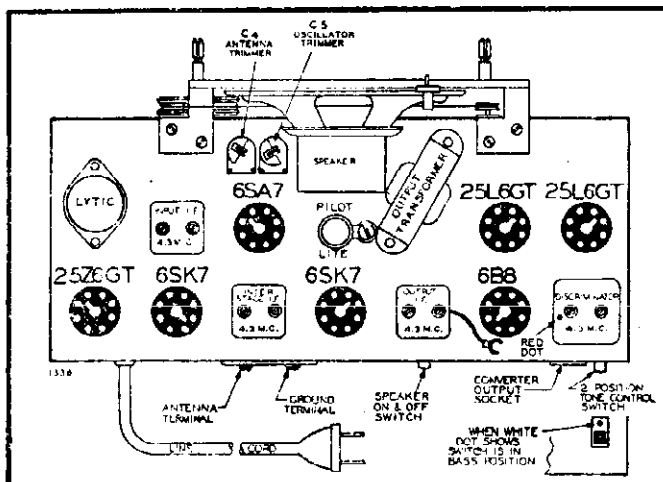
Voltages taken from different points of circuit to chassis are measured with volume control at minimum, all tubes in their sockets and speaker connected, with a volt meter having a resistance of 1000 ohms per volt.

All voltages as indicated on the voltage chart are measured with 117 volt 60 cycle A.C. line.

Resistances of coil windings are indicated in ohms on the schematic circuit diagram.

To check for open by-pass condensers, shunt each condenser with another condenser of the same capacity and voltage rating, which is known to be good, until the defective unit is located.

Excessive hum, stuttering, low volume and a reduction in all D. C. voltages is usually caused by a shorted electrolytic condenser; open by-pass condensers frequently cause oscillation and distorted tone.



CHASSIS TOP VIEW

MODEL 14BR-613A

MONTGOMERY-WARD & CO.

ALIGNMENT PROCEDURE

CAUTION: A-D-C. reading vacuum tube voltmeter must be used to make some of the following adjustments.

Volume control—Minimum all adjustments.

Connect radio chassis to ground post of signal generator with a short heavy lead.

Connect dummy antenna value in series with generator output lead.

Allow chassis and signal generator to "heat up" for several minutes.

The following equipment is required for aligning:

- An all wave signal generator which will provide an accurately calibrated signal at the test frequencies as listed.
Vacuum tube voltmeter.
Non-metallic screw-driver.
Dummy antennas—1 mil. 400 ohms.

Speaker - 5 in. P.M. Speaker

Table with 6 columns: BAND, SIGNAL GENERATOR Frequency Setting, Dummy Antenna, Connections to Radio, Dial Pointer Setting, Trimmer Adjusted in Order Shown, Trimmer Function, Adjustment.

NOTE "A". Connect a D.C. reading vacuum tube voltmeter in parallel with C41. Use only enough signal to obtain a medium scale deflection. Use an unmodulated signal.
NOTE "B". Before aligning this stage one trimmer of T4 must be adjusted to maximum capacity and the other adjusted to minimum capacity.
NOTE "C". Do not align or "Go Over" the I.F. adjustments after the above procedure has been followed or unsymmetrical wave shape will result.

NOTE "D". Connect an output meter across the speaker voice coil. Use a modulated signal.
NOTE "E". Adjust trimmer so that the same output reading will be obtained with the signal generator set at both 425 K.C. and 495 K.C., that is, 75 K.C. each side of the I.F. frequency. Check adjustment of trimmer with red dot after this adjustment.

REPLACEMENT PARTS LIST

Large table listing replacement parts including CONDENSERS, COILS, SOCKETS, SIGNAL GENERATOR, SPEAKER, and RESISTORS with columns for Part No., Schematic Diagram Reference, Description, No. Used in Set, and Part No. (Manufacturer).

Tuning Frequency Range - 42 to 50 Mc
Intermediate Frequency - 4.3 Mc

MISCELLANEOUS

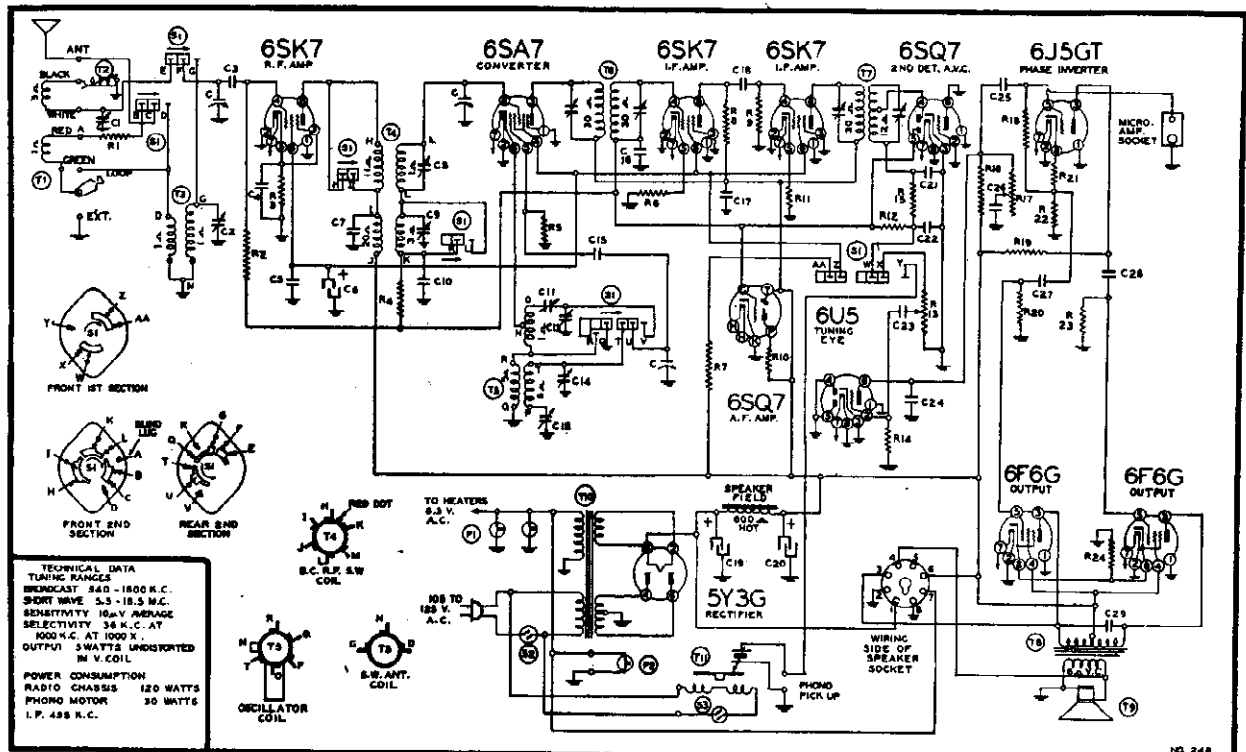
Table listing miscellaneous parts including Volume Control and Switch, Line Cord and Plug, Socket Assembly for Pilot Light, Pilot Light Bulb 110 V. 7.5 Watts, Speaker Switch, Speaker No. 10-32 x 3/4 Inch Chassis Mounting, Bolts, Bakelite Knob—Turning, Converter Connection Cable Assembly, Tone Control Switch.

DIAL PARTS

Table listing dial parts including Glass Crystal for Dial, Dial Bracket with Pulley, Dial Scale, Snap-in Rivets to Fasten Dial Scale, Drive Pulley with Bushing, String for Dial, Coiled Tension Spring for Dial String, Pointer.

NOTICE—There is a model number on the chassis. This model number identifies the radio as to year, manufacturer, chassis and issue number or letter. When ordering parts or writing, be sure to mention the complete model number.

MONTGOMERY-WARD & CO.



**ALIGNMENT PROCEDURE**

- Volume control—Maximum all adjustments.
- Connect dummy antenna valve in series with generator output lead.

BAND	SIGNAL GENERATOR			Position of Band Switch	Variable Condenser Setting	Trimmers Adjusted to Maximum (in Order Shown)
	Frequency Setting	Dummy Antenna	Connection to Radio			
I. F.	455 Kc.	.1 MFD.	Grid of 6SK7 L. F.	Broadcast	Rotor full open (Plates out of mesh)	Two trimmers on top Output I. F.
	455 Kc.	.1 MFD.	Grid of 6SA7 Mixer	Broadcast	Rotor full open (Plates out of mesh)	Two trimmers on top Input L. F.
SHORT WAVE BAND	17 Mc.	400 Ohms	External Antenna and Ground	Short Wave	Set Dial at 17 Mc.	C13, S.W. Osc.
	17 Mc.	400 Ohms	External Antenna and Ground	Short Wave	Set Dial at 17 Mc.	C8, S.W. R.F., C2 S.W. Antenna
	6 Mc.	400 Ohms	External Antenna and Ground	Short Wave	Set Dial at 6 Mc.	C11 S.W. Osc. Series Pad See Note "A"
BROADCAST BAND	1580 Kc.	200 mmf.	Grid of 6SK7 R. F. Tube	Broadcast	Rotor full open (Plates out of mesh)	C14 B.C. Osc.
	540 Kc.	200 mmf.	Grid of 6SK7 R. F. Tube	Broadcast	Set Dial at 540 Kc. (Plates in Mesh)	C12 B.C. Osc. Series Pad
	1400 Kc.	200 mmf.	Grid of 6SK7 R. F. Tube	Broadcast	Set Dial at 1400 Kc.	C9 B.C. R.F.
LOOP ALIGNMENT	1400 Kc.	200 mmf.	External Antenna and Ground	Broadcast	Set Dial at 1400 Kc.	C1 B.C. Ant.
	600 Kc.	200 mmf.	External Antenna and Ground	Broadcast	Set Dial at 600 Kc.	T2 Iron Core Tracking Coil

NOTE "A"—Turn the dial back and forth slightly (rock) and adjust trimmer until the peak of greatest intensity is obtained.  
 After each band is completed, repeat the procedure as a final check.

FOR OAK RC-1 RECORD CHANGER  
 SEE RIDER'S  
 "AUTOMATIC RECORD CHANGERS AND RECORDERS"



MONTGOMERY-WARD & CO.

REPLACEMENT PARTS LIST

In ordering parts refer to model number on chassis label

Part No.	Schematic Diagram Reference	Description	No. Used In Set	Selling Price Each
<b>CONDENSERS</b>				
BE102152	C	Three Gang Variable Condenser	1	3.00
BE10020	C4	.1 x 200 Volt Tubular Condenser	1	.10
BE10026	C10, C16	.25 .02 x 400 Volt Tubular Condenser	3	.10
BE10025	C23	.002 x 600 Volt Tubular Condenser	1	.10
BE10009	C27	.05 x 200 Volt Tubular Condenser	1	.10
BE10013	C28	.05 x 400 Volt Tubular Condenser	1	.10
BE10011	C26	.01 x 400 Volt Tubular Condenser	1	.10
BE10071	C29	.004 x 600 Volt Tubular Condenser	1	.10
BE10017	C5, C17	.25 x 400 Volt Tubular Condenser	2	.20
BE119124	C6, C19, C20	Electrolytic Filter Condenser—10 Mfd. x 350 V.; 25 Mfd. x 450 V.; 25 Mfd. x 450 V.	1	.90
BE124180	C2	S.W. Antenna Trimmer	1	.44
BE124179	C8, C9	S.W. and B.C. R.F. Trimmer—Dual	1	.36
BE124181	C13, C14	S.W. and B.C. Trimmer—Dual	1	.24
BE124182	C1	B.C. Antenna Trimmer	1	.22
BE129157	C12	.00025 Compression Cond.—B.C. Pad	1	.12
BE1292	C3, C18	.0005 Mica Type Condenser—20%	2	.12
BE129160	C7	.0004 Mica Type Condenser—20%	1	.12
BE12939	C15	.0005 Mica Type Condenser—20%	1	.12
BE12951	C21, C22	.0001 Mica Type Condenser—20%	2	.12
BE129156	C11	.0024 Compression Mica Condenser	1	.30
BE12912	C24	.00025 Mica Type Condenser—20%	1	.12

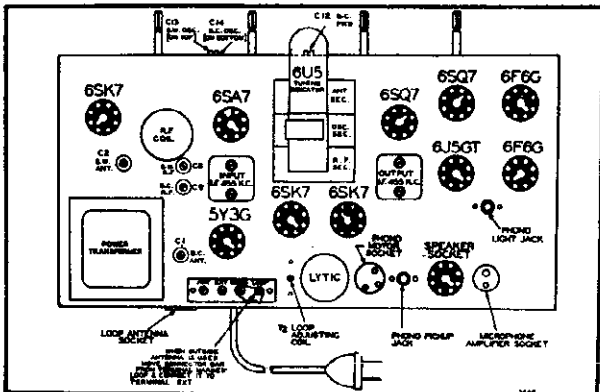
Part No.	Schematic Diagram Reference	Description	No. Used In Set	Selling Price Each
<b>RESISTORS</b>				
BE101270	R13, S2	Volume Control and Switch (500M Ohms)	1	.62
BE101271	R17	Tone Control (1 Megohm)	1	.50
BE13019	R2, R18	1 Megohm— $\frac{1}{2}$ Watt Resistor—20%	1	.12
BE1305	R4	300M Ohm— $\frac{1}{2}$ Watt Resistor—20%	1	.10
BE130208	R5	40M Ohm— $\frac{1}{2}$ Watt Resistor—20%	1	.10
BE13054	R6, R11	500 Ohm— $\frac{1}{2}$ Watt Resistor—20%	2	.10
BE130263	R8	12M Ohm— $\frac{1}{2}$ Watt Resistor—20%	1	.10
BE13020	R9, R19, R22	100M Ohm— $\frac{1}{2}$ Watt Resistor—20%	3	.10
BE130304	R7	12M Ohm—2 Watt Resistor—10%	1	.10
BE13012	R15	50K Ohm— $\frac{1}{2}$ Watt Resistor—20%	1	.10
BE130170	R12	3 Megohm— $\frac{1}{2}$ Watt Resistor—20%	1	.10
BE130225	R14	15 Megohm— $\frac{1}{2}$ Watt Resistor—20%	1	.10
BE13043	R21	2500 Ohm— $\frac{1}{2}$ Watt Resistor—20%	1	.10
BE1303	R20, R23	500M Ohm— $\frac{1}{2}$ Watt Resistor—20%	2	.10
BE13011	R16	250M Ohm— $\frac{1}{2}$ Watt Resistor—20%	1	.10
BE130311	R24	300 Ohm—1 Watt Resistor—20%	1	.10
BE13099	R3	300 Ohm— $\frac{1}{2}$ Watt Resistor—20%	1	.10
BE13024	R1	400 Ohm— $\frac{1}{2}$ Watt Resistor—20%	1	.10
R10		1 Megohm—In Eye Socket	1	.10

Part No.	Schematic Diagram Reference	Description	No. Used In Set	Selling Price Each
<b>COILS</b>				
BE108169J	T6	Input I.F. Coil Complete in Can	1	.76
BE108130C	T7	Output I.F. Coil Complete in Can	1	.76
BE10937	T4	B.C.—S.W. R.F. Coil Complete in Can	1	.70
BE110149	T5	B.C.—S.W. Oscillator Coil	1	.50
BE111176	T3	S.W. Antenna Coil	1	.30
BE111153	T2	Loop Adjusting Coil With Iron Slug	1	.30
BE111257	T1	Loop Antenna Assembly	1	1.20

Part No.	Schematic Diagram Reference	Description	No. Used In Set	Selling Price Each
<b>SPEAKER</b>				
BE114261	T9	Ten Inch Electrodynamic Speaker (Less Output Transformer)	1	4.00

NOTICE—There is a model number label on the chassis. This model number identifies the radio as to year, manufacturer, chassis and issue number or letter. When ordering parts or writing, be sure to mention the complete model number.

PRICES SUBJECT TO CHANGE WITHOUT NOTICE



CHASSIS VIEW

ANTENNA AND GROUND TERMINALS

When using an external antenna and ground, move the metal strap (connector bar) from terminal marked LOOP and connect it to terminal marked EXT.

The antenna and ground wires should then be connected to the terminals marked "Ant."—"Gnd."

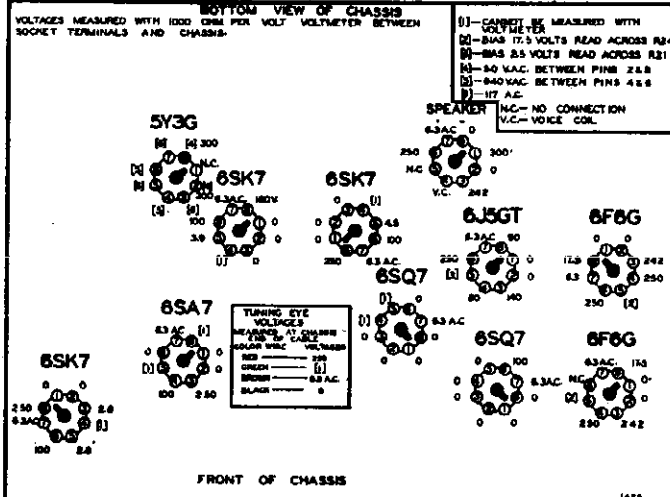
Part No.	Schematic Diagram Reference	Description	No. Used In Set	Selling Price Each
<b>TRANSFORMERS</b>				
BE10554F	T8	Output Transformer for Speaker	1	1.00
BE104202C	T10	Power Transformer. 50 to 60 Cycles 105-125 Volt Primary	1	3.00
BE104203C		Power Transformer 25 to 60 Cycles 105-125 Volt Primary	1	
<b>BANDSWITCH</b>				
BE125179	S1	Band switch Complete	1	.90
<b>MISCELLANEOUS</b>				
BE107266		Line Cord and Plug	1	.30
BE13489		Rubber Cushions to Float Chassis	4	.06
BE121308		Eight Prong Octal Molded Socket for Speaker	1	.10
BE121210		Eight Prong Octal Molded Socket	10	.10
BE107169		Socket and Cable Assembly for Tuning Eye 1	1	.50
BE10794	P1	6.8 Volt Pilot Lite Bulb Type T-44	2	.10
BE107387C		Socket Assembly for Pilot Lite	2	.10
BE11757A		Bracket for Tuning Eye	1	.06
BE11757B		Clamp for Tuning Eye	1	.08
BE11757C		Wing Bolt for Above	1	.04

Part No.	Schematic Diagram Reference	Description	No. Used In Set	Selling Price Each
<b>DIAL AND TUNING PARTS</b>				
BE112992		Dial Scale	1	.48
BE112530		Clips to Fasten Dial Scale 4	Dz.	.06
BE112967-38		Escutcheon for Dial	1	.70
BE112966		Light Rod for Dial	1	.36
BE112957		Pointer	1	.14
BE128686B-38		Knob—"Volume"	1	.12
BE128687-38		Knob—"Tuning"	1	.12
BE128688B-38		Knob—"Band"	1	.12
BE128683-38		Knob—"Band"	1	.12
BE117918		Tuning Shaft	1	.06
BE115688		Bracket for Tuning Shaft	1	.06
BE131142		"C" Washer for Tuning Shaft 2	Dz.	.06
BE112826		Pulley with Bushing	1	.16
BE12109		String for Dial	1	.12
BE120197		Coiled Tension Spring for Dial String	1	.04
BE115799		Dial Plate Assembly Complete with Pulleys and Brackets	1	.30

Part No.	Schematic Diagram Reference	Description	No. Used In Set	Selling Price Each
<b>RECORD CHANGER COMPARTMENT</b>				
BE104267		Automatic Record Changer Complete. 115 Volts A.C. 60 Cycles	1	
BE104276		Automatic Record Changer Complete. 115 Volts A.C. 25 Cycles	1	
BE104277		Automatic Record Changer Complete. 115 Volts A.C. 50 Cycles	1	
BE10794	P2	Indicator Light Bulb	1	.10
BE107388		Socket Assembly for Pilot Lite	1	.26
BE1121007		Amber Jewel Indicator	1	.12

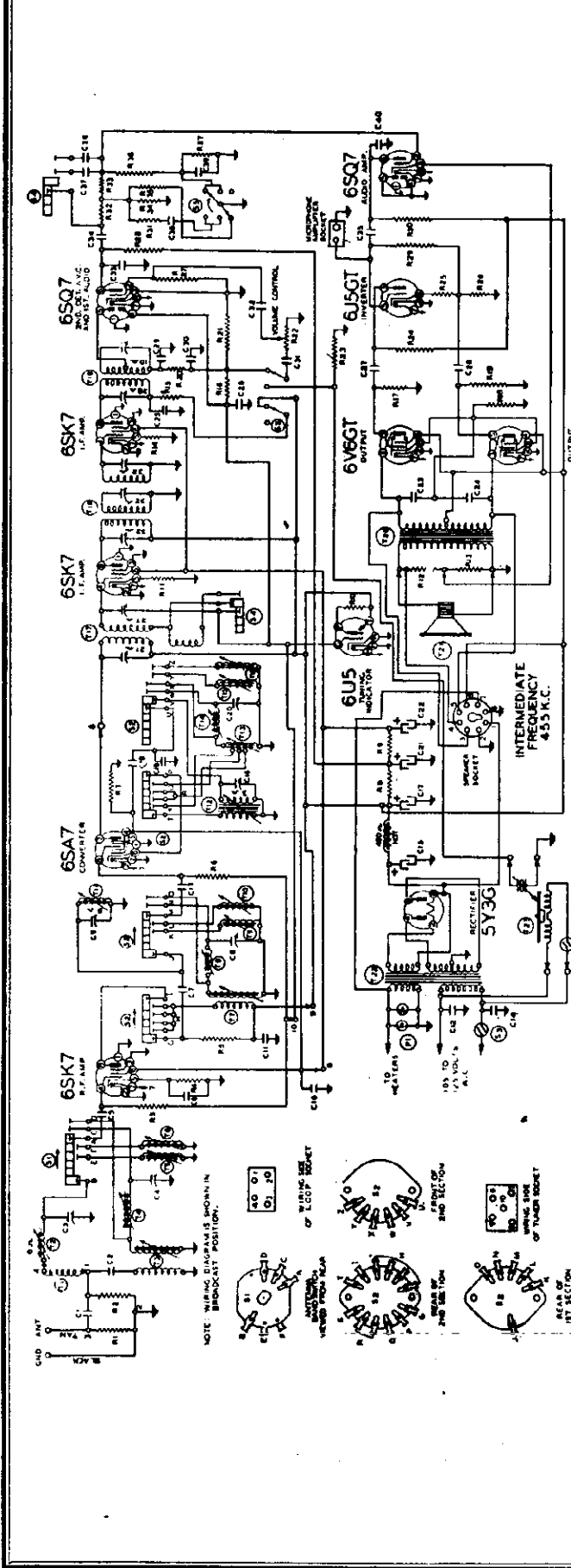
RECORD CHANGER PARTS LIST

BE4316	Motor, 60 Cycle 115 Volt
BE4422	Motor Mounting Kit consists of rubber grommets, screws, sleeves, washers, and nuts
BE4233	Motor Mounting Grommet
BE3231	Motor On-Off Switch
BE4406	Line Cord and Plug
BE4425	Rubber Idler Wheel with Spring Clip
BE0-4324	Idler Wheel Tension Spring
BE0-4319	Turntable
BE4423	Upper and Lower Shelf Blade Assembly
BE4426	Pickup Cartridge (N1 or L40) with screws
BE4428	Pickup Arm Assembly complete less cartridge
BE4292	Rubber Pickup Rest Bumper
BE4262	Reject Return Spring
BE4427	Reject, 10"-12", or Auto-Man Buttons with screws
BE4424	Needle Screw



FRONT OF CHASSIS

MONTGOMERY-WARD & CO.



FOR SEEBURG J RECORD CHANGERS, SEE RIDER'S "AUTOMATIC RECORD CHANGERS AND RECORDERS"

- |     |         |   |
|-----|---------|---|
| T4  | 111189  | 6 mc. antenna coil  |
| T5  | 111191  | 12 mc. antenna coil   |
| T6  | 111192  | 15 mc. antenna coil   |
| T7  | 10959   | 9 mc. R.F. coil   |
| T8  | 10958   | 6 mc. R.F. coil   |
| T9  | 10960   | 12 mc. R.F. coil  |
| T10 | 10961   | 15 mc. R.F. coil  |
| T11 | 10962   | B.C. R.F. coil  |
| T12 | 110151  | B.C. oscillator coil  |
| T13 | 110157  | 9 mc. oscillator coil   |
| T14 | 110156  | 6 mc. oscillator coil   |
| T15 | 110158  | 12 mc. oscillator coil  |
| T16 | 110159  | 15 mc. oscillator coil  |
| T17 | 108181  | Input I.F. coil—455 kc.   |
| T18 | 108155B | Interstage I.F. coil  |
| T19 | 108182  | Output I.F. coil—455 kc.  |
| T20 | 105119  | Output Transformer  |
| T21 | 114209  | 12" dynamic speaker   |
| T22 | 104217  | Power transformer—50/60 cycle                                       |
| T23 | 104238  | Automatic record changer, Seeburg 50 cycle completed with turntable |
|     | 104257  | Automatic record changer, complete—25 cycle Seeburg—with turntable  |
|     | 104252  | Automatic record changer—Seeburg—60 cycle complete with turntable   |
| S1  | 125154  | Antenna bandswitch  |
| S2  | 125122  | R.F.—oscillator bandswitch  |
| S3  | 125150  | On-off radio phono switch   |
| S4  | 125151  | Treble switch   |
| S5  | 125152  | Pass switch   |
| S6  | 10794   | Switch on record changer  |
| F1  |         | 2 6.8 volts pilot light T4  |

- |     |        |                          |
|-----|--------|--------------------------|
| C19 | 129165 | 00005 mica               |
| C20 | 124145 | 9 mc. oscillator trimmer |
| C21 | 119112 | 10.0 mid. lyric          |
| C22 | 11969  | .16 mid. x 350 w.v.      |
| C23 | 10065  | .015 x 600 v.            |
| C24 | 10065  | .015 x 600 v.            |
| C25 | 10001  | .1 x 400 v.              |
| C26 | 10020  | .1 x 200 v.              |
| C27 | 10013  | .05 x 400 v.             |
| C28 | 10009  | .5 x 200 v.              |
| C29 | 1295   | .0001 mica               |
| C30 | 1295   | .0001 mica               |
| C31 | 10020  | .1 x 200 v.              |
| C32 | 10019  | .006 x 600 v.            |
| C33 | 12912  | .00025 mica              |
| C34 | 1001   | .1 x 400 v.              |
| C35 | 10013  | .05 x 400 v.             |
| C36 | 100118 | .008 x 600 v.            |
| C37 | 12938  | .00005 mica              |
| C38 | 129166 | .000125 mica             |
| C39 | 10037  | .008 x 600 v.            |
| C40 | 12912  | .00025 mica              |
- C3 and C4 in same unit  
C15, C17 and C21 in same unit

- CONDENSERS**
- |     |        |                            |
|-----|--------|----------------------------|
| C1  | 1292   | .0005 mica                 |
| C2  | 10447  | .002 x 600 v.              |
| C3  | 124143 | H.C. antenna trimmer       |
| C4  | 1292   | .0005 mica                 |
| C5  | 1292   | .0005 mica                 |
| C6  | 10020  | .1 x 200 v.                |
| C7  | 129168 | .00001 mica                |
| C8  | 124139 | 9 mc. R.F. trimmer         |
| C9  | 10074  | .1 x 400 v.                |
| C10 | 10074  | .1 x 400 v.                |
| C11 | 10061  | .02 x 600 v.               |
| C12 | 1292   | .0005 mica                 |
| C13 | 10061  | .02 x 600 v.               |
| C14 | 10061  | .02 x 600 v.               |
| C15 | 119112 | 30.0 mid. lyric            |
| C16 | 124144 | H.C. oscillator trimmer    |
| C17 | 119112 | 30.0 mid. lyric x 450 w.v. |
| C18 | 129167 | .0002 silver mica          |

- RESISTORS**
- |     |        |                                    |
|-----|--------|------------------------------------|
| R1  | 130232 | 25M ohm—1/2 w.                     |
| R2  | 13019  | 1 megohm—1/2 w.                    |
| R3  | 130239 | 250 ohm—1/2 w.                     |
| R4  | 130218 | 5M ohm—1/2 w.                      |
| R5  | 13019  | 1 megohm—1/2 w.                    |
| R6  | 130232 | 25M ohm—1/2 w.                     |
| R7  | 130318 | 6M ohm—2 w.                        |
| R8  | 130319 | 10M ohm—2 w.                       |
| R9  | 13016  | 900 ohm—1/2 w.                     |
| R10 | 13082  | 10M ohm—1/2 w.                     |
| R11 | 130235 | 1500 ohm—1/2 w.                    |
| R12 | 130192 | 2M ohm—1/2 w.                      |
| R13 | 130192 | 2M ohm—1/2 w.                      |
| R14 | 13019  | 1 megohm—1/2 w.                    |
| R15 | 130317 | 500M ohm—1/2 w.                    |
| R16 | 130317 | 250 ohm—2 w.                       |
| R17 | 130318 | 10M ohm—2 w.                       |
| R18 | 130319 | 1 megohm in tuning indicator cable |
| R19 | 130316 | 120M ohm—1/2 w.                    |
| R20 | 13094  | 50M ohm—1/2 w.                     |
| R21 | 101229 | 500M ohm volume control            |
| R22 | 1303   | 500M ohm—1/2 w.                    |
| R23 | 1303   | 500M ohm—1/2 w.                    |
| R24 | 13094  | 50M ohm—1/2 w.                     |
| R25 | 130218 | 5M ohm—1/2 w.                      |
| R26 | 13094  | 50M ohm—1/2 w.                     |

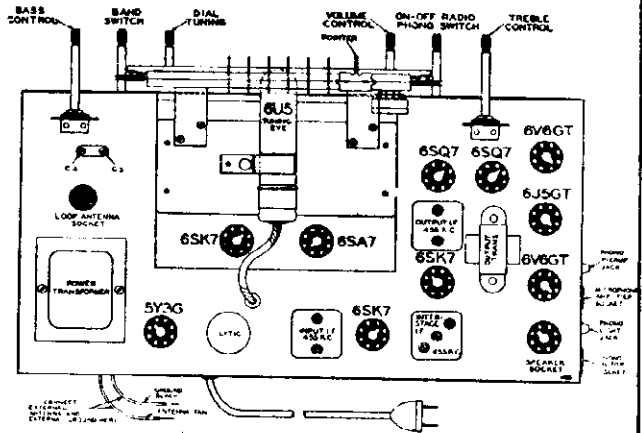
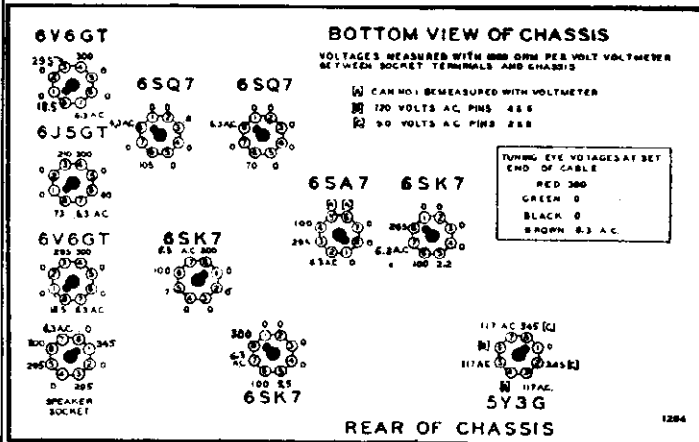
**PARTS**

- |    |        |                       |
|----|--------|-----------------------|
| T1 | 111237 | Loop antenna assembly |
| T2 | 111195 | B.C. antenna coil     |
| T3 | 111190 | 9 mc. antenna coil    |

MODEL 14BR-1113

MONTGOMERY-WARD & CO.

BAND	SIGNAL GENERATOR Frequency Setting	Dummy Antenna	Connection to Radio	Position of Band Switch	Dial Pointer Setting	Trimmers Adjusted in Order Shown	Trimmer Function	Adjustment
I. F.	455 Kc.	.1 MFD.	Grid of 6SK7 (I.F.)	Broadcast	Set Dial at 1600 Kc.	Two Trimmers on Top	Output I. F.	Adjust to Maximum output
	455 Kc.	.1 MFD.	Grid of 6SA7	Broadcast	Set Dial at 1600 Kc.	Two Trimmers on Top	Input I. F.	Adjust to Maximum output
31 METER BAND	9.6 Mc.	400 ohms	Antenna lead	31M	Set Dial at 9.6 Mc.	(See Trimmer View) C20 (See Trimmer View) C8 (See Trimmer on Top) C4	Osc. R. F. Ant.	Adjust to Maximum output
49 METER BAND	6.1 Mc.	400 ohms	Antenna lead	49M	Set Dial at 6.1 Mc.	(See Trimmer View) T14 (See Trimmer View) T8 (See Trimmer View) T4	Osc. R. F. Ant.	Adjust to Maximum output
25 METER BAND	11.8 Mc.	400 ohms	Antenna lead	25M	Set Dial at 11.8 Mc.	(See Trimmer View) T15 (See Trimmer View) T9 (See Trimmer View) T5	Osc. R. F. Ant.	Adjust to Maximum output
19 METER BAND	15.2 Mc.	400 ohms	Antenna lead	19M	Set Dial at 15.2 Mc.	(See Trimmer View) T16 (See Trimmer View) T10 (See Trimmer View) T6	Osc. R. F. Ant.	Adjust to Maximum output
BROAD-CAST BAND	1600 Kc.	200 mmf.	Antenna lead	Broadcast	Set Dial at 1600 Kc.	(See Trimmer View) C16 (See Trimmer View) C9 (See Trimmer on Top) C3	Osc. R. F. Ant.	Adjust to Maximum output
	1400 Kc.	200 mmf.	Antenna lead	Broadcast	Set Dial at 1400 Kc.	Rotate Core T11 Rotate Core T2 (See Iron Core Adjustment View)	R. F. Ant.	Adjust to Maximum output



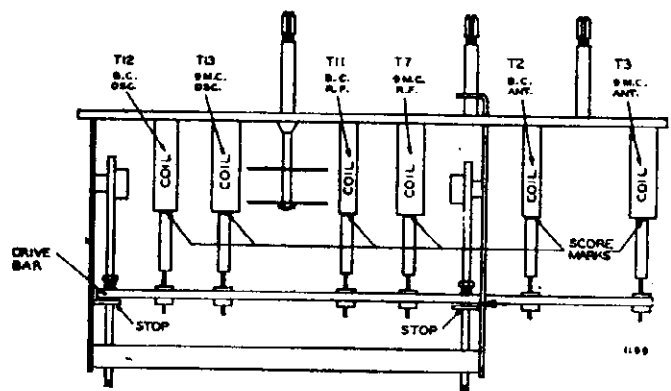
**Power Consumption**  
Radio Only - - - 120 Watts

**Power Output - - - 10 Watts**  
Undistorted

**Sensitivity for 500 Milliwatt Output: - 10 Microvolts Average**

**Selectivity - 27 KC Broad at 1000 Times Signal at 1000 KC**

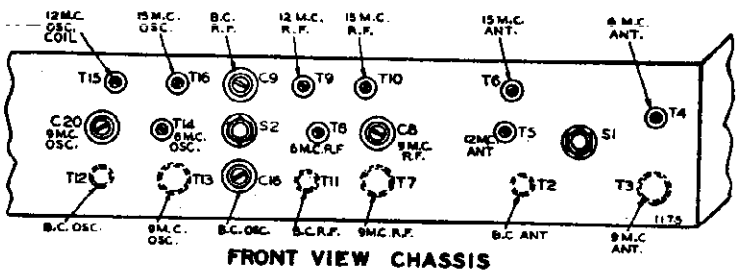
**Tuning Frequency Range Broadcast Band - - 540 to 1600 KC**



49M Band - 5.9 to 6.1 MC  
31M Band - 9.1 to 10 MC  
25M Band - 11.4 to 12.1 MC  
19M Band - 14.9 to 15.4 MC

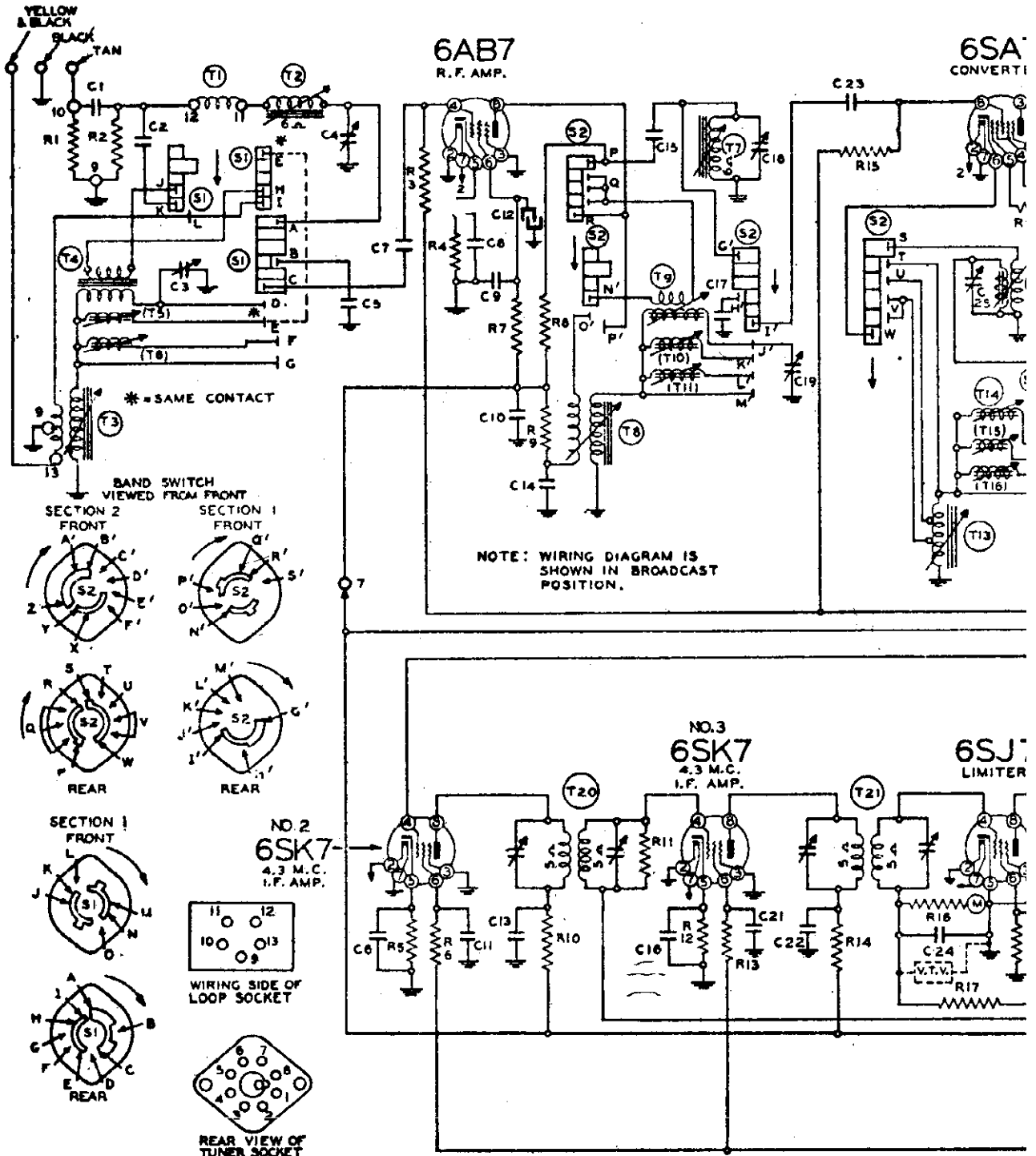
Intermediate Frequency - - - 455 KC

Speaker - - 12 in. Electro Dynamic



MODEL 14BR-1400A IS THE SAME AS MODEL 24BR-1401B EXCEPT THAT THE FORMER HAS NO RECORD CHANGER. SEE ALSO CHANGES IN PARTS LIST.

MONTGOMERY

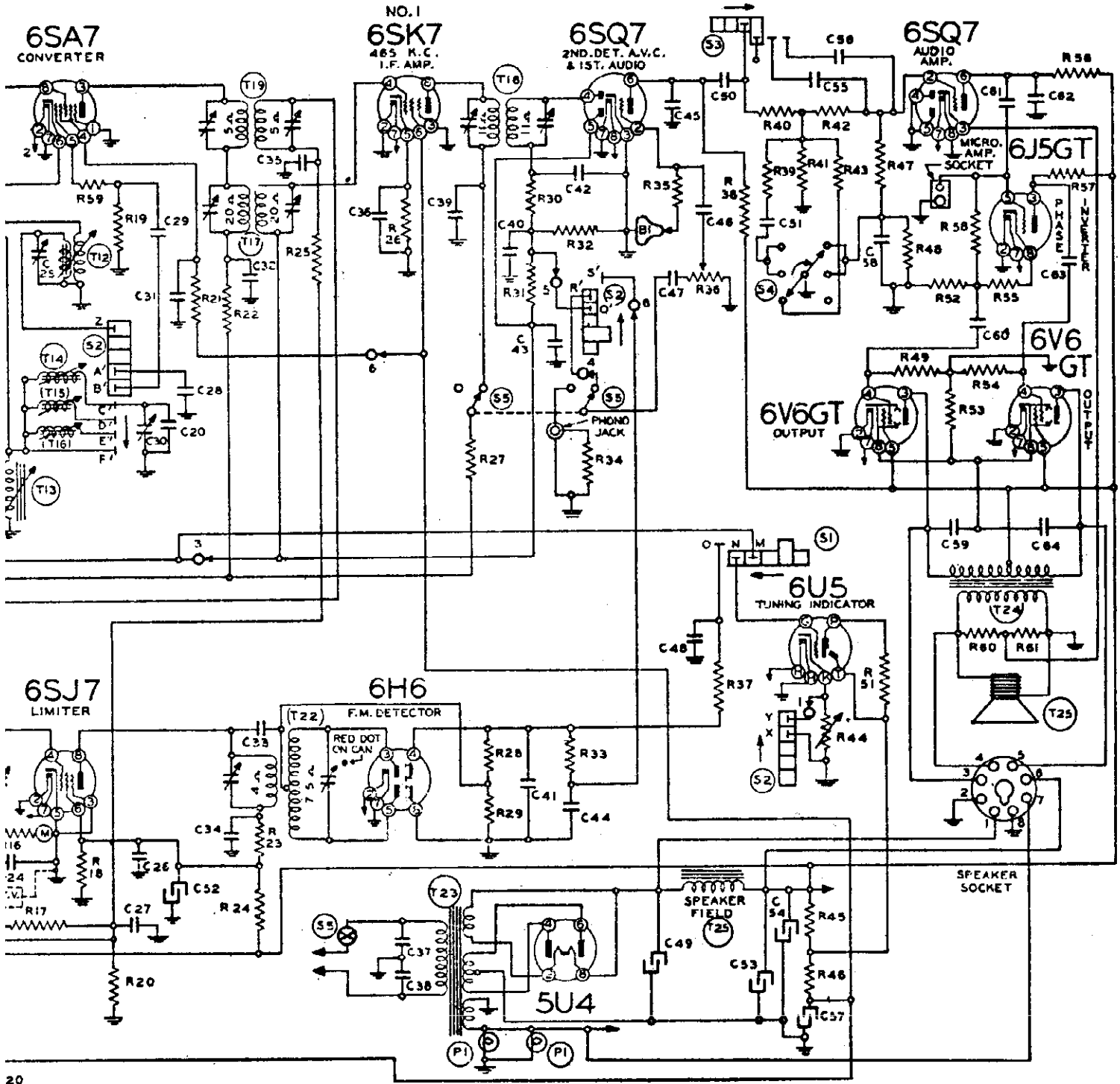


NO. 220

IF PEAKS:

ONTGOMERY-WARD & CO.

MODEL 14BR-1400A  
MODEL 24BR-1401B



20

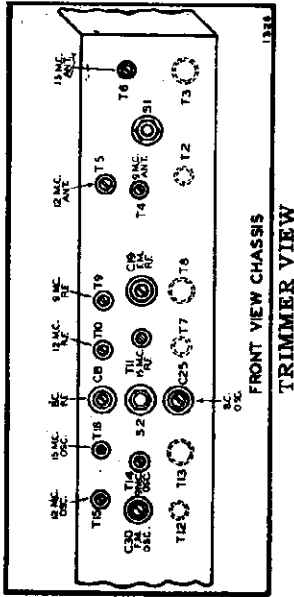
PEAKS: AM - 455 KC, FM - 4.3 MC

MODEL 14BR-1400A  
MODEL 24BR-1401B

MONTGOMERY-WARD & CO.

TECHNICAL DATA

**POWER CONSUMPTION:**  
 14BR-1400A...135 watts; 24BR-1401B...155 watts  
 Power Output - - - - - 10 Watts Undistorted  
 Sensitivity for 500 Milliwatt Output: 10 Microvolts Average  
 Selectivity - 27 KC Broad at 1000 Times Signal at 1000 KC  
 Tuning Frequency Range Broadcast Band - - 540 to 1600 KC  
 31M Band - - - 9.1 to 10 MC  
 25M Band - - - 11.4 to 12.1 MC  
 19M Band - - - 14.9 to 15.4 MC  
 F. M. Band - - - 41.5 to 50.5 MC  
 Intermediate Frequency - - - - - { 455 KC  
 { 4300 KC  
 Speaker - - - - - 12 in. Electro Dynamic



Broadcast and Short Wave Bands Alignment

- Tune control—Trebble
  - Volume control—Maximum all adjustments.
  - Connect radio chassis to ground post of signal generator with a short heavy lead.
  - Connect dummy antenna valve in series with generator output lead.
  - Connect output meter across primary of output transformer.
  - Allow chassis and signal generator to "heat up" for several minutes.
- The following equipment is required for aligning:
- An all wave signal generator which will provide an accurately calibrated signal at the test frequencies as listed.
  - Output indicating meter.
  - Non-metallic screwdriver.
  - Dummy antennas—1 ml., 200 mmf., and 400 ohms.

BAND	SIGNAL GENERATOR Frequency Setting	Dummy Antenna	Connections to Radio	Position of Band Switch	Dial Pointer Setting	Trimmers Adjusted in Order Shown	Trimmer Function	Adjustment
I. F.	455 Kc.	.1 MFD.	Grid of 6SE7 No. 1	Broadcast	Set Dial at 1600 Kc.	Two Trimmers on Top of T18	Output L. F.	Adjust to maximum output
	455 Kc.	.1 MFD.	Grid of 6SA7	Broadcast	Set Dial at 1600 Kc.	Two Trimmers on Top of T17	Input L. F.	Adjust to maximum output
BROAD-CAST BAND	1600 Kc.	200 mmf.	Antenna lead	Broadcast	Set Dial at 1600 Kc.	(See Trimmer View) C5 (See Trimmer View) C3 (See Trimmer on Top) C4	Osc. R. F. Ant.	Adjust to maximum output
	1400 Kc.	200 mmf.	Antenna lead	Broadcast	Set Dial at 1400 Kc.	Rotate Core T7 (See Iron Core Adjustment View)	R. F. Ant.	Adjust to maximum output
31 METER BAND	9.6 Mc.	400 ohms	Antenna lead	31M	Set Dial at 9.6 Mc.	(See Trimmer View) T14 (See Trimmer View) T9 (See Trimmer on Top) T4	Osc. R. F. Ant.	Adjust to maximum output
	11.8 Mc.	400 ohms	Antenna lead	25M	Set Dial at 11.8 Mc.	(See Trimmer View) T15 (See Trimmer View) T10 (See Trimmer View) T5	Osc. R. F. Ant.	Adjust to maximum output
	15.2 Mc.	400 ohms	Antenna lead	19M	Set Dial at 15.2 Mc.	(See Trimmer View) T16 (See Trimmer View) T11 (See Trimmer View) T6	Osc. R. F. Ant.	Adjust to maximum output

NOTE: The F. M., I. F. and R. F. band MUST be aligned before the three standard short wave bands can be properly aligned. The osc. and R. F. adjustments must be done simultaneously for each of the standard short wave bands.

MODEL 14BR-1400A  
MODEL 24BR-1401B

MONTGOMERY-WARD & CO.

F. M.—I. F.—R. F.—Alignment

CAUTION: A D.C. reading vacuum tube voltmeter must be used to make the following adjustments.

BAND	SIGNAL GENERATOR Frequency Setting	Dummy Antenna	Connections to Radio	Position of Band Switch	Dial Pointer Setting	Trimmers Adjusted in Order Shown	Trimmer Function	Adjustment
F. M.	4.3 Mc.	.1 MFD.	Grid of 6SK7 No. 1	F.M.	45 Mc.	Two Trimmers on Top of T1	Limiter I. F. Coil	Adjust to Maximum Voltage (See Note "A")
I. F.	4.3 Mc.	.1 MFD.	Grid of 6SA7	F.M.	45 Mc.	Two Trimmers on Top of T9	Input I. F. Coil	Adjust to Maximum Voltage (See Note "A" and "B")
	4.3 Mc.	.1 MFD.	Grid of 6SK7 No. 2	F.M.	45 Mc.	Two Trimmers on Top of T20	2nd I. F. Coil	Adjust to Maximum Voltage (See Note "A" and "C")
	4.3 Mc.	.1 MFD.	Grid of 6SJ7	F.M.	45 Mc.	Trimmer with red dot on top of T22	Disc. I. F. Coil	Adjust to zero voltage. (See Note "D")
	425 and 435 K.C.	.1 MFD.	Grid of 6SJ7	F.M.	45 Mc.	Trimmer without red dot on top of T22	Disc. I. F. Coil	See Notes "D" and "E"
F. M.	50.5 Mc.	100 ohms	Doublet Antenna Lead	F.M.	50.5 Mc.	(See Trimmer View) C24	Osc. R. F. Ant.	Adjust to Maximum Voltage (See Note "A")

The following equipment is required for aligning:  
 • An all wave signal generator which will provide an accurately calibrated unmodulated signal at the test frequencies as listed.  
 • Vacuum Tube Voltmeter.  
 • Non-metallic screwdriver.  
 • Dummy antenna—1 mf. and 100 ohms.

- Volume control—Minimum all adjustments.
- Connect radio chassis to ground post of signal generator with a short heavy lead.
- Connect dummy antenna valve in series with generator output lead.
- Allow chassis and signal generator to "heat up" for several minutes.

NOTE "A": Connect a D.C. reading vacuum tube voltmeter in parallel with C24. Use only enough signal to get a medium scale deflection.

NOTE "B": Before aligning this stage, one trimmer of T20 must be adjusted to maximum capacity and the other adjusted to minimum capacity.

NOTE "C": Do not realign or "go over" the I.F. adjustments after the above procedure has been followed or an unsymmetrical wave shape will result.

NOTE "D": Connect across prongs 4 and 8 of 6H6 socket, a D.C. reading vacuum tube voltmeter.

NOTE "E": Adjust trimmer so that the same voltage reading will be obtained with the signal generator set at both 425 K.C. and 435 K.C. One of these frequencies will produce a negative voltage and the voltmeter leads must be reversed if a zero-center meter is not available.

FREQUENCY MODULATION (F.M.) BAND

F.M. stations are not operating in all communities as yet and since their transmitting range is seldom more than 50 miles you will not hear stations on this band unless you are near a transmitter.

TUNING EYE—F.M. BAND

The tuning eye is normally almost closed on the F.M. Band when not tuned to a station.

When tuning an F.M. station the eye will overlap as the pointer approaches the station from one side and will open when approaching from the other side. Midway between these two points the station will be tuned correctly and the eye will be nearly closed just as it is when not tuned to a station.

TUNING EYE ADJUSTMENT SCREW

The tuning eye is adjusted for proper operation at the factory, however, if the eye tube is ever replaced it may require readjustment. With the radio tuned to the F.M. band but not on a station, turn the adjustment screw on top of the chassis until the eye almost closes. This adjustment must be made with the 6SJ7 tube out of its socket.

### ALIGNING INSTRUCTIONS

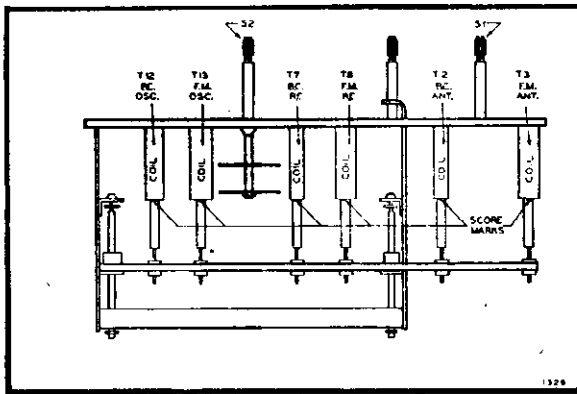
**CAUTION:**—No aligning adjustments should be attempted without first thoroughly checking over all other possible causes of trouble, such as poor installations, open or grounded antenna systems, low line voltage, defective tubes, condensers and resistors. In order to properly align this radio, the chassis should be removed from the cabinet. Although the short wave bands on this radio are of the band spread type the Alignment Procedure is not difficult. However because each short wave scale covers only a small portion of the short

wave spectrum you must do the work carefully and your oscillator must be accurate.

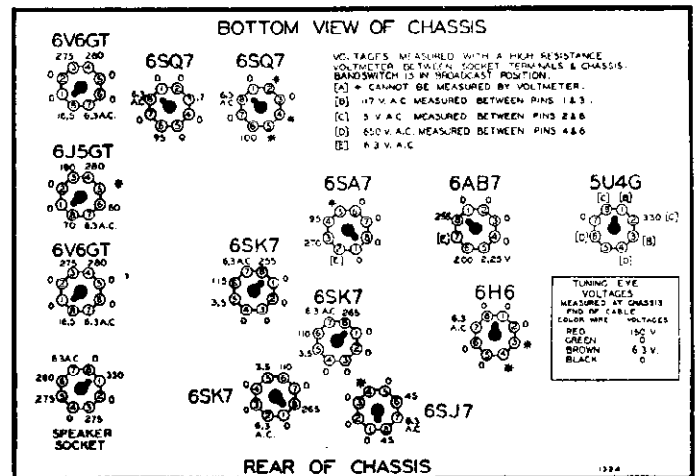
Do not realign the band spread scales unless you are positive they are out of adjustment. When adjustment is necessary proceed as follows.

Rotate each iron core until the fine score marks are even with the edge of the coil forms.

You are now ready to continue with the trimmer adjustments as shown on the alignment chart.



IRON CORE ADJUSTMENT VIEW



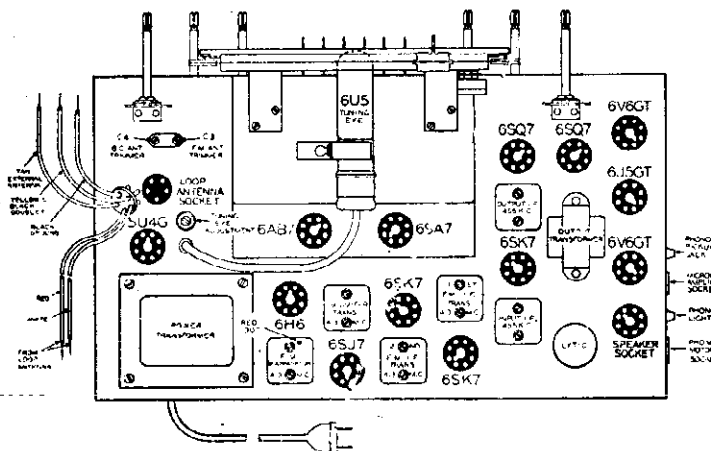
VOLTAGE CHART

### SETTING PUSHBUTTONS

Make a list of your 6 favorite stations. Push out the call letters of these stations from the call letter sheets supplied. Insert a call letter in the slot on top of each pushbutton.

Next pull one of the pushbuttons all the way out as far as it will come (pull, with fingers on top and bottom of button). Now tune in the station you want with the tuning knob—Tune back and forth until the station is clear and distinct. Now push the button hard all the way in to lock the station in place. (push directly on front of button) Continue setting each pushbutton in the same way. Pressing the proper button will now tune the station you want. If it does not do so you did not push the button hard enough to lock in place when setting up the station.

To change stations simply repeat the procedure above.



CHASSIS TOP VIEW

FOR SEEBURG MODEL B AUTOMATIC RECORD CHANGER, SEE RIDER'S "AUTOMATIC RECORD CHANGERS AND RECORDERS".



MODEL 14BR-1400A  
MODEL 24BR-1401B

MONTGOMERY-WARD & CO.

MODEL 42BR-1401B REPLACEMENT PARTS LIST

In ordering parts refer to model number on chassis label

Use Only Genuine Factory Replacement Parts

Part No.	Schematic Diagram Reference	Description	No. Used In Set	Selling Price Each
<b>MAIN CHASSIS PARTS LIST</b>				
<b>CONDENSERS</b>				
BE1001	C39, C50	.1 x 400 Volt Tubular Condenser	2	.12
BE1009	C27, C48, C50	.05 x 200 Volt Tubular Condenser	3	.12
BE1001.1	C11, C15, C21, C22, C32	.01 x 400 Volt Tubular Condenser	5	.12
BE10013	C61, C63	.05 x 400 Volt Tubular Condenser	2	.12
BE10012	C58	.003 x 600 Volt Tubular Condenser	1	.12
BE10019	C46	.006 x 600 Volt Tubular Condenser	1	.12
BE10020	C26, C36, C43, C47	.1 x 200 Volt Tubular Condenser	4	.12
BE10061	C37, C38	.02 x 600 Volt Bakelite Condenser	2	.16
BE10065	C39, C64	.015 x 600 Volt Tubular Condenser	2	.12
BE10078	C6, C16	.01 x 200 Volt Tubular Condenser	2	.12
BE10018	C51	.005 x 600 Volt Tubular Condenser	1	.12
BE100123	C34, C35	.02 x 200 Volt Tubular Condenser	2	.12
BE11973B	C54	16 Mfd. x 400 Volt Electrolytic Filter Cond. 1	.60	
BE11969	C12	16 Mfd. Electrolytic Filter Condenser 350 Volts	1	.74
BE119112	C49, C52, C53	30 Mfd.-30 Mfd.-10 Mfd.-450 Volts Electrolytic Filter Condenser	1	1.30
BE1292	C1	.0005 Mica Type Condenser-20%	1	.12
BE1295	C33, C41, C44	.0001 Mica Type Condenser-20%	3	.12
BE12912	C45, C62	.00025 Mica Type Condenser-20%	2	.12
BE12938	C24, C35	.00005 Mica Type Condenser-10%	2	.12
BE129166	C56	.000125 Mica Type Condenser-10%	1	.12
BE129161	C40, C42	.0001 Dual Mica Type Condenser-10%	1	.14
<b>RESISTORS</b>				
BE13026	R23	1M Ohm-1/2 Watt Resistor-20%	1	.10
BE130163	R28, R29	400M Ohm-1/2 Watt Resistor-10%	2	.10
BE1304	R27	3 Megohm-1/2 Watt Resistor-20%	1	.10
BE13023	R6, R10, R13, R14, R22, R27	2M Ohm-1/2 Watt Resistor-20%	6	.10
BE130291	R24	50M Ohm-1 Watt Resistor-10%	1	.10
BE1303	R49, R54	R58 500M Ohm 1/2 Watt Resistor-20%	3	.10
BE130149	R18	15M Ohm-1/2 Watt Resistor-20%	1	.10
BE13019	R17, R31, R33, R35	1 Megohm-1/2 Watt Resistor-20%	4	.10
BE13020	R20	1001.1 Ohm-1/2 Watt Resistor-20%	1	.10
BE13022	R1, R2, R39	25M Ohm-1/2 Watt Resistor-10%	3	.10
BE130319	R45	10M Ohm-2 Watt Resistor-10%	1	.10
BE130199	R46	1500 Ohm-1 Watt Resistor-10%	1	.10
BE130172	R16, R25, R32, R38	R56 250M Ohm-1/2 Watt Resistor-20%	6	.10
BE130235	R61	1500 Ohm-1/2 Watt Resistor-10%	1	.10
BE13082	R60	10M Ohm-1/2 Watt Resistor-10%	1	.10
BE130317	R53	250 Ohm-2 Watt Resistor-10%	1	.10
BE13081	R26	250 Ohm-1/2 Watt Resistor-20%	1	.10
BE130218	R55	5M Ohm-1/2 Watt Resistor-10%	1	.10
BE13094	R30, R52, R57	50M Ohm-1/2 Watt Resistor-10%	3	.10
BE130146	R48	2 Megohm-1/2 Watt Resistor-10%	1	.10
BE130342	R11	350M Ohm-1/2 Watt Resistor-5%	1	.10
BE13080	R40, R47	150M Ohm-1/2 Watt Resistor-10%	2	.10
BE130339	R4, R12	350 Ohm-1/2 Watt Resistor-20%	2	.10
BE130309	R4	350 Ohm-1/2 Watt Resistor-10%	1	.10
BE13066	R43	75M Ohm-1/2 Watt Resistor-10%	1	.10
BE130172	R34	250M Ohm-1/2 Watt Resistor-10%	1	.10
<b>COILS</b>				
BE10817D	T17	Input I.F. Coil Complete in Can-455 Kc.	1	.76
BE10817B	T18	Output I.F. Coil Complete in Can-455 Kc.	1	.76
BE108197	T19	First F.M. I.F. Coil Complete in Can-4.3 Mc.	1	.86
BE108198	T20	Second F.M. I.F. Coil Complete in Can-4.3 Mc.	1	.86
BE108197B	T21	Limiter F.M., I.F. Coil Complete in Can-4.3 Mc.	1	.86
BE108199	T22	Discriminator F.M. I.F. Coil Complete in Can-4.3 Mc.	1	.86
BE111267	T1	Loop Antenna Assembly	1	1.90
<b>TRANSFORMERS</b>				
BE104262	T23	Power Transformer 50 to 60 Cycles 105-125 Volt Primary	1	4.80
BE105115	T24	Output Transformer for Speaker	1	1.00
<b>SPEAKER</b>				
BE114237	T25	Twelve Inch Electrodynamical Speaker-Less Output Transformer	1	6.90
BE105115	T24	Output Transformer for Speaker	1	1.00
<b>MISCELLANEOUS</b>				
BE101249	R36	Volume Control-1 Megohm	1	.50
BE101248	R44	Control for Tuning Eye 25M Ohms	1	.40
BE125125	S5	Phono-On-Off Switch	1	.70
BE125123	S4	Tone Switch-Base	1	.50
BE125149	S3	Tone Switch-Treble	1	.50
BE11623	B1	Bias Cell-1.25 Volt Potential	1	.16
BE11627	B2	Clip for Bias Cell	1	.10
BE107359	R51	Tuning Eye Socket and Cable Assembly 1 Meg. Resistor in Socket	1	.38
BE10794	P1	Pilot Lite Bulb-6 Volt-Type T-44	2	.10
BE107329		Pilot Lite Socket Assembly-Right	1	.08
BE107330		Pilot Lite Socket Assembly-Left	1	.08
BE107259		Shield for Pilot Lites	2	.02
BE1075		Line Cord and Plug	1	.30
BE115589		Link for Band Switches	1	.10
BE11712		Switch Arm-With Bushing and Set Screws	2	.08
BE13130		Spring Washer for Above	2	.02
BE112782-35		Escutcheon-Complete With Crystal	1	1.70

Part No.	Schematic Diagram Reference	Description	No. Used In Set	Selling Price Each
BE112810		Crystal Only for Escutcheon	1	.32
BE128506-28		Tenite Knob-Plain	4	.12
BE128530-28		Tenite Knob-"Volume"	1	.12
BE128521-28		Tenite Knob-"Tuning"	1	.12
BE115676		Compensator Slug-For Slot in Band Switch Shaft Only	1	.08
BE128504-29		Transparent Pushbuttons for Lever Sleeves 6	6	.10
BE128505-28		Bakelite Pushbutton Sleeves for Levers-6	6	.10
BE112808		Set of Station Call Letters	1	.20
<b>TUNER CHASSIS PARTS LIST</b>				
<b>CONDENSERS</b>				
BE1001	C9	.1 x 400 Volt Tubular Condenser	1	.12
BE10020	C8	.1 x 200 Volt Tubular Condenser	1	.12
BE10026	C14	.02 x 400 Volt Tubular Condenser	1	.12
BE10047	C2	.002 x 600 Volt Tubular Condenser	1	.12
BE10074	C10, C31	.1 x 400 Volt Tubular Condenser-With Bracket	2	.20
BE124162	C19	F.M. Band R.F. Trimmer	1	.12
BE124139	C18	B.C. Band R.F. Trimmer	1	.16
BE124161	C25	B.C. Band Osc. Trimmer	1	.12
BE124145	C30	F.M. Band Osc. Trimmer	1	.24
BE124163	C3, C4	F.M. and B.C. Dual Antenna Trimmer	1	.24
BE1292	C7, C23	.0005 Mica Type Condenser-20%	2	.12
BE11969	C87	16 Mfd. Electrolytic Condenser-350 Volts-1	.74	
BE1295	C29	.0001 Mica Type Condenser-20%	1	.12
BE129167	C5, C17	.0002 Silver Mica Type Condenser-3%	2	.16
BE129168	C15	.00001 Mica Type Condenser-20%	1	.12
BE129175	C28	.000135 Silver Mica Type Condenser-3%	1	.16
BE129182	C20	.000008 Liquid Condenser	1	.24
<b>RESISTORS</b>				
BE13019	R3, R15	1 Megohm-1/2 Watt Resistor-20%	2	.10
BE13023	R9, R21	2M Ohm-1/2 Watt Resistor-20%	2	.10
BE13076	R7	30M Ohm-1/2 Watt Resistor-20%	1	.10
BE130215	R29	25 Ohm-1/2 Watt Resistor-10%	1	.10
BE13032	R19	25M Ohm-1/2 Watt Resistor-10%	1	.10
BE130235	R8	1500 Ohm-1/2 Watt Resistor-10%	1	.10
BE13084	R4	200 Ohm-1/2 Watt Resistor-10%	1	.10
<b>MISCELLANEOUS</b>				
BE120373		Spring Clip Washer for Coils	9	.02
BE131316B		"C" Washer for Coils	3	.02
BE125148	S1	Antenna Band Switch	1	.60
BE125147	S2	R.F.-Osc.-Audio Switch	1	1.00
BE11757A		Bracket for Tuning Eye	1	.08
BE11757B		Clamp for Tuning Eye	1	.08
BE11757C		Wing Bolt for Bracket and Clamp	1	.04
BE112907		Dial Scale	1	.86
<b>COILS</b>				
BE10962	T7	B.C. R.F. Coil-With Slug	1	.70
BE10964	T9	9 Mc. R.F. Coil-With Adjusting Slug	1	.56
BE10966	T10	12 Mc. R.F. Coil-With Adjusting Slug	1	.20
BE10965	T11	15 Mc. R.P. Coil-With Adjusting Slug	1	.16
BE10967	T8	F.M. Band R.F. Coil-With Slug	1	.70
BE110161	T12	B.C. Osc. Coil	1	.64
BE110175	T14	9 Mc. Osc. Coil	1	.64
BE110177	T15	12M. Osc. Coil	1	.70
BE110176	T16	15 Mc. Osc. Coil	1	.20
BE110178	T13	F.M. Band Osc. Coil	1	.16
BE111195	T2	B.C. Ant. Coil	1	.70
BE111233	T4	9 Mc. Ant. Coil	1	.56
BE111234	T5	12 Mc. Ant. Coil	1	.20
BE111235	T6	15 Mc. Ant. Coil	1	.16
BE111232	T3	F.M. Band Ant. Coil	1	.70
<b>TUNER MECHANICAL PARTS</b>				
BE115680		Right Drive Link-With Studs	1	.06
BE115680B		Left Drive Link-With Studs	1	.06
BE115682		Connecting Link for Both Right and Left Drive Links	2	.02
BE120393		Spring for Intermediate Link	1	.05
BE120394		Spring for Arms	3	.02
BE115382		Slug Tuning Bar	1	.12
BE117844		Drive Rod-With Ball on End	2	.10
BE115683		Ball Retainer Spring	2	.02
BE134136		Rubber Bushings for Tuning Bar	2	.02
BE131251		"C" Washer for Drive Rod	4	.03 Dz.
BE120392		Spring Washer for Drive Rod	2	.04 Dz.
BE134134		Core Mounting Grommet-With Insert	6	.02
BE115611		Pointer Bar	1	.08
BE115685		Retainer Spring for Cam Locking Spring	6	.02
BE120214		Pointer String-Silk Line	12	.12 Yd.
BE115572		Pushrod Carriage-With Cam	6	.16
BE115573		Pushrod for tuner	6	.12
BE115569		Cam Locking Spring	6	.02
BE120386		Coiled Return Spring for Pushrods	6	.02
BE112801		Drive Pulley (With Bushing)	1	.16
BE112865		Pointer	1	.14
BE120372		Coiled Tension Spring for Pointer String	1	.02
BE117788		Tuning Shaft	1	.12
BE117798		Pinion Gear	1	.12
BE131210		"C" Washer for Tuning Shaft	1	.04 Dz.
BE115564		Treadle Bar Complete with Link Arms, Trunnions, and Gear Segment	1	.86
<b>RECORD CHANGER SECTION</b>				
104300		Record Changer-Seeberg "R"-With L.P6		
J22404		Sapphire Needle Crystal Cartridge		
		L.P6 Sapphire Point Crystal Cartridge Only-Less Pickup Arm		5.76
10794		Indicator Light Bulb T-44 6-8 Volt		.10

42BR-1401B ONLY

MODEL 14BR-1400A SAME AS ABOVE WITH THE FOLLOWING EXCEPTIONS:

- R34 - BE1303 - 500M ohms, 0.5 watt resistor
- T1 - BE111236 - Loop antenna assembly
- C20 - BE129168 - .00001 mf mica condenser - 20%

PRICES SUBJECT TO CHANGE WITHOUT NOTICE

MONTGOMERY-WARD & CO.

MODEL 14WG-499

**WARDS AIRLINE RECORD-MAKER**  
**PHONOGRAPH RECORD PLAYER**  
**PUBLIC ADDRESS SYSTEM**

*Instructions for Installation, Operation, and Service*

SHOULD IT BE NECESSARY TO WRITE US OR ORDER ANY REPAIR PARTS, ALWAYS SPECIFY COMPLETE MODEL NUMBER WHICH APPEARS ON LABEL ON COVER

**CHECK YOUR LINE VOLTAGE**

Unless otherwise marked, this recorder must be operated on 105 to 125 volt, 60 cycle AC supply

only if there is any doubt, consult the local power company before inserting the plug. Reorder any of this model which are to be used on 30 cycle, 230 volt, or other service are so marked.

**PRE-AMPLIFIER UNIT PARTS**

**MISCELLANEOUS**

Part No.	Description	Quantity
74110	One Line for Red Volume Indicator	10
74111	One Colored Indicator	10
74112	Two Indicator Detail of Panel	20
74113	Microphone Socket-Black Pl. Tin	20
74114	Cutter Switch	20
74115	P.A. Record Switch	20
74116	Print, Action Changer Switch	20
74117	Print, Action Changer Switch	20
74118	Print, Action Changer Switch	20
74119	Print, Action Changer Switch	20
74120	Print, Action Changer Switch	20
74121	Print, Action Changer Switch	20
74122	Print, Action Changer Switch	20
74123	Print, Action Changer Switch	20
74124	Print, Action Changer Switch	20
74125	Print, Action Changer Switch	20
74126	Print, Action Changer Switch	20
74127	Print, Action Changer Switch	20
74128	Print, Action Changer Switch	20
74129	Print, Action Changer Switch	20
74130	Print, Action Changer Switch	20
74131	Print, Action Changer Switch	20
74132	Print, Action Changer Switch	20
74133	Print, Action Changer Switch	20
74134	Print, Action Changer Switch	20
74135	Print, Action Changer Switch	20
74136	Print, Action Changer Switch	20
74137	Print, Action Changer Switch	20
74138	Print, Action Changer Switch	20
74139	Print, Action Changer Switch	20
74140	Print, Action Changer Switch	20
74141	Print, Action Changer Switch	20
74142	Print, Action Changer Switch	20
74143	Print, Action Changer Switch	20
74144	Print, Action Changer Switch	20
74145	Print, Action Changer Switch	20
74146	Print, Action Changer Switch	20
74147	Print, Action Changer Switch	20
74148	Print, Action Changer Switch	20
74149	Print, Action Changer Switch	20
74150	Print, Action Changer Switch	20
74151	Print, Action Changer Switch	20
74152	Print, Action Changer Switch	20
74153	Print, Action Changer Switch	20
74154	Print, Action Changer Switch	20
74155	Print, Action Changer Switch	20
74156	Print, Action Changer Switch	20
74157	Print, Action Changer Switch	20
74158	Print, Action Changer Switch	20
74159	Print, Action Changer Switch	20
74160	Print, Action Changer Switch	20
74161	Print, Action Changer Switch	20
74162	Print, Action Changer Switch	20
74163	Print, Action Changer Switch	20
74164	Print, Action Changer Switch	20
74165	Print, Action Changer Switch	20
74166	Print, Action Changer Switch	20
74167	Print, Action Changer Switch	20
74168	Print, Action Changer Switch	20
74169	Print, Action Changer Switch	20
74170	Print, Action Changer Switch	20
74171	Print, Action Changer Switch	20
74172	Print, Action Changer Switch	20
74173	Print, Action Changer Switch	20
74174	Print, Action Changer Switch	20
74175	Print, Action Changer Switch	20
74176	Print, Action Changer Switch	20
74177	Print, Action Changer Switch	20
74178	Print, Action Changer Switch	20
74179	Print, Action Changer Switch	20
74180	Print, Action Changer Switch	20
74181	Print, Action Changer Switch	20
74182	Print, Action Changer Switch	20
74183	Print, Action Changer Switch	20
74184	Print, Action Changer Switch	20
74185	Print, Action Changer Switch	20
74186	Print, Action Changer Switch	20
74187	Print, Action Changer Switch	20
74188	Print, Action Changer Switch	20
74189	Print, Action Changer Switch	20
74190	Print, Action Changer Switch	20
74191	Print, Action Changer Switch	20
74192	Print, Action Changer Switch	20
74193	Print, Action Changer Switch	20
74194	Print, Action Changer Switch	20
74195	Print, Action Changer Switch	20
74196	Print, Action Changer Switch	20
74197	Print, Action Changer Switch	20
74198	Print, Action Changer Switch	20
74199	Print, Action Changer Switch	20
74200	Print, Action Changer Switch	20

**REPLACEMENT PARTS LIST**

Part No.	Description	Quantity
W 12486	Parting Bar	20
W 12487	Parting Bar	20
W 12488	Parting Bar	20
W 12489	Parting Bar	20
W 12490	Parting Bar	20
W 12491	Parting Bar	20
W 12492	Parting Bar	20
W 12493	Parting Bar	20
W 12494	Parting Bar	20
W 12495	Parting Bar	20
W 12496	Parting Bar	20
W 12497	Parting Bar	20
W 12498	Parting Bar	20
W 12499	Parting Bar	20
W 12500	Parting Bar	20
W 12501	Parting Bar	20
W 12502	Parting Bar	20
W 12503	Parting Bar	20
W 12504	Parting Bar	20
W 12505	Parting Bar	20
W 12506	Parting Bar	20
W 12507	Parting Bar	20
W 12508	Parting Bar	20
W 12509	Parting Bar	20
W 12510	Parting Bar	20
W 12511	Parting Bar	20
W 12512	Parting Bar	20
W 12513	Parting Bar	20
W 12514	Parting Bar	20
W 12515	Parting Bar	20
W 12516	Parting Bar	20
W 12517	Parting Bar	20
W 12518	Parting Bar	20
W 12519	Parting Bar	20
W 12520	Parting Bar	20
W 12521	Parting Bar	20
W 12522	Parting Bar	20
W 12523	Parting Bar	20
W 12524	Parting Bar	20
W 12525	Parting Bar	20
W 12526	Parting Bar	20
W 12527	Parting Bar	20
W 12528	Parting Bar	20
W 12529	Parting Bar	20
W 12530	Parting Bar	20
W 12531	Parting Bar	20
W 12532	Parting Bar	20
W 12533	Parting Bar	20
W 12534	Parting Bar	20
W 12535	Parting Bar	20
W 12536	Parting Bar	20
W 12537	Parting Bar	20
W 12538	Parting Bar	20
W 12539	Parting Bar	20
W 12540	Parting Bar	20
W 12541	Parting Bar	20
W 12542	Parting Bar	20
W 12543	Parting Bar	20
W 12544	Parting Bar	20
W 12545	Parting Bar	20
W 12546	Parting Bar	20
W 12547	Parting Bar	20
W 12548	Parting Bar	20
W 12549	Parting Bar	20
W 12550	Parting Bar	20
W 12551	Parting Bar	20
W 12552	Parting Bar	20
W 12553	Parting Bar	20
W 12554	Parting Bar	20
W 12555	Parting Bar	20
W 12556	Parting Bar	20
W 12557	Parting Bar	20
W 12558	Parting Bar	20
W 12559	Parting Bar	20
W 12560	Parting Bar	20
W 12561	Parting Bar	20
W 12562	Parting Bar	20
W 12563	Parting Bar	20
W 12564	Parting Bar	20
W 12565	Parting Bar	20
W 12566	Parting Bar	20
W 12567	Parting Bar	20
W 12568	Parting Bar	20
W 12569	Parting Bar	20
W 12570	Parting Bar	20
W 12571	Parting Bar	20
W 12572	Parting Bar	20
W 12573	Parting Bar	20
W 12574	Parting Bar	20
W 12575	Parting Bar	20
W 12576	Parting Bar	20
W 12577	Parting Bar	20
W 12578	Parting Bar	20
W 12579	Parting Bar	20
W 12580	Parting Bar	20
W 12581	Parting Bar	20
W 12582	Parting Bar	20
W 12583	Parting Bar	20
W 12584	Parting Bar	20
W 12585	Parting Bar	20
W 12586	Parting Bar	20
W 12587	Parting Bar	20
W 12588	Parting Bar	20
W 12589	Parting Bar	20
W 12590	Parting Bar	20
W 12591	Parting Bar	20
W 12592	Parting Bar	20
W 12593	Parting Bar	20
W 12594	Parting Bar	20
W 12595	Parting Bar	20
W 12596	Parting Bar	20
W 12597	Parting Bar	20
W 12598	Parting Bar	20
W 12599	Parting Bar	20
W 12600	Parting Bar	20

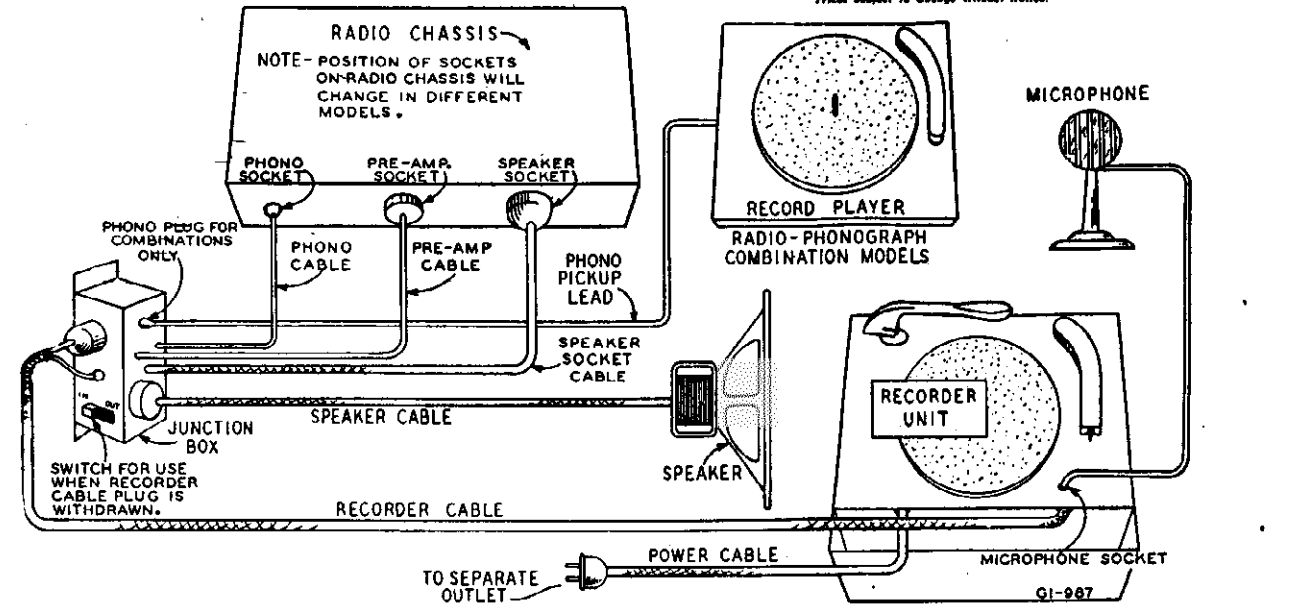


Fig. 6 - Cable Connections

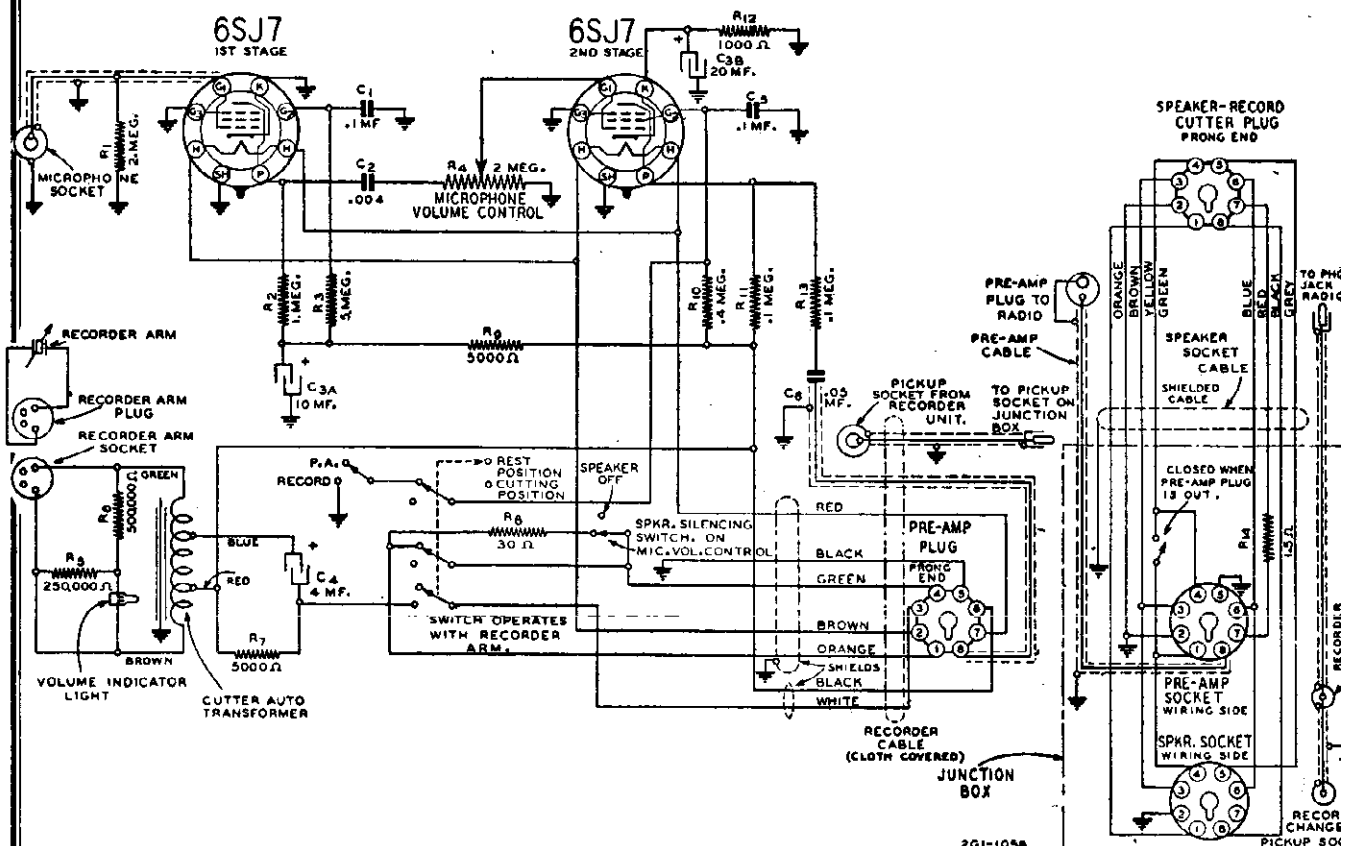


Fig. 7 - Schematic Circuit Diagram

ATTACHING THE RECORD-MAKER TO THE RADIO

The Airline Record-Maker may be used with a number of different radio and radio-phonograph combinations in which the radio chassis has been suitably wired and has the necessary sockets for proper cable connections.

There is a built-in loop aerial, keep it as far away from this aerial as possible. After the Junction Box is secured to the cabinet with the wood screws provided, complete the cable connections between the radio and the Junction Box as shown in Fig. 8.

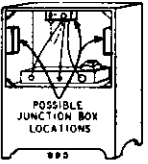


Fig. 1. Possible Junction Box Locations

SET RECORDER ARM BEFORE MAKING FIRST RECORD

When this recorder is to be operated for the first time make a record, adjust the recorder arm as follows:

- 1. TO MAKE A RECORD FROM A RADIO PROGRAM
A-Recorder arm in rest position—See Fig. 2
B-Tone arm in rest position—See Fig. 2
C-Microphone Volume Control in OFF position—See Fig. 2
D-P.A.-Record Switch in PHONO position.
E-Phono-Radio Knob (On radio panel) in RADIO position.
F-Tune in the desired radio program carefully to room volume.
G-Place a blank record disc on the turntable with the small pit in the turntable extending through the hole in the disc.
H-The Tone Control on the radio panel should, for most recordings, be in the TREBLE position.
I-Lift up the cutting end of the recorder arm, see that the cutting needle is properly in place (See article "Recording Needles," page 4), move the arm over to the intermediate position and set it down gently.
J-Bring the volume up with the Radio Volume Control until the red indicator light just flashes on loud passages. Then back the volume down a slight amount so that the red indicator light does not flicker.
K-Push the Motor Switch Knob to the ON position (Fig. 2) and allow the turntable to come up to full speed.
L-Lift up the recorder arm and carefully let it down with the needle point about 1/4 inch from the outside edge of the blank record.

recorder arm post, making certain that the recorder arm sets securely upon the post as shown in Fig. 1. Do not move the recorder arm post the post. A record may now be made according to the instructions given in this record.

7. TO MAKE A RECORD FROM ANOTHER RECORD

If you have a radio-phonograph combination, play the record to be copied on the phonograph.

Follow all of the instructions as given in Article 1 except that the Radio-Phono Switch on the radio should be in the PHONO position.

5. TO USE THE MICROPHONE FOR MAKING ANNOUNCEMENTS WHEN PLAYING THE RADIO OR PHONOGRAPH

Follow all of the steps as given in Article 4 except that for radio reception the Phono-Radio Knob is in RADIO position.

Reduce the radio or phonograph volume by means of the Radio Volume Control when making an announcement.

6. TO USE THE MICROPHONE FOR SUPERIMPOSING AN ANNOUNCEMENT OR ACCOMPANYING THE PROGRAM WHEN MAKING A RECORD OF A RADIO PROGRAM

The microphone can be used for superimposing an announcement on the record at any time when making a record of a radio program.

Turn the Microphone Volume Control up to just below the point at which the speaker silencing switch is felt to operate. This switch is at about the half-way mark on the control.

- A musical instrument or a singing voice may be used to accompany a radio program while recording it.
A-Instructions for cutting the record are given in Article 1. The new P.A.-Record Switch is in RECORD position.
B-Insert the plug on the end of the microphone cord in the microphone socket (Fig. 2) on the motor panel and push this plug all the way down.
C-Keep the microphone at least one yard away from the radio speaker at all times. The lips should be about six inches from the microphone.
D-If an announcement or title is to be inserted, reduce the volume of the radio program with the Radio Volume Control to any desired level, just before the announcement is to be made or the title is to be put in.
E-If a musical instrument or singing voice is to be used to accompany the radio program, the latter may be reduced with the Radio Volume Control or may be left at normal volume.

2. TO MAKE A RECORD USING THE MICROPHONE

Voice or music that can be picked up by the microphone with sufficient volume can be recorded. Keep the room quiet, as an extension of sound picked up by the microphone will be on the record.

turned past the point at which the switch is thrown, the sound can no longer be heard through the radio speaker but the sound intensity will be shown by the red indicator light. Turn the Microphone Volume Control until the speech or sound picked up by the microphone causes the red indicator light to flicker. Then turn the Microphone Volume Control down slowly until the red light just disappears.

- A-Recorder arm in rest position—See Fig. 1
B-Tone arm in rest position—See Fig. 2
C-Microphone Volume Control in OFF position—See Fig. 2
D-P.A.-Record Switch in RECORD position.
E-Phono-Radio Knob (On radio panel) in PHONO position.
F-Insert the plug on the end of the microphone cord in the microphone socket (Fig. 2) on the motor panel and push this plug all the way down.
G-Turn the radio On-Off Switch (On the radio panel) to the ON position.
H-Place a blank record disc on the turntable with the small pit in the turntable extending through the hole in the disc.
I-The Tone Control on the radio panel should, for most recordings, be in the TREBLE position.
J-Keep the microphone at least one yard away from the radio loudspeaker at all times. If the recording is to be speech, keep the microphone at least one cutting away from the microphone. If the recording is to be music or other sound, place the microphone near the sound source, but not so close or so far as the volume requires.
K-Lift up the cutting end of the recorder arm, see that the cutting needle is properly in place (See article "Recording Needles," page 4), move the arm over to the intermediate position and set it down gently—See Fig. 2.
L-Turn the Microphone Volume Control past the point at which the speaker silencing switch is felt to operate. This switch is at about the half-way mark on the control. Speak or start the music or sound into the microphone.
After the Microphone Volume Control knob has been turned past the point at which the switch is thrown, the sound can no longer be heard through the radio speaker but the sound intensity will be shown by the red indicator light. Turn the Microphone Volume Control until the speech or sound picked up by the microphone causes the red indicator light to flicker. Then turn the Microphone Volume Control down slowly until the red light just disappears.
If in reducing the microphone volume, the knob is turned below the point at which the switch is felt to operate, the sound will again be heard through the radio speaker. The recording continues and no harm will result if the microphone is kept at least one yard from the radio speaker. If brought closer, a howl may occur.
L-Push the Motor Switch Knob to the ON position (Fig. 2) and allow the turntable to come up to full speed.
M-Lift up the recorder arm and carefully let it down with the needle point about 1/4 inch from the outside edge of the blank record.
N-After 1 or 2 blank grooves have been cut in the record, start the speech, music, or sound into the microphone. Watch the volume indicator light as the recording is being made. It is not necessary to continually adjust the position of the Microphone Volume Control—merely make sure that the red passages only, will not be harmful.
O-Remove thread as explained in Article 1, Step 14.
P-Shortly before the needle reaches its final position, reduce the volume to zero with the Microphone Volume Control and set it to 5 blank grooves on the record. Then lift off the recorder arm and return it to the rest position. Push the Motor Switch Knob to the OFF position.

TO PLAY 12 INCH COMMERCIAL RECORDS, lift tone arm off rest and bend the tone arm rest over to a horizontal position.

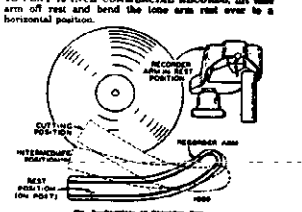


Fig. 3. Adjustment of Recorder Arm

3. TO PLAY BACK THE HOME RECORDING; TO PLAY ORDINARY COMMERCIAL RECORDS

The record made in Articles 1 and 2 may be played back immediately.

- A-Recorder arm in rest position—See Fig. 1
B-Turn Phono-Radio Knob on radio panel to PHONO position.
C-Push Motor Switch Knob to ON position.
D-Lift tone arm, see that the needle is in place, and set arm down gently with needle in outside groove of record. See article on Home Recording and Ordinary Phonograph Needles, page 4.
E-Adjust volume by means of Radio Volume Control to desired intensity.
F-Adjust tone by means of Radio Tone Control to desired quality.
G-Lift up tone arm at end of recording, set it in its rest position, and push Motor Switch Knob to OFF position.

4. TO USE MICROPHONE AND RADIO AS A PUBLIC ADDRESS SYSTEM

- A-Recorder arm in rest position—See Fig. 1
B-Tone arm in rest position—See Fig. 2
C-Microphone Volume Control in OFF position—See Fig. 2
D-P.A.-Record Switch in P.A. position.
E-Phono-Radio Knob (On radio panel) in PHONO position.
F-Insert the plug on the end of the microphone cord in the microphone socket (Fig. 2) on the motor panel and push this plug all the way down.
G-Turn the Radio On-Off Switch (On the radio panel) to the ON position.
H-Turn the Microphone Volume Control to about

the half-way mark. The speaker silencing switch at about the mid-point of the Microphone Volume Control is not effective when the recorder arm is in the rest position.
Keep the microphone at least one yard away from the radio speaker at all times. The lips should be about 6 inches (for public address) away from the microphone.
I-Speak into the microphone and adjust the volume by means of the Microphone Volume Control to the proper intensity. If this control is turned too high, a howl may result. Should a howl develop, turn down the microphone volume slightly, move the lips closer to the microphone, and move the microphone further away from the radio speaker.

7. TO MAKE A RECORD FROM ANOTHER RECORD WITH A RADIO-PHONOGRAPH COMBINATION WITH A SEPARATE ELECTRIC PHONOGRAPH

If you have a radio-phonograph combination, play the record to be copied on the phonograph.

If you have or can borrow a small phonograph of the electric type, play the record to be copied on this phonograph. Place the recorder microphone about 18 inches away, then proceed to make the new record in the usual manner with the microphone—See Article 2.

ADDITIONAL INFORMATION

RECORDING NEEDLES

Two recording needles are supplied with the recording unit.

Handle recording needles carefully. They are very sharp and should be used with care. Every precaution must be taken to protect the cutting point at all times; in cutting, the arm should be lowered gently on the blank with the turntable rotating.

RECORD BLANKS

We recommend Ward's recording blanks. A selection of these is available at Ward's Retail outlets or through the Mail Order Catalog.

TIMING YOUR RECORDS

The following is the approximate maximum time for each record:
7" size. Each side 1 1/2 min.
8" size. Each side 2 min.
10" size. Each side 4 1/2 min.

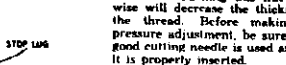


Fig. 4. Recorder Arm Adjustment

Note that these needles have a long "flat" on one side of the shank. To install a recording needle, first loosen the nut screw. See Fig. 2. Place the recording needle all the way in the hole on the underside of recorder arm, with the flat portion of the needle facing toward the needle screw. Tighten the needle screw firmly. If the needle is in backward or at a wrong angle, it will not cut properly, and will damage the record and the needle.

A recording needle is considered worn when the background line becomes objectionable or when the thread becomes ragged. In general, the ordinary steel recording needle will have a satisfactory life of from 14 to 16 hours, depending upon the original quality of the needle and the type of blank used.

Important: After a recording needle has been used for a short time, it may become loose in the cutting head; it is good practice to tighten after each recording.

ADJUSTING HEIGHT OF RECORDER ARM

In Fig. 4 is shown the screw and locking nut for adjusting the height of the recorder arm above the turntable. This height is adjusted at the factory and ordinarily does not require readjustment.

To check for proper height, strap the needle screw and lift it until the cartridge assembly is felt to touch the recorder arm. The needle point will then be approximately 1/4 inch above the record surface.

If, due to variations in recording needle length, the height must be adjusted, loosen the locking nut, adjust the screw to the proper height and retighten the nut.

HOME RECORDING NEEDLES—ORDINARY PHONOGRAPH RECORD NEEDLES

Fifty tone arm needles are supplied with the recorder unit. These may be used both to play back home recordings and to play ordinary commercial records on the recorder unit.

ADJUSTING THICKNESS OF THREAD (PRESSURE ADJUSTMENT)

The pressure on the cutting needle can be varied by the adjusting nut shown in Fig. 4. This pressure determines the thickness of the thread cut from the blank record.

All recorders are adjusted at the factory to cut grooves approximately .0015 inches deep. When cut at this depth, the thread will be approximately as thick as a human hair.

RECORDER UNIT SERVICE NOTES

OILING

Oil the two bearings, one at either end of the wax shaft, fibre gear bearing, recorder arm hinge pivot and recorder arm shaft once a year.

SAPPHIRE NEEDLE

If a sapphire cutting needle is used in place of a steel cutting needle, the needle pressure must be increased to maintain .0015" depth of cut.

CAUTION: Never oil the friction clutch or the felt washers on the rubber idler wheels. (The purpose of the felt washers is to silence the operation of the idler wheels and not to lubricate.)

CUTTER CARTRIDGE VERTICAL STOP

With the cutting needle resting on a record, raise the cutting arm slowly. There should be from 1/4" to 3/16" of motion of the cutting arm before the cutting needle lifts from the record. This will allow free vertical movement of the cutter cartridge and compensate for any slight wobble of the turntable or record. To get slightly more or less movement, bend stop lug on male pivot which bears against cutting arm, down or up—see Fig. 4.

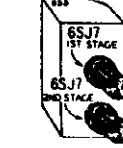
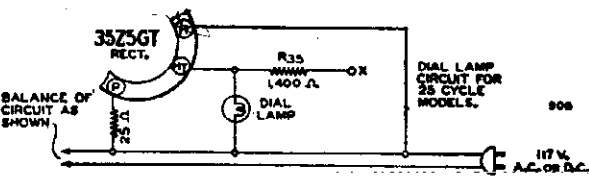
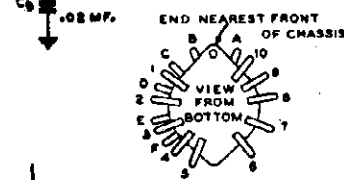
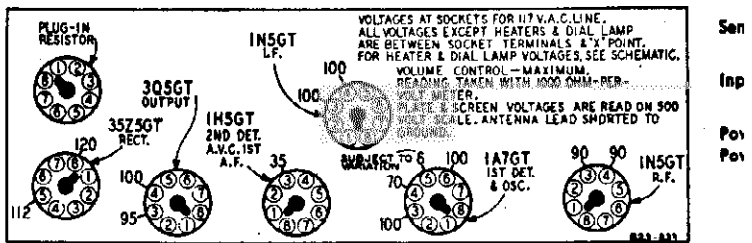
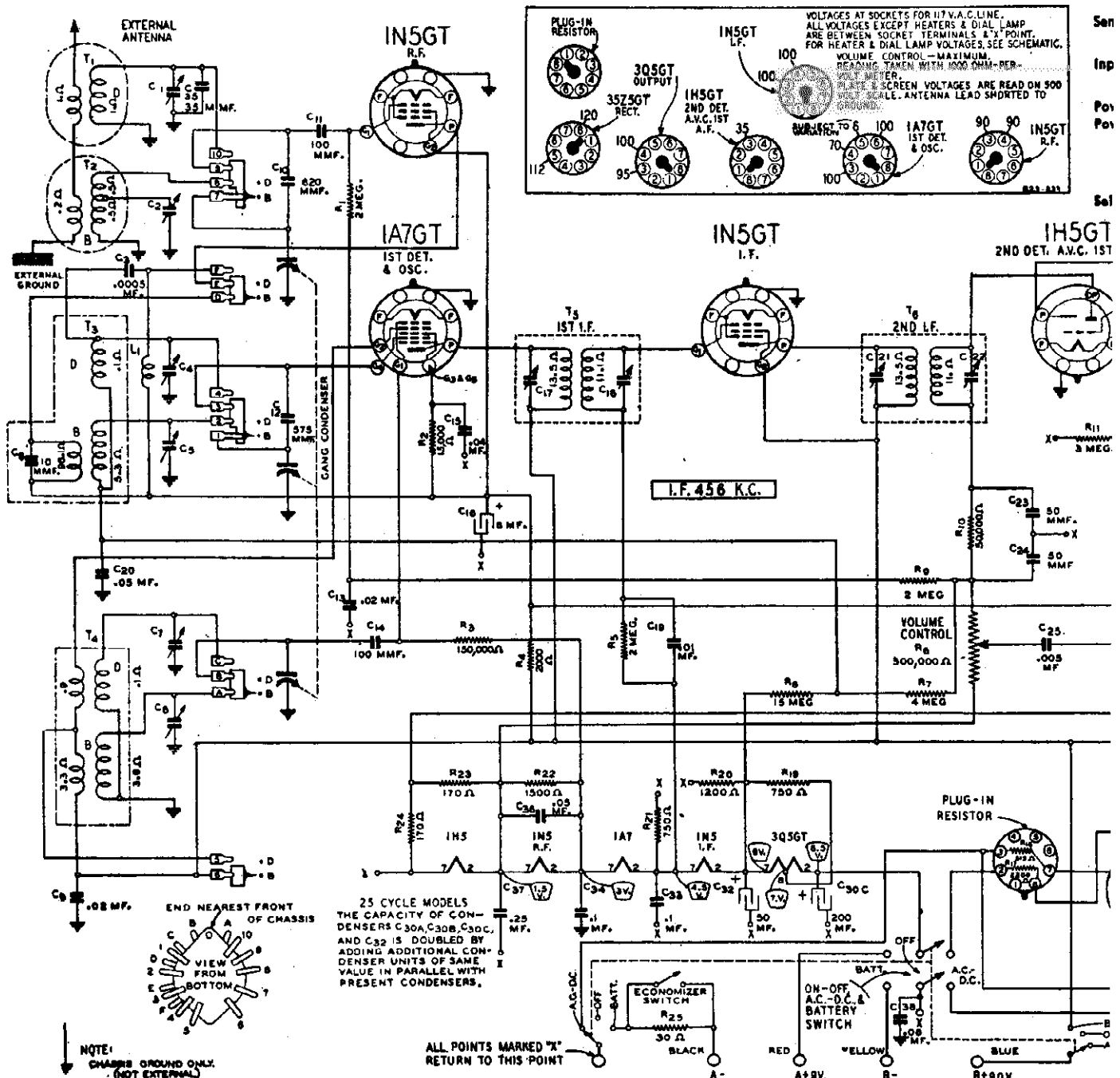


Fig. 5. Cutter Cartridge Vertical Stop

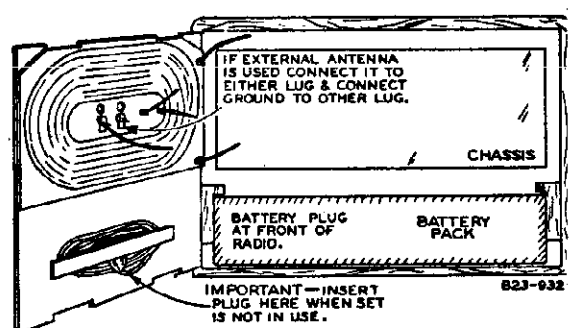
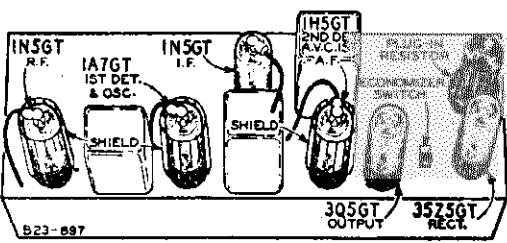
HIGH PITCH ON PLAY BACK

If the pitch when a home recording is played back appears to be too high, it may be due to excessive depth of cut. This causes too great a loud on the motor, slowing it down. The remedy, of course, is to reduce cutting needle pressure.

# MONTGOMERY-V



Tuning Frequency Range  
 B Range . . . . . 535 to 1610 KC  
 D Range . . . . . 9000 to 16300 KC



MERY-WARD & CO.

MODEL 14WG-883A

DRIVE CORD REPLACEMENT

MP  
DINT.  
CHEMATIC.

AD ON 500  
TED TO

IN5GT  
R.F.

823-893

Sensitivity—External Antenna—(For .05 Watt output)  
 B Range . . . . . 3 Microvolts Average  
 D Range . . . . . 50 Microvolts Average

Input Voltages and Currents—Battery Operation  
 "A" Battery . . . . . 9 Volts—50 Ma.  
 "B" Battery . . . . . 90 Volts—1.5 Ma.

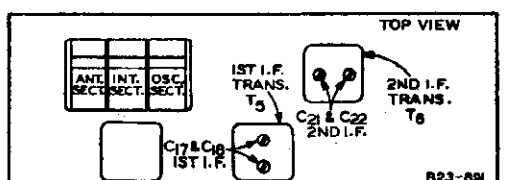
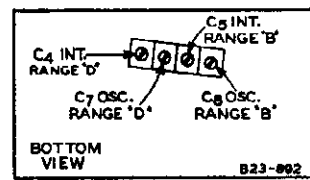
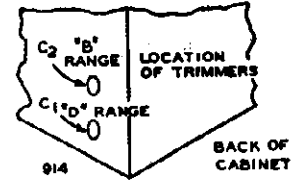
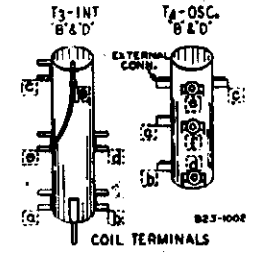
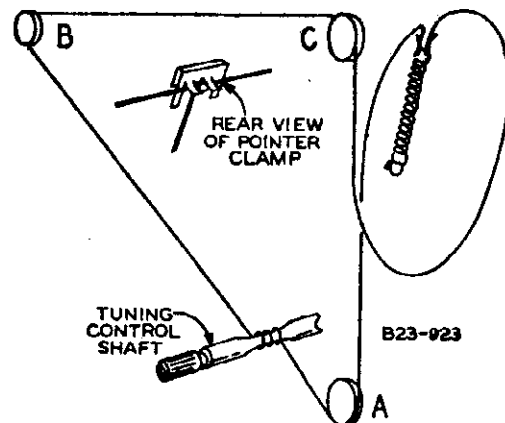
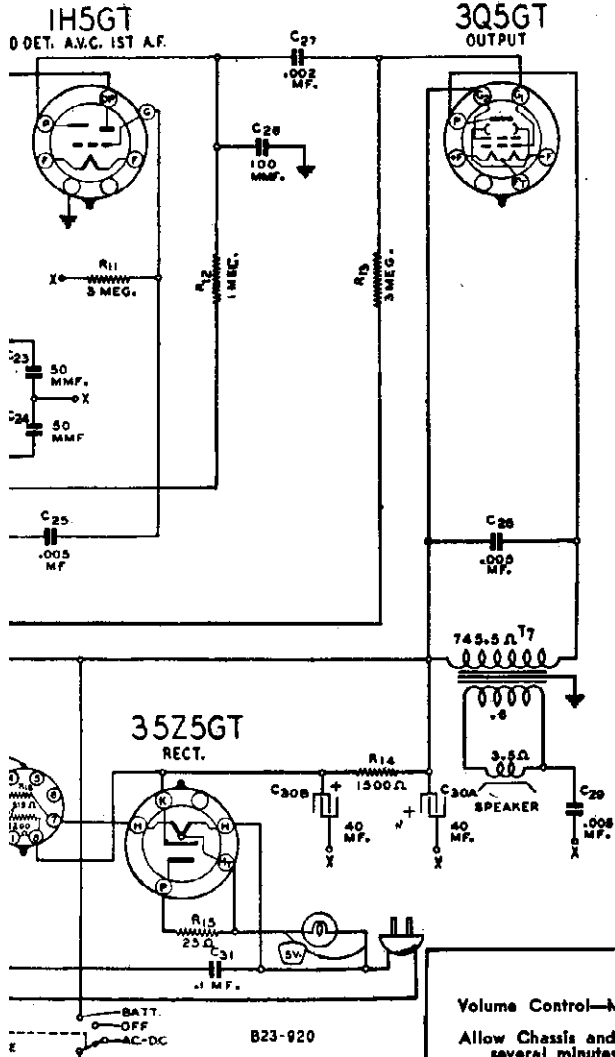
Power Consumption (At 117 volts AC Supply) 28 Watts  
 Power Output  
 Battery Operation . . . . . 150 Mw. Undistorted  
 . . . . . 350 Mw. Maximum  
 . . . . . 200 Mw. Undistorted  
 AC Operation . . . . . 400 Mw. Maximum

Selectivity . . . . . 32 KC Broad at 1000 Times Signal

Turn gang condenser to full open position—See illustration. Using a new drive cord 33" in length, tie one end to tension spring. Pass the other end through hole in rim of drive pulley. Pull spring flush against inside of pulley rim. Wind cord 1/4 turn around drive pulley toward front of chassis. Continue cord under chassis idler pulley "A." Wind 3 turns clockwise (from front of chassis) around tuning control shaft. Turns should progress away from chassis.

Pass cord around idler pulleys "B" and "C" as shown in illustration.

Continue cord 3/4 turn counter-clockwise (from gang end of chassis) around drive pulley. Turn should be on right side of pulley groove (from front of chassis). Pass cord through hole in pulley rim and tie to end of tension spring. Secure free end of tension spring to hook on pulley.



After each range is completed, repeat the procedure as a final check.

NOTE A—If the pointer is not at 1400 KC, set it at the 1400 KC mark on the dial scale.

NOTE B—Turn the rotor back and forth and adjust the trimmer until the peak of greatest intensity is obtained.

ALIGNMENT PROCEDURE

Volume Control—Maximum All Adjustments.  
 Allow Chassis and Signal Generator to "Heat Up" for several minutes.  
 The equipment in column at right is required for aligning:  
 SIGNAL GENERATOR  
 BAND SWITCH SETTING  
 CONDENSER OR DIAL SETTING  
 ADJUST TRIMMERS TO MAXIMUM

FREQUENCY SETTING	ANTENNA CONNECTION	GROUND CONNECTION	DUMMY ANTENNA	BAND SWITCH SETTING	CONDENSER OR DIAL SETTING	ADJUST TRIMMERS TO MAXIMUM
Remove chassis from cabinet—disconnect the 3 loop leads at terminal strip on chassis.						
I.F. 456 KC	Top Grid 1A7GT 1st Def.	Point "X" { 1H5GT—2nd Def. } { Prong No. 7 }	.1 mf.	B Range	Turn Rotor to Full Open	2nd I.F. (C21) & (C22) 1st I.F. (C17) & (C18)
RANGE B 1610 KC	Top Grid 1N5GT RF Tube	Same as Above	.1 mf.	B Range	Turn Rotor to Full Open	Oscillator Range B (C8)
1400 KC	Same as Above	Same as Above	.1 mf.	B Range	Turn Rotor to Max. Output Set Indicator to 1400 KC— See Note A	Int. Range B (C5)
RANGE D 18,300 KC	Same as Above	Same as Above	.1 mf.	D Range	Turn Rotor to Full Open	Oscillator Range D (C7)
17,500 KC	Same as Above	Same as Above	.1 mf.	D Range	Turn Rotor to Max. Output	Int. Range D (C4) Rock Rotor—See Note B
Reassemble chassis in the cabinet. Resolder loop leads. Both antenna terminals are reached through openings in the side of cabinet.						
LOOP RANGE B External 1400 KC Antenna Clip	External Ground Clip	100 mmf.	B Range	Turn Rotor to Max. Output	Ant. Range B (C2)	
LOOP RANGE D External 17,500 KC Antenna Clip	External Ground Clip	400 Ohm	D Range	Turn Rotor to Max. Output	Ant. Range D (C1)	

MONTGOMERY-WARD & CO.

MODEL 14WG-683A  
MODEL 14WG-683B

MODEL 14WG-683B

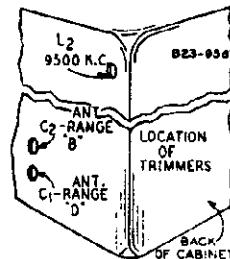
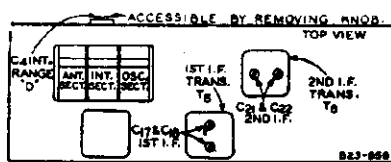
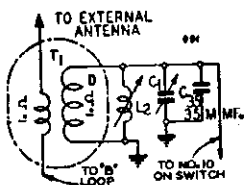
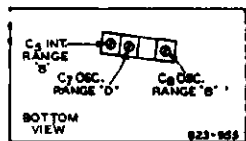
In the issue "B" chassis, a loading coil with an adjustable iron core is connected across the secondary winding of the shortwave loop aerial—See partial schematic circuit diagram below.

The interstage range "D" and interstage range "B" trimmers have been relocated—See trimmer illustrations below.

**ADDITIONAL ALIGNMENT PROCEDURE**

**FIRST COMPLETE THE ALIGNMENT PROCEDURE THROUGH LOOP RANGE "B", AS GIVEN IN THE ALIGNMENT PROCEDURE ON THE OTHER SIDE OF THIS PAGE. THEN MAKE THE FOLLOWING ADJUSTMENTS:**

FREQUENCY SETTING	SIGNAL GENERATOR ANTENNA CONNECTION	GROUND CONNECTION	DUMMY ANTENNA	BAND SWITCH SETTING	CONDENSER OR DIAL SETTING	ADJUST TRIMMERS TO MAXIMUM
LOOP RANGE D 17,500 KC	External Antenna Clip	External Ground Clip	400 Ohm	D Range	Turn Rotor to Max. Output	Ant. Range D (C1) Int. Range D (C4) Rock Rotor—See Note B
9,500 KC	Same as Above	Same as Above	400 Ohm	D Range	Turn Rotor to Max. Output	Ant. Range D Loading Coil



Supplement to Schematic

The following NEW PARTS are used in issue "B" models:

Part No.	Description	Selling Price
9A1437	L2 Loading Coil Assembly	\$0.36
17A116	C4 Trimmer Condenser	.10

PRICES SUBJECT TO CHANGE WITHOUT NOTICE

MODEL 14WG-683A,B

**GENERAL INFORMATION**

**ANTENNA**

This radio is equipped with 2 built-in Airwave Loop Aerials. One of these is used for Broadcast Band reception. The other is used for reception on the Short Wave Band. For reception of local or powerful nearby stations, no other antenna or ground is usually required. Directional effects are obtained when using the Broadcast Band loop aerial. Rotate the radio until signal pickup is at a maximum and there is least interference from nearby stations.

More stations will be heard and noise will often be reduced by using

an outside antenna and a good ground leads through the holes in the cabinet back. Connect the antenna lead to either clip and the ground lead to the other clip—See illustration.

For locations in the city or close to broadcasting stations, the antenna should be 20 to 35 feet in length while for locations in the country or at a distance from the broadcasting stations, use a 35 to 60 foot antenna.

A GROUND CONNECTION IS REQUIRED if an external antenna is used. A ground connection may be obtained by connecting to a water pipe, radiator, or pipe driven into the ground.

The antenna and ground connections are made at the clips on the loop antenna. Pass the antenna and

**TUBES AND DIAL LAMP**

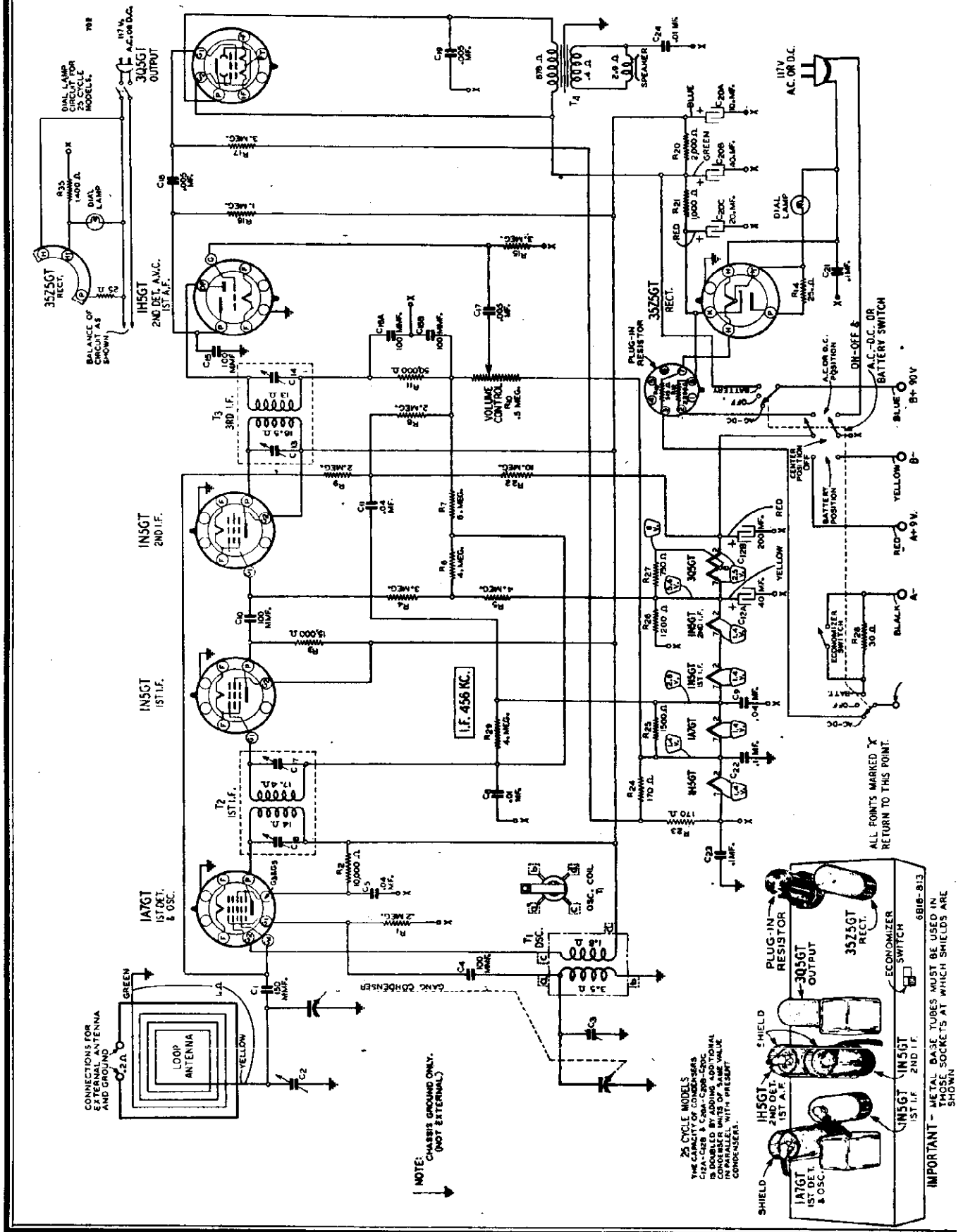
The tube types and position of the tubes and tube shields are shown in the illustration. All tubes must be in the sockets to operate the radio.

AC-DC Operation—The dial lamp must be in its socket to operate the radio.

CAUTION—If the dial lamp burns out, it should be replaced at once. Use ONLY a No. 47 dial lamp.



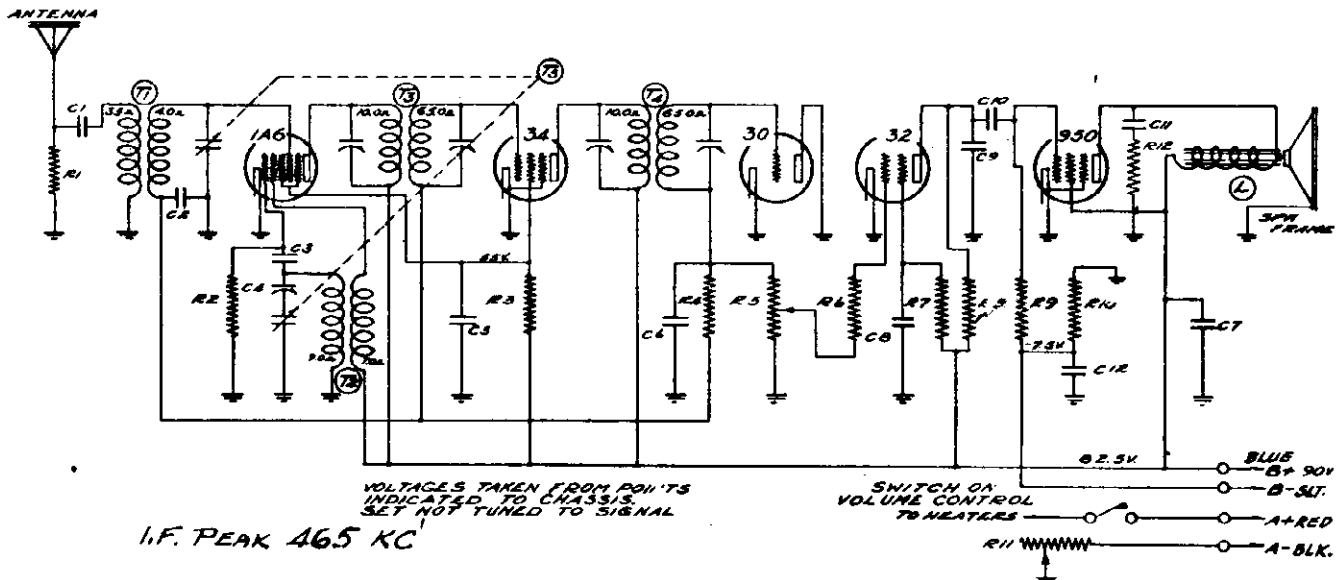
MONTGOMERY-WARD & CO.





MODEL 62-240

MONTGOMERY-WARD & CO.



VOLTAGES TAKEN FROM POINTS INDICATED TO CHASSIS. SET NOT TUNED TO SIGNAL

I.F. PEAK 465 KC

SWITCH ON VOLUME CONTROL TO HEATERS  
 BLUE B+ 90V  
 B-SLT.  
 A+RED  
 A-BLK.

No.	Part No.	Description
<b>RESISTORS</b>		
R1	130-17	10M Ohm - 1/4 Watt - 20% - 20 Volt - Carbon
R2	130-52	50M Ohm - 1/4 Watt - 20% - 10 Volt - Carbon
R3	130-17	10M Ohm - 1/4 Watt - 20% - 20 Volt - Carbon
R4	130-38	2 Meg Ohm - 1/4 Watt - 20% - 100 Volt - Carbon
R5	101-43	1 Meg Ohm Volume Control and Switch
R6	130-52	50M Ohm - 1/4 Watt - 20% - 10 Volt - Carbon
R7	130-19	1 Meg Ohm - 1/4 Watt - 20% - 100 Volt - Carbon

R8	130-9	200M Ohm - 1/4 Watt - 20% - 20 Volt - Carbon
R9	130-19	1 Meg Ohm - 1/4 Watt - 20% - 100 Volt - Carbon
R10	130-93	450 Ohm - 1/4 Watt - 10% - 10 Volt - Carbon
R11	101-44	4.75 Ohms - Rheostat
R12	130-52	50M Ohm - 1/4 Watt - 20% - 10 Volt - Carbon

C6	129-5	.0001 Mica - MT - 20%
C7	100-6	.25 x 200 Volt
C8	100-9	.05 x 200 Volt - 25%
C9	129-2	.0005 Mica - MT - 20%
C10	100-11	.01 x 400 Volt - 25%
C11	100-11	.01 x 400 Volt - 25%
C12	119-22	10.0 Mfd. x 25 Volts - Working Voltage

<b>CONDENSERS</b>		
C1	100-11	.01 x 400 Volt - 25%
C2	100-22	.05 x 200 Volt - 25%
C3	129-12	.00025 Mica - MT - 20%
C4	124-14	Series Pad
C5	100-9	.05 x 200 Volt - 25%

<b>PARTS</b>	
T1	111-46 Antenna Coil
T2	110-38 Oscillator Coil
T3	108-87 Input I.F. Coil 465 K.C.
T4	108-88 Output I.F. Coil 465 K.C.
T5	102-29 Two Gang Condenser
L	114-19 Six Inch Magnetic Speaker

**ALIGNING I.F. TRANSFORMERS: (465 K.C.)**

1. With volume control full on and with variable condenser at its minimum capacity position, plates entirely out of mesh, and with external oscillator set at 465 K.C. connected in series with a .1 mfd. condenser, to the grid of the 1A6 tube (cap at top of tube), adjust I.F. transformers, parts number 108-67 and 108-68, to resonance. Both of these transformers have two (2) adjustments each, they are accessible from the tops of the cans (for location see top view).

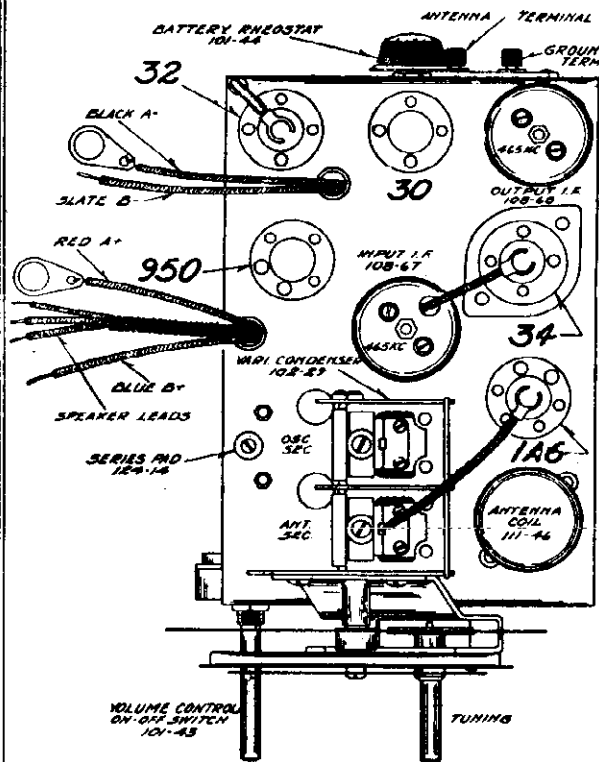
Use as a resonance indicator an output meter connected across the outside terminals of the speaker or by means of an adapter to the plate and screen of the type 950 output tube. Maximum deflection of the volt meter indicates resonance.

Use only enough signal to get a readily readable output.

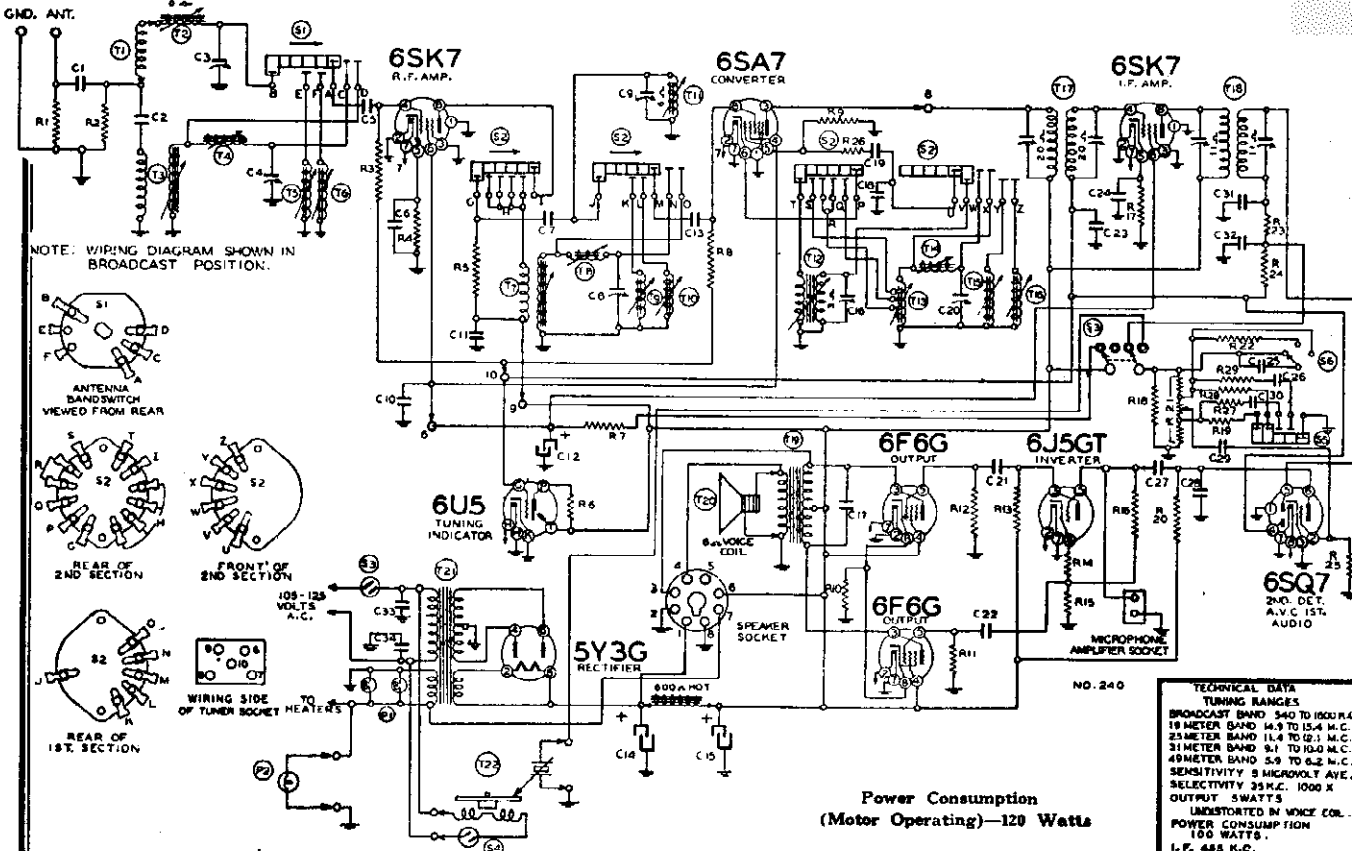
A low range output meter or the low scale of a multi-range meter should be used.

**BROADCAST BAND ALIGNMENT:**

- Set external oscillator to 1720 K.C. and connect it in series with a 200 mmfd. condenser to the antenna and ground posts.
  - With variable condenser in its minimum capacity position, plates entirely out of mesh, adjust oscillator trimmer (rear section of variable condenser) to resonance.
  - Re-set external oscillator to 1400 K.C. Rotate variable condenser, pick up signal and adjust antenna trimmer (front section of variable condenser) to resonance.
  - Re-set external oscillator to 600 K.C., move dial pointer to 600 K.C., and adjust series pad, part number 124-14 (see top view), to resonance. While making this adjustment, slowly rock variable condenser to and fro until maximum output is obtained.
  - Check for sensitivity at 1400, 1000, 600 K.C. DO NOT BEND PLATES.

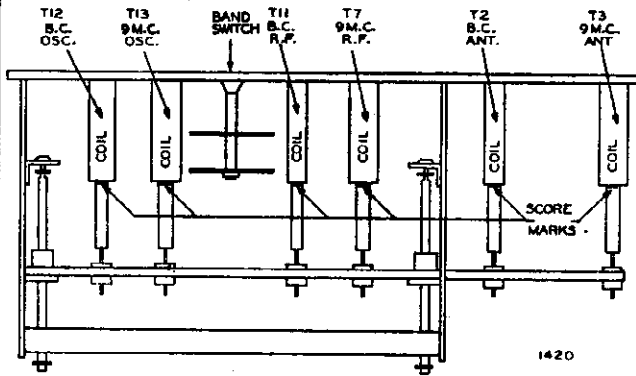


MONTGOMERY-WARD & CO.

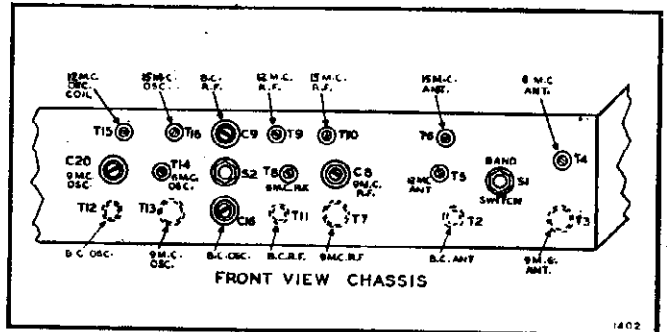


**TECHNICAL DATA**  
**TUNING RANGES**  
 BROADCAST BAND 540 TO 1600 K.C.  
 18 METER BAND 14.9 TO 15.4 M.C.  
 25 METER BAND 11.4 TO 12.1 M.C.  
 31 METER BAND 9.1 TO 10.0 M.C.  
 49 METER BAND 5.9 TO 6.2 M.C.  
 SENSITIVITY 5 MICROVOLT AVE.  
 SELECTIVITY 35 K.C. 1000 X  
 OUTPUT 5 WATTS  
 LIMITED BY VOICE COIL  
 POWER CONSUMPTION  
 100 WATTS.  
 I.F. 485 K.C.

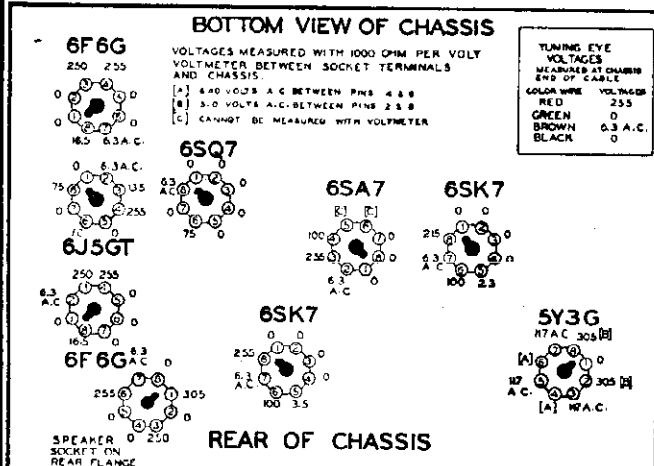
Power Consumption (Motor Operating)—120 Watts



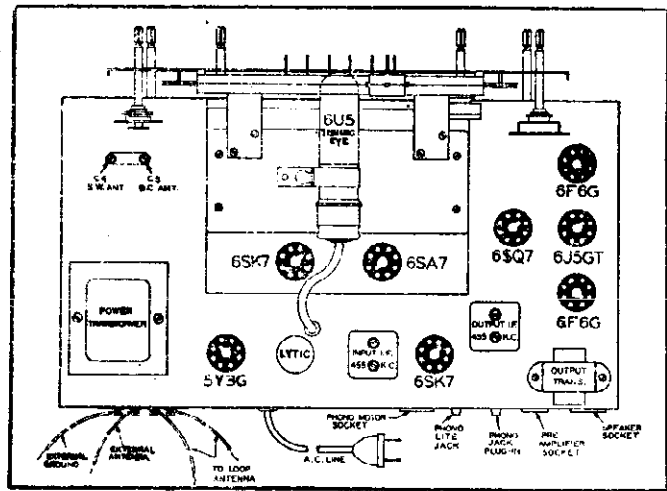
VIEW LOOKING AT BOTTOM OF CHASSIS  
IRON CORE ADJUSTMENT VIEW



TRIMMER VIEW



VOLTAGE CHART



CHASSIS VIEW. Showing Tube Location  
Note: Antenna and Ground Terminals at Back of Chassis

MODEL 24BR-914A

MONTGOMERY-WARD & CO.

Table listing various parts including Speaker, Miscellaneous, and Dial and Tuning parts with their respective part numbers and descriptions.

Table listing Tuner Mechanical Parts and Record Changer Compartment parts with their respective part numbers and descriptions.

NOTICE—This model number identifies the radio as to year, manufacturer, chassis and basic assembly or letter. When ordering parts or writing, be sure to mention the complete model number.

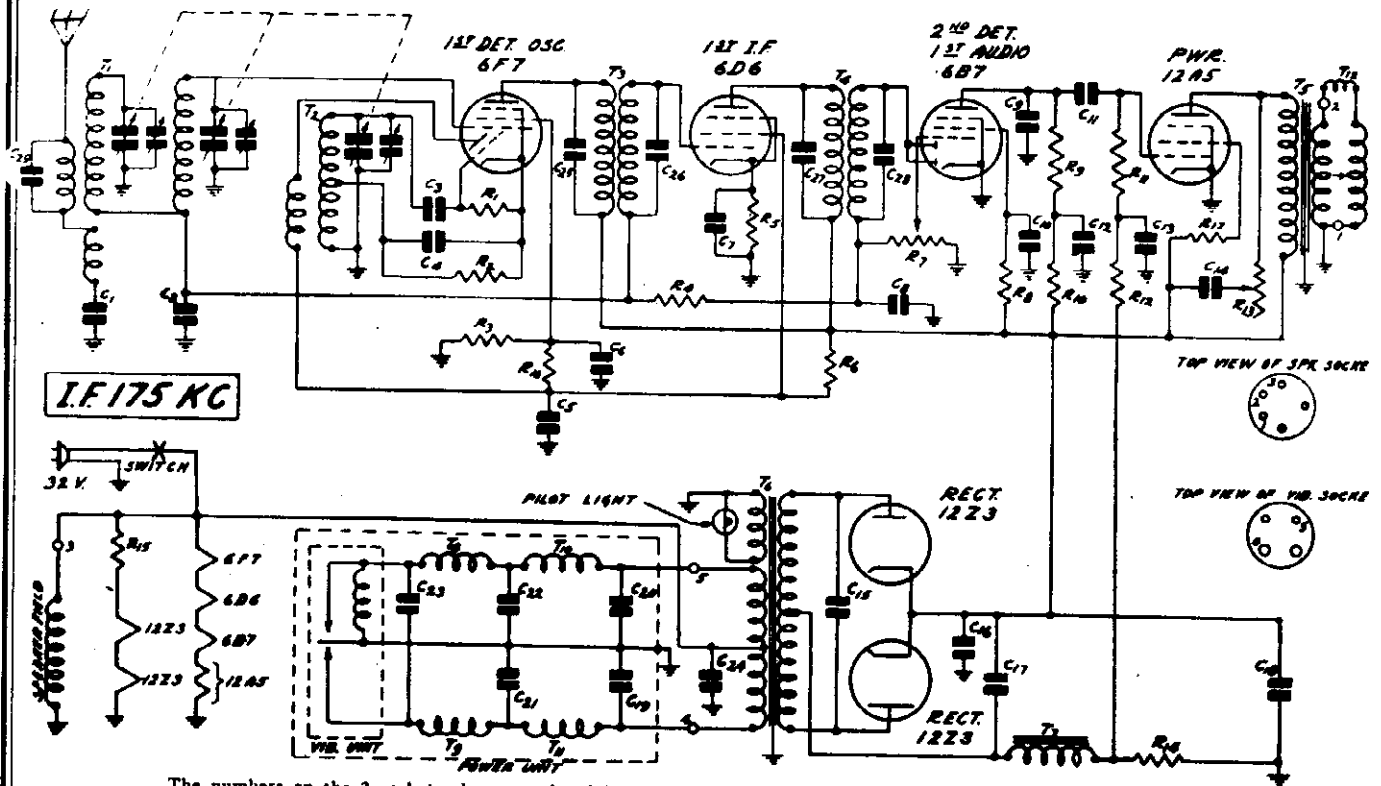
For Oak RC-1 Record Changer See Rider's book, "Automatic Record Changers and Recorders" Push Button Data the same as Model 14BR-1400-A Date 3/42

ALIGNMENT PROCEDURE table with columns for BAND, SIGNAL GENERATOR, CONNECTION TO RADIO, and TUNING ADJUSTMENT.

REPLACEMENT PARTS LIST

Main Chassis Parts List table with columns for Part No., Description, and Quantity.

MONTGOMERY-WARD & CO.



The numbers on the 2 sockets shown at the right above, correspond with the numbers as shown in the circuit.

Oct, 1934

Fig. 1—Schematic Circuit Diagram

CONDENSERS

Part No.	Code	Capacity	Voltage	Type
P-80862	C1	.05 Mf.	200V	Tubular
P-80862	C2	.05 Mf.	200V	"
P-81871	C3	.35 Mmf.		Wire Capacitor Part of Osc. Assem
P-80862	C4	.05 Mf.	200V	Tubular
P-80888	C5	.25 Mf.	200V	"
	C6	.05 Mf.	200V	"
	C7	.05 Mf.	200V	"
P-81049	C8	100 Mmf.		Wire Capacitor
P-81811	C9	.002 Mf.	60V	Tubular
P-80888	C10	.25 Mf.	200V	"
P-80872	C11	.01 Mf.	600V	"
P-80888	C12	.25 Mf.	200V	"
P-81062	C13	.01 Mf.	140V	"
P-81055	C14	.05 Mf.	400V	"
P-81052	C15	.015 Mf.	1600V	"
P-80887	C16	.10 Mf.	400V	"
	C17	8.0 Mf.	300V	Electrolytic Block
P-81016	C18	8.0 Mf.	300V	
P-80993	C24	.5 Mf.	140V	Tubular
P-81806	C25	70 Mmf.		Wire Capac. Part of 1st I.F. Assem.
P-81804	C26	45 Mmf.		Wire Capac. Part of 1st I.F. Assem.
P-81808	C27	90 Mmf.		Wire Capac. Part of 2nd I.F. Assem.
P-81810	C28	100 Mmf.		Wire Capac. Part of 2nd I.F. Assem.
P-81812	C29	200 Mmf.		Wire Capac. Part of Ant. Assem.
P-81315				Three Gang Condenser.

RESISTORS

Part No.	Code	Resistance	Wattage	Type
P-A95104	R1	100,000 Ohm	.2	Carbon
P-A95152	R2	1,500 Ohm	.2	Carbon
P-B94303	R3	30,000 Ohm	.5	Carbon
P-A98275	R4	2 Megohm	.2	Carbon
P-98021	R5	400 Ohm	.2	Wire Wound
P-C93702	R6	7,000 Ohm	1.0	Carbon
P-96014	R7	500,000 Ohm		Volume Control
P-B94204	R8	200,000 Ohm	.5	Carbon
P-B94603	R9	60,000 Ohm	.5	Carbon
P-A95203	R10	20,000 Ohm	.2	Carbon
P-A95504	R11	500,000 Ohm	.2	Carbon
P-A94104	R12	100,000 Ohm	.2	Carbon
P-97011	R13	150,000 Ohm		Tone Control
P-98035	R14	450 Ohm	2.0	Wire Wound
P-98034	R15	25 Ohm	3.0	Wire Wound
P-B95602	R16	6,000 Ohm	.5	Carbon

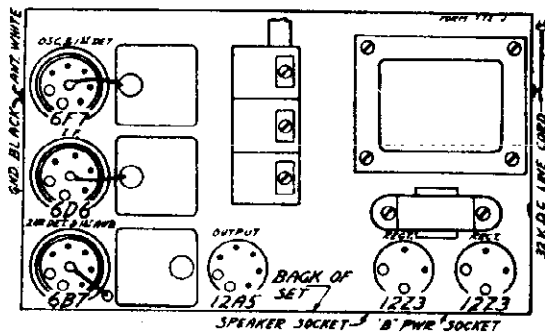


Fig. 2—Arrangement of Tubes

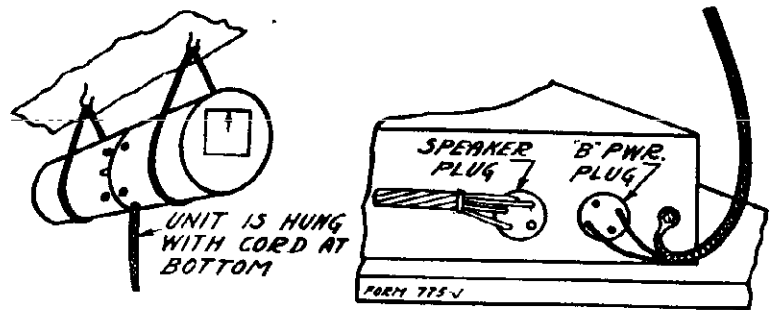


Fig. 3—Method of Installing "B" Power Unit

MODELS 62-231,  
62-243

MONTGOMERY-WARD & CO.

**Circuit**

This receiver is designed to operate from a power supply source of 32 volts D. C. Six and twelve volt tubes are used. The heaters of these tubes are connected in series across the 32 volt line as shown in Fig. 1. As shown in this illustration, the heaters of the 6F7, 6D6, 6B7 and 12A5 tubes are in one series while the heaters of the two 12Z3 tubes and a 25 ohm resistor are in another series across the 32 volt line. A third connection across the line consists of the speaker field winding. A vibrator unit is used to provide the necessary high voltage which is rectified by the two 12Z3 tubes and then filtered for use in the plate and screen circuits.

The receiver uses 1.56 amps. at 32 volts input. The maximum undistorted power output is 1.5 watts, measured with a load impedance of 4000 ohms.

**Sensitivity**

600 K. C.—25 microvolts absolute.  
1500 K. C.—15 microvolts absolute.

**D. C. RESISTANCE OF WINDINGS**

Following are the D. C. resistances of the various windings in the chassis. The values given below will vary slightly in different sets.

Part No.	Item	Code	D. C. Resistance in Ohms
P-5300	Primaries of Antenna Trans. in Series	T1	Small
	1st Secondary of Antenna Transformer	T1	3.2
	2nd Secondary of Antenna Transformer	T1	2.4
P-5302	Oscillator Plate Coil	T2	2.0
	Oscillator Grid Coil	T2	3.5
P-5321	1st I. F. Transformer Primary	T3	67
	1st I. F. Transformer Secondary	T3	93
P-5303	2nd I. F. Transformer Primary	T4	63
	2nd I. F. Transformer Secondary	T4	63
P-50624	Output Transformer Primary	T5	243
	Output Transformer Secondary and Bucking Coil in Series	T5 & L12	Small
P-50637	"B" Filter Reactor	17	300
P-2147	Speaker Field		97
P-2173	Speaker Voice Coil		Small
P-50626	Power Transformer Primary	T6	
	Center Tap to Inside	T6	1.4
	Center Tap to Outside	T6	4.4
	Power Transformer H. V. Secondary	T6	
	Center Tap to Inside	T6	322
	Center Tap to Outside	T6	350
	Power Transformer Pilot Lamp Sec.	T6	.3
P-3153	Vibrator Unit Magnetizing Coil		1025
	Vibrator Unit Filter Chokes		3.0

**VOLTAGES AT SOCKETS**

Input 32 Volts—Antenna Shorted to Ground

Type of Tube	Function	Across Filament	Plate to Cathode	Screen to Cathode	Grid to Cathode	Normal Plate M.A.
6F7	1st Det. & Osc.	6.3	167(1)	90	2.6	7.0(1)
			117(2)		0	2.8(2)
6D6	I. F.	6.3	172	120	3.2	8.2
6B7	2nd Det.	6.3	25	25	7.25	2.0
12A5	Output	12.6	180	180	25	32
12Z3	Rectifier	12.6	225			25

(1) Pentode Section of Tube

(2) Triode Section of Tube

**Eliminating Ignition and Generator Noise**

After the receiver is in working order, the following procedure must be followed in practically all cases to eliminate ignition and generator noise caused by the charging plant. If the charging plant causes no noise, then of course, these steps do not have to be taken.

One spark plug suppressor must be placed on each spark plug of the engine. One spark plug suppressor for example would be required on a one-cylinder engine and four must be used on a four-cylinder engine. To connect the spark plug suppressor, remove the wire from the top of the plug, put the suppressor on and attach the wire to the other end of the suppressor.

The generator condenser consists of two .5 mfd. sections in one unit. The two sections have one side grounded to the metal case of the condenser. Mount the condenser on the frame of charging plant. This will ground it. Then connect the two leads to the charging switch, one on each side of the line.

In some large installations, where the charging unit is on only two or three times a week, the above steps do not have to be taken, as interference is only caused when the generating plant is in operation.

**Condenser Alignment**

Misalignment or mistracking of condensers generally manifests itself as broad tuning and lack of volume at portions or all of the broadcast band. The receivers are all properly aligned at the factory with precision instruments and realignment should not be attempted unless all other possible causes of the faulty operation have first been investigated and unless the service technician has the proper equipment. A signal generator that will provide accurately calibrated signals over the broadcast band and at the intermediate frequency, and an output meter are required for indicating the effect of adjustments.

First set the signal generator for 1730 K. C. Turn the rotor to the full open position. The antenna lead from the signal generator adjustment is connected to the antenna lead of the receiver. Adjust the trimmer of the oscillator section of the 3 gang condenser until maximum output is obtained. The oscillator section is the one with the cut plate rotor.

Now set the signal generator for 1400 K. C. and turn the rotor until maximum output is obtained. Adjust the other two trimmers on the gang condenser for maximum output.

To obtain dial scale calibration tune in an 800 K. C. signal and set the dial pointer at that mark on the dial scale. When calibrated in this manner, the setting will be approximately correct at both ends of the scale.

The use of the cut plate type of condenser eliminates the necessity of a 600 K. C. padder and no adjustment at this frequency, therefore, is required.

**32 Volt Power Supply**

This receiver is designed for use on farms and in those places where the power supply consists of a 32 volt direct current generating plant. The receiver may not be satisfactory on plants which do not use storage batteries.

**Line Voltage Range**

The receiver will operate satisfactorily within a line voltage range of 27 to 38 volts. If the line voltage runs higher, it will have to be cut down and one method of doing this is to use a series resistor.

**Series Resistor**

Let us say the line voltage is 40. The receiver uses 1.56 amps. at 32 volts. A resistance of 5.13 ohms, therefore, capable of dissipating 12.5 watts will be required in the receiver line to cut the voltage down to 32. If the line voltage varies a variable resistor may be required.

**Starting Current**

When first turned on the drain for a few seconds is slightly higher than normal until the tubes heat up. Some automatic plants are adjusted to start under a load of 200 to 300 watts. If a number of devices such as lights or motors are being used and the radio set is turned on the total drain may be sufficient to start the plant.

**No Polarity**

When inserting the line plug no attention need be paid to polarity.

**Servicing Power Unit**

**Vibrator Unit**

The vibrator is mounted inside the "B" power unit. Normally the vibrator will last upward of 1000 hours. However, in the same manner as a tube it may become defective in less time and require replacement.

If the tubes light and by touching the power unit case, no vibration is felt, then the vibrator unit is probably not operating. If the pilot lamp is not lighted this will be a further indication of the same fact.

To replace the vibrator unit in the power supply remove the end of the case on which the label is placed by taking out the four screws which hold the vibrator shield can to the framework. The old vibrator may then be withdrawn and a new unit inserted in the same manner as a tube.

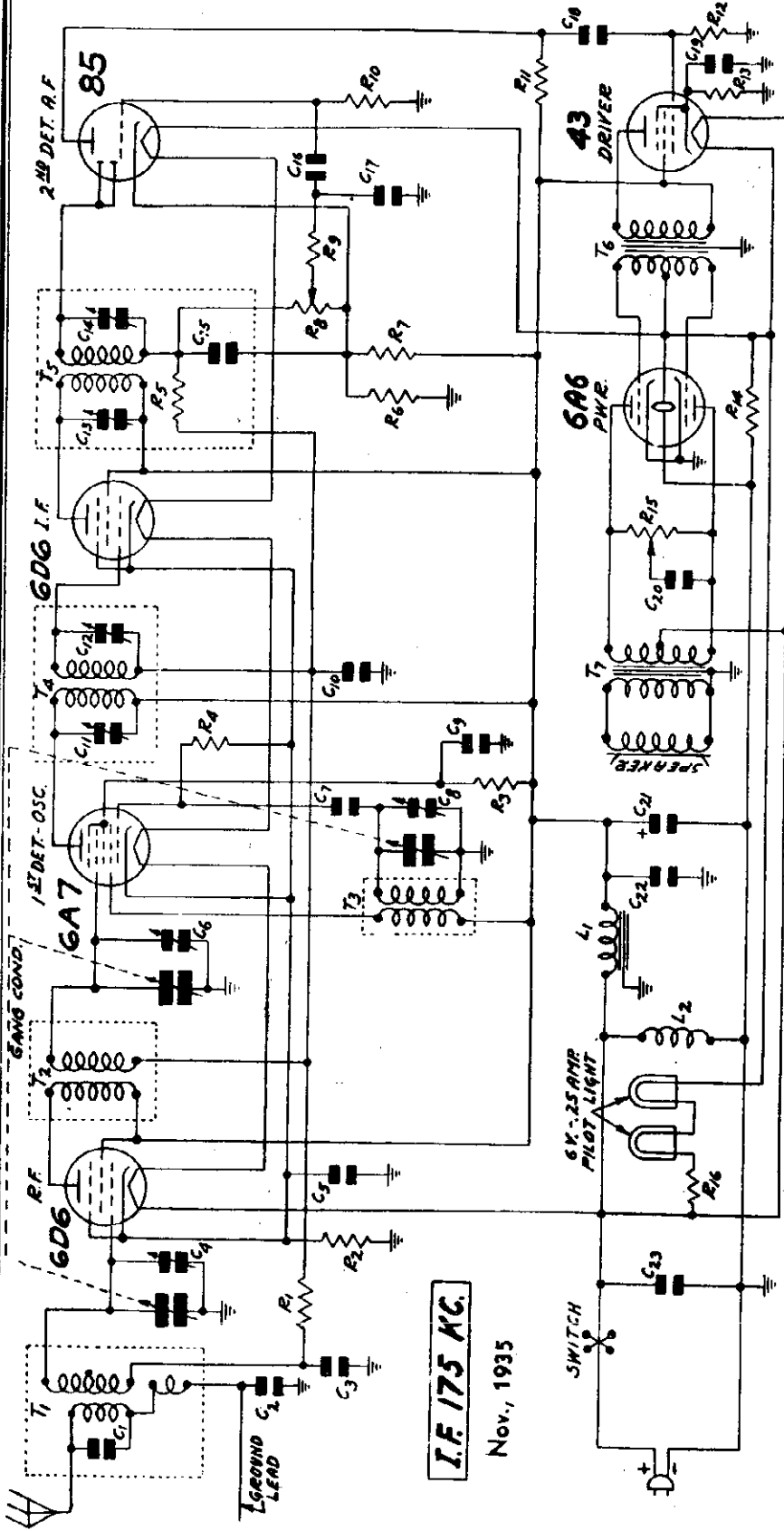
One or more of the vibrator units should be kept on hand for replacement purposes. It is advisable when servicing the receiver, to try one out in the same manner as a new set of tubes would be tried.

**Filter Unit**

The other side of the power unit case contains the filter unit which is made up of several chokes and condensers as shown in Fig. 1. The purpose of this filter is to prevent high frequency currents from getting out of the power unit case.

Failure in the unit may affect the voltage supply to the power transformer or it may result in radio frequency noise. The chokes and condensers should be tested and replaced, if necessary. A resistance continuity test should be made of the wiring in the unit and to the chassis, using the circuit diagram as a guide.

MONTGOMERY-WARD & CO.



I.F. 175 KC.

Nov., 1935

GROUPS OF CIRCUIT ELEMENTS ENCLOSED IN DOTTED RECTANGLES COMPRISE DISTINCT MECHANICAL ASSEMBLIES.

I-f. peak 175 kc.  
Osc. adj. 1750 kc.  
with cond. rotor  
full open.  
R-f. adj. 1500 kc.

C21 30 MFD 50V WET ELECTROLYTIC P-44X25)  
C22 25 MFD 180V P-44X25)  
C23 25 MFD 180V P-44X25)  
R4 180 OHM 1.0 W.  
R5 7500 OHM TONE CONTROL  
R6 67 OHM 4.0 W ARMORED WIRE WOUND

C1 250 MFD MOULDED  
C2 .05 MFD 180V  
C3 .05 MFD 180V  
C4 GANG TRIMMER  
C5 .05 MFD 180V  
C6 GANG TRIMMER  
C7 35 MFD MOULDED  
C8 GANG TRIMMER  
C9 .05 MFD 180V  
C10 .05 MFD 180V  
C11 40-100 MFD DUAL  
C12 40-100 MFD P-17A39  
C13 40-100 MFD DUAL  
C14 40-100 MFD P-17A39  
C15 100 MFD MOULDED  
C16 .01 MFD 180V  
C17 50 MFD MOULDED  
C18 .01 MFD 180V  
C19 12 MFD 25V DRY ELECTROLYTIC P-45X207)  
C20 10 MFD 180V

R7 100,000 OHM .2 W.  
R8 450 OHM .2 W.  
R9 30,000 OHM .2 W.  
R10 100,000 OHM .2 W.  
R11 1.0 MEG OHM .2 W.  
R12 350 OHM .2 W.  
R13 6,000 OHM .2 W.  
R14 .50 MEG OHM VOL CONTROL  
R15 50,000 OHM .2 W.  
R16 2.0 MEG OHM .2 W.  
R17 80,000 OHM .2 W.  
R18 1.0 MEG OHM .2 W.  
R19 400 OHM .2 W.

T1 ANTENNA INTERSTAGE TRANS. P-9A452  
T2 INTERSTAGE R.F. TRANS. P-9A453

Power Consumption - 1.2 Amperes at 32 Volts DC  
Power Output . . . . .25 Watts Undistorted  
Selectivity . . . . .29 KC Brod at 1000 times Signal  
Sensitivity . . . . .10 Microvolts Absolute  
Tuning Range . . . . .530 to 1750 KC  
Speaker . . . . .6" Dynamic

MODELS 62-237,  
62-239

MONTGOMERY-WARD & CO.

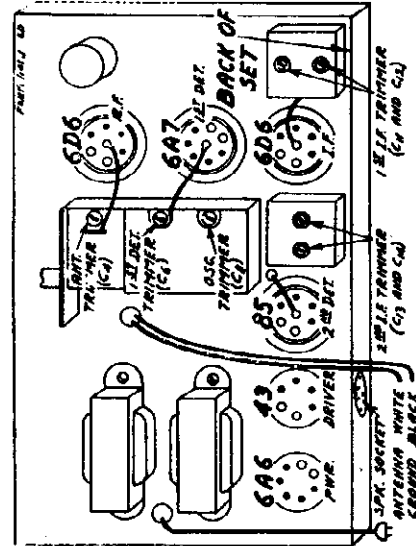


Fig. 4—Tube Arrangement

Remove the tension spring and the old drive cord. See that the eyelet is in the hole in the drive drum as shown in Fig. 6. Insert one end of the new drive cord from the outside through this eyelet in the drive drum.

Tie the end of the cord which has been inserted through the eyelet to one end of the tension spring. Wrap the cord in a counter clockwise direction (facing front of chassis) around the drive drum approximately one and one-quarter turns progressing toward the front.

Volume Control at Maximum —  
Antenna Connected to Ground LEAD

Type of Tube	Function	Across Heater Ground	Plate to Ground	Screen to Ground	Cathode to Ground	Normal Plate M.A.
6D6	R.F.	6.4	31	31	2	1.5
6A7	1st Det. & Osc.	6.4	31 31(1)	18	2	.2 .65(1)
6D6	I.F.	6.4	31	31	2	1.5
85	2nd Det.	6.4	12.5		1.8	.20
43	1st Audio	25.6	28	31	3.5	7
6A6	Output	6.4	31		0	11 (per plate)

(1) Anode Grid

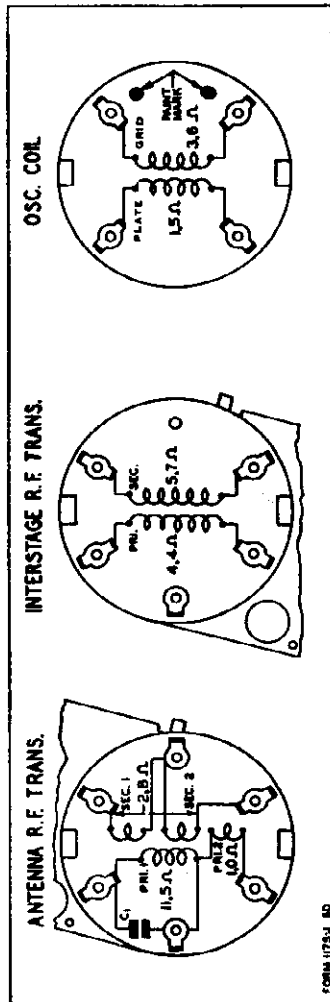


Fig. 3—R.F. and Oscillator Coil Base Terminal Arrangement and D. C. Resistance of Windings

D. C. Resistance of Windings

Refer to Fig. 3

Part No.	Winding	Costs	D. C. Resistance in Ohms
P-9A42	Antenna R.F. Transformer	T1	11.5
	Primary No. 1		1.0
	Secondary Windings in Series		2.8
P-9A43	Interstage R.F. Transformer	T2	4.4
	Primary Winding		5.7
	Secondary Winding		5.7
P-9A44	Oscillator Coil	T3	3.6
	Grid Coil		1.5
P-9A45	1st I.F. Transformer	T4	102.0
	Primary Winding		99.
P-9A46	2nd I.F. Transformer	T5	101.
	Primary Winding		102.
P-9A47	Audio Input Transformer	T6	390.
	Primary Winding		85.
	Secondary Winding		95.
	Center Tap to Inside		
	Center Tap to Outside		
P-12A210	Dynamic Speaker		300.
	Speaker Field Coil	1.2	3.1
	Speaker Voice Coil		
	Audio Output Transformer (5X23)	T7	
	Primary Winding		152
	Center Tap to Inside		176.
	Center Tap to Outside		1.4
	Secondary Winding		50.
P-52X33	Filter Choke	L1	

Replacing Drive Cord

Take off the station pointer by removing the screw at the center of the dial.  
Remove the pilot lamp assembly by pulling the socket clips upward off the dial assembly.

Loosen the dial assembly by removing the two screws which secure this assembly to the chassis brackets.

Then lay the complete dial assembly face down

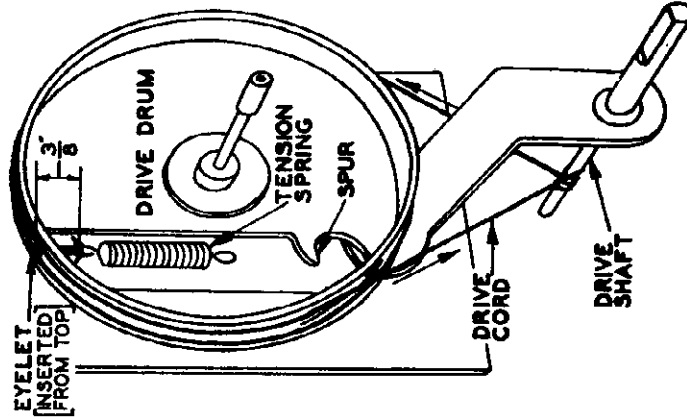


Fig. 6—Replacing Drive Cord

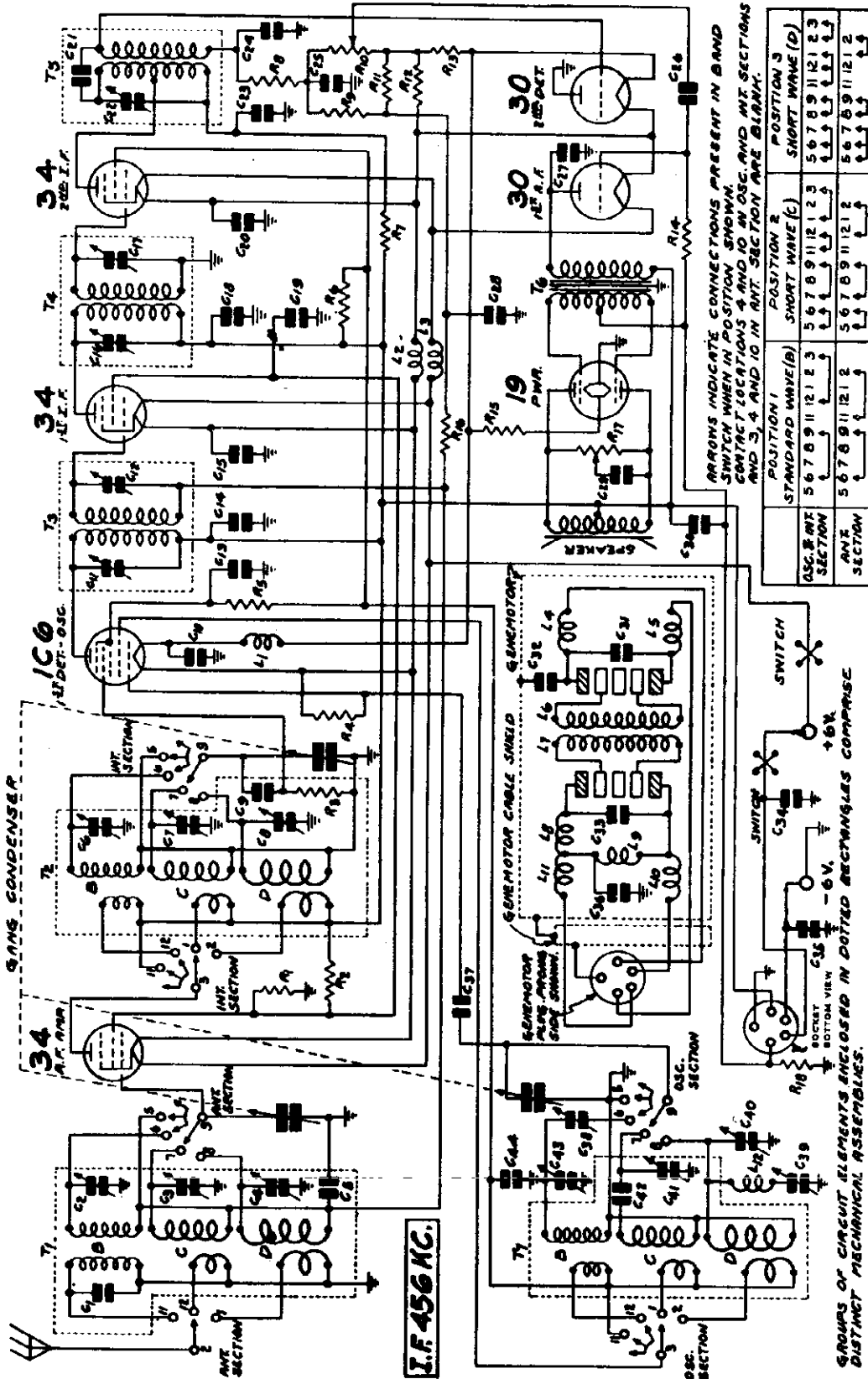
in front of the chassis. It is not necessary to remove the volume control and tone control collars which hold the indicator cords of these two controls in position.

Turn the drive drum until the opening in this drum is approximately vertical and with the hole at the top as shown in Fig. 6.

MONTGOMERY-WARD & CO.

Power Consumption - 1.8 Amperes at 6.3 Volts  
Power Output - - - - - 1 Watt Undistorted

Tuning Frequency Range  
B Range . . . . . 535 to 1730 KC.  
C Range . . . . . 1680 to 4800 KC.  
D Range . . . . . 5650 to 16000 KC.



ARROWS INDICATE CONNECTIONS PRESENT IN BAND SWITCH WHEN IN POSITION SHOWN. SWITCH LOCATIONS 4 AND 10 IN OSC. AND MIX SECTIONS AND 5, 9 AND 10 IN A.F. SECTION ARE BLANK.

OSC. BAND SECTION	POSITION 1			POSITION 2			SHORT WAVE (D)
	STANDARD WAVE (B)	POSITION 1	POSITION 2	STANDARD WAVE (C)	POSITION 1	POSITION 2	
567	8	9	11	2	3	5	6
7	8	9	11	2	3	5	6
8	8	9	11	2	3	5	6
9	8	9	11	2	3	5	6
10	8	9	11	2	3	5	6
11	8	9	11	2	3	5	6
12	8	9	11	2	3	5	6
13	8	9	11	2	3	5	6
14	8	9	11	2	3	5	6
15	8	9	11	2	3	5	6
16	8	9	11	2	3	5	6
17	8	9	11	2	3	5	6
18	8	9	11	2	3	5	6
19	8	9	11	2	3	5	6
20	8	9	11	2	3	5	6
21	8	9	11	2	3	5	6
22	8	9	11	2	3	5	6
23	8	9	11	2	3	5	6
24	8	9	11	2	3	5	6
25	8	9	11	2	3	5	6
26	8	9	11	2	3	5	6
27	8	9	11	2	3	5	6
28	8	9	11	2	3	5	6
29	8	9	11	2	3	5	6
30	8	9	11	2	3	5	6
31	8	9	11	2	3	5	6
32	8	9	11	2	3	5	6
33	8	9	11	2	3	5	6
34	8	9	11	2	3	5	6
35	8	9	11	2	3	5	6
36	8	9	11	2	3	5	6
37	8	9	11	2	3	5	6
38	8	9	11	2	3	5	6
39	8	9	11	2	3	5	6
40	8	9	11	2	3	5	6
41	8	9	11	2	3	5	6
42	8	9	11	2	3	5	6
43	8	9	11	2	3	5	6
44	8	9	11	2	3	5	6

- R 9 3 megohm 2 W. Control
- R 10 1 megohm 2 W.
- R 11 3 megohm 2 W.
- R 12 150,000 ohm 2 W.
- R 13 150,000 ohm 2 W.
- R 14 150,000 ohm 2 W.
- R 15 150,000 ohm 2 W.
- R 16 150,000 ohm 2 W.
- R 17 150,000 ohm 2 W.
- R 18 150,000 ohm 2 W.
- R 19 Ant. R. F. Trans.
- R 20 10,000 ohm 2 W.
- R 21 10,000 ohm 2 W.
- R 22 10,000 ohm 2 W.
- R 23 10,000 ohm 2 W.
- R 24 10,000 ohm 2 W.
- R 25 10,000 ohm 2 W.
- R 26 10,000 ohm 2 W.
- R 27 10,000 ohm 2 W.
- R 28 10,000 ohm 2 W.
- R 29 10,000 ohm 2 W.
- R 30 10,000 ohm 2 W.
- R 31 10,000 ohm 2 W.
- R 32 10,000 ohm 2 W.
- R 33 10,000 ohm 2 W.
- R 34 10,000 ohm 2 W.
- R 35 10,000 ohm 2 W.
- R 36 10,000 ohm 2 W.
- R 37 10,000 ohm 2 W.
- R 38 10,000 ohm 2 W.
- R 39 10,000 ohm 2 W.
- R 40 10,000 ohm 2 W.
- R 41 10,000 ohm 2 W.
- R 42 10,000 ohm 2 W.
- R 43 10,000 ohm 2 W.
- R 44 10,000 ohm 2 W.
- C 1 250 mmf.
- C 2 250 mmf.
- C 3 250 mmf.
- C 4 250 mmf.
- C 5 250 mmf.
- C 6 250 mmf.
- C 7 250 mmf.
- C 8 250 mmf.
- C 9 250 mmf.
- C 10 250 mmf.
- C 11 250 mmf.
- C 12 250 mmf.
- C 13 250 mmf.
- C 14 250 mmf.
- C 15 250 mmf.
- C 16 250 mmf.
- C 17 250 mmf.
- C 18 250 mmf.
- C 19 250 mmf.
- C 20 250 mmf.
- C 21 250 mmf.
- C 22 250 mmf.
- C 23 250 mmf.
- C 24 250 mmf.
- C 25 250 mmf.
- C 26 250 mmf.
- C 27 250 mmf.
- C 28 250 mmf.
- C 29 250 mmf.
- C 30 250 mmf.
- C 31 250 mmf.
- C 32 250 mmf.
- C 33 250 mmf.
- C 34 250 mmf.
- C 35 250 mmf.
- C 36 250 mmf.
- C 37 250 mmf.
- C 38 250 mmf.
- C 39 250 mmf.
- C 40 250 mmf.
- C 41 250 mmf.
- C 42 250 mmf.
- C 43 250 mmf.
- C 44 250 mmf.
- T 1 Ant. R. F. Trans.
- T 2 Intertape R. F. Trans.
- T 3 Intertape R. F. Trans.
- T 4 2nd I. F. Trans.
- T 5 2nd I. F. Trans.
- T 6 Push Pull Input Trans.
- T 7 Osc. Inductors
- L 1 Single Filament Reactor
- L 2 Double Filament Reactor
- L 3 Reactor
- L 4 "B" Choke
- L 5 "B" Choke
- L 6, L 7, L 8 & L 9 Genemotor Windings
- L 10 "A" Choke
- L 11 "A" Choke
- L 12 Osc. Tracking Coil

Nov., 1935



MODELS 62-241, 62-244,  
62-245, 62-252

MONTGOMERY-WARD & CO.

REPLACING DRIVE CORD

Remove the chassis from the cabinet. Take off the station pointer by removing the screw at the center of dial. Loosen the two set screws in the collar on the band selector switch shaft. Loosen the dial assembly by taking out the two screws which secure the bottom of this assembly to the chassis and one screw at the top which secures this assembly to the bracket. Pull the dial assembly forward until the collar is free of the band selector shaft; and lay the assembly face downward in front of the chassis.

Turn the dial drum until the opening in this drum is approximately vertical and with the hole at the top. Remove the tension spring and the old drive cord. When replacing this drive cord a 30 pound test cord as regularly supplied by the factory should be used.

See that the eyelet in the hole in the drive drum. Insert one end of the new drive cord from the outside through the hole in the eyelet in the drive drum. Tie the end of the cord, which has been inserted through the hole, to one end of the tension spring. Now wrap the cord in a counter clock-wise direction (facing the front of the chassis) around the drive drum for approximately one and one half turns, progressing towards the front. Then tilt the chassis up on its back panel and bring the cord mentioned in the previous paragraph down to the drive shaft. Wrap it two and one-half times around this shaft, progressing toward the back of the chassis. Wrap the cord on directly in line with the drive drum above. Then bring this cord up to the drive drum until it is up to the eyelet in the drive drum.

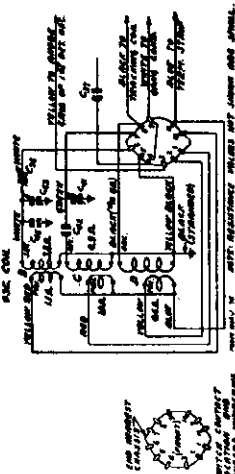
Now insert the free end of the cord through the hole in the eyelet and tie it to the end of the tension spring. The end of the spring when hanging free and with the slack taken out of the drive cord should be three eighths or less from the flange of the drum. Cut off the surplus length of the cord after it has been knotted.

Now secure the other end of the tension spring over the spur on the drive drum. Turn the drive shaft back and forth several times.

Replace the dial assembly and pointer.

Replace the chassis in the cabinet.

Fig. 5—Color Coding of Coil Wire and D. C. Resistance of Windings (Also see complete D. C. Resistance List Below)



(C40) until maximum output is obtained. See Fig. 5 for location of this trimmer.

15,000 KC Adjustment  
Set the signal generator for 15,000 KC.

Turn the rotor of the tuning condenser carefully until maximum output is obtained.

Adjust the interstage Range D trimmer (C8) and antenna Range D trimmer (C4) to maximum.

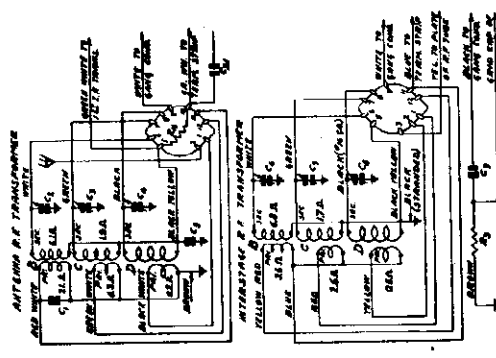
When adjusting the interstage Range D trimmer, it will be necessary at the same time to turn the tuning condenser rotor slowly back and forth until the peak of the greatest intensity is obtained.

Then go back and repeat the procedure given for the 15,000 KC adjustment. If it is found necessary to make any appreciable change in the settings of the oscillator Range D trimmer, the 15,000 KC adjustment must be repeated.

Do not make any further change in the setting of the oscillator Range D trimmer.

6000 KC Adjustment  
Set the signal generator for 6000 KC. Turn the tuning condenser rotor until maximum output is obtained.

Turn the rotor slowly back and forth at the same time adjusting the 6000 KC trimmer until the peak of greatest intensity is obtained. See Fig. 5 for location of this trimmer.



Adjust the interstage Range B trimmer (C6) and antenna Range B trimmer (C2) to maximum.  
Do not change the setting of the oscillator Range B trimmer.

800 KC Adjustment  
Set the signal generator for 800 KC. Turn the tuning condenser rotor until maximum output is obtained.  
Turn the rotor slowly back and forth at the same time adjusting the 800 KC trimmer until the peak of the greatest intensity is obtained. See Fig. 5 for location of this trimmer.  
Be sure to use a non-metallic screwdriver for this adjustment.

RANGE C ALIGNMENT

4800 KC Adjustment  
Set the signal generator for 4800 KC. Connect the antenna lead of the receiver through a 400-ohm resistor to the output of the signal generator. Turn the rotor of the tuning condenser to the full open position.  
Turn the band selector to the Range C position (let short wave band — green dial color).

As mentioned above, keep the volume control at the maximum position and attenuate the signal from the signal generator to prevent A.V.C. action. Adjust the oscillator Range C trimmer (C41) until maximum output is obtained. See Fig. 5 for location of this trimmer.

4200 KC Adjustment  
Set the signal generator for 4200 KC. Turn the rotor of the tuning condenser carefully until maximum output is obtained.  
Adjust the interstage Range C trimmer (C7) and antenna Range C trimmer (C3) to maximum.

Do not change the setting of the oscillator Range C trimmer.

RANGE D ALIGNMENT

16,000 KC Adjustment  
Set the signal generator for 16,000 KC.  
Keep the antenna lead of the receiver connected through the 400-ohm resistor to the output of the signal generator. Turn the rotor of the tuning condenser to the full open position.  
Turn the band selector to the Range D position (and short wave band — red dial color).  
As mentioned above, keep the volume control at the maximum position and attenuate the signal from the signal generator to prevent A.V.C. action. Adjust the oscillator Range D trimmer

A signal generator that will provide an accurately calibrated signal at 456, 1750, 1500, 600, 4800, 4200, 16,000, 15,000 and 8000 KC and an output indicating meter are required. It will be practically impossible to align the receiver if unsatisfactory apparatus is used.  
Use a non-metallic screwdriver for the adjustments. The complete procedure is as follows:

I.F. Adjustment  
Set the signal generator for a signal of 456 KC.  
Connect the output of the signal generator through a 0.1 mf. condenser to the switch end of condenser C9—see Fig. 2. There is a lead which goes to the plug on the top of the center stator section of the tuning condenser—see Fig. 4. The connection can be made at this plug.  
Connect the ground lead of the receiver to the ground post of the signal generator. Turn the band selector to the Range B position (standard wave band—purple dial color).  
Turn the volume control to the maximum position.  
Attenuate the signal from the signal generator to prevent the levelling-off action of the A.V.C.  
Then adjust the five I.F. trimmers until maximum output is obtained. The adjusting screws for these condensers are reached from the top of the chassis, and the location is shown in Fig. 4.

RANGE B ALIGNMENT

1750 KC Adjustment  
Set the signal generator for 1750 KC. Turn the rotor of the tuning condenser to the full open position.  
Keep the band selector in the standard wave position.  
Connect the antenna lead of the receiver through a 200 mf. condenser to the output of the signal generator.

For this and all subsequent adjustments keep the volume control at the maximum position and attenuate the signal from the signal generator to prevent A.V.C. action. Adjust the oscillator Range B trimmer (C45) until maximum output is obtained. The location of this trimmer is shown in Fig. 5.

1500 KC Adjustment  
Set the signal generator for 1500 KC. Turn the rotor of the tuning condenser carefully until maximum output is obtained.  
Loosen the pointer set screw and set the large pointer at the 1500 KC mark on the standard wave band scale. Retighten the set screw.

MONTGOMERY-WARD & CO.

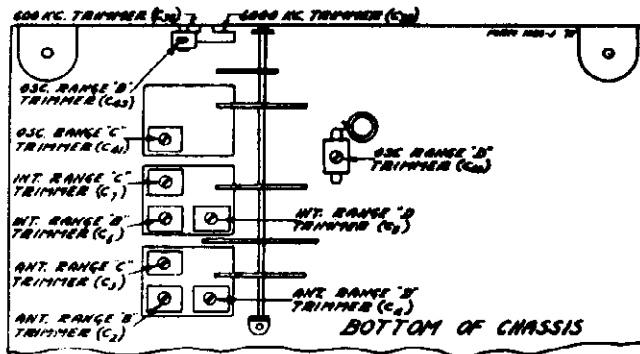


Fig. 3---Arrangement of Trimmers

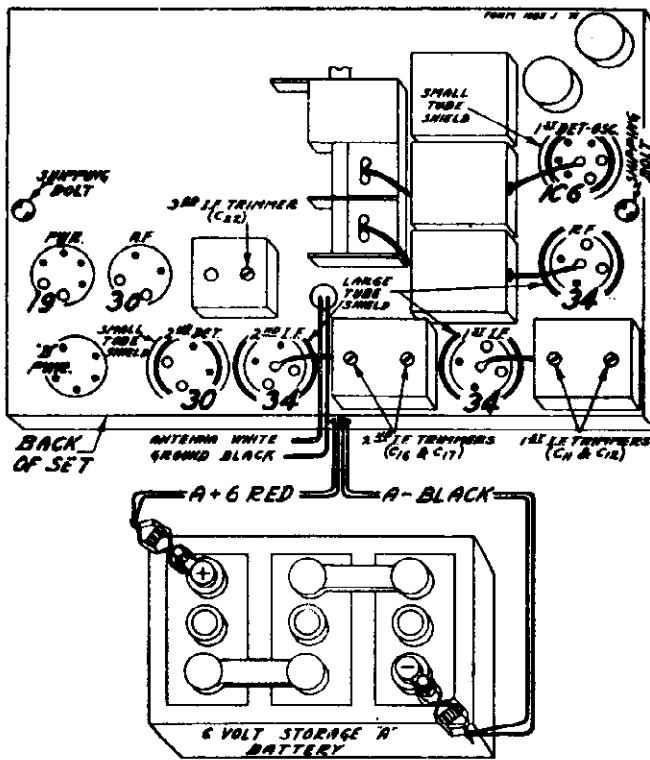


Fig. 4---Tube Arrangement and Battery Connections

**VOLTAGES AT SOCKETS**  
Antenna Shorted to Ground—Battery 6 Volts  
under load  
Volume Control at Maximum

Type of Tube	Function	Across Filament	Plate to Ground	Screen to Ground	Bias Voltage (see Notes)	Normal Plate M. A.
34	R. F.	2.0	135	45	1.5(1)	1.7
1C6	1st Det.	2.0	135 80(2)	70	2.0(3)	3.2 1.7(2)
34	1st I. F.	2.0	135	45	1.5(1)	1.7
34	2nd I. F.	2.0	135	80	4.0(3)	3.2
30	2nd Det.	2.0				
30	1st A. F.	2.0	135		8.0(4)	2.3
19	Power	2.0	135		3.9(5)	2.3 (per plate)

- (1) As read from negative filament leg to low potential end of resistor R12.
- (2) Anode Grid
- (3) As read from negative filament leg to ground.
- (4) Total voltage drop from negative filament leg to ground and across R18.
- (5) As read across R18.

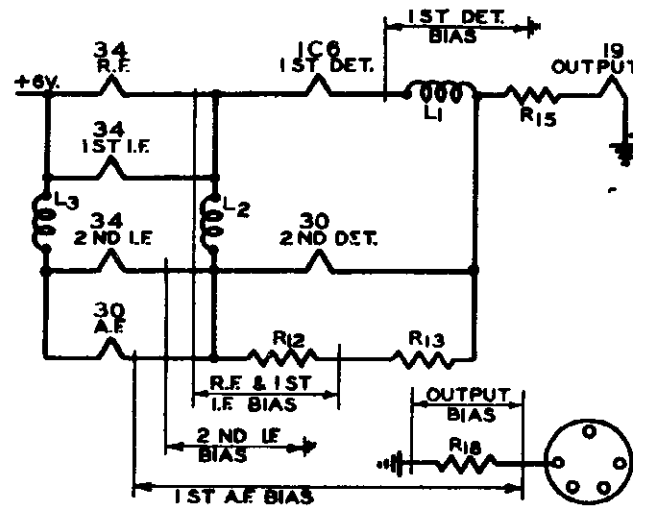


Fig. 6---Abridged Wiring Diagram showing Filament Wiring System and Points at which No-Signal Bias Voltages are obtained.

**D. C. Resistance of Windings**

Refer to Figs. 5 & 2

Following are the D. C. resistances of the various coil windings in the chassis. The values given below will vary slightly in different sets.

Part No.	Winding	Code	D. C. Resistance in Ohms
P-9A419	Antenna R. F. Transformer	T1	
	Range B Primary Winding		21.0
	Range C Primary Winding		0.3
	Range D Primary Winding		0.2
	Range B Secondary Winding		6.1
	Range C Secondary Winding		1.9
	Range D Secondary Winding		Small
P-9A420	Interstage R. F. Transformer	T2	
	Range B Primary Winding		3.6
	Range C Primary Winding		2.6
	Range D Primary Winding		0.5
	Range B Secondary Winding		6.5
	Range C Secondary Winding		1.7
	Range D Secondary Winding		Small
P-9A421	Oscillator Coils	T	
	Range B Plate Coil		1.1
	Range C Plate Coil		1.0
	Range D Plate Coil		0.4
	Range B Grid Coil		3.8
	Range C Grid Coil		0.9
	Range D Grid Coil		Small
P-9A422	1st I. F. Transformer	T3	
	Primary Winding		11.4
	Secondary Winding		11.4
P-9A423	2nd I. F. Transformer	T4	
	Primary Winding		11.4
	Secondary Winding		11.4
P-9A424	3rd I. F. Transformer	T5	
	Primary Winding (either section)		8.4
	Secondary Winding		130.8
P-50X11	Audio Input Transformer	T6	
	Primary Winding		1005.0
	Secondary Winding		
	Center Tap to Inside		580.0
	Center Tap to Outside		630.0
P-12A218	8 Inch Magnetic Speaker		
	Speaker Coil		
	Center Tap to Inside		275.0
	Center Tap to Outside		300.0
P-9A403	Single Filament Reactor	L1	.65
P-9A404	Double Filament Reactor (either section)	L2 & L3	.65
P-9A391	High Frequency Oscillator Tracking Coil	L12	0.7

\*Speakers with other part numbers may have slightly different values of D. C. Resistance.

MODEL 62-246

MONTGOMERY-WARD & CO.

A standard arrangement for switch contact location numbering has been adopted. This numbering is illustrated in Fig. 5. In contact locations not used, the number applying to that particular location is not employed.

Changes in Early Models

In the early models of this receiver, the antenna transformer (T1) had two Range B Primary windings as shown in Fig. 8.

The oscillator Range B and C trimmer locations varied in the early and intermediate models of this receiver as shown in Figs. 3 and 4.

Referring to Fig. 2, in the early models of this receiver, contact No. 4 in the interstage section of the band selector was not used. The purpose of this contact arrangement is to short out variable resistor R1 in the second short wave position. In these models the relative positions of resistors R1 and R2 were reversed. The common connection from the suppressor grid and cathodes of the R. F. and I. F. amplifier tubes was connected to the control arm of variable resistor R2. The latter was connected to resistor R1 which was grounded at the other end. The by-pass condenser, C6 remains connected as before, to the cathode and suppressor grid connection.

The type 6K7 and 6F6 metal tubes replace the types 6D6 and 42 glass tubes respectively which were used in the early models.

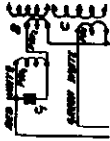


Fig. 8—Antenna Transformer in Early Models

Phonograph Connections

Replace the single lug insulated terminal strip (located on the rear panel, directly in back of the band selector switch) with (P-4A39) double lug insulated terminal strip with ground lug. Be sure to solder back to this new terminal strip any leads that were connected to the other terminal strip.

The connections are made by opening the diode return circuit at the volume control. Unsolder the 50,000 ohm resistor R9 (covered with saturated steeling in early models) from the lug at the volume control and from the shielded lead which runs from the I. F. transformer. Cut this shielded lead to length and connect to the open lug on the new terminal strip. Connect one side of the 50,000 ohm resistor R9 to the same lug and the other side to the phono switch—see Fig. 9. Ground the shield to the ground lug of the terminal strip.

The extra shielded lead which is provided should be inserted into a piece of saturated steeling.

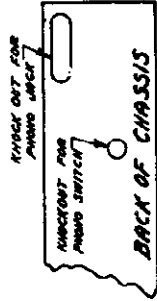


Fig. 10—Location of Phono Knobouts

Servicing R. F. Coil Assemblies

The R. F. transformers and oscillator coil assemblies in this receiver are sold complete with can. This is due to the fact that the trimmers are soldered to the can, and cannot be easily disassembled.

The lead colors and resistances of the various windings in each assembly are shown in Fig. 5.

If it is ever necessary to remove one of coil assemblies from the can, proceed as follows: First remove the nuts from the screws at the top of the can. The outside lug on the trimmer condenser is inserted in a slot in the coil can, and this lug is soldered into position.

Apply a soldering iron to the can at the point of the soldered connection. Then with a screw driver lift up on the outside edge of the trimmer (edge soldered to can) until the trimmer is clear of the can. After the trimmers are all unsoldered, the coil can be taken out.

- Tuning-Frequency Range
  - B Range . . . . . 535 to 1750 KC.
  - C Range . . . . . 1715 to 3500 KC.
  - D Range . . . . . 5750 to 13500 KC.
- Sensitivity
  - B Range Average . . . . . 0.3 Microvolts Above Noise
  - C Range Average . . . . . 1.0 Microvolts Above Noise
  - D Range Average . . . . . 2.0 Microvolts Above Noise
- Power Consumption 68 Watts (At 115 volts 60 cycles)
- Power Output . . . . . 3 Watts Undistorted
- Selectivity - 88 KC Broad at 1000 times Signal (Sharp)
- Intermediate-Frequency . . . . . 456 KC.
- Speaker . . . . . 6" and 8" Dynamic

Phonograph Connections

Phonograph connections can be made as shown in Fig. 9. The parts required are shown in the parts list. Knobouts are provided in the back panel of the chassis for mounting the phono jack and phono switch—See Fig. 10.

For mounting the 12 mfd. 35 volt dry electrolytic condenser, two No. 27 drill holes should be drilled in the side of the chassis directly below the wet electrolytic condensers. These holes are 1/4" from the bottom, 7/8" and 3/16" from the front of chassis. The ground lug which extends out from the side of the chassis should be bent back into the chassis wall.

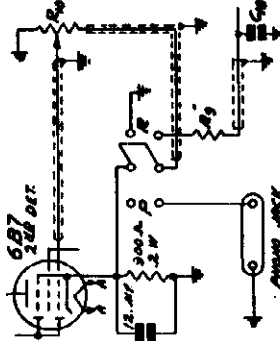


Fig. 9—Phonograph Connections

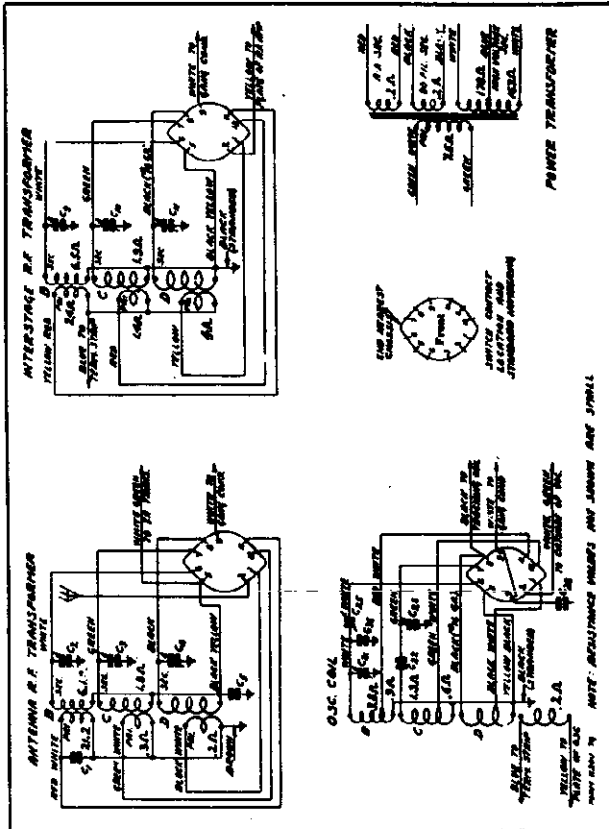


Fig. 5—Color Coding of Coil Wires and D. C. Resistance of Windings (Also see complete D. C. Resistance List in this Manual)

Type of Tube	Function	Heater or Filament Voltage	Plate to Screen or Control to Ground	Screen or Control to Ground	Plate M. A.	
6B7	R. F.	6.1	230	95	3.0	6.4
6B7 (6B6)	1st Det.	6.1	200	100	9.0	3.2
76	Osc.	6.1	100			5.2
6F6 (6F5)	I. F.	6.1	230	120	3.0	9.
6B7	2nd Det.	6.1	55(1)	40		2.3
6B7	Power	6.1	215	230	17(3)	30.0
80	Rectifier	4.7				34.

(1) At load with 5000 ohm meter  
(2) At load across R16

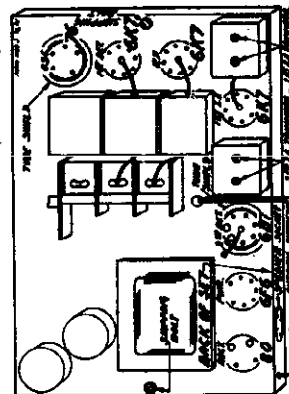


Fig. 6—Location of Tubes

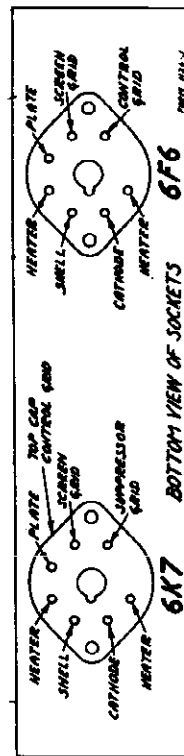
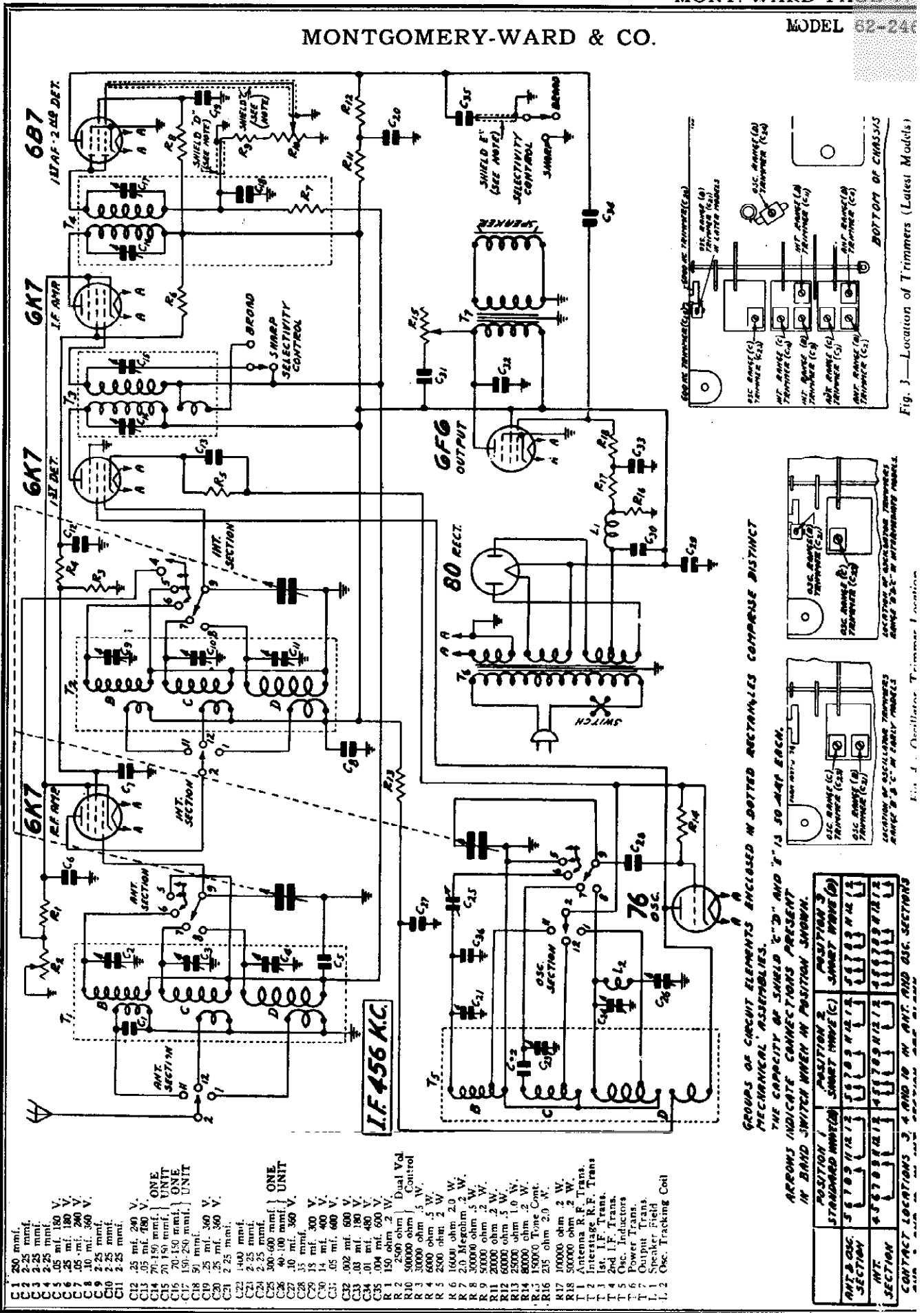


Fig. 7—Mial Tubes—Bottom View of Sockets

MONTGOMERY-WARD & CO.

MODEL 62-246



- 1 200 mmf.
- 2 2.25 mmf.
- 3 2.25 mmf.
- 4 2.25 mmf.
- 5 25 mf. 180 V.
- 6 25 mf. 240 V.
- 7 10 mf. 360 V.
- 8 10 mf. 360 V.
- 9 2.25 mmf.
- 10 2.25 mmf.
- 11 2.25 mmf.
- 12 25 mf. 240 V.
- 13 25 mf. 240 V.
- 14 70 mf. 150 V.
- 15 70 mf. 150 V.
- 16 70-150 mmf. } ONE UNIT
- 17 150-250 mmf. } ONE UNIT
- 18 50 mmf.
- 19 .25 mf. 360 V.
- 20 .25 mf. 360 V.
- 21 2.25 mmf.
- 22 1.40 mmf.
- 23 2.25 mmf.
- 24 2.25 mmf.
- 25 300-600 mmf. } ONE UNIT
- 26 40-100 mmf. } ONE UNIT
- 27 .10 mf. 360 V.
- 28 .35 mmf.
- 29 .15 mf. 300 V.
- 30 .14 mf. 400 V.
- 31 .35 mf. 600 V.
- 32 .02 mf. 600 V.
- 33 .03 mf. 180 V.
- 34 .01 mf. 480 V.
- 35 .04 mf. 600 V.
- 36 150 ohm 2 W.
- 37 50000 ohm } Dual Vol Control
- 38 30000 ohm } 5 W.
- 39 6000 ohm } 5 W.
- 40 2500 ohm } 2 W.
- 41 16000 ohm } 2 W.
- 42 2.0 Megohm } 2 W.
- 43 30000 ohm } 5 W.
- 44 5000 ohm } 2 W.
- 45 20000 ohm } 2 W.
- 46 60000 ohm } 5 W.
- 47 25000 ohm } 2 W.
- 48 80000 ohm } 2 W.
- 49 15000 Tone Cont.
- 50 235 ohm } 2 W.
- 51 100000 ohm } 2 W.
- 52 50000 ohm } 2 W.
- 53 Antenna R.F. Trans.
- 54 Interstage R.F. Trans.
- 55 1st. I.F. Trans.
- 56 2nd. I.F. Trans.
- 57 Power Trans.
- 58 Osc. Inductors
- 59 Output Trans.
- 60 Field
- 61 Speaker Coil
- 62 Osc. Tracking Coil

GROUPS OF CIRCUIT ELEMENTS ENCLOSED IN DOTTED RECTANGLES COMPARE DISTINCT MECHANICAL ASSEMBLIES.  
 THE CAPACITY OF SHIELD "B" AND "C" IS 50 MMF. EACH.  
 ARROWS INDICATE CONNECTIONS PRESENT IN BAND SWITCH WHEN IN POSITION SHOWN.

POSITION 1	POSITION 2	POSITION 3
ANT. OSC SECTION	STANDARD WAVE (C) SHARP WAVE (B)	5 7 9 11 12 13 14 15 16 17 18
ANT. SECTION	ANT. SECTION	6 8 10 12 14 16 18 19 20 21 22

CONTACT LOCATIONS: 3, 4 AND 10 IN ANT. AND OSC. SECTIONS

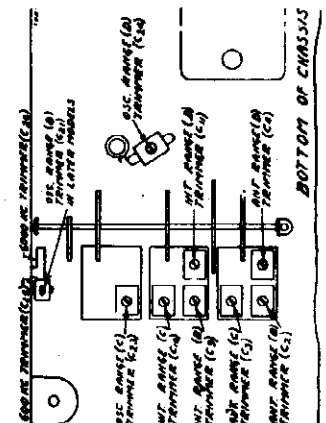


Fig. 3—Location of Trimmers (Latest Models)

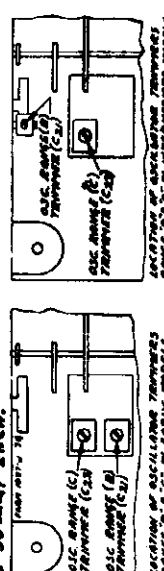


Fig. 4—Oscillator Trimmer Location

MODEL 62-246

MONTGOMERY-WARD & CO.

Circuit

This model is a three band receiver with a tuning range in each band as shown in the specifications above. Three band coverage is accomplished by means of three sets of R. F. and oscillator coils and a three section triple throw switch.

Referring to the schematic circuit diagram, Fig. 2, T1 and T2 are the antenna and interstage R. F. transformer assemblies and T3 is the oscillator coil assembly. The standard wave, 1st and 2nd short wave coils in each assembly are indicated by the letters B, C and D respectively. The three sections of the band switch are designated in the schematic as the antenna, interstage and oscillator sections.

The band switch completes connections to the coils in use. It also short circuits the R. F. transformer secondary and oscillator coil of lower frequency not in use.

The antenna transformer with tuned secondary feeds into a type 6K7 R. F. amplifier tube. The output of this tube is fed through the interstage R. F. transformer with tuned secondary into another 6K7 tube which functions as the 1st detector.

A separate type 76 tube is employed in the oscillator circuit. Referring to the oscillator assembly T3, Fig. 2, B, C and D refer to the standard wave, 1st short wave and 2nd short wave oscillator coils respectively. The oscillating circuit is always resonant at 416 KC above the frequency to which the R. F. amplifier is tuned.

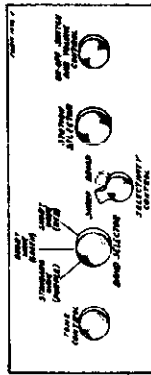


Fig. 1—Arrangement of Controls

The oscillator potential is fed into the cathode circuit of the 6K7 first detector tube. This results in the intermediate or beat frequency of 416 KC being present in the plate circuit of this tube.

One stage of I. F. amplification is employed using a 6K7 tube. The primaries and secondaries of the first and second I. F. transformers are tuned by small trimmer condensers.

Selectivity Control—Referring to the 1st I. F. transformer T3 in Fig. 2, it will be noted that there is a coupling winding shown in the illustration below the primary. Refer also to the by-pass arrangement in the pentode plate circuit of the 6B7.

When the selectivity control is in the sharp position, the coupling winding is open circuited and the loose coupling which exists between the primary and secondary of this transformer results in high selectivity. High audio frequencies are by-passed to ground through condenser C35.

When the selectivity control is in the broad position,

the coupling winding which is wound under the primary is connected in series with the secondary. This provides overcoupling which results in a greatly widened resonance curve. Passage of a wide range of audio frequencies is thus obtained.

In order to allow passage of the higher audio frequencies in the broad position, the capacity of C35 by-pass condenser to ground is greatly reduced (C35 and the capacity of shield E in series).

Dual Volume Control—A dual manual volume control is employed. In one section the audio voltage applied to the 1st audio section of the 6B7 tube is varied (R10). In the other section, the R. F. and I. F. bias is varied (R2). The purpose of the latter section is to reduce the sensitivity of the receiver at low volume settings in order to cut down noise pick-up between stations. The variable section R2 is shorted out through contact No. 4 of the interstage section of the band selector when in the 2nd short wave position.

A type 6B7 duo diode pentode tube functions as the second detector and a one stage audio amplifier. The two diode plates are connected together. AVC voltage is applied through isolating resistors to the control grid circuits of the R. F. and I. F. tubes. The audio voltage developed across volume control resistor R10 is applied through the movable arm to the control grid of the 6B7 tube. Resistance coupling is used between the first audio stage and the output stage which employs a type 6B6 output pentode tube. A type 80 full wave rectifier tube is used in the power unit.

Alignment and Calibration

Use a non-metallic screwdriver for the adjustments. The complete procedure is as follows:

I. F. Adjustment

Set the signal generator for a signal of 416 KC. Connect the output of the signal generator through a .1 mfd. condenser to the grid of the 1st detector. Connect the ground lead of the receiver to the ground post of the signal generator.

Turn the band selector to the Range B position (standard wave band—purple dial color). Turn the selectivity switch to the sharp position and keep it in this position for all adjustments.

Turn the volume control to the maximum position. Attenuate the signal from the signal generator to prevent the leveling-off action of the A.V.C.

Then adjust the four I. F. trimmers until maximum output is obtained. The adjusting screws for these condensers are reached from the top of the chassis, and the location is shown in Fig. 6.

Range B Alignment

Set the signal generator for 1730 KC.

Turn the rotor of the tuning condenser to the full open position. Keep the band selector in the standard wave position.

Connect the antenna lead of the receiver through a 200 mmf. condenser to the output of the signal

generator. For this and all subsequent adjustments keep the volume control at the maximum position and attenuate the signal from the signal generator to prevent A.V.C. action.

Adjust the oscillator Range B trimmer (C21) until maximum output is obtained. The location of this trimmer is shown in Figs. 3 and 4.

1500 KC Adjustment

Set the signal generator for 1500 KC. Turn the rotor of the tuning condenser carefully until maximum output is obtained.

There is a lever arm in front of the large gear on the tuning condenser shaft by means of which the position of the station pointer may be adjusted. Set the station pointer at the 1500 KC mark on the dial scale by adjusting this lever arm.

Adjust the interstage Range B trimmer (C9) and antenna Range B trimmer (C2) to maximum.

600 KC Adjustment

Set the signal generator for 600 KC. Turn the tuning condenser rotor until maximum output is obtained.

Turn the rotor slowly back and forth at the same time adjusting the 600 KC trimmer until the peak of greatest intensity is obtained. See Fig. 3 for location of this trimmer.

Range C Alignment

Set the signal generator for 980 KC.

Connect the antenna lead of the receiver through a 400 ohm resistor to the output of the signal generator. Turn the rotor of the tuning condenser to the full open position.

Turn the band selector to the Range C position (1st short wave band—green dial color). Adjust the oscillator Range C trimmer (C23) until maximum output is obtained. See Figs. 3 and 4 for location of this trimmer.

5000 KC Adjustment

Set the signal generator for 5000 KC. Turn the rotor of the tuning condenser carefully until maximum output is obtained.

Adjust the interstage Range C trimmer (C10) and antenna Range C trimmer (C3) to maximum. Do not change the setting of the oscillator Range C trimmer.

Range D Alignment

Set the signal generator for 18,300 KC. Keep the antenna lead of the receiver connected through the 400 ohm resistor to the output of the signal generator.

Turn the rotor of the tuning condenser to the full open position. Turn the band selector to the Range D position (2nd short wave band—red dial color). Adjust the oscillator Range D trimmer (C24) until

maximum output is obtained. See Fig. 3 for location of this trimmer.

15,000 KC Adjustment

Set the signal generator for 15,000 KC. Turn the rotor of the tuning condenser carefully until maximum output is obtained.

Adjust the interstage Range D trimmer (C11) and antenna Range D trimmer (C4) to maximum.

When adjusting the interstage Range D trimmer, it will be necessary at the same time to turn the tuning condenser rotor slowly back and forth until the peak of greatest intensity is obtained.

Then go back and repeat the procedure as given for the 18,300 KC adjustment. If it is found necessary to make any appreciable change in the setting of the oscillator Range D trimmer, the 15,000 KC adjustment must be repeated.

Do not make any further change in the setting of the oscillator Range D trimmer.

6000 KC Adjustment

Set the signal generator for 6000 KC. Turn the tuning condenser rotor until maximum output is obtained.

Turn the rotor slowly back and forth at the same time adjusting the 6000 KC trimmer until the peak of greatest intensity is obtained. See Fig. 3 for location of this trimmer.

General Service Data

D. C. Resistance of Windings

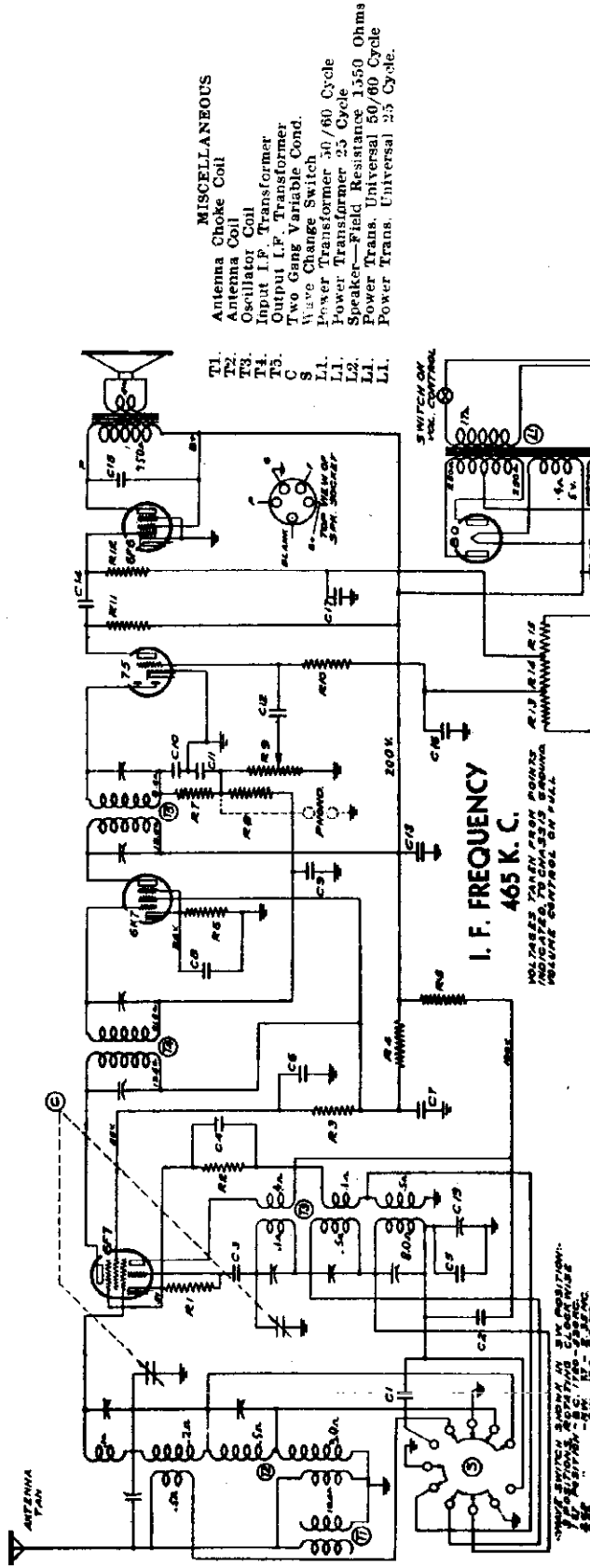
Refer to Fig. 5.

Following are the D. C. resistance of the various windings in the chassis. The values given below will vary slightly in different sets.

Table with columns: Part No., Antenna, Interstage, Item, Code, D.C. Resistance in Ohms. Rows include various transformer windings (Range A, B, C, D), I.F. transformer, oscillator coils, and speaker components.

\*Speaker numbers may have slightly different values of D. C. resistance.

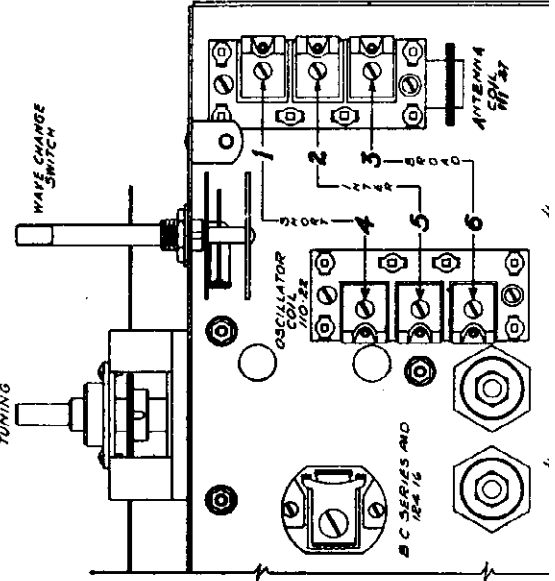
MONTGOMERY-WARD & CO.



- MISCELLANEOUS**
- Antenna Choke Coil
  - Oscillator Coil
  - Input I.F. Transformer
  - Output I.F. Transformer
  - Two Gang Variable Cond.
  - Wave Change Switch
  - Power Transformer 30/60 Cycle
  - Power Transformer 25 Cycle
  - Speaker—Field Resistance 1350 Ohms
  - Power Trans. Universal 50/60 Cycle
  - Power Trans. Universal 25 Cycle.

Part No.	DESCRIPTION
R1	150M Ohm—1/4 Watt—20%—20 V. Carbon
R2	700 Ohm—1/4 Watt—20%—20 V. Carbon
R3	100M Ohm—1/4 Watt—20%—40 V. Carbon
R4	180-20
R5	25M Ohm—1/4 Watt—20%—150 V. Carbon
R6	20M Ohm—1/4 Watt—20%—100 V. Carbon
R7	250 Ohm—1/4 Watt—20%—10 V. Wire Wound
R8	30M Ohm—1/4 Watt—20%—20 V. Carbon
R9	500M Ohm—1/4 Watt—20%—100 V. Carbon
R10	600M Ohm—1/4 Watt—20%—100 V. Carbon
R11	1 meg Ohm—1/4 Watt—10%—100 V. Carbon
R12	250M Ohm—1/4 Watt—10%—100 V. Carbon
R13	15M Ohm—1/4 Watt—10%—20 V. Carbon
R14	180M Ohm—1/4 Watt—10%—100 V. Carbon
R15	800M Ohm—1/4 Watt—10%—100 V. Carbon
C1	.002 Mica—MW—5%
C2	1 x 150 V.—25%
C3	.0001 Mica—MT—20%
C4	1 x 200 V.—25%
C5	.00038—MT—5%
C6	1 x 200 V.—Dual Plus 50%; Minus 10%
C7	1 x 200 V.—Dual Plus 50%; Minus 10%
C8	1 x 200 V.—Dual Plus 50%; Minus 10%
C9	1 x 200 V.—Dual Plus 50%; Minus 10%
C10	.000125—Mica MT—20%
C11	.05 x 200 V.—25%
C12	.05 mfd. x 300 V. Electrolytic
C13	.01 x 400 V.—25%
C14	100-11
C15	100-19
C16	1 x 200 V.—Dual Plus 50%; Minus 10%
C17	1 x 200 V.—Dual Plus 50%; Minus 10%
C18	8 mfd. x 350 V. Electrolytic
C19	B. C. Series Pwd J-3-S.

**TOP VIEW OF CHASSIS**



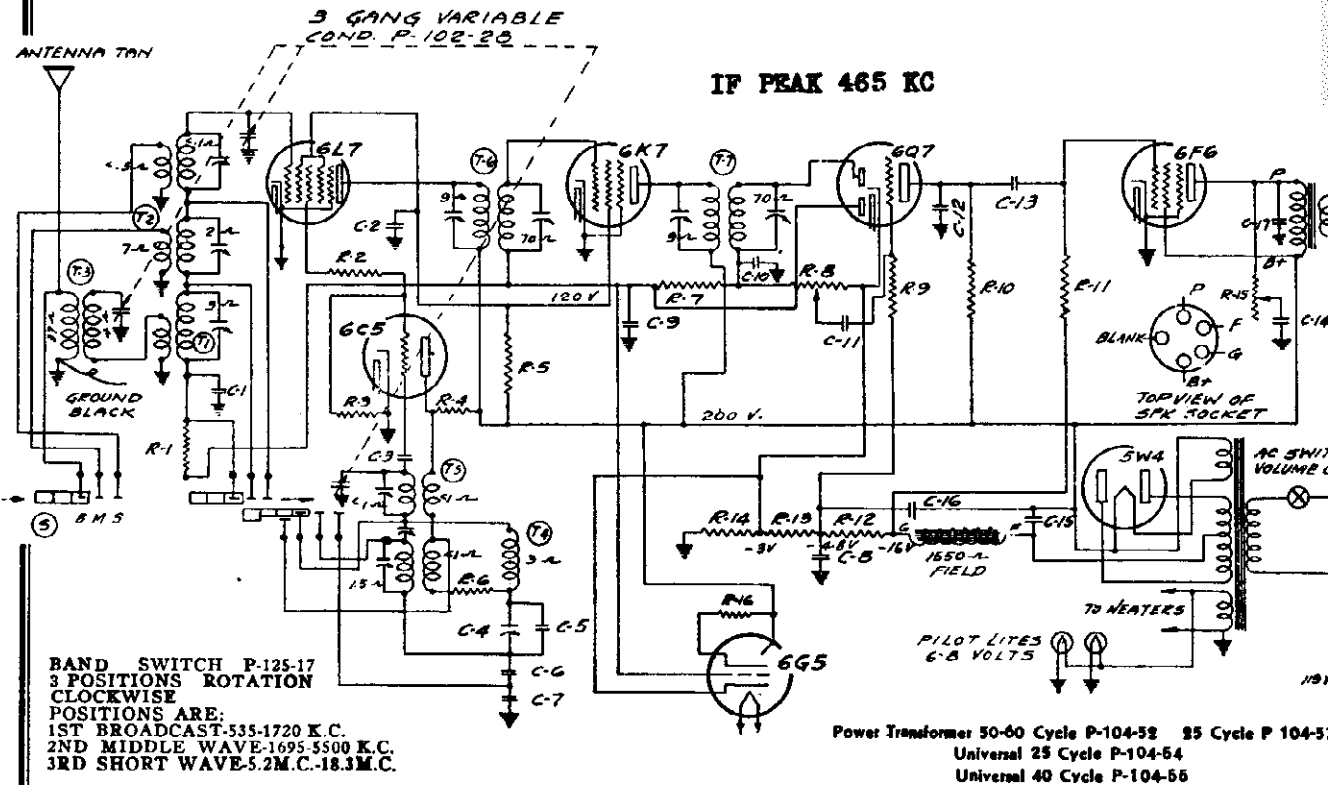
**TUNING RANGE—**  
 Standard Broadcast Band  
 550-1720 Kilocycles.  
 Intermediate Band  
 2500-7700 Kilocycles.  
 Short Wave Band  
 7.0-19.0 Megacycles.



MONTGOMERY-WARD & CO.

MODELS 62-249

62-317



BAND SWITCH P-125-17  
 3 POSITIONS ROTATION  
 CLOCKWISE  
 POSITIONS ARE:  
 1ST BROADCAST-535-1720 K.C.  
 2ND MIDDLE WAVE-1695-5500 K.C.  
 3RD SHORT WAVE-5.2M.C.-18.3M.C.

Power Transformer 50-60 Cycle P-104-52 25 Cycle P 104-5;  
 Universal 25 Cycle P-104-54  
 Universal 40 Cycle P-104-55

BAND	DIAL SCALE	FREQUENCY RANGE
Broadcast	Outer Scale — Blue	535 to 1720 K.C. (Kilocycles)
Middle Wave	Center Scale — Green	1695 to 5500 K.C. (Kilocycles)
Short Wave	Inner Scale — Buff	5.2 to 18.3 M.C. (Megacycles)

LIST OF REPAIR PARTS (Serial No. 6E249976 and up)

Use Only Genuine Factory Replacement Parts

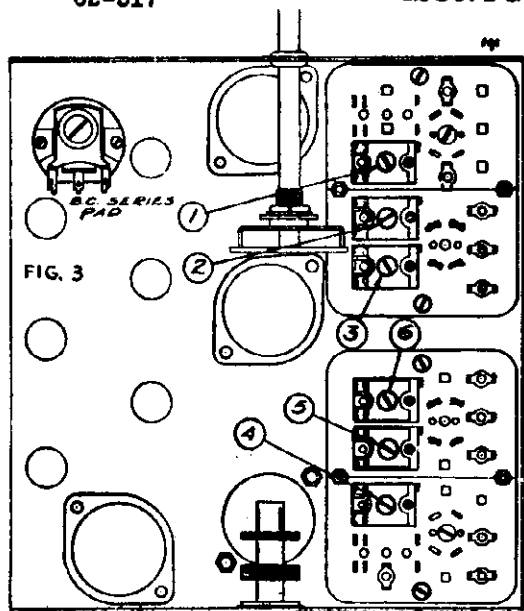
Part No.	Schematic Reference	Description	No. Used in Set
<b>CONDENSERS</b>			
BE 100-1	C-2	.1 x 400 Volt Tubular	1
BE 100-11	C-11; C-18	.01 x 400 Volt Tubular	2
BE 100-20	C-8	.1 x 200 Volt Tubular	1
BE 100-23	C-1; C-9	.05 x 200 Volt Tubular	2
BE 100-35	C-17	.002 x 600 Volt Tubular	1
BE 100-37	C-14	.025 x 600 Volt Tubular	1
BE 104-8	C-15	8 Mfd. x 350 Volt Electrolytic	1
BE 104-7	C-16	8 Mfd. x 300 Volt Electrolytic	1
BE 129-3	C-12	.00025 Mica—Type MT—20%	1
BE 129-2	C-10	.00025 Mica—Type MT—20%	1
BE 129-29	C-3	.00005 Mica—Type MT—20%	1
BE 129-54	C-7	.008 Mica—Type MW—2 1/2%	1
BE 129-55	C-6	.0084 Mica—Type MW—2 1/2%	1
BE 129-56	C-5	.00055 Mica—Type MT—10%	1
<b>RESISTORS</b>			
BE 104-24	R-12; R-13; R-14	(R-12, 220 Ohm) (R-13, 22 Ohm) (R-14, 52 Ohm) Metal Clad Resistor	1
BE 120-4	R-9	2 Meg Ohm—1/4 Watt—20%—100 Volt Carbon	1
BE 120-12	R-2	50M Ohm—1/4 Watt—20%—20 Volt Carbon	1
BE 120-19	R-7	1 Meg Ohm—1/4 Watt—20%—100 Volt Carbon	1
BE 120-20	R-1	100M Ohm—1/4 Watt—20%—50 Volt Carbon	1
BE 120-27	R-6	80 Ohm—1/4 Watt—20%—3 Volt Carbon	1
BE 120-102	R-11	800M Ohm—1/4 Watt—10%—50 Volt Carbon	1
BE 120-103	R-10	100M Ohm—1/4 Watt—10%—50 Volt Carbon	1
BE 120-104	R-4; R-5	9M Ohm—1 Watt—20%—100 Volt Carbon	2
BE 120-105	R-3	150 Ohm—1/4 Watt—20%—10 Volt Carbon	1
BE 120-110	R-16	1 Meg Ohm—1/10 Watt—10%—100 Volt Carbon	1
<b>COILS</b>			
BE 108-78	T-7	Output I.F. Coil Assem. Comp. with Can.	1
BE 108-74	T-6	Input I.F. Coil Assem. Comp. with Can.	1
BE 110-38	T-4	Broadcast Oscillator Coil Assem. Comp. with Can.	1
BE 110-39	T-5	Mid Wave and Short Wave Oscillator Assem. less Can.	1
BE 111-49	T-1	Broadcast Antenna Coil Assem. Comp. with Can.	1
BE 111-50	T-2	Mid Wave and Short Wave Antenna Coil Assem. less Can.	1
BE 111-51	T-3	Broadcast Preselector Coil Assembly	1
<b>SOCKETS</b>			
BE 121-8	Five Prong Socket—Marked "SPKR"	1	
BE 121-12	Seven Prong Socket—Marked "6K7"	1	
BE 121-14	Seven Prong Socket—Marked "6F6"	1	
BE 121-15	Five Prong Socket—Marked "5W4"	1	
BE 121-17	Six Prong Socket—Marked "6C5"	1	
BE 121-18	Seven Prong Socket—Marked "6L7"	1	
BE 121-36	Seven Prong Socket—Marked "6Q7"	1	
<b>SPEAKER</b>			
M 114-15	Six Inch Dynamic	1	
<b>TRANSFORMERS</b>			
BE 104-52	Power Transformer, 50/60 Cycle	1	
BE 104-53	Power Transformer, 25 Cycle	1	
BE 104-54	Universal Power Transformer, 25 Cycle Primary	1	
BE 104-55	Universal Power Transformer, 40 Cycle Primary	1	
<b>MISCELLANEOUS</b>			
BE 101-48	R-8	Volume Control and Switch (1 Meg Ohm)	1
BE 101-58	R-15	Tone Control 50M Ohm	1
BE 102-28		Three Gang Variable Condenser	1
BE 107-6		Line Cord and Plug	1
BE 115-25		Antenna, Oscillator, Shield	1
BE 124-28		J-S Series Pad 3 Pl. (80-325)	1
BE 128-17	C-4	Band Switch	1
BE 128-44		"Volume" Knob with Spring	1
BE 128-46		"Band Switch" Knob with Spring	1
BE 128-47		"Tuning" Knob with Spring	1
BE 128-45		"Tone" Knob with Spring	1
<b>CATHODE RAY TUNING INDICATOR PART</b>			
BE 107-85		Cable and Socket Assembly	1
BE 112-158		Metal Oval Escutcheon	1
BE 117-57		Holder and Clamp	1
BE 130-110		1 Meg Ohm—1/10 Watt—10%—100 Volt Carbon	1
<b>DIAL PARTS LIST</b>			
<b>ASSEMBLIES</b>			
BE 117-41		Drive Bracket including: 1—No. 117-19—Tuning Shaft Bushing	1
BE 117-66		Switch Disc and Link Assembly, including: 1—No. 117-12—Switch Arm	1
		1—No. 117-85—Pushing with Screws	
		1—No. 117-40B—Switch Link	
		3—No. 131-26—Spring Washers	
		3—No. 162-6—Rivets	
		1—No. 112-144—Switch Disc—Inc. Red Tape	
<b>DIAL PARTS ONLY</b>			
BE 112-125		Drive Bolt	1
BE 112-143		Oval Escutcheon complete with Celluloid Crystal	1
BE 112-148A		Dial Scale complete with Fastener, Pointer Disc, and Screw	1
BE 112-147		Tuning Shaft	1
BE 112-151		Pointer complete with Screw	1
BE 112-156		Pilot Light Assembly	2
BE 116-13		4.8 Volt T-51 Pilot Light	2
BE 117-20A		Tuning Shaft Pulley	1
BE 117-83		Stud, for take-up Spring	1
BE 117-89		Pulley, for take-up Spring	1
BE 120-14		Take-up Spring	1
BE 134-9		Horse Shoe Washer	1
BE 134-49		Bubber Crommet	2

Note: Speakers can not be ordered, defective speakers must be repaired.



MODELS 62-249,  
62-317

MONTGOMERY-WARD & CO.



The following dummy antennas are used in aligning and are referred to in the following alignment instructions as "Dummy 1," "Dummy 2," and "Dummy 3."

**Dummy 1: (I.F.)**—Consists of a .1 mfd. condenser connected in series with the external oscillator.

**Dummy 2: (Broadcast)**—Consists of a 200 mmfd. condenser and a 20 ohm resistor connected in series with each other and in series with the external oscillator.

**Dummy 3: (Middle and Short Wave)**—Consists of a .1 mfd. condenser and a 400 ohm resistor connected in series with each other and in series with the external oscillator.

#### ALIGNING I.F. TRANSFORMERS: (465 K.C.):

Part No. 108-73 Output I.F. Transformer

Part No. 108-74 Input I.F. Transformer

These I.F. transformers have two adjustments, both of which are accessible from the top of chassis (see top view).

1. With volume control full on (the extreme right of its rotation), the band changing switch in the broadcast position, (extreme left of its rotation), and with the variable condenser set to approximately 1400 kilocycles, make the following adjustments:

- Connect external oscillator set at 465 kilocycles, in series with "Dummy 1," to the control grid cap of the type 6K7 tube, and adjust the output I.F. transformer (No. 108-73) to resonance.
- With "Dummy 1" still connected, move oscillator output clip from grid of 6K7 to grid cap to 6L7 and adjust input I.F. transformer (No. 108-74) to resonance.
- With oscillator still connected to 6L7, readjust output I.F. transformer (108-73) if necessary.

#### BROADCAST BAND ALIGNMENT:

535 to 1720 Kilocycles

1. With band changing switch in the broadcast position, extreme left of its rotation, and with gang condenser in its minimum capacity position, plates entirely out of mesh, and with external oscillator connected in series with "Dummy 2" to tan antenna lead and black ground lead, make following adjustments:

- Set external oscillator to 1720 K.C. and adjust broadcast oscillator trimmer to resonance (Adjustment number 1; see bottom view of coil assembly, Fig. 3)
- Re-set external oscillator to 1550 K.C., rotate variable gang condenser and pick up signal. Adjust broadcast antenna trimmer (Adjustment number 4) to resonance; also adjust preselector trimmer which is mounted on the top of the rear section of the three gang variable tuning condenser to resonance. (See top view of chassis; Fig. 1, for location of this adjustment).
- Re-set external oscillator to 600 K.C., and adjust broadcast series pad to resonance by rotating condenser to approximately 600 K.C., rocking it slowly to and fro until by adjusting series pad maximum output is attained. This adjustment is located on the bottom of the chassis directly under the variable gang condenser. (See bottom view of chassis, Fig. 3).
- Repeat adjustments "a" and "b" until sensitivity is at its maximum.
- Check for tracking and sensitivity at 1000 kilocycles. Under no circumstances bend plates of variable condenser sections to correct tracking.

#### SHORT WAVE BAND ALIGNMENT:

5.2 to 18.3 Megacycles

1. With band changing switch in the short wave position, extreme right of its rotation, and with external oscillator set at 17 megacycles and connected in series with "Dummy 3" to the tan antenna and black ground lead make the following adjustments:

- Move dial pointer to 17 megacycles and adjust short wave oscillator (Adjustment number 3) and short wave antenna (Adjustment number 6) to resonance.
- Re-set external oscillator to 6 megacycles and pick up signal by rotating variable condenser and check sensitivity.
- Re-set external oscillator and check set at 18.1 megacycles and 5.3 megacycles for band coverage.

**NOTE:** It is extremely necessary in making all of these adjustments that the fundamental oscillator signal be tuned in and not the image frequency which will fall below the fundamental on the receiver dial. As an example of this a fundamental 18.3 megacycle can be tuned in not only at 18.3 on the dial, but also at approximately 17.4 megacycles.

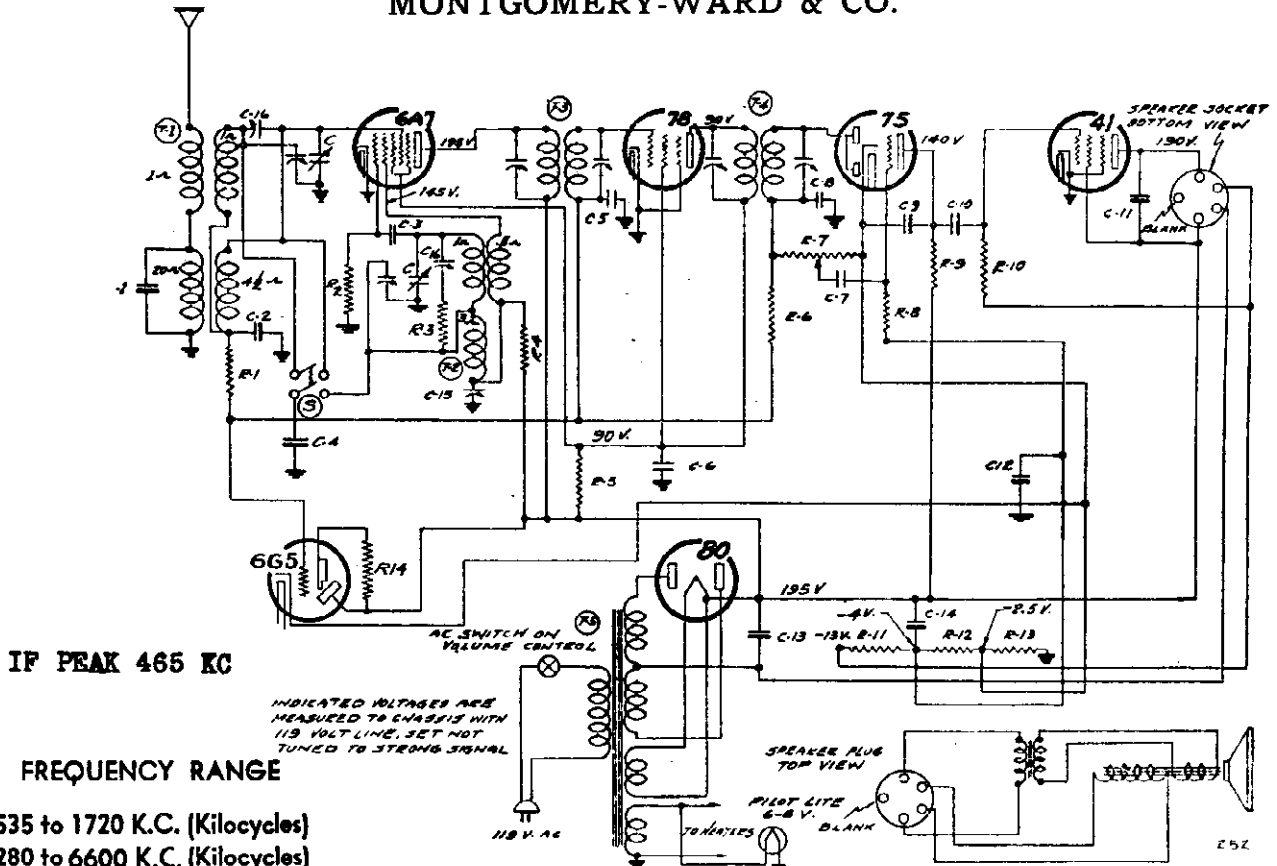
#### MIDDLE WAVE BAND ALIGNMENT:

1695 to 5500 Kilocycles

1. With band changing switch in the middle wave position, center of its rotation, and with external oscillator set at 5000 kilocycles and connected in series with "Dummy 3" to the tan antenna and black ground lead, make the following adjustments:

- Move dial pointer to 5000 kilocycles and adjust middle wave oscillator (adjustment number 2) and middle wave antenna (adjustment number 5) to resonance.
- Re-set external oscillator to 1800 kilocycles and pick up signal by rotating variable condenser and check sensitivity.
- Re-set external oscillator and check set at 5400 kilocycles and 1700 kilocycles for band coverage.

MONTGOMERY-WARD & CO.



IF PEAK 465 KC

FREQUENCY RANGE

535 to 1720 K.C. (Kilocycles)

2280 to 6600 K.C. (Kilocycles)

No.	Part No.	Description	R14	130-110	1 Meg Ohm 1/10 Watt—10%—100 Volt Carbon
<b>RESISTORS</b>					
R1	130-111	100M Ohms 1/10 Watt—20%—50 Volt Carbon	C1	129-63	.0004 Mica—W—10%
R2	130-12	50M Ohms 1/3 Watt—20%—20 Volt Carbon	C2	106-26	.02 x 400 Volt—25%
R3	130-112	100 Ohms 1/10 Watt—20%—10 Volt Carbon	C3	129-62	.00003 Mica—O—10%
R4	130-22	5M Ohms 1/3 Watt—20%—10 Volt Carbon	C4	129-61	.0017 Mica—W—2 1/2%
R5	130-77	10M Ohms 1 Watt—20%—100 Volt Carbon	C5	106-9	.05 x 200 Volt—25%
R6	130-110	1 Meg Ohm 1/10 Watt—10%—100 Volt Carbon	C6	106-6	.25 x 200 Volt—25%
R7	101-49	1 Meg Ohm Volume Control	C7	100-11	.01 x 400 Volt—25%
R8	130-113	2 Meg Ohm 1/10 Watt—20%—100 Volt Carbon	C8	129-12	.00025 Mica—O—20%
R9	130-20	100M Ohms 1/3 Watt—20%—50 Volt Carbon	C9	129-5	.0001 Mica—O—20%
R10	130-100	150M Ohms 1/3 Watt—20%—50 Volt Carbon	C10	100-11	.01 x 400 Volt—25%
R11	106-26	33 Ohms	C11	100-10	.006 x 600 Volt—25%
R12	106-26	33 Ohms	C12	100-8	.25 x 200 Volt—25%
R13	106-26	52 Ohms	C13	103-6	8 mfd. x 350 Volt Electrolytic
<b>CONDENSERS</b>					
C1	129-63	.0004 Mica—W—10%	C14	103-7	8 mfd. x 300 Volt Electrolytic
C2	106-26	.02 x 400 Volt—25%	C15	124-29	Adjustable condenser 390 mmf. working capacity
C3	129-62	.00003 Mica—O—10%	C16	124-30	Adjustable Dual Condenser
C4	129-61	.0017 Mica—W—2 1/2%	<b>MISCELLANEOUS PARTS</b>		
C5	106-9	.05 x 200 Volt—25%	T1	111-56	Antenna Coil
C6	106-6	.25 x 200 Volt—25%	T2	110-44	Oscillator Coil
C7	100-11	.01 x 400 Volt—25%	T3	108-75	Input I.F. 465 kc.
C8	129-12	.00025 Mica—O—20%	T4	108-76	Output I.F. 465 kc.
C9	129-5	.0001 Mica—O—20%	T5	104-58	Power Transformer—60 Cycles
C10	100-11	.01 x 400 Volt—25%	S	125-10	Band Switch
C11	100-10	.006 x 600 Volt—25%	C	102-31	One Section of Two Gang Condenser
C12	100-8	.25 x 200 Volt—25%			
C13	103-6	8 mfd. x 350 Volt Electrolytic			

LIST OF REPAIR PARTS (Serial No. 6H369775 and up)

Use Only Genuine Factory Replacement Parts

Part No.	Schematic Reference	Description	No. Used in Set	Part No.	Schematic Reference	Description	No. Used in Set
<b>CONDENSERS</b>							
BE 104-8	C-12; C-6	.25 x 200 Volt Tubular—Without Bracket	2	BE 104-58		25 Cycle—110 Volt Power Transformer	1
BE 100-9	C-5	.05 x 200 Volt Tubular	1	BE 104-59		40 Cycle Primary—Universal Power Transformer	1
BE 100-11	C-16; C-7	.01 x 400 Volt Tubular	2	<b>CATHODE-RAY TUNING INDICATOR PARTS</b>			
BE 100-19	C-11	.006 x 600 Volt Tubular	1	BE 107-52		Cable and Socket Assembly	1
BE 100-26	C-2	.02 x 400 Volt	1	BE 112-158		Metal Oval Escutcheon	1
BE 103-6	C-13	8 Mfd. x 350 Volt Electrolytic	1	BE 117-57		Holder and Clamp	1
BE 103-7	C-14	8 Mfd. x 500 Volt Electrolytic	1	BE 130-110		1 Meg Ohm—1/10 Watt—10%—100 Volt Carbon	1
BE 129-5	C-9	.0001 Mica—Type O—20%	1	<b>MISCELLANEOUS</b>			
BE 129-12	C-8	.00025 Mica—Type O—20%	1	RE 101-49	R-7	Volume Control & A. C. Switch (1 Meg Ohm)	1
BE 129-61	C-4	.0017 Mica—Type W—2 1/2%	1	RE 102-31	C	Two Gang Variable Capacitor	1
BE 129-62	C-3	.00003 Mica—Type O—10%	1	RE 107-5		Line Cord & Plug	1
BE 129-63	C-1	.0004 Mica—Type W—10%	1	RE 112-15		Dial Crystal Only—Less Escutcheon	1
<b>RESISTORS</b>							
BE 106-26	R-11; R-12	220 Ohm (R-11), 33 Ohm (R-12), 52 Ohm (R-13), Metal Clad Resistor	1	RE 112-151		Bakelite Escutcheon Complete with Crystal	1
BE 130-12	R-3	50M Ohm— 1/4 Watt—20%— 20 Volt—Carbon	1	RE 112-158		Pilot Light Assembly	1
BE 130-20	R-9	100M Ohm— 1/2 Watt—20%— 50 Volt—Carbon	1	RE 112-159		Dial Scale	1
BE 130-22	R-4	5M Ohm— 1/4 Watt—20%— 10 Volt—Carbon	1	RE 112-160		Dial Pointer Complete with Screw	1
BE 130-77	R-5	10M Ohm— 1 Watt—20%—100 Volt—Carbon	1	RE 115-22		Tube Shield	1
RF 130-100	R-10	150M Ohm— 1/4 Watt—20%— 50 Volt—Carbon	1	RE 116-13		6-B Volt, T-51 Pilot Light Bulb	1
HF 130-110	R-8; R-14	1 Meg Ohm—1/10 Watt—10%—100 Volt—Carbon	2	RE 117-58		Dial Housing	1
BE 130-111	R-1	100M Ohm—1/10 Watt—20%— 50 Volt—Carbon	1	RE 117-59		Pointer Stud	1
BE 130-112	R-2	100 Ohm—1/10 Watt—20%— 10 Volt—Carbon	1	RE 117-60		Pointer Bushing Assembly	1
BE 130-113	R-3	2 Meg Ohm—1/10 Watt—20%—100 Volt—Carbon	1	RE 117-61		Drive Pulley	1
<b>COILS</b>							
BE 100-75	T-3	465 K.C. Input I.F. Coil Assembly Complete with Can	1	RE 120-7		Belt Tension Spring	1
BE 100-76	T-4	465 K.C. Output I.F. Coil Assembly Complete with Can	1	RE 124-29	C-15	Type T115 Series Pad	1
BE 110-44	T-2	Oscillator Coil Assembly Complete with Can	1	RE 124-30	C-16	Dual Ceramic Padder	1
BE 111-56	T-1	Antenna Coil Assembly Complete with Can	1	RE 125-19	S	Band Switch	1
<b>SOCKETS</b>							
BE 121-6		Six Prong Socket—Marked "78"	1	BE 131-2		Bakelite Knob	1
BE 121-6		Six Prong Socket—Marked "75"	1	BE 131-43		Cinch Button for Fastening Dial Scale	1
BE 121-6		Six Prong Socket—Marked "41"	1	BE 131-49		Drive Belt	1
BE 121-7		Seven Prong Socket—Marked "6A7"	1	BE 134-9		Compression Spring	1
BE 121-8		Five Prong Socket—Marked "8PKR"	1	<b>SPEAKER</b>			
BE 121-8		Four Prong Socket—Marked "80"	1	BE 114-16		Five Inch Dynamic Speaker	1
<b>TRANSFORMERS</b>							
				BE 104-58	T-5	60 Cycle—110 Volt Power Transformer	1
				BE 104-59		40 Cycle—110 Volt Power Transformer	1

MODEL 62-256

MONTGOMERY-WARD &amp; CO.

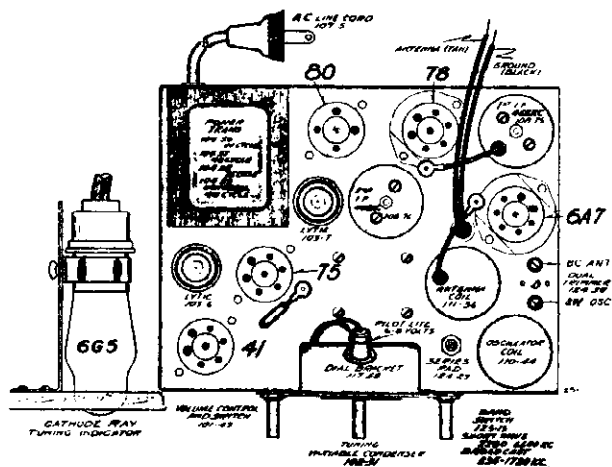


FIG. 1—TOP VIEW

**DUMMY ANTENNAS:**

The following dummy antennas are used in aligning and are referred to in the following alignment instructions as "Dummy 1," "Dummy 2," and "Dummy 3."

- Dummy 1: (I.F.)**—Consists of a .1 mfd. condenser connected in series with the external oscillator.
- Dummy 2: (Broadcast)**—Consists of a 200 mmfd. condenser and a 20 ohm resistor connected in series with each other and in series with the external oscillator.
- Dummy 3: (Short Wave)**—Consists of a .1 mfd. condenser and a 400 ohm resistor connected in series with each other and in series with the external oscillator.

**ALIGNING I.F. TRANSFORMERS: (465 K.C.):**

Part No. 108-76 Output I.F. Transformer  
Part No. 108-75 Input I.F. Transformer

These I.F. transformers have two adjustments, both of which are accessible from the top of chassis (see top view).

- With volume control full on (the extreme right of its rotation), the band changing switch in the broadcast position, (extreme left of its rotation), and with the variable condenser set to approximately 1400 kilocycles, make the following adjustments:
  - Connect external oscillator set at 465 kilocycles, in series with "Dummy 1," to the control grid cap of the type 78 tube, and adjust the output I.F. transformer (No. 108-76) to resonance.
  - With "Dummy 1" still connected, move oscillator output clip from grid of 78 to grid cap to 6A7 and adjust input I.F. transformer (No. 108-75) to resonance.
  - With oscillator still connected to 6A7, readjust output I.F. transformer (108-76) if necessary.

**BROADCAST AND SHORT WAVE BAND ALIGNMENT**

Broadcast Band:—535 to 1720 Kilocycles.

Short Wave Band:—2280 to 6600 Kilocycles.

**Important:**—These adjustments must be made in the following order:

**SHORT WAVE OSCILLATOR ADJUSTMENT:**

- With band switch in the short wave band position, extreme right of its rotation, and with the gang condenser in its minimum capacity position, plates entirely out of mesh, and with the external oscillator connected in series with "Dummy 1" to grid cap of the 6A7 tube, make the following adjustment:
  - Set external oscillator to 6.6 megacycles and adjust short wave oscillator trimmer to resonance. This adjustment is marked "S.W. Osc." (see top view of chassis, Fig. 1, for location of this adjustment).

**NOTE:** Make certain that the fundamental 6.6 megacycles signal has been tuned in and not the image frequency, noting that the image appears when the tuning knob is moved to approximately 5.7 megacycles.

**BROADCAST BAND OSCILLATOR ADJUSTMENT:**

- With band switch in the broadcast position, extreme left of its rotation, and with the gang condenser in its minimum capacity position, plates entirely out of mesh, and with external oscillator connected in series with "Dummy 1" to grid cap of the 6A7 tube, make the following adjustment:
  - Set external oscillator to 1720 K.C. and adjust broadcast oscillator trimmer to resonance. This adjustment is the trimmer mounted on the front section of the variable gang condenser.

**BROADCAST BAND ANTENNA ADJUSTMENT:**

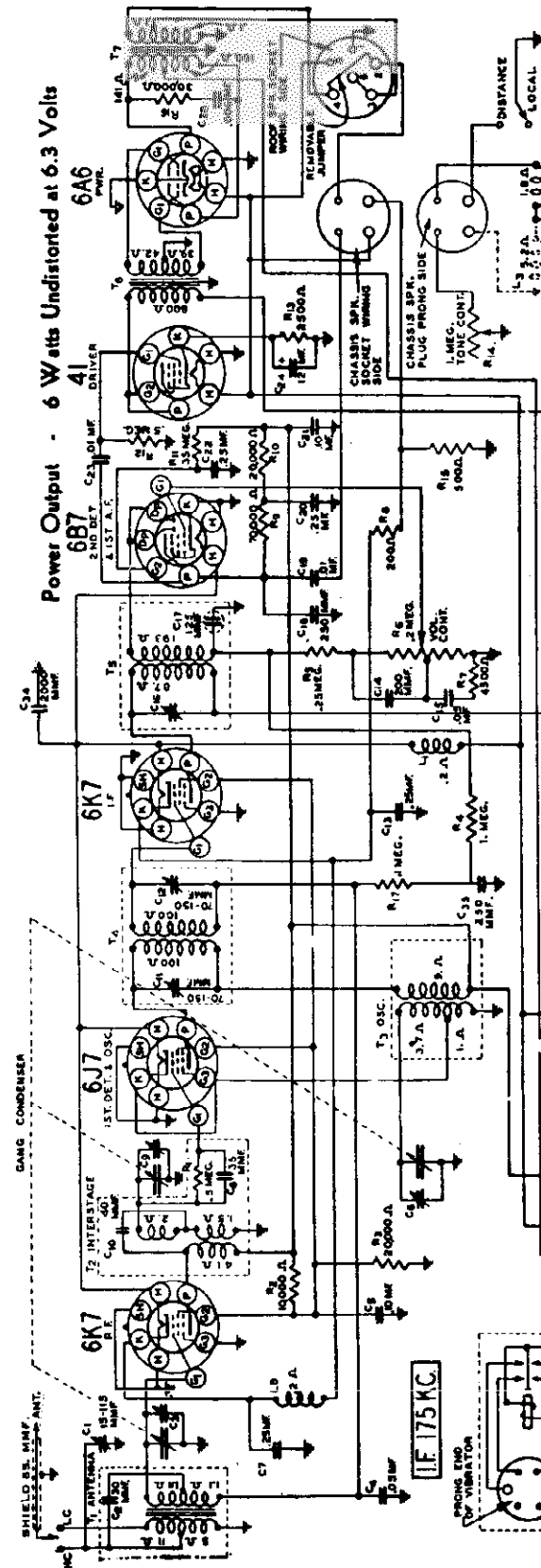
- With the band switch still in the broadcast position, move the external oscillator from the grid cap of the 6A7 tube to the tan antenna lead and black ground lead, in series with "Dummy 2" and make the following adjustments:
  - Set external oscillator to 1550 K.C., rotate variable gang condenser and pick up signal. Adjust broadcast antenna trimmer to resonance. This adjustment is marked "B.C. Ant." (See top view of chassis, Fig. 1, for location of this adjustment.)
  - Re-set external oscillator to 600 K.C. and adjust broadcast series pad to resonance by rotating condenser to approximately 600 K.C., rocking it slowly to and fro until, by adjusting series pad, maximum output is attained. This adjustment is located on the top of the chassis directly in front of the antenna coil. (See top view of chassis, Fig. 1).
  - Repeat adjustments "a" and "b" until sensitivity is at its maximum.

**SHORT WAVE BAND ANTENNA ADJUSTMENT:**

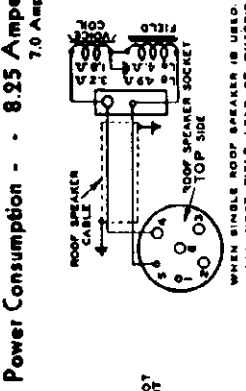
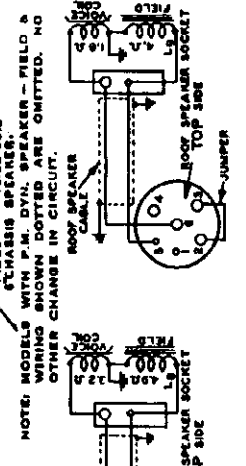
- With the band switch in the short wave position, and with external oscillator connected in series with "Dummy 3," to the tan antenna lead and black ground lead, make following adjustment:
  - Set external oscillator to 6 megacycles and adjust the short-wave antenna trimmer to resonance. This adjustment is the trimmer mounted on the rear section of the variable gang condenser.

MONTGOMERY-WARD & CO.

Power Output - 6 Watts Undistorted at 6.3 Volts



Power Consumption - 8.25 Amperes at 6.3 Volts  
7.0 Amperes with P.M. Speaker



"B" AND LATER ISSUES

VOLTAGES AT SOCKETS ("B" AND LATER ISSUES)  
Battery-4.3 Volts Under Load L-D Switch in Distance Position

Type of Tube	Function	Across Heater	Plate to Ground	Screen to Ground	Cathode to Ground
6K7	R.F.	5.8	250	132	3.6
6J7	1st Det. and Osc.	5.8	250	132	0
6K7	I.F.	5.8	250	132	3.6
6B7	2nd Det. & 1st A.F.	5.8	45(1)	45(1)	0
41	2nd A.F.	6.0	240	240	2.6
6A6	Power	6.0	262		0

(1) As read with 1000 ohm per volt meter-500 volt scale.

MODEL 62-258

MONTGOMERY-WARD & CO.

The Following Changes apply to all Issues of the Series  
**THE FOLLOWING NEW PARTS ARE USED:**  
 46X213 C29 15 mf. 180 volt Tubular Condenser..... \$0.30  
 16X16 15 Ampere Fusc..... .10  
**THE FOLLOWING PARTS ARE NOT USED:**  
 46X207 C29 .5 mf. 180 volt Tubular Condenser..... \$0.30  
 16X14 20 Ampere Fusc..... .10

Later models of the Series have changes incorporated in them which are explained below. The models which have these changes may be identified by the issue letter which is a large letter stamped on top of the chassis base. The tube arrangement label on the chassis case cover also shows this issue letter.

When ordering parts, it is important that the issue letter be noted and the correct part number, as shown in the parts list, be specified.

The "D" Issue Series is different from the "B" and "C" The gang condenser used in the "D" issue radios does not have the cut plate oscillator section. A padding condenser (600 KC) was added in series with the oscillator section of this gang condenser and the oscillator coil. The padding condenser is a part of the 2nd I. F. trimmer unit and is mounted in the 2nd I. F. coil can.

The capacity (C17) shown within a dotted circle in the 2nd I. F. coil assembly on the schematic has been changed to an actual part as shown in the supplementary parts list.

The antenna, R. F. Interstage, oscillator, and 2nd I. F. coil assemblies have been changed and have been given new part numbers as shown in the supplementary parts list.

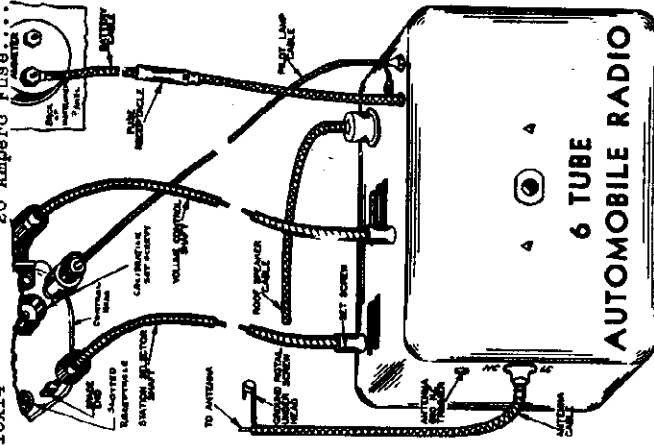
SUPPLEMENTARY REPLACEMENT PARTS

The Parts of the Series are used on the Series "D" Issue Radio with the following EXCEPTIONS:  
**THE FOLLOWING NEW PARTS ARE USED:**  
**PRICES ARE SUBJECT TO CHANGE WITHOUT NOTICE**

No.	Code	Description	List Price
9A859	T1	Antenna Transformer and Can Assembly.....	\$1.65
9A861	T2	R. F. Interstage Transformer and Can Assembly.....	1.75
9A862	T3	Oscillator Coil and Can Assembly.....	.95
9A868	T6	2nd I. F. Transformer and Can Assembly.....	2.35
47X57	C17	100 mmf. Molded Condenser.....	.10
17A79	(C16	30-100 mmf. 2nd I. F. Trimmer 900-1300 mmf. Oscillator 600 KC Padder)....	.45
14A77		3 Section Gang Condenser Complete with Drive Gears.....	5.05
<b>THE FOLLOWING PARTS OF THE SERIES ARE NOT USED ON THE SERIES "D" ISSUE RADIO:</b>			
9A740	or T1	Antenna Transformer and Can Assembly.....	\$1.65
9A771	or T2	R. F. Interstage Transformer and Can Assembly.....	1.70
9A765	or T3	Oscillator Coil and Can Assembly.....	.85
9A742	or T5	2nd I. F. Coil and Can Assembly.....	1.50
9A772	or T6	30-100 mmf. 2nd I. F. Trimmer.....	.20
17A65		3 Section Gang Condenser Complete with Drive Gears.....	5.85

CHANGES IN LATER MODELS

June, 1937



Alignment Procedure

Set the signal generator for 175 KC and connect the output of the signal generator through a .05 mf. condenser to the extor of the 1st detector section of the tuning condenser. Set the volume control at the maximum position and attenuate the signal from the signal generator to prevent the leveling off action of the AVC. Then adjust the three I.F. trimmers until maximum output is obtained.

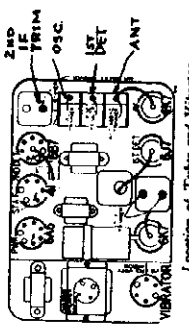
Set the signal generator for 1381 KC. Turn the rotor of the tuning condenser to the full open position. Insert the antenna plug with the mark on the high capacity (HC) side. Connect the shielded antenna lead from the chassis through a 120 mmf. condenser to the antenna post of the oscillator section of the three gang condenser until maximum output is obtained.

Set the signal generator for 600 KC and adjust the 600 KC antenna trimmer to maximum (see Fig. 10 for location of this trimmer).  
 After the alignment procedure is completed, the antenna plug may be withdrawn and reinserted on the LC side if a low capacity (70 mmf.) car antenna is used.

Set the signal generator for 1400 KC. Turn the rotor of the tuning condenser carefully until maximum output is obtained. Adjust the 1st detector and antenna 1400 KC trimmers for maximum output. Do not change the setting of the oscillator trimmer.

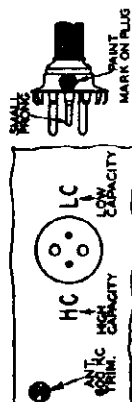
Then set the signal generator for 600 KC and adjust the 600 KC antenna trimmer to maximum (see Fig. 10 for location of this trimmer).

After the alignment procedure is completed, the antenna plug may be withdrawn and reinserted on the LC side if a low capacity (70 mmf.) car antenna is used.



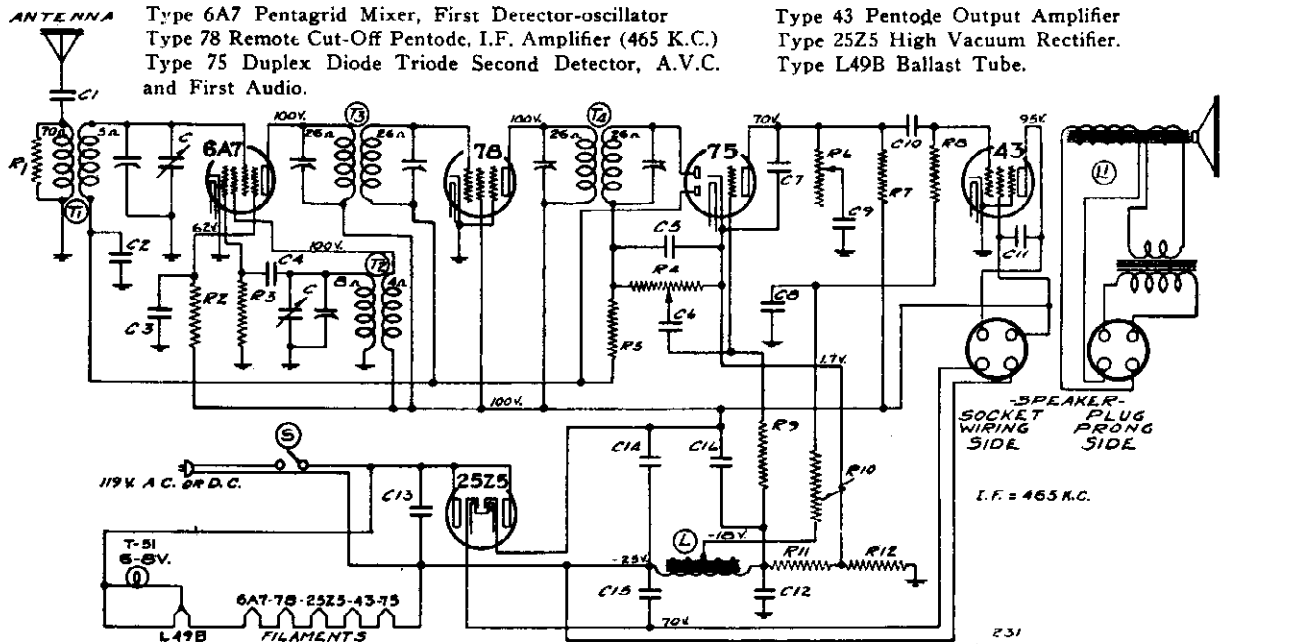
**Adjusting Antenna 600 KC Trimmer**  
 Tune in a weak signal at approximately 600 KC with the volume control about three-fourths on. Turn the adjusting screw of the antenna 600 KC trimmer up or down until maximum output is obtained. See Fig. 9 for location of this trimmer.

Antenna



**IMPORTANT**—The antenna plug can be inserted in two ways depending on whether the antenna is of high or low capacity.  
 If the total capacity of the antenna and shielded lead is approximately 200 mmf., which would be the case in a running board or ordinary roof antenna (not metal roof), insert the antenna plug with the mark on the HC side—See Fig. 9.  
 If the total capacity of the antenna and shielded lead is approximately 70 mmf., such as in the case of a "fish pole" antenna is used, insert the antenna plug with the mark on the LC side.

MONTGOMERY-WARD & CO.



**RESISTORS**

No.	Part No.	Description
R1	130-12	50M Ohm—1/2W—20%—20V—Carbon
R2	130-21	20M Ohm—1/2W—20%—20V—Carbon
R3	130-12	50M Ohm—1/2W—20%—20V—Carbon
R4	101-54	1 meg Ohm—Volume Control
R5	130-119	3 meg Ohm—1/2W—20%—100V—Carbon
R6	101-55	1 meg Ohm—Tone Control
R7	130-120	100M Ohm—1/2W—20%—50V—Carbon
R8	130-5	300M Ohm—1/2W—20%—100V—Carbon
R9	130-38	2 meg Ohm—1/2W—20%—100V—Carbon
R10	130-9	200M Ohm—1/2W—20%—20V—Carbon
R11	106-28	35 Ohm—Muter Strip
R12	106-28	50 Ohm—Muter Strip

**CONDENSERS**

C1	100-29	.002 x600 Volt—25%
C2	100-22	.05 x200 Volt—25%
C3	100-22	.05 x200 Volt—25%
C4	129-12	.00025 Mica—MT—20%
C5	129-12	.00025 Mica—MT—20%
C6	100-11	.01 x400 Volt—20%
C7	129-2	.0005 Mica—MT—20%
C8	100-20	.1 x200 Volt—25%
C9	100-11	.01 x400 Volt—25%
C10	100-11	.01 x400 Volt—20%
C11	100-25	.002 x600 Volt—25%
C12	100-6	.25 x200 Volt—20%
C13	100-39	.1 x400 Volt—20%
C14	119-25	15 mfd. x100 Volt—Working Voltage
C15	119-25	5 mfd. x100 Volt—Working Voltage
C16	119-25	8 mfd. x100 Volt—Working Voltage

NOTE: R11 and R12 in one unit—No. 106-28.

NOTE: C14, C15, and C16 in one unit—No. 119-25

**TUNING RANGE—**  
Standard Broadcast Band  
535-1720 Kilocycles

C	102-33	One section of two gang condenser
T1	111-57	Antenna Coil
T2	110-46	Oscillator Coil
T3	108-82	Input I.F. Coil—465 Kc.
T4	108-83	Output I.F. Coil—465 Kc.
L	105-29	Filter Choke (Resistance 600 Ohms)
L1	114-43	Five Inch Speaker (Field resistance 300 Ohms)
S	101-54	On and off switch on Volume Control

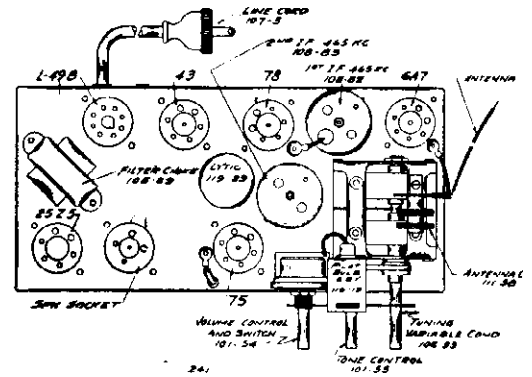


FIG. 2—TOP VIEW

**SERIES B** is the same as Series A, except for the following changes:—

- 1 - The C15 condenser was eliminated.
- 2 - The C14 condenser was replaced by a C15 (Part #119-29) 30 mfd. capacity, and the C16 was replaced by a C14 (Part #119-29) 5 mfd. capacity.

**ALIGNING I.F. TRANSFORMERS: (465 K.C.):**

Part No. 108-83 Output I.F. Transformer  
Part No. 108-82 Input I.F. Transformer

These I.F. transformers have two adjustments, both of which are accessible from the top of chassis (see top view).

1. With volume control full on (the extreme right of its rotation), and with the variable condenser set to approximately 1400 kilocycles, make the following adjustments:—

- (a) Connect external oscillator set at 465 kilocycles, in series with .1 mfd. condenser, to the control grid cap of the type 78 tube, and adjust the output I.F. transformer (No. 108-83) to resonance.
- (b) Move oscillator output clip from grid of 78 grid cap of 6A7 and adjust input I.F. transformer (No. 108-82) to resonance.
- (c) With oscillator still connected to 6A7, readjust output I.F. transformer (108-83) if necessary.

**R.F. ALIGNMENT: (535-1720 K.C.)**

1. Unsolder the antenna wire from its terminal on the antenna coil and with gang condenser in its minimum capacity position, plates entirely out of mesh, connect an external oscillator in series with a 50 mmf. condenser to the antenna terminal on the antenna coil and chassis ground and make the following adjustments:

- (a) With external oscillator set at 1720 kilocycles, adjust oscillator trimmer (rear of gang condenser).
- (b) Re-set external oscillator to 1550 kilocycles, rotate condenser, pick up oscillator signal and adjust antenna trimmer to resonance (front section of gang condenser).
- (c) Check sensitivity at 600 and 1000 kilocycles.

MODEL 62-262

MONTGOMERY-WARD & CO.

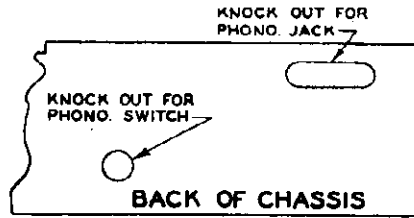


Fig. 8—Location of Phono Knockouts

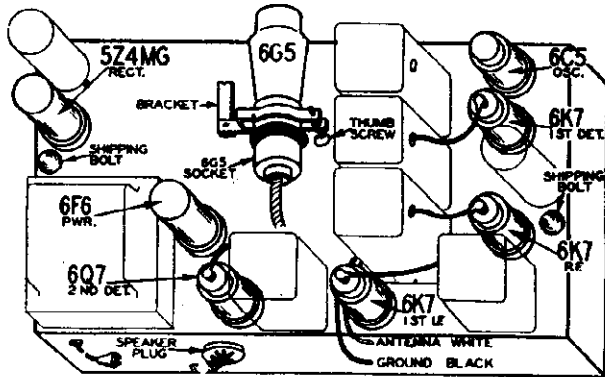


Fig. 6—Location of Tubes

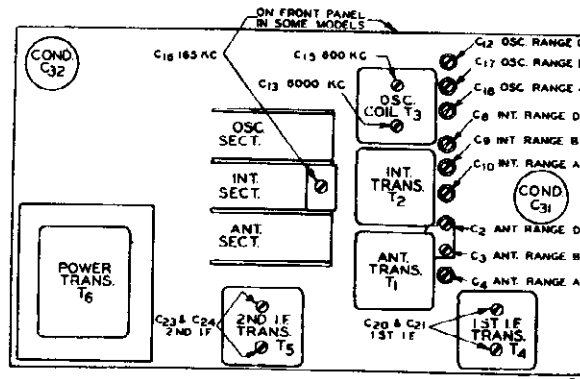


Fig. 3—Location of Trimmers

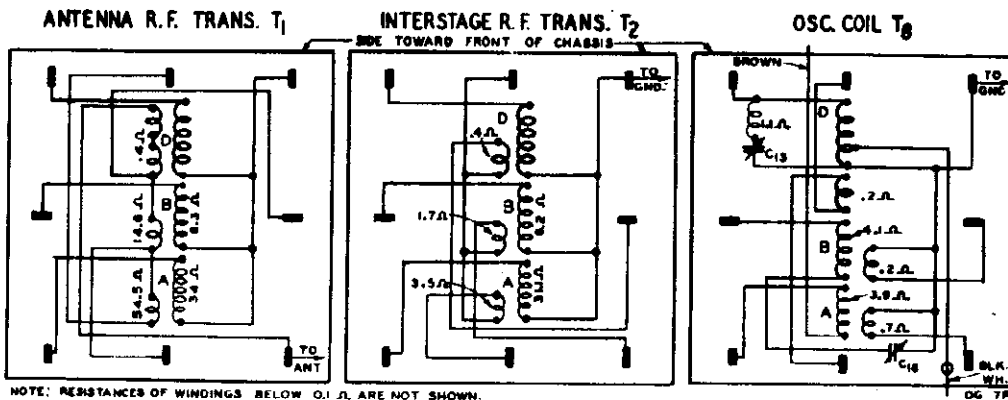


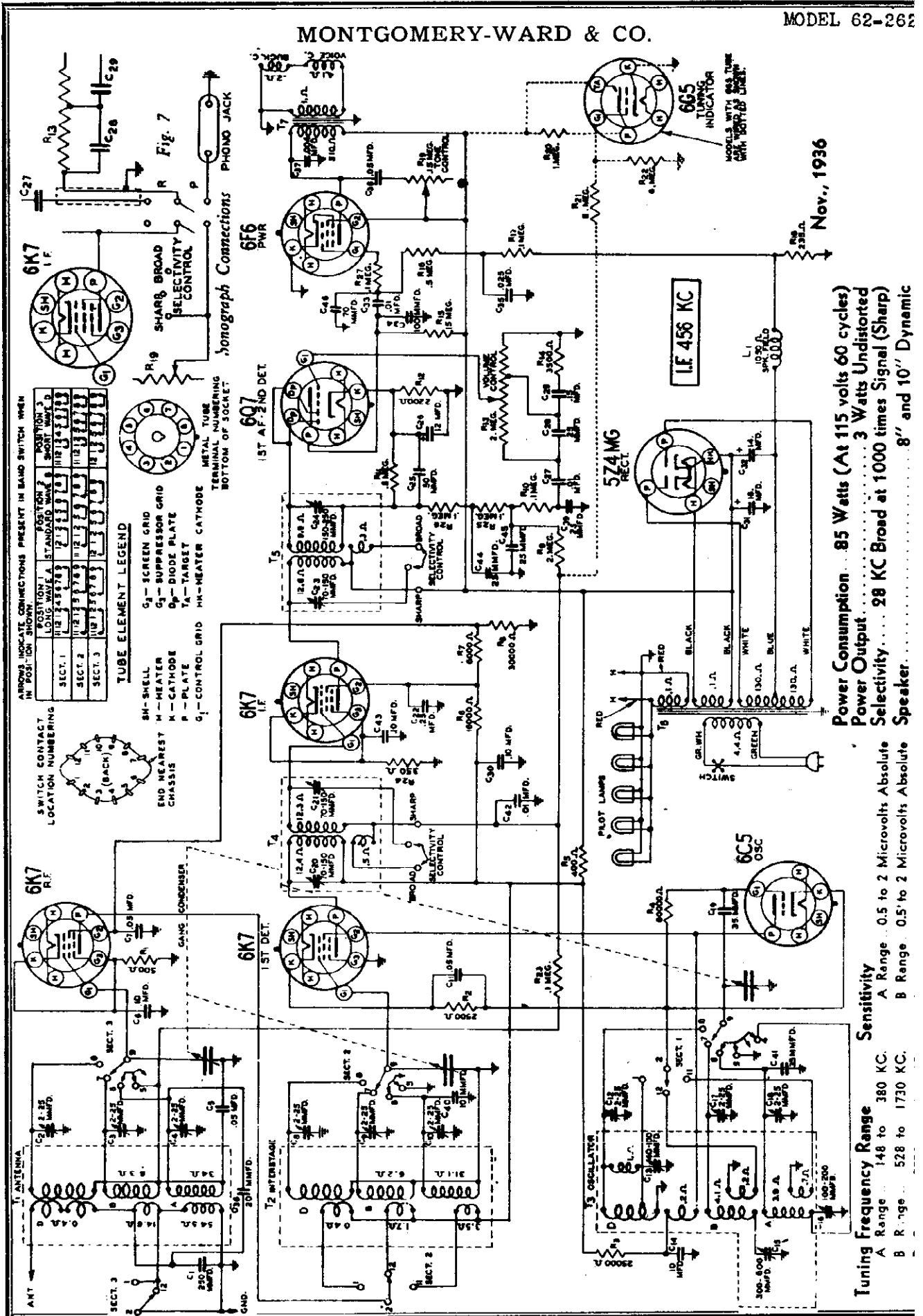
Fig. 4—R. F. and Oscillator Coil Base Terminal Arrangement and D. C. Resistance of Windings

Line Voltage: 115 Volume Control: Maximum		Antenna Shorted to Ground Position of Band Switch: Standard Wave							
TUBE	FUNCTION	VOLTAGE BETWEEN SOCKET PRONGS AND GROUND (Unless otherwise indicated)							
		Prong No. 1	Prong No. 2	Prong No. 3	Prong No. 4	Prong No. 5	Prong No. 6	Prong No. 7	Prong No. 8
6K7	RF.....	0	6.1 <sup>(1)</sup>	260	100	4.0	.....	6.1 <sup>(1)</sup>	4.0
6K7	1st Det. ....	0	6.1 <sup>(1)</sup>	260	118	0	.....	6.1 <sup>(1)</sup>	9.0
6C5	Osc.....	0	6.1 <sup>(1)</sup>	120	.....	0	.....	6.1 <sup>(1)</sup>	0
6K7	1 F.....	0	6.1 <sup>(1)</sup>	260	138	4.0	.....	6.1 <sup>(1)</sup>	4.0
6Q7	1st A.F.—2nd Det. ....	0	6.1 <sup>(1)</sup>	105	0	0	.....	6.1 <sup>(1)</sup>	1.4
6F6	Power Amp.....	0	6.1 <sup>(1)</sup>	238	260	18	.....	6.1 <sup>(1)</sup>	0
5Z4MG	Rect.....	0	4.9 <sup>(2)</sup>	.....	680 <sup>(3)</sup>	.....	680 <sup>(3)</sup>	.....	4.9 <sup>(2)</sup>
6G5	Tuning Indicator	Plate to Ground 30 <sup>(4)</sup>		Target to Ground 270		Cathode to Ground 0		Across Heater 6.1 A.C.	

(1) A.C. voltage as read across heater terminals 2 and 7.  
 (2) A.C. voltage as read across heater terminals 2 and 8.

(3) A.C. voltage as read across terminals 4 and 6.  
 (4) As read with 500,000 ohm meter.

MONTGOMERY-WARD & CO.



Power Consumption . . . 85 Watts (At 115 volts 60 cycles)  
 Power Output . . . 3 Watts Undistorted  
 Selectivity . . . 28 KC Broad at 1000 times Signal (Sharp)  
 Speaker . . . 8" and 10" Dynamic

Tuning Frequency Range  
 A Range . . . 148 to 380 KC.  
 B Range . . . 528 to 1730 KC.

Sensitivity  
 A Range . . . 0.5 to 2 Microvolts Absolute  
 B Range . . . 0.5 to 2 Microvolts Absolute



MONTGOMERY-WARD & CO.

Parts list table with columns for Part No., Description, and Price. Includes sections for ELECTROLYTIC, MISC. PARTS, RESISTORS, CARBON, and PHONO ATTACHMENT PARTS.

Shielding of the cable. The switch terminal shown connected to the tone control (R19) in Fig. 7 should be connected to the switch terminal which connects to the 01 condenser (C17).

The best shielding is not through the hole in the chassis base which is drilled for the tone control knob. The shield is soldered to the base at this point and also to the bottom of the base at the loop located just beneath the gang condenser. The tin plate mentioned previously is not used.

Trimmer Replacement If one trimmer of the gang trimmer strip should become defective, it is not necessary to replace the entire strip. A single trimmer P-17A36, as shown in the replacement parts list, may be used. Disconnect the lead from the coil (part 24, previously) of the defective trimmer to the single trimmer. Connect it to the side of the trimmer not in contact with the adjusting screw. The other side of the single trimmer is then connected to a good ground, using a piece of heavy wire in order to support the trimmer adequately. In replacing a trimmer, be sure to keep both leads as short as possible and to keep the ungrounded lead as far from ground as possible.

Across the volume control resistor, R13, is a filter composed of condenser C28 and C29 and resistor R14. A top connection near the low potential end of the volume control is connected between the two condensers. At high volume settings, the filter is not effective. At the low volume settings, the filter is dependent on the frequency of the audio frequencies as by reason of the C29 resistor. The C29 resistor is connected through the volume control to the speaker terminals for the reduction of these frequencies. At low volume settings the low frequency amplitudes are increased as a result.

Replacement Parts NOTICE—There is a large letter on the sheet which identifies the parts to be replaced. When ordering parts, please be sure to mention the radio number and the large letter.

MISCELLANEOUS SOCIETIES

PHONO ATTACHMENT PARTS WITH SWITCH MOUNTED ON CHASSIS

TRANSFORMERS AND COILS

CONDENSERS TUBULAR

PHONO ATTACHMENT PARTS WITH SWITCH MOUNTED EXTERNALLY

Price Subject to Change Without Notice

Twenty-five Cycle Receivers The twenty-five cycle receiver differs from the sixty cycle receiver only in the fact that a different power transformer is used. The correct power transformer is shown in the parts list.

Phonograph Connections Switch on Back Panel of Chassis Phonograph connections can be made as shown in Fig. 7. The parts required are shown in the parts list. Connections are provided in the back panel of the chassis for mounting the phono jack and phono switch. See Fig. 8.

Replacement Parts

TRANSFORMERS AND COILS

CONDENSERS TUBULAR

PHONO ATTACHMENT PARTS WITH SWITCH MOUNTED EXTERNALLY

Price Subject to Change Without Notice

until maximum output is obtained. In sets using pointers, lower the screw of the large pointer and set the pointer at the 1500 KC mark on the standard wave band scale. Re-align the set.

Range D Adjustment

600 KC Adjustment

350 KC Adjustment

165 KC Adjustment

1730 KC Adjustment

Range B Alignment

Range D Alignment

Range A Alignment

Range C Alignment

Range E Alignment

Range F Alignment

Range G Alignment

Range H Alignment

Range A Alignment After the procedure for the alignment of each range, as explained below, is completed, it is advisable to repeat the procedure on a band check.

Range B Alignment

Range C Alignment

Range D Alignment

Range E Alignment

Range F Alignment

Range G Alignment

Range H Alignment

Range I Alignment

Range J Alignment

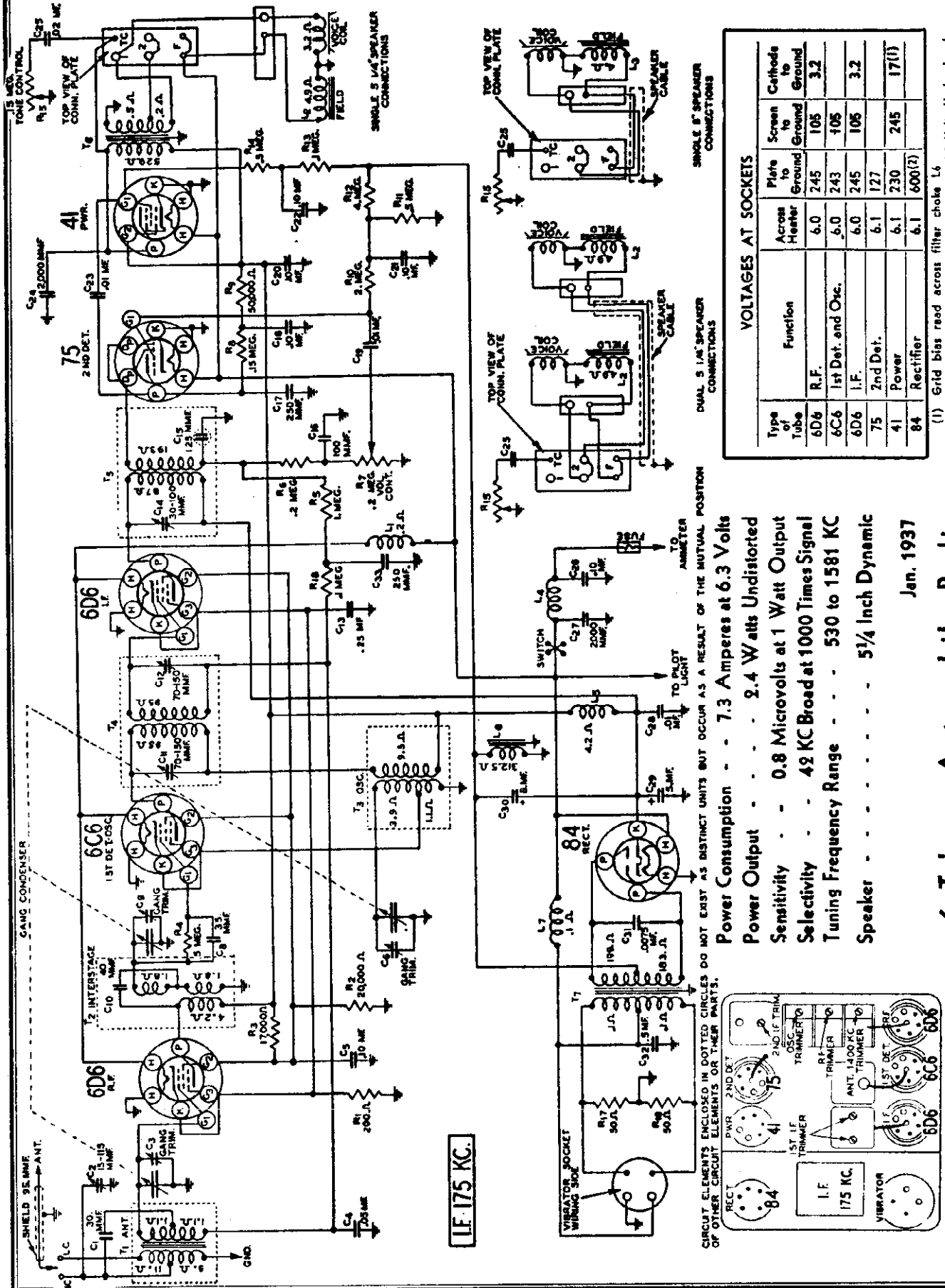
Range K Alignment

Range L Alignment

Range M Alignment

Range N Alignment

MONTGOMERY-WARD & CO.



**VOLTAGES AT SOCKETS**

Type of Tube	Function	Across Heater	Plate to Ground	Screen to Ground	Cathode to Ground
6D6	R.F.	6.0	245	105	3.2
6C6	1st Det. and Osc.	6.0	243	105	3.2
6D6	I.F.	6.0	245	105	3.2
75	2nd Det.	6.1	127	245	17(1)
41	Power	6.1	230	245	
84	Rectifier	6.1	600(2)		

(1) Grid bias read across filter choke L4  
 (2) A.C. voltage across plates Battery—4.3 Volts Under Load

**Power Consumption** . . . . . 7.3 Amperes at 6.3 Volts  
**Power Output** . . . . . 2.4 Watts Undistorted  
**Sensitivity** . . . . . 0.8 Microvolts at 1 Watt Output  
**Selectivity** . . . . . 42 KC Broad at 1000 Times Signal  
**Tuning Frequency Range** . . . . . 530 to 1581 KC  
**Speaker** . . . . . 5 1/4 Inch Dynamic

Jan. 1937

6 Tube Automobile Radio

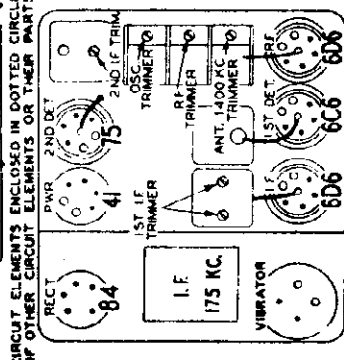


Fig. 2—Location of Tubes and Vibrator

MONTGOMERY-WARD & CO.

I. F. Adjustment

Set the signal generator for a signal of 175 KC. Connect the output of the signal generator through a .05 mf. condenser to the stator of the R.F. interstage section of the tuning condenser. (See Fig. 2 for location of this section.) Connect the ground lead of the signal generator to the chassis. The chassis should be in the case. Set the volume control at the maximum position. Attenuate the signal from the signal generator to prevent the levelling-off action of the AVC.

Then adjust the three I.F. trimmers until maximum output is obtained. The location of these trimmers is shown in Fig. 2.

1581 KC Adjustment

Set the signal generator for 1581 KC. Turn the rotor of the tuning condenser to the full open position.

Insert the antenna plug with the mark on the high capacity (HC) side. Connect the shielded antenna lead from the chassis through a 110 mmf. condenser to the antenna post of the signal generator.

For this and all subsequent adjustments keep the volume control at the maximum position and attenuate the signal from the signal generator to prevent AVC action.

Adjust the trimmer of the oscillator section of the three gang condenser until maximum output is obtained—see Fig. 2 for location of this trimmer.

1400 KC Adjustment

Set the signal generator for 1400 KC. Turn the rotor of the tuning condenser carefully until maximum output is obtained.

Adjust the R.F. interstage and antenna 1400 KC trimmers for maximum output.

Do not change the setting of the oscillator trimmer.

600 KC Adjustment

Set the signal generator for 600 KC. Tune in this signal and adjust the 600 KC antenna trimmer to maximum (See Fig. 3 for location of this trimmer).

After the alignment procedure is completed, the antenna plug may be withdrawn and reinserted on the LC side if a low capacity (70 mmf.) car antenna is used.

Adjusting Antenna 600 KC Trimmer

After the radio is installed and the car antenna is connected, it will be necessary to readjust the antenna trimmer. Tune in a weak signal at approximately 600 KC with the volume control about three-fourths on. Turn the adjusting screw of the antenna 600 KC trimmer up or down until maximum output is obtained. See Fig. 3 for location of this trimmer.

Calibrating the Radio

To calibrate the radio, tune in a station of known frequency. At the back of the control head is the calibration screw. Remove the pilot lamp assembly. Hold the tuning knob. Insert a fine blade screwdriver and turn this screw until the pointer on the dial scale is at the frequency of the station being received.

A very short insulated screwdriver will be helpful.

Inserting Antenna Plug

**IMPORTANT**—The antenna plug can be inserted in two ways depending on whether the antenna is of high or low capacity.

If the total capacity of the antenna and shielded lead is approximately 200 mmf., which would be the case in a running board or ordinary roof antenna (not metal roof), insert the antenna plug with the mark on the HC side—See Fig. 3.

If the total capacity of the antenna and shielded lead is approximately 70 mmf., such as may be the case if a "fish pole" antenna is used, insert the antenna plug with the mark on the LC side.

The 1936 Chrysler Motors cars (except Plymouth—but including Chrysler, Dodge and DeSoto) have a steel roof, separated from the body proper, which is used as an antenna. The capacity of these antennas is about 1500 mmf. If this radio is installed in these cars, it will be necessary to use a running board or "fish pole" antenna.

Most 1937 General Motors cars are equipped with an antenna built into the running board which is insulated from the body proper.

If a running board or under-car antenna is used, it must be one which is covered with a suitable insulation, to prevent short circuiting in wet weather.

The "B" issue of this series of auto radio receivers has several changes incorporated in it and its data differ

This issue can be identified by the issue letter which is stamped on the top of the chassis base and on the tube layout label on the chassis case cover. Specify this letter if parts be ordered.

The gang condenser used in the new issue does not have the cut-plate oscillator section. The new part number for the gang condenser is 14A77. A padding condenser (600 kc) was added in series with the oscillator section of this gang condenser and the oscillator coil. The padder is a part of the 2nd i-f trimmer unit and is mounted in the coil can. In other words, the 30-100 mmf condenser, C-14, and the new 900-1300-mmf condenser are mounted in the same can and have a part number 17A79.

The capacity C-15 shown within a dotted circle on the schematic in the 2nd i-f coil assembly, has been changed to an actual part and has a part number 47X57.

The following parts have been changed in the late issue and below will be found the new parts numbers:

- T1 Antenna Transformer and Can Assembly ..... 9A859
- T2 R-f Transformer and Can Assembly ..... 9A860
- T3 Oscillator Coil and Can Assembly ..... 9A862
- T5 2nd I-F Transformer and Can Assembly ..... 9A858

The 2000-mmf molded condenser in the plate circuit of the 41 output tube has been changed, to a 0.002-mf, 1000-volt tubular condenser, Part No. 46X-219. A 15-ampere fuse is now used instead of one rated at 20 amperes. The 25-inch volume or tuning control flexible drive shaft has been changed, the Part No. now being 18A49. The changes in this last paragraph apply to all issues receivers; not just the "B" issue like those above.

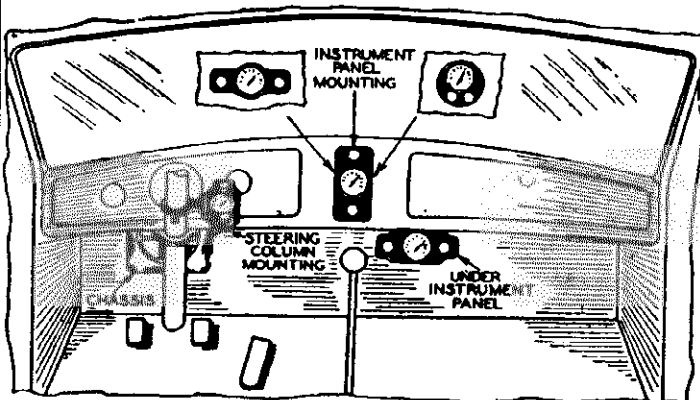


Fig. 6—Various Control Head Mountings

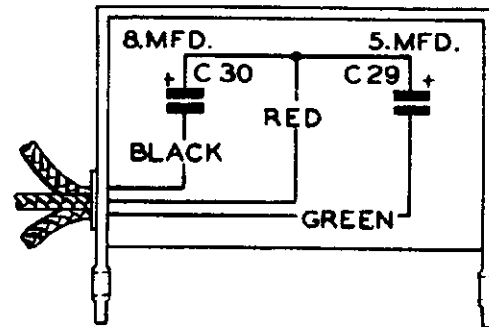


Fig. 5—Condenser Block—Internal Wiring

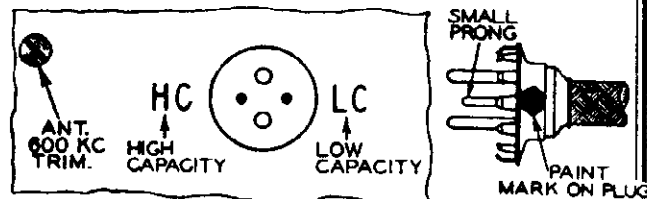


Fig. 3—Antenna Plug Insertion

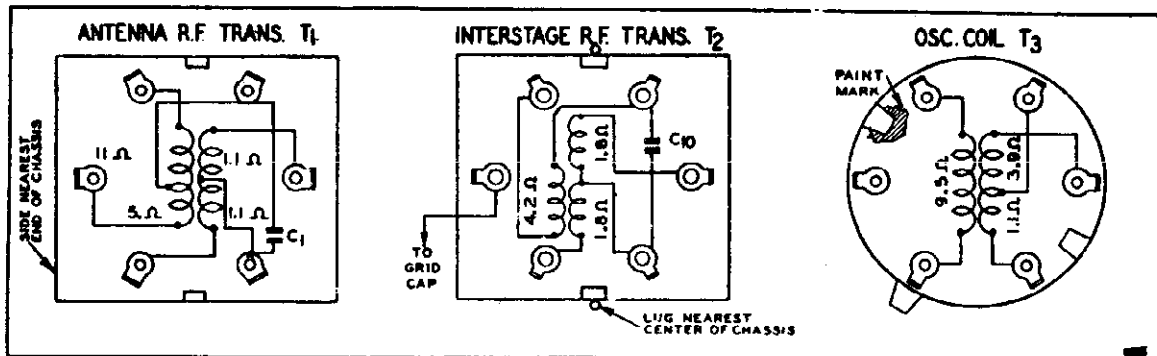
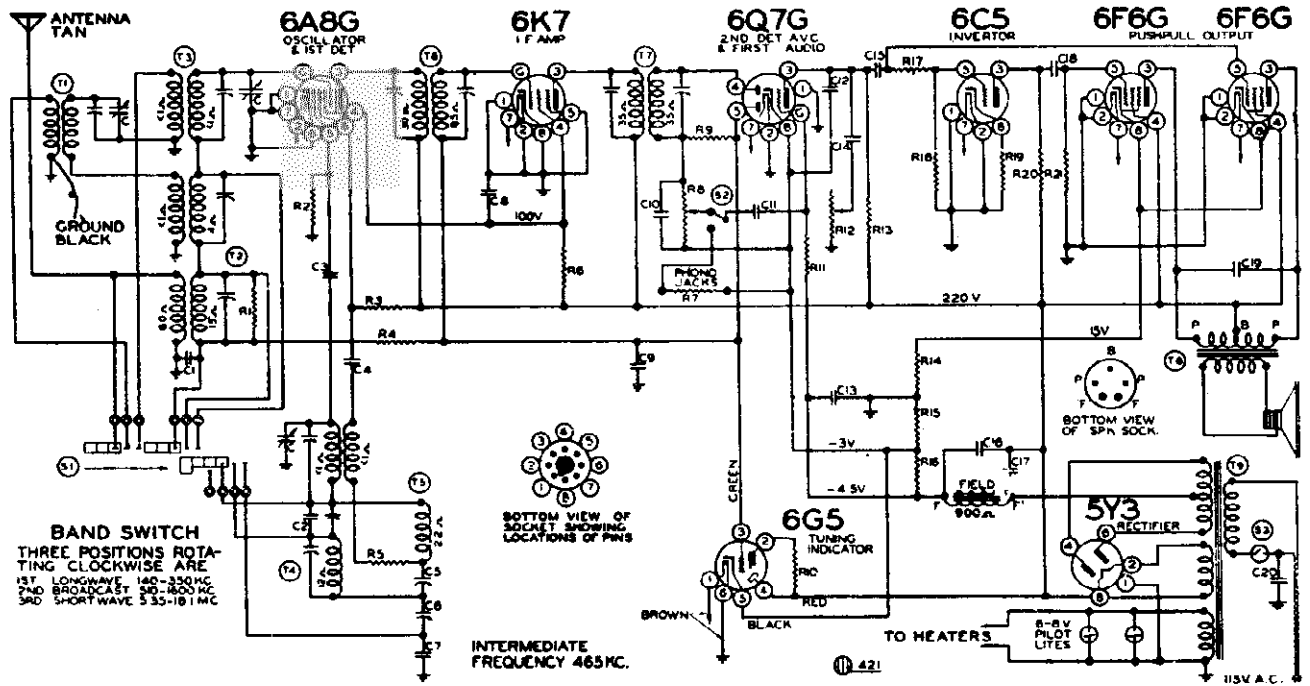


Fig. 4—R. F. and Oscillator Coil Base Terminal Arrangement and D. C. Resistance of Windings

MONTGOMERY-WARD & CO.



PARTS

R-1	130-3	500M Ohm	T-1	111-62	B.C. Pre Selector
R-2	130-12	50M Ohm	T-2	111-61	L.W. Ant. Coil Assembly
R-3	130-48	15M Ohm	T-3	111-64	B.C. S.W. Ant. Coil Assembly
R-4	130-103	100M Ohm	T-4	110-49	B.C. S.W. Osc. Coil Assembly
R-5	130-27	50 Ohm	T-5	110-47	L.W. Osc. Coil Assembly
R-6	130-96	25M Ohm	T-6	108-105	Input I.F. — 465 K.c.
R-7	130-103	100M Ohm	T-7	108-106	Output I.F. — 465 K.c.
R-8	101-74	Volume Control	T-8	114-66	6" Dynamic Speaker (900 Ohm Field)
R-9	130-4	3 meg Ohm	T-9	104-96	Power Transformer 40 Cycle—Universal
R-10	130-110	In Tuning Indicator Socket	S-1	125-17	Band Switch
R-11	130-4	3 meg Ohm	S-2	125-22	Phono Switch
R-12	101-75	Tone Control	S-3		On-Off Switch on Volume Control
R-13	130-103	100M Ohm			
R-14	106-37	Resistor Strip			
R-15	106-37	Resistor Strip			
R-16	106-37	Resistor Strip			
R-17	130-163	400M Ohm			
R-18	130-103	100M Ohm			
R-19	130-22	5M Ohm			
R-20	130-12	50M Ohm			
R-21	130-100	150M Ohm			

NOTE—R-14, R-15, and R-16 in one unit, part 106-37

C	102-47	3 Gang Variable	
C-1	100-22		.05
C-2	129-67	Mica	.00004
C-3	129-39	Mica	.00005
C-4	100-12		.003
C-5	124-31	Adj. Padder	300 mmf.
C-6	124-32	Adj. Padder	565 mmf.
C-7	129-54	Mica	.003
C-8	100-39		.1
C-9	100-22		.05
C-10	129-5	Mica	.0001
C-11	100-11		.01
C-12	129-2	Mica	.0005
C-13	100-20		.1
C-14	100-57		.006
C-15	100-26		.02
C-16	103-14	Lytic Filter	16 mfd.
C-17	103-6	Lytic Filter	8 mfd.
C-18	100-26		.02
C-19	100-12		.003
C-20	100-61	(Bakelite Case, Type)	.02

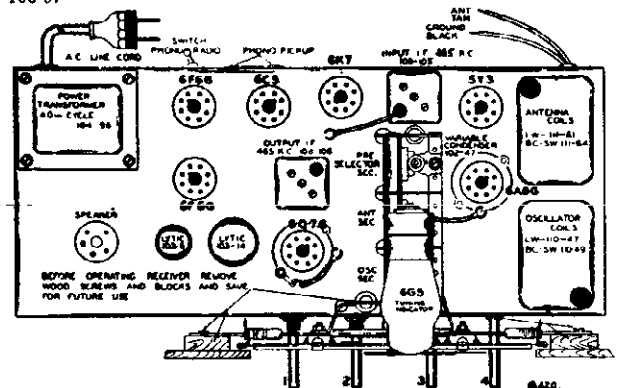


FIG. 1—TOP VIEW

MODEL 62-266

## MONTGOMERY-WARD &amp; CO.

BAND	DIAL SCALE	FREQUENCY RANGE
Long Wave . . .	Outer Scale . .	350 to 140 K.C. (Kilocycles) 860-2150 Meters
Medium Wave .	Center Scale .	1600 to 510 K.C. (Kilocycles) 187-588 Meters
Short Wave . . .	Inner Scale . .	18.1 to 5.35 M.C. (Megacycles) 16.5-56.5 Meters

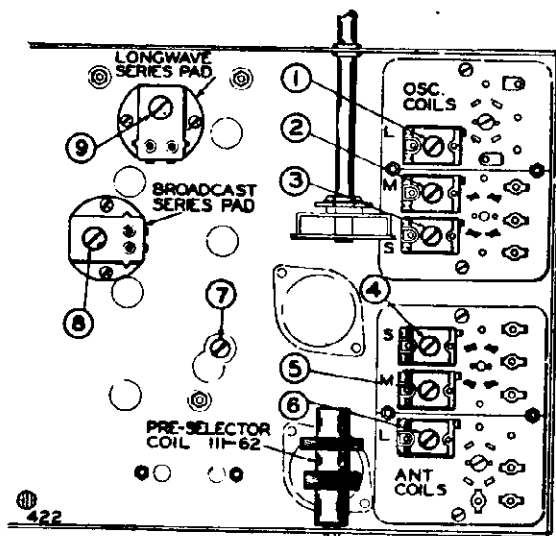


FIG. 3—BOTTOM VIEW SHOWING TRIMMERS

**DUMMY ANTENNAS:**

The following dummy antennas are used in aligning the receiver, and are referred to in the following alignment instructions as "Dummy 1," "Dummy 2," and "Dummy 3."

**Dummy 1:** (I.F.)—Consists of a .1 mfd. condenser connected in series with the external oscillator.

**Dummy 2:** (Medium and long wave) — Consists of a 200 mmfd. condenser and a 20 ohm resistor connected in series with each other and in series with the external oscillator.

**Dummy 3:** (Short Wave)—Consists of a .1 mfd. condenser and a 400 ohm resistor connected in series with each other and in series with the external oscillator.

**ALIGNING I.F. TRANSFORMERS: (465 K.C.) (645.1 METERS)**

Part No. 108-106 Output I.F. Transformer  
Part No. 108-105 Input I.F. Transformer

These I.F. transformers have two adjustments, both of which are accessible from the top of chassis (see top view).

1. With volume control full on, (the extreme right of its rotation), the band changing switch in the medium position, (center of its rotation), and with the variable condenser set to minimum capacity make the following adjustments:

(a) Connect external oscillator set at 465 kilocycles, in series with "Dummy 1", to the control grid cap of the type 6K7 tube, and adjust the output I.F. transformer (No. 108-106) to resonance.

(b) With "Dummy 1" still connected, move oscillator output clip from grid of 6K7 to grid cap of 6A8G and adjust input I.F. transformer (No. 108-105) to resonance.

**SHORT WAVE BAND ALIGNMENT:**

16.5 Meters (18.1 Mc) to 56.5 Meters (5.35 Mc).

1. With band changing switch in the short wave position, extreme right of its rotation, and with external oscillator set at 17 megacycles (17.6 meters) and connected in series with "Dummy 3" to the tan antenna and black ground lead, make the following adjustments:

(a) Move dial pointer to 17 megacycles (17.6 meters) and adjust short wave oscillator (Adjustment number 3) and short wave antenna (Adjustment number 4) to resonance.

(b) Re-set external oscillator to 6 megacycles (50 meters) and pick up signal by rotating variable condenser and check sensitivity.

(c) Re-set external oscillator and check set at 18.1 megacycles (16.5 meters) and 5.3 megacycles (56.5 meters) for band coverage.

**NOTE:** It is extremely necessary in making all of these adjustments that the fundamental oscillator signal be tuned in and not the image frequency which will fall below the fundamental. An example of this is an image of a fundamental 17 megacycle signal appears near 16.1 megacycles.

**MEDIUM BAND ALIGNMENT:**

588 Meters (510 K.C.) to 187 Meters (1600 K.C.)

1. With band changing switch in the medium wave position, center of its rotation, and with gang condenser in its minimum capacity position, plates entirely out of mesh, and with external oscillator connected in series with "Dummy 2" to tan antenna lead and black ground lead, make following adjustments.

(a) Set external oscillator to 187 meters (1600 K.C.) and adjust medium wave oscillator trimmer to resonance (adjustment number 2; see bottom view of coil assembly, Fig. 3.)

(b) Re-set external oscillator to 214 meters (1400 K.C.), rotate variable gang condenser and pick up signal. Adjust medium wave antenna trimmer (Adjustment number 5) to resonance; also adjust preselector trimmer condenser to resonance, (Adjustment number 7; see Bottom View, Fig. 3).

(c) Re-set external oscillator to 500 meters (600 K.C.), and adjust medium wave series pad to resonance by rotating condenser to approximately 600 K.C., rocking it slowly to and fro until by adjusting series pad maximum output is attained. This adjustment is located on the bottom of the chassis directly under the variable gang condenser. (See bottom view of chassis, Fig. 3, Adjustment 8).

(d) Repeat adjustments "a" and "b" until sensitivity is at its maximum.

(e) Check for tracking and sensitivity at 300 meters (1000 K.C.) Under no circumstances bend plates of variable condenser sections to correct tracking.

**IMPORTANT:** This band must be completely rechecked after the long wave band has been adjusted.

**LONG WAVE BAND ALIGNMENT:**

860 Meters (350 K.C.) to 2150 Meters (140 K.C.)

1. With band changing switch in the long wave position, extreme left of its rotation, and with gang condenser in its minimum capacity position, plates entirely out of mesh, and with external oscillator connected in series with "Dummy 2" to tan antenna lead and black ground lead, make following adjustments:

(a) Set external oscillator to 860 meters (350 K.C.), and adjust long wave oscillator trimmer to resonance (adjustment number 1; see bottom view of coil assembly, Fig. 3.)

(b) Re-set external oscillator to 925 meters (325 K.C.), rotate variable gang condenser and pick up signal. Adjust long wave antenna trimmer (Adjustment number 6) to resonance.

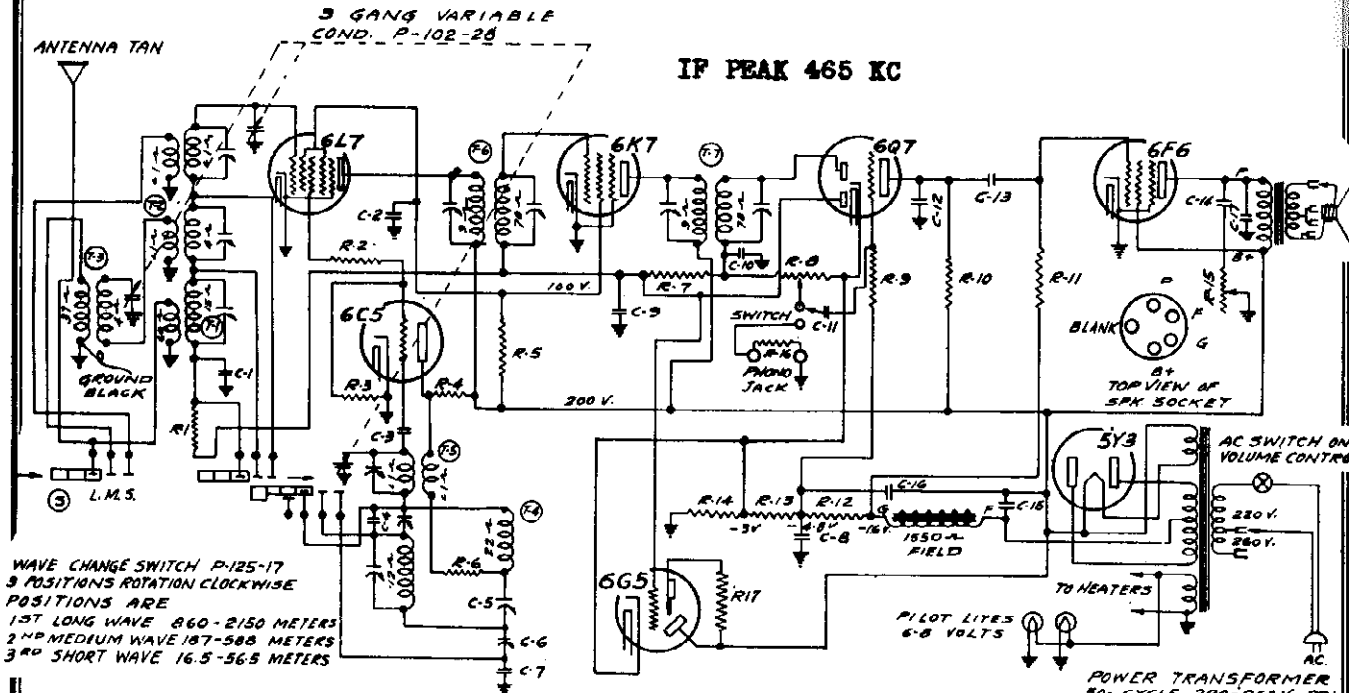
(c) Re-set external oscillator to 2000 meters (150 K.C.), and adjust long wave series pad to resonance by rotating condenser to approximately 2000 meters, rocking it slowly to and fro until by adjusting series pad maximum output is attained. This adjustment is located on the bottom of the chassis directly under the variable gang condenser (See bottom view of chassis, Fig. 3, Adjustment 9).

(d) Repeat adjustments "a" and "b" until sensitivity is at its maximum.

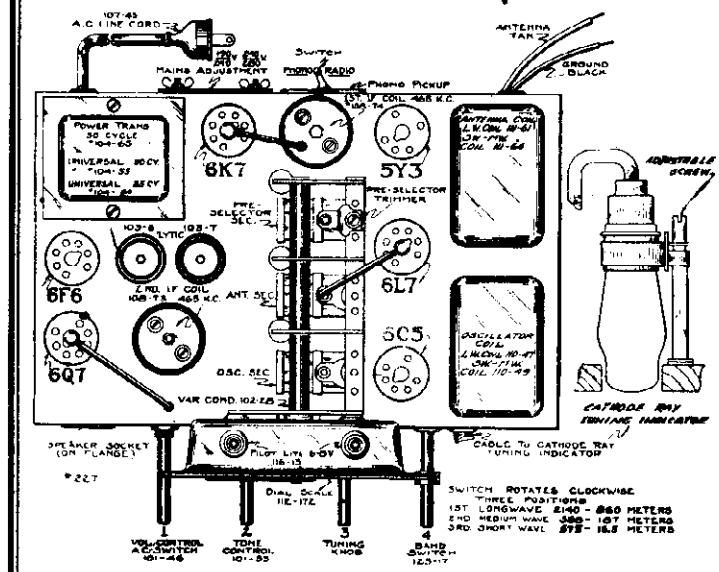
**IMPORTANT:** This band must be completely rechecked after the medium wave band has been rechecked.

MONTGOMERY-WARD & CO.

MODEL 62-269



WAVE CHANGE SWITCH P-125-17  
3 POSITIONS ROTATION CLOCKWISE  
POSITIONS ARE  
1ST LONG WAVE 860-2150 METERS  
2ND MEDIUM WAVE 187-588 METERS  
3RD SHORT WAVE 16.5-56.5 METERS



TOP VIEW—FIG. 1

DIAL PARTS LIST

ASSEMBLIES

- 117-41 Drive Bracket including:
  - 1—No. 117-19—Tuning Shaft Bushing
- 117-66 Switch Disc and Link Assembly, including:
  - 1—No. 117-12 —Switch Arm
  - 1—No. 117-35 —Bushings with Screws
  - 1—No. 117-40B—Switch Link
  - 3—No. 131-26 —Spring Washers
  - 3—No. 162-5 —Rivets
  - 1—No. 112-144 Switch Dis.—Inc. Red Tape

DIAL PARTS ONLY

- 112-125 Drive Belt
- 112-443 Oval Escutcheon complete with Celluloid Crystal
- 112-172 Dial Scale comp. with Fastener, Pointer Disc, & Screw
- 112-147 Tuning Shaft
- 112-151 Pointer complete with Screw
- 112-156 Pilot Light Assembly
- 116-13 6.8 Volt T-51 Pilot Light
- 117-20A Tuning Shaft Pulley
- 117-38 Stud, for take-up Spring
- 117-39 Pulley, for take-up Spring
- 120-14 Take-up Spring
- 134-9 Horse Shoe Washer
- 134-40 Rubber Grommet

No.	Part No.	Description
<b>RESISTORS</b>		
R1	130-103	100M Ohm—1/4W—10%—50V—Carbon
R2	130-105	150 Ohm—1/4W—20%—10V—Carbon
R3	130-117	50M Ohm—1/10W—20%—20V—Carbon
R4	130-104	9M Ohm—1W—20%—100V—Carbon
R5	130-34	19M Ohm—1W—20%—100V—Carbon
R6	130-27	50 Ohm—1/4W—20%—3V—Carbon
R7	130-19	1 meg Ohm—1/4W—20%—100V—Carbon
R8	101-46	1 meg Ohm—Volume Control
R9	130-4	3 meg Ohm—1/4W—20%—100V—Carbon
R10	130-103	100M Ohm—1/4W—10%—50V—Carbon
R11	130-102	500M Ohm—1/4W—10%—50V—Carbon
R12	106-26	220 Ohm—Muter Strip
R13	106-26	33 Ohm—Muter Strip
R14	106-26	52 Ohm—Muter Strip
R15	101-53	Tone Control (50M Ohms)
R16	130-103	100M Ohm—1/4W—10%—50V—Carbon
R17	130-110	1 meg Ohm—1/10W—20%—100V—Carb.
NOTE: R12, R13, and R14 in one unit—part No. 106-26		
<b>CONDENSERS</b>		
C1	100-22	.05 x 200 Volt—25%
C2	100-20	.1 x 200 Volt—25%
C3	129-39	.00005 Mica—MT—O—20%
C4	129-67	.00004 Mica—MT—O—10%
C5	124-31	Series Pad 300 mmf. Working Cap'y.
C6	124-32	Series Pad 565 mmf. Working Cap'y.
C7	129-54	.003 Mica—MW—W—2 1/2%
C8	100-20	.1 x 200 Volt—25%
C9	100-22	.05 x 200 Volt—25%
C10	129-12	.00025 Mica—MT—O—20%
C11	100-11	.01 x 400 Volt—25%
C12	129-12	.00025 Mica—MT—O—20%
C13	100-11	.01 x 400 Volt—25%
C14	100-27	.025 x 600 Volt—25%
C15	103-6	8 mfd. x 350 Volt Electrolytic
C16	103-7	8 mfd. x 300 Volt Electrolytic
C17	100-25	.002 x 600 Volt—20%
<b>MISCELLANEOUS PARTS</b>		
T1	111-61	Long Wave Antenna Coil
T2	111-64	Medium Wave & Short Wave An. Coil
T3	111-62	Antenna Presselector Coil
T4	110-47	Long Wave Oscillator Coil
T5	110-49	Med. Wave & Short Wave Osc. Coil
T6	198-74	Input I.F.—465 Kc.
T7	108-73	Output I.F.—465 Kc.
S	125-17	Band Switch

**TUNING RANGE—**

<b>Long Wave Band</b>
860-2150 Meters
350-140 Kilocycles
<b>Medium Wave Band</b>
187-588 Meters
1600-510 Kilocycles
<b>Short Wave Band</b>
16.5-56.5 Meters
18.2-5.3 Megacycles

MODEL 62-269

MONTGOMERY-WARD & CO.

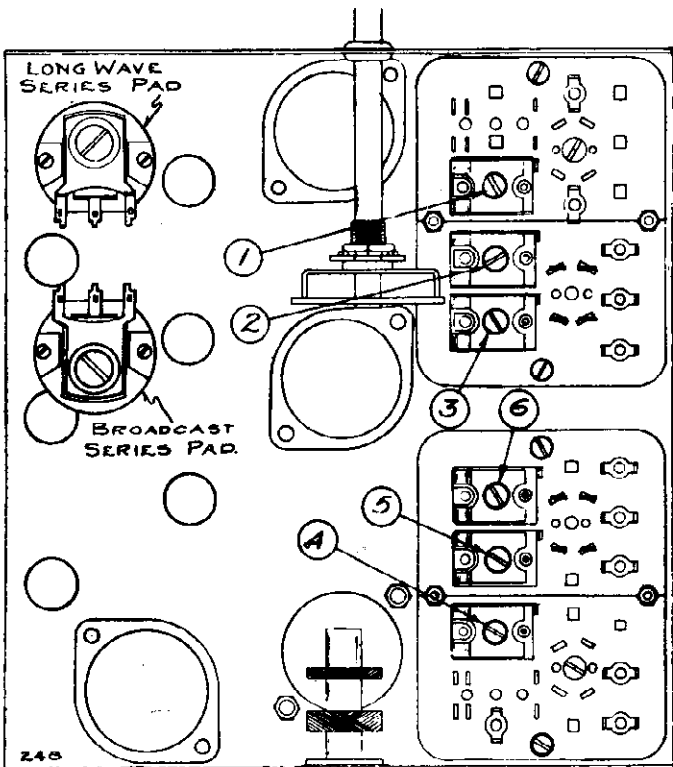


FIG. 2—BOTTOM VIEW (Showing Trimmers)

7-Tube Including Cathode-Ray Tuning Indicator  
 3-Band A. C. Superheterodyne Receiver  
 190-280 Volts 50 Cycles A. C.

POWER SUPPLY:

This receiver is normally supplied with a transformer for operation on 50 cycles (may be higher in frequency, not lower) and with a primary designed for operation on 190-280 volts.

Mains transformer is provided with two taps, one for voltages 190-240 volts (safer for voltages 240-280 volts). These taps are accessible upon removing plate fastened with two wing nuts to back of chassis.

Transformers are available and chassis are sometimes equipped with universal transformers for operation on 25 and 50 cycles and with primary taps for 108, 127, 150, 225 and 260 volts (see illustrations).

Should the receiver be equipped with a special transformer, connect primary tap on voltage terminal which corresponds as nearly as possible to the actual mains voltage.

SERVICE NOTES

Voltages taken from different points of circuit to chassis are measured with volume control full on, all tubes in their sockets and speaker connected, with a volt meter having a resistance of 1000 ohms per volt. These voltages are clearly indicated on the circuit diagram.

IN ORDER TO PREVENT SIGNAL FROM ACTING UPON AVC AND AFFECTING ACCURACY OF VOLTAGE MEASUREMENTS, AERIAL AND GROUND LEADS SHOULD BE SHORT CIRCUITED WHILE MAKING MEASUREMENTS.

All voltages are to be measured with 220 volts on the primary of the power transformer.

With special transformers select primary tap nearest to actual mains voltage at time voltage measurements are to be made.

Resistances of coils and transformer windings are indicated in ohms on schematic circuit diagrams.

To check for open by-pass condensers, shunt each condenser with another condenser of the same capacity and voltage rating, which is known to be good, until the defective unit is located.

Excessive hum, stuttering, low volume and a reduction in all D.C. voltages is usually caused by a shorted electrolytic condenser, open by-pass condensers frequently cause oscillation and distorted tone.

ALIGNING INSTRUCTIONS  
 Dummy Antennas

The following dummy antennas are used in aligning the receiver, and are referred to in the following alignment instructions as "Dummy 1", "Dummy 2", and "Dummy 3".

Dummy 1: (I.F.)—Consists of a .1 mfd. condenser connected in series with the external oscillator.

Dummy 2: (Broadcast and long wave)—Consists of a 200 mmfd. condenser and a 20 ohm resistor connected in series with each other and in series with the external oscillator.

Dummy 3: (Short Wave)—Consists of a .1 mfd. condenser and a 400 ohm resistor connected in series with each other and in series with the external oscillator.

TEST FREQUENCIES USED

	Kilocycles	Meters
I. F.	465	645.1
	150	2000
	350	850
Long Wave	325	925
	600	500
	1400	214
Broadcast	1600	187
	6000	50.0
	17000	17.6
Short Wave	18200	16.5

Resonance Indicator:

Use as a resonance indicator an output meter connected across the primary of the speaker input transformer, or by means of an adapter between the plate and screen terminals of the type 6F6 output tube. Maximum deflection of the meter indicates resonance. Use only enough signal to get a readily readable output. A low range output meter or the low scale of a multi-range meter should be used.

CAUTION:

No aligning adjustments should be attempted without first thoroughly checking over all other possible causes of trouble, such as poor installations, open or grounded antenna systems, low line voltages, defective tubes, condensers and resistors. In order to properly align this chassis, an oscillator (generator) is absolutely necessary. No aligning adjustments should be attempted with the chassis in the cabinet. To remove the knobs, pull them off and to take the chassis out of the cabinet, remove the four bolts by which it is fastened.

ALIGNING I.F. TRANSFORMERS  
 (465 K.C.) (645.1 Meters)

Part No. 108-73 Output I.F. Transformer.  
 Part No. 108-74 Input I.F. Transformer.

These I.F. transformers have two adjustments, both of which are accessible from the top of chassis (see top view).

1. With volume control full on (the extreme right of its rotation), the band changing switch in the broadcast position, (center of its rotation), and with the variable condenser set to approximately 1400 kilocycles, make the following adjustments:

- (a) Connect external oscillator set at 465 kilocycles, in series with "Dummy 1" to the control grid cap of the type 6K7 tube, and adjust the output I.F. transformer (No. 108-73) to resonance.
- (b) With "Dummy 1" still connected, move oscillator output clip from grid of 6K7 to grid cap to 6L7 and adjust input I.F. transformer (No. 108-74) to resonance.
- (c) With oscillator still connected to 6L7, readjust output I.F. transformer (108-73) if necessary.

ALIGNMENT PROCEDURE

The following adjustments to be made after the I.F.'s have been aligned as explained above.

SHORT WAVE BAND ALIGNMENT:  
 16.5 Meters (18.2 Mc.) to 56.5 Meters (5.3 Mc.)

With band changing switch in the short wave position, extreme right of its rotation, and with the gang condenser in its minimum capacity position, plates entirely out of mesh, and with external oscillator connected in series with "Dummy 3" to the tan antenna and black ground lead, make the following adjustments:

- (a) Set external oscillator to 16.5 meters (18.2 Mc.) and adjust short wave oscillator trimmer (adjustment number 3, see Fig. 2) to resonance.
- (b) Re-set external oscillator to 17.6 meters (17.0 Mc.) and pick up signal by rotating gang condenser. Adjust short wave antenna trimmer (adjustment number 6) to resonance.
- (c) Re-set external oscillator to 50 meters (6.0 Mc.) and check for sensitivity.

NOTE: It is extremely necessary in making all of these adjustments that the fundamental oscillator signal be tuned in and not the image frequency which will fall below the fundamental. An example of this is an image of a fundamental 18.3 megacycle signal appears near 17.4 megacycles.

MEDIUM OR BROADCAST BAND ALIGNMENT:  
 300 Meters (100 K.C.) to 187 Meters (1600 K.C.)

With band changing switch in the medium wave position, center of its rotation, and with gang condenser in its minimum capacity position, plates entirely out of mesh, and with external oscillator connected in series with "Dummy 2" to tan antenna lead and black ground lead, make following adjustments:

- (a) Set external oscillator to 187 meters (1600 K.C.) and adjust medium wave oscillator trimmer to resonance (adjustment number 2; see bottom view of coil assembly, Fig. 2).
- (b) Re-set external oscillator to 214 meters (1400 K.C.), rotate variable gang condenser and pick up signal. Adjust medium wave antenna trimmer (Adjustment number 5) to resonance; also adjust preselector trimmer which is mounted on the top of the rear section of the three gang variable tuning condenser to resonance. (See top view of chassis, Fig. 1, for location of this adjustment.)
- (c) Re-set external oscillator to 500 meters (600 K.C.), and adjust medium wave series pad to resonance by rotating condenser to approximately 600 K.C., rocking it slowly to and fro until by adjusting series pad maximum output is attained. This adjustment is located on the bottom of the chassis directly under the variable gang condenser. (See bottom view of chassis, Fig. 2).
- (d) Repeat adjustments "a" and "b" until sensitivity is at its maximum.
- (e) Check for tracking and sensitivity at 300 meters (1000 K.C.) Under no circumstances bend plates of variable condenser sections to correct tracking.

IMPORTANT: This band must be completely rechecked after the long wave band has been adjusted.

LONG WAVE BAND ALIGNMENT:  
 860 Meters (350 K.C.) to 2150 Meters (140 K.C.)

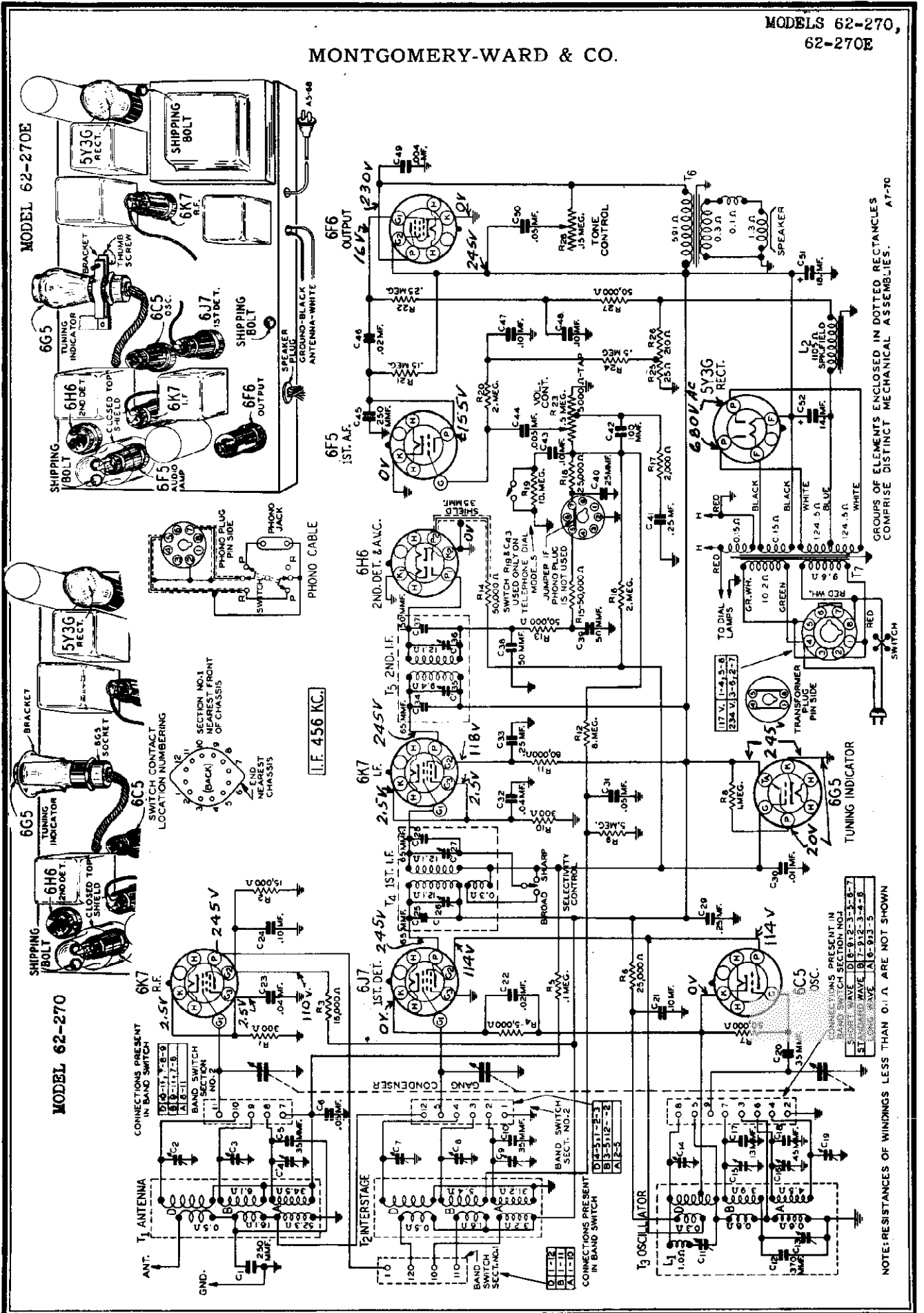
With band changing switch in the long wave position, extreme left of its rotation, and with gang condenser in its minimum capacity position, plates entirely out of mesh, and with external oscillator connected in series with "Dummy 2" to tan antenna lead and black ground lead, make following adjustments:

- (a) Set external oscillator to 860 meters (350 K.C.), and adjust long wave oscillator trimmer to resonance (adjustment number 1; see bottom view of coil assembly, Fig. 2).
- (b) Re-set external oscillator to 925 meters (325 K.C.), rotate variable gang condenser and pick up signal. Adjust long wave antenna trimmer (Adjustment number 4) to resonance.
- (c) Re-set external oscillator to 2000 meters (150 K.C.), and adjust long wave series pad to resonance by rotating condenser to approximately 2000 meters, rocking it slowly to and fro until by adjusting series pad maximum output is attained. This adjustment is located on the bottom of the chassis directly under the variable gang condenser. (See bottom view of chassis, Fig. 2).
- (d) Repeat adjustments "a" and "b" until sensitivity is at its maximum.

IMPORTANT: This band must be completely rechecked after the medium wave band has been rechecked.

MONTGOMERY-WARD & CO.

MODELS 62-270,  
62-270E



MODEL 62-270E

MODEL 62-270

CONNECTIONS PRESENT IN BAND SWITCH

10-11-12-13-14-15
16-17-18-19-20
21-22-23-24-25
26-27-28-29-30
31-32-33-34-35
36-37-38-39-40
41-42-43-44-45
46-47-48-49-50

CONNECTIONS PRESENT IN BAND SWITCH

10-11-12-13-14-15
16-17-18-19-20
21-22-23-24-25
26-27-28-29-30
31-32-33-34-35
36-37-38-39-40
41-42-43-44-45
46-47-48-49-50

CONNECTIONS PRESENT IN BAND SWITCH

10-11-12-13-14-15
16-17-18-19-20
21-22-23-24-25
26-27-28-29-30
31-32-33-34-35
36-37-38-39-40
41-42-43-44-45
46-47-48-49-50

I.F. 456 KC.

GROUPS OF ELEMENTS ENCLOSED IN DOTTED RECTANGLES COMPRISE DISTINCT MECHANICAL ASSEMBLIES.

NOTE: RESISTANCES OF WINDINGS LESS THAN 0.1 Ω ARE NOT SHOWN



MODELS 62-270, 62-270B

MONTGOMERY-WARD & CO.

In sets using a pointer or any other type of dial mechanism, it will be necessary to adjust the position of the indicator until it is at the 1500 KC mark

**THIS NOTE "A" APPLIES TO MODEL 62-270**

NOTE A—In sets using the telephone dial tuning, there will be seen inside the telephone dial button ring an escutcheon plate held in place by four screws. Loosen the 2 screws nearest the pointer. An extension of the pointer will be seen protruding over the edge of this escutcheon plate. Move the pointer to the 1500 KC mark on the dial and then tighten the 2 escutcheon screws. (Do not tighten these screws too much.)

**MODELS 62-270, 62-270B ALIGNMENT**

Volume Control—Maximum All Adjustments.  
Selectivity Control—Sharp Position All Adjustments.  
Connect Radio Chassis to Ground Post of Signal Generator With a Short Heavy Lead.  
Allow Chassis and Signal Generator to "Heat Up" for Several Minutes.

STEP (Follow Order as Given)	BAND SWITCH SETTING	DUMMY ANTENNA	SIGNAL GENERATOR FREQUENCY SETTING	CONNECTION AT RADIO	TRIMMERS ADJUSTED	INITIAL STEPS	PROCEDURE	ADJUSTMENT
I.F.								
2nd I.F. Adj.	Range B	.1 mf.	456 KC	Grid of I.F. Tube	2nd I.F. (C35) & (C36)	Turn Rotor to Full Open	Adjust to Maximum Output	Adjust to Maximum Output
1st I.F. Adj.	Range B	.1 mf.	456 KC	Grid of 1st Det.	1st I.F. (C26) & (C27)	Turn Rotor to Full Open	Adjust to Maximum Output	Adjust to Maximum Output
<b>RANGE A</b>								
380 KC	Range A	200 mmf.	380 KC	Antenna Lead	Oscillator Range A (C16)	Turn Rotor to Full Open	Adjust to Maximum Output	Adjust to Maximum Output
350 KC	Range A	200 mmf.	350 KC	Antenna Lead	Int. Range A (C9)	Turn Rotor to Max. Output	Adjust to Maximum Output	Adjust to Maximum Output
<b>RANGE B</b>								
165 KC	Range A	200 mmf.	165 KC	Antenna Lead	165 KC (C19)	Turn Rotor to Max. Output	Adjust to Maximum Output	Adjust to Maximum Output
1830 KC	Range B	200 mmf.	1830 KC	Antenna Lead	Oscillator Range B (C15)	Turn Rotor to Full Open	Adjust to Maximum Output	Adjust to Maximum Output
1500 KC	Range B	200 mmf.	1500 KC	Antenna Lead	Ant. Range B (C3)	Turn Rotor to Max. Output	Adjust to Maximum Output	Adjust to Maximum Output
<b>RANGE D</b>								
600 KC	Range B	200 mmf.	600 KC	Antenna Lead	600 KC (C13)	Turn Rotor to Max. Output	Adjust to Maximum Output	Adjust to Maximum Output
19,800 KC	Range D	400 Ohm	19,800 KC	Antenna Lead	Oscillator Range D (C14)	Turn Rotor to Full Open	Adjust to Maximum Output	Adjust to Maximum Output
16,000 KC	Range D	400 Ohm	16,000 KC	Antenna Lead	Ant. Range D (C2)	Turn Rotor to Max. Output	Adjust to Maximum Output	Adjust to Maximum Output
6000 KC	Range D	400 Ohm	6000 KC	Antenna Lead	6000 KC (C11)	Turn Rotor to Max. Output	Adjust to Maximum Output	Adjust to Maximum Output

Attenuate the signal from the signal generator to prevent the leveling-off action of the AVC.  
After each range is completed, repeat the procedure as a final check.

NOTE A—Loosen the two set screws in the hub of the film drum assembly pulley. Turn the film drum until it is at the 1500 KC mark on the dial and then tighten the two pulley set screws. (On letter models, the film drum can be turned without loosening the set screws.)

NOTE B—Turn the rotor back and forth and adjust the trimmer until the peak of greatest intensity is obtained.

**Special Note on Calibration—Movie Dial Sets**

If, after following the above procedure, the red line on the screen does not intersect the proper call letters when a station is tuned in, proceed as follows:

(1) Tune in any station between 530 KC and approximately 900 KC on the dial. After the station is tuned in, adjust the position of the film drum, as explained above under Note A, until the line on the

screen crosses the call letters of the station tuned in. Modify this adjustment if necessary until all stations between 530 KC and approximately 900 KC are tuned in with some part of their call letters touching the vertical line on the screen.

(2) Set the signal generator for exactly 1500 KC. Turn the tuning knob until the line on the screen is at the 1500 KC mark. Then adjust the oscillator Range B trimmer until the signal is tuned in to maximum output.

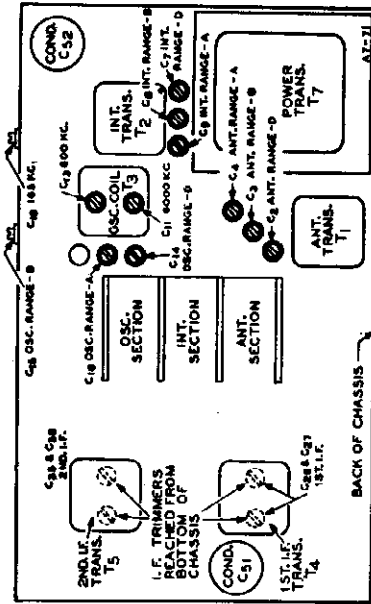
(3) Adjust the antenna and interstage Range B trimmers to maximum output at 1500 KC.

(4) Check the 600 KC adjustment for maximum output.

Calibration should now be substantially correct over the entire dial. If it is not, repeat the above procedure.

CAUTION—When aligning the short wave band be sure NOT to adjust at the image frequency. This can be checked as follows: Let us say the signal generator is set for 15,000 KC. The signal will then be heard at 15,000 on the dial of the radio. The image signal,

which is much weaker, will be heard at 15,000 less 912 KC, or 14,088 KC on the dial. It may be necessary to increase the input signal to hear the image.



### Replacing and Positioning the Dial Lamp

**Caution**—If a new lamp is required, use only a No. 81 lamp, Wards catalogue No. 618304.

Turn the radio off and turn the band switch to the standard wave position.

Remove the lamp housing by unscrewing and removing the two screws which hold this housing in place—See Fig. 1.

Remove the old lamp from the housing. It will be necessary to depress the contact plug retaining spring which will be seen in the narrow slot near the upper end of the housing and pull the plug out a slight amount from the housing, in order to remove the lamp. Replace the lamp and push the plug down until the locking spring snaps into place.

Replace the lamp housing by means of the two screws, but do not tighten these screws yet.

Turn the radio on.

Then grasp the top of the lamp housing assembly and move it up or down until the image on the screen is clearest and the lines are horizontal. The effect of having the lamp assembly too high or low is shown in the illustration in the instruction book. Tighten the two screws.

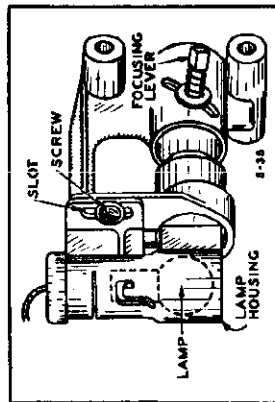


Fig. 1—Adjusting Lamp Height

### Calibrating the Radio

To calibrate the movie dial radios, tune in a station of known frequency between 130 and 900 KC. In the early models loosen the two set screws in the hub of the film drum pulley. Turn the film drum until it is at the correct kilocycle mark on the dial scale and then tighten the pulley set screws.

In the case of later models, the film drum is held in position by a friction washer which will be seen under the drum. In these models, the film drum can be turned without loosening the set screws.

### Replacing Film

Turn the hand switch to the standard wave position. Then remove the lamp housing (See article "Replacing and Positioning the Dial Lamp").

Unscrew and take out the six screws passing around the edge of the film drum casting. Then carefully lift the edge of the film nearest the back of the chassis. At the same time, lower the opposite edge of the film, and slide it in toward the center of the film drum casting. (On two band radios, it will be necessary to lift the lens assembly as high as it will go while removing the film.) When the film clears the lens, it may be lifted out.

To replace the film, reverse the above procedure. Make certain that the entire lower edge of the film rests on the shoulder near the bottom inside the film drum. The radio is calibrated as described in the article under that name in this manual.

### Adjusting Height of Image on Screen

The image height should be so adjusted that the complete image for each band will appear on the screen.

If any portion of the image on any band is cut off, turn the radio on and turn the band switch to the 2nd short wave (green) position. Loosen the two set screws of the lever arm on the band switch shaft. This lever arm is connected to the bakelite strip, which in turn moves the lamp assembly height mechanism.

Turn the tuning knob until the high frequency end (22.0 MC) of the band is reached. Move the lever arm until the megacycle line is lined up with the letter "W" of the word "West" at either side of the glass screen. Tighten the set screws.

The image height should then be correct for the other two bands.

### Replacing Film Drum Cable

Remove the screen panel as follows: Unhook spring on end of cord from condenser drive drum. This can be done with a pair of long nose pliers. Then remove the cord from the drive drum and drive shaft. The other end of the cord may be left fastened to the drive drum. Take out the glass screen by loosening the two screws which hold it in place. Then remove the four screws which hold the panel in place. There are two at the bottom and two under the projector compartment. The panel may now be taken off. It is not necessary to remove the tone and volume indicator cords or collars.

Remove the old film drum cable, unsoldering it from pulley "F" at point "S" on early models, or from the pin on later models—See Fig. 2.

Close the gang condenser completely and arrange to hold it in this position while replacing the cable.

Now insert one end of the new cable in hole "B" of condenser drive drum "A," which will be in the position shown in Fig. 2. Bring the cable down and around 1/2 turn in the film cable groove in the drum, progressing in a clockwise direction, passing it over pulley "C."

Extend the cable horizontally toward the back of the chassis passing it through the groove on the left side of pulley "D," and through the groove on the right side of pulley "E." (See Fig. 2 view from front.)

Place pulley "F" in the position shown in the back view in Fig. 2, with the slot "H" nearly parallel with the back of the chassis. Continue the cable from pulley "E" to the slot on the right side (from back) of pulley "F," keeping the cable in the upper part of the groove in the pulley. The cable should rest on about 1/4 inch of the pulley surface before entering slot "G."

Insert the cable in slot "G" and continue down and out through slot "H" at point "K." If pulley "F" is the later type, wrap the cable once around the pin as shown at "J" in Fig. 2.

Wind the cable one complete turn around pulley "F," keeping it below the cable on the right side and above the cable on the left side. Now extend to the film cable groove in condenser drive drum "A." To provide slack in cable, remove it from pulley "L" and continue down and out through slot "H" at point "K." If pulley "F" is the later type, wrap the cable once around the pin as shown at "J" in Fig. 2.

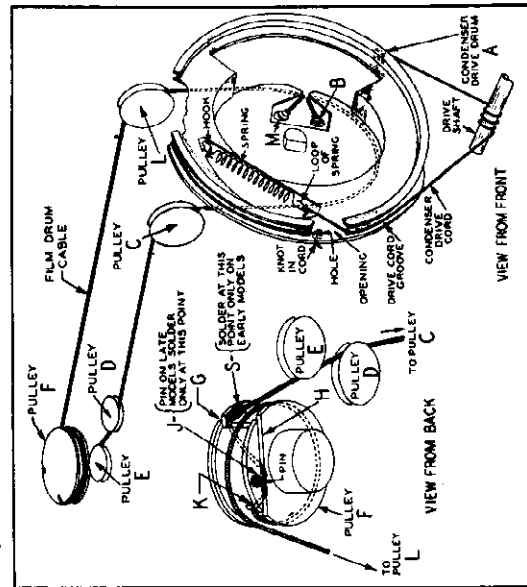


Fig. 2—Replacing Film Drum Cable and Condenser Drive Cord

"D" and then insert end of cable in slot "M." Replace cable on pulley "D." Care should be taken not to nick or make a sharp bend in the cable as it may be damaged.

Now solder the cable to the pin on pulley "F" on late models, or solder the cable to the pulley at point "S" on early models.

Replace the screen panel on the chassis. Also replace the drive cord according to the steps given in the article "Replacing Condenser Drive Cord," and calibrate the dial as explained in the article "Calibrating the Radio."

### Replacing Condenser Drive Cord

Remove the old cord and spring. Tie one end of the new cord to the spring. Turn the gang condenser until it is completely closed. This will bring the opening in the groove of the condenser drive drum to the left side (from front).

Insert the other end of the cord through the small hole on the edge of the drum near the opening in the groove—See Fig. 2. Tie a knot in the cord on the back side of the drum as illustrated. This knot should be tied so that the length of the cord from the hole in the drum to the point at which the cord is tied to the spring will be 16 2/3 inches.

Now open the gang condenser about 3/4 of the way. (The illustration shows the position of the condenser drive drum with the gang condenser completely closed.) Stand the chassis on end so that the right side (from front) is up. Place the cord in the groove of the drum and bring the spring end of the cord down to the right side of the drive shaft. Wind the cord 3/4 turns on the drive shaft progressing toward the back of the chassis—See Fig. 2.

Bring the cord up to the drive drum and place it in the groove of the drum. Wind the cord approximately 1/2 turn around the drum, up to the

opening in the groove. Using a pair of long nose pliers, place the loop on the spring over the hook in the drum.

The cord wound on the drive shaft should be in line with the condenser drive drum when the condenser is half open.

FOR FURTHER DATA ON MOVIE DIAL DRIVE, SEE VOL. VIII

MODELS 62-354,  
62-524

MONTGOMERY-WARD & CO.

(b) Adjust short wave antenna trimmer (Adjustment "Z"), to resonance (see Fig. 3, bottom view).

**BROADCAST BAND ALIGNMENT:**

535 to 1750 Kilocycles

1. With band changing switch in the broadcast position, extreme left of its rotation and with external oscillator connected in series with "Dummy Z", see bottom view of Chassis, Fig. 3, tune gang condenser slowly back and forth while making the following adjustments:

- (a) Set external oscillator and dial on radio to 1400 K.C. and adjust broadcast oscillator trimmer to resonance. (Adjustment "X"), (see bottom view of Chassis, Fig. 3). Tune gang condenser slowly back and forth while making this adjustment.
- (b) Reset external oscillator to 600 K.C. and adjust broadcast series pad (adjustment "Y"), to resonance by rotating trimmer to approximately 600 K.C. and then slowly to and fro until by adjusting series pad maximum output is attained. This adjustment is located on the front flange of the chassis. (See bottom view of chassis, Fig. 3).
- (c) Repeat adjustment "a" and "b" until sensitivity is at its maximum, also check to see that radio tunes to 1750 K.C.
- (d) Check for tracking and sensitivity at 1400, 1000, and 600 kilocycles. Under no circumstances bend plates of variable condenser sections to correct tracking.

**PROCEDURE FOR SETTING THE AUTOMATIC LEVERS;**

There are six levers on the dial by means of which six stations may be selected.

Press down any one of the six levers. Holding it down, tune in by means of tuning knob No. 3 any one of your favorite stations. Turn the tuning knob very slowly back and forth until signal is clearest. The station will then be accurately tuned in. Adjust the volume by means of the volume control knob to the desired intensity.

Release this lever and press down any other lever. Hold this lever down and tune in by means of knob No. 3 another favorite station.

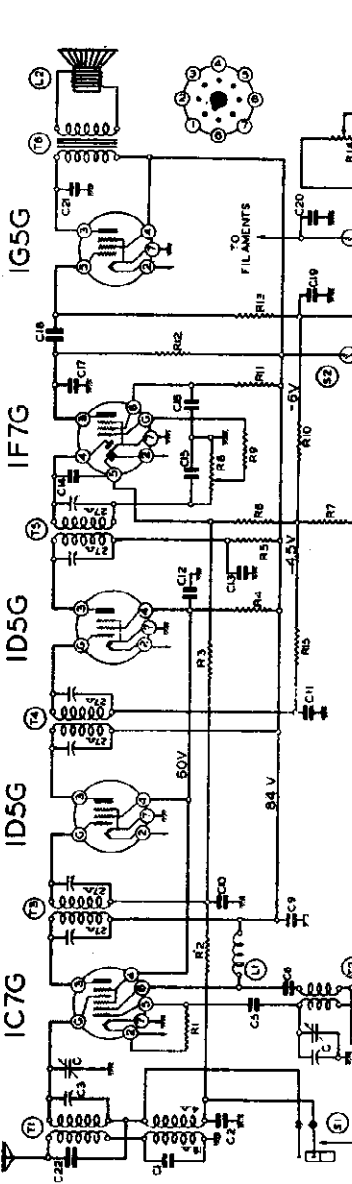
Follow this procedure until stations have been set on all the levers.

Rotate the tuning knob (No. 3) to the right (clockwise) as far as it will turn. Now remove from the right side of the cabinet the metal button, and, with a screw driver inserted through the hole, tighten the reset locking adjustment screw "5", (see Fig. 1). It is VERY IMPORTANT that this locking screw is turned until it is ABSOLUTELY TIGHT.

This screw will lock in place all the stations you have selected on the levers. (Note: Reset Lock Screw "5" is loose when radio is shipped from factory).

If you should desire to change any station you selected to another, loosen the reset locking screw "5" four or five complete turns, select the new station as explained. (Note: If the dial mechanism works hard when setting up a new station for one of the automatic tuner levers, it is due to the locking screw being too tight. Loosen the reset locking screw "5" until the dial mechanism works freely with the tuner lever pressed down).

**BE SURE TO RETIGHTEN THE RESET LOCK SCREW,** otherwise the stations will not stay adjusted to the levers.



**INTERMEDIATE FREQUENCY 465 K.C.**

All voltages as indicated on diagram, are measured with a new set of batteries.

Dummy 2: (Broadcast)—Consists of a 200 mmfd. condenser and a 20 ohm resistor connected in series with each other and in series with the external oscillator.

Dummy 3: (Short Wave)—Consists of a 1 mfd. condenser and a 400 ohm resistor connected in series with each other and in series with the external oscillator.

**ALIGNING I. F. TRANSFORMERS: (465 K.C.);**

Part No. 108-79C Output I. F. Transformer  
Part No. 108-78C Interstage I. F. Transformer  
Part No. 108-116 Input I. F. Transformer

These I. F. transformers have two adjustments, both of which are accessible from the top of chassis (see Fig. 1 Top View).

1. With volume control full on, (the extreme right of its rotation), the band changing switch in the broadcast position, (extreme left of its rotation), and with the variable condenser set to minimum capacity (plates out of mesh), make the following adjustments:

- (a) Connect external oscillator set at 465 kilocycles, in series with "Dummy 1", to the control grid cap of the type ID5G 2nd. I. F. Tube and adjust the output I. F. transformer (No. 108-79C) to resonance.
- (b) With "Dummy 1" still connected, move oscillator output clip from grid of ID5G 2nd. I. F. Tube to grid cap of ID5G 1st. I. F. Tube and adjust interstage I. F. transformer (No. 108-78C) to resonance.
- (c) Move oscillator to grid cap of 1C7G and adjust input I. F. transformer (No. 108-116).

**SHORT WAVE BAND ALIGNMENT:**

1. With band changing switch in the short wave position, extreme right of its rotation, and with external oscillator set at 17 megacycles and connected in series with "Dummy 3", the antenna and ground leads, make the following adjustments:

- (a) Move dial pointer to 17 megacycles and adjust short wave oscillator trimmer to resonance.

This adjustment is the trimmer mounted on the top of front section of the variable gang condenser (see Fig. 1, top view).

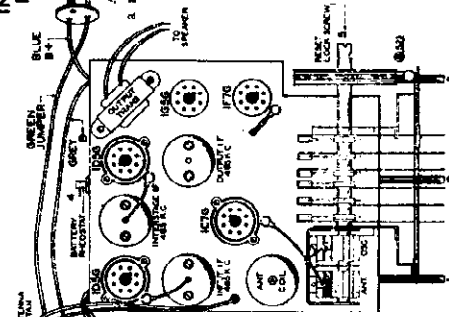


FIG. 1--TOP VIEW

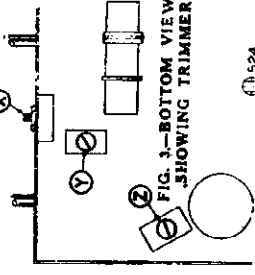


FIG. 3--BOTTOM VIEW SHOWING TRIMMERS

**PARTS:**

BC - SW Antenna coil complete  
 BC - SW Oscillator coil complete  
 Input I. F. Complete - 465 kc.  
 Interstage I. F. Complete - 465 kc.  
 Output I. F. Complete  
 Output Transformer  
 I. F. "B" Choice

**RESISTORS:**

R1	110-20	200K ohm - 1/3 w. 20%
R2	150-20	100K ohm - 1/3 w. 20%
R3	130-19	1 megohm - 1/3 w. 20%
R4	130-19	1 megohm - 1/3 w. 20%
R5	130-19	750 ohm - 1/3 w. 20%
R6	130-19	200 ohm - 1/3 w. 20%
R7	130-19	1 megohm - 1/3 w. 20%
R8	130-19	200 ohm - 1/3 w. 20%
R9	130-19	20K ohm - 1/3 w. 20%
R10	130-19	100 ohm - 1/3 w. 20%
R11	130-19	100 ohm - 1/3 w. 20%
R12	130-19	500K ohm - 1/3 w. 20%
R13	130-19	1 megohm - 1/3 w. 20%
R14	130-112	3.3 megohm - 1/3 w. 20%
R15	130-19	1 megohm - 1/3 w. 20%

**CONDENSERS:**

C	2 gang variable condenser
C1	.001 mica 10%
C2	.01 x 200 v. 25%
C3	.01 x 200 v. 25%
C4	2-20 mmf. Adj. Cond.
C5	2-20 mmf. Adj. Cond.
C6	.0005 Mica 10%
C7	.02 x 600 v. 25%
C8	50 mmf. Working Capacity Series Pad
C9	.00 minimum 3-1/2%
C10	.25 x 200 v. 25%
C11	.01 x 400 v. 25%
C12	.01 x 200 v. 25%
C13	.01 x 200 v. 25%
C14	.01 x 200 v. 25%
C15	.0005 Mica 10%
C16	.01 x 200 v. 25%
C17	.01 x 200 v. 25%
C18	.01 x 400 v. 25%
C19	25.0 mfd. 25 v.
C20	.25 x 200 v. 25%
C21	.004 x 200 v. 25%
C22	.00004 Coupling Capacity
C23	.01 x 200 v. 25%
C24	.01 x 200 v. 25%
C25	.01 x 200 v. 25%

**DUMMY ANTENNAS:**

The following dummy antennas are used in aligning and are referred to in the following alignment instructions as "Dummy 1", "Dummy 2", and "Dummy 3".

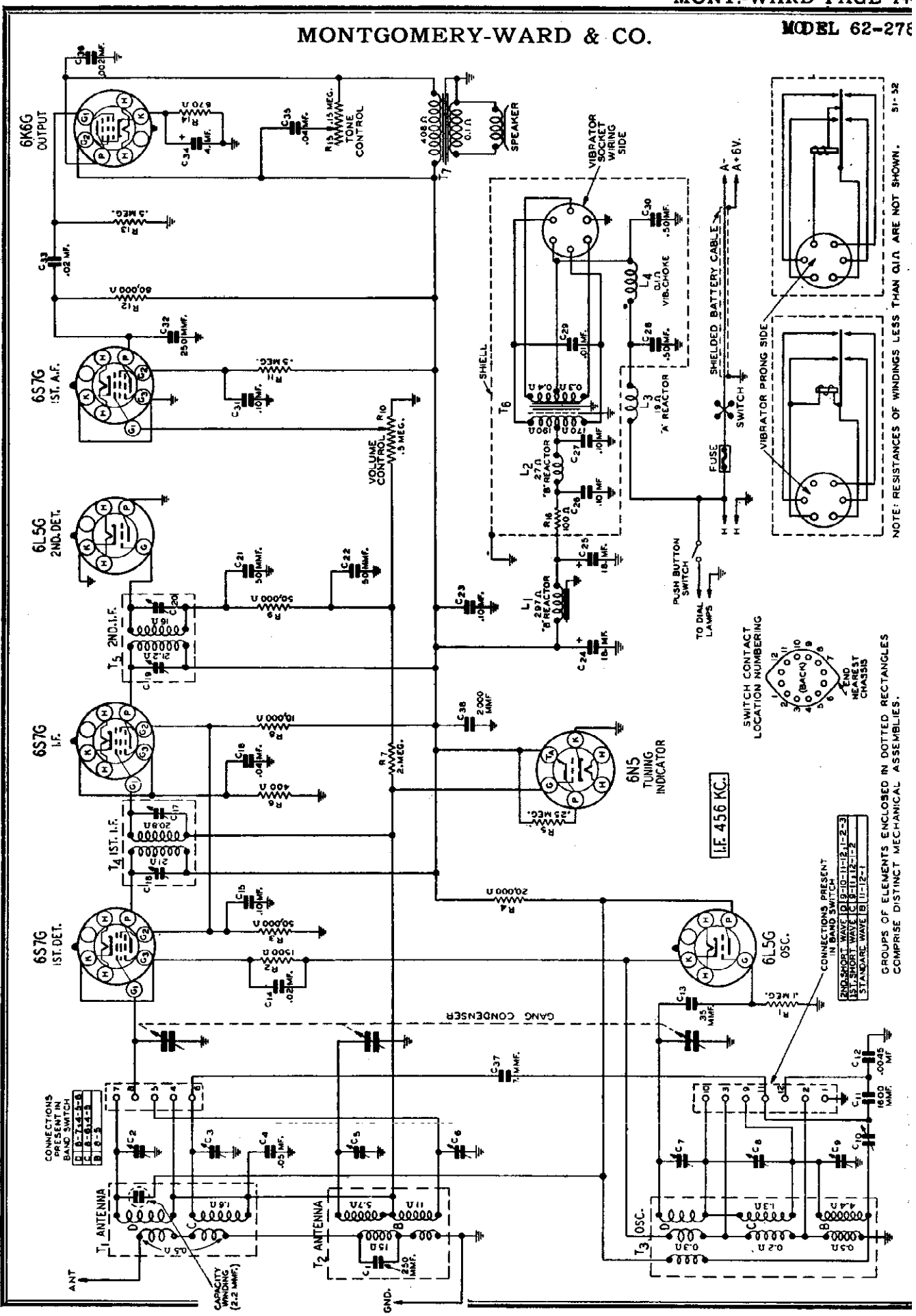
Dummy 1: (I. F.)—Consists of a 1 mfd. condenser connected in series with the external oscillator.

Dummy 2: (Broadcast)

Dummy 3: (Short Wave)

Off-on switch on volume control - (D.P.D.T.)

MONTGOMERY-WARD & CO.

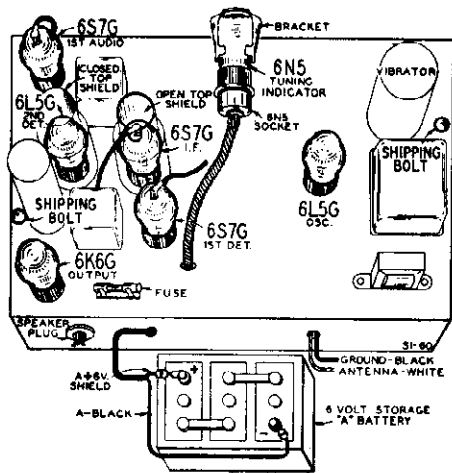


NOTE: RESISTANCES OF WINDINGS LESS THAN 0.1 Ω ARE NOT SHOWN.

GROUPS OF ELEMENTS ENCLOSED IN DOTTED RECTANGLES COMPRISE DISTINCT MECHANICAL ASSEMBLIES.

MODEL 62-278

MONTGOMERY-WARD & CO.



**VOLTAGES AT SOCKETS**

Volume and Tone Control: Maximum  
 Battery: 6.3 volts at battery.  
 Residuals: Labels with 300 Ohm per volt  
 meter, 500 Volt scale.

Antenna Shielded to Ground.  
 Position of Band Switch: Standard Wave.

TUBE	FUNCTION	VOLTAGE BETWEEN SOCKET PRONGS AND GROUND (Unless Otherwise Indicated).								
		PRONG No. 1	PRONG No. 2	PRONG No. 3	PRONG No. 4	PRONG No. 5	PRONG No. 6	PRONG No. 7	PRONG No. 8	
6S7G	1st Det.....		6.1 (1)	150	106	7			6.1 (1)	9
6L5G	Osc.....		6.1 (1)	80					6.1 (1)	
6S7G	I.F.....		6.1 (1)	180	106	2.5			6.1 (1)	2.5
6L5G	2nd Det.....		6.1 (1)						6.1 (1)	
6S7G	Audio.....		6.1 (1)	50	20				6.1 (1)	
6K6G	Power.....		6.1 (1)	145	190				6.1 (1)	11
6N5	Tuning Indicator....	Plate to Ground 85	Target to Ground 180	Detector to Ground 0					Across Meter 6.1	

(1) as read between terminals 2 and 7.

**ALIGNMENT PROCEDURE**

Volume Control—Maximum All Adjustments.  
 Connect Radio Chassis to Ground Post of Signal Generator with a Short Heavy Lead.  
 Allow Chassis and Signal Generator to "Heat Up" for Several Minutes.

The following equipment is required for aligning:  
 An All Wave Signal Generator which will provide an accurately calibrated signal at the test frequencies as listed.  
 Output Indicating Meter — Non-Metallic Screwdriver.  
 Dummy Antennas — .1 mf., 200 mmf., and 400 ohms.

STEP (Follow Order as Given)	BAND SWITCH SETTING	DUMMY ANTENNA	SIGNAL GENERATOR		TRIMMERS ADJUSTED See Illustration	PROCEDURE	
			FREQUENCY SETTING	CONNECTION AT RADIO		INITIAL STEPS	ADJUSTMENT
<b>I. F.</b>							
2nd I.F. Adj.	Range B	.1 mf.	456 KC	Grid of I.F. Tube	2nd I.F. (C19) & (C20)	Turn Rotor to Full Open	Adjust to Maximum Output
1st I.F. Adj.	Range B	.1 mf.	456 KC	Grid of 1st Det.	1st I.F. (C16) & (C17)	Turn Rotor to Full Open	Adjust to Maximum Output
<b>RANGE D</b>							
22,000 KC	Range D	400 Ohm	22,000 KC	Antenna Lead	Oscillator Range D (C7)	Turn Rotor to Full Open	Adjust to Maximum Output
20,000 KC	Range D	400 Ohm	20,000 KC	Antenna Lead	Antenna Range D (C2)	Turn Rotor to Max. Output	Adjust to Maximum Output Rock Rotor — See Note B
<b>RANGE C</b>							
6350 KC	Range C	400 Ohm	6350 KC	Antenna Lead	Oscillator Range C (C8)	Turn Rotor to Full Open	Adjust to Maximum Output
6000 KC	Range C	400 Ohm	6000 KC	Antenna Lead	Antenna Range C (C3)	Turn Rotor to Max. Output	Adjust to Maximum Output
<b>RANGE B</b>							
1830 KC	Range B	200 mmf.	1830 KC	Antenna Lead	Oscillator Range B (C9)	Turn Rotor to Full Open	Adjust to Maximum Output
1500 KC	Range B	200 mmf.	1500 KC	Antenna Lead	1st Ant. Range B (C5) 2nd Ant. Range B (C6)	Turn Rotor to Max. Output Set Indicator to 1500 KC— See Note A	Adjust to Maximum Output
600 KC	Range B	200 mmf.	600 KC	Antenna Lead	600 KC (C10)	Turn Rotor to Max. Output	Adjust to Maximum Output Rock Rotor — See Note B

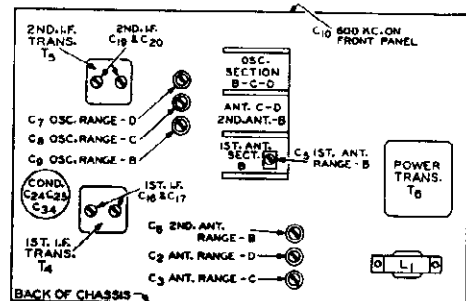
Attenuate the signal from the signal generator to prevent the leveling-off action of the AVC.

After each range is completed, repeat the procedure as a final check.

NOTE A—Loosen the pointer set screw and set the pointer at the 1500 KC mark on the standard wave band scale. Retighten the set screw.

NOTE B—Turn the rotor back and forth and adjust the trimmer until the peak of greatest intensity is obtained.

CAUTION—When aligning the short wave bands, be sure NOT to adjust at the image frequency. This can be checked as follows: Let us say the signal generator is set for 5000 KC. The signal will then be heard at 5000 KC on the dial of the radio. The image signal, which is much weaker, will be heard at 5000 less 912 KC, or 4088 KC on the dial. It may be necessary to increase the input signal to hear the image.



RESISTORS				CAPACITORS			
Part No.	Code	Carbon		Part No.	Code	Tubular	
		Resistance	Wattage			Capacitance	Voltage
A94304	R1	100,000 ohm	0.2	462280	C4	.05 mf.	150
A94305	R2	1,800 ohm	0.2	462290	C12	.0025 mf.	150
A94306	R3	80,000 ohm	0.2	462300	C16	.1 mf.	150
A94307	R4	90,000 ohm	0.2	462310	C18	.04 mf.	150
A94308	R5	90,000 ohm	0.2	462320	C20	.10 mf.	150
A94309	R6	90,000 ohm	0.2	462330	C22	.10 mf.	150
A94310	R7	400 ohm	0.2	462340	C24	.10 mf.	150
A94311	R8	10 megohm	0.2	462350	C26	.10 mf.	150
A94312	R9	10,000 ohm	0.2	462360	C28	.10 mf.	150
A94313	R10	30,000 ohm	0.2	462370	C30	.10 mf.	150
A94314	R11	500,000 ohm	0.2	462380	C32	.10 mf.	150
A94315	R12	80,000 ohm	0.2	462390	C34	.10 mf.	150
A94316	R13	500,000 ohm	0.2	462400	C36	.10 mf.	150
A94317	R14	870 ohm	0.2	462410	C38	.10 mf.	150
A94318	R15	100 ohm	0.2	462420	C40	.10 mf.	150
<b>Variable</b>							
A94319	R16	.5 megohm	Volume Control and Switch.....	47280	C1	200 mf.	
A94320	R17	1.5 megohm	Tone Control.....	47290	C2	1800 mf.	
				47255	D13	36 mf.	
				47256	C21	80 mf.	
				47256	D22	80 mf.	
				47280	C26	200 mf.	
				47289	C27	7 mf.	
				47341	C36	2000 mf.	

Trimmer			Electrolytic			Miscellaneous		
17475	(C8)	0-25 mf.	Antenna Range "D"	(C24)	18 mf.	150		
	(C9)	0-25 mf.	Antenna Range "C"	(C28)	10 mf.	150	dry	
	(C7)	0-25 mf.	2nd Antenna Range "D"	(C34)	4.0 mf.	25		
	(C3)	0-25 mf.	1st Antenna Range "B" (Part of Gang Condenser)					
	(C2)	0-25 mf.	Oscillator Range "D"					
	(C8)	0-25 mf.	Oscillator Range "C"					
	(C9)	0-25 mf.	Oscillator Range "B"					
17480	(C9)	0-25 mf.	Oscillator Range "B"					
	(C10)	500-500 mf.	500 KC Padder					
17481	(C16)	50-150 mf.	1st I.F. Trimmer					
17487	(C17)	50-150 mf.	2nd I.F. Trimmer					
	(C18)	50-150 mf.						
17490	(C20)	50-150 mf.	2nd I.F. Trimmer					

MONTGOMERY-WARD & CO.

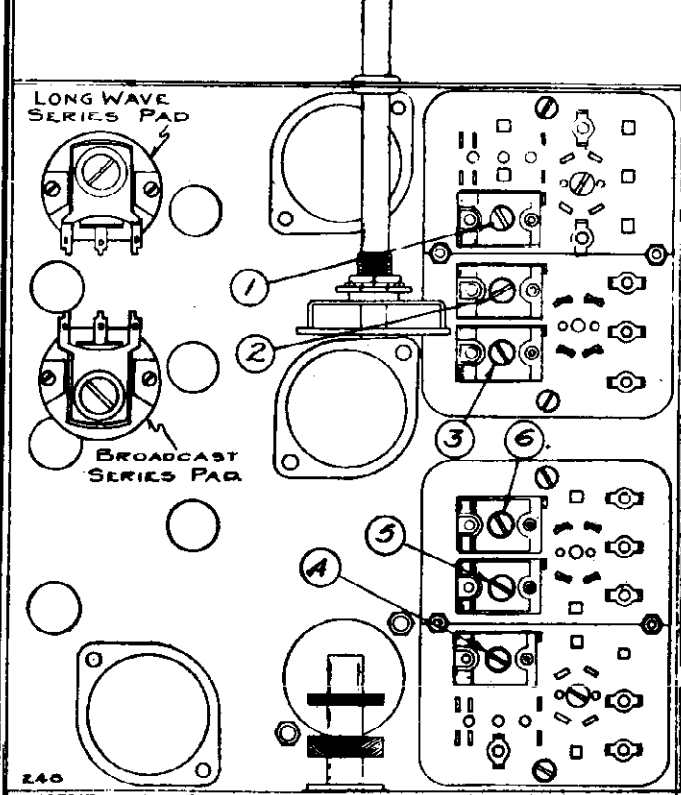
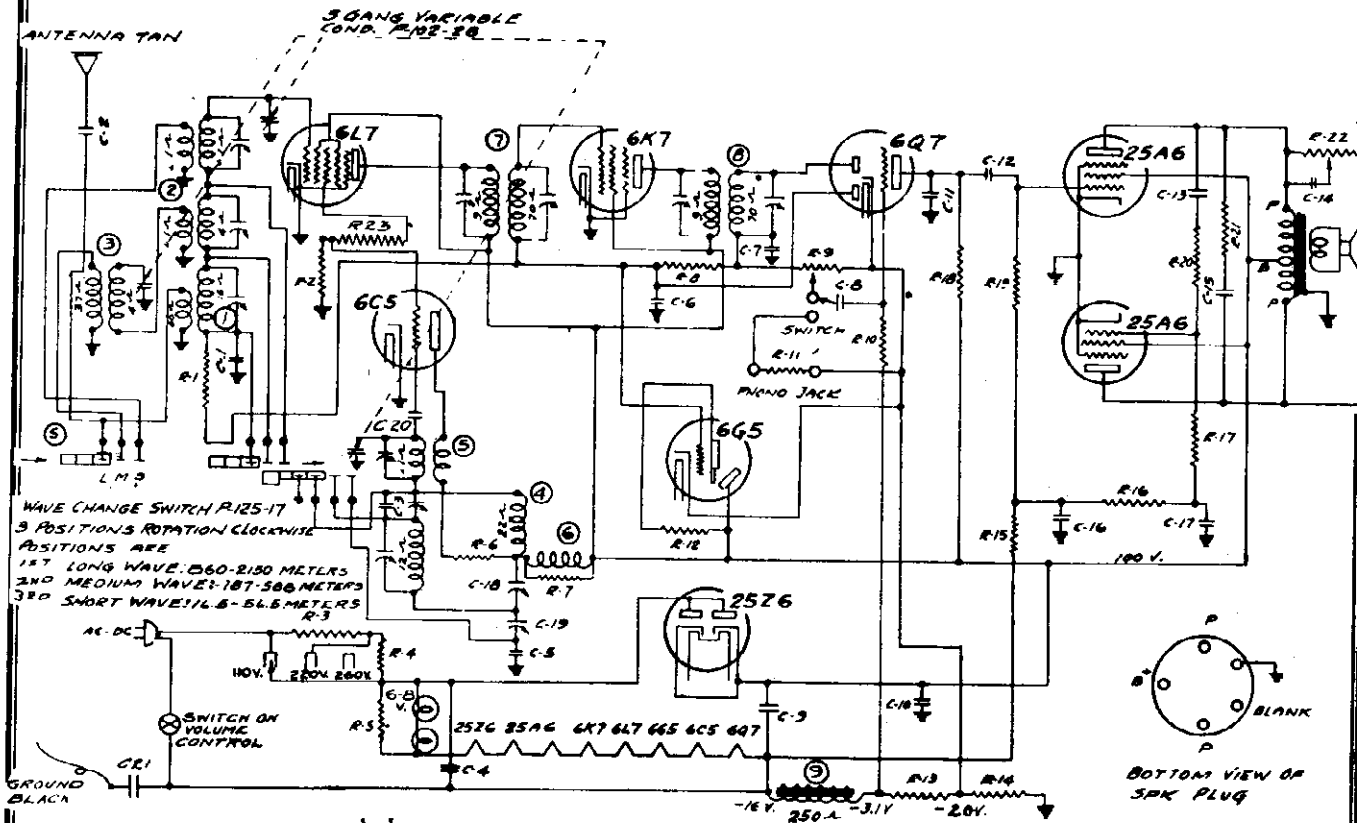
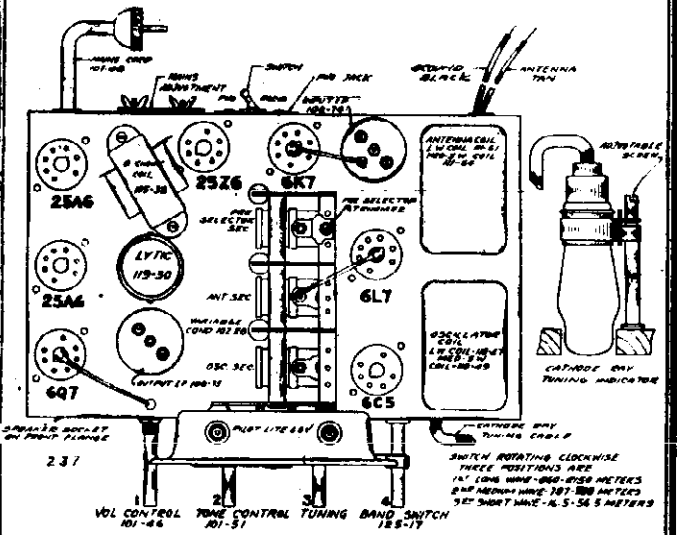


FIG. 2—BOTTOM VIEW (Showing Trimmers)

I. F. FREQUENCY  
465 K. C. (645 1 Meters)



TOP VIEW—FIG. 1

MODEL 62-281

MONTGOMERY-WARD & CO.

8-Tube Including Cathode-Ray Tuning Indicator  
3-Band A. C. D. C. Superheterodyne Receiver  
110-220-260 Volts A. C. (Any Cycles) or D. C.

TUBES:

The tube complement of this chassis consists of the latest metal-type tubes, which are interchangeable with "metal-glass" type, or glass tubes with octal bases.

The type and function of each tube is as follows:

- 1—Type 6J7 Pentagrid Mixer, First Detector.
  - 1—Type 6K3 Oscillator.
  - 1—Type 6K7 Remote Cut-Off Pentode, I. F. Amplifier (465 K.C.)
  - 1—Type 6Q7 Duplex Diode Triode Second Detector, A.V.C. and First Audio.
  - 2—Type 23A6 Output Pentodes in Push Pull.
  - 1—Type 25Z6 High Vacuum Rectifier.
  - 1—Type 6G5 Cathode-Ray Tuning Indicator.
- (Note:—6G5 available in all glass only.)

POWER SUPPLY:

This receiver is supplied for operation on 110-220-260 volts A.C. (any cycle) or D.C.

Three taps are provided for mains voltages. These taps are accessible upon removing the plate fastened with two wing nuts to back of chassis.

Set the tap at the voltage supplied by the local power company.

This is important.

NOTE:

If set does not operate in one minute on Direct Current reverse plug in receptacle.

SERVICE NOTES

Voltages taken from different points of circuit to chassis are measured with volume control full on, all tubes in their sockets and speaker connected, with a volt meter having a resistance of 1000 ohms per volt. These voltages are clearly indicated on the circuit diagram.

IN ORDER TO PREVENT SIGNAL FROM ACTING UPON AVC AND AFFECTING ACCURACY OF VOLTAGE MEASUREMENTS, AERIAL AND GROUND LEADS SHOULD BE SHORT CIRCUITED WHILE MAKING MEASUREMENTS.

All voltages as indicated on diagram are measured with 119 volt A.C. or D.C. mains.

With special mains voltages select-tap nearest to actual mains voltage at time voltage measurements are to be made.

Resistances of coils and transformer windings are indicated in ohms on schematic circuit diagrams.

To check for open by-pass condensers, shunt each condenser with another condenser of the same capacity and voltage rating, which is known to be good, until the defective unit is located.

Excessive hum, stuttering, low volume and a reduction in all D.C. voltages is usually caused by a shorted electrolytic condenser, open by-pass condensers frequently cause oscillation and distorted tone.

ALIGNING INSTRUCTIONS

Dummy Antenna

The following dummy antennas are used in aligning the receiver, and are referred to in the following alignment instructions as "Dummy 1", "Dummy 2", and "Dummy 3".

Dummy 1: (I.F.)—Consists of a .1 mfd. condenser connected in series with the external oscillator.

Dummy 2: (Broadcast and long wave)—Consists of a 200 mmfd. condenser and a 20 ohm resistor connected in series with each other and in series with the external oscillator.

Dummy 3: (Short Wave)—Consists of a .1 mfd. condenser and a 400 ohm resistor connected in series with each other and in series with the external oscillator.

TEST FREQUENCIES USED

	Kilocycles	Meters
I. F.	465	645.1
Long Wave	150	2000
	350	850
	325	925
Broadcast	600	500
	1400	214
	1600	187
Short Wave	6000	50.0
	12000	17.6
	18200	16.5

Resonance Indicator:

Use as a resonance indicator an output meter connected across the primary of the speaker input transformer or by means of an adapter between the plate and cathode terminals of the 5 prong speaker socket. Maximum deflection of the meter indicates resonance. Use only enough signal to get a readily readable output. A low range output meter or the low scale of a multi-range meter should be used.

CAUTION:

No aligning adjustments should be attempted without first thoroughly checking over all other possible causes of trouble, such as poor installations, open or grounded antenna systems, low line voltages, defective tubes, condensers and resistors. In order to properly align this chassis, an oscillator (generator) is absolutely necessary. No aligning adjustments should be attempted with the chassis in the cabinet. To remove the knobs, pull them off and to take the chassis out of the cabinet, remove the four bolts by which it is fastened.

ALIGNING I.F. TRANSFORMERS  
(465 K.C.) (645.1 Meters)

Part No. 108-73 Output I.F. Transformer.  
Part No. 108-74 Input I.F. Transformer.

These I.F. transformers have two adjustments, both of which are accessible from the top of chassis (see top view).

1. With volume control full on (the extreme right of its rotation), the band changing switch in the broadcast position (center of its rotation), and with the variable condenser set to approximately 1400 kilocycles, make the following adjustments:

- (a) Connect external oscillator set at 465 kilocycles, in series with "Dummy 1", to the control grid cap of the type 6K7 tube, and adjust the output I.F. transformer (No. 108-73) to resonance.
- (b) With "Dummy 1" still connected, move oscillator output clip from grid of 6K7 to grid cap to 6J7 and adjust input I.F. transformer (No. 108-74) to resonance.
- (c) With oscillator still connected to 6J7, readjust output I.F. transformer (108-73) if necessary.

ALIGNMENT PROCEDURE

The following adjustments to be made after the I.F.'s have been aligned as explained above.

SHORT WAVE BAND ALIGNMENT:

16.5 Meters (18.2 Mc.) to 58.5 Meters (5.1 Mc.)

1. With band changing switch in the short wave position, extreme right of its rotation, and with the gang condenser in its minimum capacity position, plates entirely out of mesh, and with external oscillator connected in series with "Dummy 3" to the tan antenna and black ground lead, make the following adjustments:

- (a) Set external oscillator to 16.5 meters (18.2 Mc.) and adjust short wave oscillator trimmer (adjustment number 3, see Fig. 2) to resonance.
- (b) Re-set external oscillator to 17.6 meters (17.0 Mc.) and pick up signal by rotating gang condenser. Adjust short wave antenna trimmer (adjustment number 6) to resonance.
- (c) Re-set external oscillator to 50 meters (6.0 Mc.) and check for sensitivity.

NOTE: It is extremely necessary in making all of these adjustments that the fundamental oscillator signal be (tuned in and not the image frequency which will fall below the fundamental. An example of this is an image of a fundamental 18.3 mc. signal appears near 17.4 mc. cycles.

MEDIUM OR BROADCAST BAND ALIGNMENT:

300 Meters (1.0 K.C.) to 187 Meters (1.608 K.C.)

1. With band changing switch in the medium wave position, center of its rotation, and with gang condenser in its minimum capacity position, plates entirely out of mesh, and with external oscillator connected in series with "Dummy 2" to the tan antenna lead and black ground lead, make following adjustments:

- (a) Set external oscillator to 187 meters (1.600 K.C.) and adjust medium wave oscillator trimmer to resonance (adjustment number 2; see bottom view of coil assembly, Fig. 2).
- (b) Re-set external oscillator to 214 meters (1.400 K.C.), rotate variable gang condenser and pick up signal. Adjust medium wave antenna trimmer (Adjustment number 5) to resonance; also adjust preselector trimmer which is mounted on the top of the rear section of the three gang variable tuning condenser to resonance. (See top view of chassis, Fig. 1, for location of this adjustment.)
- (c) Re-set external oscillator to 500 meters (600 K.C.), and adjust medium wave series pad to resonance by rotating condenser to approximately 600 K.C., rocking it slowly to and fro until by adjusting series pad maximum output is attained. This adjustment is located on the bottom of the chassis directly under the variable gang condenser. (See bottom view of chassis, Fig. 2).
- (d) Repeat adjustments "a" and "b" until sensitivity is at its maximum.
- (e) Check for tracking and sensitivity at 300 meters (1000 K.C.) Under no circumstances bend plates of variable condenser sections to correct tracking.

LONG WAVE BAND ALIGNMENT:

800 Meters (350 K.C.) to 2150 Meters (140 K.C.)

1. With band changing switch in the long wave position, extreme left of its rotation, and with gang condenser in its minimum capacity position, plates entirely out of mesh, and with external oscillator connected in series with "Dummy 2" to the tan antenna lead and black ground lead, make following adjustments:

- (a) Set external oscillator to 800 meters (350 K.C.), and adjust long wave oscillator trimmer to resonance (adjustment number 1; see bottom view of coil assembly, Fig. 2).
- (b) Re-set external oscillator to 925 meters (325 K.C.), rotate variable gang condenser and pick up signal. Adjust long wave antenna trimmer (Adjustment number 4) to resonance.
- (c) Re-set external oscillator to 2000 meters (150 K.C.), and adjust long wave series pad to resonance by rotating condenser to approximately 2000 meters, rocking it slowly to and fro until by adjusting series pad maximum output is attained. This adjustment is located on the bottom of the chassis directly under the variable gang condenser. (See bottom view of chassis, Fig. 2).
- (d) Repeat adjustments "a" and "b" until sensitivity is at its maximum.

IMPORTANT: This band must be completely rechecked after the long wave band has been adjusted.

(b) Re-set external oscillator to 925 meters (325 K.C.), rotate variable gang condenser and pick up signal. Adjust long wave antenna trimmer (Adjustment number 4) to resonance.

(c) Re-set external oscillator to 2000 meters (150 K.C.), and adjust long wave series pad to resonance by rotating condenser to approximately 2000 meters, rocking it slowly to and fro until by adjusting series pad maximum output is attained. This adjustment is located on the bottom of the chassis directly under the variable gang condenser. (See bottom view of chassis, Fig. 2).

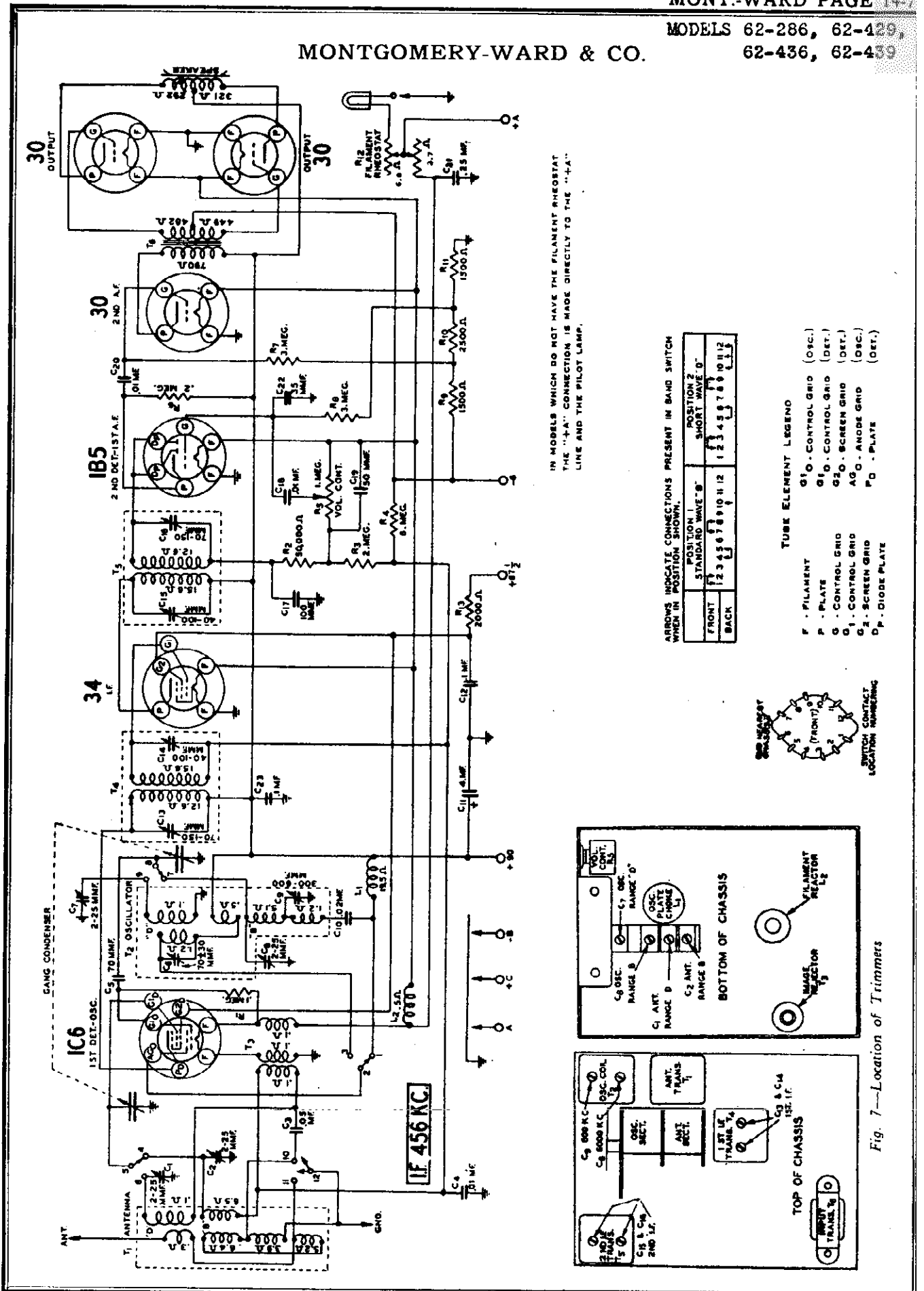
(d) Repeat adjustments "a" and "b" until sensitivity is at its maximum.

IMPORTANT: This band must be completely rechecked after the medium wave band has been rechecked.

LIST OF REPAIR PARTS

Part No.	Description	Chassis Diagram Reference
<b>CONDENSERS</b>		
100-11	01 x 400 Volt Tubular	C2, CR, C12, C13, C14
100-20	1 x 200 Volt Tubular	C17
100-22	05 x 200 Volt Tubular	C1
100-26	02 x 400 Volt Tubular	C6
100-36	01 x 1400 Volt Tubular (bare leads)	C21
100-39	1 x 400 Volt Tubular (with bracket)	C4
100-41	25 x 200 Volt Tubular (with bracket)	C16
100-44	303 x 600 Volt Tubular	C15
119-30	Dual 20 mid Electrolytic Filter	C9, C10
120-12	00025 Mica—Type MT—20%	C7, C11
120-39	00005 Mica—Type MT—20%	C20
120-54	003 Mica—Type MW—2 1/2%	C5
120-67	00004 Mica—Type MT—10%	C3
<b>RESISTORS</b>		
306-30	100 ohm (R4), 40 ohm (R3) Metal Glad	R4, R5
130-4	3 Megohm—1/3W—20%—100V Carbon	RR, R10
130-11	250 3/4 ohm—1/3W—20%—50V Carbon	R15, R16
130-12	M ohm—1/3W—20%—20V Carbon	R2, R7
130-17	10 M ohm—1/3W—20%—20V Carbon	R21
130-20	100 M ohm—1/3W—10%—50V Carbon	R1, R11
130-27	50 ohm—1/3W—20%—3V Carbon	R6, R14
130-56	100 ohm—1/3W—20%—10V Carbon	R17
130-65	75 M ohm—1/3W—10%—50V Carbon	R18
130-100	150 M ohm—1/3W—20%—50V Carbon	R19, R20
130-102	500 M ohm—1/3W—10%—50V Carbon	R12
130-110	1 Megohm—1/10W—10%—100V Carbon	R13
130-128	20 ohm—1/3W—20%—10V Carbon	R13
<b>COILS</b>		
108-73	Output I.F. Coil Assembly complete with can	8
108-88	Input I.F. Coil Assembly complete with can	7
110-46	Oscillator Check coil	4
110-49	Broadcast and Short Wave Oscillator Coil Assembly, less can	6
111-61	Long Wave Antenna Coil Assembly, less can	1
111-62	Antenna Preselector Coil Assembly	3
111-64	Broadcast and Short Wave Antenna Coil Assembly, less can	2
<b>SOCKETS</b>		
121-8	Five Prong Socket—Marked "Spkr"	
121-12	Seven Prong Socket—Marked "6K7"	
121-17	Six Prong Socket—Marked "6C3"	
121-18	Seven Prong Socket—Marked "6J7"	
121-26	Seven Prong Socket—Marked "6Q7"	
121-31	Seven Prong Socket—Marked "C226"	
121-32	Seven Prong Socket—Marked "23A6"	
<b>SPEAKER</b>		
114-49	Six Inch Permanent Magnet Dynamic	
<b>MISCELLANEOUS</b>		
101-46	Volume Control and Switch (1 megohm)	R9
101-51	Tone Control (20 M ohm)	R22
102-28	Three Gang Variable Condenser	
105-32	250 ohm Filter Choke	
107-48	230 ohm Special Line Cord	R3
112-109	Phono-Radio Indicator, Plate	
112-35	Antenna, Oscillator Shield	
112-37	Mains Cover Plate	
121-30	Three Prong Socket Assembly for Mains	C18
124-31	J. S. Long Wave Series Pad—300 mmf	C19
124-32	J. S. Broadcast Series Pad—565 mmf	S
125-17	Band Switch	
125-22	Phono-Radio Toggle Switch	
128-51	Small Wood Knob (with spring)	
133-24	Wing Nut for Mains Cover Plate (115-54)	
171-2	Phono Jack Assembly	
<b>CATHODE RAY TUNING INDICATOR PARTS</b>		
187-49	Cable and Socket Assembly	
112-158	Metal Oval Escutcheon	
117-87	Holder and Clamp	
180-110	1 Meg. Ohm—1/10 Watt—10%—100 Volt Carbon	
<b>DIAL PARTS LIST</b>		
<b>ASSEMBLIES</b>		
111-41	Drive Bracket including:	
1—No. 117-19—Tuning Shaft Bushing		
117-66	Switch Disc and Link Assembly, including:	
1—No. 117-12—Switch Arm		
1—No. 117-34—Bushings with Screws		
1—No. 117-68B—Switch Link		
1—No. 131-28—Spring Washers		
1—No. 102-8—Rivets		
1—No. 118-144—Switch Dia.—Inc. Red Tape		
<b>DIAL PARTS ONLY</b>		
112-185	Drive Bolt	
112-182	Oval Escutcheon complete with Celluloid Crystal	
112-174	Dial Bezel comp. with Fastener, Pointer Disc, & Screw	
112-147	Tuning Shaft	
112-181	Pointer complete with Screw	
112-186	Pilot Light Assembly	
112-18	4.8 Volt 7-51 Pilot Light	
117-98A	Tuning Shaft Pulley	
117-28	Stud for take-up Spring	
117-29	Pulley for take-up Spring	
120-18	Take-up Spring	
116-8	Horse Shoe Washer	
124-46	Rubber Grommet	

MONTGOMERY-WARD & CO.



IN MODELS WHICH DO NOT HAVE THE FILAMENT RHEOSTAT THE "+A" CONNECTION IS MADE DIRECTLY TO THE "+A" LINE AND THE PILOT LAMP.

ARROWS INDICATE CONNECTIONS PRESENT IN BAND SWITCH POSITION 1

	POSITION 1	POSITION 2
	STANDARD WAVE "B"	SHORT WAVE "D"
FRONT	1 2 3 4 5 6 7 8 9 10 11 12	1 2 3 4 5 6 7 8 9 10 11 12
BACK	1 2 3 4 5 6 7 8 9 10 11 12	1 2 3 4 5 6 7 8 9 10 11 12

TUBE ELEMENT LEGEND

- F - FILAMENT
- P - PLATE
- G1 - CONTROL GRID (OSC.)
- G2 - CONTROL GRID (DET.)
- G3 - CONTROL GRID
- G4 - CONTROL GRID
- G5 - CONTROL GRID
- G6 - ANODE GRID (OSC.)
- G7 - SCREEN GRID
- G8 - CONTROL GRID (DET.)
- G9 - ANODE GRID (OSC.)
- G10 - CONTROL GRID (DET.)
- PD - DIODE PLATE

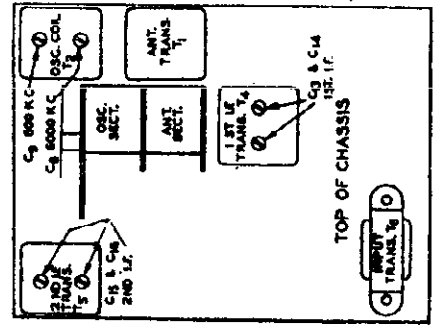
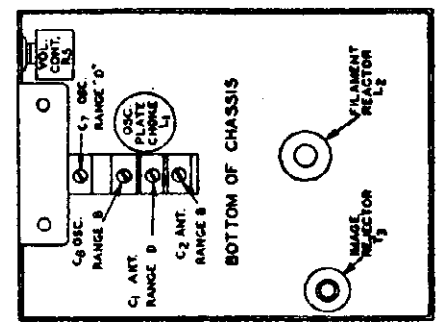
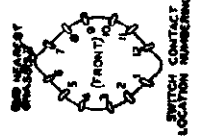


Fig. 7—Location of Trimmers



MODELS 62-286, 62-429,  
62-436, 62-439

MONTGOMERY-WARD & CO.

Standard and Short Wave Battery Radio

July 1936

6 Tube - 2 Band

Tubes

The tubes used in this receiver are of the 2 volt series. All of them are of the filament or directly heated types. All of them have a 2 volt filament and should not be connected to a power supply not intended for this type of tube. Maximum filament voltage range is 1.8 to 2.0 volts. Operation of the tubes at under or over this value will be injurious to the tubes and may affect operation of the receiver.

VOLTAGES AT SOCKETS					
Volume Control at Maximum			Antenna Shorted to Ground Band Switch in Standard Wave Position		
Type of Tube	Function	Across Filament	Plate to Ground	Screen to Ground	Grid to Ground
1C6	1st Det.-Osc.	2.0	90 90(1)	60	6(2)
34	I.F.	2.0	90	60	6(2)
1B5	2nd Det.-1st A.F.	2.0	30(3)		1.5(4)
30	2nd A.F.	2.0	90		4.0(5)
30	Power	2.0	90		6

- (1) Anode Grid to ground.
- (2) As read at "C" Battery.
- (3) As read with 500,000 ohm meter.
- (4) As read from negative end of R11 to ground.
- (5) As read from negative end of R10 to ground.

Alignment Procedure

Correct alignment is extremely important in connection with all wave receivers. The receivers are all properly aligned at the factory with precision instruments and re-alignment should not be attempted unless all other possible causes of the faulty operation have first been investigated and unless the service technician has the proper equipment.

A signal generator that will provide an accurately calibrated signal at 456, 1730, 1500, 600, 16,000, 15,000 and 6000 KC and an output indicating meter are required. It will be practically impossible to align the receiver if unsatisfactory apparatus is used.

Use a non-metallic screwdriver for the adjustments. The complete procedure is as follows:

I. F. Adjustment

Set the signal generator for a signal of 456 KC. Connect the output of the signal generator through a .1 mf. condenser to the grid of the 1st detector.

Connect the ground lead of the radio to the ground post of the signal generator

Turn the band switch to the Range B position (standard wave band).

Turn the volume control to the maximum position. Attenuate the signal from the signal generator to prevent the leveling-off action of the AVC.

Then adjust the four I.F. trimmers until maximum output is obtained. The adjusting screws for these condensers are reached from the top of the chassis, and the location is shown in Fig. 7.

Range B Alignment

After the procedure for the alignment of each range, as explained below, is completed, it is advisable to repeat the procedure as a final check.

1730 KC Adjustment

Set the signal generator for 1730 KC.

Turn the rotor of the tuning condenser to the full open position.

Keep the band switch in the standard wave position.

Connect the antenna lead of the radio through a 200 mmf. condenser to the output of the signal generator.

For this and all subsequent adjustments keep the volume control at the maximum position and attenuate the signal from the signal generator to prevent AVC action.

Adjust the oscillator Range B trimmer (C8) until

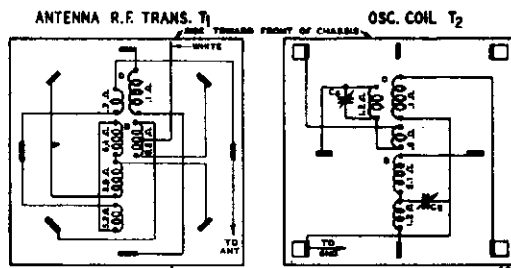


Fig. 8—R.F. and Oscillator Coil Base Terminal Arrangement and D.C. Resistance of Windings

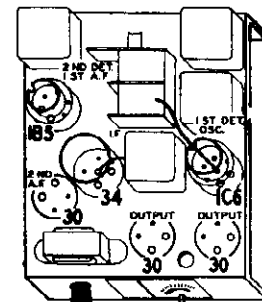


Fig. 9—Tube Arrangement

maximum output is obtained. The location of this trimmer is shown in Fig. 7.

1500 KC Adjustment

Set the signal generator for 1500 KC.

Turn the rotor of the tuning condenser carefully until maximum output is obtained.

Loosen the pointer screw and set the pointer at the 1500 KC mark on the standard wave band scale. Retighten the screw.

Adjust the antenna Range B trimmer (C2) to maximum.

Do not change the setting of the oscillator Range B trimmer.

600 KC Adjustment

Set the signal generator for 600 KC.

Turn the tuning condenser rotor until maximum output is obtained.

Turn the rotor slowly back and forth at the same time adjusting the 600 KC trimmer (C9) until the peak of greatest intensity is obtained. See Fig. 7 for location of this trimmer.

Range D Alignment

CAUTION—When aligning the short wave band be sure NOT to adjust at the image frequency. This can be checked as follows: Let us say the signal generator is set for 15,000 KC. The signal will then be heard at 15,000 on the dial of the radio. The image signal, which is much weaker, will be heard at 15,000 less 912 KC, or 14,088 KC. It may be necessary to increase the input signal to hear the image.

16,000 KC Adjustment

Set the signal generator for 16,000 KC.

Connect the antenna lead of the radio through a 400 ohm resistor to the output of the signal generator.

Turn the rotor of the tuning condenser to the full open position.

Turn the band switch to the Range D position (short wave band).

Adjust the oscillator Range D trimmer (C7) until maximum output is obtained. See Fig. 7 for location of this trimmer.

15,000 KC Adjustment

Set the signal generator for 15,000 KC.

Turn the rotor of the tuning condenser carefully until maximum output is obtained.

Adjust the antenna Range D trimmer (C1) to maximum. When adjusting this trimmer, it will be necessary at the same time to turn the tuning condenser rotor slowly back and forth until the peak of greatest intensity is obtained.

Do not change the setting of the oscillator Range D trimmer

6000 KC Adjustment

Set the signal generator for 6000 KC.

Turn the tuning condenser rotor until maximum output is obtained.

Turn the rotor slowly back and forth at the same time adjusting the 6000 KC (C6) trimmer until the peak of greatest intensity is obtained. See Fig. 7 for location of this trimmer.

Replacement Parts

NOTICE—There is a large letter on the chassis which identifies the set as to major part changes. When ordering parts, please be sure to mention the series number and this large letter.

ELECTROLYTIC

F-48212	C11	4.8 mf.	100 Dry	..46
MOLDED				
F-47242	C8	70 mmf.	.....	..10
F-47252	C17	100 mmf.	.....	..10
F-47256	C19	50 mmf.	.....	..10
F-47258	C22	25 mmf.	.....	..10

TRIMMER				
F-17A82	C1	2-25 mmf.	Range "D" Antenna Trimmer	} .46
	C7	2-25 mmf.	Range "D" Oscillator Trimmer	
	C8	2-25 mmf.	Range "B" Oscillator Trimmer	
	C4	40-100 mmf.	600 KC Trimmer	..46
F-17A36	C9	200-400 mmf.	600 KC Trimmer	..26
F-17A81	C10	40-100 mmf.	1st I. F. Trimmer	..26
	C18	70-100 mmf.	2nd I. F. Trimmer	..26
	C16	40-100 mmf.		

MISCELLANEOUS

F-14A84	2 Gang Condenser less Drive Drum and Dial Assembly	.....	\$2.50
F-A9510	R1	100,000 Ohm 0.2	..10
F-A9505	R2	50,000 Ohm 0.2	..10
F-A9506	R3	2.0 Megohm 0.2	..10
F-A9507	R4	0.5 Megohm 0.2	..10
F-A9508	R5	200,000 Ohm 0.2	..10
F-A9509	R6	1.0 Megohm 0.2	..10
F-A9511	R7	1.0 Megohm 0.2	..10
F-A9512	R8	1.0 Ohm 0.2	..10
F-A9513	R9	2,000 Ohm 0.2	..10
F-A9514	R10	2,000 Ohm 0.2	..10
F-A9515	R11	2,000 Ohm 0.2	..10
F-A9516	C1	.25 mf. 100	..10
F-A9517	C2	.25 mf. 100	..10
F-A9518	C3	.25 mf. 100	..10
F-A9519	C12	.1 mf. 100	..10
F-A9520	C13	.1 mf. 100	..10
F-A9521	C20	.1 mf. 100	..10
F-A9522	C21	.25 mf. 100	..10
F-A9523	C23	.1 mf. 100	..10

Part No. Description List Price

F-5A22	Drive Bracket Assembly, less Drive Drum and Pointer Shaft	.....	\$2.50
F-5A225	Drive Drum and Pointer Shaft (Mounted on Tuning Condenser Shaft)	.....	..46
F-26X27	20" Range Tuning Drive Cord	.....	..26
F-26X28	Tuning Drive Cord Tension Spring	.....	..26
F-77X20	8" On-Off Indicator Drive Cord	.....	..26
F-77X21	Beam Collar with Set Screw for Securing above Cord to Shaft	.....	..10
F-26X41	On-Off Indicator Cord Tension Spring	.....	..10
F-3A210	R5	1.0 Megohm Volume Control and On-Off Switch	..1.00
F-45006	R12	1.0 Ohm 1.0 Ohm	..1.00
F-3A24	30 Tube Socket	.....	..26.10
F-3A25	34 Tube Socket	.....	..10
F-3A26	1B5 Tube Socket	.....	..10
F-3A28	1C6 Tube Socket	.....	..10

SPEAKERS

F-15A217	4" Magnetic Speaker	.....	..4.00
F-15A18	8" Magnetic Speaker	.....	..4.00
F-15A212	Speaker Cable and Socket Assembly	.....	..40

KNOB

See by Name and Model of Receiver	Volume Control Knob	.....	..15
	Tuning Control Knob	.....	..15
	Band Switch Knob	.....	..15

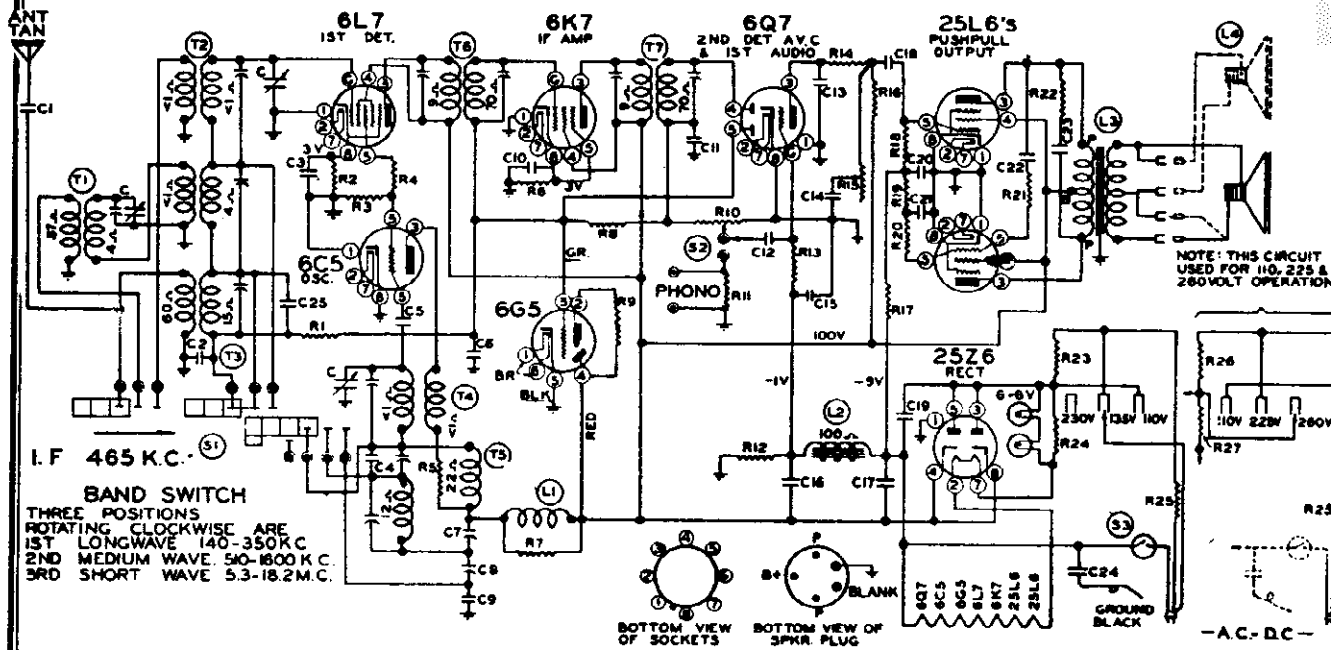
GENERAL

F-3E25	Rubber Chassis Mounting Cushion	.....	..10
F-3E26	Tube Shield—Large	.....	..10
F-3E27	100 Tube Shield—Small	.....	..10
F-3E28	Tube Shield Base—Large	.....	..10
F-3E29	Tube Shield Base—Small	.....	..10
F-3E30	Washers (Used behind Knobs)	.....	..10
F-17B17	Glass Dial Crystal	.....	..10
F-17B18	Crystal Surrounding Ring	.....	..10
F-3A28	1 Section 2 Position Band Change Switch	.....	..35
F-3A29	Single Lead Terminal Strip (Mounting Hole Used)	.....	..10
F-3A30	Shield Clip only	.....	..10
F-15A214	Antenna and Ground Lead Assembly	.....	..1.00
F-15A215	A, B and C Setters Cable	.....	..1.00
F-3A30	T1 Antenna Trans. and Can Assembly	.....	..2.00
F-3A31	T2 Oscillator Coil and Can Assembly	.....	..2.00
F-3A32	Image Receptor	.....	..1.00
F-3A33	1st I. F. Trans. and Can Assembly	.....	..1.00
F-3A34	2nd I. F. Trans. and Can Assembly	.....	..1.00
F-3A35	100 Turn Transformer	.....	..1.00
F-3A36	L1 Oscillator Plate Choke	.....	..1.00
F-3A37	L2 Filament Choke Coil	.....	..1.00
F-15A7	81 Bracket Assembly, less Pilot Lamp, Pilot Light Assembly	.....	\$1.00
F-15B6	Volume Control Knob	.....	..15
F-26A77	On-Off Indicator Disc Assembly	.....	..10
F-3A38	Pilot Lamp	.....	..10
F-3A39	8" Light Socket and Spring Clip	.....	..10
F-3A40	Pilot Light Spring Contact Assembly (on drive shaft)	.....	..10

\*Used only on models with filament rheostat.

PRICES SUBJECT TO CHANGE WITHOUT NOTICE

MONTGOMERY-WARD & CO.



I.F. 465 K.C.  
BAND SWITCH  
THREE POSITIONS  
ROTATING CLOCKWISE ARE  
1ST LONGWAVE 140-350K.C.  
2ND MEDIUM WAVE 540-1800 K.C.  
3RD SHORT WAVE 5.3-18.2M.C.

NOTE: THIS CIRCUIT  
USED FOR 110, 225 &  
280VOLT OPERATION

BOTTOM VIEW  
OF SOCKETS

BOTTOM VIEW OF  
SPKR PLUG

-A.C.-D.C.-

CONDENSERS		
C	102-47	3 gang variable condenser
C1	100-11	.01 x 400 25%
C2	100-22	.05 x 200 25%
C3	100-22	.05 x 200 25%
C4	129-67	.00004 Mica 10%
C5	129-39	.00005 Mica 20%
C6	100-26	.02 x 400 25%
C7	124-31	Adj. Cond.—300 mmf. W.C.
C8	124-32	Adj. Cond.—565 mmf. W.C.
C9	129-54	.003 Mica 2 1/2%
C10	100-9	.05 x 200 25%
C11	129-21	.0002 Mica 20%
C12	100-9	.05 x 200 25%
C13	129-2	.0005 Mica 20%
C14	100-19	.006 x 600 25%
C15	100-6	.25 x 200 20%
C16	119-30	26 mfd.—100 w.v.
C17	119-30	26 mfd.—100 w.v.
C18	100-11	.01 x 400 25%
C19	100-39	.1 x 400 20%
C20	100-43	.25 x 200 25%
C21	100-20	.1 x 200 25%
C22	100-19	.006 x 600 25%
C23	100-19	.006 x 600 25%
C24	100-36	.01 x 1400 10%
C25	129-3	.00002 Mica 20%

C16 and C17 in same unit

R18	130-11	250M ohm—1/3 w. 20%
R19	130-11	250M ohm—1/3 w. 20%
R20	130-7	40M ohm—1/3 w. 10%
R21	130-102	500M ohm—1/3 w. 10%
R22	130-22	5M ohm—1/3 w. 20%
R23	106-41	65 ohm

R24	106-41	40 ohm
R25	107-48	250 ohm—line cord
R26	106-30	100 ohm
R27	106-30	40 ohm
R26 and R27 in one unit (110-225-260 volt operation)		
R23 and R24 in one unit (110-135-230 volt operation)		

RESISTORS		
R1	130-20	100M ohm—1/3 w. 20%
R2	130-54	500 ohm—1/3 w. 20%
R3	130-12	50M ohm—1/3 w. 20%
R4	130-60	100 ohm—1/3 w. 20%
R5	130-27	50 ohm—1/3 w. 20%
R6	130-54	500 ohm—1/3 w. 20%
R7	130-72	50M ohm—1/3 w. 20%
R8	130-4	3 megohm—1/3 w. 20%
R9		250M—1/10 w. in Tuning indicator socket
R10	101-46	Volume Control (1 meg. ohm)
R11	130-20	100M ohm—1/3 w. 20%
R12	130-169	12 ohm—Wire wound
R13	130-19	1 megohm—1/3 w. 20%
R14	130-66	75M ohm—1/3 w. 10%
R15	101-51	Tone Control (300M ohm)
R16	130-100	150M—1/3 w. 20%
R17	130-102	500M ohm—1/3 w. 10%

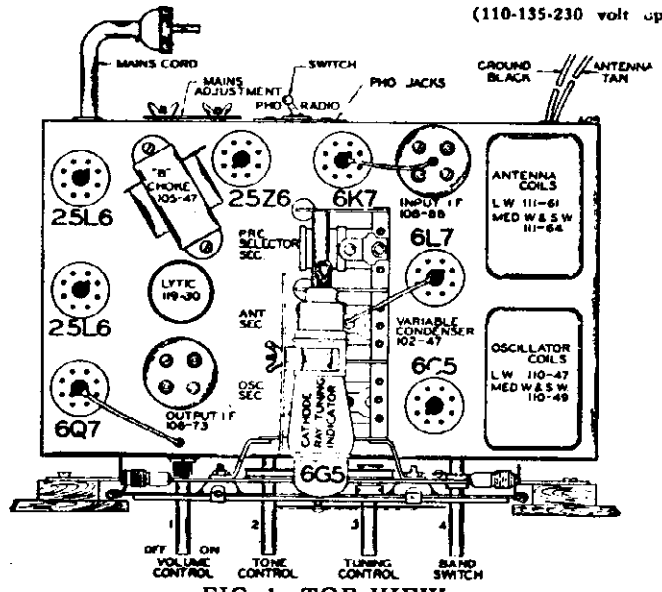


FIG. 1—TOP VIEW

T1	111-62	Pre-selector Coil Complete
T2	111-64	S.W. M.W. Antenna Coil Complete
T3	111-61	L.W. Antenna Coil Complete
T4	110-49	S.W. M.W. Oscillator Coil Complete
T5	110-47	L.W. Oscillator Coil Complete
T6	108-88	Input I.F. Coil Complete
T7	108-73	Output I.F. Coil Complete
L1	123-3	R.F. "B" Choke
L2	105-47	100 ohm Filter Choke
L3	114-83	8" P.M. Speaker
S1	125-17	Band Switch
S2	125-22	Phono Switch
S3		On-Off Switch on Volume Control
L4	114-84	Extension Speaker—6 ohm voice coil 8" P.M.

MODELS 62-291,  
62-371

MONTGOMERY-WARD & CO.

FREQUENCY RANGE

350 to 140 K.C. (Kilocycles) 860-2150 Meters  
1600 to 510 K.C. (Kilocycles) 187- 588 Meters  
18.2 to 5.3 M.C. (Megacycles) 16.5-56.5 Meters

with external oscillator connected in series with "Dummy 2" to tan antenna lead and black ground lead, make following adjustments:

(a) Set external oscillator to 187 meters (1600 K.C.) and adjust medium wave oscillator trimmer to resonance (adjustment number 2; see bottom view of coil assembly, Fig. 3.)

(b) Re-set external oscillator to 214 meters (1400 K.C.), rotate variable gang condenser and pick up signal. Adjust medium wave antenna trimmer (Adjustment number 5) to resonance; also adjust preselector trimmer which is mounted on the top of the rear section of the three gang variable tuning condenser to resonance. (See top view of chassis, Fig. 1, for location of this adjustment.)

(c) Re-set external oscillator to 500 meters (600 K.C.), and adjust medium wave series pad to resonance by rotating condenser to approximately 600 K.C., rocking it slowly to and fro until by adjusting series pad maximum output is attained. This adjustment is located on the bottom of the chassis directly under the variable gang condenser. (See bottom view of chassis, Fig. 3.)

(d) Repeat adjustments "a" and "b" until sensitivity is at its maximum.

(e) Check for tracking and sensitivity at 300 meters (1000 K.C.) Under no circumstances bend plates of variable condenser sections to correct tracking.

**IMPORTANT:** This band must be completely rechecked after the long wave band has been adjusted.

**LONG WAVE BAND ALIGNMENT:**

860 Meters (350 K.C.) to 2150 Meters (140 K.C.)  
1. With band changing switch in the long wave position, extreme left of its rotation, and with gang condenser in its minimum capacity position, plates entirely out of mesh, and with external oscillator connected in series with "Dummy 2" to tan antenna lead and black ground lead, make following adjustments:

(a) Set external oscillator to 860 meters (350 K.C.), and adjust long wave oscillator trimmer to resonance (adjustment number 1; see bottom view of coil assembly, Fig. 3.)

(b) Re-set external oscillator to 925 meters (325 K.C.), rotate variable gang condenser and pick up signal. Adjust long wave antenna trimmer (Adjustment number 4) to resonance.

(c) Re-set external oscillator to 2000 meters (150 K.C.), and adjust long wave series pad to resonance by rotating condenser to approximately 2000 meters, rocking it slowly to and fro until by adjusting series pad maximum output is attained. This adjustment is located on the bottom of the chassis directly under the variable gang condenser. (See bottom view of chassis, Fig. 3.)

(d) Repeat adjustments "a" and "b" until sensitivity is at its maximum.

**IMPORTANT:** This band must be completely rechecked after the medium wave band has been rechecked.

across the primary of the speaker input transformer or by means of an adapter between the plate and cathode terminals of the 5 prong speaker socket. Maximum deflection of the meter indicates resonance. Use only enough signal to get a readily readable output. A low range output meter or the low scale of a multi-range meter should be used.

**CAUTION:**

No aligning adjustments should be attempted without first thoroughly checking over all other possible causes of trouble, such as poor installations, open or grounded antenna systems, low line voltages, defective tubes, condensers and resistors. In order to properly align this chassis, an oscillator (generator) is absolutely necessary. No aligning adjustments should be attempted with the chassis in the cabinet. To remove the knobs, pull them off and to take the chassis out of the cabinet, remove the four bolts by which it is fastened.

**ALIGNING I.F. TRANSFORMERS:**

(465 K.C.) (645.1 Meters)  
Part No. 108-73 Output I.F. Transformer.  
Part No. 108-88 Input I.F. Transformer.

These I.F. transformers have two adjustments, both of which are accessible from the top of chassis (see top view) 1. With volume control full on (the extreme right of its rotation), the band changing switch in the medium wave position, (center of its rotation), and with the variable condenser set to approximately 1400 kilocycles, make the following adjustments:

(a) Connect external oscillator set at 465 kilocycles, in series with "Dummy 1," to the control grid cap of the type 6K7 tube, and adjust the output I.F. transformer (No. 108-73) to resonance.

(b) With "Dummy 1" still connected, move oscillator output clip from grid of 6K7 to grid cap to 6L7 and adjust just input I.F. transformer (No. 108-88) to resonance.

(c) With oscillator still connected to 6L7, readjust output I.F. transformer (108-73) if necessary.

**ALIGNMENT PROCEDURE:**

The following adjustments to be made after the I.F.'s have been aligned as explained above.

**SHORT WAVE BAND ALIGNMENT:**

16.5 Meters (18.2 Mc.) to 56.5 Meters (5.3 Mc.)  
1. With band changing switch in the short wave position, extreme right of its rotation, and with the gang condenser in its minimum capacity position, plates entirely out of mesh, and with external oscillator connected in series with "Dummy 3" to the tan antenna and black ground lead, make the following adjustments:

(a) Set external oscillator to 16.5 meters (18.2 Mc.) and adjust short wave oscillator trimmer (adjustment number 3, see Fig. 3) to resonance.

(b) Re-set external oscillator to 17.6 meters (17.0 Mc.) and pick up signal by rotating gang condenser. Adjust just short wave antenna trimmer (adjustment number 6) to resonance.

(c) Re-set external oscillator to 50 meters (6.0 Mc.) and check for sensitivity.

**NOTE:** It is extremely necessary in making all of these adjustments that the fundamental oscillator signal be tuned in and not the image frequency which will fall below the fundamental. An example of this is an image of a fundamental 18.3 megacycle signal appears near 17.4 megacycles.

**MEDIUM BAND ALIGNMENT:**

588 Meters (510 K.C.) to 187 Meters (1600 K.C.)  
1. With band changing switch in the medium wave position, center of its rotation, and with gang condenser in its minimum capacity position, plates entirely out of mesh, and

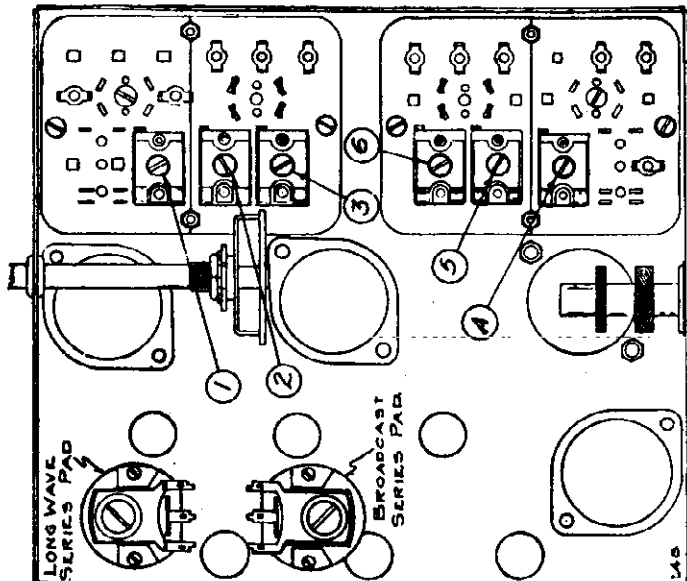


FIG. 3—BOTTOM VIEW (Showing Trimmers)

**ALIGNING INSTRUCTIONS:**

**Dummy Antennas:**  
The following dummy antennas are used in aligning the receiver, and are referred to in the following alignment instructions as "Dummy 1," "Dummy 2," and "Dummy 3."  
Dummy 1: (I.F.)—Consists of a 1 mfd. condenser connected in series with the external oscillator.  
Dummy 2: (Medium and long wave) — Consists of a 200 mfd. condenser and a 20 ohm resistor connected in series with each other and in series with the external oscillator.

Dummy 3: (Short Wave)—Consists of a .1 mfd. condenser and a 400 ohm resistor connected in series with each other and in series with the external oscillator.

**TEST FREQUENCIES USED:**

	Kilocycles	Meters
I. F.	465	645.1
	150	2000
	350	860
Medium Wave	325	925
	600	500
	1400	214
Short Wave	1400	187
	6000	50.0
	17000	17.6
	18200	16.5

**Resonance Indicator:**

Use as a resonance indicator an output meter connected

MONTGOMERY-WARD & CO.

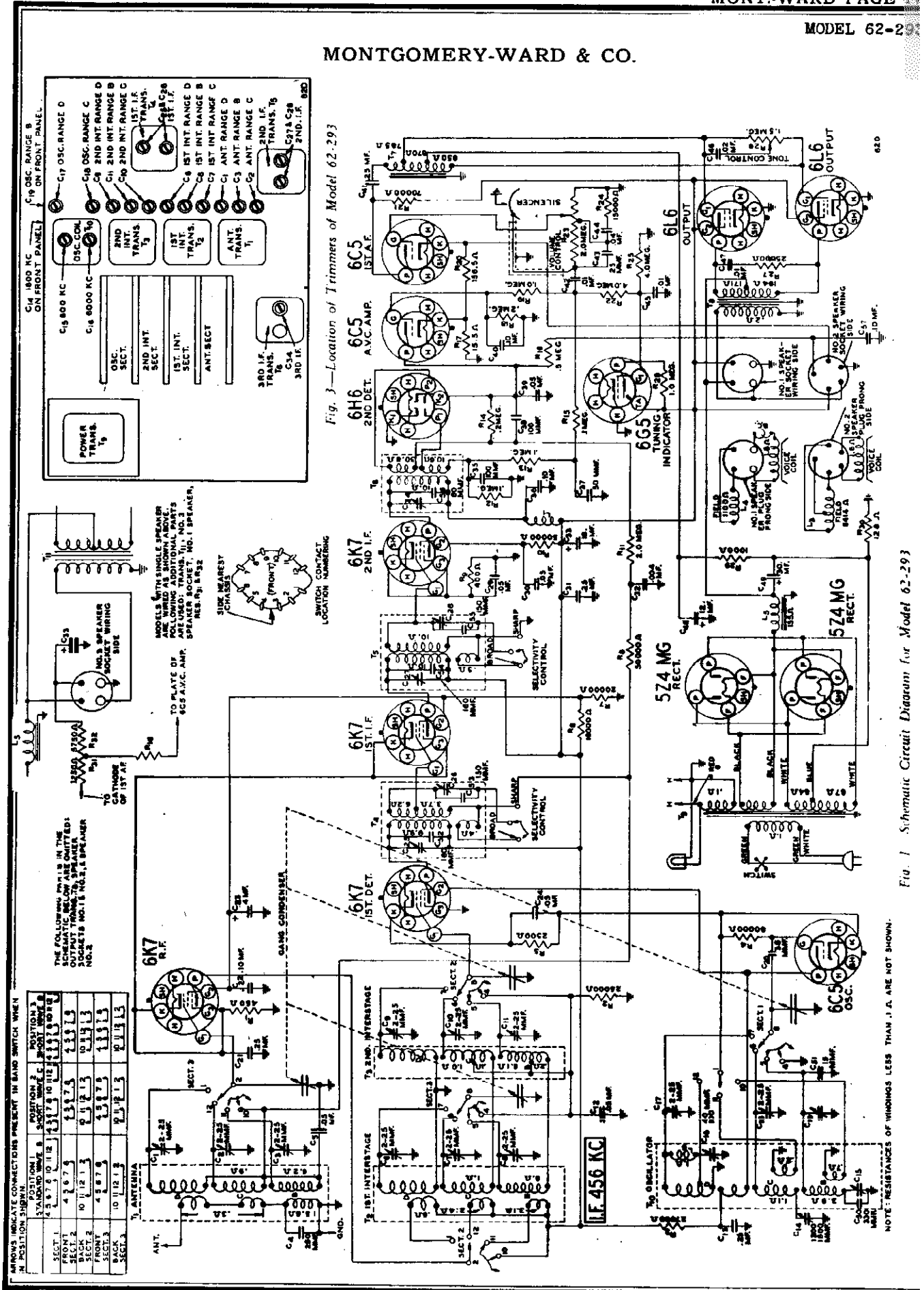


Fig. 3—Location of Trimmers of Model 62-293

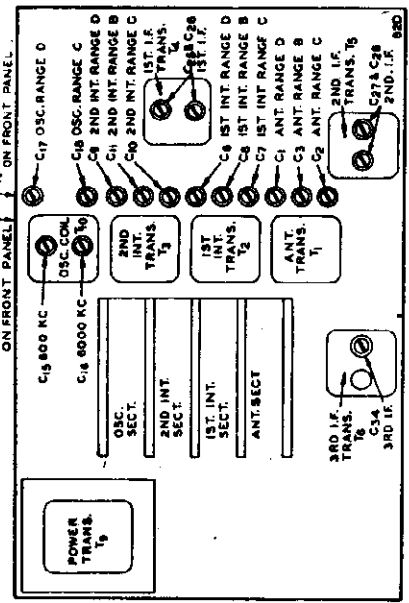


Fig. 1 Schematic Circuit Diagram for Model 62-293

MONTGOMERY-WARD & CO.

MODEL 62-271

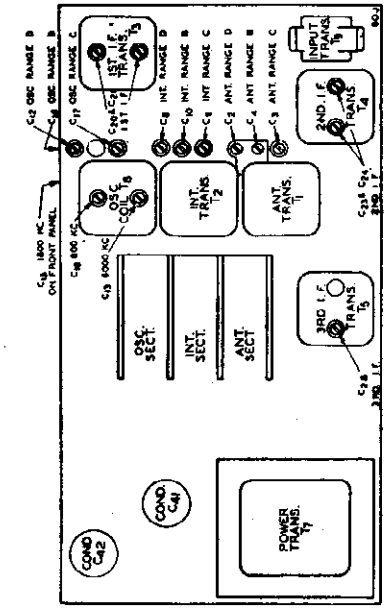
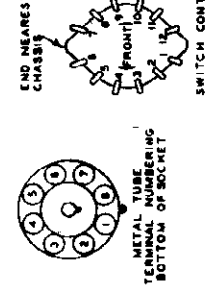


Fig. 4 - Location of Trimmers of Model 62-271

ARROWS INDICATE CONNECTIONS PRESENT IN BAND SWITCH WHEN IN POSITION SHOWN.

POSITION	POSITION 1	POSITION 2	POSITION 3
STANDARD NAME	SHORT NAME	SHORT NAME	SHORT NAME
BACK SECT. 1	1 1 3 3	1 1 3 3	1 1 3 3
BACK SECT. 2	4 4 7 7	4 4 7 7	4 4 7 7
BACK SECT. 3	10 11 12 12	10 11 12 12	10 11 12 12



END NEAREST CHASSIS

METAL TUBE SOCKETING SECTION OF SOCKET

SWITCH CONTACT LOCATION NUMBERING

TUBE ELEMENT LEGEND

- SH - SHELL
- H - HEATER
- K - CATHODE
- P - PLATE
- G - CONTROL GRID
- Q - SCREEN GRID
- Q<sub>2</sub> - SUPPRESSOR GRID
- T - TARGET
- F - FILAMENT

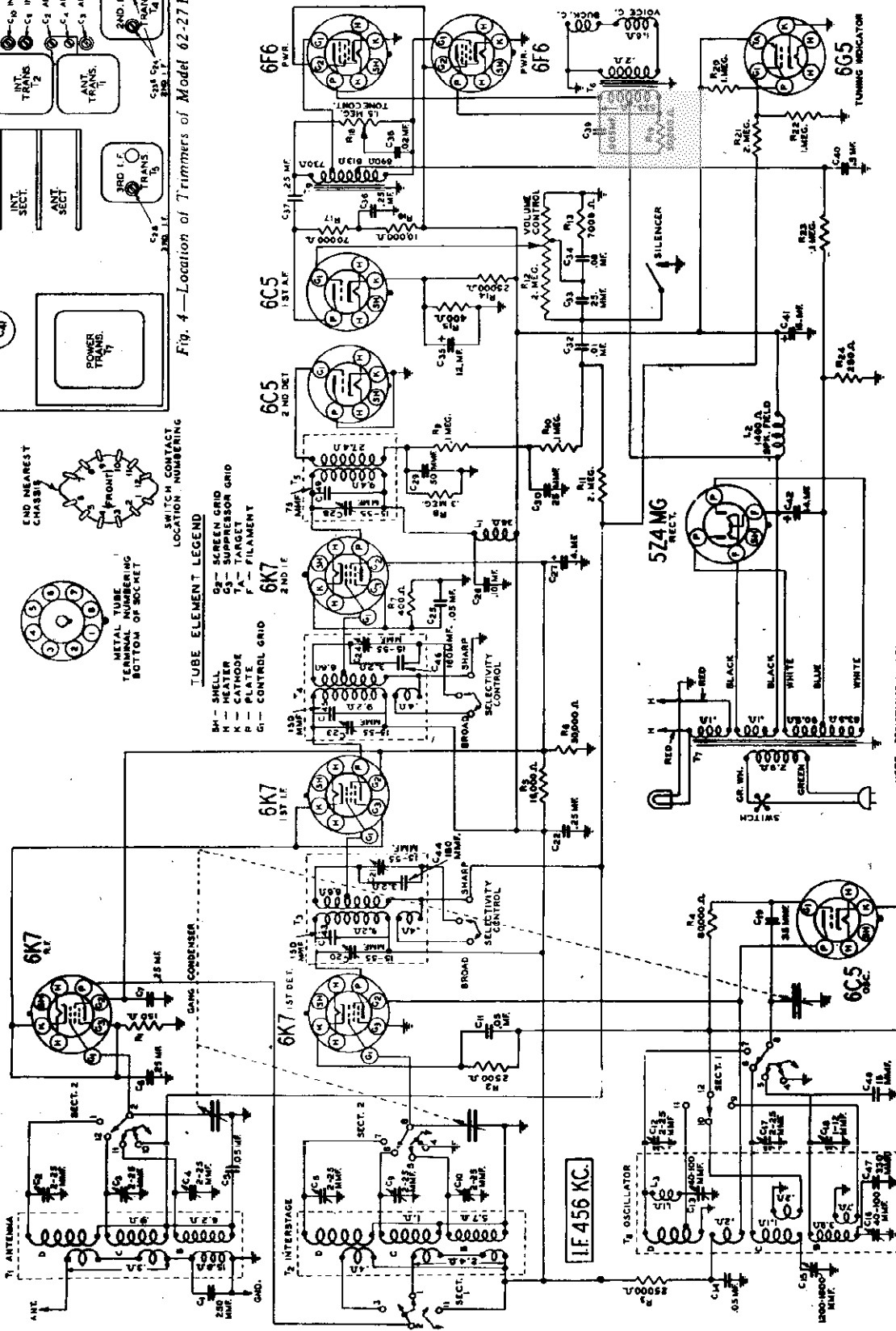


Fig. 2 - Schematic Circuit Diagram for Model 62-271

MONTGOMERY-WARD &amp; CO.

MODEL 62-271

MODEL 62-293

## Telephone Dial Assembly

The telephone dial assembly provides a means of pre-setting a number of broadcasting stations and tuning in these stations at any time by depressing a button and rotating the dial to a stop position.

The apparatus is mounted on a panel attached at the front of the chassis. An examination of this panel will clearly show the method of operation.

**Silencer Circuit**—A silencer circuit is provided which results in silent tuning between stations when using the telephone dial buttons.

When a telephone dial button is depressed, a connection is established between the ungrounded end of the volume control and the chassis ground. Referring to Fig. 5 it will be noted that contact is made between the line from the volume control, contact ring, contact washer arm (when button is depressed), spring and ring gear stud. Since the ring gear is at ground potential, this grounds the audio voltage and no signal will be heard until the button is released to break the contact.

It should be noted that the contact ring is part of the ring gear assembly, but is insulated from it.

**Differences between Model 62-293, Telephone Movie Dial Radio and Models 62-313 and 62-413, Standard Movie Dial Radios.**

The information contained in Vol. VIII covering Model 62-313 and the Movie Dial Drive, applies to the Telephone Movie Dial Radio, Model 62-293 with the following exceptions:

A silencer circuit which is described in the first article of this manual, has been added.

The location of the "B" range oscillator trimmer, has been changed to the front panel—See Fig. 3 of this manual.

Additional condensers have been added to the oscillator and I.F. coil assemblies.

The correct schematic circuit diagram is shown in Fig. 1 of this manual.

A planetary (two-speed) drive is not used.

A supplementary parts list appears in this manual.

**Other differences between the telephone movie dial radios and the standard movie dial radios are:**

The telephone dial assembly has been added as described.

The band switch has been changed to take care of the new elevator assembly.

The selectivity control (high fidelity switch) has been separated from the tone control.

**Differences between Model 62-271, Telephone Movie Dial Radio and Models 62-261, 62-311 and 62-411, Standard Movie Dial Radios.**

All of the differences as described for the 13-tube set, Model 62-293, apply to the 11-tube set, Model 62-271, except that the data covering Model 62-261 will be found in Vol. IX, but the data covering the Movie Dial Drive will be found in Vol. VIII.

The correct schematic for Model 62-271 is shown in Fig. 2 and the correct trimmer locations in Fig. 4 on the same page.

## Adjustments and Service Data

MODELS 62-271 AND 62-293

### Noise When Tuning in a Signal with a Telephone Dial Button

As explained in the article on "Silencer Circuit" in this manual, no noise or signal should be heard when tuning in a signal with a telephone dial button until the button is released. If noise is heard while tuning

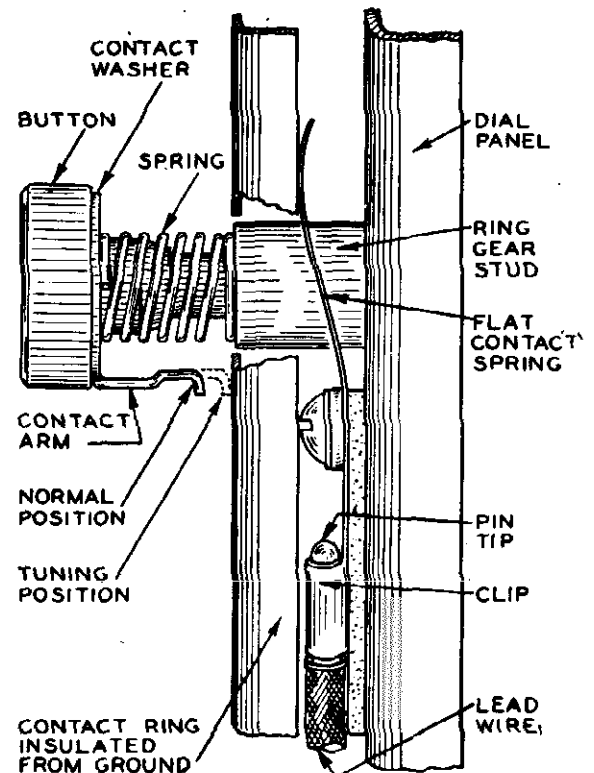


Fig. 5.—Silencer Assembly

MODEL 62-271  
MODEL 62-293

MONTGOMERY-WARD & CO.

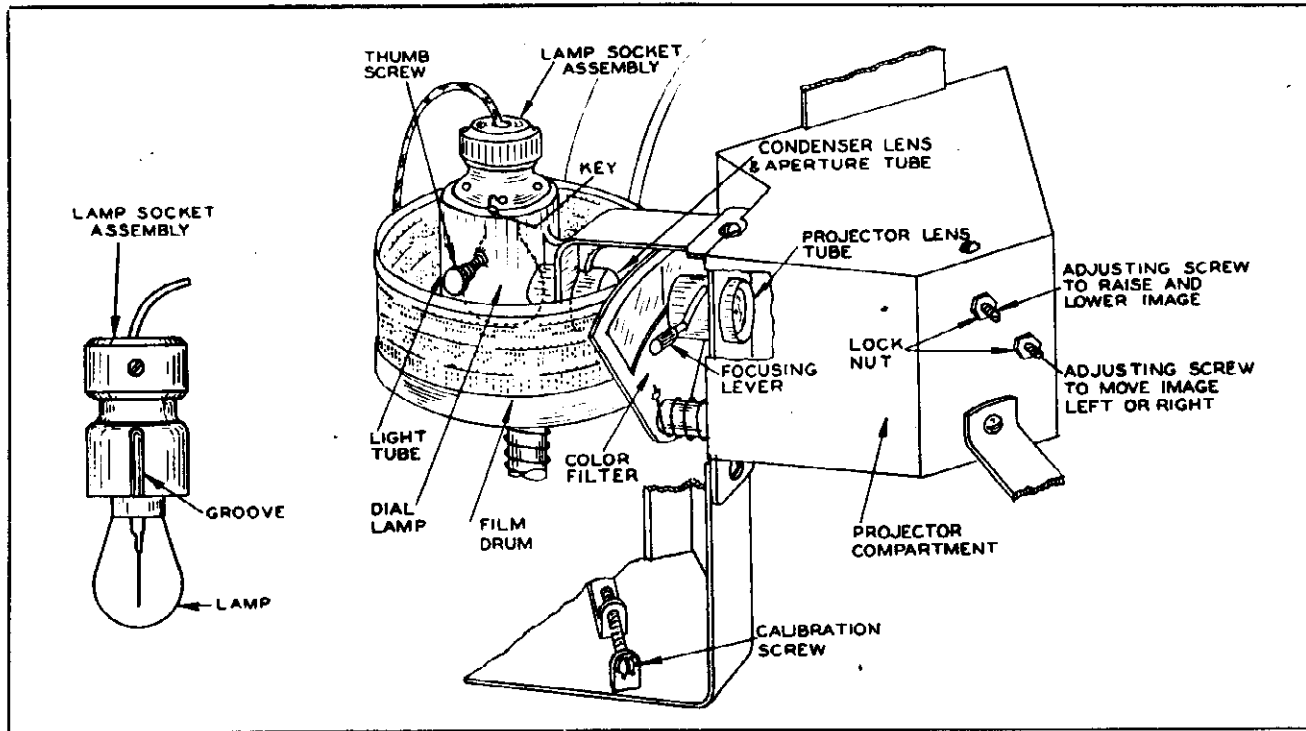


Fig. 6—Details of Movie Dial

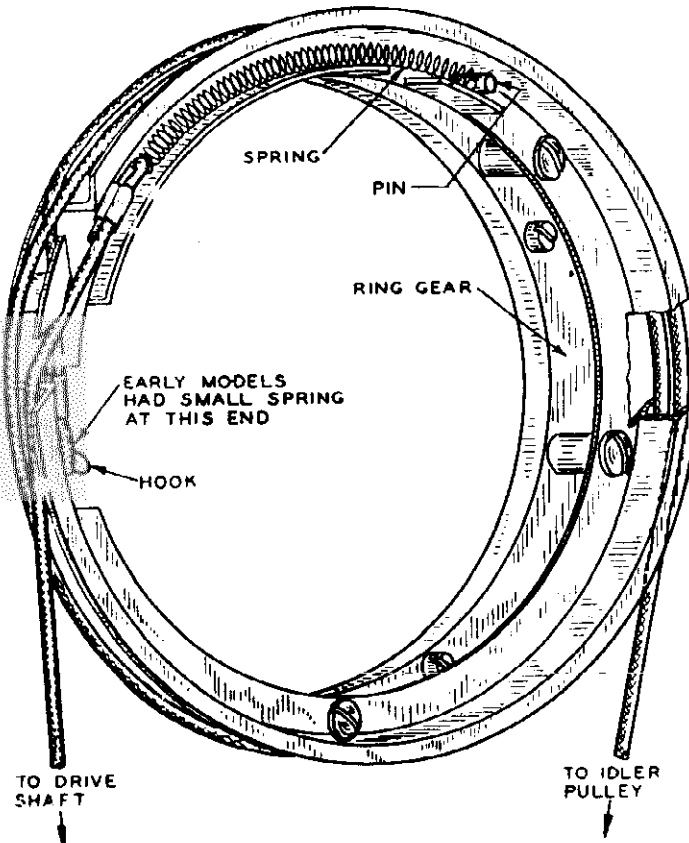


Fig. 7—Drive Cord Replacement

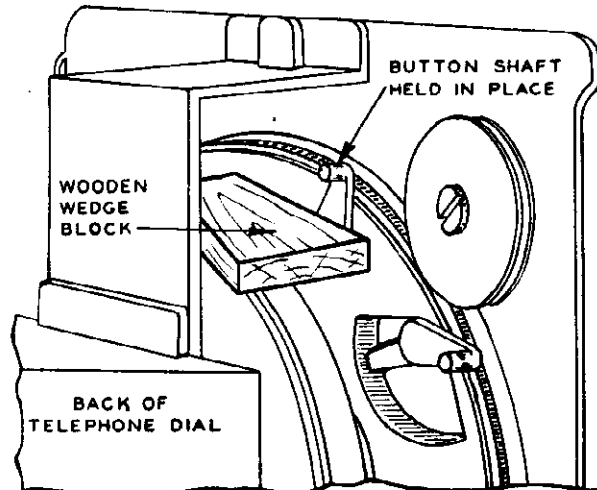


Fig. 8—Holding a Push Button Shaft in Place

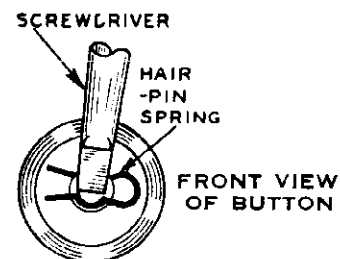


Fig. 9—Putting a Hairpin Spring on a Push Button Shaft

## MONTGOMERY-WARD &amp; CO.

in a signal with one of these buttons, it can be corrected as follows:

**If Noise Occurs on All Buttons**—This is probably due to a poor contact between the flat contact spring and the contact ring—See Fig. 5. Clean the flat contact spring and contact ring to insure a good electrical connection. Ordinary cleaning fluid may be used and will be effective in most cases in cleaning the surface without affecting the plating. If the contact is still not satisfactory, a piece of fine emery cloth may be used.

**If Noise Occurs on One Button Only**—This is due to a poor contact between the ring gear stud, spring, contact washer and contact ring—See Fig. 5. Clean all of these items of the particular button to provide a good electrical connection in the same manner as mentioned above.

### Telephone Dial Drive Cord Slipping

If the telephone dial drive cord slips on the drive shaft pulley, rub some rosin on this cord. This will remedy the condition in practically all cases.

### Position of Stop Pin

When the telephone dial panel is assembled to the chassis, the gang condenser rotor should not completely open or close. The travel of the rotor in this respect is controlled by the gang stop pin on the ring gear—See Fig. 10. This is necessary to protect the gang condenser in case the telephone dial is swung rapidly to either of the extreme positions. When the gang stop pin is properly set, it will serve as the stop at both extreme positions. If the rotor is seen to open completely or close completely, the stop pin should be pulled back and re-set to overcome this condition.

### Greasing and Oiling

After a period of time, put some light grease on the teeth of the ring gear and the teeth of the intermediate gear—See Fig. 10. Also use some light grease on the film drum shaft at the point where it passes through the film pulley (See Fig. 7, Manual No. 108). Use a light oil in the drive shaft assembly bearing (See Fig. 10), care being taken not to get any on the drive cord.

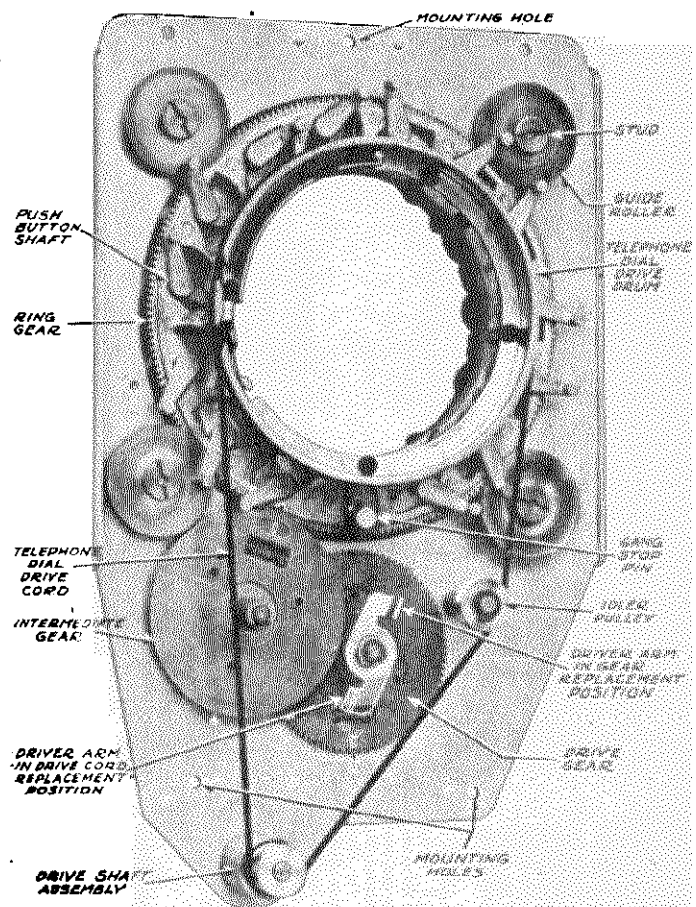


Fig. 10—Telephone Dial Panel Assembly

### Backlash Between Driver Arm and Spring Clamp on Condenser Drive Drum

If the telephone dial assembly turns an appreciable amount before the figures on the screen move, the driver arm (See Fig. 10) does not fit tightly in the spring clamp on the condenser drive drum. To remedy this condition, remove the telephone dial panel and bend the spring on the condenser drive drum so that the driver arm will fit tightly when pushed in. This spring can be bent by inserting the blade of a heavy screwdriver.

## Replacing Parts

### Replacing Telephone Dial Panel Assembly

Remove the chassis from the cabinet. Remove the escutcheon, glass screen and rubber gasket by taking out the 2 screws which hold this assembly in place.

Remove the silencer cable from the silencer contact spring assembly. Take out the 2 screws from the bottom of the telephone dial panel and the screw, lockwashers and rubber washer from the top of the

telephone dial panel. **Caution**—do not loosen any of the 4 guide roller screws. Take off the telephone dial panel by pulling it away from the front of the chassis.

To replace this assembly, turn the condenser rotor so that the spring clamp of the condenser drive drum is at the top.

Turn the telephone dial assembly counter-clockwise (from front) until it no longer turns easily. Then



MODEL 62-271  
MODEL 62-293

MONTGOMERY-WARD & CO.

Put the hairpin spring in place, as shown in Fig. 9, with the upper part in the slot near the end of the button shaft and the lower part over the end of the shaft. Place the blade of a screwdriver at the center of the lower part of the spring and push down until the spring snaps into place in the slot on the shaft. Remove the wedge block.

**CAUTION**—The different push button shafts must not be interchanged. If it is necessary to remove more than one push button, be sure to label each push button shaft so that it may be returned to its proper place.

**Gear Assembly**

Replace the two upper guide rollers following exactly the procedure given in the article, "Removing and Replacing a Guide Roller." Reassemble the items to the ring gear assembly which were removed from it, care being taken that each push button shaft is put back in the same opening from which it was removed. Put on the spreader spring of the intermediate gear. Reassemble the drive cord and attach the telephone dial panel to the chassis.

**Replacing the Intermediate and Drive Gears**

Remove the telephone dial panel assembly from the chassis and take off the drive cord. Remove the spreader springs from both the intermediate and drive gears. Remove the two upper guide rollers following exactly the procedure given in the article, "Removing a Guide Roller." The complete telephone dial assembly with the ring gear may then be disengaged from the intermediate gear.

Take off the horseshoe washers from the shafts of the intermediate and drive gears. These gears may then be removed.

Before replacing the gears on the shafts, rotate the movable gear of the intermediate gear assembly in relation to the fixed gear, until the rectangular spring opening is at a maximum. Then turn the movable gear (in relation to the fixed gear) an amount equal to one tooth on the gear in such a direction that the two spring holders move toward each other and thus reduce the rectangular spring opening. Follow the same procedure for the two gears of the drive gear assembly.

It will be necessary to put on both the intermediate and drive gears at the same time. After they are both on their shafts, turn the drive gear so that the mark on the gear and the arrow on the panel are in line. Then raise the intermediate gear on its shaft and rotate it until the mark on the intermediate gear is in line with the center of the ring gear (when the ring gear is in its proper position). Replace the horseshoe washers.

Then re-engage the ring gear (being sure that the notch on the ring gear is in line with the mark on the intermediate gear).

Continued on next page

the back of the cabinet with a wooden wedge block as shown.

Lay the cabinet back down against a chair so that it will be about 30 degrees from the vertical position.

Put the coil spring over the button shank and place this spring over the button shaft (from front of the radio). The adjusting tab should point toward the glass screen.

Hold the tab and rotate the button until the flat in the shank coincides with the flat on the shaft. Push the button all the way on.

**Gear Assembly**

The assembly of the ring gear, intermediate gear and drive gear (See Fig. 10) on the telephone dial panel is an involved procedure and, as a rule, can be accomplished successfully only by a man skilled in mechanical assembly.

In case one or more of the gears on this assembly becomes defective, it is suggested that the entire panel assembly be returned to the Repair Service Department at Chicago or Oakland for reconditioning. However, for completeness, the following procedure is given for replacing these gears.

**Replacing the Ring Gear**

Remove the telephone dial panel assembly from the chassis (See "Replacing Telephone Dial Panel"). Take off the telephone dial drive cord. Take off the spreader spring of the intermediate gear (this spring eliminates lost motion or "back-lash" between the intermediate gear and the ring gear).

Label and number from 1 to 14 each push button shaft in a counter-clockwise direction starting with the shaft to the right of the gang stop pin (when the gang stop pin is at the bottom of the dial). Remove each push button, spring, and push button shaft—See Fig. 5. Unscrew the five screws which secure the telephone dial drive drum and take off this drum. Unscrew the four brass screws which hold the button spacer ring and contact ring assembly to the ring gear and remove the complete button spacer ring and contact ring assembly (it is not necessary to take off the contact ring from the button spacer ring).

Remove the two upper guide rollers (IMPORTANT)—Be sure to exactly follow the instructions given in the article, "Replacing a Guide Roller." The ring gear may then be removed.

**CAUTION**: Do not move the movable gear of the intermediate gear assembly in relation to the fixed gear.

Put the new ring gear in place observing ALL of the following items: Be sure that the arrow on the panel and the mark on the drive gear are in line. At the same time be sure that the mark on the intermediate gear and the notch in the ring gear are in line as shown in Fig. 10.

ring gear lines up with the mark on the intermediate gear at the same time that the arrow on the panel lines up with the mark on the drive gear as shown in Fig. 10.

Then, after the gears have been lined up correctly as described above, rotate the telephone dial one complete revolution in a counter-clockwise direction (from back of panel). The driver arm of the drive gear will then be in the drive cord replacement position shown in Fig. 10.

Place one end of the drive cord on the hook which is inside the telephone dial drum—See Fig. 7. Bring the cord out through the upper opening in the drum. Wind the cord in a clockwise direction one and one-half turns around the drum progressing toward the back of the panel. Bring the end over the drive shaft pulley (not over idler pulley at this time). Attach the spring to the free end of the cord and slip the loop of the spring over the pin in the slot of the telephone dial drum. Working back from the pin, lay this spring and cord in the slot and bring the cord out through the lower opening in the flange of the drum—See Fig. 7. Then place the cord over the idler pulley.

**Replacing Film Drum Drive Cord**

Remove the telephone dial panel assembly. Then follow the procedure indicated in the article, "Replacing Film Drum Drive Cord" in Movie Dial Manual No. 108, omitting paragraphs 1 and 10 of that article. Refer to Fig. 7 in that manual.

**Replacing Gates**

After a great amount of use one or both of the stop gates may be worn down and must be replaced. The old gates cannot be filed down. These gates are located on the front of the metal projector compartment below the opening for the glass screen. To take out the old gate, first remove the telephone dial panel. Take out the two pins which hold the spring has been attached to the new gate, put the new gate and pins in place and spread the pins. After this is done, be sure that the gate swings freely and that the spring still has sufficient tension to hold the gates definitely against their stop.

**Replacing the Color Filter Semaphore**

Follow the procedure indicated in the article, "Replacing Color Filter Semaphore" of Movie Dial Manual No. 108, omitting the 3rd and 10th paragraphs of that article.

**Replacing a Telephone Dial Button or Button Shaft**

A telephone dial button or button shaft may be put on or replaced without removing the chassis from the cabinet. Take out the celluloid disc and the spring disc from the push button. Remove the hairpin spring which holds the button shaft in place at the front of the button. If the button shaft is broken, the old one should be removed and replaced at this time. Rotate the dial until the button shaft in question is approximately in the position shown in Fig. 8. This shaft must be held in place. This is done from

the telephone dial assembly clockwise until the wide spacer has gone slightly past the bottom of the dial.

Place the telephone dial panel assembly in position over the metal projector compartment. Insert the screw, 2 lock washers and rubber washer in the center top hole of the telephone dial panel so that this screw goes in the tapped hole of the bracket of the metal projector compartment. Do not tighten this screw. Rotate the telephone dial slightly one way or the other until the driver arm of the drive gear (See Fig. 10) and the spring clip of the gang condenser drive drum line up properly. Push the telephone dial panel assembly into position so that the driver arm goes into the spring clip. This operation should be done carefully.

Replace the 2 screws at the bottom of the telephone dial panel. Tighten these screws and also the screw at the top. Insert the tip of the silencer cable in the clamp of the silencer contact spring assembly.

Replace the rubber gasket, glass screen and enclosure assembly.

**Replacing Telephone Dial Drive Cord**

Remove the telephone dial panel assembly from the chassis in accordance with the instructions in the article in this manual on that subject.

Remove the old drive cord and drive cord tension spring. Turn the telephone dial until the notch on the ring gear lines up with the mark on the intermediate gear at the same time that the mark on the drive gear lines up with the arrow on the panel as shown in Fig. 10.

If, owing to the fact that the telephone dial has been rotated with the telephone dial drive cord off and with the panel removed from the chassis, these four marks do not line up readily, then it will be necessary to proceed as follows:

Turn the telephone dial until the mark on the drive gear and the arrow on the panel are in line and note the exact position of the notch of the ring gear. Then rotate the telephone dial several revolutions in a clockwise direction (from back of panel). Each time that the arrow on the panel and the mark on the drive gear are in line, the notch on the ring gear will have moved a very slight distance in respect to its previous position. Note these new positions of the notch on the ring gear each time that the arrow on the panel and the mark on the drive gear line up.

If (when the arrow on the panel and the mark on the drive gear line up) the notch on the ring gear is approaching the intermediate gear, continue to rotate the telephone dial in a clockwise direction until the notch on the ring gear lines up with the mark on the intermediate gear at the same time that the arrow on the panel and the mark on the drive gear are in line, as shown in Fig. 10.

If it is seen that the notch on the ring gear is going away from the intermediate gear (when the arrow on the panel and the mark on the drive gear are lined up), then rotate the telephone dial in a counter-clockwise direction until the notch on the

MONTGOMERY-WARD & CO.

MODEL 62-271
MODEL 62-293

Model 62-293 Supplementary Parts List (Less Dial Assembly)

Parts listed in VOL. VIII (Models 62-313 and 62-413) are used in Model 62-293 radios with the following changes:

The Following NEW PARTS are USED:

Table with columns: Part No., Description, Selling Price. Includes parts like 3A259, 3A258, 3A257, 3A256, 3A255, 3A254, 3A253, 3A252, 3A251, 3A250, 3A249, 3A248, 3A247, 3A246, 3A245, 3A244, 3A243, 3A242, 3A241, 3A240, 3A239, 3A238, 3A237, 3A236, 3A235, 3A234, 3A233, 3A232, 3A231, 3A230, 3A229, 3A228, 3A227, 3A226, 3A225, 3A224, 3A223, 3A222, 3A221, 3A220, 3A219, 3A218, 3A217, 3A216, 3A215, 3A214, 3A213, 3A212, 3A211, 3A210, 3A209, 3A208, 3A207, 3A206, 3A205, 3A204, 3A203, 3A202, 3A201, 3A200, 3A199, 3A198, 3A197, 3A196, 3A195, 3A194, 3A193, 3A192, 3A191, 3A190, 3A189, 3A188, 3A187, 3A186, 3A185, 3A184, 3A183, 3A182, 3A181, 3A180, 3A179, 3A178, 3A177, 3A176, 3A175, 3A174, 3A173, 3A172, 3A171, 3A170, 3A169, 3A168, 3A167, 3A166, 3A165, 3A164, 3A163, 3A162, 3A161, 3A160, 3A159, 3A158, 3A157, 3A156, 3A155, 3A154, 3A153, 3A152, 3A151, 3A150, 3A149, 3A148, 3A147, 3A146, 3A145, 3A144, 3A143, 3A142, 3A141, 3A140, 3A139, 3A138, 3A137, 3A136, 3A135, 3A134, 3A133, 3A132, 3A131, 3A130, 3A129, 3A128, 3A127, 3A126, 3A125, 3A124, 3A123, 3A122, 3A121, 3A120, 3A119, 3A118, 3A117, 3A116, 3A115, 3A114, 3A113, 3A112, 3A111, 3A110, 3A109, 3A108, 3A107, 3A106, 3A105, 3A104, 3A103, 3A102, 3A101, 3A100, 3A99, 3A98, 3A97, 3A96, 3A95, 3A94, 3A93, 3A92, 3A91, 3A90, 3A89, 3A88, 3A87, 3A86, 3A85, 3A84, 3A83, 3A82, 3A81, 3A80, 3A79, 3A78, 3A77, 3A76, 3A75, 3A74, 3A73, 3A72, 3A71, 3A70, 3A69, 3A68, 3A67, 3A66, 3A65, 3A64, 3A63, 3A62, 3A61, 3A60, 3A59, 3A58, 3A57, 3A56, 3A55, 3A54, 3A53, 3A52, 3A51, 3A50, 3A49, 3A48, 3A47, 3A46, 3A45, 3A44, 3A43, 3A42, 3A41, 3A40, 3A39, 3A38, 3A37, 3A36, 3A35, 3A34, 3A33, 3A32, 3A31, 3A30, 3A29, 3A28, 3A27, 3A26, 3A25, 3A24, 3A23, 3A22, 3A21, 3A20, 3A19, 3A18, 3A17, 3A16, 3A15, 3A14, 3A13, 3A12, 3A11, 3A10, 3A9, 3A8, 3A7, 3A6, 3A5, 3A4, 3A3, 3A2, 3A1.

MISCELLANEOUS

Table with columns: Part No., Description, Selling Price. Includes parts like 1A1, 1A2, 1A3, 1A4, 1A5, 1A6, 1A7, 1A8, 1A9, 1A10, 1A11, 1A12, 1A13, 1A14, 1A15, 1A16, 1A17, 1A18, 1A19, 1A20, 1A21, 1A22, 1A23, 1A24, 1A25, 1A26, 1A27, 1A28, 1A29, 1A30, 1A31, 1A32, 1A33, 1A34, 1A35, 1A36, 1A37, 1A38, 1A39, 1A40, 1A41, 1A42, 1A43, 1A44, 1A45, 1A46, 1A47, 1A48, 1A49, 1A50, 1A51, 1A52, 1A53, 1A54, 1A55, 1A56, 1A57, 1A58, 1A59, 1A60, 1A61, 1A62, 1A63, 1A64, 1A65, 1A66, 1A67, 1A68, 1A69, 1A70, 1A71, 1A72, 1A73, 1A74, 1A75, 1A76, 1A77, 1A78, 1A79, 1A80, 1A81, 1A82, 1A83, 1A84, 1A85, 1A86, 1A87, 1A88, 1A89, 1A90, 1A91, 1A92, 1A93, 1A94, 1A95, 1A96, 1A97, 1A98, 1A99, 1A100.

TRANSFORMERS AND COILS

Table with columns: Part No., Description, Selling Price. Includes parts like 1A1, 1A2, 1A3, 1A4, 1A5, 1A6, 1A7, 1A8, 1A9, 1A10, 1A11, 1A12, 1A13, 1A14, 1A15, 1A16, 1A17, 1A18, 1A19, 1A20, 1A21, 1A22, 1A23, 1A24, 1A25, 1A26, 1A27, 1A28, 1A29, 1A30, 1A31, 1A32, 1A33, 1A34, 1A35, 1A36, 1A37, 1A38, 1A39, 1A40, 1A41, 1A42, 1A43, 1A44, 1A45, 1A46, 1A47, 1A48, 1A49, 1A50, 1A51, 1A52, 1A53, 1A54, 1A55, 1A56, 1A57, 1A58, 1A59, 1A60, 1A61, 1A62, 1A63, 1A64, 1A65, 1A66, 1A67, 1A68, 1A69, 1A70, 1A71, 1A72, 1A73, 1A74, 1A75, 1A76, 1A77, 1A78, 1A79, 1A80, 1A81, 1A82, 1A83, 1A84, 1A85, 1A86, 1A87, 1A88, 1A89, 1A90, 1A91, 1A92, 1A93, 1A94, 1A95, 1A96, 1A97, 1A98, 1A99, 1A100.

CONDENSERS

Table with columns: Part No., Description, Selling Price. Includes parts like 1A1, 1A2, 1A3, 1A4, 1A5, 1A6, 1A7, 1A8, 1A9, 1A10, 1A11, 1A12, 1A13, 1A14, 1A15, 1A16, 1A17, 1A18, 1A19, 1A20, 1A21, 1A22, 1A23, 1A24, 1A25, 1A26, 1A27, 1A28, 1A29, 1A30, 1A31, 1A32, 1A33, 1A34, 1A35, 1A36, 1A37, 1A38, 1A39, 1A40, 1A41, 1A42, 1A43, 1A44, 1A45, 1A46, 1A47, 1A48, 1A49, 1A50, 1A51, 1A52, 1A53, 1A54, 1A55, 1A56, 1A57, 1A58, 1A59, 1A60, 1A61, 1A62, 1A63, 1A64, 1A65, 1A66, 1A67, 1A68, 1A69, 1A70, 1A71, 1A72, 1A73, 1A74, 1A75, 1A76, 1A77, 1A78, 1A79, 1A80, 1A81, 1A82, 1A83, 1A84, 1A85, 1A86, 1A87, 1A88, 1A89, 1A90, 1A91, 1A92, 1A93, 1A94, 1A95, 1A96, 1A97, 1A98, 1A99, 1A100.

RESISTORS

Table with columns: Part No., Description, Selling Price. Includes parts like 1A1, 1A2, 1A3, 1A4, 1A5, 1A6, 1A7, 1A8, 1A9, 1A10, 1A11, 1A12, 1A13, 1A14, 1A15, 1A16, 1A17, 1A18, 1A19, 1A20, 1A21, 1A22, 1A23, 1A24, 1A25, 1A26, 1A27, 1A28, 1A29, 1A30, 1A31, 1A32, 1A33, 1A34, 1A35, 1A36, 1A37, 1A38, 1A39, 1A40, 1A41, 1A42, 1A43, 1A44, 1A45, 1A46, 1A47, 1A48, 1A49, 1A50, 1A51, 1A52, 1A53, 1A54, 1A55, 1A56, 1A57, 1A58, 1A59, 1A60, 1A61, 1A62, 1A63, 1A64, 1A65, 1A66, 1A67, 1A68, 1A69, 1A70, 1A71, 1A72, 1A73, 1A74, 1A75, 1A76, 1A77, 1A78, 1A79, 1A80, 1A81, 1A82, 1A83, 1A84, 1A85, 1A86, 1A87, 1A88, 1A89, 1A90, 1A91, 1A92, 1A93, 1A94, 1A95, 1A96, 1A97, 1A98, 1A99, 1A100.

NOTE: The capacity of condenser C19 has been changed. This condenser is no longer a part of trimmer ship 17A23, but has been replaced by 17A28 as shown in "New Parts Used."

Model 62-271 and 62-293 Telephone Movie Dial Replacement Parts (Complete List)

Large table listing replacement parts for telephone movie dial, including part numbers, descriptions, and selling prices. Includes sections for MISCELLANEOUS, TRANSFORMERS AND COILS, CONDENSERS, and RESISTORS.

Price Subject to Change Without Notice.

GEAR ASSEMBLY (Continued)

The intermediate gear at the same time that the arrow on the panel is in line with the mark on the drive gear. Replace the two upper guide rollers (as described in the article, "Replacing a Guide Roller"). Then put the spreader springs on the drive and intermediate gears. Replace the telephone dial drive cord and attach the telephone dial panel to the chassis.

Removing and Replacing a Guide Roller

If it is ever necessary to remove and replace any of the guide rollers, the following procedure should be used after the telephone dial panel, telephone dial drive cord and spreader spring for the intermediate gear have been removed. Loosen the screw which holds the guide roller and stud to the telephone dial panel—See Fig. 10. With the telephone dial panel face up, hold the stud of the guide roller so that it will not turn. Take

out the screw. Remove the stud and the guide roller together, so that none of the twelve roller bearings which are between the stud and the guide roller will fall out. In replacing the guide roller, first be sure that the stud and the twelve roller bearings are within the guide roller and that the head of the stud is against the flat side (not the side with the flange) of the guide roller. Then be sure that the notch in the ring gear is in line with the mark on the intermediate gear at the same time that the arrow on the panel is in line with the mark on the drive gear as shown in Fig. 10. Replace the stud and guide roller in the panel (panel face up) and replace the screw.

Put the spreader spring on the intermediate gear. Put on the telephone dial drive cord and attach the telephone dial panel to the chassis.

Model 62-271 Supplementary Parts List (Less Dial Assembly)

Parts listed in VOL. IX (Models 62-261, 62-311, 62-411) are used in Model 62-271 radios with the following changes:

The Following NEW PARTS are USED:

Table with columns: Part No., Description, Selling Price. Includes parts like 1A1, 1A2, 1A3, 1A4, 1A5, 1A6, 1A7, 1A8, 1A9, 1A10, 1A11, 1A12, 1A13, 1A14, 1A15, 1A16, 1A17, 1A18, 1A19, 1A20, 1A21, 1A22, 1A23, 1A24, 1A25, 1A26, 1A27, 1A28, 1A29, 1A30, 1A31, 1A32, 1A33, 1A34, 1A35, 1A36, 1A37, 1A38, 1A39, 1A40, 1A41, 1A42, 1A43, 1A44, 1A45, 1A46, 1A47, 1A48, 1A49, 1A50, 1A51, 1A52, 1A53, 1A54, 1A55, 1A56, 1A57, 1A58, 1A59, 1A60, 1A61, 1A62, 1A63, 1A64, 1A65, 1A66, 1A67, 1A68, 1A69, 1A70, 1A71, 1A72, 1A73, 1A74, 1A75, 1A76, 1A77, 1A78, 1A79, 1A80, 1A81, 1A82, 1A83, 1A84, 1A85, 1A86, 1A87, 1A88, 1A89, 1A90, 1A91, 1A92, 1A93, 1A94, 1A95, 1A96, 1A97, 1A98, 1A99, 1A100.

MISCELLANEOUS

Table with columns: Part No., Description, Selling Price. Includes parts like 1A1, 1A2, 1A3, 1A4, 1A5, 1A6, 1A7, 1A8, 1A9, 1A10, 1A11, 1A12, 1A13, 1A14, 1A15, 1A16, 1A17, 1A18, 1A19, 1A20, 1A21, 1A22, 1A23, 1A24, 1A25, 1A26, 1A27, 1A28, 1A29, 1A30, 1A31, 1A32, 1A33, 1A34, 1A35, 1A36, 1A37, 1A38, 1A39, 1A40, 1A41, 1A42, 1A43, 1A44, 1A45, 1A46, 1A47, 1A48, 1A49, 1A50, 1A51, 1A52, 1A53, 1A54, 1A55, 1A56, 1A57, 1A58, 1A59, 1A60, 1A61, 1A62, 1A63, 1A64, 1A65, 1A66, 1A67, 1A68, 1A69, 1A70, 1A71, 1A72, 1A73, 1A74, 1A75, 1A76, 1A77, 1A78, 1A79, 1A80, 1A81, 1A82, 1A83, 1A84, 1A85, 1A86, 1A87, 1A88, 1A89, 1A90, 1A91, 1A92, 1A93, 1A94, 1A95, 1A96, 1A97, 1A98, 1A99, 1A100.

TRANSFORMERS AND COILS

Table with columns: Part No., Description, Selling Price. Includes parts like 1A1, 1A2, 1A3, 1A4, 1A5, 1A6, 1A7, 1A8, 1A9, 1A10, 1A11, 1A12, 1A13, 1A14, 1A15, 1A16, 1A17, 1A18, 1A19, 1A20, 1A21, 1A22, 1A23, 1A24, 1A25, 1A26, 1A27, 1A28, 1A29, 1A30, 1A31, 1A32, 1A33, 1A34, 1A35, 1A36, 1A37, 1A38, 1A39, 1A40, 1A41, 1A42, 1A43, 1A44, 1A45, 1A46, 1A47, 1A48, 1A49, 1A50, 1A51, 1A52, 1A53, 1A54, 1A55, 1A56, 1A57, 1A58, 1A59, 1A60, 1A61, 1A62, 1A63, 1A64, 1A65, 1A66, 1A67, 1A68, 1A69, 1A70, 1A71, 1A72, 1A73, 1A74, 1A75, 1A76, 1A77, 1A78, 1A79, 1A80, 1A81, 1A82, 1A83, 1A84, 1A85, 1A86, 1A87, 1A88, 1A89, 1A90, 1A91, 1A92, 1A93, 1A94, 1A95, 1A96, 1A97, 1A98, 1A99, 1A100.

CONDENSERS

Table with columns: Part No., Description, Selling Price. Includes parts like 1A1, 1A2, 1A3, 1A4, 1A5, 1A6, 1A7, 1A8, 1A9, 1A10, 1A11, 1A12, 1A13, 1A14, 1A15, 1A16, 1A17, 1A18, 1A19, 1A20, 1A21, 1A22, 1A23, 1A24, 1A25, 1A26, 1A27, 1A28, 1A29, 1A30, 1A31, 1A32, 1A33, 1A34, 1A35, 1A36, 1A37, 1A38, 1A39, 1A40, 1A41, 1A42, 1A43, 1A44, 1A45, 1A46, 1A47, 1A48, 1A49, 1A50, 1A51, 1A52, 1A53, 1A54, 1A55, 1A56, 1A57, 1A58, 1A59, 1A60, 1A61, 1A62, 1A63, 1A64, 1A65, 1A66, 1A67, 1A68, 1A69, 1A70, 1A71, 1A72, 1A73, 1A74, 1A75, 1A76, 1A77, 1A78, 1A79, 1A80, 1A81, 1A82, 1A83, 1A84, 1A85, 1A86, 1A87, 1A88, 1A89, 1A90, 1A91, 1A92, 1A93, 1A94, 1A95, 1A96, 1A97, 1A98, 1A99, 1A100.

RESISTORS

Table with columns: Part No., Description, Selling Price. Includes parts like 1A1, 1A2, 1A3, 1A4, 1A5, 1A6, 1A7, 1A8, 1A9, 1A10, 1A11, 1A12, 1A13, 1A14, 1A15, 1A16, 1A17, 1A18, 1A19, 1A20, 1A21, 1A22, 1A23, 1A24, 1A25, 1A26, 1A27, 1A28, 1A29, 1A30, 1A31, 1A32, 1A33, 1A34, 1A35, 1A36, 1A37, 1A38, 1A39, 1A40, 1A41, 1A42, 1A43, 1A44, 1A45, 1A46, 1A47, 1A48, 1A49, 1A50, 1A51, 1A52, 1A53, 1A54, 1A55, 1A56, 1A57, 1A58, 1A59, 1A60, 1A61, 1A62, 1A63, 1A64, 1A65, 1A66, 1A67, 1A68, 1A69, 1A70, 1A71, 1A72, 1A73, 1A74, 1A75, 1A76, 1A77, 1A78, 1A79, 1A80, 1A81, 1A82, 1A83, 1A84, 1A85, 1A86, 1A87, 1A88, 1A89, 1A90, 1A91, 1A92, 1A93, 1A94, 1A95, 1A96, 1A97, 1A98, 1A99, 1A100.

MODEL 62-271  
MODEL 62-293

MONTGOMERY-WARD & CO.

Procedure for Setting the Telephone Dial Buttons

- CONDENSED PROCEDURE**
- Turn selectivity control to sharp.
  - Tune in station to be set.
  - Determine the proper button.
  - Push button to locked position and move tab to the right.
  - Push button to setting position and turn button until it locks in place. Release button slowly.
  - Push button to unlocked position and move tab to the left. Release button.
  - Insert correct station disc.
  - Insert clear celluloid disc.

**COMPLETE PROCEDURE**

- 1 — The selectivity control should be in the sharp position.
- 2 — Select one of the stations from the list you have made out and carefully tune in this station with the tuning knob in the usual way using the tuning eye as a guide.
- 3 — The button nearest the bottom center of the dial will be the proper one for the station which it tunes in. In Fig. 11 button No. 8 is the correct one for station WWL.
- 4 — The procedure necessary to set a button is simple and the steps are illustrated in Figs. 12 to 15. The normal position of the button and tab is shown in Fig. 12. Depress the button with the finger to the locked position, or until the tab is level with the shoulder of the spacer—See Fig. 13. While the button is thus depressed the tab may be easily moved to the right either with the fingers or with the point of a hard lead pencil inserted in the hole in the tab. If it then is right, push the button in or out slightly from the position shown until the groove is found.
- 5 — **IMPORTANT**—The dial must not be turned during steps 4, 5 and 6, otherwise the station will be detuned. Hold the tuning knob with the hand not used for setting the button. To be sure the dial does not turn and then proceed with the instructions in the next paragraph. After the tab is to the right, the button should be grasped with the thumb and forefinger as shown in Fig. 15. Push the button all of the way in to the setting position and turn the button in either direction until it locks into place. A click will be heard and (with the button stiff pushed in) it will be impossible to turn the button further in either direction without turning the dial. After the click is heard, the button should be slowly released. When new, the buttons may be stiff and may not turn easily.

**NOTE:** Occasionally one or more of the buttons on the dial may be set at the right point for a station when the radio is shipped from the factory. If this is the case, the click will not be heard and the button cannot be turned after it is pushed in to the setting position, indicating that it is already correctly locked in place.

- 6 — Push the button one-half way in. It will then be in the unlocked position—See Fig. 14. (Do not push it all the way in to the setting position.) Move the tab to the left with finger or pencil to the locked normal position—See Fig. 15. Release the button; it will return to the normal position—See Fig. 12.
- 7 — Push the correct station disc from the sheet supplied and push the disc into the bottom of the button. It will fit into place.
- 8 — Push one of the clear celluloid discs into the bottom of the button over the station disc.

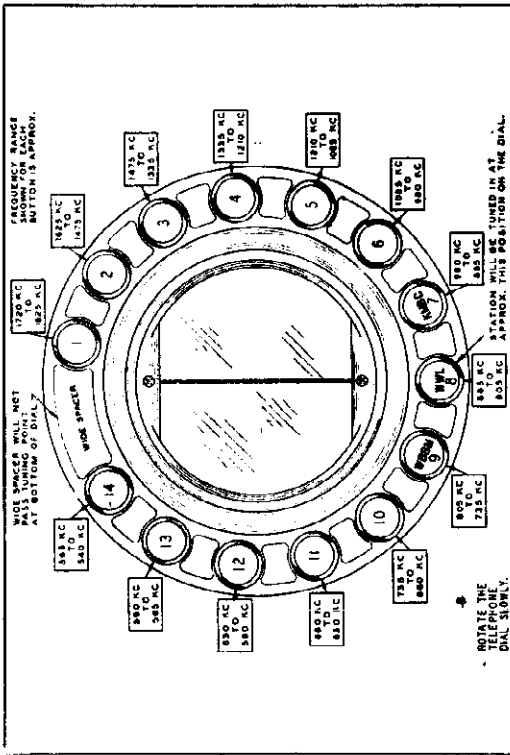


Fig. 11—Telephone Dial Station Buttons

Setting the Telephone Dial Stations

The approximate frequency range of each button is shown in the diagram. It is important that the frequency range of each button may, on occasion, be 10 KC or 20 KC greater or less than the limits as shown. Any station within the actual range of a button may be set. Station WWL, for example, with a frequency of 770 KC, falls within the frequency range of button No. 9 and can, therefore, be set on this button.

Although one frequency, for example 980 KC, is shown at the end of the range of two adjacent buttons, in this case 8 and 7, as a rule, it is possible to tune in a station of this frequency only on one of the two buttons. The proper button to use must be determined by trying both of them.

There are 14 buttons on the telephone dial by means of which 14 stations may be set. These are the stations which you tune in regularly. Make a list of your favorite stations, those which you tune in regularly, and the frequency of each. This list should include 14 stations. If you have more than 14 (or more) of the stations in the list you have selected, you may use the frequency of one of the buttons only one of them may be set on the telephone dial. The other stations must be tuned in with the regular tuning knob.

**Frequencies Covered by Each Button**

In Fig. 11 are shown the telephone dial buttons. Each one is given a number so that it may be readily referred to.

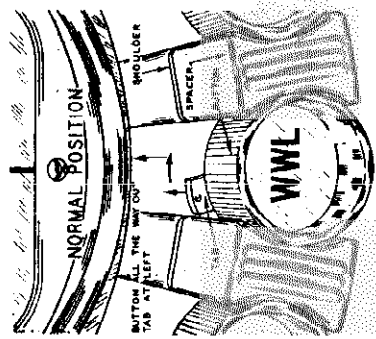


Fig. 12—Button and Tab in Normal Position

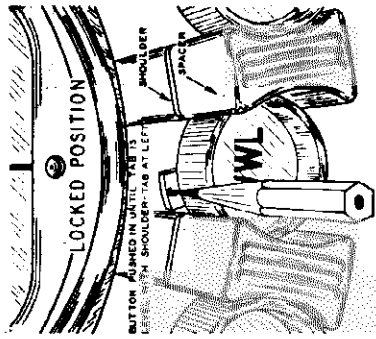


Fig. 13—Button and Tab in Locked Position

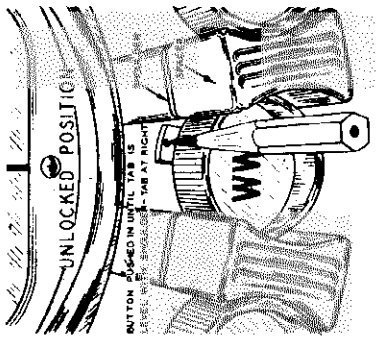


Fig. 14—Button and Tab in Unlocked Position

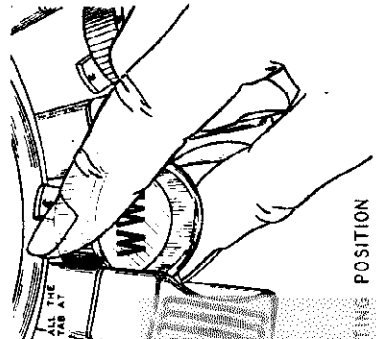
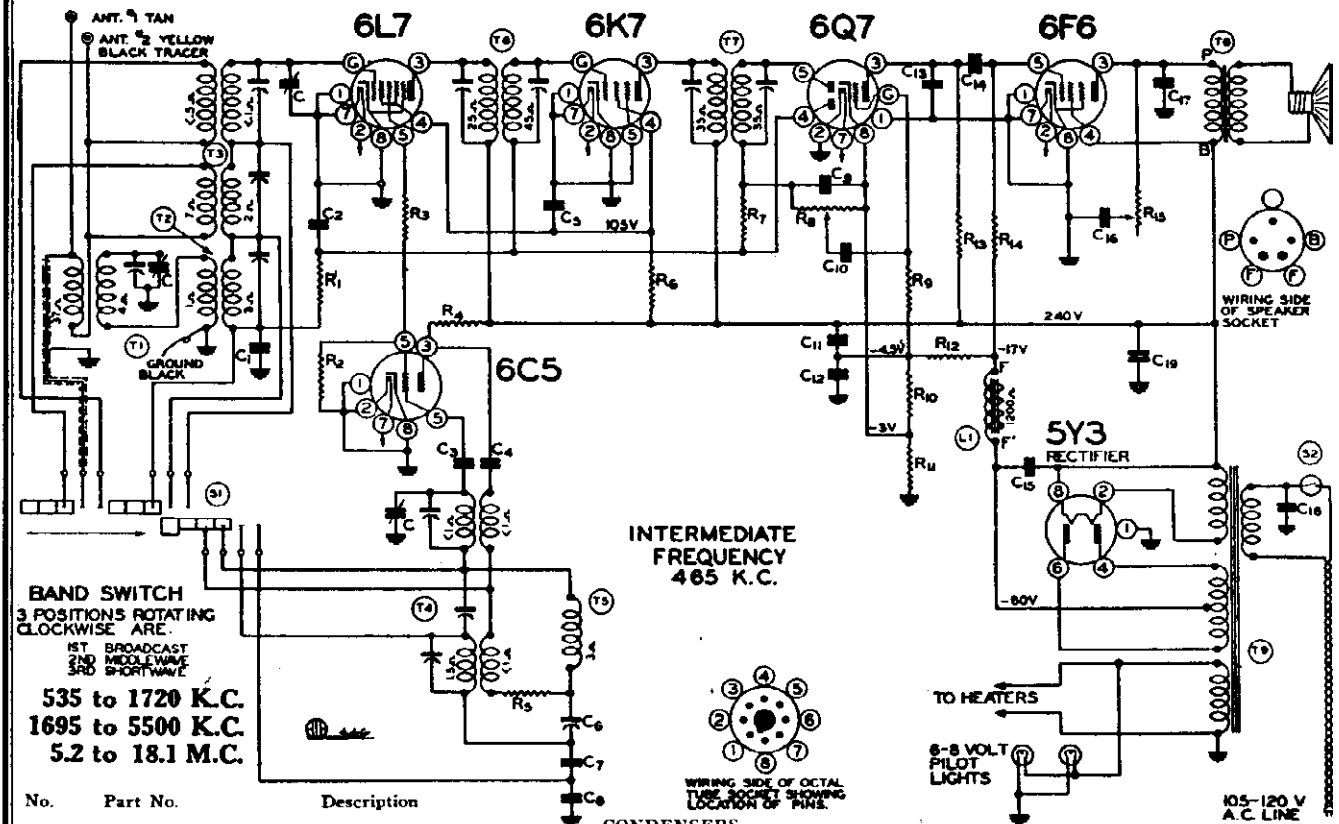


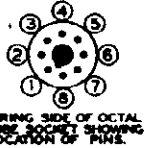
Fig. 15—Button and Tab in Setting Position

MONTGOMERY-WARD & CO.



**BAND SWITCH**  
3 POSITIONS ROTATING  
CLOCKWISE ARE:  
1ST BROADCAST  
2ND MIDDLEWAVE  
3RD SHORTWAVE  
  
535 to 1720 K.C.  
1695 to 5500 K.C.  
5.2 to 18.1 M.C.

INTERMEDIATE  
FREQUENCY  
465 K.C.



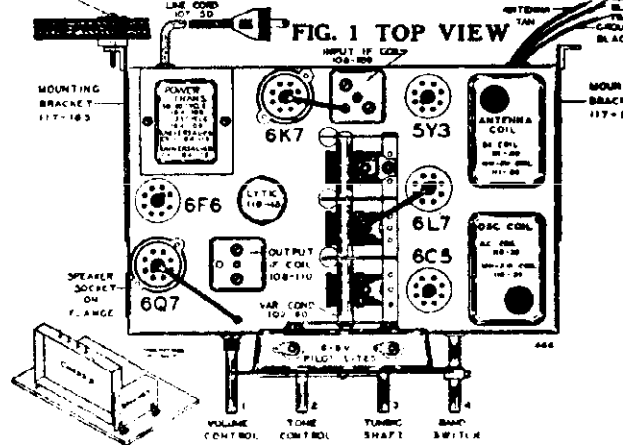
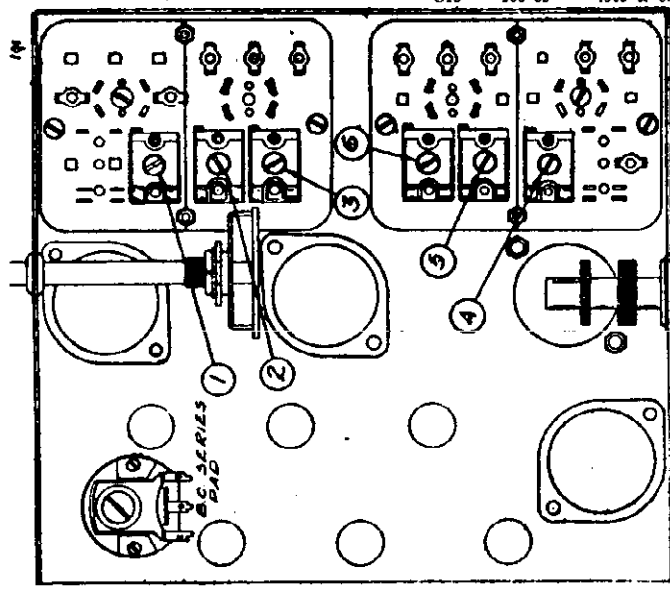
No.	Part No.	Description
<b>RESISTORS</b>		
R1	130-103	100M ohm - 1/3 w.
R2	130-12	50M ohm - 1/3 w.
R3	130-105	150 ohm - 1/3 w.
R4	130-77	10M ohm - 1 watt
R5	130-27	50 ohm - 1/3 w.
R6	130-34	19M ohm - 1 watt
R7	130-4	3 meg - 1/3 w.
R8	101-93	1 meg volume control
R9	130-4	3 meg - 1/3 w.
R10	106-26	32 ohm - resistor strip
R11	106-26	52 ohm - resistor strip
R12	106-26	220 ohm - resistor strip
R13	130-103	100M ohm - 1/3 w.
R14	130-102	500M ohm - 1/3 w.
R15	101-92	50M ohm - tone control
R10, R11 and R12 in same unit		

No.	Part No.	Description
<b>CONDENSERS</b>		
C	102-60	3 gang variable
C1	100-22	.05 x 200
C2	100-26	.02 x 400
C3	129-39	.00005 Mica
C4	100-37	.003 x 600
C5	100-1	.1 x 400
C6	124-40	.000715 W.C. Series Pad
C7	129-55	.0034 Mica
C8	129-54	.003 Mica
C9	129-5	.0001 Mica
C10	100-26	.02 x 400
C11	119-45	8 mfd. - 400 w. v. lytic
C12	100-20	.1 x 200
C13	129-2	.0005 Mica
C14	100-11	.01 x 400
C15	119-45	8 mfd. 400 w. v. lytic
C16	100-65	.015 x 600
C17	100-37	.003 x 600
C18	100-61	.02 x 600
C19	100-11	.01 x 400
C11 and C15 in same unit		

No.	Part No.	Description
<b>PARTS</b>		
T1	111-51	Preselector Coil
T2	111-49	B. C. Antenna Coil Complete
T3	111-50	S.W. M.W. Antenna Coil complete
T4	110-39	S.W. M.W. Oscillator Coil complete
T5	110-38	B.C. Oscillator Coil complete
T6	108-109	Input I.F. Coil complete 465 kc.
T7	108-110	Output I.F. Coil complete 465 kc.
T8	114-85B	6" dynamic Speaker
T9	104-106	Power Transformer
L1		Speaker field 1200 ohm
S1	125-40	Wave band switch
S2		Off-On Switch on Volume Control

Mica condensers are coded with an additional dot indicating tolerance percent Color of Dot  
 2 1/2% White  
 5% Green  
 10% Blue  
 15% Yellow  
 20% Red  
 None

The power consumption of this receiver is 75 watts.



MODEL 62-296  
MODEL 62-503

MONTGOMERY-WARD & CO.

**DUMMY ANTENNAS: MODEL 62-296**

The following dummy antennas are used in aligning and are referred to in the following alignment instructions as "Dummy 1", "Dummy 2", and "Dummy 3".

- Dummy 1: (I.F.)—Consists of a .1 mfd. condenser connected in series with the external oscillator.
- Dummy 2: (Broadcast)—Consists of a 200 mmfd. condenser and a 20 ohm resistor connected in series with each other and in series with the external oscillator.
- Dummy 3: (Middle and Short Wave)—Consists of a .1 mfd. condenser and a 400 ohm resistor connected in series with each other and in series with the external oscillator.

**ALIGNING I.F. TRANSFORMERS: (468 K.C.):**

Part No. 106-110 Output I.F. Transformer  
Part No. 108-109 Input I.F. Transformer  
These I.F. transformers have two adjustments, both of which are accessible from the top of chassis (see top view).

1. With volume control full on, (the extreme right of its rotation), the band changing switch in the broadcast position (extreme left of its rotation), and with the variable condenser set to approximately 1400 kilocycles, make the following adjustments:

- (a) Connect external oscillator set at 465 kilocycles, in series with "Dummy 1", to the control grid cap of the 6K7 tube, and adjust the output I.F. transformer (No. 108-110) to resonance.
- (b) With "Dummy 1" still connected, move oscillator output clip from grid of 6K7 to grid cap of 6L7 and adjust input I.F. transformer (No. 106-109) to resonance.

**CHASSIS MODEL 62-503**

The following dummy antennas are used in aligning and are referred to in the following alignment instructions as "Dummy 1", "Dummy 2", and "Dummy 3".

- Dummy 1: (I.F.)—Consists of a .1 mfd. condenser connected in series with the external oscillator.
- Dummy 2: (Broadcast)—Consists of a 200 mmfd. condenser and a 20 ohm resistor connected in series with each other and in series with the external oscillator.
- Dummy 3: (Short Wave)—Consists of a .1 mfd. condenser and a 400 ohm resistor connected in series with each other and in series with the external oscillator.

**ALIGNING I.F. TRANSFORMERS: (468 K.C.):**

Part No. 108-112B Output I.F. Transformer  
Part No. 106-111B Input I.F. Transformer  
These I.F. transformers have two adjustments, both of which are accessible from the top of chassis (see top view).

1. With volume control full on, (the extreme right of its rotation), the band changing switch in the broadcast position, (extreme left of its rotation), and with variable condenser in its minimum capacity position, plates entirely out of mesh, make the following adjustments:

- (a) Connect external oscillator set at 465 kilocycles, in series with "Dummy 1", to the control grid cap of the type 6K7 tube, and adjust the output I.F. transformer (No. 108-112B) to resonance.
- (b) With "Dummy 1" still connected, move oscillator output clip from grid of 6K7 to grid cap of 6A8G and adjust input I.F. transformer (No. 106-111B) to resonance.

**SHORT WAVE BAND ALIGNMENT: 545 to 183 Megacycles**

1. With band changing switch in the short wave position, extreme right of its rotation, and with external oscillator set at 16 megacycles and connected in series with "Dummy 3"

**BROADCAST BAND ALIGNMENT: 535 to 1720 Kilocycles**

With band changing switch in the broadcast position, extreme left of its rotation, and with gang condenser in its minimum capacity position, plates entirely out of mesh, and with external oscillator connected in series with "Dummy 2", to an antenna lead and black ground lead, make following adjustments:

- (a) Set external oscillator to 1720 K.C. and adjust broadcast oscillator trimmer to resonance (adjustment number 1, see bottom view of coil assembly, Fig. 3).
- (b) Re-set external oscillator to 1550 K.C., rotate variable gang condenser and pick up signal. Adjust broadcast antenna trimmer (Adjustment number 4) to resonance; also adjust preselector trimmer which is mounted on the top of the rear section of the three gang variable tuning condenser to resonance (See top view of chassis, Fig. 1, for location of this adjustment).
- (c) Re-set external oscillator to 600 K.C. and adjust condenser to resonance by rotating condenser to and fro until by adjusting series pad maximum output is attained. This adjustment is located on the bottom of the chassis directly under the variable gang condenser. (See bottom view of chassis, Fig. 3).
- (d) Repeat adjustments "a" and "b" until sensitivity is at its maximum.
- (e) Check for tracking and sensitivity at 1000 kilocycles. Under no circumstances bend plates of variable condenser sections to correct tracking.

**SHORT WAVE BAND ALIGNMENT: 535 to 183 Megacycles**

1. With band changing switch in the short wave position, extreme right of its rotation, and with external oscillator set at 16 megacycles and connected in series with "Dummy 3" to the tan antenna and black ground lead, adjust to the antenna and ground leads, make the following adjustments:

- (a) Move dial pointer to 16 megacycles and adjust short wave oscillator trimmer to resonance. This adjustment is the trimmer mounted on the top of rear section of the variable gang condenser (see Fig. 1, top view, adjustment number 7).
- (b) Adjust short wave antenna trimmer (Adjustment Number 3), to resonance (see Fig. 3, bottom view).

**FOR OTHER DATA SEE INDEX**

to the antenna and ground leads, make the following adjustments:

- (a) Move dial pointer to 16 megacycles and adjust short wave oscillator trimmer to resonance.
- (b) Adjust short wave antenna trimmer (Adjustment Number 3), to resonance (see Fig. 3, bottom view).

**BROADCAST BAND ALIGNMENT: 535 to 1720 Kilocycles**

1. With band changing switch in the broadcast position, extreme left of its rotation, and with gang condenser in its minimum capacity position, plates entirely out of mesh, and with external oscillator connected in series with "Dummy 2", to antenna and ground leads make following adjustments:

- (a) Set external oscillator to 1720 K.C. and adjust broadcast oscillator trimmer to resonance. (Adjustment number 1, see bottom view of chassis, Fig. 3).
- (b) Re-set external oscillator to 1400 K.C., rotate variable gang condenser and pick up signal. Adjust broadcast antenna trimmer (adjustment number 2), to resonance.
- (c) Re-set external oscillator to 600 K.C., and adjust broadcast series pad (adjustment number 4), to resonance by rotating condenser to and fro until by adjusting series pad maximum output is attained. This adjustment is located on the bottom of the chassis directly under the variable gang condenser. (See bottom view of chassis, Fig. 3).
- (d) Repeat adjustments "a" and "c" until sensitivity is at its maximum.
- (e) Set external oscillator to 2100 K.C. (Image of 1170 K.C.) and tune in the signal at 1170 K.C. on the dial. Adjust the wire capacitor. (Adjustment number 6) by twisting the two wires until a Minimum output is obtained on output meter.
- (f) Set external oscillator to 2630 K.C. (Image of 1700 K.C.)

make the following adjustments:

- (a) Move dial pointer to 17 megacycles and adjust short wave oscillator (Adjustment number 3) and short wave antenna (Adjustment number 6) to resonance.
- (b) Re-set external oscillator to 6 megacycles and pick up signal by rotating variable condenser and check sensitivity.
- (c) Re-set external oscillator and check set at 16.1 megacycles and 5.2 megacycles for band coverage.

NOTE: It is extremely necessary in making all of these adjustments that the fundamental oscillator signal be tuned in and not the image frequency which will fall below the fundamental. An example of this is an image of a fundamental 17 megacycle signal appears near 16.1 megacycles.

**MIDDLE WAVE BAND ALIGNMENT: 1065 to 5500 Kilocycles**

1. With band changing switch in the middle wave position, center of its rotation, and with external oscillator set at 500 kilocycles and connected in series with "Dummy 2" to the tan antenna and black ground lead, make the following adjustments:
- (a) Move dial pointer to 5000 kilocycles and adjust middle wave oscillator (Adjustment number 2) and middle wave antenna (Adjustment number 3) to resonance.
  - (b) Re-set external oscillator to 1800 kilocycles and pick up signal by rotating variable condenser and check sensitivity.
  - (c) Re-set external oscillator and check set at 5500 kilocycles and 1695 kilocycles for band coverage.
  - (d) Recheck broadcast band alignment.

and tune in the signal at 1700 K.C. on the dial. Adjust the wire capacitor (Adjustment number 5), by moving the wire either toward or away from the coil winding until a Minimum output is obtained on output meter.

- (e) Repeat adjustments (c) and (f) until the sensitivity is at a Minimum.
- (f) Recheck the broadcast antenna trimmer (Adjustment number 2).
- (g) Recheck the short wave antenna trimmer (Adjustment number 3).

**PROCEDURE FOR SETTING THE AUTOMATIC TUNER LEVERS:**

Press down any one of the automatic tuner levers. Hold it down, and by means of the tuning knob No. 3, tune in very carefully the station you have selected for this lever. Turn the tuning knob very slowly back and forth until the signal is "clearest". The station will then be accurately tuned in.

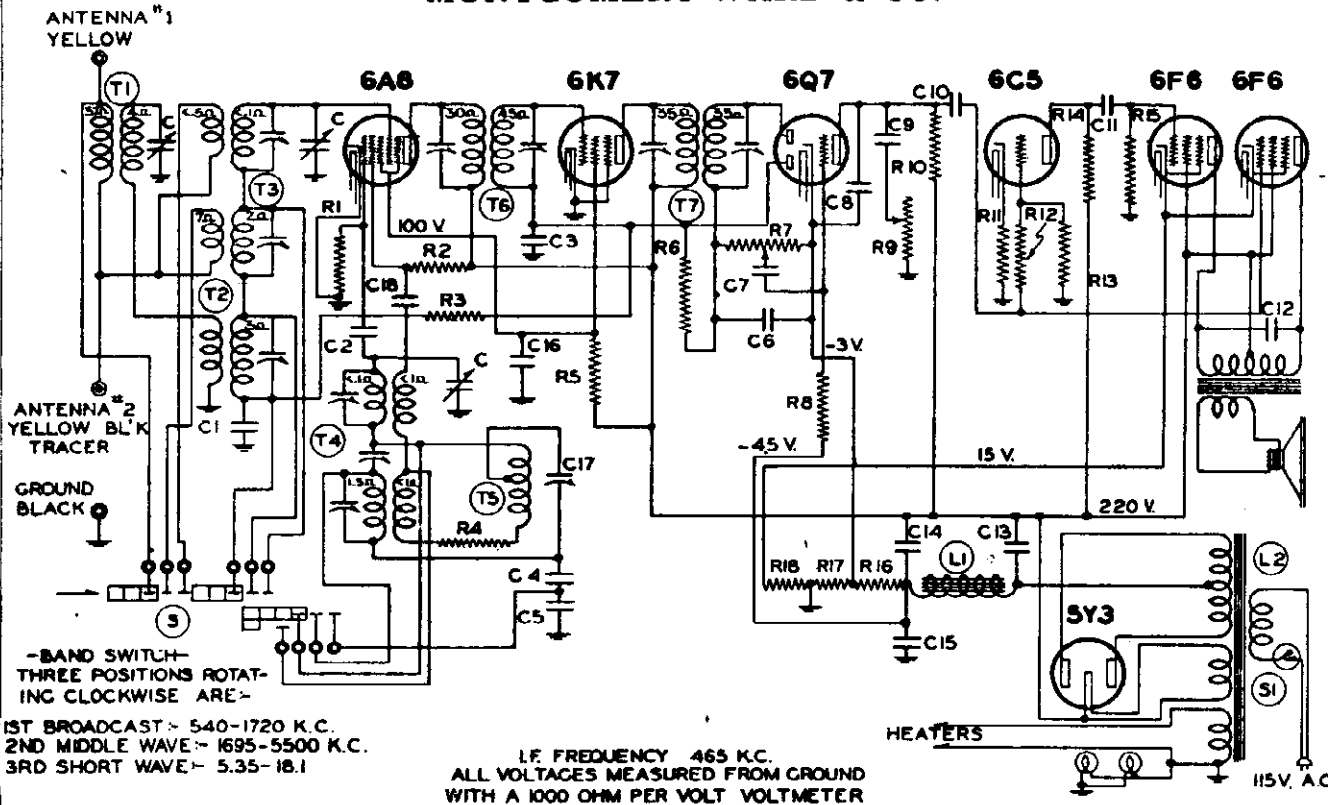
Release the lever and press down another automatic tuner lever. Hold it down and carefully tune-in the station indicated on the station call letter tab above this lever.

Follow this procedure until you have selected all of your favorite stations. Hold tuning knob securely with left hand to prevent it from turning and with a coin (half dollar), tighten the special locking screw ("C") in the center of the tuning knob, (See Fig. 1).

This screw will lock in place all the stations you have selected on the automatic tuner levers. (Note: Locking screw "C" is loose when radio is shipped from factory).

If you should desire to change any station you selected to another, hold the tuning knob No. 3 securely and with a coin loosen the locking screw "C" one or two turns; select the new station as explained. Be sure to retighten the locking screw, otherwise the stations you have selected will not stay adjusted to the levers.

MONTGOMERY-WARD & CO.



1ST BROADCAST - 540-1720 K.C.  
2ND MIDDLE WAVE - 1695-5500 K.C.  
3RD SHORT WAVE - 5.35-18.1

I.F. FREQUENCY 465 K.C.  
ALL VOLTAGES MEASURED FROM GROUND  
WITH A 1000 OHM PER VOLT VOLTMETER

PARTS

No.	Part No.	Description
<b>RESISTORS</b>		
R1	130-12	50M ohms - 1/3 w.
R2	130-48	15M ohms - 1/3 w.
R3	130-103	100M ohms - 1/3 w.
R4	130-27	50 ohms - 1/3 w.
R5	130-96	25M ohms - 1/2 w.
R6	130-4	3 megohm - 1/3 w.
R7	101-74	1 megohm - Volume Control
R8	130-4	3 megohm - 1/3 w.
R9	101-75	300M ohms - Tone Control
R10	130-100	150M ohms - 1/3 w.
R11	130-22	5M ohms - 1/3 w.
R12	130-163	400M ohms - 1/3 w.
R13	130-103	100M ohms - 1/3 w.
R14	130-12	50M ohms - 1/3 w.
R15	130-100	150M ohms - 1/3 w.
R16	106-37	20 ohms - Muter
R17	106-37	42 ohms - Muter
R18	106-37	250 ohms - Muter

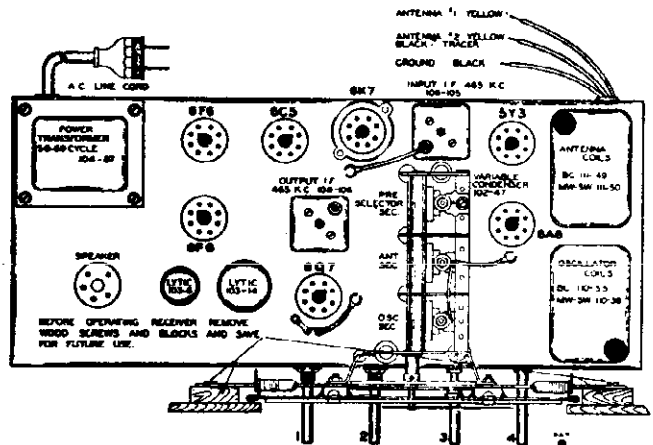
C	102-47	One section of three gang condenser
T1	111-51	B.C. Pre-Selector
T2	111-49	B.C. Antenna Coil Assembly
T3	111-50	MW - SW Antenna Coil Assembly
T4	110-39	MW - SW Oscillator Coil Assembly
T5	110-55	B.C. Oscillator Coil Assembly
T6	108-105	Input I.F. - 465 kc.
T7	108-106	Output I.F. - 465 kc.
L1	114-66	6" Speaker (Field Resistance 900 ohms)
L2	104-87	Power Transformer (60 cycle) 115 volts
S	125-17	Band Switch
S1	101-74	On-off Switch on volume control.

- 1—Type 6A8G—Pentagrid mixer, first detector and oscillator.
- 1—Type 6K7 Remote cut-off pentode I.F. amplifier (465 K.C.)
- 1—Type 6Q7G duplex diode triode second detector, A.V.C. and audio.
- 1—Type 6C5 Inverter stage.
- 2—Type 6F6G—pentode push-pull output amplifier.
- 1—Type 5Y3G high vacuum rectifier.

NOTE: R16, R17 and R18 in one unit, No. 106-37

CONDENSERS

C1	100-22	.05 x 200 v.
C2	129-39	.00005 Mica
C3	100-22	.05 x 200 v.
C4	129-55	.0034 Mica
C5	129-54	.003 Mica
C6	129-5	.0001 Mica
C7	100-11	.01 x 400 v.
C8	129-2	.0005 Mica
C9	100-57	.006 x 600 v.
C10	100-26	.02 x 400 v.
C11	100-26	.02 x 400 v.
C12	100-12	.003 x 600 v.
C13	103-6	8 mfd. x 350 v.
C14	103-14	16 mfd. x 250 v.
C15	100-20	.1 x 200 v.
C16	100-39	.1 x 400 v.
C17	124-35	Adjustable Padder - Working Capacity 740 mmf.
C18	100-12	.003 x 600 v.



Vol. Control Tone Tuning Band  
On-Off Switch Control Control Switch

MODELS 62-300,  
62-627

## MONTGOMERY-WARD &amp; CO.

**SERVICE NOTES:**

Voltages taken from different points of circuit to chassis are measured with volume control full on, all tubes in their sockets and speaker connected, with a volt meter having a resistance of 1000 ohms per volt. These voltages are clearly indicated on the circuit diagram.

IN ORDER TO PREVENT SIGNAL FROM ACTING UPON AVC AND AFFECTING ACCURACY OF VOLTAGE MEASUREMENTS, AERIAL AND GROUND LEADS SHOULD BE SHORT CIRCUITED WHILE MAKING MEASUREMENTS.

All voltages are to be measured with 115 volts on the primary of the power transformer.

Resistances of coils and transformer windings are indicated in ohms on schematic circuit diagrams.

To check for open by-pass condensers, shunt each condenser with another condenser of the same capacity and voltage rating, which is known to be good, until the defective unit is located.

Excessive hum, stuttering, low volume and a reduction in all D.C. voltages is usually caused by a shorted electrolytic condenser, open by-pass condensers frequently cause oscillation and distorted tone.

**RESONANCE INDICATOR:**

Use as a resonance indicator an output meter connected across the primary of the speaker input transformer or by means of an adapter between the plate and cathode terminals of the 5 prong speaker socket. Maximum deflection of the meter indicates resonance. Use only enough signal to get a readily readable output. A low range output meter or the low scale of a multi-range meter should be used.

**DUMMY ANTENNAS:**

The following dummy antennas are used in aligning and are referred to in the following alignment instructions as "Dummy 1", "Dummy 2", and "Dummy 3".

Dummy 1: (I.F.)—Consists of a .1 mfd. condenser connected in series with the external oscillator.

Dummy 2: (Broadcast)—Consists of a 200 mmfd. condenser and a 20 ohm resistor connected in series with each other and in series with the external oscillator.

Dummy 3: (Middle and Short Wave)—Consists of a .1 mfd. condenser and a 400 ohm resistor connected in series with each other and in series with the external oscillator.

**ALIGNING I.F. TRANSFORMERS: (465 K.C.):**

Part No. 108-106 Output I.F. Transformer

Part No. 108-105 Input I.F. Transformer

These I.F. transformers have two adjustments, both of which are accessible from the top of chassis (see top view).

1. With volume control full on, (the extreme right of its rotation), the band changing switch in the broadcast position, (extreme left of its rotation), and with the variable condenser set to approximately 1400 kilocycles, make the following adjustments:

- Connect external oscillator set at 465 kilocycles, in series with "Dummy 1", to the control grid cap of the type 6K7 tube, and adjust the output I.F. transformer (No. 108-106) to resonance.
- With "Dummy 1" still connected, move oscillator output clip from grid of 6K7 to grid cap of 6A8G and adjust input I.F. transformer (No. 108-105) to resonance.

**BROADCAST BAND ALIGNMENT:**

540 to 1720 Kilocycles

1. With band changing switch in the broadcast position, extreme left of its rotation, and with gang condenser in its minimum capacity position, plates entirely out of mesh, and with external oscillator connected in series with "Dummy 2" to tan antenna lead and black ground lead, make following adjustments:

- Set external oscillator to 1720 K.C. and adjust broadcast oscillator trimmer to resonance (adjustment number 1; see bottom view of coil assembly, Fig. 3)
- Re-set external oscillator to 1550 K.C., rotate variable gang condenser and pick up signal. Adjust broadcast antenna trimmer (Adjustment number 4) to resonance; also adjust preselector trimmer which is mounted on the top of the rear section of the three gang variable tuning condenser to resonance. (See top view of chassis, Fig. 1, for location of this adjustment.)

- Re-set external oscillator to 600 K.C., and adjust broadcast series pad to resonance by rotating condenser to approximately 600 K.C., rocking it slowly to and fro until by adjusting series pad maximum output is attained. This adjustment is located on the bottom of the chassis directly under the variable gang condenser. (See bottom view of chassis, Fig. 3.)
- Repeat adjustments "a" and "b" until sensitivity is at its maximum.
- Check for tracking and sensitivity at 1000 kilocycles. Under no circumstances bend plates of variable condenser sections to correct tracking.

**SHORT WAVE BAND ALIGNMENT:**

5.35 to 18.1 Megacycles

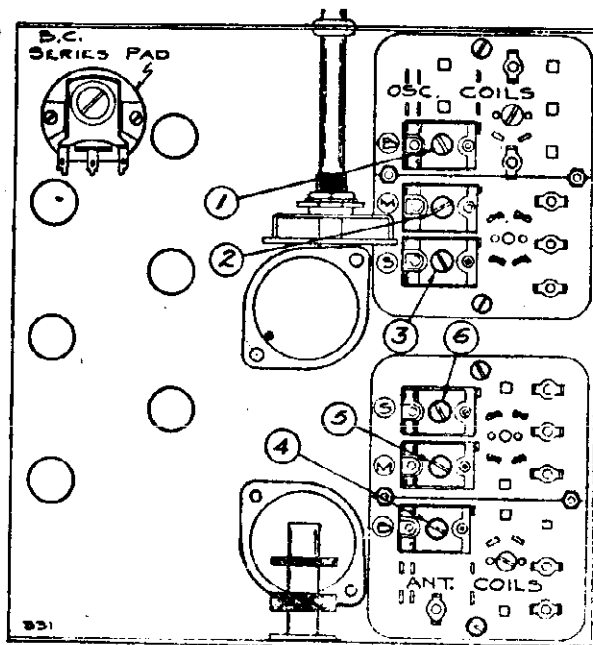
- With band changing switch in the short wave position, extreme right of its rotation, and with external oscillator set at 17 megacycles and connected in series with "Dummy 3" to the tan antenna and black ground lead, make the following adjustments:
  - Move dial pointer to 17 megacycles and adjust short wave oscillator (Adjustment number 3) and short wave antenna (Adjustment number 6) to resonance.
  - Re-set external oscillator to 6 megacycles and pick up signal by rotating variable condenser and check sensitivity.
  - Re-set external oscillator and check set at 18.1 megacycles and 5.3 megacycles for band coverage.

NOTE: It is extremely necessary in making all of these adjustments that the fundamental oscillator signal be tuned in and not the image frequency which will fall below the fundamental. An example of this is an image of a fundamental 18.3 megacycle signal appears near 17.4 megacycles.

**MIDDLE WAVE BAND ALIGNMENT:**

1690 to 5500 Kilocycles

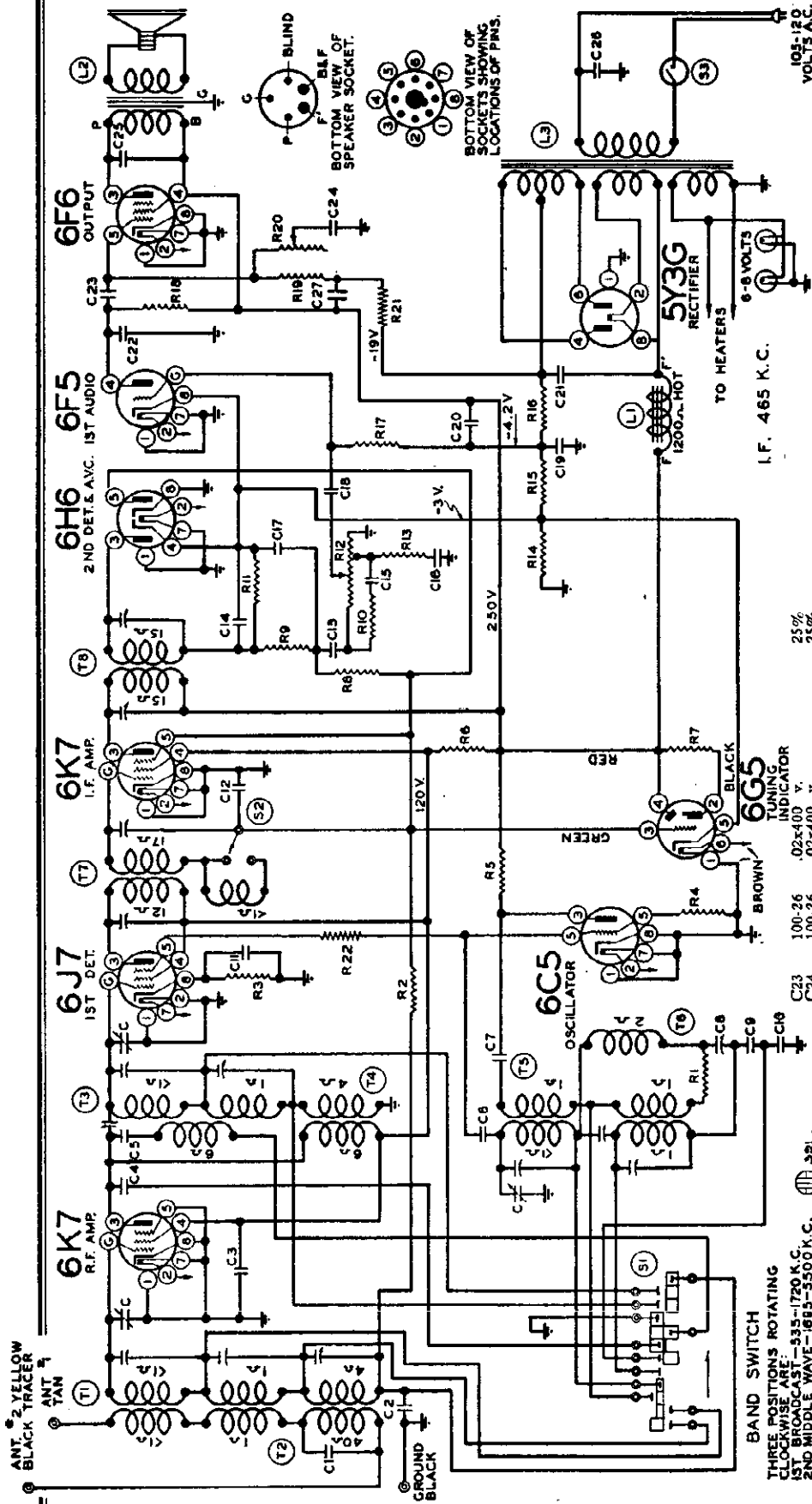
- With band changing switch in the middle wave position, center of its rotation, and with external oscillator set at 5000 kilocycles and connected in series with "Dummy 3" to the tan antenna and black ground lead, make the following adjustments:
  - Move dial pointer to 5000 kilocycles and adjust middle wave oscillator (Adjustment number 2) and middle wave antenna (Adjustment number 5) to resonance.
  - Re-set external oscillator to 1800 kilocycles and pick up signal by rotating variable condenser and check sensitivity.
  - Re-set external oscillator and check set at 5400 kilocycles and 1700 kilocycles for band coverage.
  - Recheck broadcast band alignment.



-BOTTOM VIEW SHOWING TRIMMERS

MONTGOMERY-WARD & CO.

MODELS 62-319,  
62-329, 62-409,  
62-419  
Above Serial  
7F69620



- RESISTORS**
- |     |         |   |     |
|-----|---------|---|-----|
| R1  | 130-105 | 150 ohm — 1/3 w.                              | 20% |
| R2  | 130-20  | 100M ohm — 1/3 w.                             | 20% |
| R3  | 130-159 | 2500 ohm — 1/3 w.                             | 10% |
| R4  | 130-52  | 50M ohm — 1/3 w.                              | 20% |
| R5  | 130-77  | 10M ohm — 1 w. Wire Wound                     | 10% |
| R6  | 130-160 | 1 megohm — 1/10 w. in tuning indicator socket | 20% |
| R8  | 130-4   | 3 megohm — 1/3 w.                             | 20% |
| R9  | 130-111 | 100M ohm — 1/10 w.                            | 20% |
| R10 | 130-52  | 500M ohm — 1/3 w.                             | 20% |
| R11 | 130-171 | 1 megohm — 1/10 w.                            | 20% |
| R12 | 101-60  | 1 megohm Volume Control                       | 20% |
| R13 | 130-167 | 7500 ohm — 1/3 w.                             | 20% |
| R14 | 105-42  | 55 ohm  | 20% |
| R15 | 106-42  | 20 ohm  | 20% |
| R16 | 106-42  | 240 ohm                                       | 20% |
| R17 | 130-19  | 1 megohm — 1/3 w.                             | 20% |
- REACTORS**
- |    |          |  |  |
|----|----------|--|--|
| T1 | 111-57   | M.W. S.W. Antenna Coil Assembly                              |  |
| T2 | 111-58   | E.C. Antenna Coil Assembly                                   |  |
| T3 | 109-32   | M.W. S.W. R.F. Coil Assembly                                 |  |
| T4 | 109-33   | E.C. R.F. Coil Assembly                                      |  |
| T5 | 110-33   | M.W. S.W. Oscillator Coil Assembly                           |  |
| T6 | 110-32   | E.C. Oscillator Coil Assembly                                |  |
| T7 | —108-107 | Input I.F. Coil Assembly—465 kc.                             |  |
| T8 | —108-108 | Output I.F. Coil Assembly—465 kc.                            |  |
| L1 | 114-87   | 1200 ohm speaker field                                       |  |
| L2 | 114-79   | 10" Dynamic Speaker—20" Cord                                 |  |
| L3 | 114-80   | 8" Dynamic Speaker—12" Cord                                  |  |
| S1 | —104-80  | Power Transformer  |  |
| S2 | 125-25   | Band Switch  |  |
| S3 | —        | Hi-Fi Switch on tone control On-Off switch on volume control |  |
- PARTS**
- 130-172 250M ohm — 1/3 w. 10%  
 110-172 250M ohm — 1/3 w. 10%  
 101-61 100M ohm — 1/3 w. 10%  
 130-172 250M ohm — 1/3 w. 10%  
 130-60 100 ohm — 1/3 w. 20%  
 R11, R9 and C14 are in output I.F. Can  
 R14, R15 and R16 in same unit.
- BAND SWITCH**
- THREE POSITIONS ROTATING  
 CLOCKWISE ARE:  
 1ST BROADCAST—535-1720 K.C.  
 2ND MIDDLE WAVE—695-1350 K.C.  
 3RD SHORT WAVE—3.5-16.1 M.C.
- CONDENSERS**
- |     |        |                           |        |
|-----|--------|---------------------------|--------|
| C1  | 102-40 | 3 gang variable condenser | 10%    |
| C2  | 129-40 | .0001 Mica                | 25%    |
| C3  | 100-9  | .05x200 v.                | 20%    |
| C4  | 100-53 | .25x400 v.                | 20%    |
| C5  | 129-59 | .0003 Mica                | 5%     |
| C6  | 129-38 | .00005 Mica               | 10%    |
| C7  | 129-67 | .00004 Mica               | 10%    |
| C8  | 100-25 | .002x600 v.               | 25%    |
| C9  | 124-35 | Series Pad—740 mmf. w. c. |        |
| C10 | 129-71 | .004 Mica                 | 2 1/2% |
| C11 | 129-71 | .02x200 v.                | 25%    |
| C12 | 100-26 | .02x400 v.                | 25%    |
| C13 | 100-9  | .05x200 v.                | 25%    |
| C14 | 129-39 | .00005 Ceramicon          | 20%    |
| C15 | 129-12 | .00025 Mica               | 20%    |
| C16 | 100-9  | .05x200 v.                | 25%    |
| C17 | 129-38 | .00005 Mica               | 10%    |
| C18 | 100-26 | .05x200 v.                | 25%    |
| C19 | 100-20 | .1x200 v.                 | 25%    |
| C20 | 103-12 | 8. x 275 w.v. lytic       |        |
| C21 | 103-13 | 8. x 410 w.v. lytic       |        |
| C22 | 129-60 | .00015 Mica               | 20%    |



MODELS 62-319, 62-329,  
62-409, 62-419

## MONTGOMERY-WARD &amp; CO.

## DUMMY ANTENNAS:

The following dummy antennas are used in aligning and are referred to in the following alignment instructions as "Dummy 1," "Dummy 2," and "Dummy 3."

Dummy 1: (I.F.)—Consists of a .1 mfd. condenser connected in series with the external oscillator.

Dummy 2: (Broadcast)—Consists of a 200 mmfd. condenser and a 20 ohm resistor connected in series with each other and in series with the external oscillator.

Dummy 3: (Middle and Short Wave)—Consists of a .1 mfd. condenser and a 400 ohm resistor connected in series with each other and in series with the external oscillator.

## ALIGNING I.F. TRANSFORMERS: (465 K.C.):

Part No. 108-108 Output I.F. Transformer  
Part No. 108-107 Input I.F. Transformer

These I.F. transformers have two adjustments, both of which are accessible from the top of chassis

1. With volume control full on, (the extreme right of its rotation), the wave changing switch in the broadcast position, (extreme left of its rotation), the tone control in the sharp position (as much right rotation as possible without operating the Hi Fidelity switch), and with the variable condenser set to approximately 1400 kilocycles, make the following adjustments:

- (a) Connect external oscillator set at 465 kilocycles, in series with "Dummy 1", to the control grid cap of the type 6K7 tube, and adjust the output I.F. transformer (No. 108-108) to resonance.
- (b) With "Dummy 1" still connected, move oscillator output clip from grid of 6K7 to grid cap of 6J7 and adjust input I.F. transformer (No. 108-107) to resonance.

## BROADCAST BAND ALIGNMENT:

535 to 1720 Kilocycles

1. With band changing switch in the broadcast position, extreme left of its rotation, and with gang condenser in its minimum capacity position, plates entirely out of mesh,

and with external oscillator connected in series with "Dummy 2" to antenna and ground leads make following adjustments:

- (a) Set external oscillator to 1720 K.C. and adjust broadcast oscillator trimmer to resonance. (Adjustment number 4; see bottom view of coil assembly, Fig. 3.)
- (b) Re-set external oscillator to 1400 K.C., rotate variable gang condenser and pick up signal. Adjust broadcast R.F. trimmer (adjustment number 6) and broadcast antenna trimmer (adjustment number 7), to resonance.
- (c) Re-set external oscillator to 600 K.C., and adjust broadcast series pad (adjustment number 3), to resonance by rotating condenser to approximately 600 K.C., rocking it slowly to and fro until by adjusting series pad maximum output is attained. This adjustment is located on the bottom of the chassis directly under the variable gang condenser. (See bottom view of chassis, Fig. 3.)
- (d) Repeat adjustments "a" and "b" until sensitivity is at its maximum.
- (e) Check for tracking and sensitivity at 1400, 1000, and 600 kilocycles. Under no circumstances bend plates of variable condenser sections to correct tracking.

## SHORT WAVE BAND ALIGNMENT:

5.35 to 18.1 Megacycles

1. With band changing switch in the short wave position, extreme right of its rotation, and with external oscillator set at 17 megacycles and connected in series with "Dummy 3" to the antenna and ground leads, make the following adjustments:

- (a) Move dial pointer to 17 megacycles and adjust short wave oscillator trimmer (adjustment number 1) to resonance.
- (b) Adjust short wave R.F. trimmer (adjustment number 8), and short wave antenna trimmer (adjustment number 9), to resonance.
- (c) Re-set external oscillator and check set at 18.1 megacycles and 6 megacycles for band coverage and sensitivity.

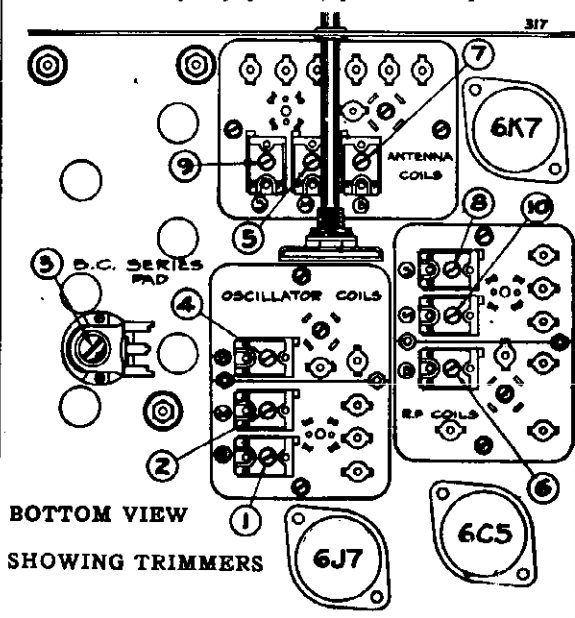
NOTE: It is extremely necessary in making all of these adjustments that the fundamental oscillator signal be tuned in and not the image frequency which will fall below the fundamental on the receiver dial. As an example of this a fundamental 17 megacycle signal can be tuned in not only at 17 on the dial but also at approximately 16.1 megacycles.

## MIDDLE WAVE BAND ALIGNMENT:

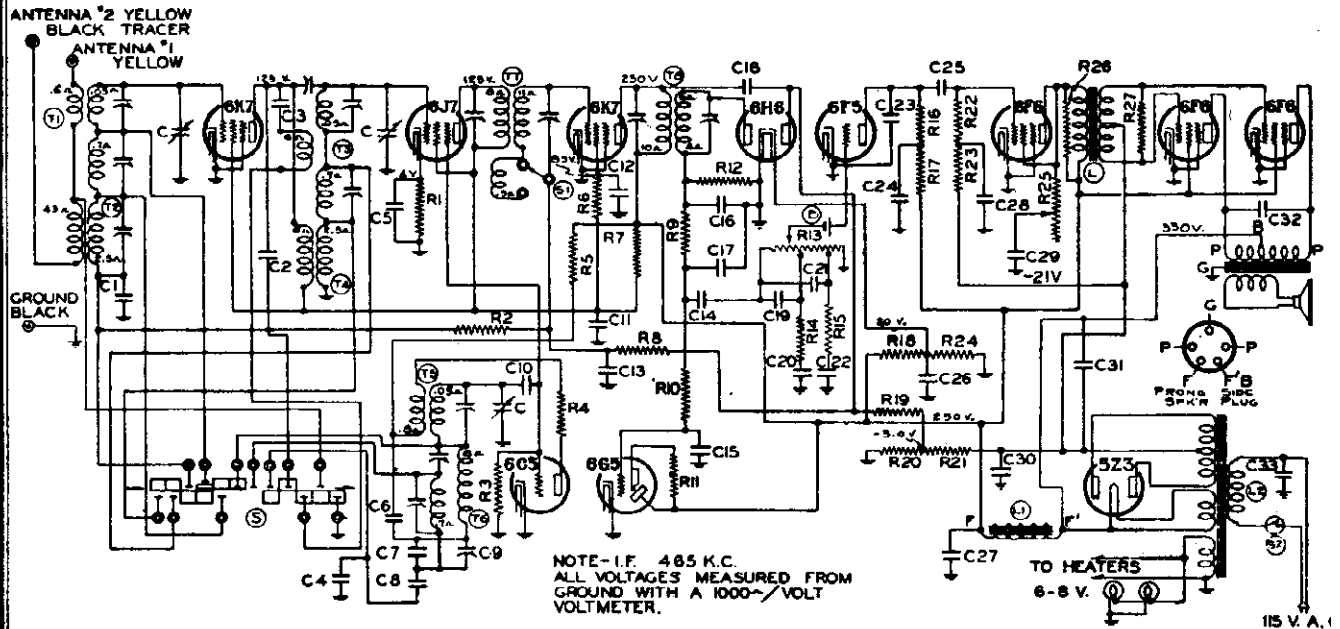
1695 to 5500 Kilocycles

1. With band changing switch in the middle wave position, center of its rotation, and with external oscillator set at 5 megacycles and connected in series with "Dummy 3" to the antenna and ground leads make the following adjustments:

- (a) Move dial pointer to 5 megacycles and adjust middle wave oscillator trimmer (adjustment number 2) to resonance.
- (b) Adjust middle wave R.F. trimmer (adjustment number 10), and middle wave antenna trimmer (adjustment number 5), to resonance.
- (c) Re-set external oscillator and check sensitivity at 1800 kilocycles.
- (d) Recheck broadcast band alignment.

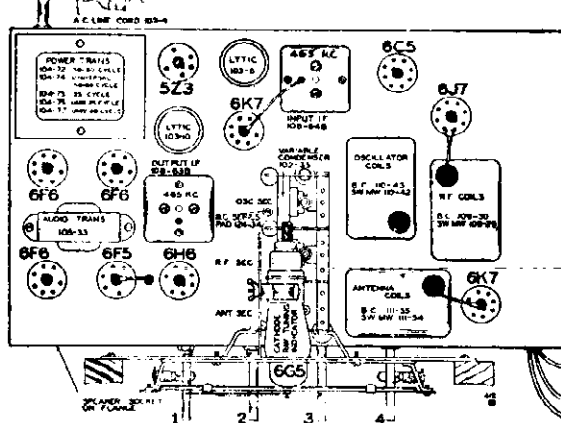


MONTGOMERY-WARD & CO.



- |     |         |                               |     |        |                                  |
|-----|---------|-------------------------------|-----|--------|----------------------------------|
| R1  | 130-129 | 2500 Ohm—1/3 Watt—10%—Carbon  | C1  | 100-9  | .05x200 Volt—25%                 |
| R2  | 130-20  | 100M Ohm—1/3 Watt—20%—Carbon  | C2  | 129-59 | .0003 Mica—5%—MT-O               |
| R3  | 130-12  | 50M Ohm—1/3 Watt—20%—Carbon   | C3  | 129-39 | .00005 Mica—20%—MT-O             |
| R4  | 130-60  | 100 Ohm—1/3 Watt—20%—Carbon   | C4  | 129-69 | .0023 Mica—2 1/2%—MT-O           |
| R5  | 130-77  | 10M Ohm—1 Watt—20%—Carbon     | C5  | 100-9  | .05x200 Volt—25%                 |
| R6  | 130-76  | 30M Ohm—1/3 Watt—20%—Carbon   | C6  | 100-13 | .05x400 Volt—25%                 |
| R7  | 130-88  | 10M Ohm—2 Watt—20%—Wire Wound | C7  | 129-57 | .0005 Mica—5%—MT-O               |
| R8  | 130-19  | 1 Megohm—1/3 Watt—20%—Carbon  | C8  | 129-55 | .0034 Mica—2 1/2%—MT-O           |
| R9  | 130-111 | 100M Ohm—1/3 Watt—20%—Carbon  | C9  | 124-34 | 200 Mmf. Working Cap. Adjustable |
| R10 | 130-4   | 3 Megohm—1/3 Watt—20%—Carbon  | C10 | 129-31 | .000025 Mica—15%—MT-O Pad.       |
| R11 | 130-110 | 1 Megohm—1/10 Watt—10%—Carbon | C11 | 100-41 | .25x400 Volt—20%                 |
| R12 | 130-186 | 250M Ohm—1/10 Watt—20%—Carbon | C12 | 100-11 | .01x400 Volt—25%                 |
| R13 | 101-36  | 1 Megohm—Volume Control       | C13 | 100-9  | .05x200 Volt—25%                 |
| R14 | 130-22  | 5M Ohm—1/3 Watt—20%—Carbon    | C14 | 100-22 | .05x200 Volt—25%                 |
| R15 | 130-85  | 3M Ohm—1/3 Watt—20%—Carbon    | C15 | 100-11 | .01x400 Volt—25%                 |
| R16 | 130-20  | 100M Ohm—1/3 Watt—20%—Carbon  | C16 | 129-39 | .00005 Ceramic—20%               |
| R17 | 130-20  | 100M Ohm—1/3 Watt—20%—Carbon  | C17 | 129-60 | .00015 Mica—20%—MT-O             |
| R18 | 130-130 | 100M Ohm—1/2 Watt—10%—Carbon  | C18 | 129-3  | .00002 Mica—20%—MT-O             |
| R19 | 130-3   | 500M Ohm—1/3 Watt—20%—Carbon  | C19 | 129-2  | .0005 Mica—20%—MT-O              |
| R20 | 106-31  | 30 Ohm—Muter                  | C20 | 100-22 | .05x200 Volt—25%                 |
| R21 | 106-31  | 175 Ohm—Muter                 | C21 | 129-60 | .00015 Mica—20%—MT-O             |
| R22 | 130-45  | 250M Ohm—1/3 Watt—20%—Carbon  | C22 | 100-22 | .05x200 Volt—25%                 |
| R23 | 130-45  | 250M Ohm—1/3 Watt—20%—Carbon  | C23 | 129.5  | .0001 Mica—20%—MT-O              |
| R24 | 130-82  | 10M Ohm—1/3 Watt—10%—Carbon   | C24 | 100-1  | .1x400 Volt—25%                  |
| R25 | 101-40  | 5000 Ohm—Tone Control         | C25 | 100-13 | .05x400 Volt—25%                 |
| R26 | 130-131 | 20M Ohm—1/2 Watt—10%—Carbon   | C26 | 100-19 | .006x600 Volt—25%                |
| R27 | 130-21  | 20M Ohm—1/3 Watt—20%—Carbon   | C27 | 103-8  | 14 Mfd.—400 Volt—Electrolytic    |

Note—R-20 and R21 in one unit No. 106-31.  
 R-9 and R12 in Output I. F. Can



Vol. Control Tone Tuning Band  
 On-Off Switch Control Control Switch  
 and  
 High Fidelity Sw.

FIG. 1—TOP VIEW

- |    |         |                                     |
|----|---------|-------------------------------------|
| B1 | 116-22  | Bias Cell                           |
| C  | 102-35  | One Section of Three Gang Condenser |
| T1 | 111-54  | MW and SW Antenna Coil Assem.       |
| T2 | 111-55  | Broadcast Antenna Coil Assem.       |
| T3 | 109-29  | MW and SW R.F. Coil Assem.          |
| T4 | 109-30  | Broadcast R.F. Coil                 |
| T5 | 110-42  | MW and SW Osc. Coil Assem.          |
| T6 | 110-43  | Broadcast Osc. Coil Assem.          |
| T7 | 108-64B | Input I. F. Coil—465 KC.            |
| T8 | 108-63B | Output I. F. Coil—465 KC.           |
| L  | 105-33  | Audio Transformer                   |
| L1 | 114-47  | Speaker (Field Resistance 1225 Ohm) |
| L2 | 104-72  | Power Transformer (50-60 Cycle)     |
| S  | 125-18  | Band Switch                         |
| S1 |         | Fidelity Switch on Tone Control     |
| S2 |         | On-Off Switch on Volume Control     |

MODEL 62-341

## MONTGOMERY-WARD &amp; CO.

BAND	DIAL SCALE	FREQUENCY RANGE
Broadcast.....	Outer Scale.....	535 to 1720 K.C. (Kilocycles)
Middle Wave.....	Center Scale.....	1690 to 5300 K.C. (Kilocycles)
Short Wave.....	Inner Scale.....	5.3 to 18.1 M.C. (Megacycles)

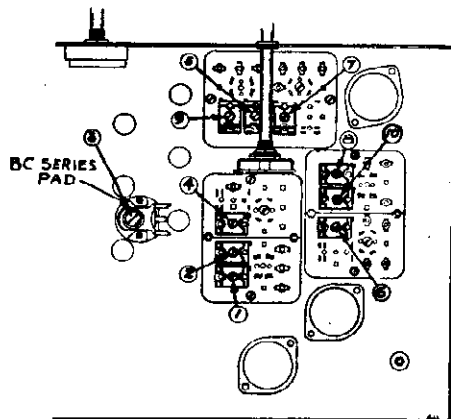


FIG. 3.—BOTTOM VIEW SHOWING TRIMMERS

## ALIGNING INSTRUCTIONS:

## CAUTION:

No aligning adjustments should be attempted without first thoroughly checking over all other possible causes of trouble, such as poor installations, open or grounded antenna systems, low line voltages, defective tubes, condensers and resistors. In order to properly align this chassis, an oscillator (generator) is absolutely necessary. No aligning adjustments should be attempted with the chassis in the cabinet. To remove the knobs, pull them off and to take the chassis out of the cabinet, remove the four bolts by which it is fastened.

## RESONANCE INDICATOR:

Use as a resonance indicator an output meter connected across the primary of the speaker input transformer or by means of an adapter between the plate and cathode terminals of the 5 prong speaker socket. Maximum deflection of the meter indicates resonance. Use only enough signal to get a readily readable output. A low range output meter or the low scale of the multi-range meter should be used.

## DUMMY ANTENNAS:

The following dummy antennas are used in aligning and are referred to in the following alignment instructions as "Dummy 1," "Dummy 2," and "Dummy 3."

Dummy 1: (I.F.)—Consists of a .1 mfd. condenser connected in series with the external oscillator.

Dummy 2: (Broadcast)—Consists of a 200 mmfd. condenser and a 20 ohm resistor connected in series with each other and in series with the external oscillator.

Dummy 3: (Middle and Short Wave)—Consists of a .1 mfd. condenser and a 400 ohm resistor connected in series with each other and in series with the external oscillator.

## ALIGNING I.F. TRANSFORMERS (465 K.C.)

Part No. 108-63B Output I. F. Transformer

Part No. 108-64B Input I. F. Transformer

These I.F. transformers have two adjustments, both of which are accessible from the top of chassis (see top view Fig. 1).

1. With volume control full on, (the extreme right of its rotation), the band changing switch in the broadcast position, (extreme left of its rotation), the tone control on "Hi" part of the sharp position (as much right rotation as possible without operating the Hi Fidelity switch), and with the variable condenser set to approximately 1400 kilocycles, make the following adjustments:

- Connect external oscillator set at 465 kilocycles, in series with "Dummy 1," to the control grid cap of the

type 6K7 tube, located between the two I.F. transformers, and adjust the output I.F. transformer 108-63B to resonance.

- With "Dummy 1" still connected, move oscillator output clip from grid of 6K7 to grid cap to 6J7 and adjust input I.F. transformer (108-64B) to resonance.

- With oscillator still connected to 6J7, re-adjust output I.F. transformer if necessary.

## BROADCAST BAND ALIGNMENT:

535 to 1720 Kilocycles

1. With band changing switch in the broadcast position, extreme left of its rotation, and with external oscillator set at 600 kilocycles and connected in series with "Dummy 2" to the tan antenna and black ground lead, make the following adjustments:

- Adjust broadcast series pad (adjustment number 3) to resonance with oscillator. Keep set in tune with oscillator by slowly rocking to and fro the variable condenser until maximum output is obtained. Note: This adjustment is accessible from the top of the chassis and is located between the variable condenser and the 108-63 output I.F. transformer. See top view, Fig. 1.

- Re-set external oscillator to 1400 K.C., move dial pointer to 1400 K.C. and adjust oscillator (adjustment number 4), R.F. (adjustment number 6) and antenna (adjustment number 7) to resonance. See bottom view for location of these adjustments, Fig. 3.

- Repeat adjustments "a" and "b" until sensitivity is at its maximum.

- Check for tracking and sensitivity at 1000 kilocycles. Under no circumstances bend plates of variable condenser to correct tracking.

## SHORT WAVE BAND ALIGNMENT:

5.3 to 18.1 Megacycles

1. With band changing switch in the short wave position, extreme right of its rotation, and with external oscillator set at 17 megacycles and connected in series with "Dummy 3" to the tan antenna and black ground lead, make the following adjustments:

- Move dial pointer to 17 megacycles and adjust short wave oscillator (adjustment number 1), short wave R.F. (adjustment number 8) and short wave antenna (adjustment number 9) to resonance.

- Re-set external oscillator to 6 megacycles and pick up signal by rotating variable condenser and check for sensitivity.

NOTE: It is extremely necessary in making all of these adjustments that the fundamental oscillator signal be tuned in and not the image frequency which will fall below the fundamental on the receiver dial. As an example of this a fundamental 18.3 megacycle can be tuned in not only at 18.3 on the dial, but also at approximately 17.4 megacycles.

## MIDDLE WAVE BAND ALIGNMENT:

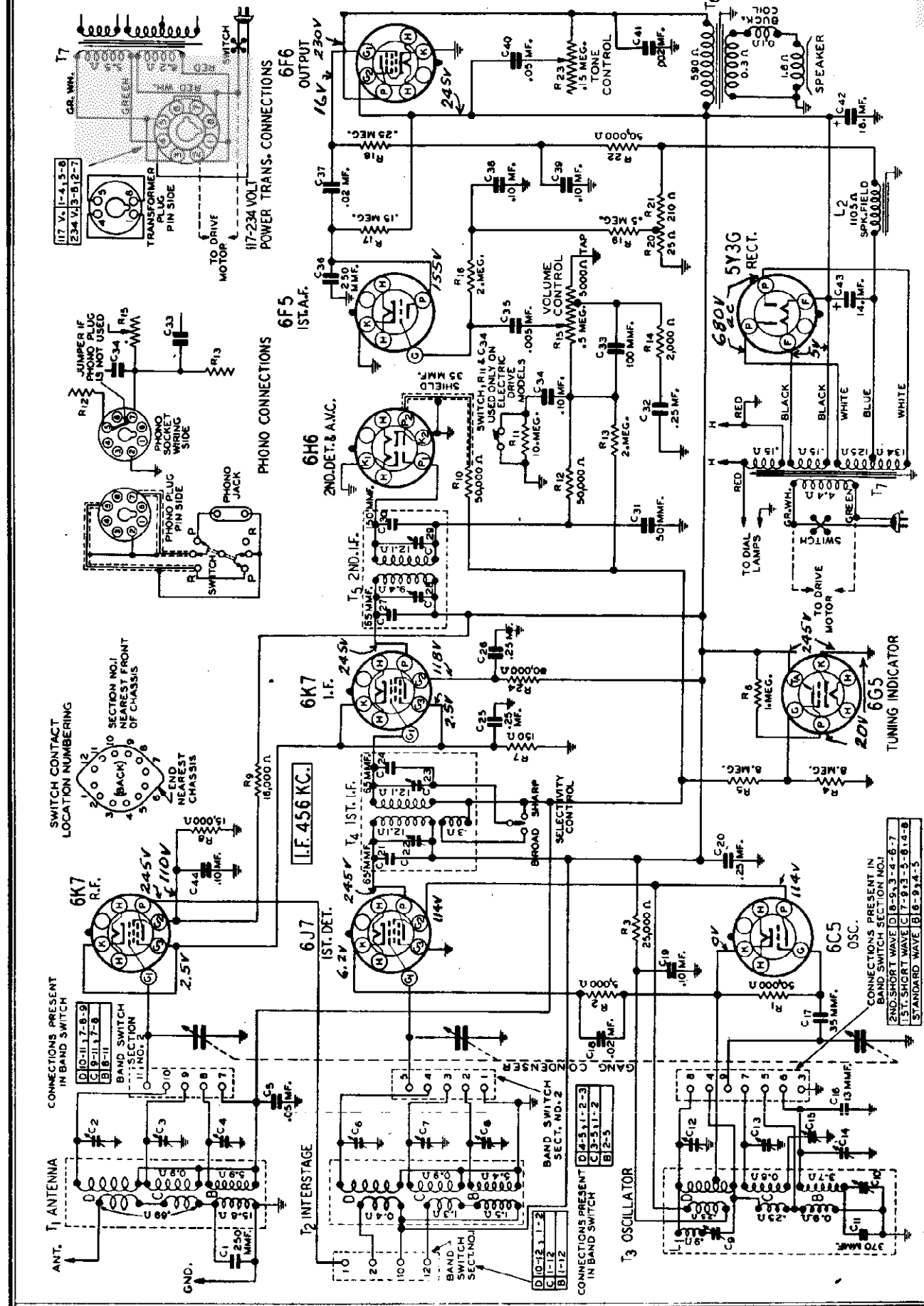
1690 to 5300 Kilocycles

1. With band changing switch in the middle wave position, center of its rotation, and with external oscillator set at 5 M.C. and connected in series with "Dummy 3" to the tan antenna and black ground lead, make the following adjustments:

- Rotate condenser, pick up signal and adjust middle wave R.F. (adjustment number 10), middle wave antenna (adjustment number 5) and middle wave oscillator (adjustment number 2) to resonance.

- Re-check broadcast alignment and if it is found necessary to re-adjust either R.F. or antenna trimmers, repeat the 17 M.C. short wave and 5 M.C. middle wave adjustments.

MONTGOMERY-WARD & CO.



SWITCH CONTACT LOCATION NUMBERING

1	2	3	4	5	6	7
8	9	10	11	12	13	14

CONNECTIONS PRESENT IN BAND SWITCH

D	10-11	7-8-9
C	11-12	7-8
B	11-12	7-8

ANTENNA

T<sub>1</sub> ANTENNA

SECTION NO. 1 NEAREST FRONT OF CHASSIS

6K7 R.F.

6J7 1ST. DET.

6H6 2ND DET. & A.V.C.

6F5 1ST. A.F.

6F6 OUTPUT

16V 230V

TO DRIVE MOTOR

PHONO TRANS. CONNECTIONS

TO DRIVE MOTOR

PHONO JACK

PHONO PLUG PIN SIDE

PHONO SOCKET WIRING SIDE

JUMPER IF PHONO PLUG IS NOT USED

TO DRIVE MOTOR

TO DRIVE MOTOR

TO DRIVE MOTOR

TO DRIVE MOTOR

TO DRIVE MOTOR

TO DRIVE MOTOR

TO DRIVE MOTOR

TO DRIVE MOTOR

TO DRIVE MOTOR

TO DRIVE MOTOR

TO DRIVE MOTOR

TO DRIVE MOTOR

TO DRIVE MOTOR

TO DRIVE MOTOR

TO DRIVE MOTOR

TO DRIVE MOTOR

TO DRIVE MOTOR

TO DRIVE MOTOR

TO DRIVE MOTOR

TO DRIVE MOTOR

TO DRIVE MOTOR

TO DRIVE MOTOR

TO DRIVE MOTOR

TO DRIVE MOTOR

TO DRIVE MOTOR

TO DRIVE MOTOR

TO DRIVE MOTOR

TO DRIVE MOTOR

TO DRIVE MOTOR

TO DRIVE MOTOR

TO DRIVE MOTOR

TO DRIVE MOTOR

TO DRIVE MOTOR

TO DRIVE MOTOR

TO DRIVE MOTOR

TO DRIVE MOTOR

TO DRIVE MOTOR

TO DRIVE MOTOR

TO DRIVE MOTOR

TO DRIVE MOTOR

TO DRIVE MOTOR

TO DRIVE MOTOR

TO DRIVE MOTOR

TO DRIVE MOTOR

TO DRIVE MOTOR

TO DRIVE MOTOR

TO DRIVE MOTOR

TO DRIVE MOTOR

TO DRIVE MOTOR

TO DRIVE MOTOR

TO DRIVE MOTOR

TO DRIVE MOTOR

TO DRIVE MOTOR

TO DRIVE MOTOR

TO DRIVE MOTOR

TO DRIVE MOTOR

TO DRIVE MOTOR

TO DRIVE MOTOR

TO DRIVE MOTOR

TO DRIVE MOTOR

TO DRIVE MOTOR

TO DRIVE MOTOR

TO DRIVE MOTOR

TO DRIVE MOTOR

TO DRIVE MOTOR

TO DRIVE MOTOR

TO DRIVE MOTOR

TO DRIVE MOTOR

TO DRIVE MOTOR

TO DRIVE MOTOR

TO DRIVE MOTOR

TO DRIVE MOTOR

TO DRIVE MOTOR

TO DRIVE MOTOR

TO DRIVE MOTOR

TO DRIVE MOTOR

TO DRIVE MOTOR

TO DRIVE MOTOR

TO DRIVE MOTOR

TO DRIVE MOTOR

TO DRIVE MOTOR

TO DRIVE MOTOR

TO DRIVE MOTOR

TO DRIVE MOTOR

TO DRIVE MOTOR

TO DRIVE MOTOR

TO DRIVE MOTOR

TO DRIVE MOTOR

TO DRIVE MOTOR

TO DRIVE MOTOR

TO DRIVE MOTOR

TO DRIVE MOTOR

FOR VOLTAGE AND SOCKET SEE 62-270

NOTE: RESISTANCES OF WINDINGS LESS THAN 0.1 Ω ARE NOT SHOWN

MODEL 62-349

MONTGOMERY-WARD & CO.

**ALIGNMENT PROCEDURE**  
 The following equipment is required for aligning:  
 An All Wave Signal Generator which will provide an accurately calibrated signal at the test frequencies as listed.  
 Output Indicating Meter; Non-Metallic Screwdriver.  
 Dummy Antennas—.1 mf., 200 mmf., and 400 ohms.

**ALIGNMENT PROCEDURE**  
 The following equipment is required for aligning:  
 An All Wave Signal Generator which will provide an accurately calibrated signal at the test frequencies as listed.  
 Output Indicating Meter; Non-Metallic Screwdriver.  
 Dummy Antennas—.1 mf., 200 mmf., and 400 ohms.

STEP (Follow Order as Given)	BAND SWITCH SETTING	DUMMY ANTENNA	SIGNAL GENERATOR		TRIMMERS ADJUSTED	PROCEDURE	
			FREQUENCY SETTING	CONNECTION AT RADIO		INITIAL STEPS	ADJUSTMENT
I.F.					See Illustration		
2nd I.F. Adj.	Range B	.1 mf.	456 KC	Grid of I.F. Tube	2nd I.F. (C28) & (C29)	Turn Rotor to Full Open	Adjust to Maximum Output
1st I.F. Adj.	Range B	.1 mf.	456 KC	Grid of 1st Det.	1st I.F. (C22) & (C23)	Turn Rotor to Full Open	Adjust to Maximum Output
<b>RANGE B</b>							
1830 KC	Range B	200 mmf.	1830 KC	Antenna Lead	Oscillator Range B (C14)	Turn Rotor to Full Open	Adjust to Maximum Output
1500 KC	Range B	200 mmf.	1500 KC	Antenna Lead	Ant. Range B (C4) Int. Range B (C8)	Turn Rotor to Max. Output Set Indicator to 1500 KC— See Note A	Adjust to Maximum Output
<b>RANGE C</b>							
600 KC	Range B	200 mmf.	600 KC	Antenna Lead	600 KC (C10)	Turn Rotor to Max. Output	Adjust to Maximum Output Rock Rotor — See Note B
6350 KC	Range C	400 Ohm	6350 KC	Antenna Lead	Oscillator Range C (C13)	Turn Rotor to Full Open	Adjust to Maximum Output
6000 KC	Range C	400 Ohm	6000 KC	Antenna Lead	Antenna Range C (C3) Int. Range C (C7)	Turn Rotor to Max. Output	Adjust to Maximum Output Rock Rotor — See Note B
2000 KC	Range C	400 Ohm	2000 KC	Antenna Lead	2000 KC (C15)	Turn Rotor to Max. Output	Adjust to Maximum Output Rock Rotor — See Note B
<b>RANGE D</b>							
22,000 KC	Range D	400 Ohm	22,000 KC	Antenna Lead	Oscillator Range D (C12)	Turn Rotor to Full Open	Adjust to Maximum Output
20,000 KC	Range D	400 Ohm	20,000 KC	Antenna Lead	Ant. Range D (C2) Int. Range D (C6)	Turn Rotor to Max. Output	Adjust to Maximum Output Rock Rotor — See Note B
7000 KC	Range D	400 Ohm	7000 KC	Antenna Lead	7000 KC (C9)	Turn Rotor to Max. Output	Adjust to Maximum Output Rock Rotor — See Note B

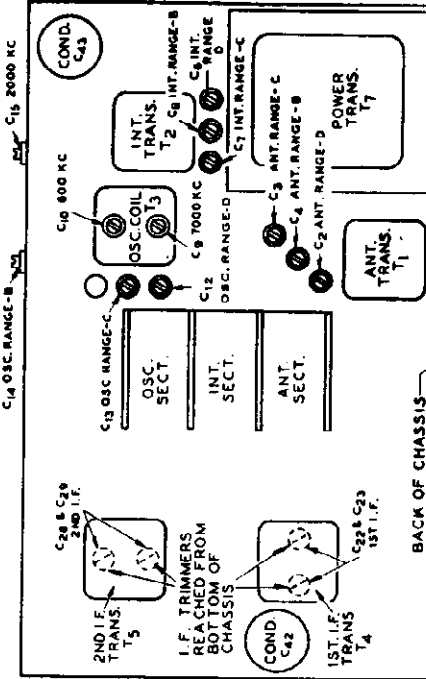


Fig. 3—Location of Trimmers

**NOTE A**—In sets using the telephone dial tuning, there will be seen inside the telephone dial button ring an escutcheon plate held in place by four screws. Loosen the 2 screws nearest the pointer. An extension of the pointer will be seen protruding over the edge of this escutcheon plate. Move the pointer to the 1500 KC mark on the dial and then tighten the 2 escutcheon screws. (Do not tighten these screws too much.)

**NOTE B**—Turn the rotor back and forth and adjust the trimmer until the peak of greatest intensity is obtained.

**CAUTION**—When aligning the short wave bands, be sure NOT to adjust at the image frequency. This can be checked as follows: Let us say the signal generator is set for 5000 KC. The signal will then be heard at 5000 KC on the dial of the radio. The image signal, which is much weaker, will be heard at 5000 less 912 KC, or 4088 KC on the dial. It may be necessary to increase the input signal to hear the image.

**NOTICE**—Re-alignment is necessary if glass tubes are replaced by their equivalent in metal tubes, or vice versa, in the R.F. and I.F. stages.

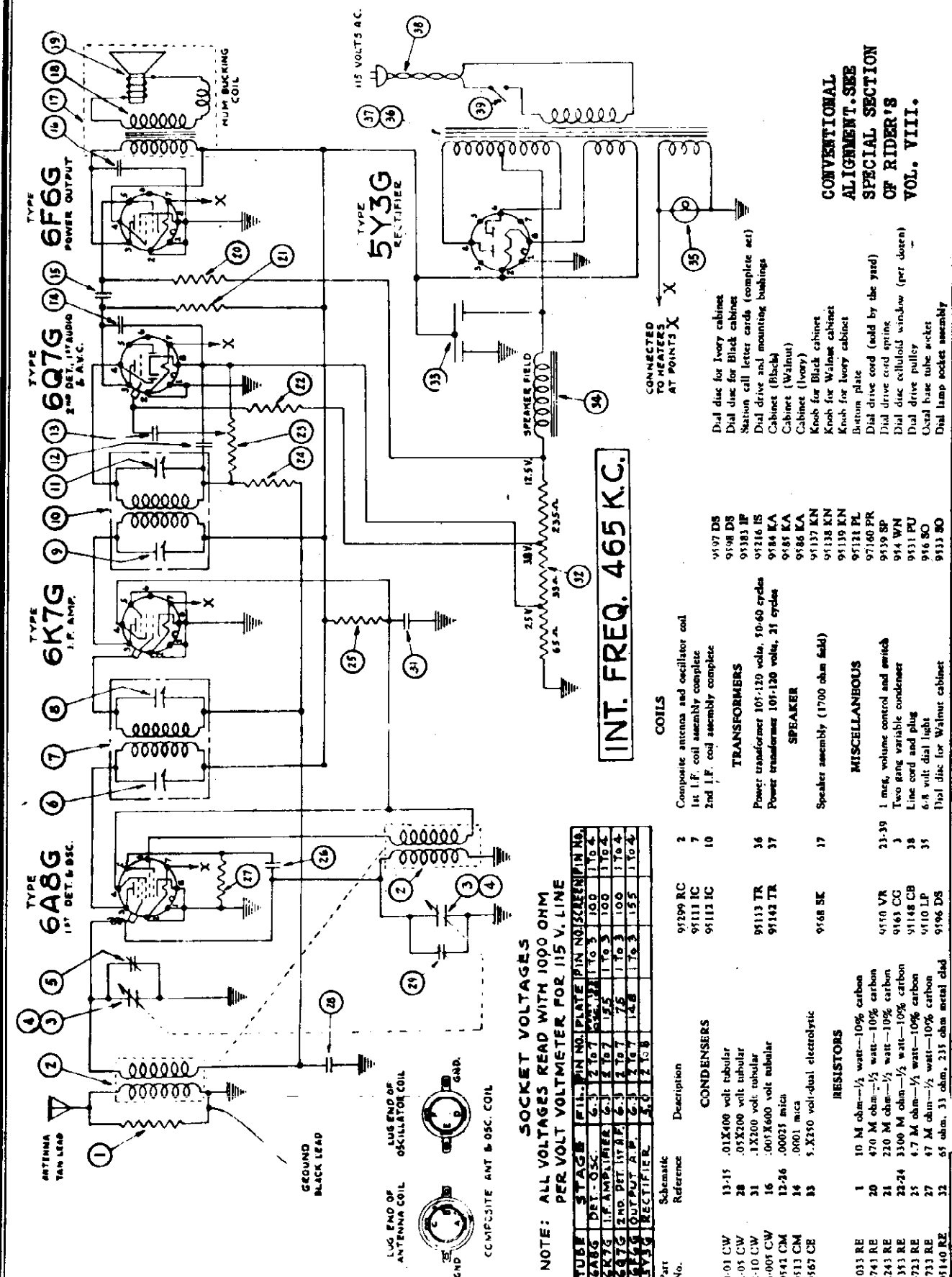
Attenuate the signal from the signal generator to prevent the leveling-off action of the AVC.

After each range is completed, repeat the procedure as a final check.

**NOTE A**—In sets using the telephone dial tuning, there will be seen inside the telephone dial button ring an escutcheon plate held in place by four screws. Loosen the 2 screws nearest the pointer. An extension of the pointer will be seen protruding over the edge of this escutcheon plate. Move the pointer to the 1500 KC mark on the dial and then tighten the 2 escutcheon screws. (Do not tighten these screws too much.)

In sets using the moving beam of light indicator, there is a moving light assembly held to the front of the drive drum by means of a screw. Loosen this screw and move the light assembly until the beam is

MONTGOMERY-WARD & CO.



NOTE: ALL VOLTAGES READ WITH 1000 OHM PER VOLT VOLTMETER FOR 115 V. LINE

TUBE	STAGE	FILE NO.	PLATE PIN NO.	GRID PIN NO.	SCREEN PIN NO.	CONTROL PIN NO.
6A8G	DET. OSC.	6-1	2, 6, 7	1, 2, 3	1, 2, 3	1, 2, 3
6K7G	I.F. AMP.	6-1	2, 6, 7	1, 2, 3	1, 2, 3	1, 2, 3
6Q7G	2ND DET. I.F. AUDIO & A.V.C.	6-1	2, 6, 7	1, 2, 3	1, 2, 3	1, 2, 3
6F6G	POWER OUTPUT	6-1	2, 6, 7	1, 2, 3	1, 2, 3	1, 2, 3
5Y3G	RECTIFIER	5-0	2, 6, 7	1, 2, 3	1, 2, 3	1, 2, 3

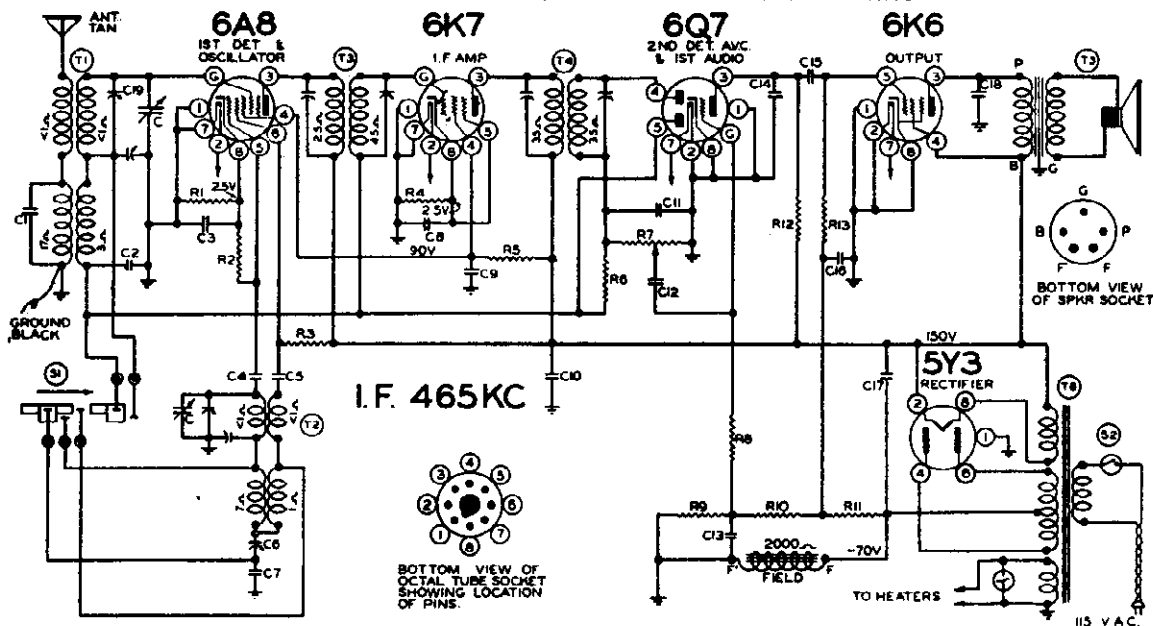
- |                      |                     |   |
|----------------------|---------------------|---|
| Part No.             | Schematic Reference | Description                                   |
| 91299 RC             | 2                   | Composite antenna and oscillator coil         |
| 91111 IC             | 7                   | 1st I.F. coil assembly complete               |
| 91112 IC             | 10                  | 2nd I.F. coil assembly complete               |
| <b>CONDENSERS</b>    |                     |   |
| 13-15                |                     | .01X400 volt tubular                          |
| 2-01 CW              | 28                  | .01X200 volt tubular                          |
| 2-10 CW              | 31                  | .1X200 volt tubular                           |
| 6-005 CW             | 16                  | .005X600 volt tubular                         |
| 9141 CM              | 12-26               | .00021 mica                                   |
| 9113 CM              | 14                  | .0001 mica                                    |
| 9167 CE              | 33                  | 5. X250 volt-dual electrolytic                |
| <b>RESISTORS</b>     |                     |   |
| 1031 RE              | 1                   | 10 M ohm—1/2 watt—10% carbon                  |
| 4741 RE              | 20                  | 470 M ohm—1/2 watt—10% carbon                 |
| 2243 RE              | 21                  | 220 M ohm—1/2 watt—10% carbon                 |
| 3353 RE              | 22-24               | 3300 M ohm—1/2 watt—10% carbon                |
| 4723 RE              | 25                  | 4.7 M ohm—1/2 watt—10% carbon                 |
| 4733 RE              | 27                  | 47 M ohm—1/2 watt—10% carbon                  |
| 91140 RE             | 32                  | 65 ohm, 31 ohm, 235 ohm metal clad            |
| <b>COILS</b>         |                     |   |
| 9197 DS              |                     | Composite antenna and oscillator coil         |
| 9198 DS              |                     | 1st I.F. coil assembly complete               |
| 91183 IP             |                     | 2nd I.F. coil assembly complete               |
| 91216 IS             |                     | Power transformer 105-120 volts, 10-60 cycles |
| 9184 KA              |                     | Power transformer 105-120 volts, 21 cycles    |
| 9185 KA              |                     |   |
| 9186 KA              |                     |   |
| 91137 KN             |                     | Speaker assembly (1700 ohm field)             |
| 91138 KN             |                     |   |
| 91139 KN             |                     |   |
| 91121 PL             |                     |   |
| 91160 PR             |                     |   |
| 9139 SP              |                     |   |
| 914 WN               |                     |   |
| 9131 PU              |                     |   |
| 916 SO               |                     |   |
| 9133 SO              |                     |   |
| <b>MISCELLANEOUS</b> |                     |   |
| 23-39                |                     | 1 meg, volume control and switch              |
| 9150 VR              |                     | Two gang variable condenser                   |
| 9163 CG              |                     | Line cord and plug                            |
| 91148 CB             |                     | 6.8 volt dial light                           |
| 9110 LP              |                     | Dial disc for Walnut cabinet                  |
| 9196 DS              |                     | Dial disc for Ivory cabinet                   |
| 9198 DS              |                     | Dial disc for Black cabinet                   |
| 91183 IP             |                     | Dial disc for letter cards (complete set)     |
| 91216 IS             |                     | Dial drive and mounting bushings              |
| 9184 KA              |                     | Cabinet (Black)                               |
| 9185 KA              |                     | Cabinet (Walnut)                              |
| 9186 KA              |                     | Cabinet (Ivory)                               |
| 91137 KN             |                     | Knob for Black cabinet                        |
| 91138 KN             |                     | Knob for Walnut cabinet                       |
| 91139 KN             |                     | Knob for Ivory cabinet                        |
| 91121 PL             |                     | Bottom plate                                  |
| 91160 PR             |                     | Dial drive cord (sold by the yard)            |
| 9139 SP              |                     | Dial drive cord spring                        |
| 914 WN               |                     | Dial disc celluloid window (per dozen)        |
| 9131 PU              |                     | Dial drive pulley                             |
| 916 SO               |                     | Octal base tube socket                        |
| 9133 SO              |                     | Dial lamp socket assembly                     |

CONVENTIONAL ALIGNMENT. SEE SPECIAL SECTION OF RIDER'S VOL. VIII.

MODELS 62-380,  
62-383

MONTGOMERY-WARD & CO.

CONVENTIONAL ALIGNMENT - SEE SPECIAL SECTION



**BAND FREQUENCY RANGE**  
 Broadcast...1720 to 535 Kilocycles (174-560 Meters)  
 Short Wave...18.1 to 5.5 Megacycles (16.5-54.5 Meters)

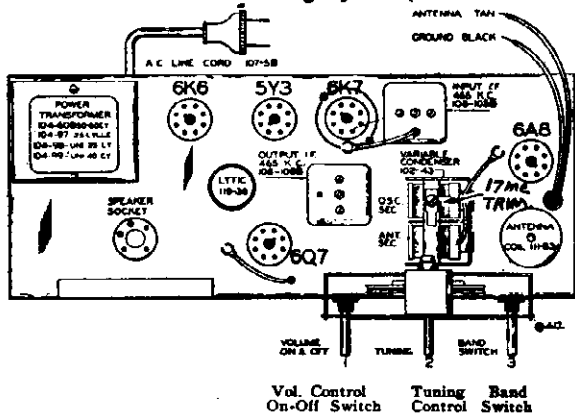


FIG. 1—TOP VIEW

RESISTORS		CONDENSERS			
R1	130-83	300 ohm - 1/3 w. 10%	C	102-43	2 gang variable Condenser
R2	130-12	50M ohm - 1/3 w. 20%	C1	129-5	.0001 Mica
R3	130-17	10M ohm - 1/3 w. 20%	C2	100-22	.05 x 200 v. - 25%
R4	130-93	450 ohm - 1/3 w. 10%	C3	100-20	.1 x 200 v. - 25%
R5	130-49	15M ohm - 1/3 w. 20%	C4	129-39	.00005 - 20% - Mica
R6	130-4	3 megohm - 1/3 w. 20%	C5	100-23	.002 x 600 v. - 20%
R7	101-71	1 megohm Volume control	C6	124-38	600 mmf. Series Pad. Adj.
R8	130-4	3 megohm - 1/3 w. 20%	C7	129-34	.003 - 2 1/2% Mica
R9	130-176	20M ohm - 1/3 w. 10%	C8	100-20	.1 x 200 v. - 25%
R10	130-80	150M ohm - 1/3 w. 10%	C9	100-1	.1 x 400 v. - 50 - 10%
R11	130-46	800M ohm - 1/3 w. 10%	C10	119-38	5.0 mfd. - 250 w. v. 'Lytic
R12	130-9	200M ohm - 1/3 w. 20%	C11	129-5	.0001 - 20% Mica
R13	130-3	500M ohm - 1/3 w. 20%	C12	100-11	.01 x 400 v. - 25%
			C13	100-20	.1 x 200 v. - 25%
			C14	129-2	.0005 - 20% Mica

The Issue "B" of this chassis has a 0.05-mf, 400-volt condenser in parallel with the 5-mf condenser, C-10.

This new condenser has a Part No. 100-13 and is identified as C-20.

The unidentified trimmer condenser connected between the lower end of the secondary of T-1 and ground has been given a schematic number, C-21. The unidentified trimmer between the

lower end of the oscillator primary (T-2) and ground is C-22. C-21 has a range from 1 to 10 mmf and C-22 from 2 to 20 mmf. Both these condensers are in the same unit, the part number of which is 124-30C.

These two trimmers being in the same unit change the bottom layout of the chassis shown

C15	100-26	.02 x 400 v. - 25%
C16	100-20	.1 x 200 v. - 25%
C17	119-38	5.0 mfd. - 250 w.v. 'Lytic
C18	100-37	.003 x 600 v. - 10%
C19	124-39B	2 - 25 mmf. Adj. Cond.

PARTS

T1	111-83	Ant. Coil
T2	110-66	Osc. Coil
T3	108-105B	Input I.F. - 465 kc.
T4	108-106B	Output I.F. - 465 kc.
T5	114-61	6" Dynamic speaker
T6	104-60B	Power Transformer
S1	125-37	Wave Band Switch
S2		On-off switch on volume control

adjustment nearer the trimmer marked "ANT-17 MC-TRIMMER" in the layout is the 1400-kc antenna trimmer, C-21, and the one nearer the broadcast series padder is the 1720-kc oscillator trimmer, C-22.

These changes apply to receivers having a serial number above 8E-189200.

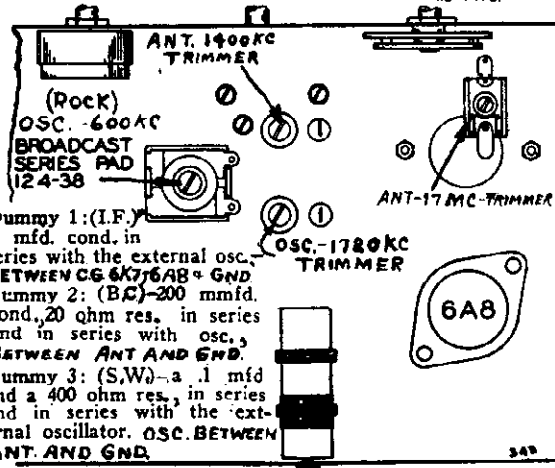
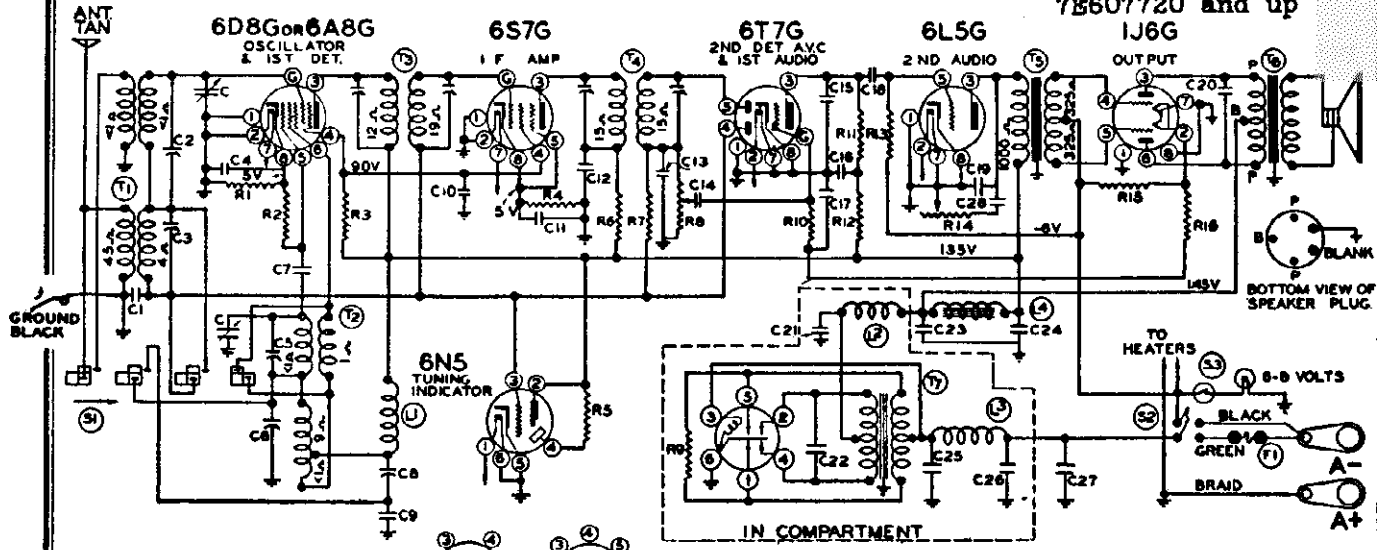


FIG. 3.—BOTTOM VIEW SHOWING TRIMMERS

MONTGOMERY-WARD & CO.

MODELS 62-356, 62-446,  
62-466. Serial No.  
78607720 and up



I.F. 465 K.C.

BOTTOM VIEW OF THE storage battery should be located as far from the receiver as the battery cable will permit.

Part No.	Reference	Description
<b>CONDENSERS</b>		
BE100-11	C14, C17	.01 x 400 Volt Tubular
BE100-14	C21	.1 x 200 Volt Tubular
BE100-20	C1, C4, C10, C11, C12, C16, C27	.1 x 200 Volt Tubular
BE100-25	C19, C20	.002 x 600 Volt Tubular
BE100-26	C18, C28	.02 x 400 Volt Tubular
BE100-34	C22	.005 x 1200 Volt Tubular
BE100-35	C25, C26	.5 x 200 Volt (Oval Type)
BE119-41	C23, C24	8-4 MFD. 200 W. V. Lytic Filter Series Padder Condenser
BE124-32	C8	Padder Condenser
BE124-30	C5, C6	Dual Ceramic Padder Condenser
BE129-5	C13	.0001 Mica - Type MT - 20%
BE129-12	C15	.00025 Mica - Type MT - 20%
BE129-39	C7	.00005 Mica - Type MT - 20%
BE129-54	C9	.003 Mica - Type MW - 2 1/2 %
<b>RESISTORS</b>		
BE130-12	R2	50M Ohm-1/3 Watt-20%-Carbon
BE130-19	R10, R16	1 Meg Ohm-1/3 Watt-20%-Carbon
BE130-20	R11, R12	100M Ohm-1/3 Watt-20%-Carbon
BE130-31	R4, R6	1500 Ohm-1/3 Watt-20%-Carbon
BE130-38	R7, R13	2 Megohm-1/3 Watt-20%-Carbon
BE130-54	R1	500 Ohm-1/3 Watt-20%-Carbon
BE130-84	R9	200 Ohm-1/3 Watt-20%-Carbon
BE130-149	R3	15M Ohm-1/3 Watt-20%-Carbon
BE130-158	R15	16 Ohm-1 Watt-5% Wire Wound
<b>COILS</b>		
BE B-106-92B	T4	Output I. F. Coil Assembly complete with can
BE B-108-93B	T3	Input I. F. Coil Assembly complete with can
BE B-110-61	T2	Broadcast and Short-wave Oscillator Coil Assembly complete with can
BE B-111-77	T1	Broadcast and Short-wave Antenna Coil Assembly complete with can
<b>CHOKES COILS</b>		
BE105-19	L3	"A" Choke Coil
BE B-105-30D	L4	Filter Choke (400 Ohms)
BE105-35	L1, L2	R. F. "B" Choke Coil
<b>TRANSFORMERS</b>		
BE B-104-62C	T7	Power Transformer for Vibrator
BE B-105-36B	T5	Input Audio Transformer
<b>SOCKETS</b>		
BE121-6		Six Prong Socket Marked "VIB"
BE121-8		Five Prong Socket Marked "SPKR"
BE121-43		Seven Prong Octal Socket Marked "6S7"
BE121-44		Eight Prong Octal Socket Marked "6D8"
BE121-45		Seven Prong Octal Socket Marked "6L5"
BE121-46		Eight Prong Octal Socket Marked "6T7"
BE121-64		Eight Prong Socket Marked "1J6"
<b>SPEAKER</b>		
BE114-64	T6	Eight inch P. M. Dynamic Speaker
<b>MISCELLANEOUS</b>		
BE101-81	R8, S2	Volume Control and Switch (500M Ohm)
BE101-82	R14	Tone Control (100M Ohm)
BE102-50BC		Two Gang Variable Condenser
BE107-61		28 in. Battery Cable (less fuse receptacle)
BE107-62C		4 in. Battery Cable (with fuse receptacle)
BE115-49		Goat Type Tube Shield with Clamp
BE115-74		Shield Can for 119-41 Filter Condenser

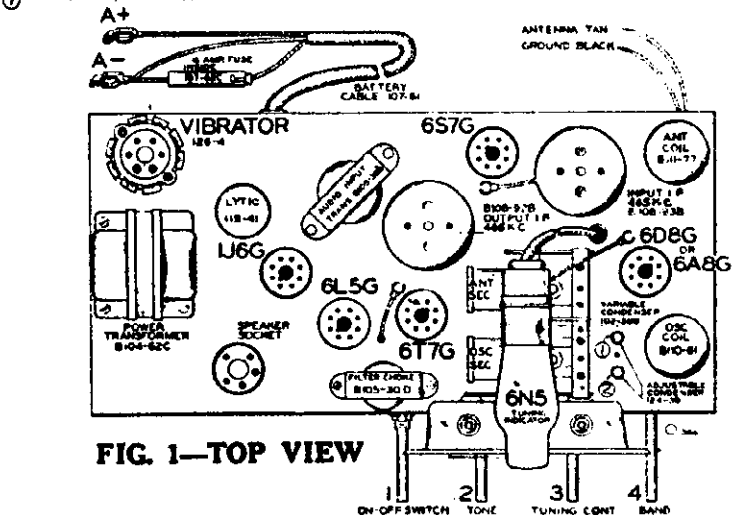


FIG. 1-TOP VIEW

- BE112-288 (S3) Dial Drive Housing and Pilot Light Switch Assembly including:
- 1-No. 117-41A Dial Housing
  - 1-No. 117-19 Tuning Shaft Bushing
  - 1-No. 112-162 Tuning Shaft
  - 1-No. 117-86 Drive Pulley
  - 1-No. 127-29 Extruded Washer
  - 1-No. 131-56 Steel Washer
  - 1-No. 127-28 Insulated Washer
  - 1-No. 131-55 Spring Washer
  - 2-No. 127-30 Contact Insulated Washers
  - 2-No. 127-5 Fibre Bushings
  - 2-No. 131-87 S-90 Rivets
  - 2-No. 131-57 No. 6200 Lugs.
- BE107-38 Pilot Light Socket Complete  
 BE107-97 6-8 Volt Pilot Light (Bayonet Base)  
 BE112-151 Dial Pointer with 132-19 Screw and 117-62 Washer

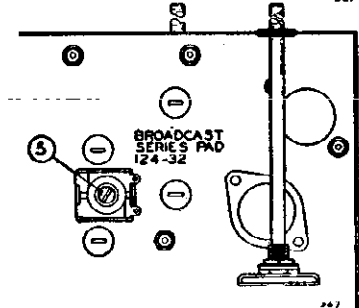


FIG. 3-BOTTOM VIEW

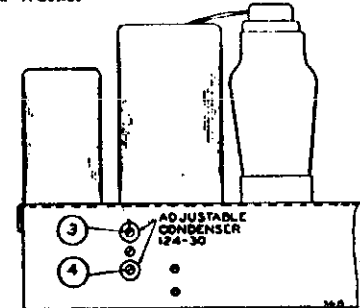


FIG. 4-REAR VIEW



MODELS 62-356, 62-446, 62-466

MODEL 04WG-569B

MONTGOMERY-WARD & CO.

MODELS 62-356, 62-446, 62-466

**DUMMY ANTENNAS:**

The following dummy antennas are used in aligning and are referred to in the following alignment instructions as "Dummy 1," "Dummy 2," and "Dummy 3."

Dummy 1: (I.F.)—Consists of a .1 mfd. condenser connected in series with the external oscillator.

Dummy 2: (Broadcast)—Consists of a 200 mmfd. condenser and a 20 ohm resistor connected in series with each other and in series with the external oscillator.

Dummy 3: (Middle and Short Wave)—Consists of a .1 mfd. condenser and a 400 ohm resistor connected in series with each other and in series with the external oscillator.

**ALIGNING I.F. TRANSFORMERS: (465 K.C.)**

Part No. B108-92B Output I.F. Transformer

Part No. B108-93B Input I.F. Transformer

These I.F. transformers have two adjustments, both of which are accessible from the top of chassis (see top view—Fig. 1, page 2).

1. With volume control full on, (the extreme right of its rotation), the band changing switch in the broadcast position, (extreme left of its rotation), and with the variable condenser in its minimum capacity position, plates entirely out of mesh, make the following adjustments:

- (a) Connect external oscillator set at 465 kilocycles, in series with "Dummy 1", to the control grid cap of the type 6S7G tube, and adjust the output I.F. transformer No. B-108-92B to resonance.
- (b) Move oscillator output clip from grid of 6S7G to grid cap of 6A8G and adjust input I.F. transformer (No. B-108-93B) to resonance.
- (c) With oscillator still connected to 6A8G, readjust output I.F. transformer (B-108-92B) if necessary.

**BROADCAST BAND ALIGNMENT:**

535 to 1720 Kilocycles

1. With band changing switch in the broadcast position, extreme left of its rotation, and with gang condenser in its minimum capacity position, plates entirely out of mesh, and with external oscillator connected in series with "Dummy 2" to antenna and ground leads make following adjustments:

- (a) Set external oscillator to 1720 K.C. and adjust broadcast oscillator trimmer to resonance. (Adjustment number 2; see top view of chassis, Fig. 1).
- (b) Re-set external oscillator to 600 K.C., and adjust broadcast series pad (adjustment number 5), to resonance by rotating condenser to approximately 600 K.C., rocking it slowly to and fro until by adjusting series pad maximum output is attained. This adjustment is located on the bottom of the chassis directly under the variable gang condenser. (See bottom view of chassis; Fig. 3).
- (c) Re-set external oscillator to 1400 K.C., rotate variable gang condenser and pick up signal. Adjust broadcast antenna trimmer (Adjustment number 4) to resonance; (See rear view of chassis; Fig. 4, for location of this adjustment).
- (d) Repeat adjustments "a" and "b" until sensitivity is at its maximum.
- (e) Check for tracking and sensitivity at 1000 kilocycles. Under no circumstances bend plates of variable condenser sections to correct tracking.

**SHORT WAVE BAND ALIGNMENT:**

5.6 to 18.1 Megacycles

1. With band changing switch in the short wave position, extreme right of its rotation, and with external oscillator set at 17 megacycles and connected in series with "Dummy 3" to the tan antenna and black ground lead, make the following adjustments:

- (a) Move dial pointer to 17 megacycles and adjust short wave oscillator trimmer (Adjustment number 1), to resonance; (see Fig. 1, top view).
- (b) Adjust short wave antenna trimmer (Adjustment Number 3), to resonance; (see Fig. 4 rear view).
- (c) Check for tracking and sensitivity at 10 megacycles and 6 megacycles.

**MODEL 04WG-569B**

**SPEAKER**

When ordering parts for speakers, specify part number of speaker and letters preceding part number stamped on the speaker.

Bin No.	Part No.	Description	Selling Price
	12A356	5" P.M. Dynamic Speaker	\$2.30
		Cone & Voice Coil Assembly for above Speaker	.75
		Output Transformer for above Speaker	.75
	140262	Screen for above Speaker	.06

**GENERAL**

10A312	Tuning Control Knob	.06
10A313	Volume Control Knob	.06
4X383	Escutcheon for Tuning Control Knob	.10
4X384	Escutcheon for Volume Control Knob	.10
3A303	Tube Socket—Octal (8 prong)	.06
30X44	Grid Clip	Doz.
32X174	Tube Shield	.06
13X401	"A" Battery Cable and Plug Assembly	.06
13X396	"B" Battery Cable and Plug Assembly	.14
13X328	Line Cord and Plug Assembly	.10
2A183	AC-DC—Battery Switch	.16
4X382	Escutcheon for AC-DC—Battery Switch	.06
2A181	AC-DC Automatic Line Switch	.20
2A175	Economizer Switch	.10
28X265	Phosphor Bronze Ground Plate (for 2nd I.F. Can)	.06
28X56	Clamp Buttons (To hold Bottom Plate to Chassis) Doz.	.06
37X192	Trip Lever for AC-DC Automatic Line Switch	.06

**TRANSFORMERS AND COILS**

Bin No.	Part No.	Code	Description	Selling Price
	9A1277		Loop Aerial Assembly less Trimmer Condenser	\$0.40
	9A1278	T1	Oscillator Coil Assembly	.22
	9A1279	T2	1st I.F. Transformer and Can Assembly	.82
	9A1280	T3	2nd I.F. Transformer and Can Assembly	.72
		T4	Output Transformer (See "Speaker")	

**CONDENSERS**

**TUBULAR**

Bin No.	Part No.	Code	Capacitance	Voltage	Selling Price
	44X249	C5	.04 mf.	360	\$0.06
	44X253	C6	.05 mf.	180	.06
	44X257	C7	.10 mf.	240	.06
	44X299	C8	.04 mf.	240	.06
	44X254	C9, C22	.10 mf.	180	.06
	44X267	C10	.02 mf.	180	.06
	44X273	C17, C18	.005 mf.	180	.06
	44X274	C19	.005 mf.	360	.06
	44X307	C21	.10 mf.	300	.10

**MISCELLANEOUS**

17A110	C1	Part of Gang Condenser			
47X142	C2	1-12 mmf. Trimmer			.06
47X57	C3	150 mmf. Molded			.06
	C4, C15, C16	100 mmf. Molded			.06
17A146	{ C11	70-150 mmf. 1st I.F. Trimmer			.16
	{ C12	40-100 mmf.			
17A137	{ C13	50-120 mmf. 2nd I.F. Trimmer			.16
	{ C14	85-185 mmf.			
45X280	C20A	40 mf. 150 Dry Electrolytic			.50
	C20B	40 mf. 150 (2 used on 25 Cycle Models)			.50
14A124	C20C	200 mf. 35 Models			.50
		2 Section Gang Condenser complete with Drive Pulley			\$1.06

**RESISTORS**

**CARBON**

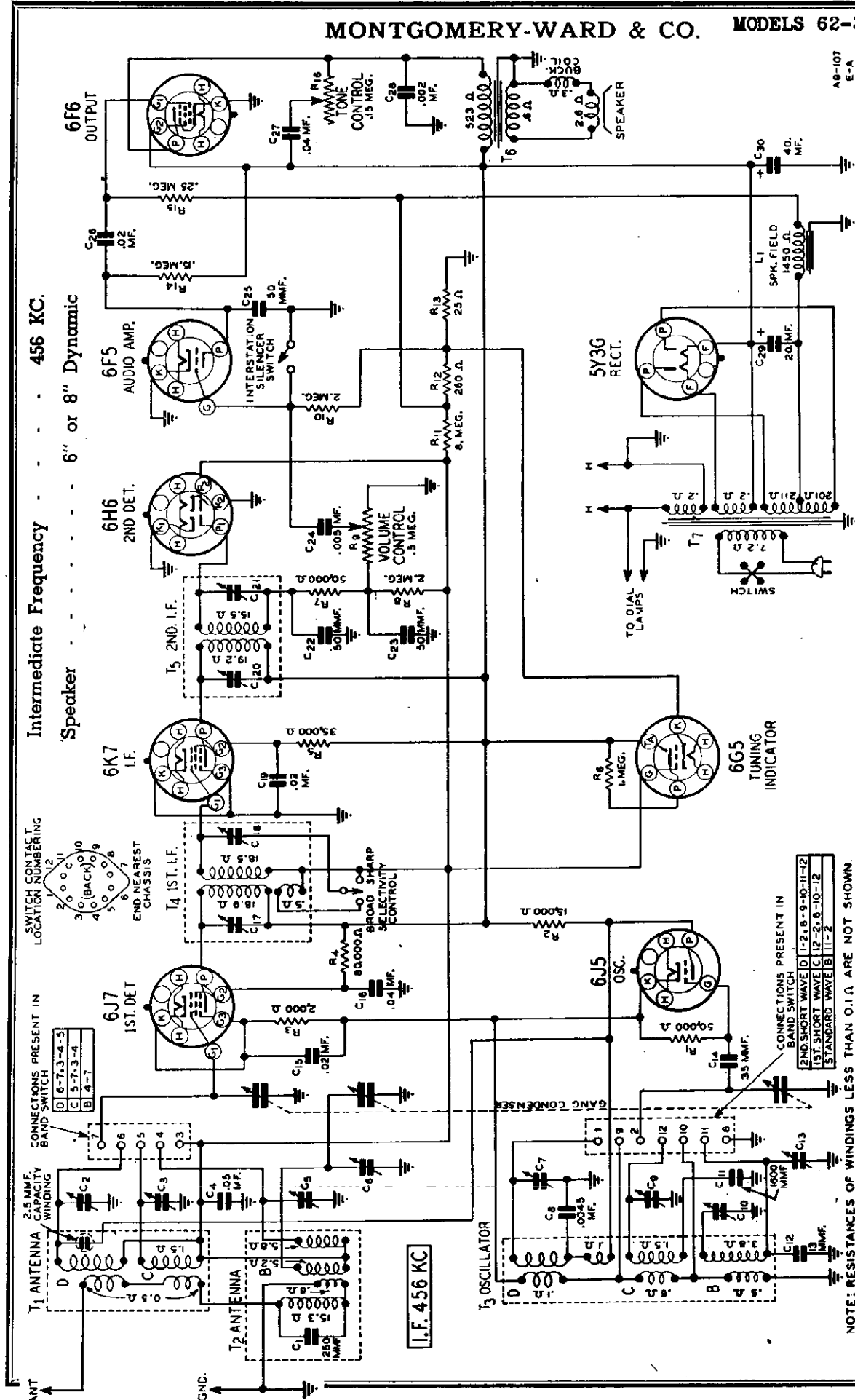
Bin No.	Part No.	Code	Resistance	Wattage	Selling Price
10425	885204	R1, R5	200,000 Ohm	0.5	\$0.06
	885483	R2	40,000 Ohm	0.5	.06
	885206	R3	2 Megohm	0.5	.06
11116	885305	R4, R11, R13	3 Megohm	0.5	.06
	884171	R6	170 Ohm	0.5	.06
	884122	R7	1,200 Ohm	0.5	.06
	884991	R8	500 Ohm	0.5	.06
11037	885260	R9	20 Ohm	0.5	.06
10081	885259	R12	1 Megohm	0.5	.06
11222	885258	R14	25 Ohm	0.5	.06
	885252	R17	2,500 Ohm	0.5	.06
	885205	R18	5 Megohm	0.5	.06

**MISCELLANEOUS**

34X204	R10	500,000 Ohm	Volume Control and On-Off Switch	.46
43X182	R14	2,400 Ohm	5 Wire Wound	.24
43X73	R15	515 Ohm	12 Wire Wound	.26
43X104	R20	1,400 Ohm	12 Wire Wound (25 Cycle Models only)	.30

Prices Subject to Change Without Notice.

MONTGOMERY-WARD & CO. MODELS 62-358, 62-368, 62-448, 62-1458



Intermediate Frequency . . . . . 456 KC.  
Speaker . . . . . 6" or 8" Dynamic

<b>Power Consumption</b> - 60 Watts (At 117 volts 60 cycles)	<b>Tuning Frequency Range</b>	<b>Sensitivity</b>
<b>Power Output</b>	B Range . . . . . 528 to 1830 KC.	B Range . . . . . 12 Microvolts Average
<b>Selectivity</b> (Sharp)	C Range . . . . . 1810 to 6350 KC.	C Range . . . . . 15 Microvolts Average
	D Range . . . . . 6300 to 22000 KC.	D Range . . . . . 20 Microvolts Average

48-107  
E-A

MODELS 62-358, 62-368,  
62-448, 62-458

MONTGOMERY-WARD & CO.

**ALIGNMENT PROCEDURE**

Volume Control—Maximum All Adjustments.  
Selectivity Control—Sharp Position All Adjustments.  
Connect Radio Chassis to Ground Post of Signal Generator with a Short Heavy Lead.  
Allow Chassis and Signal Generator to "Heat Up" for several minutes.

The following equipment is required for aligning:

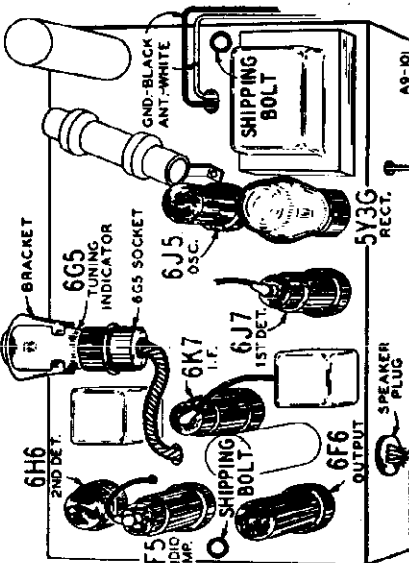
- An All Wave Signal Generator which will provide an accurately calibrated signal at the test frequencies as listed.
- Output Indicating Meter — Non-Metallic Screwdriver.
- Dummy Antennas — .1 mf., 200 mmf., and 400 ohms.

STEP (Follow Order as Given)	BANDSWITCH SETTING	DUMMY ANTENNA	SIGNAL GENERATOR FREQUENCY SETTING	CONNECTION AT RADIO	TRIMMERS ADJUSTED See Illustration	INITIAL STEPS	PROCEDURE	ADJUSTMENT
I. F.								
2nd I.F. Adj.	Range B	.1 mf.	456 KC	Grid of I.F. Tube	2nd I.F. (C20) & (C21)	Turn Rotor to Full Open		Adjust to Maximum Output
1st I.F. Adj.	Range B	.1 mf.	456 KC	Grid of 1st Det.	1st I.F. (C17) & (C18)	Turn Rotor to Full Open		Adjust to Maximum Output
<b>RANGE B</b>								
1830 KC	Range B	200 mmf.	1830 KC	Antenna Lead	Oscillator Range B (C13)	Turn Rotor to Full Open		Adjust to Maximum Output
1500 KC	Range B	200 mmf.	1500 KC	Antenna Lead	1st Ant. Range B (C6) 2nd Ant. Range B (C5)	Turn Rotor to Max. Output		Adjust to Maximum Output
600 KC	Range B	200 mmf.	600 KC	Antenna Lead	600 KC (C10)	Turn Rotor to Max. Output		Adjust to Maximum Output Rock Rotor — See Note A
<b>RANGE C</b>								
6350 KC	Range C	400 Ohm	6350 KC	Antenna Lead	Oscillator Range C (C9)	Turn Rotor to Full Open		Adjust to Maximum Output
6000 KC	Range C	400 Ohm	6000 KC	Antenna Lead	Antenna Range C (C3)	Turn Rotor to Max. Output		Adjust to Maximum Output
<b>RANGE D</b>								
22,000 KC	Range D	400 Ohm	22,000 KC	Antenna Lead	Oscillator Range D (C7)	Turn Rotor to Full Open		Adjust to Maximum Output
20,000 KC	Range D	400 Ohm	20,000 KC	Antenna Lead	Antenna Range D (C2)	Turn Rotor to Max. Output		Adjust to Maximum Output Rock Rotor — See Note A

Attenuate the signal from the signal generator to prevent the leveling-off action of the AVC.  
After each range is completed, repeat the procedure as a final check.

NOTE A—Turn the rotor back and forth and adjust the trimmer until the peak of greatest intensity is obtained.

CAUTION—When aligning the short wave bands, be sure NOT to adjust at the image frequency. This can be checked as follows: Let us say the signal generator is set for 5000 KC. The signal will then be heard at 5000 KC on the dial of the radio. The image signal, which is much weaker, will be heard at 5000 less 912 KC, or 4088 KC on the dial. It may be necessary to increase the input signal to hear the image.



**Replacing Drive Belt**

If the old belt is not broken, it may be cut before removing. Withdraw the six small rivets spaced around the edge of the celluloid dial cover by pushing them out with a flat, hard object from the back of the dial, being careful not to bend the dial frame. Take off the celluloid cover.

Turn the push button assembly so that the pointer is at the top of the dial. Hold the new belt flat and loop it over the pointer. Then pass the portion of the belt that is behind the pointer under the inside edge of the dial scale. CAUTION—Do not scratch or fingermark the dial scale. Continue pulling the belt through toward the back of the dial scale around the entire dial until the back of the belt is completely

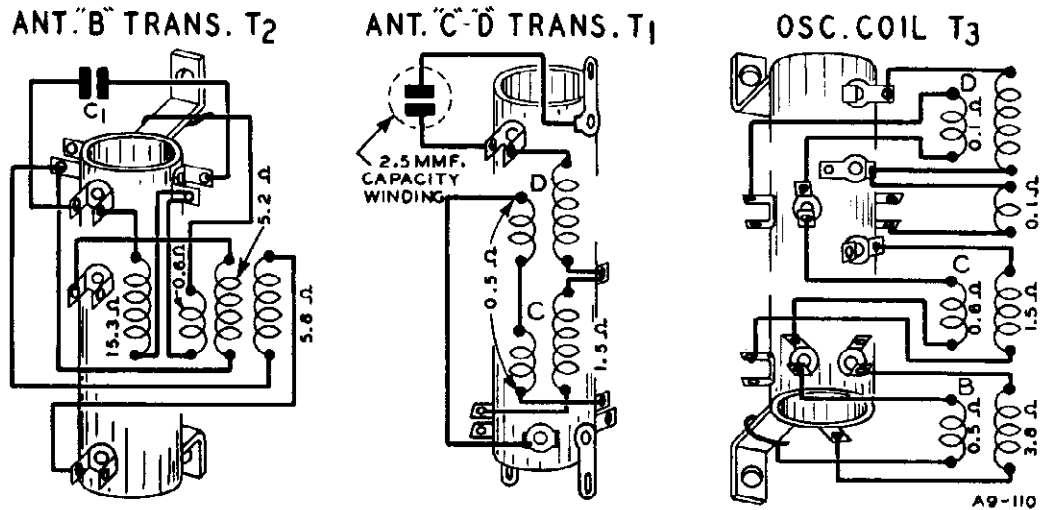
behind the dial scale. Loop the belt around the large drive drum keeping it in the groove nearest the back edge of the drum.

Place the chassis on its back. Loosen the two set screws in the small pulley on the tuning knob shaft. Pull the shaft in toward the inside of the chassis far enough so that it does not extend beyond the edge of the small pulley. Tighten one of the set screws in the pulley temporarily. Start the belt on the pulley and by turning the shaft slightly and pushing on the belt where it contacts the pulley, the belt will fall into the groove properly. Loosen the set screw which had been temporarily tightened, pull the shaft all the way toward the front of the chassis, and tighten both set screws. To prevent end play of the shaft, be sure the pulley fits flush against the back of the tuning knob shaft bracket.

With a small screw driver and a long nose pliers, pull the belt tension pulley toward the right (from front of chassis) until the spring pushes the pulley against the outer edge (or right side) of the belt.

Replace the dial scale, celluloid cover, and rivets.

MONTGOMERY-WARD & CO.



NOTE: RESISTANCES OF WINDINGS LESS THAN  $.1 \Omega$  ARE NOT SHOWN.  
Fig. 4—Coil Terminal Arrangement and D.C. Resistance of Windings

Twenty-Five Cycle Models

The twenty-five cycle receiver differs from the sixty cycle receiver only in the fact that a different power transformer is used.

The twenty-five cycle receiver can be operated satisfactorily from a sixty cycle power supply. However, the reverse is not true, the sixty cycle receiver cannot be operated from a twenty-five cycle power supply.

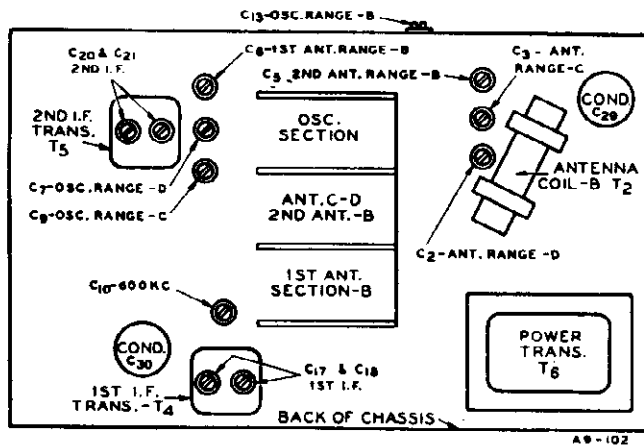


Fig. 3—Location of Trimmers

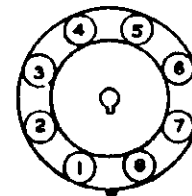


Fig. 6—Octal Tube Terminal Numbering (bottom of socket).

VOLTAGES AT SOCKETS

Line Voltage: 117—Volume Control: Maximum  
Readings taken with a 1000 Ohm-per-volt meter

Antenna Shorted to Ground  
Position of Band Switch: Standard Wave

TUBE	FUNCTION	VOLTAGE BETWEEN SOCKET PRONG AND GROUND (Unless otherwise indicated)							
		Prong No. 1	Prong No. 2	Prong No. 3	Prong No. 4	Prong No. 5	Prong No. 6	Prong No. 7	Prong No. 8
6J7	1st Det. ....	0	6.1(1)	168	125	3.5		6.1(1)	3.5
6J5	Osc. ....	0	6.1(1)	100				6.1(1)	
6K7	I.F. ....	0	6.1(1)	168	100	0		6.1(1)	0
6H6	2nd Det. ....	0	6.1(1)		0			6.1(1)	0
6F5	Audio ....	0	6.1(1)		90			6.1(1)	0(2)
6F6	Power ....	0	6.1(1)	155	170	12(3)		6.1(1)	0
5Y3G	Rectifier ....	0	4.8(4)						4.8(4)
6G5	Tuning Indicator ...	Plate to Ground 20		Target to Ground 170		Cathode to Ground 1.3		Across Heater 6.1 A.C.	

(1) A.C. voltages read across heater terminals 2 and 7.  
(2) Bias (1.3 volts) as read across R13.

(3) Bias as read across R12 and R13.  
(4) A.C. voltage as read across filament terminals 2 and 8.

MODEL 62-270E  
MODELS 62-358, 62-368,  
62-448, 62-458

MONTGOMERY-WARD & CO.

Replacement Parts List

MODEL 62-270E Replacement Parts List

RETAIL STORES: Order any parts from Repair Service Department at Chicago or Oakland, on Repair Parts Order Form No. 19587. Order by part number and description.

Return defective parts to Repair Service Department only. There is a large letter on the chassis which identifies the set as to major part changes. When ordering parts please be sure to mention the model number and this large letter.

REPLACEMENT PARTS LIST

Table with columns: Part No., Description, Selling Price. Includes items like Tube Socket-Cord, Speaker Socket, and various knobs.

MISCELLANEOUS

Table with columns: Part No., Description, Selling Price. Includes items like Tube Socket-Cord, Speaker Socket, and various knobs.

SPEAKERS

Table with columns: Part No., Description, Selling Price. Includes items like 8" Output Transformer, 5" Dynamic Speaker, and Output Transformer.

TRANSFORMERS AND COILS

Table with columns: Part No., Description, Selling Price. Includes items like 11 Antenna Transformer, 72 Antenna Coil Assembly, and 15 2nd I.F. Transformer.

CONDENSERS

Table with columns: Part No., Description, Selling Price. Includes items like 18 15 mm. Condensator, 21 15 mm. Condensator, and 24 15 mm. Condensator.

RESISTORS

Table with columns: Part No., Description, Selling Price. Includes items like 11 15,000 Ohm, 12 15,000 Ohm, and 13 15,000 Ohm.

DIAL AND DRIVE ASSEMBLY

Table with columns: Part No., Description, Selling Price. Includes items like Telephone Dial Assembly, Drive Ball, and Mounting Bracket.

PHONO ATTACHMENT PARTS

Table with columns: Part No., Description, Selling Price. Includes items like 4" Phono Chassis, Phono Socket, and Phono Cable.

DIAL AND DRIVE ASSEMBLY

Table with columns: Part No., Description, Selling Price. Includes items like Telephone Dial Assembly, Drive Ball, and Mounting Bracket.

REPLACEMENT PARTS LIST

Table with columns: Part No., Description, Selling Price. Includes items like Tapped Slip, Selectivity Switch, and Rubber Cushion.

MISCELLANEOUS

Table with columns: Part No., Description, Selling Price. Includes items like Tube Socket-Cord, Speaker Socket, and various knobs.

SPEAKERS

Table with columns: Part No., Description, Selling Price. Includes items like 8" Output Transformer, 5" Dynamic Speaker, and Output Transformer.

TRANSFORMERS AND COILS

Table with columns: Part No., Description, Selling Price. Includes items like 11 Antenna Transformer, 72 Antenna Coil Assembly, and 15 2nd I.F. Transformer.

CONDENSERS

Table with columns: Part No., Description, Selling Price. Includes items like 18 15 mm. Condensator, 21 15 mm. Condensator, and 24 15 mm. Condensator.

RESISTORS

Table with columns: Part No., Description, Selling Price. Includes items like 11 15,000 Ohm, 12 15,000 Ohm, and 13 15,000 Ohm.

DIAL AND DRIVE ASSEMBLY

Table with columns: Part No., Description, Selling Price. Includes items like Telephone Dial Assembly, Drive Ball, and Mounting Bracket.

PHONO ATTACHMENT PARTS

Table with columns: Part No., Description, Selling Price. Includes items like 4" Phono Chassis, Phono Socket, and Phono Cable.

DIAL AND DRIVE ASSEMBLY

Table with columns: Part No., Description, Selling Price. Includes items like Telephone Dial Assembly, Drive Ball, and Mounting Bracket.

REPLACEMENT PARTS LIST

Table with columns: Part No., Description, Selling Price. Includes items like Tapped Slip, Selectivity Switch, and Rubber Cushion.

MISCELLANEOUS

Table with columns: Part No., Description, Selling Price. Includes items like Tube Socket-Cord, Speaker Socket, and various knobs.

SPEAKERS

Table with columns: Part No., Description, Selling Price. Includes items like 8" Output Transformer, 5" Dynamic Speaker, and Output Transformer.

TRANSFORMERS AND COILS

Table with columns: Part No., Description, Selling Price. Includes items like 11 Antenna Transformer, 72 Antenna Coil Assembly, and 15 2nd I.F. Transformer.

CONDENSERS

Table with columns: Part No., Description, Selling Price. Includes items like 18 15 mm. Condensator, 21 15 mm. Condensator, and 24 15 mm. Condensator.

RESISTORS

Table with columns: Part No., Description, Selling Price. Includes items like 11 15,000 Ohm, 12 15,000 Ohm, and 13 15,000 Ohm.

DIAL AND DRIVE ASSEMBLY

Table with columns: Part No., Description, Selling Price. Includes items like Telephone Dial Assembly, Drive Ball, and Mounting Bracket.

PHONO ATTACHMENT PARTS

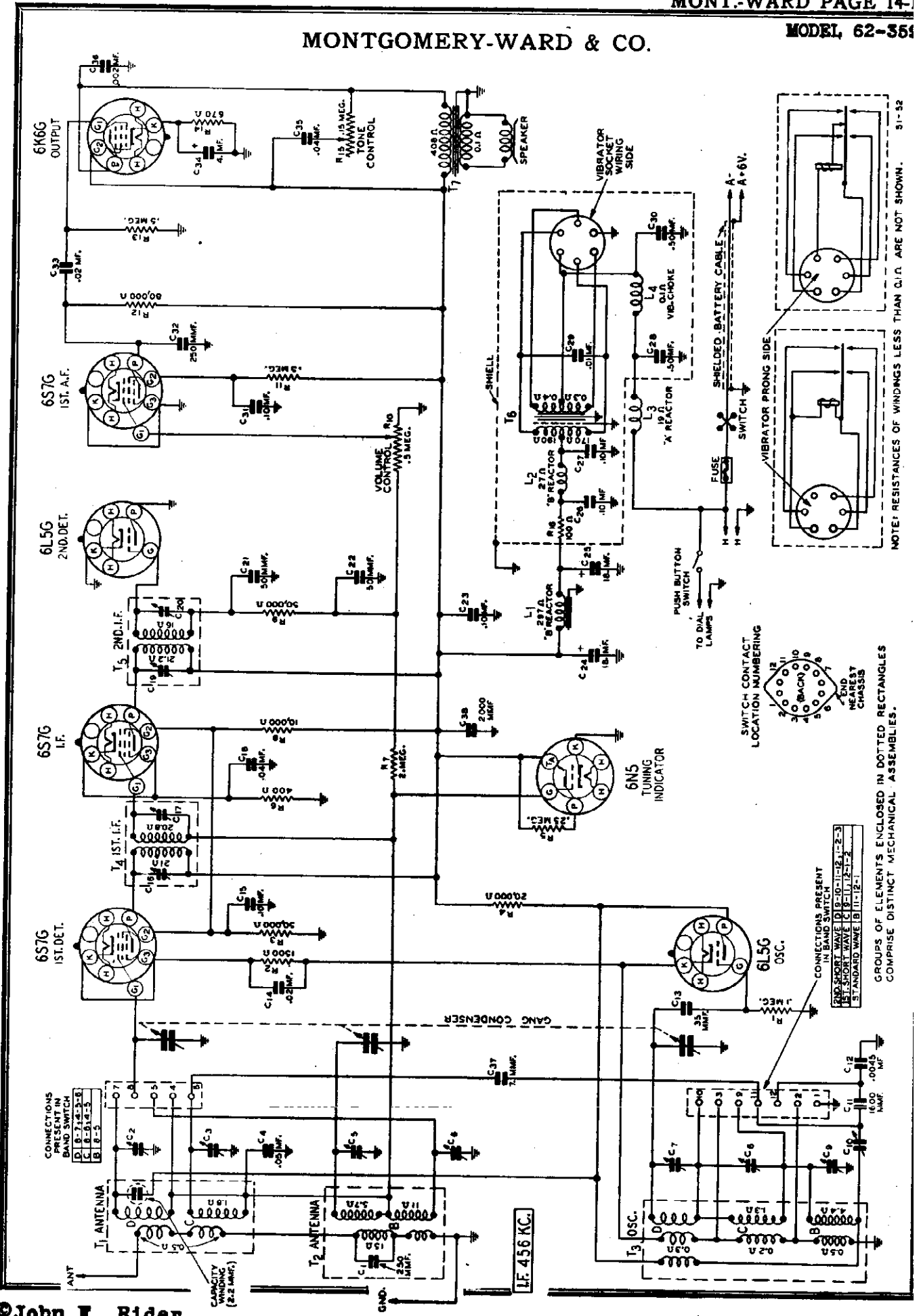
Table with columns: Part No., Description, Selling Price. Includes items like 4" Phono Chassis, Phono Socket, and Phono Cable.

DIAL AND DRIVE ASSEMBLY

Table with columns: Part No., Description, Selling Price. Includes items like Telephone Dial Assembly, Drive Ball, and Mounting Bracket.

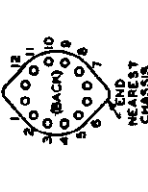
Prices Subject to Change Without Notice.

MONTGOMERY-WARD & CO.



CONNECTIONS BAND SWITCH

D	B-7-2-3-4
C	B-8-1-4-5
B	B-8-5



CONNECTIONS PRESENT  
 1-2-3: SHORT WAVE  
 4-5-6: STANDARD WAVE  
 7-8-9-10-11-12-1

GROUPS OF ELEMENTS ENCLOSED IN DOTTED RECTANGLES COMPRISE DISTINCT MECHANICAL ASSEMBLIES.

NOTE: RESISTANCES OF WINDINGS LESS THAN 0.1 Ω ARE NOT SHOWN.

MODEL 62-359

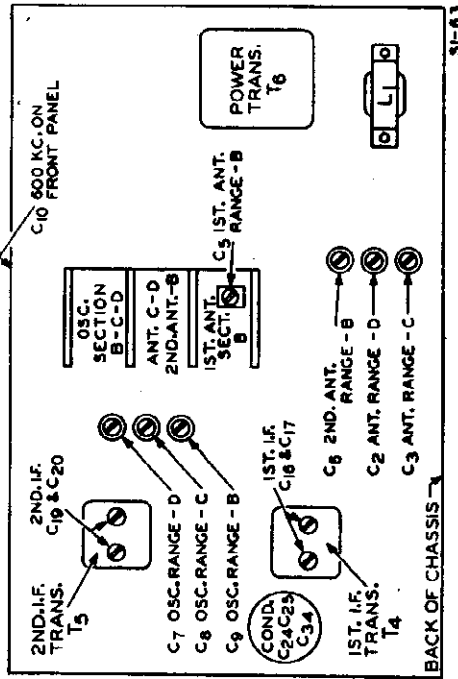
MONTGOMERY-WARD & CO.

### ALIGNMENT PROCEDURE

The following equipment is required for aligning:  
 An All Wave Signal Generator which will provide an accurately calibrated signal at the test frequencies as listed.  
 Output Indicating Meter—Non-Metallic Screwdriver.  
 Dummy Antennas—.1 mf., 200 mmf., and 400 ohms.

Volume Control—Maximum All Adjustments.  
 Connect Radio Chassis to Ground Post of Signal Generator with a Short Heavy Lead.  
 Allow Chassis and Signal Generator to "Heat Up" for Several Minutes.

STEP (Follow Order as Given)	BAND SWITCH SETTING	DUMMY ANTENNA	SIGNAL GENERATOR		PROCEDURE
			FREQUENCY SETTING	CONNECTION AT RADIO	
<b>I.F.</b>					
2nd I.F. Adj.	Range B	.1 mf.	456 KC	Grid of I.F. Tube	2nd I.F. (C19) & (C20) Turn Rotor to Full Open Adjust to Maximum Output
1st I.F. Adj.	Range B	.1 mf.	456 KC	Grid of 1st Det.	1st I.F. (C16) & (C17) Turn Rotor to Full Open Adjust to Maximum Output
<b>RANGE D</b>					
22,000 KC	Range D	400 Ohm	22,000 KC	Antenna Lead	Oscillator Range D (C7) Turn Rotor to Full Open Adjust to Maximum Output
20,000 KC	Range D	400 Ohm	20,000 KC	Antenna Lead	Antenna Range D (C2) Turn Rotor to Max. Output Adjust to Maximum Output
<b>RANGE C</b>					
6350 KC	Range C	400 Ohm	6350 KC	Antenna Lead	Oscillator Range C (C8) Turn Rotor to Full Open Adjust to Maximum Output
6000 KC	Range C	400 Ohm	6000 KC	Antenna Lead	Antenna Range C (C3) Turn Rotor to Max. Output Adjust to Maximum Output
<b>RANGE B</b>					
1830 KC	Range B	200 mmf.	1830 KC	Antenna Lead	Oscillator Range B (C9) Turn Rotor to Full Open Adjust to Maximum Output
1500 KC	Range B	200 mmf.	1500 KC	Antenna Lead	1st Ant. Range B (C5) Turn Rotor to Max. Output 2nd Ant. Range B (C6) Set Indicator to 1500 KC— See Note A
600 KC.	Range B	200 mmf.	600 KC	Antenna Lead	600 KC (C10) Turn Rotor to Max. Output Rock Rotor — See Note B



**CAUTION**—When aligning the short wave bands, be sure NOT to adjust at the image frequency. This can be checked as follows: Let us say the signal generator is set for 5000 KC. The signal will then be heard at 5000 KC on the dial of the radio. The image signal, which is much weaker, will be heard at 5000 less 912 KC, or 4088 KC on the dial. It may be necessary to increase the input signal to hear the image.

NOTE A—Loosen the pointer set screw and set the pointer at the 1500 KC mark on the standard wave band scale. Retighten the set screw.

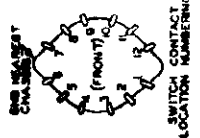
NOTE B—Turn the rotor back and forth and adjust the trimmer until the peak of greatest intensity is obtained.

MONTGOMERY-WARD & CO.

MODEL 62-412

ARROWS INDICATE CONNECTIONS PRESENT IN BAND SWITCH WHEN IN POSITION SHOWN

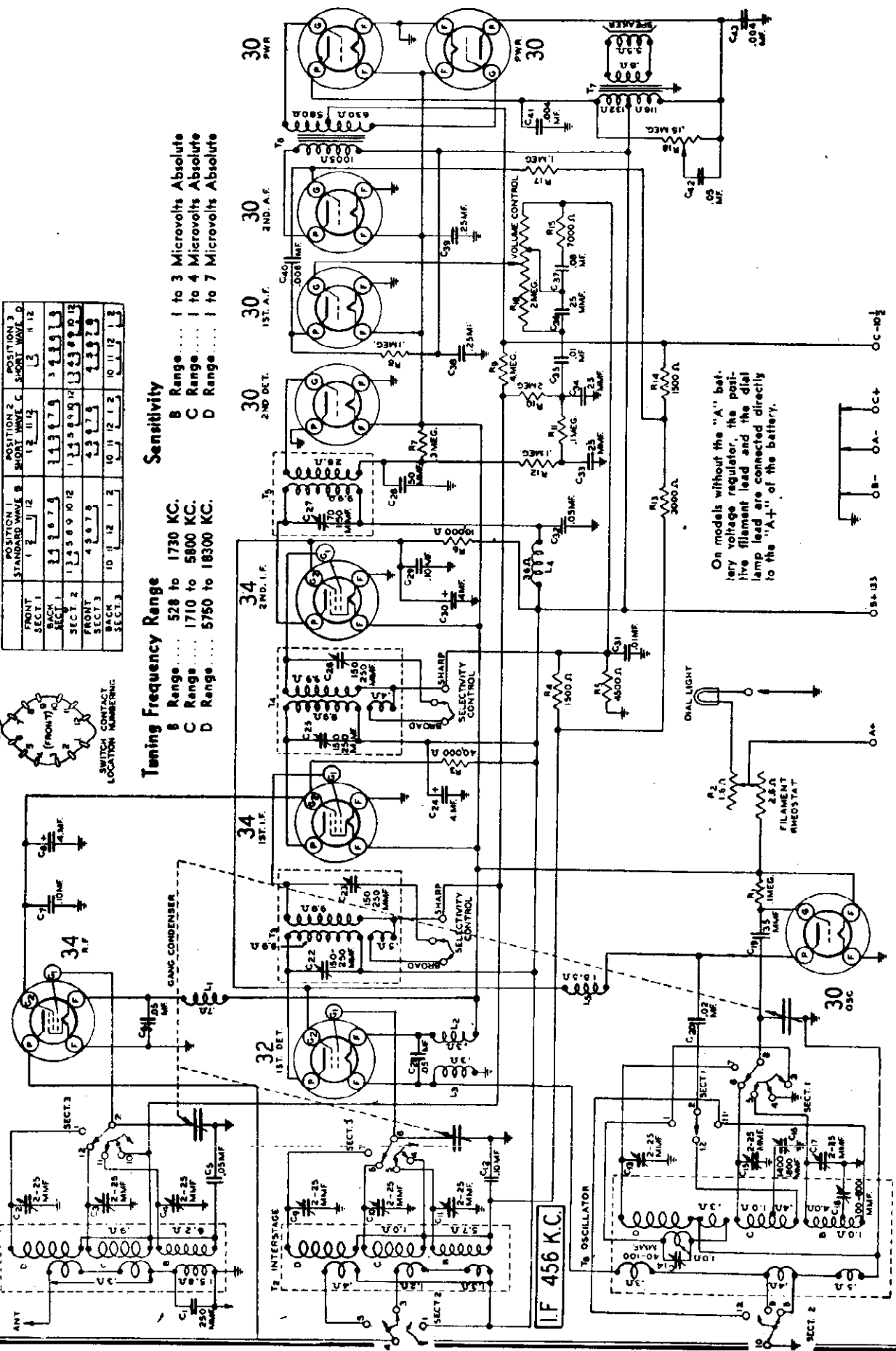
FRONT SECT. 1	FRONT SECT. 2	FRONT SECT. 3	POSITION 1 STANDARD WAVE B	POSITION 2 SHORT WAVE C	POSITION 3 SHORT WAVE D
1 2 3 4 5 6 7 8 9 10 11 12	1 2 3 4 5 6 7 8 9 10 11 12	1 2 3 4 5 6 7 8 9 10 11 12	1 2 3 4 5 6 7 8 9 10 11 12	1 2 3 4 5 6 7 8 9 10 11 12	1 2 3 4 5 6 7 8 9 10 11 12



**Tuning Frequency Range**  
 B Range ... 528 to 1730 KC.  
 C Range ... 1710 to 5800 KC.  
 D Range ... 5750 to 18300 KC.

**Sensitivity**  
 B Range ... 1 to 3 Microvolts Absolute  
 C Range ... 1 to 4 Microvolts Absolute  
 D Range ... 1 to 7 Microvolts Absolute

Fig. 2—Schematic Circuit Diagram



On models without the "A" battery voltage regulator, the positive filament lead and the dial lamp lead are connected directly to the "A+" of the battery.

NOTE: RESISTANCES OF WINDINGS LESS THAN 1 OHM ARE NOT SHOWN.



MONTGOMERY-WARD & CO.

MODEL 62-412

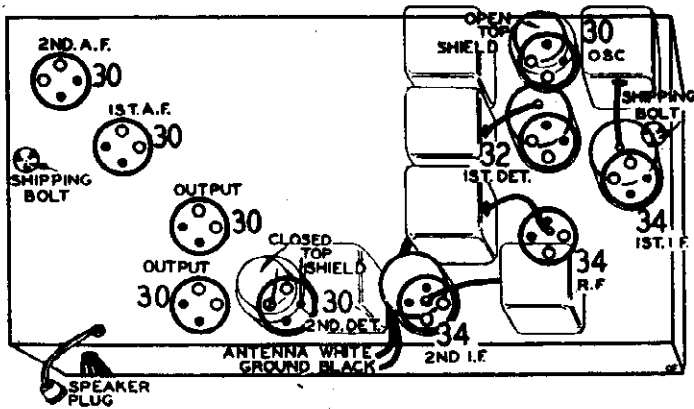


Fig. 7—Location of Tubes

**VOLTAGES AT SOCKETS**

Volume Control at Maximum      Antenna Shorted to Ground  
Band Switch in Standard Wave Position

Type of Tube	Function	Across Filament	Plate to Ground	Screen to Ground	Control Grid to Ground
34	R. F.	2.0	135	65	
32	1st Det.	2.0	135	90	6
30	Osc.	2.0	90		
34	1st I. F.	2.0	135	65	
34	2nd I. F.	2.0	135	90	4.5
30	2nd Det.	2.0			
30	1st A. F.	2.0	75		4.5(1)
30	2nd A. F.	2.0	132		9 (2)
30	Power	2.0	135		10.5

- (1) Volume control at minimum setting.
- (2) As read from connection between R13 and R14, and ground.

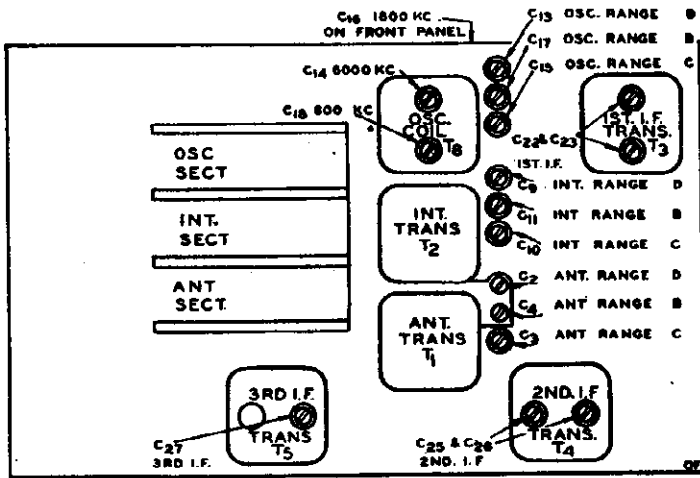


Fig. 6—Location of Trimmers

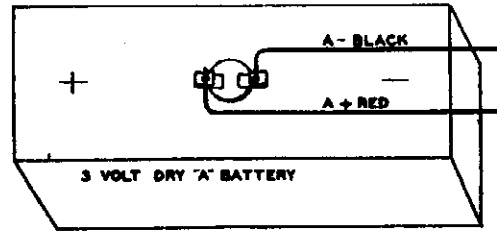


Fig. 4—3 V. Dry "A" Battery Connections

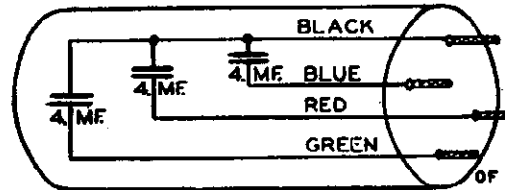
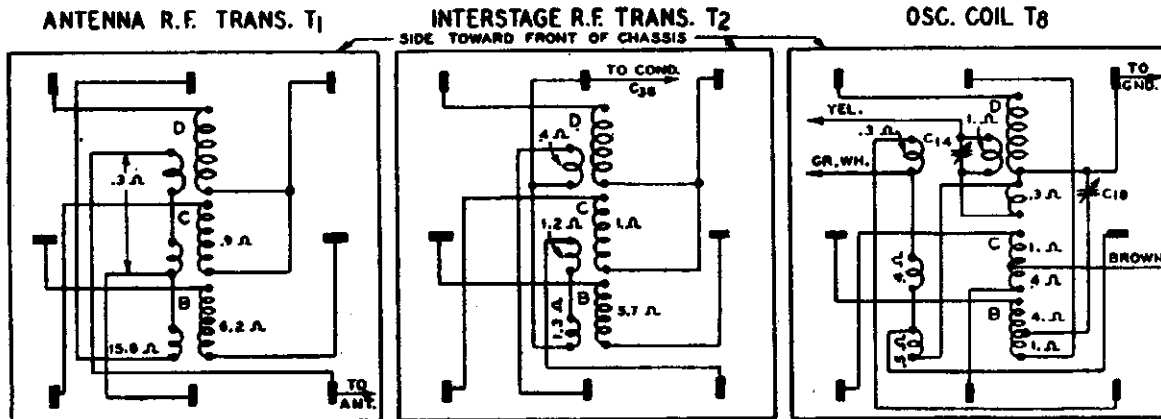


Fig. 9—Electrolytic Condenser Internal Connections



NOTE: RESISTANCES OF WINDINGS LESS THAN 1 Ω. ARE NOT SHOWN.

Fig. 8—R. F. and Oscillator Coil Base Terminal Arrangement and D. C. Resistance of Windings

### Trimmer Replacement

If one trimmer of the gang trimmer strip should become defective, it is not necessary to replace the entire strip. A single trimmer P-17A36, as shown in the replacement parts list, may be used. Disconnect the lead from the coil side (side not grounded) of the defective trimmer in the strip. This connection is then made to the single trimmer. Connect it to

the side of the trimmer not in contact with the adjusting screw. The other side of the single trimmer is then connected to a good ground, using a piece of heavy wire in order to support the trimmer adequately. In replacing a trimmer, be sure to keep both leads as short as possible and keep the ungrounded lead as far from ground as possible.

MONTGOMERY-WARD & CO.

DIAL AND DRIVE ASSEMBLY

Table listing parts for Dial and Drive Assembly including Dial Assembly, Drive Assembly, and various resistors and capacitors.

DRIVE ASSEMBLY

Parts list for Drive Assembly including Motor, Gear, and various electrical components.

NOTE: This is a large unit on the chassis which identifies the set as a major part. When working please be sure to handle the set number and the large label. Please subject to change without notice.

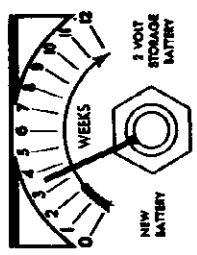


Fig. 3 - "A" Battery Voltage Regulator

TUNING

Table listing tuning parts including Tuning Coil, Tuning Condenser, and various resistors.

ELECTROLYTIC

Table listing electrolytic parts including Electrolytic Capacitors and Resistors.

RESISTORS

Table listing various resistors including Carbon, Miscellaneous, and Variable resistors.

VARIABLE

Table listing variable parts including Variable Capacitors and Resistors.

CONDENSERS

Table listing various condenser parts including Paper, Electrolytic, and Air-Dielectric condensers.

MISCELLANEOUS

Text describing miscellaneous parts and their locations on the chassis, including transformer and coil parts.

TRANSFORMERS AND COILS

Text describing transformer and coil parts, including their specifications and locations.

REPLACEMENT PARTS

Text providing information on replacement parts, including sources and contact details.

CONDENSERS

Text providing information on condenser parts, including their specifications and locations.

I. F. Adjustment

Text describing I.F. adjustment procedure, including steps for setting the signal generator and adjusting the AVC control.

Range B Alignment

Text describing Range B alignment procedure, including steps for adjusting the tuning condenser and the oscillator range.

Range C Alignment

Text describing Range C alignment procedure, including steps for adjusting the tuning condenser and the oscillator range.

Range D Alignment

Text describing Range D alignment procedure, including steps for adjusting the tuning condenser and the oscillator range.

15,000 KC Adjustment

Text describing 15,000 KC adjustment procedure, including steps for adjusting the tuning condenser and the oscillator range.

600 KC Adjustment

Text describing 600 KC adjustment procedure, including steps for adjusting the tuning condenser and the oscillator range.

6000 KC Adjustment

Text describing 6000 KC adjustment procedure, including steps for adjusting the tuning condenser and the oscillator range.

Planetary Drive Assembly

Text describing planetary drive assembly procedure, including steps for adjusting the tuning condenser and the oscillator range.

Range A Alignment

Text describing Range A alignment procedure, including steps for adjusting the tuning condenser and the oscillator range.

Range B Alignment

Text describing Range B alignment procedure, including steps for adjusting the tuning condenser and the oscillator range.

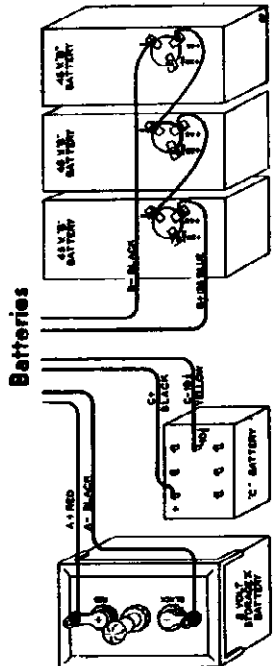
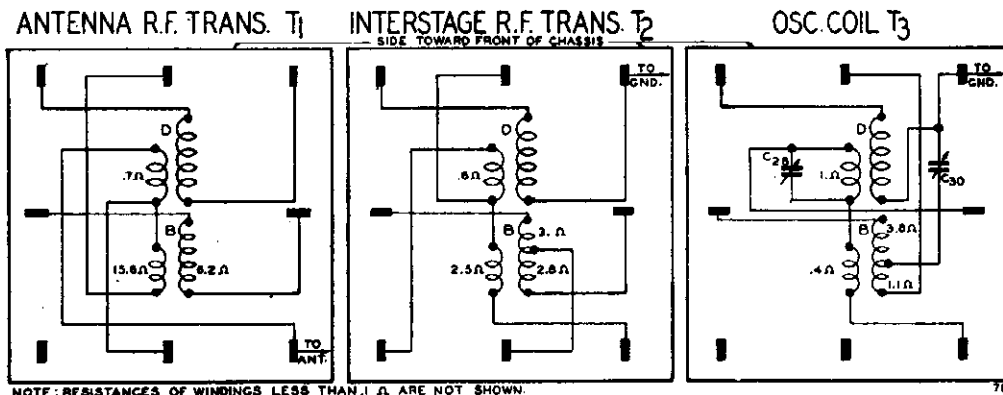


Fig. 1 - "A", "B" and "C" Battery Connections

MODEL 62-432

MONTGOMERY-WARD & CO.



NOTE: RESISTANCES OF WINDINGS LESS THAN 1.0 Ω ARE NOT SHOWN.

Fig. 4—R.F. and Oscillator Coil Base Terminal Arrangement and D.C. Resistance of Windings

### 32 Volt Power Supply

This radio is designed for use on farms and in those places where the power supply consists of a 32 volt direct current generating plant.

#### Polarity of Power Supply

There is a red mark on the plug at the end of the power supply cord of the radio. The prong of the plug at which the red mark is placed must be plugged into the positive side of the line.

Use a receptacle on the 32 volt line from which the plug will not have to be removed after it has once been inserted correctly.

If the polarity of the line is not known, that is, if it is not known which side of the line is positive, a meter may be used to indicate the polarity. A voltmeter of 50 volt range or up is used. Connect the meter across the line. If the pointer deflects correctly, then the positive post of the meter is connected to the positive side of the line.

If the polarity of the line is not known and there is no way of determining it, insert the power supply plug, turn on the set, advance the volume control and proceed to tune the radio. If no sounds are heard from the speaker after the plug has been in two minutes, withdraw the plug, turn it around and re-insert it. This time sounds should be heard after the tubes have been heated.

#### Caution

If used on any other type of power supply than 32 volt DC, severe damage may be done to the receiver.

Do not turn the radio on unless all of the tubes and the dial lamps are in the proper sockets. Use only No. 51 bayonet pin base lamps.

Do not leave the plug inserted for more than five minutes if it is found that the radio does not operate.

#### Line Voltage Range

The radio will operate satisfactorily within a line voltage range of 25 to 42 volts.

#### Series Resistor

If the line voltage is higher than 42, it will be necessary to use a series resistor to cut it down. If the voltage varies, a variable resistor may be required.

#### Starting Current

When first turned on, the drain for a few seconds is slightly higher than normal until the tubes heat up. Some automatic plants are adjusted to start under a load of 200 to 300 watts. If a number of devices such as lights or motors are being used and the radio set is turned on the total drain may be sufficient to start the plant.

#### Dial Lamps

For the dial lamps, No. 51 bayonet pin base lamps must be used. These lamps are part of one section of the tube heater circuit (See Fig. 7) and any other lamps having a different current drain would upset the voltage system of this section.

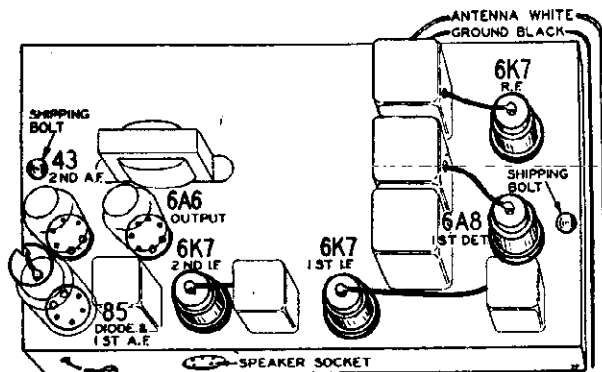


Fig. 6—Tube Arrangement

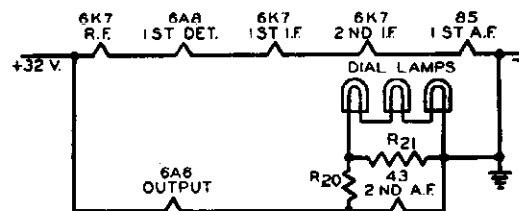
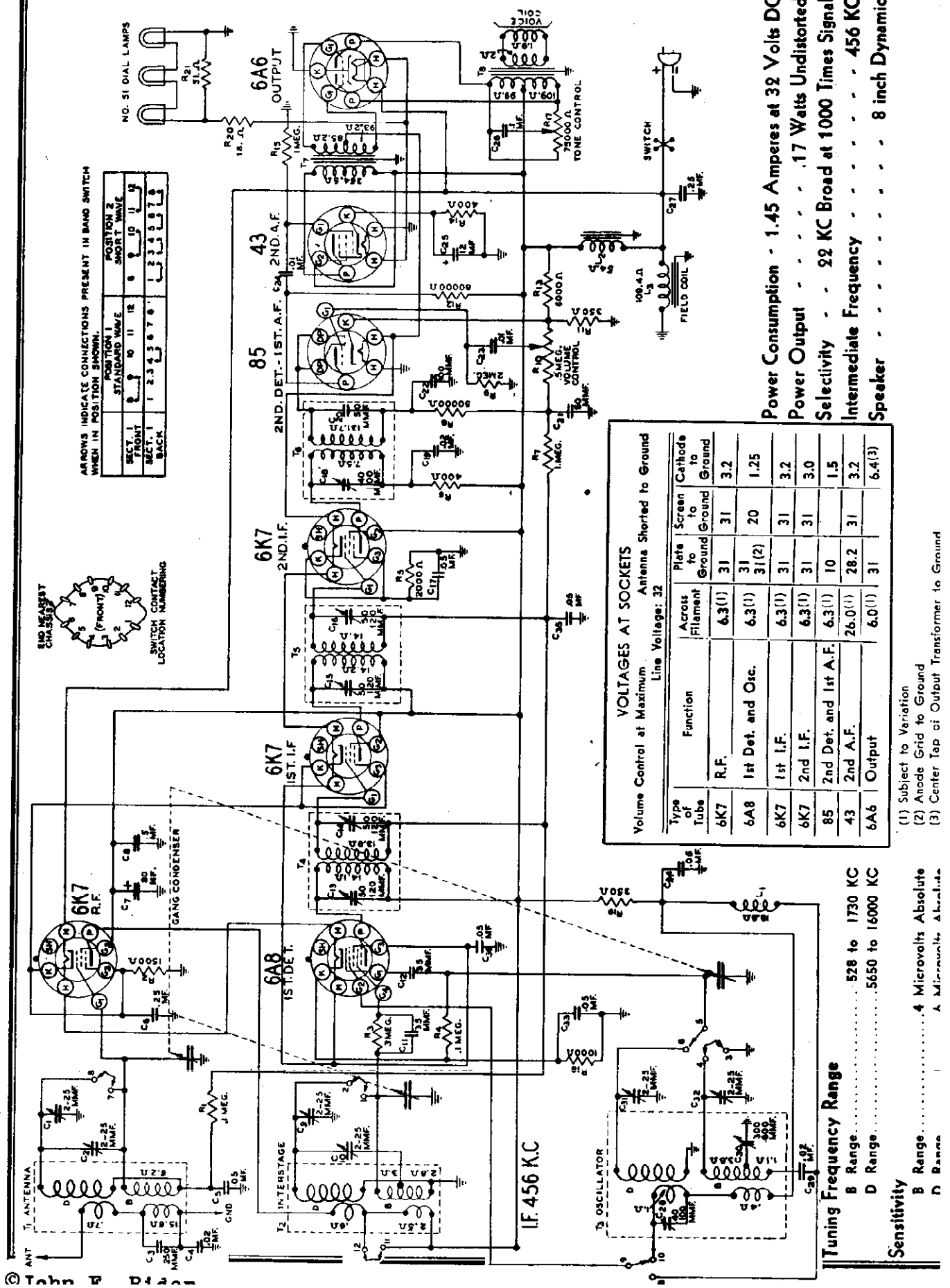


Fig. 7—Abridged Wiring Diagram Showing Tube Heater and Dial Lamp Wiring System

MONTGOMERY-WARD & CO.



ARROWS INDICATE CONNECTIONS PRESENT IN BAND SWITCH WHEN IN POSITION SHOWN.

SECT.	POSITION 1 STANDARD WAVE	POSITION 2 SHORT WAVE
FRONT	1 2 3 4 5 6 7 8	9 10 11 12
BACK	13 14 15 16 17 18 19 20	21 22 23 24 25 26 27 28



Power Consumption - 1.45 Amperes at 32 Volts DC  
 Power Output - .17 Watts Undistorted  
 Selectivity - 92 KC Broad at 1000 Times Signal  
 Intermediate Frequency - . . . . . 456 KC  
 Speaker - . . . . . 8 inch Dynamic

**VOLTAGES AT SOCKETS**  
 Volume Control at Maximum. Antenna Shorted to Ground. Line Voltage: 32

Type of Tube	Function	Across Filament	Plate to Ground	Screen to Ground	Cathode to Ground
6K7	R.F.	6.3(1)	31	31	3.2
6A8	1st Det. and Osc.	6.3(1)	31	20	1.25
6K7	1st I.F.	6.3(1)	31	31	3.2
6K7	2nd I.F.	6.3(1)	31	31	3.0
85	2nd Det. and 1st A.F.	6.3(1)	10		1.5
43	2nd A.F.	26.0(1)	28.2	31	3.2
6A6	Output	6.0(1)	31		6.4(3)

**Tuning Frequency Range**  
 B Range . . . . . 528 to 1730 KC  
 D Range . . . . . 5650 to 16000 KC

**Sensitivity**  
 B Range . . . . . 4 Microvolts Absolute  
 D Range . . . . . A. Microvolts Absolute

(1) Subject to Variation  
 (2) Anode Grid to Ground  
 (3) Center Tap of Output Transformer to Ground

## MONTGOMERY-WARD &amp; CO.

**I. F. Adjustment**

Set the signal generator for a signal of 456 KC.

Connect the output of the signal generator through a .1 mf. condenser to the grid of the 1st detector ( $G_4$ ).

Connect the ground lead of the radio to the ground post of the signal generator.

Turn the band switch to the Range B position (standard wave band).

Turn the volume control to the maximum position.

Attenuate the signal from the signal generator to prevent the levelling-off action of the AVC.

Then adjust the five I.F. trimmers until maximum output is obtained. The adjusting screws for these condensers are reached from the top of the chassis, and the location is shown in Fig. 3.

**Range B Alignment**

After the procedure for the alignment of each range, as explained below, is completed, it is advisable to repeat the procedure as a final check.

**1730 KC Adjustment**

Set the signal generator for 1730 KC.

Turn the rotor of the tuning condenser to the full open position.

Keep the band switch in the standard wave position.

Connect the antenna lead of the radio through a 200 mmf. condenser to the output of the signal generator.

For this and all subsequent adjustments keep the volume control at the maximum position and attenuate the signal from the signal generator to prevent AVC action.

Adjust the oscillator Range B trimmer ( $C_{32}$ ) until maximum output is obtained. The location of this trimmer is shown in Fig. 3.

**1500 KC Adjustment**

Set the signal generator for 1500 KC.

Turn the rotor of the tuning condenser carefully until maximum output is obtained.

Loosen the pointer screw and set the pointer at the 1500 KC mark on the standard wave band scale. Retighten the screw.

Adjust the interstage Range B trimmer ( $C_{10}$ ) and antenna Range B trimmer ( $C_2$ ) to maximum.

Do not change the setting of the oscillator Range B trimmer.

**600 KC Adjustment**

Set the signal generator for 600 KC.

Turn the tuning condenser rotor until maximum output is obtained.

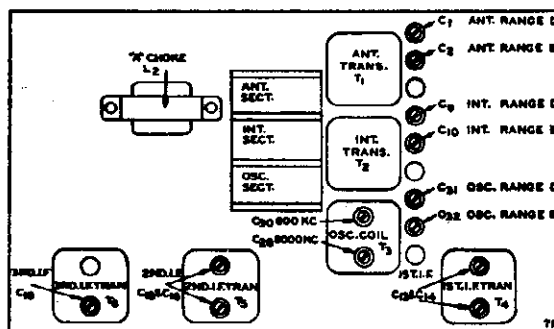


Fig. 3—Location of Trimmers

Turn the rotor slowly back and forth at the same time adjusting the 600 KC. trimmer ( $C_{30}$ ) until the peak of greatest intensity is obtained. See Fig. 3 for location of this trimmer.

**Range D Alignment**

**CAUTION**—When aligning the short wave band be sure NOT to adjust at the image frequency. This can be checked as follows: Let us say the signal generator is set for 15,000 KC. The signal will then be heard at 15,000 on the dial of the radio. The image signal, which is much weaker, will be heard at 15,000 less 912 KC, or 14,088 KC. It may be necessary to increase the input signal to hear the image.

**16,000 KC Adjustment**

Set the signal generator for 16,000 KC.

Connect the antenna lead of the radio through a 400 ohm resistor to the output of the signal generator.

Turn the rotor of the tuning condenser to the full open position.

Turn the band switch to the Range D position (short wave band).

Adjust the oscillator Range D trimmer ( $C_{31}$ ) until maximum output is obtained. See Fig. 3 for location of this trimmer.

**15,000 KC Adjustment**

Set the signal generator for 15,000 KC.

Turn the rotor of the tuning condenser carefully until maximum output is obtained.

Adjust the interstage Range D trimmer ( $C_9$ ) and antenna Range D trimmer ( $C_1$ ) to maximum. When adjusting these trimmers, it will be necessary at the same time to turn the tuning condenser rotor slowly back and forth until the peak of greatest intensity is obtained.

Do not change the setting of the oscillator Range D trimmer.

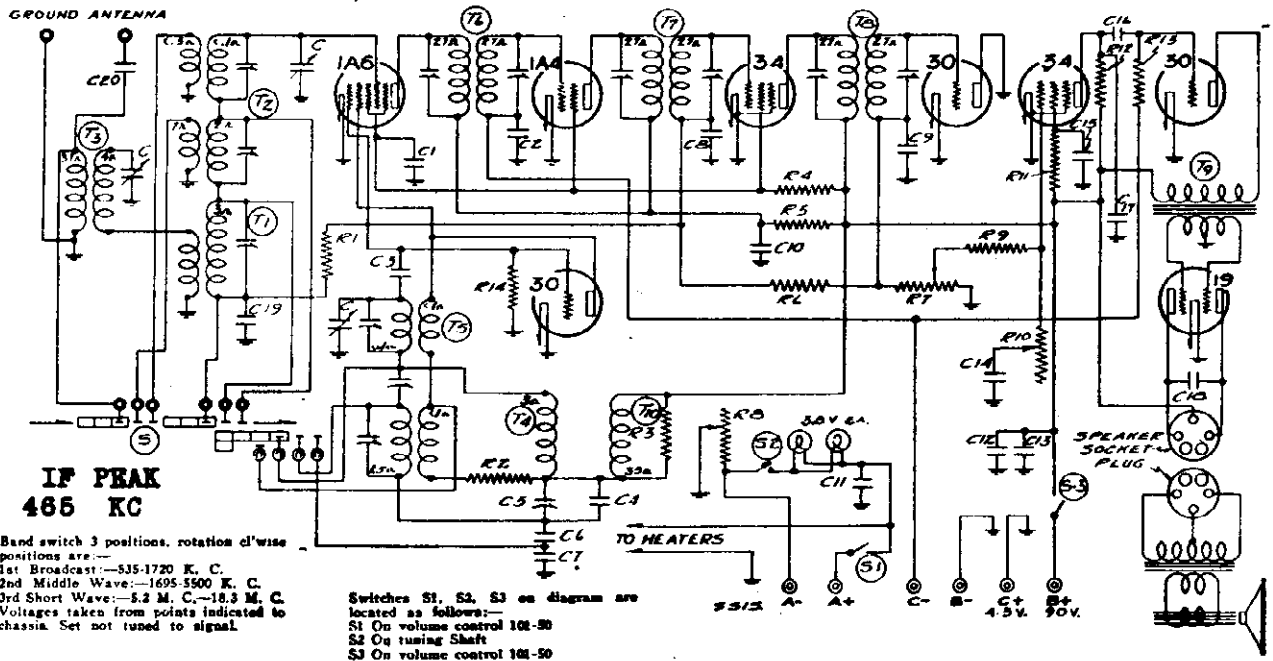
**6000 KC Adjustment**

Set the signal generator for 6000 KC.

Turn the tuning condenser rotor until maximum output is obtained.

Turn the rotor slowly back and forth at the same time adjusting the 6000 KC ( $C_{28}$ ) trimmer until the peak of greatest intensity is obtained. See Fig. 3 for location of this trimmer.

MONTGOMERY-WARD & CO.

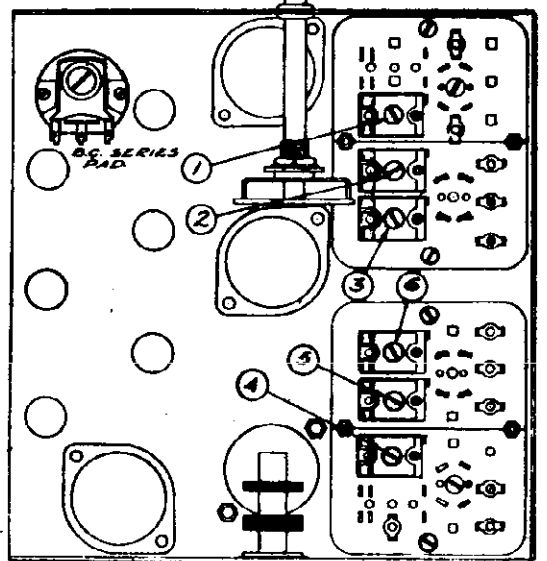
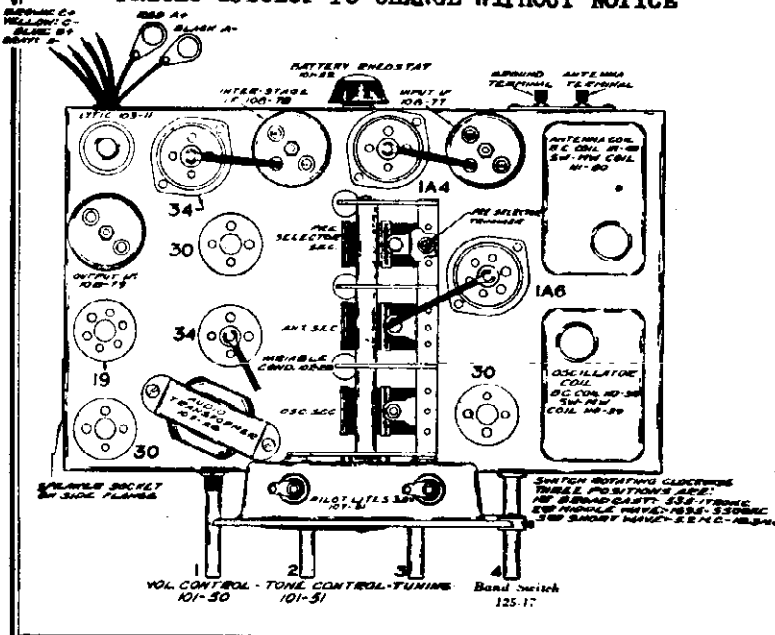


LIST OF REPAIR PARTS

Use Only Genuine Factory Replacement Parts

Part No.	Circuit Diagram Reference	Description	No. Used	List Price in Set Each	Part No.	Description	No. Used in Set	List Price Each
<b>CONDENSERS</b>								
100-5B	C11	1.0 x 120 Volt Tubular with Bracket	1	.50	125-17	S	Band Switch	1 .85
100-6	C1	.25 x 200 Volt Tubular less Bracket	1	.35	128-51		Wood Knob with Spring	3 .15
100-6B	C13	.25 x 200 Volt Tubular with Bracket	1	.35	128-52		"Tuning" Knob with Set Screw—Wood	1 .15
100-11	C14, C16, C20	.01 x 400 Volt Tubular	3	.25	131-12		Bakelite Knob with Arrow	1 .15
100-20	C10	.1 x 200 Volt Tubular	1	.25	<b>RESISTORS</b>			
100-22	C2, C8, C15, C19	.05 x 200 Volt Tubular	4	.25	130-11	R12	250M Ohm—1/2 Watt—20%—50 Volt Carbon	1 .20
100-25	C18	.002 x 600 Volt Tubular	1	.25	130-12	R3, R9, R14	50M Ohm—1/2 Watt—20%—20 Volt Carbon	3 .20
103-11	C12	8 Mfd. x 200 Volt Electrolytic	1	.75	130-19	R6, R11, R13	1 Meg Ohm—1/2 Watt—20%—100 Volt Car.	3 .20
129-5	C7	.0001 Mica—Type MT—20%	1	.25	130-20	R1	100M Ohm—1/2 Watt—20%—50 Volt Carbon	1 .20
129-12	C9	.00025 Mica—Type MT—30%	1	.25	130-27	R2	50 Ohm—1/2 Watt—20%—3 Volt Carbon	1 .20
129-40	C3	.00014 Mica—Type MT—30%	1	.25	130-31	R5	1500 Ohm—1/2 Watt—20%—10 Volt Carbon	1 .20
129-54	C6	.003 Mica—Type MW—2 1/2%	1	.35	130-109	R4	7500 Ohm—1/2 Watt—20%—50 Volt Carbon	1 .20
129-55	C2	.0034 Mica—Type MW—2 1/2%	1	.35	<b>COILS</b>			
129-65	C4	.00055 Mica—Type MT—5%	1	.25	108-77	T6	Input I.F. complete with Can	1 1.25
<b>MISCELLANEOUS</b>								
101-50	R7	Volume Control and Switch (250 M ohm)	1	1.25	108-78	T7	Interstage I.F. complete with Can	1 1.25
101-51	R10	Tone Control (300 M ohm)	1	.70	108-79	T8	Output I.F. complete with Can	1 1.25
101-52	R8	Filament Rheostat (2 ohm)	1	.50	110-38	T4	Broadcast Oscillator Coil Complete	1 .50
102-28	C	Three Gang Variable Condenser	1	4.00	110-39	T5	Mid-Wave & Short Wave Oscillator Coil Com.	1 1.50
105-28	T9	Audio Input Transformer	1	1.75	111-49	T1	Broadcast Antenna Coil Assembly Complete	1 .75
					111-50	T2	Mid-Wave & Short Wave Antenna Coil Assem. Complete	1 1.50
					111-51	T3	Broadcast Preselector Coil	1 .75
					123-3	T10	R.F. Choke Coil	1 .35

PRICES SUBJECT TO CHANGE WITHOUT NOTICE



BOTTOM VIEW SHOWING TRIMMERS

MODEL 62-430

## MONTGOMERY-WARD &amp; CO.

**BATTERIES REQUIRED:**

The following batteries are required:

- 2—45 Volt "B" Batteries.
- 1—4½ Volt "C" Battery.
- 1—3 Volt Dry "A" Battery or 2 Volt Storage Battery.

**TUBES:**

The tube complement of this chassis is as follows:

- 1—Type 1A6 Pentagrid Mixer, First Detector.
- 1—Type 1A4 Tetrode First I.F. Amplifier (465 K.C.)
- 1—Type 34 Remote Cut-Off Pentode, 2nd I.F. Amplifier (465 K.C.)
- 1—Type 30 Oscillator.
- 1—Type 30 Second Detector and A. V. C.
- 1—Type 34 A.F. Amplifier.
- 1—Type 30 Driver Amplifier.
- 1—Type 19 Class "B" Push-Pull Output Amplifier.

**SERVICE NOTES:**

Voltages taken from different points of circuit to chassis are measured with volume control full on, all tubes in their sockets and speaker connected, with a volt meter having a resistance of 1000 ohms per volt.

All voltages as indicated on diagram, are measured with a new set of batteries.

Resistances of coil windings are indicated in ohms on the schematic circuit diagram.

To check for open by-pass condensers, shunt each condenser with another condenser of the same capacity and voltage rating, which is known to be good, until the defective unit is located.

The approximate current consumption is as follows:

"A"—660 ma., "B"—18 to 24 ma.

**RESONANCE INDICATOR:**

Use as a resonance indicator an output meter connected across the primary of the speaker input transformer, or by means of an adapter between the two plate terminals of the type 19 output tube. Maximum deflection of the meter indicates resonance. Use only enough signal to get a readily readable output. A low range output meter or the low scale of a multi-range meter should be used.

**DUMMY ANTENNAS**

The following dummy antennas are used in aligning and are referred to in the following alignment instructions as "Dummy 1", "Dummy 2", and "Dummy 3".

Dummy 1: (I.F.)—Consists of a .1 mfd. condenser connected in series with the external oscillator.

Dummy 2: (Broadcast)—Consists of a 200 mmfd. condenser and a 20 ohm resistor connected in series with each other and in series with the external oscillator.

Dummy 3: (Middle and Short Wave)—Consists of a .1 mfd. condenser and a 400 ohm resistor connected in series with each other and in series with the external oscillator.

**ALIGNING I.F. TRANSFORMERS: (465 K.C.):**

- Part No. 108-79 Output I.F. Transformer
- Part No. 108-78 Interstage I.F. Transformer
- Part No. 108-77 Input I.F. Transformer

These I.F. transformers have two adjustments, both of which are accessible from the top of chassis (see top view).

1. With volume control full on, (the extreme right of its rotation), the band changing switch in the broadcast position, (extreme left of its rotation), and with the variable condenser set to approximately 1400 kilocycles, make the following adjustments:
  - (a) Connect external oscillator set at 465 kilocycles, in series with "Dummy 1", to the control grid cap of the type 34 tube, and adjust the output I.F. transformer (No. 108-79) to resonance.

- (b) With "Dummy 1" still connected, move oscillator output clip from grid of 34 to grid cap to 1A4 and adjust interstage I.F. transformer (No. 108-78) to resonance.

- (c) Move oscillator to grid cap of 1A6 and adjust input I.F. transformer (No. 108-77).

**BROADCAST BAND ALIGNMENT:**

535 to 1720 Kilocycles

1. With band changing switch in the broadcast position, extreme left of its rotation, and with gang condenser in its minimum capacity position, plates entirely out of mesh, and with external oscillator connected in series with "Dummy 2" to antenna and ground posts, make following adjustments:
  - (a) Set external oscillator to 1720 K.C. and adjust broadcast oscillator trimmer to resonance. (Adjustment number 1; see bottom view of coil assembly, Fig. 3)
  - (b) Re-set external oscillator to 1550 K.C., rotate variable gang condenser and pick up signal. Adjust broadcast antenna trimmer (adjustment number 4) to resonance; also adjust preselector trimmer which is mounted on the top of the rear section of the three gang variable tuning condenser to resonance. (See top view of chassis, Fig. 1, for location of this adjustment).
  - (c) Re-set external oscillator to 600 K.C., and adjust broadcast series pad to resonance by rotating condenser to approximately 600 K.C., rocking it slowly to and fro until by adjusting series pad maximum output is attained. This adjustment is located on the bottom of the chassis directly under the variable gang condenser. (See bottom view of chassis, Fig. 3).
  - (d) Repeat adjustments "a" and "b" until sensitivity is at its maximum.
  - (e) Check for tracking and sensitivity at 1000 kilocycles. Under no circumstances bend plates of variable condenser sections to correct tracking.

**SHORT WAVE BAND ALIGNMENT:**

5.2 to 18.3 Megacycles

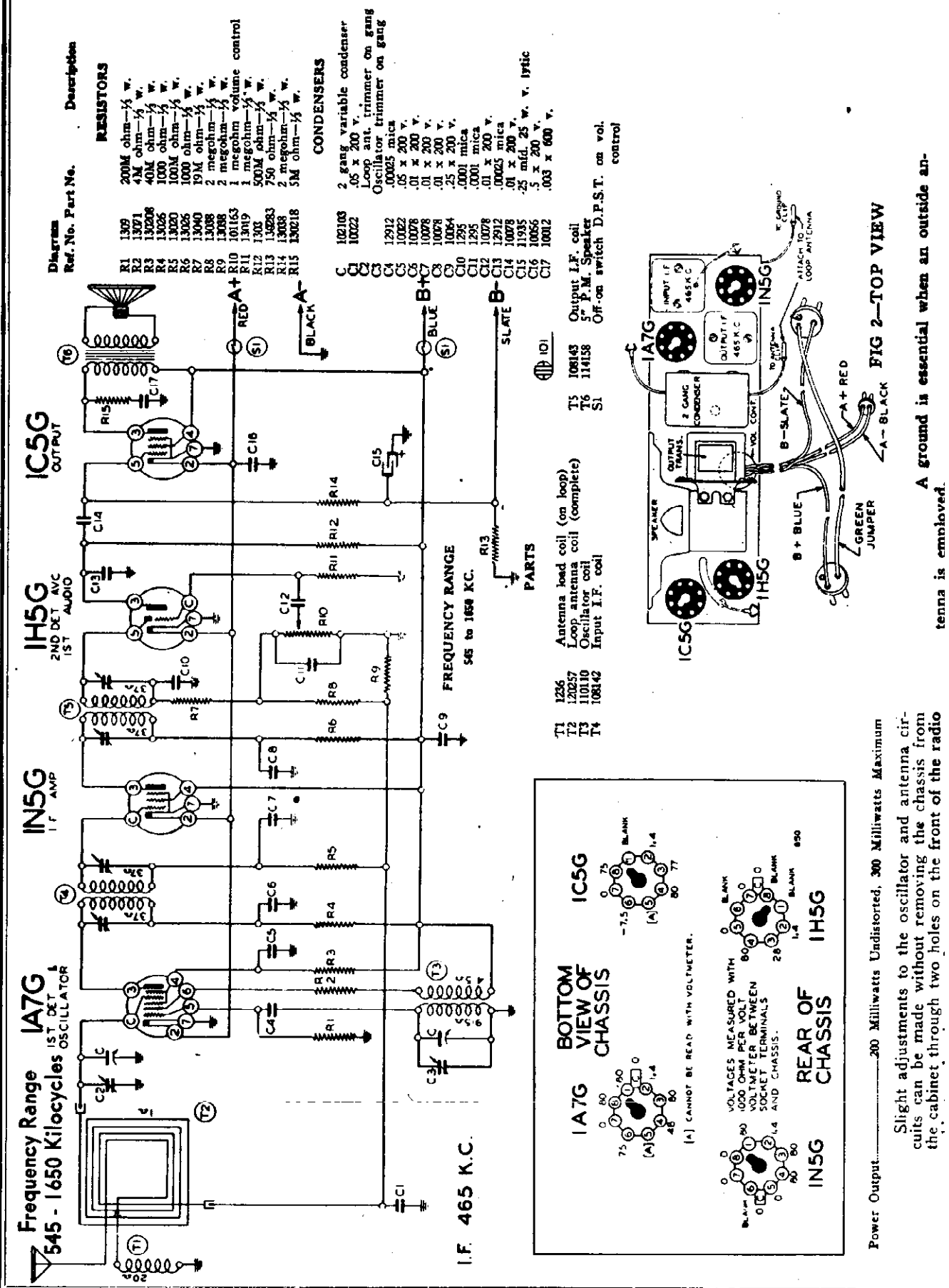
1. With band changing switch in the short wave position, extreme right of its rotation, and with external oscillator set at 17 megacycles and connected in series with "Dummy 3" to the antenna and ground posts, make the following adjustments:
    - (a) Move dial pointer to 17 megacycles and adjust short wave oscillator (adjustment number 3) and short wave antenna (adjustment number 6) to resonance.
    - (b) Re-set external oscillator to 6 megacycles and pick up signal by rotating variable condenser and check sensitivity.
    - (c) Re-set external oscillator and check set at 18.1 megacycles and 5.3 megacycles for band coverage.
- NOTE: It is extremely necessary in making all of these adjustments that the fundamental oscillator signal be tuned in and not the image frequency which will fall below the fundamental on the receiver dial. As an example of this a fundamental 18.3 megacycle signal can be tuned in not only at 18.3 on the dial but also at approximately 17.4 megacycles.

**MIDDLE WAVE BAND ALIGNMENT:**

1695 to 5500 Kilocycles

1. With band changing switch in the middle wave position, center of its rotation, and with external oscillator set at 5000 kilocycles and connected in series with "Dummy 3" to the antenna and ground posts make the following adjustments:
  - (a) Move dial pointer to 5000 kilocycles and adjust middle wave oscillator (adjustment number 2) and middle wave antenna (adjustment number 5) to resonance.
  - (b) Re-set external oscillator to 1800 kilocycles and pick up signal by rotating variable condenser and check sensitivity.
  - (c) Re-set external oscillator and check set at 5400 kilocycles and 1700 kilocycles for band coverage.

MONTGOMERY-WARD & CO.





MODEL 62-454  
MODEL 93BR-571

MONTGOMERY-WARD & CO.

ALIGNMENT PROCEDURE

- Volume control—Maximum all adjustments.
  - Connect —B of radio chassis to ground post of signal generator through .1 Mfd. Condenser.
  - Connect dummy antenna in series with generator output lead.
  - Connect output meter across primary of output transformer.
  - Allow chassis and signal generator to "heat up" for several minutes.
- The following equipment is required for aligning:
- An all wave signal generator which will provide an accurately calibrated signal at the test frequencies as listed.
  - Output indicating meter.
  - Non-metallic screwdriver.

MODEL 93BR-571

(Serial No. 189300 and up)

BAND	SIGNAL GENERATOR Frequency Setting Dummy Antenna	Connections to Radio	Position of Iron Core (Dial Setting)	Trimmers Adjusted (in Order Shown)	Trimmer Functions	Adjustment
I. F.	465 Kc. .1 MFD.	Connect to Terminal "B" (See Fig. 4)	Iron Core All the way out	Two trimmers on top (See Fig. 1)	Output I. F.	Adjust to maximum output
	465 Kc. .1 MFD.	Connect to Terminal "B" (See Fig. 4)	Iron Core All the way out	Two trimmers on top (See Fig. 1)	Input I. F.	Adjust to maximum output
BROAD-CAST BAND	170 Kc. .1 MFD.	Connect to Terminal "B" (See Fig. 4)	Iron Core All the way out	Trimmer (C) (See bottom of Radio, Fig. 3)	Oscillator	Adjust to maximum output
	200 MMF.	Connect to Terminal "A" (See Fig. 4)	Iron Core All the way out	Trimmer (C) (See bottom of Radio, Fig. 3)	Antenna	Adjust to maximum output
	200 MMF.	Connect to Terminal "A" (See Fig. 4)	Turn Dial to 1400 Kc.	Adjust position of antenna coil up or down (see Fig. 4)	Antenna Coil Adjustment	Adjust to maximum output (See Note "A")
	170 Kc. 200 MMF.	Connect to Terminal "A" (See Fig. 4)	Turn Dial to 1720 Kc.	Adjust trimmer (C) (See Fig. 3)	Antenna	Check for tracking (See Note "B")

NOTE "A"—The antenna coil assembly is made so that it is movable up or down. When making the adjustment as given in the alignment procedure move the coil assembly very slowly. It can be moved by hand or by pivoting one edge of the blade of a screwdriver in the hole and engaging the blade in the gear teeth of the coil form.

NOTE "B"—After the antenna coil has been tracked at 1400 Kc. it is necessary to check the antenna trimmer (C) adjustment again at 1720 Kc. If no appreciable change in trimmer adjustment is made the coil is tracking. If the trimmer requires considerable change it will be necessary to again adjust the position of the antenna coil at 1400 Kc. These two adjustments should be tried several times until no change of trimmer adjustment is required at 1720 Kc.

FOR OTHER DATA SEE INDEX

MODEL 62-454

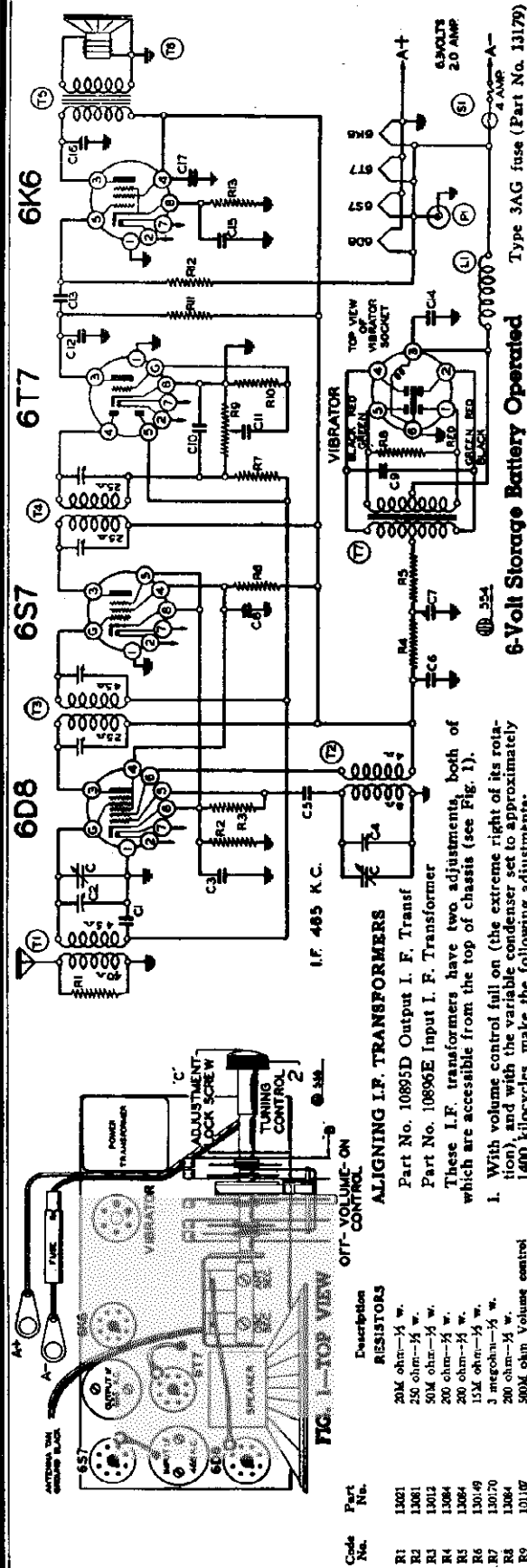
BAND	SIGNAL GENERATOR Frequency Setting Dummy Antenna	Connections to Radio	Variable Condenser Setting	Trimmers Adjusted (in Order Shown)	Trimmer Functions	Adjustment
I. F.	465 Kc. .1 MFD.	Grid of 1A7G Tube	Rotor full open (Plates out of mesh)	Two trimmers on top (See Fig. 1)	Output I. F.	Adjust to maximum output
	465 Kc. .1 MFD.	Grid of 1A7G	Rotor full open (Plates out of mesh)	Two trimmers on top (See Fig. 1)	Input I. F.	Adjust to maximum output
BROAD-CAST BAND	1725 Kc. 200 mmf.	Antenna lead	Rotor full open (Plates out of mesh)	Trimmer—Top of rear section of gang (See Fig. 1)	Broadcast Oscillator	Adjust to maximum output
	1400 Kc. 200 mmf.	Antenna lead	Set dial at 1400 Kc.	Trimmer—Top of front section of gang (See Fig. 1)	Antenna Broadcast	Adjust to maximum output
BAND	SIGNAL GENERATOR Frequency Setting Dummy Antenna	Connections to Radio	Variable Condenser Setting	Trimmers Adjusted (in Order Shown)	Trimmer Functions	Adjustment
I. F.	465 Kc. .1 MFD.	Grid of 1A7G Tube	Rotor full open (Plates out of mesh)	Four trimmers on top (See Fig. 1)	Output and input I. F.	Adjust to maximum output (See Note "A")
BROAD-CAST BAND	1650 Kc. 200 mmf.	Grid of 1A7G Tube	Rotor full open (Plates out of mesh)	Trimmer (C) front section of gang (See Fig. 4)	Oscillator	Adjust to maximum output (See Note "A")
	1400 Kc.	See Note "C"	Set dial at 1400 Kc.	Trimmer (C) rear section of gang (See Fig. 4)	Antenna	Adjust to maximum output (See Note "B")

NOTE "A"—A 1 megohm resistor must be connected between the two loop antenna leads from the chassis when aligning the I. F. transformers and setting the oscillator trimmer, (C). The loop antenna must be disconnected from the chassis.

NOTE "B"—Remove the 1 megohm resistor from the loop antenna leads; mount the chassis and the loop antenna in the cabinet; connect the loop antenna to the chassis. Adjust trimmer (C). (See note "C.")

NOTE "C"—Lay the output lead from the signal generator in back of the loop antenna. Turn up the output of the generator, picking up the energy in the loop antenna without any electrical connection from the signal generator.

MONTGOMERY-WARD & CO.



condenser, pick up oscillator signal and adjust antenna trimmer to resonance. (Top of front section of gang condenser.)

(c) Check sensitivity at 600 and 1000 kilocycles.

**PROCEDURE FOR SETTING THE AUTOMATIC LEVERS:**

There are five levers on the dial by means of which five stations may be selected. Press DOWN ALL THE WAY any one of the automatic tuner levers. Holding it down FIRMLY, tune in by means of the tuning knob (No. 2) the station indicated on the station call letter tab above this lever. Turn the tuning knob very slowly back and forth (while still holding lever in downward position) until the signal is clearest. The station will then be accurately tuned in. Release the lever.

Press down another automatic tuner lever. Holding it down FIRMLY, carefully tune in the station indicated on the call letter tab above this lever. Release this lever.

Follow this procedure until you have selected all of your favorite stations.

Now hold tuning knob securely with left hand to prevent it from turning, or Rotate the tuning knob (No. 2) to the right (clockwise) as far as it will turn, and with a coin (half dollar), tighten the special locking screw ("C") in the center of the tuning knob. (See Fig. 1).

This screw will lock in place all the stations you have selected on the automatic tuner levers. (Note: Locking screw "C" is loose when radio is shipped from factory.) If you should desire to change any station you selected to another, hold the tuning knob No. 2 securely and with a coin loosen the locking screw "C" one or two turns; select the new station as explained. Be sure to retighten the locking screw otherwise the stations you have selected will not stay adjusted.

**ALIGNING I.F. TRANSFORMERS**

Part No. 10895D Output I. F. Transf  
Part No. 10896E Input I. F. Transformer  
These I.F. transformers have two adjustments, both of which are accessible from the top of chassis (see Fig. 1).

1. With volume control full on (the extreme right of its rotation), and with the variable condenser set to approximately 1400 kilocycles, make the following adjustments:
  - (a) Connect external oscillator set at 465 kilocycles, in series with 1 mfd. condenser, to the control grid cap of the type 6S7G tube, and adjust the output I.F. transformer (No. 10895D) to resonance.
  - (b) Move oscillator output clip from grid of 6S7G to grid of 6D8G and adjust input I.F. transformer (No. 10896E) to resonance.
  - (c) With oscillator still connected to 6D8G, readjust output I.F. transformer (10895D) if necessary.

**R.F. ALIGNMENT: (535-1720 K. C.)**

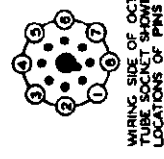
1. With gang condenser in its minimum capacity position, plates entirely out of mesh, connect an external oscillator in series with a 100 mfd. condenser to the antenna lead and chassis ground and make the following adjustments:
  - (a) with external oscillator set at 1720 kilocycles, adjust oscillator trimmer to resonance. This adjustment is on the top of rear section of variable gang condenser. (See Fig. 1).
  - (b) Re-set external oscillator to 1400 kilocycles, rotate

Voltage taken from different points of circuit to chassis are measured with volume control full on, all tubes in their sockets and speaker connected, with a volt meter having a resistance of 1000 ohms per volt. Antenna Shorted to Ground

**VOLTAGES AT SOCKETS**

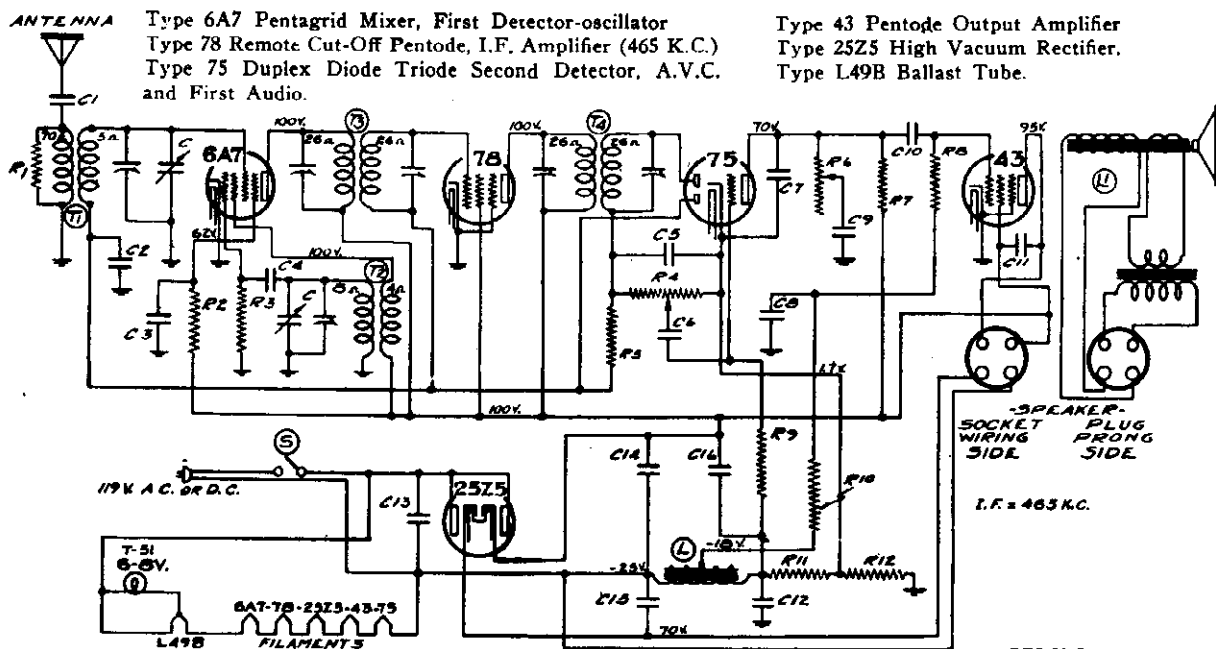
TUBE	FUNCTION	Pin No. 1	Pin No. 2	Pin No. 3	Pin No. 4	Pin No. 5	Pin No. 6	Pin No. 7	Pin No. 8
6D8	Converter	0	6.25	137	80	137	6.25	137	6.25
6S7	I. F. Amplifier	0	6.25	137	80	3.0	6.25	137	6.25
6T7	Detector-Triode	0	6.25	57	6.25	6.25	6.25	6.25	6.25
6K6	Output	0	6.25	130	137	6.25	6.25	6.25	6.25
6K5	Output as read across heater terminals 2 and 7.								

(1) DC voltage as read across heater terminals 2 and 7. Supply Voltage 6.3 DC—Volume Control. Maximum Residual takes with 1000 ohm-ohm-volt meter



MODELS 62-601,  
93BR-601

MONTGOMERY-WARD & CO.



**RESISTORS**

No.	Part No.	Description
R1	130-12	50M Ohm—1/4W—20%—20V—Carbon
R2	130-21	20M Ohm—1/4W—20%—20V—Carbon
R3	130-12	50M Ohm—1/4W—20%—20V—Carbon
R4	101-54	1 meg Ohm—Volume Control
R5	130-119	3 meg Ohm—1/2W—20%—100V—Carbon
R6	101-55	1 meg Ohm—Tone Control
R7	130-120	100M Ohm—1/2W—20%—50V—Carbon
R8	130-5	300M Ohm—1/4W—20%—100V—Carbon
R9	130-38	2 meg Ohm—1/4W—20%—100V—Carbon
R10	130-9	200M Ohm—1/4W—20%—20V—Carbon
R11	106-28	35 Ohm—Muter Strip
R12	106-28	50 Ohm—Muter Strip

**CONDENSERS**

C1	100-29	.002 x600 Volt—25%
C2	100-22	.05 x200 Volt—25%
C3	100-22	.05 x200 Volt—25%
C4	129-12	.00025 Mica—MT—30%
C5	129-12	.00025 Mica—MT—20%
C6	100-11	.01 x400 Volt—20%
C7	129-2	.0005 Mica—MT—20%
C8	100-20	.1 x200 Volt—25%
C9	100-11	.01 x400 Volt—25%
C10	100-11	.01 x400 Volt—25%
C11	100-25	.002 x600 Volt—25%
C12	100-6	.25 x200 Volt—20%
C13	100-39	.1 x400 Volt—20%
C14	119-25	16 mfd. x100 Volt—Working Voltage
C15	119-25	5 mfd. x100 Volt—Working Voltage
C16	119-25	8 mfd. x100 Volt—Working Voltage

NOTE: R11 and R12 in one unit—No. 106-28.

NOTE: C14, C15, and C16 in one unit—No. 119-25

**TUNING RANGE**—  
Standard Broadcast Band  
535-1720 Kilocycles

C	102-33	One section of two gang condenser
T1	111-57	Antenna Coil
T2	110-46	Oscillator Coil
T3	108-82	Input I.F. Coil—465 Kc.
T4	108-83	Output I.F. Coil—465 Kc.
L	105-29	Filter Choke (Resistance 600 Ohms)
L1	114-43	Five Inch Speaker (Field resistance 3000 Ohms)
S	101-54	On and off switch on Volume Control

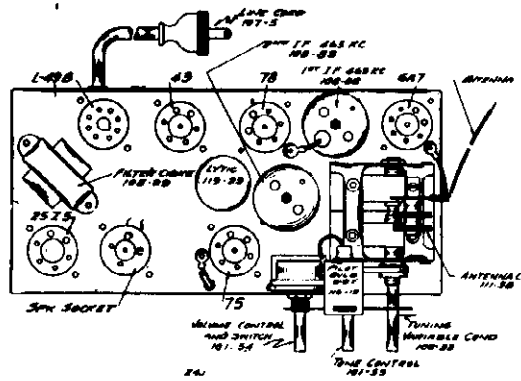


FIG. 2—TOP VIEW

**SERIES B** is the same as Series A, except for the following changes:—

- 1 - The C15 condenser was eliminated.
- 2 - The C14 condenser was replaced by a C15 (Part #119-29) 30 mfd. capacity, and the C16 was replaced by a C14 (Part #119-29) 5 mfd. capacity.

**ALIGNING I.F. TRANSFORMERS: (465 K.C.):**

Part No. 108-83 Output I.F. Transformer  
Part No. 108-82 Input I.F. Transformer

These I.F. transformers have two adjustments, both of which are accessible from the top of chassis (see top view).

1. With volume control full on (the extreme right of its rotation), and with the variable condenser set to approximately 1400 kilocycles, make the following adjustments:

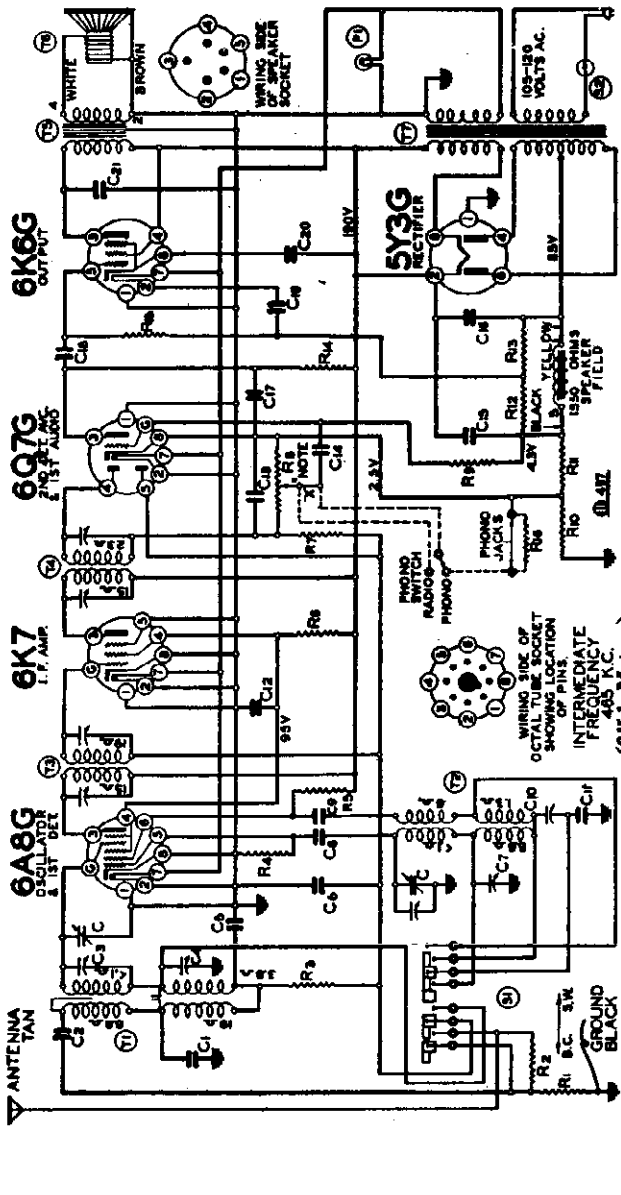
- (a) Connect external oscillator set at 465 kilocycles, in series with .1 mfd. condenser, to the control grid cap of the type 78 tube, and adjust the output I.F. transformer (No. 108-83) to resonance.
- (b) Move oscillator output clip from grid of 78 grid cap of 6A7 and adjust input I.F. transformer (No. 108-82) to resonance.
- (c) With oscillator still connected to 6A7, readjust output I.F. transformer (108-83) if necessary.

**R.F. ALIGNMENT: (535-1720 K.C.)**

1. Unsolder the antenna wire from its terminal on the antenna coil and with gang condenser in its minimum capacity position, plates entirely out of mesh, connect an external oscillator in series with a 50 mfd. condenser to the antenna terminal on the antenna coil and chassis ground and make the following adjustments:
  - (a) With external oscillator set at 1720 kilocycles, adjust oscillator trimmer (rear of gang condenser).
  - (b) Re-set external oscillator to 1550 kilocycles, rotate condenser, pick up oscillator signal and adjust antenna trimmer to resonance (front section of gang condenser).
  - (c) Check sensitivity at 600 and 1000 kilocycles.

**POWER SUPPLY:**  
 Receivers of this model which are to be used on voltages or frequencies other than 110-130-230 volts, 40-60 cycles are so marked. (Standard chassis is equipped with regular 105-115 volt 50/60 cycle Power Transformer). The power consumption of this receiver is 55 watts. (See taps on top of power transformer.)  
 110 Tap: For line voltages of 100 to 125 volts.  
 130 Tap: For line voltages of 125 to 145 volts.  
 230 Tap: For line voltages of 210 to 250 volts.

To remove the chassis from the cabinet, remove the four bolts which are used to fasten the chassis to the cabinet bottom; remove the special locking screw in the center of the tuning knob on the side of the cabinet; pull the knobs off their shafts and pull off the six button lever keys on front of dial.



All voltages are to be measured with 115 volts on the primary of the power transformer. **FREQUENCY RANGE 535 to 1720 K.C. (Kilocycles) and 5.45 to 18.3 M.C. (Megacycles)** the circuit diagram.

**2-Band A. C. Super heterodyne Receiver**  
**CHASSIS MODEL 583 SERIES "A"**  
 (Serial No. 84877900 and up)

Part No.	Description	Value	Notes
R1	10M ohm	1/3 w. 20%	
R2	600 ohm	1/3 w. 20%	
R3	100M ohm	1/3 w. 20%	
R4	50M ohm	1/3 w. 20%	
R5	10M ohm	1/3 w. 20%	
R6	20M ohm	1/3 w. 20%	
R7	3 megohm	1/3 w. 20%	
R8	1 megohm	1/3 w. 20%	
R9	3 megohm	1/3 w. 20%	
R10	55 ohm	1/3 w. 10%	
R11	40 ohm	1/3 w. 10%	
R12	100M ohm	1/3 w. 10%	
R13	200M ohm	1/3 w. 10%	
R14	500M ohm	1/3 w. 10%	
R15	35M ohm	1/3 w. 20%	
R16	35M ohm	1/3 w. 20%	
C1	2 gang variable condenser		
C2	.0009 mica	5%	
C3	.00105 mica	10%	
C4	2-25 vari. Adj. Cond.		
C5	2-20 vari. Adj. Cond.		
C6	.05 x 200 v. 25%		
C7	.05 x 200 v. 25%		
C8	.0005 mica	20%	
C9	.002 x 600 v. 25%		
C10	350 mini. w. capacity - Series pad		
C11	.00348 - 2-1/2% Comp. Type		
C12	.25 x 40 v. 25%		
C13	.0001 Mica	20%	
C14	.01 x 400 v. 25%		
C15	8.0 mid. 350 w.v. lyric		
C16	4.0 mid. 350 w.v. lyric		
C17	.01 x 400 v. 10%		
C18	.1 x 200 v. 10%		
C19	.05 x 400 v. 25%		
C20	.006 x 600 v. 25%		
C21	.006 x 600 v. 25%		
T1	111-93 Antenna coil complete		
T2	110-74 Oscillator coil complete		
T3	108-111B Input I.F. Complete 465 kc.		
T4	108-112B Output I.F. Complete 465 kc.		
T5	105-57 6" Dynamic Speaker (1550 Ohm Field)		
T6	114-110 Power Transformer - Universal		
T7	104-124 Power Transformer - Universal		
T8	104-127 Power Transformer - Universal		
S1	125-46 Band Switch		
S2	Off-on switch on volume control		

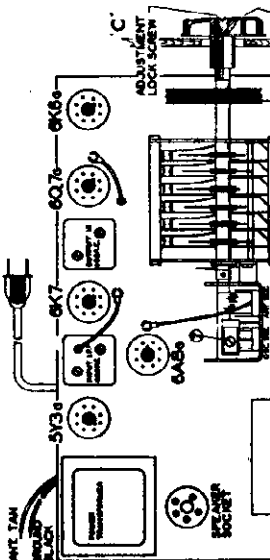


FIG. 1—TOP VIEW

Mica condensers are coded with an additional dot indicating tolerance:

Tolerance Percent	Color of Dot
2 1/2 %	White
5 %	Green
10 %	Blue
15 %	Yellow
20 %	Red
More than 20 %	None.

FOR OTHER DATA SEE INDEX

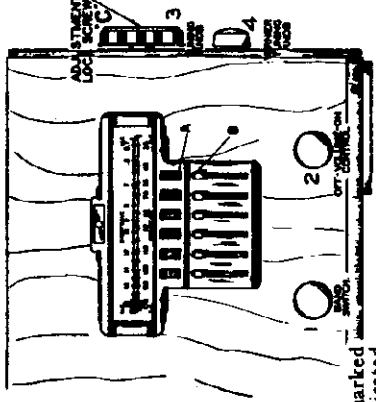
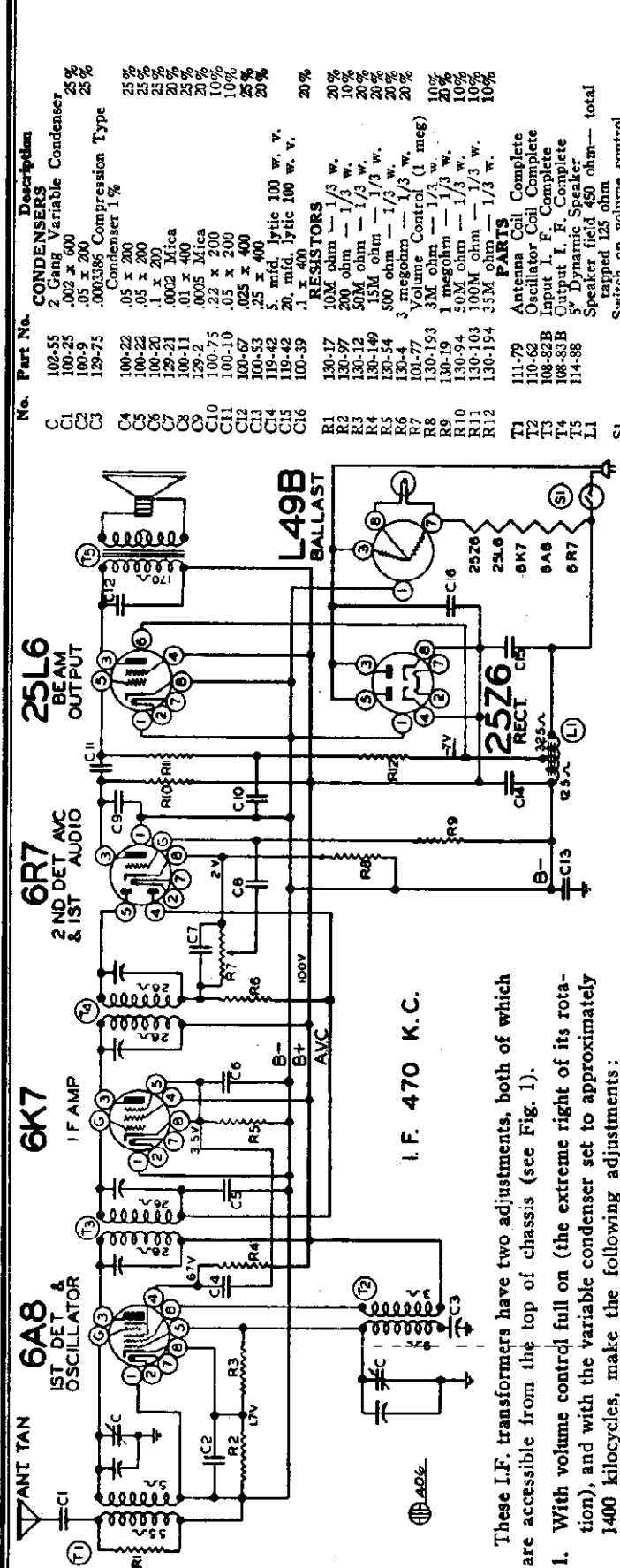


FIG. 2—BOTTOM VIEW

\*NOTE:—When phono connections are made, wire marked "X" should be cut and phono connections made as indicated by dotted lines Resistor R16 and phono jacks should be added.

MODELS 62-536, 62-546,  
62-556

MONTGOMERY-WARD & CO.



These I.F. transformers have two adjustments, both of which are accessible from the top of chassis (see Fig. 1).

1. With volume control full on (the extreme right of its rotation), and with the variable condenser set to approximately 1400 kilocycles, make the following adjustments:

- (a) Connect external oscillator set at 470 kilocycles, in series with .1 mfd. condenser, to the control grid cap of the type 6K7G tube, and adjust the output I.F. transformer (No. 108-83B) to resonance.
- (b) Move oscillator output clip from grid of 6K7G to grid of 6A8G and adjust input I.F. transformer (No. 108-82B) to resonance.
- (c) With oscillator still connected to 6A8G, readjust output I.F. transformer (108-83B) if necessary.

**R.F. ALIGNMENT: (535-1720 K.C.)**

1. Unsolder the antenna wire from its terminal on the antenna coil and with gang condenser in its minimum capacity position, plates entirely out of mesh, connect an external oscillator in series with a 50 mmf. condenser to the antenna terminal on the antenna coil and chassis ground and make the following adjustments:

- (a) With external oscillator set at 1720 kilocycles, adjust oscillator trimmer to resonance. This adjustment is on the top of rear section of variable gang condenser. (See Fig. 1).

No.	Part No.	Description
C1	102-55	2 Gang Variable Condenser
C2	100-25	.002 μ 600
C3	100-9	.05 x 200
C4	129-75	.003385 Compression Type Condenser 1%
C5	100-22	.05 x 200
C6	100-25	.05 x 200
C7	100-25	.05 x 200
C8	129-21	.002 Mica
C9	100-11	.01 x 400
C10	129-5	.005 Mica
C11	100-75	.22 x 200
C12	100-10	.05 x 200
C13	100-67	.025 x 400
C14	100-53	.25 x 400
C15	19-42	5. mfd. Lytic 100 w. v.
C16	19-42	20. mfd. Lytic 100 w. v.
R1	130-17	10M ohm — 1/3 w.
R2	130-97	200 ohm — 1/3 w.
R3	130-12	50M ohm — 1/3 w.
R4	130-149	15M ohm — 1/3 w.
R5	130-54	500 ohm — 1/3 w.
R6	130-4	3 megohm — 1/3 w.
R7	101-77	Volume Control (1 meg)
R8	130-193	3M ohm — 1/3 w.
R9	130-19	1 megohm — 1/3 w.
R10	130-94	50M ohm — 1/3 w.
R11	130-103	100M ohm — 1/3 w.
R12	130-194	35M ohm — 1/3 w.
T1	111-79	Antenna Coil Complete
T2	110-62	Oscillator Coil Complete
T3	108-82B	Input I. F. Complete
T4	108-83B	Output I. F. Complete
T5	114-88	5" Dynamic Speaker
L1		Speaker field 450 ohm— total tapped 125 ohm
SI		Switch on volume control ANTENNA YELLOW

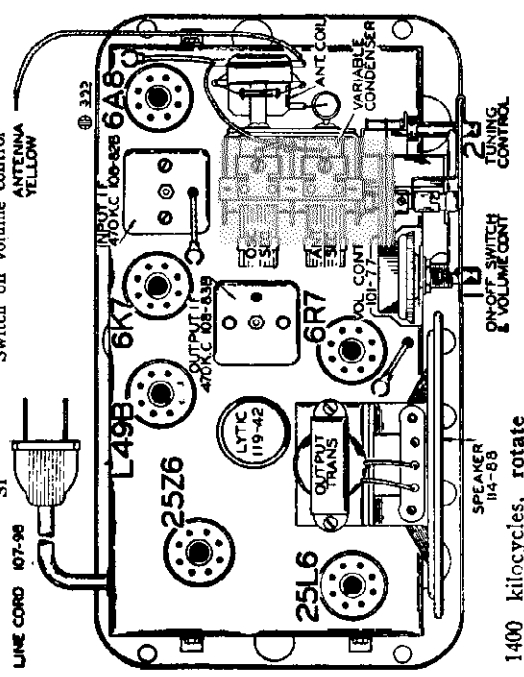
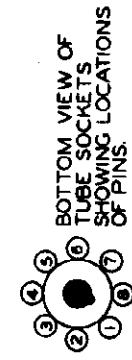
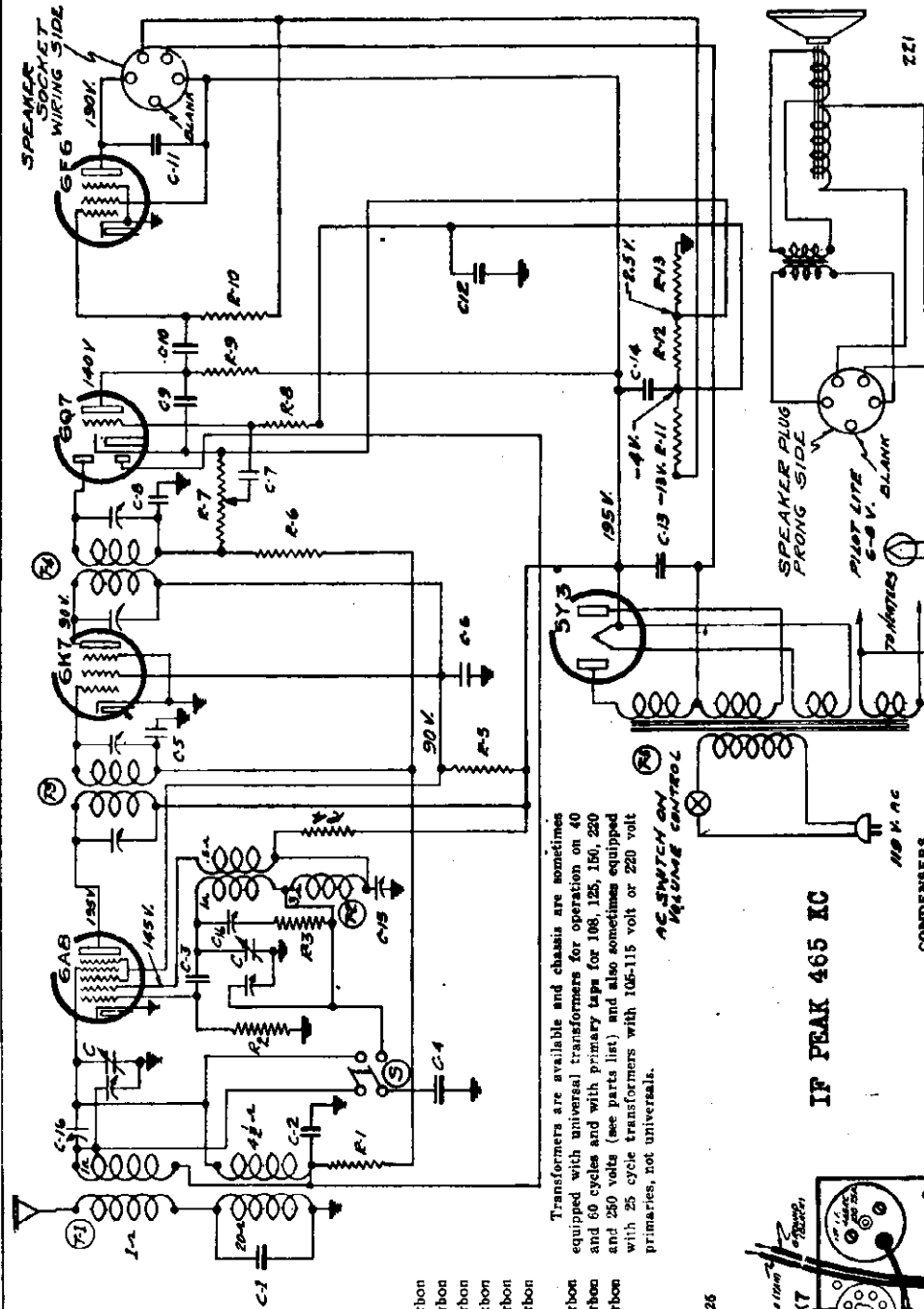


FIG. 1—TOP VIEW

- (b) Re-set external oscillator to 1400 kilocycles, rotate condenser, pick up oscillator signal and adjust antenna trimmer to resonance. (Top of front section of gang condenser).
- (c) Check sensitivity at 600 and 1000 kilocycles.



MONTGOMERY-WARD & CO.



Transformers are available and chassis are sometimes equipped with universal transformers for operation on 40 and 60 cycles and with primary taps for 108, 125, 150, 220 and 250 volts (see parts list) and also sometimes equipped with 25 cycle transformers with 105-115 volt or 220 volt primaries, not universal.

RESISTORS

No. Part No.	Description
R1	130-111 100M Ohms 1/10W-20%-50V Carbon
R2	130-112 50M Ohms 1/3 W-20%-20V Carbon
R3	130-112 100 Ohms 1/10W-20%-10V Carbon
R4	130-22 5M Ohms 1/3 W-20%-10V Carbon
R5	130-77 10M Ohms 1 W-20%-100V Carbon
R6	130-110 1 meg Ohm 1/10W-10%-100V Carbon
R7	101-49 1 meg Ohm Volume Control
R8	130-113 2 meg Ohm 1/10W-20%-100V Carbon
R9	130-20 100M Ohms 1/3W-20%-50V Carbon
R10	130-100 150M Ohms 1/3W-20%-50V Carbon
R11	106-26 220 Ohms
R12	106-26 33 Ohms
R13	106-26 52 Ohms

NOTE: R11, R12, and R13 in one unit-106-26

INDICATED VOLTAGES ARE MEASURED TO CHASSIS WITH 1/8 VOLT LINE, SET NOT TUNED TO STRONG SIGNAL

MISCELLANEOUS PARTS

- T1 111-56A Antenna Coil
- T2 110-44 Oscillator Coil
- T3 108-75A Input I.F. 465 Kc.
- T4 108-76A Output I.F. 465 Kc.
- T5 104-56 Power Transformer-60 Cycles
- S 125-19 Band Switch
- C 102-31 One Section of Two Gang Condenser
- 1-Type 6A8 Pentagrid Mixer, First Detector-oscillator
- 1-Type 6K7 Remote Cut-Off Pentode, I. F. Amplifier (465 K.C.)
- 1-Type 6Q7-G Duplex Diode-Triode Second Detector, A.V.C. and First Audio.
- 1-Type 6F6-G Pentode Output Amplifier.
- 1-Type 5Y3 High Vacuum Rectifier.

CONDENSERS

- C1 129-63 .0004 Mica-W-10%
- C2 100-26 .02 x 400 Volt-25%
- C3 129-62 .00003 Mica-0-10%
- C4 129-61 .0017 Mica-W-2 1/2%
- C5 100-9 .05 x 200 Volt-25%
- C6 100-6 .25 x 200 Volt-25%
- C7 100-11 .01 x 400 Volt-25%
- C8 129-12 .00025 Mica-0-20%
- C9 129-12 .00025 Mica-0-20%
- C10 100-11 .01 x 400 Volt-25%
- C11 100-19 .006 x 600 Volt-25%
- C12 100-6 .25 x 200 Volt-25%
- C13 100-6 8 mid. x 350 Volt Electrolytic
- C14 103-7 8 mid. x 300 Volt Electrolytic
- C15 124-29 Adjustable condenser 350 mmf. working capacity
- C16 124-30 Adjustable Dual Condenser

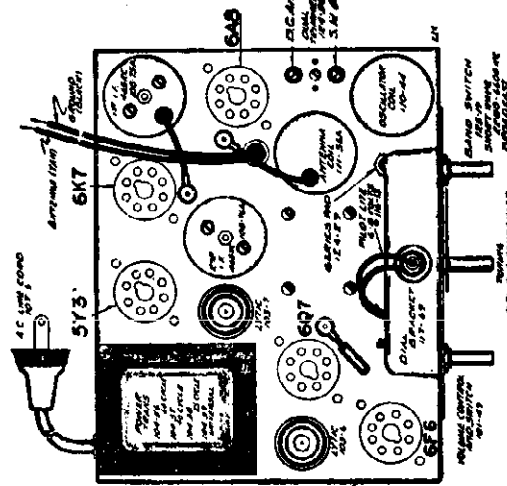


FIG. 1-TOP VIEW

MODELS 62-249, 62-317

MODEL 62-587

MONTGOMERY-WARD & CO.

MODEL 62-587  
ALIGNMENT

SHORT WAVE OSCILLATOR ADJUSTMENT:

1. With band switch in the short wave band position, extreme right of its rotation, and with the gang condenser in its minimum capacity position, plates entirely out of mesh, and with the external oscillator connected in series with "Dummy 1" to grid cap of the 6A8 tube, make the following adjustment:

(a) Set external oscillator to 6.6 megacycles and adjust short wave oscillator trimmer to resonance. This adjustment is marked "S.W. Osc." (see top view of chassis, Fig. 1, for location of this adjustment).

NOTE: Make certain that the fundamental 6.6 megacycles signal has been tuned in and not the image frequency, noting that the image appears when the tuning knob is moved to approximately 5.7 megacycles.

BROADCAST BAND OSCILLATOR ADJUSTMENT:

1. With band switch in the broadcast position, extreme left of its rotation, and with the gang condenser in its minimum capacity position, plates entirely out of mesh, and with external oscillator connected in series with "Dummy 1" to grid cap of the 6A8 tube, make the following adjustment:

(a) Set external oscillator to 1720 K.C. and adjust broadcast oscillator trimmer to resonance. This adjustment is the trimmer mounted on the front section of the variable gang condenser.

BROADCAST BAND ANTENNA ADJUSTMENT:

1. With the band switch still in the broadcast position, move the external oscillator from the grid cap of the 6A8 tube to the tan antenna lead and black ground lead, in series with "Dummy 2" and make the following adjustments:

(a) Set external oscillator to 1650 K.C., rotate variable gang condenser and pick up signal. Adjust broadcast antenna trimmer to resonance. This adjustment is marked "B.C. Ant." (See top view of chassis, Fig. 1, for location of this adjustment).

(b) Re-set external oscillator to 600 K.C. and adjust broadcast series pad to resonance by rotating condenser to approximately 600 K.C., rocking it slowly to and fro until, by adjusting series pad, maximum output is attained. This adjustment is located on the top of the chassis directly in front of the antenna coil. (See top view of chassis, Fig. 1).

(c) Repeat adjustments "a" and "b" until sensitivity is at its maximum.

SHORT WAVE BAND ANTENNA ADJUSTMENT:

1. With the band switch in the short wave position, and with external oscillator connected in series with "Dummy 3," to the tan antenna lead and black ground lead, make following adjustment:

(a) Set external oscillator to 6 megacycles and adjust the short-wave antenna trimmer to resonance. This adjustment is the trimmer mounted on the rear section of the variable gang condenser.

RESONANCE INDICATOR:

Use as a resonance indicator an output meter connected across the primary of the speaker input transformer, or by means of an adapter between the plate and screen terminals of the type 6P6-G output tube. Maximum deflection of the meter indicates resonance. Use only enough signal to get a readily readable output. A low range output meter or the low scale of a multi-range meter should be used.

DUMMY ANTENNAS:

The following dummy antennas are used in aligning and are referred to in the following alignment instructions as "Dummy 1," "Dummy 2," and "Dummy 3."

Dummy 1: (I.F.)—Consists of a .1 mfd. condenser connected in series with the external oscillator.

Dummy 2: (Broadcast)—Consists of a 200 mmfd. condenser and a 20 ohm resistor connected in series with each other and in series with the external oscillator.

Dummy 3: (Short Wave)—Consists of a .1 mfd. condenser and a 400 ohm resistor connected in series with each other and in series with the external oscillator.

ALIGNING I.F. TRANSFORMERS: (465 K.C.):

Part No. 108-76A Output I.F. Transformer

Part No. 108-76A Input I.F. Transformer

These I.F. transformers have two adjustments, both of which are accessible from the top of chassis (see top view).

1. With volume control full on (the extreme right of its rotation), the band changing switch in the broadcast position, (extreme left of its rotation), and with the variable condenser set to approximately 1600 kilocycles, make the following adjustments:

(a) Connect external oscillator set at 465 kilocycles, in series with "Dummy 1," to the control grid cap of the type 6K7 tube, and adjust the output I.F. transformer (No. 108-76A) to resonance.

(b) With "Dummy 1" still connected, move oscillator output clip from grid of 6K7 to grid cap to 6A8 and adjust input I.F. transformer (No. 108-76A) to resonance.

(c) With oscillator still connected to 6A8, readjust output I.F. transformer (108-76A) if necessary.

BROADCAST AND SHORT WAVE BAND ALIGNMENT

Broadcast Band—555 Mc 1720 Kilocycles.

Short Wave Band—3280 to 6800 Kilocycles.

Important—These adjustments must be made in the following order:

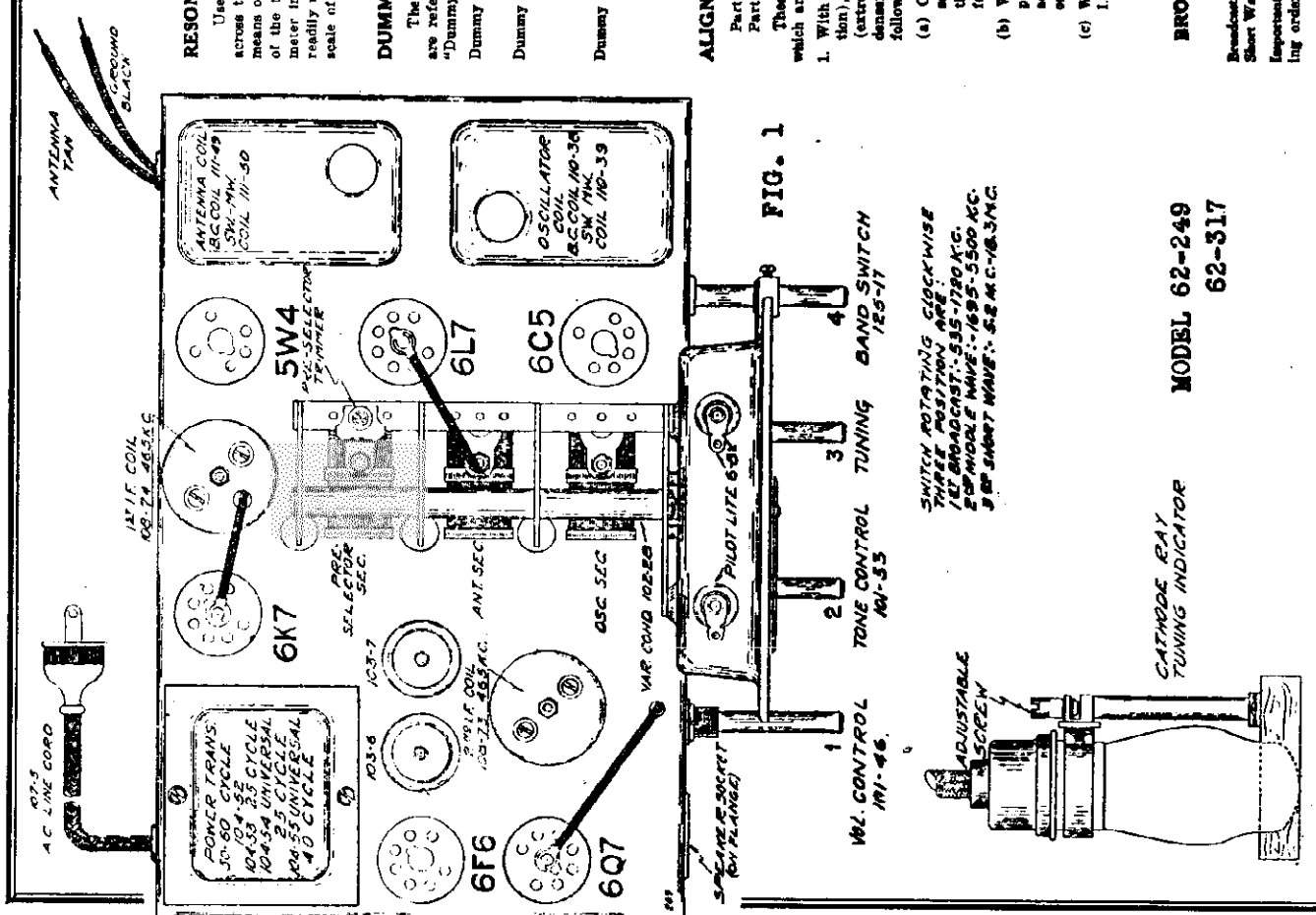
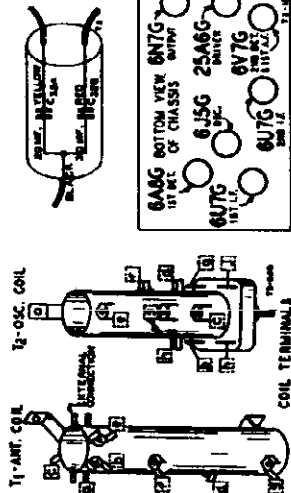


FIG. 1

MODEL 62-249  
62-317

MONTGOMERY-WARD & CO.

32 Volt Power Supply



Line Voltage Range

The radio will operate satisfactorily within a line voltage range of 25 to 42 volts. If the line voltage is higher than 42, it will be necessary to use a series resistor to cut it down. If the voltage varies, a variable resistor may be required.

Starting Current

When first turned on for a few seconds the drain is slightly higher than normal until the tubes heat up. Some automatic plants are adjusted to start under a load of 200 to 300 watts. If a number of devices such as lights or motors are being used and the radio set is turned on the total drain may be sufficient to start the plant.

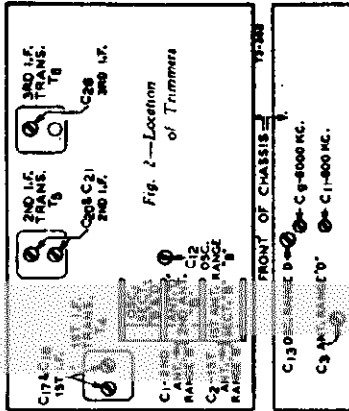
This radio is designed for use on farms and in those places where the power supply consists of a 32 volt direct current generating plant.

Polarity of Power Supply

There is a red mark on the plug at the end of the power supply cord of the radio. The prong of the plug at which the red mark is placed must be plugged into the positive side of the line.

Caution

If used on any other type of power supply than 32 volt D.C. severe damage may be done to the receiver. Do not turn the radio on unless all of the tubes and the dial lamps are in the proper sockets. Use only No. 51 dial lamps.



Power Consumption - 1.45 Amperes at 32 Volts DC Intermediate Frequency ..... 456 KC  
 Power Output ..... .17 Watts Unloaded Speaker ..... 6" or 8" Electro-Dynamic  
 Selectivity ..... 30 KC Broad at 1000 times Signal  
 Sensitivity (For .25 watt output) B Range ..... 8.0 Microvolts Average B Range ..... 528 to 1730 KC (Kilocycles)  
 D Range ..... 6.8 Microvolts Average D Range ..... 5750 to 18300 KC (Kilocycles)

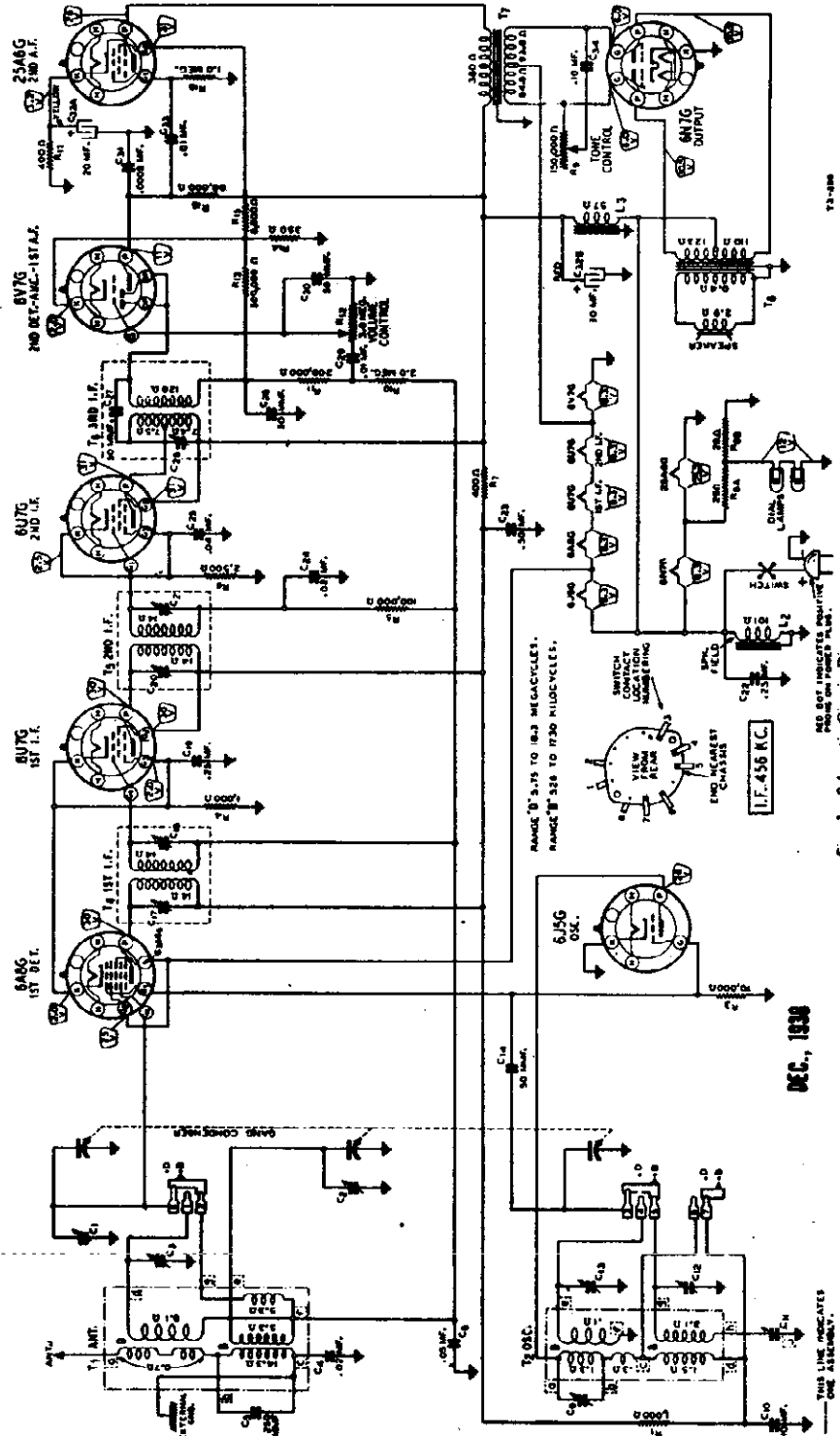


Fig. 3—Schematic Circuit Diagram



MODELS 62-752, 62-753

MODELS 93WG-1102, 93WG-1110 MONTGOMERY-WARD & CO.

MODELS 93WG-1102, 93WG-1110

ALIGNMENT PROCEDURE

Volume Control—Maximum All Adjustments.  
 Selectivity Control—Sharp Position All Adjustments.  
 Connect Radio Chassis to Ground Post of Signal Generator with a Short Heavy Lead.  
 Allow Chassis and Signal Generator to "Heat Up" for several minutes.  
 Output Indicating Meter—Non-Metallic Screwdriver.  
 Dummy Antennas—1 mf., 200 mmf., and 400 ohms.

SIGNAL GENERATOR FREQUENCY SETTING	CONNECTION AT RADIO	DUMMY ANTENNA	BUTTON DEPRESSED	CONDENSER SETTING	ADJUST TRIMMERS TO MAXIMUM (Unless otherwise specified)
I. F.	Grid of I.F. Tube	.1 mf.	B Range	Turn Rotor to Full Open	2nd I.F. (C29) & (C30)
	Grid of 1st Det.	.1 mf.	B Range	Turn Rotor to Full Open	1st I.F. (C15) & (C16)
RANGE B	Antenna Lead	200 mmf.	B Range	Turn Rotor to Full Open	Oscillator Range B (C15)
	Antenna Lead	200 mmf.	B Range	Turn Rotor to Max. Output	Ant. Range B (C3)
				Set Indicator to 1500 KC—See Note A.	Int. Range B (C8)
400 KC	Antenna Lead	200 mmf.	B Range	Turn Rotor to Max. Output	400 KC (C16)
					Rock Rotor—See Note B
WAVE TRAP	Antenna Lead	200 mmf.	B Range	Turn Rotor to Full Open	Wave Trap (C1)
				Adjust Sig. Gen.—See Note C	Adjust for MINIMUM Output
RANGE C	Antenna Lead	400 Ohm	C Range	Turn Rotor to Full Open	Oscillator Range C (C14)
	Antenna Lead	400 Ohm	C Range	Turn Rotor to Max. Output	Ant. Range C (C4)
					Int. Range C (C7)
RANGE D	Antenna Lead	400 Ohm	D Range	Turn Rotor to Full Open	Oscillator Range D (C13)
	Antenna Lead	400 Ohm	D Range	Turn Rotor to Max. Output	Ant. Range D (C6)
					Int. Range D (C4)
					Rock Rotor—See Note B
7000 KC	Antenna Lead	400 Ohm	D Range	Turn Rotor to Max. Output	7000 KC (C12)
					Rock Rotor—See Note B
PERMEABILITY TUNING UNIT	Antenna Lead	200 mmf.	No. 1	Setting Screw No. 1	Antenna Coil No. 1
	Antenna Lead	200 mmf.	No. 2	Setting Screw No. 2	Antenna Coil No. 2
	Antenna Lead	200 mmf.	No. 3	Setting Screw No. 3	Antenna Coil No. 3
	Antenna Lead	200 mmf.	No. 4	Setting Screw No. 4	Antenna Coil No. 4
	Antenna Lead	200 mmf.	No. 5	Setting Screw No. 5	Antenna Coil No. 5
	Antenna Lead	200 mmf.	No. 6	Setting Screw No. 6	Antenna Coil No. 6

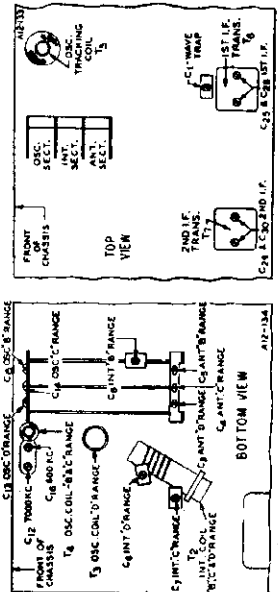


Fig. 1—Location of Trimmers  
 CAUTION—When aligning the short wave band be sure NOT to adjust at the image frequency. This can be checked as follows: 5000 KC. The signal generator is set for 5000 KC on the dial of the radio. The image signal, which is much weaker, will be heard

MODELS 62-752, 62-753

ALIGNMENT PROCEDURE

Volume Control—Maximum All Adjustments.  
 Selectivity Control—Sharp Position All Adjustments.  
 Connect Radio Chassis to Ground Post of Signal Generator with a Short Heavy Lead.  
 Allow Chassis and Signal Generator to "Heat Up" for several minutes.  
 Output Indicating Meter—Non-Metallic Screwdriver.  
 Dummy Antennas—1 mf., 200 mmf., and 400 ohms.

SIGNAL GENERATOR FREQUENCY SETTING	CONNECTION AT RADIO	DUMMY ANTENNA	BAND SWITCH	CONDENSER SETTING	ADJUST TRIMMERS TO MAXIMUM (Unless otherwise specified)
I. F.	Grid of I.F. Tube	.1 mf.	B Range	Turn Rotor to Full Open	1st I.F. (C17) & (C18)
	Grid of 1st Det.	.1 mf.	B Range	Turn Rotor to Full Open	2nd I.F. (C21)
RANGE B	Antenna Lead	200 mmf.	B Range	Turn Rotor to Full Open	Oscillator Range B (C12)
	Antenna Lead	200 mmf.	B Range	Turn Rotor to Max. Output	1st Ant. Range B (C2)
				Set Indicator to 1500 KC—See Note A.	2nd Ant. Range B (C1)
400 KC	Antenna Lead	200 mmf.	B Range	Turn Rotor to Max. Output	400 KC (C11)
					Rock Rotor—See Note B
RANGE D	Antenna Lead	400 Ohm	D Range	Turn Rotor to Full Open	Oscillator Range D (C13)
	Antenna Lead	400 Ohm	D Range	Turn Rotor to Max. Output	Ant. Range D (C6)
					Int. Range D (C4)
					Rock Rotor—See Note B
15,000 KC	Antenna Lead	400 Ohm	D Range	Turn Rotor to Max. Output	15,000 KC (C5)
					Rock Rotor—See Note B

Attenuate the signal from the signal generator to prevent the leveling-off action of the AVC.  
 After each range is completed, repeat the procedure as a final check.  
 NOTE A—If the pointer is not at 1500 KC on the dial, loosen the 2 clamps which hold the pointer to the 1500 KC mark, and tighten them to the correct position.  
 NOTE B—Turn the rotor back and forth and adjust the trimmer until the peak of greatest intensity is obtained.  
 NOTE C—Leave condenser rotor at the 500 KC setting and adjust the signal generator unit maximum output is obtained at or near 500 KC.  
 NOTE D—At the bottom of the permeability tuning unit, there are 6 trimmer potentiometers. Turn the 6 screws clockwise, insert the end of the screwdriver into the proper button and adjust the position of the antenna (rear) coil by twisting the potentiometer until maximum output is obtained.

Drive Cord Replacement

1. Tie a knot with a small loop at one end of the new drive cord.  
 2. Tie the free end of the drive cord to the tension spring. The distance between knots should be .6875 inches.  
 3. Arrange to keep the gang condenser in the completely closed position.  
 4. Place the looped end of the drive cord over hook A on condenser drive drum B (See Fig. 4).  
 5. Pass the cord through slot C in the drum rim and wind one turn in a clockwise direction (from front of chassis) on condenser drive drum. Pass drive cord over pulleys D and E as shown. Continue cord down to shaft F and wind 4 turns clockwise, progressing towards the chassis. Bring cord over pulley G to bottom of condenser drive drum B as shown. Wind drive cord clockwise (from front of chassis) around condenser drive drum B to slot C. See that the drive cord does not cross in groove of condenser drive drum. Pass the remaining drive cord, and tension spring through slot C and secure the free end of the spring on hook A.

Drive Cord Replacement

NOTE A—If the pointer is not at 1500 KC on the dial, hold the drive cord and wind the potentiometer to the correct position.  
 NOTE B—Turn the rotor back and forth and adjust the trimmer until the peak of greatest intensity is obtained.  
 NOTE C—Leave condenser rotor at the 500 KC setting and adjust the signal generator unit maximum output is obtained at or near 500 KC.  
 NOTE D—At the bottom of the permeability tuning unit, there are 6 trimmer potentiometers. Turn the 6 screws clockwise, insert the end of the screwdriver into the proper button and adjust the position of the antenna (rear) coil by twisting the potentiometer until maximum output is obtained.

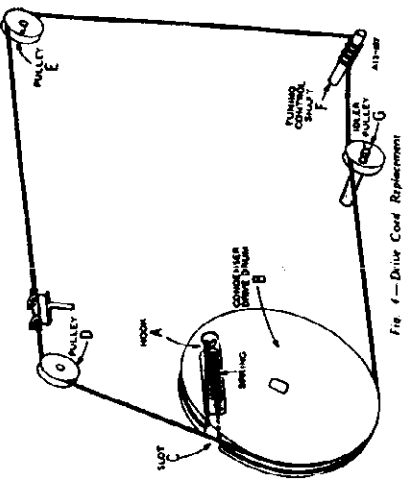
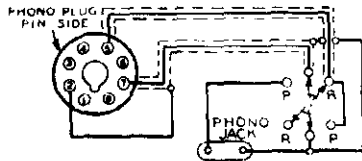


Fig. 4—Drive Cord Replacement

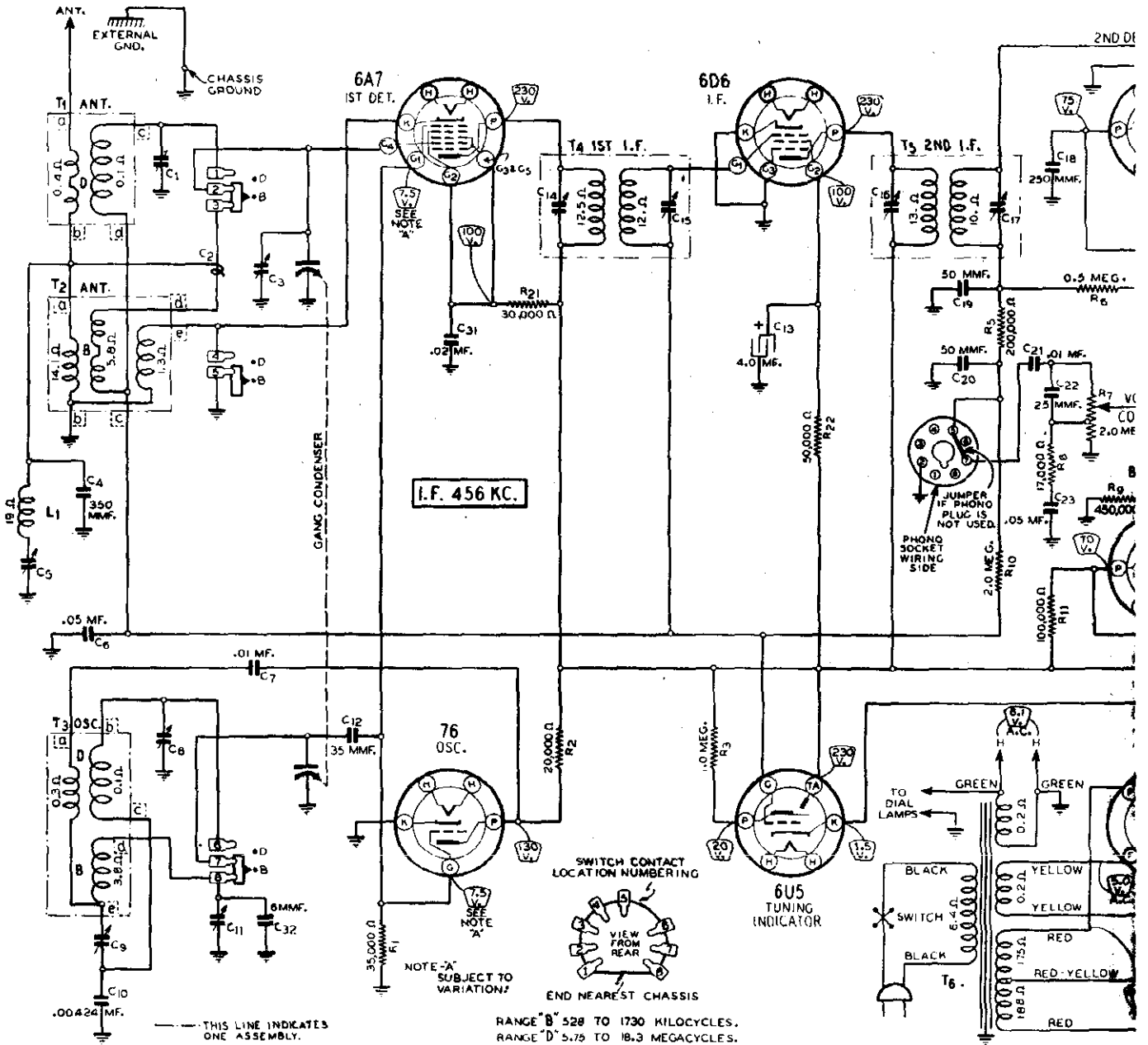
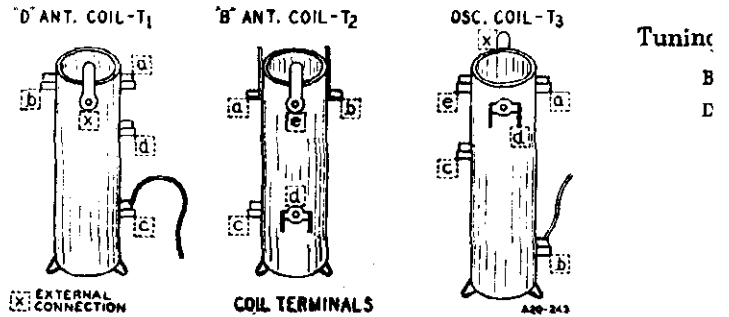
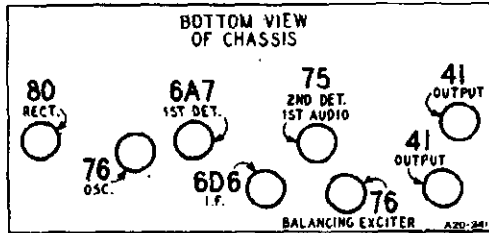
FOR OTHER DATA SEE INDEX



Power Consumption -- 65 Watts (At 117 volts 60 cycles)

Power Output - - - - - 3.0 Watts Undistorted  
4.0 Watts Maximum

Selectivity - - 40 KC Broad at 1000 times Signal



**MONT-WARD & CO.**

cles)	<b>Sensitivity</b> (For 0.5 watt output)	
rted	B Range.....	25 Microvolts Average
um	D Range.....	40 Microvolts Average
nal		

**Tuning Frequency Range**

B Range.....	528 to 1730 KC (Kilocycles)
D Range.....	5750 to 18300 KC (Kilocycles)

**Drive Cord Replacement**

Tie a knot with a small loop at one end of the new drive cord. Tie the other end to the tension spring, leaving a distance of 64 1/8 inches between the knots.

Turn the gang condenser to the full open position. Secure the free end of the spring over hook A—See Fig. 4. Turn the gang condenser to the completely closed position.

Pass the cord through slot B and, guiding the cord in the groove of the drive drum, turn the gang condenser to the full open position. Hook the cord in slot B and turn the gang condenser to the completely closed position. Unhook the cord from slot B and pass over pulleys C, D, and E as shown. Pass the cord in front of idler pulley F. Wind 2 1/2 turns counter-clockwise (from front of chassis) around the drive shaft spool, progressing away from the chassis. Pass cord up and over the drive drum. Guiding the cord in the groove of the drive drum, turn the gang condenser to the full open position. If necessary, stretch the tension spring and pull the drive cord taut. Pass drive cord through slot B and secure the loop to the tension spring at point G.

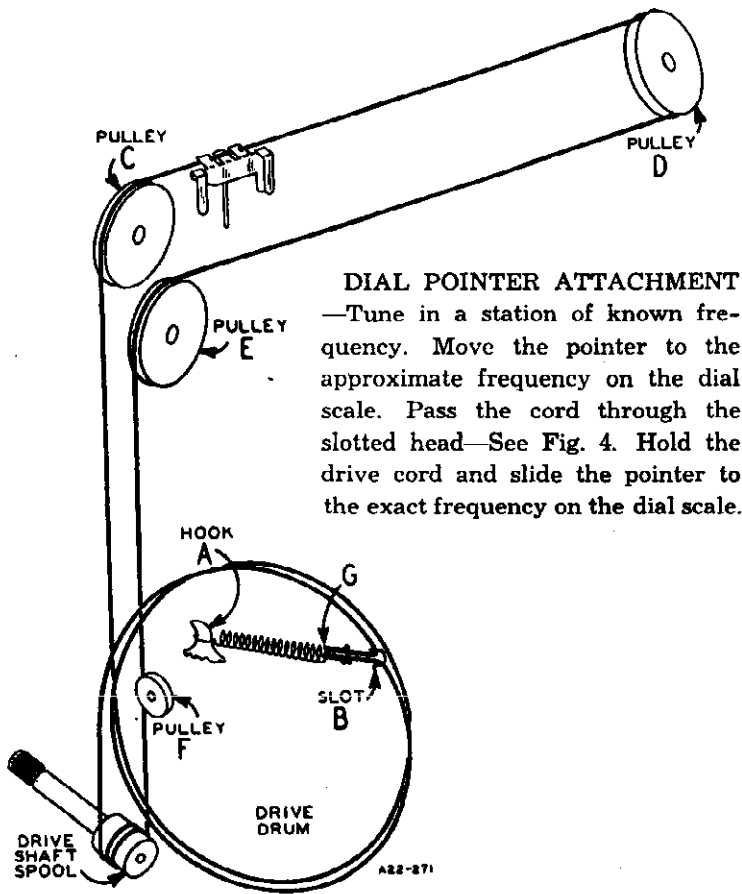
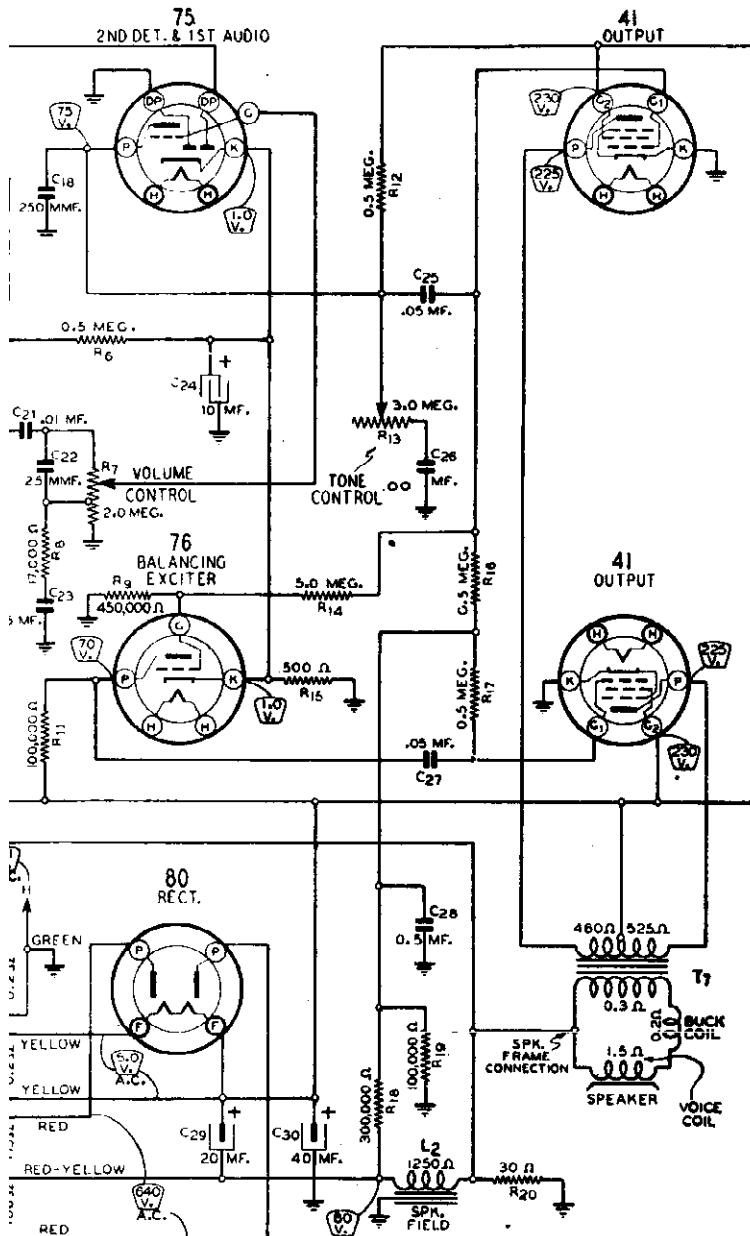


Fig. 4—Drive Cord Replacement

**DIAL POINTER ATTACHMENT**

—Tune in a station of known frequency. Move the pointer to the approximate frequency on the dial scale. Pass the cord through the slotted head—See Fig. 4. Hold the drive cord and slide the pointer to the exact frequency on the dial scale.

### ALIGNMENT PROCEDURE

Volume Control—Maximum All Adjustments.  
 Connect Radio Chassis to Ground Post of Signal Generator with a Short Heavy Lead.  
 Allow Chassis and Signal Generator to "Heat Up" for several minutes.  
**IMPORTANT**—Follow procedure in the order shown.

The following equipment is required for aligning:  
 An All Wave Signal Generator which will provide an accurately calibrated signal at the test frequencies as listed.  
 Output Indicating Meter—Non-Metallic Screwdriver.  
 Dummy Antennas—.1 mf., 200 mmf., and 400 ohms.

SIGNAL GENERATOR		DUMMY ANTENNA	BAND SWITCH SETTING	CONDENSER OR DIAL SETTING	ADJUST TRIMMERS TO MAXIMUM (Unless otherwise specified)
FREQUENCY SETTING	CONNECTION AT RADIO				
I. F. 456 KC	Grid of 1st Det.	.1 mf.	B Range	Turn Rotor to Full Open	2nd I.F. (C16) & (C17) 1st I.F. (C14) & (C15)
WAVE TRAP 456 KC	Antenna Lead	200 mmf.	B Range	600 KC	Wave Trap (C5) Adjust for MINIMUM Output
RANGE B				Turn Rotor to Full Closed Position. Pointer should be at low frequency end mark on scale—See Note A.	
1500 KC	Antenna Lead	200 mmf.	B Range	Turn Rotor until dial pointer is at 1500 KC	Oscillator Range B (C11)
1500 KC	Antenna Lead	200 mmf.	B Range	Leave Rotor at above setting	Ant. Range B (C3)
600 KC	Antenna Lead	200 mmf.	B Range	Turn Rotor to Max. Output	600 KC (C9) Rock Rotor—See Note B
RANGE D					
18,300 KC	Antenna Lead	400 Ohm	D Range	Turn Rotor to Full Open	Oscillator Range D (C8)
15,000 KC	Antenna Lead	400 Ohm	D Range	Turn Rotor to Max. Output	Ant. Range D (C1) Rock Rotor—See Note B

Attenuate the signal from the signal generator to prevent the leveling-off action of the AVC.

After each range is completed, repeat the procedure as a final check.

**NOTE A**—The low frequency end mark is a small dot at the left side of the short wave scale under the "5." of the number 5.8 and to the right of the "C" of the letters MC. If the pointer is not at this mark on the dial, move the pointer to this mark.

**NOTE B**—Turn the rotor back and forth and adjust the trimmer until the peak of greatest intensity is obtained.

**CAUTION**—When aligning the short wave bands, be sure NOT to adjust at the image frequency. This can be checked as follows: Let us say the signal generator is set for 15,000 KC. The signal will then be heard at 15,000 KC on the dial of the radio. The image signal, which is much weaker, will be heard at 15,000 less 912 KC, or 14,088 KC on the dial. It may be necessary to increase the input signal to hear the image.

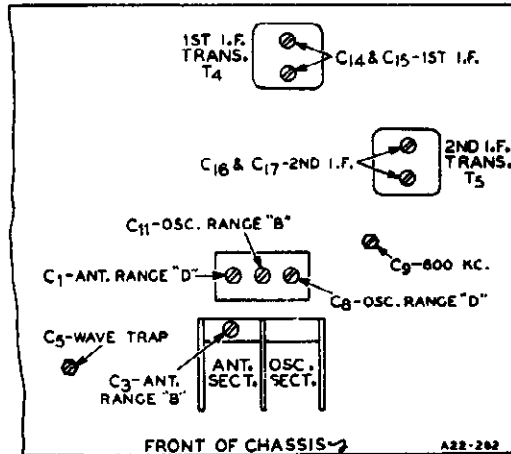


Fig. 2—Location of Trimmers

### Rack and Pinion Assembly

If it is ever necessary to re-assemble the automatic tuning unit, proceed as follows: The pinion gear shaft should be held in such a position that the flat portion is vertical or turned slightly counter-clockwise from the vertical as shown in Fig. 5.

The lower rack should be meshed with the pinion gear so that the 8th tooth from the front on each side of the rack is in line with the axis of the pinion gear shaft—See Fig. 5. The upper rack should then be lined up with the lower rack and meshed with the pinion gear. The 8th tooth

from the front on each side of the upper rack will then line up with the axis of the pinion gear shaft.

The rear and side brackets can then be mounted on the rack and pinion assembly.

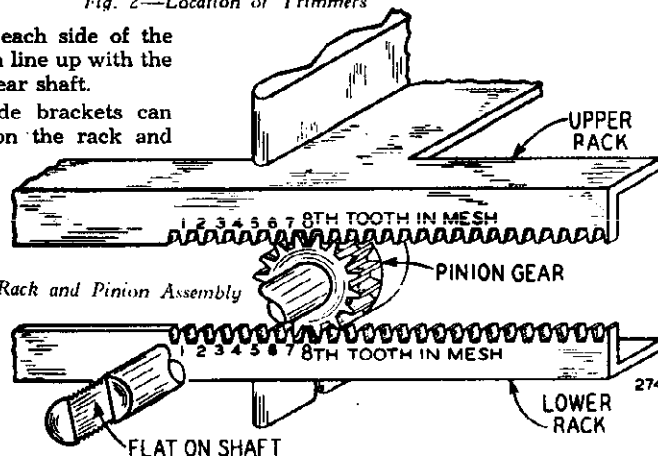


Fig. 5—Rack and Pinion Assembly

MODEL 62-910

GENERAL MONTGOMERY-WARD & CO.

32X110	Tube Shield	.10
32X111	Tube Shield Base	.10
2K289	Felt Washers (Used behind knob)	Doz. .10
8K73	Rubber Cushions (Chassis Mounting)	Ea. .10
30X14	Grid Clip only	Doz. .10
4A92	Terminal Strip (3 Lugs Insulated—Mounting Foot)	.10
4A89	Terminal Strip (1 Lug Insulated—Mounting Foot)	.10
4A98	Terminal Strip (6 Lugs—4 Lugs Insulated)	.10
4A99	Terminal Strip (2 Lugs—1 Lug Insulated)	.10
13X90	Line Cord and Plug Assembly	.50
2A138	Band Change Switch	.40

TRANSFORMERS AND COILS

Part No.	Code	Description	List Price
9A1033	T1	Antenna Transformer Assembly—"D" Range	\$.045
9A1032	T2	Antenna Transformer Assembly—"B" Range	.75
9A1034	T3	Oscillator Coil Assembly	.75
9A1026	T4	1st I.F. Transformer and Can Assembly	1.25
9A1027	T5	2nd I.F. Transformer and Can Assembly	1.20
53X193	T6	117 Volt, 60 Cycle, Standard Power Transformer	3.55
53X194	T6	117 Volt, 25 Cycle, Standard Power Transformer	5.95
53X195	T6	117-224 Volt, 40-50 Cycle, Universal Power Transformer	4.60
9A1028	T7	Output Transformer (See "Speakers")	
	L1	Wave Trap Coil Assembly	.30

CONDENSERS

TUBULAR

Part No.	Code	Capacitance	Voltage	List Price
46X80	C5, C23	.05 mf.	180	\$.015
46X124	C7, C21	.01 mf.	180	.15
46X236	C18	.00424 mf.	180	.30
46X103	C25, C27	.05 mf.	400	.15
46X114	C24	.04 mf.	400	.15
46X204	C28	.50 mf.	180	.25
46X223	C31	.02 mf.	240	.18

ELECTROLYTIC

45X247	C13	4 mf.	250 Dry	.40
45X239	C24	10 mf.	25 Dry	.30
44X41	C29	20 mf.	350 Wet	.75
44X42	C30	40 mf.	250 Wet	.80

MOLDED

47X95	C4	350 mmf.		.10
47X53	C12	35 mmf.		.10
47X65	C18	250 mmf.		.15
47X72	C22	25 mmf.		.10

TRIMMER

17A99	C1	2-25 mmf.	Antenna Range "D"	.25
	C8	2-25 mmf.	Oscillator Range "D"	
	C11	2-25 mmf.	Oscillator Range "B"	
Part of Gang Condenser	C3		Antenna Range "B"	
	C5	75-125 mmf.	Wave Trap	.25
17A95	C9	200-400 mmf.	600 KC Padder	.30
17A81	C14	50-120 mmf.	1st I.F.	.35
17A57	C15	50-120 mmf.	2nd I.F.	.30
17A80	C16	50-120 mmf.		
	C17	85-105 mmf.		

MISCELLANEOUS

17X112	C19	50 mmf.	Mica—Dual Condenser	.10
17A103	C20	50 mmf.	Compensating Capacitor	.25
14A97	C32	2	Section Gang Condenser less Dial and Drive Assembly	2.00

RESISTORS

CARBON

Part No.	Code	Resistance	Wattage	List Price
A84253	R1	35,000 Ohm	0.2	\$.015
B84203	R2	20,000 Ohm	0.5	.15
	R3	1 Megohm	(See "Sockets")	
A85204	R5	200,000 Ohm	0.2	.10
A84504	R6	500,000 Ohm	0.2	.15
A84173	R8	17,000 Ohm	0.2	.15
A83454	R9	450,000 Ohm	0.2	.20
A84205	R10	2 Megohm	0.2	.15
A85104	R11	100,000 Ohm	0.2	.10
A85504	R12, R14, R17	500,000 Ohm	0.2	.10
A83506	R14	5 Megohm	0.2	.20
A84501	R15	500 Ohm	0.2	.15
A84304	R18	300,000 Ohm	0.2	.15
A84104	R19	100,000 Ohm	0.2	.15
A84300	R20	30 Ohm	0.2	.15
B84303	R21	30,000 Ohm	0.5	.15
A84503	R22	50,000 Ohm	0.2	.15

VARIABLE

36X255	R7	2 Megohm	On-Off Switch and Volume Control	.80
40X235	R13	3 Megohm	Tone Control	.50

MISCELLANEOUS

SOCKETS

Part No.	Description	List Price
3A288	Tube Socket (7 prong)	\$.015
3A284	Tube or Speaker Socket (6 prong)	.10
3A283	Tube Socket (5 prong)	.10
3A282	Tube Socket (4 prong)	.10
3A289	Tube Socket (5 prong) for 76 Osc. Tube	.10
3A290	Phono Socket (3 prong)	.10
13X348	Tuning Eye Tube Socket and Cable Assembly complete with 1.0 Megohm Resistor—R3	.45

SPEAKER

When ordering parts for speakers, specify part number of speaker and letters preceding part number stamped on the speaker.

12A321	10" Electro-Dynamic Speaker complete with Output Transformer (T7)	5.50
	Cone and Voice Coil Assembly for above Speaker	2.48
	Field Coil for above Speaker	1.60
	Output Transformer only (T7)	1.80

KNOBS

Specify Name of Knob and Name and Chassis No. of Radio	Description	List Price
10A199	On-Off Switch and Volume Control Knob	.10
	Tone Control Knob	.10
	Tuning Control Knob	.10
	Band Switch Knob	.18
	Station Buttons	Ea. .10

AUTOMATIC TUNING ASSEMBLY

Part No.	Description	List Price
25A340	Automatic Tuning Push Button Assembly complete less Gang Condenser, Drive Drum, Dial Mounting Plate, and Push Buttons	\$.415
25A356	Side Bracket for Tuning Assembly complete with Idler Pulley and Shaft	.20
24X353	Idler Pulley for above Shaft	.10
28X148	Hair Pin Spring for above Pulley	Doz. .10
25A344	Side Bracket for Tuning Assembly complete with Support Stud for Gang Condenser	.15
25X583	Support Bracket for Gang Condenser	.10
25X579	Front Bracket for Tuning Assembly	.25
25X578	Rear Bracket for Tuning Assembly	.10
25A341	Station Button Plunger complete with Setting Screw and Rubber Bumper	.35
20X296	Setting Screw for above Station Button Plunger	.10
8X64	Rubber Bumper for above Station Button Plunger	Doz. .10
28X149	Tension Spring for above Station Button Plunger	Doz. .45
24X372	Upper Rack Casting	.15
25A343	Lower Rack Casting complete with Tension Springs	.25
25A345	Gear Shaft complete with 2 Gears	.40
24X376	Coupling Sleeve for Gang Condenser	.10
26A98	Call Letter Sheets and Celluloid Tabs	.20

DIAL AND DRIVE ASSEMBLY

No. 10 DIAL—Models using this dial may be identified by the felt dial background.  
No. 11 DIAL—Models using this dial may be identified by the paper dial background.  
The following parts are common to No. 10 and 11 dials unless otherwise indicated.

Part No.	Description	List Price
26A164	Dial Mounting Plate complete with 3 Idler Pulleys, Tuning Eye Tube Clamp, and Brace (No. 10 Dial)	\$.05
26A142	Dial Mounting Plate complete with 3 Idler Pulleys, Tuning Eye Tube Clamp, and Brace (No. 11 Dial)	.95
24X301	Tuning Knob Shaft only	.10
24X377	Wooden Spool for above Shaft	.10
19X67	Horse Shoe Washers for above Shaft and Drive Drum	Doz. .10
19X62	Flat Washer for above Shaft	Doz. .10
25X580	Bracket for above Shaft	.10
24X374	Drive Drum for Gang Condenser	.10
19X163	Washers for Drive Drum (With "D" Shaped Hole)	Doz. .10
28X174	"D" Drive Cord	.10
7X23	Tension Spring for Drive Cord	Doz. .25
58X369	Dial Glass (Specify Name and Chassis Number of Radio)	.30
17X30	Felt Dial Background (No. 10 Dial)	.10
30X108	Paper Dial Background (No. 11 Dial)	.10
30X109	Plain Glass Crystal	.10
15X135	Clamp for Dial Glass (Right)	.10
7A22	Clamp for Dial Glass (Left)	.10
	Dial Pointer	.20
	Dial Lamp Socket Assembly (2 Sockets with Wires)	.20
	Dial Lamp (No. 51)	.20

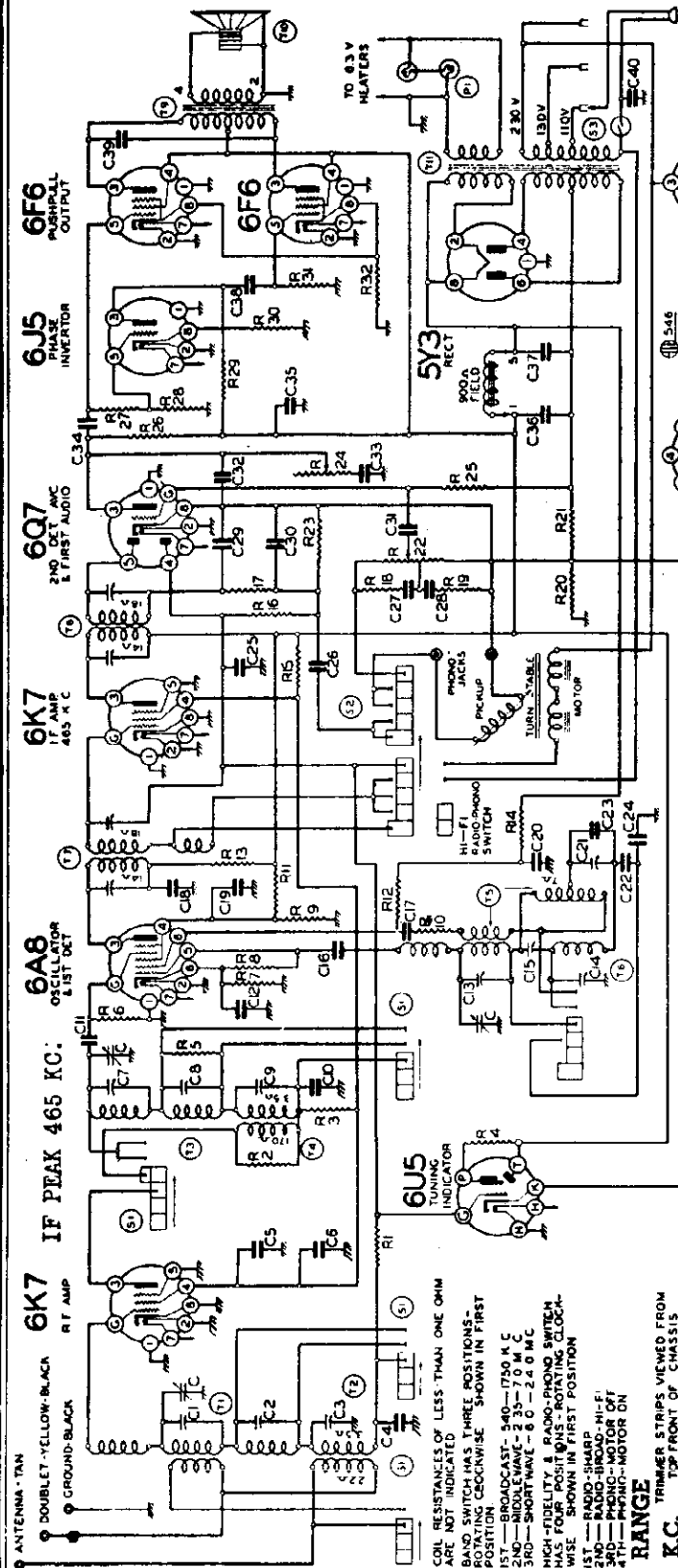
PHONO ATTACHMENT PARTS

Part No.	Description	List Price
13X298	30" Phono Cable Assembly Complete (Includes Plug, Double-Tip Phono Jack Switch and Knob)	\$.20
6A218	Plug (8 Prong) Only of Phono Cable	.15
3A12	Phono Jack Only of Phono Cable	.10
2A50	Phono Switch Only of Phono Cable	.20
10A90	Knob Only of Phono Cable	.20

Prices Subject to Change Without Notice.

MONTGOMERY-WARD & CO.

MODEL C-31 4-20-30



For conventional types of antennas connect the tan wire to the antenna lead and the yellow with black tracer and the black wire together to the ground lead.  
When a doublet antenna is used connect the tan wire and the yellow with black tracer wire to the doublet antenna and the solid black wire to the ground lead. (See Fig. 1).

**FREQUENCY RANGE**  
540 to 1750 K.C.  
2.35 to 7.0 M.C.  
8.0 to 24.0 M.C.

Part No. Diagram Reference

- | Part No. | Description                                   |
|----------|---|
| 10013    | .05x400 Volt Tubular Condenser                |
| 10019    | .06x600 Volt Tubular Condenser                |
| 10020    | .12x200 Volt Tubular Condenser                |
| 10023    | .02x600 Volt Tubular Condenser                |
| 10026    | .02x400 Volt Tubular Condenser                |
| 10081    | .02x100 Volt Tubular Condenser (Type 1)       |
| 10074    | .02x100 Volt Tubular Condenser (Type 2)       |
| 10078    | .02x200 Volt Tubular Condenser (with Bracket) |
| 10080    | .02x400 Volt Condenser (Braided Leads)        |
| 11953    | Dual 15 Mid Electrolytic Condenser, 450 w. v. |
| 12449    | Dual 15 Mid Electrolytic Condenser, 350 w. v. |
| 12450    | Adjustable Trimmer Strip (3 Gang)             |
| 12915    | .001 Mica Type Condenser—20%                  |
| 12912    | .0025 Mica Type Condenser—20%                 |
| 12939    | .0005 Mica Type Condenser—20%                 |
| 12962    | .0003 Mica Type Condenser—10%                 |
| 129103   | .05 Mica Type Condenser—2 1/2%                |
| 129104   | .005 Mica Type Condenser—5%                   |
| 129105   | .0035 Compression Type Condenser—2 1/2%       |
| 129106   | .00135 Mica Type Condenser—20%                |
| 1304     | 3 Meg Ohm—1/2 Watt Resistor—20%               |
| 13011    | 250 M Ohm—1/2 Watt Resistor—20%               |
| 13021    | 20 M Ohm—1/2 Watt Resistor—20%                |
| 13043    | 2500 Ohm—1/2 Watt Resistor—20%                |
| 13045    | 250 M Ohm—1/2 Watt Resistor—20%               |
| 13068    | 15 M Ohm—1/2 Watt Resistor—10%                |
| 13029    | 400 Ohm—1/2 Watt Resistor—10%                 |
| 13034    | 50 M Ohm—1/2 Watt Resistor—10%                |
| 13035    | 100 M Ohm—1/2 Watt Resistor—10%               |
| 13036    | 50 M Ohm—1/10 Watt Resistor—20%               |
| 13037    | 400 M Ohm—1/10 Watt Resistor—10%              |
| 13038    | 500 M Ohm—1/10 Watt Resistor—20%              |
| 13039    | 20 Ohm—1/2 Watt Resistor—10%                  |
| 13040    | 25 M Ohm—1/10 Watt Resistor—20%               |
| 13041    | 40 Ohm—1/10 Watt Resistor—10%                 |
| 13042    | 2 M Ohm—1/10 Watt Resistor—10%                |
| 13043    | 5 M Ohm—1/2 Watt Resistor—10%                 |
| 13044    | 20 M Ohm—1/2 Watt Resistor—10%                |
| 13045    | 25 M Ohm—1/2 Watt Resistor—10%                |
| 13022    | 100136 T11                                    |
| 13023    | 104   |
| 13024    | 10534 T9                                      |
| 13025    | 114102  |
| 13026    | 11499 T10                                     |
| 13027    | 10534 T9                                      |
| 13028    | 101114 R22                                    |
| 13029    | 101115 R24, S3                                |
| 13030    | 10272 C                                       |
| 13031    | 12531 S2                                      |
| 13032    | 12532 S1                                      |
| 13033    | 11076 T6                                      |
| 13034    | 11079 T5                                      |
| 13035    | 11197 T7                                      |
| 13036    | 11198 T1                                      |

**CONDENSERS**

- .05x400 Volt Tubular Condenser
- .06x600 Volt Tubular Condenser
- .12x200 Volt Tubular Condenser
- .02x600 Volt Tubular Condenser
- .02x400 Volt Tubular Condenser
- .02x100 Volt Tubular Condenser (Type 1)
- .02x100 Volt Tubular Condenser (Type 2)
- .02x200 Volt Tubular Condenser (with Bracket)
- .02x400 Volt Condenser (Braided Leads)
- Dual 15 Mid Electrolytic Condenser, 450 w. v.
- Dual 15 Mid Electrolytic Condenser, 350 w. v.
- Adjustable Trimmer Strip (3 Gang)
- .001 Mica Type Condenser—20%
- .0025 Mica Type Condenser—20%
- .0005 Mica Type Condenser—20%
- .0003 Mica Type Condenser—10%
- .05 Mica Type Condenser—2 1/2%
- .005 Mica Type Condenser—5%
- .0035 Compression Type Condenser—2 1/2%
- .00135 Mica Type Condenser—20%

**RESISTORS**

- 3 Meg Ohm—1/2 Watt Resistor—20%
- 250 M Ohm—1/2 Watt Resistor—20%
- 20 M Ohm—1/2 Watt Resistor—20%
- 2500 Ohm—1/2 Watt Resistor—20%
- 250 M Ohm—1/2 Watt Resistor—20%
- 15 M Ohm—1/2 Watt Resistor—10%

**COILS**

- Input I. F. Coil Assembly Complete with Can
- Output I. F. Coil Assembly Complete with Can
- Broadcast R. F. Coil Assembly, Complete
- Short Wave and Middle Wave R. F. Coil Assembly, Complete
- Middle Wave Oscillator Coil Assembly, Complete
- Broadcast and Short Wave Oscillator Coil Assembly, Complete
- Broadcast Antenna Coil Assembly Complete
- Short Wave and Middle Wave Antenna Coil Assembly, Complete

**PHONOGRAPH MOTOR:**

On the underside of the chassis a terminal strip is provided for 220 volt phonograph motor connections. Connect the supply cord from the phonograph motor to the terminal strip through the hole on top of the chassis provided for this purpose. (See Fig. 1). Connections to the terminal strip are controlled by the radio-phonograph switch, knob no. 3 located on the front of the radio. Only a 220 volt motor can be operated from the terminal strip connections.

**SPEAKERS**

- Universal Transformer—40/60 Cycle Primary
- Universal Transformer—25/60 Cycle Primary
- Note: Universal 25/60 Cycle Transformer available on special order only.
- Output Transformer for Speaker
- SPEAKERS
- Eight Inch Dynamic Speaker with 15 Inch Connector Cord and Plug (Field Resn. 900 Ohms)
- Ten Inch Dynamic Speaker with 20 Inch Connector Cord and Plug (Field Resn. 900 Ohms)
- Output Transformer for Speaker

**MISCELLANEOUS**

- Volume Control Complete (1 Meg Ohms)
- Tone Control and Power Switch (400 M Ohms)
- Three Gang Variable Condenser
- High Fidelity and Phono-Radio Switch
- Band Change Switch

MONTGOMERY-WARD & CO.

**PROCEDURE FOR SETTING THE AUTOMATIC TUNER LEVERS:**

Press DOWN ALL THE WAY any one of the automatic tuner levers. Holding it down FIRMLY, tune in by means of the tuning knob No. 5 the station indicated on the station call letter tab above this lever. Turn the tuning knob very slowly back and forth (while still holding lever in downward position), noting the width of the shadow indicated on the screen of the cathode-ray tuning eye. Minimum width on the eye indicates the ideal tuning position (resonance). The station will then be clearest and accurately tuned in. Release the lever. Press down another automatic tuner lever. Holding it down FIRMLY, carefully tune in the station indicated on the call letter tab above this lever. Release this lever.

Follow this procedure until you have selected all of your favorite stations.

Rotate the tuning knob No. 5 to the right (clockwise) as far as it will turn. Now remove from the right side of the cabinet the metal button, and, with a screw driver inserted through the hole, tighten the locking adjustment screw "C". It is VERY IMPORTANT that this locking screw is turned until it is ABSOLUTELY TIGHT. If a screw driver is not available, the locking screw can be tightened by reaching in from the back of the cabinet, rotate the locking screw shaft to the right (clockwise) until thoroughly tight.

This screw will lock in place all the stations you have selected on the automatic tuner levers. (Note: Locking screw "C" is loose when radio is shipped from factory.)

If you should desire to change any station you selected to another, loosen the locking screw "C" four or five complete turns, select the new station as explained. (Note: If the dial mechanism works hard when setting up a new station for one of the automatic tuner levers, it is due to the locking screw being too tight. Loosen the locking screw "C" until the dial mechanism works freely with the tuner lever pressed down.)

**BE SURE TO RE-TIGHTEN THE LOCKING SCREW;** otherwise the stations you have selected will not stay adjusted to the levers.

Voltages taken from different points of circuit to chassis are measured with volume control full on, all tubes in their sockets and speaker connected, with a voltmeter having a resistance of 1000 ohms per volt.

**IN ORDER TO PREVENT SIGNAL FROM ACTING UPON AVC AND AFFECTING ACCURACY OF VOLTAGE MEASUREMENTS, AERIAL AND GROUND LEADS SHOULD BE SHORT CIRCUITED WHILE MAKING MEASUREMENTS.**

- (a) Move dial pointer to 1750 Kilocycles and adjust broadcast oscillator trimmer (adjustment C15) to resonance.
- (b) Re-set external oscillator to 1400 Kilocycles, move dial pointer to 1400 Kilocycles and adjust broadcast antenna trimmer (adjustment C3) and broadcast R.F. trimmer (adjustment C9) to resonance.
- (c) With external oscillator set at 600 K.C. adjust broadcast external pad (adjustment C21) to resonance with rocking. Keep set in tune with oscillator by slowly rocking to and fro the variable condenser until maximum output is obtained.
- (d) Repeat adjustments (a) and (c) until sensitivity is at its maximum.
- (e) Check for tracking and sensitivity at 1000 Kilocycles.

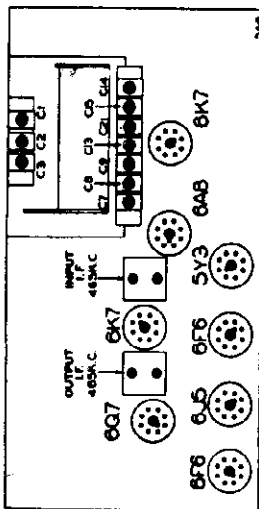


FIG. 3.—VIEW SHOWING TRIMMERS

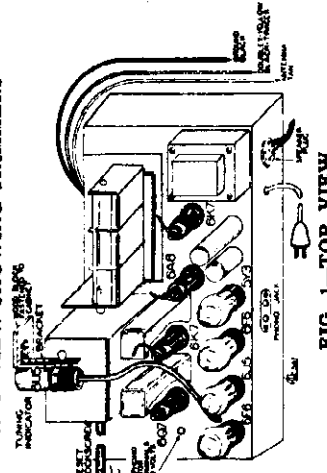


FIG. 1.—TOP VIEW

**VOLTAGES AT SOCKETS**

LINE VOLTAGE: 110 — Volume Control: Maximum  
Readings taken with 100 ohm-per-volt meter

TUBE	FUNCTION	Voltage Between Socket Prong and Ground					Prong No. 8	
		Prong No. 1	Prong No. 2	Prong No. 3	Prong No. 4	Prong No. 5		
6K7—R. F. Amplifier	0	6.3 (1)	85	95	0	20	6.3 (1)	0 (2)
6A8—1st Oscillator and 1st Detector	0	6.3 (1)	20	95	0	140	6.3 (1)	4
6K7—60 Kc. I. F. Amplifier	0	6.3 (1)	20	95	0	20	6.3 (1)	0 (2)
6D7—1st and 2nd Detector AVC	0	6.3 (1)	90	0	0	0	6.3 (1)	(3)
6J5—Phase Inverter	0	6.3 (1)	135	200	0	0	6.3 (1)	6.5
6B6—Push pull Output	0	6.3 (1)	215	220	0	0	6.3 (1)	15
6B7—Push pull Output	0	6.3 (1)	215	220	0	0	6.3 (1)	15
5Y3—Rectifier	Plate to Ground	0	0	215	0	215	600 (5)	5 (4)
6U5—Tuning Indicator	Plate to Ground	0	0	0	0	0	600 (5)	5 (4)
							Cathode to Ground	Across Heaters
							220	6.3 AC

- (1) AC voltage as read across heater terminals 2 and 8
- (2) Bias (—3.0 volts) as read across Resistor R20
- (3) Bias (—1.5 volts) as read across Resistor R21
- (4) AC voltage as read across heater terminals 4 and 6
- (5) AC voltage as read across terminals 4 and 6

**DUMMY ANTENNAS:**  
The following dummy antennas are used in aligning and are referred to in the following alignment instructions as "Dummy 1," "Dummy 2," and "Dummy 3."  
Dummy 1: (I.F.)—Consists of a 1 mfd. condenser connected in series with the external oscillator.  
Dummy 2: (Broadcast)—Consists of a 200 mmfd. condenser and a 20 ohm resistor connected in series with each other and in series with the external oscillator.

Dummy 3: (Middle and Short Wave)—Consists of a 1 mfd. condenser and a 400 ohm resistor connected in series with each other and in series with the external oscillator.

**ALIGNING I.F. TRANSFORMERS (465 K.C.)**

Part No. 108119 Output I.F. Transformer  
Part No. 108118 Input I.F. Transformer  
These I.F. transformers have two adjustments, both of which are accessible from the top of chassis (see Fig. 3).

1. With volume control full on, (the extreme right of its rotation), the band changing switch in the broadcast position, (extreme left of its rotation), the tone control turned to treble position, the phono switch in number 1 position sharp, (counter clockwise), and with the variable condenser set to minimum capacity (plates entirely out of mesh), make the following adjustments:

- (a) Connect external oscillator set at 465 kilocycles, in series with "Dummy 1," to the control grid cap of the type 6K7 I.F. tube and adjust the output I.F. transformer 108119 to resonance.
- (b) With "Dummy 1," still connected, move oscillator output clip from grid of 6K7 to grid cap to 6A8 and adjust input I.F. transformer (108118) to resonance.

**SHORT WAVE BAND ALIGNMENT:**

6.0 to 24.0 Megacycles

1. With band changing switch in the short wave position, extreme right of its rotation, and with external oscillator set at 22 Megacycles and connected in series with "Dummy 3" to the tan antenna and black ground lead, make the following adjustments: (See Fig. 3).

- (a) Move dial pointer to 22 Megacycles and adjust short wave oscillator (adjustment C13) short wave R.F. (adjustment C7) and short wave antenna (adjustment C1) to resonance.
- (b) Re-set external oscillator to 9 Megacycles and pick up signal by rotating variable condenser and check for sensitivity.

**NOTE:** It is extremely necessary in making all of these adjustments that the fundamental oscillator signal be tuned in and not the image frequency which will fall below the fundamental. As an example of this a fundamental 22 megacycle signal can be tuned in not only at 22 on the dial, but also at approximately 21 megacycles.

**MIDDLE WAVE ALIGNMENT:**

235 to 7.0 Megacycles

1. With band changing switch in the middle wave position, center of its rotation, and with external oscillator set at 6 Megacycles connected in series with "Dummy 3" to the tan antenna and black ground lead, make the following adjustments: (See Fig. 3).

- (a) Rotate condenser, pick up signal and adjust middle wave oscillator (adjustment C14), middle wave R.F. (adjustment C8) middle wave antenna (adjustment C2) to resonance.
- (b) Re-set external oscillator to 2.5 megacycles and pick up signal by rotating variable condenser and check sensitivity.

**BROADCAST BAND ALIGNMENT:**

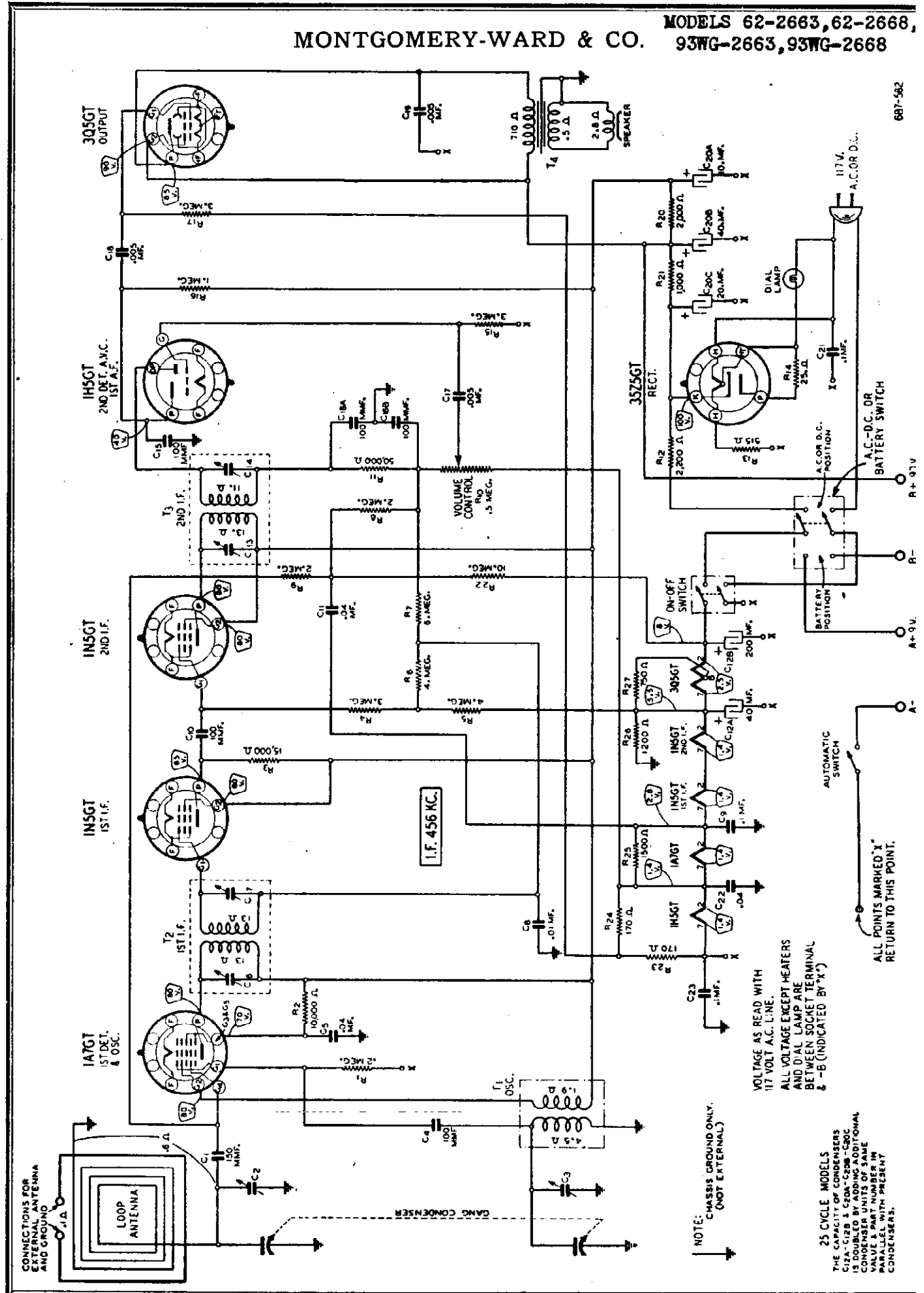
540 to 1750 Kilocycles

1. With band changing switch in the broadcast position, extreme left of its rotation, and with external oscillator set at 1750 Kilocycles and connected in series with "Dummy 2" to the tan antenna and black ground lead, make the following adjustments: (See Fig. 3).

MONTGOMERY-WARD & CO.

MODELS 62-2663, 62-2668, 93WG-2663, 93WG-2668

687-582





MODELS 62-2663, 62-2668,  
93WG-2663, 93WG-2668

MONTGOMERY-WARD & CO.

Input Voltages and Currents—Battery Operation

"A" Battery..... 9 Volts—50 Ma.  
"B" Battery..... 90 Volts—11.5 Ma.

Power Consumption (At 117 volts AC Supply) 28 Watts  
Power Output

Battery Operation - - - - 150 Mw. Undistorted  
350 Mw. Maximum  
AC Operation - - - - 200 Mw. Undistorted  
400 Mw. Maximum

Selectivity - 50 KC Broad at 1000 Times Signal

Intermediate Frequency - - - - 456 KC

Speaker - - - - - 6" P.M. Dynamic

Tuning Frequency Range - - 540 to 1600 KC

Sensitivity (For .05 Watt Output)  
External Antenna - - - 10 Microvolts Average

Removing Chassis from Cabinet

Take out the 2 screws, one at each rear corner of the chassis shelf. On some models, it will be necessary to remove the nut holding the automatic "A" battery switch to the front panel of the radio. Grasp the chassis shelf at each rear corner and edge it away from the cabinet front until the chassis shelf and chassis

slide easily out of the cabinet. To remove the shelf from the chassis, take out the bolt and the 2 screws at the bottom of the shelf.

Caution

The metal chassis is connected to one side of the line through a .10 mfd. condenser. Both AC and DC power lines are generally grounded on one side. If the side of the line not connected to the metal chassis through this condenser is grounded

and the metal chassis comes in contact with an external ground, this condenser will be connected across the line and there will be an increase in hum.

Therefore, in any service work on the chassis, keep it on a wood or other insulated surface to avoid contacts with ground. The person working on the set should avoid getting in contact with any ground.

CAUTION—If the dial lamp burns out, it should be replaced at once. Use ONLY a No. 51 dial lamp.

ALIGNMENT PROCEDURE

Volume Control—Maximum All Adjustments.

Connect Radio Chassis to Ground Post of Signal Generator with a Short Heavy Lead.

Allow Chassis and Signal Generator to "Heat Up" for several minutes.

The following equipment is required for aligning:

A Signal Generator which will provide an accurately calibrated signal at the test frequencies as listed.

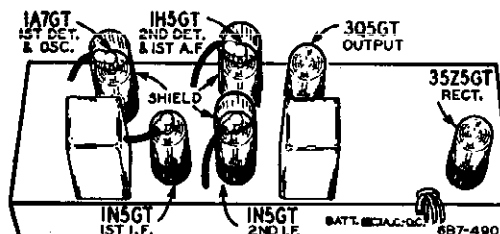
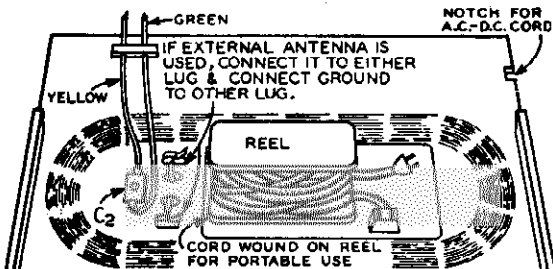
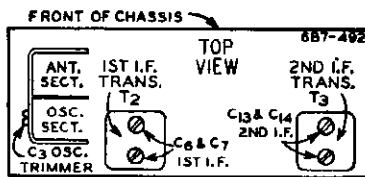
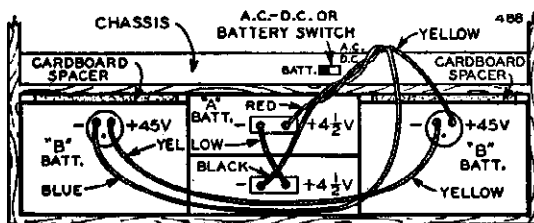
Output Indicating Meter—Non-Metallic Screwdriver.

Dummy Antenna—.1 mf.

SIGNAL GENERATOR		DUMMY ANTENNA	CONDENSER SETTING	ADJUST TRIMMERS TO MAXIMUM
FREQUENCY SETTING	CONNECTION AT RADIO			(See Trimmer Illustration below and Illustration of Back—Page 1)
456 KC	Signal Grid of 1st Det. (Top Cap)	.1 mf.	Turn Rotor to full open	1st I.F. (C6) & (C7) 2nd I.F. (C13) & (C14)
1600 KC	Signal Grid of 1st Det.	.1 mf.	Turn Rotor to full open	Oscillator (C3)
1500 KC	None—See Note A		Turn Rotor to max. output	Antenna (C2)

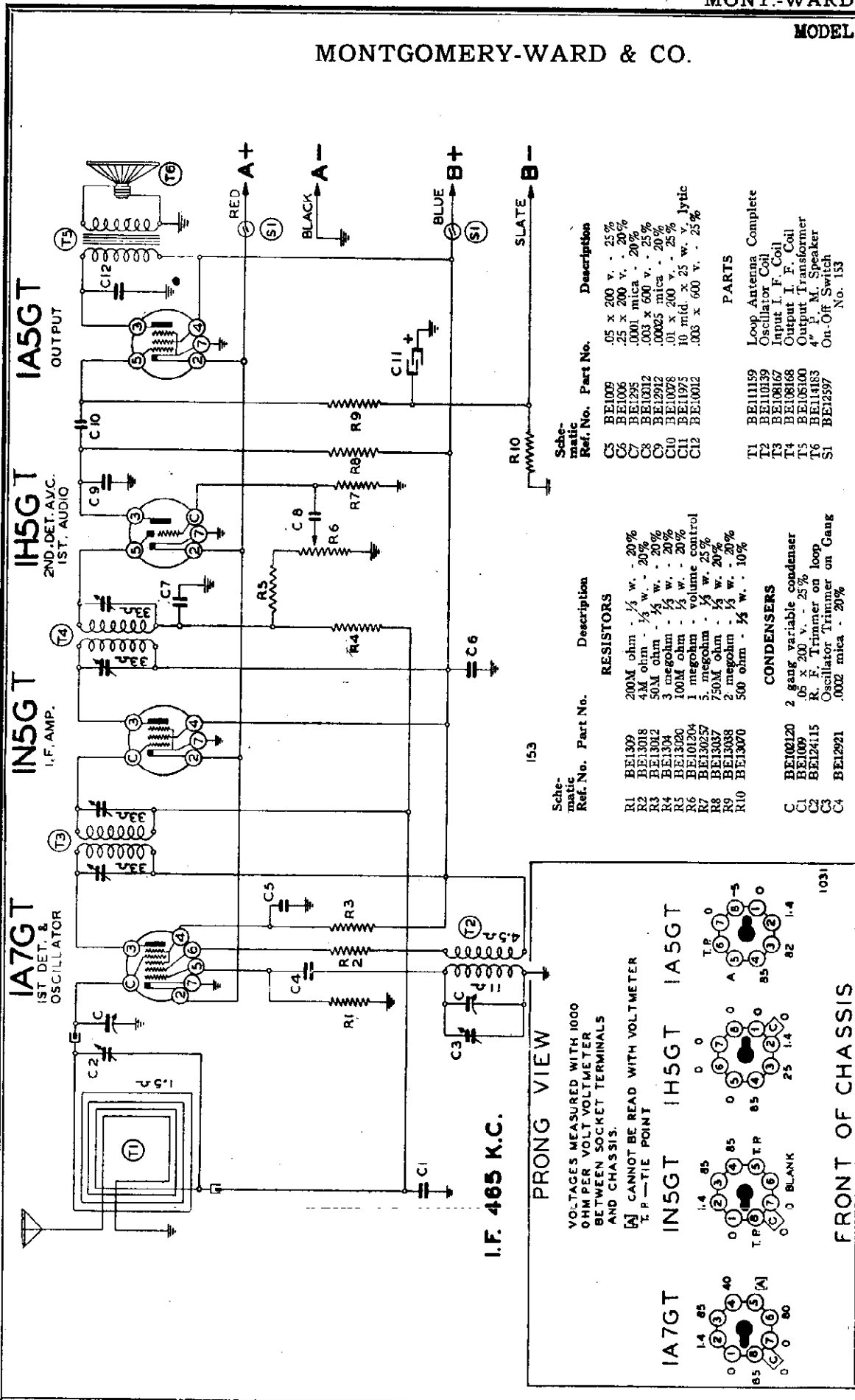
NOTE A—Chassis must be in cabinet. Connect a loop approximately one foot in diameter across the antenna and ground posts of the signal generator. The back of the cabinet must be in place. Place radio approximately 3 feet from loop so as to pick up signal. Radio should not be in proximity to any metal (metal bench, etc.).

CALIBRATION (For models with pointer in front of dial scale)—To obtain dial scale calibration, tune in an 800 KC signal. The pointer should be at the 800 KC mark on the dial. If it is not, hold the pulley at the back of the dial and loosen the pointer screw. Set the pointer at the 800 KC mark. Hold the pointer and retighten the pointer screw.

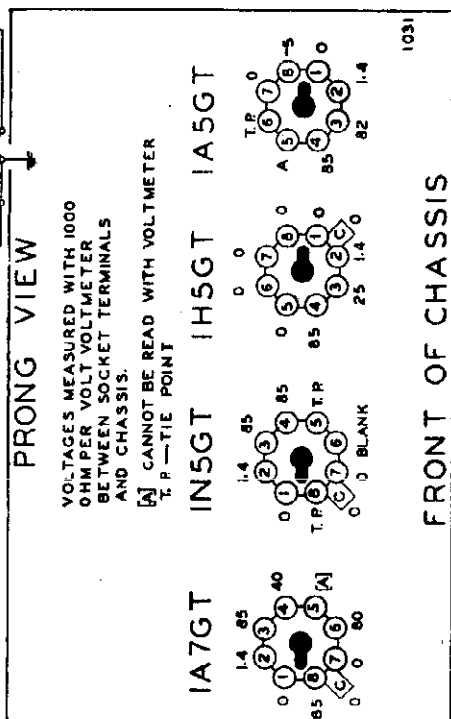


IMPORTANT—METAL BASE TUBES MUST BE USED IN THOSE SOCKETS AT WHICH SHIELDS ARE SHOWN.

MONTGOMERY-WARD & CO.



I.F. 465 K.C.



Schematic Ref. No.	Part No.	Description
R1	BE1309	200M ohm - 1/4 w. - 20%
R2	BE13018	4M ohm - 1/4 w. - 20%
R3	BE13012	50M ohm - 1/4 w. - 20%
R4	BE1304	3 megohm - 1/4 w. - 20%
R5	BE13020	100M ohm - 1/4 w. - 20%
R6	BE101204	1 megohm - volume control
R7	BE130257	5. megohm - 1/4 w. - 25%
R8	BE13037	750M ohm - 1/4 w. - 20%
R9	BE13038	2 megohm - 1/4 w. - 20%
R10	BE13070	500 ohm - 1/4 w. - 10%
C1	BE102120	2 gang variable condenser
C2	BE1009	.05 x 200 v. - 25%
C3	BE124115	R.F. Trimmer on loop
C4	BE12921	Oscillator Trimmer on Gang
C5	BE1009	.05 x 200 v. - 25%
C6	BE1006	.25 x 200 v. - 20%
C7	BE1295	.0001 mica - 20%
C8	BE10012	.0003 x 600 v. - 25%
C9	BE12912	.00025 mica - 20%
C10	BE10078	.01 x 200 v. - 25%
C11	BE1975	10 mid. x 25 w. v. Lytic
C12	BE10012	.003 x 600 v. - 25%
T1	BE11159	Loop Antenna Complete
T2	BE110139	Oscillator Coil
T3	BE108167	Input I. F. Coil
T4	BE108168	Output I. F. Coil
T5	BE105100	Output Transformer
T6	BE114183	4" P. M. Speaker
S1	BE12497	On-Off Switch No. 153

Power Consumption . . . . . "A" Battery 200 MA; "B" Battery 8 MA.  
 Power Output . . . . . 100 Milliwatts, Undistorted  
 Sensitivity (for .05 Watts) . . . . . 75 Microvolts Average  
 Selectivity . . . . . 50 Kc. Broad at 1000 Times Signal at 1000 Kc.  
 Tuning Range . . . . . 540 to 1650 Kc.  
 Intermediate Frequency . . . . . 465 Kc.

MODEL 93BR-462A

MONTGOMERY-WARD & CO.

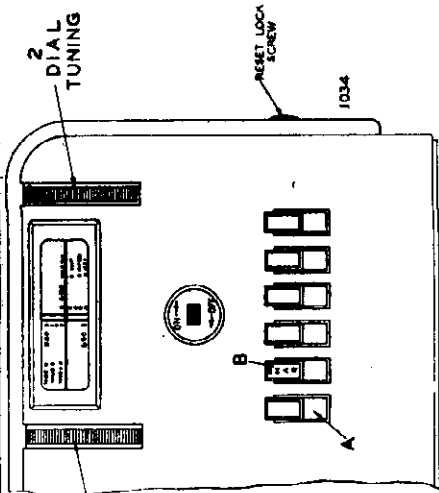


FIG. 1.—TOP VIEW

**ADJUSTING THE ANTENNA:  
IMPORTANT:**

After the batteries have been installed and the radio placed in operation, tune in a weak station around 1400 Kc. on the dial.

On the back of the cabinet a small adjustment screw is provided, (see C2, Fig. 2).

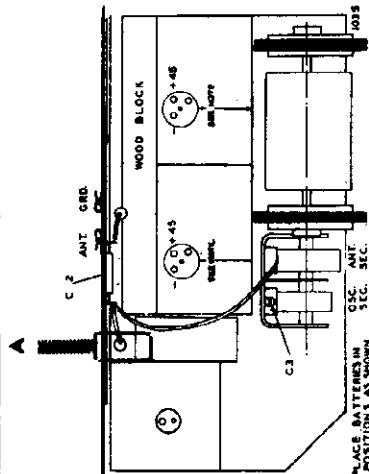


FIG. 2.—REAR VIEW

**FIG. 3—FRONT VIEW**

Very carefully turn this adjustment screw in or out until the station is as clear and loud as it can be made.

This adjustment should be made in any case whether the radio is used with an outside antenna and ground or whether only the built-in loop antenna is used.

**NEXT:**—Tune in a station around 600 Kc. on the dial and adjust adjustment screw (See A, Fig. 2). Both these adjustments are very important for best reception.

**ALIGNMENT PROCEDURE**

- Volume control—Maximum all adjustments.
- Connect radio chassis to ground post of signal generator with a short heavy lead.
- Connect dummy antenna valve in series with generator output lead.
- Connect output meter across primary of output transformer.
- Allow chassis and signal generator to "heat up" for several minutes.

- The following equipment is required for aligning.
- An all wave signal generator which will provide an accurately calibrated signal at the test frequencies as listed.
- Output indicating meter.
- Non-metallic screwdriver.
- Dummy antennas—1 ml., 200 mmf.

BAND	SIGNAL GENERATOR Frequency Setting	Connection to Radio	Variable Condenser Setting	Trimmers Adjusted (in Order Shown)	Trimmer Function	Adjustment
I. F.	465 Kc.	Grid of 1N5GT I. F. Tube	Rotor full open (Plates out of mesh)	Two trimmers on top (See Fig. 1)	Output I. F.	(See Note "A") Adjust to maximum output
	465 Kc.	Grid of 1A7GT	Rotor full open (Plates out of mesh)	Two trimmers on top (See Fig. 1)	Output I. F.	(See Note "A") Adjust to maximum output
BROAD CAST BAND	1650 Kc.	Grid of 1A7GT	Rotor full open (Plates out of mesh)	Trimmer (C2) on Gang (See Fig. 2)	Oscillator	(See Note "A") Adjust to maximum output
	1400 Kc.	Ant. and Grid. Clips	Set dial at 1400 Kc.	Trimmer (C2) on back of radio (See Fig. 2)	Antenna	(See Note "B") Adjust to maximum output

**NOTE "A"** — A 1 megohm resistor must be connected between the two loop antenna leads from the chassis when aligning the I. F. transformers and setting the oscillator trimmer. The loop antenna must be disconnected from the chassis.

**NOTE "B"** — Remove the 1 megohm resistor from the loop antenna leads; mount the chassis and the loop antenna in the cabinet, connect the loop antenna to the chassis. Adjust the antenna trimmer (C2) on back of radio.

MONTGOMERY-WARD & CO.

Procedure for Setting the Automatic Tuner Push Buttons

There are six push buttons on the front of the radio by means of which six stations may be selected, (see "A" Fig. 3).

1. Make a list of local stations you tune in regularly; any number up to and including six.
2. Punch out from the set of station call letter tabs supplied, the call letters of the stations you have selected.
3. On the front of each automatic tuner button an opening is provided for inserting the call letter tabs. (See "B" Fig. 3).
4. Insert the call letter tabs in the rectangular openings in each of the automatic tuner push buttons. One of the small celluloid tabs supplied should be snapped into place over each of the station call letter tabs.
5. Press in ALL THE WAY any one of the automatic tuner push buttons. Holding it in FIRMLY, tune in by means of the tuning knob (No. 2) the station you have assigned to this push button. Move the tuning knob very slowly up and down (while still holding button in downward position) until the signal is clearest. The station will then be accurately tuned in. Release the push button.
6. Press in another automatic tuner push button. Holding it in FIRMLY, carefully tune in the station assigned to this push button. Release this push button.

7. Follow this procedure until you have selected all of your favorite stations.

8. Move the tuning control (No. 2) as far as it will turn. Now remove from the right side of the cabinet the metal button, and, with a screw driver inserted through the hole, tighten the reset locking screw (see Fig. 3). It is VERY IMPORTANT that this locking screw is turned until it is ABSOLUTELY TIGHT.

This screw will lock in place all the stations you have selected on the push buttons. (Note: Reset Lock Screw is loose when radio is shipped from factory.)

If you should desire to change any station you selected to another, loosen the reset locking screw two or three complete turns; select the new station as explained. (Note: If the dial mechanism works hard when setting up a new station for one of the automatic tuner push buttons, it is due to the locking screw being too tight. Loosen the reset locking screw until the dial mechanism works freely with the tuner push button pressed in).

BE SURE TO RETIGHTEN THE RESET LOCK SCREW, otherwise the stations will not stay adjusted to the push buttons.

The automatic dial is now set up for quick tuning.

Replacement Parts List

MODEL 93BR-462A (SERIAL No. 939800 and UP)

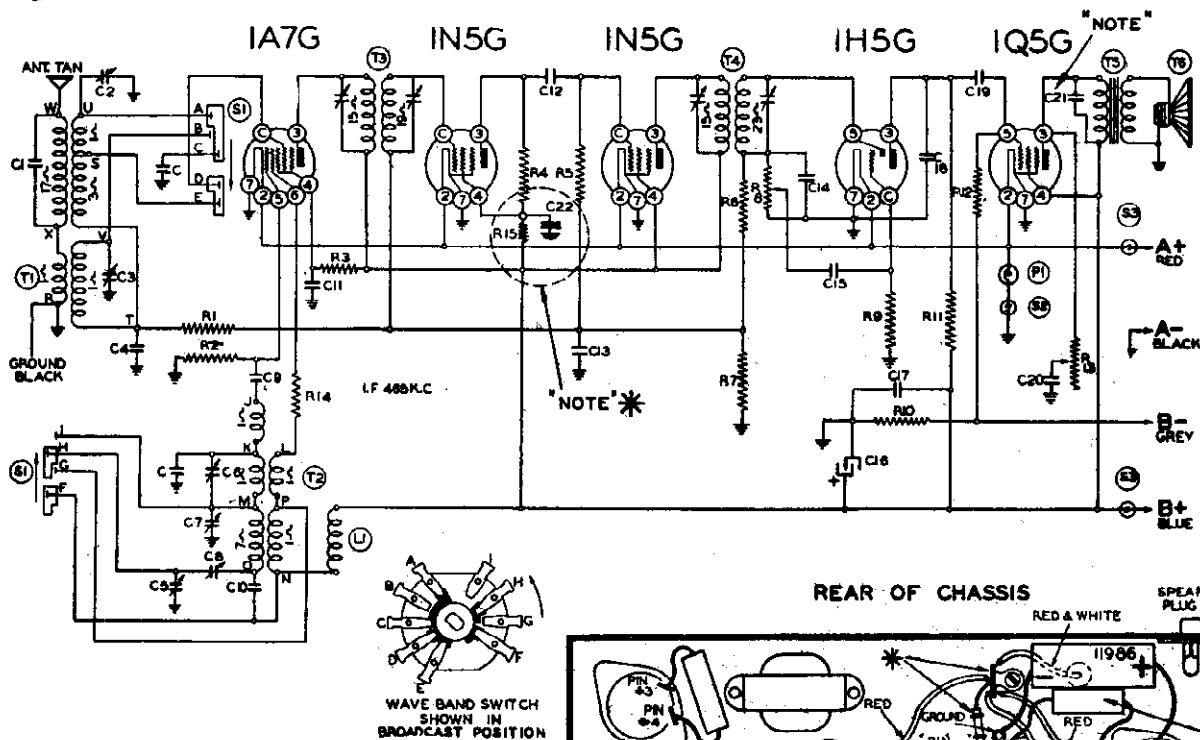
In ordering parts refer to model number on chassis label.

Use Only Genuine Factory Replacement Parts

Part No.	Schematic Ref. No.	Description	No. Used In Set	Selling Price Each	Part No.	Schematic Ref. No.	Description	No. Used In Set	Selling Price Each
<b>CONDENSERS</b>									
BE1006	C6	.25 x 200 Volt Tubular Condenser.....	1	.12	BE132106		No. 6 x 1/4 Hex. Head Screws (Mount Back to Cabinet).....	4 Doz.	.10
BE1009	C1, C5	.05 x 200 Volt Tubular Condenser.....	2	.12	BE13155		Spring Washers (Mount Back to Cabinet).....	4	.01
BE10012	C8, C12	.003 x 600 Volt Tubular Condenser.....	2	.12	BE13276		No. 6-32 x 1/2 Chassis Mounting Screws.....	4 Doz.	.06
BE10078	C10	.01 x 200 Volt Tubular Condenser.....	1	.12	BE13410		Rubber Bumpers (For Chassis Mounting).....	4	.03
BE11975	C11	10 Mfd. x 25 W.V. Electrolytic Condenser.....	1	.12	BE12382-18		Bakelite Cabinet Complete Less Back (Dark Walnut).....	1	2.40
BE12912	C9	.00025 Mica Type Condenser-20%.....	1	.12	<b>DIAL PARTS LIST</b>				
BE1295	C7	.0001 Mica Type Condenser-20%.....	1	.12	BE112691		Six Lever Automatic Tuner Mechanism Complete with Dial Scale Less Knobs, Gang Condenser and Push Buttons.....	1	4.00
BE12921	C4	.0002 Mica Type Condenser-20%.....	1	.12	BE112694		Dial Scale.....	1	.24
BE124115	C3	Adjustable Trimmer (Loop Antenna).....	1	.12	BE112695		Crystal for Dial.....	1	.12
<b>RESISTORS</b>									
BE13070	R10	500 Ohm-1/4 Watt Resistor-10%.....	1	.10	BE128394-18		Bakelite Knob for Tuning and Volume Control	2	.10
BE1304	R4	3 Megohm-1/4 Watt Resistor-20%.....	1	.10	BE128395-18		Bakelite Pulleys for Tuning and Volume Control Knobs.....	2	.08
BE1309	R1	200M Ohm-1/4 Watt Resistor-20%.....	1	.10	BE128292-17		Push Buttons.....	6	.08
BE13012	R3	50M Ohm-1/4 Watt Resistor-20%.....	1	.10	BE112605		Set of Two Sheets Station Call Letters.....	1	.12
BE13018	R2	4M Ohm-1/4 Watt Resistor-20%.....	1	.10	BE112606		Clear Celluloid Tabs for Call Letters.....	6 Doz.	.06
BE13038	R9	2 Megohm-1/4 Watt Resistor-20%.....	1	.10	BE112707		Dial Drive Drum (Mounted on End of Cam Shaft).....	1	.12
BE13037	R8	750M Ohm-1/4 Watt Resistor-20%.....	1	.10	BE1209		Drive String (2 Ft. Used).....	1 Yd.	.12
BE130257	R7	5 Megohm-1/4 Watt Resistor-25%.....	1	.10	BE130197		Tension Spring for Drive String.....	1	.03
BE13020	R5	100M Ohm 1/4 Watt Resistor-20%.....	1	.10	BE117684		Locking Screw (End of Cam Shaft).....	1	.12
<b>COILS</b>									
BE100167	T3	Input I.F. Coil Assembly Complete.....	1	.86	All resistors and mica condensers are RMA color coded—specify value and/or resistor or condenser (per schematic diagram) and model number.				
BE100168	T4	Output I.F. Coil Assembly Complete.....	1	.76	Mica condensers are coded with an additional dot indicating tolerance.				
BE110139	T2	Oscillator Coil Assembly Complete.....	1	.86	<b>Tolerance Percent</b>		<b>Color of Dot</b>		
BE111159	T1	Loop Antenna Complete with 128396 Back.....	1	.86	2 1/2%		White		
<b>SOCKETS</b>									
BE121210		Eight Prong Octal Sockets.....	4	.10	5%		Green		
<b>SPEAKER</b>									
BE114183	T6	4 Inch P.M. Dynamic Speaker.....	1	2.24	10%		Blue		
BE106100	T5	Output Transformer for Speaker.....	1	.62	15%		Yellow		
<b>MISCELLANEOUS</b>									
BE101204	R6	Volume Control (1 Megohm).....	1	.50	20%		Red		
BE102120	C, C3	Two Gang Variable Condenser.....	1	1.88	More than-20%		None		
BE115485		Mounting Bracket for Gang Condenser.....	1	.08	NOTICE—There is a model number label on the chassis. This model number identifies the radio as to year, manufacturer, chassis and issue number or letter. When ordering parts or writing, be sure to mention the complete model number.				
BE115500		Mounting Bracket for Volume Control.....	1	.08					
BE12597	S1	On-Off Switch.....	1	.24					
BE121128		Two Prong Plug for "A" Battery.....	1	.05					
BE121198		Three Prong Plug for "B" Battery.....	2	.07					
BE128396		Cardboard Back for Cabinet (Less Loop Antenna).....	1	.10					
<b>PRICES SUBJECT TO CHANGE WITHOUT NOTICE.</b>									

MODEL 93BR-560B

MONTGOMERY-WARD & CO.



Schematic Ref. No. Part No.

Ref. No.	Part No.	Description
<b>RESISTORS</b>		
R1	BE13020	100M ohm-1/4 w.
R2	BE13020	200M ohm-1/4 w.
R3	BE13020	50M ohm-1/4 w.
R4	BE13020	5M ohm-1/4 w.
R5	BE13020	100M ohm-1/4 w.
R6	BE13020	3 megohm-1/4 w.
R7	BE13020	1 megohm-1/4 w.
R8	BE13020	15 megohm-volume control
R9	BE13020	15 megohm-1/4 w.
R10	BE13020	600 ohm-1/4 w.
R11	BE1303	500M ohm-1/4 w.
R12	BE13019	1 megohm-1/4 w.
R13	BE101169	Tone Control-1 Megohm
R14	BE13056	100 ohm-1/4 w.
R15	BE13017	10M ohm-1/4 w.

Ref. No.	Part No.	Description
<b>CONDENSERS</b>		
C	BE102106	2 gang variable condenser
C1	BE129132	.00125 mica
C2	BE12485	B. C. Antenna Trimmer
C3	BE12485	S. W. Antenna Trimmer
C4	BE1009	.05 x 200 v.
C5	BE12486	S. W. Pad
C6	BE12486	S. W. Osc. Trimmer
C7	BE12486	B. C. Osc. Trimmer

C8	BE12486	B. C. Pad
C9	BE12339	.0005 mica
C10	BE1009	.05 x 200 v.
C11	BE1009	.05 x 200 v.
C12	BE1282	.0005 mica
C13	BE1009	.05 x 200 v.
C14	BE12339	.00005 mica
C15	BE10012	.008 x 600 v.
C16	BE11986	8 mid. lytic
C17	BE1006	.25 x 200 v.
C18	BE12321	.0002 mica
C19	BE10011	.01 x 400 v.
C20	BE10026	.02 x 400 v.
C21	BE10071	.04 x 400 v.
C22	BE10020	.1 x 200 v.

C2 and C3 in one unit. C6 and C7 in same unit. C3 and C8 in one unit.

Ref. No.	Part No.	Description
<b>PARTS</b>		
T1	BE11120	B. C.-S. W. Antenna Coil
T2	BE110118	B. C.-S. W. Osc. Coil
T3	BE10811G	Input I. F. Coil
T4	BE108112	Output I. F. Coil
T5	BE10859	Output Transformer
T6	BE114162R	6" P. M. Speaker
S1	BE12576	Band Switch
S2	BE12577	Pushbutton Switch-Pilot
S3		Off-on switch on tone control
P1	BE107243	1.5 v. Pilot Light
L1	BE12123	R. F. Choke Coil

Parts marked with \* were added.

Several changes were made in the circuit of Model 93BR-560A to prevent a whistle which may occur on high signal inputs.

A partial bottom view of the chassis after the changes have been made, is shown above. The parts marked with an asterisk(\*) were added. The model number after the changes were made is 93BR-560B. The data in Rider's Vol. I covering Model 93BR-560A apply to the later model with the exceptions as noted here.

**CHANGES MADE**

- Fig. 1 shows a .004 x 600 volt tubular condenser connected from pin No. 3 on the 1Q5 tube socket to ground. Fig. 2 shows the change which was made. The .004 x 600 volt tubular condenser is connected between pin No. 3 and pin No. 4 on the 1Q5 tube socket.
- Fig. 1 shows the wiring around the 1N5 1st I. F. tube socket before the changes were made. Note that there are three Red wires and one Red and White wire soldered to pin No. 4 on the 1N5 1st I. F. tube socket.
- Fig. 2 shows the wiring around the 1N5 1st I. F. tube socket after the changes were made.

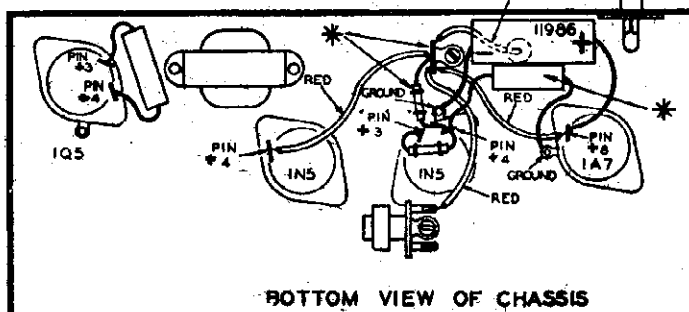
The changes made are as follows:

- A number 1139 stand-off insulated terminal strip was

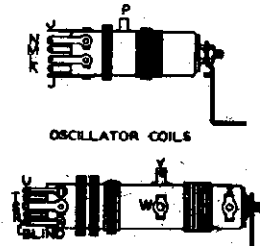
installed, it being held by one of the mounting nuts for the input I. F. transformer.

- The three Red wires and one Red and White wire soldered to pin No. 4 of the 1N5 1st I. F. tube socket (see Fig. 1), were unsoldered and soldered to the lug on the top of the stand-off terminal strip.
- A 10,000 ohm 1/4 watt resistor was connected from the lug of the stand-off terminal strip to pin No. 4 of the 1N5 1st I. F. tube socket.
- A .1 x 200 volt tubular by-pass condenser was added. One end was soldered to pin No. 4 of the 1N5 1st I. F. tube socket and the other end to the ground lug at the base of the 1A7 tube socket.

**REAR OF CHASSIS**



**BOTTOM VIEW OF CHASSIS**

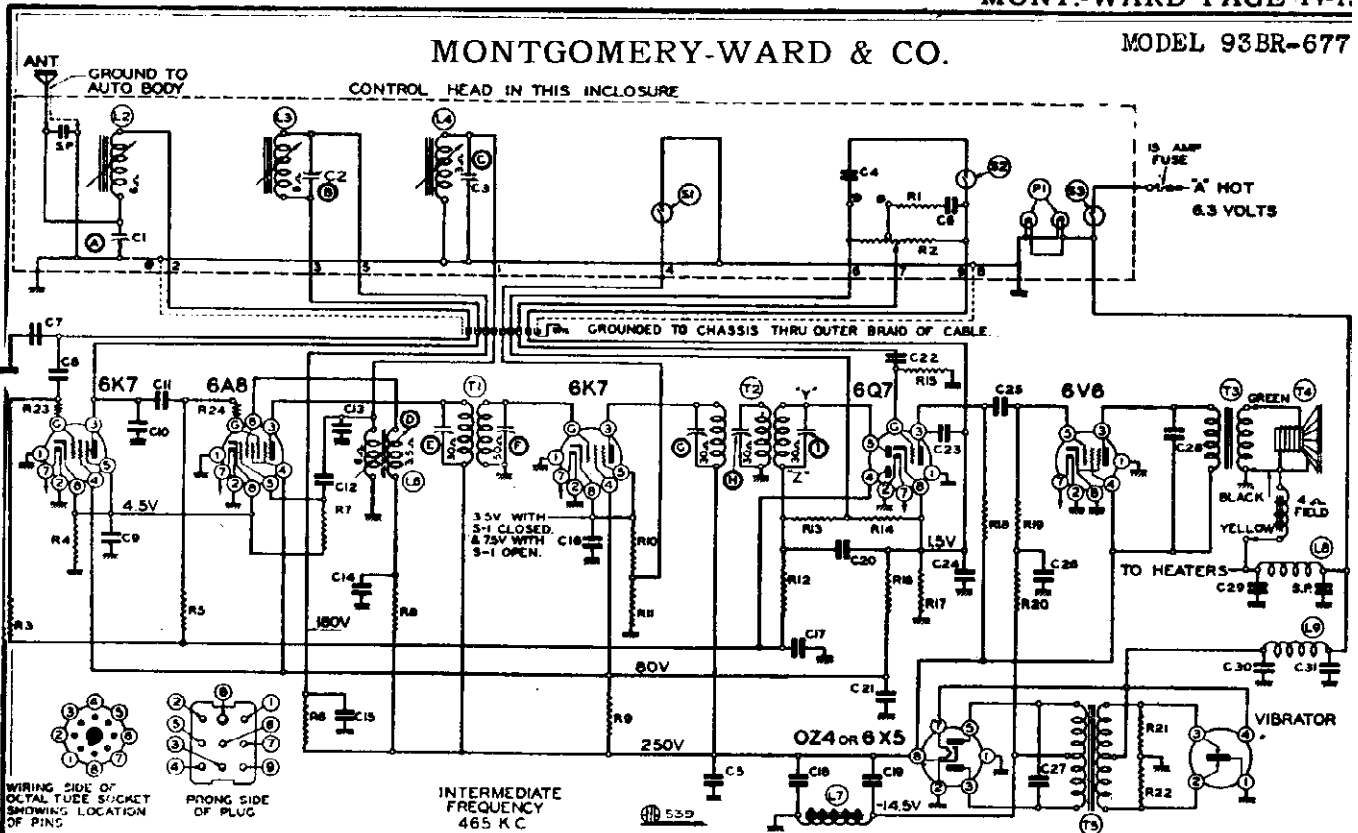


129

ANTENNA COILS

MONTGOMERY-WARD & CO.

MODEL 93BR-677



WIRING SIDE OF DIAL TUBE SOCKET SHOWING LOCATION OF PINS

PRONG SIDE OF PLUG

INTERMEDIATE FREQUENCY 465 K C

Code	Part No.	Description
<b>CONDENSERS</b>		
C1	124-45	Antenna trimmer 50 - 450 w. c. 350 mmf.
C2	127-82	R. F. Trimmer - 5-30 mmf.
C3	100-25	Oscillator Trimmer 5 - 30 mmf.
C4	100-88	.002 x 600 v. - 25%
C5	100-19	.1 x 400 v. 50 - 10%
C6	100-19	.005 x 600 v. - 25%
C7	129-95	.00015 Mica 2 1/2%
C8	129-39	.00005 Mica 20%
C9	100-22	.05 x 200 v. 25%
C10	129-96	.000035 Mica 5%
C11	129-2	.0005 Mica 20%
C12	129-12	.00025 Mica 20%
C13	129-101	.00007 Mica 5%
C14	100-13	.05 x 400 v. 25%
C15	116-24	By pass block .25 x 400 v. 20-10%
C16	100-9	.05 x 200 v. 25%
C17	100-22	.05 x 200 v. 25%
C18	119-51	12 mid. 350 w.v. lytic
C19	119-51	12 mid. 350 w.v. lytic
C20	129-5	.0001 Mica 20%
C21	100-11	.01 x 400 v. 25%
C22	116-24	.25 x 400 v. 20-10% By pass block
C23	129-5	.0001 Mica 20%
C24	100-26	.02 x 400 v. 25%
C25	100-11	.01 x 400 v. 25%
C26	116-24	.25 x 200 v. 20-10%
C27	100-36	.01 x 1400 v. 20-10%
C28	100-89	.008 x 800 v. 10%
C29	129-6	.002 Mica 20%
C30	101-31	.5 x 120 v. 50-10%
C31	100-31	.5 x 120 v. 50-10%
SP		Spark Plates (2)

C15, C21 and C26 in same unit  
C18 and C19 in same unit

Code	Part No.	Description
<b>RESISTORS</b>		
R1	130-214	30M - 1/2 w. 20%
R2	101-109	1.2 meg. volume control
R3	130-19	1 megohm - 1/2 w. 20%
R4	130-79	400 ohm - 1/2 w. 10%
R5	130-19	1 megohm - 1/2 w. 20%
R6	130-21	20M ohm - 1/2 w. 20%
R7	130-12	50M ohm - 1/2 w. 20%
R8	130-12	50M ohm - 1/2 w. 20%
R9	130-65	30M ohm - 1 watt 20%
R10	130-39	700 ohm - 1/2 w. 20%
R11	130-85	3M ohm - 1/2 w. 20%
R12	130-19	1 megohm - 1/2 w. 20%
R13	130-20	100M ohm - 1/2 w. 20%
R14	130-118	600M ohm - 1/2 w. 20%
R15	130-19	1 megohm - 1/2 w. 20%
R16	130-208	40M ohm - 1/2 w. 20%
R17	130-101	600 ohm - 1/2 w. 10%
R18	130-11	250M ohm - 1/2 w. 20%
R19	130-5	300M ohm - 1/2 w. 20%
R20	130-11	250M ohm - 1/2 w. 20%
R21	130-56	100 ohm - 1/2 w. 20%
R22	130-56	100 ohm - 1/2 w. 20%
R23	130-54	500 ohm - 1/2 w. 20%
R24	130-54	500 ohm - 1/2 w. 20%

Code	Part No.	Description
<b>PARTS</b>		
L2	111-100	Antenna permeability coil complete
L3	109-40	R. F. Permeability coil complete
L4	110-84	Oscillator permeability coil complete
L5	110-75	Oscillator shunt coil Adj.
L7	105-62	Filter Choke - 250 ohms
L8	105-66	"A" Choke
L9	105-65	"A" Choke

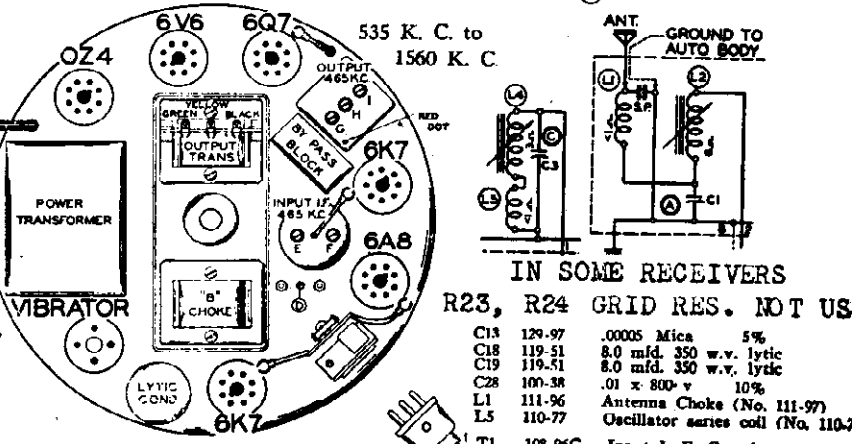


Fig. 3—Top View of Chassis

IN SOME RECEIVERS

Code	Part No.	Description
R23, R24		GRID RES. NOT US
C13	129-97	.00005 Mica 5%
C18	119-51	8.0 mid. 350 w.v. lytic
C19	119-51	8.0 mid. 350 w.v. lytic
C28	100-38	.01 x 800 v. 10%
L1	111-96	Antenna Choke (No. 111-97)
L5	110-77	Oscillator series coil (No. 110-77)
T1	108-96C	Input L. F. Complete - 465 kc
T2	108-115	Output L. F. Complete - 465 kc
T3	105-61	Output Transformer
T4	114-113	8" Dynamic speaker
T5	104-132	Power Transformer
S1	125-47	Sensitivity switch
S2	125-47	Tone control switch
S3		Off-on switch on volume control
P1	107-97	6-8 v. pilot light (2)

Mica condensers are coded with an additional dot indicating tolerance:

Tolerance	Percent	Color	of Dot
2 1/2%		White	
5%		Green	
10%		Blue	
15%		Yellow	
20%		Red	
More Than 20%		None.	

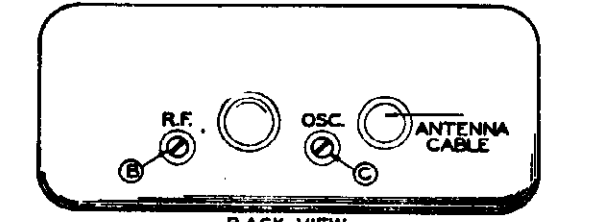
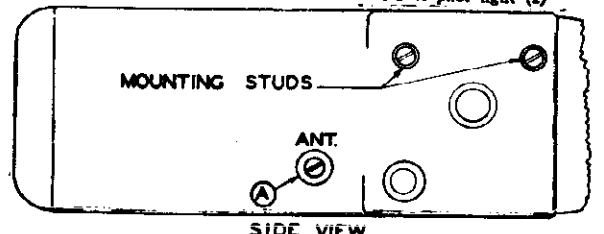


Fig. 4

AUTO RADIO

MODEL 93BR-677

## MONTGOMERY-WARD &amp; CO.

## WIRING CONNECTIONS AND ASSEMBLY

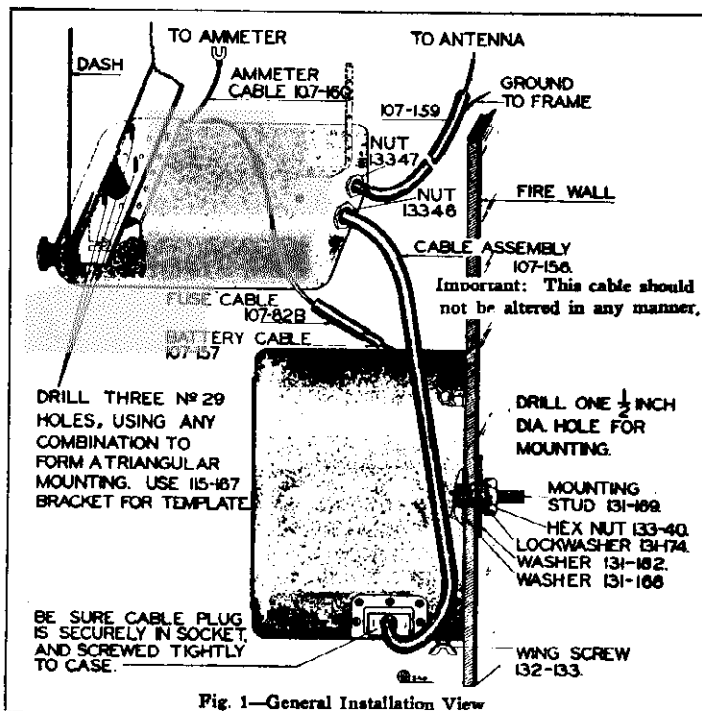


Fig. 1—General Installation View

Remote Tuner Units are matched to each radio unit at the factory; therefore it is important in such cases where another Remote Tuner Unit is required to replace the original one, that the entire Remote Unit be rebalanced to match the Radio Unit.

**ADJUSTING ANTENNA TRIMMER (SET IN CAR)**

Tune in a weak signal at approximately 1400 KC with the volume control about three-fourths on. Turn the adjusting screw of the antenna trimmer up or down until maximum output is obtained. See Fig. 4, adjustment "A" on side of remote tuner unit.

**DUMMY ANTENNAS**

The dummy antennas referred to in the following instructions are:

"I.F. Dummy" —A .5 mfd. condenser connected in series with the test oscillator output lead.

"Broadcast Dummy"—A 175 mmfd. condenser connected in series with the output lead of the test oscillator.

**I.F. ALIGNMENT: (465 K.C.)****IMPORTANT:**

To align the output I.F. transformer without using a cathode ray oscillograph a 10M ohm resistor must be shunted across the tertiary coil of this unit.

Connect the resistor as indicated by points "Y" and "Z" on the circuit diagram as follows.

Locate the wires coming from the bottom of the output I.F. coil assembly on the underside of the radio chassis.

The white lead with green tracer which is connected to diode plate terminal No. 5 on the 6Q7 tube socket is one point and the white lead with brown tracer which is connected to the end terminal of the terminal strip is the other point.

Proceed as follows:

1. With the dial of the Remote Tuner Unit set at 1400 K.C. and with volume control full on, connect test oscillator set at 465 K.C. in series with I.F. dummy to grid of 6K7 I.F. tube.
2. Adjust trimmers "G" and "H" of output I.F. transformer for maximum gain, (See Fig. 3, top view).
3. Disconnect the 10M ohm resistor which has been shunted across the tertiary winding and adjust trimmer "I" for maximum gain.
  - (a) This transformer is now correctly tuned. Under no circumstances re-adjust trimmers "G" and "H" after the 10M ohm resistor has been removed.

(b) For alignment of the output I.F. transformer using a cathode ray oscillograph the 10M ohm resistor is not used and the procedure is similar to the alignment of any two circuit I.F. transformer; merely tune for a symmetrical curve of maximum amplitude.

(c) Output connections for the cathode ray oscillograph should be made to pin No. 8 on 6Q7 tube socket and to the end terminal on the terminal strip; at this point the diode load resistors terminate.

4. Move test oscillator connection to grid of 6A8 tube and adjust trimmer condensers "E" and "F" of input I.F. transformer for maximum gain.

**NOTE:** A red dot on top of output I.F. can designates location of trimmer "G"

**BROADCAST ALIGNMENT:**

1. With the dial on the Remote Tuner Unit set at 1560 K. C., connect test oscillator set at 1560 K. C. in series with broadcast dummy to the antenna lead of receiver.
2. Adjust oscillator trimmer (adjustment "C", on back of Remote Tuner Unit) to resonance. (See Fig. 4, back view).
3. Re-set test oscillator to 1400 K.C. and pick up signal by rotating dial on Remote Tuner Unit. Adjust R. F. trimmer (adjustment "B", on back of Remote Tuner Unit), and Antenna Trimmer (adjustment "A", on side of Remote Tuner Unit), to resonance.
4. Re-set test oscillator to 600 K.C. and rotate Remote Tuner Unit dial to 600 K. C. Adjust shunt oscillator adjustment "D", rotating dial to and fro at the same time adjusting shunt oscillator for maximum gain. This adjustment is accessible from the top of the radio chassis, (See Fig. 3, top view).
5. Go back and check 1400 K. C. If adjustment is made here, check 600 K. C. again.

**PROCEDURE FOR SETTING THE AUTOMATIC LEVERS:**

There are six levers on the dial by means of which six stations may be selected. (See "B" Fig. 2).

Press **DOWN ALL THE WAY** any one of the automatic tuner levers. Holding it down **FIRMLY**, tune in by means of the tuning knob (No. 2) the station indicated on the station call letter tab above this lever. Turn the tuning knob very slowly back and forth (while still holding lever in downward position) until the signal is clearest. The station will then be accurately tuned in. Release the lever.

Press down another automatic tuner lever. Holding it down **FIRMLY**, carefully tune in the station indicated on the call letter tab above this lever. Release this lever.

Follow this procedure until you have selected all of your favorite stations.

Now Rotate the turning knob (No. 2) to the left (counter clockwise) as far as it will turn, and tighten the special reset lock screw ("C") located on left side of remote tuner unit. (See Fig. 2).

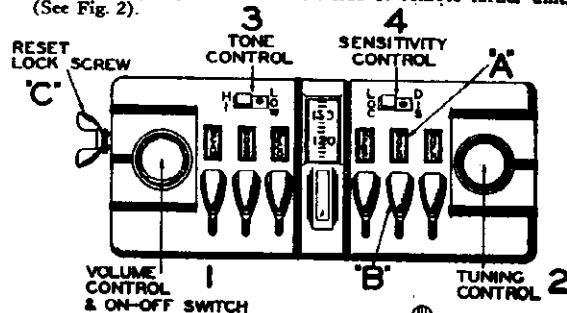


Fig. 2—Front View of Remote Tuner Unit

It is **VERY IMPORTANT** that this locking screw is turned until it is **ABSOLUTELY TIGHT**.

This screw will lock in place all the stations you have selected on the automatic tuner levers. (Note: Reset lock screw "C" is loose when radio is shipped from factory).

If you should desire to change any station you selected to another, loosen the locking screw "C" one or two turns; select the new station as explained. Be sure to retighten the locking screw, otherwise the stations you have selected will not stay adjusted to the levers.

Voltages taken from different points of circuit to chassis are measured with volume control full on, all tubes in their sockets and speaker connected, with a volt meter having a resistance of 1000 ohms per volt. These voltages are clearly indicated on the circuit diagram.

In order to prevent signal from acting upon A.V.C. and affecting accuracy of voltage measurements, aerial and ground leads should be short circuited while making measurements.

All voltages are to be measured with 6.3 volts input to receiver.

MONTGOMERY-WARD & CO.

MODEL 93BR-1075 Series A, 1

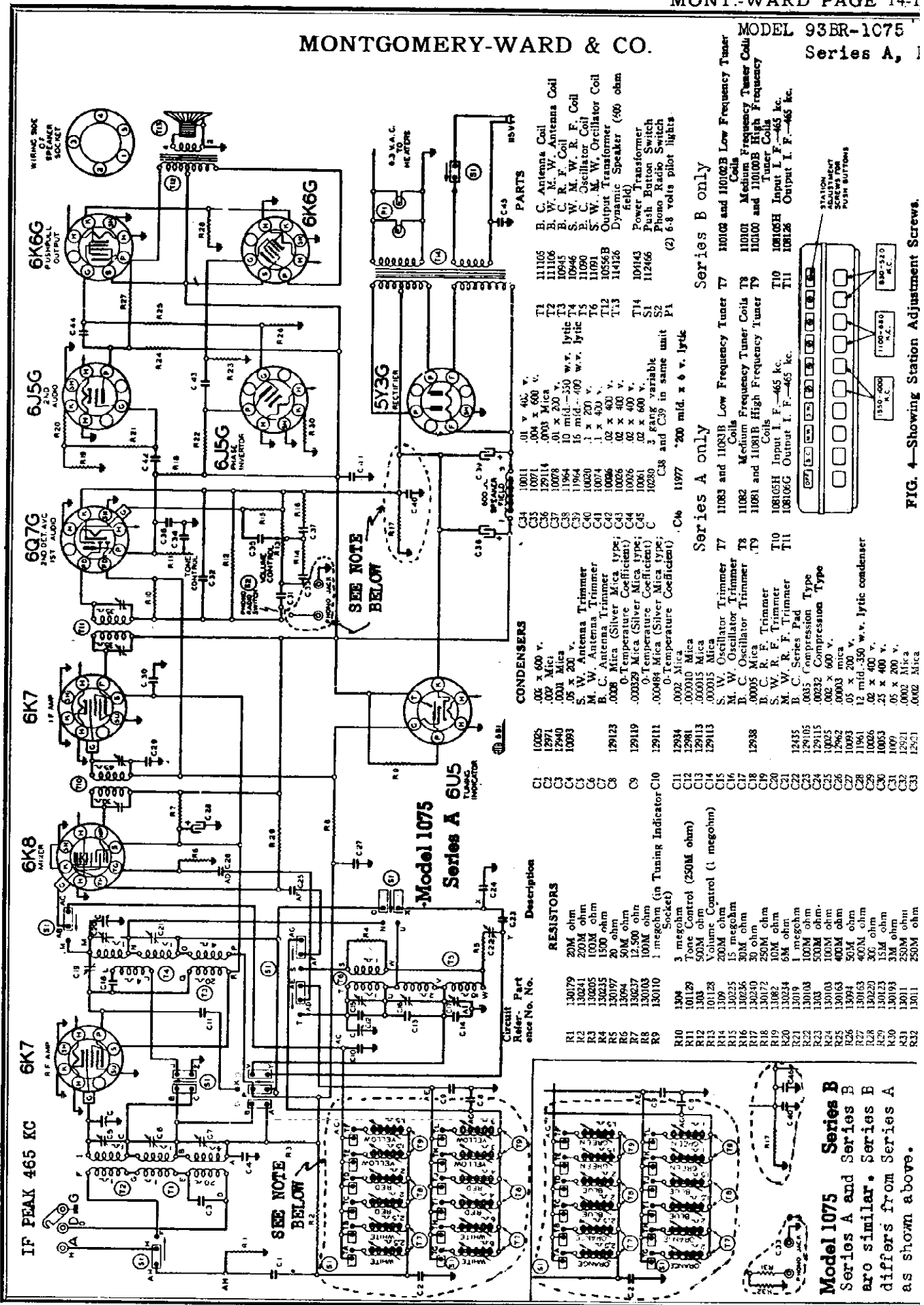


FIG. 4—Showing Station Adjustment Screws.



MODEL 93BR-1075  
Series A, B

MONTGOMERY-WARD & CO.

- The following equipment is required for aligning:
- An all wave signal generator which will provide an accurately calibrated signal at the test frequencies as listed.
  - Output indicating meter.
  - Non-metallic screwdriver.
  - Dummy antennas—1 mf., 200 mmf., and 400 ohms.

- Volume control—Maximum all adjustments.
- Connect radio chassis to ground post of signal generator with a short heavy lead.
- Connect dummy antenna in series with generator output lead.
- Connect output meter across primary of output transformer.
- Allow chassis and signal generator to "heat up" for several minutes.

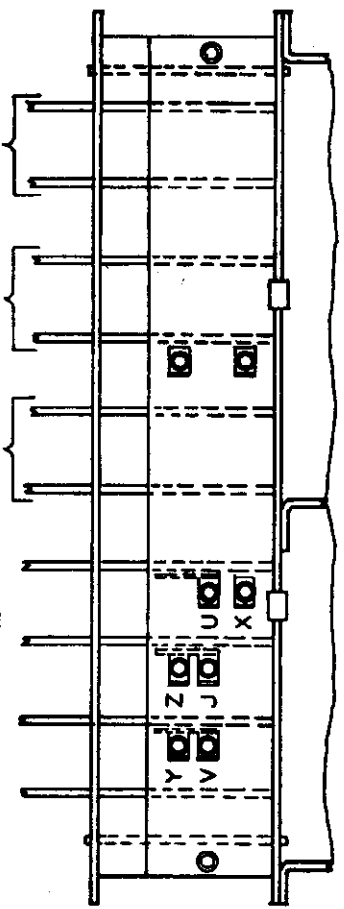
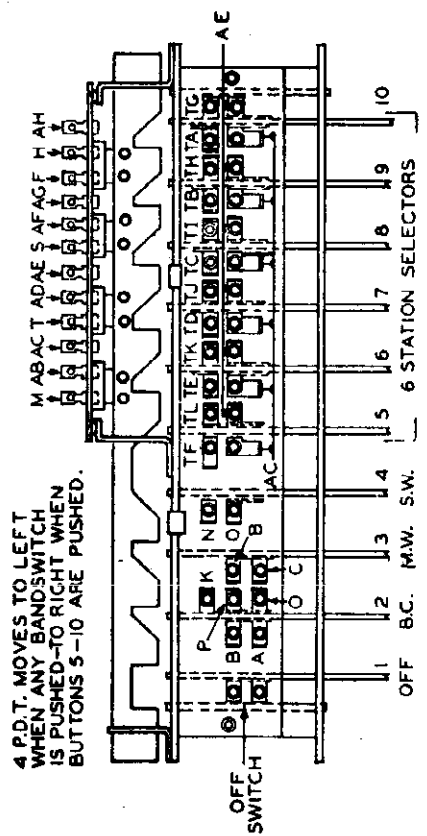
BAND	SIGNAL GENERATOR Frequency Setting	Dummy Antenna	Connection to Radio	Pushbutton Indicated Below Pushed "In"	Variable Condenser Setting	Trimmers Adjusted (in Order Shown)	Trimmer Function	Adjustment
I. F.	465 Kc.	.1 MFD.	Grid of 6K7 I.F. Tube	Broadcast	Rotor full open (Plates out of mesh)	Two trimmers on top (See Fig. 2)	Output I. F.	Adjust to maximum output
	465 Kc.	.1 MFD.	Grid of 6X3	Broadcast	Rotor full open (Plates out of mesh)	Two trimmers on top (See Fig. 2)	Input I. F.	Adjust to maximum output
BAND BROADCAST	1690 Kc.	200 mmf.	Antenna lead	Broadcast	Rotor full open (Plates out of mesh)	Trimmer (C17) (See Fig. 5)	Broadcast oscillator	Adjust to maximum output
	1400 Kc.	200 mmf.	Antenna lead	Broadcast	Set dial at 1400 Kc.	Trimmer (C7), (C19) (See Fig. 5)	Broadcast antenna and R. F.	Adjust to maximum output
	600 Kc.	200 mmf.	Antenna lead	Broadcast	Set dial at 600 Kc.	Trimmer (C22) (See Fig. 5)	Broadcast oscillator series pad	Adjust to maximum rock dial. (See note "A.")
SHORT WAVE BAND	17 Mc.	400 ohms	Antenna lead	Short Wave	Set dial at 17 MC	Trimmer (C15) (See Fig. 5)	Short wave oscillator	Adjust to maximum output
	17 Mc.	400 ohms	Antenna lead	Short Wave	Set dial at 17 MC	Trimmer (C3), (C20) (See Fig. 5)	Short wave antenna and R. F.	Adjust to maximum output
MEDIUM WAVE BAND	5 Mc.	400 ohms	Antenna lead	Med. Wave	Set dial at 5 MC	Trimmer (C16) (See Fig. 5)	Medium wave oscillator	Adjust to maximum output
	5 Mc.	400 ohms	Antenna lead	Med. Wave	Dial set at 5 MC	Trimmer (C6), (C21) (See Fig. 5)	Medium wave antenna and R. F.	Adjust to maximum output

NOTE "A". Turn the dial back and forth slightly (rock) and adjust trimmer until the peak of greatest intensity is obtained.  
Attenuate the signal from the signal generator to prevent the leveling-off action of the AVC.  
After each range is completed, repeat the procedures as a final check.

**BAND FREQUENCY RANGE**  
Broadcast.....55 to 1690 Kc.  
Medium Wave.....1.66 to 5.5 Mc.  
Short Wave.....5.5 to 18.0 Mc.  
Power Consumption.....100 Watts (At 115 volts 50-60 cycles)  
Power Output.....5 Watts Undistorted, 7.5 Watts Maximum  
Intermediate Frequency.....465 Kc.

SERIES B 890-1870 KC 710-1235 KC 535-930 KC  
SERIES A -1000-1550 K.C. 680-1100K.C. 520-830 K.C.

TOP VIEW



BOTTOM VIEW

662

MONTGOMERY-WARD & CO.

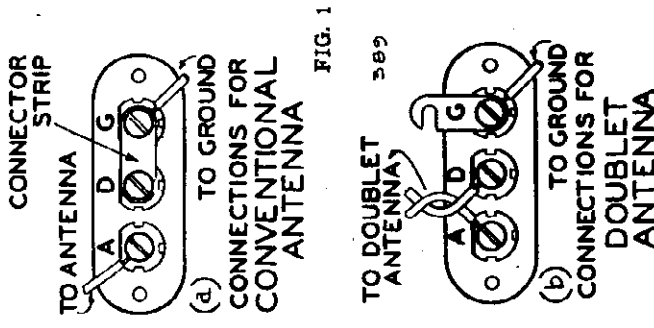


FIG. 1

After you have made up your list of stations, press button marked "Broadcast" and tune set manually until station selected having the highest frequency is tuned in and the program noted. Press button covering frequency range in which station is located (See Fig. 4). Adjust screw through station tab opening above button pressed until the same station is heard clearly and tuning indicator indicates that it is correctly tuned.

Press pushbutton marked "Broadcast" and tune in next station selected. Press button covering frequency range in which station is located. Adjust screw through station tab opening above button pressed until the same station is heard clearly and with maximum volume.

Follow this procedure for each button until you have selected all of your stations. The automatic buttons are now set up for quick tuning and no further adjustment is necessary.

**NOTE:** In setting up the pushbuttons, station identification may require switching back and forth to button marked "Broadcast" until the same program is heard for both. If the same program is heard on more than one station, find the station on dial tuning and select the proper one on the pushbutton by comparing the order or sequence of programs with that on dial tuning.

Punch out the station call letter tabs of the stations you have set up for the automatic buttons from the set of sheets supplied and insert them into the rectangular openings in the escutcheon. One of the small, clear celluloid tabs supplied should be snapped into place over each of the station call letter tabs.

**PROCEDURE FOR SETTING THE AUTOMATIC STATION PUSHBUTTONS:**

**Important:** Allow the radio to "warm up" for about 15 minutes before setting the station adjustment screws for the pushbuttons.

Only a single adjustment for each station is required in setting up your favorite stations for automatic pushbutton operation. These adjustments are located at the front of the chassis shown in Fig. 4 and are accessible through the station call letter tab holes. The only equipment needed is a small screw driver to make the adjustments.

The range of the frequencies covered by each button are given below and are also shown in Fig. 4. Only stations within the frequency ranges given can be obtained on a particular button. Counting the station buttons from left to right, looking at the front of the set, the frequency ranges are as follows:

1. 1550 to 1000 Kilocycles.
2. 1550 to 1000 Kilocycles.
3. 1100 to 680 Kilocycles.
4. 1100 to 680 Kilocycles.
5. 830 to 520 Kilocycles.
6. 830 to 520 Kilocycles.

This means that any station which has a kilocycle number lying between 1550 and 1000 K.C. can be set up on either Button 1 or Button 2. Any station which has a kilocycle number lying between 1100 and 680 K.C. can be set on either Button 3 or Button 4. Any station which has a kilocycle number lying between 830 and 520 K.C. can be set on either Button 5 or Button 6.

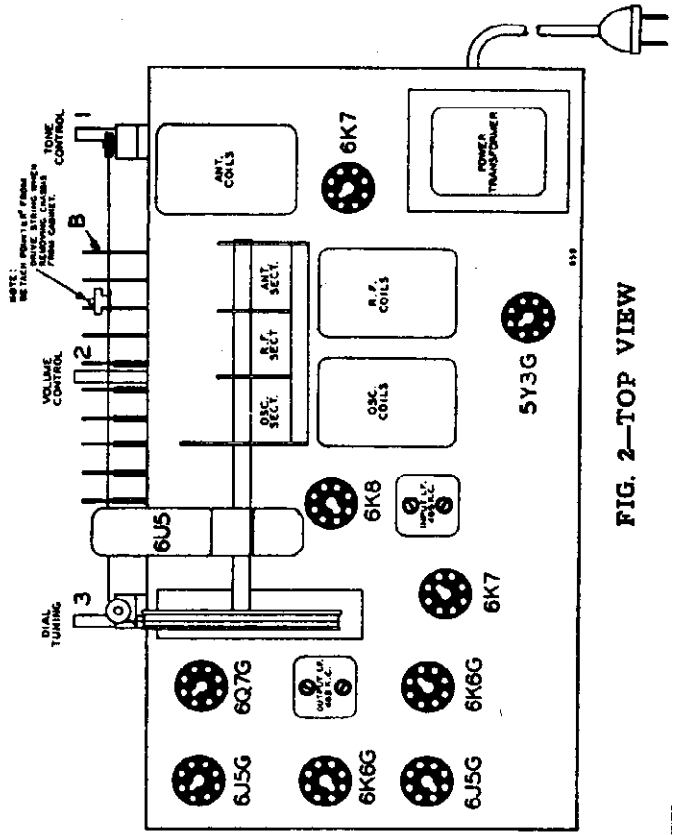


FIG. 2-TOP VIEW

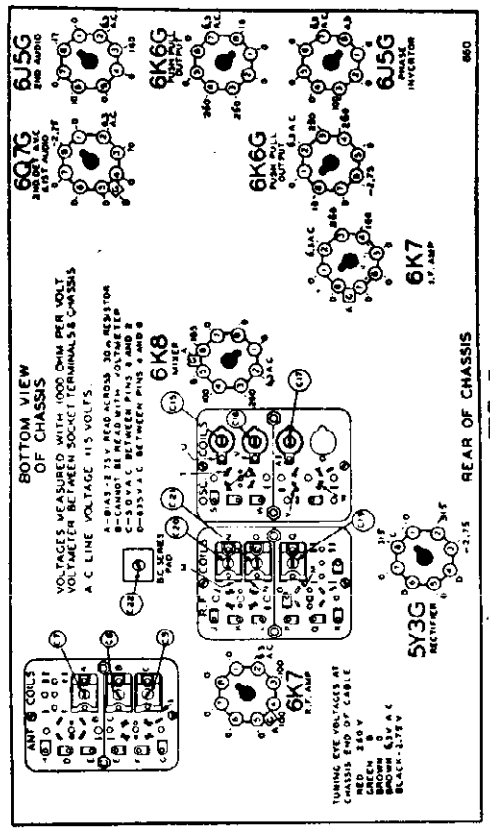


FIG. 5

MODEL 93BR-571

MONTGOMERY-WARD & CO.

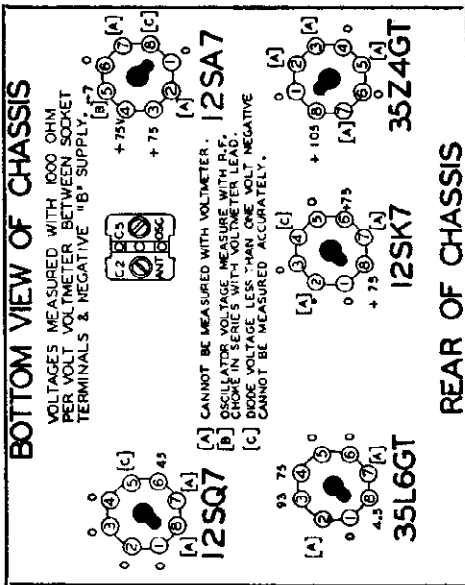
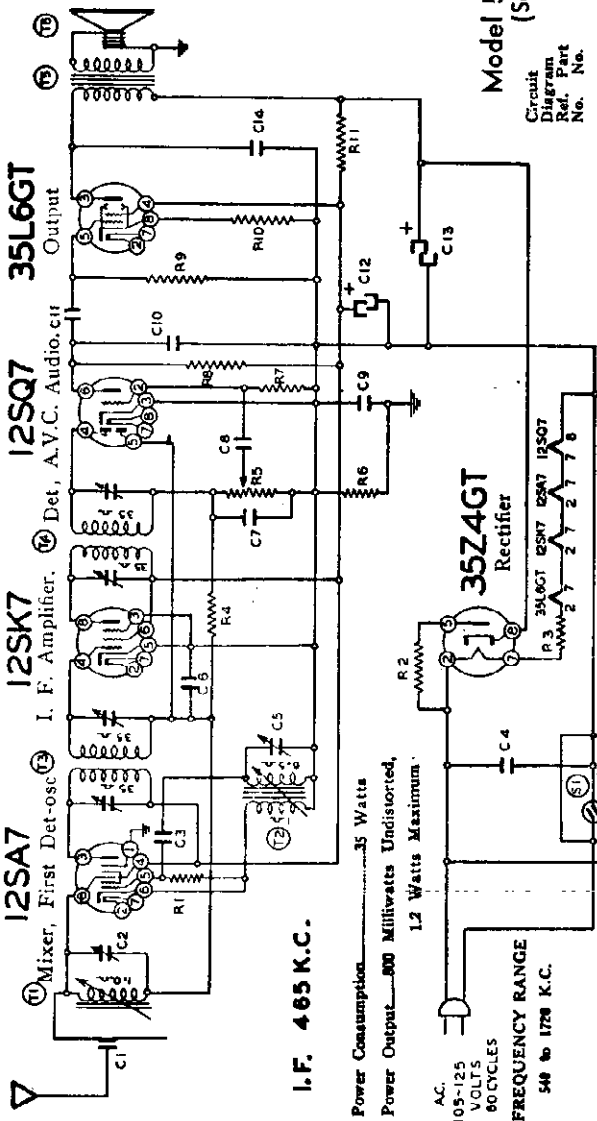


FIG. 3--BOTTOM VIEW

Model 571 Series A (Serial No. 189300 and up)



Circuit Diagram Ref. Part No.	Description
C6	10013 .05 x 400 v.
C7	1295 .0001 Mica
C8	10025 .02 x 600 v.
C9	10091 .15 x 400 v.
C10	1292 .0002 Mica
C11	10071 .004 x 600 v.
C12	11992 20 Mfd. Lytic
C13	11992 40 x 40 v. Lytic
C14	10011 40 x 40 v. Lytic
C3 and C4 in one unit.	
C12 and C13 in one unit.	

Circuit Diagram Ref. Part No.	Description
R1	13076 20M ohm-1/2 w.
R2	13076 25 ohm-1/2 w.
R3	130288 50 ohm-1/2 w.
R4	1304 3 Megohm-1/2 w.
R5	101209 Volume Control-1/2 Meg.
R6	13000 150M ohm-1/2 w.
R7	130257 150M ohm-1/2 w.
R8	130100 150M ohm-1/2 w.
R9	13011 150M ohm-1/2 w.
R10	13016 150M ohm-1/2 w.
R11	130199 150 ohm-1 w.

Circuit Diagram Ref. Part No.	Description
C1	13124 .002 Washer Condenser (Ant. Clip on Ant. Plate)
C2	124100 Ant. Section Dual Trimmer
C3	1299 .00025 Mica
C4	1001 1 x 40 v.
C5	124100 Osc. Section Dual Trimmer

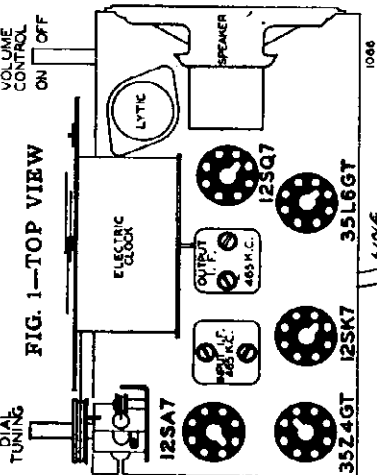
  

Circuit Diagram Ref. Part No.	Description
T1	111136 Antenna Coil Complete
T2	10126 Oscillator Coil
T3	108157D Input I. F. Coil—465 Kc.
T4	108157E Output I. F. Coil—465 Kc.
T5	105106 Output Transformer
T6	114187 4" Speaker—P.M.
T7	104188 Electric Clock Complete
S1	On-Off Switch on Volume Control

Slight adjustments to the oscillator and antenna circuits can be made without removing the chassis from the cabinet through a hole which is provided on the bottom of the cabinet. (Remove snap-in button.)  
 The two adjustments on the trimmer assembly can be reached with a long insulated type screwdriver through this hole.

**SERVICE NOTES:**

- Voltages taken from different points of circuit to —B are measured with all tubes in their sockets and speaker connected, with a volt meter having a resistance of 1000 ohms per volt.
- All voltages as indicated on the voltage chart are measured with 117 volt A.C. line.
- Resistances of coil windings are indicated in ohms on the schematic circuit diagram.
- To check for open by-pass condensers, shunt each condenser with another condenser of the same capacity and voltage rating, which is known to be good, until the defective unit is located.
- Excessive hum, stuttering, low volume and a reduction in all D. C. voltages is usually caused by a shorted electrolytic condenser; open by-pass condensers frequently cause oscillation and distorted tone.



1066

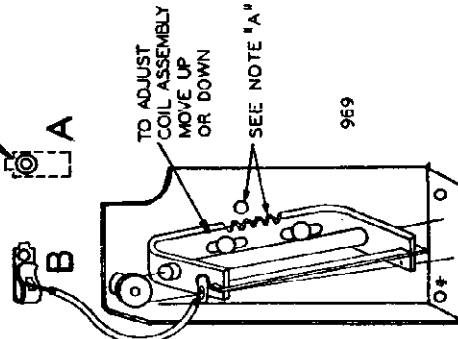
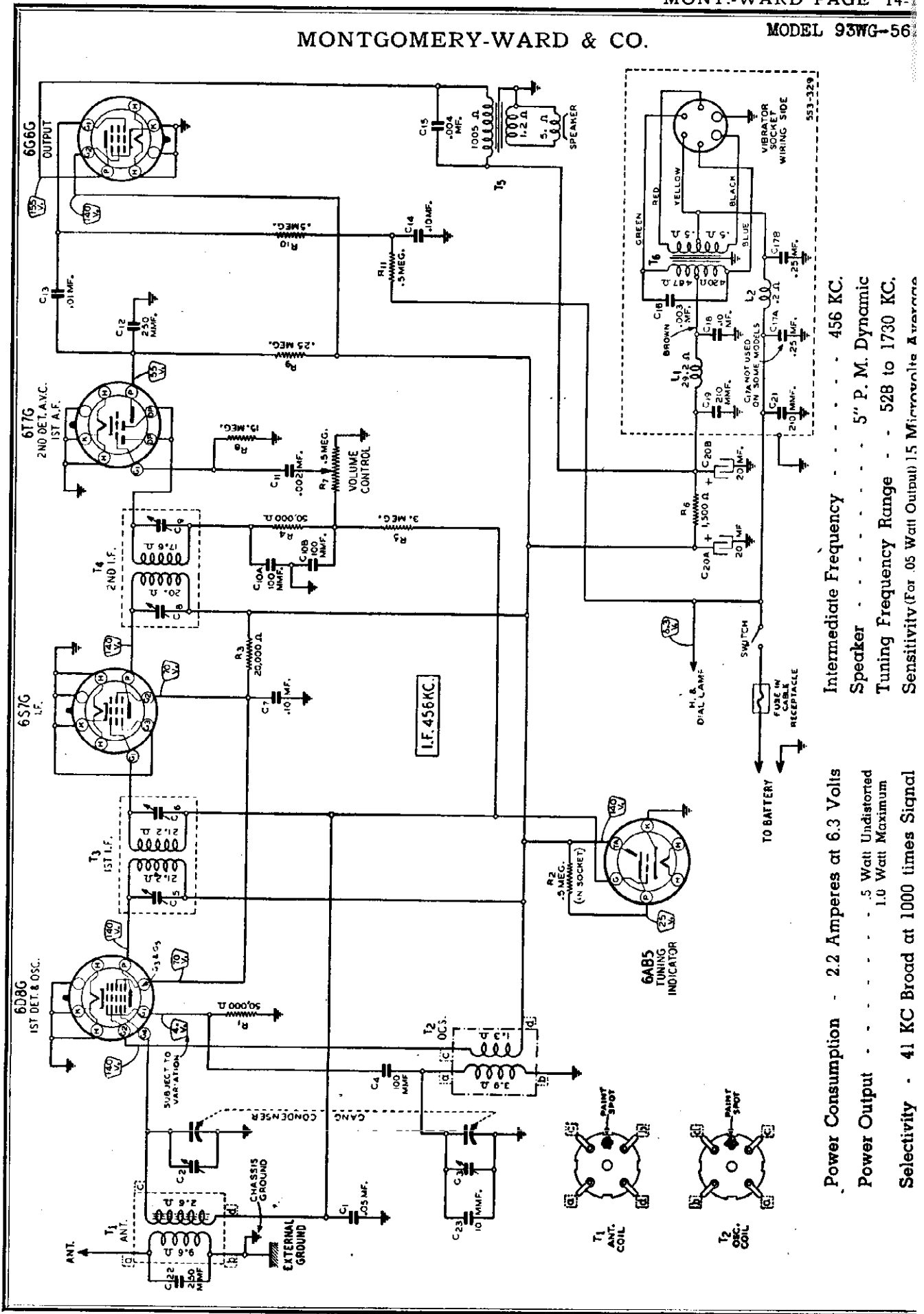


FIG. 4

MONTGOMERY-WARD & CO.

MODEL 93WG-56



Intermediate Frequency . . . . . 456 KC.  
 Speaker . . . . . 5" P. M. Dynamic  
 Tuning Frequency Range . . . . . 528 to 1730 KC.  
 Sensitivity (For .05 Watt Output) 1.5 Microwhite filament

Power Consumption - 2.2 Amperes at 6.3 Volts  
 Power Output . . . . . .5 Watt Undistorted  
 . . . . . 1.0 Watt Maximum  
 Selectivity - 41 KC Broad at 1000 times Signal

MODEL 93WG-562

MONTGOMERY-WARD & CO.

Procedure for Setting the Station Buttons

Selecting the Stations to be Set

There are 6 buttons on the automatic tuning dial by means of which 6 stations may be set for quick tuning.

Make a list of your favorite stations, those which you tune in regularly. There may be any number up to and including 6 in this list.

It is better to list the station with

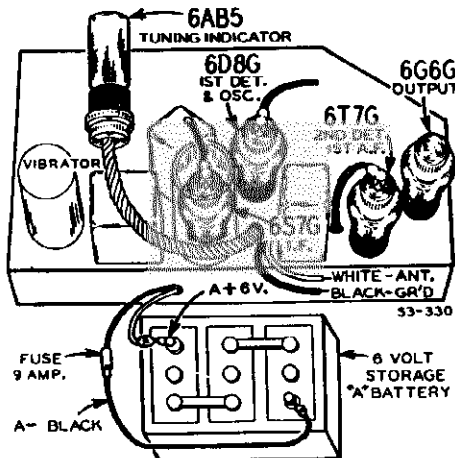
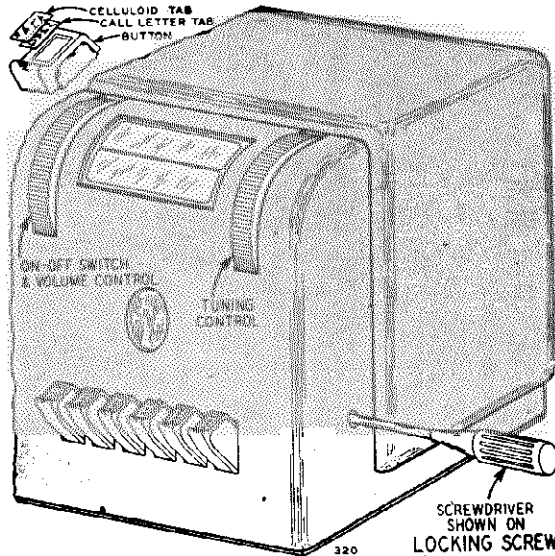
the lowest kilocycle number first, the station with the next higher kilocycle number next, and so on.

Any button may be used for any station you can receive, although it will be more convenient to set the stations so that the kilocycle numbers increase from left to right.

Setting a Station Button

At the right side of the cabinet (from the front) will be seen a cap

which covers a hole in the cabinet—See illustration. Pry off this cap being careful not to scratch the cabinet. Removal of the cap will expose a large locking screw. Using a screwdriver, loosen the mechanism by turning this screw in a counter-clockwise direction. The screw will turn easily until the dial stops rotating. Then exert a slight amount of additional pressure and continue to turn the screw about one and one-half complete turns.



Select the first station from the list you have prepared, and carefully tune in this station by means of the manual tuning control using the tuning eye as a guide.

With one hand, hold the manual tuning control to prevent it from turning and with the other hand, push one of the station buttons shown in the illustration all the way down. It will go down easily at first and then a firm gentle pressure must be applied to push it down the rest of the way. It is better to start with the left hand button.

Hold this button all the way down. With the other hand, see whether or not this station is still accurately tuned in by moving the tuning control

a slight amount back and forth while observing the tuning eye. Be sure to hold the button all the way down.

Release the button after the station is tuned in.

Carefully tune in the second station on your list. Then hold the tuning control and push the second button slowly and firmly all the way down. Check for accurate tuning.

Proceed in the same manner to set the remaining station buttons.

After all the stations are set, it will be necessary to lock the mechanism so that the settings will not change. Do this by turning the locking screw in a clockwise direction until it is tight. It will turn

easily until the dial stops rotating—then additional pressure must be exerted. Replace the cap over the hole.

Remove the correct station call letter tab from the sheets supplied by bending the sheet back and forth at the score mark until the tab can be broken off. Press this tab all the way to the bottom of the space provided in the button. Cover the call letter tab with a celluloid tab, pressing this in until it snaps into place.

If at any time you wish to change the setting of a button from one station to another, repeat the above procedure. Changing the setting of one button will not affect the setting of any of the other buttons.

ALIGNMENT PROCEDURE

Volume Control—Maximum All Adjustments. Allow Chassis and Signal Generator to "Heat Up" for several Minutes.

SIGNAL GENERATOR		DUMMY ANTENNA	CONDENSER SETTING	ADJUST TRIMMERS TO MAXIMUM (See Trimmer Illustration)
FREQUENCY SETTING	CONNECTION AT RADIO			
456 KC	Signal Grid of 1st Det.	.1 mf.	Turn rotor to full open	1st I.F. (C5) & (C4) 2nd I.F. (C8) & (C7)
1730 KC	Grid of 1st Det.	.1 mf.	Turn rotor to full open	Oscillator (C3)
1500 KC	Antenna Lead	200 mmf.	Turn rotor to max. output	Antenna (C2)

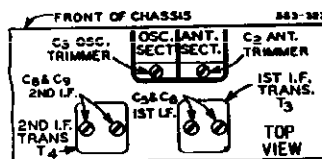
The following equipment is required for aligning:

Signal Generator which will provide an accurately calibrated signal at the test frequencies as listed.

Output Indicating Meter; Non-Metallic Screwdriver.

Dummy Antennas—.1 mf. and 200 mmf.

**CALIBRATION**—If it is necessary to calibrate the radio, remove the back cover. Turn the tuning control drum until the 2 set screws on the dial hub near the volume control can be reached with a screwdriver. Loosen the 2 set screws by turning them about 1/8th turn in a counter-clockwise direction. Tune in an 800 KC signal. Hold the tuning control motionless and at the same time



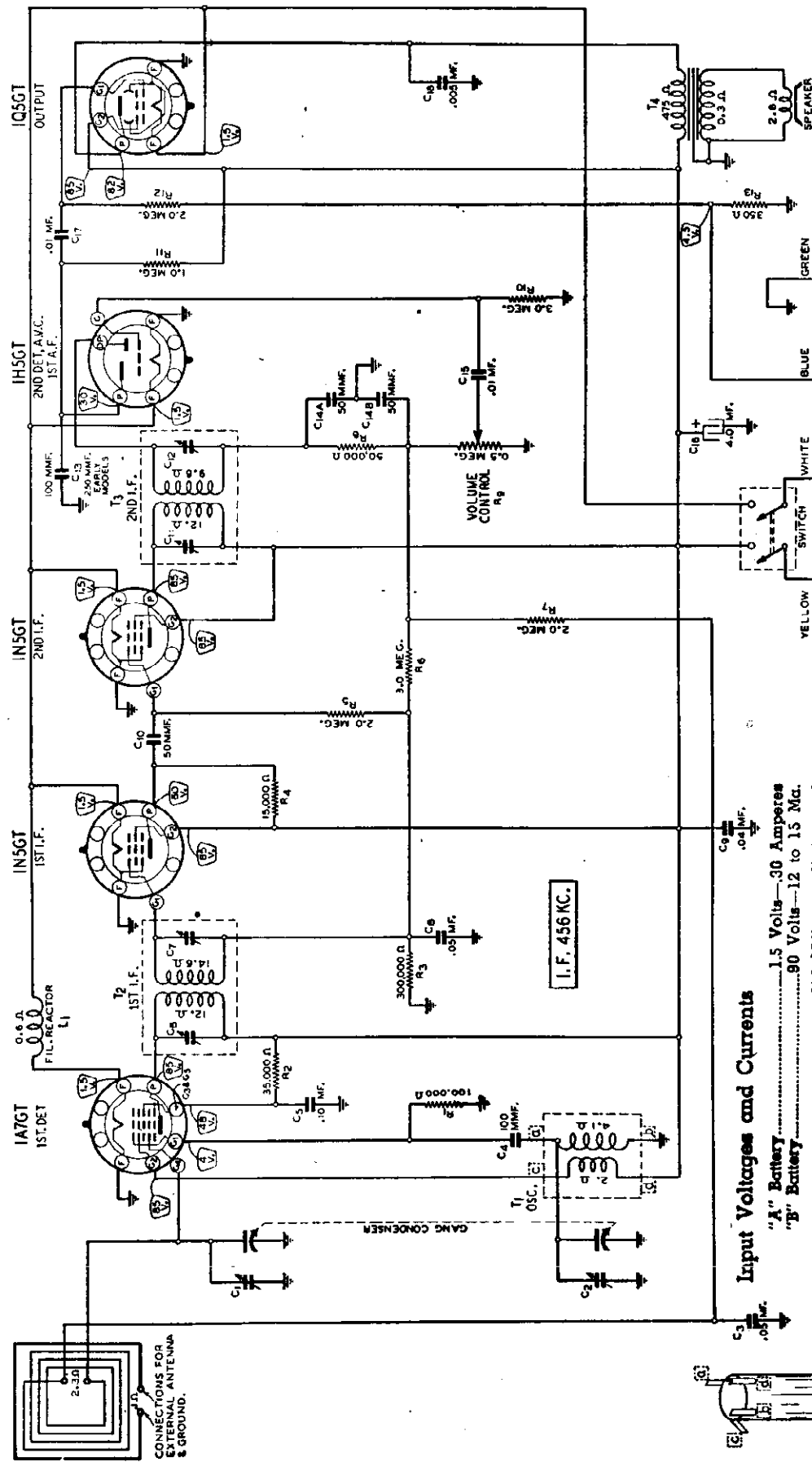
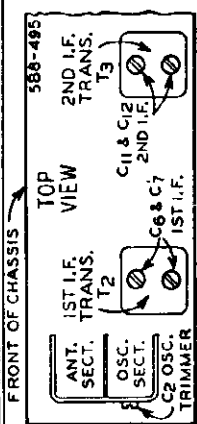
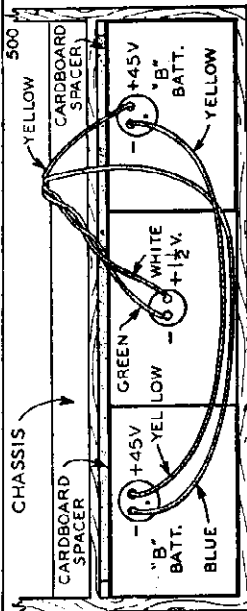
turn the dial drum until the dial is in calibration. Then slowly turn the tuning control drum until the 2 set screws can be reached and re-tightened with a screwdriver. Check to see that the dial has remained in calibration.

MONTGOMERY-WARD & CO.

Removing Chassis from Cabinet

Take out the 2 screws, one at each rear corner of the chassis shelf. Remove battery cable clamp. Grasp the chassis shelf at each rear corner and edge it away from the cabinet front until the chassis shelf and chassis slide easily out of the cabinet.

To remove the shelf from the chassis, take out the bolt and the 2 screws at the bottom of the shelf.



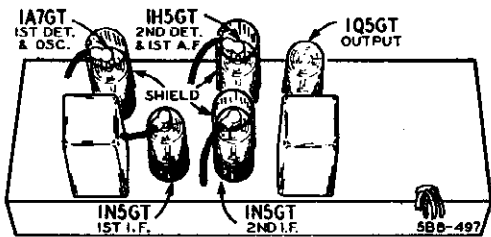
**Input Voltages and Currents**

"A" Battery ..... 1.5 Volts—30 Amperes  
 "B" Battery ..... 90 Volts—12 to 15 Ma.  
 Power Output - - - - 150 Milliwatts Undistorted  
 - - - - 350 Milliwatts Maximum

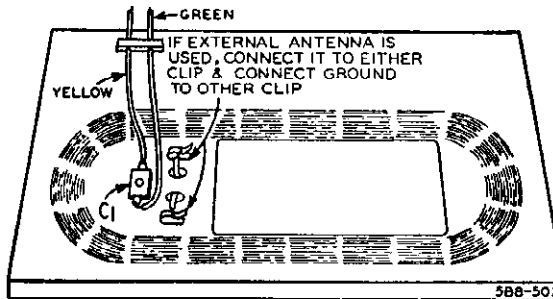
Sensitivity (For .05 Watt Output) 588-486

MODEL 93WG-565

MONTGOMERY-WARD & CO.



IMPORTANT—METAL BASE TUBES MUST BE USED IN THOSE SOCKETS AT WHICH SHIELDS ARE SHOWN.



INSIDE VIEW OF BACK COVER

### ALIGNMENT PROCEDURE

Volume Control—Maximum All Adjustments.  
Connect Radio Chassis to Ground Post of Signal Generator with a Short Heavy Lead.  
Allow Chassis and Signal Generator to "Heat Up" for several minutes.

The following equipment is required for aligning:  
A Signal Generator which will provide an accurately calibrated signal at the test frequencies as listed.  
Output Indicating Meter—Non-Metallic Screwdriver.  
Dummy Antenna—.1 mf.

SIGNAL GENERATOR		DUMMY ANTENNA	CONDENSER SETTING	ADJUST TRIMMERS TO MAXIMUM
FREQUENCY SETTING	CONNECTION AT RADIO			(See Trimmer Illustration—page 3, and illustration of back—page 1)
456 KC	Signal Grid of 1st Det. (Top Cap)	.1 mf.	Turn rotor to full open	1st I.F. (C6) & (C7) 2nd I.F. (C11) & (C12)
1600 KC	Signal Grid of 1st Det.	.1 mf.	Turn rotor to full open	Oscillator (C2)
1500 KC	None—See Note A		Turn rotor to max. output	Antenna (C1)

NOTE A—Chassis must be in cabinet. Connect a loop approximately one foot in diameter across the antenna and ground posts of the signal generator. The back of the cabinet must be in place. Place radio approximately 3 feet from loop so as to pick up signal. Radio should not be in proximity to any metal (metal bench, etc.).

CALIBRATION [For models with pointer in front of dial scale]—To obtain dial scale calibration, tune in an 800 KC signal. The pointer should be at the 800 KC mark on the dial. If it is not, hold the pulley at the back of the dial, loosen the pointer screw, set the pointer at the 800 KC mark, and retighten the pointer screw.

## Replacement Parts List

### MISCELLANEOUS

#### SPEAKER

When ordering parts for speakers, specify part number of speaker and letters preceding part number stamped on the speaker.

Bin No.	Part No.	Description	Selling Price
	12A340	5" P.M. Dynamic Speaker	\$2.84
		Cone and Voice Coil Assembly for above Speaker	.90
		Output Transformer only (T4)	.90
	14X251	Wire Screen to cover front of Speaker	.16

#### GENERAL

Bin No.	Part No.	Description	Selling Price
	3A293	Tube Socket—Octal (8 prong)	.10
	32X174	Tube Shield	.06
10003	30X44	Grid Clip only	Doz. .06
	13X388	"A" Battery Cable and Plug Assembly	.10
	13X389	"B" Battery Cable and Plug Assembly	.14
	4A77	Terminal Strip (2 Lugs—1 Lug Insulated)	.04
	4A78	Terminal Strip (4 Lugs—4 Lugs Insulated)	.04
	4A137	Fibre Strip (Loop Antenna Leads)	.04

### TRANSFORMERS AND COILS

Bin No.	Part No.	Code	Description	Selling Price
	9A1053	T1	Oscillator Coil Assembly	\$6.42
	9A1192	T2	1st I.F. Transformer and Can Assembly	.92
	9A1193	T3	2nd I.F. Transformer and Can Assembly	.84
		T4	Output Transformer (See "Speaker")	
	9A1199	L1	Filament Reactor	.20
	9A1191		Loop Antenna Assembly	.54

### CONDENSERS

#### TUBULAR

Bin No.	Part No.	Code	Capacitance	Voltage	Selling Price
11106	46X253	C3,C8	.06 mf.	180	\$9.86
10779	46X254	C8	.10 mf.	180	.06
11539	46X250	C7	.04 mf.	180	.06
11256	46X249	C15,C17	.01 mf.	180	.06
10592	46X274	C18	.005 mf.	360	.06

#### MOLDED

Bin No.	Part No.	Code	Capacitance	Voltage	Selling Price
10876	47X87	C4,C13	100 mmf.		.06
10425	47X86	C16	80 mmf.		.06

#### TRIMMER

Part No.	Code	Resistance	Wattage	Selling Price
17A110	C1	2.5-25 mmf.	Loop Antenna	.06
	C2	Part of Gang Condenser		
17A51	C5	70-150 mmf.	1st I.F.	.16
	C7	40-100 mmf.		
17A80	C11	50-120 mmf.	2nd I.F.	.18
	C12	85-185 mmf.		

#### MISCELLANEOUS

Bin No.	Part No.	Code	Resistance	Wattage	Selling Price
	47X112	C14A	50 mmf.	Dual Mica	.06
		C14B	50 mmf.	100 Dry Electrolytic	.20
9870	45X250	C16	4 mf.	2 Section Gang Condenser complete with Tuning Control Shaft	1.20
	14A114				

### RESISTORS

#### CARBON

Bin No.	Part No.	Code	Resistance	Wattage	Selling Price
11097	A85104	R1	100,000 Ohm	0.2	\$0.06
11189	A84363	R2	35,000 Ohm	0.2	.06
11061	A84304	R3	300,000 Ohm	0.2	.08
11094	A8153	R4	15,000 Ohm	0.2	.08
11086	A85208	R5,R7,R12	2 Megohm	0.2	.04
11116	A84305	R6	3 Megohm	0.2	.08
11068	A85603	R8	50,000 Ohm	0.2	.06
11090	A85306	R10	3 Megohm	0.2	.06
11188	A84105	R11	1 Megohm	0.2	.06
	A83361	R13	350 Ohm	0.2	.10

#### MISCELLANEOUS

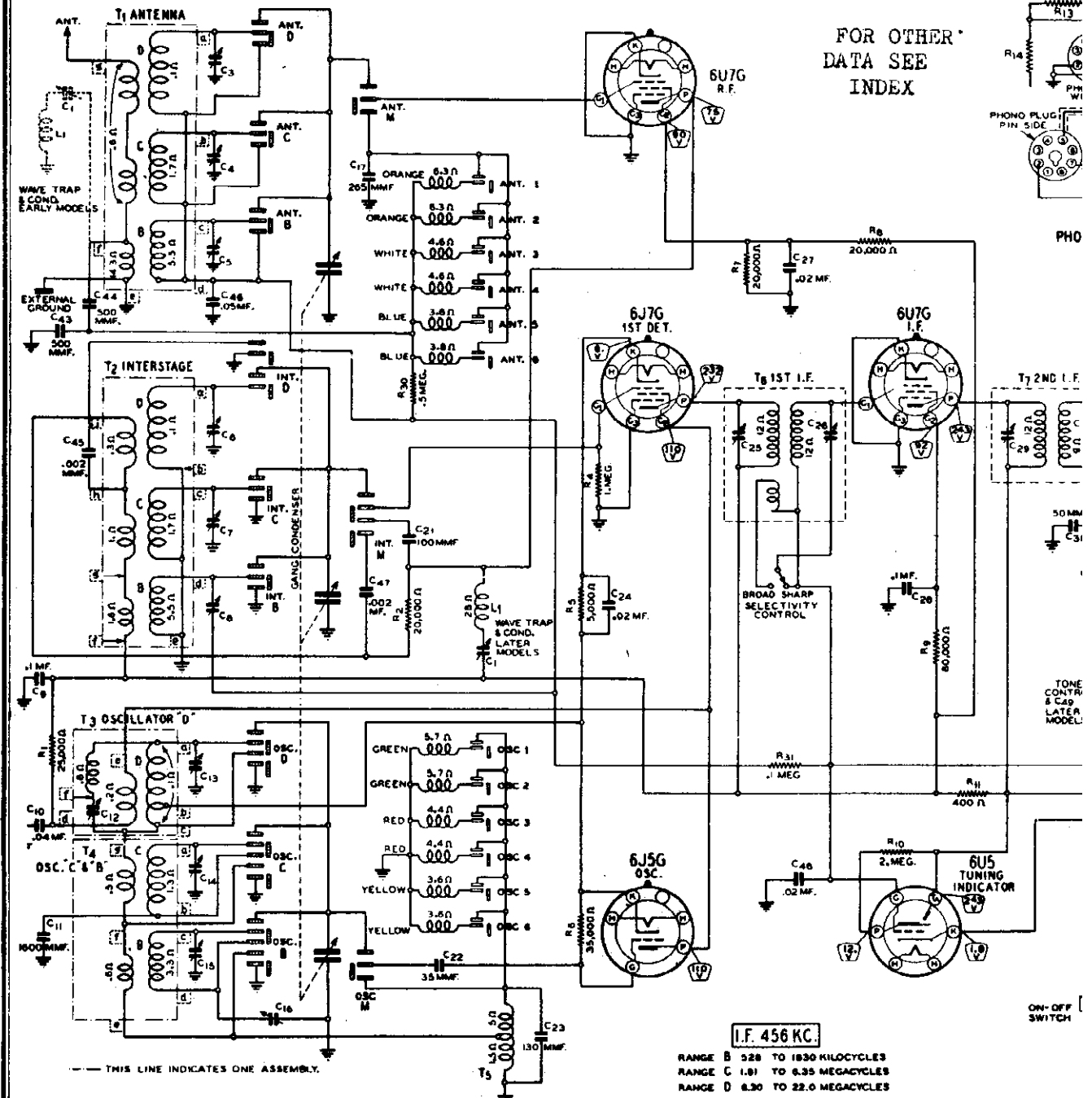
Bin No.	Part No.	Code	Resistance	Wattage	Selling Price
10144	36X274	R9	500,000 Ohm	Volume Control and On-Off Switch	.06

### DIAL AND DRIVE ASSEMBLY

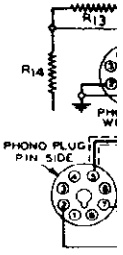
Bin No.	Part No.	Description	Selling Price
	58X448	Dial Mounting Plate complete with Dial Scale, Pointer, and Pulley Shaft and Bracket	\$9.24
	58X436	Cardboard Dial Scale	.06
	16X161	Pointer	.04
		14" Drive Cord (12 lb. Test)	Doz. Pcs. .16
	28X204	Tension Spring for Drive Cord	Doz. .12
	17X49	Celluloid Crystal	.06
	16A275	Tuning Control Knob	.06
	16A276	On-Off Switch and Volume Control Knob	.06
	43X86	Escutcheon for Tuning Control Knob	.12
	43X46	Escutcheon for On-Off Switch and Volume Control Knob	.12

Use only genuine factory tested parts to insure service jobs you can depend on and to obtain original set performance.

Prices Subject to Change Without Notice.



FOR OTHER DATA SEE INDEX



I.F. 456 KC.  
 RANGE B 528 TO 1830 KILOCYCLES  
 RANGE C 1.01 TO 6.35 MEGACYCLES  
 RANGE D 8.30 TO 22.0 MEGACYCLES

**ISSUE NUMBER CHANGES**

The last digit of the number on the chassis number label identifies the radio as to the issue number.

**ISSUE NO. 1**

The information contained in the Replacement Parts List and Schematic Circuit Diagram, applies with minor changes to all chassis issues, 1 through 6. The Replacement Parts List and Schematic Circuit Diagram, however, apply only to No. 1 issue chassis.

**ISSUE NOS. 2 and 3**

MECHANICAL CHANGES -- The station button plunger has a length of 7-3/16 inches.

The locking plate for the station button plungers has been redesigned and now employs two side arms mounted in rubber cushioned hinge brackets which are attached to the rear bracket of the tuner assembly; two screws.

ELECTRICAL CHANGES -- The Schematic Circuit Diagram (Fig-3) is the issue Nos. 2 through 6. The AVC voltage is fed to the grid of the R.F. tube through the manual and automatic tuning coils, formerly, was applied directly to the grid of the R.F. tube through a 1 M resistor.

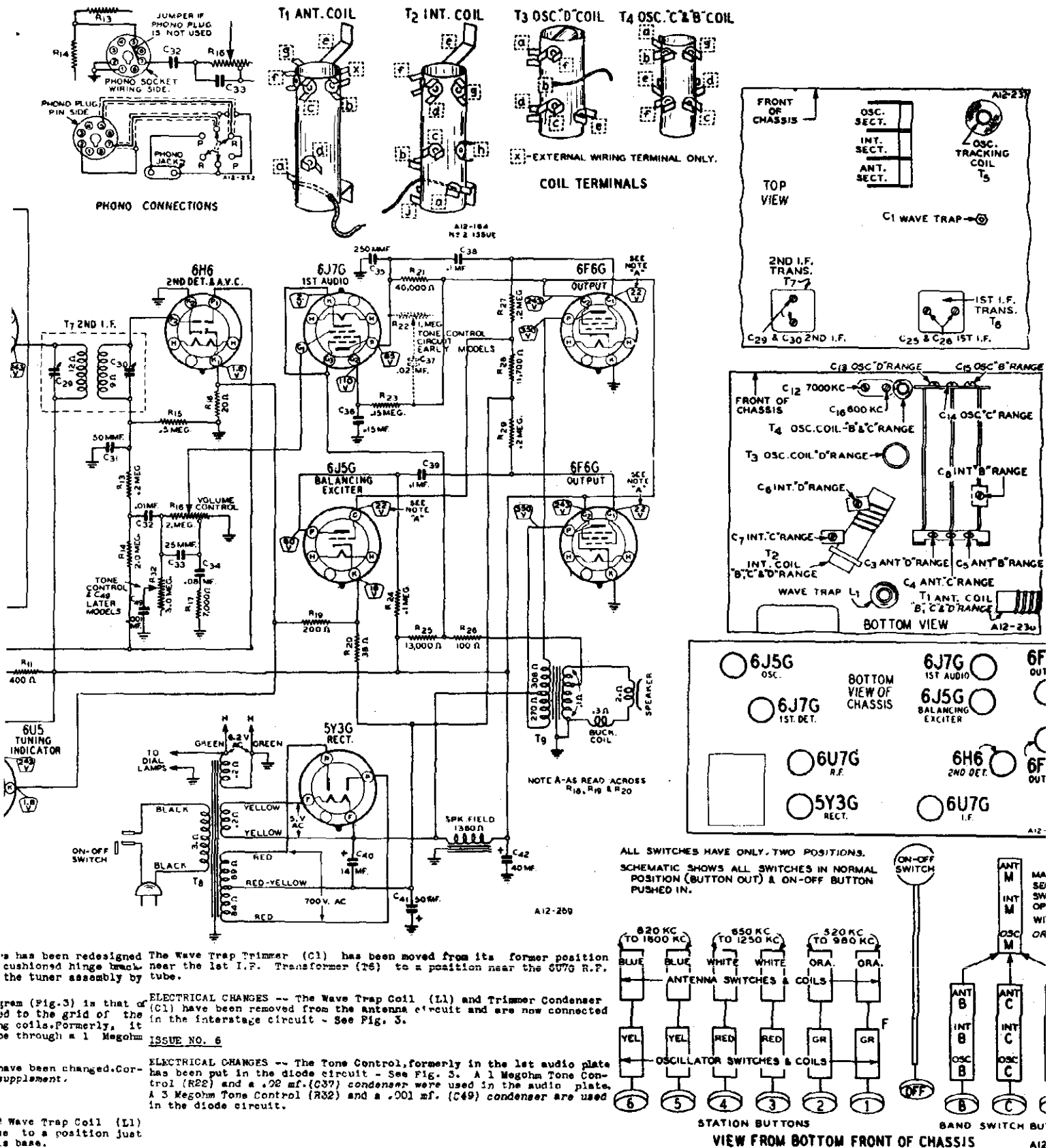
The operating voltages of several of the tubes have been changed. The correct values are shown on the schematic in this supplement.

**ISSUE NOS. 4 and 5**

MECHANICAL CHANGES -- The antenna coil (T1) and Wave Trap Coil have been moved from the top of the chassis base to a position in back of the band switch underneath the chassis base.



MONTGOMERY-WARD & CO.



\* has been redesigned cushioned hinge back the tuner assembly by

from (Fig. 3) is that of the grid of the 6U7G R.F. tube. Formerly, it was connected to the grid through a 1 Megohm resistor.

have been changed. Components are as shown in the supplement.

\* Wave Trap Coil (L1) is to be moved to a position just as shown in the supplement.

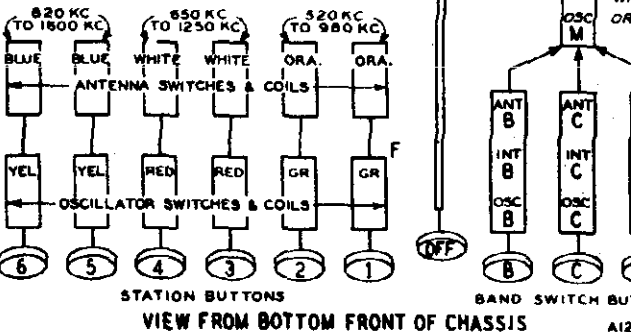
The Wave Trap Trimmer (C1) has been moved from its former position near the 1st I.F. Transformer (T6) to a position near the 6U7G R.F. tube.

**ELECTRICAL CHANGES --** The Wave Trap Coil (L1) and Trimmer Condenser (C1) have been removed from the antenna circuit and are now connected in the interstage circuit - See Fig. 3.

**ISSUE NO. 6**

**ELECTRICAL CHANGES --** The Tone Control, formerly in the 1st audio plate has been put in the diode circuit - See Fig. 5. A 1 Megohm Tone Control (R22) and a .02 mf. (C37) condenser were used in the audio plate. A 3 Megohm Tone Control (R32) and a .001 mf. (C49) condenser are used in the diode circuit.

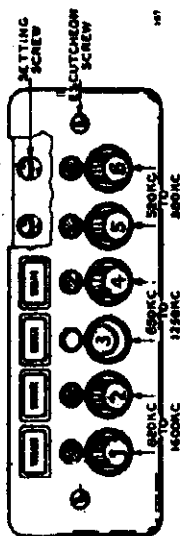
ALL SWITCHES HAVE ONLY TWO POSITIONS. SCHEMATIC SHOWS ALL SWITCHES IN NORMAL POSITION (BUTTON OUT) & ON-OFF BUTTON PUSHED IN.



VIEW FROM BOTTOM FRONT OF CHASSIS

MODELS 93WG-1102  
93WG-1110

MONTGOMERY-WARD & CO.



will tune in stations with higher kilocycle numbers while turning the screw out (counter-clockwise) will tune in stations with lower kilocycle numbers. Be sure not to tune in some other station broadcast-tuning eye as a guide, accurately tune in this station. The station is now set on this button.

To determine whether the correct station has been set, turn the hand switch knob back to the BROADCAST position. The same station should be heard (provided the tuning knob has not been turned). If it is not, turn the hand switch knob to the PUSH BUTTON TUNING position again and retune with the setting screw.

Remove the station call letter tab from the sheets provided and push the tab all the way to the bottom of the rectangular space above the correct station button opening in the escutcheon plate. Then cover the call letter tab with one of the clear celluloid tabs.

Proceed in the same manner to set stations on any of the remaining buttons. Use blank tabs above buttons on which stations are not set.

After all of the stations have been set, carefully replace the escutcheon plate.

If at any time you wish to change the setting of a button from one station to another, repeat the above procedure. Changing the setting of one button will not affect the setting of any of the other buttons. The old call letter tab may be removed by sticking a pin through the notch in the celluloid tab and through the call letter tab.

Frequencies Covered by Each Button

The frequency range of each station button is shown in Fig. 2. Any station within the range of a button may be set. Although, in some cases, it may be possible to set a certain station on several buttons, it is better to set the stations so that the kilocycle numbers decrease from buttons 1 to 6.

Setting a Station Button

Select a station from the list you have prepared, preferably the station with the highest kilocycle number, and tune in this station with the tuning knob in the usual way. Determine what program is being broadcast.

At each side of the escutcheon plate is an escutcheon screw—See Fig. 2. Remove the escutcheon plate by unscrewing these two screws. Be careful to avoid scratching the plate. When this is done, the setting screws above the six buttons will be exposed.

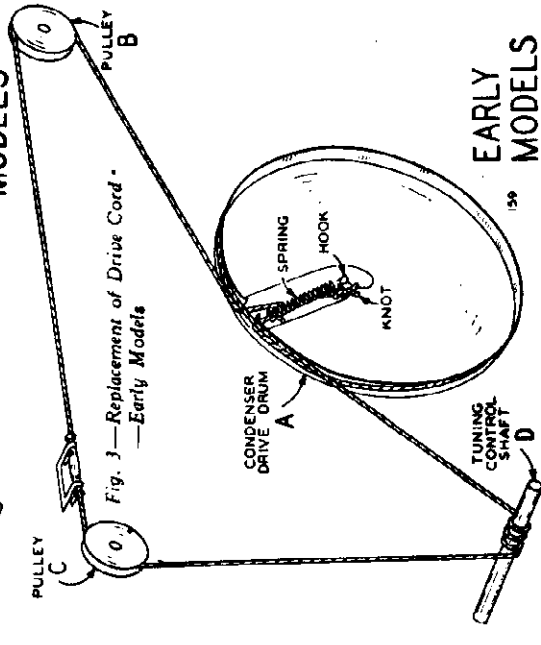
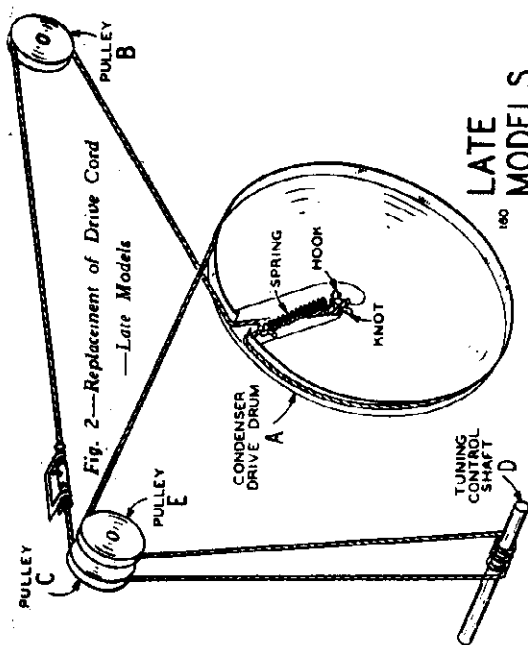
Turn the hand switch knob to the PUSH BUTTON TUNING position—See Fig. 2. The station tuned in previously will probably disappear.

If the kilocycle number of the station tuned in is within the range of button No. 1, push this button in. The same station or a different station may be heard.

With a small screw driver, slowly turn the setting screw above button No. 1 in or out until the desired station (the one previously tuned in) is heard. Turning the screw in (clock-

early models a 1/8 inch hole must be drilled in the back panel.

A phono cable assembly may then be purchased (see parts list). On one end of this cable is an octal plug and on the other end is a phono-graph-radio switch and double tip jack.



Drive Cord Replacement

**LATE MODELS**—The a knot with a small loop at one end of the new drive cord. Slide a 1/4 inch length of fabric tubing on the cord. The free end of the drive cord should be tied to the tension spring in such a manner that there is a distance of 5/8 inches between the knots.

Turn the gang condenser to full open position.

Place the looped end of the drive cord over the hook on condenser drive drum A—See Fig. 2. Bring the cord up through the slot in the drum rim and pass to the right (from back of chassis) and around pulley B. Then bring the cord to the left and over pulley C. See that the fabric tubing is now between pulleys B and C. Continue cord down to control shaft D and wind 3 1/2 turns counter-clockwise (from back of chassis) on shaft D. Bring cord up to and over pulley E. Bring cord down to top of drive drum A and wind one turn clockwise around the drum rim.

Pass the remaining drive cord and tension spring through the slot in the drum. Place free end of spring over the hook on the condenser drive drum.

**EARLY MODELS**—The procedure is the same as for the late models with the following exceptions:

The distance between the knots on the drive cord should be 49 1/4 inches.

Leaving shaft D (Fig. 3), the drive cord is brought directly to the top of drive drum A and then continued as in late models.

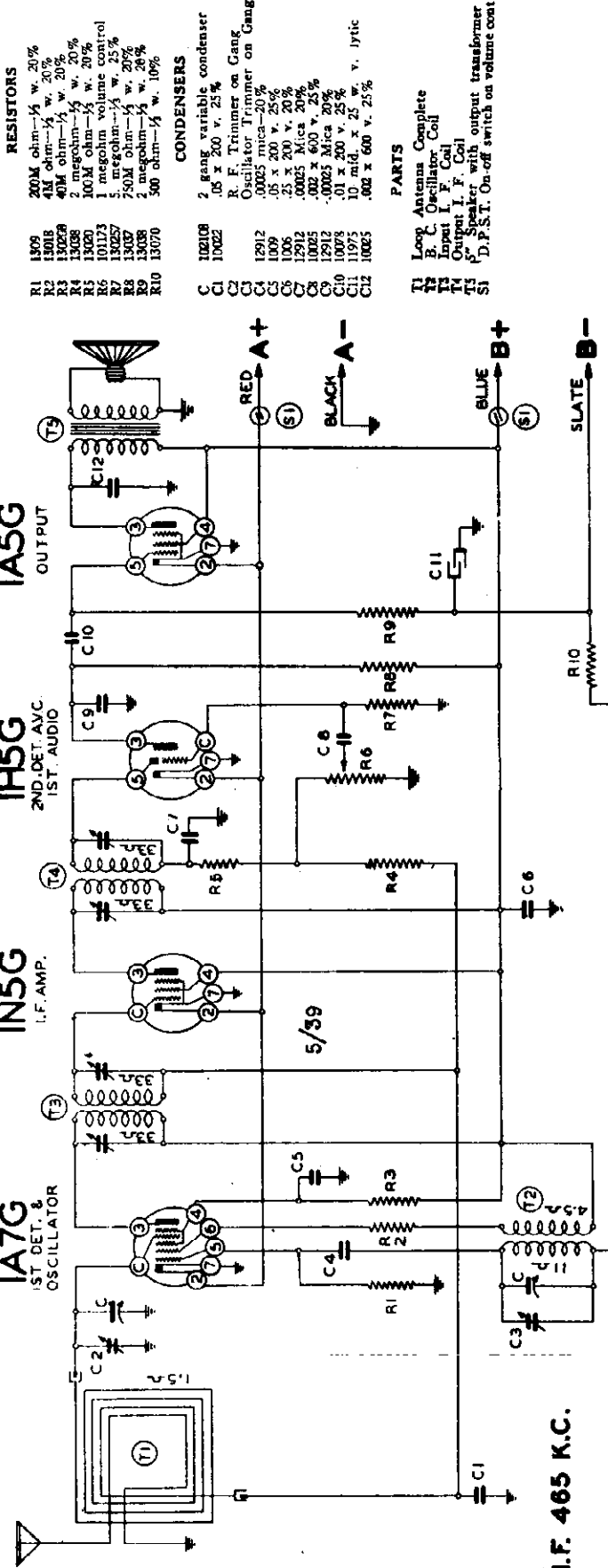
**ATTACHING DIAL POINTER**—Tune in a 1500 KC signal. Move the pointer to the 1500 KC mark on the dial and clamp it tightly over the fabric tubing on the cord.

Phonograph Connections

Phonograph connections are made as shown in the schematic circuit diagram. On the back panel of the chassis base is a round knockout end of this cable is an octal plug base socket is then mounted in this graph-radio switch and double tip knockout opening. In the case of the jack.

MODEL 93BR-1461

MONTGOMERY-WARD & CO.

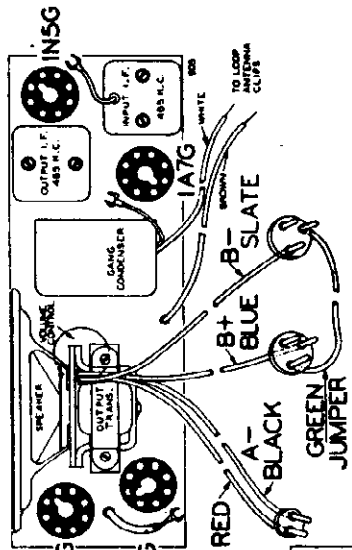


I.F. 465 K.C.

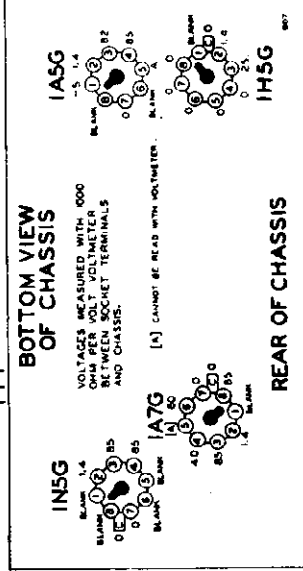
- RESISTORS**
- 200M ohm—1/4 w. 20%
  - 4M ohm—1/4 w. 20%
  - 40M ohm—1/4 w. 20%
  - 2 megohm—1/4 w. 20%
  - 100M ohm—1/4 w. 20%
  - 1 megohm volume control
  - 5. megohm—1/4 w. 25%
  - 750M ohm—1/4 w. 20%
  - 2 megohm—1/4 w. 20%
  - 500 ohm—1/4 w. 10%

- CONDENSERS**
- 2 gang variable condenser
  - .05 x 200 v. 25%
  - R. F. Trimmer on Gang
  - Oscillator Trimmer on Gang
  - .00085 mica—20%
  - .05 x 200 v. 25%
  - .25 x 200 v. 20%
  - .00025 Mica 20%
  - .002 x 600 v. 25%
  - .00025 Mica 20%
  - .01 x 1400 v. 25%
  - 10 mica—1/2 x 25%
  - .002 x 600 v. 25%

- PARTS**
- T1 Loop Antenna Complete
  - B. C. Oscillator Coil
  - T2 Input I. F. Coil
  - T3 Output I. F. Coil
  - S1 Speaker with output transformer
  - D.P.S.T. On-off switch on volume control

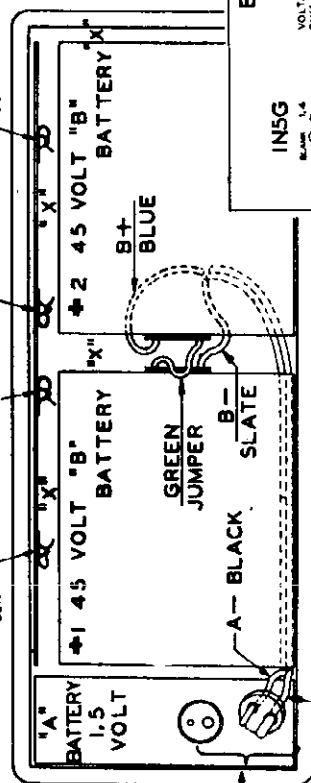


At right-  
Top View  
of  
Chassis



BOTTOM VIEW  
OF CHASSIS

REAR OF CHASSIS

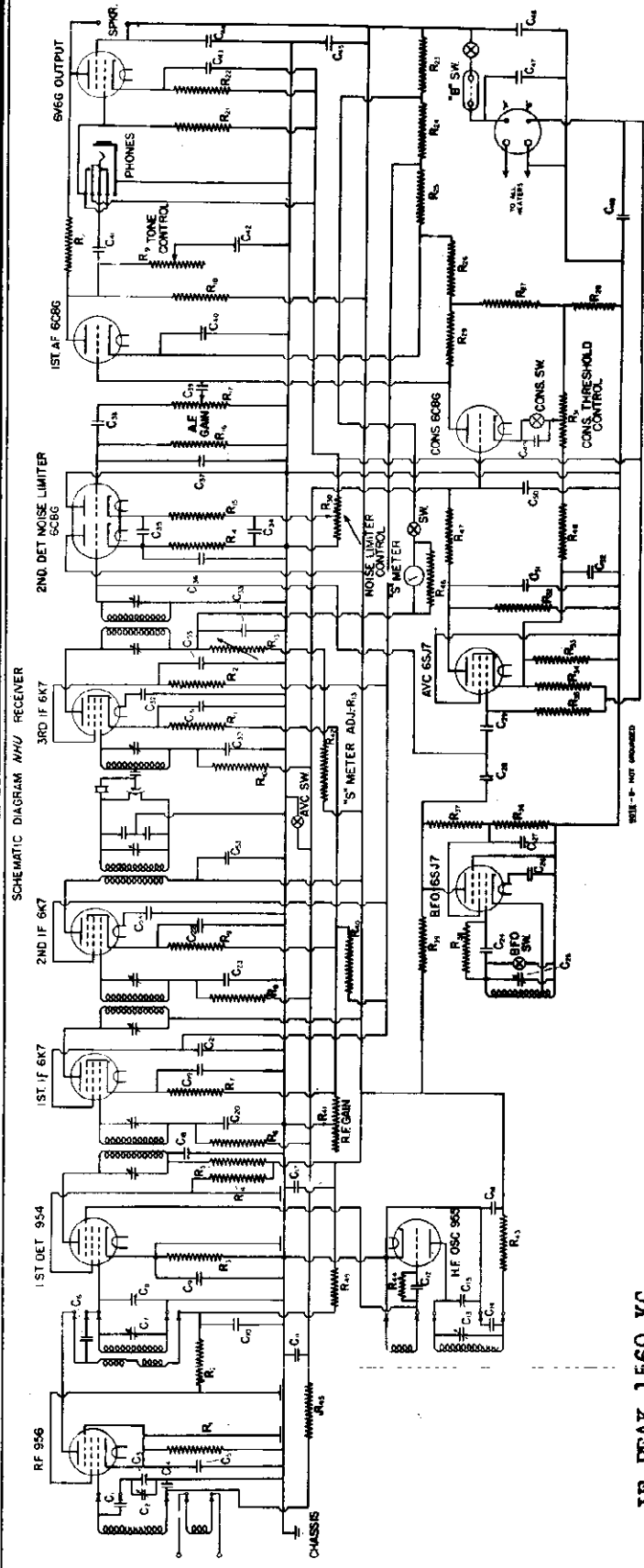


NOTE: The "A" battery should be placed in the cabinet so that the plug-in socket on the top of the battery is nearer to the side of the cabinet which is faced down than to the side of the cabinet which is facing up. Also, the "A" battery should be pushed all the way into the cabinet so that it fits between the left end of the radio chassis and the side of the cabinet.

When aligning IF and Osc. - disconnect loop and connect 1 meg. resistor bet. loop leads from chassis. Trim osc. at 1650 Kc. To align loop, reconnect same and remove 1 meg. resistor. Trim at 1400 KC.

SEE NOTE

NATIONAL CO., INC.



IF PEAK 1560 KC

For the sake of clarity in this schematic diagram, only one set of R.F. coils is shown. The terminals of each R.F. coil assembly are indicated, and it will be understood that condensers C1, C6, C7, C13 and C14 are duplicated in each range.

**T**HE NHU is a communications type receiver designed primarily for operation in the frequency range from 27.5 to 62 megacycles. This spectrum is covered in three bands: 27.5 to 36 Mc., 34 to 46.5 Mc. and 45 to 62 Mc. A superheterodyne circuit is used and all elements necessary for communications service are incorporated.

The power supply, Type 5856, employs a type 80 rectifier. The normal B current drain of the receiver is 65 ma. at 200 volts. The heater circuit requires 3 amperes at 6.3 volts.

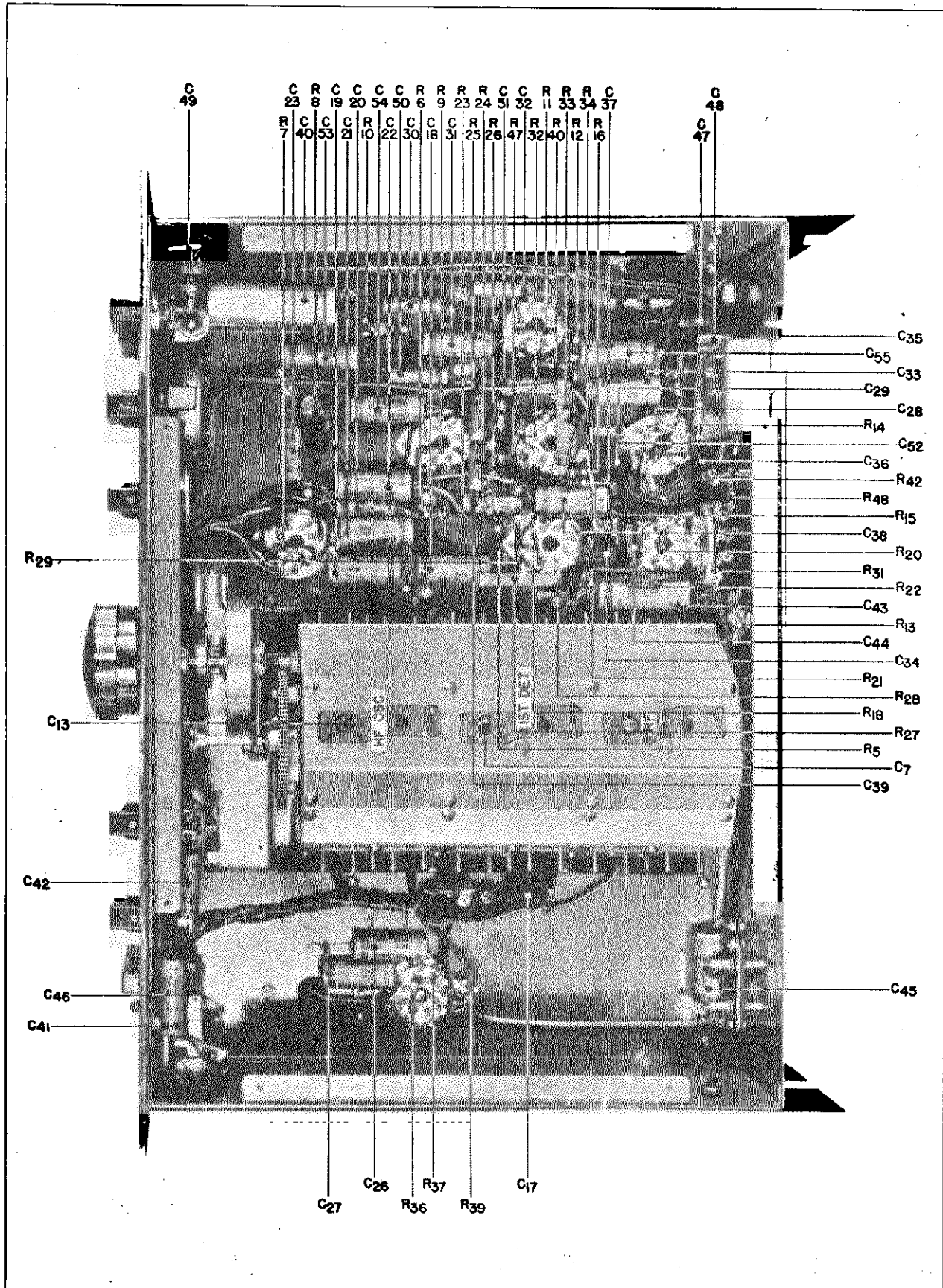
Battery model NHU receivers may be operated with 180 volts of B supply, with a current drain of 60 ma.

The input impedance of the receiver averages about 500 ohms and an open wire transposed line, constructed to have this impedance, will probably give best performance. Such a line may consist of two No. 10 wires spaced 1½ inches apart; two No. 14 wires spaced 2 inches apart may be used as an alternative.

The maximum undistorted audio output of the NHU is about 2 watts. Speaker terminals are provided at the rear of the receiver. The speaker is connected directly in the plate circuit of the 6V6G output tube and the speaker coupling transformer should, therefore, be designed to have an impedance of 5000 ohms. It should also be capable of carrying

MODEL NHU

NATIONAL CO., INC.



NATIONAL CO., INC.

**Alignment and Service Data**

**TUBES**

Individual tubes of the same type will vary slightly in their characteristics and it is well to remember this fact when replacements become necessary. Even though the circuit is designed to reduce the effect of such variations to a minimum, the high frequency oscillator and I.F. tubes should be selected with some care. A replacement high frequency oscillator should be checked in the receiver to make sure that the inter-electrode capacities are the same as those of the tube originally employed. This is easily determined by noting any change in calibration at the high frequency end of any coil range. The change should not exceed four or five dial divisions on the vernier scale.

Substitution of new tubes in the I.F. amplifier may possibly alter overall gain and selectivity characteristics. Instructions for realignment are given in detail in the following pages.

Two other points should be checked when trying the new high frequency oscillator: a fairly strong steady signal should be tuned in, preferably on some frequency above 50 mc.; the C.W. oscillator should be turned off; jarring the receiver or lightly tapping the tube, should not show any evidence of noise in the output. Next turn on the C.W. oscillator to make sure that the tube does not introduce "modulation hum" on the carrier. The tube should again be lightly tapped to see whether or not its characteristics change.

**R.F. AND H.F. OSCILLATOR ALIGNMENT**

All circuits are carefully and accurately aligned before shipment, using precision crystal oscillators which insure close conformation to the dial calibration. No readjustments will be required, therefore, unless the receiver is subjected to extremely rough handling. Do not attempt to make any adjustments without first determining the exact function of each trimmer condenser and the effect that it will have upon performance.

The coil group which is plugged into the circuit at any time is the one directly underneath the contact strips of the R.F. sub-assembly. The coil nearest the front of the receiver is the H.F. oscillator, the middle coil is the first detector and the coil nearest the antenna terminal strip is the R.F. preselector. Complete alignment for any one coil range is apt to be rather complicated and it is recommended that the operator make no adjustments on the coils themselves. Even the conventional trimmer adjustments

towards the low numbers. The background noise may vary slightly over the range but should not change by more than 2 to 1 when progressing across the major portion of the dial. Ganging is checked by pressing one of the outside rotor plates of the gang condenser sideways towards the stator but not enough to make the plates touch. Any change in the position of the rotor plates on either the oscillator or detector condenser section should make background noise definitely weaker. The ganging of the R.F. stage can be checked by noting any change in the position of the R.F. trimmer control. Such a change at this point is relatively unimportant and does not indicate the need for realignment.

In making the initial adjustments on the high frequency oscillator and detector circuits, care must be taken to avoid the image frequencies. The oscillator normally works on the high frequency side of the signal circuits and the test signal will, therefore, appear as an image at a lower dial reading (where the oscillator moves to the low frequency side). The image will show up approximately 3.1 Mcs. lower since the intermediate frequency of the NHU is 1560 kc. It was previously stated that the alignment of the receiver should be correct to about 1% at the high frequency end of any range. The error may be somewhat greater at the center or low frequency dial readings since the receiver is adjusted at the factory for accurate ganging and best performance rather than for exact conformation to the dial scale.

**I.F. AND CRYSTAL ALIGNMENT**

The frequency to which the I.F. amplifier is tuned is determined by a quartz crystal built into the crystal filter unit. It is extremely important, therefore, that I.F. transformers be tuned exactly to the crystal frequency since the latter is not adjustable. The alignment process differs slightly from that ordinarily employed since the test oscillator or signal generator must first be tuned to the fundamental frequency of the crystal. This frequency is normally 1560 kc. in the NHU but may vary a few kilocycles in either direction.

With a test oscillator connected to the grid of the first detector tube and with the crystal filter adjusted for maximum selectivity, the phasing control being set at 5, the frequency of the test oscillator should be adjusted to give maximum output, as indicated on an output meter connected to the speaker terminals. The A.V.C. switch should be off and the R.F. and A.F. gain controls fairly well advanced. Any coil range may be connected and the setting of the tuning condenser is unimportant.

When using a modulated test signal, the high selectivity of the filter circuits will, under certain conditions, give a triple response since it is possible to separate the carrier frequency from the two side band frequencies. It is usually preferable, therefore, to employ an unmodulated signal, obtaining the necessary audio output by using the beat frequency oscillator. After the crystal peak has been found by carefully tuning the test oscillator in the neighborhood of 1560 kc. the seven I.F. adjustments should be made to give maximum sensitivity. The order in which the adjustments are made is not important. The locations of these adjustments are indicated in the top view photograph and are numbered from one to seven.

Since the I.F. transformers are tuned with air-dielectric condensers, the adjustments are permanent and need only be checked when new tubes are installed, provided, of course, the receiver is not subjected to severe mechanical shocks or vibration.

**THE C.W. OSCILLATOR**

With the I.F. amplifier correctly aligned to the crystal the C.W. oscillator panel control should be turned to zero. This adjustment should give zero beat with the test signal but if it does not it is only necessary to readjust either No. 8 or No. 9 trimmer.

**S-METER ADJUSTMENT**

With the R.F. gain control set at any position below 9, the S-meter is disconnected and should read zero. If it does not, it will be necessary to reset the zero adjustment on the meter itself. Advancing the R.F. gain control from 9 to 10 (with A.V.C. off) switches the meter into the circuit and in the absence of any signal or noise the meter should still read zero. If such is not the case readjust control *R<sub>10</sub>*, as indicated in the photographs. Line voltage variations of 10 or 15 volts will cause the meter pointer to shift from zero about one division, and compensation may be effected if desired by readjustment of the same control. Similarly, substitution of any tubes in the I.F. amplifier, particularly in the third I.F. stage, will change the zero reading of the meter and compensation is made in the same manner.

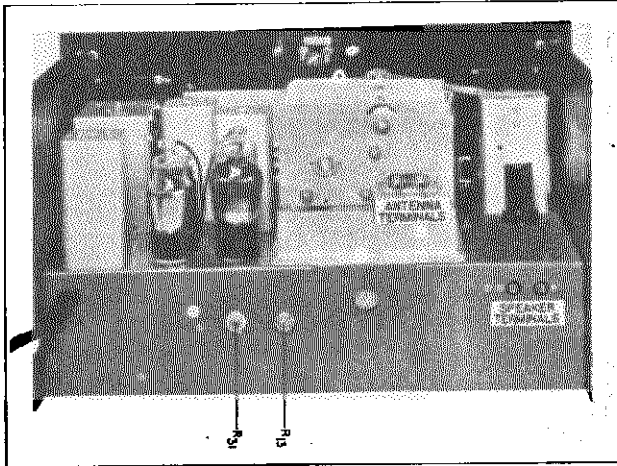
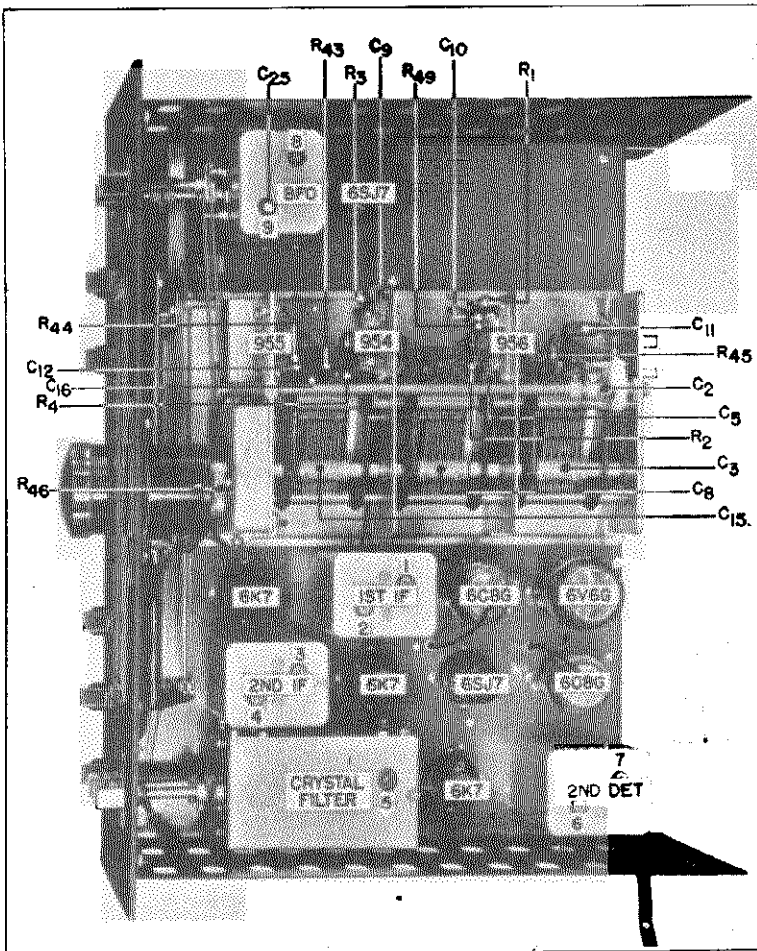
**C.O.N.S. ADJUSTMENT**

Before using the NHU with C.O.N.S. it is necessary to adjust the threshold signal level to which the squeak circuits respond. To do this the receiver must be set up in its normal operating position with the receiver antenna connected. The R.F. gain control

CONTINUED ON NEXT PAGE

MODEL NHU

NATIONAL CO., INC.



should be advanced to 9 and the receiver tuned to the operating frequency. The R.F. trimmer must be correctly resonated and the selectivity control set between 7 and 8 for maximum band width. The phasing control should be set at its normal operating position; the adjustment of the A.F. gain, tone and limiter controls is unimportant. The A.V.C.-C.O.N.S. switch should now be thrown to the "on" position and the threshold level adjustment,  $R_{31}$ , turned counterclockwise until the noise drops out. The control must not

be retarded any farther than is necessary for the receiver will not respond to the desired signal. This point should be carefully checked by tuning in the signal with C.O.N.S. off and then turning it on to make sure that the signal is not squeaked. The amount of leeway can be easily determined by retarding the R.F. gain control until the signal drops out. Ordinarily, the receiver will be operated with the R.F. gain control advanced to 9.

#### MISCELLANEOUS

There are a few additional points relating to the operation of the crystal filter which should be mentioned. Inasmuch as the A.V.C. circuits are actuated by the I.F. signal at the 2nd detector, it is essential that the desired station be very carefully and accurately tuned. If this is not done, the action of the selectivity control will appear to be restricted. Suppose, for instance, a signal is being received with the selectivity pointer set at minimum selectivity; readjusting the control to increase selectivity should, of course, reduce the strength of the signal due to side band cutting and should weaken the high audio frequencies. If the signal is tuned slightly off the center of the carrier, changing the selectivity control setting will result in greater audio output, since the fundamental I.F. signal reaching the 2nd detector will be decreased and the A.V.C. circuits will automatically increase the circuit again. Furthermore, the "tone control" effect, noted above, will be absent; in fact the high audio frequencies may be increased in volume. These effects are mentioned because they are apt to be confusing when the receiver is first put in operation. The obvious way of avoiding them is to tune in the signal with the control set near maximum selectivity and then readjust the selectivity knob, as may be required by receiving conditions.

The setting of the phasing condenser will modify the range of selectivity. With the phasing condenser set near either end of its range (as would be required to eliminate an interfering signal close to the desired signal) it will not be possible to obtain knife-edge selectivity. There will still be a very definite single signal effect but modulation side bands will be passed through the filter since the capacity bridge circuit is unbalanced. This is a fundamental consideration and holds true in either phone or C.W. reception with A.V.C. either on or off.

# CONDENSER AND RESISTOR LIST

Symbol	Function	Type	Rating
C <sub>1</sub>	R.F. Padding	Fixed Mica	See Note No. 1.
C <sub>2</sub>	R.F. Trimmer	Variable Air	.15 mmf. max.
C <sub>3</sub>	R.F. Tuning	Ganged Section	8-40 mmf.
C <sub>4</sub>	R.F. Grid Return	Fixed Mica	.008 mfd. 500 Volt
C <sub>5</sub>	R.F. Cathode Bypass	Tubular	.01 mfd. 400 Volt
C <sub>6</sub>	R.F. Coupling	Fixed Ceramic	See Note No. 1.
C <sub>7</sub>	1st Det. Trimmer	Variable Air	See Note No. 1.
C <sub>8</sub>	1st Det. Tuning	Ganged Section	8-40 mmf.
C <sub>9</sub>	1st Det. Cathode Bypass	Tubular	.01 mfd. 400 Volt
C <sub>10</sub>	R.F. B+ Bypass	Tubular	.01 mfd. 400 Volt
C <sub>11</sub>	R.F. AVC Bypass	Fixed Mica	.003 mfd. 500 Volt
C <sub>12</sub>	H.F. Osc. Grid	Fixed Mica	100 mmf. 500 Volt
C <sub>13</sub>	H.F. Osc. Trimmer	Variable Air	See Note No. 1.
C <sub>14</sub>	H.F. Osc. Feedback	Fixed Ceramic	See Note No. 1.
C <sub>15</sub>	H.F. Osc. Tuning	Ganged Section	8-40 mmf.
C <sub>16</sub>	H.F. Osc. Filter	Fixed Mica	.003 mfd. 500 Volt
C <sub>17</sub>	R.F. Filter	Fixed Mica	.1 mfd. 400 Volt
C <sub>18</sub>	1st Det. B- Bypass	Tubular	.1 mfd. 400 Volt
C <sub>19</sub>	1st L.F. Cathode Bypass	Tubular	.1 mfd. 400 Volt
C <sub>20</sub>	1st L.F. Grid Filter	Tubular	.01 mfd. 400 Volt
C <sub>21</sub>	1st & 2nd L.F. Screen Bypass	Tubular	.1 mfd. 400 Volt
C <sub>22</sub>	2nd L.F. Cathode Bypass	Tubular	.1 mfd. 400 Volt
C <sub>23</sub>	2nd L.F. Grid Filter	Tubular	.01 mfd. 400 Volt
C <sub>24</sub>	BFO Grid	Fixed Mica	100 mmf. 500 Volt
C <sub>25</sub>	BFO Tuning	Variable Air	4 mmf.
C <sub>26</sub>	BFO Heater Bypass	Tubular	.1 mfd. 400 Volt
C <sub>27</sub>	BFO Screen Bypass	Tubular	.1 mfd. 400 Volt
C <sub>28</sub>	BFO-2nd Det. Coupling	Special	.1 mfd. 400 Volt
C <sub>29</sub>	AVC Coupling	Fixed Mica	2 mmf.
C <sub>30</sub>	3rd L.F. Grid Filter	Tubular	50 mmf.
C <sub>31</sub>	3rd L.F. Cathode Bypass	Tubular	.1 mfd. 400 Volt
C <sub>32</sub>	3rd L.F. Heater Bypass	Tubular	.1 mfd. 400 Volt
C <sub>33</sub>	3rd L.F. Plate Filter	Tubular	.1 mfd. 400 Volt
C <sub>34</sub>	Limiter Control Bypass	Fixed Mica	.003 mfd. 500 Volt
C <sub>35</sub>	2nd Det. Coupling	Metal Case	.1 mfd. 200 Volt
C <sub>36</sub>	2nd Det. Cathode	Mica	100 mmf. 500 Volt
C <sub>37</sub>	Limiter Output Bypass	Mica	100 mmf. 500 Volt
C <sub>38</sub>	Limiter Output Blocking	Tubular	.1 mfd. 400 Volt
C <sub>39</sub>	1st A.F. Grid Coupling	Tubular	.1 mfd. 400 Volt
C <sub>40</sub>	1st A.F. Cathode Bypass	Electrolytic	8 mfd. 200 Volt
C <sub>41</sub>	Audio Coupling	Tubular	.1 mfd. 400 Volt
C <sub>42</sub>	Tone Control	Tubular	.1 mfd. 400 Volt
C <sub>43</sub>	2nd A.F. Cathode	Electrolytic	25 mfd. 50 Volt
C <sub>44</sub>	2nd A.F. Screen	Mica	.003 mfd. 500 Volt
C <sub>45</sub>	Spkr. B- Bypass	Tubular	.1 mfd. 400 Volt
C <sub>46</sub>	B+ Switch Bypass	Mica	.003 mfd. 500 Volt
C <sub>47</sub>	B+ Cable Bypass	Mica	.003 mfd. 500 Volt
C <sub>48</sub>	Chassis to B- Bypass	Electrolytic	25 mfd. 50 Volt
C <sub>49</sub>	CONS Switch Bypass	Mica	100 mmf. 500 Volt
C <sub>50</sub>	AVC Filter	Tubular	.01 mfd. 400 Volt
C <sub>51</sub>	AVC Plate Bypass	Tubular	.01 mfd. 400 Volt
C <sub>52</sub>	AVC Cathode Bypass	Fixed Mica	.003 mfd. 500 Volt

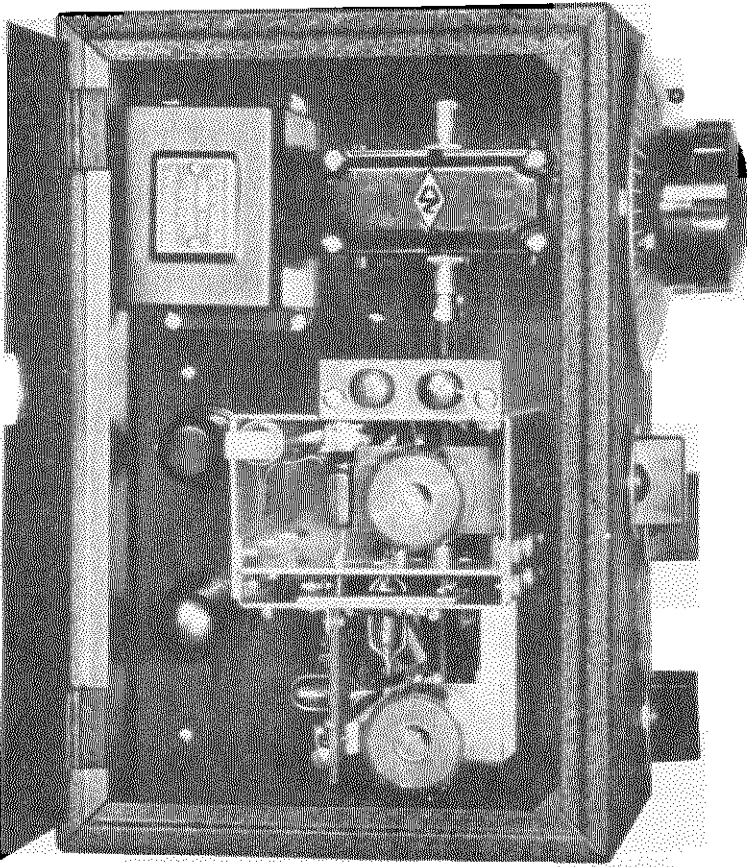
Symbol	Function	Type	Rating
C <sub>53</sub>	I.F. B+ Bypass	Tubular	.1 mfd. 400 Volt
C <sub>54</sub>	Heater Bypass	Tubular	.1 mfd. 400 Volt
R <sub>1</sub>	R.F. Bias	Fixed	500 ohms 1/2 Watt
R <sub>2</sub>	R.F. Screen	Fixed	50,000 ohms 1/2 Watt
R <sub>3</sub>	1st Det. Bias	Fixed	5,000 ohms 1/2 Watt
R <sub>4</sub>	1st Det. Screen	Fixed	250,000 ohms 1/2 Watt
R <sub>5</sub>	1st Det. Plate Filter	Fixed	2,000 ohms 1/2 Watt
R <sub>6</sub>	1st L.F. Grid Filter	Fixed	500,000 ohms 1/2 Watt
R <sub>7</sub>	1st L.F. Bias	Fixed	500 ohms 1/2 Watt
R <sub>8</sub>	2nd L.F. Grid Filter	Fixed	500,000 ohms 1/2 Watt
R <sub>9</sub>	2nd L.F. Bias	Fixed	500 ohms 1/2 Watt
R <sub>10</sub>	3rd L.F. Grid Filter	Fixed	500,000 ohms 1/2 Watt
R <sub>11</sub>	3rd L.F. Bias	Fixed	500 ohms 1/2 Watt
R <sub>12</sub>	3rd L.F. Screen Filter	Fixed	2,000 ohms 1/2 Watt
R <sub>13</sub>	S-Meter Adjustment	Variable	1,000 ohms 1 Watt
R <sub>14</sub>	2nd Det. Load	Fixed	20,000 ohms 1/2 Watt
R <sub>15</sub>	Limiter Input	Fixed	100,000 ohms 1/2 Watt
R <sub>16</sub>	Limiter Output	Fixed	50,000 ohms 1/2 Watt
R <sub>17</sub>	Audio Gain Control	Variable	500,000 ohms
R <sub>18</sub>	1st A.F. Plate	Fixed	100,000 ohms 1/2 Watt
R <sub>19</sub>	Tune Control	Variable	500,000 ohms
R <sub>20</sub>	Degeneration	Fixed	1 meg. 1/2 Watt
R <sub>21</sub>	2nd A.F. Grid	Fixed	500,000 ohms 1/2 Watt
R <sub>22</sub>	2nd A.F. Bias	Fixed	250 ohms 1/2 Watt
R <sub>23</sub>	S-Meter Bridge	Fixed	1,000 ohms 1/2 Watt
R <sub>24</sub>	Voltage Divider	Fixed	5,000 ohms 1 Watt
R <sub>25</sub>	Voltage Divider	Fixed	5,000 ohms 1 Watt
R <sub>26</sub>	1st A.F. Bias	Fixed	150 ohms 1/2 Watt
R <sub>27</sub>	Voltage Divider	Fixed	15,000 ohms 2 Watt
R <sub>28</sub>	Voltage Divider	Fixed	1,500 ohms 1/2 Watt
R <sub>29</sub>	CONS Plate	Fixed	500,000 ohms 1/2 Watt
R <sub>30</sub>	Noise Limiter Control	Variable	10,000 ohms
R <sub>31</sub>	CONS Threshold Control	Variable	10,000 ohms
R <sub>32</sub>	AVC Plate	Fixed	500,000 ohms 1/2 Watt
R <sub>33</sub>	Voltage Divider	Fixed	1,500 ohms 2 Watt
R <sub>34</sub>	AVC Bias (Voltage Div.)	Fixed	200 ohms 1 Watt
R <sub>35</sub>	AVC Grid	Fixed	5 meg. 1/2 Watt
R <sub>36</sub>	BFO Screen Bleeder	Fixed	100,000 ohms 1/2 Watt
R <sub>37</sub>	BFO Screen	Fixed	100,000 ohms 1/2 Watt
R <sub>38</sub>	BFO Grid Leak	Fixed	50,000 ohms 1/2 Watt
R <sub>39</sub>	BFO Plate	Fixed	250,000 ohms 1/2 Watt
R <sub>40</sub>	R.F. Gain Bleeder	Fixed	50,000 ohms 1/2 Watt
R <sub>41</sub>	R.F. Gain Control	Variable	10,000 ohms
R <sub>42</sub>	S-Meter Bridge	Fixed	1,500 ohms 1/2 Watt
R <sub>43</sub>	HFO Plate Filter	Fixed	5,000 ohms 1/2 Watt
R <sub>44</sub>	HFO Grid Leak	Fixed	20,000 ohms 1/2 Watt
R <sub>45</sub>	R.F. Grid Filter	Fixed	500,000 ohms 1/2 Watt
R <sub>46</sub>	S-Meter Shunt	Fixed	130 ohms 1/2 Watt
R <sub>47</sub>	AVC Filter	Fixed	500,000 ohms 1/2 Watt
R <sub>48</sub>	CONS Threshold	Fixed	25,000 ohms 1/2 Watt
R <sub>49</sub>	R.F. Plate Filter	Fixed	2,000 ohms 1/2 Watt

Note No. 1. --- Condensers C<sub>1</sub>, C<sub>2</sub>, C<sub>3</sub>, C<sub>5</sub> and C<sub>15</sub> are different in each coil range and are individually adjusted as circuit conditions may require. Definite ratings cannot be listed.



MODEL 1-10

NATIONAL CO., INC.



THE TOP VIEW  
Note the double-shielding between the R.F. and detector circuits, and the unique arrangement of parts

## The I-10 Ultra High Frequency Receiver

### Tubes and Power Supply

THE Type "1-10" receiver employs a 4-tube circuit, consisting of one stage of tuned R.F., a self-quenching superregenerative detector, transformer coupled to a first stage of audio which, in turn, is resistance coupled to a power output stage.

The tubes employed are as follows:

- 964 — R.F.
- 965 — Detector
- 6C5 — First Audio
- 6F6 — Second Audio

The receiver is designed for operation from the National Type No. 5886 AB power unit, all voltage dividers, etc., being built in so that but one B-voltage lead is necessary. This power supply furnishes six volts at 1.6 amperes to the heater circuit and 180 volts at 35 milliamperes to the plate and screen circuits. If desired, the heaters may be supplied from a 6-volt battery and the B-circuits from B-batteries. Voltages in excess of 180 are not recommended and receiver performance will be unsatisfactory on the "A" range at voltages below 167. If lower voltages must be used, as in portable operation, the 20,000 ohm resistor connected between the B+ lead and the regeneration control and the 35,000 ohm screen dropping resistor of the R.F. stage, may both be shorted out. This will allow the receiver to function normally with a maximum voltage of 90, but with reduced audio output. A 3-volt C-battery is used to supply bias to the R.F. tube. This battery is mounted in the rear right-hand corner of the R.F. compartment, being held in place by a spring clip. Two Eveready Type 915 cells, or equivalent, are needed. They are mounted in a bakelite tube and the positive (center) terminal of the upper cell is grounded at the top by a retaining bracket.

### Antenna

The importance of an efficient antenna cannot be over emphasized. The antenna lead, or leads, should be brought directly to the antenna binding posts at the top of the receiver. They may be threaded through the hole in the cover and arranged so that the cover may be opened for changing coils.

A small flexible lead will be found connected to the front antenna post. This supplies a ground connection where a single-wire antenna is used. It should be disconnected from the binding post

when doublet feeders or two-wire lines are employed. An external ground connection is usually undesirable, but this point must be determined by experiment.

While the antenna primaries are of symmetrical construction, mechanical considerations prevent exact balance to ground, and there is some capacity coupling between the windings, especially at the higher frequencies.

Exact recommendations for antenna systems cannot be given, since the dimensions will depend upon the frequency at which best efficiency is desired, directional characteristics, etc. In general, however, the antenna proper should be tuned to the received signal. In many installations this condition may be satisfactorily realized by tuning the feeders with series or parallel condensers. The size of the tuning condensers will depend upon the frequency of the received signal and upon antenna dimensions. The transmission line must be efficient. As a rule, "twisted pair" or similar lines, are not satisfactory at frequencies much above 40 or 50 mc., especially where the length exceeds a full wavelength. The open wire or transposed line is much better.

Another general rule regarding antennae, is that any system which is found to be efficient in transmission will have good efficiency with the same directional characteristics, etc., in reception.

### Output Circuit and Speaker

The plate circuit of the output tube is brought to the output jack, located at the rear left-hand side. There is no output transformer in the receiver. The speaker requirements are not at all critical, any good magnetic or dynamic speaker being satisfactory provided the input impedance is approximately 7000 ohms, and provided the speaker windings are capable of carrying the plate current of the output tube (about 25 ma.).

Some magnetic speakers will require a filter system, such as a 1 to 1 transformer or a 30 henry choke and L. mid. condenser combination. There is no provision for the field excitation of a dynamic speaker from the Type No. 5886 AB power unit. For this reason, the permanent magnet type of dynamic speaker is recommended, no field excitation being required.

The headphone jack is located on the front panel, just below and to the left of the main dial. This jack is wired into the output of the first audio stage in such a way that when the phones

are plugged in, the signal input to the last tube is completely disconnected. It is important, however, that the plate circuit of the output tube be complete at all times. If the speaker is to be disconnected, a jumper must be inserted in the tip-jacks to connect them together. The receiver should not be operated from the above mentioned power supply with the output tube removed, as the voltage might rise above 180 volts. When operated from batteries, the removal of the 6F6 is permissible and will give better battery economy.

### Controls

The main dial is the tuning control; calibration curves for the various coils are shown on page 7. The curves are accurate to about three percent. It will be noted that frequency increases with dial reading.

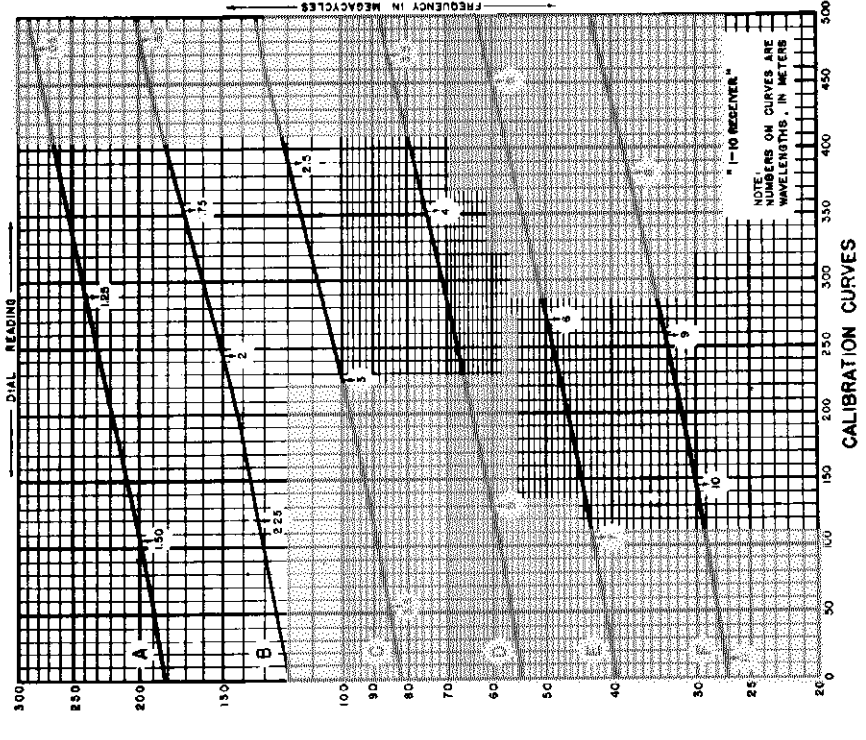
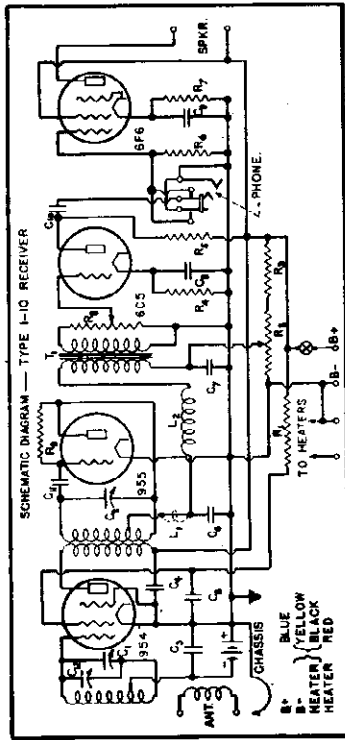
The switch at the lower right-hand corner breaks the positive B-supply lead and is useful for temporarily rendering the receiver inoperative during periods of transmission or when changing

coils. When using B-battery plate supply, the switch should be thrown to the "Off" position at all times when the receiver is not in use, in order to avoid parasitic drain. No switch is provided for opening the heater circuit.

There are three small dials in addition to the main tuning dial. These control detector regeneration, audio gain, and the alignment of the R.F. circuit, and are marked accordingly.

### Operating Characteristics

The "1-10" receiver is designed primarily for the experimenter and to this end has been made to have maximum sensitivity and a wide frequency range. The use of a self-quenching superregenerative detector with a stage of tuned R.F. provides excellent sensitivity and AVC action. Unfortunately, this type of detector introduces some distortion, since it does not have a linear characteristic. The distortion is small when signals are not modulated heavily, and increases with the percentage of modulation.



The operator who is not familiar with the PW type dial and tuning mechanism may gain the impression that the receiver tunes very broadly. A superregenerative receiver is, of course, less selective than other types used on lower frequencies but selectivity cannot be judged by the dial space covered by a given signal unless the total equivalent scale length is remembered. Since the dial makes ten revolutions to cover any one coil range, the scale length is approximately 12 feet.

**Maintenance**

There are no circuit adjustments or trimmer settings to be made, other than those which are brought out to the front panel, and which have been previously discussed. The effect of decreasing battery voltages (both A and B) and ageing tubes will first be noticed when using the "A" coils, particularly at the extreme ends of the range. A 955 detector tube which will no longer operate on the "A" range will still give good performance at lower frequencies. Similarly, any poor connection at the tube socket or coil socket will be especially noticeable at the highest frequencies. In fact, the detector may refuse to go into superregeneration unless the coil contacts, etc., are perfectly clean. It will be noted that the variable condenser supports, coil sockets, and coil bases, etc. are made of Viotron, and while this material has exceptional electrical characteristics, it is similar to hard rubber in mechanical strength, and its inability to withstand heat. The receiver should not, therefore, be subjected to high temperatures and the Viotron parts must be handled with reasonable care to prevent breakage.

The C-battery does not supply any current and will require replacement but about once a year. Additional coils for extending the range in either direction are not available.

**List of Parts**

- C1 R.F. Tuning Condenser . . . . . 15 mmf. max.
- C2 Detector Tuning Condenser . . . . . 15 mmf. max.
- C3 R.F. Grid Return Bypass . . . . . .062 mfd.
- C4 R.F. Plate Return Bypass . . . . . .063 mfd.
- C5 Screen Bypass (copper plate) . . . . . .0005 mfd.
- C6 Quench Frequency Bypass . . . . . .043 mfd.
- C7 Detector B+ Bypass . . . . . 5 mfd. — 200 volt
- C8 1st. Audio Cathode Bypass . . . . . 10 mfd. — 50 volt
- C9 2nd. Audio Cathode Bypass . . . . . 10 mfd. — 50 volt
- C10 Audio Coupling Condenser . . . . . 1 mfd. — 400 volt
- C11 Detector Grid Condenser . . . . . .00005 mfd.
- C12 R.F. Trimmer Condenser . . . . . 5 mmf. max.
- R1 Screen Dropping Resistor . . . . . 35,000 ohms — 1/2 watt
- R2 Regeneration Control . . . . . 20,000 ohm Potentiometer
- R3 Detector Plate Dropping Resistor . . . . . 5,000 ohms — 1 watt
- R4 1st. Audio Bias Resistor . . . . . 1 megohm — 1/2 watt
- R5 2nd. Audio Grid Leak . . . . . .5 megohm — 1/2 watt
- R6 2nd. Audio Bias Resistor . . . . . 500 ohms — 1 watt
- R7 Audio Gain Control . . . . . 500,000 ohm Potentiometer
- R8 Detector Grid Leak . . . . . 20 megohms
- R9 Ultra-audio Choke — Used only on Higher Frequency Ranges
- L1 Quench Frequency Choke . . . . . 250 millihenries
- L2 Audio Transformer . . . . . 4:1 Ratio

The various coils are stamped "A-1", "A-2", "B-1", "B-2", etc. They are used in pairs. The coil sockets of the R.F. and detector stages are marked "1" and "2", respectively, to correspond with the coil designations. The high frequency coils, (particularly the "A-1") must be pushed down in the socket as far as they will go. If they are not, the inductance of the primary and secondary circuits will be increased and the calibration of the circuit will be altered.

With any pair of coils in the receiver, the audio gain control should be advanced to 3 or 4 on the dial. Advancing the regeneration control will throw the detector circuits into superregeneration. This condition is indicated by a loud rushing or hissing noise. The hiss will drop down to a very low level or disappear entirely when a signal is tuned in, the reduction depending somewhat upon signal strength. The setting of the regeneration control at which the detector goes into superregeneration will vary with different sets of coils and with the condition of the 955 detector tube. On the "A" range it may be necessary to advance the control to the full on position as the detector tube begins to wear out. Sensitivity will depend upon the adjustment of the regeneration control, the maximum occurring just beyond the point where the hiss starts. The audio gain control must be used to control volume.

With the antenna disconnected and the detector just beyond the point at which superregeneration starts, rotation of the R.F. trimmer control will produce a definite decrease in the detector hiss at a certain setting, usually between 2 and 4. The R.F. circuit is aligned with the detector at the middle of this "dead spot". Advancing the regeneration control will start the hiss again. It is well for the operator to familiarize himself with the effect of these two controls as one is dependent upon the other.

The regeneration control has some tuning effect, increased plate voltage causing an increase in frequency. This necessitates re-tuning toward the lower dial numbers. The effect will vary with the coils employed and the dial setting. Similarly, the effect of the trimmer condenser will vary over the range of the receiver and also over the range of any one pair of coils. With any type of antenna connected, even a few inches of wire, the effect of the R.F. trimmer upon the detector circuit will be greatly reduced if not eliminated. It may still be found by operating the trimmer at the very edge of superregeneration. The trimmer setting is still critical with regard to the receiver sensitivity, however. The alignment of the trimmer will change with the dimensions of the antenna and also with the tuning of the receiver when using an antenna of fixed size. The setting which aligns the R.F. stage may move in either direction on the trimmer dial, depending upon antenna characteristics.

In determining the correct trimmer setting, when a signal is already tuned in, the operator should judge by the degree of hiss suppression, the maximum suppression indicating correct alignment. It is important that the regeneration control be advanced sufficiently so that the detector is oscillating strongly. If it is not, any received signal will appear to have a series of carriers a few k.c. apart over several divisions of the

MODEL SW-3

NATIONAL CO., INC.

**ANTENNA** input terminals are located at the rear left side of the receiver chassis. The input circuit is suitable for use with a single-wire antenna, a balanced feed line or a low impedance concentric transmission line. A short flexible grounding lead is attached to the chassis.

When using a single-wire antenna, the lead-in should be connected to the input terminal nearest the front of the receiver and the flexible lead, mentioned above, should be attached to the other terminal. The dimensions of the single-wire antenna system are not critical, the recommended length, including lead-in, being 75 to 100 feet.

Feed lines of doublet systems should be connected to the two input terminals; the flexible lead is not used.

The inner conductor of a concentric transmission line should be connected to the input terminal nearer the front of the receiver. The outer conductor and the flexible grounding lead should be connected to the other terminal.

**Power Requirements**

The Universal Model SW-3 can be operated from either an AC source in conjunction with a National Type 5886-AB Power Unit or from a combination of batteries. When AC or battery operated using one 6C5G and two 6J7G tubes, the heater circuits require 9 amperes at 6.3 volts; a "B" supply of 135 volts is recommended. When battery operated using one 1A5G and two 1N5G tubes, the filament circuits require .15 amperes at 1.5 volts; a 90-volt "B" supply is recommended.

When using the 6.3-volt type tubes, the change-over switch mounted at the rear left-hand top of the chassis must be set in the "6.3" position. When the 1.4-volt series of tubes is used, the change-over switch must be set at "1.5."

A four-wire cable and plug is attached to the SW-3 Receiver. Plug prong connections are as shown in Dwg. No. 1. When AC-operated, the plug should be inserted in the output socket of the National Type 5886-AB Power Unit. When battery-operated, battery leads may be wired to a four-prong socket and the receiver cable and plug used to complete inter-connections. Alternatively, the plug may be removed and the cable leads connected directly to the battery terminals.

The National Type 686 Vibrator Pack is recommended for use with the SW-3 when a 6-volt DC source is available and when additional batteries for the "B" supply are not desirable. The plug connections of the SW-3 power cable are wired to match the output socket of the 686 Pack.

A type 6X5 tube must be used as a rectifier in the 686 Pack, although the rectifier socket is wired so that an OZ4 tube may be substituted without circuit changes.

Two types of commercial vibrator packs are generally available; the self-rectifier and the tube-rectifier. Of these, the latter is recommended, but only when a heater type of tube such as the 6X5 is employed. Packs having a cold-cathode gas rectifier tube such as an OZ4 cannot be used since the "B" current drain of the SW-3 is below the minimum value at which the tube functions normally.

The 5886-AB is recommended. The heater center-tap resistor must be removed from an older 5886-AB Supply when used in conjunction with a Universal Model SW-3.

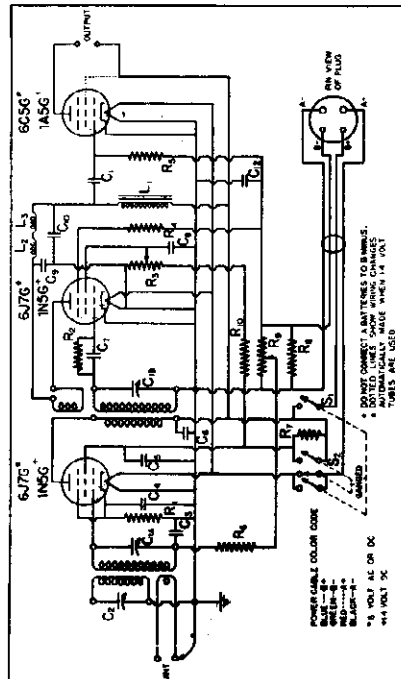
**R.F. Transformer Coils**

Thirteen sets of plug-in coils are used to tune from 9 to 3000 meters. Five additional sets are used to bandspread the 10-, 20-, 40-, 80- and 160-meter amateur bands. See Dwg. Nos. 2 and 3 and the coil listing.

When operation on any general coverage range is desired, the proper set of coils should be plugged into the receiver coil sockets. R.F. amplifier and detector coils of Sets No. 30 to No. 35 and No. 39 to No. 41, inclusive, are identical and may be interchanged in the coil sockets of the receiver. Coils of Sets No. 36, No. 37, No. 38 and No. 42 are not interchangeable. The coil forms of these sets are marked on the bottom outside near the prongs — "D," detector coils; "R," R.F. amplifier coils.

With a band-spread range in use, the receiver will not function properly if the R.F. amplifier and detector coils are interchanged in the receiver coil sockets. The detector coil can be readily identified by the variable trimmer capacitor mounted at the top of the coil form. When the band-spread coils are used, the grid leads attached to the receiver should be removed from the tube grid caps and clipped in place on the insulated posts mounted on the metal shields next to the main tuning capacitor. The grid leads of the coils should be attached to the proper tube grid caps.

In all models of SW-3 Receivers, the R.F. amplifier coil socket is located at the left of the main tuning capacitor, as the receiver is viewed from the front; the detector coil socket is at the right side.



DWG. NO. 1 — CIRCUIT DIAGRAM OF THE UNIVERSAL SW-3

- C<sub>1</sub> — dual variable air capacitor, 90 mmf. per section.
- C<sub>2</sub> — Variable air capacitor, 50 mmf.
- C<sub>3</sub> — .01-mfd., 400-volt paper capacitor.
- C<sub>4</sub> — .1-mfd., 400-volt paper capacitor.
- C<sub>5</sub> — .1-mfd., 400-volt paper capacitor.
- C<sub>6</sub> — .1-mfd., 400-volt paper capacitor.
- C<sub>7</sub> — .001-mfd., mica capacitor.
- C<sub>8</sub> — 1-mfd., 200-volt paper capacitor.
- C<sub>9</sub> — .0025-mfd. mica capacitor.
- C<sub>10</sub> — .0025-mfd. mica capacitor.
- C<sub>11</sub> — .01-mfd. mica capacitor — part of coupler.
- L<sub>1</sub> — 25-mfd., 50-volt elec. capacitor.
- L<sub>2</sub> — 700-henry choke — part of coupler.
- L<sub>3</sub> — 2.5-m.h. R.F. choke.
- R<sub>1</sub> — 500-ohm, 1/2-watt resistor.
- R<sub>2</sub> — 5-megohm, 1/2-watt resistor.
- R<sub>3</sub> — 50,000-ohm potentiometer.
- R<sub>4</sub> — 5,000-ohm, 1/2-watt resistor.
- R<sub>5</sub> — .25-megohm, 1/2-watt resistor — part of coupler.
- R<sub>6</sub> — 50,000-ohm, 1/2-watt resistor.
- R<sub>7</sub> — 70,000-ohm, 1/2-watt resistor.
- R<sub>8</sub> — 2,000-ohm, 1/2-watt resistor.
- R<sub>9</sub> — 3,000-ohm potentiometer.
- R<sub>10</sub> — 20,000-ohm, 1/2-watt resistor.
- S<sub>1</sub> — DPDT toggle switch.
- S<sub>2</sub> — DPDT toggle switch.

In no case should a common connection be made between B- and heater circuits. Such a connection would remove the bias voltage from the audio tube. For this reason, the heater center-tap resistor of all new Type 5886-AB Power Supplies is omitted. This omission will not affect the operation of any other National equipment for which

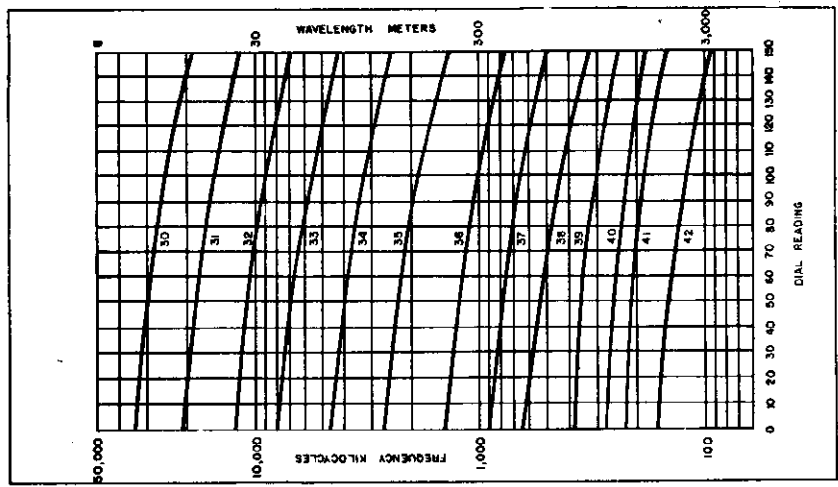
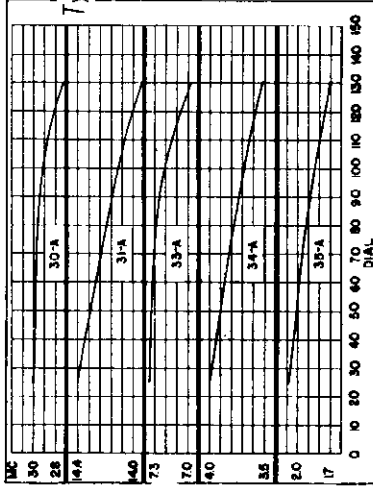
NATIONAL CO., INC.

**General Coverage Coils:**

Type No.	Range — Meters
30	9 to 15
31	13.5 to 25
32	23 to 41
33	40 to 70
34	65 to 115
35	115 to 200
36	200 to 360
37	350 to 550
38	500 to 850
39	850 to 1200
40	1200 to 1500
41	1500 to 2000
42	2000 to 3000

**Bandspread Coils:**

Type No.	Range
30A	10-meter
31A	20-meter
33A	40-meter
34A	80-meter
35A	160-meter



toward 1. The graduated R.F. gain control makes possible reasonably accurate measurement of signal input, as follows: With the receiver tuned to either a modulated or unmodulated carrier, the R.F. gain control should be retarded until the signal is barely audible. The gain control disc number centered in the panel opening below the main dial will indicate the signal input in S units, a term commonly used by radio operators.

The regeneration control is located to the right of the main dial. It is used to adjust the voltage applied to the screen of the detector tube. As the control knob is turned in a clockwise direction, the amplification of the detector tube increases up to the point at which oscillation takes place. When receiving modulated signals (phone), best sensitivity will be had with the detector operated just below the point of oscillation. For C.W. (code) reception, the detector must be oscillating to produce a beat note, the frequency of which will be determined by the main dial setting.

At the left side center of the cabinet front panel is mounted a toggle switch. When the change-over switch mentioned under "Power Requirements" is set at "6.3," the panel toggle switch is used to open the receiver "B" circuits and silence the receiver as may be necessary during periods of transmission. With the change-over switch referred to above set at "1.5," the panel toggle switch is used as a battery ON-OFF control, opening both the filament and "B" circuits. It is also used to silence the receiver during transmission periods.

**Alignment and Service**

same frequency as indicated by the receiver dial setting. The trimmer capacitor in the detector coil should be varied until the test signal is tuned in. With this trimmer properly set, the low frequency limit should be accurate, and the R.F. amplifier and detector stages should track.

**Tube and Circuit Failures**

Failures can readily be located by checking the individual components, including tubes, with reliable equipment or by temporary substitution with parts known to be in good condition. A replacement detector tube should be selected with care to eliminate the possibility of trouble from microphonics, hum modulation, or instability of

**Controls**

THE main tuning dial of the SW-3 Receiver is mounted on the front of the cabinet at the center. It is of the variable ratio type. A control lever is provided to adjust the control knob-to-capacitor drive coupling ratio to any desired point between the limits of 6 to 1 and 18 to 1. Scale graduations are from 0 to 150 divisions over the 270 degrees of rotation through which the dial turns the main capacitor. Calibration curves (Dwgs. Nos. 2 and 3) show the approximate frequency to which the receiver is tuned.

To the left of the main dial is the R.F. amplifier trimmer capacitor. This control is used to compensate for minor mistracking of the R.F. amplifier stage, as may be caused by antenna detuning. The trimmer knob should be adjusted to give maximum sensitivity, in the following manner: The regeneration control should be advanced beyond the point of detector oscillation. As the R.F. amplifier trimmer capacitor is rotated back and forth or "rocked," the regeneration control should be slowly retarded. At one adjustment of the latter, the detector will oscillate only with the R.F. amplifier trimmer set at a definite point. It is at this point that the R.F. amplifier and detector circuits track, and the receiver has maximum sensitivity.

Below the main dial is the R.F. gain control. The control disc is arbitrarily calibrated from 1 to 9. The purpose of the gain control is to adjust the amplification of the R.F. amplifier tube. Amplification increases as the control is turned

**Coil Alignment**

ALL SW-3 Receivers and coils are tested to laboratory standards and are, therefore, mutually interchangeable. In normal service, possible adjustment of the band-spread detector coils should be the only realignment required. The necessity for such adjustment is determined by the accuracy of receiver calibration as compared to the calibration curves Dwgs. Nos. 2 and 3.

The procedure for adjusting any band-spread detector coil is as follows: With the coils to be aligned in place and with the receiver controls set for normal C.W. reception, the main dial should be tuned to the high frequency limit of the band. An accurate test oscillator or signal generator should be coupled to the receiver antenna input

MODEL ACSW-3  
 MODEL 2V DCSW-3  
 MODEL 6V DCSW-3

NATIONAL CO., INC.

# Earlier Models of SW-3

## General

THE data on the Universal Model SW-3 applies, in most part, to all models of the SW-3 Receiver. Details applicable to older types only are given below.

### ACSW-3 PARTS LIST

- C<sub>1</sub> — Dual variable air capacitor, 90 mmf. per section.
- C<sub>2</sub> — Part of C<sub>1</sub>, ganged.
- C<sub>3</sub> — Variable air capacitor, 50 mmf.
- C<sub>4</sub> — .00025-mfd. mica capacitor.
- C<sub>5</sub> — .01-mfd. mica capacitor.
- C<sub>6</sub> — .5-mfd., 200-volt paper capacitor.
- C<sub>7</sub> — .0001-mfd. mica capacitor.
- L<sub>1</sub> — R.F. amplifier transformer.
- L<sub>2</sub> — Detector transformer.
- L<sub>7</sub> — 2.5-m.h. R.F. choke.
- L<sub>8</sub> — 5.5-m.h. R.F. choke.
- L<sub>9</sub> — 700-henry choke — part of coupler.
- R<sub>1</sub> — 10,000-ohm rheostat.
- R<sub>2</sub> — 300-ohm, ½-watt resistor.
- R<sub>3</sub> — 5-megohm, 1-watt resistor.
- R<sub>4</sub> — 2000-ohm, 1-watt resistor.
- R<sub>5</sub> — 50,000-ohm potentiometer.
- R<sub>6</sub> — .25-megohm, ½-watt resistor — part of coupler.
- R<sub>7</sub> — 12,000-ohm voltage divider resistor — 3100, 2000, 6900-ohm sections.

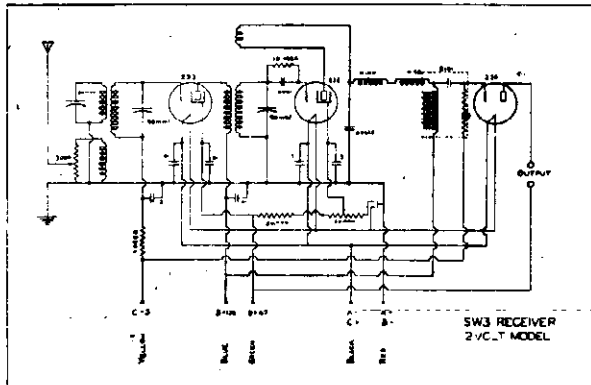
### ACSW-3 Receiver

Dwg. No. 5 shows the circuit diagram and parts list. This model uses two type 58 tubes as R.F. amplifier and detector and one type 27 as audio.

### 6V DCSW-3 PARTS LIST

The circuit diagram shows types 36 and 37 tubes in place for 6-volt DC operation. By simply substituting type 35 for type 36 and type 27 for type 37, the receiver may be converted to 2.5-volt AC operation, without circuit or coil changes. Circuit constants are identical with those applying to DWG. No. 5 with the following exceptions:

- R<sub>8</sub> — 350-ohm, ½-watt resistor.
- R<sub>9</sub> — 20,000-ohm, 2-watt resistor.



DWG. NO. 7 — CIRCUIT DIAGRAM OF THE 2V DCSW-3

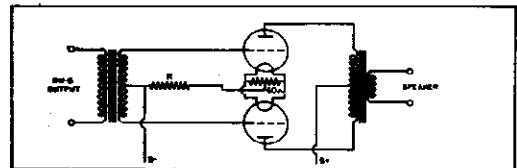
DWG. No. 7 shows the circuit and the values of component parts of the 2V DCSW-3 Receiver. This model was the preferred type for portable operation with low battery power consumption before the introduction of the Universal Model, using 1.4-volt tubes.

### 2V DCSW-3 Receiver

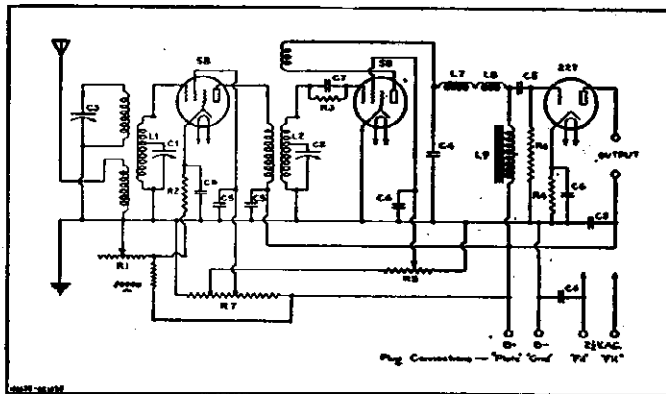
Dwg. No. 7 shows the circuit diagram and parts list. Two-type 32 tubes are used as R.F.

### AUDIO AMPLIFIER

For loud speaker reception, the audio amplifier shown at the right is recommended. Resistor "R" will depend on the particular tubes employed, as follows: 2-45's, 750 ohms; 2-2A3's, 400 ohms; 2-2A5's triode connected, 350 ohms; 2-27's, 1000 ohms.

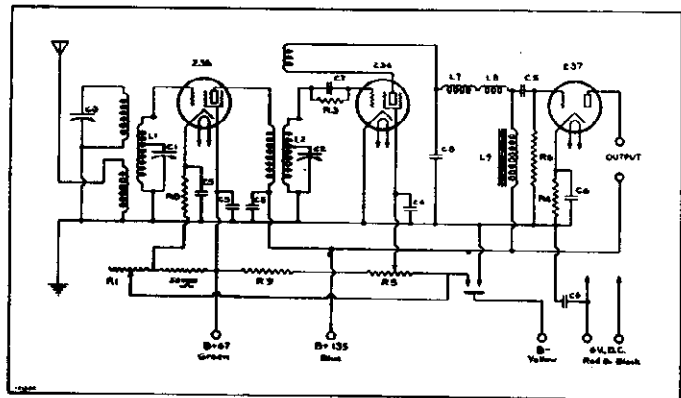


DWG. NO. 4 — CIRCUIT DIAGRAM OF AUDIO AMPLIFIER



DWG. NO. 5 — CIRCUIT DIAGRAM OF THE ACSW-3

Heater circuits require 3.75 amps., 2.5 volts; "B" circuits, 135-180 volts D.C. "60-70" series of coils are used.



DWG. NO. 6 — CIRCUIT DIAGRAM OF THE 6V DCSW-3

### 6V DCSW-3 Receiver

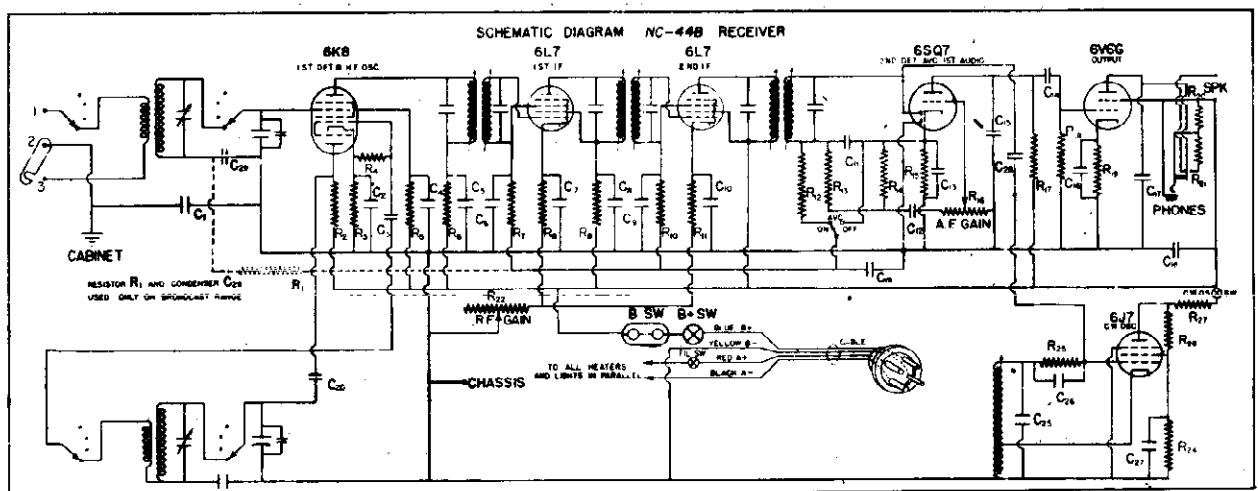
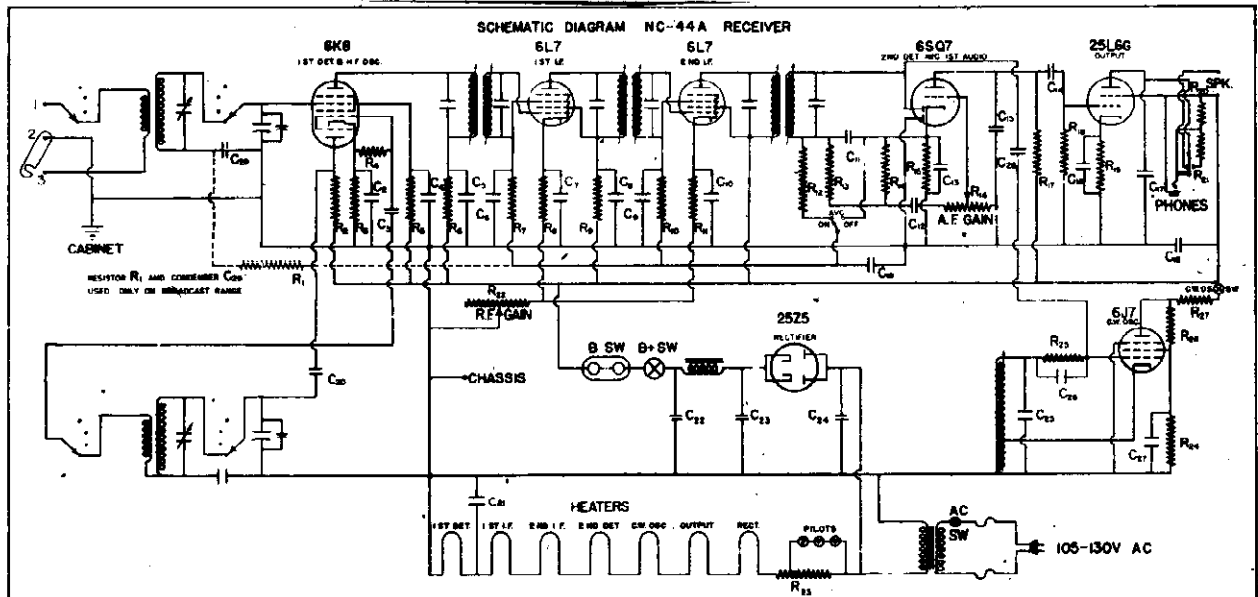
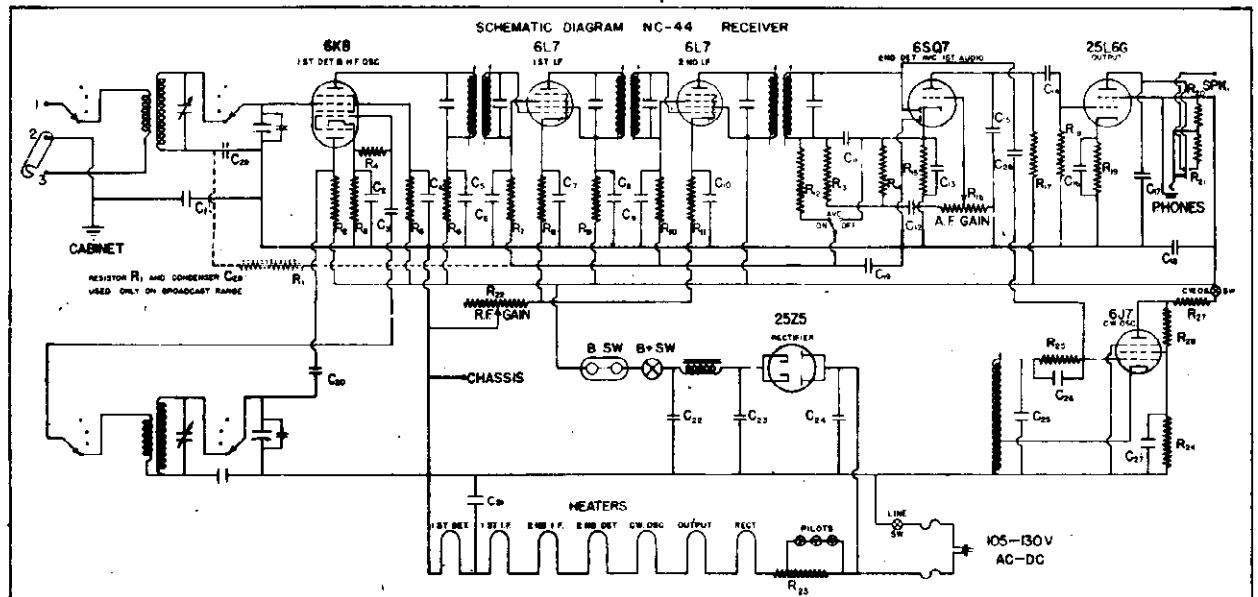
Dwg. No. 6 shows the circuit diagram and lists values of parts. Tubes used are two type 36 as R.F. amplifier and detector and one-type 37 as audio. Heater circuits require .9 amps., 6.3 volts; "B" circuits, 67 and 135 volts DC.

If desired, type 35 tubes may be substituted for type 36 and type 27 for 37, making the receiver suitable for 2.5-volt heater operation. Heater current drain when so operated is 5.25 amps.; "B" potential, 67 and 135 volts DC. In either case, "10-20" series of coils are used.

amplifier and detector, one type 30 as audio. Filament circuits require .16 amps., 2 volts DC; "B" circuits, 67 and 135 volts; and bias circuits, 3 volts. "10-12" series coils are used.

NATIONAL CO., INC.

MODEL NC-44  
 MODEL NC-44  
 MODEL NC-44



IF PEAK 456 KC

MODEL NC-44  
 MODEL NC-44A  
 MODEL NC-44B

NATIONAL CO., INC.

**THE NC-44B RECEIVER**  
 Battery Model

The NC-44B (Battery Operated) is basically the same as the NC-44 (AC-DC) model, the power supply being omitted. In general, the data given applies to the NC-44B. Data applicable to the NC-44B only is as follows:  
 The tube complement is the same as the NC-44 except that a type 6V6G tube is used in the audio output stage; the rectifier tube is omitted. The heater circuit requires 2.25 amps. at 6 volts; a "B" supply of 90-135 volts is recommended. The "B" drain is approximately 40-65 milliamperes.

If desired, the NC-44B may be operated entirely from a 6-volt DC source in conjunction with a National Type 686 Vibrator Power Pack. On special order and at an increase in price, the receiver can be furnished with a built-in vibrator pack (Type NC-44BV).

Operation from AC lines is made possible by employing a National Type 5865AB Power Supply.

Receiver power cable code and connector plug connections are shown on the circuit diagram below. Plug prong connections match the output socket wiring of the Types 686 and 5865AB Power Supplies.

As stated above, the output stage employs a 6V6G tube. The loud speaker furnished with the receiver is equipped with a coupling transformer to match the load impedance of the output tube - 5000 ohms. Since both speaker and headphone outputs are obtained from the output tube, it is not possible to operate the receiver with this tube removed from its socket.

The main dial is illuminated by two dial lamps connected in parallel across the heater circuit. These lamps are the standard "brown bead" type, designed from 6.3 volts and drawing .15 ampere each.

**PROTECTIVE DEVICES:** A double fuse block is mounted underneath the chassis and contains two standard fuses designated as the type 3AG, having a rating of 2 amperes. One fuse is connected in either side of the line and will provide adequate protection against damage to the various tubes and circuit elements which might result from any short-circuit or ground.

The operator who uses break-in, or who is experimenting with various types of transmitting and receiving antennae should provide some means of preventing excessive R.F. pick-up which might harm the input circuit of the receiver. In case of doubt, it is recommended that an R.F. ammeter be connected in the antenna lead-in, or in one of the doublet feeders close to the receiver, in order to measure the actual R.F. pick-up. This current should not exceed .1 ampere.

**DIAL LAMPS:** From the circuit diagram, it may be seen that the dial is illuminated by three lamps connected in series across a portion of the series heater resistor. These lamps are the standard "brown bead" type, designed for 6.3 volts and drawing .15 ampere. Since they necessarily form a part of the heater circuit of the receiver, burned out lamps should be replaced promptly, for, although the receiver will not be harmed, the various tubes will not function quite as efficiently if the dial lamps are not lighted.

**NATIONAL NC-44 RECEIVER**

AC-DC Model

RESISTORS

	volts	mfd.	ohms	watts	ohms	watts
C1-	400	.0005	400	.5 meg-	1/2	R15-5,000 1/2
C2-	400	C16-.25	50	10,000	1/2	R16-.5 meg-
C3-	.0001	mica	400	200	1/2	R3-200 A.F. Gain
C4-	400	C17-.001	400	25,000	1/2	R4-25,000
C5-	400	C18-.1	400	1,000	1/2	R5-1,000
C6-	.01	400	C19-.01	400	1/2	R6-1,000
C7-	.1	400	C20-.005	400	1	R7-.5 meg-
C8-	.1	400	C21-.1	400	1/2	R8-300
C9-	.01	400	C22-40	200	2	R9-1,000
C10-	.1	400	C23-.1	400	1/2	R10-.5 meg-
C11-	.00025	mica	C25-.0001	400	1/2	R11-300 R.F. Gain
C12-	.01	400	C26-.0001	400	1/2	R12-1. meg-
C13-	25	50	C27-.1	400	1/2	R13-.5 meg-
C14-	.1	400	C28-.000002	400	1/2	R14-1. meg-
			C29-.01	400	1/2	R27-.1 meg-

**THE NC-44A RECEIVER**

AC Model

Recommendations pertinent to the NC-44 (AC-DC) receiver apply also to the NC-44A (AC) model, except as follows:  
 The NC-44A is designed for operation from 105-130 volt, 50-60 cycle lines only and draws approximately 50 watts. Attempted operation from other AC sources or from DC lines will cause serious damage to the receiver.  
 The schematic diagram below shows the circuit of the NC-44A model.

Parts List same as NC-44, except that C1 is not used.

CAPACITORS		RESISTORS	
volts	mfd.	ohms	watts
C1-	.1	400	.5 meg-
C2-	.1	400	10,000
C3-	.0001	mica	200
C4-	.1	400	25,000
C5-	.1	400	1,000
C6-	.01	400	1,000
C7-	.1	400	.5 meg-
C8-	.1	400	300
C9-	.01	400	1,000
C10-	.1	400	.5 meg-
C11-	.00025	mica	300
C12-	.01	400	1.0 meg-
C13-	25	50	.5 meg-
			1.0 meg-

CAPACITORS		RESISTORS	
volts	mfd.	ohms	watts
C1-	.1	400	.5 meg-
C2-	.1	400	10,000
C3-	.0001	mica	200
C4-	.1	400	25,000
C5-	.1	400	1,000
C6-	.01	400	1,000
C7-	.1	400	.5 meg-
C8-	.1	400	300
C9-	.01	400	1,000
C10-	.1	400	.5 meg-
C11-	.00025	mica	300
C12-	.01	400	1.0 meg-
C13-	25	50	.5 meg-
			1.0 meg-

MODELS NC-45,  
NC-45A  
NC-45B

NATIONAL CO., INC.

MODEL NC-44  
MODEL NC-44A  
MODEL NC-44I

**GENERAL DESCRIPTION:** The NC-44 is an inexpensive seven-tube receiver covering frequencies from 540 to 30,000 kilocycles in four ranges, the various ranges being selected by means of a conventional band switch.

The circuit of the receiver, as shown in the schematic diagram, is simple, but effective. It consists of a 6K7 combination first detector and oscillator, two I.F. stages with permeability tuned iron-core transformers and 6L7 tubes, a 6SQ7 combination second detector - AVC - first audio stage, and a single audio output stage employing a 25L6G. The C.W. oscillator is a 6J7 and the rectifier is a 25Z5. The receiver is designed for operation from 105-130 volt AC or DC lines and draws approximately 40 watts.

A dual tuning system provides both general coverage and band spread operation. The main tuning capacitor is of straight line frequency design and is coupled to a scale calibrated accurately in megacycles; it is operated through a vernier reduction drive having a ratio of about 30 to 1. The electrical bandspread system comprises a separate two-gang tuning capacitor with a separate dial mechanism and dial scale. Practically all tuning in the short-wave ranges will be done with this bandspread capacitor and the various amateur bands are spread as follows:

3.5 to 4.0 megacycles	65 divisions
7.0 to 7.3 "	50 "
14.0 to 14.4 "	56 "
28.0 to 30.0 "	40 "

Separate audio and I.F. gain controls are provided and each of these controls is fitted with a switch. When the audio gain control is turned to the "off" position, the B-supply circuit is opened to place the receiver in stand-by position. Turning the R.F. gain control to the minimum position turns the receiver completely off. In addition to these controls, separate switches are provided for the C.W. oscillator and the AVC circuits. A BSW terminal panel for external (remote) stand-by control is mounted at the rear of the chassis. The terminals are connected in series with the B+ switch.

**ANTENNA:** Three antenna terminals are located on the right-hand side of the cabinet. The center terminal is grounded to the cabinet and is provided with a strap by means of which it may be connected to either of the other terminals when using a single-wire antenna. In general, it will be found best to connect this strap between the center and the right-hand terminals; the single-wire antenna being connected to the remaining terminal. For all-around short-wave reception, the simple single-wire antenna will be found satisfactory, except in extremely noisy locations. The overall length may be between 50 and 100 feet and an external ground is not required.

For amateurs who wish to obtain best performance on any particular band, the single-wire antenna should be made to have an overall length, including lead-in, approximately equal to an odd quarter-wave length. For instance, at 10 meters the antenna may be 24, 40 or 56 feet, etc. These figures represent 3, 5 and 7 quarter-wave lengths, respectively. An antenna designed in this manner will provide good signal pick-up with efficient transfer to the receiver and will, at the same time, minimize hand-capacity and other similar undesirable effects.

From the above, it will be seen that the same antenna cannot be expected to function with full efficiency on more than one band, unless some provision is made for tuning. Such tuning can often be satisfactorily accomplished by means of a series variable capacitor having a maximum capacity of 100 or 200 mmf.

Doublet antennae, directive arrays, etc., having two-wire feeder systems, can be connected directly to the two outside antenna terminals, the center terminal and strap not being used.

Where local noise is not bothersome, the single-wire type of antenna is to be preferred. In some installations, however, where there are some one or more sources of interference within fifty feet of the receiver, the single-wire will pick up the disturbance on the lead-in. Under such conditions, the doublet may provide the better signal-to-noise ratio. The improvement will be small, however, unless the pick-up portion can be erected at a considerable distance from the noise source (i.e., about twice the distance which separates the source from the receiver). If the installation cannot be made in this manner, the use of a doublet may weaken signals due to unavoidable losses in the feeder system, and the signal-to-noise ratio will not be improved.

**OUTPUT CIRCUIT:** As shown in the schematic diagram, the output terminals of the receiver are connected in the plate circuit of the 25L6G power output tube. The speaker terminals are at the rear of the chassis. The speaker furnished with the receiver is of the permanent magnet dynamic type having a suitable coupling transformer to match the load impedance of the tube - 1500 ohms. A headphone jack is mounted at the rear of the chassis and is wired in such manner that the speaker is quiet when the phones are in use. The impedance of the headphones should be approximately 20,000 ohms, this being the usual impedance of phones having a total DC resistance of between 2000 and 3000 ohms. The NC-44 should not be operated unless either a speaker or a headphone set is connected to the proper terminals. Also, the receiver will not function with the output tube removed from its socket, since all heaters are connected in series and since this tube supplies both speaker and headphone outputs.

**SPEAKER MOUNTING:** The loud speaker is mounted in a small cabinet finished to match the receiver. To obtain best tone quality the speaker chassis should be mounted on a large baffle isolated mechanically from the receiver. The baffle should be of non-resonant material, so that it will not vibrate. A baffle three or four feet square will generally prove satisfactory. More uniform bass response will be obtained by increasing the baffle size up to about nine feet square. Mounting the speaker and receiver in the same cabinet, or console, is not recommended

since vibration from the speaker is apt to be transferred to the tubes, producing microphonic noises.

**OPERATING INSTRUCTIONS:** As previously stated, the NC-44 receiver may be connected to either the AC or DC lines. In the case of a DC line, the receiver will be inoperative unless the plug has the correct polarity. This must be determined by trial, but the receiver will not be harmed in any way if the plug happens to be reversed. After the receiver is plugged in and the antenna is connected, both the R.F. and A.F. gain controls should be advanced to 6 or 7. The AVC switch should be "on" and the C.W. oscillator switch "off". The band selector switch, which is located in the middle of the front panel between the two tuning knobs, should be set to indicate the desired frequency range, and the bandspread tuning knob at the right should be set so that the small pointer reads ninety on the scale. Stations may then be tuned in, in the regular way, by means of the left-hand, or general coverage, tuning knob.

It should be noted that the frequency calibration of the main scale will only be correct when the bandspread pointer is at ninety. After a station has been found, however, the bandspread control will provide a vernier action which makes tuning of high frequency signals very easy, particularly where the receiver is to be used in amateur communication work. Ordinarily, the AVC switch will be "on" at all times and the R.F. gain control will be well advanced with volume being controlled by the A.F. gain adjustment. When receiving extremely strong signals, such as would be obtained from a local broadcast station, the R.F. gain control should be retarded in order to avoid any possibility of tube overload or distortion. The C.W. oscillator may be used if desired in locating weak signals with the AVC switch either "on" or "off".

**ALIGNMENT AND SERVICE DATA:** Individual tubes of the same type will vary slightly in their characteristics and it is well to remember this fact when replacements become necessary. Even though the circuit is designed to reduce the effect of such variations to a minimum, the converter and I.F. tubes should be selected with some care. A replacement converter should be checked in the receiver to make sure that the interelectrode capacities are the same as those of the tube originally employed. This is easily determined by noting any change in calibration at the high frequency end of any coil range. The change should not exceed two or three dial divisions.

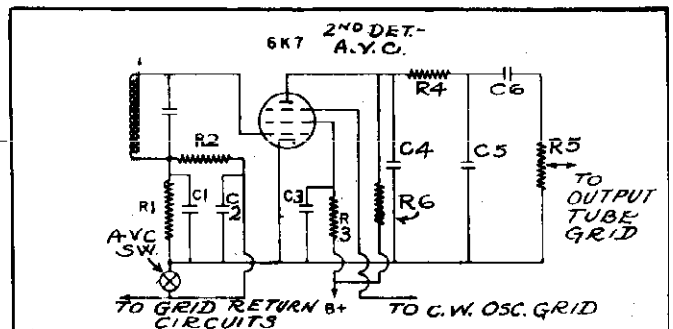
The intermediate frequency of the NC-44 receiver is 456 kilocycles. The three I.F. transformers are of the permeability tuned iron-core type and are adjustable from the outside of the cabinet. The transformers are of such construction that the factory adjustment is permanent and they should not be re-tuned, therefore, unless there are definite indications that such tuning is required. The high frequency coils and trimmer capacitors are mounted underneath the chassis, being grouped above the band-selector switch. The oscillator coils are mounted nearest the left-hand side of the receiver with the first detector coils at the right. The adjustment of these circuits is quite conventional but here, again, the various trimmers should NOT be adjusted indiscriminately, as it is often rather difficult to determine the correct capacitor settings without special test equipment.

**DET - AVC - AUDIO TUBE**

**6K7-6SQ7**

Earlier models of the NC-44 Series of Receivers used a type 6K7 as a combination second detector - AVC - first audio. Later models employed a 6SQ7 in place of the 6K7, with improved AVC action. The diagram of circuit connections of the 6K7 tube is shown below.

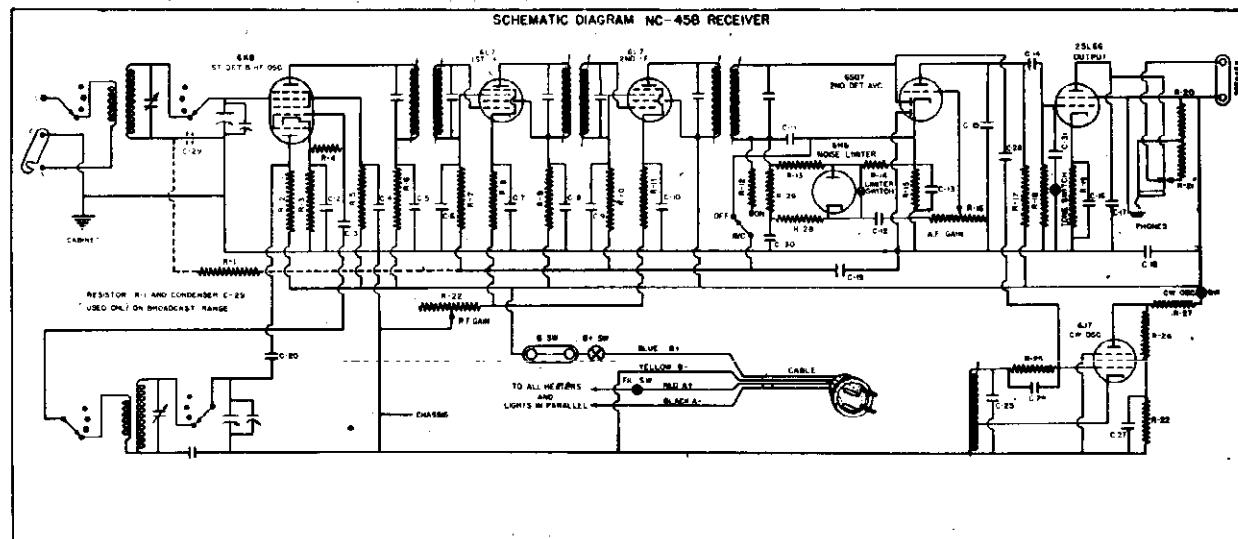
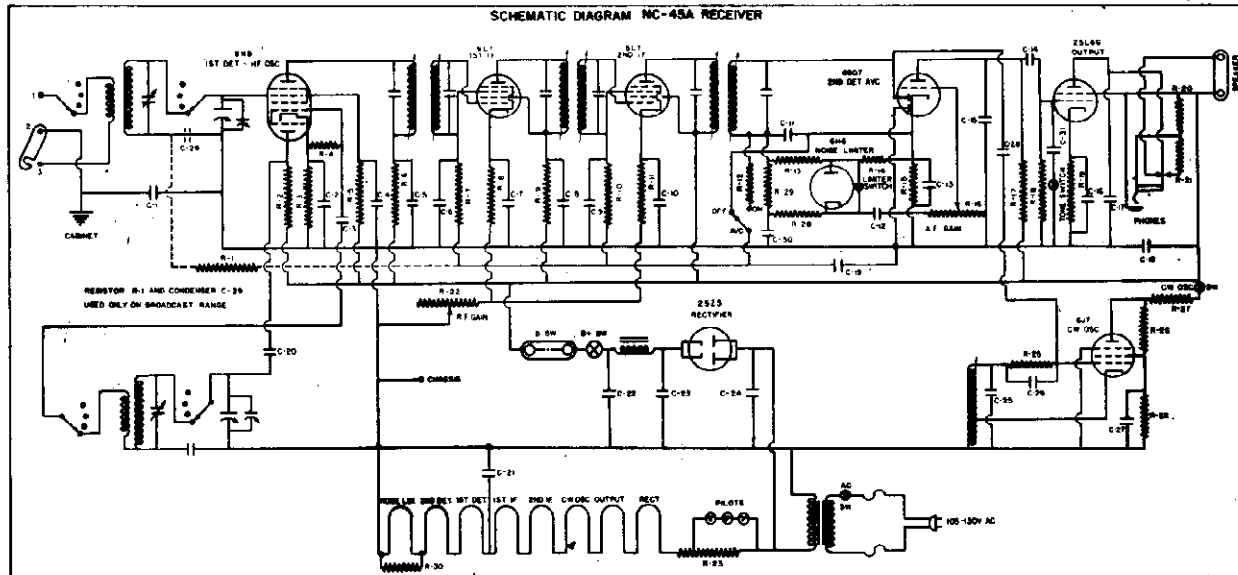
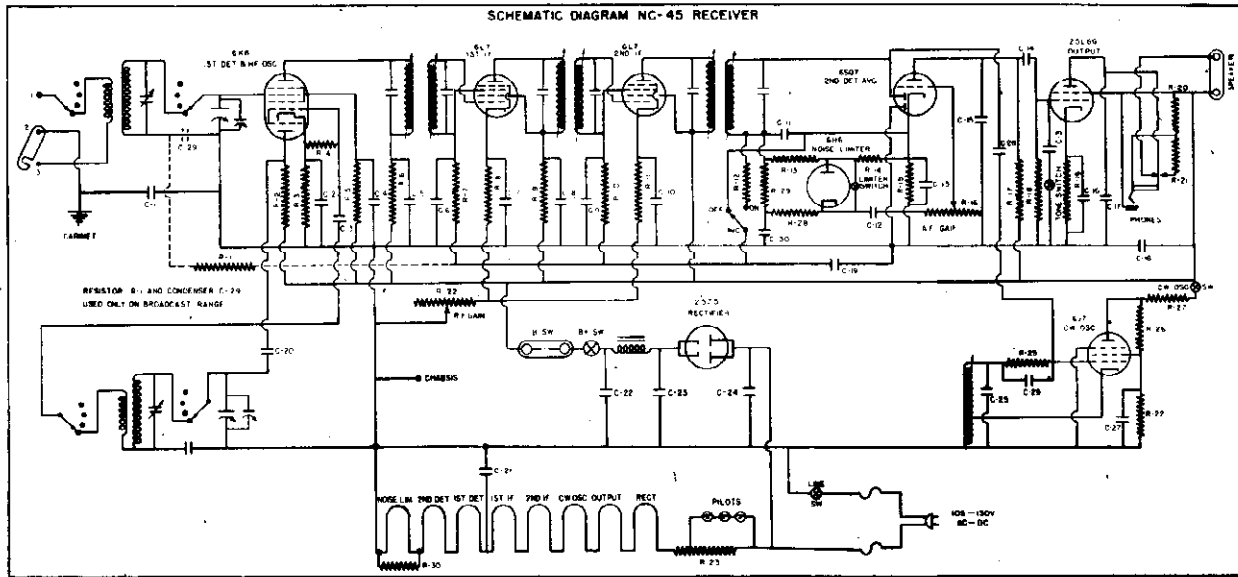
CAPACITORS		RESISTORS		This does not apply to the NC-45 Series.
mfd.	volts	ohms	watts	
01-.00025	mica	R1- 1 meg-	1/2	
C2-.01	400	R2- 1 meg-	1/2	
C3-.1	400	R3-.5 meg-	1/2	
C4-.0001	mica	R4-20,000	1/2	
C5-.0005	mica	R5-.5 meg-		
C6-.1	400	Audio Gain		
		R6-.1 meg-	1/2	





MODEL NC-45  
MODEL NC-45A  
MODEL NC-45B

NATIONAL CO., INC.



IF PEAK 456 KC

NATIONAL CO., INC.

MODEL NC-45  
MODEL NC-45A  
MODEL NC-45B

FOR CIRCUIT DESCRIPTION, OPERATING AND SERVICING DATA, SEE THAT PERTAINING TO THE NC-44 SERIES WHICH IS SIMILAR TO THE NC-45 SERIES OF RECEIVERS.

CAPACITORS				THE NC-45 RECEIVER				RESISTORS				
mfd.	volts	mfd.	volts	ohms	watts	ohms	watts					
C1	.1	400	C17-.001	mica	R1	.5 meg-	1/2	A.F. GAIN				
C2	.1	400	C18-.1	400	R2	-10,000	1/2	R17-.1 meg-	1/2			
C3	-.0001	mica	C19-.01	400	R3	- 200	1/2	R18-.5 meg-	1/2			
C4	.1	400	C20-.005	mica	R4	-25,000	1/2	R19- 140		1		
C5	.1	400	C21-.1	400	R5	- 1,000	1/2	R20- 500		1/2		
C6	.01	400	C22- 40	200	R6	- 1,000	1/2	R21-1,000		2		
C7	.1	400	C23- 40	200	R7	- .5 meg-	1/2	R22-10,000				
C8	.1	400	C24-.1	400	R8	- 300	1/2	R.F. GAIN				
C9	.01	400	C25-.0001	mica	R9	- 1,000	1/2	R23- 132		10		
C10	.1	400	C26-.0001	mica	R10	- .5 meg-	1/2	R24-.1 meg-		1/2		
C11	.00025	mica	C27-.1	400	R11	- 300	1/2	R25-50,000		1/2		
C12	.01	400	C28-.000002		R12	- 1. meg-	1/2	R26-.1 meg-		1/2		
C13	25	50	C29-.01	400	R13	- .5 meg-	1/2	R27-.1 meg-		1/2		
C14	.1	400	C30-.1	400	R14	- .5 meg-	1/2	R28- 1 meg-		1/2		
C15	.0005	mica	C31-.003	mica	R15	-5,000	1/2	R29- 1 meg-		1/2		
C16	25.	50			R16	-.5 meg-		R30- 100		1/2		

THE NC-45A RECEIVER

AC Model

Recommendations pertinent to the NC-45 (AC-DC) receiver apply also to the NC-45A (AC) model, except as follows:

The NC-45A is designed for operation from 105-130 volt, 50-60 cycle lines only and draws approximately 50 watts. Attempted operation from other AC sources or from DC lines will cause serious damage to the receiver.

The schematic diagram below shows the circuit of the NC-45A model.

Parts List same as NC-45, except that C1 is not used.

THE NC-45B RECEIVER

Battery Model

The NC-45B (Battery Operated) is basically the same as the NC-45 (AC-DC) model, the power supply being omitted. In general, the data given on pages 1 and 2 applies to the NC-45B. Data applicable to the NC-45B only is as follows:

The tube complement is the same as the NC-45 except that a type 6V6G tube is used in the audio output stage; the rectifier tube is omitted. The heater circuit requires 2.55 amps. at 6 volts; a "B" supply of 90-135 volts is recommended. The "B" drain is approximately 40-65 milliamperes.

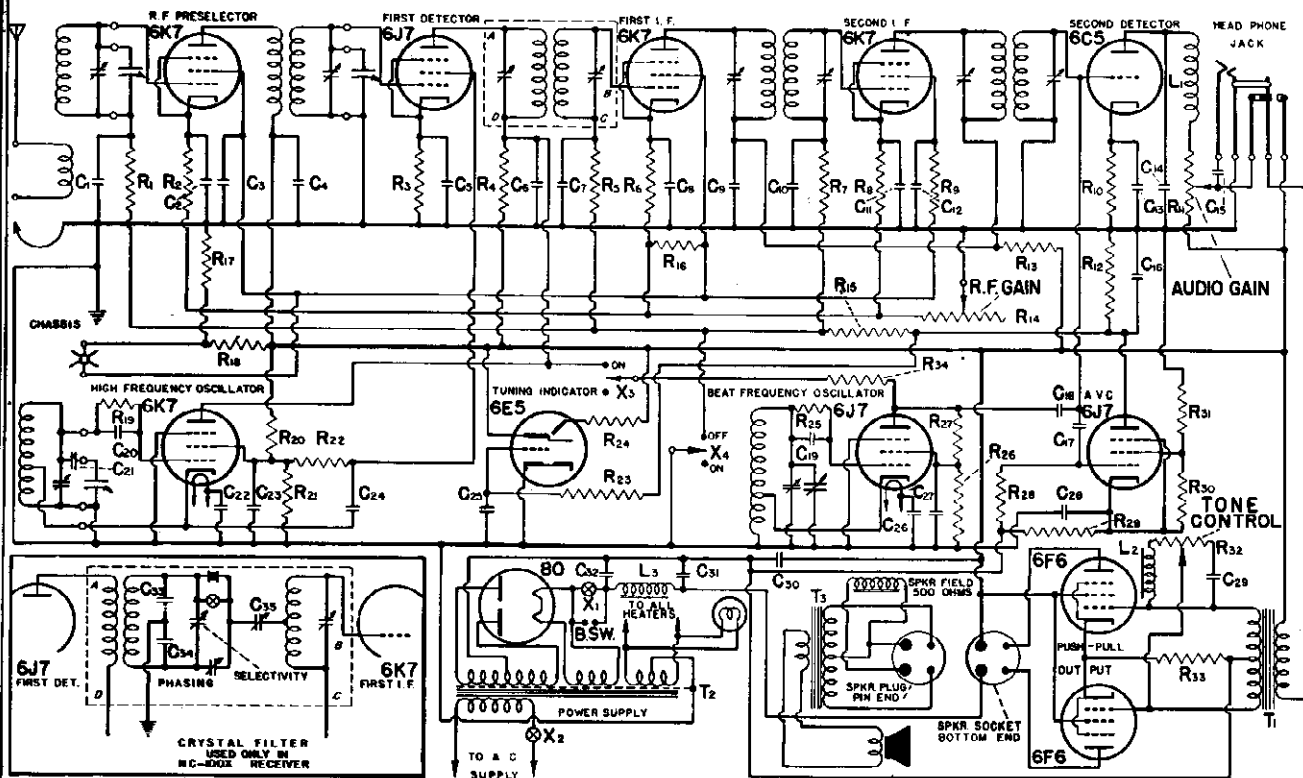
SEE THE NOTES UNDER MODEL NC-44B, WHICH ALSO APPLY TO THE MODEL NC-45B.

CAPACITORS				RESISTORS						
mfd.	volts	mfd.	volts	ohms	watts	ohms	watts			
C1	.1	400	C15-.0005	mica	R1	.5 meg-	1/2	R16-.5 meg-	Pot.	
C2	.1	400	C16- 25	50	R2	-10,000	1/2	A.F. GAIN		
C3	.0001	mica	C17-.001	mica	R3	- 200	1/2	R17-.1 meg-	1/2	
C4	.1	400	C18-.1	400	R4	-25,000	1/2	R18-.5 meg-	1/2	
C5	.1	400	C19-.01	400	R5	- 1,000	1/2	R19- 350	1	
C6	.01	400	C20-.005	mica	R6	- 1,000	1/2	R20- 500	1/2	
C7	.1	400	C25-.0001	mica	R7	- .5 meg-	1/2	R21-1,000	2	
C8	.1	400	C26-.0001	mica	R8	- 300	1/2	R22-10,000	Rheo.	
C9	.01	400	C27-.1	400	R9	- 1,000	1/2	R.F. GAIN		
C10	.1	400	C28-.000002		R10	- .5 meg-	1/2	R24-.1 meg-	1/2	
C11	.00025	mica	C29-.01	400	R11	- 300	1/2	R25-50,000	1/2	
C12	.01	400	C30-.1	400	R12	-1.0 meg-	1/2	R26-.1 meg-	1/2	
C13	25	50	C31-.003	mica	R13	- .5 meg-	1/2	R27-.1 meg-	1/2	
C14	.1	400			R14	- .5 meg-	1/2	R28-1.0 meg-	1/2	
					R15	- 5,000	1/2	R29-1.0 meg-	1/2	

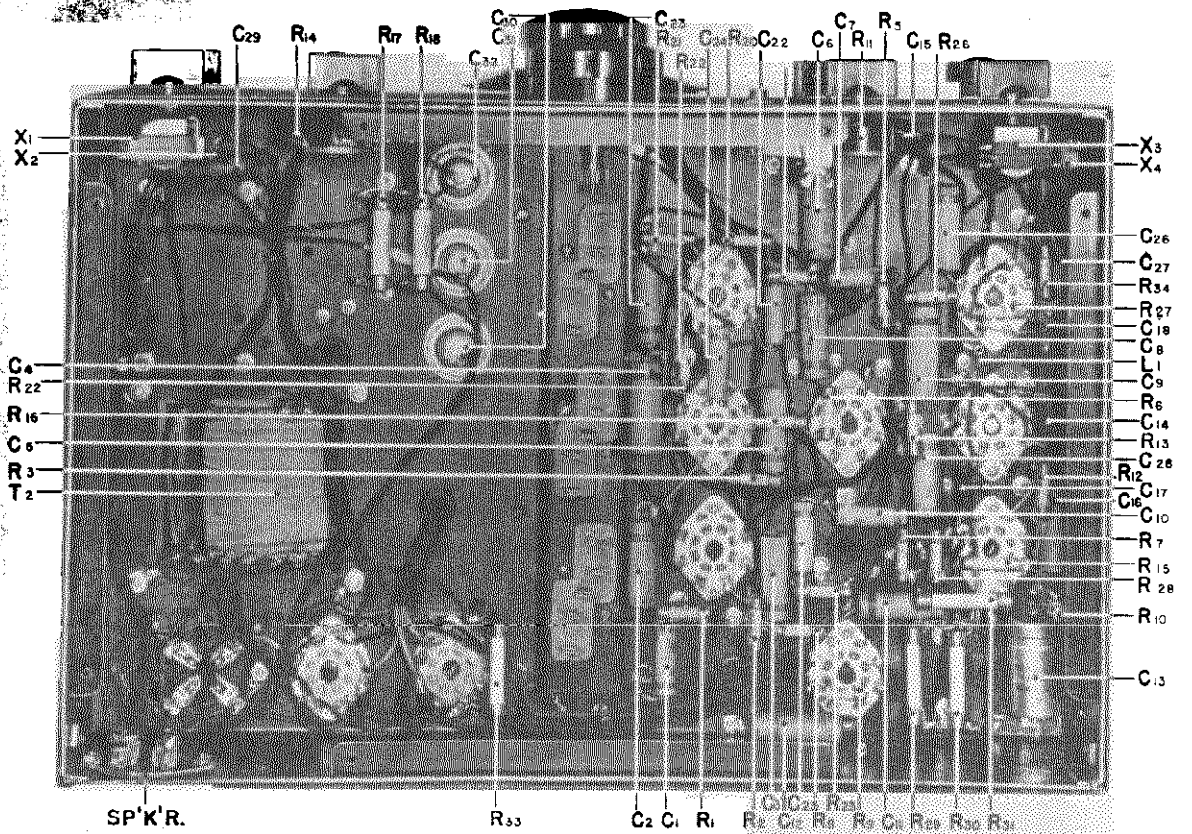
MODELS NC-100 Series

NATIONAL CO., INC.

SCHEMATIC DIAGRAM — TYPE NC-100 RECEIVER



Models NC-100S and NC-100XS are the same as Models NC-100 and NC-100X respectively except that they have a 12-inch speaker instead of a 10-inch speaker.



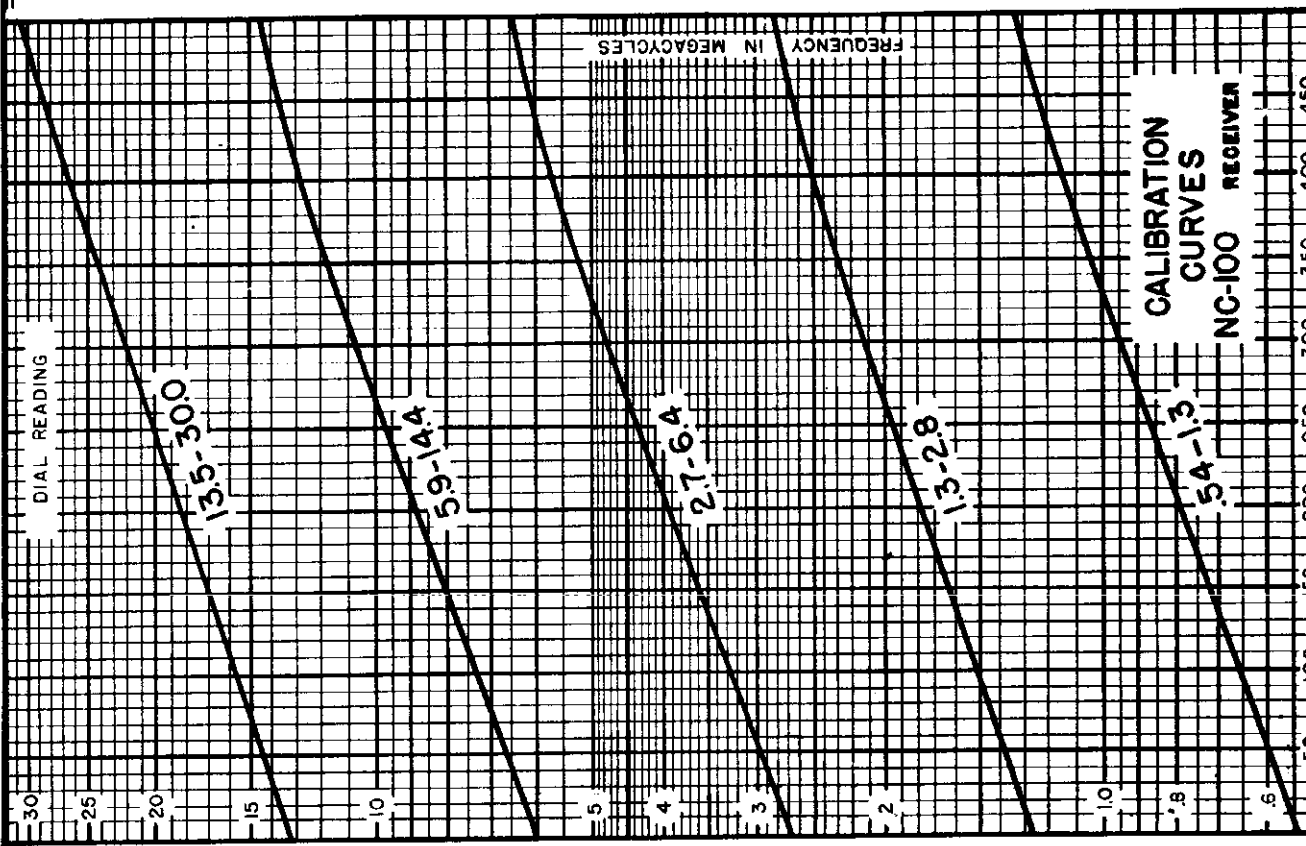
FOR PARTS VALUES, SEE NEXT PAGE

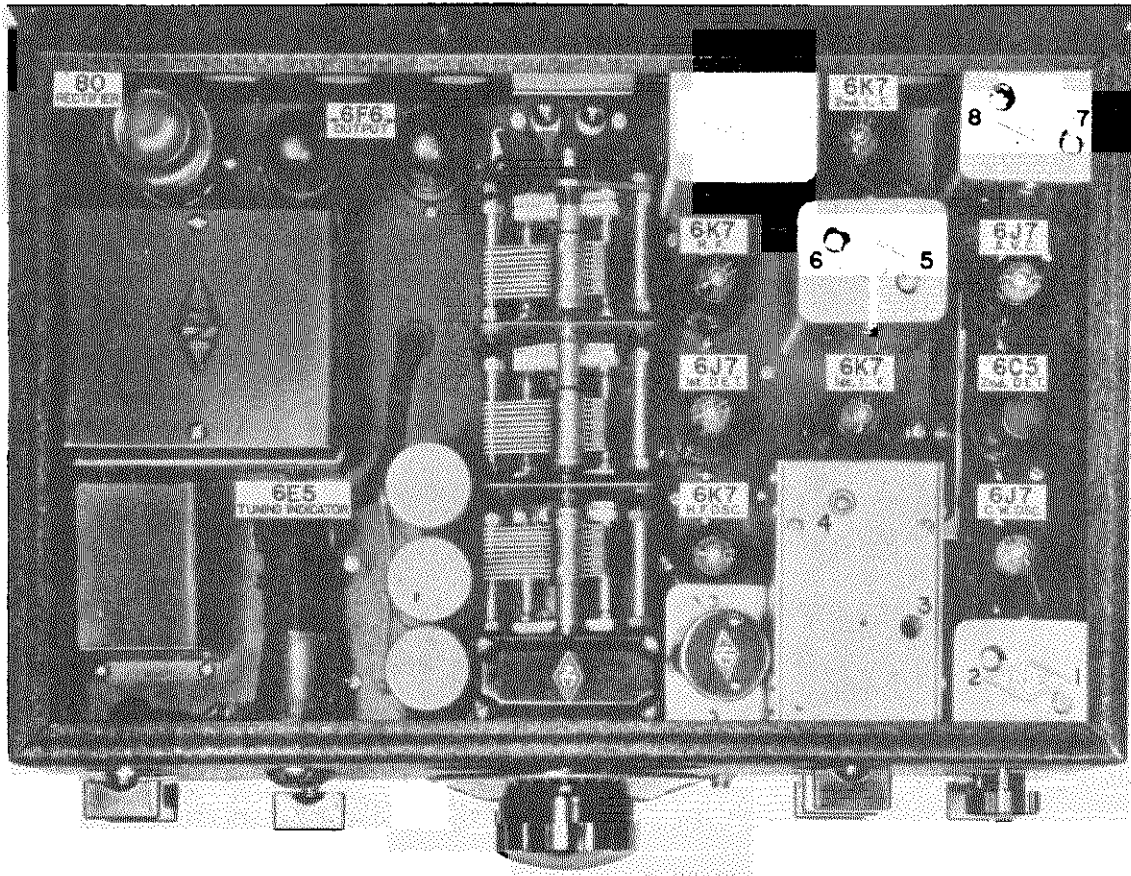
NATIONAL CO., INC.

The alignment and other instructions pertaining to Model NC-100A also apply to Model NC-100 and NC-100X with the following exceptions:  
 Under "Preliminary Adjustments --- The I.F.", paragraph 3, The I.F. adjustments are indicated on the layout diagram, Nos. 4 to 8 inclusive.  
 The crystal filter output coupling condenser, adjustment No. 3, serves as a fixed I.F. gain control and, in general, should not be touched.

Resistor and Condenser List

Component	Value	Power	Notes	Notes	Notes
R1	R.F. Grid filter	.5 megohm			
R2	R.F. Cathode Bias	350 ohms			
R3	1st Det. Cathode Bias	5000 ohms			
R4	H.F. Circuit B + Filter	2000 ohms			
R5	1st I.F. Grid Filter	.5 megohm			
R6	2nd I.F. Cathode Bias	350 ohms			
R7	2nd I.F. Grid Filter	.5 megohm			
R8	2nd I.F. Cathode Bias	500 ohms			
R9	2nd I.F. Screen Filter	2000 ohms			
R10	2nd Det. Cathode Bias	20,000 ohms			
R11	Audio Volume Control	50,000 ohm potentiometer			
R12	A.V.C. Plate	.5 megohm			
R13	I.F. B + Filter	2000 ohms			
R14	R.F. Gain Control	10,000 ohm variable			
R15	Common Grid Filter	.5 megohm			
R16	Gain Control Bleeder	50,000 ohms			
R17	Voltage Divider	20,000 ohms			
R18	Voltage Divider	20,000 ohms			
R19	H.F. Oscillator Grid Leak	20,000 ohms			
R20	H.F. Oscillator Voltage Divider	50,000 ohms			
R21	H.F. Oscillator Voltage Divider	100,000 ohms			
R22	1st Det. Screen Filter	100,000 ohms			
R23	Tuning Indicator Grid Filter	.5 megohm			
R24	Tuning Indicator Target	1 megohm			
R25	C.W. Oscillator Grid Leak	50,000 ohms			
R26	C.W. Oscillator Voltage Divider	100,000 ohms			
R27	C.W. Oscillator Voltage Divider	100,000 ohms			
R28	A.V.C. Grid Return	.5 megohm			
R29	A.V.C. Voltage Divider	350 ohms			
R30	A.V.C. Voltage Divider	1000 ohms			
R31	A.V.C. Voltage Divider	1000 ohms			
R32	Tone Control	50,000 ohm potentiometer			
R33	Output Cathode Bias	250 ohms			
R34	C.W. Oscillator Plate Filter	.25 megohm			
C1	R.F. Grid Filter	.01 mfd.			
C2	R.F. Cathode Bypass	.1 mfd.			
C3	R.F. and 1st I.F. Screen Bypass	.1 mfd.			
C4	R.F. and H.F. Osc. Plate Bypass	.1 mfd.			
C5	1st Det. Cathode Bypass	.1 mfd.			
C6	1st Det. Plate Filter	.1 mfd.			
C7	1st I.F. Grid Filter	.01 mfd.			
C8	1st I.F. Cathode Bypass	.1 mfd.			
C9	1st and 2nd I.F. Plate Filter	.1 mfd.			
C10	2nd I.F. Grid Filter	.01 mfd.			
C11	2nd I.F. Cathode Bypass	.1 mfd.			
C12	2nd I.F. Screen Filter	.01 mfd.			
C13	2nd Det. Cathode Bypass	.1 mfd.			
C14	Phone Coupling	.001 mfd.			
C15	A.V.C. Plate Bypass	.1 mfd.			
C16	A.V.C. Grid Coupling	.0001 mfd.			
C17	C.W. Oscillator Coupling	2 mfd.			
C18	C.W. Oscillator Grid	.001 mfd.			
C19	H.F. Oscillator Grid	.001 mfd.			
C20	H.F. Oscillator Screen	.0001 mfd.			
C21	H.F. Oscillator Series Padding	Different for each package			
C22	H.F. Oscillator Heater Bypass	.01 mfd.			
C23	H.F. Oscillator Screen Bypass	.1 mfd.			
C24	H.F. Oscillator Coupling	.01 mfd.			
C25	Tuning Indicator Grid Filter	.01 mfd.			
C26	C.W. Oscillator Heater Bypass	.1 mfd.			
C27	C.W. Oscillator Screen Bypass	.1 mfd.			
C28	A.V.C. Cathode Bypass	.01 mfd.			
C29	Tone Control	8 mfd.			
C30	B-Supply Filter	8 mfd.			
C31	B-Supply Filter	8 mfd.			
C32	Crystal Filter Bridge	.0001 mfd.			
C33	Crystal Filter Coupling	.35 mfd.			
X1	B + (stand-by) Rectifier	7. mb.			
X2	AC On-Off Switch	15. Heavy			
X3	C.W. Oscillator Rectifier	20. Heavy			
X4	A.V.C. On-Off Switch	4:1 Ratio			
L1	2nd Det. I.F. Choke	Mounted on Speaker			
L2	Tone Filter Choke				
L3	B-Supply Filter Choke				
T1	Push-Pull Input Audio Transformer				
T2	Power Transformer				
T3	Output Transformer				





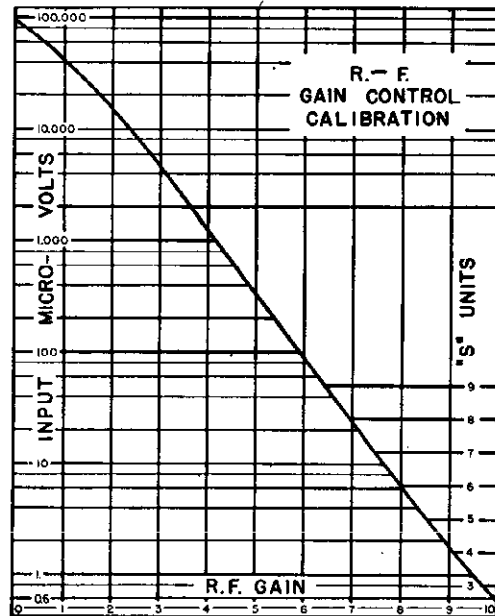
TOP VIEW OF NC- 100X RECEIVER

**Measurement of Signal Strength**

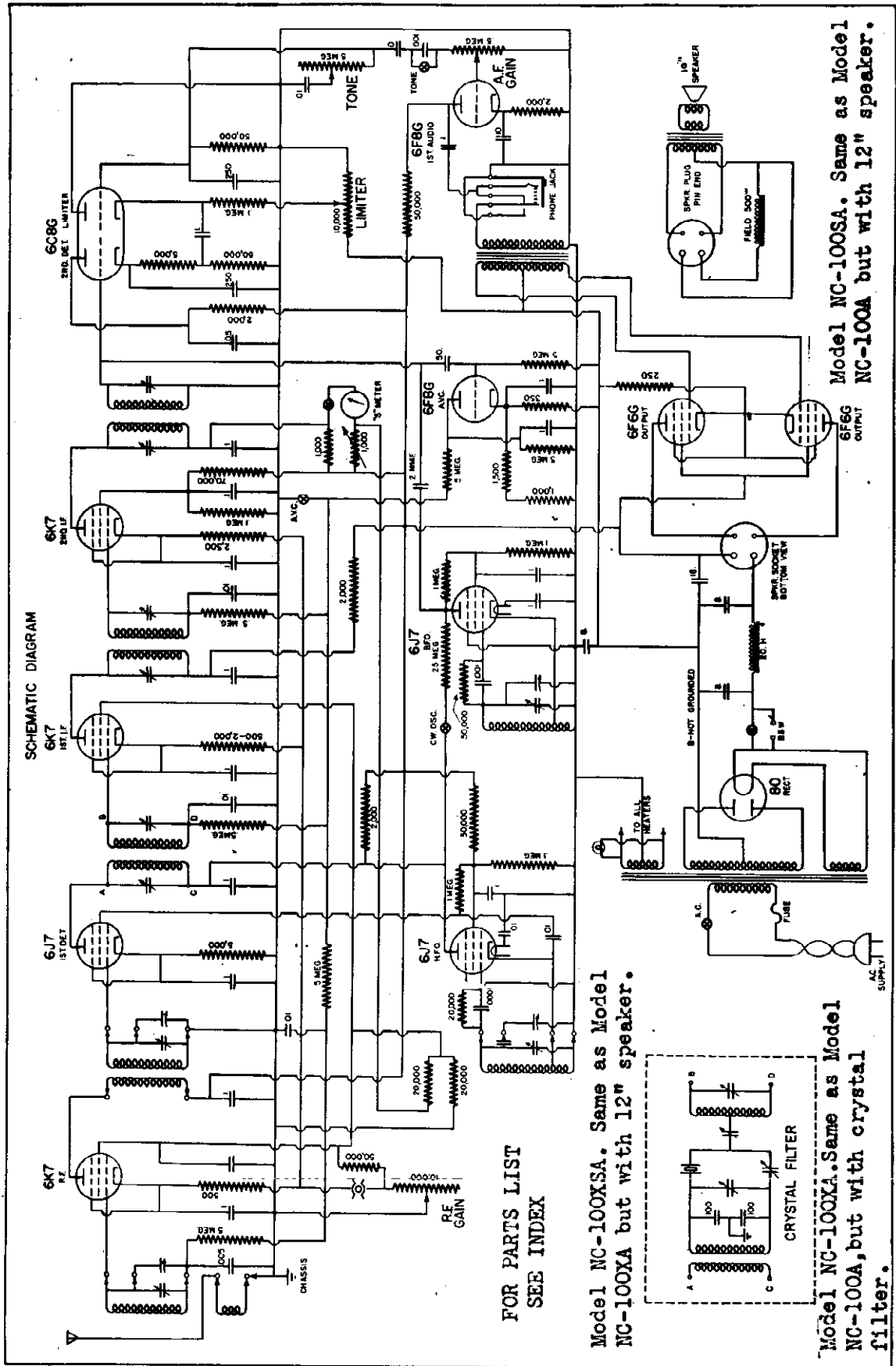
The combination of the R.F. gain control and tuning indicator make possible the accurate measurement of signal strength. With AVC either on or off, the R.F. gain control is advanced to the point where the electron ray tuning indicator just begins to show some change in pattern. The accompanying calibration curve shows the relation between signal input and this setting of the R.F. gain control.

The size of the shaded area will vary with the modulation of the signal when the AVC is off. This variation does not indicate over-modulation, or carrier shift, but is the normal result to be expected when using an amplified-delayed system of AVC.

For the amateur station operator who prefers to give reports in R or S units, rather than microvolts input, we suggest the use of the righthand scale of the chart. Adjacent points are 6 db. apart, this spacing giving a total range, between the weakest signal and an S-9 signal, of 48 db. Most operators seem to agree that the S-steps should be separated by a 4 to 1 power ratio (6 db.), and since the characteristics of the receiver determine the level of the weakest signals which may be received intelligibly, an "extremely strong" signal (S-9) is, on the NC-100, defined as one resulting in an input of 51 microvolts.



NATIONAL CO., INC.



SCHEMATIC DIAGRAM

FOR PARTS LIST  
SEE INDEX

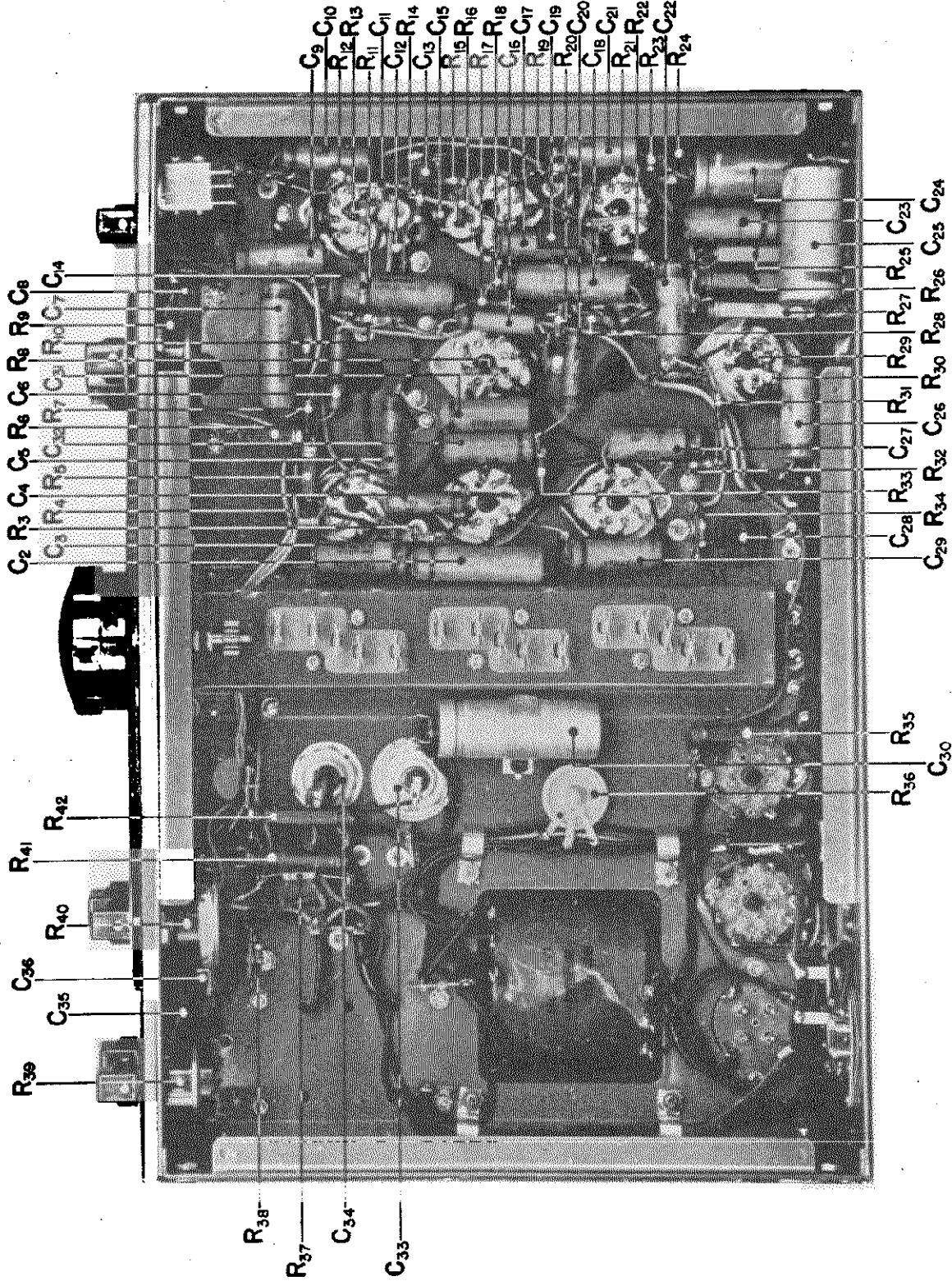
Model NC-100XSA. Same as Model NC-100XA but with 12" speaker.

Model NC-100XA. Same as Model NC-100A, but with crystal filter.

Model NC-100SA. Same as Model NC-100A but with 12" speaker.

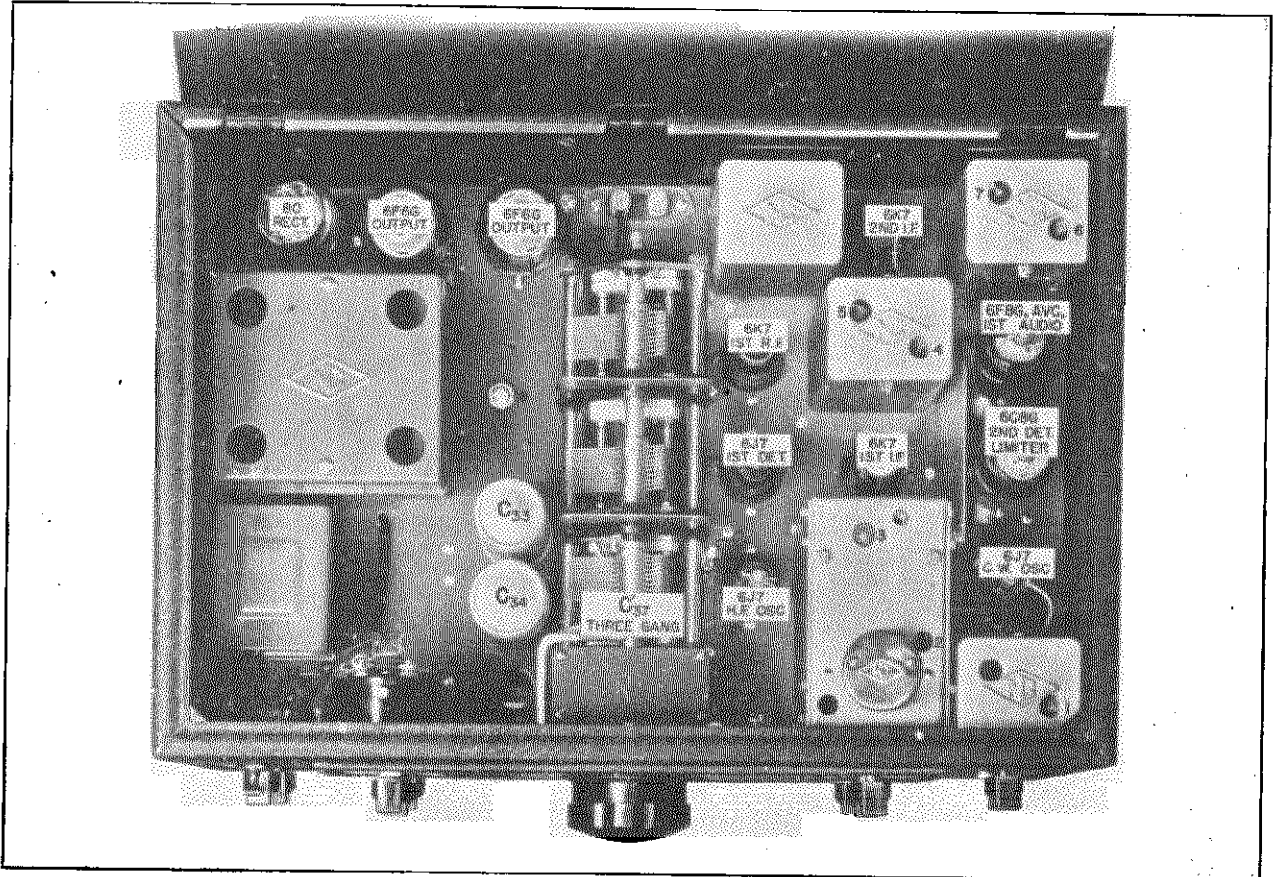
A.C. Operated NC-100A

Model NC-101XA. Same as Model NC-100XA but frequency coverage is only 160,80,40,20, and 10-meter amateur bands.

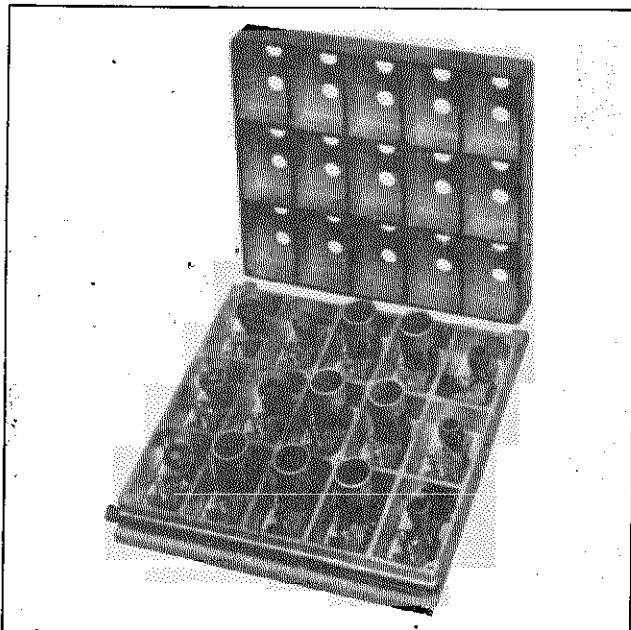


Bottom View of NC-100XA

NATIONAL CO., INC.

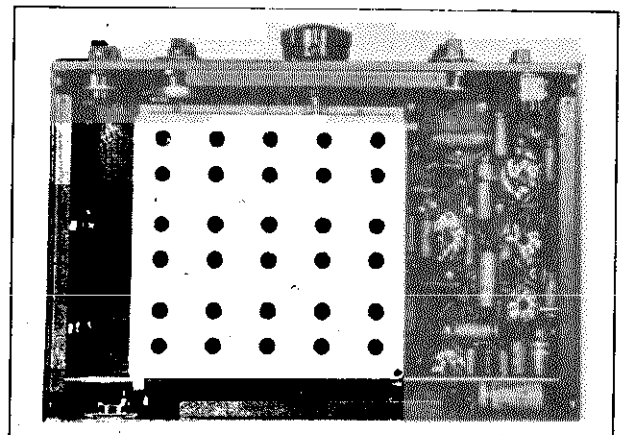


Top View of NC-100XA



THE COMPLETE COIL ASSEMBLY

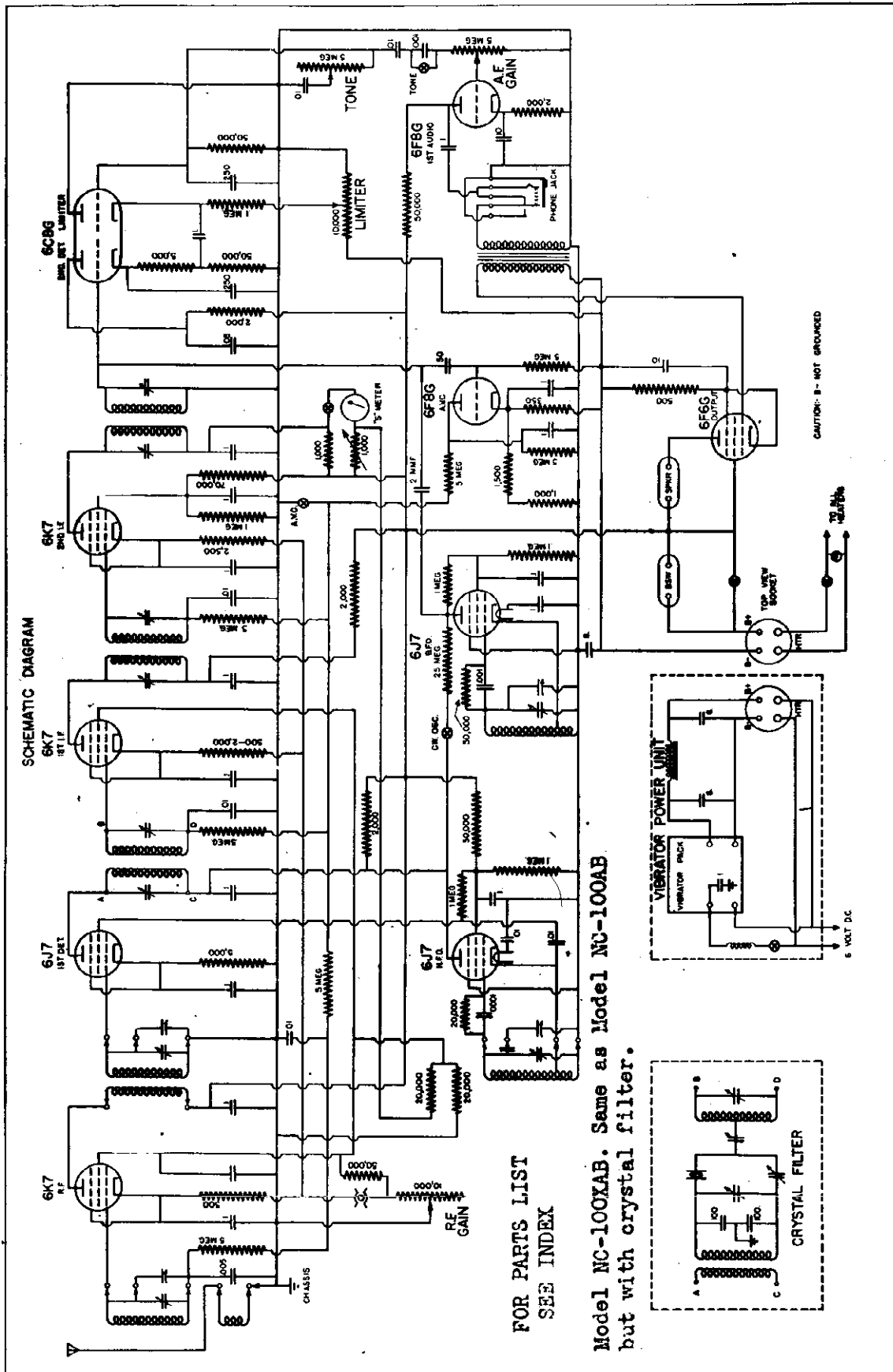
Permanence of circuit characteristics is assured by the rigid cast aluminum shield and by air dielectric trimmer condensers with R-39 insulation.



BOTTOM VIEW

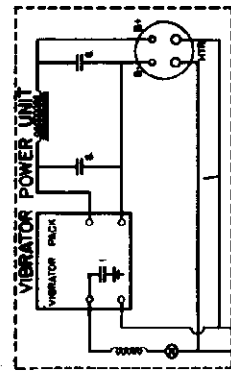
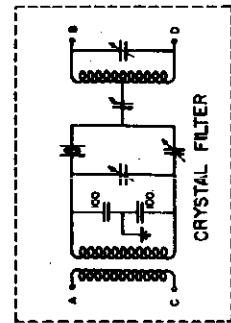
The coil assembly is shown midway between the 1.3-2.8 mc. and 2.7-6.4 mc. ranges.





FOR PARTS LIST  
SEE INDEX

Model NC-100XAB. Same as Model NC-100AB  
but with crystal filter.



Battery Model NC-100AB

**Alignment and Service Data**

**TUBES**

Individual tubes of the same type will vary slightly in their characteristics and it is well to remember this fact when replacements become necessary. Even though the circuit is designed to reduce the effect of such variations to a minimum, the high frequency oscillator and I.F. tubes should be selected with some care. A replacement high frequency oscillator should be checked in the receiver to make sure that the inter-electrode capacities are the same as those of the tube originally employed. This is easily determined by noting any change in calibration at the high frequency end of any coil range. The change should not exceed two or three dial divisions. Compensation for small variations in tube capacity may be made by changing the position of the oscillator grid lead with relation to the body of the tube.

Substitution of new tubes in the I.F. amplifier may possibly alter overall gain and selectivity characteristics. Instructions for realignment are given in detail in the following pages.

Two other points should be checked when trying the new high frequency oscillator; a fairly strong steady signal should be tuned in, preferably on some frequency above 10 mc.; the C.W. oscillator should be turned off; jarring the receiver or lightly tapping the tube, should not show any evidence of noise in the output. Next turn on the C.W. oscillator to make sure that the tube does not introduce "modulation hum" on the carrier. The tube should again be lightly tapped to see whether or not its characteristics change.

**R.F. AND I.F. OSCILLATOR ALIGNMENT**

All circuits are carefully and accurately aligned before shipment, using precision crystal oscillators which insure close conformation to the calibration curves. No readjustments will be required, therefore, unless the receiver is subjected to extremely rough handling. Do not attempt to make any adjustments without first determining the exact function of each trimmer condenser and the effect that it will have upon performance.

The coil group which is plugged into the circuit at any time is the one directly underneath the 3-gang tuning condenser at the center of the chassis. The coil nearest the front of the receiver is the high frequency oscillator; the middle coil is the first detector, and the coil nearest the antenna-ground binding post strip is the R.F.

As shown in the photographs, there are two holes in each coil compartment; of each pair, the one nearest the front of the receiver is directly over the trimmer condenser.

Complete alignment of any one coil range is made

as follows: Set the tuning dial near the high frequency end of the range and check the dial reading by means of an accurate test oscillator or a signal of known frequency; readjustment should be made if the dial reading is in error by more than 2 per cent. Correction for calibration is made by adjustment of the high frequency oscillator trimmer (nearest the front of the receiver). A screw driver with a metal shaft may be used, but the shaft should not touch the aluminum coating while the trimmer is being turned. If the dial reading is found to be too low, more trimmer capacity is needed and vice versa. In adjusting the R.F. and first detector trimmers, no signal is necessary, correct alignment being indicated by maximum background noise. This background noise should be fairly loud when the R.F. and audio gain controls are fully advanced, the crystal filter being switched off. Furthermore, the background noise will be approximately the same on all ranges.

The first detector trimmer will have much greater effect upon the amplitude of this noise than the R.F. trimmer, but actually the setting of each is equally important.

With calibration correct at the high frequency end of the range, the dial should be rotated toward the lower numbers. The background noise may vary slightly over the range but should not get appreciably weaker except in the case of the .54 to 1.3 mc. coils. Ganging is checked by pressing one of the outside rotor plates of the oscillator condenser, sideways toward the stator, but not enough to make the plates touch. The same check may be applied to the first detector and R.F. tuning condensers. Any bending of the rotor plates should make the background noise definitely weaker. A similar check can, of course, be made by bending the rotor plates out, away from the stator, care being taken not to bend the plates so far that they will not return to their original position.

On the two highest frequency ranges, it may be possible to make the initial oscillator adjustment incorrectly. There are two settings of the oscillator trimmer condenser which will tune in the desired signal at the proper point on the dial; of these, the higher frequency setting (least trimmer capacity) is correct. In checking the ganging of the 13.5 to 30 mc. range, the R.F. condenser has little effect upon the background noise at the low frequency end of the scale and at this one point it is better to use a test signal. Should any error in tracking be found on one range, it is probable that the same error will be present on all ranges and correction may be made by permanently bending the rotor plates of the tuning condenser section in question.

**I.F. AND CRYSTAL ALIGNMENT INSTRUCTIONS**

Before attempting to check the alignment of a single signal receiver it is essential that the type of performance to be expected.

A receiver of this type is simply a superheterodyne which may be adjusted to have extremely high selectivity on all signals. The effective width of the selectivity filter is only a few cycles, usually between 20 and 100. This means that when tuning in a given C.W. signal, tuning is going to be very sharp and the dial must be turned slowly in order to avoid missing the signal entirely. As compared to the straight superheterodyne, the single signal receiver is about 100 times as selective. The straight super will pick up a signal and will reproduce both sides of the audio beat note at about the same strength; that is, the carrier whistle may be varied from either side of zero beat up to about 3000 cycles when the receiver is tuned and the whistle will remain about the same strength at any pitch. The single signal receiver, however, being 100 times as sharp, will not perform in this manner, but as the receiver is tuned across the carrier the audio response will be very sharply peaked at one certain pitch of the carrier whistle.

Detuning the receiver a small fraction of a degree, while it changes the pitch only slightly, will make the signal much weaker, since it has been detuned from the sharp selectivity peak.

The main point to remember when considering single signal receivers is that they are simply ultra selective superheterodynes, which must be tuned exactly to the signal and that the beat oscillator must be detuned from the crystal frequency in order to obtain an audible beat note.

**PRELIMINARY ADJUSTMENTS—THE I.F.**  
From the above explanation, the reader will see that it is absolutely essential that the I.F. transformers be aligned to the crystal, since the two must work together. This alignment may be accomplished in a number of ways. If the I.F. transformers are far out of adjustment, it is necessary to connect an external crystal oscillator which uses the crystal from the receiver. This oscillator is put in operation and is coupled to the first detector of the receiver. In most cases no actual connection will be required since the field from the oscillator will be sufficiently strong to be picked up, even with the I.F. far out of adjustment. If coupling is required, a lead twisted around the grid cap of the detector tube and run near the oscillator tank coil, will be suitable. The beat oscillator is turned on and adjusted until the crystal signal is picked up. The pitch of the beat note is not important as long as it is well inside the audible range.

All the I.F. transformers are now adjusted for maximum signal. This adjustment need not be

made with any great degree of precision, since the crystal will not oscillate at exactly the same frequency to which it will be resonant in the receiver. The phasing control should be set at 0.

The I.F. adjustments are indicated on the layout diagram, Nos. 3 to 7, inclusive.

The crystal filter output coupling condenser, adjuster No. 2, serves as a fixed I.F. gain control and, in general, should not be touched.

The crystal may now be removed from the oscillator and installed in the receiver. Throw the switch to connect the crystal for single signal reception. Set the selectivity control for maximum selectivity; that is, with the pointer rotated all the way to the right. Now, tune in a steady signal from a local oscillator or monitor. Tuning very slowly across the carrier, there should be one point at which the signal will peak very sharply. The audio pitch of this peak will be nearly the same as the pitch of the beat used when the crystal oscillator was being picked up.

**THE BEAT OSCILLATOR**

Once the peak has been found, it would be well for the operator to familiarize himself with the action of the beat oscillator control by changing its tuning in order to obtain an audio note which is most pleasing to copy, or which coincides with any peaks in the loudspeaker or headphones. It makes little difference to which side of the audio beat the beat oscillator is tuned. After a satisfactory pitch has been found, tune the signal by means of the tuning dial so that the signal goes down through zero beat and up to approximately the same pitch on the other side. This response is, of course, much weaker than that of the peak and it may be necessary to turn up the volume control in order to obtain fair volume. The phasing, or balancing, condenser is now adjusted until the signal is WEAKEST. Normally, this setting is near mid-scale.

**THE SELECTIVITY CONTROL**

The action of the selectivity control may now be checked. With the receiver tuned exactly as it was before adjusting the phasing condenser, the selectivity control should be rotated and it will be found that the signal will be loudest at a certain setting. This setting is usually found with the pointer nearly vertical. The setting giving this maximum response is that at which the selectivity of the crystal filter is minimum. Since even at this minimum selectivity the crystal filter is much more selective than the straight super, the signal will be weaker than that obtainable when the crystal is cut out.

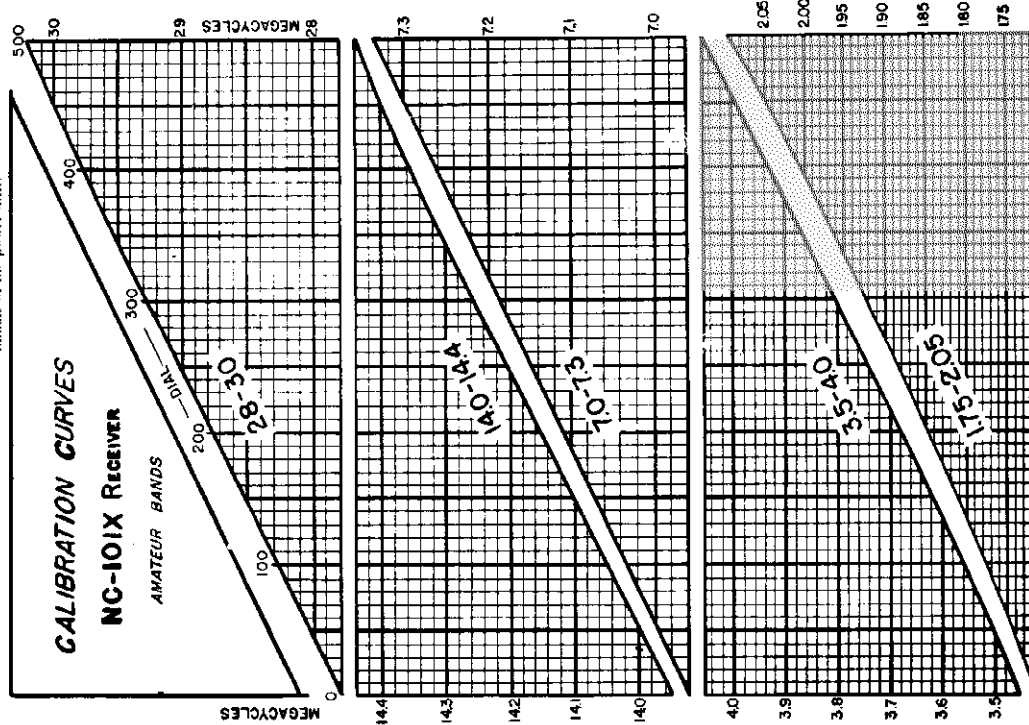
When a pure steady signal is carefully tuned to a single signal peak, the selectivity control should have practically no effect upon signal strength. If there is any form of modulation, however, the signal will be loudest when the selectivity control is set for minimum selectivity, since this adjustment allows a greater width of signal or modulation to be passed.

MODELS NC-100 Series

NATIONAL CO., INC.

Supplementary Instructions for Battery Models

The Battery (Operated Types of the NC-100A series are identical in operation and adjustment to the standard AC models; battery power drain is reduced by using a single 6EG output tube. The recommended speaker is an 8-inch permanent magnet type. Normal operation of the NC-100B series may be obtained by using either a combination of batteries or a properly filtered battery operated vibrator pack or generator to supply 6 volts to the heater and terminals of the power unit.



noise, and interfering signals, but the actual strength of the desired signal should be weaker. It is possible, of course, to obtain a louder signal in the straight super connection by resetting the selectivity control and this is quite normal. The fact that a signal is weakened when using the crystal filter is relatively unimportant, inasmuch as the filter is only used when interference or static is present, and such interference will be made about 100 times weaker, thereby greatly improving the readability of the signal.

A crystal which is found to be a poor resonator should be carefully removed from the holder and both crystal and plates cleaned with alcohol, gasoline, carbons, ether, or some similar fluid. In reassembling the holder care must be taken to see that the crystal is free between the plates; that is, that there is a suitable air gap (usually two or three thousandths) between the plates and the crystal and that the crystals is free to move sideways in any direction. The fibre pieces may be removed if desired as they serve only to protect the crystal in shipment.

"S" METER ADJUSTMENT

If it should happen that the "S" meter network gets out of balance, the procedure for correction is as follows: Disconnect the antenna and turn the CONTROL switch to M.V.C., set the R.F. GAIN full on. Then, by means of a screw driver, adjust the balancing control (No. 8, receiver top view) until the meter reads 0.

Special Instructions for the NC-101X and NC-101XA Receivers

The NC-101X is a special model of the NC-100X receiver, employing the same circuit, etc., but covering only the five low-frequency amateur bands. Each of these bands is spread out over the major portion of the dial band, as shown by the accompanying calibration curves, each band starts at 50 and ends at 450. The curves are accurate to about .25% of the operating frequency.

All operating instructions, circuit data, alignment and service notes contained in the NC-100 Instruction Manual apply to the NC-101X receiver, except those sections referring to the calibration and alignment of the high frequency circuits. Complete alignment of any coil range is made as follows: Set the tuning dial at 450, and check the calibration curve by means of an accurate test oscillator. Readjustment of the high frequency oscillator trimmer condenser should be made if the calibration is in error by more than 20 dial divisions. Check the alignment of R.F. and I.F. Det. circuits by setting the trimmers for maximum background noise. (See Page 9.) Re-check the I.F. Oscillator, then turn the

arrangement tends to magnify a small change in frequency. For instance, on the 20 meter band, each dial division represents only 1000 cycles. Ten kilocycles will, therefore, be spread over about two-and-one-half inches of scale length, even though the actual frequency change is but .07 of one percent. Only a comparatively few amateur transmitters will maintain constant frequency to such a high degree of precision, even with crystal control. These should be ample room for air to circulate on all sides of the receiver, in order to reduce drift to a minimum. Do not pile magazines or papers on the cover and do not install the receiver in a small console or in a closely fitting compartment or bookcase.

FINAL I.F. ADJUSTMENT

The final adjustment of the I.F. transformers may now be made. Set the control for maximum selectivity, carefully tune in a steady signal until it is exactly on the crystal peak, and adjust each of the I.F. transformer tuning condensers for maximum signal strength. (In almost all cases where the I.F. amplifier has once been aligned to the crystal, this check is all that would be required, and it is not necessary to put the crystal in an external oscillator.) Even if the I.F. amplifier is considerably out of alignment, the crystal frequency may be found by employing a strong local signal from a monitor or frequency meter, slowly tuning across it while listening for a peak in the audio beat note. If the peak is found at a very high audio pitch it will be necessary to change the tuning of the beat oscillator so that the audio peak will be well inside the limits of audibility. It is probable that if the peak signal is found at all, the I.F. amplifier will not be far out of tune and the readjustments required will be small.

Since the I.F. transformers are tuned with air dielectric condensers, the adjustments when once made are permanent and need only be checked when new tubes are substituted, provided of course the receiver is not subjected to severe mechanical shocks or vibration.

CHECKING CRYSTAL ACTION

The crystal response, or crystal activity, may be easily checked as follows: With the signal tuned in exactly as mentioned in the previous paragraph and the selectivity control set at maximum selectivity, disconnecting the filter (by turning the phasing knob to 0), should weaken the signal slightly. There will, of course, be a great increase in tube bias, background

NATIONAL CO., INC.

CAPACITOR AND RESISTOR LIST

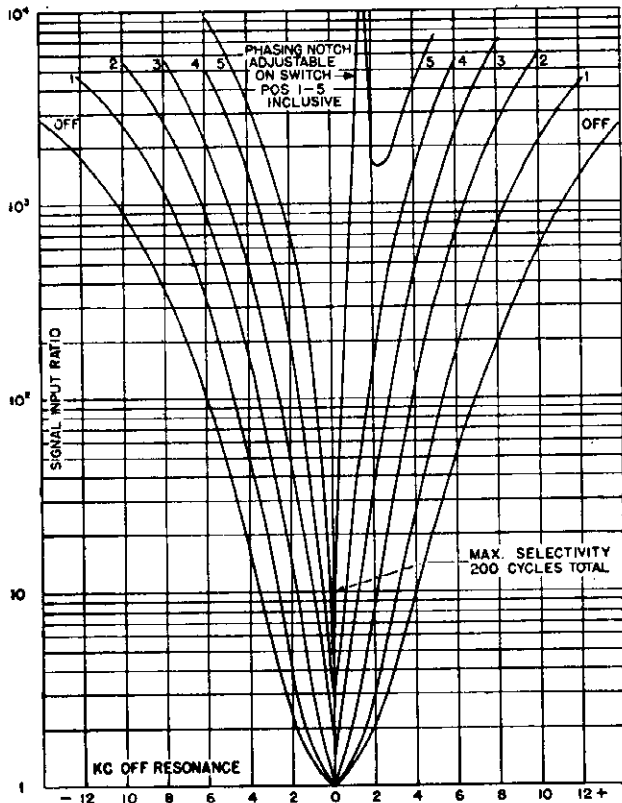
Symbol	Function	Type	Rating
C <sub>1</sub>	H.F. Osc. Grid	Mica	.0001 mfd., 500 Volt
C <sub>2</sub>	R.F. B+ Bypass	Paper	.1 mfd., 600 Volt
C <sub>3</sub>	H.F. Osc. Screen	Paper	.1 mfd., 400 Volt
C <sub>4</sub>	H.F. Osc. Coupling	Paper	.01 mfd., 400 Volt
C <sub>5</sub>	H.F. Osc. Heater Bypass	Paper	.01 mfd., 400 Volt
C <sub>6</sub>	1st I.F. Grid Filter	Paper	.01 mfd., 400 Volt
C <sub>7</sub>	1st Det. B+ Bypass	Paper	.1 mfd., 600 Volt
C <sub>8</sub>	1st Aud.-Output Coupling	Paper	.1 mfd., 600 Volt
C <sub>9</sub>	C.W. Osc. Heater Bypass	Paper	.1 mfd., 400 Volt
C <sub>10</sub>	C.W. Osc. Screen Bypass	Paper	.1 mfd., 400 Volt
C <sub>11</sub>	C.W. Osc. Coupling	Bakelite	1. mmf., 400 Volt
C <sub>12</sub>	Limiter Output Bypass	Mica	.00025 mfd., 500 Volt
C <sub>13</sub>	Lim.-1st Audio Coupling	Paper	.1 mfd., 600 Volt
C <sub>14</sub>	1st I.F. B+ Bypass	Paper	.1 mfd., 600 Volt
C <sub>15</sub>	2nd Det. Cathode Bypass	Mica	.01 mfd., 400 Volt
C <sub>16</sub>	R.F. Grid Filter	Paper	.05 mfd., 600 Volt
C <sub>17</sub>	2nd Det. Plate Bypass	Paper	.1 mfd., 600 Volt
C <sub>18</sub>	2nd I.F. B+ Bypass	Paper	.1 mfd., 600 Volt
C <sub>19</sub>	AVC Input Coupling	Mica	.00005 mfd., 500 Volt
C <sub>20</sub>	2nd I.F. Grid Filter	Paper	.01 mfd., 400 Volt
C <sub>21</sub>	AVC Plate Bypass	Paper	.1 mfd., 400 Volt
C <sub>22</sub>	2nd I.F. Cathode Bypass	Paper	.1 mfd., 400 Volt
C <sub>23</sub>	AVC Cathode Bypass	Paper	.1 mfd., 400 Volt
C <sub>24</sub>	1st Audio Cathode Bypass	Electrolytic	10. mfd., 50 Volt
C <sub>25</sub>	2nd Det.-Lim. Audio Coupling	Paper	1. mfd., 200 Volt
C <sub>26</sub>	2nd I.F. Screen Bypass	Paper	.1 mfd., 400 Volt
C <sub>27</sub>	R.F. Screen Bypass	Paper	.1 mfd., 400 Volt
C <sub>28</sub>	R.F. Grid Filter	Mica	.005 mfd., 300 Volt
C <sub>29</sub>	R.F. Cathode Bypass	Paper	8. mfd., 200 Volt
C <sub>30</sub>	B+ to Chassis Bypass	Electrolytic	.1 mfd., 400 Volt
C <sub>31</sub>	1st I.F. Cathode Bypass	Paper	.1 mfd., 400 Volt
C <sub>32</sub>	1st Det. Cathode Bypass	Paper	.1 mfd., 400 Volt
C <sub>33</sub>	B+ Filter	Electrolytic	16. mfd., 350 Volt
C <sub>34</sub>	B+ Filter	Electrolytic	8.-8. mfd., 475 Volt
C <sub>35</sub>	Tone Control	Paper	.01 mfd., 400 Volt
C <sub>36</sub>	Tone Control	Paper	.01 mfd., 500 Volt
C <sub>37</sub>	Main Tuning	Air	225 mmf., 3 Gang
R <sub>1</sub>	H.F. Osc. Grid	Carbon	20,000 Ohm, 1/2 Watt
R <sub>2</sub>	Limiter Control	Wire Wound	10,000 Ohm, Variable
R <sub>3</sub>	1st Det. Screen	Carbon	100,000 Ohm, 1/2 Watt
R <sub>4</sub>	H.F. Osc. Volt. Div.	Carbon	100,000 Ohm, 1/2 Watt
R <sub>5</sub>	H.F. Osc. Screen	Carbon	50,000 Ohm, 1 Watt
R <sub>6</sub>	1st Audio Plate	Carbon	50,000 Ohm, 1/2 Watt
R <sub>7</sub>	1st Det. Plate Filter	Carbon	2,000 Ohm, 1/2 Watt

Symbol	Function	Type	Rating
R <sub>8</sub>	1st I.F. Cathode Bias	Carbon	500-2,000 Ohm, 1/2 Watt
R <sub>9</sub>	Audio Gain Control	Composition	500,000 Ohm, Variable
R <sub>10</sub>	1st I.F. Grid Filter	Carbon	500,000 Ohm, 1/2 Watt
R <sub>11</sub>	C.W. Osc. Volt. Div.	Carbon	250,000 Ohm, 1/2 Watt
R <sub>12</sub>	C.W. Osc. Plate Filter	Carbon	100,000 Ohm, 1/2 Watt
R <sub>13</sub>	C.W. Osc. Screen	Carbon	50,000 Ohm, 1/2 Watt
R <sub>14</sub>	Limiter Output	Carbon	50,000 Ohm, 1/2 Watt
R <sub>15</sub>	2nd Det. Load	Carbon	5,000 Ohm, 1/2 Watt
R <sub>16</sub>	2nd Det. I.F. Filter	Carbon	2,000 Ohm, 1/2 Watt
R <sub>17</sub>	1st I.F. Plate Filter	Carbon	2,000 Ohm, 1/2 Watt
R <sub>18</sub>	2nd Det. Plate Filter	Carbon	100,000 Ohm, 1/2 Watt
R <sub>19</sub>	Limiter Input	Carbon	500,000 Ohm, 1/2 Watt
R <sub>20</sub>	R.F. Grid Filter	Carbon	500,000 Ohm, 1/2 Watt
R <sub>21</sub>	AVC Plate Filter	Carbon	5. Megohm, 1/2 Watt
R <sub>22</sub>	AVC Grid	Carbon	500,000 Ohm, 1/2 Watt
R <sub>23</sub>	AVC Plate	Carbon	2,000 Ohm, 1/2 Watt
R <sub>24</sub>	1st Audio Cathode Bias	Carbon	1,000 Ohm, 2 Watt
R <sub>25</sub>	AVC Volt. Div.	Carbon	1,500 Ohm, 2 Watt
R <sub>26</sub>	AVC Volt. Div.	Carbon	350 Ohm, 2 Watt
R <sub>27</sub>	AVC Cathode Bias	Carbon	500,000 Ohm, 1/2 Watt
R <sub>28</sub>	2nd I.F. Grid Filter	Carbon	100,000 Ohm, 1/2 Watt
R <sub>29</sub>	2nd I.F. Volt. Div.	Carbon	70,000 Ohm, 1/2 Watt
R <sub>30</sub>	2nd I.F. Screen	Carbon	2,500 Ohm, 1/2 Watt
R <sub>31</sub>	2nd I.F. Cathode	Carbon	500 Ohm, 1/2 Watt
R <sub>32</sub>	R.F. Cathode Bias	Carbon	5,000 Ohm, 1/2 Watt
R <sub>33</sub>	1st Det. Cathode Bias	Carbon	500,000 Ohm, 1/2 Watt
R <sub>34</sub>	Output Cathode Bias	Carbon	250 Ohm, 2 Watt
R <sub>35</sub>	S Meter Adjustment	Wire Wound	1,000 Ohm, Variable
R <sub>36</sub>	S Meter Bridge	Carbon	1,000 Ohm, 1/2 Watt
R <sub>37</sub>	R.F. Gain Bleeder	Carbon	50,000 Ohm, 1/2 Watt
R <sub>38</sub>	Tone Control	Composition	500,000 Ohm, Variable
R <sub>39</sub>	R.F. Gain Control	Wire Wound	10,000 Ohm, Variable
R <sub>40</sub>	B+ Volt. Div.	Carbon	20,000 Ohm, 2 Watt
R <sub>41</sub>	B+ Volt. Div.	Carbon	20,000 Ohm, 2 Watt

## MODELS NC-200 Series

NATIONAL CO., INC.

Six uniform steps of selectivity, as shown in Dwg. No. 1, and a variable phasing control allow the receiver to be adjusted to almost any operating condition, a highly desirable feature for both short wave communication and broadcast band reception. The curves show that any degree of selectivity between that of full single signal operation and wide band broadcast reception is available, the ratio between the two being almost forty to one.



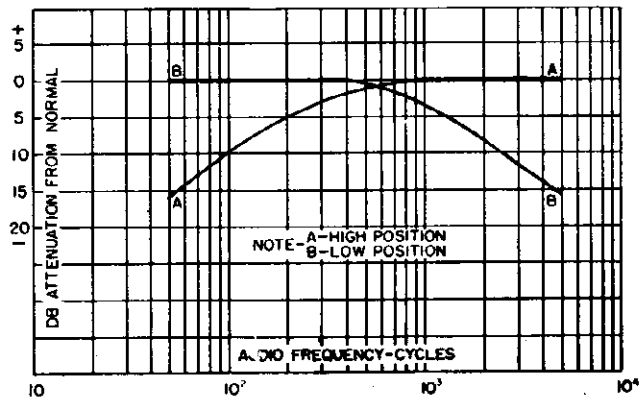
Dwg. No. 1. Typical Selectivity Characteristics

**Signal Strength Meter**

A 0 to 1 millimeter, serving as a signal strength meter, is front panel mounted. It is fitted with a scale graduated in S-units from 1 to 9 and in db above S-9 from 0 to 40 db. The bridge circuit, in which the meter is connected, makes possible accurate signal input readings from below 1 microvolt to 1,000 microvolts.

**Antenna Input**

Antenna input terminals are located at the rear of the receiver chassis near the center. The input circuit is suitable for use with a single wire antenna, a balanced feed-line or a low impedance concentric transmission line. Average input impedance is 500 ohms.



Dwg. No. 2. Tone Control Action

**Tone Control**

The tone control is used to vary the frequency characteristic of the audio amplifier as shown in the accompanying curves, Dwg. No. 2. The control is particularly helpful when receiving weak signals through interference, as explained in Section 3.

**Audio Output**

Two audio output circuits are provided:

(1) A headphone jack is mounted on the front panel and is wired so as to silence the loud speaker when the phone plug is inserted. The correct load impedance for the headphone output is 20,000 ohms, this being the usual impedance of phones having a DC resistance of between 2000 and 3000 ohms. Maximum audio output available at the phone jack is 15 milliwatts.

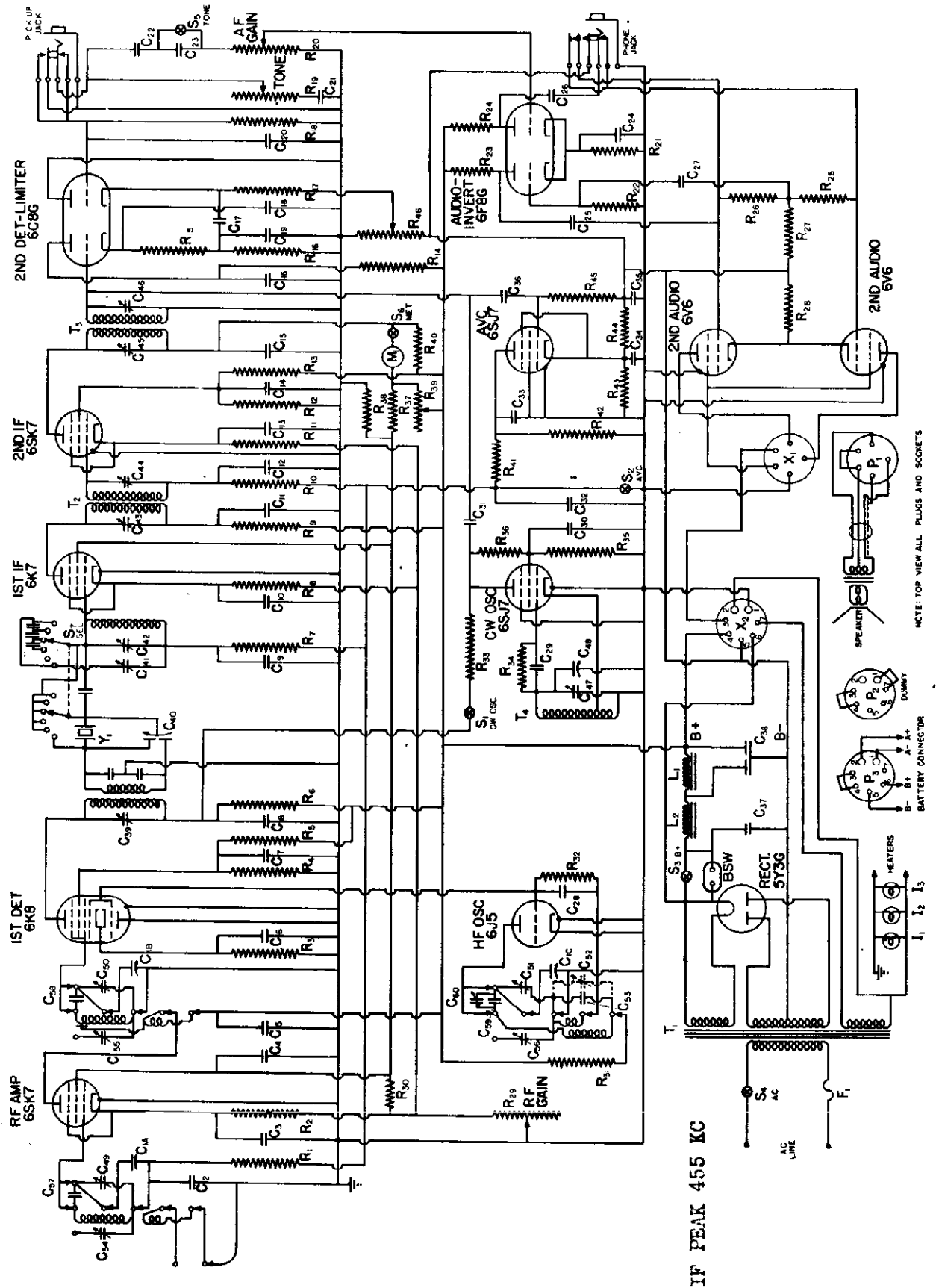
(2) A five prong speaker socket (X-1) is provided at the rear of the receiver chassis. To this socket are brought the audio output leads. The proper load impedance (total) for the output circuit is 10,000 ohms. Maximum undistorted audio power output available is 8 watts.

**Power Supply**

The standard NC-200 Receiver is designed for operation from a 110/120 volt, 50/60 cycle power source. Normal power consumption is approximately 100 volt-amperes. The built-in power supply delivers all voltages required by the heater and B supply circuits — 4.5 amperes at 6.3 volts and 100 milliamperes at 250 volts, respectively. One side of the AC input line is connected through a 2 ampere fuse housed in an extractor post marked "FUSE" which is mounted at the rear of the receiver chassis.

All NC-200 Receivers are equipped with a seven prong plug and socket combination to permit portable or emergency operation from batteries.

NATIONAL CO., INC.

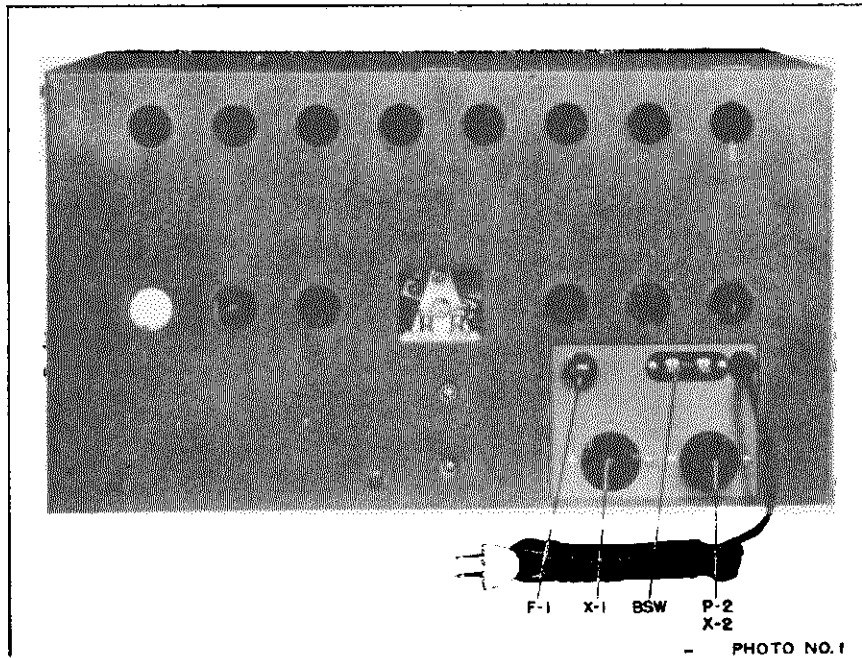


NOTE: TOP VIEW ALL PLUGS AND SOCKETS

DWG NO. 3 SCHEMATIC DIAGRAM

MODELS NC-200 Series

NATIONAL CO., INC.



- PHOTO NO. 1

Model NC-200 TG and Model NC-200 TGM are the same except that the latter does not have the amateur band spread feature. Model NC-200 RG same as Model NC-200 TG except that the NC-200 RG is for rack mounting.

#### **Pick-up Jack**

A pick-up jack mounted on the front panel of the Receiver may be used to connect auxiliary apparatus, such as a phonograph pick-up, to the audio system of the NC-200 Radio Receiver. This input circuit is high impedance and feeds into the 6F8G Audio Amplifier-Phase Inverter tube. The TONE and AF GAIN controls are operative with this connection.

#### **Antenna Recommendations**

When using a single-wire antenna, the lead-in should be connected to one antenna input terminal and the short flexible lead, which is attached to the chassis, should be fastened to the other terminal. The dimensions of the single-wire antenna system are not critical, the recommended length, including lead-in, being from 75 to 100 feet, although any length between 25 and 200 feet may be used.

Feed-lines of doublet systems should be connected to the two input terminals. The flexible lead is not used.

The inner conductor of a concentric transmission line should be connected to one input terminal. The outer conductor and the flexible grounding lead should be connected to the other terminal.

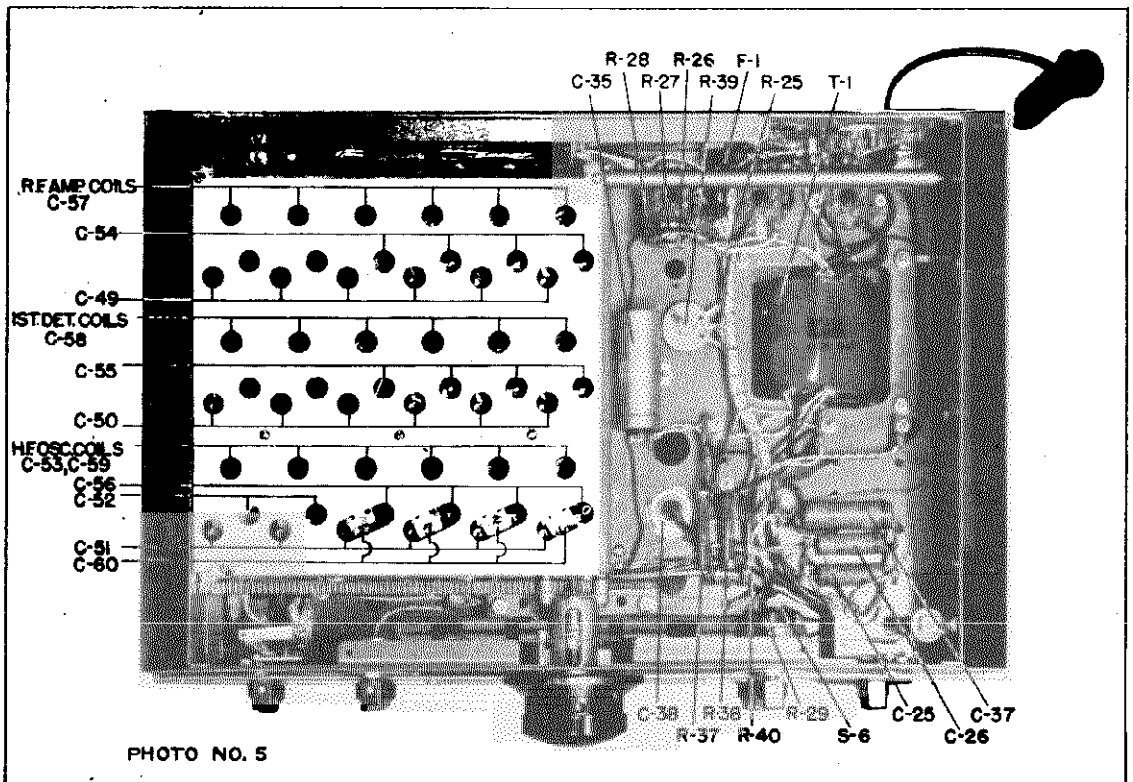
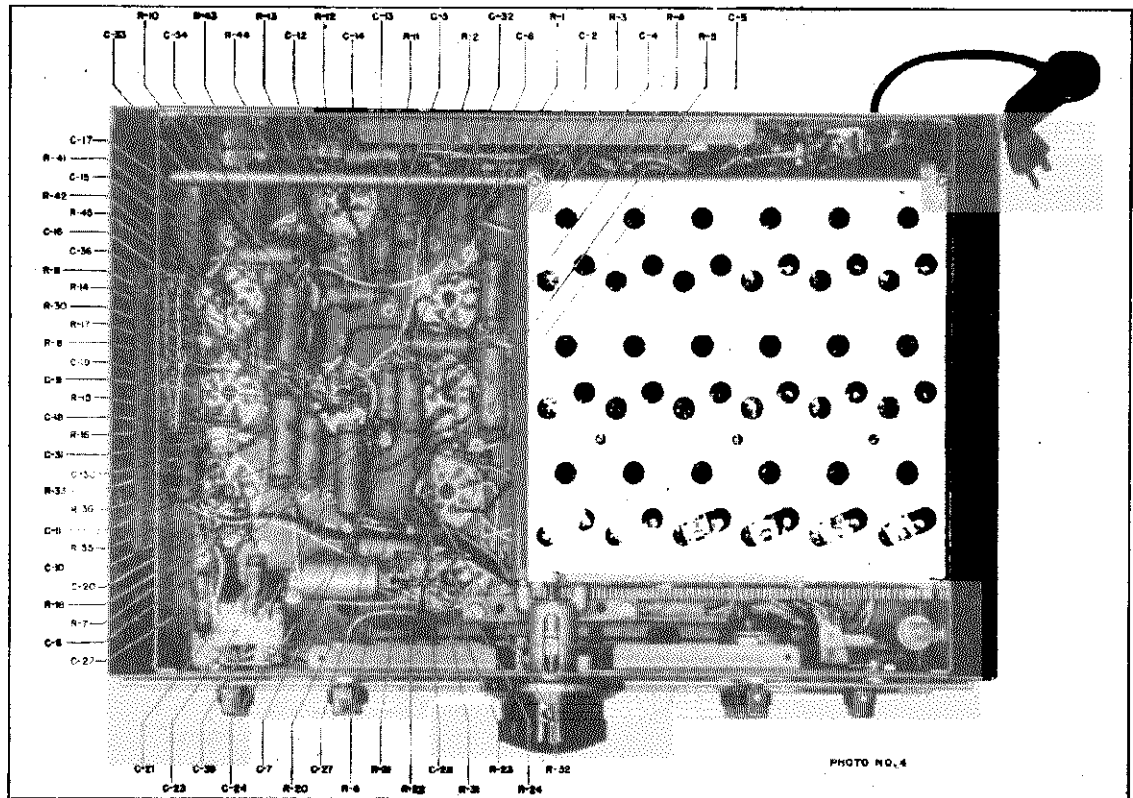
An external ground connection to the chassis may or may not be necessary. It should be used unless it reduces signal strength.

#### **Battery Operation**

The NC-200 may be operated in portable or emergency service by connecting batteries to the terminals of battery connector plug P-3 and inserting it in socket X-2, in place of plug P-2. See Dwg. No. 3. For normal operation with somewhat reduced loud speaker output, a 6 volt heater supply (storage battery) should be connected to terminals 1 and 2 of plug P-3, and a 180 volt B supply should be connected to plug terminals 5 and 6. The jumper between terminals 3 and 4 (of P-3) completes the plate and screen supply circuits of the 6V6 output tubes. It may be omitted, with greater battery economy, when operation with head-phones only is desired. A suggested refinement is to connect a switch between terminals 3 and 4, thus permitting the 6V6 B supply to be opened at will. Alternatively, removal of speaker plug P-1 from socket X-1 will open the 6V6 B supply in the same manner, without harming the output tubes. A further economy of battery power may be effected by removing the 6V6 tubes from their sockets.

Do not attempt to use plug P-2 for battery connection, since the jumper between terminals 1 and 7 would be incorrect.

NATIONAL CO., INC.



The two bottom views above show the NC-200 Receiver with the coil carriage at the extreme ends of its travel. It will be noted that such construction makes all components readily accessible for test or replacement.



MODELS NC-200 Series

## NATIONAL CO., INC.

## ALIGNMENT DATA

**General**

All circuits are carefully aligned, before shipment, using precision crystal oscillators which insure close conformability to the dial calibration. No readjustment will be required, therefore, unless the receiver is tampered with or damaged.

To determine the necessity for realignment, the receiver should first be carefully checked against its normal performance as described in Section 3. In no case should realignment be attempted unless tests indicate that such realignment is necessary. Even then, it must be remembered that the NC-200 is a communications receiver and should not be serviced or realigned by any individual who does not have a complete understanding of the functioning of the equipment and who has not had previous experience adjusting a similar type of receiver.

The coil group which is plugged into the circuit at any time is the one directly underneath the three gang master tuning capacitor. The coil nearest the front panel of the receiver is in the H.F. oscillator circuit, the middle coil is in the first detector circuit and the coil nearest the antenna input terminal panel is in the R.F. amplifier circuit. See Photo No. 5.

All coils have individual general coverage trimmer capacitors. The H.F. oscillator circuits of broadcast ranges E & F have, also, general coverage variable series padding capacitors. All coils of ranges A, B, C and D have band-spread trimmer capacitors. Variable series padding capacitors are used in all H.F. oscillator band-spread circuits. These capacitors are identified on Photo No. 5.

Adjustment of general coverage circuits affects the alignment of the band-spread circuits. On the other hand, band-spread circuit adjustments have little effect on general coverage circuit alignment. This fact must be kept in mind when any high frequency circuit is adjusted. A screw driver having a metal shaft may be used to make adjustments in the high frequency circuits but capacity effects will be noticeable, and the shaft should not touch any part of the aluminum casting.

Before proceeding with the alignment of any circuit of the receiver, the equipment must be set up as specified in Section 2, except that the antenna lead-in or transmission line must be disconnected. An output meter having a 20,000 ohm resistive load should be connected to the phone output jack. The POWER SUPPLY knob should be set at B+ ON and the R.F. GAIN knob set at 9. The TONE control knob should be set at N and the LIMITER knob

should be retarded to 0.

Alignment of the equipment may be divided into three major steps:

- (1) I.F. Amplifier Alignment
- (2) General Coverage Alignment
  - (a) H.F. Oscillator
  - (b) First Detector and R.F. Amplifier
  - (c) Tracking of H.F. Circuits
- (3) Band Spread Alignment
  - (a) H.F. Oscillator
  - (b) First Detector and R.F. Amplifier
  - (c) Tracking of H.F. Circuits

The circuits *MUST* be tuned in the above order when complete alignment is necessary.

**I.F. Amplifier Alignment**

The intermediate frequency of the NC-200 Receiver is 455 kilocycles, plus or minus 2 kilocycles. The exact frequency is determined by the quartz crystal resonator Y-1.

Tuning capacitors are provided on the crystal filter and on each I.F. transformer. These capacitors are designated by symbol numbers C-39 and C-41 to C-46, inclusive, on Photo Nos. 3 and 4.

The high output lead of an accurately calibrated signal generator should be connected to the grid terminal of the first detector tube and the grounded lead to any convenient point on the chassis. The flexible lead need not be disconnected from the grid of the tube. Connection is made directly from the output jack of the signal generator, the dummy antenna being omitted. The CONTROL SWITCH of the receiver should be in the CWO position and the modulation of the signal generator turned off to provide a steady C.W. test signal. The PHASING control of the receiver should be set at 0 and the SELECTIVITY control at 5. The A.F. GAIN control should be fully advanced.

Adjust the output attenuator of the signal generator to provide a signal of approximately 100 microvolts and vary the tuning control of the signal generator slowly between the frequencies of 453 and 457 kilocycles. At some frequency between these limits the I.F. amplifier of the receiver will show a very sharply peaked response, as indicated on the output meter. The output attenuator of the signal generator should be retarded after the signal generator has been tuned to the I.F. peak in order to avoid I.F. or audio overload; the C.W. OSC. control must be set to provide an audio beat note in the middle of the audio range (between 400 and 1000 cycles).

The I.F. tuning capacitors C-39 and C-43 to C-46,

## NATIONAL CO., INC.

inclusive, should each be carefully adjusted to give a maximum reading on the output meter. The order in which the adjustments are made is not important. While making I.F. amplifier adjustments, it will be necessary to retard the attenuator of the signal generator if the readjustment increases I.F. amplifier gain to the point where overload occurs.

The crystal filter **SELECTIVITY** knob should then be set at 1 and the signal generator detuned between 3 and 4 kilocycles either side of the crystal frequency. Capacitor C-42 should be tuned for maximum output meter reading. After this adjustment is made, the **SELECTIVITY** knob should be set at OFF and the signal generator retuned to *exact* crystal frequency. Compensator capacitor C-41 should then be adjusted for maximum reading on the output meter.

The performance of the I.F. amplifier and audio circuits may be checked against the stage gain data in Section 4-3 after alignment has been completed. Selectivity may be checked against the curves of Dwg. No. 1.

After alignment of the I.F. amplifier has been completed, the C.W. OSC. control should be set at 0 at which setting the C.W. oscillator should be at zero beat with the test signal. If zero beat does not occur at 0, readjust capacitor C-47 of transformer T-4, as shown in Photo No. 3.

The quartz crystal resonator Y-1 may be checked at the conclusion of I.F. amplifier alignment as follows: The **SELECTIVITY** control should be set at 5 and the signal generator tuned to the crystal frequency. The output meter reading should be noted. When the **SELECTIVITY** knob is turned to OFF, the meter reading should decrease 1 to 2 db. provided the **PHASING** knob is at 0. An increase in meter reading can, in most cases, be traced to an improper adjustment in the I.F. amplifier, since the crystal resonator is mounted in a sealed holder, and it is rather unlikely that trouble will be had from that source.

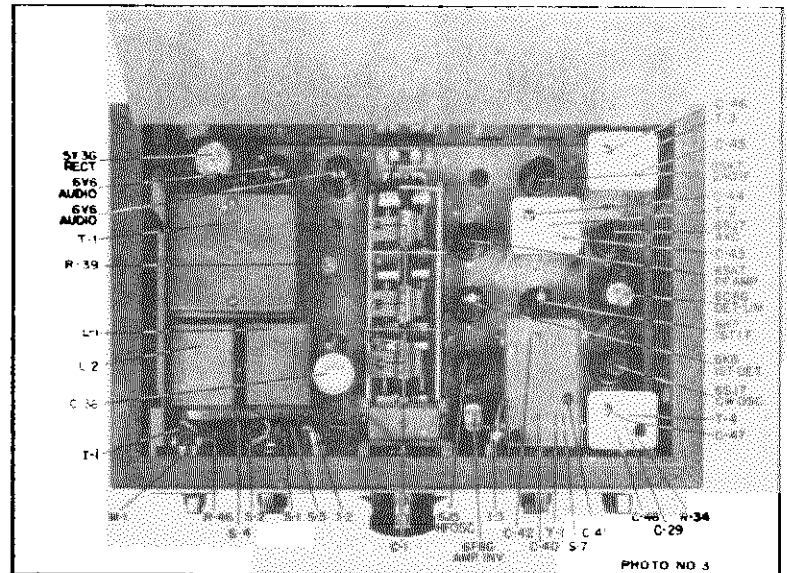
#### General Coverage Alignment

##### (a) H.F. OSCILLATOR

Alignment is effected as follows: With the coil range to be aligned connected in the circuit and with the receiver controls set as recommended in Section 5-1, the **MAIN TUNING** dial should be set near the high frequency end of the range. A signal generator should be connected to the antenna input terminals

through a standard IRE dummy antenna and accurately tuned to deliver a signal of the same frequency as that indicated by the receiver dial setting. If, when this signal is tuned in, the dial reading is too high, the capacity of the H.F. oscillator general coverage circuit trimmer C-51 should be decreased to make correction. Conversely, low dial readings are corrected by increasing the capacity of trimmer C-51.

It is imperative that the high frequency oscillator circuits operate at a higher frequency than that of the first detector and R.F. amplifier circuits. This can be checked by tuning in the image signal, which should appear at a dial reading approximately 910 kilocycles below that of the real signal. The image signal should be considerably weaker if the R.F. amplifier is correctly aligned and a stronger test signal may be required before the image can be found. If the image does not appear at the lower frequency dial setting, the H.F. oscillator circuit



is incorrectly adjusted and the capacity of the H.F. oscillator trimmer capacitor in question must be decreased until the real signal and image signal appear at the proper points on the dial.

##### (b) FIRST DETECTOR AND R.F. AMPLIFIER

With the signal generator adjusted to deliver a modulated signal near the high frequency limit of the range to be checked, the receiver should be tuned to give maximum output, as indicated by the output meter. The first detector and R.F. amplifier trimmer capacitors C-50 and C-49, respectively, should then be varied until the output meter reads maximum. On the highest frequency bands, adjustment of the first detector and R.F. amplifier trimmers may change the calibration of the high frequency oscil-

lator, necessitating retuning of the MAIN TUNING dial. If these trimmers should require considerable realignment, it may be necessary to readjust the high frequency oscillator trimmer C-51 in order to maintain correct calibration.

A very simple and quick method of first detector and R.F. trimmer alignment may be used if a signal generator is not available. This method consists of setting the trimmers at the adjustment which provides maximum circuit or background noise. It will be found that trimmer settings under this method are sufficiently sharp to provide good alignment, although the adjustment must be made with care to avoid alignment to the image frequency.

#### (c) TRACKING OF H.F. CIRCUITS

After the H.F. oscillator, first detector and R.F. amplifier trimmers have been properly set at the high frequency limit of the range, the receiver should be tuned to a frequency toward the low frequency end. Tracking at any point up to the low frequency limit may be checked by adjusting the signal generator to the proper frequency and testing the settings of the first detector and R.F. amplifier trimmers for maximum gain. Calibration may be checked also at these points. After such a test, all trimmers checked should be reset at the high frequency end of the band since their settings are most critical at this point.

Errors in tracking near the low frequency limit of the band can be caused by defects in any of three circuit elements.

- (1) The tuning capacitor section.
- (2) The circuit inductance.
- (3) The H.F. oscillator series padding capacitor.

In order to determine if one or more sections of the master tuning capacitor C-1 are the cause of any mistracking present, it is necessary to make the check described above on two or more different bands. If the same tracking error appears on all bands, the master tuning capacitor is definitely at fault. The error should be corrected by permanently bending the rotor or stator plates to provide the proper capacity.

If the tracking error appears only in the R.F. amplifier or first detector stage and on only one band, the inductance of the tuned circuit of the stage is incorrect. Should the tracking checks indicate that the H.F. oscillator circuit of a particular band is at fault, either the inductance of the circuit, the series padding capacitor or both may be responsible.

After any change or readjustment is made to any high frequency circuit inductance or series padding capacity, it will be necessary to realign the associated trimmer at the high frequency limit of the coil range. Tracking should then be rechecked.

### **Band-Spread Alignment**

#### (a) H.F. OSCILLATOR

The method of adjusting the H.F. oscillator band-spread trimmer C-56 of any range is the same as that described under Section 5-3 (a) above. As stated previously (Section 5-1), the adjustment of the general coverage trimmers must not be altered at this time.

#### (b) FIRST DETECTOR AND R.F. AMPLIFIER

The method of adjusting the band-spread trimmers C-58 and C-57 of the first detector and R.F. Amplifier circuits is the same as that described under Section 5-3 (b).

#### (c) TRACKING OF H.F. CIRCUITS

After steps (a) and (b) have been completed, the MAIN TUNING control should be turned to the low frequency band limit, and the accuracy of the dial reading checked. If the dial reading is too low, the capacity of the series padding capacitor C-60 (see Photo No. 5) should be increased until the dial reading is correct, and vice versa. The MAIN TUNING control should then be reset at the high frequency band limit, and step (a) repeated. Recheck the low frequency dial reading and repeat the whole procedure if necessary.

The detector and R.F. amplifier stages have fixed band-spread series padding capacitors. These circuits will, therefore, track properly with the H.F. oscillator stage provided that the general coverage circuits are properly aligned and that the band-spread H.F. oscillator circuits are accurately tuned.

### **S-Meter Adjustment**

The S-meter balancing resistor R-39, shown in Photo No. 3, is used to obtain zero meter reading in the absence of signal input to the receiver. The adjustment is as follows: Set the R.F. GAIN control at 10, CONTROL SWITCH at MVC, and disconnect the antenna leads; adjust R-39 until the S-meter reads zero.

### **Band Indicator Adjustment**

An adjustment for centering the band indicator markers in the horizontal slots of the dial face is located in back of the MAIN TUNING knob. It is recommended that the MAIN TUNING knob be pulled out to engage the band changing mechanism, and turned clockwise to the last position before the stop. The red band marker should then indicate 28 to 30 mc. (10 meter) band-spread. To make the adjustment, simply remove the tuning knob and set the  $\frac{1}{4}$ " hex-head screw as may be required. The screw is self-locking.

NATIONAL CO., INC.

MODELS NC-200 Series

PARTS LIST

Symbol	Function	Type	Rating
<b>CAPACITORS</b>			
C <sub>1A</sub>	R.F. Amplifier Tuning	Air	225 mmf. max.
C <sub>1B</sub>	First Detector Tuning	Air	225 mmf. max.
C <sub>1C</sub>	H.F. Oscillator Tuning	Air	225 mmf. max.
C <sub>2</sub>	R.F. Grid Filter	Mica	.005 mfd., 300 v. d.c.w.
C <sub>3</sub>	R.F. Cathode By-pass	Paper	.1 mfd., 400 v. d.c.w.
C <sub>4</sub>	R.F. Screen By-pass	Paper	.1 mfd., 400 v. d.c.w.
C <sub>5</sub>	R.F. B + By-pass	Paper	.1 mfd., 600 v. d.c.w.
C <sub>6</sub>	First Det. Cathode By-pass	Paper	.1 mfd., 400 v. d.c.w.
C <sub>7</sub>	First Det. Screen By-pass	Paper	.1 mfd., 400 v. d.c.w.
C <sub>8</sub>	First I.F. Grid Filter	Paper	.01 mfd., 600 v. d.c.w.
C <sub>9</sub>	First I.F. Cathode By-pass	Paper	.1 mfd., 400 v. d.c.w.
C <sub>10</sub>	First I.F. B + By-pass	Paper	.1 mfd., 600 v. d.c.w.
C <sub>11</sub>	Sec. I.F. Grid Filter	Paper	.01 mfd., 600 v. d.c.w.
C <sub>12</sub>	Sec. I.F. Cathode By-pass	Paper	.1 mfd., 400 v. d.c.w.
C <sub>13</sub>	Sec. I.F. Screen By-pass	Paper	.1 mfd., 400 v. d.c.w.
C <sub>14</sub>	Sec. I.F. B + By-pass	Paper	.1 mfd., 600 v. d.c.w.
C <sub>15</sub>	Sec. Det. Plate By-pass	Paper	.01 mfd., 600 v. d.c.w.
C <sub>16</sub>	Sec. Det. to Limiter Audio Coupling	Paper	1 mfd., 200 v. d.c.w.
C <sub>17</sub>	Sec. Det. Cathode By-pass	Ceramic	.00025 mfd., 1,000 v. d.c.w.
C <sub>18</sub>	Sec. Det. I.F. By-pass	Mica	.001 mfd., 500 v. d.c.w.
C <sub>19</sub>	Limiter Output By-pass	Ceramic	.00025 mfd., 1,000 v. d.c.w.
C <sub>20</sub>	Tone Control	Paper	.01 mfd., 600 v. d.c.w.
C <sub>21</sub>	Limiter to Inverter-Audio Coupling	Paper	.01 mfd., 600 v. d.c.w.
C <sub>22</sub>	Tone Control	Mica	.001 mfd., 500 v. d.c.w.
C <sub>23</sub>	Inverter-Audio Cathode By-pass	Elec.	10 mfd., 50 v. d.c.w.
C <sub>24</sub>	Inverter-Audio to Output Coupling	Paper	.1 mfd., 400 v. d.c.w.
C <sub>25</sub>	Inverter-Audio to Output Coupling	Paper	.1 mfd., 400 v. d.c.w.
C <sub>26</sub>	Inverter Feedback Coupling	Paper	.1 mfd., 400 v. d.c.w.
C <sub>27</sub>	H.F. Oscillator Grid	Ceramic	.0001 mfd., 1,000 v. d.c.w.
C <sub>28</sub>	Beat Oscillator Grid	Mica	.001 mfd., 500 v. d.c.w.
C <sub>29</sub>	Beat Oscillator Screen By-pass	Paper	.1 mfd., 400 v. d.c.w.
C <sub>30</sub>	Beat Osc. to Sec. Det. Coupling	Bakelite	1 mfd., 400 v. d.c.w.
C <sub>31</sub>	AVC Output By-pass	Paper	.1 mfd., 400 v. d.c.w.
C <sub>32</sub>	AVC Plate By-pass	Paper	.1 mfd., 400 v. d.c.w.
C <sub>33</sub>	AVC Cathode By-pass	Paper	.1 mfd., 400 v. d.c.w.
C <sub>34</sub>	B Minus By-pass	Elec.	8 mfd., 200 v. d.c.w.
C <sub>35</sub>	AVC to Sec. Det. Coupling	Ceramic	.00005 mfd., 1,000 v. d.c.w.
C <sub>36</sub>	Power Supply Filter	Paper	.1 mfd., 600 v. d.c.w.
C <sub>37</sub>	Power Supply Filter	Elec.	8 and 8 mfd., 475 v. d.c.w.
C <sub>38</sub>	Crystal Filter Input Tuning	Air	6 to 85 mmf.
C <sub>39</sub>	Crystal Filter Phasing Control	Air	5 and 5 mmf.
C <sub>40</sub>	Crystal Filter Compensating	Ceramic	2 to 6 mmf.
C <sub>41</sub>	Crystal Filter Output Tuning	Air	6 to 85 mmf.
C <sub>42</sub>	T-2 Primary Tuning	Air	6 to 85 mmf.
C <sub>43</sub>	T-2 Secondary Tuning	Air	6 to 85 mmf.
C <sub>44</sub>	T-3 Primary Tuning	Air	6 to 85 mmf.

Continued on next page

Tube Terminal	DC Volts ± 15%
First I.F. Grid	0
First I.F. Cathode	3 A
First I.F. Screen	25 A*
First I.F. Plate	80 B
Sec. I.F. Grid	225 B
Sec. I.F. Cathode	0
Sec. I.F. Screen	5 A
Sec. I.F. Plate	25 A*
Sec. I.F. Grid	95 B
Sec. I.F. Cathode	225 B
Sec. I.F. Screen	0
Sec. I.F. Plate	8 A
Sec. Det. Cathode	225 B
Sec. Det. Plate	-3 A
Limiter Grid	4.5 A
Limiter Cathode	0 †
Limiter Plate	0 †
AVC Grid	-25 A†
AVC Cathode	-45 A†
AVC Screen	0 †
AVC Plate	0 †
B.F. Osc. Grid	C
B.F. Osc. Cathode	0 †
B.F. Osc. Screen	10 A‡
B.F. Osc. Plate	25 A‡
Amp.-Inv. Grids	0
Amp.-Inv. Cathode	4.5 A
Amp.-Inv. Plates	115 B
Audio Grids	-20 A
Audio Cathodes	-40 A
Audio Screens	230 B
Audio Plates	215 B
B+ Common	230 B
B- Common	-50 B

- A -- 0 to 50 volt meter scale
- B -- 0 to 250 volt meter scale
- C -- Accurate measurement cannot be made
- † -- R.F. GAIN knob set at 0
- ‡ -- LIMITER knob set at 10
- § -- CONTROL SWITCH knob set at AVC
- || -- CONTROL SWITCH knob set at CWO

The Power Output Tubes used in the NC-200 Radio Receiver may be the metal type 6V6 or the glass type 6V6GT/G. It is necessary, however, to provide glass type 6V6GT/G output tubes with metal shields to avoid oscillation in the audio amplifier. The recommended shield is Goat type G1222K with type G1004 connector.

Stage Gain Measurements

The sensitivity measurements listed below are made with the equipment set up as specified in Section 5-1. The CONTROL SWITCH should be set at MVC, the A.F. GAIN at 10, the SELECTIVITY at OFF and the PHASING at 0. The signal generator should be adjusted to deliver a test signal of 455 plus or minus 2 kc. either modulated or unmodulated. The high output lead should be attached to the grid of the tube specified in the table below and the ground lead connected to the receiver chassis.

With 1 milliwatt output at the phone jack, the test signal should be within the limits specified below.

Terminal	Test Signal
First Det. Grid	50 ± 10 Microvolts
First I.F. Grid	250 ± 50 Microvolts
Sec. I.F. Grid	50,000 ± 10,000 Microvolts
Sec. Det. Grid	Over 1 volt

Voltage Test Tables

All measurements of voltages should be made with the equipment connected for normal operation with AC supply of 115 volt, 50/60 cycle. Except as noted, the R.F. GAIN knob is set at 9, the LIMITER knob set at 0 and the CONTROL SWITCH knob set at MVC. A DC Voltmeter of 1000 ohms per volt sensitivity should be used. The following table must not be considered as a list of the actual operating voltages since loading effects of the measuring instrument will disturb many of the circuits and alter normal voltage distribution. All voltages are measured between specified terminal and chassis.

Tube Terminal	DC Volts ± 15%
R.F. Amp. Grid	0
R.F. Amp. Cathode	3 A
R.F. Amp. Cathode	25 A*
R.F. Amp. Screen	80 B
R.F. Amp. Plate	230 B
First Det. Grid	0
First Det. Cathode	1 A
First Det. Screen	80 B
First Det. Plate	225 B
H.F. Osc. Grid	C
H.F. Osc. Cathode	0
H.F. Osc. Plate	90 B

MODELS NC-200 Series

NATIONAL CO., INC.

PARTS LIST (Continued)

Symbol	Function	Type	Rating
<b>RESISTORS (Continued)</b>			
R <sub>31</sub>	H.F. Osc. B + Dropping	Fixed	50,000 Ohm, 1 w.
R <sub>32</sub>	H.F. Osc. Grid	Fixed	50,000 Ohm, 1/2 w.
R <sub>33</sub>	Beat Osc. Plate Filter	Fixed	250,000 Ohm, 1/2 w.
R <sub>34</sub>	Beat Osc. Grid	Fixed	50,000 Ohm, 1/2 w.
R <sub>35</sub>	Beat Osc. Screen Bleeder	Fixed	100,000 Ohm, 1/2 w.
R <sub>36</sub>	Beat Osc. Screen Dropping	Fixed	100,000 Ohm, 1/2 w.
R <sub>37</sub>	B + Voltage Divider	Fixed	20,000 Ohm, 2 w.
R <sub>38</sub>	B + Voltage Divider	Fixed	20,000 Ohm, 2 w.
R <sub>39</sub>	S-Meter Adjustment	W. W. Var.	1,000 Ohm, 1 w.
R <sub>40</sub>	S-Meter Bridge	Fixed	1,000 Ohm, 1/2 w.
R <sub>41</sub>	AVC Plate Filter	Fixed	500,000 Ohm, 1/2 w.
R <sub>42</sub>	AVC Plate	Fixed	500,000 Ohm, 1/2 w.
R <sub>43</sub>	AVC Voltage Divider	Fixed	1,500 Ohm, 2 w.
R <sub>44</sub>	AVC Cathode Bias	Fixed	500 Ohm, 2 w.
R <sub>45</sub>	AVC Grid	Fixed	5,000,000 Ohm, 1/2 w.
R <sub>46</sub>	Limiter Control	W. W. Var.	10,000 Ohm, 1 1/2 w.

MISCELLANEOUS

Symbol	Function	Type	Rating
F <sub>1</sub>	AC Line Fuse	Glass Encl.	2 Amp.
L <sub>1</sub>	S-Meter Lamp	No. 40	6 v., .15 a.
L <sub>2</sub>	Dial Lamp	No. 47	6 v., .15 a.
L <sub>3</sub>	Dial Lamp	No. 47	6 v., .15 a.
L <sub>4</sub>	Power Supply Filter Choke	Potted	17 h., 100 ma.
L <sub>5</sub>	Power Supply Filter Choke	Potted	17 h., 100 ma.
M <sub>1</sub>	Signal Strength Meter	"S" Scale	0 to 1 ma.
P <sub>1</sub>	Loud Speaker Connector Plug	Molded	5 Prong
P <sub>2</sub>	Dummy Plug for AC Operation	Molded	7 Prong
P <sub>3</sub>	Battery Connector Plug	Molded	SPST 250 v., 1 a.
S <sub>1</sub>	Control Switch	Two Gang	SPST 250 v., 1 a.
S <sub>2</sub>	Power Supply Switch	Two Gang	SPST
S <sub>3</sub>	Tone Control Switch	Part of R-19	SPST
S <sub>4</sub>	S-Meter Switch	Part of R-29	SPST
S <sub>5</sub>	Selectivity Control Switch	Rotary	2 Section, Ganged
T <sub>1</sub>	Power Transformer	150 Watt	115 Volt, 60 Cycle
T <sub>2</sub>	I.F. Transformer	Air Tuned	455 kc.
T <sub>3</sub>	I.F. Transformer	Air Tuned	455 kc.
T <sub>4</sub>	Beat Osc. Transformer	Air Tuned	455 kc.
X <sub>1</sub>	Audio Output Socket	Bakelite	5 Prong
X <sub>2</sub>	Battery Connector Socket	Bakelite	7 Prong
Y <sub>1</sub>	Crystal Resonator	Quartz	455 kc.

Note No. 1. Capacitor rating is different in each coil range and is individually adjusted as circuit conditions may require. Definite rating cannot be listed. C-52 used in E and F ranges only. C-54 to C-60, inclusive, used in A, B, C and D ranges only.

Note No. 2. Resistors R-8 and R-11 may have values between 300 and 5,000 ohms since they are chosen to meet the circuit requirements of the particular receiver. The resistance values are determined after careful laboratory test and cannot be changed without impairing performance.

NOTE:—Due to the exigencies of the War Program, the manufacturer may have found it necessary to replace obsolete, interchangeable parts in certain receivers. Such parts do not impair performance in any way, but should replacement become necessary it is suggested that the type indicated in the Parts List be obtained, if possible.

PARTS LIST (Continued)

Symbol	Function	Type	Rating
<b>CAPACITORS (Continued)</b>			
C <sub>34</sub>	T-3 Secondary Tuning	Air	6 to 85 mmf.
C <sub>35</sub>	T-4 Tuning	Air	6 to 85 mmf.
C <sub>36</sub>	C.W. Osc. Control	Air	1 to 10 mmf.
C <sub>37</sub>	Gen. Cov. R.F. Amplifier Trimmer	Air	See Note No. 1
C <sub>38</sub>	Gen. Cov. 1st Det. Trimmer	Air	See Note No. 1
C <sub>39</sub>	Gen. Cov. H.F. Osc. Trimmer	Air	See Note No. 1
C <sub>40</sub>	Gen. Cov. H.F. Osc. Padder	Air	See Note No. 1
C <sub>41</sub>	Gen. Cov. H.F. Osc. Padder	Mica	See Note No. 1
C <sub>42</sub>	Band-Spread R.F. Amplifier Trimmer	Air	See Note No. 1
C <sub>43</sub>	Band-Spread 1st Det. Trimmer	Air	See Note No. 1
C <sub>44</sub>	Band-Spread H.F. Osc. Trimmer	Air	See Note No. 1
C <sub>45</sub>	Band-Spread R.F. Amp. Padder	Ceramic	See Note No. 1
C <sub>46</sub>	Band-Spread 1st Det. Padder	Ceramic	See Note No. 1
C <sub>47</sub>	Band-Spread H.F. Osc. Padder	Ceramic	2 to 6 mmf.
C <sub>48</sub>	Band-Spread H.F. Osc. Padder	Ceramic	2 to 6 mmf.

RESISTORS

Symbol	Function	Type	Rating
R <sub>1</sub>	R.F. Grid Filter	Fixed	500,000 Ohm, 1/2 w.
R <sub>2</sub>	R.F. Cathode Bias	Fixed	500 Ohm, 1/2 w.
R <sub>3</sub>	First Det. Cathode Bias	Fixed	250 Ohm, 1/2 w.
R <sub>4</sub>	First Det. Screen Bleeder	Fixed	100,000 Ohm, 1/2 w.
R <sub>5</sub>	First Det. Screen Dropping	Fixed	50,000 Ohm, 1/2 w.
R <sub>6</sub>	First Det. Plate Filter	Fixed	2,000 Ohm, 1/2 w.
R <sub>7</sub>	First I.F. Grid Filter	Fixed	20,000 Ohm, 1/2 w.
R <sub>8</sub>	First I.F. Cathode Bias	Fixed	See Note No. 2, 1/2 w.
R <sub>9</sub>	First I.F. Plate Filter	Fixed	2,000 Ohm, 1/2 w.
R <sub>10</sub>	Sec. I.F. Grid Filter	Fixed	500,000 Ohm, 1/2 w.
R <sub>11</sub>	Sec. I.F. Cathode Bias	Fixed	See Note No. 2, 1/2 w.
R <sub>12</sub>	Sec. I.F. Screen Bleeder	Fixed	100,000 Ohm, 1/2 w.
R <sub>13</sub>	Sec. I.F. Screen Dropping	Fixed	70,000 Ohm, 1/2 w.
R <sub>14</sub>	Sec. Det. Plate Filter	Fixed	2,000 Ohm, 1/2 w.
R <sub>15</sub>	Sec. Det. I.F. Filter	Fixed	5,000 Ohm, 1/2 w.
R <sub>16</sub>	Sec. Det. Load	Fixed	25,000 Ohm, 1/2 w.
R <sub>17</sub>	Limiter Input	Fixed	50,000 Ohm, 1/2 w.
R <sub>18</sub>	Limiter Output	Fixed	50,000 Ohm, 1/2 w.
R <sub>19</sub>	Tone Control	Comp. Var.	500,000 Ohm, 1 w.
R <sub>20</sub>	A.F. Gain Control	Comp. Var.	500,000 Ohm, 1 w.
R <sub>21</sub>	Inverter-Audio Cathode Bias	Fixed	1,000 Ohm, 1/2 w.
R <sub>22</sub>	Inverter Grid	Fixed	500,000 Ohm, 1/2 w.
R <sub>23</sub>	First Audio Plate	Fixed	50,000 Ohm, 1/2 w.
R <sub>24</sub>	First Audio Plate	Fixed	50,000 Ohm, 1/2 w.
R <sub>25</sub>	Output Grid	Fixed	50,000 Ohm, 1/2 w.
R <sub>26</sub>	Output Grid	Fixed	250,000 Ohm, 1/2 w.
R <sub>27</sub>	Inverter Feedback Coupling	Fixed	250,000 Ohm, 1/2 w.
R <sub>28</sub>	Output Cathode Bias	Fixed	200 Ohm, 2 w.
R <sub>29</sub>	R.F. Gain Control With Switch	W. W. Var.	10,000 Ohm, 1 1/2 w.
R <sub>30</sub>	R.F. Gain Bleeder	Fixed	50,000 Ohm, 1/2 w.

NATIONAL CO., INC.

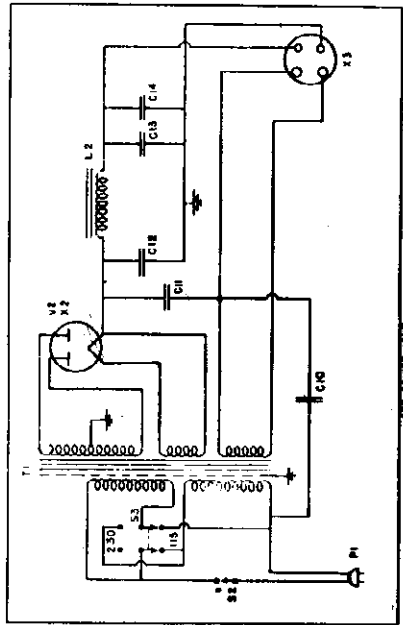


FIGURE 1

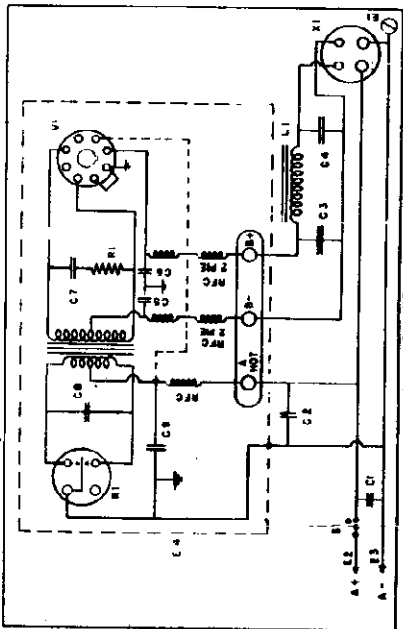


FIGURE 2

**NOTE:**  
 THE 115-230 VOLT  
 FEATURE HAS BEEN  
 OMITTED FROM THE  
 SCHEMATIC, FIG.2

TABLE I TYPICAL OPERATING CONDITIONS		
VARIABLE	686	1286
Primary Voltage	6 V D.C.	12 V D.C.
Frequency	0	0
Heater Voltage	6 V D.C.	12 V D.C.
Heater Current	3 Amp.	- -
B Voltage	165 V D.C.	165 V D.C.
B Milliamperes	45 D.C.	45 D.C.
Line Current	6.3 Amp.	- -
Power Consumption	38. Watt	- -

Note:- The Type 024 Rectifier Tube is used in the 1286 Power Unit and may be used in the 686 Power Unit in which case the rectifier filament connection (shown dotted) is not needed.

MODELS 686, 697, 1286

NATIONAL CO., INC.

TABLE III PARTS LIST				MFR.	
NO.	SYMBOL	MFR. DESIGN.	DESCRIPTION		
TYPE 697 POWER UNIT					
1	P-1	Allied 150	Cord and Plug	9	
1	S-2	20599AU	SPST Toggle	2	
1	S-3	20905-H	DPST Toggle	2	
2	C-10, 11	1450	Mica: .01 mfd. 300 V DC W	1	
1	C-12, 13, 14	D-7166	Elec: 8-8 mfd. 475 V DC W	8	
1	L-2	80	17 Henry Choke	6	
1	T-1	3385	110-220 V. Power Transformer	6	
1	V-2	-80	Rectifier Tube	7	
1	X-3	X-18	4-Prong Socket	3	
1	X-2	X-18	4-Prong Socket Marked 80	3	
TYPE 686 OF 1286 POWER UNIT					
1	E-4	68200	Vibrapak (686 only)	4	
1	E-4	128200	Vibrapak (1286 only)	4	
2	E-2, 3	24A	Battery Clips	5	
1	S-1	20994	SPST Toggle Switch	2	
1	C-1	1467	Mica: .005 mfd. ±10%, 300 V DC W	1	
1	C-2	3014AB	Paper: .1 mfd. +20-10%, 400 V DC W	8	
1	C-3, 4	D-7165	Elec.: 8-8 mfd. 475 V DC W	8	
1	L-1	80	17 Henry ±20% Inductance	6	
1	X-1	X-18	4-Prong Socket	3	
1	E-1	HCLJG	Screw Terminal Battery Cable	6	
1	V-1	615	Rectifier Tube (686 only)	7	
1	V-1	024	Rectifier Tube (1286 only)	7	
1	X-1	626	Vibrator (686 only)	4	
1	E-1	0626	Vibrator (1286 only)	4	
LIST OF MANUFACTURERS					
1	Aerovox Corporation, New Bedford, Mass.			5	Mueller Elec. Co., Cleveland, Ohio
2	Arrow-Hart & Hegeman, Hartford, Conn.			6	National Company, Inc. Malden, Mass.
3	Cinch Mfg. Company, Chicago, Illinois			7	RCA Mfg. Company, Harrison, N.J.
4	P.R. Mallory & Co, Indianapolis, Ind.			8	Sprague Products Co. No. Adams, Mass.
				9	Cornish Wire Co., New York, N.Y.

NATIONAL TYPE 686 TABLE MODEL POWER UNIT

The National Type 686 Table Model Power Unit operates from a 6 volt DC supply to provide approximately 165 volts at 45 milliamperes DC. The circuit diagram of this unit is shown in Figure 1. Battery clips are provided for convenient connection to a 6 volt storage battery or similar source of power. Output voltages for both A and B supply are available at a four prong socket for convenient plug and cable connection to associated apparatus. Table No. I lists typical operating voltages and currents when used with the National Type HRO Radio Receiver. Parts lists are given in Table No. II. The Power Unit consists of a Mallory Type 68200 Vibrapak and a condenser input single section filter. The Vibrapak uses a 6X5 (or 024) type rectifier tube and a Mallory Type 626 vibrator. It should be noted that B- is not connected to the Power Unit chassis; A- is connected to the chassis.

NATIONAL TYPE 1286 TABLE MODEL POWER UNIT

The National Type 1286 Power Unit is similar to the Type 686 Power Unit except that it is designed to operate from 12 volts DC. The Vibrapak is a Mallory 128200 with a 0626 vibrator and an 024 rectifier tube. The voltages available at the output socket are 12 volts DC and 165 volts at 45 milliamperes DC. Table No. I lists typical operating voltages and currents when used with the National HRO-12B Radio Receiver.

NATIONAL TYPE 697 TABLE MODEL POWER UNIT

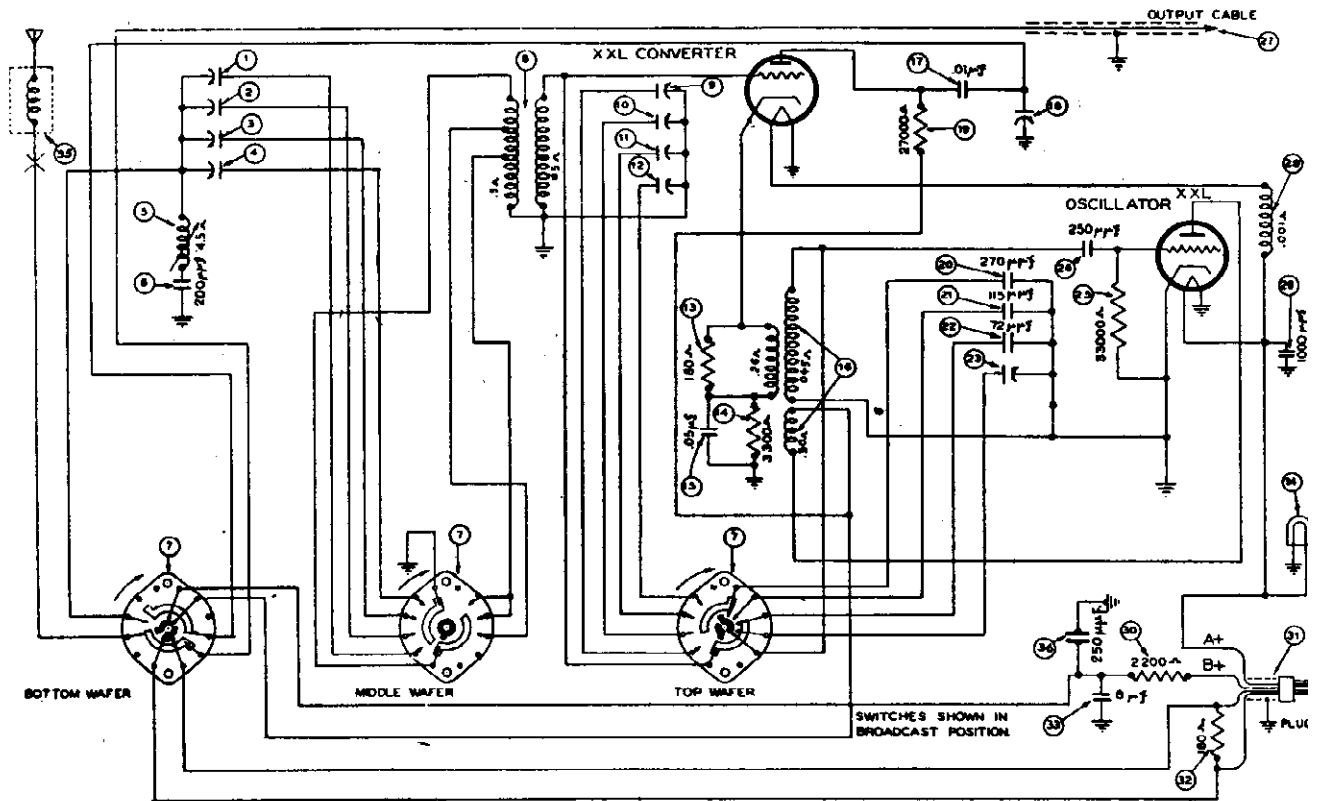
The National Type 697 Table Model Power Unit operates from 115 or 230 volts AC, 50/60 cycles, to provide 240 volts at 70 milliamperes DC and 6.2 volts at 3.4 amperes AC. The circuit diagram of this unit is shown in Figure 2. Output voltages for both A and B supply are available at a four prong socket for convenient plug and cable connection to associated apparatus. Table No. I lists typical operating voltages and currents when used with the National Type HRO Radio Receiver. Parts lists are given in Table III.

The Type 697 Power Unit consists of a power transformer, glass Type 80 rectifier tube, and a single section condenser input filter. B- is connected to the Power Unit chassis. The transformer primary and B+ input to the filter are by-passed to one side of the heater supply winding for R.F. filtering. A primary tap selector switch is provided to permit operation from either 115 or 230 volt supply lines.

NATIONAL RACK MOUNTING POWER UNITS

Either of the Table Models 686 or 697 Power Units are available for rack mounting. The National Type numbers for the 686 and 697 Power Units, rack mounted, are SFU-686 and SFU-697, respectively.

PHILCO RADIO & TELEVISION CORP.

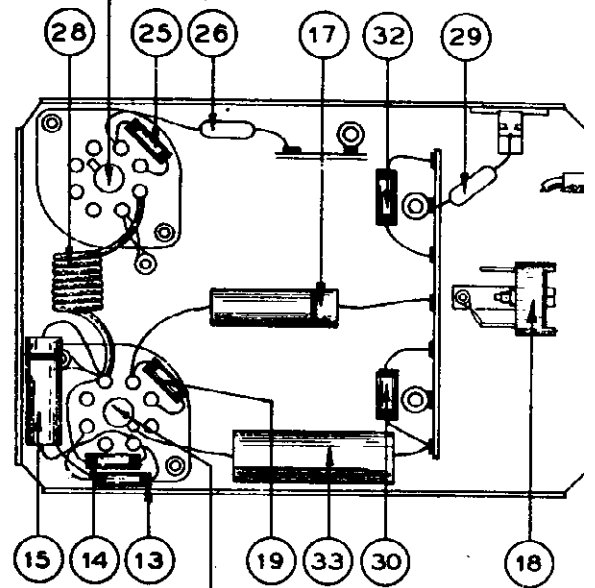


PARTS LIST — MODEL SW-1

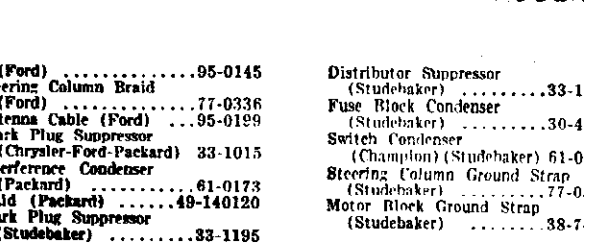
No.	Description	Part No.
(1)	Antenna Padder (Primary 6 MC)	77-0771
(2)	Antenna Padder (Primary 9 MC)	Part of (1)
(3)	Antenna Padder (Primary 11 MC)	Part of (1)
(4)	Antenna Padder (Primary 15 MC)	Part of (1)
(5)	Wave Trap	65-0416
(6)	Condenser (200 Mmfd.)	60-120327
(7)	Wave Switch	77-0913
(8)	Antenna Transformer	65-0417
(9)	Antenna Padder (Secondary 6 MC)	77-0772
(10)	Antenna Padder (Secondary 9 MC)	Part of (9)
(11)	Antenna Padder (Secondary 11 MC)	Part of (9)
(12)	Antenna Padder (Secondary 15 MC)	Part of (9)
(13)	Resistor (180 ohms)	33-118334
(14)	Resistor (3300 ohms)	33-238154
(15)	Condenser (.05 Mfd.)	61-0101
(16)	Oscillator Transformer	65-0436
(17)	Condenser (.01 Mfd.)	61-0176
(18)	Output Padder	63-0054
(19)	Resistor (27000 ohms)	33-327334
(20)	Silver Mica Condenser (270 Mmfd.)	61-0167
(21)	Silver Mica Condenser (115 Mmfd.)	61-0166
(22)	Silver Mica Condenser (72 Mmfd.)	61-0142
(23)	Oscillator Padder (15 MC)	63-0076
(25)	Resistor (33,000 ohms)	33-333334
(26)	Condenser (250 Mmfd.)	60-125157
(27)	Output Cable	95-0200
(28)	Filament Choke	32-1644
(29)	Condenser (1000 Mmfd.)	60-210157
(30)	Resistor (2200 ohms)	33-222334
(31)	Power Cable	95-0188
(32)	Resistor (180 ohms)	33-118334
(33)	Condenser (8 Mfd.)	61-0164
(34)	Pilot Lamp	34-2068
(35)	Antenna Choke	77-0785
(36)	Condenser (250 Mmfd.)	60-125157
	Housing (Distributor)	77-0761FC59
	(Chrysler Export)	77-0761FC64
	(Ford Export)	77-0761FC61

No.	Description	Part No.
	(Studebaker)	77-0761FC54
	(Packard)	77-0761FC51
	Bottom Cover	57-0749FA3
	Tube Socket	27-6151
	Knob (Distributor)	77-0856
	(Chrysler Export)	77-0688
	(Ford Export)	77-0835
	(Packard)	77-0849
	(Studebaker)	77-0835
	Flexible Shaft (Distributor)	77-0841
	(Chrysler Export)	77-0841
	(Ford Export)	77-0841
	(Packard)	77-0842
	(Studebaker)	77-2115
	Complete Control (Distributor)	85-0140
	(Chrysler Export)	85-0136
	(Ford Export)	85-0139
	(Packard)	85-0142
	(Studebaker)	85-0141
	Drum Assy.	318-2431
	Pilot Lamp Assy.	77-0787
	Stud (Unit Mtg.)	97-0184FA3
	Spacer (Unit Mtg.)	57-0750FA3
	Nut (Unit Mtg.)	W55FA3
	Lockwasher (Unit Mtg.)	W471FE7
	Screw (Control Mtg.)	W1459FA3
	Washer (Control Mtg.)	W1972
	Ignition Switch Condenser (Chrysler)	30-4007
	Voltage Regulator Condenser (Chrysler)	30-4490
	Voltage Regulator Condenser (Chrysler)	61-0172
	Steering Column Braid (Chrysler)	95-0205
	Distributor Point Filter (Chrysler)	77-0927
	Ground Strap (Chrysler)	77-0843
	Ground Strap (Chrysler)	77-0844
	Temperature Gauge Condenser (Ford)	61-0087
	Voltage Regulator Condenser (Ford)	61-0087
	Horn Button Condenser (Ford)	61-0104
	Gas Gauge Condenser (Ford)	30-4663
	Generator Armature Condenser (Ford)	30-4007
	Braid (Body to Frame)	

XXL TUBE OSCILLATOR



XXL TUBE CONVERTER



OUTPUT PAPPER

(Ford)	95-0145	Distributor Suppressor (Studebaker)	33-1
Steering Column Braid (Ford)	77-0336	Fuse Block Condenser (Studebaker)	30-4
Antenna Cable (Ford)	95-0199	Switch Condenser (Champion) (Studebaker)	61-0
Spark Plug Suppressor (Chrysler-Ford-Packard)	33-1015	Steering Column Ground Strap (Studebaker)	77-0
Interference Condenser (Packard)	61-0173	Motor Block Ground Strap (Studebaker)	38-7
Braid (Packard)	49-140120		
Spark Plug Suppressor (Studebaker)	33-1195		



# PHILCO RADIO & TELEVISION CORP.

MODEL SW-1

## MODEL SW-1 — ADJUSTMENTS

All padding adjustments are carefully made at the factory and ordinarily no readjustments are necessary. However, when readjustments are required, the procedure given below must be followed in detail.

**EQUIPMENT** — Fully charged heavy duty storage battery or 6 volt power pack, 077 or 177 Philco Signal Generator, 027 Philco Vacuum tube voltmeter and set test or audio output meter, 45-2610 padding screw driver.

**GENERATOR — VACUUM TUBE VOLTMETER.** The model 027 Vacuum tube voltmeter is an extremely sensitive and accurate test instrument and is recommended for use when aligning and adjusting auto radios. Connect the negative (minus) terminal of the Vacuum Tube Voltmeter to the high side (ungrounded side) of the volume control. Connect the positive (plus) terminal to the housing. Connect the "AC" cord to a 110 volt AC socket. Press the VTVM button and the 10 volt button. Turn the "Set Zero Ohms—VTVM" control clockwise until a click is heard. Allow the tubes to heat up for a few minutes. Short the 150 megs. VTVM terminals and adjust the "Set Zero Ohms—VTVM" control until the meter reads zero on the 0-10 range scale (Green Scale). The needle will deflect from right to left.

**AUDIO OUTPUT METER.** If an audio output meter is used, connect the leads across the voice coil of the speaker. Use the 0-30 volt scale.

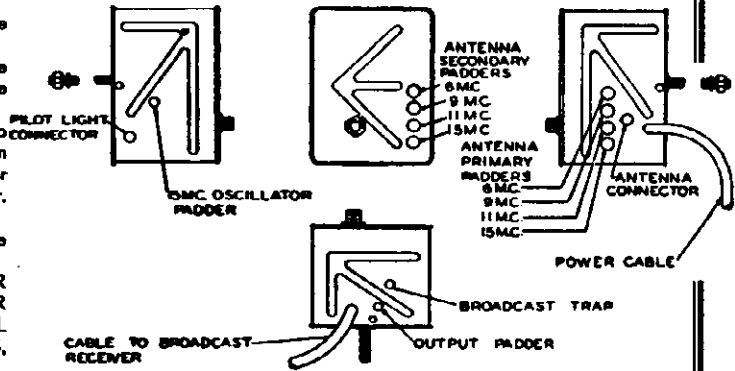
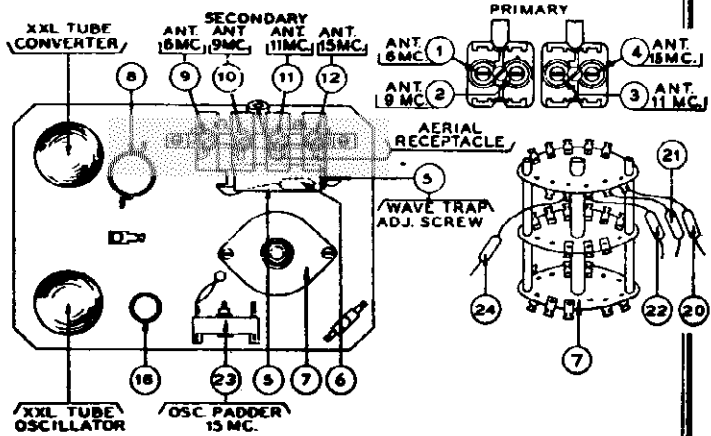
Any Philco Auto Radio that has a Short Wave Tuner receptacle can be used when padding the tuner.

Remove the connector clip and connect the power cable to the tuner receptacle on the radio. Connect the R.F. cable from the tuner to the aerial receptacle in the radio.

With the radio, signal generator and short wave tuner, set up at the prescribed frequency and proper dummy (See note), turn the radio volume control on full and set the signal generator attenuator so that a half scale reading is obtained on the meter. The signal in the speaker should be audible but not loud.

The shielding on the aerial lead should be connected to the (plus) terminal of the signal generator.

**WHEN MAKING ADJUSTMENTS TO THE CHRYSLER EXPORT, FORD EXPORT, STUDEBAKER, AND DISTRIBUTOR SHORT WAVE TUNERS, IT IS NECESSARY THAT THE AERIAL LEAD BE CONNECTED TO THE CHOKE, PART NO. 77-0885, WHICH IS PACKED WITH THE RADIO.**



OPERATION	SIGNAL GENERATOR FREQUENCY	DUMMY CAPACITY	SPECIAL INSTRUCTIONS AND PADDER ADJUSTMENTS
1			Push in the knob on the tuning control or radio until stations can be tuned in by manual tuning.
2	1400 K.C.	See Note	Set the tuner to broadcast position, and adjust the manual control to 1400 K.C. Adjust the aerial padder on the radio.
3	6.1 MC	See Note	Set tuner on 6 MC position. Tune in the 6.1 MC signal and adjust the 6 MC primary and secondary padders and the output padder.
4	9.6 MC	See Note	Set tuner on 9 MC position. Tune in the 9.6 MC signal and adjust the 9 MC primary and secondary padders. If two peaks are obtained when adjusting the primary padder use the inner peak.
5	11.8 MC	See Note	Set tuner on 11 MC position. Tune in the 11.8 MC signal and adjust the 11 MC primary and secondary. If two peaks are obtained when adjusting the primary padder use the inner peak.
6	15.225 MC	See Note	Set tuner on 15 MC position — four turns clockwise, and the pointer on the dial to 1375 K.C. Adjust the 15 MC oscillator padder and 15 MC primary and secondary padders. If two peaks are obtained when adjusting the primary and secondary padders, use the outer peak on each.
7	15.1 MC	See Note	Signal should come in approximately 1250 K.C. on dial.
8	15.35 MC	See Note	Signal should come in approximately 1500 on dial.
9	1400 K.C.	See Note	Set tuner on the 6 MC position. Adjust the broadcast trap padder for MINIMUM signal on a strong local station between 1100 and 1500 KC on the dial.

The tuner must have the housing and cover in place.

Make all adjustments for maximum reading on the meter unless otherwise specified.

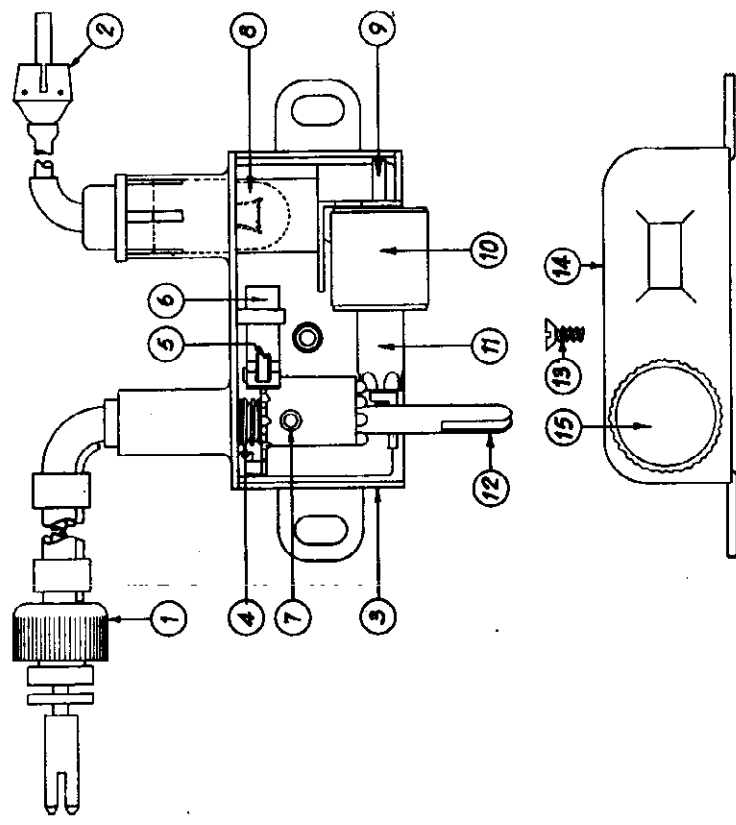
**NOTE:** Connect the aerial lead, Part No. 95-0185, to the aerial choke, Part No. 77-0885, and then connect the choke in the aerial receptacle on the tuner. [DO NOT USE CHOKE ON

PACKARD). Connect an additional capacity in series between the signal generator and aerial lead on the following:  
 For Chrysler Export (SWC-1E)—Use a 25 Mmfd. condenser.  
 For Ford Export (SWF-1E)—Use a 20 Mmfd. condenser.  
 For Packard (SWP-1)—Use 45 Mmfd. condenser. No aerial choke.  
 For Studebaker (SWS-1)—Use 35 Mmfd. condenser.  
 For Distributor (SWD-1)—Use 35 Mmfd. condenser.

PHILCO RADIO & TELEVISION CORP.

CONTROL UNIT FOR SHORT WAVE TUNER IGNITION INTERFERENCE ELIMINATION WHEN USING THE SHORT WAVE TUNER WITH THE 1941 STUDEBAKER AND DISTRIBUTOR AUTO RADIOS

MODEL SW1



A new antenna filter choke, Part No. 77-0885, has been added to the Short Wave Tuner to further reduce stubborn cases of ignition interference.

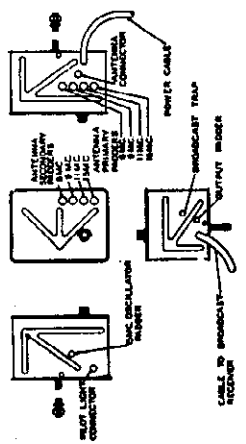
In early production the Tuners did not have this choke. However, when an installation is made, and motor interference persists, it may be necessary to use this new choke. On Tuners which did not originally have this choke and it is necessary to add this new part, the antenna primary and secondary padders MUST be readjusted. The padding procedure is as follows:

1. Connect a 10 mmfd. condenser in series between the signal generator lead and the aerial lead, Part No. 95-0186. Plug the aerial lead into the tuner and set the generator to 1500 K.C. Turn the short wave tuner switch to the broadcast position (extreme counter-clockwise). Tune in the signal and adjust the antenna padder IN THE RADIO to maximum.
2. Turn the tuner switch to the No. 2 position (6 m.c. band). Set the signal generator at 6.1 m.c. and tune in the signal with the tuning control knob. Pad the 6 m.c. primary and secondary padders (see illustration) for maximum response.
3. Pad the output padder (see illustration) for maximum signal. Do not readjust this padder again.
4. Turn the short wave switch to the No. 3 position (9 megacycles band) and set the signal generator to 9.5 megacycles. Tune in the signal with the tuning control knob and pad the (9 m.c.) antenna primary and secondary padders (see illustration) for maximum signal.
5. Turn the short wave switch to the No. 4 position (11 megacycles band) and set the signal generator to 11.8 megacycles. Tune in the signal with the tuning control knob and pad the (11 m.c.) antenna primary and secondary padders (see illustration) for maximum signal.
6. Turn the short wave switch to the No. 5 position (15 megacycles band) and set the signal generator to 15.225 megacycles. Tune in the signal with the tuning control knob and pad the (15 m.c.) antenna primary and secondary padders (see illustration) for maximum signal.

NOTE: When a replacement choke is used, it is not necessary to readjust the padders.

It is rather difficult to perform the above operations with the tuner in the car. Whenever possible the tuner should be removed and reassembled on the bench. It does not matter what model radio is used with the tuner to pad it, provided the radio has a power socket.

After the tuner is re-installed in the car, the antenna padders should not be touched. The usual variation of antenna capacities in car installations have no material effect on the sensitivity of the tuner. Simply follow the usual installation instructions supplied with the tuner.



Part No.	Description	Part No.	List Price
77-118070	(7) 5K Ohm	95-0186	\$5.00
95-0186	(8) 10 mmfd. Condenser	95-0186	5.00
95-0186	(9) 10K Ohm	95-0186	4.75
95-0186	(10) 10K Ohm	95-0186	4.75
95-0186	(11) 10K Ohm	95-0186	4.75
95-0186	(12) 10K Ohm	95-0186	4.75
95-0186	(13) 10K Ohm	95-0186	4.75
95-0186	(14) 10K Ohm	95-0186	4.75
95-0186	(15) 10K Ohm	95-0186	4.75
95-0186	(16) 10K Ohm	95-0186	4.75
95-0186	(17) 10K Ohm	95-0186	4.75
95-0186	(18) 10K Ohm	95-0186	4.75
95-0186	(19) 10K Ohm	95-0186	4.75
95-0186	(20) 10K Ohm	95-0186	4.75
95-0186	(21) 10K Ohm	95-0186	4.75
95-0186	(22) 10K Ohm	95-0186	4.75
95-0186	(23) 10K Ohm	95-0186	4.75
95-0186	(24) 10K Ohm	95-0186	4.75
95-0186	(25) 10K Ohm	95-0186	4.75
95-0186	(26) 10K Ohm	95-0186	4.75
95-0186	(27) 10K Ohm	95-0186	4.75
95-0186	(28) 10K Ohm	95-0186	4.75
95-0186	(29) 10K Ohm	95-0186	4.75
95-0186	(30) 10K Ohm	95-0186	4.75
95-0186	(31) 10K Ohm	95-0186	4.75
95-0186	(32) 10K Ohm	95-0186	4.75
95-0186	(33) 10K Ohm	95-0186	4.75
95-0186	(34) 10K Ohm	95-0186	4.75
95-0186	(35) 10K Ohm	95-0186	4.75
95-0186	(36) 10K Ohm	95-0186	4.75
95-0186	(37) 10K Ohm	95-0186	4.75
95-0186	(38) 10K Ohm	95-0186	4.75
95-0186	(39) 10K Ohm	95-0186	4.75
95-0186	(40) 10K Ohm	95-0186	4.75
95-0186	(41) 10K Ohm	95-0186	4.75
95-0186	(42) 10K Ohm	95-0186	4.75
95-0186	(43) 10K Ohm	95-0186	4.75
95-0186	(44) 10K Ohm	95-0186	4.75
95-0186	(45) 10K Ohm	95-0186	4.75
95-0186	(46) 10K Ohm	95-0186	4.75
95-0186	(47) 10K Ohm	95-0186	4.75
95-0186	(48) 10K Ohm	95-0186	4.75
95-0186	(49) 10K Ohm	95-0186	4.75
95-0186	(50) 10K Ohm	95-0186	4.75
95-0186	(51) 10K Ohm	95-0186	4.75
95-0186	(52) 10K Ohm	95-0186	4.75
95-0186	(53) 10K Ohm	95-0186	4.75
95-0186	(54) 10K Ohm	95-0186	4.75
95-0186	(55) 10K Ohm	95-0186	4.75
95-0186	(56) 10K Ohm	95-0186	4.75
95-0186	(57) 10K Ohm	95-0186	4.75
95-0186	(58) 10K Ohm	95-0186	4.75
95-0186	(59) 10K Ohm	95-0186	4.75
95-0186	(60) 10K Ohm	95-0186	4.75
95-0186	(61) 10K Ohm	95-0186	4.75
95-0186	(62) 10K Ohm	95-0186	4.75
95-0186	(63) 10K Ohm	95-0186	4.75
95-0186	(64) 10K Ohm	95-0186	4.75
95-0186	(65) 10K Ohm	95-0186	4.75
95-0186	(66) 10K Ohm	95-0186	4.75
95-0186	(67) 10K Ohm	95-0186	4.75
95-0186	(68) 10K Ohm	95-0186	4.75
95-0186	(69) 10K Ohm	95-0186	4.75
95-0186	(70) 10K Ohm	95-0186	4.75
95-0186	(71) 10K Ohm	95-0186	4.75
95-0186	(72) 10K Ohm	95-0186	4.75
95-0186	(73) 10K Ohm	95-0186	4.75
95-0186	(74) 10K Ohm	95-0186	4.75
95-0186	(75) 10K Ohm	95-0186	4.75
95-0186	(76) 10K Ohm	95-0186	4.75
95-0186	(77) 10K Ohm	95-0186	4.75
95-0186	(78) 10K Ohm	95-0186	4.75
95-0186	(79) 10K Ohm	95-0186	4.75
95-0186	(80) 10K Ohm	95-0186	4.75
95-0186	(81) 10K Ohm	95-0186	4.75
95-0186	(82) 10K Ohm	95-0186	4.75
95-0186	(83) 10K Ohm	95-0186	4.75
95-0186	(84) 10K Ohm	95-0186	4.75
95-0186	(85) 10K Ohm	95-0186	4.75
95-0186	(86) 10K Ohm	95-0186	4.75
95-0186	(87) 10K Ohm	95-0186	4.75
95-0186	(88) 10K Ohm	95-0186	4.75
95-0186	(89) 10K Ohm	95-0186	4.75
95-0186	(90) 10K Ohm	95-0186	4.75
95-0186	(91) 10K Ohm	95-0186	4.75
95-0186	(92) 10K Ohm	95-0186	4.75
95-0186	(93) 10K Ohm	95-0186	4.75
95-0186	(94) 10K Ohm	95-0186	4.75
95-0186	(95) 10K Ohm	95-0186	4.75
95-0186	(96) 10K Ohm	95-0186	4.75
95-0186	(97) 10K Ohm	95-0186	4.75
95-0186	(98) 10K Ohm	95-0186	4.75
95-0186	(99) 10K Ohm	95-0186	4.75
95-0186	(100) 10K Ohm	95-0186	4.75

PHILCO RADIO & TELEVISION CORP.

MODEL 41-KR

PHILCO RADIO & TELEVISION CORP.

**SPECIFICATIONS**

Model 41-KR is a combination Radio and Clock. The radio consists of a five tube superheterodyne circuit covering a tuning frequency range from 54 to 1600 K. C.; built-in loop Aerial, Automatic Volume Control; Philco Loktal tubes; and a beam power audio output stage.

INTERMEDIATE FREQUENCY: 455 K. C.

POWER SUPPLY This Model is designed for operation from a 115 Volt alternating current (A. C.) power supply.

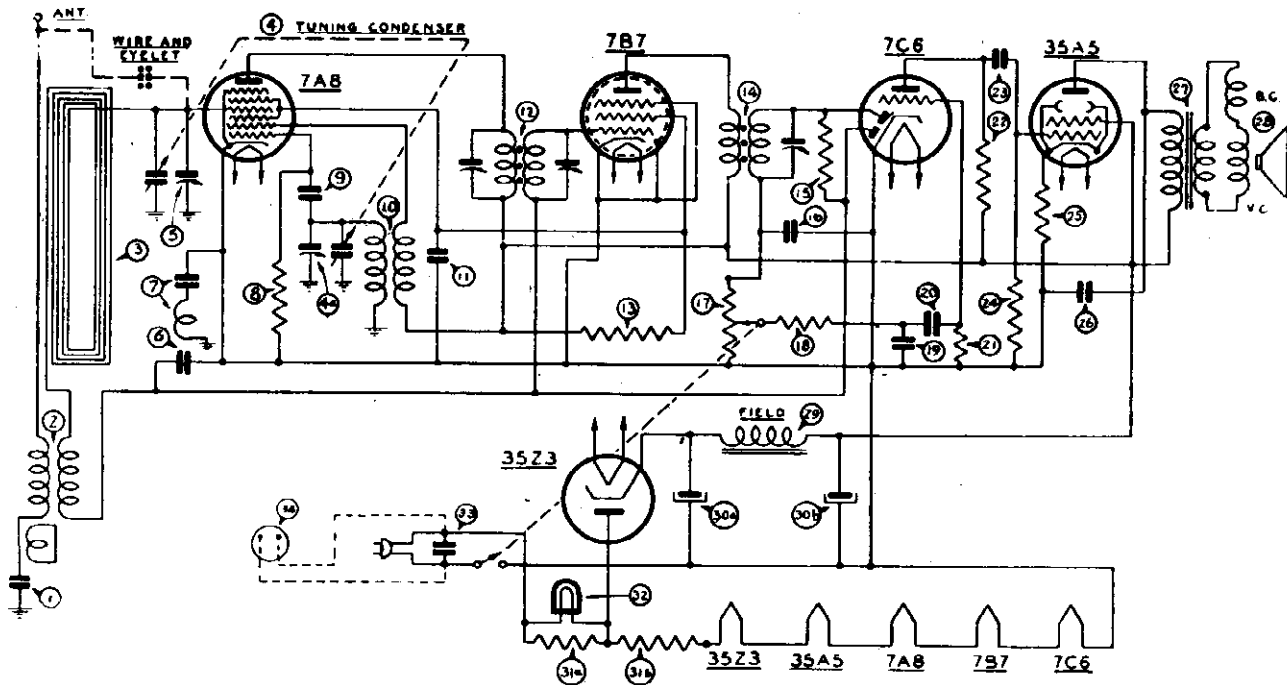
POWER CONSUMPTION: 35 Watts.

PHILCO TUBES USED: One 7A8, converter; one 7B7, I. F. amplifier; one 7C6, 2nd detector, 1st audio; one 35A5, audio output and one 35Z3, rectifier.

AERIAL AND GROUND: To obtain maximum performance in steel reinforced buildings, apartment house and other shielded locations where signal strength is weak, provisions are also provided at the rear of the cabinet for outside aerial.

**ALIGNING PROCEDURE**

THE INSTRUCTIONS FOR ALIGNING THE R-F AND I-F CONDENSERS ARE THE SAME AS THOSE FOR MODEL 42-KR-3.



WIRING DIAGRAM, PHILCO RADIO MODEL 41-KR

**Replacement Parts — Model 41-KR**

SCHEM. No.	DESCRIPTION	PART No.	SCHEM. No.	DESCRIPTION	PART No.	SCHEM. No.	DESCRIPTION	PART No.
1	Tubular Condenser (.0015 mf., 200 V.)	30-4555S	21	Resistor (4.7 meg., 1/4 watt)	33-547154	34	Clock (115 Volts, 60 Cycle)	45-2804
2	Antenna Transformer	32-3394	22	Resistor (220,000 ohms, 1/4 watt)	33-422154	35	Clock (115 Volts, 50 Cycle)	45-2803
3	Loop Antenna	32-3435	23	Tubular Condenser (.01 mf., 400 V)	30-4572S		Cable	41-3538
4	Tuning Condenser	31-2439	24	Resistor (470,000 ohms, 1/4 watt)	33-447154	<b>MISCELLANEOUS PARTS</b>		
5	Padding Condenser	31-6344	25	Resistor (130 ohms, 1/2 watt)	33-113336	Cabinet	10480A	
6	Tubular Condenser (.1 mf., 200 V.)	30-4499S	26	Tubular Condenser (.04 mf., 400 V.)	30-4119S	Cardboard Back	27-9659	
7	Condenser and Choke Assy.	76-1019	27	Output Transformer		Cable (Power)	L-3199	
8	Resistor (22,000 ohms, 1/4 watt)	33-322154		For Speaker 36-1469-1	32-8047	Clip (Coil Mtg.)	28-5002	
9	Mica Condenser (.110 mmf.)	30-1149		For Speaker 36-1469-2	32-8044	Dial Scale	27-5586	
10	Oscillator Transformer	32-3182	28	Speaker	36-1469	Dial Pointer	27-4972	
11	Tubular Condenser (.05 mf., 200 V.)	30-4519S		Cone Assembly		Drive Cord	31-2358	
12	1st I. F. Transformer	32-3390		For Speaker 36-1469-9	36-4113	Spring Drive Cord	28-8954	
13	Resistor (22,000 ohms, 1/4 watt)	33-322334		For Speaker 36-1469-1	36-4115	Knob Assembly	54-4004	
14	2nd I. F. Transformer	32-3391		For Speaker 36-1469-2	36-4132	Sockets (Tubes)	27-6157-2	
15	Resistor (2.2 meg., 1/4 watt)	33-522154	29	Field Coil— Part of Speaker No.	36-1469	Socket Assembly (Pilot Lamp)	76-1177	
16	Mica Condenser (250 mmf.)	61-0033	30	Electrolytic Condenser (20-20 mf., 150 V)	30-2382	Tuning Shaft	31-2370	
17	Volume Control (500,000 ohms)	33-5306	31	Line Resistor	33-3367	<b>MOUNTING PARTS</b>		
18	Resistor (47,000 ohms, 1/4 watt)	33-347154	32	Pilot Lamp	34-2068	Screw (Clock Mtg.)	W-218	
19	Mica Condenser (250 mmf.)	61-0033	33	Tubular Condenser (.04 mf., 400 V.)	30-4119S	Screw (Back Mtg.) (8 required)	W-2023	
20	Tubular Condenser (.01 mf., 200 V.)	30-4479S				Screw (Back Mtg.) (3 required)	W-2030	

PHILCO RADIO & TELEVISION CORP.

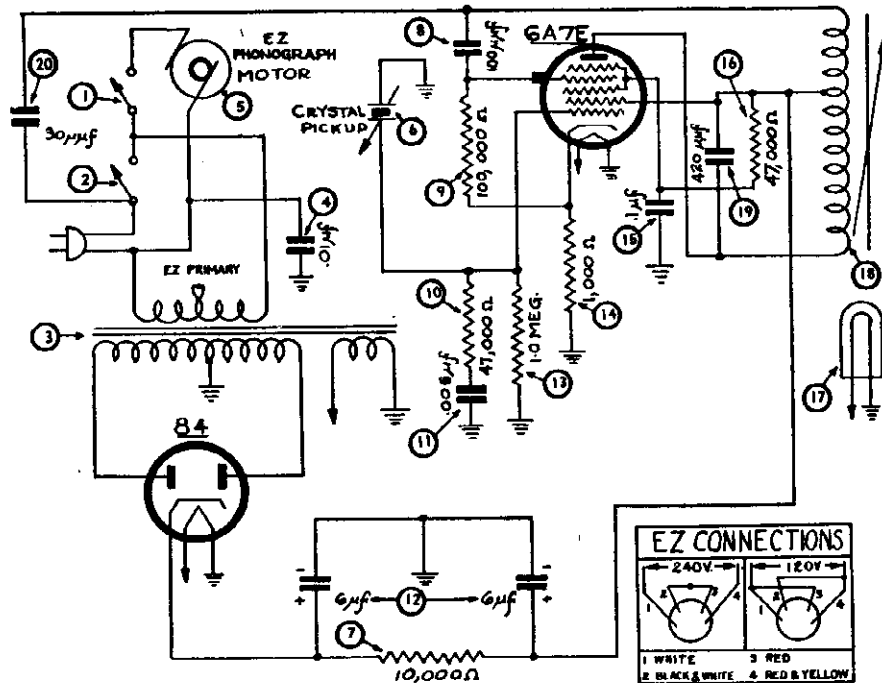
MODEL 41-RP-2  
MODEL 41-RP-5

MODEL 41-RP-2 IS THE SAME AS MODEL 41-RP-5 WITH THE EXCEPTION THAT THE LINE TRANSFORMER IS NOT ADJUSTABLE FOR TWO VOLTAGES. SEE SCHEMATIC BELOW. FOR OPERATING AND ADJUSTMENT DATA, SEE MODEL 42-RP-1. ALSO SEE FIG.3, MODEL 42-RP-2 FOR LOCATION OF ADJUSTMENT SCREW.

**Replacement Parts — Model 41-RP-2 Wireless Record Player**

SCHEM. No.	DESCRIPTION	PART No.	SCHEM. No.	DESCRIPTION	PART No.	SCHEM. No.	DESCRIPTION	PART No.
1	Motor Switch	42-1557	11	Comp. Condenser (.006 mf., 400 v.)	30-4591		Cabinet	10513A
2	Master Switch	42-1406-2	12	Electrolytic Condenser (6 mf.—6 mf., 150 v.)	30-2388		Bottom Cover	27-9356
3	Power Transformer	32-8043	13	Grid Resistor (1 meg. ½ watt)	33-510154		Rubber Feet	27-4817
4	Line Condenser (.01 mfd., 600 v.)	3903-SG	14	Cathode Bias Resistor (1,000 ohms, ½ watt)	33-210154		Screw	W-2177
5	Motor (115 volts, 60 cycles)	35-1222	15	Screen By-Pass (.1 mfd., 400 v.)	30-4455		Snap Button	W-1767
	Screw	W-89	16	Screen Resistor (47,000 ohms, ½ watt)	33-347154		Switch Plate	56-1383
6	Crystal Pickup and Tone Arm	35-2068	17	Oscillator Condenser (420 mmf.)	30-1116		Screw	W-560
7	Filter Resistor (10,000 ohms, ½ watt)	33-510334	18	Coupling Cond. (30 mmf.)	60-030157		Socket (84 tube)	27-6035
8	Oscillator Grid Cond. (100 mmfd.)	60-110157					Socket (6A7 tube)	27-6037
9	Oscillator Grid Resistor (100,000 ohms, ½ watt)	33-410154					Turntable (Motor)	35-3044
10	Comp. Resistor (47,000 ohms, ½ watt)	33-347154					Washer (Chassis)	W-751

FOR OPERATING AND ADJUSTMENT DATA, SEE MODEL 42-RP-1. ALSO SEE FIG. 3, MODEL 42-RP-2 FOR LOCATION OF ADJUSTMENT SCREW.

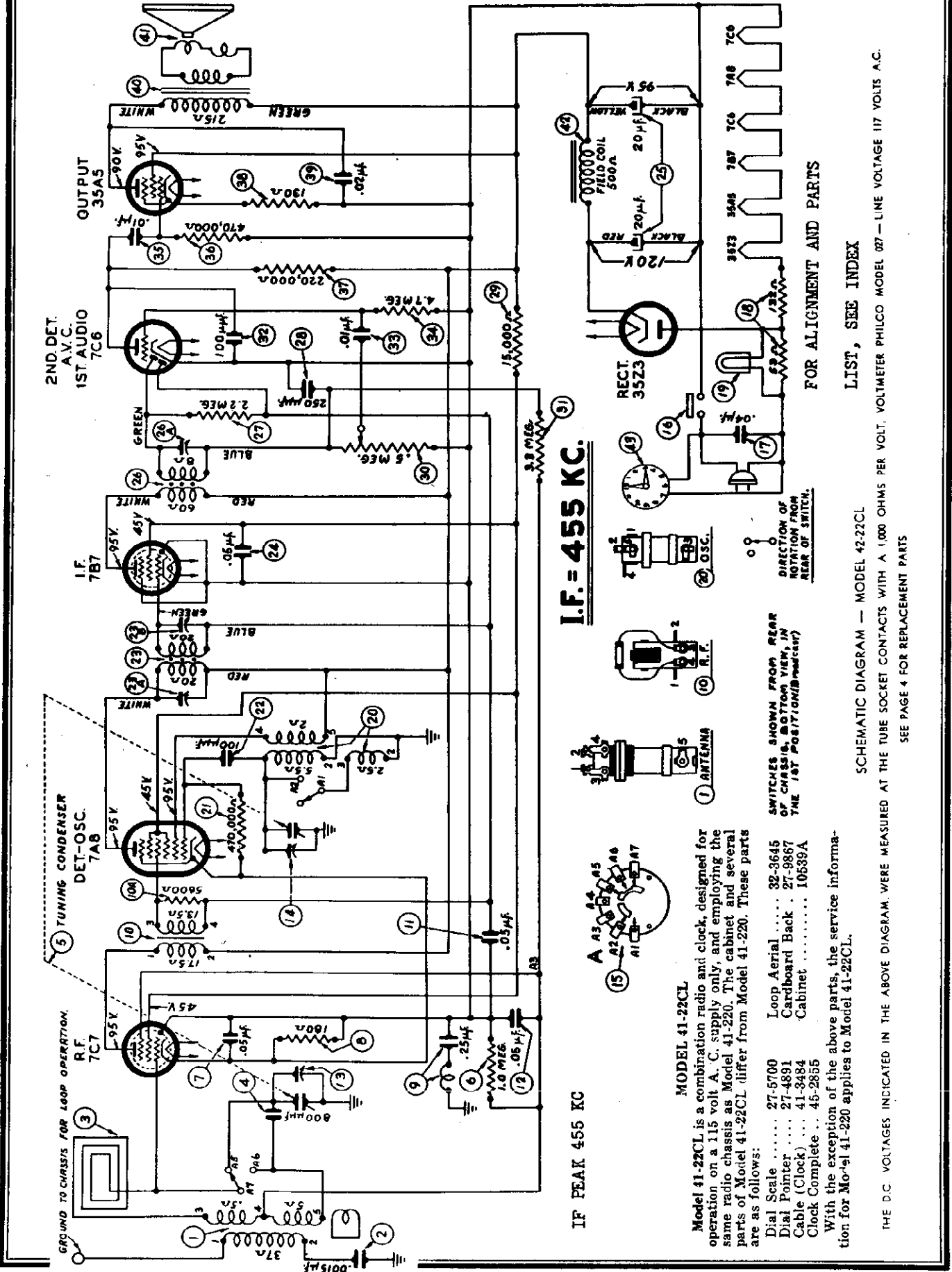


**Replacement Parts — Model 41-RP-5 Wireless Record Player**

SCHEM. No.	DESCRIPTION	PART No.	SCHEM. No.	DESCRIPTION	PART No.	SCHEM. No.	DESCRIPTION	PART No.
1	Motor Switch	42-1557	12	Electrolytic Condenser (6 mf.—6 mf., 150 V)	30-2388		Cabinet	10476A
2	Master Switch	42-1562	13	Grid Resistor (1 meg., ½ watt)	33-510334		Cable (Power)	L-3298
3	Power Transformer	32-8134	14	Cathode Bias Resistor (1,000 ohms, ½ watt)	33-210334		Clamp (Electro Cond.)	56-1346
4	Line Cond. (.01 mfd., 600 V)	3903-8G	15	Screen By Pass (.1 mfd., 200 V)	30-4499-8		Snap Button	W-1767
5	Motor	35-1226	16	Screen Resistor (47,000 ohms, ½ watt)	33-347334		Switch Plate	56-1383
6	Crystal Pickup & Tone Arm	35-2068	17	Pilot Light (6-8 V., 250 amp.)	34-2064E		Screw	W-560
7	Filter Resistor (10,000 ohms, ½ watt)	33-510334	18	Oscillator Coil	32-3182		Socket (84 tube)	27-6035
8	Oscillator Grid Cond. (100 mmfd.)	60-110157	19	Oscillator Condenser (420 mmf.)	30-1116		Socket (6A7 tube)	27-6037
9	Oscillator Grid Resistor (100,000 ohms, ½ watt)	33-410334	20	Coupling Condenser (30 mmf.)	60-030137		Turntable	35-1217
10	Comp. Resistor (47,000 ohms, ½ watt)	33-347334					Screw (Motor Mtg.)	W-89
11	Comp. Condenser (.006 mmf., 400 V)	30-4591					Screw (Chassis Mtg.)	W-218
							Washer (Chassis Mtg.)	W-751

MODEL 41-22CL  
MODEL 42-22CL

PHILCO RADIO & TELEVISION CORP.



**I.F. = 455 KC.**

**IF PEAK 455 KC**

**MODEL 41-22CL**

Model 41-22CL is a combination radio and clock, designed for operation on a 115 volt A. C. supply only, and employing the same radio chassis as Model 41-220. The cabinet and several parts of Model 41-22CL differ from Model 41-220. These parts are as follows:

- Dial Scale ..... 27-5700
- Dial Pointer ..... 27-4891
- Cable (Clock) ... 41-3484
- Clock Complete ... 45-2855
- Loop Aerial ..... 32-3645
- Cardboard Back . 27-9867
- Cabinet ..... 10539A

With the exception of the above parts, the service information for Model 41-220 applies to Model 41-22CL.

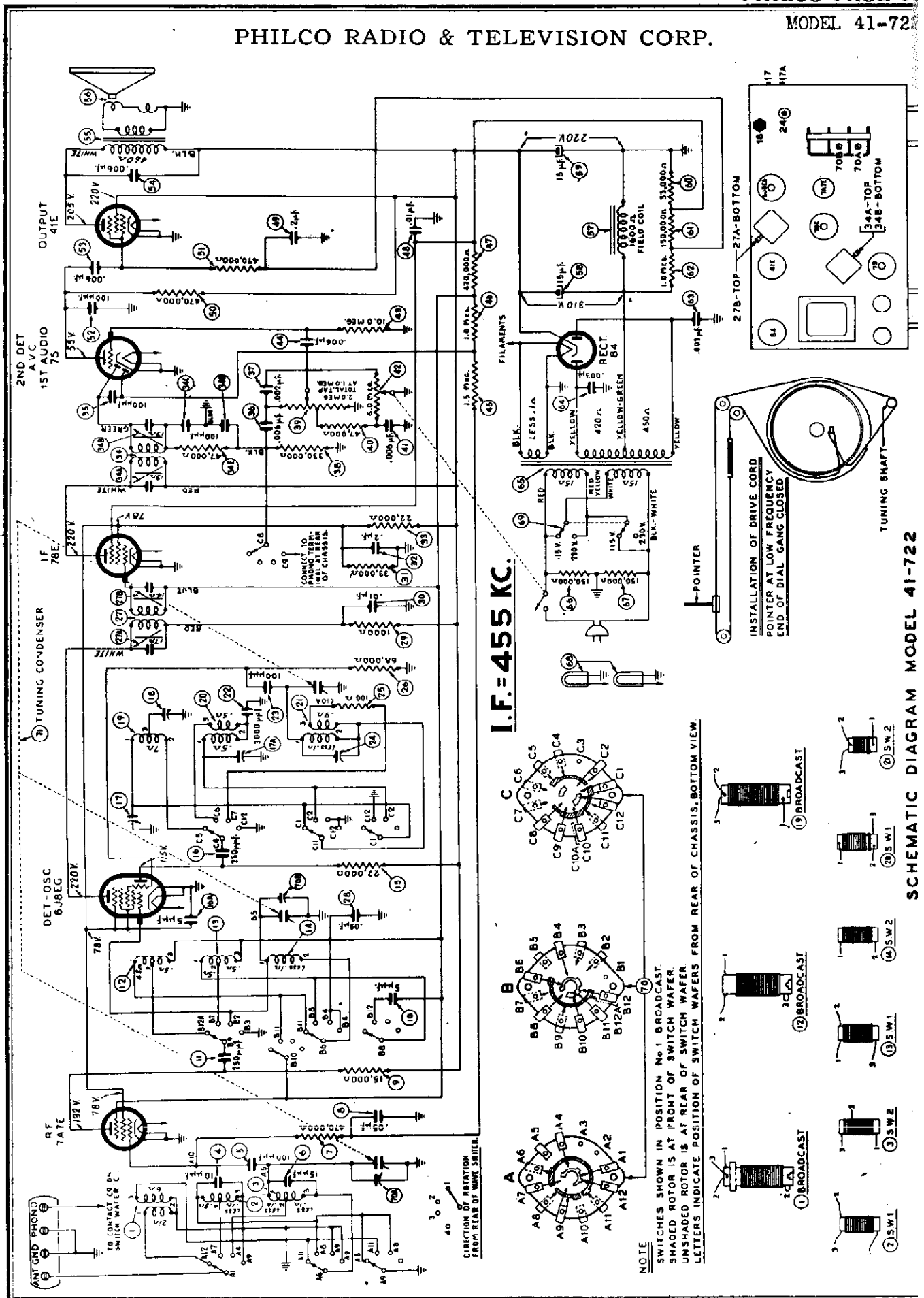
FOR ALIGNMENT AND PARTS

LIST, SEE INDEX

SCHEMATIC DIAGRAM — MODEL 42-22CL

THE D.C. VOLTAGES INDICATED IN THE ABOVE DIAGRAM WERE MEASURED AT THE TUBE SOCKET CONTACTS WITH A 1,000 OHMS PER VOLT, VOLTMETER PHILCO MODEL 97 — LINE VOLTAGE 117 VOLTS A.C. SEE PAGE 4 FOR REPLACEMENT PARTS

PHILCO RADIO & TELEVISION CORP.



SCHEMATIC DIAGRAM MODEL 41-72

MODEL 41-722  
MODEL 41-758

PHILCO RADIO & TELEVISION CORP.

Replacement Parts — Model 41-722

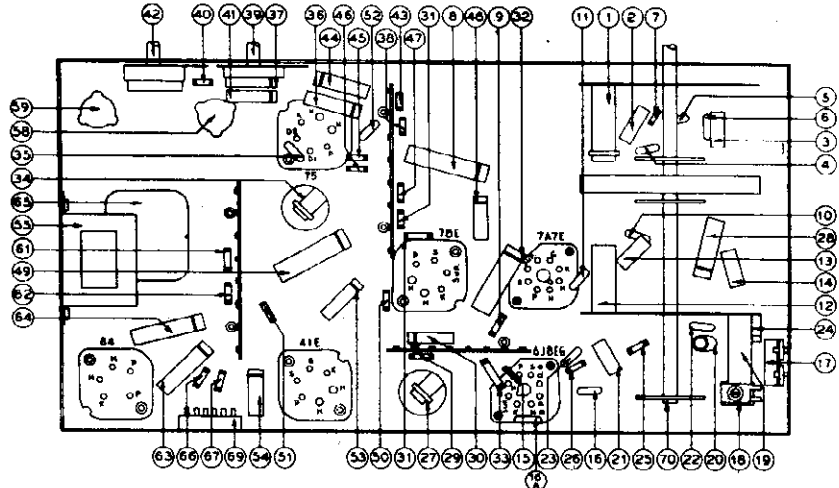
SCHE. No.	DESCRIPTION	PART No.
1	Antenna Transformer (Broadcast)	32-3422
2	Antenna Transformer (S. W. 1)	32-3419
3	Antenna Transformer (S. W. 2)	32-3418
4	Mica Condenser (10 mmfd.)	60-010337
5	Mica Condenser (100 mmfd.)	60-110457
6	Mica Condenser (15 mmfd.)	60-015337
7	Resistor (470,000 ohms, 1/2 watt)	33-447339
8	Tubular Condenser (.05 mfd.)	30-4809
9	Resistor (15,000 ohms, 1/2 watt)	33-110339
10	Mica Condenser (5 mmfd.)	60-005357
11	Mica Condenser (50 mmfd.)	60-125457
12	R. F. Transformer (Broadcast)	32-3417
13	R. F. Transformer (S. W. 1)	32-3420
14	R. F. Transformer (S. W. 2)	32-3416
15	Oscillator Transformer (Broadcast)	32-3423
16	Resistor (22,000 ohms, 1/2 watt)	33-322339
17	Mica Condenser (250 mmfd.)	60-125457
18	Mica Condenser (5 mmfd.)	60-005357
17A	Compensator (2 section)	31-8260
19	Oscillator Transformer (Broadcast)	32-3423
20	Oscillator Transformer (S. W. 1)	32-3421
21	Oscillator Transformer (S. W. 2)	32-3418
22	Mica Condenser (3000 mmfd.)	60-230124
23	Mica Condenser (100 mmfd.)	60-110457
24	Compensator	31
25	Resistor (100 ohms, 1/2 watt)	33-110339
26	Resistor (88,000 ohms, 1/2 watt)	33-368339
27	1st I. F. Transformer Assembly	32-3425
28	Tubular Condenser (.05 mfd.)	30-4809
29	Resistor (1000 ohms, 1/2 watt)	33-210339
30	Tubular Condenser (.01 mfd.)	30-4372
31	Resistor (33,000 ohms, 1/2 watt)	33-333339
32	Tubular Condenser (.2 mfd.)	30-4587
33	Resistor (22,000 ohms, 1 watt)	33-322439
34	2nd I. F. Transformer Assembly	32-3426
34E	Resistor (47,000 ohms, 1/2 watt)	33-147339
35	Mica Condenser (100 mmfd.)	60-110457
36	Tubular Condenser (.005 mfd.)	30-4591
37	Tubular Condenser (.002 mfd.)	30-4592
38	Resistor (330,000 ohms, 1/2 watt)	33-433339
39	Volume Control (2.0 meg.)	33-5392
40	Resistor (47,000 ohms, 1/2 watt)	33-347339
41	Tubular Condenser (.004 mfd.)	30-4591
42	Tone Control (6.0 meg.)	33-5293
43	Resistor (10.0 meg., 1/2 watt)	33-610339
44	Tubular Condenser (.006 mfd.)	30-4591
45	Resistor (4.5 meg., 1/2 watt)	33-515339
46	Resistor (1.0 meg., 1/2 watt)	33-510339
47	Resistor (470,000 ohms, 1/2 watt)	33-447339
48	Tubular Condenser (.01 mfd.)	30-4572
49	Tubular Condenser (.2 mfd.)	30-4587
50	Resistor (47,000 ohms, 1/2 watt)	33-333339
51	Resistor (470,000 ohms, 1/2 watt)	33-447339
52	Mica Condenser (100 mmfd.)	60-110457
53	Tubular Condenser (.006 mfd.)	30-4610
54	Tubular Condenser (.004 mfd.)	30-4591
55	Output Transformer	32-8018
56	Cone and Voice Coil Assembly (Speaker Part No. 38-1452)	38-4103
57	Field Coil (Replace Spkr. Part No. 38-1452)	38-1452
58	Electrolytic Condenser (15 mfd., 350 V.)	30-2444
59	Electrolytic Condenser (15 mfd., 350 V.)	30-2444
60	Resistor (150,000 ohms, 1/2 watt)	33-333339
61	Resistor (150,000 ohms, 1/2 watt)	33-415339
62	Resistor (1.0 meg., 1/2 watt)	33-510339
63	Tubular Condenser (.003 mfd.)	30-4606

SCHE. No.	DESCRIPTION	PART No.
64	Tubular Condenser (.003 mfd.)	30-4608
65	Power Trans. (115-230 V., 50-60 cycles)	32-8108
66	Power Trans. (115 V., 25 cycles)	32-8030
67	Resistor (150,000 ohms, 1/2 watt)	33-415339
68	Pilot Lamp	34-2064E
69	Voltage Change Switch	42-1569
70	Wave Switch	42-1564
71	Tuning Condenser Assembly	31-2444

DESCRIPTION	PART No.
Knob (Tuning)	27-4330
Knob (Tune Control)	27-4872
Knob (Volume and Wave Switch)	27-4332
Knob (Tone Control)	27-4872
Pointer	56-1276
Socket (type 80 tube)	27-6044
Socket (type 78 tube)	27-6035
Socket (type 70E, 42E and 75 tubes)	27-6038
Socket (octal, type 6J6E tube)	27-6059
Socket (lokal, type 7A7E tube)	27-6131
Speaker	38-1453
Spring Clip (Coil Mounting)	28-6002
Spring (Drive Card)	28-8751
Station Card Holder	56-1273
Rubber Disc (Coupling Assembly)	27-9164
Tube Shield (7A7E Tube)	56-1588
Tube Shield	28-2726
Tube Shield Base	26-3735
Arm and Hub (Coupling Assembly)	78-1041
Tuning Drum and Shaft	31-2452
Vernier Drive	31-2451

MISCELLANEOUS PARTS

DESCRIPTION	PART No.
Cable and Plug (Power Supply)	L-3246
Special Export A. C. Plug	L-1387
Cabinet	10457
Clip (Coil Mounting)	28-8002
Dial	27-5583
Drive Card Assembly	31-2458
Knob (Tuning)	27-4330



MODEL 41-722 — PART LOCATIONS, UNDERSIDE OF CHASSIS.

Replacement Parts — Model 41-758

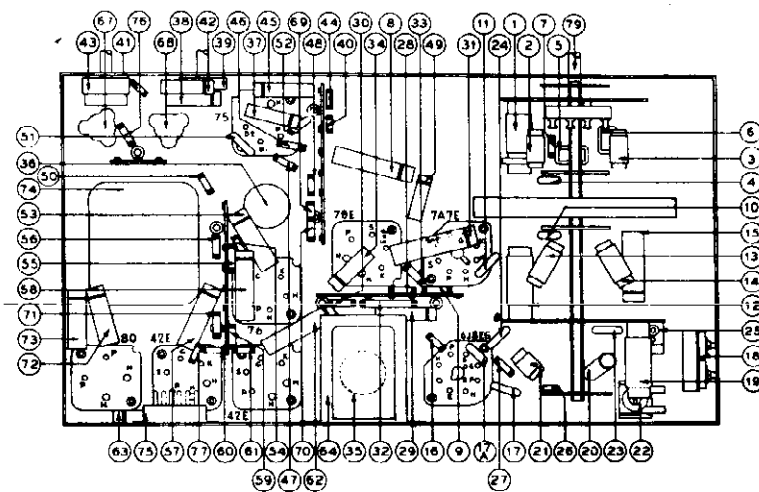
SCHE. No.	DESCRIPTION	PART No.
1	Antenna Transformer (Broadcast)	32-3422
2	Antenna Transformer (S. W. 1)	32-3419
3	Antenna Transformer (S. W. 2)	32-3418
4	Mica Condenser (10 mmfd.)	60-010337
5	Mica Condenser (100 mmfd.)	60-110457
6	Mica Condenser (15 mmfd.)	60-015337
7	Resistor (470,000 ohms, 1/2 watt)	33-447339
8	Tubular Condenser (.05 mfd.)	30-4809
9	Resistor (15,000 ohms, 1 watt)	33-115439
10	Mica Condenser (5 mmfd.)	60-005357
11	Mica Condenser (250 mmfd.)	60-125457
12	R. F. Transformer (Broadcast)	32-3417
13	R. F. Transformer (S. W. 1)	32-3420
14	R. F. Transformer (S. W. 2)	32-3416
15	Oscillator Transformer (Broadcast)	32-3423
16	Resistor (22,000 ohms, 1/2 watt)	33-322339
17	Mica Condenser (5 mmfd.)	60-005357
17A	Compensator (Brdcast. & S. W. 1 Osc.)	31-8267
18	Oscillator Transformer (Broadcast)	32-3423
19	Oscillator Transformer (S. W. 1)	32-3421
20	Oscillator Transformer (S. W. 2)	32-3418
21	Compensator (Broadcast Tracker)	31-8260
22	Mica Condenser (100 mmfd.)	60-110457
24	Mica Condenser (100 mmfd.)	60-110457
25	Compensator	31
26	Resistor (100 ohms, 1/2 watt)	33-110339
27	Resistor (88,000 ohms, 1/2 watt)	33-368339
28	Resistor (1000 ohms, 1/2 watt)	33-210339
29	Tubular Condenser (.01 mfd.)	30-4372
30	Resistor (33,000 ohms, 1/2 watt)	33-333339
31	Tubular Condenser (.2 mfd.)	30-4594
32	Resistor (15,000 ohms, 1 watt)	33-115439
33	Resistor (150,000 ohms, 1/2 watt)	33-333339
34	Tubular Condenser (.05 mfd.)	30-4315
35	1st I. F. Transformer Assembly	30-3429
36	2nd I. F. Transformer Assembly	30-3430
37	Tubular Condenser (.006 mfd.)	30-4591
38	Tubular Condenser (.002 mfd.)	30-4578
39	Volume Control (2.0 meg.)	33-5392
40	Resistor (47,000 ohms, 1/2 watt)	33-347339
41	Resistor (47,000 ohms, 1/2 watt)	33-347339
42	Tubular Condenser (.01 mfd.)	30-4581
43	Tone Control (6.0 meg.)	33-5293
44	Resistor (10.0 meg., 1/2 watt)	33-610339
45	Tubular Condenser (.006 mfd.)	30-4591
46	Resistor (2.2 meg., 1/2 watt)	33-522339
47	Resistor (470,000 ohms, 1/2 watt)	33-447339
48	Resistor (470,000 ohms, 1/2 watt)	33-447339
49	Tubular Condenser (.01 mfd.)	30-4572
50	Resistor (150,000 ohms, 1/2 watt)	33-333339
51	Mica Condenser (100 mmfd.)	60-110457
52	Mica Condenser (250 mmfd.)	60-125457
53	Tubular Condenser (.006 mfd.)	30-4610
54	Resistor (470,000 ohms, 1/2 watt)	33-447339
55	Resistor (4700 ohms, 1/2 watt)	33-247339
56	Resistor (27,000 ohms, 1/2 watt)	33-327339
57	Tubular Condenser (.006 mfd.)	30-4591
58	Tubular Condenser (.2 mfd.)	30-4587
59	Resistor (33,000 ohms, 1/2 watt)	33-333339
60	Resistor (470,000 ohms, 1/2 watt)	33-447339
61	Resistor (470,000 ohms, 1/2 watt)	33-447339
62	Tubular Condenser (.006 mfd.)	30-4610
63	Tubular Condenser (.004 mfd.)	30-4378
64	Output Transformer	32-8110
65	Cone and Voice Coil Assembly (Speaker Part No. 38-1453)	38-4104
66	Field Coil (Replace Spkr. Part No. 38-1453)	38-1453

SCHE. No.	DESCRIPTION	PART No.
67	Electrolytic Cond. (15 mfd., 450 V.)	30-2465
68	Electrolytic Cond. (40 mfd., 450 V.)	30-2445
69	Resistor (33,000 ohms, 1/2 watt)	33-333339
70	Resistor (150,000 ohms, 1/2 watt)	33-415339
71	Resistor (1.0 meg., 1/2 watt)	33-510339
72	Tubular Condenser (.003 mfd.)	30-4608
73	Tubular Condenser (.003 mfd.)	30-4606
74	Power Trans. (115-230 V., 50-60 cycles)	32-8109
75	Voltage Change Switch	42-1569
76	Resistor (150,000 ohms, 1/2 watt)	33-415339
77	Resistor (150,000 ohms, 1/2 watt)	33-415339
78	Pilot Lamp	34-2064E
79	Wave Switch	42-1564
80	Tuning Condenser Assembly	31-2444

DESCRIPTION	PART No.
Knob (Tuning)	27-4882
Knob (Tune Control)	27-4872
Knob (Volume and Wave Switch)	27-4332
Pointer	56-1276
Rubber Disc (Coupling Assembly)	27-9164
Rubber Bands (Dial Gasket)	27-4967
Socket (5 prong, type 84 tube)	27-6038
Socket (6 prong, type 78E, 41E, 75 tubes)	27-6036
Socket (8 prong, octal)	27-6058
Socket (lokal)	27-6131
Station Card Shield	27-5437
Spring (Drive Card)	28-8751
Shield (7A7E tube)	56-1566
Station Card Holder	56-1273
Speaker	38-1452
Tuning Drum and Shaft	31-2452
Vernier Drive	31-2451
Arm and Hub (Coupling Assembly)	78-1041
Set Screw (Coupling Assembly)	W-2006

MISCELLANEOUS PARTS

DESCRIPTION	PART No.
Cabinet	10457A
Dial	27-5583
Drive Card Assembly	31-2458
Gasket (Dial Mounting, Rubber Bands)	27-4967



MODEL 41-758 — PART LOCATIONS, UNDERSIDE OF CHASSIS.

PHILCO RADIO & TELEVISION CORP.

MODEL 41-722  
 MODEL 41-745  
 MODEL 41-758  
 MODEL 41-759

**SPECIFICATIONS**

**MODEL 41-722**

**TYPE OF CIRCUIT:** Six (6) tube, A. C. operated super-heterodyne circuit with three tuning ranges covering standard, police and shortwave stations. Other features of design included in this model are: Phonograph connections; tuned R. F. stage; bass compensation; variable tone control; automatic volume control and a pentode audio output stage.

**TUNING RANGES:**  
 540 to 1720 K. C.    2.3 to 7.1 M. C.    7.0 to 22.2 M. C.

**I. F. FREQUENCY:** 455 K. C.

**AUDIO OUTPUT:** 2 watts.

**POWER SUPPLY:** Operates on 115 or 230 volts, 50-60 cycle alternating current. To operate the receiver on either of the above voltages, move the changeover switch on the rear of the chassis to position required.

**MODEL 41-758**

**TYPE OF CIRCUIT:** Eight (8) tube, A. C. operated super-heterodyne circuit with three tuning ranges covering standard, police, and shortwave stations. In addition, other features of design are: Phonograph connections; tuned R. F. stage; bass compensation; variable tone control and a pentode audio output stage.

**TUNING RANGES:**  
 540 to 1720 K. C.    2.3 to 7.1 M. C.    7.0 to 22 M. C.

**I. F. RANGES:** 455 K. C.

**AUDIO OUTPUT:** 6 watts.

**POWER SUPPLY:** Operates on 115 or 230 volts, 50-60 cycle alternating current. To operate the receiver on either of the above voltages, move the changeover switch on the rear of the chassis to the position required.

Operations in Order	SIGNAL GENERATOR			RECEIVER				SPECIAL INSTRUCTIONS
	Leads to Receiver	Dummy Aerial Note A	Dial Setting	Dial Setting	Control Settings	Adjust Compensators for Maximum Signal		
						Model 41-722	Model 41-758	
1	Grid 6J8EG	.1 mfd.	455 K. C.	580 K. C.	Range Sw. Brdcat. Volume "Max."	27A, 27B, 34A, 34B	35A, 35B, 36A, 36B	
2	Aerial Lead	400 ohms	21 M. C.	21 M. C.	Range Switch "S. W. 2"	24, 70B, 70A	25, 80B, 80A	Note B, C
3	Aerial Lead	400 ohms	6.0 M. C.	6.0 M. C.	Range Switch "S. W. 1"	17A	18A	Roll Gang
4	Aerial Lead	200 mmfd.	1500 K. C.	1500 K. C.	Range Switch "Broadcast"	17	18	Roll Gang
5	Aerial Lead	200 mmfd.	580 K. C.	580 K. C.	Range Switch "Broadcast"	18	22	Roll Gang

**NOTE A**—The "Dummy Antenna" consists of a condenser or resistance connected in series with the signal generator output lead (high side). Use the capacity or resistance as specified in each step of the above procedure.

**NOTE B**—**DIAL CALIBRATION:** In order to adjust the receiver correctly the dial must be aligned to track properly with the tuning condenser. To adjust the dial, proceed as follows: With the tuning

condenser closed (maximum capacity), set the dial pointer on the first mark on the left edge (low frequency end) of the broadcast scale.

**NOTE C**—When adjusting compensator (24) Model 41-722 and (25) Model 41-758 be sure to tune in the fundamental signal (21 M. C.) instead of the image signal. If the compensator is correctly adjusted, the image signal will be found by turning dial 910 K. C. below the fundamental signal, which will be 20.090 M. C.

**MODEL 41-745**

**TYPE OF CIRCUIT:** Seven (7) tube superheterodyne circuit with three tuning ranges and designed for operation entirely from a six volt storage battery. The high voltage D. C. supply is obtained from a synchronous vibrator. Other features incorporated in the model are: preselector tuned R. F. stage; Provision for connecting a phonograph pickup; bass compensation; continuously variable tone control, automatic volume control; and a push-pull audio output stage.

**TUNING RANGES:**  
 540 to 1720 K. C.    2.3 to 7.1 M. C.    7.0 to 22.2 M. C.

**INTERMEDIATE FREQUENCY:** 455 K. C.

**AUDIO OUTPUT:** 2 watts.

**POWER SUPPLY:** 6 Volt storage battery.

**MODEL 41-759**

**TYPE OF CIRCUIT:** Eight (8) tube superheterodyne circuit with three tuning ranges and designed for operation from a 110 or 220 volts A. C. or D. C. power supply. Other features included in the model are: Tuned R. F. stage; provisions for connecting a phonograph pickup; bass compensation; continuously variable tone control; automatic volume control; and a push-pull audio output stage.

**TUNING RANGES:**  
 540 to 1720 K. C.    2.3 to 7.1 M. C.    7.0 to 22 M. C.

**INTERMEDIATE FREQUENCY:** 455 K. C.

**AUDIO OUTPUT:** 3.0 watts at 115 V.    4.5 watts at 230 V.

**POWER SUPPLY:** To operate the receiver on either 110 or 220 volt A. C. or D. C. power circuits, insert the ballast resistor (on rear of chassis) in the position desired. The ballast resistor is marked to indicate the proper socket position for either power circuit.

Operations in Order	SIGNAL GENERATOR			RECEIVER				SPECIAL INSTRUCTIONS
	Leads to Receiver	Dummy Aerial Note A	Dial Setting	Dial Setting	Control Settings	Adjust Compensators for Maximum Signal		
						Model 41-745	Model 41-759	
1	Grid 6J8EG	.1 mfd.	455 K. C.	580 K. C.	Range Sw. Brdcat. Volume "Max."	34A, 34B, 32A, 32B	42A, 42B, 37A, 37B	
2	Aerial Lead	400 ohms	21 M. C.	21 M. C.	Range Switch "S. W. 2"	29, 77B, 77A	36, 81B, 81A	Note B, C
3	Aerial Lead	400 ohms	6.0 M. C.	6.0 M. C.	Range Switch "S. W. 1"	26A	32A	Roll Gang
4	Aerial Lead	200 mmfd.	1500 K. C.	1500 K. C.	Range Switch "Broadcast"	26	32	Roll Gang
5	Aerial Lead	200 mmfd.	580 K. C.	580 K. C.	Range Switch "Broadcast"	25	31	Roll Gang

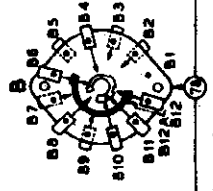
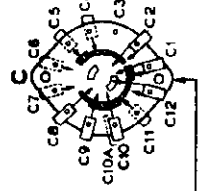
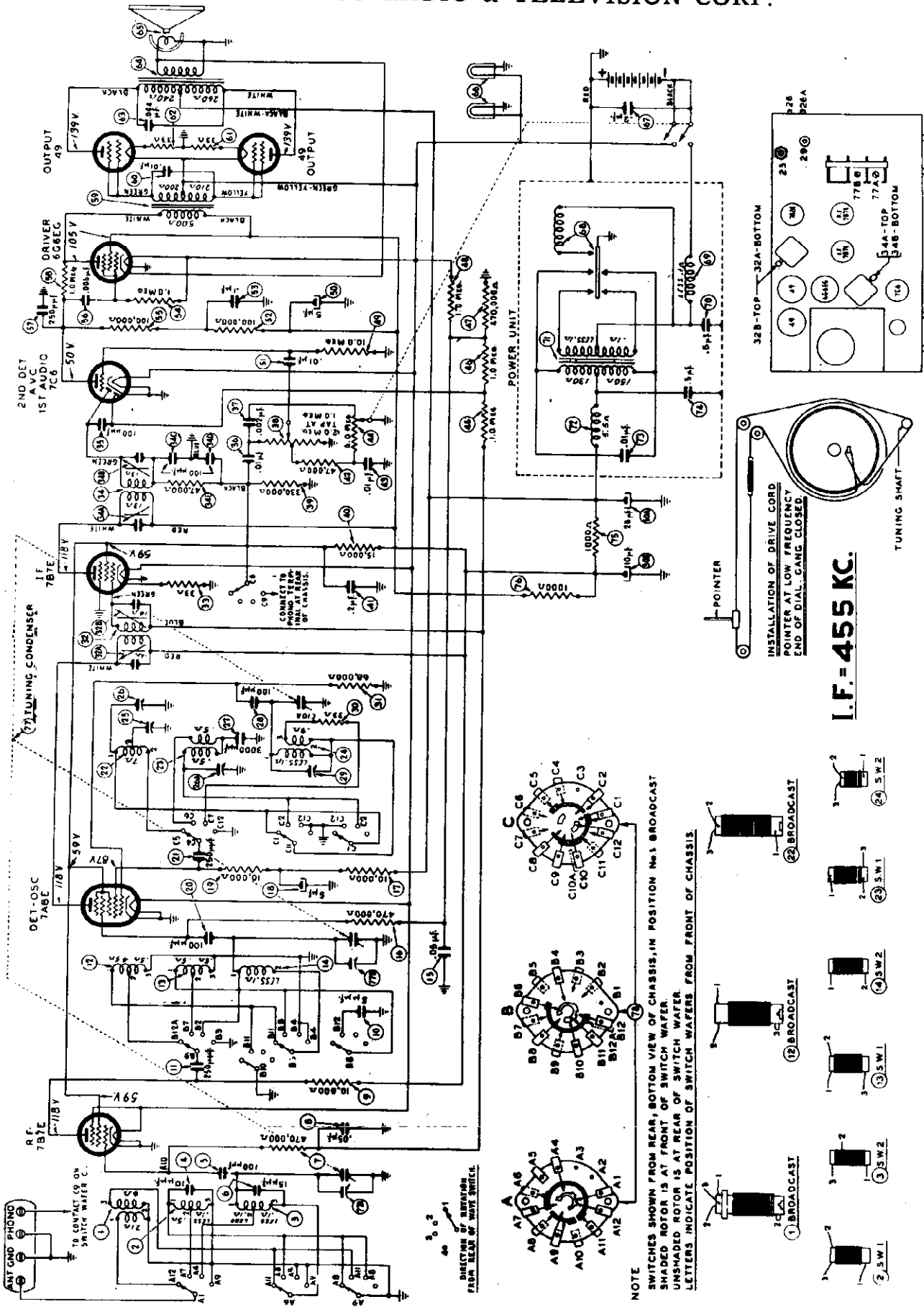
**NOTE A**—The "Dummy Antenna" consists of a condenser or resistance connected in series with the signal generator output lead (high side). Use the capacity or resistance as specified in each step of the above procedure.

**NOTE B**—**DIAL CALIBRATION:** In order to adjust the receiver correctly the dial must be aligned to track properly with the tuning condenser. To adjust the dial, proceed as follows: With the tuning

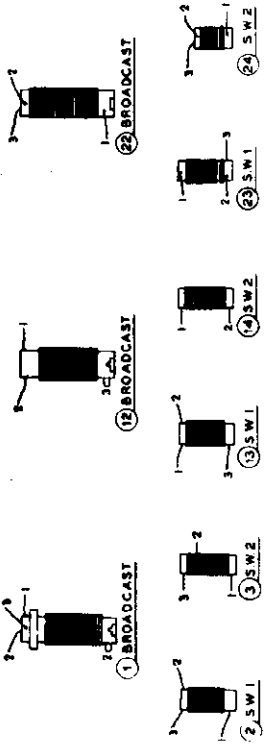
condenser closed (maximum capacity), set the dial pointer on the first mark on the left edge (low frequency end) of the broadcast scale.

**NOTE C**—When adjusting compensator (29) Model 41-745 and (36) Model 41-759 be sure to tune in the fundamental signal (21 M. C.) instead of the image signal. If the compensator is correctly adjusted, the image signal will be found by turning dial 910 K. C. below the fundamental signal, which will be 20.090 M. C.



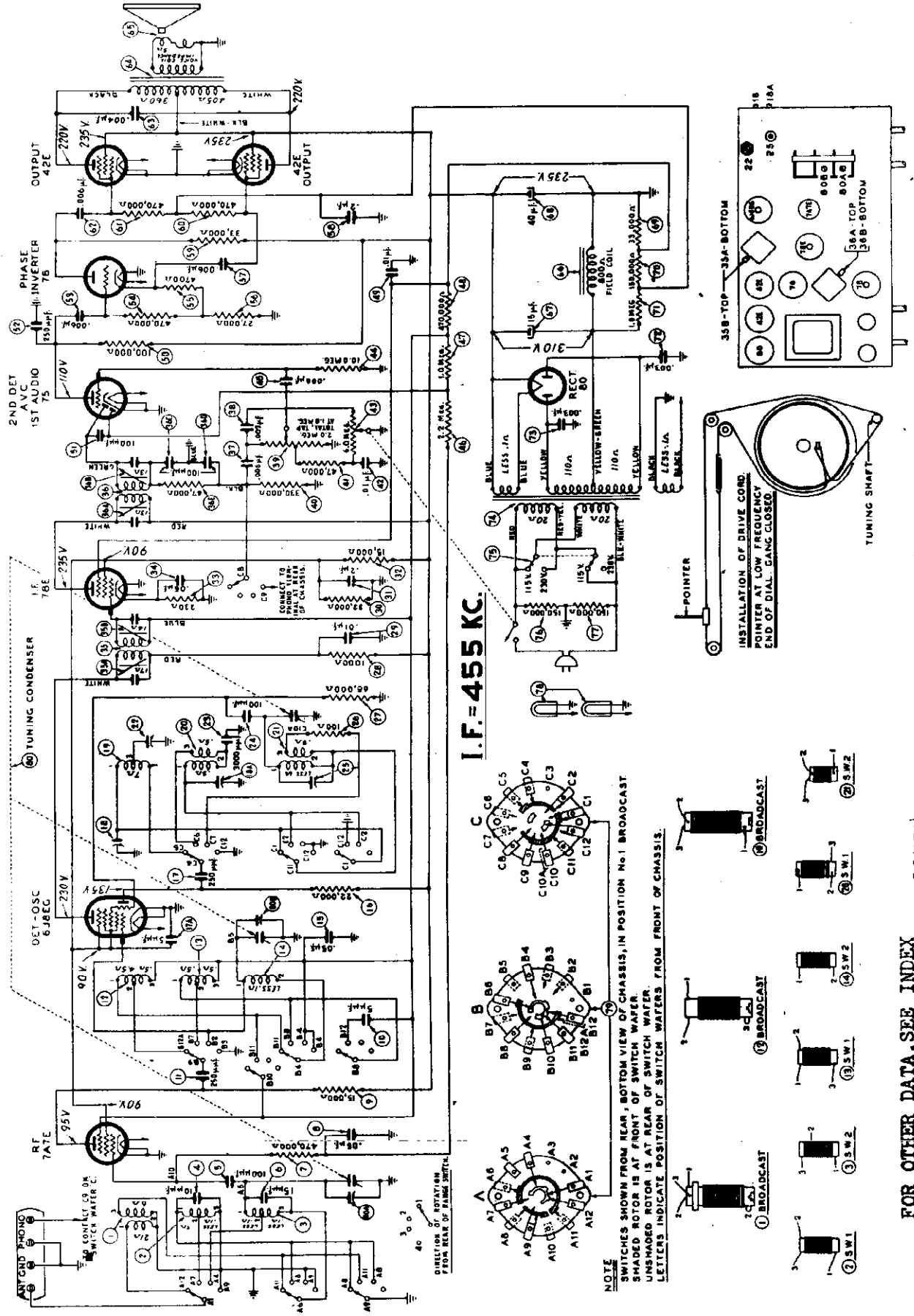


NOTE  
 SWITCHES SHOWN FROM REAR, BOTTOM VIEW OF CHASSIS, IN POSITION No. 1 BROADCAST  
 SHADED ROTOR IS AT FRONT OF SWITCH WAFER.  
 UNSHADED ROTOR IS AT REAR OF SWITCH WAFER.  
 LETTERS INDICATE POSITION OF SWITCH WAFERS FROM FRONT OF CHASSIS



SCHEMATIC DIAGRAM MODEL 41-745

PHILCO RADIO & TELEVISION CORP.

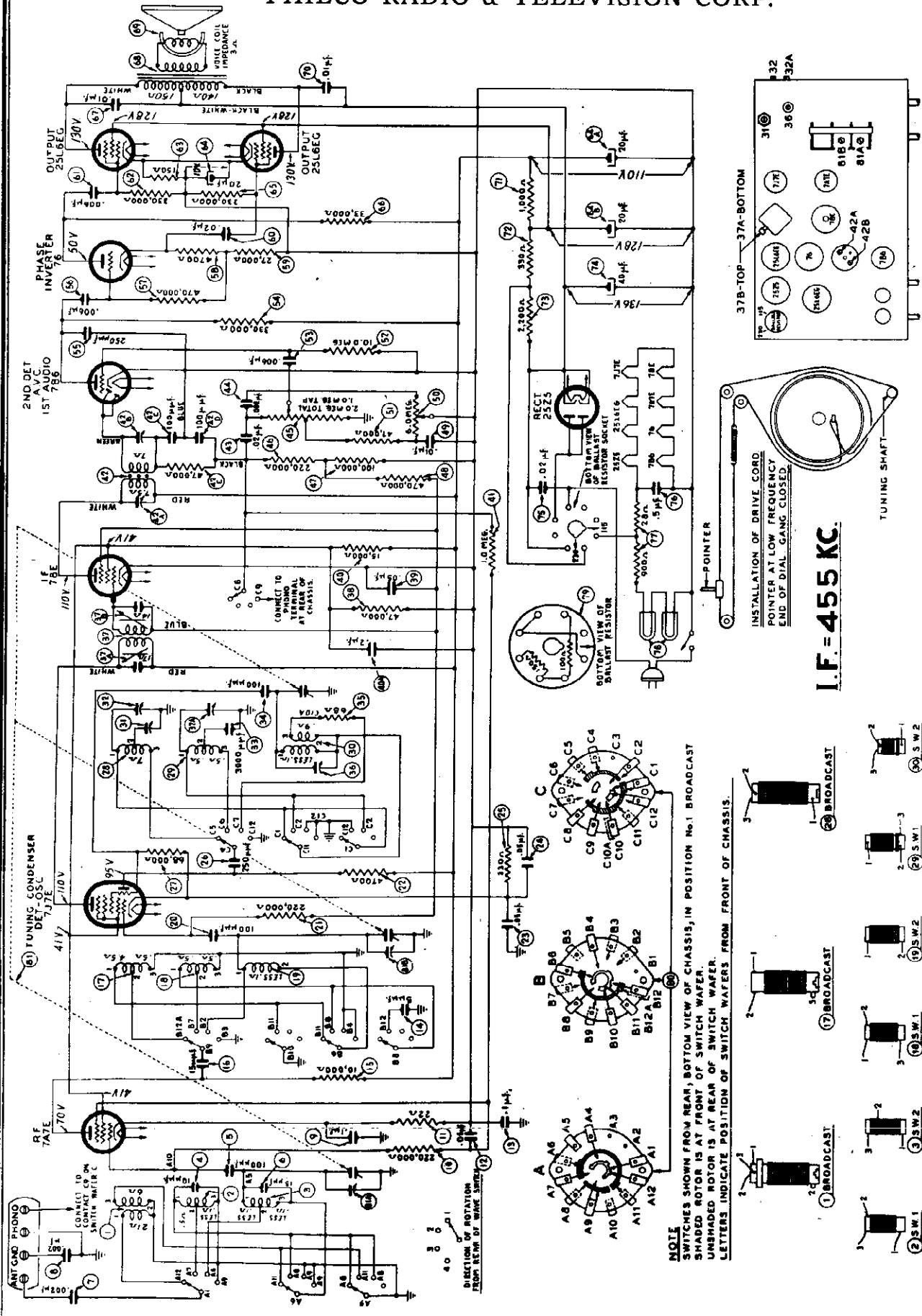


SCHEMATIC DIAGRAM MODEL 41-758

FOR OTHER DATA, SEE INDEX

MODEL 41-759

PHILCO RADIO & TELEVISION CORP.



I.F. = 455 KC.

FOR ALIGNMENT, SEE INDEX

SCHEMATIC DIAGRAM MODEL 41-759

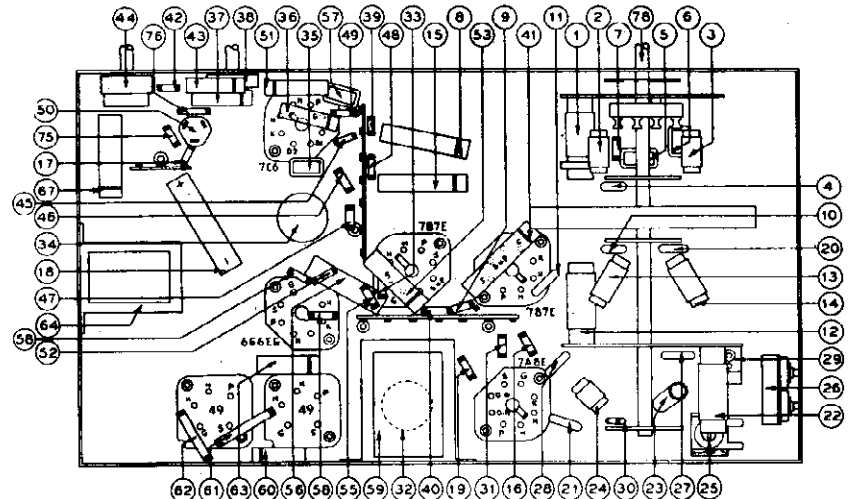
PHILCO RADIO & TELEVISION CORP.

PRODUCTION CHANGES

To improve the sensitivity of the Model 41-759 I. F. circuit, a 68 ohm resistor, Part No. 33-063336 was connected in series with the cathode of the 78E tube and B minus.

Replacement Parts — Model 41-745

SCHE. No.	DESCRIPTION	PART No.
1	Antenna Transformer (Broadcast)	32-3422
2	Antenna Transformer (S. W. 1)	32-3419
3	Antenna Transformer (S. W. 2)	32-3418
4	Mica Condenser (10 mmfd.)	60-010337
5	Mica Condenser (100 mmfd.)	60-110487
6	Mica Condenser (15 mmfd.)	60-015337
7	Resistor (470,000 ohms, 1/2 watt)	33-447339
8	Tubular Condenser (.05 mfd.)	30-4506
9	Resistor (10,000 ohms, 1/2 watt)	33-310339
10	Mica Condenser (5 mmfd.)	60-008387
11	Mica Condenser (250 mmfd.)	60-125457
12	R. F. Transformer (Broadcast)	32-3417
13	R. F. Transformer (S. W. 1)	32-3416
14	R. F. Transformer (S. W. 2)	32-3415
15	Tubular Condenser (.05 mfd.)	30-4509
16	Resistor (470,000 ohms, 1/2 watt)	33-447339
17	Resistor (10,000 ohms, 1/2 watt)	33-310339
18	Electrolytic Condenser (5 mfd., 150 V.)	30-2486
19	Resistor (10,000 ohms, 1/2 watt)	33-310339
20	Mica Condenser (100 mmfd.)	60-110487
21	Mica Condenser (250 mmfd.)	60-125457
22	Oscillator Transformer (Broadcast)	32-3421
23	Oscillator Transformer (S. W. 1)	32-3420
24	Oscillator Transformer (S. W. 2)	32-3421
25	Compensator	31-6260
26	Compensator (2 section)	31-6267
27	Mica Condenser (100 mmfd.)	60-110487
28	Compensator	31-6267
29	Resistor (33 ohms, 1/2 watt)	33-023339
30	Resistor (88,000 ohms, 1/2 watt)	33-368339
31	1st I. F. Transformer Assembly	33-033339
32	Resistor (33 ohms, 1/2 watt)	33-033339
33	2nd I. F. Transformer Assembly	33-033339
34	Mica Condenser (100 mmfd.)	60-110487
35	Tubular Condenser (.01 mfd.)	30-4572
36	Tubular Condenser (.002 mfd.)	30-4579
37	Volume Control (2 meg.)	33-5396
38	Resistor (330,000 ohms, 1/2 watt)	33-433339
39	Resistor (15,000 ohms, 1/2 watt)	33-312339
40	Tubular Condenser (.2 mfd.)	30-4587
41	Resistor (47,000 ohms, 1/2 watt)	33-347339
42	Tubular Condenser (.01 mfd.)	30-4572
43	Tone Control and On-Off Switch	33-5394
44	Resistor (1.0 meg., 1/2 watt)	33-510339
45	Resistor (1.0 meg., 1/2 watt)	33-510339
46	Resistor (470,000 ohms, 1/2 watt)	33-447339
47	Resistor (1.0 meg., 1/2 watt)	33-510339
48	Resistor (1.0 meg., 1/2 watt)	33-510339
49	Electrolytic Cond. (5-10, 20 mfd., 150 V.)	30-2486
50	Tubular Condenser (.01 mfd.)	30-4572
51	Resistor (100,000 ohms, 1/2 watt)	33-410339
52	Tubular Condenser (.1 mfd.)	30-4586
53	Resistor (88,000 ohms, 1/2 watt)	33-368339
54	Resistor (100,000 ohms, 1/2 watt)	33-410339
55	Tubular Condenser (.008 mfd.)	30-4587
56	Mica Condenser (150 mmfd.)	60-125457
57	Resistor (1.0 meg., 1/2 watt)	33-510339
58	Driver Transformer	33-033339
59	Tubular Condenser (.01 mfd.)	30-4572
60	Resistor (33 ohms, 1 watt)	33-033436
61	Resistor (33 ohms, 1 watt)	33-033436
62	Tubular Condenser (.004 mfd.)	30-4578

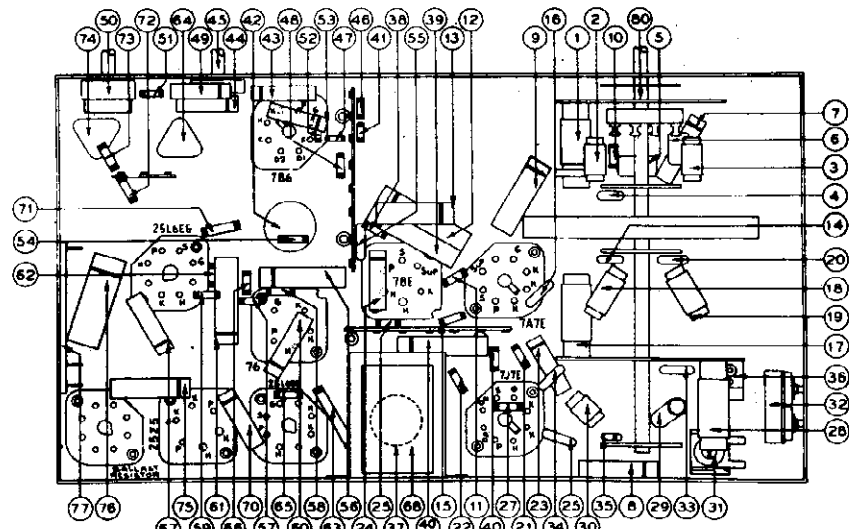


MODEL 41-745 — PART LOCATIONS, UNDERSIDE OF CHASSIS

SCHE. No.	DESCRIPTION	PART No.	SCHE. No.	DESCRIPTION	PART No.
63	Output Transformer	33-8112	71	Power Transformer	33-7862
64	Cone and Voice Coil Assembly (Speaker Part No. 34-1808)	34-1808	72	"B" Filter Choke	33-2923
65	Pilot Lamps	30-4587	73	Tubular Condenser (.01 mfd.)	30-4596
66	Tubular Condenser (.2 mfd.)	30-4587	74	Tubular Condenser (.5 mfd.)	33-210339
67	Tubular Condenser (.01 mfd.)	30-4572	75	Resistor (1000 ohms, 1/2 watt)	33-310339
68	Vibrator	33-1964	76	Resistor (1000 ohms, 1/2 watt)	33-310339
69	"A" Filter Choke	30-4578	77	Tuning Condenser Assembly	31-2444
70	Tubular Condenser (.5 mfd.)	30-4296	78	Wave Switch	42-1964

Replacement Parts — Model 41-759

SCHE. No.	DESCRIPTION	PART No.
1	Antenna Transformer (Broadcast)	32-3422
2	Antenna Transformer (S. W. 1)	32-3419
3	Antenna Transformer (S. W. 2)	32-3418
4	Mica Condenser (10 mmfd.)	60-010337
5	Mica Condenser (100 mmfd.)	60-110487
6	Mica Condenser (15 mmfd.)	60-015337
7	Resistor (470,000 ohms, 1/2 watt)	33-447339
8	Tubular Condenser (.05 mfd.)	30-4506
9	Resistor (10,000 ohms, 1/2 watt)	33-310339
10	Mica Condenser (5 mmfd.)	60-008387
11	Mica Condenser (250 mmfd.)	60-125457
12	R. F. Transformer (Broadcast)	32-3417
13	R. F. Transformer (S. W. 1)	32-3416
14	R. F. Transformer (S. W. 2)	32-3415
15	Tubular Condenser (.05 mfd.)	30-4509
16	Resistor (470,000 ohms, 1/2 watt)	33-447339
17	Resistor (10,000 ohms, 1/2 watt)	33-310339
18	Electrolytic Condenser (5 mfd., 150 V.)	30-2486
19	Resistor (10,000 ohms, 1/2 watt)	33-310339
20	Mica Condenser (100 mmfd.)	60-110487
21	Mica Condenser (250 mmfd.)	60-125457
22	Oscillator Transformer (Broadcast)	32-3421
23	Oscillator Transformer (S. W. 1)	32-3420
24	Oscillator Transformer (S. W. 2)	32-3421
25	Compensator	31-6260
26	Compensator (2 section)	31-6267
27	Mica Condenser (100 mmfd.)	60-110487
28	Compensator	31-6267
29	Resistor (33 ohms, 1/2 watt)	33-023339
30	Resistor (88,000 ohms, 1/2 watt)	33-368339
31	1st I. F. Transformer Assembly	33-033339
32	Resistor (33 ohms, 1/2 watt)	33-033339
33	2nd I. F. Transformer Assembly	33-033339
34	Mica Condenser (100 mmfd.)	60-110487
35	Tubular Condenser (.01 mfd.)	30-4572
36	Tubular Condenser (.002 mfd.)	30-4579
37	Volume Control (2 meg.)	33-5396
38	Resistor (330,000 ohms, 1/2 watt)	33-433339
39	Resistor (15,000 ohms, 1/2 watt)	33-312339
40	Tubular Condenser (.2 mfd.)	30-4587
41	Resistor (47,000 ohms, 1/2 watt)	33-347339
42	Tubular Condenser (.01 mfd.)	30-4572
43	Tone Control and On-Off Switch	33-5394
44	Resistor (1.0 meg., 1/2 watt)	33-510339
45	Resistor (1.0 meg., 1/2 watt)	33-510339
46	Resistor (470,000 ohms, 1/2 watt)	33-447339
47	Resistor (1.0 meg., 1/2 watt)	33-510339
48	Resistor (1.0 meg., 1/2 watt)	33-510339
49	Electrolytic Cond. (5-10, 20 mfd., 150 V.)	30-2486
50	Tubular Condenser (.01 mfd.)	30-4572
51	Resistor (100,000 ohms, 1/2 watt)	33-410339
52	Tubular Condenser (.1 mfd.)	30-4586
53	Resistor (88,000 ohms, 1/2 watt)	33-368339
54	Resistor (100,000 ohms, 1/2 watt)	33-410339
55	Tubular Condenser (.008 mfd.)	30-4587
56	Mica Condenser (150 mmfd.)	60-125457
57	Resistor (1.0 meg., 1/2 watt)	33-510339
58	Driver Transformer	33-033339
59	Tubular Condenser (.01 mfd.)	30-4572
60	Resistor (33 ohms, 1 watt)	33-033436
61	Resistor (33 ohms, 1 watt)	33-033436
62	Tubular Condenser (.004 mfd.)	30-4578



MODEL 41-759 — PART LOCATIONS, UNDERSIDE OF CHASSIS

SCHE. No.	DESCRIPTION	PART No.	SCHE. No.	DESCRIPTION	PART No.
63	Output Transformer	33-8112	75	Electrolytic Cond. (40 mfd., 350 V.)	30-2486
64	Cone and Voice Coil Assembly (Speaker Part No. 34-1808-3)	34-1808-3	76	Tubular Condenser (.02 mfd.)	30-4596
65	Pilot Lamps	30-4587	77	B. C. Resistor (Wirewound)	33-3389
66	Tubular Condenser (.2 mfd.)	30-4587	78	Pilot Lamps	34-2397
67	Tubular Condenser (.01 mfd.)	30-4572	79	Ballast Resistor	33-3391
68	Vibrator	33-1964	80	Resistor (330 ohms, 1 watt)	42-1964
69	"A" Filter Choke	30-4578	81	Tuning Condenser Assembly	31-2444
70	Tubular Condenser (.5 mfd.)	30-4296			

MODELS 42-KR-3, 42-KR-5  
MODEL 42-22CL

PHILCO RADIO & TELEVISION CORP.

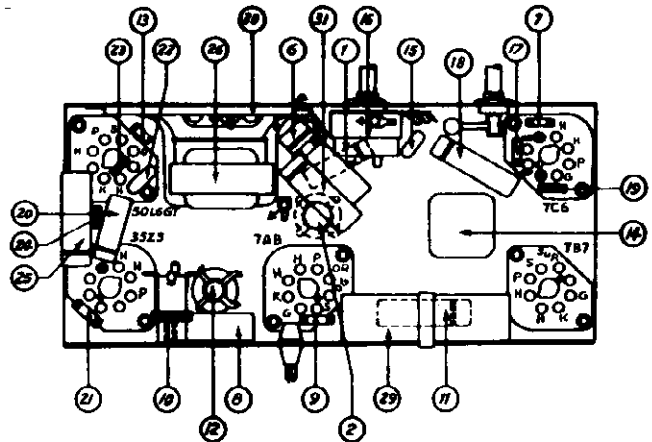
42-KR-3, 42-KR-5

SCHEM. No.	DESCRIPTION	PART No.
1.	Condenser (.0015 mfd., 200 volts)	36-4621
2.	Aerial Transformer	32-3384
3.	Loop Aerial (42-KR-3)	32-3767
3.	Loop Aerial (42-KR-5)	32-3782
4.	Tuning Condenser	31-2867
	Drive Cord	31-2358
	Drive Shaft	31-2586
	Spring Drive Cord	28-8954
	Spacer (Tuning Cond. Mtg.)	86-1069
5.	Compensator (Aerial)	31-6344
6.	Condenser and Choke Assembly	76-1161
7.	Resistor (4.7 megohms)	33-547339
8.	Condenser (.1 mfd., 400 volts)	31-0104
9.	Resistor (22,000 ohms)	33-322339
10.	Oscillator Transformer	32-3562
11.	Condenser (.05 mfd.)	30-4519
12.	1st I. F. Transformer	32-3390
13.	Resistor (27,000 ohms)	33-327339
14.	2nd I. F. Transformer	32-3391
15.	Condenser (250 mmfd.)	60-125157
16.	Volume Control	33-8406
17.	Resistor (4.7 megohms)	33-547339
18.	Condenser (.01 mfd., 400 volts)	30-4572
19.	Resistor (4.7 megohms)	33-547339
20.	Condenser (.01 mfd., 400 volts)	30-4572
21.	Resistor (470,000 ohms)	33-447339
22.	Mica Condenser (250 mmfd.)	60-125157
23.	Resistor (470,000 ohms)	33-447339
24.	Resistor (130 ohms)	33-113336
25.	Condenser (.02 mfd., 400 volts)	30-4516
26.	Output Transformer	32-8144
27.	Cone Assembly (for Speaker 36-1512-9)	36-4167
28.	Field Coil (replace Speaker 36-1512-9)	36-2382
28A.	Electrolytic Condenser (20-20 mfd.)	36-2382
	Clamp	86-1346
30.	Resistor (40-80 ohms)	33-3401
31.	Condenser (.04 mfd., 400 volts)	30-4119
32.	Pilot Lamp	34-2068

SCHEM. No.	DESCRIPTION	PART No.
33.	Cable Clock	41-3538
	Clock (115 volt & 60 cycle)	45-2889
	Clock (115 volt & 50 cycle)	45-2891
	Screw (Clock Mts.)	W-1837

**MISCELLANEOUS PARTS**

Cabinet 42-KR-3	10664A
Cabinet 42-KR-5	10668A
Cabinet Back 42-KR-3	27-9067
Cabinet Back 42-KR-5	27-9068
Clip (Coil Mtg.)	28-5902
Cord (Power)	L-3199
Dial Part (Cabinet)	27-6984
Dial Scale (42-KR-3)	27-5733
Dial Scale (42-KR-5)	27-4972
Knob (42-KR-3)	54-4004
Knob (42-KR-5)	27-4820
Rubber Grommet (Tuning Cond.)	27-4610
Speaker	36-1512
Socket (Loktal tubes)	27-6187
Socket (Octal)	27-6184
Socket Assembly (Pilot Lamp)	76-1177
Screw (Chassis Mtg.)	W-2030
Screw (Back Mts.)	W-2076
Screw (Back Mts.) (42-KR-3)	W-2023
Washer (Chassis Mtg.)	W-410
Washer (Chassis Mtg.)	W-182



LOCATIONS OF PARTS — UNDERSIDE OF CHASSIS  
**REPLACEMENT PARTS** MODELS 42-KR-3, 42-KR-5

MODEL 42-22CL

SCHEM. No.	DESCRIPTION	PART No.
1.	Aerial Transformer	32-3649
2.	Condenser (.0015 mfd., 200 volts)	30-4555
3.	Loop Aerial	32-3645
4.	Mica Condenser (200 mmfd.)	60-180127
5.	Tuning Condenser	31-2492
	Drive Cord	31-2489
	Drive Shaft	31-2379
	Grommet (Mtg. Cond.)	27-4610
	Nut (Mtg. Cond.)	W-1543
	Sleeve (Mtg. Cond.)	28-5683
	Spring (Drive Cord)	28-8954
6.	Resistor (1 megohm)	33-510339
7.	Condenser (.05 mfd., 200 volts)	30-4519
8.	Resistor (180 ohms)	33-118336
9.	Condenser (.25 mfd.) and Choke	76-1226
10.	R. F. Transformer	32-3273
10A.	Resistor (5,600 ohms) part of 10	33-256339
11.	Condenser (.05 mfd., 200 volts)	30-4519
12.	Condenser (.05 mfd., 200 volts)	30-4519
13.	Compensator part of 5	
14.	Compensator part of 5	
15.	Range Switch	42-1565
16.	Off-On Switch part of 30	
17.	Condenser (.04 mfd., 400 volts)	30-4119
18.	Resistor (53-132 ohms)	33-3375
19.	Pilot Lamp	34-2069
20.	Oscillator Transformer	32-3256
21.	Resistor (47,000 ohms)	33-347339
22.	Condenser (100 mmfd.)	60-110157
23.	1st I. F. Transformer	32-3489
24.	Condenser (.05 mfd.)	30-4519
25A.	Electrolytic Cond. (20 mfd., 20 mfd.)	30-2403
25B.	Electrolytic Cond. (20 mfd.) part of 25A	
26.	2nd I. F. Transformer	32-3304
27.	Resistor (2.2 megohms)	33-522154
28.	Mica Condenser (250 mmfd.)	60-125157
29.	Resistor (15,000 ohms)	33-315339
30.	Volume Control	33-8406
	Mtg. Nut	W-2157
31.	Resistor (3.3 megohms)	33-533339

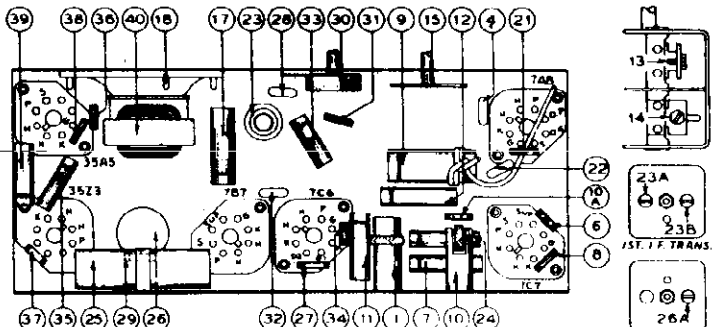
SCHEM. No.	DESCRIPTION	PART No.
32.	Condenser (100 mfd.)	61-8033
33.	Condenser (.01 mfd., 200 volts)	30-4572
34.	Resistor (4.7 megohms)	33-547184
35.	Condenser (.01 mfd., 400 volts)	61-0100
36.	Resistor (470,000 ohms)	33-447339
37.	Resistor (220,000 ohms)	33-422339
38.	Resistor (130 ohms)	33-113336
39.	Condenser (.02 mfd., 400 volts)	30-4516
40.	Output Transformer	32-8144
41.	Cone Assembly (for Speaker 36-1512-9)	36-4167
42.	Field Coil (replace Speaker 36-1512-9)	36-2382
43.	Clock (115 volts, 60 cycles)	45-2855
	Clock (115 volts, 50 cycles)	45-2877
	Screw (Clock Mts.)	W-1824
	Cable (Clock)	41-3484

**MISCELLANEOUS PARTS**

Cabinet	10539A
Cardboard Back	27-9067
Screw	W-2023
Cord (Power)	L-3199
Dial Scale	27-5691
Dial Painter	27-4891
Knob (Tuning-Volume)	27-4899
Knob (Range Switch)	54-4005
Socket (Tubes)	27-6150
Socket Assembly (Pilot Lamp)	76-1177

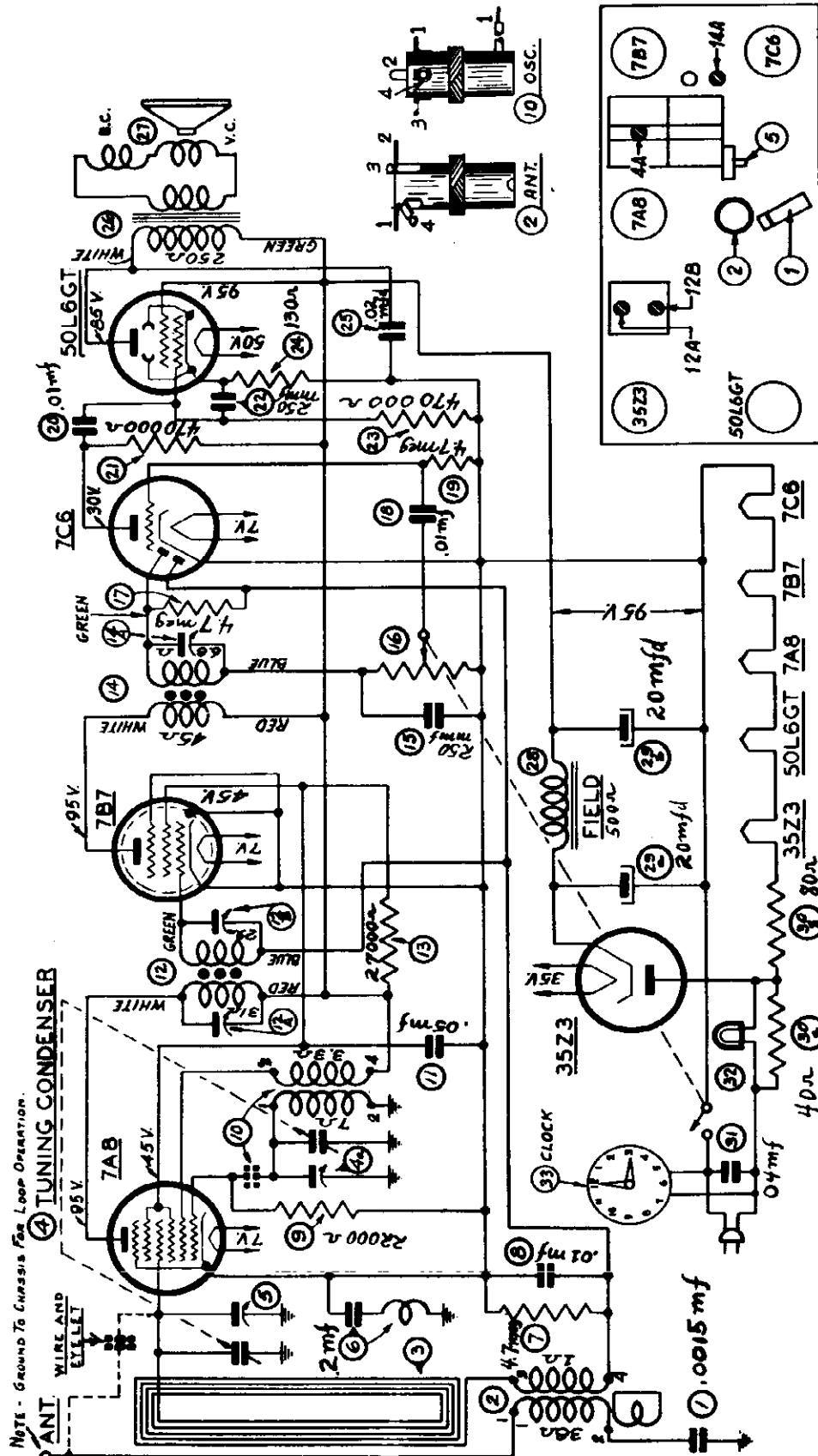
SCHEM. No.	DESCRIPTION	PART No.
44.	Clip (R. F. Coil Mounting)	28-5902
45.	Clamp (Electro-Condenser)	86-1346
46.	Paint (Vol. Cont. Drive Shaft Mtg.)	W-2157
47.	Paint (1st & 2nd I. F. Mtg.)	W-1840
48.	Screw (Dial Scale Mounting)	W-605
49.	Screw (Chassis Mtg.)	W-2030
50.	Washer (Chassis Mtg.)	W-410
51.	Screw (Chassis Mtg.)	W-2030
52.	Eyelet (Mtg. Socket)	W-1850

**MOUNTING PARTS**



LOCATIONS OF PARTS — UNDERSIDE OF CHASSIS  
MODEL 42-22CL

PHILCO RADIO & TELEVISION CORP.



NOTE - Ground to Chassis for Loop Operation.

④ TUNING CONDENSER

WIRE AND EYELET

ANT

95V

7A8

45V

RED

BLUE

GREEN

WHITE

7B7

95V

7C6

30V

50L6GT

95V

50V

150V

250V

250V

GREEN

WHITE

250V

50L6GT

12A

12B

50L6GT

12A

12B

50L6GT

12A

12B

50L6GT

12A

12B

50L6GT

12A

12B

50L6GT

12A

12B

50L6GT

12A

12B

50L6GT

12A

12B

50L6GT

12A

12B

50L6GT

12A

12B

50L6GT

12A

12B

SCHEMATIC DIAGRAM, MODELS 42-KR-3, 42-KR-5

THE D.C. VOLTAGES INDICATED IN THE ABOVE DIAGRAM WERE MEASURED AT THE TUBE SOCKET CONTACTS WITH A 1,000 OHMS PER VOLT, VOLTMETER PHILCO MODEL 027 -- LINE VOLTAGE 117 VOLTS A.C.

SEE PAGE 4 FOR REPLACEMENT PARTS

FOR ALIGNMENT AND PARTS LIST, SEE INDEX

IF PEAK 455 KC

MODEL 41-KR  
 MODELS 42-KR-3, 42-KR-5  
 MODEL 42-22CL

PHILCO RADIO & TELEVISION CORP.

**SPECIFICATIONS**

**MODELS 42-KR-3, 42-KR-5**

Models KR-3 and KR-5 are five (5) tube superheterodyne compact radios employing a built-in loop aerial. These models are similar with the exception of the cabinet, clock and power supply.

Model KR-5 includes a clock and is designed for operation on 115 volts, 60 cycles A.C. current only. Model KR-3 is designed for operation on a 115 volt, A.C. or D.C. power supply.

In addition each model includes a tuning band from 540 to 1600 K.C.; automatic volume control; beam power pentode audio output stage; PHILCO LOKTAL tubes, and a permanent magnet speaker.

INTERMEDIATE FREQUENCY: 455 K.C.

POWER SUPPLY: 115 Volts, A.C. or D.C.

**MODEL 42-22CL**

Model 42-22CL is a combination Clock and Radio which operates on a 115 volt, 50 or 60 cycle power supply. The radio consists of a six (6) tube superheterodyne circuit with two tuning ranges covering standard, State and City Police, aircraft and amateur broadcast frequencies; built-in loop aerial system; R. F. stage; beam power audio stage; automatic volume control; and PHILCO LOKTAL tubes.

TUNING BAND FREQUENCIES: 540 to 1600 K.C. and 1.6 to 3.3 M.C.

INTERMEDIATE FREQUENCY: 455 K.C.

AUDIO OUTPUT: 1 Watt.

POWER SUPPLY: The radio will operate on a 115 volt, 50 or 60 cycle power supply. The clock, however, is designed to operate on a single frequency only. The 115 volt, 50 cycle clock and 115 volt, 60 cycle clock are indicated in the replacement parts list.

**OUTSIDE AERIAL AND GROUND**

**AERIAL AND GROUND:** Under ordinary operating conditions the loop aerial is sufficient for reception of stations, and an outside aerial or ground is not required. In some locations, however, such as steel reinforced buildings and other shielded areas, an outside aerial should be used for maximum performance.

For this purpose an outside aerial connection is located on the rear lower left corner of the chassis. Simply remove the lug from under the screw and attach the aerial lead to the lug. The PHILCO SAFETY AERIAL, Part No. 40-6370, is recommended for these models.

**CONNECTING ALIGNING INSTRUMENTS**

**Audio Output Meter:** If this type of aligning meter is used, connect it to the voice coil terminals of the speaker or from the plate of the output tube to "B." (-) negative. Adjust the meter for the 0 to 10 volt scale.

**Vacuum Tube Voltmeter:** To use the vacuum tube voltmeter as an aligning indicator, make the following connections: Attach the negative (-) terminal of the voltmeter to any point in the circuit where the A. C. voltage can be obtained. Connect the positive (+) terminal of the vacuum tube voltmeter to the chassis.

**Signal Generator:** When adjusting the I. F. padders, the high side of the signal generator is connected through a .1 mfd. condenser to the antenna section of the tuning condenser. Connect the ground or low side of the generator to the chassis.

When aligning the R. F. padders a loop is made from a few turns of wire and connected to the signal generator output terminals; the signal generator is then placed close to the loop of the radio.

The receiver can be adjusted in the cabinet or removed from the cabinet.

When adjusting the radio outside the cabinet the loop aerial should be placed in approximately the same position around or near the chassis as when assembled.

After connecting the aligning instruments adjust the compensators as shown in the tabulation below.

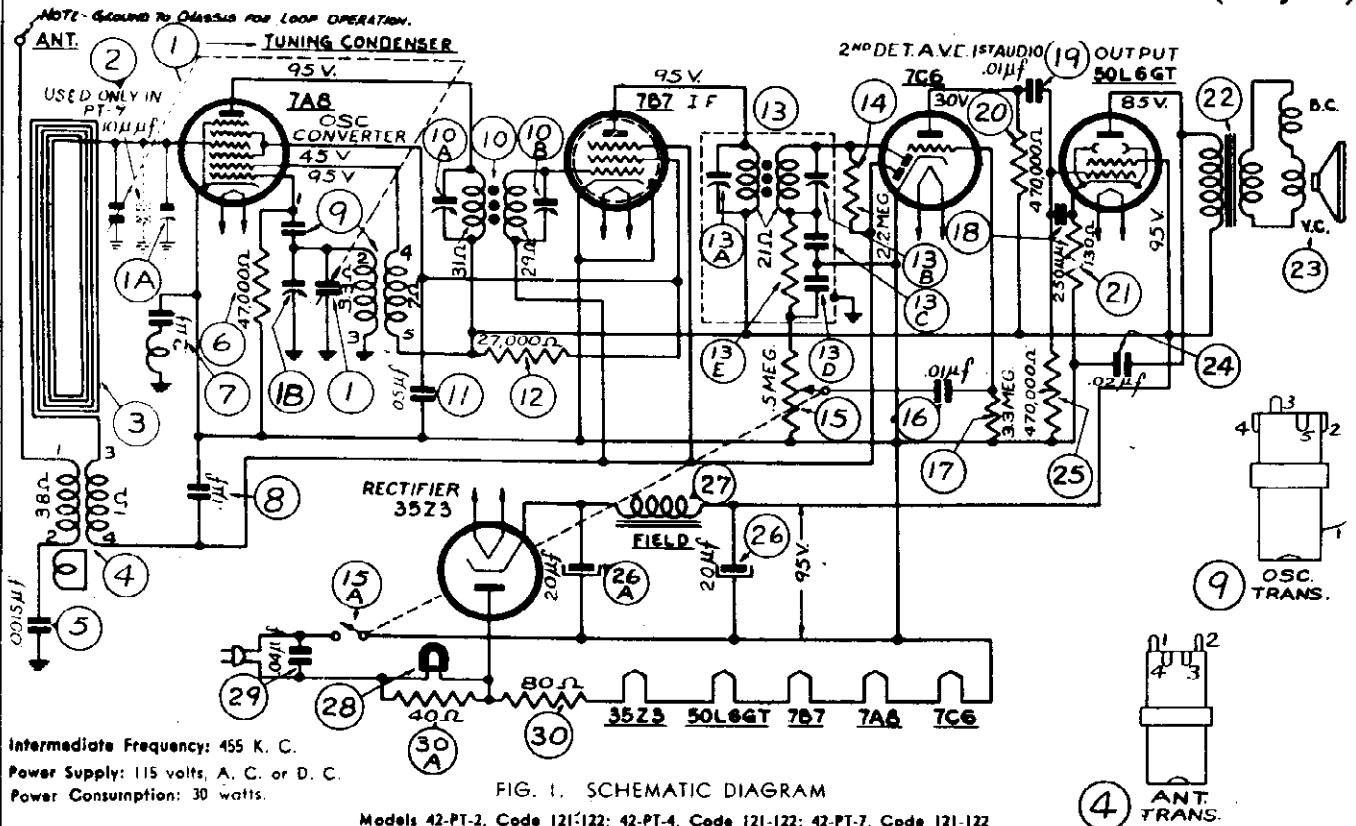
If the indicating meter pointer goes off scale when adjusting the compensators, reduce the strength of the signal from the generator.

Operations In Order	SIGNAL GENERATOR		Dial Setting	Control Setting	RECEIVER		SPECIAL INSTRUCTIONS
	Output Connections to Receiver	Dial Setting			Adjust Compensators In Order	Model	
1	Ant. Section of Tuning	455 K.C.	540 K.C. Tuning Cond. Closed	Vol. Max. Range Switch Broadst.	12A, 12B, 14A	26A, 23B, 23A	Compensator Locations on Diagram, and Base
2	Loop	1600 K.C.	1600 K.C.	Vol. Max. Range Switch Broadst.	4A	14	Note A
3	see above instructions	1500 K.C.	1500 K.C.	Vol. Max. Range Switch Broadst.	5	13	Note B

**NOTE A—DIAL CALIBRATION:** In order to adjust the receiver correctly, the dial must be aligned to track properly with the tuning condenser. To do this, proceed as follows: Turn the tuning condenser to the maximum capacity position (plates fully meshed). With the condenser in this position, set the tuning pointer on the small dot below 550 K.C.

**NOTE B—**The police tuning range of Model 42-22CL is automatically aligned when the broadcast band compensators are adjusted.

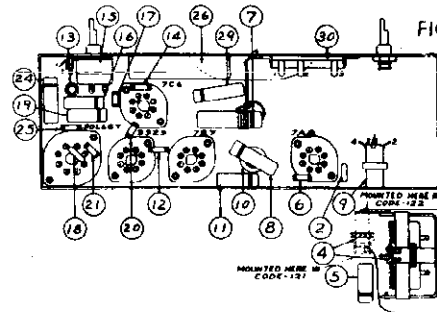
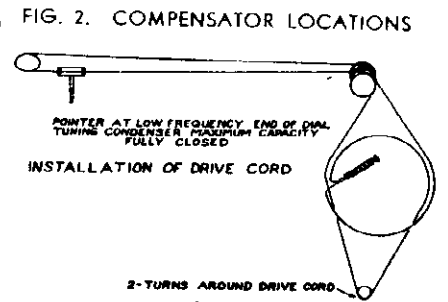
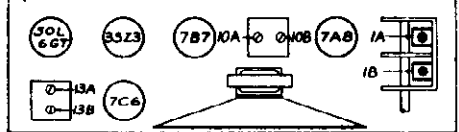
# PHILCO RADIO & TELEVISION CORP.



The D. C. Voltages indicated at the tube elements in the above diagram were measured with a 1000 ohms per voltmeter, Philco Model 027.

## REPLACEMENT PARTS

Schem. No.	Description	Part No.	Schem. No.	Description	Part No.
1.	Tuning Condenser (PT-2, 4, 7, Code 121)	31-2527	29.	Condenser (.04 mfd., 400 volts)	30-4119
	Tuning Condenser (PT-2, 4, 7, Code 122)	31-2810	30.	Filament Resistor (30 ohms)	33-3408
	Drive Shaft	31-2831	30a.	Filament Resistor (40 ohms)	(Part of 30)
	Mtg. Nut	W-2157	<b>MISCELLANEOUS PARTS</b>		
	Drive Cord	31-2529	Cabinet and Loop (PT-2, code 121-122)	76-1193	
	Spring	28-8954	Back	27-9817	
	Mtg. Grommet	27-4610	Mtg. Stud	W-2235FA9	
	Pointer	56-2076	Cabinet and Loop (PT-4, code 121-122)	76-1219	
1a.	Aerial Compensator (Part of Tuning Condenser)		Back	27-5870	
1b.	Oscillator Compensator (Part of Tuning Condenser)		Cabinet (PT-7, code 121)	105B3A	
2.	Mica Condenser (10 mfd., used in PT-7 only)	60-010137	Back	27-9944	
3.	Loop Aerial (PT-2, Code 121-122)	318-2773	Mtg. Screw	W-2023	
	Loop Aerial (PT-4, Code 121-122)	318-2773	Cord (Power)	L-3199	
	Loop Aerial (PT-7, Code 121)	76-1196	Dial Scale (PT-2, code 121)	27-5679	
	Loop Aerial (PT-7, Code 122)	76-1196	Dial Scale (PT-2, code 122)	27-5810	
	Mtg. Washer	W-152	Mtg. Strap	56-2059	
4.	Aerial Transformer	W-991	Mtg. Screw	W-2249FA3	
	Mtg. Clip	32-3391	Dial Scale (PT-4, code 121)	27-5695	
5.	Condenser (.0015 mfd., 200 volts)	30-4621	Dial Scale (PT-4, code 122)	27-5811	
6.	Resistor (47,000 ohms)	33-347339	Mtg. Strap	56-2059	
7.	R. F. Choke and Condenser (.2 mfd.)	76-1161	Mtg. Screw	W-2249	
8.	Condenser (.1 mfd., 200 volts)	30-4598	Dial Scale (PT-7, code 121)	27-5781	
9.	Oscillator Transformer (PT-2, 4, 7, Code 121)	32-3562	Dial Scale (PT-7, code 122)	27-5812	
	Oscillator Transformer (PT-2, 4, 7, Code 122)	32-3839	Mtg. Strap	56-2059	
	Mtg. Clip	28-5002	Mtg. Screw	W-2249	
10.	First I. F. Transformer	32-3603	Knob (PT-2, code 121, 122)	54-1052	
	Mtg. Nut	W-1949FA3	Knob (PT-4, code 121, 122)	27-4805	
10a.	Primary Compensator	(Part of 10)	Knob (PT-7, code 121, 122)	51-4135	
10b.	Secondary Compensator	(Part of 10)	Socket (50L6GT)	27-6174	
11.	Condenser (.05 mfd., 400 volts)	30-4519	Socket (10K7AL, TUBES)	27-8177	
12.	Resistor (27,000 ohms)	33-327337	Screw (Chassis Mtg. PT-2-4)	W-1921FA9	
13.	Second I. F. Transformer	32-3604	Screw (Chassis Mtg. PT-7)	W-2068	
	Mtg. Nut	W-1949	Washer (Chassis Mtg. PT-2-4)	28-2615	
13a.	Primary Compensator	(Part of 13)	Washer (Chassis Mtg. PT-7)	W-418	
13b.	Secondary Compensator	(Part of 13)			
13c.	Condenser	(Part of 13a and 13b)			
13d.	Condenser	(Part of 13a and 13b)			
13e.	Resistor	(Part of 13)			
14.	Resistor (2.2 megohms)	33-522339			
15.	Volume Control	33-5434			
	Mtg. Nut	W-2157			
15a.	Power Switch	(Part of 15)			
16.	Condenser (.01 mfd., 400 volts)	30-4572			
17.	Resistor (3.3 megohms)	33-533339			
18.	Mica Condenser (250 mfd.)	60-125157			
19.	Condenser (.01 mfd., 400 volts)	30-4572			
23.	Resistor (470,000 ohms)	33-447339			
21.	Resistor (130 ohms)	33-113336			
22.	Output Transformer	32-8164			
23.	Speaker	36-1533-9			
	Cone Assembly	36-4190			
24.	Condenser (.02 mfd., 400 volts)	30-4516			
25.	Resistor (470,000 ohms)	33-447339			
26.	Electrolytic Condenser (20 mfd.)	30-2382			
26a.	Electrolytic Condenser (20 mfd.)	(Part of 26)			
	Mtg. Clamp	56-1346			
27.	Field Coil	(Replace Speaker 36-1533)			
28.	Pilot Lamp	34-2068			
29.	Socket Assembly	76-1177			



FOR ALIGNMENT  
SEE INDEX



MODELS 42-PT-2, 42-PT-4,  
42-PT-7  
MODELS 42-PT-10, 42-321  
MODEL 42-1004

PHILCO RADIO & TELEVISION CORP.

ALIGNMENT FOR MODELS  
42-PT-2, 42-PT-4, 42-PT-7  
42-321, 42-PT-10

When aligning the R. F. padders a loop is made from a few turns of wire and connected to the signal generator output terminals; the signal generator is then placed close to the loop of the radio.  
The receiver can be adjusted in the cabinet or removed from the cabinet.

When adjusting the radio outside the cabinet the loop aerial should be placed in approximately the same position around or near the

chassis as when assembled. The aligning points on scale plate should also be used.

After connecting the aligning instruments adjust the compensators as shown in the tabulation below. Compensator locations are shown on the Schematic.

If the indicating meter pointer goes off scale when adjusting the compensators, reduce the strength of the signal from the generator.

Operations in Order	SIGNAL GENERATOR		RECEIVER			SPECIAL INSTRUCTIONS
	Output Connections to Receiver	Dial Setting	Dial Setting	Control Setting	Adjust Compensators in Order 42-321, -PT-10      42-PT-2, -PT-4, -PT-7	
1	Ant. Section of tuning	465 K. C.	540 K. C. Tuning Cond. Closed	Vol. Max.	18A, 18B, 14A, 14B      13B, 13A, 10A, 10B	Note B
2	Loop see above instructions	1600 K. C.	1600 K. C.	Vol. Max.	(6B, Note C)      (1B, Note C)	Note A
3	Loop see above instructions	1500 K. C.	1500 K. C.	Vol. Max.	(6A, Note D)      (1A, Note D)	

NOTE A: DIAL POINTER CALIBRATION—In order to adjust the receiver correctly, the pointer must be adjusted to track properly with the tuning condenser. To do this, turn the tuning condenser to the maximum capacity (plates fully meshed.) With the condenser in this position, set the tuning pointer on the first small line stamped in the scale plate on the left side.

NOTES FOR MODELS 42-321, -PT-10

NOTE B—Before adjusting compensators, turn down (14B) to tight position. Then adjust the compensators for maximum output in the following order: 18A, 18B, 14A and 14B.

NOTE C—Turn tuning condenser until dial pointer is on the first small line stamped in the scale plate from right side of chassis. Adjust padder (6B) to maximum at this point.

NOTE D—Turn tuning condenser until dial pointer is on the second small line stamped in the scale plate from right side of chassis. Adjust padder (6A) to maximum at this point.

NOTES FOR MODELS 42-PT-2, -PT-4, -PT-7

NOTE B—Before adjusting compensators, turn down (10B) to tight position. Then adjust the compensators for maximum output in the following order: 12A, 12B, 10A and 10B.

NOTE C—When adjusting padder outside of cabinet, turn tuning condenser until dial pointer is on the first small line stamped in the scale plate from right side of chassis. Adjust padder (1B) to maximum at this point.

NOTE D—When adjusting padder outside of cabinet, turn tuning condenser until dial pointer is on the second small line stamped in the scale plate from right side of chassis. Adjust padder (1A) to maximum at this point.

MODEL 42-1004

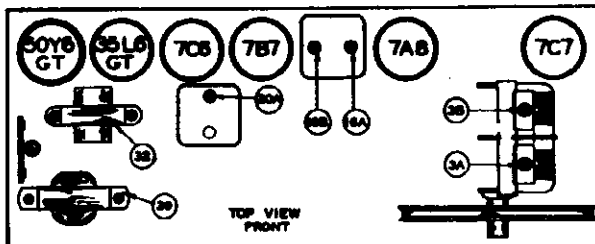


FIG. 1. LOCATIONS OF COMPENSATORS

When aligning the R. F. padders a loop is made from a few turns of wire and connected to the signal generator output terminals; the signal generator is then placed close to the loop of the radio.

The receiver can be adjusted in the cabinet or removed from the cabinet.

When adjusting the radio outside the cabinet the loop aerial should be placed in approximately the same position around or near the chassis as when assembled. A paper aligning scale, Part No. 27-9985, is also attached to the metal dial plate for adjusting the radio outside of the cabinet. The scale is marked with three lines indicating from left to right—"Dial Calibration Point," "590 K.C." and "1500 K.C." After connecting the aligning instruments adjust the compensators as shown in the tabulation below. Locations of the compensators are shown in fig. 1.

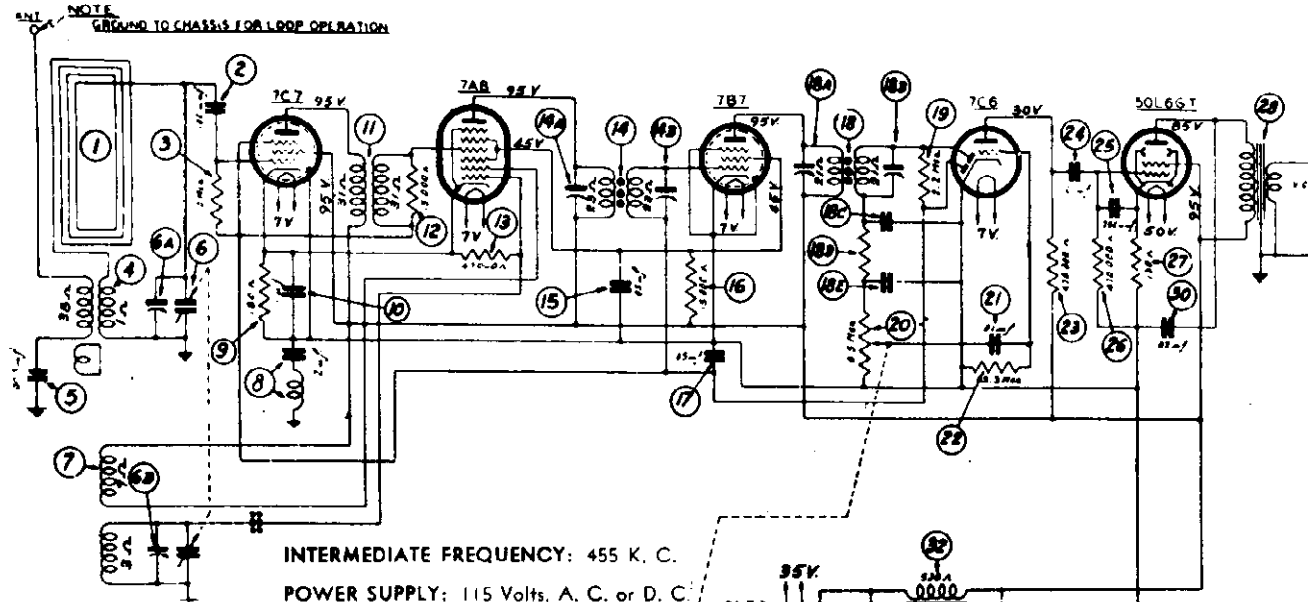
If the indicating meter pointer goes off scale when adjusting the compensators, reduce the strength of the signal from the generator.

Operations in Order	SIGNAL GENERATOR		RECEIVER			SPECIAL INSTRUCTIONS
	Output Connections to Receiver	Dial Setting	Dial Setting	Control Setting	Adjust Compensators in Order	
1	Ant. Section of tuning	465 K. C.	540 K. C. Tuning Cond. Closed	Vol. Max.	26A, 16B, 16A	
2	Loop see above instructions	1600 K. C.	1600 K. C.	Vol. Max.	3B, 3A	Note A

Operations in Order	SIGNAL GENERATOR MODEL 42-1006 CODE 122 RECEIVER					Special Instructions
	Output Connections to Receiver	Dial Setting	Dial Setting	Control Setting	Adjust Compensators in Order	
1	Ant. Section of tuning	465 K. C.	540 K. C. Tuning Cond. Closed	Vol. Max. Switch-Radio	22A, 21B, 21A	
2	Loop see above instructions	1600 K. C.	1600 K. C.	Vol. Max. Switch-Radio	3B, 3A	Note A

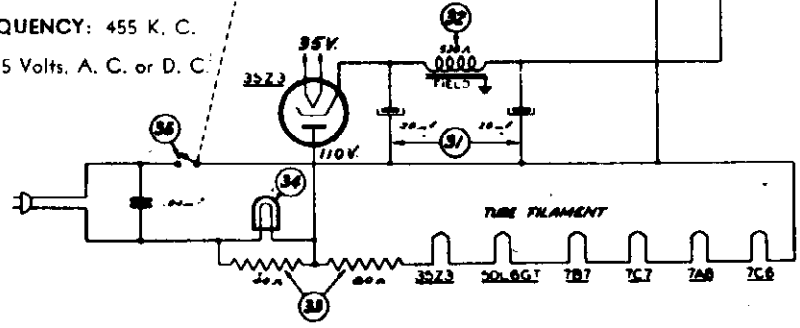
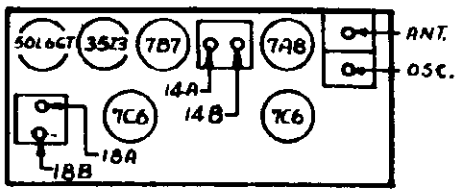
NOTE A: Dial Calibration: In order to adjust the receiver correctly, the dial must be aligned to track properly with the tuning condenser. To do this, proceed as follows: Turn the tuning condenser to the maximum capacity position (plates fully meshed). With the condenser in this position, set the tuning pointer on the small dot below 540 K.C.

PHILCO RADIO & TELEVISION CORP.



INTERMEDIATE FREQUENCY: 455 K. C.

POWER SUPPLY: 115 Volts. A. C. or D. C.

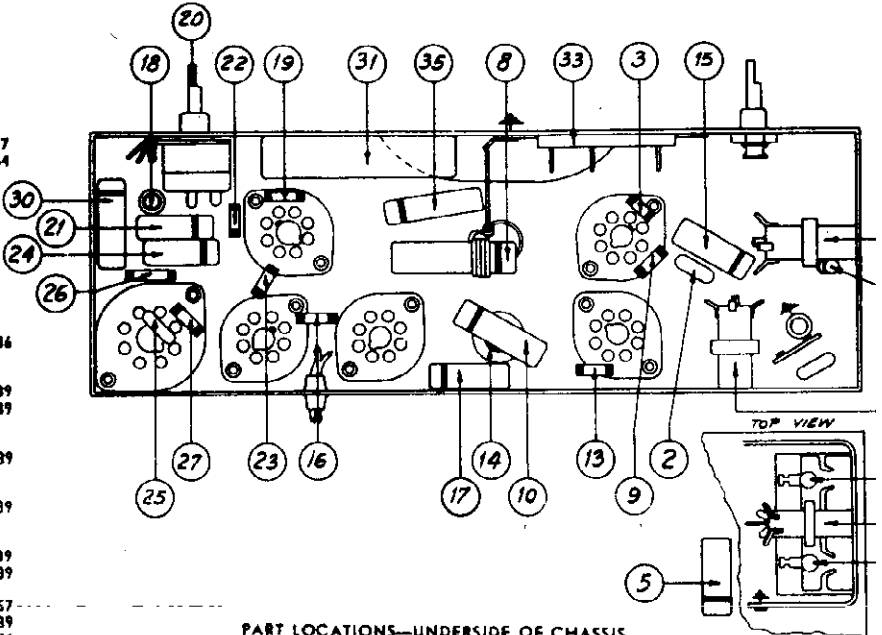


MODEL 42-PT-10

Volume control (20) Part No. 33-5469 list in the Service Bulletin is used on Model 42-321 only. The volume control for Model 42-PT-10 is Part No. 33-5434.

FOR ALIGNMENT SEE INDEX

SCHE. No.	DESCRIPTION	PART No.
1	Loop Aerial (42-321T1)	76-1196
2	Loop Aerial (PT-10) Part of Cabinet.	
3	Mica Condenser (100 mmfd.)	40-110157
4	Resistor (1.0 megohms)	33-510154
5	Aerial Transformer	32-3394
6	Condenser (.0015 mfd., 400 volts)	30-4621
7	Tuning Condenser	31-2527
8	Pointer	54-2076
9	Spring (Drive Cord)	28-8754
10	Shaft Assembly (42-321)	31-2591
11	Shaft Assembly (PT-10)	31-2531
12	Drive Cord	31-2529
13	Oscillator Transformer	32-3613
14	Condenser and Choke Assembly	76-1198
15	Resistor (180 ohms)	33-118334
16	Condenser (.11 mfd., 200 volts)	30-4584
17	R. F. Transformer	32-3595
18	Resistor (15,000 ohms)	33-315339
19	Resistor (47,000 ohms)	33-347339
20	1st I. F. Transformer	32-3614
21	Condenser (.05 mfd., 200 volts)	30-4519
22	Resistor (15,000 ohms)	33-315339
23	Condenser (.05 mfd., 200 volts)	30-4519
24	2nd I. F. Transformer	32-3604
25	Resistor (2.2 megohms)	33-522339
26	Volume Control	33-5469
27	Condenser (.01 mfd., 400 volts)	30-4572
28	Resistor (3.3 megohms)	33-533339
29	Resistor (470,000 ohms)	33-447339
30	Condenser (.01 mfd., 400 volts)	30-4572
31	Mica Condenser (250 mmfd.)	40-125157
32	Resistor (470,000 ohms)	33-447339
33	Resistor (130 ohms)	33-113334
34	Output Trans. (for Speaker 34-1533-9)	32-8154
35	Cone Assembly (for Speaker 34-1533-9)	34-4190
36	Condenser (.02 mfd., 400 volts)	30-4516
37	Electrolytic Condenser (20-20 mfd.)	30-2382
38	Field Coil (Replace Speaker 34-1533-9)	
39	Resistor (Wirewound, 40-80 ohms)	33-3408
40	Pilot Lamp	34-2048
41	Condenser (.04 mfd., 400 volts)	30-4119
MISCELLANEOUS PARTS		
	Cabinet (42-321T)	10544A
	Cabinet (42-321T1)	10568B
	Cabinet (PT-10)	76-1195
	Cardboard Back (PT-10)	27-9817



PART LOCATIONS—UNDERSIDE OF CHASSIS

DESCRIPTION	PART No.	DESCRIPTION	PART No.
Cable (Power)	L-3199	Screw (Chassis Mounting) (42-321)	W-2045
Clip (R. F. Coil Mtg.)	28-5002	Screw (Chassis Mounting) (PT-10)	W-1921
Dial Scale (42-321)	76-1192	Socket (Lokal Tubes)	27-6177
Dial Scale (PT-10)	27-5676	Socket (Output Tube)	27-6174
Knob Assembly (42-321T)	54-4105	Socket Assembly (Pilot Lamp)	76-1177
Knob (42-321T1)	54-4143	Speaker	34-1533-9
Knob (42-PT10)	54-4052	Washer Chassis Mounting	W-410

MODELS 42-RP-1, 42-RP-2

PHILCO RADIO & TELEVISION CORP.

REPLACEMENT PARTS

42-RP-1; 42-RP-2, CODE 121

Schem. No.	Description	Part No.
1.	Condenser (50 mmfd.)	40-430127
2.	Fewer Switch	42-1465
3.	Off-On Switch (Motor)	42-1465
	Switch Plate	54-1383
	Washer	W-407-FA4
	Screw	W-504-FA7
	Nut	W-404-FA4
4.	Motor (115 volts, 50 cycles)	38-1290
	Turntable	38-3307
	Mfg. Screw	W-38-FA4
5.	Fewer Cord	L-3778
6.	Condenser (.01 mfd., 200 volt)	3003-5C
7.	Power Transformer (115 volts, 60 cycles)	31-4003
8.	Phono Crystal & Tone Arm Complete	38-2479
	Ismpar	54-4070
9.	Condenser (100 mmfd.)	46-10157
10.	Resistor (100,000 ohms)	33-10339
11.	Resistor (47,000 ohms)	33-347339
12.	Condenser (.004 mfd., 400 volts)	24-4071
13.	Resistor (1 megohm)	33-510339
14.	Resistor (1,000 ohms)	33-210339
15.	Condenser (.1 mfd., 400 volts)	61-0113
16.	Compensator (Condenser Type—Model 42-RP-1)	Part of 17
17.	Mica Condenser (250 mmfd.—Model RP-1)	38-1038
	Mica Condenser (400 mmfd.—Model RP-2)	24-1115
18.	Resistor (47,000 ohms)	33-347339
19.	Oscillator Transformer (Model RP-1)	33-3112
	Oscillator Transformer (Model RP-2)	33-3192
19a.	Iron Core Compensator (Model RP-2) Part of 19	W-124-FA3
	Iron Nut	W-124-FA3
20.	Electrolytic Condenser (44 mfd.)	38-2300
	Mfg. Clamp	54-134-FA5
21.	Resistor (10,000 ohms)	33-310339
22.	Electrolytic Condenser (8 mfd.)	Part of 20

\*NOTE: The oscillator transformers (19) of the RP-1 and RP-2 differ in construction. The RP-1 transformer is tuned by a capacity type padder and the RP-2 transformer by an Iron Core mounted in the center of the coil.

MISCELLANEOUS PARTS

CABINET (42-RP-1)	10801-A
Rubber Feet	27-4017
Bottom Cover	27-9946
Screw (Foot mfg.)	W-2177-FA7
CABINET (42-RP-2)	10802-A
Bottom Cover	27-9947
SNAP BUTTON	W-1767-FC37
SOCKET (R1 tube)	27-4026
SOCKET (4A7 tube)	27-4027
Mfg. Eyebolt	W-1160
SCREW (CHASSIS MTS.)	W-218-FE11
WASHER (CHASSIS MTS.)	W-781-FA3
NEEDLE KIT	48-408

SPECIFICATIONS

Models 42-RP-1 and 42-RP-2 are remote wireless record players which can be used in conjunction with any standard broadcast receiver to reproduce, phonograph records. In general these models are similar in design, with the exception of the cabinet.

POWER SUPPLY: 115 Volts, 60 Cycle A.C.

PICKUP: Crystal

MOTOR: Rim Drive

TUBES: 6A7; 84

OPERATING:

Place record on turntable and slide "Off-On Switch" (Fig. 3-4) to "On" position; this will be indicated by pilot light in tone arm.

After allowing sufficient time for tubes to warm up, place tone arm on record; this automatically starts motor.

Tune the radio to approximately 540 KC [54 on most dials] at which setting the phonograph signal will be picked up. Volume can be regulated by the radio receiver's volume control in the normal way.

At the end of the record, turn the tone arm to rest position which will automatically turn motor off. It is not necessary to slide "Off-On" Switch to the "Off" position between records.

If interference from broadcasting stations is encountered, the frequency of the unit can be changed to any other frequency between 530 KC and 580 KC by adjusting small screw indicated in Fig. 3 for model 42-RP-2 and Fig. 5, model 42-RP-1. Turning screw clockwise lowers the frequency, counter-clockwise raises the frequency. THIS ADJUSTMENT IS BEST MADE WHILE THE UNIT IS IN OPERATION.

If hum is experienced, it may be necessary to reverse the power plug of the record player, the radio, or both. In most cases it is preferable to use different receptacles for record player and radio.

No definite rule can be established for the relative location of the record player to your radio; individual trial will establish the best location. However, in general, satisfactory operation may be obtained up to a distance of fifty (50) feet, provided local noise conditions are not too severe.

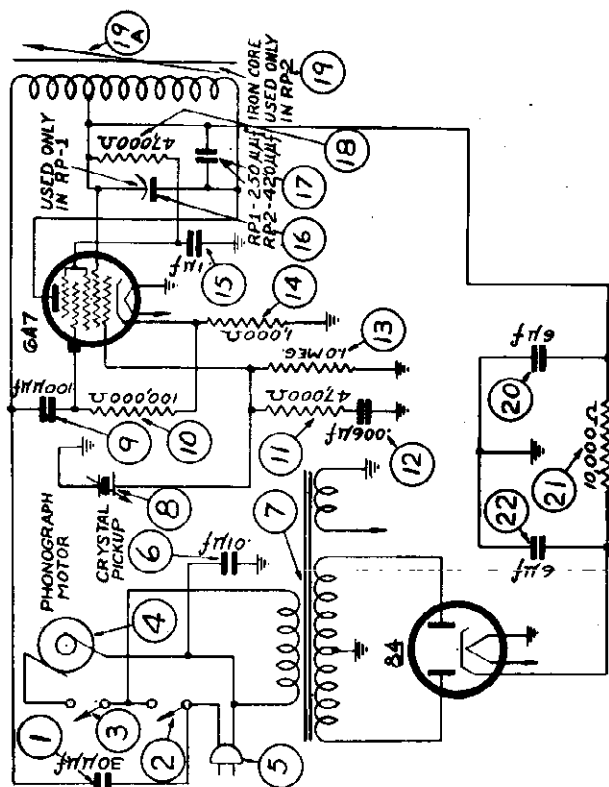


FIG. 1. SCHEMATIC DIAGRAM—MODELS 42-RP-1; 42-RP-2, CODE 121

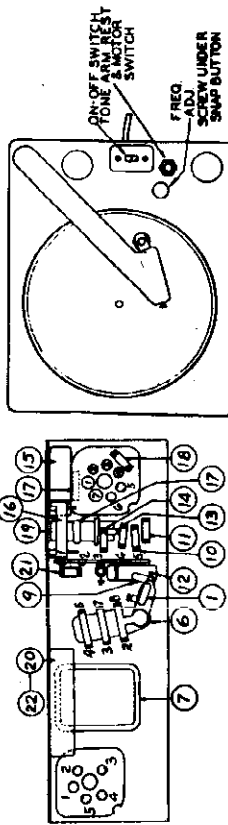


FIG. 2. PART LOCATIONS—CHASSIS

FIG. 3. MODEL 42-RP-2

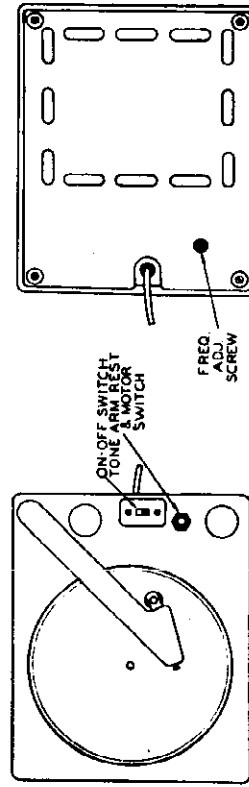
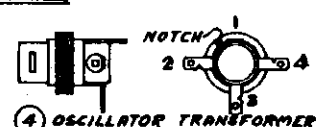
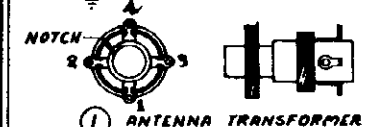
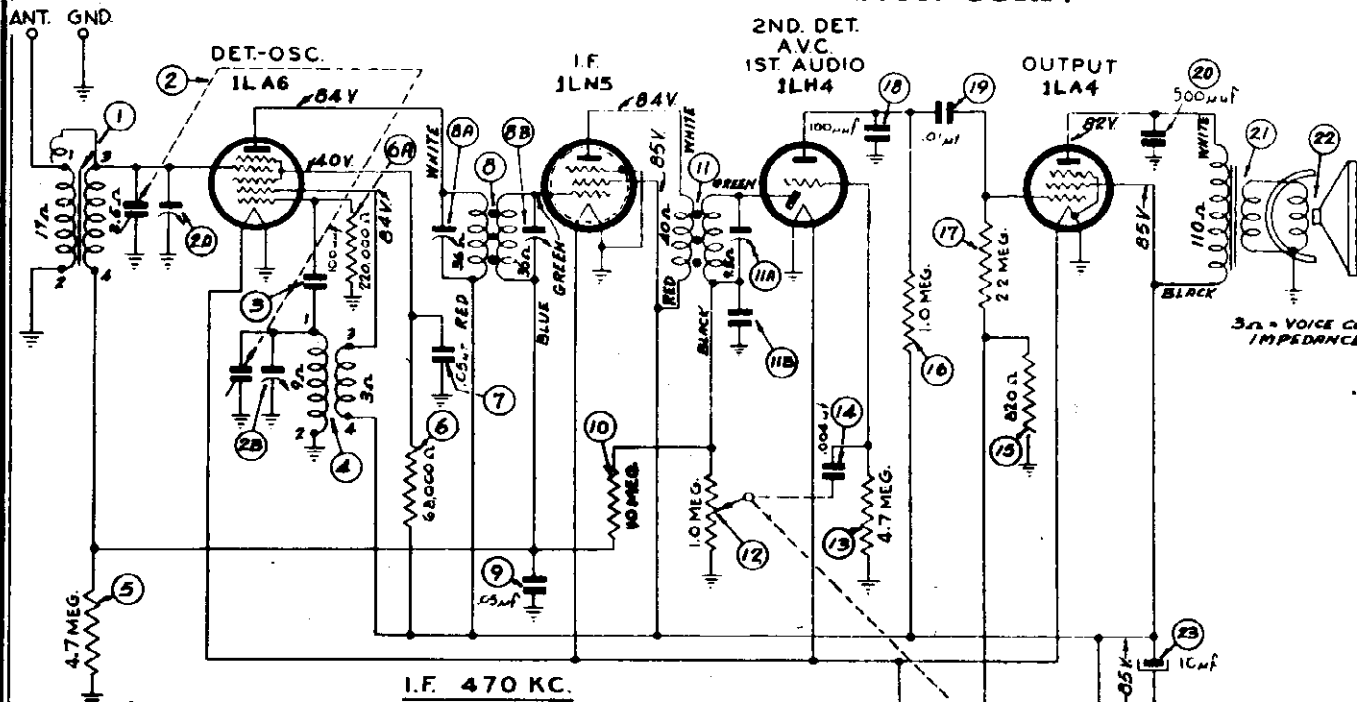


FIG. 4. MODEL 42-RP-1

FIG. 5. MODEL 42-RP-1

PHILCO RADIO & TELEVISION CORP.

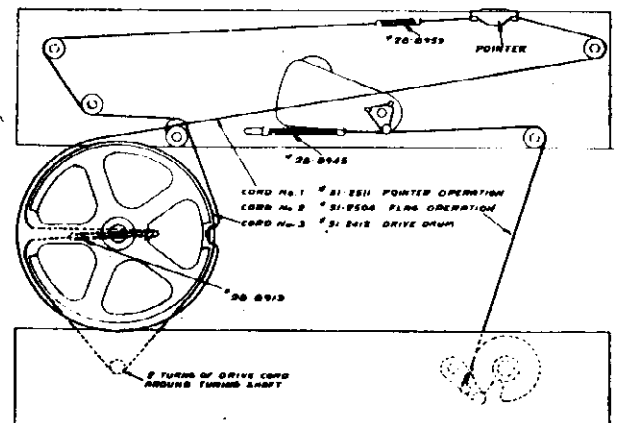


**SCHEM.**

No.	DESCRIPTION	PART No.
1.	Antenna Transformer	32-3498
	Clip	28-5002
2.	Tuning Condenser Assembly	31-2485
	Rubber Grommet	27-4610
	Spacer	56-1869
	Spring (Tuning Cond.)	28-8913
	Spring (Pointer Drive)	28-8933
	Pointer (Dial)	56-2139
	Drive Cord (Pointer)	31-2511
	Drive Cord (Tuning Cond.)	31-2516
	Shaft (Tuning)	31-2545
	Drive Drum	78-1176
	Nut (Cond. Mtg.)	W-1543
3.	Mica Condenser (100 mmfd.)	60-110157
4.	Oscillator Transformer	32-3491
5.	Resistor (4.7 meg., 1/2 watt)	33-347339
6.	Resistor (60,000 ohms, 1/2 watt)	33-388339
7.	Tubular Condenser (.05 mfd., 200 v.)	30-4518
8.	1st I. F. Transformer	32-3675
	Palnut (mounting)	W-1949
9.	Tubular Condenser (.05 mfd., 200 v.)	30-4518
10.	Resistor (10.0 meg., 1/2 watt)	33-610339
11.	2nd I. F. Transformer	32-3199
	Palnut (mounting)	W-1949
11A.	Compensator	part of 11
11B.	Condenser	part of 11A
12.	Volume Control (1.0 meg.)	33-5441
	Palnut	W-2157
13.	Resistor (4.7 meg., 1/2 watt)	33-347339
14.	Tubular Condenser (.004 mfd., 400 v.)	30-4578
15.	Resistor (820 ohms, 1/2 watt)	33-182336
16.	Resistor (1.0 meg., 1/2 watt)	33-518339
17.	Resistor (2.2 meg., 1/2 watt)	33-522339
18.	Mica Condenser (100 mmfd.)	60-110157
19.	Tubular Condenser (.01 mfd., 400 v.)	30-4572
20.	Mica Condenser (500 mmfd.)	60-150157
21.	Output Transformer	32-8180
22.	Cone & Voice Coil Assembly	
	(Speaker Part No. 36-1507-1)	34-4154
	(Speaker Part No. 36-1507-3)	36-4165
23.	Electrolytic Cond. (10 mfd., 150 v.)	30-2396
24.	Battery Cable Assembly	41-3585

Mtg. Straps	56-1752	PLU + SHOWN FROM PRONG SIDE	
Mtg. Washers	W-152	Drive Card	31-2804
Mtg. Screw	W-2082	Cam Assembly	38-8061
Indicator Plug	W-2232	Transfer Lever	78-1849
Indicator	78-1122		

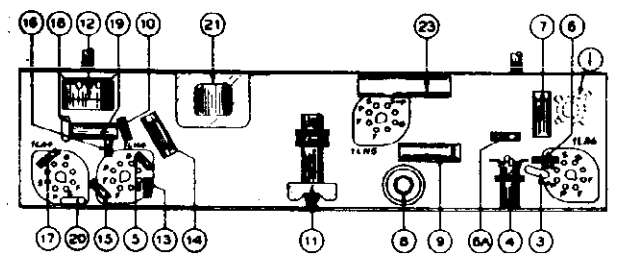
FOR ALIGNMENT SEE INDEX



INSTALLATION OF DRIVE CORDS, POINTER AT LOW FREQUENCY END OF DIAL GANG CLOSED VIEW SHOWN FROM REAR OF CHASSIS  
INSTALLATION OF DRIVE CORDS, MODEL 42-121.

**MISCELLANEOUS PARTS**

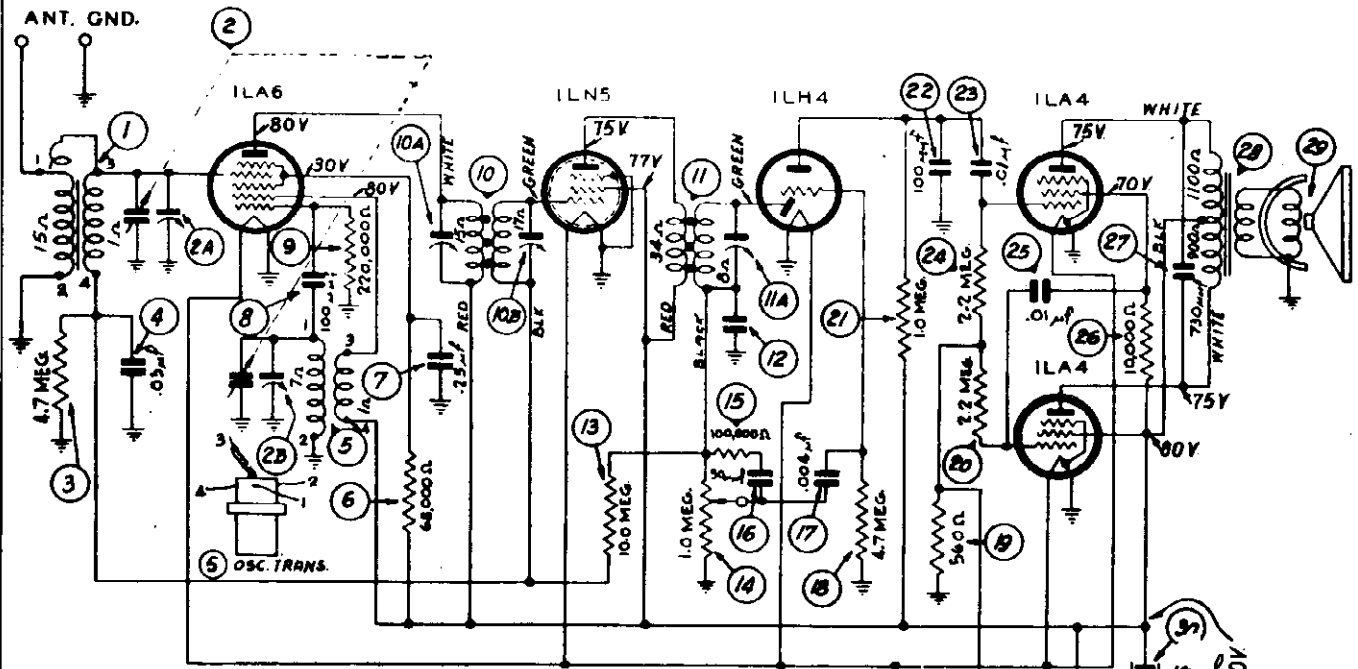
Baffle & Cloth Assembly	48-6649
Mtg. Fasteners	56-5082
Cabinet	18478-B
Dial Feet	27-4884
Screw (Chassis Mtg.)	W-2068
Dial Scale	27-5714
Dial Backing Cover	27-5875



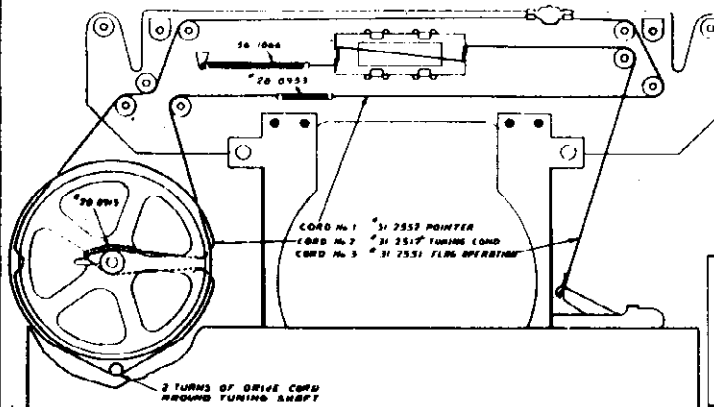
LOCATIONS OF PARTS — UNDERSIDE OF CHASSIS — MODEL 42-121.

MODELS 42-122, 42-123

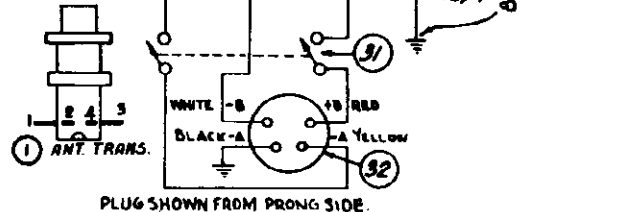
PHILCO RADIO & TELEVISION CORP.



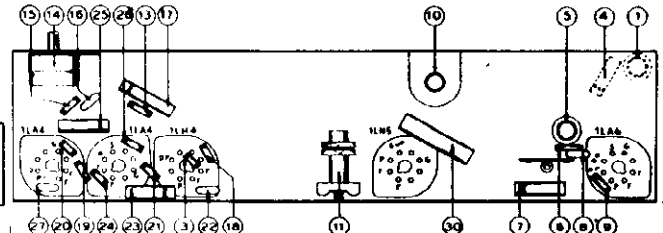
IF PEAK 455 KC



INSTALLATION OF DRIVE CORDS. POINTER AT LOW FREQUENCY END OF DIAL, GANG CLOSED. VIEW SHOWN FROM REAR OF CHASSIS

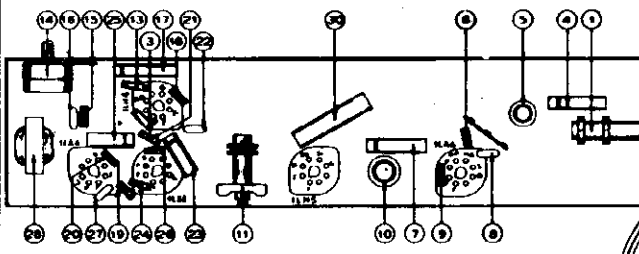


PLUG SHOWN FROM PRONG SIDE



LOCATIONS OF PARTS — UNDERSIDE OF CHASSIS — MODEL 42-122.

INSTALLATION OF DRIVE CORDS, MODEL 42-122.

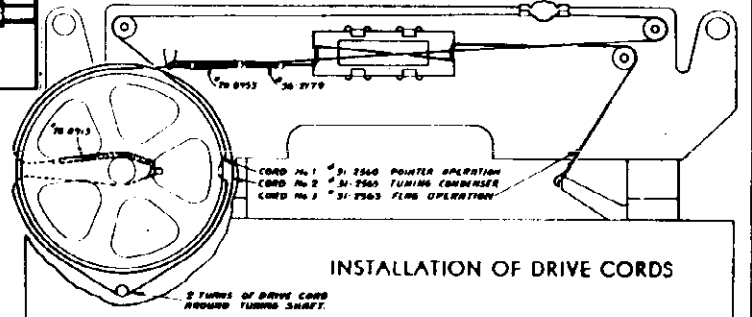


LOCATIONS OF PARTS — UNDERSIDE OF CHASSIS — MODEL 42-123.

FOR ALIGNMENT AND PARTS LIST SEE INDEX

To improve tuning the drive cord on the tuning condenser was changed from Part No. 31-2512 to 31-2516.

To prevent audio microphonics resistor (26) 10,000 ohms was changed to 4700 ohms Part No. 33-247339. Chassis with this change are marked run 2.



INSTALLATION OF DRIVE CORDS. POINTER AT LOW FREQUENCY END OF DIAL, GANG CLOSED. VIEW SHOWN FROM REAR OF CHASSIS

MODEL 42-123

To prevent audio microphonics resistor (26) 10,000 ohms was changed to 4700 ohms Part No. 33-247339.

MODEL 42-123

PHILCO RADIO & TELEVISION CORP.

MODEL 42-121  
MODELS 42-122, 42-123

MODEL 42-121

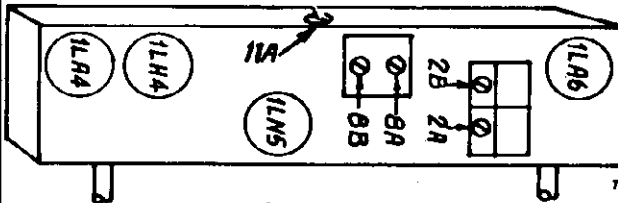
**TYPE OF CIRCUIT** — Four (4) tube battery operated single band super-heterodyne circuit covering 540 to 1720 K.C. In addition, other features included are: pentode audio output stage, automatic volume control, high output permanent magnet speaker, Philco low current drain LOKTAL tubes, and an "ON-OFF" indicator.

**INTERMEDIATE FREQUENCY** — 455 K.C.

**BATTERIES REQUIRED** — Philco combination "A-B" battery type No. P-608-6L.

**BATTERY VOLTAGE AND CONSUMPTION** — "A" 1.5 volts, 200 Ma.  
"B" 90 volts, 6.9 Ma.

**AUDIO OUTPUT** — 100 milliwatts.



MODELS 42-122T, 42-123F

**TYPE OF CIRCUIT:** Five (5) tube battery operated superheterodyne circuit covering broadcast band and state police frequencies. Other features included are: Push-Pull pentode audio output stage; automatic volume control; OFF-ON indicator; low current drain Philco LOKTAL Tubes and a high output permanent Magnet Speaker especially designed for Farm Radios.

In general these models are similar with the exception of the cabinets and speakers. Model 42-122T is assembled in a Table Type Cabinet, and Model 42-123F in a console (Floor Type) Cabinet.

**TUNING RANGES:** 540 to 1720 K.C.

**INTERMEDIATE FREQUENCY:** 455 K.C.

**PHILCO BATTERY REQUIRED:** Type P-60D-11L Combination "A-B" unit.

**BATTERY VOLTAGE AND CONSUMPTION:** Filament, 1.5 volts; 250 Ma.  
Plate, 90 volts; 10 Ma.

**AUDIO OUTPUT:** 170 milliwatts.

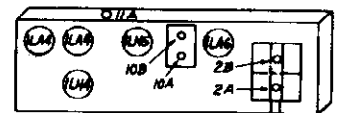
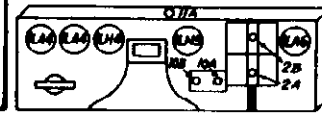


FIG. 2 — TUBE AND COMPENSATOR LOCATIONS. TOP OF CHASSIS, MODEL 42-121.

FIG. 2 — TUBE AND COMPENSATOR LOCATIONS. TOP OF CHASSIS, MODEL 42-121.

MODELS 42-121, 42-122, 42-123  
CONNECTING ALIGNING INSTRUMENTS

**Vacuum Tube Voltmeter:** To use the vacuum tube voltmeter as an aligning indicator it should be connected to the A. V. C. circuit as follows:

1. Connect the negative (-) terminal of the vacuum tube voltmeter through a 2 megohm resistor to any point in the circuit where the A. V. C. voltage can be measured.

2. Connect the positive (+) terminal to the chassis ground terminal.

**Audio Output Meter:** If this type of meter is used as an aligning indicator, it should be connected to the plate of the output tube and ground.

**Signal Generator:** When adjusting the I. F. padders the high side of the signal generator is connected through a .1 mfd. condenser to the aerial tuning condenser stator lug which connects to the grid of the converter tube. The

ground or low side of the signal generator is connected to the chassis of the receiver.

When aligning the R. F. padders connect the signal generator as given below in the column "Output Connections to Receiver" with a dummy aerial as indicated in "Dummy Aerial" column.

After connecting the aligning meter, adjust the compensators in the order as shown in the tabulation below. Locations of the compensators are shown in the diagram.

If the output pointer goes off scale when adjusting the compensators, reduce the strength of the signal from the generator.

Due to the dial being mounted on the cabinet, it will be necessary to align receiver when mounted in the cabinet.

Operations in Order	SIGNAL GENERATOR			RECEIVER				Special Instructions
	Output Connections To Receiver	Dummy Aerial	Dial Setting	Dial Setting	Control Settings	Adjust Compensators		
						42-121	42-122 42-123	
1	Stator Plate lug-aerial tuning cond.	.1 mfd.	485 K.C.	580 K.C.	Vol. Max.	11B, 8B, 8A	11A, 10B, 10A	Note A
2	Aerial Connection Receiver	225 mmfd.	1700 K.C.	1700 K.C.	Vol. Max.	2B	2B	
3	Aerial Connection Receiver	225 mmfd.	1500 K.C.	1500 K.C.	Vol. Max.	2A	2A	

NOTE A — Dial Calibration: Before adjusting the R. F. Compensators, the dial pointer must be adjusted to track properly with the tuning Condenser. To adjust the pointer, turn the tuning Condenser to the closed position (maximum capacity) and set the pointer to the mark at the left hand end of the dial below 550 K.C.

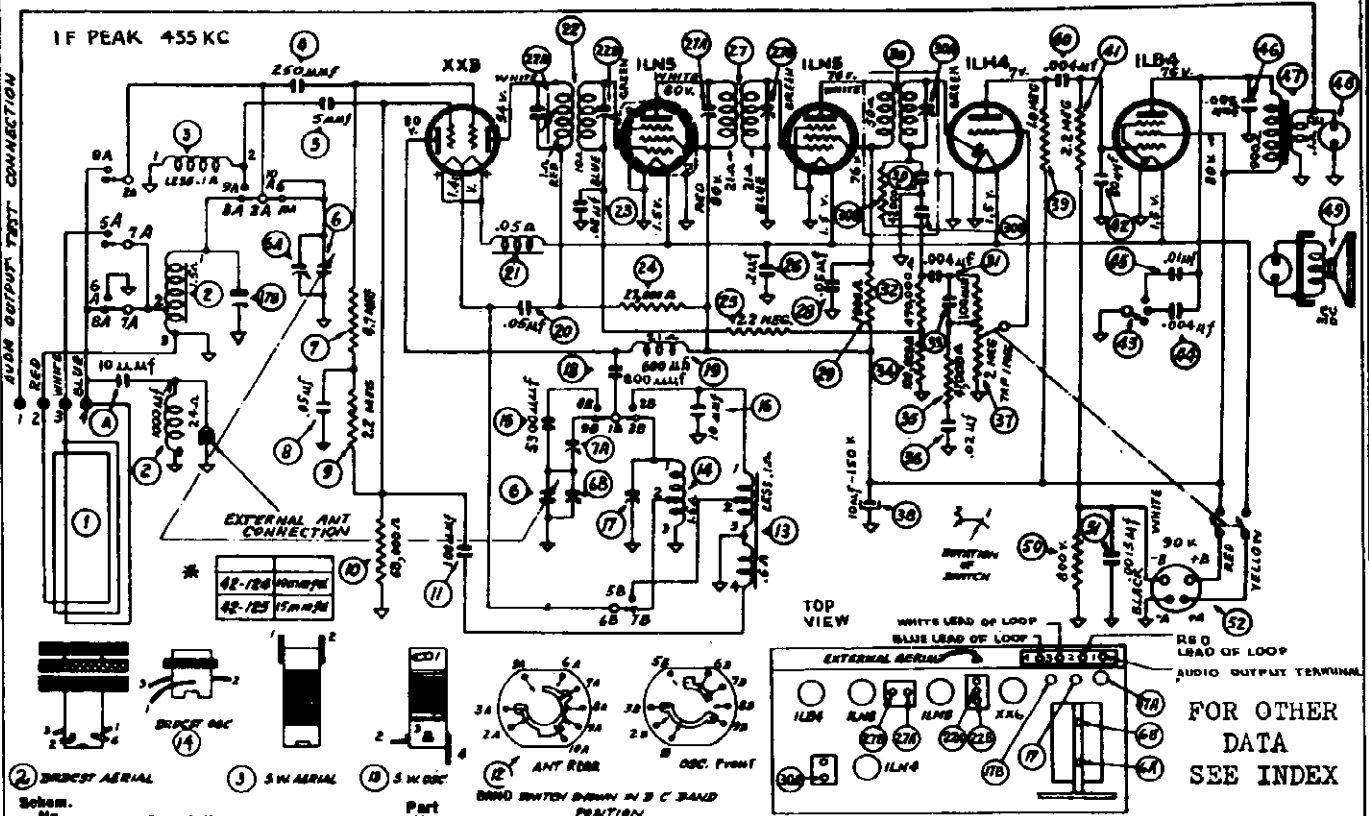
REPLACEMENT PARTS — MODELS 42-122, 42-123

SCHEM. No.	DESCRIPTION	PART No.	SCHEM. No.	DESCRIPTION	PART No.	SCHEM. No.	DESCRIPTION	PART No.
1.	Aerial Transformer	32-3706	11A.	Compensator	part of 11			
	Mounting Clip	28-3002	12.	Condenser	part of 11A			
2.	Tuning Condenser (42-122)	31-2944	13.	Resistor (10 megohms)	33-610339			
	Tuning Shaft Assembly (42-122)	31-2584	14.	Volume Control (10 megohms, 42-122)	33-5447			
	Tuning Condenser (42-123)	31-2984		Volume Control (10 megohms, 42-123)	33-5452			
	Tuning Shaft Assembly (42-123)	31-2586		Nut (Mtg. control)	W-2137			
	Nut (Shaft Mtg.)	W-684	15.	Resistor (100,000 ohms)	33-410339			
	Drive Drum	78-1176	16.	Condenser (50 mmfd.)	66-090157			
	Drive Cord (Tuning Cond. 42-122)	31-2812	17.	Condenser (.004 mfd., 400 v.) 42-122	66-0128			
	Drive Cord (Tuning Cond. 42-123)	31-2865		Condenser (.004 mfd., 400 v.) 42-123	36-4623			
	Drive Cord (Pointer-42-122)	31-2882	18.	Resistor (4.7 megohms)	33-547338			
	Drive Cord (Pointer-42-123)	31-2888	19.	Resistor (500 ohms)	33-136226			
	Rubber Grammet (Mtg. Tuning Cond. 42-122)	27-4610	20.	Resistor (2.2 megohms)	33-522338			
	Rubber Grammet (Mtg. Tuning Cond. 42-123)	54-4020	21.	Resistor (1.0 megohms)	33-510339			
	Spring (Tuning Car., Drive Cord)	20-0913	22.	Condenser (100 mmfd.)	66-110157			
	Spring (Pointer Drive)	20-0963	23.	Condenser (.01 mfd., 400 volts)	36-4572			
	Pointer	56-2139	24.	Resistor (2.2 megohms)	33-522339			
	Nut (Condenser Mts.)	W-1843	25.	Condenser (.01 mfd., 400 volts)	36-4572			
3.	Resistor (4.7 megohms)	33-547339	26.	Resistor (10,000 ohms)	33-210339			
	Condenser (.65 mfd.)	36-4519	27.	Condenser (730 mmfd.)	66-173127			
4.	Oscillator Transformer	32-3194	28.	Audio Output Transformer	32-0152			
5.	Resistor (68,000 ohms)	33-384339		Rivet	97-0065			
6.	Condenser (.25 mfd., 100 volts)	61-0112	29.	Cone Assembly (for Speaker 36-1507-1) Model 42-122	36-4158			
7.	Mica Condenser (100 mmfd.)	66-110157		Cone Assembly (for Speaker 36-1507-3) Model 42-122	36-4164			
8.	Resistor (220,000 ohms)	33-422339		Cone Assembly (for Speaker 36-1488) Model 42-123	36-4129			
9.	1st I. F. Transformer (42-122)	32-3706	30.	Electrolytic Condenser (10 mfd.)	36-2396			
	1st I. F. Transformer (42-123)	32-3736	31.	Switch part of Volume Control				
10A.	Compensator	part of 10	32.	Battery Cable and Plug	41-3585			
10B.	Compensator	part of 10						
11.	2nd I. F. Transformer	32-3199						
	Nut (Mtg.)	W-1849						

MISCELLANEOUS PARTS

Bazel	34-4000
Screw (Bazel Mtg.)	W-2073
Cabinet (42-122T)	10644A
Cabinet (42-123F)	10643A
Cable (Speaker 41-123F)	41-3446
Dial Scale	27-8716
Rectifying Card	27-9079
Spring Fastener	56-6127
Indicator (OFF-ON)	56-2100
Operating Arm (Indicator)	56-2104
Transfer Lever Arm	56-2104
Stud Mtg.	56-6144
Drive Cord (Indicator, 42-122)	31-2881
Drive Cord (Indicator, 42-123)	31-2883
Spring Washer	56-1006
Spring	56-2179
Stud (Indicator Drive)	28-0094
Nut	54-4000
Screw (Superstructure Mtg.)	W-333
Screw (Chassis Mts.)	W-2008
Socket (Tube)	27-6177
Rivet	W-230
Socket (Aerial)	27-6118
Rivet	W-207
Speaker (42-122)	36-1487
Speaker (42-123)	36-1488
Washer	27-7467
Nut	W-124
Terminal Panel (Chassis)	36-0300

MODELS 42-124T, 42-125K PHILCO RADIO & TELEVISION CORP.



Schem. No.	Description	Part No.
1.	Loop Aerial (42-124)	76-1292
	Mtg. Screw	W-2671
	Loop Aerial (42-125)	76-1320
	Shaft	76-1319
	Shaft Plate	56-2267
	Shaft Retainer	56-2268
	Washer	97-0128
	Screw (Retainer)	W-592
	Screw (Shaft Assembly)	W-2002
	Loop Drive Cord	31-2388
	Mtg. Nut	32-3731
	Mtg. Clip	28-5002
2A.	Mica Condenser (10 mmfd., Model 42-124)	60-010137
	Mica Condenser (15 mmfd., Model 42-125)	60-015137
3.	Aerial Transformer (Short Wave, Model 42-124)	32-3729
	Aerial Transformer (Short Wave, Model 42-125)	32-3760
4.	Mica Condenser (250 mmfd.)	60-125157
5.	Mica Condenser (5 mmfd.)	60-005157
6.	Tuning Cond.	31-2561
	Grommet (Mtg. Cond.)	31-2562
	Grommet (Mtg. Cond.)	54-4020
	Screw	W-523
	Spacer	28-5665
	Spring (Pointer Drive Cord)	28-8953
	Spring (Cond. Drive Cord)	28-8954
	Washer (Mtg. Cond.)	W-151
	Drive Shaft	31-2560
	Drive Cord (Pointer)	31-2559
	Drive Cord (Tuning Cond.)	31-2559
	Drive Pulley	76-1284
7.	Resistor (4.7 megohms)	33-547339
8.	Condenser (.05 mfd., 200 volts)	30-4519
9.	Resistor (2.2 megohms)	33-522339
10.	Resistor (50,000 ohms)	33-368339
11.	Mica Condenser (100 mmfd.)	60-110157
12.	Band Switch	42-1680
	Mtg. Nut	W-2157
13.	Oscillator Transformer (S.W.)	32-3728
	Mtg. Clip	28-5002
14.	Oscillator Transformer (Broadcast)	32-3730
	Mtg. Clip	28-5002
15.	Mica Condenser (5,300 mmfd.)	60-253124
16.	Mica Condenser (10 mmfd.)	60-010137
17.	Compensator (Osc., 1700 K.C.)	31-6430
17A.	Compensator (Osc. 590 K.C.) part of 17	
17B.	Compensator (Aerial, 1500 K.C.) part of 17	
18.	Mica Condenser (800 mmfd.)	60-180157
19.	Oscillator Plate Choke	32-3615
20.	Condenser (.05 mfd., 200 volts)	61-0161
21.	Filament Choke	32-3732
	1st I. F. Transformer	32-3737
	Mtg. Nut	W-1949
22A.	Primary Compensator	part of 22
22B.	Secondary Compensator	part of 22
	Condenser (.05 mfd., 200 volts)	30-4519
24.	Resistor (27,000 ohms)	33-327339
25.	Resistor (2.2 megohms)	33-522339
26.	Condenser (.2 mfd., 200 volts)	30-4567
27.	2nd I. F. Transformer	32-3621
	Mtg. Nut	W-1949
27A.	Primary Compensator	part of 27
27B.	Secondary Compensator	part of 27
	Condenser (.05 mfd., 200 volts)	61-0161
29.	Resistor (1,000 ohms)	33-210336
30.	Third I. F. Transformer	32-3733
	Mtg. Nut	W-1949
30A.	Secondary Compensator	part of 30

30B.	Resistor (42,000 ohms)	part of 30
30C.	Condenser (100 mmfd.)	part of 30-36A
30D.	Condenser (100 mmfd.)	part of 30-36A
31.	Condenser (.004 mfd., 600 volts)	30-4823
32.	Resistor (470,000 ohms)	33-447339
33.	Condenser (100 mmfd.)	60-110157
34.	Resistor (100,000 ohms)	33-449337
35.	Resistor (47,000 ohms)	33-343339
36.	Condenser (.02 mfd., 100 volts)	61-0154
37.	Volume Control	33-5452
	Nut	W-2157
38.	Electrolytic Condenser (10 mfd.)	30-2386
39.	Resistor (1 megohm)	33-510339
40.	Condenser (.004 mfd., 600 volts)	30-4823
41.	Resistor (27,000 ohms)	33-522339
42.	Mica Condenser (50 mmfd.)	60-050157
43.	Tone Control Switch	42-1676
	Nut	W-2157
44.	Condenser (.004 mfd., 200 volts)	61-0128
45.	Condenser (.01 mfd., 400 volts)	61-0160
46.	Condenser (.0015 mfd., 600 volts)	30-4821
47.	Output Transformer	32-8175
	Mtg. Rivet	97-0065
48.	Speaker Socket	27-6115
49.	Speaker (Model 42-125)	36-1468-3
	Cone Assembly (for Speaker 36-1468-3)	36-4129
	Mtg. Nut	W-124
	Speaker (Model 42-124)	36-1545
	Mtg. Screw	W-523
	Cone Assembly (for 36-1545-3 Speaker Model 42-124)	36-4206
	Speaker Cable	41-3445
50.	Resistor (800 ohms)	33-168336
51.	Condenser (.0015 mfd., 600 volts)	30-4821
52.	Battery Cable and Plug	41-3505

MISCELLANEOUS PARTS	
Bezel (42-125)	64-4104
Mtg. Screw	W-2673
Bezel (42-124)	64-4080
Decoherman	27-9336
Cabinet (42-124)	10447A
Cabinet (42-125)	10445B
Dial Scale	27-5731
Dial Backing Card	27-5676
Dial Pointer	56-2160
Spring Fastener	56-6161
Knobs (42-124)	64-4101
Knobs (42-125)	64-4102
Indicator (On-Off)	56-2180
Grommet (Indicator)	56-2179
Drive Cord	31-2563
Operating Arm (Indicator)	56-2182
Transfer Lever Arm	56-2184
Spring Washer	56-1088
Stud	56-6143
Pulley (Pointer & Indicator)	27-4881
Stud (Pointer & Indicator)	28-6954
Socket (Tube)	27-6177
Rivet	W-239
Rubber Washer (Mtg. Socket)	27-4112
Rubber Grommet (Mtg. Socket)	27-4707
Adapter Plate (Mtg. Socket, Int. 2nd I. F.)	56-2112
Rivet (Mtg. Adapter Plate)	W-492
Screw (Chassis Mtg.)	W-2630
Terminal Panel (Aerial)	30-8676
Rivet	W-267
Terminal Panel	30-8117
Terminal Panel	30-3353
Washer (Chassis Mtg.)	W-410

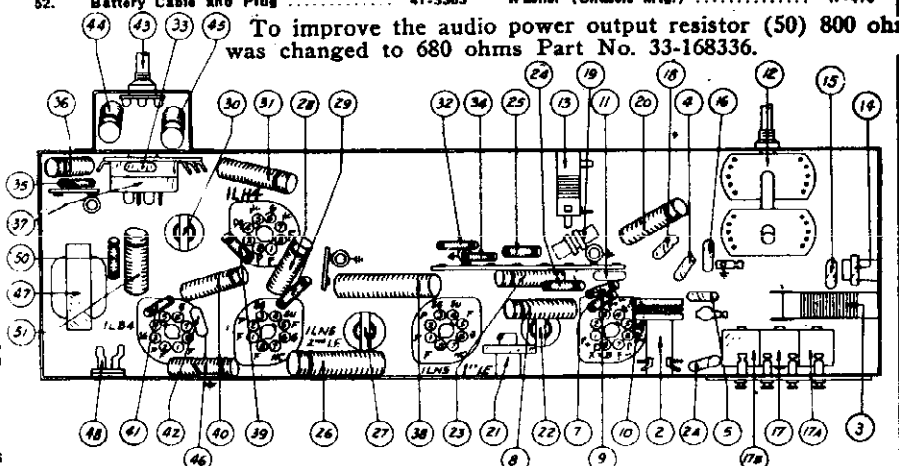
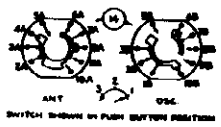
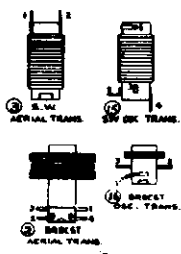
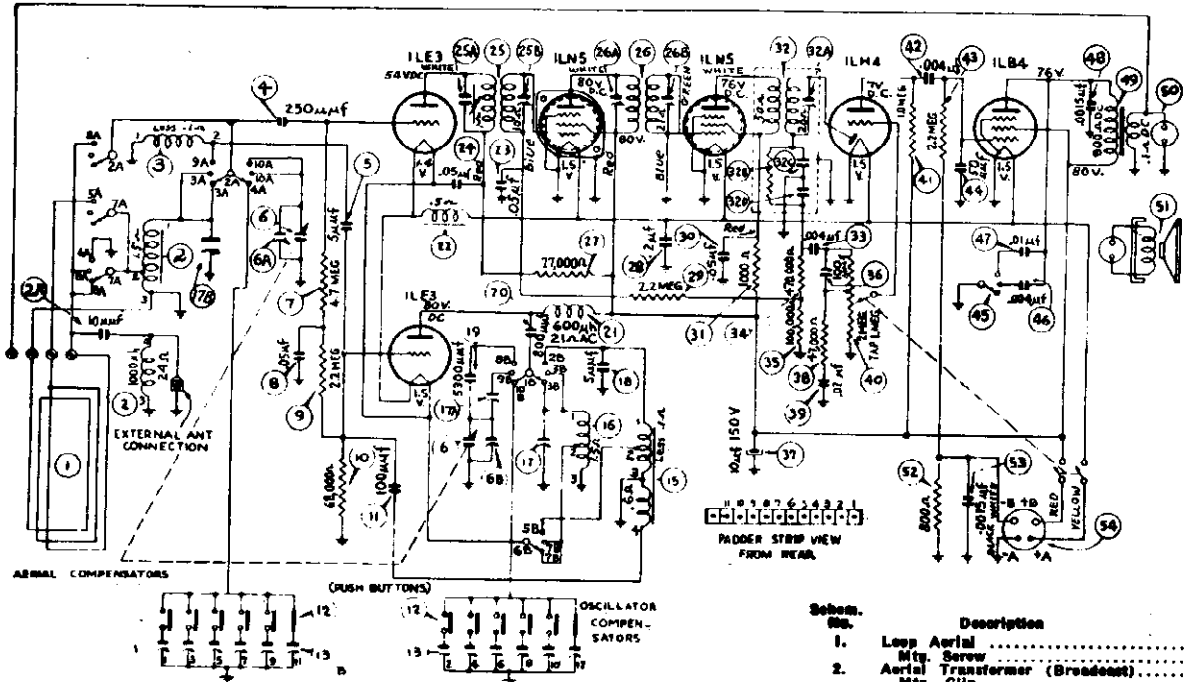


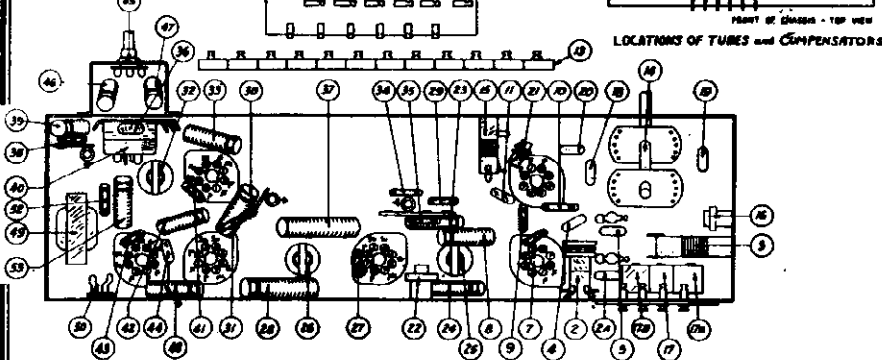
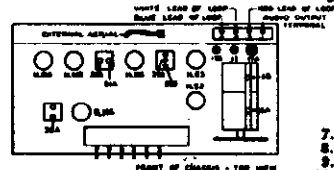
FIG. 2—LOCATIONS OF PARTS, UNDERSIDE OF CHASSIS, MODELS 42-124, 42-125

FOR OTHER DATA SEE INDEX

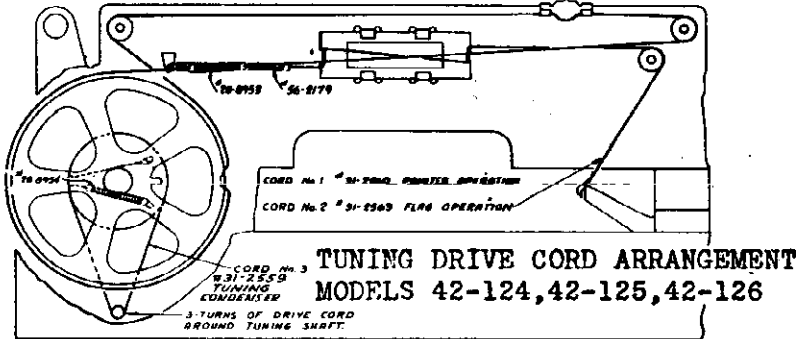


FOR OTHER DATA  
SEE INDEX

IF PEAK 455 KC



LOCATION OF PARTS, UNDERSIDE OF CHASSIS, MODEL 42-126



TUNING DRIVE CORD ARRANGEMENT  
MODELS 42-124, 42-125, 42-126

INSTALLATION OF DRIVE CORDS. POINTER AT LOW FREQUENCY END OF DIAL, GANG CLOSED. VIEW SHOWN FROM REAR OF CHASSIS.

To improve the audio power output resistor (52) ohms was changed to 680 ohms 33-168336.

Schem. No.	Description	Part No.
1.	Loop Aerial	78-1292
2.	Mtg. Screw	W-2671
2A.	Aerial Transformer (Broadcast)	32-3731
3.	Mica Condenser (10 mmfd.)	28-5082
3A.	Mica Condenser (8 W.)	60-618157
4.	Aerial Transformer (S.W.)	32-3729
5.	Mica Condenser (250 mmfd.)	28-5082
6.	Mica Condenser (3 mmfd.)	60-128187
7.	Mica Condenser (3 mmfd.)	60-095137
8.	Tuning Condenser	31-2561
9.	Drive Shaft	31-2561
10.	Drive Cord (Cond. Drive)	31-2559
11.	Drive Cord (Pointer)	31-2560
12.	Grommet	27-4596
13.	Nut (Mtg. Drive Shaft)	W-2157
14.	Washer (Pointer Cond.)	27-4951
15.	Screw (Mtg. Cond.)	W-523
16.	Spacer	28-5665
17.	Spring (Cond. Drive)	28-8984
18.	Spring (Pointer Drive)	28-8953
19.	Stud (Pointer Drive)	54-6120
20.	Resistor (4.7 megohms)	33-547339
21.	Resistor (85 mfd., 200 volts)	36-4519
22.	Resistor (2.2 megohms)	33-522339
23.	Resistor (80,000 ohms)	33-385339
24.	Mica Condenser (100 mmfd.)	60-110157
25.	Push-button Switch	42-1675
26.	Mtg. Grommet	27-4596
27.	Washer	28-5665
28.	Screw	W-151
29.	Push-button Padder Strip	31-6429
30.	Washer	W-182
31.	Screw	W-1974
32.	Band Switch	42-1674
33.	Oscillator Transformer (S.W.)	32-3728
34.	Oscillator Transformer (Broadcast)	32-3730
35.	Compensator (Osc. 1700 K.C.)	31-6430
36.	Compensator (Osc. 580 K.C.) part of 17	
37.	Compensator (Osc. 1500 K.C.)	
38.	Mtg. Rivets	part of 17 W-239
39.	Mica Condenser (5 mmfd.)	60-095137
40.	Mica Condenser (3300 mmfd.)	60-235124
41.	Mica Condenser (mmfd.)	60-190187
42.	Oscillator Plate Choke	32-3815
43.	Filament Choke	32-3732
44.	Condenser (.85 mfd., 200 volts)	30-4519
45.	Condenser (.05 mfd., 200 volts)	61-0101
46.	1st I. F. Transformer	32-3737
47.	Mtg. Nut	W-1949
48.	Primary Compensator	part of 25
49.	Secondary Compensator	part of 25
50.	2nd I. F. Transformer	32-3621
51.	Mtg. Nut	W-1949
52.	Resistor (27,000 ohms)	33-327339
53.	Condenser (.2 mfd., 200 volts)	30-4587
54.	Resistor (2.2 megohms)	33-522339
55.	Condenser (.05 mfd., 200 volts)	61-0101
56.	Resistor (1,000 ohms)	33-218336
57.	3rd I. F. Transformer	32-3733
58.	Mtg. Nut	W-1949
59.	Secondary Compensator	part of 32
60.	Resistor (42,000 ohms)	part of 32
61.	Condenser	part of Compensator 32A
62.	Condenser	part of Compensator 32A
63.	Condenser (.005 mfd., 500 volts)	36-4625
64.	Resistor (470,000 ohms)	33-437339
65.	Resistor (100,000 ohms)	33-410339
66.	Mica Condenser (100 mmfd.)	60-110157
67.	Electrolytic Condenser (10 mfd.)	30-2396
68.	Resistor (47,000 ohms)	33-347339
69.	Condenser (.02 mfd., 100 volts)	61-0154
70.	Volume Control	33-5452
71.	Mtg. Nut	W-2157
72.	Resistor (1 megohm)	33-148339
73.	Condenser (.004 mfd., 200 volts)	36-4623
74.	Resistor (2.2 megohms)	33-522339
75.	Mica Condenser (50 mmfd.)	60-095137
76.	Tone Control Switch	42-1676
77.	Mtg. Nut	W-2157
78.	Condenser (.004 mfd., 200 volts)	61-0128
79.	Condenser (.01 mfd., 400 volts)	61-0100
80.	Condenser (.0015 mfd., 600 volts)	30-4621
81.	Output Transformer	32-0175



MODELS 42-124T, 42-125T  
MODEL 42-126

PHILCO RADIO & TELEVISION CORP.

ALIGNING R. F. AND I. F. COMPENSATORS

MODELS 42-124, 42-125, 42-126  
EQUIPMENT REQUIRED

**SIGNAL GENERATOR:** Covering the frequency bands of the radio, Philco Model 071 A.C. operated and covering 120 K.C. to 70 M.C. or Model 177 signal generator for battery operated and covering 125 K.C. to 3000 M.C. are recommended.

**ALIGNED INDICATOR:** To accurately align the compensator, a vacuum tube voltmeter similar to Philips Model 427 is required. Model 427 vacuum tube voltmeter also carries an audio output meter which may be used as an aligning indicator. The method of connecting other of these instruments is listed below.

**ALIGNING TOOLS:** Flat handle screwdriver, Philco part No. 42-110.

CONNECTING ALIGNING INSTRUMENTS

Either the vacuum tube voltmeter or the audio output meter may be used as an aligning indicator when adjusting the compensator.

**VACUUM TUBE VOLTMETER:** To use the vacuum tube voltmeter as an aligning indicator it should be connected to the A.V.C. circuit as follows:

1. Connect the negative (-) terminal of the vacuum tube voltmeter through a resistor to any point in the circuit where the A.V.C. voltage can be measured.
2. Connect the positive (+) terminal to the chassis ground terminal.

**AUDIO OUTPUT METER:** If this type of meter is used as an aligning indicator, it should be connected as follows:

Terminal No. 1 on the loop aerial terminal panel of the rear of the chassis is provided for connecting one lead of the output meter to the voice coil of the speaker. The other lead of the meter is connected to the chassis. When using this connection the lowest A.C. scale of the meter must be used. (R.F. 10 volts).

Operations In Order	SIGNAL GENERATOR		Tuning Indicator	Control Settings	Adjusting Compensator (A.C. 125) (I.F. 126)	Special Instructions
	Output Connections	Tuning Indicator				
1	Antenna Tuning Indicator	400 K.C.	200 K.C.	Coil Max Band Switch Broadcast	200 MA, 200 MA, 200 MA, 200 MA, 200 MA	Model A Note C
2	Test Lamp Aerial	15 M.C.	15 M.C. Note A & B	Vol. Max Band Switch 3 W.	48, 1A, 48, 1A	Model A Note C
3	Test Lamp Aerial	1700 K.C.	1700 K.C.	Band Switch Broadcast	17	17
4	Test Lamp Aerial	1600 K.C.	1600 K.C.	Band Switch Broadcast	17B	17B
5	Test Lamp Aerial	900 K.C.	900 K.C.	Band Switch Broadcast	17A	17A
6	Test Lamp Aerial	1700 K.C.	1700 K.C.	Band Switch Broadcast	17	17

**NOTE A—**Dial calibration: Before adjusting the R.F. compensator the dial pointer NOTE C. When adjusting the low frequency compensator (17A) or the aerial padder (1A) of the high frequency tuning range, the receiver tuning compensator must be adjusted (rolled) as follows: First, tune the compensator to the desired frequency. Then, tune the receiver to the desired frequency. The compensator and equalizer are then varied until maximum output is obtained. This procedure is confirmed with maximum output reading is obtained.

**NOTE B—**When adjusting compensator (B) two signal pads may be observed on a subject meter. One of these pads is the fundamental (15 M.C.) and the other is the second harmonic (30 M.C.). The compensator should be adjusted to the fundamental frequency. When the compensator is properly adjusted, the image signal will be observed on the aerial padder dial at 15 M.C., and tuning the signal generator dial at 15,000 K.C.

Bulletin No. 390 should be shunted with a 220,000 ohm resistor, such as Philco Part No. 33-42339.

After the oscillator coil has been replaced, it is necessary to repad the receiver according to service instructions. Should any difficulty be experienced in padding the high frequency end of the broadcast band, the lead from the high frequency broadcast padder to the wave switch should be dressed away from the sub-base.

SPECIFICATIONS

MODEL 42-126

**CIRCUIT DESCRIPTION:** Model 42-126 is a 10 tube battery operated receiver with two tuning bands covering 540 to 1700 K.C. and 17 to 15.5 M.C.; 50 (5) push buttons for automatic tuning in the station; tone control; bass compensator; in the volume control circuit; automatic volume control; portable audio output stage; two I. F. amplifier stages; high output permanent magnet speaker; loop aerial and provisions for an outside aerial; also provisions for an external speaker; "ON-OFF" indicator; c rack size and cabinet with a tubular type cabinet.

**INTERMEDIATE FREQUENCY:** 485 K.C.

**AUDIO OUTPUT:** 100 Mw.

**BATTERY CURRENT DRAIN:** "A" (Fluorescent) 1.5 Volt, 300 ma.  
"B" (Phosor) 70 Volt, 12 ma.

**PHILCO TUBES USED:** 1LE, detector; 1LE, converter; 1LK, 1st I. F. amplifier; 1LH, 2nd I. F. amplifier; 1LH, 2nd detector, 1K, 1st audio, and a 1L8, audio output.

**CABINET DIMENSIONS:** Height 15 1/2" Width 20 1/2" Depth 10"

MODELS 42-124T, 42-125KT

Model 42-124T and 42-125KT are identical in design with the exception of the cabinet, speaker and aerial. Model 42-124T is assembled in a table type cabinet and Model 42-125KT is a console cabinet (Floor Model). The loop aerial in Model 42-124T is removable from the front of the cabinet. Circuit description: Covering 540 to 1700 K.C. and 17 to 15.5 M.C.; 50 Control; tone compensation in the volume control circuit; Automatic Volume Control; Portable Audio Output stage; high output permanent magnet speaker; loop aerial and provisions for an outside aerial; also provisions for an external speaker; "ON-OFF" indicator; and a gloss dial scale.

**INTERMEDIATE FREQUENCY:** 48 K.C.

**AUDIO OUTPUT:** 100 Milliwatts

**BATTERY CURRENT DRAIN:** "A" (Fluorescent) 1.5 Volt, 300 ma.  
"B" (Phosor) 70 Volt, 12 ma.

**PHILCO TUBES USED:** 1L5, converter; 1L5, 1st I. F. amplifier; 1LK, 2nd I. F. amplifier; 1LH, 2nd detector, 1K, 1st audio, and a 1L8, audio output.

**CABINET DIMENSIONS:** Height 20 1/2" Width 20 1/2" Depth 10 1/2"

AERIAL AND GROUND

Under ordinary receiving conditions the loop aerial in these models has ample pickup for reception of Broadcast Stations. Unusual receiving conditions, however, may necessitate the use of an external aerial for maximum performance. When an external aerial is required, the Philco Form Radio Aerial, Form No. 42-126B, is recommended. To install the external aerial, remove the wire and tag from underneath the screw cap on the rear of the chassis, attach the aerial leads to this wire.

A second ground connection is also necessary when using an outdoor aerial. The ground wire can be connected to the chassis screw cap on the loop terminal panel. The ground wire should be attached to a water pipe, radiator pipe or a four-foot metal pipe driven into moist earth.

INSTALLING BATTERY IN MODELS 42-124, 42-126

A space is provided underneath the chassis for a battery. When installing the battery it should be inserted so that the battery socket is in the upper right hand corner, leaving the leads from the meter. Test battery forward gently until it allows battery retaining brackets.

INSTALLING BATTERY IN MODEL 42-125

Slide battery on end so that it rests on shell in corner of cabinet opposite loop. Push battery forward until it fits in space between speaker baffles and cabinet side.

SETTING AND OPERATING ELECTRIC PUSH-BUTTONS, MODEL 42-126

The left-hand button, looking at the front of the cabinet, corresponds to the two high-band broadcast stations, modeling at the rear, and covers the lowest frequency range.

With the control in "BROADCAST" position, tune in the station whose call letters appear above the left-hand button. Then depress the left-hand button, turn the knob to "OFF" position and tune in the station by repeating the No. 2 "On" screw. (NOTE: Instant characteristics of these padders may cause some of the padders to be difficult to turn or to feel as if they are stuck. To correct this, loosen the "ANT" padder corresponding to the depressed station button. Turn the "OSC" screw slowly and listen carefully or the station may be passed without realizing it. After the "OSC" screw has been adjusted for maximum volume, the corresponding "ANT" screw should be adjusted for maximum volume. The "ANT" screw has been set. Switching from "BROADCAST" to "FM" will enable you to make sure you have the correct station tuned in accurately. When the first station has been set, the same procedure should be followed for the remaining buttons, first tuning in the desired station by means of the "Dial Tuning" control.

**MUTTONS:** (Left to right view from top)

Choir	1
Choir	2
Choir	3
Choir	4
Choir	5
Choir	6
Choir	7
Choir	8
Choir	9
Choir	10

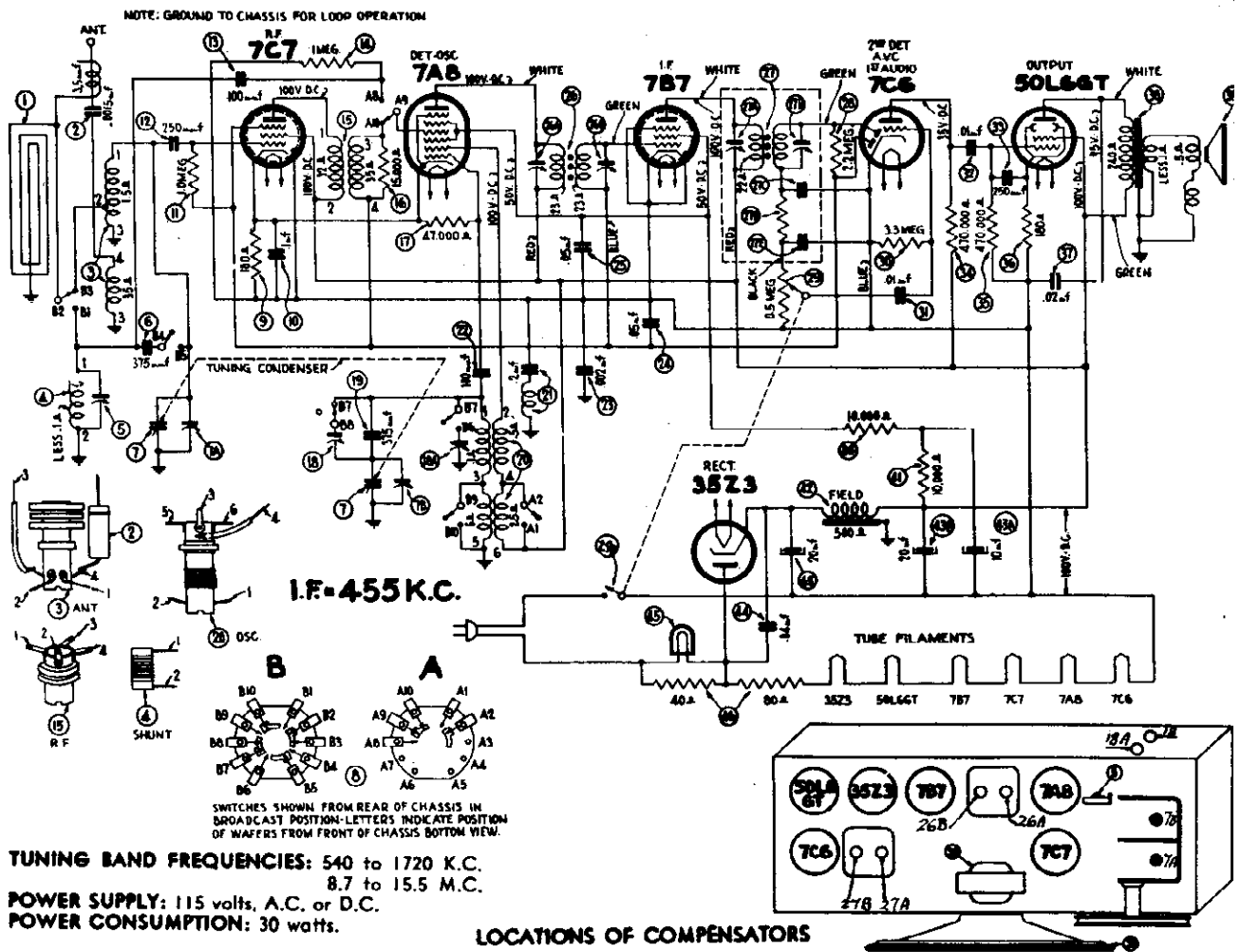
**PADDER SCREEN:** (Left to right view from top)

1	1
2	2
3	3
4	4
5	5
6	6
7	7
8	8
9	9
10	10

Failure To Operate On Low Frequency End of Broadcast Band

Models 42-124, 125, 126  
Some complaints may be received on the above models that the sets will not operate on the low end of the broadcast band when the "A" battery voltage goes below 1.2 volts.

In some cases the condition can be corrected simply by replacing the oscillator tube. In other cases, however, it will be necessary to change the oscillator coil, using a new coil, Part No. 32-3879. In addition, the grid resistor No. 10 in the wiring diagram of Service



TUNING BAND FREQUENCIES: 540 to 1720 K.C.  
8.7 to 15.5 M.C.  
POWER SUPPLY: 115 volts, A.C. or D.C.  
POWER CONSUMPTION: 30 watts.

LOCATIONS OF COMPENSATORS

REPLACEMENT PARTS—MODEL 42-322, CODE 121

Schem. No.	Description	Part No.	Schem. No.	Description	Part No.	Schem. No.	Description	P
1.	Loop Aerial	76-1389	27c.	Condenser	Part of 27a	42.	Field Coil (Replaces Speaker 36-1533)	
2.	Mts. Screw	W-2073	27d.	Resistor (47,000 ohms) Part of 27	33-347339	43.	Electrolytic Condenser (10 mfd.)	38-2
3.	Broadcast Aerial Transformer	30-4621	27e.	Condenser	Part of 27a	43a.	Electrolytic Condenser (20 mfd.)	Part
4.	Short Wave Aerial Transformer	32-3857	28.	Resistor (2.2 megohms)	33-522339	43b.	Electrolytic Condenser (20 mfd.)	Part
5.	Mica Condenser (.0015 mfd.) 600 volts	28-5002	29.	Volume Control	33-5482	44.	Mtg. Clip	56-1
6.	Mica Condenser (.375 mmfd.)	32-3858	30.	Mtg. Nut	W-2157	45.	Condenser (.04 mfd., 400 volts)	38-4
7.	Tuning Condenser (375 mmfd.)	31-6426	31.	Resistor (3.3 megohms)	33-533339	45.	Dial Lamp Socket Assembly	34-2
7a.	Compensator (Broadcast Aerial)	26-837511	32.	Condenser (.01 mfd., 400 volts)	36-4572	46.	Filament Resistor (40-ohm ohms.)	33-3
7b.	Compensator (Broadcast Osc.)	31-2605	33.	Condenser (.01 mfd., 400 volts)	60-125157	MISCELLANEOUS PARTS		
	Drive Cord	Part of 7	34.	Mica Condenser (250 mmfd.)	33-447339	Cabinet	10552	
	Spring	Part of 7	35.	Resistor (470,000 ohms)	33-447339	Cable (Power)	L-31	
	Drive Shaft	31-2604	36.	Resistor (100 ohms)	33-118339	Dial Scale	27-4	
	"C" Washer	28-9000	37.	Condenser (.02 mfd., 400 volts)	36-4516	Knob Assembly	54-4	
	Pointer	76-1396	38.	Output Transformer (For Speaker	36-1833-9)	Screw (Chassis Mtg.)	W-2	
	Rubber Grommet	36-2878	39.	Speaker	36-1833-9	Socket (LORTAL Tubes)	27-6	
	Mtg. Sleeve	27-4566		Cone Assembly (For Speaker	36-4196	Mtg. Rivet	W-2	
	Mtg. Washer	W-410		36-1833-9)	33-318339	Socket (Output Tube)	27-6	
	Mtg. Screw	W-759	40.	Resistor (10,000 ohms)	33-318339	Washer (Chassis Mtg.)	W-4	
	Band Switch	42-1712	41.	Resistor (10,000 ohms)	33-318339			
	Mtg. Nut	W-2157						
9.	Resistor (100 ohms.)	33-118336						
10.	Condenser (.1 mfd., 200 volts)	61-0104						
11.	Resistor (1 megohm)	33-510339						
12.	Mica Condenser (250 mmfd.)	60-125157						
13.	Condenser (.01 mfd., 400 volts)	60-118157						
14.	Resistor (1 megohm)	33-510339						
15.	R. F. Transformer	32-3858						
	Mtg. Clip	28-5002						
16.	Resistor (15,000 ohms) Part of 15	33-318339						
17.	Resistor (47,000 ohms)	33-347339						
18.	Compensator (Broadcast Osc. 500 K.C.)	31-6452						
18a.	Compensator (S.W. Osc.)	Part of 18						
19.	Mica Condenser (.375 mmfd.)	26-837511						
20.	Oscillator Transformer	32-3856						
21.	Condenser (.2 mfd., 400 volts) and R. F. Choke	28-5002						
	Mtg. Screw	76-1198						
22.	Mica Condenser (100 mmfd.)	60-118157						
23.	Condenser (.002 mfd., 400 volts)	36-4579						
24.	Condenser (.05 mfd., 200 volts)	36-4519						
25.	Condenser (.05 mfd., 200 volts)	36-4519						
26.	First I. F. Transformer	32-3859						
	Mtg. Nut	W-824						
27.	Second I. F. Transformer	32-3860						
	Mtg. Nut	W-824						
27a.	Primary Compensator	Part of 27						
27b.	Secondary Compensator	Part of 27						

LOCATIONS OF PARTS—UNDER CHASSIS—MODEL 42-322

MODEL 42-322  
MODEL 42-350

PHILCO RADIO & TELEVISION CORP.

MODEL 42-322 ALIGNMENT

**Signal Generator:** When adjusting the I. F. padders, the high side of the signal generator is connected through a .1 mfd. condenser to the antenna section of the tuning condenser. Connect the ground or low side of the generator to the chassis.

When aligning the R. F. padders a loop is made from a few turns of wire and connected to the signal generator output terminals; the signal generator is then placed close to the loop of the radio.

The receiver can be adjusted in the cabinet or removed from the cabinet. When adjusting the R. F. Compensators in the cabinet, the aligning points on the dial scale are used. If the radio is adjusted outside of the cabinet, the small indentations (lines) on the dial metal background plate mounted on the chassis are used as aligning points. These points progressing from the left end of the scale plate represent frequencies as follows: pointer position with tuning condenser closed, 580 K.C., 9.5 M.C., 1500 K.C., 15 M.C., and the last line 1720 K.C. or 15.5 M.C. When adjusting the radio outside the cabinet the loop aerial should be placed in approximately the same position around or near the chassis as when assembled.

Operations in Order	SIGNAL GENERATOR		RECEIVER			SPECIAL INSTRUCTIONS
	Output Connections to Receiver	Dial Setting	Dial Setting	Control Setting	Adjust Compensators in Order	
1	Plug on the Ant. Section of Tuning	455 K.C.	540 K.C. Tuning Cond. Closed	Vol. Max. Range Switch Brcat.	27A, 27B 26A, 26B	
2	Loop See Above Instructions	1500 K.C.	1500 K.C.	Vol. Max. Band Switch Brcat.	7B, 7A	Note A
3	Loop See Above Instructions	580 K.C.	580 K.C.	Vol. Max. Band Switch Brcat.	(18)	Roll Tuning Condenser
4	Loop See Above Instructions	Repeat Operation 2				
5	Loop See Above Instructions	15 M.C.	15 M.C.	Band Switch S.W.	(18A, 5) Note B	Roll Tuning Condenser When Padding 5

**NOTE A—DIAL POINTER CALIBRATION:** In order to adjust the receiver correctly, the pointer must be adjusted to track properly with the tuning condenser. To do this, turn the tuning condenser to the maximum capacity (plates fully meshed). With the condenser in this position, set the tuning pointer on the first small line stamped in the scale plate on the left side.

**NOTE B—**To accurately adjust the high frequency oscillator compensator to the fundamental instead of the image signal, turn the oscillator compensator (18A) to the maximum capacity position (clockwise). From this position slowly turn the compensator counter-clockwise until a second peak is obtained on the output meter. Adjust the compensator for maximum output of this second peak.

If the above procedure is correctly performed, the image signal will be found (much weaker) by turning the signal generator dial 910 K.C. above the frequency being used on any high frequency range.

The aerial padder (5) must be adjusted to maximum by rolling the tuning condenser. If two signal peaks occur when turning the padder, adjust to maximum output on the first signal peak from the tight position (screw all the way down) of the padder.

Model L42-350, Code 121

EXTERNAL AERIAL CONNECTIONS

The built-in aerial system is designed to operate without an outside aerial or ground and to give exceptionally high receiving performance of stations in the standard, shortwave, or FM bands.

To operate the radio in steel reinforced buildings and other shielded locations where signal strength is weak, an external aerial is recommended. Three different types of aerial combinations are available, to improve reception on the standard, short-wave, or FM bands.

1—For Additional Sensitivity on Frequency Modulation only:

\*Philco Dipole Outdoor Aerial, Part No. 45-2926.

The plug at the end of the transmission line is inserted in the socket at the back of the chassis in place of the plug connected to the F. M. loop in the cabinet.

2—For Additional Sensitivity on ALL ranges:

\*Philco Dipole Outdoor Aerial, Part No. 45-2926.

Philco Aerial Coupler, Part No. 45-1361.

The coupler plugs into the socket at the back of the chassis in place of the plug connected to the F. M. loop. The aerial transmission line then connects to the terminals on the coupler marked "red" and "black." The local-distance switch on the coupler connects or disconnects the outdoor aerial from the standard broadcast and shortwave tuning ranges. The dipole remains connected to the F. M. band regardless of the position of the switch.

3—For Additional Sensitivity on Standard Broadcast and Shortwave only in Areas where F. M. reception is not available.

Philco Safety Aerial, Part No. 40-6370.

Philco Aerial Coupler, Part No. 45-1361.

Connect the single wire lead in of the aerial to the "black" terminal on the aerial coupler.

\*Accessories for this aerial are: the Philco Aerial Mast Kit, the Philco Reflector Kit and Philco High Efficiency Transmission Line. See Service Bulletin No. 396 on Dipole Aerials.

**NOTE:** When installing the F. M. Philco Outdoor Dipole Aerial, it is very important that the aerial compensating condensers of the standard and shortwave band are repadded.

ELECTRIC PUSH-BUTTON TUNING ADJUSTMENTS

The electric push-button tuning mechanism consists of six (6) push-buttons. Five of the push-buttons are used for selecting standard broadcast stations, and one for the power control (ON-OFF).

Viewing the front of the cabinet from left to right the first push-button is the power control (ON-OFF), the next five push-buttons for tuning standard broadcast stations.

When setting up stations on the push-buttons the lowest frequency station is set up in the second push-button from the left and the remaining stations according to increasing frequency in the next four push-buttons. These push-buttons are adjusted by the padders located on the rear of the chassis.

The frequency ranges covered by the station tuning push-buttons and procedure for adjusting are as follows:

Padders (right to left from rear)	Circuit	Buttons (left to right from front)	Frequency Range
1	Ant.	1	ON-OFF
2	Osc.	2	540 to 900 KC
3	Ant.	3	540 to 900 KC
4	Osc.	4	710 to 1185 KC
5	Ant.	5	850 to 1600 KC
6	Osc.	6	1185 to 1720 KC
7	Ant.		
8	Osc.		
9	Ant.		
10	Osc.		

The second push-button from the left can also be adjusted for reception of the sound channel of a television program received by special Philco television radios. This push-button may also be used in conjunction with a Philco Wireless Record Player.

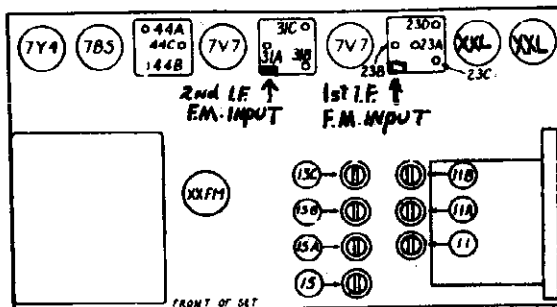
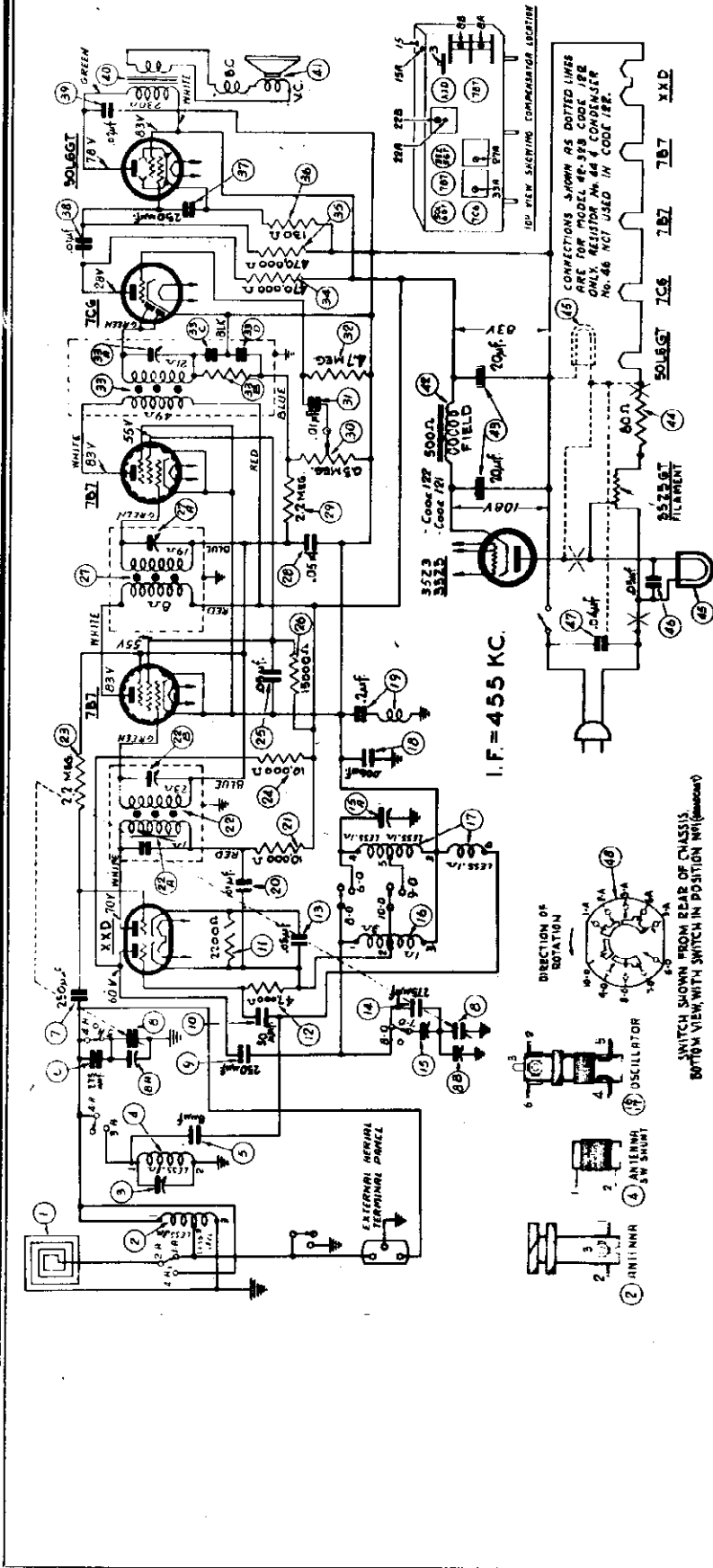


FIG. 1—LOCATIONS OF R. F. AND I. F. COMPENSATORS

PHILCO RADIO & TELEVISION CORP. MODEL 42-323(121,122)



**SCHEMATIC DIAGRAM MODEL 42-323**

The D. C. voltages indicated at the tube elements in the above diagram were measured with a 1000 ohms per volt voltmeter. Philco Model 027. Line voltage, 117 volts A. C. No signal being received—range switch broadcast.

Model 42-323 is manually tuned and is assembled in a table type cabinet. Codes 121 and 122 differ only in the pilot lamp, rectifier tube and bias resistor. These differences are indicated on the part list and diagram.

- Intermediate Frequency: 455 KC.
- Tuning Bands: 540 to 1720 KC; 9 to 15.5 MC.
- Audio Output: 1 watt.
- Power Supply: 115 volts, A. C. or D. C.
- The cabinet Part No. for code 122 is 10565B. The cabinet Part No. 10565A is used with Code 121 models.
- Correction: Diagram The rectifier tube is listed as a 35Z3GT. The correct designation is 35Z3.

FIG. 1—PART LOCATIONS, UNDERSIDE OF CHASSIS, MODEL 42-323

FOR ALIGNMENT, PARTS LIST, AND OTHER DATA, SEE INDEX

MODEL 42-323  
MODEL 42-327

PHILCO RADIO & TELEVISION CORP.

REPLACEMENT PARTS—Model 42-323

Sch. No.	Description	Part No.	Sch. No.	Description	Part No.	Sch. No.	Description	Part No.
1.	Loop Aerial	76-1279	22B.	Compensator, Part of 22				
	Mtg. Screw	W-2071		Nut	W-1948			
2.	Aerial Transformer (Broadcast)	32-3754	23.	Resistor (2.2 megohms)	32-52239			
	Mtg. Clip	32-5402	24.	Resistor (10,000 ohms)	32-51039			
3.	Compensator (Aerial-S. W.)	31-6426	25.	Condenser (.05 mfd, 200 volts)	30-4519			
4.	Aerial Transformer (S. W.)	32-3751	26.	Resistor (15,000 ohms)	32-31539			
5.	Mica Condenser (8 mmfd)	60-60137	27.	2nd I. F. Transformer	32-3712			
6.	Mica Condenser (275 mmfd)	30-1200		Nut	W-1949			
7.	Mica Condenser (250 mmfd)	60-125157	27A.	Secondary Compensator, Part of 27				
8.	Tuning Condenser	31-2555	28.	Condenser (.05 mfd, 200 volts)	30-4519			
	Drive Cord	31-2553	29.	Resistor (2.2 megohms)	32-52239			
	Drive Shaft	76-1272	30.	Volume Control (.5 megohm)	32-5455			
	"C" Washer	22-5990		Mtg. Nut	W-2157			
	Mtg. Screw (Cond.)	W-753	31.	Condenser (.01 mfd, 400 volts)	30-4572			
	Rubber Grommet (2 required)	27-4594	32.	Resistor (4.7 megohms)	32-54739			
	Rubber Grommet (1 required)	54-4920	33.	1st I. F. Transformer	32-3713			
	Spring (Drive Cord)	22-2264		Nut	W-1949			
	Sleeve	22-5463	33A.	Secondary Compensator, Part of 33				
	Washer	W-410	33B.	Resistor (47,000 ohms), Part of 33				
9A.	Compensator (Aerial—1500 KC).		33C.	Condenser (100 mmfd), Part of 33A				
	Part of 8		33D.	Condenser (100 mmfd), Part of 33A				
9B.	Compensator (Oscillator—1720 KC).		34.	Resistor (470,000 ohms)	32-44739			
	Part of 8		35.	Resistor (470,000 ohms)	32-44739			
9.	Mica Condenser (250 mmfd)	60-125157	36.	Resistor (130 ohms)	32-11339			
10.	Mica Condenser (50 mmfd)	60-60137	37.	Mica Condenser (250 mmfd)	60-125157			
11.	Resistor (2200 ohms)	32-32239	38.	Condenser (.01 mfd, 400 volts)	30-4572			
12.	Resistor (47,000 ohms)	32-24739	39.	Condenser (.02 mfd, 400 volts)	30-4516			
13.	Condenser (.05 mfd, 200 volts)	30-4519	40.	Output Transformer	32-3173			
14.	Mica Condenser (275 mmfd)	30-1200	41.	Speaker	30-1544-9			
15.	Compensator (Broadcast—1 Code 121 580 KC) 1 Code 122	31-6434 31-6453		Cone Assembly (For Speaker 30-1544-9)	30-4190			
15A.	Compensator (S. W.—15 MC).		42.	Field Coil (Replaces Speaker 30-1544)				
16.	Oscillator Transformer (Broadcast)	32-3715	43.	Electrolytic Condenser (30, 20 mfd) Clamp	30-2502 55-1466			
17.	Oscillator Transformer (S. W.) Part of 16		44.	Filament Resistor (Code 121 only)	32-2406			
18.	Condenser (.005 mfd, 400 volts)	30-4591	45.	Pilot Lamp (Code 121)	34-2068			
19.	Condenser, .3 mfd, and R. F. Choke Assembly	76-1161	46.	Condenser (.05 mfd, 200 volts) (Code 121 only)	30-4519			
20.	Condenser (.01 mfd, 400 volts)	30-4572	47.	Condenser (.04 mfd, 400 volts)	30-4119			
21.	Resistor (10,000 ohms)	32-31639	48.	Band Switch	42-1671			
22.	1st I. F. Transformer	32-3711						
22A.	Compensator, Part of 22							

Sch. No.	Description	Part No.
	Miscellaneous Parts	
	Cabinet	10666-A
	Cable (Power)	L-3199
	Dial Scale	27-5763
	Dial Pointer	56-2076
	Knob (Tuning, Volume, Band)	54-419
	Socket Assembly (Pilot Lamp) (Code 121)	76-1177
	Socket Assembly (Pilot Lamp) (Code 122)	76-1223
	Socket (Aerial)	27-6145
	Rivet	W-207
	Socket (Lokial Tubes)	27-6177
	Socket (Octal Tubes)	27-6174
	Rivet	W-220
	Screw (Chassis Mtg.)	W-2080
	Washer (Chassis Mtg.)	W-410

REPLACEMENT PARTS—Model 42-327

Sch. No.	Description	Part No.	Sch. No.	Description	Part No.	Sch. No.	Description	Part No.
1.	Loop Aerial	76-1279	34A.	Compensator Primary of (24)		40.	Condenser (.04 mfd, 400 volts)	30-4119
	Mtg. Screw	W-2071	34B.	Compensator (Part of 24)		41.	Band Switch	42-1668
1A.	External Aerial Socket	27-6145	24C.	Condenser (Part of 24)				
	Rivet	W-207	25.	Resistor (2.2 megohms)	32-52239			
2.	Aerial Transformer (Broadcast)	32-3714	26.	Resistor (10,000 ohms)	32-31639			
	Mtg. Clip	32-5402	27.	Resistor (15,000 ohms)	30-4519			
3.	Compensator (Aerial—S. W.)	31-6426	28.	Condenser (.05 mfd, 200 volts)	32-3712			
4.	Aerial Transformer (S. W.)	32-3751	29.	2nd I. F. Transformer	32-3713			
	Mtg. Clip	32-5402		Mtg. Nut	W-1949			
5.	Mica Condenser (5 mmfd)	60-60137	29A.	Compensator (Part of 29)				
6.	Mica Condenser (275 mmfd)	30-1200	30.	Condenser (.05 mfd, 200 volts)	30-4519			
7.	Mica Condenser (250 mmfd)	60-125157	31.	Resistor (2.2 megohms)	32-52239			
8.	Tuning Condenser	31-2555	32.	Volume Control	32-5455			
	Drive Shaft	76-1272		Mtg. Nut	W-2157			
	"C" Washer	22-5990	33.	Condenser (.01 mfd, 400 volts)	30-4572			
	Drive Cord	31-2553	34.	Resistor (4.7 megohms)	32-54739			
	Rubber Grommet	27-4594	35.	3rd I. F. Transformer	32-3713			
	Rubber Grommet	54-4920	35A.	Compensator (Part of 35)				
	Sleeve	22-5463	35B.	Resistor (Part of 35)				
	Spring (Drive Cord)	22-2264	35C.	Condenser (Part of 35A)				
	Screw	W-753	35D.	Condenser (Part of 35A)				
	Washer	W-410	36.	Resistor (470,000 ohms)	32-44739			
9.	Mica Condenser (250 mmfd)	60-125157	37.	Resistor (470,000 ohms)	32-44739			
10.	Mica Condenser (50 mmfd)	60-60137	38.	Resistor (130 ohms)	32-11339			
11.	Resistor (2200 ohms)	32-32239	39.	Mica Condenser (250 mmfd)	60-125157			
12.	Resistor (47,000 ohms)	32-24739	40.	Condenser (.01 mfd, 400 volts)	30-4572			
13.	Condenser (.05 mfd, 200 volts)	30-4519	41.	Condenser (.02 mfd, 400 volts)	30-4516			
14.	Mica Condenser (275 mmfd)	30-1200	42.	Output Transformer	32-3173			
15.	Compensator (Broadcast—450 KC)	31-6434	43.	Speaker	30-1544-9			
16.	Push-Button Switch	42-1700		Cone Assembly (For Speaker 30-1544-9)	30-4190			
17.	Push-Button Compensator Assembly	31-6434	44.	Electrolytic Condenser (30-20 mfd) Mtg. Clamp	30-2502 55-1466			
	Mtg. Screw	W-1974	45.	Field Coil (Replaces Speaker 30-1544)				
18.	Oscillator Transformer (Broadcast)	32-3715	46.	Filament Resistor (80 ohms) (Used in Code 121 only)	32-2406			
	Mtg. Clip	32-5402	47.	Pilot Lamp (8 volts—Code 121)	34-2068			
19.	Oscillator Transformer (S. W.) (Part of 18)	32-5402		Socket Assembly (Code 121)	76-1177			
20.	Condenser (.005 mfd, 400 volts)	30-4446		Pilot Lamp (115 volts—Code 122)	34-2477			
21.	Condenser, .3 mfd and R. F. Choke Assembly	76-1161	48.	Condenser (.05 mfd, 200 volts) (Used in Code 121 only)	30-4519			
22.	Resistor (10,000 ohms)	32-31639						
23.	Condenser (.01 mfd, 400 volts)	30-4572						
24.	1st I. F. Transformer	32-3711						
	Mtg. Nut	W-1949						

Sch. No.	Description	Part No.
	Miscellaneous Parts	
	Cable (Power)	L-3199
	Cabinet (Complete)	10661-A
	Dial Scale	27-5764
	Dial Pointer	56-2076
	Escutcheon (Push-Button)	56-2330
	Mtg. Screw	W-2071
	Knob (Tuning, Volume, Tone)	54-4191
	Knob (Push-Button)	54-4125
	Socket (Tubes)	27-6177
	Rivet	W-220
	Screw (Chassis Mtg.)	W-755
	Terminal Panel	26-9679
	Terminal Panel	76-1267
	Tab (ON-OFF)	27-5728
	Tab Cover	40-9660
	Tab Kit	40-9660
	Washer (Chassis Mtg.)	W-410

MODEL 42-345  
 MODEL 42-360  
 MODEL 42-365

PHILCO RADIO & TELEVISION CORP.

MODEL 42-32  
 MODEL 42-33  
 MODEL 42-34

**ALIGNING R. F. AND I. F. COMPENSATORS**  
 The following procedure is used for all models:  
**EQUIPMENT REQUIRED**

- SIGNAL GENERATOR:** Covering the frequency range of the receiver, such as Philco Model 070.
- ALIGNING INDICATOR:** Either a vacuum tube voltmeter or an audio output meter may be used as an aligning indicator. Philco Models 027 and 028 circuit testers contain both these meters.
- TOOLS:** Philco Fiber Screw Driver, Part No. 45-2610.

**CONNECTING ALIGNING INSTRUMENTS**

**Audio Output Meter:** If this type of aligning meter is used, connect it to the voice coil terminals of the speaker or from the plate of the 35A5 tube to the chassis. Adjust the meter for the 0 to 10 volt scale.

**Vacuum Tube Voltmeter:** To use the vacuum tube voltmeter as an aligning indicator, make the following connections: Attach the negative (-) terminal of the voltmeter to any point in the circuit where the A. V. C. voltage can be obtained. Connect the positive (+) terminal of the vacuum tube voltmeter to the chassis.

**Signal Generator:** When adjusting the I. F. padders, the high side of the signal generator is connected through a .1 mfd. condenser to the antenna section of the tuning condenser. Connect the ground or low side of the generator to the chassis.

When aligning the R. F. padders a loop is made from a few turns of wire and connected to the signal generator output

terminals; the signal generator is then placed close to the loop of the radio. The receiver can be adjusted in the cabinet or removed from the cabinet.

In order to adjust the radio outside of the cabinet the dial scale should be removed from the cabinet and placed on the dial background plate. The dial scale can be held in position by clips or rubber bands. The loop aerial should also be placed in approximately the same position around or near the chassis as when assembled.

After connecting the aligning instruments adjust the compensators as shown in the tabulation below. Locations of the compensators are shown in the schematic diagram of each model.

If the indicating meter pointer goes off scale when adjusting the compensators, reduce the strength of the signal from the generator.

**PROCEDURE—MODELS 42-323; 42-327; 42-340; 42-360**

Opera-tions In Order	SIGNAL GENERATOR		RECEIVER		Special Instruc-tions
	Output Con-nections to Radio	Dial Setting	Dial Setting	Control Setting	
1	Aerial Section Tuning Con-denser	455 KC	540 KC	Vol. Max. Band Switch Broad-cast.	Adjust Com-pensators in Order Models 42-323 327 340 360 22A 21A 15A 25A 22B 24B 15B 25B 27A 29A 15A 29A 33A 35A 32A 37A
2	Loop (See above Instruc-tions)	1720 KC	1720 KC	"	8B 8B T 14A Note A
3	"	1500 KC	1500 KC	"	8A 8A 23 4
4	"	580 KC	580 KC	"	15 15 23B 4A Roll Tun-ing Con-denser Note B
5	Repeat Operation 2				
6	"	15.5 MC	15.5 MC	Band Switch S. W.	15A 15A 7A 14 23A 12 Note C

Opera-tions In Order	SIGNAL GENERATOR		RECEIVER		Special Instruc-tions
	Output Con-nections to Radio	Dial Setting	Dial Setting	Control Setting	
1	Aerial Section Tuning Con-denser	455 KC	540 KC	Vol. Max. Band Switch "Broadcast"	Adjust Com-pensators in Order Models 42-345 365 22A 21A 15A 25A 22B 24B 15B 25B 27A 29A 15A 29A 33A 35A 32A 37A
2	Loop (See above Instruc-tions)	1720 KC	1720 KC	"	15 15 6B Note A
3	"	1500 KC	1500 KC	"	9 13
4	"	580 KC	580 KC	"	9B 13A Roll Tun-ing Con-denser Note B
5	Repeat Operation 2				
6	"	6.7 MC	6.7 MC	Band Switch "Police"	15A 6A
7	"	15.5 MC	15.5 MC	Band Switch S. W.	15B 9A 4 Oct. 4

**NOTE A.**—Adjusting Dial Pointer: In order to adjust the receiver correctly, the dial must be aligned to track properly with the tuning condenser. To do this, proceed as follows: Turn the tuning condenser to the maximum capacity position (plates fully meshed). With the condenser in this position, set the tuning pointer on the first mark below 540 KC.

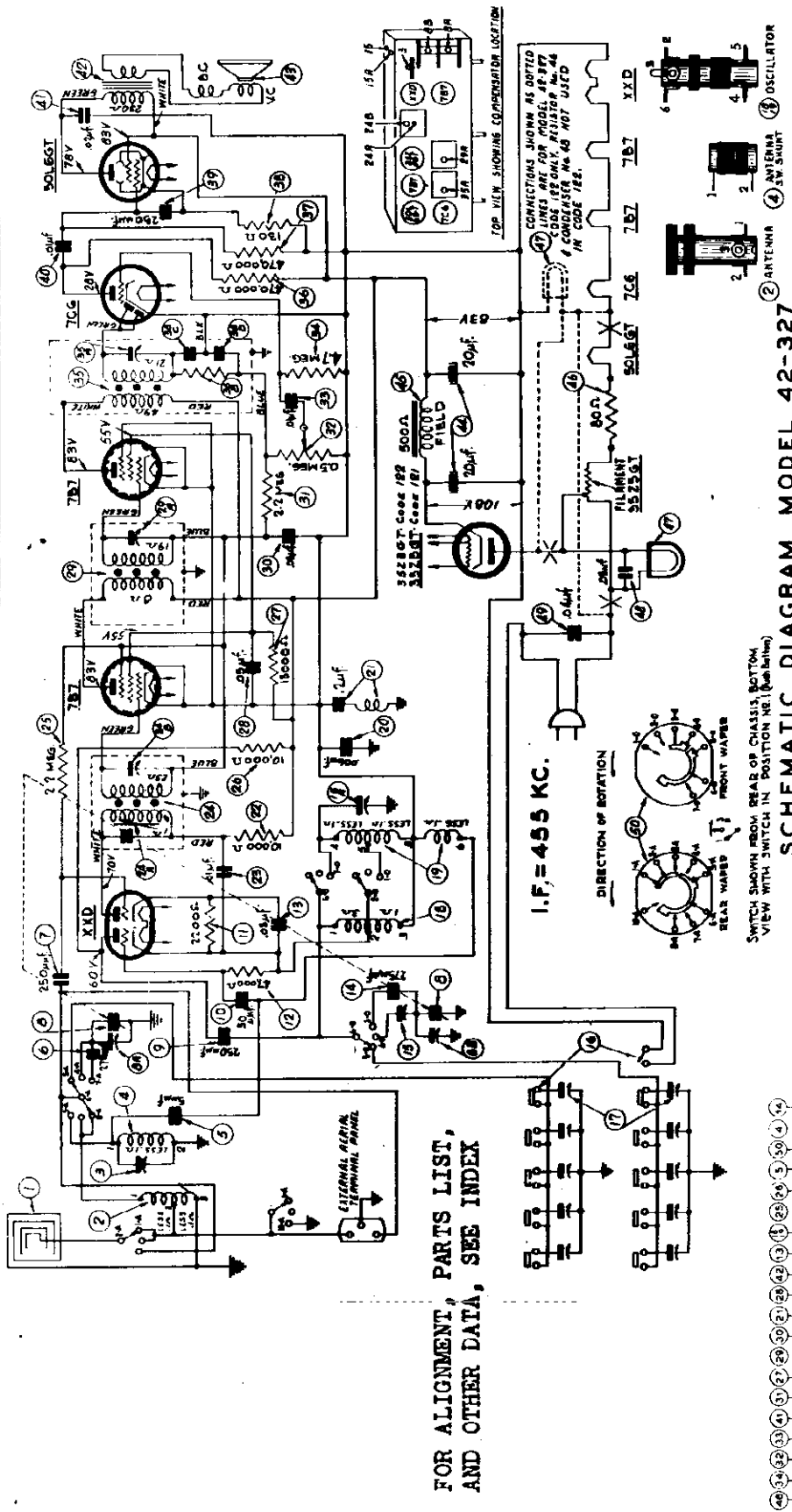
**NOTE B.**—When adjusting the low frequency compensator (Broadcast) or the aerial padders of the high frequency tuning circuit, the receiver tuning condenser must be adjusted (rolled) as

vary the tuning condenser of the receiver for maximum output. Now turn the compensator slightly to the right or left and again vary the receiver tuning condenser for maximum output. This procedure of first setting the compensator and then varying the tuning condenser is continued until maximum output reading is obtained.

**NOTE C.**—Turn tuning condenser until pointer is on 15.5 MC mark, then adjust oscillator compensator to maximum on the second signal peak from the tight position (compensator closed). The Short Wave Aerial Padder should then be "rolled" to maximum on

MODEL 42-327(121,122)

PHILCO RADIO & TELEVISION CORP.

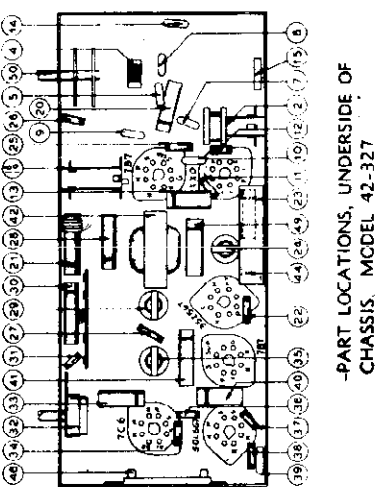


The D. C. voltages indicated at the tube elements in the above diagram were measured with a 1000 ohms per volt voltmeter. Philco Model 027. Line voltage, 117 volts A. C. No signal being received—range switch broadcast.

Model 42-327 incorporates electric push-button tuning in addition to manual tuning and is assembled in a table type cabinet. Codes 121 and 122 differ only in the type of pilot lamp, rectifier tube and bias resistor. These differences are indicated on the part list and diagram. The electric push-button tuning mechanism consists of six (6) push-buttons. One push-button is used to control (ON-OFF) the power to the radios. The remaining five (5) push-buttons automatically tune in stations. The procedure for adjusting and operating the push-buttons will be found in the instructions supplied with the radio.

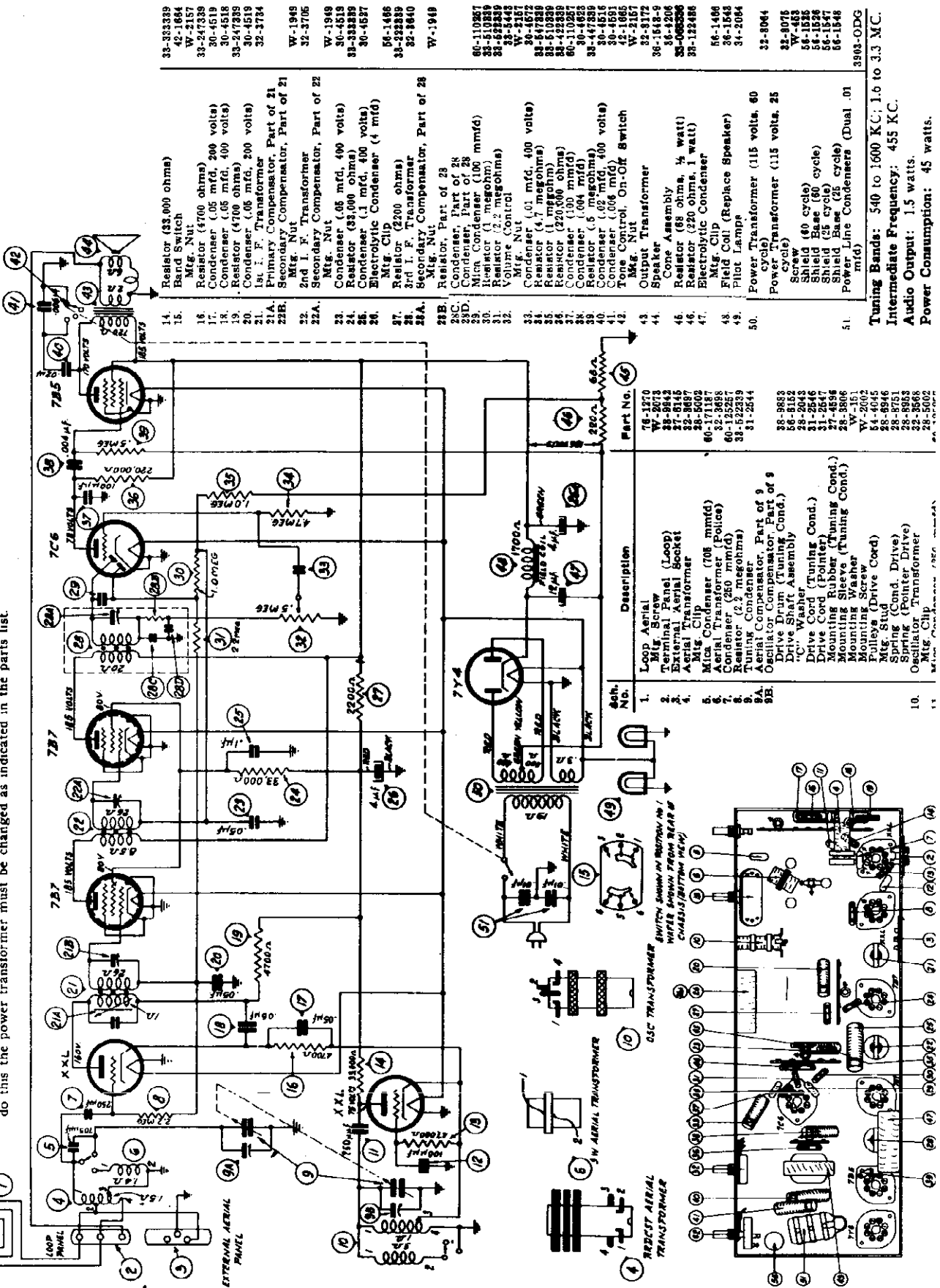
IF PEAK 455 KC  
 AUDIO OUTPUT: 1 WATT  
 TUNING BANDS: 540-1720 KC; 9-15.5 MC  
 POWER SUPPLY: 115 V, AC-DC

FOR ALIGNMENT, PARTS LIST, AND OTHER DATA, SEE INDEX



PHILCO RADIO & TELEVISION CORP.

This model can also be operated on a 115-volt, 25-cycle power supply. To do this the power transformer must be changed as indicated in the parts list.



- 33-333339 Resistor (33,000 ohms)
- 42-1684 Band Switch
- W-2157 Mfg. Nut
- 33-247339 Resistor (4700 ohms)
- 30-4519 Condenser (.05 mfd., 200 volts)
- 30-4518 Resistor (4700 ohms)
- 33-247339 Resistor (4700 ohms)
- 30-4519 Condenser (.05 mfd., 200 volts)
- 32-3734 Ist. I. F. Transformer
- W-1949 Primary Compensator, Part of 21
- 32-3706 Secondary Compensator, Part of 21
- W-1949 Mfg. Nut
- W-1949 2nd I. F. Transformer
- 30-4519 Secondary Compensator, Part of 22
- 33-333339 Resistor (33,000 ohms)
- 30-4527 Condenser (.1 mfd., 400 volts)
- 56-1466 Electrolytic Condenser (4 mfd)
- 33-333339 Resistor (33,000 ohms)
- 32-3640 Mfg. Nut
- W-1949 2nd I. F. Transformer
- 30-4519 Secondary Compensator, Part of 23
- 33-333339 Condenser, Part of 23
- 33-333339 Mica Condenser (100 mmfd)
- 30-4527 Resistor (2.2 megohms)
- 33-5448 Volume Control
- W-2157 Mfg. Nut
- 30-4672 Condenser (.01 mfd., 400 volts)
- 33-517339 Resistor (4.7 megohms)
- 33-517339 Resistor (4.7 megohms)
- 33-517339 Resistor (220 ohms)
- 60-110927 Condenser (100 mmfd)
- 30-4623 Resistor (100 mmfd)
- 33-447339 Resistor (.5 megohms)
- 30-4516 Condenser (.02 mfd., 400 volts)
- 30-4591 Condenser (.05 mfd., 400 volts)
- 42-1685 Tone Control, On-Off Switch
- W-2157 Mfg. Nut
- 32-3172 Output Transformer
- 36-1648-9 Speaker
- 36-1648-9 Cone Assembly
- 33-4206 Resistor (65 ohms, 1/2 watt)
- 33-060536 Resistor (220 ohms, 1 watt)
- 33-152486 Electrolytic Condenser
- 56-1406 Mfg. Clip
- 36-1543 Field Coil (Replace Speaker)
- 34-2064 Pilot Lamp
- 33-1094 Power Transformer (115 volts, 60 cycle)
- 32-3076 Power Transformer (115 volts, 25 cycle)
- 56-1532 Shield (60 cycle)
- 56-1534 Shield Base (60 cycle)
- 56-1547 Shield (25 cycle)
- 56-1548 Shield Base (25 cycle)
- 3903-ODG Power Line Condensers (Dual .01 mfd)

Tuning Bands: 540 to 1600 KC.; 1.6 to 3.3 MC.  
 Intermediate Frequency: 455 KC.  
 Audio Output: 1.5 watts.  
 Power Consumption: 45 watts.

Part No.	Description
1	Loop Aerial
2	Mfg. Screw
3	W-2073 Panel Socket
4	External Aerial Socket
5	Aerial Transformer
6	Mfg. Clip
7	Mica Condenser (708 mmfd)
8	Aerial Transformer (Police)
9	Condenser (250 mmfd)
10	Resistor (2.2 megohms)
11	Tuning Condenser, Part of 9
12	Oscillator Compensator, Part of 9
13	Drive Drum (Tuning Cond.)
14	"C" Washer
15	Drive Shaft Assembly
16	Drive Cord (Tuning Cond.)
17	Drive Cord (Pointer)
18	Mounting Rubber (Tuning Cond.)
19	Mounting Rubber (Tuning Cond.)
20	Mounting Washer
21	Mounting Screws
22	W-2101 Pulleys (Drive Cord)
23	54-4045 Mfg. Stud
24	28-8946 Spring (Cond. Drive)
25	28-8751 Spring (Pointer Drive)
26	32-8553 Oscillator Transformer
27	32-3568 Mfg. Clip
28	28-5002
29	76-1270 Loop Aerial
30	W-2073 Panel Socket
31	External Aerial Socket
32	Aerial Transformer
33	Mfg. Clip
34	Mica Condenser (708 mmfd)
35	Aerial Transformer (Police)
36	Condenser (250 mmfd)
37	Resistor (2.2 megohms)
38	Tuning Condenser, Part of 9
39	Oscillator Compensator, Part of 9
40	Drive Drum (Tuning Cond.)
41	"C" Washer
42	Drive Shaft Assembly
43	Drive Cord (Tuning Cond.)
44	Drive Cord (Pointer)
45	Mounting Rubber (Tuning Cond.)
46	Mounting Rubber (Tuning Cond.)
47	Mounting Washer
48	Mounting Screws
49	W-2101 Pulleys (Drive Cord)
50	54-4045 Mfg. Stud
51	28-8946 Spring (Cond. Drive)
52	28-8751 Spring (Pointer Drive)
53	32-8553 Oscillator Transformer
54	32-3568 Mfg. Clip
55	28-5002



MODEL 42-335  
MODEL 42-358

PHILCO RADIO & TELEVISION CORP.

REPLACEMENT PARTS—Model 42-358, Codes 121-122

Sch. No.	Description	Part No.	Sch. No.	Description	Part No.	Sch. No.	Description	Part No.
1.	Loop Aerial	76-1190	26C.	Condenser, Part of 26		38.	Pilot Lamp	34-2477
	Mtg. Sleeve	28-1806	27.	Condenser, Part of 26			Socket Assembly	76-1232
	Mtg. Sleeve	54-1907	28.	Resistor (470,000 ohms)	33-447339	39.	Condenser (.04 mfd, 400 volts)	30-4119
	Mtg. Sleeve	54-1546	29.	Resistor (470,000 ohms)	33-447339	40.	Power Switch, Part of 23	
	Mtg. Screw	W-288	30.	Resistor (150 ohms), Code 121	33-118336	41.	Power Cord	
	Mtg. Washer	W-151	31.	Resistor (180 ohms), Code 122	33-118336	Parts Used in Code 122 Only		
	Spring Washer	28-4184	32.	Mica Condens.-r (250 mmfd)	60-125157	42.	Electrolytic Condens-er (10-20-20 mfd) (Code 122)	30-2529
1A.	Condenser (.0015 mfd)	26-4521	33.	Condenser (.02 mfd, 400 volts)	30-4572	43.	Field Coil (Replace Speaker 36-1566)	
2.	Aerial Transformer	32-3772	34.	Output Transformer	30-4516	Miscellaneous Parts		
3.	Mtg. Clip	28-5002	35.	Speaker (Code 121)	32-8180			
3A.	Tuning Condenser	31-2099		Speaker (Code 122)	36-1488-3			
3B.	Aerial Compensator (1500 KC), Part of 3			Speaker (Code 122)	36-1566			
	Oscillator Compensator (1700 KC), Part of 3			Cone Assembly (For Speaker 36-1566)	36-4216			
	Drive Pulley	26-8954		Speaker Cable (Code 122)	41-2663			
	Drive Cord	21-2688		Cone Assembly (For Speaker 26-1488-3)	36-4129			
	Spring	28-8954		Speaker Cable (Code 121)	41-3448			
	Mtg. Screw	W-522		Speaker Socket (Code 121)	27-8115			
	Mtg. Spacer	28-5485		Electrolytic Condenser (20-20 mfd) (Code 121)	30-2516			
	Mtg. Grommet (2 required)	27-4598		Mtg. Clamp	54-1466			
	Mtg. Grommet (1 required)	54-4020		Filter Choke	32-8182			
	Tuning Shaft	31-2564		Flament Resistor (50 ohms)	33-3412			
4.	Mtg. Nut	W-684						
4.	Compensator (580 KC)	31-6410						
5.	Mica Condenser (250 mmfd)	60-125157						
6.	Mica Condenser (250 mmfd)	60-125157						
7.	Oscillator Transformer	28-5002						
	Mtg. Clip	32-3771						
8.	Mica Condenser (100 mmfd)	60-110157						
9.	Resistor (47,000 ohms)	33-347339						
10.	Resistor (2200 ohms)	33-222339						
11.	Condenser (.05 mfd, 200 volts)	30-4519						
12.	Condenser (.01 mfd, 400 volts)	30-4572						
13.	Resistor (10,000 ohms)	33-310339						
14.	1st I. F. Transformer	32-3773						
14A.	Primary Compensator, Part of 14							
14B.	Secondary Compensator, Part of 14							
14C.	Condenser, Part of 14							
	Mtg. Nut	W-1949						
15.	Resistor (2.2 megohms)	34-522339						
16.	Resistor (10,000 ohms)	33-210339						
17.	Condenser and R. F. Choke	76-1181						
18.	Resistor (15,000 ohms)	33-315339						
19.	Condenser (.05 mfd, 200 volts)	30-4519						
20.	2nd I. F. Transformer	32-3774						
20A.	Secondary Compensator, Part of 20							
21.	Condenser (.05 mfd, 200 volts)	30-4519						
22.	Resistor (2.2 megohms)	33-522339						
23.	Volume Control	33-5484						
	Mtg. Nut	W-2157						
24.	Condenser (.01 mfd, 400 volts)	30-4572						
25.	Resistor (4.7 megohms)	33-547339						
26.	3rd I. F. Transformer	32-3775						
26A.	Secondary Compensator, Part of 26							
26B.	Resistor, Part of 26							

**Aerial Connections:** The built-in loop aerial system is designed to operate without an outside aerial or ground, and to give exceptionally sensitive receiving performance.

In steel reinforced buildings, however, and other shielded locations, where station signal strength is weak, the Philco Safety Aerial, Part No. 40-6370, is recommended. A lug and wire grounded to the rear of the chassis by a screw is provided for attaching the safety aerial. Remove the lug from under the screw and connect the aerial lead.

If an external aerial is not used this lug should be grounded to the chassis by the screw to obtain best performance with the built-in loop. A ground is not required with either type of aerial.

**ALIGNING R. F. AND I. F. COMPENSATORS**

When aligning the R. F. padders a loop is made from a few turns of wire and connected to the signal generator output terminals; the signal generator and loop is then placed close to the loop of the radio.

The receiver can be adjusted in the cabinet or removed from the cabinet. When adjusting the radio outside the cabinet the loop aerial should be placed in approximately the same position around or near the chassis as when assembled.

After connecting the aligning instruments adjust the compensators as shown in the tabulation below. Locations of the compensators are shown on the schematic diagrams.

If the indicating meter pointer goes off scale when adjusting the compensator, reduce the strength of the signal from the generator.

**Signal Generator:** When adjusting the I. F. padders, the high side of the signal generator is connected through a .1 mfd condenser to the stator plate lug of the antenna section of the tuning condenser. Connect the ground or low side of the generator to the chassis.

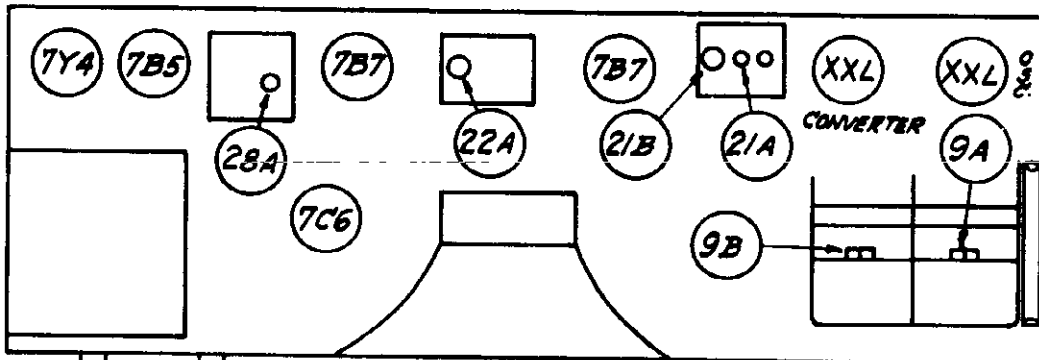
**PROCEDURE—MODEL 42-335**

Operations In Order	SIGNAL GENERATOR		RECEIVER			SPECIAL INSTRUCTIONS
	Output Connections to Receiver	Dial Setting	Dial Setting	Control Setting	Adjust Compensators in Order	
1	Ant. Section of Tuning Cond.	455 KC	Tuning Cond. Closed	Vol. Max. Range Switch "Brdest"	28A, 22A, 21A, 21B	Note A
2	Loop	1500 KC	1500 KC	Vol. Max. Range Switch "Brdest"	9B	Note B
3	Loop	1500 KC	1500 KC	Vol. Max. Range Switch "Brdest"	9A	

**PROCEDURE—MODEL 42-358**

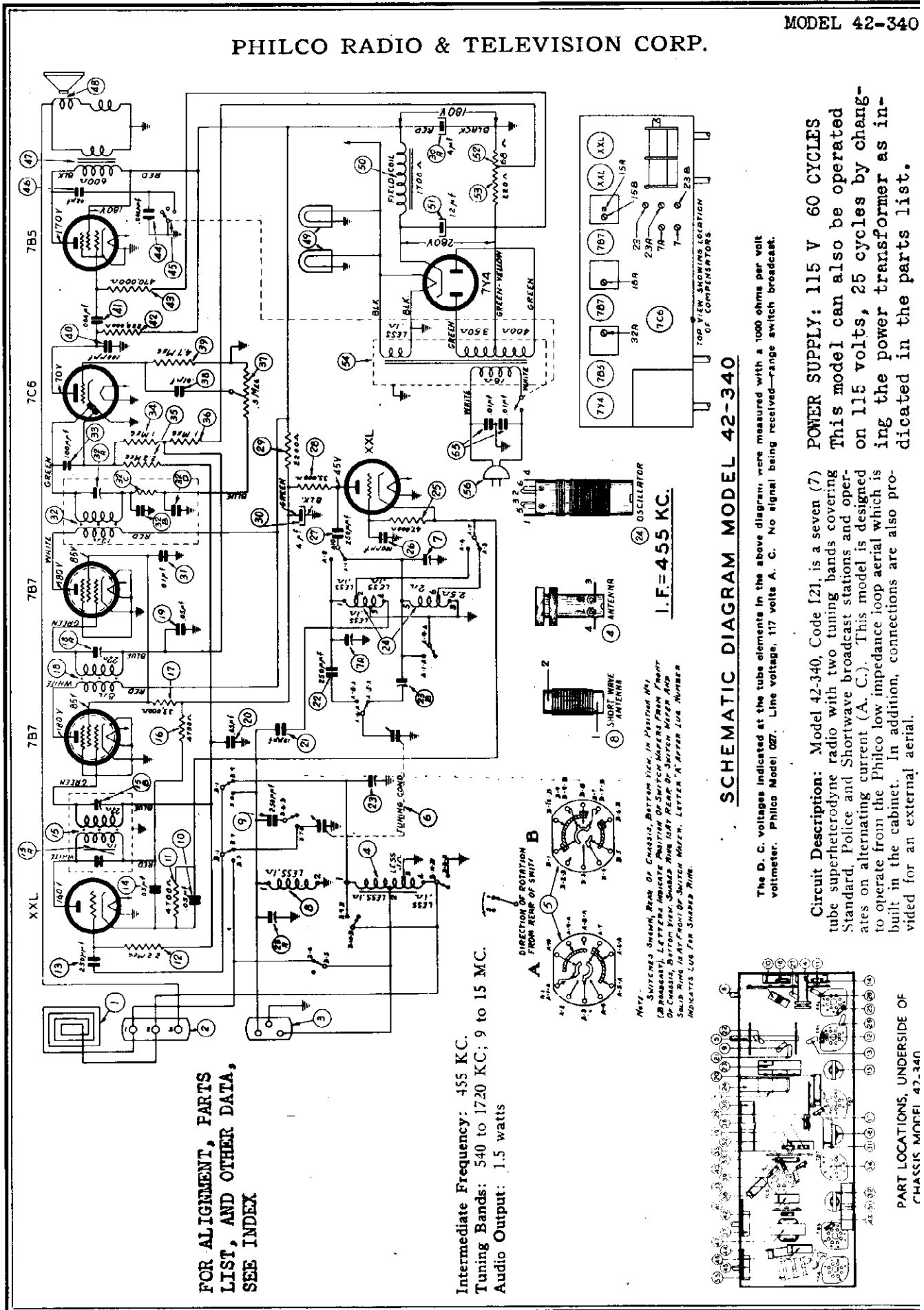
Operations In Order	SIGNAL GENERATOR		RECEIVER			SPECIAL INSTRUCTIONS
	Output Connections to Receiver	Dial Setting	Dial Setting	Control Setting	Adjust Compensators in Order	
1	Ant. Section of Tuning Cond.	455 KC	540 KC	Vol. Max.	14A, 14B, 20A, 26A	
2	Loop	1500 KC	1500 KC	Vol. Max.	2B Tuning Condenser	Note B
3	Loop	1500 KC	1500 KC	Vol. Max.	3A Tuning Condenser	
4	Loop	580 KC	580 KC	Vol. Max.	4	Roll Tuning Condenser
5	Loop		Repeat Operation 2			

NOTE A—Compensator (21A) Model 42-335, must be adjusted before (21B) Model 42-335, and should be done in the following manner: Turn 21B all the way down, then adjust I. F. padders in the order as tabulated once only.  
NOTE B—DIAL CALIBRATION: In order to adjust the receiver correctly, the dial must be aligned to track properly with the tuning condenser. To do this, proceed as follows: Turn the tuning condenser to the maximum capacity position (plates fully meshed). With the condenser in this position, set the tuning pointer on the index line below 540 KC.



LOCATIONS OF COMPENSATORS, TOP OF CHASSIS  
Model 42-335

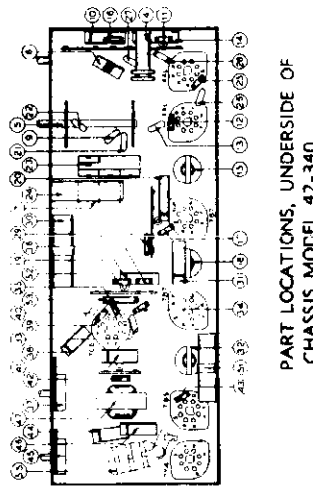
PHILCO RADIO & TELEVISION CORP.



**SCHEMATIC DIAGRAM MODEL 42-340**

The D. C. voltages indicated at the tube elements in the above diagram were measured with a 1000 ohms per volt voltmeter. Philco Model 027. Line voltage, 117 volts A. C. No signal being received—range switch broadcast.

**Circuit Description:** Model 42-340, Code [2], is a seven (7) tube superheterodyne radio with two tuning bands covering Standard, Police and Shortwave broadcast stations and operates on alternating current (A. C.). This model is designed to operate from the Philco low impedance loop aerial which is built in the cabinet. In addition, connections are also provided for an external aerial.



MODEL 42-340  
MODEL 42-345

PHILCO RADIO & TELEVISION CORP.

EXTERNAL AERIAL CONNECTIONS

MODELS 42-323, 42-327, 42-340, 42-345, 42-360, 42-365

The built-in low-impedance loop aerial system of these models is designed to operate without an outside aerial or ground, and to give exceptional receiving performance under average conditions.

To operate the radio, however, in steel reinforced buildings and other shielded locations, where signal strength is weak, the Philco outdoor aerial part No. 45-2817 is recommended for maximum receiving performance. The outdoor aerial can be easily connected to the radio by inserting the plug attached to the transformer (supplied with the aerial) into the socket provided at the rear of the radio. This aerial can be obtained from your local Philco distributor.

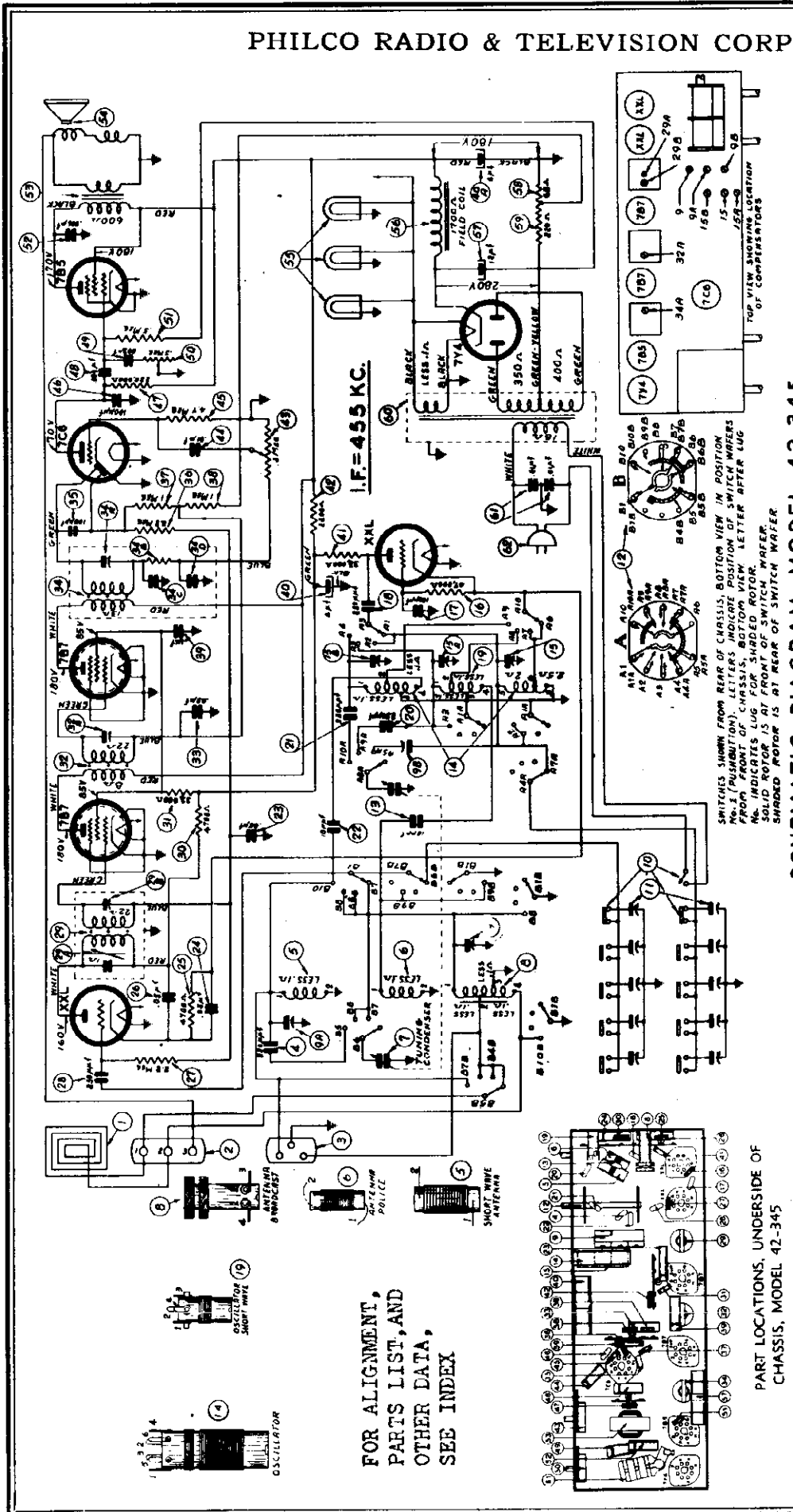
REPLACEMENT PARTS—Model 42-340

Sch. No.	Description	Part No.	Sch. No.	Description	Part No.	Sch. No.	Description	Part No.
1.	Loop Aerial	76-1270	34E.	Compensator (Oscillator—500 KC) (Part of 23)		52.	Resistor (56 ohms)	33-063296
2.	Mtg. Screw	W-2071	24.	Oscillator Transformer	33-3723	53.	Resistor (220 ohms)	33-123496
3.	Loop Terminal Panel	28-3942		Mtg. Clip	33-5003	54.	Power Transformer (115 volts, 60 cycle)	33-3064
4.	External Aerial Socket	27-8145	25.	Resistor (47,000 ohms)	33-547239		Shield	56-1525
5.	Aerial Transformer (Broadcast)	28-3764	26.	Mica Condenser (100 mmfd)	30-110257		Shield Base	56-1526
6.	Mtg. Clip	28-5002	27.	Mica Condenser (250 mmfd)	30-025011		Mtg. Screw	W-453
7.	Band Switch	42-1672	30.	Electrolytic Condenser (4-4 mfd, 400 volts)	30-2477	55.	Power Transformer (115 volts, 25 cycle)	3908-ODG
8.	Mtg. Nut	W-2187	30A.	Electrolytic Condenser (4 mfd) (Part of 30)		56.	Power Cord	1-3199
9.	Drive Cord (Pointer)	31-2547	31.	Condenser (.1 mfd, 400 volts)	30-4827	<b>Miscellaneous Parts</b> Cabinet 10699-A Dial Scale 27-5765 Dial Pointer 56-4223 Knob Assembly 54-4102 Sockets 27-8177 Mts. Rivets W-219 Screw (Mtg. Chassis) W-2050 Washer (Mtg. Chassis) W-410		
10.	Drive Cord (Tuning Cond.)	31-2546	32.	3rd I. F. Transformer	32-3646			
11.	Drive Shaft	56-6182		Mtg. Nut	W-1949			
12.	Mtg. Nut	W-2187	32A.	Secondary Compensator (Part of 23)				
13.	Drive Drum (Tuning Cond.)	28-3953	32B.	Condenser (Part of 22A)				
14.	Mtg. Rubber	27-4596	32C.	Resistor (Part of 32)				
15.	Mtg. Sleeve	28-2806	32D.	Condenser (Part of 32A)				
16.	Spring (Tuning Condenser Cord Drive)	28-3751	33.	Mica Condenser (100 mmfd)	60-110257			
17.	Spring (Pointer Drive Cord)	28-3953	34.	Resistor (1 megohm)	30-4519			
18.	Compensator (Broadcast, Aerial)	31-6428	35.	Resistor (2.2 megohms)	33-522329			
19A.	Compensator (Short Wave—Aerial) (Part of 7)		36.	Resistor (1 megohm)	33-510329			
20.	Aerial Transformer (Short Wave)	32-3725	37.	Volume Control	33-6442			
21.	Mica Condenser (250 mmfd)	20-025011	38.	Condenser (.01 mfd, 400 volts)	W-2187			
22.	Condenser (.05 mfd, 200 volts)	30-4519	39.	Resistor (4.7 megohms)	30-4572			
23.	Resistor (4700 ohms)	20-324733	40.	Mica Condenser (100 mmfd)	33-547239			
24.	Resistor (2.2 megohms)	33-522329	41.	Condenser (.004 mfd, 500 volts)	60-110257			
25.	Mica Condenser (250 mmfd)	60-125257	42.	Resistor (470,000 ohms)	33-522329			
26.	Condenser (.05 mfd, 400 v.)	30-4518	43.	Resistor (470,000 ohms)	33-547239			
27.	1st I. F. Transformer	32-3784	44.	Condenser (.005 mfd, 400 volts)	30-4591			
28.	Mtg. Nut	W-1949	45.	Tone Control and Power Switch	42-1686			
29.	Primary Compensator (Part of 15)		46.	Condenser (.02 mfd, 400 volts)	30-4516			
30.	Secondary Compensator (Part of 15)		47.	Output Transformer	33-8172			
31.	Condenser (Part of 15)		48.	Speaker	36-1542-9			
32.	Resistor (4700 ohms)	33-247329		Cone Assembly (For Speaker 36-1542)	36-4266			
33.	Resistor (33,000 ohms)	33-23829	49.	Pilot Lampe	34-2964			
34.	Mtg. Nut	W-1949	50.	Field Coil (Replace Speaker 36-1542)	75-1237			
35.	Secondary Compensator (Part of 15)		51.	Electrolytic Condenser (12 mfd, 400 volts)	30-2400			
36.	Resistor (4700 ohms)	33-23829		Mtg. Clamp	56-1406			

REPLACEMENT PARTS—Model 42-345

Sch. No.	Description	Part No.	No. Sch.	Description	Part No.	Sch. No.	Description	Part No.
1.	Loop Aerial	76-1203	23.	Condenser (.05 mfd, 200 volts)	30-4519	56.	Field Coil (Replace Speaker)	36-1542
2.	Mtg. Screw	W-2071	24.	Condenser (.05 mfd, 200 volts)	30-4519	57.	Electrolytic Condenser (12 mfd, 400 volts)	30-2400
3.	Loop Terminal Panel	28-3942	25.	Resistor (4700 ohms)	33-247329	58.	Resistor (56 ohms)	33-063296
4.	External Aerial Socket	27-8145	26.	Condenser (.05 mfd, 400 volts)	30-4518	59.	Resistor (220 ohms)	33-123496
5.	Silver Mica Condenser (250 mmfd)	20-025011	27.	Resistor (2.2 megohms)	33-522329	60.	Power Transformer (115 volts, 60 cycle)	33-3064
6.	Aerial Transformer (S. W.)	32-3764	28.	Mica Condenser (250 mmfd)	60-125257		Power Transformer (115 volts, 25 cycle)	3908-ODG
7.	Mtg. Clip	28-5002	29.	1st I. F. Transformer	32-3784		Shield	56-1525
8.	Aerial Transformer (Police)	28-3764	29A.	Primary Compensator (Part of 20)			Shield Base	56-1526
9.	Tuning Condenser	31-2554	29B.	Condenser (Part of 29)			Mtg. Screw	W-453
10.	Drive Shaft	56-6182	29C.	Secondary Compensator (Part of 20)			Tab (ON-OFF)	27-8177
11.	Mtg. Screw	W-2187	30.	Resistor (4700 ohms)	33-247329		Washer (Chassis Mtg.)	W-410
12.	Drive Drum	28-3953	31.	Resistor (33,000 ohms)	33-23829	<b>Miscellaneous Parts</b> Cabinet 10679A Dial 27-5765 Escutcheon (Push-Buttons) 56-1356 Knob (Tuning, Volume, Tone) 56-2223 Knob (Push-Buttons) 54-4106 Socket (Tubes) 27-8177 Screw (Chassis Mtg.) W-2050 Tab Kit (Push-Buttons) 40-6240 Tab Cover 27-8177 Tab (ON-OFF) 27-8177 Washer (Chassis Mtg.) W-410		
13.	Drive Cord (Pointer)	31-2547	32.	2nd I. F. Transformer	32-3786			
14.	Spring	28-3953		Mtg. Nut	W-1949			
15.	Drive Cord (Cond. Drive)	31-2546	32A.	Secondary Compensator (Part of 22)				
16.	Pointer	28-3751	32B.	Condenser (.05 mfd, 200 volts)	30-4519			
17.	Mtg. Screw	56-1856	32C.	Resistor (Part of 34)	33-3646			
18.	Mtg. Rubber	W-2002	34.	Mtg. Nut	W-1949			
19.	Mtg. Sleeve	27-4596	34A.	Secondary Compensator (Part of 24)				
20.	Spring	28-3953	34B.	Resistor (Part of 34)				
21.	Compensator (Aerial—Broadcast)	32-3782	34C.	Condenser (Part of 34A)				
22.	Compensator (Aerial—S. W.) (Part of 9)		34D.	Condenser (Part of 34A)				
23.	Oscillator Compensator (500 KC) (Part of 9)		35.	Mica Condenser (100 mmfd)	60-110257			
24.	Push-Buttons and Power Switch	42-1686	36.	Resistor (2.2 megohms)	33-522329			
25.	Mtg. Sleeve (Switch to Cabinet)	28-2253	37.	Resistor (1 megohm)	33-510329			
26.	Mtg. Sleeve (P. B. Switch, 3 required)	28-5666	38.	Resistor (1 megohm)	33-510329			
27.	Drive Screw	W-523	39.	Condenser (.1 mfd, 400 volts)	30-4527			
28.	Mtg. Screw	W-2002	40.	Electrolytic Condenser (4-4 mfd, 400 volts)	30-2477			
29.	Push-Button Compensating Condenser		40A.	Electrolytic Condenser (4 mfd) (Part of 40)				
30.	Strip	31-6272		Mtg. Clip	56-1406			
31.	Band Switch	42-1684	41.	Resistor (33,000 ohms)	33-232329			
32.	Mtg. Nut	W-2187	42.	Resistor (2200 ohms)	33-222329			
33.	Mica Condenser (10 mmfd)	60-010287	43.	Volume Control	33-6442			
34.	Oscillator Transformer (Broadcast—S. W.)	32-3782	44.	Condenser (.01 mfd, 400 volts)	W-2187			
35.	Mtg. Clip	28-5002	45.	Condenser (.01 mfd, 400 volts)	30-4572			
36.	Compensator (Oscillator—Broadcast)	31-6425	46.	Resistor (4.7 megohms)	33-547239			
37.	Compensator (Oscillator—Police) (Part of 15)		47.	Mica Condenser (100 mmfd)	60-110257			
38.	Compensator (Oscillator—S. W.) (Part of 15)		48.	Resistor (220,000 ohms)	33-422329			
39.	Resistor (47,000 ohms)	33-247329	49.	Condenser (.004 mfd, 500 volts)	30-4462			
40.	Mica Condenser (100 mmfd)	60-110257	50.	Condenser (.005 mfd, 100 volts)	30-4469			
41.	Mica Condenser (250 mmfd)	60-125257	51.	Tone Control	33-5456			
42.	Oscillator Transformer (Police)	32-3785	52.	Mtg. Nut	W-2187			
43.	Mtg. Clip	28-5002	53.	Resistor (470,000 ohms)	33-447329			
44.	Mica Condenser (2500 mmfd)	60-225124	54.	Output Transformer	33-8172			
45.	Silver Mica Condenser (250 mmfd)	20-025011	55.	Speaker	36-1542-9			
46.	Mica Condenser (16 mmfd)	60-010287		Cone Assembly (For Speaker 36-1542)	36-4266			
				Pilot Lampe	34-2964			
				Socket Assembly	75-1237			

PHILCO RADIO & TELEVISION CORP.



**Circuit Description:** Model 42-345, Code 121, is a seven (7) tube superheterodyne radio employing electric push-button tuning for automatically selecting standard broadcast stations and three (3) tuning bands covering Standard, Police, and Short-wave stations. In addition, this model employs the built-in Philco low impedance loop aerial, for reception of stations without an external aerial. Connections are also provided for an external aerial to be used in sections where signal strength is weak, such as steel reinforced buildings and other shielded areas.

**MODEL 42-345, CODE 121**

**Intermediate Frequency:** 455 KC.

**Tuning Bands:** 540 to 1720 KC; 2.3 to 7 MC; 9 to 15.5 MC.

**Audio Output:** 2 watts.

**Power Supply:** 115 volts A. C., 60 cycles. The radio can also be operated on 115 volts, 25 cycle current, by changing the power transformers as indicated in the parts list.

**Electric Push-Button Tuning:** Six (6) electric tuning push-buttons are provided for automatically selecting stations. Five (5) of the push-buttons are used from broadcast stations and one push-button for controlling (ON-OFF) the power supply. The procedure for adjusting the push-buttons will be found in the instructions supplied with the radio.

MODEL 42-350

PHILCO RADIO & TELEVISION CORP.

REPLACEMENT PARTS—Model L42-350, Code 121

Schem. No.	Description	Part No.	Schem. No.	Description	Part No.	Schem. No.	Description	Part No.
1.	Loop Aerial	76-1383	42.	Resistor (2200 ohms)	33-222339		Mtg. Washer	27-7467
	Mtg. Screw	W-2071	43.	Condenser (.01 mfd., 200 volts)	30-4519		Mtg. Nut	W-124
1a.	F.M. Loop Aerial	27-1303	44.	3rd I.F. Transformer	32-3796	74.	Dial and Indicator Lamps	31-2064
	Socket	27-6181	44a.	Mtg. Nut	W-1949	75.	Field Coil (Replace Speaker 36-154H)	
2.	Mica Condenser (250 mmfd.)	60-125257	44b.	Primary Compensator (4.3 M.C.)		76.	Electrolytic Condenser (12 mfd., 400 volts)	30-2489
3.	Resistor (2.2 megohms)	33-522339		Part of 44				56-1466
4.	Resistor (100,000 ohms)	33-410339	44b.	Primary Compensator (455 K.C.)				33-02733F
5.	Resistor (2700 ohms)	33-227339		Part of 44		77.	Mtg. Clip	
6.	Condenser (.05 mfd., 200 volts)	30-4519	44c.	Secondary Compensator (4.3 M.C.)		78.	Resistor (27 ohms)	33-12743H
7.	F.M. Oscillator Transformer	32-3797	44d.	Mica Condenser (125 mmfd.)		79.	Power Transformer (115 volts, 60 cycle)	32-8183
	Mtg. Clip	28-5002		Part of 44				W-483
8.	Resistor (10 ohms)	33-010336	45.	Condenser (.1 mfd.)	30-4586		Mtg. Screw	56-2266
9.	Short Wave Aerial Transformer	32-3764	45a.	Mica Condenser (500 mmfd.)	60-150227		Shield	
10.	Broadcast Aerial Transformer	32-3763		Resistor (470,000 ohms)	33-447359		Shield Base	
	Mtg. Clip	28-5002	46.	Resistor (2.2 megohms)	33-522354		Power Transformer (115 volts, 25 cycles)	32-8210
11.	Compensator (Brdcat. Band, 580 K.C.)	33-410339	47.	Resistor (100,000 ohms)	33-410339		Shield	56-1547
11a.	Compensator (S.W. Aerial, 15 M.C.)	31-6428	48.	Resistor (2.2 megohms)	33-522339		Shield Base	56-1548
	Part of 11		49.	Resistor (2.2 megohms)	33-522339		Power Transformer (115-230 volts, 60 cycle)	32-8211
11b.	Compensator (Brdcat. Band, 1500 K.C.)	32-3797	50.	Resistor (2.2 megohms)	33-522339		Condenser (.01-.01 mfd.)	3903-00G
	Part of 11		51.	Condenser (.01 mfd., 400 volts)	30-4572		Band Switch	42-1696
12.	Push-button Switch & A.C. Switch	42-1695	52.	Mica Condenser (100 mmfd.)	60-110257	80.	Mtg. Nut	W-2157
12a.	A.C. Switch (Part of 12)	W-323	53.	Resistor (220,000 ohms)	33-422339	81.		
	Mtg. Screw	28-5665	54.	Resistor (2.2 megohms)	30-4572			
13.	Push-button Padder Strip	31-6372	55.	Mica Condenser (100 mmfd.)	60-110257			
	Mtg. Screw	W-1874	56.	Condenser (.01 mfd., 400 volts)	30-4572			
14.	Tuning Condenser	31-2595	57.	Tone Control	33-5471			
	Drive Cord (Tuning Cond.)	31-2546	58.	Mtg. Nut	W-2157			
	Drive Cord (Pointer)	28-8751	59.	Volume Control	33-5470			
	Spring	31-2594	60.	Condenser (.01 mfd., 400 volts)	30-4572			
	Mtg. Rubber	27-4596	61.	Mica Condenser (150 mmfd.)	60-115327			
	Mtg. Sleeve	28-3806	62.	Mica Condenser (150 mmfd.)	60-115327			
	Mtg. Washer	W-151	63.	Resistor (1 megohm)	33-510339			
	Mtg. Screw	W-2002	64.	Resistor (470,000 ohms)	33-447339			
	Tuning Shaft	58-6136	65.	Mica Condenser (100 mmfd.)	60-110257			
	Tuning Drive Drum	38-9983	66.	Condenser (.003 mfd., 1000 volts)	30-3469			
15.	Compensator (F.M. Osc., 48.5 M.C.)	31-6444	67.	Condenser (.003 mfd., 1000 volts)	30-4623			
15a.	Compensator (Brdcat. Osc., 1500 K.C.)		68.	Resistor (220,000 ohms)	33-422339			
	Part of 15		69.	Resistor (470,000 ohms)	33-447339			
15b.	Compensator (S.W. Osc., 15 M.C.)		70.	Resistor (10 megohms)	33-610339			
	Part of 15		71.	Condenser (.002 mfd., 600 volts)	30-4622			
15c.	Compensator (F.M. Aerial, 48.5 M.C.)		72.	Output Transformer	32-8172			
	Part of 15		73.	Speaker	36-154H			
16.	Silver Mica Condenser (250 mmfd.)	28-025011		Cone Assembly (for Speaker 36-154H)	36-4206			
17.	Mica Condenser (10 mmfd.)	60-810317		Cable	41-3613			
18.	Mica Condenser (250 mmfd.)	28-025011						
19.	Oscillator Transformer (Brdcat., S.W.)	32-3798						
	Mtg. Clip	28-5003						
20.	Resistor (47,000 ohms)	33-347339						
21.	Resistor (4700 ohms)	33-247339						
22.	Condenser (.05 mfd., 400 volts)	30-4519						
23.	1st I.F. Transformer	32-3794						
	Mtg. Nut	W-1949						
23a.	Primary Compensator (155 K.C.)							
	Part of 23							
23b.	Secondary Compensator (155 K.C.)							
	Part of 23							
23c.	Secondary Compensator (4.3 M.C.)							
	Part of 23							
23d.	Primary Compensator (4.3 M.C.)							
	Part of 23							
23e.	Mica Condenser (4000 mmfd.)	60-240214						
	(Part of 23)							
24.	Condenser (.05 mfd., 200 volts)	30-4519						
25.	Condenser (.05 mfd., 200 volts)	30-4519						
26.	Resistor (120 ohms)	33-112336						
27.	Resistor (68 ohms)	33-068336						
28.	Condenser (.05 mfd., 100 volts)	30-4518						
29.	Resistor (10,000 ohms)	33-318339						
30.	Condenser (.01 mfd., 400 volts)	30-4572						
31.	2nd I.F. Transformer	32-3798						
	Mtg. Nut	W-1949						
31a.	Primary Compensator (4.3 M.C.)							
	Part of 31							
31b.	Secondary Compensator (4.3 M.C.)							
	Part of 31							
31c.	Secondary Compensator (455 K.C.)							
	Part of 31							
31d.	Resistor (47,000 ohms) (Part of 31)	33-347339						
32.	Resistor (150 ohms)	33-115336						
33.	Condenser (.05 mfd., 200 volts)	30-4519						
34.	Resistor (4700 ohms)	33-247339						
35.	Resistor (1000 ohms)	33-218339						
36.	Condenser (.01 mfd., 400 volts)	30-4572						
37.	Mica Condenser (250 mmfd.)	60-125257						
38.	Mica Condenser (100 mmfd.)	60-110257						
39.	Resistor (47,000 ohms)	33-347339						
40.	Electrolytic Condenser (4-4 mfd., 400 volts)	30-2477						
40a.	Electrolytic Condenser (4 mfd., 400 volts)							
	(Part of 40)							
41.	Mtg. Clip	56-1466						
	Resistor (33,000 ohms)	33-333339						

POWER SUPPLY: 115 volts, 60 cycles A.C. This model can also be operated on 25-cycle current. To do this it is necessary to replace the power transformer as indicated in the parts list for 25-cycle operation.

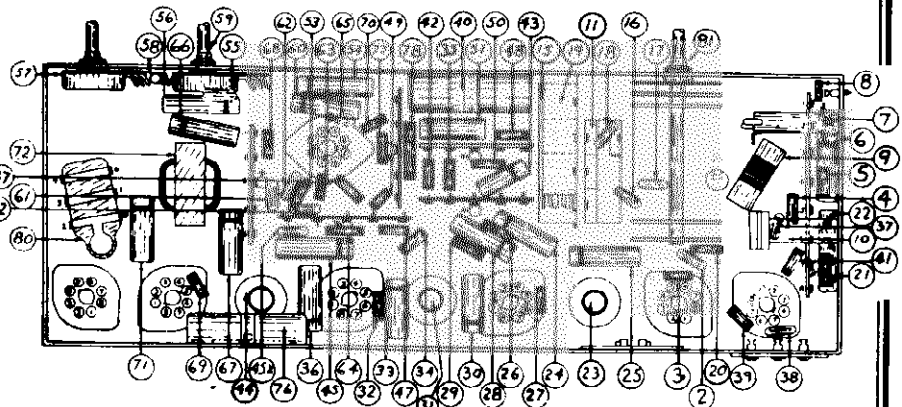


FIG. 4—LOCATIONS OF PARTS—UNDER CHASSIS

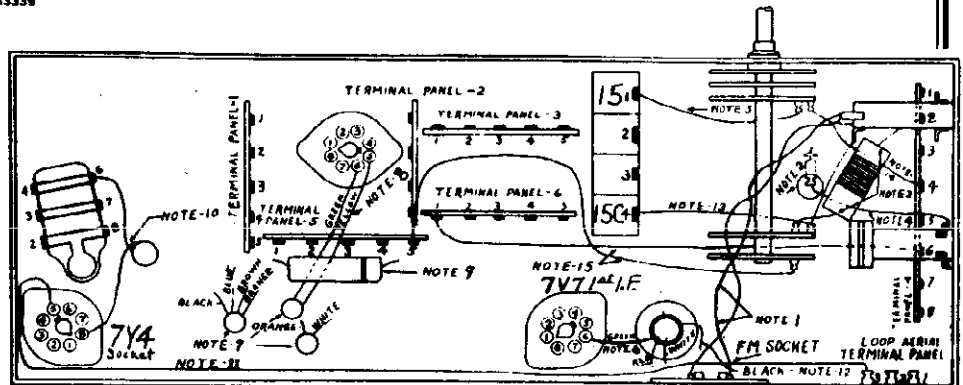


FIG. 5—CRITICAL WIRING AND PART LOCATIONS—UNDER CHASSIS (See Notes 1 to 15.)

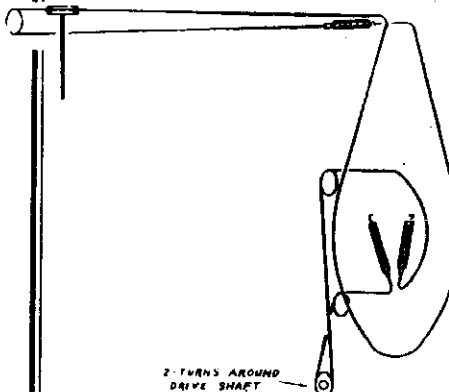
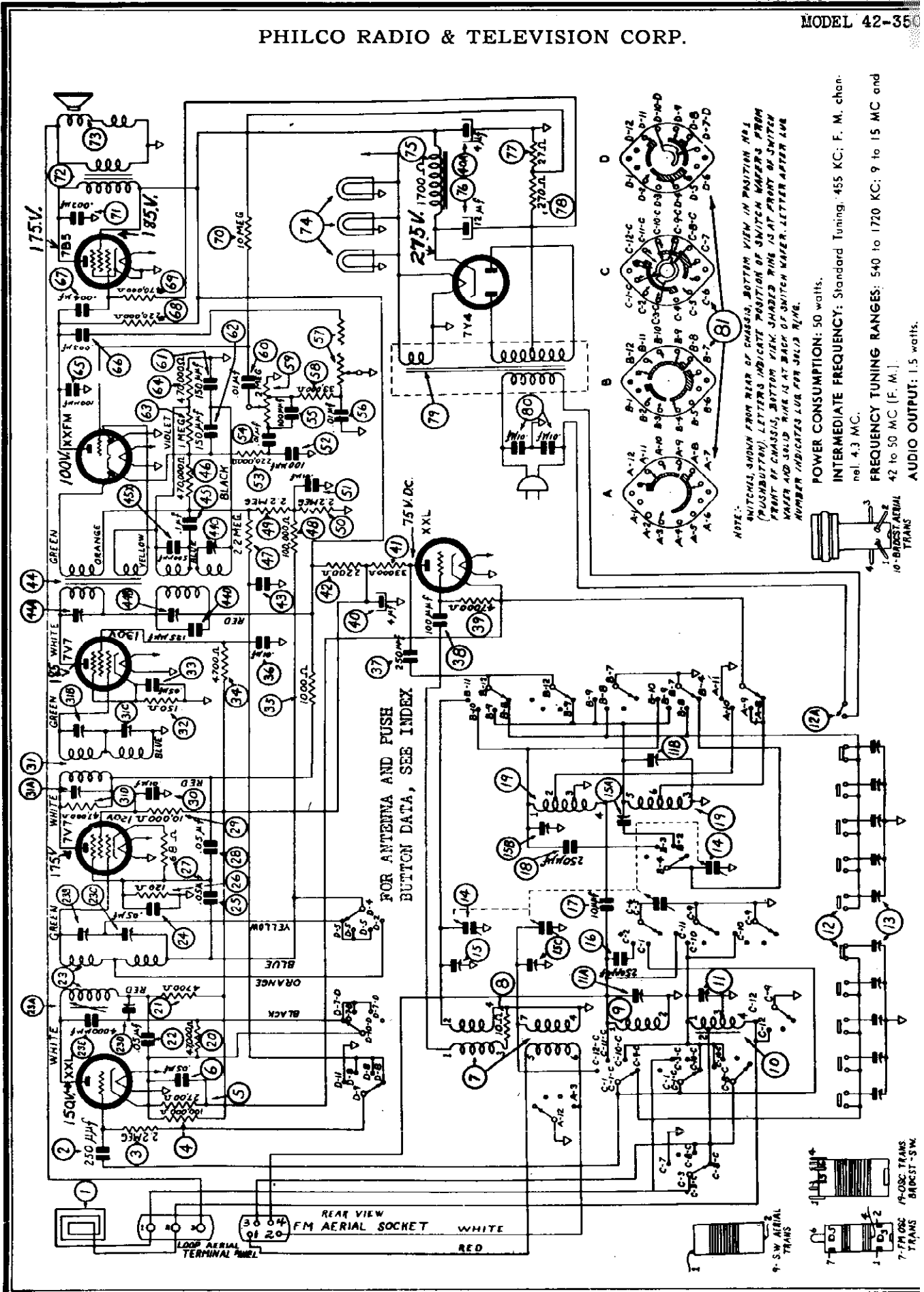


FIG. 3—TUNING DRIVE CORD ARRANGEMENT

PHILCO RADIO & TELEVISION CORP.



FOR ANTENNA AND PUSH BUTTON DATA, SEE INDEX

NOTE: SWITCHES, SHOWN FROM REAR OF CHASSIS, BOTTOM VIEW IN POSITION #1 (PUSHBUTTON). LETTERS INDICATE POSITION OF SWITCH WAFERS FROM FRONT OF CHASSIS, BOTTOM VIEW. SHADED RING IS AT FRONT OF SWITCH WAFER AND SOLID RING IS AT BACK OF SWITCH WAFER. LETTER AFTER NUMBER INDICATES LUB. FOR JELID RING.

POWER CONSUMPTION: 50 watts.  
 INTERMEDIATE FREQUENCY: Standard Tuning, 455 KC; F. M. channel, 4.3 MC.  
 FREQUENCY TUNING RANGES: 540 to 1720 KC; 9 to 15 MC and 42 to 50 MC (F. M.).  
 AUDIO OUTPUT: 1.5 watts.

MODEL 42-350

PHILCO RADIO & TELEVISION CORP.

CONNECTING ALIGNING INSTRUMENTS

**AUDIO OUTPUT METER:** Terminal No. 3 is provided on the loop aerial panel for connecting one lead of the audio output meter to the voice coil of the speaker. The other lead of the meter is connected to the chassis. When using these connections, the lowest A. C. scale of the meter must be used. (0 to 10 volts.)  
The audio output meter can also be connected between the plate of the output tube and the chassis.

**SIGNAL GENERATOR:** When adjusting the "I. F." padders, the high side of the signal generator is connected through a .1 mfd. condenser to the points indicated in signal generator column "output connections" to receiver in the tabulations below.

When aligning the R. F. padders a loop is made from a few turns of wire and connected to the signal generator output terminals; the loop is then placed two or three feet from the loop in the cabinet and dipole aerial lead. Do not remove the receiving loops from the cabinet. It is necessary when adjusting the padders, that the receiver be left in the cabinet.

After connecting the aligning instruments adjust the compensators in the order shown in the tabulation below. Location of the compensators are shown in Fig. 1. If the output meter pointer goes off scale when adjusting the compensators, reduce the strength of the signal from the generator.

STANDARD AND S. W. BANDS ALIGNING PROCEDURE

Operations in Order	SIGNAL GENERATOR			RECEIVER		Special Instructions
	Output Connections	Dial Setting	Dial Setting	Control Settings	Adjust Compensators in Order	
1	High side to No. 1 terminal loop panel	455 KC	580 KC	Vol. max. Band Switch "Brdcat."	44B, 31C, 23A, 23B	
2	Use loop on generator	1500 KC	1500 KC	"	15A, 11B	Note A
3	Use loop on generator	580 KC	580 KC	"	"	Roll Tuning Condensers Note B
4	Use loop on generator	Readjust as given in Operation 2				
5	Use loop on generator	15 MC	15 MC	Band Switch "S.W."	15B, 11A	Note C

FREQUENCY MODULATION ALIGNING PROCEDURE

Note: The Frequency Modulation Circuits Must Be Adjusted With the Dipole Aerial Connected

CRITICAL WIRING LOCATIONS

The following items on this set are critical for location and position. See Figs. 4 and 5, for locations of wires and parts.

- Dipole aerial leads from socket to be twisted and dressed over wave switch directly to F. M. aerial-oscillator transformer No. 7.
- Ground braid from gong to chassis to be wired and soldered on top side of subbase in such a manner so that there is a floating bond between ground and the condenser.
- Short wave aerial transformer (No. 9) to be wired directly between terminal panel 4 and band switch contact C-11-C so that there is a minimum of slack in the wires.
- Wire from broadcast aerial transformer (No. 10) to ground to be dressed under short wave aerial transformer (No. 9).
- Wire from band switch contact B-11 to compensator 15 to be direct and away from switch and other wires.
- Red and white wires from 1st I. F. transformer to be dressed on base and not twisted with other wires from same coil. Green wire to be free of other wires and direct to contact 6 of the 7V7, 1st I. F. tube.
- Wires from 3rd I. F. transformer (44) to be brought out proper holes and not twisted together inside of can.
- Green and yellow wires of 3rd I. F. transformer 44 to run from hole in subbase between terminal panel 5, contacts 2 and 3 and direct to contacts of the XXFM tube 5 and 6. Orange, blue, black and brown leads to be free of other wires and dressed off base.

- Condenser (45) to be dressed off base.
- A.C. switch leads to be twisted.
- Wire from prong 5 of the 7Y4 tube to lug 3 of the loop aerial terminal panel to be dressed between Electrolytic Condenser 76 and Mounting Strap and to rear of chassis across bottom contacts of F. M. socket.
- White, red and black wires of 1st I. F. transformer to be dressed with excess out of coil shield, and towards rear of chassis, and close to base. Black lead to be dressed around and under all leads going to XXL converter tube socket. Orange, yellow, green and blue leads to be dressed with excess out of coil shield and away from the white, red and black leads.
- Wire from band switch contact C-12-C to compensator 15-C to be dressed free of other wires.
- Dress wire from band switch contact B-12 to wiring panel 4, lug 4 with excess toward front of set, under shortwave aerial transformer (9), keeping wire between the terminal panel 4 and wires coming through subbase which connect to F. M. aerial-oscillator transformer (7) and band switch.
- Keep wires from terminal panel No. 5 contact No. 5 to band switch contact D8 and terminal panel No. 6 to terminal panel No. 4 between padder strip and mounting stud of 1st I. F. transformer so that they are kept clear of leads from the 1st I. F. transformer.

F. M. BAND ALIGNING PROCEDURE

Operations in Order	SIGNAL GENERATOR			RECEIVER		Special Instructions
	Output Connections	Dial Setting	Dial Setting	Control Settings	Adjust Compensators in Order	
1	2nd I. F., F. M. input connection	4.3 MC	580 KC	Vol. max. Band Switch "F.M."	44C (Note D) 44A (Note E)	
2	1st I. F., F. M. input connection	4.3 MC	580 KC	Band Switch "F.M."	31A, 31B (Note F)	
3	High side to No. 1 contact, F. M. socket. Ground to No. 2 contact	4.3 MC	580 KC	Band Switch "F.M."	23D, 23C (Note F)	
4	Use test loop on generator; place near dipole aerial	48.5 MC	85 (Note G)	Band Switch "F.M."	15 (Note G) 15C (Note H)	Roll tuning condenser when adjusting 15C. See Note B.
5	"	48.5 MC	85	Band Switch "F.M."	15 oscillator	

**NOTE A.—DIAL CALIBRATION:** In order to adjust the receiver correctly, the dial pointer must be aligned to track properly with the tuning condenser. To adjust the dial, proceed as follows: With the tuning condenser closed (maximum capacity) set the dial pointer on the extreme left index line at the low frequency end of the broadcast scale.

**NOTE B.—**When adjusting the low frequency compensator of the broadcast or the aerial padders of the high frequency tuning range; the receiver tuning condenser must be adjusted (rolled) as follows: First, tune the compensator for maximum output, then vary the tuning condenser of the receiver for maximum output. Now turn the receiver tuning condenser for maximum output. This procedure of first setting the compensator and then varying the tuning condenser is continued until maximum-output reading is obtained.

**NOTE C.—**Adjust compensator (15B) to the second axial peak from the closed position (maximum capacity).

The aerial compensator (11A) must also be adjusted to maximum on the first signal peak by rolling the tuning condenser. (See Note B.)

**NOTE D.—**With the signal generator set to 4.3 MC, padder (44C) is adjusted to the point where minimum signal indication is observed on the output meter.

**NOTE E.—**Turn the signal generator first to approximately 125 KC below 4.3 MC (4.17 MC) and then 125 KC above 4.3 MC (4.43 MC). A signal peak should be observed on the output meter at approximately each of these points (4.17 and 4.43). The two peak signals should be of equal reading on the output meter and equally spaced in frequency each side of 4.3 MC. If the peaks are unequal in amplitude, padder (44A) must be adjusted in the direction necessary to make both peaks equal. This is done by slightly turning padder and then turning signal generator above and below 4.3 to observe peaks. After equal peak readings are obtained, set the signal generator to 4.3 MC. The output meter should show zero reading at 4.3 MC. If a signal indication is observed

readjust padder (44A) until zero reading is obtained on the meter. After this adjustment is made padder No. 44A should be reset for equal peaks as given above.

**NOTE F.—**Adjust padders 31A, 31B, 23C, and 23D for equal signal peaks and equal frequency spacing each side of 4.3 MC.

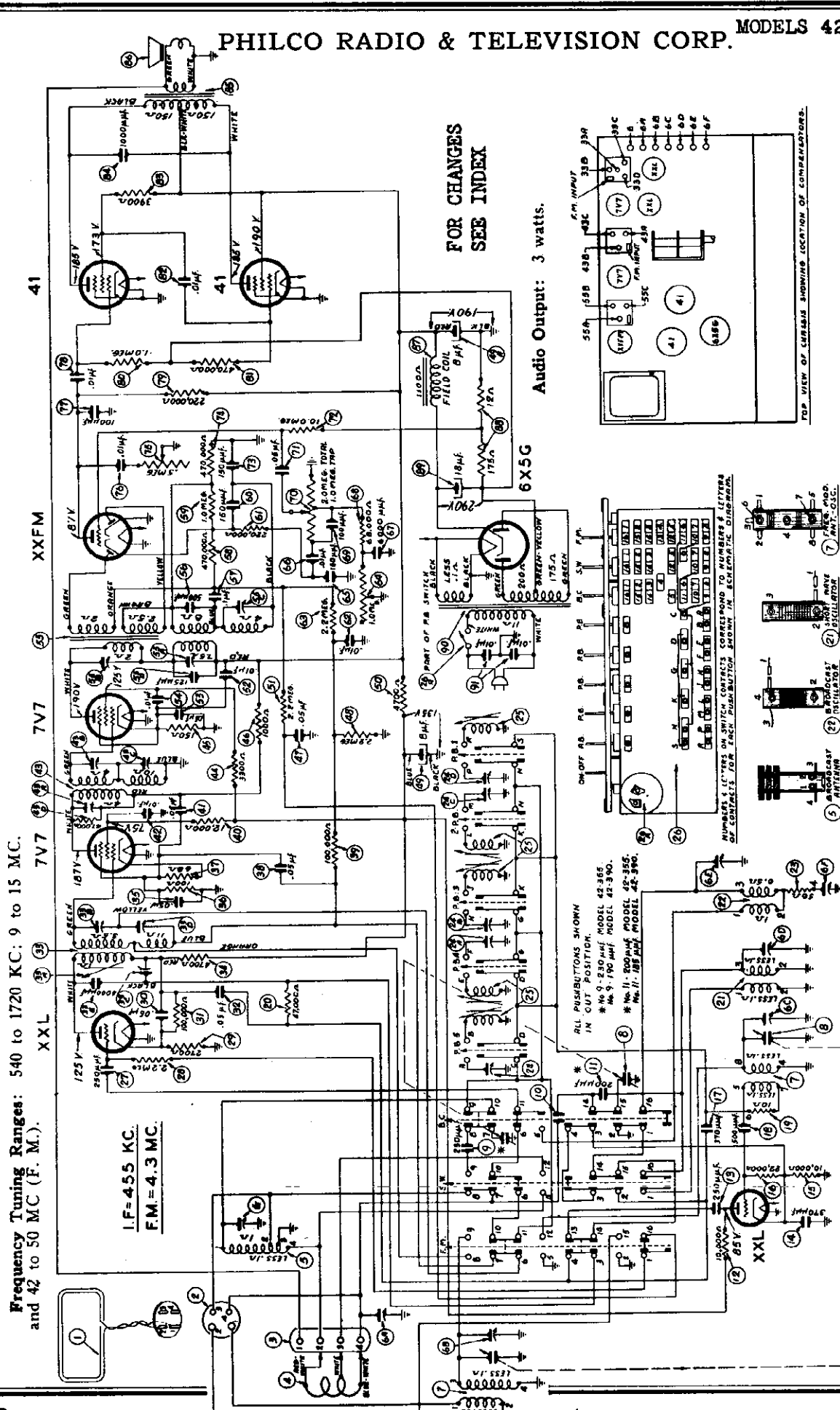
**NOTE G.—**The dial scale numbers are listed in tenths of megacycles; less the first digit; i. e., 49 MC is 90, 48.5 is 85. Set the tuning dial pointer to 90 on the F. M. scale. Adjust padder (15) to the point where minimum signal indication is observed on the output meter.

**NOTE H.—**In order to adjust padder (15C) the signal generator should be set to either the signal peak approximately 125 KC below 49 MC (48.75 MC), or 125 KC above 49 MC (49.125 MC). Adjust padder (15C) to maximum output reading on either of these peak signals. As padder 15C is being adjusted roll the tuning condenser as given in Note B.

SEE INDEX FOR CHANGES

PHILCO RADIO & TELEVISION CORP.

MODELS 42-355, 42-390





MODELS 42-355, 42-390

PHILCO RADIO & TELEVISION CORP.

REPLACEMENT PARTS—Models 42-355, 42-390

Sch. No.	Description	Part No.	Sch. No.	Description	Part No.	Sch. No.	Description	Part No.
1.	F. M. Loop Aerial (Model 42-355)	76-1384	24C.	Push-button Compensator (No. 4 Button) (Part of 24)		63.	Resistor (2.2 megohms)	33-522339
2.	F. M. Loop Aerial (Model 42-390)	76-1346	24D.	Push-button Compensator (No. 5 Button) (Part of 24)		64.	Tone Control (Bass)	33-5460
	Socket (on Chassis-F. M. Loop Aerial)	27-6181	25.	Push-button Oscillator oil (No. 1 P. B.)			Mtg. Nut	W-2157
	Mtg. Rivet	W-207	25A.	Push-button Oscillator Coil (No. 2 P. B.)	32-3780	65.	Mica Condenser (100 mmfd)	60-110157
3.	Terminal Panel (on Chassis, Loop Aerial)	32-9870	25B.	Push-button Oscillator Coil (No. 3 P. B.)	32-3780	66.	Condenser (.01 mfd, 400 volts)	30-4572
	Mtg. Rivet	W-207	25C.	Push-button Oscillator oil (No. 4 P. B.)	32-3779	67.	Condenser (.006 mmfd)	30-4591
4.	Loop Aerial (Broadcast—S. W.) (Model 42-355)	76-1306	25D.	Push-button Oscillator Coil (No. 5 P. B.)	32-3779	68.	Resistor (68,000 ohms)	33-268339
	Mtg. Screw	W-2071		Coil Clip	56-2250	69.	Mica Condenser (100 mmfd)	60-110157
	Loop Aerial (Broadcast—S. W.) (Model 42-390)	76-1307		Iron Core	56-6100	70.	Volume Control	33-5477
	Mtg. Sleeve	28-2806	26.	Push-button Switch	56-2249		Mtg. Nut	W-2157
	Mtg. Sleeve	25-4188	26A.	Push-button Power Switch (Part of 26)	42-1717	71.	Condenser (.95 mfd, 200 volts)	30-4519
	Spring Washer	56-1845		Mtg. Screw	32-3779	72.	Resistor (10 megohms)	33-610339
	Screw	W-228		Mtg. Sleeve	56-2250	73.	Condenser (150 mmfd)	60-115137
	Washer	W-425	27.	Mica Condenser (250 mmfd)	32-3779	74.	Resistor (470,000 ohms)	33-447339
	Washer	W-648		Mtg. Sleeve	56-2250	75.	Tone Control (Treble)	33-5461
5.	Aerial Transformer (Broadcast Band) (Model 42-355)	32-3811		Iron Core Screw Clamp	56-6100	76.	Condenser (.91 mfd, 400 volts)	30-4572
	Aerial Transformer (Broadcast Band) (Model 42-390)	32-3811		Push-button Power Switch (Part of 26)	42-1717	77.	Condenser (100 mmfd)	60-110157
	Mtg. Clip	32-3790		Mtg. Grommet	27-4596	78.	Resistor (220,000 ohms)	33-422339
6A.	Compensator (Broadcast Aerial)	31-9448		Mtg. Sleeve	56-1506	79.	Resistor (1 megohm)	33-510339
	Compensator (S. W. Aerial)	31-9448	27.	Mica Condenser (250 mmfd)	32-3779	80.	Resistor (470,000 ohms)	33-447339
	(Part of 6)		28.	Resistor (2.2 megohms)	33-522339	81.	Resistor (470,000 ohms)	33-447339
6B.	Compensator (F. M. Aerial)	31-9448	29.	Resistor (2700 ohms)	60-125257	82.	Condenser (.01 mfd, 400 volts)	30-4572
	(Part of 6)		30.	Condenser (.05 mfd, 400 volts)	33-522339	83.	Resistor (3900 ohms)	30-4591
6C.	Compensator (F. M. Oscillator)	31-9448	31.	Resistor (100,000 ohms)	33-522339	84.	Condenser (.001 mfd)	33-2130
	(Part of 6)		32.	Condenser (.05 mfd, 400 volts)	30-4518	85.	Output Transformer	36-1519
6D.	Compensator (S. W. Oscillator)	31-9448	33A.	Primary Compensator (455 KC) (Part of 33)	32-410339	86.	Speaker (Model 42-355)	36-1552-4
	(Part of 6)		33B.	Secondary Compensator (455 KC) (Part of 33)	30-4518		Speaker (Model 42-390)	36-1552-4
6E.	Compensator (Broadcast—Series)	31-9448	33C.	Primary Compensator (F. M. 4.3 MC) (Part of 33)	32-3788		Cable (Model 42-355)	41-2541
	(Part of 6)		33D.	Secondary Compensator (F. M. 4.3 MC) (Part of 33)	32-3788		Mtg. Washer	27-7467
6F.	Compensator (Broadcast—Oscillator)	31-9448	33E.	Condenser (4000 mmfd) (Part of 33)	32-3788		Mtg. Nut	W-124
	(Part of 6)		33F.	Resistor (47,000 ohms) (Part of 33)	32-3788		Cone Assembly (For Speaker 36-1519-2)	36-4202
7.	Aerial and Oscillator Transformer (F. M.)	32-3792	34.	Resistor (#700 ohms)	W-1949	87.	Field Coil (Replace Speaker 36-1519)	36-4106
	Mtg. Clip	28-5002	35.	Resistor (.95 mfd, 200 volts)	33-247339	88.	Hi-Z Resistor (12-175 ohms)	36-4106
8.	Tuning Condenser (two sections—Standard & F. M.)	31-2592	36.	Resistor (100 ohms)	33-110336	89.	Electrolytic Condenser (18 mfd) Clamp	36-4172
	Drive Cord (Pointer)	31-2576	37.	Resistor (68 ohms)	33-068339		Cone Assembly (For Speaker 36-1519-4)	36-4212
	Spring (Pointer Drive)	28-8963	38.	Condenser (.05 mfd, 200 volts)	30-4519		Cone Assembly (For Speaker 36-1519-3)	36-4172
	Drive Cord (Tuning Cond.)	28-8751	39.	Resistor (100,000 ohms)	33-410339		Cone Assembly (For Speaker 36-1519-2)	36-4212
	Spring (Drive Cord)	27-4596	40.	Resistor (12,000 ohms)	30-4518		Cone Assembly (For Speaker 36-1519-3)	36-4172
	Drive Drum (Tuning Cond.)	28-8751	41.	Condenser (.05 mfd, 400 volts)	33-312339		Cone Assembly (For Speaker 36-1519-4)	36-4212
	Mtg. Grommet	27-4596	42.	Condenser (.01 mfd, 400 volts)	30-4518		Field Coil (Replace Speaker 36-1519)	36-4212
	Mtg. Sleeve	56-1506	43.	2nd I. F. Transformer	32-3788		Hi-Z Resistor (12-175 ohms)	22-3416
	Mtg. Screw	W-2002	43A.	Primary Compensator (F. M. 4.3 MC)	33-068339		Electrolytic Condenser (18 mfd) Clamp	28-8917
	Tuning Shaft	56-6152	43B.	Secondary Compensator (F. M. 4.3 MC)	33-068339		Power Transformer (115 volts, 60 cycle) (Model 42-355)	28-1844
	"C" Washer (Mtg. Shaft)	28-2043	43C.	Secondary Compensator (455 KC)	33-068339		Power Transformer (115 volts, 60 cycle) (Model 42-390)	22-8177
9.	Silver Mica Condenser (230 mmfd) (Model 42-355)	30-1214	43D.	Resistor (47,000 ohms) (Part of 43)	33-068339		Shield	56-1536
	Silver Mica Condenser (190 mmfd) (Model 42-390)	30-019017	44.	Mtg. Nut (I. F. Trans.)	W-1949		Mtg. Screw	56-1536
10.	Condenser (Wire and Lug)	30-1214	45.	Resistor (3300 ohms)	33-247339		Power Line Filter Condenser (.01-01 mfd)	3003-ODG
11.	Silver Mica Condenser (200 mmfd) (Model 42-355)	30-1213	46.	Resistor (150 ohms)	33-232339		Pilot Lamps	34-2064
	Silver Mica Condenser (185 mmfd) (Model 42-390)	30-018511	47.	Resistor (1000 ohms)	33-115236		Mtg. Clip	57-1404
12.	Resistor (10,000 ohms)	33-010339	48.	Condenser (.05 mfd, 200 volts)	33-210339		Socket Assembly (Dial Lights)	76-1295
13.	Mica Condenser (250 mmfd)	60-126257	49.	Resistor (2.2 megohms)	30-4519		Miscellaneous Parts	
14.	Silver Mica Condenser (370 mmfd)	33-1110	50.	Electrolytic Condenser (8-8 mfd)	33-522339		Bezel (Cabinet)	54-4099
15.	Resistor (10,000 ohms)	33-310339	51.	Resistor (4700 ohms)	30-2513		Mtg. Screw	W-2071
16.	Resistor (22,000 ohms)	33-323339	52.	Condenser (.27 megohms)	33-115236		Cabinet (Model 42-355)	1066A
17.	Silver Mica Condenser (370 mmfd)	30-1110	53.	Condenser (.05 mfd, 400 volts)	33-210339		Cabinet (42-390)	1067A
18.	Mica Condenser (500 mmfd)	60-150157	54.	Condenser (.05 mfd, 200 volts)	30-4572		Control (Power)	L-2199
19.	Resistor (10 ohms)	33-010339	55.	Condenser (.01 mfd, 400 volts)	30-4519		Dial	27-5723
20.	Resistor (47,000 ohms)	33-247339	55A.	3rd I. F. Transformer	32-3789		Background Plate	27-9903
	Mtg. Clip	28-5002		Primary Compensator (455 KC) (Part of 55)			Rubber Corner (Dial Mtg.)	54-4016
21.	S. W. Oscillator Transformer (Model 42-355)	32-3812	55B.	Primary Compensator (F. M. 4.3 MC) (Part of 55)	33-247339		Spring (Background Plate)	28-8908
	S. W. Oscillator Transformer (Model 42-390)	32-3812	55C.	Secondary Compensator (F. M. 4.3 MC) (Part of 55)	33-522339		Mtg. Clamp (Dial)	56-1517
	Mtg. Clip	32-3793	55D.	Condenser (125 mmfd) (Part of 55)	30-4572		Mtg. Screw	W-1974
22.	Broadcast Oscillator Transformer	32-3793		Mtg. Nut (I. F. Mtg.)	30-4519		Pointer	54-4111
	Mtg. Clip	32-3791		Mica Condenser (500 mmfd)	32-3789		Knob (Push-Buttons)	76-1294
23.	Resistor (56 ohms)	33-058339		Resistor (150 ohms)	W-1949		Spring (P. B. Knobs)	54-4106
24.	Push-button Compensator (No. 1 Button)	31-6429		Mica Condenser (500 mmfd)	60-150227		Knob (Tuning, Volume, Tone)	54-4106
24A.	Push-button Compensator (No. 2 Button) (Part of 24)			Resistor (1000 ohms)	30-4566		Rubber Grommet (Chassis Mtg.)	27-4571
24B.	Push-button Compensator (No. 3 Button) (Part of 24)			Resistor (470,000 ohms)	33-447339		Screw (Chassis Mtg.)	W-1845
				Resistor (1 megohm)	33-510339		Socket (41 tube)	27-6168
				Mica Condenser (150 mmfd)	60-115137		Socket (6 x 5 G)	27-6174
				Resistor (220,000 ohms)	33-422339		Socket (Loktal Tubes)	27-6177
				Condenser (.01 mfd, 400 volts)	30-4572		Socket (Single Prong-F. M. Test)	27-6180
							Rivets (Mtg. Sockets)	W-229
							Tab (Broadcast)	40-6483
							Tab (S. W.)	27-5743
							Tab (F. M.)	27-5740
							Tab (ON-OFF)	27-5742
							Tab (Television)	27-5729

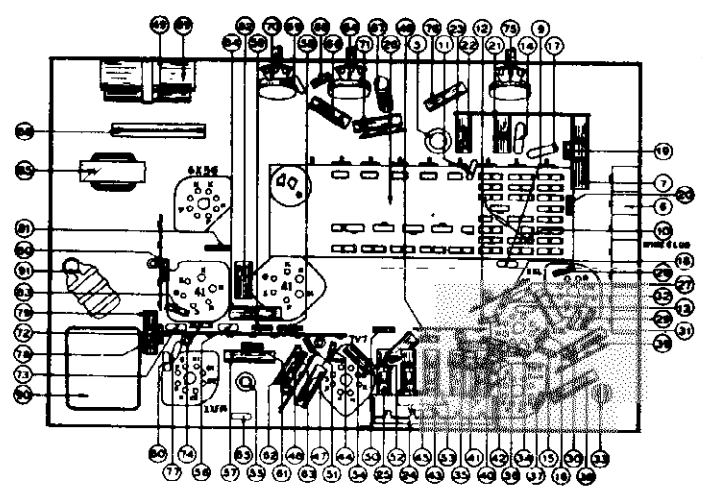


FIG. 2—PART LOCATIONS, UNDERSIDE OF CHASSIS

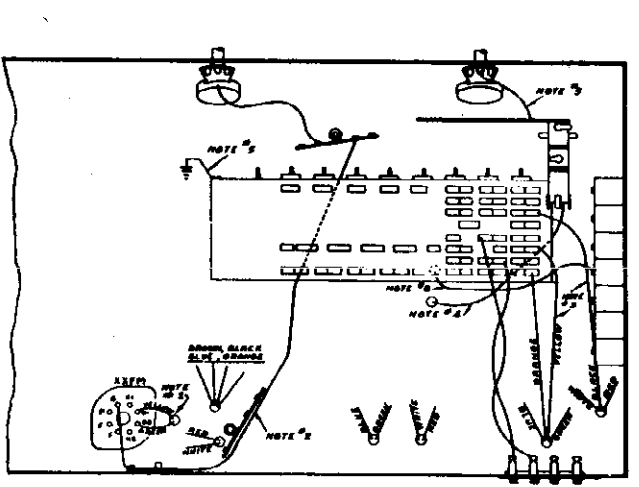


FIG. 3—CRITICAL WIRING LOCATIONS, F. M. ALIGNING

PHILCO RADIO & TELEVISION CORP.

MODELS 42-355, 42-390

ELECTRIC PUSH-BUTTON TUNING ADJUSTMENTS

The automatic tuning mechanism consists of nine (9) push-buttons. Five of the push-buttons are used for selecting standard broadcast stations, one for the power control (ON-OFF); and three for selecting standard tuning, shortwave and F. M. (Frequency Modulation).

The frequency ranges covered by the station tuning push-buttons and procedure for adjusting is as follows:

Viewing the front of the cabinet from left to right the first push-button is the power control (ON-OFF), the next five push-buttons for tuning standard broadcast stations, and the seventh, eighth and ninth for selecting the tuning ranges—standard, shortwave and F. M., respectively.

Padders right to left from rear	Circuit	Buttons left to right from front	Frequency Range
		1	ON-OFF
1	{ Ant. Osc. }	2	540 to 1000 KC
2	{ Ant. Osc. }	3	600 to 1200 KC
3	{ Ant. Osc. }	4	650 to 1300 KC
4	{ Ant. Osc. }	5	850 to 1500 KC
5	{ Ant. Osc. }	6	900 to 1600 KC
		7	Standard Band
		8	Shortwave Band
		9	Frequency Modulation

When setting up stations on the push-buttons the lowest frequency station is set up in the second push-button from the left and the remaining stations according to increasing frequency in the next four push-buttons. These push-buttons are adjusted by the padders located on the rear of the chassis. The second push-button from the left can also be adjusted for reception of the sound channel of a television program received by special Philco television radios. This push-button may also be used in conjunction with a Philco Wireless Record Player.

STANDARD AND S. W. BANDS ALIGNING PROCEDURE

Operations In Order	SIGNAL GENERATOR		RECEIVER			
	Output Connections	Dial Setting	Dial Setting	Control Settings	Adjust Compensators in Order	Special Instructions
1	High side to No. 4 terminal loop panel	455 KC	580 KC	Vol. max. push-button Bcast. "IN"	55A, 43C, 33B, 33A	
2	Use loop on generator	1500 KC	1500 KC	"	6E, 6	Note A
3	Use loop on generator	580 KC	580 KC	"	6F	Roll Tuning Condensers Note B
4	Use loop on generator	Readjust as given in Operation 2				
5	Use loop on generator	15 MC	15 MC	Push-button S. W. "IN"	6D, 6A	Note C

Note: The Frequency Modulation Circuits Must Be Adjusted With the Dipole Aerial Connected.

FREQUENCY MODULATION ALIGNING PROCEDURE

CRITICAL WIRING LOCATIONS

The following items on these sets are critical for location and position. See Fig. 3 for locations of wires and parts.

- Green lead and yellow lead from third I. F. coil must be short, direct, and symmetrically spaced from sub-base. Adding capacity to the green lead will narrow the discriminator curve, while adding capacity to the yellow lead will widen the discriminator curve.
- The XXFM grid lead must be dressed away from the discriminator coil wiring in 42-355 and 42-390 with the lug provided for that purpose. Failure to do this will result in distortion at low volume control settings.
- The black lead of the 1st I. F. coil must be dressed along the sub-base and away from the yellow and orange leads of the same coil. Proximity of these leads may result in decreased sensitivity at certain points of the broadcast band

- because of oscillator harmonics feeding through the 4.3 MC I. F. channel to build up A. V. C. voltage.
- The blue and white and the white leads from the loop terminal panel must have one complete twist. This is necessary to maintain the proper inductance for shortwave operation, and to prevent loose S. W. antenna padding.
- Grounding must be maintained at all original points. Any change in grounding of the R. F. wiring will cause serious mistracking of the F. M. band.
- The brass indicator tabs must not be allowed to touch the sub-base. Any accidental connection from the push-button shafts to ground will cause misalignment of the F. M. band.
- All I. F. coil wires must be brought out of the designated sub-base holes and kept free from wires coming out other holes. This is necessary to maintain the proper 4.3 MC I. F. curves.
- The leads from the small gang sections are part of the F. M. tuned circuits and must be maintained to specified lengths for proper F. M. tracking.

F. M. BAND ALIGNING PROCEDURE

Operations In Order	SIGNAL GENERATOR		RECEIVER			
	Output Connections	Dial Setting	Dial Setting	Control Settings	Adjust Compensators in Order	Special Instructions
1	2nd I. F., F. M. input connection	4.3 MC	580 KC	Vol. max F. M. push-button "IN"	55C (Note D) 55B (Note E)	
2	1st I. F., F. M. input connection	4.3 MC	580 KC	F. M. push-button "IN"	43A, 43B (Note F)	
3	High side to No. 1 contact, F. M. socket. Ground to No. 2 contact	4.3 MC	580 KC	F. M. push-button "IN"	33C, 33D (Note F)	
4	Use test loop on generator; place near dipole aerial	49 MC	90 (Note G)	F. M. push-button "IN"	6C (Note G) 6B (Note H)	Roll tuning condenser when adjusting 6B. See Note B
5	"	49 MC	90	F. M. push-button "IN"	6C oscillator	

NOTE A.—DIAL CALIBRATION: in order to adjust the receiver correctly, the dial pointer must be aligned to track properly with the tuning condenser. To adjust the dial, proceed as follows: With the tuning condenser closed (maximum capacity), set the dial pointer on the extreme left index line at the low frequency end of the broadcast scale.

NOTE B.—When adjusting the low frequency compensator of the broadcast or the aerial padders of the high frequency tuning range, the receiver tuning condenser must be adjusted (rolled) as follows: First, tune the compensator for maximum output, then vary the tuning condenser of the receiver for maximum output. Now turn the compensator slightly to the right or left and again vary the receiver tuning condenser for maximum output. This procedure of first setting the compensator and then varying the tuning condenser is continued until maximum output reading is obtained.

NOTE C.—Adjust compensator (6D) to the second signal peak from the closed position (maximum ca-

capacity). The aerial compensator (5A) must also be adjusted to maximum on the first signal peak by rolling the tuning condenser. (See Note B.)

NOTE D.—With the signal generator set to 4.3 MC, padder (55C) is adjusted to the point where minimum signal indication is observed on the output meter.

NOTE E.—Turn the signal generator first to approximately 125 KC below 4.3 MC (4.17 MC) and then 125 KC above 4.3 MC (4.42 MC). A signal peak should be observed on the output meter at approximately each of these points (4.17 and 4.42). The two peak signals should be of equal reading on the output meter and equally spaced in frequency each side of 4.3 MC. If the peaks are unequal in amplitude, padder (55B) must be adjusted in the direction necessary to make both peaks equal. This is done by slightly turning padder and then turning signal generator above and below 4.3 to observe peaks. After equal peak readings are obtained, set the signal generator to 4.3 MC. The output meter should show zero reading at

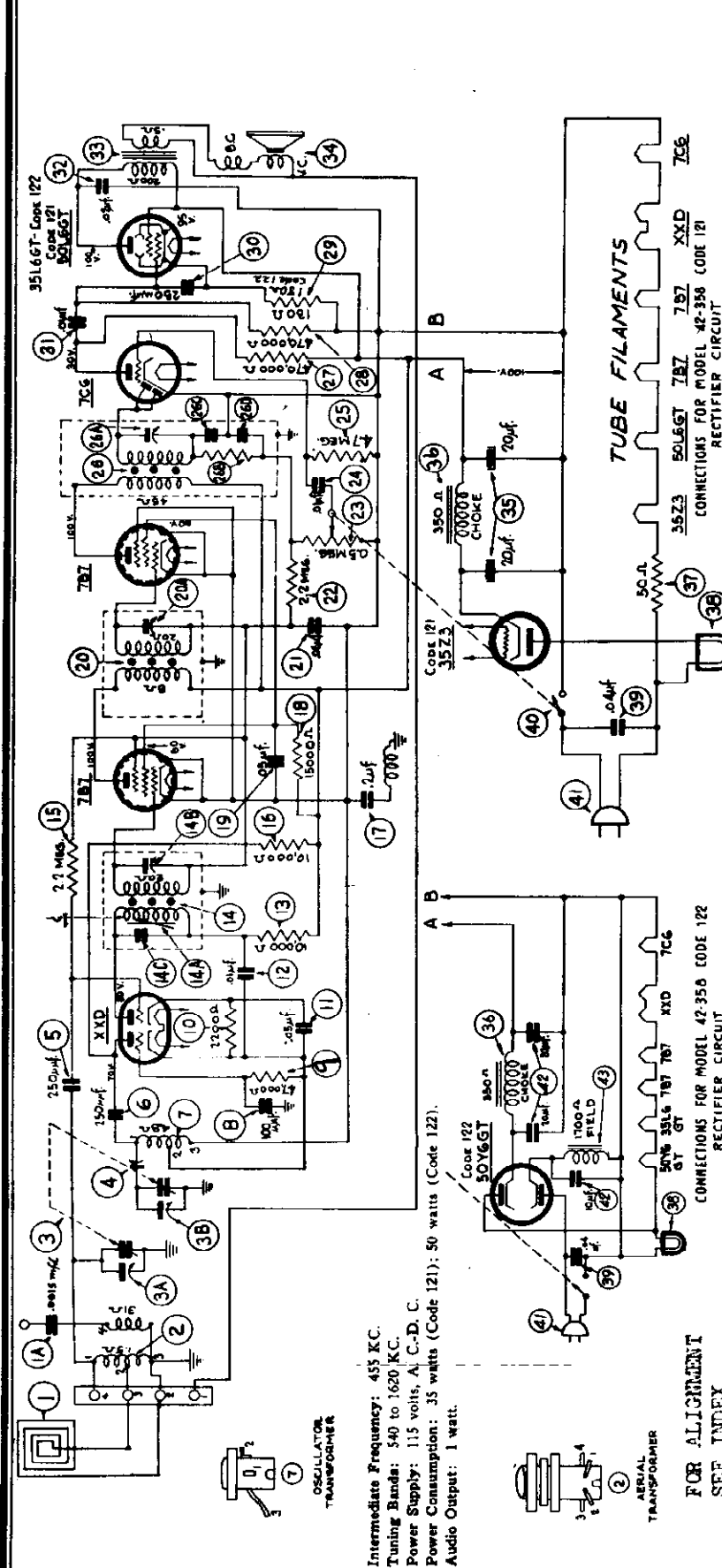
4.3 MC. If a signal indication is observed readjust padder (55C) until zero reading is obtained on the meter. After this adjustment is made padder No. 55B should be reset for equal peaks as given above.

NOTE F.—Adjust padders 43A, 43B, 33C, and 33D for equal signal peaks and equal frequency spacing each side of 4.3 MC.

NOTE G.—The dial scale numbers are listed in tenths of megacycles less the first digit: i. e., 49 MC is 90, 48.5 is 85. Set the tuning dial pointer to 90 on the F. M. scale. Adjust padder (6C) to the point where minimum signal indication is observed on the output meter.

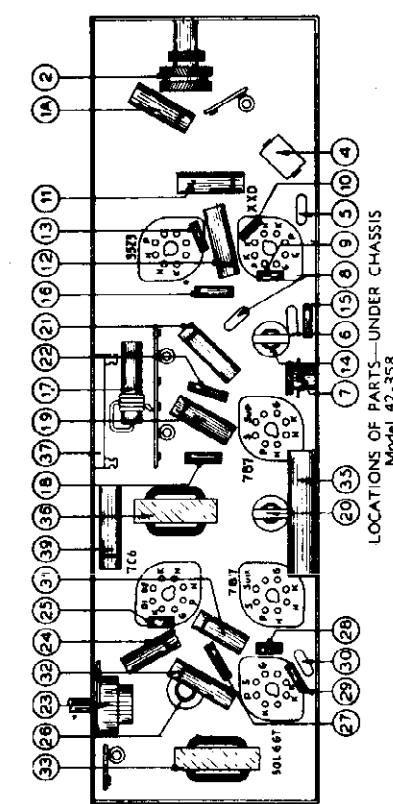
NOTE H.—In order to adjust padder (6B) the signal generator should be set to either the signal peak approximately 125 KC below 49 MC (48.75 MC), or 125 KC above 49 MC (49.125 MC). Adjust padder (6B) to maximum output reading on either of these peak signals. As padder 6B is being adjusted roll the tuning condenser as given in Note B.

MODEL 42-358(121,122) PHILCO RADIO & TELEVISION CORP.



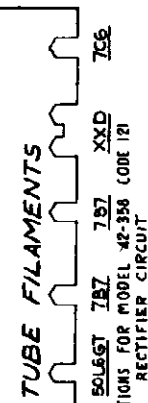
Intermediate Frequency: 455 KC.  
 Tuning Bands: 540 to 1620 KC.  
 Power Supply: 115 volts, A, C-D, C.  
 Power Consumption: 35 watts (Code 121); 50 watts (Code 122).  
 Audio Output: 1 watt.

FOR ALIGNMENT  
 SEE INDEX

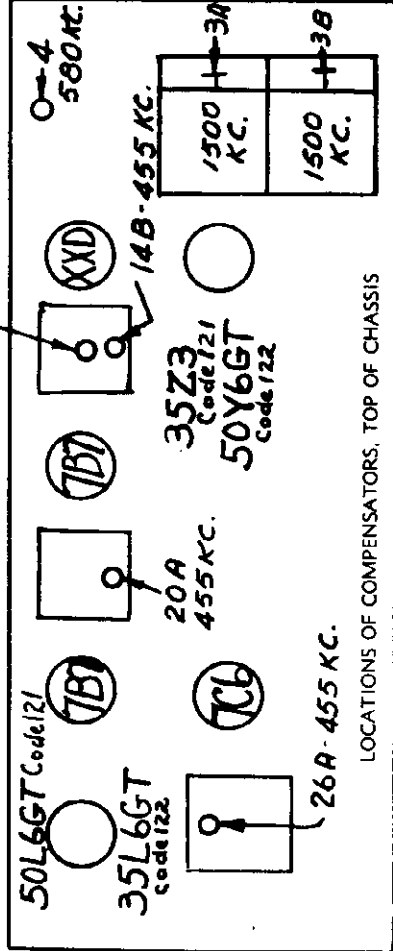


LOCATIONS OF PARTS—UNDER CHASSIS  
 Model 42-358

In general, the features of Code 121 and Code 122 chassis are similar with the exception of the output tubes, rectifier tubes, rectifier circuit and speaker. Code 121 chassis incorporates a 50L6GT, output tube; 35Z3, rectifier tube and permanent magnet dynamic speaker. Code 122 chassis consists of a 35L6GT, output tube; 50Y6GT, rectifier tube and dynamic speaker with a field coil. The circuit differences are indicated on the schematic diagram and parts list.

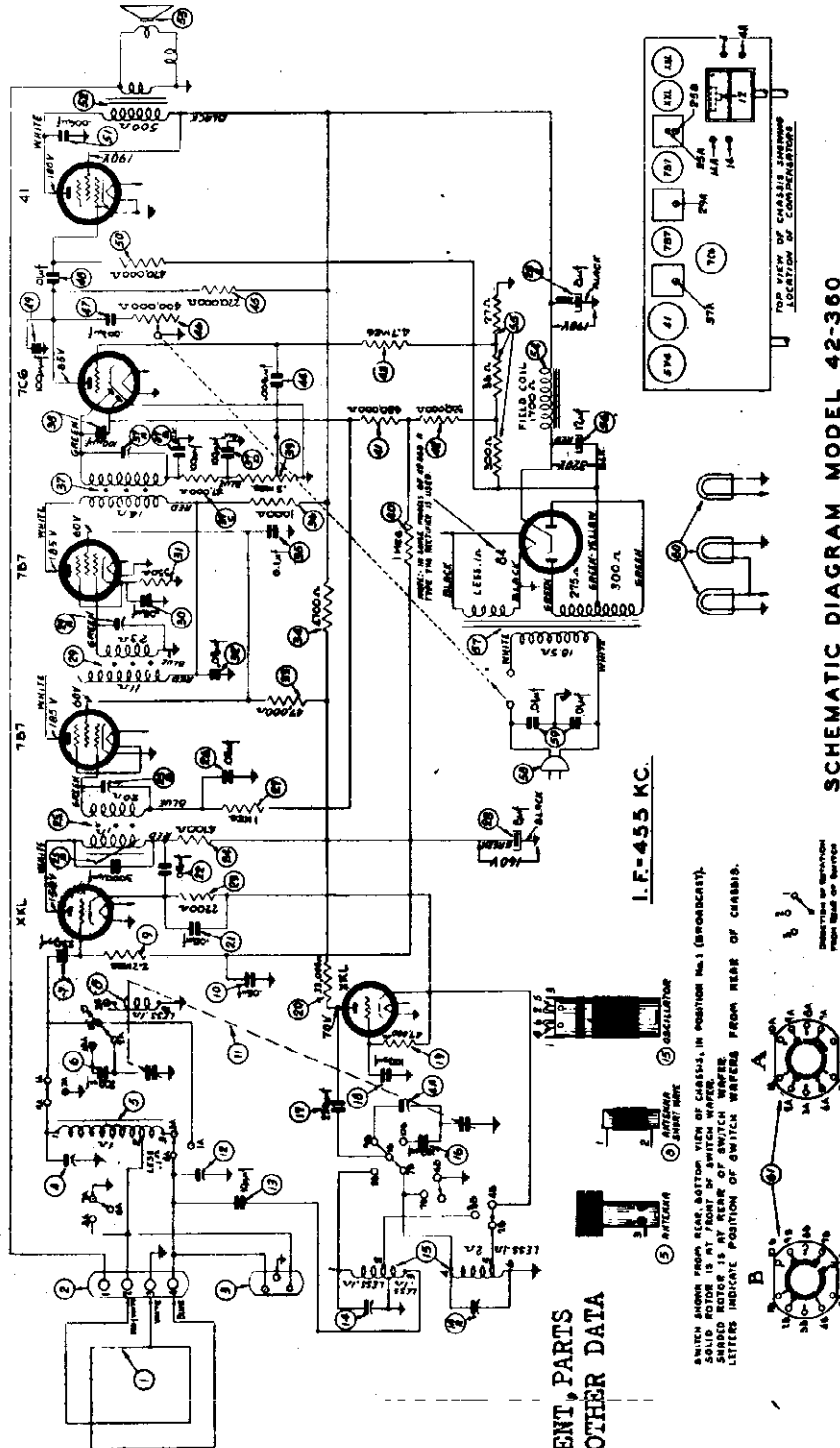


The voltages indicated at the tube elements in the above diagram were measured with a 1000 ohms per volt voltmeter. Philco Model 027, line voltage 117 volts, A. C. band switch (broadcast), no station being received.



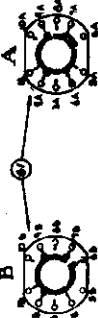
LOCATIONS OF COMPENSATORS, TOP OF CHASSIS

PHILCO RADIO & TELEVISION CORP.



**FOR ALIGNMENT, PARTS LIST, AND OTHER DATA SEE INDEX**

SWITCH SHOWN FROM REAR, BOTTOM VIEW OF CHASSIS, IN POSITION No. 1 (BROADCAST).  
 SOLID POSITION IS AT FRONT OF SWITCH WHEN SET TO POSITION No. 2 (MUSIC).  
 LETTERS INDICATE POSITION OF SWITCH WAFERS FROM REAR OF CHASSIS.



The D. C. voltages indicated at the tube elements in the above diagram were measured with a 1000 ohms per volt voltmeter. Philco Model 627. Line voltage, 117 volts A. C. No signal being received—range switch broadcast.

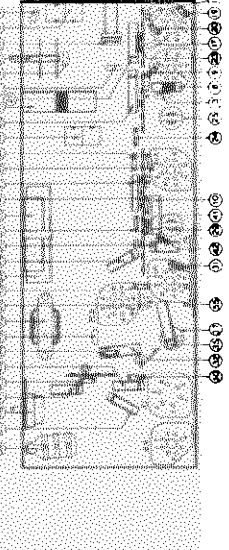
**MODEL 42-360, CODE 121**

**Circuit Description:** Model 42-360, Code 121, is a seven (7) tube superheterodyne radio with two tuning bands covering Standard, Police and Shortwave broadcast stations and operates on alternating current (A. C.). In addition, this model incorporates a Philco low impedance loop aerial which is built into the cabinet; provisions for an external aerial; Philco LOKTAL tubes, including the XXL noise reducing converter tube; two intermediate frequency stages; continuously variable tone control; automatic volume control; pentode audio output stage and a 10-inch dynamic speaker.

- Intermediate Frequency:** 455 KC.
- Tuning Band Frequencies:** 540 to 1720 KC; 9 to 15.5 MC.
- Audio Output:** 2 watts.

**Power Supply: 115 volts, 60 cycles A. C.**

This model can also be operated on 115 volts, 25 cycle A. C. by changing the power transformer as indicated in the parts list.



PART LOCATIONS, UNDERSIDE OF CHASSIS, MODEL 42-360

MODEL 42-360

MODEL 42-365

PHILCO RADIO & TELEV. CORP.

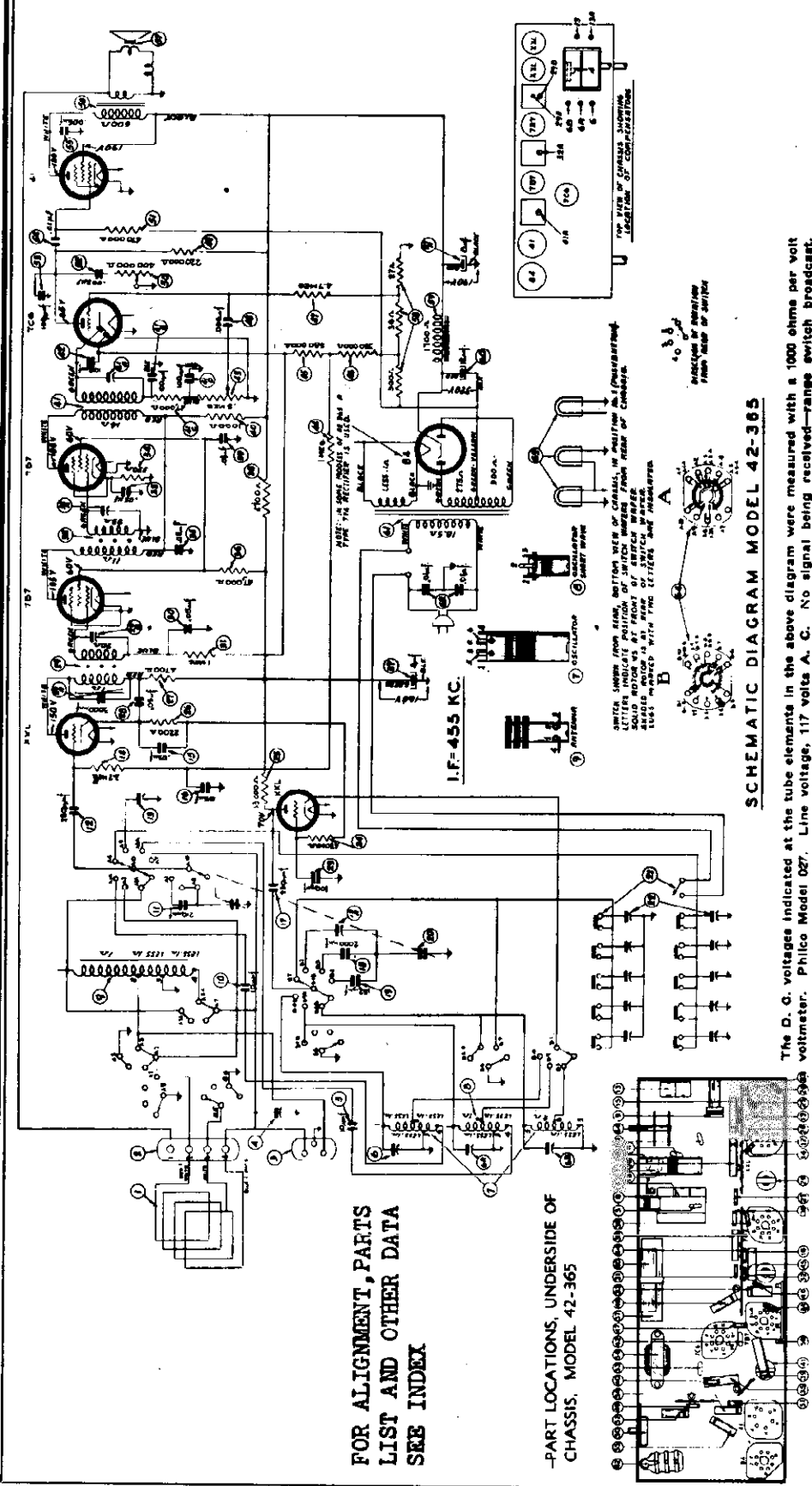
REPLACEMENT PARTS—Model 42-360

Table with 8 columns: Sch. No., Description, Part No., Sch. No., Description, Part No., Sch. No., Description, Part No. Contains parts for Model 42-360.

REPLACEMENT PARTS—Model 42-365

Table with 8 columns: Sch. No., Description, Part No., Sch. No., Description, Part No., Sch. No., Description, Part No. Contains parts for Model 42-365.

PHILCO RADIO & TELEV. CORP.



FOR ALIGNMENT, PARTS LIST AND OTHER DATA SEE INDEX

-PART LOCATIONS, UNDERSIDE OF CHASSIS, MODEL 42-365

SCHEMATIC DIAGRAM MODEL 42-365

The D. C. voltages indicated at the tube elements in the above diagram were measured with a 1000 ohms per volt voltmeter. Philco Model 027. Line voltage, 117 volts A. C. No signal being received—range switch broadcast.

MODEL 42-365

**Circuit Description:** Model 42-365, Code 12L, is a seven (7) tube, alternating current (A. C.) operated superheterodyne radio with three tuning bands covering Standard, Police, Amateur and Shortwave broadcast stations and the sound of a television program tuned in by special Philco Television Radios. The radio incorporates six (6) electric push-buttons for automatically selecting five (5) stations in the broadcast band; built-in Philco low impedance loop aerial completely rotatable; provisions for an external aerial; Philco LOKTAL tubes, including the XXL noise reducing converter tube; two intermediate frequency stages; continuously variable tone control; automatic volume control; pentode audio output stage and a dynamic speaker.

**Intermediate Frequency:** 455 KC.

**Tuning Band Frequencies:** 540 to 1720 KC; 2.3 to 6.7 MC; 9 to 15.5 MC.  
**Audio Output:** 2 watts.  
**Power Supply:** 115 volts, 60 cycle A. C.  
 This model can also be operated on 115 volts, 25 cycle A. C. by changing the power transformer as indicated in the parts list.

**Electric Push-Button Tuning:** Six (6) electric tuning push-buttons are provided for automatically selecting stations. Five (5) of the push-buttons are used from broadcast stations and one push-button for controlling (ON-OFF) the power supply. The procedure for adjusting the push-buttons will be found in the instructions supplied with the radio.

MODEL 42-360

PHILCO RADIO & TELEV. CORP.

Model 42-380

FOR CHANGES, SEE INDEX

Sehem. No.	Description	Part No.	Description	Part No.	Description	Part No.		
1.	External Aerial Socket	27-4145	17.	Mica Condenser (100 mmfd.)	36-1187	36.	Condenser (.01 mfd., 400 volts)	36-4872
	Mtg. Rivets	W-207FAS	18.	Push-button Padder (900 to 1000 KC)	31-8430	37.	Mica Condenser (100 mmfd.)	66-110157
2.	Loop Aerial	78-1307	18a.	Push-button Padder (950 to 1000 KC)	Part of 18	38.	Resistor (66,000 ohms)	33-368339
	Terminal Panel	38-9070	18b.	Push-button Padder (850 to 1000 KC)	Part of 18	39.	Tone Control (Audio Base)	33-5406
	Mtg. Rivet	W-207FAS	18c.	Push-button Padder (800 to 1000 KC)	Part of 18		Mtg. Nut	W-2187
	Mtg. Screw	W-206FE11	18d.	Push-button Padder (500 to 1000 KC)	Part of 18	40.	Condenser (.006 mfd., 400 volts)	36-4901
	Mtg. Sleeve	28-3080FA3		Mtg. Screw	W-2180	41.	Resistor (2.2 megohms)	33-822330
	Mtg. Sleeve	36-1848FA3	19.	Push-button Oscillator Coil (900 to 1000 KC)	32-3770	42.	Resistor (1 megohm)	33-510339
	Spring Washer	28-4186FA3				43.	Volume Control	33-5406
3.	Aerial Transformer	32-3746					Mtg. Nut	W-2187FA3
	Mtg. Clip	28-5002	19a.	Push-button Oscillator Coil (850 to 1000 KC)	32-3770	44.	Mica Condenser (100 mmfd.)	66-110157
4.	Compensator (Broadcast Osc.)	31-6433	19b.	Push-button Oscillator Coil (850 to 1000 KC)	32-3700	45.	Condenser (.01 mfd., 400 volts)	36-4872
4a.	Compensator (S. W. Aerial)		19c.	Push-button Oscillator Coil (600 to 1200 KC)	32-3700	46.	Resistor (10 megohms)	33-610339
	Part of 4		19d.	Push-button Oscillator Coil (600 to 1200 KC)	32-3700	47.	Condenser (100 mmfd.)	66-110157
4b.	Compensator (Broadcast Aerial)					48.	Resistor (220,000 ohms)	33-422330
	Part of 4		19d.	Push-button Oscillator Coil (500 to 1000 KC)	32-3700	48.	Resistor (470,000 ohms)	33-447339
4c.	Compensator (S. W. Osc.)		20.	Electrolytic Condenser (5-8 mfd., 475 volts)	36-2913	49.	Resistor (one megohm)	33-510339
	Part of 4		20a.	Electrolytic Condenser (5 mfd., 475 volts)	Part of 20	50.	Condenser (.01 mfd., 400 volts)	36-4572
4d.	Compensator (Police Osc.)		21.	Resistor (10,000 ohms)	33-310339	51.	Condenser (.01 mfd., 400 volts)	36-4572
	Part of 4		22.	Resistor (15,000 ohms)	33-310339	52.	Condenser (.01 mfd., 400 volts)	36-4572
4e.	Compensator (Broadcast Osc., 500 KC)		23.	Resistor (2.2 megohms)	33-822330	53.	Tone Control (Audio Treble)	33-5406
	Part of 4		24.	Condenser (.01 mfd., 400 volts)	36-4872		Mtg. Nut	W-2187
5.	Mica Condenser (370 mmfd.)	36-1187	25.	Condenser (250 mmfd.)	66-128257	54.	Condenser (.01 mfd., 400 volts)	36-4872
6.	Mica Condenser (500 mmfd.)	66-150157	26.	Resistor (4700 ohms)	33-247330	55.	Resistor (3000 ohms)	33-220330
7.	Resistor (72,000 ohms)	33-322330	27.	Condenser (.00 mfd., 400 volts)	36-4818	56.	Condenser (.0015 mfd., 600 volts)	36-6821
8.	Resistor (16,000 ohms)	33-310339	28.	Resistor (4700 ohms)	33-247330	57.	Output Transformer	32-8120
9.	Mica condenser (370 mmfd.)	36-1187	29.	1st I. F. Transformer	32-3742	58.	Speaker	36-1514-2 or 36-1514-4
10.	Mica condenser (250 mmfd.)	66-128157	29a.	Primary Compensator (Iron Core)	Part of 29		Cone assembly (for Speaker	
11.	Oscillator transformer (S. W.)	32-3748	29b.	Secondary Compensator	Part of 29		36-1514-2)	36-4173
	Mtg. clip	28-5002	29c.	Mica Condenser (3000 mmfd.)	Part of 29		Cone Assembly (for Speaker	
12.	Mica Condenser (100 mmfd.)	36-1187		Mtg. Nut	W-1940		36-1514-4)	36-4170
13.	Mica condenser (2000 mmfd.)	66-225324	30.	Condenser (.00 mfd., 400 volts)	36-4818		Mtg. washer	27-7007
14.	Oscillator transformer (Police)	32-3748	31.	2nd I. F. Transformer	32-3743		Mtg. nut	W-124FA3
	Mtg. clip	28-5002	31a.	Secondary Compensator	Part of 31		Cable	41-3610
15.	Oscillator Transformer (Broadcast)	32-3747		Mtg. Nut	W-1940	59.	Field coil (Replace speaker, 36-1514)	
	Mtg. Clip	28-5002	32.	Resistor (300 ohms)	33-133330	60.	Bias Resistor (15-31,140 ohms)	33-3300
16.	Tuning Condenser	31-2578	33.	Condenser (.00 mfd., 400 volts)	36-4818	61.	Electrolytic Condenser (18 mfd., 475 volts)	36-2917
	Drive Card (Pointer)	31-2576	34.	3rd I. F. Transformer	32-3744		Mtg. clamp	66-1048
	Spring	28-8853	34a.	Secondary Compensator	Part of 34	62.	Power Transformer (115 volts, 60 cps)	32-8177
	Drive Card (Condenser Drive)	31-2577	34b.	Mica Condenser (100 mmfd.)	Part of 34a		Power Transformer (115 volts, 28 cps)	36000-006
	Spring	28-8781	34c.	Resistor (47,000 ohms)	33-347330	63.	Line Filter Condenser (.01-.01 mfd.)	42-1001
	Tuning Drum	78-1293	34d.	Mica Condenser (100 mmfd.)	Part of 34a	64.	Push-button Switch and Power Switch	W-823
	Tuning Shaft	96-0132	35.	Resistor (470,000 ohms)	33-447330		Mtg. screw	W-823
	"C" Washer	28-2043				64a.	Power Switch	Part of 64
	Mtg. Screw	W-2082						
	Mtg. Grommet	27-4506						
	Mtg. Sleeve	66-1906						

Operations in order	SIGNAL GENERATOR		RECEIVER			SPECIAL INSTRUCTIONS
	Output Connections to Receiver	Dial Setting	Dial Setting	Control Settings	Adjust Compensators in order	
1	High side to No. 4 terminal loop panel.	485 K. C.	500 K. C.	Vol. Max. Range Switch "S.W." Positions	34A, 31A 29A, 29B	
2	Use loop on generator	1500 K. C.	1500 K. C.	Vol. Max. Range Switch Broadcast	4, 4B	Note A
3	Use loop on generator	500 K. C.	500 K. C.	Vol. Max. Range Switch Broadcast	4E	Roll Tuning Condensers Note B
4	Use loop on generator	Perform operation No. 2 again				
5	Use loop on generator	6 M. C.	6 M. C.	Range Switch "Police"	4D	
6	Use loop on generator	15 M. C.	15 M. C.	Range Switch "S. W."	4C, 4A	Note C

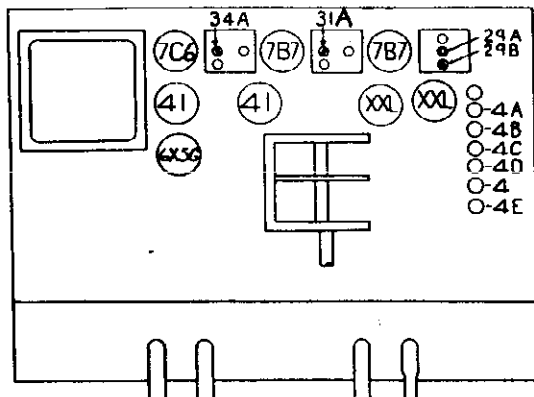
NOTE A—DIAL CALIBRATION: In order to adjust the receiver correctly, the dial must be aligned to track properly with the tuning condenser. To adjust the dial, proceed as follows: With the tuning condenser closed (maximum capacity), set the dial pointer on the extreme left index line at the low frequency end of the broadcast scale. The arrangement of the drive cable in this position is shown in the schematic.

NOTE B—When adjusting the low frequency compensator of Range One (Broadcast) or the aerial padders of the high frequency tuning range: the receiver tuning condenser must be adjusted (rolled) as follows: First turn the compensator for maximum output, then vary the tuning condenser of the receiver for maximum output. Now turn the compensator slightly to the right or left and again vary the receiver tuning condenser for maximum output. This procedure of first setting the compensator and then varying the tuning condenser is continued until maximum output spacing is obtained.

NOTE C—To accurately adjust the high frequency oscillator compensator to the fundamental instead of the image signal, turn the oscillator compensator (4C) to the maximum capacity position (clockwise). From this position slowly turn the compensator counter-clockwise until a second peak is obtained on the output meter. Adjust the compensator for maximum output of this second peak.

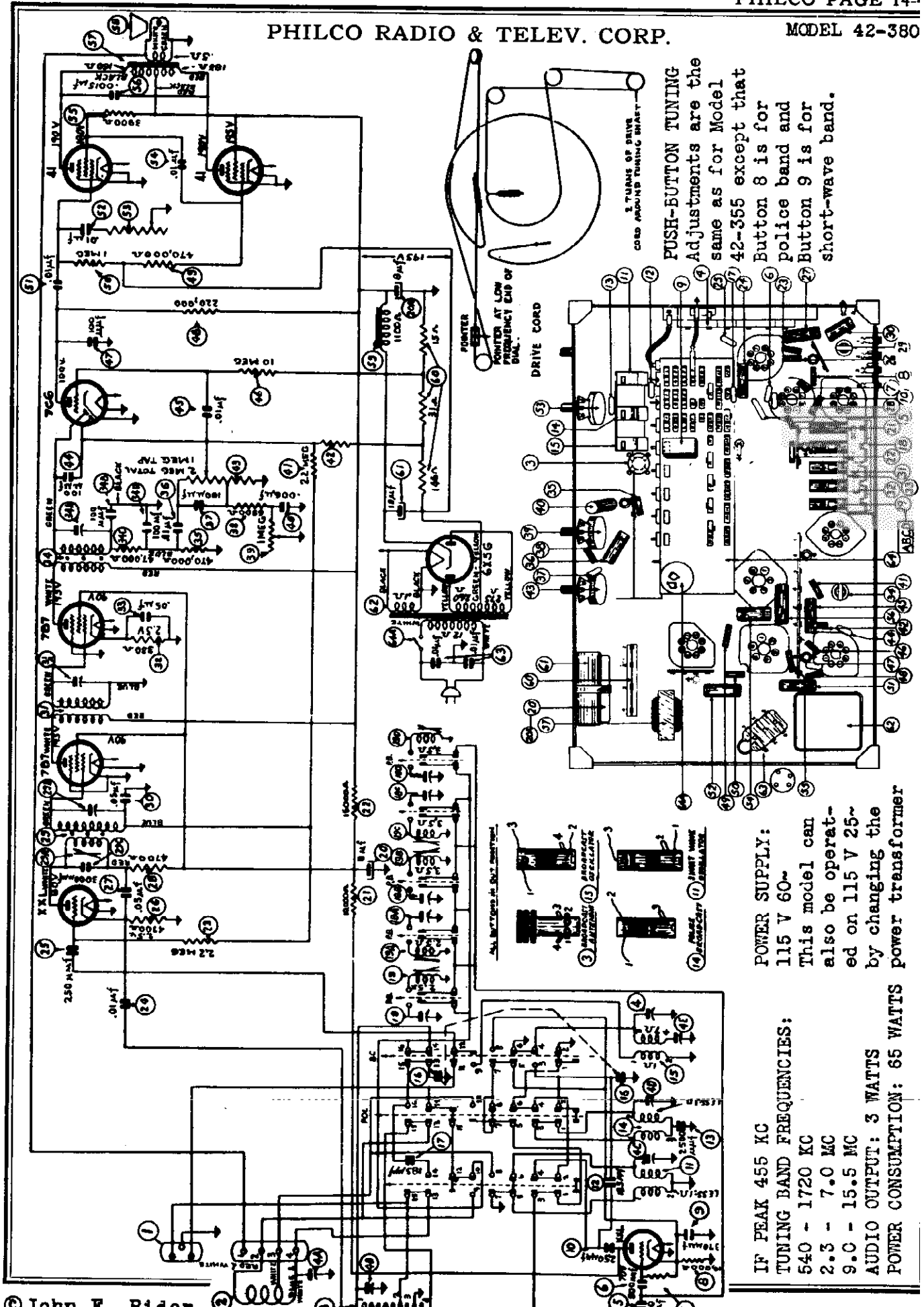
If the above procedure is correctly performed, the image signal will be found (much weaker) by turning the signal generator dial 910 KC above the frequency being used on any high frequency range.

The aerial padder (4A) must be adjusted to maximum by rolling the tuning condenser. If two signal peaks occur when turning the padder, adjust to maximum output on the first signal peak from the tight position (screw all the way down) of the padder.

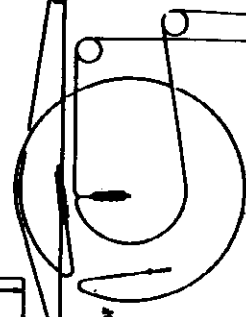


LOCATIONS OF COMPENSATORS—TOP OF CHASSIS

PHILCO RADIO & TELEV. CORP.

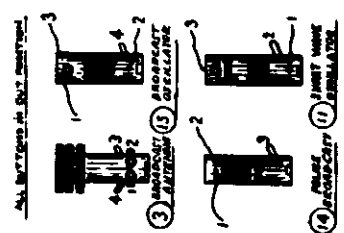


**PUSH-BUTTON TUNING**  
 Adjustments are the same as for Model 42-355 except that Button 8 is for police band and Button 9 is for short-wave band.



**POWER SUPPLY:**  
 115 V 60~  
 This model can also be operated on 115 V 25~ by changing the power transformer

**IF PEAK 455 KC**  
**TUNING BAND FREQUENCIES:**  
 540 - 1720 KC  
 2.3 - 7.0 MC  
 9.0 - 15.5 MC  
**AUDIO OUTPUT: 3 WATTS**  
**POWER CONSUMPTION: 65 WATTS**





MODEL 42-395

PHILCO RADIO & TELEV. CORP.

**SPECIFICATIONS**

MODEL 42-395, CODE 121

Model 42-395, Code 121, is a nine (9) tube A. C. operated super-heterodyne designed for reception of standard, shortwave and frequency modulation broadcast stations, and the sound of a television program tuned in by special Philco television radios. The radio incorporates ten (10) electric push buttons which automatically tune six stations in the standard broadcast band and selects the standard, shortwave and frequency modulation bands; Philco built-in Super Aerial System for standard and shortwave reception; the Philco F M Dipole Aerial for frequency modulation reception; three tuning bands; two intermediate frequency stages; two tone controls (Treble and Bass); push-pull pentode audio output stage driven by a phase inverter audio amplifier stage; Philco Loktal tubes and a fourteen (14) inch electro-dynamic speaker.

**Power Supply:** 115 volts, 60 cycle A. C.

This model can also be operated on 115 volt, 25 cycle or 220 volts, 60 cycle A. C. current. To do this it is necessary to change the power transformers as indicated in the replacement parts list.

**Power Consumption:**

**Intermediate Frequency:** Standard and shortwave bands 455 KC; Frequency Modulation 4.3 MC.

**Tuning Band Frequencies:** 540 to 1720 KC; 9 to 15.5 MC; 42 to 50 MC (FM).

**Audio Output:** 4 watts.

**ELECTRIC PUSH-BUTTON TUNING ADJUSTMENTS**

The electric push-button tuning mechanism consists of ten (10) push-buttons. Six of the push-buttons are used for selecting standard broadcast stations, one for the power control (ON-OFF) and three (3) for selecting the standard, shortwave and FM tuning bands.

Viewing the front of the cabinet from left to right the first push-button is the power control (ON-OFF); the next six (6) push-buttons for standard broadcast stations, and the eighth, ninth and tenth for selecting the standard, shortwave and FM tuning bands, respectively.

When setting up stations on the push-buttons the lowest frequency station is set up for reception on the second push-button from the left and the remaining stations according to increasing frequency in the next five push-buttons. The push-buttons are adjusted by the pads located on the rear of the chassis. The frequency range covered by each push-button and the procedure for adjusting is listed in the adjacent tabulation. The second push-button from the left can also be adjusted for reception of the sound channel of a television program received by special Philco television radios. This push-button may also be used in conjunction with a Philco wireless Record Player. The procedure for setting up these models is included in the instructions supplied with each model.

FOR  
CHANGES  
SEE  
INDEX

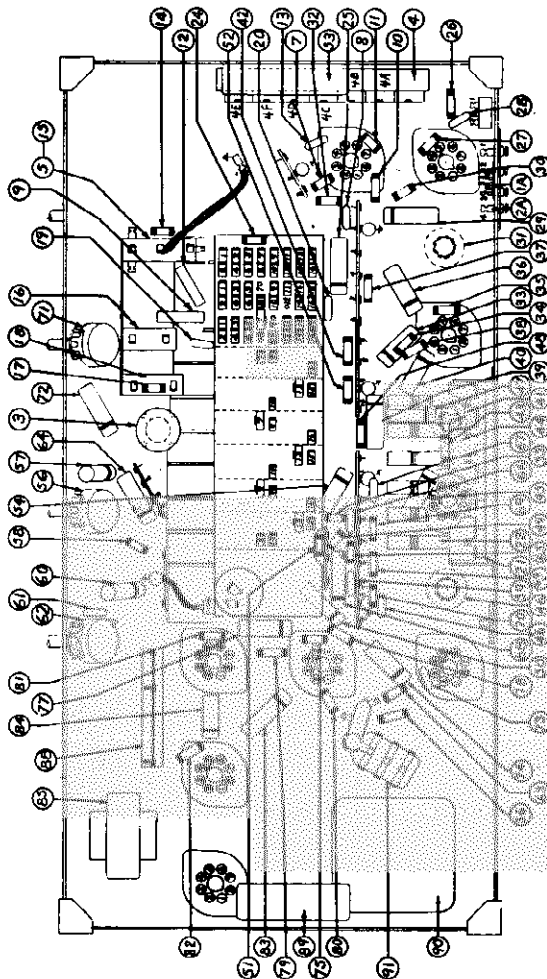


Fig. 2—Locations of Parts—Under Chassis Model 42-395

Pushers right to left from rear	Circuit	Buttons left to right from front	Frequency Range
1	Ant. Osc.	1	ON-OFF
2		2	540 to 1000 KC
3	Ant. Osc.	3	600 to 1200 KC
4		4	650 to 1300 KC
5	Ant. Osc.	5	850 to 1500 KC
6		6	900 to 1600 KC
	Ant. Osc.	7	900 to 1600 KC
		8	Standard Band
		9	Shortwave Band
		10	FM Band

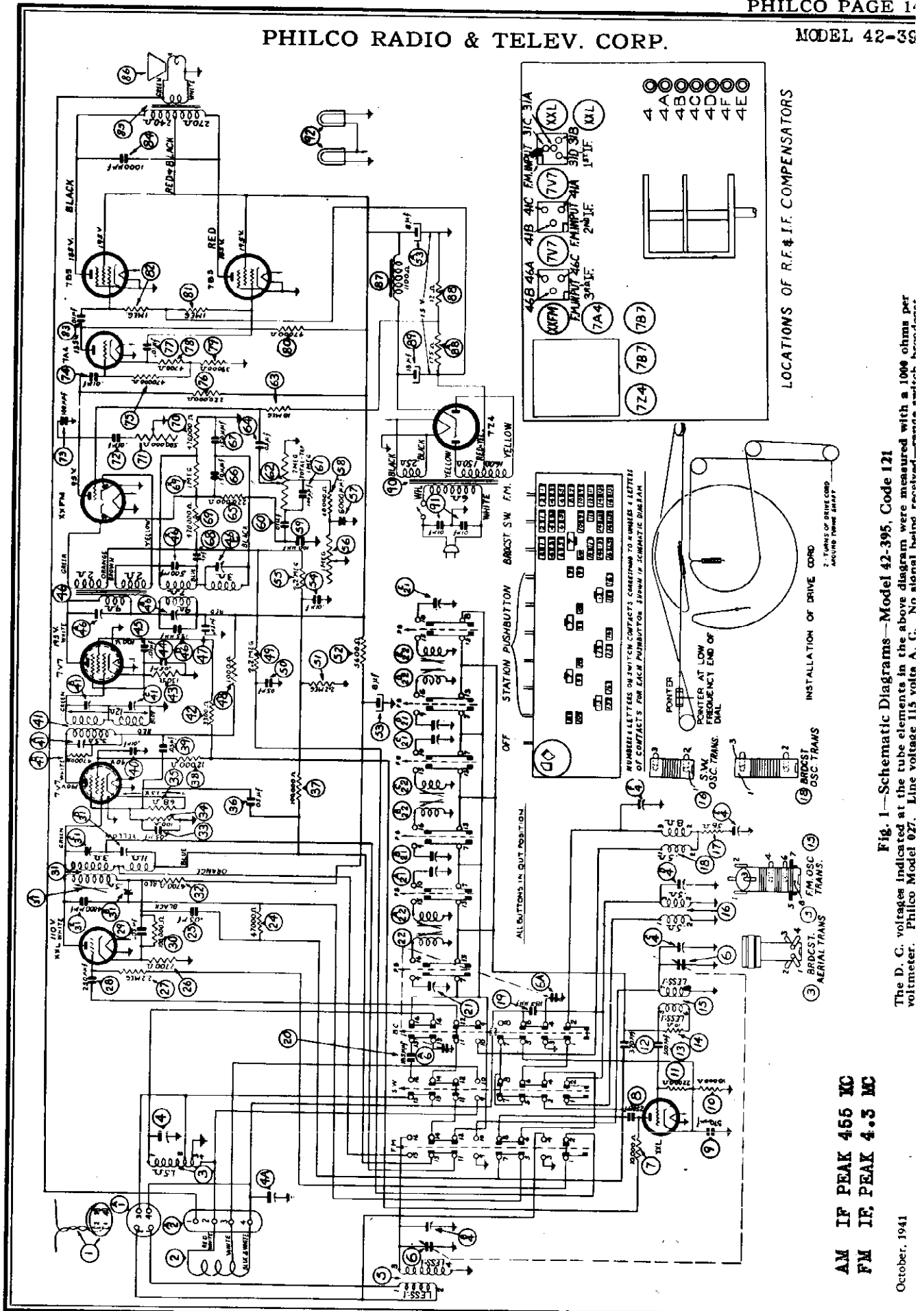


Fig. 1—Schematic Diagrams—Model 42-395, Code 121

The D. C. voltages indicated at the tube elements in the above diagram were measured with a 1,000 ohm per voltmeter. Philco Model 027. Line voltage 115 volts A. C. No signal heard received—transmiter substitute.

AM IF PEAK 455 KC  
FM IF PEAK 4.3 MC

MODEL 42-395

PHILCO RADIO & TELEV. CORP.

STANDARD AND S. W. BANDS ALIGNING PROCEDURE

SIGNAL GENERATOR		RECEIVER		Adjust Compensators in Order	Special Instructions
Output Connections	Dial Setting	Control Settings	Control Settings		
High side to No. 4 terminal loop panel	455 KC	Vol. max. push-button Bcast. "IN"	Vol. max. push-button Bcast. "IN"	46B, 41C, 31C, 31A	Note A Roll Tuning Condensers Note B
Use loop on generator	1500 KC	"	"	4F, 4	
Use loop on generator	580 KC	"	"	4B	
Use loop on generator	15 MC	Readjust as given in Operation 2	Push-button S. W. "IN"	4D, 4A	
Use loop on generator	15 MC				

FREQUENCY MODULATION ALIGNING PROCEDURE

Note: The Frequency Modulation Circuits Must Be Adjusted With the Dipole Aerial Connected.

CRITICAL WIRING LOCATIONS

1. Wire from F. M. oscillator transformer (15) to compensator 4C must be short, also the blue wire from F. M. oscillator transformer (15) to the tuning condenser should be shorted away from chassis.
2. Wire from compensator (4A) to lug No. 4 of the loop aerial terminal panel 2A must be short.
3. Wires from lugs 3 and 4 of the loop aerial terminal panel (2A) to the short-wave push button lugs 10 and 13 of the push button switch must have one complete twist only.
4. All wires from the lugs of the F. M. oscillator transformer (15) should be dressed away from the push button switch and the wires of the F. M. aerial transformer (5) which is part of the F. M. oscillator transformer (15).
5. The black wire from the first I. F. transformer (39) to lug 5 of the F. M. push button must be ressed along the chassis and away from the orange and yellow lead of the I. F. transformer.

F. M. BAND ALIGNING PROCEDURE

SIGNAL GENERATOR		RECEIVER		Adjust Compensators in Order	Special Instructions
Output Connections	Dial Setting	Control Settings	Control Settings		
2nd I. F., F. M. input connection	4.3 MC	Vol. max. F. M. push-button "IN"	Vol. max. F. M. push-button "IN"	46C (Note D) 46A (Note E)	Roll tuning condenser when adjusting 4B. See Note B
1st I. F., F. M. input connection	4.3 MC	F. M. push-button "IN"	F. M. push-button "IN"	41A, 41B (Note F)	
High side to No. 1 contact, F. M. socket. Ground to No. 2 contact	4.3 MC	"	"	31B, 31D (Note F)	
Use test loop on generator; place near dipole aerial	48.5 MC (Note G)	"	"	4C (Note G) 4B (Note H)	
"	48.5 MC	"	"	4C oscillator	

EXTERNAL AERIAL CONNECTIONS

The built-in aerial system is designed to operate without an outside aerial or ground and to give exceptionally high receiving performance of stations in the standard, shortwave, or FM bands.

To operate the radio in steel-reinforced buildings and other shielded locations where signal strength is weak, an external aerial is recommended. Three different types of aerial combinations are available, to improve reception on the standard, shortwave, or FM bands.

- 1-For Additional Sensitivity on Frequency Modulation only: Philco Dipole Outdoor Aerial, Part No. 45-2926. The plug at the end of the transmission line is inserted in the socket at the back of the chassis in place of the plug connected to the FM loop in the cabinet.

- 2-For Additional Sensitivity on ALL ranges: Philco Dipole Outdoor Aerial, Part No. 45-2926. Philco Aerial Coupler, Part No. 45-1361. The coupler plugs into the socket at the back of the chassis in place of the plug connected to the FM loop. The aerial transmission line connects to the terminals on the coupler marked "red" and "black". The local-distance switch on the coupler connects or disconnects the outdoor aerial from the standard broadcast and short-wave tuning ranges. The dipole remains connected to the FM band regardless of the position of the switch.
- 3-For Additional Sensitivity on Standard Broadcast and Shortwave only in Areas where FM reception is not available: Philco Safety Aerial, Part No. 40-6370. Philco Aerial Coupler, Part No. 45-1361.

NOTE A.—DIAL CALIBRATION: In order to adjust the dial properly with the tuning condenser closed (maximum capacity), set the dial pointer on the extreme left index line at the low frequency end of the broadcast wave.

NOTE B.—When adjusting the low frequency compensator of the broadcast of the receiver, tuning condenser must be adjusted (coil G) as follows: First, tune the compensator for maximum output, then vary the tuning condenser for maximum output. This is done by rolling the receiver tuning condenser for maximum output. This procedure of first setting the compensator and then varying the tuning condenser is continued until maximum output reading is obtained.

NOTE C.—Adjust compensator (4D) to the second signal peak from the observed position (maximum capacity). The signal peak is observed by rolling the tuning condenser. (See Note B.)

NOTE D.—Adjust compensator (4E) to the minimum signal level from the observed position. A signal generator set to 4.3 MC. is used for this purpose. (See Note B.)

NOTE E.—Adjust compensator (4F) to the minimum signal level from the observed position. A signal generator set to 4.3 MC. is used for this purpose. (See Note B.)

NOTE F.—Adjust compensator (4G) to the minimum signal level from the observed position. A signal generator set to 4.3 MC. is used for this purpose. (See Note B.)

NOTE G.—Adjust compensator (4H) to the minimum signal level from the observed position. A signal generator set to 4.3 MC. is used for this purpose. (See Note B.)

Connect the single wire lead-in of the aerial to the "black" terminal on the aerial coupler.

\*Accessories for this aerial are the Philco Aerial Mast Kit, the Philco Reflector Kit and Philco High Efficiency Transmission Line. See Service Bulletin No. 396 on Dipole Aerials.

NOTE: When installing the FM Philco Outdoor Dipole Aerial, it is very important that the aerial compensating condensers of the standard and shortwave band are repadded.

Audio Output Meter: Terminal No. 1 is provided on the loop aerial panel connecting one lead of the audio output meter to the voice coil of the speaker. The other lead of the meter is connected to the chassis. When using these connections, the meter A. C. scale of the meter must be used. (0 to 10 volts.)

When aligning the R. F. padders a loop is made from a few turns of wire and connected to the signal generator output terminal; the loop is then placed two feet from the loop in the cabinet and dipole aerial lead. Do not remove the wire from the loop. It is necessary when adjusting the padders, that the receiver be left in the cabinet.

PHILCO RADIO & TELEV. CORP.

REPLACEMENT PARTS—Model 42-395, Code 121

Schem. No.	Description	Part No.	Schem. No.	Description	Part No.	Schem. No.	Description	Part No.
1.	F. M. Dipole Aerial (Mounted in Cabinet)	78-1394	22A.	Push-Button Oscillator Transformer (900 to 1800 KC)	32-3779	51.	Resistor (2.2 megohms)	33-522339
1A.	Socket F. M. Dipole Aerial	27-6181	22B.	Push-Button Oscillator Transformer (850 to 1500 KC)	32-3779	52.	Resistor (5600 ohms)	33-256339
2.	Loop Aerial (Broadcast and Shortwave)	78-1395	22C.	Push-Button Oscillator Transformer (650 to 1300 KC)	32-3780	53.	Electrolytic Condenser (8 mfd, 475 volts)	30-2528
	Mtg. Screw	W-288FE11	22D.	Push-Button Oscillator Transformer (800 to 1200 KC)	32-3780	53A.	Electrolytic Condenser (8 mfd, 475 volts) Part of 53	56-1466
	Mtg. Sleeve	56-1545	22E.	Push-Button Oscillator Transformer (540 to 1000 KC)	32-3780	54.	Condenser (.01 mfd, 400 volts)	30-4572
	Mtg. Sleeve	28-3806				55.	Resistor (2.2 megohm)	33-522339
	Spring Washer	28-4186				56.	Base Tone Control	33-5470
	Mtg. Washer	W-425FA3				57.	Condenser (.006 mfd, 400 D. C.)	30-4591
	Mtg. Washer	W-648FA3				58.	Resistor (82000 ohms)	33-263339
2A.	Terminal Panel (Loop Aerial)	32-9870				59.	Mica Condenser (100 mmfd)	60-110157
	Mtg. Rivet	W-207				60.	Condenser (.01 mfd, 400 volts)	30-4572
3.	Broadcast Aerial Transformer	32-3790				61.	Mica Condenser (100 mmfd)	60-110157
	Mtg. Clip	28-5002				62.	Volume Control	33-5478
4.	Compensator (Broadcast Aerial)	31-6443				63.	Resistor (10 megohms)	33-510339
4A.	Compensator (Short Wave Aerial) Part of 4					64.	Condenser (.05 mfd, 200 volts)	30-4519
4B.	Compensator (F. M. Aerial) Part of 4					65.	Resistor (220000 ohms)	33-422339
4C.	Compensator (F. M. Oscillator) Part of 4					66.	Condenser (150 mmfd)	60-110137
4D.	Compensator (S. W. Oscillator) Part of 4					67.	Mica Condenser (150 mmfd)	60-115137
4E.	Compensator (Broadcast, Oscillator 580 KC) Part of 4					68.	Condenser (.1 mfd, 200 volts)	30-4586
4F.	Compensator (Broadcast, Oscillator 1800 KC) Part of 4					69.	Resistor (47000 ohms)	33-447339
5.	F. M. Aerial Transformer (Part of 15)					70.	Resistor (1 megohm)	33-510339
	Mtg. Clip	28-5009				71.	Resistor (47000 ohms)	33-5478
6.	Tuning Condenser (F. M. Section)	31-2592				72.	Treble Tone Control	33-5478
6A.	Tuning Condenser (Broadcast, S. W. Section) Part of 6					73.	Condenser (.01 mfd, 400 volts)	30-4572
	Drive Drum	70-1293				74.	Mica Condenser (100 mmfd)	60-110157
	Drive Cord (Pointer)	31-2576				75.	Condenser (.01 mfd, 400 volts)	30-4572
	Spring	38-9643				76.	Resistor (470000 ohms)	33-447339
	Drive Cord (Tuning Cond.)	31-3628				77.	Resistor (220000 ohms)	33-422339
	Spring	28-4781				78.	Condenser (.01 mfd, 400 volts)	30-4572
	Drive Shaft	56-6164				79.	Resistor (4700 ohms)	33-247339
	"C" Washer	32-3043				80.	Resistor (30000 ohms)	33-347339
	Mtg. Grommet	37-4866				81.	Resistor (1 megohm)	33-510339
	Mtg. Sleeve	56-1806				82.	Resistor (1 megohm)	33-510339
	Mtg. Screw	W-1261FA3				83.	Condenser (.006 mfd, 1000 volts)	30-4317
	Pointer (Dial)	56-2331				84.	Condenser (.001 mfd, 1000 volts)	30-4601
7.	Resistor (10000 ohms)	33-910339				85.	Output Transformer	32-8194
8.	Mica Condenser (250 mmfd)	60-125327				86.	Speaker	36-1830
9.	Mica Condenser (370 mmfd)	30-1110					Cone Assembly (for Speaker 36-1530)	36-4181
10.	Resistor (10000 ohms)	33-410339					Cable (Speaker)	41-3610
11.	Resistor (22000 ohms)	33-323339					Mtg. Washer	27-7407
12.	Mica Condenser (370 mmfd)	30-1110					Mtg. Nut	W-124FA3
13.	Mica Condenser (500 mmfd)	60-150257					Field Coil (Replace Speaker 36-1530)	
14.	Resistor (10 ohms)	33-910339					Bias Resistor (12 ohms)	33-3416
15.	F. M. Oscillator Transformer	32-3792					Bias Resistor (175 ohms) Part of 88	
	Mtg. Clip	28-5002					Electrolytic Condenser (18 mfd, 475 volts)	30-2517
16.	S. W. Oscillator Transformer	32-3793					Mtg. Clip	56-1466
	Mtg. Clip	28-5002					Power Transformer (115 volts, 60 cycles)	32-8192
17.	Resistor (36 ohms)	33-063334					Power Transformer (116 volts, 25 cycles)	32-8208
18.	Broadcast Oscillator Transformer	32-3791					Power Line Filter Condensers (.01-.01 mfd)	390301DC
19.	Mica Condenser (185 mmfd)	20-018511					Dial Lamps	34-2141
20.	Mica Condenser (185 mmfd)	20-018511					Socket Assembly	76-1295
21.	Push Button Station Padder (900 to 1800 KC)	31-6449					Miscellaneous Parts—Model 42-395	
21A.	Push-Button Station Padder (900 to 1000 KC) Part of 21						Base	54-4128
21B.	Push-Button Station Padder (850 to 1500 KC) Part of 21						Screw	W-207FB26
21C.	Push-Button Station Padder (650 to 1300 KC) Part of 21						Cable (Power)	L-3199
21D.	Push-Button Station Padder (600 to 1200 KC) Part of 21						Cabinet	10887A
21E.	Push-Button Station Padder (540 to 1000 KC) Part of 21						Dial Scale	27-5789
22.	Push-Button Oscillator Transformer (900 to 1800 KC)	32-3779					Rubber Channel	27-9984
							Spring (Background)	54-4114
							Spring (Background)	28-8990
							Knob (Turning—Tone—Volume)	54-4105
							Knob (Push-Buttons)	54-4144
							Spring Assembly (Push-Buttons)	76-1294
							Rubber Corner (Chassis)	54-4015
							Rubber Grommet (Chassis Mtg.)	27-4571
							Screw (Chassis Mtg.)	W-1345FA3
							Socket (Loktal)	27-6177
							Mtg. Rivet	W-239FA5
							Socket (Single Prong, AVE Test)	27-8180
							Tab Kit	40-6683
							Tab (Broadcast)	27-5739
							Tab (Shortwave)	27-5740
							Tab (F. M.)	27-5741
							Tab (OFF)	27-5742
							Tab Cover	27-5815
							Tab (Television)	27-5779
							Wiring Panel	38-7178
							Wiring Panel	38-8369
							Wiring Panel	38-8764
							Wiring Panel	38-9015
							Wiring Panel	38-8781
							Washer (Chassis Mtg.)	28-5114

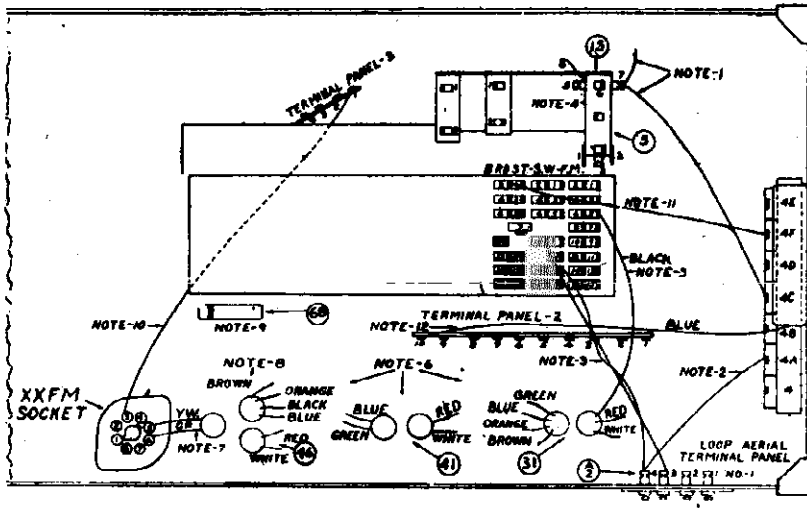


Fig. 3—Critical Wiring Locations—

F. M. Aligning Model 42-395

MODEL 42-400

PHILCO RADIO & TELEV. CORP.

STANDARD AND S. W. BANDS ALIGNING PROCEDURE

Operations in Order	SIGNAL GENERATOR		RECEIVER			Special Instructions	
	Output Connections	Dial Setting	Dial Setting	Control Settings	Adjust Compensators in Order		
1	High side to No. 4 terminal loop panel	455 KC	580 KC	Vol. max. push-button Bcst. "IN"	59B, 44C, 41C, 31B, 31E		
2	Use loop on generator	1500 KC	1500 KC	"	1B, 18C	Note A	
3	Use loop on generator	580 KC	580 KC	"	18A	Roll Tuning Condensers Note B	
4	Use loop on generator	Readjust as given in Operation 2					
5	Use loop on generator	12 MC	12 MC	Push-button S. W. 1.	18B, 18D	Note C	
6	Use loop on generator	18 MC	18 MC	Push-button S. W. 2.	15, 15A	Roll Cond. Note C	

FREQUENCY MODULATION ALIGNING PROCEDURE

Note: The Frequency Modulation Circuits Must be Adjusted With the Dipole Aerial Connected.

CRITICAL WIRING LOCATIONS

STANDARD SHORTWAVE AND F. M. ALIGNING

NOTE

- 1—F. M. Aerial wires from F. M. aerial socket 2A to F. M. aerial transformer (3) must be twisted (for shielding). The twisted wires should also be dressed away from the switch and other wiring.
- 2—All wires from F. M. Oscillator transformer (3A) (3A is a part of (3) F. M. aerial transformer) must be dressed away from the F. M. aerial transformer section.

3—Dress yellow wire from 4th I. F. transformer (59) to the diode connection 5 of the XXFM socket down against chassis base. The green lead from the same transformer to connection 6 of the XXFM socket must be pulled away from the chassis base. (These lead dresses are necessary for proper peak separation when aligning F. M. circuits.)

4—Dress wire from F. M. push-button contact (12) to terminal panel lug 1 around end of P. B. switch next to the underside of the chassis (this dress prevents frequency shift when chassis is mounted in the cabinet).

5—Dress close to the push button switch the wire which connects from contact 12 of the lower switch wafer 97 to contact 64 of the upper switch wafer 97A.

6—Wire from SW2 push-button contact No. 22 to padder 15 must be dressed close to the switch.

F. M. BAND ALIGNING PROCEDURE

Operations in Order	SIGNAL GENERATOR		RECEIVER			Special Instructions
	Output Connections	Dial Setting	Dial Setting	Control Settings	Adjust Compensators in Order	
1	3rd I. F., F. M. input connection	4.3 MC	1400 KC	Vol. max. F. M. push-button "IN"	59C (Note D) 59A (Note E)	
2	2nd I. F., F. M. input connection	4.3 MC	1400 KC	F. M. push-button "IN"	44A, 44B. (Note F)	
4	1st I. F., F. M. input connection	4.3 MC	1400 KC	F. M. push-button "IN"	41A, 41B (Note F)	
3	Ant. Section of F. M. Tuning Cond. and Grd.	4.3 MC	1400 KC	F. M. push-button "IN"	31A, 31C (Note F)	
4	Use test loop on generator; place near dipole aerial	48.5 MC	85 (Note G)	F. M. push-button "IN"	5A (Note G) 5 (Note H)	Roll tuning condenser when adjusting 5B. See Note B.
5	"	48.5 MC	85	F. M. push-button "IN"	5A oscillator	

NOTE A.—DIAL CALIBRATION: In order to adjust the receiver correctly, the dial pointer must be aligned to track properly with the tuning condenser. To adjust the dial, proceed as follows: With the tuning condenser closed (maximum capacity), set the dial pointer on the extreme left index line at the low frequency end of the broadcast scale.

NOTE B.—When adjusting the low frequency compensator of the broadcast or the serial padders of the high frequency tuning range, the receiver tuning condenser must be adjusted (rolled) as follows: First, tune the compensator for maximum output, then vary the tuning condenser of the receiver for maximum output. Now turn the compensator slightly to the right or left and again vary the receiver tuning condenser for maximum output. This procedure of first setting the compensator and then varying the tuning condenser is continued until maximum output reading is obtained.

NOTE C.—Adjust compensators (15 and 18B) to the second signal peak from the closed position (maximum

capacity). The serial compensators (15A and 18D) must also be adjusted to maximum on the first signal peak by rolling the tuning condenser. (See Note B.)

NOTE D.—With the signal generator set to 4.3 MC, padder (59C) is adjusted to the point where minimum signal indication is observed on the output meter.

NOTE E.—Turn the signal generator first to approximately 125 KC below 4.3 MC (4.17 MC) and then 125 KC above 4.3 MC (4.43 MC). A signal peak should be observed on the output meter at approximately each of these points (4.17 and 4.43). The two peak signals should be of equal reading on the output meter and equally spaced in frequency each side of 4.3 MC. If the peaks are unequal in amplitude, padder (59A) must be adjusted in the direction necessary to make both peaks equal. This is done by slightly turning padder and then turning signal generator above and below 4.3 to observe peaks. After equal peak readings are obtained, set the signal generator to 4.3 MC. The output meter should show zero reading at 4.3 MC. If a signal indication is observed readjust padder

(59C) until zero reading is obtained on the meter. After this adjustment is made padder No. 59A should be readjusted for equal peaks as given above.

NOTE F.—Adjust padders 41A, 41B, 41A, 41B, 31A, 31C for equal signal peaks and equal frequency spacing each side of 4.3 MC.

NOTE G.—The dial scale numbers are listed in tenths of megacycles less the first digit: i. e., 49 MC is 90, 48.5 is 85. Set the tuning dial pointer to 90 on the F. M. scale. Adjust padder (5A) to the point where minimum signal indication is observed on the output meter.

NOTE H.—In order to adjust padder (5) the signal generator should be set to either the signal peak approximately 125 KC below 48.5 MC (48.375 MC), or 125 KC above 48.5 MC (48.625 MC). Adjust padder (5) to maximum output reading on either of these peak signals. As padder 5 is being adjusted roll the tuning condenser as given in Note B.

ELECTRIC PUSH-BUTTON TUNING ADJUSTMENTS

The Electric push-button tuning mechanism consists of ten (10) push-buttons. Five of the push-buttons are used for selecting standard broadcast stations, one for the power control (ON-OFF); and four for selecting standard tuning, shortwave and Frequency Modulation brands.

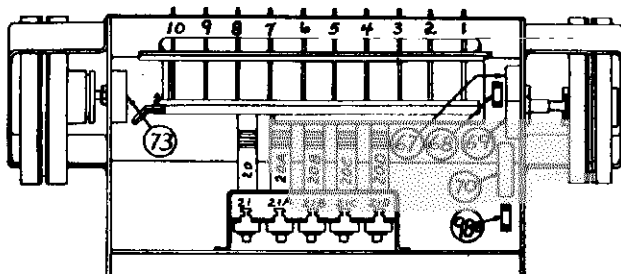
Viewing the front of the cabinet from left to right the first push-button is the power control (ON-OFF), the next five push-buttons for tuning standard broadcast stations, and the seventh, eighth, ninth and tenth for selecting the tuning ranges—standard, shortwave 1, shortwave 2, and F. M., respectively.

When setting up stations on the push-buttons the lowest frequency station is set up in the second push-button from the left and the remaining stations according to increasing frequency in the next four push-buttons. These push-buttons are adjusted by the padders located on the rear of the tuning unit. The second push-button from the left can also be adjusted for reception of the sound

channel of a television program received by special Philco television radios. This push-button may also be used in conjunction with a Philco Wireless Record Player.

The frequency ranges covered by the station tuning push-buttons and procedure for adjusting is as follows:

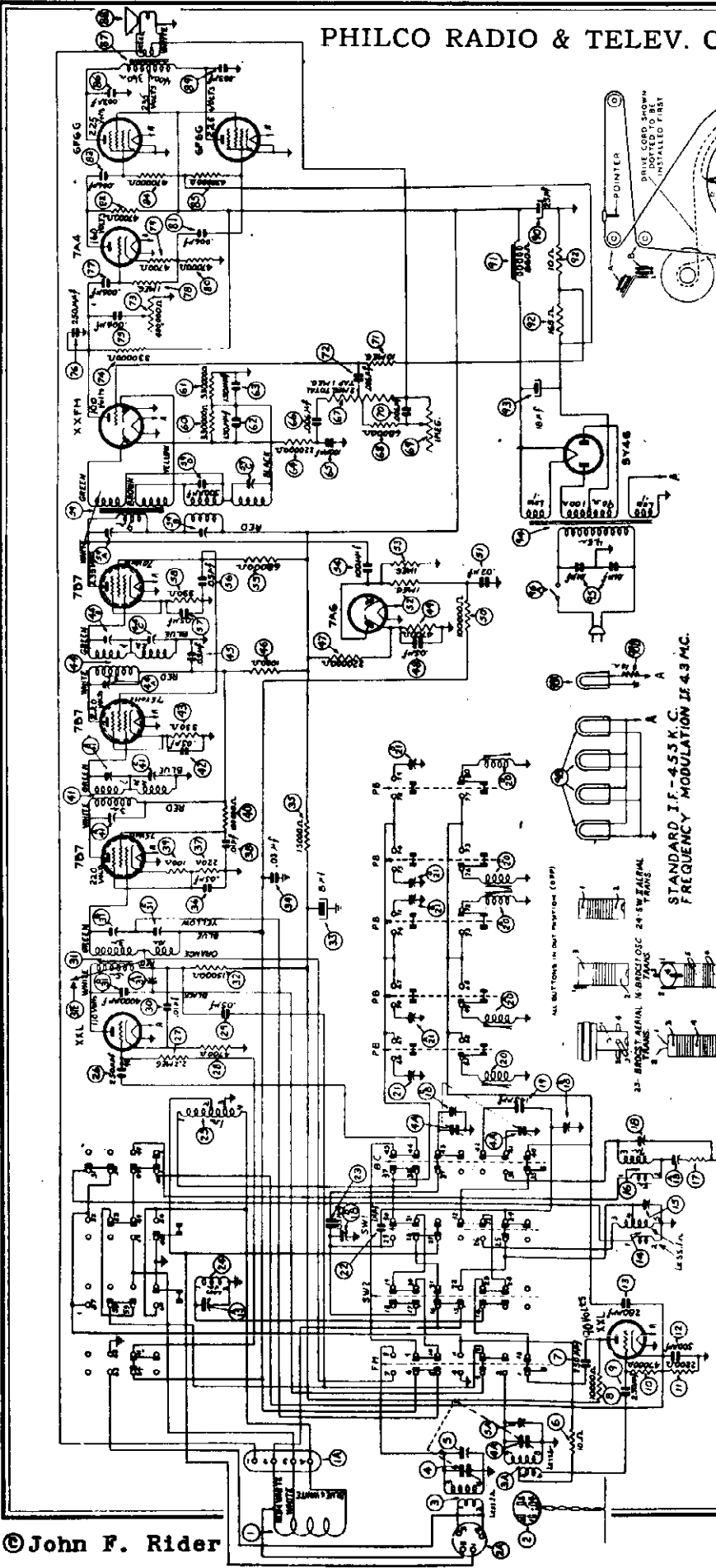
Padders right to left from rear	Circuit	Buttons left to right from front	Frequency Range
		1	ON-OFF
1	Ant. Osc.	2	540 to 1000 KC
2	Ant. Osc.	3	600 to 1200 KC
3	Ant. Osc.	4	660 to 1300 KC
4	Ant. Osc.	5	860 to 1800 KC
5	Ant. Osc.	6	900 to 1600 KC
		7	Standard Band
		8	Shortwave Band 1
		9	Shortwave Band 2
		10	Frequency Modulation



Locations of Parts—Tuning Unit

# PHILCO RADIO & TELEV. CORP.

MODEL 42-400



FOR CHANGES, SEE INDEX

- Tuning Band Frequencies: 540 to 1720 K. C.
- 9 to 12 M. C.
- 14.4 to 18 M. C.
- 42 to 50 M. C.

Audio Output: 7 watts.

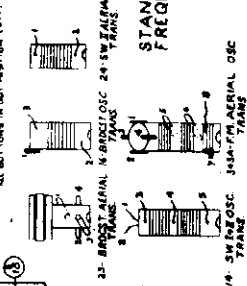
Power Supply: 115 Volt, 60 cycle A. C.

This model can also be operated on a 115 Volt, 25 cycle or 220 Volt, 60 cycle power supply. To do this it is necessary to change the power transformers as indicated in the replacement parts list.

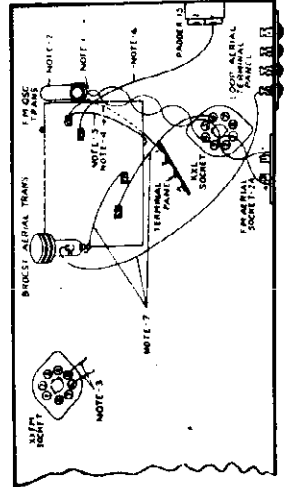
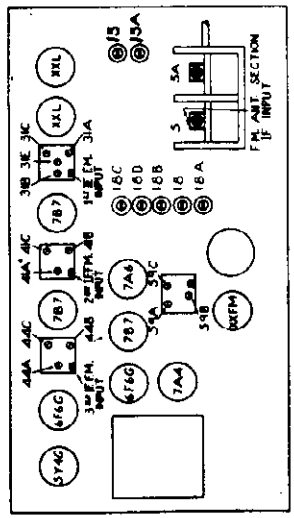
Power Consumption: 110 Watts

Intermediate Frequencies: Standard and shortwave bands, 455 K. C.; Frequency Modulation band, 4.3 M. C.

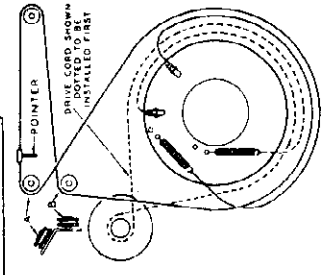
STANDARD I.F.—455 K. C. FREQUENCY MODULATION IF 4.3 MC.



LOCATION OF COMPENSATORS — TOP OF CHASSIS



Critical Wiring Locations—F.M. Alignment



(P. POINTER AT LOW FREQUENCY END OF DIAL) TUNING CONDENSER MAXIMUM CAPACITY FULLY CEASED

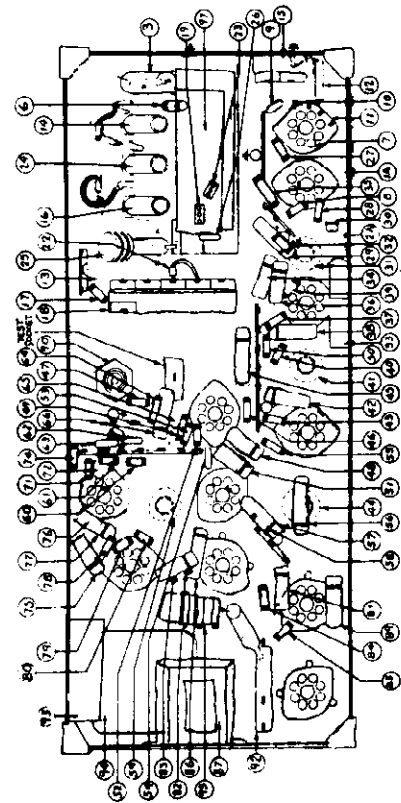
INSTALLATION OF DRIVE CORDS

MODEL 42-400

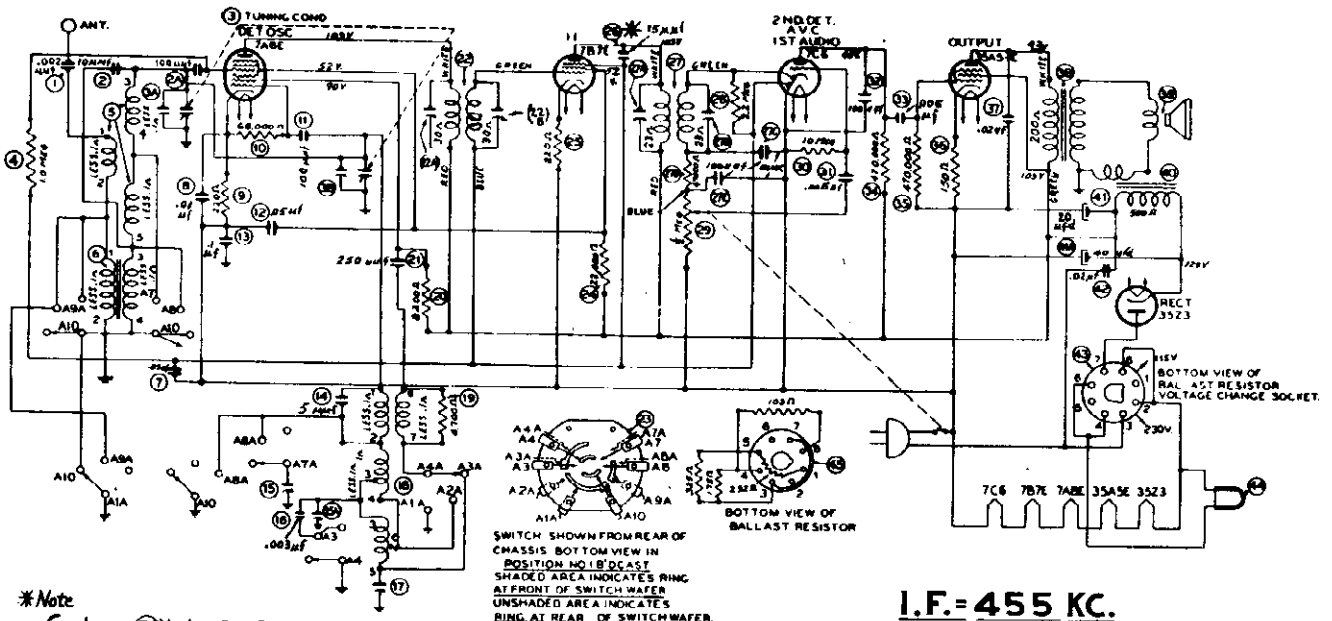
PHILCO RADIO & TELEV. CORP.

REPLACEMENT PARTS—MODEL 42-400

Schematic No.	Description	Part No.
1	Loop Aerial (Standard & S.W. Bands)	76-1293
	Mfg. Sleeve	28-3082FA3
	Spring Washer	56-1545FA3
	Washer	W-268FE11
	Washer	W-425FA3
	Washer	W-648FA3
1A	Terminal Panel (Loop Aerial)	38-9870
2	F.M. Dipole Aerial (Mounted in Cabinet)	76-1394
3	Socket (F.M. Aerial)	27-6181
3A	F.M. Aerial and Oscillator Transformer	32-3825
	Mfg. Clip	28-5002FA3
4	Tuning Condenser (F.M. Section)	31-2500
4A	Tuning Condenser (Standard & S.W. Section)	Part of 4
	Coupling Assembly	31-2291
	Cable Drum Assembly	38-9718
	Drive Cord (Printer)	31-2316
	Drive Cord (Tuning)	31-2318
	Printer	28-8813
	Printer Grommet	56-2774FA3
	Screw (Mfg. Condenser)	W-167FA3
5	Compensator (F.M. Aerial)	31-6364
5A	Compensator (F.M. Oscillator) Part of 5	33-610339
6	Mica Condenser (250 mmfd.)	60-125157
7	Resistor (10 ohms)	33-310339
8	Resistor (10,000 ohms)	60-125157
9	Mica Condenser (250 mmfd.)	33-347339
10	Resistor (47,000 ohms)	33-222339
11	Resistor (22,000 ohms)	38-1138
12	Mica Condenser (500 mmfd.)	38-1213
13	Mica Condenser (280 mmfd.)	32-3827
14	S.W.-1 and S.W.-2 Oscillator Transformer	31-8448
15	Compensator (S.W.-2, Oscillator)	Part of 15
15A	Compensator (S.W.-2, Aerial)	Part of 15
16	Broadcast Oscillator Transformer	32-3809
	Mfg. Clip	33-633336
17	Resistor (33 ohms)	31-6451
18	Compensator (Broadcast Oscillator)	Part of 18
18A	Compensator (Broadcast Oscillator 800 K.C.)	Part of 18
18B	Compensator (Broadcast Oscillator)	Part of 18
18C	Compensator (Broadcast Aerial)	Part of 18
18D	Compensator (S.W. 1, Aerial)	Part of 18
19	Mica Condenser (145 mmfd.)	20-614517
20	Push-button Oscillator Transformer	32-3779
20A	Push-button Oscillator Transformer (900 to 1600 K.C.)	32-3779
20B	Push-button Oscillator Transformer (650 to 1500 K.C.)	32-3779
20C	Push-button Oscillator Transformer (650 to 1300 K.C.)	32-3788
20D	Push-button Oscillator Transformer (600 to 1200 K.C.)	32-3783
20E	Push-button Oscillator Transformer (540 to 1080 K.C.)	32-3783
	Iron Core	56-6109
	Clip	56-2250
	Clip	28-6836
21	Push-button Compensator (980 to 1600 K.C.)	31-6447
21A	Push-button Compensator (650 to 1500 K.C.)	Part of 21
21B	Push-button Compensator (650 to 1300 K.C.)	Part of 21
21C	Push-button Compensator (600 to 1200 K.C.)	Part of 21
21D	Push-button Compensator (540 to 1080 K.C.)	Part of 21
22	Condenser (1 mmfd., consisting of Wire and Lug)	P. of 21
23	Mica Condenser (155 mmfd.)	20-093517
24	S.W. Aerial Transformer	32-3824
	Mfg. Clip	28-5002
25	Broadcast Aerial Transformer	32-3823
	Mfg. Clip	80-125157
26	Mica Condenser (250 mmfd.)	33-522339
27	Resistor (2.2 Megohms)	33-247339
28	Resistor (4700 ohms)	38-4518
29	Condenser (.05 mfd., 400 Volts)	38-4518
30	Condenser (.01 mfd., 400 Volts)	30-4572
31	First I.F. Transformer	32-3820
31A	Primary Compensator	Part of 31
31B	Secondary Compensator	Part of 31
31C	Compensator (4000 mmfd.)	Part of 31
31D	Mfg. Nut	W-1910FA3
32	Resistor (15,000 ohms)	33-315339
33	Electrolytic Condenser (8 mfd., 350 Volts)	39-2437
34	Condenser (.83 mfd., 400 Volts)	30-4517
35	Resistor (15,000 ohms)	33-315439
36	Condenser (.05 mfd., 200 Volts)	30-4518
37	Resistor (220 ohms)	33-122336
38	Condenser (.01 mfd., 400 Volts)	30-4872
39	Resistor (100 ohms)	33-110339
40	Resistor (100,000 ohms)	33-410339
41	Second I.F. Transformer	32-3821
41A	Primary Compensator	Part of 41
41B	Secondary Compensator	Part of 41
41C	Mfg. Nut	W-1948FA3
42	Condenser (.05 mfd., 200 Volts)	30-4518
43	Resistor (330 ohms)	33-133336
44	Third I.F. Transformer	32-3821
44A	Primary Compensator	Part of 44
44B	Secondary Compensator	Part of 44
44C	Secondary Compensator	Part of 44
44D	Mfg. Nut	W-1948FA3
45	Condenser (.05 mfd., 400 Volts)	30-4518
46	Resistor (120,000 ohms)	33-510339
47	Resistor (.05 mfd., 200 Volts)	33-422339
48	Condenser (.05 mfd., 200 Volts)	30-4519
49	Resistor (4700 ohms)	33-133336
50	Resistor (100,000 ohms)	32-3822
51	Condenser (.02 mfd., 400 Volts)	Part of 51
52	Resistor (1 megohm)	Part of 51
53	Mica Condenser (100 mmfd.)	Part of 51
54	Resistor (68,000 ohms)	W-1948FA3
55	Condenser (.05 mfd., 400 Volts)	33-433339
56	Condenser (.05 mfd., 200 Volts)	33-433339
57	Resistor (330 ohms)	60-115137
58	Fourth I.F. Transformer	33-422339
59	Primary Compensator	Part of 59
59A	Primary Compensator	Part of 59
59B	Secondary Compensator	Part of 59
59C	Condenser (500 mmfd.)	W-1948FA3
59D	Mfg. Nut	33-433339
60	Resistor (330,000 ohms)	33-433339
61	Resistor (330,000 ohms)	60-115137
62	Mica Condenser (150 mmfd.)	33-422339
63	Mica Condenser (150 mmfd.)	60-115137
64	Resistor (220,000 ohms)	33-422339
65	Mica Condenser (100 mmfd.)	60-110137
66	Condenser (.006 mfd., 400 Volts)	32-3824
67	Volume Control	33-5250
68	Resistor (68,000 ohms)	33-368338
69	Audio Bass Control	33-5472
70	Condenser (.006 mfd.)	30-4581
71	Resistor (10 megohms)	33-610339
72	Condenser (.006 mfd., 400 Volts)	33-610339
73	Audio Trimble Control	W-2157FA3
74	Resistor (330,000 ohms)	33-433338
75	Condenser (.006 mfd., 400 Volts)	30-4581
76	Mica Condenser (250 mfd.)	60-125157
77	Condenser (.006 mfd., 400 Volts)	30-4581
78	Resistor (1 megohm)	33-510339
79	Resistor (4700 ohms)	33-247339
80	Resistor (47,000 ohms)	33-247339
81	Condenser (.006 mfd., 400 Volts)	33-347339
82	Resistor (47,000 ohms)	33-347339
83	Condenser (.006 mfd., 400 Volts)	30-4581
84	Resistor (470,000 ohms)	33-447339
85	Resistor (470,000 ohms)	33-447339
86	Audio Output Transformer	32-8197
87	Speaker	36-1515
	Cone Assembly	36-4173
	Cable	41-3430
	Mfg. Fiber Washer	27-7467
	Mfg. Nut	W-1214FA3
89	Electrolytic Condenser (25 mfd., 1,000 Volts)	30-4469
90	Electrolytic Condenser (18 mfd., 400 Volts)	33-3416
91	Speaker Field Coil (Replaces Speaker 36-1515)	30-2525
92	Bias Resistor (10-165 ohms)	56-1452FA5
93	Electrolytic Condenser (18 mfd., 400 Volts)	30-2525
94	Power Transformer (115 Volts, 60 cycle)	32-8189
	Power Transformer (115 Volts, 25 cycle)	32-8214
	Power Transformer (115/220 Volts, 60 cycle)	32-8897
	Decoupling Plug (115/220 Volts)	L-3275
	Mfg. Nut	W-3152FA3
	Lockwasher	W-732FA3
3903-09G	Condenser (.01-01 mfd.)	40-6005
40-1248	Push-button Band Switch (Mounted Under Chassis)	W-2010FA3
W-523FA3	Push-button Band Switch (Part of 97)	L-3199
W-181FA3	Washer (Mfg. Switch)	54-4149
27-4996	Rubber Grommet	54-4150
28-3806	Mfg. Sleeve	54-4119
76-1343	90A Power Switch (Part of 95)	56-1638
	Switch Cover	56-1349
	Push-button Band Switch (Mounted Under Chassis)	56-1635FA3
42-1764	Push-button Band Switch (Part of 97)	28-3978
28-4349FA3	Snap-on (Connecting Rods)	27-5760
W-151FA3	Resistor (10 ohms)	27-9224
W-323FA3	Mfg. Screw	56-1635FA3
27-4967	Rubber Grommet	27-4737
34-2984	Dial and Push-button Lamp	76-1378
38-9685	Socket Assembly (Dial Lights)	54-4015
76-1350	Socket Assembly (Push-button Lights)	54-3914
76-1391	Socket Assembly (Cabinet Light)	27-4571
34-2210	Cabinet Lamp	W-738FA3
76-1391	Socket Assembly (Cabinet Light)	W-1348FA3
33-016438	Resistor (10 ohms)	



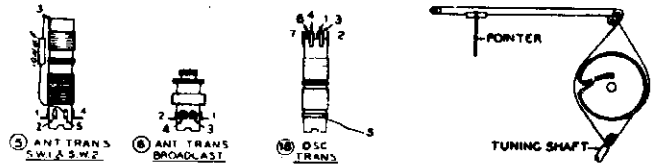
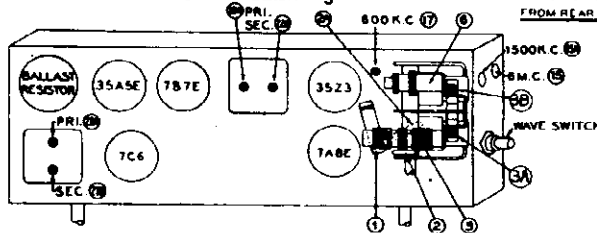
PHILCO RADIO & TELEV. CORP.



\* Note  
Condenser 22 used on Early Production Radios. This Condenser is Removed from Later Production Radios to Increase Sensitivity

I.F. = 455 KC.

FOR ALIGNMENT, SEE INDEX



REPLACEMENT PARTS — MODEL 42-706, CODE 121

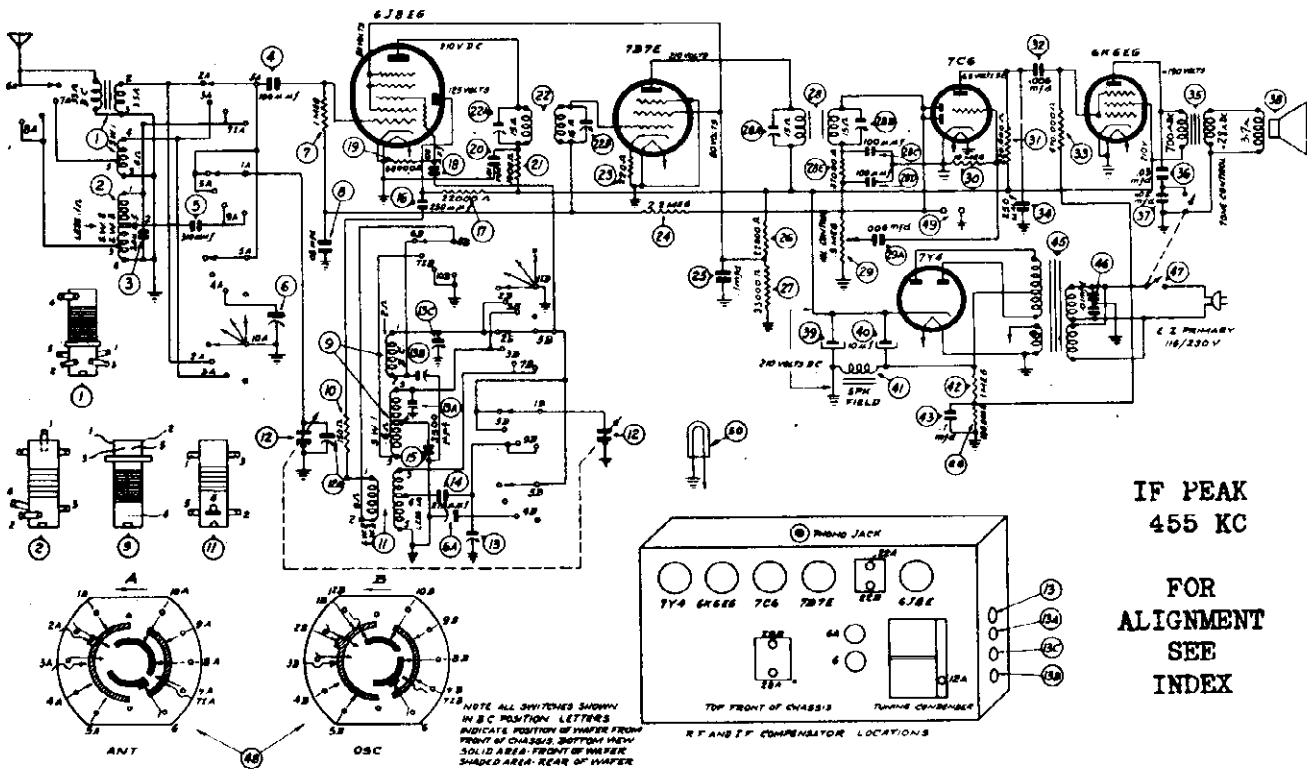
Schematic No.	Description	Part No.	Schematic No.	Description	Part No.	Schematic No.	Description	Part No.
1	Condenser (.002 mfd.)	39-4622	30	Resistor (10 megohms)	33-610339	44	Pilot Lamp	34-2068E
2	Mica Condenser (10 mmfd.)	60-010237	31	Condenser (.006 mfd., 400 volts)	30-4610		Socket Assembly	76-1177
2A	Mica Condenser (100 mmfd.)	60-110457	32	Mica Condenser (100 mmfd.)	60-110257	45	Ballast Resistor	33-3414
3	Tuning Condenser	31-2379	33	Condenser (.006 mfd., 400 volts)	30-4610	MISCELLANEOUS PARTS		
3A	Compensator (Aerial, 21 M.C.)	Part of 3	34	Resistor (470,000 ohms)	33-447339	Cabinet	10524E	
3B	Compensator (Oscillator, 21 M.C.)	Part of 3	35	Resistor (470,000 ohms)	33-447339	Cabinet Back	27-9817	
	Drive Cord	31-2580	36	Resistor (150 ohms)	33-115336	Mtg. Stud	W-2235FA8	
	Spring	28-8984	37	Condenser (.02 mfd., 400 volts)	30-4516	Cord (Power)	L-3274	
	Drive Shaft	27-4810	38	Output Transformer	32-8164	Plus	L-3275	
	Rubber Grommet	76-1299	39	Speaker	36-1533-4 or 36-1539-4	Dial Scale	W-2249FA3	
	Pointer	27-4810	40	Field Coil (Replace Speaker)	36-1539-4 or 36-1533-4	Knob (Volume-Tuning)	54-4052	
	Mtg. Nut (Drive Shaft)	W-2157FA3	41	Electrolytic Condenser (20 mfd.)	30-2510	Knob (Band)	27-4876	
4	Resistor (1 megohm)	33-510339	41A	Electrolytic Condenser (40 mfd.)	Part of 41	Screw (Chassis)	W-1921FA3	
5	Aerial Transformer (S.W.)	32-3753		Mtg. Clamp	56-1466	Socket (LOKAL Tubes)	27-6177	
6	Mtg. Clip	28-5002	42	Condenser (.02 mfd., 600 volts)	30-4599	Mtg. Rivet	W-239FA5	
7	Condenser (.05 mfd., 200 volts)	30-4609	43	Ballast Resistor Socket	27-6143	Washer (Chassis Mtu.)	20-2615FA5	
8	Condenser (.01 mfd., 400 volts)	30-4572				Washer (Chassis Mtu.)	W-152FA8	
9	Resistor (220 ohms)	33-122339						
10	Resistor (68,000 ohms)	33-368339						
11	Mica Condenser (100 mmfd.)	60-110257						
12	Condenser (.05 mfd., 200 volts)	30-4519						
13	Condenser (.1 mfd., 400 volts)	30-4527						
14	Mica Condenser (5 mmfd.)	60-005457						
15	Compensator (6 M.C., Osc.)	31-6436						
15A	Compensator (1500 K.C., Osc.)	Part of 15						
16	Mica Condenser (.003 mfd.)	60-230124						
17	Compensator (580 K.C., Osc.)	31-6435						
18	Oscillator Transformer (B.C. and S.W.-1)	32-3427						
	Mtg. Clip	28-5003						
19	Resistor (4,700 ohms)	33-247339						
20	Resistor (8200 ohms)	33-282339						
21	Mica Condenser (250 mmfd.)	60-125457						
22	First I.F. Transformer	32-3603						
	Mtg. Nut	W-1949FA3						
22A	Primary Compensator	Part of 22						
22B	Secondary Compensator	Part of 22						
23	Band Switch	42-1662						
	Mtg. Nut	W-2157FA3						
24	Resistor (22,000 ohms)	33-322339						
25	Resistor (220 ohms)	33-122339						
26	Mica Condenser (15 mmfd.)	(See note diagram)						
27	Second I.F. Transformer	60-015437						
	Mtg. Nut	32-3781						
27A	Primary Compensator	W-1949FA3						
27B	Secondary Compensator	Part of 27						
27C	Condenser (100 mmfd.)	Part of 27A						
27D	Resistor (47,000 ohms—Part of 27)	33-347339						
27E	Condenser (100 mmfd.)	Part of 27A						
28	Resistor (2.2 megohms)	33-522339						
29	Volume Control	33-5434						
	Mtg. Nut	W-2167FA3						

PART LOCATIONS — UNDER SIDE OF CHASSIS MODEL 42-706



MODEL 42-716

PHILCO RADIO & TELEV. CORP.



IF PEAK  
455 KC

FOR  
ALIGNMENT  
SEE  
INDEX

Replacement Parts — Model 42-716

MISCELLANEOUS PARTS

No. SCHE.	DESCRIPTION	No. PART
1.	Aerial Transformer (Brdest-SW-1)	32-3655
2.	Coil Clip	28-5002
3.	Aerial Transformer (SW-2)	32-3652
4.	Coil Clip	28-5002
5.	Mica Condenser (20 mmfd.)	60-020337
6.	Mica Condenser (100 mmfd.)	60-110457
7.	Mica Condenser (310 mmfd.)	30-1201
8.	Compensator (SW-2 Aerial)	31-6416
9.	Resistor (1 megohm)	33-510339
10.	Condenser (.05 mfd., 200 volts)	30-4609
11.	Oscillator Transformer (Brdest-SW-1)	32-3656
12.	Resistor (150 ohms)	33-115339
12A.	Oscillator Transformer (SW-2)	32-3657
12B.	Tuning Condenser	31-2534
12C.	Drive Cord (Tuning Cond.)	31-2542
12D.	Drive Cord (Pointer)	31-2543
12E.	Drive Shaft	56-6123
12F.	Spring	57-1468
12G.	"C" Washer	28-2043
12H.	Rear Bearing	27-9437
12I.	Rubber Connector	27-9432
12J.	Sleeve (Tuning Cond. Mtg.)	56-1307
12K.	Spring (Cond. Drive Cord)	28-8751
12L.	Spring (Pointer Drive Cord)	28-8953
12M.	Mtg. Rubber (Tuning Condenser)	27-4596
12N.	Drive Drum	38-9883
12O.	Screw (Mtg. Tuning Cond.)	97-0028
12A.	Compensator	Part of 12
12B.	Compensator	Part of 12
13.	Compensator (21 mc.)	31-6411
13A.	Compensator (8 mc.)	Part of 13
13B.	Compensator (580 kc.)	Part of 13
13C.	Compensator (1500 kc.)	Part of 13
14.	Silver Mica Condenser (275 mmfd.)	30-1200
15.	Mica Condenser (3,500 mmfd.)	60-235224
16.	Mica Condenser (250 mmfd.)	60-125457
17.	Resistor (22,000 ohms)	33-322339
18.	Mica Condenser (100 mmfd.)	60-110457
19.	Resistor (68,000 ohms)	33-368339
20.	Condenser (.01 mfd., 400 volts)	30-4572
21.	Resistor (1,000 ohms)	33-210339
22.	1st I.F. Transformer	32-3653
23.	Nut	W-049
24.	Resistor (220 ohms)	33-122339
25.	Resistor (2.2 megohms)	33-522339
26.	Condenser (.1 mfd., 200 volts)	30-4586
27.	Resistor (22,000 ohms)	33-322339
28.	Resistor (33,000 ohms)	33-333339
28A.	Compensator	Part of 28
28B.	Compensator	Part of 28
28C.	Condenser	Part of 28
28D.	Condenser	Part of 28
28E.	Resistor	Part of 28
29.	Volume Control	33-347339
29A.	Nut	33-5465
29B.	Condenser (.005 mfd., 400 volts)	W-2187
30.	Resistor (10 megohms)	33-618339
31.	Resistor (220,000 ohms)	33-422339
32.	Condenser (.005 mfd., 400 volts)	30-4610
33.	Resistor (470,000 ohms)	33-447339
34.	Mica Condenser (250 mmfd.)	60-125457
35.	Output Transformer	32-8106
36.	Nut	W-95
37.	Screw	W-2121
38.	Condenser (.03 mfd., 400 volts)	30-4517
39.	Condenser (.02 mfd., 400 volts)	30-4518

No. SCHE.	DESCRIPTION	PART No.
38.	Cone Assembly (1 or Speaker 36-1504-2)	36-4126
39.	Electrolytic Condenser (10 mfd.)	30-2459
40.	Electrolytic Condenser (10 mfd.)	30-2459
41.	Field Coil (real ice Speaker 36-1504)	30-2459
42.	Resistor (1 meg ohm)	33-510339
43.	Condenser (.1 mfd., 200 volts)	30-4586
44.	Resistor (180,000 ohms)	33-410339
45.	Power Transformer (115/220 volt 60 cycle primary) (115 Volts, 25 cycle, primary)	32-8093 32-8075
46.	Plug	L-3275
47.	Screw	W-1974
48.	Condenser (Dual .01 mfd.)	3909-ODG
49.	Tone Control and OFF-ON Switch	42-1520
50.	Band Switch	42-1658
51.	Nut	W-684
52.	Phonograph Input Socket	27-6149
53.	Rivet	W-287
54.	Pilot Lamp	34-2864E
55.	Cable (Power)	L-3274

No. SCHE.	DESCRIPTION	PART No.
56.	Cabinet	10478G
57.	Disc Feet	27-4804
58.	Cabinet Back	27-9661
59.	Screw	W-2076
60.	Baffle & Cloth	40-654H
61.	Fasteners	56-6082
62.	Dial Scale	27-5703
63.	Dial Pointer	56-2228
64.	Mtg. Straps (Scale)	56-1752
65.	Washer Scale Mtg.	W-152
66.	Screw	W-2062
67.	Knob	27-4532
68.	Shield (Power Transformer)	56-1525
69.	Shield Base (Power Transformer)	56-1526
70.	Socket (7B7E, 7C6, 7Y4 Tubes)	27-6177
71.	Rivet	W-239
72.	Socket (6J8EG, 6K6EG Tubes)	27-6174
73.	Rivet	W-239
74.	Socket Assembly (Pilot Lamp)	78-1115
75.	Speaker	36-1504

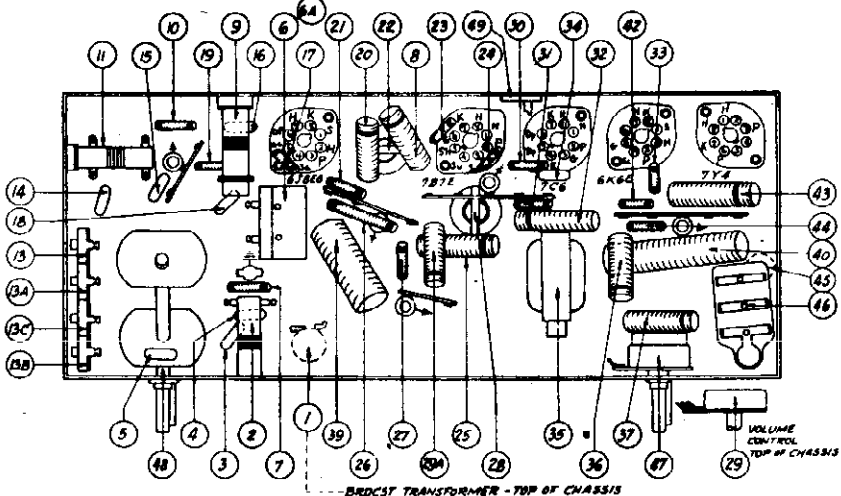
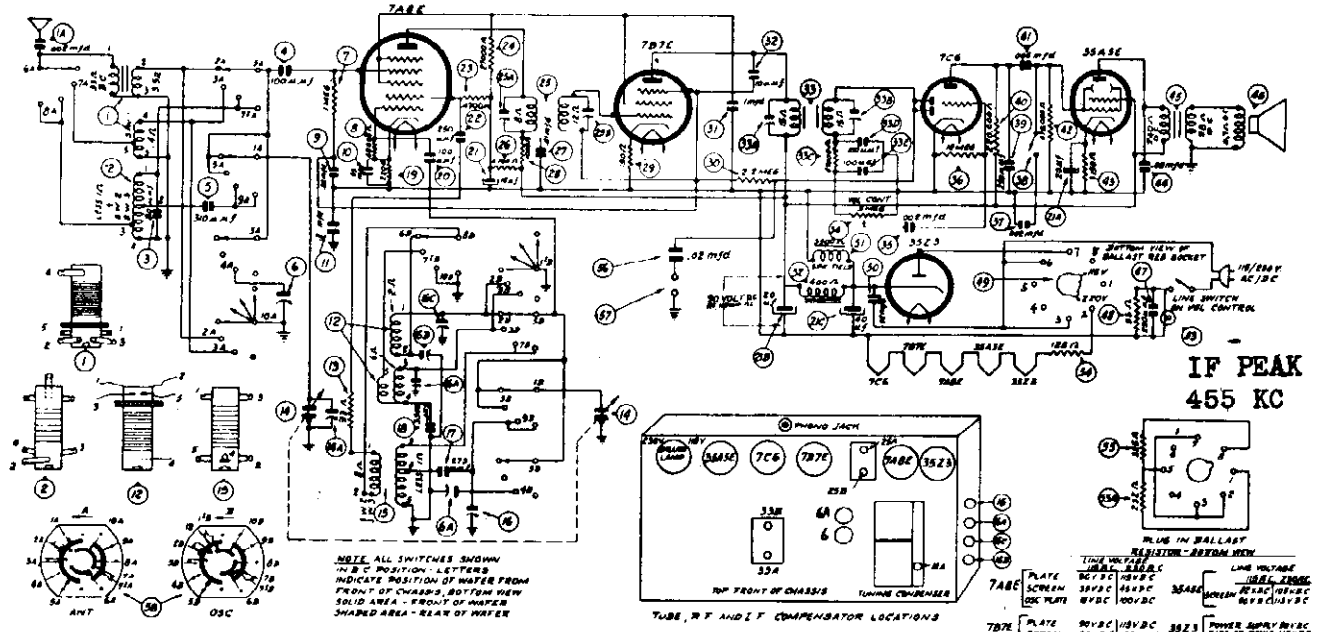


FIG. 1—LOCATIONS OF PARTS — UNDERSIDE OF CHASSIS — MODEL 42-716

PHILCO RADIO & TELEV. CORP.

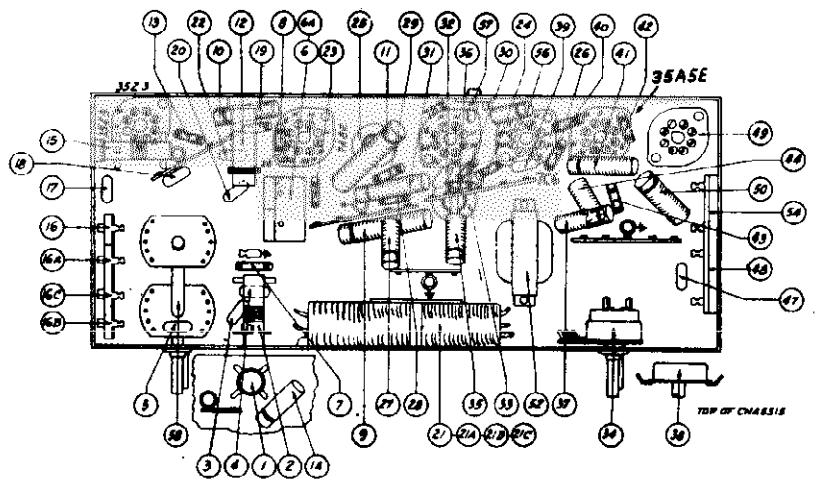


IF PEAK  
455 KC

FOR ALIGNMENT, SEE INDEX

Model 42-717

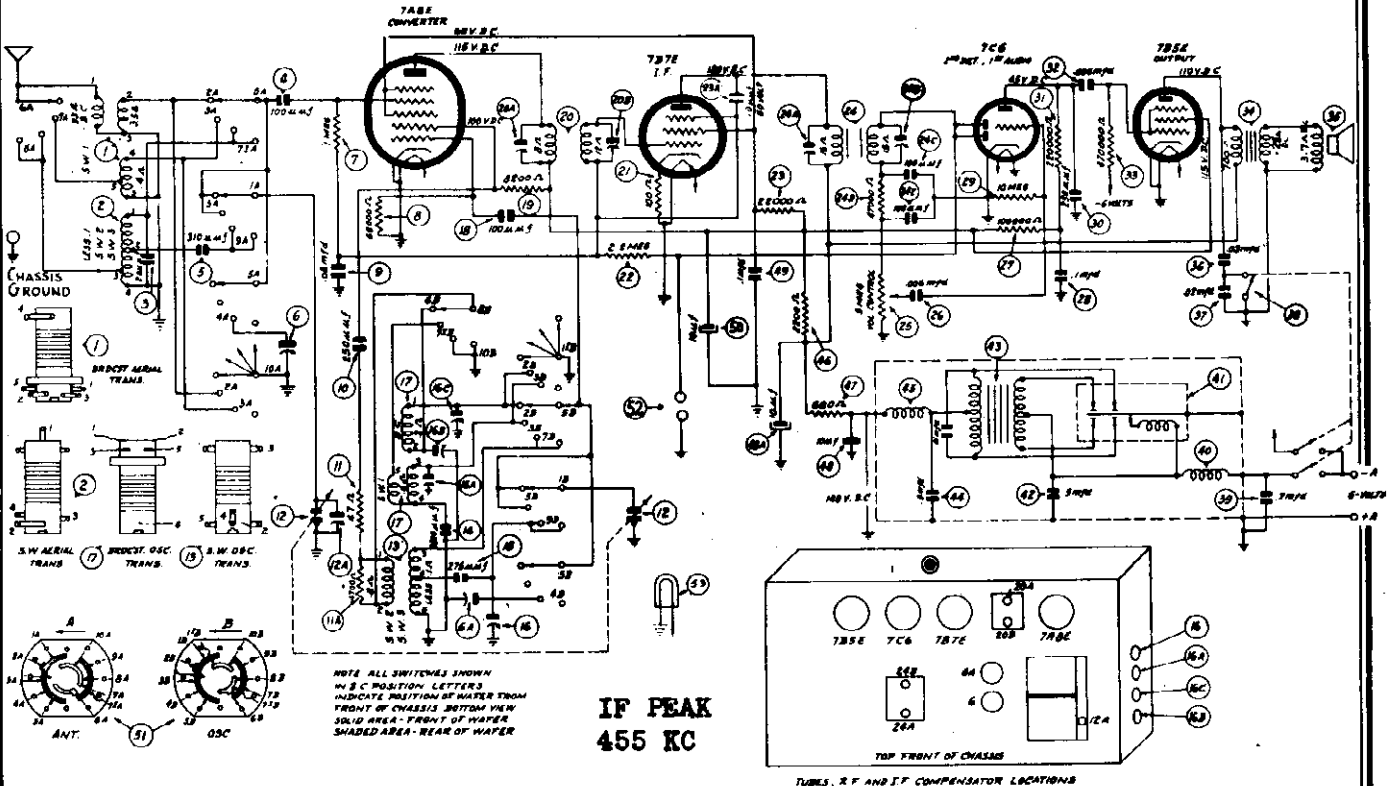
SCHE. No.	DESCRIPTION	PART No.	SCHE. No.	DESCRIPTION	PART No.	MISCELLANEOUS PARTS	DESCRIPTION	PART No.
1.	Aerial Transformer (Brdcat. & SW-1)	32-3655	38.	Tone Control	42-1574	Cable (Rectifier)		41-3573
2.	Aerial Transformer (SW-2, SW-3)	28-5002	39.	Nut	W-2157	Cabinet		104770
3.	Mica Condenser (20 mmfd.)	32-3652	40.	Mica Condenser (250 mmfd.)	60-125457	Disc Foot		27-4804
4.	Mica Condenser (100 mmfd.)	28-5002	41.	Resistor (220,000 ohms)	33-422334	Cabinet Back		27-9661
5.	Mica Condenser (310 mmfd.)	60-020437	42.	Condenser (.006 mfd., 400 volts)	30-4610	Baffle & Cloth		40-8548
6.	Compensator (SW-2 Aerial)	60-110457	43.	Resistor (.170,000 ohms)	33-447339	Fasteners (Baffle Mtg.)		86-6082
6A.	Compensator (SW-2 Osc.)	31-6416	44.	Condenser (.02 mfd., 600 volts)	33-115339	Screw (Back Mtg.)		W-2076
7.	Resistor (1 megohm)	part of 6	45.	Output Transformer (for Speaker 36-1509-3)	30-4599	Screw (Back Mtg.)		W-2168
8.	Resistor (.02, 200 volts)	33-510339	46.	Cone Assembly (for Speaker 36-1509-3)	32-8158	Cord (Power)		L-3274
9.	Condenser (.05 mfd., 200 volts)	30-4609	47.	Mica Condenser (250 mmfd.)	60-125457	Dial Scale		L-3275
10.	Condenser (.2 mfd., 400 volts)	30-4519	48.	Filament Resistor (55 ohms)	33-3397	Plug (Power Cable)		27-5703
11.	Condenser (2 mfd., 400 volts)	30-4594	49.	Ballast Resistor Socket	27-6143	Mtg. Straps		56-1752
12.	Oscillator Transformer (Brdcat. & SW-1)	32-3709	50.	Eyelet (Mtg. Socket)	W-1650	Washers (Scale Mtg.)		W-152
13.	Mounting Clip	28-5002	51.	Condenser (.02 mfd., 400 volts)	30-4516	Screw		W-2062
14.	Tuning Condenser	33-031339	52.	Speaker Field Replace Speaker	36-1509	Knob		27-4332
15.	Drive Drum	38-9883	53.	Filter Choke	32-7888	Socket (Loktal Tubes)		27-6177
16.	Drive Cord (Tuning Cmd.)	31-2534	54.	Nut	W-95	Rivet		W-239
17.	Drive Cord (Pointer)	31-2543	55.	Pilot Lamp	34-2669E	Socket Assembly (Pilot Lamp)		78-1051
18.	Drive Shaft	56-6123	56.	Filament Resistor (125 ohms)	part of 48	Speaker		36-1509
19.	Shaft & Rubber Connector	27-9432	57.	Ballast Resistor	33-3389	Screw		W-2150
20.	Shaft Bearing	27-9437	58.	Ballast Resistor	33-3389	Terminal Panel (3 lug)		38-9778
21.	"C" Washer	28-2043	59.	Condenser (.02 mfd., 400 volts)	33-4516	Terminal Panel (4 lug)		38-9809
22.	Spring (Drive Shaft)	57-1468	60.	Phonograph Socket	27-6149	Terminal Panel (2 lug)		38-9777
23.	Spring (Tuning Condenser Drive Cord)	28-8751	61.	Rivet	W-207	Terminal Panel (5 lug)		38-9929
24.	Spring (Pointer Drive Cord)	28-8953	62.	Band Switch	42-1658			
25.	Sleeve (Mtg. Tuning Cord)	56-1307						
26.	Screw (Mtg. Tuning Cord)	W-1974						
27.	Pointer (Dial Scale)	56-2228						
28.	Rubber Mtg. (Tuning Condenser)	27-4596						
29.	Oscillator Transformer (SW-2, SW-3)	32-3651						
30.	Mounting Clip	28-5002						
31.	Compensator (Osc. 21 mc.)	31-6411						
32.	Compensator (Osc. 6 mc.)	part of 18						
33.	Compensator (Osc. 580 kc.)	part of 16						
34.	Compensator (Osc. 1500 kc.)	part of 16						
35.	Mica Condenser (275 mmfd.)	30-1200						
36.	Mica Condenser (3,500 mmfd.)	60-235224						
37.	Resistor (220 ohms)	33-122334						
38.	Mica Condenser (100 mmfd.)	60-110457						
39.	Electrolytic Condenser (10 mfd.)	30-2596						
40.	Electrolytic Condenser (20 mfd.)	part of 21						
41.	Electrolytic Condenser (40 mfd.)	part of 21						
42.	Electrolytic Condenser (40 mfd.)	part of 21						
43.	Mica Condenser (250 mmfd.)	60-125457						
44.	Resistor (4,700 ohms)	33-247339						
45.	Resistor (27,000 ohms)	33-327339						
46.	1st I. F. Transformer	32-3704						
47.	Nut	W-1949						
48.	Resistor (4,700 ohms)	33-247339						
49.	Condenser (.01 mfd., 400 volts)	30-4572						
50.	Resistor (1,000 ohms)	33-210339						
51.	Resistor (150 ohms)	33-115339						
52.	Resistor (2.7 megohms)	33-522339						
53.	Condenser (.1 mfd., 200 volts)	30-4586						
54.	Mica Condenser (10 mmfd.)	60-010437						
55.	2nd I. F. Transformer	32-3654						
56.	Compensator	part of 33						
57.	Compensator	part of 33						
58.	Resistor (47,000 ohms)	part of 33						
59.	Condenser	part of 33						
60.	Condenser	part of 33						
61.	Volume Control	33-5446						
62.	Nut	W-2157						
63.	Condenser (.002 mfd., 400 volts)	30-4579						
64.	Resistor (10 megohms)	33-610339						
65.	Condenser (.002 mfd., 400 volts)	30-4579						



LOCATIONS OF PARTS — UNDERSIDE OF CHASSIS — MODEL 42-717

PHILCO RADIO & TELEV. CORP.

MODEL 42-718



IF PEAK  
455 KC

FOR CHANGES, SEE INDEX

Replacement Parts — Model 42-718

SCHE. No.	DESCRIPTION	PART No.
1.	Aerial Transformer (Brdst. & SW-1)	32-3655
2.	Mounting Clips	28-5002'
3.	Oscillator Transformer (SW-2, SW-3)	32-3652
4.	Mounting Clips	28-5002
5.	Mica Condenser (20 mmfd.)	60-020437
6.	Mica Condenser (100 mmfd.)	60-110457
7.	Mica Condenser (310 mmfd.)	28-031017
8.	Compensator (Aerial 6 mc.)	31-6416
9A.	Compensator (Osc. 6 mc.)	part of 5
10.	Resistor (1 megohm)	33-510339
11.	Resistor (58,000 ohms)	33-368339
12.	Resistor (.05 mfd., 200 volt)	30-4609
13.	Mica Condenser (250 mmfd.)	60-125457
14.	Resistor (47 ohms)	33-047339
15.	Resistor (4,700 ohms)	33-247339
16.	Tuning Condenser	W-2349
17.	Drive Shaft Spring	56-6123
18.	Drive Shaft Bearing	27-9437
19.	"C" Washer (Drive Shaft)	28-2943
20.	Drive Cord (Tuning Cond.)	31-2542
21.	Drive Cord (Painter)	31-2543
22.	Drive Drum (Tuning Cond.)	30-9855
23.	Painter (Dial)	36-2228
24.	Rubber Connector (Drive Shaft)	27-9432
25.	Spring (Cond. Drive Cord)	28-8751
26.	Spring (Painter Drive Cord)	28-8953
27.	Sleeve (Mtg. Tuning Cond.)	56-1307
28.	Screw (Tuning Cond. Mtg.)	W-1974
29.	Washer (Tuning Cond. Mtg.)	W-151
30.	Oscillator Transformer (SW-2, SW-3)	32-3651
31.	Mounting Clips	28-5002
32.	Mica Condenser (3,500 mmfd.)	60-235224
33.	Mica Condenser (275 mmfd.)	30-1200
34.	Compensator (Osc. 21 mc.)	31-6411
35.	Compensator (Osc. 6 mc.)	part of 16
36.	Compensator (Osc. 580 kc.)	part of 16
37.	Compensator (Osc. 1,500 kc.)	part of 16
38.	Oscillator Transformer (Brdst. SW-1)	32-3789
39.	Mounting Clips	28-5002
40.	Mica Condenser (100 mmfd.)	60-110457
41.	Resistor (8,200 ohms)	33-282339
42.	1st I. F. Transformer	32-3704
43.	Nuts	W-1949
44.	Compensator	part of 20
45.	Compensator	part of 20
46.	Resistor (100 ohms)	33-110339
47.	Resistor (2.2 megohms)	33-522339
48.	Resistor (22,000 ohms)	33-322339
49.	Mica Condenser (10 mmfd.)	60-010437
50.	2nd I. F. Transformer	32-3722
51.	Nut	W-1949
52.	Compensator	part of 24
53.	Compensator	part of 24
54.	Resistor (47,000 ohms)	part of 24
55.	Resistor (100 ohms)	33-347339
56.	Volume Control	33-5465
57.	Nut	W-2157
58.	Resistor (.006 mfd., 400 volts)	30-4581
59.	Resistor (100,000 ohms)	33-418339
60.	Resistor (10 megohms)	30-4586
61.	Resistor (10 megohms)	33-610339
62.	Mica Condenser (250 mmfd.)	60-125457
63.	Resistor (220,000 ohms)	33-422339
64.	Resistor (470,000 ohms)	30-4610
65.	Resistor (470,000 ohms)	33-447339

SCHE. No.	DESCRIPTION	PART No.
34.	Output Transformer	32-8106
35.	Rivet	W-207
36.	Cone Assembly (for Speaker 36-1520-4)	36-4180
37.	Condenser (.03 mfd., 400 volts)	30-4517
38.	Condenser (.02 mfd., 400 volts)	30-4516
39.	Tone Control-OFF-ON Switch	42-1000
40.	Nut	W-2157
41.	Condenser (.2 mfd.)	30-4537
42.	"A" Choke	30-8151
43.	Vibrator	41-3553
44.	Condenser (.5 mfd., 200 volts)	30-4590
45.	Power Transformer	32-8128
46.	Condenser (.5 mfd., 200 volts)	30-4590
47.	"B" Choke	32-3522
48.	Resistor (2,200 ohms)	33-223339
49.	Resistor (600 ohms)	33-169339
50.	Electrolytic Condenser (10 mfd.)	30-2479
51.	Electrolytic Condenser (10 mfd.)	30-2478
52.	Electrolytic Condenser (.1 mfd., 200 volts)	30-4586
53.	Electrolytic Condenser (10 mfd.)	30-2478
54.	Band Switch	42-1658
55.	Phonograph Socket	27-8148
56.	Pilot Lamp	34-2066E

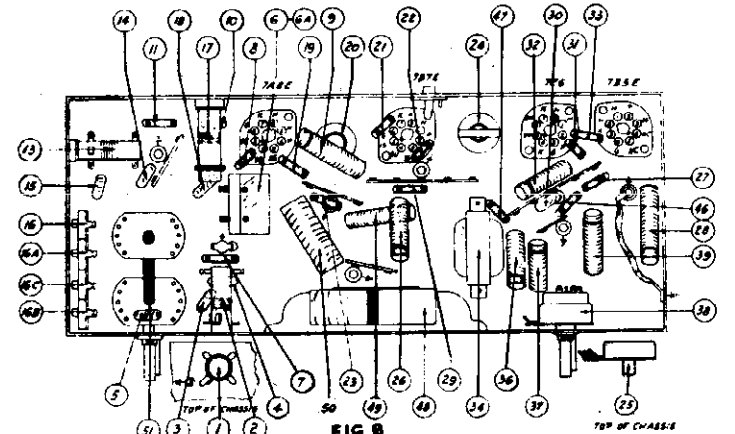
MOUNTING PARTS

Clamp Cable	28-1644
Screw	W-2106
Clamp (Electro Cond.)	56-1466
Kapox, small (Insulator Vibrator)	27-9717
Kapox, large (Insulating Vibrator)	27-9718
Rubber Grommet (Mtg. Vibrator Unit)	27-4598

DESCRIPTION	PART No.
Rubber Grommet (not to Cabinet)	27-4598
Rubber Cushion (Vibrator)	27-4627
Spacers (Vibrator Mtg.)	28-8865

**MISCELLANEOUS PARTS**

Cabinet	104786
Cabinet Back	27-9661
Baffle & Cloth	40-6546
Fasteners	56-6802
Screw	W-2023
Screw	W-2179
Dial Scale	27-5705
Mtg. Straps	56-1752
Washer	W-152
Screw	W-2062
Knob	27-4332
Shield Assembly (Vibrator)	76-1106
Screw (Vibrator Shield Assembly)	W-1974
Socket (Loktal)	27-6177
Socket (Vibrator)	W-239
Rivets	27-6236
Socket (Vibrator)	28-3557
Mtg. Plate	W-1650
Eyeloet	76-1115
Socket Assembly (Pilot Lamp)	36-1520
Speaker	W-2158
Screw (Speaker Mtg.)	30-8778
Terminal Panel (2 lug)	30-8777
Terminal Panel (2 lug)	30-8610
Terminal Panel (5 lug)	30-9929
Terminal Panel (2 lug) (Vib. Socket support)	76-1101



LOCATIONS OF PARTS — UNDERSIDE OF CHASSIS 42-718.

MODEL 42-716  
MODEL A-707

PHILCO RADIO & TELEVISION CORP.

MODEL 42-706  
MODEL 42-716  
MODEL 42-717

Model 42-716

**TYPE OF CIRCUIT:** Five tube alternating current (A.C.) operated superheterodyne circuit with four (4) tuning ranges. In addition this model includes a two point tone control; automatic volume control; pentode audio output circuit; band indicator and dial light.

**TUNING RANGES:** Broadcast—540 to 1600 K.C.; SW-1—3.0 to 9.5 MC; SW-2—9.4 to 12.0 MC; SW-3—11.8 to 22 MC.

**INTERMEDIATE FREQUENCY:** 455 K.C.

**POWER SUPPLY:** Operates on either a 115 or 230 volt, 50 to 60 cycle power supply. To use either of the above voltages change the power transformer primary wiring as indicated on the label at the rear of the chassis and schematic diagram. The model can also be operated on a 115 volt, 25 cycle power supply, by changing the power transformer as indicated in the parts list page.

**POWER CONSUMPTION:** 35 watts.

**PHILCO TUBES USED:** 6BE6; converter; 7B7E, I.F. amplifier; 7C6, 2nd detector-1st audio; 6X4EG, audio output, and a 7Y4 rectifier.

**AUDIO OUTPUT:** 1.5 Watts.

Model 42-717

**TYPE OF CIRCUIT:** Five tube A.C.-D.C. operated superheterodyne circuit with four (4) tuning ranges. Included in this model is a two point tone control; automatic volume control; pentode audio output circuit; band indicator and a dial light.

**TUNING RANGES:** Broadcast—540 to 1600 K.C.; SW-1—3.0 to 9.5 MC; SW-2—9.4 to 12 MC; SW-3—11.8 to 22 MC.

**INTERMEDIATE FREQUENCY:** 455 K.C.

**POWER SUPPLY:** Operates on either a 115 volt or 230 volt power supply. To use either of the power supply voltages, insert the ballast lamp in the socket on the chassis as indicated for each voltage.

**POWER CONSUMPTION:** 115 volts, 33 watts.  
230 volts, 67 watts.

**PHILCO TUBES USED:** 7A8E, converter; 7B7E, I. F. amplifier; 7C6, 2nd detector-1st audio; 35A5E, audio output, and a 35Z3 rectifier.

**AUDIO OUTPUT:** 1.2 watts D.C. operation.  
1.8 watts A.C. operation.

Model 42-718

**TYPE OF CIRCUIT:** Four (4) tube storage battery (6 volts) operated superheterodyne circuit with four tuning ranges. A synchronous vibrator is used in the power supply circuit for converting the storage battery voltage to a high voltage for plate circuit. Other features included in this model are: two point tone control; automatic volume control; pentode audio output circuit; tuning band indicator; permanent magnet speaker and a dial light.

**TUNING RANGES:** Broadcast—540 to 1600 K.C.; SW-1—3.0 to 9.5 MC; SW-2—9.4 to 12 MC; SW-3—11.8 to 22 MC.

**INTERMEDIATE FREQUENCY:** 455 K.C.

**POWER SUPPLY:** 6 volt storage battery.

**PHILCO TUBES USED:** 7A8E converter; 7B7E, I. F. amplifier; 7C6 2nd detector-1st audio; 7B5E audio output.

**POWER CONSUMPTION:** 2 amperes.  
**AUDIO OUTPUT:** 7 w.-att.

ALIGNING R. F. AND I. F. COMPENSATORS

(The Procedure is the Same for All Models)

EQUIPMENT REQUIRED

**SIGNAL GENERATOR:** such as Philco Model 070, A.C. operated or Model 177 battery operated. These signal generators cover all frequencies required in aligning these models.

**INDICATING DEVICE:** To obtain maximum signal strength and accurate adjustments of the padders, a vacuum tube voltmeter similar to Philco Models 027

and 028 are recommended. These instruments also contain an audio output meter which may be used as an aligning indicator. The method of connecting either of these instruments is listed below.

**ALIGNING TOOLS:** Fibre handle screw driver, Philco part #45-2610; Service Aligning Scale, part #45-2909.

CONNECTING ALIGNING INSTRUMENTS

After connecting the aligning meter, adjust the compensators in the order as shown in the tabulations below. Locations of the compensators are shown on the schematic diagram.

If the output meter pointer goes off scale when adjusting the padders, reduce the strength of the signal from the generator.

**NOTE:** The dial scale in these models is mounted on the cabinet. For convenience, when aligning the chassis outside of the cabinet, a special service aligning scale, part No. 45-2909 is available. This service dial scale is attached to the dial background plate. If the radio is aligned in the cabinet, the cabinet dial scale is used.

Operations in Order	SIGNAL GENERATOR			"RECEIVER"			SPECIAL INSTRUCTIONS
	Output Connection to Radio	Dummy Aerial Note A	Dial Setting	Control Settings	Adjust Compensators	Dial Setting	
1	Leg of aerial tuning cond.	.1 mfd.	465 K. C.	Band Switch "Broadcast"	28A, 28B, 28C, 28D, 28E, 28F, 28G, 28H, 28I, 28J, 28K, 28L, 28M, 28N, 28O, 28P, 28Q, 28R, 28S, 28T, 28U, 28V, 28W, 28X, 28Y, 28Z	500 K. C.	42 716, 42 717, 42 718, 42 719, 42 720, 42 721, 42 722, 42 723, 42 724, 42 725, 42 726, 42 727, 42 728, 42 729, 42 730, 42 731, 42 732, 42 733, 42 734, 42 735, 42 736, 42 737, 42 738, 42 739, 42 740, 42 741, 42 742, 42 743, 42 744, 42 745, 42 746, 42 747, 42 748, 42 749, 42 750, 42 751, 42 752, 42 753, 42 754, 42 755, 42 756, 42 757, 42 758, 42 759, 42 760
2	Aerial	400 ohms	21 M. C.	Band Switch "S. W. 3"	13, 14, 15, 16, 17, 18, 19, 20, 21, 22, 23, 24, 25, 26, 27, 28, 29, 30, 31, 32, 33, 34, 35, 36, 37, 38, 39, 40, 41, 42, 43, 44, 45, 46, 47, 48, 49, 50, 51, 52, 53, 54, 55, 56, 57, 58, 59, 60, 61, 62, 63, 64, 65, 66, 67, 68, 69, 70, 71, 72, 73, 74, 75, 76, 77, 78, 79, 80, 81, 82, 83, 84, 85, 86, 87, 88, 89, 90, 91, 92, 93, 94, 95, 96, 97, 98, 99, 100	21 M. C.	Note B Note C
3	Aerial	400 ohms	12 M. C.	Band Switch "S. W. 2"	4A, 4B, 4C, 4D, 4E, 4F, 4G, 4H, 4I, 4J, 4K, 4L, 4M, 4N, 4O, 4P, 4Q, 4R, 4S, 4T, 4U, 4V, 4W, 4X, 4Y, 4Z	12 M. C.	Note C
4	Aerial	400 ohms	6 M. C.	Band Switch "S. W. 1"	13A, 13B, 13C, 13D, 13E, 13F, 13G, 13H, 13I, 13J, 13K, 13L, 13M, 13N, 13O, 13P, 13Q, 13R, 13S, 13T, 13U, 13V, 13W, 13X, 13Y, 13Z	6 M. C.	
5	Aerial	200 mmfd.	1500 K. C.	Band Switch "Broadcast"	13C, 13D, 13E, 13F, 13G, 13H, 13I, 13J, 13K, 13L, 13M, 13N, 13O, 13P, 13Q, 13R, 13S, 13T, 13U, 13V, 13W, 13X, 13Y, 13Z	1500 K. C.	
6	Aerial	200 mmfd.	500 K. C.	Band Switch "Broadcast"	13B, 13C, 13D, 13E, 13F, 13G, 13H, 13I, 13J, 13K, 13L, 13M, 13N, 13O, 13P, 13Q, 13R, 13S, 13T, 13U, 13V, 13W, 13X, 13Y, 13Z	500 K. C.	Roll tuning condenser
7	Aerial	200 mmfd.	1500 K. C.	Band Switch "Broadcast"	13C, 13D, 13E, 13F, 13G, 13H, 13I, 13J, 13K, 13L, 13M, 13N, 13O, 13P, 13Q, 13R, 13S, 13T, 13U, 13V, 13W, 13X, 13Y, 13Z	1500 K. C.	

**NOTE A—**The "Dummy Aerial" consists of a condenser or resistor connected in series with the signal generator output lead (highside). Use the capacity or resistance as specified in each step of the above procedure.

**NOTE B—Dial Calibration:** In order to adjust the receiver correctly the dial must be aligned to track properly with the tuning condenser. To adjust the dial, proceed as follows: With the tuning condenser closed (maximum capacity) set the dial pointer on the first mark on the left edge (low frequency end) of the broadcast scale.

**NOTE C—**When adjusting the aerial compensators, be sure to tune in the fundamental signal (21 M. C.) instead of the image signal. If the compensator is correctly adjusted the image signal will be found by tuning the signal generator dial 910 K. C. above the fundamental signal which will be 21,910 M. C.

MODEL A-707. CODE 121

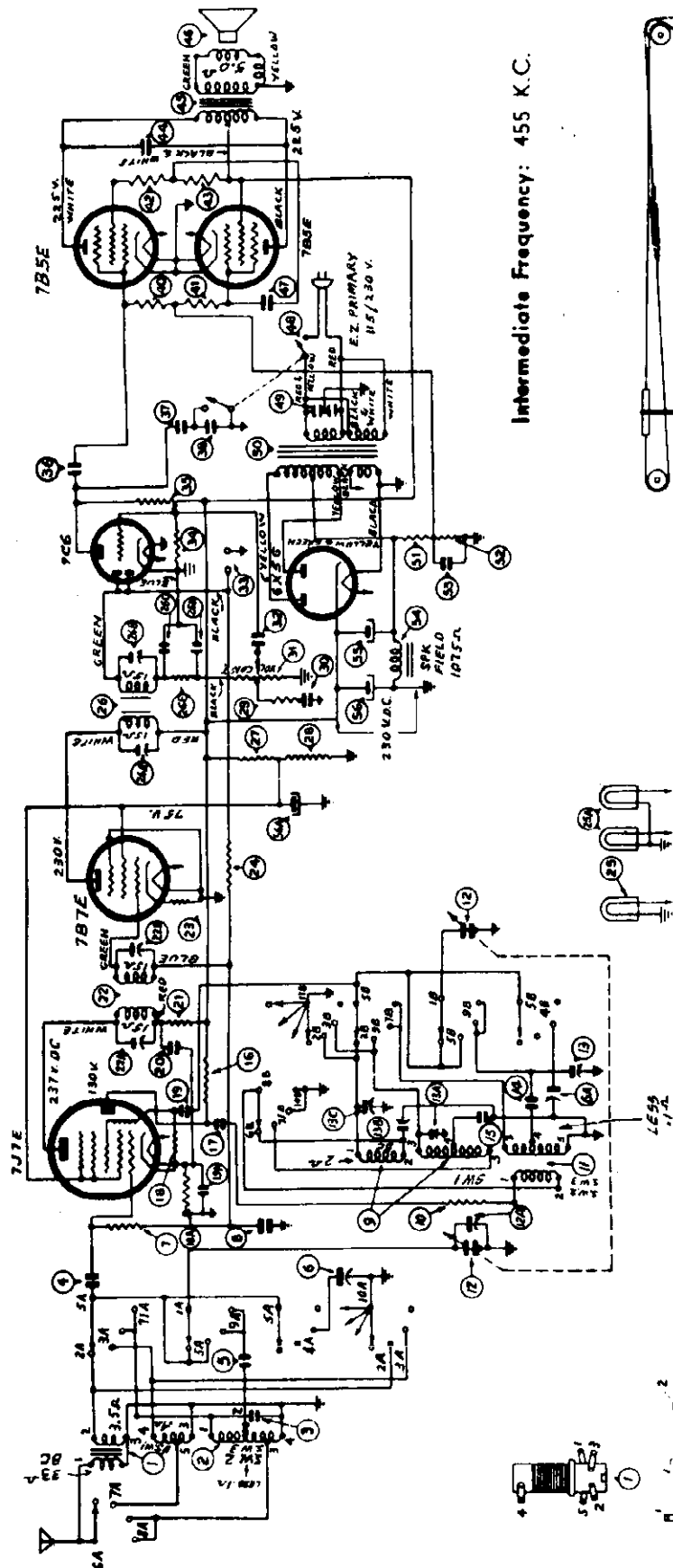
Model A-707 is a five tube A.C.-D.C. operated superheterodyne radio with three tuning bands. This model is identical to Model 42-706 with the exception of the cabinet and several parts. The service information (specifications, aligning instructions, schematic diagram and replacements parts) for Model 42-706 also covers the Model A-707 with the following replacement parts changes:

Miscellaneous Parts

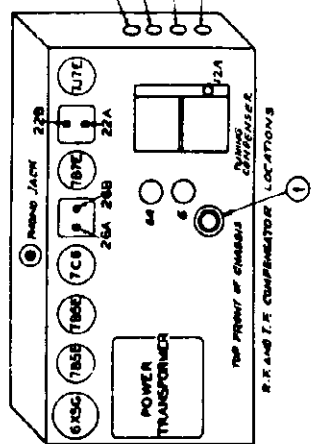
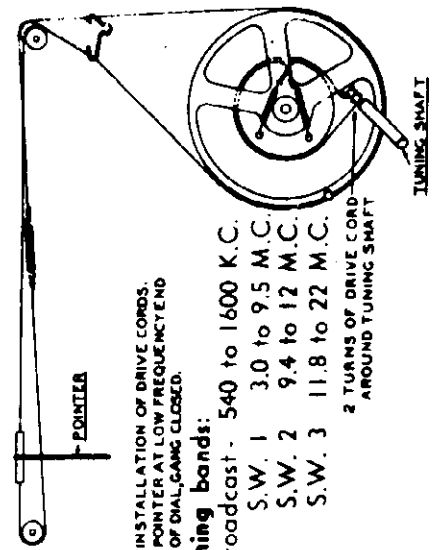
Schematic No.	Description	Part No.	Cabinet
23	Band Switch Mtg. Nut Model A-707	42-1721 W-494FA4	Cabinet Back Mtg. Stud
26	Not used in Model A-707		
			Knob (Volume-Tuning) 54-4105
			Knob (Band) 54-4174
			Screw (Chassis) W-2032FA3
			Washer (Chassis Mtg.) W-110FA3
			27-5825 W-1622
			54-4175

MODEL 42-724

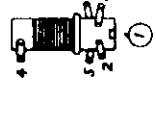
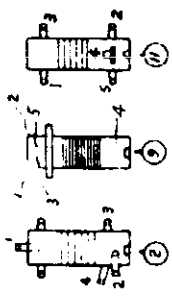
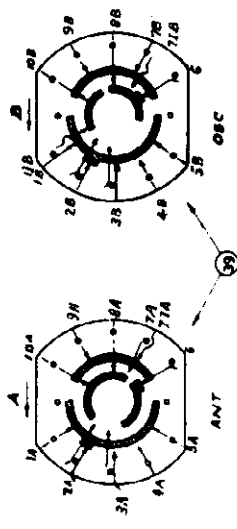
PHILCO RADIO & TELEVISION CORP.



Intermediate Frequency: 455 K.C.



NOTE:- ALL SWITCHES SHOWN IN BC POSITION. LETTERS INDICATE POSITION OF WAFER FROM FRONT OF CHASSIS, BOTTOM VIEW SOLID AREA-FRONT OF WAFER SHADED AREA- REAR OF WAFER



PHILCO RADIO & TELEVISION CORP.  
MODEL 42-724, CODE 121 — REPLACEMENT PARTS

Schematic No.	Description	Part No.	Schematic No.	Description	Part No.	MISCELLANEOUS PARTS	
1	Brdst & S.W.-1 Aerial Transformer	32-3655	47	Condenser (.006 mfd., 400 volts)	30-4610	Cabinet	10557
	Mtg. Clip	21-5002	48	Power Switch and Tone Control	42-1688	Back	27-996
2	Short Wave Aerial Transformer	32-3632		Mtg. Nut	W-2157FA3	Cord (Power)	L-321
	Mtg. Clip	28-5002	49	Power line filter Condenser (.01-.01 mfd.)	3303-006	Plug	L-321
3	Mica Condenser (20 mmfd.)	60-020237	50	Power Transformer (115/220 Volts, 60 cycle)	32-8188	Knobs (Tuning, Volume)	54-416
4	Mica Condenser (100 mmfd.)	60-110457	51	Resistor (1 Megohm)	33-510339	Lever and Link (Dial Indicator)	76-134
5	Mica Condenser (310 mmfd.)	20-031017	52	Resistor (270,000 ohms)	33-427339	Rubber Washer (Chassis)	27-434
6	Compensator (Aerial Shortwave 12 M.C.)	31-6416	53	Condenser (.1 mfd., 200 volts)	30-4586	Rubber mtg. (Chassis)	54-411
6A	Compensator (Oscillator Shortwave 12 M.C.)	33-610339	54	Electrolytic Condenser (40 mfd., 350 mfd.)	36-1551-2	Socket (6X9G tube)	27-434
7	Resistor (1 megohm)	30-4609	55	Electrolytic Condenser (16 mfd., 300 volts)	36-2529	Socket (Loktal)	27-617
8	Condenser (.05 mfd., 200 volts)	32-3656	56A	Electrolytic Condenser (5 mfd., 300 volts)	36-2556	Mts. Rivets	W-23
9	Brdst & S.W.-1 Oscillator Transformer	32-3656		Part of 56A		Slave (Chassis mts.)	56-184
	Mtg. Clip	28-5002				Screw (Chassis mtg.)	W-1931FA
10	Resistor (150 ohms)	33-115339				Washer	W-410FA
11	Short Wave 2. Oscillator Transformer	32-3651					
	Mtg. Clip	28-5002					
12	Tuning Condenser	31-2542					
	Drive Cord (Tuning Cond.)	31-2542					
	Spring	28-8751					
	Drive Cord (Pointer)	31-2473					
	Spring	28-8953					
	Drive Shaft	36-6178					
	Drive Drum	38-8883					
	Spring	37-1468					
	Rubber Connector	27-9432					
	Rear Bearing	27-9437					
	"C" Washer	28-2043					
	Pointer	56-1H8C					
	Mtg. Screw	97-0028					
	Mtg. Rubber	27-4596					
	Mts. Sleeve	56-1507					
12A	Compensator (Brdst Aerial—Part of Tuning Cond.)	31-6411					
13	Compensator (Oscillator—21 M.C.)	31-6411					
13A	Compensator (Oscillator—5 M.C.) Part of 13						
13B	Compensator (Oscillator—500 K.C.) Part of 13						
13C	Compensator (Oscillator—1500 K.C.) Part of 13						
14	Mica Condenser (275 mmfd.)	28-027511					
15	Mica Condenser (3500 mmfd.)	60-235224					
16	Resistor (22,000 ohms)	33-322339					
17	Mica Condenser (250 mmfd.)	80-125457					
18	Resistor (68,000 ohms)	33-368339					
18A	Resistor (100 ohms)	33-110339					
19	Mica Condenser (100 mmfd.)	60-110257					
19A	Condenser (.05 mfd., 200 volts)	30-4519					
20	Condenser (.01 mfd., 400 volts)	30-4572					
21	Resistor (1000 ohms)	33-210339					
22	First I.F. Transformer	32-3813					
22A	Primary Compensator (Part of 22)						
22B	Secondary Compensator (Part of 22)						
	Mtg. Nut	W-1949FA3					
23	Resistor (68 ohms)	33-068339					
24	Resistor (2.2 megohms)	33-522339					
25	Indicator Lamp	34-2064E					
	Socket Assembly	76-1344					
25A	Dial Lamps	34-2064E					
	Socket Assembly	76-1092					
26	Second I.F. Transformer	32-3814					
26A	Primary Compensator (Part of 26)						
26B	Secondary Compensator (Part of 26)						
26C	Condenser (100 mmfd.) Part of 26						
26D	Condenser (100 mmfd.) Part of 26						
26E	Resistor (47,000 ohms) Part of 26	33-347339					
	Mtg. Nut	W-1949FA3					
27	Resistor (22,000 ohms)	33-322439					
28	Resistor (33,000 ohms)	33-333339					
29	Resistor (10,000 ohms) Part of 31						
30	Condenser (.1 mfd., 200 volts)	30-4586					
31	Volume Control (.5 megohm)	30-4586					
	Mtg. Nut	33-4475					
32	Condenser (.006 mfd., 400 volts)	W-2157FA3					
33	Phone Input Jacks	30-4610					
34	Resistor (10 megohms)	27-6149					
35	Resistor (220,000 ohms)	33-610339					
36	Condenser (.006 mfd., 400 volts)	33-422339					
37	Condenser (.004 mfd., 800 volts)	30-4610					
38	Mica Condenser (250 mmfd.)	30-4623					
39	Band Switch	60-125257					
	Mtg. Nut	42-1688					
40	Resistor (470,000 ohms)	W-2157FA3					
41	Resistor (470,000 ohms)	33-447339					
42	Resistor (10,000 ohms)	33-447339					
43	Resistor (6800 ohms)	33-310339					
44	Condenser (.003 mfd., 1500 volts)	33-286339					
45	Output Transformer	30-4608					
	Mtg. Screw	32-81H9					
46	Speaker	W-630					
	Cone Assembly	36-1551-2					
	Speaker Cable	36-4207					
	Mtg. Nut	41-3535					
		W-124FA3					

Audio output: 3 watts.

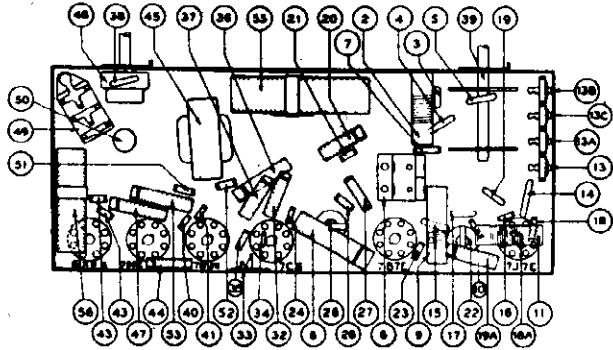
**Aerial and Ground:** To obtain maximum operating performance, an aerial with an over-all length of 100 feet should be used. The Philco aerial Part No. 40-6383 is recommended. A good ground connection to a water pipe or any other metal object in moist earth should also be used.

**Power Supply:** Operates on either a 115 or 230 volt, 50 to 60 cycle power supply. To use either of the above voltages change the power transformer primary wiring as indicated on the label at the rear of the chassis. **Power Consumption:** 50 Watts

**NOTE A—**The "Dummy Aerial" consists of a condenser or resistor connected in series with the signal generator output lead (highside). Use the capacity or resistance as specified in each step of the above procedure.

**NOTE B—Dial Calibration:** In order to adjust the receiver correctly the dial must be aligned to track properly with the tuning condenser. To adjust the dial, proceed as follows: With the tuning condenser closed (maximum capacity) set the dial pointer on the first mark on the left edge (low frequency end) of the broadcast scale.

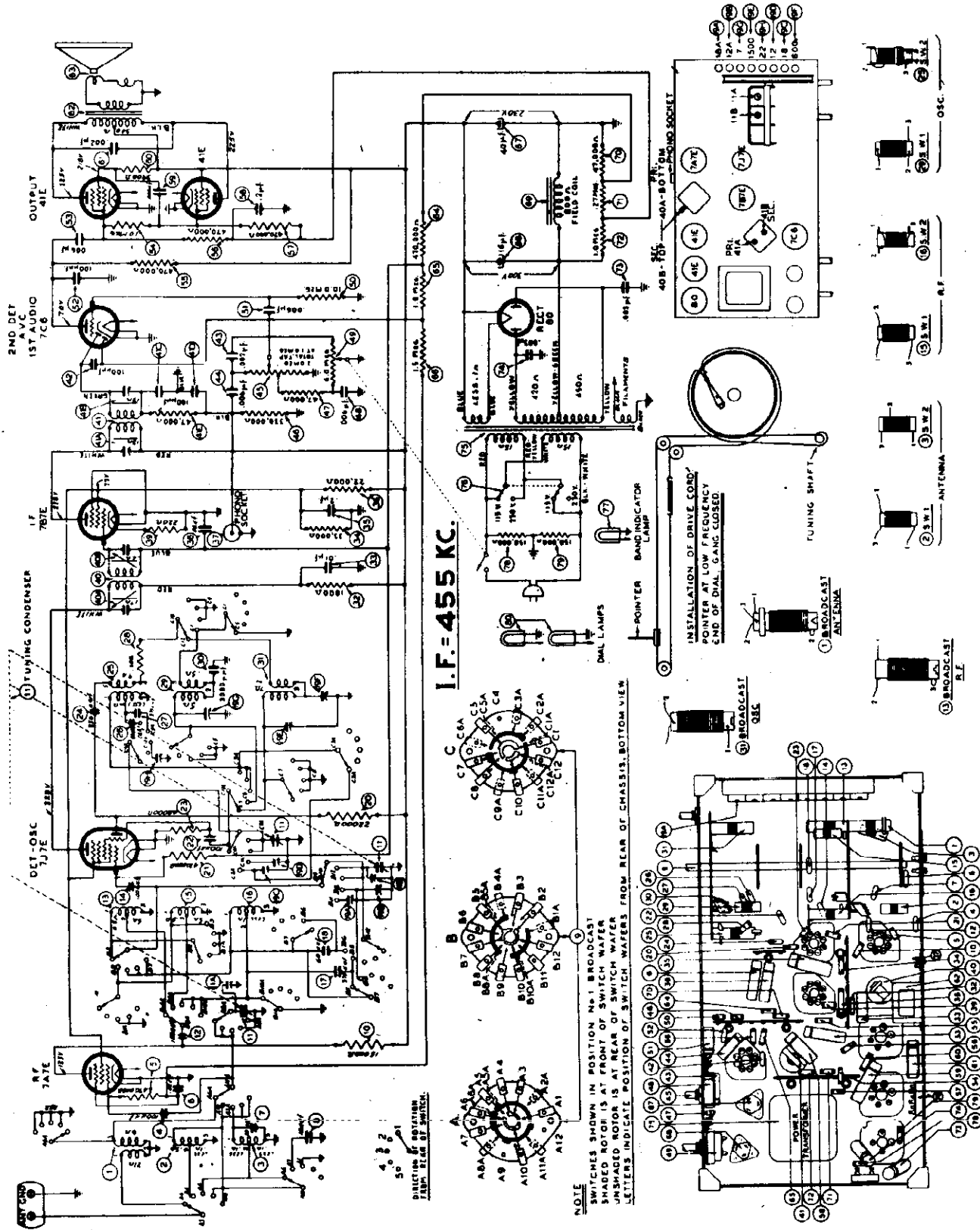
**NOTE C—**When adjusting the osc. compensators, be sure to tune in the fundamental signal (21 M.C.) (12 M.C.) instead of the image signal. If the compensator is correctly adjusted the image signal will be found by turning the signal generator dial 910 K.C. above the fundamental signal which will be 21.910 M.C. or 12.910 M.C.



Locations of Parts—Under Chassis

Operations In Order	SIGNAL GENERATOR			RECEIVER			SPECIAL INSTRUCTIONS
	Output Connections to Radio	Dummy Aerial Note A	Dial Setting	Dial Setting	Control Settings	Adjust Compensators	
1	Lug of aerial tuning cond.	.1 mfd.	455 K.C.	580 K.C.	Band Switch "Brdst" Volmax	26A, 26B, 22A, 22B	
2	Aerial	400 ohms	21 M.C.	21 M.C.	Band Switch S. W. 3	13, 12A	Note B Note C
3	Aerial	400 ohms	12 M.C.	12 M.C.	Band Switch S. W. 2	6A, 6	Note C
4	Aerial	400 ohms	6 M.C.	6 M.C.	Band Switch S. W. 1	13A,	
5	Aerial	200 mmfd.	1500 K.C.	1500 K.C.	Band Switch "Brdst"	13C	
6	Aerial	200 mmfd.	580 K.C.	580 K.C.	Band Switch "Brdst"	13B	Roll tuning condenser
7	Aerial	200 mmf.	1500 K.C.	1500 K.C.	Band Switch "Brdst"	13C	

PHILCO RADIO & TELEVISION CORP.



PHILCO RADIO & TELEVISION CORP.

CONNECTING ALIGNING INSTRUMENTS

**VACUUM TUBE VOLTMETER:** To use the vacuum tube voltmeter as an aligning indicator it should be connected to the A.V.C. circuit as follows:

- 1—Connect the negative (—) terminal of the vacuum tube voltmeter through a 2 megohm resistor to any point in the circuit where the A.V.C. voltage can be measured.
- 2—Connect the positive (+) terminal to the chassis ground terminal.

**AUDIO OUTPUT METER:** If this type of meter is used as an aligning indicator, it should be connected to the plate terminals of the output tubes. Adjust the meter for the 0 to 30 volt A. C. scale.

After connecting the aligning meter, adjust the compensators in the order as shown in the tabulations below. Locations of the compensators are shown on the schematic diagram.

If the output meter pointer goes off scale when adjusting the paddlers, reduce the strength of the signal from the generator.

Operations in Order	SIGNAL GENERATOR				RECEIVER		SPECIAL INSTRUCTIONS
	Output Connections to Radio	Dummy Aerial Note A	Dial Setting	Dial Setting	Control Settings	Adjust Compensators	
1	Lug of aerial tuning cond.	.1 mfd.	455 KC.	580 KC.	Band Switch "Brdcast" Volmax	41A, 41B, 40A, 40B	
2	Aerial	400 ohms	22 MC.	22 MC.	Band Switch SW 2	19H, 11B, 11A	Note B Note C
3	Aerial	400 ohms	7 MC.	7 MC.	Band Switch SW 1	19G	Roll tuning cond. Note C
4	Aerial	200 mmfd.	1500 KC.	1500 KC.	Band Switch "Brdcast"	19E	Roll tuning cond.
5	Aerial	200 mmfd.	600 KC.	600 KC.	Band Switch "Brdcast"	19F	Roll tuning cond.
6	Aerial	200 mmfd.	1500 KC.	1500 KC.	Band Switch "Brdcast"	19E	Roll tuning cond.
7	Aerial	400 ohms	18 MC.	18 MC.	Band Switch 16 & 19 M.	19C, 19A	Note C
8	Aerial	400 ohms	12 MC.	12 MC.	Band Switch 25 to 31 M.	19D, 19B	Note C

**NOTE A—**The "Dummy Aerial" consists of a condenser or resistor connected in series with the signal generator output lead (highside). Use the capacity or resistance as specified in each step of the above procedure.

**NOTE B—**Dial Calibration: In order to adjust the receiver correctly the dial must be aligned to track properly with the tuning condenser. To adjust the dial, proceed as follows: With the tuning condenser closed (maximum capacity) set the dial pointer on the

first mark on the left edge (low frequency end) of the broadcast scale.

**NOTE C—**When adjusting the oscillator compensators, be sure to tune in the fundamental signal instead of the image signal. If the compensator is correctly adjusted the image signal will be found by turning the signal generator dial 910 KC. above the fundamental signal.

REPLACEMENT PARTS  
MODEL 42-730

FOR CHANGES, SEE INDEX

Schematic No.	Description	Part No.	Schematic No.	Description	Part No.	Schematic No.	Description	Part No.
1.	Aerial Transformer (Broadcast)	32-3423	19D.	Compensator (Oscillator—25 to 31 M. Band), Part of 19A	32-3423	41C.	Condenser (100 mmfd.), Part of 41B	
2.	Aerial Transformer (SW-1)	28-5002FE11	19E.	Compensator (Oscillator—1500 KC.), Part of 19A	32-3423	41D.	Condenser (100 mmfd.), Part of 41B	
3.	Aerial Transformer (SW-2)	28-5002FE11	19F.	Compensator (Oscillator—400 KC.), Part of 19A	32-3423	41E.	Resistor (47,000 ohms), Part of 41	W-19
4.	Mica Condenser (100 mmfd.)	60-110457	19G.	Compensator (Oscillator—SW-1), Part of 19A	32-3423	42.	Mica Condenser (100 mmfd.)	60-110237
5.	Resistor (470,000 ohms)	33-447339	19H.	Compensator (Oscillator—SW-2), Part of 19A	32-3423	43.	Condenser (.002 mfd., 400 volts)	30-46
6.	Condenser (.05 mfd., 200 volts)	30-4809	20.	Resistor (22,000 ohms)	32-3423	44.	Condenser (.006 mfd., 400 volts)	30-45
7.	Mica Condenser (10 mmfd.)	60-010237	21.	Resistor (470,000 ohms)	32-3423	45.	Volume Control	W-21
8.	Mica Condenser (10 mmfd.)	60-010237	22.	Resistor (470,000 ohms)	32-3423	46.	Mtg. Nut	33-4332
9.	Band Switch	42-1677	23.	Mica Condenser (100 mmfd.)	60-110237	47.	Resistor (47,000 ohms)	33-3473
10.	Resistor (15,000 ohms)	33-315339	24.	Mica Condenser (350 mmfd.)	60-125457	48.	Condenser (.006 mfd., 400 volts)	30-45
11.	Tuning Condenser	31-2649	25.	Oscillator Transformer (SW-2)	32-3423	49.	Mtg. Nut	33-4473
11A.	Compensator (R. F.—SW 2), Part of 11		26.	Mica Condenser (90 mmfd.)	20-006007	50.	Resistor (330,000 ohms)	33-3473
11B.	Compensator (Aerial—SW 2), Part of 11		27.	Mica Condenser (375 mmfd.)	20-037517	51.	Condenser (.006 mfd., 400 volts)	30-45
	Drive Cord	31-2575	28.	Resistor (150 ohms)	33-115339	52.	Mica Condenser (100 mmfd.)	60-1102
	Spring	28-8751	29.	Oscillator Transformer (SW-1)	22-3695	53.	Condenser (.006 mfd., 400 volts)	30-45
	Drum and Hub Assembly	31-2353	30.	Mtg. Clip	28-5002FE11	54.	Resistor (1 megohm)	33-5103
	Mtg. Screw	56-1307	31.	Mica Condenser (3000 mmfd.)	60-230124	55.	Resistor (470,000 ohms)	33-4473
	Mtg. Screw & Washer	97-0023	32.	Oscillator Transformer (Broadcast)	28-5002FE11	56.	Resistor (470,000 ohms)	33-4473
	Pointer	56-1276FCP	33.	Resistor (1000 ohms)	32-3423	57.	Resistor (470,000 ohms)	33-4473
	Tuning Shaft	76-1283	34.	Condenser (.01 mfd., 400 volts)	30-4573	58.	Condenser (.006 mfd., 400 volts)	30-45
	Mtg. Nut	W-1157	35.	Resistor (33,000 ohms)	32-32339	59.	Resistor (3900 ohms)	33-2392
12.	Mica Condenser (100 mmfd.)	60-110457	36.	Condenser (.2 mfd., 400 volts)	30-4594	60.	Condenser (.002 mfd., 400 volts)	30-45
13.	R. F. Transformer (Broadcast)	32-3417	37.	Resistor (22,000 ohms, 1 watt)	33-223439	61.	Output Transformer	32-81
14.	Mtg. Clip	28-5002FE11	38.	Phonograph Input Socket	27-6139	62.	Speaker	36-1549
15.	Mica Condenser (100 mmfd.)	60-110457	39.	Condenser (.06 mfd., 300 volts)	30-4899	63.	Cone Assembly (For Speaker)	34-1549-2
16.	R. F. Transformer (SW-1)	32-3494	40.	Resistor (220 ohms)	32-122339	64.	Mtg. Nut (Speaker)	W-1
17.	Mtg. Clip	28-5002FE11	41.	1st I. F. Transformer	33-2096	65.	Speaker Cable	41-25
18.	R. F. Transformer (SW-2)	32-3492	42.	Primary Compensator, Part of 40		66.	Resistor (470,000 ohms)	33-4473
19.	Mica Condenser (375 mmfd.)	20-006007	43.	Secondary Compensator, Part of 40		67.	Resistor (1.5 megohms)	33-5103
19A.	Mica Condenser (60 mmfd.)	20-006007	44.	Mtg. Nut		68.	Resistor (150,000 ohms)	33-4473
19B.	Compensator (Aerial—16 to 19 M. Band), Part of 19A	31-8417	45.	2nd I. F. Transformer		69.	Electrolytic Condenser (40 mfd., 350 volts D. C.)	30-24
19C.	Compensator (Oscillator—16 to 19 M. Band), Part of 19A		46.	Primary Compensator, Part of 41		70.	Electrolytic Condenser (16 mfd.)	30-24
			47.	Secondary Compensator, Part of 41		71.	Mtg. Plate	27-95

Tuning Band Frequencies:

Broadcast	540 to 1720 kc.
SW 1	2.3 to 7.5 mc.
SW 2	7.0 to 22 mc.
Spread Band 1	9.4 to 12 mc.
Spread Band 2	15.1 to 18 mc.

Intermediate Frequency: 455 kc.

**Power Supply:** Operates on either a 115 or 230 volt, 50 to 60 cycle, A. C. power supply. To use either of the above voltages, change the power transformer primary wiring as indicated on the label at the rear of the chassis and schematic diagram. This model can also be operated on a 115-volt, 25 cycle power supply, by changing the power transformer as indicated in the parts list.

**Power Consumption:** 50 watts.

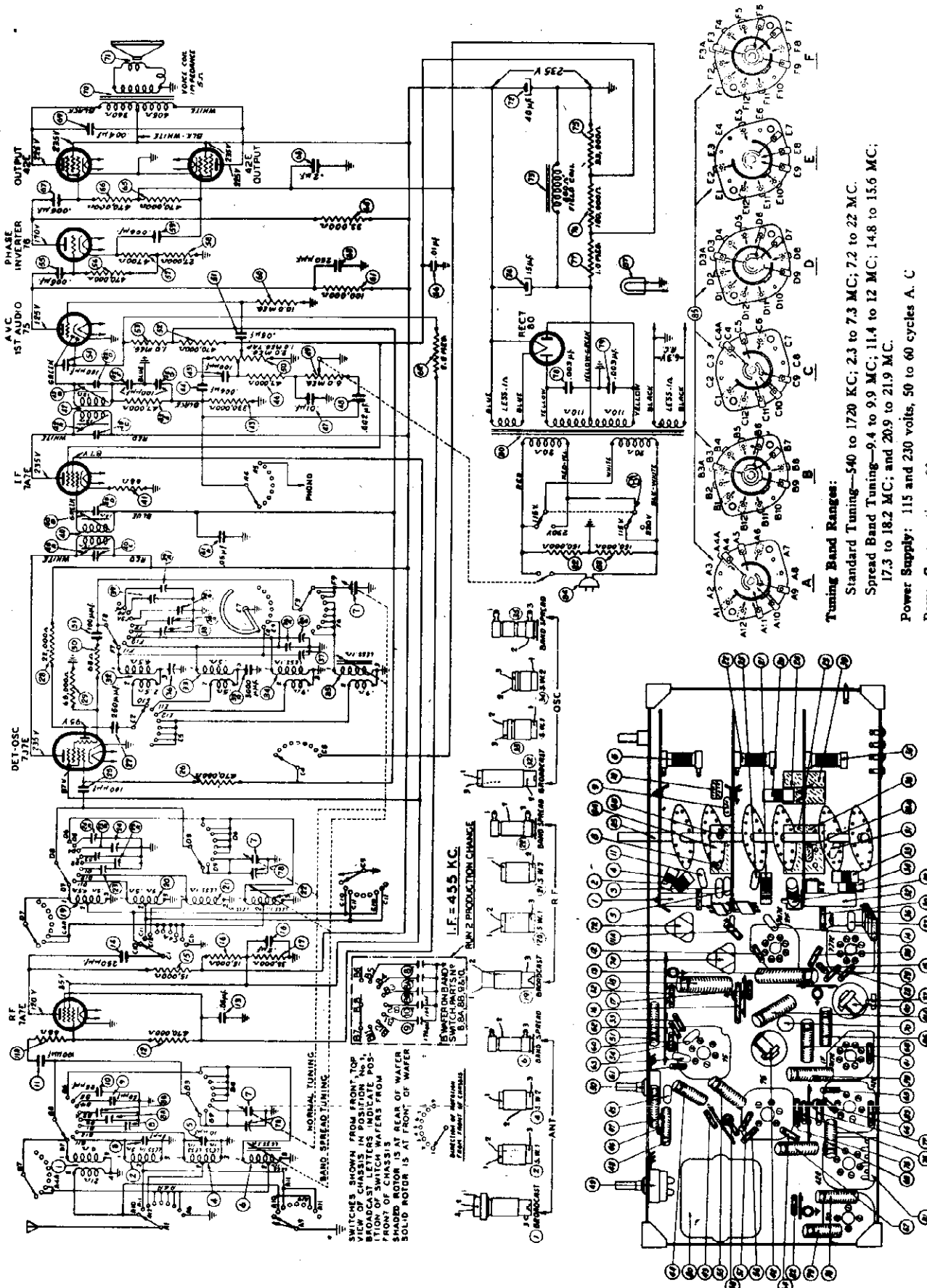
**Audio Output:** 2.2 watts.

69.	Field Coil (Replace Speaker 36-1549-2)	
70.	Resistor (47,000 ohms)	33-3473
71.	Resistor (270,000 ohms)	33-4273
72.	Resistor (1 megohm)	33-5103
73.	Condenser (.003 mfd., 1500 volts D. C.)	30-46
74.	Condenser (.003 mfd., 1500 volts D. C.)	30-46
75.	Power Transformer (115/220 volts, 60 cycle)	32-81
	Power Transformer (115 volts, 25 cycle)	32-8
76.	Power Line Changeover Switch	42-1
77.	Band Indicator Lamp Socket Assembly	34-200
	Arm & Link Assembly	76-1
	Light Housing Assembly	76-1
78.	Resistor (150,000 ohms)	33-4473
79.	Resistor (150,000 ohms)	33-4473
80.	Dial Pilot Lamp Socket Assembly	30-200



MODEL 42-760

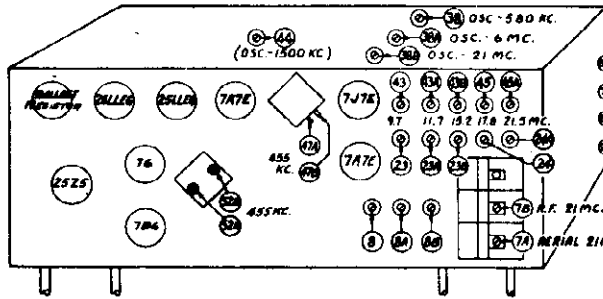
PHILCO RADIO & TELEVISION CORP.



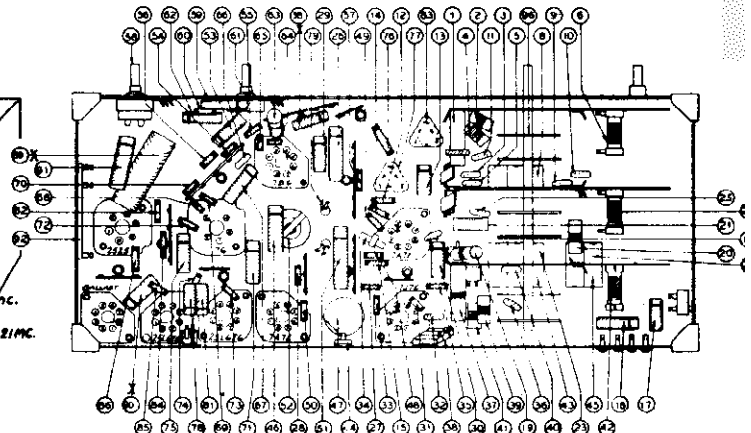
FOR OTHER DATA, SEE INDEX

PHILCO RADIO & TELEVISION CORP.

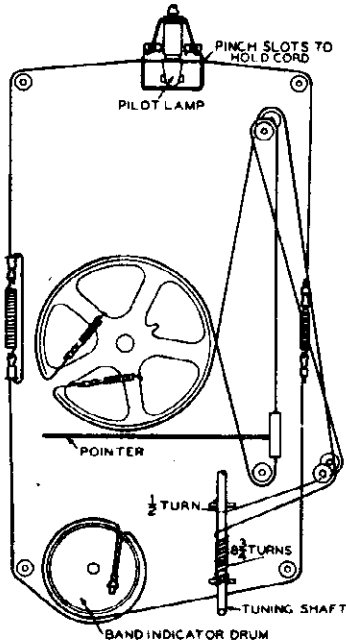
MODEL 42-761  
 MODEL 42-762  
 MODEL 42-763



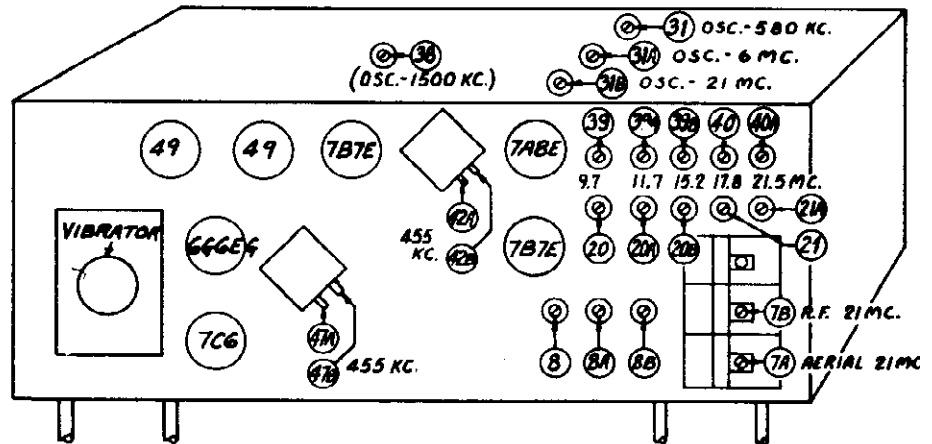
LOCATIONS OF COMPENSATORS—TOP CHASSIS  
 Model 42-761



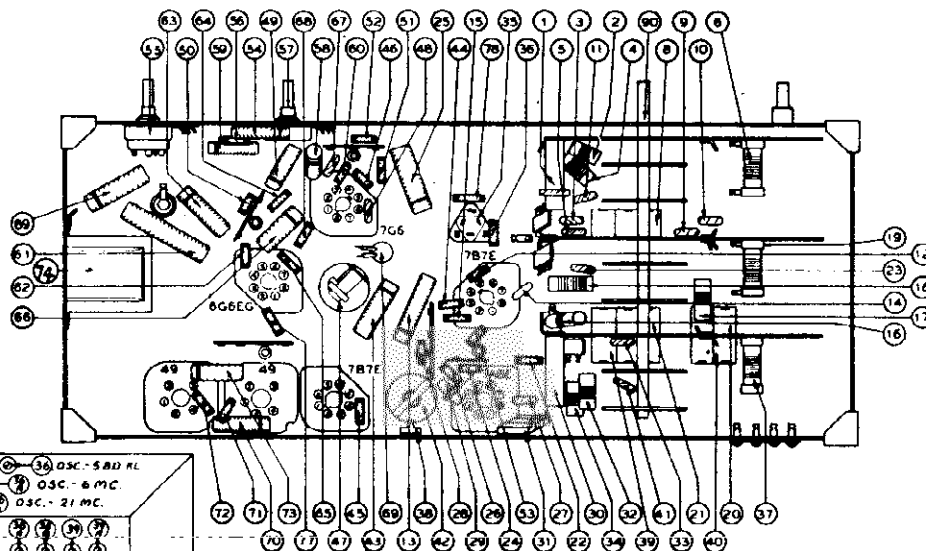
PART LOCATIONS—UNDER CHASSIS, Model 42-761



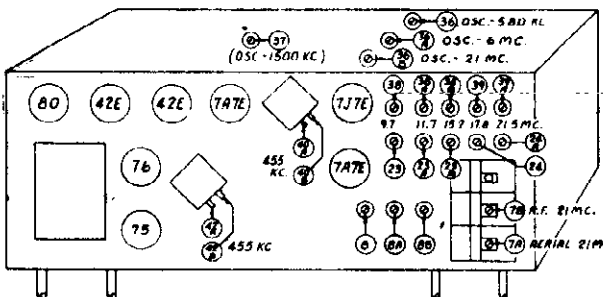
INSTALLING TUNING DRIVE CORD



LOCATIONS OF COMPENSATORS, TOP OF CHASSIS, Model 42-762



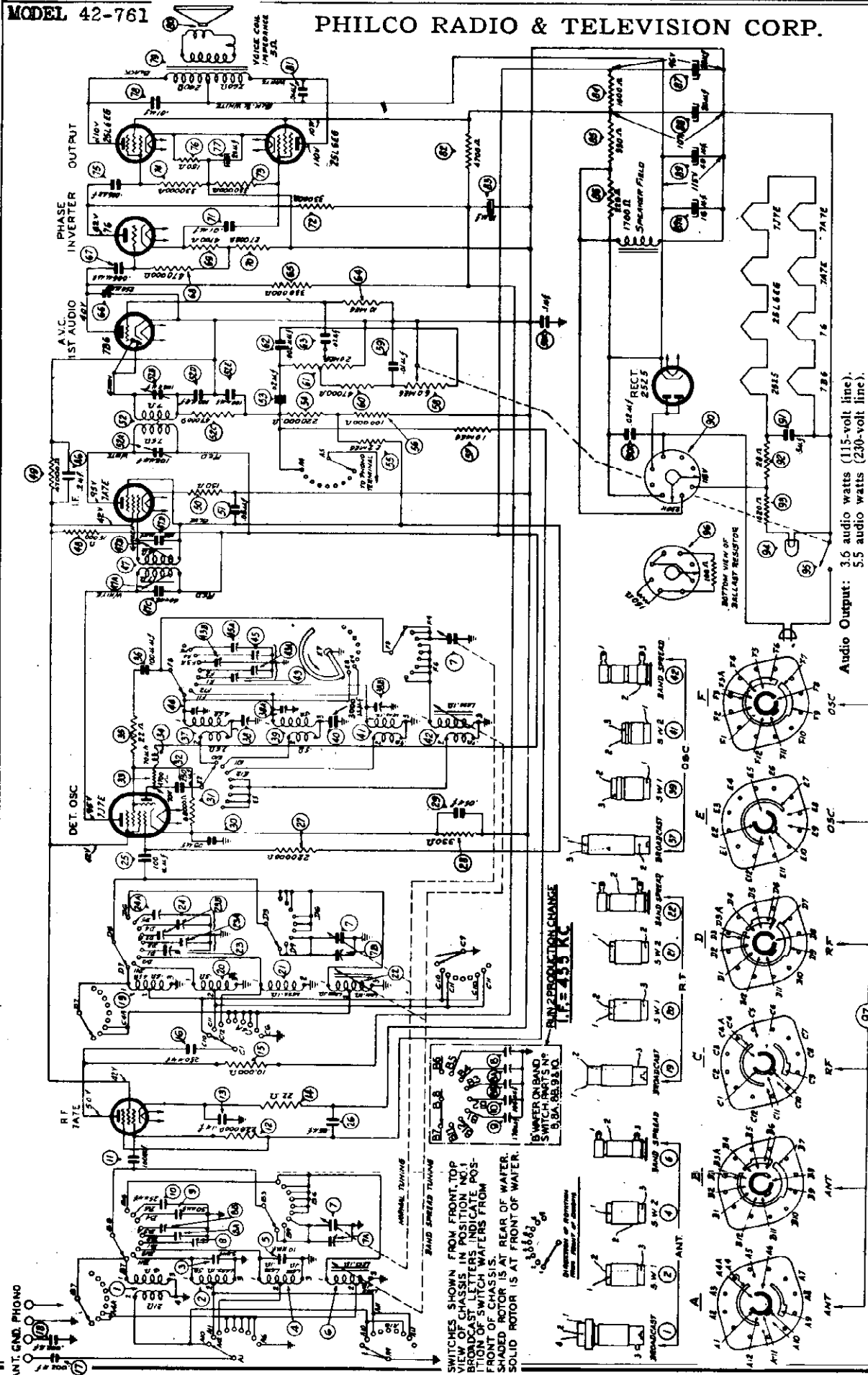
LOCATIONS OF PARTS—UNDER CHASSIS, Model 42-762



LOCATIONS OF COMPENSATOR—TOP CHASSIS  
 Model 42-760

MODEL 42-761

PHILCO RADIO & TELEVISION CORP.



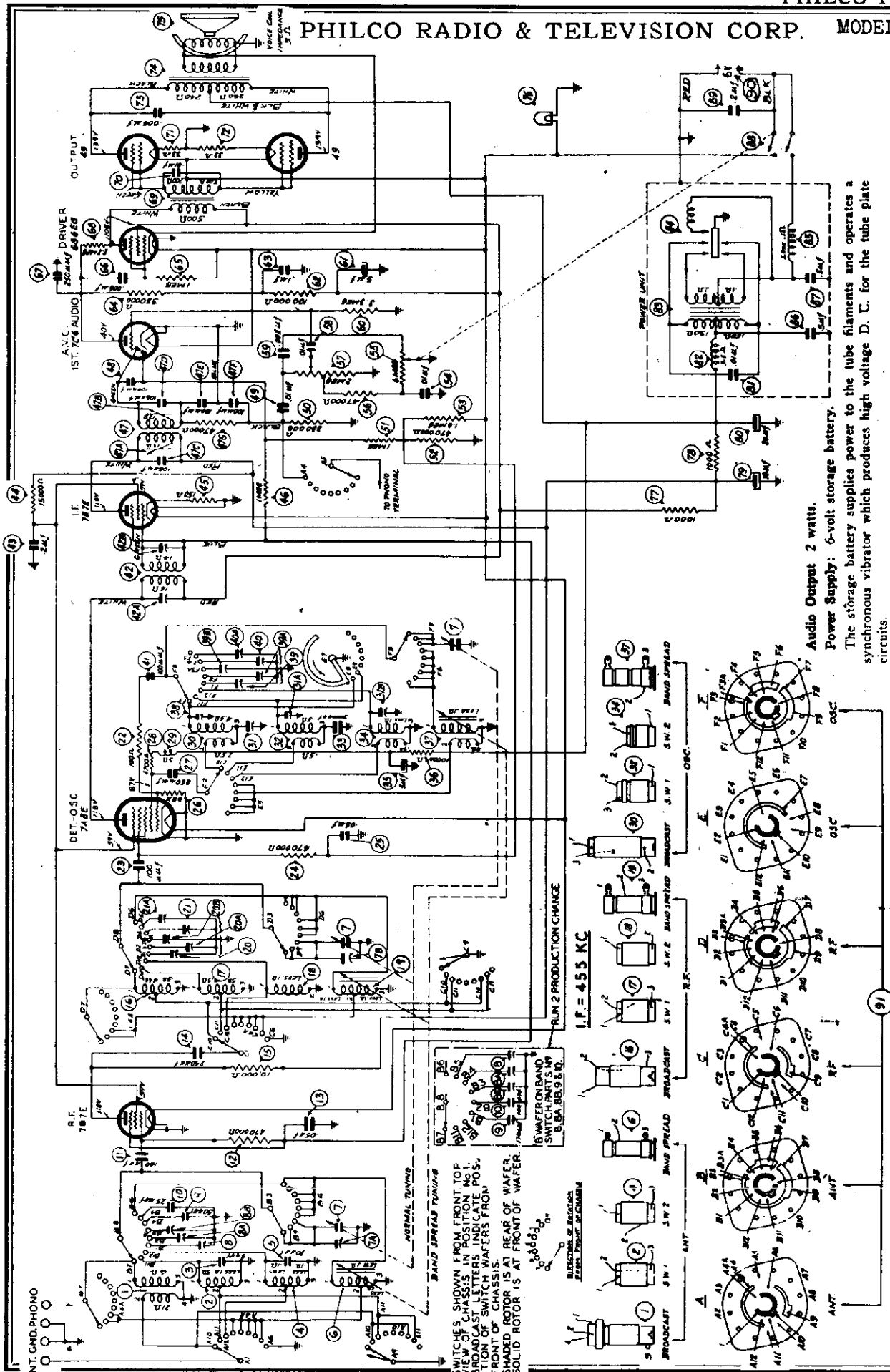
**FOR OTHER DATA, SEE INDEX.**

Audio Output: 3.6 audio watts (115-volt line),  
5.5 audio watts (230-volt line).  
Power Supply: 115 or 230 volts A. C.-D. C.  
Power Consumption: 60 watts, 115 volts.  
120 watts, 230 volts.

To operate the radio on either 115 volts or 230 volts A. C.-D. C. power circuits, insert the ballast resistor (on chassis) in the voltage position desired. The ballast resistor socket is marked to indicate the proper position for either power circuit.

SHARED SECTION IS REAR OF WATER

**Tuning Band Ranges:**  
Standard Tuning—540 to 1720 KC; 2.3 to 7.5 MC; 7.1 to 22 MC.  
Band Spread Tuning—9.4 to 9.9 MC; 11.4 to 12 MC; 14.8 to 15.6 MC;  
17.3 to 18.2 MC; 20.9 to 21.9 MC.  
Intermediate Frequency: 455 K.C.



Audio Output 2 watts.  
 Power Supply: 6-volt storage battery.  
 The storage battery supplies power to the tube filaments and operates a synchronous vibrator which produces high voltage D. C. for the tube plate circuits.

Power Consumption: 2 1/4 amperes D. C.

FOR CHANGES, SEE INDEX

**Tuning Band Ranges:**  
 Standard Tuning—540 to 1720 KC.; 2.3 to 7.5 MC.; 7.1 to 22 MC.  
 Band Spread Tuning—9.4 to 9.9 MC.; 11.4 to 12 MC.; 14.8 to 15.6 MC.; 17.1 to 18.2 MC.; 20.0 to 21.0 MC.

CONNECTING ALIGNING INSTRUMENTS

Vacuum Tube Voltmeter: To use the vacuum tube voltmeter as an aligning indicator, it should be connected to the A. V. C. circuit as follows:

1. Connect the negative (-) terminal of the vacuum tube voltmeter through a 2 megohm resistor to any point in the circuit where the A. V. C. voltage can be measured.
2. Connect the positive (+) terminal to the chassis ground terminal.

Audio Output Meter: If this type of meter is used as an aligning indicator, it should be connected to the plate and screen terminal of the output tube. Adjust the meter for the 0 to 30 volt A. C. scale.

After connecting the aligning meter, adjust the compensators in the order for each model as shown in the tabulation below. Locations of the compensators are shown in Figures 6, 7, 10.

If the output meter pointer goes off scale when adjusting the compensators, reduce the strength of the signal from the generator.

ADJUSTING NORMAL TUNING RANGES

Operations In Order	SIGNAL GENERATOR			RECEIVER					Special Instructions
	Output Connections to Receiver	Dummy Aerial Note A	Dial Setting	Dial Setting	Control Settings	Adjust Compensators for Maximum Signal			
						42-760	42-761	42-762	
1	Grid 747E	1 mfd	465 KC	580 KC	Range Switch Broadcast Volume "Max"	42A 42B 42C	52A 52B 52C	47A 47B 47C	
2	Aerial Lead	400 ohms	21 MC	21 MC	Range Switch "S. W. 2"	38B 7B 7A	38B 7B 7A	31B 7B 7A	Notes B, C
3	Aerial Lead	400 ohms	6.6 MC	6.6 MC	Range Switch "S. W. 1"	36A	35A	31A	Roll Gang
4	Aerial Lead	200 mmfd	1500 KC	1500 KC	Range Switch "Broadcast"	37	44	38	Roll Gang
5	Aerial Lead	200 mmfd	580 KC	580 KC	Range Switch "Broadcast"	36	35	31	Roll Gang

ADJUSTING BAND SPREAD TUNING RANGES

Mechanical Adjustments: Before the padders of the band spread tuning ranges are adjusted, the iron cores of the antenna, R. F. and oscillator transformers must be mechanically set as follows:

1. Turn the band spread tuning control to the extreme counterclockwise position (lowest frequency).
2. Adjust location of "OSC" iron cores so that the end of the iron core is flush with the end of the transformer. With the "OSC" iron core in this position the antenna R. F. cores will be correctly located.
3. When installing a new oscillator transformer or core, make sure that the iron core slides freely in the transformer. It is important to do this to eliminate backlash in the tuning mechanism. If adjustment is necessary slightly move transformer in the direction required.

After mechanically setting the transformers and iron cores, adjust the padders as given in the following tabulation:

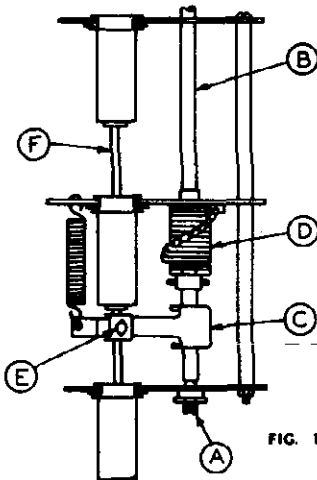


FIG. 1—BAND SPREAD TUNING MECHANISM

MECHANICAL ADJUSTMENTS—BAND SPREAD TUNING MECHANISM

1. ADJUSTMENT OF TUNING SHAFT

End play can be removed by adjusting the rear bearing No. (A), Fig. (1). Care should be taken when adjusting the screw so that

PROCEDURE FOR PRODUCTION RUN No. 1 CHASSIS

Operations In Order	SIGNAL GENERATOR				RECEIVER				
	Output Connections to Receiver	Dummy Antenna Note A	Dial Setting	Dial Setting	Control Settings	Adjust Compensators			Special Instructions
						42-760	42-761	42-762	
1	Antenna and Ground	400 ohms	9.7 MC	9.7 MC	Band Selector Position "31M" on Dial	38 28 28	43 28 28	39 20 8	Note B, Note D
2	Antenna and Ground	400 ohms	11.7 MC	11.7 MC	Band Selector Position "26M" on Dial	38A 23A 23A	43A 22A 22A	39A 20A 8	Note D
3	Antenna and Ground	400 ohms	15.2 MC	15.2 MC	Band Selector Position "19M" on Dial	38B 23B 23B	43B 23B 23B	39B 20B 8	Note D
4	Antenna and Ground	400 ohms	17.8 MC	17.8 MC	Band Selector Position "16M" on Dial	39 24	45 24	40 21	Note D
5	Antenna and Ground	400 ohms	21.5 MC	21.5 MC	Band Selector Position "13M" on Dial	39A 24A	45A 24A	40A 21A	Note D

PROCEDURE FOR PRODUCTION RUN No. 2 CHASSIS

Operations In Order	SIGNAL GENERATOR				RECEIVER				
	Output Connections to Receiver	Dummy Antenna Note A	Dial Setting	Dial Setting	Control Settings	Adjust Compensators			Special Instructions
						42-760	42-761	42-762	
1	Antenna and Ground	400 ohms	21.5 MC	21.5 MC	Band Selector Position "13M" on Dial	35A 24A 8	45A 24A 8	40A 21A 8	Note B, Note D
2	Antenna and Ground	400 ohms	17.8 MC	17.8 MC	Band Selector Position "16M" on Dial	39 24 24	45 24 24	40 21 8A	Note D
3	Antenna and Ground	400 ohms	15.2 MC	15.2 MC	Band Selector Position "19M" on Dial	38B 23B 23B	43B 23B 23B	39B 20B 8B	Note D
4	Antenna and Ground	400 ohms	11.7 MC	11.7 MC	Band Selector Position "26M" on Dial	38A 23A	43A 22A	39A 20A	Note D
5	Antenna and Ground	400 ohms	9.7 MC	9.7 MC	Band Selector Position "31M" on Dial	38 28	43 28	39 20	Note D

NOTE A—The "Dummy Antenna" consists of a condenser or resistance connected in series with the signal generator output lead (high side). Use the capacity or resistance as specified in each step of the above procedure.

NOTE B—In order to adjust the receiver correctly the pointer must be aligned to track the dial properly. To adjust the dial proceed as follows: With the tuning condenser closed (maximum capacity) set the dial pointer on the first marks at the low frequency end of the scale. Make sure that the stop mechanism in the band spread permeability tuner reaches its counterclockwise end of rotation at the same time that the tuning condenser is completely closed.

NOTE C—When adjusting "OSC" compensator be sure to tune in the fundamental signal (21 MC) instead of the image signal. If the compensator is correctly adjusted, the image signal will be found by turning the signal generator dial 910 KC above the fundamental signal, which will be 21.910 MC.

NOTE D—To make sure that the dial reads properly after adjusting the compensators with the signal generator as outlined above, a known station on each band near the adjusting frequency should be tuned in with the spread band tuning control. If the dial reading is incorrect, adjust the oscillator compensators on each band until the stations are heard at the correct points on the dial. After adjusting the oscillator compensators to the correct frequency of the known station, the "Antenna" and R. F. compensators should be adjusted to maximum signal.

ALTERNATIVE METHOD—Locate a known station near the center of each spread band and "Zero Beat" the signal generator with it at the time of aligning the band. This makes available a signal of adjustable strength and known frequency. This method will be found to be simpler when conditions make its use possible, because it is much easier to align a receiver to a strong signal.

NOTE E—The band spread compensator aligning procedure for Run 2 chassis differs from Run 1. The two procedures are listed above. Compensators 8, 8A and 8B on chassis marked Run 2 is used to adjust the 11.7, 17.8 and 15.2 MC bands, whereas in Run 1 chassis these compensators are used to adjust the 9.7, 11.7 and 15.2 MC bands. The locations of the padders remain the same as Run 1 chassis shown in Figures 6, 7 and 10.

shaft does not turn too tightly. In making this adjustment, the screw driver can be inserted in the chassis in line with shaft.

2. REMOVING TUNING SHAFT

- (a) Remove tuning knob shaft and coupling.
- (b) Loosen lock nut on rear bearing and remove adjusting screw and ball bearing.
- (c) Remove cotter pin from stop assembly.
- (d) Unscrew carriage as shaft is pulled out through front of R. F. tuner and chassis.
- (e) When installing new shaft (B) adjust positions of stop assembly and carriage, before inserting cotter pin, so that the carriage (C) is approximately 5 turns from the stop assembly (D) with shaft in extreme counterclockwise position from front. The stop assembly is rotated until all washers are in contact. The bottom washer should be located between the stops farthest apart.

3. ADJUSTING BAND SPREAD TUNING CORE ASSEMBLY

- (a) Cores are correctly located when the rear of the oscillator core (blue identification) is flush with the rear of oscillator transformer and the tuning shaft is in extreme counterclockwise position.
- (b) The carriage clamp (E) must not be tightened excessively as this will bend the tuning core rod (F) and cause backlash.

PHILCO RADIO & TELEVISION CORP.

REPLACEMENT PARTS—Model 42-760

Table with columns: Sch. No., Description, Part No. Contains parts 1 through 78, including Aerial Transformer, Condensers, Resistors, and various mechanical components.

REPLACEMENT PARTS—Model 42-761

Table with columns: Sch. No., Description, Part No. Contains parts 1 through 58, including Aerial Transformer, Condensers, Resistors, and various mechanical components.

REPLACEMENT PARTS—Model 42-762

Table with columns: Sch. No., Description, Part No. Contains parts 1 through 58, including Aerial Transformer, Condensers, Resistors, and various mechanical components.

MODEL 42-761  
MODEL 42-762

PHILCO RADIO & TELEVISION CORP.

MODELS 42-761 (Con't.)

Table with 3 columns: Part No., Description, Part No. (continued from previous page). Includes parts like Condenser (1 mfd, 200 volts), Resistor (1000 ohms), Mica Condenser, etc.

Table with 3 columns: Part No., Description, Part No. (continued from previous page). Includes parts like Aerial Transformer, Tuning Condenser, Mica Condenser, etc.

Table with 3 columns: Part No., Description, Part No. (continued from previous page). Includes parts like Cabinet Back, Mica Condenser, Resistor, etc.

Table with 3 columns: Part No., Description, Part No. (continued from previous page). Includes parts like Mica Condenser, Resistor, Tuning Condenser, etc.

Table with 3 columns: Part No., Description, Part No. (continued from previous page). Includes parts like Mica Condenser, Resistor, Tuning Condenser, etc.

Table with 3 columns: Part No., Description, Part No. (continued from previous page). Includes parts like Mica Condenser, Resistor, Tuning Condenser, etc.

Table with 3 columns: Part No., Description, Part No. (continued from previous page). Includes parts like Mica Condenser, Resistor, Tuning Condenser, etc.

Table with 3 columns: Part No., Description, Part No. (continued from previous page). Includes parts like Mica Condenser, Resistor, Tuning Condenser, etc.

Table with 3 columns: Part No., Description, Part No. (continued from previous page). Includes parts like Mica Condenser, Resistor, Tuning Condenser, etc.

Table with 3 columns: Part No., Description, Part No. (continued from previous page). Includes parts like Mica Condenser, Resistor, Tuning Condenser, etc.

Table with 3 columns: Part No., Description, Part No. (continued from previous page). Includes parts like Mica Condenser, Resistor, Tuning Condenser, etc.

Table with 3 columns: Part No., Description, Part No. (continued from previous page). Includes parts like Mica Condenser, Resistor, Tuning Condenser, etc.

REPLACEMENT PARTS—Model 42-762

\* Beginning with production chassis marked Run 2 the "B" water of the band switch on the schematic diagram, the part number of the compensator changes from No. 30-1199, 80 mmfd. to No. 20-01047, 104 mmfd. Condenser 10 changes from Part No. 30-1146, 25 mmfd. to 30-01707, 170 mmfd.

Table with 3 columns: Part No., Description, Part No. (continued from previous page). Includes parts like Mica Condenser, Resistor, Tuning Condenser, etc.

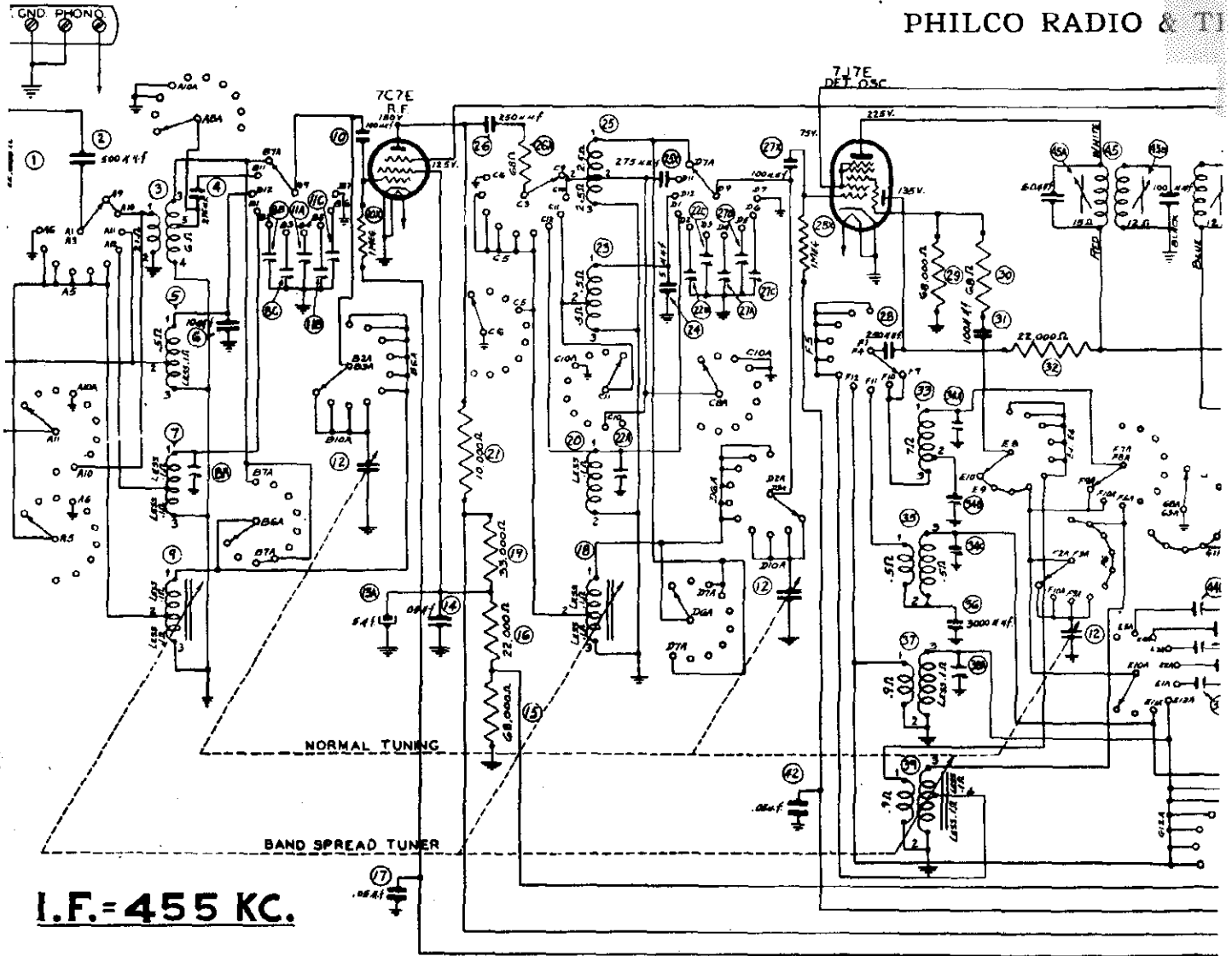
MODEL 42-126  
MISCELLANEOUS PARTS

Table with 3 columns: Part No., Description, Part No. (continued from previous page). Includes parts like Cabinet, Drive Cord, Spring, etc.

Table with 3 columns: Part No., Description, Part No. (continued from previous page). Includes parts like Mica Condenser, Resistor, Tuning Condenser, etc.

Table with 3 columns: Part No., Description, Part No. (continued from previous page). Includes parts like Mica Condenser, Resistor, Tuning Condenser, etc.

Table with 3 columns: Part No., Description, Part No. (continued from previous page). Includes parts like Mica Condenser, Resistor, Tuning Condenser, etc.



**I.F. = 455 KC.**

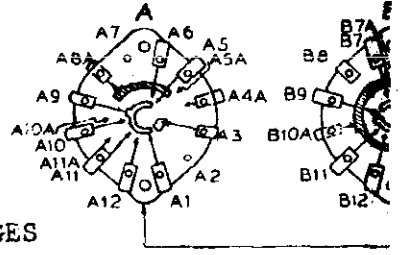
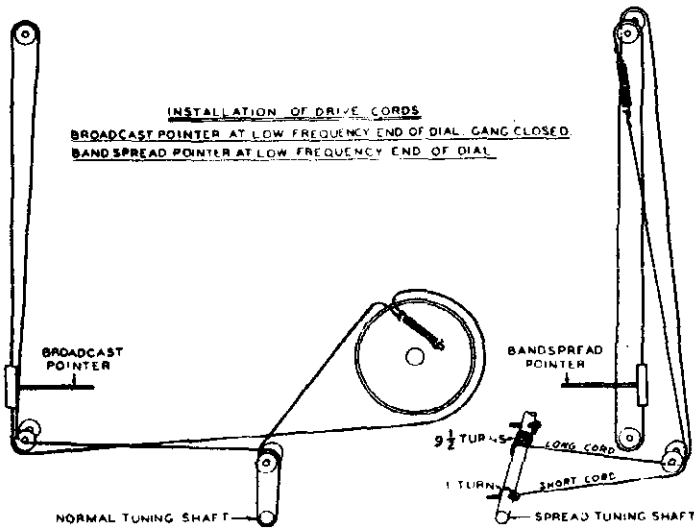
The code numbers (121, 122) of this model refer to the manner in which the power supply is connected for shipment. Code 121 is shipped with the voltage change switch in the 230 volts, 60 cycle A. C. position. Code 122 is shipped with the switch in the 115 volts, 60 cycle A. C. position.

**PRODUCTION CHANGE**

On early chassis marked with serial numbers A A81000 and B08252 to B09251 the blue wire on the of the third wafer (Contact C5A) of the band switch needed to the suppressor contact on the 78E socket. should be removed from the suppressor contact and to the junction of Resistor 28X and Condenser 42 in the diagram. The resistor and condenser are to a lug on the wire panel adjacent to them. See Fig.

**ADJUSTING SENSITIVITY OF RECEIV.**

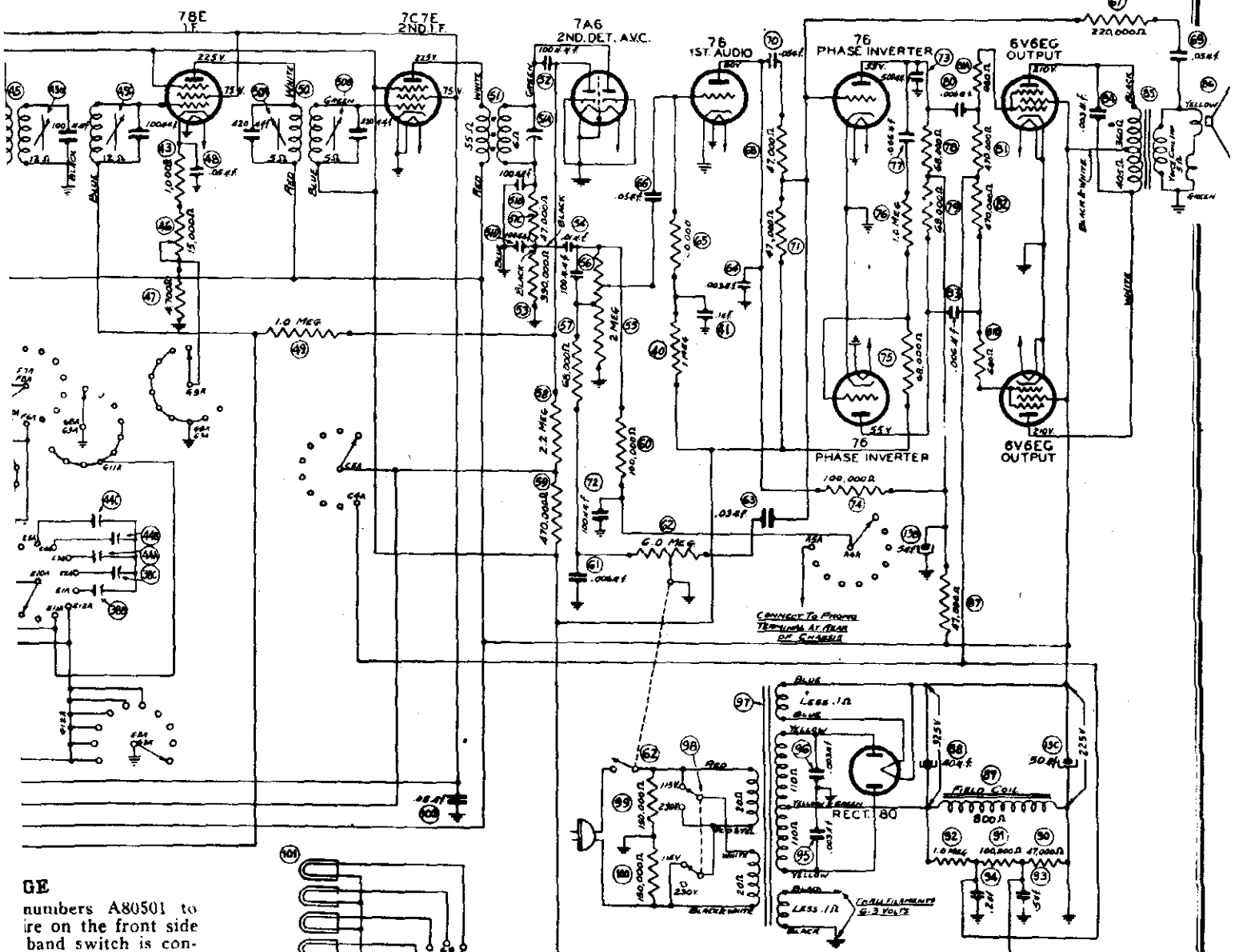
Sensitivity control No. 46 on diagram is used for the overall sensitivity of the receiver. In noisy lo may be desirable to reduce the sensitivity of the re turning the control counter-clockwise.



FOR OTHER CHANGES  
SEE INDEX

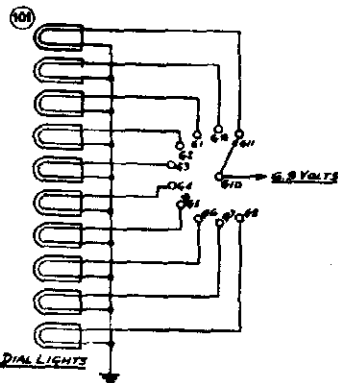
NOTE SWITCHES 51  
UNSHADED R





**GE**  
numbers A80501 to  
ire on the front side  
band switch is con-  
E socket. This lead  
ntact and connected  
denser 42 as shown  
nser are connected  
m. See Fig. 3.

**RECEIVER**  
used for adjusting  
noisy locations it  
of the receiver by



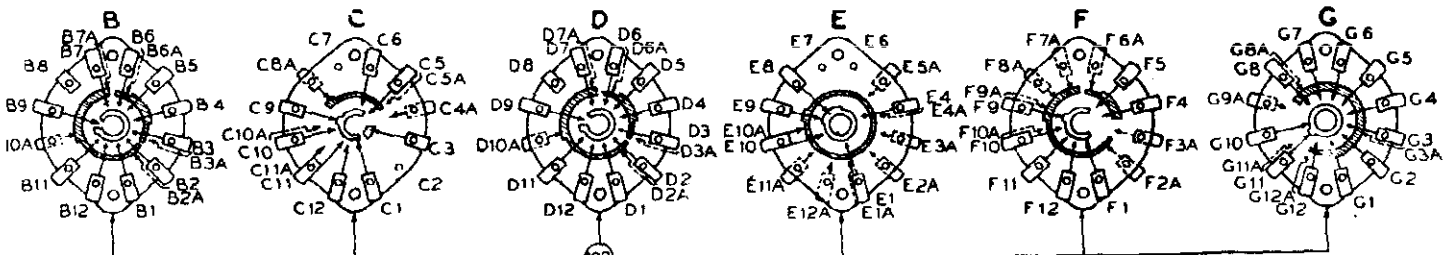
Power Supply: 115 or 230 volts A. C., 50 to 60 cycle, 90 watts.

**TUNING RANGES:**

Standard Tuning—540 to 1720 K. C.; 1.45 to 2.6 M. C.; 2.3 to 7.3 M. C.; 7.2 to 22 M. C.

Spread Band Tuning—9.34 to 9.9 M. C.; 11.34 to 12 M. C. 14.78 to 15.6 M. C.; 17.38 to 18.2 M. C.; 21.14 to 21.8 M. C.

Audio Output—8.2 watts.



WITCHES SHOWN FROM REAR BOTTOM VIEW OF CHASSIS, IN POSITION NO.1 BROADCAST. SHADED ROTOR IS AT FRONT OF SWITCH WAFER. UNSHADED ROTOR IS AT REAR OF SWITCH WAFER. LETTER INDICATES POSITION OF SWITCH WAFERS FROM FRONT OF CHASSIS

PHILCO RADIO & TELEVISION CORP.

Model 42-788T is a special service eleven (11) tube A. C. operated super-heterodyne radio employing nine (9) tuning bands. Four standard scales are mounted on the left of the grille. These cover the complete radio spectrum from 540 K. C. to 22 megacycles. The standard scales are tuned by a variable condenser which has tuning ratios of 80 to 1 for

vernier tuning and 16 to 1 for coarse tuning. Five spread band scales on the right of the grille are designed to spread the short wave frequencies more than 20 times farther apart. This spread band tuning section of the radio is tuned by a three (3) gang permeability tuner with shunt aligning compensators for each spread band.

ALIGNING R. F. AND I. F. COMPENSATING CONDENSERS  
EQUIPMENT REQUIRED

Signal Generator: In order to properly adjust the various R. F. and I. F. padders of this receiver, a calibrated signal generator such as Philco Model 070 is required. The signal generator covers the frequencies necessary for adjusting the radio.  
Aligning Indicating Device: A Vacuum Tube Voltmeter or Audio

Output Meter, such as Philco Models 027 and 028, is required. Procedures for connecting these instruments are listed below.  
Aligning Tools: Fiber handle screwdriver, Philco Part No. 45-2610 and Aligning Wrench, Part No. 7696.

CONNECTING ALIGNING INSTRUMENTS

Signal Generator: The signal generator is connected to the receiver as indicated in the tabulations below under "output connections to receiver." A Dummy Antenna is also required. This is listed under column, "Dummy Antenna, Note A."

Vacuum Tube Voltmeter: To use the vacuum tube voltmeter as an aligning indicator it should be connected to the A. V. C. circuit as follows:

1. Connect the negative (-) terminal of the voltmeter through a 2 meg. resistor to any grid return connection in the A. V. C. circuit.

2. Connect the positive (+) terminal to the chassis ground terminal.

Audio Output Meter: If this type of meter is used as an aligning indicator, it should be connected to the plate and screen terminals of one of the 6V6EG tubes. Adjust the meter to the 0 to 30 volt A. C. scale.

After connecting the aligning meters, adjust the compensators in the order shown in the tabulation below. Locations of the compensators are shown in the schematic diagram. If the aligning meter pointer goes off scale when adjusting the compensators, reduce the strength of the signal from the generator.

ADJUSTING NORMAL TUNING RANGES

Operations in Order	SIGNAL GENERATOR			RECEIVER			SPECIAL INSTRUCTIONS
	Output Connections to Receiver	Dummy Antenna Note A	Dial Setting	Dial Setting	Control Settings	Adjust Compensators	
1	Tuning Condenser Stator Lug Middle Section	.1 mfd.	455 K. C.	580 K. C.	Vol. Max. Band Selector "Brdcst"	45A, 45C, 50A, 50B, 51A	Note D
2	Antenna and Ground	200 mmfd.	1500 K. C.	1500 K. C.	Vol. Max. Band Selector "Brdcst"	34A	Note B Roll Gang
3	Antenna and Ground	200 mmfd.	580 K. C.	580 K. C.	Vol. Max.	34B	Roll Gang
4	Antenna and Ground	200 mmfd.	1500 K. C.	1500 K. C.	Vol. Max.	34A	Roll Gang
5	Antenna and Ground	400 ohms	6.0 M. C.	6.0 M. C.	Vol. Max. Band Selector "S.W.2"	34C	Roll Gang
6	Antenna and Ground	400 ohms	20 M. C.	20 M. C.	Vol. Max. Band Selector "S.W.3"	38A, 22A, 8A	Note C

NOTE--S.W.1 Tuning Band requires no adjustment.

ADJUSTING BAND SPREAD TUNING RANGES

Mechanical Adjustments: Before the padders of the band spread tuning ranges are adjusted, the iron cores of the antenna, R. F. and oscillator transformers must be mechanically set as follows:

1. Turn the band spread tuning control to the extreme counter-clockwise position (lowest frequency).
2. Adjust location of "OSC" iron cores so that the end of the iron core is flush with the end of the transformer. With the "OSC" iron core in this position the antenna R. F. cores will be correctly

located.

3. When installing a new oscillator transformer or core, make sure that the iron core slides freely in the transformer. It is important to do this to eliminate backlash in the tuning mechanism. If adjustment is necessary slightly move transformer in the direction required.

After mechanically setting the transformers and iron cores, adjust the padders as given in the following tabulation:

Operations in Order	SIGNAL GENERATOR			RECEIVER			SPECIAL INSTRUCTIONS
	Output Connections to Receiver	Dummy Antenna Note A	Dial Setting	Dial Setting	Control Settings	Adjust Compensators	
1	Antenna and Ground	400 ohms	9.7 M. C.	9.7 M. C.	Band Selector Position "31M" on Dial	38B, 22B, 8B	Note E--Note F
2	Antenna and Ground	400 ohms	11.7 M. C.	11.7 M. C.	Band Selector Position "26M" on Dial	38C, 22C, 8C	Note F
3	Antenna and Ground	400 ohms	15.2 M. C.	15.2 M. C.	Band Selector Position "19M" on Dial	44A, 27A, 11A	Note F
4	Antenna and Ground	400 ohms	17.8 M. C.	17.8 M. C.	Band Selector Position "16M" on Dial	44B, 27B, 11B	Note F
5	Antenna and Ground	400 ohms	21.5 M. C.	21.5 M. C.	Band Selector Position "13M" on Dial	44C, 27C, 11C	Note F

NOTE A--The "Dummy Antenna" consists of a condenser or resistance connected in series with the signal generator output lead (high side). Use the capacity or resistance as specified in each step of the above procedure.

NOTE B--DIAL CALIBRATION: In order to adjust the receiver correctly the dial must be aligned to track properly with the tuning condenser. To adjust the dial, proceed as follows: With the tuning condenser closed (maximum capacity) set the dial pointer on the first mark on the left edge (low frequency end) of the broadcast scale.

NOTE C--When adjusting "OSC" compensator be sure to tune in the fundamental signal (20 MC) instead of the image signal. If the compensator is correctly adjusted, the image signal will be found by turning the signal generator dial 910 KC above the fundamental signal, which will be 20.910 MC.

NOTE D--Before adjusting padders 45A, 45C, 50A, 50B, 51A, turn padder 45B to full clockwise position (all the way out). After the padders are adjusted to maximum, then adjust padder 45B for maximum.

NOTE E--Before adjusting padders, turn the band spread tuning knob to its extreme counter-clockwise position. Set the band spread dial pointer on the first MARK on the left edge (low frequency end) of the 31 meter scale.

NOTE F--To make sure that the dial reads properly after adjusting the compensator with the signal generator as outlined above, a known station on each band near the adjusting frequency should be tuned in with the spread band tuning control. If the dial reading is incorrect, adjust the oscillator compensators on each band until the stations are heard at the correct points on the dial. After adjusting the oscillator compensators to the correct frequency of the known station, the "antenna" and "R. F." compensators should be adjusted to maximum signal.

ALTERNATIVE METHOD--Locate a known station near the center of each spread band and "Zero Beat" the signal generator with it at the time of aligning band. This makes available a signal of adjustable strength and known frequency. This method will be found to be simpler when conditions make its use possible because it is much easier to align a receiver to a strong signal.

MODEL 42-788

3. Adjusting Band Spread Tuning Core Assembly
(a) Cores are correctly located when the rear of the oscillator core (blue identification) is flush with the rear of the oscillator transformer...

assembly and carriage, before inserting cutter pin, so that the carriage (C) is approximately 3 turns from the stop assembly (D) with shift in extreme counter-clockwise position...

REPLACEMENT PARTS—MODEL 42-788

Table with 5 columns: Part No., Description, Part No., Description, Part No. It lists various electrical components like resistors, capacitors, transformers, and tubes.

MECHANICAL ADJUSTMENTS—BAND SPREAD TUNING MECHANISM
2. Removing Tuning Knob
(a) Remove tuning knob shaft and coupling.
(b) Loosen lock nut on rear bearing and remove adjusting screw and ball bearing...

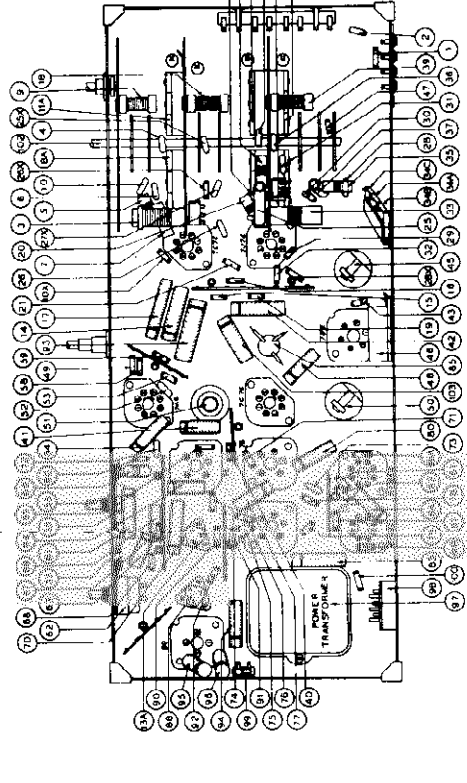
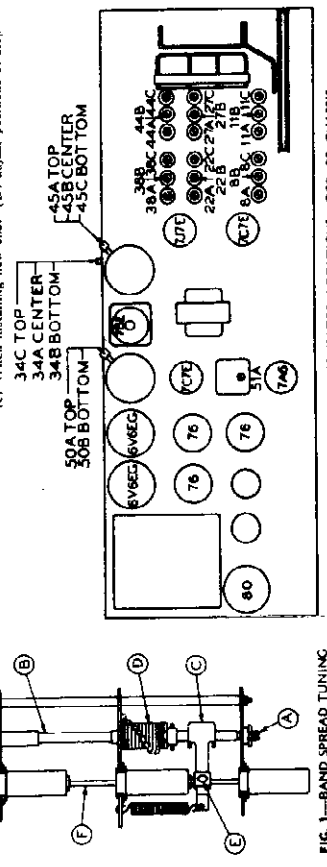


FIG. 1—PART LOCATIONS, UNDERSIDE OF CHASSIS

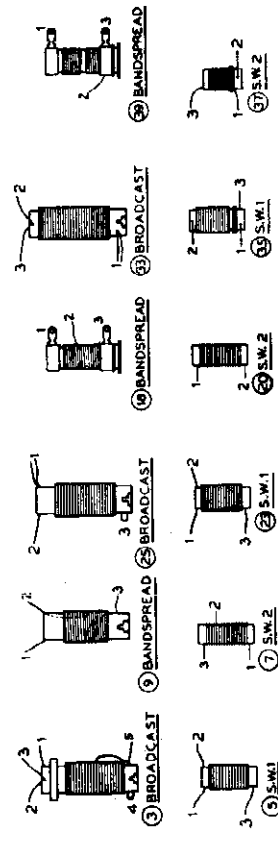
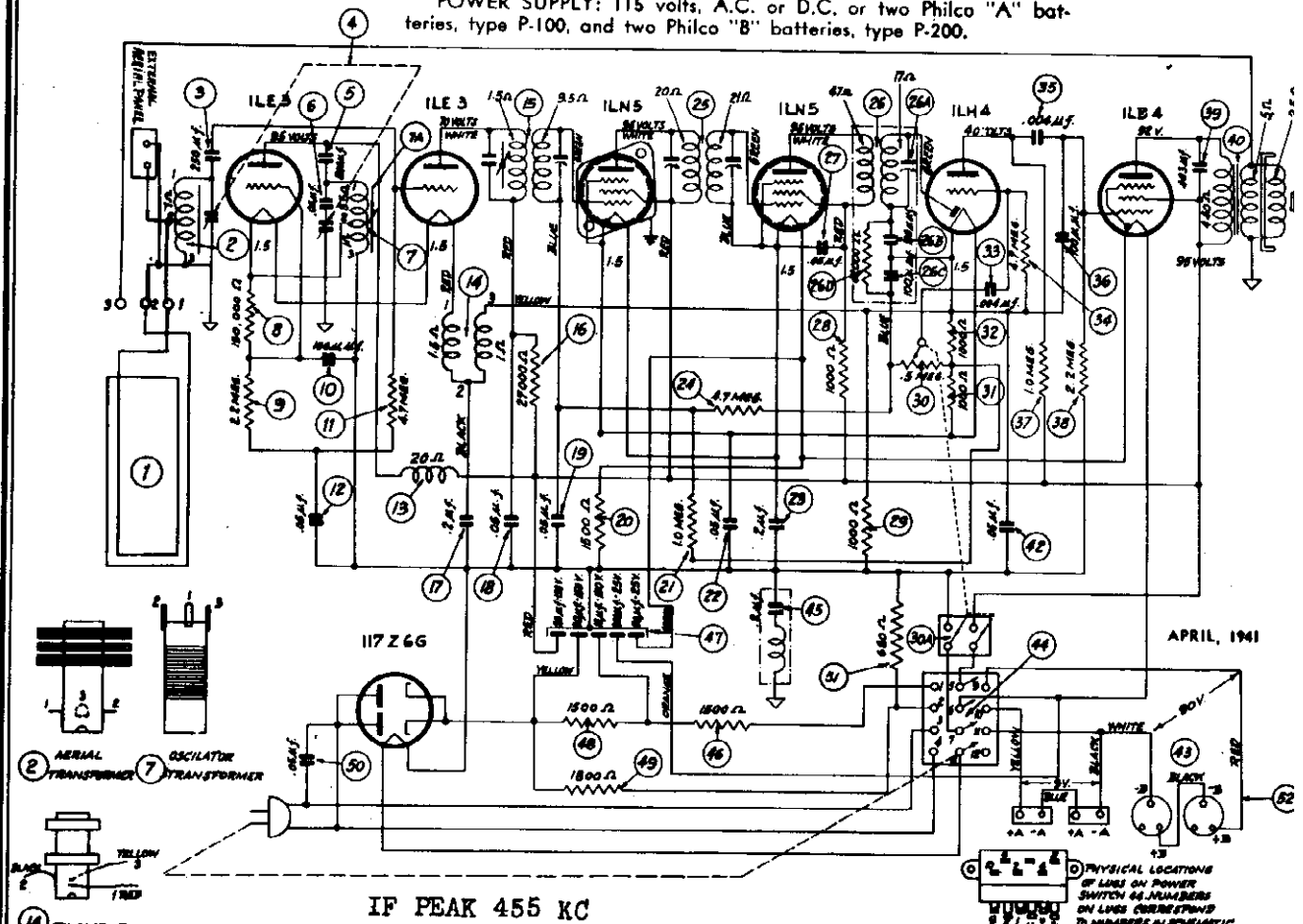


FIG. 4—R. F. TRANSFORMER WIRING LOCATIONS

PHILCO RADIO & TELEVISION CORP. MODELS 42-842, 42-844, 42-844

POWER SUPPLY: 115 volts, A.C. or D.C. or two Philco "A" batteries, type P-100, and two Philco "B" batteries, type P-200.



APRIL, 1941

TUBE SOCKET VOLTAGES INDICATED ON DIAGRAM WERE MEASURED WITH A 1000 OHM PER VOLT METER. POWER SUPPLY 117 V. A.C. WHEN USING DRY BATTERIES, VOLTAGES WILL BE ABOUT 5 VOLTS LESS THAN SHOWN

REPLACEMENT PARTS

SCHEM. No.	DESCRIPTION	PART No.	SCHEM. No.	DESCRIPTION	PART No.	DESCRIPTION	PART No.
1.	Loop Aerial	78-1216	35.	Condenser (.004 mfd., 400 volts)	38-4878	Cabinet (42-842)	10533B
2.	Screw (Loop Mtg.)	W-2071	36.	Mica Condenser (100 mmfd.)	60-110157	Cabinet (42-843)	10537C
3.	Aerial Transformer	32-3622	37.	Resistor (1 megohm)	33-510339	Cabinet (42-844T)	10539A
4.	Clip	28-5002	38.	Resistor (2.2 megohms)	33-522339	Cable (Power)	L-3199
5.	Mica Condenser (290 mmfd.)	60-128157	39.	Condenser (.003 mfd., 1,000 volts)	30-4408	Clamp (Battery)	56-2178
6.	Tuning Condenser	31-2830	40.	Output Transformer	32-8189	Screw (Clamp)	W-527
7.	Rubber Grommet (Mtg.)	27-4598	41.	Cone Assembly (for Speaker 36-1540)	36-4281	Nut (Clamp)	W-2261
8.	Spacers (Mtg.)	28-5656	42.	Condenser (.05 mfd., 200 volts)	30-4519	Dial Scale	27-5691
9.	Spring (Drive Card)	28-8882	43.	Battery Plug and Cable	41-3570	Dial Pointer	34-4063
10.	Tuning Shaft	56-6132	44.	Automatic Power Change Over Switch	42-1658	Knob	27-4970
11.	"C" Washer	57-0127	45.	Resistor (.2 mfd.) & Choke Assy.	76-1227	Speaker	36-1544
12.	Drive Card	31-2380	46.	Resistor (1,500 ohms)	33-215339	Socket (Tubes)	27-6181
13.	Mica Condenser (800 mmfd.)	60-180137	47.	Electrolytic Condenser	30-2498	Socket	27-6174
14.	Condenser (.05 mfd., 200 volts)	30-4519	48.	Clamp	56-1488	Grommet (Mtg. Socket)	34-4061
15.	Oscillator Transformer	32-3633	49.	Resistor (1,500 ohms)	33-215339	Adapter Plate	56-2111
16.	Filament Choke	32-3632	50.	Resistor (1,000 ohms)	33-547339	Screw (Chassis Mtg.)	W-2032
17.	1st I. F. Transformer	32-3620	51.	Condenser (.05 mfd., 200 volts)	30-4519	Washer (Chassis Mtg.)	W-416
18.	Palnut (Mtg.)	W-1949	52.	Resistor (680 ohms)	33-166339		
19.	Resistor (27,000 ohms)	33-327339		Battery Cable	41-3570		
20.	Condenser (.2 mfd.)	30-4587					
21.	Condenser (.05 mfd., 200 volts)	30-4519					
22.	Condenser (.05 mfd., 200 volts)	30-4519					
23.	Resistor (1,500 ohms)	33-215339					
24.	Resistor (1 megohm)	33-510339					
25.	Condenser (.05 mfd., 200 volts)	30-4519					
26.	Condenser (.2 mfd., 200 volts)	30-4587					
27.	Resistor (4.7 megohms)	33-547339					
28.	2nd I. F. Transformer	32-3621					
29.	Palnut (Mtg.)	W-1949					
30.	3rd I. F. Transformer	32-3631					
31.	Palnut (Mtg.)	W-1949					
32.	Condenser (.05 mfd., 200 volts)	30-4519					
33.	Resistor (1,000 ohms)	33-210339					
34.	Resistor (1,000 ohms)	33-210339					
35.	Condenser (.004 mfd., 400 volts)	30-4578					
36.	Resistor (4.7 megohms)	33-547339					
30A.	Switch	(Part of 30)					
31.	Resistor (1,000 ohms)	33-210339					
32.	Resistor (1,000 ohms)	33-210339					
33.	Condenser (.004 mfd., 400 volts)	30-4578					
34.	Resistor (4.7 megohms)	33-547339					

FIG. 2. LOCATIONS OF PARTS — UNDERSIDE OF CHASSIS.

MODEL 42-842(122)

MODELS 42-842, 42-843, PHILCO RADIO & TELEVISION CORP.  
42-844

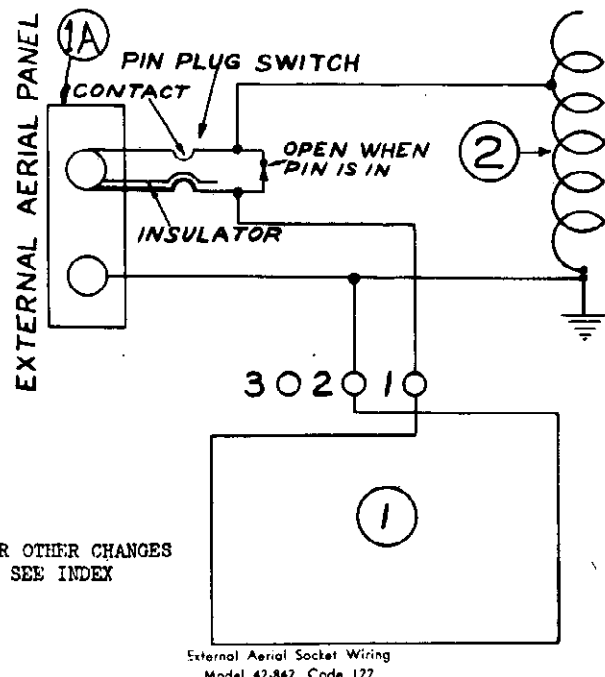
MODELS 42-853, 42-854

PRODUCTION CHANGES

Model 42-842, Code 122 is similar to code 121 with the exception of the external aerial input panel, auxiliary plug-in loop aerial, cabinet and several parts. The schematic diagram, aligning instructions and specifications in service bulletin 391 for 42-842, code 121 applies to 42-842, code 122 with the parts and aerial panel change shown below. The Philco auxiliary plug-in loop aerial part No. 45-2935 should be used with this model when an outside aerial is required. This loop aerial is a low impedance type.

REPLACEMENT PARTS—MODEL 42-842, CODE 122.

SCHEM. No.	DESCRIPTION	PART No.	SCHEM. No.	DESCRIPTION	PART No.	SCHEM. No.	DESCRIPTION	PART No.	
1.	Loop Aerial Screw (Loop Mtg.)	78-1429 W-2873	50.	Condenser (.05 mfd., 400 volts)	38-4818		Screw	W-488	
1A.	External Loop Terminal Socket	27-6183	51.	Resistor (500 ohms)	33-16839		Washers	W-846	
2.	Aerial Transformer	32-3622	52.	Battery Cable	41-3678		Dial Pointer	27-6080	
3.	Micro Condenser (250 mmfd.)	60-125187	MISCELLANEOUS PARTS					Knob	36-1968
4.	Tuning Condenser	31-2530		Cabinet (42-842)	10633D		Knob	27-6177	
	Rubber Grommet (Mtg.)	27-4866		Cable Power	L-3208		Grommet (Mtg. Socket)	27-6174	
	Resistor (100 ohms)	38-3058		Clamp (Battery)	58-2178		Adapter Plate	58-2112	
	Spring (Drive Cord)	38-4882		Screw (Clamp)	W-827		Screw (Chassis Mtg.)	W-2688	
	Drive Cord	36-4882		Nut (Clamp)	W-2261		Washer (Chassis Mtg.)	W-418	
	Washer	28-5950		Dial Scale	27-6088		External Low Impedance Loop Aerial	45-2935	
	Drive Cord	31-2300							
5.	Micro Condenser (500 mmfd.)	60-109137							
6.	Condenser (.05 mfd., 200 volts)	38-4818							
7.	Oscillator Transformer	32-3653							
	Iron Core	67-2325							
8.	Resistor (100,000 ohms)	33-418339							
9.	Resistor (2.2 megohms)	33-22339							
10.	Micro Condenser (100 mmfd.)	60-116137							
11.	Resistor (4.7 megohms)	33-547339							
12.	Condenser (.05 mfd., 200 volts)	38-4818							
13.	Oscillator Choke	32-3618							
14.	Filament Choke	32-3632							
15.	1st I. F. Transformer	32-3620							
	Pinset (Mtg.)	W-1949							
16.	Resistor (27,000 ohms)	33-327339							
17.	Condenser (.2 mfd.)	38-4587							
18.	Condenser (.05 mfd., 200 volts)	38-4818							
19.	Condenser (.05 mfd., 200 volts)	38-4818							
20.	Resistor (1,000 ohms)	33-218339							
21.	Resistor (1 megohm)	33-918339							
22.	Condenser (.05 mfd., 200 volts)	38-4818							
23.	Condenser (.2 mfd.)	38-4587							
24.	Resistor (4.7 megohms)	33-547339							
25.	2nd I. F. Transformer	32-3621							
	Pinset (Mtg.)	W-1949							
26.	3rd I. F. Transformer	32-3631							
	Pinset (Mtg.)	W-1949							
27.	Condenser (.05 mfd., 200 volts)	38-4818							
28.	Resistor (1,000 ohms)	33-218339							
29.	Resistor (1,000 ohms)	33-218339							
30.	Voltage Control	33-3435							
	Pinset (Mtg.)	W-2157							
30A.	Switch	(Part of 30)							
31.	Resistor (1,000 ohms)	33-218339							
32.	Resistor (1,000 ohms)	33-218339							
33.	Condenser (.004 mfd., 400 volts)	38-4878							
34.	Resistor (4.7 megohms)	33-547339							
35.	Condenser (.004 mfd., 400 volts)	38-4878							
36.	Micro Condenser (100 mmfd.)	60-116137							
37.	Resistor (1 megohm)	33-918339							
38.	Resistor (2.2 megohms)	33-22339							
39.	Condenser (.003 mfd., 1,000 volts)	38-4489							
40.	Output Transformer	32-4188							
41.	Case Assembly (for Resistor 38-4587)	38-4281							
42.	Condenser (.05 mfd., 200 volts)	38-4818							
43.	Battery Plug and Cable	41-3678							
44.	Automatic Power Change Over Switch	67-1858							
	Spacer	67-8174							
45.	Condenser (.2 mfd.) & Choke Assy.	78-1227							
46.	Resistor (1,500 ohms)	33-218339							
47.	Electrolytic Condenser	38-7488							
	Clamp	58-1452							
48.	Resistor (1,500 ohms)	33-218339							
49.	Resistor (1,500 ohms)	33-3424							



FOR OTHER CHANGES  
SEE INDEX

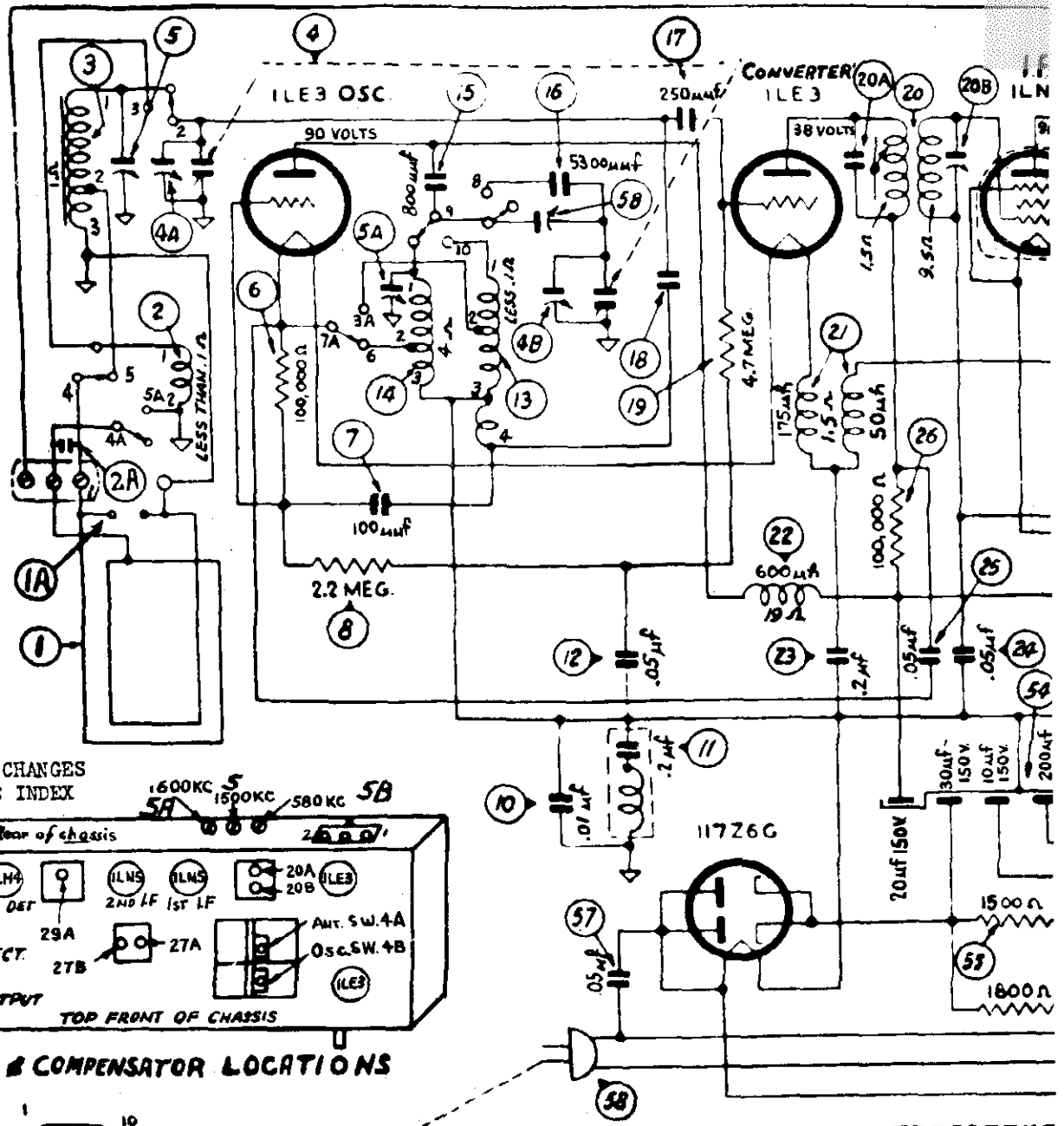
**Filament Resistor Change in Models 42-842, 843, 844, 853, 854**

In the above listed models, complaints may be received of a complete set of tubes testing weak. Replacement of the tubes restores normal operation for only a short time after which the same condition re-occurs.

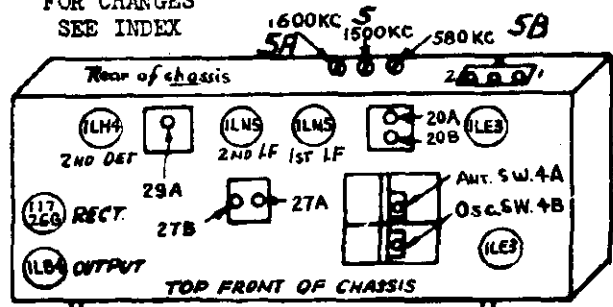
The condition is caused by the overheating of the series filament resistor shown as No. 49 in Service Bulletin No. 391 and as No. 56 in Service Bulletin No. 388. When the overheating takes place, the resistor breaks down, its resistance value decreases, thus allowing an increased filament current to the tubes with resulting damage to the filaments.

An entirely new replacement resistor is available — Part No. 33-3424. This resistor is considerably longer than the one now in the set and is equipped with a protecting cover. The resistor is mounted vertically over one of the original holes in the chassis with a suitable drive screw. The tab on the cover is soldered to the chassis. The longer leads which are required for the installation and which should be fireproof, and not ordinary rubber covered, are brought down through the large hole in the chassis. The other large hole should be plugged up with a spring button, such as Philco Part No. W2232.

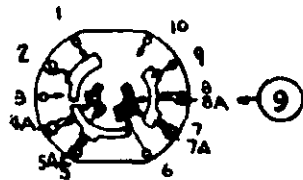
Although the Service Bulletin parts listing calls for resistor No. 33-218339, the number of the resistor which has been used is 33-3410. If a replacement is necessary, however, the new resistor No. 33-3424 should be used.



FOR CHANGES SEE INDEX



TUBE & COMPENSATOR LOCATIONS



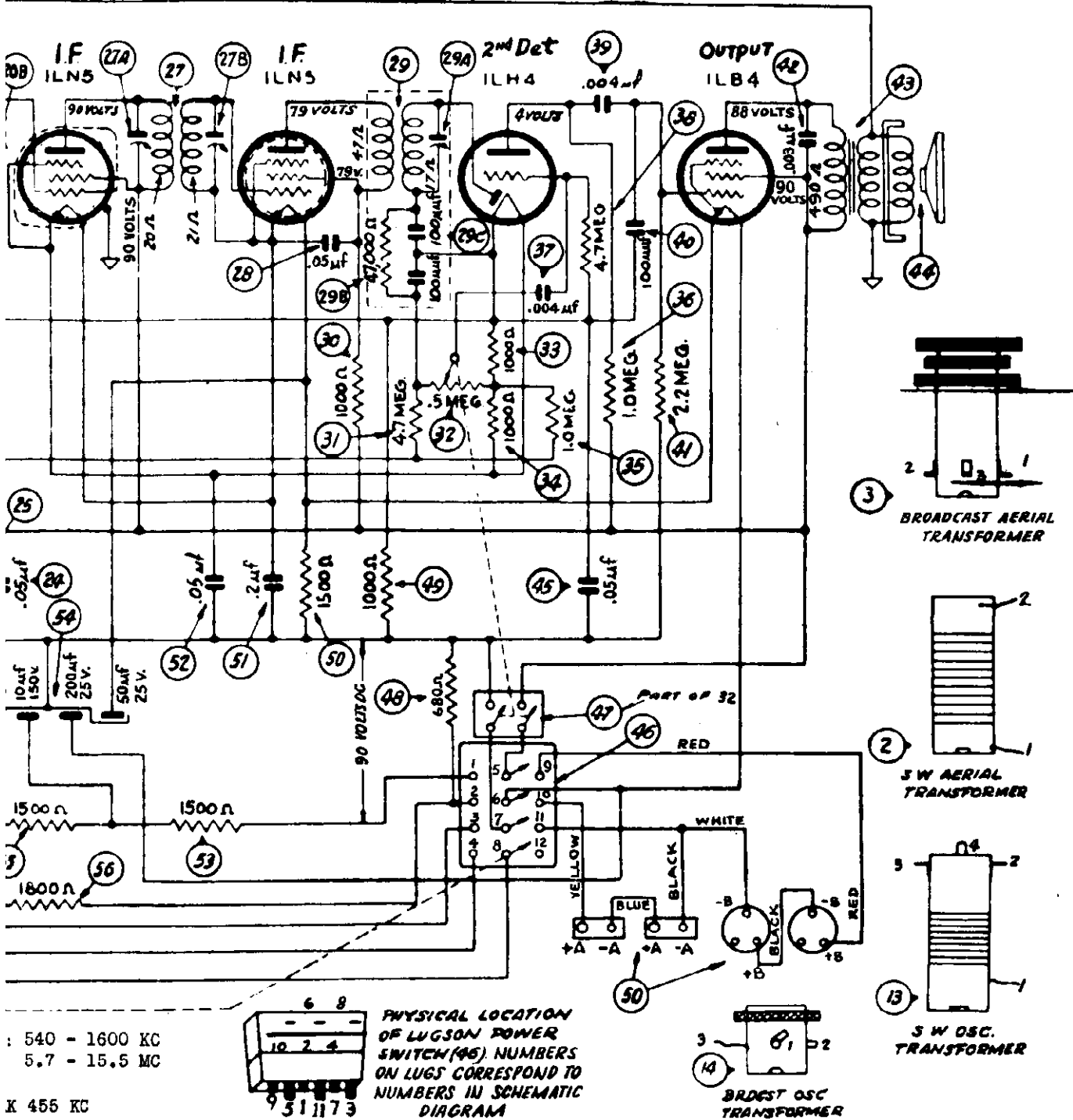
SWITCH SHOWN FROM REAR OF CHASSIS BOTTOM VIEW. IN POSITION NO.1 (BROADCAST) SHADED RING IS AT FRONT OF SWITCH WAFER AND SOLID RING IS AT REAR OF SWITCH WAFER.

TUNING RANGE: 540 - 5.7 -

IF PEAK 455 K

SCHE. No.	DESCRIPTION	PART No.	31-8427	33-410339	25. Condenser (.05 mfd., 200 volts)	30-4518
1.	Loop Aerial (42-853)	76-1278			26. Resistor (100,000 ohms)	33-410339
	Mtg. Screw	W-2071			27. 2nd I. F. Transformer	32-3681
1A.	External Loop Aerial Socket	27-6175			Mtg. Nut	W-198
	Aerial Transformer (S.W.)	32-3718			28. Condenser (1.05 mfd., 200 volts)	30-4519
	Mtg. Clip	28-5002			29. 3rd I. F. Transformer	32-3681
2A.	Mica Condenser 15 mmfd.	60-015137			29A. Compensator part of 29.	33-347339
3.	Aerial Transformer (Broadcast)	32-3717			29B. Resistor 47,000 ohms part of 29.	33-347339
	Mtg. Clip	23-5902			29C. Condenser (100 mmfd.) part of 29.	33-547339
4.	Tuning Condenser	31-2356			30. Resistor (1,000 ohms)	32-210339
	Mtg. Spacer	28-5685			31. Resistor (4.7 megohms)	33-547339
	Mtg. Grammat	27-5496			32. Volume Control	33-547339
	Tuning Shaft	56-6136			Mtg. Nut	W-2157
	"C" Washer	28-5880			33. Resistor (1,500 ohms)	33-210339
	Pointer (Dial)	27-4868			34. Resistor (15,000 ohms)	33-210339
	Spring (Cond. Drive)	28-8882			35. Resistor (1 megohm)	33-510339
	Drive Card	31-2546			36. Resistor (1 megohm)	33-510339
	Washer Mtg. Cond.	W-131			37. Condenser (.004 mfd., 400 volts)	30-4578
	Lockwashers Mtg. Cond.	W-388			38. Resistor (4.7 megohms)	33-547339
	Ser. Mtg. Cond.	W-523			39. Condenser (.004 mfd., 400 volts)	30-4578
	Nuts Mtg. Cond.	W-1543			40. Mica Condenser (100 mmfd.)	60-110157
5.	Compensator (Brdest. Aerial Trans.)		31-8427			
6.	Resistor (100,000 ohms)		33-410339			
7.	Mica Condenser (100 mmfd.)		60-110157			
8.	Resistor (2.2 megohms)		33-522339			
9.	Band Switch		42-1670			
	Mtg. Nut		W-2157			
10.	Condenser (.01 mfd., 400 volts)		30-4572			
11.	Condenser (.2 mfd. and R. F. choke)		76-1227			
12.	Condenser (.05 mfd., 200 volts)		30-4519			
13.	Resistor (2.2 megohms)		32-3720			
14.	Oscillator Transformer (S. W.)		32-3719			
15.	Mica Condenser (800 mmfd.)		60-110157			
16.	Mica Condenser (5300 mmfd.)		60-253224			
17.	Mica Condenser (250 mmfd.)		60-125157			
18.	Condenser, Consisting of a lug mounted on contact 2, Band Switch					
19.	Resistor (4.7 megohms)		33-547339			
20.	1st I. F. Transformer		32-3620			
21.	Filament Choke		32-3632			
22.	Oscillator Plate Choke		32-3615			
23.	Condenser (.2 mfd., 200 volts)		30-4536			
24.	Condenser (.05 mfd., 200 vpt)		30-4519			

& TELEVISION CORP

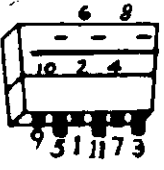


: 540 - 1600 KC  
5.7 - 15.5 MC

K 455 KC

30-4519	41.	Resistor (2.2 megohms)	33-522339
33-410339	42.	Condenser (.003 mfd., 1,000 volts)	38-4489
32-3621	43.	Output Transformer	32-8169
W-1949	44.	Cone Assembly (for speaker 36-1540-3)	38-4205
30-4519	45.	Condenser (.05 mfd., 200 volts)	30-4519
32-3631	46.	Battery and Powerline Changer	
33-347339		Switch	42-1650
		Mtg. Spacers	57-0194
		Screws	W-1395
			57-0194
33-210339	47.	OFF-ON Switch (part of 32)	
33-547339	48.	Resistor (800 ohms)	33-168336
33-5436	49.	Resistor (1,000 ohms)	33-210339
W-2157	50.	Resistor (1,500 ohms)	33-215339
33-210339	51.	Condenser (.2 mfd., 200 volts)	30-4587
33-210339	52.	Condenser (.05 mfd., 200 volts)	30-4519
33-510339	53.	Resistor (1500 ohms)	33-215339
33-510339	54.	Electrolytic Condenser	
30-4578		10 mfd.-150 volts; 20 mfd.-150 volts	
33-547339		30 mfd.-150 volts; 50 mfd.-25 volts	
30-4578		200 mfd.-25 volts	
60-110157	55.	Clamp (Mtg. Elect. Cond.)	30-2498
		Resistor (1,500 ohms)	56-1452
			33-215339

PHYSICAL LOCATION OF LUGSON POWER SWITCH (45) NUMBERS ON LUGS CORRESPOND TO NUMBERS IN SCHEMATIC DIAGRAM

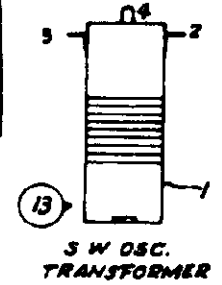
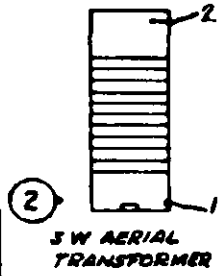
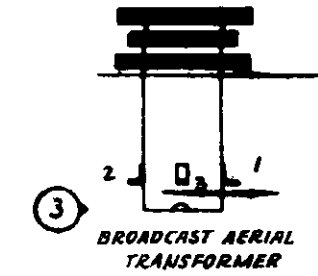


POWER SUPPLY: For battery operation two Philco "A" batteries type P-100 and two Philco "B" batteries type P-200 are required. When operating these radios with the batteries wrap the power line cord around its holder clamp on the back of the cabinet and insert the plug end into the socket provided on the chassis. To operate on a 115 volt A.C. or D.C. power supply, remove the power line cord plug from the socket on the chassis and insert it into a power receptacle.

56.	Resistor (1,800 ohms)	33-218339
57.	Condenser (.05 mfd., 400 volts)	30-4518
58.	Power Cord (A.C.-D.C.)	L-3199
59.	Battery Cable	41-3570

MISCELLANEOUS

Cabinet 42-853	10537B
Cabinet 42-854	10538B
Clamp (Battery)	56-2178
Screw	W-527
Nut	W-2261



Dial Scale	27-8729
Washer	W-3093
Screws	W-453
Knobs	27-4970
Lock (42-853 Cabinet)	45-6184
Key	45-6203
Socket (Tubes)	27-6177
Rivets	W-239
Socket (1st I. F. Tube)	27-6174
Rubber Washer (Mtg. socket)	27-4112
Rubber Grommets	27-4707
Adapter Plate (Mtg. Socket)	56-2112
Stud	56-6120
Speaker	36-1540

PHILCO RADIO & TELEVISION CORP. MODELS 42-842, 42-843, 42-844  
MODELS 42-853, 42-854

CONNECTING ALIGNING INSTRUMENTS

**AUDIO OUTPUT METER:** If an audio output meter is used, connect it across the plate and screen terminals of the output tubes. Adjust the meters to use the 0 to 10 scale. Terminal No. 1 on the rear of the chassis which connects to the speaker is also provided for connecting the audio output meter. If this terminal is used, the lowest scale of the meter should be used when aligning.

**VACUUM TUBE VOLTMETER:** If a vacuum tube voltmeter is used as an aligning indicator, the negative (-) terminal is connected to the A. V. C. circuit of the receiver through a 2 megohm resistor. The positive (+) terminal is connected to the chassis or ground.

**SIGNAL GENERATOR:** When adjusting the "I. F." padders the high side of the signal generator is connected through a .1 mfd. condenser to the loop tuning condenser stator lug which connects to the grid of the first detector tube. The ground or low side of the signal generator is connected to the chassis of the receiver.

When aligning the R. F. padders of the portable models a loop aerial is made from a few turns of wire and connected to the signal generator output terminals. The signal generator is then placed a few feet from the set. The loop aerial of the receiver should be assembled in the cabinet together with the battery when adjusting the R. F. padders.

MODELS 42-842, 42-843, 42-844

These models may be adjusted when operated by battery or 115 volts A.C.-D.C. power.

Operations In Order	SIGNAL GENERATOR		RECEIVER			SPECIAL INSTRUCTIONS
	Output Connections to Receiver	Dial Setting	Dial Setting	Control Setting	Adjust Compensators	
1	See Paragraph on Signal Generator above	465 K.C.	540 K.C.	Vol. Max.	26A, 25A, 25B, 15A, 15B	Note A
2	Use Loop on Generator as above	1500 K.C.	1500 K.C.	Vol. Max.	4B, 4A	
3	Use Loop on Generator as above	580 K.C.	580 K.C.	Vol. Max.	7A, Note B	Roll Tuning Condenser to Max.
4	Use Loop on Generator as above	Repeat Operation 2	Repeat Operation 2	Repeat Operation 2		

**NOTE A: DIAL CALIBRATION** — Before adjusting the R. F. padders the dial must be aligned to track properly with the tuning condenser. To adjust the dial proceed as follows: With the tuning condenser in the closed position (maximum capacity), set the dial pointer on the small dot below 540 K.C.

**NOTE B** — Roll tuning condenser as compensator 7A is being adjusted until maximum output is indicated on output meter.

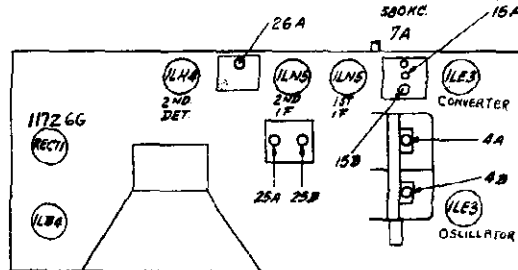


FIG. 1. LOCATIONS OF COMPENSATORS.

MODELS 42-853, 42-854

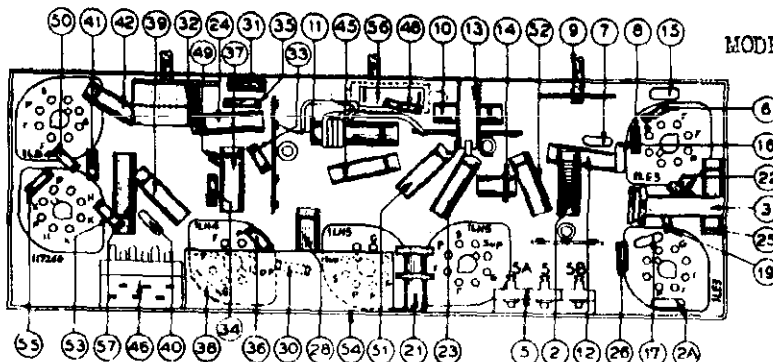
These models may be adjusted when operated by battery or 115 volts A.C.-D.C. power.

Operations In Order	SIGNAL GENERATOR		RECEIVER			SPECIAL INSTRUCTIONS
	Output Connections to Receiver	Dial Setting	Dial Setting	Control Setting	Adjust Compensators	
1.	See paragraph on Signal Generator above	465 K.C.	540 K.C.	Vol. Max. Band—Broadcast	20A, 20B, 27A, 27B, 29A	Note A
2.	Loop on Generator	15 mc.	15 mc.	Band—S.W.	4B, 4A	Note B
3.	Loop on Generator	1600 K.C.	1600 K.C.	Band—Broadcast	5A	
4.	Loop on Generator	1500 K.C.	1500 K.C.	Band—Broadcast	5	Note C
5.	Loop on Generator	580 K.C.	580 K.C.	Band—Broadcast	5B	Roll Tuning Condenser
	Repeat operation 3					

**NOTE A: DIAL CALIBRATION** — Before adjusting the R. F. padders the dial must be aligned to track properly with the tuning condenser. To adjust the dial proceed as follows: With the tuning condenser in the closed position (maximum capacity), set the dial pointer on the small dot below 540 K.C.

**NOTE B:** When adjusting the S. W. oscillator compensator be sure to tune in the fundamental signal (15 mc.) instead of the image signal. If the compensator is correctly adjusted, the image signal will be found by turning the signal generator dial 910 mc. below the fundamental signal which will be 14,090 mc.

**NOTE C:** To adjust the aerial compensator (5) to maximum, first set signal generator to 1500 K.C., then tune in this signal on the radio. The aerial compensator is then adjusted to maximum output.



MODELS 42-853, 42-854

LOCATION OF PARTS, UNDERSIDE OF CHASSIS



MODEL 42-1001(121,122)

MODELS 42-1012,42-1013 PHILCO RADIO &amp; TELEVISION CORP.

**MODEL 42-1001(121,122) CONNECTING ALIGNING INSTRUMENTS**

**AUDIO OUTPUT METER:** If this type of aligning meter is used, connect it to the voice coil terminals of the speaker or from the plate of the 50L6GT tube to "B" (-) negative. Adjust the meter for the 0 to 10 volt scale.

The left terminal on the terminal panel at rear is also provided for connecting the audio output meter. If this terminal is used, the lowest A.C. scale of the meter should be used when aligning.

**VACUUM TUBE VOLTMETER:** To use the vacuum tube voltmeter as an aligning indicator, make the following connections: Attach the negative (-) terminal of the voltmeter to any point in the circuit where the A. V. C. voltage can be obtained. Connect the positive (+) terminal of the vacuum tube voltmeter to the chassis.

**SIGNAL GENERATOR:** When adjusting the I. F. padders, the high side of the signal generator is connected through a .1 mfd. condenser

to the antenna section of the tuning condenser. Connect the ground or low side of the generator to the chassis.

When aligning the R. F. padders a loop is made from a few turns of wire and connected to the signal generator output terminals; the signal generator is then placed close to the loop of the radio.

The receiver can be adjusted in the cabinet or removed from the cabinet.

When adjusting the radio outside the cabinet the loop aerial should be placed in approximately the same position around or near the chassis as when assembled.

After connecting the aligning instruments adjust the compensators as shown in the tabulation below. Locations are shown on Schematic.

If the indicating meter pointer goes off scale when adjusting the compensators, reduce the strength of the signal from the generator.

Operations in Order	SIGNAL GENERATOR		RECEIVER			SPECIAL INSTRUCTIONS
	Output Connections to Receiver	Setting Dial	Dial Setting	Control Setting	Adjust Compensators in Order	
1	Ant. Section of tuning	455 K.C.	540 K.C. Tuning Cond. Closed	Vol Max.	12A, 12B, 10A, 10B	Note B
2	Loop see above instructions	1600 K.C.	1600 K.C.	Vol Max.	(7B, Note C)	Note A
3	Loop see above instructions	1500 K.C.	1500 K.C.	Vol Max.	(7A, Note D)	

**NOTE A: DIAL POINTER CALIBRATION** — In order to adjust the receiver correctly, the pointer must be adjusted to track properly with the tuning condenser. To do this, turn the tuning condenser to the maximum capacity (plates fully meshed). With the condenser in this position, set the tuning pointer on the first small line stamped in the scale plate on the left side. If adjusted in the cabinet, set the dial pointer to the mark on dial scale below 540 K.C.

**NOTE B** — Before adjusting compensators, turn down (10B) to tight position. Then adjust the compensators for maximum output in the following order: 12A, 12B, 10A and 10B.

**NOTE C** — Turn tuning condenser until dial pointer is on the first small line stamped in the scale plate from right side of chassis. Adjust padder (7B) to maximum at this point. If the radio is adjusted in the cabinet, set dial pointer to 1600 K.C. If adjusted in the cabinet, set the dial pointer to 1600 K.C.

**NOTE D** — Turn tuning condenser until dial pointer is on the second small line stamped in the scale plate from right side of chassis. Adjust padder (7A) to maximum at this point. If adjusted in cabinet, set pointer to 1500 K.C. on dial.

**MODELS 42-1012, 42-1013, CODE 121 EXTERNAL AERIAL CONNECTIONS**

The built-in aerial system is designed to operate without an outside aerial or ground and to give exceptionally high receiving performance of stations in the standard, shortwave, or FM bands.

To operate the radio in steel reinforced buildings and other shielded locations where signal strength is weak, an external aerial is recommended. Three different types of aerial combinations are available, to improve reception on the standard, shortwave, or FM bands.

**1—For Additional Sensitivity on Frequency Modulation only:**

\*Philco Dipole Outdoor Aerial, Part No. 45-2926.

The plug at the end of the transmission line is inserted in the socket of the back of the chassis in place of the plug connected to the F. M. loop in the cabinet.

**2—For Additional Sensitivity on ALL ranges:**

\*Philco Dipole Outdoor Aerial, Part No. 45-2926.

Philco Aerial Coupler, Part No. 45-1361.

The coupler plugs into the socket at the back of the chassis in place of the plug connected to the F. M. loop. The aerial trans-

mission line then connects to the terminals on the coupler marked "red" and "black." The local-distance switch on the coupler connects or disconnects the outdoor aerial from the standard broadcast and shortwave tuning ranges. The dipole remains connected to the F. M. band regardless of the position of the switch.

**3—For Additional Sensitivity on Standard Broadcast and Shortwave only in Areas where F. M. reception is not available.**

Philco Safety Aerial, Part No. 40-6370.

Philco Aerial Coupler, Part No. 45-1361

Connect the single wire lead-in of the aerial to the "black" terminal on the aerial coupler.

\*Accessories for this aerial are the Philco Aerial Mast Kit, the Philco Reflector Kit and Philco High Efficiency Transmission Line. See Service Bulletin No. 396 on Dipole Aerials.

**NOTE:** When installing the F. M. Philco Outdoor Dipole Aerial, it is very important that the aerial compensating condensers of the standard and shortwave band are repadded.

**ELECTRIC PUSH-BUTTON ADJUSTMENTS**

The electric push button tuning mechanism consists of ten push buttons. Five push buttons control and select power supply, broadcast, police and shortwave bands and phonograph operation. The remaining five push buttons are used for automatically selecting five standard broadcast stations.

Select five of the most popular stations received in the locality. Insert the station call letters into the spaces above the buttons. The station with the lowest frequency is placed in the second button from the left and the highest frequency is placed in the sixth push button from the left. Each push button is adjusted by two adjusting screws located on the rear of the chassis. Each set of screws is numbered and labeled "Ant." "Osc." and covers a frequency range as shown in Fig. 5.

Looking at the front of the cabinet, the second button from the left is adjusted by adjusting screws No. 1. The next push button by adjusting screws No. 2, and the remaining push buttons in order.

To adjust the electric push buttons accurately for reception of broadcast stations, a vacuum tube voltmeter such as Philco Models 027 and 028 should be used. In addition, an insulated padding screw driver, Part No. 45-2610, and a Philco Model 070 signal generator are required. With this equipment at hand proceed as follows:

1. Press in "Broadcast" push button.

2. Set up a Model 070 Signal Generator near the receiver and connect a loop aerial (made from a few turns of wire, 12 inches in diameter) to the high and ground output jacks of the signal generator. Turn the output controls to maximum and set the modulation control to "MOD. ON"

Connect the negative (-) terminal of the vacuum tube voltmeter to the aligning test socket at the rear of the chassis. Attach the positive (+) terminal of the voltmeter to the chassis.

3. Manually tune in the station to be set up on the first station push button. After doing this set the indicator of the 070 Signal Generator to the frequency of the station being received. As the indicator approaches the frequency of the station a whistle will be heard; leave the indicator at this point.

4. Press "In" the second push button from the left of cabinet. Using the insulated screw driver, turn the No. 1 "Osc." screw until the broadcast station identified by the signal generator is heard; at this point, turn the indicator of the signal generator away from the frequency of the station. Readjust No. 1 "Osc." and "Ant." screws for maximum deflection of the vacuum tube voltmeter pointer.

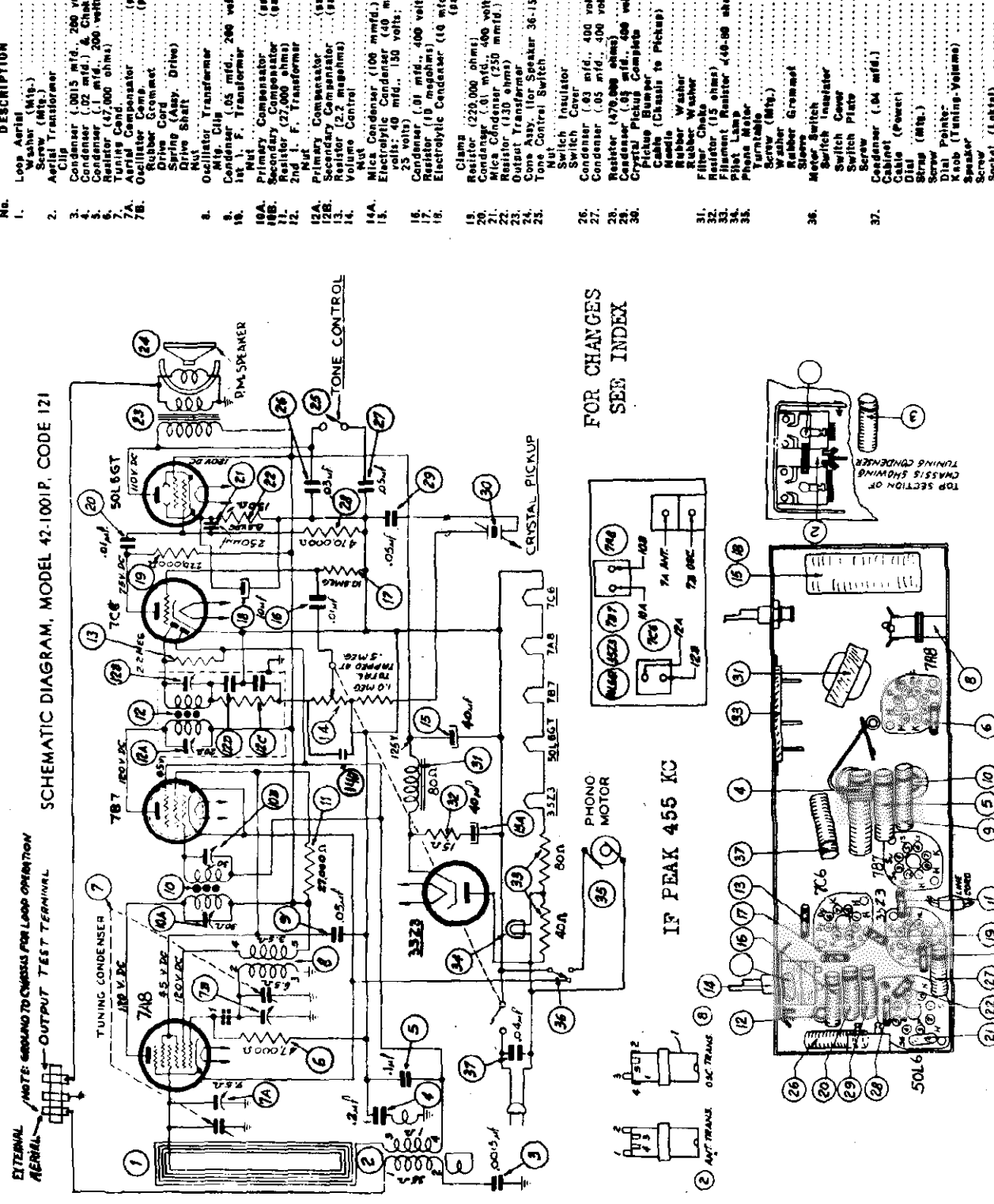
After setting up the first station the same procedure as outlined above is used for the remaining stations. When these models are set up to receive the sound of a television program tuned in by the special type Philco Television Sets or if it is to be used in conjunction with a Philco Record Player, the lowest frequency push button should be used. To tune in these programs, the same procedure as given for broadcast stations above is used.

Further details for setting up these radios for operation with Philco Television Sets or Record Players are supplied with the instruments.

PHILCO RADIO & TELEVISION CORP.

SCHEM. No.	DESCRIPTION	PART No.
1.	Loop Aerial	76-1224
	Washer (Mtg.)	W-152
	Screw (Mtg.)	W-188
2.	Aerial Transformer	32-3384
	Clip	28-5802
3.	Condenser (.0015 mfd., 200 volts)	30-4535
4.	Condenser (.02 mfd., 200 volts)	30-4536
5.	Condenser (.05 mfd., 200 volts)	30-4537
6.	Resistor (47,000 ohms)	30-4538
7.	Tuning Cond.	33-34733R
7A.	Aerial Compensator (part of 7)	
7B.	Oscillator Comp. (part of 7)	
	Rubber Grommet	27-4518
	Drive Cord	31-2829
	Drive Shaft	30-2834
	Nut	30-2831
	Washer	W-2137
8.	Oscillator Transformer	32-3542
9.	Mtg. Clip	28-5802
10.	Condenser (.05 mfd., 200 volts)	30-4518
10A.	Primary Compensator (part of 10)	
10B.	Secondary Compensator (part of 10)	
11.	Resistor (27,000 ohms)	32-3683
12.	2nd I. F. Transformer	W-1848
	Nut	33-32733B
12A.	Primary Compensator (part of 12)	
12B.	Secondary Compensator (part of 12)	
13.	Vacuum Control	32-3604
14.	Mica Condenser (100 mmfd.)	33-8437
15.	Electrolytic Condenser (40 mfd., 150 volts)	30-2501
16.	Electrolytic Condenser (10 mfd., 25 volts)	30-4572
	Resistor (10 megohms)	33-61033B
19.	Glans	55-2728
20.	Resistor (220,000 ohms)	33-42333B
21.	Mica Condenser (250 mmfd.)	30-4572
22.	Resistor (130 ohms)	60-125157
23.	Output Transformer	33-113136
24.	Cryst. Pickups Complete	32-8164
25.	Cryst. Pickups Complete	36-4199
26.	Switch Insulator	42-1582-2
27.	Switch Cover	W-682
28.	Condenser (.03 mfd., 400 volts)	32-8164
29.	Condenser (.05 mfd., 400 volts)	30-4517
30.	Resistor (470,000 ohms)	30-4518
31.	Resistor (15 ohms)	33-44733B
32.	Crystal Pickups Complete	35-2515
33.	Cryst. Pickups Complete	54-4878
34.	Cryst. Pickups Complete	41-3571
35.	Cryst. Pickups Complete	48-6456
36.	Cryst. Pickups Complete	54-4885
37.	Cryst. Pickups Complete	32-8164
38.	Cryst. Pickups Complete	32-8164
39.	Cryst. Pickups Complete	33-81533B
40.	Cryst. Pickups Complete	33-3468
41.	Cryst. Pickups Complete	34-2685
42.	Cryst. Pickups Complete	35-1285-2
43.	Cryst. Pickups Complete	35-3847-2
44.	Cryst. Pickups Complete	W-333
45.	Cryst. Pickups Complete	W-151
46.	Cryst. Pickups Complete	27-4518
47.	Cryst. Pickups Complete	28-5802
48.	Cryst. Pickups Complete	42-1581
49.	Cryst. Pickups Complete	27-9785
50.	Cryst. Pickups Complete	56-2189
51.	Cryst. Pickups Complete	56-1783
52.	Cryst. Pickups Complete	W-569
53.	Cryst. Pickups Complete	38-4119
54.	Cryst. Pickups Complete	10535A
55.	Cryst. Pickups Complete	L-3198
56.	Cryst. Pickups Complete	27-3848
57.	Cryst. Pickups Complete	W-2148
58.	Cryst. Pickups Complete	56-2075
59.	Cryst. Pickups Complete	54-4882
60.	Cryst. Pickups Complete	36-1541
61.	Cryst. Pickups Complete	W-2154
62.	Cryst. Pickups Complete	27-8177
63.	Cryst. Pickups Complete	W-239
64.	Cryst. Pickups Complete	27-8174

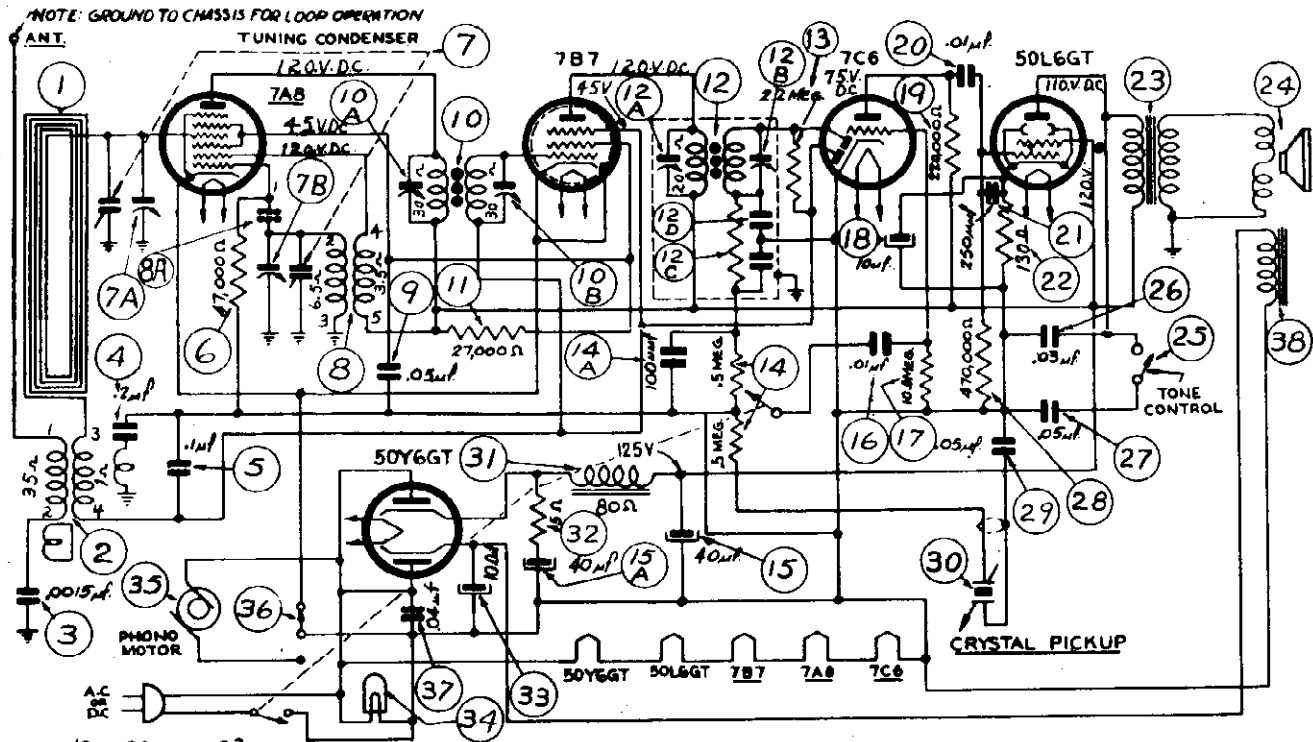
SCHEMATIC DIAGRAM, MODEL 42-1001P, CODE 121



PHILCO

MODEL 42-1001(122)

PHILCO RADIO & TELEVISION CORP.

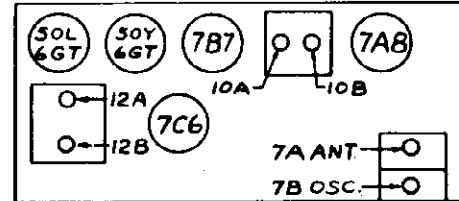


SCHEMATIC DIAGRAM MODEL 42-1001, CODE-122

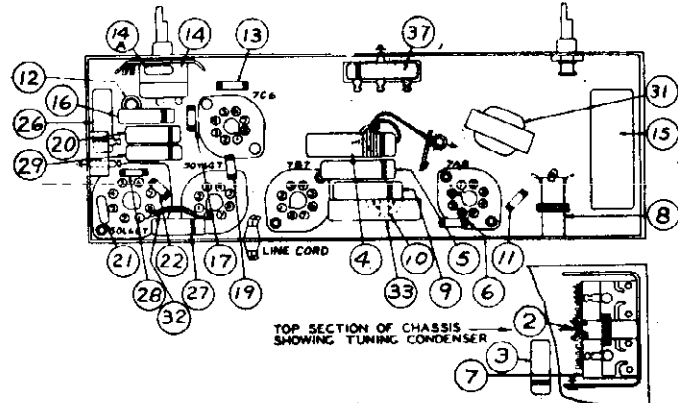
IF PEAK 455 KC

REPLACEMENT PARTS

Schem. No.	Description	Part No.	Description	Part No.	Description	Part No.
1.	Loop Aerial	75-1224	Filter Choke	32-8168	Speaker	35-1878
	Washer (Mtg.)	W-152	Resistor (15 ohms)	33-815339	Screw	W-2158
	Screw (Mtg.)	W-188	Electrocond (10 mfd.)	30-2396	Socket (Lektal)	27-6177
2.	Aerial Transformer	32-3394	Pilot Lamp	34-2477	Rivet	W-239
	Clis	28-5002	Phono Motor	27-4596-2	Socket (50L6GT Tube)	27-6174
3.	Condenser (.0015 mfd., 200 volts)	38-4621	Turntable	35-3047-2	Socket Assembly (Pilot Lamp)	76-1282
4.	Condenser (.02 mfd.) & Choke Assy.	78-1181	Screw (Mtg.)	W-333	Washer (Chassis Mtg.)	W-418
5.	Condenser (.1 mfd., 200 volts)	38-4885	Washer	W-151	Screw (Chassis Mtg.)	W-2063
6.	Resistor (47,000 ohms)	33-347339	Rubber Grommet	27-4596		
7.	Tuning Coil	31-2527	Sleeve	28-5365		
7A.	Aerial Compensator (part of 7)		Motor Switch	42-1651		
7B.	Oscillator Comp. (part of 7)		Switch Insulator	27-9705		
	Rubber Grommet	27-4610	Nut	W-684		
	Drive Cord	31-2529	Switch Cover	56-2109		
	Spring (Assy. Drive)	28-8954	Switch Plate	56-1783		
	Drive Shaft	W-2157	Screw	W-560		
	Nut	32-3562	Condenser (.04 mfd.)	30-4119		
8.	Oscillator Transformer	32-3562	3K. Speaker field coil (Replace speaker 36-1570)	36-1570		
	Mtg. Clis	28-5002	Cabinet	10535A		
8A.	Wire capacity (part of 8)		Cable (Power)	L-3189		
9.	Condenser (.05 mfd., 200 volts)	30-4519	Dial	27-5679		
10.	1st I. F. Transformer	32-3503	Strap (Mtg.)	56-2068		
	Nut	W-1919	Screw	W-2158		
10A.	Primary Compensator (part of 10)		Dial Pointer	56-2076		
10B.	Secondary Compensator (part of 10)		Knob (Tuning-Volume)	54-4052		
11.	Resistor (27,000 ohms)	33-327339				
12.	2nd I. F. Transformer	32-3604				
	Nut	W-1919				
12A.	Primary Compensator (part of 12)					
12B.	Secondary Compensator (part of 12)					
13.	Resistor (2.2 megohms)	33-522339				
14.	Volume Control	33-5437				
	Nut	W-2157				
14A.	Mica Condenser (100 mmfd.)	68-110157				
15.	Electrolytic Condenser (40 mfd., 150 volts; 40 mfd., 150 volts; 10 mfd., 25 volts)	30-2501				
16.	Condenser (.01 mfd., 400 volts)	38-4572				
17.	Resistor (10 megohms)	33-618339				
18.	Electrolytic Condenser (10 mfd.) (part of 18)	33-522339				
	Clamp	56-2229				
19.	Resistor (220,000 ohms)	33-422339				
20.	Condenser (.01 mfd., 400 volts)	38-4572				
21.	Mica Condenser (250 mmfd.)	68-125157				
22.	Resistor (130 ohms)	35-713356				
23.	Output Transformer	32-8164				
24.	Cone Assy. (for speaker)	36-4210				
25.	Tone Control Switch	42-1562-2				
	Nut	W-684				
	Switch Insulator	27-9705				
	Switch Cover	56-1880				
26.	Condenser (.03 mfd., 400 volts)	30-4517				
27.	Condenser (.05 mfd., 400 volts)	33-618339				
28.	Resistor (470,000 ohms)	33-447339				
29.	Condenser (.05 mfd., 400 volts)	30-4518				
30.	Crystal Pickup Complete	35-2515				
	Pickup Bumper	54-1070				
	Cable (Chassis to Pickup)	41-3571				
	Needle	40-6158				
	Rubber Washer	54-4086				
	Rubber Washer	54-4085				
	Washer	W-894FA1				



Compensator Locations



Locations of Parts—Under Chassis

PHILCO RADIO & TELEVISION CORP. MODEL 42-1002(121,122)

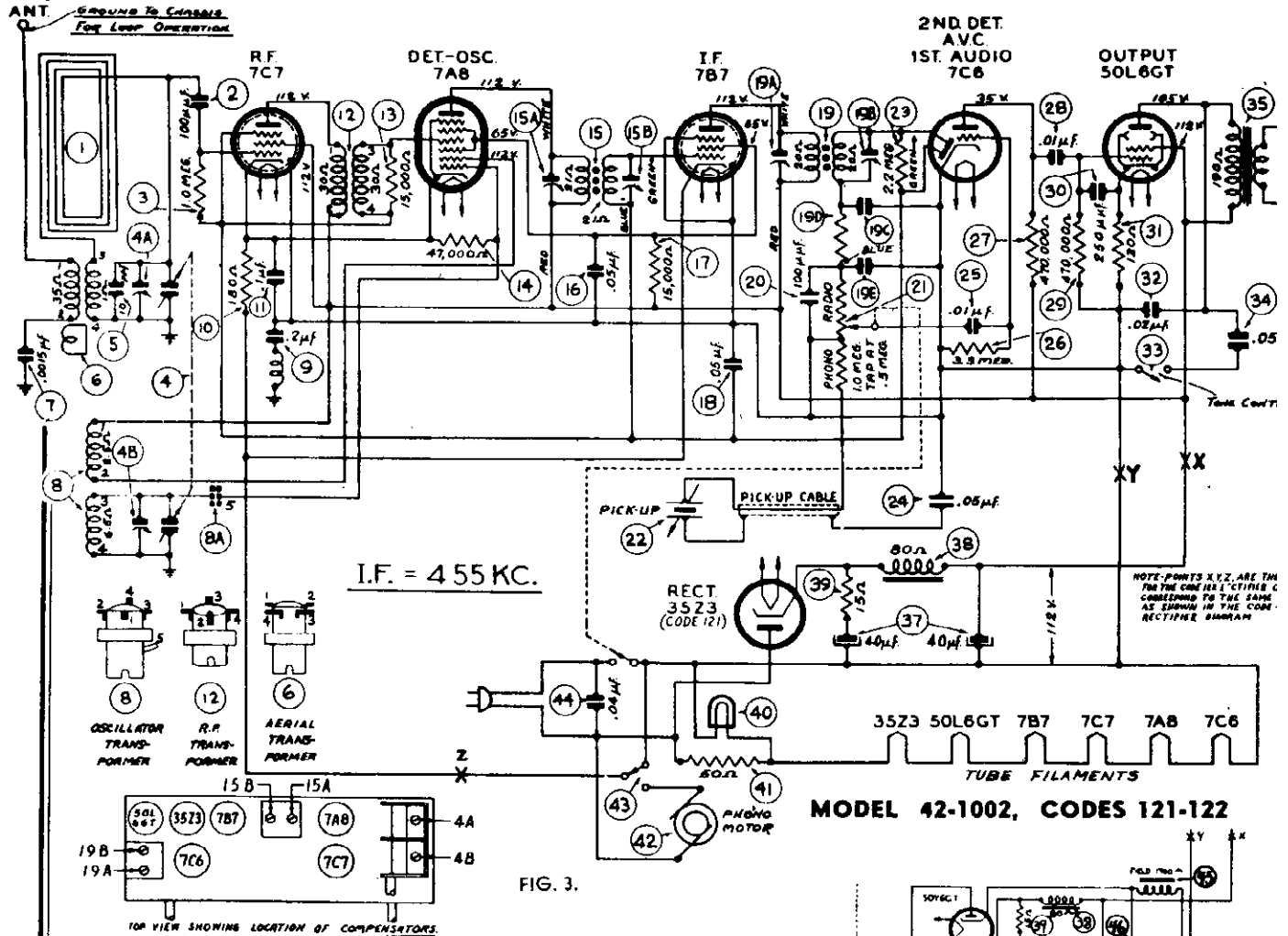


FIG. 3.

MODEL 42-1002, CODES 121-122

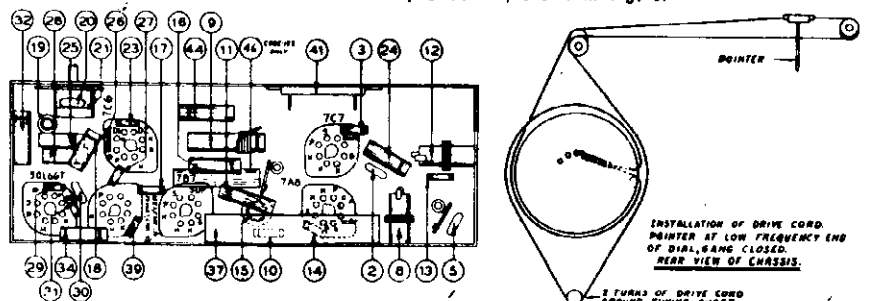
REPLACEMENT PARTS

Schem. No.	Description	Part No.
1.	Loop Aerial	76-1224
2.	Mtg. Screw	W-333
3.	Mica Condenser (100 mmfd.)	60-118157
4.	Resistor (1 megohm)	33-510339
5.	Tuning Condenser	31-2543
6.	Tuning Shaft	31-2504
7.	Nut	W-604
8.	Drive Cord	31-2545
9.	Spring (Drive Cord)	26-0954
10.	Pin (for Drive Cord)	36-2076
11.	Mtg. Grammet (Condenser)	27-4610
12.	Mica Condenser (10 mmfd.)	60-010137
13.	Aerial Transformer	32-3394
14.	Mtg. Clip	28-5002
15.	Condenser (.0015 mfd., 600 volts)	30-4621
16.	Oscillator Transformer	32-3613
17.	Mtg. Clip	28-5002
18.	Condensers (.2 mfd. & Choke)	76-1198
19.	Resistor (180 ohms)	33-118336
20.	Condenser (.1 mfd., 200 volts)	61-0104
21.	R.F. Transformer	32-3595
22.	Mtg. Clip	28-5002
23.	Resistor (15000 ohms)	33-315339
24.	Resistor (47000 ohms)	33-347339
25.	1st I.F. Transformer	32-3514
26.	Condenser (.85 mfd., 200 volts)	30-4519
27.	Resistor (15000 ohms)	33-315339
28.	Condenser (.05 mfd., 200 volts)	30-4519
29.	2nd I.F. Transformer	32-3604
30.	Mtg. Nut	W-624
31.	Mica Condenser (100 mmfd.)	60-118157
32.	Volume Control	33-5482
33.	Mtg. Nut	W-2157
34.	Crystal Pickup and Tone Arm Complete	35-2524
35.	Rubber Bumper	54-4070
36.	Rubber Mtg. Grammet	54-4096
37.	Rubber Mtg. Grammet	54-4096
38.	Lockwasher	97-8140
39.	Washer	W-394
40.	Net	W-628
41.	Pickup Cable	41-3571
42.	Resistor (2.2 megohms)	33-522339
43.	Condenser (.05 mfd., 200 volts)	30-4519
44.	Condenser (.01 mfd., 400 volts)	30-4572
45.	Resistor (3.3 megohms)	33-535339
46.	Resistor (47000 ohms)	33-447339
47.	Condenser (.85 mfd., 200 volts)	30-4572
48.	Condenser (.05 mfd., 400 volts)	30-4572
49.	Resistor (47000 ohms)	33-447339
50.	Mica Condenser (250 mmfd.)	60-125157
51.	Resistor (130 ohms)	33-113336
52.	Condenser (.02 mfd., 400 volts)	30-4516

FOR CHANGES SEE INDEX

FIG. 1. RECTIFIER CIRCUIT—MODEL 42-1002, CODE 122

Points "X", "Y", "Z" correspond to the connections with the same letters in the rectifier circuit for Model 42-1002, Code 121, shown in Fig. 3.



33.	Tone Control Switch	42-1542-2	40.	Pilot Lamp	34-24
34.	Switch Plate	56-1783	41.	Socket Assembly (Pilot Lamp)	78-12
35.	Mtg. Screw	W-580	42.	Filament Resistor (Code 121 only)	33-34
36.	Mtg. Nut	W-604	43.	Phonograph motor (115 volts, 50 cycle operation)	36-12
37.	Switch Cover	56-1880	44.	Spring Collar (for 115 volts, 50 cycle operation)	28-89
38.	Condenser (.05 mfd., 400 volts)	30-4518	45.	Rubber Grammet	27-48
39.	Output Transformer (Code 121— for Speaker 36-1547)	32-8219	46.	Mtg. Sleeve	36-30
40.	Output Transformer (Code 122— for Speaker 36-1571)	32-8219	47.	Mtg. Washer	W-18
41.	Speaker (Code 121)	36-1547	48.	Mtg. Screw	W-33
42.	Speaker (Code 122)	36-1571	49.	Motor Switch	42-161
43.	Cone assembly (for speaker 36-1547)	36-4211	50.	Switch Cover	56-216
44.	Cone assembly (for speaker 36-1571)	36-4221	51.	Condenser (.04 mfd., 400 volts)	30-411
45.	Electrolytic Condenser (40-40 mfd.)	30-2507	52.	Field Coil (Code 122 only— replace speaker 36-1571)	
46.	Mtg. Clip	56-1486	53.	Electrolytic Condenser (Code 122 only) (10 mfd., 150 volts)	30-234
47.	Filter Choke	32-8174			
48.	Resistor (15 ohms)	33-615430			

MODEL 42-1002(121,122)  
 MODEL 42-1003(121,122)

PHILCO RADIO & TELEVISION CORP.

**MODEL 42-1002, CODES 121-122**

MODEL 42-1002, Codes 121-122 are six tube alternating current operated superheterodyne radio-phonograph combinations. In general Codes 121 and 122 of this model are similar in design with the exception of the speakers, rectifier tubes and rectifier circuits. Code 121 contains a six-inch permanent magnet dynamic speaker and a type 35Z3 rectifier tube. The complete schematic diagram for code 121 is shown. Code 122 chassis incorporates a six-inch electrodynamic speaker and a type 50Y6GT rectifier tube. The rectifier circuit for code 122 is shown.

**RADIO SECTION**

Features of design included in the radio are: Built-in loop aerial; automatic volume control; beam power pentode audio output; two position tone control; Philco LOKTAL tubes; and a Permanent Magnet Speaker.

**TUNING RANGE FREQUENCY:** 540 to 1600 K.C.

**INTERMEDIATE FREQUENCIES:** 455 K.C.

**AUDIO OUTPUT:** 1.5 watts.

**POWER SUPPLY:** 115 volts, 60 cycle A.C.

**SIGNAL GENERATOR:** When adjusting the I. F. padders, the high side of the signal generator is connected through a .1 mfd. condenser to the antenna section of the tuning condenser. Connect the ground or low side of the generator to the chassis.

When aligning the R. F. padders a loop is made from a few turns of wire and connected to the signal generator output terminals; the signal generator is then placed close to the loop of the radio.

The receiver can be adjusted in the cabinet or removed from the cabinet.

**PHONOGRAPH SECTION**

The phonograph consists of a rim drive turntable motor and a manually operated crystal pickup which uses a jewel needle. The phonograph is operated through the audio system of the radio.

The sound output of the radio and phonograph is controlled by a special dual volume control combined in one unit. The "ON-OFF" power switch is also included in the volume control. The phonograph motor is automatically started when the pickup is lifted from its rest and is designed to operate on 115 volts, 60 cycle, or 115 volts, 50 cycle A.C. power supply. When operating on 115 volts, 50 cycle current, a special spring collar, part No. 28-8999 must be placed on the motor driveshaft pulley.

**OUTSIDE AERIAL:** Under ordinary operating conditions, the loop aerial has sufficient pickup for reception of stations. In some locations, however, such as steel reinforced buildings, and other shielded areas where signal strength is weak, an additional outside aerial should be used. The Philco Safety Aerial, Part No. 40-6370 is recommended for use with this model.

The outside aerial connection consisting of a wire and lug is located on the rear lower left corner of the chassis; remove the lug from under the screw and attach the aerial.

When adjusting the radio outside the cabinet the loop aerial should be placed in approximately the same position around or near the chassis as when assembled.

After connecting the aligning instruments adjust the compensators as shown in the tabulation below. Locations of the compensators are shown on the schematic diagram.

If the indicating meter pointer goes off scale when adjusting the compensators, reduce the strength of the signal from the generator.

**PROCEDURE MODEL 42-1002, CODES 121-122**

Operations In Order	SIGNAL GENERATOR		RECEIVER			SPECIAL INSTRUCTIONS
	Output Connections to Receiver	Dial Setting	Dial Setting	Control Setting	Adjust Compensators in Order	
1	Tuning Cond. Stator Plate Lug	455 K. C.	540 K. C. Tuning Cond. Closed	Vol. Max.	19B 19A 15B 15A	Note B
2	Loop see above instructions	1500 K. C.	1500 K. C.	Vol. Max.	4B	Note A
3	Loop see above instructions	1500 K. C.	1500 K. C.	Vol. Max. Range Switch Brdcast.	4A	

**PROCEDURE MODEL 42-1003, CODES 121-122**

1	Tuning Cond. Stator Plate Lug	455 K. C.	540 K. C. Tuning Cond. Closed	Vol. Max. Band Switch Brdcast.	48A 41A 40B 40A	Note C
2	Loop on Generator see above instructions	1500 K. C.	1500 K. C.	Vol. Max. Band Switch Brdcast.	6B, 6A	Note A
3	Loop on Generator see above instructions	580 K. C.	580 K. C.	Vol. Max. Band Switch Brdcast.	33	Roll Tuning Condenser
4	Loop on Generator see above instructions	1500 K. C.	1500 K. C.	Vol. Max. Band Switch Brdcast.	6B	
5	Loop on Generator see above instructions	15 M. C.	15 M. C.	Band Switch "SW"	33A, 3 Note D	

**NOTE A:—DIAL CALIBRATION:** In order to adjust the receiver correctly, the dial must be aligned to track properly with the tuning condenser. To do this, proceed as follows: Turn the tuning condenser to the maximum capacity position (plates fully meshed). With the condenser in this position, set the tuning pointer on the small dot below 540 K. C.

**NOTE B:—**Before adjusting the I. F. compensators, tighten 15A compensator, then adjust compensators in the order as shown once only.

**NOTE C:—**Before adjusting the I. F. compensators, tighten 40B and 40A compensators, then adjust compensators in the order as shown in the adjacent column once only for maximum output.

**NOTE D:—**Turn tuning condenser until pointer is on 15 M. C. mark, then adjust oscillator compensator 33A to maximum on the second signal peak from the right position (compensator closed).

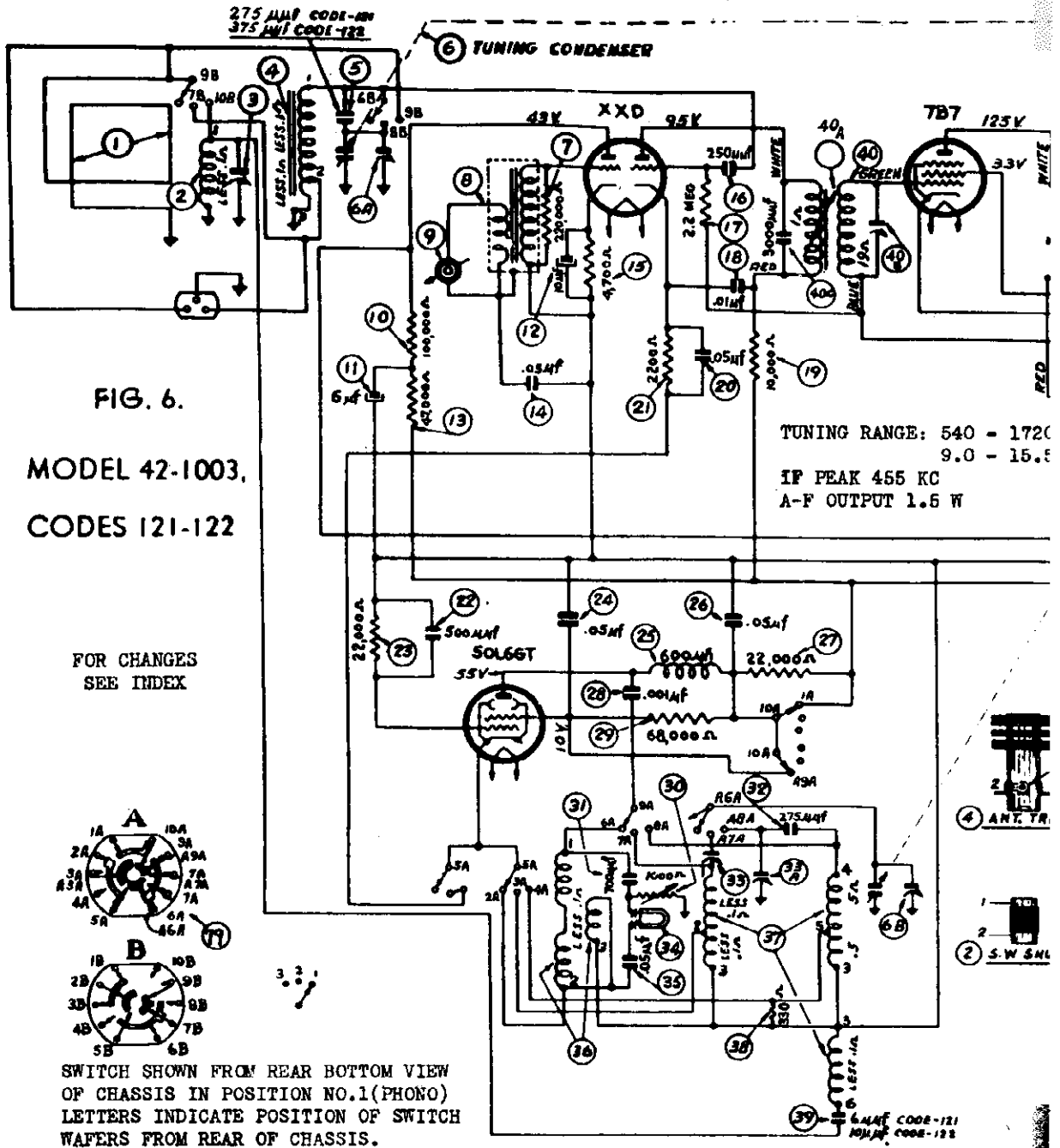
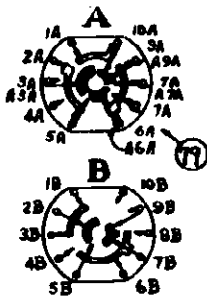


FIG. 6.

MODEL 42-1003,  
CODES 121-122

FOR CHANGES  
SEE INDEX



SWITCH SHOWN FROM REAR BOTTOM VIEW  
OF CHASSIS IN POSITION NO.1 (PHONO)  
LETTERS INDICATE POSITION OF SWITCH  
WAFERS FROM REAR OF CHASSIS.

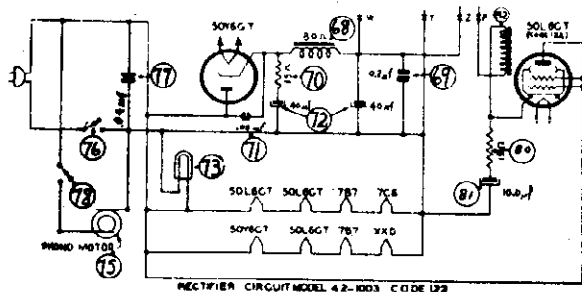
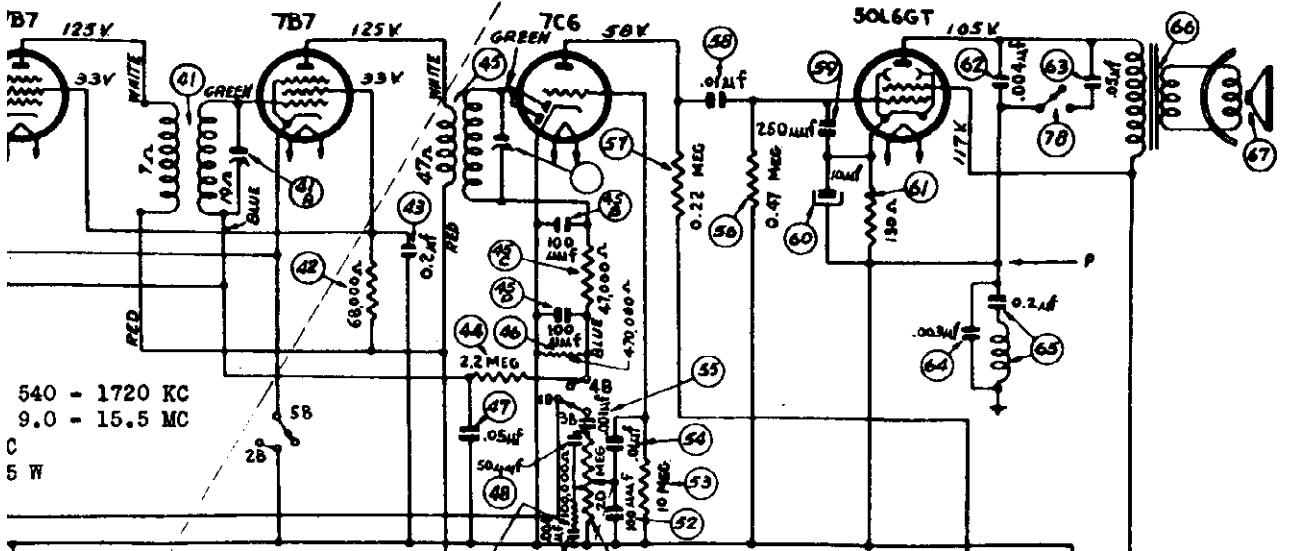


FIG. 2. RECTIFIER CIRCUIT—MODEL 42-1003, CODE 122

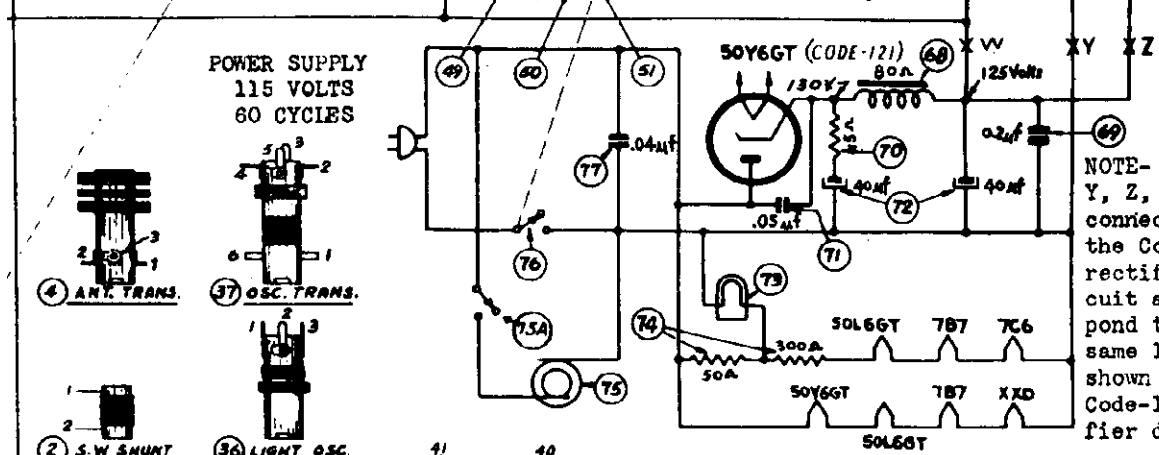
Points "C", "P", "W", "Y" correspond to the connections with the same letters in the rectifier circuit for Model 42-1003, Code 121, shown in Fig. 6.

Schem. No.	Description	Part No.	
1.	Loop Aerial	76-1336	Light Beam Pickup (Complete)
2.	Short Wave Aerial Transformer (Code 121)	W-2671	Lock Washer
3.	Compositer (S. W. Aerial)	31-8527	Rubber Bumper
4.	Broadcast Aerial Transformer (Code 122)	32-3754	Rubber Mts. Grommet (two required)
5.	Compositer (Part of 4)	32-3861	Rubber Mts. Grommet (one required)
6.	Broadcast Aerial Transformer (Code 121)	31-8527	Nut
7.	Mica Condenser (275 mmfd., Code 121)	32-3754	Resistor (100,000 ohms, Code 121)
8.	Mica Condenser (375 mmfd., Code 122)	32-3861	Resistor (220,000 ohms, Code 122)
9.	Tuning Condenser	31-2572	Electrolytic Condenser (6 mfd.)
10.	Compositer (Part of 8)	31-2572	Mtg. Clamp
11.	Compositer (Part of 8)	31-2572	Electrolytic Condenser (10 mfd.)
12.	Drive Card	31-2873	Part of 11
13.	Spring	28-8954	Resistor (47000 ohms)
14.	Drive Shaft Assembly	31-2571	Condenser (.05 mfd., 200 volts)
15.	Rubber Grommet	27-4618	Resistor (4700 ohms)
16.	Mtg. Sleeve	28-5583	Mica Condenser (250 mmfd.)
17.	Mtg. Nut (Drive Shaft)	W-684	Resistor (2.2 megohms)
18.	Painter	56-2076	Condenser (.01 mfd., 400 volts)
19.	Mica Condenser (220,000 ohms)	33-422339	Resistor (10,000 ohms)
20.	Phonograph Input Transformer	12-8163	Condenser (.85 mfd., 400 volts)
21.	Inset Cable	41-3466	Resistor (2200 ohms)
22.			Condenser (.500 mfd.)
23.			Resistor (22000 ohms)
24.			Condenser (.85 mfd., 200 volts)
25.			Oscillator Choke
26.			Condenser (.05 mfd., 200 volts)
27.			Resistor (22000 ohms)
28.			Mica Condenser (.001 mfd., 400 vol
29.			Resistor (60000 ohms)
30.			Light Control (Light Beam Receptor

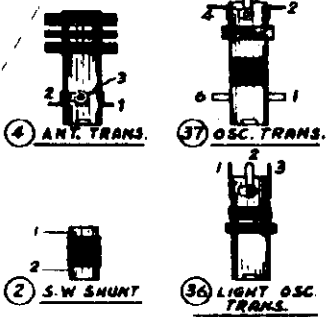
RADIO & TELEVISION CORP.



540 - 1720 KC  
9.0 - 15.5 MC  
C  
5 W

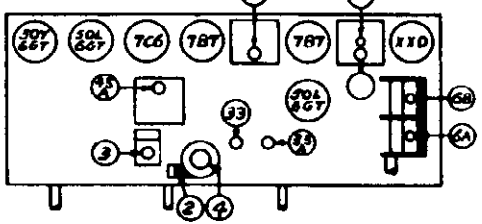


POWER SUPPLY  
115 VOLTS  
60 CYCLES



NOTE- Points W, Y, Z, P are the connections for the Code-122 rectifier circuit and correspond to the same letters as shown in the Code-122 rectifier diagram

FOR INSTALLATION OF DRIVE CORD, SEE THAT OF MODEL 42-1005.



1-121 -122	<p>tube (Complete) 35-2517</p> <p>57-8148</p> <p>51-4979</p> <p>rommet (two required) 54-4895</p> <p>lrommet (one required) 54-4896</p> <p>W-628</p> <p>33-410339</p> <p>33-422339</p> <p>30-2508</p> <p>56-1346</p> <p>33-347339</p> <p>30-4519</p> <p>33-247339</p> <p>68-128137</p> <p>33-522339</p> <p>30-4572</p> <p>33-310339</p> <p>30-4519</p> <p>33-222339</p> <p>30-4572</p> <p>33-322339</p> <p>30-4519</p> <p>32-3615</p> <p>38-4519</p> <p>33-322339</p> <p>34-1983</p> <p>33-368339</p> <p>33-5435</p>	<p>31. Mica Condenser (700 mmfd., Code 121) 68-170137</p> <p>Mica Condenser (800 mmfd., Code 122) 68-188137</p> <p>Mica Condenser (775 mmfd.) 31-6432</p> <p>33. Compressor (500 K.C.) 31-6432</p> <p>33a. Compressor (Part of 33) 31-6432</p> <p>34. Lamp (Light Beam Reproducer) 34-2478</p> <p>35. Condenser (.05 mfd., 200 volts) 30-4519</p> <p>36. Light Beam Sec. Transformer 32-3741</p> <p>Mtg. Cils 28-5982</p> <p>37. Oscillator Transformer 32-3748</p> <p>(Broadband, 8 W.) 28-5982</p> <p>Mtg. Cils 33-133339</p> <p>38. Resistor (330 ohms) 68-09137</p> <p>39. Mica Condenser (10 mmfd., Code 122) 68-09137</p> <p>Mica Condenser (5 mmfd., Code 121) 32-3615</p> <p>40. 1st I.F. Transformer 32-3615</p> <p>Mtg. Cils 59-1949</p> <p>41. 2nd I.F. Transformer 32-3617</p> <p>Mtg. Nut W-1949</p> <p>41a. Secondary Compensator (Part of 41) 33-322339</p> <p>42. Resistor (60000 ohms) 38-4507</p> <p>43. Condenser (.2 mfd., 200 volts) 33-322339</p> <p>44. Resistor (2.2 megohms) 32-3738</p> <p>45. 3rd I.F. Transformer W-1949</p> <p>Mtg. Nut</p> <p>45a. Secondary Compensator (Part of 45) 33-322339</p> <p>45b. Condenser (100 mmfd., (Part of 45a)</p>	<p>48c. Resistor (47000 ohms) (Part of 45a) 33-347339</p> <p>49. Condenser (100 mmfd.) (Part of 45a) 33-647339</p> <p>50. Resistor (47000 ohms) 30-4519</p> <p>51. Condenser (.05 mfd., 200 volts) 68-090137</p> <p>52. Mica Condenser (50 mmfd.) 33-419339</p> <p>53. Resistor (100000 ohms) 30-4823</p> <p>54. Condenser (.004 mfd., 500 volts) 33-5457</p> <p>55. Volume Control W-2157</p> <p>56. Mica Nut 68-118137</p> <p>57. Mica Condenser (90mmfd.) 33-618339</p> <p>58. Condenser (.01 mfd., 400 volts) 30-4629</p> <p>59. Resistor (10 megohms) 33-447339</p> <p>60. Condenser (.05 mfd., 200 volts) 33-422339</p> <p>61. Condenser (.01 mfd., 400 volts) 30-4572</p> <p>62. Mica Condenser (250 mmfd.) 60-128137</p> <p>63. Electrolytic Condenser (10 mfd., 25 volts) 30-2508</p> <p>64. Resistor (130 ohms) 33-113336</p> <p>65. Condenser (.004 mfd., 500 volts) 30-4623</p> <p>66. Condenser (.85 mfd., 400 volts) 30-4598</p> <p>67. Resistor (220000 ohms) 30-4502</p> <p>68. Condenser and Choke Assembly 78-1181</p> <p>69. Output Transformer (Code 121) 32-8176</p> <p>70. Output Transformer (Code 122) 32-8207</p> <p>71. Speaker (Code 121) 36-1550</p> <p>72. Speaker (Code 122) 36-1562</p> <p>73. Cone Assembly (for speaker 36-1550) 36-4209</p> <p>74. Cone Assembly (for speaker 36-1562) 36-4219</p>	<p>75. Pilot Lamp 34-2477</p> <p>76. Socket Assembly 78-1282</p> <p>77. Filament Resistor 30-4519</p> <p>78. Phenograph Motor 68-090137</p> <p>79. Spring Collar (for 115 volts, 60 cycles) 38-1265-2</p> <p>80. Turntable 28-8999</p> <p>81. Rubber Mtg. Grommet 28-5688</p> <p>82. Screw 27-4896</p> <p>83. Washers 35-3047-2</p> <p>84. Motor Switch W-151</p> <p>85. Washer 42-1054</p> <p>86. Nut W-333</p> <p>87. Lockwasher W-1624</p> <p>88. On-Off Switch (Part of 83) 30-4119</p> <p>89. Condenser (.94 mfd., 400 volts) 42-1562-2</p> <p>90. Tuning Control Switch 56-1793</p> <p>91. Switch Plate W-940</p> <p>92. Screw W-467</p> <p>93. Band Switch W-2157</p> <p>94. Mica Nut</p>
---------------	--	---	--	--

PARTS USED IN CODE 122 CHASSIS ONLY

PHILCO RADIO & TELEVISION CORP.

MODEL 42-1003(121,122)

**MODEL 42-1003, CODES 121-122**

Model 42-1003, Codes 121-122 are alternating current operated super-heterodyne radio-phonograph combinations. In general, Code 121 and 122 of this model are similar in design with the exception of the number of tubes, speaker types and rectifier circuits. Code 121 consists of a seven-tube chassis using a six-inch permanent magnet dynamic speaker and a single rectifier tube circuit.

Code 122 chassis contains eight tubes, a six-inch electrodynamic speaker and two tubes in the rectifier circuit. One tube type 50Y6GT supplies plate voltage for the other tubes and a 50L6GT excites the field coil of the electrodynamic speaker.

**PHONOGRAPH SECTION**

The phonograph incorporates a self-starting rim drive turntable motor, and a manually operated Philco Photo-Electric reproducer, which operates through the audio system of the radio. The phonograph motor is automatically started when the photo-electric reproducer is lifted from its rest. The motor is designed to operate on 115 volts, 60 cycle, or 115 volts, 50 cycle A.C. power supplies. When operating on 115 volt, 50 cycle current, a special spring collar, Part No. 28-8999 must be placed on the motor drive shaft pulley.

**RADIO SECTION**

The radio features in this model are a built-in loop aerial; two tuning ranges; two I. F. amplifier tubes; automatic volume control; two position tone control, mounted on the motor board; audio BASS compensation in the volume control circuit; beam power pentode audio output stage and Philco LOKTAL tubes.

**TUNING BAND FREQUENCIES:** 540 to 1720 K.C. and 9 to 15.5 M.C.  
**INTERMEDIATE FREQUENCY:** 455 K.C.  
**AUDIO OUTPUT:** 1.5 watts.  
**POWER SUPPLY:** 115 volts, 60 cycle A.C.

**PHILCO TUBES USED**

Code 121 chassis—XXD, R. F. converter and phonograph pre-amplifier; 50L6GT, oscillator; 7B7, 1st I. F. amplifier; 7B7, 2nd I. F. amplifier; 7C6, second detector, first audio; 50L6GT audio output and a 50Y6GT rectifier.

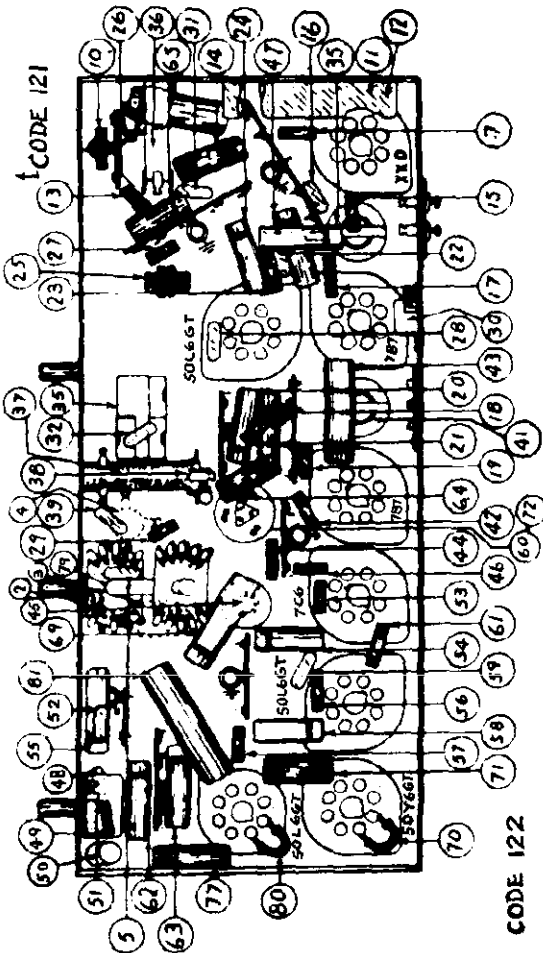
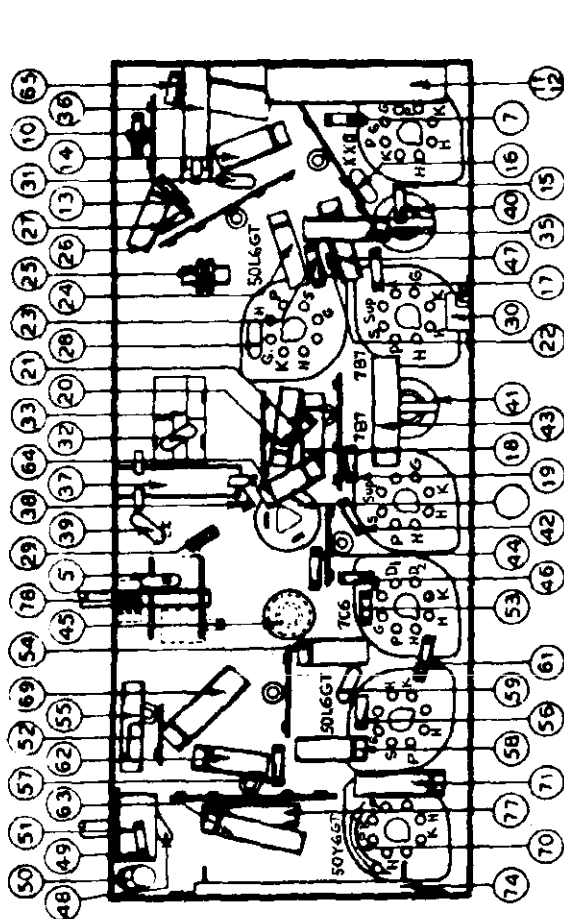
Code 122 chassis—XXD, R. F. converter and phonograph pre-amplifier; 50L6GT, oscillator; 7B7, 1st I. F. amplifier; 7B7, 2nd I. F. amplifier; 7C6, second detector, first audio; 50L6GT audio output; 50Y6GT rectifier.

**EXTERNAL AERIAL CONNECTIONS**

The built-in low-impedance loop aerial system of this model is designed to operate without an outside aerial or ground, and to give exceptional receiving performance under average conditions.

To operate the radio, however, in steel reinforced buildings and other shielded locations, where signal strength is weak, the Philco outdoor aerial Part No. 45-2817 is recommended for maximum receiving performance. The outdoor aerial can be easily connected to the radio by inserting the plug attached to the transformer [supplied with the aerial] into the socket provided at the rear of the radio.

FOR PHONOGRAPH REPRODUCER  
 ADJUSTMENTS, SEE MODEL 42-1015





MODEL 42-1004

PHILCO RADIO & TELEVISION CORP.

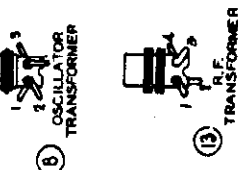
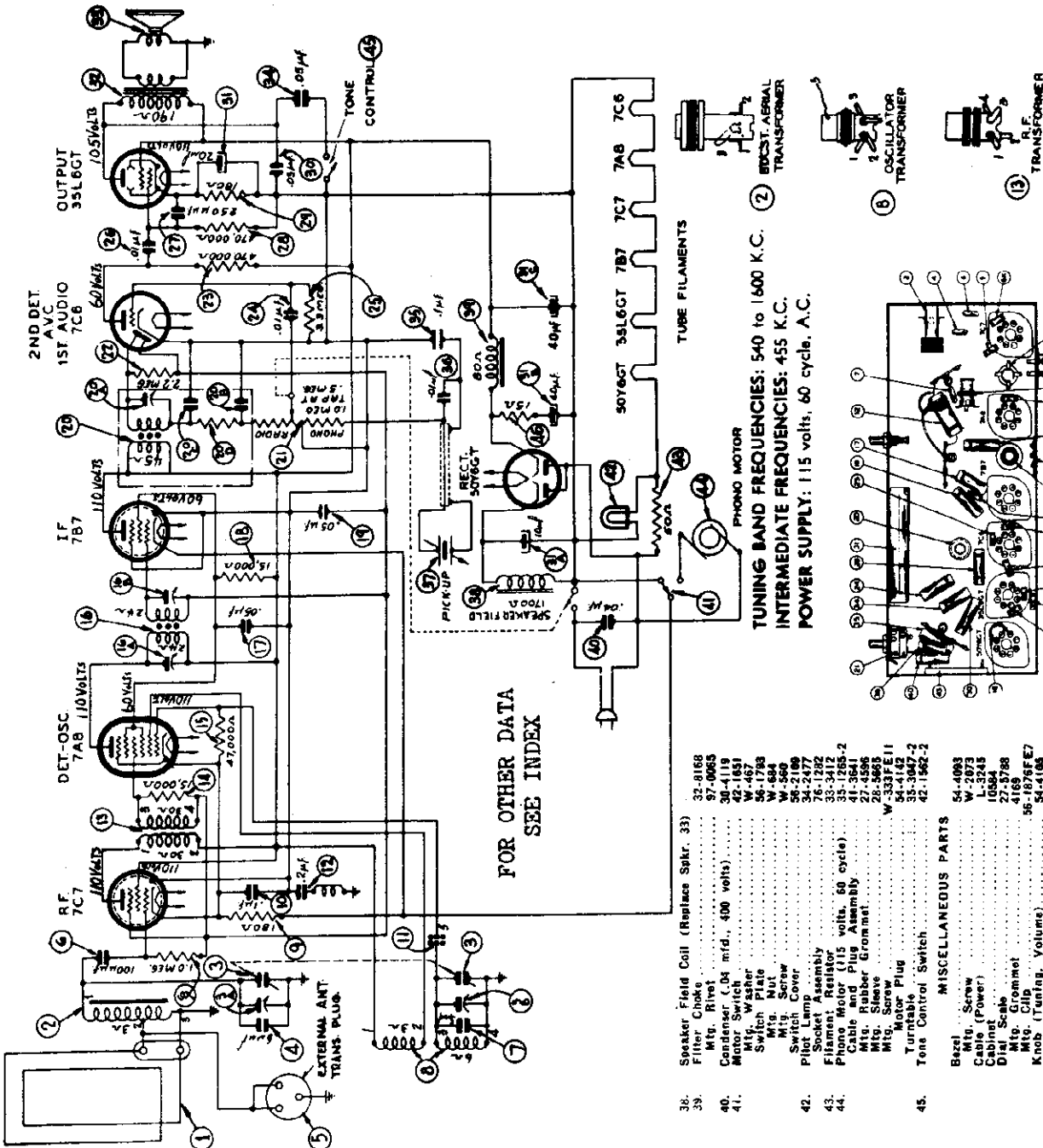


FIG. 3. LOCATIONS OF PARTS — UNDER CHASSIS

Part No.	Description
76-1368	Loop Aerial Panel
38-2477	Mtg. Sleeve (Loop Mtg.)
28-3896	Mtg. Washer
W-425	Spring Washer
W-1372	Mtg. Screw
28-3492	Aerial Transformer
31-2587	Tuning Condenser
Part of 3	Compensator (Aerial)
31-2573	Drive Cord
28-8934	Spring
38-2571	Pointer
W-664FA3	Mtg. Nut
27-5610	Mtg. Grommet
28-5583	Mtg. Sleeve
58-005157	Mica Condenser (5 mmfd.)
27-6143	External Aerial Transformer Socket
W-207FAS	Mtg. Rivets
33-518339	Resistor (100 mmfd.)
33-518339	Resistor (1 megohm)
60-005157	Mica Condenser (5 mmfd.)
32-3613	Decoupler Transformer
28-5002	Mtg. Clip
33-118336	Resistor (180 ohms)
33-118336	Resistor (1 mfd., 200 volts)
51-0104	Condenser (2 mfd., 400 volts) and R. F. Choke
76-1318	R. F. Transformer
32-3595	Mtg. Clip
28-5002	Resistor (15,000 ohms)
33-315338	Resistor (57,000 ohms)
33-347239	Resistor (100 ohms)
28-5002	Primary Compensator
28-5002	Secondary Compensator
W-1949	Mtg. Nut
30-4519	Condenser (.05 mfd., 200 volts)
33-315339	Resistor (15,000 ohms)
30-4519	Resistor (.05 mfd., 200 volts)
33-315339	Resistor (100 ohms)
28-5002	Primary Compensator
28-5002	Secondary Compensator
W-1919	Mtg. Nut
Part of 20a	Condenser
33-347239	Resistor
33-5466	Volume Control
33-5466	Resistor (2.2 megohms)
33-5466	Resistor (470,000 ohms)
33-5466	Resistor (.01 mfd., 400 volts)
30-4522	Resistor (3.3 megohms)
33-533339	Condenser (.01 mfd., 400 volts)
30-4522	Mica Condenser (250 mfd.)
60-125157	Resistor (180 ohms)
33-447339	Resistor (180 ohms)
33-118336	Resistor (180 ohms)
39-4517	Resistor (180 ohms)
30-2923	Electrolytic Condenser (10 mfd., 150 volts)
Part of 31	Electrolytic Condenser (40 mfd., 150 volts)
Part of 31	Electrolytic Condenser (40 mfd., 150 volts)
56-1466	Mtg. Clamp
32-8203	Output Transformer
36-1564-4	Speaker
36-1513-4	Cone Assem. (for Spkr. 36-1513-4)
36-4169	Cone Assem. (for Spkr. 36-1564-4)
41-3851	Rubber Grommet (Mtg. Speaker)
27-4596	Rubber Washer
28-3320	Mtg. Washer
36-2094	Mtg. Nut
39-248FA3	Mtg. Nut
35-1513-4	Condenser (.1 mfd., 200 volts)
30-4589	Condenser (.01 mfd., 400 volts)
30-4372	Crystal Pickup and Tone Arm Com-plate
35-2524	Pickup Cable
41-3624	Pickup Needle
76-1285	Mtg. Washer
W-894	Rubber Mtg. Grommet (2 required)
54-4085	Rubber Mtg. Grommet (1 required)
54-4086	Rubber Bumper

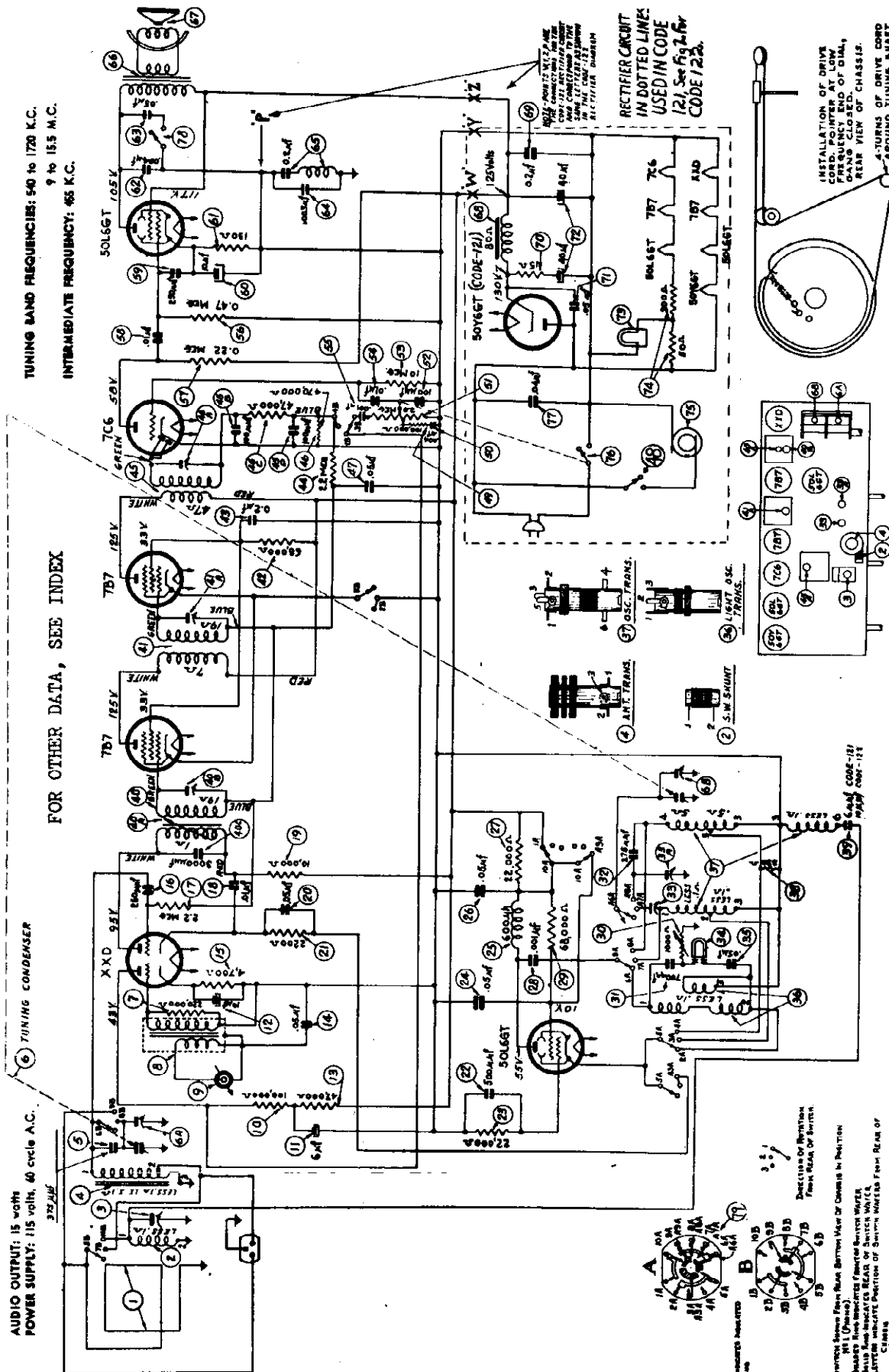
Part No.	Description
32-8168	Speaker Field Coil (Replace Spkr. 33)
97-0665	Filter Choke
30-4119	Mtg. Rivet
42-1651	Condenser (.04 mfd., 400 volts)
42-1651	Motor Switch
56-1763	Switch Plate
W-684	Mtg. Nut
W-560	Mtg. Screw
56-2100	Pilot Lamp
34-2477	Socket Assembly
28-3282	File
35-1785-2	Phono Motor (115 volts, 60 cycle)
41-3641	Cable and Plug Assembly
27-4596	Mtg. Rubber Grommet
28-5665	Mtg. Sleeve
W-333FE11	Turntable Plug
54-1442	Turntable
42-1562-2	Tone Control Switch
54-4093	Bezel
W-2873	Mtg. Screw
105-245	Cabinet (Power)
105-245	Cabinet
27-5788	Dial Scale
4169	Mtg. Grommet
56-1878FE7	Knob (Tuning, Volume)
54-4106	Rubber Grommet (Chassis Mtg.)
3915	Rubber Grommet (Chassis Mtg.)
W-4487FA3	Screw (Output Tube)
27-6174	Socket (Lateral Tubes)
27-6177	Socket (Lateral Tubes)

FOR OTHER DATA SEE INDEX

TUNING BAND FREQUENCIES: 540 TO 1600 K.C.  
 INTERMEDIATE FREQUENCIES: 455 K.C.  
 POWER SUPPLY: 115 volts, 60 cycle, A.C.

MISCELLANEOUS PARTS

FIG. 3. LOCATIONS OF PARTS — UNDER CHASSIS



TUNING BAND FREQUENCIES: 50 to 170 K.C.  
9 to 15.5 M.C.  
INTERMEDIATE FREQUENCY: 465 K.C.

FOR OTHER DATA, SEE INDEX

6 TUNING CONDENSER

AUDIO OUTPUT: 15 watts  
POWER SUPPLY: 115 volt, 60 cycle A.C.

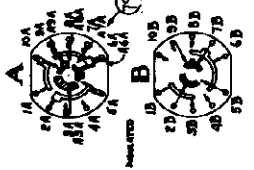
RECTIFIER CIRCUIT IN DOTTED LINES USED IN CODE 121 See Fig. 2 for CODE 122.

INSTALLATION OF DRIVE FROM FRONT END OF CHASSIS. REAR VIEW OF CHASSIS. 4-TURNS OF DRIVE COIL

SCHMATIC DIAGRAM—MODEL 42-1005—CODE 121-122  
Code 122 chassis contains eight tubes, a 10-inch electrodynamic speaker and two tubes in the rectifier circuit, one 50Y6GT, supplies plate voltage for the other tubes and a 50L6GT excites the field coil of the electrodynamic speaker.

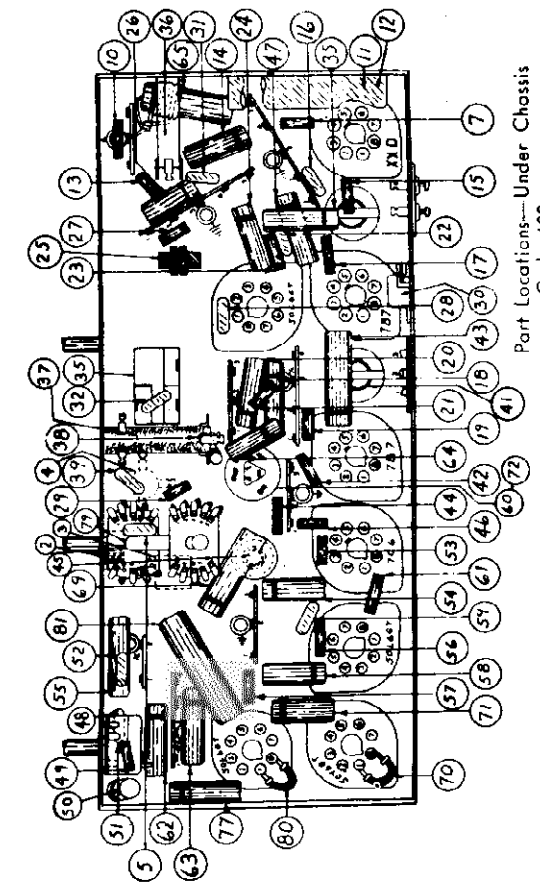
Model 42-1005, Code 121 and 122, is an alternating current operated super-heterodyne radio-phonograph combination covering standard and shortwave broadcast frequencies. In general, Code 121 and 122 of this model are similar in design with exception of the number of tubes, speaker type and rectifier circuit. Code 121 consists of an electrodynamic speaker, a 10-inch permanent magnet dynamic speaker and a single rectifier tube circuit.

Switches shown from Rear Bottom View of Chassis in Position (1) (Down)  
Switches shown from Front Bottom View of Chassis in Position (2) (Up)  
UPPER LETTERS INDICATE POSITION OF SWITCH WHEN SET FROM REAR OF CHASSIS



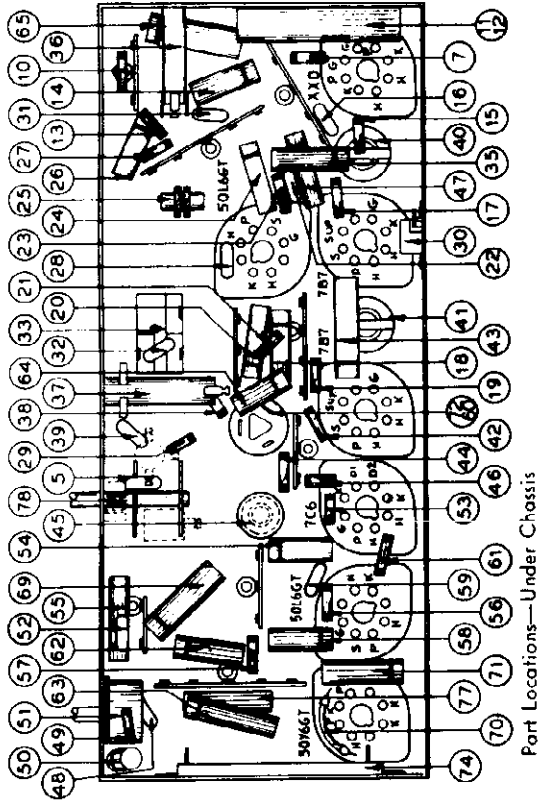
MODEL 42-1005(121,122)

PHILCO RADIO & TELEVISION CORP.



Part Locations—Under Chassis  
Code 122

When aligning the R.F. padders a loop is made from a few turns of wire and connected to the signal generator output terminal; the signal generator is then placed close to the loop of the radio.  
The receiver can be adjusted in the cabinet or removed from the cabinet.  
When adjusting the radio outside the cabinet the loop aerial should be placed in approximately the same position around or near the chassis as when assembled.  
After connecting the aligning instruments adjust the compensators as shown in the tabulation below. Locations of the compensators are shown on the schematic diagram.  
If the indicating meter pointer goes off scale when adjusting the compensators, reduce the strength of the signal from the generator.



Part Locations—Under Chassis  
Code 121

**AUDIO OUTPUT METER:** If this type of aligning meter is used, connect it to the voice coil terminals of the speaker or from the plate and screen of the 50L6GT tube. Adjust the meter for the 0 to 10 volt scale.  
**VACUUM TUBE VOLTMETER:** To use the vacuum tube voltmeter at an aligning indicator, make the following connections: Attach the negative (-) terminal of the voltmeter to any point in the circuit where the A. V. C. voltage can be obtained. Connect the positive (+) terminal of the vacuum tube voltmeter to B (-) negative (electrical ground).  
**SIGNAL GENERATOR:** When adjusting the I.F. padders, the high side of the signal generator is connected through a 1 mfd. condenser to the antenna section of the tuning condenser. Connect the ground or low side of the generator to the chassis.

PROCEDURE MODEL 42-1005, CODES 121-122

Oper- ations in Order	SIGNAL GENERATOR		RECEIVER		SPECIAL INSTRUCTIONS
	Output Connections to Receiver	Dial Setting	Dial Setting	Adjust Compensators in Order	
1	Tuning Cond. Stator Plate Lug	455 K.C.	540 K.C. Tuning Cond. Closed	45A 41A 40B 40A	Note B
2	Loop on Generator see above instructions	1500 K.C.	1500 K.C.	68, 6A	Note A
3	Loop on Generator see above instructions	500 K.C.	500 K.C.	33	Roll Tuning Condenser
4	Loop on Generator see above instructions	1500 K.C.	1500 K.C.	68	
5	Loop on Generator see above instructions	15 M.C.	15 M.C.	33A, 3 Note C	

**NOTE A—DIAL CALIBRATION:** In order to adjust the receiver correctly, the dial must be aligned to track properly with the tuning condenser. To do this, proceed as follows: Turn the tuning condenser to the maximum capacity position (plates fully meshed). With the condenser in this position, set the tuning pointer on the small dot below 540 K.C.

**NOTE B:**—Before adjusting the I.F. compensators, tighten 40B and 40A compensators, then adjust compensators in the order as shown in the adjacent column once only for maximum output.  
**NOTE C:**—Turn tuning condenser until pointer is on 15 M.C. mark, then adjust exciter compensator 33A to maximum on the second signal peak from the right position (compensator closed).

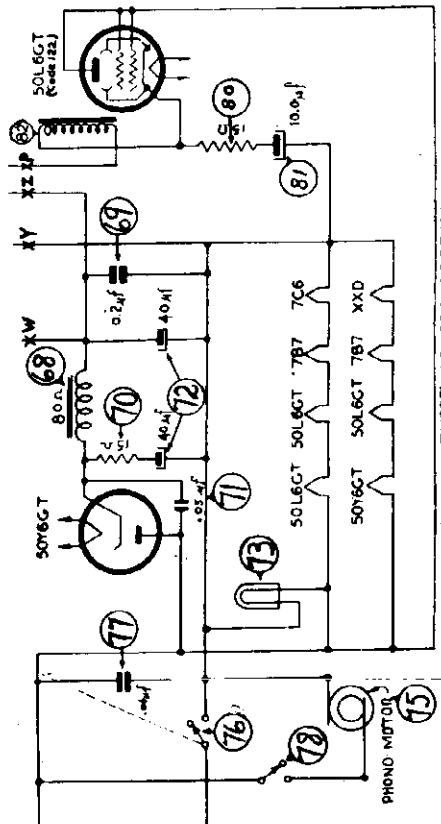
PHILCO RADIO & TELEVISION CORP.

**PHONOGRAPH SECTION**

The phograph incorporates a self-starting rim drive turntable motor, and a manually operated Philco Photo-Electric Reproducer, which operates through the audio system of the radio. The Photo-Electric Reproducer automatically starts when the Photo-Electric Reproducer is lifted from its rest. The motor is designed to operate on 115 volts, 60 cycle or 115 volt, 50 cycle A.C. power supplies. When operating on 115 volt, 50 cycle current, a special spring collar, Part No. 28-9799, must be placed on the motor drive shaft pulley.

**EXTERNAL AERIAL CONNECTIONS**

The built-in low-impedance loop aerial system of this model is designed to operate without an outside aerial or ground, and to give exceptional receiving performance under average conditions. To operate the radio, however, in steel reinforced buildings and other shielded locations where signal strength is weak, the Philco outdoor aerial, Part No. 45-2317, is recommended for maximum receiving performance. The outdoor aerial can be easily connected to the radio by inserting the plug attached to the transformer (supplied with the aerial) into the socket provided at the rear of the radio. This aerial can be obtained from your local Philco Distributer.



RECTIFIER CIRCUIT MODEL 42-1005 CODE 122

**SPECIFICATIONS - MODEL 42-1005, CODE 121-122**

Part No.	Description	Part No.	Description
1	Loop Aerial	47	Condenser (.05 mfd, 200 volts)
2	Photo-Electric Reproducer (Part of 6)	48	Motor Switch Cover
3	Photo-Electric Reproducer (Part of 6)	49	Net
4	Photo-Electric Reproducer (Part of 6)	50	Leakwasher
5	Photo-Electric Reproducer (Part of 6)	51	Rectifier (100,000 ohms)
6	Photo-Electric Reproducer (Part of 6)	52	Condenser (.005 mfd, 600 volts)
7	Photo-Electric Reproducer (Part of 6)	53	Volume Control
8	Photo-Electric Reproducer (Part of 6)	54	Mica Condenser (100 mfd)
9	Photo-Electric Reproducer (Part of 6)	55	Resistor (10 megohms)
10	Photo-Electric Reproducer (Part of 6)	56	Condenser (.01 mfd, 400 volts)
11	Photo-Electric Reproducer (Part of 6)	57	Resistor (800 mfd, 600 volts)
12	Photo-Electric Reproducer (Part of 6)	58	Resistor (470,000 ohms)
13	Photo-Electric Reproducer (Part of 6)	59	Resistor (220,000 ohms)
14	Photo-Electric Reproducer (Part of 6)	60	Condenser (.01 mfd, 400 volts)
15	Photo-Electric Reproducer (Part of 6)	61	Mica Condenser (200 mfd)
16	Photo-Electric Reproducer (Part of 6)	62	Electrolytic Condenser (10 mfd, 25 volts)
17	Photo-Electric Reproducer (Part of 6)	63	Resistor (150 ohms) Code 121
18	Photo-Electric Reproducer (Part of 6)	64	Resistor (150 ohms) Code 122
19	Photo-Electric Reproducer (Part of 6)	65	Condenser (.004 mfd, 600 volts)
20	Photo-Electric Reproducer (Part of 6)	66	Condenser (.005 mfd, 600 volts)
21	Photo-Electric Reproducer (Part of 6)	67	Condenser (.005 mfd, 600 volts)
22	Photo-Electric Reproducer (Part of 6)	68	Condenser (.005 mfd, 600 volts)
23	Photo-Electric Reproducer (Part of 6)	69	Condenser (.005 mfd, 600 volts)
24	Photo-Electric Reproducer (Part of 6)	70	Condenser (.005 mfd, 600 volts)
25	Photo-Electric Reproducer (Part of 6)	71	Condenser (.005 mfd, 600 volts)
26	Photo-Electric Reproducer (Part of 6)	72	Condenser (.005 mfd, 600 volts)
27	Photo-Electric Reproducer (Part of 6)	73	Condenser (.005 mfd, 600 volts)
28	Photo-Electric Reproducer (Part of 6)	74	Condenser (.005 mfd, 600 volts)
29	Photo-Electric Reproducer (Part of 6)	75	Condenser (.005 mfd, 600 volts)
30	Photo-Electric Reproducer (Part of 6)	76	Condenser (.005 mfd, 600 volts)
31	Photo-Electric Reproducer (Part of 6)	77	Condenser (.005 mfd, 600 volts)
32	Photo-Electric Reproducer (Part of 6)	78	Condenser (.005 mfd, 600 volts)
33	Photo-Electric Reproducer (Part of 6)	79	Condenser (.005 mfd, 600 volts)
34	Photo-Electric Reproducer (Part of 6)	80	Condenser (.005 mfd, 600 volts)
35	Photo-Electric Reproducer (Part of 6)	81	Condenser (.005 mfd, 600 volts)
36	Photo-Electric Reproducer (Part of 6)	82	Condenser (.005 mfd, 600 volts)
37	Photo-Electric Reproducer (Part of 6)	83	Condenser (.005 mfd, 600 volts)
38	Photo-Electric Reproducer (Part of 6)	84	Condenser (.005 mfd, 600 volts)
39	Photo-Electric Reproducer (Part of 6)	85	Condenser (.005 mfd, 600 volts)
40	Photo-Electric Reproducer (Part of 6)	86	Condenser (.005 mfd, 600 volts)
41	Photo-Electric Reproducer (Part of 6)	87	Condenser (.005 mfd, 600 volts)
42	Photo-Electric Reproducer (Part of 6)	88	Condenser (.005 mfd, 600 volts)
43	Photo-Electric Reproducer (Part of 6)	89	Condenser (.005 mfd, 600 volts)
44	Photo-Electric Reproducer (Part of 6)	90	Condenser (.005 mfd, 600 volts)
45	Photo-Electric Reproducer (Part of 6)	91	Condenser (.005 mfd, 600 volts)
46	Photo-Electric Reproducer (Part of 6)	92	Condenser (.005 mfd, 600 volts)
47	Photo-Electric Reproducer (Part of 6)	93	Condenser (.005 mfd, 600 volts)
48	Photo-Electric Reproducer (Part of 6)	94	Condenser (.005 mfd, 600 volts)
49	Photo-Electric Reproducer (Part of 6)	95	Condenser (.005 mfd, 600 volts)
50	Photo-Electric Reproducer (Part of 6)	96	Condenser (.005 mfd, 600 volts)
51	Photo-Electric Reproducer (Part of 6)	97	Condenser (.005 mfd, 600 volts)
52	Photo-Electric Reproducer (Part of 6)	98	Condenser (.005 mfd, 600 volts)
53	Photo-Electric Reproducer (Part of 6)	99	Condenser (.005 mfd, 600 volts)
54	Photo-Electric Reproducer (Part of 6)	100	Condenser (.005 mfd, 600 volts)

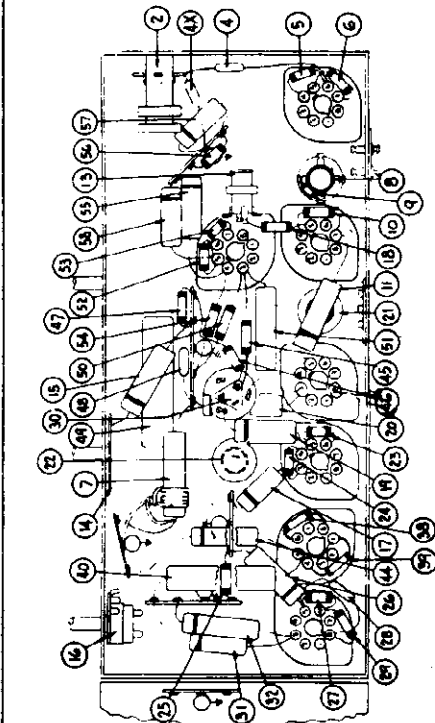
75	Pilot Lamp	34-2577	
76	Socket Assembly	76-1282	
77	Filament Resistor	33-3413	
78	Photo-Electric Reproducer (Part of 6)	33-1255-2	
79	Photo-Electric Reproducer (Part of 6)	28-9998	
80	Photo-Electric Reproducer (Part of 6)	27-4054	
81	Photo-Electric Reproducer (Part of 6)	28-2665	
82	Photo-Electric Reproducer (Part of 6)	W-181FA3	
83	Photo-Electric Reproducer (Part of 6)	W-335FE11	
84	Photo-Electric Reproducer (Part of 6)	84-4142	
85	Photo-Electric Reproducer (Part of 6)	86-2971	
86	Photo-Electric Reproducer (Part of 6)	35-2697-2	
87	Photo-Electric Reproducer (Part of 6)	36-4119	
88	Photo-Electric Reproducer (Part of 6)	42-1842-2	
89	Photo-Electric Reproducer (Part of 6)	36-1783	
90	Photo-Electric Reproducer (Part of 6)	W-589FA3	
91	Photo-Electric Reproducer (Part of 6)	42-1878	
92	Photo-Electric Reproducer (Part of 6)	W-2187	

FOLLOWING PARTS  
Used in Code 122 Rectifier Circuit Only

MISCELLANEOUS PARTS  
Model 42-1005, Code 121

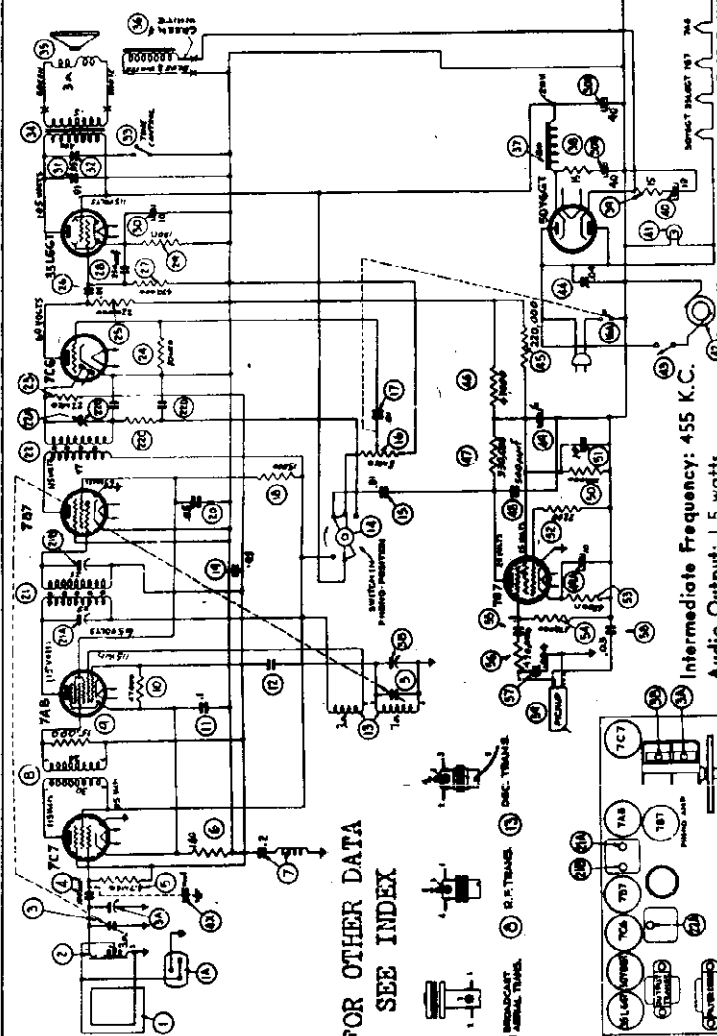
MODEL 42-1006(122)

PHILCO RADIO & TELEVISION CORP.



LOCATIONS OF PARTS — UNDER CHASSIS  
 FOR RECORD CHANGER DATA, SEE RIDER'S "AUTO-MATIC RECORD CHANGERS AND RECORDERS".

- |     |  |           |
|-----|--|-----------|
| 34  | Output Transformer (Mounted on Top of Chassis) | 32-8283   |
|     | Speaker  | 97-0065   |
|     | Mtg. Rivet                                     | 38-1569   |
|     | Cone Assembly                                  | 38-4189   |
|     | Mtg. Bracket                                   | 28-3370   |
|     | Mtg. Sleeve                                    | 28-3370   |
|     | Mtg. Nut                                       | 56-2044   |
|     | Cable  | W-124     |
|     | Field Coil (Replace Speaker 36-1569)           | 41-3657   |
| 35  | Filter Choke (Mounted on Top of Chassis)       | 32-8202   |
|     | Resistor (15 ohms)                             | 33-01540  |
|     | Resistor (200 ohms)                            | 33-01536  |
|     | Electrolytic Capacitor (10 mfd., 150 Volts)    | 33-22338  |
|     | Pilot Lamp                                     | 34-2477   |
|     | Socket Assembly                                | 76-1282   |
|     | Motor (115 Volts, 60 cycles)                   | 41-3667   |
|     | Motor Switch                                   | 35-2608   |
|     | Condenser (.04 mfd., 400 Volts)                | 30-4119   |
|     | Resistor (220,000 ohms)                        | 33-42239  |
|     | Resistor (220,000 ohms)                        | 33-42239  |
|     | Resistor (330,000 ohms)                        | 33-43138  |
|     | Mica Condenser (500 mmfd.)                     | 60-150157 |
|     | Electrolytic Capacitor (5 mfd.)                | 30-2553   |
| 49A | Electrolytic Capacitor (10 mfd.) Part of 49    | 27-8548   |
|     | Insulator Tube                                 | 27-8502   |
| 50  | Resistor (100,000 ohms)                        | 33-416339 |
| 51  | Resistor (2200 ohms)                           | 30-2386   |
| 52  | Resistor (2200 ohms)                           | 33-22338  |
| 53  | Resistor (470,000 ohms)                        | 33-447339 |
| 54  | Condenser (.1 mfd., 200 Volts)                 | 30-4506   |
| 55  | Resistor (470,000 ohms)                        | 33-447338 |
| 56  | Resistor (470,000 ohms)                        | 33-447338 |
| 57  | Condenser (.004 mfd., 600 Volts)               | 30-4623   |
| 58  | Condenser (.05 mfd., 200 Volts)                | 30-4519   |
| 59  | Crystal Pickup                                 | 30-2543   |
|     | Cable Assembly                                 | 76-1285   |
|     | Resistor                                       | 41-3665   |
|     | Mtg. Screw                                     | W-2073FA4 |
|     | Cord (Power)                                   | L-3245    |
|     | Cabinet  | 16575A    |
|     | Dial Scale                                     | 27-5783   |
|     | Spring Retainer                                | 56-4161   |
|     | Scale (Padding)                                | 27-8863   |
|     | Knob (Col., Tuning)                            | 54-4105   |
|     | Knob (Col., Tuning)                            | 27-8815   |
|     | Rubber Grommet (Chassis Mtg.)                  | 35-1293   |
|     | Record Changer                                 | 76-1415   |
|     | Mtg. Nut                                       | W-2157    |



Intermediate Frequency: 455 K.C.  
 Audio Output: 1.5 watts.  
 Power Supply: 115 volts, 60 cycle A.C.

REPLACEMENT PARTS — MODEL 42-1006, CODE 122

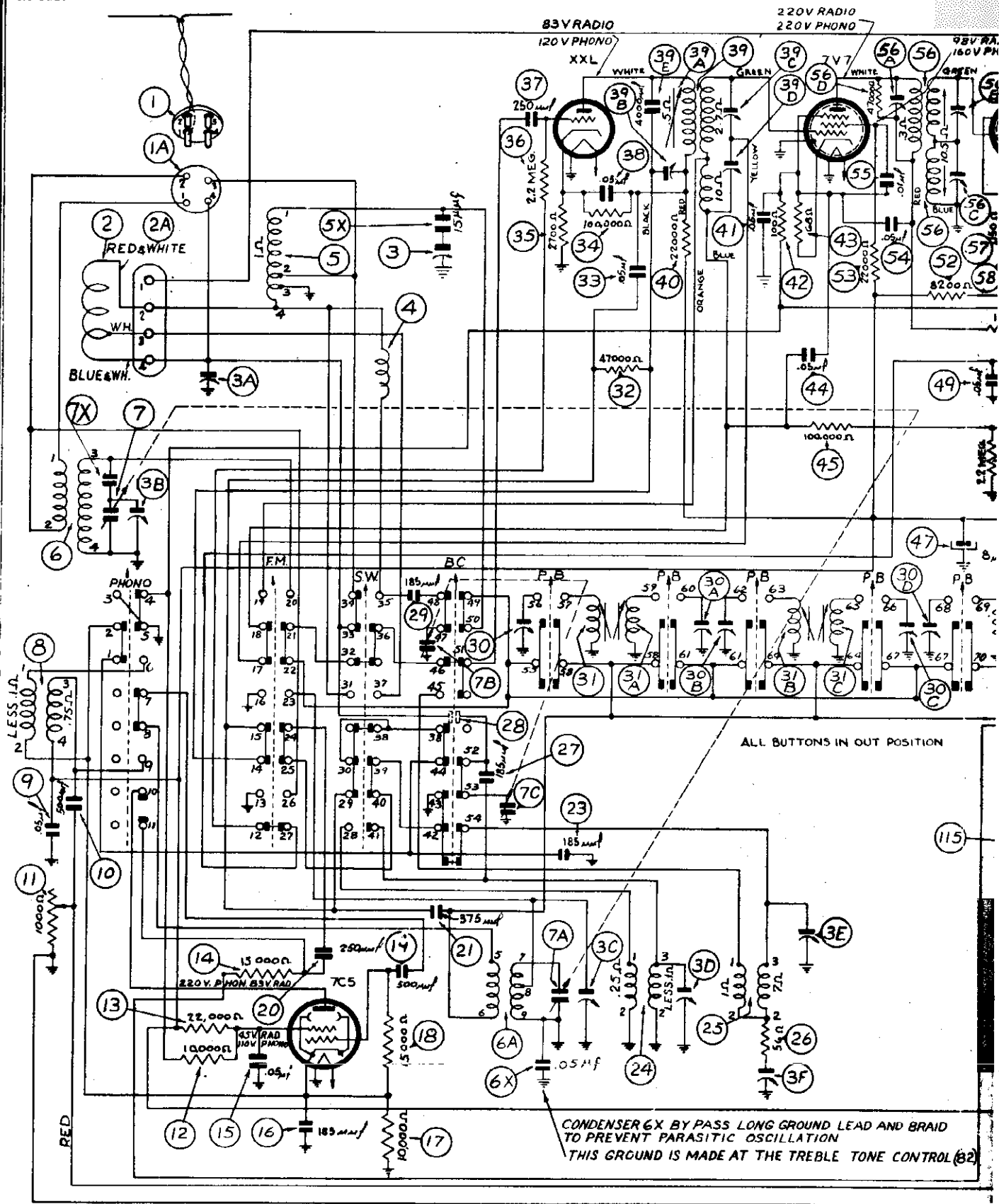
- |     |  |            |
|-----|--|------------|
| 15  | Condenser (.01 mfd., 400 Volts)                | 30-4572    |
| 16A | Off-Off Switch (Part of 16)                    | 33-5469    |
| 17  | Condenser (.01 mfd., 400 Volts)                | W-2157     |
| 18  | Resistor (15,000 ohms)                         | 30-4372    |
| 19  | Condenser (.05 mfd., 200 Volts)                | 33-315336  |
| 20  | Condenser (.05 mfd., 200 Volts)                | 30-4519    |
| 21  | First L. F. Transformer                        | 30-4519    |
| 21A | Primary Compensator (Part of 21)               | 32-3777    |
| 21B | Secondary Compensator (Part of 21)             | W-1949     |
| 22  | Mtg. Nut                                       | 32-3618    |
| 22A | Secondary Compensator (Part of 21)             | 33-347339  |
| 22B | Resistor (Part of 22A)                         | 56-1640    |
| 22C | Resistor (47,000 ohms, Part of 22)             | W-1949     |
| 22D | Bottom Shield                                  | 33-522339  |
| 23  | Resistor (22 megohms)                          | 33-522339  |
| 24  | Resistor (22 megohms)                          | 33-522339  |
| 25  | Resistor (220,000 ohms)                        | 33-522339  |
| 26  | Condenser (.01 mfd., 400 Volts)                | 30-4519    |
| 27  | Resistor (470,000 ohms)                        | 33-447339  |
| 28  | Mica Condenser (250 mmfd.)                     | 60-125157  |
| 29  | Resistor (330 ohms)                            | 33-113336  |
| 30A | Electrolytic Capacitor (10 mfd., 25 Volts)     | 33-113336  |
| 30B | Electrolytic Capacitor (40 mfd., 150 Volts)    | 30-2509    |
| 31  | Condenser (.01 mfd., 400 Volts)                | Part of 30 |
| 32  | Tone Control Switch                            | 30-4972    |
| 33  | Switch Cover                                   | 42-3682    |
|     | Switch Plate                                   | 56-1886    |
|     | Mtg. Screw                                     | W-560FA4   |
|     | Mtg. Nut                                       | W-2157     |
| 1   | Loop Aerial Panel                              | 76-1388    |
|     | Rivets   | 38-5533    |
|     | Mtg. Sleeve                                    | W-207      |
|     | Spring Washer                                  | 28-3006FA3 |
|     | Washer   | 28-4186FE7 |
|     | Mtg. Screw                                     | W-425      |
|     | Mtg. Nut                                       | W-722      |
| 1A  | External Aerial Lechlet                        | 27-6145    |
| 2   | Bracket Aerial Transformer                     | 32-3276    |
|     | Mtg. Nut                                       | 32-3276    |
|     | Mtg. Screw                                     | 31-2567    |
| 3   | Tuning Condenser                               | 31-2573    |
| 3A  | Aerial Compensator (Part of 3)                 | 28-8954    |
| 3B  | Oscillator Compensator (Part of 3)             | 31-2564    |
|     | Drive Card                                     | 27-4610    |
|     | Spring   | 28-5583    |
|     | Mtg. Grommet                                   | W-1543     |
|     | Mtg. Sleeve                                    | 56-2076    |
|     | Mtg. Nut                                       | W-495      |
|     | Pointer  | 60-110157  |
|     | Washer   | 33-547339  |
|     | Mica Condenser (100 mmfd.)                     | 35-761656  |
| 4   | Resistor (100 ohms)                            | 35-761656  |
| 5   | Resistor (100 ohms)                            | 35-761656  |
| 7   | Capacitor (.001 mfd.) and R. F. Choke          | 32-3594    |
| 8   | R. F. Transformer                              | 28-5002    |
| 9   | Mtg. Clip                                      | 33-315339  |
| 10  | Resistor (15,000 ohms), Part of 8              | 33-347339  |
| 11  | Condenser (.1 mfd., 200 Volts)                 | 30-4506    |
| 12  | Condenser (Consists of capacity Winding in 13) | 32-3613    |
| 13  | Oscillator Transformer                         | 40-3602    |
| 14  | Rad. Phone Switch                              | 27-8815    |
|     | Mtg. Nut                                       | W-2157     |

FOR OTHER DATA  
 SEE INDEX

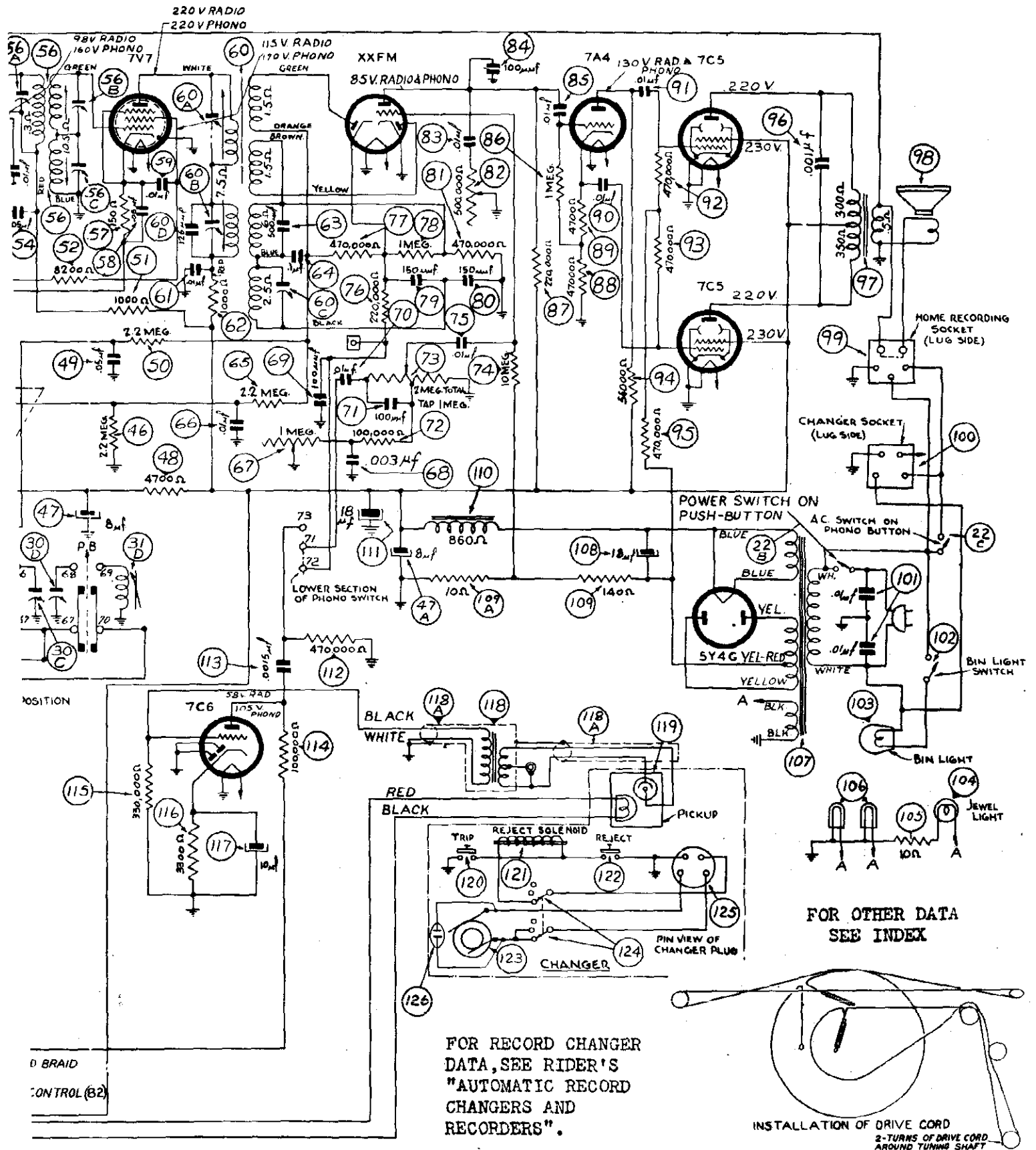
Tuning Band Frequencies: Brdcat, 540 to 1720 KC; S.W., 9 to 15.5 MC; F.M., 42 to 50 MC.

Intermediate Frequencies: Standard I. F., 455 KC; F. M. I. F., 4.3 MC.

PHILCO RADIO & TEL



The D. C. voltages indicated at the tube elements in the above diagram were measured in the Radio and Phonograph positions. The a 1,000-ohms per volt voltmeter, Philco Model O27, using the 300-volt scale.—Line voltage, 117 volts A. C.—No signal being received.



FOR OTHER DATA  
SEE INDEX

FOR RECORD CHANGER  
DATA, SEE RIDER'S  
"AUTOMATIC RECORD  
CHANGERS AND  
RECORDERS".

INSTALLATION OF DRIVE CORD  
2-TURNS OF DRIVE CORD  
AROUND TUNING SHAFT

itions. The voltages were measured with  
il being received.

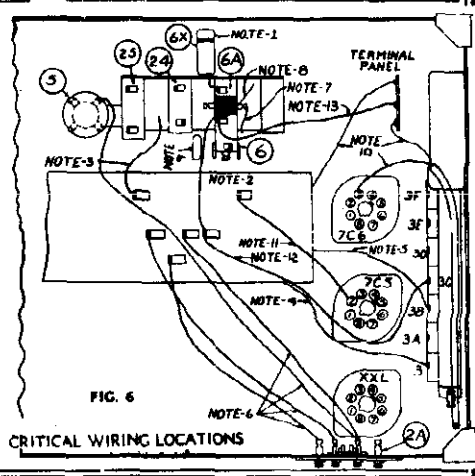
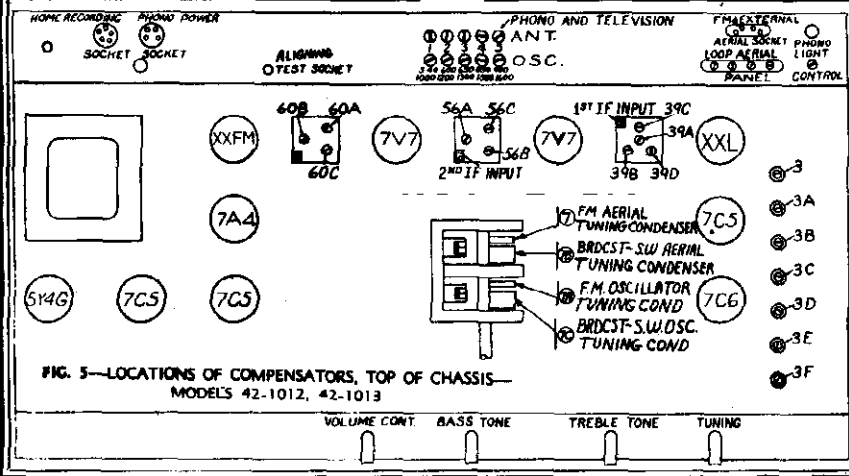
FIG. 7—DIAL CORD ARRANGEMENT

PHILCO RADIO & TELEVISION CORP. MODELS 42-1012, 42-1013M, 42-1013W  
REPLACEMENT PARTS—MODELS 42-1012, 42-1013, CODE 121

Table with 4 main columns: Sch. No., Description, Part No., and a second set of Sch. No., Description, Part No. containing a list of parts from 1 to 99. Includes various components like resistors, capacitors, and transformers.

MISCELLANEOUS PARTS  
Models 42-1012, 42-1013, Code 121

Table listing miscellaneous parts including an automatic record changer, various knobs, buttons, and chassis components with their respective part numbers.





MODELS 42-1012, 42-1013M  
42-1013A

PHILCO RADIO & TELEVISION CORP.

**NOTE A.—DIAL CALIBRATION:** In order to adjust the receiver correctly, the dial pointer must be aligned to track properly with the tuning condenser. To adjust the dial, proceed as follows: With the tuning condenser closed (maximum capacity) set the dial pointer on the extreme left index at the low frequency end of the broadcast scale.

**NOTE B.—**When adjusting the low frequency compensator of the broadcast or the aerial padders of the high frequency tuning range, the receiver tuning condenser must be adjusted (rolled) as follows: First, tune the compensator for maximum output; then vary the tuning condenser until the compensator slightly to the right or left again vary the receiver tuning condenser for maximum output. This procedure of first setting the compensator and then varying the tuning condenser is continued until maximum output reading is obtained.

**NOTE C.—**Adjust compensator (3D) to the second signal peak from the closed position (maximum capacity). Check image at 15,910 m.c. by turning signal generator pointer to 15,910 m.c. The aerial compensator (3A) must also be adjusted to maximum on the first signal peak by rolling the tuning condenser. (See Note B.)

**NOTE D.—**With the signal generator set to 4.3 MC, padder (60C) is adjusted to the point where minimum signal indication is observed on the output meter.

**NOTE E.—**Turn the signal generator first to approximately 135 KC below 4.3 MC (4.17 MC) then vary in steps 4.3 MC (4.32 MC). A signal peak should be observed on the output meter at approximately each of these points (4.17 and 4.42). The two peak signals equally spaced in frequency each side of 4.3 MC. If the signal is not observed, it is necessary to make both peaks equal. This is done by slightly turning padder and then turning signal generator above and below 4.3 to observe peaks. After equal peaks readings are obtained, set the signal generator to 4.3 MC. The output meter should show zero reading at 4.3 MC. If a signal indication is observed readjust padder (60C) until zero reading is obtained. (See Note D.)

**NOTE F.—**Adjust padders 56B, 55A, 39D, and 39E on each side of 4.3 MC. The dial scale numbers are listed in Note G.—The frequency scale is set to 4.3 MC. Set the tuning dial pointer to 85 on the F. M. scale. Adjust padder (3C) to the point where minimum signal indication is observed on the output meter.

**NOTE H.—**In order to adjust padder (3B) the signal generator should be set to either the signal peak approximately 135 KC below 4.5 MC (4.375 MC), or 135 KC above 4.5 MC (4.625 MC). Adjust padder (3B) to maximum output reading on either of these peak signals. After adjusted roll the tuning condenser as given in Note B.

**AUDIO OUTPUT: 8 WATTS**  
**POWER SUPPLY: 115 VOLTS**  
**60~ AC**

These models can also be operated on 50~ by changing the phono motor parts as given in the parts list.

**POWER CONSUMPTION: 125**  
**WATTS**

**EQUIPMENT REQUIRED** Covering the frequency of the receiver, such as the Philco Model 070.  
**ALIGNING INDICATOR:** Audio Output Meter, Philco Models 027 and 028. Circuit testers contain a sensitive output meter and are recommended.  
**TOOLS:** Philco Fiber Screw Driver, Part No. 45-2810.

**CONNECTING ALIGNING INSTRUMENTS**

When aligning the R. F. padders a loop is made from a few turns of wire and connected to the signal generator output terminals; the loop is then placed two or three feet from the loop in the cabinet and dipole aerial lead. Do not remove the receiving loops from the cabinet. It is necessary when adjusting the padders, that the receiver be left in the cabinet.

After connecting the aligning instruments adjust the compensators in the order shown in the tabulation below. Location of the compensators are shown in Fig. 5. If the output meter pointer goes off scale when adjusting the compensators, reduce the strength of the signal from the generator.

**STANDARD AND S. W. BANDS ALIGNING PROCEDURE**

SIGNAL GENERATOR		RECEIVER		Adjust Compensators in Order	Special Instructions
Operations in Order	Output Connections	Dial Setting	Control Settings		
1	High side to No. 2 terminal loop panel	450 KC	Vol. max. P. B. Switch "Broadcast."	60B, 56C, 39C, 39A	
2	Use loop on generator	1500 KC	P. B. Switch "Broadcast."	3E, 3	Note A
3	Use loop on generator	500 KC	P. B. Switch "Broadcast."	3F	Roll Tuning Condensers Note B
4	Use loop on generator	15 MC	P. B. Switch "S. W."	3D, 3A	Note C
5	Use loop on generator	15 MC	P. B. Switch "S. W."		

**FREQUENCY MODULATION ALIGNING PROCEDURE**

Note: The Frequency Modulation Circuits Must Be Adjusted With the Dipole Aerial Connected

**CRITICAL WIRING LOCATIONS**

The following items on these models are critical for location and position. See Fig. 2 for locations of wires and parts:  
**NOTE 1.** Wire from condenser (6X) to F. M. oscillator transformer 6A must be dressed away from chassis.  
**NOTE 2.** Wire from push-button switch contact (23) to tap on F. M. oscillator transformer 6A must be dressed away from the push-button switch.  
**NOTE 3.** Wire from standard and S. W. Band tuning section 7C of the oscillator tuning condenser must be dressed through the push-button switch between the S. W. oscillator transformer (24) and the standard broadcast transformer (35).  
**NOTE 4.** Wire from compensator (3) to contact (56) of push-button switch must be dressed away from chassis.  
**NOTE 5.** Wire from compensator (3E) to terminal panel must be dressed away from chassis.  
**NOTE 6.** Wires from loop terminal panel (2A) to push-button switch must be dressed away from chassis.  
**NOTE 7.** Wire from F. M. oscillator section (7A) of tuning condenser to F. M. oscillator transformer 6A must be as short as possible.

**F. M. BAND ALIGNING PROCEDURE**

SIGNAL GENERATOR		RECEIVER		Adjust Compensators in Order	Special Instructions
Operations in Order	Output Connections	Dial Setting	Control Settings		
1	2nd I. F. F. M. input connection	4.3 MC	Vol. max. P. B. Switch "F. M."	60C (Note D) 60A (Note E)	
2	1st I. F. F. M. input connection	4.3 MC	P. B. Switch "F. M."	56B, 56A (Note F)	
3	Ant. Section of F. M. Tuning Cond. and Gnd. Use test loop on generator; place near dipole aerial	4.3 MC 48.5 MC (Note G)	P. B. Switch "F. M."	39D, 39B (Note F)	Roll tuning condenser when adjusting 3E. See Note B.
4	"	48.5 MC	P. B. Switch "F. M."	3C (Note G) 3B (Note H)	
5	"	48.5 MC	P. B. Switch "F. M."	3C oscillator	

PHILCO RADIO & TELEVISION CORP.

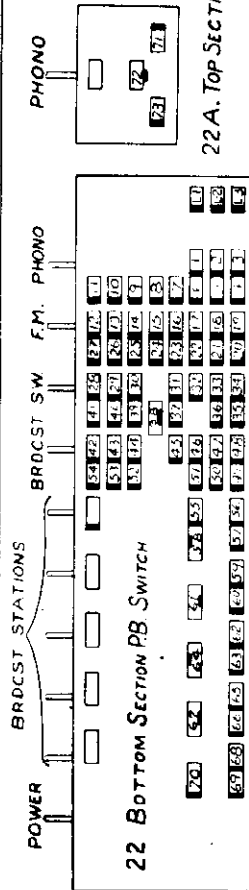
MODELS 42-1012, 42-1013M  
42-1013W

PHONOGRAPH REPRODUCER ADJUSTMENTS

To reproduce the sound from a record, the light beam of the reproducer must be carefully positioned on the light sensitive cell. If the light beam is not carefully set, the sound reproduction will be distorted, weak or, if the light beam is completely on or off the cell, the phonograph will be silent.

If any of these conditions exist, the following adjustment procedure should be made:

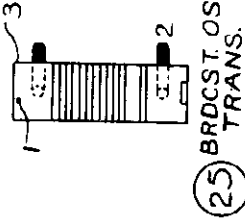
NOTE—These adjustments should be made with the power line voltage at 117 volts A. C.



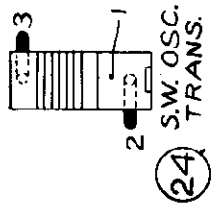
22 A. TOP SECTION

FIG. 1—P. B. SWITCH, TOP AND BOTTOM SECTIONS

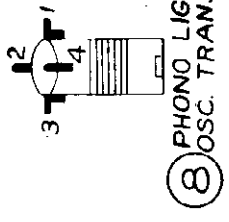
Contact numbers correspond to contact numbers shown on the Schematic Diagram



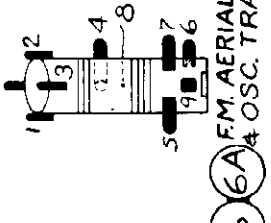
25 BRDCST. OSC. TRANS.



24 S.W. OSC. TRANS.



8 PHONO LIGHT OSC. TRANS.

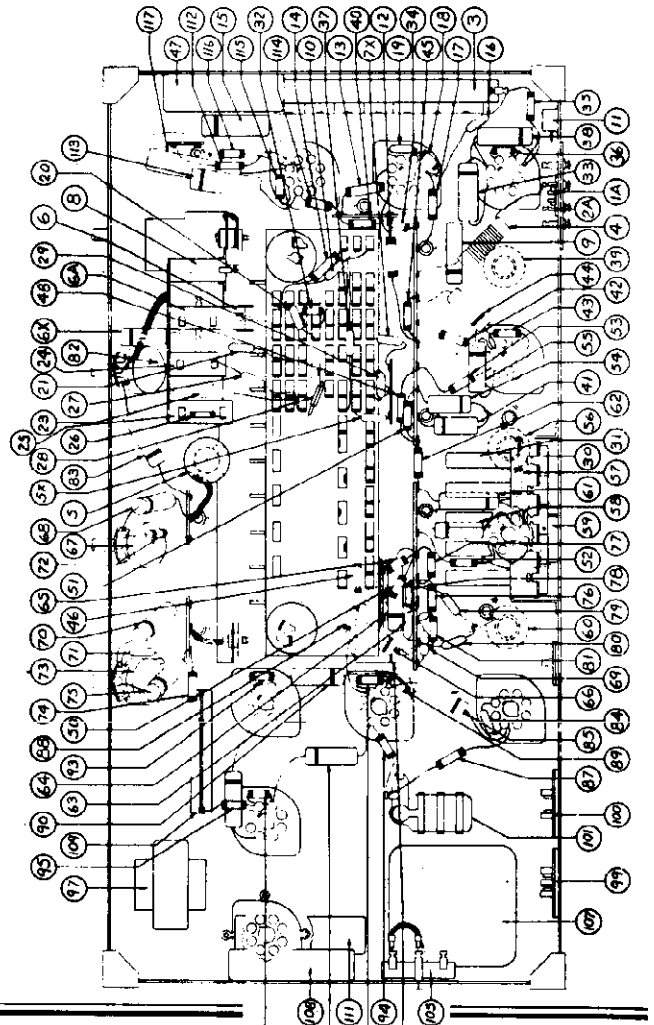


6 FM AERIAL TRANS.

5 BRDCST. AERIAL TRANS.

FIG. 2—PHYSICAL LOCATIONS OF CONNECTIONS ON R. F. TRANSFORMERS

Numbers at lugs correspond to numbers on Schematic Diagram at the transformer symbols



A. ADJUSTING WIDTH OF LIGHT BEAM

To make this adjustment push the lamp socket assembly into its holder until a clear image of the lamp filament appears on the light cell. The socket should then be slightly pushed in beyond this point until the rectangular spot of light is 5/32" in width. The socket assembly is now rotated so that the spotlight is vertical.

B. POSITIONING THE LIGHT BEAM

To position the light beam on the light cell, turn the adjusting screw at the lower left side of the reproducer until the spot is half on the cell and half on the metal frame surrounding the cell.

C. ADJUSTING INTENSITY OF LAMP

When shipped from the factory, the lamp of the reproducer is adjusted for best operating efficiency. The intensity of the light from the lamp is adjusted by Compensator No. 11 located on the radio chassis. Under ordinary circumstances, an adjustment will not be necessary. When replacing the reproducer or lamp, however, it may be necessary to readjust the light intensity. In this case the compensator is adjusted as follows:

1. Turn volume control on full and play a record.
2. While the record is playing, turn Compensator 11 in the direction necessary to obtain the best operating point without distortion. By turning the compensator the strength of the pick up output is increased or decreased.

D. INSTALLING NEW LAMP

When installing a new lamp in the socket, there are two positions in which the lamp can be inserted. Ordinarily, either of these positions can be used. In some cases, however, due to the lamp filament being off center, the lamp must be inserted in the position that gives the best centering of the spot of light on the vibrating mirror.

**ELECTRIC PUSH-BUTTON ADJUSTMENTS**

The electric push-button tuning mechanism consists of twelve push-buttons. Six push-buttons control and select power supply, broadcast, shortwave 1, shortwave 2, and frequency modulation bands, and Phonograph Operation. The remaining six push-buttons are used for automatically selecting six standard broadcast stations.

Select six of the most popular stations received in the locality. Insert the station call letters into the spaces above the buttons. The station with the lowest frequency is placed in the second button from the left and the highest frequency is placed in the seventh push-button from the left. Each push-button is adjusted by two adjusting screws located on the rear of the chassis. Each set of screws is numbered and labeled "Ant.", "Osc." and covers a frequency range as shown in Fig. 1.

Looking at the front of the cabinet, the second button from the left is adjusted by adjusting screws No. 1. The next push-button by adjusting screws No. 2, and the remaining push-buttons in order.

To adjust the electric push-buttons accurately for reception of broadcast stations, a vacuum tube voltmeter such as Philco Models 027 and 028 should be used. In addition, an insulated padding screw driver, Part No. 45-2610, and a PHILCO Model 070 Signal Generator are required. With this equipment at hand proceed as follows:

1. Press in "Broadcast" push-button.
2. Set up a Model 070 Signal Generator near the receiver and connect a loop aerial (made from a few turns of wire 12 inches in diameter) to the high and ground output jacks of the signal generator. Turn the output controls to maximum and set the modulation control to "MOD. ON."
3. Manually tune in the station to be set up on the first station push-button. After doing this set the indicator of the 070 Signal Generator to the frequency of the station being received. As the indicator approaches the frequency of the station a whistle will be heard; leave the indicator at this point.
4. Press "in" the second push-button from the left of cabinet. Using the insulated screw driver, turn the No. 1 "Osc." screw until the broadcast station identified by the signal generator is heard; at this point, turn the indicator of the signal generator away from the frequency of the station. Readjust No. 1 "Osc." and "Ant." screws for maximum deflection of the vacuum tube voltmeter pointer.

After setting up the first station the same procedure as outlined above is used for the remaining stations. When these models are set up to receive the sound of a television program tuned in by the special type Philco Television Sets or if it is to be used in conjunction with a Philco Record Player, the lowest frequency push-button should be used. To tune in these programs, the same procedure as given for broadcast stations above is used.

Further details for setting up these Radios for operation with Philco Television Sets or Record Players are supplied with the instruments.

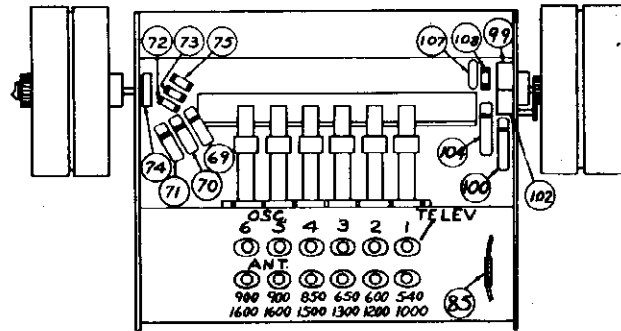


FIG. 1—LOCATIONS OF PARTS AND PUSH BUTTON COMPENSATORS ON TUNING UNIT

**PHONO REPRODUCER ADJUSTMENTS**

To reproduce the sound from a record, the light beam of the reproducer must be carefully positioned on the light sensitive cell. If the light beam is not carefully set, the sound reproduction will be distorted, weak or, if the light beam is completely on or off the cell, the phonograph will be silent.

If any of these conditions exist, the following adjustment procedure should be made:—

NOTE—These adjustments should be made with the power line voltage at 118 volts AC.

**A. ADJUSTING WIDTH OF LIGHT BEAM**

To make this adjustment push the lamp socket assembly into its holder until a clear image of the lamp filament appears on the light cell. The socket should then be slightly pushed in beyond this point until the rectangular spot of light is 5/32" in width. The socket assembly is now rotated so that the spot of light is vertical.

**B. POSITIONING THE LIGHT BEAM**

To position the light beam on the light cell, turn the adjusting screw at the lower left side of the reproducer until the spot is half on the cell and half on the metal frame surrounding the cell.

**C. ADJUSTING INTENSITY OF LAMP**

When shipped from the factory, the lamp of the reproducer is adjusted for best operating efficiency. The intensity of the light from the lamp is adjusted by Compensator No. 117 located on the rear of the radio chassis. Under ordinary circumstances, an adjustment will not be necessary. When replacing the reproducer or lamp, however, there may be a tendency towards microphonic feedback. In this case the compensator is adjusted as follows:

1. Turn volume control on full and play a record.
2. While the record is playing, turn compensator 117 in the direction necessary to eliminate microphonic feedback. By turning the compensator the strength of the pick-up output is increased or decreased.

**D. INSTALLING NEW LAMP**

When installing a new lamp in the socket, there are two positions in which the lamp can be inserted. Ordinarily, either of these positions can be used. In some cases, however, due to the lamp filament being off center, the lamp must be inserted in the position that gives the best centering of the spot of light on the vibrating mirror.

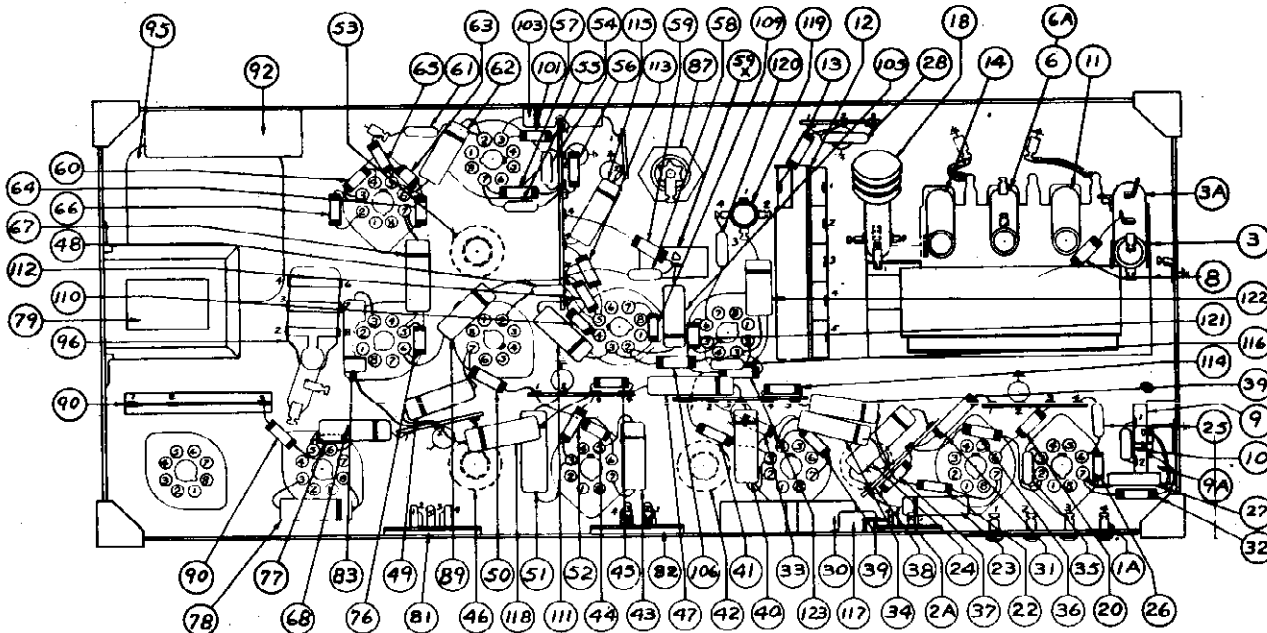
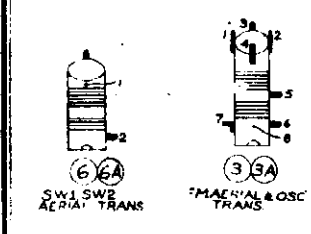
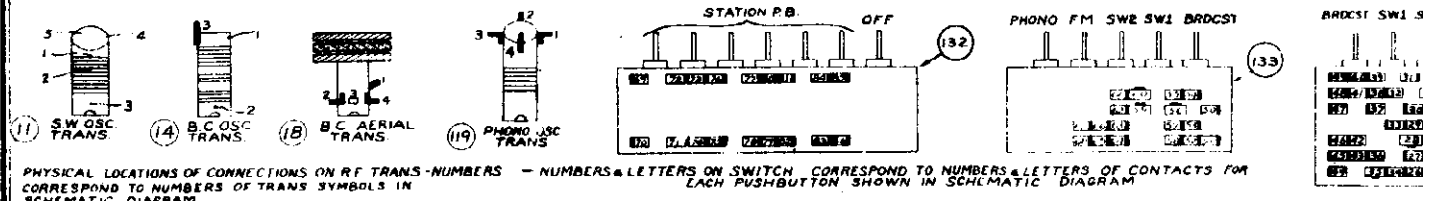
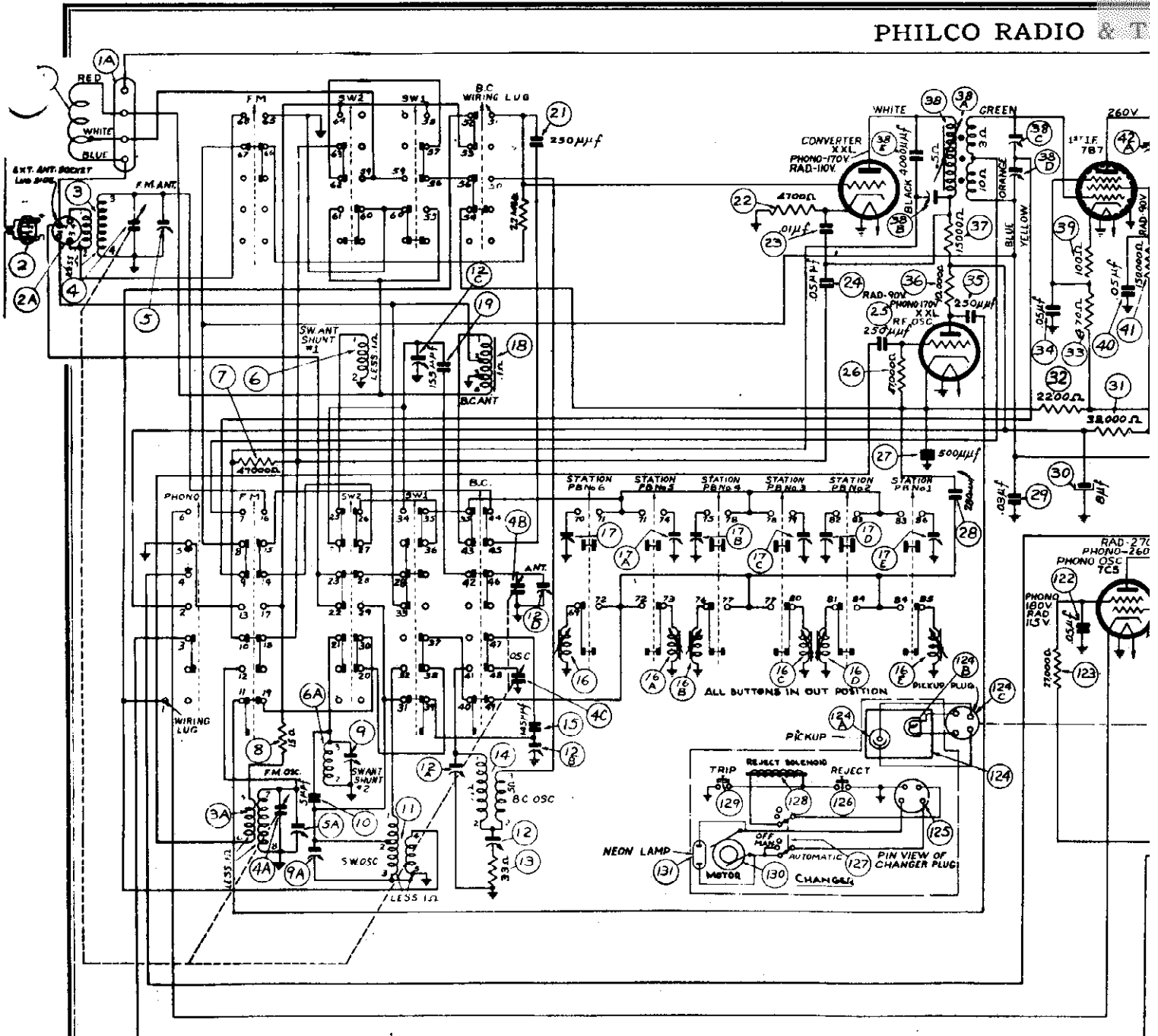


FIG. 3—LOCATIONS OF PARTS—UNDER CHASSIS MODEL 42-1015, CODE 121



**Tuning Band Frequencies:** Broadcast, 540 to 1720 KC; Shortwave 1, 9 to 12 MC; Shortwave 2, 15.3 to 18 MC; Frequency Modulation 42 to 50 MC.

**Intermediate Frequencies:** Standard, 455 KC; F. M., 4.3 MC.

**Audio Output:** 14 watts.

**Power Supply:** 115 volts, 60 cycles AC.

This model can also be operated on 115 volts, 50 cycle current by changing the phonograph motor parts as listed in the parts list.

**Power Consumption:** 145 watts.

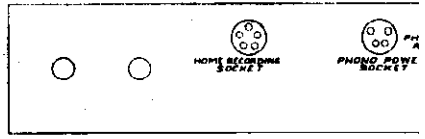
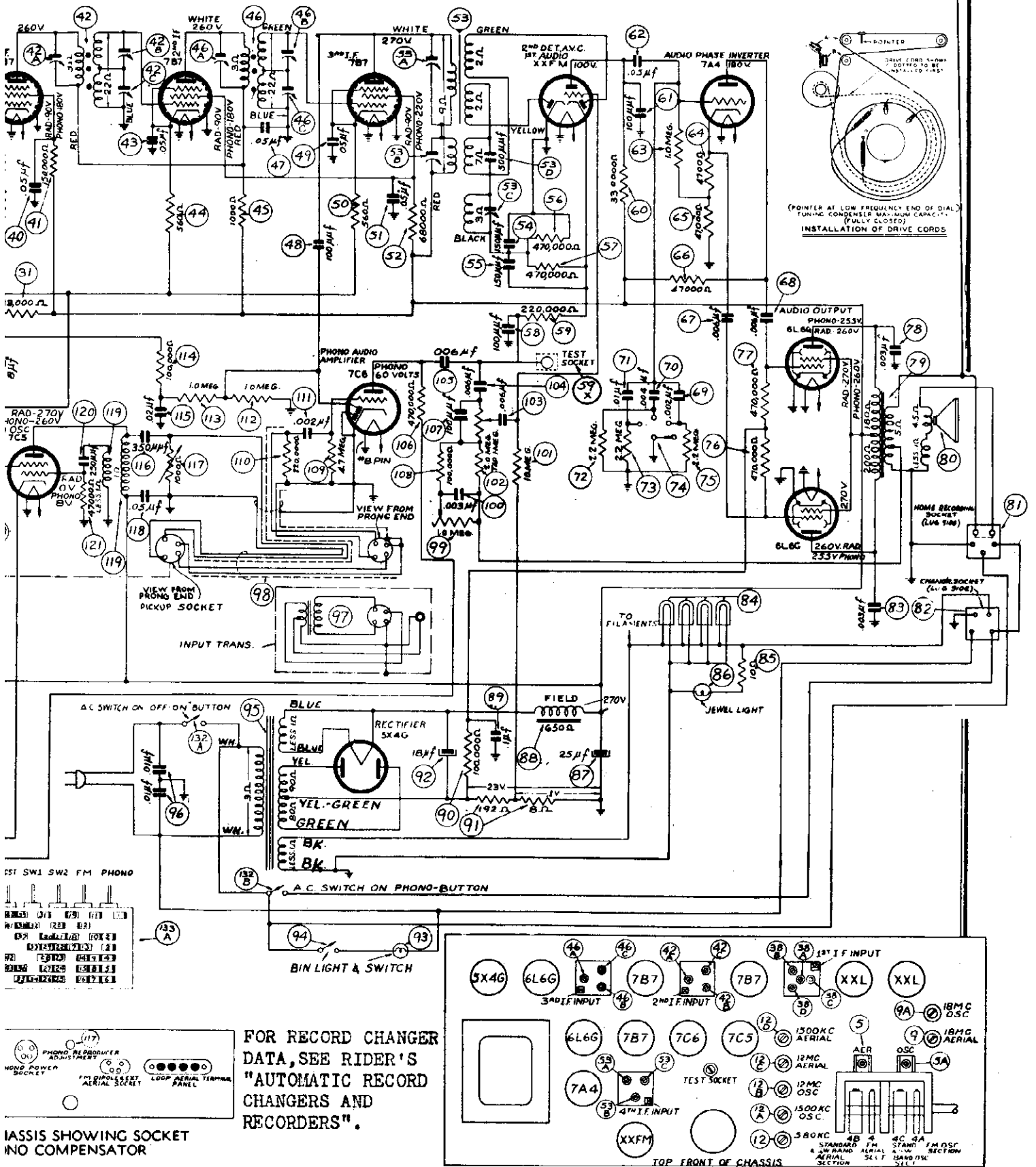


FIG. 2—REAR VIEW OF CHASSIS LOCATION AND PHONO CC



PHILCO RADIO & TELEVISION CORP.

The radio incorporates the Philco Built-in Super Aerial System for reception of standard and short wave broadcast stations; a Philco F. M. Dipole Aerial for reception of frequency modulation stations; twelve (12) electric push-buttons for automatically tuning six (6) stations in the standard broadcast band; tuning A. C. power off and selecting the phonograph circuit, standard, short-wave and frequency modulation bands; three (3) I. F. amplifier stages; two (2) variable tone controls which vary the bass and treble audio frequencies; automatic volume control; push-pull beam power pentode audio output stage; Philco LOKTAL tubes; illuminated horizontal dial; illuminated tuning band and station indicators; concert grand balanced field electro-dynamic speakers; and a dual section tuning condenser. In addition this model is designed to receive the sound of a television program tuned in by special Philco Television Receivers.

The phonograph of each model consists of the PHILCO Automatic Record Changer with a stroboscope pitch and tempo control; a dual speed motor that can be adjusted to play not only normal speed records (78 RPM) but also slow speed records (33 1/3 to 39 RPM); the Philco Photo-Electric Reproducer with a floating jewel which reproduces sound on a beam of light, and a special phonograph amplifier stage for operation through the push-pull output tubes of the radio. The automatic record changer plays 12 ten-inch or 10 twelve-inch records at one loading. The automatic record changer is also equipped with provision for attaching a Philco Home Recording Unit Model HR-2 for making phonograph records in the home. The Home Recording Units can be obtained from your Philco distributor with complete instructions for installation and operation.

Table with 4 columns: Sch. No., Description, Part No., and Sch. No., Description, Part No. It lists various electronic components such as capacitors, resistors, transformers, and mechanical parts with their respective part numbers and descriptions.

MODEL 42-1015

## PHILCO RADIO &amp; TELEVISION CORP.

ALIGNING R. F. AND I. F. COMPENSATORS  
EQUIPMENT REQUIRED

- SIGNAL GENERATOR:** Covering the frequency of the receiver, such as the Philco Model 070.
- ALIGNING INDICATOR:** Audio Output Meter, Philco Models 027 and 028. Circuit testers contain a sensitive output meter and are recommended.
- TOOLS:** Philco Fiber Screw Driver, Part No. 45-2610.

## CONNECTING ALIGNING INSTRUMENTS

**AUDIO OUTPUT METER:** Terminal No. 1 is provided on the loop aerial panel for connecting one lead of the audio output meter to the voice coil of the speaker. The other lead of the meter is connected to the chassis. When using these connections, the lowest A. C. scale of the meter must be used. (0 to 10 volts.)

The audio output meter can also be connected between the plate of the output tube and the chassis.

**SIGNAL GENERATOR:** When adjusting the "I. F." padders, the high side of the signal generator is connected through a .1 mfd. condenser to the points indicated in signal generator column "output connections" to receiver in the tabulations below.

When aligning the R. F. padders a loop is made from a few turns of wire and connected to the signal generator output terminals; the loop is then placed two or three feet from the loop in the cabinet and dipole aerial lead. Do not remove the receiving loops from the cabinet. It is necessary when adjusting the padders, that the receiver be left in the cabinet.

After connecting the aligning instruments adjust the compensators in the order shown in the tabulation below. Location of the compensators are shown in Fig. 5. If the output meter pointer goes off scale when adjusting the compensators, reduce the strength of the signal from the generator.

## STANDARD AND S. W. BANDS ALIGNING PROCEDURE

Operations in Order	SIGNAL GENERATOR		RECEIVER			Special Instructions
	Output Connections	Dial Setting	Dial Setting	Control Settings	Adjust Compensators in Order	
1	Aerial Section of Standard Tuning Cond. & Grd.	465 KC	580 KC	Vol. max. push-button Bdcat. "IN"	53B, 46C, 42C, 38C, 38A	
2	Use loop on generator	1800 KC	1800 KC	Vol. max. push-button Bdcat. "IN"	12A, 12D	Note A
3	Use loop on generator	580 KC	580 KC	Vol. max. push-button Bdcat. "IN"	12	Roll Tuning Condensers Note B
4	Use loop on generator	Readjust as given in Operation 2				
5	Use loop on generator	12 MC	12 MC	Push-button SW-1	12B, 12C	Note C
6	Use loop on generator	18 MC	18 MC	Push-button SW-2	9A, 9	Roll Condensers Note C

## FREQUENCY MODULATION ALIGNING PROCEDURE

Note: The Frequency Modulation Circuits Must Be Adjusted With the Dipole Aerial Connected

## F. M. BAND ALIGNING PROCEDURE

Operations in Order	SIGNAL GENERATOR		RECEIVER			Special Instructions
	Output Connections	Dial Setting	Dial Setting	Control Settings	Adjust Compensators in Order	
1	3rd I. F., F. M. input connection	4.3 MC	1400 KC	Vol. max. F. M. push-button "IN"	53C (Note D) 53A (Note E)	
2	2nd I. F., F. M. input connection	4.3 MC	1400 KC	F. M. push-button "IN"	46B, 46A (Note F)	
3	1st I. F., F. M. input connection	4.3 MC	1400 KC	F. M. push-button "IN"	42B, 42A (Note F)	
4	Ant. Section of F. M. & Tuning Cond. and Grd.	4.3 MC	1400 KC	F. M. push-button "IN"	38D, 38B (Note F)	
5	Use test loop on generator; place near dipole aerial	48.5 MC	85 (Note G)	F. M. push-button "IN"	5A (Note G) 5 (Note H)	Roll tuning condenser when adjusting 5. See Note B.
6	Use test loop on generator; place near dipole aerial	48.5 MC	85	F. M. push-button "IN"	5A	

**NOTE A.—DIAL CALIBRATION:** In order to adjust the receiver correctly, the dial pointer must be aligned to track properly with the tuning condenser. To adjust the dial, proceed as follows: With the tuning condenser closed (maximum capacity), set the dial pointer on the extreme left index line at the low frequency end of the broadcast scale.

**NOTE B.—**When adjusting the low frequency compensator of the broadcast or the aerial padders of the high frequency tuning range; the receiver tuning condenser must be adjusted (rolled) as follows: First, tune the compensator for maximum output, then vary the tuning condenser of the receiver for maximum output. Now turn the compensator slightly to the right or left and again vary the receiver tuning condenser for maximum output. This procedure of first setting the compensator and then varying the tuning condenser is continued until maximum output reading is obtained.

**NOTE C.—**Adjust compensators (12B and 9A) to the second signal peak from the closed position (maximum

capacity). The aerial compensators (12C and 9) must also be adjusted to maximum on the first signal peak by rolling the tuning condenser. (See Note B.)

**NOTE D.—**With the signal generator set to 4.3 MC, padder (53C) is adjusted to the point where minimum signal indication is observed on the output meter.

**NOTE E.—**Turn the signal generator first to approximately 125 KC below 4.3 MC (4.17 MC) and then 125 KC above 4.3 MC (4.42 MC). A signal peak should be observed on the output meter at approximately each of these points (4.17 and 4.42). The two peak signals should be of equal reading on the output meter and equally spaced in frequency each side of 4.3 MC. If the peaks are unequal in amplitude, padder (52A) must be adjusted in the direction necessary to make both peaks equal. This is done by slightly turning padder and then turning signal generator above and below 4.3 to observe peaks. After equal peak readings are obtained, set the signal generator to 4.3 MC. The output meter should show zero reading at 4.3 MC. If a signal

indication is observed readjust padder (52C) until zero reading is obtained on the meter. After this adjustment is made padder No. 53A should be reset for equal peaks as given above.

**NOTE F.—**Adjust padders 46B, 46A, 42B, 42A, 38D, 38B for equal signal peaks and equal frequency spacing each side of 4.3 MC.

**NOTE G.—**The dial scale numbers are listed in tenths of megacycles less the first digit; i. e., 48 MC is 90, 48.5 is 85. Set the tuning dial pointer to 85 on the FM scale. Adjust padder (5A) to the point where minimum signal indication is observed on the output meter.

**NOTE H.—**In order to adjust padder (5) the signal generator should be set to either the signal peak approximately 125 KC below 48.5 MC (48.375 MC) or 125 KC above 48.5 MC (48.625 MC). Adjust padder (5) to maximum output reading on either of these peak signals. As padder 5 is being adjusted roll the tuning condenser as given in Note B.

## EXTERNAL AERIAL CONNECTIONS

The built-in aerial system is designed to operate without an outside aerial or ground and to give exceptionally high receiving performance of stations in the standard, shortwave, or FM bands.

To operate the radio in steel reinforced buildings and other shielded locations where signal strength is weak, an external aerial is recommended. Three different types of aerial combinations are available, to improve reception on the standard, shortwave, or FM bands.

## 1—For Additional Sensitivity on Frequency Modulation only:

- \*Philco Dipole Outdoor Aerial, Part No. 45-2926.

The plug at the end of the transmission line is inserted in the socket at the back of the chassis in place of the plug connected to the F. M. loop in the cabinet.

## 2—For Additional Sensitivity on ALL ranges:

- \*Philco Dipole Outdoor Aerial, Part No. 45-2926.

Philco Aerial Coupler, Part No. 76-1361.

The coupler plugs into the socket at the back of the chassis in place of the plug connected to the FM loop. The aerial transmission line then connects to the terminals on the coupler marked "red" and "black." The local-distance switch on the coupler connects or disconnects the outdoor aerial from the standard broadcast and shortwave tuning ranges. The dipole remains connected to the FM band regardless of the position of the switch.

## 3—For Additional Sensitivity on Standard Broadcast and Shortwave only in Areas where FM reception is not available.

Philco Safety Aerial, Part No. 40-6370.

Philco Aerial Coupler, Part No. 76-1361.

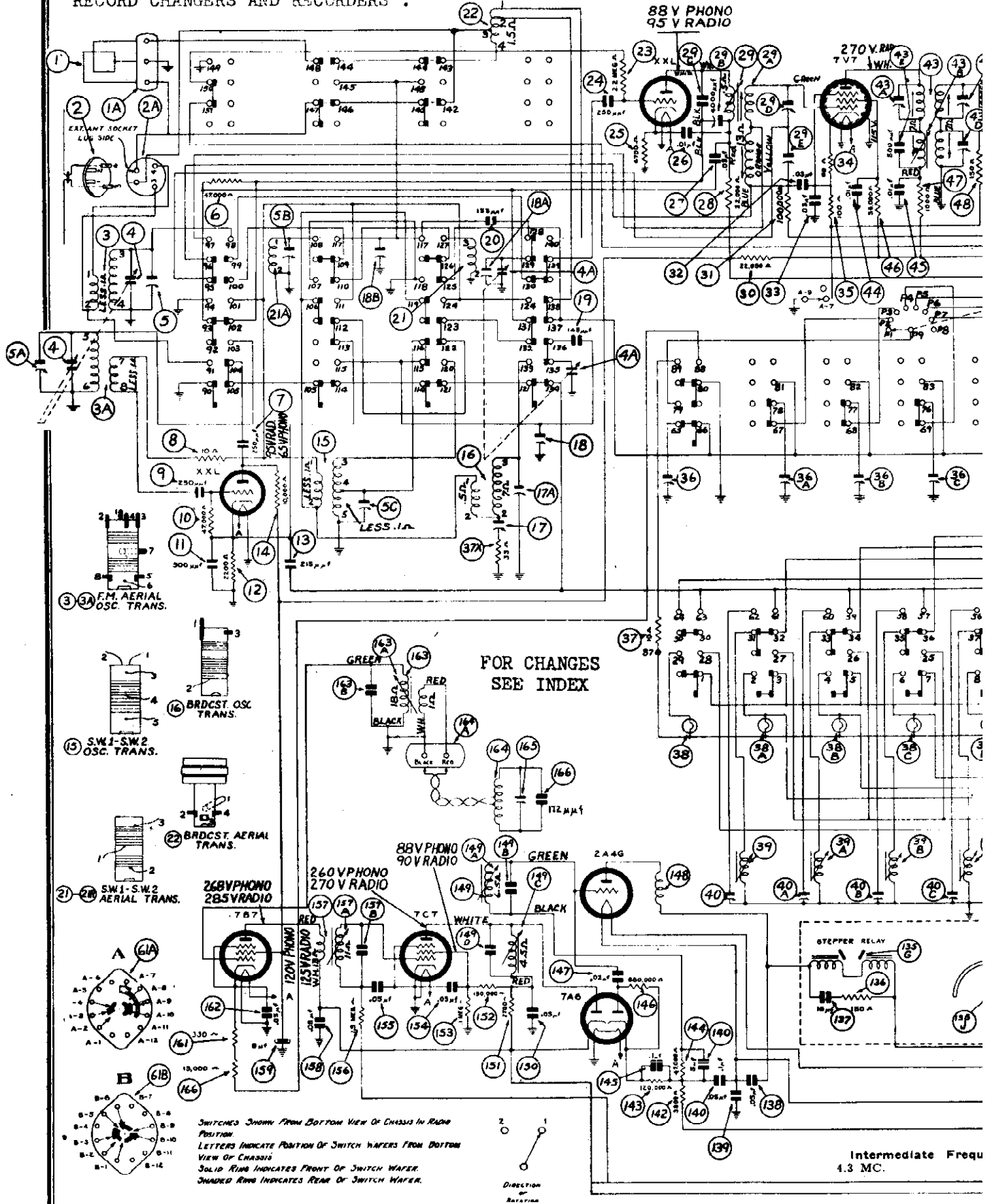
Connect the single wire lead-in of the aerial to the "black" terminal on the aerial coupler.

\*Accessories for this aerial are the Philco Aerial Mast Kit, the Philco Reflector Kit and Philco High Efficiency Transmission Line. See Service Bulletin No. 386 on Dipole Aerials.

**NOTE:** When installing the FM Philco Outdoor Dipole Aerial, it is very important that the aerial compensating condensers of the standard and shortwave band are repadded.

FOR RECORD CHANGER DATA, SEE RIDER'S "AUTOMATIC RECORD CHANGERS AND RECORDERS".

PHILCO RADIO

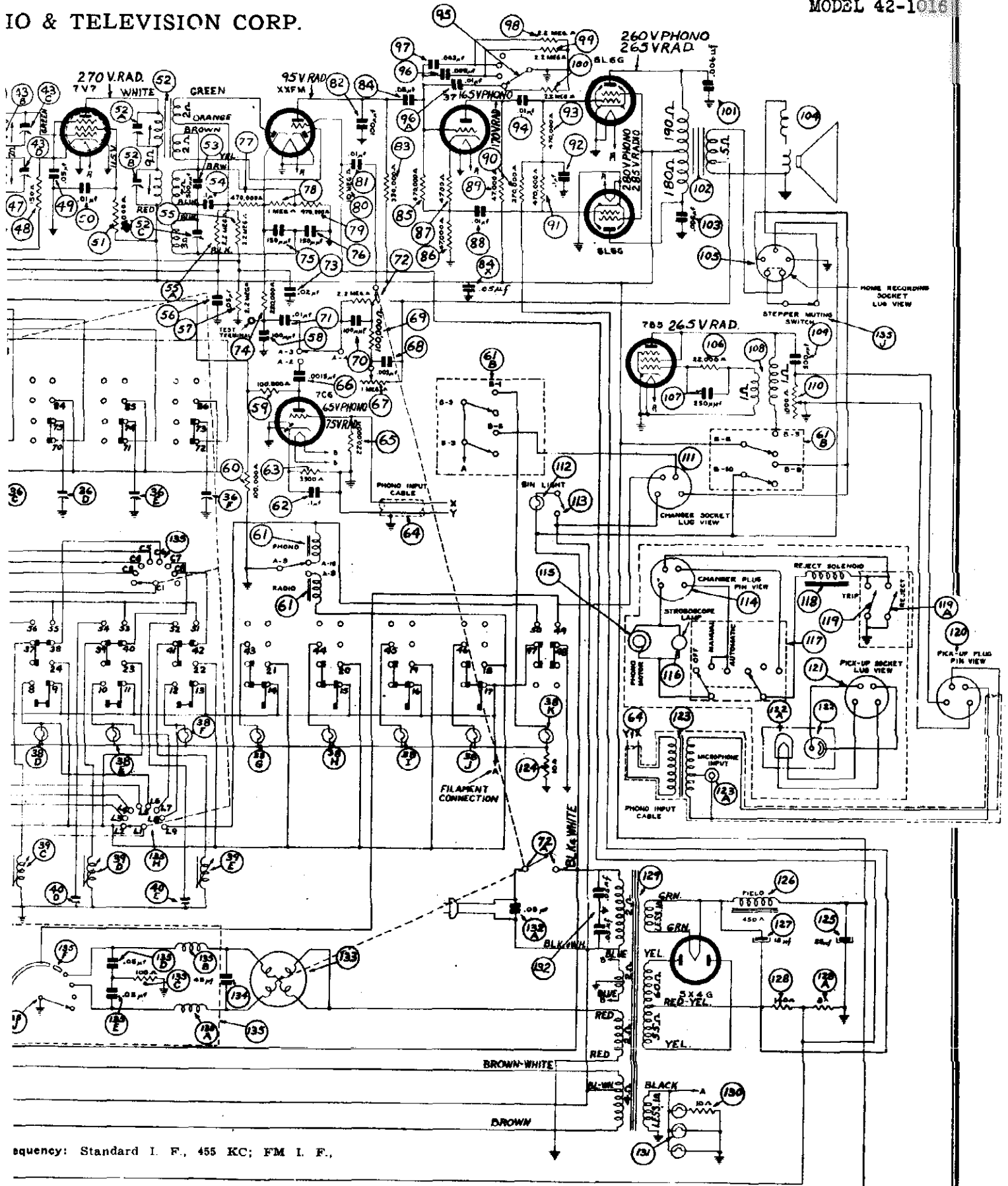


SWITCHES SHOWN FROM BOTTOM VIEW OF CHASSIS IN RADIO POSITION.  
LETTERS INDICATE POSITION OF SWITCH WAFERS FROM BOTTOM VIEW OF CHASSIS.  
SOLID RING INDICATES FRONT OF SWITCH WAFER.  
SHADOWED RING INDICATES REAR OF SWITCH WAFER.





IO & TELEVISION CORP.



Frequency: Standard I. F., 455 KC; FM I. F.,

PHILCO RADIO & TELEVISION CORP.

MODEL 42-1016

ALIGNING R. F. AND I. F. COMPENSATORS  
EQUIPMENT REQUIRED

1. SIGNAL GENERATOR: Covering the frequency of the receiver, such as the Philco Model 070.
2. ALIGNING INDICATOR: Audio Output Meter. Philco Models 027 and 028. Circuit testers contain a sensitive output meter and are recommended.
3. TOOLS: Philco Fiber Screw Driver, Part No. 45-2610.

CONNECTING ALIGNING INSTRUMENTS

Audio Output Meter: Connect the output meter to the plates of the 6L6G output tubes. The 0 to 30 volt scale of the meter should be used.

Signal Generator: When adjusting the "I. F." padders, the high side of the signal generator is connected through a .1 mfd condenser to the points indicated in signal generator column "output connections" to receiver in the tabulations below.

When aligning the R. F. padders a loop is made from a few turns of wire and connected to the signal generator output terminals; the loop is then placed two or

three feet from the loop in the cabinet and dipole aerial lead. Do not remove the receiving loops from the cabinet. It is necessary when adjusting the padders, that the receiver be left in the cabinet.

After connecting the aligning instruments adjust the compensators in the order shown in the tabulation below. Location of the compensators are shown on the schematic diagram. If the output meter pointer goes off scale when adjusting the compensators, reduce the strength of the signal from the generator.

STANDARD AND S. W. BANDS ALIGNING PROCEDURE

Operations in Order	SIGNAL GENERATOR		RECEIVER			
	Output Connections	Dial Setting	Dial Setting	Control Settings	Adjust Compensators in Order	Special Instructions
1	1st I. F. Input Connection	455 KC	580 KC	Vol. max. push-button Brdcat. "IN"	52B	
2	1st I. F. Input Connection	455 KC	580 KC	Brdcat. Push-button "IN"	43D, 43B	
3	Aerial Tuning Condenser Lug	455 KC	580 KC	Brdcat. Push-button "IN"	29D, 29A	
4	Use loop on generator	1500 KC	1500 KC	Brdcat. Push-button "IN"	17A, 18A	Note A
5	Use loop on generator	580 KC	580 KC	Brdcat. Push-button "IN"	17	Roll Tuning Condensers Note B
6	Use loop on generator		Readjust as given in Operation 4			
7	Use loop on generator	18 M.C.	12 M.C.	BW-1 Push-button "IN"	18, 18B Note C	Roll Tuning Condenser
8	Use loop on generator	18 M.C.	18 M.C.	BW-2 Push-button "IN"	5C, 5B Note C	Roll Tuning Condenser

FREQUENCY MODULATION ALIGNING PROCEDURE

NOTE: The Frequency Modulation Circuits Must Be Adjusted With the Dipole Aerial Connected.

Operations in Order	SIGNAL GENERATOR		RECEIVER			
	Output Connections	Dial Setting	Dial Setting	Control Settings	Adjust Compensators in Order	Special Instructions
1	2nd I. F. F. M. input connection	4.3 MC	580 KC	Vol. max. F. M. push-button "IN"	52C (Note D) 52A (Note E)	
2	1st I. F. F. M. input connection	4.3 MC	580 KC	F. M. push-button "IN"	43C, 43A (Note F)	
3	F. M. aerial tuning condenser lug	4.3 MC	580 KC	F. M. push-button "IN"	29E, 29B (Note F)	
4	Use test loop on generator; place near dipole aerial	48.5 MC	85 (Note G)	F. M. push-button "IN"	5A (Note G) 5 (Note H)	Roll tuning condenser when adjusting 5. See Note B
5	"	48.5 MC	85	F. M. push-button "IN"	5A oscillator	

NOTE A.—DIAL CALIBRATION: In order to adjust the receiver correctly, the dial pointer must be aligned to track properly with the tuning condenser. To adjust the dial, proceed as follows: With the tuning condenser closed (maximum capacity), set the dial pointer on the extreme left index line at the low frequency end of the broadcast scale. See Fig. 11 for cord arrangement.

NOTE B.—When adjusting the low frequency compensator of the broadcast or the aerial padders of the high frequency tuning range, the receiver tuning condenser must be adjusted (rolled) as follows: First, tune the compensator for maximum output, then vary the tuning condenser of the receiver for maximum output. Now turn the compensator slightly to the right or left and again vary the receiver tuning condenser for maximum output. This procedure of first setting the compensator and then varying the tuning condenser is continued until maximum output reading is obtained.

NOTE C.—Adjust compensators (18 and 5C) to the second signal peak from the closed position (maximum

capacity). The serial compensators (18B and 5B) must also be adjusted to maximum on the first signal peak by rolling the tuning condenser. (See Note B.)

NOTE D.—With the signal generator set to 4.3 MC, padder (52C) is adjusted to the point where minimum signal indication is observed on the output meter.

NOTE E.—Turn the signal generator first to approximately 125 KC below 4.3 MC (4.17 MC) and then 125 KC above 4.3 MC (4.42 MC). A signal peak should be observed on the output meter at approximately each of these points (4.17 and 4.42). The two peak signals should be of equal reading on the output meter and equally spaced in frequency each side of 4.3 MC. If the peaks are unequal in amplitude, padder (52A) must be adjusted in the direction necessary to make both peaks equal. This is done by slightly turning padder and then turning signal generator above and below 4.3 to observe peaks. After equal peaks readings are obtained set the signal generator to 4.3 MC. The output meter should show zero reading at 4.3 MC. If a signal indication is

observed, readjust padder (52C) until zero reading is obtained on the meter. After this adjustment is made padder No. 52A should be reset for equal peaks as given above.

NOTE F.—Adjust padders 43C, 43A, 29E, and 29B for equal signal peaks and equal frequency spacing each side of 4.3 MC.

NOTE G.—The dial scale numbers are listed in tenths of megacycles less the first digit; i. e., 49 Mt. is 80, 48.5 is 85. Set the tuning dial pointer to 85 on the F. M. scale. Adjust padder (5A) to the point where minimum signal indication is observed on the output meter.

NOTE H.—In order to adjust padder (5) the signal generator should be set to either the signal peak approximately 125 KC below 48.5 MC (48.375 MC), or 125 KC above 48.5 MC (48.625 MC). Adjust padder (5) to maximum output reading on either of these peak signals. As padder 5 is being adjusted roll the tuning condenser as given in Note B.

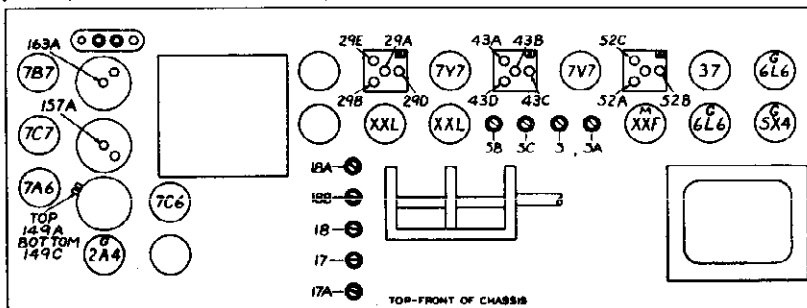


FIG. 9—LOCATIONS OF COMPENSATORS, TOP OF CHASSIS

PHILCO RADIO & TELEVISION CORP.

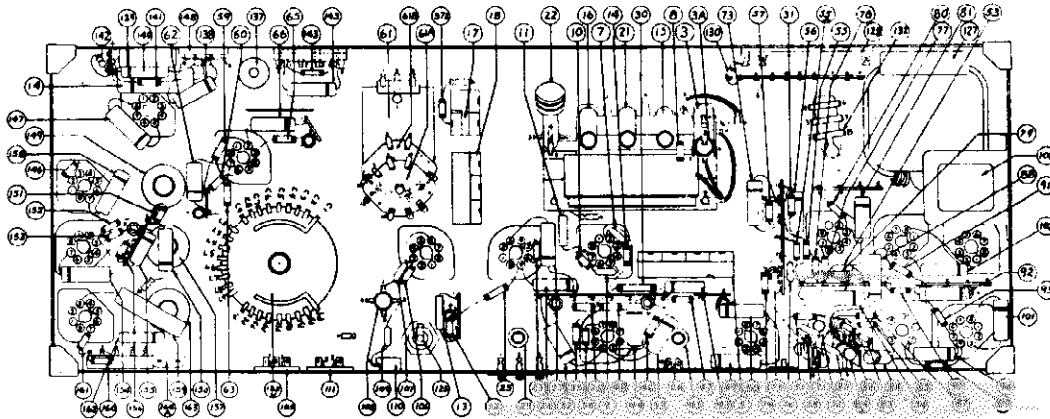


FIG. 2—PART LOCATIONS—UNDER CHASSIS, MODEL 42-1016

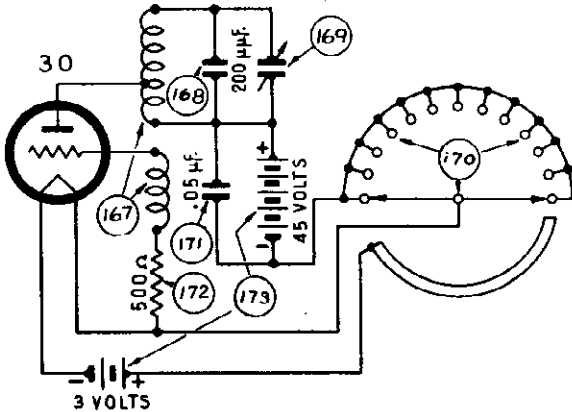


FIG. 3—SCHEMATIC DIAGRAM OF WIRELESS REMOTE CONTROL UNIT

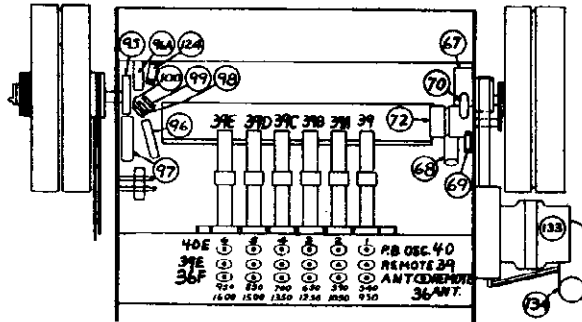


FIG. 4—LOCATIONS OF PARTS, TUNING UNIT

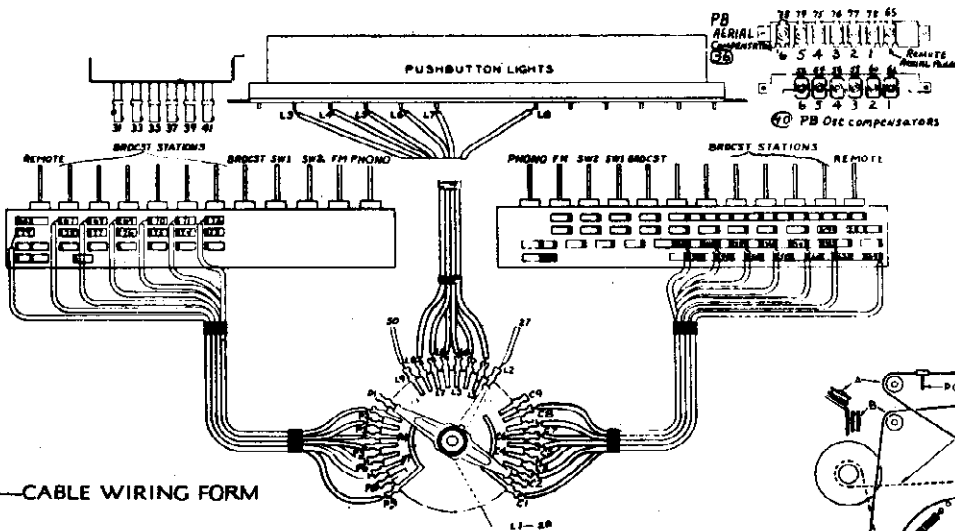


FIG. 7—CABLE WIRING FORM

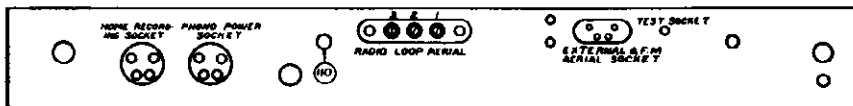


FIG. 10—TERMINAL AND SOCKET LOCATIONS, REAR OF CHASSIS

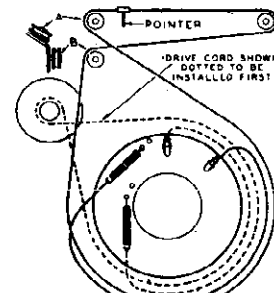


FIG. 11  
(POINTER AT LOW FREQUENCY END OF DIAL)  
(TUNING CONDENSER MAXIMUM CAPACITY  
(FULLY CLOSED))  
INSTALLATION OF DRIVE CORDS

## PHILCO RADIO &amp; TELEVISION CORP.

MODEL 42-101

## PUSH-BUTTON AND WIRELESS REMOTE CONTROL ADJUSTMENTS

**WIRELESS REMOTE CONTROL AND ELECTRIC PUSH-BUTTON TUNING:** The wireless remote control automatically tunes in six broadcast stations; increases and decreases sound volume; starts and stops record changer; rejects records; changes from radio to phonograph or phonograph to radio; turns the power supply of the radio and phonograph OFF and has a "Silent" position, which silences the sound output without operating volume control. These operations are all controlled from the remote control unit without any connections with the radio.

The control positions on the remote control dial reading right to left around the control are as follows:—"LOUD," "SOFT," "SILENT," Station No. 1, Station No. 2, Station No. 3, Station No. 4, Station No. 5, Station No. 6, "PHONO."

The twelve electric push-buttons on the chassis dial operate independently of the wireless remote control. Six of the push-buttons select stations, and six operate the wireless remote control, phonograph, and the standard, shortwave 1, shortwave 2 and FM bands. Viewing the push-buttons from the front of the radio, proceeding left to right: No. 1 button controls "Remote," Nos. 2-3-4-5-6 and 7 broadcast stations, No. 8 "Brdcst." band, No. 9 "SW-1" band, No. 10 "SW-2" band, No. 11, "FM" band and No. 12 phonograph.

The selected broadcast stations can be set up for push-button and remote tuning control operation by adjusting the padders and coils located in back of the push-button assembly. Three adjustments must be made for each broadcast station selected.

The bottom row marked "ANT" is for the antenna padder for remote control operation; the middle row of adjusting screws is for the oscillator coils used in remote control; the top row of adjusting screws is for the oscillator adjustment for push-button tuning. Each set of three padders is numbered from "1 to 6" corresponding to the numbers shown on the push-buttons in figure above.

To set up stations on these models for best reception, a Signal Generator PHILCO Model 070; Vacuum Tube Voltmeter and PHILCO Model 027 or 028 should be used. With this equipment proceed as follows:

1. Select and remove the desired six (6) station call letters from the receiver station tab card. Insert the station tabs in the windows of the bezel on the receiver. Place the lowest frequency station in the second window (No. 1 in diagram) on the left of the bezel, and the remaining station tabs in the windows in the order of increasing broadcast frequency.
2. Remove the tabs of the corresponding six stations from the wireless control call letter card. Insert the LOUD, SOFT and SILENT tabs in the first, second and third spaces, respectively, on the right hand side of the bezel. Insert the tab of the lowest fre-

## ADJUSTING CONTROL FREQUENCY AMPLIFIER

The wireless remote control models are shipped with 5 different control frequencies which range from 350 to 400 K. C. These frequencies are identified by the code number appearing on the serial number ticket and on the rear of the chassis. The code numbers and frequencies are as follows:

Code 5.....355 K. C.	Code 7.....375 K. C.
Code 6.....367 K. C.	Code 8.....383 K. C.
Code 9.....395 K. C.	

The purpose of the different control frequencies is to prevent interference between two or more wireless remote control models which are on the same floor or exceptionally close together. When several wireless remote control models are to be located close together, it will be necessary to use different control frequencies. These frequencies should be 20 KC apart. For example, if three models are to be operated at the same time and are closely situated, it will be advisable to adjust the control frequency of the first set to 355 KC, the second set to 375 KC, and the third set to 395 KC.

In order to realign or change the control frequency of these models, the following equipment is required:

1. Philco Model 070 signal generator with a loop attached to the output terminal. (A few turns of wire 12 inches in diameter). Vacuum tube voltmeter, Philco Model 027.
2. Philco wireless remote control aligning adapter. Part No. 45-2769.
3. Philco aligning screw driver. Part No. 45-2610.

With this apparatus the control frequency is adjusted as follows:

1. Remove the 2A4G control tube from its socket and replace with the aligning adapter. Connect the red lead of the aligning adapter to the positive terminal of the vacuum tube voltmeter. The black lead of the adapter is connected to the negative terminal of the vacuum tube voltmeter.

2. Connect the high side of the signal generator through a 100-ohm resistor to the "Red" terminal of the remote control secondary

## ADJUSTING WIRELESS REMOTE CONTROL UNIT

The wireless remote control unit is now adjusted to the control frequency of the amplifier as follows:

1. Turn off the signal generator, then dial any one of the stations indicated on the remote control unit by pulling the selector to the stop position; release the selector and at the same time press the stop down and hold it in this position.

2. Now bring the wireless remote control unit close to the receiver. Using a padding wrench, Philco Part No. 3164, tune the compensator (169), Fig. 3, located on the bottom of the remote control unit until a maximum voltage reading is indicated on the

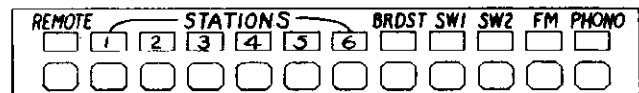


FIG. 1—TAB LOCATIONS

vacuum station in the fourth space on the right side of the bezel on the remote control unit dial. Transparent tabs are also supplied.

These should be placed over each call letter. Place the remaining call letter tabs around the bezel from right to left (counter-clockwise) in the order of increasing frequency.

3. Insert the negative (—) terminal of the vacuum tube voltmeter into the Test socket on the rear of the chassis. Attach the positive (+) terminal to the chassis.

4. Turn volume control and power switch to the "ON" position, and allow the receiver to heat up. Attach a loop consisting of a few turns of wire to the output terminals of the Model 077 Signal Generator. Turn the signal generator power switch to "MOD ON". Press in the "Brdcst" push-button and manually tune in the lowest frequency station desired. This station should be between 540 to 950 K. C. Then tune the signal generator to the frequency of the same station and a beat note will be heard. Leave the signal generator pointer set at this frequency.

5. Press in the "Remote" push-button. Dial the first low frequency station on the remote control unit.

6. Using a padding screw driver adjust No. 1 "OSC Remote" (middle row) until the station identified by the modulated signal of the Signal Generator is tuned to maximum reading on the voltmeter. Next adjust the "No. 1 ANT" padder (bottom row) for maximum indication on the voltmeter.

Press in the No. 1 station push-button on the radio and adjust No. 1 "P.BUTTON OSC" padder (top row) for maximum output on the same station.

7. Turn the Signal Generator off the station frequency and readjust the No. 1 "OSC P.BUTTON" padder for maximum; then press REMOTE push-button, dial station on Remote Unit and readjust No. 1 "Remote OSC" and No. 1 "ANT" padders for maximum reading with the station signal. This should be done with the volume control of the receiver at low volume.

Repeat this procedure for each of the remaining stations to be set up. They should be set up in the order of their increasing frequency.

8. After all stations have been set up for push-button and remote control operation, press in the fifth (5) push-button and adjust the "ANT" compensator (36). See Fig. 4.

Inductor loop panel. Connect the "grd" of the signal generator to the "Bik" terminal.

3. Apply power to the set and press in the "remote" push button. Turn the generator modulation control to "Mod ON" and turn the attenuator control about one fourth on.

4. The control frequency to which the control amplifier is tuned can now be determined by tuning the signal generator between 350 and 400 KC. When the signal generator is tuned to the control frequency, the vacuum tube voltmeter will show maximum deflection. If this frequency is to be used, leave the signal generator at this point or turn the indicator to any other frequency desired between 350 and 400 KC.

5. After the control frequency has been found or changed, compensators (149A) (149C) are adjusted for maximum indication on the vacuum tube voltmeter.

6. Remove the signal generator output leads and 100-ohm resistor from the terminal panel. Connect the remote secondary inductor loop to the terminal panel.

7. Place the small loop mentioned above into the "high" and "ground" terminals of the signal generator output and place the signal generator near the secondary inductor loop in the bottom of the cabinet. When doing this, do not disturb the setting of the signal generator indicator. The compensators (157A and 163A) are now adjusted for maximum reading on the vacuum tube voltmeter.

8. Next adjust the secondary inductor loop compensator (165) located in the bottom of the cabinet. This compensator is encased in a cardboard container that is attached to one corner of the loop. Extreme care should be used in adjusting the compensator to the exact point of resonance as the secondary inductor is a very sharply tuned circuit.

9. If the vacuum tube voltmeter pointer goes off scale when adjusting the compensator, turn the attenuator control of the signal generator toward the "off" position.

vacuum tube voltmeter. When tuning this compensator, it should be done very slowly so as not to pass over the frequency to which the control amplifier is tuned.

3. The remote control unit is now moved a short distance from the radio (several feet). Compensator (169) is then readjusted for maximum voltage reading.

4. After making these adjustments, remove the aligning adapter from the socket and replace the 2A4G tube. The wireless remote control unit should now be adjusted to the same frequency as the control frequency in the receiver.

MODEL 42-1016

PHILCO RADIO & TELEVISION CORP.

Audio Output: 20 watts.

Power Supply: 115 volts, 60 cycle A. C.

This model can also be operated on 115 volts, 50 cycle current by changing the phonograph motor parts as given in the parts list.

Power Consumption: 175 watts.

Tuning Band Frequencies: Brcdst, 540 to 1720 KC; SW-1, 9 to 12 MC; SW-2, 14.4 to 18 MC; FM, 42 to 50 MC.

Push-Button and Remote Control Frequencies: 540 to 950 KC; 590 to 1050 KC; 650 to 1250 KC; 700 to 1350 KC; 850 to 1500 KC; 950 to 1600 KC.

REPRODUCER JEWEL AND ARM ADJUSTMENTS

Three different tone arms have been used:

- 1—An aluminum arm (Part No. 35-2519).
- 2—A zinc arm (Part No. 35-2519).
- 3—A moulded bakelite arm (Part No. 35-2540).

Since the weight of each kind of arm is different, three counterbalance weights are required. The aluminum arm requires a 1½-ounce weight, the zinc arm a 5-ounce weight and the bakelite a 3-ounce weight. The zinc arm has a yellow paint mark under the tone arm.

Regardless of which tone arm is used, the weight of the tone arm on the record should be 1¼ ounces. The correct counterbalance weight must be used and the final adjustment made with the screw on the side of the tone arm swivel assembly. Do not use the incorrect counterbalance weight and then adjust for the balance with the spring in the tone arm swivel, since this puts a side thrust on the tone arm spindle and will very likely cause tone arm drag.

Use only a 20 SAE grade oil mixed with 1/3 special Shaler Rislone oil for lubricating the spindle. Other lubricants will cause the spindle assembly to stick, resulting in tone arm drag. Tone arm drag may also be caused by the dress of the leads at the back of the tone arm. They should be dressed towards the turntable spindle at the end of the tone arm.

The tone arm spindle must be absolutely free. Any binding in either direction will cause the light beam to pull off the cell and produce WOW's and distortion. The drag should not exceed ¼ ounce.

Do not, under any circumstances, try to adjust the angle of the jewel. The jewel normally extends 1/32" below the guard. It should be vertical with respect to the surface of the record when viewed from in front of the pick-up head. When viewed from the side, the jewel is at quite an angle to the surface of the record. On 1/3 stack of records, the jewel should be at an angle of approximately 20°. When playing the bottom record, the jewel will be at an angle of approximately 13°. Do not attempt to change this angle. It permits the jewel to track in the groove with a minimum surface noise. Any change from the original setting will affect the frequency response, and if the angle of the jewel is less than given above, it will cause record wear.

Flutter, mistracking and distortion can all be caused by a stiff mirror and jewel assembly. Check the flexibility of this assembly. With the record changer stopped, put a record on the turntable and place the tone arm on the record. Open the peep-hole in the pick-up cover—the light beam should be 5/32" wide and should be half "on" and half "off" the photo-electric cell. Hook the Philco Scale, Part No. 45-2851, under the cover at the nose and pull laterally, first toward the spindle and then away from the spindle. The jewel assembly should be sufficiently flexible to allow the light beam to be pulled completely off the cell and completely on the cell with less than 1 ounce of lateral pull—from ¼ ounce to ¾ ounce is the most desirable. Replace the mirror and jewel assembly if more than 1 ounce pull is required.

OPERATING DISTANCE

When shipped from the factory the wireless remote control circuit is adjusted to control the radio from an average distance that has been found to be satisfactory in most installations. In some special cases, however, where the radio and control are situated near large metal objects or installed in metal shielded areas, it may be necessary to change the control circuit to get adequate remote control (increase sensitivity) from certain distances. In these cases, the value of resistor (160), 15,000 ohms, located underneath the radio chassis, should be changed to a lower value that will give the desired range of control. The resistor, however, should not be lowered in value more than is found necessary for the special installation. If the control range is too sensitive, the resistor should be changed to a higher value (more resistance).

PHONO REPRODUCER ADJUSTMENTS

To reproduce the sound from a record, the light beam of the reproducer must be carefully positioned on the light sensitive cell. If the light beam is not carefully set, the sound reproduction will be distorted, weak or, if the light beam is completely on or off the cell, the phonograph will be silent.

If any of these conditions exist, the following adjustment procedure should be made:—

NOTE—These adjustments should be made with the power line voltage at 118 volts A. C.

A. ADJUSTING WIDTH OF LIGHT BEAM

To make this adjustment push the lamp socket assembly into its holder until a clear image of the lamp filament appears on the light cell. The socket should then be slightly pushed in beyond this point until the rectangular spot of light is 5/32" in width. The socket assembly is now rotated so that the spot of light is vertical.

B. POSITIONING THE LIGHT BEAM

To position the light beam on the light cell, turn the adjusting screw at the lower left side of the reproducer until the spot is half on the cell and half on the metal frame surrounding the cell.

C. ADJUSTING INTENSITY OF LAMP

When shipped from the factory, the lamp of the reproducer is adjusted for best operating efficiency. The intensity of the light from the lamp is adjusted by Compensator No. 23 located on the radio chassis. Under ordinary circumstances, an adjustment will not be necessary. When replacing the reproducer or lamp, however, there may be a tendency towards microphonic feedback. In this case the compensator is adjusted as follows:

1. Turn volume control on full and play a record.
2. While the record is playing, turn compensator 110 in the direction necessary to eliminate microphonic feedback. By turning the compensator the strength of the pick-up output is increased or decreased.

D. INSTALLING NEW LAMP

When installing a new lamp in the socket, there are two positions in which the lamp can be inserted. Ordinarily, either of these positions can be used. In some cases, however, due to the lamp filament being off center, the lamp must be inserted in the position that gives the best centering of the spot of light on the vibrating mirror.

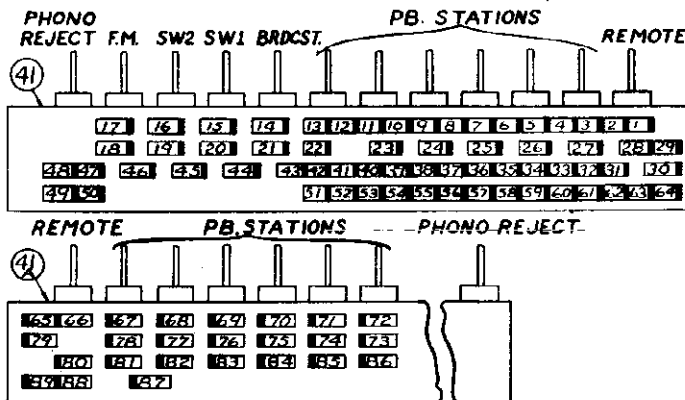


FIG. 5—CONTACT LOCATIONS OF STATIONS AND LIGHTS, P.B. SWITCH—TOP 41, BOTTOM 41A

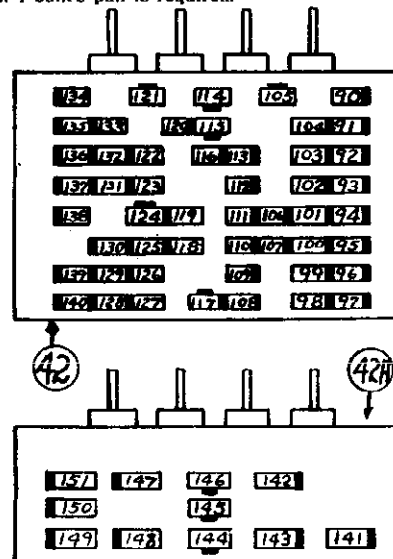


FIG. 6—CONTACT LOCATIONS OF TUNING BAND, P. B. SWITCH—42, BOTTOM; 42A, TOP SECTION



CHANGES, NOTES

PHILCO RADIO & TELEVISION CORP.

MODELS 42-1012, 42-1013, CODE 121

Condenser (5X) 15 mmfd. shown on diagram and not indicated in the parts list is Part No. 60-015157.

Condenser (7X) 10 mmfd. shown on diagram and not indicated in the parts list is Part No. 60-010157.

If the loop aerial (Brdest & S.W.) 3 is removed from the cabinet for replacement or repairs, it should be remounted with the side of the loop having the red or red and white lead toward the rear of the cabinet. This is necessary to increase the stability at the low frequency end of the broadcast band and to reduce whistles.

Beginning with chassis marked run 2, the power transformer (107) was changed from Part No. 32-8204 to 32-8226.

MODEL 42-1015, CODE 121

Beginning with chassis marked run 2, a filter circuit was added to the 6L6G output tubes to reduce hum. This circuit consists of condenser (89) .1 mfd., 200 volts, Part No. 30-4586, and resistor (90), 100,000 ohms, Part No. 33-410154. This change is shown on the schematic diagram in the Service Bulletin. A few early production models do not have this change.

Beginning with run 3 condenser (62) was changed from a .006 mfd., 400 volts, Part No. 30-4591 to .05 mfd., 400 volts, Part No. 40-4518. A few early production models do not have this change.

To avoid coupling the broadcast loop and the set wiring on Model 42-1015, it is necessary that the loop be mounted in the cabinet with the terminal having the red, or red-white lead towards the rear of the cabinet. The loop lead mentioned is connected to #2 terminal on the loop terminal on the rear of the chassis.

MODEL 42-1016, CODE 121

To obtain additional audio bass frequency response the condensers in the treble tone control circuit were changed and parts added. These changes were made on two different production run numbers, Run 3 and Run 4. Chassis with Run 4 change is final. These changes are as follows:

RUN 3 TONE CONTROL CHANGE

Schematic No.	Description	Original Part No.	Run 3 Part No.
(96)	Condenser	(30-4623) (.004 mfd.)	(30-4591) (.006 mfd.)
(96A)	Condenser	(30-4591) (.006 mfd.)	(30-4572) (.01 mfd.)
(97)	Condenser	(30-4622) (.002 mfd.)	(30-4582) (.003 mfd.)

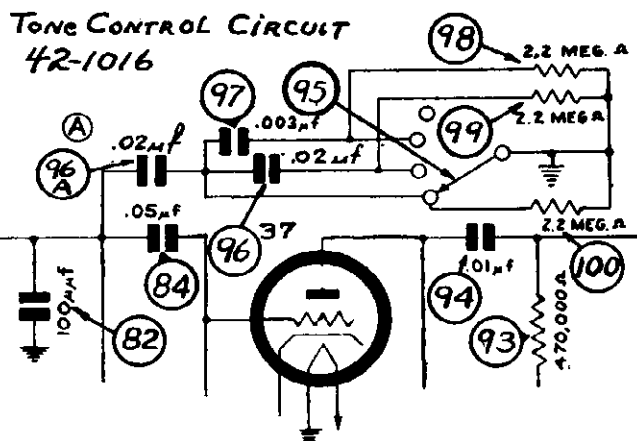
RUN 4 TONE CONTROL CHANGE

See diagram

Remove (96) condenser, Part No. 30-4591, and replace with a .02 mfd. 400 volt, Part No. 30-4516 condenser.

Remove condenser (96A) .01 mfd., Part No. 30-4572, from its present location and connect a wire from switch contact to terminal panel lug. Change value of 96A to a .02 mfd., 400 volt Part No. 30-4516 condenser and reconnect from the plate contact of the XXFM tube socket to the No. 6 contact of 6L6G tube (Dummy Lug).

Remove the wire from the grid contact of the 37 tube socket which comes from the treble tone control wiring panel. Reconnect this wire to No. 6 contact (Dummy Lug) of the 6L6G tube socket next to the XXFM tube. Connect a 10 mfd., 25 volt condenser Part No. 30-2500 from the cathode of the 7C6 tube to ground.



SERVICE REPLACEMENT SPINDLE KIT FOR 1942 RECORD CHANGERS

Because of material shortage it is not possible to supply the early type spindle with the large bushing as used on record changer 35-1258. A replacement kit is available making it possible to substitute the spindle and other associated parts as used in the later changers. The following is the installation procedure.

Remove positioning bracket from cam gear mounting bracket No. 32A and replace screw.

Remove old spindle assembly.

Remove two screws that hold No. 32A to U bracket.

Unhook spring from U bracket to cam lever.

Remove solenoid bracket and solenoid plunger bracket mounting screws.

Remove U bracket by drilling out the four rivets that hold it in place at base plate.

Mount new U bracket to base plate.

Screw eccentric washer on U bracket.

Replace screws holding No. 32A to U bracket.

Replace spring to U bracket and cam lever.

Mount new spindle assembly, Part No. 318-2839, with pin in slot in U bracket.

Locate clutch lever fork between washers on spindle assembly.

Replace solenoid bracket and solenoid core bracket screws.

Adjust changer for correct performance.

Spindle Kit for Standard Changers (Kit Part No. 45-2963)

- 1 part 218-1400 U Bracket
- 1 part 318-2839 Spindle Assembly
- 1 part 318-2838 Turntable
- 4 part W-136 Rd. Hd. Steel Mach. Screws
- 4 part W-661 Steel Hex. Nuts
- 4 part W-223 Shakeproof Lockwashers
- 1 part 217-1406 Fibre Washer
- 1 part 217-1407 Curved Washer
- 1 part 218-1525 Lockwasher
- 1 part 218-1504 Nut

Spindle Kit for Deluxe Changers (Kit Part No. 45-2964)

- 1 part 218-1400 U Bracket
- 1 part 35-2606 Spindle
- 1 part 35-2611 Turntable
- 1 part 218-1403 Spring
- 1 part 218-1406 Washer
- 1 part 218-1405 Washer
- 1 part 218-1401 Clutch
- 1 part 218-1500 Sleeve
- 1 part 218-1501 Pin
- 4 part W-136 Rd. Hd. Steel Mach. Screws
- 4 part W-661 Steel Hex Nuts
- 4 part W-223 Shakeproof Lockwashers
- 1 part 217-1406 Fibre Washer
- 1 part 217-1407 Curved Washer
- 1 part 218-1525 Lockwasher
- 1 part 218-1504 Nut

PHILCO RADIO & TELEVISION CORP.

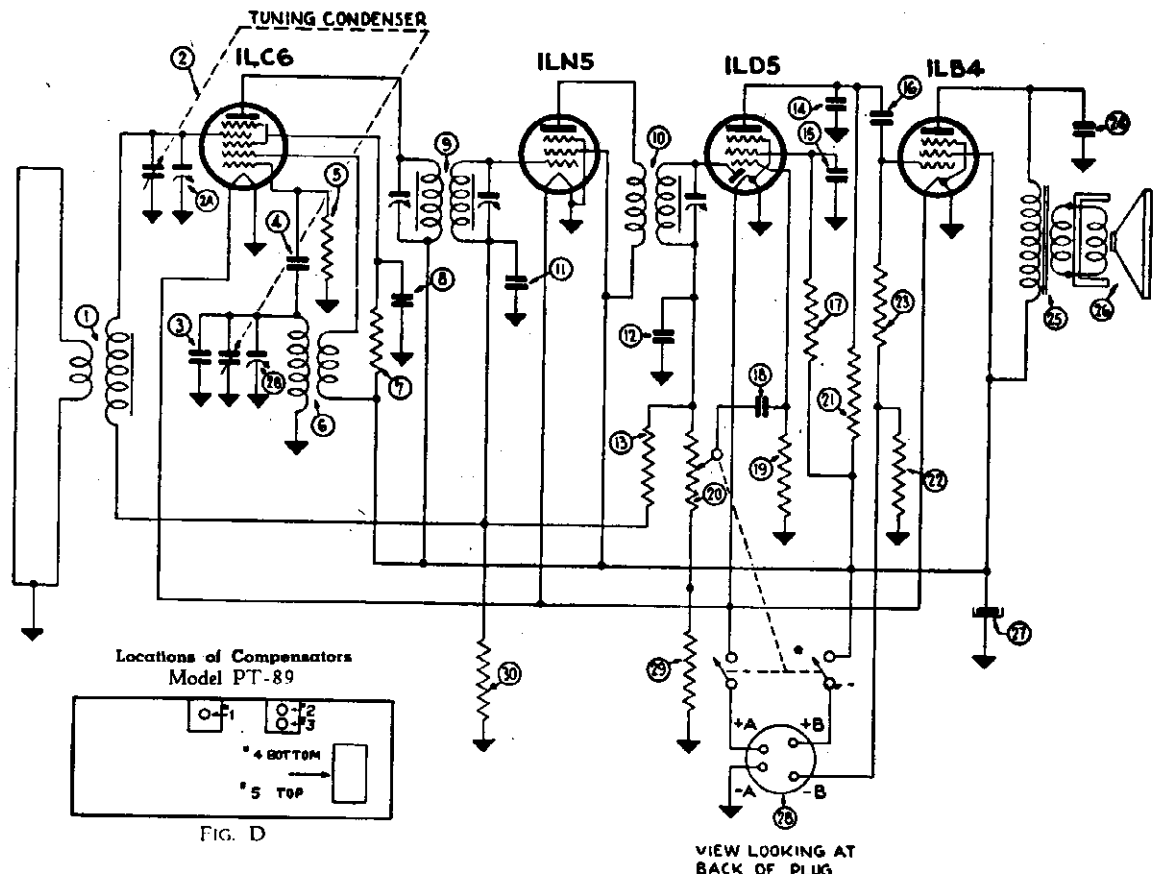
INTERMEDIATE FREQUENCY: 455 K. C.

**BATTERY:** Model PT-89 requires one Philco Portable "A" and "B" Pack P-89. To install the battery, slide the latch on the end of the cabinet and open the cabinet.

Observe the arrangement of the pins on the plug of the battery cable and the corresponding holes in the socket of the battery, so you will be sure to insert them correctly.

Insert the plug into the battery socket facing the chassis. Place cardboard spacer between battery and chassis. Close cabinet and lock latch.

**PHILCO TUBES USED:** 1-1LC6, 1st Detector and Oscillator; 1-1LN5, I. F. Amplifier; 1-LD6, 2nd Detector, A. F. Amplifier and Automatic Volume Control; and 1-LB4, Power Output.



Replacement Parts — Philco Transitone Model PT-89

SCHEM. No.	DESCRIPTION	PART No.	SCHEM. No.	DESCRIPTION	PART No.	SCHEM. No.	DESCRIPTION	PART No.
1	Antenna Transformer	32-2458	18	Tubular Condenser (.004 mf., 400 v.)	30-4578			
2	Tuning Condenser	31-2476	17	Resistor (2.2 megs., 1/4 watt)	33-522154			
3	Mica Condenser (10 mmf.)	60-010157	18	Tubular Condenser (.004 mf., 400 v.)	30-4578			
4	Mica Condenser (100 mmf.)	60-110157	19	Resistor (4.7 megs., 1/4 watt)	33-547154			
5	Resistor (220,000 ohms, 1/4 watt)	33-422154	20	Volume Control (1 meg.)	33-5410			
6	Oscillator Transformer	32-3518	21	Resistor (1 meg., 1/4 watt)	33-510154			
7	Resistor (33,000 ohms, 1/4 watt)	33-33154	22	Resistor (470 ohms, 1/2 watt)	33-147338			
8	Tubular Condenser (.01 mf., 400 v.)	80-4578	23	Resistor (4.7 megs., 1/4 watt)	33-547154			
9	1st I. F. Transformer	32-3472	24	Mica Condenser (2200 mmf.)	60-222154			
10	2nd I. F. Transformer	32-3473	25	Output Transformer	32-8114			
11	Tubular Condenser (.05 mf., 200 v.)	30-4519	26	Speaker	36-1517			
12	Mica Condenser (250 mmf.)	60-125157		Cone Assem. (for Spkr. 36-1517-2)	36-4132			
13	Resistor (10 megs., 1/4 watt)	33-810154		Electrolytic Cond. (10mf., 150v.)	30-2396			
14	Mica Condenser (100 mmf.)	60-110157	27	Battery Cable	41-3545			
15	Tubular Condenser (.05 mf. 200 v.)	30-4519	28	Resistor (6800 ohms, 1/2 watt)	33-268344			
			29	Resistor (4.7 megs., 1/4 watt)	33-547154			
			30	Resistor (4.7 megs., 1/4 watt)	33-547154			

- MISCELLANEOUS PARTS**
- Cabinet .....10482A
  - Clip (Coil Mtg.) .....28-5002
  - Clamp (Loop) .....56-1809
  - Knob .....27-4997
  - Knob .....27-4997
  - Spring (Battery) .....56-1807
  - Socket .....27-6138
  - Washer (Chassis Mtg.) .....W-152
  - Screw (Chassis Mtg.) .....W-881

Operations in Order	Signal Generator		Receiver			Special Instruction
	Output Connections to Receiver	Dial Setting	Dial Setting	Control Setting	Adjust Compensators	
1.	See Paragraph on Signal Generator above	455 K.C.	540 K.C.	Vol. Max.	#1, #2, #3	
2.	Use Loop on Generator as above	1500 K.C.	1500 K.C.	Vol. Max.	#4 Osc. #5 Aerial	Note A

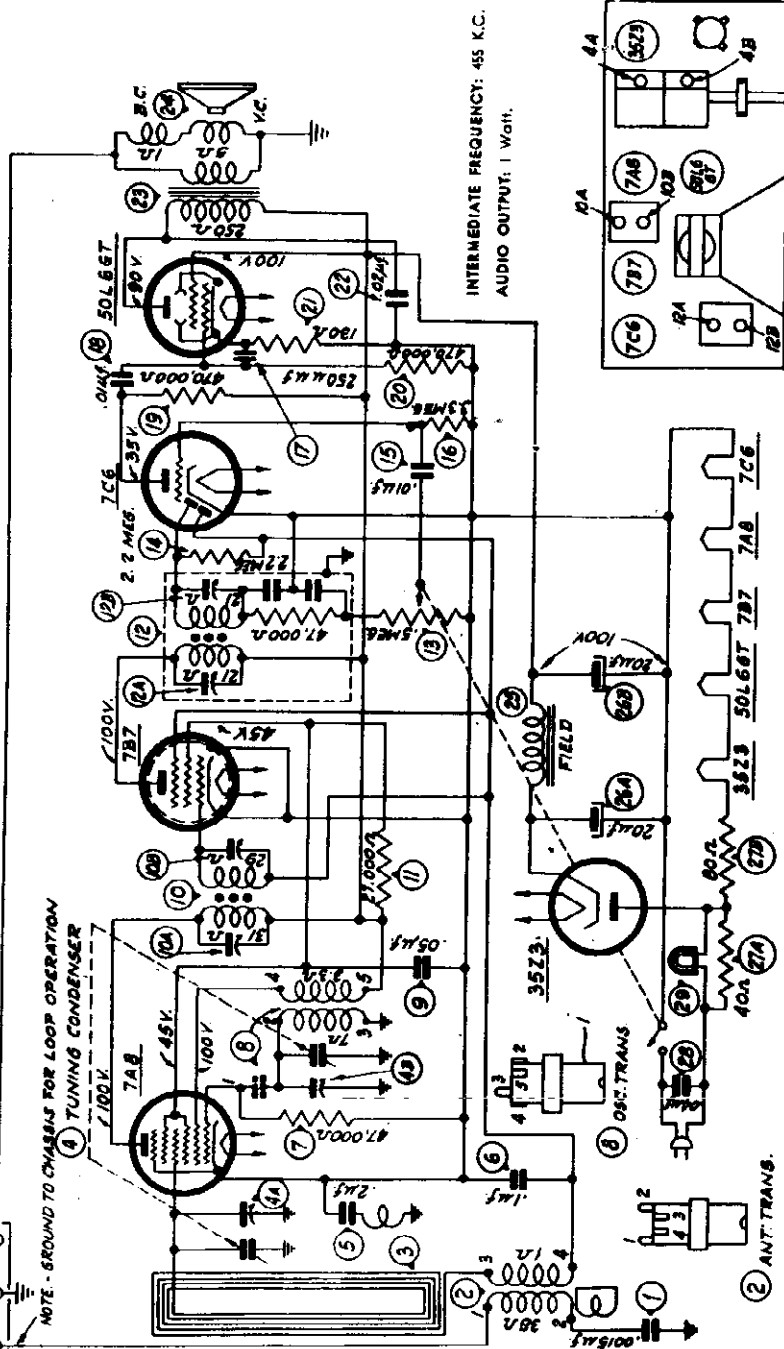
**NOTE A: DIAL CALIBRATION:** Before adjusting the R.F. padders the dial must be aligned to track properly with the tuning condenser. To adjust the dial proceed as follows: With the tuning condenser in the closed position (maximum capacity) set the dial pointer on the small dot below 550 K.C.



MODELS PT-91, PT-92, PT-93, PT-94, PT-95, PT-96 PHILCO RADIO & TELEVISION CORP.

PART No.	DESCRIPTION
30-421	Condenser (.0015 mfd., 200 volts)
32-3394	Aerial Transformer
28-5002	Mfg. Clip
32-3835	Loop Aerial (PT-91 part of Cabinet)
31-2539	Loop Aerial (PT-92 part of Cabinet)
54-4013	Loop Aerial (PT-94, PT-95)
27-4610	Tuning Cond.
28-8954	Dial Pointer
31-2518	Mfg. Grommet
W-2157	Spring (Drive card)
31-2541	Tuning Shaft
74-1161	Mfg. Nut
30-4584	Condenser & Choke Assembly
33-347339	Condenser (.1 mfd., 200 volts)
32-3484	Resistor (47,000 ohms)
32-3485	Oscillator Transformer
30-4519	Condenser (.05 mfd., 200 volts)
32-3473	1st I. F. Transformer
W-424	Resistor (27,000 ohms)
32-3474	2nd I. F. Transformer
W-424	Mfg. Nut
33-5429	Volume Control
W-1949	Nut
33-522399	Resistor (22 megohms)
30-4572	Cond. (.01 mfd., 400 volts)
33-533339	Resistor (3.3 megohms)
60-125157	Mico Cond. (250 mmfd.)
30-4572	Cond. (.01 mfd., 400 volts)
33-447339	Resistor (470,000 ohms)
33-447339	Resistor (470,000 ohms)
33-113354	Resistor (130 ohms)
30-4515	Condenser (.02 mfd., 400 volts)
32-8184	Output Transformer
34-4204	Cone Assembly
30-2382	Field Coil (for Speaker 34-1542-9)
30-1346	Electrolytic Condenser (20-20 mfd.)
30-3408	Electrolytic Condenser (20 mfd., part of 2A)
30-4119	Clamp
34-2068	Resistor (40-80 ohms)
74-1280	Fluor Lamp
	Socket Assembly

SCHEM.



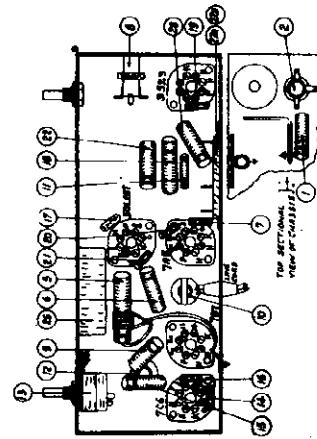
When aligning the 2. F. padders a loop is made from a few turns of wire and connected to the signal generator output terminals; the signal generator is then placed close to the loop of the radio.  
The receiver can be adjusted in the cabinet or removed from the cabinet.

POWER SUPPLY: 115 Volts, A.C. or D.C.

Operations In Order	SIGNAL GENERATOR		RECEIVER		SPECIAL INSTRUCTIONS
	Output Connections to Receiver	Dial Setting	Control Setting	Adjust Compensator in Order	
1.	Ant. Section of tuning	466 K.C.	Vel. Max.	12A, 12B, 10A, 10B	Note B
2.	Loop	1800 K.C.	Vel. Max.	4B	Note A
3.	Loop	1500 K.C.	Vel. Max.	4A	

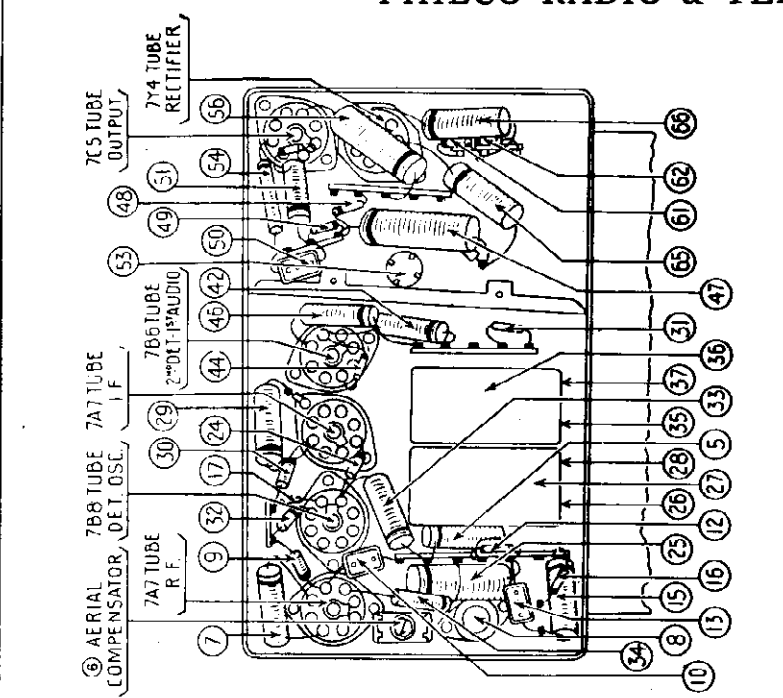
NOTE A: DIAL POINTER CALIBRATION — In order to adjust the receiver correctly, the pointer must be adjusted to track properly with the tuning condenser. To do this, turn the tuning condenser to the maximum capacity (plates fully meshed). With the condenser in this position, set the tuning pointer on the small dot below 569 K.C.

Note B — Before adjusting compensators, turn down (10B) to tight position. Then adjust the compensators for maximum output in the following order: 12A, 12B, 10A and 10B.

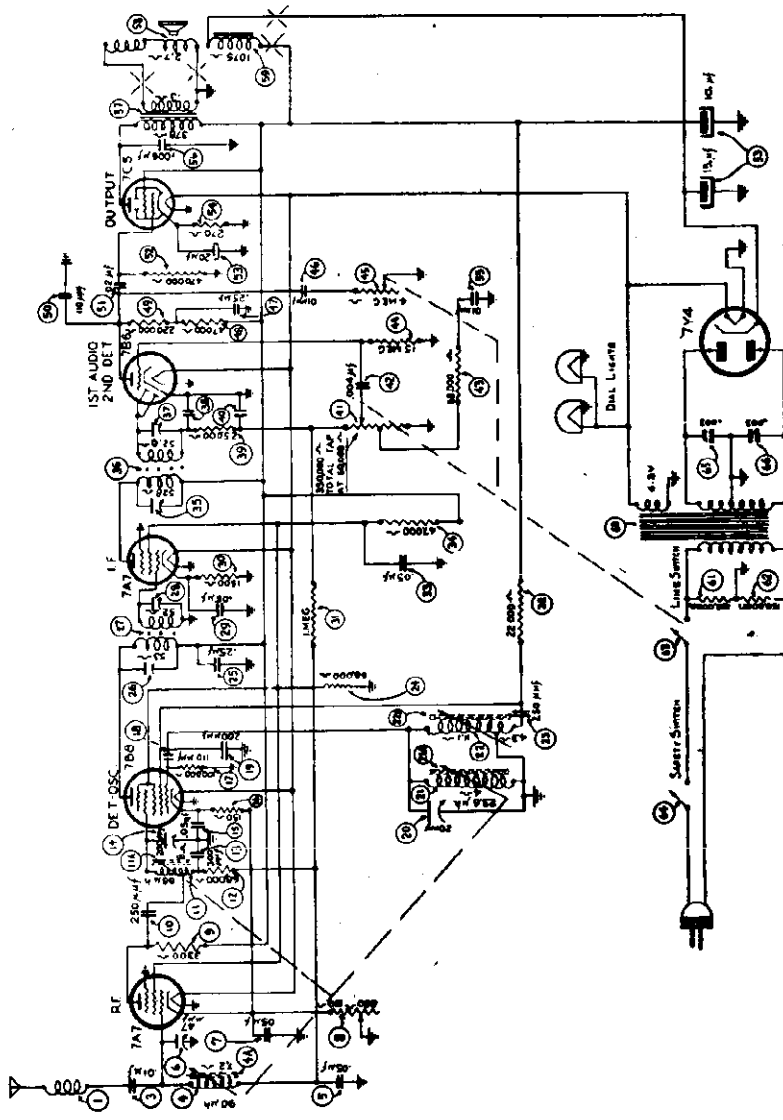


LOCATIONS OF PARTS — UNDERSIDE OF CHASSIS.

PHILCO RADIO & TELEVISION CORP.



IF PEAK 265 KC

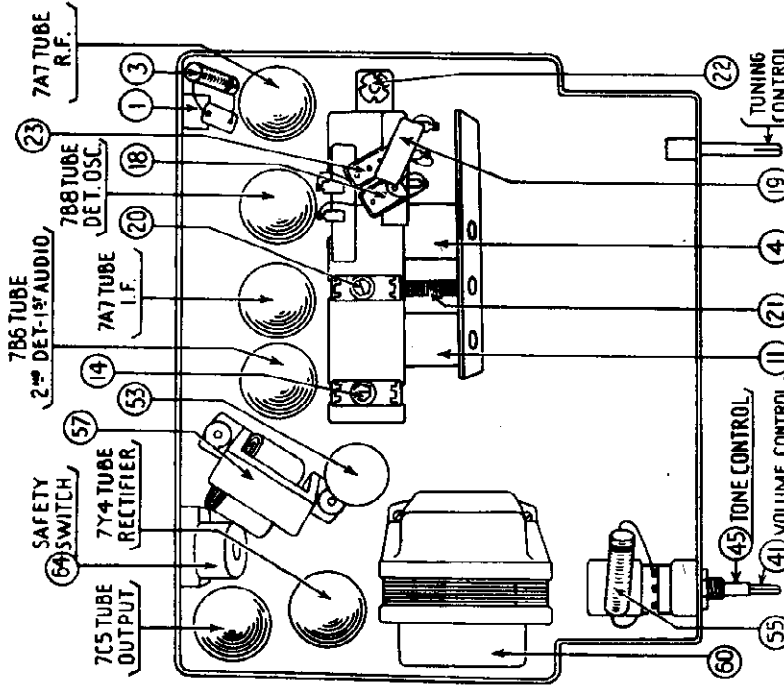


PARTS LIST MODEL A361

No.	Description	Part No.
(1)	Antenna Choke	85-01168
(2)	Antenna Transformer	85-01114
(3)	Condenser (.01 mfd.)	61-01114
(4)	Antenna Transformer Core	57-2334
(5)	Condenser (.05 mfd.)	61-01111
(6)	Antenna Padlock	61-01111
(7)	Antenna Padlock	61-01111
(8)	Sensitivity Control	61-01111
(9)	Resistor (3500 ohms)	33-233334
(10)	Condenser (250 mmfd.)	60-123157
(11)	R. F. Transformer	85-0444
(12)	R. F. Transformer Core	57-2334
(13)	Condenser (300 mmfd.)	60-130127
(14)	R. F. Padlock	61-01111
(15)	Resistor (150 ohms)	33-119536
(16)	Resistor (150 ohms)	33-119536
(17)	Resistor (100,000 ohms)	33-410154
(18)	Condenser (110 mmfd.)	60-110157
(19)	Condenser (280 mmfd.)	61-0043
(20)	Oscillator Padlock	61-0043
(21)	Oscillator Transformer	63-0082
(22)	Oscillator Trans. Core	57-2633
(23)	Oscillator Tracking Trans.	65-0441
(24)	Osc. Tracking Trans. Core	57-2325
(25)	Condenser (250 mmfd.)	60-123157
(26)	Resistor (88,000 ohms)	33-368334
(27)	Condenser (.25 mfd.)	61-0125
(28)	Padlock (Pr. 1st I. F. Trans.)	61-0125
(29)	First I. F. Transformer	65-0400
(30)	Padlock (Sec. 1st I. F. Trans.)	61-0101
(31)	Condenser (.03 mfd.)	61-0101
(32)	Resistor (1500 ohms)	33-215334
(33)	Resistor (1 megohm)	33-510134
(34)	Resistor (22,000 ohms)	33-322338
(35)	Condenser (.05 mfd.)	61-0101
(36)	Resistor (47,000 ohms)	33-317434
(37)	Padlock (Pr. 2nd I. F. Trans.)	61-0101
(38)	Second I. F. Transformer	65-0401
(39)	Condenser (25,000 ohms)	33-325154
(40)	Volume Control	61-0115
(41)	Volume Control	61-0115
(42)	Condenser (.004 mfd.)	61-0119
(43)	Resistor (8,000 ohms)	33-368154
(44)	Tone Control (4 megohms)	33-615154
(45)	Condenser (.01 mfd.)	61-0119
(46)	Condenser (.25 mfd.)	61-0125
(47)	Resistor (47,000 ohms)	33-317434
(48)	Resistor (320,000 ohms)	33-422334
(49)	Condenser (110 mmfd.)	60-110157
(50)	Condenser (110 mmfd.)	60-110157
(51)	Condenser (.02 mfd.)	61-0116
(52)	Resistor (470,000 ohms)	33-447134
(53)	Filter Condenser (10-15-20 mfd.)	61-0089
(54)	Resistor (270 ohms)	33-127436
(55)	Condenser (.01 mfd.)	61-0114
(56)	Condenser (.008 mfd.)	61-0115
(57)	Output Transformer	65-0454
(58)	Cone & Voice Coil	91-0240
(59)	Field Coil	Not Replaceable
(60)	Power Transformer	32-8035
(61)	Resistor (150,000 ohms)	33-415154
(62)	Resistor (150,000 ohms)	33-415154
(63)	On-Off Switch	Part of (41)
(64)	Safety Switch	85-0152
(65)	Condenser (.003)	61-0115
(66)	Condenser (.003)	61-0115
(67)	Speaker Cable	73-0074
(68)	Speaker	41-3610
(69)	Tube Socket	27-6151
(70)	Tone Knob	77-1081
(71)	Tuning & Volume Knob	57-2812PC83
(72)	Knob Harking Ring	57-2813PC83
(73)	Pointer	55-2078
(74)	Pointer Drive Cord	55-1590
(75)	Printer Drive Cord	28-8953
(76)	Spring	55-1589
(77)	Tuning Unit Drive Cord	54-4045
(78)	Pulley Stud	28-6888FA3
(79)	Pulley Stud (Single)	58-4120FA3
(80)	Pulley Stud (Double)	56-2532
(81)	Safety Switch Cover	56-2532
(82)	On-Off Switch Cover	56-2531FA3
(83)	Power Cord	L-3189
(84)	Antenna Lead Assembly	77-1265
(85)	Diffusion Screen	34-2084
(86)	Diffusion Screen Springs	35-1591
(87)	Tuning Unit Complete	77-1247
(88)	Nut (Speaker Mfg.)	W-124FA3
(89)	Fibre Washers (Speaker Mfg.)	27-467
(90)	Screw (Set Mfg.)	W-1345FA3
(91)	Washer (Set Mfg.)	28-5114FA3
(92)	Nut (Vol. Control Mfg.)	W-688FA3
(93)	Lockwasher (Vol. Control Mfg.)	W-1624FF

MODEL A-361

PHILCO RADIO & TELEVISION CORP.



control back and forth slightly for maximum output. Then readjust the screw for maximum output. Repeat this procedure until no further improvement can be obtained.

**EQUIPMENT** — 077 or 070 Philco Signal generator, 027 Philco Vacuum tube voltmeter and set tester or audio output meter, 45-2610 Pedding screw driver.

**GENERAL — VACUUM TUBE VOLTMETER.** The model 027 Vacuum tube voltmeter is an extremely sensitive and accurate test instrument and is recommended for use when aligning and adjusting radios. Connect the negative (—) terminal of the Vacuum Tube Voltmeter to the high side (ungrounded side) of the volume control. Connect the positive (+) terminal to the radio housing. Connect the "AC" cord to a 110 volt AC socket. Press the VTVM button and the 10 volt button. Turn the "Set Zero Ohms — VTVM" control clockwise until a click is heard. Allow the tubes to heat up for a few minutes. Short the 150 meg. VTVM terminals and adjust the "Set Zero Ohms VTVM" control until the meter reads zero on the 0-10 range scale (green scale). The needle will deflect from right to left.

**AUDIO OUTPUT METER.** If an audio output meter is used, connect the leads across the voice coil of the speaker. Use the 0-10 volt scale.

With the Radio and signal generator set up for operation at the prescribed frequency, turn the Radio volume control on full and set the signal generator attenuator so that a half scale reading is obtained on the meter. The signal in the speaker should be audible but not loud.

The shielding on the generator output lead must be connected to the Radio housing.

**Make all adjustments for maximum reading on the meter.**

**NOTE 1** — Connect a 15 mmfd. condenser across the output terminals of the signal generator and a 30 mmfd. condenser in series between the signal generator and the output lead.

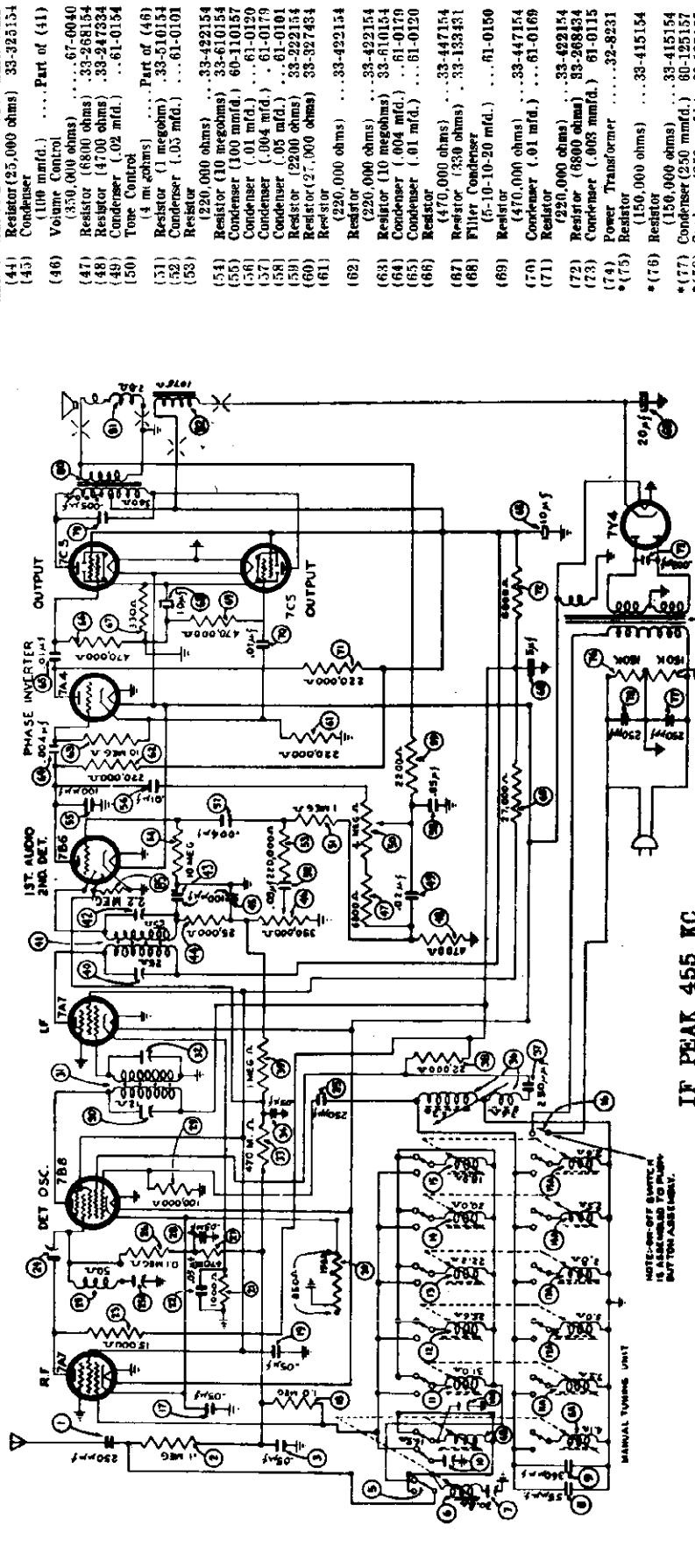
**NOTE 2** — Turn the tuning control clockwise as far as it will go.

**NOTE 3** — Rock the tuning control while adjusting the low frequency screw. Tune the control to the signal and adjust the screw for maximum output. Rotate the tuning

SIGNAL GENERATOR		RECEIVER	
FREQUENCY	CONNECTION	DIAL SETTING	DUMMY CAPACITY
1	265 K.C. To Ant. Receptacle on Radio	Note 2	.1 Mfd. ⊗ 27 ⊗ 28 ⊗ 29 ⊗ 30
2	1600 K.C. To Ant. Receptacle on Radio	1600 K.C.	See Note 1 ⊗ 30
3	1400 K.C. To Ant. Receptacle on Radio	1400 K.C.	See Note 1 ⊗ 30
4	590 K.C. To Ant. Receptacle on Radio	590 K.C.	See Note 1 ⊗ Note 3
5	1600 K.C. To Ant. Receptacle on Radio	1600 K.C.	See Note 1 ⊗ 30
6	1400 K.C. To Ant. Receptacle on Radio	1400 K.C.	See Note 1 ⊗ 30

ADJUST PADDERS  
⊗ 27 ⊗ 28 ⊗ 29 ⊗ 30

PHILCO RADIO & TELEVISION CORP.



IF PEAK 455 KC

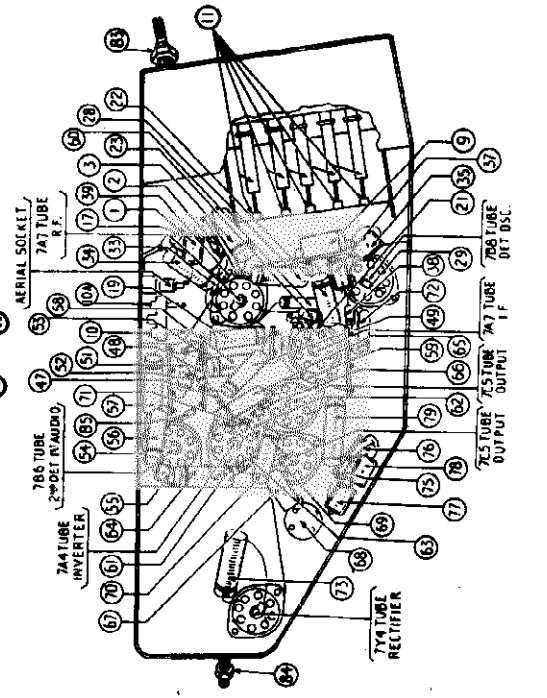
PARTS LIST MODEL A801

No.	Description	Part No.
(1)	Condenser (250 mmfd.)	60-125151
(2)	Resistor (100,000 ohms)	33-410154
(3)	Condenser (.05 mfd.)	61-0111
(4)	Push Button Switch	85-0127
(5)	Inductive Tuning Unit	77-0922
(6)	Inductive Tuning Unit, Part of (5)	Part of (5)
(6a)	Inductive Tuning Unit, Part of (5)	Part of (5)
(6b)	Inductive Tuning Unit, Part of (5)	Part of (5)
(7)	Image Padder	63-0089
(8)	Condenser (.35 mmfd.)	61-0149
(9)	Condenser (360 mmfd.)	61-0157
(10)	Antenna Padder (P.B.)	77-0788
(10a)	Antenna Padder (Manual)	Part of 10
(11)	P.B. Sw. & Coil Assy.	77-0943
(11a)	P.B. Sw. & Coil Assy, Part of (11)	Part of (11)
(11b)	P.B. Sw. & Coil Assy, Part of (11)	Part of (11)
(11c)	P.B. Sw. & Coil Assy, Part of (11)	Part of (11)
(11d)	P.B. Sw. & Coil Assy, Part of (11)	Part of (11)
(11e)	P.B. Sw. & Coil Assy, Part of (11)	Part of (11)
(11f)	P.B. Sw. & Coil Assy, Part of (11)	Part of (11)
(11g)	P.B. Sw. & Coil Assy, Part of (11)	Part of (11)
(11h)	P.B. Sw. & Coil Assy, Part of (11)	Part of (11)
(11i)	P.B. Sw. & Coil Assy, Part of (11)	Part of (11)
(11j)	P.B. Sw. & Coil Assy, Part of (11)	Part of (11)
(11k)	P.B. Sw. & Coil Assy, Part of (11)	Part of (11)
(11l)	P.B. Sw. & Coil Assy, Part of (11)	Part of (11)
(11m)	P.B. Sw. & Coil Assy, Part of (11)	Part of (11)
(11n)	P.B. Sw. & Coil Assy, Part of (11)	Part of (11)
(11o)	P.B. Sw. & Coil Assy, Part of (11)	Part of (11)
(11p)	P.B. Sw. & Coil Assy, Part of (11)	Part of (11)
(11q)	P.B. Sw. & Coil Assy, Part of (11)	Part of (11)
(11r)	P.B. Sw. & Coil Assy, Part of (11)	Part of (11)
(11s)	P.B. Sw. & Coil Assy, Part of (11)	Part of (11)
(11t)	P.B. Sw. & Coil Assy, Part of (11)	Part of (11)
(11u)	P.B. Sw. & Coil Assy, Part of (11)	Part of (11)
(11v)	P.B. Sw. & Coil Assy, Part of (11)	Part of (11)
(11w)	P.B. Sw. & Coil Assy, Part of (11)	Part of (11)
(11x)	P.B. Sw. & Coil Assy, Part of (11)	Part of (11)
(11y)	P.B. Sw. & Coil Assy, Part of (11)	Part of (11)
(11z)	P.B. Sw. & Coil Assy, Part of (11)	Part of (11)
(12)	On-Off Switch	Part of (5)
(13)	Condenser (.06 mfd.)	61-0101
(14)	Resistor (1 megohm)	33-510154
(15)	Condenser (.05 mfd.)	61-0111
(16)	Resistor (100,000 ohms)	33-410154
(17)	Condenser (1 megohm)	33-510154
(18)	Resistor (1 megohm)	33-510154
(19)	Condenser (.05 mfd.)	61-0111
(20)	Sensitivity Control	Part of (41)
(21)	Resistor (850 ohms)	67-0025
(22)	Resistor (1000 ohms)	33-210334
(23)	Condenser (.05 mfd.)	61-0101
(24)	Resistor (15,000 ohms)	33-215334
(25)	Padder (Sens.)	Part of (25)
(25a)	Padder (Sens.)	Part of (25)
(25b)	Padder (Sens.)	Part of (25)
(26)	Resistor (470,000 ohms)	33-447200
(27)	Resistor (.47 megohm)	33-447200
(28)	Condenser (.05 mfd.)	61-0101
(29)	Resistor (100,000 ohms)	33-410154
(30)	Padder (Pri. 1st I. F. Trans.)	65-0365
(31)	First I. F. Transformer	65-0365
(32)	Padder (Sec. 1st I. F. Trans.)	65-0365
(33)	Resistor (470,000 ohms)	33-447200
(34)	Condenser (.05 mfd.)	61-0101
(35)	Condenser (250 mmfd.)	60-125157
(36)	Oscillator Shunt Coil	65-0440
(37)	Condenser (250 mmfd.)	60-125157
(38)	Resistor (22,000 ohms)	33-522334
(39)	Resistor (1 megohm)	33-510154
(40)	Padder (Pri. 2nd I. F. Trans.)	65-0366
(41)	Second I. F. Transformer	65-0366
(42)	Padder (Sec. 2nd I. F. Trans.)	65-0366
(43)	Condenser (100 mmfd.)	61-0111

PARTS LIST MODEL A801 (Continued)

(44)	Resistor (25,000 ohms)	33-325154
(45)	Condenser (100 mmfd.)	61-0111
(46)	Volume Control	Part of (41)
(47)	Resistor (350,000 ohms)	33-492154
(48)	Resistor (6800 ohms)	33-268154
(49)	Resistor (4700 ohms)	33-247334
(50)	Condenser (.02 mfd.)	61-0154
(51)	Tone Control	Part of (46)
(52)	Resistor (4 m. ohms)	Part of (46)
(53)	Resistor (1 megohm)	33-510154
(54)	Resistor (.05 mfd.)	61-0101
(55)	Resistor (220,000 ohms)	33-492154
(56)	Resistor (10 megohms)	33-610154
(57)	Condenser (100 mmfd.)	60-110157
(58)	Condenser (.01 mfd.)	61-0120
(59)	Condenser (.004 mfd.)	61-0179
(60)	Condenser (.05 mfd.)	61-0101
(61)	Resistor (2200 ohms)	33-222154
(62)	Resistor (27,000 ohms)	33-327454
(63)	Resistor (220,000 ohms)	33-492154
(64)	Resistor (220,000 ohms)	33-492154
(65)	Resistor (10 megohms)	33-610154
(66)	Condenser (.004 mfd.)	61-0179
(67)	Resistor (470,000 ohms)	33-447154
(68)	Resistor (330 ohms)	33-133431
(69)	Resistor (5-10-10-20 mfd.)	61-0150
(70)	Resistor (470,000 ohms)	33-447154
(71)	Condenser (.01 mfd.)	61-0169
(72)	Resistor (220,000 ohms)	33-492154
(73)	Resistor (8800 ohms)	33-268434
(74)	Condenser (.005 mmfd.)	61-0115
(75)	Power Transformer	32-8231
(76)	Resistor (150,000 ohms)	33-415154
(77)	Condenser (250 mmfd.)	60-125157
(78)	Condenser (250 mmfd.)	60-125157
(79)	Condenser (.005 mfd.)	61-0105
(80)	Output Transformer	65-0363
(81)	Cone and Voice Coil	61-0228
(82)	Field Coil	Not Replaceable
(83)	Nut (Set Mig.—Top)	97-0091F43
(84)	Nut (Set Mig.—Bottom)	W5F43
(85)	Resistor (2.2 megohm)	33-522334
(86)	Speaker Cable	46-1380
(87)	Speaker Cable	41-3685
(88)	A. C. Cord	L-3199
(89)	Pointer	55-1366
(90)	Pointer Drive Cord	55-1408
(91)	Tone Drive Cord	55-1409
(92)	Tuning & Volume Knob	55-1409
(93)	White	77-0984
(94)	Cream	77-1014
(95)	Gray	77-0654
(96)	Mottled	77-1015

\*NOTE: On later production sets, Nos. 75 and 76 (150,000 ohms) were removed and Nos. 77 and 78 were changed to 600C mmf, Part No. 60-260159.



MODEL A-801

PHILCO RADIO & TELEVISION CORP.

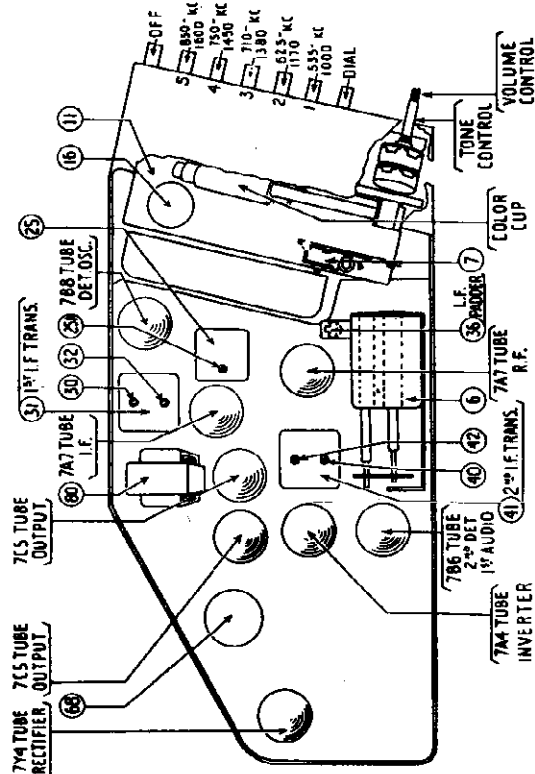
**EQUIPMENT** — 077 or 177 Philco Signal generator, 027 Philco Vacuum tube voltmeter and set tester or audio output meter, 45-2610 Padding screw driver.

**GENERAL** — **VACUUM TUBE VOLTMETER.** The model 027 Vacuum tube voltmeter is an extremely sensitive and accurate test instrument and is recommended for use when aligning and accurate test instrument and is recommended for use when aligning and accurate test instrument and is recommended for use when aligning and accurate test instrument. Connect the negative (—) terminal of the Vacuum Tube Voltmeter to the high side (ungrounded side) of the volume control. Connect the positive (+) terminal to the radio housing. Connect the "AC" cord to a 110 volt AC socket. Press the VTVM button and the 10 volt button. Turn the "Set Zero Ohms — VTVM" control clockwise until a click is heard. Allow the tubes to heat up for a few minutes. Short the 150 meg. VTVM terminals and adjust the "Set Zero Ohms — VTVM" control until the meter reads zero on the 0-10 range scale (green scale). The needle will deflect from right to left.

**AUDIO OUTPUT METER.** If an audio output meter is used, connect the leads across the voice coil of the speaker. Use the 0-30 volt scale.

With the Radio and signal generator set up for operation at the prescribed frequency, turn the Radio volume control on full and set the signal generator attenuator so that a half scale reading is obtained on the meter. The signal in the speaker should be audible but not loud.

The shielding on the generator output lead must be connected to the Radio housing.



Description	Part No.
Tone Knob	77-1036
White	77-1036
Cream	77-1052
Gray	77-1011
Mottled	77-1054
Nut Cover	77-1037
White	77-1037
Cream	77-1053
Gray	77-1012
Mottled	77-1055
Push Button (Off)	77-0973
White	77-0973
Cream	77-0976
Gray	77-0924
Mottled	77-0978
Push Button (Dial)	77-0974
White	77-0974
Cream	77-0977
Gray	77-0925
Mottled	77-0980
Push Button (Plain)	77-0972
White	77-0972
Cream	77-0975
Gray	77-0928
Mottled	77-0978
Core & Key Assembly (1, 2, 3, 4, 5)	77-0918
Core & Key Assembly (Dial, Off)	77-0923
Wiring Side Cover	57-2186FC64
Tube Side Cover	318-2016
On-Off Switch Cover	76-1343FA3
Padder Cover Plate	57-1892FC64
Dial Lamp Socket	76-1396
Dial Lamp	34-2064
Nut (Set Mtg.)	W417FA3
Nut (Speaker Mtg.)	W124FA3
Fibre Washer	27-7467
Wing Nut (Tube Side Cover Mtg.)	97-0149FA26
Antenna	97-0149FA26
Power Transformer Mtg.	77-1256
Bracket	36-235FA3
Tone Drive Cord	57-1701FA38
Anchor Spring	57-1893
Color Cup Spring	57-1893
Dial	55-1371
Dial Mounting Springs	57-2218FE11
Diffusion Screen	55-1428
Housing Front	57-2242FA3
Bracket	57-2311FC64
Bezel	57-2292FA8
Bezel Screws	97-2013FA40
Tuning Shaft	57-2217FA3
Lokka Socket	27-6151
Color Cup Assembly	57-0697
Tone Indicator Drum	77-0914

SIGNAL GENERATOR		RECEIVER	
FREQUENCY	CONNECTION	DIAL SETTING	DUMMY CAPACITY
1			
2	To Ant. Receptacle on Radio	Note 2	.1 Mfd.
3	To Ant. Receptacle on Radio	Note 2	.1 Mfd.
4	To Ant. Receptacle on Radio	1500 K.C.	See Note 1
5	To Ant. Receptacle on Radio	580 K.C.	See Note 1
6	To Ant. Receptacle on Radio	1500 K.C.	See Note 1
7	To Ant. Receptacle on Radio	580 K.C.	See Note 1

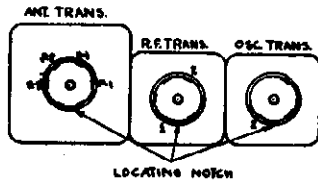
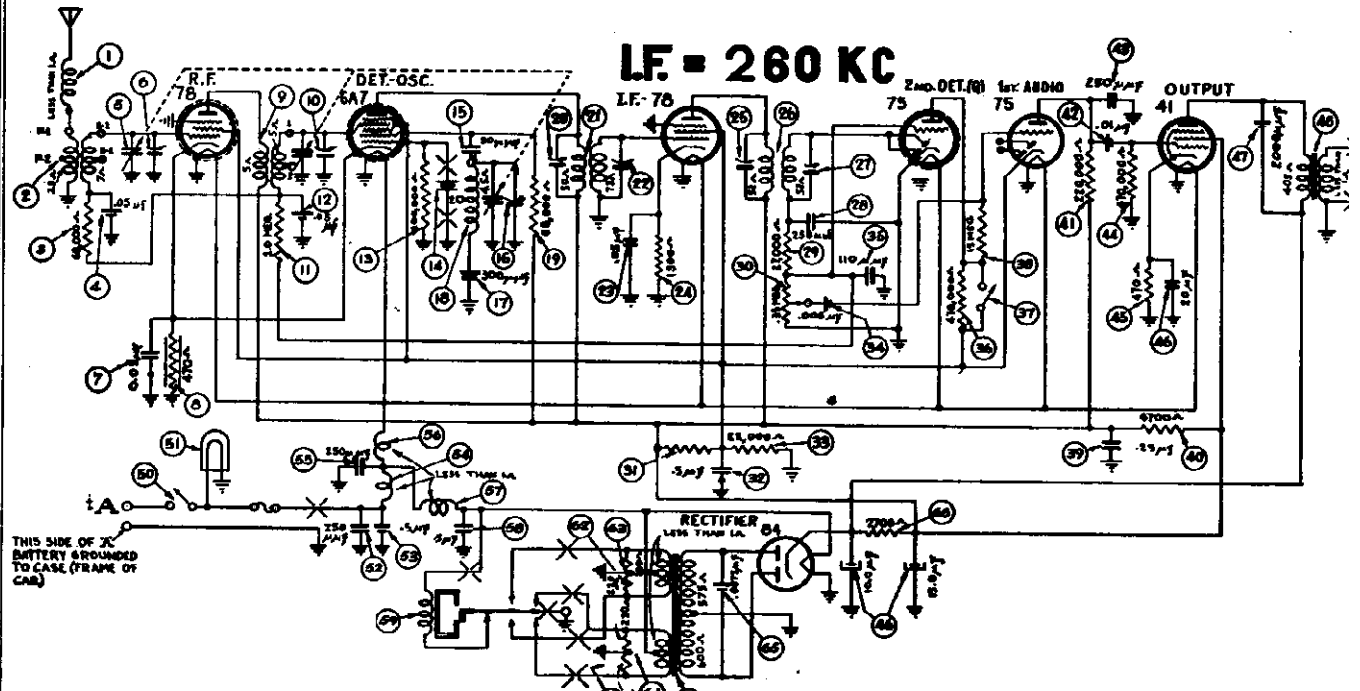
PRESS PUSH BUTTON MARKED "DIAL"	
ADJUST PADDER	ADJUST PADDER
(25a) Minimum	(25a) Minimum
(10a)	(10a)
Note 3	Note 3
(10a)	(10a)
Note 3	Note 3

**NOTE 1** — Connect a 30 mmfd. condenser in series between the signal generator and the output lead.

**NOTE 2** — Turn the tuning control clockwise as far as it will go.

**NOTE 3** — Rock the tuning control while adjusting the low frequency screw. Tune the control to the signal and adjust the screw for maximum output. Rotate the tuning control back and forth slightly for maximum output. Then readjust the screw for maximum output. Repeat this procedure until no further improvement can be obtained.

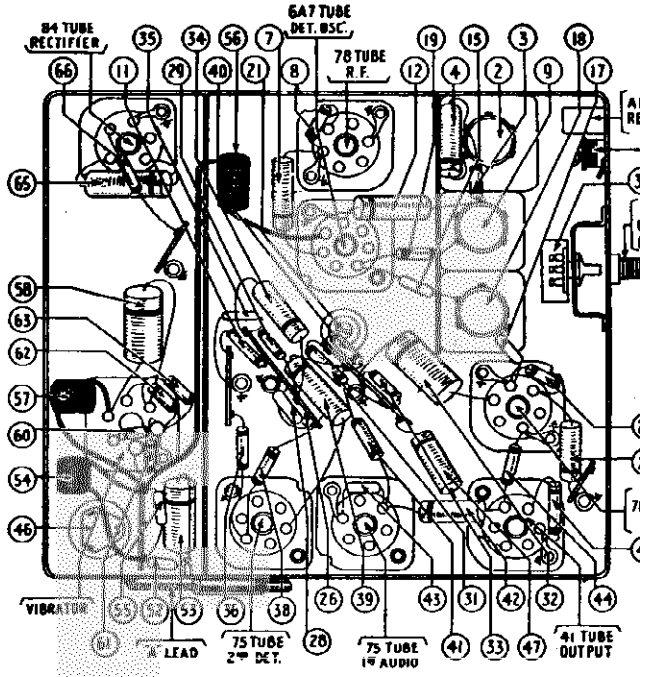
PHILCO RADIO & TELEVISION CORP.



MODEL 822P IS A FIXED-FREQUENCY, CRYSTAL-CONTROLLED RECEIVER COVERING 1550 TO 3600 KC.

PARTS LIST — MODEL 822P

No.	Description	Part No.	No.	Description	Part No.
(1)	Antenna Choke	33-9005	(22)	Padder (Sec. 1st I. F. Trans.)	
(2)	Antenna Transformer	65-0348	(23)	Condenser (.05 Mfd.)	61-0101
(3)	Resistor (63,000 ohms)	33-368154	(24)	Resistor (1500 ohms)	33-215334
(4)	Condenser (.5 Mfd.)	61-0111	(25)	Padder (Pri. 2nd I. F. Trans.)	
(5)	Tuning Condenser	61-2031	(26)	Second I. F. Transformer	32-2027
(6)	Antenna Padder (on Tun. Cond.)		(27)	Padder (Sec. 2nd I. F. Trans.)	
(7)	Condenser (.05 Mfd.)	61-0101	(28)	Condenser (250 Mmfd.)	60-125157
(8)	Resistor (470 ohms)	33-147336	(29)	Resistor (27,000 ohms)	33-327154
(9)	R. F. Transformer	32-2696	(30)	Volume Control (350,000 ohms)	67-0055
(10)	R. F. Padder (on Tun. Cond.)		(31)	Resistor (47,000 ohms)	33-347434
(11)	Resistor (1,000,000 ohms)	33-510154	(32)	Condenser (.5 Mfd.)	61-0134
(12)	Condenser (.05 Mfd.)	61-0101	(33)	Resistor (22,000 ohms)	33-322334
(13)	Resistor (100,000 ohms)	33-410154	(34)	Condenser (6000 Mmfd.)	61-0103
(14)	Crystal		(35)	Condenser (110 Mmfd.)	60-111137
	1875 K.C. Crystal	45-2101	(36)	Resistor (470,000 ohms)	33-447334
	Frequencies 1599-1610-1626 K.C.		(37)	"Q" Switch	42-1140
	1908 K.C. Crystal	45-2194	(38)	Resistor (15,000,000 ohms)	33-615154
	Frequencies 1630-1634-1642		(39)	Condenser (.25 Mfd.)	61-0125
	1658-1668 K.C.		(40)	Resistor (4700 ohms)	33-247334
	1953 K.C. Crystal	45-2195	(41)	Resistor (220,000 ohms)	33-422334
	Frequencies 1674-1682-1690		(42)	Condenser (.01 Mfd.)	61-0120
	1698-1706-1712 K.C.		(43)	Condenser (.250 Mmfd.)	60-125157
	2658 K.C. Crystal	45-2196	(44)	Resistor (470,000 ohms)	33-447154
	Frequencies 2382-2390-2406		(45)	Resistor (470 ohms)	33-147436
	2414 K.C.		(46)	Filter Condenser (10-15-20 Mfd.)	61-0089
	2696 K.C. Crystal	45-2197	(47)	Condenser (2000 Mmfd.)	61-0123
	Frequencies 2422-2430-2442		(48)	Output Transformer	32-7831
	2450 K.C.		(49)	Cone and Voice Coil	91-0218
	2734 K.C. Crystal	45-2198	(50)	On-Off Switch	42-1188
	Frequencies 1674-1682-1690		(51)	Pilot Lamp	34-2040
	1698-1706-1712 K.C.		(52)	Condenser (250 Mmfd.)	60-125157
	2658 K.C. Crystal	45-2196	(53)	Condenser (.5 Mfd.)	61-0106
	Frequencies 2382-2390-2406		(54)	"A" Choke	32-1644
	2414 K.C.		(55)	Condenser (250 Mmfd.)	60-125157
	2696 K.C. Crystal	45-2197	(56)	Filament Choke	32-2657
	Frequencies 2422-2430-2442		(57)	Vibrator Choke	85-0204
	2450 K.C.		(58)	Condenser (.5 Mfd.)	61-0106
	2734 K.C. Crystal	45-2198	(59)	Vibrator	41-3300
	Frequencies 1674-1682-1690		(60)	Resistor (220 ohms)	33-122334
	1698-1706-1712 K.C.		(61)	Resistor (220 ohms)	33-122334
	2658 K.C. Crystal	45-2196	(62)	Resistor (220 ohms)	33-122334
	Frequencies 2382-2390-2406		(63)	Resistor (220 ohms)	33-122334
	2414 K.C.		(64)	Power Transformer	32-7820
	2696 K.C. Crystal	45-2197	(65)	Condenser (7500 Mmfd.)	61-0127
	Frequencies 2422-2430-2442		(66)	Resistor (2700 Ω A)	33-227434
	2450 K.C.			Housing	38-8777
(15)	Condenser (50 Mmfd.)	60-050137		Wiring Slide Cover	38-8768
(16)	Oscillator Padder (on Tun. Cond.)				
(17)	Condenser (300 Mmfd.)	60-130337			
(18)	Oscillator Transformer	32-2597			
(19)	Resistor (63,000 ohms)	33-368334			
(20)	Padder (Pri. 1st I. F. Trans.)				
(21)	First I. F. Transformer	32-2026			



Description	Part No.	Description	Part No.
Volume Knob	27-4208	Tube Side Cover	38-8788
Mounting Plate	28-4650FA3	5 Prong Socket	27-6035
Aerial Lead	41-3191	6 Prong Socket	27-6036
Radio Housing	38-8777	7 Prong Socket	27-6037
Fuse	7227	Speaker Unit	73-0063-3
Fuse Insulator	27-7729	Speaker Clamp	28-3131FA3
Crystal Mtg. Clamp	38-8792	Speaker Mounting Nut	W124FA3
Crystal Mtg. Clamp		Speaker Mounting Screw	W1582FA4
Screw	W1974FA3	Grille Assembly	36-3910
Crystal Socket	38-8790	Control	42-5591
Cover Mtg. Screw	W2312FA4	Volume Shaft	28-8620

MODEL 822P

PHILCO RADIO & TELEVISION CORP.

**PADDING PROCEDURE — MODEL 822P**

The Receivers, when used with the proper crystals, can be adjusted for any specified frequency between 1550 K. C. and 3600 K. C. Different crystals are used to obtain these frequencies. The crystal frequency, however, is no indication of the Receiver frequency adjustment.

FREQ. OF CRYSTAL	RECEIVER FREQ.	PART No. CRYSTAL
1875 K. C.	1596-1610-1626 K. C.	45-2101
1908 K. C.	1630-1634-1642	
	1650-1658-1666 K. C.	45-2194
1953 K. C.	1674-1683-1690	
	1698-1706-1712 K. C.	45-2195
2578 K. C.	2310-2318-2326-2334 K. C.	45-2251
2618 K. C.	2342-2350-2358-2366-2374 K. C.	45-2231
2658 K. C.	2382-2390-2398	
	2406-2414 K. C.	45-2196
2696 K. C.	2422-2430-2442	
	2450 K. C.	45-2197
2734 K. C.	2458-2466-2474	
	2482-2490 K. C.	45-2198
3000 K. C.	2726 K. C.	45-2230
3360 K. C.	3105 K. C.	45-2496

The I. F. stages can be tuned to any frequency between 242 K. C. and 278 K. C.

The I. F. frequency used in each Receiver is the difference between the frequency of the crystal in the Receiver and the frequency of the transmitter, i.e., the transmitter frequency is 2422 K. C., the crystal used is 2696 K. C., the difference is 274 K. C., which is the frequency to which the I. F. amplifier must be tuned.

The Receiver must be padded while warm and repadded after it has been operated for several hours.

The Receiver "Q" switch must be in the off position, cutting out the carrier relay circuit.

**I. F. STAGES** — The signal generator must be set exactly to the predetermined frequency and the generator lead connected to the grid cap of the 6A7 detector oscillator tube in series with a 0.5 mfd. condenser. Adjust padders ②, ③, ④ and ⑤ on the first and second I. F. transformers for maximum reading on the output meter.

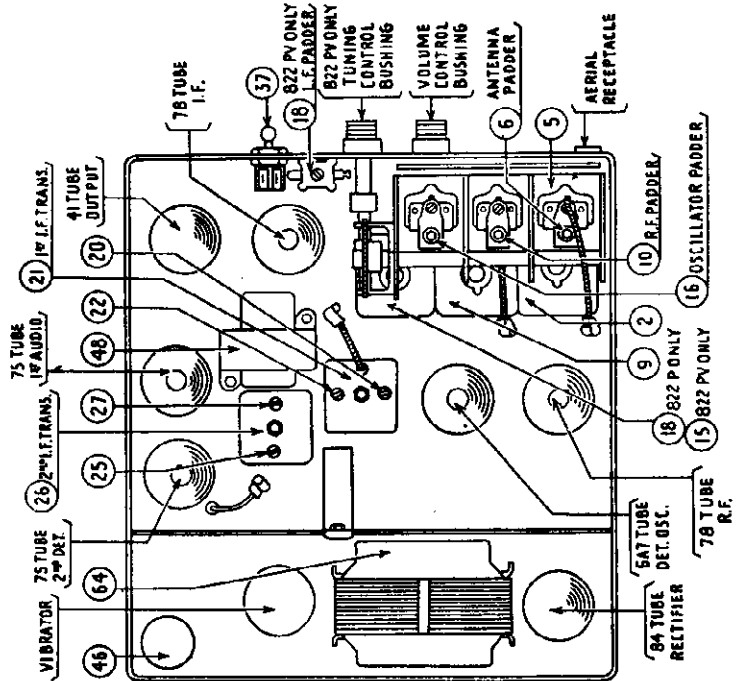
**R. F. STAGE** — Tune the signal generator to the frequency of the transmitter and connect the output of the signal generator to the grid cap of the R. F. tube in series with a 0.5 mfd. condenser. Turn the tuning condenser to the input frequency and adjust padders ⑥ and ⑦ for maximum reading on the output meter. Notice the position of the padders. They should be out as far as possible, yet with sufficient tension to keep them firmly in place. If the padders are too tight, turn the tuning condenser plates in mesh slightly and repad ⑧ and ⑨.

If the padders are too loose, turn the tuning condenser plates out of mesh slightly and repad ⑩ and ⑪. Repeat these adjustments until the correct padding settings are obtained.

Special attention must be given to the adjustment of the oscillator padder ⑫, which should be backed off the peak slightly to obtain stable crystal operation.

**ANTENNA STAGE** — Connect the antenna lead, Part No. 41-3191, to the antenna receptacle on the Receiver in series with a 55 mmfd. condenser and set the signal generator to the frequency of the transmitter. Adjust padders ⑬, ⑭, ⑮ and ⑯ for maximum reading on the output meter.

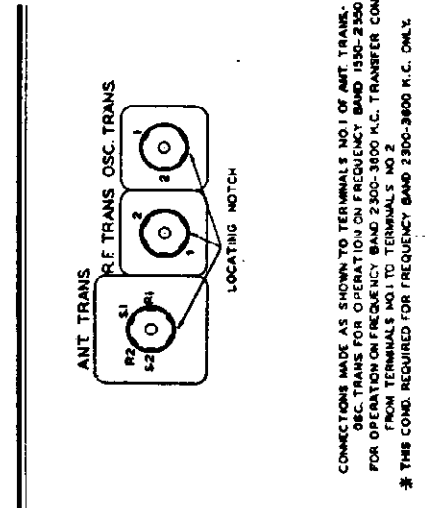
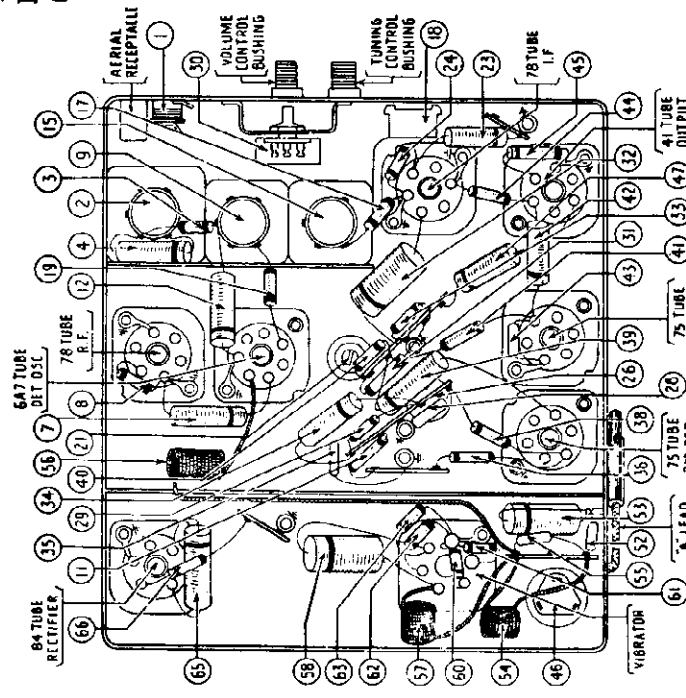
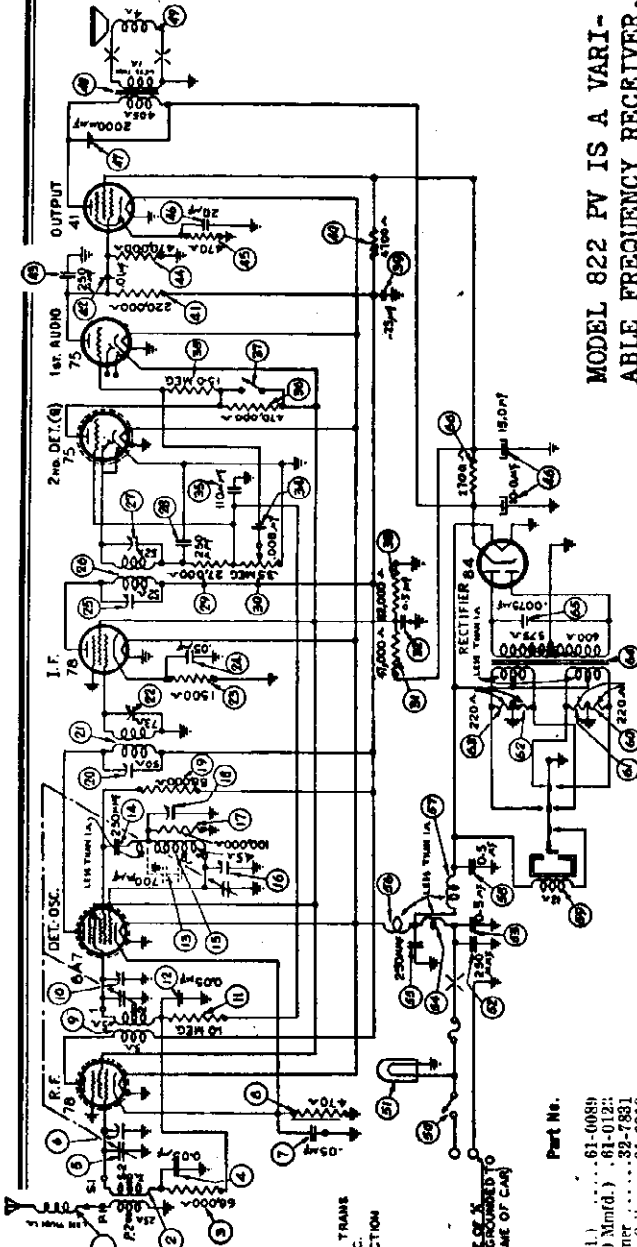
**DO NOT OPEN THE CRYSTAL HOLDER.** If for any reason whatever it has been opened, the crystal plates should be very carefully cleaned with carbon tetrachloride. After cleaning, the crystal must not be touched by the fingers. Use a clean cloth for handling.



PHILCO RADIO & TELEVISION CORP.

MODEL 822 PV IS A VARIABLE FREQUENCY RECEIVER. IT COVERS EITHER OF TWO RANGES: 1550 TO 2550 KC OR 2300 TO 3600 KC.

IF PEAK 260 KC



CONNECTIONS MADE AS SHOWN TO TERMINALS NO. 1 OF ANT. TRANS., R.F. TRANS. FOR OPERATION ON FREQUENCY BAND 2300-3600 K.C. TRANSFER CONNECTION FROM TERMINALS NO. 1 TO TERMINALS NO. 2

PARTS LIST — MODEL 822PV

Table with 3 columns: No., Description, Part No. containing a comprehensive list of components such as Antenna Choke, Filter Condenser, Output Transformer, and various resistors and capacitors.

Continuation of the parts list table, including items like 6A7 Tube, 6B4 Rectifier, 78 Tube, and various mechanical parts like knobs and screws.



PHILCO RADIO & TELEVISION CORP.

PADDING PROCEDURE — MODEL 822PV

OPERATION	SIGNAL GENERATOR		DUMMY CAPACITY	SPECIAL INSTRUCTIONS	ADJUST PADDER
	FREQUENCY	CONNECTION			
1	*260 K. C.	To Grid of 78 Tube—I. F. Stage	.1 Mfd. Condenser in Series with Generator Lead	No Antenna Connection Turn Tuning Condenser Plates out of mesh as far as they will go	25 - 27
2	*260 K. C.	To Grid of 6A7 Tube	.1 Mfd. Condenser in Series with Generator Lead	No Antenna Connection Turn Tuning Condenser Plates out of mesh as far as they will go	20 - 22 25 - 27
FOR FREQUENCIES BETWEEN 1550 K. C. AND 2550 K. C.					
3	*2550 K. C.	To Grid of 78 Tube—R. F. Stage	.1 Mfd. Condenser in Series with Generator Lead	No Antenna Connection Turn Tuning Condenser Plates out of mesh as far as they will go	16 - 10
4	*1650 K. C.	To Grid of 78 Tube—R. F. Stage	.1 Mfd. Condenser in Series with Generator Lead	No Antenna Connection Turn Tuning Condenser to 1650 K. C.	18 Note 1
5	*2550 K. C.	To Grid of 78 Tube—R. F. Stage	.1 Mfd. Condenser in Series with Generator Lead	No Antenna Connection Turn Tuning Condenser Plates out of mesh as far as they will go	16 - 10
6	*2400 K. C.	Note 2	55 Mmfd. Condenser Note 2	Turn Tuning Condenser to 2400 K. C.	6
FOR FREQUENCIES BETWEEN 2550 K. C. AND 3600 K. C.					
7	*3600 K. C.	To Grid of 78 Tube—R. F. Stage	.1 Mfd. Condenser in Series with Generator Lead	No Antenna Connection Turn Tuning Condenser Plates out of mesh as far as they will go	16 - 10
8	*2400 K. C.	To Grid of 78 Tube—R. F. Stage	.1 Mfd. Condenser in Series with Generator Lead	No Antenna Connection Set Tuning Condenser at 2400 K. C.	18 Note 1
9	*3600 K. C.	To Grid of 78 Tube—R. F. Stage	.1 Mfd. Condenser in Series with Generator Lead	No Antenna Connection Turn Tuning Condenser Plates out of mesh as far as they will go	16 - 10
10	*3400 K. C.	Note 2	55 Mmfd. Condenser Note 2	Set Tuning Condenser at 3400 K. C.	6

Adjust for maximum reading on the output meter.

NOTE 1 — Rock the tuning condenser while adjusting the low frequency padder. Tune the condenser to the signal and adjust the padder for maximum output. Rotate the tuning condenser back and forth slightly for maximum output. Then re-adjust the padder for maximum output. Repeat this procedure until no further improvement is noticed.

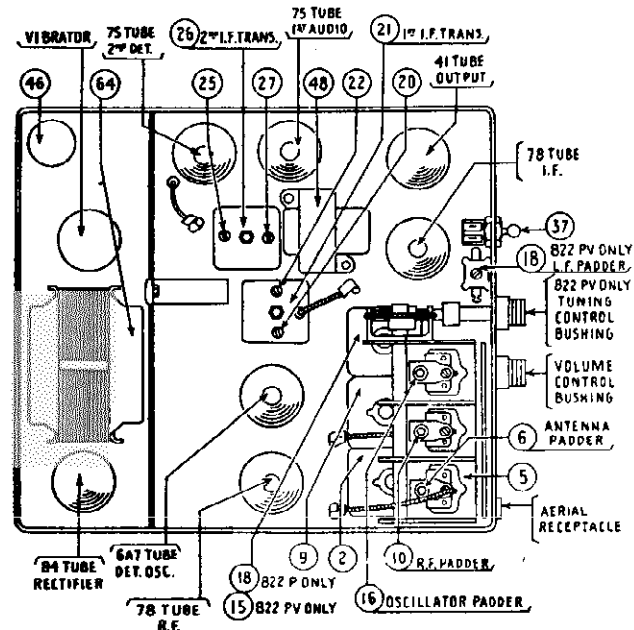
NOTE 2 — Connect the antenna lead, Part No. 41-3191, to the antenna receptacle on the Receiver in series with a 55 mmfd. condenser.  
\* The Receiver "Q" switch must be in the off position, cutting out the carrier relay circuit.

**CONDENSER DRIVE** The condenser worm drive gear ratio (Model 822PV) is 16:1. This eliminates practically all back lash and, due to the mechanism used, prevents the tuning condenser from detuning from vibration. This high gear ratio also makes accurate tuning much easier.

In the Model 822P, a self locking worm drive with a gear ratio of 48:1 permits accurate adjustment of the tuning condenser and eliminates the necessity of using any other locking device on the condenser.

**CONTROL UNIT** The control unit for Model 822PV is designed for installation on the bottom flange of the instrument board. It contains the "ON-OFF" switch and the volume and tuning control knobs. The calibrated scale is illuminated. The Model 822P fixed frequency Radio utilizes a single control knob, which is mounted on the instrument board. This controls the "ON-OFF" switch and the volume. No tuning device is required.

**CONTROL CONNECTIONS** The volume control coupler and (in the case of the 822PV) the tuning control coupler, the "A" battery and the antenna connector, are located on one end of the housing. The shafts are the rapid coupling type with the locking gland nut at the Radio end. The "A" battery and the antenna connections are the quick detachable, bayonet locking type, with the "A" fuse placed in the "A" lead.



PHILCO RADIO & TELEVISION CORP.

I.F. = 270KC

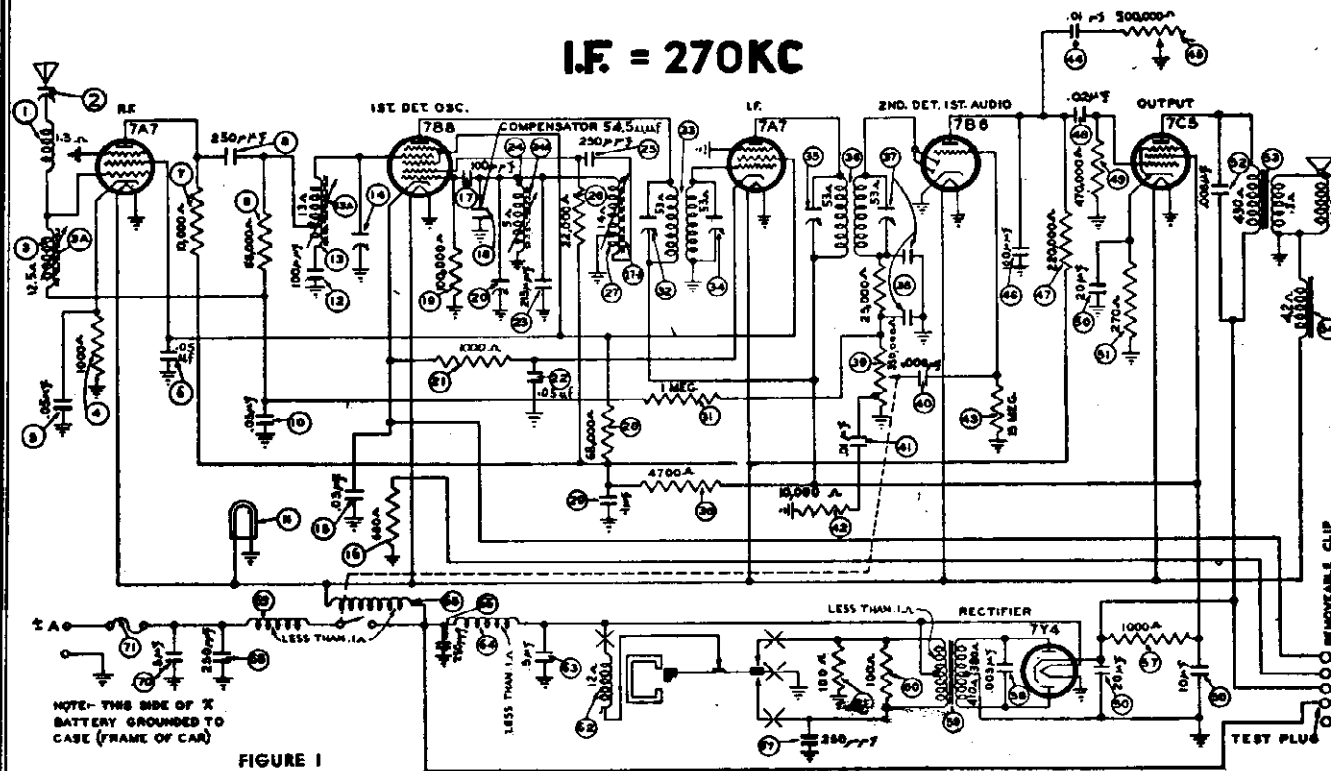


FIGURE 1

PARTS LIST — P-1830

No.	Description	Part No.	No.	Description	Part No.
(1)	Antenna Choke	65-0378	(43)	Resistor (15,000,000 ohms)	33-615154
(2)	Aerial Compensator	63-0054	(44)	Condenser (.01 Mfd.)	61-0120
(3)	Antenna Transformer	65-0349	(45)	Tone Control (500,000 ohms)	67-0048
(3a)	Antenna Transformer Adjusting Core	57-1541	(46)	Condenser (100 Mmfd.)	60-110157
(4)	Resistor (1000 ohms)	33-210336	(47)	Resistor (220,000 ohms)	33-422324
(5)	Condenser (.05 Mfd.)	61-0101	(48)	Condenser (.02 Mfd.)	61-0108
(6)	Condenser (.05 Mfd.)	61-0111	(49)	Resistor (470,000 ohms)	33-447154
(7)	Resistor (10,000 ohms)	33-310334	(50)	Filter Condenser (10-20-20 Mfd.)	61-0072
(8)	Condenser (250 Mmfd.)	60-125157	(51)	Resistor (270 ohms)	33-127436
(9)	Resistor (68,000 ohms)	33-368154	(52)	Condenser (6000 Mmfd.)	61-0155
(10)	Condenser (.05 Mfd.)	61-0101	(53)	Output Transformer	65-0431
(11)	Pilot Lamp	34-2064	(54)	Field Coil (Not Replaceable)	
(12)	Condenser (100 Mmfd.)	60-110157	(55)	Test Link	55-1121
(13)	R. F. Transformer	65-0359	(56)	Test Socket	55-1078
(13a)	R. F. Transformer Adjusting Core	57-1541	(57)	Resistor (1000 ohms)	33-210434
(14)	R. F. Padder	61-0055	(58)	Condenser (5000 Mmfd.)	61-0153
(15)	Condenser (.05 Mfd.)	61-0101	(59)	Power Transformer	65-0347
(16)	Resistor (680 ohms)	33-168336	(60)	Resistor (100 ohms)	33-110434
(17)	Condenser (100 Mmfd.)	60-110157	(61)	Resistor (100 ohms)	33-110434
(18)	Condenser (54.5 Mmfd.)	61-0149	(62)	Vibrator	83-0026
(19)	Resistor (100,000 ohms)	33-410154	(63)	Condenser (.5 Mfd.)	61-0137
(20)	Oscillator Padder	63-0052	(64)	Vibrator Choke	65-0151
(21)	Resistor (1000 ohms)	33-210334	(65)	Filament Choke	32-1604
(22)	Condenser (.05 Mfd.)	61-0111	(66)	Condenser (250 Mmfd.)	60-125157
(23)	Condenser (.215 Mmfd.)	61-0148	(67)	Condenser (250 Mmfd.)	60-125157
(24)	Oscillator Transformer	65-0367	(68)	Condenser (250 Mmfd.)	60-125157
(24a)	Oscillator Transformer Adjusting Core	57-1542	(69)	"A" Choke	32-1644
(25)	Condenser (250 Mmfd.)	60-125157	(70)	Condenser (.5 Mfd.)	61-0137
(26)	Resistor (22,000 ohms)	33-322334	(71)	Fuse	45-2559
(27)	Oscillator Tracking Transformer	65-0351		Speaker Unit	73-0062
(27a)	Oscillator Tracking Transformer Adjusting Core	57-0996		Replacement Cone	91-0186
(28)	Resistor (68,000 ohms)	33-368434		Speaker Cable	95-0161
(29)	Condenser (.1 Mfd.)	61-0113		Speaker Gasket	55-1037
(30)	Resistor (4700 ohms)	33-247434		Rubber Stop	55-1069
(31)	Resistor (1,000,000 ohms)	33-510154		Nut (Speaker Mtg.)	W124FA3
(32)	Padder (Pri. 1st I. F. Trans.)	65-0352		Screw (Speaker Mtg.)	W1582PC61
(33)	First I. F. Transformer	65-0352		Speaker Cover	77-0862
(34)	Padder (Sec. 1st I. F. Trans.)	65-0352		Tube Side Cover	57-1554FC51
(35)	Padder (Pri. 2nd I. F. Trans.)	65-0352		Vibrator Pad	55-1073
(36)	Second I. F. Transformer	65-0410		Dial	55-1034
(37)	Padder (Sec. 2nd I. F. Trans.)	65-0410		Manual Knob	55-1297
(38)	Resistor (25,000 ohms)	33-325154		Manual Knob Sleeve	57-1623
(39)	Volume Control (350,000 ohms) & On-Off Switch	67-0047		Push Button Knob Assy.	77-0613
(40)	Condenser (6000 Mmfd.)	61-0155		Volume & Tone Knob	77-0848
(41)	Condenser (.01 Mfd.)	61-0120		Tuning Unit complete with Coils	77-0865
(42)	Resistor (10,000 ohms)	33-310154		Tuning Unit Only	77-0740
				Bezel	77-0854
				Antenna Connector	57-0591FA3
				Housing	77-0862PC51

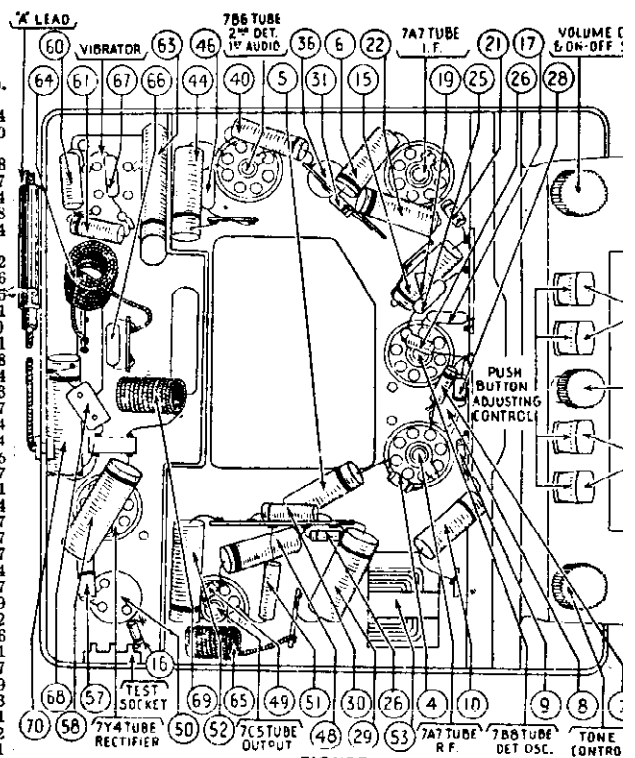


FIGURE 2

Description	Part No.	Description	Part No.
Vibrator Socket	27-6153	R. F. Coil Spring Mtg. Screw	97-0121
Tube Socket	27-6151	Osc. Coil Stud	57-141
Fuse Lead	77-0637	Core Draw Bar Spring	57-164
Interference Condenser	30-4007	Latch Bar Spring	57-165
Generator Condenser	30-4475	P. B. Spring	57-165
Distributor Resistor	33-1196	Miter Spring	57-165
Hook Bolt	57-1580FA3	Pointer Spring	57-165
Wing Nut	W895FA3	Pointer & Cam Assy.	7-0651
R. F. Coil Spring	57-1538		

MODEL P-1830

PHILCO RADIO & TELEVISION CORP.

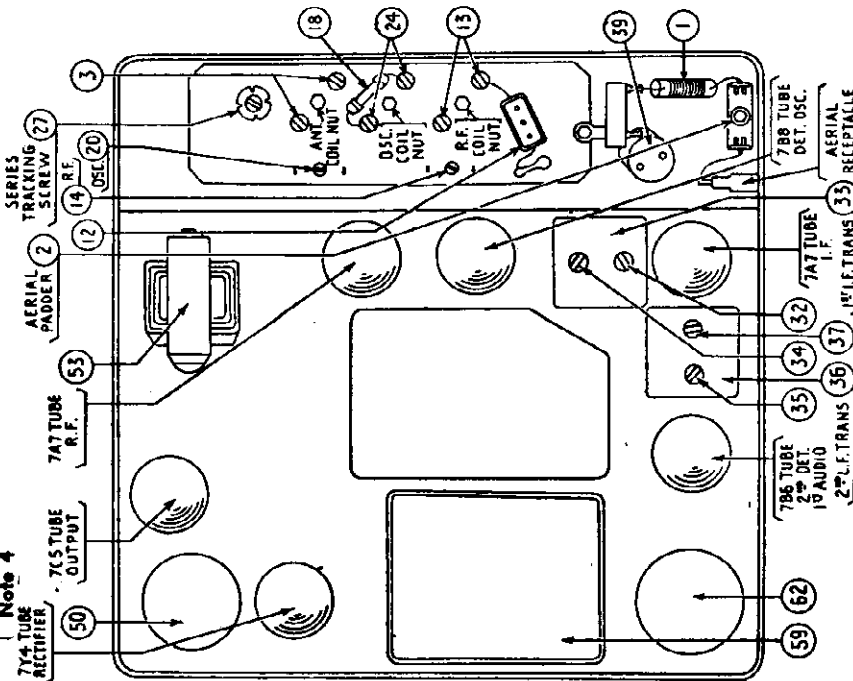
OPERATION	FREQUENCY	SIGNAL GENERATOR CONNECTION	DUMMY CAPACITY	SPECIAL INSTRUCTIONS	ADJUST PADDERS
1		PUSH IN THE TUNING CONTROL KNOB UNTIL STATIONS CAN BE TUNED IN BY MANUAL TUNING			
2	270 K.C.	To Aerial Receptacle on Radio	See Note 1	Note 2	① ② ③ ④ ⑤ ⑥ ⑦ ⑧ ⑨ ⑩ ⑪ ⑫ ⑬ ⑭ ⑮ ⑯ ⑰ ⑱ ⑲ ⑳ ㉑ ㉒ ㉓ ㉔ ㉕ ㉖ ㉗ ㉘ ㉙ ㉚ ㉛ ㉜ ㉝ ㉞ ㉟ ㊱ ㊲ ㊳ ㊴ ㊵ ㊶ ㊷ ㊸ ㊹ ㊺ ㊻ ㊼ ㊽ ㊾ ㊿
3	1600 K.C.	To Aerial Receptacle on Radio	See Note 1	Set Tuning Control at 1600 K.C.	① ② ③ ④ ⑤ ⑥ ⑦ ⑧ ⑨ ⑩ ⑪ ⑫ ⑬ ⑭ ⑮ ⑯ ⑰ ⑱ ⑲ ⑳ ㉑ ㉒ ㉓ ㉔ ㉕ ㉖ ㉗ ㉘ ㉙ ㉚ ㉛ ㉜ ㉝ ㉞ ㉟ ㊱ ㊲ ㊳ ㊴ ㊵ ㊶ ㊷ ㊸ ㊹ ㊺ ㊻ ㊼ ㊽ ㊾ ㊿
4	1360 K.C.	To Aerial Receptacle on Radio	See Note 1	Set Tuning Control at 1360 K.C.	① ② ③ ④ ⑤ ⑥ ⑦ ⑧ ⑨ ⑩ ⑪ ⑫ ⑬ ⑭ ⑮ ⑯ ⑰ ⑱ ⑲ ⑳ ㉑ ㉒ ㉓ ㉔ ㉕ ㉖ ㉗ ㉘ ㉙ ㉚ ㉛ ㉜ ㉝ ㉞ ㉟ ㊱ ㊲ ㊳ ㊴ ㊵ ㊶ ㊷ ㊸ ㊹ ㊺ ㊻ ㊼ ㊽ ㊾ ㊿
5	590 K.C.	To Aerial Receptacle on Radio	See Note 1	Set Tuning Control at 590 K.C.	① ② ③ ④ ⑤ ⑥ ⑦ ⑧ ⑨ ⑩ ⑪ ⑫ ⑬ ⑭ ⑮ ⑯ ⑰ ⑱ ⑲ ⑳ ㉑ ㉒ ㉓ ㉔ ㉕ ㉖ ㉗ ㉘ ㉙ ㉚ ㉛ ㉜ ㉝ ㉞ ㉟ ㊱ ㊲ ㊳ ㊴ ㊵ ㊶ ㊷ ㊸ ㊹ ㊺ ㊻ ㊼ ㊽ ㊾ ㊿
6	1600 K.C.	To Aerial Receptacle on Radio	See Note 1	Set Tuning Control at 1600 K.C.	① ② ③ ④ ⑤ ⑥ ⑦ ⑧ ⑨ ⑩ ⑪ ⑫ ⑬ ⑭ ⑮ ⑯ ⑰ ⑱ ⑲ ⑳ ㉑ ㉒ ㉓ ㉔ ㉕ ㉖ ㉗ ㉘ ㉙ ㉚ ㉛ ㉜ ㉝ ㉞ ㉟ ㊱ ㊲ ㊳ ㊴ ㊵ ㊶ ㊷ ㊸ ㊹ ㊺ ㊻ ㊼ ㊽ ㊾ ㊿
7	1360 K.C.	To Aerial Receptacle on Radio	See Note 1	Set Tuning Control at 1360 K.C.	① ② ③ ④ ⑤ ⑥ ⑦ ⑧ ⑨ ⑩ ⑪ ⑫ ⑬ ⑭ ⑮ ⑯ ⑰ ⑱ ⑲ ⑳ ㉑ ㉒ ㉓ ㉔ ㉕ ㉖ ㉗ ㉘ ㉙ ㉚ ㉛ ㉜ ㉝ ㉞ ㉟ ㊱ ㊲ ㊳ ㊴ ㊵ ㊶ ㊷ ㊸ ㊹ ㊺ ㊻ ㊼ ㊽ ㊾ ㊿
8	1200 to 1400 K.C.	Note 5	Note 5	Note 5	① ② ③ ④ ⑤ ⑥ ⑦ ⑧ ⑨ ⑩ ⑪ ⑫ ⑬ ⑭ ⑮ ⑯ ⑰ ⑱ ⑲ ⑳ ㉑ ㉒ ㉓ ㉔ ㉕ ㉖ ㉗ ㉘ ㉙ ㉚ ㉛ ㉜ ㉝ ㉞ ㉟ ㊱ ㊲ ㊳ ㊴ ㊵ ㊶ ㊷ ㊸ ㊹ ㊺ ㊻ ㊼ ㊽ ㊾ ㊿

**AUDIO OUTPUT METER.** If an audio output meter is used, connect the leads across the voice coil of the speaker. Use the 0-30 volt scale.

With the Radio and signal generator set up for operation at the prescribed frequency, turn the Radio volume control on full and set the signal generator attenuator so that a half scale reading is obtained on the meter. The signal in the speaker should be audible but not loud.

The shielding on the generator output lead must be connected to the Radio housing.

FIGURE 3



Make all adjustments for maximum reading on the meter.

**NOTE 1**—Connect the aerial lead, Part No. 95,0111, to the aerial receptacle in the radio. Connect a 40 Mmf. Condenser in series between the signal generator and the aerial lead.

**NOTE 2**—Turn the tuning control clockwise as far as it will go.

**NOTE 3**—Rock the tuning control while adjusting the low frequency screw. Tune the control to the signal and adjust the screw for maximum output. Rotate the tuning control back and forth slightly for maximum output. Then readjust the screw for maximum output. Repeat this procedure until no further improvement is noticed.

**NOTE 4**—When the aerial stage adjustment is made with the Radio installed in the car, the Radio aerial lead must be connected to the car aerial in this usual manner. Connect the signal generator output lead to a wire placed near the car aerial but not connected to it.

**NOTE 5**—When installing the radio in the car, follow the installation instructions carefully. Tune in a weak broadcast signal between 1200 and 1400 Kilocycles on the control scale. Remove the plug button on the end of the radio and adjust the aerial compensator ⑤ (see Figure 3) for maximum signal.

**INSTRUCTIONS FOR SETTING UP THE AUTOMATIC TUNING BUTTONS**

Turn on the radio and allow it to operate for twenty minutes or longer, if possible.

Press in any automatic button so that it remains engaged. Then tune in the station desired by turning the small wheel in the button. The station can be identified by the pointer, which indicates the frequency of the station in Kilocycles. The automatic buttons may be readjusted to any station within the range of the broadcast band. The automatic buttons may be readjusted to stations in any sequence desired. However, for convenience in remembering stations, it is recommended that the buttons be set up in the same order that the stations appear across the dial.

**CAUTION**—All adjustments must be carefully made so that reception can be received best when remote from the broadcasting station. Careless tuning off to one side even though the signal is heard, will result in distorted reception.

Run No. 4 — A resistor (390 ohms) has been added in series between the plates of all tubes and the 10 mfd. section of the filter condenser. The resistor is placed ahead of the type 7C5 tube grid.

**I.F. = 455KC**

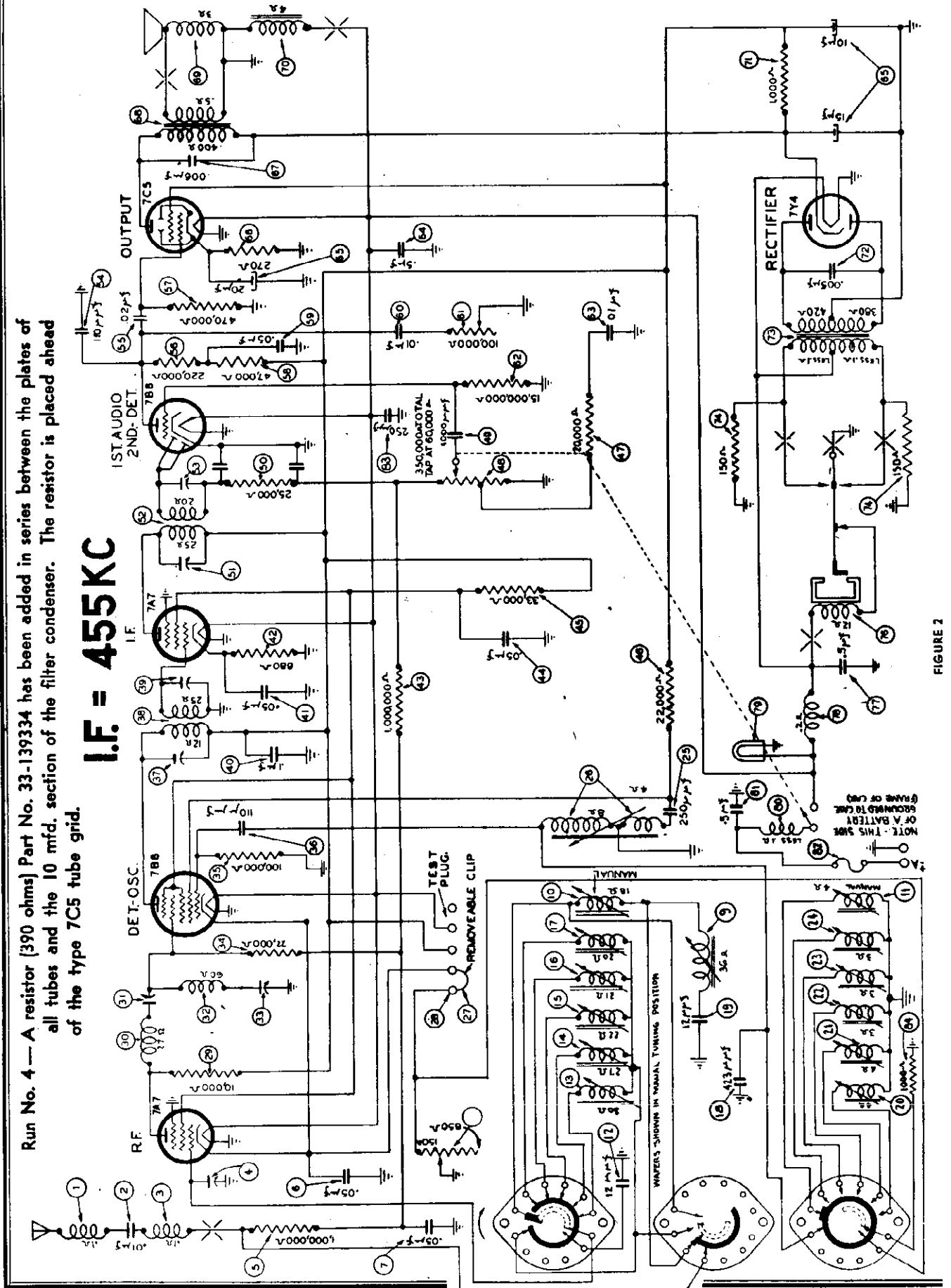


FIGURE 2

MODEL F-1840

PHILCO RADIO & TELEVISION CORP.

Run No. 3 — A ground spring has been added on the sub-base to make contact with the speaker field coil pot, to reduce crackle.

PARTS LIST — F-1840

No.	Description	Part No.
1	Antenna Choke	65-0102
2	Condenser (.01 Mfd.)	61-0114
3	Antenna Choke	30-2083
4	Aerial Compensator	63-0063
5	Resistor (1,000,000 ohms)	33-310134
6	Condenser (.05 Mfd.)	61-0111
7	Condenser (.03 Mfd.)	61-0101
8	Sensitivity Control	67-0025
9	Image Trap Coil	Part of 6
10	Inductive Tuning Unit	77-0701
11	Manual Tuning Oscillator	Part of 6
12	Transformer (12 Mfd.)	60-012327
13	Push Button Coil Assembly	77-0706
14	Push Button Coil Assembly	Part of 6
15	Push Button Coil Assembly	Part of 6
16	Push Button Coil Assembly	Part of 6
17	Push Button Coil Assembly	Part of 6
18	Silver Mica Condenser (423 Mmfd.)	61-0086
19	Condenser (12 Mfd.)	60-012327
20	Push Button Coil Assembly	Part of 6
21	Push Button Coil Assembly	Part of 6
22	Push Button Coil Assembly	Part of 6
23	Push Button Coil Assembly	Part of 6
24	Push Button Coil Assembly	Part of 6
25	Condenser (250 Mmfd.)	60-121557
26	Oscillator Tracking Coil	65-0288
27	Test Socket Link	57-1121
28	Test Socket	55-1104
29	Resistor (10,000 ohms)	33-310334
30	R. F. Transformer (Pri.)	65-0413
31	Padder	Part of 30
32	R. F. Transformer (Sec.)	Part of 30
33	Padder	Part of 32
34	Resistor (22,000 ohms)	33-322334
35	Resistor (100,000 ohms)	33-410134
36	Condenser (110 Mmfd.)	60-110157
37	Padder (Pri. 1st. I. F. Trans.)	63-0386
38	Padder (Sec. 1st. I. F. Trans.)	61-0113
39	Condenser (.05 Mfd.)	61-0101
40	Resistor (680 ohms)	33-168836
41	Resistor (1,000,000 ohms)	33-310134
42	Condenser (.05 Mfd.)	61-0101
43	Resistor (33,000 ohms)	33-333434
44	Resistor (22,000 ohms)	33-322334
45	Resistor (20,000 ohms)	33-320134
46	Volume Control (35,000 ohms) & On-Off Switch	67-0042
47	Condenser (4,000 Mmfd.)	61-0128
48	Resistor (25,000 ohms)	33-325134
49	Padder (Pri. 2nd I. F. Trans.)	63-0387
50	Second I. F. Transformer	63-0387
51	Condenser (110 Mfd.)	60-110157
52	Condenser (.02 Mfd.)	61-0116
53	Resistor (250,000 ohms)	33-422334
54	Resistor (170,000 ohms)	33-417134
55	Resistor (47,000 ohms)	33-347334
56	Condenser (.66 Mfd.)	61-0123
57	Tone Control	61-0100
58	Resistor (15,000,000 ohms)	33-85-0128
59	Condenser (.01 Mfd.)	61-0110
60	Condenser (.5 Mfd.)	61-0106
61	Filter Condenser (10-15-20 Mfd.)	61-0089
62	Resistor (270 ohms)	33-127436
63	Condenser (6,000 Mmfd.)	61-0105
64	Output Transformer	65-0391
65	Replacement Cone (For Speaker 73-0031-2)	91-0166
66	Field Coil	Not Replaceable
67	Resistor (1,000 ohms)	33-210434
68	Condenser (5,000 Mmfd.)	61-0153
69	Power Transformer	65-0347N
70	Resistor (150 ohms)	33-115334
71	Vibrator	83-0026
72	Condenser (.5 Mfd.)	61-0137
73	Vibrator Choke	65-0398
74	Pilot Lamp	34-2064
75	"A" Choke	65-0037
76	Condenser (.5 Mfd.)	61-0137
77	Fuse	45-2559
78	Condenser (250 Mmfd.)	60-125157
79	Resistor (1,000 ohms)	33-210334
80	Selector Switch Knob & Spring	318-2376
81	Tuning & Volume Knob	77-0708
82	Rubber Baffle Gasket	55-1154
83	Speaker Cover Screws	W2212FA4
84	Bezel	56-1140
85	Bezel Spring	55-1143
86	Bezel Clip	57-1769FA3
87	Tone Knob	57-1732FA3
88	Tone Knob Spring	57-1780FA3
89	Drive Cord	55-1157
90	Drive Cord Spring	57-1425FA3
91	Pointer	57-1704
92	Screws (Wiring Side Cover)	W2212FA4
93	Wiring Side Cover	57-1713FC1
94	Housing Assembly	318-2323FC1
95	Speaker Cover	57-1717FC1
96	Speaker Unit	73-0054
97	Roll (Speaker Mfg.)	W1589FA3
98	Lockwasher (Speaker Mfg.)	W231FE1
99	Nut (Speaker Mfg.)	W124FA3
100	Loktal Socket	27-6151
101	Vibrator Socket	27-6153
102	Water Switch	77-0780
103	Hook Bolt	97-0084FA3
104	Wing Nut (Radio Mfg.)	97-0648FA3
105	Gland Nut & Sleeve (Radio Mfg.)	77-0459
106	Interference Condenser ("A") (Voltage Regulator)	61-0162
107	Interference Condenser (Oil Gauge) (Dist.)	61-0163

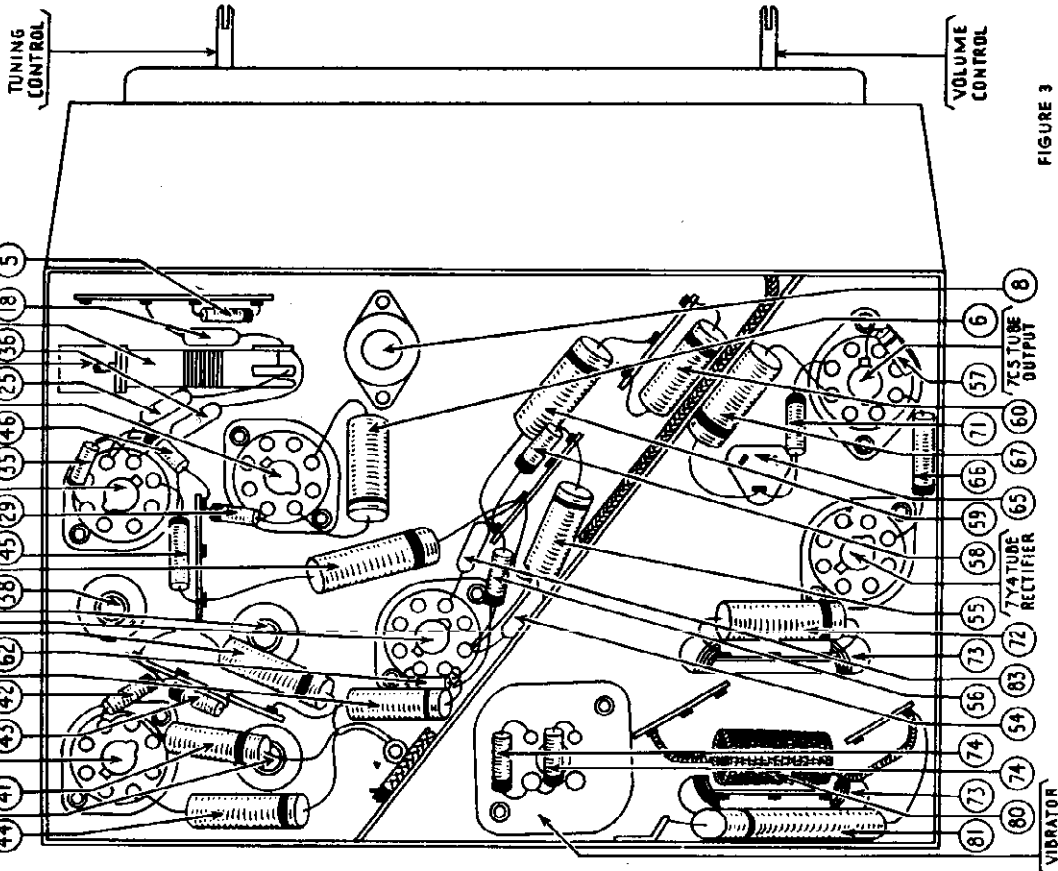


FIGURE 3

PHILCO RADIO & TELEVISION CORP.

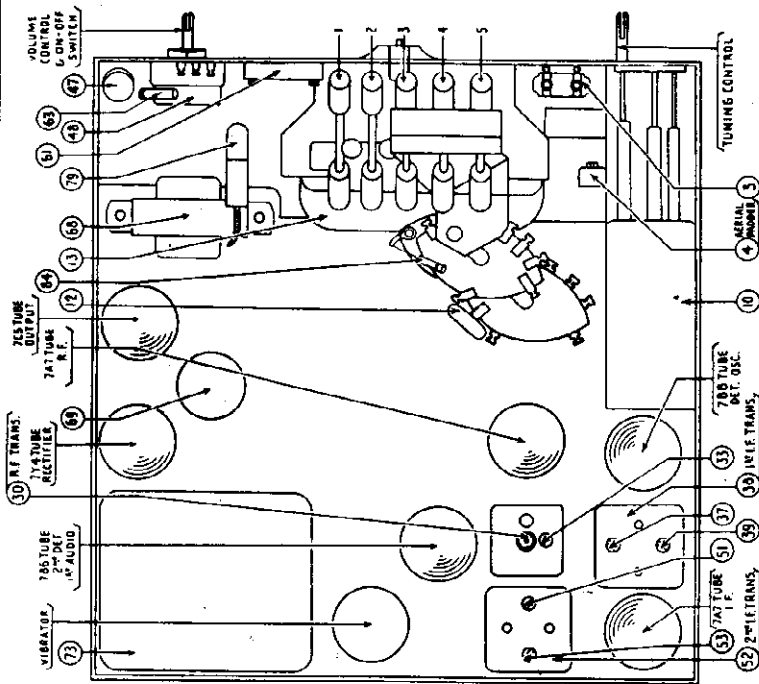


FIGURE 1

MODEL F-184 — ADJUSTMENTS

All padding adjustments are carefully made at the factory and ordinarily no readjustments are necessary. However when readjustments are required, the procedure given below must be followed in detail.

**AUDIO OUTPUT METER.** If an audio output meter is used, connect the leads across the voice coil of the speaker. Use the 0-30 volt scale.

With the Radio and signal generator set up for operation at the prescribed frequency, turn the Radio volume control on full and set the signal generator attenuator so that a half scale reading is obtained on the meter. The signal in the speaker should be audible but not loud.

The shielding on the generator output lead must be connected to the Radio housing.

Make all adjustments for maximum reading on the meter.

**NOTE 1** — Connect the aerial lead Part No. 95-0111, to the aerial receptacle in the radio. Connect a 20 Mmfd. Condenser in series between the signal generator and the aerial lead.

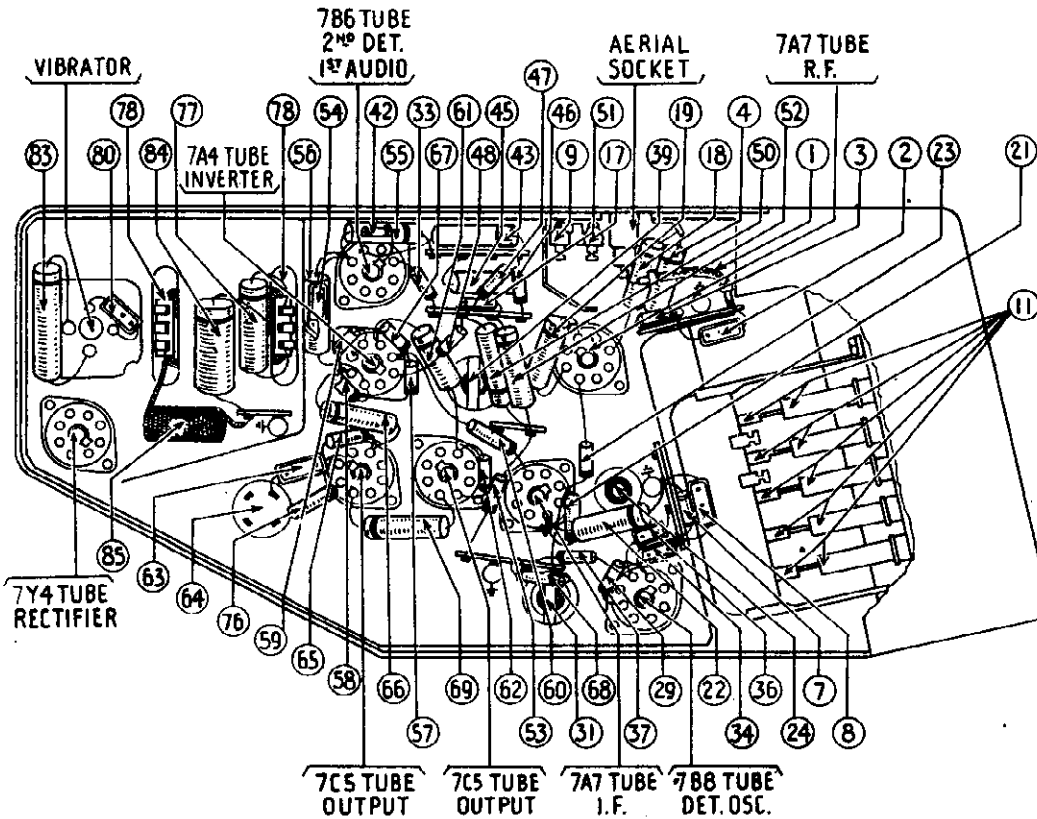
**NOTE 2** — Turn the tuning control clockwise as far as it will go.

**NOTE 3** — Rock the tuning control while adjusting the low frequency screw. Tune the control to the signal and adjust the screw for maximum output. Rotate the tuning control back and forth slightly for maximum output. Then readjust the screw for maximum output. Repeat this procedure until no further improvement is noticed.

**NOTE 4** — When the aerial stage adjustment is made with the Radio installed in the car, the Radio aerial lead must be connected to the car aerial in the usual manner. Connect the signal generator output lead to a wire placed near the car aerial but not connected to it.

OPERATION	SIGNAL GENERATOR CONNECTION		DUMMY CAPACITY	SPECIAL INSTRUCTIONS	ADJUST PADDERS
	FREQUENCY	TURN THE SELECTOR SWITCH KNOB TO "D" SO THAT STATIONS CAN BE TUNED IN BY MANUAL TUNING.			
1					
2	455 K.C.	To Aerial Receptacle on Radio	.1 Mfd.	Note 2	57, 58, 59, 60, 61, 62, 63, 64, 65, 66, 67, 68, 69, 70, 71, 72, 73
3	455 K.C.	To Aerial Receptacle on Radio	.1 Mfd.	Note 2	57, 58, 59, 60, 61, 62, 63, 64, 65, 66, 67, 68, 69, 70, 71, 72, 73
4	1360 K.C.	To Aerial Receptacle on Radio	See Note 1	Set Tuning Control at 1360 K.C.	64 Note 4
5	590 K.C.	To Aerial Receptacle on Radio	See Note 1	Set Tuning Control at 590 K.C.	68 Note 3
6	1400 K.C.	To Aerial Receptacle on Radio	See Note 1	Set Tuning Control at 1400 K.C.	64 Note 4
7	590 K.C.	To Aerial Receptacle on Radio	See Note 1	Set Tuning Control at 590 K.C.	68 Note 4

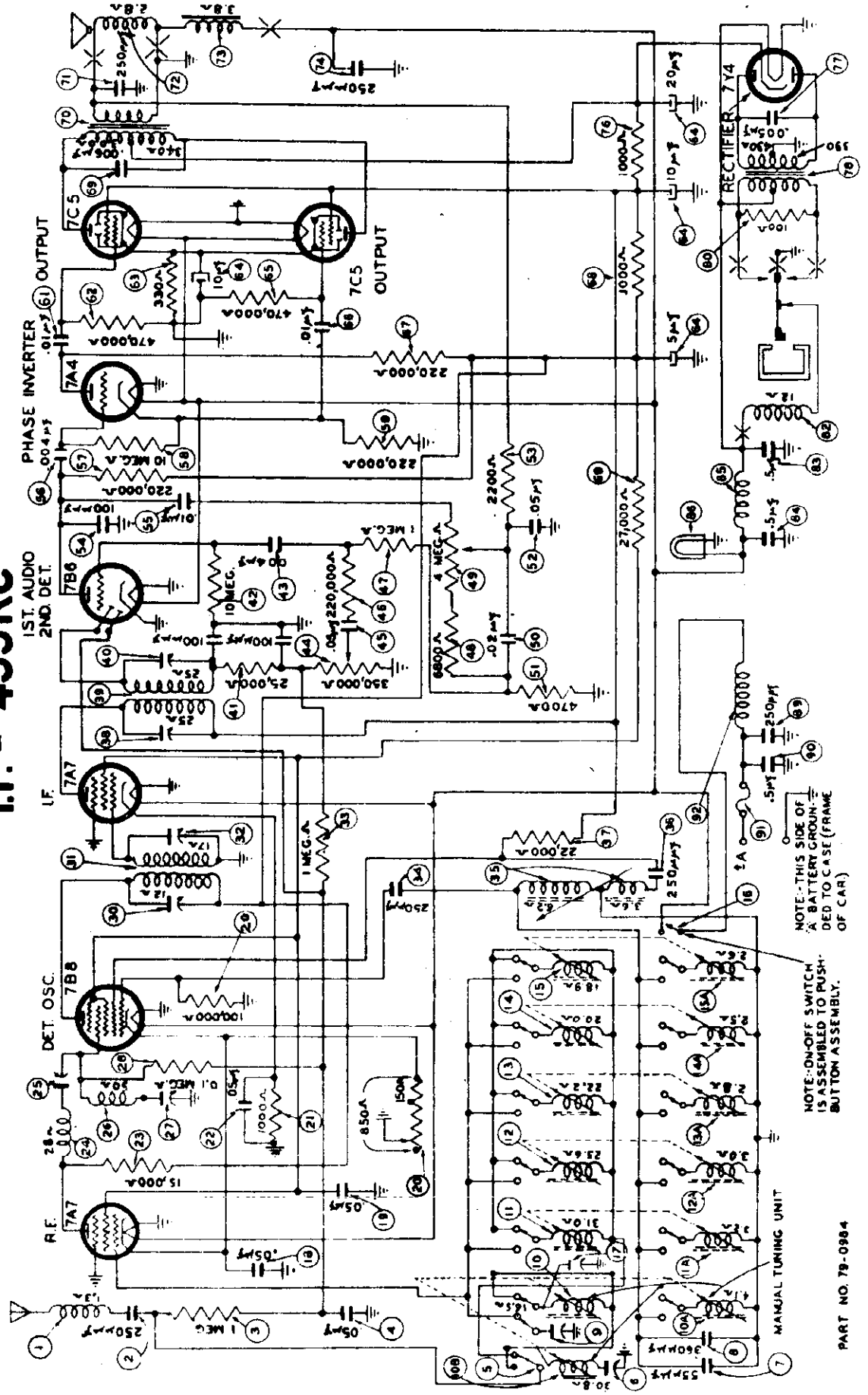
PHILCO RADIO & TELEVISION CORP.



No.	Description	Part No.	No.	Description	Part No.	No.	Description	Part No.	No.	Description	Part No.
(1)	Antenna (choke)	65-0437	(37)	Resistor (32,000 ohms)	33-323334	(84)	Condenser (.5 mfd.)	61-0134	(1)	Push Button "ON"	77-0076
(2)	Condenser (250 mmfd.)	60-125157	(38)	Padder		(85)	Vibrator Choke	65-0389	(2)	DeSoto	77-0076
(3)	Resistor (1,000,000 ohms)	33-510154	(39)	Second I.F. Transformer	65-0386	(86)	Pilot Lamp	34-2064	(3)	DeSoto	77-0977
(4)	Condenser (.05 mfd.)	61-0101	(40)	Padder		(89)	Condenser (250 mmfd.)	60-125157	(4)	DeSoto	77-0977
(5)	Push Button Switch	85-0127	(41)	(Sec. 2nd I.F. Trans.)		(90)	Condenser (.5 mfd.)	61-0137	(5)	Chrysler	77-0078
(6)	Image Padder	63-0069	(42)	Resistor (25,000 ohms)	33-325154	(91)	Fuse	45-2550	(6)	Chrysler	77-0078
(7)	Condenser (55 mmfd.)	61-0149	(43)	Resistor (10,000,000 ohms)	33-610154	(92)	"A" Choke	32-1644	(7)	Chrysler	77-0079
(8)	Condenser (300 mmfd.)	61-0157	(44)	Volume Control			Speaker	73-0067	(8)	Chrysler	77-0079
(9)	Antenna Padder (P.B.)	77-0758	(45)	Condenser (4000 mmfd.)	61-0179		Speaker Mtg. Stud	77-0400	(9)	Chrysler	77-0980
(10)	Inductive Tuning Unit	77-0683	(46)	Volume Control			Speaker Mtg. Lockwasher	W291327	(10)	Tone Knob (chrome)	57-1683FA8
(10a)	Inductive Tuning Unit Part of (10)		(47)	(350,000 ohms)	67-0040		Speaker Cable & "A" Lead	95-0166	(11)	Tone Knob (plastic)	77-1011
(10b)	Inductive Tuning Unit Part of (10)		(48)	Condenser (.05 mfd.)	61-0101		Generator Condenser	61-0156	(12)	Nut Cover (chrome)	57-1683FA8
(11)	Push Button Switch and Coil Assembly	77-0948	(49)	Resistor (220,000 ohms)	33-422154		Ignition Switch Condenser	61-0177	(13)	Nut Cover (plastic)	57-1683FA8
(11a)	Push Button Switch and Coil Assembly	77-0948	(50)	Resistor (1,000,000 ohms)	33-510154		Distributor Resistor	38-9562	(14)	Nut Cover (plastic)	57-1683FA8
(12)	Push Button Switch and Coil Assembly	77-0948	(51)	Resistor (6800 ohms)	33-268154		Fuel Gauge Resistor	67-0030	(15)	Nut Cover (plastic)	57-1683FA8
(12a)	Push Button Switch and Coil Assembly	77-0948	(52)	Tone Control			Brail	95-0078	(16)	Tuning & Volume Knob	77-1012
(13)	Push Button Switch and Coil Assembly	77-0948	(53)	(4,000,000 ohms) Part of (44)			Fuse Holder Clip	57-2202FE7	(17)	Tone Knob (Plastic)	77-1052
(13a)	Push Button Switch and Coil Assembly	77-0948	(54)	Condenser (.02 mfd.)	61-0154		Pointer	55-1386	(18)	DeSoto	77-1052
(13b)	Push Button Switch and Coil Assembly	77-0948	(55)	Resistor (4700 ohms)	33-247334		Pointer Drive Cord	55-1408	(19)	Nut Cover (Plastic)	77-1053
(13c)	Push Button Switch and Coil Assembly	77-0948	(56)	Condenser (.05 mfd.)	61-0101		Tone Drive Cord	55-1408	(20)	DeSoto	77-1053
(13d)	Push Button Switch and Coil Assembly	77-0948	(57)	Resistor (2200 ohms)	33-222154		Cord Spring	57-1701FA38	(21)	Chrysler	77-1054
(14)	Push Button Switch and Coil Assembly	77-0948	(58)	Resistor (100 mmfd.)	60-110157		Dial (Plymouth)	55-1371	(22)	Chrysler	77-1054
(14a)	Push Button Switch and Coil Assembly	77-0948	(59)	Condenser (.01 mfd.)	61-0120		Dial (Dodge)	55-1370	(23)	Nut Cover (Plastic)	77-1055
(14b)	Push Button Switch and Coil Assembly	77-0948	(60)	Condenser (4000 mmfd.)	61-0179		Dial (DeSoto)	55-1360	(24)	Chrysler	77-1055
(15)	Push Button Switch and Coil Assembly	77-0948	(61)	Resistor (220,000 ohms)	33-422154		Dial (Chrysler)	55-1368	(25)	Nut Cover (Plastic)	77-1056
(15a)	Push Button Switch and Coil Assembly	77-0948	(62)	Resistor (10,000,000 ohms)	33-610154		Dial Mtg. Spring	57-2218FE11	(26)	Dodge	77-1056
(16)	On-Off Switch	Part of (5)	(63)	Resistor (220,000 ohms)	33-422154		Diffusing Screen	55-1428	(27)	Nut Cover (Plastic)	77-1057
(17)	Antenna Padder (Mammal)	Part of (9)	(64)	Resistor (10,000,000 ohms)	33-610154		Bracket	57-2242FA3	(28)	Dodge	77-1057
(18)	Condenser (.05 mfd.)	61-0101	(65)	Resistor (220,000 ohms)	33-422154		Trim Plate (Dodge)	57-2286FA40	(29)	Push Button Key Assembly (1-2-3-4-5)	77-0916
(19)	Condenser (.05 mfd.)	61-0111	(66)	Resistor (220,000 ohms)	33-422154		Screws	97-0215FA40	(30)	DeSoto, Chrysler	77-0916
(20)	Secundivity Control (350 ohms)	67-0025	(67)	Resistor (220,000 ohms)	33-422154		Housing Front	57-2211FC70	(31)	Push Button Key Assembly (Dial-Off)	77-0923
(21)	Resistor (880 ohms)	33-188336	(68)	Resistor (1000 ohms)	33-447154		Bezel (Chrysler, DeSoto, Plymouth) Die Cast	57-2216FA8	(32)	Push Button Key Assembly (Off) Dodge	77-0915
(22)	Condenser (.05 mfd.)	61-0101	(69)	Condenser (.01 mfd.)	61-0169		Bezel (Chrysler, DeSoto, Plymouth) Stamped	57-2292FA40	(33)	Push Button Key Assembly (No. 2) Dodge	77-0917
(23)	Resistor (15,000 ohms)	33-315334	(70)	Resistor (1000 ohms)	33-210438		Bezel (Dodge)	57-2220FA40	(34)	Push Button Key Assembly (No. 3)	77-0918
(24)	R. F. Transformer	85-0421	(71)	Resistor (5000 mmfd.)	61-0133		Bezel Screws	97-0213FA40	(35)	Push Button Key Assembly (No. 4) Dodge	77-0919
(25)	Padder (Sec. 1st I.F. Trans.)		(72)	Resistor (1000 ohms)	33-210438		Tuning Shaft	57-2217FA3	(36)	Push Button Key Assembly (No. 5) Dodge	77-0920
(26)	Trap Coil	Part of (24)	(73)	Condenser (6000 mmfd.)	61-0105		Fuse Lead	77-0082	(37)	Push Button Key Assembly (No. 6) Dodge	77-0921
(27)	Tap Coil	Part of (24)	(74)	Resistor (1000 ohms)	33-135438		Four Prong Socket	27-6044	(38)	Push Button Key Assembly (Dial) Dodge	77-0922
(28)	Resistor (100,000 ohms)	Part of (24)	(75)	Resistor (1000 ohms)	33-135438		Loctal Socket	27-6151	(39)	Wiring Side Cover	57-2186FC70
(29)	Resistor (100,000 ohms)	33-410154	(76)	Resistor (1000 ohms)	33-210438		Color Cup Assembly	77-0667	(40)	Tube Side Cover	318-2654
(30)	Padder (Pri 1st I.F. Trans.)		(77)	Resistor (1000 ohms)	33-210438		None Indicator Drum	77-0667	(41)	Housing (Dodge, Mo Par)	77-0941FC70
(31)	First I.F. Transformer	65-0385	(78)	Resistor (1000 ohms)	33-210438		Push Button	77-0667	(42)	DeSoto, Chrysler	77-0941FC70
(32)	Padder (Sec. 1st I.F. Trans.)		(79)	Resistor (1000 ohms)	33-210438		"Plain" Plymouth	77-0026	(43)	Padder Plate	57-1693FC70
(33)	Resistor (1,000,000 ohms)	33-510154	(80)	Resistor (1000 ohms)	33-210438		Push Button "Off"	77-0026	(44)	Wing Nut	97-0142FA26
(34)	Condenser (250 mmfd.)	60-125157	(81)	Resistor (1000 ohms)	33-110438		Push Button "On"	77-0026	(45)	Bracket (Radio Mtg.)	57-1712FA3
(35)	Oscillator Shunt Coil	65-0970	(82)	Resistor (1000 ohms)	33-110438		Push Button "Dial"	77-0026	(46)	Nut (Radio Mtg.)	W35FA3
(36)	Condenser (250 mmfd.)	60-125157	(83)	Resistor (1000 ohms)	33-110438		Push Button "Plain"	77-0026	(47)	Front Nut (Radio Mtg.)	97-0091FA3

PHILCO RADIO & TELEVISION CORP.

I.F. = 455KC



NOTE: ON-OFF SWITCH IS ASSEMBLED TO PUSH-BUTTON ASSEMBLY.

NOTE: THIS SIDE OF 'A' BATTERY GROUND IS CONNECTED TO CASE (FRAME OF CAR).

PART NO. 79-0984



MODEL C-1908

PHILCO RADIO & TELEVISION CORP.

**GAS GAUGE INTERFERENCE IN 1942 CHRYSLER PRODUCTS CARS**

It is very important when installing the gas gauge filter assembly that the bronze spring at the top of the fuel gauge filter makes good contact with the special contact provided at the top of the fuel gauge. If this bronze spring does not make contact, a terrific amount of gas gauge interference will be encountered.

We have found that by bending this spring slightly so that it will make contact with the special contact on the fuel gauge, the noise will be eliminated.

**DRIFT IN 1942 CHRYSLER MODEL C-1908**

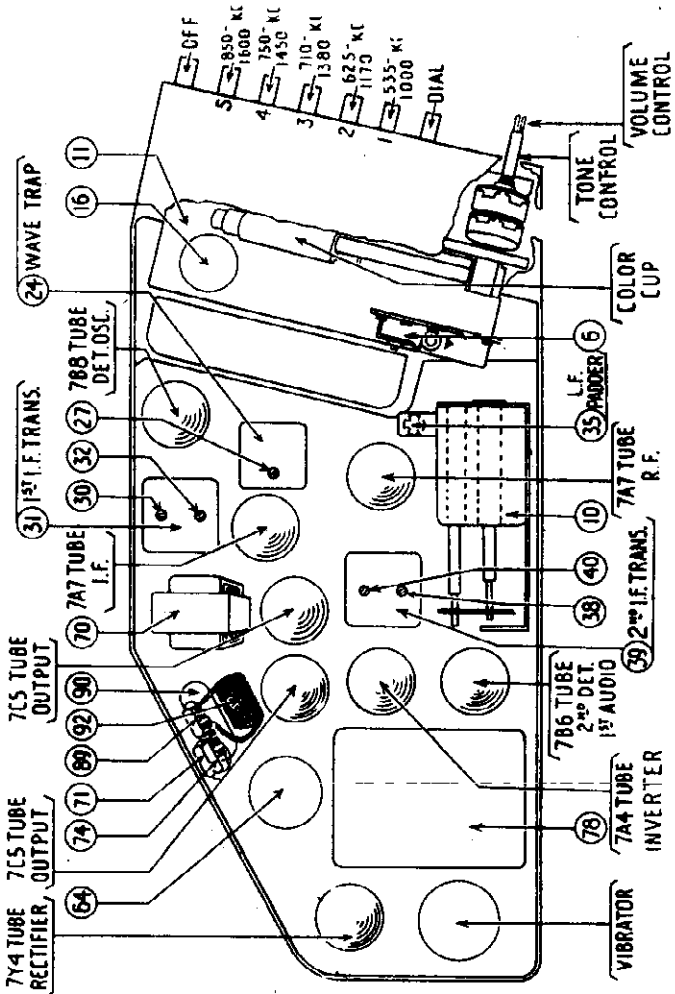
To reduce drift in the push button circuit of the Chrysler-Philco Auto Radio Model C-1908, the ceramic condenser, part No. 61-0149, has been re-located and incorporated with the push button switch and coil assembly, part No. 77-0943. This change in production is run No. 2.

If it is ever necessary to replace the push button switch and coil assembly, be sure this condenser is in the assembly. If this condenser is in the new assembly, the condenser which originally is installed on the panel on the subbase must be removed, otherwise the radio will not track properly.

**PUSH BUTTONS ON CHRYSLER-PHILCO AUTO RADIO MODEL C-1908**

On early production Model C-1908 Chrysler-Philco custom-built radios from serial No. C-0001 to No. C-07425 at Philadelphia, and from serial No. EY-00001 to No. EY-02700 at Sandusky, we have found that under extreme conditions of heat and cold, some shrinkage may occur in the plastic insert of the push button cap, causing the insert to drop off. When this condition occurs, the entire cap should be replaced. The parts affected are:—

- No. 77-0924 push button cap "off"
- No. 77-0925 push button cap "dial"
- No. 77-0926 push button cap "plain"



OPERATION	FREQUENCY	SIGNAL GENERATOR CONNECTION	DUMMY CAPACITY	SPECIAL INSTRUCTIONS	ADJUST PADDERS
1	455 K.C.	To Aerial Receptacle on Radio	.1 Mfd.	Note 2	① ② ③ ④
2	455 K.C.	To Aerial Receptacle on Radio	.1 Mfd.	Note 2	⑤ ⑥ ⑦ ⑧
3	1500 K.C.	To Aerial Receptacle on Radio	See Note 1	Set Tuning Control at 1500 K.C.	⑨ Min.
4	580 K.C.	To Aerial Receptacle on Radio	See Note 1	Set Tuning Control at 580 K.C.	⑩ Note 4
5	1500 K.C.	To Aerial Receptacle on Radio	See Note 1	Set Tuning Control at 1500 K.C.	⑪ Note 3
6	580 K.C.	To Aerial Receptacle on Radio	See Note 1	Set Tuning Control at 580 K.C.	⑫ Note 4
7	580 K.C.	To Aerial Receptacle on Radio	See Note 1	Set Tuning Control at 580 K.C.	⑬ Note 3

Make all adjustments for maximum reading on the meter.  
**NOTE 1** — Connect the aerial lead, Part No. 95-0111, to the aerial receptacle in the radio. Connect a 25 Mmfd. Condenser in series between the signal generator and the aerial lead.  
**NOTE 2** — Turn the tuning control clockwise as far as it will go.  
**NOTE 3** — Rock the tuning control while adjusting the low frequency screw. Tune the control to the signal and adjust the screw for maximum output. Rotate the tuning control back and forth slightly for maximum output. Then readjust the screw for maximum output. Repeat this procedure until no further improvement is noticed.

**NOTE 4** — When the aerial stage adjustment is made with the Radio installed in the car, the Radio aerial lead must be connected to the car aerial in the usual manner. Connect the signal generator output lead to a wire placed near the car aerial but not connected to it.

PHILCO RADIO & TELEVISION CORP.

**Procedure for Aligning the Inductive Tuning Units for Chrysler Models C1808 and C1908, Ford Models F1841 and F1841, and Studebaker Models S1824 and S1924**

The following is the procedure for aligning the above tuning units after a coil or core has been replaced. The unit should be aligned after it is installed in the Radio.

**1. Complete alignment.**

- a. Turn the control knob clockwise as far as it will go.
- b. Adjust antenna and oscillator cores according to dimensions given in Figures 1, 2 and 3.
- c. Set up the signal generator, connecting the lead through the proper dummy to the antenna connection. Tune the signal generator to the Radio. The signal should come in between 1570 and 1615 K.C.
- d. Adjust the antenna padder to this signal.
- e. Set the signal generator to 900 K.C. and tune the Radio to receive maximum signal at 900 K.C. Adjust the antenna core for maximum signal at 900 K.C.
- f. Set the signal generator to 1400 K.C. and tune the Radio to 1400 K.C. on the dial. Adjust the antenna padder for maximum signal.

- g. Repeat e and f until there is no improvement.
- h. Set the signal generator to 580 K.C. and tune the Radio to 580 K.C. Adjust the oscillator tracking coil core for maximum signal. "Rock" the tuning control while making this adjustment. Tune the control to the signal and adjust the oscillator tracking coil core for maximum signal. Rotate the tuning control back and forth slightly until maximum signal is obtained. Then readjust the oscillator tracking coil core for maximum signal. Repeat this procedure until no further improvement is noticed.

- i. In case a great adjustment was necessary in h, the adjustment of e, f and h should be repeated. The unit should then be perfectly aligned at 1400 K.C., 900 K.C. and 580 K.C.

- j. Set the signal generator to 550 K.C. and tune the Radio for maximum signal.
- k. Peak the generator to image frequency of 550 K.C. (1460 K.C.).
- l. Adjust the trap core for minimum signal as in l or 2 below.

- m. If the unit uses a fixed trap condenser adjust the core.

- 2. If the unit uses a padder trap condenser set the core so that the screw end of the core is 11/32" from the bakelite cross head and adjust the padder for minimum signal.
- Repeat steps a, f and h described above since the wave trap adjustments will affect the alignment at 580, 900 and 1400 K.C.

MODEL	MODEL	MODEL	MODEL	MODEL	MODEL	MODEL	MODEL	MODEL	MODEL
C-1808	C-1908	F-1841	F-1841	F-1841	F-1841	F-1841	F-1841	F-1841	F-1841
77-0666	77-0962	77-0962	77-0962	77-0962	77-0962	77-0962	77-0962	77-0962	77-0962
65-0380	65-0449	65-0449	65-0449	65-0449	65-0449	65-0449	65-0449	65-0449	65-0449
65-0439	65-0439	65-0439	65-0439	65-0439	65-0439	65-0439	65-0439	65-0439	65-0439
65-0382	65-0382	65-0382	65-0382	65-0382	65-0382	65-0382	65-0382	65-0382	65-0382
57-1702	57-1702	57-1702	57-1702	57-1702	57-1702	57-1702	57-1702	57-1702	57-1702
57-1703	57-1703	57-1703	57-1703	57-1703	57-1703	57-1703	57-1703	57-1703	57-1703
77-0677	77-0677	77-0677	77-0677	77-0677	77-0677	77-0677	77-0677	77-0677	77-0677
Not Used	Not Used	Not Used	Not Used	Not Used	Not Used	Not Used	Not Used	Not Used	Not Used
77-0767	77-0767	77-0767	77-0767	77-0767	77-0767	77-0767	77-0767	77-0767	77-0767
57-1673	57-1673	57-1673	57-1673	57-1673	57-1673	57-1673	57-1673	57-1673	57-1673
57-1398	57-1398	57-1398	57-1398	57-1398	57-1398	57-1398	57-1398	57-1398	57-1398
57-1868	57-1868	57-1868	57-1868	57-1868	57-1868	57-1868	57-1868	57-1868	57-1868
57-1329	57-1329	57-1329	57-1329	57-1329	57-1329	57-1329	57-1329	57-1329	57-1329
Not Used	Not Used	Not Used	Not Used	Not Used	Not Used	Not Used	Not Used	Not Used	Not Used
28-2043	28-2043	28-2043	28-2043	28-2043	28-2043	28-2043	28-2043	28-2043	28-2043
Not Used	Not Used	Not Used	Not Used	Not Used	Not Used	Not Used	Not Used	Not Used	Not Used

DESCRIPTION  
Complete Inductive Unit

Antenna Coil

Oscillator Coil

Trap Coil

Antenna Core

Oscillator Core

Trap Core

Trap Padder

Tuning Shaft

Oscillator Coil Retaining Spring

Antenna Coil Retaining Spring

Hairpin (Shaft Retaining)

Speed Nut (Shaft Retaining)

"C" Washer (Shaft Retaining)

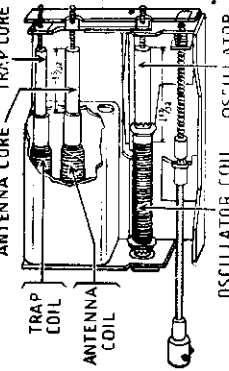


FIGURE 1 — Inductive Tuning Unit for Models C1808, C1908

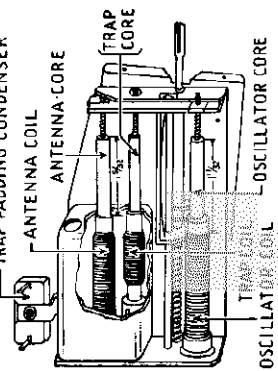


FIGURE 2 — Inductive Tuning Unit for Models F1841, S1824

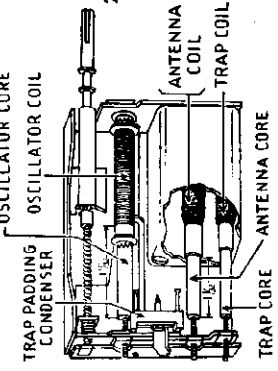


FIGURE 3 — Inductive Tuning Unit for Models S1824, S1924

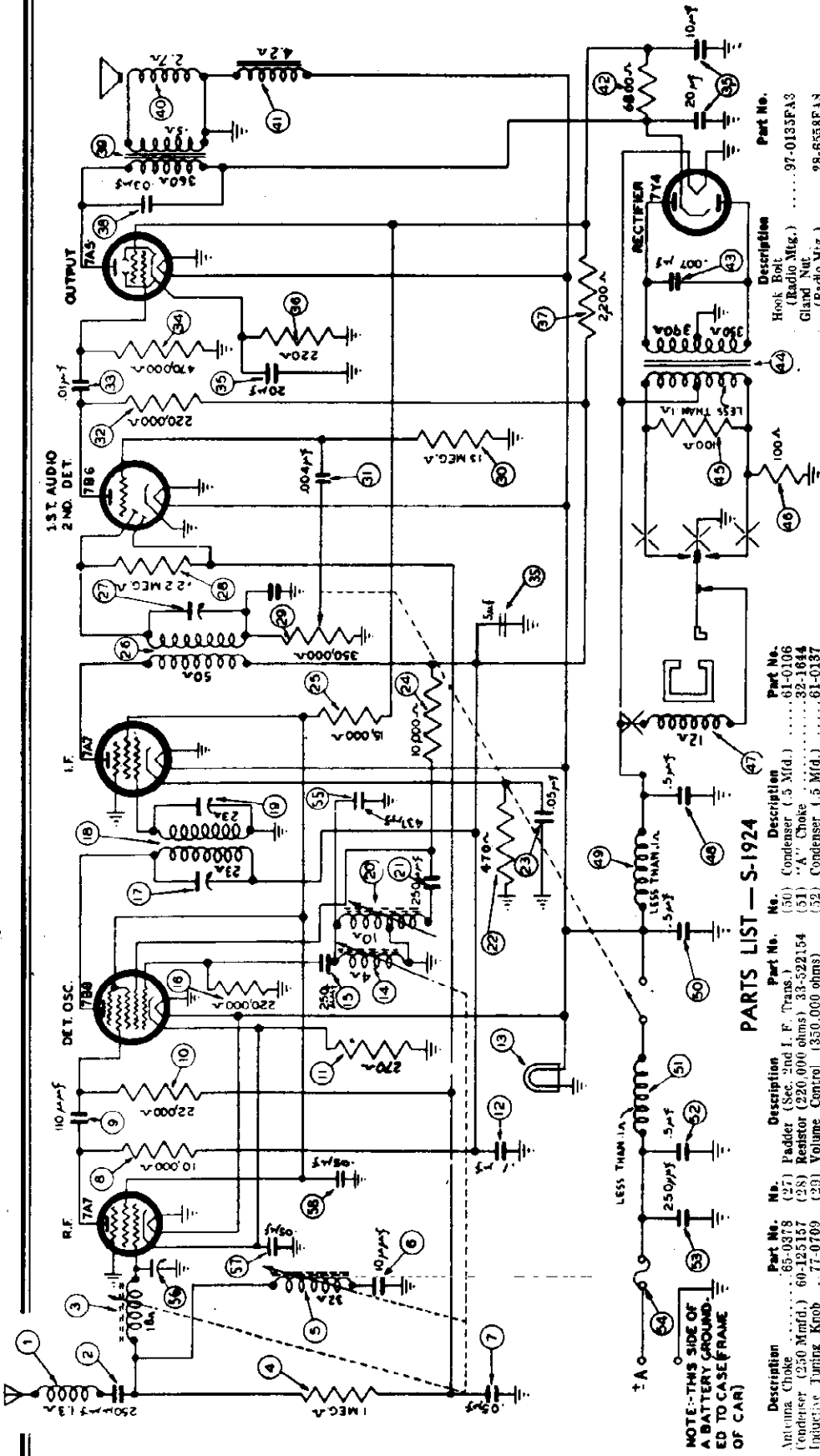
\* Latest Practices

- 9. Check and adjust the oscillator tracking coil core at 580 K.C. if necessary.
- 3. Alignment when only oscillator tracking coil or core has been replaced.
  - a. Set the signal generator and Radio to 580 K.C. Adjust the oscillator tracking coil core for maximum signal by the "rocking" process as described in 1h.
  - b. Check and adjust the antenna padder at 1400 K.C.
  - c. Repeat step a if necessary.
- 4. Alignment when trap coil or core has been replaced.
  - a. Follow instructions in i, j, k, l, m.
- 5. Proceed as in 1 above when parts in more than one circuit are replaced and when oscillator coil or core is replaced.

**Note** — When cores are moved in aligning the Receiver or replacing parts, it will be necessary to reseat the core screws to the retaining nuts. Use Philco cement, Part No. 45-2623, for this purpose.

MODEL S-1924

PHILCO RADIO & TELEVISION CORP.



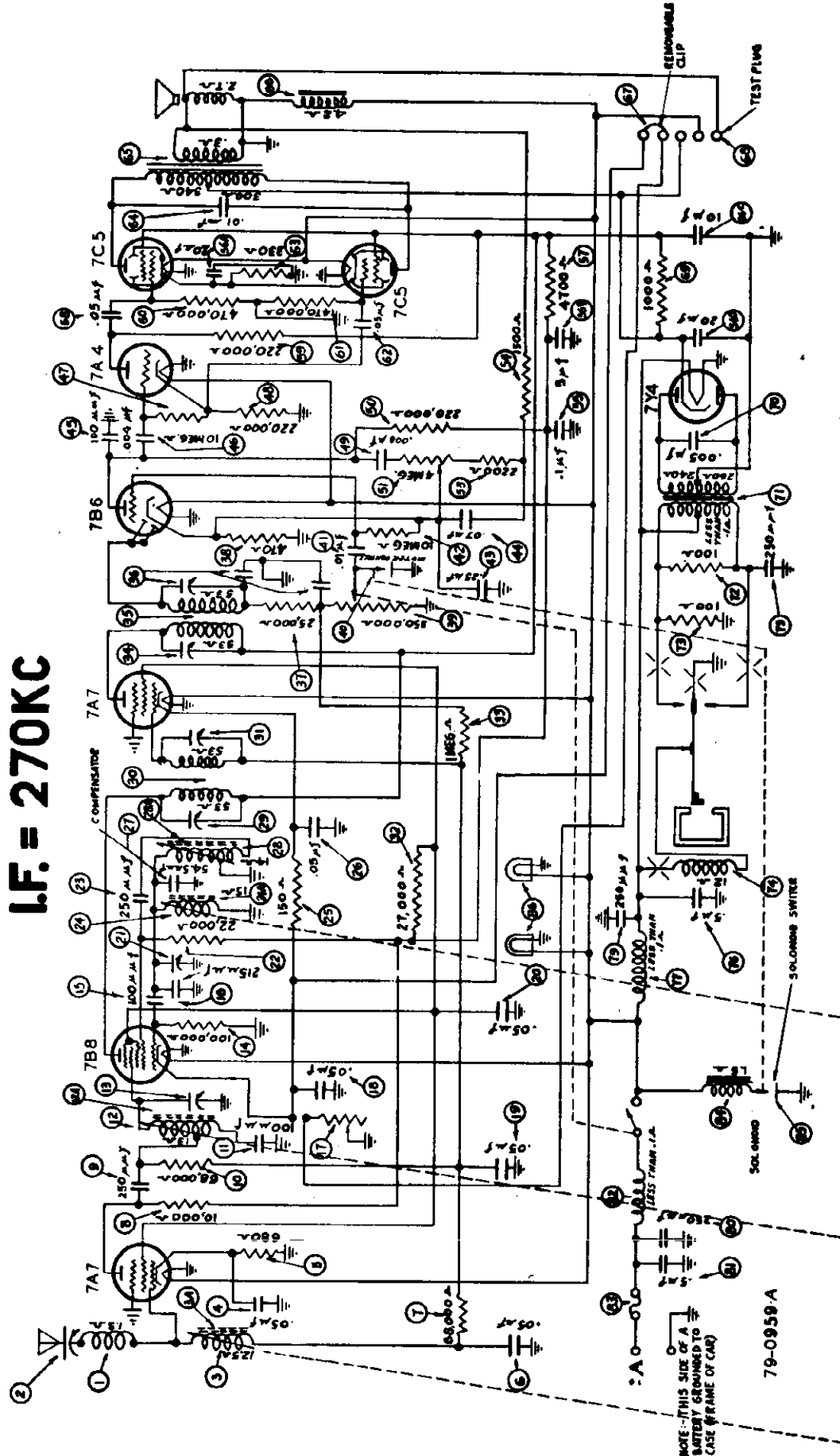
**I.F. = 455KC**

No.	Description	Part No.	Description	Part No.
(1)	Antenna Choke	65-0378	Hook Bolt	97-0133FA3
(2)	Condenser (250 Mmfd.)	60-125157	Gland Nut	28-6558FA3
(3)	Inductive Tuning Knob	77-0709	Wing Nut	97-0048FA3
(4)	Resistor (1,000,000 ohms)	33-510154	Retel	57-2248FA3
(5)	Inage Trap Coil	(Part of 3)	Screw	97-0111FA3
(6)	Condenser (10 Mmfd.)	65-0071	Screw (Bezel Housing)	97-0111FA3
(7)	Condenser (.05 Mfd.)	61-0111	Screw (Cover Mig.)	97-0111FA3
(8)	Resistor (10,000 ohms)	33-316334	Tuning & Volume Knob	77-1043
(9)	Condenser (110 Mmfd.)	60-110157	Pointer	57-2233
(10)	Resistor (25,000 ohms)	33-322134	Dial Background Plate	55-1410
(11)	Resistor (270 ohms)	33-127336	Drive Cord	55-1159
(12)	Condenser (.1 Mfd.)	61-0104	Drive Cord Spring	57-1425FA3
(13)	Pilot Lamp	34-2064	Distributor Suppressor	32-2240
(14)	Oscillator Coil	(Part of 3)	Ground Straps	77-0966
(15)	Condenser (250 Mmfd.)	60-125157	Ground Strap	77-0336
(16)	Resistor (220,000 ohms)	33-422154	Copper Braid	65-0073
(17)	Padder (Pri. Ist. I. F. Trans.)	33-422154	Interference Condenser	30-4007
(18)	First I. F. Transformer	65-0369	Distributor Choke	77-0947
(19)	Padder (Sec. Ist. I. F. Trans.)	(Not Replaceable)	Antenna Connector	57-0591FA3
(20)	Oscillator Tracking Coil	65-0401	Gland Nut Wrench	28-5536FA3
(21)	Condenser (500 Mmfd.)	60-125157	Ground Strap Screws	W745FA3
(22)	Resistor (470 ohms)	33-147336	Grommet ("A" Lead)	27-4876
(23)	Condenser (.05 Mfd.)	61-0111	Clamp ("A" Lead)	28-1044
(24)	Resistor (10,000 ohms)	33-316334		
(25)	Resistor (15,000 ohms)	33-316334		
(26)	Second I. F. Transformer	65-0400		
(27)				
(28)				
(29)				
(30)				
(31)				
(32)				
(33)				
(34)				
(35)				
(36)				
(37)				
(38)				
(39)				
(40)				
(41)				
(42)				
(43)				
(44)				
(45)				
(46)				
(47)				
(48)				
(49)				
(50)				
(51)				
(52)				
(53)				
(54)				
(55)				

PARTS LIST - S-1924

No.	Description	Part No.	Description	Part No.
(30)	Resistor (15,000,000 ohms)	33-615154	Condenser (.5 Mfd.)	61-0106
(31)	Condenser (4000 Mmfd.)	61-0129	"A" Choke	32-1844
(32)	Resistor (220,000 ohms)	33-422154	Condenser (.5 Mfd.)	61-0137
(33)	Resistor (220,000 ohms)	33-422154	Condenser (250 Mmfd.)	60-125157
(34)	Resistor (.01 Mfd.)	61-0120	Fuse	65-2559
(35)	Filter Condenser (470,000 ohms)	33-447154	Condenser (437 Mmfd.)	61-0071
(36)	Resistor (220 Mfd.)	61-0150	Aerial Padder	63-0054
(37)	Resistor (2200 ohms)	33-122336	Condenser (.5 Mfd.)	61-0101
(38)	Condenser (.03 Mfd.)	61-0119	Condenser (.05 Mfd.)	61-0111
(39)	Output Transformer	73-0068	Housing	77-0899PC59
(40)	Cone & Voice Coil	65-0395	Tube Slide Cover	57-1547FC59
(41)	Field Coil (Not Replaceable)	91-0238	Speaker Cover	57-1548FC59
(42)	Resistor (800 ohms)	33-284834	Speaker Cabinet	95-0161
(43)	Condenser (7000 Mmfd.)	61-0127	Speaker Gasket	95-1045
(44)	Power Transformer	65-0404	Speaker Unit	73-0068
(45)	Resistor (100 ohms)	33-110434	Nut (Speaker Mig.)	W-124FA3
(46)	Resistor (100 ohms)	33-110434	Bolt (Speaker Mig.)	W1583PA3
(47)	Vibrator (100 ohms)	33-104834	Lockwasher	W291FE7
(48)	Condenser (.5 Mfd.)	61-0137	(Speaker Mig.)	W291FE7
(49)	Vibrator	65-0151	Vibrator Socket	27-6153
(50)			Lokkal Socket	27-6151
(51)			Volume Control Cable	95-0222
(52)			"A" Switch Cable	95-0155
(53)			"A" Lead	77-0638
(54)			Fuse Lead	77-0059
(55)			Volume Control Nut	W684FA3
(56)			Vibrator Choke	65-0151

**I.F. = 270KC**



**INSTRUCTIONS FOR SETTING UP THE "TUN-O-MATIC" BUTTONS**

Turn on the radio and allow it to operate for twenty minutes or longer if possible.  
 Press in any Tun-O-Matic button so that it remains engaged. Then tune in the station desired by turning the small Tun-O-Matic wheel in the button. The station can be identified by the pointer, which indicates the frequency of the station in Kilocycles. The Tun-O-Matic buttons may be readjusted to any station within the range of the broadcast band. The Tun-O-Matic buttons may be readjusted to

stations in any sequence desired. However, for convenience in re-membering stations, it is recommended that the buttons be set up in the same order that the stations appear across the dial.

**CAUTION** — All adjustments must be carefully made so that reception can be received best when remote from the broadcasting station. Careless tuning off to one side, even though the signal is heard, will result in distorted reception.

MODEL P-1935

PHILCO RADIO & TELEVISION CORP.

2 — ALIGNMENT WHEN ONLY THE ANTENNA COIL OR CORE IS REPLACED

- (a) Set the piano wire end of the core 1/4" from the end of the coil form when the core draw bar is in the extreme "out" position, and solder the wire to the lug.
- (b) Set up the signal generator to 1600 K.C., and adjust the aerial compensator (2) in the radio for maximum signal.
- (c) Adjust the signal generator to 1400 K.C. and set the tuning control at 1400 K.C. Adjust the coil for maximum signal by turning the mounting nut (A) until maximum signal is obtained. In case a peak cannot be obtained, it may be necessary to unsolder the piano wire and move the core slightly, either in or out.
- (d) Repeat (b) and (c).

3 — ALIGNMENT WHEN ONLY THE R.F. TRANSFORMER OR CORE IS REPLACED

- (a) Set the piano wire end of core 1/4" from the end of the coil form when the core draw bar is in the extreme "out" position and solder the wire to the lug.
- (b) Set up the signal generator to 1600 K.C. and adjust padder (1) (see Fig. 1) for maximum signal.
- (c) Adjust the signal generator to 1400 K.C. and set the tuning control at 1400 K.C. Adjust the coil form by turning the mounting nut (B) until maximum signal is obtained. In case a peak cannot be obtained it may be necessary to unsolder the piano wire and move the core slightly, either in or out.
- (d) Repeat (b) and (c).

4 — ALIGNMENT WHEN ONLY THE OSCILLATOR TRACKING COIL OR CORE IS REPLACED

- (a) Set the signal generator to 600 K.C. and the tuning control at 600 K.C. Adjust screw (A) (see Fig. 1) for maximum signal. Rock the tuning control while making this adjustment. Tune the control to the signal and adjust the screw for maximum output. Rotate the tuning control back and forth slightly until maximum output is obtained. Then readjust the screw until no further improvement is noticed.
- (b) Check and readjust the aerial compensator (2) in the radio, and padders (1), (2) and (4) as described in 1.

5 — ALIGNMENT WHEN ONLY THE OSCILLATOR COIL OR CORE IS REPLACED

- (a) Set the piano wire end of the core 1/4" from the end of the coil form when the core draw bar is in the extreme "out" position, and solder the wire to the lug.
- (b) Set up the signal generator to 1600 K.C. and adjust padder (3) (see Fig. 1) for maximum signal.
- (c) Follow the same procedure as outlined under "1"—Complete Alignment Procedure.

**AUDIO OUTPUT METER.** If an audio output meter is used, connect the leads across the voice coil of the speaker. Use the 0-30 volt scale.

With the Radio and signal generator set up for operation at the prescribed frequency, turn the Radio volume control on full and set the signal generator attenuator so that a half scale reading is obtained on the meter. The signal in the speaker should be audible but not loud. The shielding on the generator output lead must be connected to the Radio housing.

OPERATION	SIGNAL GENERATOR CONNECTION	DUMMY CAPACITY	SPECIAL INSTRUCTIONS	ADJUST PADDERS
1				
2	To Aerial Receptacle on Radio	See Note 1	Note 2	① ② ③ ④ ⑤
3	To Aerial Receptacle on Radio	See Note 1	Set Tuning Control at 1600 K.C.	⑥
4	To Aerial Receptacle on Radio	See Note 1	Set Tuning Control at 1400 K.C.	⑦ ⑧
5	To Aerial Receptacle on Radio	See Note 1	Set Tuning Control at 590 K.C.	Note 4
6	To Aerial Receptacle on Radio	See Note 1	Set Tuning Control at 1600 K.C.	Note 3
7	To Aerial Receptacle on Radio	See Note 1	Set Tuning Control at 1400 K.C.	⑨ ⑩
8	1200 to 1400 K.C.	Note 5	Set Tuning Control at 1400 K.C.	Note 4 Note 5

NOTE 4 — When the aerial stage adjustment is made with the Radio installed in the car, the Radio aerial lead must be connected to the car aerial in the usual manner. Connect the signal generator output lead to a wire placed near the car aerial but not connected to it.

NOTE 5 — When installing the radio in the car, follow the installation instructions carefully. Tune in a weak broadcast signal between 1200 and 1400 Kilocycles on the control scale. Remove the plug button on the end of the radio and adjust the aerial compensator (see Figure 3) for maximum signal.

The following is the procedure for aligning the Packard tuning unit after a coil or other part of the assembly has been replaced. The unit should be aligned after it is mounted in the radio.

1 — COMPLETE ALIGNMENT PROCEDURE

- (a) Push in the tuning control knob so that stations can be tuned in by manual tuning.
- (b) Turn the tuning control knob clockwise as far as it will go so that the core will be in the extreme "out" position. Set the signal generator to 1600 K.C. and adjust padder (3) (Fig. 1) for maximum signal.
- (c) Adjust padder (2) aerial compensator in radio and padder (1) (see Fig. 1) for maximum signal.
- (d) Set the signal generator at 1400 K.C. and tune the manual control to 1400 K.C. Adjust the R.F. and antenna coil for maximum signal by turning the mounting nuts (A) and (B).
- (e) Repeat (c) and (d) until no further improvement is noticed.
- (f) Set the signal generator at 600 K.C. and the tuning control at 600 K.C. Adjust the screw (4) (see Fig. 1) for maximum signal. Rock the tuning control when making this adjustment. Tune the control to the signal and adjust the screw for maximum output. Rotate the tuning control back and forth slightly until maximum output is obtained. Then readjust the screw until no further improvement is noticed.
- (g) In case a great adjustment was necessary in (f) the adjustments (c) and (d) should be repeated.
- (h) In case the dial calibration is off frequency, it can be corrected by changing the starting position of the oscillator core. This is done by unsoldering the piano wire from the lug and moving the core slightly. A change of 1/64" in the position of the core is equivalent to approximately 20 K.C. on the dial. If the dial reads low, it can be corrected by starting the oscillator core further in the coil form. If it reads high, the core should be pulled out. If this position is changed, it will be necessary to realign the radio as described above.

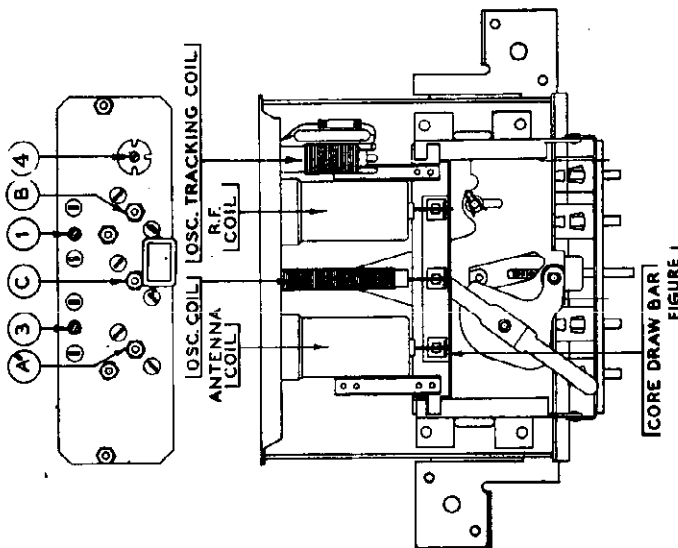
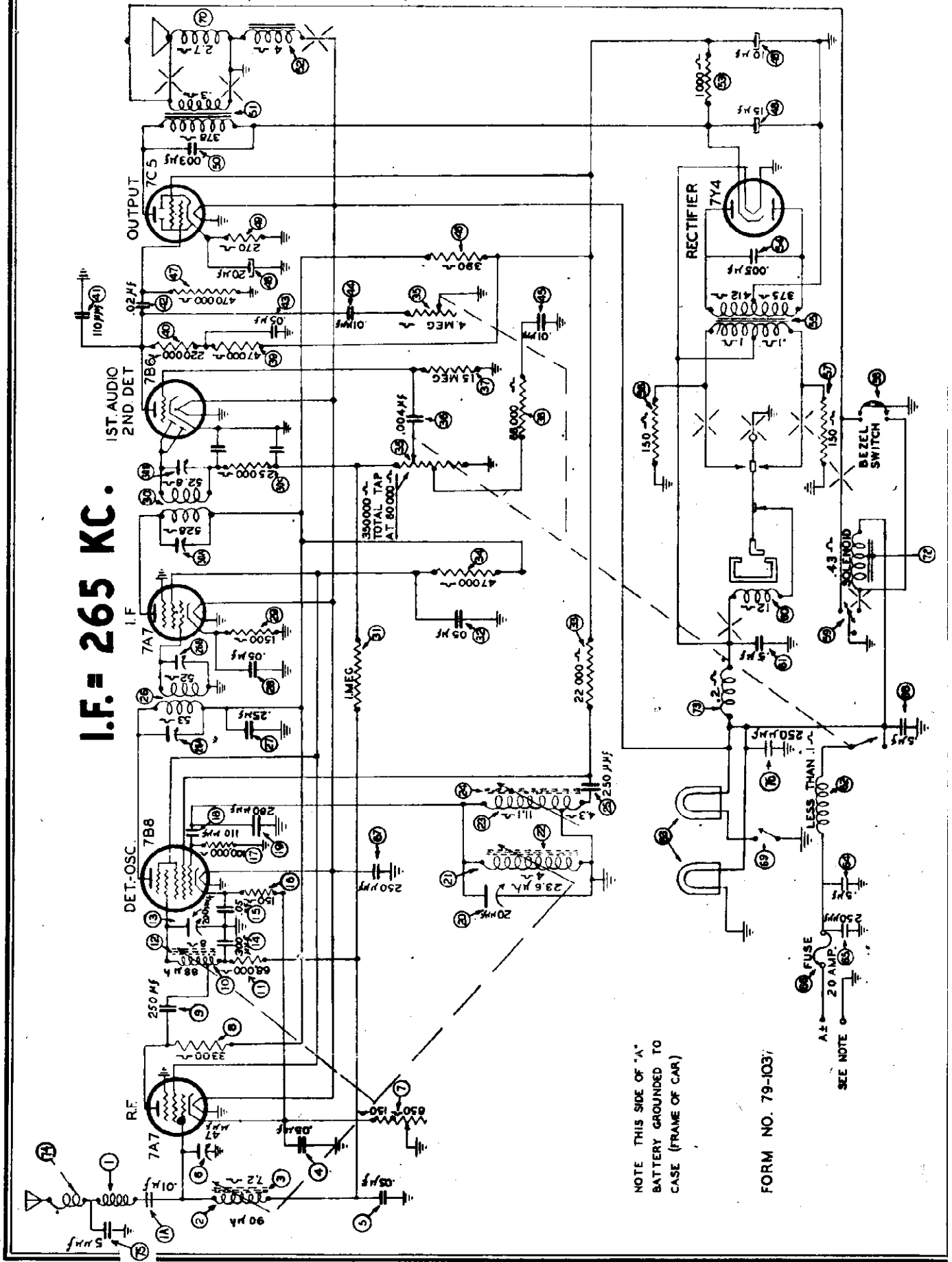


FIGURE 1

PHILCO RADIO & TELEVISION CORP.

I.F. = 265 KC.



NOTE THIS SIDE OF "A" BATTERY GROUNDED TO CASE (FRAME OF CAR)

FORM NO. 79-1037

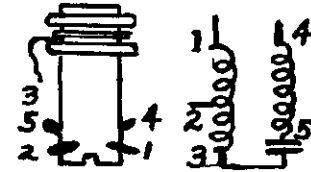
FUSE 20 AMP LESS THAN 1.250 μF SEE NOTE



PHILCO RADIO & TELEVISION CORP.

**MODEL 41-231**

The physical sketch of aerial transformer 9 and 10 shown on the diagram is incorrect. The correct sketch and diagram with lug locations is shown below.



9-610 ANT TRANS  
Model 41-231

**MODEL 42-PT-87**

Three types of speakers were used on this model and each require a different cone assembly number. These are as follows:

Speaker	Cone Assembly
36-1521-3	36-4175
36-1556-1	36-4214
36-1577-1	36-4214

When using speaker Part No. 36-1556, condenser (26) .0015 mfd., 400 volts, Part No. 30-4555, is changed to .004 mfd., 600 volts, Part No. 30-4623. Chassis with this change are marked run 2. Chassis with this change also have a .01 mfd., condenser Part No. 30-4572 connected from the plate of the 35Q5GT output tube to the aerial terminal panel on top of chassis. This condenser used as a means of connecting an output meter to the output circuit for test purposes.

When using speaker Part No. 36-1577, condenser (26) .0015 mfd., 400 volts, Part No. 30-4555 is changed to .002 mfd., 600 volts, Part No. 30-4622. Chassis with this change are marked run 3.

**MODEL 42-PT-88**

Three types of speakers were used on this model and each require a different cone assembly number. These are as follows:

Speaker	Cone Assembly
36-1521-3	36-4175
36-1556-1	36-4214
36-1577-1	36-4214

When using speaker Part No. 36-1556, condenser (26) .0015 mfd., 400 volts Part No. 30-4555, is changed to .004 mfd., 600 volts, Part No. 30-4623. Chassis with this change are marked run 2. Chassis with this change also have a .01 mfd., condenser Part No. 30-4572 connected from the plate of the 35Q5GT output tube to the aerial terminal panel on top of chassis. This condenser used as a means of connecting an output meter to the output circuit for test purposes.

When using speaker Part No. 36-1577, condenser (26) .0015 mfd., 400 volts, Part No. 30-4555 is changed to .002 mfd., 600 volts, Part No. 30-4622. Chassis with this change are marked run 3.

**MODELS 42-PT-91, 92, 93, 94, 95**

Condenser and choke assembly (5) Part No. 76-1161 changed to Part No. 76-1418.

Models PT-94 and PT-95 dial pointers changed from Part No. 54-4043 to 54-4148. Model PT-94. Knob changed from Part No. 27-4809 to 54-4137.

Model PT-95 knob changed from Part No. 27-4810 to Part No. 54-4143.

Three types of speakers were used on these models. The speakers Part Nos. are 36-1542-9, 36-1542-3 and 36-1542-2. The cone assemblies for each speaker differ as follows:

Speaker	Cone Assembly
36-1542-9	36-4204
36-1542-3	36-4225
36-1542-2	36-4218

**MODEL 42-327, CODE 121-122**

Cabinet Part No. 10561B is used with Code 122 chassis. The cabinet for Code 121 is Part No. 10561-A as listed in the Service Bulletin. The push-button escutcheon for Code 122 is Part No. 56-2233FCP.

The aerial transformer (2) (Broadcast) on later production chassis was changed from Part No. 32-3714 to 32-3877. Lug wiring on both coils remains the same as shown in the Service Bulletin.

Correction: The rectifier tube is listed as a 35Z3GT. The correct designation is 35Z3.

**MODEL 42-335, CODE 121**

The power transformer for operation on 115 or 230 volt 60 cycle current is Part No. 32-8093.

Tuning shaft changed from Part No. 56-6152FA3 to 56-6193CP. New shaft is coated with fiberblock instead of rubber.

Drive cord changed from Part No. 31-2546 to Part No. 31-2615 when using tuning shaft 56-6193CP.

**MODEL 42-340, Code 121**

The power transformer for operating this model on 115 volts, 25 cycle current is Part No. 32-8075. Shield (power transformer) 56-1547FC40; base (power transformer) 56-1548FA5.

To increase sensitivity aerial transformer (Broadcast) (4) is changed from Part No. 32-3724 to Part No. 32-3871.

For operation on 115 or 230 volt, 60 cycle operation power transformer Part No. 32-8093 is used; conversion plug is L-3275 required.

Tuning shaft changed from Part No. 56-6152FA3 to 56-6193CP.

Drive cord changed from Part No. 31-2546 to Part No. 31-2615 when using tuning shaft Part No. 56-6193CP.

**MODEL 42-345, CODE 121**

To operate this model on 115 volts, 25 cycle current use power transformer Part No. 32-8075.

For operation on 115 or 230 volt, 60 cycle current use power transformer Part No. 32-8093.

Tuning shaft changed from Part No. 56-6152FA3 to Part No. 56-6193CP when using tuning shaft Part No. 56-6193CP.

Drive cord change from Part No. 31-2546 to Part No. 31-2615 when using tuning shaft Part No. 56-6193CP.

**MODEL 42-350, CODE 121**

To improve filtering in the rectifier circuit and prevent flutter on the F.M. band, electrolytic condenser (40) (40A) 4-4 mfd., 400 volts Part No. 30-2477 changed to 4-12 mfd. Part No. 30-2537. The 4 mfd. section is connected to position (40A) and the 12 mfd. section in position (40).

To prevent parasitic oscillation the ground lead of condenser (30) is removed from contact 4 of the 7V7 1st I. F. tube socket and reconnected to contact (8) of the same tube socket.

In the schematic diagram, circled numbers (15A) should be (11), 11B should be (15A) and 11 should be (11B).

Tuning shaft changed from Part No. 56-6156FA3 to 56-6194CP.

Drive cord changed from Part No. 31-2546 to Part No. 31-2615 when using tuning shaft 56-6194CP.

Beginning with chassis marked production run 2, the power transformer seventy-nine was changed from Part No. 32-8183 to Part No. 32-8220.

**MODEL 42-355, CODE 121**

Push-button knob changed from Part No. 54-4111 to 54-4144.

To operate this model on a 115 or 230 volt, 60 cycle power supply power transformer Part No. 32-8212 is required.

To increase sensitivity aerial transformer (5) Part No. 32-3811 is changed to 32-3874. 1.

Tuning shaft changed from Part No. 56-6152FA3 to 56-6193CP.

Beginning with chassis marked run 2, the power transformer (90) was changed from Part No. 32-8187 to 32-8221.



NOTES, CHANGES

PHILCO RADIO & TELEVISION CORP.

**MODEL 42-360, CODE 12'**

To operate on 115 volts, 25 cycle A.C. current power transformer Part No. 32-8149 is used.

For operation on a 115 or 220 volt, 60 cycle A.C. power supply, use transformer Part No. 32-8094.

To improve performance aerial transformer (Brdcst Band) (5) is changed from Part No. 32-3726 to 32-3863. The lug arrangement for both coils is shown on the schematic diagram. In some later production chassis of Model 42-360 a 7Y4 rectifier tube is used in place of an 84 tube.

**MODEL 42-365, CODE 121**

The pointer drive cord on later production chassis was changed from Part No. 31-2597 to 31-2608. The new cord is shorter than the original one.

To operate this model on 115 volts, 25 cycle A.C. current change power transformer (61) from Part No. 32-8117 to Part No. 32-8149.

For operation on 115 or 230 volt, 60 cycle A.C. power circuits use power transformer 32-8094.

Aerial transformer (9) changed from Part No. 32-3755 to 32-3864 to improve the operating performance of the receiver.

**MODEL 42-380, CODE 121**

To operate this model on 115 volt, 25 cycle A.C. current replace power transformer (62) Part No. 32-8177 with Part No. 32-8195.

For operation on a 220 volt 60 cycle A.C. current power transformer Part No. 32-8212 is required.

In later production models the aerial transformer (3) Part No. 32-3746 was changed to Part No. 32-3869 to increase the sensitivity.

Tuning shaft changed from Part No. 56-6152FA3 to 56-6193CP.

**MODEL 42-390, CODE 121**

To increase the sensitivity the aerial transformer (5) was changed from Part No. 32-3790 to Part No. 32-3870.

Push-button knobs changed from Part No. 54-4111 to 54-4144.

To operate this model on a 115 volt 25 cycle A.C. power supply change the power transformer from Part No. 32-8177 to 32-8195.

For operation on 220 volts, 60 cycle current, power transformer 32-8212 is required.

Tuning shaft changed from Part No. 56-6152FA3 to 56-6193CP.

Beginning with chassis marked run 2, the power transformer (90) Part No. 32-8177 is changed to Part No. 32-8222.

**MODEL 42-395, CODE 121**

A few early production chassis of this model used speaker Part No. 36-1515-4 (cone assembly 36-4181) and speaker Part No. 36-1515-2 (cone assembly 36-4173).

All later production models use speaker Part No. 36-1530 (cone assembly 36-4181) as list in the Service Bulletin.

To operate on 115 volts, 25 cycle current change the power transformer from Part No. 32-8192 to Part No. 32-8209.

For operation on 220 volts, 60 cycle current, use power transformer Part No. 32-8213.

The broadcast aerial transformer (3) Part No. 32-3790 was changed to Part No. 32-3870 on later production chassis to increase the sensitivity.

Tuning shaft changed from Part No. 56-6164 to 56-6195CP.

To improve the I.F. filtering of the plate voltage supply, condenser (47) was changed from .05 mfd. Part No. 30-4518 to .2 mfd. Part No. 30-4594.

**MODEL 42-400, CODE 121**

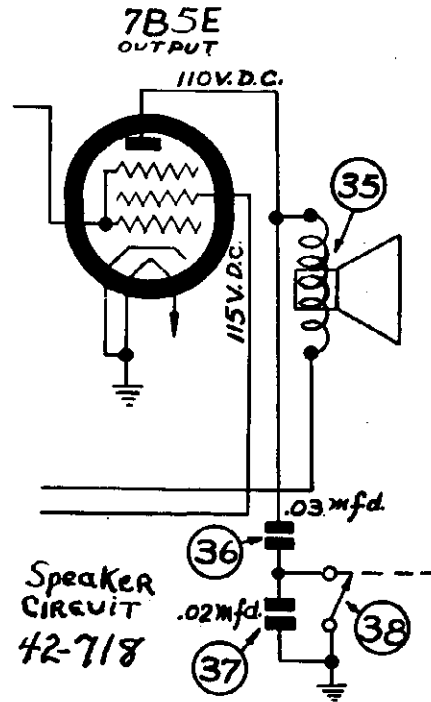
Condenser (59D) which is mounted in the fourth I.F. transformer is Part No. 60-150227. This number is not shown in the parts list.

**MODEL 42-718, CODE 121**

Beginning with run 2, the speaker (35) was changed from Part No. 36-1520-4 to Part No. 36-1576. The new speaker is a permanic type and the wiring is different from that shown on the diagram for speaker Part No. 36-1520-4. The wiring for the new speaker is shown below.

Output transformer (34) Part No. 32-8106 is also removed when the permanic speaker Part No. 36-1576 is installed.

The voice coil in the new speaker takes the place of the output transformer.



**MODEL 42-730, CODE 121**

To prevent moisture from affecting circuits, condensers (44), (48) and (51) changed from Part No. 30-4591 to Part No. 30-4610. Values remain the same.

**MODEL 42-760, CODE 121**

Beginning with chassis marked run 2, the band switch (85) was changed from 42-1660 to 42-1711.

**MODEL 42-761, CODE 121**

Beginning with chassis marked run 4 condenser (13) Part No. 30-4586 .1 mfd., 200 volts changed to .1 mfd., 400 volts Part No. 30-4527.

Correction: Dial scale pointer Part No. should be 56-2134 instead of 56-1234 as shown in the parts list.

**MODEL 42-762, CODE 121**

Beginning with chassis marked run 3, the speaker of this model was changed from permanent magnet type Part No. 36-1508-3 to electro-dynamic type Part No. 36-1568. Speaker cable for the new speaker is Part No. 41-3535.

The voice coil of the electro-dynamic speaker is connected as shown in the Service Bulletin. The field coil of the speaker is connected to the + positive and (-) negative wiring of the 6 volt storage battery.

**MODEL 42-788, CODE 121**

To improve operating conditions in humid climates the part numbers of the following condensers were changed. Values remain the same:

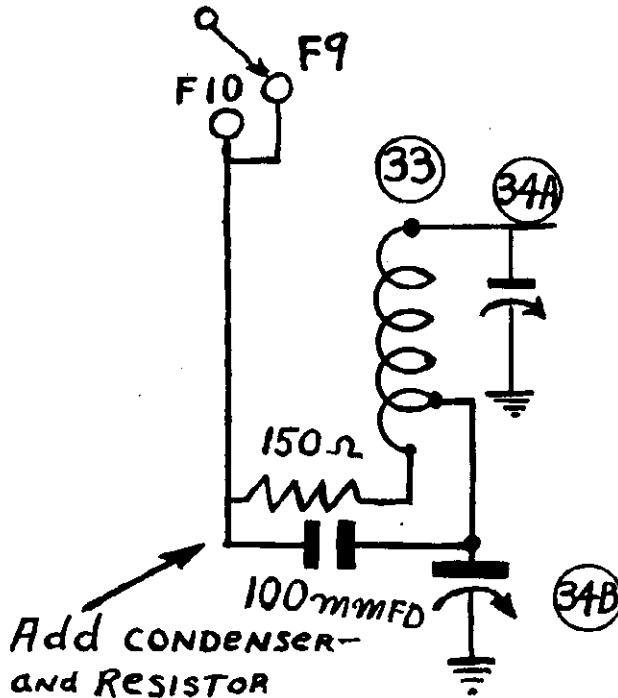
Schematic No.	Description	Original Part No.	New Part No.
54	CONDENSER (.01 mfd.)	30-4572 400 volts	30-4598 (1000 volts)

Continued on next page

PHILCO RADIO & TELEVISION CORP.

61 CONDENSER (.006 mfd.)	30-4591	
	400 volts	30-4610
70 CONDENSER (.05 mfd.)	30-4519	30-4609
	200 volts	200 volts
84 CONDENSER (.003 mfd.)	30-4582	30-4608
	(600 volts)	

If trouble is experienced in padding the 22 M.C. normal tuning range (compensator 38A), the installation of a 150 ohm resistor Part No. 33-115339 and a 100 mmfd. condenser will improve the operation. These parts are installed in the circuit as shown in the diagram below.



MODELS 42-842, 42-843, 42-844

To improve the tuning operation of the oscillator circuit the oscillator transformer (7) was changed from Part No. 32-3633 to 32-3685. The iron core for both of these transformers is Part No. 57-2325.

Power cord changed from Part No. L-3199 to L-3299.

Correction: Resistor (49) shown as 33-218339 in the parts list should be changed to 33-3410.

MODELS 42-853, 42-854

Correction, Note B

The second line of this paragraph should read as follows: "adjusted, the image signal will be found by turning the signal generator 910 K.C. above the fundamental signal which will be 15.910 M.C."

MODEL 42-1001, CODE 121

CONVERTING THE PHONOGRAPH MOTOR FOR USE ON 50 CYCLE A.C. LINES

The motor in this model designed for operation on 60 cycle A.C. lines. The motor will operate satisfactorily on 50 cycle lines. The only change that needs to be made is to change the drive ratio between the motor pulley and the turntable drive pulley. This is accomplished by putting a coil spring, Part No. 28-8999, over the motor drive pulley. Screw it on the drive pulley counterclockwise with the long pig tail at the top. The pig tail can be cut off after the spring has been placed on the pulley.

MODEL 42-1002, CODE 121-122

CONVERTING THE PHONOGRAPH MOTOR FOR USE ON 50 CYCLE A.C. LINES

Follow instructions as for Model 42-1001

MODEL 42-1003, CODE 121-122

The light beam pick-up (9) of later production Code 122 chassis was changed from a metal tone arm Part No. 35-2517 to a plastic tone arm Part No. 35-2601. The counter-weight when using the plastic tone arm is Part No. 318-2863 (3 oz.). A new rubber bumper is also required Part No. 54-4167.

CONVERTING THE PHONOGRAPH MOTOR FOR USE ON 50 CYCLE A.C. LINES

Follow instructions as for Model 42-1001

MODEL 42-1004, CODE 121

To improve the operating performance of the rectifier circuit, the wiring of rectifier tube 50Y6GT socket was changed as follows:

Remove the bare wire between contacts 2 and 3. Connect a wire from contact 3 of the socket (see figure 3 in bulletin) to the lug of the filament resistor (43) to which condenser (40) is already attached. This change was incorporated in all chassis marked run 2. Sets prior to run 2 do not have this wiring change.

Beginning with chassis marked run 3 condenser (36) .01 mfd., 400 volts Part No. 30-4572 was changed to .006 mfd., 400 volts Part No. 30-4591. This change was made to improve the tone quality of the phonograph.

Loop Aerial (1) changed from Part No. 76-1368 to Part No. 76-1372.

CONVERTING THE PHONOGRAPH MOTOR FOR USE ON 50 CYCLE A.C. LINES

Follow instructions as for Model 42-1001

MODEL 42-1005, CODE 121-122

Two types of Photo Electric pickups (9) were used on Code 122 models. One consisted of a metal tone arm Part No. 35-2531 and the other a plastic arm Part No. 35-2602. When using the plastic tone arm a 3 oz. counter weight Part No. 318-2863 must be used in the supporting end of the arm. A new tone arm bumper Part No. 54-4167 is also required.

CONVERTING THE PHONOGRAPH MOTOR FOR USE ON 50 CYCLE A.C. LINES

Follow instructions as for Model 42-1001

MODEL 42-1006, CODE 122

Condenser (7) changed from Part No. 76-1161 to 76-1227. Values remain the same. Construction change only.

CONVERTING THE PHONOGRAPH MOTOR FOR USE ON 50 CYCLE A.C. LINES

Follow instructions as for Model 42-1001

NOTES, CHANGES

PHILCO RADIO & TELEVISION CORP.

**MODEL 42-1008, CODE 121-122  
42-1009, CODE 121-122**

Production changes 42-1008, 42-1009, Code 121-122.

No. 1. Two types of Phonograph Reproducer Tone arms (90) were used on the Record changer. Tone arm Part No. 35-2518 is made of metal die cast material and Part No. 35-2540 a Plastic material. Since the weight of each tone arm is different, two counter weights are required. The aluminum arm requires a 1 1/4 ounce weight Part No. 218-1420 and the bakelite arm a 3 ounce weight Part No. 218-1531.

**CODE 121**

To improve the performance of the phonograph reproducer light oscillator circuit, the oscillator transformer (16) was changed from Part No. 32-3785 to 32-3866. The wiring lug arrangement as shown in the Service Bulletin applies to both transformers.

**CIRCUIT DIFFERENCES, CODE 121 AND 122**

Production Code 122 of Models 42-1008 and 42-1009 differs from Code 121 in several circuit parts. The service information in Radio Service Bulletin 401 for Code 121 with the exception of these parts apply to Code 122. The circuit changes are as follows:

The phonograph oscillator transformer (16) changes from Part No. 32-3785 to 32-3866.

Condenser (56) .2 mfd. is replaced with a 10 mfd. condenser Part No. 30-2500 in Code 122 chassis.

Resistor (57) 2200 ohms is changed to 3300 ohms Part No. 33-233339.

Power transformer (78) Part No. 32-8129 is changed to Part No. 32-8217.

Transformer Part No. 32-8217 does not have filament winding "A" "A" for the 7C6 oscillator tube as shown in bulletin 401.

In Code 122 the 7C6 phonograph oscillator tube filament is connected to filament winding B of transformer Part No. 32-8217 one connection of the tube filament is grounded.

The phonograph input transformer (91) in Code 122 models is Part No. 32-8215.

The tuning shaft in Code 122 is Part No. 56-6196 FCP.

Tuning shaft drive cord Code 122 is Part No. 31-2614.

**PUSH-BUTTON PADDING PROCEDURES CHANGE  
42-1008, CODE 122**

A few models were assembled with the push-button compensator assembly (20) reversed. The padder locations for the push-button is the reverse of that shown

The push-button adjustments on these receivers should be adjusted in accordance with the frequency coverage shown below.

Button Position From Front of Cabinet	Adjust Padder Number (From Rear of Cabinet)	Range Coverage K.C.
1 (Next to On-Off Switch)	1 & 2	1185-1720
2	3 & 4	850-1600
3	5 & 6	710-1185
4	7 & 8	540-980
5	9 & 10	540-980

**MODELS 42-1010, 42-1011, CODE 121**

Beginning with later production of Model 42-1010 and first production of Model 42-1011, a 10 mmfd. condenser Part No. 60-010137 was connected in series with compensator (5B) osc. This condenser improves the padding of compensator (5B) osc. on 15 MC.

Beginning with run 2 chassis of Models 42-1010 and 42-1011 resistor (7) Part No. 33-322339 was changed to 33-333339. This change was made to prevent the phono reproducer light control (17) elements from becoming shorted due to high current.

**HUM REDUCTION**

To reduce hum, electrolytic condenser (32)-(32A) 8-8 mfd., 475 volts Part No. 30-2535 was changed to 8-24 mfd., 475 volts Part No. 30-2538. The 8 mfd. section is connected in the circuit position (32) and the 24 mfd. section in position (32A). Chassis with this change are marked run 4. In some receivers prior to this change an 18 mfd. condenser was connected in parallel with (32A).

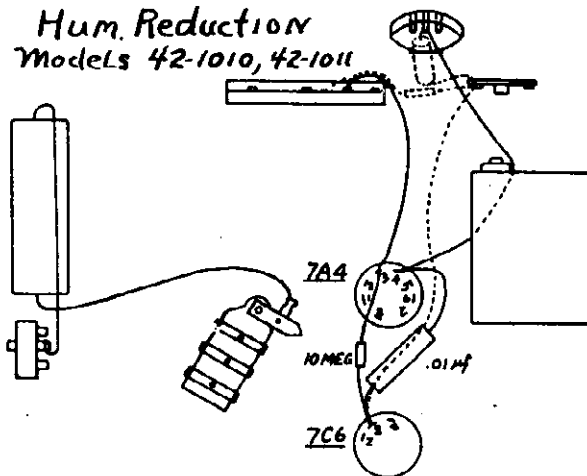
Remove the .01 mfd. condenser, Part No. 30-4572, which is connected to the center tap of the volume control to the terminal on the wiring panel right below it. Also, remove the 10 meg. resistor which is wired to this terminal and to the second terminal of the bias resistor 82.

Remove the wire which formerly connected the resistor and condenser to the #3 terminal of the 7C6 tube socket.

Connect the center terminal of the volume control to the dummy #4 terminal of the 7A4 tube socket. Connect the second terminal of the resistor 82 to the dummy #3 terminal of the 7A4 tube socket. Both of these leads must be dressed close to the sub base. Follow the layout shown in the accompanying diagram.

Connect the .01 mfd. condenser, Part No. 30-4572, from the #3 terminal of the 7C6 tube to the #4 terminal of the 7A4 tube. Connect the 10 meg. resistor from the #3 terminal of the 7C6 tube to the #3 terminal of the 7A4 tube.

In the diagram, the parts and wires indicated by the dotted lines are to be removed. The 10 meg. resistor and the .01 mfd. condensers are shown in their new location. The location of the 18 mfd. condenser and the wiring connections are also shown.



To prevent oscillation a .2 mfd. 400 volts condenser, Part No. 30-4594, was connected in the circuit at the lug of the terminal panel where resistors (33), (39) and (44) are connected. Ground one side of the condenser. Chassis with this change are marked run 3.

The tuning condenser (24) tuning shaft changed from Part No. 56-6168 FA3 to 56-6195 FCP.

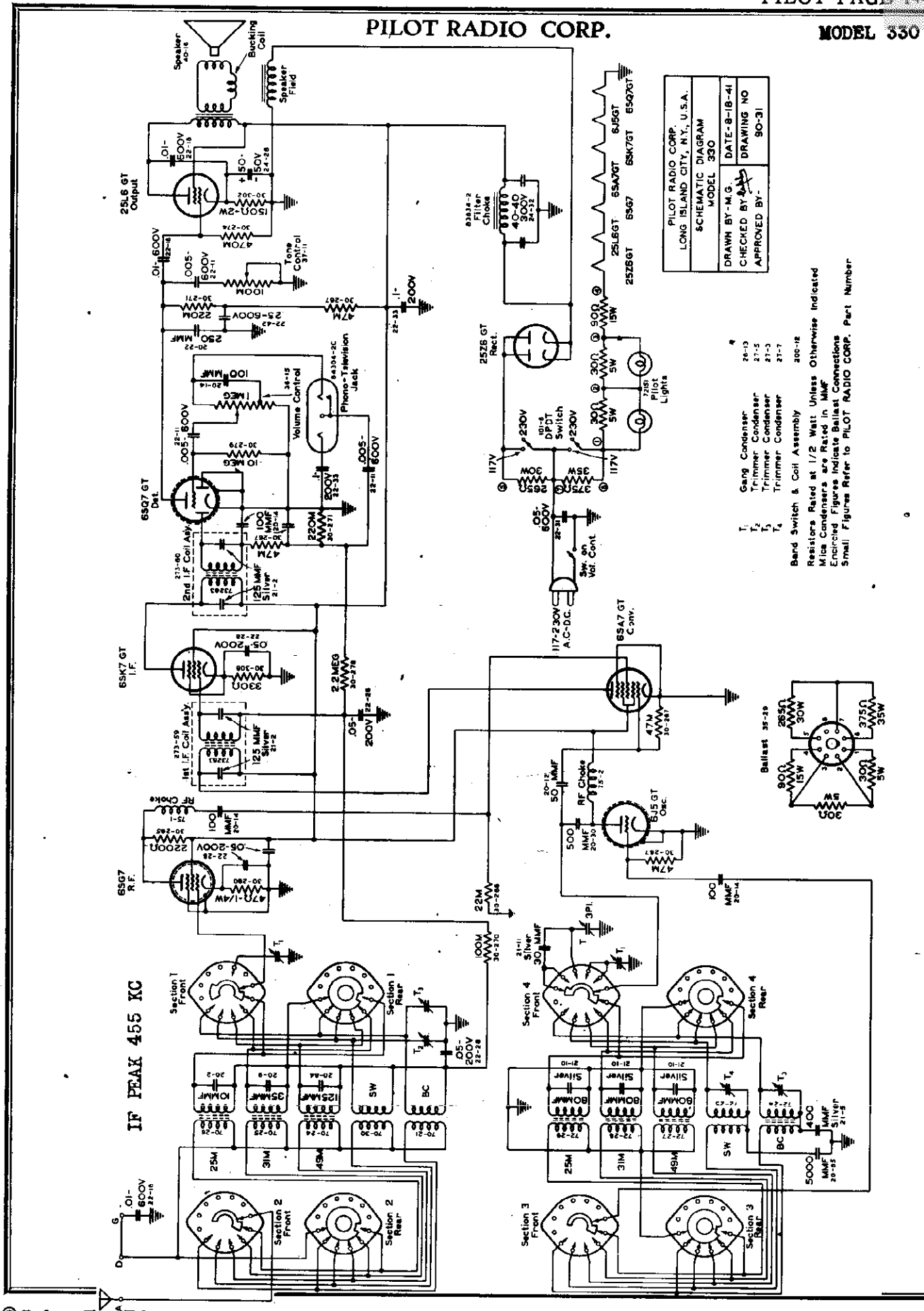
Beginning with chassis marked run 5. Mica condenser (16) 375 mmfd. Part No. 20-037517 was changed to 350 mmfd., Part No. 20-035021. This change made to improve oscillator performance.

**Correction diagram**

The connection from contact 13 of the B.C. pushbutton should be connected to the tuning condenser only. The line shown connected to the line which connects contact 11 to the antenna socket should be removed.

# PILOT RADIO CORP.

## MODEL 330



PILOT RADIO CORP.  
 LONG ISLAND CITY, N.Y., U.S.A.  
 SCHEMATIC DIAGRAM  
 MODEL 330  
 DRAWN BY-M.G.  
 CHECKED BY-  
 APPROVED BY-

- 1. Gang Condenser 26-13
  - 2. Trimmer Condenser 27-5
  - 3. Trimmer Condenser 27-3
  - 4. Trimmer Condenser 27-7
  - 5. Band Switch & Coil Assembly 200-12
- Resistors Rated at 1/2 Watt Unless Otherwise Indicated  
 Mica Condensers are Rated in MAF  
 Encircled Figures Indicate Ballast Connections  
 Small Figures Refer to PILOT RADIO CORP. Part Number

MODEL 330

PILOT RADIO CORP.

PHONOGRAPH AND TELEVISION JACKS

On the rear of the chassis is a set of "Pin" jacks. They are intended to be employed for connection with an electrical phonograph, or with the sound outlet of a television receiver.

BAND SPREAD TUNING

The International Short Wave Broadcast Bands have been spread out over the full dial length to make the tuning in of foreign broadcasts as easy and accurate as the local stations on the broadcast band.

SERVICE NOTES

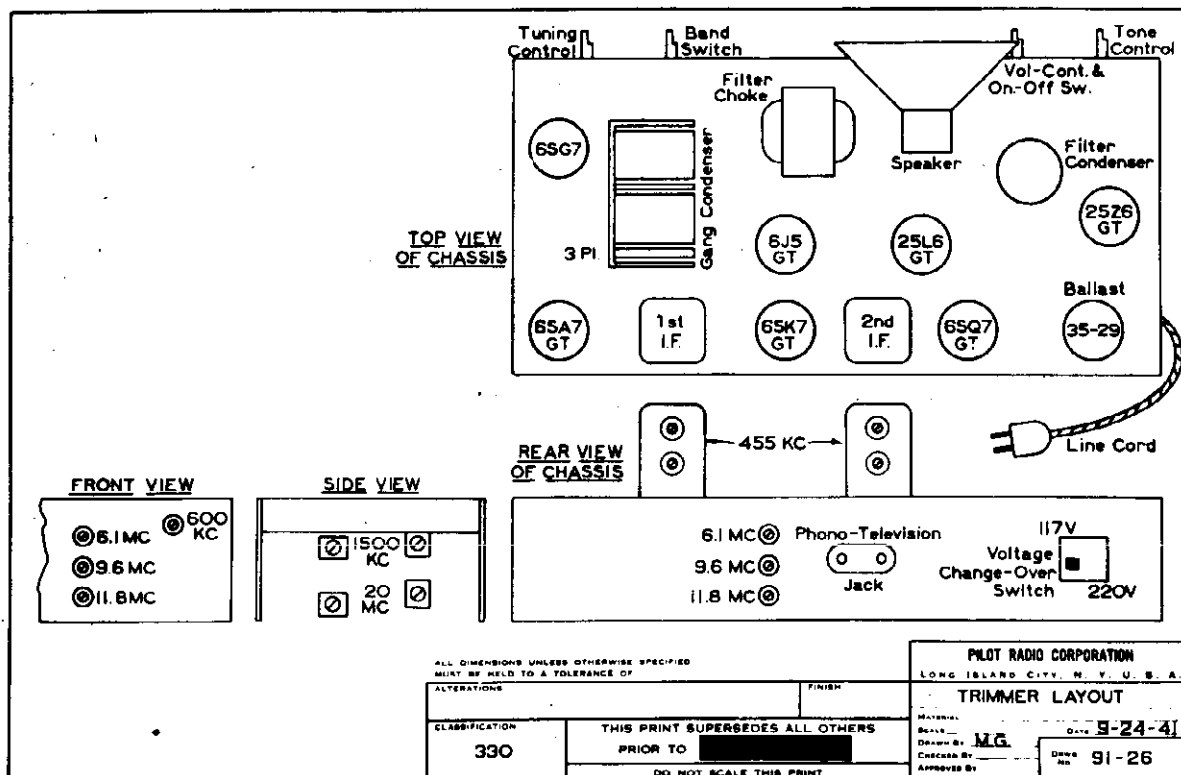
The location of all adjustments used in re-aligning this receiver, and the frequencies at which these adjustments should be made, are shown in the accompanying diagram.

When aligning the I.F. amplifier, the generator must be connected to the grid of the 6SA7 tube through a .1 mfd condenser. When aligning the receiver on the Broadcast Band, connect the generator to the Antenna wire through a .0002 mfd condenser, and on the four short wave bands through a 400 ohm carbon resistor.

In general it is not recommended to re-align the bandspread coils unless it is definitely necessary.

First adjust the oscillator iron core to make the pointer correspond with the calibration mark. Then adjust the antenna iron core for maximum output. The signal generator must be accurate within 5 kc on each band, and the use of a calibrating crystal oscillator is recommended. Otherwise a broadcast signal of known frequency may be used.

In this receiver the oscillator frequency is higher than the signal frequency on the broadcast band and lower on the four other bands.

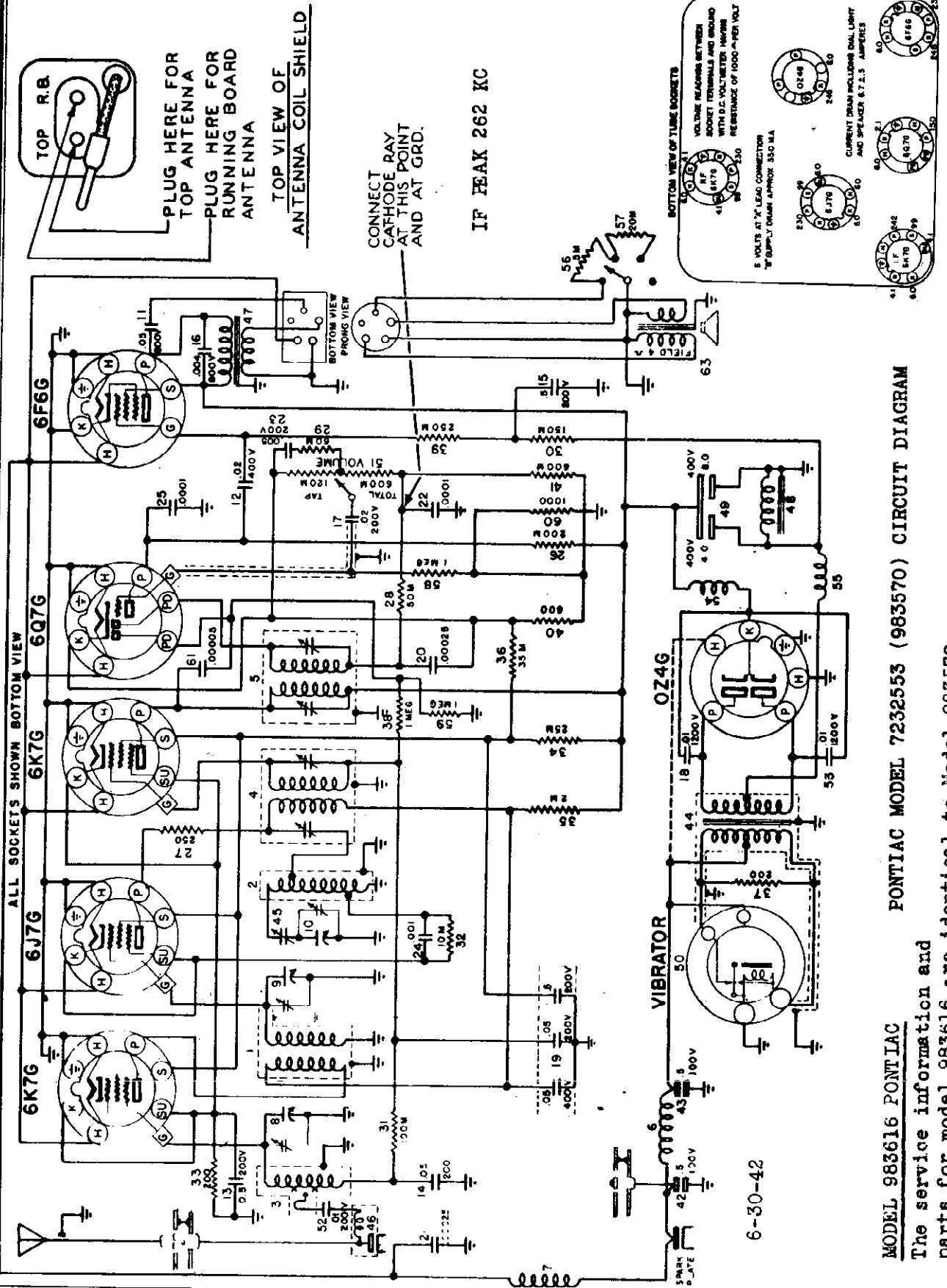


PONTIAC DIV.-GENERAL MOTORS

MODELS 98357

72325

MODEL 983616

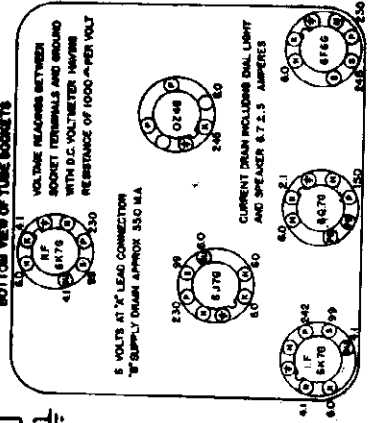


TOP R.B.  
 PLUG HERE FOR TOP ANTENNA  
 PLUG HERE FOR RUNNING BOARD ANTENNA

TOP VIEW OF ANTENNA COIL SHIELD

CONNECT CATHODE RAY AT THIS POINT AND AT GRD.

IF PEAK 262 KC



PONTIAC MODEL 7232553 (983570) CIRCUIT DIAGRAM

MODEL 983616 PONTIAC

The service information and parts for model 983616 are identical to Model 983570.

6-30-42

MODELS 983570,  
7232553

PONTIAC DIV.-GENERAL MOTORS

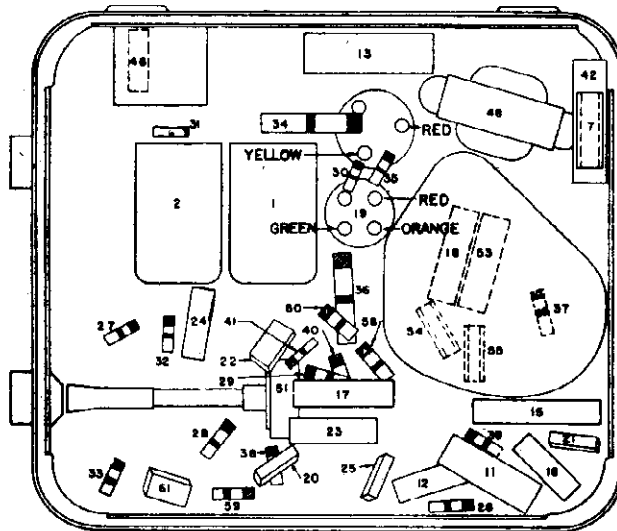
Series Condenser Or Dummy Antenna	Connect To	Signal Generator Frequency	Adjust Screws In Order
.25	Grid 6J7G Tube	262 K.C.	I.F. Coils - A,B, C,D
.0002	Antenna Terminal	1560 K.C.	Center Section Gang H
.0002	Antenna Terminal	1400 K.C.	Outside Sections Gang R
.0002	Antenna Terminal	600 K.C.	E

Repeat 1400 K.C.  
Adjustments.

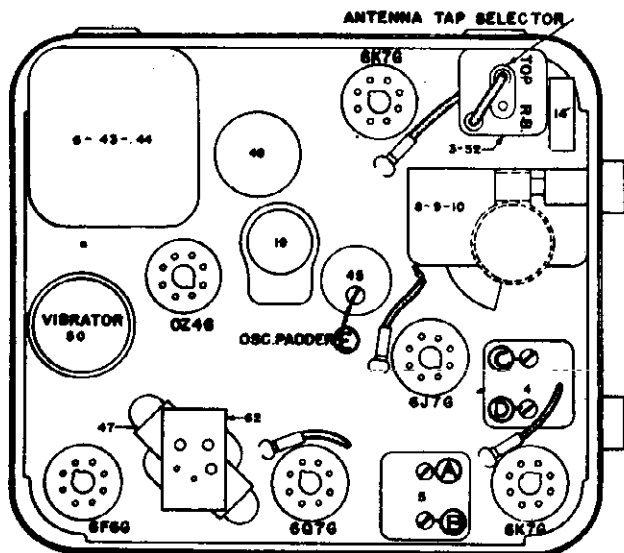
SPECIAL INSTRUCTIONS

Have antenna selector tap in correct  
position for type of antenna used.

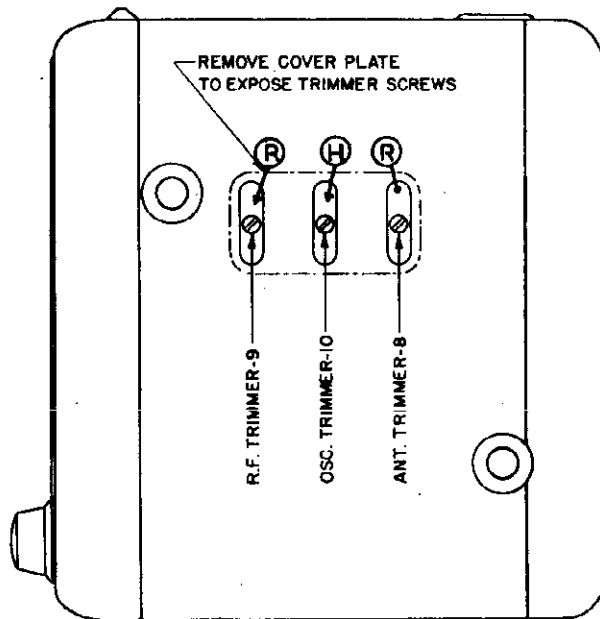
Adjust antenna trimmer (nearest to  
back of set when installed) to match  
car antenna (1400 kc).



PARTS LAYOUT--Bottom View



PARTS LAYOUT--Top View



PARTS LAYOUT--Side View

PONTIAC DIV.-GENERAL MOTORS

MODELS 983670,

7232553

MODEL 983680

Pontiac 983680 CHASSIS ELECTRICAL PARTS

Illus. No.	Part No.	Part Name	Description	Illus. No.	Part No.	Part Name	Description
1	1213660	Coil	Ant. Filter Choke	18	7230912	Condenser	Tub. .005 mfd. 800 V.
2	1213661	Coil Assy.	Coil & Core Tuning Assy.	19	1213667	Control	Volume-tone-switch
		Sec. A	Antenna Stage			Sec. A	Volume 350,000 ohm
		Sec. B	R-F. Stage			Sec. B	Off-On Switch
		Sec. C	Oscillator Stage	20	1211003	Resistor	Tone Switch
		Sec. G	Antenna Trimmer	21	1211007	Resistor	Ins. 150 ohm 1 W.
		Sec. H	R-F. Trimmer	22	1211164	Resistor	Ins. 47,000 ohm 1/2 W.
		Sec. J	Oscillator Padder	23	1211007	Resistor	Ins. 2 meg. 1/2 W.
		Sec. K	Resistor 1 meg. 1/3 W.	25	1211061	Resistor	Ins. 47,000 ohm 1/2 W.
3	1213662	Coil Assy.	I-F Assy.	26	1213343	Resistor	Ins. 2,700 ohm 1 W.
		Sec. A	I-F Coils	28	1213846	Resistor	Ins. 15 meg. 1/2 W.
		Sec. B	Primary Trimmer	27	1213846	Resistor	Ins. 270 ohm 1 W.
		Sec. C	Secondary Trimmer	28	1209885	Resistor	Ins. 1 meg. 1/2 W.
		Sec. D	Resistor 47,000 ohm 1/3 W.	29	1211163	Resistor	Ins. 150,000 ohm 1/2 W.
4	1213663	Coil	Vibrator Bush Choke	30	1210850	Resistor	Ins. 35,000 ohm 1/2 W.
5	1212452	Coil	"A" Filter Choke	31	1211097	Resistor	Ins. 15,000 ohm 1/2 W.
6	1213664	Coil	Filament Choke	32	1213668	Speaker	Dynamic 5"
7	1213665	Condenser	Electrolytic	33	1213670	Transformer	Output
		Sec. A	10 mfd. 450 V.	34	8638	Transformer	Power
		Sec. B	5 mfd. 400 V.	35	1207636	Vibrator	Primary
		Sec. C	20 mfd. 25 V.	36	7230592	Condenser	Molded .0005 mfd.
		Sec. D	5 mfd. 350 V.	37	1211154	Condenser	Tub. .05 mfd. 600 V.
8	1213666	Condenser	Antenna Filter	38	1211063	Resistor	Ins. 6 meg. 1/2 W.
		Sec. A	.00006 mfd.	39	1210663	Resistor	Ins. 4,500 ohm 1/2 W.
		Sec. B	.00006 mfd.	40	1208600	Condenser	Tub. .01 mfd. 600 V.
9	1207625	Condenser	Molded .00005 mfd.	41	1211107	Resistor	Ins. 45,000 ohm 1/2 W.
10	7230692	Condenser	Tub. .05 mfd. 600 V.	42	Incl. in Illus. 46	Choke	Antenna
11	1213664	Condenser	Tub. .004 mfd. 1500 V.	43	Incl. in Illus. 46	Condenser	Trimmer
13,14	7240248	Condenser	Tub. .5 mfd. 100 V.	44	1208600	Condenser	Tub. .01 mfd. 600 V.
15	1212098	Condenser	Tub. .004 mfd. 800 V.	45	1212278	Condenser	Spark Plate
16	1212099	Condenser	Tub. .02 mfd. 600 V.	*46	1213739	Choke Assy.	Antenna Choke
17	1212098	Condenser	Tub. .004 mfd. 800 V.			Sec. A	Choke
						Sec. B	Trimmer

\* In early production sets, the antenna choke and trimmer were two separate parts. Use #1213739 for service replacement.

TUNING CONTROL PARTS

1213682	Button Assy.	Push Button	7236487	Knob	Tone Control
1212233	Cord Assy.	Pointer Dr. (6' Length)	51	Lamp	Pilot Light Mazda #51
1213676	Drum Assy.	Drum & Pinion - Pointer Drive	1213680	Link Assy.	Spacer & Springs
1213678	Gear Assy.	Sector-complete	1213681	Pulley	Wood 7/16 Dia.
1213679	Glass	Dial	7236443	Pulley	Wood 15/32 Dia.
7236288	Knob	Tuning and Volume	1213686	Tuner Assy.	Less Man. Drive & Elec. Parts
504909	Knob	Dummy	1213733	Shaft Assy.	Tuning Shaft & Brkt.

Pontiac 7232553 CHASSIS ELECTRICAL PARTS

Illus. No.	Service Part No.	Part Name	Description	Illus. No.	Service Part No.	Part Name	Description
1	7232371	Coil Assy.	R-F	32	1210854	Resistor	10,000 ohms 1/2 W. Ins.
2	7232373	Coil Assy.	Oscillator	33	1211006	Resistor	200 ohms 1/2 W. Ins.
3	7232519	Coil Assy.	Antenna	34	7231811	Resistor	25,000 ohms 2 W. Ins.
4	7232710	Coil Assy.	1st I-F	35	1211224	Resistor	2,000 ohms 2 W. Ins.
5	7232711	Coil Assy.	2nd I-F	36	7232406	Resistor	35,000 ohms 1 W. Ins.
6	7232582	Choke	"A" Filter	37	1211006	Resistor	200 ohms 1/2 W. Ins.
7	7232383	Choke	Motor Noise	38	1209885	Resistor	1 megohm 1/2 W. Ins.
11	7230592	Condenser	.05 mfd. 600 V. Tub.	39	1210117	Resistor	250,000 ohms 1/2 W. Ins.
12	1212099	Condenser	.02 mfd. 600 V. Tub.	40	1211222	Resistor	600 ohms 1/2 W. Ins.
13	1212100	Condenser	.5 mfd. 400 V. Tub.	41	7232592	Resistor	600,000 ohms 1/2 W. Ins.
14	7230592	Condenser	.05 mfd. 600 V. Tub.	42,43	7232390	Condenser	Special .5 mfd. 100 V.
15	7232580	Condenser	Flat .5 mfd. 200 V.	44	7232687	Transformer	Power Inc. Terminal Brkt.
16	1212098	Condenser	.004 mfd. 800 V. Tub.	45	7232386	Condenser	Oscillator Pad
17	1212099	Condenser	.02 mfd. 600 V. Tub.	46	7230936	Coil	Ant. Series Choke
18	7232566	Condenser	.01 mfd. 1200 V. Tub.	47	7232605	Transformer	Audio Output, Less Speaker Socket
19	7232581	Condenser	By-pass Block	48	7232608	Choke	"B" Filter Assy.
		Sec. A	.05 mfd. 400 V.	49	7232668	Condenser	Electrolytic
		Sec. B	.05 mfd. 200 V.	50	8528	Vibrator	Plug-in
		Sec. C	.5 mfd. 200 V.	51	7232384	Control	Volume, 600,000 ohms
20,21	1209055	Condenser	.00025 mfd. Molded	52	1208600	Condenser	.01 mfd. 600 V. Tub.
22	1210276	Condenser	.001 mfd. Molded	53	7232556	Condenser	.01 mfd. 1200 V. Tub.
23	7230912	Condenser	.005 mfd. 800 V. Tub.	54	7232527	Coil	R-F Choke (red)
24	1212097	Condenser	.001 mfd. 800 V. Tub.	55	7232591	Coil	R-F Choke (Slate)
25	1210275	Condenser	.0001 mfd. Molded	56	1211066	Resistor	5000 ohms 1/2 W. Ins.
26	1210119	Resistor	200,000 ohms 1/2 W. Ins.	57	1210862	Resistor	20,000 ohms 1/2 W. Ins.
27	1211009	Resistor	250 ohms 1/2 W. Ins.	58,59	1209885	Resistor	1 megohm 1/2 W. Ins.
28	1210116	Resistor	50,000 ohms 1/2 W. Ins.	60	1211085	Resistor	1,000 ohms 1/2 W. Ins.
29	1210881	Resistor	50,000 ohms 1/2 W. Ins.	61	1207625	Condenser	.00005 mfd. Molded
30	1211163	Resistor	150,000 ohms 1/2 W. Ins.	63	7233185	Speaker	Dynamic 8"
31	1209885	Resistor	100,000 ohms 1/2 W. Ins.				



PONTIAC DIV.-GENERAL MOTORS

SERVICE INFORMATION FOR MODEL 983617 IS IDENTICAL TO MODEL 983569 (SEE VOL.IX INDEX) WITH THE EXCEPTION OF THE FOLLOWING PARTS WHICH REPLACE THE BYPASS BLOCK:

Illus. No. .	Part No.	Part Name	Description
14 A	1212100	Condenser	Tubular .5 mfd. 400 V.
14 B	7230592	Condenser	Tubular .05 mfd. 600 V.
14 C	7230592	Condenser	Tubular .05 mfd. 600 V.
14 D	1212099	Condenser	Tubular .02 mfd. 600 V.
14 E	1208600	Condenser	Tubular .01 mfd. 600 V.
14 F	1211536	Condenser	Tubular .15 mfd. 400 V.
14 G	7230592	Condenser	Tubular .05 mfd. 600 V.

THE TUNING CONTROL IS PART NO. 501226 WITH THE EXCEPTION OF THE FOLLOWING PARTS:

Part No.	Part Name	Description
502613	Plate	Control face
503227	Knob assy.	Tuning & volume
502611	Knob	Tone control
502612	Knob	Dummy
177759	Nut	1/4-20 stamped hex

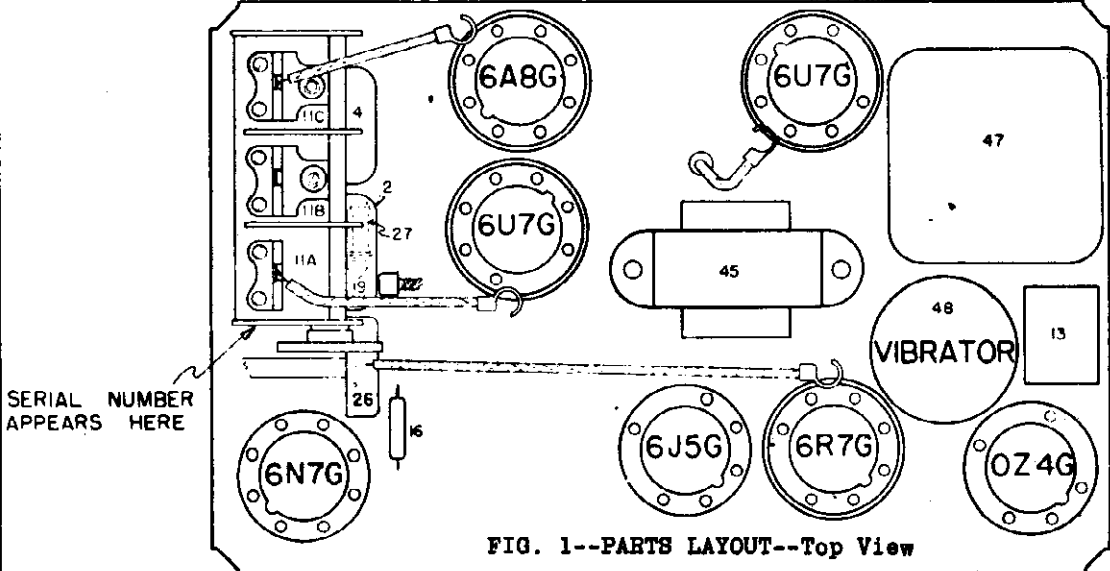


FIG. 1--PARTS LAYOUT--Top View

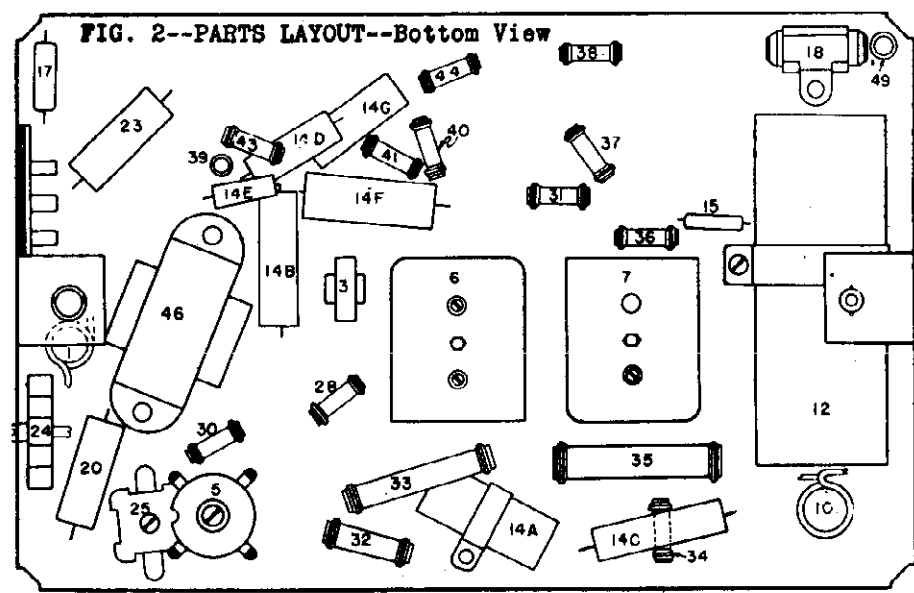
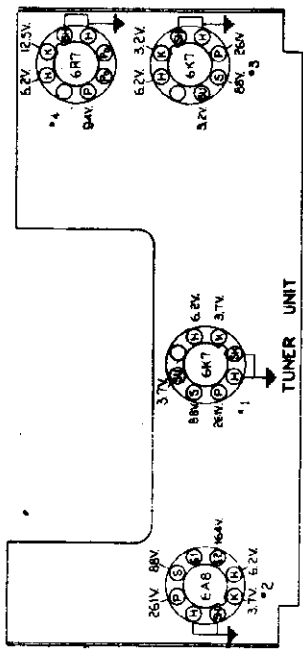
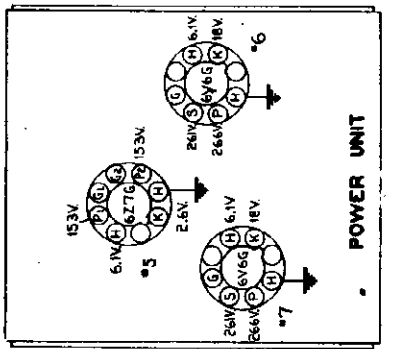
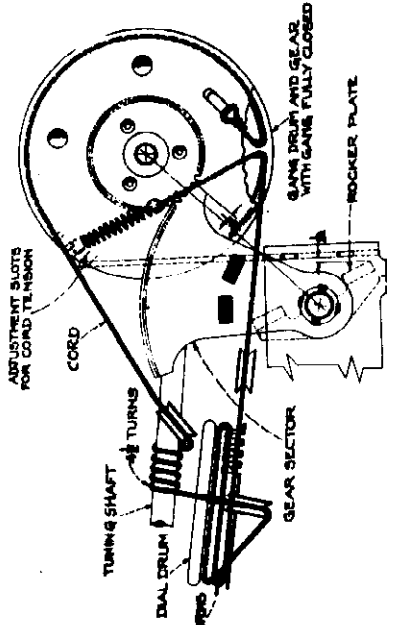
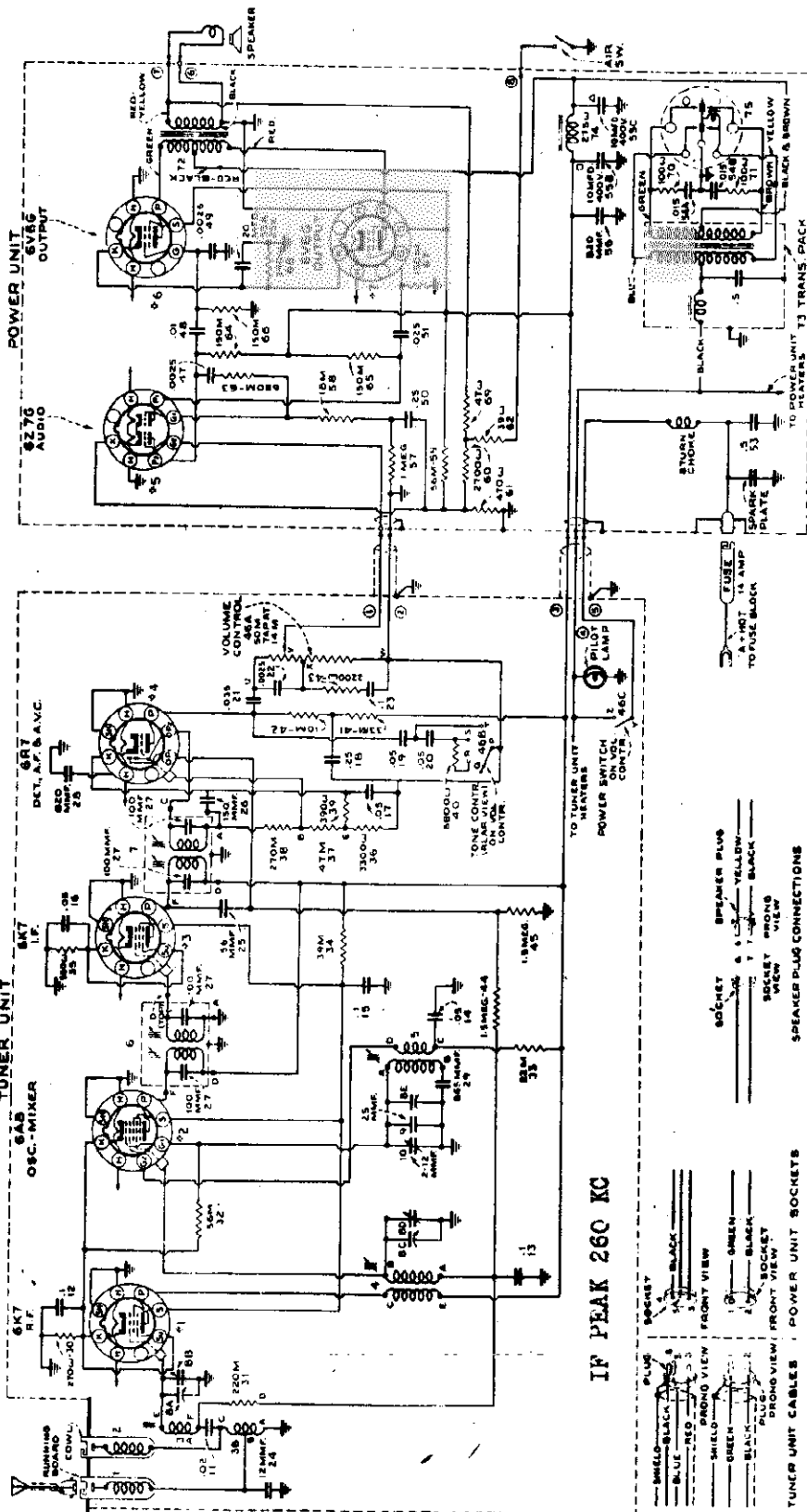


FIG. 2--PARTS LAYOUT--Bottom View

PONTIAC DIV.-GENERAL MOTORS



IF PEAK 260 KC

TUNER UNIT CABLES POWER UNIT SOCKETS

SOCKET SPEAKER PLUG

SOCKET SPEAKER PLUG

TUNER UNIT CABLES POWER UNIT SOCKETS

BOTTOM VIEW OF TUBE SOCKETS READINGS TAKEN FROM TEST SOCKETS CONTACTS TO GROUND WITH A DC VOLTMETER HAVING A RESISTANCE OF 1000 OHMS PER VOLT. A BATTERY 9.5 VOLTS CURRENT DRAIN OF 7.5 AMPERES. 5. SUPPLY DRAIN APPROXIMATELY 75 M.A.

6-30-42

MODEL 983667

PONTIAC DIV.-GENERAL MOTORS

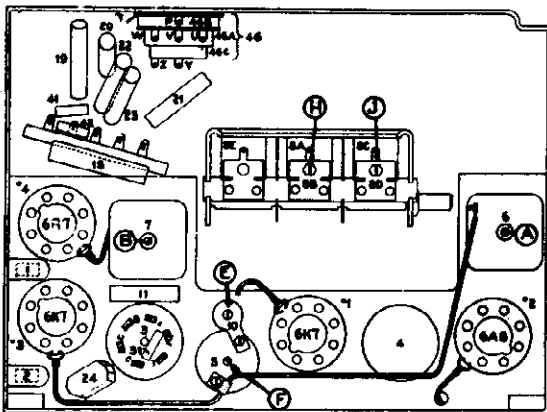
Series Condenser Or Dummy Antenna	Connect To	Signal Generator Frequency	Adjust Screws In Order
.1	Grid 6A8 Tube	260 K.C.	I-F Coils A,B,C,D
.1	Grid 6A8 Tube	1560 K.C.	E
.1	Grid 6A8 Tube	545 K.C.	F
.1	Grid 6A8 Tube	1560 K.C.	E
.0002	RB Antenna Terminal	1400 K.C.	HJ
.0002	RB Antenna Terminal	600 K.C.	F
.0002	RB Antenna Terminal	1400 K.C.	HJ

**SPECIAL INSTRUCTIONS**

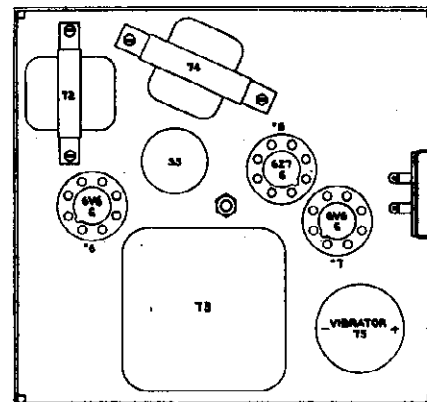
Adjust trimmer 8B to match car antenna (1400 K.C.) with antenna lead plugged into correct position for type antenna used.

**PUSH BUTTON SET-UP**

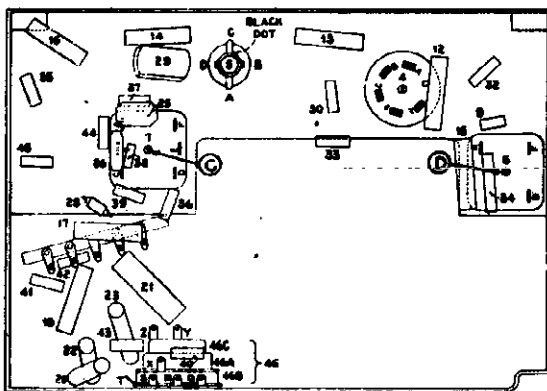
6 Buttons. Loosen button by turning counter-clockwise 1/2 turn. Tune in station desired using manual control Press button all the way in and release slowly. Lock button by turning clockwise.



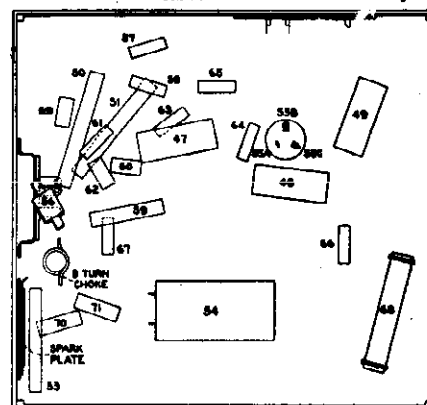
PARTS LAYOUT--I-P UNIT--Top View



PARTS LAYOUT--POWER UNIT--Top View



PARTS LAYOUT--I-P UNIT--Bottom View



PARTS LAYOUT--POWER UNIT--Bottom View

PONTIAC DIV.-GENERAL MOTORS

MODEL 98366

I-P UNIT ELECTRICAL PARTS

Illus. No.	Part No.	Part Name	Description	Illus. No.	Part No.	Part Name	Description
1-2	1213423	Coil Assy.	Ant. Choke	39	1211221	Resistor	Ins. 400 Ohms $\frac{1}{2}$ W.
3	1213468	Coil	Ant. (Less Shield)	40	1211072	Resistor	Ins. 7,000 Ohms $\frac{1}{2}$ W.
4	7236980	Coil	R-F (Less Shield)	41	1210850	Resistor	Ins. 35,000 Ohms $\frac{1}{2}$ W.
5	7236979	Coil Assy.	Oscillator	42	1210834	Resistor	Ins. 10,000 Ohms $\frac{1}{2}$ W.
6	1213467	Coil Assy.	1st I-F	43	1211224	Resistor	Ins. 2,000 Ohms $\frac{1}{2}$ W.
7	1214183	Coil Assy.	2nd I-F	44-45	1211141	Resistor	Ins. 1.5 Meg. $\frac{1}{2}$ W.
8	1213424	Condenser	Var. 5 Gang Tuning	46	1213425	Control	Volume--Tone--Switch
9	7236178	Condenser	Temp. Comp. .000025 Mfd.	47	1211228	Condenser	Tub. .0025 Mfd. 700 V.
10	7235015	Condenser	Oscillator Trimmer	48	1208600	Condenser	Tub. .01 Mfd. 600 V.
11	7236107	Condenser	Tub. .02 Mfd. 300 V.	49	1211228	Condenser	Tub. .0025 Mfd. 700 V.
12-13	1213490	Condenser	Tub. .1 Mfd. 300 V.	50	7231594	Condenser	Tub. .25 Mfd. 400 V.
14	1213492	Condenser	Tub. .05 Mfd. 400 V.	51	1211232	Condenser	Tub. .025 Mfd. 400 V.
15	1213490	Condenser	Tub. .1 Mfd. 300 V.	53	1212100	Condenser	Tub. .5 Mfd. 400 V.
16-17	1213492	Condenser	Tub. .05 Mfd. 400 V.	54	1213460	Condenser	Buffer Dual .015 Mfd. 1000 V.
18	1213494	Condenser	Tub. .25 Mfd. 300 V.	55	1213469	Condenser	Electrolytic
19-20	1213492	Condenser	Tub. .05 Mfd. 400 V.			Sec. A	20 Mfd. 25 V.
21	1211201	Condenser	Tub. .035 Mfd. 400 V.			Sec. B	10 Mfd. 400 V.
22	1211228	Condenser	Tub. .0025 Mfd. 700 V.			Sec. C	10 Mfd. 400 V.
23	1207908	Condenser	Tub. .1 Mfd. 300 V.	56	1213472	Condenser	Mica .00082 Mfd.
24	1213497	Condenser	Molded .000012 Mfd.	57	1209885	Resistor	Ins. 1 Meg. $\frac{1}{2}$ W.
25	1213498	Condenser	Molded .000056 Mfd.	58	1213485	Resistor	Ins. 18,000 Ohms $\frac{1}{2}$ W.
26	1213499	Condenser	Molded .00015 Mfd.	59	1211111	Resistor	Ins. 55,000 Ohms 1 W.
27	1210275	Condenser	(Incl. in 6 & 7) Molded .0001 Mfd.	60	1211048	Resistor	Ins. 2700 Ohms $\frac{1}{2}$ W.
28	1213472	Condenser	Mica .00082 Mfd.	61	1213486	Resistor	Ins. 470 Ohms $\frac{1}{2}$ W.
29	7236139	Condenser	Ceramic .000865 Mfd.	62	1213032	Resistor	Ins. 40 Ohms $\frac{1}{2}$ W.
30	1211009	Resistor	Ins. 250 Ohms $\frac{1}{2}$ W.	63	1213488	Resistor	Ins. 680,000 Ohms $\frac{1}{2}$ W.
31	1210119	Resistor	Ins. 200,000 Ohms $\frac{1}{2}$ W.	64-65	1211185	Resistor	Ins. 150,000 Ohms $\frac{1}{2}$ W.
32	7236248	Resistor	Ins. 56,000 Ohms $\frac{1}{2}$ W.	66-67	1211183	Resistor	Ins. 150,000 Ohms $\frac{1}{2}$ W.
33	1210862	Resistor	Ins. 20,000 Ohms $\frac{1}{2}$ W.	68	7236082	Resistor	Ins. 390 Ohms 2 W.
34	1211106	Resistor	Ins. 40,000 Ohms 1 W.	69	1212288	Resistor	Ins. 50 Ohms $\frac{1}{2}$ W.
35	7235314	Resistor	Ins. 560 Ohms $\frac{1}{2}$ W.	70-71	1211000	Resistor	Ins. 100 Ohms $\frac{1}{2}$ W.
36	1211054	Resistor	Ins. 3,500 Ohms $\frac{1}{2}$ W.	72	1213443	Transformer	Output
37	1211107	Resistor	Ins. 46,000 Ohms $\frac{1}{2}$ W.	73	1213444	Transformer	Vibrator Power
38	1210117	Resistor	Ins. 250,000 Ohms $\frac{1}{2}$ W.	74	1213445	Reactor	"B" Filter
				75	1213446	Vibrator	

POWER UNIT MISCELLANEOUS PARTS

1213447	Socket Assy.	Power Cable	1213474	Socket	Octal Tube
1213448	Socket Assy.	Audio Cable	1213451	Socket	Speaker
1213449	Case	Power Unit	1213453	Socket	Air Switch Lead
1213450	Socket	Vibrator			

I-F UNIT MISCELLANEOUS PARTS

1213476	Push Button	Tuner Unit Complete.	1213430	Gear	Sector
503392	Button Assy.	Push Button	1213433	Plug Button	3/8"
503227	Knob Assy.	Tuning & Volume	1213432	Plug Button	1/2"
502611	Knob	Tone Control	1213434	Plug Button	5/16"
502612	Knob	Dummy	1213437	Shaft Assy.	Tuning
503369	Escutcheon	Face Plate	503416	Socket Assy.	Dial Light
503419	Cable Assy.	Audio	1213440	Spring	Push Arm Assy.
503417	Cable Assy.	Power	1213441	Spring	Sector Gear
1213428	Dial Assy.	Calibrated	1213442	Spring	Tuning Drive
1213429	Drum Assy.	Drum and Gear	7236224	Shield	Ant. Coil
			1213427	Case	I-P Unit

SPEAKER PARTS

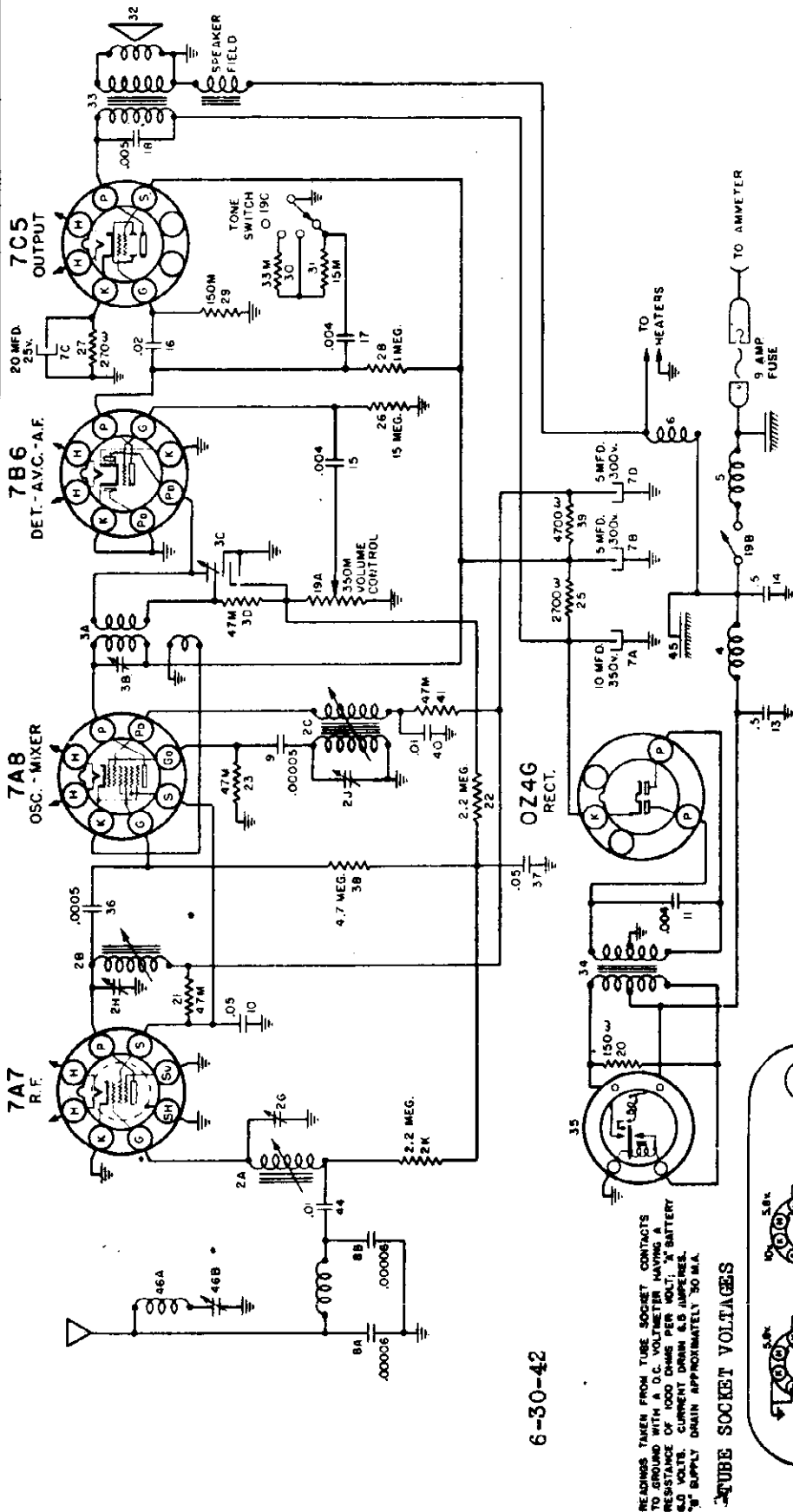
1213458	Speaker	Unit 8" P-M	1213455	Case Assy.	Speaker
503421	Cable Assy.	Spkr. to Power Unit	1213457	Grille	Speaker Screen

INSTALLATION PARTS

Part No.	Part Name	Description	Part No.	Part Name	Description
503368	Brace	I-P Unit--Inst. Panel	177759	Nut	"D" Stamped $\frac{1}{2}$ -20 Fox.
502607	Spacer	I-P Unit--Inst. Panel	1997701	Switch	Volume Levelizer
503389	Bolt	"T" Head; Power Unit Mtg.	501468	Lead Assy.	Air Switch
503391	Stud	Speaker Mtg.	1207821	Suppressor	Distributor
503370	Shield	Speaker--Water	1853686	Adapter	Suppressor
503371	Shield Cup	Speaker--Water	1866866	Condenser	Generator
503372	Gasket	Speaker Shield			

MODEL 983680

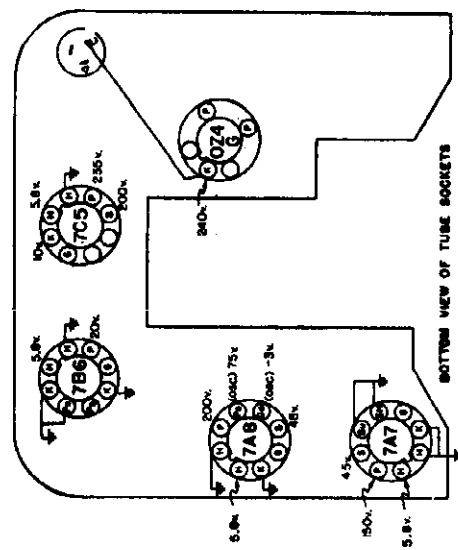
PONTIAC DIV.-GENERAL MOTORS



6-30-42

READINGS TAKEN FROM TUBE SOCKET CONTACTS TO GROUND WITH A D.C. VOLTMETER HAVING A RESISTANCE OF 100 OHMS PER MULTI. X BATTERY 6.0 VOLTS. CURRENT DRAIN 0.5 AMPERE. 50° SUPPLY DRAIN APPROXIMATELY 30 M.A.

TUBE SOCKET VOLTAGES



PONTIAC MODEL 983680 CIRCUIT DIAGRAM

IF PEAK 260 KC

CAR ANTENNA CAPACITY--400 mmf.  
(Peak Cap.)

TUNING RANGE--550 to 1550 K.C.

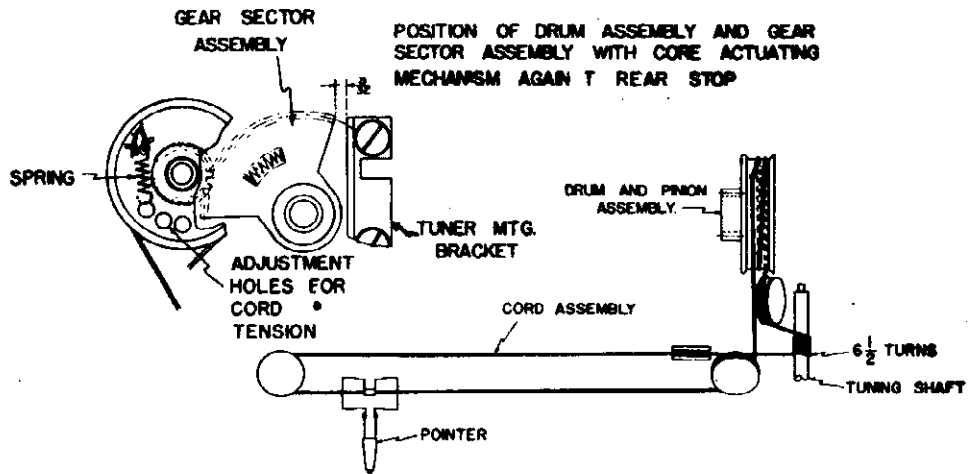
PONTIAC DIV.-GENERAL MOTORS

ALIGNMENT PROCEDURE

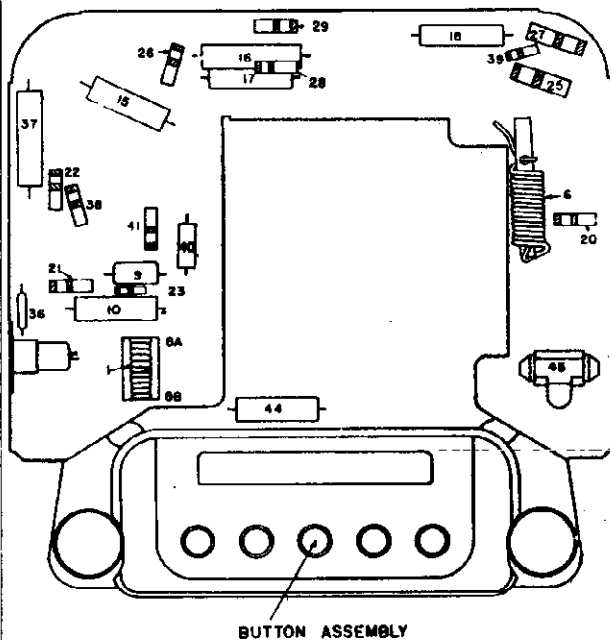
Series Condenser Or Dummy Antenna	Connect To	Signal Generator Frequency	Adjust Screws In Order
.1	X	260 K.C.	A-B
.1	X	1520 K.C.	D
.000065	Antenna Terminal	1400 K.C.	C-E
.000065	Antenna Terminal	260 K.C.	46B Min. Output

SPECIAL INSTRUCTIONS

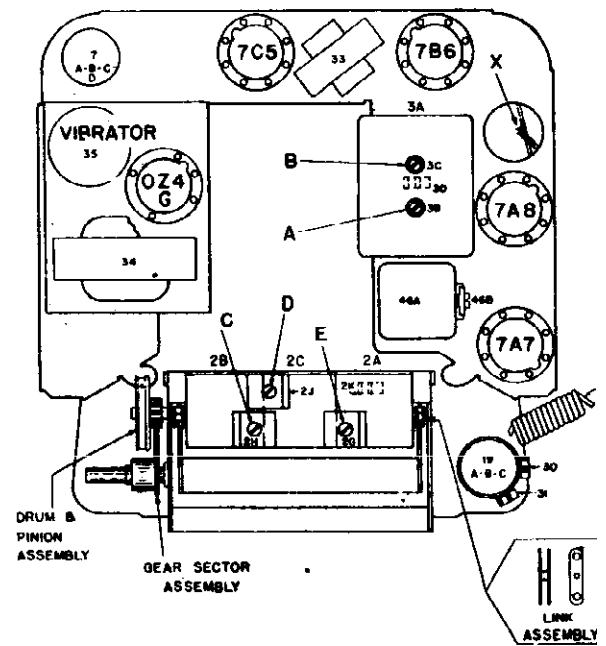
ADJUST TRIMMER E TO MATCH CAR ANTENNA (1400KC) WHEN SET IS INSTALLED.



DIAL POINTER-CORD LAYOUT

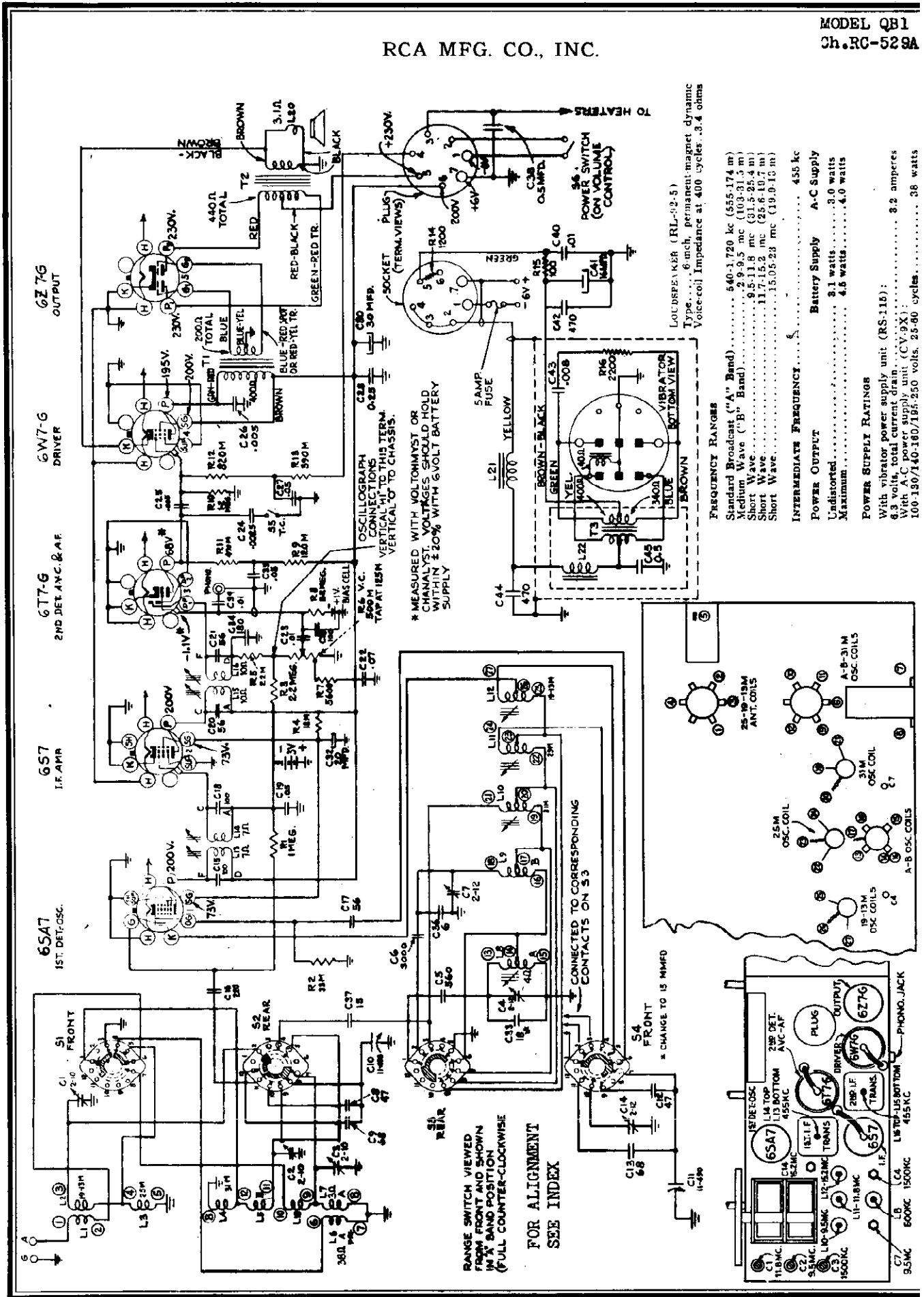


PARTS LAYOUT--Bottom View



PARTS LAYOUT--Top View

RCA MFG. CO., INC.

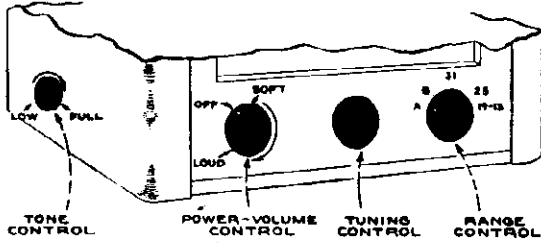


MODEL Q81  
Ch.RC-529A

RCA MFG. CO., INC

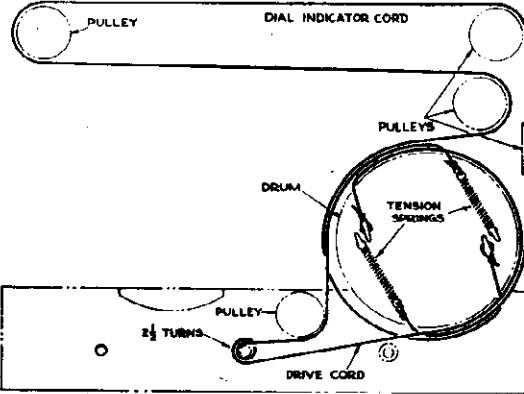
Precautionary Lead Dress.—

1. All oscillator coil leads must be kept apart from each other as well as other leads and parts. No two leads may be less than 1/4 inch apart.
2. Oscillator grid coupling condenser, C17, must bear tightly against switch or other condensers, and the green gang lead must bear against C17 from the other side. Cement with "amberoid."



3. C5 (560 mmf.) must be placed exactly midway between the two (19-13M and 25M) coils; it must be at least 1/4 inch away from any coil leads.
4. C12 (47 mmf.) condenser must be at least 1/4 inch away from all parts and leads.
5. C13 (68 mmf.) condenser must bear against the switch and/or C17, grid coupling condenser and be cemented with "amberoid," or else clear all parts and leads by at least 1/4 inch.

6. Antenna grid coupling condenser must be as far away from all metal parts as possible.
7. Braids between gang and chassis must be so soldered as to be as far away from stator lugs as possible.
8. Both condensers on the front switch lug No. 8 (with green antenna gang lead) must be as far away from metal shields of the switch and all other metal as possible.
9. AVC by-pass condenser (C19) must clear the tuning flywheel by at least 1/4 inch.
10. Make sure the bias cell polarity is correct.



STOCK No.	DESCRIPTION	Unit List Price	STOCK No.	DESCRIPTION	Unit List Price
<b>CHASSIS ASSEMBLIES (RC-529A)</b>					
35842	Calibrator—Drive drum calibrator	.10	30963	Resistor—820,000 ohms, 1/2 watt	.20
12714	Capacitor—Air trimmer, medium	.50	13730	Resistor—1 meg., 1/2 watt	.20
34654	Capacitor—Mica trimmer comprising 3 sections of 2.5-10 mmfd.	.80	30208	Resistor—1.2 meg., 1/2 watt	.20
35646	Capacitor—6 mmfd.	.35	12679	Resistor—2.2 meg., 1/2 watt	.20
36012	Capacitor—15 mmfd.	.35	14350	Screw—No. 8-32 square head set screw for drive drum	.03
31350	Capacitor—18 mmfd.	.30	35437	Shaft—Tuning shaft	.25
35644	Capacitor—47 mmfd., ceramic	.35	35787	Socket—Phono input socket	.15
37329	Capacitor—47 mmfd., silvered mica	.35	31251	Socket—Tube socket	.25
30949	Capacitor—56 mmfd., mica	.25	13638	Spring—Drive cord spring	.02
12723	Capacitor—56 mmfd., moulded mica	.35	31418	Spring—Pointer cord spring	.05
35645	Capacitor—68 mmfd., ceramic	.35	35840	Support—Drive cord pulley support with one pulley	.35
13057	Capacitor—68 mmfd., silvered mica	.35	35639	Support—Drive cord pulley support with two pulleys	.55
30904	Capacitor—100 mmfd., mica	.25	35622	Support—Tuning shaft and flywheel support	.20
12720	Capacitor—100 mmfd., moulded mica	.35	33397	Switch—Tone switch	.45
13003	Capacitor—180 mmfd., mica	.35	35638	Transformer—First I.F. transformer	1.70
12694	Capacitor—220 mmfd.	.35	35628	Transformer—Second I.F. transformer	1.85
31433	Capacitor—560 mmfd.	.55	37898	Transformer—Driver transformer	2.70
35643	Capacitor—3,000 mmfd.	.35	37924	Transformer—Output transformer	1.90
34459	Capacitor—.0025 mfd.	.20	33726	Washer—"C" washer for pulley	.02
4838	Capacitor—.005 mfd.	.25	2917	Washer—"C" washer for tuning shaft	.03
4937	Capacitor—.01 mfd.	.25	<b>POWER SUPPLY ASSEMBLIES</b>		
32787	Capacitor—.05 mfd. (C19, C27)	.20	30433	Capacitor—470 mmfd., moulded mica	.35
4886	Capacitor—.05 mfd. (C35)	.20	30673	Capacitor—470 mmfd., mica	.25
14626	Capacitor—.07 mfd.	.25	35573	Capacitor—.008 mfd.	.25
12484	Capacitor—0.25 mfd.	.30	4937	Capacitor—.01 mfd.	.25
37868	Capacitor—0.5 mfd.	.40	32405	Capacitor—Electrolytic 16 mfd., 350 volts	.85
37250	Capacitor—Electrolytic—20 mfd., 250 volts	.60	37834	Case—Power supply case only—less case cover	1.00
37867	Capacitor—Electrolytic—30 mfd., 250 volts	.60	14289	Clip—Battery clips	.10
31581	Cell—Bias cell	.25	37925	Coil—Choke coil	.35
35632	Coil—Antenna coil—"A" band	1.10	5140	Fuse—5 Amperes	.10
35631	Coil—Antenna coil—spread band	.75	34765	Resistor—100 ohms, 1/2 watt	.20
35823	Coil—Oscillator coil—"A" and "B" bands	.80	6134	Resistor—1,200 ohms, 1/2 watt	.22
35824	Coil—Oscillator coil—"19-13 meter" band	.45	35572	Resistor—2,200 ohms, 1/2 watt	.20
35625	Coil—Oscillator coil—"25 meter" band	.50	14409	Socket—Female socket for battery cable	.45
35626	Coil—Oscillator coil—"31 meter" band	.45	12241	Socket—Vibrator socket	.30
35619	Condenser—Variable tuning condenser	2.80	35544	Transformer—Vibrator transformer	4.65
37833	Control—Volume control and power switch	2.00	35543	Vibrator—Plug-in vibrator	4.00
32634	Cord—Drive cord (approx. 28 inch overall length)	.10	<b>SPEAKER ASSEMBLIES (RL-92-5)</b>		
34662	Cord—Pointer cord (approx. 54 inch overall length)	.25	32907	Cap—Dust cap	.02
35788	Core—Adjustable core and stud for "A" and "B" band oscillator coil	.15	38077	Cone—Cone complete with voice coil	1.25
31259	Core—Adjustable core and stud for "19-13 meter," "25 meter," and "31 meter" bands oscillator coils	.15	5118	Plug—3-prong male plug for speaker	.25
35627	Drum—Drive drum—less calibrator	.55	<b>MISCELLANEOUS ASSEMBLIES</b>		
35638	Flywheel—Tuning shaft flywheel	1.10	38103	Decalcomania—"On-off" decal	.05
31580	Holder—Bias cell holder	.15	37839	Decalcomania—Range switch decal	.15
5119	Plug—3-contact female plug for speaker cable	.25	35392	Decalcomania—Trade mark decal	.05
14404	Plug—7-prong male plug for power input cable	.35	35391	Decalcomania—Tuning decal	.05
35641	Pulley—Drive cord pulley	.10	35712	Dial—Glass dial scale	1.45
35630	Pulley—Drive cord pulley located between the range switch shaft and the tuning shaft	.10	37838	Frame—Dial frame complete—less indicator and dial scale	1.25
13714	Resistor—5,600 ohms, 1/2 watt	.20	35648	Indicator—Station selector indicator	.25
30151	Resistor—18,000 ohms, 1/2 watt	.22	37837	Knob—Range switch or volume control knob	.40
13998	Resistor—22,000 ohms, 1/2 watt	.20	35650	Knob—Tone switch knob	.25
12454	Resistor—33,000 ohms, 1/2 watt	.20	34489	Knob—Tuning knob	.30
13734	Resistor—120,000 ohms, 1/2 watt	.20	14270	Spring—Retaining spring for knobs	.05
13479	Resistor—390,000 ohms, 1/2 watt	.20			
30648	Resistor—470,000 ohms, 1/2 watt	.20			

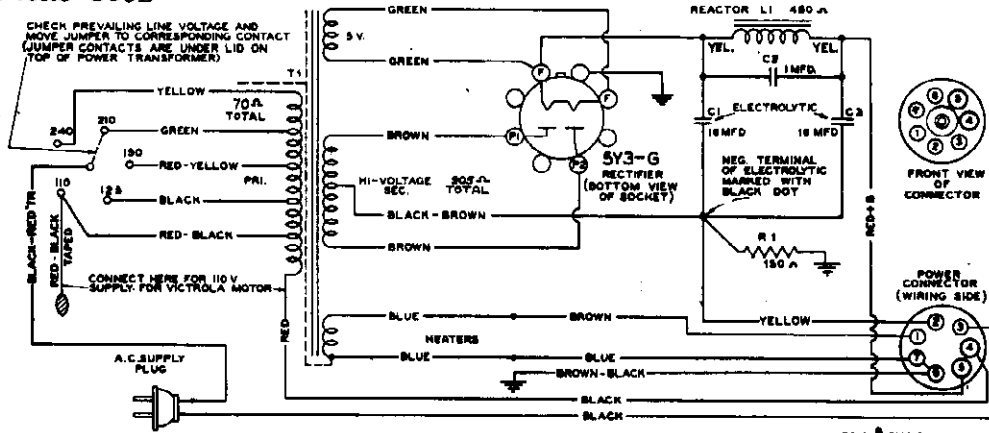
ALL PRICES ARE SUBJECT TO CHANGE OR WITHDRAWAL WITHOUT NOTICE.





MODEL QB3  
Ch. RC-539D

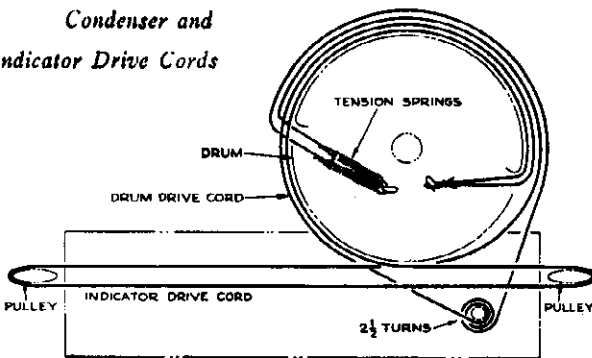
RCA MFG. CO., INC.



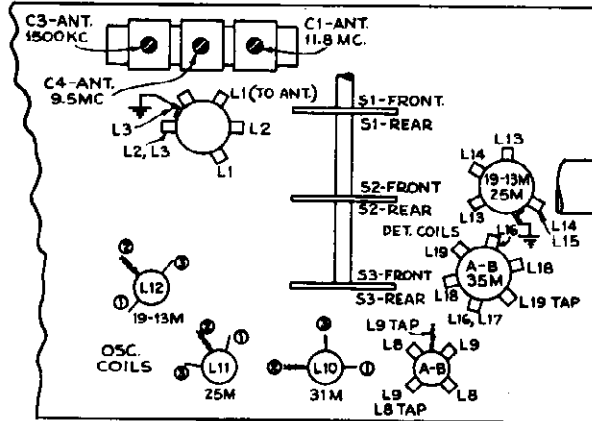
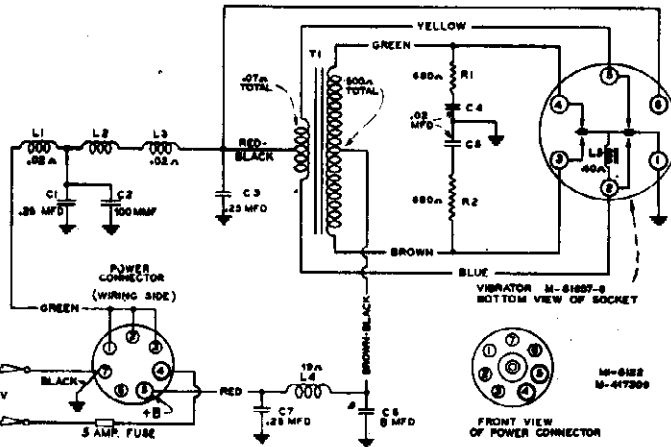
CV-110 A-C  
Power Supply  
Unit

MI-8122  
Vibrator Type  
Power Supply  
Unit

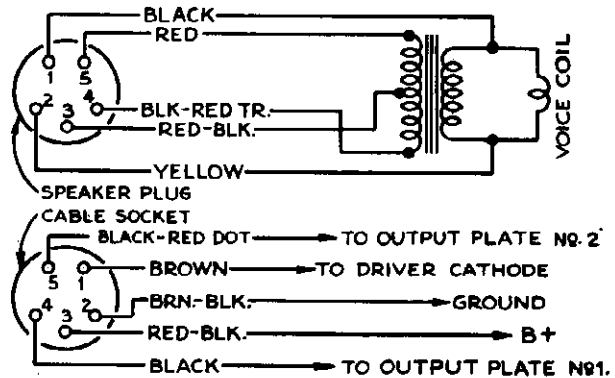
Condenser and  
Indicator Drive Cords



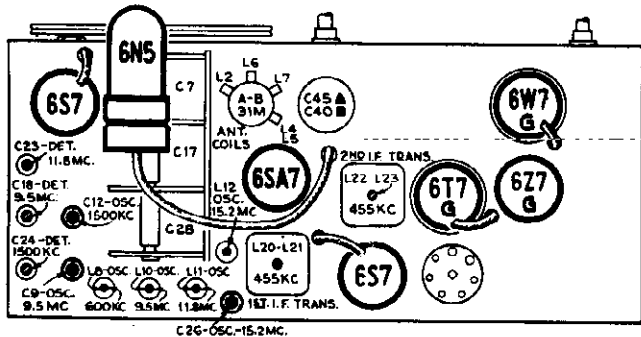
The pilot lights are illuminated by pressing in the volume-control knob. (The pilot lights are not controlled by this action when the receiver is operated with the CV-110 A-C power supply unit.)



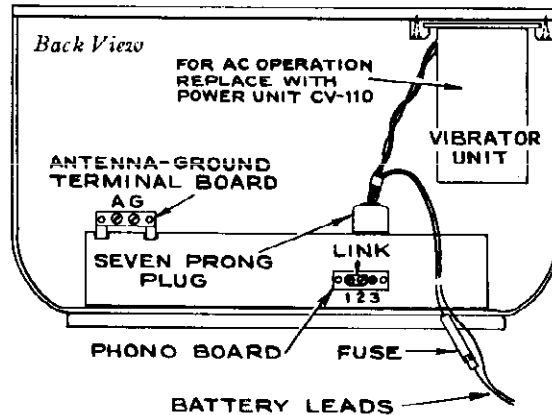
Coil and Trimmer Locations (Bottom View)



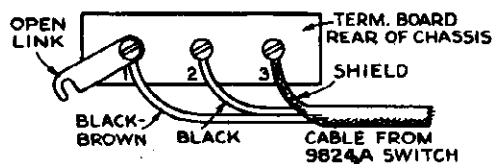
Connections and Colors of Loudspeaker and Cable



Tube and Trimmer Locations (Top View)



**Record Player Attachment.**—Terminals are provided on the rear of the chassis for convenient connection to a record player such as the RCA R-103-S. A Stock No. 9824A switch may be used to change from radio to record player. The connections of this switch are shown. In the event that a No. 9824A switch is not available, a double-pole double-throw toggle switch may be used.

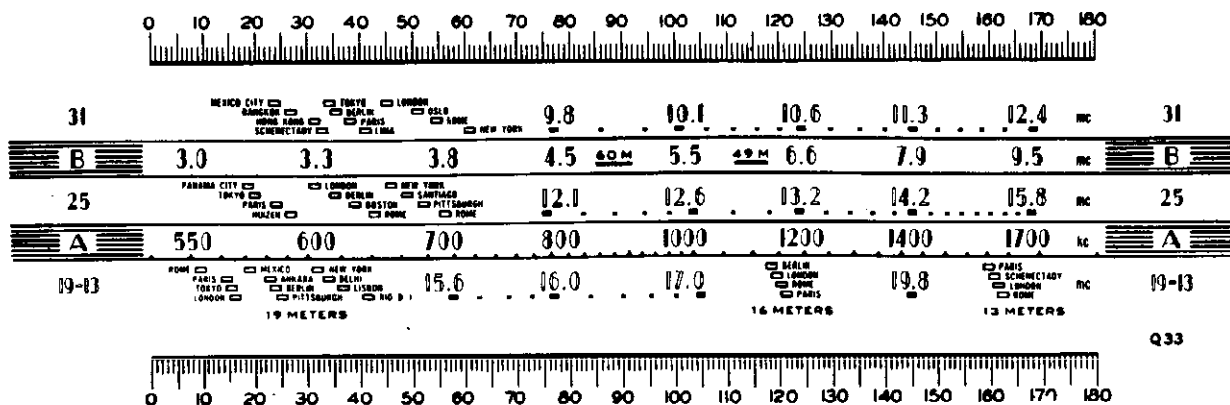


Record Player Connections, Using Stock No. 9824A Switch Controls

**Alignment Procedure**

Steps	Connect the high side of the test-osc. to—	Tune test-osc. to—	Range Switch	Turn Radio Dial to—	Adjust the following for max. peak output
1	6S7 I-F grid in series with .01 mfd.	455 kc	"A" band	Quiet point 600 kc end of dial	L23-L22 2nd I-F transformer
2	6SA7 1st det. grid in series with .01 mfd.				L21-L20 1st I-F transformer
3	Antenna terminal in series with 300 ohms	11.8 mc	25 meter band	11.8 mc (41.5°)	L11 (osc.) C1 (ant.) C23 (det.)
4		15.2 mc		15.2 mc (181.7°)	C26 (osc.)*†
5	Repeat steps 3 and 4 until aligned.				
6	Antenna terminal in series with 300 ohms	15.2 mc	19-13 meter band	15.2 mc (24°)	L12 (osc.)**
7		9.5 mc	31 meter band	9.5 mc (23.3°)	L10 (osc.)** C4 (ant.) C18 (det.)***
8		9.5 mc	"B" band	9.5 mc (168.5°)	C9 (osc.)*
9	Antenna terminal in series with 200 mmfd.	1,500 kc	"A" band	1,500 kc (153°)	C12 (osc.) C3 (ant.) C24 (det.)
10		600 kc		600 kc (30.5°)	L8 (osc.) Rock in
11'	Repeat steps 9 and 10.				

\* Use minimum capacity peak if two can be obtained.  
 \*\* Peak at minimum plunger position if two peaks can be obtained.  
 \*\*\* Use maximum capacity peak if two peaks can be obtained.  
 † Check image to determine that C26 has been adjusted to correct peak by tuning receiver to approximately 14.29 mc where a weaker signal should be received.  
 NOTE: Oscillator tracks above signals on all bands.



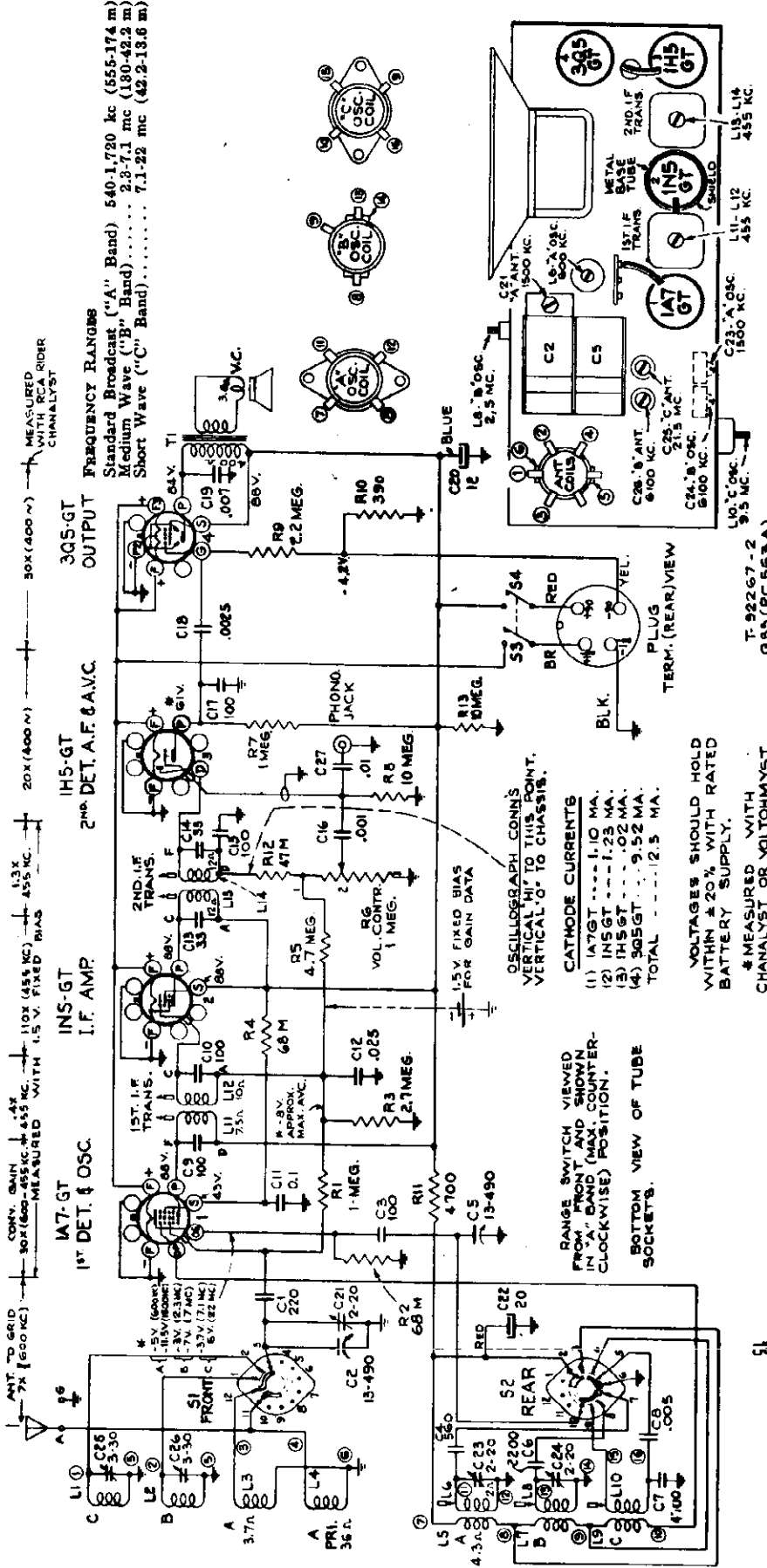
**Calibration Scale**

Reduced Reproduction of Receiver Dial and Corresponding 0-180° Calibration Scales

The corresponding position of the dial indicator for any setting of the calibration scale can be determined by drawing a line from this point on the bottom calibration scale to the same point on the top calibration scale. For example: 30° on the calibration scale corresponds to approximately 600 kc on "A" band, etc. Read instructions under "Alignment Procedure."

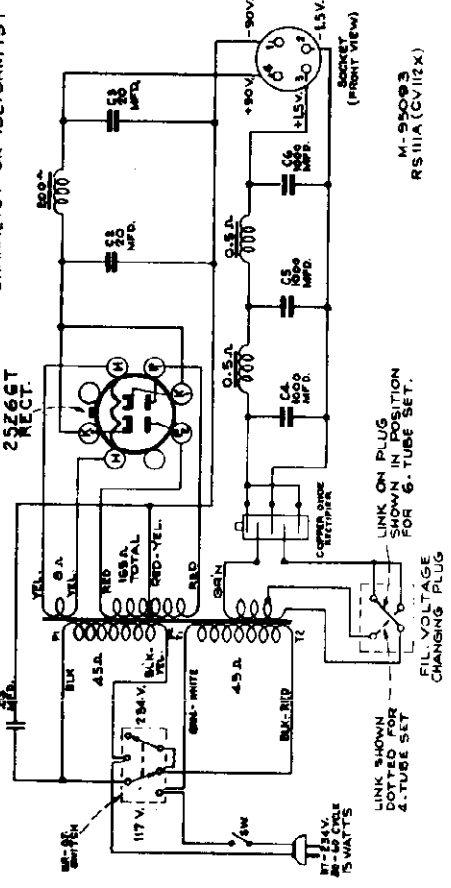
MODEL Q85  
Ch. RC-563A

RCA MFG. CO., INC.



**PHONOGRAPH ATTACHMENT**  
A jack is provided on the rear of chassis for connecting a phonograph attachment into the audio amplifying circuit. The cable from the attachment should be terminated in a Stock No. 31048 plug to fit the jack.

**BATTERY CONNECTIONS**  
A four wire cable with plug is provided for making connection to a plug in 1.4-90 volt "A", "B", battery pack such as the Eveready "A", "B", 748 or equivalent.  
When separate batteries are used, an adapter extension cable such as the MI-8128 is necessary and may be purchased from your dealer.



RCA MFG. CO., INC.

MODEL QB5  
Ch. RC-563A

**Calibration Scale.**—The glass tuning dial may be easily removed from the cabinet and temporarily attached to the dial backing plate for quick reference during alignment. The dial backing plate has marks corresponding to alignment frequencies as shown in accompanying sketch. Before alignment, set the dial pointer so that, with the gang in full mesh, the pointer is 1/16-in. to the left of the left-hand mark on the dial backing plate.

**Cathode Ray Alignment** is the preferable method. Connections for the oscillograph are shown in the diagram.

**Output Meter Alignment.**—If this method is used, connect the meter across the voice coil and turn the receiver volume control to maximum.

**Test Oscillator.**—For all alignment operations, connect the low side of the test oscillator to the receiver chassis and keep the output as low as possible to avoid AVC action.

**BATTERIES REQUIRED**

1—1.5 Volt "A" Battery; 2—45 Volt "B" Batteries  
Or : One 1.90 Volt battery pack.

**BATTERY DRAIN**

"A"..... .25 amp.  
"B"..... 12.50 ma.

**POWER OUTPUT**

Undistorted..... .20 watt  
Maximum..... .56 watt

**LOUDSPEAKER (RL-81B-2)**

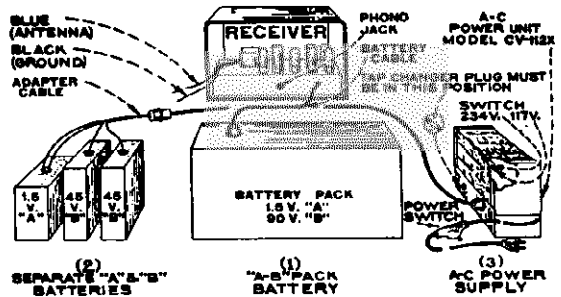
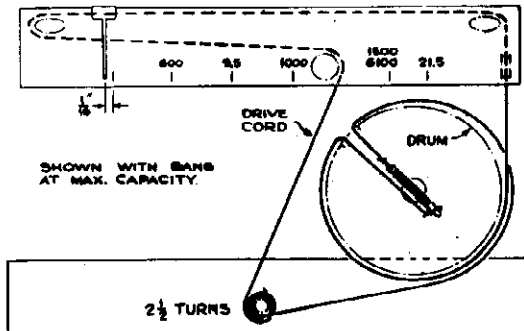
Type..... 5-inch permanent-magnet dynamic  
Voice-coil impedance..... 4 ohms at 400 cycles

Steps	Connect high side of test osc. to—	Tune test osc. to—	Turn radio dial to—	Adjust following for max. peak output—
1	IF grid cap in series with .01 mfd.	455 kc	"A" Band Quiet Point at High Freq. End	L14 and L13 (2nd IF Trans.)
2	1st det. grid cap in series with .01 mfd.			L12 and L11† (1st IF Trans.)
3	Antenna Lead in series with 200 mmf.	1,500 kc	1,500 kc mark	Peak C23 (osc.) and C21 (ant.)
4		600 kc	600 kc mark	L6 (osc.)
5	Repeat steps 3 and 4.			
6	Antenna Lead in series with 300 ohms	6.1 mc	6.1 mc mark	Peak C24 (osc.)* and C26 (ant.)
7		2.5 mc	600 kc mark	L8 (osc.)**
8		Repeat steps 6 and 7.		
9		9.5 mc	9.5 mc mark	L10 (osc.) Rock Gang
10		21.5 mc	21.5 mc mark	C25 (ant.) Rock Gang

\*Use minimum capacity peak if two peaks can be obtained.

\*\*Rock gang slightly for peak output.

†Do not readjust L14 or L13 when test oscillator is applied to 8A7-GT grid.



**Replacement Parts**

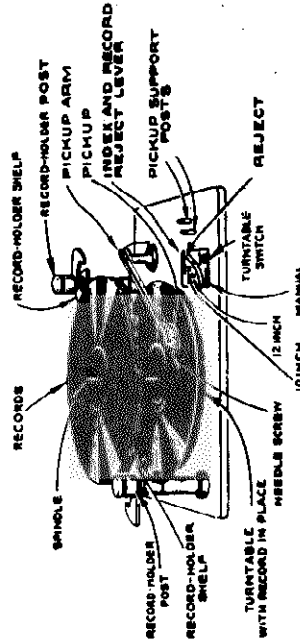
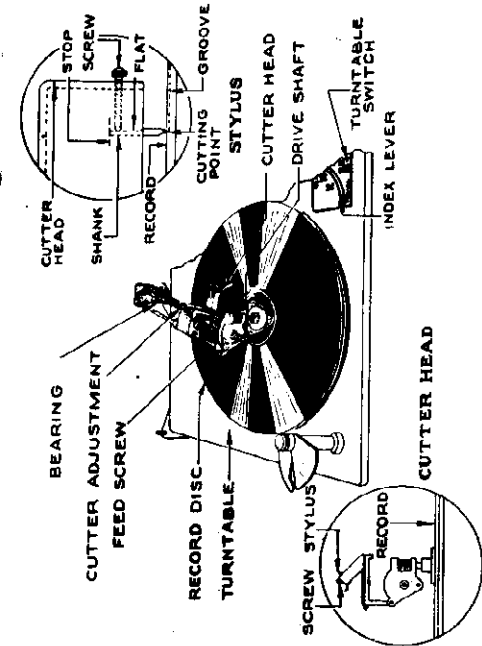
Insist on genuine factory-tested parts, which are readily identified and may be purchased from authorized dealers.

STOCK No.	DESCRIPTION	Unit List Price	STOCK No.	DESCRIPTION	Unit List Price
<b>CHASSIS ASSEMBLIES</b>					
32548	Capacitor—Electrolytic, comprising 1 section of 12 mfd., 150 volts, and 1 section of 20 mfd., 150 volts.	.65	30992	Resistor—10 meg., 1 watt.	.20
32830	Capacitor—Mica trimmer, 2 sections of 2-20 mmfd. each.	.40	36897	Shaft—Tuning knob shaft.	.10
31292	Capacitor—Mica trimmer comprising 2 sections of 3-30 mmfd.	.40	33742	Socket—Phono input socket.	.20
36176	Capacitor—.33 mmfd.	.30	31251	Socket—Tube socket.	.25
30904	Capacitor—.100 mmfd., mica.	.25	31418	Spring—Drive cord spring.	.05
12720	Capacitor—.100 mmfd., moulded.	.35	31261	Spring—Retaining spring for "C" band oscillator coil core and stud.	.01
12604	Capacitor—.220 mmfd.	.35	38297	Switch—Range switch.	1.20
12537	Capacitor—.560 mmfd.	.35	38300	Transformer—Audio transformer.	1.60
12951	Capacitor—.2,200 mmfd.	.55	35638	Transformer—First I.F. transformer.	1.70
30304	Capacitor—.4,700 mmfd.	.40	36122	Transformer—Second I.F. transformer.	1.60
37102	Capacitor—.001 mfd.	.25	33726	Washer—"C" washer for tuning shaft.	.02
34459	Capacitor—.0025 mfd.	.20	<b>SPEAKER ASSEMBLIES</b>		
4638	Capacitor—.005 mfd.	.25	(RL81B2)		
5148	Capacitor—.007 mfd.	.20	35670	Cone—Cone complete with voice coil.	1.20
4937	Capacitor—.01 mfd.	.25	<b>MISCELLANEOUS ASSEMBLIES</b>		
4870	Capacitor—.025 mfd.	.20	36890	Clamp—Dial clamp—L.H.	.15
4839	Capacitor—.01 mfd.	.30	36891	Clamp—Dial clamp—R.H.	.15
32821	Coil—Antenna coil—"A" band.	1.35	36103	Decalcomania—"OFF-Volume" decal.	.05
32149	Coil—Oscillator coil—"A" band.	.90	35480	Decalcomania—Range switch decal.	.05
33784	Coil—Oscillator coil—"B" band.	.75	38328	Dial—Glass dial scale.	.75
38295	Coil—Oscillator coil—"C" band.	.60	36886	Knob—Range switch or volume control knob.	.25
38287	Condenser—Variable tuning condenser.	2.50	36732	Knob—Tuning knob.	.20
38406	Control—Volume control and power switch.	1.50	30900	Spring—Retaining spring for knobs.	.05
32634	Cord—Drive cord (approx. 50-in. overall length).	.10	<b>CV-112X AC POWER UNIT</b>		
38296	Core—Adjustable core and stud for "C" band oscillator coil.	.20	4886	Capacitor—.05 mfd.—400 volts (C1).	.20
32713	Core—Adjustable core and stud for oscillator coil.	.35	30873	Capacitor—Electrolytic, 2 sections 20 mfd., 150 volts.	1.35
37058	Indicator—Station selector indicator.	.30	36553	Capacitor—Electrolytic, 1,000 mfd., 3 volts.	1.40
38288	Plate—Dial back plate complete with pulleys and bracket—less dial.	1.00	36847	Coil—High voltage choke coil—200 ohms.	1.75
30568	Plug—4-prong male plug for battery cable.	.25	36548	Coil—Low voltage choke coil—marked 1B84.	2.00
36230	Pulley—Drive cord pulley.	.04	36549	Coil—Low voltage choke coil—marked 1B85.	2.00
36237	Pulley—Tuning condenser pulley.	.25	38353	Plug—2-contact filament voltage changing plug.	.20
30498	Resistor—390 ohms, 1/2 watt.	.20	36551	Rectifier—1.5 volt rectifier.	1.40
30146	Resistor—4,700 ohms, 1/2 watt.	.20	36552	Socket—4-contact power output socket.	.30
12412	Resistor—47,000 ohms, 1/2 watt.	.20	18008	Socket—Tube socket.	.25
13715	Resistor—68,000 ohms, 1/2 watt.	.20	36550	Switch—Power cord switch.	1.00
14138	Resistor—68,000 ohms, 1/2 watt.	.20	33491	Switch—Voltage change switch.	.35
13730	Resistor—1 meg., 1/2 watt.	.20	38393	Transformer—Power transformer—110-220 volts, 50-60 cycle.	5.10
30649	Resistor—2.2 meg., 1/2 watt.	.20			
14752	Resistor—2.7 meg., 1/2 watt.	.20			
30271	Resistor—4.7 meg., 1/2 watt.	.20			

ALL PRICES ARE SUBJECT TO CHANGE OR WITHDRAWAL WITHOUT NOTICE.

MODEL QU7  
Ch.RC-551

RCA MFG. CO., INC.



**Automatic Switch Adjustment:**

An automatic motor switch is mounted under the motorboard, near the pickup arm shaft.

When the index lever is set at its "10-inch" or "12-inch" position, a detaining lever holds the switch plunger in and keeps the motor running.

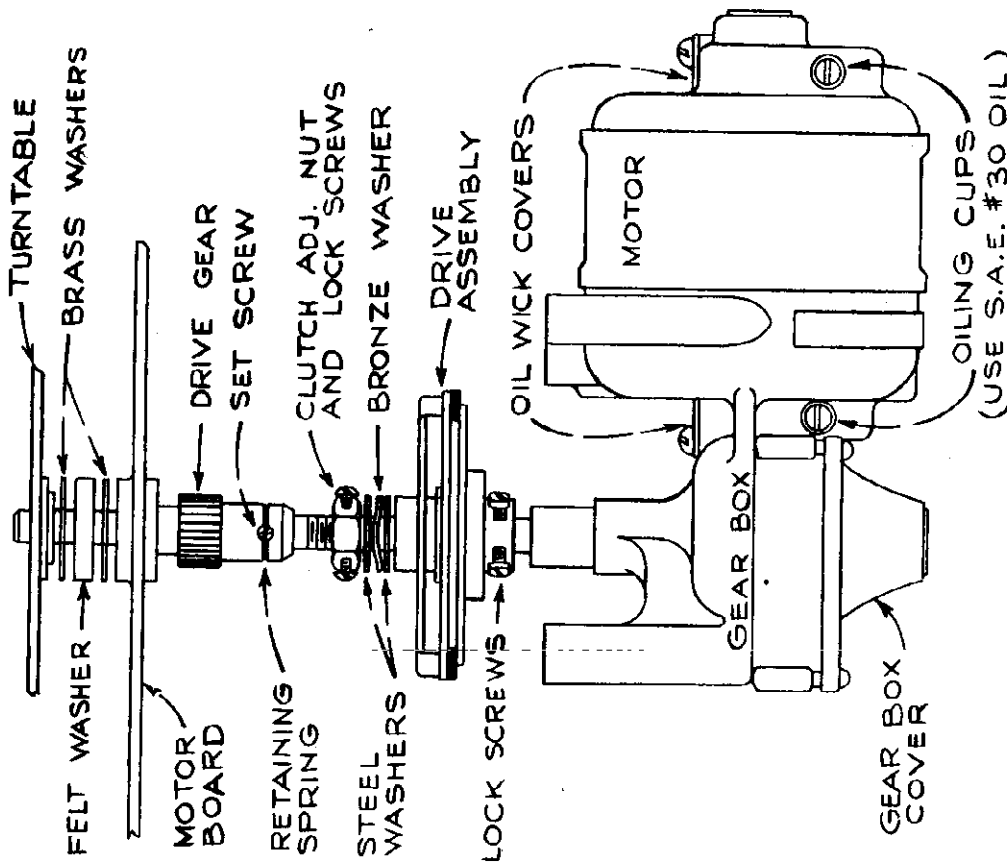
When the index lever is set at its "manual" position, the detaining lever moves aside and the switch plunger is then actuated by a cam on the pickup arm shaft. In "manual" position, when the pickup is on its rest, the switch plunger is out and the motor circuit is open. When the pickup is moved from its rest to the edge of a 12-inch record, the cam pushes the switch plunger in, and the motor starts. When the pickup needle reaches a point 1 1/4 inches from the centerline of the turntable spindle, the switch plunger is released by the sharp corner of the cam, thus shutting off the motor.

When the pickup is lifted off the record and moved to its rest, the motor starts momentarily.

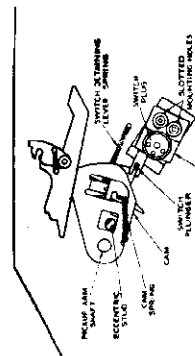
**ADJUSTMENTS:**

The slotted switch mounting holes permit positioning of the switch so that the plunger will be pushed in by the cam.

The eccentric stud on the cam should be turned so that the switch plunger is released by the sharp corner of the cam when the pickup needle is 1 1/4 inches from the centerline of the turntable spindle.



Turntable drive assembly showing friction clutch and flexible coupling.



(FOR ABBREVIATIONS OF PARTS AND MATERIALS, SEE MANUAL.)



MODEL QU7  
Ch. RC-551

RCA MFG. CO., INC.

### Operation

The "Power" Switch above the Master Control Indicator controls the power for all functions of this instrument. The "Master Control" changes the type of function desired, the full counter-clockwise position of this switch being "Radio", position, and successively clockwise the positions are: "Phonograph", "Radio Recording", "Microphone Recording", "Radio Recording", and "Microphone Recording", and "Public Address". These functions are indicated on the "Master Control Indicator" as the "Master Control" switch is turned.

#### Radio Operation:—

Turn Power Switch "ON," set Master Control to "Radio," set Range Selector to band desired, and tune in station desired. Volume is controlled by Volume control on Radio Panel. Adjust Bass and Treble controls as desired. For high-fidelity reception of local stations the Treble Tone Control should be turned completely clockwise until the fidelity switch functions.

#### Phonograph Operation:—

Manual Operation:—Turn Power Switch "ON." Set Master Control to "Phonograph." If mechanism is in cycle, wait until cycle has been completed. Set pickup on "10" support posts. See that Recording Magnet is in correct position. Check to see if a good needle is in pickup. Lift the knobs on top of the record grooves and rotate the shelves back away from the turntable. Push back the vertical lever at left of the rear record post. Place record on turntable. Place pickup on record, motor switch on pickup arm will start turntable motor. Adjust "Volume" and "Tone" Controls for desired reproduction. The turntable should stop when pickup reaches inner groove of record.

Automatic Operation:—Turn "Power Switch" "ON." Turn Master Control to "Phonograph." If mechanism is in cycle, wait until cycle has been completed. Set pickup on "10" support posts. See that Recording Magnet is in correct position. Check to see if a good needle is in pickup.

Push index lever to "manual," lift the knobs on top of the record grooves and rotate the shelves back away from the turntable. Push back the vertical lever at left of the rear record post. Select a series of eight, 10-inch records, or seven, 12-inch records, and place the first one on the turntable. Swing the record into position on the shelves and place the remainder of the series of records on the shelves as shown in the illustration. Push the index lever to "10" for a series of 10-inch records, or to "12" for a series of 12-inch records.

Lift the pickup and lower it gently on the record, so that the needle point enters the outside groove. The motor switch under pickup arm will start turntable.

Adjust the radio-phonograph volume control for the desired volume, and adjust the tone controls for desired reproduction.

Close the lid of the cabinet to eliminate mechanical sound. The whole series of records will play without further attention, and the last record will repeat until either pickup is lifted off record and placed on record support posts, or Power Switch is turned off.

To reset a record being played, or to start the record-changing cycle in case the record just played does not have the standard eccentric or spiral stopping groove, simply push the index lever to the "reject" position and let go. The pickup will raise up and swing outwards and the next record will drop down. Upon releasing the index lever, it will automatically return to the "10" position. If playing a series of 12-inch records, the lever should be returned to the "12" position after resetting a record. Keep the lever in "manual" when not actually playing records automatically.

To stop the mechanism while a record is being played, push the index-lever to "manual," place the pickup on its rest, and turn off the turntable switch.

To stop the mechanism at the completion of a record, first allow the pickup to complete its cycle (the cycle is completed when the pickup comes on the record). Then push the index lever to "manual," place the pickup on its rest.

To remove a record from the turntable, lift the knobs on top of the record-holder posts, swing the shelves back clear of the records, and push back the vertical lever at left of the rear record post.

#### Cycle of Operation

- In automatic operation (index lever set to "10" or "12") when the pickup needle enters the eccentric or spiral groove at the inside of the record, the pickup arm swings in the groove, and this motion acts through a friction clutch to "trip" or start the cycle of the automatic record changer mechanism which:
1. Lifts up the pickup arm and swings it out clear of the records.
  2. Turns the two record-holder posts, each of which has a "knife" and a "shelf". The knives enter between the bottom record and the rest of the stack. Continuing to turn, the shelves move from under the bottom record and it drops on the turntable, while the rest of the stack of records are supported by the "knives".
  3. The pickup arm is then moved to correct position and lowered on the record, while—
  4. The record-holder posts are turning back to their original positions, so that the records rest on the shelves, and the knives are in correct position to separate the next record from the stack.
- The cycle is completed when the pickup comes down on the record. The pickup arm should not be moved while "in cycle."

Record-Separating Knives. 12-inch records are thicker than 10-inch records. To accommodate this difference, the "knife" or record-separating lever on each record post is raised slightly when a 12-inch record presses down against the ball-point screw that projects through a hole in the record-holder shell on each post. (10-inch records do not rest on these screws, and the knife clearance is then correct for a 10-inch record.)

"Record Discriminating Lever." In playing a mixed group of 10-inch and 12-inch records, the index lever is set at "10". When the pickup arm moves out during the cycle of operation, the record discriminating lever (at left of the rear record-holder post) is moved to its forward position, toward the spindle, and sets the correct landing position of the pickup arm. It pushes the record discriminating lever back, and sets the correct landing position for the 12-inch record.

#### Caution:—

1. This instrument is not recommended for playing 10-inch and 12-inch records in mixed sequences.
2. Never use force to start or stop the motor or any part of the record-changing mechanism or pickup arm.
3. Warped or damaged records may cause the mechanism to jam.
4. Warped records may slide on one another when playing, resulting in unnecessary reproduction.
5. Do not leave records on the record-holder posts as they may warp, particularly in warm climates. Warped records may be flattened by placing them on a flat surface with a flat heavy article placed on top of them for a few days.
6. Do not leave pickup needle resting on a record or on the turntable. Always place it on the pickup rest.
7. Do not insert a used needle in the pickup, and avoid turning a needle after it has been used.
8. If for any reason the photograph stalls, turn off the turntable switch, and remove the records from the record-holder shelves. Shift the turntable and allow the pickup arm to complete its cycle.

#### Recorder Operation:—

Recorder Set Up:—Turn Master Power Switch "ON." Make sure that Photo Mechanism is not "in cycle." Place the recording blank on the turntable so that the three holes in the blank line up with the holes in the recording turntable. Place the Recording arm in position, with the hinged mounting spindle in the bearing on the photograph shelf, and the drive pins in the holes in the recording blank and turntable. The cutter head bracket should be locked in position under the catch at the drive end of the recording arm used. Place a cutting stylus fully in the cutter head so that the flat side of the stylus is toward the needle screw.

While recording, use a fine hair brush to keep the area ahead of the stylus free from chips and threads. Before making each recording tighten the screw on the front of the cutting head that holds the cutting stylus. Do not use pliers or wrench.

Radio Recording:—Tune in desired radio program. Turn Master Control to "Radio Recording." Set "Bass Tone Control" fully clockwise, and "Treble Tone Control" fully clockwise. Adjust receiver "Volume Control" so that the "Recorder Magic Eye" in the "Master Control Indicator Panel" closes to about a 1/4 inch opening at minimum width for normal volume. When the desired program comes on, pull down cutter bracket from its catch, move it to opposite end of "Recorder Arm" and place cutting stylus gently on record blank about 1/4 inch from outer rim.

The speaker and "Recorder Magic Eye" both monitor the recording, so that it is possible to hold the necessary recording level during the program. Lift the cutter from the record before it reaches the inner limit of the record, and lock cutter bracket under the cutter catch.

#### Microphone Recording:—

Set up Recorder:—Turn Master Control to "Microphone Recording." Set "Microphone Volume Control" to the correct level by testing on some of the sound to be recorded. Set control so that the "Recorder Magic Eye" closes to about a 1/4 inch opening at minimum width for normal volume. The "Microphone Volume Limiter" tube will keep excessively loud sounds to a safe limit. Start turntable. Remove cutter bracket from catch and proceed with recording. Keep "Bass Tone Control" and "Treble Tone Control" maximum clockwise.

#### Re-Recording:—

Turn "Master Control" to "Radio Recording." Connect an adapter plug into the television FM jack at the top of the instrument. Place the recording turntable control full "ON." Place records on turntable and tune on the attachment turntable, and play a portion of it, meanwhile adjusting the "Radio Volume Control" to give the correct recording level in the "Recording Magic Eye." After the correct level has been set, proceed with the recording.

#### Mixed Radio and Microphone Recording:—

Set up for Recording:—Set "Master Control" so that both "Radio Recording" and "Microphone Recording" are indicated. Tune in desired radio program. Set program level same as in "Radio Recording." Set Microphone Volume Control same as in "Microphone Recording." Proceed with recording.

#### Mixed Microphone and Record Recording or Re-Recording:—

Set up for Recording:—Set "Master Control" so that both "Radio Recording" and "Microphone Recording" are indicated. Proceed as stated in "Microphone Recording" and "Re-recording."

#### Playback:—

To play back after recording, remove the drive and recorder arm from the turntable spindle, and place on the pin at the left of the cabinet. Release the "Manual" Photograph Oper. turntable. Proceed as under "Manual" Photograph Oper. turntable.

IMPORTANT:—Before playing the Automatic Phonograph after recording, make sure the Recording Turntable is removed. If Automatic Mechanism jams during cycle for any reason, throw "Master Power Switch" "OFF," as the turntable "Motor Switch" will not cut off current to motor, while mechanism is in cycle.

Acoustic Adapter:—An "Acoustic Adapter" switch located at the right rear corner of the radio chassis can be used to pickup the sound from reference types of location for phonograph reproduction. In adjusting the balance between high and low frequency response as desired.

#### Public Address Use:—

Microphone Pickup:—Turn Power Switch "ON." Turn "Master Control" to Public Address position. If external speakers are connected, turn External Speaker Switch, located at the right hand rear corner of phonograph compartment, clockwise, to put these in operation.

Set "Microphone Volume Control" to give desired Volume in Speakers. If the Speakers in the cabinet are too loud and "feedback" occurs, the volume on these speakers can be reduced by turning down the "Instrument Speaker Volume Control" located at back of the "External Speaker" switch.

Radio or Record Program:—If it is desired to send Radio program or Record program over the External Speaker system, the instrument is operated in the normal manner for "Radio" or "Phonograph" operation, and the "External Speaker" switch is then turned for "External Speaker" operation.

### Record Changer Service Data

Before servicing the automatic record changer, inspect the assembly to see that all levers, pins, gears, springs, etc., are in good order and are correctly assembled.

The changer can be rotated through its change cycle by pushing the index lever to "Reject" and revolving the turntable by hand. Six turntable revolutions are required for one change cycle.

A hand or pin in the mechanism can usually be relieved by rotating the turntable in the reverse direction. The 10-inch and 12-inch records must be absolutely flat for smooth operation.

A pickup shifting switch, located under the motorboard, operates when the pickup is moved outward to the pickup rest.

The turntable can be removed by tapping smartly on the top of the spindle while pulling upward on opposite sides of the turntable.

Lubrication:—Petrolatum or petroleum jelly should be applied to cam, main gear, spindle pinion gear, lead screw and gears of record posts.

Light machine oil should be used in the tone arm vertical bearing, motor bearing, record post bearings, and all other bearings of various levers and pulleys on underside of motorboard and underneath turntable.



## RCA MFG. CO., INC.

MODEL QU7  
Ch. RC-55

MODEL QU7 HAS THE SAME RADIO CHASSIS AS MODEL QU8, THE DATA FOR WHICH WILL BE FOUND IN RIDER'S VOL. XII, PAGES 12-71 to 12-74 and 12-77 and 12-78. THE POWER AMPLIFIER AND POWER SUPPLY ARE DIFFERENT IN MODEL QU7 AND ALSO THE RECORD CHANGER AND THE P-A PORTION OF THE SET. SEE PAGE 430 IN RIDER'S "AUTOMATIC RECORD CHANGERS AND RECORDERS" FOR RECORD CHANGER ADJUSTMENTS AND PAGE 12-79 IN RIDER'S VOL. XII FOR PICKUP DATA. SEE PAGE 12-82 FOR RECORDER DATA.

## Public Address

External speakers may be connected to the terminal board located at the rear of the cabinet under the phono compartment. The total impedance of all the speakers connected to the instrument in parallel or series should be approximately 500 ohms.

Speakers recommended for use with this instrument are RCA MI-6320, MI-6319, MI-6249, MI-6233A or MI-6310 Speakers. The MI-6320 Speaker is rated about 10 watts. The MI-6233A Speaker is rated about 4 watts. These are speakers for handling low power in small rooms. For larger auditoriums and larger installations consult your local RCA Commercial Sound Distributor.

For outdoor, high volume applications the RCA MI-6260A (20 watts) or MI-6256 (100 watts) Speakers are recommended. As all these speakers are 15 ohm impedance, a matching transformer will be needed to match them to the 500 ohms output of the instrument (MI-4603 Transformer).

The following tables show the impedances of the speakers listed above:

## AVAILABLE IMPEDANCES

## MI-12315 Coupling Transformer

(Used in MI-6233A, MI-6249 Permanent-magnet Speakers)

Impedance	Leads
2	Blue—Green with Red tr.
6	Yellow—Green with Red tr.
15	Yellow—Blue
35	Black—Green with Red tr.
60	Black—Blue
225	Black—Red
340	Yellow—Red
430	Red—Green with Red tr.
500	Red—Blue

Note: As shipped from factory, MI-6233 Speakers have red and blue leads connected to terminal board.

## AVAILABLE IMPEDANCES

RCA MI-6320, MI-6319 and MI-6310 Permanent-magnet Dynamic Speakers

Impedance	Leads
2	Blue—Green with Red tr.
6	Blue—Yellow
400	Black—Yellow
500	Black—Blue
1000	Yellow—Black with Red tr.
1250	Blue—Black with Red tr.
2400	Red—Black
4500	Red—Yellow
5000	Red—Blue

Example: To match 2 MI-6233A Speakers to the instrument, connect each of the speakers for 342 ohms impedance as shown in the table above, and then connect the speakers in series.

To match 3 MI-6233 Speakers, connect each speaker for 225 ohms, then connect the three speakers in series.

To match 2 MI-6260A Speakers choose the 225 ohm impedance, and connect the primaries of the transformers in series.

To match 3 MI-6260A Speakers, choose the 1,250 ohm impedance and connect the speakers in parallel.

## LOCATING LOUDSPEAKERS

When installing loudspeakers, either temporarily or permanently, the installation will be simplified if one considers the loudspeaker to be similar to a search light. The sound waves from the loudspeaker are distributed in much the same manner as light rays from a search light. If a sufficient amount of the sound waves, either direct from the loudspeakers or reflected from hard surfaces, reach the microphone the system will howl. This is technically termed acoustic feedback, because the amplified sound from the loudspeakers is picked up by the microphone and fed back through the amplifier, where it adds to the original sound until a continuous whistle or howl is produced. Directional projectors, such as the 20-watt loudspeaker (MI-6260A) will, to a great extent, prevent howling by directing the sound waves to a restricted area and the amplifier can then be operated at much greater volume. When two speakers are used in an auditorium, hall, etc., the speakers and microphone should be so located that the speakers will be slightly in front of the microphone. Locate one speaker on each side of the microphone and as far from it as possible without destroying the illusion that the sound being heard is actually coming from the individual speaking. The speakers should be pointed in the direction of and at the proper angle to the audience so that as little of the sound waves as possible will be reflected from the side walls and hard surfaces.

It is not recommended that loudspeakers be located in the rear of the auditorium to provide coverage for this area, but rather that directional sound projectors be used; from the front and raised to a sufficient height to be directed into the audience at the rear of the seating area. The horns should be located so that the center of the sound beam will strike the floor at a point slightly more than two-thirds of the length of the room. There are occasions, however, where this is not practical, because of the high reverberation or poor acoustical conditions of the building. In this condition better results can be obtained by using a number of speakers operating at comparatively low volume. In an installation of this type a sufficient number of loudspeakers should be used and so located that the sound will be evenly distributed over the entire area in such a manner that an individual will hear the sound only from the speaker nearest him.

The RCA MI-6292, MI-6294, MI-6233A and MI-6310 loudspeaker housings are tilted downward twenty degrees for correct sound distribution.

MI-6292 and MI-6294 are tilted loudspeaker cabinets for MI-6319, MI-6249 and MI-6320 Speakers respectively.

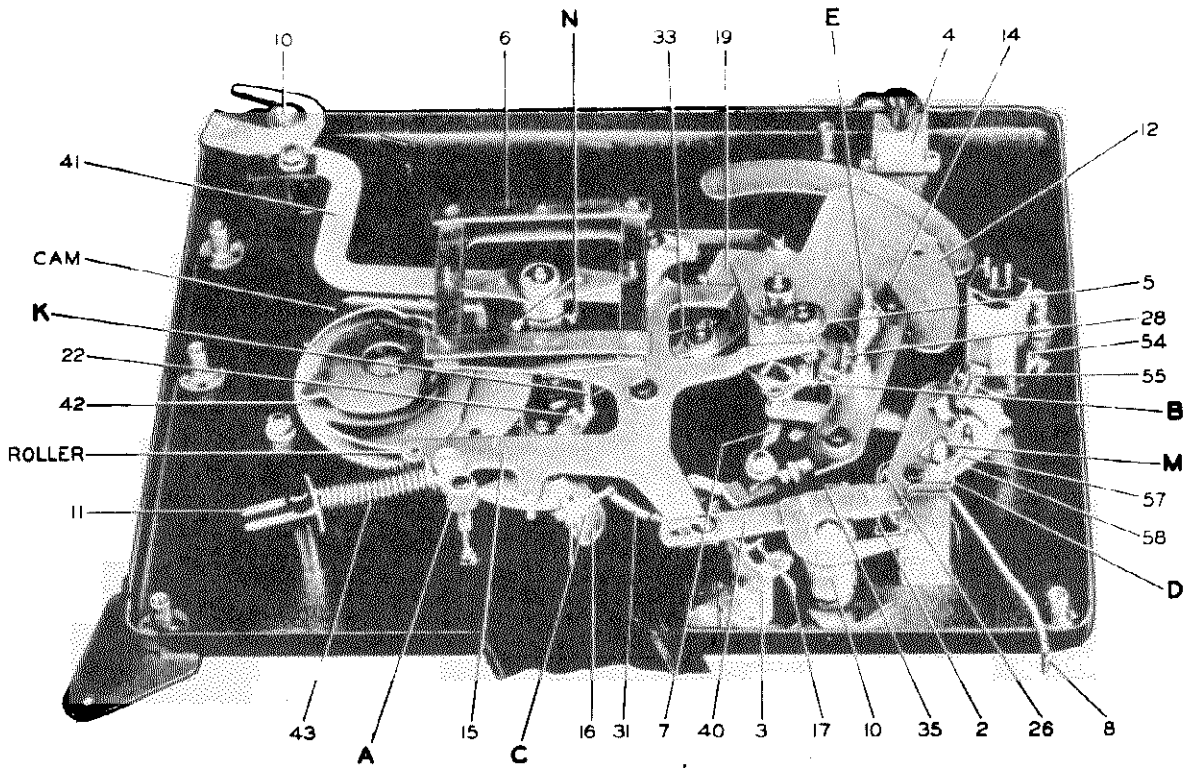
The height of the loudspeaker should be such that the center axis points toward seats about two-thirds of the room length away from the speaker.

In a large room, it may be necessary to use two or more loudspeakers connected in parallel and correctly phased, and located so as not to buck each other.

In an auditorium, RCA auditorium-type loudspeakers of correct type should be used. The auditorium speaker should be centered on the front wall, with its center axis pointing toward seats about two-thirds of the room length away from the speaker. If the speaker cannot be centered laterally on the front wall, it is advisable to use two speakers, one on each side of the proscenium arch. The height of the speaker or speakers should be sufficient to ensure good coverage of all seats, including the balcony.

MODEL QU7  
Ch. RC-551

RCA MFG. CO., INC.



**Names of Mechanism Parts**

- 2 Guide —Pickup-lift-cable guide.
- 3 Bracket —Record-discriminating-lever bracket.
- 4 Switch —Turntable motor switch.
- 5 Clutch —Trip-lever friction clutch.
- 6 Coupling —Flexible coupling.
- 7 Finger —Trip-lever friction finger.
- 8 Cable —Pickup shielded cable.
- 9 Spring —Record-discriminating-lever spring (flat)
- 10 Gear —Record-separator-shaft gear.
- 11 Guide —Main-lever-spring guide.
- 12 Lever —Index lever.
- 14 Lever —Locating lever and pawl.
- 15 Lever —Main lever.
- 16 Lever —Pickup lift-cable lever.
- 17 Lever —Record-discriminating lever and pawl.
- 18 Lever —Record-separator elevating lever.
- 19 Lever —Trip-detaining lever.
- 22 Pawl —Trip pawl.
- 23 Pin —Separator-shaft pin (engages gear).
- 25 Separator —Record-separator knife.
- 26 Spring —Pickup-arm starting spring.
- 27 Shelf —Record-support shelf.
- 28 Spring —Record-discriminating-lever pawl spring, or locating-lever pawl spring.
- 31 Spring —Pickup lift-cable spring.
- 33 Spring —Trip-detaining lever spring.
- 34 Shaft —Record-separator shaft.
- 35 Spring —Locating-lever spring.
- 40 Gear —Short arm and rack gear.
- 41 Gear —Long arm and rack gear.
- 42 Cam —Cam and drive gear assembly.
- 43 Spring —Main-lever spring.
- 54 Switch —Automatic switch.
- 55 Pin —Switch plunger pin.
- 57 Spring —Trip lever cam spring.
- 58 Cam —Trip-lever cam and link.

**Names of Mechanism Adjustments**

- "A" Rubber Bumper.—Maintains 1/16-inch clearance between roller (on end of main lever) and cam plate.
- "B" Friction Clutch Adjustment.—Regulates tripping of record-changing cycle when pickup swings in eccentric groove.

"C" Pickup Lift-Cable Adjustment.—Regulates height that pickup arm is lifted during record-changing cycle.

"D" Needle Landing Position for 10-inch Records.—The relation between pickup shaft and trip lever "58," which are fastened by set screws "D," determines needle landing position for 10-inch records.

"E" Needle Landing Position for 12-inch Records.—Eccentric stud "E" adjusts position of lever "14" which determines landing position for 12-inch records.

"F" Record separator knife adjustment for 10-inch records, adjusts spacing of knife with relation to record shelf so knife will accurately slice in between the bottom 10-inch record and the rest of the stack.

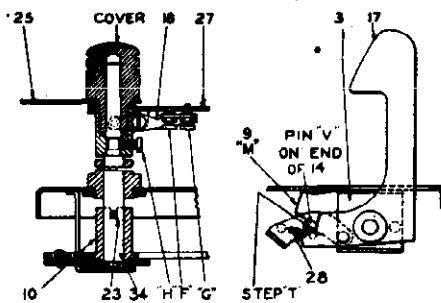
"G" Record separator knife adjustment for 12-inch records, adjusts movement of elevating lever which raises knife to compensate for greater thickness of 12-inch records.

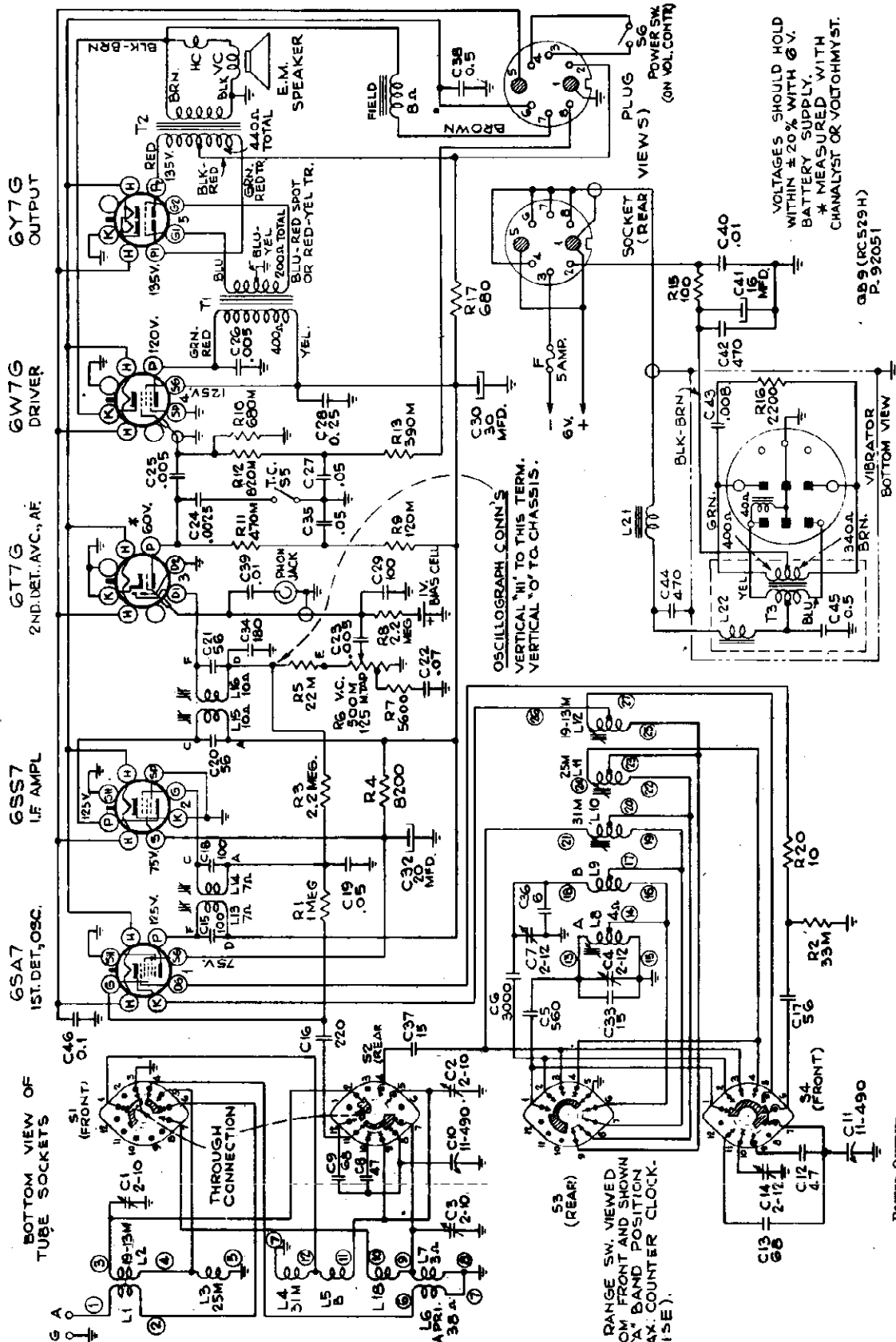
"H" Record support shelf set screws, to adjust record support shelf on each record post, so the shelves move out from under the bottom record at the same instant, permitting record to drop properly.

"K" Trip-pawl stop pin, regulates point at which the roller on main lever enters the cam.

"M" Eccentric stud, regulates automatic-switch release.

"N" Spindle clutch adjustment.





VOLTAGES SHOULD HOLD WITHIN ± 20% WITH 6V. BATTERY SUPPLY. \* MEASURED WITH CHANNELYST OR VOLTOHMYST.

Q89 (RC529H)  
P. 92051

FREQUENCY RANGES

Standard Broadcast ("A" Band)	540-1,720 kc (555-1,740 m)
Standard Wave ("B" Band)	2.9-9.5 mc (312-963 m)
Short Wave	9.5-11.6 mc (926-1127 m)
Short Wave	11.7-15.2 mc (1089-1417 m)
Short Wave	15.1-22.5 mc (1389-2013 m)

INTERMEDIATE FREQUENCY.....455 kc

POWER OUTPUT

Undistorted	1.4 watts
Maximum	2.1 watts

POWER SUPPLY RATINGS

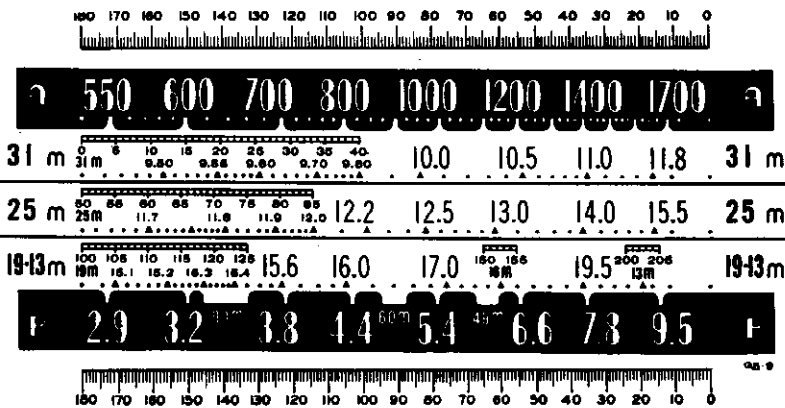
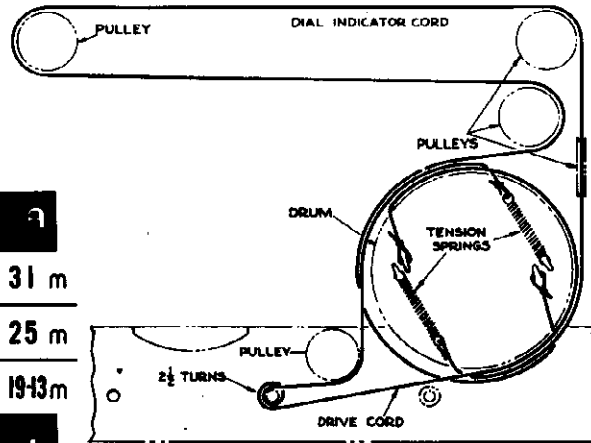
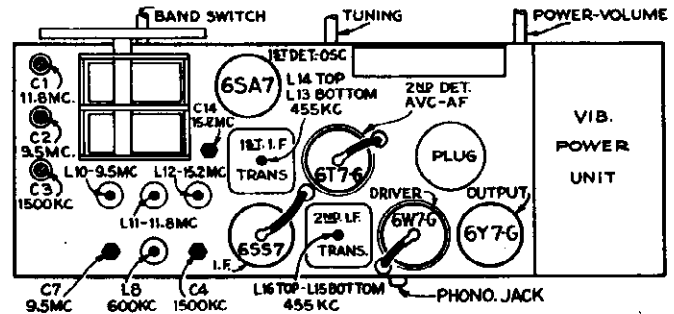
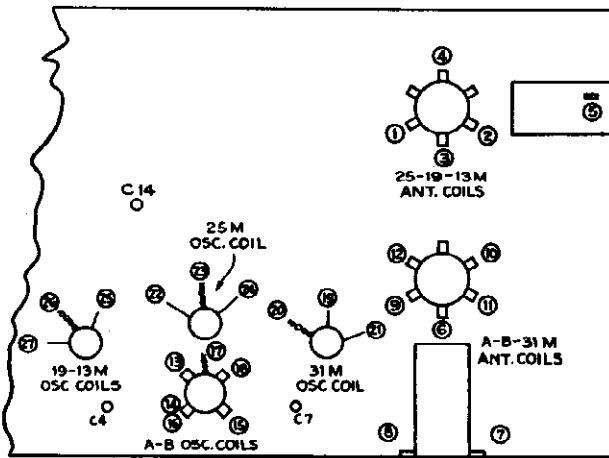
With vibrator power supply unit (RS-115B):	
6.3 volts, total current drain	2.7 amperes

LOUDSPEAKER (RL-79C9)

Type	6-inch, electrodynamic
Voice-coil Impedance at 400 cycles	3.4 ohms

MODEL QB9  
Ch.RC-539H

RCA MFG. CO., INC.



As the first step in r-f alignment, check the position of the drum. The "180°" mark on the drum scale must be vertical and directly over the center of the gang-condenser shaft when the plates are fully meshed. The drum is held to the shaft by means of two set screws, which must be tightened securely when the drum is in the correct position.

To determine the corresponding frequency for any setting of the calibration scales, refer to the accompanying drawing which shows the dial with 0-180° calibration scales drawn at top and bottom.

**Pointer for Calibration Scale.**—Improvise a pointer for the calibration scale by fastening a piece of wire to the gang-condenser frame, and bend the wire so that it points to the "180°" mark on the calibration scale when the plates are fully meshed.

**Dial-Indicator Adjustment.**—After fastening the chassis in the cabinet, attach the dial indicator to the drive cable with indicator at the 540 kc mark, and gang condenser fully meshed. The indicator has a spring clip for attachment to the cable.

**Spread-Band Alignment.**—The most satisfactory method of aligning or checking the spread-band ranges is on actual reception of short-wave stations of known frequency, by adjusting the magnetite-core oscillator coil for each band so that these stations come in at the correct points on the dial.

In exceptional cases, when the set is being serviced in a location where the noise level is high enough to prevent reception of short-wave stations, a test-oscillator may be used for alignment, but an extremely high degree of accuracy is required in the frequency settings of the test-oscillator, as a slight error will produce considerable inaccuracy on the spread-band dials. The frequency settings of the test-oscillator may be checked by one or both of the following methods:

1. Determine the exact dial settings of the test-oscillator (for frequencies at or close to the specified alignment frequencies) by zero-beating the test-oscillator against short-wave stations of known frequency.
2. Use harmonics of the standard-broadcast range of the test-oscillator, first checking the frequency settings on this range by means of a crystal calibrator (RCA Stock No. 9572), or by zero-beating against standard broadcast stations.

When a test oscillator is employed for spread-band alignment, a final check should be made on actual reception of short-wave stations of known frequency, and the magnetite-core oscillator coil for each band should be re-adjusted so that the stations come in at the correct points on the dial.

Steps	Connect the high side of the test-osc. to—	Tune test-osc. to—	Range switch	Turn radio dial to—	Adjust the following for max. peak output
					On oscillator-circuit cores and trimmers, if two peaks can be obtained, use the one of minimum inductance or minimum capacity.
1	1st I-F grid cap. in series with .01 mfd.	455 kc	A	Quiet point near 180°	L15 and L16 2nd I-F transformer
2	1st Det. grid, in series with .01 mfd.				L13 and L14 1st I-F transformer
3		11.8 mc	25M	138.5°	L11 (osc.) C1 (ant.)
4		15.2 mc		17°	C14 (osc.)*
5		Repeat steps 3 and 4.			
6	Ant. lead in series with 300 ohms	15.2 mc	19-13M	156°	L12 (osc.)
7		9.6 mc	31M	156°	L10 (osc.) C2 (ant.)
8		9.5 mc	B	11.5°	C7 (osc.)
9	Ant. lead in series with 200 mmf.	1,500 kc	A	26°	C4 (osc.) C3 (ant.)
10		600 kc		150°	L8 (osc.) (Rock gang)
11	Repeat steps 9 and 10.				

\* Use minimum capacity peak if two can be obtained. Check image to determine that C14 has been adjusted to the correct peak by tuning receiver to approximately 14.29 mc (29°) where a weaker signal should be received.

NOTE: Oscillator tracks above signal on all bands.

RCA MFG. CO., INC.

MODEL Q  
MODEL Q

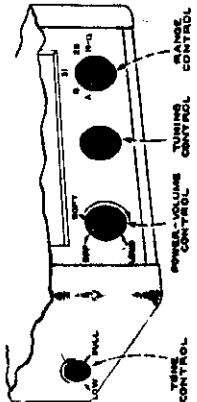
PARTS LIST - MODEL QBS

Table with columns: STOCK No., DESCRIPTION, UNIT PRICE, STOCK No., DESCRIPTION, UNIT PRICE, STOCK No., DESCRIPTION, UNIT PRICE. Includes sections for CHASSIS ASSEMBLIES, POWER SUPPLY UNIT ASSEMBLIES, and MISCELLANEOUS ASSEMBLIES.

ALL PRICES ARE SUBJECT TO CHANGE OR WITHDRAWAL WITHOUT NOTICE.

MODEL QBS

- 1. All oscillator coil leads must be kept apart from each other as well as other leads and parts. No two leads may be less than 1/8 inch apart.
2. Oscillator grid coupling condenser C17, must bear lightly against mica of C17 condensers, and the green gang lead must be spaced C17 from the other side. Cement with "ambrodax".
3. C12 (67 mfd.) condenser must be at least 1/2 inch away from all parts and leads.
4. C12 (67 mfd.) condenser must be at least 1/2 inch away from all parts and leads.
5. C13 (89 mfd.) condenser must bear against the switch and/or C17 grid coupling condenser and be cemented with "ambrodax" on one clear all parts and leads to be at least 1/2 inch.

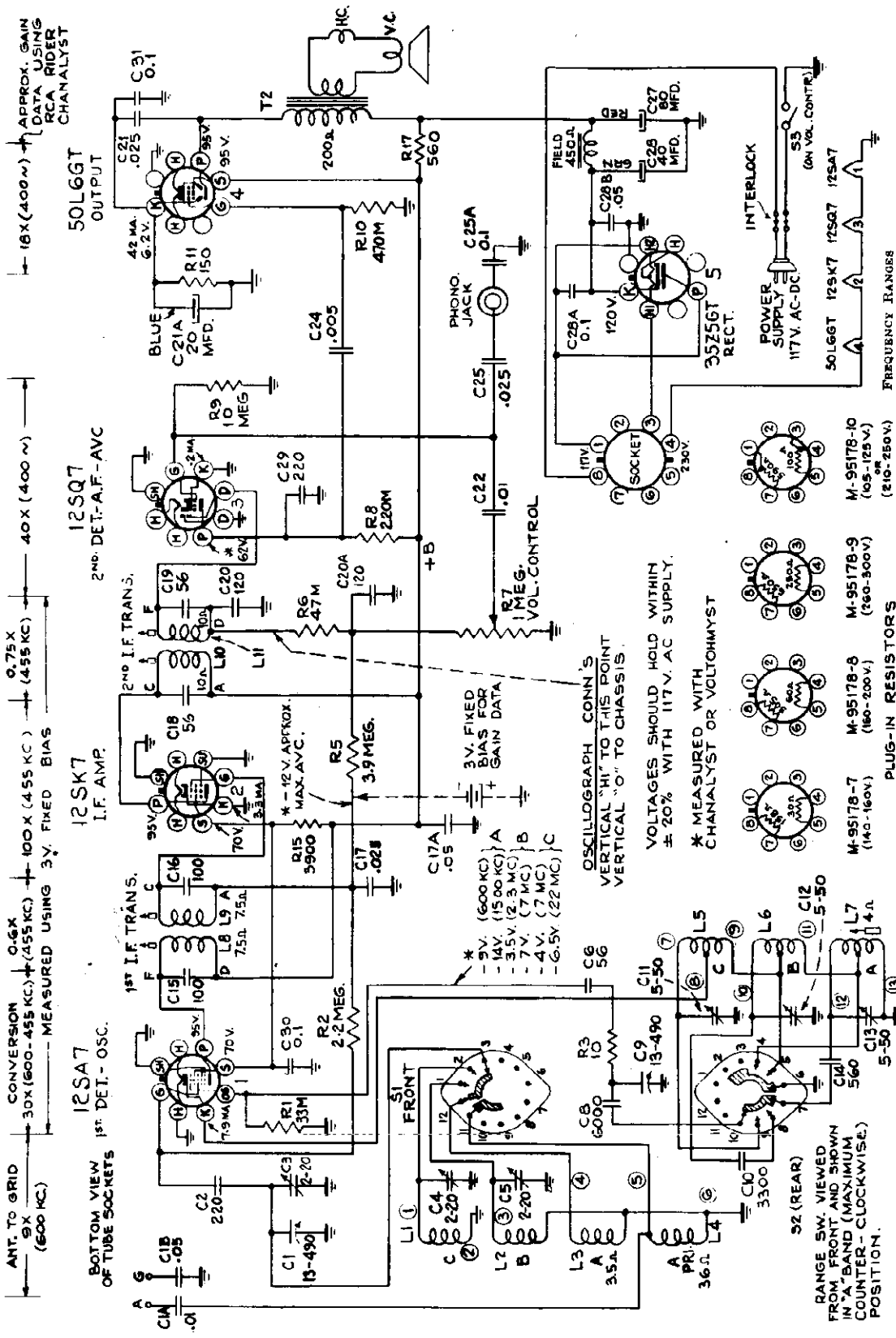


ALL PRICES ARE SUBJECT TO CHANGE OR WITHDRAWAL WITHOUT NOTICE.

- 6. Antenna grid coupling condenser must be as far away from all metal parts as possible.
7. Bridge between gang and chassis must be so soldered as to be as far away from factor legs as possible.
8. Both condensers on the front switch lug No. 8 (with green antenna gang lead) must be as far away from metal shield of the switch and all other metal as possible.
9. AVC by-pass condenser (C19) must clear the tuning bracket by at least 1/2 inch.
10. Make sure the bias coil polarity is correct.

MODEL Q11  
Ch. RC-563E, RC-563F

RCA MFG. CO., INC.



**FREQUENCY RANGES**  
Standard Broadcast ("A" Band) 540-1,720 kc (555-174 m)  
Medium Wave ("B" Band) 2.3-7.0 mc (130-42.8 m)  
Short Wave ("C" Band) 7.0-22.0 mc (42.8-13.6 m)

**INTERMEDIATE FREQUENCY** ..... 455 kc

**LOUSPEAKERS**  
RL-86A-3 5-inch EM  
RL-86B-2 5-inch EM  
Type V.C. Impedance at 400 cycles 4 ohms  
Field Resistance 450 ohms  
3,300 ohms

**Model Q11 (RC-563E) Schematic Diagram**

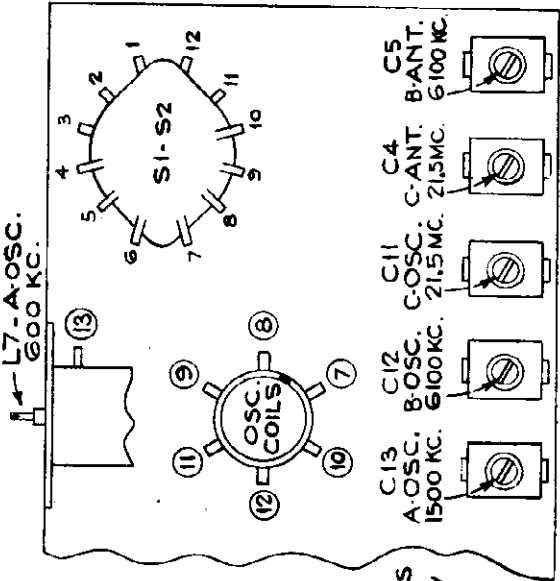
**FOR PARTS LIST, SEE INDEX**

**Model Q11 (RC-563F) does not use ballast resistor, and field and output circuits are as shown in the diagram**

The standard Ballast Resistor M-95178-10, supplied with the Model Q11 (RC-563E), 105-125, 210-250 volt model, may be replaced with other types for operation on other voltage ranges. The Ballast Resistor must be installed in place of the M-95178-10 with the lug at the 230 volt mark (see top view of chassis). For 140-160 volts—Ballast Resistor M-95178-7; for 160-200 volts—Ballast Resistor M-95178-8; and for 260-300 volts—Ballast Resistor M-95178-9.

RCA MFG. CO., INC.

MODEL Q11  
Ch. RC-563E, RC-563J



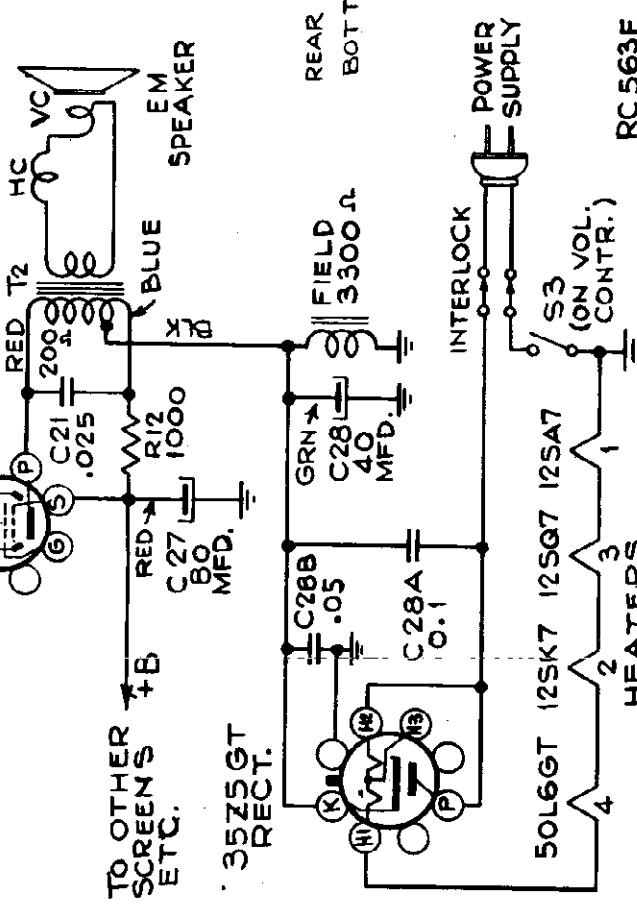
POWER SUPPLY RATINGS (DC or 40-100 cycles AC)

Chassis	Ballast Resistor	Voltage	Watts
RC-563E	M-95178-10	105-125	40
RC-563E	M-95178-7	140-160	50
RC-563E	M-95178-8	160-200	55
RC-563E	M-95178-10	210-250	80
RC-563E	M-95178-9	260-300	95
RC-563E	M-95178-10	105-125	40

POWER OUTPUT RATINGS

Chassis	Voltage	Maximum
RC-563E	117	2.4
RC-563E	234	4.1
RC-563E	117	2.2

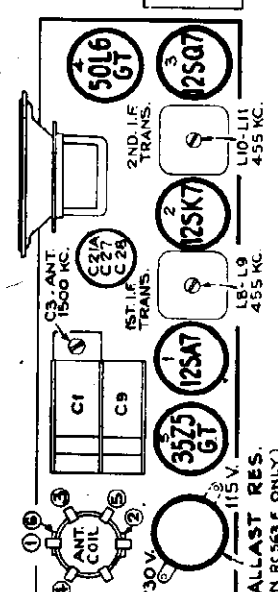
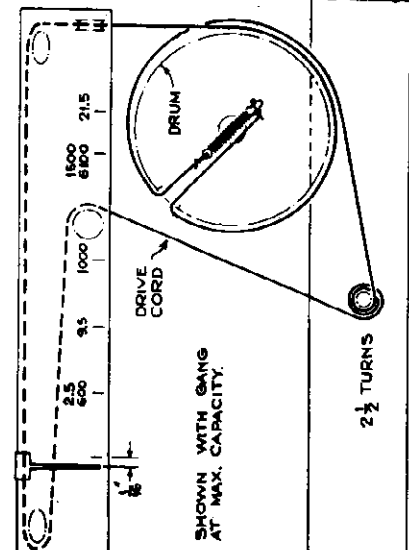
Model Q11 (RC-563F) Schematic Diagram  
Otherwise same as Model Q11 (RC-563E)



Steps	Range Switch	Connect high side test dec. to—	Tune test osc. to—	Turn radio dial to	Adjust following for max. peak output
1		12SK7 I-F grid in series with .01 mfd.		"A" band quiet point at high-freq. end.	L10, L11 (2nd I-F trans.)
2		12SA7 1st det. grid in series with .01 mfd.	455 kc		L9, L8† (1st I-F trans.)
3	"A"	Antenna lead in series with 200 ohms.	1,500 kc (200 m)	1,500 kc (5th mark)	C13, C5
4		Antenna lead in series with 300 ohms.	600 kc (500 m)	600 kc mark (2nd mark)	L7** Rock gang
5			Repeat steps 3 and 4		
6	"B"	Antenna lead in series with 300 ohms.	6.1 mc (6th mark)	6.1 mc mark (6th mark)	C13* (osc.) C5 (ant.)
7	"C"		21.5 mc (6th mark)	21.5 mc (6th mark)	C11* C4

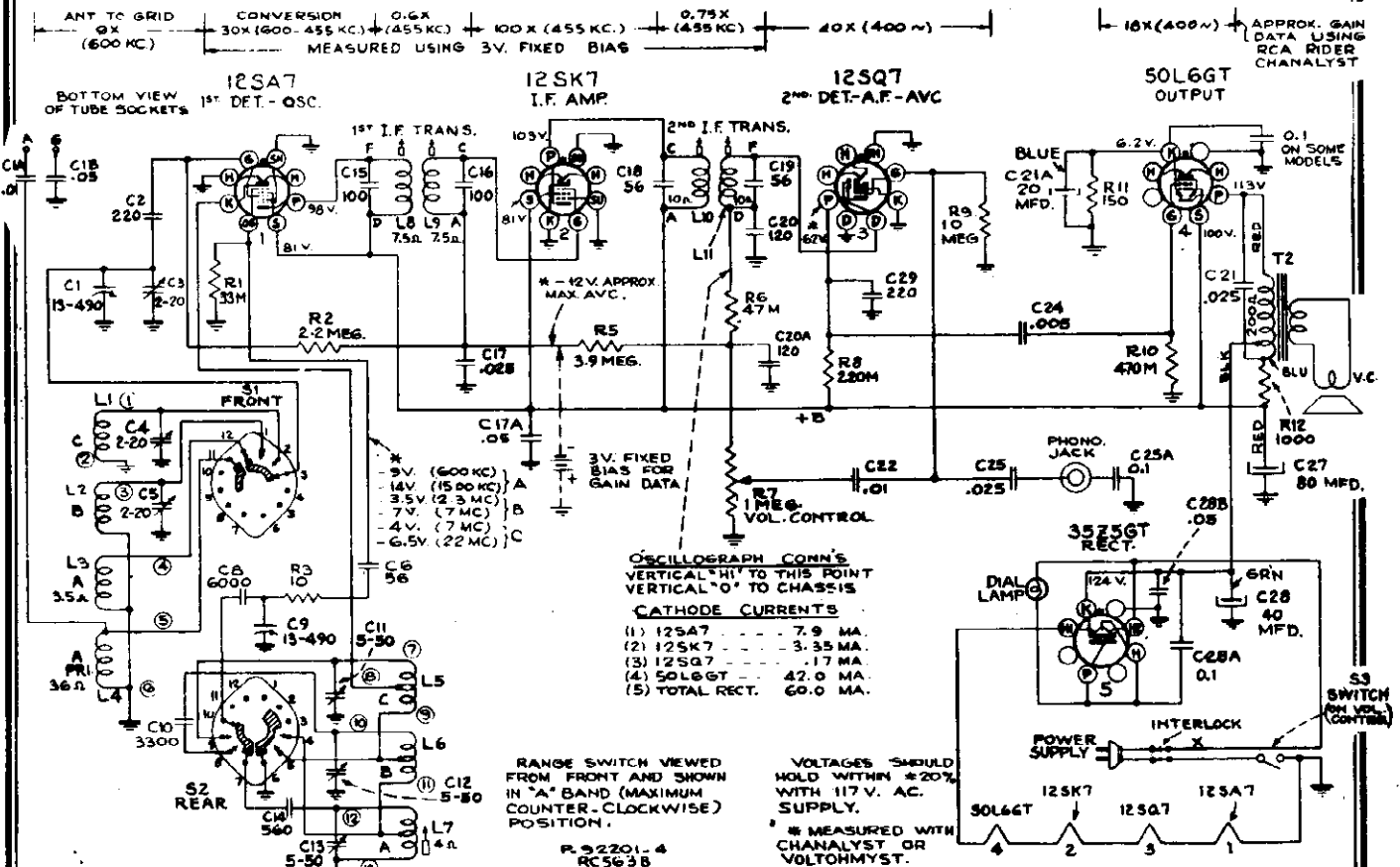
\* Use minimum capacity peak if two peaks can be obtained.  
\*\* Rock gang slightly for peak output.  
† Do not readjust L11 or L10 when test oscillator is applied to the 12SA7 Grid.  
NOTE: Oscillator tracks above signal on all bands.

Pre-Setting Dial.—With gang condenser in full mesh, the pointer should be 1/16 inch to the left of first mark on dial backing plate.  
Precautionary Lead Dress.—  
Dress 0.01 capacitor from volume control away from power switch.  
Yellow cathode lead from 12SA7 socket to oscillator coil must be dressed around coil form.  
Yellow lead from band switch to antenna coil must be dressed around coil form.



**MODEL Q12**  
**Ch. RC-563, RC-563B,**  
**RC-563C, RC-563D**

**RCA MFG. CO., INC.**



OSCILLOGRAPH CONN'S VERTICAL "HI" TO THIS POINT VERTICAL "0" TO CHASSIS

**CATHODE CURRENTS**

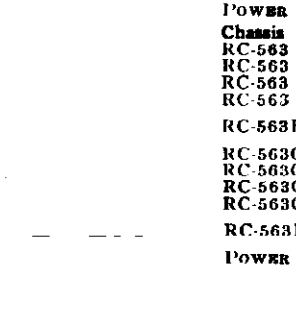
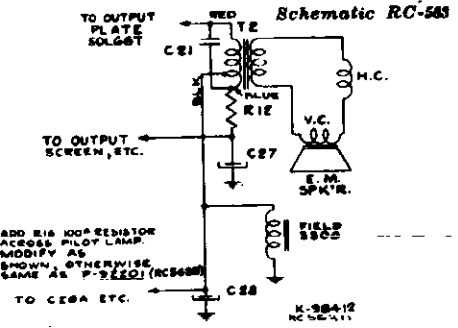
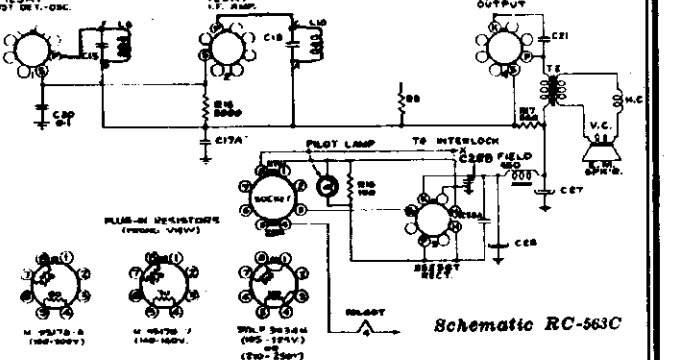
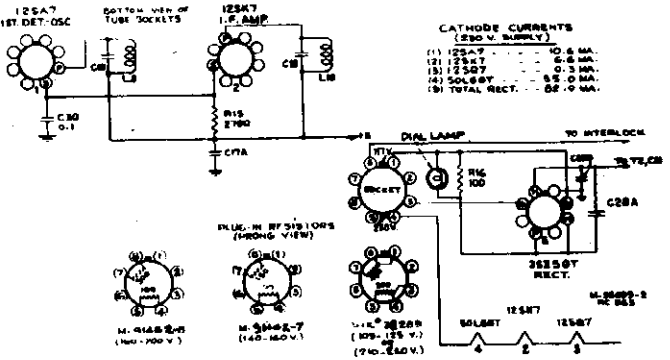
(1) 12SA7 ----- 7.9 MA.  
 (2) 12SK7 ----- 3.35 MA.  
 (3) 12SQ7 ----- 17 MA.  
 (4) 50L6GT ----- 47.0 MA.  
 (5) TOTAL RECT. 60.0 MA.

RANGE SWITCH VIEWED FROM FRONT AND SHOWN IN "A" BAND (MAXIMUM COUNTER-CLOCKWISE) POSITION.

VOLTAGES SHOULD HOLD WITHIN ±20% WITH 117 V. AC. SUPPLY.

\* MEASURED WITH CHANNELYST OR VOLTOHMYST.

P-92201-4  
 RC-563B  
**Schematic RC-563B**



**POWER SUPPLY RATINGS (DC OF 40-100 cycles AC)**

Chassis	Ballast Resistor	Voltage	Watts
RC-563	Stock No. 38289	105-125	35
RC-563	Stock No. 38289	210-250	70
RC-563	M-91462-7	140-160	45
RC-563	M-91462-8	160-200	55
RC-563B		110	35
RC-563C	Stock No. 39346	105-125	37
RC-563C	Stock No. 39346	210-250	85
RC-563C	M-95178-7	140-160	54
RC-563C	M-95178-8	160-200	67
RC-563D		110	37

**POWER OUTPUT RATINGS**

Chassis	Voltage	Maximum
RC-563	117	2.4
RC-563	234	4.1
RC-563B	117	2.2
RC-563C	117	1.6
RC-563C	234	4.1
RC-563D	117	2.2

**FREQUENCY RANGES**

Standard Broadcast ("A" Band).....540-1,720 kc (555-174 m)  
 Medium Wave ("B" Band).....2.3-7.0 mc (130-42.8 m)  
 Short Wave ("C" Band).....7.0-22.0 mc (42.8-13.6 m)

INTERMEDIATE FREQUENCY.....455 kc

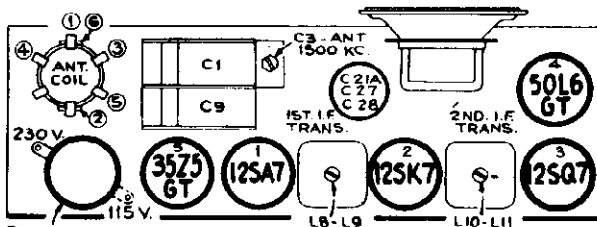
**LOUDSPEAKERS**

Type	RL-81B-2	RL-86A-3	RL-86B-2
5-inch, PM	5-inch, PM	5-inch, PM	5-inch, EM
V.C. Impedance at 400 cycles	4 ohms	4 ohms	4 ohms
Field Resistance			8,300 ohms



RCA MFG. CO., INC.

MODEL Q12  
Ch. RC-563, -B, -C, -D



**BALLAST RES.**  
(ON RC563 AND RC563C ONLY)

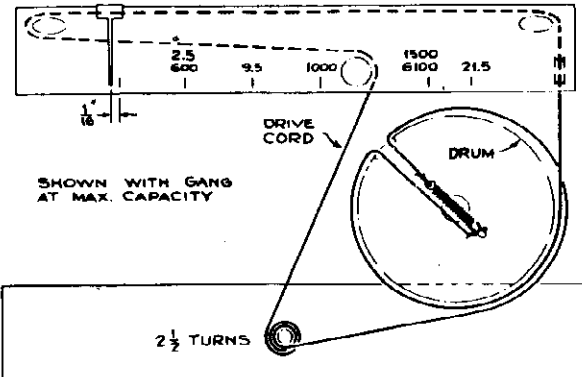
**Pre-Setting Dial.**—With gang-condenser in full mesh, the pointer should be 1/16 inch to the left of first mark on dial backing plate.

**Precautionary Lead Dress.**—

Dress 0.01 capacitor from volume control away from power switch.

Yellow cathode lead from 12SA7 socket to oscillator coil must be dressed around coil form.

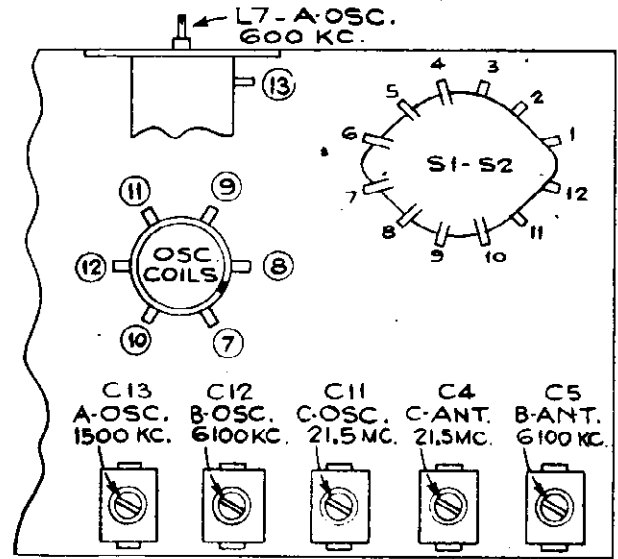
Yellow lead from band switch to antenna coil must be dressed around coil form.



Steps	Range Switch	Connect high side test osc. to—	Tune test osc. to—	Turn radio dial to	Adjust following for max. peak output
1	"A"	12SK7 I-F grid in series with .01 mfd.	455 kc	"A" band quiet point at high freq. end.	L10, L12 (2nd I-F trans.†)
2		12SA7 1st det. grid, in series with .01 mfd.			L9, L8 † (1st I-F trans.)
3		Antenna lead in series with 200 mmf.	1,500 kc (200 m)	1,500 kc mark (5th mark)	C13, C3
4			600 kc (500 m)	600 kc mark (2nd mark)	L7** Rock gang
5			Repeat steps 3 and 4		
6	"B"	Antenna lead in series with 300 ohms	6.1 mc	6.1 mc mark (5th mark)	C12* (osc.) C5 (ant.)
7	"C"		21.5 mc	21.5 mc mark (8th mark)	C11* C4

\* Use minimum capacity peak if two peaks can be obtained.  
\*\* Rock gang slightly for peak output.  
† Do not readjust L12 or L10 when test oscillator is applied to the 12SA7 Grid.

NOTE: Oscillator tracks above signal on all bands.



BOTTOM VIEW - REAR OF CHASSIS

STOCK NO.	DESCRIPTION	Unit List Price	STOCK NO.	DESCRIPTION	Unit List Price
<b>CHASSIS ASSEMBLIES</b> (RC-563 110/220 AC-DC) (RC-563B 110 AC-DC)					
38289	Ballast—Ballast tube resistor for 220 volts operation	1.75	37068	Indicator—Station selector indicator	.20
36238	Bracket—Dial lamp bracket	.15	37892	Insulator—Phono input socket insulator	.04
38327	Capacitor—Electrolytic, comprising 1 section of 80 mfd., 250 volts, and 1 section of 40 mfd., 250 volts, and 1 section 20 mfd., 25 volts	1.10	38288	Plate—Dial back plate complete with pulleys and bracket—less dial	1.00
38290	Capacitor—Mica trimmer comprising 3 sections of 5-50 mmfd., and 2 sections of 2-20 mmfd.	.85	33825	Plug—2 Prong male plug for power input	.10
12723	Capacitor—56 mmfd., moulded	.35	36230	Pulley—Drive cord pulley	.04
30949	Capacitor—56 mmfd., un moulded	.25	36237	Pulley—Tuning condenser pulley	.25
30904	Capacitor—100 mmfd.	.25	38289	Resistor—Ballast tube resistor for 220 volts operation	1.75
12724	Capacitor—120 mmfd.	.35	13988	Resistor—10 ohms, 1/2 watt	.20
12694	Capacitor—220 mmfd.	.35	35711	Resistor—100 ohms, 1/2 watt (220/110 AC DC only)	.30
12537	Capacitor—560 mmfd.	.35	30880	Resistor—150 ohms, 1/2 watt	.20
31403	Capacitor—3300 mmfd.	.60	30730	Resistor—2700 ohms, 1/2 watt (220/110 AC DC only)	.20
31405	Capacitor—6000 mmfd.	.75	34766	Resistor—1000 ohms, 1/2 watt	.20
33584	Capacitor—.005 mfd.	.25	12454	Resistor—33,000 ohms, 1/2 watt	.20
4870	Capacitor—.025 mfd.	.20	12412	Resistor—47,000 ohms, 1/2 watt	.20
4858	Capacitor—.01 mfd., 500 volts	.25	14583	Resistor—220,000 ohms, 1/2 watt	.20
4937	Capacitor—.01 mfd., 1000 volts	.25	30648	Resistor—470,000 ohms, 1/2 watt	.20
4886	Capacitor—.05 mfd., 400 volts	.20	12679	Resistor—2.2 meg., 1/2 watt	.20
32786	Capacitor—.01 mfd., 300 volts (220/110 AC DC only)	.25	32800	Resistor—3.9 meg., 1/2 watt	.20
4839	Capacitor—.01 mfd., 400 volts	.30	30882	Resistor—10 meg., 1/2 watt	.20
32821	Coil—Antenna coil	1.35	36897	Shaft—Tuning knob shaft	.10
38292	Coil—Oscillator coil	1.00	34440	Socket—Dial lamp socket	.30
38287	Condenser—Variable tuning condenser	2.50	33742	Socket—Phono input socket	.20
38406	Control—Volume control and power switch	1.50	31251	Socket—Tube socket	.25
32634	Cord—Drive cord (approx. 50-inch overall length)	.10	31418	Spring—Drive cord spring	.05
32713	Core—Adjustable core and stud for oscillator coil	.35	38291	Switch—Range switch	1.10
			36800	Transformer—Audio transformer for models using speaker stamped RL81B2 or RL86B2	1.30
			35636	Transformer—First I.F. transformer	1.70
			35628	Transformer—Second I.F. transformer	1.85
			38289	Tube—Ballast tube resistor for 220 volt operation	1.75
			33726	Washer—"C" washer for tuning shaft	.02

Parts List Continued on next page

MODEL Q11  
MODEL Q12

RCA MFG. CO., INC.

MODEL Q12 (Continued)

STOCK NO.	DESCRIPTION	Unit List Price	STOCK NO.	DESCRIPTION	Unit List Price
	<b>CHASSIS ASSEMBLIES</b> (RC-563C 110/220 AC-DC) (RC-563D 110 AC-DC) Same as Models RC-563 & RC-563B		37612	Speaker—5-inch permanent magnet speaker complete with cone and coil—less output transformer	3.50
	EXCEPT:			<b>SPEAKER ASSEMBLIES</b> (RL-86A-3)	
39346	Ballast—Ballast tube resistor for 110/220 AC-DC Models	1.75	32907	Cap—Dust cap	.02
39346	Resistor—Ballast tube resistor for 110/220 AC-DC Models	1.75	39348	Coil—Field coil—450 ohms	1.20
39346	Tube—Ballast tube resistor for 110/220 AC-DC Models	1.75	35570	Cone—Cone complete with voice coil	1.20
	ADD:			<b>SPEAKER ASSEMBLIES</b> (RL-86B-2)	
30735	Resistor—560 ohms, 1 watt (for 220/110 AC-DC)	.20	32907	Cap—Dust cap	.02
30694	Resistor—3,900 ohms, 1/2 watt (for 220/110 AC-DC)	.20	39348	Coil—Field coil—3,300 ohms	1.50
39345	Transformer—Audio transformer for models using speaker stamped RL86A3	1.35	35570	Cone—Cone complete with voice coil	1.20
	DELETE:			<b>MISCELLANEOUS ASSEMBLIES</b>	
30730	Resistor—2,700 ohms, 1/2 watt (for 220/110 AC-DC)	.20	38293	Back—Cabinet back—less power cord	.15
	<b>SPEAKER ASSEMBLIES</b> (RL81B2)		36890	Clamp—Dial clamp—L.H.	.15
35570	Cone—Cone complete with voice coil	1.20	36891	Clamp—Dial clamp—R.H.	.15
			32636	Cord—Power cord and plug	1.00
			36103	Decalcomania—"Off-Volume" decal	.05
			35480	Decalcomania—Range switch decal	.05
			38328	Dial—Glass dial scale	.75
			37831	Fastener—Push on fastener for back	.10
			36886	Knob—Range switch or volume control knob	.25
			36722	Knob—Tuning knob	.20
			31480	Lamp—Dial lamp	.20
			30900	Spring—Retaining spring for knobs	.05

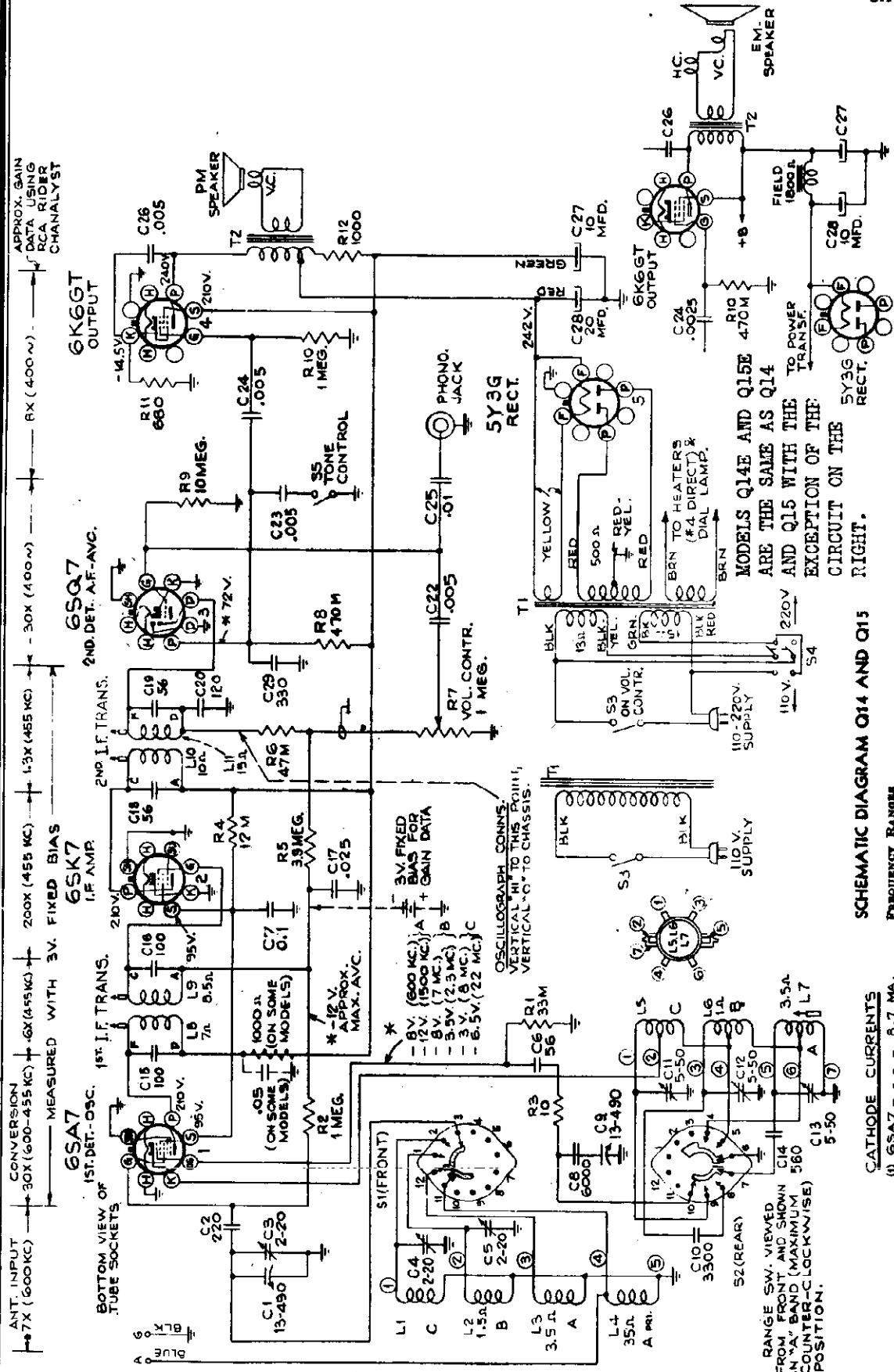
MODEL Q11

STOCK No.	DESCRIPTION	Unit List Price	STOCK No.	DESCRIPTION	Unit List Price
	<b>CHASSIS ASSEMBLIES</b> (RC-563-E) (RC-563-F)		14583	Resistor—220,000 ohms, 1/2 watt	.20
39346	Ballast—Ballast tube resistor for 110/220 AC-DC Models	1.75	30648	Resistor—470,000 ohms, 1/2 watt	.20
38327	Capacitor—Electrolytic, comprising 1 section of 80 mfd., 250 volts, and 1 section of 40 mfd., 250 volts, and 1 section of 20 mfd., 25 volts.	1.10	12679	Resistor—2.2 meg., 1/2 watt	.20
38290	Capacitor—Mica trimmer, comprising 3 sections of 5-50 mmfd., and 2 sections of 2-20 mmfd.	.95	32809	Resistor—3.9 meg., 1/2 watt	.20
12783	Capacitor—56 mmfd., moulded	.35	30992	Resistor—10 meg., 1/2 watt	.20
30949	Capacitor—56 mmfd., un moulded	.25	36897	Shaft—Tuning knob shaft	.10
30904	Capacitor—100 mmfd.	.25	33742	Socket—Phono input socket	.20
12724	Capacitor—120 mmfd.	.35	31251	Socket—Tube socket	.25
12694	Capacitor—220 mmfd.	.35	31418	Spring—Drive cord spring	.05
12637	Capacitor—560 mmfd.	.35	38291	Switch—Range switch	1.10
31403	Capacitor—3,300 mmfd.	.60	39345	Transformer—Audio transformer for models using speaker stamped RL-86A-3	1.35
31405	Capacitor—6,000 mmfd.	.75	36800	Transformer—Audio transformer for models using speaker stamped RL-86B-2	1.30
33584	Capacitor—.005 mfd.	.25	35636	Transformer—First I.F. transformer	1.70
4870	Capacitor—.025 mfd.	.20	35628	Transformer—Second I.F. transformer	1.85
4858	Capacitor—.01 mfd., 500 volts	.25	39346	Tube—Ballast tube resistor for 110/220 AC-DC Models	1.75
4937	Capacitor—.01 mfd., 1,000 volts	.25	33726	Washer—"C" washer for tuning shaft	.02
4886	Capacitor—.05 mfd., 400 volts	.20		<b>SPEAKER ASSEMBLIES (110/220 AC-DC)</b> (RL-86A-3)	
32786	Capacitor—0.1 mfd., 300 volts (220/110 AC-DC only)	.25	32907	Cap—Dust cap	.02
4839	Capacitor—0.1 mfd., 400 volts	.30	35570	Cone—Cone complete with voice coil	1.20
32821	Coil—Antenna coil	1.35	39348	Coil—Field coil, 450 ohms	1.75
38292	Coil—Oscillator coil	1.00		<b>SPEAKER ASSEMBLIES (110 AC-DC)</b> (RL-86B-2)	
38287	Condenser—Variable tuning condenser	2.50	32907	Cap—Dust cap	.02
38406	Control—Volume control and power switch	1.50	39348	Coil—Field coil—3,300 ohms	1.50
32634	Cord—Drive cord (approx. 50 inches overall length)	.10	35570	Cone—Cone complete with voice coil	1.20
32713	Core—Adjustable core and stud for oscillator coil	.35		NOTE: If the stamping on speaker in instrument does not agree with above speaker, order replacement parts by referring to model number of instrument, number stamped on speaker and full description of part required.	
37068	Indicator—Station selector indicator	.20		<b>MISCELLANEOUS ASSEMBLIES</b>	
37982	Insulator—Phono input socket insulator	.04	30698	Back—Cabinet back—less power cord and plug	.45
38288	Plate—Dial back plate complete with pulleys and bracket—less dial	1.00	32836	Cord—Power cord and plug	1.00
33825	Plug—2-prong male plug for power input	.10	36103	Decalcomania—"Off-Volume" decal	.05
36230	Pulley—Drive cord pulley	.04	35480	Decalcomania—Range switch decal	.05
36237	Pulley—Tuning condenser pulley	.25	35392	Decalcomania—Trade mark decal	.05
39346	Resistor—Ballast tube resistor for 110/220 AC-DC Models	1.75	39745	Dial—Glass dial scale	1.25
13988	Resistor—10 ohms, 1/2 watt	.20	38334	Knob—Range switch or volume control knob	.25
35711	Resistor—100 ohms, 1/2 watt (220/110 AC-DC)	.30	37256	Knob—Tuning knob	.25
30880	Resistor—150 ohms, 1/2 watt	.20	31390	Mounting—One set chassis mounting screws and washers	.10
30735	Resistor—560 ohms, 1 watt (220/110 AC-DC)	.20		Spring—Retaining spring for knobs	.05
34766	Resistor—1,000 ohms, 1/2 watt	.20			
30694	Resistor—3,900 ohms, 1/2 watt (220/110 AC-DC)	.20			
12454	Resistor—33,000 ohms, 1/2 watt	.20			
12412	Resistor—47,000 ohms, 1/2 watt	.20			

ALL PRICES ARE SUBJECT TO CHANGE OR WITHDRAWAL WITHOUT NOTICE.

RCA MFG. CO., INC.

MODELS Q14, Q15  
Ch.RC-566  
MODELS Q14E, Q15E  
Ch.RC-566B



SCHEMATIC DIAGRAM Q14 AND Q15

MODEL Q14E AND Q15E ARE THE SAME AS Q14 AND Q15 WITH THE EXCEPTION OF THE CIRCUIT ON THE 5Y3G RECT.

FRQUENCY BANDS	Standard Broadcast ("A" Band)	Medium Wave ("B" Band)	Short Wave ("C" Band)
Standard Broadcast ("A" Band)	540-1,720 kc (565-174 m)	530-1,600 kc (565-188 m)	5.3-17.0 mc (48.9-13.6 m)
Medium Wave ("B" Band)	530-1,600 kc (565-188 m)	530-1,600 kc (565-188 m)	5.3-17.0 mc (48.9-13.6 m)
Short Wave ("C" Band)	5.3-17.0 mc (48.9-13.6 m)	5.3-17.0 mc (48.9-13.6 m)	5.3-17.0 mc (48.9-13.6 m)

INTERMEDIATE FREQUENCY	485 kc
Pilot Lamp	Mazda 44

POWER SUPPLY RATINGS	50 watts	50 watts	50 watts
105-125 volts, 50-60 cycles	50 watts	50 watts	50 watts
105-125 volts, 25-60 cycles	50 watts	50 watts	50 watts
105-125, 200-350 volts, 50-60 cycles	50 watts	50 watts	50 watts

CATHODE CURRENTS

(1) 6SA7	8-7 MA.
(2) 6SK7	15-1 MA.
(3) 6SQ7	0-3 MA.
(4) 6K6GT	22-6 MA.
(5) TOTAL RECT.	4-6.7 MA.

VOLTAGES SHOULD HOLD WITHIN ± 20% WITH RATED SUPPLY VOLTAGE.

VOLTAGE	MEASURED WITH CHANALYST OR VOLTOHMYST.
P-92203-1	1.4 watts
G14 (RC 566)	2.3 watts

MODELS Q14, Q15  
Q14E, Q15E

RCA MFG. CO., INC.

### Alignment Procedure

**Cathode-Ray Alignment** is the preferable method. Connections for the oscillograph are shown in the schematic drawing.

**Output Meter Alignment.**—If this method is used, connect the meter across the voice coil, and turn the receiver volume control to maximum.

**Test-Oscillator.**—For all alignment operations, connect the low side of the test-oscillator to the receiver chassis, and keep the output as low as possible to avoid a-v-c action.

**Pre-Setting Dial.**—With gang condenser in full mesh, the pointer should be 1/16 inch to the left of first mark on dial backing plate.

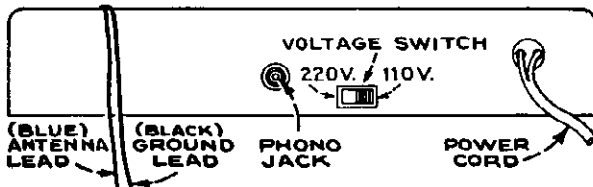
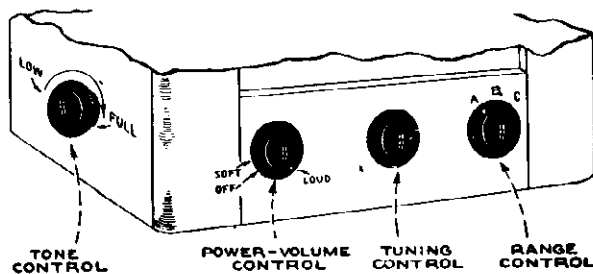
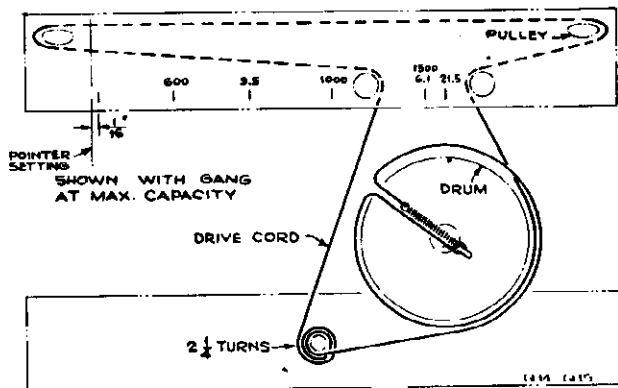
Steps	Range Switch	Connect high side test osc. to—	Tune test osc. to—	Turn radio dial to	Adjust following for max. peak output
1	"A"	I-F grid in series with .01 mfd.	455 kc	"A" band quiet point at high freq. end	L10, L11 (2nd I-F trans.)
2		1st det. grid in series with .01 mfd.			L9, L8 † (1st I-F trans.)
3		Antenna lead in series with 200 mmf.	1,500 kc (200 m)	1,500 kc mark (5th mark)	C13, C3
4			600 kc (600 m)	600 kc mark (2nd mark)	L7** Rock gang
5		Repeat steps 3 and 4			
6	"B"	Antenna lead in series with 300 ohms	6.1 mc	6.1 mc mark (5th mark)	C12* (osc.) C5 (ant.)
7	"C"		21.5 mc	21.5 mc mark (6th mark)	C11*, C4

\* Use minimum capacity peak if two peaks can be obtained.

\*\* Rock gang slightly for peak output.

† Do not readjust L11 or L10 when test oscillator is applied to the 6SA7 Grid.

NOTE: Oscillator tracks above signal on all bands.



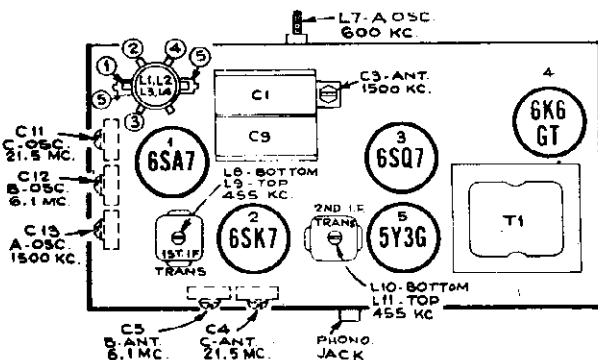
#### Precautionary Lead Dress RC566 and 568B.—

- "B" and "C" band antenna trimmer leads to be dressed away from "B" and "C" band oscillator trimmer leads.
- Excess power transformer leads to be dressed between power trans. bell and rear apron of chassis.
- R9 1st Audio grid lead, dressed down to chassis.
- "B" Band Antenna coil lead to be wired so that it is dressed around "B" band section in a clockwise direction to coil lug in order to obtain proper "B" band tracking.
- "C" band oscillator cathode lead to be dressed around coil in clockwise direction as shown in sample.
- Dress tone control capacitor C23 up and away from A.C. switch leads.
- Dress capacitor C25 from phono. socket to 6SQ7 socket up and away from all parts and leads.
- Keep grid end of R2 (Pin No. 8 of 6SA7) short as possible.
- Dress audio coupling C22 from volume control clear of A.C. wiring.
- Red lead from A.C. switch to power switch to be dressed down against base.
- Drive front gang mounting screw first.

#### Precautionary Lead Dress RC566B.—

Same as RC566 plus the following:

- "C" band oscillator cathode lead must be dressed closed to oscillator coil and above all parts as per sample.
- Blue lead from band switch to oscillator coil must be dressed towards back of oscillator coil.
- Excess red Electrolytic lead must be dressed near trans.
- Dress cap. to phono. socket away from 110/220 switch and leads.
- Dress 6,000 mmf. cap (C8) close to band switch.



STOCK No.	DESCRIPTION	Unit List Price	STOCK No.	DESCRIPTION	Unit List Price
	<b>CHASSIS ASSEMBLIES</b>		12723	Capacitor—56 mmfd., moulded	.35
	Q14, Q15—(RC566)		30949	Capacitor—56 mmfd., un moulded	.25
	Q14E, Q15E—(RC566B)		30904	Capacitor—100 mmfd.	.25
35761	Capacitor—Electrolytic, comprising 1 section of 20 mfd., 350 volts, and 1 section of 10 mfd., 350 volts (Q14 and Q15)	.90	12724	Capacitor—120 mmfd.	.35
39195	Capacitor—2 sec., 10 mfd., 450 volts (Q14E and Q15E)	1.00	12894	Capacitor—220 mmfd.	.35
39830	Capacitor—Mica trimmer, comprising 2 sections of 2-20 mmfd. each	.40	12952	Capacitor—330 mmfd.	.35
39829	Capacitor—Mica trimmer, comprising 3 sections of 5-60 mmfd. each	.55	12537	Capacitor—560 mmfd.	.35
			31403	Capacitor—3,300 mmfd.	.60
			31405	Capacitor—6,000 mmfd.	.75
			34459	Capacitor—.0025 mfd. (Q14E and Q15E)	.20
			4938	Capacitor—.005 mfd., 1,000 volts	.25
			33584	Capacitor—.005 mfd., 1,200 volts	.25
			4858	Capacitor—.01 mfd.	.25

Continued on next page

RCA MFG. CO., INC.

MODELS Q14, Q15,  
Q14E, Q15E  
MODELS 15X, 36X

MODELS Q14, Q15, Q14E, Q15E (Continued)

STOCK No.	DESCRIPTION	Unit List Price	STOCK No.	DESCRIPTION	Unit List Price
4870	Capacitor—.025 mfd.	.20	35588	Power Transformer—105-120 volts, 25 cycle (Q14E and Q15E)	6.30
4839	Capacitor—.01 mfd.	.30	32852	Power Transformer—110-220 volts, 50-60 cycle (Q14E and Q15E)	4.50
32821	Coil—Antenna coil—"A," "B," and "C" bands	1.35	32911	Power Transformer—105-120 volts, 50-60 cycle (Q14E and Q15E)	4.10
38292	Coil—Oscillator coil—"A," "B," and "C" bands	1.00	33726	Washer—"C" washer for tuning shaft	.02
38287	Condenser—Variable tuning condenser	2.50		<b>Q14, Q15 SPEAKER ASSEMBLIES—P. M. (RL-92A2)</b>	
33830	Control—Tone control	1.00		Cap—Dust cap	.02
38406	Control—Volume control and power switch	1.50	31825	Cone—Cone complete with voice coil	1.25
34662	Cord—Drive cord (approx. 53 in. overall lgth.)	.25	31587	Plug—3-prong male plug for speaker	.15
32713	Core—Adjustable core and stud for oscillator coil	.35	37984	Transformer—Output transformer	1.75
36237	Drum—Tuning condenser drive drum	.25		<b>Q14E AND Q15E SPEAKER ASSEMBLIES (RL-79C1)</b>	
38331	Indicator—Station selector indicator	.25	31825	Cap—Dust cap	.02
38332	Plate—Dial back plate complete with pulleys—less dial	1.00	38392	Cone—Cone complete with voice coil	1.25
5119	Plug—3-contact female for speaker cable (Q14E and Q15E)	.25	31587	Plug—3-prong male plug for speaker	.15
38230	Pulley—Drive cord pulley	.04	37984	Transformer—Output transformer	1.75
13988	Resistor—10 ohms, 1/2 watt	.20		<b>Q14E AND Q15E SPEAKER ASSEMBLIES (RL-79C1)</b>	
32686	Resistor—880 ohms, 1 watt	.22	31825	Cap—Dust cap	.02
30152	Resistor—1,000 ohms, 1 watt (Q14 and Q15)	.22	32903	Coil—Field coil—1,800 ohms	1.25
43765	Resistor—12,000 ohms, 2 watt	.35	38392	Cone—Cone complete with voice coil	1.25
12454	Resistor—33,000 ohms, 1/2 watt	.20	5118	Plug—3 prong male plug for speaker	.25
12412	Resistor—47,000 ohms, 1/2 watt	.30	32905	Transformer—Output transformer	1.35
30648	Resistor—470,000 ohms, 1/2 watt	.20		Note: If the stamping on speaker in instrument does not agree with above speaker number, order replacement parts by referring to model number of instrument, number stamped on speaker, and full description of part required.	
13730	Resistor—1 meg., 1/2 watt	.20		<b>MISCELLANEOUS ASSEMBLIES</b>	
32809	Resistor—3.9 meg., 1/2 watt	.20	38335	Clamp—Dial clamp	.15
30892	Resistor—10 meg., 1/2 watt	.20	38103	Decalcomania—"Off-Volume" decal.	.05
38333	Shaft—Tuning knob shaft	.20	35490	Decalcomania—Range switch decal.	.05
35772	Shield—Bottom end shield for power transformer (Q14 and Q15)	.30	38336	Dial—Glass dial scale	.85
35709	Shield—Top end shield for power transformer (Q14 and Q15)	.30	35850	Knob—Tone control knob	.25
36932	Socket—Dial lamp socket	.20	37256	Knob—Tuning knob	.25
35787	Socket—Phono input socket	.15	38334	Knob—Volume control or range switch knob	.25
31251	Socket—Tube socket	.25	11891	Lamp—Dial lamp	.17
31418	Spring—Drive cord spring	.05	14270	Spring—Retaining spring for knob, No. 35650	.05
38330	Switch—Range switch	1.15	30900	Spring—Retaining spring for knobs, No. 38334 and No. 37256	.05
32827	Switch—Voltage change switch	.35			
35636	Transformer—First I.F. transformer	1.70			
35828	Transformer—Second I.F. transformer	1.85			
35758	Transformer—Power transformer—105-125 volts, 25 cycle—less end shields (Q14 and Q15)	5.25			
35757	Transformer—Power transformer—105-125 volts 50-60 cycle—less end shields (Q14 and Q15)	2.95			
35759	Transformer—Power transformer—110-220 volts, 50-60 cycle (Q14 and Q15)	4.00			

MODELS 15X, 36X

STOCK No.	DESCRIPTION	Unit List Price	STOCK No.	DESCRIPTION	Unit List Price
	<b>CHASSIS ASSEMBLIES (RC-1011)</b>		31418	Spring—Drive cord spring	.05
34506	Capacitor—.0018 mfd.	.25	36228	Switch—Tone switch	.60
14383	Capacitor—.01 mfd.	.30	36232	Transformer—First I.F. transformer	1.50
36248	Capacitor—.02 mfd.	.20	37864	Transformer—Second I.F. transformer	1.35
5196	Capacitor—.035 mfd.	.20	35994	Transformer—Output transformer	1.50
32787	Capacitor—.05 mfd.	.20	33726	Washer—"C" washer for tuning shaft	.02
4839	Capacitor—.01 mfd.	.20		<b>SPEAKER ASSEMBLIES (RL-86B-1)</b>	
37359	Capacitor—Comprising 1 section of .0003 mfd. and 1 section of .005 mfd.	.25	32907	Cap—Dust cap	.02
35348	Capacitor—Electrolytic comprising 1 section of 30 mfd., 150 volts and 1 section of 20 mfd., 150 volts	.95	39448	Coil—Field coil	1.30
39824	Coil—Oscillator coil	.95	39447	Cone—Cone complete with voice coil	1.20
36226	Condenser—Variable tuning condenser	3.00		<b>(RL-86B-4)</b>	
36242	Control—Volume control and power switch	1.50	32907	Cap—Dust cap	.02
34662	Cord—Drive cord (approx. 50-in. overall length)	.25	39448	Coil—Field coil	1.30
36237	Drum—Drive drum	.25	39447	Cone—Cone complete with voice coil	1.20
36236	Indicator—Station selector indicator	.35		Note: If the stamping on speaker in instrument does not agree with above speaker number, order replacement parts by referring to model number of instrument, number stamped on speaker, and full description of part required.	
11765	Lamp—Dial lamp	.15		<b>MISCELLANEOUS ASSEMBLIES</b>	
39821	Loop—Antenna loop	1.43	39777	Back—Back cover (36X—2nd Prod.)	.30
36229	Plate—Dial back plate complete with drive cord pulleys	.85	39953	Back—Back cover (15X—2nd Prod.)	.15
36230	Pulley—Drive cord pulley	.04	36890	Clamp—Dial clamp	.15
30189	Resistor—120 ohms, 1/2 watt	.20	36891	Clamp—Dial clamp	.15
30654	Resistor—1,500 ohms, 1/2 watt	.20	39826	Dial—Glass dial scale (36X—2nd Prod.)	2.25
12312	Resistor—3,300 ohms, 1/2 watt	.20	39954	Dial—Glass dial scale (15X—2nd Prod.)	1.25
30492	Resistor—22,000 ohms, 1/2 watt	.30	37831	Fastener—Push fastener for back (15X—2nd Prod.)	.10
14583	Resistor—220,000 ohms, 1/2 watt	.20	36722	Knob—Control knob	.20
30648	Resistor—470,000 ohms, 1/2 watt	.20	30900	Spring—Retaining spring for knobs	.05
12928	Resistor—3.3 megohms, 1/2 watt	.20			
30271	Resistor—4.7 megohms, 1/2 watt	.20			
38785	Resistor—15 megohms, 1/2 watt	.20			
36897	Shaft—Tuning knob shaft	.10			
34449	Socket—Dial lamp socket	.25			
31251	Socket—Tube socket—wafar	.25			
37605	Socket—Tube socket—moulded	.25			

ALL PRICES ARE SUBJECT TO CHANGE OR WITHDRAWAL WITHOUT NOTICE.

MODELS 15X, 36X(2nd Prod.)  
Ch.RC-1011

RCA MFG. CO., INC.

FREQUENCY RANGE..... 540-1,620 kc

INTERMEDIATE FREQUENCY..... 455 kc

POWER OUTPUT

Undistorted..... 0.9 watts

Maximum..... 1.4 watts

TUBE COMPLEMENT

- (1) RCA-12SG7 ..... Converter
- (2) RCA-12SK7 ..... I.F. Amplifier
- (3) RCA-12SQ7 ..... 2nd Det., A.V.C., and A.F. Amplifier
- (4) RCA-35L6GT ..... Power Output
- (5) RCA-12J5GT ..... Oscillator
- (6) RCA-35Z5GT ..... Rectifier

LOUDSPEAKER

(RL-86B-1)

(RL-86B-4)

Type..... 5-inch EM ..... 5-inch EM

V. C. Impedance..... 8 ohms at 400 cycles .. 4 ohms at 600 cycles

CABINET DIMENSIONS

Height

Width

Depth

15X—2nd Prod. (Mahogany, Plastic) 7 1/2-in. .. 12-in. .. 7-in.

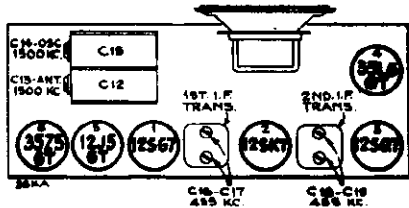
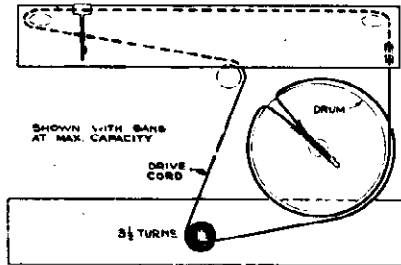
36X—2nd Prod. (Walnut, Wood) 8 11/16-in. .. 14 1/2-in. .. 7 1/2-in.

POWER SUPPLY RATING

105 5 volts, AC, 50 or 60 cycles, or DC..... 30 watts

PILOT LAMP..... Mazda No. 51, 6-8 volts, 0.2 amp.

Tuning Drive Ratio..... 16:1

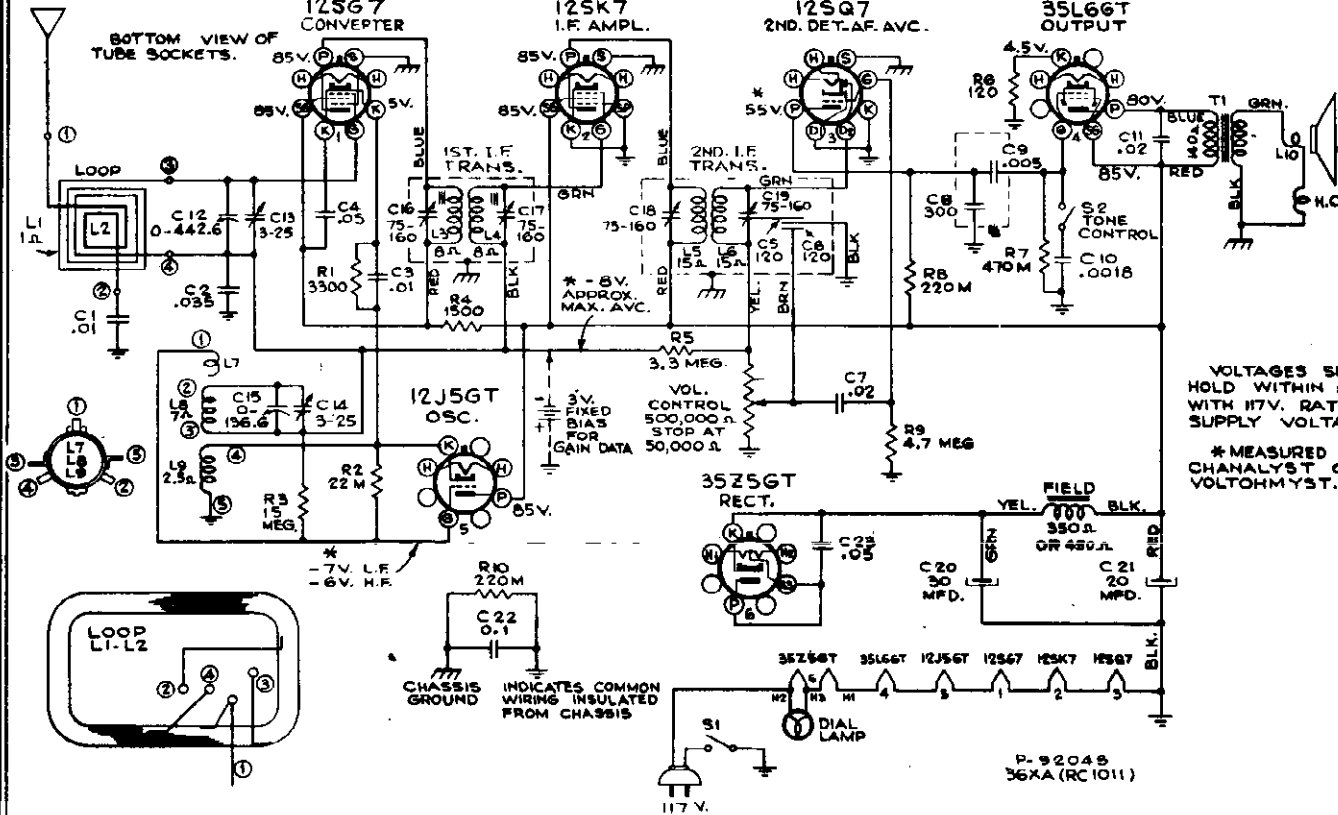
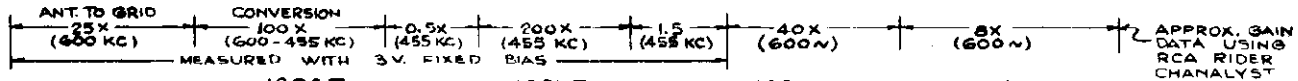


### Alignment Procedure

**Output Meter Alignment.**— If this method is used, connect the meter across the voice coil, and turn the receiver volume control to maximum.

**Test-Oscillator.**— For all alignment operations, keep the output as low as possible to avoid a-v-c action.

Steps	Connect the high side of test-oscillator to—	Tune test-osc. to—	Turn radio dial to—	Adjust the following for max. peak output
1	I-F grid, in series with .01 mfd.	455 kc	Quiet point 1,600 kc end of dial	C18 and C19 2nd I-F transformer
2	1st Det. grid in series with .01 mfd.			C16 and C17 1st I-F transformer
3	Ant. terminal in series with 200 mmfd.	1,500 kc	1,500 kc	C14 (osc.) C13 (ant.)
4	Repeat step 3.			

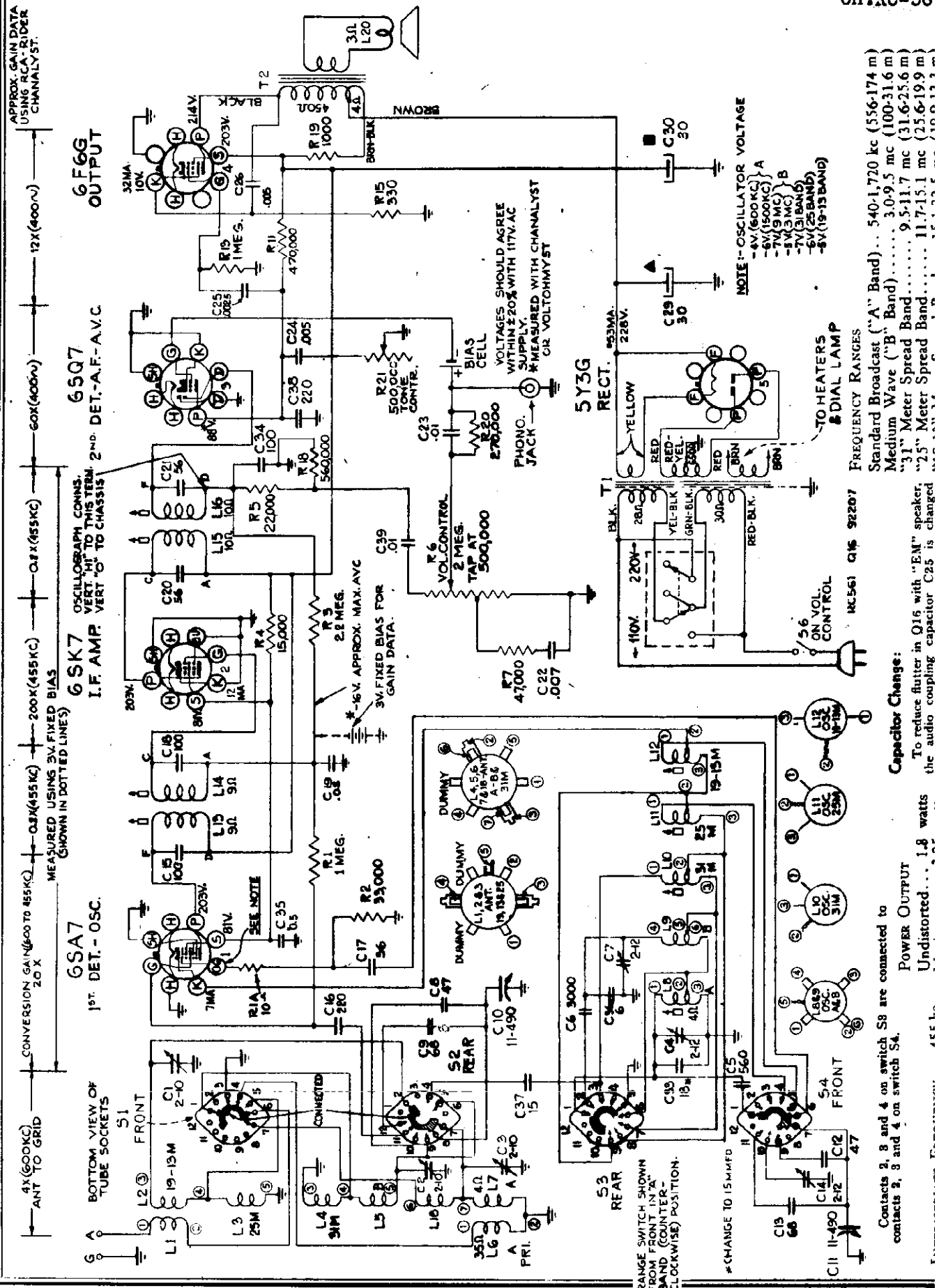


VOLTAGES SHOULD HOLD WITHIN ± 20% WITH 117V. RATED SUPPLY VOLTAGE.

\* MEASURED WITH CHANALYST OR VOLTOHMYST.

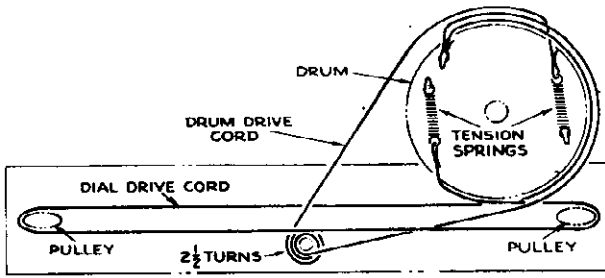
RCA MFG. CO., INC.

MODEL Q1  
Ch. RC-56



MODEL Q16  
Ch. RC-561

RCA MFG. CO., INC.



Dial-Indicator and Drive Mechanism

**Precautionary Lead Dress.—**

1. All leads between antenna coils and switch must be as short as possible, bunched together, and kept away from oscillator coils, leads and switches.
2. All oscillator coil leads must be kept apart from each other and other leads and parts.

**Pointer for Calibration Scale.—**Improvise a pointer for the calibration scale by fastening a piece of wire to the gang-condenser frame, and bend the wire so that it points to the "180°" mark on the calibration scale when the plates are fully meshed.

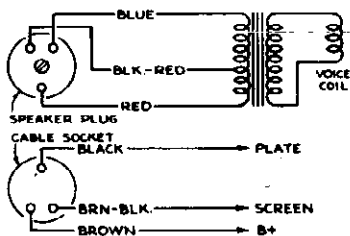
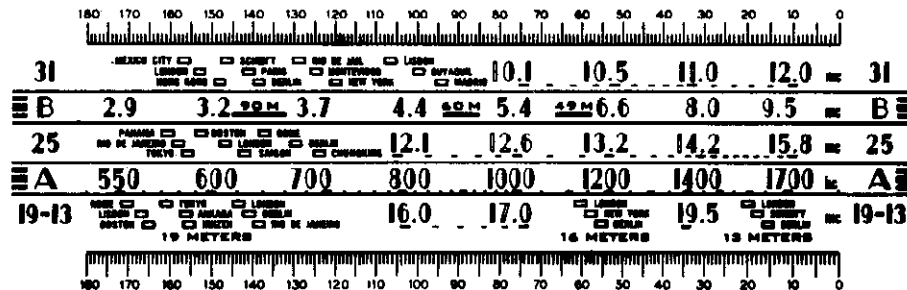
**Dial-Indicator Adjustment.—**After fastening the chassis in the cabinet, attach the dial indicator to the drive cable with indicator at the 540 kc mark, and gang condenser fully meshed. The indicator has a spring clip for attachment to the cable.

**Spread-Band Alignment.—**The most satisfactory method of aligning or checking the spread-band ranges is on actual reception of short-wave stations of known frequency, by adjusting the magnetite-core oscillator coil for each band so that these stations come in at the correct points on the dial.

In exceptional cases, when the set is being serviced in a location where the noise level is high enough to prevent reception of short-wave stations, a test-oscillator may be used for alignment, but an extremely high degree of accuracy is required in the frequency settings of the test-oscillator, as a slight error will produce considerable inaccuracy on the spread-band dials. The frequency settings of the test-oscillator may be checked by one or both of the following methods:

1. Determine the exact dial settings of the test-oscillator (for frequencies at or close to the specified alignment frequencies) by zero-beating the test-oscillator against short-wave stations of known frequency.
2. Use harmonics of the standard-broadcast range of a test-oscillator, first checking the frequency settings on this range by means of a crystal calibrator (RCA Stock No. 9572), or by zero-beating against standard broadcast stations.

When a test oscillator is employed for spread-band alignment, a final check should be made on actual reception of short-wave stations of known frequency, and the magnetite-core oscillator coil for each band should be re-adjusted so that the stations come in at the correct points on the dial.



Connections and Colors of Loudspeaker and Cable

Steps	Connect the high side of the test-osc. to—	Tune test-osc. to—	Range switch	Turn radio dial to—	Adjust the following for max. peak output
1	I-F grid in series with .01 mfd.	455 kc	A	Quiet Point at high-frequency end	L15 and L16 2nd I-F Trans.
2	1st Det. grid in series with .01 mfd.				L13 and L14 1st I-F Trans.
3	Ant. lead in series with 300 ohms	11.8 mc	25M	139.5°	L11 (osc.) C1 (ant.)
4		15.2 mc			17°
5		Repeat steps 3 and 4			
6		* 15.2 mc	19-13M	156°	L12 (osc.)**
7	9.5 mc	31M	156°	L10 (osc.)** C2 (ant.)	
8	9.5 mc	B	11.5°	C7 (osc.)***	
9	Ant. lead in series with 200 mmf.	1,500 kc	A	26°	C4 (osc.) C3 (ant.)
10		600 kc			150°
11	Repeat steps 9 and 10				

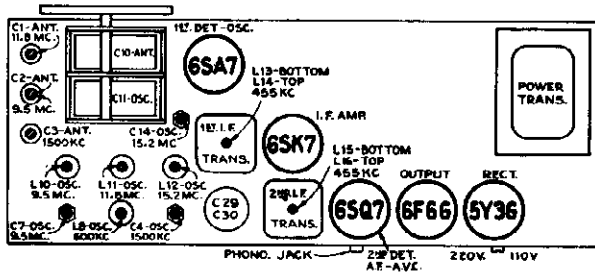
\* Use minimum capacity peak if two can be obtained. Check image to determine that C14 has been adjusted to the correct peak by tuning receiver to approximately 14.29 mc (29°) where a weaker signal should be received.

\*\*Peak at minimum position of plunger if two peaks can be obtained.

\*\*\*Peak at minimum capacity if two peaks can be obtained.

NOTE: Oscillator tracks above signal on all bands.

FOR PARTS LIST SEE INDEX

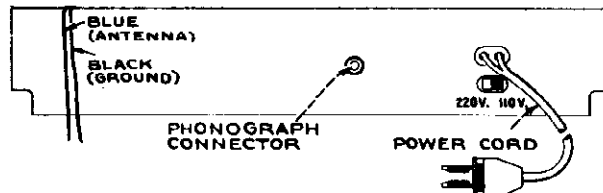


Tube and Trimmer Location

Calibration Scale

Reduced Reproduction of Receiver Dial, and Corresponding 0-180° Calibration Scales

The corresponding position of the dial indicator for any setting of the calibration scale can be determined by drawing a line from this point on the bottom calibration scale to the same point on the top calibration scale. For example: 150° on the calibration scale corresponds to approximately 600 kc on "A" band, etc. Read instructions under "Alignment Procedure."

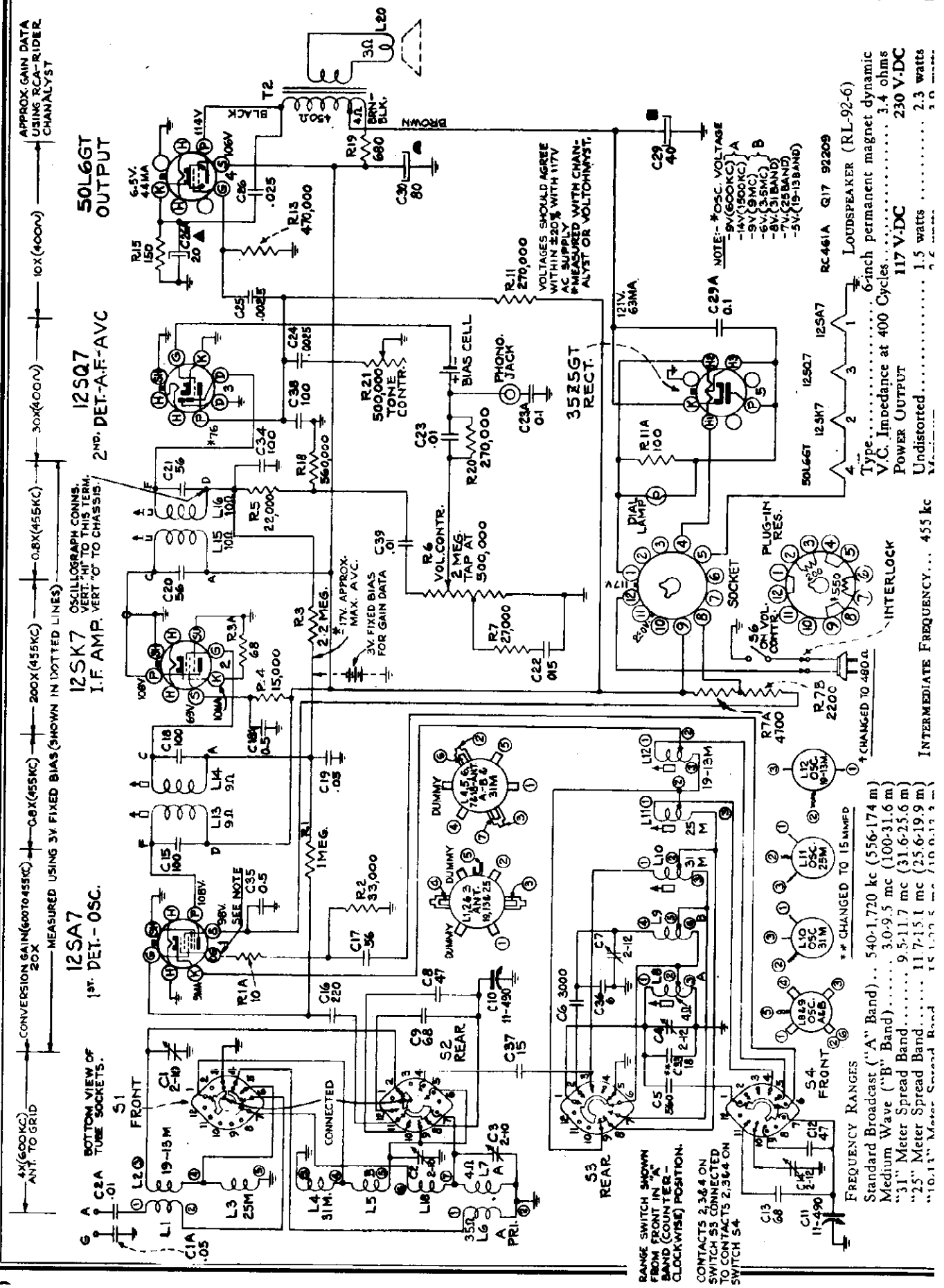


Rear of Chassis



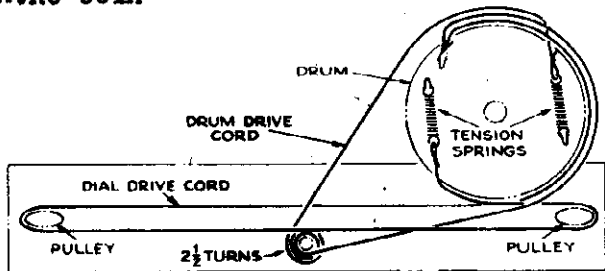
RCA MFG. CO., INC.

MODEL Q17  
Ch. RC-561



MODEL Q17  
Ch. RC-561A

RCA MFG. CO., INC.



Dial-Indicator and Drive Mechanism

**Precautionary Lead Dress.—**

1. All leads between antenna coils and switch must be as short as possible, bunched together, and kept away from oscillator coils, leads, and switches.
2. All oscillator coil leads must be kept apart from each other and other leads and parts.

To determine the corresponding frequency for any setting of the calibration scales, refer to the accompanying drawing which shows the dial with 0-180° calibration scales drawn at top and bottom.

**Pointer for Calibration Scale.**—Improve a pointer for the calibration scale by fastening a piece of wire to the gang-condenser frame, and bend the wire so that it points to the "180°" mark on the calibration scale when the plates are fully meshed.

**Dial-Indicator Adjustment.**—After fastening the chassis in the cabinet, attach the dial indicator to the drive cable with indicator at the 540 kc mark, and gang condenser fully meshed. The indicator has a spring clip for attachment to the cable.

**Spread-Band Alignment.**—The most satisfactory method of aligning or checking the spread-band ranges is on actual reception of short-wave stations of known frequency, by adjusting the magnetite-core oscillator coil for each band so that these stations come in at the correct points on the dial.

In exceptional cases, when the set is being serviced in a location where the noise level is high enough to prevent reception of short-wave stations, a test-oscillator may be used for alignment, but an extremely high degree of accuracy is required in the frequency settings of the test oscillator, as a slight error will produce considerable inaccuracy on the spread-band dials. The frequency settings of the test oscillator may be checked by one or both of the following methods:

1. Determine the exact dial settings of the test-oscillator (for frequencies at or close to the specified alignment frequencies) by zero-beating the test-oscillator against short-wave stations of known frequency.
2. Use harmonics of the standard-broadcast range of a test-oscillator, first checking the frequency settings on this range by means of a crystal calibrator (RCA Stock No. 9572), or by zero-beating against standard broadcast stations.

When a test oscillator is employed for spread-band alignment, a final check should be made on actual reception of short-wave stations of known frequency, and the magnetite-core oscillator coil for each band should be re-adjusted so that the stations come in at the correct points on the dial.

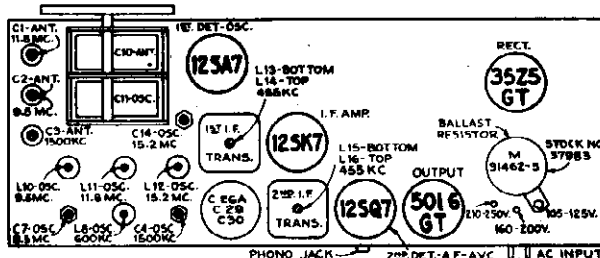
Steps	Connect the high side of the test-osc. to—	Tune test-osc. to—	Range switch	Turn radio dial to—	Adjust the following for max. peak output
1	I-F grid in series with .01 mfd.	455 kc	A	Quiet Point at high-frequency end	L15 and L18 2nd I-F Trans.
2	1st Det. grid in series with .01 mfd.				L13 and L14 1st I-F Trans.
3	Ant. lead in series with 300 ohms	11.8 mc	25M	138.5°	L11 (osc.) C1 (ant.)
4		15.3 mc			17°
5		Repeat steps 3 and 4			
6		15.2 mc	19-13M	156°	L12 (osc.)**
7		9.5 mc	31M	156°	L10 (osc.)** C2 (ant.)
8		9.5 mc	B	11.5°	C7 (osc.)***
9		1,500 kc	A	26°	C4 (osc.) C3 (ant.)
10	600 kc	150°			L8 (osc.) (Rock gang)
11	Repeat steps 9 and 10				

\* Use minimum capacity peak if two can be obtained. Check image to determine that C14 has been adjusted to the correct peak by tuning receiver to approximately 14.29 mc (29°) where a weaker signal should be received.

\*\*Peak at minimum position of plunger if two peaks can be obtained.

\*\*\*Peak at minimum capacity if two peaks can be obtained.

, NOTE: Oscillator tracks above signal on all bands.

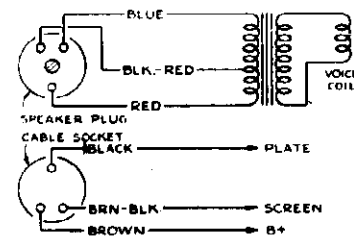
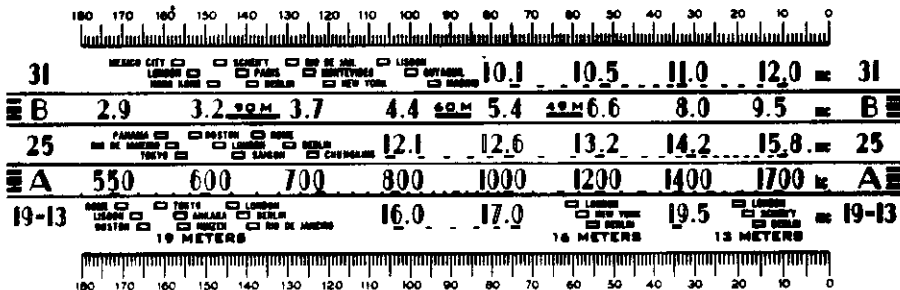


Tube and Trimmer Location

**Calibration Scale**

Reduced Reproduction of Receiver Dial, and Corresponding 0-180° Calibration Scales

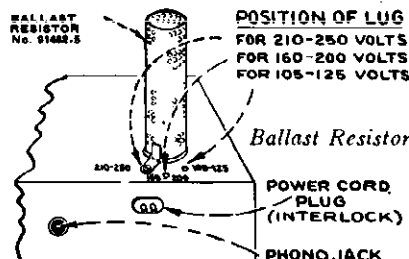
The corresponding position of the dial indicator for any setting of the calibration scale can be determined by drawing a line from this point on the bottom calibration scale to the same point on the top calibration scale. For example: 150° on the calibration scale corresponds to approximately 600 kc on "A" band, etc. Read instructions under "Alignment Procedure."



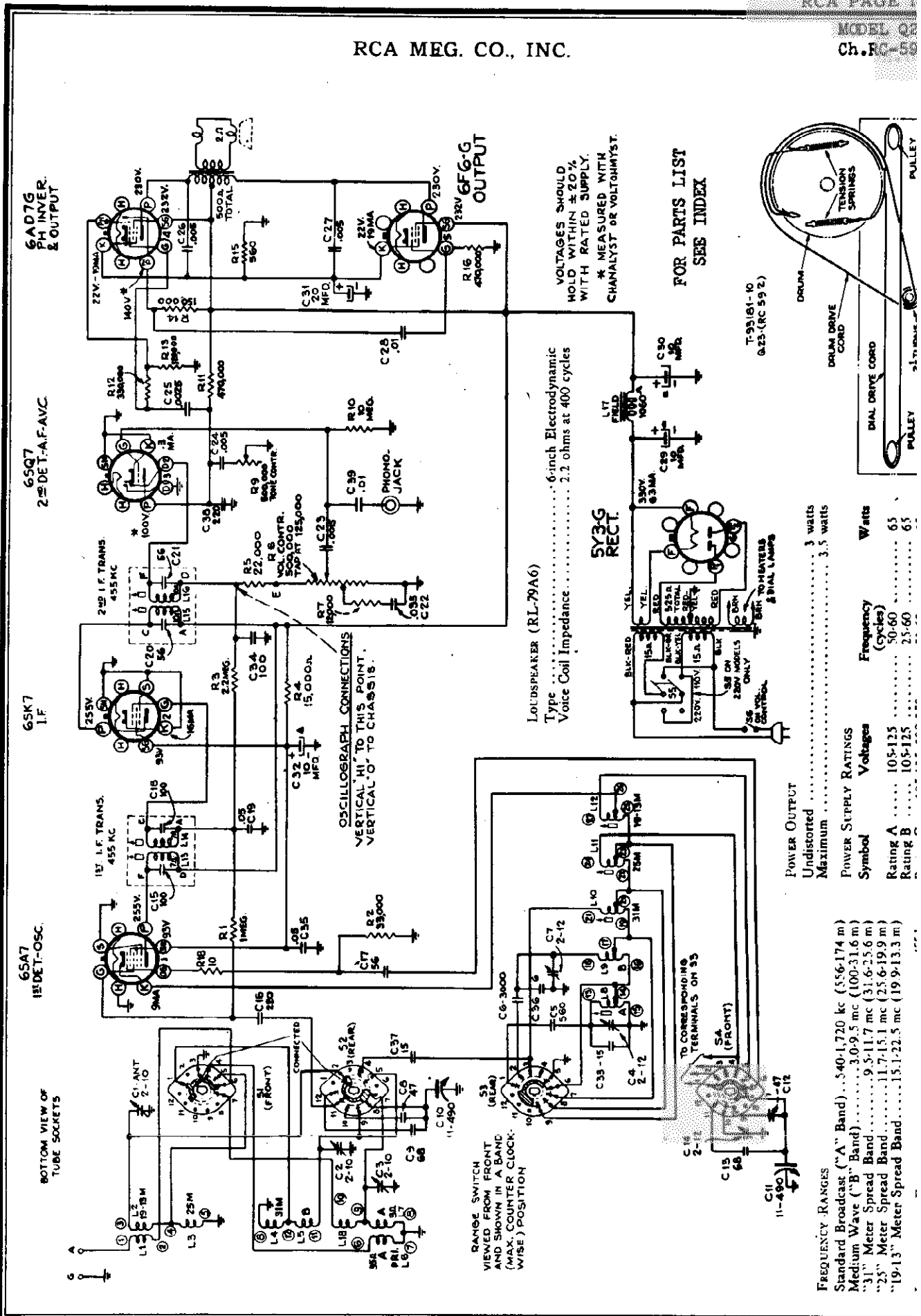
Connections and Colors of Loudspeaker and Cable

**POWER SUPPLY RATINGS**

- 105-125 volts A-C 40-100 cycles or D-C. . 35 watts
- 160-200 volts A-C 40-100 cycles or D-C. . 55 watts
- 210-250 volts A-C 40-100 cycles or D-C. . 70 watts

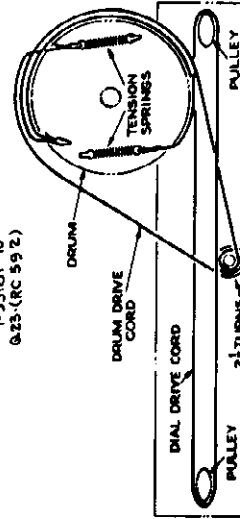


RCA MEG. CO., INC.



VOLTAGES SHOULD HOLD WITHIN  $\pm 20\%$  WITH RATED SUPPLY.  
 \* MEASURED WITH CHANNELYST OR VOLTOHMYST.

FOR PARTS LIST SEE INDEX



LOUDSPEAKER (RL-79A6)  
 Type ..... 6-inch Electrodynamic  
 Voice Coil Impedance ..... 2.2 ohms at 400 cycles

POWER OUTPUT	
Undistorted Maximum	3 watts
Maximum	3.5 watts

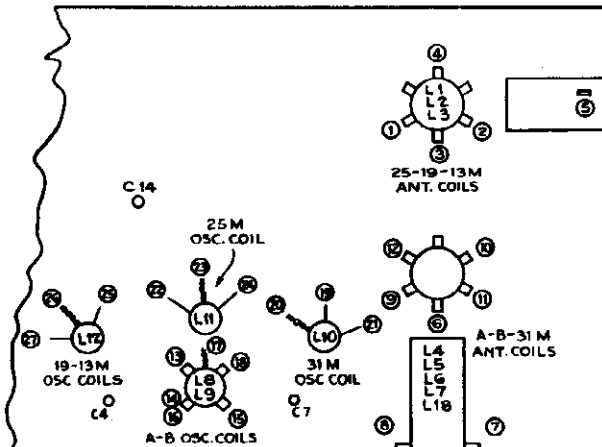
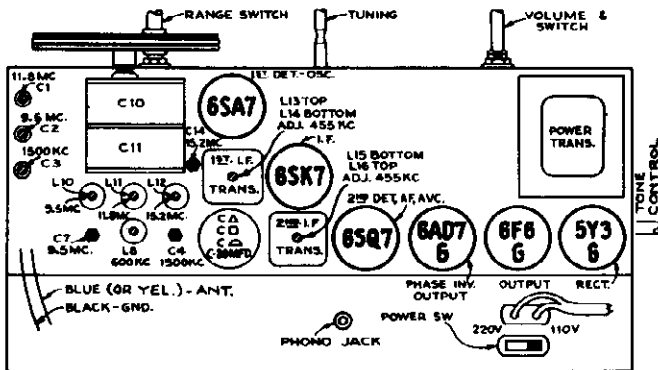
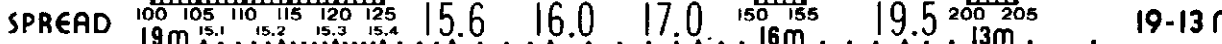
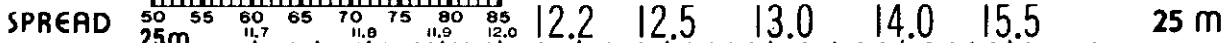
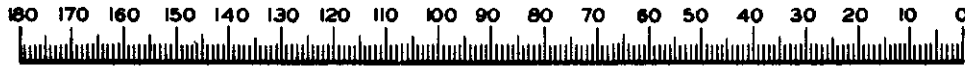
POWER SUPPLY RATINGS		
Symbol	Voltages	Watts
Rating A	105-125	65
Rating B	105-125	65

FREQUENCY RANGES

Standard Broadcast ("A" Band)	540-1,720 kc (556-174 m)
Medium Wave ("B" Band)	30-9.5 mc (100-31.6 m)
"31" Meter Spread Band	9.5-11.7 mc (31.6-25.6 m)
"25" Meter Spread Band	11.7-15.1 mc (25.6-19.9 m)
"19-13" Meter Spread Band	15.1-22.5 mc (19.9-13.3 m)

MODEL Q23  
Ch. RC-592

RCA MFG. CO., INC.



Steps	Connect the high side of the test-osc. to—	Tune test-osc. to—	Range switch	Turn radio dial to—	Adjust the following for max. peak output
On oscillator-circuit cores and trimmers, if two peaks can be obtained, use the one of minimum inductance or minimum capacity.					
1	1st I-F grid cap, in series with .01 mfd.	455 kc	A	Quiet point near 180°	L15 and L16 2nd I-F transformer
2	1st Det. grid, in series with .01 mfd.				L13 and L14 1st I-F transformer
3		11.8 mc	25M	138.5°	L11 (osc.) C1 (ant.)
4		15.2 mc		17°	C14 (osc.)*
5	Ant. lead in series with 300 ohms	Repeat steps 3 and 4.			
6		15.2 mc	19-13M	158°	L12 (osc.)
7		9.5 mc	31M	156°	L10 (osc.) C2 (ant.)
8		9.5 mc	B	11.5°	C7 (osc.)
9	Ant. lead in series with 200 mmf.	1,500 kc	A	28°	C4 (osc.) C3 (ant.)
10		600 kc		150°	L8 (osc.) (Rock gang)
11	Repeat steps 9 and 10.				

\* Use minimum capacity peak if two can be obtained. Check image to determine that C14 has been adjusted to the correct peak by tuning receiver to approximately 14.29 mc (29°) where a weaker signal should be received.

NOTE: Oscillator tracks above signal on all bands.

**Spread-Band Alignment.**—The most satisfactory method of aligning or checking the spread-band ranges is on actual reception of short-wave stations of known frequency, by adjusting the magnetite-core oscillator coil for each band so that these stations come in at the correct points on the dial.

In exceptional cases, when the set is being serviced in a location where the noise level is high enough to prevent reception of short-wave stations, a test-oscillator may be used for alignment, but an extremely high degree of accuracy is required in the frequency settings of the test-oscillator, as a slight error will produce considerable inaccuracy on the spread-band dials. The frequency settings of the test-oscillator may be checked by one or both of the following methods:

1. Determine the exact dial settings of the test-oscillator (for frequencies at or close to the specified alignment frequencies) by zero-beating the test-oscillator against short-wave stations of known frequency.
2. Use harmonics of the standard-broadcast range of the test-oscillator, first checking the frequency settings on this range by means of a crystal calibrator (RCA Stock No. 9572), or by zero-beating against standard broadcast stations.

When a test oscillator is employed for spread-band alignment, a final check should be made on actual reception of short-wave stations of known frequency, and the magnetite-core oscillator coil for each band should be re-adjusted so that the stations come in at the correct points on the dial.

**Test-Oscillator.**—For all alignment operations, connect the low side of the test-oscillator to the receiver chassis, and keep the output as low as possible to avoid a-v-c action.

**Calibration Scale on Indicator-Drive-Cord Drum.**—The tuning dial is fastened in the cabinet and cannot be used for reference during alignment, therefore a calibration scale is attached to the indicator-drive-cord drum which is mounted on the shaft of the gang condenser. The setting of the gang condenser is read on this scale, which is calibrated in degrees. The correct setting of the gang in degrees, for each alignment frequency, is given in the alignment table.

As the first step in r-f alignment, check the position of the drum. The "180°" mark on the drum scale must be vertical and directly over the center of the gang-condenser shaft when the plates are fully meshed. The drum is held to the shaft by means of two set-screws, which must be tightened securely when the drum is in the correct position.

To determine the corresponding frequency for any setting of the calibration scales, refer to the accompanying drawing which shows the dial with 0-180° calibration scales drawn at top and bottom.

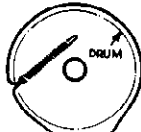
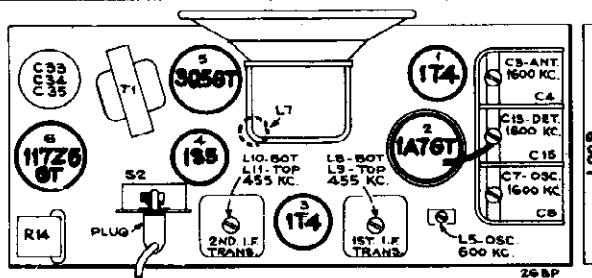
**Pointer for Calibration Scale.**—Improvise a pointer for the calibration scale by fastening a piece of wire to the gang-condenser frame, and bend the wire so that it points to the "180°" mark on the calibration scale when the plates are fully meshed.

**Dial-Indicator Adjustment.**—After fastening the chassis in the cabinet, attach the dial indicator to the drive cable with indicator at the 540 kc mark, and gang condenser fully meshed. The indicator has a spring clip for attachment to the cable.

### Alignment

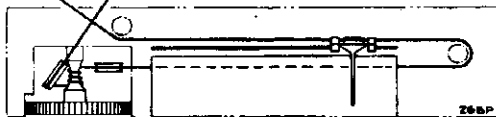
With gang in full mesh, the pointer should be 1/16-inch to the left of the 550 kc dial mark.

Steps	Connect the high side of test-oscillator to—	Tune test-osc. to—	Turn radio dial to—	Adjust the following for max. peak output—
1	I-F grid, in series with .01 mfd.	455 kc	Quiet point at 1,600 kc end of dial	L10, L11 (2nd I-F trans.)
2	1st-Det. grid cap, in series with .01 mfd.			L8, L9 (1st I-F trans.)
3	radiated signal at 1,600 kc	1,600 kc	1,600 kc	C7 (osc.) C3 (ant.) C13 (det.)
4	radiated signal 600 kc	600 kc	600 kc	L5 (Rock in)
5	Repeat steps 3 and 4			



#### CURRENT CONSUMPTION

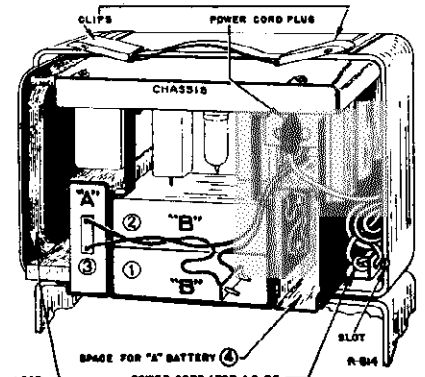
Battery Operation..... "A" 0.05 amperes, "B" 15 milliamperes  
Total Rect. "B" (117 volt, 60 cycle)..... 16 mils.  
Total Rect. "A" (117 volt, 60 cycle)..... 42 mils.



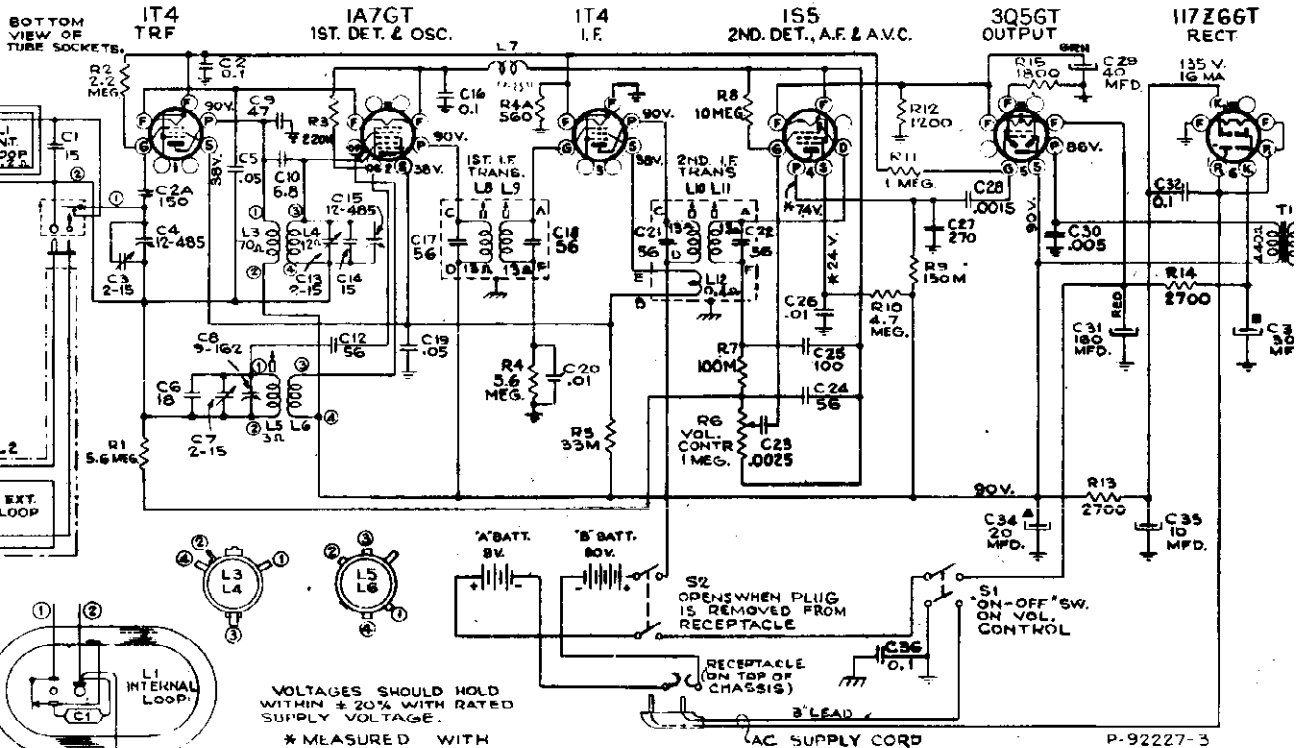
#### POWER OUTPUT

Undistorted..... .19 watt  
Maximum..... .32 watt

Intermediate Frequency..... 455 kc  
110 to 125 volts, AC 50 or 60 cycles, or DC... 80 watts



TWO 4.5 VOLT "A" - EVEREADY NO. 746 OR EQUIVALENT.  
TWO 46 VOLT "B" - EVEREADY NO. 462 OR EQUIVALENT.



VOLTAGES SHOULD HOLD WITHIN ± 20% WITH RATED SUPPLY VOLTAGE.

\* MEASURED WITH CHANALYST OR VOLTOHMYST.

AC SUPPLY CORD

P-92227-3  
26 WP (RC 559)

MODEL Q16  
MODEL Q17  
MODEL Q23  
MODEL 26BP

RCA MFG. CO., INC.

Table with columns: STOCK No., DESCRIPTION MODEL Q23, Unit Price, STOCK No., DESCRIPTION, Unit Price. Includes items like Chassis Assemblies, Brackets, and various electronic components.

Table with columns: STOCK No., DESCRIPTION MODEL 26BP, Unit Price, STOCK No., DESCRIPTION, Unit Price. Includes items like Chassis Assemblies, Capacitors, and various electronic components.

ALL PRICES ARE SUBJECT TO CHANGE OR WITHDRAWAL WITHOUT NOTICE.

Table with columns: STOCK No., DESCRIPTION MODEL Q16, Unit Price, STOCK No., DESCRIPTION, Unit Price. Includes items like Chassis Assemblies, Brackets, and various electronic components.

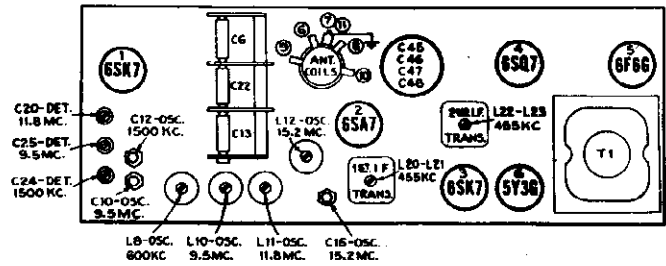
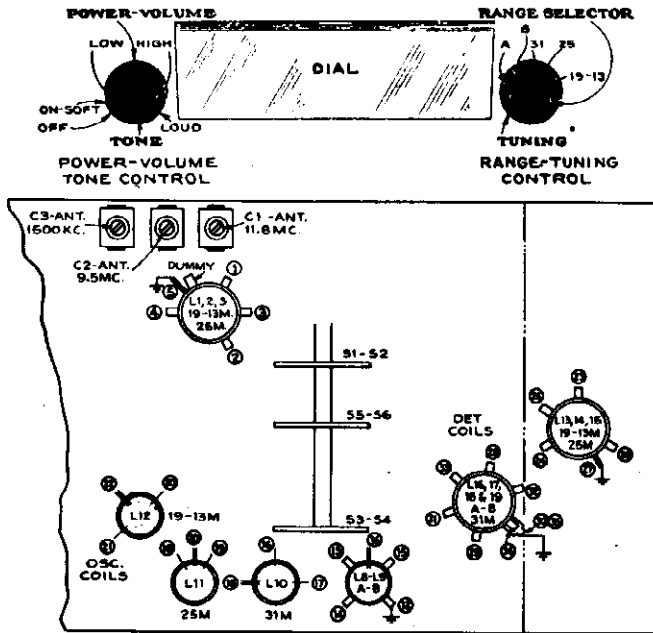
Table with columns: STOCK No., DESCRIPTION MODEL Q17, Unit Price, STOCK No., DESCRIPTION, Unit Price. Includes items like Chassis Assemblies, Brackets, and various electronic components.

ALL PRICES ARE SUBJECT TO CHANGE OR WITHDRAWAL WITHOUT NOTICE.



MODEL Q30  
Ch. RC-538B

RCA MFG. CO., INC.



Steps	Connect the high side of the test-osc. to—	Tune test-osc. to—	Range Switch	Turn radio Dial to—	Adjust the following for max. peak output
1	6SK7 I-F grid in series with .01 mfd.	455 kc	"A" band	Quiet point near 600 kc (149.5°) end of dial	L23-L22 2nd I-F transformer
2	6SA7 1st det. grid in series with .01 mfd.				L21-L20 1st I-F transformer
3	Antenna terminal in series with 300 ohms	11.8 mc	25 meter band	11.8 mc (138.5°)	L11 (osc.) C1 (ant.) C20 (det.) Rock in
4		15.2 mc		15.2 mc (18.5°)	C15 (osc.)*†
5	Repeat steps 3 and 4 until aligned.				
6	Antenna terminal in series with 300 ohms	15.2 mc	19-13 meter band	15.2 mc (156°)	L12 (osc.)**
7		9.5 mc	31 meter band	9.5 mc (156°)	L10 (osc.)** C2 (ant.)*** C25 (det.)*** Rock in
8		9.5 mc	"B" band	9.5 mc (11.5°)	C10 (osc.)*
9	Antenna terminal in series with 200 mmfd.	1,500 kc	"A" band	1,500 kc (27°)	C13 (osc.) C3 (ant.) C24 (det.)
10		600 kc		600 kc (149.5°)	L8 (osc.) Rock in
11	Repeat steps 9 and 10.				

**Precautionary Lead Dress:**

1. Dress green leads from antenna and R-F gang sections away from all metal including chassis shield plates. The spaghetti covered braid in the antenna section should be at least 1/4 inch away from gang.
2. Dress toothpick capacitors and switch leads away from and edge on to shield plates.
3. Closely twist ground lead about 2nd I-F transformer diode lead and dress close to chassis.
4. Dress volume control-arm lead and capacitor close to front apron and away from output tubes by-pass capacitors.
5. 6SQ7 10 megohm grid resistor should have no lead length on the grid side.
6. Dress capacitor high side of volume control toward base and as far as possible from a-c switch.
7. Leads to converter socket should not impede flexible mounting.
8. Converter control grid: clear of any other leads, especially filament leads which must be at least 1/4 inch away. The megohm grid leak must have its body as close to grid as possible.
9. Dress oscillator grid and control grid capacitors apart.
10. Dress all filament and B+ leads close to chassis. Dress speaker leads close to base.
11. Dress phono lead and diode return lead to switch away from power circuits and output tube sockets.
12. Dress power transformer leads between back apron, power transformer and 5Y3 socket.
13. Brown lead from electrolytic to rectifier tube should be well away from I.F. transformer parts.
14. AC leads to switch should be twisted and away from all parts.
15. Capacitor to phono switch and its lead should be away from all other leads.
16. Brown speaker leads should be dressed down and away from 6SQ7 socket.
17. C-38 should be close to chassis and away from all other leads.
18. Shielded lead from I.F. to phono switch should be away from all else.

\* Use minimum capacity peak if two can be obtained.

\*\* Peak at minimum plunger position if two peaks can be obtained.

\*\*\* Use maximum capacity peak if two peaks can be obtained.

† Check image to determine that C15 has been adjusted to correct peak by tuning receiver to approximately 14.29 mc where a weaker signal should be received.

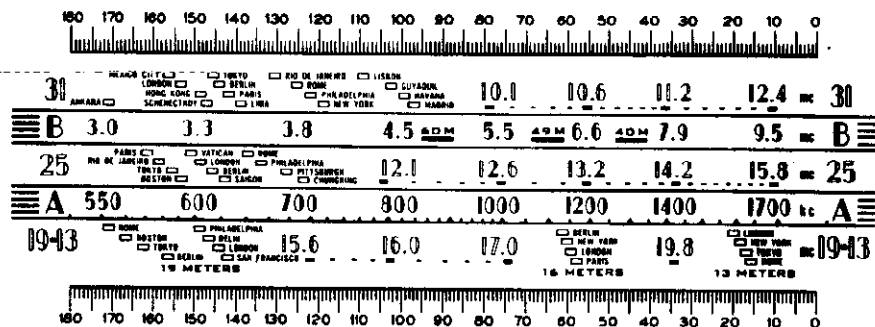
NOTE: Oscillator tracks above signals on all bands.

Pointer for Calibration Scale.—Improvise a pointer for the calibration scale by fastening a piece of wire to the gang-condenser frame, and bend the wire so that it points to the "180°" mark on the calibration scale when the plates are fully meshed.

**Calibration Scale**

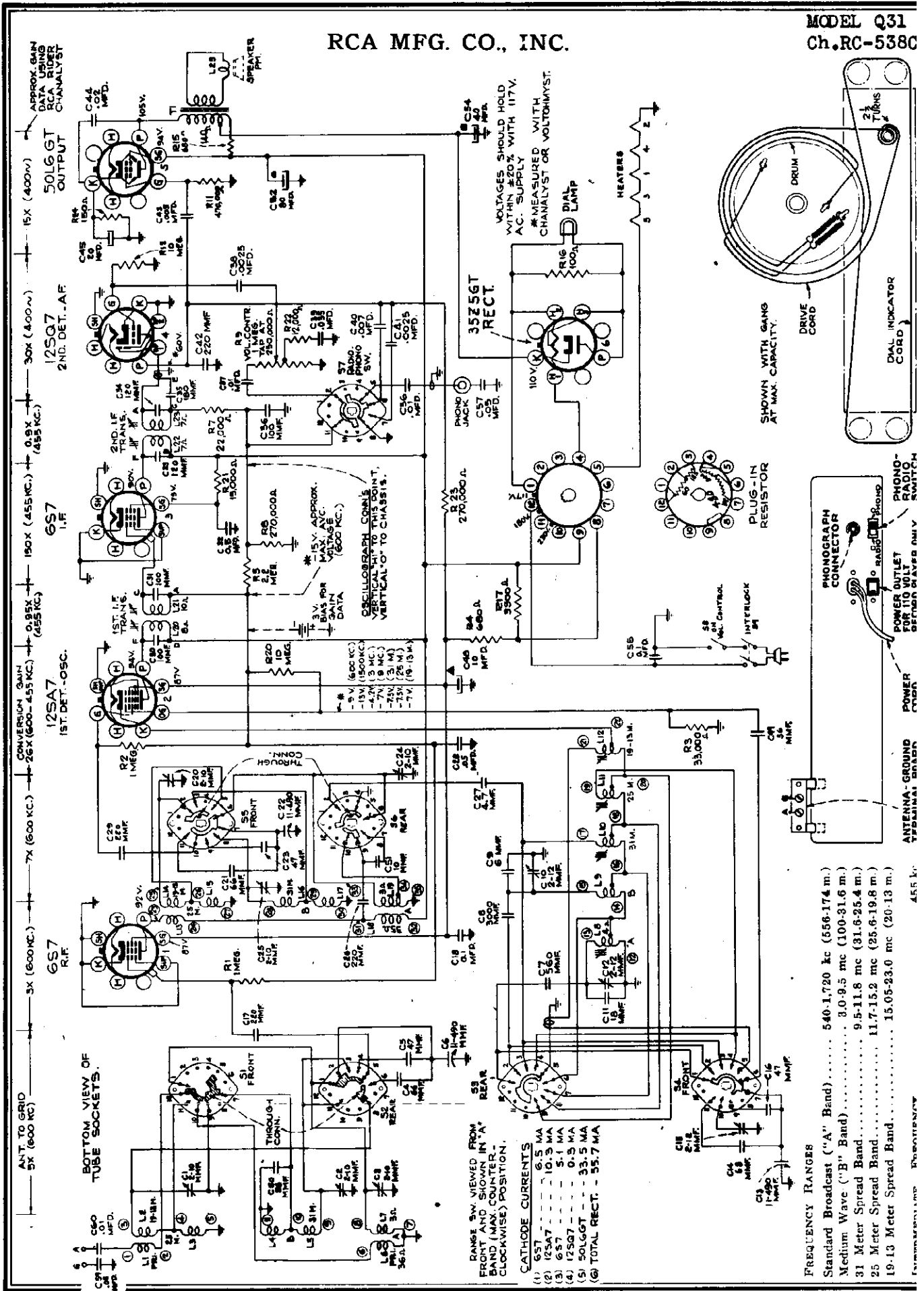
Reduced Reproduction of Receiver Dial and Corresponding 0-180° Calibration Scales

The corresponding position of the dial indicator for any setting of the calibration scale can be determined by drawing a line from this point on the bottom calibration scale to the same point on the top calibration scale. For example: 150° on the calibration scale corresponds to approximately 600 kc on "A" band, etc. Read instructions under "Alignment Procedure."





RCA MFG. CO., INC.



ANT. TO GRID 5X (600 KC.)

3X (600 KC.)

CONVERSION GAIN 25X (600-455 KC.)

0.95X (455 KC.)

0.9X (455 KC.)

15X (400W)

APPROX. GAIN DATA RIDER CHANNELYST

BOTTOM VIEW OF TUBE SOCKETS.

PANES SW VIEWED FROM FRONT AND SHOWN IN "A" BAND (MAX. COUNTER, CLOCKWISE) POSITION.

CATHODE CURRENTS

(1) 6S7	6.5 MA
(2) 12SA7	10.5 MA
(3) 6S7	5.1 MA
(4) 12SQ7	0.5 MA
(5) 50L6GT	33.5 MA
(6) TOTAL RECT.	55.7 MA

FREQUENCY RANGES

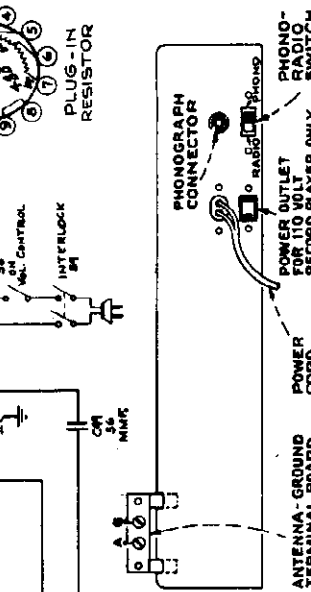
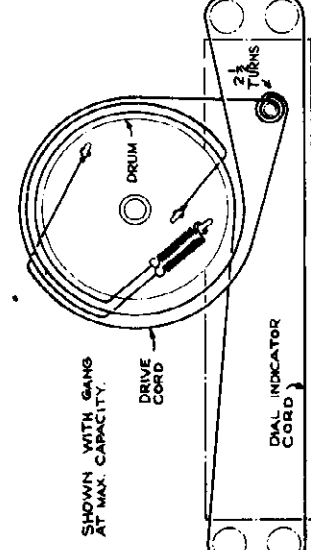
Standard Broadcast ("A" Band)..... 540-1,720 kc (556-174 m.)

Medium Wave ("B" Band)..... 3.0-9.5 mc (100-31.6 m.)

31 Meter Spread Band..... 9.5-11.8 mc (31.6-25.4 m.)

25 Meter Spread Band..... 11.7-15.2 mc (25.6-19.8 m.)

19-13 Meter Spread Band..... 15.05-23.0 mc (20.13 m.)



VOLTAGES SHOULD HOLD WITHIN ±20% WITH 117V. A.C. SUPPLY

\* MEASURED WITH CHANNELYST OR VOLTOHMYST.

MODEL Q31  
Ch. RC-538C

RCA MFG. CO., INC.

**POWER SUPPLY RATINGS**

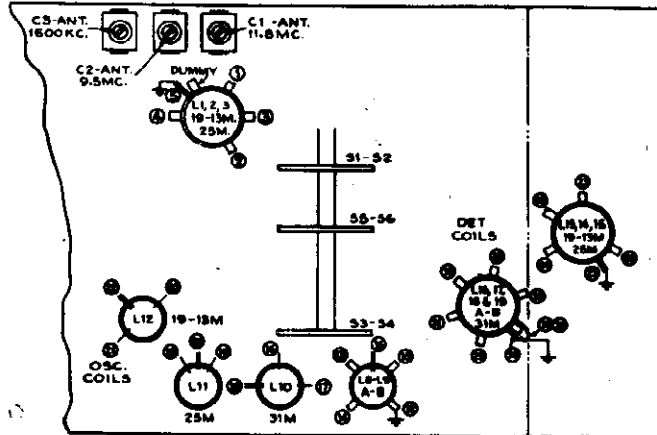
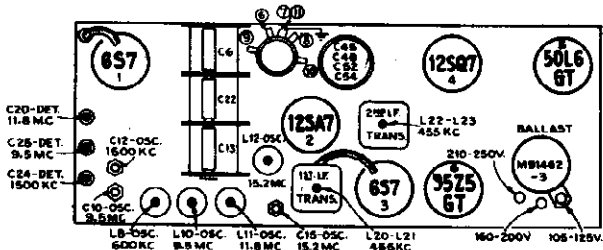
105-125 volts, 40 to 100 cycles AC, or DC.....31 watts  
160-200 volts, 40 to 100 cycles AC, or DC.....50 watts  
210-250 volts, 40 to 100 cycles AC, or DC.....68 watts

**POWER OUTPUT**

Undistorted.....2.5 watts  
Maximum.....4.5 watts

**LOUDSPEAKER**

Type.....9 in. x 6 1/2 in. elliptical permanent magnet dynamic  
V.C. Impedance.....3.7 ohms at 400 cycles  
Identification Number.....92196-2



Steps	Connect the high side of the test-osc. to—	Tune test-osc. to—	Range Switch	Turn radio Dial to—	Adjust the following for max. peak output
1	6S7 I-F grid in series with .01 mfd.	455 kc	"A" band	Quiet point near 600 kc (149.5°) end of dial	L23-L22 2nd I-F transformer
2	12SA7 1st det. grid in series with .01 mfd.				L21-L20 1st I-F transformer
3	Antenna terminal in series with 300 ohms	11.8 mc	25 meter band	11.8 mc (138.5°)	L11 (osc.) C1 (ant.) C20 (det.) Rock in
4		15.2 mc		15.2 mc (18.5°)	C15 (osc.)††
5	Repeat steps 3 and 4 until aligned.				
6		15.2 mc	19-13 meter band	15.2 mc (156°)	L12 (osc.)**
7	Antenna terminal in series with 300 ohms	9.5 mc	31 meter band	9.5 mc (156°)	L10 (osc.)** C2 (ant.) C25 (det.)*** Rock in
8		9.5 mc	"B" band	9.5 mc (11.5°)	C10 (osc.)*
9	Antenna terminal in series with 200 mmfd.	1,500 kc	"A" band	1,500 kc (27°)	C12 (osc.) C3 (ant.) C24 (det.)
10		600 kc		600 kc (149.5°)	L8 (osc.) Rock in
11	Repeat steps 9 and 10.				

**Precautionary Lead Dress**

Dress the indicated circuit parts as follows:

- Toothpick condensers in the ant., R. F. circuits and gang leads: away from metal especially shield plates; condensers at right angles to shield plates.
- Speaker, pilot, and output filament leads: between terminal board and output tube socket and against the base.
- Leads to converter socket so that they do not impede the flexible mounting.
- Oscillator grid and control grid condensers (to 6SA7) well apart, but at least 1/4 in. from shield plates.
- All filament and B+ leads close to chassis.
- Black lead between the RF trimmer bank and switch: over the short wave RF coil and close to it.
- Blue plate lead to 2nd I.F. transformer: under the brow and the red leads, and away from first I.F. transformer.
- 2nd I.F. to diode lead (black): close to chassis and with yellow ground lead twisted about it closely.
- Volume control high side condenser: close to base.
- Phono lead and diode return lead to switch: away from power circuits and output tube socket.
- .05 cond. from phono shield to ground up, under, and against joint of shielded cable.
- R-12 (10 meg. grid res. on 12SQ7) down against chassis.
- Yellow lead from switch lug 2 to B lug on 2nd I.F. down against chassis and away from plate and fil. leads.

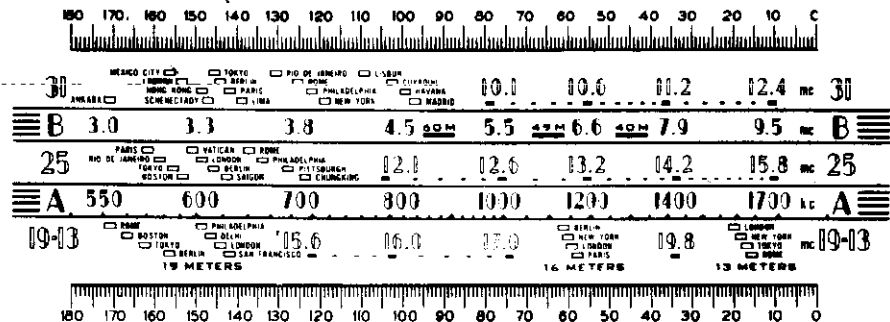
\* Use minimum capacity peak if two can be obtained.  
\*\* Peak at minimum plunger position if two peaks can be obtained.  
\*\*\* Use maximum capacity peak if two peaks can be obtained.  
† Check image to determine that C15 has been adjusted to correct peak by tuning receiver to approximately 14.29 mc where a weaker signal should be received.

NOTE: Oscillator tracks above signals on all bands.

**Calibration Scale**

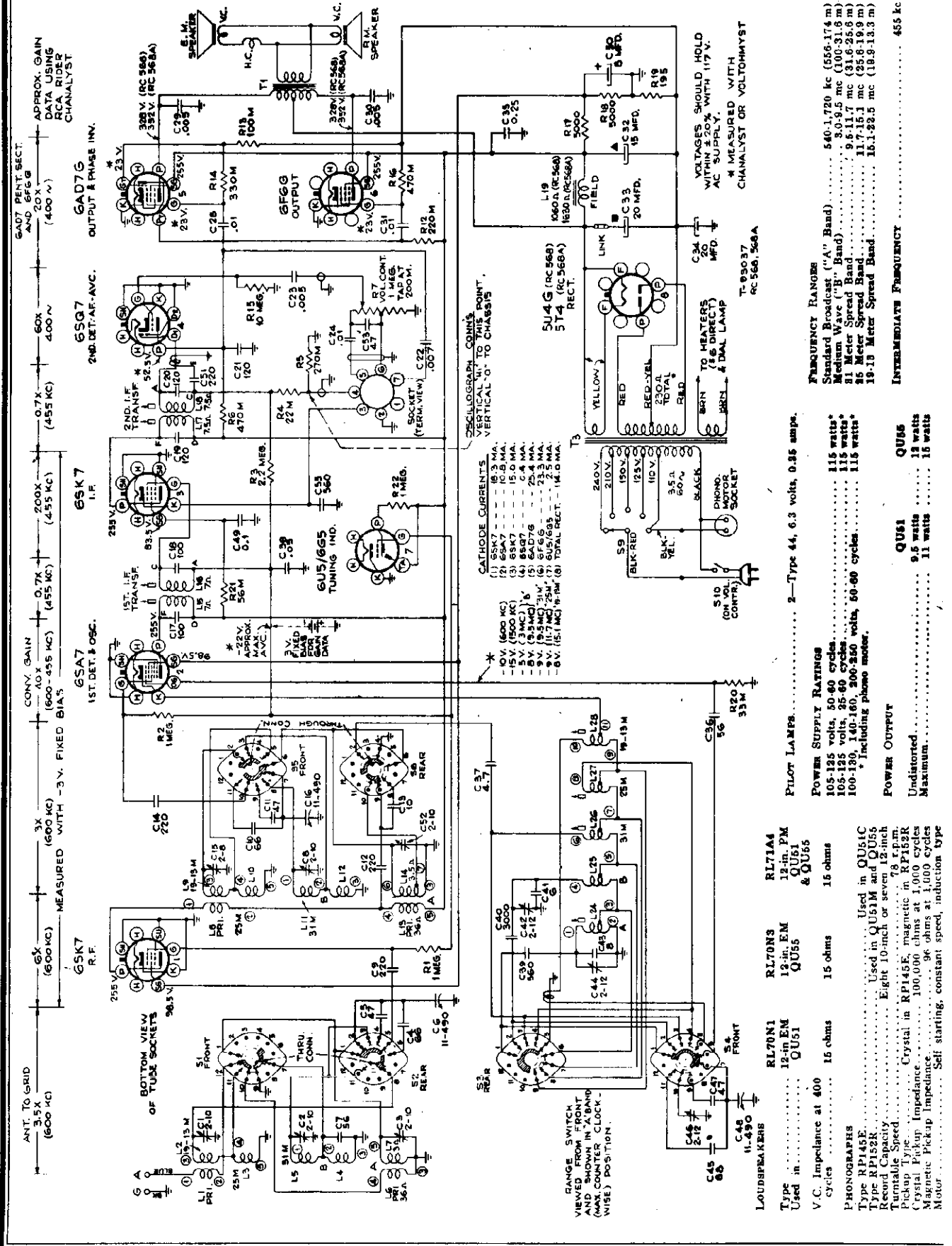
Reduced Reproduction of Receiver Dial and Corresponding 0-180° Calibration Scales

The corresponding position of the dial indicator for any setting of the calibration scale can be determined by drawing a line from this point on the bottom calibration scale to the same point on the top calibration scale. For example: 150° on the calibration scale corresponds to approximately 600 kc on "A" band, etc.



RCA MFG. CO., INC.

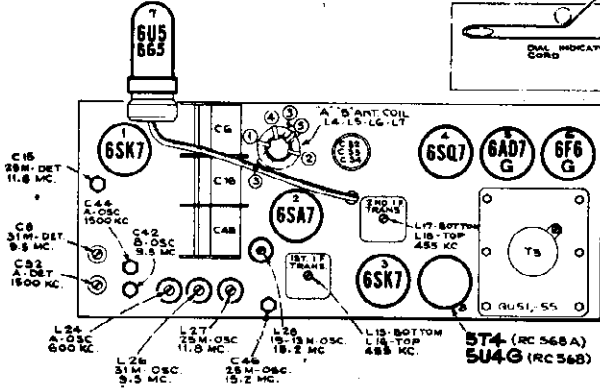
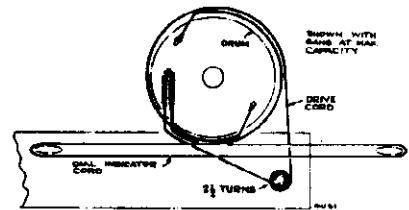
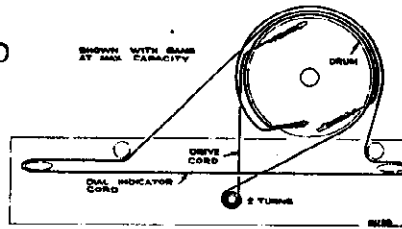
MODELS QU51C, QU51M, QU55  
Ch. RC-568, RC-568A



MODELS QU51C, QU51M, QU55  
Ch. RC-568, RC-568A

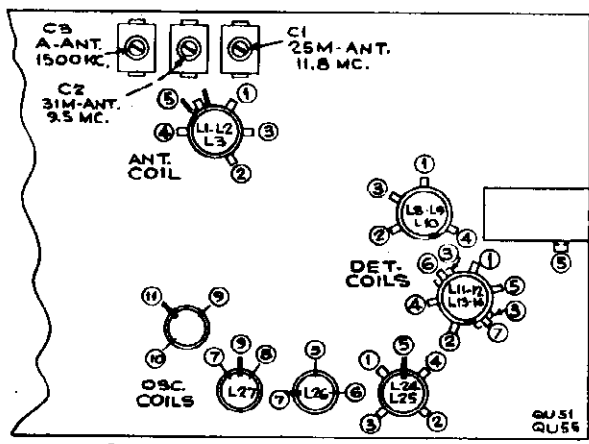
RCA MFG. CO., INC.

FOR RECORD CHANGER  
DATA, SEE RIDER'S  
"AUTOMATIC RECORD  
CHANGERS AND  
RECORDERS".

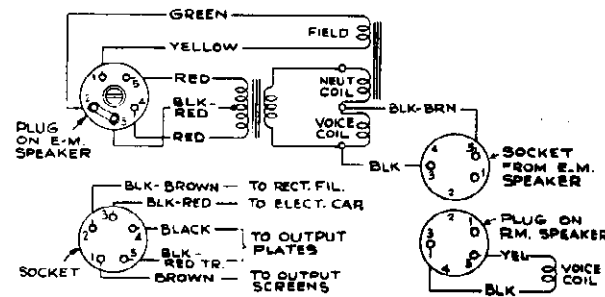


QU55

QU51



COIL AND TRIMMER LOCATIONS (BOTTOM VIEW)



Steps	Connect the high side of the test-osc. to—	Tune test-osc. to—	Range Switch	Turn Radio Dial to—	Adjust the following for max. peak output
1	6SK7 I-F grid in series with .01 mfd.	455 kc	"A" band	Quiet point 600 kc end of dial	L18-L17 2nd I-F transformer
2	6SA7 1st det. grid in series with .01 mfd.				L18-L15 1st I-F transformer
3	Antenna terminal in series with 300 ohms	11.8 mc	25 meter band	11.8 mc (138.5°)	L27 (osc.)** C1 (ant.) C15 (det.)***
4		15.2 mc			15.2 mc (18.5°)
5	Repeat steps 3 and 4 until aligned.				
6	Antenna terminal in series with 300 ohms	15.2 mc	19-13 meter band	15.2 mc (156°)	L28 (osc.)**
7		9.5 mc	31 meter band	9.5 mc (156°)	L28 (osc.)** C2 (ant.) C8 (det.)***
8		9.5 mc	"B" band	9.5 mc (11.5°)	C42 (osc.)*
9	Antenna terminal in series with 200 mmfd.	1,500 kc	"A" band	1,500 kc (27°)	C44 (osc.) C3 (ant.) C62 (det.)
10		600 kc		600 kc (149.5°)	L24 (osc.) Rock in
11	Repeat steps 9 and 10.				

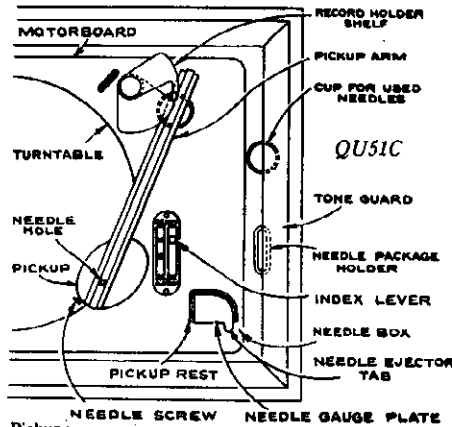
† Check image to determine that C15 has been adjusted to correct peak by tuning receiver to approximately 14.29 mc (29°) where a weaker signal should be received.

\* Use minimum capacity peak if two can be obtained.  
\*\* Peak at minimum plunger position if two peaks can be obtained.  
\*\*\* Use maximum capacity peak if two peaks can be obtained.

NOTE: Oscillator tracks above signals on all bands.

RCA MFG. CO., INC.

MODELS QU51C, QU51M, QU5  
Ch.RC-568, RC-568A



**Crystal Pickup:**

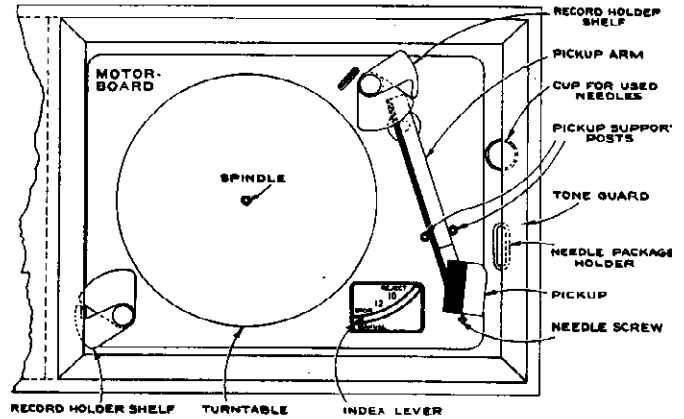
The crystal pickup is sealed in a metal case; if failure occurs, do not attempt to repair the unit, but install a new crystal unit.

**Magnetic Pickup:**

The magnetic pickup used is of an improved design. The horseshoe magnet is rigidly welded to the pole pieces and is irremovable. There is a centering spring attached to the armature to maintain proper adjustment and to provide a limiting effect on the movement of the armature. Service operations which may be necessary on the pickup are as follows:

**Centering Armature.**—Refer to the figure showing the pickup inner structure. The armature is shown in its proper relation to the magnet pole pieces, i. e., exactly centered. Whenever this centering adjustment has been disturbed it will be necessary to remove the pickup mechanism from the tone arm for re-adjustment. Unsolder the two leads from the lugs on the terminal board at the rear of the pickup. Insert a small rod or nail into the armature needle hole and tighten the needle holding screw to hold the rod securely. If the armature clamping screws A and B have not been disturbed, screws C should be loosened which will permit this armature to be moved from side to side, the rod acting as a lever to perform this operation. The proper adjustment is obtained when the armature is brought to the mid position between the pole pieces. Screws C should then be tightened. The armature position should then be central between the pole pieces and at right angles to them. Check to make sure that the armature is not touching the coil. The air gap between the pole pieces and the armature should be kept free from dust, filings, and other foreign material which would obstruct the movement of the pickup armature.

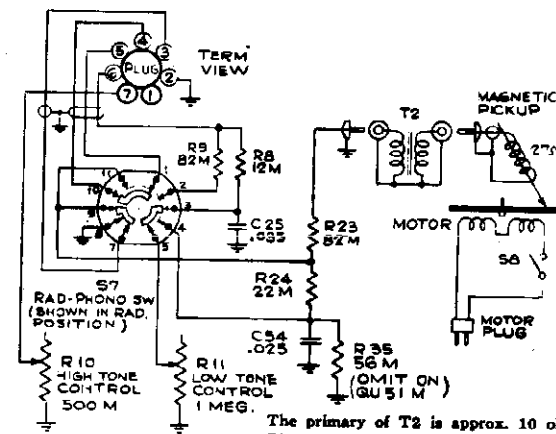
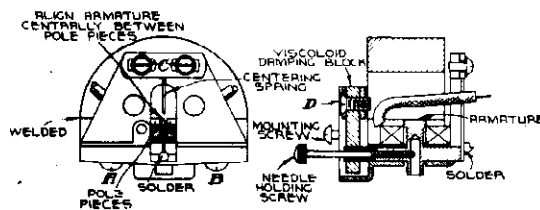
**Replacing Coil.**—Whenever there is defective operation due to an open or shorted pickup coil, this coil should be replaced. Remove the pickup mechanism and terminal board. Remove screws A and B and the magnet assembly. Remove the bakelite coil support (with coil attached) and insert the new coil support assembly in its place, after which replace the magnet assembly and center the armature as described above, then re-assemble the remainder of the unit. Only rosin core solder should be used for soldering the coil leads and pickup leads to the pickup terminal board. This same type of solder should be used when necessary for soldering the centering spring to the armature.



QU51M

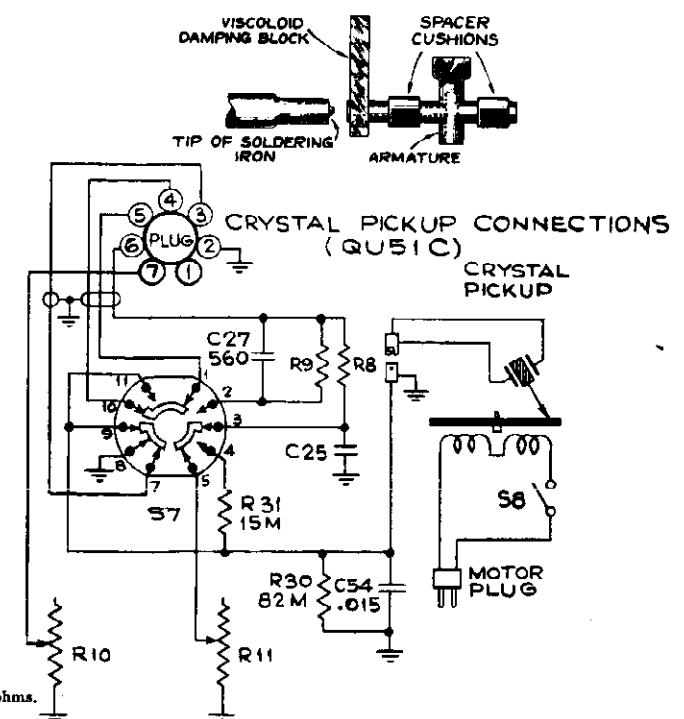
**Magnetizing.**—Loss of magnetization will not usually occur when the pickup has received normal care because the magnet and pole pieces are one unit and the magnetic circuit remains practically closed at all times. When the pickup has been mishandled, subjected to a strong a-c field, jolted, or dropped, there may be an appreciable loss of magnetic strength, in which case it will be necessary to remagnetize the entire structure. To do this, it will be necessary to first remove the pickup mechanism from the tone arm, and then remove the magnet assembly. Place the magnet assembly on the poles of a standard pickup magnetizer such as the RCA Stock No. 9549 Pickup Magnetizer and charge the magnet in accordance with the instructions accompanying the magnetizer. It is preferable to check the polarity of the pickup magnet and to remagnetize it so that the same polarity is maintained.

**Damping Block.**—The viscoloid damping block which is attached to the front end of the armature shank serves to reduce undesirable resonances and to cause the frequency response to be uniform. Should it be necessary to replace this damping block, the pickup mechanism should be removed from the tone arm. Remove screw D and the damping block from the pickup assembly. Make sure that the shaft of the armature which contacts the viscoloid is clean. Then insert the new damping block so that it occupies the same position as that of the original block, and is in correct vertical alignment with the armature. The hole in the block is somewhat smaller than the diameter of the armature in order to permit a snug fit. With the damping block properly aligned on the armature, screw D with its washer should then be replaced. Heat should be applied to the armature (viscoloid side) so that the damping block will fuse at the point of contact and become rigidly attached to the armature. A special-tip soldering iron, constructed as shown, will be found very useful in performing this operation. The iron should be applied only long enough to slightly melt the block, causing a small bulge on both sides.



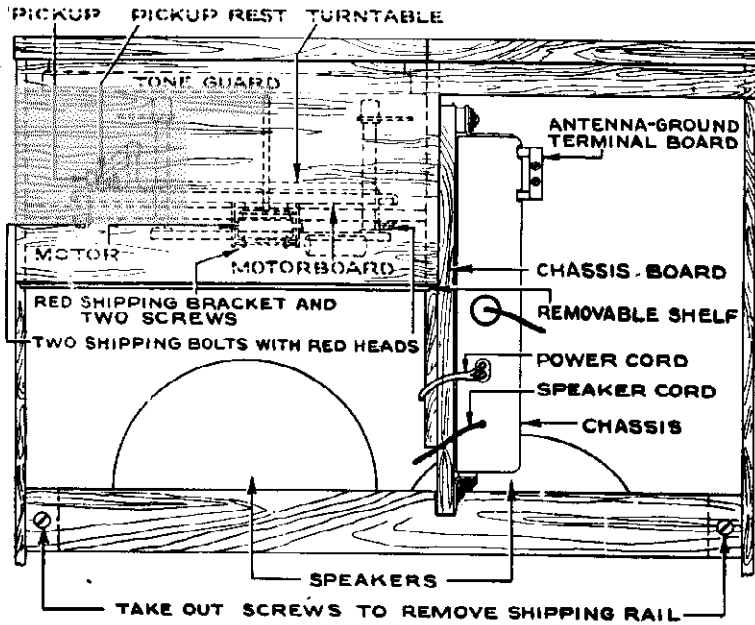
The primary of T2 is approx. 10 ohms.  
The secondary of T3 is approx. 4,000 ohms.

MAGNETIC PICKUP CONNECTIONS (QU51M AND QU55)

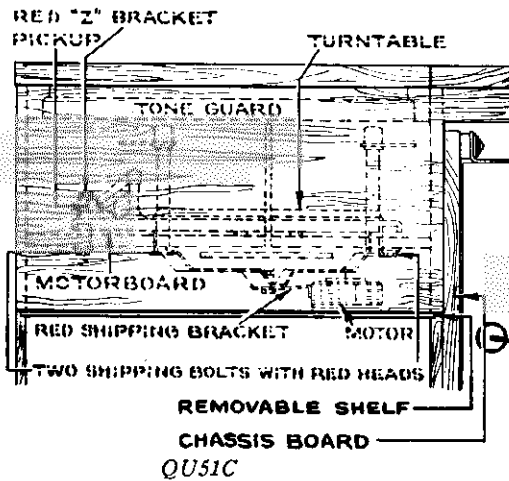


MODELS QU51C, QU51M, QU55  
Ch. RC-568, RC-568A

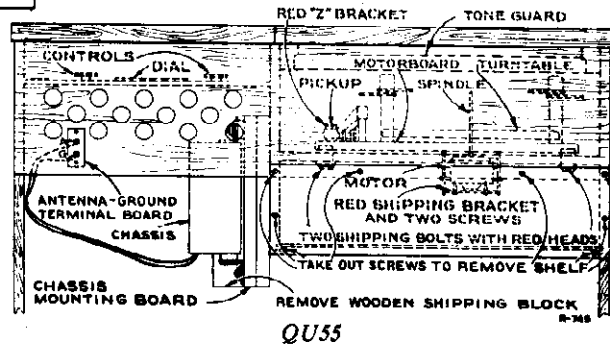
RCA MFG. CO., INC.



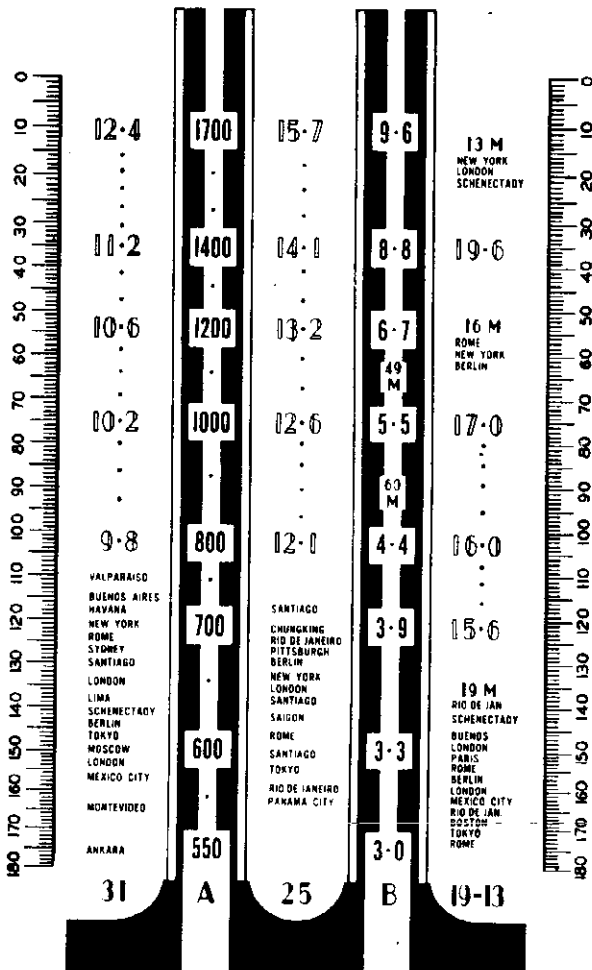
QU51M



QU51C



QU55



**Precautionary Lead Dress:**

- (1) Dress all spread band oscillator coil leads to clear each other by 1/4-inch.
- (2) Dress toothpick condensers and switch leads away from and edge on to shield plates.
- (3) Dress 2nd I.F. transformer lead to diode close to chassis and twist ground lead about it.
- (4) Dress high side and tap condensers on vol. control close to chassis.
- (5) Dress leads to converter socket so that they do not impair flexible mounting.
- (6) Dress oscillator grid condenser and R.F. grid condenser well apart.
- (7) Dress AVC resistor to R.F. converter grid close to lug on socket.
- (8) Dress twisted AC wiring to power switch away from volume control wiring.
- (9) Dress excess power trans. leads between trans. bell and back apron.
- (10) Dress C23 away from front apron.
- (11) Brown lead on 19-25M ant. coil must be dressed over top of coil.
- (12) Dress C24 cap. with short lead to terminal board on rear apron. Power cord leads must be kept away from this section.

**Phasing Loudspeakers**

The two loudspeakers used in Models QU51 and QU55 have their voice coils connected in parallel and must be phased so that both cones will move in the same direction at the same time. If the phasing is incorrect a decided reduction in bass response will be produced. A very simple test for phasing can be made as follows:

1. Turn the instrument on and reduce the volume control setting until no signal is heard.
2. Momentarily connect the leads from a battery (4 to 6 volts) across the voice coils and note whether or not both cones move in the same direction. If they do the phasing is correct.
3. If the cones move in opposite directions the phasing is incorrect and the two voice coil leads going to the RL71A4 (P.M.) speaker should be reversed.

RCA MFG. CO., INC.

MODEL Q30
MODEL Q31
MODELS QU51, QU55

Main product catalog table with columns: STOCK No., UNIT PRICE, DESCRIPTION, and UNIT PRICE. It is organized into sections: Q30 CHASSIS ASSEMBLIES, Q31 CHASSIS ASSEMBLIES, CHASSIS ASSEMBLIES (QU51, QU55), SPEAKER ASSEMBLIES (RL70N1, RL70N2), MISCELLANEOUS ASSEMBLIES (QU51), and MISCELLANEOUS ASSEMBLIES (QU55).

ALL PRICES ARE SUBJECT TO CHANGE OR WITHDRAWAL WITHOUT NOTICE.

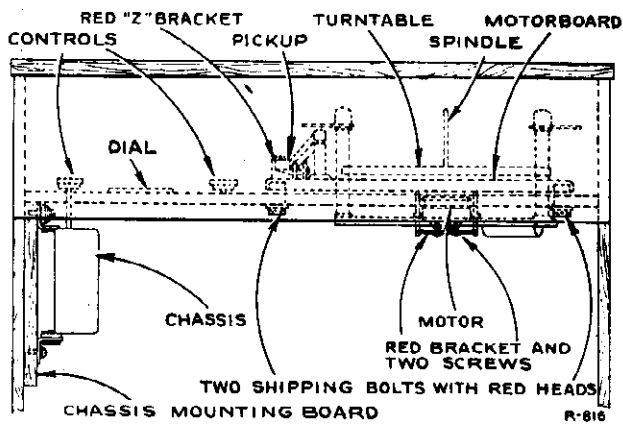
ALL PRICES ARE SUBJECT TO CHANGE OR WITHDRAWAL WITHOUT NOTICE.

MODELS QU52C, QU52M

RCA MFG. CO., INC.

STOCK No.	DESCRIPTION	Unit List Price
<b>CHASSIS ASSEMBLIES</b> (RC 507L) For Crystal Type Pickup (RC 507N) For Magnetic Type Pickup		
38923	Bracket—L. H. pulley support bracket complete with pulley	.30
38924	Bracket—R. H. pulley support bracket complete with pulley	.50
32558	Cable—Phono input cable (for magnetic type)	.75
36398	Cable—Shielded cable for radio-phono connector	.85
33014	Capacitor—Electrolytic, comprising 3 sections of 10 mfd., 450 volts, and 1 section of 20 mfd., 25 volts	1.90
12714	Capacitor—Air trimmer—medium—2-12 mmfd.	.50
34654	Capacitor—Mica trimmer, comprising 3 sections of 2.5-10 mmfd. each	.60
35646	Capacitor—8 mmfd., ceramic	.35
36012	Capacitor—15 mmfd., ceramic	.35
12896	Capacitor—15 mmfd., moulded mica	.35
35644	Capacitor—47 mmfd., ceramic	.35
13141	Capacitor—47 mmfd., moulded	.35
12723	Capacitor—56 mmfd., moulded	.35
30949	Capacitor—56 mmfd., unmounted	.25
35645	Capacitor—88 mmfd., ceramic	.35
13057	Capacitor—68 mmfd., moulded	.35
12720	Capacitor—100 mmfd., moulded	.35
30904	Capacitor—100 mmfd., unmounted	.25
12694	Capacitor—220 mmfd.	.35
12537	Capacitor—560 mmfd.	.35
35643	Capacitor—3,000 mmfd.	.55
4838	Capacitor—.005 mfd., 1,000 volts	.25
33584	Capacitor—.005 mfd., 1,200 volts	.25
4937	Capacitor—.01 mfd., 1,000 volts	.25
4870	Capacitor—.025 mfd.	.20
5198	Capacitor—.035 mfd. (for magnetic type)	.20
4886	Capacitor—.05 mfd.	.20
35632	Coil—Antenna coil—"A" band	1.10
35631	Coil—Antenna coil—spread band	.75
35623	Coil—Oscillator coil—"A" and "B" bands	.80
35624	Coil—Oscillator coil—19-13 meter band	.45
35625	Coil—Oscillator coil—25 meter band	.50
35626	Coil—Oscillator coil—31 meter band	.45
35619	Condenser—Variable tuning condenser	2.80
38409	Control—Tone control	1.00
38412	Control—Volume control and power switch	2.00
32634	Cord—Drive cord (approx. 27 in. overall lgth.)	.10
32634	Cord—Pointer cord (approx. 47 in. overall lgth.)	.10
35788	Core—Adjustable core and stud for "A" and "B" band oscillator coil	.15
31259	Core—Adjustable core and stud for "19-13 meter band," "25 meter band," and "31 meter band" oscillator coils	.15
35642	Dial—Drive drum calibrator dial	.10
35627	Drum—Drive drum—less calibrator dial	.55
35638	Flywheel—Tuning shaft flywheel	1.10
30868	Plug—2-contact female plug for motor cable	.35
5040	Plug—4-contact female plug for speaker cable	.30
35630	Pulley—Drive cord pulley—between tuning knob and range switch shafts	.10
30735	Resistor—560 ohms, 1 watt	.22
30436	Resistor—12,000 ohms, 1/2 watt	.20
36714	Resistor—15,000 ohms, 1/2 watt (for crystal type only)	.20
35595	Resistor—15,000 ohms, 3 watt	.35
3219	Resistor—18,000 ohms, 1/2 watt (for magnetic type)	.20
30492	Resistor—22,000 ohms, 1/2 watt	.20
12454	Resistor—33,000 ohms, 1/2 watt	.20
14138	Resistor—68,000 ohms, 1/2 watt (for magnetic type only)	.20
13734	Resistor—120,000 ohms, 1/2 watt	.20
30493	Resistor—150,000 ohms, 1/2 watt	.20
14020	Resistor—150,000 ohms, 1/2 watt (for magnetic type)	.20
30651	Resistor—270,000 ohms, 1/2 watt (for crystal type only)	.20
14983	Resistor—330,000 ohms, 1/2 watt	.20
30648	Resistor—470,000 ohms, 1/2 watt	.20
30648	Resistor—470,000 ohms, 1/2 watt	.20
13730	Resistor—1 meg., 1/2 watt	.20
30648	Resistor—2.2 meg., 1/2 watt	.20
30992	Resistor—10 meg., 1/2 watt	.20
14350	Screw—No. 8-32 sq. head set screw for drive drum	.03
38925	Shaft—Flywheel and tuning knob shaft	.25
31364	Socket—Dial lamp socket	.20
31251	Socket—Tube socket	.25
31418	Spring—Pointer cord or drive cord spring	.05
31261	Spring—Retaining spring for adjustable core and studs	.01
35622	Support—Tuning knob shaft and flywheel support	.20
38927	Switch—Phono switch	1.10
38926	Switch—Range switch	2.50
32827	Switch—Voltage switch	.35
35636	Transformer—First I.F. transformer	1.79
35628	Transformer—Second I.F. transformer	1.85
35588	Transformer—Power transformer—105-120 volts, 25 cycle	6.30
32911	Transformer—Power transformer—105-120 volts, 50-60 cycle	4.10
32852	Transformer—Power transformer—105-130, 140-160, 195-250 volts, 50-60 cycle	4.50

STOCK No.	DESCRIPTION	Unit List Price
<b>SPEAKER ASSEMBLIES</b> (RL 70M-1)		
13867	Cap—Dust cap	.03
12079	Coil—Field coil	2.10
11469	Coil—Neutralizing coil	.30
36145	Cone—Cone complete with voice coil	1.35
5039	Plug—4-prong male plug for speaker	.30
37899	Transformer—Output transformer	2.25



FOR OTHER DATA ON PICKUPS, SEE MODELS QU51C, QU51M, AND QU55.

**Lubrication.**—Petrolatum or petroleum jelly should be applied to cam, main gear, spindle pinion gear, and gears of record posts. Light machine oil should be used in the tone arm vertical bearing, record post bearings, and all other bearings of various levers and pulleys on underside of motorboard. Do not allow oil or grease to come in contact with rubber parts of the mechanism.

**Service Hints.**— Before servicing the automatic record changer, inspect the assembly to see that all levers, parts, gears, springs, etc., are in good order and are correctly assembled.

A bind or jam in the mechanism can usually be relieved by rotating the turntable in the reverse direction. The changer can be conveniently rotated through its change cycle by pushing the index lever to "Reject" and revolving the turntable by hand. Six turntable revolutions are required for one change cycle.

When a pickup has been played the pickup moves out, another record is dropped down, and the needle is fed automatically into the starting groove of this record. If the needle fails to enter the starting groove, raise the right-hand side of the cabinet by inserting thin spacers under the feet on that side. If the needle slides over a few grooves, raise the left-hand side of the cabinet in a similar manner.

The 10- and 12-inch records must be absolutely flat for smooth operation. A pickup shorting switch, located under the motorboard, operates when the pickup is moved outward to the pickup rest.

- Caution.**—
1. This instrument is not recommended for playing 10-inch and 12-inch records in mixed sequence.
  2. Never use force to start or stop the motor or any part of the record-changing mechanism or pickup arm.
  3. Warped or damaged records may cause the mechanism to jam.
  4. Warped records may slide on one another when playing, resulting in unsatisfactory reproduction.
  5. Do not leave records on the record-holder posts as they may warp, particularly in warm climates. Warped records may be flattened by placing them on a flat surface with a flat heavy article placed on top of them for a few days.
  6. Do not leave pickup needle resting on a record or on the turntable. Always place it on the pickup rest.
  7. Do not insert a used needle in the pickup, and avoid turning a needle after it has been used.
  8. If for any reason the phonograph stalls, turn off the turntable switch and remove the records from the record holder shelves. Start the turntable and allow the pickup arm to complete its cycle.



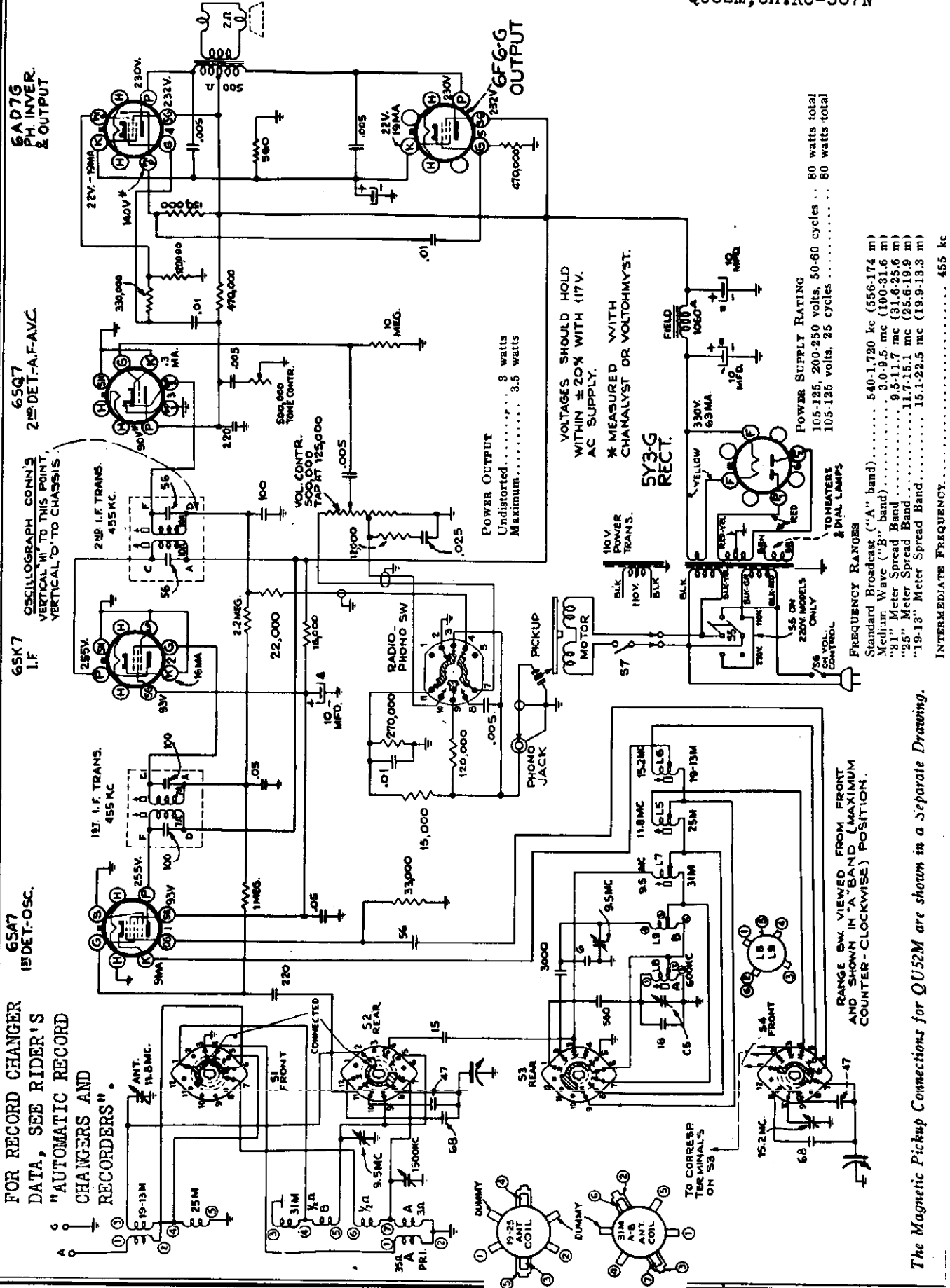
6AD7G  
PH. INVER.  
& OUTPUT

6SQ7  
2<sup>ND</sup> DET.-A.F.V.C.

6SK7  
I.F.

6SA7  
1<sup>ST</sup> DET.-OSC.

FOR RECORD CHANGER  
DATA, SEE RIDER'S  
"AUTOMATIC RECORD  
CHANGERS AND  
RECORDERS".



POWER OUTPUT  
Undistorted..... 8 watts  
Maximum..... 3.5 watts

VOLTAGES SHOULD HOLD  
WITHIN ± 20% WITH 117V.  
AC SUPPLY.  
\* MEASURED WITH  
CHAMALYST OR VOLT-OHM-VST.

5Y3-G  
RECT.

POWER SUPPLY RATING  
105-125, 200-250 volts, 50-60 cycles ... 80 watts total  
105-125 volts, 25 cycles ..... 80 watts total

FREQUENCY RANGES

Standard Broadcast ("A" band).....	540-1,720 kc (556-174 m)
Medium Wave ("B" band).....	3.0-9.5 mc (100-31.6 m)
"31" Meter Spread Band.....	9.5-11.7 mc (31.6-25.6 m)
"25" Meter Spread Band.....	11.7-15.1 mc (25.6-19.9 m)
"19-13" Meter Spread Band.....	15.1-22.5 mc (19.9-13.3 m)

INTERMEDIATE FREQUENCY..... 455 kc

RANGE SW. VIEWED FROM FRONT  
AND SHOWN IN "A" BAND (MAXIMUM  
COUNTER-CLOCKWISE) POSITION.

The Magnetic Pickup Connections for QU52M are shown in a Separate Drawing.

**MODELS QU52C, Ch. RC-507L;  
QU52M, Ch. RC-507N**

**RCA MFG. CO., INC.**

**PHONOGRAPH (Automatic)**

**CRYSTAL PICKUP (QU52C)**

Impedance..... 100,000 ohms at 1,000 c.p.s.  
Average Output... 1.5 volts at 1,000 c.p.s. across 500,000 ohm load

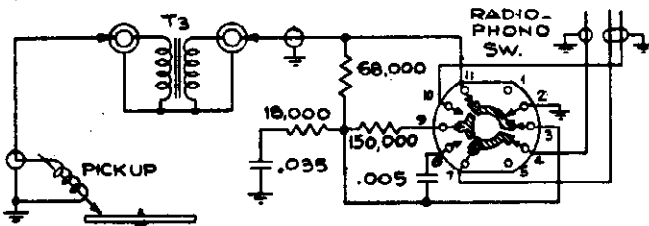
**MAGNETIC PICKUP (QU52M)**

Impedance..... 96 ohms at 1,000 c.p.s.  
Average Output..... 0.14 volts at 400 c.p.s. across open circuit

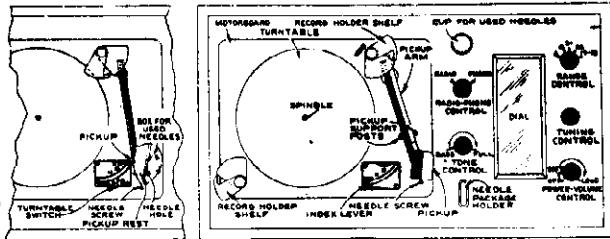
**LOUDSPEAKER (RL-70M1)**

Type..... 12-inch Electrodynamic  
V-C Impedance at 400 c.p.s..... 2.2 ohms

The QU52M is equipped with a magnetic pickup, the QU52C with a crystal pickup. The output of the crystal pickup is fed into the audio end of the receiver through a switch and compensating circuit. On instruments using a magnetic pickup, a transformer and compensating circuit are used between the pickup and the audio input (see schematic diagram). The transformer has two jacks, the larger one (primary) for input from the pickup and the smaller one (secondary) for output to the compensating circuit. The components of the compensating circuit are mounted externally to the chassis on a terminal board in the cabinet.

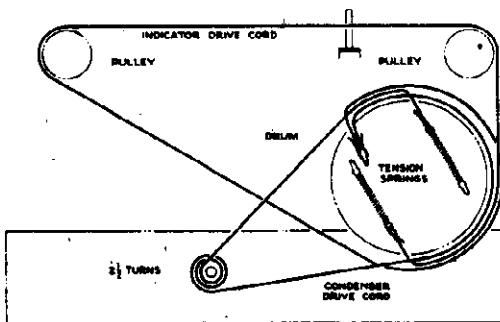


*Schematic Showing Magnetic Pickup Connections (QU52M)*

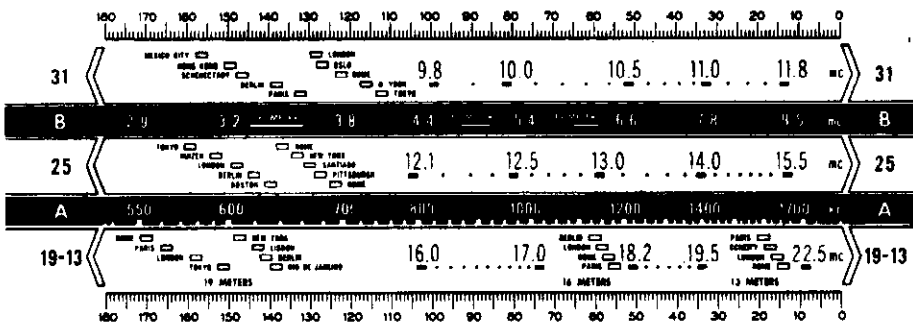


**QU52C**

**QU52M**



*Dial-Indicator and Drive Mechanism*



*On actual Dial Scale the markings and calibration are rotated 90°*

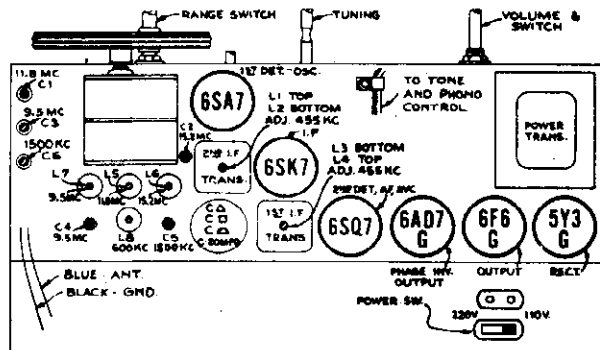
Steps	Connect the high side of the test-osc. to—	Tune test-osc. to—	Range switch	Turn radio dial to—	Adjust the following for max. peak output
1	6SK7 I-F grid in series with .01 mfd.			Quiet Point near 180°	L3 and L4 2nd I-F Trans.
2	6SA7 1st Det. grid in series with .01 mfd.	455 kc	A		L1 and L2 1st I-F Trans.
3	Ant. lead in series with 300 ohms	11.8 mc	25M	138.5°	L5 (osc.) C1 (ant.)
4		15.2 mc		17°	C2 (osc.)*
5	Repeat steps 3 and 4				
6	Ant. lead in series with 200 mmf.	15.2 mc	A	156°	L6 (osc.)**
7		9.5 mc		31M	158°
8		9.5 mc	A	11.5°	C4 (osc.)***
9		1,500 kc			26°
10		800 kc	A	150°	L8 (osc.) (Rock gang)
11		Repeat steps 9 and 10			

\* Use minimum capacity peak if two can be obtained. Check image to determine that C2 has been adjusted to the correct peak by tuning receiver to approximately 14.29 mc (29°) where a weaker signal should be received.

\*\* Peak at minimum position of plunger if two peaks can be obtained.

\*\*\* Peak at minimum capacity if two peaks can be obtained.

**NOTE:** Oscillator tracks above signal on all bands.



**Precautionary Lead Dress.—**

1. All leads between antenna coils and switch must be as short as possible and kept away from oscillator coil, leads and switches.
2. All oscillator coil leads must be kept apart from each other and other leads and parts.
3. Blue plate lead of 2nd I-F should be dressed under other leads and against chassis.

**Loudspeaker.—**To center the loudspeaker voice coil, first remove the front dust cover, then loosen the screws holding the spider assembly. Insert three narrow feelers into the air gap, and tighten the spider screws. Remove the feelers and fasten a dust cover in place with loud-speaker cement.

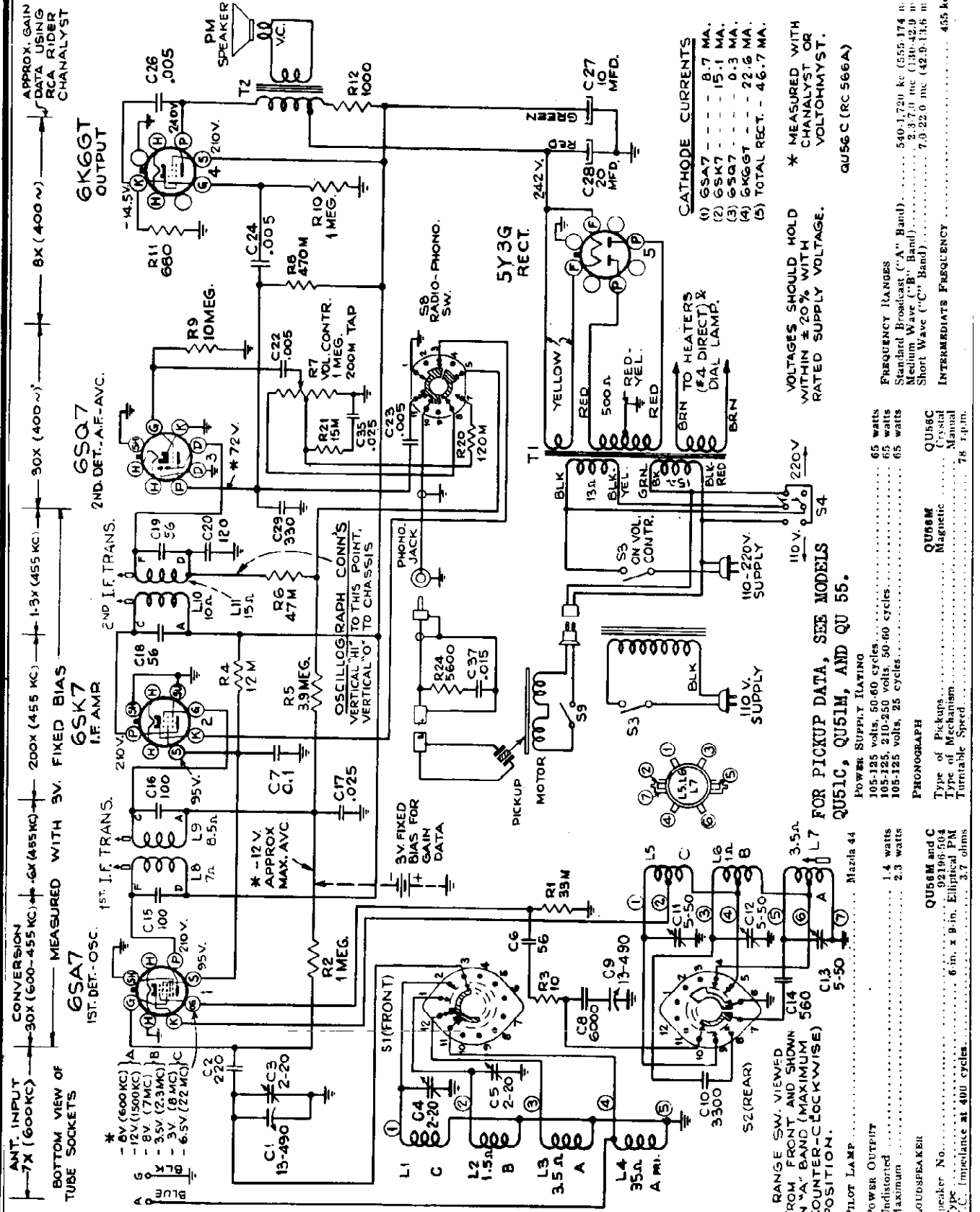
**Calibration Scale**

*Reduced Reproduction of Receiver Dial, and Corresponding 0-180° Calibration Scales*

The corresponding position of the dial indicator for any setting of the calibration scale can be determined by drawing a line from this point on the bottom calibration scale to the same point on the top calibration scale. For example: 150° on the calibration scale corresponds to approximately 600 kc on "A" band, etc.

RCA MFG. CO., INC.

MODELS QU56C, QU56M  
Ch. RC-566A



- CATHODE CURRENTS**
- (1) 6SA7 --- 8.7 MA.
  - (2) 6SK7 --- 15.1 MA.
  - (3) 6SQ7 --- 0.3 MA.
  - (4) 6K6GT --- 22.6 MA.
  - (5) TOTAL RECT. --- 46.7 MA.

**VOLTAGES SHOULD HOLD WITHIN ±20% WITH RATED SUPPLY VOLTAGE.**

**QU56C (RC 566A)**

<b>POWER OUTPUT</b>	105-125 volts, 50-60 cycles	65 watts	<b>QU56C</b>
<b>Undistorted</b>	105-125, 210-250 volts, 50-60 cycles	65 watts	Crystal
<b>Maximum</b>	105-125 volts, 25 cycles	65 watts	Manual
<b>LOUDSPEAKER</b>			<b>QU56M</b>
<b>Speaker No.</b>	92196-504		Magnetic
<b>Type</b>	6 in. x 9-in. Elliptical PM		
<b>V.C. Impedance at 400 cycles</b>	3.7 ohms		78 r.p.m.
<b>PHOTOGRAPH</b>			
<b>Type of Pickup</b>	Phono		
<b>Type of Mechanism</b>	Magnetic		
<b>Turntable Speed</b>	78 r.p.m.		
<b>POWER SUPPLY TAPPING</b>			
105-125 volts, 50-60 cycles		65 watts	
105-125, 210-250 volts, 50-60 cycles		65 watts	
105-125 volts, 25 cycles		65 watts	
<b>QU56C AND C</b>			
<b>Standard Broadcast ("A" Band)</b>	540-1,720 kc (555-174 mc)		
<b>Medium Wave ("B" Band)</b>	2.3-7.0 mc (130-42.9 mc)		
<b>Short Wave ("C" Band)</b>	7.0-22.0 mc (42.9-13.6 mc)		
<b>INTERMEDIATES FREQUENCY</b>	455 kc		

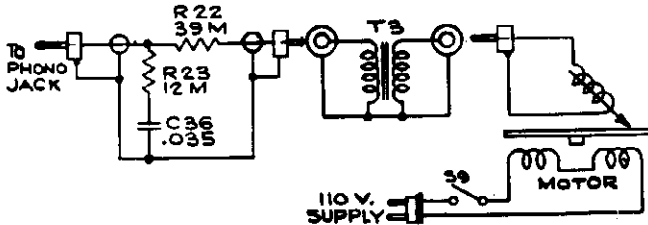
FOR PICKUP DATA, SEE MODELS QU51C, QU51M, AND QU 55.

MODELS QU56C, QU56M

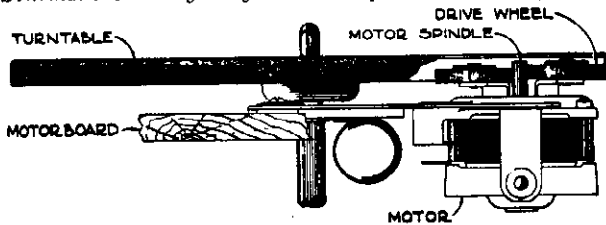
Ch.RC-566A

RCA MFG. CO., INC.

The QU56M is equipped with a magnetic pickup, the QU56C with a crystal pickup. The output of the crystal pickup is fed into the audio end of the receiver through a switch and compensating circuit. On instruments using a magnetic pickup, a transformer and compensating circuit are used between the pickup and the audio input (see schematic diagram). The transformer has two jacks, the larger one (primary) for input from the pickup and the smaller one (secondary) for output to the compensating circuit. The components of the compensating circuit are mounted externally to the chassis on a terminal board in the cabinet.



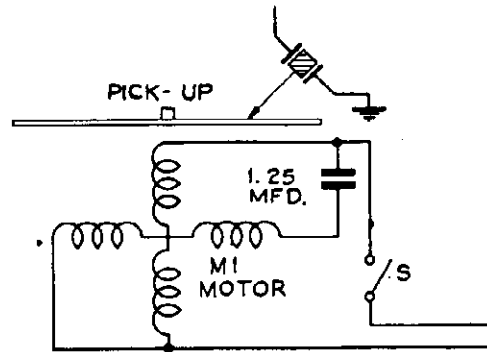
Schematic Showing Magnetic Pickup Connections (QU56M)



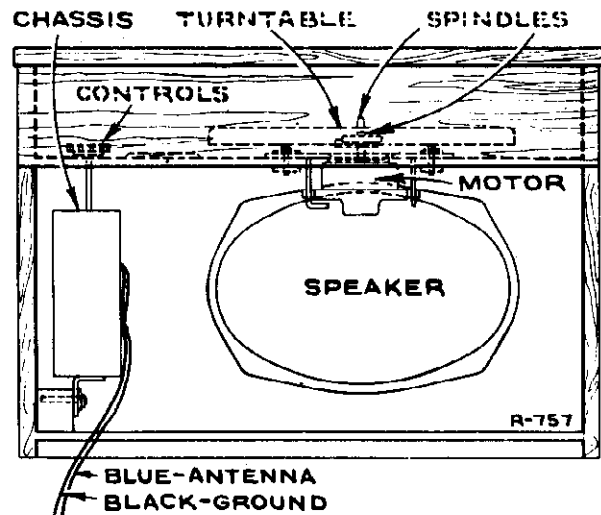
Motor Detail

Precautionary Lead Dress.

1. "B" and "C" band antenna trimmer leads to be dressed away from "B" and "C" band oscillator trimmer leads.
2. Excess power transformer leads to be dressed between power transformer bell and rear apron of chassis.
3. R9 1st Audio grid lead, dressed down to chassis.
4. "B" Band Antenna coil lead to be wired so that it is dressed around "B" band section in a clockwise direction to coil lug in order to obtain proper "B" band tracking.
5. "C" band oscillator cathode lead to be dressed around coil in clockwise direction as shown in sample.
6. Dress tone control capacitor C23 up and away from A.C. switch leads.
7. Dress capacitor C25 from phono. socket to 6SQ7 socket up and away from all parts and leads.
8. Dress audio coupling C22 from volume control clear of A.C. wiring.
9. Red lead from A.C. switch to power switch to be dressed down against base.
10. Drive front gang mounting screw first.
11. Green lead to phono. socket dress up from chassis.
12. Dress A.C. switch leads to side apron.
13. Dress R20, R21 close to front apron.

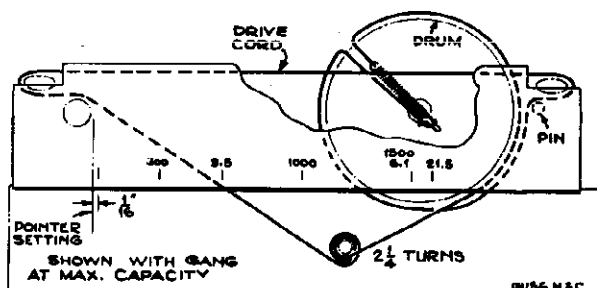
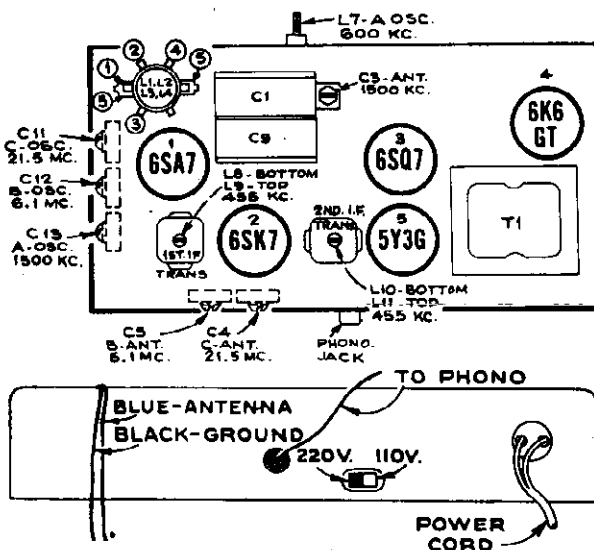


Motor Schematic



Steps	Range Switch	Connect high side test osc. to—	Tune test osc. to—	Turn radio dial to	Adjust following for max. peak output
1	"A"	I-F grid in series with .01 mfd.	455 kc	"A" band quiet point at high freq. end.	L10, L11 (2nd I-F trans.)
2		1st det. grid, in series with .01 mfd.			L9, L8† (1st I-F trans.)
3		Antenna lead in series with 200 mmf.	1,500 kc (200 m)	1,500 kc mark (5th mark)	C13, C3
4	"B"	Antenna lead in series with 300 ohms	600 kc (500 m)	600 kc mark (2nd mark)	L7** Rock gang
5			21.5 mc	21.5 mc mark (8th mark)	C11,* C4
6	"C"				
7					

\* Use minimum capacity peak if two peaks can be obtained.  
 \*\* Rock gang slightly for peak output.  
 † Do not readjust L11 or L10 when test oscillator is applied to the 6SA7 Grid.  
 NOTE: Oscillator tracks above signal on all bands.



QU56 M&C

RCA MFG. CO., INC.

STOCK No.	DESCRIPTION	Unit List Price	STOCK No.	DESCRIPTION	Unit List Price
<b>CHASSIS ASSEMBLIES (RC 566-A)</b>			<b>MOTOR ASSEMBLIES</b>		
35781	Capacitor—Electrolytic—comprising 1 section of 20 mfd., 350 volts, and 1 section of 10 mfd., 350 volts	.90	36986	Arm—Drive wheel or idler wheel support arm	.70
32830	Capacitor—Mica trimmer—comprising 2 sections of 2-20 mmfd. each	.40	36988	Armature—Armature complete for 105-125 volts, 50 cycle motor	6.50
32829	Capacitor—Mica trimmer—comprising 3 sections of 5-60 mmfd. each	.55	36987	Armature—Armature complete for 105-125 volts, 60 cycle motor	2.75
12723	Capacitor—55 mmfd., moulded	.35	36989	Bushing—Motor mounting rubber bushings	.10
30949	Capacitor—55 mmfd., unmounted	.25	36991	Capacitor—Motor capacitor for 105-125 volts, 50 cycle motor	1.75
30904	Capacitor—100 mmfd.	.25	36990	Capacitor—Motor capacitor for 105-125 volts, 60 cycle motor	1.50
12724	Capacitor—120 mmfd.	.35	36993	Cover—Bakelite top end shell for 105-125 volts, 50 cycle motor	.50
12694	Capacitor—220 mmfd.	.35	36992	Cover—Bakelite top end shell for 105-125 volts, 60 cycle	.50
12952	Capacitor—330 mmfd.	.35	36985	Motor—105-125 volts, 50 cycle motor—less pulleys, capacitor and cradle	10.00
12637	Capacitor—600 mmfd.	.35	36984	Motor—105-125 volts, 60 cycle motor—less pulleys, capacitor and cradle	6.00
31403	Capacitor—3,300 mmfd.	.60	36995	Plate—Motor support plate complete with turntable bearing	1.50
31405	Capacitor—6,000 mmfd.	.75	36997	Spring—Idler arm tension spring	.06
4838	Capacitor—.005 mfd., 1,000 volts	.25	36996	Spindle—Turntable spindle	.50
33584	Capacitor—.005 mfd., 1,200 volts	.25	36994	Wheel—Rubber tired idler or drive wheel	.65
4870	Capacitor—.025 mfd.	.20	<b>AUTOMATIC SWITCH ASSEMBLIES</b>		
4839	Capacitor—.01 mfd.	.30	34419	Base—Pickup arm mounting base	.35
32821	Coil—Antenna coil—"A," "B," and "C" bands	1.35	36772	Cam—Automatic switch cam	.65
32822	Coil—Oscillator coil—"A," "B," and "C" bands	1.00	36771	Mounting—Pickup arm mounting	.20
32827	Condenser—Variable tuning condenser	2.50	36773	Plug—3-prong male plug	.15
38408	Control—Volume control and power switch	2.00	36521	Spring—Cam tension spring	.05
32834	Cord—Drive cord (approx. 42 in. overall lgh.)	.10	38995	Switch—Automatic switch—less cam, base, and shaft	1.75
32713	Core—Adjustable core and stud for oscillator coil	.35	<b>SPEAKER ASSEMBLIES (92198-504)</b>		
36237	Drum—Tuning condenser drive drum	.25	37947	Cone—Cone complete with voice coil	1.75
38331	Indicator—Station selector indicator	.25	5118	Plug—3-prong male speaker plug	.25
38432	Plate—Dial back plate complete with pulleys—less dial	1.25	37948	Transformer—Output transformer	1.65
30868	Plug—2-contact female plug for motor cable	.35	<p style="text-align: center;">QU56C</p>		
5119	Plug—3-contact female plug for speaker cable	.25			
31373	Pulley—Drive cord pulley (1/2-in. dia.)	.08			
32826	Pulley—Drive cord pulley (1/2-in. dia.)	.10			
13988	Resistor—10 ohms, 1/2 watt	.20			
32686	Resistor—680 ohms, 1 watt	.22			
30152	Resistor—1,000 ohms, 1 watt	.22			
43785	Resistor—12,000 ohms, 2 watt	.35			
36714	Resistor—15,000 ohms, 1/2 watt	.20			
12454	Resistor—33,000 ohms, 1/2 watt	.20			
12412	Resistor—47,000 ohms, 1/2 watt	.20			
13734	Resistor—120,000 ohms, 1/2 watt	.20			
30648	Resistor—470,000 ohms, 1/2 watt	.20			
13730	Resistor—1 meg., 1/2 watt	.20			
32809	Resistor—3.9 meg., 1/2 watt	.20			
30992	Resistor—10 meg., 1/2 watt	.20			
38438	Shaft—Tuning knob shaft	.20			
35772	Shield—Bottom end shield for power transformer	.30			
35709	Shield—Top end shield for power transformer	.30			
36932	Socket—Dial lamp socket	.20			
35787	Socket—Phono input socket	.15			
31251	Socket—Tube socket	.25			
31418	Spring—Drive cord spring	.05			
38431	Switch—Range switch	1.20			
38434	Switch—Tone control switch	.95			
32827	Switch—Voltage change switch	.35			
35636	Transformer—First I.F. transformer	1.70			
35628	Transformer—Second I.F. transformer	1.85			
35758	Transformer—Power transformer—105/125 volts, 25 cycle—less end shields	5.20			
35757	Transformer—Power transformer—105/125 volts, 60/80 cycle—less end shields	2.95			
35759	Transformer—Power transformer—105/125-210/225 volts, 50/80 cycle	4.00			
33726	Washer—"C" washer for tuning shaft and pulley, No. 31373	.09			
<b>PICKUP AND ARM ASSEMBLY (CRYSTAL TYPE)</b>			<p style="text-align: center;">QU56M</p>		
33591	Arm—Pickup arm shell only	.50			
38435	Arm—Pivot arm and shaft complete	.70			
34758	Bushing—Rubber bushing and metal bushing for pivot arm	.18			
33122	Crystal—Pickup crystal complete	3.75			
33529	Screw—Needle screw	.10			
<b>PICKUP AND ARM ASSEMBLY (MAGNETIC TYPE)</b>					
38420	Arm—Pickup arm shell only—less mechanism, support arm, pins and shielded cable	2.00			
38436	Arm—Pickup support arm complete—less rubber bushings	1.00			
14221	Armature—Pickup armature assembly	1.45			
34550	Bushing—Rubber bushing for support arm	.05			
32695	Cable—Pickup lift cable	.34			
38216	Cable—Shielded pickup cable	.50			
38216	Catch—Pickup head catch	.20			
14872	Coil—Pickup coil	1.10			
38197	Cover—Insulating cover	.10			
36421	Head—Pickup head shell only	2.30			
37291	Mechanism—Pickup mechanism complete	5.85			
38198	Pin—Pin to attach head to arm (1/4-in. dia.) Pkg. 2	.06			
38199	Pin—Pin to attach support arm to shell (3/32-in. dia.)	.06			
38196	Screw—Needle screw	.10			
38217	Screw—Pickup mechanism support screw—Pkg. 2	.05			
38213	Spring—Needle point weight adjustment spring	.10			
38214	Stud—Shouldered stud to hold tension spring and head catch	.06			

MODEL VHR212

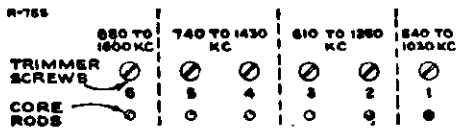
Ch. RC-574

RCA MFG. CO., INC.

93 31m 10 11 25m 13 14 19m

55 60 70 80 100 120 140 160

The dial scale drawing shown is a full size reproduction. It can be used as a direct substitute for regular dial scale in alignment procedure.



**Push Button Adjustments**

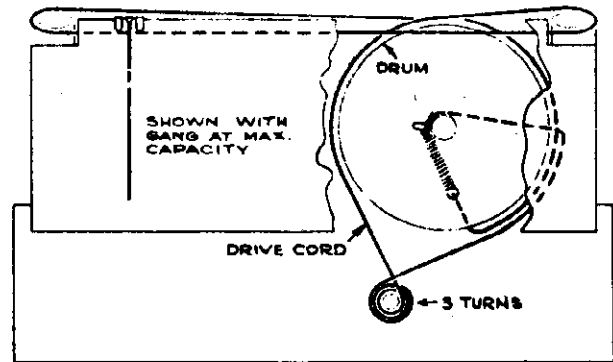
The push buttons connect to separate magnetite-core oscillator coils and separate ant. circuit trimmers which must be adjusted for the desired stations. Use an insulated screwdriver or alignment tool such as RCA Stock No. 31031. Allow about five minutes warm-up period before making adjustments.

The procedure is as follows:

1. Make a list of the desired stations, arranged in order from low to high frequencies.
2. Turn the range switch to the broadcast position and manually tune in the first station on the list.
3. Turn range switch to push-button position and press in the left-hand button.
4. Adjust No. 1 oscillator core to receive the first station. To secure the best adjustment, rotate the Loop Antenna for least pickup, and adjust core for peak output.
5. Adjust No. 1 antenna trimmer capacitor for peak output on the first station.
6. Proceed in the same manner to adjust for the remaining stations.

On the 880 to 1,600 kc push-button, the higher frequency stations may be received with osc. core either in or out (oscillator frequency either 455 kc below or 455 kc above the station frequency). The adjustment with this core in its out position (oscillator frequency 455 kc above the station frequency) is the correct one.

**NOTE:** Clockwise adjustment of cores and trimmers tunes the circuits to lower frequencies.



**Public Address**

The microphone, amplifier, and loudspeaker in the Home Recorder forms a public address (PA) system, and may be mixed with the phonograph or radio.

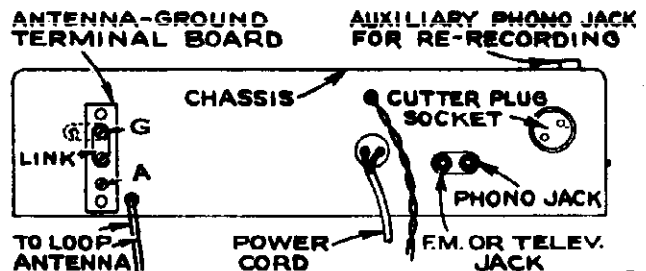
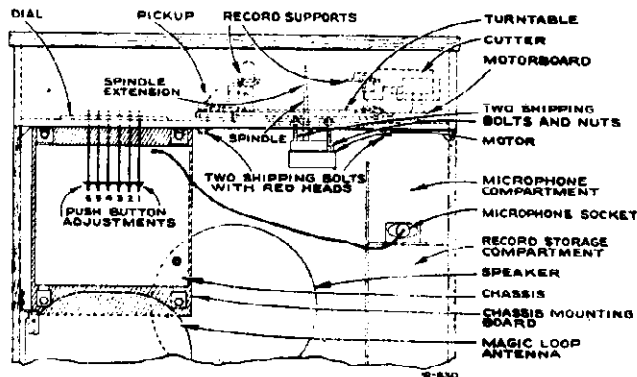
The various combinations are shown in the illustration of the service selector control.

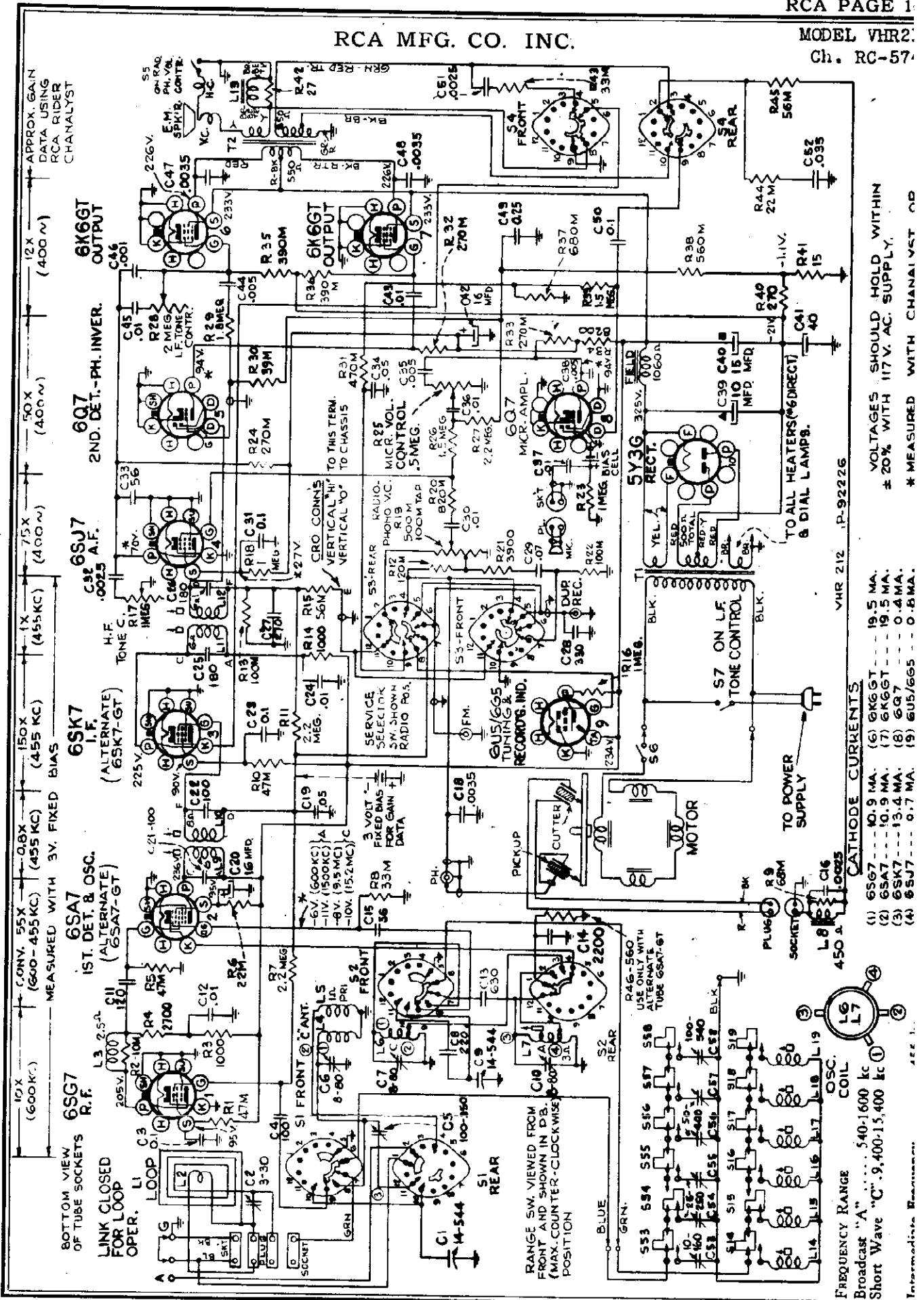
**Television**

In areas where Television Broadcasts are available, a Television Attachment will reproduce the picture while the receiver reproduces the sound. The pin plug on the Attachment cord plugs into the jack on the apron of the receiver chassis. For F-M operation, turn the Service Selector to "F-M Tel." A proper Television Antenna is essential.

**Frequency Modulation**

In areas where Frequency Modulation (F-M) Broadcasts are available, a Frequency Modulation Attachment will permit reception on this newly developed short wave system. The pin plug on the Attachment cord plugs into the jack on the apron of the receiver chassis. For F-M operation, turn the Service Selector to "F-M Tel." A proper antenna is essential.





VHR 212 P-92226

TO ALL HEATERS (6DIRECT) & DIAL LAMPS.

TO POWER SUPPLY

TO TONE CONTROL

TO HEATERS (6DIRECT) & DIAL LAMPS.

TO ALL HEATERS (6DIRECT) & DIAL LAMPS.

- CATHODE CURRENTS
- (1) 6SG7 --- 10.9 MA.
  - (2) 6SA7 --- 0.9 MA.
  - (3) 6SK7 --- 13.4 MA.
  - (4) 6SJ7 --- 0.7 MA.
  - (5) 6K6GT --- 19.5 MA.
  - (6) 6K6GT --- 19.5 MA.
  - (7) 6K6GT --- 19.5 MA.
  - (8) GQ7 --- 0.4 MA.
  - (9) 6U5/665 --- 0.8 MA.

FREQUENCY RANGE OSC. COIL

Broadcast "A" ..... 540-1600 kc

Short Wave "C" 9,400-15,400 kc

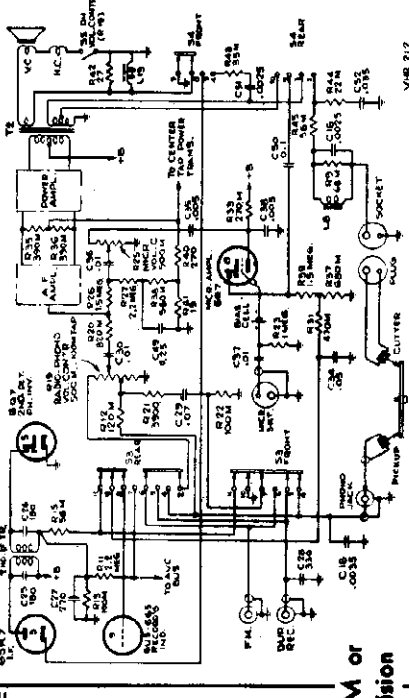
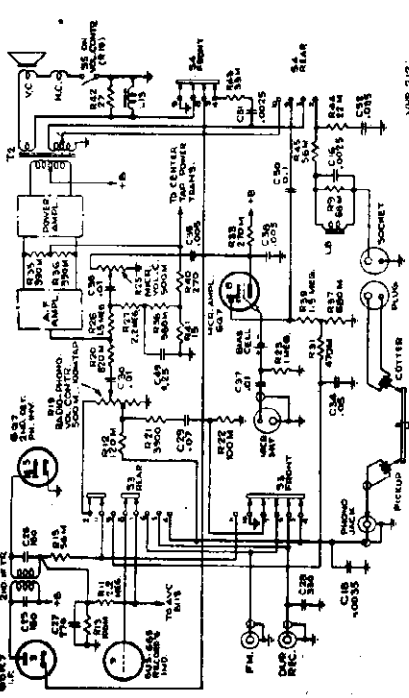
USE ONLY WITH ALTERNATE TUBE 6SA7-GT

RANGE SW. VIEWED FROM FRONT AND SHOWN IN DB. (MAX. COUNTER-CLOCKWISE POSITION)

MODEL VHR212  
Ch.RC-574

RCA MFG. CO., INC.

1. Radio



5. FM or Television

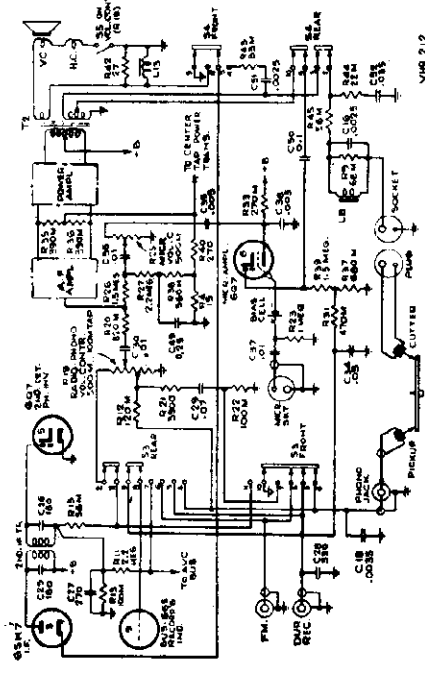
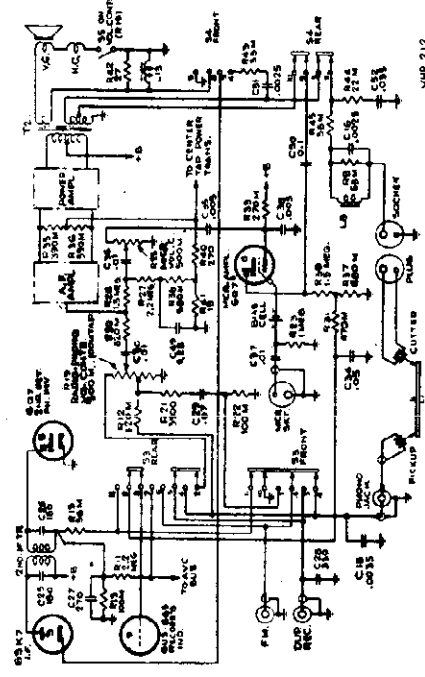
Model VHR-212  
Service Selector  
Circuits

**FM OR TELEVISION**  
LIFT UP TELEVISION CHASSIS  
TO POSITION RELAY CONTACTS  
TO BE USED WITH TELEVISION.

**RADIO**  
1. RADIO PROGRAMMING  
2. LAMP PROGRAMMING  
3. VALUE OF AMPS BY INDICATOR.

**RADIO RECORDING**  
1. LAMP PROGRAMMING  
2. LAMP RECORDING OF AMPS  
3. VALUE OF AMPS BY INDICATOR.  
4. RECORDING OF AMPS BY INDICATOR.  
5. RECORDING OF AMPS BY INDICATOR.

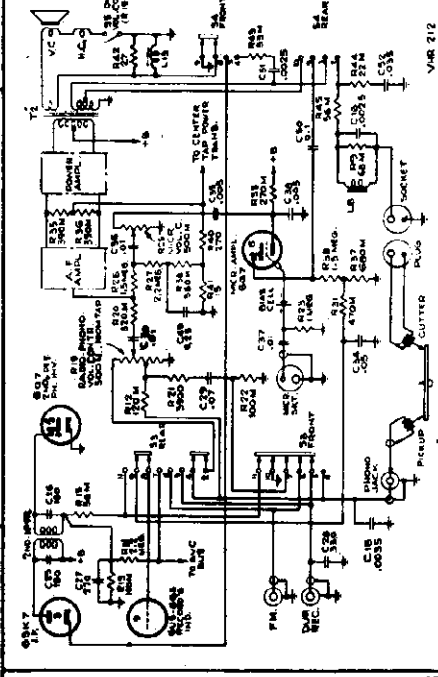
**PHONOGRAM**  
1. PHONOGRAM ALIGNED WITH TAPES  
2. RECORDING OF AMPS BY INDICATOR.



2. Radio Recording

- PILOT LAMPS**  
Dial..... (2) Mazda No. 51, 6-8 V., 0.2 amps.  
Indicator..... Mazda No. 44, 6-8 V., 0.25 amps.  
Compartment..... Mazda No. 55, 6-8 V., 0.4 amps.
- POWER OUTPUT**  
Undistorted..... 5 watts  
Maximum..... 5.5 watts
- POWER SUPPLY RATING**  
105-125 volts, 60 cycles..... 140 watts

3. Phonograph



4. Recording

- RECORD CHANGER (RP-161)**  
Record Capacity... Twelve 10-in., Ten 12-in.  
Turntable Speed... 78 r.p.m.  
Type Pickup..... Crystal
- RECORDING (RMP-110)**  
Recording Head (Cutter)..... Crystal  
Turntable Speed... 78 r.p.m.  
Recording Disc Diameter... Up to 10 inches
- LOUDSPEAKER (RL-70M-6)**  
Type..... 12-inch electrodynamic  
Voice Coil Impedance. 2.2 ohms at 400 cycles



### Alignment Procedure

**Cathode-Ray Alignment** is the preferable method. Connections for the oscillograph are shown in the schematic diagram.

**Output Meter Alignment.**—If this method is used, connect the meter across the voice coil, and turn the receiver volume control to maximum.

**Test-Oscillator.**—For all alignment operations, connect the low side of the test-oscillator to the receiver chassis, and keep the output as low as possible to avoid a-v-c action.

**Electronic Voltmeter.**—The electronic voltmeter in the Chanalyst or VoltOhmyst provides an unexcelled output indicator. It should be connected to the AVC bus, and the test-oscillator output adjusted to produce several volts of AVC.

**Calibration Scale.**—The glass tuning dial may be easily removed from the cabinet and temporarily attached to the chassis for quick reference during alignment. In the event that only the chassis is returned for service, and the cabinet with its tuning dial is left in the customer's home, the scale printed in this service note can be used as an accurate and convenient substitute for the regular dial.

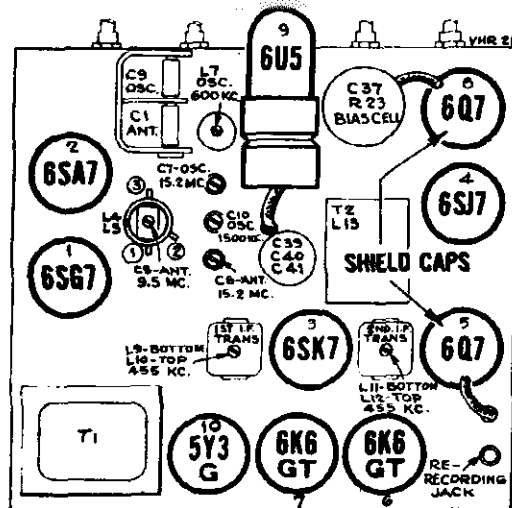
#### Using Tuning Dial.—

1. Remove glass dial from the cabinet.
2. With gang in full mesh, move the dial pointer to a point 1/16 inch to left of reference mark at left hand end of the dial backing plate.
3. Place the glass dial under the pointer so that the extreme left scale graduation coincides with the pointer. Use scotch tape to hold the glass dial in place.

**"C" Band Reception.**—For best reception on "C" band with an outside antenna, adjust the trimmer screw on the RF coil on the chassis. Turn screw carefully with a special screwdriver (RCA Stock No. 31031) while the receiver is tuned to a station in the 31-meter band, and make setting for best reception. If returning to internal antenna, close the link on the center terminal and adjust "C" band antenna trimmer for best reception on 31-meter band.

Steps	Connect test-osc. output to—	Tune test osc. to—	Turn radio dial to—	Adjust the following for maximum peak output—
1	I-F grid in series with .01 mfd.	455 kc	"A" band 540 kc	L11 and L12 (2nd I-F trans.)
2	1st Det. grid in series with .01 mfd.			L9 and L10 (1st I-F trans.)
3	A-Terminal in series with 47 mmfd. (link closed)	15.2 mc	"C" band 15.2 mc	C7 (osc.) C8 (ant.)
4		9.5 mc	"C" band 9.5 mc	C5 (ant.) (Rock gang)
5	Repeat steps 3 and 4			
6	Green loop lead in series with 200 mmfd. (link closed)	1,500 kc	"A" band 1,500 kc	C10 (osc.)
7		600 kc	"A" band 600 kc	L7 (osc.)
8	Repeat steps 6 and 7			
9	Install and connect chassis in cabinet with antenna link closed. Tune in a radiated oscillator signal at 1,500 kc. and peak the "A" band trimmer C5 (on loop). Rock in L7 for peak output at 600 kc.			

\*Use minimum capacity peak if two peaks can be obtained. Oscillator tracks 455 kc. above signal on all bands.



#### Alternate Glass Tubes

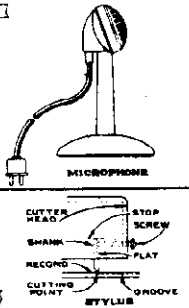
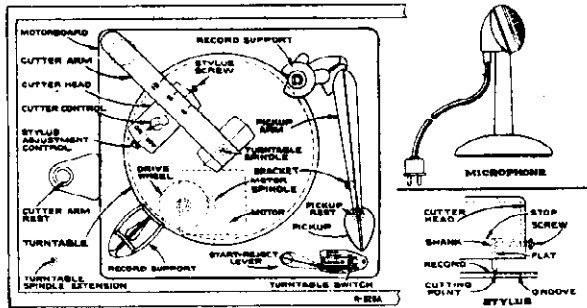
When using a 6SK7-GT glass tube in place of the metal tube 6SK7, a shield (Stock No. 39074) and a clip (Stock No. 39073) are required for shielding purposes. When using a 6SA7-GT glass tube in place of the metal tube 6SA7, a 560 ohm, 1/4 watt resistor (Stock No. 12414) must be added in parallel with C-14 capacitor 2200 mmf. to prevent oscillation with push buttons in out position.

#### Critical Lead Dress:

1. Bus from "C" band oscillator trimmer C7 to coil should be dressed away from coil and other leads.
2. Yellow lead from oscillator coil to range switch should be dressed over coil terminals and away from other leads.
3. Red, green, and black oscillator coil leads should be dressed clear of each other and all other leads and parts.
4. "A" band tracking capacitor Ct3 should be dressed up and away from the coil and tuning shaft.
5. The green and blue push-button leads should be dressed clear of all other leads.
6. The grid leads to gang should be dressed away from all other leads and parts.
7. A.C. cord and motor lead should be dressed up and away from phono. and F.M. jack.
8. All excess power transformer leads should be dressed down towards chassis and back towards transformer.
9. Phono. cable should be dressed up away from tube sockets and service switch.
10. Dress cable from re-recording jack up and against end chassis apron.
11. Yellow lead at terminal No. 5 of 6Q7 amplifier should be dressed up and back towards pin No. 8.
12. Red lead to pin No. 6 of 6Q7 amplifier should be dressed against chassis.
13. Coupling capacitor C11 (120 mmfd.) should be dressed toward end apron.
14. R.F. coupling capacitor C4 (100 mmfd.) should be dressed away from terminal board on end apron.
15. R.F. plate choke should be dressed back and close to end shield away from C11 (120 mmfd.) capacitor.
16. All excess speaker leads should be dressed against chassis under phono. shield plate.
17. All leads and parts to cutter choke should be dressed away from phono. cable.
18. The .01 mfd. C43 capacitor from the plate of the 6Q7 to grid of 6K6GT should be dressed down against chassis.
19. The .0035 mfd. C47, C48 plate by-pass capacitors at 6K6GT sockets should be dressed against chassis.

MODEL VHR212  
Ch.RC-574

RCA MFG. CO., INC.  
**Recorder Operating Instructions**



microphone (which should be left plugged into its receptacle at all times) and adjust the microphone volume control so the "Magic Eye" closes with medium voice. By talking in a fairly level tone, and by maintaining the same distance between the microphone and lips, the microphone volume control will not require continual readjustment. Never turn the microphone volume control too high or damage to the cutter will result.

4. Start the turntable, place the cutter in position and turn the cutter control "on" (clockwise).

5. Talk into the microphone to make the desired recording, and re-adjust the microphone volume control if required, as indicated by the "Magic Eye."

6. Before the cutter reaches its inner limit, turn the cutter control "off" (counter-clockwise), turn the microphone volume control counter-clockwise and play back the recording as described in "9" above.

**Re-Recording.**

A record may be re-recorded, or duplicated (that is, a "copy" may be made from an "original") by connecting an RCA Victrola Attachment (record player) to the "auxiliary phono jack" near the rear of the radio chassis. The "original" record is played on the RCA Victrola Attachment, and the "copy" is cut or recorded on the Home Recorder.

The procedure is as follows:

1. Turn the service selector to "Recording," position 4.  
2. Connect the RCA Victrola Attachment pickup cable to the jack near the rear of the radio chassis.

3. Place the "original" record on the RCA Victrola Attachment, turn its volume control fully clockwise, and place its pickup on the "original" record.

4. Adjust the radio-phono volume control so the "Magic Eye" just closes on average passages, then lift pickup off the RCA Victrola Attachment.

5. Start the recorder by pushing turntable switch "on," placing the cutter in position and turning the cutter control "on."

6. Put the RCA Victrola Attachment pickup arm on the "original" record. The recorder will cut a duplicate of this record, which may be played-back as described previously.

**Mixed Recording.**

The RCA Home Recorders have complete flexibility for mixed recordings of radio, microphone, and phonograph. The various possible combinations are clearly shown in the illustration of the service selector control.

In mixed recordings, the radio-phono volume control regulates the recording level for radio, and for the RCA Victrola Attachment. The microphone volume control regulates the recording level of the microphone only. Do not turn the volume controls too high.

In using the microphone on mixed recordings, or mixed PA, it should be placed as far as possible from the loudspeaker and faced away from the loudspeaker to avoid feedback howl. (An extension cord may be added if necessary.)

**Preliminary.**

1. See that the phonograph pickup is on its rest, the turntable cleared of records, and the "start-reject" lever at "recording."

2. See that a perfect stylus is installed in the cutter head, the stylus holding screw tightened, and the stylus correctly adjusted as outlined under "Recorder Cutting Adjustments."

3. Pull off the spindle extension and place in hole at front left corner of compartment.

4. Place recording disc on the turntable with the spring stud engaged in one of the holes in the disc.

5. Lift the cutter arm well up and place the free end on the turntable spindle, making sure it is properly seated. Move the cutter head along the arm to the 6, 8, or 10 point so that the stylus is about 1/4-inch from the edge of the recording disc.

6. Turn on power-bass control, just past the click of the power switch. Turn treble tone control fully clockwise. Set radio-phono volume control to soft, and microphone volume control fully counter-clockwise.

**Radio Recording.**

1. Tune in the desired radio program.

2. Turn service selector to "Radio Recording," position 2.

3. Turn radio-phono volume control so the "Magic Eye" just closes on average passages. Do not turn too high. The "Magic Eye" should flicker throughout the recording. It electrically monitors the recording.

4. Push turntable switch "on."

5. Turn the cutter control "on" (clockwise) to record.

6. During the recording, listen to the loudspeaker, watch the "Magic Eye," and increase or decrease the radio-phono volume control if the broadcast level becomes too low or too high.

7. Use a fine hair brush occasionally to keep the area immediately ahead of the stylus free from chips and threads.

8. Before the cutter reaches its inner limit, turn the cutter control "off" (counter-clockwise) and remove the cuttings from the disc.

9. The recording may be "played-back" immediately without moving the cutter arm: Turn the service selector to "Phonograph," position 3; turn the power-bass control fully clockwise; place the pickup sapphire in the outer groove of the disc; and adjust the radio-phono volume control.

10. After the playback, lift the cutter arm and place on its rest.

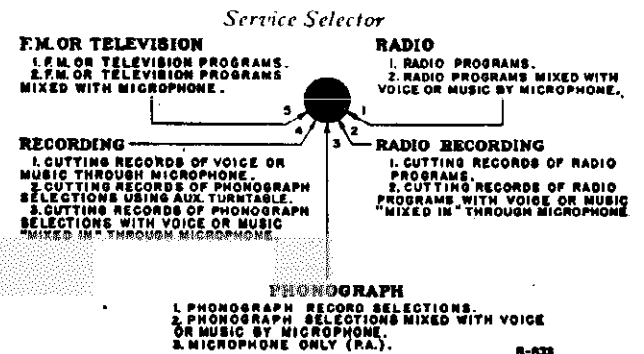
11. If the recording is not satisfactory on playback, check "Recorder Cutting Adjustments."

**Microphone Recording.**

1. Turn service selector to "Recording," position 4.

2. Turn radio-phono volume control to its "off" position to prevent feed-back and "howl."

3. To obtain an approximate setting of the microphone volume control before making a recording, talk into the



## RCA MFG. CO., INC.

## Recorder Cutting Adjustments

### IMPORTANT

The cutting point of the stylus must be in perfect condition in order to make good recordings.

The condition of the stylus point can not be determined by ordinary visual inspection. If the recordings are noisy or poor in quality, first try a new stylus.

The stylus cutting point can be ruined by dropping the cutter on the record, by cutting into the base metal of the recording blank, or by cutting into the paper label on the blank.

Always turn off the cutter control (counter-clockwise), before the stylus reaches the inner limit as it will repeat in the last groove and may wear into the base material, thereby ruining the stylus point.

Be sure the cutter arm is properly seated on the turntable spindle.

Never turn the radio-phono volume control or microphone volume control too high or injury to the cutter will result.

Keep the cutter control at "off" except when actually cutting a record.

To insert or change a stylus, lift the cutter arm, loosen the stylus screw, and insert the stylus as far as it will go in the hole at bottom of cutter head, with the flat on the shank of the stylus toward the screw. Tighten the screw against the flat on the shank. Retighten the screw before making each recording. Do not use pliers or wrench.

To adjust the stylus pressure for the correct depth and width of cut, the best procedure is to cut some "blank" grooves in a recording disc of the type that will be used. The stylus pressure can be regulated, by means of the stylus adjustment control knob on the end of the cutter head, to produce the correct thickness of the hair-like cuttings. The procedure is as follows:

1. See that the phonograph pickup is on its rest, the turntable cleared of records, the "start-reject" lever at "recording," a perfect stylus correctly inserted in the cutter head, and the stylus screw firmly tightened.

2. Pull off the spindle extension and place in hole at front left corner of compartment.

3. Place the blank recording disc on the turntable, with the spring stud that protrudes from the turntable engaged with one of the three holes at inside of the disc. This prevents the disc from slipping during recording.

4. Turn on power-bass control just past the click of the switch. Turn radio-phono volume control to "soft" and microphone volume control fully counter-clockwise.

5. Turn "on" the turntable switch.

6. Lift the cutter arm well up, move it over, and seat it on the turntable spindle; set the cutter head so that the stylus is about  $\frac{1}{4}$  inch from the edge of the recording disc. The graduation marks 6, 8 and 10 on the cutter arm show the position for the center line on the cutter head for commencing to cut records of 6 inches, 8 inches or 10 inches. See that the arm engages properly and is seated down on the turntable spindle.

7. Turn the cutter control on top of the cutter head in a clockwise direction. The stylus will begin to cut, and the cuttings should collect toward the center of the recording disc. If they collect toward the outside, the stylus is not correctly inserted, and must be adjusted by removal and reinsertion. If the threads continue to collect toward the outside, use a new stylus. Turn the cutter control counter-clockwise to stop cutting.

8. Examine the cuttings and the grooves in the disc.

The cuttings should be even, thin, hair-like threads about three-thousandths of an inch across or approximately the diameter of a human hair.

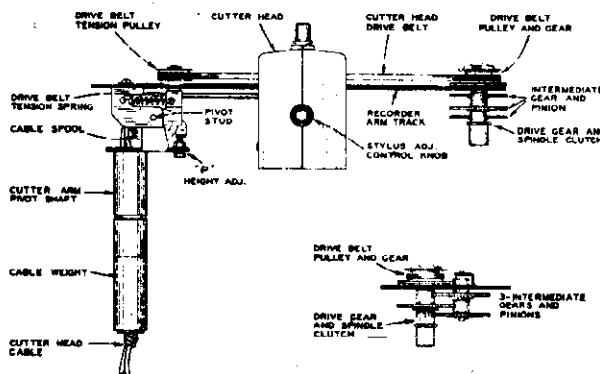
The groove width should almost equal, but not exceed, the distance between grooves. A magnifying glass is helpful in examining the grooves. If the grooves are too shallow, the phonograph pickup sapphire will slide over them on play-back. If the grooves are cut too deep, rumble will be excessive.

After examining the cuttings and the groove width, adjust the cutter pressure as required by means of the stylus adjustment control knob. Turn this counter-clockwise to increase pressure and increase size of cuttings. Turn clockwise to decrease pressure and decrease size of cuttings.

Check the new adjustment by running more blank grooves.

Check the cuttings and groove width each time a new stylus is inserted, and whenever a different type of recording disc is used.

## Recorder Mechanism Data (RMP-110)



Cutter Arm

**Drive:** The cutter head is belt driven from the turntable spindle through the train of gears at the spindle end of the cutter arm. Tension on the drive belt is maintained by a tension pulley at the pivot end of the cutter arm. Two fixed pulleys and one tension pulley guide the cutter head on the recorder arm track.

The cutter arm pivot shaft bearing should be so positioned

with reference to the spindle that the spindle clutch fits easily on the spindle and does not bind as the turntable revolves.

Leads from the cutter crystal pass over a wooden pulley and down through the cutter arm pivot shaft, slack being taken up by a cable weight within the pivot shaft. The knot in the leads below the weight should be enclosed by the cavity in the weight so it will not rub or bind against the sides of the pivot shaft. This knot should be so positioned as to allow full movement of the cutter head without allowing the weight to come entirely out of the pivot shaft. Within the cutter head, the leads in the vicinity of the cutter crystal should be free and floating to prevent reaction on the crystal suspension.

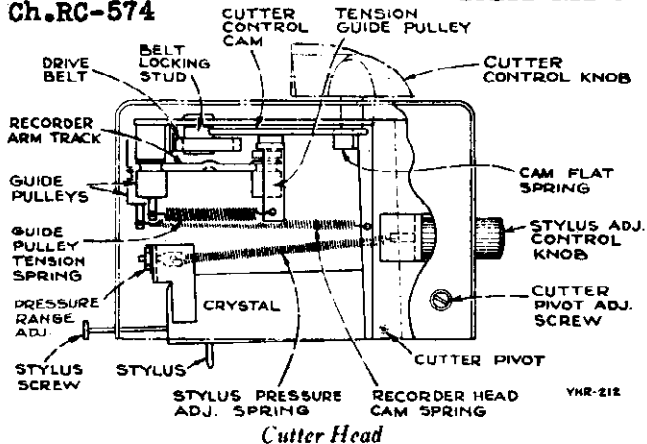
**Cutter Control:** When the cutter control knob is in the "off" position, the cutter control cam, through a lever fastened to the cutter crystal, holds the cutter stylus clear of the recording blank. In the "on" position of the cutter control, the cam allows the cutter crystal and stylus to lower into position for recording and locks the drive belt between the belt locking stud and a lip on the cutter head frame so the cutter head travels with the belt. Correct clamping occurs when the flat cam spring almost touches the bottom of the cam detent. Adjustment of clamping may be accomplished by carefully bending the clamping lip on the cutter frame.

Replace the belt if it shows roughness, wear, or stretching. Keep the belt free of oil, grease, dirt, or other foreign matter.

MODEL VHR212

RCA MFG. CO., INC.

Ch. RC-574



Cutter Head

**Stylus Adjustment Control:** The stylus adjustment control knob increases or decreases the tension of the stylus pressure adjustment spring, thereby opposing to a greater or lesser degree the tension of the recorder head cam spring and the pressure due to the weight of the crystal.

The range of the stylus adjustment control may be adjusted, if necessary, by turning the pressure range adjustment nut. Counter-clockwise increases, clockwise decreases stylus pressure for a given setting of the stylus adjustment control knob.

Correct adjustment of the stylus adjustment control knob for recording is outlined under "Recorder Cutting Adjustments."

**Cutter Pivot Adjustment:** The cutter crystal is supported on cone pivots. Pressure against these pivots is adjusted by the cutter pivot adjustment spreader screw. Correct adjustment is for no play or bind. Adjustment is best accomplished by starting with some play and relaxing the adjusting screw until the play just disappears.

**Recorder Arm Height Adjustment:** Adjust the recorder arm height adjustment screw "P" so that the cutter stylus cannot touch the turntable or the motorboard when the cutter control is on "off" and the recorder arm is suspended freely between the spindle and the cutter arm rest. The screw should not, however, prevent the cutter arm from seating firmly on the spindle. Tighten the locknut after adjustment is made.

**Lubrication:** Lubriplate No. 110 should be used on all gear and pulley studs, pivots, sliding and bearing surfaces of the recorder arm and cutter head. However, do not lubricate: the gear teeth, the wooden pulley bearing, the clamping surface of the belt locking stud, or the recorder arm track.

**"Rumble".—**

Any instrument with the sensitivity and tone response of this home recorder is capable of picking up the mechanical vibrations of the motor. However, due to many preventives incorporated in the design of this instrument, rumble will not be recorded if the following precautions are observed:

**Leveling**—See that the instrument is perfectly level.

**Freedom**—Be certain that the motorboard and mechanism is "floating" free from the cabinet. All four mounting springs should be at approximately equal tension.

**Stylus**—Make sure that a perfect stylus is tightly inserted in the cutter-head. Because both stylus and retaining screw are of hard steel there is a tendency towards loosening during cutting. Tightness should be checked before each cut.

**Input Level**—Set for sufficient input level so that the "Magic Eye" just closes on average passages.

**Tone Control Settings**—During recording, the power-bass control should be set for maximum lows, just beyond the click of the power switch. The treble tone control setting will depend on the degree of potential rumble present. For extreme cases, it should be set for minimum highs during recording only, in order that the low frequencies in the selection or voice may have a full chance to mask any possible rumble.

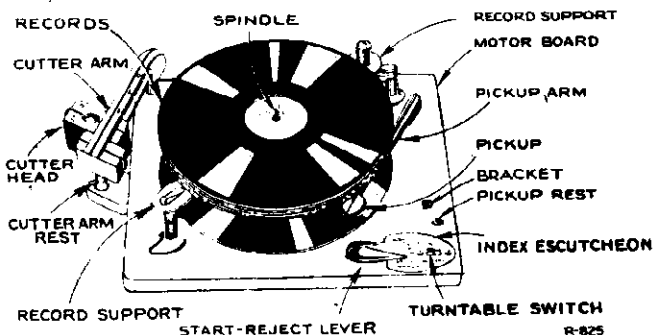
**Depth of Cut**—During recording, the shavings should be directed towards the spindle and prevented from obstructing the cutter path. The thickness of these shavings should be about that of human hair, or approximately .003 inches. An additional check on depth of cut is to inspect the recording under a magnifying glass. The groove width should approach but not exceed the distance between grooves. Depth of cut may be varied by means of the stylus adjustment control knob on the end of the cutter head.

**Turntable Drive**—If rumble persists, inspect the idler wheel (between motor spindle and turntable) for possible runout, flat spots, and scraping against bottom of turntable.

**Recording Discs**—Due to variations in material composition and hardness of different types of discs, the same cutting-pressure adjustment will not give an equal depth of cut on all types. Thus, it may be necessary to change the adjustment previously set for one type of disc, when recording on a different type.

**Automatic Record Changer Data (RP-161)**

**Automatic Operation**



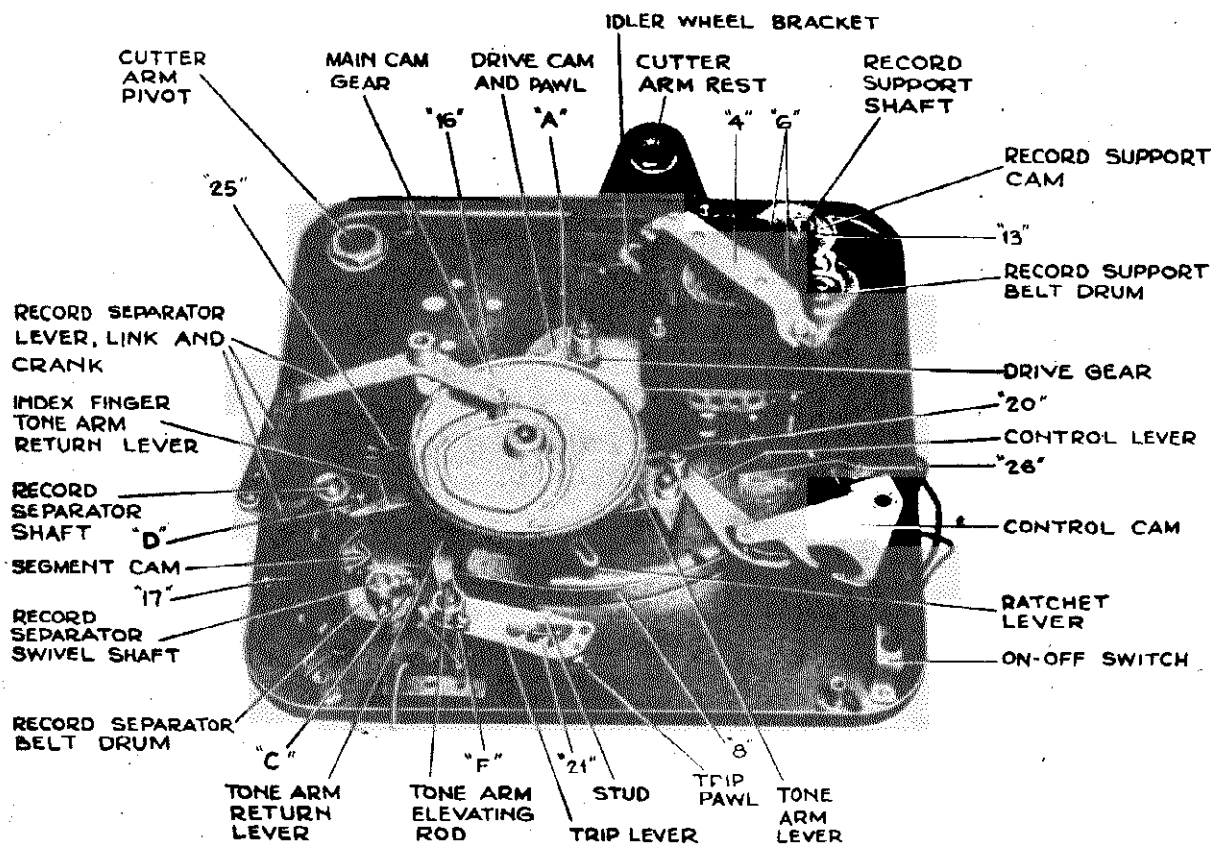
Before starting automatic operation, see that the mechanism is out of cycle and that the pickup is on its rest. If it is not, start the motor and allow to run until the pickup comes down on its rest. Be sure the turntable spindle extension is in place and properly seated on the spindle.

1. Turn the "record support" in front left-hand corner, to its position for 10-inch or 12-inch records as required. Turning the front record support automatically positions the rear support.
2. Load the records on the supports, with required selections upward, the last record to be played on top. Be sure that the rear record support is pushed down.
3. Push turntable switch "on."
4. Push the "start-reject" lever towards the back to its "start-reject" position, and let go. The first record drops on turntable, and the pickup moves onto the record.
5. When the last record is finished, the pickup moves out and comes down on its rest.
6. To reject a record being played, push the "start-reject" lever to "start-reject," and let go.
7. For automatic operation, each record must have the standard eccentric groove.

**Manual Operation**

1. See that the mechanism is out of cycle, with the pickup on its rest. If not, a "cycle" must be completed.
2. Set the "start-reject" lever at "manual."
3. Place record on turntable and push turntable switch "on."
4. Lift the pickup and set it down on the record.
5. When the record is finished, the pickup will swing in the eccentric groove, or run in the last groove, until the power is shut off.
6. Lift the pickup and place it on its rest.

RCA MFG. CO., INC.



NOTE: Bottom Support Bracket and Bearing Plate Removed

Function of Principal Levers

**Trip Lever**

When the tone arm swings in the eccentric groove, the trip lever pawl acts on the ratchet lever to start the automatic cycle.

**Ratchet Lever**

Transfers motion from trip lever or control lever to start automatic cycle by allowing drive cam pawl to engage with sprocket of safety clutch.

**Drive Cam Pawl and Sprocket**

(This is the "safety clutch") Engages turntable spindle to drive gear during cycle (see sketch "A").

**Drive Gear**

Transfers rotation of turntable spindle to main cam and gear when the clutch is engaged.

**Main Cam and Gear**

Has four "tracks" which control horizontal and vertical motion of tone arm, and rotation of record separator knife and shelf. The bushing on this gear governs position of the ratchet lever (see sketch "A").

**Record Separator Lever Train (Lever-Link-Crank)**

Directs motion of separator knife and shelf.

**Separator Knife**

Separates record from stack and supports stack during cycle.

**Separator Shelf**

Supports stack during playing time.

**Control Cam and Lever**

In "recording-manual" position, it disengages the ratchet lever and safety clutch so the mechanism cannot go into cycle.

In "automatic" position, it permits operation of the ratchet lever and safety clutch.

In "start-reject" position, it moves the ratchet lever away from the drive cam pawl, permitting the clutch to engage and thus start the change cycle.

**Tone Arm Lever**

Directs horizontal motion of tone arm.

**Tone Arm Return Lever**

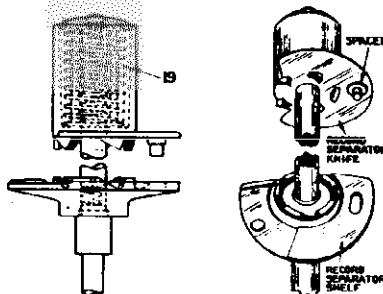
Keeps tone arm moving in with receding tone arm lever and provides proper landing.

**Tone Arm Elevating Lever**

Directs vertical motion of tone arm (see sketch "G").

**Tone Arm Elevating Rod**

Transfers motion of elevating lever to tone arm.



Details of Record Separator

MODEL VHR212

Ch. RC-574

RCA MFG. CO., INC.

### Cycle of Operation

The changer can be conveniently rotated through the change cycle by pushing the reject button and revolving the turntable by hand. Eight turntable revolutions are required

for one change cycle. Hold idler wheel bracket back so idler wheel is away from turntable to permit easier manual rotation of the turntable.

Function	Explanation
Turn Record Support to 10" or 12" Position as Desired	1. Separator post positions itself by means of belt drive.
Place Records on Posts	1. Separator shaft is pushed down against its spring and carries segment-cam out of path of index finger (see sketch "D").
Turn "Start-Reject" Lever to "Start-Reject"	1. Control lever moves in and pushes ratchet lever out of eccentric step on main gear shaft, thus releasing drive cam pawl (see sketch "A"). 2. Drive cam pawl engages cam sprocket and it revolves carrying drive gear with it.
Tone Arm Rises	1. Main cam and gear revolves with drive gear. 2. Stud on tone arm lever rides in top track on main cam and directs movement of the lever. 3. Tone arm elevating lever rides up on ridge on main cam and pushes tone arm up by means of lift rod (see sketch "G").
Tone Arm Moves Out	1. Tone arm lever pushes on trip lever stud. 2. Trip lever moves out, carrying the tone arm out. 3. Tone arm return lever is carried along by trip lever stud, and by stud on main cam top track.
Record Knife Separates Bottom Record from Stack after Gauging Thickness of Record	1. Stud on separator lever follows main cam bottom track and directs the motion of the lever. 2. Through the separator link and crank, the separator lever turns the separator shaft. 3. Knife turns with shaft and strikes edge of bottom record. 4. Separator shaft continues to revolve and teeth on inner circumference of knife ride up on shelf teeth until knife is carried high enough against the action of spring 19 to move in over top of bottom record.
Record Drops to Turntable	1. Separator shaft continues to turn until knife supports stack of records and shelf moves out from under bottom record, which drops to turntable.
Tone Arm Moves In	1. Separator shaft reverses rotation. 2. Tone arm return lever pushes on trip lever stud. 3. Trip lever moves in, carrying the tone arm in.
Tone Arm Lowers Sapphire on to Record	1. Index finger on tone arm return lever moves against separator shaft to insure proper landing position. 2. Tone arm elevating lever rides down on main cam ridge thus lowering the elevating rod and the tone arm. 3. Separator shaft returns knife to original position and allows stack of records to rest on shelf.
Sapphire Moves In to Record Groove Record Begins to Play	1. Ratchet lever rides down into eccentric step on main gear shaft and blocks drive cam pawl, disengaging the pawl from drive cam sprocket. 2. Drive gear and main gear stop. 3. Tone arm lever moves into cam to maintain disengagement.

### Cautions

Before servicing the automatic changer, inspect the assembly to see that all gears, cams, springs, levers, etc., are correctly assembled and in good working order.

1. Never use force to start or stop the motor or any part of the record changing mechanism.
2. Warped or damaged records may cause the mechanism to jam. When jamming occurs, the safety clutch slips, causing a clicking sound.
3. A cracked or chipped record may damage the sapphire.
4. Warped records may slide on one another while playing and result in unsatisfactory reproduction.
5. Do not leave the records on the record posts or on the turntable as they may warp, particularly in warm climates. Warped records may be flattened by placing them on a flat surface with a heavy flat article placed on top of them for a few days.
6. If, for any reason, the mechanism stalls, turn off the turntable switch and remove the records from the posts. Start the turntable by turning the switch on and allow the pickup arm to complete its cycle.

7. Do not tighten copper-plated, cone-pointed screws until final adjustment has been made.

8. When not recording, see that the cutter arm is in its rest position at the left of the turntable, and that the cutter head is pushed towards the front of the arm to give space for 12-inch records to drop onto the turntable.

9. This instrument will not play 10-inch and 12-inch records in mixed sequence.

### Lubrication

The drive motor bearing is lubricated from felt washers at the bottom and top. A light machine oil should be used at these points.

On all bearing surfaces except the motor bearings Houghton Stayput No. 320 should be used. On all other surfaces Lubriplate No. 110 is recommended.

**Do not oil the record separator shaft.**

It is important that the drive motor spindle and the rubber tire on the idler wheel be kept clean and free from oil, grease, dirt, or any foreign material at all times. Any quick drying naphtha is satisfactory for cleaning these parts.

RCA MFG. CO., INC.

Quick-Reference Chart for Automatic Record Changer Adjustments

<p><b>Mechanism jams.</b> General irregularity of operation.</p> <p>(Mechanism Timing)</p> <p><b>"A"</b></p>	<p>With the ratchet lever and the pawl on the drive shaft cam in playing position as shown, remove the bottom support bracket. Remove the "C" washer on the main cam shaft and slip the cam down far enough that it can be rotated with respect to the drive gear. Then rotate it until the timing notch is positioned as shown. Put the main gear back in mesh with the drive gear, replace the "C" washer, place the elevating lever on the cam ridge. Make certain the separator lever train is in its correct position and replace the bottom support bracket.</p> <p>Any jam will cause the safety clutch to slip and produce a clicking sound.</p>	
<p>Turntable does not turn freely.</p> <p>(Turntable Bottom Bearing Position)</p> <p><b>"B"</b></p>	<p>Loosen the bottom bearing screws "B" and position the bottom bearing plate until the turntable revolves freely. Tighten the screws and check by applying a.c. to the turntable motor, allowing it to reach full speed, then pull idler away from turntable and note that the turntable continues to make at least twelve revolutions.</p>	
<p>Records strike separator post or fail to stay on record shelf.</p> <p>(Spacing Between Record Posts)</p> <p><b>"C"</b></p>	<p>Turn the record support post to the ten-inch position. Loosen set screws "C," hold the separator post against the end of its slot in the motorboard and turn the belt drum to take up any slack in the belt. Tighten the zinc-plated, blunt-nosed screw and check to see that a ten-inch record fits the posts as shown. Then tighten the copper-plated, cone-pointed screw.</p> <p>The twelve-inch position is adjusted after that of the ten-inch, by changing the support post to take the twelve-inch record, and turning the eccentric stop until the edge of the record is halfway up on the record separator bevel while the other edge is against the record separator post.</p>	
<p>Records do not drop at proper time.</p> <p>(Record Shelf Timing)</p> <p><b>"D"</b></p>	<p>Place a ten-inch record on the posts. Loosen the set screws "D" and turn the record separator shaft until the edge of the record-separating knife is one-sixteenth inch away from the edge of the record. The teeth on the inner circumference of the knife should be resting in the bottom of their slots at the time the adjustment is made. Tighten the zinc-plated screw first, run through cycle several times as a check, then tighten the copper-plated screw. Do not tighten set screws "D" enough to distort the housing of the separator shaft spring.</p>	
<p>Sapphire does not land at correct point.</p> <p>(Tone Arm Position With Respect To Trip Lever)</p> <p>Correct dimension from nearest edge of spindle to sapphire: For 10-inch records <math>4\frac{1}{16}</math> inches; for 12-inch records <math>5\frac{5}{16}</math> inches.</p> <p><b>"F"</b></p>	<p>Place a ten-inch record on the turntable and rotate the changer through cycle until the sapphire is just ready to land. Make sure that the index finger of the pickup arm return lever is against the record separator shaft and that the tone arm trip lever stud is held firmly against the return lever. Loosen the set screws "F" and move the pickup arm to the correct landing position. See that there is a <math>1/32</math> inch clearance between the pickup arm bearing and the set screw collar. Tighten the zinc-plated screw, run the changer through cycle several times as a check, then tighten the copper-plated screw. Do not tighten screws "F" too tightly or the hollow pivot shaft will be distorted.</p> <p>Twelve-inch landing adjustment: Make the ten-inch landing adjustment first. Then check landing on a twelve-inch record and adjust the cam on the tone arm return lever if necessary.</p>	
<p>Top of pickup arm strikes stack of records or sapphire fails to clear the records on the turntable.</p> <p>(Pickup Arm Height While In Cycle)</p> <p><b>"G"</b></p>	<p>Rotate the changer through cycle until the pickup arm has risen to its maximum height above the turntable but has not begun to move out. At this point adjust the screw "G" until the distance between the turntable and the sapphire is one and three-sixteenth inch. Tighten the locknut.</p>	

MODEL VHR212  
Ch. RC-574

RCA MFG. CO., INC.

<p><b>Lands Incorrectly</b></p> <p>First check adjustments "F" and "C."</p>	<p><b>Repeats Grooves</b></p> <p>First check adjustment "G."</p>	<p><b>Jams Records</b></p> <p>Record too thick, too thin, warped, or has rough edge.</p>	<p><b>Slow Speed</b></p> <p>Turntable spindle binds on bottom bearing (adjustment "B").</p>
<p><b>Fails to Trip</b></p> <p>First check adjustment "F". Do not tighten screws "F" too tightly or the hollow pivot shaft will be distorted.</p>	<p><b>Trips Early</b></p>	<p><b>Trips Continuously</b></p> <p>Bend the control cam flat spring for greater pressure.</p>	<p><b>Sapphire Strikes Motorboard</b></p> <p>SPRING TOO STRONG</p> <p>SPRING TOO WEAK</p> <p>TOO STRONG</p> <p>TOO WEAK</p> <p>TRIP LEVER</p> <p>BEND</p> <p>INDEX FINGER OF TURN LEVER</p> <p>SEGMENT FINGER</p> <p>BENT</p>
<p><b>Sapphire Strikes Spring Stud on Turntable</b></p> <p>DO NOT STOP. BEND UP SPRING UNTIL SAPHIRE CLEARLY CLEARS MOTORBOARD BY APPROX. 3/16 IN.</p>	<p><b>Sapphire Strikes Motorboard</b></p> <p>BEND UP SPRING UNTIL SAPHIRE CLEARLY CLEARS MOTORBOARD BY APPROX. 3/16 IN.</p>	<p><b>Fails to Track or Distorts</b></p>	<p><b>Repeats Playing of Last Record</b></p> <p>First check adjustment "C."</p>

**Fails to Trip**

First check adjustment "F". Do not tighten screws "F" too tightly or the hollow pivot shaft will be distorted.

**Trips Early**

**Trips Continuously**

Bend the control cam flat spring for greater pressure.

**Repeats Playing of Last Record**

First check adjustment "C."

**Sapphire Strikes Spring Stud on Turntable**

DO NOT STOP. BEND UP SPRING UNTIL SAPHIRE CLEARLY CLEARS MOTORBOARD BY APPROX. 3/16 IN.

**Sapphire Strikes Motorboard**

BEND UP SPRING UNTIL SAPHIRE CLEARLY CLEARS MOTORBOARD BY APPROX. 3/16 IN.

**Fails to Track or Distorts**

**Repeats Playing of Last Record**

First check adjustment "C."



RCA MFG. CO., INC.

MODEL VHR21  
Ch. RC-574

**Cabinet Leveling.—**

If the sapphire fails to enter the starting groove, raise the right-hand side of the cabinet by inserting thin spacers under the legs. If the pickup slides over a few grooves, raise the left-hand side of the cabinet.

This changer is designed to operate when the changer and cabinet are level. Always make landing adjustments under these conditions.

**Sapphire Pressure.—**

In these mechanisms, the correct pressure is approximately 2 ounces, measured at the sapphire. Adjust the spring (3) in the tone-arm base if necessary (see sketch "G").

**To Remove Pickup Arm.—**

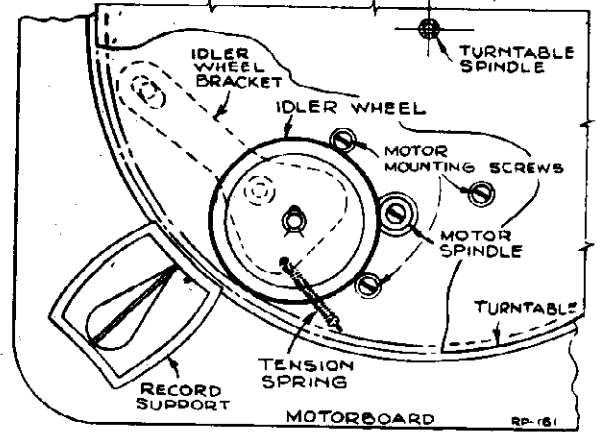
One of the tone arm bearings has a slotted head and can be turned out to facilitate removal of the tone arm. Raise the tone arm and loosen the bearing set screw. Turn the bearing partly out through the hole in the side of the tone arm and lift the arm off.

**To Repeat One Record.—**

When checking for landing and tripping action, it is possible to play one record repeatedly by simply placing a weight on the rear record post. A small pipe nipple that fits over the top of the post is satisfactory.

**To Remove the Turntable.—**

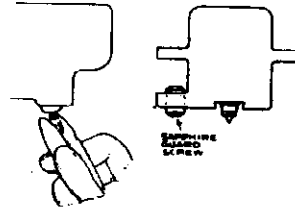
Insert 10-32 screws in the holes on either side of the spindle. Tap lightly on top of the spindle while pulling upward on the screws and turntable.



Turntable Drive

**Replacement of Sapphire**

As an additional precaution against rough handling, the top of the sapphire is dipped in a rubber cement (such as Goodrich "Plasticon") before being inserted in the pickup. To remove the sapphire, grasp it firmly with a pair of tweezers, give it a few turns to loosen the cement and then pull it out. Much easier handling of the sapphire will result if the tweezers are



notched with a file as shown. Naphtha may be used as a thinner should difficulty with the rubber cement be experienced.

Before inserting the new sapphire it should be dipped in the rubber cement previously thinned with naphtha. After insertion clean the point with naphtha if there is any doubt as to the presence of cement.

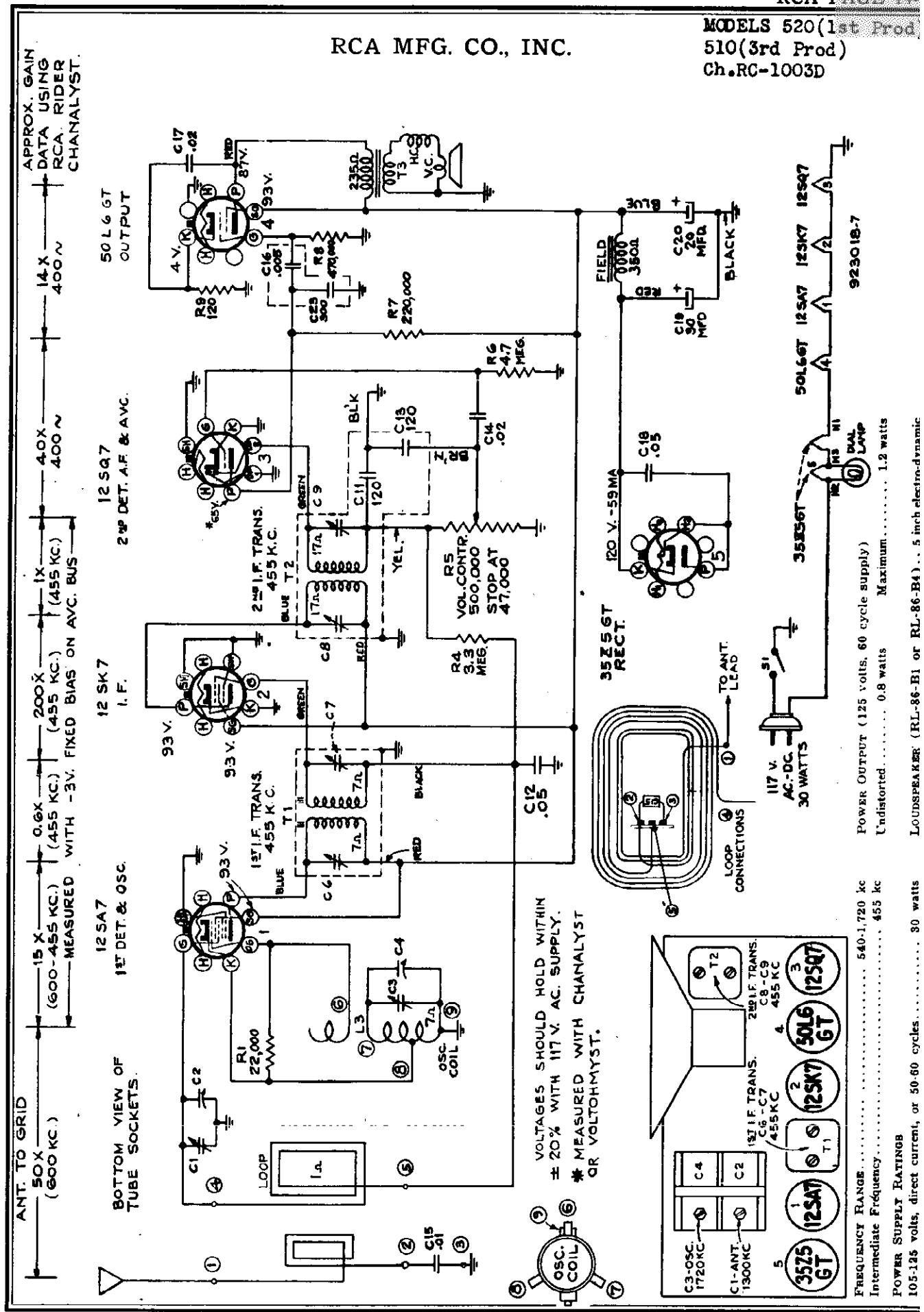
**Replacement Parts—Model VHR-212**

STOCK No.	DESCRIPTION	Unit List Price	STOCK No.	DESCRIPTION	Unit List Price
<b>CHASSIS ASSEMBLIES (RC-574)</b>			38359	Cup—Oscillator coil mounting cup	.20
39172	Arm—Adjusting arm for service selector switch	.40	38790	Drum—Drive drum	.45
36342	Board—"Antenna-Ground" board	.20	31580	Holder—Bias cell holder	.15
30766	Cap—Rubber cap for tuning tube	.15	35870	Indicator—Station selector indicator	.20
37877	Capacitor—Electrolytic—16 mfd., 450 volts	.70	37017	Plate—Dial back plate complete—less pulleys, tuning tube clip, and "Indicator" screen	1.50
37888	Capacitor—Electrolytic comprising 1 section of 15 mfd., 400 volts, 1 section of 10 mfd., 400 volts, and 1 section of 40 mfd., 25 volts	1.65	11824	Plug—2 contact female plug for microphone cable—less shell	.34
38368	Capacitor—Adjustable—50-350 mmfd.	.25	30868	Plug—2 contact female plug for motor cable	.35
38801	Capacitor—Mica trimmer comprising 3 sections of 8-80 mmfd. each	.55	38009	Plug—2 prong male plug for loop cable	.25
12723	Capacitor—56 mmfd.	.35	31572	Plug—3 contact female plug for power switch cable	.15
12720	Capacitor—100 mmfd., moulded	.35	32641	Plug—3 prong male plug for selector switch cable	.10
34699	Capacitor—100 mmfd., un moulded	.30	5040	Plug—4 contact female plug for speaker cable	.30
12724	Capacitor—120 mmfd.	.35	39153	Plug—4 prong male plug for tone control cable	.15
14712	Capacitor—180 mmfd.	.30	32289	Pulley—Drive cord pulley	.10
38558	Capacitor—220 mmfd.	.35	33514	Receptacle—Phonograph and television socket	.25
12488	Capacitor—270 mmfd.	.35	11565	Resistor—15 ohms, 1/2 watt	.20
12952	Capacitor—330 mmfd.	.35	39380	Resistor—27 ohms, 1 watt	.22
38831	Capacitor—630 mmfd.	.45	38692	Resistor—270 ohms, 3 watt	.25
44336	Capacitor—2,200 mmfd.	.50	12414	Resistor—560 ohms, 1/2 watt	.20
37102	Capacitor—.001 mfd.	.25	14720	Resistor—1,000 ohms, 1/2 watt	.20
34459	Capacitor—.0025 mfd.	.30	14024	Resistor—2,700 ohms, 1/2 watt	.20
30303	Capacitor—.0035 mfd.	.40	30694	Resistor—3,900 ohms, 1/2 watt	.20
33584	Capacitor—.005 mfd.	.35	14250	Resistor—8,200 ohms, 1/2 watt	.20
4937	Capacitor—.01 mfd.	.25	30736	Resistor—22,000 ohms, 1 watt	.22
5196	Capacitor—.035 mfd.	.20	19081	Resistor—22,000 ohms, 2 watt	.25
32787	Capacitor—.05 mfd.	.20	12454	Resistor—33,000 ohms, 1/2 watt	.20
14628	Capacitor—.07 mfd.	.25	12266	Resistor—39,000 ohms, 1/2 watt	.20
4839	Capacitor—.1 mfd.	.30	12412	Resistor—47,000 ohms, 1/2 watt	.20
12484	Capacitor—.25 mfd.	.30	30787	Resistor—47,000 ohms, 1 watt	.20
31581	Cell—Bias cell	.25	30550	Resistor—56,000 ohms, 1/2 watt	.20
39073	Clip—Tube shield clip	.05	14138	Resistor—68,000 ohms, 1/2 watt	.20
34285	Clip—Tuning tube clip	.25	14560	Resistor—100,000 ohms, 1/2 watt	.20
38788	Coil—Antenna coil—"C" band	.80	13734	Resistor—120,000 ohms, 1/2 watt	.20
37064	Coil—Choke coil	1.10	30651	Resistor—270,000 ohms, 1/2 watt	.20
38829	Coil—Coil and resistor—10,000 ohms	.40	13479	Resistor—390,000 ohms, 1/2 watt	.20
38787	Coil—Oscillator coil	1.00	30648	Resistor—470,000 ohms, 1/2 watt	.20
38800	Condenser—Variable tuning condenser	3.00	12486	Resistor—560,000 ohms, 1/2 watt	.20
38409	Control—Microphone volume control	1.00	30562	Resistor—680,000 ohms, 1/2 watt	.20
39171	Control—Radio volume control and switch	2.00	30983	Resistor—820,000 ohms, 1/2 watt	.20
34862	Cord—Drive cord (approx. 43-in. overall lgth.)	.25	30652	Resistor—1 meg., 1/2 watt	.20
12006	Core—Adjustable core and stud for I.F. transformers	.15	12201	Resistor—1.5 meg., 1/2 watt	.20
35788	Core—Adjustable core and stud for oscillator coil	.15	11769	Resistor—1.8 meg., 1/2 watt	.20
			30649	Resistor—2.2 meg., 1/2 watt	.20
			37018	Screen—"Indicator" screen	.30
			39175	Screen—Service indicator screen	.40



RCA MFG. CO., INC.

MODELS 520(1st Prod)  
510(3rd Prod)  
Ch.RC-1003D



ANT. TO GRID  
50X  
(600 KC.)

15 X  
(600-455 KC.)  
MEASURED WITH -3V. FIXED BIAS ON AVC. BUS

0.6X  
(455 KC.)

200 X  
(455 KC.)

1X  
(455 KC.)

40X  
400 N

14 X  
400 N

APPROX. GAIN  
DATA USING  
RCA RIDER  
CHANALYST.

12SA7  
1ST DET. & OSC.

12SK7  
I. F.

12SQ7  
2ND DET. A.F. & AVC.

50L6GT  
OUTPUT

35Z56T  
RECT.

35Z56T  
AC-DC  
30 WATTS

35Z56T  
DIAL  
LAMP

923018-7

TO ANT. LEAD

LOOP CONNECTIONS

OSC. COIL

OSC. COIL

OSC. COIL

OSC. COIL

OSC. COIL

OSC. COIL

OSC. COIL

OSC. COIL

OSC. COIL

OSC. COIL

OSC. COIL

OSC. COIL

OSC. COIL

OSC. COIL

OSC. COIL

OSC. COIL

OSC. COIL

OSC. COIL

OSC. COIL

OSC. COIL

OSC. COIL

OSC. COIL

OSC. COIL

OSC. COIL

OSC. COIL

OSC. COIL

OSC. COIL

OSC. COIL

OSC. COIL

OSC. COIL

OSC. COIL

OSC. COIL

OSC. COIL

OSC. COIL

OSC. COIL

OSC. COIL

OSC. COIL

OSC. COIL

OSC. COIL

OSC. COIL

OSC. COIL

OSC. COIL

OSC. COIL

OSC. COIL

OSC. COIL

OSC. COIL

OSC. COIL

OSC. COIL

OSC. COIL

OSC. COIL

OSC. COIL

OSC. COIL

OSC. COIL

OSC. COIL

OSC. COIL

OSC. COIL

OSC. COIL

OSC. COIL

OSC. COIL

OSC. COIL

OSC. COIL

OSC. COIL

OSC. COIL

OSC. COIL

OSC. COIL

OSC. COIL

OSC. COIL

OSC. COIL

OSC. COIL

OSC. COIL

OSC. COIL

OSC. COIL

OSC. COIL

OSC. COIL

OSC. COIL

OSC. COIL

OSC. COIL

OSC. COIL

OSC. COIL

OSC. COIL

OSC. COIL

OSC. COIL

OSC. COIL

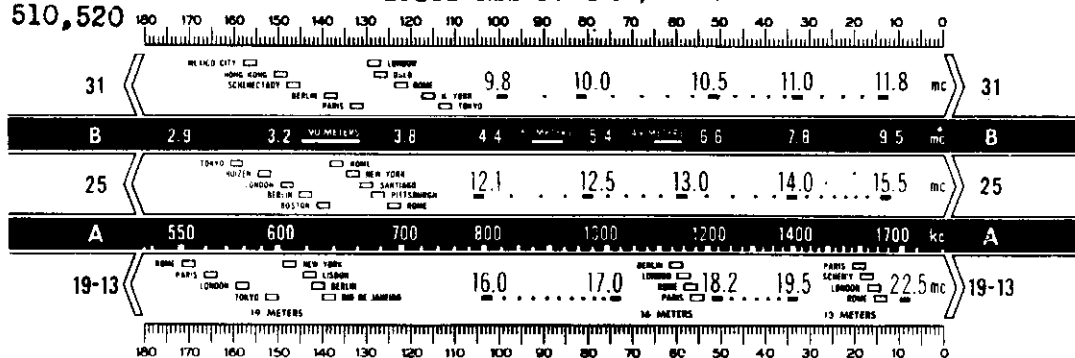
OSC. COIL

VOLTAGES SHOULD HOLD WITHIN  
± 20% WITH 117 V. AC. SUPPLY.  
\* MEASURED WITH CHANALYST  
OR VOLTOHMYST.

FREQUENCY RANGE..... 540-1,720 kc  
Intermediate Frequency..... 455 kc  
POWER SUPPLY RATINGS  
105-125 volts, direct current, or 50-60 cycles..... 30 watts  
LOUDSPEAKER (RL-86-B1 or RL-86-B4)... 5 inch electro-dynamic  
Maximum..... 1.2 watts  
Undistorted..... 0.8 watts

MODEL QB1  
MODELS 510, 520

RCA MFG. CO., INC.



MODEL QB1 ALIGNMENT

\* Use minimum capacity peak if two can be obtained. Check image to determine that C14 has been adjusted to the correct peak by tuning receiver to approximately 14.29 mc (29°) where a weaker signal should be received.

NOTE: Oscillator tracks above signal on all bands.

MODEL 510, 520

ALIGNMENT PARTS LIST

Pre-Setting Dial.—With gang condenser in full mesh, the pointer should be adjusted so that it is vertical.

Steps	Connect the high side of test-oscillator to—	Tune test-osc. to—	Turn radio dial to—	Adjust the following for max. peak output
1	I-F grid, in series with .01 mfd.	455 kc	Quiet point 1,600 kc end of dial	C6, C9 2nd I-F Transformer
2	1st Det. grid in series with .01 mfd.			C6, C7 1st I-F Transformer
3	Ant. terminal in series with 100 mmfd.	1,720 kc	Gang at minimum	C3 (osc.)
4	Radiated signal 1,300 kc		Signal Frequency	C1 (ant.)
5	Repeat steps 3 and 4.			

Steps	Connect the high side of the test-osc. to—	Tune test-osc. to—	Range switch	Turn radio dial to—	Adjust the following for max. peak output
On oscillator-circuit cores and trimmers, if two peaks can be obtained, use the one of minimum inductance or minimum capacity.					
1	1st I-F grid cap, in series with .01 mfd.	455 kc	A	Quiet point near 180°	L15 and L16 2nd I-F transformer
2	1st Det. grid, in series with .01 mfd.				L13 and L14 1st I-F transformer
3		11.8 mc	25M	138.5°	L11 (osc.) C1 (ant.)
4		15.2 mc			17°
5	Repeat steps 3 and 4.				
6	Ant. lead in series with 300 ohms	15.2 mc	19-13M	156°	L12 (osc.)
7		9.5 mc	31M	156°	L10 (osc.) C2 (ant.)
8		9.5 mc	B	11.5°	C7 (osc.)
9	Ant. lead in series with 200 mmf.	1,500 kc	A	26°	C4 (osc.) C3 (ant.)
10		600 kc		150°	L8 (osc.) (Rock gang)
11	Repeat steps 9 and 10.				

STOCK No.	DESCRIPTION	Unit List Price	STOCK No.	DESCRIPTION	Unit List Price
<b>CHASSIS ASSEMBLIES (RC-1003-D)</b>			<b>SPEAKER ASSEMBLIES (RL-86B-1)</b>		
35097	Can—Shield can for 1st I.F. transformer.....	.30	32907	Cap—Dust cap.....	.02
35332	Can—Shield can for 2nd I.F. transformer.....	.30	39448	Coil—Field coil—350 ohms.....	1.30
36348	Capacitor—Electrolytic comprising 1 section of 20 mfd., 150 volts, and 1 section of 30 mfd., 150 volts.....	.95	39447	Cone—Cone complete with voice coil.....	1.20
37359	Capacitor—Comprising 1 section of .005 mfd., and 1 section of .0003 mfd.....	.25	(RL-86B-4)		
4937	Capacitor—.01 mfd.....	.25	32907	Cap—Dust cap.....	.02
36248	Capacitor—.02 mfd.....	.20	39448	Coil—Field coil—350 ohms.....	1.30
32787	Capacitor—.05 mfd.....	.20	39447	Cone—Cone complete with voice coil.....	1.20
36234	Coil—Oscillator coil.....	.60	(92370-1)		
37911	Condenser—Variable tuning condenser.....	2.25	39995	Coil—Field coil—350 ohms.....	1.50
35344	Control—Volume control and power switch.....	1.50	39994	Cone—Cone complete with voice coil.....	1.20
32634	Cord—Drive cord (approx. 16½-in. overall length)	.10	NOTE: If the stamping on speaker in instrument does not agree with above speaker number, order replacement parts by referring to model number of instrument, number stamped on speaker, and full description of part required.		
37991	Dial—Dial scale.....	.70	<b>MISCELLANEOUS ASSEMBLIES</b>		
36786	Indicator—Station selector indicator.....	.25	39778	Back—Cabinet back (Radiola 520).....	.30
11765	Lamp—Dial lamp.....	.15	37916	Back—Cabinet back (Radiola 510, 3rd Prod.)..	.25
37916	Loop—Antenna loop.....	1.43	35079	Crystal—Dial scale crystal.....	.65
35993	Plate—Dial plate—less dial.....	.25	33317	Fastener—Push fastener to hold back (Radiola 510, 3rd Prod.).....	.02
30189	Resistor—120 ohms, ½ watt.....	.20	35069	Fastener—Push fastener to hold crystal (Radiola 510, 3rd Prod.).....	.05
30492	Resistor—22,000 ohms, ½ watt.....	.20	33006	Feet—Rubber feet—Pkg. of 4.....	.03
14583	Resistor—220,000 ohms, ½ watt.....	.20	34428	Knob—Control knob.....	.20
30648	Resistor—470,000 ohms, ½ watt.....	.20			
12928	Resistor—3.3 meg., ½ watt.....	.20			
30271	Resistor—4.7 meg., ½ watt.....	.20			
38846	Shaft—Tuning knob shaft.....	.10			
34449	Socket—Dial lamp socket.....	.30			
31251	Socket—Tube socket.....	.25			
31418	Spring—Drive cord spring.....	.05			
35098	Spring—To hold I.F. transformers in shield cans	.08			
36232	Transformer—First I.F. transformer—less shield can	1.50			
37364	Transformer—Second I.F. transformer—less shield can	1.35			
35056	Transformer—Output transformer.....	1.30			
33726	Washer—"C" washer for tuning shaft.....	.02			

ALL PRICES ARE SUBJECT TO CHANGE OR WITHDRAWAL WITHOUT NOTICE.



CHANGES, NOTES

RCA MFG. CO., INC.

25X, 34X, 35X

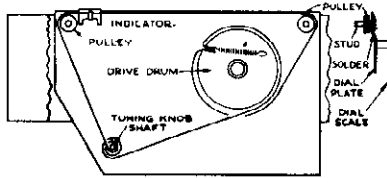
Speakers RL-86-B1, RL-86-B4, 92379-1:

Three different speakers have been used on these models. The replacement parts are listed below:

Stock No.	Description
(RL-86-B1, RL-86-B4)	
32907	Cap—Dust cap
39448	Coil—Field coil—450 ohms.
39447	Cone—Cone complete with voice coil
(92379-1)	
39995	Coil—Field coil—350 ohms.
39994	Cone—Cone complete with voice coil

NOTE: If number stamped on your speaker frame does not appear on above list, order part required by description giving number stamped on your speaker and receiver model.

Stock No.	Description	Unit List Price
38781	Dial assembly complete (New type, including Stock No. 38783 and 34124)	2.50
38783	Pulley (2 pulleys, 2 studs)	.25
34124	Shaft (Shaft and spring washer)	.35



Dial Drive, Model BT-42

QU52C, QU52M

Power Transformer:

Power transformer, Stock No. 32852, is incorrectly described in the Replacement Parts List of the QU52C, QU52M service note. The correct listing is as follows:

Stock No.	Description	Unit List Price
32852	Transformer—Power transformer, 105-125/200-240 volts, 50-60 cycle	4.50

55X

"PM" Speaker 92388-1:

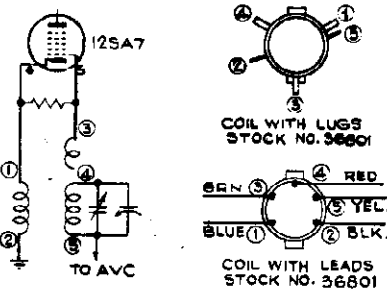
The cone and voice coil for this speaker is Stock No. 39572.

11X1, 35X

Oscillator Coil Connections:

The oscillator coil (Stock No. 36801) drawing, as shown in the service notes of Models 11X1 and 35X, is incorrect.

Two types of Stock No. 36801 coils are in use: One type has terminal lugs, the other has leads. Both types are shown in the accompanying sketch.



Oscillator Coil—Stock No. 36801

45X1, 45X2

Cabinet Replacement:

In order to use wooden cabinet Stock Number X912 as an alternate for plastic cabinets Y806 (Model 45X1) or Y807 (Model 45X2), the following is necessary:

- Remove the baffle and grille by removing three screws.
- Separate the grille from the baffle.
- Fasten the grille to the cabinet.
- Remove the two "L" shaped clamps from the wood blocks.
- Insert chassis and fasten by means of two wood screws screwed to blocks.

45X-1, 45X-2

Changes in 2nd Production:

The AVC filter resistor R4 is changed from 2.2 to 3.3 megs, Stock No. 12928.  
The output tube bias resistor, R8, is changed from 150 to 120 ohms, Stock No. 30189.

46X SERIES

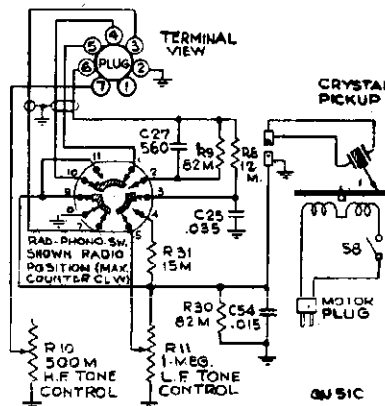
Dial Lamp Burnout:

In Models 46X-1, -2, -3, -11, -12, -13, -21, -23, -24, the dial lamp is Mazda No. 47 (1.5 amp.). In case of frequent burnout, Mazda No. 51 (.2 amp.) can be used for replacement.

QU51C

Crystal Pickup Connections:

The schematic "Crystal Pickup Connections (QU51C)" in the QU51C service note is in error in the connections to switch terminals 7, 9, and 11. The correct schematic is shown in the accompanying sketch.



Crystal Pickup Connections, QU51C

36X

Speakers RL-86-B1, RL-86-B4:

Two different speakers have been used on these models. The replacement parts are listed below:

Stock No.	Description
(RL-86-B1, RL-86-B4)	
32907	Cap—Dust cap
39448	Coil—Field coil—450 ohms.
39447	Cone—Cone complete with voice coil

NOTE: If number stamped on your speaker frame does not appear on above list, order part required by description giving number stamped on your speaker and receiver model.

BT-42

Replacement Dial, Pulley, and Shaft

A complete Dial Assembly (Stock No. 38781) consisting of dial plate, dial scale, pulleys, drive drum, drive cord and spring, shaft, lamp bracket, and terminal strip is available for replacement on the Model BT-42 receiver.

However, the original assembly may be brought up to date by replacing the studs and shaft as follows:

File off the two old studs on the dial plate. Tin, with solder, the surface (between dial and plate) around the stud holes, and insert the new pulley studs with the heads against the plate.

Solder the studs so their heads are flat against the plate and the shanks are at right angles to the plate.

The pulleys can now be slipped over the studs with the bearing surface toward the plate. Apply a drop of oil on each stud.

Thread the drive cord as shown in the drawing.

U-123 (TWO BAND TYPE)

Knob Stock Numbers:

In the Service Note for U-123, No. 31855 knob should read "Range-switch or radio-record switch knob," No. 14359 knob should read "tuning knob."

V-100

Phono Compensation Change:

Capacitor C17 across the pickup is changed from .015 to .01 mfd., Stock No. 4937.

V-105

Phono Compensation Change:

C17 and R16, shunted across the pickup are changed from .015 to .01 mfd. (Stock No. 4937), and from 47,000 to 68,000 ohms (Stock No. 13715).

Speaker No. 92322-2:

In some production of V-105, the speaker is stamped 92322-2. The cone and voice coil for this speaker is Stock No. 39586.

V-175

Motorboard Mounting:

In the Replacement Parts, under "Miscellaneous Assemblies," change the Stock No. of mounting spring hardware from 81470 to 89568.

V-175

Low Output and/or Distortion:

Check the following—

- Rectifier tube 25Z6GT (slow in coming up to full plate voltage).
- Output tube 25L6GT (usually accompanied by high hum).
- Bias cell reversed. The negative side should connect to the grid of the 6SQ7. See accompanying sketch of bias-cell polarity.



ALL PRICES ON THIS AND THE FOLLOWING PAGES ARE SUBJECT TO CHANGE WITHOUT NOTICE

RCA MFG. CO., INC.

**Q27**

**Capacitor C33:**

C33 is changed from 18 to 15 mmfd., Stock No. 12896.

**28T**

**C13 Connections Changed:**

In some production, C13, from the plate of the RF tube, is connected to the switch, side of C8 instead of to the grid side of C8.

**C51 Deleted:**

In 2nd production, C51 (22 mmfd.), Stock No. 14021, connected from antenna terminal to chassis, is omitted.

**28X**

**Change in 2nd Production:**

In 1st production, a capacitor C47 is connected from chassis to the junction of R1 and R27 in the RF plate circuit. In 2nd production, C47 is omitted, and terminal 11 on the oscillator coil is connected to the junction of R1 and R27 instead of to the "plus B" bus.

**28X, 28X-5**

**C4 Changed to 47 mmfd:**

The oscillator grid capacitor is changed from 33 to 47 mmfd., Stock No. 13141.

**28X, 28X-5**

**Hum Modulation:**

This form of hum becomes evident when a station's carrier is tuned in, and disappears when the set is tuned between stations. The hum may be present on only a few locals, or on many stations, depending, among other things, on the type and installation of the a-c supply line.

If hum modulation exists, check to see that there is an .05 mfd., 400-volt capacitor connected from the plate of the 25Z6GT rectifier to -B. Add this capacitor if necessary. The capacitor acts to by-pass RF signals around the rectifier tube.

**29K2 (RC-570-D)**

**With 5-inch "EM" Speaker:**

In 2nd production, the 5-inch speaker is changed from "FM" to "EM," as listed below:

**SPEAKER ASSEMBLIES (RL-86B-5)**

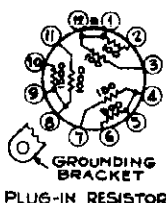
Stock No.	Description
39543	Coil—Field coil—450 ohms
39567	Cone—Cone complete with voice coil
30870	Plug—2-prong male plug for speaker
5118	Plug—3-prong male plug for speaker

**Q31, 5Q66**

**Ballast Resistor Correction:**

In the Service Data for Q31, the resistance between terminals 6 and 7 of the ballast resistor M-91462-3 should be 480 ohms instead of 580 ohms.

In the Service Data for 5Q66, the connections inside the ballast resistor M-91462-1 should be as shown in the accompanying drawing.



Ballast M-91462-1 in 5Q66.

**25X, 34X, 35X**

**Electrolytic Capacitor:**

Under "Chassis Assemblies," in the Replacement Parts Lists of the above models, delete Stock No. 36301 Capacitor and add:

Stock No.	Description	Unit List Price
35348	Capacitor—Electrolytic comprising 1 section of 30 mfd., 150 volts (C19-25X; C16-34X, 35X) and 1 section of 20 mfd., 150 volts (C20-25X; C-17-34X, 35X).....	.95

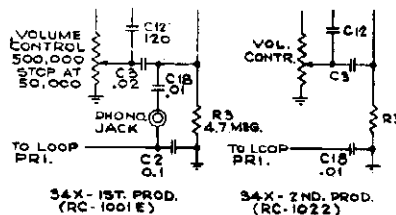
**34X—2ND PROD. (RC-1022)**

**Service Data:**

Model 34X—2nd Production (RC-1022) is similar to the 34X—1st Production (RC-1001 E) except as follows:

The phonograph jack has been omitted in 2nd production as shown in the accompanying sketches.

A different loop is used.



Circuit Changes, 2nd Production 34X

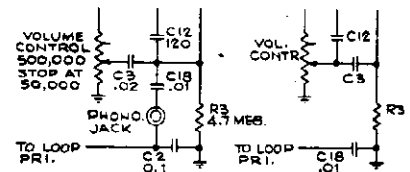
**35X—2ND PROD. (RC-1022-A)  
12X—2ND PROD. (RC-1022-A)**

**Service Data:**

Models 12X—2nd Production and 35X—2nd Production are identical except for cabinet design. The RC-1022-A chassis used in both these receivers is similar to the RC-1001-C chassis used in Model 35X—1st Production, except that the phonograph jack of the 1st Production 35X has been omitted in the RC-1022-A chassis, as shown in the accompanying sketches.

For replacement parts list for both receivers, refer to the Service Notes for 35X (RC-1001-C) with the exception of the following parts used in the 12X—2nd Production and 35X—2nd Production:

Stock No.	Description	Unit List Price
35348	Capacitor — Electrolytic, comprising 1 section of 20 mfd., 150 volts (C17), and 1 section of 30 mfd., 150 volts (C16).....	.95
36248	Capacitor—.02 mfd.....	.20
34298	Capacitor—.01 mfd.....	.30
34662	Cord—Drive cord (approx. 33-in. overall length).....	.25
39823	Loop—Antenna loop.....	1.43
31251	Socket—Tube socket—wafer.....	.25
37605	Socket — Tube socket — moulded.....	.25
37364	Transformer—Second I. F. transformer.....	1.35



Circuit Changes, 2nd Production 12X and 35X

For replacement parts list, refer to the Service Notes for 34X (RC-1001-E) with the exception of the following parts used in the 34X—2nd Production (RC-1022):

Stock No.	Description	Unit List Price
35348	Capacitor—Electrolytic, comprising 1 section of 20 mfd., 150 volts (C17), and 1 section of 30 mfd., 150 volts (C16).....	.95
12793	Capacitor—.56 mmfd.....	.35
39828	Capacitor—.100 mmfd.....	.35
36248	Capacitor—.02 mfd.....	.20
34298	Capacitor—.01 mfd.....	.30
34662	Cord—Drive cord (approx. 33-in. overall length).....	.25
35078	Knob—Range switch knob.....	.15
39823	Loop—Antenna loop.....	1.70
31251	Socket—Tube socket—wafer.....	.25
37605	Socket—Tube socket—moulded.....	.25
37364	Transformer—Second I. F. transformer.....	1.35

**SPEAKER ASSEMBLIES (RL-86B-1)**

32907	Cap—Dust cap.....	.02
39448	Coil—Field coil—350 ohms.....	1.30
39447	Cone—Cone complete with voice coil.....	1.20
<b>(RL-86B-4)</b>		
32907	Cap—Dust cap.....	.02
39448	Coil—Field coil—350 ohms.....	1.30
39447	Cone—Cone complete with voice coil.....	1.20
<b>(92379-1)</b>		
39995	Coil—Field coil—350 ohms.....	1.50
39994	Cone—Cone complete with voice coil.....	1.20

NOTE: If the stamping on speaker in instrument does not agree with above speaker number, order replacement parts by referring to model number of instrument; number stamped on speaker, and full description of part required.

**SPEAKER ASSEMBLIES (RL-86B-1)**

32907	Cap—Dust cap.....	.02
39448	Coil—Field coil—350 ohms.....	1.30
39447	Cone—Cone complete with voice coil.....	1.20
<b>(RL-86B-4)</b>		
32907	Cap—Dust cap.....	.02
39448	Coil—Field coil—350 ohms.....	1.30
39447	Cone—Cone complete with voice coil.....	1.20
<b>(92379-1)</b>		
39995	Coil—Field coil—350 ohms.....	1.50
39994	Cone—Cone complete with voice coil.....	1.20

NOTE: If the stamping on speaker in instrument does not agree with above speaker number, order replacement parts by referring to model number of instrument, number stamped on speaker, and full description of parts required.

**MISCELLANEOUS ASSEMBLIES**

37906	Back—Cabinet back (12X—2nd Prod.).....	.25
39775	Back—Cabinet back (35X—2nd Prod.).....	.30
37362	Clamp—Dial clamp (12X—2nd Prod.).....	.20
37363	Dial—Glass dial scale (12X—2nd Prod.).....	.75
39780	Dial—Glass dial scale (35X—2nd Prod.).....	1.50
37831	Fastener—Push fastener (12X—2nd Prod.).....	.10
37907	Handle—Carrying handle (12X—2nd Prod.).....	.35
35078	Knob—Volume or tuning knob (12X—2nd Prod.).....	.15
36722	Knob—Volume or tuning knob (35X—2nd Prod.).....	.20
37909	Mounting—Carrying handle mounting hardware (12X—2nd Prod.).....	1.10

**CHANGES, COLOR CODING  
OUTPUT TRANSFORMERS**

**RCA MFG. CO., INC.**

**162, 162A CHANALYST**

**Parts List Changes:**

The parts list of the Chanalyst 162, 162A (Serial numbers 3500-up) should be corrected as follows:

R25 listed as 7.5 megohms should be 8.0 megohms (matched pair). The Stock Number remains 35280.

R26 listed as 2 megohms should be 1.6 megohms (matched pair). The correct Stock Number is 39989.

R27 listed as 400,000 ohms should be 300,000 ohms (matched pair). The Stock Number remains 35258.

**165 JUNIOR VOLTOHMYST**

**Meter Needle Off Scale:**

If the meter needle drives violently off scale when no test is being made, remove the cover from the "Ohms Adj." potentiometer R23, insulate the inside of this cover with cambric cloth, fibre paper, or lacquer, and replace. If the trouble persists, do the same to the covers of the "DC Voltage Calibration Adj." potentiometer R22 (be careful not to disturb its adjustment or recalibration with a voltage standard will be necessary), and the "Zero Adj." potentiometer R21.

**165 JUNIOR VOLTOHMYST**

**Replacement Parts List:**

In some Stock No. 165 Junior VoltOhmysts, R32 is 1,800 ohms instead of the original value of 1,100 ohms, while R34 is 7,500 ohms instead of 7,000 ohms. Should it be necessary to replace these resistors, use the new values in all instruments.

R30, 20,000 ohms, 1/2 watt, is incorrectly listed as 1% matched pair instead of 10% tolerance (correctly shown in the parts list below).

R2, 2 meg., 1/2 watt, 1% matched pair, is incorrectly listed as Stock No. 35259. The correct Stock Number is 39988.

No orders for meters can be accepted without return of the defective meter for exchange or repair.

The following are additions and corrections to the replacement parts list:

Stock No.	Description
14088	Cord—Power cord and plug
4323	Knob—Round knob
34850	Knob—Bar knob
4340	Lamp—Pilot lamp (Mazda type 40)
44288	Meter Case—Case front only for meter number 7090
45934	Meter Case—Case front only for meter number Z-15. 1102A
46533	Probe—Probe only for "AC-Ohms" cable
30930	Resistor—1,800 ohms, 1/2 watt, 10% (R32. Originally 1,100 ohms. Replace with 1,800 ohms)

43987	Resistor—7,500 ohms, 1/2 watt, 10% (R34. Originally 7,000 ohms. Replace with 7,500 ohms)
6240	Resistor—20,000 ohms, 1/2 watt, 10% (R30)
39988	Resistor—2 meg., 1/2 watt, 1% matched pair (R2)
31251	Socket—Tube socket
14551	Switch—Toggle switch SPST (S3)

**9890 PHONOGRAPH KIT**

**Part Number of Replacement Sapphire:**

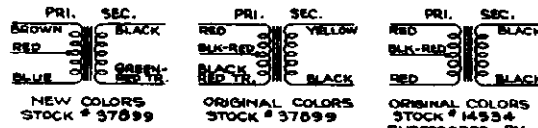
The instructions for the RCA Phonograph Modernization Kit, Stock No. 9890, incorrectly lists the Magic Lone Cell replacement sapphire as Stock No. 38449.

The correct listing should be: Replacement Sapphire for Magic Tone Cell, Stock No. 39863.

**STOCK No. 9901C**

**Tube Tester Modernization Kit:**

References to "Ser. Nos. below 1200" and "Ser. Nos. above 1200" on the wiring connection diagram for the 156, 156A Tube Tester Modernization Kit Installation Instructions should read: "Ser. Nos. below 1700" and "Ser. Nos. above 1700." The serial number 1700 is the dividing number of the two productions, not 1200 as shown.



*Original and Alternate Colors on Transformer Stock No. 37899, and Colors on No. 14534, which is Superseded by No. 37899.*

**COLOR CODING OF OUTPUT TRANSFORMERS**

In some production, the color code of leads on the following transformers is changed. When installing, check the drawing number stamped on the transformer and refer below for color code.

ORIGINAL COLORS							
Stock No.	35774	37350	36056	33444	37899	14534	36098
Dwg. No.	94106-1	89681-3	89681-2	88517-3	94105-1	88517-1	94117-1
Pri. Start	Red	Red	Red	Red	Red	Red	Red
Pri. Tap	Black	—	—	Red-Black	Red-Black	Red-Black	—
Pri. Finish	Blue	Blue	Blue	Red	Black-Red Tr.	Red	Red
Sec. Start	Bus	Green-Red Tr.	Black	Black	Yellow	Black	Bus
Sec. Finish	Bus	Brown	Black	Black	Black	Black	Bus
ALTERNATE COLORS							
Stock No.	35774	38994*	35056	33444	37899**		36098
Dwg. No.	94106-2	97610-2	97610-1	97604-2	97604-1		97611-1
Pri. Start	Blue	Blue	Blue	Brown	Brown		Blue
Pri. Tap	Red	—	—	Red	Red		—
Pri. Finish	Red-Black	Red	Red	Blue	Blue		Red
Sec. Start	Bus	Black	Black	Bus	Black		Black
Sec. Finish	Bus	Green-Red Tr.	Green-Red Tr.	Bus	Green-Red Tr.		Black

\* Stock No. 38994 supersedes No. 37350.

\*\* Stock No. 37899 supersedes No. 14534.



RCA MFG. CO., INC.

RP-152, -A, -B, -C, -D, -J

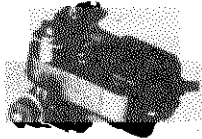
Intermittent Start, Slow Speed, or Stalling:

These conditions may be caused by binding of idler wheel on its mounting stud. Smooth and clean the idler wheel bearing so that it can rotate freely.

RP-152, -152A

Tendency to Stall:

Some RP-152 and -152A automatic record changer mechanisms in Model VA-15, V-170, V-200, and V-201 use a motor identified by stamping number 91706-1. Slow speed and



Motor Stamped No. 91706-1  
Used in Some RP-152, -152A  
Automatic Record Changers.

tendency to stall in this motor may be due to the motor bearings becoming misaligned with respect to the motor spindle.

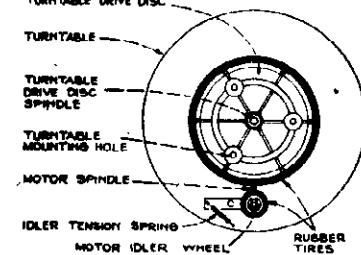
In most cases, the motor spindle may be freed by tapping the stator laminations while the motor is in operation.

For a permanent remedy it is advisable to install an idler wheel assembly to reduce side thrust on the motor bearings. The following parts are required:

Stock No.	Description	Unit List Price
1-36274	Idler wheel	.55
1-36275	Idler wheel arm	.25
2-36726	"C" washer for idler wheel	.02
1-30585	Spring for idler	.06

Installation Instructions:

- Remove one of the two motor support springs.



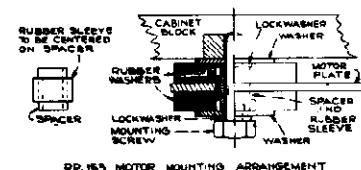
Arrangement of Idler Wheel Assembly to Improve RP-152, -152A Using Motor 91706-1

- Remove the turntable by removing the screw in the turntable spindle drive gear below the motorboard.
- Mount the idler wheel by means of a "C" washer on the single end stud of the idler arm.
- Install the idler assembly in place on the motor board as shown in accompanying sketch and fasten by means of the second "C" washer.
- Connect the tension spring between the end of the idler arm and the motorboard pin (below motorboard).

RP-153 (V-301, V-302)

Motor Hum:

Excessive hum may be caused by incorrect assembly of the rubber grommets on the two bolts that fasten the motor-mounting plate to the cabinet. The correct assembly is shown in the sketch. The rubber sleeve must be centered on the metal spacer so that the motor plate can not come in metallic contact with the spacer.



RP-153 MOTOR MOUNTING ARRANGEMENT  
Excessive Motor Hum will Result in RP-153 if the Rubber Sleeves are not Centered on the Metal Spacers.

RP-151

Pickup Arm Springs:

In the Replacement Parts List, Pickup and Arm Assemblies, in the RP-151 Automatic Record Changer service note, the following change and addition should be made:

Stock No.	Description	Unit List Price
38455	Spring—Coil spring (10) for upper pickup pressure adjustment (2 required)	.10
39695	Spring—Flat spring for pickup arm pivot tension	.10

RP-151, -152, -153, -154, -158, -160, -161, -162

Idler Wheel Fiber Washers:

In order to reduce idler wheel noise, the two metal washers have been replaced by two fiber washers in the Idler Wheel Assembly, Stock No. 36274, for the above record changers. The new fiber washers are Stock No. 30096.

RP-158, -160, -161, -162

Bakelite Alternate Replacement Parts:

The following shows a comparison of replacement part stock numbers for the above record changers when bakelite parts are used as alternates for regular die castings:

Description	Stock No. Die-Cast	Stock No. Bakelite
Record Separator Assembly:		
Separator cap	38470	38470
Separator knife	38467	39768
Separator spring (upper)	38468	39769
Separator spring (bottom) (RP-158, -160, -161)		38621 39968
Separator for shelf and shaft (RP-158, -160, -161)		38652 39767
Separator for shelf and shaft (RP-162)		39035 39770
Main Cam		38641 39760
Record Support and Shaft (Left hand front post): (RP-158, -160, -161)		38645 39762
Record Support Cam: (RP-158, -160, -161)		38646* 39763†
Tone Arm Segment Cam: (RP-158, -160, -161)		38619* 39764†

\*The die-cast cams 38646 and 38619 require a 10-32 set screw, stock number 32869, to fasten cam to shaft.

†The bakelite cams 39768 and 39764 require a drive pin, stock number 39765, to fasten cam to shaft. (A drive pin is included with 39763 and 39764).

RP-151, -158, -160, -162

Crystals and Sapphires:

RP	Stock No. of Sapphire and Holder, less nut—	Stock No. of Crystal and Sapphire Assembly—
151	38449	Top, 38453 (Alum. case) Bottom, 38598 (Alum. case)
158	39564	38610
160	38449	38458 (Alum. case) 39550 (Zinc case)
162	39564	38610

RP-158, RP-160

Eccentric Stop, No. 39569:

In Replacement Parts, add Stock No. 39569 eccentric stop for record separator support.

RP-158, -160, -162

Slow Speed:

In cases of slow speed, adjust the bottom bearing of turntable spindle to remove binding and to obtain free rotation. Refer to adjustment "B" in Service Data. Check by applying power to the turntable motor, allowing turntable to reach full speed, then pull motor away from turntable drive disc. The turntable should coast for at least twelve revolutions. (In RP-162, disengage motor from turntable by pulling idler away from turntable to observe coast.)

RP-160

Spring for use with Zinc Crystal:

On RP-160 with aluminum pickup arm, and aluminum-cased crystal, the spring that governs pickup pressure is No. 30585: with zinc pickup arm and aluminum-cased crystal, the spring is No. 39673. When installing a zinc-cased crystal in a zinc arm, cut 1/4 turns off the spring, or install a No. 39754 spring.

RP-162

Pickup Pressure:

The Service Data for RP-162 incorrectly lists the Sapphire pressure as four ounces: The correct pressure is approximately two ounces.

V-170, V-200, V-201

Rumble:

Rumble is related to motor vibration, combined with high-gain amplifier, and prominent bass response.

The vibration of the motor in these instruments is as low as it can be made: Do not replace it to correct rumble. Rather, reduce the low-frequency response by shunting a 50,000-ohm 1/4 watt resistor across the crystal pickup terminals.

V-205-A

Using RP-153 Automatic Mechanism:

A limited number of V-205 instruments contain the RP-153 record changer. These are labeled V-205-A. Refer to Service Note on RP-153 for service data and replacement parts.

V-209, -210, -215, -219, -221, -225

Use of GT (Glass) Tubes:

When using the glass equivalent for metal tubes in the above models, the following changes must be made to prevent oscillation with the push-buttons in the "out" position:

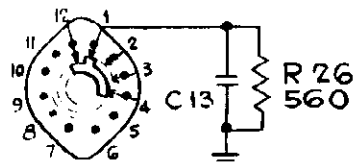
6SA7GT glass tube in place of metal tube 6SA7.

V-209—No changes required.  
V-210—Add resistor R28, 560 ohms, 1/4 watt (RCA Stock No. 12414) in parallel with C13 capacitor, 2200 mfd., as shown in the accompanying sketch.

V-215, V-219, V-221, V-225—Add resistor R33, 560 ohms, 1/4 watt (RCA Stock No. 12414) from terminal 9 of switch S4 (Rear) to chassis ground as shown in the accompanying sketch.

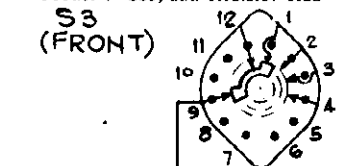
6SK7GT glass tube in place of metal tube 6SK7.

A shield (RCA Stock No. 39074) and a grounding clip (RCA Stock No. 39073) are required for shielding purposes on all models above.



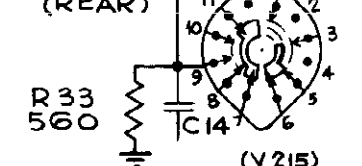
S4 (REAR) (V210)

When Using 6SA7GT Glass Tube in Model V-210, add Resistor R26



S3 (FRONT) (V215)

When Using 6SA7GT Glass Tube in Models V-215, V-219, V-221, V-225, add Resistor R33



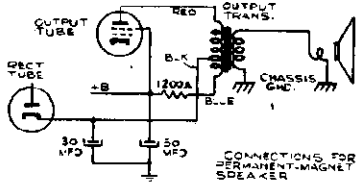
S4 (REAR) (V215)

CHANGES, NOTES

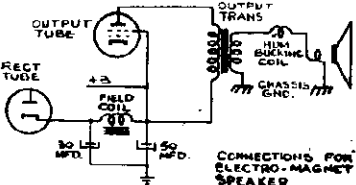
1X, 12X, 14X SERIES

Speaker changed from "PM" to "EM":

First Production of the following models use RL-81-B2 "PM" (permanent-magnet) speaker. In 2nd Production, the speaker is changed to RL-86-A3 "EM" (electro-magnet) speaker. The circuit for each type of speaker is shown in the accompanying diagrams.



CONNECTIONS FOR PERMANENT-MAGNET SPEAKER



CONNECTIONS FOR ELECTRO-MAGNET SPEAKER

Circuit for "PM" and "EM" Speakers in 1X, 12X, and 14X Series.

Replacement Parts for the RL-86-A3 "EM" speaker are as follows:

Model Number	Chassis Number	Cone and Voice Coil No.	Output Transformer No.
1X, 1X2	RC-1003	35570	35056
1AX, 1AX2	RC-1003A	35570	35056
12X, 12X2	RC-1001B	35570	38994
12AX, 12AX2	RC-1001C	35570	38994
14X, 14X2	RC-1001D	35570	38994
14AX, 14AX2	RC-1001E	35570	38994

Unit List Price: No. 35570, \$1.30  
No. 35056, 1.30  
No. 38994, 1.30

The Field Coil for RL-86-A3 Speaker is Stock No. 39543.

1X, 1X2, 1AX, 1AX2, 45X5

Line Bypass Capacitor:

In some production, the .005 mfd. line bypass is connected from plate to cathode on the rectifier tube, instead of from plate to chassis.

1X, 1X2, 1AX, 1AX2

2nd Production:

The tuning knob shaft and its "C" washer are changed as follows:

Shaft	"C" Washer
1st Prod. . . . . No. 35343 (1 1/2 in.)	No. 34378
2nd Prod. . . . . No. 38846 (1 1/2 in.)	No. 33726

Capacitor Changes:

C14 changed from .015 to .02 mfd., No. 36248  
C17 changed from .085 to .02 mfd., No. 36248  
C24 (1AX, 1AX2) changed from .2 to .1 mfd., No. 43763  
R4 changed from 2.2 to 3.3 mks., No. 12928

QB2, QB6

I-F or A-F Transformer Breakdown:

In 2nd production, a 10-megohm, 1-watt resistor is connected across the +B circuit electrolytic capacitor to discharge the capacitor when the set is tuned "off." This eliminates any voltage difference (retained by capacitor) between the chassis and I-F and A-F transformer primaries while the set is "off" and therefore reduces transformer breakdown due to electrolysis in humid climates.

CV-112X CONVERTER

AC Power Unit for QB2, QB5, QB6:

The CV-112X is designed to convert Models QB2, QB5, and QB6 from battery to a-c operation. It differs from the CV-112 in that it has a tapped filament winding to provide correct filament voltage with 4- and 5-tube, or 6 tube receivers. A plug, which fits in a socket on the side of the unit, is used to select the correct tap, as shown in accompanying diagram.

RCA MFG. CO., INC.

QB3 (RC-539)

C15, 66 mfd., Stock No. 36072:

In 2nd Production of QB3, C15 is changed to 85 mfd. (Stock No. 36072, List Price \$3.30) to improve tracking.

QB6 (RC-529D)

Service Data:

Model QB6 is essentially the same as Model QB2, except for the following parts which are used in the QB6:

Stock No.	Description	Unit List Price
37976	Bracket—Tone control support bracket	.25
37999	Dial—Glass dial scale	.75
36103	Decal—Power-volume decal	.05
37839	Decal—Range switch decal	.15
35392	Decal—Trade mark decal	.05
35391	Decal—Tuning decal	.05
37838	Frame—Dial frame complete, less dial and pointer	1.25
35650	Knob—Tone control knob	.25
34861	Knob—Tuning knob	.35
34862	Knob—Vol. control or range switch knob	.35

10X, 2ND PRODUCTION

Chassis No. RC-1001-B:

The 1st production of Model 10X has chassis No. RC-1001, with an "EM" speaker.

In 2nd production, the chassis is No. RC-1001-B, with RL-81B2 "PM" speaker.

The circuit in 2nd production is the same as shown in the Service Note for Model 12X.

For replacement parts, refer to the 10X Service Note, and the following parts which are used in the 2nd production:

Stock No.	Description	Unit List Price
36301	Capacitor—Electrolytic, comprising 1 section of 50 mfd., 150 volts, and 1 section of 30 mfd., 150 volts	1.25
11315	Capacitor—.015 mfd.	.20
30189	Resistor—120 ohms, 1/2 watt	.20
6134	Resistor—1,200 ohms, 1/2 watt	.22
30492	Resistor—22,000 ohms, 1/2 watt	.20
14583	Resistor—220,000 ohms, 1/2 watt	.20
36800	Transformer—Output transformer	1.30

SPEAKER ASSEMBLIES (RL-81B-2)

35570	Cone—Cone complete with voice coil	1.20
36153	Fastener—Push-on fastener for back	.10
35078	Knob—Volume control or tuning knob	.15

LOCATING INTERFERENCE

With a Model BP-10:

The Model BP-10 "Personal" loop receiver has been used successfully in tracking down the source of electrical interference, and the location of local rectification in stubborn cases of local cross-modulation and hum-modulation.

The directional pattern of the BP-10 is essentially a figure "8," with a sharp minimum at right angles to the plane of the loop.

The small size, light weight, and high sensitivity of this battery-operated receiver makes it ideally suited for this work.

BP-10 AND 15BP

Oscillator Coil Color Code:

The correct color code for the oscillator coil in these models is as follows:  
Lead to oscillator plate . . . . . Blue  
Lead to +B . . . . . Red  
Lead to oscillator grid . . . . . Green  
Lead to chassis . . . . . White

SPEAKER GAUGE No. 39598

For BP-10 Elliptical Speaker:

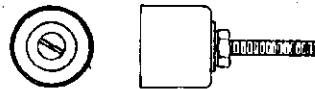
A special gauge, No. 39598, is now available for centering the voice coil in Model BP-10 with elliptical speaker.

CONE CENTERING GAUGE

For BP-10 Round Speakers:

A cone centering gauge for the BP-10 round speaker (Stock No. 36504, Part No. 84901-501) is now available. The gauge is carried as Stock No. 70003.

The cone centering gauge for the BP-10 elliptical speaker is Stock No. 39598 (see Supplementary Information 6 and 7).



Stock No. 70003—Cone Centering Gauge

12X, 12X2, 12AX, 12AX2

Antenna Coupling Coil:

In 2nd production, the shunt resistor R7 across the primary of the antenna coupling coil is omitted, and the antenna coupling coil is changed from Stock No. 37356 to 37962, list price \$1.75.

14AX, 14AX-2

Changes in 2nd Production:

C3, in grid circuit of 12SQ7, is changed from .015 to .02 mfd., Stock No. 36248.

C5, in 50L6GT plate circuit, is changed from .025 to .02 mfd., Stock No. 36248.

C21, chassis ground to power ground, is changed from .2 to .1 mfd., Stock No. 4839.

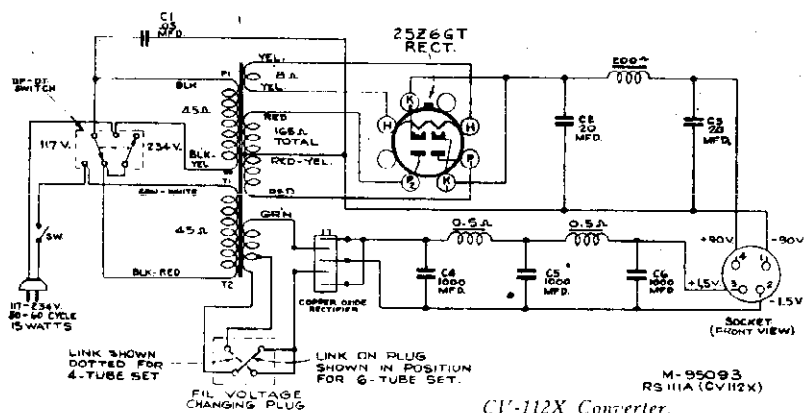
14AX2 (RC-1001E)

Service Data:

The Service Data for Model 14AX applies to Model 14AX2, except for the following parts used in 14AX2:

Stock No.	Description	Unit List Price
36801	Coil—Oscillator coil	.65
37353	Condenser—Variable tuning condenser	2.75
38816	Back—Cabinet back	.25
Y1140	Cabinet	4.50
35071	Knob—Control knob	.15

RL-86-A3 "EM" speaker is used in some production of 14AX2, as specified elsewhere in this supplement.



CV-112X Converter.

RCA MFG. CO., INC.

14BT

Battery Cable Change:

In some 14BT production, the +A wire in the battery cable is black or black with red tracer instead of brown.

14X2 (RC-1001D)

Service Data:

The Service Data for Model 14X applies to Model 14X2, except for the following parts used in 14X2:

Stock No.	Unit List Price
38816 Back—Cabinet back.....	.25
Y1140 Cabinet.....	4.50
35071 Knob—Control knob.....	.15

RL-86-A3 "EM" speaker is used in some production of 14X2, as specified elsewhere in this supplement.

15X, 16X-1, -2, -3

Dial Back Plate:

In some production, the dial back plate and pulley assembly is changed from "garnet maroon," Stock No. 36229, to "Black," Stock No. 38787.

Capacitor Changes:

In 2nd Production, the following capacitors are changed:

C5 from 120 to 150 mmfd., Stock No. 12725  
C8 from .015 to .02 mfd., Stock No. 86248  
C9 from 120 to 300 mmfd.

C9 is built in with C10 (.005 mfd.) and the stock number of the dual unit is 37359.

15X, 16X-1, -2, -3, -4, -11, -13, -14

Speakers RL-81-A5, RL-81-B2, 92161-1, 92161-3:

Four different speakers have been used on these models. The replacement parts are listed below:

SPEAKERS STAMPED "RL-81-A5" or "RL-81-B2"		Unit List Price
Stock No.	Description	
32907	Cap—Dust cap.....	.02
35570	Cone—Cone complete with voice coil.....	1.20
SPEAKERS STAMPED "92161-1" or "92161-3"		Unit List Price
38352	Cone—Cone complete with voice coil.....	1.35

15X, 16X-1, 16X-2

Substitute Speaker:

On 2nd Production of 15X, 16X-1, 16X-2, RL-86-B1 "EM" speaker is used in place of the original RL-81-A5 "PM" speaker.

Replacement parts for the RL-86-B1 speaker are listed below. The alternate circuit arrangements are shown in accompanying diagrams.

Stock No.	Description
32907	Cap—Dust cap.....
39448	Coil—Field coil, 350 ohms.....
39447	Cone—Cone and voice coil.....

The output transformer for this speaker is Stock No. 38994.

17K

Dial Frame is Stock No. 38784:

In the Service Data for Model 17K, change the Stock Number of the Dial Frame from 35799 to 38784.

24BT-1

Substitute Speakers:

The following speakers may have been used as a substitute for Speaker RL-85-6 in Model 24BT-1.

Number Stamped on Speaker	Cone and Voice Coil Stk. No.	Output Trans.
92161-3	38352	39538
92161-4	39535	39538
92161-5	38352	39538
92322-2	39536	39538
92374-1	39537	39538
RL-81-B2	35570	39538

Dust cap for above is No. 32907.

24BT-2, 25BT-2

Speakers RL-85-5, RL-85-6, 92377-1, 92377-3:

Four different speakers have been used on these models. The replacement parts are listed below:

Stock No.	Description (RL-85-5, RL-85-6)
32907	Cap—Dust cap.....
38397	Cone—Cone complete with voice coil.....
33779	Transformer—Output transformer..... (92377-1)
39849	Cone—Cone complete with voice coil.....
39850	Transformer—Output transformer..... (92377-3)
39965	Cone—Cone complete with voice coil.....
39966	Transformer—Output transformer.....

NOTE: If number stamped on your speaker frame does not appear on above list, order part required by description giving number stamped on your speaker and receiver model.

25BT-2, 25BT-3, 25BK

Delete Speaker Plug and Socket:

In Replacement Parts, delete speaker plug No. 88009, and socket No. 14275.

25BK

8-inch Round Speaker No. 92378-1:

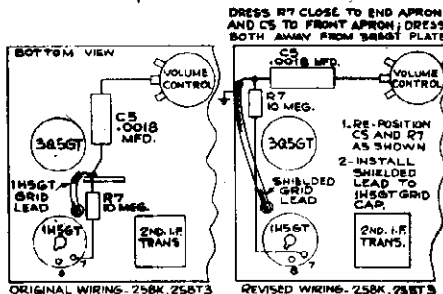
Change the description and identifying number of the speaker in Model 25BK Service Note from 92355-1 (9 1/4-inch elliptical) to 92378-1 (8-inch round).

The cone, Stock No. 89068, applies to No. 92378-1 speaker.

25BK, 25BT3

Reducing Minimum Volume:

When these models are used near strong local stations, the minimum volume may be too high. This can be remedied by re-positioning the 1H5-GT 1st-audio grid capacitor (C5) and grid resistor (R7), and installing a shielded lead to the grid cap of the 1H5-GT tube. These changes are shown in the accompanying drawing.



Changes to Reduce Minimum Volume in 25BK and 25BT3.

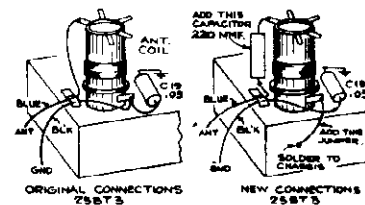
Distortion on Locals:

In Models 25BK and 25BT3, distortion on strong local stations (even with volume control turned low) may be caused by "front-end" overloading due to excessive signal strength. This can be corrected by using a shorter antenna, or by connecting a small capacitor (about 50 mmfd.) in series with the antenna.

25BT3

Hum Modulation with CV-42:

The changes shown in the accompanying sketch are recommended to eliminate hum modulation when using Model 25BT3 with CV-42 "Electrifier." These changes may be made without removing the chassis from the cabinet, and require the addition of only one part, a 220 mmfd. mica mobile capacitor.



Circuit Revisions in Model 25BT3 to Eliminate Hum Modulation When Using CV-42 "Electrifier".

25BP

Speakers RL-81-B1, RL-81-B2, 92161-1:

The above speakers were used on the 25BP in addition to those listed in the Service Note. Use Output Transformer Stock No. 39538 with all speakers used in the 25BP, except when using a speaker stamped RL-81-B1 use Output Transformer Stock No. 38098.

The replacement parts are listed below:

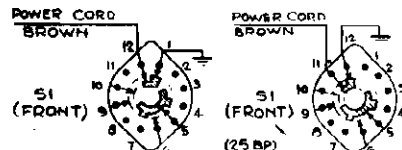
Stock No.	Description (RL-81-B1, RL-81-B2)
32907	Cap—Dust cap.....
35570	Cone—Cone complete with voice coil..... (92161-1)
38352	Cone—Cone complete with voice coil.....

NOTE: If number stamped on your speaker frame does not appear on above list, order part required by description giving number stamped on your speaker and receiver model.

25BP—2ND PROD. (RC-1020)

Power Switch Change:

In some second production 25BP (RC-1020), the power switch differs from that shown in the Service Note. Connections to clips numbered 12 and 11 on water S1. Front of the switch shown in the Service Note, are to numbers 11 and 12 respectively on the other switch used in this production. All other connections are as shown in the Service Note Schematic.



Two Types Power Switch, Model 25BP—2nd Production

26X-1, -3, -4 Changes in 2nd Production:

In 26X-1 and 26X-3, a 10-mmfd. capacitor, Stock No. 13200, is added in parallel to C24 in the "C" band oscillator circuit.

The Stock No. for C4 (47 mmfd.) oscillator grid capacitor is 13141.

The adjustable core on L5 antenna coil is omitted, and this adjustment is therefore omitted in the alignment procedure.

Q27 (RC-507K) Service Data:

Model Q27 is similar to Model Q25 which is described in the Service Note for Models Q22, QK23, and Q25. Replacement parts for Q27 are same as for Q25, with exception of the following parts used in Q27:

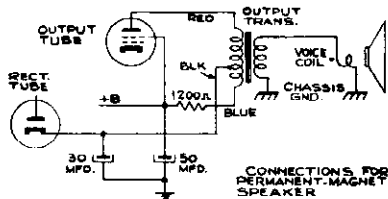
CHASSIS ASSEMBLIES (RC-507K)	
37976	Bracket—Tone control mounting bracket..... .25
38409	Control—Tone control..... 1.00
38412	Control—Volume control and power switch..... 2.00
32634	Cord—Drive cord (approx. 28-in. overall length)..... .10
18988	Resistor—10 ohms, 1/2 watt..... .20
14350	Screw—No. 8-32 sq. head set screw for drive drum..... .03
35787	Socket—Phono input socket..... .15
31261	Spring—Retaining spring for adjustable cord and studs..... .01
38761	Support—L.H. pulley support complete with pulley..... .50
38762	Support—R.H. pulley support complete with 3 pulleys..... .75
35588	Transformer—Power transformer—105-120 volts, 25 cycle..... 6.30

SPEAKER ASSEMBLIES (92311-1)

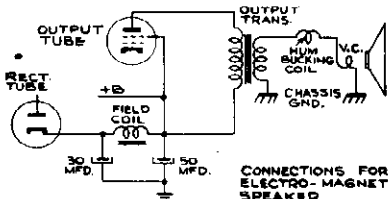
38765	Coil—Field coil—1060 ohms....	2.70
38766	Cone—Cone complete with voice coil.....	2.10
5039	Plug—4-prong male plug for speaker.....	.30
38374	Transformer—Output transformer.....	1.65

**SUBSTITUTE SPEAKERS, CONES**

RCA MFG. CO., INC.



CONNECTIONS FOR PERMANENT-MAGNET SPEAKER



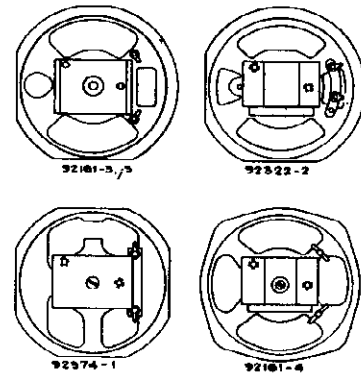
CONNECTIONS FOR ELECTRO-MAGNET SPEAKER

**SUBSTITUTE SPEAKERS**

In 1st production of the following models, the speaker is RL-81-B2. In later production, several substitute speakers are used, as listed below.

WHEN ORDERING REPLACEMENT PARTS FOR SPEAKERS, NOTE THE IDENTIFICATION NUMBER STAMPED ON THE SPEAKER FRAME. IF THE NUMBER STAMPED ON THE SPEAKER DOES NOT APPEAR IN THE FOLLOWING LIST, ORDER THE REQUIRED PART BY DESCRIPTION, AND SPECIFY THE IDENTIFYING NUMBER STAMPED ON THE SPEAKER AND THE RECEIVER MODEL NUMBER.

Alternate "EM" and "PM" speaker connections are shown in the accompanying diagrams.



Identifying Sketches of Five "PM" Speakers.

MODELS	
MODEL NUMBER	CHASSIS NUMBER
1X, 1X-2	RC-100S
1AX, 1AX-2	RC-100SA
6X2	RC-101B
10X (2nd Prod.)	RC-1001B
12X, 12X-2	RC-1001B
12AX, 12AX-2	RC-1001C
14X, 14X-2	RC-1001D
14AX, 14AX-2	RC-1001E
15X	RC-463
16X-1, 16X-2	RC-462A
26X-1	RC-1014
26X-3	RC-1014A
26X-4	RC-1014B

**SUBSTITUTE SPEAKERS**

NUMBER STAMPED ON SPEAKER	CONE AND VOICE COIL STOCK No.	FIELD COIL STOCK No.	Output Trans. Stock No. for 1X, 1X-2, 1AX, and 1AX-2	Output Trans. for 6X2, 10X (RC-1001B), 12X, 12X-2, 12AX, 12AX-2, 14X, 14X-2, 14AX, 14AX-2, 15X, 16X-1, 16X-2, 20X-1, 26X-3, 26X-4
RL-86-A3	35570	39543	35056	38994
RL-86-B1	39447	39448	35056	38994
RL-86-B4	39447	39448	35056	38994
92161-3	38353	PM	37913	38800
92161-4	39535	PM	37913	38800
92161-5	38352	PM	37913	38800
92322-2	39536	PM	37913	38800
92374-1	39537	PM	37913	38800

NOTE: The following speakers may have been used as a substitute for the RL-81-B2 speaker in any model which originally called for the RL-81-B2:

Speaker Stamping	Cone No.
92161-3	38353
92161-4	35535
92161-5	38352
92322-2	39536
92374-1	39537

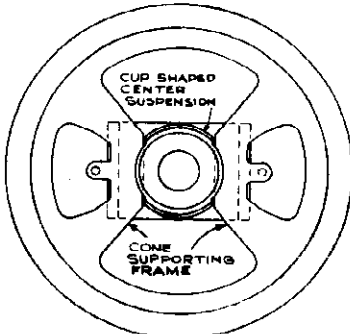
**REPLACEMENT CONES**

**Installation Instructions:**

Certain types of replacement loudspeaker cones are now being supplied with a cup-shaped center suspension fastened to the cone instead of the flat suspension and cup-shaped metal plate which were originally used.

These replacement cones can be used without modification on many types of speakers. However, on certain types, the speaker frame extends in so close to the center pole that it interferes with the cup-shaped center suspension; in such cases it is necessary to cut away two edge sections of the suspension, as follows:

1. Put cone in position in housing and mark



The Cup-Shaped Suspension Must be Cut Away to Accommodate the Cone Supporting Frame in Some Speakers.

places on suspension cup where edge of cup must be cut away.

2. Lift cone out of housing and cut away edge of cup where marked.
3. Cement cone into position in the usual way, being careful that the entire edge of the cup is securely cemented down, including the edge at the places that were cut away.
4. Leave the centering gauge in position until cement is thoroughly dry.

The accompanying sketch shows how the flat edge of the cup-shaped center suspension is cut away in two places to provide clearance for the cone supporting frame.

**REPLACING ELLIPTICAL CONES**

**In Speakers with Cemented Voice-Coil Supports:**

- (a) Remove old cone. Clean housing thoroughly.
- (b) Apply a thick bead of Du Pont household cement to yoke plate where cone centering support will fit.
- (c) Apply a thin coat of Du Pont household cement to housing where cone edge will fit.
- (d) Put cone in position using several thin strips of paper to center voice coil.
- (e) Press cone edge and centering support down in cement and allow to dry.
- (f) After cement is dry remove cone centering strips.
- (g) Solder voice coil leads to proper terminals.
- (h) Cement center dust cap in position.

**STOCK NO. 36077 CONE**

**Replaces Stock No. 35441**

No. 36077 cone replaces No. 35441. The fabric spider of the No. 36077 cone should be cemented to the top pole plate as explained on page 2 of "Supplementary Information No. 4." The metal frame that is used to center the spider on the No. 35441 cone should not be used with the No. 36077 cone.

**STOCK NO. 155A CRO**

**Changes, Extending Sweep Range:**

Certain applications may require that the lowest frequency sweep range be extended below 15 cycles. This may be accomplished by increasing the capacity of C-7 until the desired low frequency sweep is obtained.

The Chassis Wiring Diagram, Figure 33, in early 155A CRO instruction books shows connections to D1 and D3 of the 906 tube reversed. D1 should connect to R24, while D3 connects to R25.

The Replacement Parts List for the 155A CRO should be corrected as follows:

**DELETE:**

Stock No.	Description
14561	Resistor — Carbon resistor, 220 ohms, 1/2 watt (R-10)
30654	Resistor — Carbon resistor, 1500 ohms, 1/2 watt (R-18)
4814	Socket—Tube socket, 5-contact (for RCA-884).....

**ADD:**

Stock No.	Description
46705	Capacitor — Electrolytic capacitor, 8 mfd., 450 volts (C-16)
14086	Cord—Power cord and plug
34769	Resistor — Carbon resistor, 1000 ohms, 1/2 watt (R-18)
31231	Socket—Tube socket, octal (for RCA-884).....

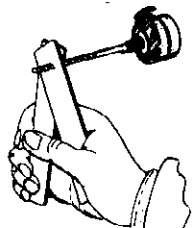
### RCA REPLACEMENT CONTROLS

#### And Shearing Tool No. 38600:

Certain RCA replacement controls have a long notched shaft which can easily be cut to the required length with side cutters, file, or hacksaw, or sheared off at the desired point with two pliers, or with the special RCA shearing tool, Stock No. 38600.

The two pieces of the tool are placed on the shaft, as shown, and then pressed together, thus making a quick clean shear.

Where the original control had a switch, the replacement control has a double-pole, single-throw switch to permit universal application. The arrangement of switch contacts are shown in the sketch.



RCA Stock No. 38600 Shearing Tool to Cut Shafts on RCA Replacement Controls to Required Length.

### LOW OUTPUT ON BATTERY SETS

#### Half of 3Q5GT Filament Open:

Low power output on battery models that use a 3Q5GT output tube may be caused by burn-out of one half of the double filament in this tube. Check for continuity between prongs 2 and 8 and between 8 and 7.

### RCA STATION ALLOCATOR

#### Changing Push-Button Ranges:

In locations where most of the popular "push-button" stations are in the upper half of the broadcast band, the push-button frequency ranges of the Station Allocator can be shifted upward by changing C3 and C4 from 1,200 mmfd. to 1,000 mmfd. (Stock No. 12685, two required).

The frequency ranges are then as follows:

- Buttons 1, 2, . . . . . 435 to 880 kc
- Buttons 3, 4, 5, . . . . . 640 to 1,270 kc
- Buttons 6, 7, 8, . . . . . 890 to 1,840 kc

#### Neon Modulator Circuit Change:

To compensate for varying neon-lamp characteristics, R7 is changed from 1.5 to 2.2 megs. Stock No. 12679, and C9 is changed from 1,800 mmfd. to 1,200 mmfd., Stock No. 44887.

### COLOR CODE

#### For Output Transformers:

Changes have recently been made in the color code of RCA output transformers to conform to R.M.A. standards.

	Old Color Code	New Color Code
Primary start. . . . .	red	brown
Primary mid-tap. . . . .	black-red	red
Primary finish. . . . .	red	blue
Secondary start. . . . .	blue, or yel.	black
Secondary finish. . . . .	black	green-red tr. or black

### NO. 9824A RECORD PLAYER SWITCH

#### Loctal Tube Adaptor now Available:

A special adaptor, Stock No. 38945 is now available for quickly and easily connecting the popular No. 9824A record player switch to radio receivers that use a 7B6 or 7C8 loctal 1st-audio tube. The new special adaptor, Stock No. 38945 lists for \$1.50.

### CONNECTING RECORD PLAYER SWITCH

#### To AC-DC Sets with Insulated Chassis:

To avoid hum in connecting a record-player switch to AC-DC sets in which the common negative wiring is insulated from the chassis, the shielding on the record-player switch should be connected, through a .25 mfd. capacitor, to the common negative wiring, not to the chassis.

## RCA MFG. CO., INC.

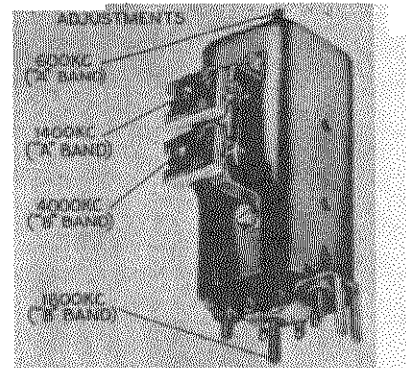
### EXTERNAL ANTENNA COUPLER

#### For Loop Receivers:

The special antenna coupler, Stock No. 9912, for connecting an external antenna to a loop receiver, has low-frequency and high-frequency adjustments on both "A" and "B" bands to ensure adaptability and good performance.

The location of these adjustments, and the approximate alignment frequencies, are shown in the accompanying illustration.

The List Price of the No. 9912 Coupler is \$2.25.

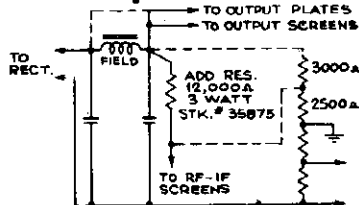


Stock No. 9912 Antenna Coupler.

### BLEEDER RESISTOR No. 34537

#### Used in Models U-45, K-105, V-305, etc.:

If bleeder resistor No. 34537 becomes defective, the set can be repaired, without replacing the bleeder, by changing the circuit as shown in the accompanying diagram.



DOTTED LINES INDICATE ORIGINAL CONNECTIONS - TO BE REMOVED.

In case of Burnout of Bleeder Resistor No. 34537, Repairs can be made by Changing the Circuit as shown above.

This change requires only one part, a 10,000 or 12,000 ohm, 2 or 3 watt resistor (RCA No. 34537).

#### Procedure

- (a) Disconnect leads attached to 3000 and 2500 ohm sections (leave ground connection intact).
- (b) Change output stage plate supply from the filter input (rectifier side of speaker field, + 350 volts) to the filter output (load side of speaker field, + 250 volts). This can be done at the speaker plug. Leave the output stage screen lead connected to this same point.
- (c) Install a 10,000 or 12,000 ohm, 2 or 3 watt resistor (RCA Stock No. 34537) in series between the RF-IF screen supply lead and the filter output; being sure that the existing 18 mmfd. capacitor is connected to the screen side of the resistor.

This modification slightly lowers the reserve of power output.

### RCA RESISTOR-TYPE BALLAST TUBES

Marking	Stock No.	Marking	Stock No.
BK-36-C	80284	86892-2	33812
K-36-F	81005	86892-3	33813
BK-42-B	14649	86892-4	33947
BK-49-B	32544	86892-6	34553
BK-55-B	31198	86892-7	34459
BK-61-B	31585	86892-8	34805
K-61-F	81019	86892-9	35000
K-61-H	32109	86892-10	35193
B-66-A	33798	86892-11	37847
260-K1	30800	91462-1	85748
495-K1	30599	91462-2	85635
83747-6	81577	91462-3	37891
85277-3	32247	91462-5	87988
85277-4	32850	91462-6	39289
85277-5	32849	95178-10	39546
86892-1	33911	920117-1	88702

### HUM

#### With 6AD7-G Tube:

Occasionally a type 6AD7-G tube may have internal leakage which produces hum in the receiver. This leakage may be of such a high value that it is difficult to measure, and such tubes will test OK in a tube checker. When this condition is encountered, the tube should be replaced.

### SPOOL, No. 39465

#### Used in Condenser Drive Assembly:

The spool used in condenser drive assemblies in Models M-51, M-89, 118, 128, 211, 224, 281, etc. is available as Stock No. 39465.

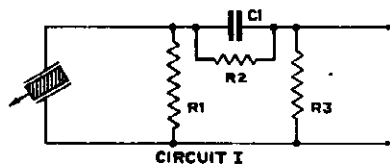


Stock No. 39465—Condenser Drive Spool

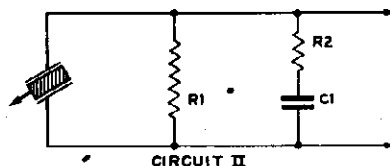
### tone COMPENSATION

#### For Pickup Circuits:

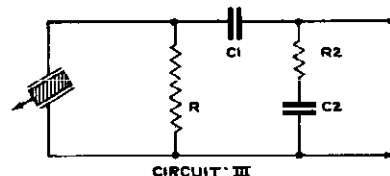
Because of the widely varying frequency characteristics of various types of audio amplifiers with which crystal pickups may be used, it may be desirable in some cases to make refinements in the pickup circuit to compensate for the characteristics of the amplifier. The following circuits show examples of compensation adjustments:



**Circuit I:**  
 Increasing R1 increases low frequency response.  
 Increasing C1 increases high frequency response.  
 Increasing value of R3 with respect to total value of R2 plus R3 increases the output.



**Circuit II:**  
 Increasing R1 increases low frequency response.  
 Increasing R2 increases high frequency response.  
 Decreasing C1 increases output.



**Circuit III:**  
 Increasing R1 increases low frequency response.  
 Increasing R2 increases high frequency response.  
 Increasing value of C1 with respect to total value of C1 plus C2 increases the output.

NOTES

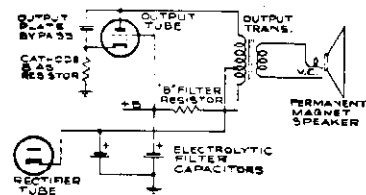
RCA MFG. CO., INC.

**HUM REDUCTION**

**On AC-DC Models with PM Speaker:**

In RCA AC-DC receivers that use a PM (permanent-magnet) speaker, effective hum bucking is obtained through the use of an output transformer with tapped primary. The tap is established at a point where the "ampere turns" of ripple in the direction of the output plate balances the "ampere turns" of ripple in the direction of the screen and other plate circuits.

- High residual hum (at zero volume setting) may be due to incorrect balance, and can usually be remedied by one of the following steps:
- Output tube with off-standard characteristics.
  - Filter capacitor too low capacity, or too high internal resistance.
  - "B" filter resistor not correct value. Measure resistance and change if necessary.
  - Cathode bias resistor of output tube not correct value.
  - If hum persists change the output-tube-plate bypass to rectifier cathode instead of to output-tube cathode.
  - If none of preceding steps reduces the hum to a satisfactory level, replace the output transformer.



*A Tapped Output Transformer is Used for Hum-Bucking in AC-DC Sets Using "PM" Speakers.*

**EXTERNAL ANTENNA COUPLER**

**For Loop Receivers:**

A specially designed antenna coupler, Stock No. 9912 is available for use in connecting an external antenna to a loop receiver. This coupler will prove valuable for installations where it is desirable to eliminate the loop in order to improve the signal noise ratio and increase sensitivity.

The antenna coupler may also be used as a fixed-tuned substitute for any standard loop antenna to aid in aligning loop receivers in a shop. The coupler covers "A" and "B" bands, approximately 550 to 1,750 kc, and 1,750 to 5,000 kc. It has low-frequency and high-frequency adjustments on each band to ensure adaptability and good performance on practically any loop receiver.

The circuit is shown in the accompanying diagram. Installation and adjustment instructions are furnished with the unit.

List Price of No. 9912 is \$2.25.

**SPEAKER PHASING**

**On Dual Speaker Sets:**

On sets with two speakers it is ESSENTIAL that the speaker cones move in and out together. If one cone moves in while the other moves out, the tones will be impaired.

It is necessary to check phasing whenever a new speaker, cone, field coil, or output transformer is installed, or whenever the speaker connections are altered in any way.

There are two general types of dual-speaker sets:

- Two speakers with voice-coils connected in parallel. This type is the easiest to phase. Connect a dry cell (1½ volts) across the secondary of the output transformer and observe, by sight or feel, whether the cones both move in the same direction. If one cone moves in while the other moves out, reverse the external connections to one of the voice coils.

If one speaker is a PM, and the other is an EM, it is preferable to reverse the voice coil connections to the PM speaker to avoid upsetting the hum-bucking action of the EM speaker.

If both speakers are EM, but of different size, reverse the voice coil connections to the smaller one as this will generally have the least effect on hum.

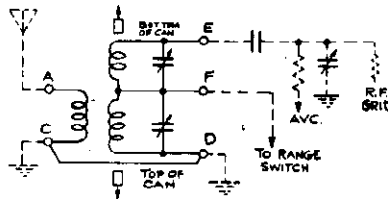
If one or both of the speakers are EM (electromagnet) it is necessary to have the set in operation (volume control at minimum) to provide field excitation for the EM speaker(s).

- Two speakers with separate output transformers. In this type of dual-speaker set,

it is not possible to use the simple battery check for phasing because the voice coils are not connected in parallel.

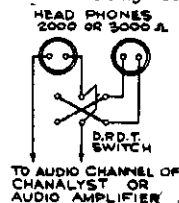
The recommended method of phasing in this case is as follows:

Connect a pair of radio headphones ("2,000 or 3,000 ohm" type) and a double-pole, double-throw toggle switch as shown in the accompanying diagram. Connect the two leads to an audio amplifier that has some form of output meter indicator. The audio channel in the chanalyt is ideal for this purpose.



*Circuit of External Antenna Coupler Stock No. 9912*

Hold both phones close in front of one speaker. Feed a 400-cycle modulated signal into the receiver and advance the receiver "Phase Checker" Using Headphones.

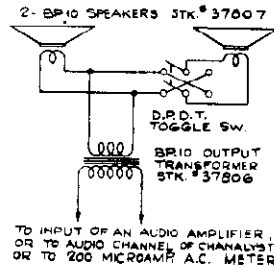


volume control to obtain a reading on the meter. Throw the toggle switch to each position and note the position that gives the greatest output on the meter. Mark this position "in phase." Mark the other position of the toggle switch "out of phase."

Place one headphone unit close in front of each of the two speakers, with the 400-cycle signal still fed into the receiver, and with volume control advanced. Move the toggle switch to each position and leave it at the position that gives the greatest output on the meter. Note the switch marking for this position. If it says "in phase," the speakers are correctly phased. If it says "out of phase," the speakers are out of phase and the external connections to the voice coil of one speaker should be reversed. The choice of which speaker to reverse is the same as outlined under (1).

Instead of headphones, it is possible to use two small PM speakers, a D.P.D.T. toggle switch, and an output transformer, connected as shown in the accompanying diagram.

A "phase checker" of this type will prove helpful in any radio shop.



*"Phase Checker" Using Small "PM" Speakers.*

**REPLACEMENT PHONO MOTOR NO. 38567**

**Installation Instructions:**

No. 38567 motor is 60-cycle replacement for Stock No. 31157 and No. 31163 used in Models U-125, U-126, U-128, U-130, U-132, U-134, etc.

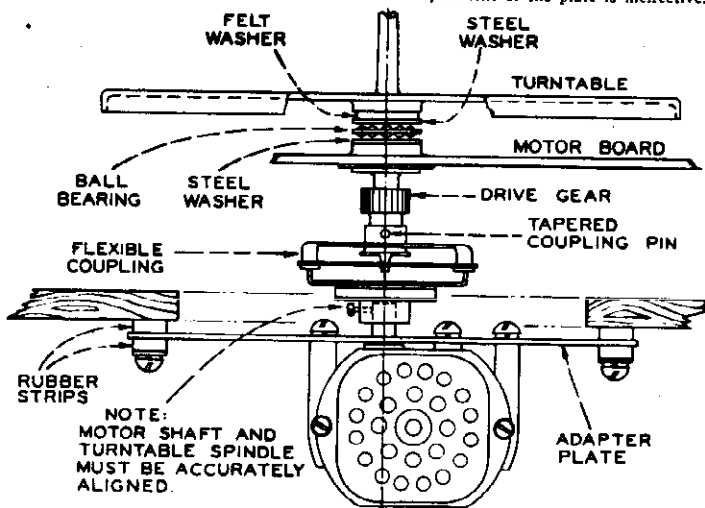
Parts Required	Unit	List Price
1—RCA No. 38567 Constant Speed Motor 105-125 V.—60 cycles		\$6.80
1—RCA No. 38568 Thrust Bearing Assembly		0.60
1—RCA No. 38569 Motor Support Plate		0.60
		<b>\$8.00</b>

**INSTALLATION**

- Remove original motor and support plate assembly from instrument.
- Drive out TAPERED COUPLING PIN and lift turntable and spindle assembly from mechanism.
- Install Stock No. 38568 Thrust Bearing assembly; consisting of two ground steel washers, one felt washer and ball bearing, as illustrated. Apply slight amount clean oil to this assembly.
- Attach coupling to spindle with TAPERED PIN.
- Mount motor and support plate, being certain to precisely align turntable spindle and motor shaft. Improper alignment will produce "Wow."
- Mesh the flexible coupling as illustrated—same as original arrangement. If rubber strips are worn or deteriorated, replace them using RCA Stock No. 31147.
- Connect leads same as for original motor.

**GENERAL**

- Motor No. 38567 is a shaded pole-induction type similar to that used on RP-139 record changers. Speed is non-adjustable. Speed tolerance for extreme voltage and load conditions: 77-81 RPM. Replacements:—FIELD COIL—No. 32954; Spindle and gear—No. 38597.
- Remove lower steel washer from thrust bearing assembly if turntable tends to be too high, or DRIVE GEAR does not mesh properly.
- If mechanical hum is experienced, check flexible mounting of support plate; loosen if necessary. Cushion-mount motor if adjustment of the plate is ineffective.



*Method of Installing Replacement Phono Motor No. 38567*

RCA MFG. CO., INC.

RCA CRYSTAL PICKUP DATA

	Model Number	Arm Stock Number	Arm Fig. No.	Crystal Cartridge Stock No.	Crystal Cartridge Fig. No.		
<b>CRYSTAL CARTRIDGE DRAWING CODE</b> "A" Top Needle Hole "B" Viscoloid Damper "C" Thick (5/16-in.) Mtg. Hole "D" Thin (7/32-in.) Mtg. Hole "E" Grounded Lug "F" Small Weight "G" Large Weight "H" Large "Cut" Weight "I" 5/8-in. Needle Screw "J" 11/16-in. Needle Screw "K" 13/16-in. Needle Screw "L" 15/16-in. Needle Screw "M" 15/16-in. Needle Screw	QU2-C	33906	3	33905	7		
	QU3-C	33906	3	33905	7		
	*QU5	34011	2	33905	7		
	8QU	33185	5	33122	5		
	8QU5-C	34305	2	34307	9		
	U-8	33121	5	33122	5		
	U-9	33591	5	33122	5		
	U-10	33591	5	33122	5		
	*11-QU	31159	1	31156	4		
	*12-QU	31159	1	31156	4		
U-12	33906	3	33905	7			
*VA-15	33906	3	35171	7			
U-20	33906	3	33905	7			
VA-20	33906	3	31050	3			
VA-21	33591	5	33122	5			
	*VA-22	33096	3	31156	4		
	*U-25	33096	3	31156	4		
	*U-26	33096	3	31156	4		
	*U-30	33096	3	31156	4		
	*U-40	33906	3	35171	7		
	*U-42	33906	3	35171	7		
	*U-43	33906	3	35171	7		
	*U-44	33906	3	35171	7		
	*U-45	33906	3	35171	7		
	*U-46	34011	2	33905	7		
	O-50	33216	4	33217	6		
	U-50	33216	4	33217	6		
	R-60	33591	5	33122	5		
	R-89	31387	4	31050	3		
	R-91	33906	4	31050	3		
	R-93-B	33906	4	31050	3		
	R-93-C	33906	4	31050	3		
	R-93-F	33591	5	33122	5		
	R-94-B	31211	4	31050	3		
	R-96	33399	1	31156	4		
	R-100	33121	5	33122	5		
	V-100	33591	5	33122	5		
	V-101	33591	5	33122	5		
	V-102	33763	3	33905	7		
	R-103-S	33591	5	33122	5		
	U-104	32227	4	31050	3		
	U-106	14818	6	14820	1		
	U-107	14818	6	14820	1		
	U-109	14818	6	14820	1		
	U-111	33906	4	31050	3		
	U-112	33906	4	31050	3		
	U-115	32137	4	31050	3		
	U-119	31468	1	31156	4		
	U-121	32137	4	31050	3		
	U-122E	31468	1	31156	4		
	UY-122E	32016	1	31156	4		
	*U-123	32844	1	31156	4		
	U-124	31468	1	31156	4		
	UY-124	32016	1	31156	4		
	*U-125	31159	1	31156	4		
	*U-126	31468	1	31156	4		
	U-127E	32137	4	31050	3		
	*U-128	31159	1	31156	4		
	*U-129	33096	1	31156	4		
	*U-130	31159	1	31156	4		
	*U-132	31159	1	32632	4		
	*U-134	31159	1	32632	4		
	*RP-139A	33906	3	35171	7		
	*RP-139C	34776	1	34710	10		
	*RP-145	33906	3	35171	7		
	*RP-152	33906	3	35171	7		
	*RP-152A	36321	3	35171	7		
	*RP-152B	36322	2	37158	11		
	*RP-152C	36591	3	35171	7		
	*RP-152D	37151	2	33905	7		
	*RP-152J	36322	2	37158	11		
	*RP-153	36513	2	33905	7		
	*V-170	33906	3	35171	7		
	*V-200	36321	3	35171	7		
	*V-201	36321	3	35171	7		
	*VHR-202	36322	2	33905	7		
	*V-205	33906	3	37158	11		
	*VHR-207	36322	2	33905	7		
	*V-300	33906	3	37158	11		
	*V-301	36513	2	33905	7		
	*V-302	36513	2	33905	7		
	*VHR-307	36322	2	33905	7		
	*V-405	33906	3	37158	11		
	*VHR-407	36322	2	33905	7		
		33586	4	34225	8		
	30707		30708	2			

\*Automatic Record Changers.  
 \*\*Used on 25 cycle model only.

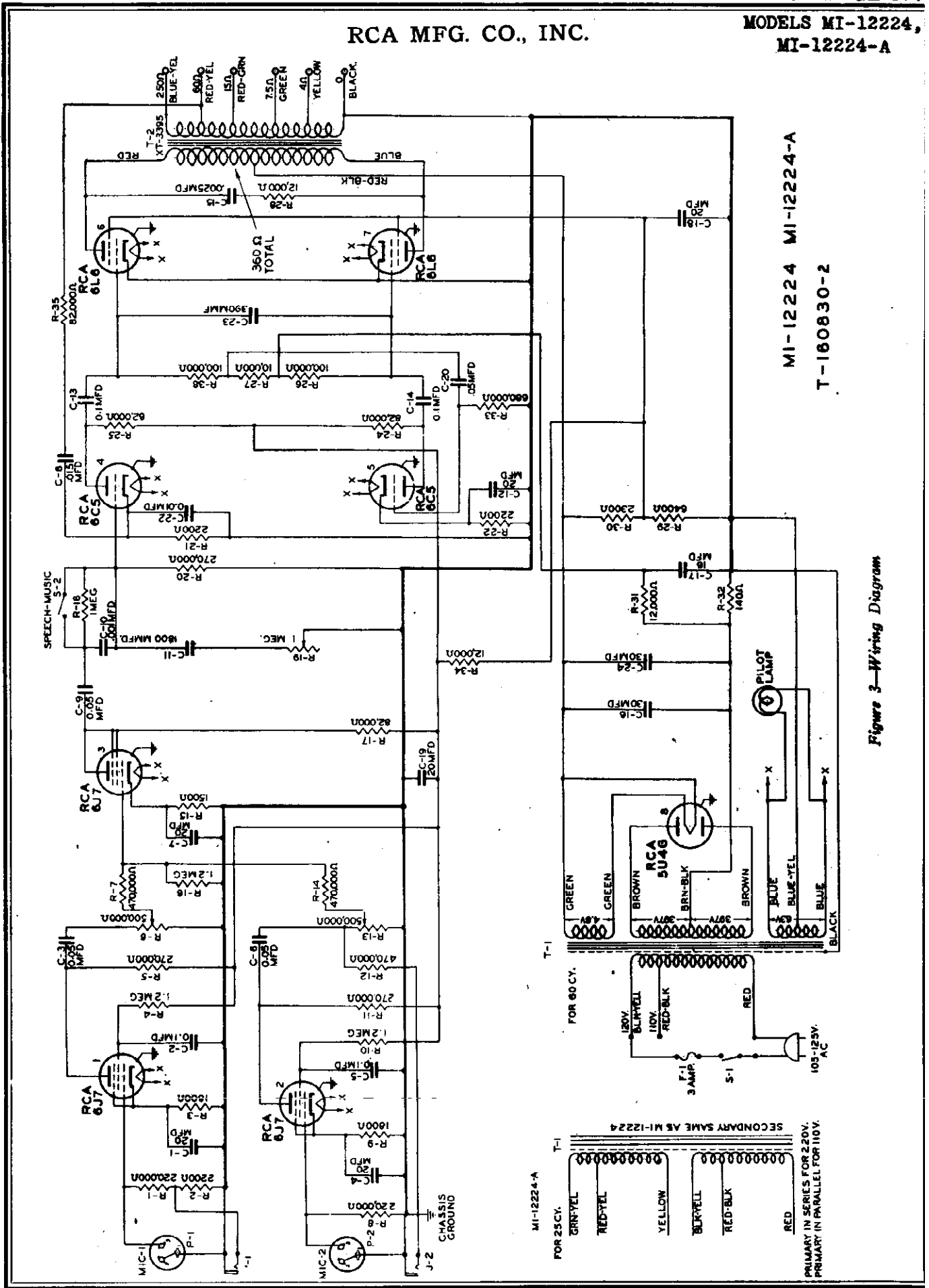
**ANALYSIS OF RADIO INTERFERENCE PHENOMENA  
Character, Cause, Type Receivers Affected, Where Prevalent, and Service Remedies**

Type of Interference	Character of Interference	Cause	Type Receivers Affected	Where Prevalent	Suggested Service Remedies
IMAGE RESPONSE	Heterodyne whistle or second signal when tuned to certain stations	Strong signal at a frequency 2aIf above desired station.	Superhet only. (1) With limited number tuned circuits ahead of first detector. (2) With low impedance, high frequency resonant antenna primary circuits.	Locality strong BC stations near high end of band. Vicinity 1610-1750 Kc. Police Stations. Vicinity 1700-2000 Kc. amateur band.	(1) Wave trap tuned to interfering station. (2) Band elimination antenna such as RCA Magic Wave. (3) Re-align I-F.
HARMONIC OF I-F	Heterodyne whistle when tuning a station having same frequency as a harmonic of the I-F.	Second harmonic of station combines with oscillator fundamental forming a spurious I-F.	Superhet only. Selectivity does not affect.	Vicinity of station operating at twice I-F.	(1) Wave trap tuned to station. (2) Wave trap tuned to station second harmonic in mixer grid circuit. (3) Re-align I-F.
DIRECT I-F RESPONSE	Non-tunable code with intensity increasing toward low frequency end of band.	Commercial shore-to-ship code signal having frequency in I-F range, reaching input to I-F system.	Superhet only. (1) With limited selectivity ahead of I-F input and relatively high I-F gain. (2) With high impedance, low frequency antenna system.	Coastal areas near location of commercial stations.	(1) RCA Magic Wave antenna. (2) I-F wave trap. (3) Re-align I-F. (4) Orient loop for minimum.
HARMONICS OF OSCILLATOR	Reception of short wave code or broadcast signals at points in standard broadcast band.	Oscillator harmonics combine with short wave signals producing the required I-F. Especially prevalent on loop receivers due to secondary resonances of loop.	Superhet only. (1) With loop antenna. (2) Having oscillator rich in harmonics.	Rurally or where SW signals of proper frequency are intense.	(1) Use wave trap on interfering station. (2) Orientation of loop. (3) Re-align loop circuit. (4) Reduce oscillator excitation.
COMBINATION OF I-F	Whistle or second station(s) heard on practically all carriers.	Difference in frequency of two strong stations equal to I-F of receiver; the two stations mixing within receiver to form a constant spurious I-F.	Superhet only; having limited selectivity ahead of first detector.	Metropolitan areas, generally.	(1) Check by tracking of RF and antenna circuits. (2) Reduce size or effectiveness of antenna. (3) Install wave trap and tune to frequency of one of interfering stations. (4) Shift I-F.
HETERODYNE OSCILLATOR RADIATION	Whistle on a particular desired station, disappearing or changing frequency at random.	Radiation of receiver's heterodyne oscillator, due to oscillator strength, unusual coupling, resonant antenna, or transmission via power line.	Superhet only. (1) Without good shielding. (2) Without R-F stage.	Metropolitan areas, generally.	(1) Filter power line. (2) Use RCA Magic Wave antenna. (3) Reduce oscillator grid leak. (4) Shift I-F.
CROSS MODULATION WITHIN RECEIVER	Second station(s) appearing in background when tuned to desired station.	Strong interfering station modulating carrier of desired station within a nonlinear circuit or element of the receiver; or pickup and detection taking place in audio system.	TRF and Superhet. (1) With limited or no selection ahead of first tube. (2) With exposed grid circuits and wiring associated with early tuned stages. (3) Without variable-mu input tubes.	Metropolitan areas. Vicinity of very strong stations.	(1) Wave trap in antenna tuned to station causing trouble. (2) Filter power line. (3) Install RCA Magic Wave noise reducing antenna. (4) Shield exposed grid leads and wiring of first stages.
CROSS MODULATION EXTERNAL TO RECEIVER	Second station(s) in background on or between other stations.	Detection within, and re-radiation from as power lines, telephone lines, and other aerial metallic structures.	All types of receivers are affected regardless of selectivity or design.	Vicinity of unusually strong stations, especially where open-wire power lines are prevalent. Generally changes with weather.	(1) See that power line and telephone grounds are secure. (2) Ground conduits solidly. (3) Use RCA Magic Wave antenna. (4) Orient loop antenna for minimum interference.
SAME CHANNEL BEAT	Flutter, waver, or growl heard in background when tuned to desired station.	Second station assigned to same channel, but differing very slightly in carrier frequency.	Receivers with high sensitivity and extended bass response.	In areas remote from a usable assortment of strong stations. Wherever signals of two stations on same channel are comparable in strength.	(1) Use directive or loop antenna. (2) Reduce sensitivity of set. (3) Reduce bass response.
ADJACENT CHANNEL BEAT	Steady 10,000 cycle note or whistle.	Adjacent channel carrier beating with carrier to which receiver is tuned.	TRF and Superhet; especially those with limited selectivity and wide range of audio response.	Localities where adjacent channel station is strong compared to desired station.	(1) Suppress adjacent station with sharply tuned wave trap. (2) Re-align receiver carefully. (3) Reduce high-frequency response. (4) Use directive antenna.
MONKEY CHATTER	Unintelligible modulation superimposed upon desired station, having character of inverted speech.	Side band of adjacent channel overlapping side band and combining with carrier of desired station. Also caused by harmonics from over-modulation of adjacent station.	TRF and Superhet; having wide band selectivity and audio response.	Localities where adjacent channel station is strong. Also aggravated by extended high frequency response of transmitter.	(1) Precisely re-align receiver to make more selective. (2) Reduce high frequency audio response.



RCA MFG. CO., INC.

MODELS MI-12224,  
MI-12224-A



MI-12224 MI-12224-A  
T-160830-2

Figure 3—Wiring Diagram

MODELS MI-12224,  
MI-12224-A

RCA MFG. CO., INC.

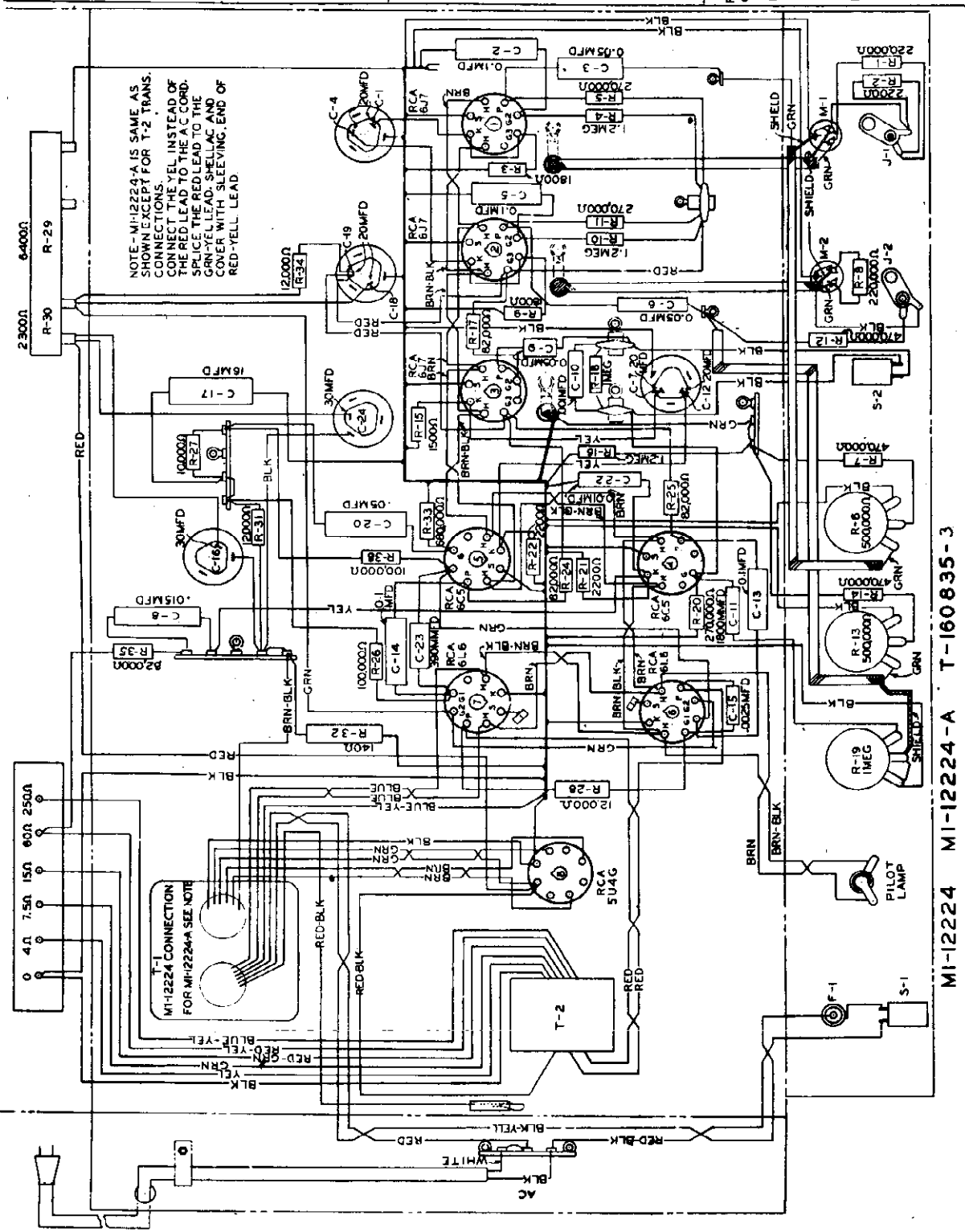
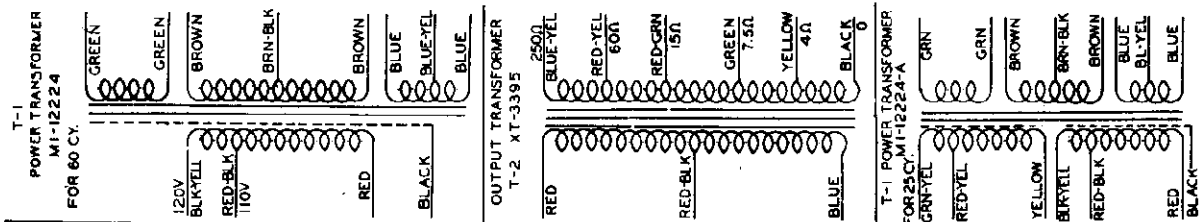


Figure 2—Schematic Diagram

RCA MFG. CO., INC.

MODELS MI-12224 and MI-12224-A

BOOK No.	DESCRIPTION
MI-12224 AND MI-12224-A	
25-WATT AMPLIFIER	
45794	Bracket—Pilot lamp bracket
13894	Capacitor—390 mmfd., 400 volts (C-23)
35406	Capacitor—1,000 mmfd., 600 volts (C-10)
35407	Capacitor—1,800 mmfd. (C-11)
30850	Capacitor—.0025 mfd., 1,000 volts (C-15)
4858	Capacitor—.01 mfd., 500 volts (C-22)
11315	Capacitor—.015 mfd., 400 volts (C-8)
30847	Capacitor—.05 mfd., 400 volts (C-3, C-4, C-9, C-20)
4839	Capacitor—.1 mfd., 400 volts (C-2, C-13, C-14, C-5)
31323	Capacitor—.16 mfd., 150 volts (C-17)
34081	Capacitor—.30-30 mfd., 25 volts (C-1, C-4, C-7, C-15)
18530	Capacitor—.30-30 mfd., 350 volts (C-18, C-19)
34085	Capacitor—.30 mfd., 450 volts (C-16, C-24)
26412	Connector—Mic. connector, female
35474	Control—Tone control, 1 megohm (R-19)
35473	Control—Volume control, 500,000 ohms (R-6, R-13)
32098	Cord—Power cord
35810	Foot—Felt foot
10807	Fuse—3 ampers (F-1)
28811	Holder—Fuse holder
23421	Jack—Phono jack (J-1, J-2)
43737	Jewel—Pilot lamp jewel
30075	Knob—Knob and set screw
11891	Lamp—Pilot lamp only
45458	Resistor—140 ohms, 10 watt (R-32)
30654	Resistor—1,500 ohms, 1/4 watt (R-15)
30930	Resistor—1,800 ohms, 1/4 watt (R-2, R-9)
34767	Resistor—2,000 ohms, 1/4 watt (R-2, R-21, R-22)
34606	Resistor—2,700 ohms, 50 watt, tap at 2,300 ohms (R-29, R-30)
3078	Resistor—10,000 ohms, 1/4 watt (R-27)
30436	Resistor—12,000 ohms, 1/4 watt (R-31)
30866	Resistor—12,000 ohms, 1 watt (R-34)
8073	Resistor—12,000 ohms, 2 watt (R-28)
8064	Resistor—82,000 ohms, 1/2 watt (R-17, R-24, R-25, R-35)
3252	Resistor—100,000 ohms, 1/4 watt (R-26, R-38)
14583	Resistor—220,000 ohms, 1/4 watt (R-1, R-8)
30651	Resistor—270,000 ohms, 1/4 watt (R-5, R-11, R-20)
30548	Resistor—470,000 ohms, 1/4 watt (R-7, R-12, R-14)
30562	Resistor—680,000 ohms, 1/4 watt (R-33)
30162	Resistor—1 megohm, 1/4 watt (R-18)
30278	Resistor—1.2 megohms, 1/4 watt (R-4, R-10, R-16)
31379	Screw—Thumb screw for cover
43218	Socket—Tube socket
7900	Switch—S.P.S.T. (S-1)
34519	Transformer—Output transformer, XT-3395 (T-3)
45463	Transformer—Power transformer (For MI-12224 only) (T-1)
45464	Transformer—Power transformer (For MI-12224-A only) (T-1)

Radiotron Socket Voltages and Currents

117 AC line; Read on 20,000 ohms per volt voltmeter

Radiotron	Volts Plate to Ground	Volts Screen to Ground	Volts Cathode to Ground	Plate Current	Heater Volts
617	70	33	1.5	0.5	6.3
617	70	33	1.5	0.5	6.3
617	90	—	2.7	1.5	6.3
6C5	100	—	3.7	1.7	6.3
6C5	100	—	3.7	1.7	6.3
6L6s	385	325	26.5	57	5.1
5U4G	430 volts heater to ground				5.1

Operating Instructions

1. Connect the speakers to the amplifier. (See "Audio Output Connections.")
2. Insert the tubes in their respective sockets. (Make certain the tubes are of the type marked on the chassis base.)
3. Plug in the microphone and/or phonograph.
4. Adjust the controls as follows:
  - (a) Set Tone Control for maximum response (full clockwise).
  - (b) Set Volume Controls at minimum (counterclockwise).
  - (c) Throw Speech-Music switch to Music position.
5. Plug the AC power cord into the power line outlet.
6. Turn the AC Power Switch to the "On" position and allow sufficient time for tubes to become heated.
7. Advance the Volume Controls for the respective inputs until the desired volume for each is obtained.
8. The fidelity or Tone Control should normally be operated in the full clockwise position for maximum fidelity of tone.
9. For phonograph reproduction, it may be desirable to readjust the fidelity controls to obtain the most pleasing results.
10. Better intelligibility of speech results when the Speech-Music switch is thrown to Speech, reducing the amount of low frequency reproduction.
11. To change or fade from one input to another, turn the undesired input control down (counterclockwise), and the other input control up (clockwise) until the desired level is obtained.
12. In the event that mixing is desired between a phonograph pickup and a microphone which are both plugged into the same input channel, it will be necessary to have a separate volume control on the phonograph unit.
 

**Note:** Howling and squealing are not faults of the amplifier, but are caused by sound from the loudspeaker reaching the microphone. Each installation will present a different problem, however, the following suggestions may help:

  1. Reduce the amplifier volume.
  2. Adjust fidelity controls.
  3. Change the relative position of speakers and microphones.

General Description

The RCA 25-watt amplifiers, Models MI-12224 and MI-12224-A, were designed for use in sound re-enforcing and public address systems in auditoriums, churches, theatres, factories or outside gatherings. The amplifier is complete in one unit and is entirely AC operated. It incorporates two separate input channels for high impedance microphones. Each channel is also provided with a separate phonograph input, channel one for low impedance and channel two for high impedance phonograph. Each channel has a separate volume control which permits mixing of the inputs. A continuously variable high frequency tone control and a Speech-Music switch are provided on the front panel.

In this publication all references made to the MI-12224 amplifier also apply to the MI-12224-A. The difference between the two models being the power line voltage and frequency ratings as noted in the Electrical Specifications.

Electrical and Mechanical Specifications

Application	MI-12224	MI-12224-A	Sound Amplification
Voltage Rating	105-125 volts	105-125/210-250 volts	50-60 cycles
Power Consumption	165 watts	165 watts	3 ampers
Fuse Rating	3 amperes	3 amperes	
Source Impedance:			
Microphone (2)	High Impedance	High Impedance	
Phonograph (1)	High Impedance	Low Impedance	
Input Levels (Maximum):			
Microphone	0.22 volts	0.22 volts	
Phonograph (High Impedance)	10.0 volts	10.0 volts	
Phonograph (Low Impedance)	0.31 volts	0.31 volts	
Input Levels (Minimum for Rated Output):			
Microphone	0.0055 volts	0.0055 volts	
Phonograph (High Impedance)	0.5 volts	0.5 volts	
Phonograph (Low Impedance)	0.0067 volts	0.0067 volts	
Load Impedance	4, 7 1/2, 15, 60 or 250 ohms	4, 7 1/2, 15, 60 or 250 ohms	
Noise Level:			
Two Channels	602 watts	602 watts	
Power Output (7% RMS Harmonic Distortion)	400 cycles	400 cycles	
Maximum	25 watts	30 watts	
Frequency Response (Normal)	±3 db, 30 to 7,000 cycles	±3 db, 30 to 7,000 cycles	

MODELS MI-12224,  
MI-12224-A

RCA MFG. CO., INC.

To secure greater volume from a room speaker, select connections that will give a lower line impedance for the speaker, so that this speaker will receive more power than the others connected in parallel with it.

To secure lower volume from a room speaker, select connections that will give a higher line impedance for the speaker, so that this speaker will receive less power than the others connected in parallel with it.

TABLE 1  
AVAILABLE IMPEDANCES  
RCA-MI-6233 and MI-6249 Permanent-magnet Speakers

(MI-12113 Coupling Transformer)	6 ohms
Voice coil impedance	2 ohms
Blue to green-red tracer	6 ohms
Yellow to green-red tracer	15 ohms
Black to green-red tracer	36 ohms
Blue to black	35 ohms
Red to black	225 ohms
Red to green-red tracer	432 ohms
Red to blue	500 ohms

Note: As shipped from factory, MI-6233 Speakers have red and blue leads connected to terminal board.

TABLE 2  
AVAILABLE IMPEDANCES  
RCA-MI-6310, MI-6319 or MI-6320 Permanent-magnet Dynamic Speakers

(Using MI-12245 Transformer)	2 ohms
Blue to green-red tracer	6 ohms
Blue to yellow	400 ohms
Black to blue	500 ohms
Yellow to black-red tracer	1,080 ohms
Blue to black-red tracer	1,250 ohms
Red to black	2,400 ohms
Red to yellow	4,500 ohms
Red to blue	5,000 ohms

**QUANTITY OF SPEAKERS**  
For hotel rooms, and similar quiet installations, each MI-12224 power amplifier may be used to operate approximately 300 MI-6310 or MI-6233 loudspeakers.

For installations such as schools, where the room noise level may be high, it is advisable to allow one power amplifier for 40 speakers.

**RADIO FREQUENCY INTERFERENCE**  
R-F interference may be experienced when an amplifier is operated in close proximity to a radio transmitter. This interference is usually caused by a high frequency station and may enter the amplifier through many ways. Any external connection to the amplifier, such as input power or output leads, may be the collecting medium. Inasmuch as the signal frequency, manner of interference, etc., are subject to such variations, it is difficult to recommend a cure for all conditions. In general, however, a suitable means of correcting this difficulty is to pass, to ground with small condensers, each side of the line causing the trouble. It is not possible to specify exact values to use because of varying conditions, usually within the range of 30 to 500 mfd. will be satisfactory.

**ELECTRO-DYNAMIC LOUDSPEAKERS**  
This amplifier is designed for use with permanent-magnet dynamic loudspeakers. If it is desired to use electrodynamic speakers, a separate field supply is required, as no provision has been made in this amplifier to excite speaker fields.

With only one speaker connected to the amplifier, the speaker must have a rating of at least 25 watts in order to handle the maximum output.

If the power is divided between two or more speakers, the required wattage of each speaker is determined by—

Required wattage of each speaker =  $\frac{25}{\text{Number of speakers}}$

If speakers of a certain wattage rating are available, the required number of speakers is determined by—

Required number of speakers =  $\frac{25}{\text{Wattage rating of speaker}}$

**2. Matching Speaker Load to Power Amplifier.**—To secure the highest efficiency and tone quality, it is necessary to match the speaker load to an identical or closely matched impedance on the tapped secondary of the output transformer in the power amplifier.

For example, if only one 15-ohm speaker, capable of handling 25 watts or more, is to be used, it should be connected to terminals 0 and 15.

When several speakers are to be used, they should preferably be connected in parallel.

The impedance of parallel-connected speakers (each of the same impedance) is equal to—

Total impedance =  $\frac{\text{Number of parallel-connected speakers}}{\text{Impedance of one speaker}}$

Thus, if two 15-ohm speakers are connected in parallel, the total impedance is 15 divided by 2 or 7.5 ohms. In this case the speakers are connected to terminals 0 and 7.5 on the power amplifier.

**3. Connecting a Quantity of Speakers.**—When a quantity of speakers are to be connected to the amplifier, it is desirable to employ permanent-dynamic speakers, each equipped with a tapped coupling transformer. The RCA MI-6239, MI-6310, MI-6319, MI-6320 or MI-6233 speakers are recommended.

With these speakers and coupling transformers, it is possible to select the desired value of impedance for each speaker so that the total impedance of all in parallel will match an available output impedance on the power amplifier. An additional advantage of this arrangement is that the impedance of some of the speakers may be increased or decreased to secure higher or lower volume from these particular speakers to meet the requirements of any installation.

The various line impedances for single speakers that may be secured by different connections on the speaker coupling transformer are tabulated in Table 1 and Table 2.

The method of determining the correct connections for matching is as follows:

Assume that 40 of the MI-6320 loudspeakers are to be used, all connected in parallel to the MI-12224 power amplifier. Refer to Table 2. If the 5,000-ohm tap is used, the total speaker impedance will be 5,000 ohms divided by 40 or 125 ohms. Since there is no output impedance close to 125 ohms, but by using the 2,400-ohm taps on each speaker, the total impedance will be 2,400 divided by 40, or 60 ohms. There is a 60-ohm output impedance tap, and this will furnish a good match. Therefore use the 2,400-ohm tap on each speaker (red to black leads) and connect the total speaker load to the 60-ohm output terminals on the amplifier (terminals 0 and 60).

**Leveling Volume in Large and Small Rooms.**—With a quantity of speakers connected in parallel, if identical connections are made on the coupling transformer of each speaker, the same amount of power will be delivered to each speaker. Therefore, when the master volume control is adjusted to give satisfactory volume level for an average-size room, it may be found that this volume setting is too low for a large room, and too high for a small room.

To correct this condition, it is necessary to alter the connections to the coupling transformers on the speakers in these rooms:

The "AC" cable on the MI-12224-A Amplifier, as shipped from the factory, is normally connected to the 240-volt transformer leads and should remain so connected unless it is definitely ascertained that the line voltage does not exceed 230 volts. If the line voltage is known to be between 210 and 230 volts, the "AC" cable should be connected to the 220 volt transformer leads. The color coding of the leads on the power transformer of the MI-12224-A Amplifier is as follows: (See Schematic Diagram)

Lead Number	Color Code
1	Red
2	Red-Black 50/50
3	Black-Yellow
4	Black-Yellow 50/50
5	Red-Yellow
6	Green-Yellow 50/50

The following connections should be made for the line voltages indicated:

**Voltage**      **Connect Together**      **Connect AC Cable to**

240              3 and 4                                  1 and 6

220              2 and 4                                  1 and 5

120              1 and 4; 3 and 6                      1 and 4; 3 and 6

110              1 and 4; 2 and 5                      1 and 4; 2 and 5

**CAUTION:** The leads connected together should be soldered and taped securely to prevent short circuits. All unused leads should also be taped.

**FUSES**  
A 3-ampere fuse is provided to protect the amplifier. It is located on the control panel adjacent to the "Power Off-On" switch.

**CAUTION—Replacement fuses of the same type and rating should be kept as spare parts. Never replace the fuse with one of higher rating.**

**AUDIO OUTPUT CONNECTIONS**  
The amplifier will supply an output of 25 watts to various loudspeaker loads. The maximum load is 250 ohms. The tap brought out to a marked terminal board on the back of the amplifier in order that the proper loudspeaker impedance may be obtained. The number of speakers that may be used with the amplifier is limited only by the power output of the amplifier. However, in connecting the speakers, care should be taken that the proper impedance is used so that the amplifier has the correct load. This gives the best possible power output and tone.

The following load impedance can be matched by making connections to the terminals as indicated in the table below:

Terminal Numbers	Impedance Ohms
4—7.5	0.8*
7.5—15	1.6*
4—15	3.3*
0—4	4.0
0—7.5	7.5
0—15	15
7.5—60	26
4—60	34
0—60	60
15—250	145
4—250	170
0—250	250
0—250	250

\* Use only for light loads, such as for monitoring purposes.

**CONNECTING SPEAKERS**  
1. **Wattage Rating of Speakers.**—The power output of the MI-12224 amplifier is 25 watts. With this power, it is evident that the speaker or speakers must have adequate power handling capacity, or damage may result.

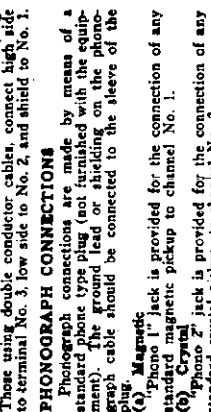
**AUDIO INPUT CONNECTIONS**  
All audio input connections are made to the amplifier through the use of plugs. A microphone plug for each channel is furnished with the amplifier. Microphones having single conductor shielded cables, connect the conductor to terminal No. 3, shield to No. 1 of the plug. Those using double conductor cables, connect high side to terminal No. 3, low side to No. 2, and shield to No. 1.

**PHONOGRAPH CONNECTIONS**  
Phonograph connections are made by means of a standard common type plug (not furnished with the equipment). The ground shield on the plug should be connected to the sleeve of the plug.

(a) **Magnetic**  
"Phono 1" jack is provided for the connection of any standard magnetic pickup to channel No. 1.

(b) **Crystal**  
"Phono 2" jack is provided for the connection of any standard crystal pickup, to channel No. 2.

**RADIO INPUT CONNECTIONS**  
A simple method of connecting the output of a radio receiver to an amplifier of low impedance is shown in Figure 4. It is not necessary to remove the chassis to make these connections and it is still possible to use the regular speaker, if so desired.



**RECEIVER OUTPUT TRANSFORMER**

**TO LOW IMPEDANCE PHONO INPUT**

**25 WATT RESISTOR**

**K 80644-1**

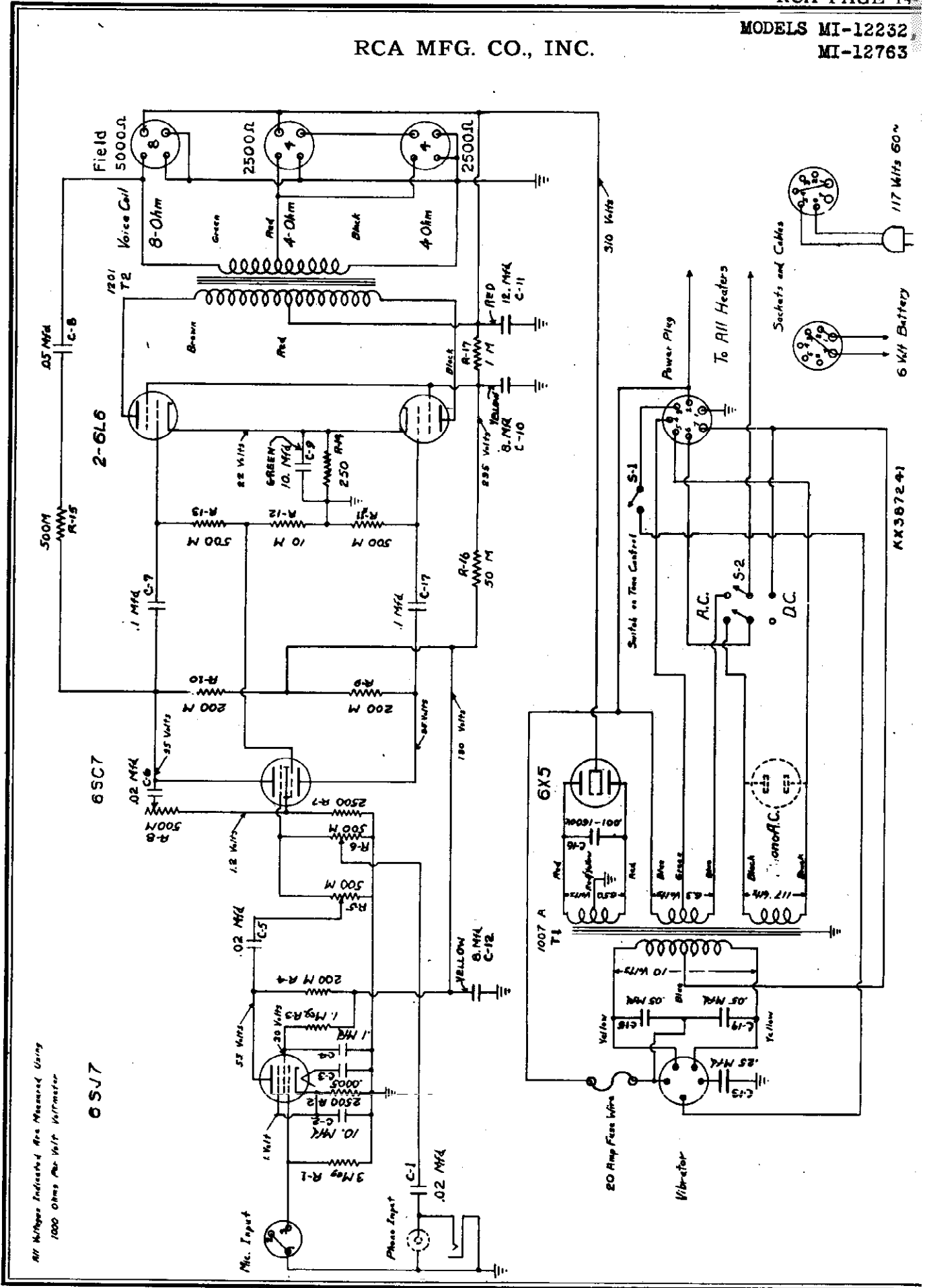
**Figure 4—Radio Connections to Amplifier**  
Connect an 82,000-ohm resistor, stock No. 8064, and a 220-ohm resistor, stock No. 5201, in series across the secondary of the output transformer. Connect a shielded re-conductor cable across the 220-ohm resistor, and run the cable to the input receptacle, J-1, of channel No. 1. Connect a 5000-ohm resistor across the secondary of the speaker voice coil and a double-throw switch to the impedance of the speaker voice coil so that when the speaker is disconnected the loading resistor is connected as a substitute for the voice coil load. This switch is optional, however, the resistor should be substituted if the speaker is not used.

The volume of the receiver should then be adjusted to the desired level for best operation of the input channel.

**CAUTION—If voice coil is grounded, make sure ground side is connected to ground side of the amplifier input.**

**POWER CONNECTIONS**  
Power connections to the amplifier are made by means of the power cord and plug attached. As described here, the MI-12224 amplifier may be operated from an AC line of 50 to 60 cycles, 105 to 125 volts. The MI-12224-A is designed for operation where the power available may be within the range of 25 to 60 cycles, 105 to 250 volts or 210 to 250 volts.

RCA MFG. CO., INC.



MODELS MI-12232,  
MI-12763

RCA MFG CO., INC.

MI-12232 AMPLIFIER & COVER ONLY  
MI-12763 AMPLIFIER & RECORD PLAYER

Electrical and Mechanical Specifications

<b>Amplifier</b>	
Application	Sound Reinforcement
Installation	Permanent or Mobile
Voltage Rating AC	105/125 volts, 50/60 cycles
DC	6-8 volts DC
Power Consumption AC	80 watts
DC	9.5 amps, operating 3 amps, standby 20
Fuse DC	High Impedance
Input Impedance	4 or 8 ohms
Microphone	60 to 10,000 cycles
Load Impedance	15 watts
Frequency Range	100 volts
Power Output—AC or DC Operation	0.093 volts
Input Level—Max. permissible Microphone	0.06015 volts
Phonograph	0.00638 watts
Min. for rated output	
Phonograph	
Hum Level—Max. AC Operation (input terminated 40,000 ohms)	
DC Operation (input terminated 40,000 ohms)	
<b>Record Player Motor</b>	
Voltage Ratings AC	105/125 volts, 60 cycles
Power Consumption AC	

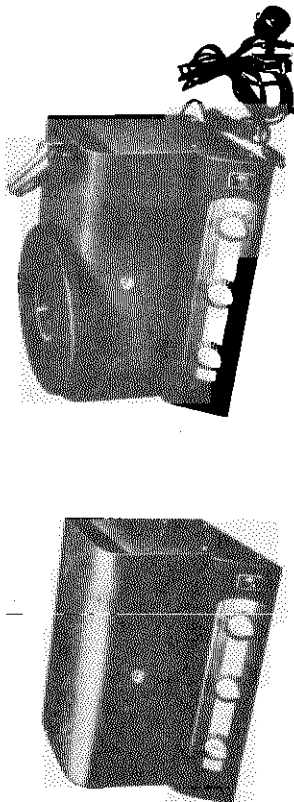


Figure 1—MI-12763

Figure 2—MI-12232

General Description

The MI-12763 Amplifier and Record Player consists of a 15-watt amplifier, together with a turntable and pickup assembly as shown in Figure 1. This equipment can be operated from either a 6-volt DC supply or a 110-volt, 60-cycle supply. Two power supply cables are furnished with their associated plugs, one for DC operation and the other for AC operation. It is only necessary to use the proper cable corresponding to the available power supply and throw AC-DC power switch to the desired position. See installation instructions for details. The MI-12232 Amplifier is identical to the MI-12763, except a plain cover is supplied in place of the phonograph and turntable.

Installation

**AC OPERATION**—The MI-12763 Amplifier and Turntable will operate from 105 to 125 volts AC, 50 or 60 cycles. The MI-12232 Amplifier may be used on an AC supply of 50-60 cycles if desired. The power input receptacle to the amplifier is located on the rear of the chassis, and is used for either AC or DC power supplies, with the proper cable. Make proper connections to the input terminals in their respective sockets. Make certain that the turntable assembly is inserted in the proper manner on the turntable assembly in the receptacles on top of the amplifier chassis. Place the cover over the amplifier chassis and secure in place by the four screws provided.

**Input**—The audio input connections are made to the chassis through the use of plugs. A standard amphenol microphone plug is used with this equipment. Connect the shield to terminal No. 1 (red dot), the low side to terminal No. 2, and the high side to terminal No. 3. The amplifier is provided with two input sockets. The MI-12232 is recommended for speech use as special compensation is provided to insure maximum intelligibility. When the MI-12232 amplifier is used with an external turntable, use the input jack on the side of the chassis. Connect shield and/or ground side to sleeve of a telephone type plug, and the high side to the tip of the plug. **CAUTION:** Care should be exercised in keeping the AC power line away from the microphones cable or terminals. Otherwise, a hum may be heard in the loudspeaker(s). The output receptacles are connected, as it leaves the factory, to match load impedances of 4 or 8 ohms.

**DC OPERATION**—DC operation is identical to AC operation, except that DC power cable should be used. The amplifier power receptacle in place of the AC receptacle marked "4".

If two speakers are to be used, each should have a field resistance of between 2,500 and 5,000 ohms. Connect one across the large prongs of each of the output receptacle marked "4".

**Field Supply**—If required, these amplifiers can also be used to supply low speaker current. If the field resistance is between 2,500 and 5,000 ohms, it should be connected across the large prongs of the output receptacle marked "4".

Operating Instructions

- Speakers should be properly connected to their respective output terminals.
- Microphone connections should be made to the 3-terminal "MIC" receptacle on the end of the chassis.
- Phonograph connections (external) are made through a two-way plug to the "Phono" jack on the end of the chassis. Connect the proper power cord to the power cord. Connect the rear of the chassis and to the source of power.
- AC-DC Switch. The AC-DC switch acts as an ON-OFF switch. When the amplifier is connected to an AC source the "off" position is at the DC point. When a DC source of power is used the "off" position is at the AC point.

Tube Socket Voltages

115-Volt AC Line, 1,000 Ohm Per Volt Meter.	Plate Volts	Screen Volts	Bias Volts	Heater Volts
5A	36	0.25	1.8	5.35
6AR5	95	0.2	1.6	6.35
6X4	42	300	22	6.35
6X5	295	300	22	6.35
6X6	310/310			

Total "B" current, 85 mA. All voltages read to ground except Heater Volts.

Replacement Parts

Exist on granule factory-issued parts, which are readily identified and may be purchased from authorized dealers.

FIGURE No.	DESCRIPTION	FIGURE No.	DESCRIPTION
46710	Arm—Pickup arm complete with base and cable (MI-12763 only)	46712	Knob—Control knob
46720	Arm—Pickup arm only (MI-12763 only)	46713	Motor—Phono motor (MI-12763 only)
46721	Arm—Pickup arm base (MI-12763 only)	46714	Motor—Phono motor (MI-12763 only)
46722	Cable—Pickup cable (MI-12763 only)	46717	Pulley—Motor pulley (MI-12763 only)
46723	Capacitor—0.01 mfd., 500 volts (C1)	46718	Resistor—1,000 ohms, 1/2 watt (R1)
46724	Capacitor—0.01 mfd., 500 volts (C2)	46719	Resistor—1,000 ohms, 1/2 watt (R2)
46725	Capacitor—0.01 mfd., 400 volts (C3, C4, C5)	46720	Resistor—2,500 ohms, 1/2 watt (R3)
46726	Capacitor—0.01 mfd., 400 volts (C6, C7, C8)	46721	Resistor—500,000 ohms, 1/2 watt (R4, R5, R6)
46727	Capacitor—0.01 mfd., 400 volts (C9, C10, C11, C12)	46722	Resistor—500,000 ohms, 1/2 watt (R7, R8, R9)
46728	Character—Motor inductor	46723	Resistor—5 megohms, 1/2 watt (R10)
46729	Connector—AC cord—7 contact female	46724	Socket—Phono A.B.
46730	Connector—Microphone—3 contact female	46725	Socket—Phono A.C.
46731	Connector—Microphone—3 contact female	46726	Socket—Tuba socket—3 contact
46732	Connector—Microphone—3 contact female	46727	Spring—Idle pulley tension spring (MI-12763 only)
46733	Connector—Pickup input, female (for MI-12763)	46728	Support—Pickup arm support ring (MI-12763 only)
46734	Control—Tone control—500,000 ohms—includes cable (MI-12763 only)	46729	Switch—AC-DC switch with plate
46735	Control—Tone control—500,000 ohms—includes cable (MI-12763 only)	46730	Switch—Phono motor switch (MI-12763 only)
46736	Control—Tone control—500,000 ohms—includes cable (MI-12763 only)	46731	Transformer—Output transformer (PS)
46737	Control—Tone control—500,000 ohms—includes cable (MI-12763 only)	46732	Transformer—Output transformer (PS)
46738	Control—Tone control—500,000 ohms—includes cable (MI-12763 only)	46733	Turntable—complete (MI-12763 only)
46739	Control—Tone control—500,000 ohms—includes cable (MI-12763 only)	46734	Turntable—complete (MI-12763 only)
46740	Control—Tone control—500,000 ohms—includes cable (MI-12763 only)	46735	Vibrator—complete
46741	Control—Tone control—500,000 ohms—includes cable (MI-12763 only)		

General Description

The MI-12763 Amplifier and Record Player consists of a 15-watt amplifier, together with a turntable and pickup assembly as shown in Figure 1. This equipment can be operated from either a 6-volt DC supply or a 110-volt, 60-cycle supply. Two power supply cables are furnished with their associated plugs, one for DC operation and the other for AC operation. It is only necessary to use the proper cable corresponding to the available power supply and throw AC-DC power switch to the desired position. See installation instructions for details. The MI-12232 Amplifier is identical to the MI-12763, except a plain cover is supplied in place of the phonograph and turntable.

Installation

**AC OPERATION**—The MI-12763 Amplifier and Turntable will operate from 105 to 125 volts AC, 50 or 60 cycles. The MI-12232 Amplifier may be used on an AC supply of 50-60 cycles if desired. The power input receptacle to the amplifier is located on the rear of the chassis, and is used for either AC or DC power supplies, with the proper cable. Make proper connections to the input terminals in their respective sockets. Make certain that the turntable assembly is inserted in the proper manner on the turntable assembly in the receptacles on top of the amplifier chassis. Place the cover over the amplifier chassis and secure in place by the four screws provided.

**Input**—The audio input connections are made to the chassis through the use of plugs. A standard amphenol microphone plug is used with this equipment. Connect the shield to terminal No. 1 (red dot), the low side to terminal No. 2, and the high side to terminal No. 3. The amplifier is provided with two input sockets. The MI-12232 is recommended for speech use as special compensation is provided to insure maximum intelligibility. When the MI-12232 amplifier is used with an external turntable, use the input jack on the side of the chassis. Connect shield and/or ground side to sleeve of a telephone type plug, and the high side to the tip of the plug. **CAUTION:** Care should be exercised in keeping the AC power line away from the microphones cable or terminals. Otherwise, a hum may be heard in the loudspeaker(s). The output receptacles are connected, as it leaves the factory, to match load impedances of 4 or 8 ohms.

**DC OPERATION**—DC operation is identical to AC operation, except that DC power cable should be used. The amplifier power receptacle in place of the AC receptacle marked "4".

If two speakers are to be used, each should have a field resistance of between 2,500 and 5,000 ohms. Connect one across the large prongs of each of the output receptacle marked "4".

**Field Supply**—If required, these amplifiers can also be used to supply low speaker current. If the field resistance is between 2,500 and 5,000 ohms, it should be connected across the large prongs of the output receptacle marked "4".

Operating Instructions

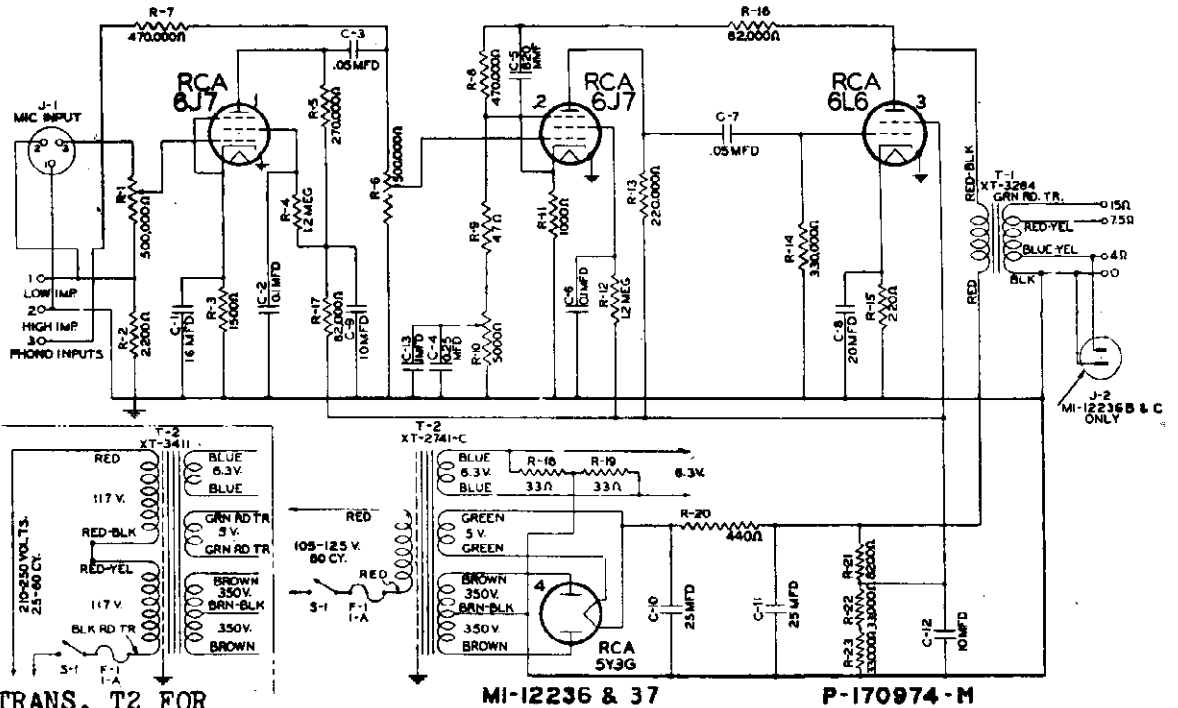
- Speakers should be properly connected to their respective output terminals.
- Microphone connections should be made to the 3-terminal "MIC" receptacle on the end of the chassis.
- Phonograph connections (external) are made through a two-way plug to the "Phono" jack on the end of the chassis. Connect the proper power cord to the power cord. Connect the rear of the chassis and to the source of power.
- AC-DC Switch. The AC-DC switch acts as an ON-OFF switch. When the amplifier is connected to an AC source the "off" position is at the DC point. When a DC source of power is used the "off" position is at the AC point.

Tube Socket Voltages

115-Volt AC Line, 1,000 Ohm Per Volt Meter.	Plate Volts	Screen Volts	Bias Volts	Heater Volts
5A	36	0.25	1.8	5.35
6AR5	95	0.2	1.6	6.35
6X4	42	300	22	6.35
6X5	295	300	22	6.35
6X6	310/310			

Total "B" current, 85 mA. All voltages read to ground except Heater Volts.

RCA MFG. CO., INC.

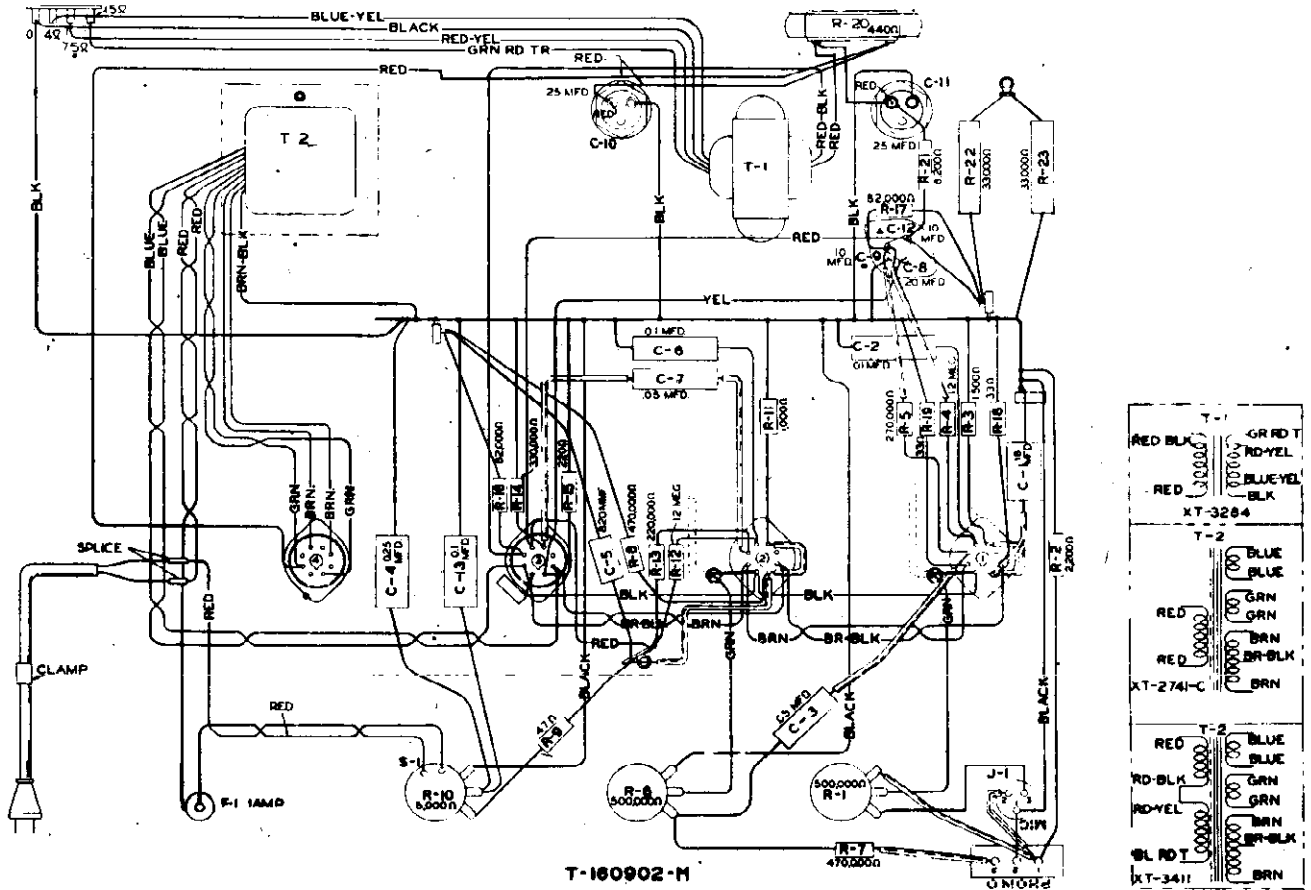


TRANS. T2 FOR MODELS MI-12236-A AND MI-12237-A

MI-12236 & 37

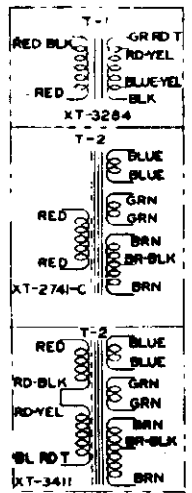
P-170974-M

Schematic Diagram



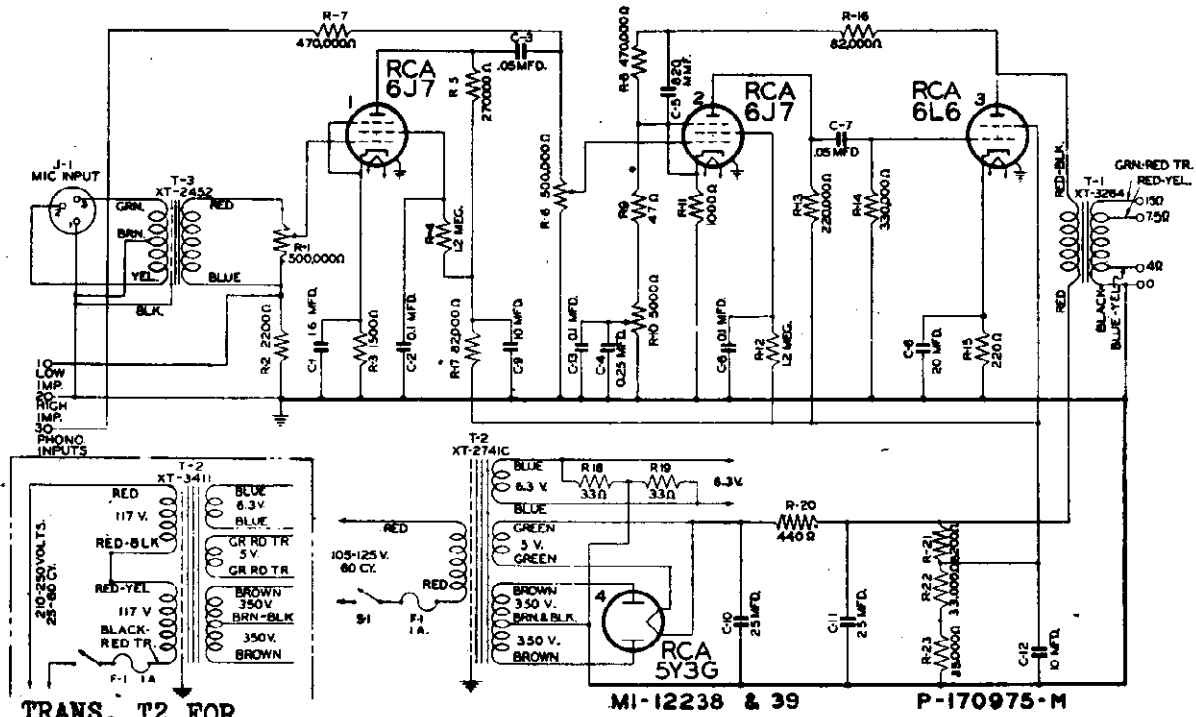
T-160902-M

Wiring Diagram



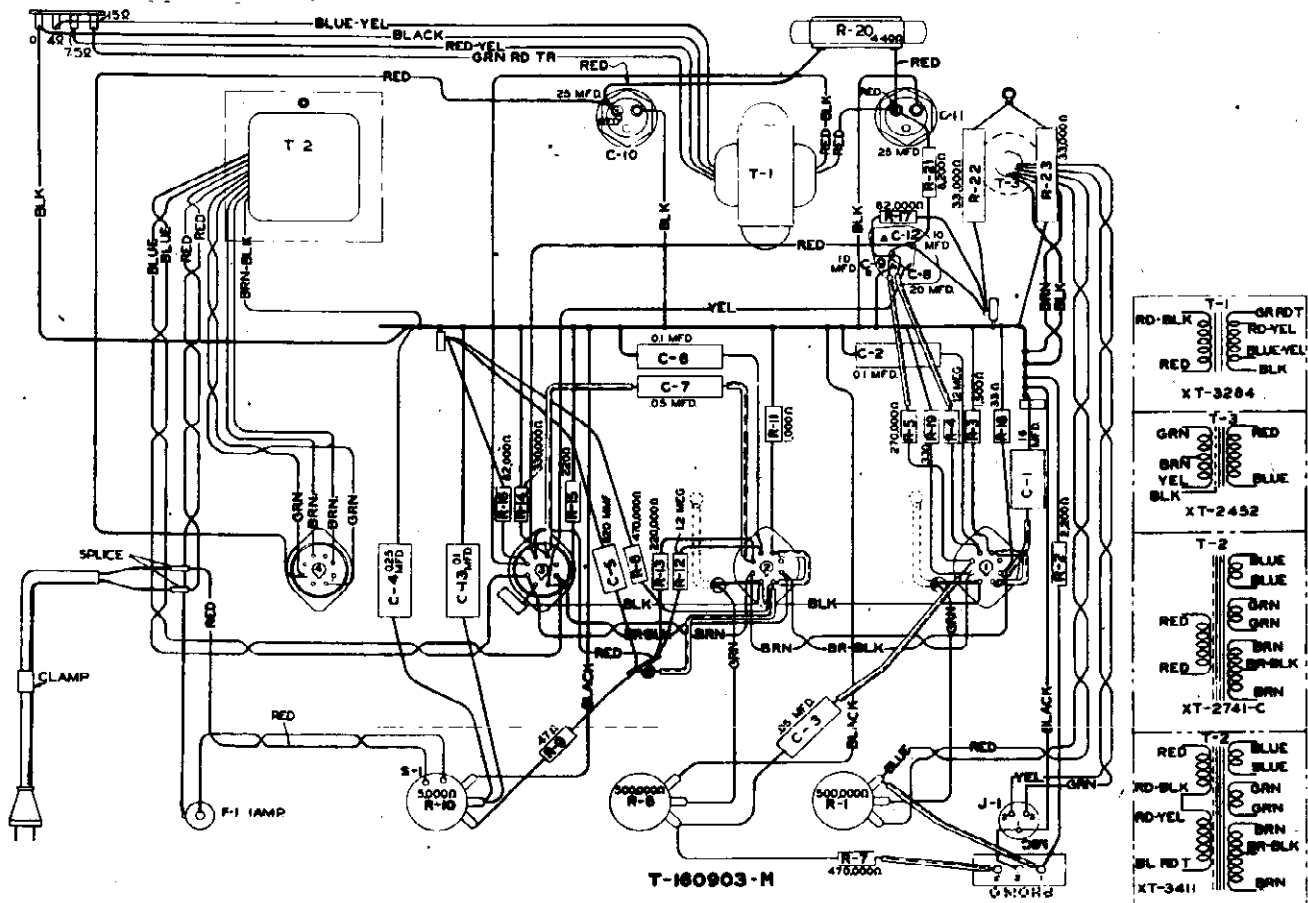
MODELS MI-12238, -A  
MI-12239, -A

RCA MFG. CO., INC.

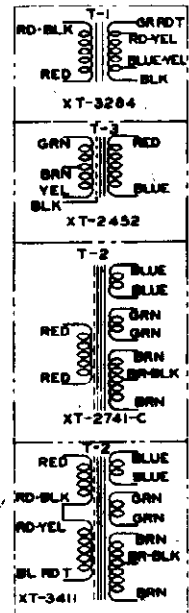


TRANS. T2 FOR  
MODELS MI-12238-A  
AND MI-12239-A

Schematic Diagram



Wiring Diagram





# RCA MFG. CO., INC.

MODELS MI-12236, -A  
MI-12237, -A  
MODELS MI-12238, -A  
MI-12239, -A

## Tube Socket Voltages

117 VOLT AC LINE—METER 20,000 OHMS PER VOLT

Tube	Plate Volts	Screen Grid Volts	Cathode Volts	Heater Volts
RCA-617	77	35	1.1	6.3
RCA-617	107	35	1.3	6.3
RCA-616	200	250	1.3	6.3
RCA-5Y3G	350*			4.8

\* Each Plate

## General Description

The type MI-12236 and MI-12237 amplifier units are designed as general purpose amplifiers for use in sound re-enforcing, public address, and paging systems. Each is completely A.C. operated, and will deliver an output of 6 watts. Each is equipped with a receptacle for high impedance microphone and a terminal board having provisions for two separate phonograph inputs, one for high impedance and the other a low-impedance pickup. Two separate Volume Controls and a combination Tone Control-Power Switch are provided. The one marked "Volume" is an input control in the grid circuit of the first tube and controls the microphone input level. The other or "Master" volume control operates in the grid circuit of the second stage and controls the overall volume for all inputs.

The type MI-12238 and MI-12239 amplifiers are identical to the above except they include a 250 ohm input transformer.

**MI-12237 & MI-12237-A**  
**MI-12239 & MI-12239-A**  
**INCLUDING COVER MI-13118-A**  
**MI-12236 & MI-12236-A**  
**MI-12238 & MI-12238-A**  
**WITHOUT PERFORATED COVER**

## Electrical and Mechanical Specifications

Application	Sound Re-enforcement
Power Supply	MI-12236, MI-12237, MI-12238 and MI-12239 105/125 volts, 50/60 cycles
Power Consumption	MI-12236-A, MI-12237-A, MI-12238-A and MI-12239-A 105-125/210-230 volts, 25/60 watts
Fuse	1.0 amp
Source Impedance:	
(1) Microphone	Minimum, 1,000 ohms
(2) Phonograph (Terminals No. 2 and 3)	250 ohms
(3) Phonograph (Terminals No. 2 and 3)	Magnetic Pickup
	Crystal Pickup
Load Impedance	4, 7 1/2 or 15 ohms
Power Output (7.5% R.M.S. Harmonic Distortion), 1,000 cycles	12 watts
Maximum Input Levels:	
Maximum Permissible:	
(1) Microphone (MI-12236 and MI-12237)	20 volts
(2) Phonograph (MI-12238 and MI-12239)	0.15 volts
(3) Phonograph (Low Impedance)	0.135 volts
(4) Phonograph (High Impedance)	20 volts
Minimum Response:	0.0045 volts
(1) Microphone (MI-12236 and MI-12237)	0.003 volts
(2) Phonograph (Low Impedance)	0.0045 volts
(3) Phonograph (High Impedance)	2 volts
Frequency Response	±2 db 70 to 10,000 cycles
Total Noise Level (Inputs open—output 15-ohm load)	± Zero db—0.006 watts, zero ref. level.

## Audio Output Connections

**Wattage Rating of Speakers.**—With one speaker connected to an amplifier, the speaker must have a power rating at least equivalent to the power output of the amplifier in order to handle the maximum output. If the power is divided between two or more speakers, the required wattage of each speaker is determined as follows:

Total Amplifier Output  
Number of Speakers = Wattage per Speaker

**Matching Speaker Load to Power Amplifier.**—To secure the highest efficiency and tone quality, it is necessary to connect the speaker load to an identical or closely matched impedance on the tapped secondary of the output transformer in the power amplifier. For example,

## AC Power Connections

A power cord and plug is supplied connected to the amplifier for plugging into a line receptacle. The MI-12236-A, MI-12237-A, MI-12238-A and MI-12239-A are shipped from the factory connected for 220 volt operation.

## Audio Input Connections

**Microphone.**—Microphone connections are made by means of the microphone plug furnished with the equipment. Connect the cable shield to pin No. 1 and the two leads to pins No. 2 and No. 3 of the plug. Make sure pins No. 1 and No. 2 are not connected or the microphone terminals will be shorted when the microphone plug is inserted.

**Phonograph.**—Magnetic Pickup.—Phonograph connections using a magnetic type pickup, are made to the terminal strip on the front of the amplifier. If single-terminal pickup is used, connect the shield to terminal No. 2 and the conductor to terminal No. 1. This connects the pickup directly across the 2,200-ohm series resistor R-2.

A 1-ampere protective line fuse is provided on the right side of the amplifier base. Caution: Should it be necessary to replace fuses, use one of the same current rating. Never use one of higher rating.

**Phonograph-Crystal Pickup.**—To connect a crystal pickup unit to the amplifier use "PHONO" terminals No. 2 and No. 3. A shielded cable, either single or two-conductor, should be used. The shield and ground lead on the phonograph cable should be connected to terminal No. 2 and the conductor to terminal No. 3.

With phonograph inputs, it is important to keep the input signal at a sufficiently low level, to prevent overloading the amplifier. It is necessary to provide a volume control on the phonograph to independently control the phonograph volume and provide mixing between phonograph and microphone inputs.

## Operating Instructions

1. Connect Amplifier to proper power source and insert tubes in their respective sockets.
2. Control Speaker Connections as specified under Audio Output Connections.
3. Plug in Microphone and/or connect Phonograph to proper input terminals.
4. Turn amplifier ON ("TONE" control knob full clockwise).
5. Turn "MASTER" volume control about three-quarters ON.
6. Turn "VOLUME" control clockwise until the desired Microphone output level is obtained.
7. Turn "TONE" control clockwise until the desired Microphone and a phonograph, it will be necessary to add an external volume control in the phonograph circuit. By adjusting this and the Microphone "VOLUME" control, the desired mixing can be obtained.
8. Retard "TONE" control if desired for pleasing reproduction of speech.

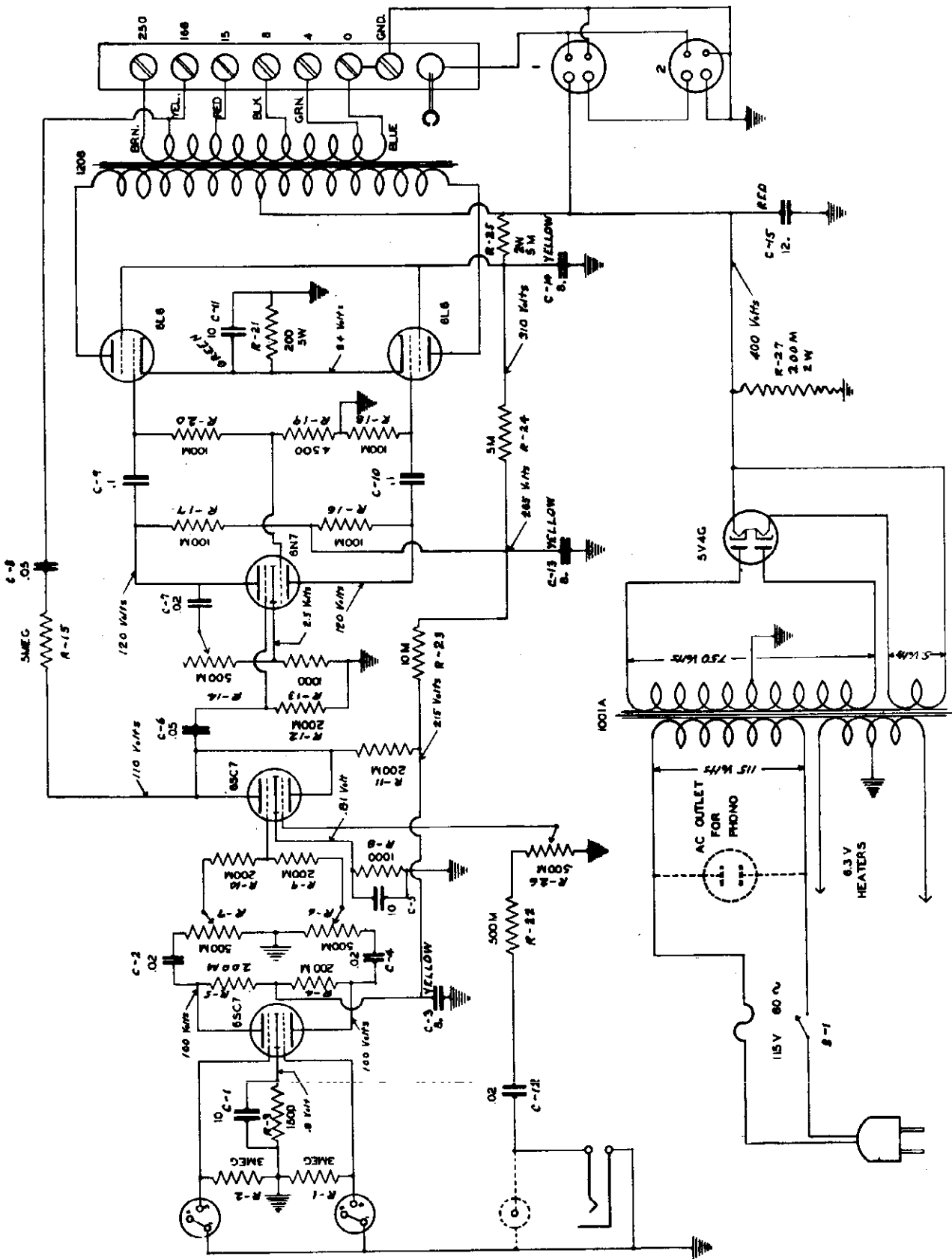
## Replacement Parts

Based on genuine factory-tested parts, which are readily identified and may be purchased from authorized dealers.

STOCK No.	DESCRIPTION	STOCK No.	DESCRIPTION
4888	Capacitor—05 mfd. (C-2, C-7)	31718	Resistor—400 ohms (R-10)
4889	Capacitor—0.1 mfd. (C-3, C-6, C-13)	31719	Resistor—1,000 ohms, 1/2 watt (R-11)
4890	Capacitor—0.05 mfd., 250 volts (C-4)	30654	Resistor—1,500 ohms, 1/2 watt (R-2)
32846	Capacitor—0.01 mfd., 250 volts (C-5)	30655	Resistor—2,000 ohms, 1/2 watt (R-3)
	Resistor—150 ohms, 1/2 watt (R-4)	14820	Resistor—3,000 ohms, 1/2 watt (R-5)
	Resistor—150 ohms, 1/2 watt (R-5)	28744	Resistor—35,000 ohms, 1/2 watt (R-22)
31222	Capacitor—20 mfd., 150 volts (C-1)	10044	Resistor—50,000 ohms, 1/2 watt (R-18, R-17)
31468	Capacitor—20 mfd. (C-1)	20851	Resistor—270,000 ohms, 1/2 watt (R-6)
38650	Capacitor—30 mfd. (C-5)	30784	Resistor—300,000 ohms, 1/2 watt (R-14)
38411	Capacitor—30 mfd. (C-6)	30785	Resistor—300,000 ohms, 1/2 watt (R-15)
38412	Capacitor—30 mfd. (C-6)	30786	Resistor—300,000 ohms, 1/2 watt (R-16)
33317	Control—5,000 ohms tone control (R-10, R-1)	31148	Resistor—12,000 ohms, 1/2 watt (R-7, R-8)
14133	Control—5,000 ohms (R-8, R-1)	31588	Resistor—12,000 ohms, 1/2 watt (R-9)
14134	Control—5,000 ohms (R-8, R-1)	31589	Resistor—12,000 ohms, 1/2 watt (R-10)
82058	Fuse—1 amp (F-1)	34721	Socket—Trio socket, 8-contact (molded type)
82059	Fuse—1 amp (F-1)	34722	Socket—Trio socket, 8-contact (waffle type)
82060	Fuse—1 amp (F-1)	31380	Transformer—Power transformer—105-125/210-230 volts, 25-60 cycles (T-2)
82071	Fuse—1 amp (F-1)		Transformer—Power transformer—105-125/210-230 volts, 25-60 cycles (T-2)
82072	Fuse—1 amp (F-1)		Transformer—Input transformer (F-3) (type MI-12236 and MI-12239 only)
82073	Fuse—1 amp (F-1)		
82074	Fuse—1 amp (F-1)		
5501	Resistor—250 ohms, 1/2 watt (R-15)		

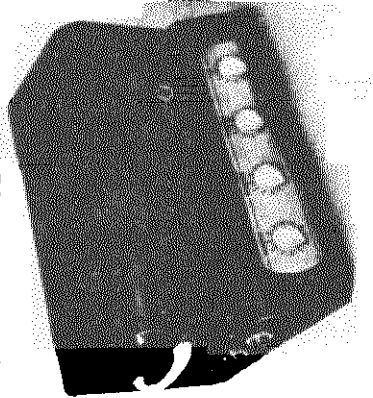
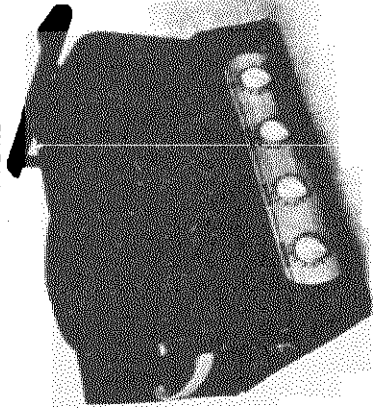
MODELS MI-4839,  
MI-12233

RCA MFG. CO., INC.



RCA MFG. CO., INC.

MI-4839  
AMPLIFIER & RECORD PLAYER  
AMPLIFIER & COVER ONLY



General Description

The MI-4839 Amplifier and Record Player consists of a 2-tube amplifier, in which the pickup and tonearm assembly as shown in Figure 1. This equipment operates from 105/125-volt, 50-cycle supply.

The MI-12233 Amplifier comes complete with plug cover and tonearm assembly as shown in Figure 2. It operates from 105/125-volt, 50/60-cycle supply.

**Input.**—There are four input jacks on the amplifier unit: 1 & 2—polarized microphone jacks for high impedance microphone; 3—a telephone type jack for external high impedance phonograph input; 4—a pin type, single-

Installation Instructions

The MI-4839 Equipment will operate from 105 to 125 volts AC, 60 cycles. If the MI-12233 Amplifier is to be used, 105/125 volt AC supply of 50-60 cycles may be used if desired.

Insert the tubes in their respective sockets. Make certain that they are firmly in place. Insert the plugs on the turntable assembly in the receptacles on top of the amplifier chassis. Place the cover over the amplifier chassis and secure in place by the four screws provided.

The audio input connections are made to the amplifier through the plug provided and three-prong Amphemol type receptacle. Connect the shield lead of the microphone cable to terminal No. 2, and the high side to terminal No. 3. When a microphone with a single conductor shielded cable is used, connect the shield to terminal No. 1 and the conductor to terminal No. 3. The following MI components are recommended for use with this equipment: MI-6202, MI-6203, MI-6204, MI-6205, MI-6206, MI-6207, MI-6208, MI-6209, MI-6210, MI-6211, MI-6212, MI-6213, MI-6214, MI-6215, MI-6216, MI-6217, MI-6218, MI-6219, MI-6220, MI-6221, MI-6222, MI-6223, MI-6224, MI-6225, MI-6226, MI-6227, MI-6228, MI-6229, MI-6230, MI-6231, MI-6232, MI-6233, MI-6234, MI-6235, MI-6236, MI-6237, MI-6238, MI-6239, MI-6240, MI-6241, MI-6242, MI-6243, MI-6244, MI-6245, MI-6246, MI-6247, MI-6248, MI-6249, MI-6250.

The proper matching impedance for loudspeaker or combination of loudspeakers can be readily selected from this table:

Terminals	Impedance
0-4	4 ohms
0-8	8 ohms
15-15	15 ohms
16-16	16 ohms
4-250	166 ohms
4-250	192 ohms
0-250	250 ohms

**CAUTION:** Care should be exercised in keeping the AC power line away from the microphone cable or terminals. Otherwise, a hum may be heard in the loudspeaker.

The output terminal board is connected, as it leaves the factory, to give the following standard load impedances: 250/166/15/8 ohms. Other impedance values can be obtained by making connections to the terminals as shown in the following table.

Terminals	Impedance
0-4	4 ohms
0-8	8 ohms
15-15	15 ohms
16-16	16 ohms
4-250	166 ohms
4-250	192 ohms
0-250	250 ohms

The proper matching impedance for loudspeaker or combination of loudspeakers can be readily selected from this table:

Terminals	Impedance
0-4	4 ohms
0-8	8 ohms
15-15	15 ohms
16-16	16 ohms
4-250	166 ohms
4-250	192 ohms
0-250	250 ohms

The proper matching impedance for loudspeaker or combination of loudspeakers can be readily selected from this table:

Terminals	Impedance
0-4	4 ohms
0-8	8 ohms
15-15	15 ohms
16-16	16 ohms
4-250	166 ohms
4-250	192 ohms
0-250	250 ohms

Electrical and Mechanical Specifications

**Amplifier**  
Applications—Domestic, Commercial, Mobile  
Voltage Rating—105/125 volts, 50/60 cycles  
Power Consumption—2 amperes  
Fuse—2 amperes  
Input Impedance—High Impedance  
Load Impedance—4, 8, 15, 166, 250 ohms  
Frequency Range—25 watts  
Power Output—5% Total Harmonic Distortion  
Input Level—Max. permissible microphone  
Min. rated output Microphone  
Horn Level—(Input terminated 40,000 ohms)  
Record Player  
Voltage Rating—105/125 volts, 60 cycles  
Power Consumption—10 watts

SPK. No.	DESCRIPTION	SPK. No.	DESCRIPTION
4871	Arm—Pickup arm complete with base and cable (For MI-4839 only)	4872	Full—Full plate
4872	Arm—Pickup arm base (For MI-4839 only)	4873	Full—Full plate
4873	Arm—Pickup arm base (For MI-4839 only)	4874	Full—Full plate
4874	Arm—Pickup arm base (For MI-4839 only)	4875	Full—Full plate
4875	Arm—Pickup arm base (For MI-4839 only)	4876	Full—Full plate
4876	Arm—Pickup arm base (For MI-4839 only)	4877	Full—Full plate
4877	Arm—Pickup arm base (For MI-4839 only)	4878	Full—Full plate
4878	Arm—Pickup arm base (For MI-4839 only)	4879	Full—Full plate
4879	Arm—Pickup arm base (For MI-4839 only)	4880	Full—Full plate
4880	Arm—Pickup arm base (For MI-4839 only)	4881	Full—Full plate
4881	Arm—Pickup arm base (For MI-4839 only)	4882	Full—Full plate
4882	Arm—Pickup arm base (For MI-4839 only)	4883	Full—Full plate
4883	Arm—Pickup arm base (For MI-4839 only)	4884	Full—Full plate
4884	Arm—Pickup arm base (For MI-4839 only)	4885	Full—Full plate
4885	Arm—Pickup arm base (For MI-4839 only)	4886	Full—Full plate
4886	Arm—Pickup arm base (For MI-4839 only)	4887	Full—Full plate
4887	Arm—Pickup arm base (For MI-4839 only)	4888	Full—Full plate
4888	Arm—Pickup arm base (For MI-4839 only)	4889	Full—Full plate
4889	Arm—Pickup arm base (For MI-4839 only)	4890	Full—Full plate
4890	Arm—Pickup arm base (For MI-4839 only)	4891	Full—Full plate
4891	Arm—Pickup arm base (For MI-4839 only)	4892	Full—Full plate
4892	Arm—Pickup arm base (For MI-4839 only)	4893	Full—Full plate
4893	Arm—Pickup arm base (For MI-4839 only)	4894	Full—Full plate
4894	Arm—Pickup arm base (For MI-4839 only)	4895	Full—Full plate
4895	Arm—Pickup arm base (For MI-4839 only)	4896	Full—Full plate
4896	Arm—Pickup arm base (For MI-4839 only)	4897	Full—Full plate
4897	Arm—Pickup arm base (For MI-4839 only)	4898	Full—Full plate
4898	Arm—Pickup arm base (For MI-4839 only)	4899	Full—Full plate
4899	Arm—Pickup arm base (For MI-4839 only)	4900	Full—Full plate

**Operating Instructions**

1. Insert tubes in their proper sockets.
2. Connect amplifier to proper power source, 115 volts, 50/60 cycles or 115 volts, 60 cycles, if phonograph is to be used.
3. Connect microphone(s) to receptacle(s) on side of amplifier.
4. If external phonograph is to be used, connect the output to a standard telephone-type plug and insert in the jack on the side of the amplifier. The ground lead should be connected to the phonograph cable should be connected to the sleeve of the plug.

**Radioelectron Socket Voltages**

Socket	Plate to Ground	Screen to Ground	Cathode to Ground	Heater
RCA-6SC7	160	1.5	1.5	6.3
RCA-6SN7	100	0.9	0.9	6.3
RCA-6SL6	145	3.0	21	6.3
RCA-5V4G	340	300	21	5.0

115-volt line, using 2,000 ohms per volt voltmeter

**Operating Instructions**

1. Connect loudspeakers to output terminal board (See output connections).
2. Turn MICROPHONE and PHONOGRAPH volume controls full counter clockwise. Turn amplifier ON by turning TONE control clockwise, operating power switch.
3. Allow approximately one minute for amplifier to warm up.
4. Turn MICROPHONE and/or PHONOGRAPH volume controls clockwise until desired volume level is obtained.
5. Adjust TONE control for desired tone quality.

**Electrical and Mechanical Specifications**

SPK. No.	DESCRIPTION	SPK. No.	DESCRIPTION
4871	Arm—Pickup arm complete with base and cable (For MI-4839 only)	4872	Full—Full plate
4872	Arm—Pickup arm base (For MI-4839 only)	4873	Full—Full plate
4873	Arm—Pickup arm base (For MI-4839 only)	4874	Full—Full plate
4874	Arm—Pickup arm base (For MI-4839 only)	4875	Full—Full plate
4875	Arm—Pickup arm base (For MI-4839 only)	4876	Full—Full plate
4876	Arm—Pickup arm base (For MI-4839 only)	4877	Full—Full plate
4877	Arm—Pickup arm base (For MI-4839 only)	4878	Full—Full plate
4878	Arm—Pickup arm base (For MI-4839 only)	4879	Full—Full plate
4879	Arm—Pickup arm base (For MI-4839 only)	4880	Full—Full plate
4880	Arm—Pickup arm base (For MI-4839 only)	4881	Full—Full plate
4881	Arm—Pickup arm base (For MI-4839 only)	4882	Full—Full plate
4882	Arm—Pickup arm base (For MI-4839 only)	4883	Full—Full plate
4883	Arm—Pickup arm base (For MI-4839 only)	4884	Full—Full plate
4884	Arm—Pickup arm base (For MI-4839 only)	4885	Full—Full plate
4885	Arm—Pickup arm base (For MI-4839 only)	4886	Full—Full plate
4886	Arm—Pickup arm base (For MI-4839 only)	4887	Full—Full plate
4887	Arm—Pickup arm base (For MI-4839 only)	4888	Full—Full plate
4888	Arm—Pickup arm base (For MI-4839 only)	4889	Full—Full plate
4889	Arm—Pickup arm base (For MI-4839 only)	4890	Full—Full plate
4890	Arm—Pickup arm base (For MI-4839 only)	4891	Full—Full plate
4891	Arm—Pickup arm base (For MI-4839 only)	4892	Full—Full plate
4892	Arm—Pickup arm base (For MI-4839 only)	4893	Full—Full plate
4893	Arm—Pickup arm base (For MI-4839 only)	4894	Full—Full plate
4894	Arm—Pickup arm base (For MI-4839 only)	4895	Full—Full plate
4895	Arm—Pickup arm base (For MI-4839 only)	4896	Full—Full plate
4896	Arm—Pickup arm base (For MI-4839 only)	4897	Full—Full plate
4897	Arm—Pickup arm base (For MI-4839 only)	4898	Full—Full plate
4898	Arm—Pickup arm base (For MI-4839 only)	4899	Full—Full plate
4899	Arm—Pickup arm base (For MI-4839 only)	4900	Full—Full plate

MODEL MI-12354

RCA MFG. CO., INC.

# ALARM SIGNAL GENERATOR

MI-12354

USING TYPE MI-12209 AMPLIFIER

## General Description

The MI-12354 Alarm Signal Generator has been designed primarily as a tone signal source supplying either a constant or warble tone, rich in harmonics for use in conjunction with paging and sound systems in schools, factories, hotels, etc. In small installations, the signal generator can be used to directly drive loudspeakers, provided the total power requirements is not in excess of 10 watts.

In larger installations, the signal generator can be used to drive single or multiple power amplifiers such as MI-12211, MI-12217, MI-4288, MI-12214 or MI-12235, depending upon the number and size of areas to be covered.

The signal generator produces a distinctive penetrating note of either warble or steady type. Toggle switches are provided on the left side of the unit, one for changing from constant to warble tone and the other for changing from a signal generator to a straight driver amplifier which may be used in conjunction with a high impedance microphone or a low impedance phonograph for conveying verbal instructions or music to the areas covered by the system.

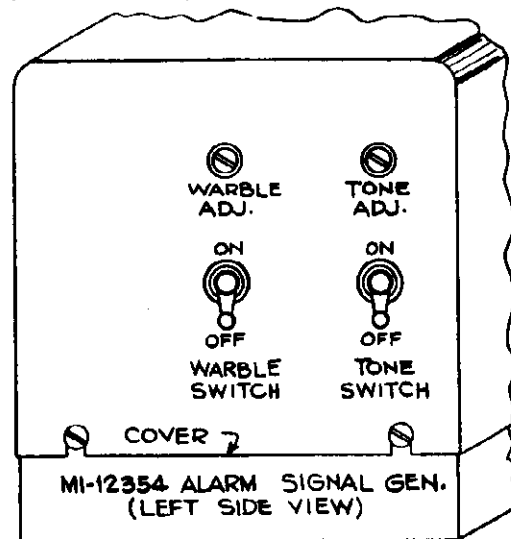


Figure 1

## Operating Instructions

1. Turn amplifier ON-TONE control knob full clockwise.
2. For CONSTANT TONE throw TONE SWITCH to ON, and WARBLE SWITCH to OFF.
3. Advance the MASTER control sufficiently to produce the desired signal level.  
**Note: The VOLUME control has no effect on the level of the signal.**
4. For WARBLE TONE throw both TONE and WARBLE SWITCHES to their ON positions.

5. To stop either TONE it is only necessary to throw the TONE SWITCH to its OFF position.
6. To change from one tone to the other with the TONE SWITCH ON, it is only necessary to throw the WARBLE SWITCH either to ON for WARBLE TONE or to OFF for CONSTANT TONE.
7. For operation using microphone, throw TONE SWITCH to OFF and adjust VOLUME control clockwise until the desired output level is obtained.  
**Note: Both VOLUME and MASTER controls affect the microphone output level.**

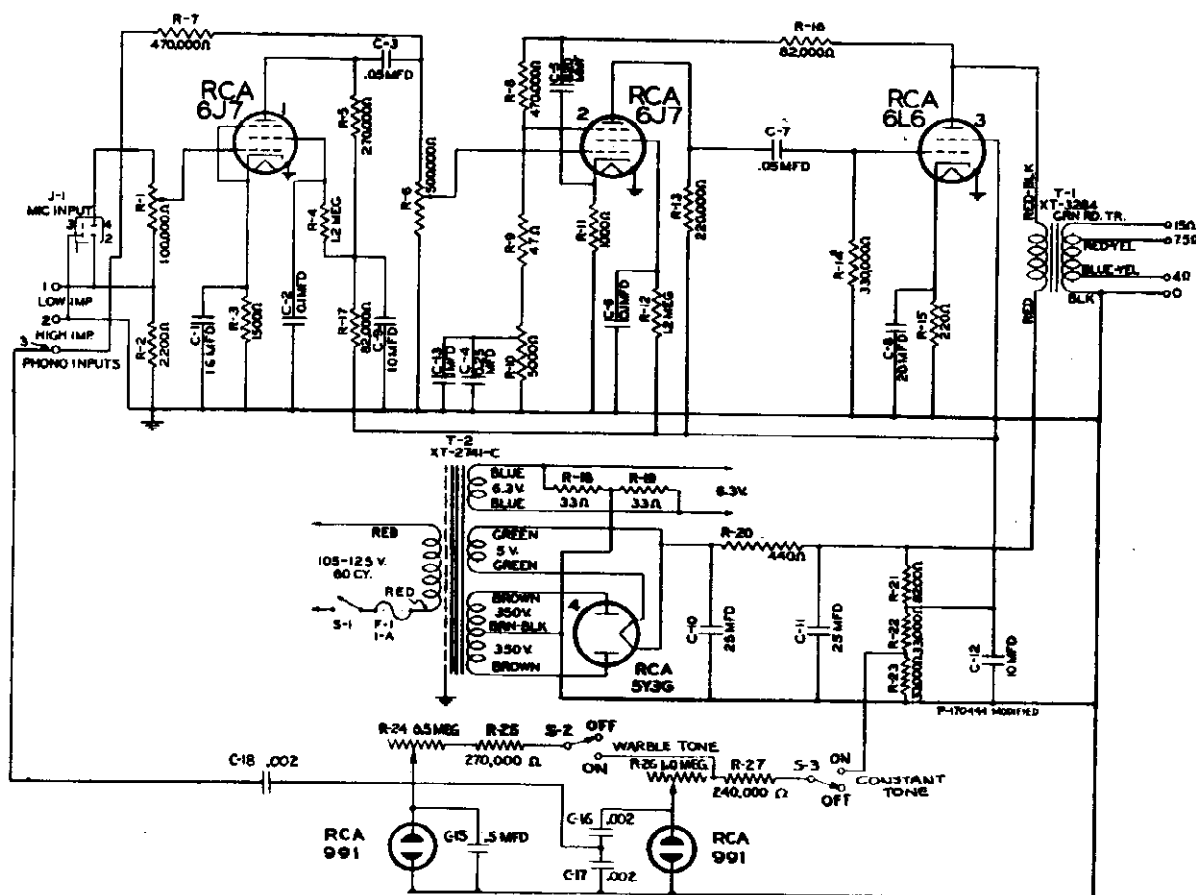
## Electrical and Mechanical Specifications

Power Supply .....	105/125 volts, 50/60 cycles
Power Consumption .....	75 watts
Fuse .....	1.0 ampere
Source Impedance: (As normal amplifier)	
(1) Microphone .....	Minimum 1000 ohms
(2) Phonograph (Low Impedance) .....	Magnetic Pickup
Output Impedance .....	Use as low impedance source
Power Output (Signal) .....	10 watts

## Installation Instructions

1. Connect amplifier to proper source and insert tubes in their respective sockets.
2. Connect the output to the transmission line feeding the power amplifiers located in the areas to be served.  
**Note: If a balanced transmission line is used, it will be necessary to remove the ground from the secondary of the output transformer. If grounded center tap is required, a center tap resistor having a total resistance of approximately five times the impedance of the portion of the secondary used, should be connected across the line. The center tap of this resistor may then be grounded.**
3. The frequencies of both the warble and constant tones have been set at the factory for optimum penetration. Should it be desired to change these frequencies, proceed as follows:
  - A. Turn amplifier ON and with TONE SWITCH thrown to ON, and the WARBLE SWITCH thrown to OFF, adjust the TONE ADJUSTMENT potentiometer for the desired constant frequency tone.
  - B. Throw WARBLE SWITCH to the ON position and adjust WARBLE ADJUSTMENT potentiometer to give the desired warble frequency. A period of approximately three times per second produces a very satisfactory warble tone.

RCA MFG. CO., INC.

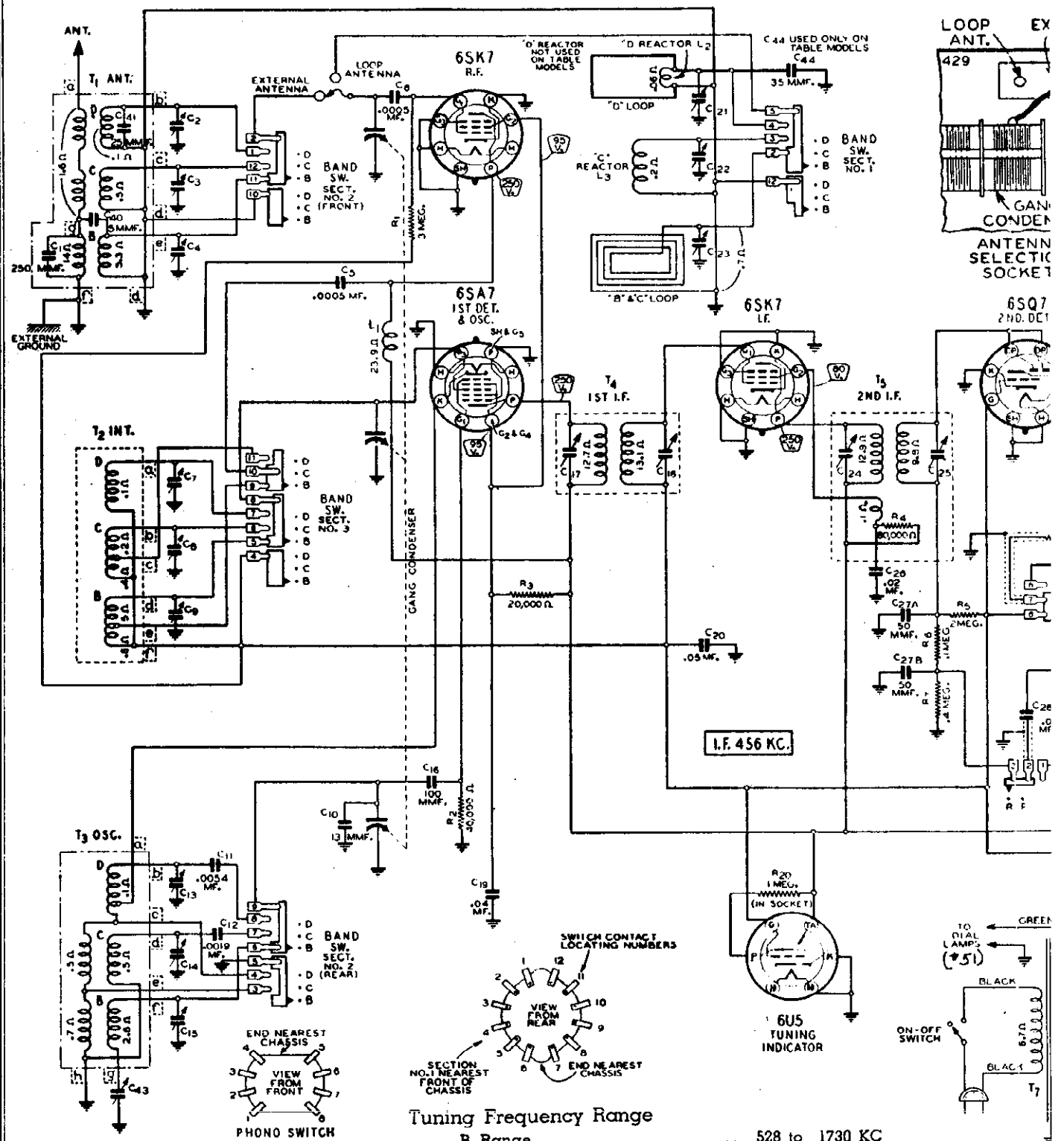


RCA Tube Complement

- |          |       |                  |
|----------|-------|------------------|
| RCA-6J7  | ..... | First Amplifier  |
| RCA-6J7  | ..... | Second Amplifier |
| RCA-6L6  | ..... | Power Output     |
| RCA-5Y3G | ..... | Rectifier        |
| RCA-991  | ..... | Signal Generator |
| RCA-991  | ..... | Warble Generator |

STOCK NO.	DESCRIPTION	STOCK NO.	DESCRIPTION
4888	Capacitor—.05 mfd. (C-3, C-7)	30732	Resistor—47 ohms, 1/4 watt (R-9)
4839	Capacitor—.01 mfd. (C-2, C-8, C-13)	12218	Resistor—220 ohms, 2 watts (R-15)
12484	Capacitor—.25 mfd., 350 volts (C-4)	35316	Resistor—440 ohms (R-20)
38240	Capacitor—Comprising 2 sections of 10 mfd., 400 volts, and 1 section of 20 mfd., 25 volts (C-5, C-9, C-12)	4687	Resistor—1,000 ohms, 1/4 watt (R-11)
31232	Capacitor—16 mfd., 150 volts (C-1)	30654	Resistor—1,500 ohms, 1/4 watt (R-2)
31598	Capacitor—25 mfd. (C-10, C-11)	3526	Resistor—2,200 ohms, 1/4 watt (R-2)
12536	Capacitor—320 mhfd. (C-5)	14250	Resistor—3,200 ohms, 1/4 watt (R-21)
28197	Capacitor—.05 mfd. (C-15)	12487	Resistor—32,000 ohms, 2 watts (R-22, R-23)
36008	Capacitor—.002 mfd. (C-16, C-17, C-18)	8064	Resistor—82,000 ohms, 1/4 watt (R-16, R-17)
35319	Control—5,000 ohms, tone control (R-10, S-1)	14583	Resistor—220,000 ohms, 1/4 watt (R-13)
35318	Control—100,000 ohms, volume control (R-1)	30651	Resistor—270,000 ohms, 1/4 watt (R-5, R-25)
35317	Control—500,000 ohms, master control (R-8)	30784	Resistor—320,000 ohms, 1/4 watt (R-14)
44173	Control—.5 meg. (R-24)	30648	Resistor—470,000 ohms, 1/4 watt (R-7, R-8)
12361	Control—1.0 meg. (R-26)	30182	Resistor—1.2 meg. (R-4, R-12)
16823	Cord—Power cord	14324	Resistor—240,000 ohms, 1/4 watt (R-27)
14133	Fuse—1 amp. (F-1)	32055	Socket—Microphone plug socket (J-1)
32059	Holder—Fuse holder	35308	Socket—Tube socket, 8 contact, for 6L6, 5Y3G tubes
7960	Knob—Control knob	33084	Socket—Tube socket, 8 contact, for 6J7 tubes
32054	Plug—Microphone plug	23555	Socket—RCA-991 socket
25941	Plug—Power cord plug	7900	Switch—Single pole single throw
30789	Resistor—33 ohms, 1/4 watt (R-18, R-19)	34456	Transformer—Output transformer (T-1)
		31380	Transformer—Power transformer, 105-125 volts, 50-60 cycles (T-2)

# LAFAYETTE RADIO WIRE TUBE



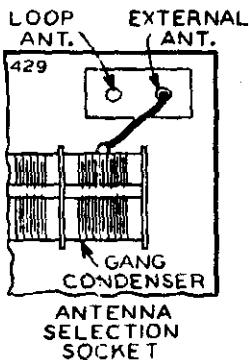
### Tuning Frequency Range

- B Range ..... 528 to 1730 KC
- C Range ..... 2200 to 7000 KC
- D Range ..... 7000 to 22000 KC

### Sensitivity —External Antenna—(For 0.5 Watt output)

- B Range ..... 1.0 Microvolt Average
- C Range ..... 1.0 Microvolt Average
- D Range ..... 3.0 Microvolts Average

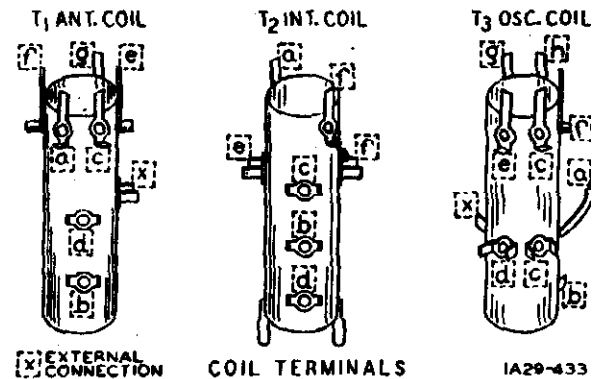
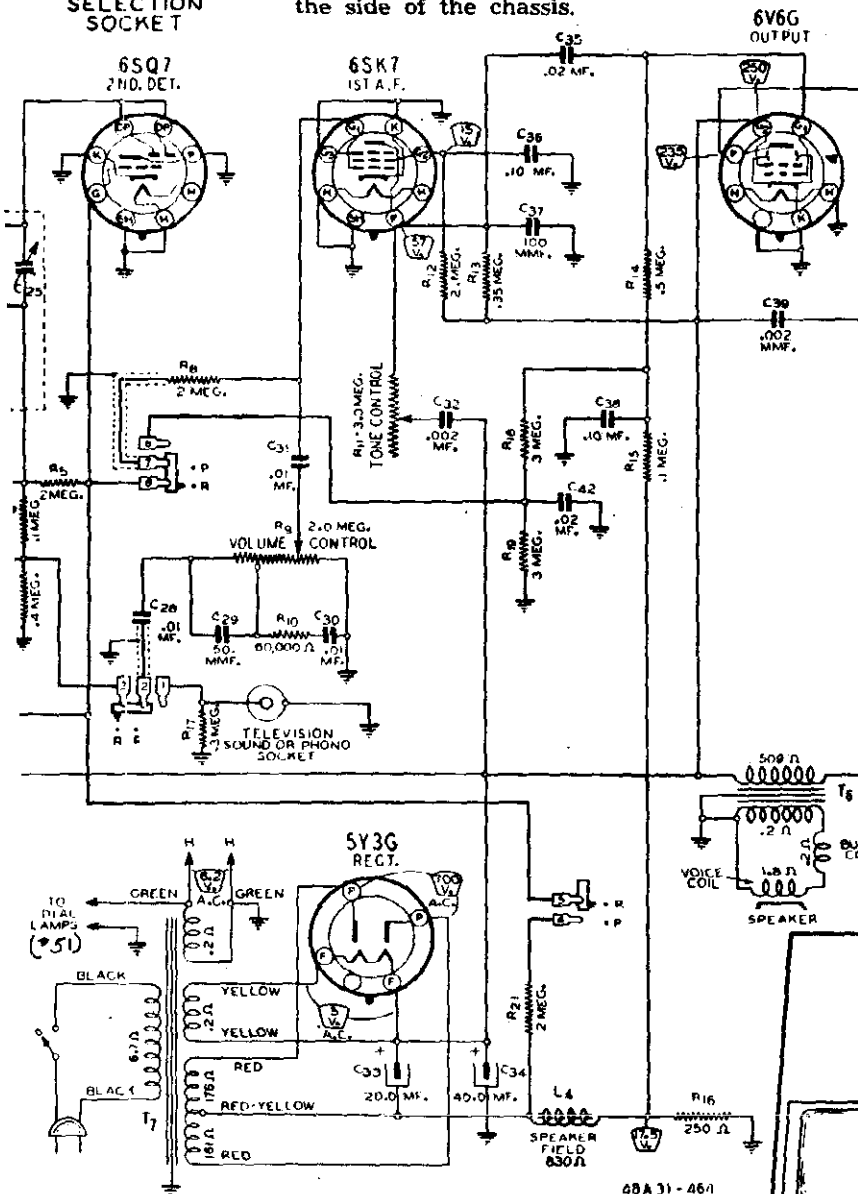
LAFAYETTE RADIO  
WIRE TELEVISION, INC.



ANTENNA SELECTION SOCKET

—At the right front corner (from back of cabinet) of the chassis base is a 2 hole pin tip socket—See illustration. If it is desired to operate the radio using the loop antennas, the pin tip should be inserted in the hole farthest from the side of the chassis. If it is desired to operate the radio using an external antenna, insert the pin tip in the hole nearest the side of the chassis.

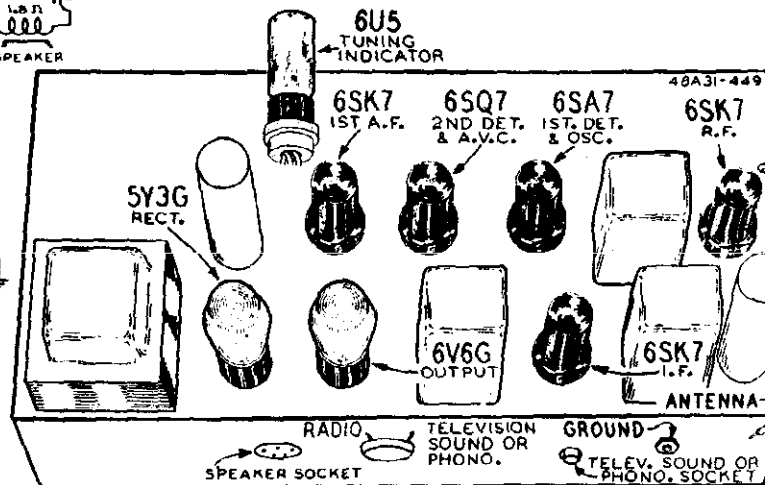
Power Consumption 70 Watts (At 117 volts 60 cycles)  
Power Output - - - - - 4.0 Watts Undistorted  
5.0 Watts Maximum  
Selectivity - - 30 KC Broad at 1000 times Signal  
Intermediate Frequency - - - - - 456 KC  
Speaker - - - - - 8" or 10" Electro-Dynamic



TO REDUCE MODULATION HUM:  
Interchange 1st A-F tube with R-F and I-F tubes; select tube position which reduces hum. If appreciable hum remains, try several new 6SK7 1st A-F tubes and use the one which reduces hum to a minimum.

Dial Lamps

The dial lamps used are of the bayonet pin type (bulb No. 51). To replace any lamp, first turn the radio off. Then pull the clip off and replace the lamp.



## LAFAYETTE RADIO RADIO WIRE TELEVISION, INC.

### ALIGNMENT PROCEDURE

Volume Control—Maximum All Adjustments.

Connect Radio Chassis to Ground Post of Signal Generator with a Short Heavy Lead.

Allow Chassis and Signal Generator to "Heat Up" for several minutes.

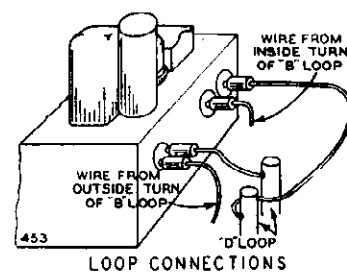
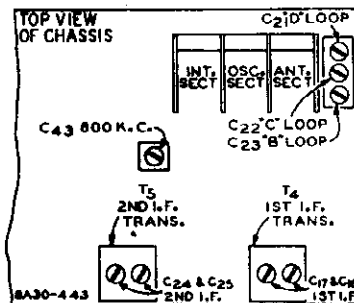
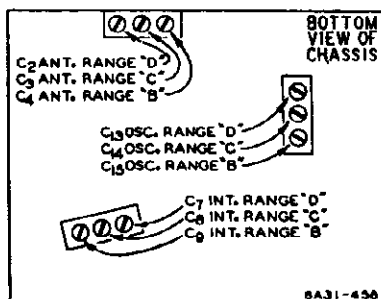
The following equipment is required for aligning:

An All Wave Signal Generator which will provide an accurately calibrated signal at the test frequencies as listed.

Output Indicating Meter—Non-Metallic Screwdriver.

Dummy Antennas—.1 mf., 200 mmf., and 400 ohms.

SIGNAL GENERATOR FREQUENCY SETTING	CONNECTION AT RADIO	DUMMY ANTENNA	BAND SWITCH SETTING	CONDENSER SETTING	ADJUST TRIMMERS TO MAXIMUM
<b>I. F.</b>					
456 KC	Grid of 1st Det.	.1 mf.	B Range See Note A	Turn Rotor to Full Open	1st I.F. (C17) & (C18) 2nd I.F. (C24) & (C25)
<b>RANGE B</b>					
1730 KC	Antenna Lead	200 mmf.	B Range	Turn Rotor to Full Open	Oscillator Range B (C15)
1500 KC	Antenna Lead	200 mmf.	B Range	Turn Rotor to Max. Output Set Indicator to 1500 KC— See Note B	Ant. Range B (C4) Int. Range B (C9)
600 KC	Antenna Lead	200 mmf.	B Range	Turn Rotor to Max. Output	600 KC (C43) Rock Rotor—See Note C
<b>RANGE C</b>					
7000 KC	Antenna Lead	400 Ohm	C Range	Turn Rotor to Full Open	Oscillator Range C (C14)
6000 KC	Antenna Lead	400 Ohm	C Range	Turn Rotor to Max. Output	Antenna Range C (C3) Int. Range C (C8)
<b>RANGE D</b>					
22,000 KC	Antenna Lead	400 Ohm	D Range	Turn Rotor to Full Open	Oscillator Range D (C13)
21,000 KC	Antenna Lead	400 Ohm	D Range	Turn Rotor to Max. Output	Ant. Range D (C2) Int. Range D (C7) Rock Rotor—See Note C
<b>LOOP RANGE B</b>					
1500 KC See Note D	None—See Note D		B Range	Turn Rotor to Max. Output	Loop Trimmer (C23) See Note E
<b>LOOP RANGE C</b>					
6000 KC See Note D	None—See Note D		C Range	Turn Rotor to Max. Output	Loop Trimmer (C22) See Note E
<b>LOOP RANGE D</b>					
21,000 KC See Note D	None—See Note D		D Range	Turn Rotor to Max. Output	Loop Trimmer (C21) Rock Rotor—See Note C



Attenuate the signal from the signal generator to prevent the leveling-off action of the AVC.

After each range is completed, repeat the procedure as a final check.

**NOTE A**—For all adjustments, with the exception of the 3 loop range adjustments, the pin tip should be in the external antenna hole of the Antenna Selection Socket—See illustration on page one.

**NOTE B**—If the pointer is not at 1500 KC on the dial, remove pointer from drive cord. Tune in a 1500 KC signal. Set pointer at the

1500 KC mark on the dial scale. Attach pointer to drive cord.

**NOTE C**—Turn the rotor back and forth and adjust the trimmer until the peak of greatest intensity is obtained.

**NOTE D**—Re-install set in cabinet. Connect a loop approximately one foot in diameter across the antenna and ground posts of the signal generator. Place signal generator so that this loop is between 3 and 10 feet from loop in cabinet. Insert pin tip in loop antenna hole of Antenna Selection Socket—See illustration on page one.

**NOTE E (CONSOLE MODELS)**—Turn knob of loop until output is maximum.

**CAUTION**—When aligning the short wave bands, be sure NOT to adjust at the image frequency. This can be checked as follows: Let us say the signal generator is set for 5000 KC. The signal will then be heard at 5000 KC on the dial of the radio. The image signal, which is much weaker, will be heard at 5000 less 912 KC, or 4088 KC on the dial. It may be necessary to increase the input signal to hear the image.



MODELS BL1, B15

LAFAYETTE RADIO  
RADIO WIRE TELEVISION, INC.

A standard arrangement for switch contact locator numbering has been adopted. This numbering is illustrated in Fig. 5. In contact locations not used, the number applying to that particular location is not employed.

Changes in Early Models

In the early models of this receiver, the antenna transformer (T1) had two Range B Primary windings as shown in Fig. 4.

The oscillator Range B and C trimmer locations varied in the early and intermediate models of this receiver as shown in Figs. 3 and 4.

Referring to Fig. 2, in the early models of this receiver, contact No. 4 in the interstage section of the band selector was not used. The purpose of this contact arrangement is to short out variable resistor R2 in the second short wave position. In these models the relative positions of resistors R1 and R2 were reversed. The common connection from the suppressor grid and cathodes of the R. F. and I. F. amplifier tubes was connected to the control arm of variable resistor R2. The latter was connected to resistor R1 which was grounded at the other end. The by-pass condenser C5 remains connected as before, to the cathode and suppressor grid connection.

The type 6K7 and 6F6 metal tubes replace the type 6D6 and 42 glass tubes respectively which were used in the early models.



Fig. 4—Antenna Transformer in Early Models

Phonograph Connections

Replace the single lug insulated terminal strip (located on the rear panel, directly in back of the band selector switch) with (P-4A39) double lug insulated terminal strip with ground lug. Be sure to solder back to this new terminal strip any leads that were connected to the other terminal strip.

The connections are made by opening the diode return circuit at the volume control. Unsolder the 50,000 ohm resistor R9 (covered with saturated sleeving in early models) from the lug at the volume control and from the shielded lead which runs from the I. F. transformer. Cut this shielded lead to length and connect to the open lug on the new terminal strip. Connect one side of the 50,000 ohm resistor R9 to the same lug and the other side to the phono switch—see Fig. 9. Ground the shield to the ground lug of the terminal strip.

The extra shielded lead which is provided should be inserted into a piece of saturated sleeving.

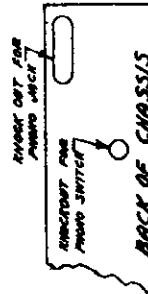


Fig. 10—Location of Phono Knockouts

Servicing R. F. Coil Assemblies

The R. F. transformer and oscillator coil assemblies in this receiver are sold complete with can. This is due to the fact that the trimmers are soldered to the can, and cannot be easily disassembled.

The lead colors and resistances of the various windings in each assembly are shown in Fig. 5.

If it is ever necessary to remove one of coil assemblies from the screws at the top of the can. The outside lug on the trimmer condenser is inserted in a slot in the coil can, and this lug is soldered into position.

Apply a soldering iron to the can at the point of the soldered connection. Then with a screw driver lift up on the outside edge of the trimmer (edge soldered to can) until the trimmer is clear of the can. After the trimmers are all unsoldered, the coil can be taken out.

Twenty-five Cycle Receivers

The twenty-five cycle receiver differs from the sixty cycle receiver only in the fact that a different power transformer is used. The correct power transformer is shown in the parts list.

The twenty-five cycle receiver can be operated satisfactorily from a sixty cycle power supply. However, the reverse is not true, the sixty cycle receiver cannot be operated from a twenty-five cycle power supply.

A 115-230 Volt, 40 to 60 cycle as well as other power transformers with special power ratings are also available for this model.

Phonograph Connections

Phonograph connections can be made as shown in Fig. 9. The parts required are shown in the parts list. Knockouts are provided in the back panel of the chassis for mounting the phono jack and phono switch—See Fig. 10.

For mounting the 12 mfd. 25 volt dry electrolytic condenser, two No. 27 drill holes should be drilled in the side of the chassis directly below the wet electrolytic condensers. These holes are 1/4" from the bottom, 7/8" and 3/8" from the front of chassis. The ground lug which extends out from the side of the chassis should be bent back into the chassis wall.

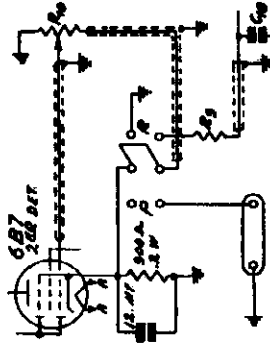


Fig. 9—Phonograph Connections

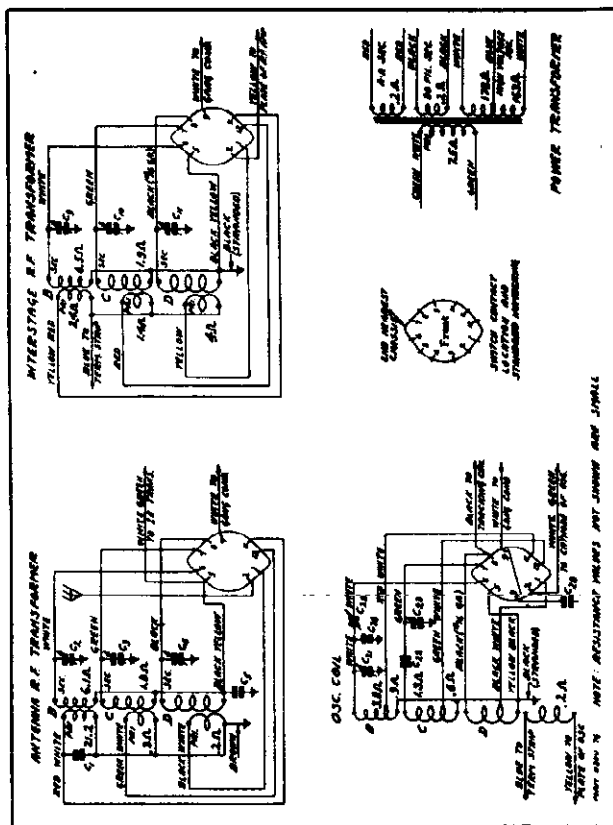


Fig. 5—Color Coding of Coil Wires and D. C. Resistances of Windings (Also see complete D. C. Resistances List in this Manual)

**VOLTAGES AT SOCKETS**  
Line Voltage, 115 - Volume Control at Maximum  
Antenna Shielded to Ground

Type of Tube	Heater Plate to Pilot's Ground	Screen to Ground	Cathode to Ground	Wave M.A.
6K7 (6D6)	6.1	230	95	3.0
6K7 (6D6)	6.1	230	100	9.0
76	6.1	100		5.2
6K7 (6D6)	6.1	230	120	3.0
6B7 (6A8)	6.1	55(1)	40	2.3
6B7 (6A8)	6.1	215	200	17(2)
80	4.7			34

per Plate

(1) At read with 50,000 ohm meter  
(2) At read across R16

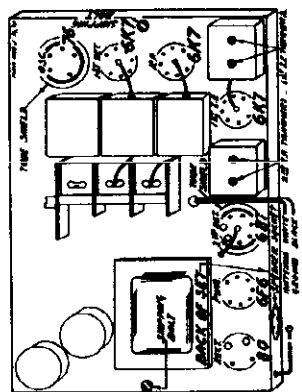


Fig. 6—Location of Tubes

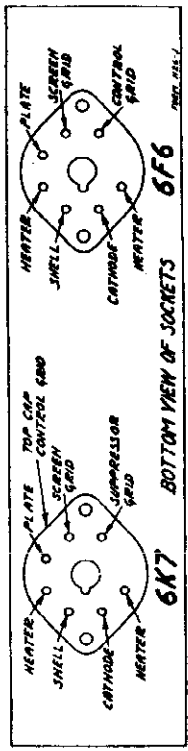
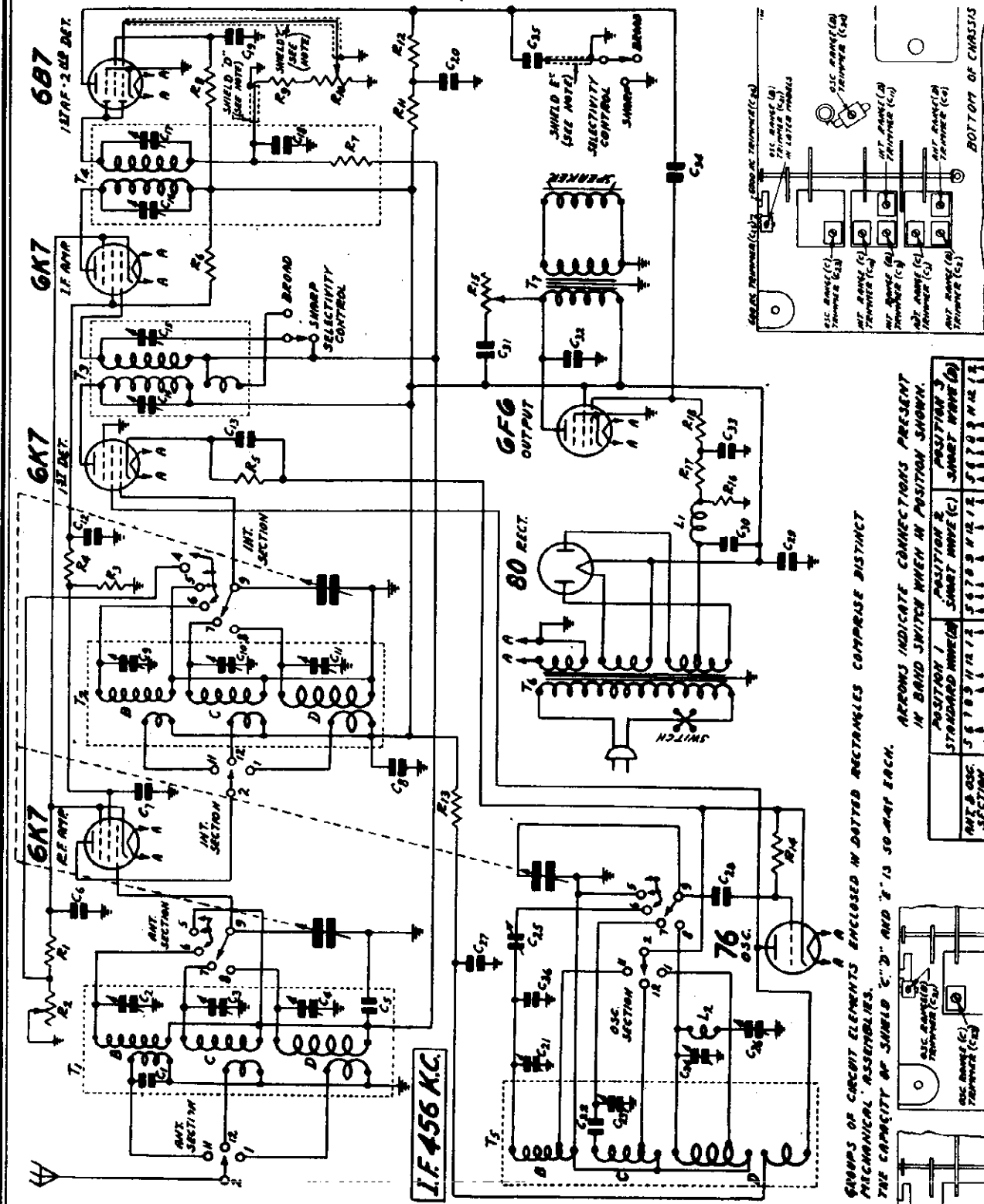


Fig. 7—Meid Tubes—Bottom View of Sockets

LAFAYETTE RADIO  
RADIO WIRE TELEVISION, INC.



- C1 250 mmf.
- C2 2.25 mmf.
- C3 2.25 mmf.
- C4 10 V. 180 V.
- C5 10 V. 240 V.
- C6 10 V. 240 V.
- C7 10 V. 240 V.
- C8 2.25 mmf.
- C9 2.25 mmf.
- C10 2.25 mmf.
- C11 2.25 mmf.
- C12 2.25 mmf.
- C13 2.25 mmf.
- C14 2.25 mmf.
- C15 2.25 mmf.
- C16 2.25 mmf.
- C17 2.25 mmf.
- C18 2.25 mmf.
- C19 2.25 mmf.
- C20 2.25 mmf.
- C21 2.25 mmf.
- C22 2.25 mmf.
- C23 2.25 mmf.
- C24 2.25 mmf.
- C25 2.25 mmf.
- C26 2.25 mmf.
- C27 2.25 mmf.
- C28 2.25 mmf.
- C29 2.25 mmf.
- C30 2.25 mmf.
- C31 2.25 mmf.
- C32 2.25 mmf.
- C33 2.25 mmf.
- C34 2.25 mmf.
- C35 2.25 mmf.
- R1 2500 ohm
- R2 2500 ohm
- R3 2500 ohm
- R4 2500 ohm
- R5 2500 ohm
- R6 2500 ohm
- R7 2500 ohm
- R8 2500 ohm
- R9 2500 ohm
- R10 2500 ohm
- R11 2500 ohm
- R12 2500 ohm
- R13 2500 ohm
- R14 2500 ohm
- R15 2500 ohm
- R16 2500 ohm
- R17 2500 ohm
- R18 2500 ohm
- R19 2500 ohm
- R20 2500 ohm
- R21 2500 ohm
- R22 2500 ohm
- R23 2500 ohm
- R24 2500 ohm
- R25 2500 ohm
- R26 2500 ohm
- R27 2500 ohm
- R28 2500 ohm
- R29 2500 ohm
- R30 2500 ohm
- R31 2500 ohm
- R32 2500 ohm
- R33 2500 ohm
- R34 2500 ohm
- R35 2500 ohm
- R36 2500 ohm
- R37 2500 ohm
- R38 2500 ohm
- R39 2500 ohm
- R40 2500 ohm
- R41 2500 ohm
- R42 2500 ohm
- R43 2500 ohm
- R44 2500 ohm
- R45 2500 ohm
- R46 2500 ohm
- R47 2500 ohm
- R48 2500 ohm
- R49 2500 ohm
- R50 2500 ohm
- R51 2500 ohm
- R52 2500 ohm
- R53 2500 ohm
- R54 2500 ohm
- R55 2500 ohm
- R56 2500 ohm
- R57 2500 ohm
- R58 2500 ohm
- R59 2500 ohm
- R60 2500 ohm
- R61 2500 ohm
- R62 2500 ohm
- R63 2500 ohm
- R64 2500 ohm
- R65 2500 ohm
- R66 2500 ohm
- R67 2500 ohm
- R68 2500 ohm
- R69 2500 ohm
- R70 2500 ohm
- R71 2500 ohm
- R72 2500 ohm
- R73 2500 ohm
- R74 2500 ohm
- R75 2500 ohm
- R76 2500 ohm
- R77 2500 ohm
- R78 2500 ohm
- R79 2500 ohm
- R80 2500 ohm
- R81 2500 ohm
- R82 2500 ohm
- R83 2500 ohm
- R84 2500 ohm
- R85 2500 ohm
- R86 2500 ohm
- R87 2500 ohm
- R88 2500 ohm
- R89 2500 ohm
- R90 2500 ohm
- R91 2500 ohm
- R92 2500 ohm
- R93 2500 ohm
- R94 2500 ohm
- R95 2500 ohm
- R96 2500 ohm
- R97 2500 ohm
- R98 2500 ohm
- R99 2500 ohm
- R100 2500 ohm
- L1 2500 ohm
- L2 2500 ohm
- L3 2500 ohm
- L4 2500 ohm
- L5 2500 ohm
- L6 2500 ohm
- L7 2500 ohm
- L8 2500 ohm
- L9 2500 ohm
- L10 2500 ohm
- L11 2500 ohm
- L12 2500 ohm
- L13 2500 ohm
- L14 2500 ohm
- L15 2500 ohm
- L16 2500 ohm
- L17 2500 ohm
- L18 2500 ohm
- L19 2500 ohm
- L20 2500 ohm
- L21 2500 ohm
- L22 2500 ohm
- L23 2500 ohm
- L24 2500 ohm
- L25 2500 ohm
- L26 2500 ohm
- L27 2500 ohm
- L28 2500 ohm
- L29 2500 ohm
- L30 2500 ohm
- L31 2500 ohm
- L32 2500 ohm
- L33 2500 ohm
- L34 2500 ohm
- L35 2500 ohm
- L36 2500 ohm
- L37 2500 ohm
- L38 2500 ohm
- L39 2500 ohm
- L40 2500 ohm
- L41 2500 ohm
- L42 2500 ohm
- L43 2500 ohm
- L44 2500 ohm
- L45 2500 ohm
- L46 2500 ohm
- L47 2500 ohm
- L48 2500 ohm
- L49 2500 ohm
- L50 2500 ohm
- L51 2500 ohm
- L52 2500 ohm
- L53 2500 ohm
- L54 2500 ohm
- L55 2500 ohm
- L56 2500 ohm
- L57 2500 ohm
- L58 2500 ohm
- L59 2500 ohm
- L60 2500 ohm
- L61 2500 ohm
- L62 2500 ohm
- L63 2500 ohm
- L64 2500 ohm
- L65 2500 ohm
- L66 2500 ohm
- L67 2500 ohm
- L68 2500 ohm
- L69 2500 ohm
- L70 2500 ohm
- L71 2500 ohm
- L72 2500 ohm
- L73 2500 ohm
- L74 2500 ohm
- L75 2500 ohm
- L76 2500 ohm
- L77 2500 ohm
- L78 2500 ohm
- L79 2500 ohm
- L80 2500 ohm
- L81 2500 ohm
- L82 2500 ohm
- L83 2500 ohm
- L84 2500 ohm
- L85 2500 ohm
- L86 2500 ohm
- L87 2500 ohm
- L88 2500 ohm
- L89 2500 ohm
- L90 2500 ohm
- L91 2500 ohm
- L92 2500 ohm
- L93 2500 ohm
- L94 2500 ohm
- L95 2500 ohm
- L96 2500 ohm
- L97 2500 ohm
- L98 2500 ohm
- L99 2500 ohm
- L100 2500 ohm

ARROWS INDICATE CONNECTIONS PRESENT IN BRAD SWITCH WHEN IN POSITION SHOWN.

	POSITION 1	POSITION 2	POSITION 3
ANT. & OSC. SECTION	5 6 7 8 9 10 11 12	5 6 7 8 9 10 11 12	5 6 7 8 9 10 11 12
ANT. SECTION	4 5 6 7 8 9 10 11 12	4 5 6 7 8 9 10 11 12	4 5 6 7 8 9 10 11 12

CONTACT LOCATIONS 3, 4 AND 10 IN ANT. SECTION ARE BLANK. CONTACT LOCATIONS 3, 4 AND 10 IN INT. SECTION ARE BLANK.

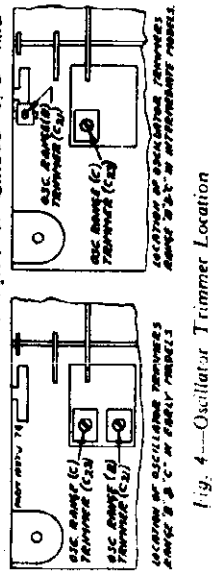


Fig. 3—Location of Trimmers (Latest Models)

Fig. 4—Oscillator Trimmer Location

MODELS BL1, B15

LAFAYETTE RADIO  
RADIO WIRE TELEVISION, INC.

**Circuit**

This model is a three band receiver with a tuning range in each band as shown in the specifications above. Three band coverage is accomplished by means of three sets of R. F. and oscillator coils and a three section triple throw switch.

Referring to the schematic circuit diagram, Fig. 2, T1 and T2 are the antenna and interstage R. F. transformer assemblies and T3 is the oscillator coil assembly. The standard wave, 1st and 2nd short wave coils in each assembly are indicated by the letters B, C and D respectively. The three sections of the band switch are designated in the schematic as the antenna, interstage and oscillator sections.

The band switch completes connections to the coils in use. It also short circuits the R. F. transformer secondary and oscillator coil of lower frequency not in use.

The antenna transformer with tuned secondary feeds into a type 6K7 R. F. amplifier tube. The output of this tube is fed through the interstage R. F. transformer with tuned secondary into another 6K7 tube which functions as the 1st detector.

A separate type 76 tube is employed in the oscillator circuit. Referring to the oscillator assembly T3, Fig. 2, B, C and D refer to the standard wave, 1st short wave and 2nd short wave oscillator coils respectively. The oscillating circuit is always resonant at 456 KC above the frequency to which the R. F. amplifier is tuned.

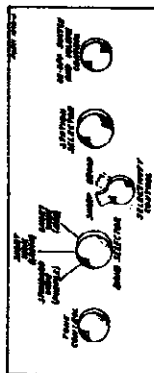


Fig. 1—Arrangement of Controls

The oscillator potential is fed into the cathode circuit of the 6K7 first detector tube. This results in the intermediate or beat frequency of 456 KC being present in the plate circuit of this tube.

One stage of I. F. amplification is employed using a 6K7 tube. The primaries and secondaries of the first and second I. F. transformers are tuned by small trimmer condensers.

Selectivity Control—Referring to the 1st I. F. transformer T5 in Fig. 2, it will be noted that there is a coupling winding shown in the illustration below the primary. Refer also to the by-pass arrangement in the pentode plate circuit of the 6B7.

When the selectivity control is in the sharp position, the coupling winding is open circuited and the loose coupling which exists between the primary and secondary of this transformer results in high selectivity. High audio frequencies are by-passed to ground through condenser C35.

When the selectivity control is in the broad position,

the coupling winding which is wound under the primary is connected in series with the secondary. This provides overcoupling which results in a greatly widened resonance curve. Passage of a wide range of audio frequencies is thus obtained.

In order to allow passage of the higher audio frequencies in the broad position, the capacity of the by-pass condenser to ground is greatly reduced (C35 and the capacity of shield E in series).

Dual Volume Control—A dual manual volume control is employed. In one section the audio voltage applied to the 1st audio section of the 6B7 tube is varied (R10). In the other section the R. F. and I. F. bias is varied (R2). The purpose of the latter section is to reduce the sensitivity of the receiver at low volume settings in order to cut down noise pick-up between stations. The variable section R2 is shorted out through contact No. 4 of the interstage section of the band selector when in the 2nd short wave position.

A type 6B7 duo diode pentode tube functions as the second detector and a one stage audio amplifier. The two diode plates are connected together. AVC voltage is applied through isolating resistors to the control grid circuits of the R. F. and I. F. tubes. The audio voltage developed across volume control resistor R10 is applied through the movable arm to the control grid of the 6B7 tube. Resistance coupling is used between the first audio stage and the output stage which employs a type 6T6 output pentode tube. A type 80 full wave rectifier tube is used in the power unit.

**Alignment and Calibration**

Use a non-metallic screwdriver for the adjustments. The complete procedure is as follows:

**I. F. Adjustment**

Set the signal generator for a signal of 456 KC. Connect the output of the signal generator through a .1 mf. condenser to the grid of the 1st detector. Connect the ground lead of the receiver to the ground post of the signal generator.

Turn the band selector to the Range B position (standard wave band—purple dial color).

Turn the selectivity switch to the sharp position and keep it in this position for all adjustments.

Turn the volume control to the maximum position. Attenuate the signal from the signal generator to prevent the levelling-off action of the A.V.C.

Then adjust the four I.F. trimmers until maximum output is obtained. The adjusting screws for these condensers are reached from the top of the chassis, and the location is shown in Fig. 6.

**Range B Alignment**

1730 KC Adjustment

Set the signal generator for 1730 KC. Turn the rotor of the tuning condenser to the full open position.

Keep the band selector in the standard wave position. Connect the antenna lead of the receiver through a 200 mmf. condenser to the output of the signal

generator. For this and all subsequent adjustments keep the volume control at the maximum position and attenuate the signal from the signal generator to prevent A.V.C. action.

Adjust the oscillator Range B trimmer (C21) until maximum output is obtained. The location of this trimmer is shown in Figs. 3 and 4.

**1500 KC Adjustment**

Set the signal generator for 1500 KC. Turn the rotor of the tuning condenser carefully until maximum output is obtained.

There is a lever arm in front of the large gear on the tuning condenser shaft by means of which the position of the station pointer may be adjusted. Set the station pointer at the 1500 KC mark on the dial scale by adjusting this lever arm.

Adjust the interstage Range B trimmer (C9) and antenna Range B trimmer (C3) to maximum.

**600 KC Adjustment**

Set the signal generator for 600 KC. Turn the tuning condenser rotor until maximum output is obtained.

Turn the rotor slowly back and forth at the same time adjusting the 600 KC trimmer until the peak of greatest intensity is obtained. See Fig. 3 for location of this trimmer.

**Range C Alignment**

**5800 KC Adjustment**

Set the signal generator for 5800 KC. Connect the antenna lead of the receiver through a 400 ohm resistor to the output of the signal generator.

Turn the rotor of the tuning condenser to the full open position. Turn the band selector to the Range C position (1st short wave band—green dial color). Adjust the oscillator Range C trimmer (C23) until maximum output is obtained. See Figs. 3 and 4 for location of this trimmer.

**5000 KC Adjustment**

Set the signal generator for 5000 KC. Turn the rotor of the tuning condenser carefully until maximum output is obtained.

Adjust the interstage Range C trimmer (C10) and antenna Range C trimmer (C3) to maximum. Do not change the setting of the oscillator Range C trimmer.

**Range D Adjustment**

**18,300 KC Adjustment**

Set the signal generator for 18,300 KC. Keep the antenna lead of the receiver connected through the 400 ohm resistor to the output of the signal generator.

Turn the rotor of the tuning condenser to the full open position.

Turn the band selector to the Range D position (2nd short wave band—red dial color).

Adjust the oscillator Range D trimmer (C24) until

maximum output is obtained. See Fig. 3 for location of this trimmer.

**15,000 KC Adjustment**

Set the signal generator for 15,000 KC. Turn the rotor of the tuning condenser carefully until maximum output is obtained.

Adjust the interstage Range D trimmer (C11) and antenna Range D trimmer (C4) to maximum.

When adjusting the interstage Range D trimmer, it will be necessary at the same time to turn the tuning condenser rotor slowly back and forth until the peak of greatest intensity is obtained.

Then go back and repeat the procedure as given for the 18,300 KC adjustment. If it is found necessary to make any appreciable change in the setting of the oscillator Range, D trimmer, the 15,000 KC adjustment must be repeated.

Do not make any further change in the setting of the oscillator Range D trimmer.

**6000 KC Adjustment**

Set the signal generator for 6000 KC. Turn the tuning condenser rotor until maximum output is obtained.

Turn the rotor slowly back and forth at the same time adjusting the 6000 KC trimmer until the peak of greatest intensity is obtained. See Fig. 3 for location of this trimmer.

**Tuning-Frequency Range**

B Range . . . . . 335 to 1730 KC.  
C Range . . . . . 1715 to 5800 KC.  
D Range . . . . . 5750 to 18300 KC.

**Sensitivity**

B Range Average . . . . . 0.5 Microvolts Absolute  
C Range Average . . . . . 1.0 Microvolts Absolute  
D Range Average . . . . . 2.0 Microvolts Absolute

Power Consumption . 68 Watts (A1115 volc 60 cycles)

Power Output . . . . . 3 Watts Undistorted

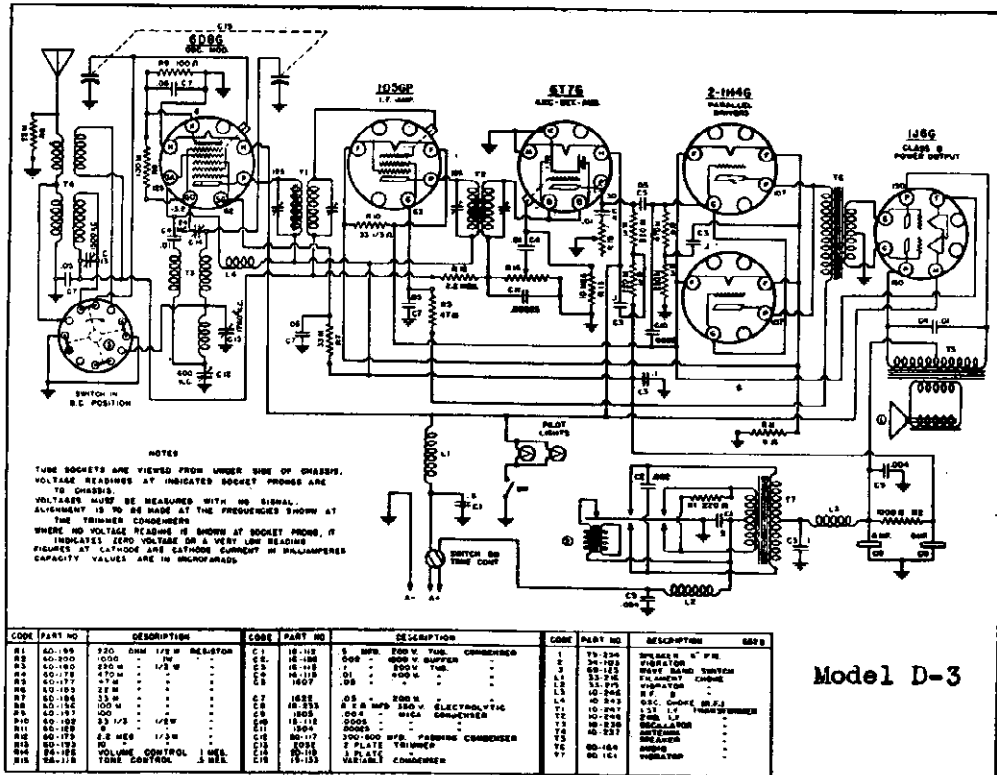
Selectivity - 38 KC Broad at 1000 times Signal (Sharp)

Intermediate Frequency . . . . . 456 KC.

Speaker . . . . . 6" and 8" Dynamic

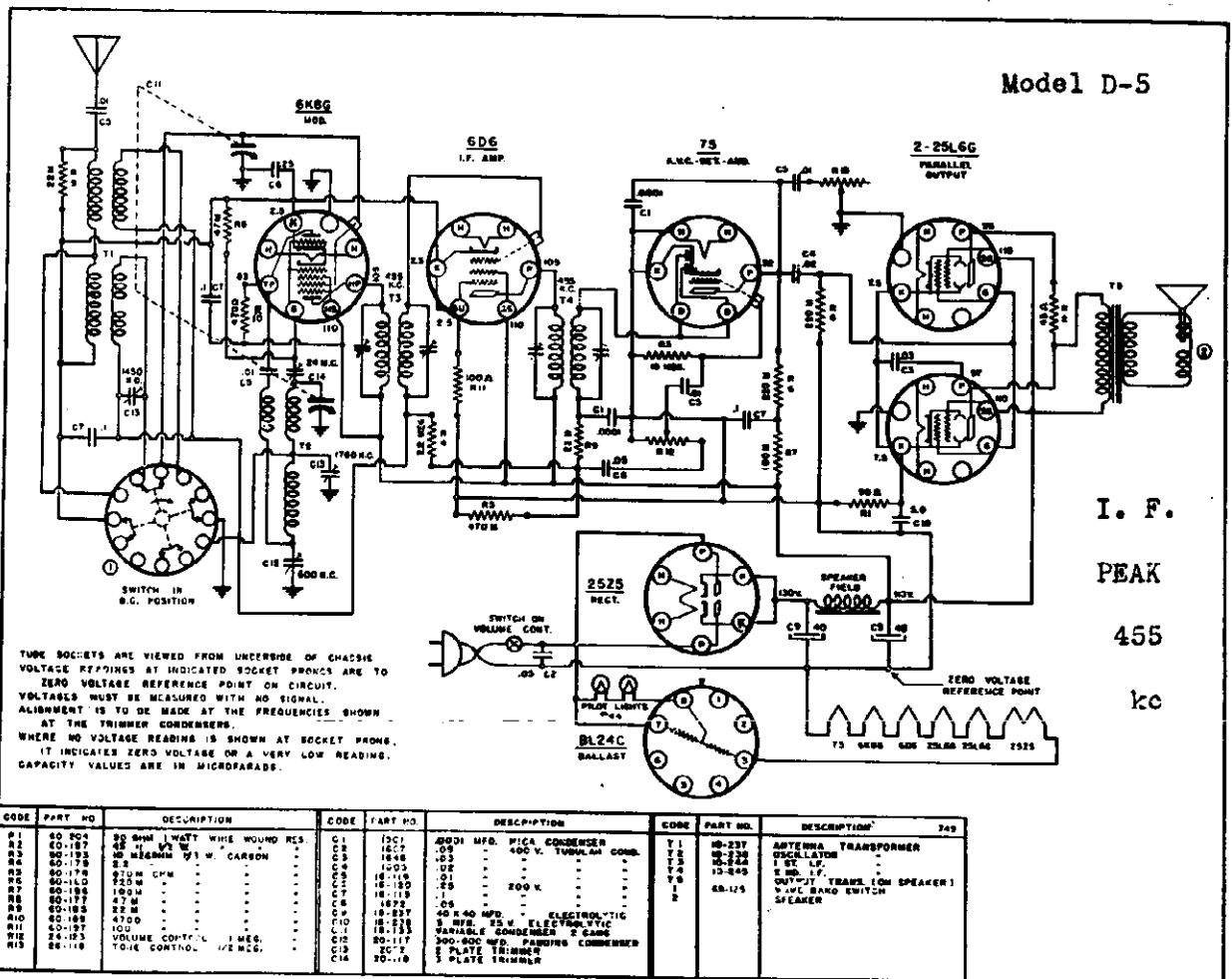
LAFAYETTE RADIO  
RADIO WIRE TELEVISION, INC.

MODEL D3  
MODEL D5



I.F.  
PEAK  
455  
kc

Model D-3



I. F.  
PEAK  
455  
kc

Model D-5

MODEL D3  
MODEL D5

LAFAYETTE RADIO  
RADIO WIRE TELEVISION, INC.

MODELS D3 and D5

ALIGNMENT PROCEDURE

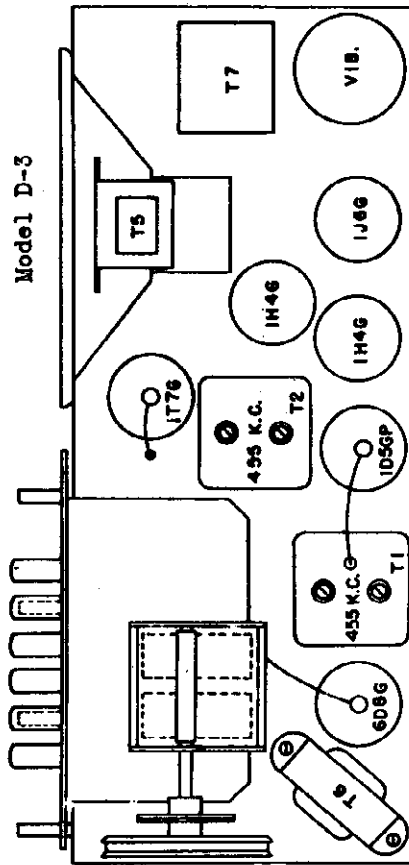
The equipment required for re-aligning this receiver is an output meter and a modulated source of radio frequency (a signal generator or microvolter). This source of radio frequency must be accurately calibrated in frequency and must have a method of varying the output.

All alignments must be made with the volume control turned full on and with the signal input from the generator reduced to as low a value as possible while still giving a sufficient output to be easily read on the output meter.

Connect the output meter, through a .5 M.F. condenser and a resistance of such a value as to make the total meter resistance approximately 10,000 ohms, to plate of output tube and B+, or a low voltage A. C. meter may be used connected across speaker voice coil. The output meter remains connected during the entire alignment procedure.

Connect the signal generator to the grid cap of the 6D8G tube through a 1 M.F. condenser. Connect the ground of the generator to the ground lead of the receiver. Set the dial to about 1000 K.C., feed in a 455 K.C. signal. Adjust first and second I.F. trimmers for maximum output. Refer to chassis layout for location of trimmers.

Turn the dial to the extreme high frequency end. Feed a 1760 K.C. signal to the receiver antenna lead through a .00025 MF mica condenser. Adjust the 1760 K.C. oscillator trimmer until maximum output is shown. Set the generator to 1500 K.C. and tune in this signal on the receiver. Then adjust the 1500 K.C. antenna trimmer to the maximum output. Then impress a 600 K.C. signal into the receiver antenna lead and tune in this signal on the receiver. Adjust oscillator padding condenser to the maximum output. For the alignment of the short wave band open variable condenser to minimum capacity. With an impressed signal of 24 M.C. adjust trimmer designated as C14 in schematic diagram for maximum output. Follow through with this procedure several times in order to obtain the best alignment adjustment possible. This completes the alignment.



Model D-3

The automatic tuning feature of your radio makes it possible to set up 6 favorite American broadcast stations and tune them in quickly with the automatic tuner. Choose stations for push-button operation heard with good volume at all times.

MODELS D3 and D5

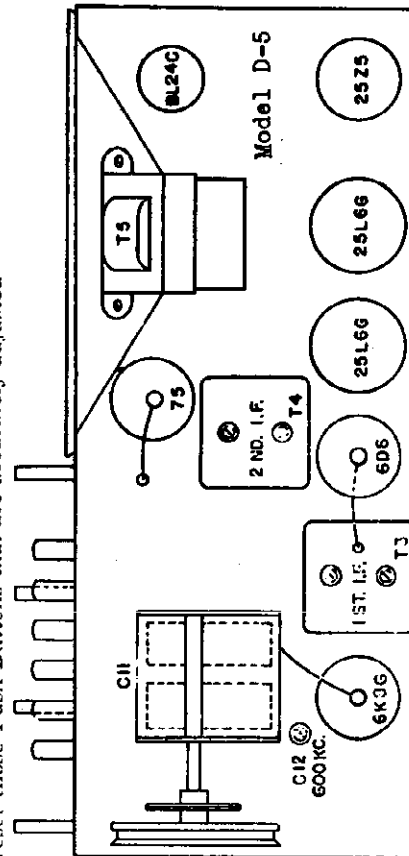
Follow the procedure outlined below, in order to adjust the push-buttons properly:

1. By means of the Station Selector Knob tune in WITH THE RIGHT HAND AS ACCURATELY AS POSSIBLE the station having the lowest frequency—that is, your selected station which is tuned in nearest the right-hand side of the dial.
2. After the station has been tuned in accurately with the right hand, continue to hold it in its exact position firmly, and with the left hand loosen the Push-Button to be set up for that station by unscrewing the Push-Button about one turn to the left (counter-clockwise).
3. Continuing to hold the Station Selector Knob in its exact position, PUSH THE PUSH-BUTTON IN ALL THE WAY with the left hand.
4. After the Push-Button has been depressed all the way, tighten it gently toward the right (clockwise). Release Push-Button slowly and when in normal position grip button and tighten firmly.

The Push-Button tuning system is now correctly set up for your first selected station of lowest frequency and the Call Letter Tab for this station should be at the extreme right of the Call Letter Holder.

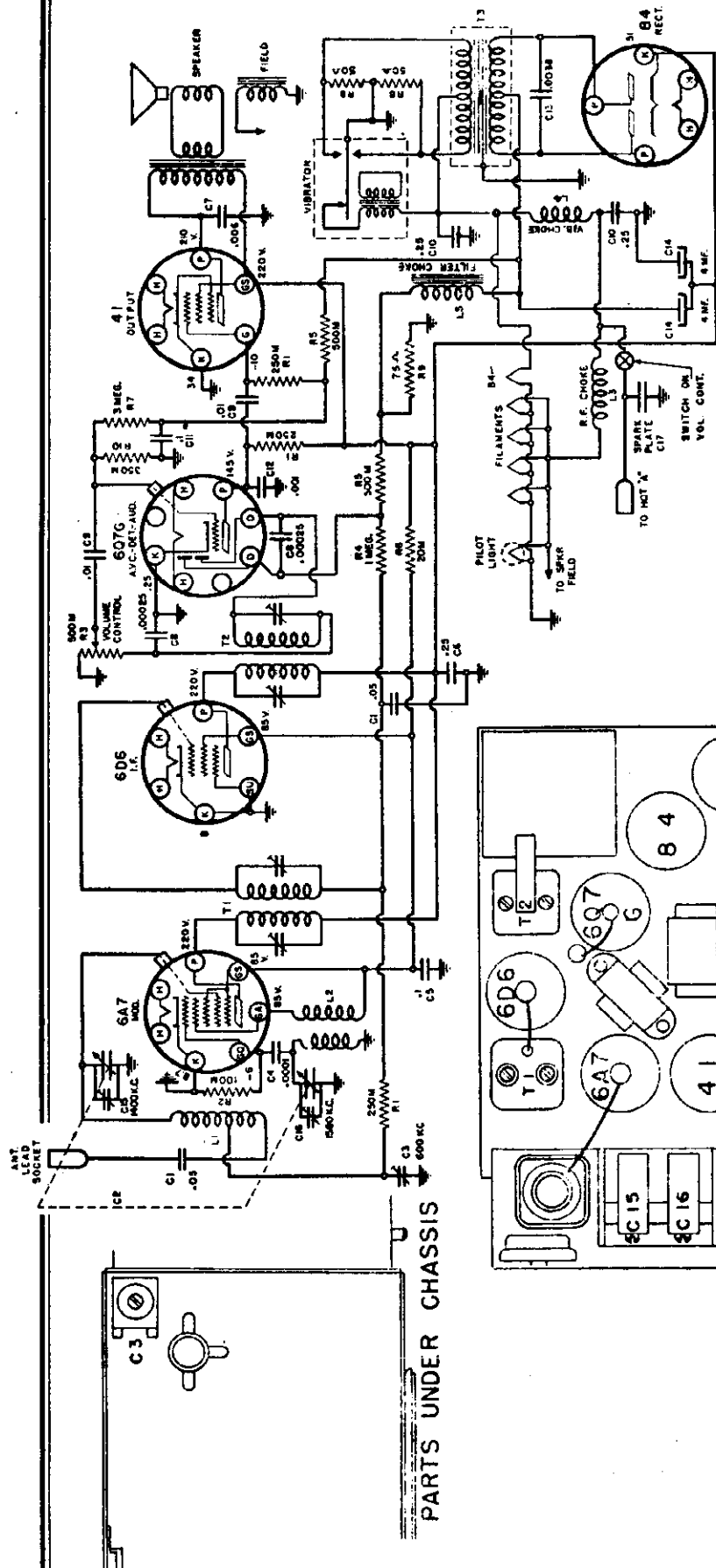
Follow through with this same procedure, setting up the other 5 stations in the order of their frequency—that is, the second station set up will be second lowest in frequency and the third station set up will be third lowest in frequency.

Carefully check each Push-Button for the accuracy of the setting. If when tuning in any station with its Automatic Push-Button it does not have equal volume or clarity to that obtained with manual tuning, this may indicate the automatic adjustment for that station was not made accurately. Should there be any inaccuracy in any one of the Push-Button adjustments, correction can be made by repeating the above procedure for that button only. Do not reset those Push-Buttons that are accurately adjusted.



Model D-5

# LAFAYETTE RADIO RADIO WIRE TELEVISION, INC.



TUBE SOCKETS ARE VIEWED FROM UNDER SIDE OF CHASSIS. VOLTAGE READINGS AT INDICATED SOCKET PRONGS ARE TO CHASSIS. ALIGNMENT IS TO BE MADE AT THE FREQUENCIES SHOWN AT THE TRIMMER CONDENSERS. WHERE NO VOLTAGE READING IS SHOWN AT SOCKET PRONGS, IT INDICATES ZERO VOLTAGE OR A VERY LOW READING. FIGURES AT CATHODES ARE CATHODE CURRENT IN MILLIAMPERES CAPACITY VALUES ARE IN MICROFARADS.

Across Loud Speaker Voice Coil  
1.85 Volts  
Receiver Chassis  
See Chart Below  
30%, 400 Cycles  
Fully On

### LOCATIONS OF PARTS ON TOP OF CHASSIS

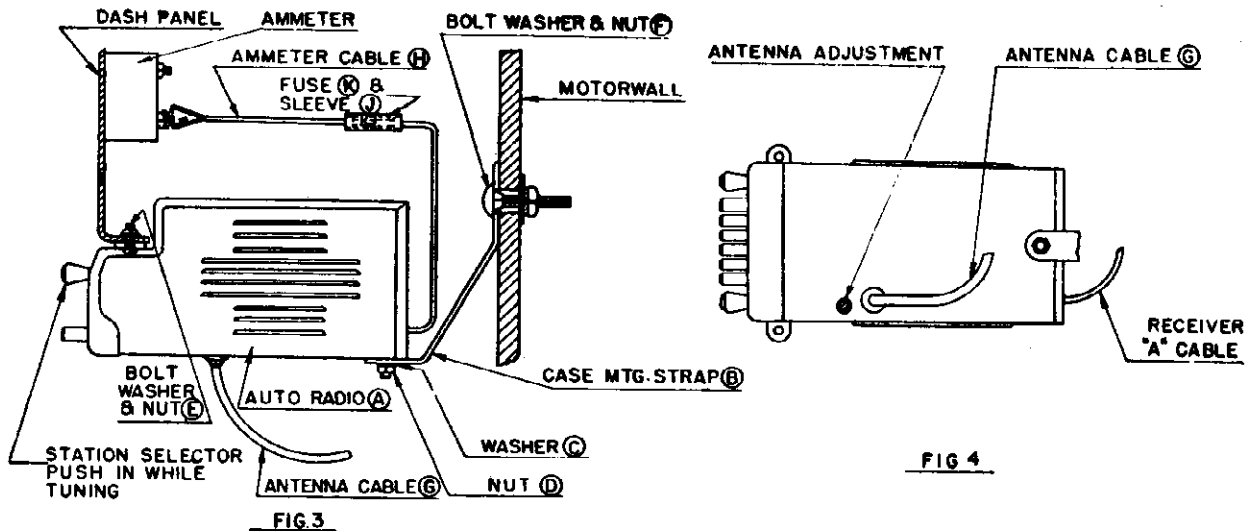
**PRELIMINARY**  
Output Meter Connections  
Output Meter Reading to Indicate 1 Watt  
Generator Ground Lead Connection  
Dummy Antenna Value to Be in Series with Generator Output  
Connection of Generator Output Lead  
Generator Modulation  
Position of Volume Control

Position of Variable	Generator Frequency	Dummy Antenna	Generator Connection	Trimmer Adjustments (In Order Shown)	Trimmer Function
Closed	456 KC	.1 mfd.	6A7 Grid	T2, T1	I. F.
Fully Open	1580 KC	.0002 mfd.	Antenna Conn.	C16	Oscillator Trimmer
1400 KC	1400 KC	.0002 mfd.	Antenna Conn.	C15	Antenna Trimmer
600 KC	600 KC	.0002 mfd.	Antenna Conn.	C3	Antenna Padder

The variable condenser should be at 600 k.c. for antenna adjustment. The alignment procedure should be repeated in the original order, step by step, to insure greater accuracy. A final adjustment of antenna padder condenser C3 is always made after the receiver is installed in the car, in order to match the car antenna. Always keep the output power from the generator at its lowest possible value to prevent the A.V.C. of the receiver from interfering with broadcast alignment.

MODEL D6

## LAFAYETTE RADIO RADIO WIRE TELEVISION, INC.



### IMPORTANT: ANTENNA ADJUSTMENT

The antenna adjustment control is located close to the antenna cable receptacle as shown in Figure 4. To make the adjustment first, remove plug button from bottom of case by inserting a screwdriver between case and plug button, then tune in a weak station with full volume at or very close to 600 kilocycles (60) on the dial. Second, insert a small screwdriver into the antenna adjustment screw shown in Figure 4 and turn the screwdriver either to the left or right until the volume of the station is at its maximum point. While adjusting the antenna adjustment screw it is advisable to vary the station selector knob a degree or two to obtain the best adjustment. Now insert plug button into case. The receiver is now balanced and no further radio electrical adjustments are necessary.

### HOW TO ADJUST AND OPERATE THE AUTOMATIC PUSH-BUTTON TUNING

The automatic tuning feature of your radio makes it possible to set up 6 favorite American broadcast stations and tune them in quickly with the Automatic Tuner.

The Automatic Tuner has 6 adjustable Push-Buttons. Each button can be adjusted for one of your favorite stations. **CHOOSE STATIONS FOR PUSH-BUTTON OPERATION HEARD WITH GOOD VOLUME AT ALL TIMES.** It is not necessary to use all six buttons, if it is not desired.

Cut the call letters of your 6 selected stations from the list supplied (See "N" in Fig. 1) with your receiver and slip them into the Tab Holder FROM THE TOP with the clear celluloid (see "O" in Fig. 1) in front of the call letters to protect them. Arrange the call letters in the Tab Holder from right to left. Have the call letters of the lowest frequency station at the extreme right and work progressively to the left so that the highest frequency call letters will be at the extreme left.

#### SETTING PUSH-BUTTONS

1. By means of the Station Selector Knob, tune in WITH THE RIGHT HAND AS ACCURATELY AS POSSIBLE the station having the lowest frequency—that is, your selected station which is tuned in nearest the right-hand side of the dial.

2. After the station has been tuned in accurately with the right hand, continue to hold it in its exact position firmly, and with the left hand loosen the Push-Button to be set up for that station by unscrewing the Push-Button about one turn to the left (counter-clockwise).

3. Continuing to hold the Station Selector Knob in its exact position, PUSH THE PUSH-BUTTON IN ALL THE WAY with the left hand.

4. After the Push-Button has been depressed all the way, tighten it gently toward the right (clockwise). Release Push-Button slowly and when in normal position grip button and tighten firmly.

The Push-Button tuning system is now correctly set up for your first selected station of lowest frequency and the Call Letter Tab for this station should be at the extreme right of the Call Letter Holder.

Follow through with this same procedure, setting up the other 5 stations in the order of their frequency—that is, the second station set up will be second lowest in frequency and the third station set up will be third lowest in frequency.

Carefully check each Push-Button for the accuracy of its setting. If, when tuning in any station with its Automatic Push-Button it does not have equal volume or clarity to that obtained with manual tuning, this may indicate the automatic adjustment for that station was not made accurately. Should there be any inaccuracy in any one of the Push-Button adjustments, correction can be made by repeating the above procedure for that button only. Do not reset those Push-Buttons that are accurately adjusted.

No further adjustments are necessary to operate your auto radio automatically or manually. To receive any one of your six selected stations for automatic operation, merely push in ALL THE WAY the Button set up for that station.

To receive all other stations in the regular manner, push in the Station Selector Knob and turn it to the frequency of the station desired.

# LAFAYETTE RADIO RADIO WIRE TELEVISION, INC.

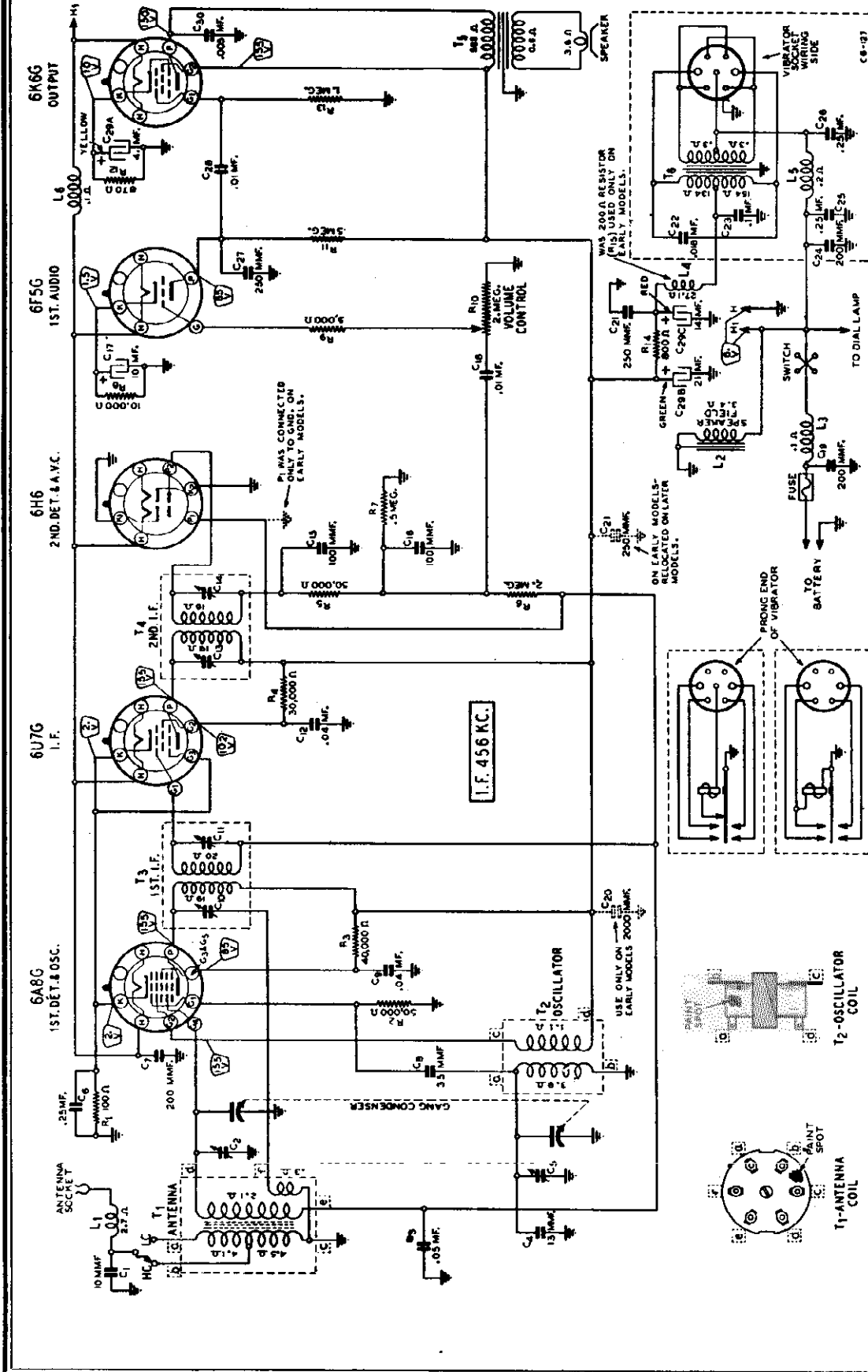
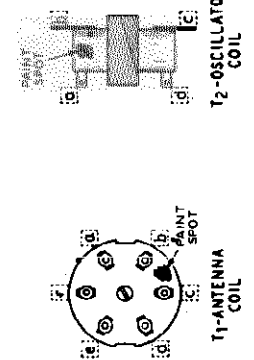


Fig. 1—Schematic Circuit Diagram

Tuning Frequency Range . . . . . 528 to 1550 KC  
 Intermediate Frequency . . . . . 456 KC  
 Speaker . . . . . 6" Dynamic

Power Consumption . . . . . 5.5 Amperes at 6.3 Volts  
 Power Output . . . . . .8 Watt Undistorted  
 Sensitivity . . . . . 10 Microvolts at .5 Watt Output  
 Selectivity . . . . . 42.5 KC Broad at 1000 Times Signal





MODEL BB9

LAFAYETTE RADIO  
RADIO WIRE TELEVISION, INC.

**Calibration—Sliding Pointer Models**  
—The pointer assembly is clamped to the drive cord and it is seldom necessary to reset it to obtain proper dial calibration. If re-calibration is required, loosen the clamps with a screw driver, bringing the pointer assembly first down to one end of the dial scale and then down to the other end. Tune in a signal of known frequency near one end of the dial scale. Move the pointer assembly to this frequency on the scale and tighten the clamps with long nose pliers.

**Inserting Vibrator Unit**

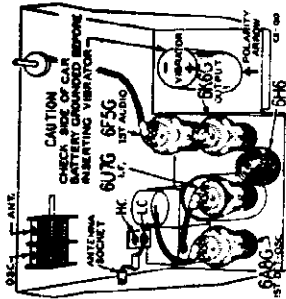
**IMPORTANT**—The vibrator unit can be inserted in two ways. The proper method of insertion will depend on which terminal of the car battery is grounded. If the POSITIVE (+) terminal of the car battery is grounded, line up the + mark on the top of the vibrator with the arrow on the chassis base. If the NEGATIVE (-) terminal of the car battery is grounded, line up the - mark on the top of the vibrator with the arrow on the chassis base.

**Antenna Capacity**

**Rotating Pointer Models**—The antenna coil is designed for car antenna with a capacity of 100 mmf. for the HC connection and 60 mmf. for the LC connection. This capacity is the total capacity of the antenna and the shielded lead.

Complete information regarding car antenna installation will be found in the instruction book packed with the radio.

**Sliding Pointer Models**—The information for this type of radio is the same as above except that the HC capacity is 300 mmf. and the LC capacity is 38 mmf.



If cut in half (30-inch length), the capacity of the antenna cable is approximately 35 mmf. Connect the antenna wire, in this case, through a 25 mmf. condenser to the antenna post of the signal generator.

**Sliding Pointer Models**—If the antenna is connected at the HC terminal and the 60-inch shielded cable (19 mmf.) is being used, connect the antenna wire, in this case, through a 20 mmf. condenser to the antenna post of the signal generator. If the long cable has been cut to length and is being used, the total capacity of the cable and the series condenser should be 38 to 40 mmf.

**Both Models**—Set the signal generator for 1550 KC. Turn the rotor of the tuning condenser to the full open position. Adjust the trimmer of the oscillator section of the gang condenser until maximum output is obtained. See Fig. 4 for location of this trimmer.

Set the signal generator for 1400 KC. Turn the rotor of the tuning condenser carefully until maximum output is obtained. Adjust the trimmer of the antenna section of the gang condenser for maximum output.

**Calibration—Rotating Pointer Models**—To obtain dial scale calibration, tune in an 800 KC signal. Hold the tuning shaft and turn the pointer disc until the pointer is at the correct position when the chassis front cover is put back in place.

bracket. Tune in a signal of known frequency near one end of the dial scale. Move the pointer assembly to this frequency on the dial scale and tighten the clamps with long nose pliers.

**Alignment Procedure**

Remove the bottom and front chassis covers. Directions for removing the bottom cover are in the instruction book.

To remove the front cover, first pull the knobs and buttons off the shafts. Remove the 2 screws at the top and the 2 screws at the sides of the front cover. Press in the sides of the chassis case to release the lugs at the sides of the front cover. Pull outward on the bottom of the front cover and then push the cover up until the lugs at the top are released. Do not remove the back of the chassis case. This back can be taken off of the No. 2 and later issue sets.

Set the signal generator for 456 KC and connect the output of the signal generator to control grid of the 1st Detector. Connect the ground lead of the signal generator to the chassis. Set the volume control at the maximum. Attenuate the signal from the signal generator to prevent the leveling off action of the AVC.

Then adjust the 4 I.F. trimmers until maximum output is obtained. These trimmers can be reached through the 4 holes in the back wall of the chassis case. It will be necessary to pull out the fiber insulating sheet a slight amount.

Insert the antenna cable plug in the antenna socket on the chassis.

**Rotating Pointer Models**—If the antenna is connected at the HC terminal and the entire 60-inch shielded cable (70 mmf.) is being used, connect the antenna wire at the other end through a 120 mmf. condenser to the antenna post of the signal generator.

If the antenna is connected at the LC terminal, the antenna cable has been cut as explained in the instruction book.

Remove the bottom and front chassis covers. Directions for removing the bottom cover are in the instruction book.

**Alignment Procedure**

To remove the front cover, first pull the knobs and buttons off the shafts. Remove the 2 screws at the top and the 2 screws at the sides of the front cover. Press in the sides of the chassis case to release the lugs at the sides of the front cover. Pull outward on the bottom of the front cover and then push the cover up until the lugs at the top are released. Do not remove the back of the chassis case. This back can be taken off of the No. 2 and later issue sets.

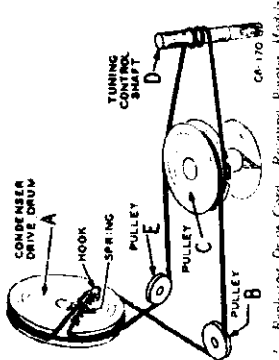
Set the signal generator for 456 KC and connect the output of the signal generator to control grid of the 1st Detector. Connect the ground lead of the signal generator to the chassis. Set the volume control at the maximum. Attenuate the signal from the signal generator to prevent the leveling off action of the AVC.

Then adjust the 4 I.F. trimmers until maximum output is obtained. These trimmers can be reached through the 4 holes in the back wall of the chassis case. It will be necessary to pull out the fiber insulating sheet a slight amount.

Insert the antenna cable plug in the antenna socket on the chassis.

**Rotating Pointer Models**—If the antenna is connected at the HC terminal and the entire 60-inch shielded cable (70 mmf.) is being used, connect the antenna wire at the other end through a 120 mmf. condenser to the antenna post of the signal generator.

If the antenna is connected at the LC terminal, the antenna cable has been cut as explained in the instruction book.



It is not necessary to remove the dial and drive bracket assembly in order to replace the drive cord.

Tie a knot with a small loop at one end of the new drive cord. Slide a 1/2 inch length of fabric tubing on the cord. Tie the free end of the drive cord to the tension spring. The distance between knots should be 2 3/4 inches.

Turn the gang condenser to full open position.

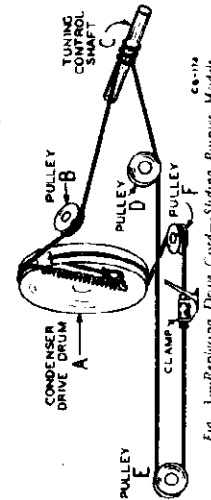
Place the looped end of the drive cord over the hook on condenser drive drum A—See Fig. 3. Bring the cord up through the slot in the drum rim.

Turn the drive drum to the position shown in Fig. 3. Wind one turn down and around drive drum A and around pulley B as shown. Wind 3/4 turns on tuning control shaft C, progressing from a point midway between the two bracket arms toward the chassis.

Bring cord under pulley D and around pulleys E and F as shown. See that the fabric tubing is now between pulleys E and F. Bring the drive cord to the rear around drive drum A and through the slot in the drum rim as shown.

Turn the gang condenser to full open position and place the free end of the tension spring over the hook on drive drum A.

**Dial Pointer Adjustment**—Mount the celluloid dial scale on the dial



**Drive Cord Replacement—Rotating Pointer Models**

Tie a knot with a small loop at one end of the new drive cord. The free end of the drive cord is tied to the tension spring. The distance between knots should be 2 3/4 inches.

Turn the gang condenser to full open position.

Place the looped end of the drive cord over the hook on condenser drive drum A—See Fig. 2 (Shown with gang condenser half open). Bring the cord up through the slot in the drum rim and wind one-half turn to the rear (front of chassis) around the drive drum. Pass cord around the pulley B as shown.

Wind one turn clockwise (from front of chassis) around pointer disc pulley C. Loop cord through the notches on the outside rim of the pointer disc pulley as shown. Wind 2 1/2 turns clockwise, progressing from a point midway between the bracket arms toward the chassis, on tuning control shaft D. Bring cord to the left under pointer disc pulley C and around pulley E as shown.

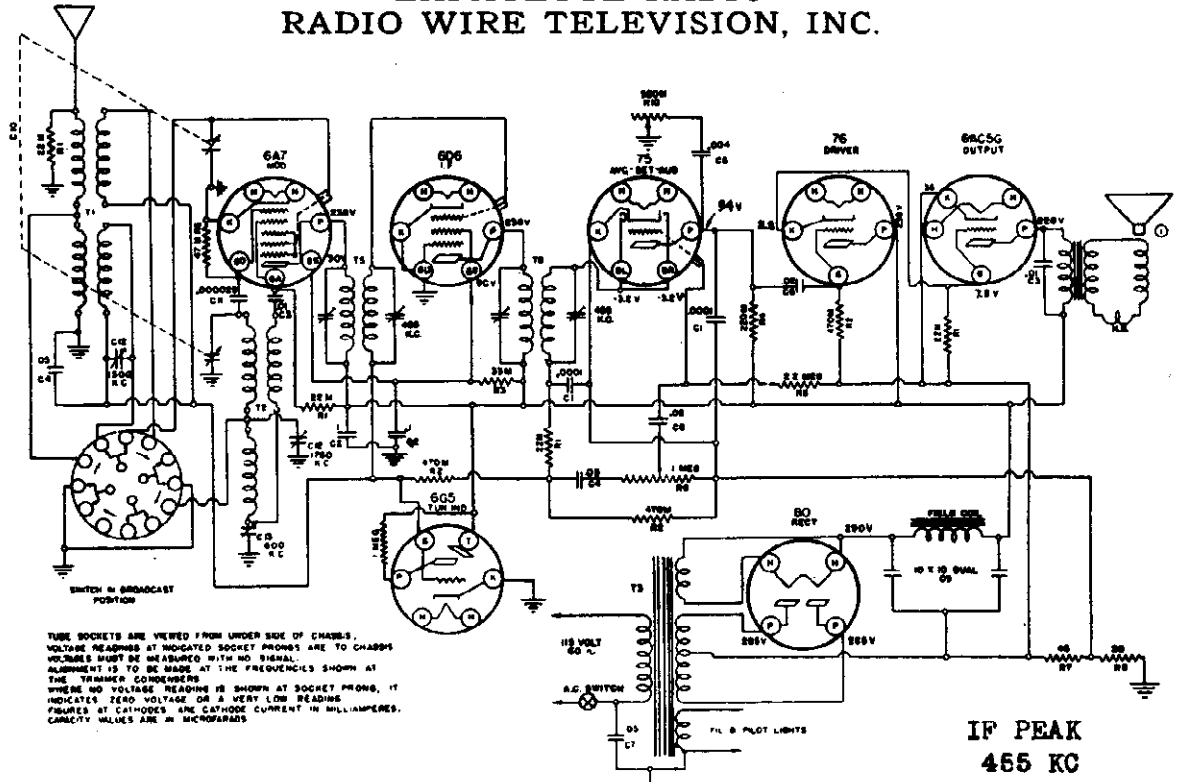
Pass cord to top of drive drum A and wind one turn to the rear around the drum rim. Pass the remaining drive cord and tension spring through the slot in the drum rim. Place free end of spring over the hook on the condenser drive drum.

**Setting Pointer Disc**—Tune in an 800 KC signal. Hold the tuning shaft and turn the pointer disc until the pointer is at the correct position when the chassis front cover is put back in place.

**Drive Cord Replacement—Sliding Pointer Models**

Remove the celluloid dial scale. Open the clamps on the back of the dial pointer in order to remove the old drive cord.

# LAFAYETTE RADIO RADIO WIRE TELEVISION, INC.



THIS SOCKET IS VIEWED FROM UNDER SIDE OF CHASSIS. VOLTAGE READINGS AT INDICATED SOCKET POINTS ARE TO CHASSIS. VALUES MUST BE MEASURED WITH NO SIGNAL. ALIGNMENT IS TO BE MADE AT THE FREQUENCIES SHOWN AT THE TRIMMER CONDENSERS WHERE NO VOLTAGE READING IS SHOWN AT SOCKET POINTS, IT INDICATES ZERO VOLTAGE OR A VERY LOW READING. POINTS AT CATHODES ARE CATHODE CURRENT IN MILLIAMPERES. CAPACITY VALUES ARE IN MICROFARADS.

**IF PEAK  
455 KC**

CODE	PART NO	DESCRIPTION	CODE	PART NO	DESCRIPTION	CODE	PART NO	DESCRIPTION
R1	60-83	25M OHM 1/2 WATT RESISTOR	C1	15D1	100 MFD 50V MICA CONDENSER	C6	100	12 MFD 50V MICA CONDENSER
R2	60-178	470M	C2	16V1A	1 MFD 400 V TUBULAR CONDENSER	C7	202	100
R3	60-178	22M	C3	16D4	0.01MFD 500V	C8	20117	22 MFD 50V MICA CONDENSER
R4	60-178	22M	C4	16E2	0.02	C9	20117	PADDING CONDENSER 300 500 MMFD
R5	60-178	22M	C5	16E2	0.02	T1	10 237	ANTENNA COIL
R6	60-178	22M	C6	16E2	0.02	T2	10 238	OSCILLATOR COIL
R7	60-178	22M	C7	16E2	0.02	T3	10 159	POWER TRANSFORMER
R8	60-178	22M	C8	16E2	0.02	T4	10 159	POWER TRANSFORMER
R9	60-178	22M	C9	16E2	0.02	T5	10 159	POWER TRANSFORMER
R10	60-178	22M	C10	16E2	0.02	T6	10 159	POWER TRANSFORMER
R11	60-178	22M	C11	16E2	0.02	T7	10 159	POWER TRANSFORMER
R12	60-178	22M	C12	16E2	0.02	T8	10 159	POWER TRANSFORMER
R13	60-178	22M	C13	16E2	0.02	T9	10 159	POWER TRANSFORMER
R14	60-178	22M	C14	16E2	0.02	T10	10 159	POWER TRANSFORMER
R15	60-178	22M	C15	16E2	0.02	T11	10 159	POWER TRANSFORMER
R16	60-178	22M	C16	16E2	0.02	T12	10 159	POWER TRANSFORMER
R17	60-178	22M	C17	16E2	0.02	T13	10 159	POWER TRANSFORMER
R18	60-178	22M	C18	16E2	0.02	T14	10 159	POWER TRANSFORMER
R19	60-178	22M	C19	16E2	0.02	T15	10 159	POWER TRANSFORMER
R20	60-178	22M	C20	16E2	0.02	T16	10 159	POWER TRANSFORMER

### PUSH BUTTON ADJUSTMENT

After receiver is installed and antenna and ground properly connected, plug line cord into a convenient outlet. Then turn the volume control to about the center of rotation. This will turn the receiver on and put it in an operating condition. Time must be allowed for the tubes to heat up before stations can be tuned in. This time is approximately one-half minute.

The automatic tuning feature of your radio makes it possible to set up 6 favorite American broadcast stations and tune them in quickly with the automatic tuner. Choose stations for push-button operation heard with good volume at all times.

Cut the call letters of your 6 selected stations from the list supplied with your receiver and slip them into the Tab Holder from the top, with the clear celluloid in front of the call letters to protect them. Arrange the call letters in the Tab Holder from right to left. Have the call letters of the lowest frequency station at the extreme right and work progressively to the left so that the highest frequency call letters will be at the extreme left.

Follow the procedure outlined below, in order to adjust the push-buttons properly:

1. By means of the Station Selector Knob tune in WITH THE RIGHT HAND AS ACCURATELY AS POSSIBLE the station having the lowest frequency—that is, your selected station which is tuned in nearest the right-hand side of the dial.
2. After the station has been tuned in accurately with the right hand, continue to hold it in its exact position firmly, and with the left hand loosen the Push-Button to be set up for that station by unscrewing the Push-Button about one turn to the left (counter-clockwise).
3. Continuing to hold the Station Selector Knob in its exact position, PUSH THE PUSH-BUTTON IN ALL THE WAY with the left hand.
4. After the Push-Button has been depressed all the way, tighten it gently toward the right (clockwise). Release Push-Button slowly and when in normal position grip tuning and tighten firmly.

The Push-Button tuning system is now correctly set up for your first selected station of lowest frequency and the Call Letter Tab for this station should be at the extreme right of the Call Letter Holders.

Follow through with this same procedure, setting up the other 5 stations in the order of their frequency—that is, the second station set up will be second lowest in frequency and the third station set up will be third lowest in frequency.

Carefully check each Push-Button for the accuracy of the setting. If, when tuning in any station with its Automatic Push-Button it does not have equal volume or clarity to that obtained with manual tuning, this may indicate the automatic adjustment for that station was not made accurately. Should there be any inaccuracy in any one of the Push-Button adjustments, correction can be made by repeating the above procedure for that button only. Do not reset those Push-Buttons that are accurately adjusted.

No further adjustments are necessary to operate your radio automatically or manually. To receive any one of your four selected stations for automatic operation, merely push in ALL THE WAY the Button set up for that station.

### ALIGNMENT PROCEDURE

The following alignment procedure is for use only by competent service men having the proper equipment. Re-alignment is very seldom needed and is usually only required after some major part has been replaced because of damage to the receiver.

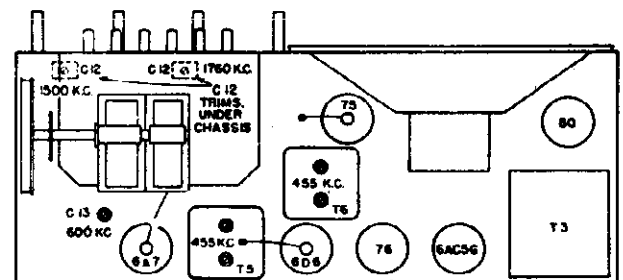
The equipment required for re-aligning this receiver is an output meter and a modulated source of radio frequency (a signal generator or microvolter). This source of radio frequency must be accurately calibrated in frequency and must have a method of varying the output.

All alignments must be made with the volume control turned full on and with the signal input from the generator reduced to as low a value as possible while still giving a sufficient output to be easily read on the output meter.

Connect the output meter, through a .5 M.F. condenser and a resistance of such a value as to make the total meter resistance approximately 7000 ohms, to plate of output tube and B+, or a low voltage A. C. meter may be used connected across speaker voice coil. The output meter remains connected during the entire alignment procedure.

Connect the signal generator to the grid cap of the 6A7 tube through a .1 M.F. condenser. Connect the ground of the generator to the ground lead of the receiver. Set the dial to about 1000 K.C., feed in a 455 K.C. signal. Adjust first and second I.F. trimmers for maximum output. Refer to chassis lay-out for location of trimmers.

Turn the dial to the extreme high frequency end. Feed a 1760 K.C. signal to the receiver antenna lead through a .00025 M.F. mica condenser. Adjust the 1760 KC oscillator trimmer until maximum output is shown. Set the generator to 1500 KC and tune in this signal on the receiver. Then adjust the 1500 KC antenna trimmer to the maximum output. Then impress a 600 KC signal into the receiver antenna lead and tune in this signal on the receiver. Adjust oscillator padding condenser to the maximum output. Follow through with this procedure several times in order to obtain the best alignment adjustment possible. This completes the alignment.





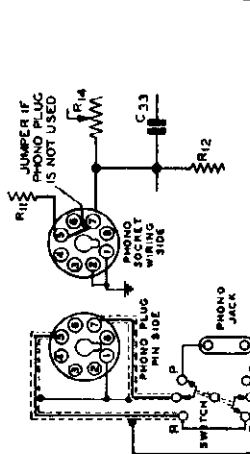
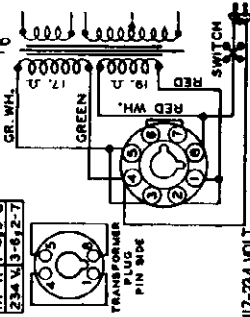
# LAFAYETTE RADIO RADIO WIRE TELEVISION, INC.

**Tuning Frequency Range**

B Range . . . . . 528 to 1830 KC.  
 C Range . . . . . 1810 to 5350 KC.  
 D Range . . . . . 6300 to 22000 KC.

**Sensitivity**

B Range . . . . . 8 Microvolts Average  
 C Range . . . . . 13 Microvolts Average  
 D Range . . . . . 9 Microvolts Average



**Power Consumption** - 67 Watts (A: 117 volts 60 cycles)

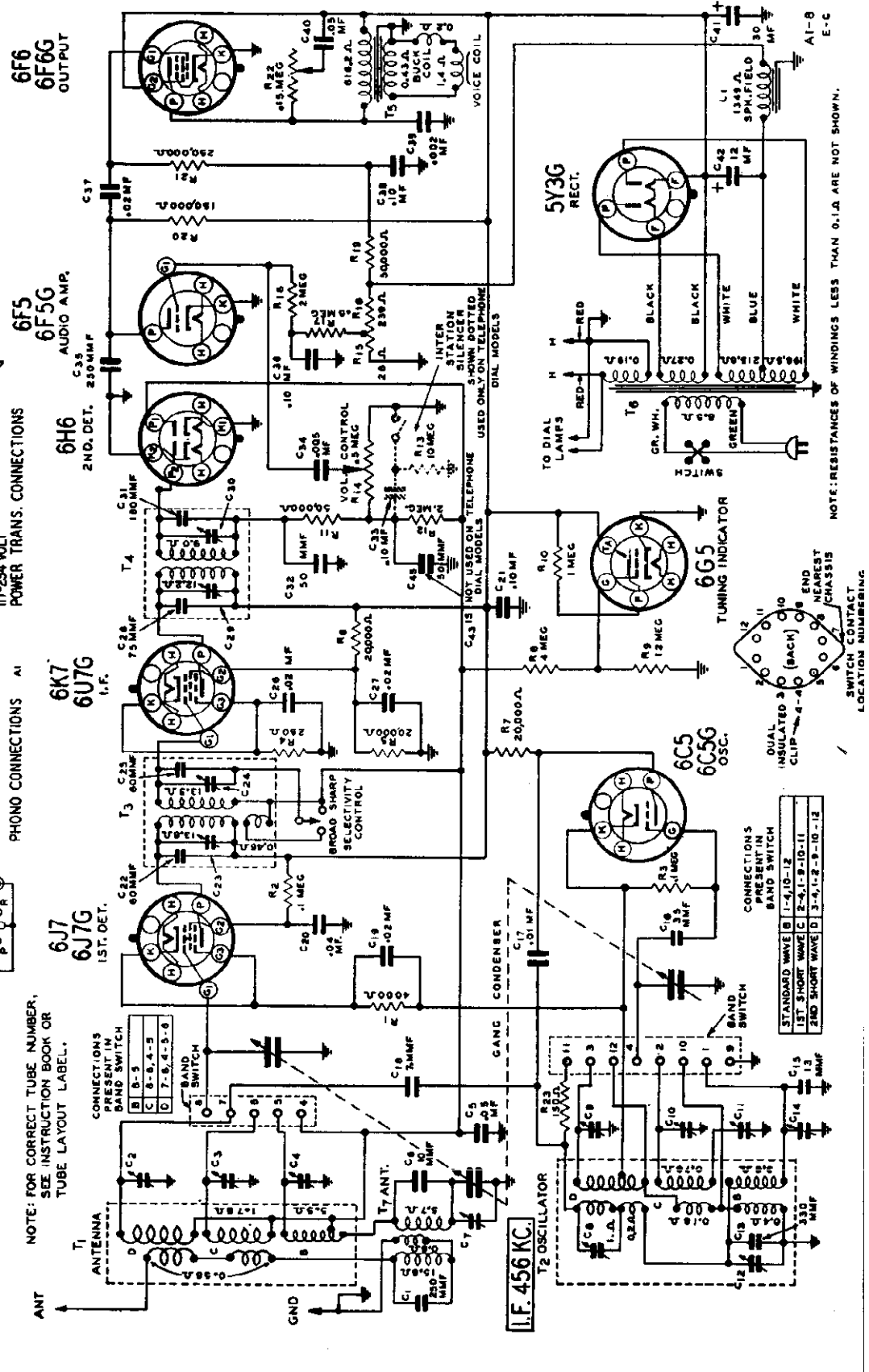
**Power Output** . . . . . 2.5 Watts Undistorted  
 . . . . . 4.5 Watts Maximum

**Selectivity** - 36 KC Broad at 1000 times Signal  
 (Sharp)

**Intermediate Frequency** . . . . . 456 KC.

**Speakers** . . . . . 8", 10" or 12" Dynamic

NOTE: FOR CORRECT TUBE NUMBER, SEE INSTRUCTION BOOK OR TUBE LAYOUT LABEL.



**CONNECTIONS PRESENT IN BAND SWITCH**

B	8-5
C	8-5-4-5
D	7-5-4-5-6

**CONNECTIONS IN BAND SWITCH**

STANDARD WAVE	B 1-4, 10-12
1ST. SHORT WAVE	C 2-4, 1-9, 10-11
2ND. SHORT WAVE	D 3-4, 1-2, 9-10, -12

NOTE: RESISTANCES OF WINDINGS LESS THAN 0.1 Ω ARE NOT SHOWN.

SWITCH CONTACT LOCATION NUMBERING

MODEL B13

LAFAYETTE RADIO  
RADIO WIRE TELEVISION, INC.

ALIGNMENT PROCEDURE

Volume Control—Maximum All Adjustments.  
Selectivity Control—Sharp Position All Adjustments.  
Connect Radio Chassis to Ground Post of Signal Generator with a Short Heavy Lead.  
Allow Chassis and Signal Generator to "Heat Up" for Several Minutes.

The following equipment is required for aligning:  
An All Wave Signal Generator which will provide an accurately calibrated signal at the test frequencies as listed.  
Output Indicating Meter — Non-Metallic Screwdriver.  
Dummy Antennas — .1 mf., 200 mmf., and 400 ohms.

STEP (Follow Order as Given)	BAND SWITCH SETTING	DUMMY ANTENNA	SIGNAL GENERATOR		TRIMMERS ADJUSTED See Illustration	PROCEDURE	
			FREQUENCY SETTING	CONNECTION AT RADIO		INITIAL STEPS	ADJUSTMENT
<b>I. F.</b>							
2nd I.F. Adj.	Range B	.1 mf.	456 KC	Grid of I.F. Tube	2nd I.F. (C29) & (C30)	Turn Rotor to Full Open	Adjust to Maximum Output
1st I.F. Adj.	Range B	.1 mf.	456 KC	Grid of 1st Det.	1st I.F. (C23) & (C24)	Turn Rotor to Full Open	Adjust to Maximum Output
<b>RANGE B</b>							
1830 KC	Range B	200 mmf.	1830 KC	Antenna Lead	Oscillator Range B (C14)	Turn Rotor to Full Open	Adjust to Maximum Output
1500 KC	Range B	200 mmf.	1500 KC	Antenna Lead	1st Ant. Range B (C7) 2nd Ant. Range B (C4)	Turn Rotor to Max. Output Set Indicator to 1500 KC— See Note A	Adjust to Maximum Output
600 KC	Range B	200 mmf.	600 KC	Antenna Lead	600 KC (C12)	Turn Rotor to Max. Output	Adjust to Maximum Output Rock Rotor — See Note B
<b>RANGE C</b>							
6360 KC	Range C	400 Ohm	6360 KC	Antenna Lead	Oscillator Range C (C10)	Turn Rotor to Full Open	Adjust to Maximum Output
6000 KC	Range C	400 Ohm	6000 KC	Antenna Lead	Antenna Range C (C3)	Turn Rotor to Max. Output	Adjust to Maximum Output
2000 KC	Range C	400 Ohm	2000 KC	Antenna Lead	2000 KC (C11)	Turn Rotor to Max. Output	Adjust to Maximum Output Rock Rotor — See Note B
<b>RANGE D</b>							
22,000 KC	Range D	400 Ohm	22,000 KC	Antenna Lead	Oscillator Range D (C9)	Turn Rotor to Full Open	Adjust to Maximum Output
20,000 KC	Range D	400 Ohm	20,000 KC	Antenna Lead	Antenna Range D (C2)	Turn Rotor to Max. Output	Adjust to Maximum Output Rock Rotor — See Note B
7000 KC	Range D	400 Ohm	7000 KC	Antenna Lead	7000 KC (C8)	Turn Rotor to Max. Output	Adjust to Maximum Output Rock Rotor — See Note B

Attenuate the signal from the signal generator to prevent the loading-off action of the AVC.  
After each range is completed, repeat the procedure as a final check.

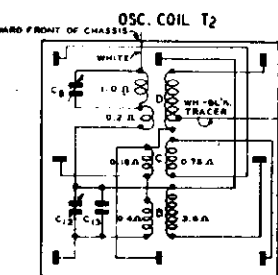
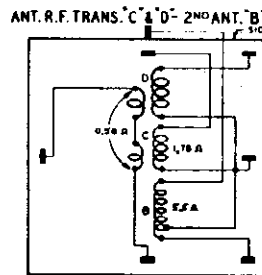
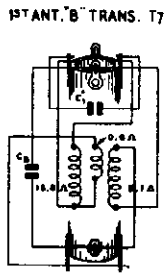
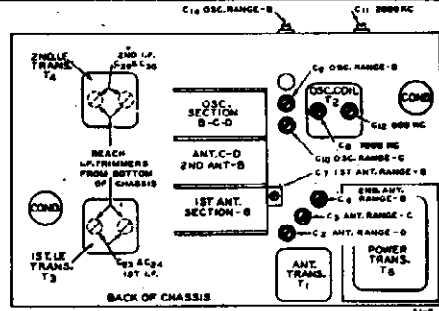
NOTE A—In sets using the telephone dial tuning, there will be seen inside the telephone dial buttoning an escutcheon plate held in place by four screws. Loosen the 2 screws nearest the pointer. An extension of the pointer will be seen protruding over the edge of this escutcheon plate. Move the pointer to the 1500 KC mark on the dial and then tighten the 2 escutcheon screws. (Do not tighten these screws too much.)

In sets using the moving beam of light indicator, there is a moving light assembly held to the front of the drive drum by means of a screw. Loosen this screw and move the light assembly until the beam is at the 1500 KC mark on the dial. Retighten the screw.

NOTE B—Turn the rotor back and forth and adjust the trimmer until the peak of greatest intensity is obtained.

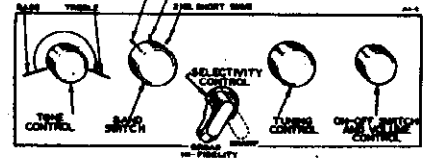
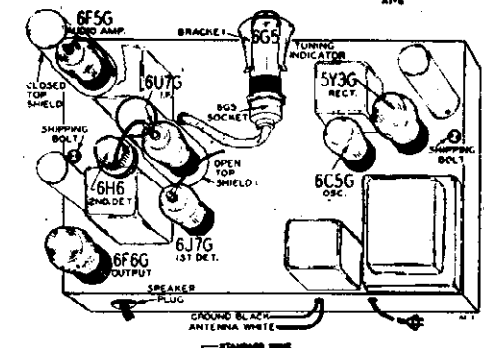
CAUTION—When aligning the short wave bands, be sure NOT to adjust at the image frequency. This can be checked as follows: Let us say the signal generator is set for 5000 KC. The signal will then be heard at 5000 KC on the dial of the radio. The image signal, which is much weaker, will be heard at 5000 less 912 KC, or 4088 KC on the dial. It may be necessary to increase the input signal to hear the image.

NOTICE—Re-alignment is necessary if glass tubes are replaced by their equivalent in metal tubes, or vice versa, in the R.F. and I.F. stages.



NOTE: RESISTANCES OF WINDINGS LESS THAN .1 Ω ARE NOT SHOWN.

Coil Terminal Arrangement and D.C. Resistance of Windings



VOLTAGES AT SOCKETS

Line Voltage: 117—Volume Control: Maximum  
Readings taken with 1000 Ohm-per-volt meter.  
Antenna Shorted to Ground  
Position of Band Switch: Standard Wave

TUBE	FUNCTION	VOLTAGE BETWEEN SOCKET PRONG AND GROUND (Unless otherwise indicated)							
		Prong No. 1	Prong No. 2	Prong No. 3	Prong No. 4	Prong No. 5	Prong No. 6	Prong No. 7	Prong No. 8
6J7 6J7G	1st Det.	0	Δ.1(1)	220	100	7.9	Δ.1(1)	7.9	
6C5 6C5G	Osc.	0	Δ.1(1)	140			Δ.1(1)	0	
6K7 6U7G	I.F.	0	Δ.1(1)	220	100	2	Δ.1(1)	2	
6H6	2nd Det.	0	Δ.1(1)		0		Δ.1(1)	0	
6F5 6F5G	Audio Amp.	0	Δ.1(1)		75		Δ.1(1)	0(2)	
6F6 6F6G	Power	0	Δ.1(1)	215	220		Δ.1(1)	0(3)	
5Y3G	Rectifier	0	4.9(4)		Δ.10(5)		Δ.10(5)	4.9(4)	
6G5	Tuning Indicator	Plate to Ground 20	Target to Ground 220	Cathode to Ground 0	Across Heater Δ.1 A. C.				

(1) A.C. voltage as read across heater terminals 2 and 7.  
(2) Bias (1.3 volts) as read across resistor R15.  
(3) Bias (14 volts) as read across resistors R15 and R16.  
(4) A.C. voltage as read across filament terminals 2 and 8.  
(5) A.C. voltage as read across terminals 4 and 6.

117-234 Volt Power Transformers

Some models are equipped with a 117-234 volt 40 to 60 cycle power transformer. Connections as shown in Fig. 2 are completed to a special octal socket mounted on the back panel of the chassis. A plug which goes with this socket may then be inserted for either the 117 volt or 234 volt connection.

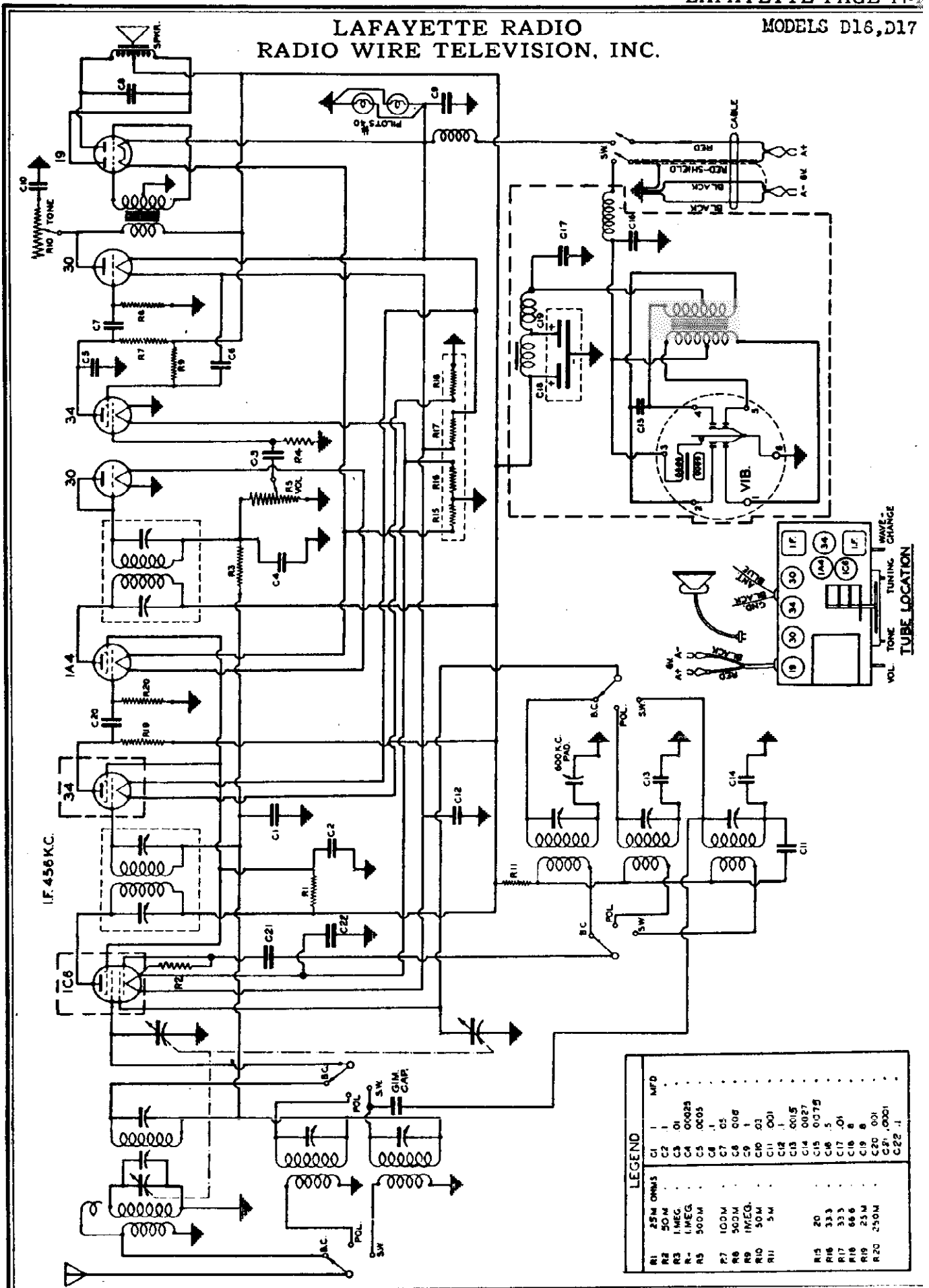
If one of these transformers is to be installed in a chassis equipped with a regular transformer, there is a 1 1/4 inch round knockout on the back panel which may be removed to permit installation of the octal socket mentioned above.

Twenty-five Cycle Models

The twenty-five cycle receiver differs from the sixty cycle receiver only in the fact that a different power transformer is used.

The twenty-five cycle receiver can be operated satisfactorily from a sixty cycle power supply. However, the reverse is not true, the sixty cycle receiver cannot be operated from a twenty-five cycle power supply.

LAFAYETTE RADIO  
RADIO WIRE TELEVISION, INC.



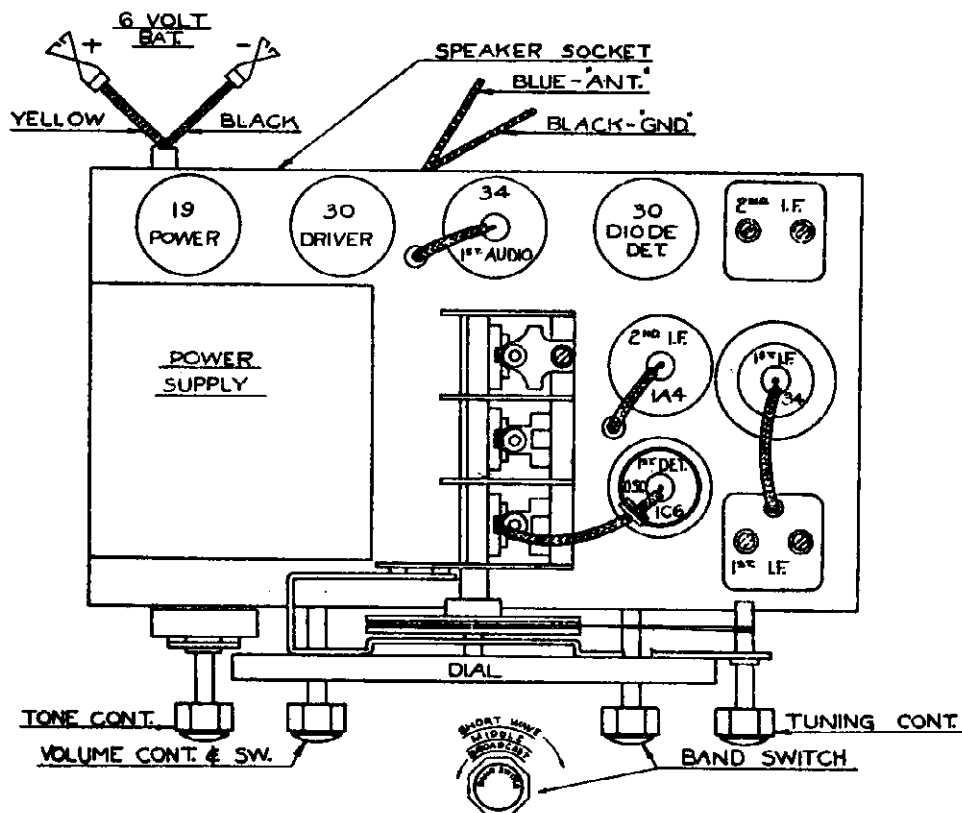
**LEGEND**

R1	25M	OHMS	C1	1	MFD
R2	50M		C2	01	
R3	1MEG		C3	00025	
R4	1MEG		C4	0005	
R5	500M		C5	0005	
R6	100M		C6	005	
R7	500M		C7	005	
R8	500M		C8	005	
R9	1MEG		C9	1	
R10	50M		C10	03	
R11	5M		C11	001	
			C12	1	
			C13	0015	
			C14	0027	
			C15	0075	
			C16	.5	
			C17	.01	
			C18	8	
			C19	8	
			C20	001	
			C21	.0001	
			C22	.1	

MODELS D16, D17  
MODEL D15

## LAFAYETTE RADIO RADIO WIRE TELEVISION, INC.

The frequency range covered by this receiver is as follows: Broadcast band 537 KC to 1730 KC. Middle wave band 1.8 megacycles to 5.7 megacycles, short wave band 5.7 megacycles to 18.3 megacycles and any of these bands are selected at will by a flip of the band change switch. Extreme left broadcast—Center position—middle band—Extreme right short wave.



Use a test oscillator and connect an output meter from plate to plate of the 19 output tube.

### I. F. Alignment:

Connect the oscillator through a .1 condenser to the grid of the 1C6 tube and set the oscillator to 456 kilocycles. Peak each I. F. stage to resonance as indicated by maximum output on the output meter.

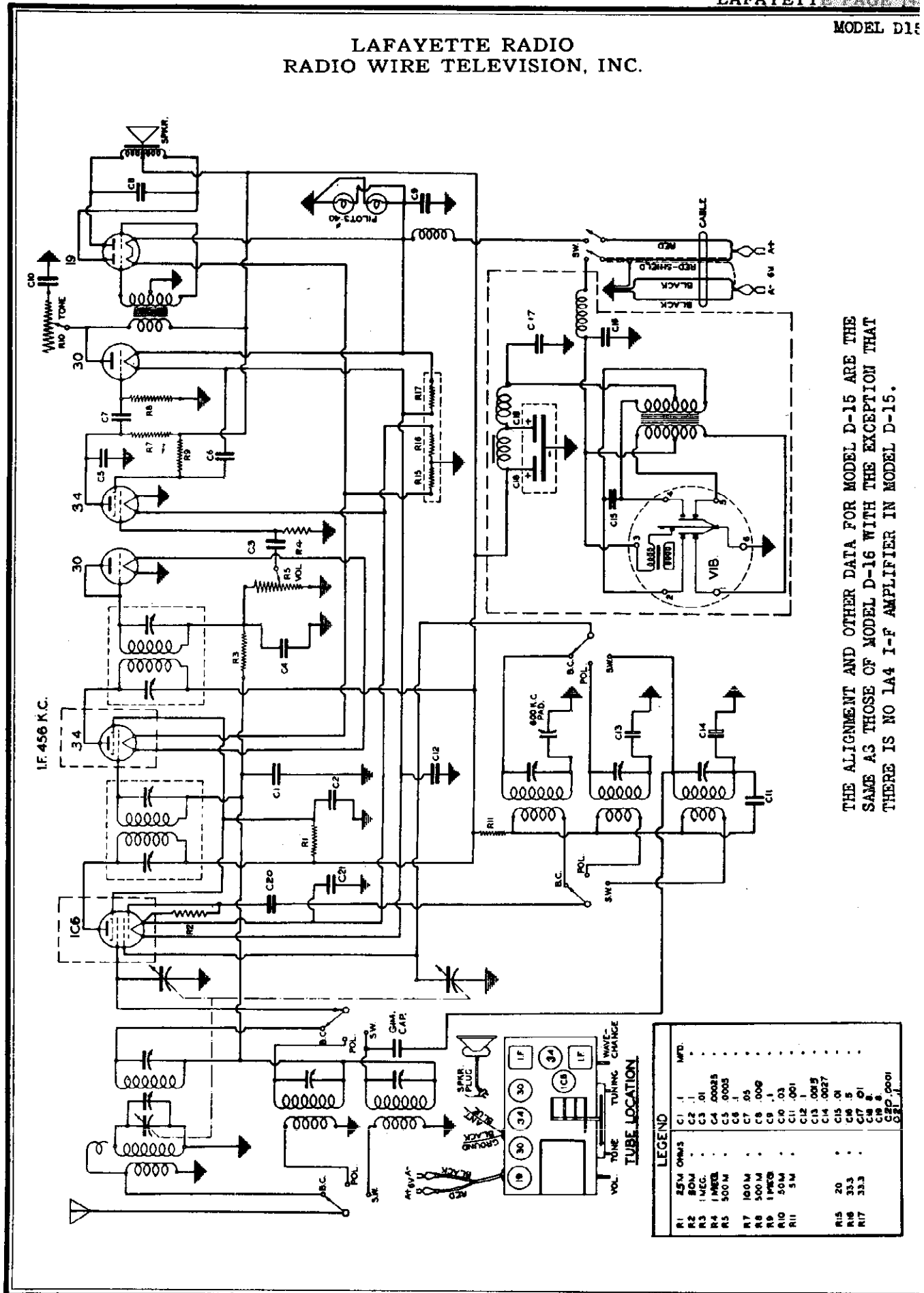
### R. F. Alignment:

With the wave change switch in the broadcast position, set the oscillator to 1700 kilocycles and connect in series with a .00025 condenser to the antenna of the receiver. Rotate the variable condenser to the 1700 setting of the dial and adjust the trimmer condenser of the broadcast oscillator to resonance. This trimmer is located on the right side of the chassis, second position from the front. Reset the test oscillator to 1400 kilocycles and adjust the antenna trimmer located on rear section of variable condenser. Adjust 1st detector trimmer under the chassis across preselector. Now set oscillator to 600 kilocycles and adjust padder located on side of chassis. Check alignment at 1000 kilocycles.

For aligning the police band, set test oscillator to 5 megacycles and switch to the police band position on the set. With the condenser rotated to this frequency setting as indicated on the dial, adjust oscillator trimmer located on the right side of the chassis, first position from the front. Now adjust antenna trimmer located on the front of the chassis, left position, to resonance.

The short wave band is aligned by setting the condenser to 18 megacycles and adjust the oscillator trimmer located on the right side of the chassis, third position from the front to resonance with an 18 megacycle signal from the test oscillator. Turn dial to 16 M. C. Set test oscillator to 16 M. C. and adjust antenna trimmer through right hand hole in front of chassis, rocking variable condenser slightly back and forth to get maximum peak.

LAFAYETTE RADIO  
RADIO WIRE TELEVISION, INC.



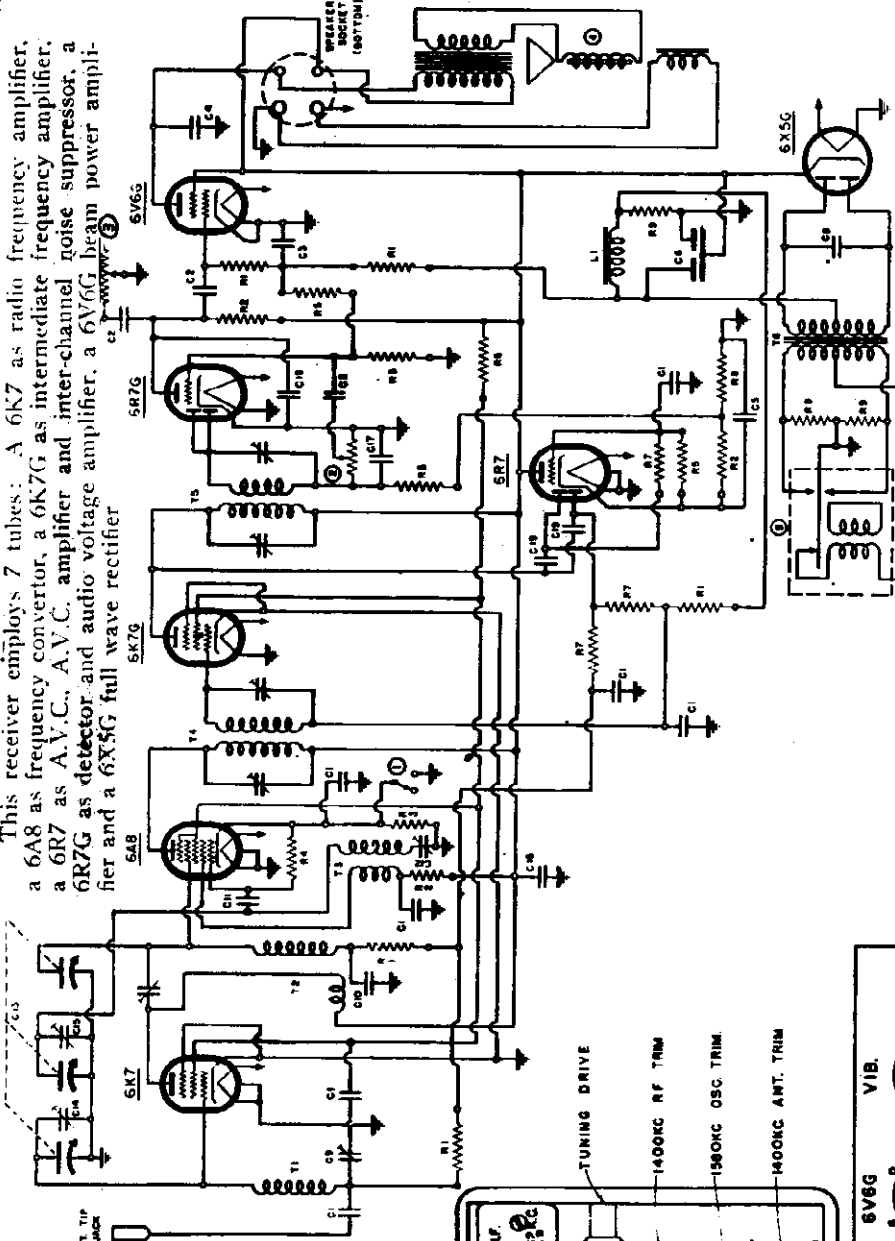
THE ALIGNMENT AND OTHER DATA FOR MODEL D-15 ARE THE SAME AS THOSE OF MODEL D-16 WITH THE EXCEPTION THAT THERE IS NO LA4 I-F AMPLIFIER IN MODEL D-15.



MODEL D18

LAFAYETTE RADIO  
RADIO WIRE TELEVISION, INC.

This receiver employs 7 tubes: A 6K7 as radio frequency amplifier, a 6A8 as frequency converter, a 6K7G as intermediate frequency amplifier, a 6R7 as A.V.C., A.V.C. amplifier and inter-channel noise suppressor, a 6R7G as detector and audio voltage amplifier, a 6V6G beam power amplifier and a 6X5G full wave rectifier

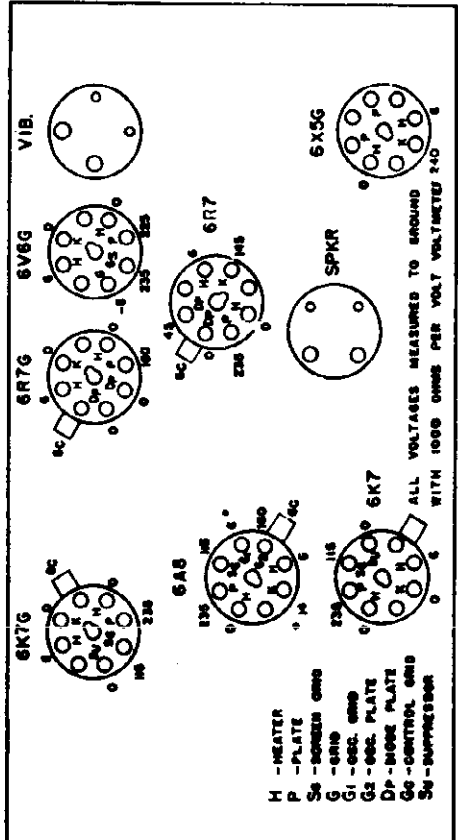
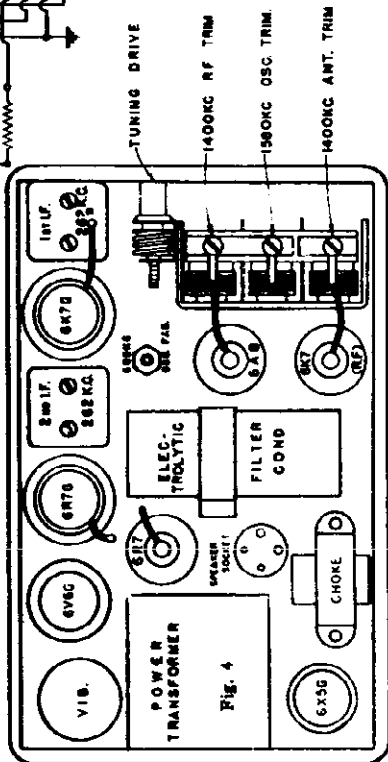


**ALIGNMENT**  
IF Through 0.1 mfd. dummy antenna, adjust trimmers at 262 KC.

BC Through 0.00025 dummy, adjust osc. trimmer at 1580 KC. Adjust antenna trimmer at 1400 KC. Adjust paddler at 600 KC. Adjust antenna compensator at 600 KC. for best sensitivity with signal.

Any type of automobile antenna, such as a roof type, a whip, an under car plate, or insulated running boards may be used as the receiver has an antenna compensating trimmer.

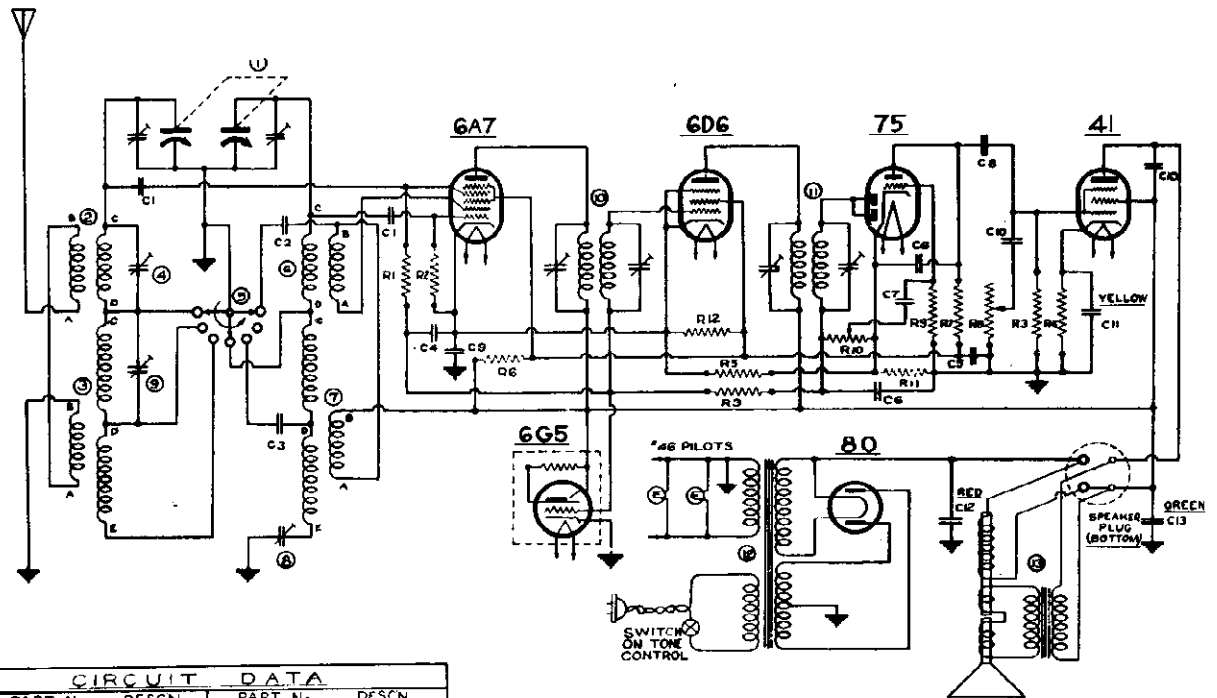
PART NO.	DESCRIPTION	PART NO.	DESCRIPTION
C1	1K22 0.5 MFD. 200 V.	R1	80-143 250M OHMS VFK CAR MEL.
C2	1K07 0.5	R2	80-164 20 M
C3	1K35 .5	R3	80-176 1500
C4	1K04 .01	R4	80-185 30 M
C5	15-115 1	R5	80-187 1 MEG.
C6	15-221 2 X 2	R6	80-171 1 MEG.
C7	15-115 .5	R7	80-180 300 M
C8	15-115 .005	R8	80-174 20000
C9	15-115 100 MFD. 500 VPK. PAPER	R9	80-183 50
C10	15-100 1000 MFD. 500 VPK. PAPER	R10	80-183 500
C11	1K01 100 MFD. 500 V.	T1	10-208 ANTENNA COIL
C12	15-125 2 GANG 500P TRIM. 500 V. CERAM.	T2	10-208 R.F. COIL
C13	15-115 1 MFD. 500 V.	T3	10-210 DEC. I.F. COIL
C14	15-115 1000 MFD. 500 V. MICA	T4	10-211 1ST. I.F. TRANSFORMER
C15	15-111 1000 MFD. 500 V. MICA	T5	10-212 2ND. I.F. TRANSFORMER
C16	15-125 2 GANG 500P TRIM. 500 V. CERAM.	T6	80-183 POWER TRANSFORMER
C17	15-115 1 MFD. 500 V.	T7	33-203 R.F. CHOKER (TYPE)
C18	15-115 1000 MFD. 500 V. MICA	L1	75-106 R.F. CHOKER (OPTION)
C19	15-115 1000 MFD. 500 V. MICA	S	84-105 SENSITIVITY CONTROL
C20	15-115 1000 MFD. 500 V. MICA	SPKR	84-114 500 OHM CONTROL
C21	15-115 1000 MFD. 500 V. MICA	VIB.	84-108 SPEAKER
C22	15-115 1000 MFD. 500 V. MICA	VIB.	84-109 VIBRATOR



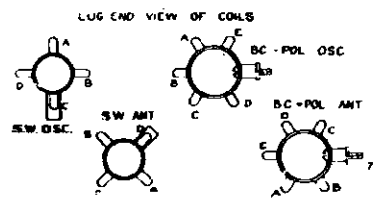
H - HEATER  
P - PLATE  
S<sub>0</sub> - SCREEN GRID  
G<sub>1</sub> - CONTROL GRID  
G<sub>2</sub> - OSC. GRID  
DP - DUMMIE PLATE  
G<sub>0</sub> - CONTROL GRID  
S<sub>1</sub> - SUPPRESSOR GRID

ALL VOLTAGES MEASURED TO GROUND WITH 1000 OHMS PER VOLT VOLTMETER 240

# LAFAYETTE RADIO RADIO WIRE TELEVISION, INC.



CIRCUIT DATA			
PART No.	DESCN	PART No.	DESCN
CC1	1501	0001	MFD MICA
CC2	1503	0002	3%
CC3	15101	00157	200
CC4	1522	003	400
CC5	1507	0025	MICA
CC6	1504	01	400
CC7	1503	01	400
CC8	1503	01	400
CC9	1514	25	200
CC10	1571	004	300
CC11	18	102	74 MFD 25V. ELETC.
CC12	18	102	50
CC13	18	102	250
R1	6020	2	MEG OHM 1/2 W
R2	6028	40	000
R3	6016	500	000
R4	6052	800	000
R5	6011	100	000
R6	6105	10	000 1/2 W
R7	6056	200	000 1/2 W
R8	26	101	500,000-TONE CONT
R9	6017	1	MEG OHM 1/2 W
R10	24	101	100,000 VOL CT
R11	6009	300	000 1/2 W
R12	6117	25	000 1/2 W
T1	19	107	GANG COND.
T2	10	124	SW. ANT COIL
T3	10	129	POL 4BC ANT
T4	20	52	SW ANT TRIMMER
T5	69	102	WAVF SWITCH
T6	10	127	SW OSC COIL
T7	10	128	POL T BC OSC COIL
T8	20	100	600 KC BC OSC PAD
T9	20	54	POL ANT TRIMMER
T10	11	23	1st IF
T11	11	24	2nd IF
T12	80	104	POWER TRANSFMR
T13			SPEAKER



**DESCRIPTION**

This receiver is a 6 tube alternating current operated superheterodyne. The tubes used are a 6A7 oscillator as modulator, a 6D6 as I.F. amplifier, a 75 as A.V.C. and audio rectifier and audio voltage amplifier, a 41 as power audio amplifier, an 80 as a power rectifier, and a 6G5 as tuning indicator.

This receiver is made to cover 3 tuning bands, the standard broadcast band which ranges from 1760 K. C. to 540 K. C., the middle or police band which has a frequency range of from 5. M. C. to 1.6 M. C. and high frequency or foreign band which is from 19 M. C. to 5. M. C.

**ALIGNMENT PROCEDURE**

The equipment required for re-aligning this receiver is an output meter and a modulated source of radio frequency (a signal generator or microvibrator). This source of radio frequency must be accurately calibrated in frequency and must have a method of varying the output.

All alignments must be made with the volume control turned full on and with the signal input from the generator reduced to as low a value as possible while still giving a sufficient output to be easily read on the output meter.

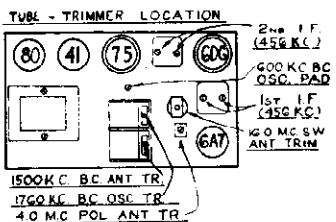
Connect the output meter, through a .5 M.F. condenser and a resistance of such a value as to make the total meter resistance approximately 7000 ohms, to the 2 small pins of the speaker plug. The output meter remains connected during the entire alignment procedure.

Connect the signal generator to the grid cap of the 6A7 tube through a 1 M.F. condenser. Connect the ground of the generator to the ground lead of the receiver. With the wave switch on broadcast position and the dial set to about 1000 K.C., feed in a 456 K.C. signal. Adjust the trimmers on top of the first and second I.F. transformers until the maximum output is obtained. This aligns the I.F.

Leaving the wave switch on broadcast position turn the dial to the extreme high frequency end. Feed a 1760 K.C. signal to the receiver antenna lead through a .00025 M.F. mica condenser. Adjust the 1760 K.C. broadcast oscillator trimmer for maximum output. Set the generator to 1500 K.C. and tune in this signal on the receiver. Then adjust the 1500 K.C. broadcast antenna trimmer and the 1500 K.C. broadcast preselector trimmer for maximum output. Set the generator to 600 K.C. and adjust the 600 K.C. broadcast oscillator pad to maximum output while tuning the receiver back and forth across the signal from the generator. This completes the alignment of the broadcast band.

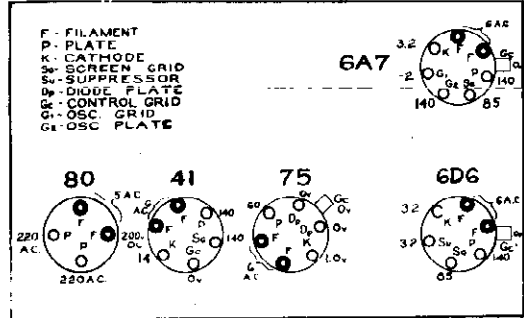
The police band is aligned by feeding 4.0 M.C. signal to the receiver antenna lead through the .00025 condenser. Turn the wave switch to the center position and tune the receiver to this signal. Adjust the 4.0 M.C. police antenna trimmer for best output.

The short wave band is aligned in the same way using a 15 M.C. signal and adjusting the 15 M.C. short wave antenna trimmer after having turned the wave switch to the right hand position.



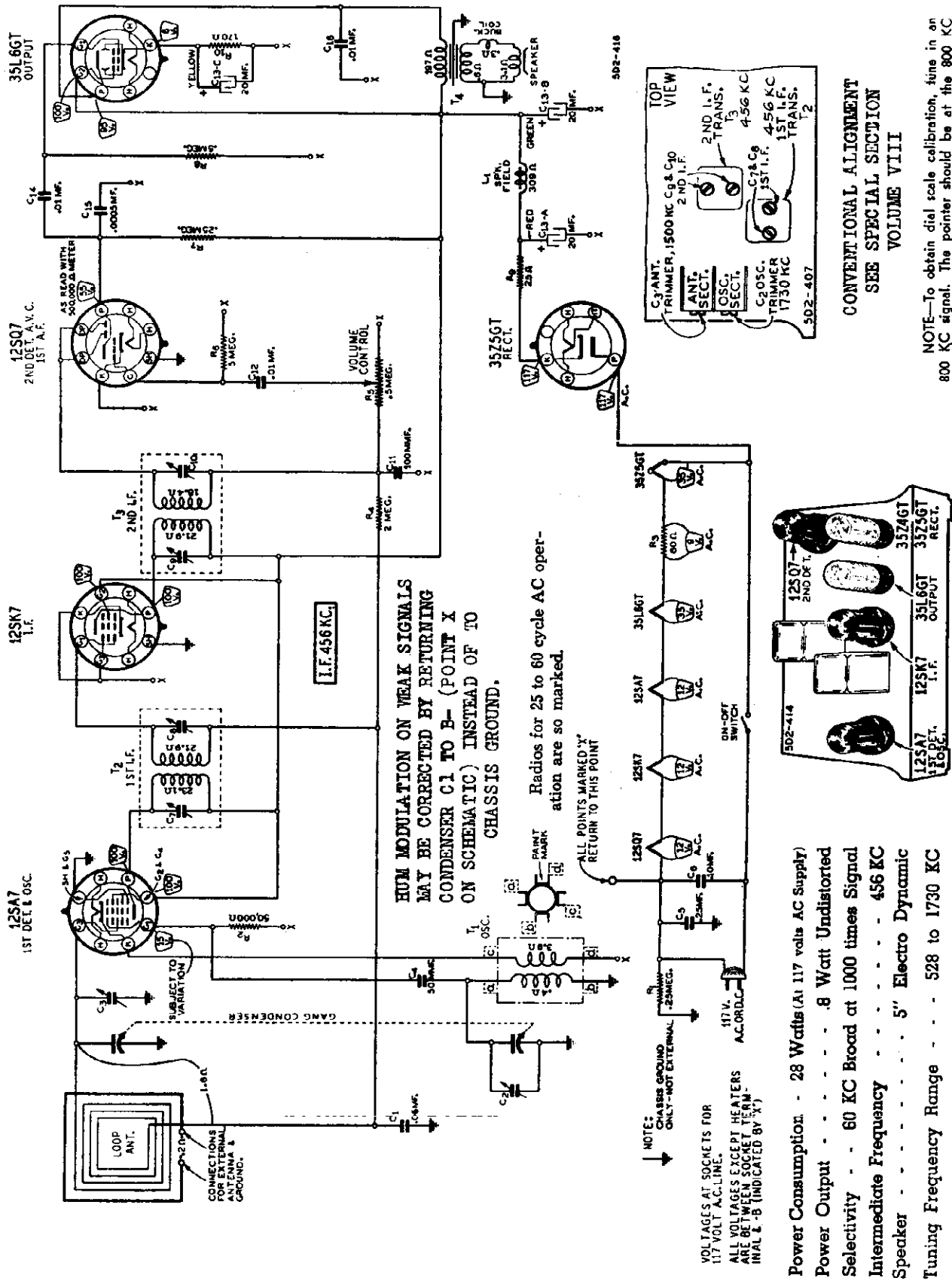
- 1500 K.C. BC ANT TR.
- 1760 K.C. BC OSC TR.
- 4.0 M.C. POL ANT TR.

**SOCKET VOLTAGES**



MODEL BB22

LAFAYETTE RADIO  
RADIO WIRE TELEVISION, INC.



HUM MODULATION ON WEAK SIGNALS  
MAY BE CORRECTED BY RETURNING  
CONDENSER C1 TO B- (POINT X  
ON SCHEMATIC) INSTEAD OF TO  
CHASSIS GROUND.

Radios for 25 to 60 cycle AC operation are so marked.

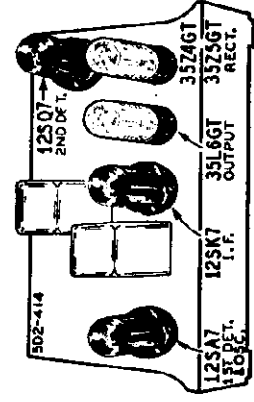
ALL POINTS MARKED 'Y'  
RETURN TO THIS POINT

NOTE:  
CHASSIS GROUND  
ONLY - NOT EXTERNAL  
117 VOLT A.C. LINE.  
ALL VOLTAGES EXCEPT HEATERS  
ARE TO BE TAKEN FROM TERMINALS  
A & B (INDICATED BY X)

- Power Consumption - 28 Watts (At 117 volts AC Supply)
- Power Output - - - - - 8 Watt Undistorted
- Selectivity - - 60 KC Broad at 1000 times Signal
- Intermediate Frequency - - - - - 456 KC
- Speaker - - - - - 5" Electro Dynamic
- Tuning Frequency Range - - - 528 to 1730 KC
- Sensitivity - - 35 Microvolts per Meter Average  
(For .05 Watt Output)

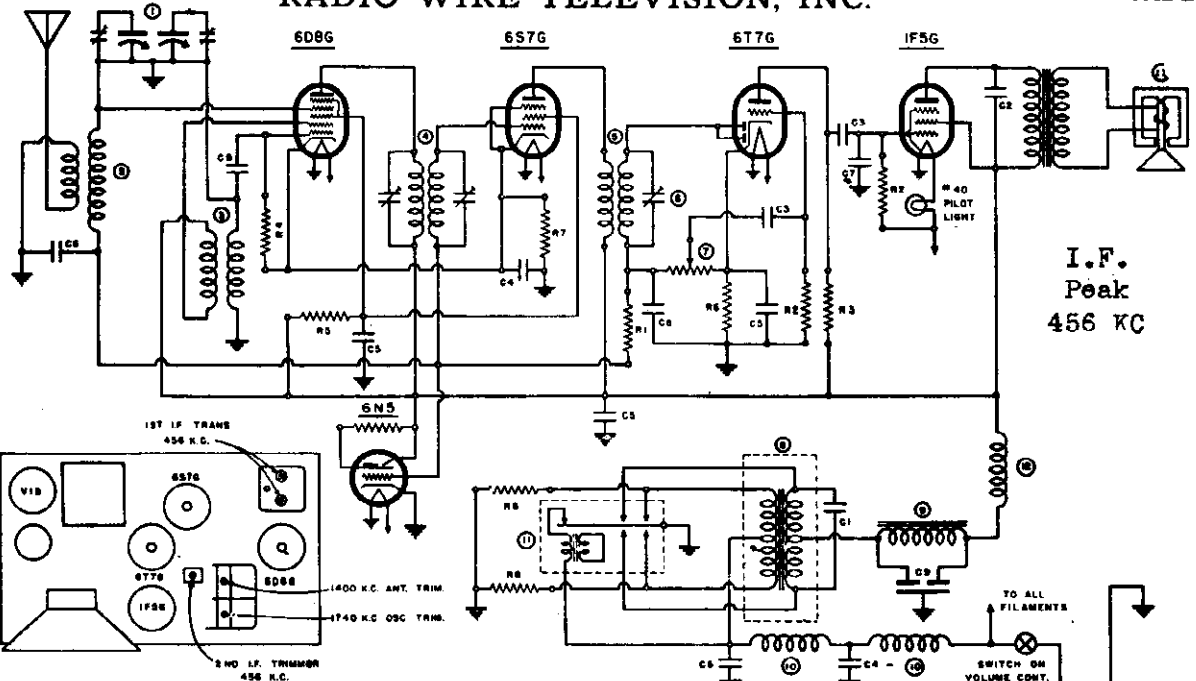
CONVENTIONAL ALIGNMENT  
SEE SPECIAL SECTION  
VOLUME VIII

NOTE—To obtain dial scale calibration, tune in an 800 KC signal. The pointer should be at the 800 KC mark on the dial. If it is not, first remove the celluloid crystal by fating out the 4 buttons at the corner. Hold the tuning knob and shift the pointer to the 800 KC mark.



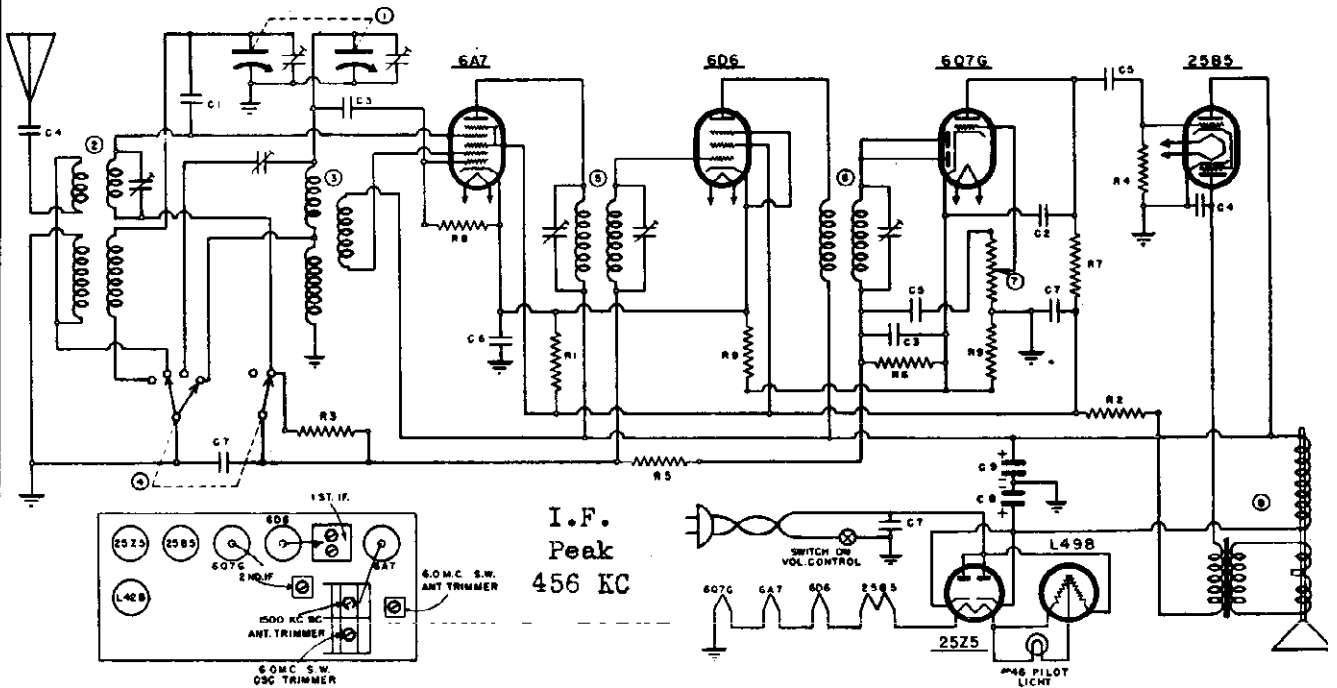
# LAFAYETTE RADIO RADIO WIRE TELEVISION, INC.

MODEL D  
MODEL D



PART NO.	DESCRIPTION	PART NO.	DESCRIPTION	PART NO.	DESCRIPTION	333
R1	6017 1 MEG OHM 1/2 W CARBON RES	C1	1612 008 MFD 1000V TUB COND	1	18-111 2 GANG CONDENSER	
R2	6018 500,000 - - - - -	C2	1451 .004 - 400V - - -	2	10-186 ANT. COIL	
R3	6024 250,000 - - - - -	C3	1803 .01 - 400V - - -	3	10-187 OSC. -	
R4	6025 50,000 - - - - -	C4	1814 25 - 200V - - -	4	10-194 1ST I.F. TRANSFORMER	
R5	6022 15,000 - - - - -	C5	1800 .1 - - - - -	5	10-163 2ND I.F. TRANSFORMER	
R6	6023 10,000 - - - - -	C6	1822 .05 - - - - -	6	20-103 2ND I.F. TRIMMER	
R7	6013 300 - - - - -	C7	1504 .00025 - MICA CONDENSER	7	24-106 VOLUME CONTROL	
R8	6011 100 - - - - -	C8	1501 .0001 - - - - -	8	80-134 POWER TRANSFORMER	
		C9	1843 DUAL 8 - 150 V ELECTROLYTIC	9	3307 FILTER CHOKE	
				10	33-205 R.F. "A" CHOKE	
				11	3407 VIBRATOR	
				12	33-204 R.F. "B" CHOKE	
				13	SPEAKER	

Model D-22



PART NO.	DESCRIPTION	PART NO.	DESCRIPTION	PART NO.	DESCRIPTION	610
R1	6104 5000 OHM 1/2 WATT CARBON RES	C1	15-105 .00056 MFD MICA CONDENSER 13%	1	19-114 2 GANG VARIABLE CONDENSER	
R2	6012N 3,000 - - - - -	C2	1504 .00025 - - - - -	2	10-174 ANT. COIL	
R3	6020 2 MEG - - - - -	C3	1501 .0001 - - - - -	3	10-176 OSC. COIL	
R4	6017 1 M - - - - -	C4	1804 .004 - 600V TUBULAR CONDENSER	4	69-109 WAVE BAND SWITCH	
R5	6018 500,000 - - - - -	C5	1803 .01 - 400V - - -	5	10-177 1ST I.F. TRANSFORMER	
R6	6024 250,000 - - - - -	C6	1814 25 - 200V - - -	6	10-163 2ND I.F. TRANSFORMER	
R7	6056 200,000 - - - - -	C7	1822 .05 - - - - -	7	24-106 VOL. CONTROL WITH SWITCH	
R8	6023 50,000 - - - - -	C8	18-211 30 - - - - -	8	79-221 DYNAMIC SPEAKER	
R9	6009B 50 - - - - -	C9	18-211 8 - - - - -			

Model  
D-23

MODEL D22  
MODEL D23

LAFAYETTE RADIO  
RADIO WIRE TELEVISION, INC.

Model D-23  
ALIGNMENT PROCEDURE

All alignments must be made with the volume control turned full on and with the signal input from the generator reduced to as low a value as possible while still giving a sufficient output to be easily read on the output meter.

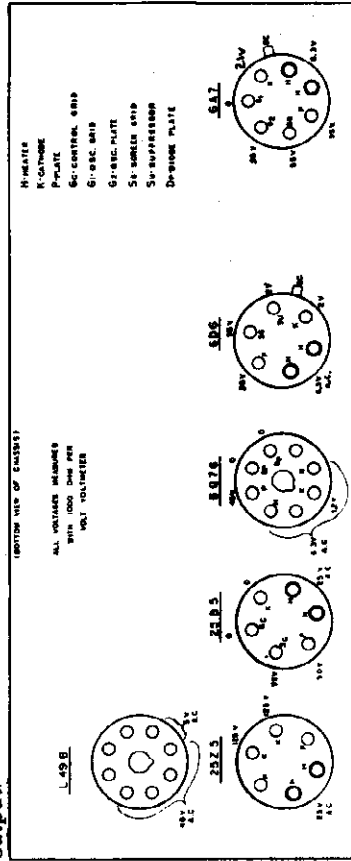
Connect the output meter, through a .5 M.F. condenser and a resistance of such a value as to make the total meter resistance approximately 7000 ohms, to the two small pins of the speaker plug. The output meter remains connected during the entire alignment procedure.

Connect the signal generator to the grid cap of the 6A7 tube through a .1 M.F. condenser. Connect the ground of the generator to the receiver chassis through another .1 M.F. condenser. With the wave switch on broadcast position and the dial set to about 1000 K.C., feed in a 456 K.C. signal. Adjust the trimmers of the first and second I.F. transformers until the maximum output is obtained. This aligns the I.F.

Turn the wave switch to the short wave position and set the dial to 6.0 M.C. Feed a 6.0 M.C. signal to the receiver antenna lead through a .00025 M.F. mica condenser. Tune the 6.0 M.C. Oscillator trimmer to give resonance. Two points may be found where this signal can be heard. The correct setting is the one where the trimmer is screwed the loosest. This may also be checked by turning the dial to about 5.0 M.C. where the signal should again be heard.

Then turn the wave switch to broadcast position and turn the dial to the extreme high frequency end. Feed in a 1720 K.C. signal and adjust the broadcast oscillator trimmer, which is located under the receiver at the wave switch, to resonance. Then set the signal generator to 1500 K.C. and tune in this signal on the receiver. Adjust the 1500 K.C. antenna trimmer for maximum output.

Again turn the wave switch to short wave position and tune in a 6.0 M.C. signal from the generator. Adjust the 6.0 M.C. antenna trimmer to maximum output.



Model D-22  
ALIGNMENT PROCEDURE

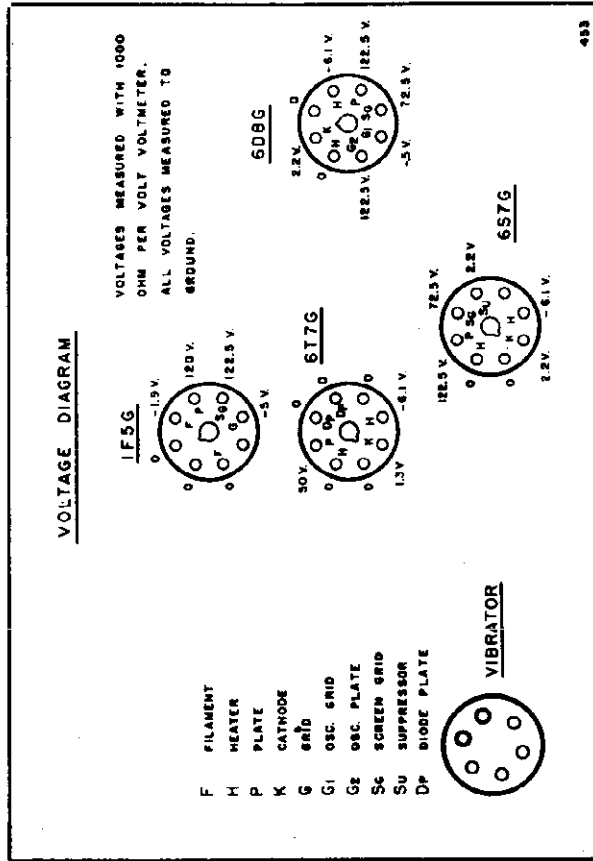
The equipment required for re-aligning this receiver is an output meter and a modulated source of radio frequency (a signal generator or microvoltage). This source of radio frequency must be accurately calibrated in frequency and must have a method of varying the output.

All alignments must be made with the volume control turned full on and with the signal input from the generator reduced to as low a value as possible while still giving a sufficient output to be easily read on the output meter.

Connect the output meter, through a .5 M.F. condenser and a resistance of such a value as to make the total meter resistance approximately 10,000 ohms, to the two plate and screen pins of the 1F5G tube.

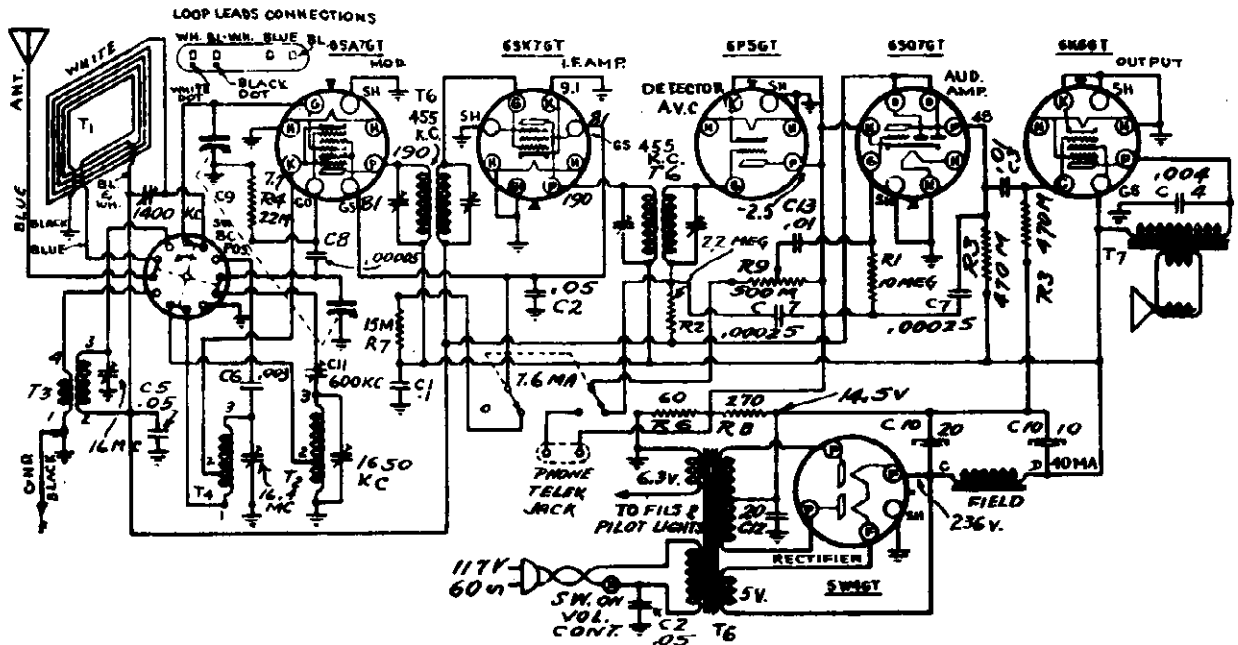
Connect the signal generator to the grid cap of the 6D8G tube through a .1 M.F. condenser. Connect the ground of the generator to the ground lead of the receiver. Set the dial to about 1000 K.C., feed in a 456 K.C. signal. Adjust the first and second I.F. trimmers until the maximum output is obtained. This aligns the I.F.

Turn the dial to the extreme high frequency end. Feed a 1740 K.C. signal to the receiver antenna lead through a .00025 M.F. mica condenser. Adjust the 1740 K.C. oscillator trimmer until maximum output is shown. Set the generator to 1400 K.C. and tune in this signal on the receiver. Then adjust the 1400 K.C. antenna trimmer to maximum output. This completes the alignment.



# LAFAYETTE RADIO RADIO WIRE TELEVISION, INC.

MODELS D26, S4

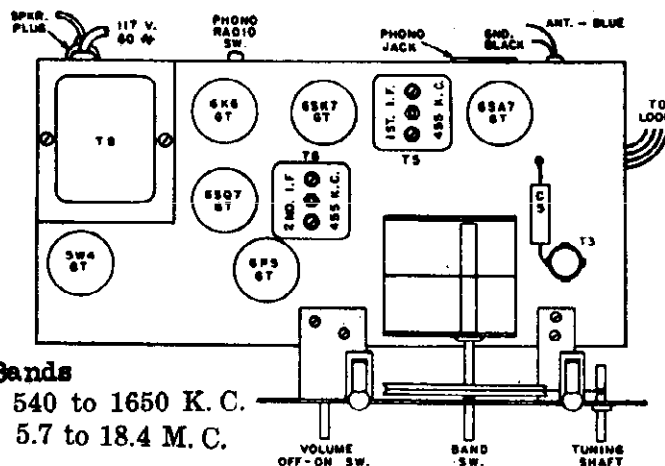


Code	Part No.	Description
C1	18-118	.1 mfd 400 V Tubular Condenser
C2		.05 " " " " " "
C3	16-119	.01 " " " " " "
C4		.004 " " " " " "
C5		.05 " 200 V " " " "
C6		.003 " Mica Condenser
C7	1504	.00025 Mfd. Mica Condenser
C8	1508	.00006 " " " " " "
C9	19-186	2 Gang Variable Condenser
C10	10-264	20X10 Mfd. 350 W.V. Electrolytic
C11		Padding Condenser
C12		20 Mfd. 25 V. Electrolytic
C13		.01 " 200 V. Tubular Condenser

R1	80-135	10 Meg. 1/4 W. Resistor
R2	80-179	2.2 " " " " " "
R3		470M Ohm " " " "
R4		22M " " " " " "
R6	80-132	60 " 1/2 " " " " "
R7	80-234	15M " 1 W. " " " "
R8	60-245	270 " " " " " "
R9	24-144	500 M " Volume Control (Width SW.)

Tube sockets are viewed from underside of chassis; voltage readings at indicated socket prongs are to chassis. Voltages must be measured with no signal. Voltages are measured with 1000 ohm per volt voltmeter. Where no voltage reading is shown at socket prong, it indicates zero voltage or a very low reading. Figures at cathodes are cathode current in milliamperes. Alignment is to be made at the frequency shown at each trimmer condenser. Capacity values are in microfarads.

Code	Part No.	Description
T1		Loop Antenna
T2	10-326	B.C. Oscillator Coil
T3	10-323	S.W. Antenna Coil
T4	10-320	" Oscillator Coil
T5		1st I.F. Transformer
T6	10-312	2nd I.F. Transformer
T7		Output Transformer (on Spkr.)
T8		Power
1	79-278	6 1/2 Inch. Dynamic Speaker
2	69-141	Band Switch
3	69-140	Phono Switch
4	20-127	Trimmer block
5	20-129	Trimmer (on loop)



CONVENTIONAL ALIGNMENT  
SEE SPECIAL SECTION VOLUME VIII

IF PEAK  
455 KC

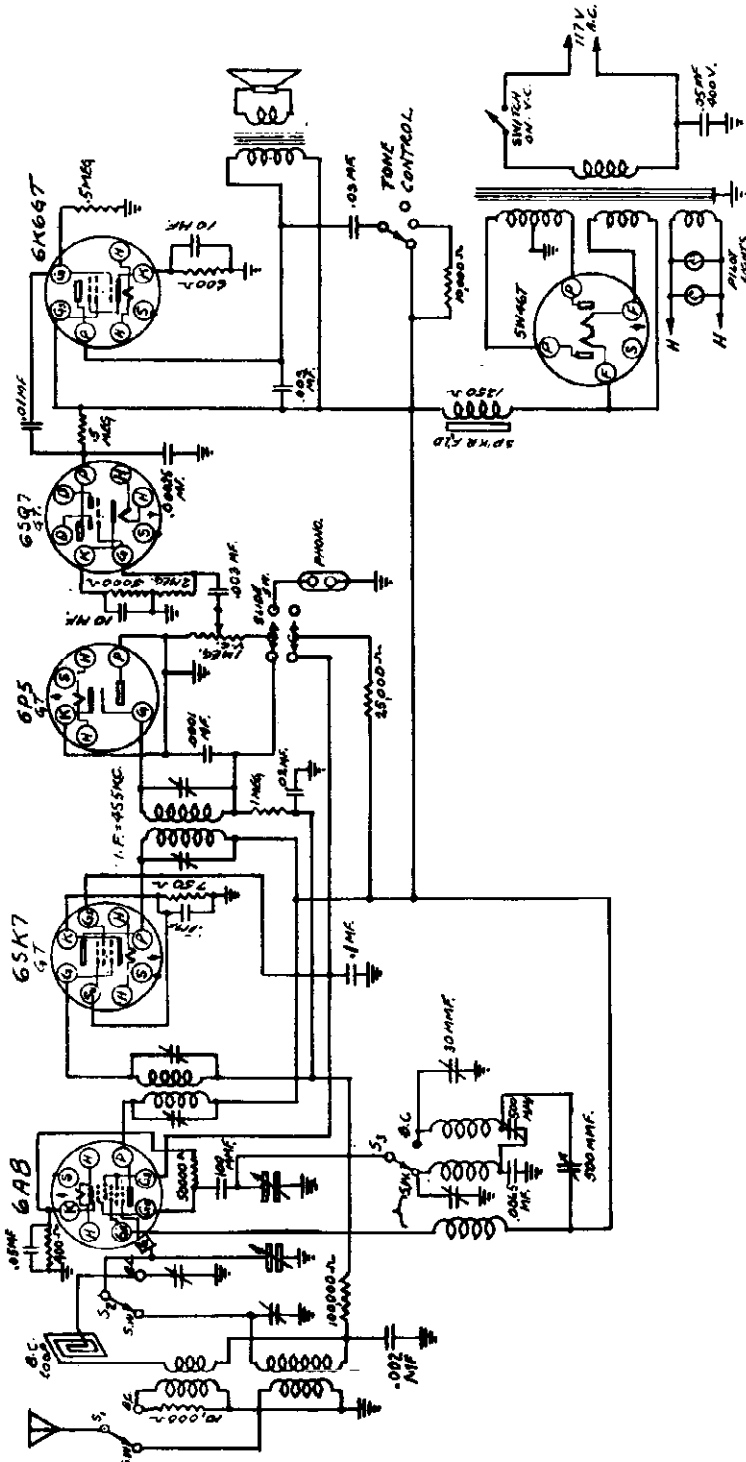
Models D-26 - S-43

**Bands**  
540 to 1650 K. C.  
5.7 to 18.4 M. C.

VOLUME OFF-ON SW. BAND SW. TUNING SHAFT

MODELS D26, S43G  
Late

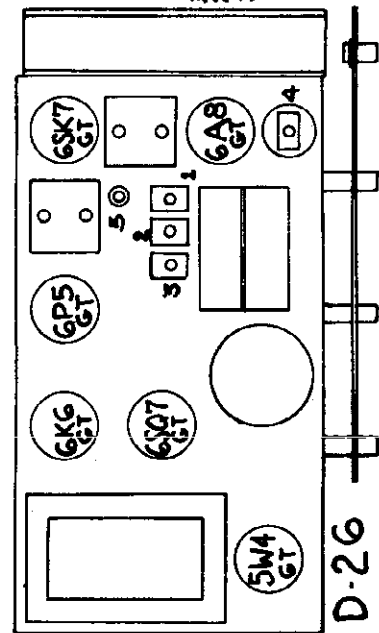
LAFAYETTE RADIO  
RADIO WIRE TELEVISION, INC.



MODEL D-26

The Bands covered are as follows:  
 BROADCAST - 540 KC to 1720 KC,  
 SHORTWAVE 5.85 MC to 18 MC  
 The frequency is indicated directly on the Dial Scale.

- 1-BCAST ANT-1500KC
- 2-BCAST-OSC-1720KC
- 3-SHT-WAVE-OSC-18MC
- 4-SHT-WAVE ANT-15KMC
- 5-BCAST-IPAD-6000KC



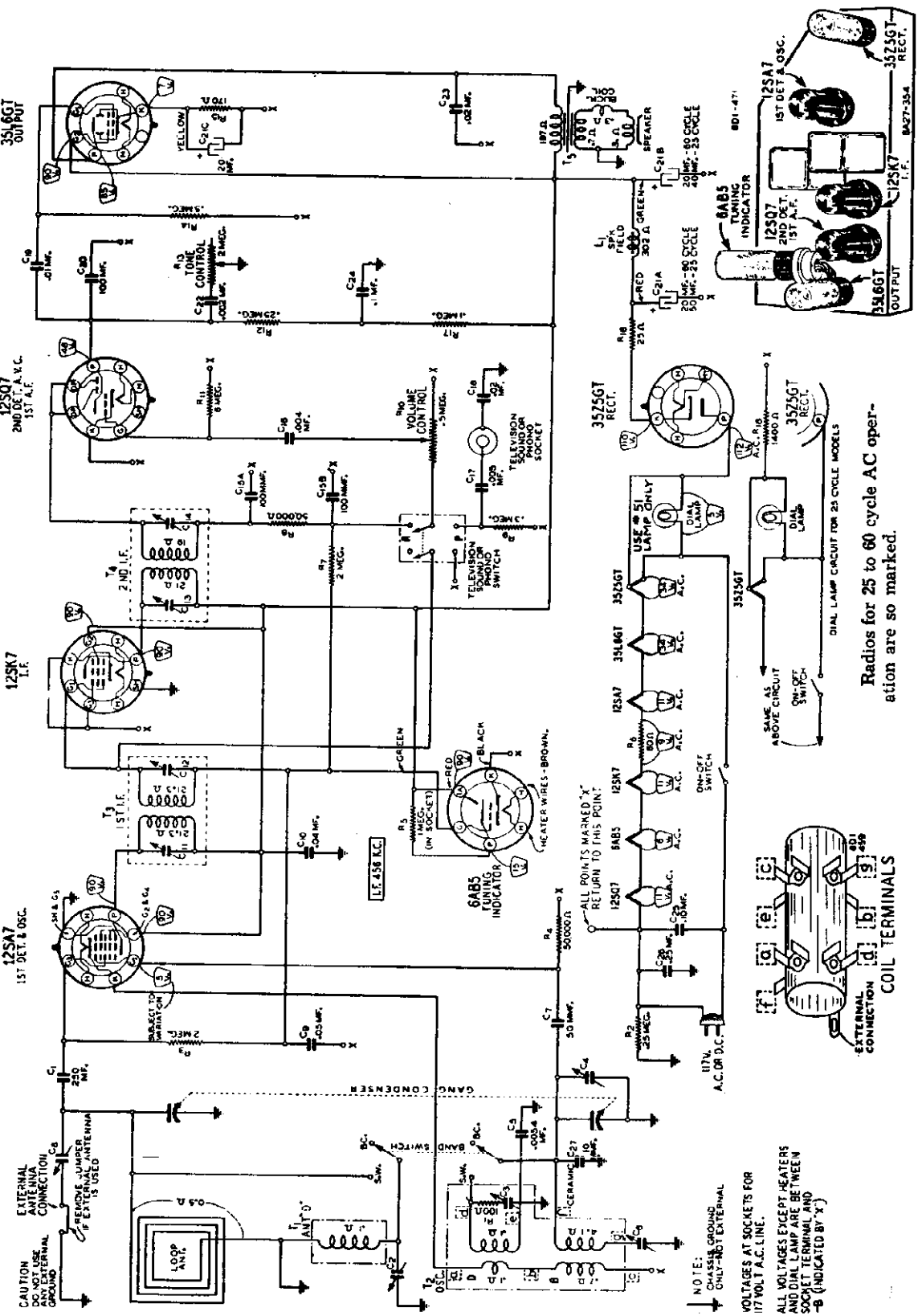
I.F. 455 K.C.

# LAFAYETTE RADIO RADIO WIRE TELEVISION, INC

**Tuning Frequency Range**  
 B Range ..... 528 to 1600 KC  
 D Range ..... 4600 to 12,200 KC  
**Sensitivity (For 05 watt output)**  
 B Range ..... 35 Microvolts Average  
 D Range ..... 30 Microvolts Average

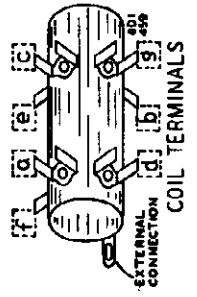
**CAUTION - DO NOT USE A GROUND OF ANY KIND ON THIS RADIO. DO NOT USE A GROUNDED OBJECT, SUCH AS A RADIATOR, FOR AN EXTERNAL ANTENNA.**

**Power Consumption - 28 Watts (At 117 volts AC Supply)**  
 Power Output ..... 8 Watt Undistorted  
 ..... 1.25 Watts Maximum  
 Selectivity ..... 55 KC Broad at 1000 Times Signal  
 Intermediate Frequency ..... 456 KC  
 Speaker ..... 5" Electro-Dynamic



**NOTE:**  
 CHASSIS GROUND ONLY-NOT EXTERNAL  
 VOLTAGES AT SOCKETS FOR 117 VOLT A.C. LINE.  
 ALL VOLTAGES EXCEPT HEATERS AND DIAL LAMP ARE BETWEEN SOCKET TERMINAL AND -B (INDICATED BY 'X')

Radios for 25 to 60 cycle AC operation are so marked.





MODEL BB27

LAFAYETTE RADIO  
RADIO WIRE TELEVISION, INC.

Power Consumption - 28 Watts (At 117 volts AC Supply)  
Power Output - .8 Watt Undistorted  
1.25 Watts Maximum  
Selectivity - 55 KC Broad at 1000 Times Signal  
Intermediate Frequency - 456 KC  
Speaker - 5" Electro-Dynamic

Tuning Frequency Range  
B Range..... to 1600 KC  
D Range..... 4600 to 12,200 KC  
Sensitivity (For .05 watt output)  
B Range..... 35 Microvolts Average  
D Range..... 30 Microvolts Average

ALIGNMENT PROCEDURE

Remove Jumper on Loop Antenna for All Adjustments. The following equipment is required for aligning:  
Volume Control—Maximum All Adjustments.  
Connect Ground Post of Signal Generator to B—(12SK7—Prong No. 3) in Chassis.  
Allow Chassis and Signal Generator to "Heat Up" for several minutes.  
An All Wave Signal Generator which will provide an accurately calibrated signal at the test frequencies as listed.  
Output Indicating Meter—Non-Metallic Screwdriver.  
Dummy Antenna—.1 mf.

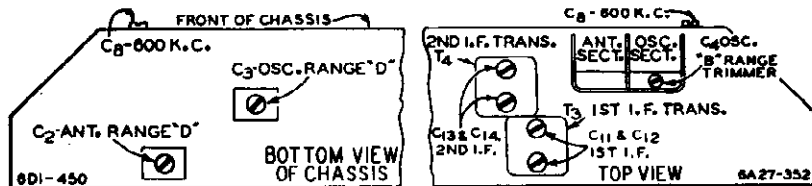
SIGNAL GENERATOR		DUMMY ANTENNA	BAND SWITCH SETTING	CONDENSER SETTING	ADJUST TRIMMERS TO MAXIMUM (See Trimmer Illustrations)
FREQUENCY SETTING	CONNECTION AT RADIO				
I. F. 456 KC	Signal Grid of 1st Det. Connect at Stator of Large Gang Section.	.1 mf.	B Range	Turn Rotor to full open	1st I.F. (C11) & (C12) 2nd I.F. (C13) & (C14)
<b>RANGE B</b>					
1600 KC	Signal Grid of 1st Det.	.1 mf.	B Range	Turn Rotor to full open	Oscillator Range B (C4)
1500 KC	Red Antenna Screw at Back of Loop	.1 mf.	B Range	Turn Rotor to max. output	Antenna Range B (C6)—See Illustration Page 1
600 KC	Same as Above	.1 mf.	B Range	Turn Rotor to max. output	600 KC (C8) Rock Rotor—See Note A
<b>RANGE D</b>					
12,200 KC	Same as Above	.1 mf.	D Range	Turn Rotor to full open	Oscillator Range D (C3)
11,000 KC	Same as Above	.1 mf.	D Range	Turn Rotor to max. output	Ant. Range D (C2) Rock Rotor—See Note A

Attenuate the signal from the signal generator to prevent the leveling-off action of the AVC.

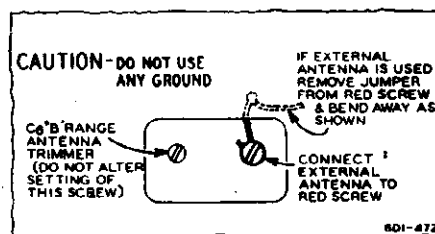
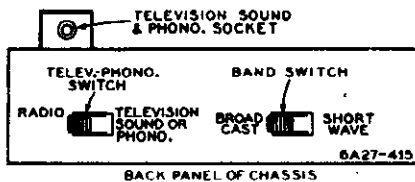
After each range is completed, repeat the procedure as a final check.

NOTE A—Turn the rotor back and forth and adjust the trimmer until the peak of greatest intensity is obtained.

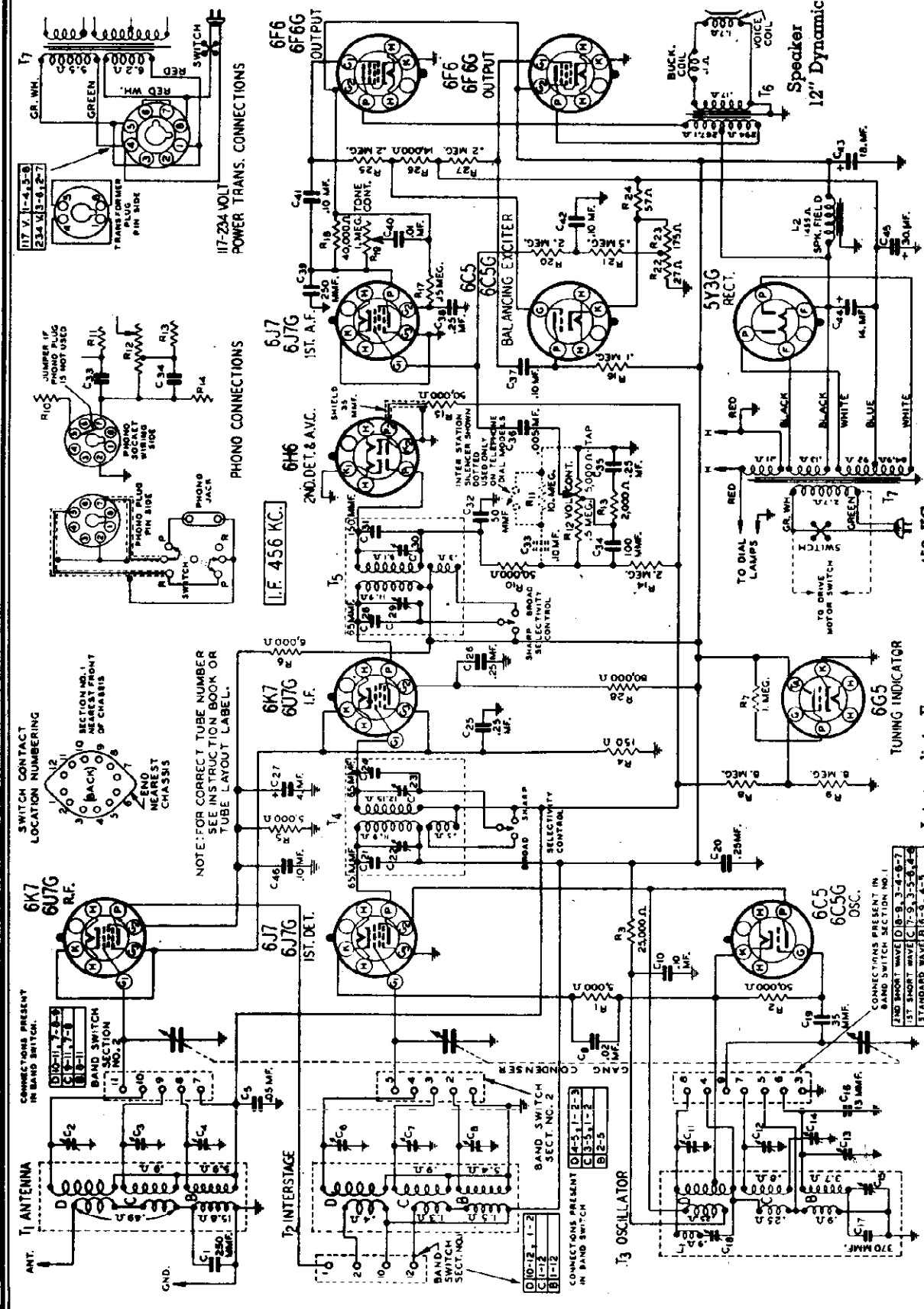
CAUTION—When aligning the short wave bands, be sure NOT to adjust at the image frequency. This can be checked as follows: Let us say the signal generator is set for



5000 KC. The signal will then be heard at 5000 less 912 KC, or 4088 KC on the dial. It may be necessary to increase the input signal to hear the image.



# LAFAYETTE RADIO RADIO WIRE TELEVISION, INC.



Power Consumption - 100 Watts (At 117 volts 60 cycles)  
 Power Output - 9.8 Watts Undistorted  
 12 Watts Maximum  
 Selectivity (Sharp) - 27 KC Broad at 1000 times Signal

Intermediate Frequency 456 KC.  
 Sensitivity  
 B Range ..... 1.0 Microvolts Average  
 C Range ..... 1.0 Microvolts Average  
 D Range ..... 2.0 Microvolts Average

Tuning Frequency Range  
 B Range ..... 528 to 1830 KC.  
 C Range ..... 1810 to 6350 KC.  
 D Range ..... 6300 to 22000 KC.

MODEL B33

LAFAYETTE RADIO  
RADIO WIRE TELEVISION, INC.

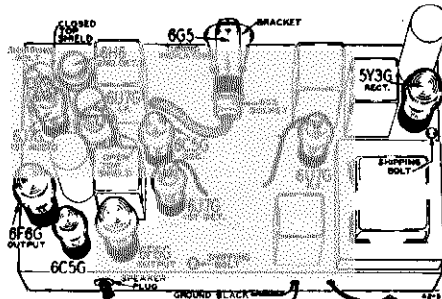


Fig. 4 - Location of Tubes - Glass Tube Chassis

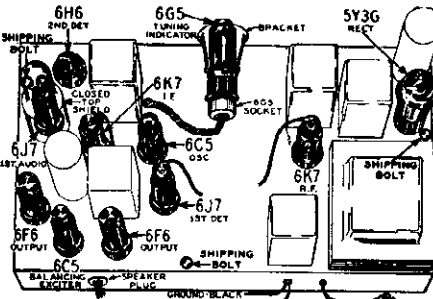


Fig. 5 - Location of Tubes - Metal Tube Chassis

VOLTAGES AT SOCKETS									
Line Voltage: 117—Volume Control: Maximum					Antenna Shorted to Ground				
Readings taken with 1000 Ohm-per-volt meter.					Position of Band Switch: Standard Wave				
TUBE	FUNCTION	VOLTAGE BETWEEN SOCKET PRONG AND GROUND (Unless otherwise indicated)							
		Prong No. 1	Prong No. 2	Prong No. 3	Prong No. 4	Prong No. 5	Prong No. 6	Prong No. 7	Prong No. 8
6K7 6U7G	R.F.	0	6.1(1)	250	105	2.5		6.1(1)	2.5
6J7 6J7G	1st Det.	0	6.1(1)	250	125	0		6.1(1)	5.8
6C5 6C5G	Osc.	0	6.1(1)	125(2)				6.1(1)	0
6K7 6U7G	I.F.	0	6.1(1)	250	100	2.5		6.1(1)	2.5
6H6	2nd Det.—A.V.C.	0	6.1(1)					6.1(1)	0
6J7 6J7G	1st A.F.	0	6.1(1)	110	120	0(3)		6.1(1)	0(3)
6C5 6C5G	Balancing Exciter	0	6.1(1)	100				6.1(1)	16.5
6F6 6F6G	Output	0	6.1(1)	330	250			6.1(1)	0(4)
5Y3G	Rectifier	0	4.8(5)		730(6)		730(6)		4.8(5)
6G5	Tuning Indicator	Plate to Ground 20		Target to Ground 250		Cathode to Ground 0		Across Heater 6.1 A.C.	

(1) A.C. voltage as read across heater terminals 2 and 7.  
 (2) Subject to variation.  
 (3) Bias (2.5 volts) as read across resistor R22.  
 (4) Bias (24 volts) as read across resistors R22, R23, & R24.  
 (5) A.C. voltage as read across filament terminals 2 and 8.  
 (6) A.C. voltage as read across terminals 4 and 6.

ALIGNMENT PROCEDURE

Volume Control—Maximum All Adjustments.  
 Selectivity Control—Sharp Position All Adjustments.  
 Connect Radio Chassis to Ground Post of Signal Generator with a Short Heavy Lead.  
 Allow Chassis and Signal Generator to "Heat Up" for several minutes.

The following equipment is required for aligning:  
 An All Wave Signal Generator which will provide an accurately calibrated signal at the test frequencies as listed.  
 Output Indicating Meter — Non-Metallic Screwdriver.  
 Dummy Antennas — .1 mf., 200 mmf., and 400 ohms.

STEP (Follow Order as Given)	BAND SWITCH SETTING	DUMMY ANTENNA	SIGNAL GENERATOR		TRIMMERS ADJUSTED	PROCEDURE	
			FREQUENCY SETTING	CONNECTION AT RADIO		INITIAL STEPS	ADJUSTMENT
I. F.							
2nd I.F. Adj.	Range B	.1 mf.	456 KC	Grid of I.F. Tube	2nd I.F. (C29) & (C30)	Turn Rotor to Full Open	Adjust to Maximum Output
1st I.F. Adj.	Range B	.1 mf.	456 KC	Grid of 1st Det.	1st I.F. (C22) & (C23)	Turn Rotor to Full Open	Adjust to Maximum Output
<b>RANGE B</b>							
1830 KC	Range B	200 mmf.	1830 KC	Antenna Lead	Oscillator Range B (C13)	Turn Rotor to Full Open	Adjust to Maximum Output
1500 KC	Range B	200 mmf.	1500 KC	Antenna Lead	Ant. Range B (C4) Int. Range B (C6)	Turn Rotor to Max. Output Set Indicator to 1500 KC— See Note A	Adjust to Maximum Output
<b>RANGE C</b>							
600 KC	Range B	200 mmf.	600 KC	Antenna Lead	600 KC (C15)	Turn Rotor to Max. Output	Adjust to Maximum Output Rock Rotor—See Note B
6350 KC	Range C	400 Ohm	6350 KC	Antenna Lead	Oscillator Range C (C12)	Turn Rotor to Full Open	Adjust to Maximum Output
4000 KC	Range C	400 Ohm	6000 KC	Antenna Lead	Antenna Range C (C3) Int. Range C (C7)	Turn Rotor to Max. Output	Adjust to Maximum Output
2000 KC	Range C	400 Ohm	2000 KC	Antenna Lead	2000 KC (C14)	Turn Rotor to Max. Output	Adjust to Maximum Output Rock Rotor—See Note B
<b>RANGE D</b>							
22,000 KC	Range D	400 Ohm	22,000 KC	Antenna Lead	Oscillator Range D (C11)	Turn Rotor to Full Open	Adjust to Maximum Output
20,000 KC	Range D	400 Ohm	20,000 KC	Antenna Lead	Int. Range D (C2) Ant. Range D (C6)	Turn Rotor to Max. Output	Adjust to Maximum Output Rock Rotor—See Note B
7000 KC	Range D	400 Ohm	7000 KC	Antenna Lead	7000 KC (C18)	Turn Rotor to Max. Output	Adjust to Maximum Output Rock Rotor—See Note B

Attenuate the signal from the signal generator to prevent the leveling-off action of the AVC.

After each range is completed, repeat the procedure as a final check.

**NOTE A**—In sets using the telephone dial tuning, there will be seen inside the telephone dial button ring an escutcheon plate held in place by four screws. Loosen the 2 screws nearest the pointer. An extension of the pointer will be seen protruding over the edge of this escutcheon plate. Move the pointer to the 1500 KC mark on the dial and then tighten the 2 escutcheon screws. [Do not tighten these screws too much.]

In sets using the moving beam of light indicator, there is a moving light assembly held to the front of the drive drum by means of a screw. Loosen this

screw and move the light assembly until the beam is at the 1500 KC mark on the dial. Retighten the screw.

**NOTE B**—Turn the rotor back and forth and adjust the trimmer until the peak of greatest intensity is obtained.

**CAUTION**—When aligning the short wave bands, be sure NOT to adjust at the image frequency. This can be checked as follows: Let us say the signal generator is set for 5000 KC. The signal will then be heard at 5000 KC on the dial of the radio. The image signal, which is much weaker, will be heard at 5000 less 912 KC, or 4088 KC on the dial. It may be necessary to increase the input signal to hear the image.

**NOTICE**—Re-alignment is necessary if glass tubes are replaced by their equivalent in metal tubes, or vice versa, in the R.F. and I.F. stages.

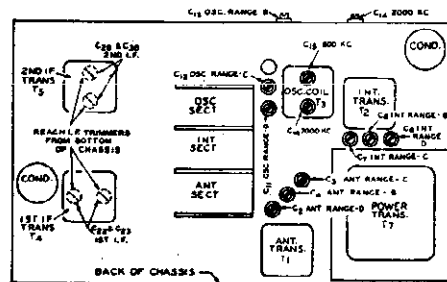


Fig. 3—Location of Trimmers

# Instructions for Mounting the New 7 Station Automatic Tuning Panel on the 7, 9, 11 and 13 Tube Chassis (REPLACING MOTOR DRIVE PANEL)

## New 7 Station Automatic Tuning Panel

There are 8 push buttons. Buttons Nos. 1 to 3 and 5 to 8 are Automatic Tuning Station Buttons. Button No. 4 is the Manual Tuning Button - See Fig. 1. When this button is depressed, the radio is in the manual tuning position.

The small buttons above the push buttons are still used for setting the stations. However, with the new panel, this is done by turning the button clockwise or counter-clockwise until the desired station is tuned in.

The aligning screw, shown in Fig. 1, when turned, moves the iron core of the antenna coil for aligning purposes.

### Old Parts Used

Use the following parts of the old assembly:

Escutcheon Plate,  
Station Buttons and Hairpin Springs,  
Setting Buttons,  
Glass Screen and Rubber Bands.

### The Following New Parts are Supplied

7 Station Automatic Tuning Panel Assembly.

The parts shown in the list at the end of these instructions.

### Removing Old Motor Drive Panel from Chassis

Remove the knobs. Two are set screw knobs and three are the push-on type.

Remove the station buttons by pushing down the lower end of the small hairpin spring at the back of the button and, at the same time, pulling the button off the shaft. Remove the setting buttons by pulling them off.

The screws in the wooden support behind the electric drive panel must be unscrewed and the support removed from the cabinet.

Remove the speaker plug from the socket at the back of the chassis and also the tuning eye tube from its clamp bracket. Loosen the screw holding the bottom shield connection to the back of the chassis. Unscrew and remove the shipping bolts and the "L" bolts from beneath the chassis shelf.

The chassis may then be removed.

Remove the old tuning eye tube bracket from the cabinet.

Turn the electric-manual lever to the electric position.

Unsolder the wire to the allencer switch at the chassis end. Also, unsolder the two motor leads at the A. C. terminal strip under the chassis. Early models used a metal shell condenser which was connected at the same terminal strip. Remove this condenser if one is installed.

Take off the collars from the volume and tone control shafts.

Remove the glass screen by taking out the two screws and removing the two brackets.

Remove the four red mounting screws.

The panel can then be pulled straight out from the chassis.

### Mounting New Automatic Tuning Panel on the Chassis

Put a piece of insulating tape on the surface of the support casting at the point shown in Fig. 2. This will prevent possible short circuiting of the switch contacts.

Before mounting the new panel on the chassis, cut off any leads not required as shown in the table - Fig. 7. Bring the tuner panel near the chassis and pass the white-blue tracer and white-red tracer leads through the hole in the chassis under the front section of the gang condenser. Turn the gang condenser until the spring clip on the drive drum is at its lowest position - See Fig. 2 lower left. Line up the drive arm on the large panel drive pulley with the spring clip on the gang condenser drive

drum. Since the drive arm will line up with the spring clip under two conditions, refer to Fig. 2 lower left for the correct relation of drive cord winding to drive arm.

Spread the spring clip SLIGHTLY with a small screw driver, bringing this screw driver up from beneath the chassis. Then push the panel toward the chassis, lowering it slightly so that the large drive pulley may be brought up in back of the bracket below the projector compartment. Insert the drive arm in the spring clip.

Mount the panel on the chassis using the four mounting screws at the four points shown in Fig. 1.

Secure the two braces to the back of the panel as shown in Fig. 2.

Remove the two screws at the top of the lens housing support bracket. Using the two 8-32 X 3/8" screws supplied, secure the back end of the braces in place. When attaching the brace to the tuner switch side of the lens housing bracket, ground the lug of the braided wire under the screw head as illustrated.

Replace the glass screen using clamps, nuts, and lock washers supplied.

Replace the collars on the volume control and tone control shafts.

Wire the panel in the circuit following Figs. 3, 4, 9, 10, 15, and 16.

Replace chassis in cabinet reversing procedure followed when removing the chassis. The wooden shipping support is not used.

The electric-manual lever is not used. A cover plate is supplied which covers the opening left by the removal of this lever. This plate is so made that the back portion should fit snugly into the opening in the cabinet. If it does not, file the cabinet until it fits snugly in place.

Then put the tuning knob on the shaft.

### Knobs and Cover Plate

The 5 control knobs formerly used with the motor drive panel are also used with the new automatic tuning panel.

The cover plate used under the tuning knob is described in the previous article.

### Alignment

After the new panel is installed, realign the chassis using as a guide the alignment procedure given in the service manual for each chassis.

If a definite peak cannot be reached the 1830 KC adjustment on the B range, compensating condenser C16 in the 9 model, C14 in the 13 tube model as 7 tube model.

If a definite peak cannot be reached the 22,000 KC adjustment on the D range back off this trimmer as far as it will need with the 20,000 KC adjustment.

Next align the automatic tuner. The tuning system is aligned by turning the screw which shifts the position of the iron antenna coil while the coil remains at

Depress station button No. 1 - See Fig. 1 a signal of the frequency shown below button No. 1. Turn setting button No. 1 counter-clockwise until this signal is tuned in. Then turn the aligning screw No. 1 clockwise or counter-clockwise until output is obtained.

Follow the same procedure with regard to station tuning buttons using the frequency below.

Button No. 1...Aligning Frequency  
Button No. 2...Aligning Frequency  
Button No. 3...Aligning Frequency  
Button No. 4...Aligning Frequency  
Button No. 5...Aligning Frequency  
Button No. 6...Aligning Frequency  
Button No. 7...Aligning Frequency  
Button No. 8...Aligning Frequency

### Mounting New Panel on Chassis Equipped with Motor Drive Panels

Chassis equipped with the early type panel may be identified by the fact a chassis is removed from the cabinet electric-manual lever is in the electric position. On late models, the two to be behind the glass screen and cannot pass this screen is removed - See Fig. 2.

To mount the new automatic tuning panel on early chassis, first, using a hack saw, remove the portion of the bracket assembly below the projector compartment as shown in Fig. 21.

Mount the new panel on the chassis using bottom mounting screws. Extend a panel instrument through the center of the panel mounting holes and place a mark on extending down from the projector compartment.

Remove the two lower mounting screws of the new panel. Drill and tap two holes in the two upper 8-32 mounting screws in the new panel can then be mounted by means of mounting screws.

### Parts Shipped With 7 Station Automatic Tuning Panel

QUANTITY	ITEM	APPLICATION
1.....	20,000 Ohm Resistor.....	To be used when installing panel on 9, 11 and 13 tube chassis only.
2.....	Braces.....	To secure the panel to top of projector assembly.
4.....	8-32 X 3/8" screws.....	2 used for front and of above brace. 2 used for back end of above brace.
2.....	#8 Shakeproof Lock Washers.....	To secure above brace to panel.
2.....	8-32 Hex Nuts.....	To secure above brace to panel.
2.....	Glass Retainer Clamps.....	To hold the glass screen in place.
2.....	6-32 X 1/4" Round Head Screws....	For above.
2.....	#6 Split Lock Washers.....	For above.
1.....	Circular Cardboard Tab with Words "Manual Tuning" on it.....	To be put into manual switch button (4th button from left).
1.....	Round Celluloid Tab.....	To be pushed into above mentioned button over the cardboard tab.
4.....	8-32 X 1/4" Mounting Screws..... (Beads Red)	To mount panel to chassis.
4.....	#8 Split Lock Washers.....	For above.
1.....	Round Cover Plate.....	To cover opening in front panel of cabinet left by removal of the electric-manual lever.

TE RADIO  
ELEVISION, INC.

omatic  
assis

be reached when making  
he B range, out off the  
in the 9 and 11 tube  
model and C13 in the

be reached when making  
n the D range, simply  
r as it will go and pro-  
ment.

ner. The automatic tun-  
ing the aiming screw of  
the iron core of the  
remains stationary.

1 - See Fig. 1. Tune in  
shown below for but-  
tion No. 1 clockwise or  
a signal is accurately  
aiming screw of button  
clockwise until maximum

ith regard to the other  
g the frequencies shown

- g Frequency 700 KC
- g Frequency 700 KC
- g Frequency 850 KC
- g Frequency 850 KC
- g Frequency 850 KC
- g Frequency 1100 KC
- g Frequency 1100 KC

anel on Early  
ed with First  
s Panels

arly type motor drive  
the fact that when the  
the cabinet and the  
the electric position,  
s can be seen - See  
the two top red screws  
and cannot be seen un-  
- See Fig. 22.

e tuning panel on the  
ng a hack saw, cut off  
assembly below the pro-  
in Fig. 21.

chassis using the two  
and a pencil or pointed  
r of the two upper pan-  
a mark on the bracket  
jector compartment.

ng screws and take off  
ap two holes for the  
rs in the bracket. The  
d by means of the four

anel

l on 9, 11,

projector

braces.

face.

ica.

iton

ied button

of cabinet

-manual

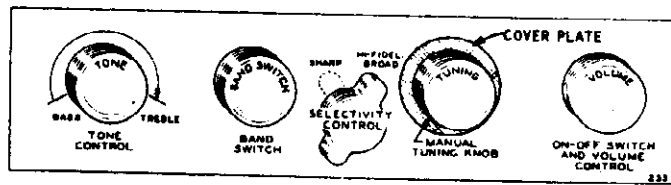
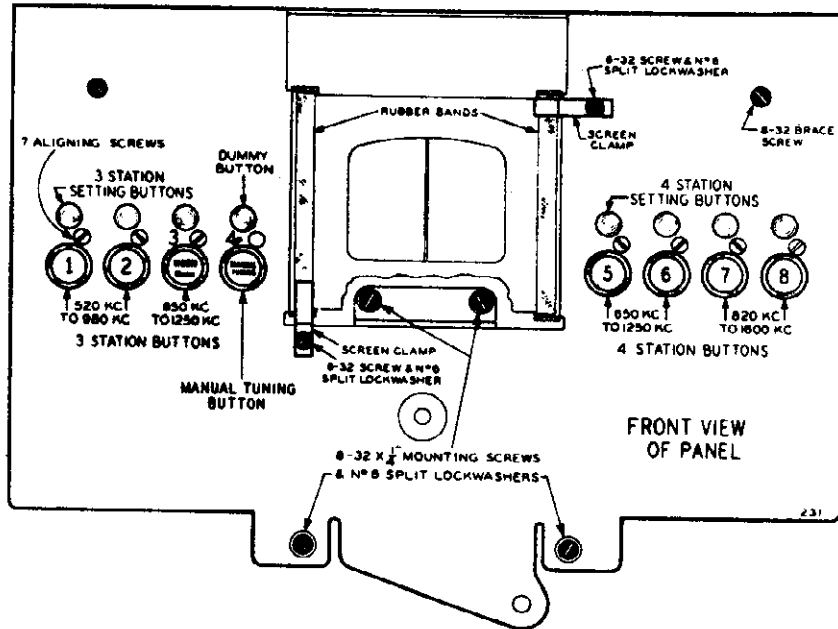


Fig. 1—Automatic Tuning Panel—Front View

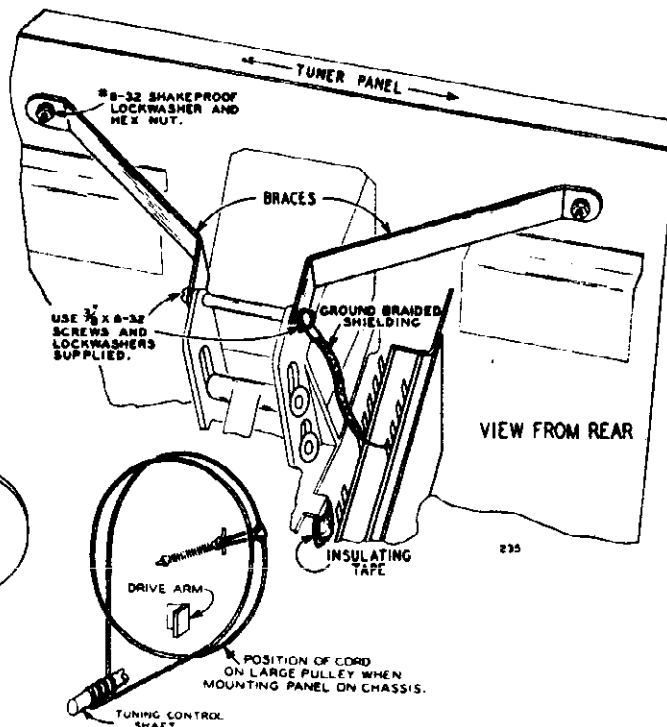


Fig. 2 Automatic Tuning Panel—Back View

MODEL B33

LAFAYETTE  
RADIO WIRE TH

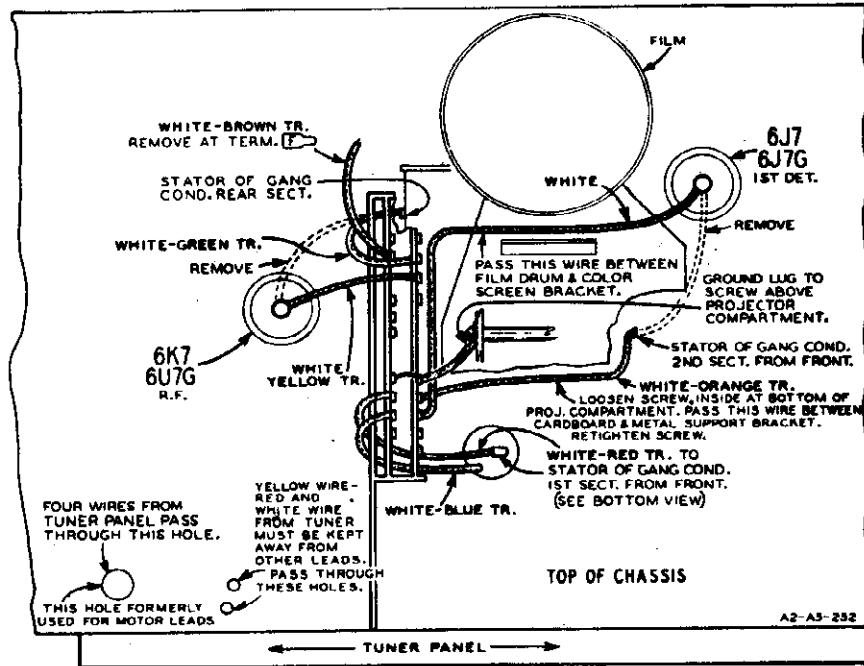


Fig. 9-9 and 11 Tube Chassis—Top View

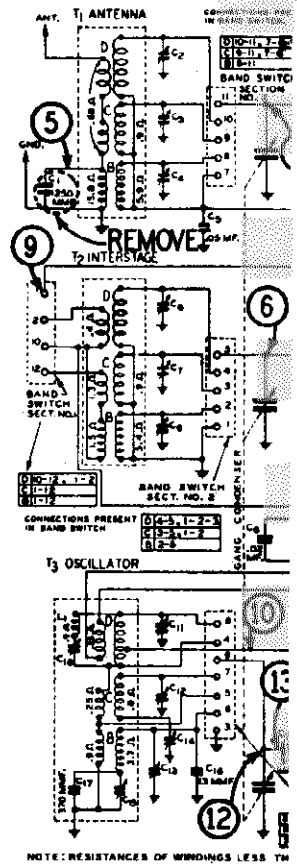


Fig. 11-9 and 11 Tube

IMPORTANT-DO NOT REMOVE ANY CONNECTIONS AT TERMINALS TO WHICH NEW WIRES ARE ADDED UNLESS OTHERWISE INDICATED.

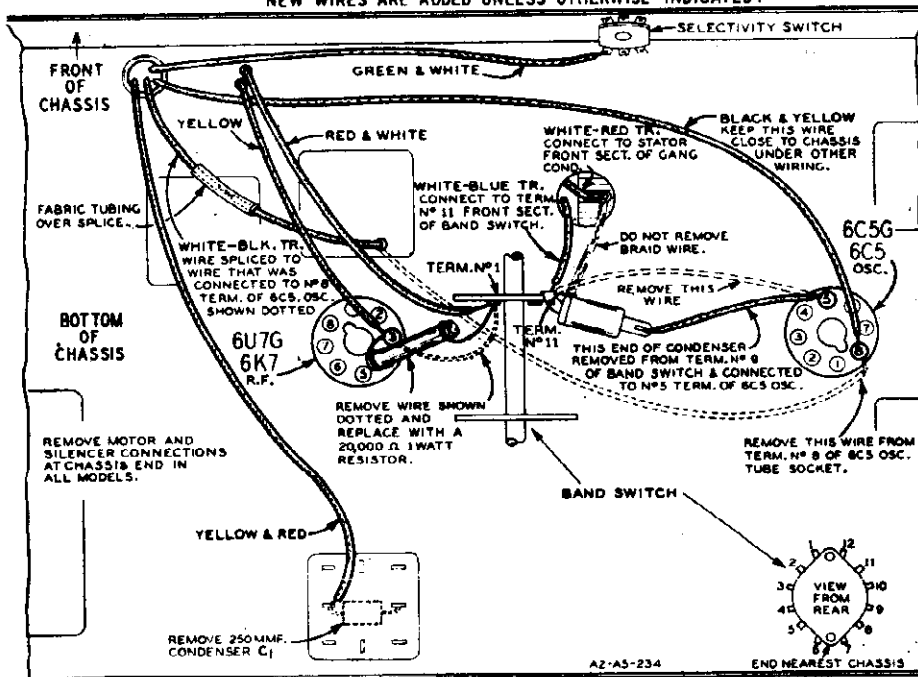


Fig. 10-9 and 11 Tube Chassis—Bottom View

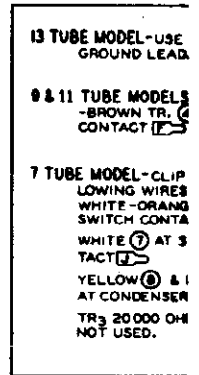
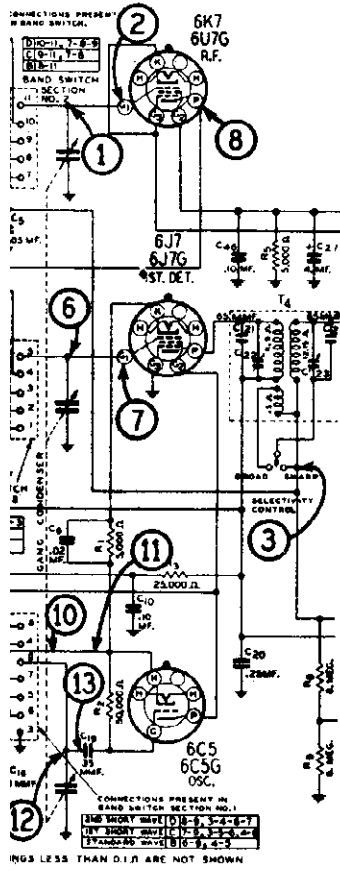


Fig. 12-Table Panel

**VETTE RADIO  
E TELEVISION, INC.**



**11 Tube Schematic Diagram**

MODEL-USE ALL 13 WIRES & GROUND LEAD.

11E MODELS-CLIP OFF WHITE WIRE OWN TR. ④ AT SWITCH CONTACT ②

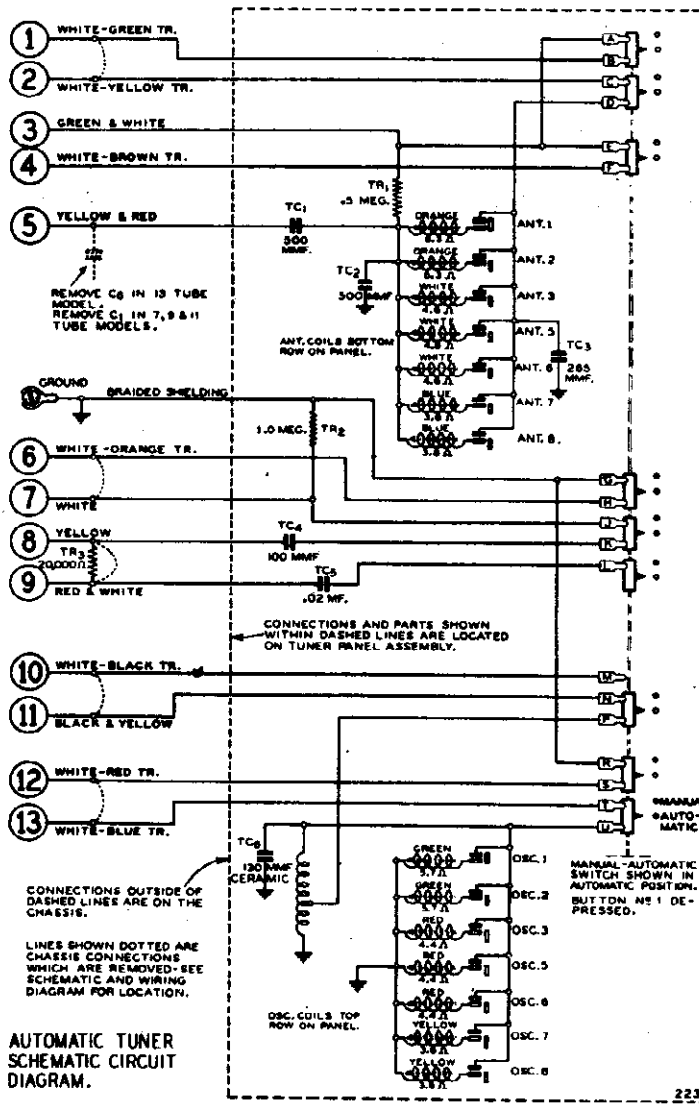
MODEL-CLIP OFF THE FOLLOWING WIRES:  
TE-ORANGE TR. ⑥ AT SWITCH CONTACT ②

TE ⑦ AT SWITCH CONTACT ②

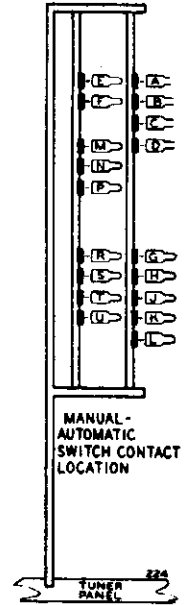
LOW ⑧ & RED & WHITE ⑨ CONDENSER TERMINAL STRIP, 20,000 OHM RESISTOR IS USED.

228

Table of Tuning Panel Leads Used



**Fig. 13—Tuning Panel Schematic Diagram**

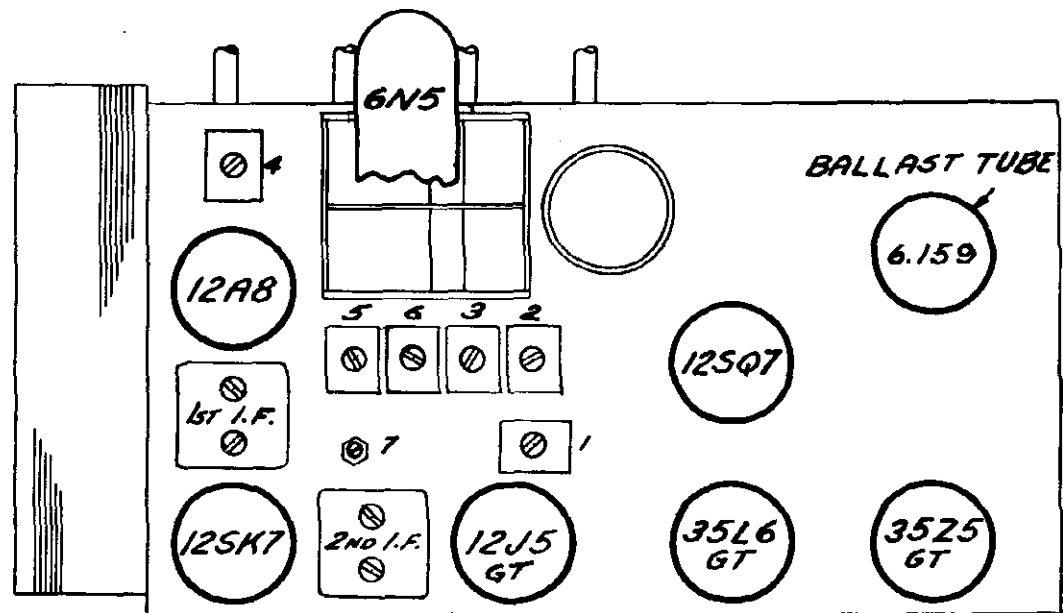
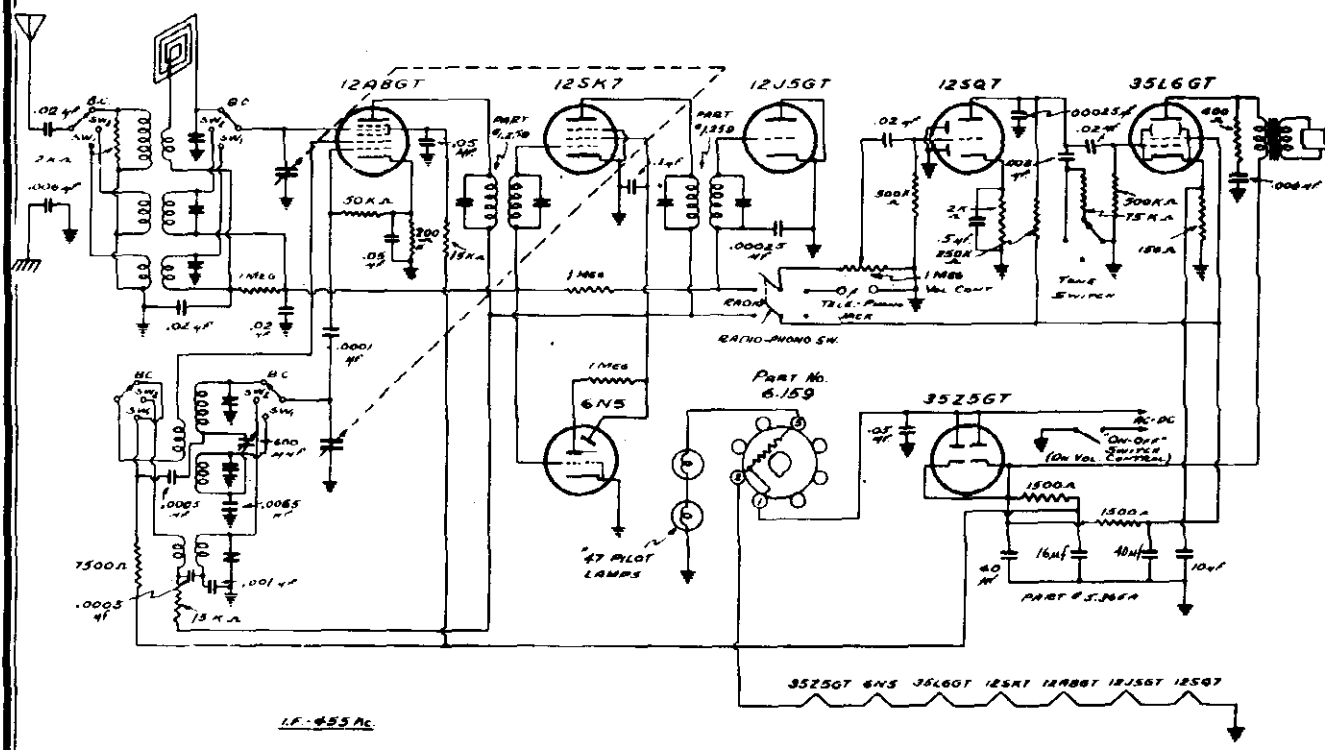


**Fig. 14—Tuning Panel Switch Terminals**

**9 AND 11 TUBE RADIOS**

### LAFAYETTE RADIO RADIO WIRE TELEVISION, INC.

#### MODEL D-33 G



#### TRIMMER ALIGNMENT FREQUENCIES

- #1 - POLICE ANT. - 6.5 Mc.
- #2 - POLICE OSC. - 7.35 Mc.
- #3 - SHORT WAVE OSC. - 24 Mc.
- #4 - SHORT WAVE ANT. - 20 Mc.
- #5 - BROADCAST ANT. - 1500 Kc.
- #6 - BROADCAST OSC. - 1720 Kc.
- #7 - B'DC'ST PADDER - 600 Kc.

I.F. - 455 Kc.



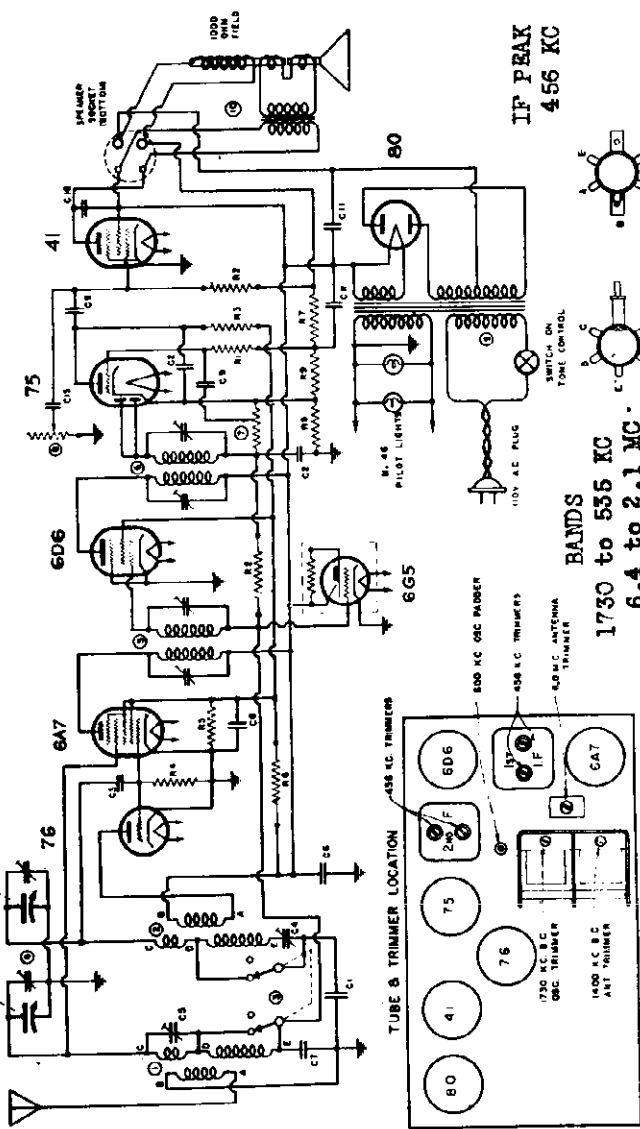
MODEL D34

LAFAYETTE RADIO  
RADIO WIRE TELEVISION, INC.

PART NO.	DESCRIPTION	MICA %	PART NO.	DESCRIPTION
C1	15-10	2018 MFD	81	6A7
C2	1364	.0001	82	6B8
C3	130	.0001	83	6B8
C4	20-100	50	84	6B8
C5	2364	50	85	6B8
C6	1898	1	86	6B8
C7	1800	1	87	6B8
C8	1807	1	88	6B8
C9	1804	1	89	6B8
C10	1804	1	90	6B8
C11	1804	1	91	6B8

PART NO.	DESCRIPTION
1	6A7
2	6B8
3	6B8
4	6B8
5	6B8
6	6B8
7	6B8
8	6B8
9	6B8
10	6B8

CIRCUIT DIAGRAM  
DRAWN BY L. L. DATE 3-18-37

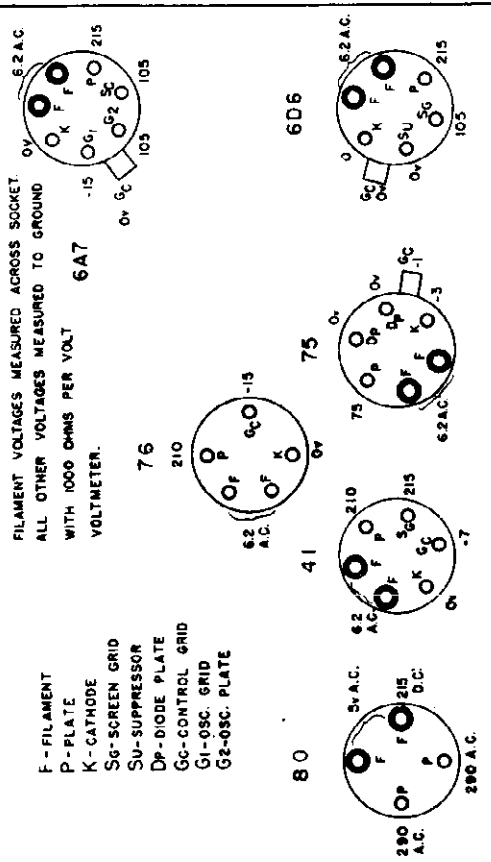


The tubes used are a 76 as oscillator, a 6A7 as modulator, a 6D6 as I. F. amplifier, a 75 as A. V. C. and audio rectifier and audio voltage amplifier, a 41 as power audio amplifier, an 80 as a power rectifier and a 6G5 as tuning indicator.

**ALIGNMENT PROCEDURE**  
Connect the signal generator to the grid cap of the 6A7 tube through a 1 M.F. condenser. Connect the ground of the generator to the ground lead of the receiver. With the wave switch on broadcast position and the dial set to about 1000 K.C., feed in a 456 K.C. signal. Adjust the trimmers on top of the first and second I.F. transformers until the maximum output is obtained. This aligns the I.F.

Leaving the wave switch on broadcast position turn the dial to the extreme high frequency end. Feed a 1730 K.C. signal to the receiver antenna lead through a .00025 M.F. mica condenser. Adjust the 1730 K.C. broadcast oscillator trimmer until maximum output is shown. Set the generator to 1400 K.C. and tune in this signal on the receiver. Then adjust the 1400 K.C. broadcast antenna trimmer to maximum output. Set the generator to 600 K.C. and adjust the 600 K.C. broadcast oscillator pad to maximum output while tuning the receiver back and forth across the signal from the generator. This completes the alignment of the broadcast band.

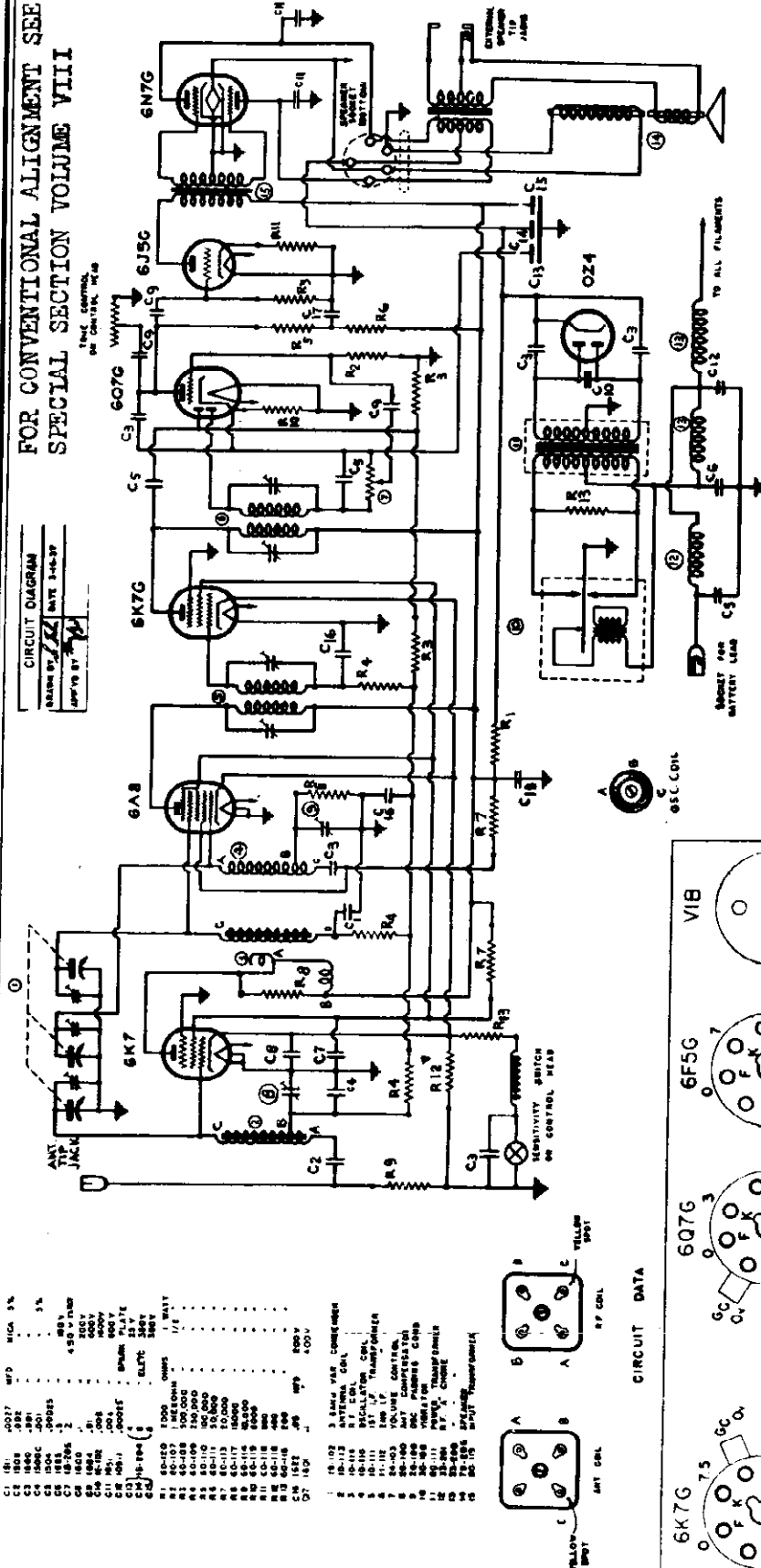
The short wave band is aligned while feeding a 6.0 M.C. signal to the receiver antenna lead through a .00025 M.F. mica condenser. Turn the wave switch to short wave position and tune in the 6.0 M.C. signal. Adjust the 6.0 M.C. short wave trimmer to maximum output.



LAFAYETTE RADIO  
RADIO WIRE TELEVISION, INC.

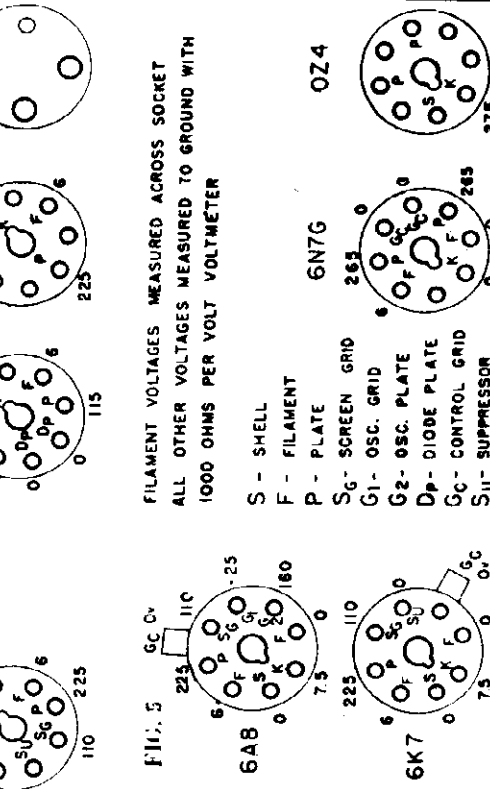
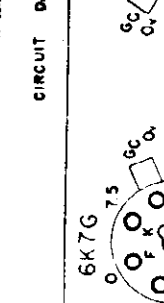
FOR CONVENTIONAL ALIGNMENT SEE  
SPECIAL SECTION VOLUME VIII

CIRCUIT DIAGRAM  
REVISED BY DATE 1-1-37  
APPROVED BY



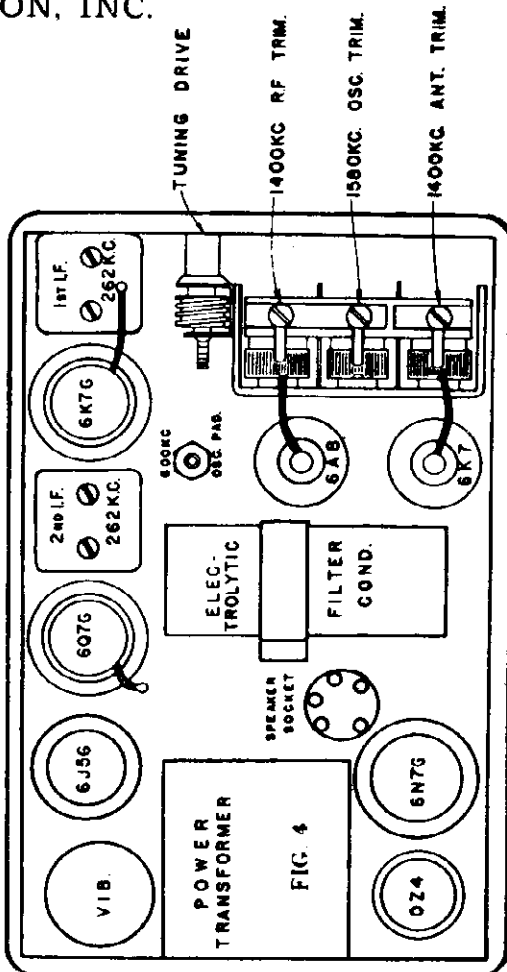
IB1	207	WCA	5%
IB2	188	5%	
IB3	188	5%	
IB4	188	5%	
IB5	188	5%	
IB6	188	5%	
IB7	188	5%	
IB8	188	5%	
IB9	188	5%	
IB10	188	5%	
IB11	188	5%	
IB12	188	5%	
IB13	188	5%	
IB14	188	5%	
IB15	188	5%	
IB16	188	5%	
IB17	188	5%	
IB18	188	5%	
IB19	188	5%	
IB20	188	5%	
IB21	188	5%	
IB22	188	5%	
IB23	188	5%	
IB24	188	5%	
IB25	188	5%	
IB26	188	5%	
IB27	188	5%	
IB28	188	5%	
IB29	188	5%	
IB30	188	5%	
IB31	188	5%	
IB32	188	5%	
IB33	188	5%	
IB34	188	5%	
IB35	188	5%	
IB36	188	5%	
IB37	188	5%	
IB38	188	5%	
IB39	188	5%	
IB40	188	5%	
IB41	188	5%	
IB42	188	5%	
IB43	188	5%	
IB44	188	5%	
IB45	188	5%	
IB46	188	5%	
IB47	188	5%	
IB48	188	5%	
IB49	188	5%	
IB50	188	5%	
IB51	188	5%	
IB52	188	5%	
IB53	188	5%	
IB54	188	5%	
IB55	188	5%	
IB56	188	5%	
IB57	188	5%	
IB58	188	5%	
IB59	188	5%	
IB60	188	5%	
IB61	188	5%	
IB62	188	5%	
IB63	188	5%	
IB64	188	5%	
IB65	188	5%	
IB66	188	5%	
IB67	188	5%	
IB68	188	5%	
IB69	188	5%	
IB70	188	5%	
IB71	188	5%	
IB72	188	5%	
IB73	188	5%	
IB74	188	5%	
IB75	188	5%	
IB76	188	5%	
IB77	188	5%	
IB78	188	5%	
IB79	188	5%	
IB80	188	5%	
IB81	188	5%	
IB82	188	5%	
IB83	188	5%	
IB84	188	5%	
IB85	188	5%	
IB86	188	5%	
IB87	188	5%	
IB88	188	5%	
IB89	188	5%	
IB90	188	5%	
IB91	188	5%	
IB92	188	5%	
IB93	188	5%	
IB94	188	5%	
IB95	188	5%	
IB96	188	5%	
IB97	188	5%	
IB98	188	5%	
IB99	188	5%	
IB100	188	5%	

10-102	3 GANG VAR CONDENSER
10-112	INTERNAL GRL
10-113	RECALIBRATION GRL
10-114	1ST "P" TRANSFORMER
10-115	2ND "P" TRANSFORMER
10-116	VOLUME CONTROL
10-117	AUT COMPENSATION
10-118	WINDING TRANSFORMER
10-119	WINDING TRANSFORMER
10-120	WINDING TRANSFORMER
10-121	WINDING TRANSFORMER
10-122	WINDING TRANSFORMER
10-123	WINDING TRANSFORMER
10-124	WINDING TRANSFORMER
10-125	WINDING TRANSFORMER
10-126	WINDING TRANSFORMER
10-127	WINDING TRANSFORMER
10-128	WINDING TRANSFORMER
10-129	WINDING TRANSFORMER
10-130	WINDING TRANSFORMER
10-131	WINDING TRANSFORMER
10-132	WINDING TRANSFORMER
10-133	WINDING TRANSFORMER
10-134	WINDING TRANSFORMER
10-135	WINDING TRANSFORMER
10-136	WINDING TRANSFORMER
10-137	WINDING TRANSFORMER
10-138	WINDING TRANSFORMER
10-139	WINDING TRANSFORMER
10-140	WINDING TRANSFORMER
10-141	WINDING TRANSFORMER
10-142	WINDING TRANSFORMER
10-143	WINDING TRANSFORMER
10-144	WINDING TRANSFORMER
10-145	WINDING TRANSFORMER
10-146	WINDING TRANSFORMER
10-147	WINDING TRANSFORMER
10-148	WINDING TRANSFORMER
10-149	WINDING TRANSFORMER
10-150	WINDING TRANSFORMER



FILAMENT VOLTAGES MEASURED ACROSS SOCKET  
ALL OTHER VOLTAGES MEASURED TO GROUND WITH  
1000 OHMS PER VOLT VOLTMETER

S - SHELL  
F - FILAMENT  
P - PLATE  
SG - SCREEN GRID  
G1 - OSC. GRID  
G2 - OSC. PLATE  
DP - DIODE PLATE  
GC - CONTROL GRID  
SU - SUPPRESSOR



TUNING DRIVE  
1400KC RF TRIM.  
1580KC OSC TRIM.  
1400KC ANT. TRIM.

MODEL D41

LAFAYETTE RADIO  
RADIO WIRE TELEVISION, INC.

**ALIGNMENT PROCEDURE**

All alignments must be made with the volume control turned full on and with the signal input from the generator reduced to as low a value as possible while still giving a sufficient output to be easily read on the output meter.

Connect the output meter, through a .5 M.F. condenser and a resistance of such a value as to make the total meter resistance approximately 10,000 ohms, to the two small pins of the speaker plug. The output meter remains connected during the entire alignment procedure.

Connect the signal generator to the grid cap of the 1A6 tube through a 1 M.F. condenser. Connect the ground of the generator to the ground post of the receiver. With the wave switch on broadcast position and the dial set to about 1000 K.C., feed in a 456 K.C. signal. Adjust the trimmers on top of the first and second I.F. transformers until the maximum output is obtained. This aligns the I.F.

Leaving the signal generator connected to the grid cap of the 1A6, turn the wave switch to the right hand (short wave) position. Set the dial and the signal generator to 15.0 M.C. Tune in the signal by adjusting the 15.0 M.C. oscillator trimmer. The signal will be heard at two different settings of the trimmer. The proper setting is the one where the signal is heard when the trimmer is the loosest. Also when the dial of the receiver is turned the signal will be heard again at about 14.0 M.C. If the signal is heard at about 16.0 M.C. on the dial instead of 14.0 M.C. the wrong setting has been used and should be corrected.

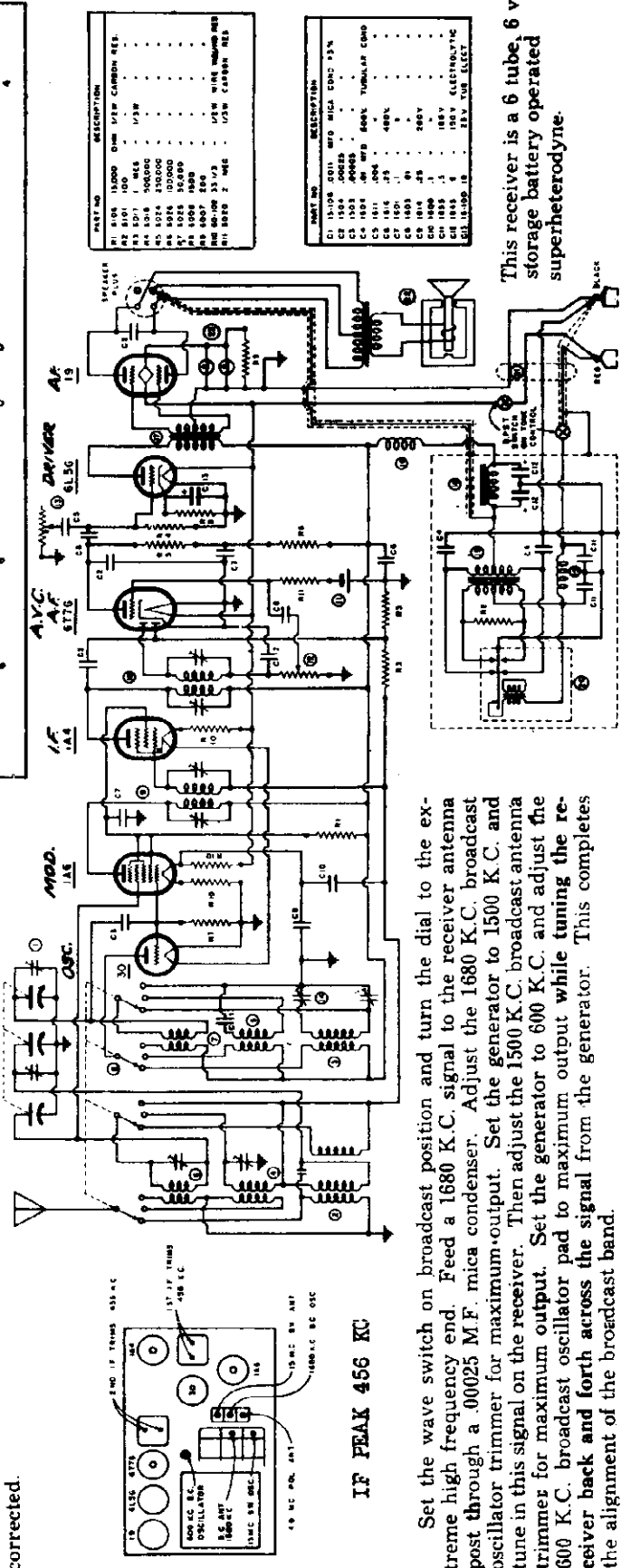
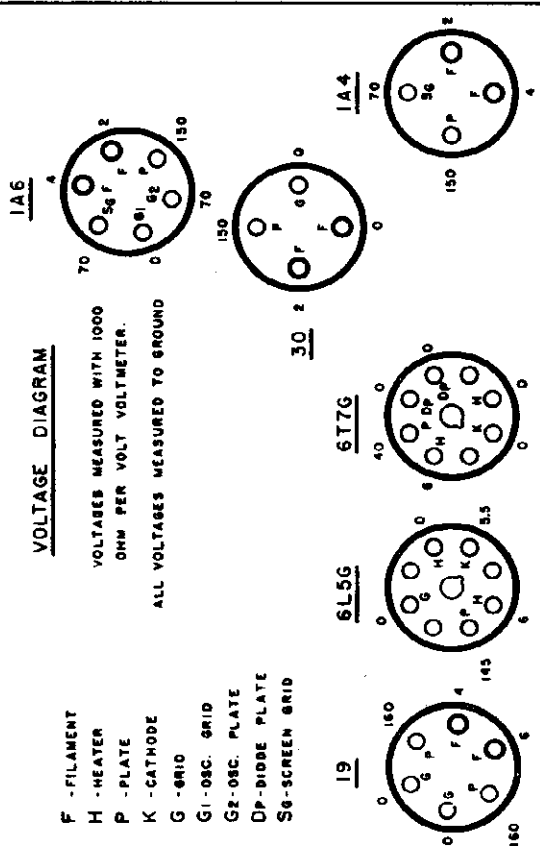
Set the wave switch on broadcast position and turn the dial to the extreme high frequency end. Feed a 1680 K.C. signal to the receiver antenna post through a .00025 M.F. mica condenser. Adjust the 1680 K.C. broadcast oscillator trimmer for maximum output. Set the generator to 1500 K.C. and tune in this signal on the receiver. Then adjust the 1500 K.C. broadcast antenna trimmer for maximum output. Set the generator to 600 K.C. and adjust the 600 K.C. broadcast oscillator pad to maximum output while tuning the receiver back and forth across the signal from the generator. This completes the alignment of the broadcast band.

The police band is aligned by feeding a 4.0 M.C. signal to the receiver antenna lead through the .00025 condenser. Turn the wave switch to the center position and tune the receiver to this signal. Adjust the 4.0 M.C. police antenna trimmer for best output.

**VOLTAGE DIAGRAM**

VOLTAGES MEASURED WITH 1000 OHM PER VOLT VOLTMETER.  
ALL VOLTAGES MEASURED TO GROUND

- F - FILAMENT
- H - HEATER
- P - PLATE
- K - CATHODE
- G - GRID
- G1 - OSC. GRID
- G2 - OSC. PLATE
- DP - DIODE PLATE
- SG - SCREEN GRID



This receiver is a 6 tube, 6 volt storage battery operated superheterodyne.

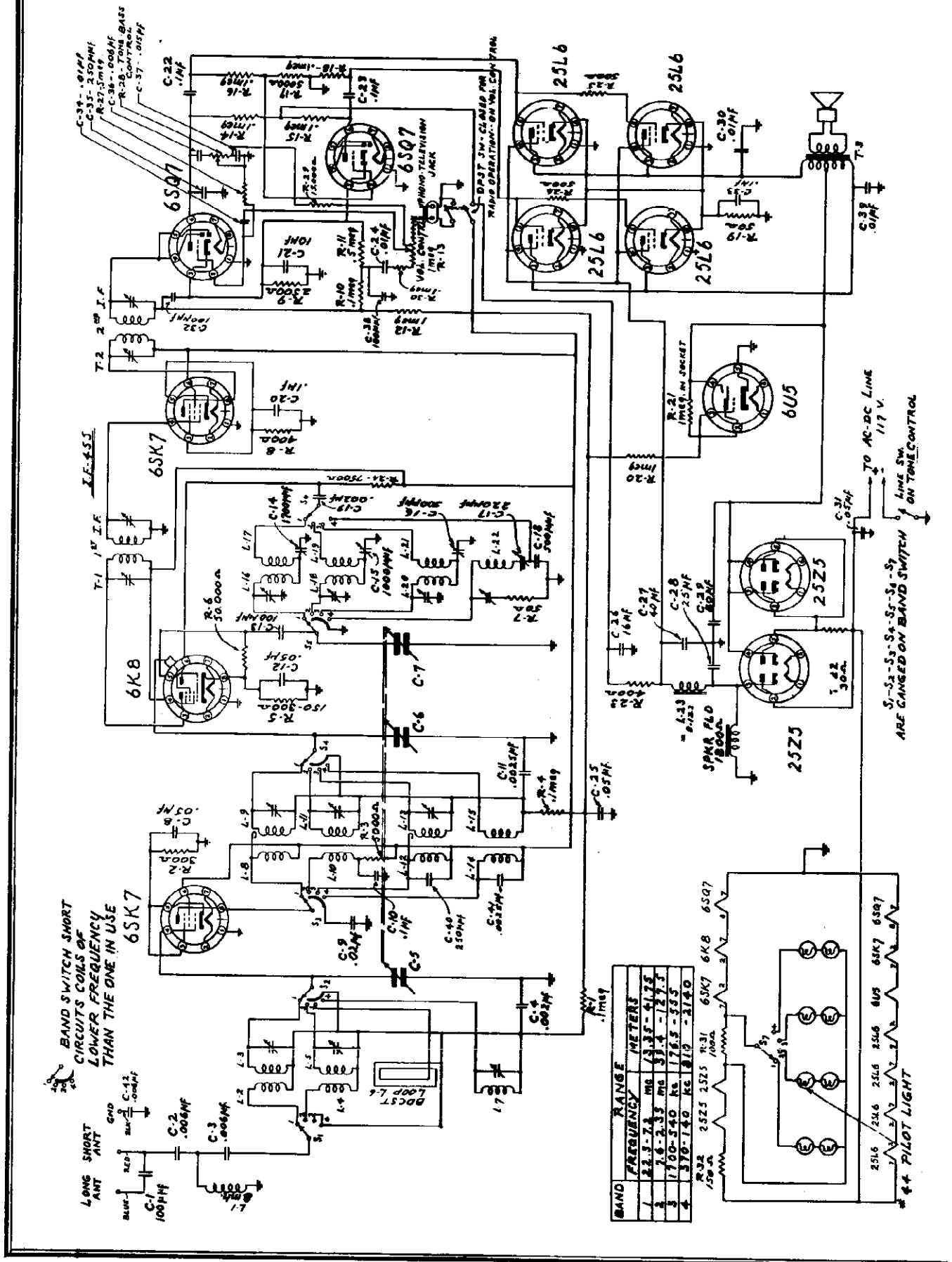
The short wave band is aligned in the same way using a 15 M.C. signal and adjusting the 15 M.C. short wave antenna trimmer after having turned the wave switch to the right hand position.

PART NO.	DESCRIPTION
R1 50A 15000	OHM 1/2W CARBON RES.
R2 50B 100	RES
R3 50C 100000	RES
R4 50D 1000000	RES
R5 50E 1000000	RES
R6 50F 1000000	RES
R7 50G 1000000	RES
R8 50H 1000000	RES
R9 50I 1000000	RES
R10 50J 1000000	RES
R11 50K 1000000	RES
R12 50L 1000000	RES
R13 50M 1000000	RES
R14 50N 1000000	RES
R15 50O 1000000	RES
R16 50P 1000000	RES
R17 50Q 1000000	RES
R18 50R 1000000	RES
R19 50S 1000000	RES
R20 50T 1000000	RES
R21 50U 1000000	RES
R22 50V 1000000	RES
R23 50W 1000000	RES
R24 50X 1000000	RES
R25 50Y 1000000	RES
R26 50Z 1000000	RES

PART NO.	DESCRIPTION
C1 15A04 2011	MFD MICA COND 15%N
C2 15B 100000	COND
C3 15C 100000	COND
C4 15D 100000	COND
C5 15E 100000	COND
C6 15F 100000	COND
C7 15G 100000	COND
C8 15H 100000	COND
C9 15I 100000	COND
C10 15J 100000	COND
C11 15K 100000	COND
C12 15L 100000	COND
C13 15M 100000	COND
C14 15N 100000	COND
C15 15O 100000	COND
C16 15P 100000	COND
C17 15Q 100000	COND
C18 15R 100000	COND
C19 15S 100000	COND
C20 15T 100000	COND
C21 15U 100000	COND
C22 15V 100000	COND
C23 15W 100000	COND
C24 15X 100000	COND
C25 15Y 100000	COND
C26 15Z 100000	COND

IF PEAK 456 KC

# LAFAYETTE RADIO RADIO WIRE TELEVISION, INC.



BAND SWITCH SHORT  
CIRCUITS COILS OF  
LOWER FREQUENCY  
THAN THE ONE IN USE

BAND	RANGE	FREQUENCY	METERS
1	2.3-7.8	MG	1.35-4.75
2	7.8-23.3	MG	3.4-12.75
3	170-540	KC	17.5-535
4	370-140	KC	31.2-2140

4-4 PILOT LIGHT

S1-31-33-34-35-36-37  
ARE GANGED ON BAND SWITCH  
ON TONE CONTROL

70 AC-DC LINE  
117 V.

6SK7 6K8 6SQ7

25Z5 25L6 6U5

25Z5 25L6 6U5

## LAFAYETTE RADIO RADIO WIRE TELEVISION, INC

It is important to remember that in receivers of this kind which are equipped with automatic volume control it is necessary to use the minimum possible signal from the signal generator; otherwise the A.V.C. action will tend to nullify the variations in output as the trimmers are adjusted.

**I.F. Adjustment:** The signal generator is set at 456 kc and is connected through a .5 mmfd condenser to the grid of the first detector (8K5). With the band switch set on "Broadcast", the pointer set at 550 kc and the receiver volume control at its maximum position, the I.F. trimmers are adjusted for maximum output. These trimmers may be found on tops of the I.F. transformer shield cans.

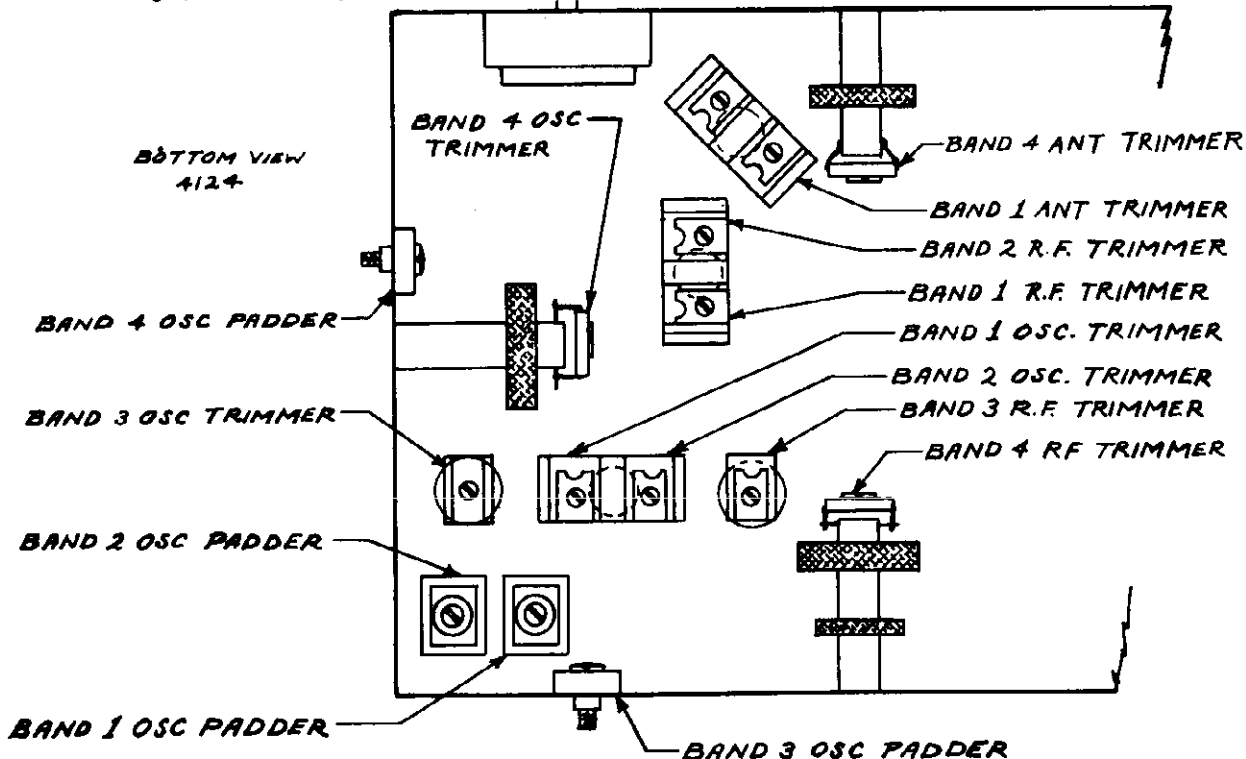
**Band #1 Adjustment:** Turn the dial control knob so that the condenser plates are entirely out of mesh. Set the band switch to band #1. The signal generator should be connected to the short-antenna binding post through the dummy antenna consisting of a 250 mmfd mica condenser and a 400 ohm non-inductive resistor. The oscillator trimmer condenser should be opened to minimum capacity and the signal generator then set to 22.4 megacycles. The oscillator trimmer is then increased in capacity until maximum response is obtained. Two responses are possible and it is important that the high frequency response (oscillator trimmer low capacity) be used. The signal generator is then set to 19 MC and the variable condenser turned until a response is obtained. The pointer should coincide with the 19 MC mark on the dial. The antenna preselector and first detector trimmers are then adjusted in the order named, for maximum output. The variable condenser should be rocked slightly during this last adjustment. The signal generator is now set at 7.6 mc and the signal tuned in on the dial. The padder condenser for this band is adjusted for maximum reading of the output meter while the generator tuning condenser is rocked slightly to right and left. The high frequency adjustment should then be rechecked.

**Band #2:** The band selector switch is set in position for operation on short wave band #2. The variable condenser is opened so that the plates are completely unmeshed and the oscillator trimmer is opened to minimum capacity. The signal generator is set to 7.6 mc and the oscillator trimmer condenser is increased in capacity until a response is heard. Two responses are possible and it is important that the higher frequency response (oscillator trimmer low capacity) be used. Set the signal generator at 7 mc and turn the tuning control until a response is indicated on the output meter. The pointer should now coincide with the 7 mc marker on the dial. The antenna preselector and first detector trimmers are then adjusted in the order named for maximum output. After high frequency adjustments have been made set the signal generator at 2.5 mc and turn the variable gang condenser until a response is observed. Adjust the padding condenser for this band for maximum gain while rocking the tuning condenser slightly to the right and the left. The higher frequency adjustment should then be rechecked.

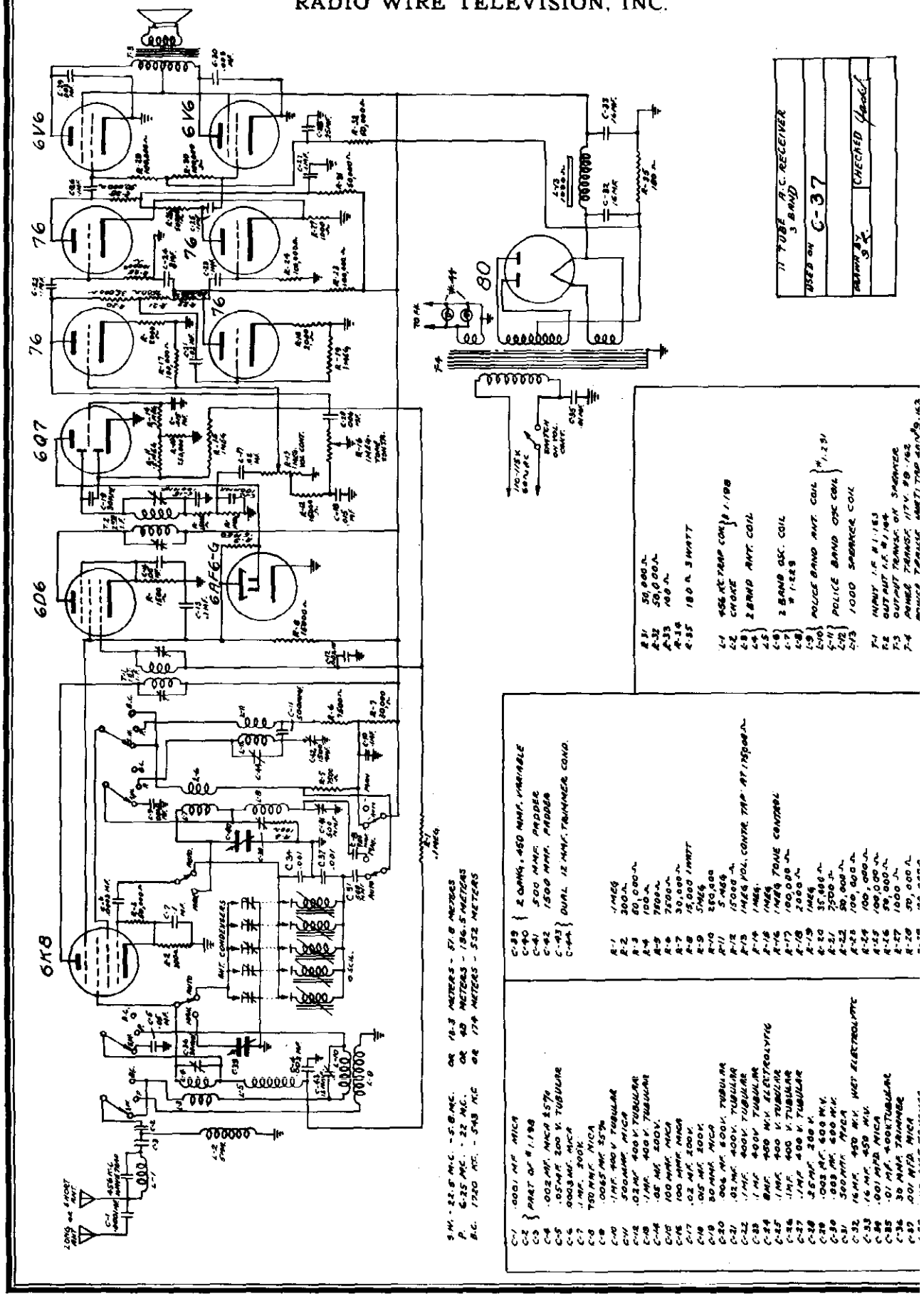
**Broadcast Band:** The dummy antenna for this band should consist of a 250 mmfd condenser only. The signal generator is set at 1620 kc, the band switch set at broadcast position. The variable condenser should be opened so that the plates are entirely out of mesh. The oscillator trimmer is then adjusted for maximum response on that frequency (1620kc). Set the signal generator at 1500 kc and tune the receiver until a response is indicated. The dial pointer should coincide with the 1500 kc mark on the dial. The signal generator is then set at 600 kc and the receiver tuned until a response is indicated. The padder condenser is then adjusted for maximum gain while the tuning gang condenser is rocked slightly to the left and right. The 1500 kc adjustment should then be rechecked.

**Long Wave Band:** The band selector switch is set in position for operation on the long wave band. The receiver and generator are both tuned to 300 kc and the oscillator trimmer is adjusted for maximum response. The antenna and first detector trimmers are adjusted in the order named for maximum output.

The signal generator is then set at 150 kc and the signal is tuned in. The long wave padder condenser is adjusted for maximum response while the gang tuning condenser is rocked slightly to the left and right. The 300 kc adjustment should then be rechecked.



LAFAYETTE RADIO  
RADIO WIRE TELEVISION, INC.



7-TUBE P.C. RECEIVER  
USES 6V  
CHECKED

- R-31 50,000 Ω
- R-32 50,000 Ω
- R-33 100 Ω
- R-34 100 Ω
- R-35 180 Ω 3 WATT
- L-1 455 KC TAP COIL 1/100
- C-2 CHOXE
- C-3 2 BAND ANT. COIL
- C-4 2 BAND OSC. COIL
- C-5 1.25 μ
- C-6 POLICE BAND ANT. COIL 1/25
- C-7 POLICE BAND OSC. COIL
- C-8 1000 SCREENING COIL
- F-1 1000 μF 15 V. 183
- F-2 OUTPUT TRANSFORMER
- F-3 OUTPUT TRANSFORMER 117V. 20 W. 183
- F-4 1000 μF 15 V. 183

- C-39 2 GANG. 450 MMF. VARIABLE
- C-40 500 MMF. PAPER
- C-41 1500 MMF. PAPER
- C-42 DUAL 12 MMF. TRIMMER COND.
- R-1 1MΩ
- R-2 200 Ω
- R-3 50,000 Ω
- R-4 100 Ω
- R-5 200 Ω
- R-6 200 Ω
- R-7 30,000 Ω
- R-8 15,000 Ω
- R-9 5MΩ
- R-10 250,000 Ω
- R-11 5MΩ
- R-12 15,000 Ω
- R-13 1MΩ POL. CONTR. TAP AT 1500 Ω
- R-14 1MΩ
- R-15 1MΩ
- R-16 1MΩ TONE CONTROL
- R-17 100,000 Ω
- R-18 2000 Ω
- R-19 1MΩ
- R-20 35,000 Ω
- R-21 7500 Ω
- R-22 50,000 Ω
- R-23 100,000 Ω
- R-24 100,000 Ω
- R-25 20,000 Ω
- R-26 100,000 Ω
- R-27 1000 Ω
- R-28 20,000 Ω
- R-29 20,000 Ω

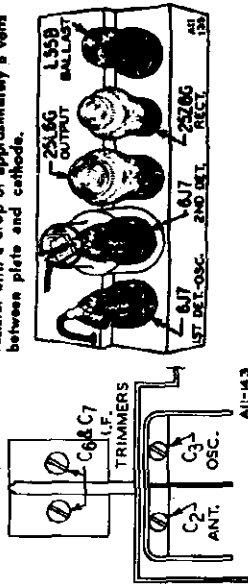
- C-1 1000 μF 15 V. 183
- C-2 PART OF R-118
- C-3 .05 μF 500 V. TUBULAR
- C-4 .05 μF 500 V. TUBULAR
- C-5 .05 μF 500 V. TUBULAR
- C-6 .05 μF 500 V. TUBULAR
- C-7 .05 μF 500 V. TUBULAR
- C-8 .05 μF 500 V. TUBULAR
- C-9 .05 μF 500 V. TUBULAR
- C-10 .05 μF 500 V. TUBULAR
- C-11 .05 μF 500 V. TUBULAR
- C-12 .05 μF 500 V. TUBULAR
- C-13 .05 μF 500 V. TUBULAR
- C-14 .05 μF 500 V. TUBULAR
- C-15 .05 μF 500 V. TUBULAR
- C-16 .05 μF 500 V. TUBULAR
- C-17 .05 μF 500 V. TUBULAR
- C-18 .05 μF 500 V. TUBULAR
- C-19 .05 μF 500 V. TUBULAR
- C-20 .05 μF 500 V. TUBULAR
- C-21 .05 μF 500 V. TUBULAR
- C-22 .05 μF 500 V. TUBULAR
- C-23 .05 μF 500 V. TUBULAR
- C-24 .05 μF 500 V. TUBULAR
- C-25 .05 μF 500 V. TUBULAR
- C-26 .05 μF 500 V. TUBULAR
- C-27 .05 μF 500 V. TUBULAR
- C-28 .05 μF 500 V. TUBULAR
- C-29 .05 μF 500 V. TUBULAR
- C-30 .05 μF 500 V. TUBULAR
- C-31 .05 μF 500 V. TUBULAR
- C-32 .05 μF 500 V. TUBULAR
- C-33 .05 μF 500 V. TUBULAR
- C-34 .05 μF 500 V. TUBULAR
- C-35 .05 μF 500 V. TUBULAR
- C-36 .05 μF 500 V. TUBULAR
- C-37 .05 μF 500 V. TUBULAR
- C-38 .05 μF 500 V. TUBULAR
- C-39 .05 μF 500 V. TUBULAR
- C-40 .05 μF 500 V. TUBULAR
- C-41 .05 μF 500 V. TUBULAR
- C-42 .05 μF 500 V. TUBULAR
- C-43 .05 μF 500 V. TUBULAR
- C-44 .05 μF 500 V. TUBULAR
- C-45 .05 μF 500 V. TUBULAR
- C-46 .05 μF 500 V. TUBULAR
- C-47 .05 μF 500 V. TUBULAR
- C-48 .05 μF 500 V. TUBULAR
- C-49 .05 μF 500 V. TUBULAR
- C-50 .05 μF 500 V. TUBULAR
- C-51 .05 μF 500 V. TUBULAR
- C-52 .05 μF 500 V. TUBULAR
- C-53 .05 μF 500 V. TUBULAR
- C-54 .05 μF 500 V. TUBULAR
- C-55 .05 μF 500 V. TUBULAR
- C-56 .05 μF 500 V. TUBULAR
- C-57 .05 μF 500 V. TUBULAR
- C-58 .05 μF 500 V. TUBULAR
- C-59 .05 μF 500 V. TUBULAR
- C-60 .05 μF 500 V. TUBULAR
- C-61 .05 μF 500 V. TUBULAR
- C-62 .05 μF 500 V. TUBULAR
- C-63 .05 μF 500 V. TUBULAR
- C-64 .05 μF 500 V. TUBULAR
- C-65 .05 μF 500 V. TUBULAR
- C-66 .05 μF 500 V. TUBULAR
- C-67 .05 μF 500 V. TUBULAR
- C-68 .05 μF 500 V. TUBULAR
- C-69 .05 μF 500 V. TUBULAR
- C-70 .05 μF 500 V. TUBULAR
- C-71 .05 μF 500 V. TUBULAR
- C-72 .05 μF 500 V. TUBULAR
- C-73 .05 μF 500 V. TUBULAR
- C-74 .05 μF 500 V. TUBULAR
- C-75 .05 μF 500 V. TUBULAR
- C-76 .05 μF 500 V. TUBULAR
- C-77 .05 μF 500 V. TUBULAR
- C-78 .05 μF 500 V. TUBULAR
- C-79 .05 μF 500 V. TUBULAR
- C-80 .05 μF 500 V. TUBULAR
- C-81 .05 μF 500 V. TUBULAR
- C-82 .05 μF 500 V. TUBULAR
- C-83 .05 μF 500 V. TUBULAR
- C-84 .05 μF 500 V. TUBULAR
- C-85 .05 μF 500 V. TUBULAR
- C-86 .05 μF 500 V. TUBULAR
- C-87 .05 μF 500 V. TUBULAR
- C-88 .05 μF 500 V. TUBULAR
- C-89 .05 μF 500 V. TUBULAR
- C-90 .05 μF 500 V. TUBULAR
- C-91 .05 μF 500 V. TUBULAR
- C-92 .05 μF 500 V. TUBULAR
- C-93 .05 μF 500 V. TUBULAR
- C-94 .05 μF 500 V. TUBULAR
- C-95 .05 μF 500 V. TUBULAR
- C-96 .05 μF 500 V. TUBULAR
- C-97 .05 μF 500 V. TUBULAR
- C-98 .05 μF 500 V. TUBULAR
- C-99 .05 μF 500 V. TUBULAR
- C-100 .05 μF 500 V. TUBULAR

S.M. 25.0 MC. - 5.0 MC. OR 12.3 METERS - 27.8 METERS  
P. 6.15 MC. - 2.2 MC. OR 49 METERS - 136.5 METERS  
B.G. 1720 KC. - 548 KC OR 174 METERS - 552 METERS



LAFAYETTE RADIO  
RADIO WIRE TELEVISION, INC.

**CAUTION**—In any service work on the AC-DC chassis, keep it on a wood or other insulated surface to avoid contacts with ground.

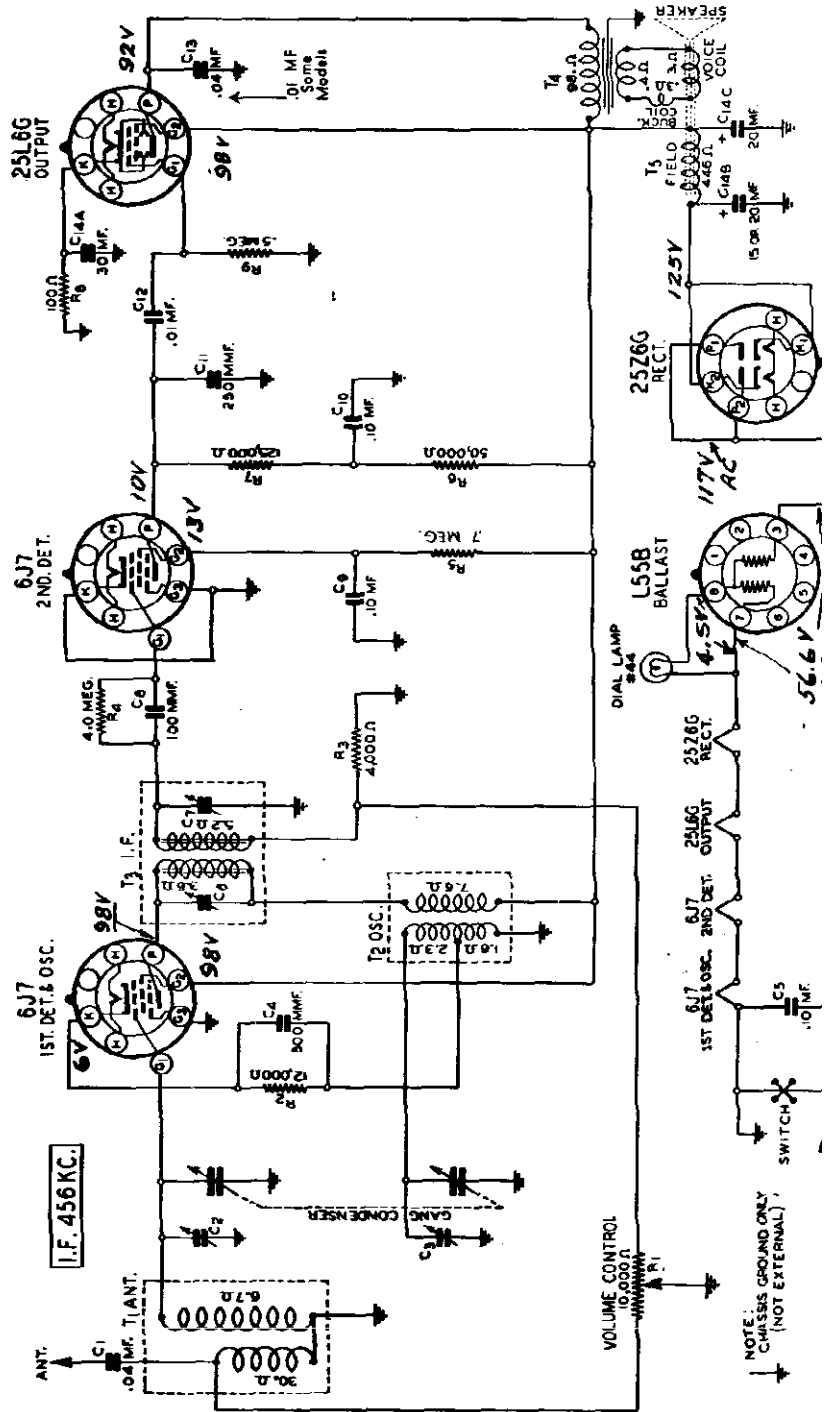


**ALIGNMENT PROCEDURE**

Volume Control—Maximum All Adjustments. Allow Chassis and Signal Generator to "Heat Up" for Several Minutes.		
<b>SIGNAL GENERATOR</b>	<b>DUMMY ANTENNA</b>	<b>ADJUST TRIMMERS TO MAXIMUM</b>
<b>FREQUENCY CONNECTION AT RADIO</b>	<b>ANTENNA SETTING</b>	<b>(See Illustration)</b>
456 KC	Grid of 1st Det.	I.F. [C6] & [C7]
1730 KC	Antenna Lead	Oscillator [C3]
1500 KC	Antenna Lead	Antenna [C2]

The following equipment is required for aligning:  
Signal Generator which will provide an accurately calibrated signal at the test frequencies as listed.  
Output Indicating Meter; Non-Metallic Screwdriver.  
Dummy Antennas —.1 mf. and 200 mmt.

**NOTE**—To obtain dial scale calibration, tune in an 800 KC signal. The pointer should be at the 800 KC mark on the dial. If it is not, loosen the pointer screw, set the pointer at the 800 KC mark and retighten the pointer screw.



**DC OPERATION**—Filament and ballast tube voltages will be the same as AC [for 117 volt line]. The plate, screen and bias voltages will be slightly lower than those shown above. When operated on DC, the rectifier tube acts as a low resistance series resistor with a drop of approximately 5 volts between plate and cathode.

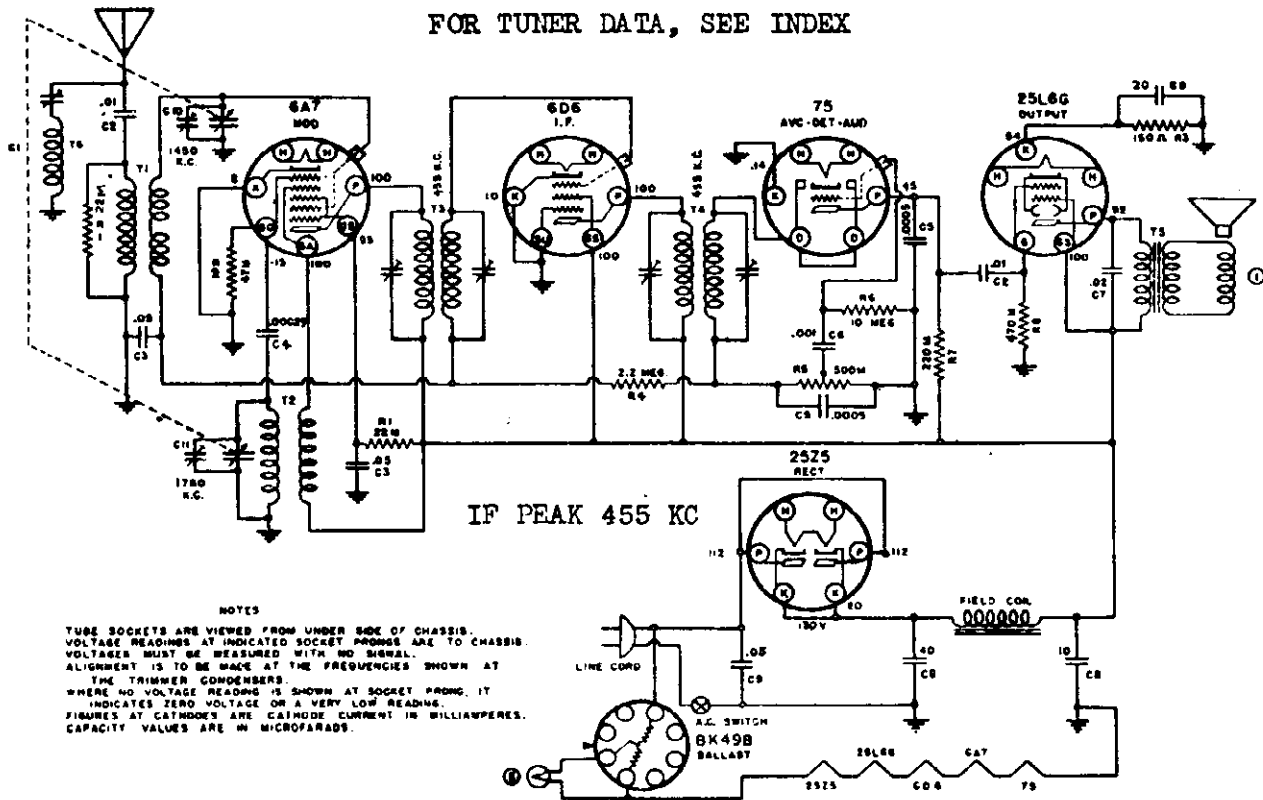
**NOTE**: CHASSIS GROUND ONLY (NOT EXTERNAL)



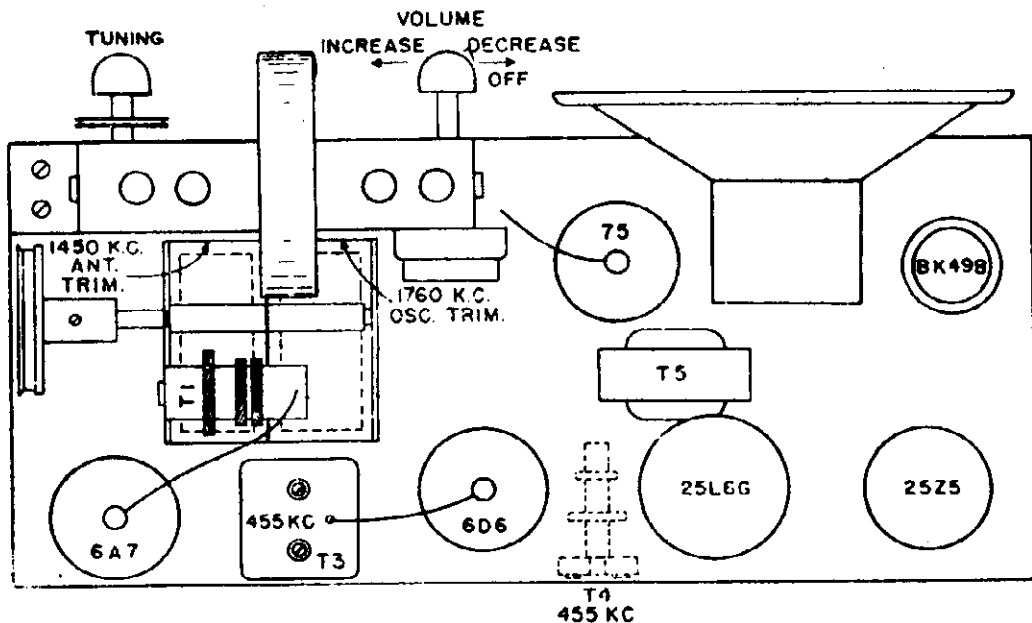
MODELS D58, D59

# LAFAYETTE RADIO RADIO WIRE TELEVISION, INC.

FOR TUNER DATA, SEE INDEX



**NOTES**  
TUBE SOCKETS ARE VIEWED FROM UNDER SIDE OF CHASSIS. VOLTAGE READINGS AT INDICATED SOCKET PRONGS ARE TO CHASSIS. VOLTAGES MUST BE MEASURED WITH NO SIGNAL. ALIGNMENT IS TO BE MADE AT THE FREQUENCIES SHOWN AT THE TRIMMER CONDENSERS. WHERE NO VOLTAGE READING IS SHOWN AT SOCKET PRONG, IT INDICATES ZERO VOLTAGE OR A VERY LOW READING. FIGURES AT CATHODES ARE CATHODE CURRENT IN MILLIAMPERES. CAPACITY VALUES ARE IN MICROFARADS.



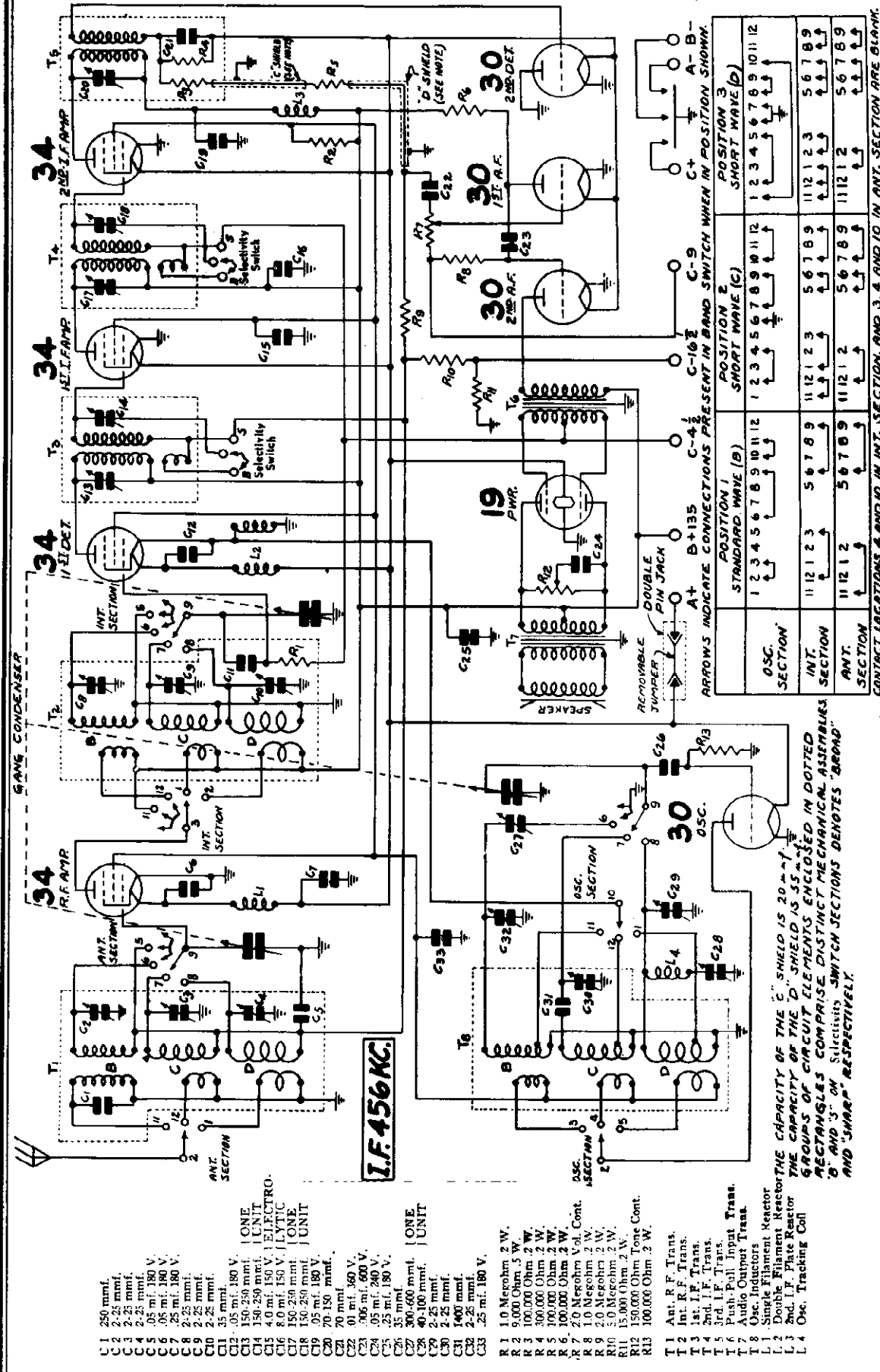
FOR CONVENTIONAL ALIGNMENT SEE SPECIAL SECTION VOLUME VIII

### POWER SUPPLY

The receiver is designed for operation from 105-130 volt Alternating Current (A.C.) supply or a 105-130 volt Direct Current (D.C.) supply. Never connect the receiver to any supply having a higher voltage than that specified on the maker. If you are not sure of the power supply voltage at your home, your Power Company will furnish the information.

When using a D.C. supply allow sufficient time for tubes to warm up (approximately 1½ minutes), and if at that time the receiver does not operate, remove the line cord plug from the socket and reverse. Replace plug in the reverse position and allow tubes to warm up, at which time the receiver will operate.

LAFAYETTE RADIO  
RADIO WIRE TELEVISION, INC.



© John B. Priden

- C1 250 mmf.
- C2 2-25 mmf.
- C3 2-25 mmf.
- C4 2-25 mmf.
- C5 .05 mf. 180 V.
- C6 .05 mf. 180 V.
- C7 .25 mf. 180 V.
- C8 2-25 mmf.
- C9 2-25 mmf.
- C10 2-25 mmf.
- C11 .35 mmf.
- C12 .05 mf. 180 V.
- C13 150-250 mmf. | ONE
- C14 150-250 mmf. | UNIT
- C15 4.0 mf. 150 V. | ELECTRO.
- C16 8.0 mf. 150 V. | LYTIC
- C17 150-250 mmf. | ONE
- C18 150-250 mmf. | UNIT
- C19 .05 mf. 180 V.
- C20 70-150 mmf.
- C21 70 mmf.
- C22 .01 mf. 360 V.
- C23 .06 mf. 600 V.
- C24 .05 mf. 240 V.
- C25 .25 mf. 180 V.
- C26 100 mmf.
- C27 30-100 mmf. | ONE
- C28 40-100 mmf. | UNIT
- C29 2-25 mmf.
- C30 2-25 mmf.
- C31 1400 mmf.
- C32 2-25 mmf.
- C33 .25 mf. 180 V.

- R1 1.0 Megohm 2 W.
- R2 9,000 Ohm .5 W.
- R3 100,000 Ohm .2 W.
- R4 300,000 Ohm .2 W.
- R5 100,000 Ohm .2 W.
- R6 100,000 Ohm .2 W.
- R7 20 Megohm Val. Cont.
- R8 1.0 Megohm 2 W.
- R9 2.0 Megohm 2 W.
- R10 5.0 Megohm 2 W.
- R11 15,000 Ohm 2 W.
- R12 150,000 Ohm Tone Cont.
- R13 100,000 Ohm 2 W.
- T1 Ant. R.F. Trans.
- T2 Int. R.F. Trans.
- T3 1st. I.F. Trans.
- T4 2nd. I.F. Trans.
- T5 3rd. I.F. Trans.
- T6 Push-Pull Input Trans.
- T7 Audio Output Trans.
- T8 Osc. Inductors
- L1 Single Filament Reactor
- L2 Double Filament Reactor
- L3 2nd. I.F. Plate Reactor
- L4 Osc. Tracking Coil

ARROWS INDICATE CONNECTIONS PRESENT IN BAND SWITCH WHEN IN POSITION SHOWN.

SECTION	POSITION 1 STANDARD WAVE (C)												POSITION 2 SHORT WAVE (B)												POSITION 3 SHORT WAVE (D)											
	1	2	3	4	5	6	7	8	9	10	11	12	1	2	3	4	5	6	7	8	9	10	11	12	1	2	3	4	5	6	7	8	9	10	11	12
OSC. SECTION																																				
INT. SECTION																																				
ANT. SECTION																																				

CONTACT LOCATIONS 4 AND 10 IN INT. SECTION, AND 3, 4 AND 10 IN ANT. SECTION ARE BLANK.

**Tuning Frequency Range**

- B Range . . . . . 535 to 1730 KC.
- C Range . . . . . 1680 to 4800 KC.
- D Range . . . . . 5650 to 16000 KC.

**Sensitivity**

- B Range Average . . . . . 1.0 Microvolts Absolute
- C Range Average . . . . . 1.0 Microvolts Absolute
- D Range Average . . . . . 1.0 Microvolts Absolute

**Input Voltages**

- "A" Battery . . . . . 2 Volts (0.74 Amperes)
- "B" Batteries . . . . . 135 Volts
- "C" Batteries . . . . . 4 1/2, 9 and 16 1/2 Volts

**Power Output** . . . . . 1.5 Watts Undistorted

**Selectivity** - 20 KC Broad at 1000 times Signal (Sharp)

**Intermediate Frequency** . . . . . 456 KC.

THE CAPACITY OF THE "C" SHIELD IS 20 p.p.f.  
THE CAPACITY OF THE "D" SHIELD IS 55 p.p.f.  
GROUPS OF CIRCUIT ELEMENTS ENCLOSED IN DOTTED RECTANGLES COMPRISE DISTINCT MECHANISM ASSEMBLIES "B" AND "C" ON SELECTIVITY SWITCH SECTIONS DENOTES "BROAD" AND "SHARP" RESPECTIVELY.

MODEL B68

LAFAYETTE RADIO  
RADIO WIRE TELEVISION, INC.

Alignment and Calibration

A signal generator that will provide an accurately calibrated signal at 476, 1750, 1500, 600, 4800, 4200, 16,000, 15,000 and 6000 KC and an output indicating meter are required. It will be practically impossible to align the receiver if unsatisfactory apparatus is used. If a station is tuned in with the selectivity control in the broad position and this control is then turned to the sharp position, the station may disappear. This is not an indication that the receiver is out of alignment.  
Use a non-metallic screwdriver for the adjustments. The complete procedure is as follows:

I. F. Adjustment

Set the signal generator for a signal of 456 KC. Connect the output of the signal generator through a 0.1 mf. condenser to the switch end of condenser C11—see Fig. 2. There is a lead which goes to the lug on top of the center stator section of the tuning condenser—see Fig. 11. The connection can be made at this lug.  
Connect the ground lead of the receiver to the ground post of the signal generator.  
Turn the band selector to the Range B position (standard wave band—purple dial color).  
Turn the selectivity control to the sharp position and keep it in this position for all adjustments.  
Turn the volume control to the maximum position. Attenuate the signal from the signal generator to prevent the leveling-off action of the A.V.C.  
Then adjust the five I.F. trimmers until maximum output is obtained. The adjusting screws for these condensers are reached from the top of the chassis, and the location is shown in Fig. 11.

Range B Alignment

**1730 KC Adjustment**  
Set the signal generator for 1730 KC.  
Turn the rotor of the tuning condenser to the full open position.  
Keep the band selector in the standard wave position.  
Connect the antenna lead of the receiver through a 200 mmf. condenser to the output of the signal generator.  
For this and all subsequent adjustments keep the volume control at the maximum position and attenuate the signal from the signal generator to prevent A.V.C. action.

Adjust the oscillator Range B trimmer (C32) until maximum output is obtained. The location of this trimmer is shown in Fig. 9

1500 KC Adjustment

Set the signal generator for 1500 KC.  
Turn the rotor of the tuning condenser carefully until maximum output is obtained.  
Loosen the pointer set screw and set the large pointer at the 1500 KC mark on the standard wave band scale. Retighten the set screw.  
Adjust the interstage Range B trimmer (C3) and antenna Range B trimmer (C2) to maximum.  
Do not change the setting of the oscillator Range B trimmer.

600 KC Adjustment

Set the signal generator for 600 KC.  
Turn the tuning condenser rotor until maximum output is obtained.  
Turn the rotor slowly back and forth at the same time adjusting the 600 KC trimmer until the peak of greatest intensity is obtained. See Fig. 9 for location of this trimmer.  
Be sure to use a non-metallic screwdriver for this adjustment.

Range C Alignment

**4800 KC Adjustment**  
Set the signal generator for 4800 KC.  
Connect the antenna lead of the receiver through a 400 ohm resistor to the output of the signal generator.  
Turn the rotor of the tuning condenser to the full open position.  
Turn the band selector in the Range C position (1st short wave band—green dial color).  
As mentioned above, keep the volume control at the maximum position and attenuate the signal from the signal generator to prevent A.V.C. action.  
Adjust the oscillator Range C trimmer (C30) until maximum output is obtained. See Fig. 9 for location of this trimmer.

4200 KC Adjustment

Set the signal generator for 4200 KC.  
Turn the rotor of the tuning condenser carefully until maximum output is obtained.  
Adjust the interstage Range C trimmer (C9) and antenna Range C trimmer (C3) to maximum.  
Do not change the setting of the oscillator Range C trimmer.

16,000 KC Adjustment

Set the signal generator for 16,000 KC.  
Keep the antenna lead of the receiver connected through the 400 ohm resistor to the output of the signal generator.  
Turn the rotor of the tuning condenser to the full open position.  
Turn the band selector to the Range D position (2nd short wave band—red dial color).  
As mentioned above, keep the volume control at the maximum position and attenuate the signal from the signal generator to prevent A.V.C. action.  
Adjust the oscillator Range D trimmer (C29) until maximum output is obtained. See Fig. 9 for location of this trimmer.

15,000 KC Adjustment

Set the signal generator for 15,000 KC.  
Turn the rotor of the tuning condenser carefully until maximum output is obtained.  
Adjust the interstage Range D trimmer (C10) and antenna Range D trimmer (C4) to maximum.  
When adjusting the interstage Range D trimmer, it will be necessary at the same time to turn the tuning condenser rotor slowly back and forth until the peak of greatest intensity is obtained.  
Then go back and repeat the procedure as given for the 16,000 KC adjustment. If it is found necessary to make any appreciable change in the setting of the oscillator Range D trimmer, the 15,000 KC adjustment must be repeated.  
Do not make any further change in the setting of the oscillator Range D trimmer.

6000 KC Adjustment

Set the signal generator for 6000 KC.  
Turn the tuning condenser rotor until maximum output is obtained.  
Turn the rotor slowly back and forth at the same time adjusting the 6000 KC trimmer until the peak of greatest intensity is obtained. See Fig. 9 for location of this trimmer.  
Use a non-metallic screwdriver for this adjustment.

Testing Batteries

If the receiver does not operate satisfactorily test the batteries under load. A high resistance meter is required for the "B" and "C" voltages. If any of the batteries are considerably below their rated voltage, new ones should be used. When the "B" batteries are replaced the "C" batteries should also be replaced. The reason for this is that the "C" drain is such that the "C" batteries are run down in about the same time as the "B" batteries.

"A" Battery and Regulator

This receiver is designed to operate with a 2 volt storage cell, but may be operated with a 3 volt dry "A" battery if used with a voltage regulator. The receiver may also be used with an air cell "A" battery provided a series resistor is used to reduce the voltage to the proper level of 2 volts for the tube filaments. Although the voltage regulator mentioned above can be used, the series resistor is cheaper and is satisfactory as the voltage of one of these batteries drops very little during the useful life of the battery.

D. C. Resistance of Windings

Refer to Figs. 10 & 2  
Following are the D. C. resistances of the various coil windings in the chassis. Resistances given below will vary slightly in different sets.

Part No.	Item	Code	D. C. Resistance in Ohms
P-9407	Antenna R. F. Transformer	71	21.3
	Range B Primary Winding		6.1
	Range B Secondary Winding		6.1
	Range C Primary Winding		1.9
	Range C Secondary Winding		1.9
P-9408	Intermediate R. F. Transformer	73	17
	Range B Primary Winding		4.3
	Range B Secondary Winding		4.3
	Range C Primary Winding		1.5
	Range C Secondary Winding		1.5
P-9409	Oscillator Inductors	75	1.1
	Range B Plate Coil		1.1
	Range C Plate Coil		6.3
	Range B Grid Coil		6.3
	Range C Grid Coil		6.3
P-9410	Red White Tap to Green		4.7
	Green White Tap to Green		4.7
	Green White Tap to Ground		6.3
P-9411	Black White Tap to Black		6.3
	Black White Tap to Ground		6.3
P-9412	Primary Winding	77	8.9
	Secondary Winding		8.9
P-9413	Primary Winding	79	6.3
	Secondary Winding		6.3
P-9414	Primary Winding	75	8.9
	Secondary Winding		8.9
P-9415	Primary Winding	76	9.9
	Secondary Winding		9.9
P-9416	Primary Winding	78	10.9
	Secondary Winding		10.9
P-9417	Permanent Magnet Dynamic Speaker		680
	Speaker Voice Coil		1.4
	Audio Output Transformer	77	19.3
	Primary Winding		26.3
	Center Tap to Outside		Small
	Secondary Winding		Small
P-9418	5th A5B5 Stray Filament Resistor	L1	Small
P-9419	Double Filament Resistor—Other Section	L2	Small
P-9420	5th I. F. Plate Inductor Resistor	L3	5.3
P-9421	High Frequency Oscillator Tracking Coil	L4	1.9

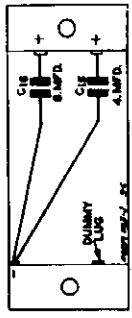


Fig. 12—Condenser Block—Internal Wiring

# LAFAYETTE RADIO RADIO WIRE TELEVISION, INC.

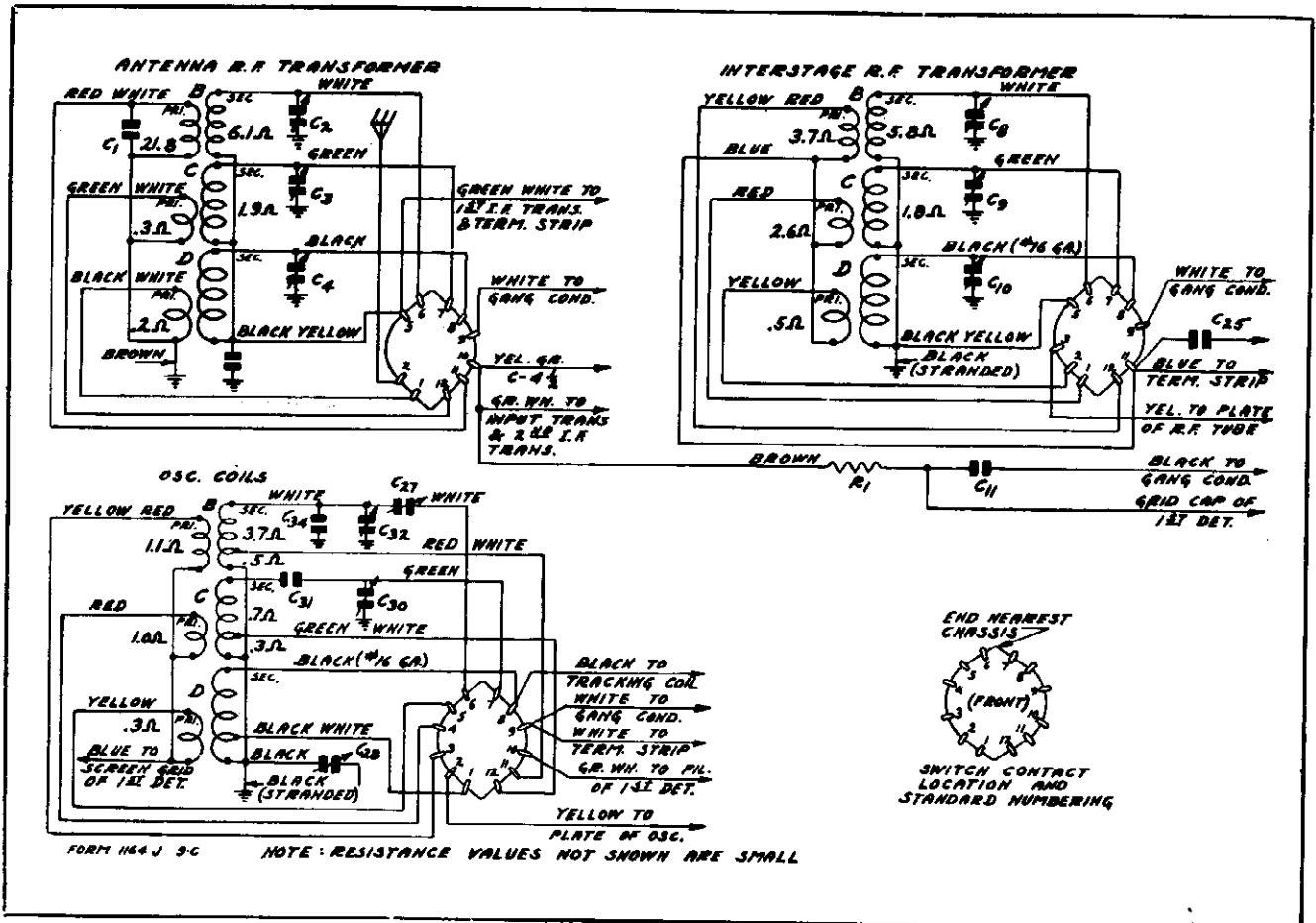


Fig. 10—Color Coding of Coil Wires and D. C. Resistance of Windings. (Also See Complete D. C. Resistance List Below)

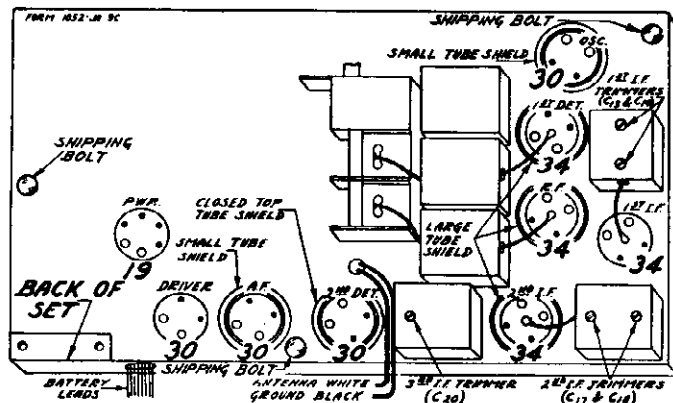


Fig. 11—Location of Tubes

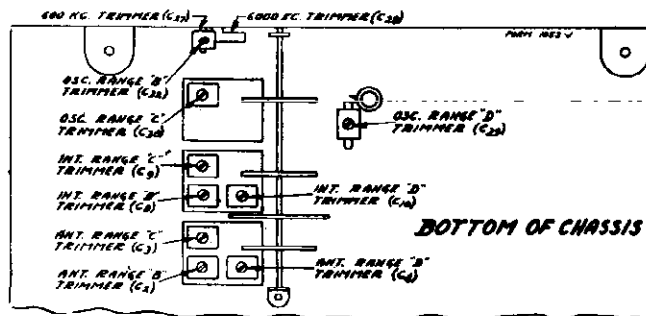


Fig. 9—Location of Trimmers

## VOLTAGES AT SOCKETS Antenna Shorted to Ground

Type of Tube	Function	Across Filament	Plate to Ground	Screen to Ground	Control Grid to Ground	Normal Plate M. A.
34	R. F.	2.0	135	80	4.7(1)	2.4
34	1st Det.	2.0	135	80	4.5(2)	2.2
30	Oscillator	2.0	80			3.4
34	1st I. F.	2.0	135	80	4.7(1)	2.4
34	2nd I. F.	2.0	135	80	4.5	2.2
30	2nd Det.	2.0				
30	1st Audio	2.0	90		9.0(3)	0.17
30	2nd Audio	2.0	132		9.0(4)	2.5
19	Power	2.0	135		4.5	1.5 (per plate)

- (1) Computed figure—cannot be read with ordinary voltmeter.
- (2) As read at 4 1/2 volt tap on "C" battery.
- (3) Volume Control at minimum.
- (4) As read at 9 volt tap on "C" battery.

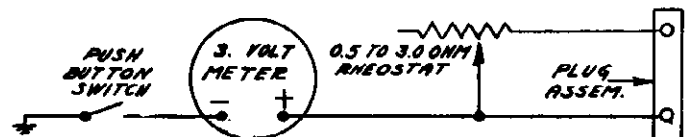
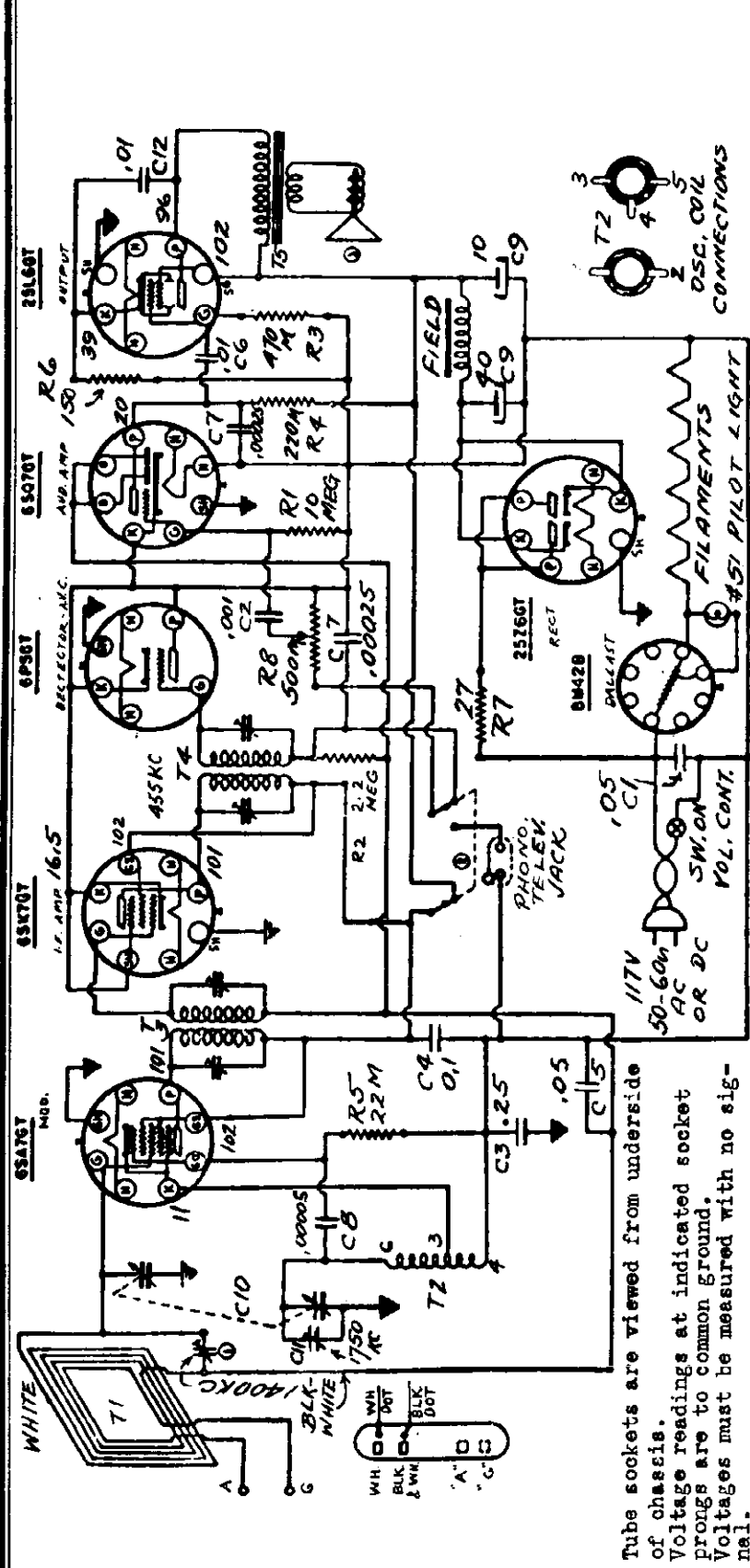


Fig. 6—Schematic Diagram of Voltage Regulator

MODEL D66

LAFAYETTE RADIO  
RADIO WIRE TELEVISION, INC.

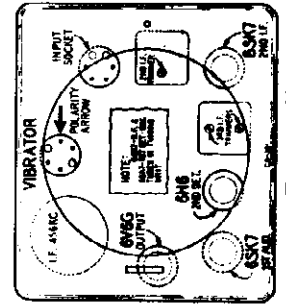
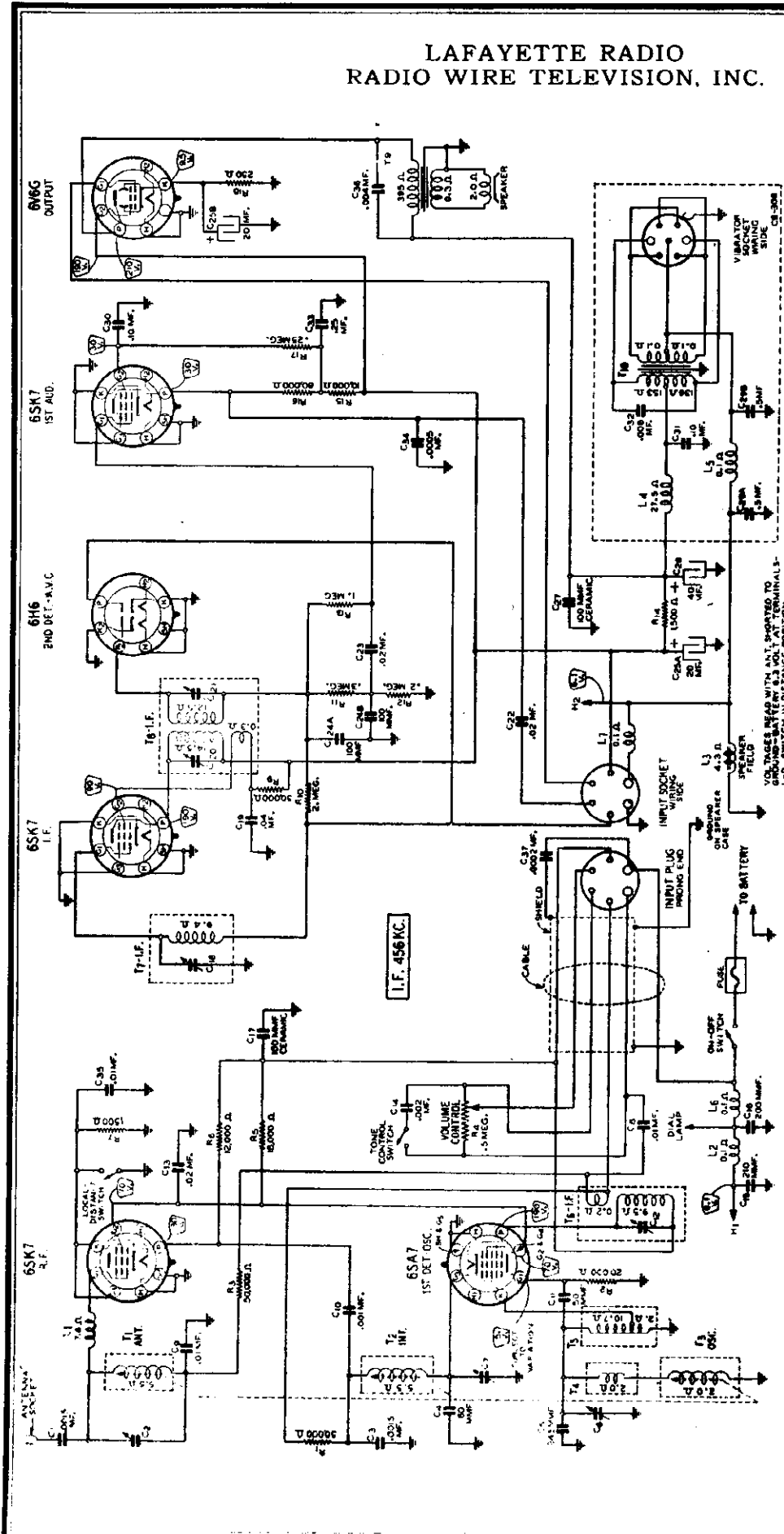


Tube sockets are viewed from underside of chassis.  
Voltage readings at indicated socket prongs are to common ground.  
Voltages must be measured with no signal.

Where no voltage reading is shown at socket prong, it indicates zero voltage or a very low reading.  
Figures at cathodes are cathode current in milliamperes.  
Alignment is to be made at the frequency shown at each trimmer condenser.  
Capacity values are in microfarads.  
Voltages are measured with 1000 ohm per volt voltmeter.

Code Part No.	Description	Code Part No.	Description
C1	.05mf. 400V. Tubular Cond.	T1	82-10 Loop Antenna
C2	16-124 .001" "	T2	10-311 Oscillator Coil
C3	16-120 .25 " "	T3	10-317 1st I.F. Transformer
C4	.1 " "	T4	10-312 2nd " "
C5	.05 " "	T5	----- Output Transformer (on speaker)
C6	16-121 .01 " "		
C7	.00025 mf. Mica Condenser		
C8	.00005 " "		
C9	40 X 10" 150 W.V. Electrolytic	1	20-129 Trimmer (on loop)
		2	69-140 Phono switch
C10	2 gang variable condenser	3	79-283 8 Inch Dynamic Speaker
C12	16-119 .01 mf. 400V. Tubular Cond.		

LAFAYETTE RADIO  
RADIO WIRE TELEVISION, INC.



Tube and Vibrator Location

- Power Consumption . . . 6.8 Amperes at 6.3 Volts
- Power Output . . . . . 3 Watts Undistorted
- Sensitivity . . . . . 1.5 Microvolts at .5 Watt Output  
(C.D. Switch in Distance Position)
- Selectivity . . . 39 KC Broad at 1000 Times Signal
- Tuning Frequency Range . . . . . 540 to 1560 KC
- Intermediate Frequency . . . . . 456 KC
- Speaker . . . . . 6" Electro-Dynamic

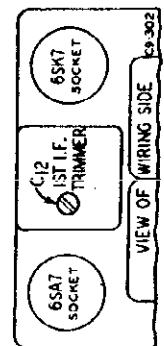


Fig. 6—Location of 1st I.F. Trimmer in Tuning Unit

MODEL BB68  
MODEL BB69

# LAFAYETTE RADIO RADIO WIRE TELEVISION, INC.

## Procedure for Setting the Station Buttons

There are 5 buttons on the automatic tuning dial by means of which 5 stations may be set.

Any button may be used for any station you can receive.

Make a list of your favorite stations, those which you tune in regularly.

It is better to list the station with the lowest kilocycle number first, the station with the next higher kilocycle number next, and so on.

Depress the manual tuning button and keep it depressed during the entire setting operation as described below. See Fig. 1 for location of buttons. Turn the manual tuning knob so that the indicator moves toward the 1500 KC end of the dial until the stop is reached.

**UNLOOK THE TUNING MECHANISM** by inserting a screwdriver, as shown in Fig. 1, in the locking screw opening at the bottom of the tuning unit. Loosen the locking screw by turning it clockwise as far as it will go.

**TO SET STATIONS ACCURATELY DO NOT JAR THE RADIO OR BUTTONS WHILE THE MECHANISM IS UNLOCKED.**

**KEEP THE MANUAL TUNING BUTTON DEPRESSED WITH ONE HAND and, with the other hand, depress the first (left hand) station button. Both will remain depressed.**

Select the first station from the list you have made and tune in this station. The indicator moves toward the

1500 KC end of the dial, until the stop is reached.

**NOW LOCK THE TUNING MECHANISM** by inserting a screwdriver, as shown in Fig. 1, in the locking screw opening and turning the locking screw in a clockwise direction until it is tight.

Insert a celluloid reinforcement tab half-way in the slot at the front of station button No. 1—See Fig. 3

Remove the correct station call letter tab for button No. 1 from the sheet supplied by bending by the sheet back marks. Place the call letter tab in front of the celluloid reinforcement tab and insert it in slot. Push both tabs all the way in the button slot. Follow the same procedure for installing the station call letter tabs in any other buttons.

After the stations are set and the mechanism is locked, tune in each of them by depressing the proper button. If any of them does not appear to be properly tuned in after the button has been depressed, reset the station for that button following the procedure outlined above. Changing the setting of one button will not affect the setting of the others.

Reassemble the radio and install it in the automobile. Insert the car antenna cable. Tune in a weak signal near 1000 KC and readjust the antenna trimmer C2 for maximum output.

## Alignment Procedure

Insert the antenna cable plug in the antenna socket on the tuning unit. The total capacity of the antenna cable and dummy antenna should be 80 mmf. If the cable, for example, has a capacity of 25 mmf., use a 35 mmf. condenser for a dummy antenna. Connect the other end of the antenna cable through the dummy antenna capacity to the output of the signal generator.

Set the signal generator for 1560 KC. Turn the tuning knob until the iron cores are as far out of the tuning coils as they will go. Then adjust the oscillator trimmer C8 (Fig. 2) until maximum output is obtained.

Set the signal generator for 1000 KC. Turn the tuning knob until maximum output is obtained. Adjust interstage trimmer C7 and antenna trimmer C2 for maximum output—See Fig. 1.

Then adjust the 4 IF trimmers until maximum output is obtained. Three of the trimmers are in the speaker unit—See Fig. 2. One trimmer is at the top of the tuning unit—See Fig. 6.

A shielded antenna cable with bayonet connector plug is required.

The plug on the antenna cable is inserted in the socket at the bottom of the tuning unit case as shown in Fig. 1. The wire at the other end of the cable is connected to the antenna.

**LOW CAPACITY ANTENNA**  
This radio is designed for a low tuning unit.

The antenna should be mounted on the same side of the car as the tuning unit.

Types of Low Capacity Antennas  
—Door hinge; fin-pole; over-the-roof types which are mounted quite a distance from the metal roof of the car.

The antenna should be mounted on the same side of the car as the tuning unit. Then the antenna plug is inserted in the adapter.

**HIGH CAPACITY ANTENNA**  
If this radio is to be installed with a high capacity car antenna (200 mmf. total capacity of antenna and shielded cable), an adapter must be used. The adapter is inserted in the socket at the bottom of the tuning unit case. Then the antenna plug is inserted in the adapter.

For the door hinge and over-the-roof type antennas, the antenna lead must be shielded the entire distance from the radio to the point where the lead goes through the car body to the antenna outside. In the case of a running board antenna, the antenna lead inches up into the pillar post.

When the antenna cable is connected to an antenna lead coming down the pillar post, the shielded cable should be pinned several inches up into the pillar post.

## Antenna

capacity car antenna. The total capacity of antenna and shielded cable should be 35 to 60 mmf.

Types of Low Capacity Antennas  
—Door hinge; fin-pole; over-the-roof types which are mounted quite a distance from the metal roof of the car.

The antenna should be mounted on the same side of the car as the tuning unit.

When the antenna cable is connected to an antenna lead coming down the pillar post, the shielded cable should be pinned several inches up into the pillar post.

When the antenna cable is connected to an antenna lead coming down the pillar post, the shielded cable should be pinned several inches up into the pillar post.

When the antenna cable is connected to an antenna lead coming down the pillar post, the shielded cable should be pinned several inches up into the pillar post.

When the antenna cable is connected to an antenna lead coming down the pillar post, the shielded cable should be pinned several inches up into the pillar post.

When the antenna cable is connected to an antenna lead coming down the pillar post, the shielded cable should be pinned several inches up into the pillar post.

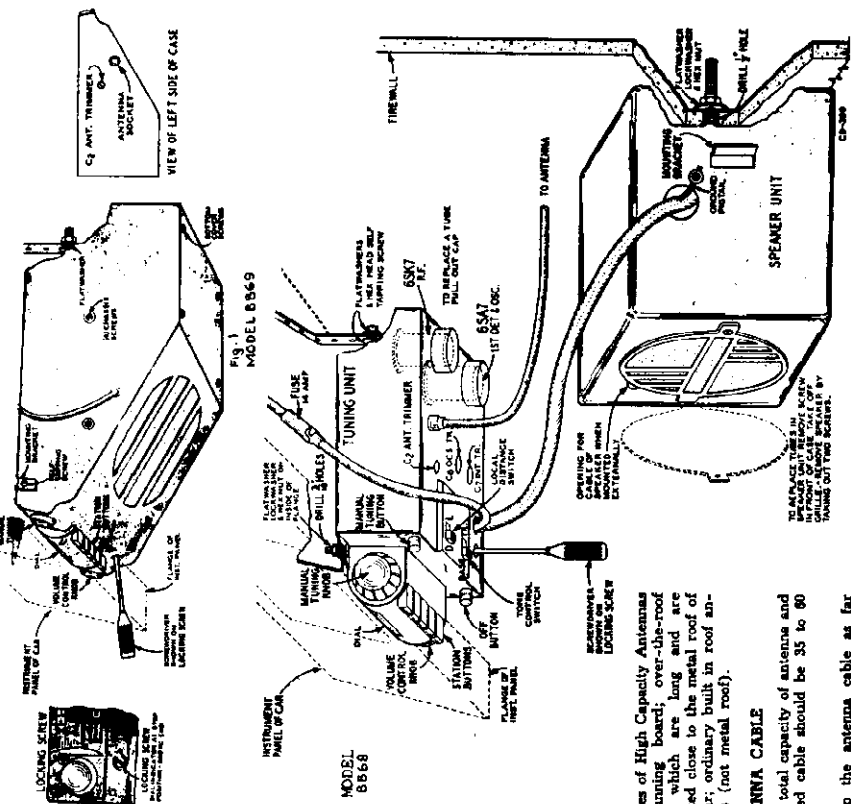
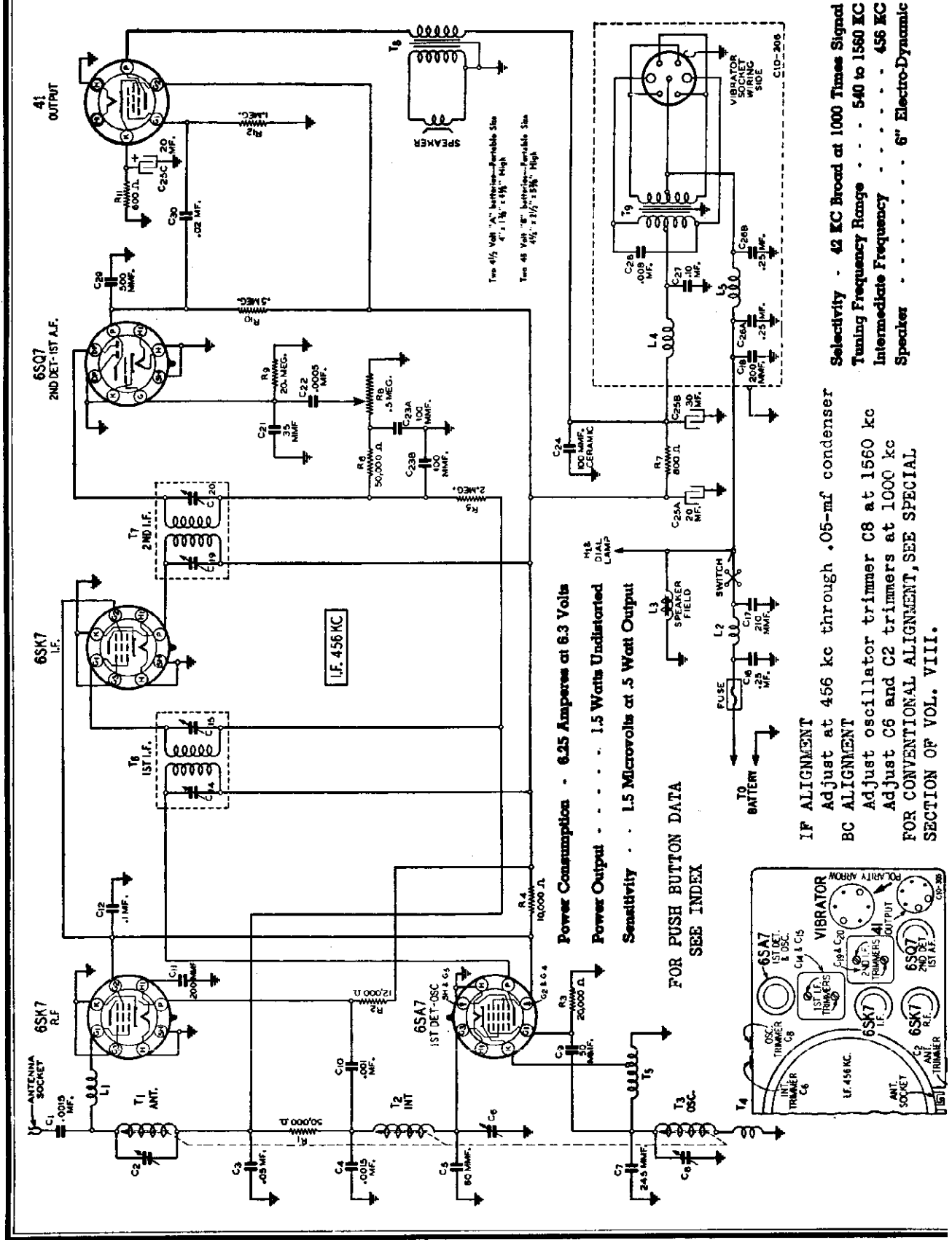


Fig. 1—Details of Mounting Tuning and Speaker Units

## LAFAYETTE RADIO RADIO WIRE TELEVISION, INC.



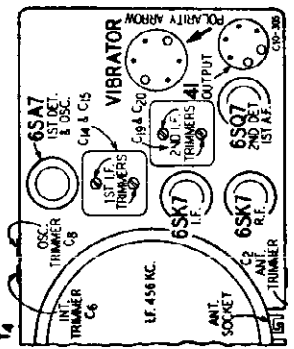
**Selectivity** - 42 KC Broad at 1000 Times Signal  
**Tuning Frequency Range** - 540 to 1560 KC  
**Intermediate Frequency** - 456 KC  
**Speaker** - 6" Electro-Dynamic

**Power Consumption** - 6.25 Amperes at 6.3 Volts  
**Power Output** - 1.5 Watts Undistorted  
**Sensitivity** - 1.5 Microvolts at .5 Watt Output

**IF ALIGNMENT**  
 Adjust at 456 kc through .05-mf condenser

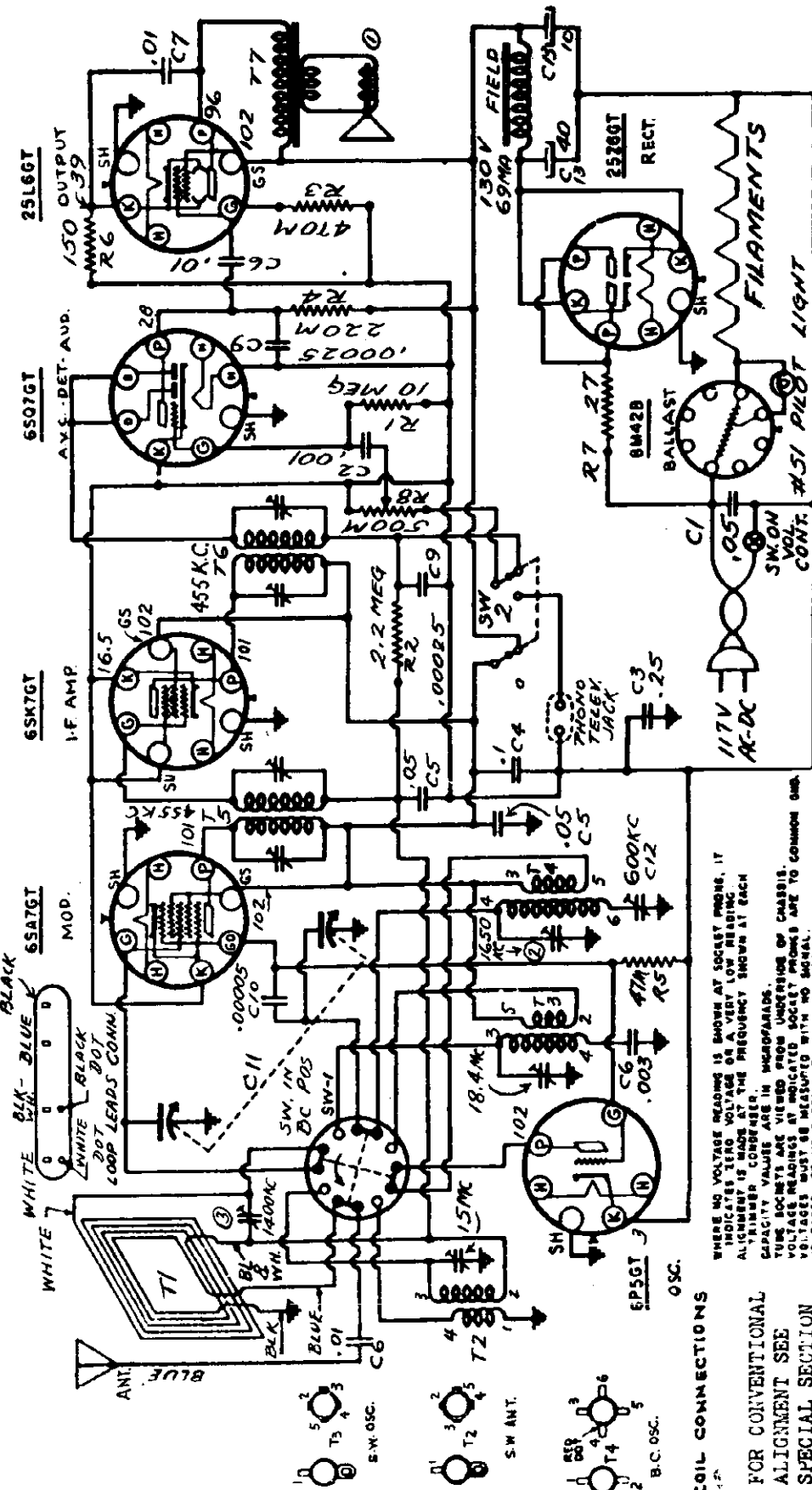
**BC ALIGNMENT**  
 Adjust oscillator trimmer C8 at 1560 kc  
 Adjust C6 and C2 trimmers at 1000 kc  
**FOR CONVENTIONAL ALIGNMENT, SEE SPECIAL SECTION OF VOL. VIII.**

FOR PUSH BUTTON DATA  
SEE INDEX





LAFAYETTE RADIO  
RADIO WIRE TELEVISION, INC.



WHERE NO VOLTAGE READINGS IS SHOWN AT SOCKET PINS, IT INDICATES ZERO VOLTAGE ON A VERY LOW MEASURING ALTERNATING CURRENT RANGE.  
CAPACITY VALUES ARE IN MICROFARADS.  
TUBE SOCKETS ARE VIEWED FROM UNDERNEATH OF CHASSIS.  
VOLTAGE READINGS AT INDICATED SOCKET PINS ARE TO COMMON GND.  
VOLTAGES MUST BE MEASURED WITH NO SIGNAL.  
VOLTAGES ARE MEASURED WITH 1000 OHM PER VOLT VOLTMETER.  
FIGURES AT CATHODES ARE CATHODE CURRENT IN MILLIAMPERES.

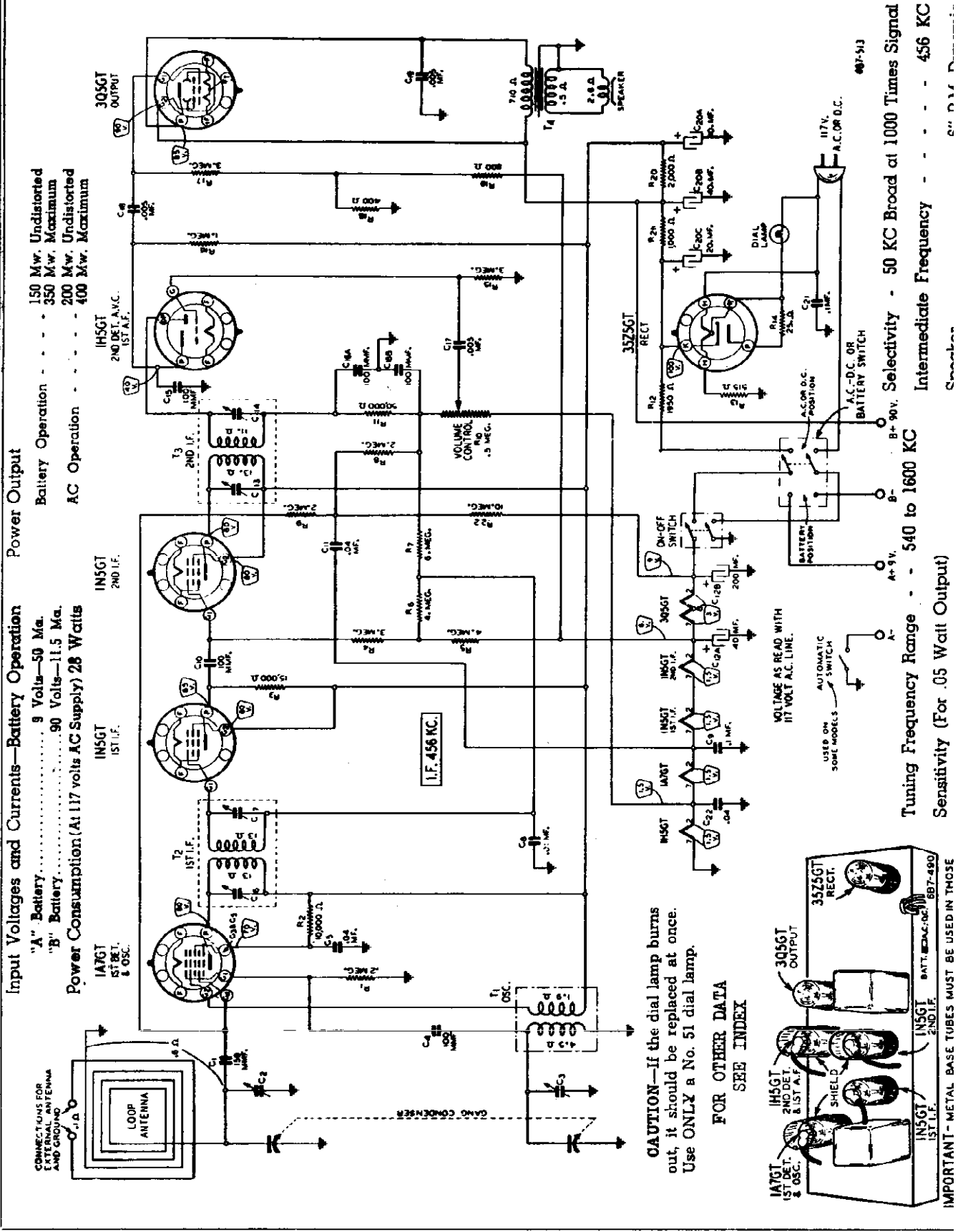
COIL CONNECTIONS  
FOR CONVENTIONAL ALIGNMENT SEE SPECIAL SECTION VOLUME VIII

IF PEAK 455 KC

CODE	PART NO	DESCRIPTION
C1	1607	705 MFD. 400V. TUBULAR CONDENSER
C2	1612A	.001
C3	1612B	200V.
C4	1612C	.05
C5	1612D	.01
C6	1612E	.01
C7	1612F	400V.
C8	1612G	.00025 MFD. MICA CONDENSER
C9	1504	.00025
C10	1504	.00005
C11	19-160	2 GANG VARIABLE CONDENSER
C12	20-150	PADDING CONDENSER
C13	18-335	40 X 10 MFD 150 VV ELECTROLYTIC

CODE	PART NO	DESCRIPTION	B-71
T1	81-11	LOOP ANTENNA (B.C.)	
T2	10-328	B.W. ANTENNA COIL	
T3	10-329	B.W. OSCILLATOR COIL	
T4	10-310	B.C.	
T5	10-317	1ST. I.F. TRANSFORMER	
T6	10-312	2ND.	
T7	10-312	OUTPUT TRANS. (ON SPRL)	
T8	79-283	5" DYMANIC SPEAKER	
T9	20-127	TRIMMER BLOCK	
T10	20-129	TRIMMER (ON LOOP)	

LAFAYETTE RADIO  
RADIO WIRE TELEVISION, INC.



Power Output

150 Mw. Undistorted	Battery Operation
350 Mw. Maximum	
200 Mw. Undistorted	AC Operation
400 Mw. Maximum	

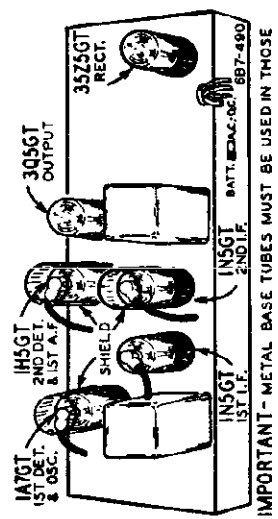
Input Voltages and Currents—Battery Operation

"A" Battery	9 Volts—50 Ma.
"B" Battery	90 Volts—11.5 Ma.

Power Consumption (At 117 volts AC Supply) 28 Watts

CAUTION—If the dial lamp burns out, it should be replaced at once. Use ONLY a No. 51 dial lamp.

FOR OTHER DATA SEE INDEX



Tuning Frequency Range - - 540 to 1600 KC  
Sensitivity (For .05 Watt Output)  
Selectivity - 50 KC Broad at 1000 Times Signal  
Intermediate Frequency - - - - 456 KC

MODEL BB73

LAFAYETTE RADIO  
RADIO WIRE TELEVISION, INC.

chassis, take out the bolt and the 2 screws at the bottom of the shelf.

**CAUTION—When Operated on AC or DC Power.** As the chassis is connected to one side of the line, in any service work, keep the chassis on a wood or other insulated surface to avoid contacts with ground.

matic "A" battery switch to the front panel of the radio. Grasp the chassis shelf at each rear corner and edge it away from the cabinet front until the chassis shelf and chassis slide easily out of the cabinet.

To remove the shelf from the auto-

Remove the nut holding the automatic "A" battery switch to the front panel of the radio. Grasp the chassis shelf at each rear corner and edge it away from the cabinet front until the chassis shelf and chassis slide easily out of the cabinet.

On some models, it will be necessary to remove the nut holding the auto-

**ALIGNMENT PROCEDURE**

The following equipment is required for aligning:

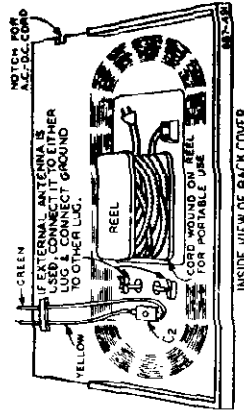
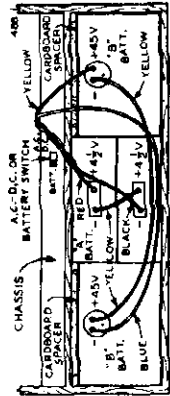
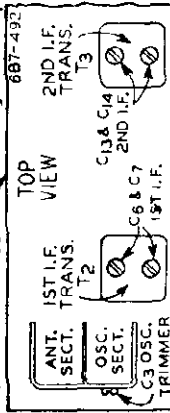
- A Signal Generator which will provide an accurately calibrated signal at the test frequencies as listed.
- Output Indicating Meter—Non-Metallic Screwdriver.
- Dummy Antenna—.1 mf.

The chassis may be aligned on either AC-DC or Battery power. If AC-DC power is used, see precaution above about avoiding external grounds. Also do not connect the signal generator to any outside ground as the ground terminal of the generator will be connected to the chassis.

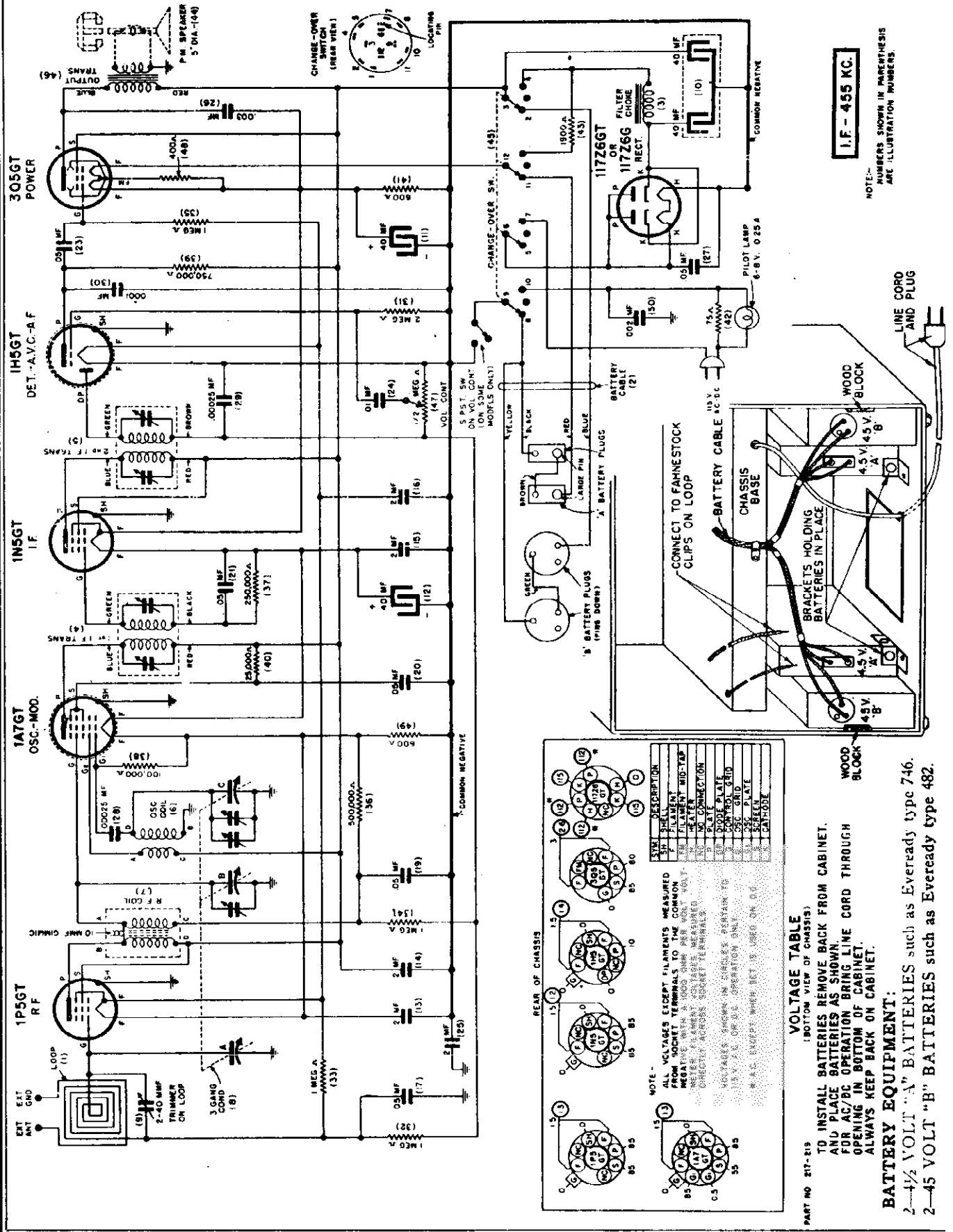
SIGNAL GENERATOR	DUMMY ANTENNA	CONDENSER SETTING	ADJUST TRIMMERS TO MAXIMUM
456 KC Signal Grid of 1st Det. (Top Cap)	.1 mf.	Turn Rotor to full open	1st I.F. (C6) & (C7) 2nd I.F. (C13) & (C14)
1500 KC Signal Grid of 1st Det.	.1 mf.	Turn Rotor to full open	Oscillator (C3)
1500 KC None—See Note A		Turn Rotor to max. output	Antenna (C2)

**NOTE A—Chassis must be in cabinet.** Connect a loop approximately one foot in diameter across the antenna and ground posts of the signal generator. The back of the cabinet must be in place. Place radio approximately 3 feet from loop so as to pick up signal. Radio should not be in proximity to any metal (metal bench, pointer at the 800 KC mark. Hold the pointer end of the pointer screw.

**Using Radio Without Batteries—**  
The radio may be used without batteries when it is operated on AC-DC. If this is done, tape the prongs of the battery plugs to prevent them from accidentally touching each other, and place the plugs and cables in the battery compartment.



# LAFAYETTE RADIO RADIO WIRE TELEVISION, INC.



**I.F. - 455 KC.**

NOTE: NUMBERS SHOWN IN PARENTHESIS ARE ILLUSTRATION NUMBERS

SYM.	DESCRIPTION
SHT	SHELL
F	FILAMENT
MID-TEMP	MID-TEMPERATURE
SCALE	SCALE
CONNECTION	CONNECTION
DIODE PLATE	DIODE PLATE
OSC. GRID	OSCILLATOR GRID
OSC. PLATE	OSCILLATOR PLATE
CATHODE	CATHODE

NOTE - ALL VOLTAGES EXCEPT FILAMENT MEASURED FROM SOCKET TERMINALS TO THE COMMON NEGATIVE WITH A 1000 OHM PER VOLT FULL-SCALE RESISTANCE VOLTMETER MEASURED DIRECTLY ACROSS SOCKET TERMINALS.  
 VOLTAGE MEASURED IN CIRCLE'S PORTION IS 250 VOLTS OR LESS OPERATION ONLY.  
 R.I.A.C. EXCEPT WHERE BET IS USED OR B.G.

**VOLTAGE TABLE**  
 (BOTTOM VIEW OF CHASSIS)

TO INSTALL BATTERIES REMOVE BACK FROM CABINET. AND PLACE BATTERIES AS SHOWN. FOR AC/DC OPERATION BRING LINE CORD THROUGH OPENING IN BOTTOM OF CABINET. ALWAYS KEEP BACK ON CABINET.

**BATTERY EQUIPMENT:**

2-4½ VOLT "A" BATTERIES such as Eveready type 746.  
 2-45 VOLT "B" BATTERIES such as Eveready type 482.

MODEL BB73A

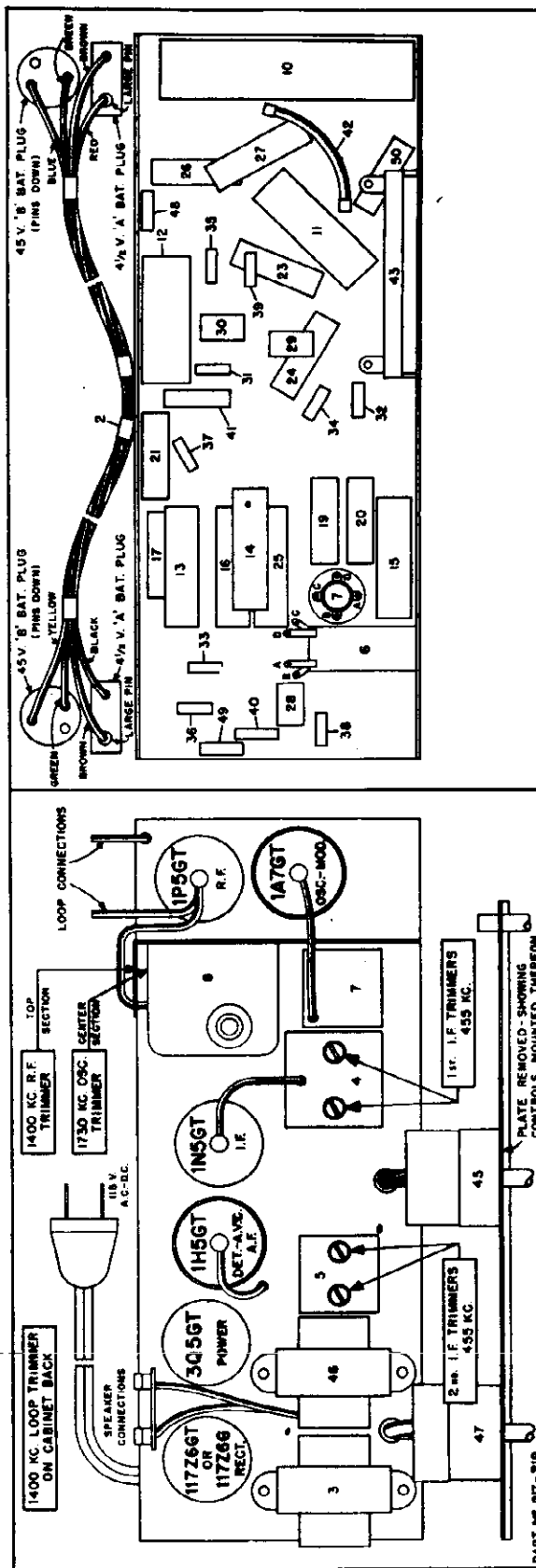
# LAFAYETTE RADIO RADIO WIRE TELEVISION, INC.

## ALIGNMENT PROCEDURE

For alignment procedure read tabulations from left to right. If more than one adjustment is required on any one band, make the adjustment marked (1) first, (2) next, (3) third. **IMPORTANT: BEFORE ALIGNING, PLACE LOOP ANTENNA IN THE SAME POSITION IT WILL BE IN WHEN THE SET IS IN THE CABINET.**

When adjusting 1730 kilocycle oscillator trimmer and 1400 kilocycle antenna trimmer, do not connect test oscillator to loop. Couple test oscillator to receiver loop by: (a) Make a loop consisting of five to ten turns of No. 20 to 30 size wire wound on a three inch form and attach across output of test oscillator. (b) Place test oscillator near set loop—BE SURE THAT NEITHER MOVES WHILE ALIGNING.

Place band switch for operation on:	Set receiver dial to:	TEST OSCILLATOR		Refer to parts layout diagram for location of trimmers mentioned below:
		Adjust test oscillator frequency to:	Use dummy antenna in series with output of test oscillator consisting of:	
I. F. alignment use any band position.	Any point where no interfering signal is received.	Exactly 455 K.C.	0.2 Mfd. condenser	Adjust each of the second I.F. transformer trimmers for maximum output; then adjust each of the first I.F. transformer trimmers for maximum output.
1730 to 540 K.C. Band	1 Exactly 1730 K.C.	Exactly 1730 K.C.	None	Adjust 1730 K. C. oscillator trimmer for maximum output.
	2 APPROX. 1400 K.C.	APPROX. 1400 K.C.	None	Adjust 1400 K.C. loop and B.F. trimmers for maximum output.



# LAFAYETTE RADIO RADIO WIRE TELEVISION, INC.

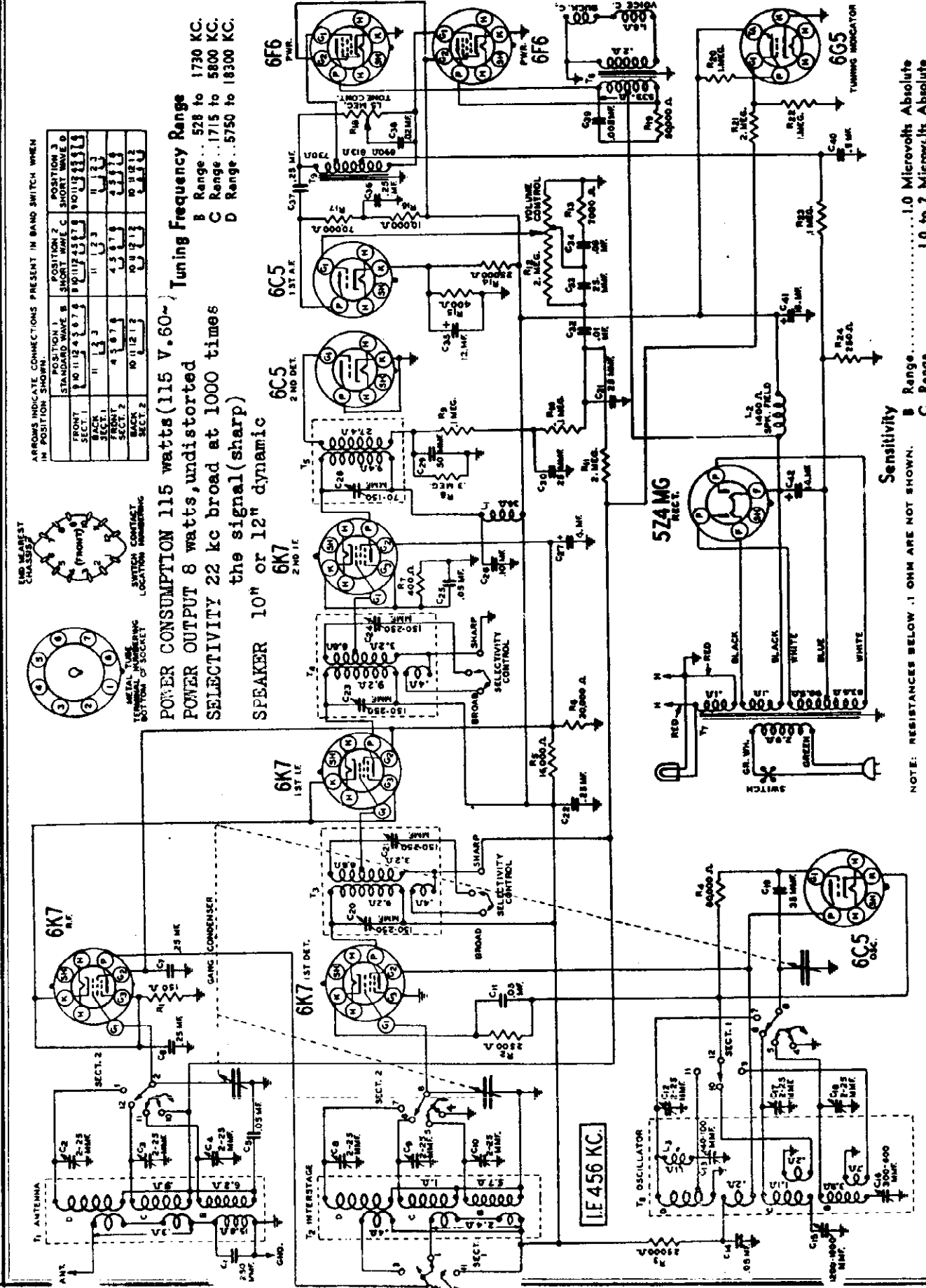
MODEL B87

ARROWS INDICATE CONNECTIONS PRESENT IN BAND SWITCH WHEN IN POSITION SHOWN.

FRONT SECT. 1	FRONT SECT. 2	BACK SECT. 1	BACK SECT. 2	POSITION 1	POSITION 2	POSITION 3	POSITION 4
10	11	12	13	14	15	16	17
18	19	20	21	22	23	24	25
26	27	28	29	30	31	32	33
34	35	36	37	38	39	40	41
42	43	44	45	46	47	48	49
50	51	52	53	54	55	56	57
58	59	60	61	62	63	64	65
66	67	68	69	70	71	72	73
74	75	76	77	78	79	80	81
82	83	84	85	86	87	88	89
90	91	92	93	94	95	96	97
98	99	100	101	102	103	104	105

**Tuning Frequency Range**  
 B Range... 528 to 1730 KC.  
 C Range... 1715 to 5800 KC.  
 D Range... 5750 to 18300 KC.

**POWER CONSUMPTION 115 watts (115 V. 60~)**  
**POWER OUTPUT 8 watts, undistorted**  
**SELECTIVITY 22 kc broad at 1000 times the signal (sharp)**  
**SPEAKER 10" or 12" dynamic**



**Sensitivity**  
 B Range... 1.0 Microvolts Absolute  
 C Range... 1.0 to 2 Microvolts Absolute  
 D Range... 1.0 to 3 Microvolts Absolute

NOTE: RESISTANCES BELOW .1 OHM ARE NOT SHOWN.

Fig. 2—Schematic Circuit Diagram

MODEL B87

# LAFAYETTE RADIO RADIO WIRE TELEVISION, INC.

Fig. 6—Location of Tubes

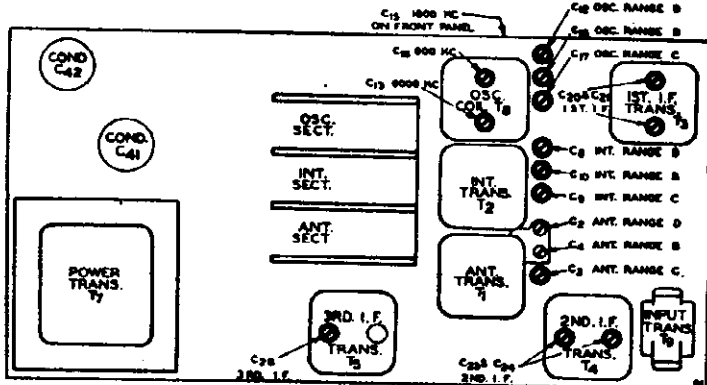
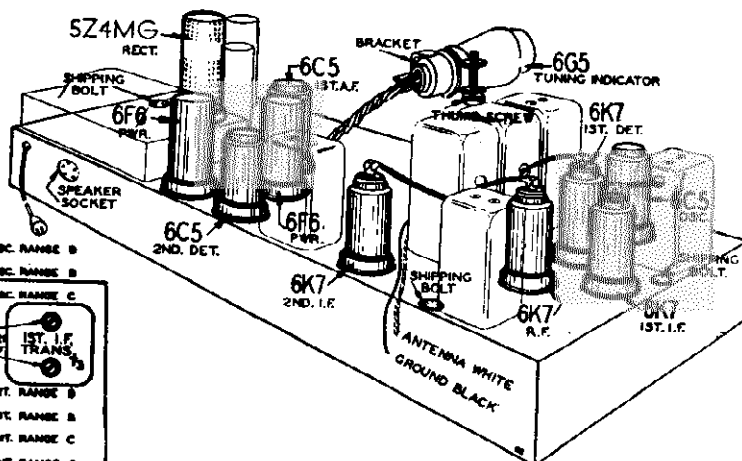


Fig. 7—Location of Trimmers

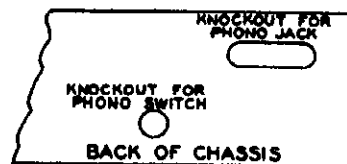
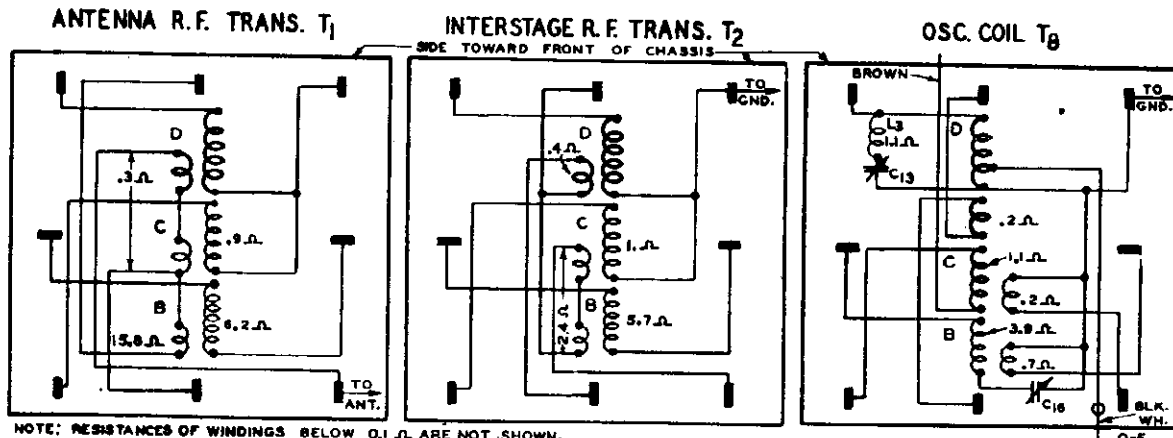


Fig. 8—Location of Phono Knockouts



NOTE: RESISTANCES OF WINDINGS BELOW 0.1 Ω ARE NOT SHOWN.

Fig. 4—R. F. and Oscillator Coil Base Terminal Arrangement and D. C. Resistance of Windings

Line Voltage: 115  
Volume Control: Maximum

Antenna Shorted to Ground  
Position of Band Switch: Standard Wave

TUBE	FUNCTION	VOLTAGE BETWEEN SOCKET PRONGS AND GROUND (Unless otherwise indicated)							
		Prong No. 1	Prong No. 2	Prong No. 3	Prong No. 4	Prong No. 5	Prong No. 6	Prong No. 7	Prong No. 8
6K7	R.F.	0	6.1(1)	250	100	2.5	...	6.1(1)	2.5
6K7	1st Det.	0	6.1(1)	250	120	0	...	6.1(1)	9
6C5	Osc.	0	6.1(1)	120	...	...	...	6.1(1)	0
6K7	1st I.F.	0	6.1(1)	250	100	2.5	...	6.1(1)	2.5
6K7	2nd I.F.	0	6.1(1)	250	100	3	...	6.1(1)	3
6C5	2nd Det.	0	6.1(1)	0	...	...	...	6.1(1)	0
6C5	1st A.F.	0	6.1(1)	110	...	...	...	6.1(1)	4.5
6F6	Power Amp.	0	6.1(1)	330	250	25(2)	...	6.1(1)	0
5Z4MG	Rect.	0	4.8(3)	...	640(4)	...	640(4)	...	4.8(3)
6G5	Tuning Indicator	Plate to Ground 20(5)		Target to Ground 250		Cathode to Ground 0		Across Heater 6.1 A.C.	

(1) A.C. voltage as read across heater terminals 2 and 7.  
(2) As read across resistor R24.  
(3) A.C. voltage as read across heater terminals 2 and 8.

(4) A.C. voltage as read across terminals 4 and 6.  
(5) As read with 500,000 ohm meter.

# LAFAYETTE RADIO RADIO WIRE TELEVISION, INC.

## I. F. Adjustment

Set the signal generator for a signal of 456 KC. Connect the output of the signal generator through a .1 mf. condenser to the grid of the 1st detector. Connect the ground lead of the receiver to the ground post of the signal generator. Turn the band switch to the Range B position (standard wave band). Turn the selectivity control to the sharp position and keep it in this position for all adjustments.

Turn the volume control to the maximum position. Attenuate the signal from the signal generator to prevent the leveling-off action of the AVC. Then adjust the five I.F. trimmers until maximum output is obtained. The adjusting screws for these trimmers are reached from the top of the chassis and the location is shown in Fig. 3.

After the procedure for the alignment of each range, as explained below, is completed, it is advisable to repeat the procedure as a final check.

### 1730 KC Adjustment

Set the signal generator for 1730 KC. Turn the rotor of the tuning condenser to the full open position.

Keep the band switch in the standard wave position.

Connect the antenna lead of the receiver through a 200 mmf. condenser to the output of the signal generator.

For this and all subsequent adjustments keep the volume control at the maximum position and attenuate the signal from the signal generator to prevent AVC action.

Adjust the oscillator Range B trimmer (C18) until maximum output is obtained. The location of this trimmer is shown in Fig. 3.

### 1500 KC Adjustment

Set the signal generator for 1500 KC. Turn the rotor of the tuning condenser carefully until maximum output is obtained.

In sets using pointers, loosen the screw of the large pointer and set the pointer at the 1500 KC mark on the standard wave band scale. Re-tighten the screw.

In sets using the moving beam of light, there is a moving light assembly held to the front of the drive drum by means of a screw. Loosen this screw and move the light assembly until it is at the 1500 KC mark on the dial. Re-tighten the screw.

Adjust the interstage Range B trimmer (C10) and antenna Range B trimmer (C4) to maximum.

Do not change the setting of the oscillator Range B trimmer.

### 600 KC Adjustment

Set the signal generator for 600 KC. Turn the tuning condenser rotor until maximum output is obtained.

Turn the rotor slowly back and forth at the same time adjusting the 600 KC trimmer until the peak of greatest intensity is obtained. See Fig. 3 for location of this trimmer.

## Range C Alignment

**CAUTION**—When aligning the short wave bands be sure NOT to adjust at the image frequency. This can be checked as follows. Let us say the signal generator is set for 5000 KC. The signal will then be heard at 5000 KC on the dial of the radio. The image signal, which is much weaker, will be heard at 5000 less 912 KC, or 4088 KC. It may be necessary to increase the input signal to hear the image.

### 5800 KC Adjustment

Set the signal generator for 5800 KC. Connect the antenna lead of the receiver through a 400 ohm resistor to the output of the signal generator. Turn the rotor of the tuning condenser to the full open position.

Turn the band switch to the Range C position (first short wave band). Adjust the oscillator Range C trimmer (C17) until maximum output is obtained. See Fig. 3 for location of this trimmer.

### 5000 KC Adjustment

Set the signal generator for 5000 KC. Turn the rotor of the tuning condenser carefully until maximum output is obtained.

Adjust the interstage Range C trimmer (C9) and antenna Range C trimmer (C3) to maximum.

Do not change the setting of the oscillator Range C trimmer.

### 1800 KC Adjustment

Set the signal generator for 1800 KC. Turn the tuning condenser rotor until maximum output is obtained.

Turn the rotor slowly back and forth at the same time adjusting the 1800 KC trimmer until the peak of greatest intensity is obtained. See Fig. 3 for location of this trimmer.

### Range D Alignment

Set the signal generator for 18,300 KC. Keep the antenna lead of the receiver connected through the 400 ohm resistor to the output of the signal generator.

Turn the rotor of the tuning condenser to the full open position. Turn the band switch to the Range D position (second short wave band). Adjust the oscillator Range D trimmer (C12) until maximum output is obtained. See Fig. 3 for location of this trimmer.

### 15,000 KC Adjustment

Set the signal generator for 15,000 KC. Turn the rotor of the tuning condenser carefully until maximum output is obtained.

Adjust the interstage Range D trimmer (C8) and antenna Range D trimmer (C2) to maximum.

When adjusting the interstage and antenna Range D trimmers, it will be necessary at the same time to turn the tuning condenser rotor slowly back and forth until the peak of greatest intensity is obtained.

Do not change the setting of the oscillator Range D trimmer.

### 6000 KC Adjustment

Set the signal generator for 6000 KC. Turn the tuning condenser rotor until maximum output is obtained.

Turn the rotor slowly back and forth at the same time adjusting the 6000 KC trimmer until the peak of greatest intensity is obtained. See Fig. 3 for location of this trimmer.

## Trimmer Replacement

If one trimmer of the gang trimmer strip should become defective, it is not necessary to replace the entire strip. A single trimmer P.17A16, as shown in the replacement parts list, may be used. Disconnect the lead from the coil side (side not grounded) of the defective trimmer in the strip. This connection is then made to the single trimmer. Connect it to the side of the trimmer not in contact with the adjusting screw. The other side of the single trimmer is then connected to a good ground, using a piece of heavy wire in order to support the trimmer adequately. In replacing a trimmer, be sure to keep both leads as short as possible and keep the ungrounded lead as far from ground as possible.

## Planetary Drive Assembly

The planetary assembly is the unit that is integral with the tuning shaft.

If the nut on the back of this assembly is too tight, the drive will be jerky and will turn hard in high speed. If this condition exists, back off this nut one or two turns and note the effect.

If this nut is too loose, the drive will slip in slow speed. The remedy in this case, of course, is to tighten the nut.

Should the condenser drive cord slip when the planetary pulley is turning, inspect the tuning condenser, drive drum and gears to see if they are turning properly or if they are being obstructed in some way.

If the drive turns unevenly (rough in spots), this may mean that the planetary assembly is defective or damaged internally and a new unit will be required.

## Phonograph Connections

Phonograph connections can be made as shown in Fig. 7. The parts required are shown in the parts list. Knock-outs are provided in the back panel of the chassis for mounting the phono jack and phono switch—See Fig. 8.

The phono switch must be mounted with one set of terminals nearest the bottom of the chassis base.

The connections are made by opening the diode return circuit at the volume control. This is done by removing the white wire connected to the insulated lug of the terminal strip on which one end of con-

denser C32 is also connected. The terminal strip is located at the back of the volume control. This wire is then connected to the phono switch as shown in Fig. 7. A wire is then connected from the lug on the above mentioned terminal strip to the phono switch, as shown in Fig. 7. Both of the above wires are connected to the switch terminals nearest the chassis base and should be twisted together as far as possible and run as close to the back of the chassis base as possible.

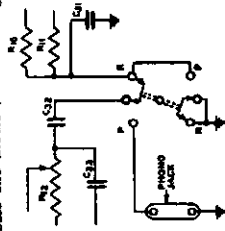


Fig. 7.—Phonograph Connections

as possible and run as close to the back of the chassis base as possible.

The lead to condenser C32, after turning away from the back of the chassis base, should be run close to the 6CS tube sockets.

Complete the other connections as illustrated in Fig. 7, using the lugs in the chassis base, located near the phono switch and jack, for grounding purposes.

The control grid lead of the 6F6 power tube nearest the back of the chassis should be removed and a longer lead substituted. This lead is run from the tone control to the back of the chassis, along the lower edge and is then brought to the grid terminal by being routed between the speaker socket and the tubular condenser next to it.

If a hum is heard when the phono pickup is touched, reverse the two pickup leads.

## Switch Contact Location Numbering

A standard arrangement for switch contact location numbering has been adopted. This numbering is illustrated in Fig. 2. In contact locations not used, the number applying to that particular location is not employed.

## Voltage Chart

The voltage readings are taken with a voltmeter having a resistance of 1000 ohms per volt.

The standard metal tube socket terminal numbering system (bottom of socket) is shown in Fig. 3. On the schematic circuit diagram, Fig. 2, is a list giving the complete names of the tube elements and the corresponding symbols as used on the sockets on the schematic.

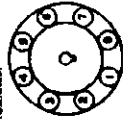
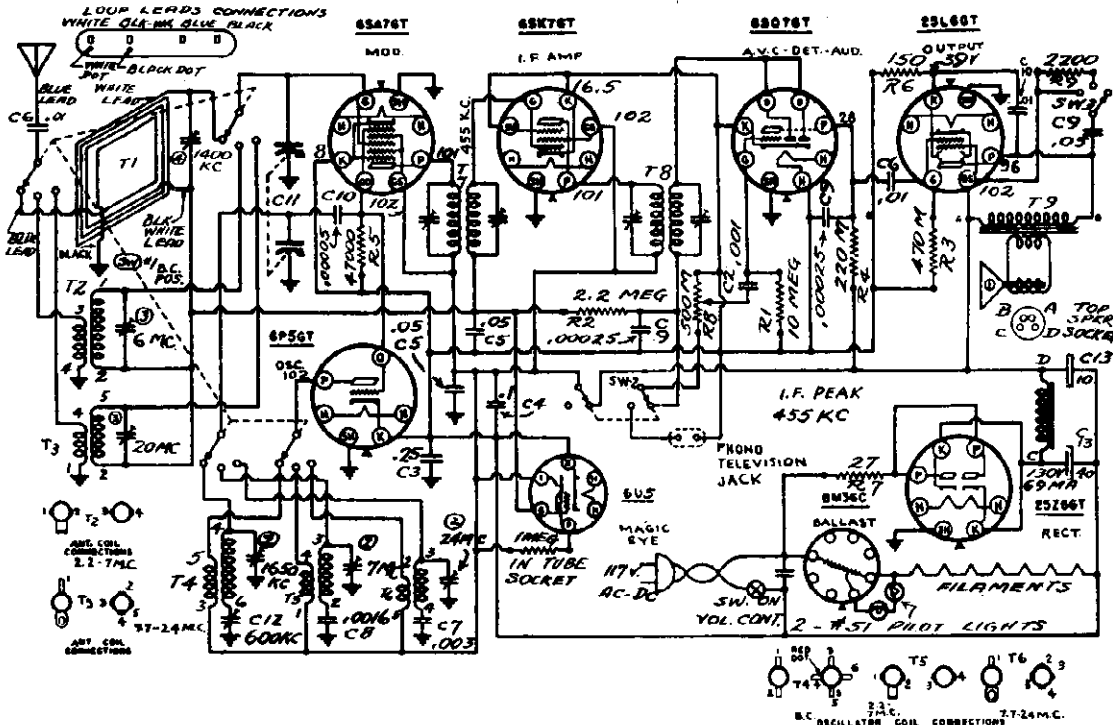


Fig. 3.—Metal Tube Terminal numbering (bottom of socket)



MODEL D-33

LAFAYETTE RADIO  
RADIO WIRE TELEVISION, INC.

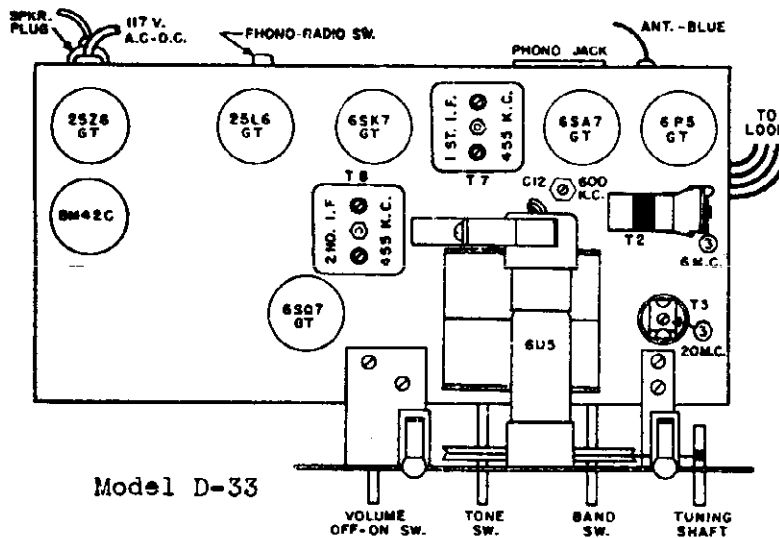


Code	Part No.	Description
C1	1807	.06 Mfd. 400 V Tubular Condenser
C2	14-124	.001
C3	16-120	25 200 V
C4	16-115	1
C5	1622	.06
C6	16-121	.01
C7	15-118	.005 Mfd. Mica Condenser
C8	15-119	.0016
C9	1504	.00025
C10	1503	.00006
C11	18-156	2 Gang Variable Condenser
C12	18-256	Padding Condenser
C13	18-256	40 x 16 MFD 150 W. V. Electrolytic
C14	16-119	.01 Mfd 400 V. Tubular Condenser
R1	60-193	10 Meg. 1/4 W. Resistor
R2	60-179	2.2 "
R3	60-178	470M Ohm
R4	60-180	220M "
R5	60-177	47M "
R6	60-184	150 "
R7	60-220	27 "
R8	24-144	500M Volume Control
R9	60-255	220M 1/4 W. Resistor
SW 1	69-142	Band Switch
SW 2	69-140	Phone Switch
SW 3	69-143	Tone Switch

Tube sockets are viewed from underside of chassis. Voltage readings at indicated socket prongs are to common ground. Voltages must be measured with no signal. Voltages are measured with 1000 ohm per volt voltmeter. Figures at cathode are cathode current in milliamperes. Where no voltage readings is shown at socket prongs, it indicates zero voltage or a very low reading. Alignment is made at the frequency shown at each trimmer condenser. Capacity values are in microfarads.

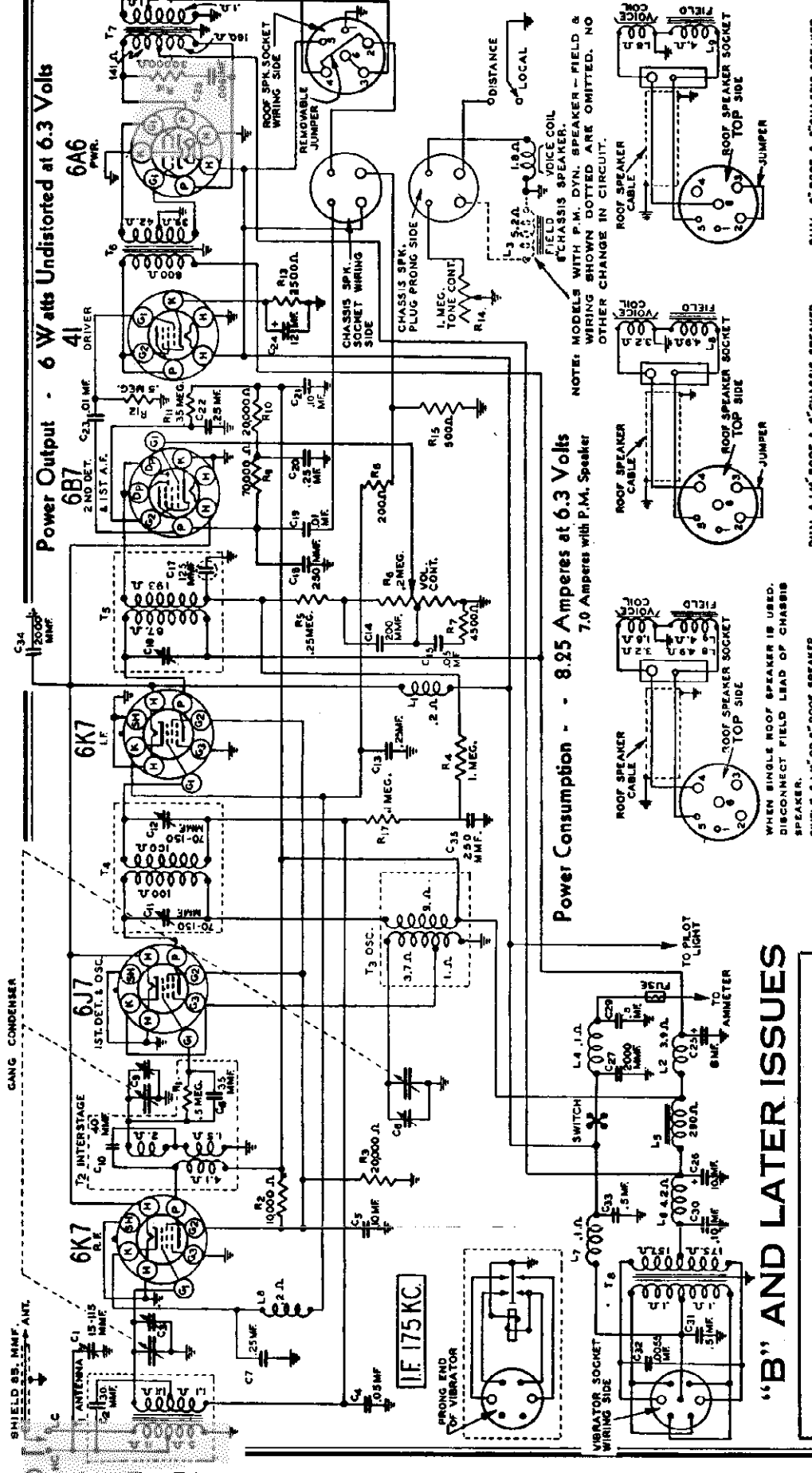
Code	Part No.	Description
T1	82-15	Loop Antenna
T2	10-324	Antenna Coil (2.2 - 7M.C.)
T3	10-322	Antenna Coil (7.7 - 24 M.C.)
T4	10-313	Oscillator Coil (8.C.)
T5	10-327	Oscillator Coil (2.2 - 7 M.C.)
T6	10-329	Oscillator Coil (7.7 - 24 M.C.)
T7	10-317	1st I.F. Transformer
T8	10-312	2nd "
T9	---	Output Transformer (on Spkr.)
1	79-277	8 1/2 Inch. Dynamic Speaker
2	---	Trimmer Block
3	2062	2 Plate Trimmer
4	20-129	Trimmer (on loop)

INTERMEDIATE  
PEAK  
FREQUENCY  
455  
KC



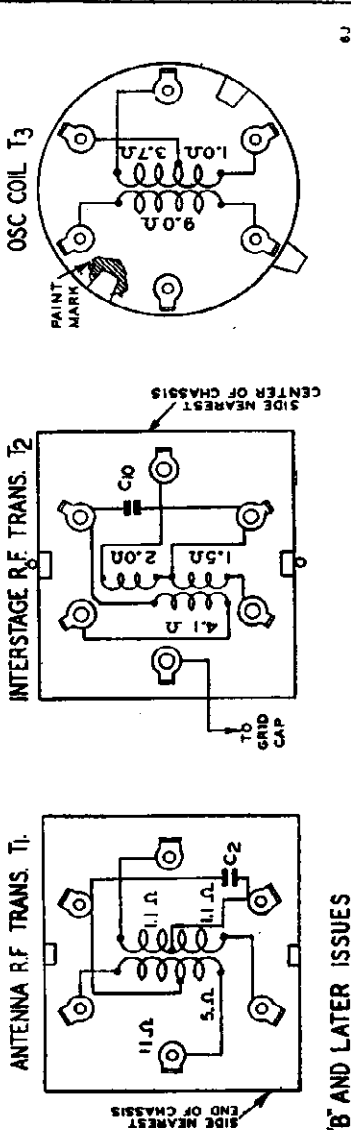
Model D-33

LAFAYETTE RADIO  
RADIO WIRE TELEVISION, INC.



**Power Output - 6 Watts Undistorted at 6.3 Volts**

**Power Consumption - 8.95 Amperes at 6.3 Volts**  
7.0 Amperes with P.M. Speaker



**“B” AND LATER ISSUES**

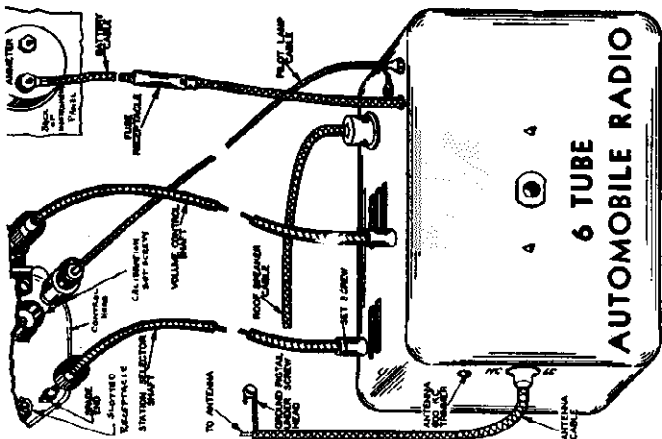
**VOLTAGES AT SOCKETS (“B” AND LATER ISSUES)**  
Battery—6.3 Volts Under Load

Type of Tube	Function	Across Heater	Plate to Ground	Screen to Ground	Cathode to Ground
6K7	R.F.	5.8	250	132	3.6
6J7	1st Det. and Osc.	5.8	250	132	0
6K7	I.F.	5.8	250	132	3.6
6B7	2nd Det. & 1st A.F.	5.8	45(1)	45(1)	0
41	2nd A.F.	6.0	240	240	2.6
6A6	Power	6.0	262	262	0

(1) As read with 1000 ohm per volt meter—500 volt scale.

MODEL B92 Late

LAFAYETTE RADIO  
RADIO WIRE TELEVISION, INC.



General Installation View

SUPPLEMENTARY REPLACEMENT PARTS

The parts of the "D" issue are the same as those used in earlier issues with the following exceptions:

CHANGES IN LATER MODELS

Later models have changes incorporated in them which are explained below. The models which have these changes may be identified by the issue letter which is a large letter stamped on top of the chassis base. The tube arrangement label on the chassis case cover also shows this issue letter.

When ordering parts, it is important that the issue letter be noted and the correct part number, as shown in the parts list, be specified.

The "D" issue is different from the "B" and "C" The gang condenser used in the "D" issue radios does not have the cut plate oscillator section. A padding condenser (600 KC) was added in series with the oscillator section of this gang condenser and the oscillator coil. The padding condenser is a part of the 2nd I. F. trimmer unit and is mounted in the 2nd I. F. coil can.

The capacity (C17) shown within a dotted circle in the 2nd I. F. coil assembly on the schematic has been changed to an actual part as shown in the supplementary parts list.

The antenna, R. F. Interstage, oscillator, and 2nd I. F. coil assemblies have been changed and have been given new part numbers as shown in the supplementary parts list.

THE FOLLOWING NEW PARTS ARE USED:

No.	Code	Description
9A859	T1	Antenna Transformer and Can Assembly.....
9A861	T2	R. F. Interstage Transformer and Can Assembly.....
9A862	T3	Oscillator Coil and Can Assembly.....
9A858	T5	2nd I. F. Transformer and Can Assembly.....
47X57	C17	100 mmf. Molded Condenser.....
17A79	(	30-100 mmf. 2nd I. F. Trimmer Oscillator 600 KC Padder)....
14A77		3 Section Gang Condenser Complete with Drive Gears.....

THE FOLLOWING PARTS OF THE SERIES 6J ARE NOT USED ON THE SERIES 6J "D" ISSUE RADIO:

9A740	T1	Antenna Transformer and Can Assembly.....
9A771	T2	R. F. Interstage Transformer and Can Assembly.....
9A765	T3	Oscillator Coil and Can Assembly.....
9A772	T5	2nd I. F. Coil and Can Assembly.....
9A744		30-100 mmf. 2nd I. F. Trimmer.....
17A85		3 Section Gang Condenser Complete with Drive Gears.....

**Adjusting Antenna 600 KC Trimmer**  
Tune in a weak signal at approximately 600 KC with the volume control about three-fourths on. Turn the adjusting screw of the antenna 600 KC trimmer up or down until maximum output is obtained. See Fig. 9 for location of this trimmer.

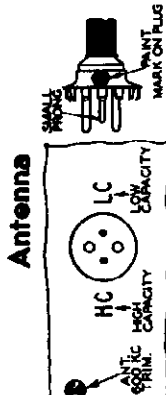
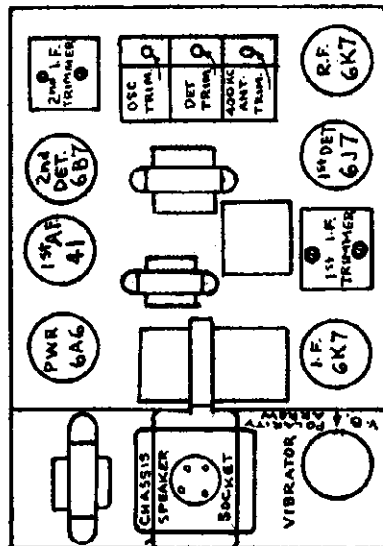


Fig. 9—Antenna Plug Insertion

**IMPORTANT**—The antenna plug can be inserted in two ways depending on whether the antenna is of high or low capacity.

If the total capacity of the antenna and shielded lead is approximately 200 mmf., which would be the case in a running board or ordinary roof antenna (not metal roof), insert the antenna plug with the mark on the HC side—See Fig. 9.

If the total capacity of the antenna and shielded lead is approximately 70 mmf., such as in the case if a "fish pole" antenna is used, insert the antenna plug with the mark on the LC side.



LOCATION OF TUBES AND VIBRATOR.

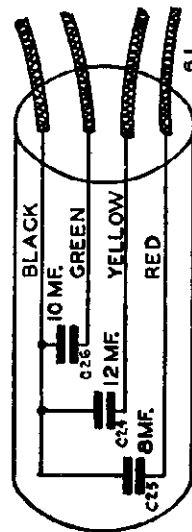


Fig. 6—Electrolytic Condenser Internal Connections

Alignment Procedure

Set the signal generator for 175 KC and connect the output of the signal generator through a .05 mf. condenser to the stator of the 1st detector section of the tuning condenser. Set the volume control at the maximum position and attenuate the signal from the signal generator to prevent the leveling off action of the AVC. Then adjust the leveling off trimmer until maximum output is obtained.

Set the signal generator for 1581 KC. Turn the rotor of the tuning condenser to the full open position. Insert the antenna plug with the mark on the high capacity (HC) side. Connect the shielded antenna lead from the chassis through a 120 mmf. condenser to the antenna post of the signal generator. Adjust the trimmer of the oscillator section of the three gang condenser until maximum output is obtained.

Set the signal generator for 1400 KC. Turn the rotor of the tuning condenser carefully until maximum output is obtained. Adjust the 1st detector and antenna 1400 KC trimmer for maximum output. Do not change the setting of the oscillator trimmer.

Then set the signal generator for 600 KC and adjust the 600 KC antenna trimmer to maximum.

After the alignment procedure is completed, the antenna plug may be withdrawn and reinserted on the LC side if a low capacity (70 mmf.) antenna is used.



MODELS B100, B101,  
B102

# LAFAYETTE RADIO RADIO WIRE TELEVISION, INC.

## PROCEDURE FOR SETTING THE STATION BUTTONS

After all the stations are set, it will be necessary to lock the mechanism so that the settings will not change. Turn the manual tuning knob until the locking screw can be easily reached with a screwdriver. Then, with the **SMALL HANDLED SCREWDRIVER**, turn the locking screw in a clockwise direction until it is tight. Tighten the locking screw firmly but not excessively to avoid stripping the threads.

If at any time you wish to change the setting of a button from one station to another, repeat the above procedure. Changing the setting of one button will not affect the setting of any of the other buttons.

Remove the correct station call letter tab for this button from the sheet supplied by bending this sheet back and forth at the score marks. In Models With Transparent Buttons—Insert a celluloid reinforcement tab half way in the slot at the front of the first station button.

Place the call letter tab in front of the celluloid reinforcement tab and insert it in slot. Push both tabs all



new contact the way in station button slot. Follow the same procedure for inserting the station call letter tabs in any other buttons.

In Models With Brown Opal Buttons—Press the tab all the way to the bottom of the space provided in the button. Cover the call letter tab with a celluloid tab, pressing this in until it snaps into place.

Turn the manual tuning knob until the locking screw can be easily reached with a screwdriver.

Using a small handled screwdriver, unlock the mechanism by turning this screw several turns in a counter-clockwise direction.

TO SET STATIONS ACCURATELY DO NOT JAR THE RADIO OR BUTTONS WHILE THE MECHANISM IS UNLOCKED.

Select the first station from the list you have prepared and carefully tune in this station by means of the manual tuning knob, using the tuning eye as a guide.

With one hand, hold the manual tuning knob to prevent it from turning and with the other hand, push one of the station buttons shown in the illustration all the way in. It is better to start with the left hand button.

Hold the button all the way in. With the other hand, see whether or not this station is still accurately tuned in by moving the tuning knob a slight amount back and forth while observing the tuning eye. Be sure to hold the button all the way in. Slowly release the button after the station is tuned in.

**CAUTION**—Do not touch this button again while the mechanism is unlocked as the setting may be altered.

Carefully tune in the second station on your list. Then hold the tuning knob and push the second button slowly and firmly all the way in. Check for accurate tuning.

Proceed in the same manner to set any additional stations on your list on the remaining station buttons.

## SELECTING THE STATIONS TO BE SET

There are 6 buttons on the automatic tuning dial by means of which 6 stations may be set for quick tuning.

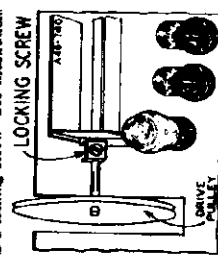
Make a list of your favorite stations those which you tune in regularly. There may be any number up to and including 6 in this list.

It is better to list the station with the lowest kilocycle number first, the station with the next higher kilocycle number next, and so on.

Any button may be used for any station you can receive, although it will be more convenient to set the stations so that the kilocycle numbers increase from left to right.

## SETTING A STATION BUTTON

Unlock the push button tuning mechanism from the back of the radio. On the drive pulley shaft and at the left side (from back of radio) of the push button tuning assembly is a locking screw—See illustration.



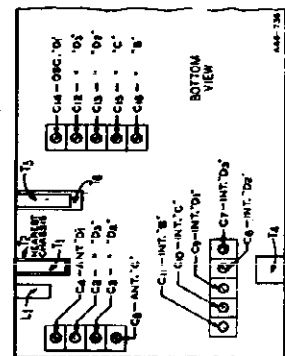
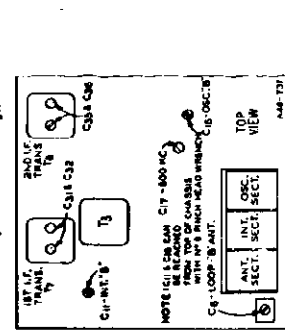
VIEW FROM BACK OF CABINET

## ALIGNMENT PROCEDURE

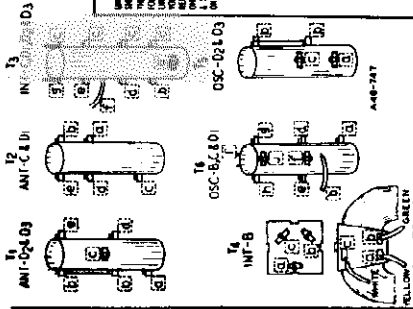
Volumes Control—Maximum All adjustments.  
Connect Radio Chassis to Ground Post of Signal Generator with a Short Heavy Lead.  
Allow Chassis and Signal Generator to "Heat Up" for Several Minutes.

SIGNAL GENERATOR FREQUENCY SETTING	DUMMY ANTENNA CONNECTION AT RADIO	BAND SWITCH SETTING	CONDENSED SETTING	ADJUST TRIMMERS TO MAXIMUM
I. F.	Gold of Int. Det.	.1 mf.	Turn Rotor to Full Open	Int. F. (C11) & (C22) Ind. R. (C12) & (C13)
RANGE B 440 KC 1730 KC	Antenna Lead	B Range	Turn Rotor to Full Open	Oscillator Range B (C14)
1500 KC	Antenna Lead	B Range	Turn Rotor to Max. Output	Ant. Range B (C4)
400 KC (C17)	Antenna Lead	B Range	Set Indicator to 1500 KC—See Note A	400 KC (C17)
RANGE C 600 KC 7400 KC	Antenna Lead	B Range	Turn Rotor to Max. Output	Red Rotor—See Note B
7000 KC	Antenna Lead	C Range	Turn Rotor to Full Open	Oscillator Range C (C18)
RANGE D <sub>1</sub> 12,300 KC	Antenna Lead	C Range	Turn Rotor to Max. Output	Ant. Range C (C4)
11,900 KC	Antenna Lead	D <sub>1</sub> Range	Turn Rotor to Max. Output	Int. Range D <sub>1</sub> (C1)
RANGE D <sub>2</sub> 15,240 KC	Antenna Lead	D <sub>2</sub> Range	Turn Rotor to Max. Output	Red Rotor—See Note B
15,240 KC	Antenna Lead	D <sub>2</sub> Range	Turn Rotor to Full Open	Oscillator Range D <sub>2</sub> (C19)
RANGE D <sub>3</sub> 21,300 KC	Antenna Lead	D <sub>3</sub> Range	Turn Rotor to Max. Output	Ant. Range D <sub>3</sub> (C1)
21,300 KC	Antenna Lead	D <sub>3</sub> Range	Turn Rotor to Max. Output	Red Rotor—See Note B
LOOP RANGE B 1800 KC	Antenna Lead See Note C	B Range	Turn Rotor to Max. Output	Ant. Range B (C4)

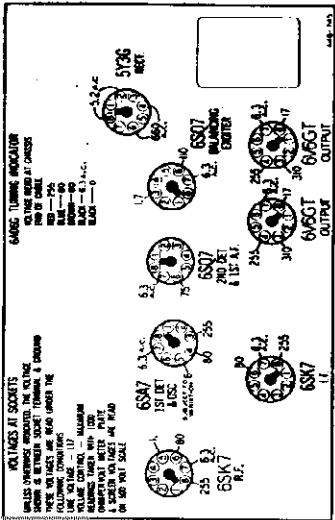
Adjust the signal from the signal generator to prevent the leading action of the AVC.  
After each range is completed, repeat the procedure as a final check.  
**NOTE A**—If the pointer is not at 1500 KC on its full return, either turn drive and set pointer of the 1500 KC mark on the dial.



444-718



444-717



444-715

LAFAYETTE RADIO  
RADIO WIRE TELEVISION, INC.

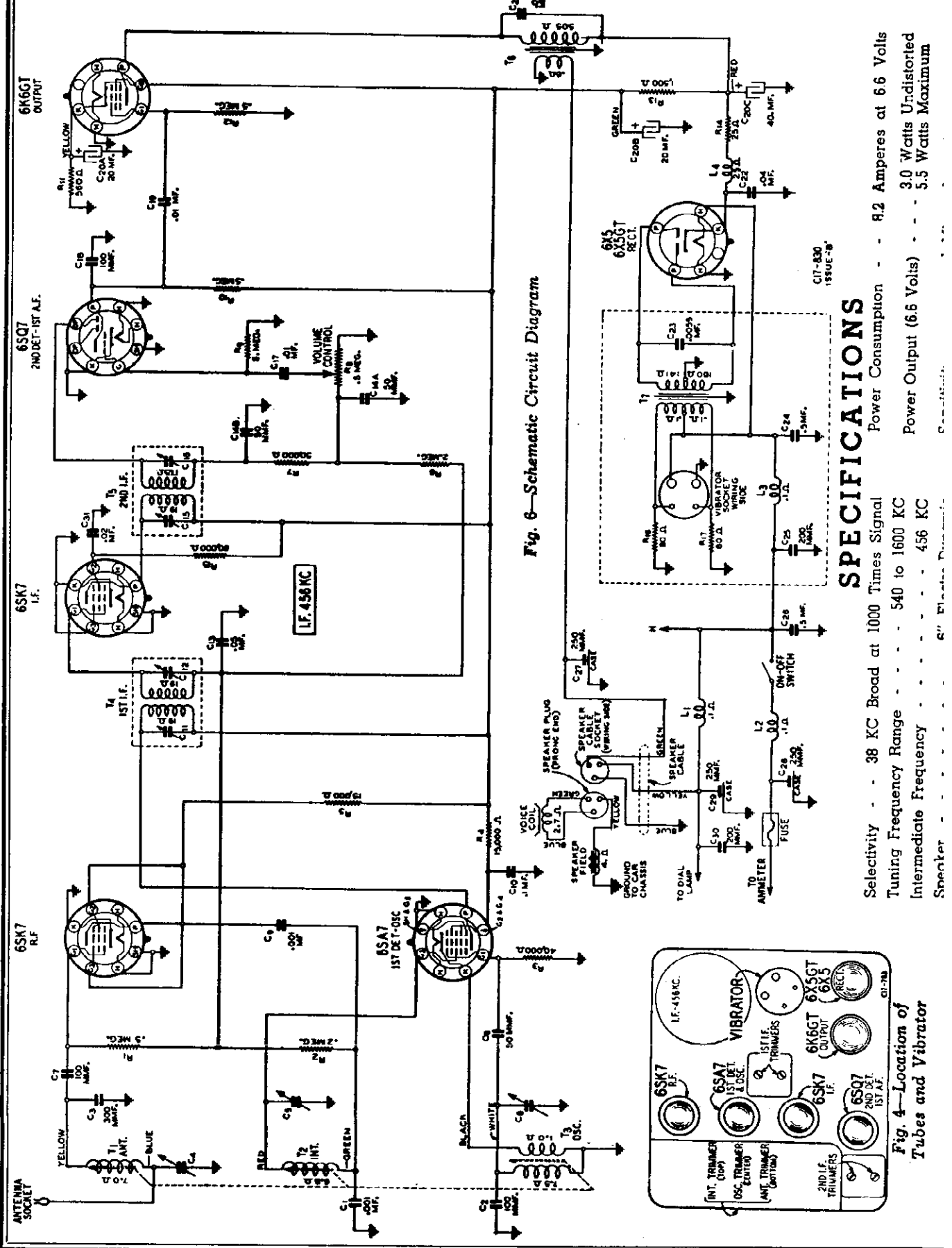


Fig. 6—Schematic Circuit Diagram

**SPECIFICATIONS**

Power Consumption - - 8.2 Amperes at 66 Volts  
Power Output (6.6 Volts) - - 3.0 Watts Undistorted  
- - 5.5 Watts Maximum

Selectivity - - 38 KC Broad at 1000 Times Signal  
Tuning Frequency Range - - 540 to 1600 KC  
Intermediate Frequency - - 456 KC

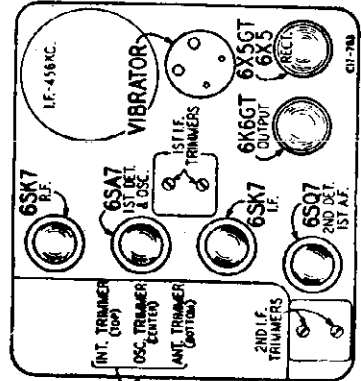


Fig. 4—Location of  
Tubes and Vibrator

MODEL BB11  
MODEL BB110

LAFAYETTE RADIO  
RADIO WIRE TELEVISION, INC.

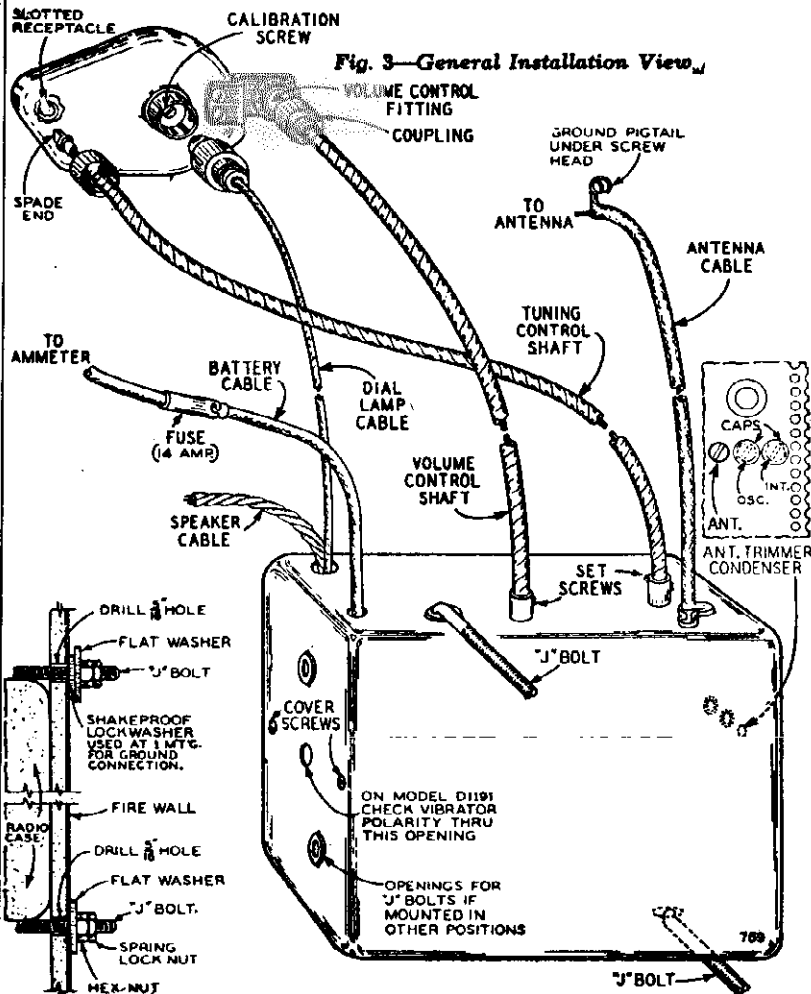
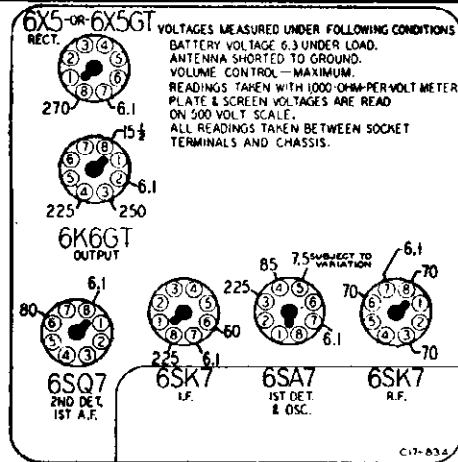
SIGNAL GENERATOR		DUMMY ANTENNA	IRON CORE SETTING	ADJUST TRIMMERS TO MAXIMUM (See Figs. 3 and 4)
FREQUENCY SETTING	CONNECTION AT RADIO			
I.F.	Control Grid (prong No. 8) 6SA7 1st Det. Tube	.05 mf.	Extreme Position out of Coil	1st I.F. (C11) & (C12) 2nd I.F. (C15) & (C16)
1600 KC	Antenna Cable See Note A	See Note A	Extreme Position out of Coil	Oscillator (C6)
1400 KC ADJUSTMENT				
1400 KC	Antenna Cable	See Note A	Tune to Max. Output with Tuning Knob	Int. (C5) Ant. (C4)

Reassemble Radio—Install in Car—Connect Car Antenna to Radio.

Car Antenna Readjustment—Tune in weak signal near 1400 KC—Readjust Antenna Trimmer C4 for maximum output.

SERIES B CHANGES

To secure improved performance, the following changes are made in issue "B" chassis: The oscillator grid resistor is increased from 20,000 ohms to 40,000 ohms. The R.F. plate resistor is decreased from 20,000 ohms to 15,000 ohms. The R.F. screen is disconnected from the modulator screen and connected to the R.F. plate. In the Series 6C18 only, the modulator screen resistor is increased from 10,000 ohms to 12,000 ohms. To permit easier installation, the issue "B" chassis use a socket and plug arrangement for the speaker connection. Issue "A" chassis used pins and clips to connect cable to speaker.



CALIBRATION—To calibrate the radio, tune in a station of known frequency. At the back of the control unit is the calibration screw. Remove the dial lamp assembly. Insert a fine bladed screwdriver and turn this screw until the pointer on the dial scale is at the frequency of the station being received.

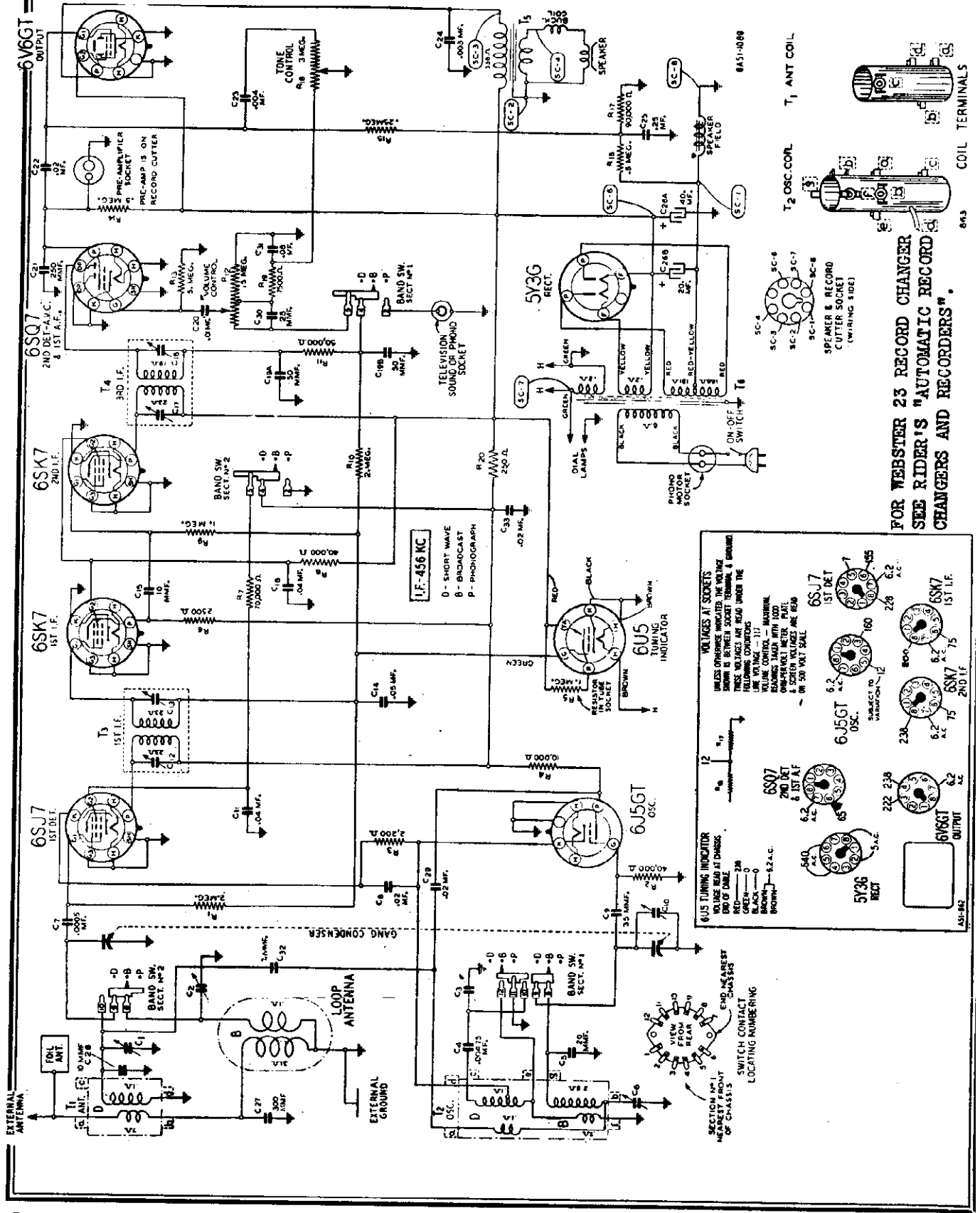
Attenuate the signal from the signal generator to prevent the leveling-off action of the AVC.

After each range is completed, repeat the procedure as a final check.

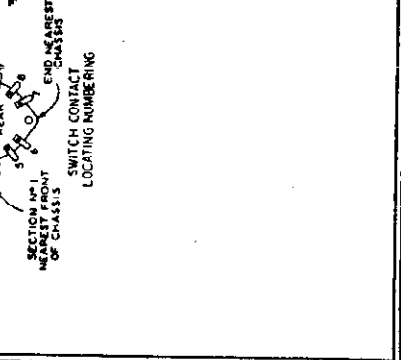
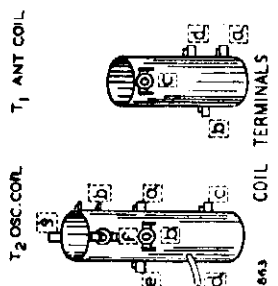
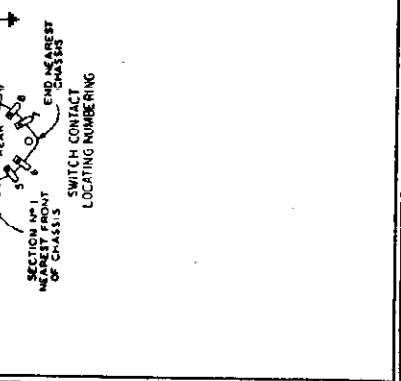
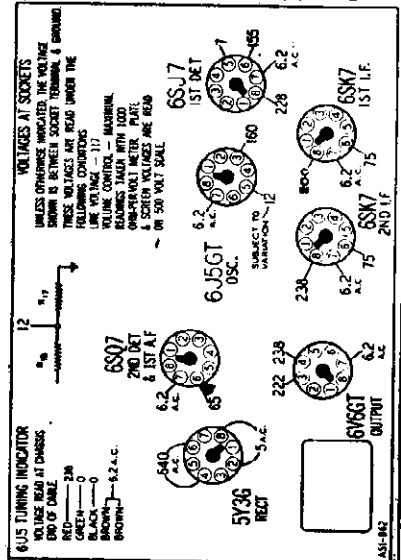
NOTE A—Insert the antenna cable plug in the antenna socket on the chassis. The total capacity of the antenna cable and dummy antenna should be 60 mmf. If the cable, for example, has a capacity of 30 mmf, use a 30 mmf. condenser for a dummy antenna. Connect the other end of the antenna cable through the dummy antenna capacity to the output of the signal generator.

Alignment Procedure: Vol. Cont. Max. all adj. Connect Radio Chassis to ground post of Sig. Gen. with short heavy lead. Allow chassis and Sig. Gen. to "Heat Up" for few minutes. Following equipment is required for alignment: A sig. Gen. which will provide accurately calibrated sig. at the test frequencies. Output indicating meter—Non-metallic Screwdriver. Dummy antenna—.05mf.

# LAFAYETTE RADIO RADIO WIRE TELEVISION, INC.



FOR WEBSTER 23 RECORD CHANGER  
SEE RIDER'S "AUTOMATIC RECORD  
CHANGERS AND RECORDERS".





MODEL B112

## LAFAYETTE RADIO RADIO WIRE TELEVISION, INC.

### ALIGNMENT PROCEDURE

Volume Control—Maximum All Adjustments.  
Connect Radio Chassis to Ground Post of Signal Generator with a Short Heavy Lead.  
Allow Chassis and Signal Generator to "Heat Up" for several minutes.

The following equipment is required for aligning:  
An All Wave Signal Generator which will provide an accurately calibrated signal at the test frequencies as listed.  
Output Indicating Meter—Non-Metallic Screwdriver.  
Dummy Antennas—.1 mf., 100 mmf., and 400 ohms.

	SIGNAL GENERATOR FREQUENCY SETTING	CONNECTION AT RADIO	DUMMY ANTENNA	BAND SWITCH SETTING	CONDENSER SETTING	ADJUST TRIMMERS TO MAXIMUM
I.F.	456 KC	Grid of 1st Det.	.1 mf.	B Range	Turn Rotor to Full Open	1st I.F. (C12) & (C13) 3rd I.F. (C17) & (C18)
RANGE B	1600 KC	Antenna Lead	100 mmf.	B Range	Turn Rotor to Full Open	Oscillator Range B (C10)
	1400 KC	Antenna Lead	100 mmf.	B Range	Turn Rotor to Max. Output Set Indicator to 1400 KC See Note A	Ant. Range B (C2)
	600 KC	Antenna Lead	100 mmf.	B Range	Turn Rotor to Max. Output	600 KC (C6) Rock Rotor—See Note B
RANGE D	18,300 KC	Antenna Lead	400 Ohm	D Range	Turn Rotor to Full Open	Oscillator Range D (C3) Ant. Range D (C1)
	17,000 KC	Antenna Lead	400 Ohm	D Range	Turn Rotor to Max. Output	Rock Rotor—See Note B
LOOP RANGE B	1400 KC	Antenna Lead	100 mmf.	B Range	Turn Rotor to Max. Output	Ant. Range B (C2)

After each range is completed, repeat the procedure as a final check.

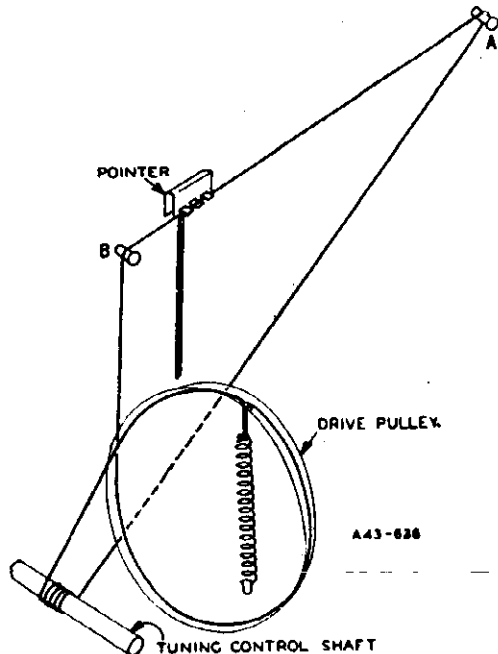
**NOTE A**—If the pointer is not at 1400 KC on the dial, remove pointer from drive cord. Set pointer at the 1400 KC mark on the dial scale. Attach pointer to drive cord.

**NOTE B**—Turn the rotor back and forth and adjust the trimmer until the peak of greatest intensity is obtained.

### SPECIFICATIONS

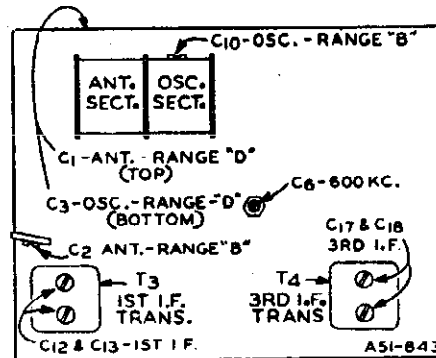
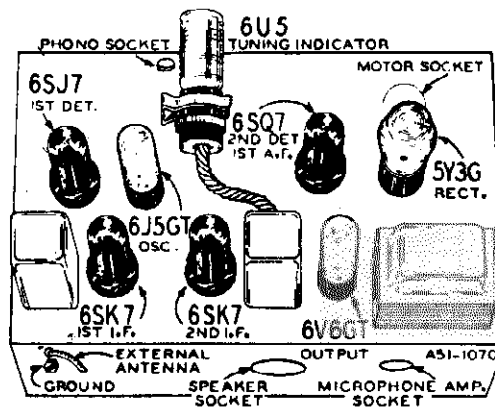
Power Consumption - 60 Watts (At 117 volts 60 cycles)  
80 Watts (Phonograph Operating)  
Power Output - 2.5 Watts Undistorted  
3.5 Watts Maximum  
Selectivity - 40 KC Broad at 1000 times Signal  
Intermediate Frequency - 456 KC  
Speaker - 10" or 12" Electro-Dynamic

Tuning Frequency Range  
B Range - 528 to 1600 KC  
D Range - 5750 to 18300 KC  
Sensitivity—External Antenna—(For .05 Watt output)  
B Range - 20 Microvolts Average  
D Range - 4.0 Microvolts Average

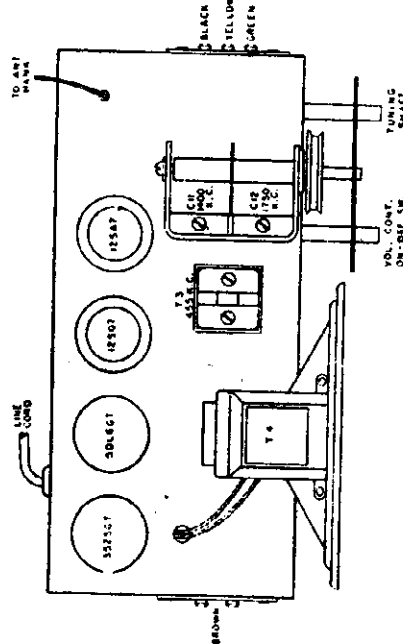


### DRIVE CORD REPLACEMENT

Turn gang condenser to full open position — See illustration. Use a new drive cord 42 inches in length.

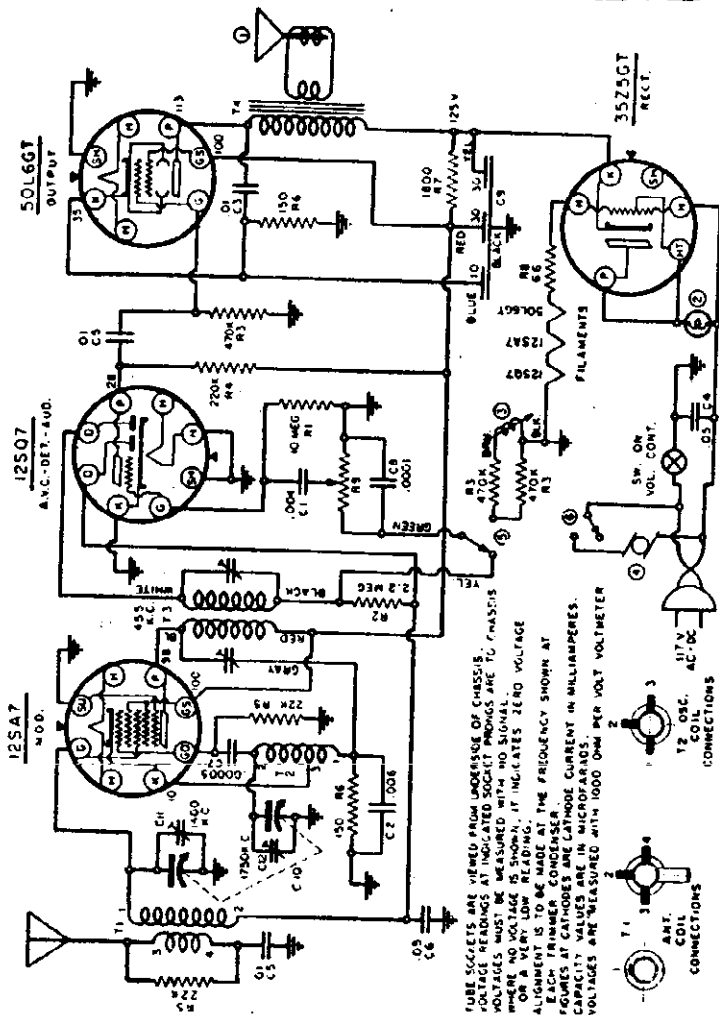


# LAFAYETTE RADIO RADIO WIRE TELEVISION, INC.

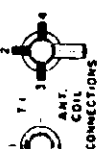


LOCATION OF PARTS ON TOP OF CHASSIS

CODE	PART NO.	DESCRIPTION	CODE	PART NO.	DESCRIPTION
R1	60-175	10 MEGOHM	C1	16-125	004 MFD 400V TUBULAR COND.
R2	60-176	2.2	C2	16-148	006
R3	60-178	270K OHM	C3	16-119	.01
R4	60-180	220K	C4	16-119	.01
R5	60-185	22K	C5	16-121	.05
R6	60-184	150	C6	16-121	.05
R7	60-184	150	C7	16-121	.05
R8	60-184	150	C8	16-121	.05
R9	60-184	150	C9	16-121	.05
R10	60-184	150	C10	16-121	.05
R11	60-184	150	C11	16-121	.05
R12	60-184	150	C12	16-121	.05
R13	60-184	150	C13	16-121	.05
R14	60-184	150	C14	16-121	.05
R15	60-184	150	C15	16-121	.05
R16	60-184	150	C16	16-121	.05
R17	60-184	150	C17	16-121	.05
R18	60-184	150	C18	16-121	.05
R19	60-184	150	C19	16-121	.05
R20	60-184	150	C20	16-121	.05
R21	60-184	150	C21	16-121	.05
R22	60-184	150	C22	16-121	.05
R23	60-184	150	C23	16-121	.05
R24	60-184	150	C24	16-121	.05
R25	60-184	150	C25	16-121	.05
R26	60-184	150	C26	16-121	.05
R27	60-184	150	C27	16-121	.05
R28	60-184	150	C28	16-121	.05
R29	60-184	150	C29	16-121	.05
R30	60-184	150	C30	16-121	.05
R31	60-184	150	C31	16-121	.05
R32	60-184	150	C32	16-121	.05
R33	60-184	150	C33	16-121	.05
R34	60-184	150	C34	16-121	.05
R35	60-184	150	C35	16-121	.05
R36	60-184	150	C36	16-121	.05
R37	60-184	150	C37	16-121	.05
R38	60-184	150	C38	16-121	.05
R39	60-184	150	C39	16-121	.05
R40	60-184	150	C40	16-121	.05
R41	60-184	150	C41	16-121	.05
R42	60-184	150	C42	16-121	.05
R43	60-184	150	C43	16-121	.05
R44	60-184	150	C44	16-121	.05
R45	60-184	150	C45	16-121	.05
R46	60-184	150	C46	16-121	.05
R47	60-184	150	C47	16-121	.05
R48	60-184	150	C48	16-121	.05
R49	60-184	150	C49	16-121	.05
R50	60-184	150	C50	16-121	.05
R51	60-184	150	C51	16-121	.05
R52	60-184	150	C52	16-121	.05
R53	60-184	150	C53	16-121	.05
R54	60-184	150	C54	16-121	.05
R55	60-184	150	C55	16-121	.05
R56	60-184	150	C56	16-121	.05
R57	60-184	150	C57	16-121	.05
R58	60-184	150	C58	16-121	.05
R59	60-184	150	C59	16-121	.05
R60	60-184	150	C60	16-121	.05
R61	60-184	150	C61	16-121	.05
R62	60-184	150	C62	16-121	.05
R63	60-184	150	C63	16-121	.05
R64	60-184	150	C64	16-121	.05
R65	60-184	150	C65	16-121	.05
R66	60-184	150	C66	16-121	.05
R67	60-184	150	C67	16-121	.05
R68	60-184	150	C68	16-121	.05
R69	60-184	150	C69	16-121	.05
R70	60-184	150	C70	16-121	.05
R71	60-184	150	C71	16-121	.05
R72	60-184	150	C72	16-121	.05
R73	60-184	150	C73	16-121	.05
R74	60-184	150	C74	16-121	.05
R75	60-184	150	C75	16-121	.05
R76	60-184	150	C76	16-121	.05
R77	60-184	150	C77	16-121	.05
R78	60-184	150	C78	16-121	.05
R79	60-184	150	C79	16-121	.05
R80	60-184	150	C80	16-121	.05
R81	60-184	150	C81	16-121	.05
R82	60-184	150	C82	16-121	.05
R83	60-184	150	C83	16-121	.05
R84	60-184	150	C84	16-121	.05
R85	60-184	150	C85	16-121	.05
R86	60-184	150	C86	16-121	.05
R87	60-184	150	C87	16-121	.05
R88	60-184	150	C88	16-121	.05
R89	60-184	150	C89	16-121	.05
R90	60-184	150	C90	16-121	.05
R91	60-184	150	C91	16-121	.05
R92	60-184	150	C92	16-121	.05
R93	60-184	150	C93	16-121	.05
R94	60-184	150	C94	16-121	.05
R95	60-184	150	C95	16-121	.05
R96	60-184	150	C96	16-121	.05
R97	60-184	150	C97	16-121	.05
R98	60-184	150	C98	16-121	.05
R99	60-184	150	C99	16-121	.05
R100	60-184	150	C100	16-121	.05



TUBE SOCKETS ARE TYPED FROM UNDERSIDE OF CHASSIS.  
VOLTAGE READINGS ARE REFERRED TO GROUND UNLESS OTHERWISE NOTED.  
WHERE NO VOLTAGE IS SHOWN, IT INDICATES ZERO VOLTAGE  
ALIGNMENT IS TO BE MADE AT THE FREQUENCY SHOWN AT  
FIGURES AT POWER CONDENSER  
CAPACITY VALUES ARE IN MICRORADIOS.  
VOLTAGES ARE MEASURED WITH 1000 OHM PER VOLT VOLTMETER



MODEL FE141

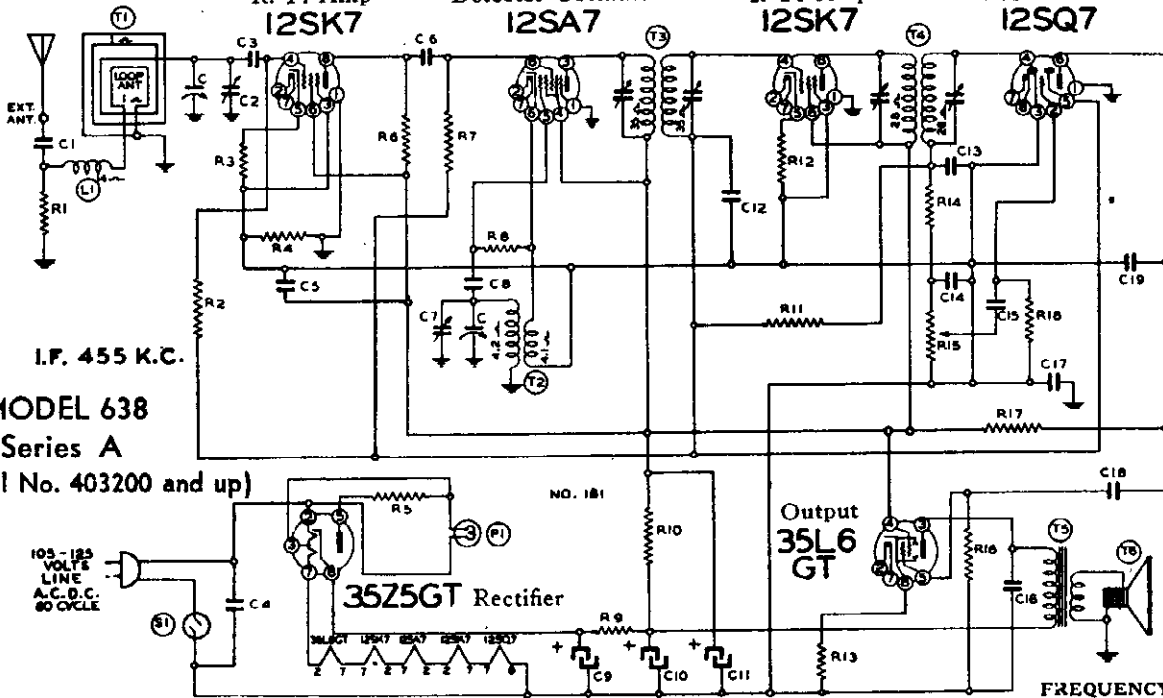
LAFAYETTE RADIO  
RADIO WIRE TELEVISION, INC.

Mixer, First  
Detector-Oscillator  
12SA7

Second Detector, A.V.C.  
First Audio  
12SQ7

R. F. Amp  
12SK7

I. F. Amp  
12SK7



MODEL 638  
Series A

(Serial No. 403200 and up)

4-40

Power Consumption..... 35 Watts  
Power Output..... 1 Watt Undistorted, 1.5 Watts Maximum

Code Part Description  
No. No.

RESISTORS

R1	13018	4M ohm-1/2 w.
R2	13019	1 megohm-1/2 w.
R3	130168	100 ohm-1/2 w.
R4	130100	150M ohm-1/2 w.
R5	130215	25 ohm-1/2 w.
R6	130218	5M ohm-1/2 w.
R7	13020	100M ohm-1/2 w.
R8	13012	50M ohm-1/2 w.
R9	130296	200 ohm-1 w.
R10	130287	1200 ohm-1 w.
R11	130170	3 megohm-1/2 w.
R12	13024	400 ohm-1/2 w.
R13	130166	150 ohm-1/2 w.
R14	13012	50M ohm-1/2 w.
R15	101218	1 megohm volume control
R16	1303	500M ohm-1/2 w.
R17	1309	200M ohm-1/2 w.
R18	130257	5 megohm-1/2 w.

CONDENSERS

C	102116	2 gang variable condenser
C1	10025	.002 x 600 v
C2		B. C. Antenna Trimmer on Gang Con.
C3	1292	.0005 Mica
C4	1001	.1 x 400 v.
C5	1006	.25 x 200 v.
C6	1295	.0001 mica
C7		B. C. Oscillator Trimmer on Gang Con.
C8	1295	.0001 mica
C9	11994	40 mfd. lytic x 150 w. v.
C10	11994	20 mfd. lytic x 150 w. v.
C11	11994	20 mfd. lytic x 150 w. v.
C12	1009	.05 x 200 v.
C13	129161	.0001 mica
C14	129161	.0001 mica
C15	10025	.002 x 600 v.
C16	10026	.02 x 400 v.
C17	100110	.2 x 400 v.
C18	100106	.004 x 600 v.
C19	1295	.0001 mica

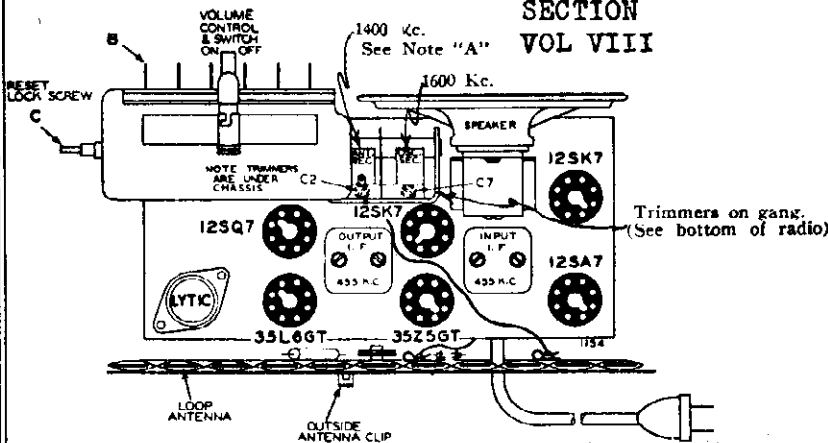
C9, C10, C11 are in same unit  
C13, C14 are in same unit

PARTS

T1	111180	Loop Antenna complete
T2	110152	Oscillator Coil
T3	108140H	Input I. F. Coil-455 Kc.
T4	108145	Output I. F. Coil-455 Kc.
T5	105104	Output Transformer
T6	114197	5" P. M. Speaker
L1	12310	Loading Coil
S1		On-off switch on volume control
P1	107249	T47 Pilot light bulb

NOTE "A" Lay the output lead from the generator in back of the loop antenna. Turn up the output of the generator, picking up the energy in the loop antenna without any electrical connection from the generator.

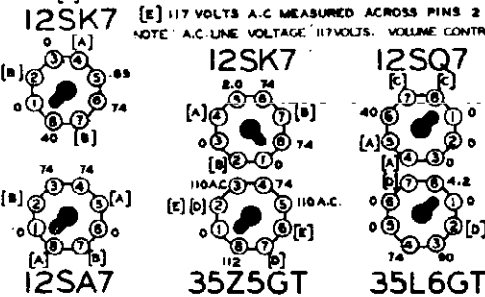
CONVENTIONAL ALIGNMENT, SEE SPECIAL SECTION VOL VIII



BOTTOM VIEW OF CHASSIS

VOLTAGES MEASURED WITH 1000 OHM PER VOLT VOLTMETER BETWEEN SOCKET TERMINALS AND B-

- [A] CANNOT BE MEASURED WITH VOLTMETER.
  - [B] 12 VOLTS A.C. MEASURED ACROSS PINS 2 & 7.
  - [C] 12 VOLTS A.C. MEASURED ACROSS PINS 7 & 8.
  - [D] 30 VOLTS A.C. MEASURED ACROSS PINS 2 & 7.
  - [E] 117 VOLTS A.C. MEASURED ACROSS PINS 2 & 8.
- NOTE: A.C. LINE VOLTAGE: 117 VOLTS. VOLUME CONTROL AT MINIMUM.



REAR OF CHASSIS



MODEL B195

LAFAYETTE RADIO  
RADIO WIRE TELEVISION, INC

**ALIGNMENT PROCEDURE**

Volume Control—Maximum All Adjustments.

Connect Radio Chassis to Ground Post of Signal Generator with a Short Heavy Lead.

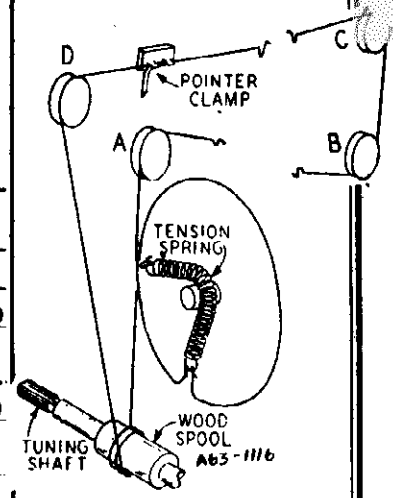
Allow Chassis and Signal Generator to "Heat Up" for several minutes.

The following equipment is required for aligning: An all Wave Signal Generator which will provide an accurately calibrated signal at the test frequencies as listed.

Output Indicating Meter—Non-Metallic Screw driver.

Dummy Antennas—.1 mf., 100 mmf., and 400 ohms.

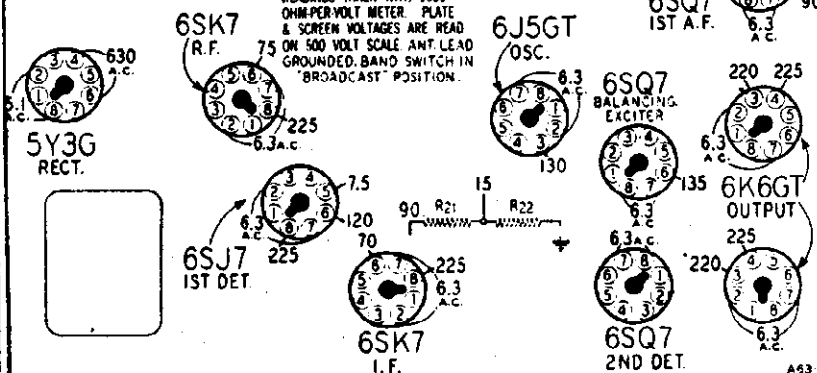
SIGNAL GENERATOR FREQUENCY SETTING	CONNECTION AT RADIO	DUMMY ANTENNA	BAND SWITCH SETTING	CONDENSER SETTING	ADJUST TRIMMERS TO MAXIMUM
I.F. 456 KC	Signal Grid of 1st Det.	.1 mf.	B Range	Turn Rotor to Full Open	1st I.F. (C15) & (C16) 2nd I.F. (C18) & (C19)
RANGE D 18,300 KC	Antenna Lead	400 Ohm	D Range	Turn Rotor to Full Open	Oscillator Range D (C11) Ant. Range D (C1) Inf. Range D (C4)
17,000 KC	Antenna Lead	400 Ohm	D Range	Turn Rotor to Max. Output	Rock Rotor—See Note B
RANGE B 1610 KC	Antenna Lead	100 mmf.	B Range	Turn Rotor to Full Open	Oscillator Range B (C13)
1400 KC	Antenna Lead	100 mmf.	B Range	Turn Rotor to Max. Output Set Indicator to 1400 KC— See Note A	Ant. Range B (C2) Inf. Range B (C6)
600 KC	Antenna Lead	100 mmf.	B Range	Turn Rotor to Max. Output	400 KC (C14) Rock Rotor—See Note B
LOOP RANGE B 1400 KC	Antenna Lead	100 mmf.	B Range	Turn Rotor to Max. Output	Ant. Range B (C2)



**6U5 TUNING INDICATOR**

VOLTAGE READ AT CHASSIS END OF CABLE.  
RED — 225  
BLUE — 20  
BROWN — 6.3 a.c.

**VOLTAGES AT SOCKETS**  
UNLESS OTHERWISE INDICATED, THE VOLTAGE SHOWN IS BETWEEN SOCKET TERMINAL & GROUND. THESE VOLTAGES ARE READ UNDER THE FOLLOWING CONDITIONS:  
LINE VOLTAGE — 117 A.C.  
VOLUME CONTROL — MAXIMUM.  
READINGS TAKEN WITH 1000 OHM-PER-VOLT METER. PLATE AND SCREEN VOLTAGES ARE READ GROUNDLED. BAND SWITCH IN "BROADCAST" POSITION.



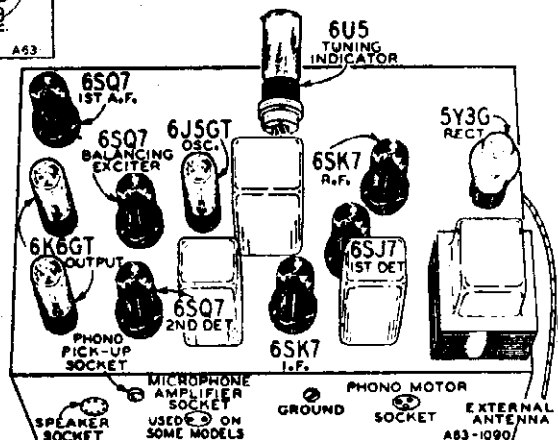
Turn gang condenser to open position. Use new drive cord 55" in length.

Secure one end of tension spring to hook on drive pulley. Bend spring around drive pulley shaft—see illustration. Pass cord through slot in pulley rim. Wind cord 1/4 turn clockwise (from drive pulley end of chassis) around drive pulley. Pass cord around idler pulleys A, B, C and D as in illustration. Then wind cord 2 1/2 turns clockwise (from front of chassis) around tuning shaft spool. These turns should progress away from chassis. Pass cord over top of drive pulley for 3/4 turn clockwise (from drive pulley end of chassis) and through slot in pulley rim. Fasten cord to tension spring—see illustration.

FOR GENERAL RECORD CHANGER DATA SEE RIDER'S "AUTOMATIC RECORD CHANGERS AND RECORDERS"

**SPECIFICATIONS**

- Speaker . . . . . 8", 10" or 12" Electro-Dynamic
- Tuning Frequency Range  
B Range . . . . . 535 to 1610 KC  
D Range . . . . . 5.35 to 18.3 MC
- Sensitivity—External Antenna—(For 0.5 Watt output)  
B Range . . . . . 2.0 Microvolts Average  
D Range . . . . . 4.0 Microvolts Average
- Power Consumption . . . . . 85 Watts (At 117 volts 60 cycles)  
105 Watts (Phonograph Operating on Phono-Radio Combinations)
- Power Output . . . . . 4 Watts Undistorted  
5.5 Watts Maximum
- Selectivity . . . . . 35 KC Broad at 1000 times Signal
- Intermediate Frequency . . . . . 456 KC



**PROCEDURE FOR SETTING THE STATION BUTTONS**

Grasp left-handed nutton at sides (depress adjacent button) and pull it out as far as it will go. A click will be heard. If it is impossible to depress button which is adjacent to button you are setting, rotate tuning knob a few turns. Now lock mechanism by pushing button all the way in until felt to lock into place. Proceed in same manner to set stations on any of remaining buttons. Any button may be used for any station you can receive, although it will be more convenient to set station so that the Kc. numbers will increase from left to right. Changing setting of one button will not affect setting of any others.



MODELS C216, 3120

**LAFAYETTE RADIO  
RADIO WIRE TELEVISION, INC.**

<u>Frequency Range</u>	
<u>Broadcast Band</u> .....	530-1630 Kilocycles
Second S. W.....	2.1-6.3 Megacycles
First S. W.....	5.8-22.5 Megacycles

ALIGNMENT INSTRUCTIONS

Re-alignment of this receiver should not be attempted unless all other possible causes have been thoroughly investigated. An accurately calibrated signal generator which will cover the necessary wave bands, and an output meter for indicating the effect of adjustments are required.

During the alignment procedure all adjustments should be made under the following conditions:

- 1) Line Voltage as indicated on instruction sheet.
- 2) Volume & Tone control at maximum volume positions.
- 3) Minimum Input from signal generator.

If this procedure is not adhered to, all adjustments will appear very broad. This is due to the action of the automatic volume control.

I.F. Adjustment - The signal generator is set at 455 KC and is connected to the grid of the converter tube (6AB) through a .5 MFD condenser. Be sure to connect a resistor of approximately 25,000 OHMS between the converter grid and ground so that the grid circuit is at ground potential for D.C.

The Input I.F. Transformer trimmers - are both adjusted for maximum output as indicated by the output meter connected across either the voice coil or the primary coil of the loud speaker.

The Output I.F. Transformer trimmers - are adjusted for maximum output as indicated on the output meter. The Input I.F. should now be re-checked for maximum output.

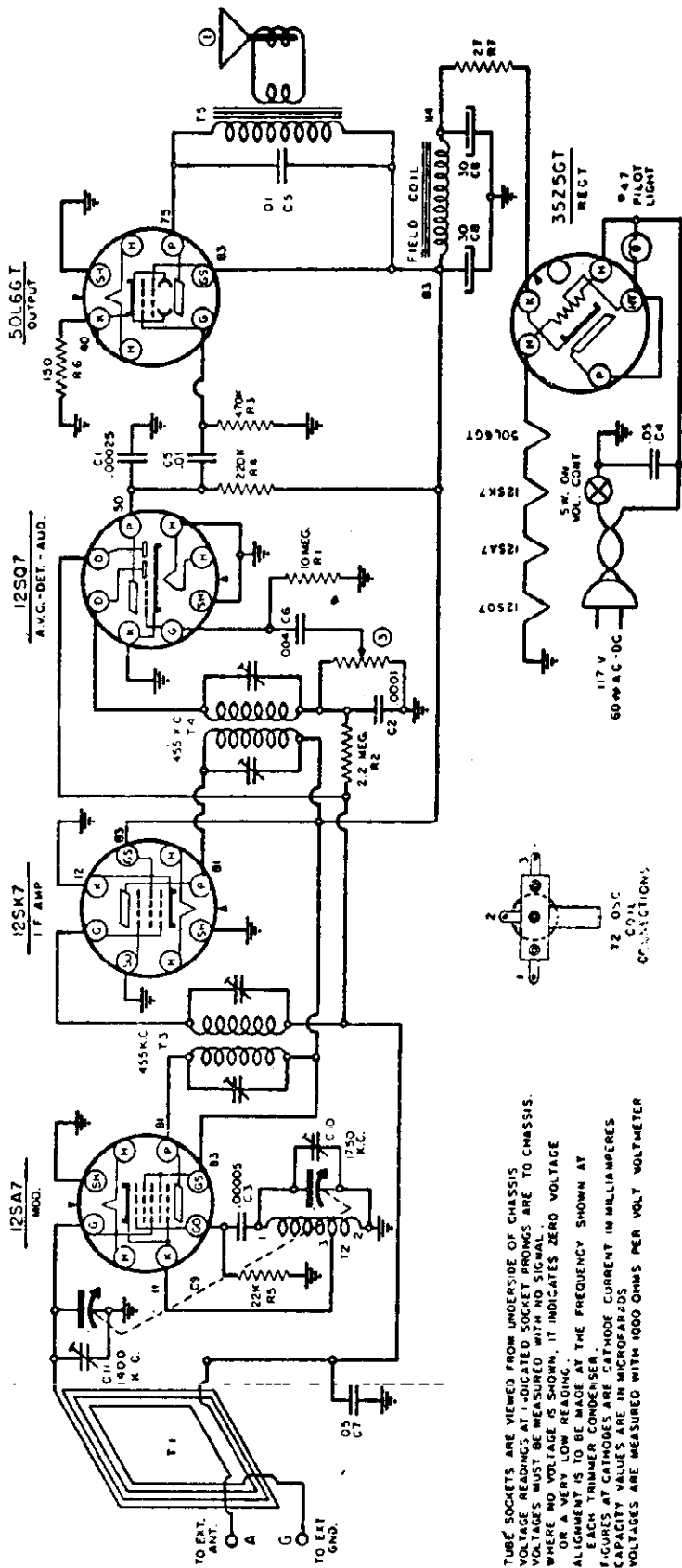
Short Wave Band #1 Adjustment - Set the band switch to the third position which is short wave band #1. Connect the signal generator thru a standard dummy antenna to the antenna and ground leads of the receiver. Set the generator at 19MC turn the condenser until a response is indicated. The pointer should coincide with the 19MC mark on the dial. Adjust the antenna trimmer for the short wave band for maximum output while rocking the condenser gang from left to right.

Short Wave Band #2 - Set the band switch to the second position. Turn the dial control knob to the extreme high frequency end so that the condenser plates are entirely out of mesh. The signal generator is left connected as for band #1. The generator is set at 6.25MC and the Band #2 osc. trimmer is opened until a response is indicated, at the lower capacity setting of the trimmer. Set the generator at 6MC and turn the variable condenser until a response is indicated. The pointer should now coincide with the 6.MC mark on the dial. The antenna trimmer is then adjusted for maximum output while the condenser gang is rocked from right to left. Set the generator at 2.4MC and turn the variable condenser knob until a response is indicated. The padder for this band is now adjusted for maximum output while rocking the condenser gang from left to right. The high frequency adjustments should then be re-checked.

Broadcast Band

It is desirable to align this band on the loop. The signal generator is coupled to the receiver by means of a 2 or 3 turn loop. Set the Band Switch in the Broadcast position and condenser plates completely out of mesh. Set the signal generator at 1600 KC and adjust the broadcast oscillator trimmer until a response is indicated on the output meter. The generator is now set at 1400 KC. Turn the variable condenser until a response is indicated. The dial pointer should now co-incide with the 1400KC mark on the dial. Set the generator at 600KC and turn the variable condenser control until a response is indicated. Adjust the broadcast oscillator padder condenser for maximum response while "rocking" the gang condenser. The high frequency adjustments should now be re-checked.

LAFAYETTE RADIO  
RADIO WIRE TELEVISION, INC.



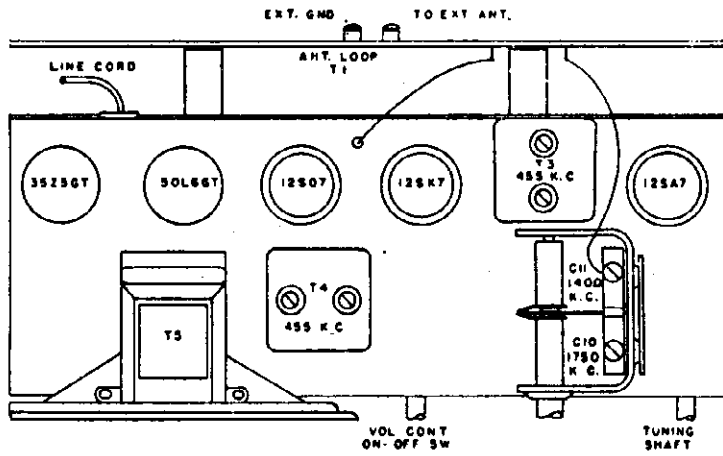
TUBE SOCKETS ARE VIEWED FROM UNDERSIDE OF CHASSIS. VOLTAGE READINGS AT INDICATED SOCKET PROMPTS ARE TO CHASSIS. VOLTAGES MUST BE MEASURED WITH NO SIGNAL. WHERE NO VOLTAGE IS SHOWN, IT INDICATES ZERO VOLTAGE ALIGNMENT IS TO BE MADE. THE FREQUENCY SHOWN AT EACH TRIMMER CONDENSER FIGURES AT CATHODES ARE CATHODE CURRENT IN MILLIAMPERES CAPACITY VALUES ARE IN MICROFARADS VOLTAGES ARE MEASURED WITH 1000 OHMS PER VOLT VOLTMETER

CODE	PART NO.	DESCRIPTION	CODE	PART NO.	DESCRIPTION	CODE	PART NO.	DESCRIPTION
R 1	60-193	10 MEGOHM 1/4 WATT RES-ISTOR	T 1	82-30	100P ANTENNA	T 1	82-30	100P ANTENNA
R 2	60-178	2.2 "	T 2	NO. 369	OSCILLATOR COIL	T 2	NO. 369	OSCILLATOR COIL
R 3	60-186	470K OHM	T 3	NO. 368	1ST I.F. TRANSFORMER	T 3	NO. 368	1ST I.F. TRANSFORMER
R 4	60-185	220K	T 4	NO. 370	2ND I.F. TRANSFORMER (OH SPKR)	T 4	NO. 370	2ND I.F. TRANSFORMER (OH SPKR)
R 5	60-183	22K	T 5	79-319	5" DYN SPEAKER	T 5	79-319	5" DYN SPEAKER
R 6	60-182	27	1	24-153	500 OHM VOLUME CONTROL (WITH SW)	1	24-153	500 OHM VOLUME CONTROL (WITH SW)
M 7	60-651		2			2		
			3			3		



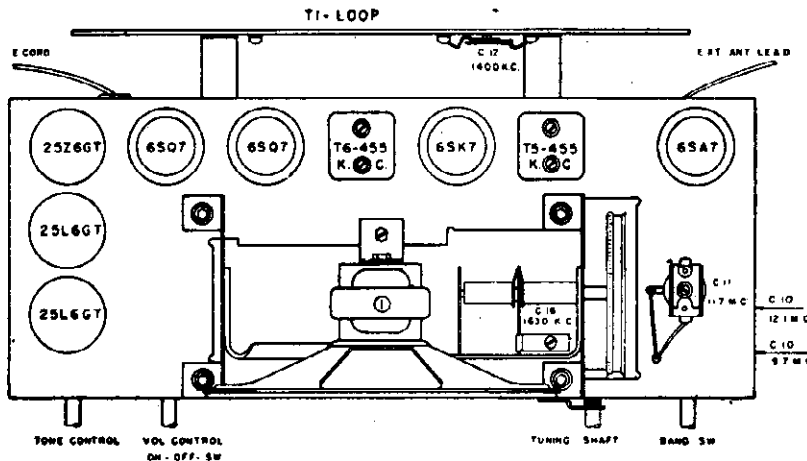
MODEL D247  
 MODEL D251  
 MODELS D294, D314, D315

LAFAYETTE RADIO  
 RADIO WIRE TELEVISION, INC.



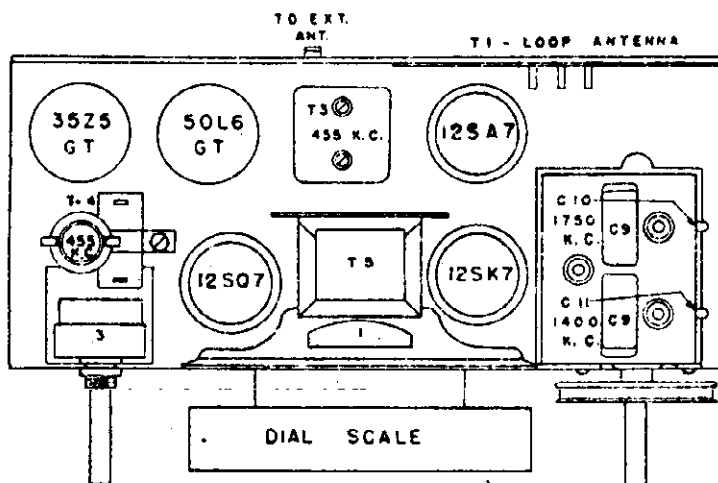
LOCATION OF PARTS ON TOP OF CHASSIS

Model D-247



LOCATION OF PARTS ON TOP OF CHASSIS

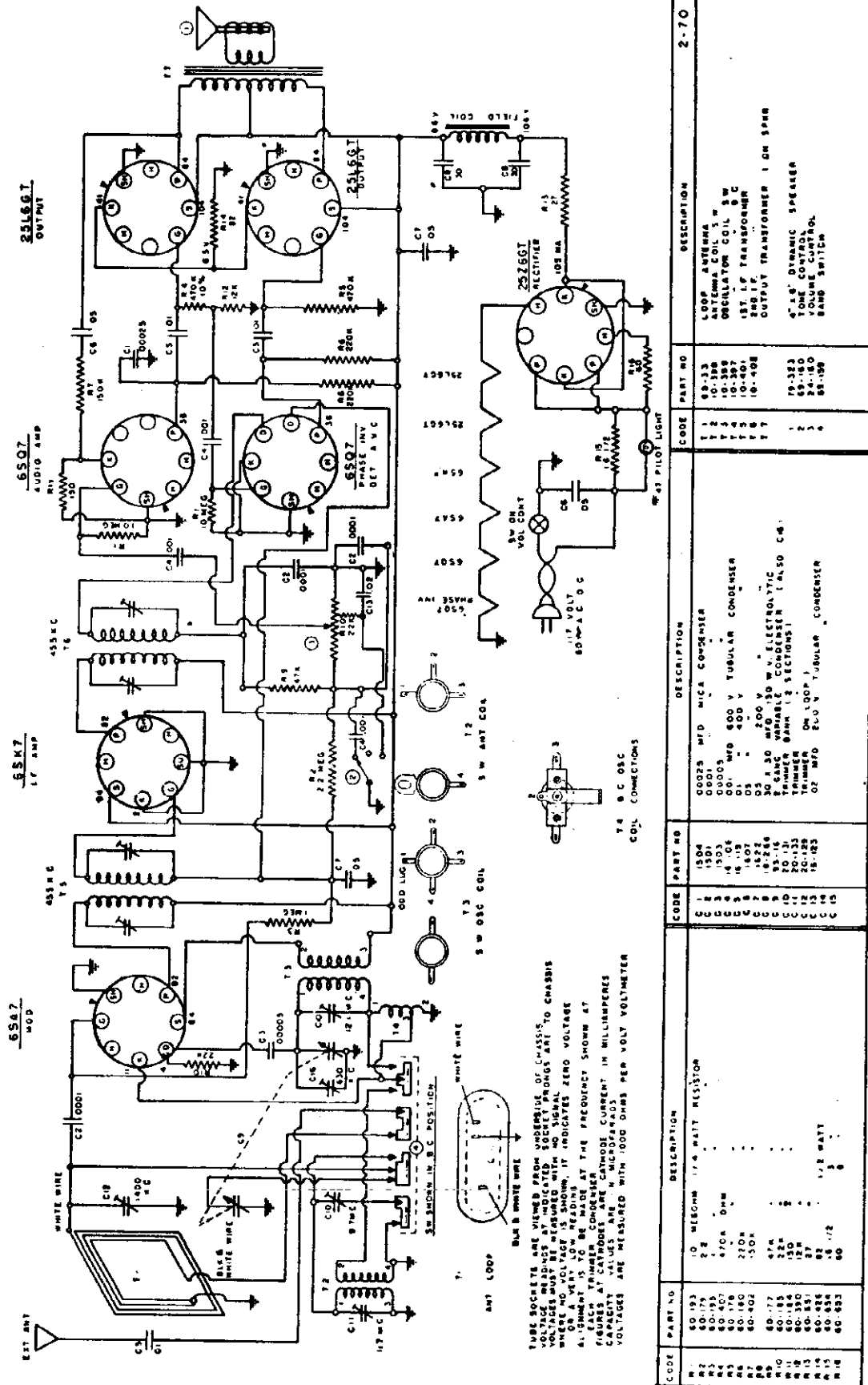
Model D-251



LOCATION OF PARTS ON TOP OF CHASSIS

Models D294, D314, -15

LAFAYETTE RADIO  
RADIO WIRE TELEVISION, INC.



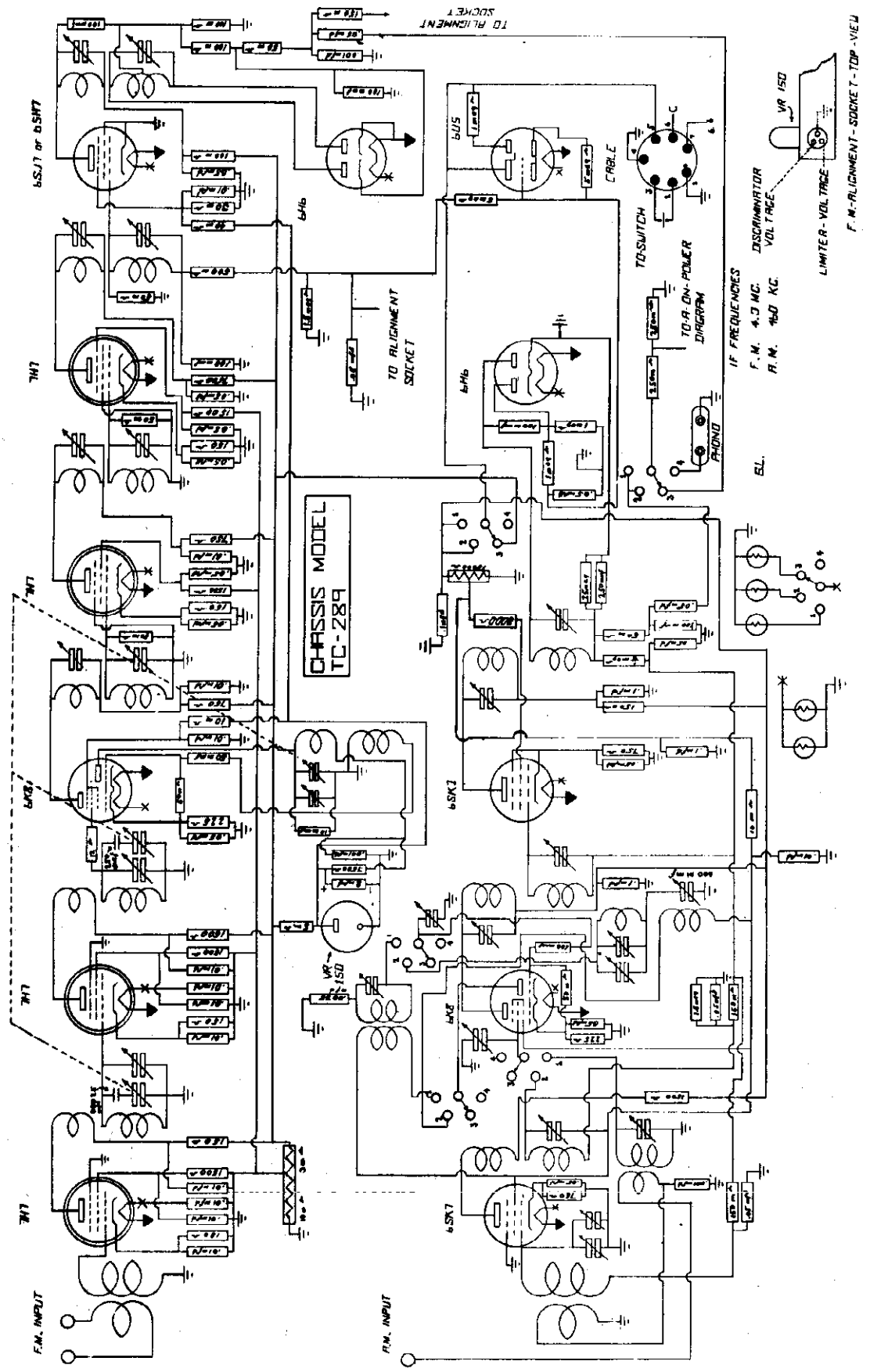
CODE	PART NO.	DESCRIPTION	CODE	PART NO.	DESCRIPTION	CODE	PART NO.	DESCRIPTION
R1	80-93	10 MEGOHM 1/4 WATT RESISTOR	6002	6002	MID RANGE CONDENSER	1	10-12	LOOP ANTENNA
R2	80-94	100K	6003	6003	TUBULAR CONDENSER	2	10-13	OSCILLATOR COIL 5 W
R3	80-95	470 OHM	6004	6004	500 V 400 V	3	10-14	1ST I.F. TRANSFORMER
R4	80-96	500 OHM	6005	6005	200 V 200 V ELECTROLYTIC CONDENSER (ALSO C-6)	4	10-15	OUTPUT TRANSFORMER 1 OHM SPEAR
R5	80-97	200 OHM	6006	6006	TRIMMER CONDENSER (ALSO C-1)	5	10-16	5" DYNAMIC SPEAKER
R6	80-98	470 OHM	6007	6007	TRIMMER CONDENSER	6	10-17	TONE CONTROL
R7	80-99	200 OHM	6008	6008	TRIMMER CONDENSER	7	10-18	VOLUME CONTROL
R8	80-100	200 OHM	6009	6009	TRIMMER CONDENSER	8	10-19	BAND SWITCH
R9	80-101	470 OHM	6010	6010	TRIMMER CONDENSER	9		
R10	80-102	200 OHM	6011	6011	TRIMMER CONDENSER	10		
R11	80-103	470 OHM	6012	6012	TRIMMER CONDENSER	11		
R12	80-104	200 OHM	6013	6013	TRIMMER CONDENSER	12		
R13	80-105	470 OHM	6014	6014	TRIMMER CONDENSER	13		
R14	80-106	200 OHM	6015	6015	TRIMMER CONDENSER	14		
R15	80-107	470 OHM	6016	6016	TRIMMER CONDENSER	15		
R16	80-108	200 OHM	6017	6017	TRIMMER CONDENSER	16		
R17	80-109	470 OHM	6018	6018	TRIMMER CONDENSER	17		
R18	80-110	200 OHM	6019	6019	TRIMMER CONDENSER	18		

This receiver has been designed to cover two separate frequency bands, a broadcast band from 540 K.C. to 1630 K.C. and a spread-band short-wave band from 8.9 M.C. to 12.1 M.C. The dial scale has been calibrated directly in kilocycles (less the final 0) on the broadcast band, while the short-wave

Conventional  
P.B. Tuning

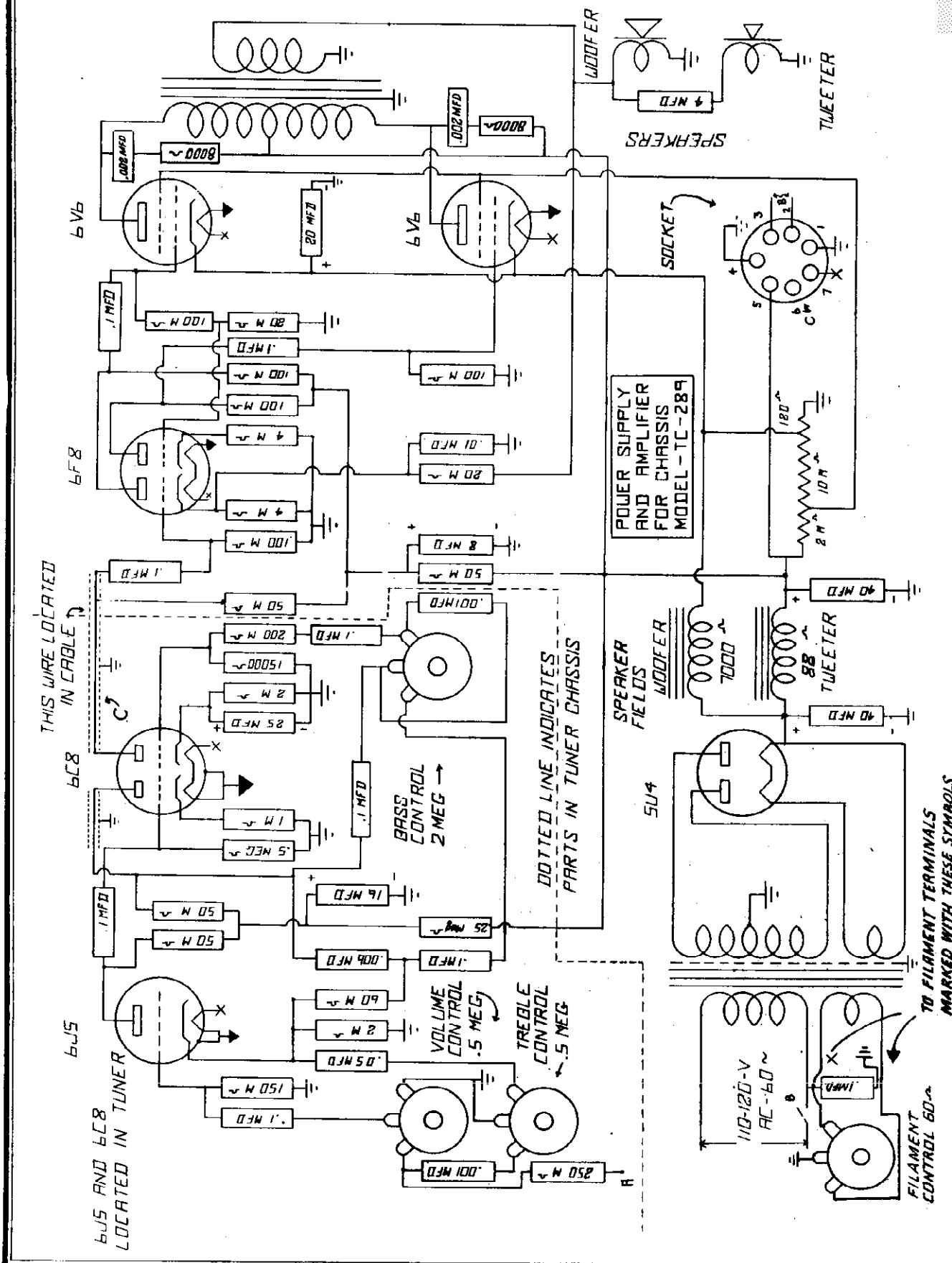
MODELS TC266, TC287,  
TC288, TC299

# LAFAYETTE RADIO RADIO WIRE TELEVISION, INC.



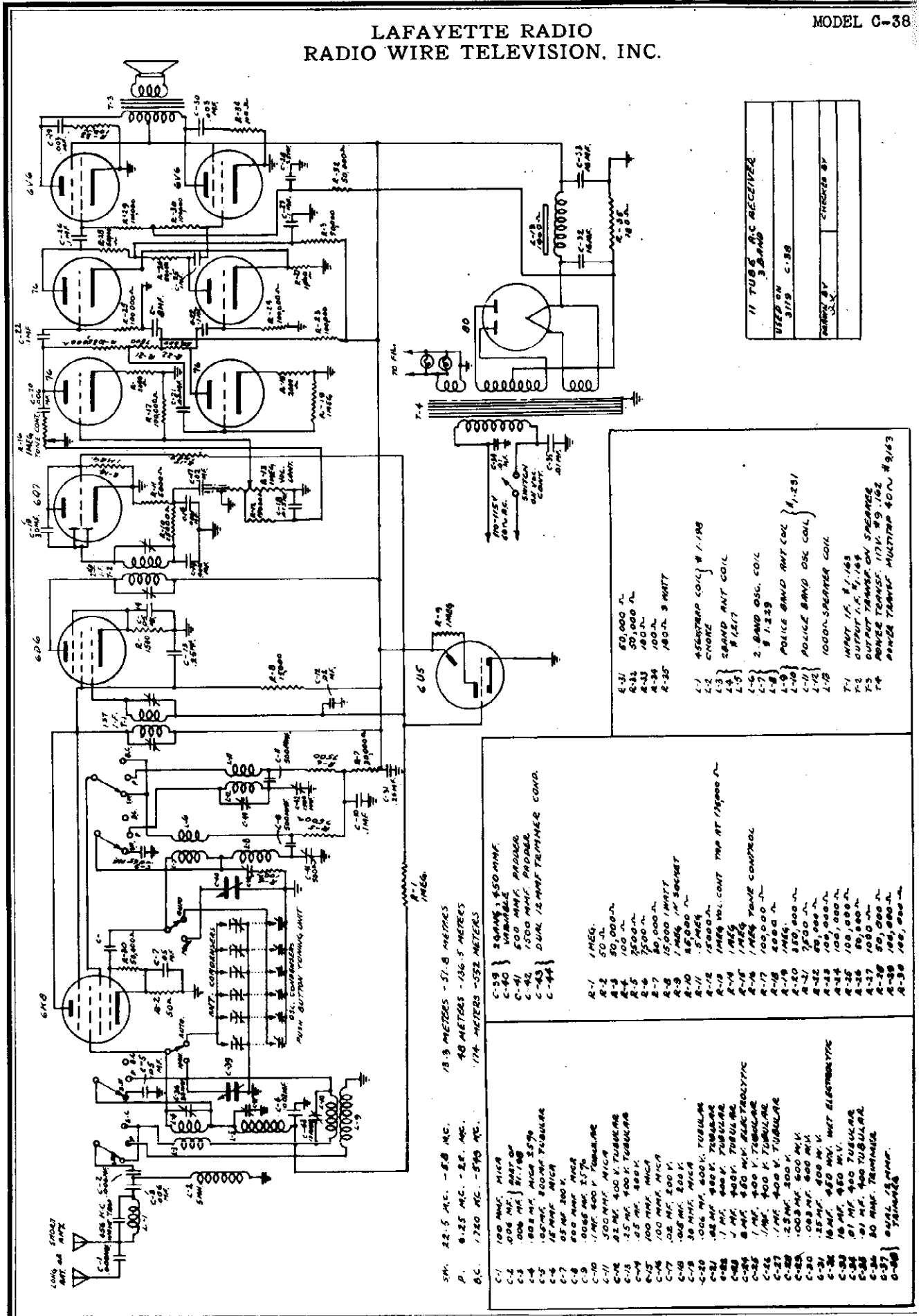
## LAFAYETTE RADIO RADIO WIRE TELEVISION, INC.

MODELS TC266, TC287  
TC288, TC299





# LAFAYETTE RADIO RADIO WIRE TELEVISION, INC.



11 TUBES	6AC RECEIVER
USED ON	3119 C-38
MADE BY	CHECKER BY
DATE	

- E-31 50,000 Ω
- E-32 50,000 Ω
- E-33 180 Ω
- E-34 100 Ω
- E-35 180 Ω
- L-1 450-TRAP COIL # 1,189
- L-2 CHOKE
- L-3 500 ANT COIL
- L-4 1500 MHC PRODR
- L-5 2 BAND OSC. COIL
- L-6 2 BAND ANT COIL
- L-7 100,000 Ω
- L-8 POLICE BAND ANT COIL # 1,231
- L-9 POLICE BAND OSC COIL
- L-10 1000-SPEAKER COIL
- L-11 100,000 Ω
- L-12 100,000 Ω
- L-13 100,000 Ω
- L-14 100,000 Ω
- L-15 100,000 Ω
- L-16 100,000 Ω
- L-17 100,000 Ω
- L-18 100,000 Ω
- L-19 100,000 Ω
- L-20 100,000 Ω
- L-21 100,000 Ω
- L-22 100,000 Ω
- L-23 100,000 Ω
- L-24 100,000 Ω
- L-25 100,000 Ω
- L-26 100,000 Ω
- L-27 100,000 Ω
- L-28 100,000 Ω
- L-29 100,000 Ω
- L-30 100,000 Ω
- L-31 100,000 Ω
- L-32 100,000 Ω
- L-33 100,000 Ω
- L-34 100,000 Ω
- L-35 100,000 Ω
- L-36 100,000 Ω
- L-37 100,000 Ω
- L-38 100,000 Ω
- L-39 100,000 Ω
- L-40 100,000 Ω
- L-41 100,000 Ω
- L-42 100,000 Ω
- L-43 100,000 Ω
- L-44 100,000 Ω
- L-45 100,000 Ω
- L-46 100,000 Ω
- L-47 100,000 Ω
- L-48 100,000 Ω
- L-49 100,000 Ω
- L-50 100,000 Ω
- L-51 100,000 Ω
- L-52 100,000 Ω
- L-53 100,000 Ω
- L-54 100,000 Ω
- L-55 100,000 Ω
- L-56 100,000 Ω
- L-57 100,000 Ω
- L-58 100,000 Ω
- L-59 100,000 Ω
- L-60 100,000 Ω
- L-61 100,000 Ω
- L-62 100,000 Ω
- L-63 100,000 Ω
- L-64 100,000 Ω
- L-65 100,000 Ω
- L-66 100,000 Ω
- L-67 100,000 Ω
- L-68 100,000 Ω
- L-69 100,000 Ω
- L-70 100,000 Ω
- L-71 100,000 Ω
- L-72 100,000 Ω
- L-73 100,000 Ω
- L-74 100,000 Ω
- L-75 100,000 Ω
- L-76 100,000 Ω
- L-77 100,000 Ω
- L-78 100,000 Ω
- L-79 100,000 Ω
- L-80 100,000 Ω
- L-81 100,000 Ω
- L-82 100,000 Ω
- L-83 100,000 Ω
- L-84 100,000 Ω
- L-85 100,000 Ω
- L-86 100,000 Ω
- L-87 100,000 Ω
- L-88 100,000 Ω
- L-89 100,000 Ω
- L-90 100,000 Ω
- L-91 100,000 Ω
- L-92 100,000 Ω
- L-93 100,000 Ω
- L-94 100,000 Ω
- L-95 100,000 Ω
- L-96 100,000 Ω
- L-97 100,000 Ω
- L-98 100,000 Ω
- L-99 100,000 Ω
- L-100 100,000 Ω

18.9 METERS - 31.5 METERS  
40 METERS - 136.5 METERS  
174 METERS - 522 METERS

SW. 22.5 MC. - 28 MC.  
P. 8.25 MC. - 28 MC.  
AC. 120 MC. - 570 MC.

- C-1 100 MHC. MICA
- C-2 100 MHC. MICA
- C-3 100 MHC. MICA
- C-4 100 MHC. MICA
- C-5 100 MHC. MICA
- C-6 100 MHC. MICA
- C-7 100 MHC. MICA
- C-8 100 MHC. MICA
- C-9 100 MHC. MICA
- C-10 100 MHC. MICA
- C-11 100 MHC. MICA
- C-12 100 MHC. MICA
- C-13 100 MHC. MICA
- C-14 100 MHC. MICA
- C-15 100 MHC. MICA
- C-16 100 MHC. MICA
- C-17 100 MHC. MICA
- C-18 100 MHC. MICA
- C-19 100 MHC. MICA
- C-20 100 MHC. MICA
- C-21 100 MHC. MICA
- C-22 100 MHC. MICA
- C-23 100 MHC. MICA
- C-24 100 MHC. MICA
- C-25 100 MHC. MICA
- C-26 100 MHC. MICA
- C-27 100 MHC. MICA
- C-28 100 MHC. MICA
- C-29 100 MHC. MICA
- C-30 100 MHC. MICA
- C-31 100 MHC. MICA
- C-32 100 MHC. MICA
- C-33 100 MHC. MICA
- C-34 100 MHC. MICA
- C-35 100 MHC. MICA
- C-36 100 MHC. MICA
- C-37 100 MHC. MICA
- C-38 100 MHC. MICA
- C-39 100 MHC. MICA
- C-40 100 MHC. MICA
- C-41 100 MHC. MICA
- C-42 100 MHC. MICA
- C-43 100 MHC. MICA
- C-44 100 MHC. MICA
- C-45 100 MHC. MICA
- C-46 100 MHC. MICA
- C-47 100 MHC. MICA
- C-48 100 MHC. MICA
- C-49 100 MHC. MICA
- C-50 100 MHC. MICA
- C-51 100 MHC. MICA
- C-52 100 MHC. MICA
- C-53 100 MHC. MICA
- C-54 100 MHC. MICA
- C-55 100 MHC. MICA
- C-56 100 MHC. MICA
- C-57 100 MHC. MICA
- C-58 100 MHC. MICA
- C-59 100 MHC. MICA
- C-60 100 MHC. MICA
- C-61 100 MHC. MICA
- C-62 100 MHC. MICA
- C-63 100 MHC. MICA
- C-64 100 MHC. MICA
- C-65 100 MHC. MICA
- C-66 100 MHC. MICA
- C-67 100 MHC. MICA
- C-68 100 MHC. MICA
- C-69 100 MHC. MICA
- C-70 100 MHC. MICA
- C-71 100 MHC. MICA
- C-72 100 MHC. MICA
- C-73 100 MHC. MICA
- C-74 100 MHC. MICA
- C-75 100 MHC. MICA
- C-76 100 MHC. MICA
- C-77 100 MHC. MICA
- C-78 100 MHC. MICA
- C-79 100 MHC. MICA
- C-80 100 MHC. MICA
- C-81 100 MHC. MICA
- C-82 100 MHC. MICA
- C-83 100 MHC. MICA
- C-84 100 MHC. MICA
- C-85 100 MHC. MICA
- C-86 100 MHC. MICA
- C-87 100 MHC. MICA
- C-88 100 MHC. MICA
- C-89 100 MHC. MICA
- C-90 100 MHC. MICA
- C-91 100 MHC. MICA
- C-92 100 MHC. MICA
- C-93 100 MHC. MICA
- C-94 100 MHC. MICA
- C-95 100 MHC. MICA
- C-96 100 MHC. MICA
- C-97 100 MHC. MICA
- C-98 100 MHC. MICA
- C-99 100 MHC. MICA
- C-100 100 MHC. MICA

MODEL C-38

**LAFAYETTE RADIO  
RADIO WIRE TELEVISION, INC.**

**SERVICE INSTRUCTION**

Re alignment of this receiver should not be attempted unless all other possible causes have been thoroughly investigated. An accurately calibrated signal generator which will cover the necessary wave bands, and an output meter for indicating the effect of adjustments are required.

During the alignment procedure all adjustments should be made under the following conditions.

- 1) Volume and Tone control at maximum volume positions.
- 2) Minimum Input from signal generator.
- 3) The change-over switch should be turned to the right or MANUAL position  
If this procedure is not adhered to, all adjustments will appear very broad. This is due to the action of the automatic volume control.

I.F. ADJUSTMENT The signal generator is set at 456 KC and is connected to the grid of the converter tube (6K8) through a .5 MFD condenser. Be sure to connect a resistor of approximately 25,000 ohms between the converter grid and ground so that the grid circuit is at ground potential for D.C.

The band switch should be set at broadcast and the dial set to 550 kc. The Input I.F. transformer trimmers are located at top of chassis on top of I.F. transformer which is between the 6K8 and 6D6 tubes.

Both screws are adjusted for maximum output as indicated by the output meter connected across either the voice coil or the primary coil of the loud speaker.

The output I.F. transformer trimmers are located at top of chassis on top of the I.F. transformer which is behind the 6D6 I.F. tube, adjust the trimmers for maximum output as indicated on the output meter. The Input I.F. should now be re-checked for maximum output.

SHORT-WAVE BAND #1 ADJUSTMENT.

Set the band switch to the extreme right-hand position which is short wave band #1. Turn the dial control knob to the extreme high frequency end so that the condenser plates are entirely out of mesh. The signal generator is connected to the "short-antenna" lead through a dummy antenna consisting of a 250 MFD condenser and a 400 ohm non-inductive resistor in series. With the generator set at 22.5 MC the short wave oscillator trimmer is opened until a response is heard. The trimmer condenser is then opened further (capacity reduced) until a second response is heard. This response (with trimmer at low capacity) is the correct response to use, the other being the image.

Set the generator at (19MC) turn the condenser until a response is indicated. The pointer should coincide with the 19MC mark on the dial. Adjust the antenna trimmer for the short-wave band (located on the antenna coil, which is under the chassis behind the dial drive shaft) for maximum output while rocking the condenser gang from left to right.

BROADCAST BAND

The dummy antenna for this band consists of only a 250 MFD Condenser. Set the Band Switch in the Broadcast position and condenser plates completely out of mesh.

Set the signal generator at 1720 KC and adjust the broadcast oscillator trimmer located to the right of the variable condenser. The oscillator is the front trimmer, until a response is indicated on the output meter. The generator is now set at 1500 KC. Turn the variable condenser until a response is indicated. The dial pointer should now coincide with the 1500 KC mark on the dial.

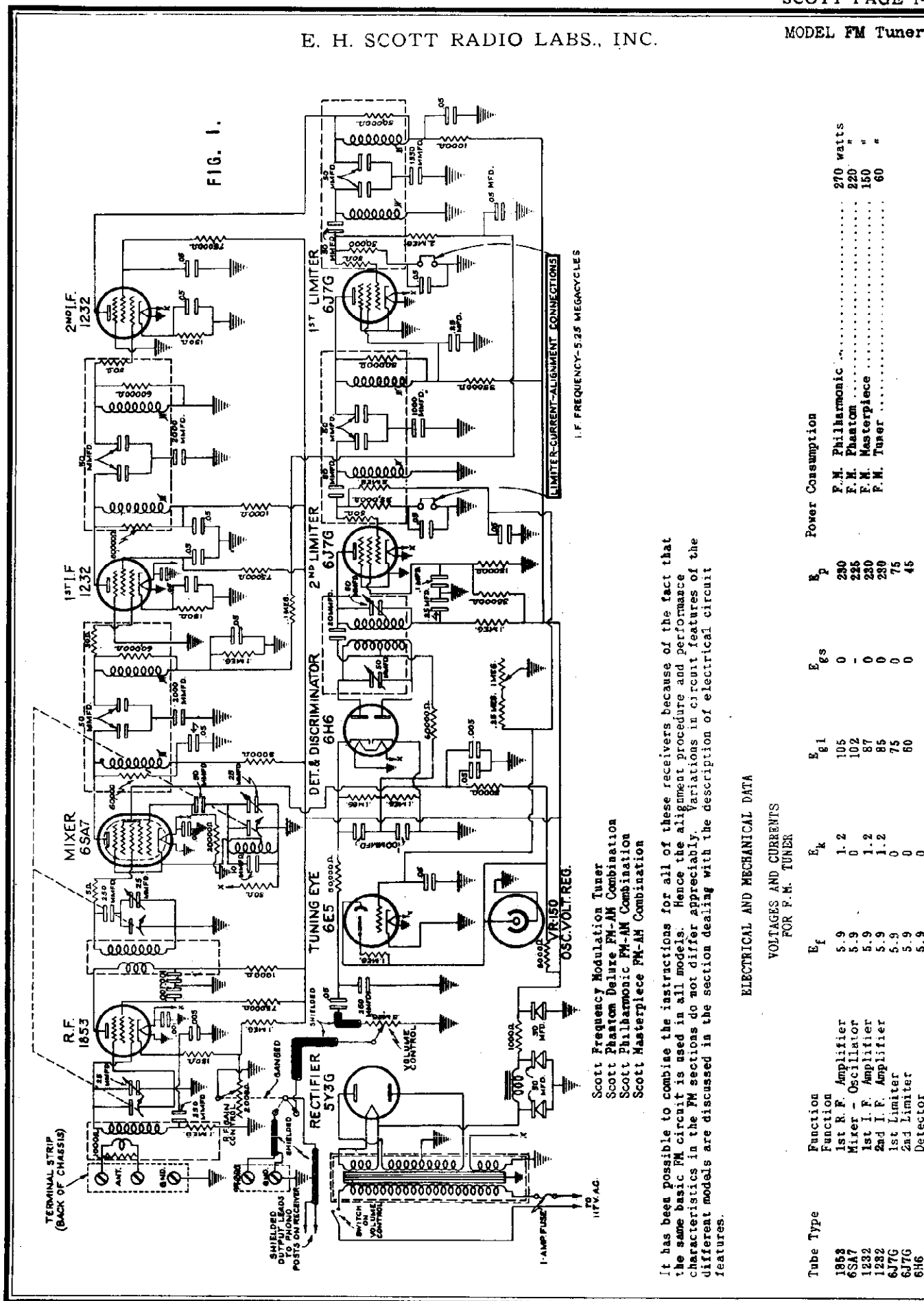
Set the generator at 600 KC and turn the variable condenser control until a response is indicated. Adjust the broadcast oscillator padder condenser (Located behind the variable condenser. The left hand padder screw is the one for broadcast) for maximum response while "rocking" the gang condenser. The high frequency adjustments should now be rechecked.

SHORT WAVE BAND #2

Set the band switch to the middle-position. Turn the dial control knob to the extreme high frequency end so that the condenser plates are entirely out of mesh. The signal generator is left connected as for band #1. The generator is set at 6.25 MC and the band #2 oscillator trimmer is opened until a response is indicated at the lower capacity setting of the trimmer.

Set the generator at 6MC and turn the variable condenser until a response is indicated. The pointer should now coincide with the 6.0 MC mark on the dial. The antenna trimmer is then adjusted for maximum output while the condenser gang is rocked from right to left.

Set the generator at 2.4 MC and turn the variable condenser knob until a response is indicated. The padder for this band, (which is the right-hand padder screw behind the variable condenser) is now adjusted for maximum output while rocking the condenser gang from left to right. The high frequency adjustments should then be rechecked.



Scott Frequency Modulation Tuner  
 Scott Phantom Deluxe FM-AM Combination  
 Scott Philharmonic FM-AM Combination  
 Scott Masterpiece FM-AM Combination

It has been possible to combine the instructions for all of these receivers because of the fact that the same basic FM circuit is used in all models. Hence the alignment procedure and performance characteristics in the FM sections do not differ appreciably. Variations in circuit features of the different models are discussed in the section dealing with the description of electrical circuit features.

ELECTRICAL AND MECHANICAL DATA

VOLTAGES AND CURRENTS FOR F.M. TUNER

Tube Type	Function	E <sub>f</sub>	E <sub>k</sub>	E <sub>g1</sub>	E <sub>g2</sub>	E <sub>p</sub>	Power Consumption
1853	1st R.F. Amplifier	5.9	1.2	105	0	250	F.M. Philharmonic ..... 270 watts
6SA7	Mixer - Oscillator	5.9	0	102	0	235	F.M. Phantom ..... 220 "
1232	1st I.F. Amplifier	5.9	1.2	87	0	230	F.M. Masterpiece ..... 150 "
1232	2nd I.F. Amplifier	5.9	1.2	85	0	239	F.M. Tuner ..... 60 "
6J7G	1st Limiter	5.9	0	75	0	75	
6J7G	2nd Limiter	5.9	0	60	0	45	
6H6	Detector	5.9	0				



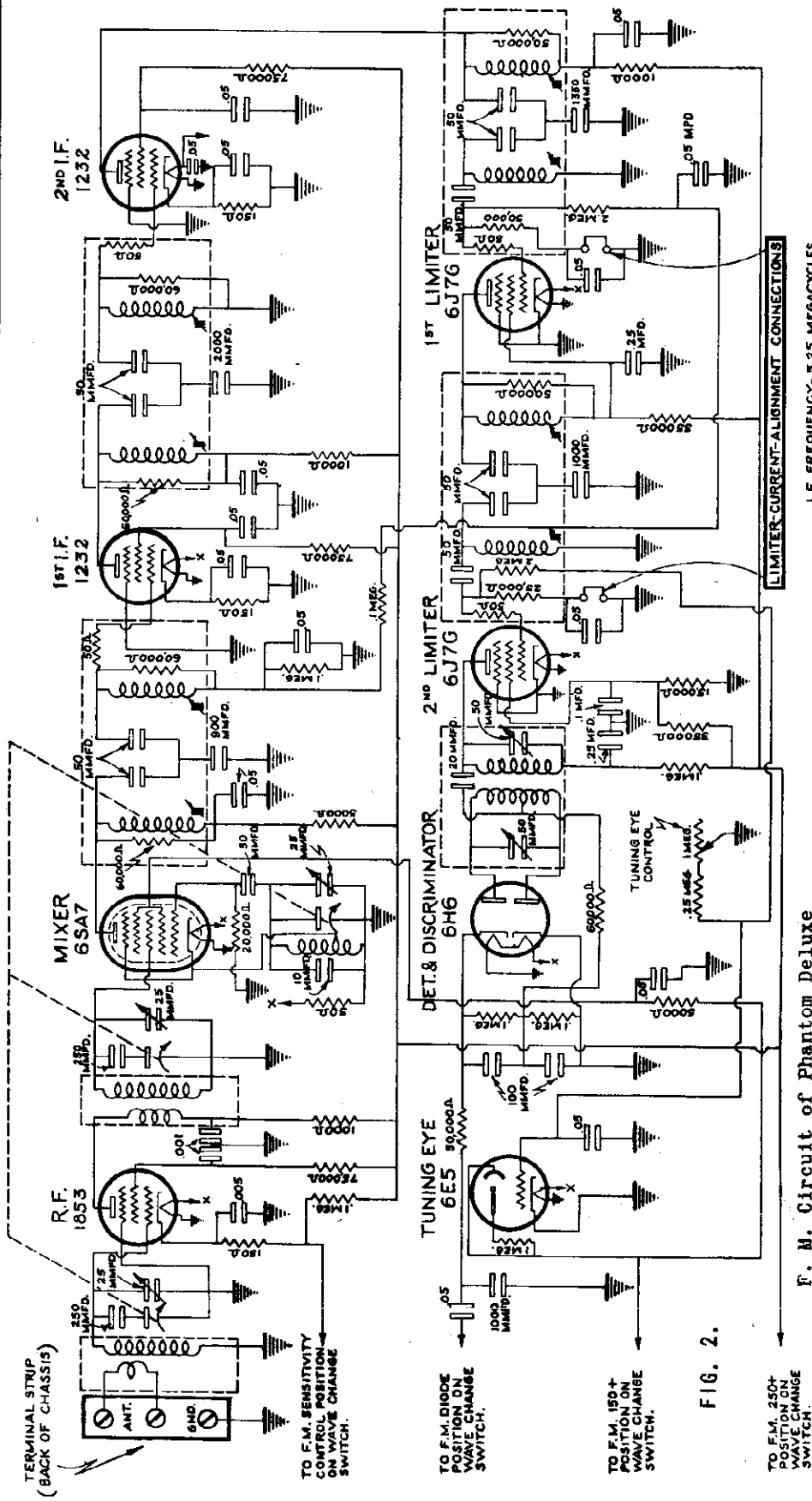


FIG. 2.

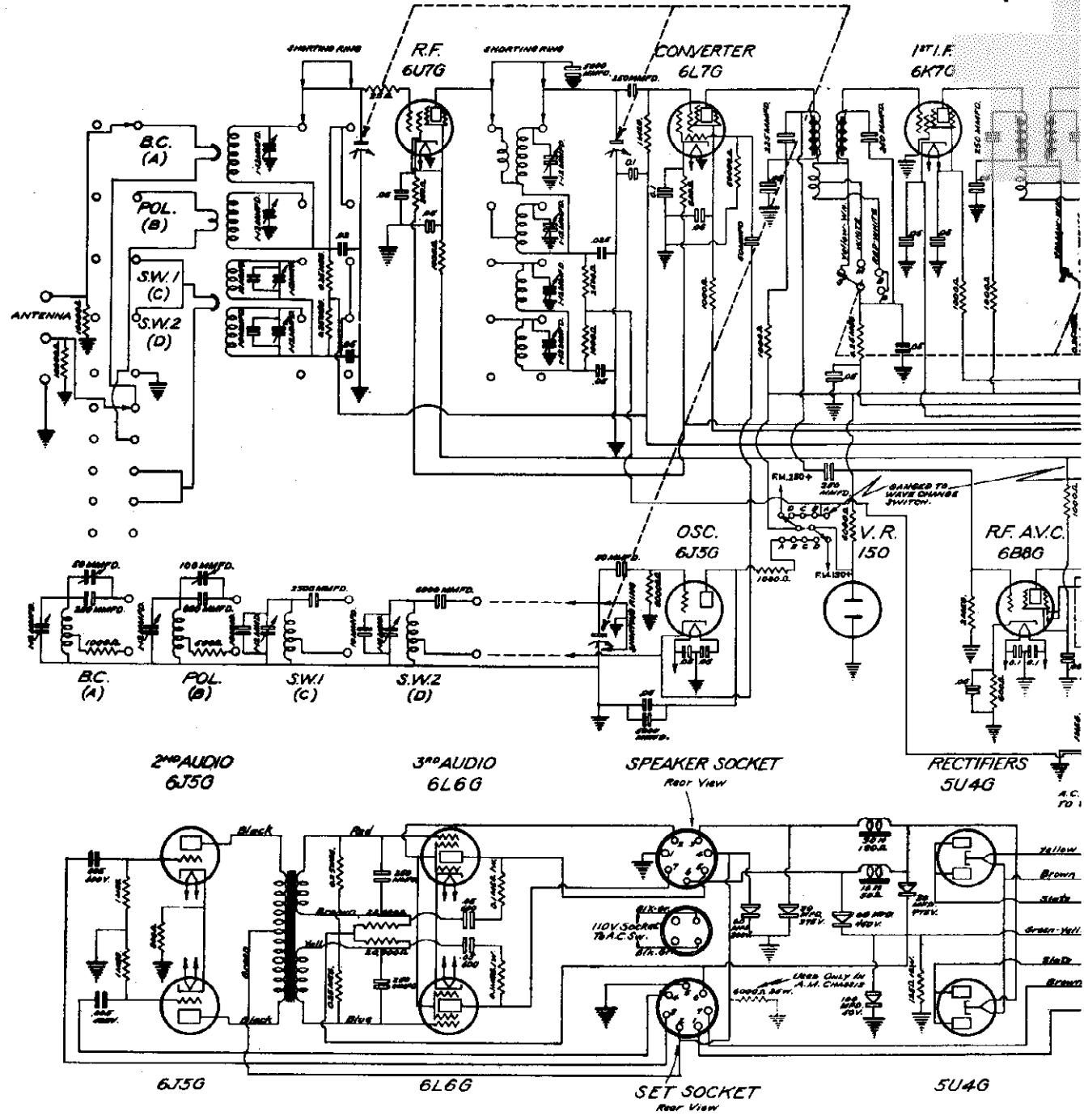
I. F. FREQUENCY - 5.25 MEGACYCLES

GENERAL

F. M. Circuit of Phantom Deluxe

The Scott FM Tuner and Combinations are superheterodyne receivers covering a tuning range of 41 to 50 megacycles for wide band frequency modulation reception. A single high gain f. f. stage with an 1853 type high mutual conductance pentode is employed in all sets, except the Philharmonic where two stages of this type provide maximum signal-to-noise ratio and maximum image and spurious signal rejection. Dipole or doublet connections to the antenna primary may be made by removing the ground wire connected to one side of the winding.

Special FM circuit developments include a voltage and temperature stabilized oscillator system - high frequency i. f. for maximum image signal rejection ratio - high sensitivity level for weak signal limiting - cascaded limiting stages for maximum range of flat limiter action - cathode ray tuning indication - eight tuned circuits at the intermediate frequency for maximum adjacent channel selectivity - R. F. gain control to prevent overloading on high signal levels - air tuned discriminator circuit of high sensitivity.



ANTENNA INPUT CIRCUIT

The coupling between the primary and secondary of the antenna transformer is such that a lead-in impedance of 75 to 100 ohms is suitably matched for optimum results. By disconnecting the jumper wire from one side of the primary winding to ground a floating dipole or doublet connection is provided to minimize capacitive coupling for noise picked up in the lead-in. If a single wire horizontal or vertical antenna is used, the antenna input is connected to the terminal remote from ground and the one adjacent to ground is returned to that point by means of the jumper wire. However, the balanced dipole connection is recommended for maximum signal-to-noise ratio. In Figure 8 the details of a horizontal dipole are shown.

In the FM Tuner the input conductance of the 1853 r. f. tube is neutralized to a certain extent by connecting the grid return condenser of the antenna transformer secondary to the cathode terminal of that tube. This circuit is not used in the combination receivers, because the leads required for it are too long to avoid regeneration in production sets. Input conductance neutralization increases

FIG.

SCOTT RADIO LABS., INC.

MODEL Phantom Deluxe

FM FREQUENCY MODULATION DATA

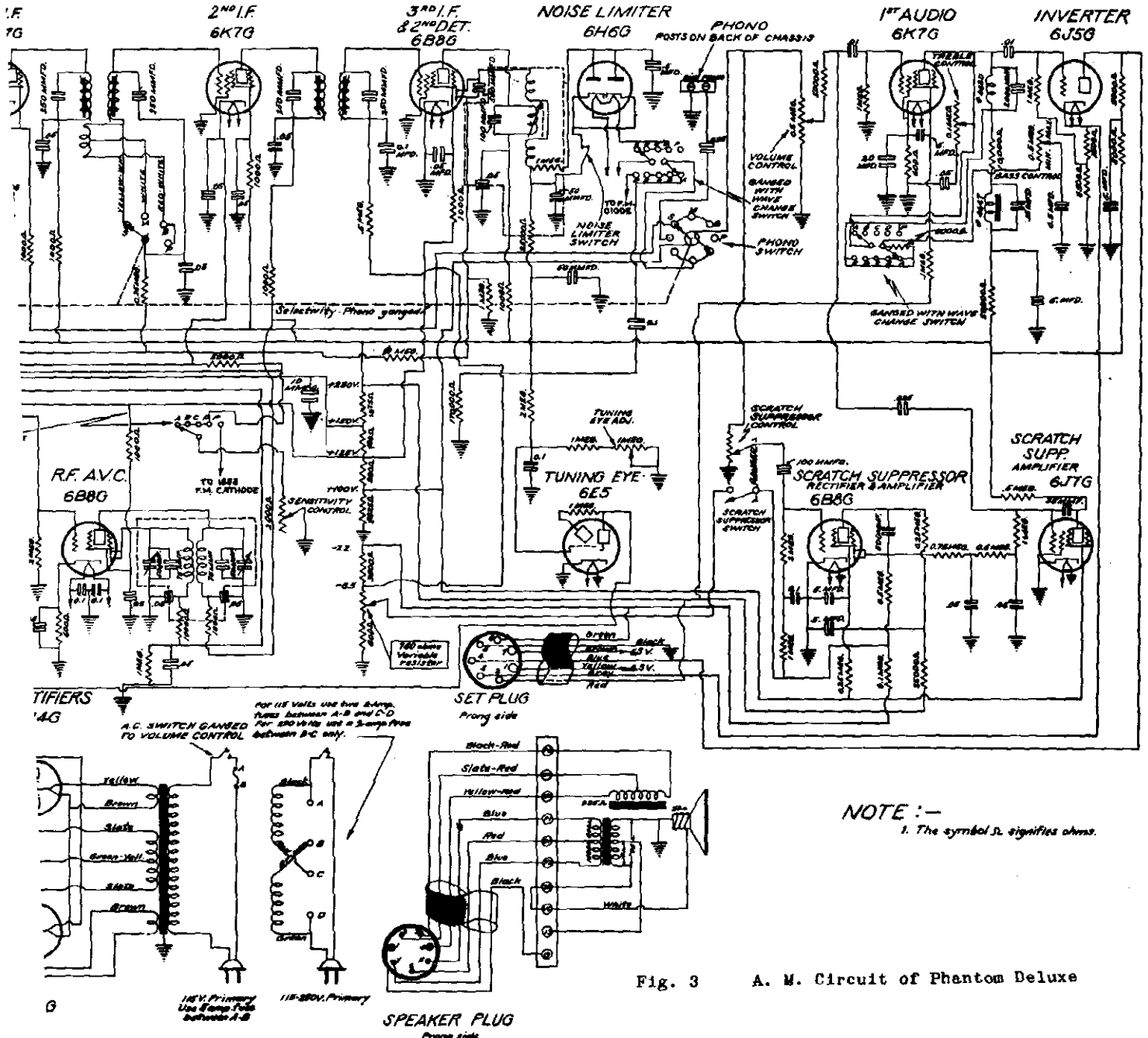


Fig. 3 A. M. Circuit of Phantom Deluxe

FIG. 3.

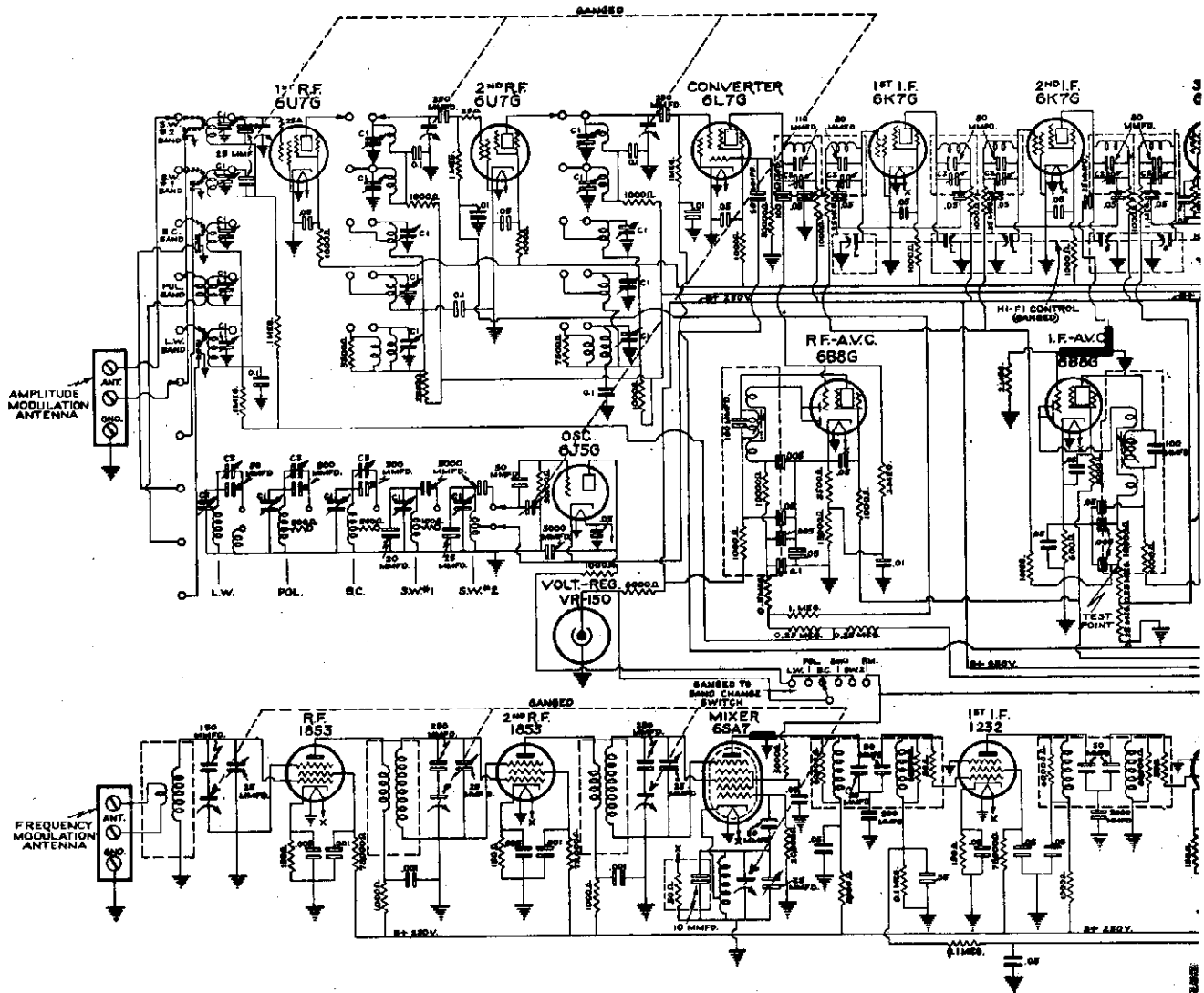
the effective shunt resistance across the input circuit and allows it to function with higher gain and selectivity. The result is more sensitivity and a better image ratio.

THE R. F. STAGE

In all models an 1853 high Gm tube is used for r. f. amplification. Its output impedance operates into a bifilar winding tightly coupled to the secondary circuit feeding the mixer tube. The variable mu characteristic of the 1853 is employed to advantage in the control of the r. f. gain by a variable bias resistor. Ultra high frequency circuits are much broader for a given frequency deviation from resonance than low frequency circuits and strong signals are more likely to produce spurious responses. Hence, in the presence of strong FM signals it is advisable to reduce the r. f. gain to avoid repeat signals on the dial. This function is accomplished by the left hand control on the Tuner and the conventional sensitivity control on all of the FM-AM combinations, except the Philharmonic. In this receiver two r. f. stages using 1853 tubes are employed and a somewhat higher attenuation of unwanted

MODEL Philharmonic Combination

E. H. SCOTT RA



THE MIXER STAGE

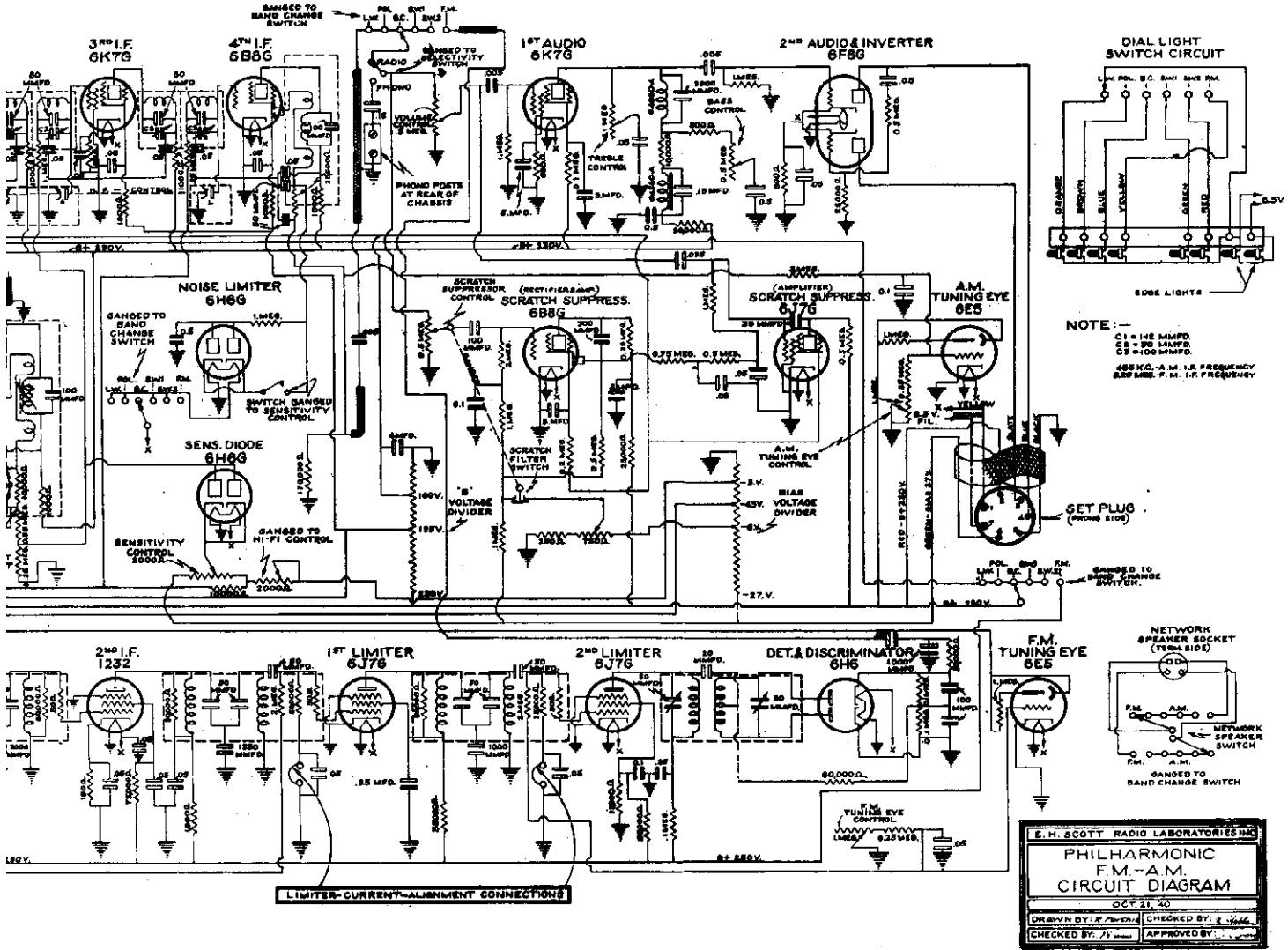
A 6SA7 tube is used as a mixer because of its relatively good behavior in the ultra high frequency range. Loading of the mixer input circuit is to be avoided as much as possible and in this respect the 6SA7 is good. A high conversion ratio obtained and a net overall stage gain is realized despite the high intermediate frequency.

THE OSCILLATOR

While some minor and insignificant benefit might be obtained with a separate oscillator, the internal triode section of the 6SA7 can be made to oscillate readily and with remarkable stability at 41 to 50 megacycles. By providing temperature compensation of an element of the oscillator circuit capacity a high degree of stability of the oscillator frequency with respect to time can be maintained. It is also important that the oscillator frequency shall not shift with variations in the strength of the received signal. The 6SA7 oscillator-mixer combination is excellent in this respect.

The oscillator frequency is below the frequency of the incoming signal in order to avoid image signals from television transmitters and also to maintain greater stability.

The oscillator plate voltage is supplied from a VR150 regulated source and stability with respect to line voltage is insured.



THE I. F. AMPLIFIER

The intermediate frequency used in all Scott FM sets is 5.25 megacycles.

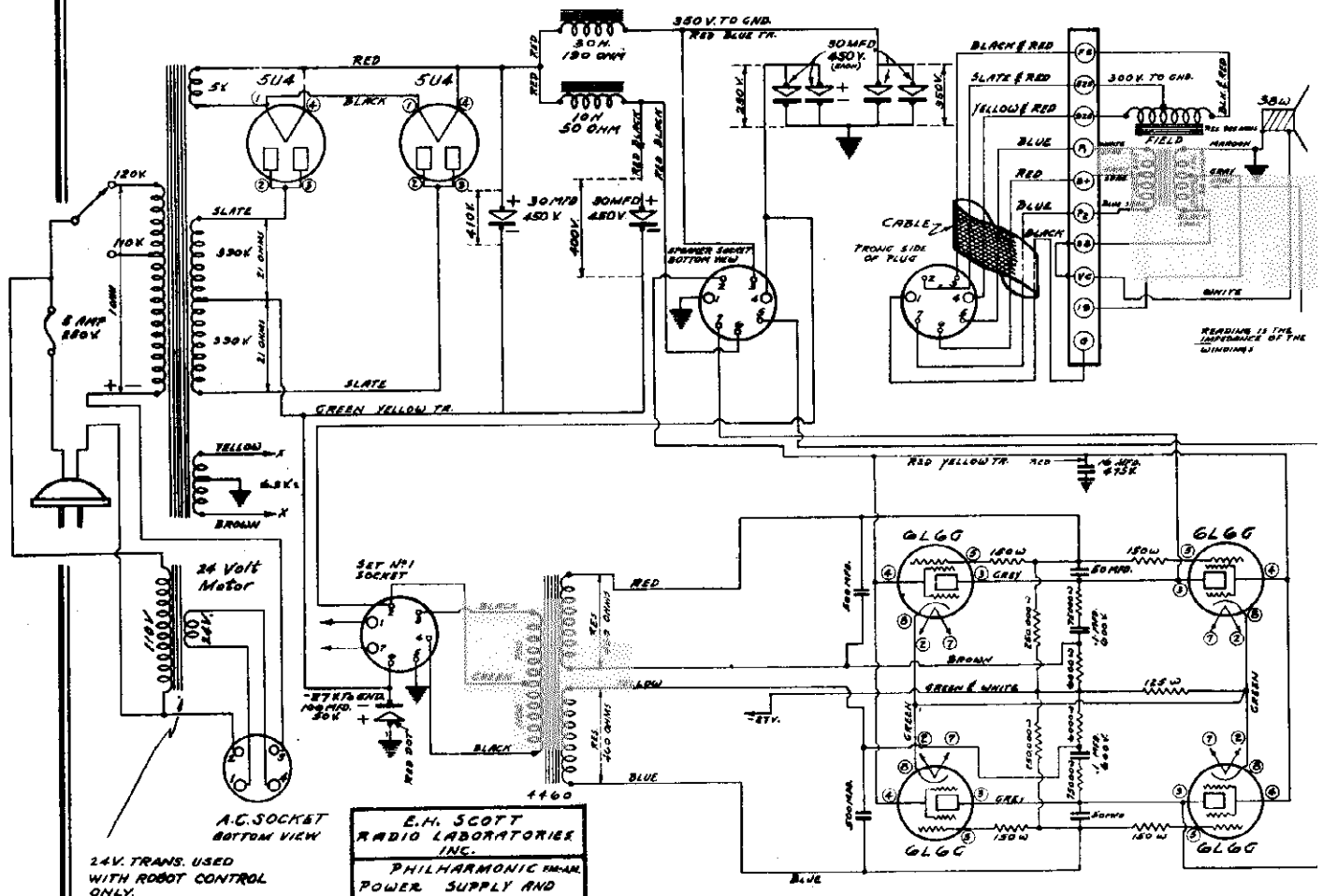
The first two i. f. stages employ high Gm 1232 type tubes and provide a large share of the gain and selectivity at this frequency. Each circuit is inductively tuned by low loss powdered iron cores and primary and secondary fixed silvercap tuning condensers are capacitively coupled by common fixed condensers to reduce the effects of tuning upon the coupling of each transformer. While there is a small amount of inductive coupling between the primary and secondary windings, the larger percentage of the coupling is derived from the common capacity between each grid and plate tuning condenser.

Each circuit is loaded with the correct amount of resistance to obtain the proper selectivity and to avoid transient distortion possible with a frequency modulated signal.

The third and fourth i. f. stages are somewhat similar to the first two, but differ by the fact that they act as limiting amplifiers thus performing a function peculiar only to frequency modulation receivers

E. H. SCOTT RADIO LABS., INC.

MODEL Philharmonic Combination



E. H. SCOTT  
RADIO LABORATORIES  
INC.  
PHILHARMONIC MAIN  
POWER SUPPLY AND  
POWER AMPLIFIER.  
DRAWN BY R.G.R.  
CHECKED BY [Signature]  
APPROVED BY [Signature]  
DATE: 10-24-40

24V. TRANS. USED  
WITH ROBOT CONTROL  
ONLY.

A.C. SOCKET  
BOTTOM VIEW

Discriminator Detector  
Characteristic

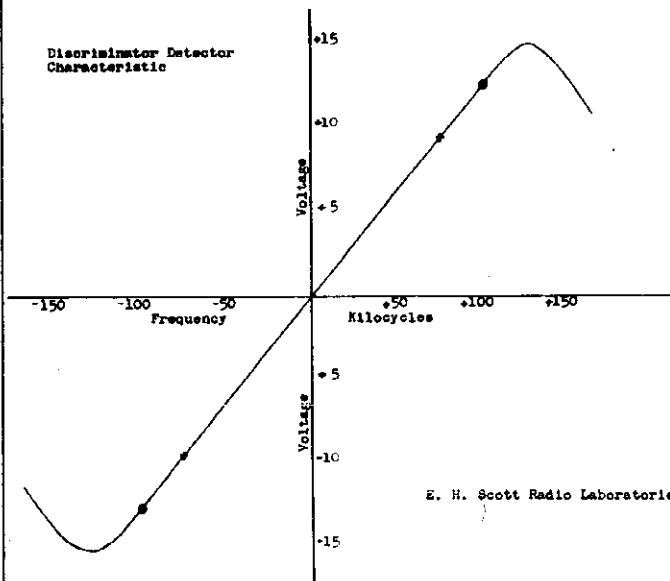


FIG. 5.

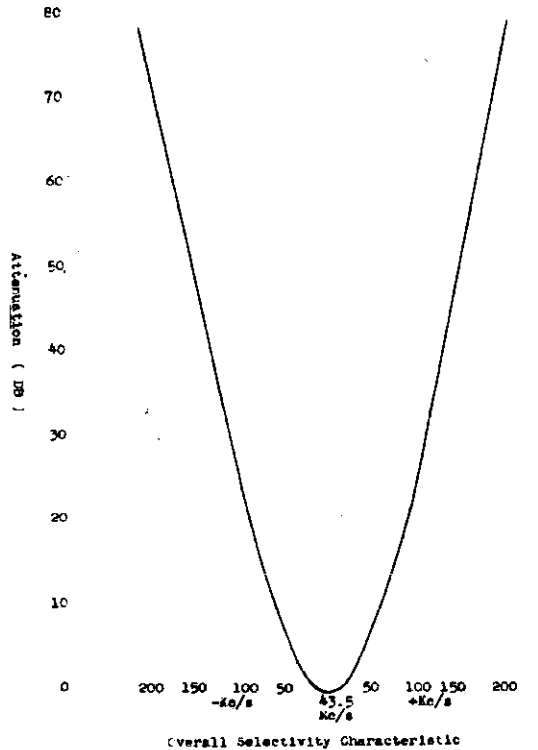
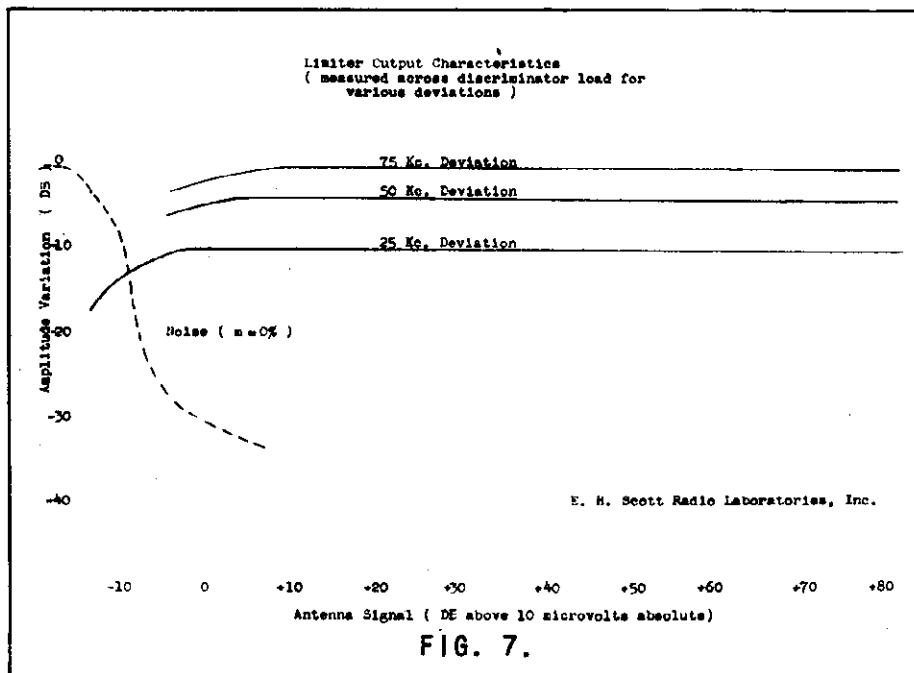


FIG. 6.

MODEL FM

E. H. SCOTT RADIO LABS., INC.



#### THE LIMITING STAGES

The third and fourth i. f. stages, or the first and second limiters respectively employ 6J7G tubes, whose characteristics are most suitable for providing a flat limiting action once the signal has reached sufficient amplitude to cause this characteristic to come into play. By using a cascade arrangement of these tubes, weak signals can produce limiting action at the second limiter and stronger signals cause both limiters to act on various impulse noises, such as ignition, arcs, etc

A factor of considerable importance in the limiting of ignition and other fast types of impulse noise is the time constant of the limiter grid leak-condenser combination. The first limiter has a grid circuit time constant of 2.5 microseconds and the second has a constant of 1.25 microseconds, thus insuring a fast action on noises possessing a steep wavefront.

A perfect degree of limiter flatness, once the action begins, is obtained by the proper choice of limiter plate and screen grid voltages.

#### THE DISCRIMINATOR-DETECTOR

A phase bridge type of frequency discriminator circuit is interposed between the plate of the second 6J7G limiter tube and the 6H6 diode detectors. Both the primary and secondary are tuned by means of air trimmers and are inductively coupled to a degree necessary for the proper discriminator peak separation, which is approximately 250 kc. Thus on either side of resonance the discriminator characteristic extends about 125 kc. before a peak is reached. Linearity up to  $\pm 100$  kc. is maintained so that a margin of safety for overmodulation beyond  $\pm 75$  kc. at the transmitter is possible without distortion.

The balanced detector action of the 6H6 diodes acts to cancel amplitude modulation present on weak signals and both diodes must be in proper condition to maintain the balance of discriminator symmetry. Conversion from frequency to amplitude modulation is achieved uniformly from 30 to 15000 cycles and the pre-emphasis of high audio frequencies at the transmitter is corrected by means of a resistance-capacity network directly following the diode load.

#### TUNING INDICATION

The control grid of a 6E5 "magic eye" tuning indicator is fed through a voltage divider and audio filter from the grid leak resistor of the 2nd limiter stage. The tuning indication provided by this arrangement is similar to that obtained from the indicator used in the amplitude modulation bands; that is, the correct tuning point occurs when the eye shadow is closed to the fullest extent. This method is based upon the fact that the peak of the i. f. selectivity curve coincides with the zero voltage point on the discriminator characteristic.

The adjustment of the shadow on this indicator is made in a similar manner to that employed in the amplitude modulation bands. The control grid voltage on the 6E5 in this band is regulated by a potentiometer in the grid circuit of that tube. It should be adjusted so that the shadow eye is just closed for signals having a strength of approximately 100,000 microvolts.

In the combination receivers the operation of the tuning indicator in the AM bands is unchanged.

## E. H. SCOTT RADIO LABS., INC.

MODEL FM

## VOLTAGE REGULATION

A VR150 type tube supplies 150 volts to the plate of the 6E5 tuning indicator to prevent shifting of the zero setting of the shadow angle under varying voltage conditions, and 100 volts through a resistance-capacity filter to the oscillator section of the 6SA7 mixer.

## AUDIO AMPLIFIERS (COMBINATION RECEIVERS)

In the Phantom and Philharmonic FM-AM models the basic features of the original amplifiers, with the exception of the high frequency compensation, have been retained. Owing to the fact that both the new single speaker and the three speaker combination provide a considerably better high frequency response than was obtainable previously, it was decided to eliminate the high boost choke and to replace it with a resistor. Thus, the electrical audio fidelity is substantially flat for F. M. reproduction and is somewhat better than was previously attainable with the old speakers in the AM positions.

Audio filters have been added to prevent the FM limiters from feeding noise voltages through the "B" supply.

In the Philharmonic FM-AM receiver the audio system has been rearranged and the volume range expander has been eliminated in order to make room for the FM components on the same chassis as used previously.

## AUDIO TONE CONTROLS

In all of the combination receivers the tone controls operate as usual in the AM bands. In the FM position the treble control operates to attenuate the high audio frequencies much the same as with AM. However, the bass control in the FM band operates only to vary the amplitude of the low frequency compensation provided by the low boost choke. This action results in a variation of the bass response around 100 cycles and does not affect the low frequency response over as wide a range as is the case in the AM positions. This arrangement is used so that the electrical fidelity of the receiver is substantially flat when the bass control is fully retarded and the treble control is fully advanced. The cabinet or speaker system, of course, can alter the response from its true electrical fidelity characteristic.

## POWER SUPPLIES

The power supply of the Scott FM Tuner is self contained, employing a 5Y3G rectifier and power transformer for 60 cycle operation. A combination choke and resistance filter is used for audio hum elimination in the B supply. To prevent the pickup of induction hum in the oscillator and mixer circuit a double magnetic shield is placed over the power transformer.

In the combination models the conventional power supply in its usual position furnishes voltage and current for both the AM and FM sections.

## THE WIDE RANGE LOUDSPEAKER SYSTEM

In order to reproduce audio frequencies above 8500 cycles with better fidelity a combination loudspeaker system, consisting of 1 - 12 inch low frequency unit and 2 - 5 inch tweeter type high frequency units has been introduced. To provide minimum distortion and maximum power handling capacity a constant resistance filter network is used to feed all frequencies below 2000 cycles to the L. F. speaker and all frequencies above 2000 cycles to the H. F. speakers. A wiring diagram and schematic circuit of the filter system is shown in Figure 9. This speaker system may be used on AM programs as well as FM programs with beneficial results.

## SERVICE PROCEDURE

In the AM and audio portions of the combination receivers the same service procedure as outlined in the service manuals should be applied to each of the respective AM sets.

ALIGNMENT PROCEDURE FOR FM TUNER AND FM SECTIONS  
OF COMBINATION RECEIVERS

To provide a better understanding of the performance characteristics to be attained when the FM section of a Scott receiver is properly aligned the following curves are shown:

- Figure 5 Discriminator Characteristic
- Figure 6 I. F. Selectivity Characteristic
- Figure 7 Limiter Output Characteristic

These curves have been obtained with Scott receivers at the factory and alignment in service should produce substantially the same results, although slight variations in the selectivity of discriminator characteristic can be tolerated with no audible difference in performance. Reference to these curves should be helpful to the serviceman in familiarizing himself with the desirable FM characteristics.

## DISCRIMINATOR ALIGNMENT

After removing the chassis bottom plate the discriminator alignment point can be readily located. It will be found on the 6H6 socket at terminal #4 or after the 50,000 ohms resistor in series with this point. A circuit diagram of the connections for this operation is shown in Figure 10. Connect the zero center microammeter with series resistor as shown and connect the output of the I. F. signal generator (tuned to 5.25 mc.) through a .05 mfd. condenser to the grid cap of the 2nd 6J7G limiter. If the generator has a high output impedance, the grid cap and lead of the 6J7G should be



## MODEL FM

## E. H. SCOTT RADIO LABS., INC.

removed and instead a 1 megohm grid leak should be inserted. Increase the output of the I. F. signal generator to the 2 or 3 volt level. Rotate the plate trimmer condenser at the top of the discriminator transformer shield can until the zero center microammeter swings to a maximum deflection in either direction from zero. Then rotate the secondary trimmer condenser at the bottom of the discriminator transformer until the meter indicator swings through zero with increasing or decreasing current depending upon the direction of rotation of the trimmer adjustment. Adjust for zero meter indication under these conditions.

Detune the signal generator back and forth about  $\pm 150$  kc. If the discriminator circuit is operating properly the indicator meter will swing through a positive peak in one direction and through a negative peak in the other direction. However, these peaks may not be of equal amplitude. They can now be adjusted for equality by going back to the plate trimmer at the top of the discriminator transformer and making a slight readjustment. If the high frequency peak is of greater amplitude than the low frequency peak, the plate trimmer should be readjusted so that the amplitude of the former is reduced slightly. Then by detuning the generator back and forth the low frequency peak will be seen to have increased. By compromising between the two peak levels and going back over the plate trimmer adjustment the serviceman will soon find that it is relatively simple to attain peak equality in the discriminator circuit.

The peaks should be about 250 kc apart or  $\pm 125$  kc. from the resonance frequency, which is 5.25 mc., and the variation of the zero center meter current should be linear on either side up to at least  $\pm 80$  kc. The final goal of discriminator alignment is to attain this linearity over at least  $\pm 80$  kc. and after obtaining peak linearity, the serviceman should finally readjust the plate trimmer slightly to obtain this result even at a sacrifice of peak equality. The linearity and equality of the  $\pm 80$  kc. deviation characteristics are essential to distortionless audio reproduction for a wide band FM receiver. If it is found to be linear out to  $\pm 100$  kc. when finally adjusted, it is so much the better to allow for overmodulation at the transmitter.

When the adjustment of the discriminator transformer is completed the zero center meter should indicate zero when the signal generator is tuned to 5.25 megacycles.

The general shape of the discriminator characteristic should resemble that shown in Figure 5.

## I. F. AMPLIFIER ALIGNMENT

The 0-1 ma. milliammeter should be inserted in the ground side of the 25,000 ohms grid leak in the input circuit of the 2nd 6J7G limiter tube. A jumper connection and by-pass condenser have been provided under the chassis at this point in each receiver. In the FM Tuner it is located under the fourth i. f. transformer, near the socket of the 2nd 6J7G and the combination receivers it is under the FM extension section near the fourth i. f. transformer. The wire from the i. f. transformer is color-coded slate and white.

After the meter is inserted the i. f. signal generator (tuned to 5.25 mc.) should be connected through a .05 mfd. condenser to the grid cap of the 1st 6J7G limiter and the primary and secondary alignment screws of the fourth i. f. transformer should be adjusted for maximum limiter grid leak current. The output of the signal generator should be adjusted so that the limiter current is about .2 milliamperes while the tuning adjustments are being made. Since it is possible to align the i. f. coils with the cores either out or in, it is important to make sure that they are peaked with the adjustment screws in the outward position in order to insure proper coupling between the coils. The receivers in the field will be found to have their adjustments made in this manner.

The third, second and first i. f. transformers should be aligned in this order by moving the signal generator input progressively forward to the 2nd 1232, 1st 1232 and the 6SA7 grid. All of these connections are on the respective sockets, because of the single-ended construction of these tubes. Each transformer alignment screw should be adjusted for maximum 2nd limiter grid current, as the signal input is fed into the amplifying tube directly in front of it. After all of these adjustments have been made, the individual stages should not be realigned except by the above procedure; that is, the i. f. adjustments should be made individually for each stage by the point-to-point method and no overall readjustments should be made.

The overall i. f. selectivity characteristic may be checked by detuning the signal generator at least  $\pm 75$  kc or more from the 5.25 mc. point and observing the amount of attenuation. The characteristic should resemble the curve shown in Figure 6. However, a certain amount of dissymmetry can be tolerated as indicated in that figure, because of the limiting characteristic of the Scott receivers.

## R. F. CIRCUIT ALIGNMENT

With the 0-1 ma. meter in the 2nd limiter grid leak circuit, connect the R. F. Signal Generator output through a .05 mfd. condenser to the grid terminal of the 6SA7 mixer tube. Observe whether the dial pointer stops at 41 mc. when it is turned fully to the end of the scale. If it does not, slide it along the drive cable until that condition exists when against the stop at that end. Then turn the tuning knob to rotate the pointer to 50 mc. and adjust the signal generator for a 50 mc. signal. With sufficient output from the generator to enable an easy location of the signal (1000 to 5000 microvolts) rotate the oscillator trimmer until a peak of limiter grid current is reached. The oscillator must be peaked on the low frequency side of the incoming signal and, while the capacity values in the oscillator circuit are such that it is difficult to align on the high frequency side, this condition might happen if some defective part should be present. Therefore, the best procedure is to make sure that the oscillator is on the low frequency side by observing that the image signal is on that side. This check can be made rather easily after a peak is reached by simply tuning the signal generator to approximately 39.5 mc. and noting that a repeat signal of about equal intensity comes in at that point. When this check shows the correct alignment, the oscillator is properly adjusted.

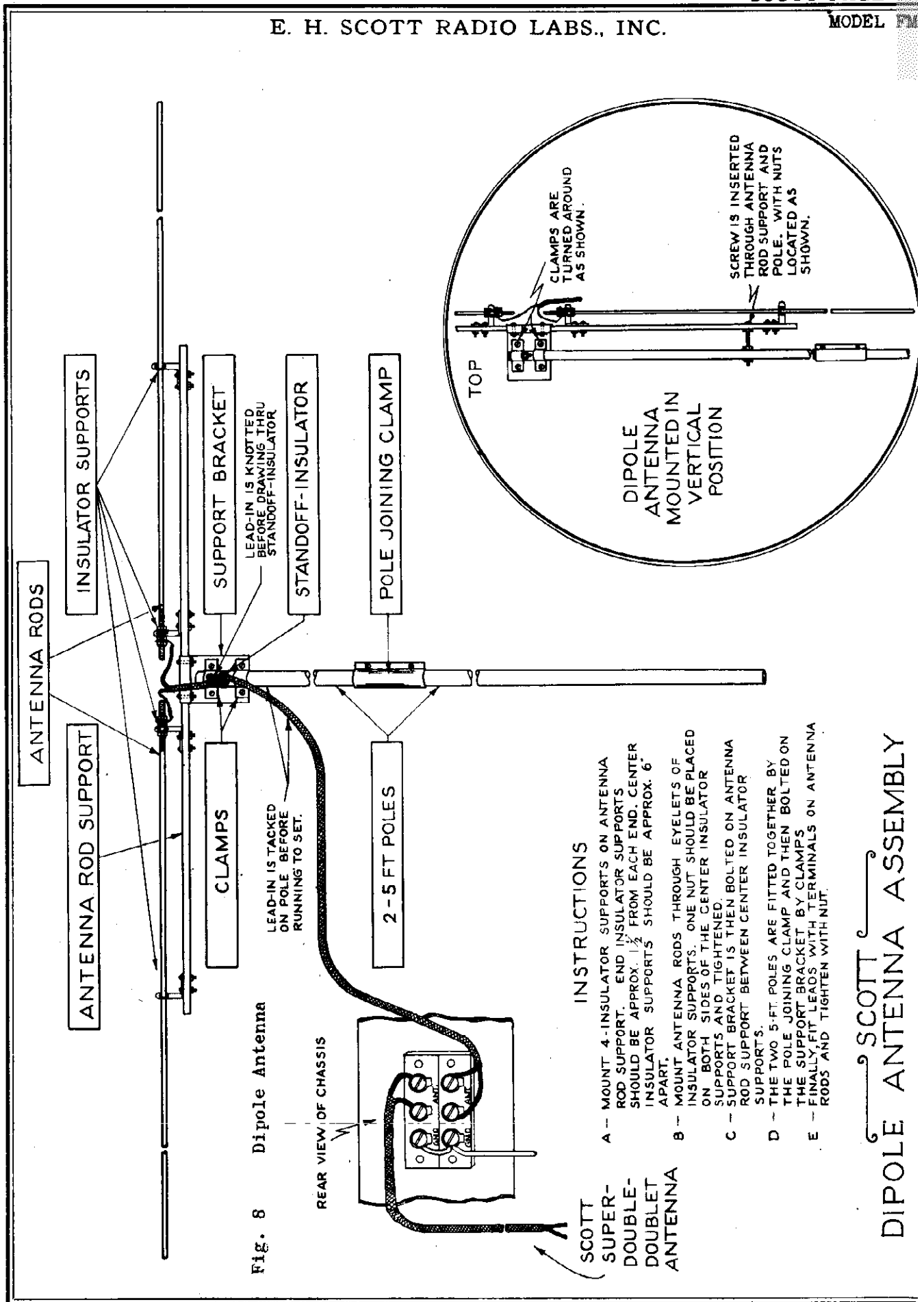


Fig. 8 Dipole Antenna

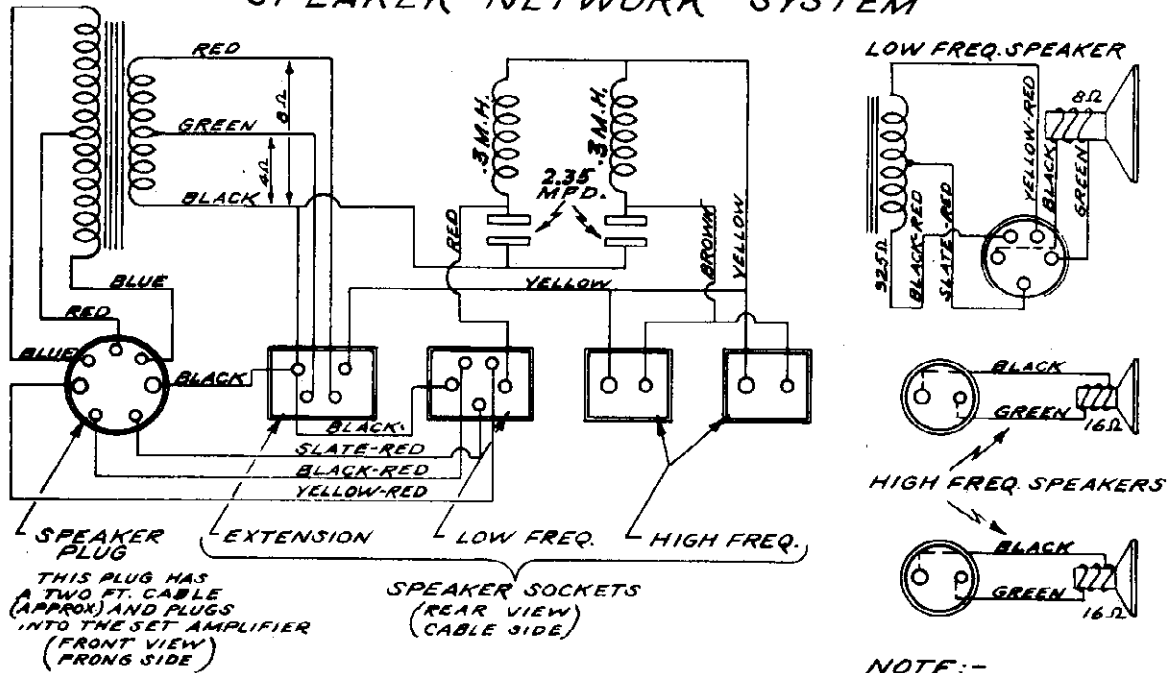
INSTRUCTIONS

- A -- MOUNT 4-INSULATOR SUPPORTS ON ANTENNA ROD SUPPORT. END INSULATOR SUPPORTS SHOULD BE APPROX. 1 1/2" FROM EACH END. CENTER INSULATOR SUPPORTS SHOULD BE APPROX. 6" APART.
- B -- MOUNT ANTENNA RODS THROUGH EYELETS OF INSULATOR SUPPORTS. ONE NUT SHOULD BE PLACED ON BOTH SIDES OF THE CENTER INSULATOR SUPPORTS AND TIGHTENED.
- C -- SUPPORT BRACKET IS THEN BOLTED ON ANTENNA ROD SUPPORT BETWEEN CENTER INSULATOR SUPPORTS.
- D -- THE TWO 5-FT. POLES ARE FITTED TOGETHER BY THE POLE JOINING CLAMP AND THEN BOLTED ON THE SUPPORT BRACKET BY CLAMPS.
- E -- FINALLY, FIT LEADS WITH TERMINALS ON ANTENNA RODS AND TIGHTEN WITH NUT.

SCOTT SUPER-DOUBLE-DOUBLE ANTENNA

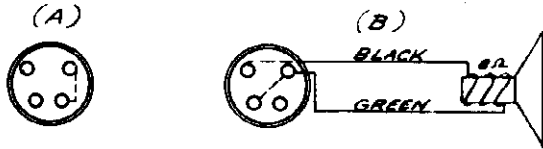
SCOTT ANTENNA ASSEMBLY

**SPEAKER NETWORK SYSTEM**



THIS PLUG HAS A TWO FT. CABLE (APPROX) AND PLUGS INTO THE SET AMPLIFIER (FRONT VIEW)

SPEAKER SOCKETS (REAR VIEW) (CABLE SIDE)



**EXTENSION SPEAKER**  
 WHEN EXTENSION SPEAKER IS NOT USED PLUG IS WIRED AS SHOWN AT (A) AND LEFT IN EXTENSION SPEAKER SOCKET.  
 WHEN AN EXTENSION SPEAKER IS USED PLUG IS WIRED, AS SHOWN AT (B).

NOTE:-  
 FRONT SIDE OR (FRONT VIEW) IS SHOWN ON ALL PLUGS.

FILTER SYSTEM SHOWING VALUES FOR INDUCTANCE AND CAPACITY ARE FOR 6 K.C. AND SUPERCEDES THE VALUES FOR 2 K.C. WHICH WERE .9 M.H. FOR EACH INDUCTANCE & 7 MFD. FOR EACH CONDENSER.

FIG. 9.

**ALIGNMENT CONNECTIONS FOR ALL F.M. RECEIVERS**

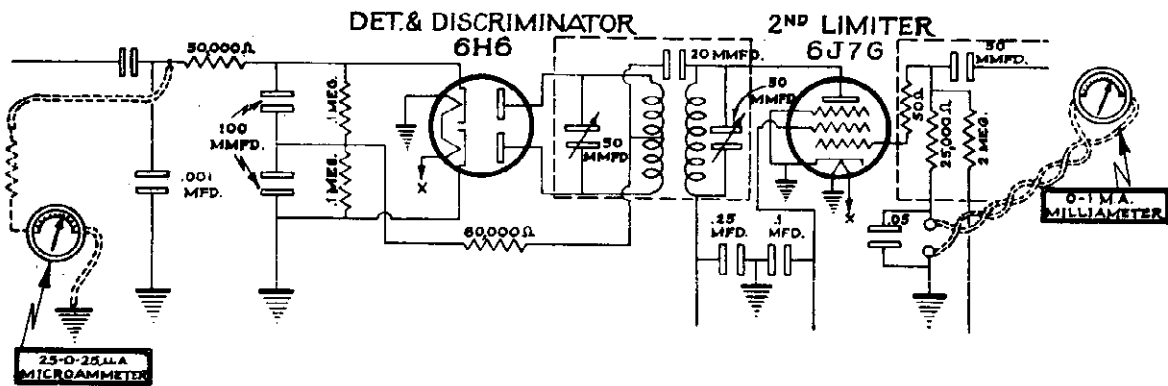


FIG. 10.

## E. H. SCOTT RADIO LABS., INC.

MODEL FM

Connect the signal generator output to the grid of the 1858 r. f. tube and align the trimmer of the r. f. circuit following that tube for maximum output, that is, maximum limiter grid current; and proceed to the antenna terminals. In the Philharmonic connect the generator to the r. f. grids moving progressively toward the receiver input point and aligning each trimmer in that order.

The output of the signal generator should be fed to the antenna terminals through a 100 ohms resistor, provided the signal generator has a low internal impedance. If its internal impedance is high, the dummy resistor will have little effect; but a value of 100 ohms can still be used to avoid a complete short-circuit of the generator output. If one side of the generator output is grounded, the receiver antenna terminal adjacent to the ground terminal should also be connected to ground by the jumper wire. With signal generator still tuned to 50 mc. the antenna shunt trimmer should be aligned for maximum limiter grid current.

After this alignment at the high frequency end of the band is completed the dial should be rotated to the low frequency end, about 43 mc., and the sensitivity level at that point should be compared with that which was noted at 50 mc. It should be substantially the same. Since fixed padding condensers are used in the antenna and r. f. circuits, a lack of sensitivity would indicate that the value of one of these might have changed or that the inductance of the coils might have shifted. An examination of these parts and the replacement of any defective ones should restore the sensitivity to normal. If the r. f. or antenna secondary inductance is slightly off, this may be remedied by pushing end turns slightly to obtain maximum sensitivity.

The r. f. signal generator output should be kept at a level which results in a 2nd limiter grid current of about .2 milliamperes during the alignment operations.

## OBSERVATION OF LIMITER OPERATION

When the r. f. alignment is completed it is important to observe that the limiters are functioning properly. The characteristic shown in Figure 7 indicates that a high degree of flatness of this characteristic can be expected. This action can be observed best by detuning the r. f. generator either +75 kc. or -75 kc. with the zero center meter connected across the discriminator load as was done for the alignment of that circuit.

Set the output of the r. f. signal generator to about 25 microvolts and observe the reading of the zero center meter. Then increase the output of the generator to the full 100,000 microvolts and observe the meter reading as this change is made. It should remain substantially constant. If it changes noticeably, the limiter tubes may be defective or their supply resistors may have become defective. Another cause for change in this reading is oscillator frequency shift due to a defective 6SA7. However, the latter defect will manifest itself in a different way and can be definitely isolated by tuning the signal generator to resonance which is indicated by zero discriminator voltage, and observing whether this zero point shifts when the signal level is varied from 25 to 100,000 microvolts. If the oscillator frequency remains constant with varying signal input, the zero center point will not vary.

If the limiter characteristic is not flat, distortion will be noticed and the noise elimination will be somewhat less complete than normal.

The following equipment is necessary for the accurate alignment of the FM sections of all Scott receivers:

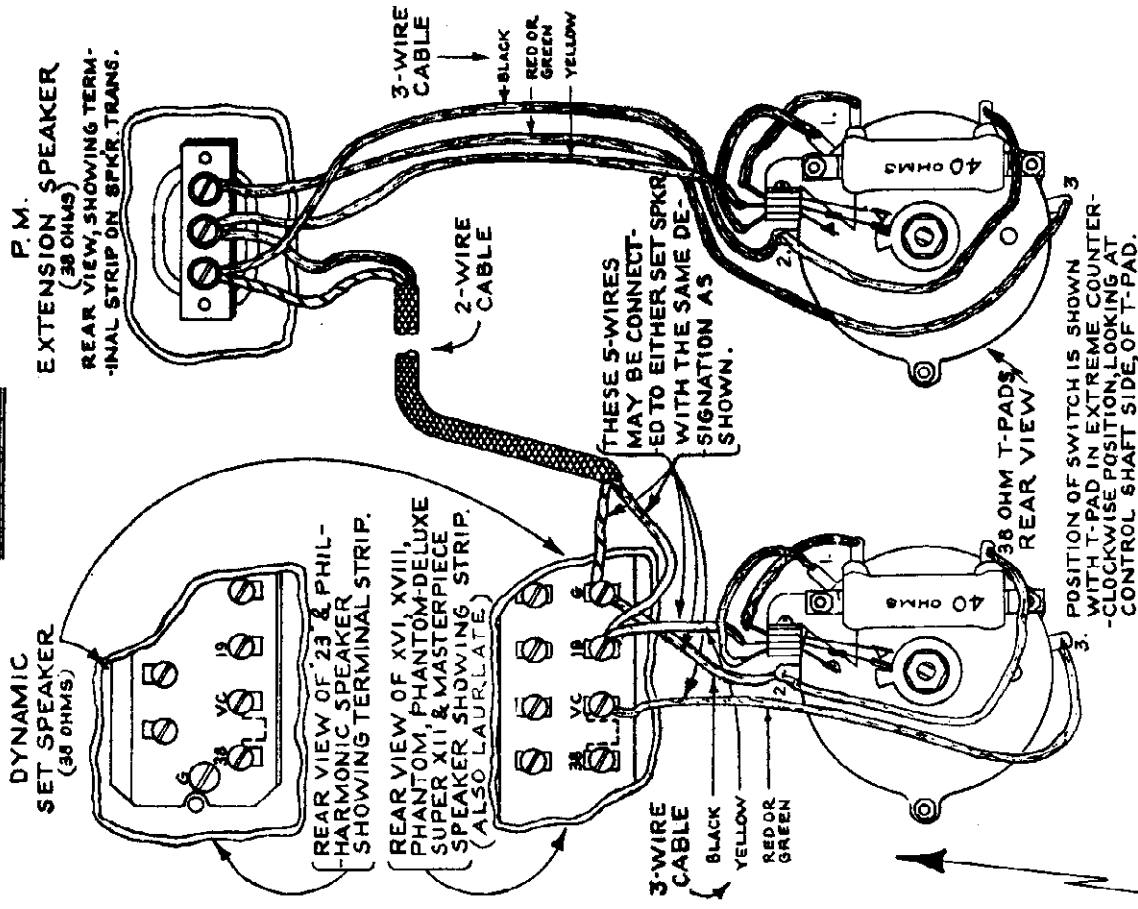
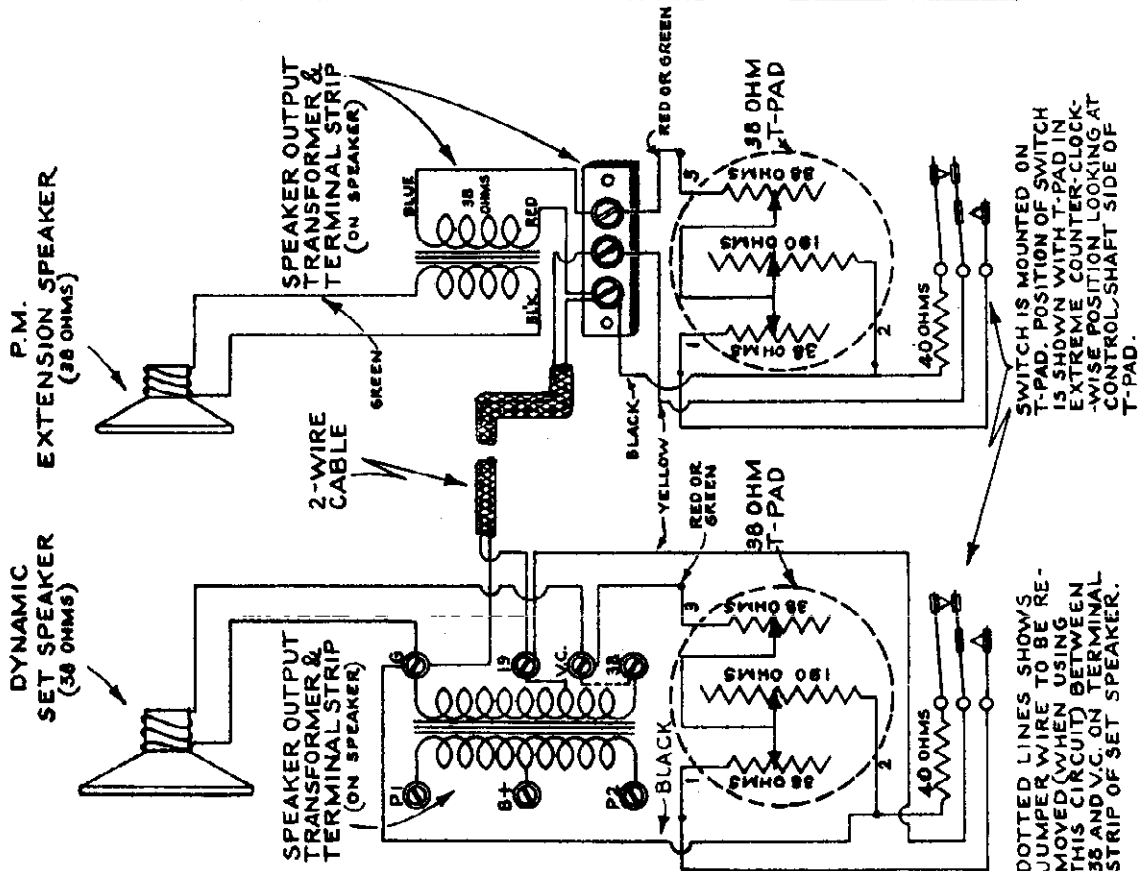
- 1 - 0-1 ma d c. milliammeter
- 1 - 25-0-25 ma. d c. microammeter with 500,000 ohms series resistor
- 1 - I. F. Signal Generator having a frequency range of at least 5 to 5.5 megacycles with maximum dial bandwidth and 100 microvolts or less minimum to 2 or 3 volts maximum output voltage. Modulation unnecessary
- 1 - R. F. Signal Generator having frequency range of 40 to 50 megacycles with r. f. output attenuator and output range of 1 microvolt to 100,000 microvolts. Modulation not essential, but variable frequency modulation is desirable.

MODEL FM

E. H. SCOTT RADIO LABS., INC.

# SINGLE SPEAKER & EXTENSION SPEAKER WITH T-PADS

## CIRCUIT



**NOTE: DOTTED LINES SHOW JUMPER WIRE BETWEEN 38 AND V.C. ON SET SPEAKER. PLEASE REMOVE WHEN USING THIS CIRCUIT.**

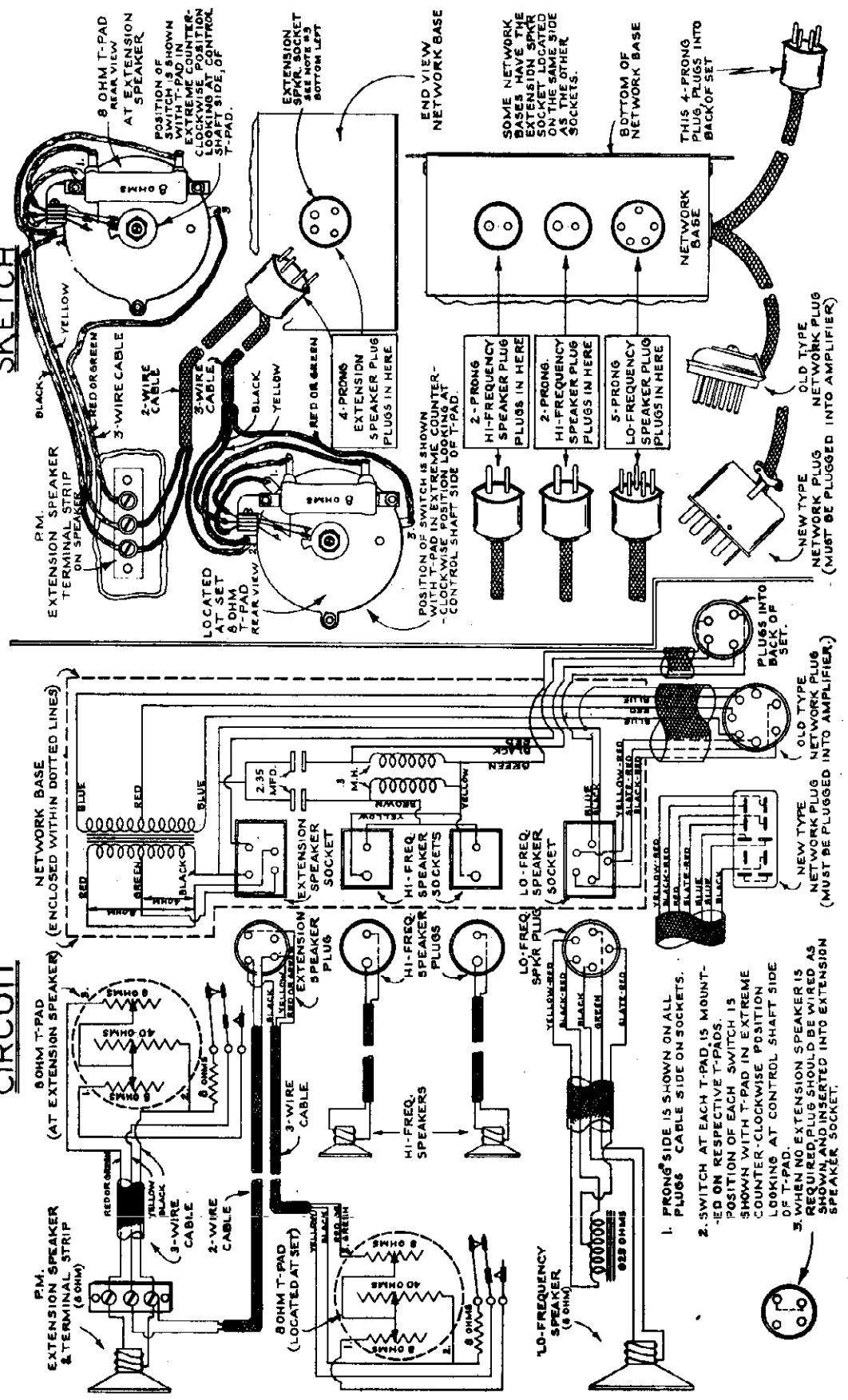
**DOTTED LINES SHOWS JUMPER WIRE TO BE REMOVED WHEN USING THIS CIRCUIT BETWEEN 38 AND V.C. ON TERMINAL STRIP OF SET SPEAKER.**

# NETWORK SPEAKER SYSTEM & EXTENSION SPEAKER WITH T-PADS

E. H. SCOTT RADIO LABORATORIES INC. CHICAGO

## CIRCUIT

## SKETCH



**MODEL Hi-Fidelity  
All Wave**

**E. H. SCOTT RADIO LABS., INC.**

WHEN REPLACEMENTS ARE REQUIRED BE SURE  
TO ORDER BY STOCK NUMBERS SHOWN BELOW

Fig. 3

Stock No.	Part
35	Condenser No. 310
75	Grommet - 1/2" No. 430
96	Meter - 0-8
269	Cable - 7 wire, part No. 4
272	Coil - B. P. No. 298 1/25
276	Coil - Blue and red band primary
279	Condenser - .05 mfd. 200 volts
281	Condenser - .1 mfd. 400 V. Tubular new
282	Condenser - trimmer long spacers 11/32 - 50 mmf
295	Condenser - 5000 mmf reg Hole
296	Condenser - Trimmers, No. 8C-465
298	Dial Lights - 6.3 volts - No. 40
299	Drum Dial - for Imperial Model
319	Resistor - 250,000 ohms 1/4 watt
367	Resistor - 1000 ohms 1/4 watt
442	Dial Strips - Imperial
450	Shield - B. P. No. 295
451	Shield - B. P. No. 295-A
468	Strips - B. P. No. 291
477	Transformer - Audio 3088
932	Condenser - No. 858
933	Condenser - No. 878
950	Coil - M. H. 8

Fig. 4

15	Brackets - Resistor
45	Condenser - 50 mmfd type S reg
46	Condenser - 100 mmfd type S Regular Bakelite
47	Condenser - 250 mmfd type S Regular Bakelite
49	Condenser - 360 mmfd type S regular Bakelite
76	Grommet - 3/8" - No. 240
108	Resistor - 600 ohms 17058
120	Resistor - 100,000 ohms 1/4 watt
123	Resistor - 500,000 ohms 1/4 watt
124	Resistor - 1,000,000 ohms 1/4 watt
194	Switch - 2 blade with push button ST213
279	Condenser - .05 mfd 200 volt Tubular new
280	Condenser - .1 " " " " " "
281	Condenser - .1 " " 400 " " " "
286	Condenser - 25 mmfd regular bakelite S
295	Condenser - 5000 mmfd regular new type W
319	Resistor - 250,000 ohms 1/4 watt
321	Resistor - 2,000,000 ohms 1/4 watt
364	Potentiometer - Type P 35-2000
366	Resistor - 750 ohms 1/4 watt
367	Resistor - 1000 ohms 1/4 watt
368	Resistor - 1500 ohms 1/4 watt
369	Resistor - 2500 ohms 1/4 watt
370	Resistor - 3500 ohms 1/4 watt
371	Resistor - 5000 ohms 1/4 watt
373	Resistor - 10,000 ohms 1/4 watt
374	Resistor - 15,000 ohms 1/4 watt
386	Resistor - 3,000,000 ohms 1/4 watt
389	Rotor plate - 292 Assembly L
398	Rotor plate - 292A Assembly S
391	Rotor Shaft - Bearing B. P. No. 310
449	Shield - B. P. No. 293
460	Socket - 18 P Special
469	Switch B. P. No. 325
470	Switch E. Spec. 14
492	Volume Control - 7075 - F Spec. 13 - Imperial
498	Shield - No. 5 AF
491	Voltage Divider - X349
897	Potentiometer - 20,000 ohms wire wound type

Fig. 5

49	Condenser
97	Mounting
192	Support
216	Tubing
282	Trimmer Long
283	Trimmer Short
293	Condenser
295	Condenser
437	Condenser
	Broadcast Band Oscillator Coil
	Blue band oscillator coil
	Blue band R. F. coil
	Red band oscillator coil
	Red band R. F. coil
	Green band oscillator coil
	Green band R. F. coil

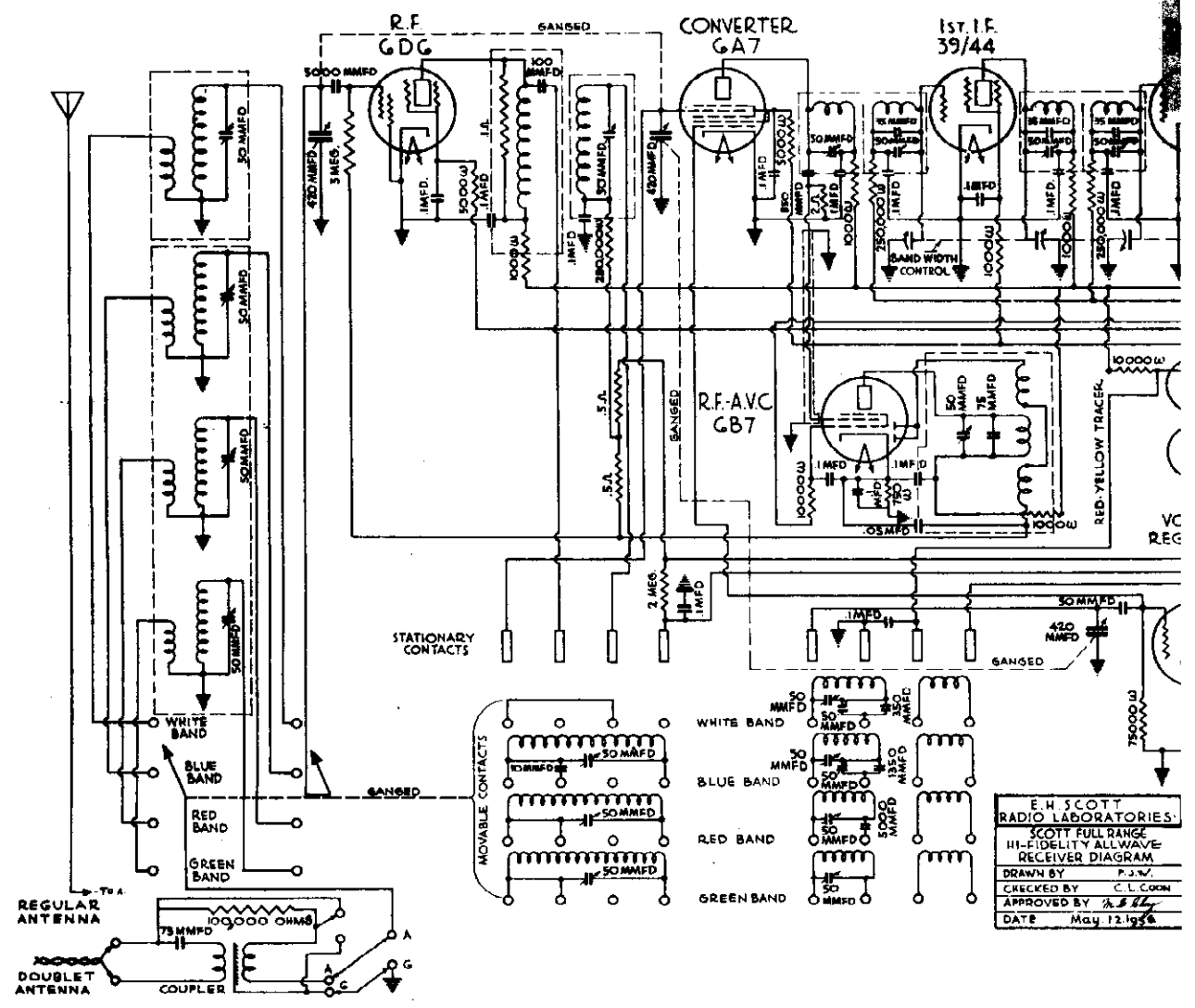
Fig. 5A

45	Condenser - 50 mmfd. type S. reg.
68	Lugs - No. 1485
270	Can - 2x2x2 No. 01806
273	Coil - B. P. No. 299 Diode
274	Coil - 8 Millihenry
280	Condenser - .1 mfd 200 V
281	Condenser - .1 400 V. Tubular new
283	Condenser - 50 mmfd. V810 new type shor
285	Condenser - 25 mmfd. regular bakelite S
288	Condenser - 75 mmfd. regular bakelite S
367	Resistor - 1000 ohms 1/4 watt
373	Resistor - 10,000 ohms 1/4 watt

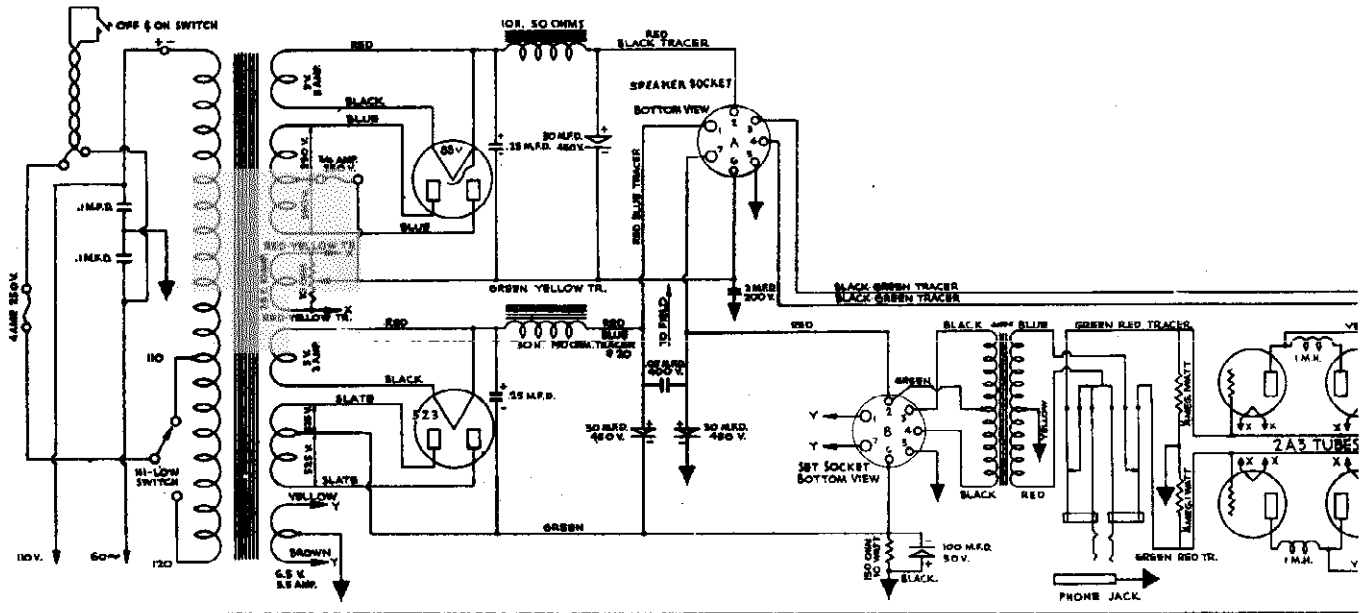
LIST OF PARTS FOR AMPLIFIER

Fig. 6

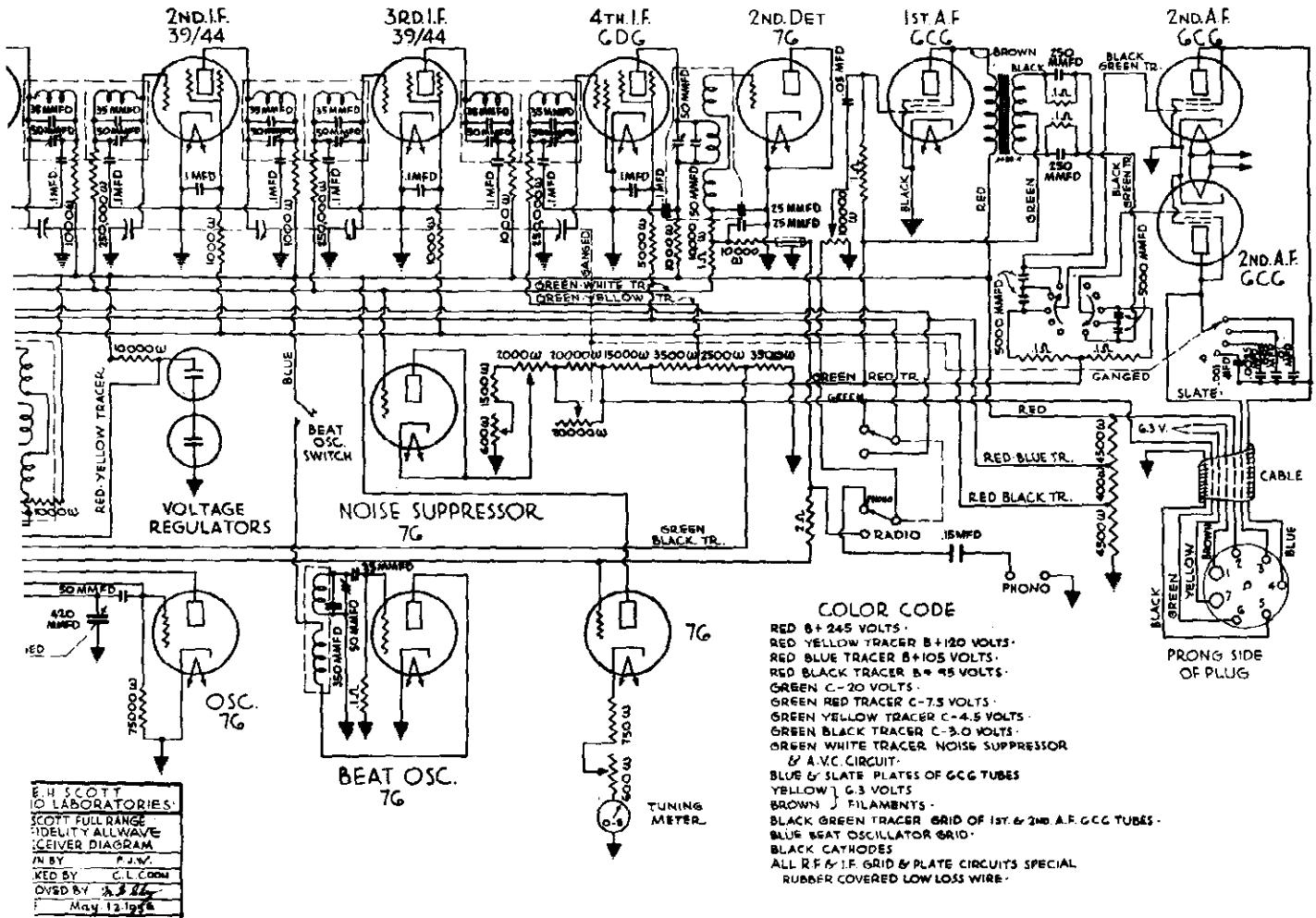
10	Fuse Base - 4 amp
37	Condenser - 2 mfd 200 volt
40	Condenser - 656 - .05 400 volt
72	Fuse - 4 amp
78	Phone Jack
165	Sockets - 2A3
166	Sockets - 5Z3
190	Attenuator Strip
200	Terminal - 1 lug
648	Condenser Bracket
649	Attenuator Bracket - B. P. No. 322
651	Choke - 30 Henry
652	Choke - 10 Henry
654	Choke coil - 3.6 M. H.
655	Choke coil - 72 M. H.
657	Condenser - .1.1 mfd 400 volt
658	Condenser - A.13 mfd 300 volt
660	Condenser - Electrolytic
661	Condenser - Electrolytic - 100 mfd.
665	Fuse - 3/4 Amp.
667	Fuse Base - 3/4
669	Hum Control - 10 ohm
670	Resistor - 10 ohms 1/2 watt
671	Resistor - 150 ohms 10 watt
672	Resistor - 500 ohms 10 watt
675	Socket - Speaker connecting
676	Socket - Set connecting
677	Socket - 83 V
679	Switch - Hi-Low
680	Transformer - Audio
681	Transformer - 110 volt 60 cycles
682	Transformer - 220 volt
683	Transformer - 110 volt 25 cycle
949	Condenser - .25 - .25 1250 volt



E. H. SCOTT  
 RADIO LABORATORIES  
 SCOTT FULL RANGE  
 HI-FIDELITY ALLWAVE  
 RECEIVER DIAGRAM  
 DRAWN BY P. J. W.  
 CHECKED BY C. L. COON  
 APPROVED BY E. H. SCOTT  
 DATE May 12, 1936





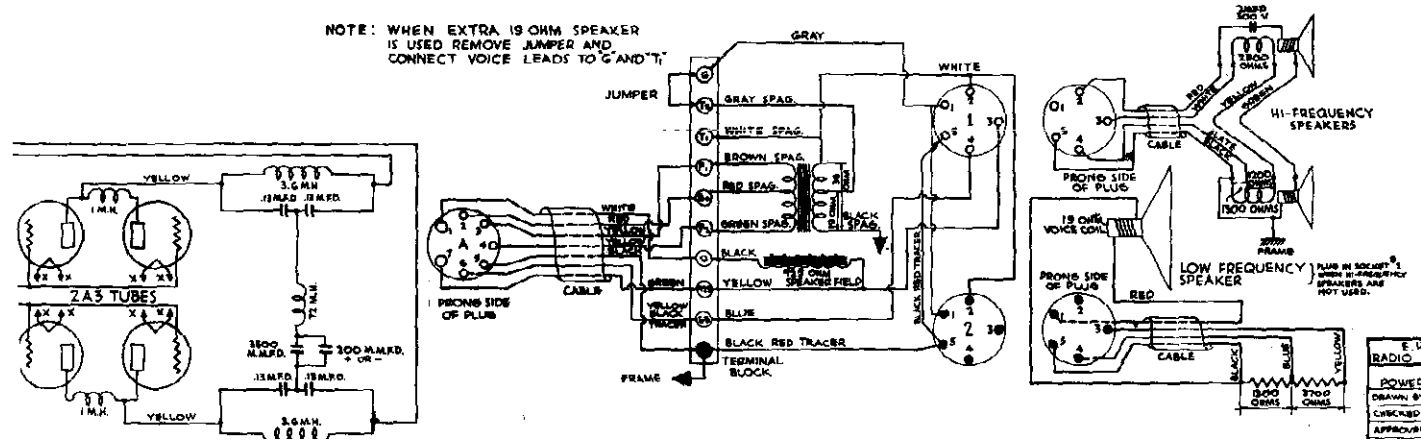


**COLOR CODE**

- RED B+ 245 VOLTS.
- RED YELLOW TRACER B+120 VOLTS.
- RED BLUE TRACER B+105 VOLTS.
- RED BLACK TRACER B+ 95 VOLTS.
- GREEN C-20 VOLTS.
- GREEN RED TRACER C-7.5 VOLTS.
- GREEN YELLOW TRACER C-4.5 VOLTS.
- GREEN BLACK TRACER C-3.0 VOLTS.
- GREEN WHITE TRACER NOISE SUPPRESSOR & A.V.C. CIRCUIT.
- BLUE & SLATE PLATES OF GCG TUBES
- YELLOW } 6.3 VOLTS
- BROWN } FILAMENTS.
- BLACK GREEN TRACER GRID OF 1ST. & 2ND. A.F. GCG TUBES.
- BLUE BEAT OSCILLATOR GRID.
- BLACK CATHODES
- ALL RF & I.F. GRID & PLATE CIRCUITS SPECIAL RUBBER COVERED LOW LOSS WIRE.

E. H. SCOTT RADIO LABORATORIES  
 SCOTT FULL RANGE HI-FIDELITY ALL WAVE RECEIVER DIAGRAM  
 DESIGNED BY P. J. W.  
 DRAWN BY C. L. COOM  
 MAY 12, 1956

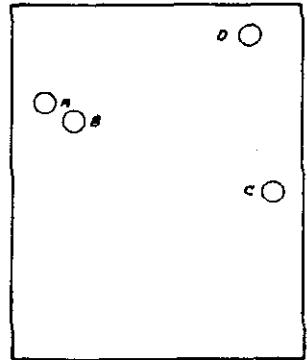
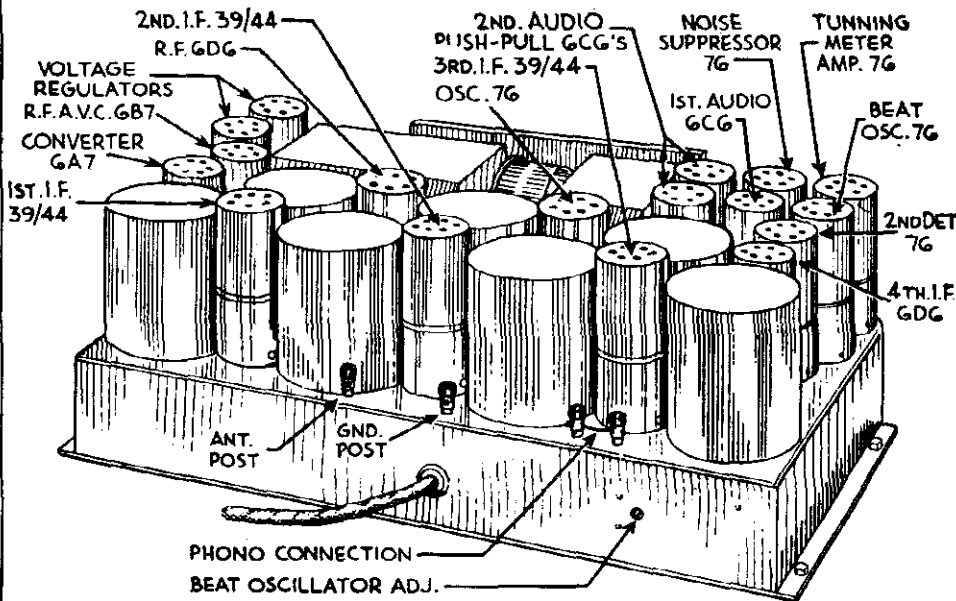
NOTE: WHEN EXTRA 15 OHM SPEAKER IS USED REMOVE JUMPER AND CONNECT VOICE LEADS TO "G" AND "T".



E. H. SCOTT RADIO LABORATORIES  
 35 WATT POWER AMPLIFIER  
 DRAWN BY P. J. W.  
 CHECKED BY  
 APPROVED BY

E. H. SCOTT RADIO LABS., INC.

MODEL Hi-Fidelity All Wave



ANTENNA TRIMMERS

FIG. 1 - TOP VIEW OF CHASSIS

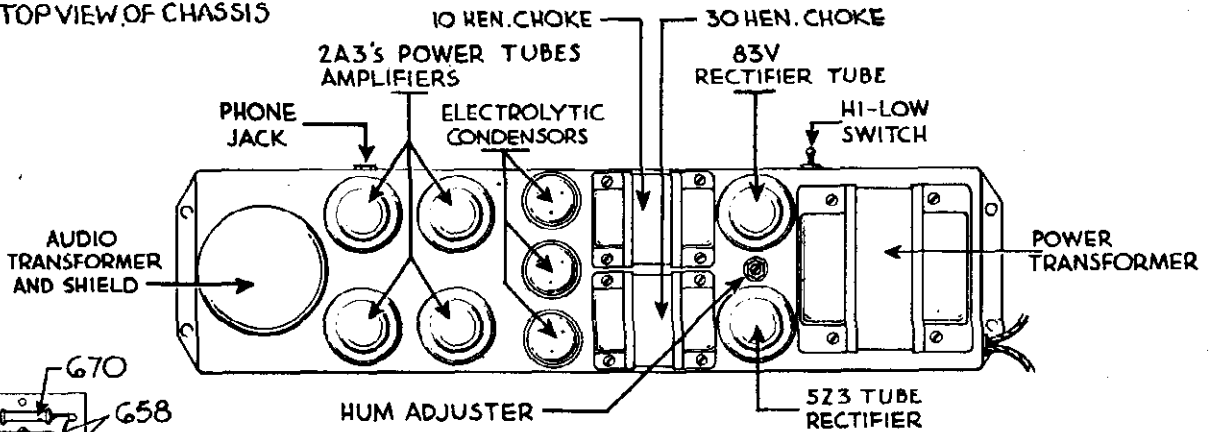
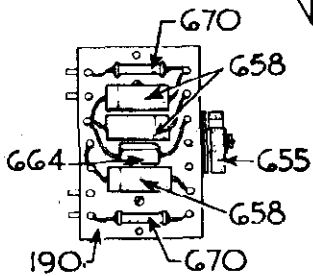


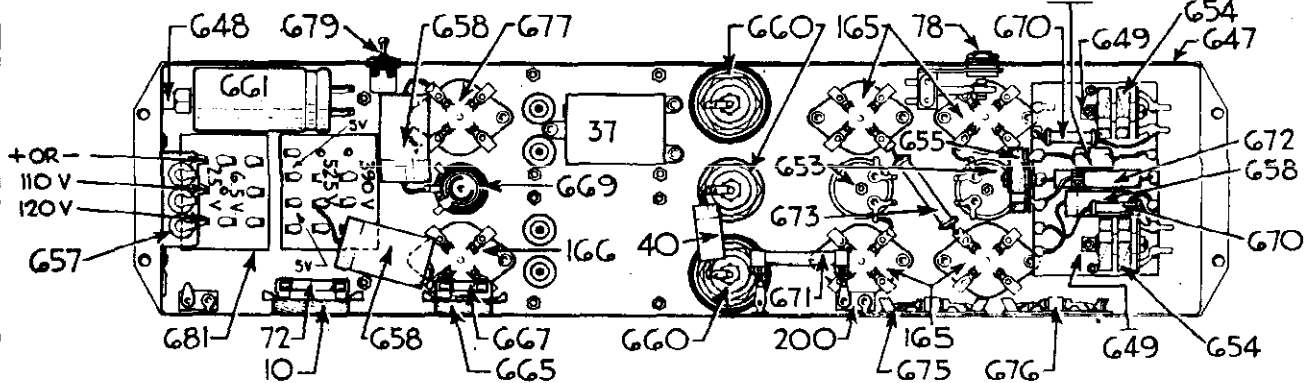
FIG. 2 - TOP VIEW OF AMPLIFIER



BOTTOM VIEW OF ATTENUATOR UNIT

FIG. 6

CONDENSOR OF REQUIRED VALUE TO TUNE ATTENUATOR

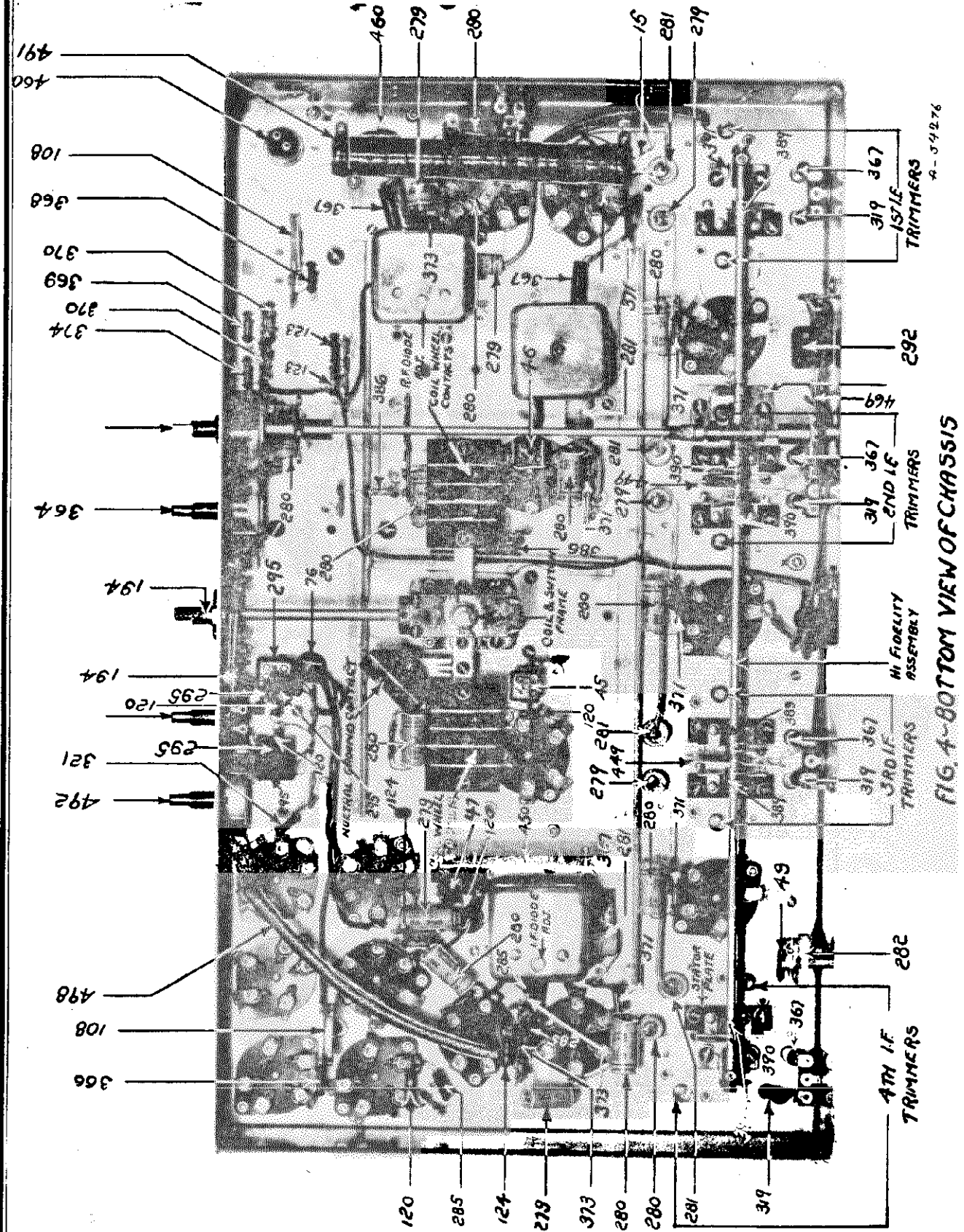


BOTTOM VIEW OF AMPLIFIER SHOWING PART NUMBERS



E. H. SCOTT RADIO LABS., INC.

MODEL Hi-Fidelity  
All Wave

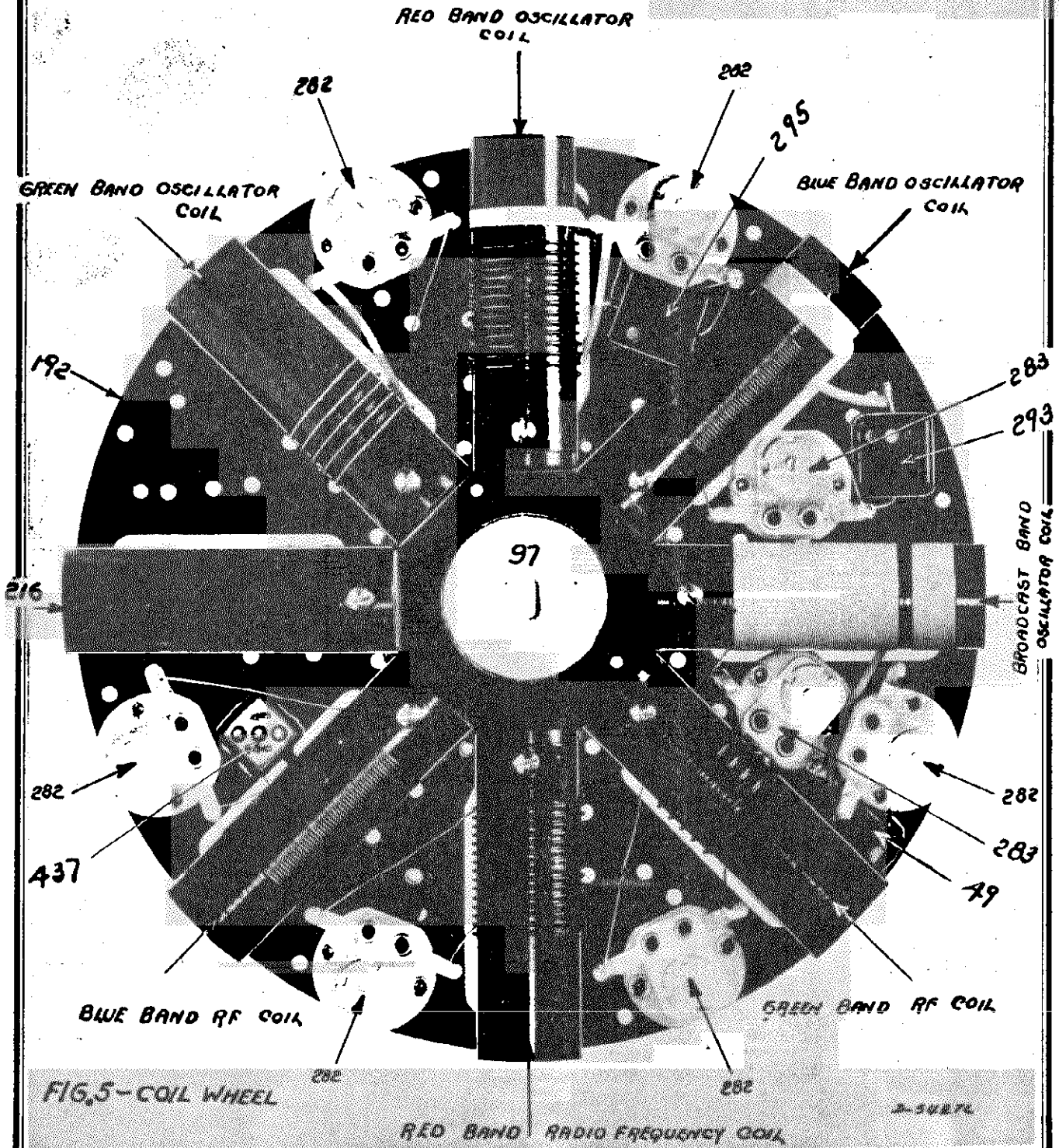


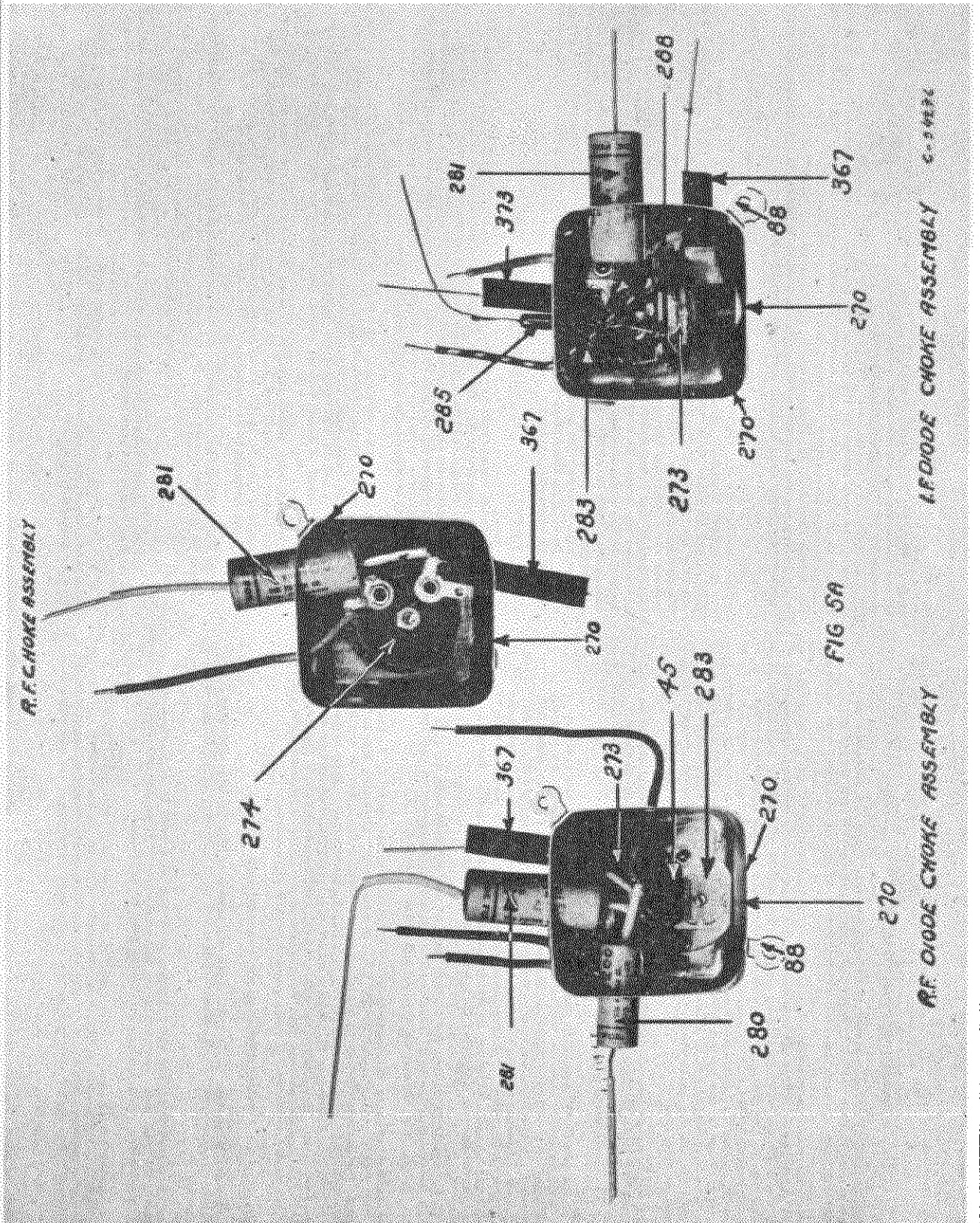
9-54276

FIG. 4-BOTTOM VIEW OF CHASSIS

MODEL Hi-Fidelity  
All Wave

E. H. SCOTT RADIO LABS., INC.





**MODEL Hi-Fidelity  
All Wave**

**E. H. SCOTT RADIO LABS., INC.**

brass. When the inductance of a coil is high, insertion of the brass end will decrease it to the proper resonant value; whereas, insertion of the other end will increase it to the correct resonant value.

Have the wave change switch set to the broadcast position. Sensitivity Control in Minimum position, selectivity control in Maximum selective position, or in extreme counter clockwise position, and bass control in minimum position to left. Remove the shield cans from the antenna and R. F. Coils and substitute similar ones having holes in the top for access to trimmers. Set these trimmers to minimum capacity and connect oscillator into Antenna post thru the correct "dummy".

Set the signal generator and receiver dial to 1400 kc. then adjust the oscillator trimmer at B until the signal is loudest, set signal Generator and receiver to 600 kc. and adjust the padler at A until signal becomes maximum. Make certain that all shields are in place while making these adjustments. Trim the R. F. and antenna coils at 1400 kc. Turn back to 600 kc. and see if the adjustment still holds by checking the antenna and R. F. coils with a tuning wand. If insertion of the brass end increases the signal the inductance is too high and turns will have to be removed. If insertion of the other end raises the signal then turns must be added, but if either end causes the signal to drop the coil inductance is correct. Now set the selectivity control to the maximum selective position (all the way to the left). Turn the receiver tuning dial back to 1400 kc. and check the adjustment of the antenna and R. F. trimmer condensers. The output meter should show maximum output under these conditions. If it does not, readjust the antenna and R. F. trimmer and recheck at 600 kc. as outlined above. It will be found that the trimmer condensers will be almost at a minimum when the set is correctly aligned.

**ADJUSTING THE BLUE BAND**

The antenna tuner cover should be removed by taking out three screws from the bottom of the chassis base. The coil wheel shield plate should now be replaced. Throw the Wave Change switch to the blue band, sensitivity control to Maximum position, selectivity control to maximum selectivity and bass control to minimum bass. Set the signal generator and the main dial to 4 megacycles and adjust trimmer at B until the oscillator signal is heard. Adjust the R. F. trimmer at C and antenna trimmer at E to maximum output on the output meter.

**NOTE:** When adjusting the short wave bands and using a strong signal, there will be an "image" signal removed from the fundamental frequency by 930 kilocycles. Be careful to select the right peak, which is obtained when the oscillator is tuned 465 kc. above (not below) the signal frequency.

The low frequency end is adjusted at 2 Megacycles by adjusting the inductance of the oscillator and R. F. coils. If the signal tune is high in frequency the inductance is decreased by spreading the turns at the ends of the coils. If low in frequency the inductance is increased by pushing the turns together.

To check the proper inductance of the antenna and R. F. coil, the tuning wand is used as described previously.

**ADJUSTING THE RED BAND**

The wave change switch is now set to the red band position. All other controls are left as described previously.

Set the signal generator and the main dial to 10 Megacycles. Adjust the trimmer at A until the signal is heard. Now adjust the R. F. trimmer at C and antenna trimmer at F to Maximum output.

**CALIBRATION OF DIAL IS NOT CORRECT**

If the tracking is not correct stations will not come in at the correct dial point. The calibration of the oscillator dial should not be off more than 5 kc. on the broadcast band nor more than 1/2 of one percent on any of the short wave bands.

The dial strip should first be checked to see if it has slipped off its support. If the dial settings are off on all stations by the same amount, the dial has probably slipped on the shaft and will have to be re-set. The method of checking this is to turn the dial to the low frequency end, the marker should be approximately at the bottom of the words KIL-HEG. If it has moved considerably either way, loosen the 2 screws that hold the dial to the shaft and re-set the dial. If this does not remedy the difficulty it may be due to the fact that the inter-electrode capacity in the oscillator tube has changed, or if a new tube has been used, it is different from the one used when the set was calibrated. If this appears to be the case other oscillator tubes should be tried.

If the above suggestions do not clear up the trouble further tests should be abandoned and the I. F. Amplifier should be aligned before attempting to track.

**HOW TO ADJUST THE INTERMEDIATE FREQUENCY**

Due to pronounced AVC action in the Scott Full Range Receiver the ordinary method of using an output meter to indicate alignment and tracking is not entirely satisfactory and if possible a 0-30 D.C. Microammeter such as the Weston Model 600 should be used. It should be shunted by a 10,000 ohm resistor and a 500,000 ohm resistor placed in series with the side. An oscillator for generating a frequency of 465 Kc. is also required. The Microammeter is connected to the terminal that the 10,000 ohm resistor and lead going to the volume control is soldered. The positive side of the microammeter is connected to ground (chassis base).

The signal should be fed to the Control Grid of the 5A7 tube with an .025 condenser in series with the oscillator lead to prevent shorting out of the bias of this tube. Put all tube shields on the set and ground chassis.

Refer to the figure showing underside of chassis and location of I. F. transformers. Now with a strong signal of 100 M.V. or over, begin adjusting the I. F. Diode trimmer for Maximum reading on Microammeter of output meter. Now do the same for the 4th I. F., 3rd I. F., 2nd I. F. and first I. F. transformer. Make certain that the Selectivity Control is in Maximum selectivity position, Wave Change Switch in broadcast position, Bass Control in minimum position, and Sensitivity Control set to Maximum. Now measure the bias from the cathode of the noise suppressor tube and set this bias to 9.5 Volts by the small adjustable 600 ohm resistor.

**CALIBRATING DIAL FOR BROADCAST BAND**

With the marker now set so that it is at the bottom of the Kil-Meg mark the actual calibration may now be undertaken. Reference to Fig. 7 will indicate the order of adjustments.

**NOTE:** It is unlikely that the following procedure will need to be carried out in full for coils that have been previously adjusted, but is given for use where new coils are to be used. Otherwise only trimmers need be adjusted.

It is unnecessary to remove the cover from the three gang condenser. DO NOT BEND THE PLATES OF THE 3 GANG CONDENSER as these are adjusted at the factory and should never have to be touched. We strongly urge the use of a tuning wand for doing this work accurately. One end of this device has a core such as Polystyrene and the other

## E. H. SCOTT RADIO LABS., INC.

MODEL Hi-Fidelity  
All Wave

that the end having the shortest flange from the mounting hole is toward the front of chassis.

8. The series audio condensers and resistors that were removed are mounted on this shield on the opposite side of the oscillator coil very near to the bottom of the shield.
9. Mount the 1/2 Meg. 1/4 watt resistor across the Primary of the 4th I. F. coil. The best position for this is from the resistor end in insulated sleeves to the air trimmer terminal.

10. Remove the old antenna leads from the antenna coil and ant. binding post to the 4 point switch and replace with the shielded leads furnished. Ground shield to chassis.

11. Remove the .025 mfd. condenser from the audio compensator switch and move all the other condensers one contact point forward or "down" on the switch when chassis is underside up. The required parts for the change are:-

- 1 - 1/2 Meg. 1/4 watt resistor
- 1 - I. F. shield part No. 480
- 1 - Ant. shield wire 11 1/2" No. 937
- 1 - Ant. shield wire 10 3/4" No. 938
- 1 - .8 M. R. I. F. Coil, No. 950
- 7 - Air Condensers No. 868 - 932
- 1 - Air Condenser No. 878 - 933
- 3 - Brackets for mounting air condensers Part No. 947
- 2 - 1/8 x 5/32 R.H.P. Screws No. 393
- 1 - 1/2 x 5/32 R.H.P. Screws No. 142
- 1 - Nut 5/32 N.F. No. 99

Also in the power amplifier of early design it has been found that the two 1/4 mfd. tubular condensers across the 823 and 82-V choke inputs occasionally give trouble, and these should be replaced by a dual unit increased in a can. This is part No. 932. It is only necessary to remove the tubular condenser. Mount this unit in the amplifier opposite the 2 mfd. unit in the block can be drilling three holes, and wire in place of the tubular condensers. With the amplifier underside up and the condenser mounted, the two top lugs are the terminals of one condenser and the bottom lugs are the terminals of the other condenser. Check the continuity meter if there is doubt.

On sets used in Europe, the attenuator coils and condensers have different values than for American use, since it is designed for 9-ko attenuation.

It will be noticed on the schematic that the output transformer secondary is tapped and designated as 19 and 30 ohms. This refers to the impedance of the load or voice coil that these windings are to match and not their ohmic resistance. All other chokes and resistances are marked with their ohmic resistance. The input and output transformers have winding resistances as shown below.

Input transformer No. 3078 (6C6 to 6P 6C6) .....	1800	.....	3000 to C.T.
Input transformer No. 3078 (6P 6C6 to 6P 2A3)....	180 to C.T.	....	700-0-1000
Output transformer in speaker .....	50-0-48	.....	(G-T2) - 2 ohms (G-T1) - 5 ohms
Voice coil resistance .....	15	ohms	

Some of the earlier sets have the tubular type 1000-volt, 0.25-mf condensers across the 523 and 83V choke input circuits. Later sets use a dual 1250-volt unit mounted in a can.

An improvement has recently been made in the oscillator circuit for eliminating weak spots in the green band. Refer to the sketch showing these new oscillator connections. It consists in directly grounding the cathode of the oscillator by a lug riveted to the chassis. This is shown in the sketch.

The low frequency end is adjusted at 6 Megacycles and is accomplished in the same manner as described previously.

## ADJUSTING THE GREEN BAND

Set the wave change switch to the green band. All other controls are left as described previously. Set the signal generator and the main dial to 20 Megacycles and carefully adjust the trimmer at A until the generator signal is heard. Adjust the R. F. trimmer at C and the antenna trimmer at G until maximum output is obtained.

The low frequency end is adjusted at 12 Megacycles by changing the inductance of the coils as previously described.

In the latest Scott Allwave High Fidelity receiver air tuned condensers are used in the I. F. amplifier. These condensers maintain their capacity settings and are more stable than the older type. It is especially desirable to use them in humid climates. These the I. F. Amplifier seems weak and has low sensitivity it may be advisable to change the trimmer type and use the air tuned condensers. The following instructions should be carefully followed:

INSTRUCTIONS FOR INSTALLING AIR CONDENSERS IN  
THE SCOTT FULL RANGE HIGH FIDELITY RECEIVER

1. Remove the bottom plates from the receiver.
2. Remove the large round cans from the I. F. Coils. Be very careful in removing these cans so as not to damage the I. F. Coils in any way.
3. Unsolder all wires from the trimmer condensers. Be very careful so as not to burn or otherwise damage I. F. coils for if one strand of wire is broken the coil is ruined and must be replaced. The resistance of each coil is 11 ohms. If one strand or more of the wire is broken the resistance will be less.
4. Loosen the two screws holding the trimmer to the chassis base which can be gotten at from the underside. After the trimmers are loosened, remove them and replace with the air condensers. You will notice that seven of these air condensers are alike. That is, two plates are missing from the fixed section and one of the condensers has the full number of plates. This condenser mounts in the first I. F. stage in the plate circuit of the converter. This means that the I. F. coil for this circuit also has to be changed. We will send a coil with the proper inductance which is 8 Millhenry inductance. We wish to caution you again to be very careful in making changes so as not to damage the I. F. coils. Now replace all wires and make certain that the same connections are made.
5. Now replace the I. F. cans, and be careful in removing the grid caps from the wire so that the same grid leads can be used.
6. Remove the two condensers and resistors which are in series with the grid leads of the audio transformers.
7. Turn the terminal holding the .05 audio coupling condenser so that there will be room to mount the shield plate 5/8" from the left hand end of the chassis and 4" from the front. This plate should be mounted parallel to the end of the chassis and is used to shield the oscillator coil from the diode and audio frequency circuits. If this shield is not used, the set will oscillate violently at the lower frequency end of the broadcast band. It will be noticed that there are two mounting holes on this shield. After the shield is in place as described, mark the chassis base for these two holes drilling them with a No. 31 drill and tapping for 5/32 screws. Be very careful in drilling these holes so as not to go thru too far, thereby damaging the audio transformer. Be sure to mount this shield so

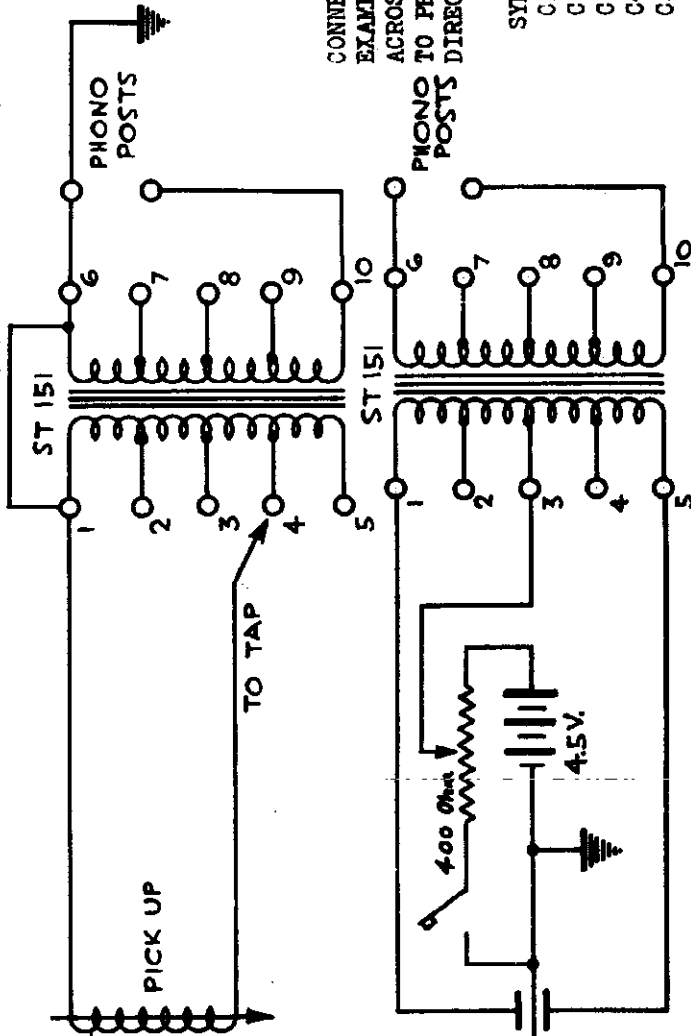


MODEL Hi-Fidelity  
All Wave

E. H. SCOTT RADIO LABS., INC.

PRIMARY		SECONDARY	
TAP	IMPEDANCE	TAP	IMPEDANCE
2-3	12.5	6-7	15G0
3-4	25	6-8	6250
4-5	50	6-9	25000
1-2	75	6-10	100000
1-3	150		
1-4	300		
1-5	600		

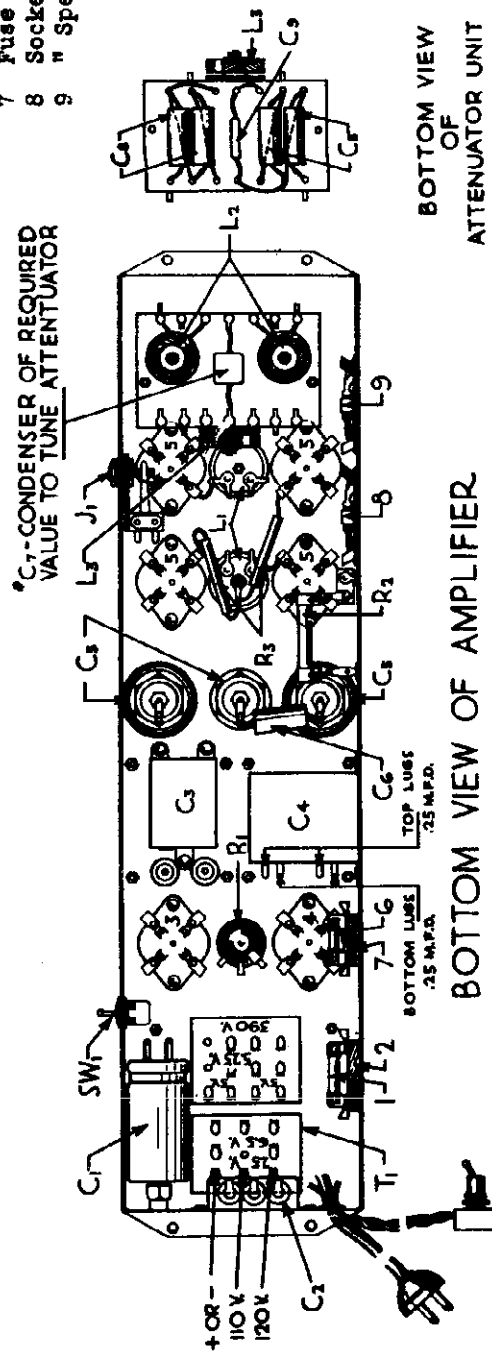
CONNECT PICKUP ACROSS TAPS WHICH MATCH ITS IMPEDANCE  
EXAMPLE: FOR PICKUP OF 2000 OHMS; CONNECT PICKUP  
ACROSS SECONDARY TERMINALS 6-7; TERMINALS 6 AND 10  
TO PHONO POSTS. PICKUPS OVER 4000 OHMS CONNECT  
DIRECTLY TO PHONO POSTS.



SYMBOL	VALUE	STOCK NO.	SYMBOL	VALUE	STOCK
C1	100 mf, 50 v	661	C6	.05 mf 400v	655
C2	.1-.1, 300 v	657	C7*	(See below)	
C3	2 mf, 200 v	37	C8	.13 mf	656
C4	2x.25 mf, 1250v949		C9	3500 mf	664
C5	30 mf, 475 v	660	R1	10 ohms	669
				2 Fuse Base	10
				3 83V Socket	677
				4 523 "	166
				5 2A3 "	165
				6 Fuse-.75 amp	665
				7 Fuse Base	667
				8 Socket set	676
				L2 3.5 mh	654
				9 " Speaker	675
				L3 72 mh	655
				J1 Phone jack	78
				SW1 Hi-Low Switch	679
				Attenuator strip	190
				Switch Off-On	193
				A-F Transformer	680
				Choke 30 h.	651
				" 30 h.	652
				A-C Cable	21
				EXPORT SET VALUES	
				C8 .15 mf	799
				L2 3.7 mh	707
				L3 84 mh	708
				T1 Pwr. Trans-25 ~	683
				T1 " 220-volt	682

CONNECTIONS WHEN USING CARBON MIKE

PHONOGRAPH CONNECTIONS TO SCOTT XXIII



BOTTOM VIEW OF ATTENUATOR UNIT

BOTTOM VIEW OF AMPLIFIER

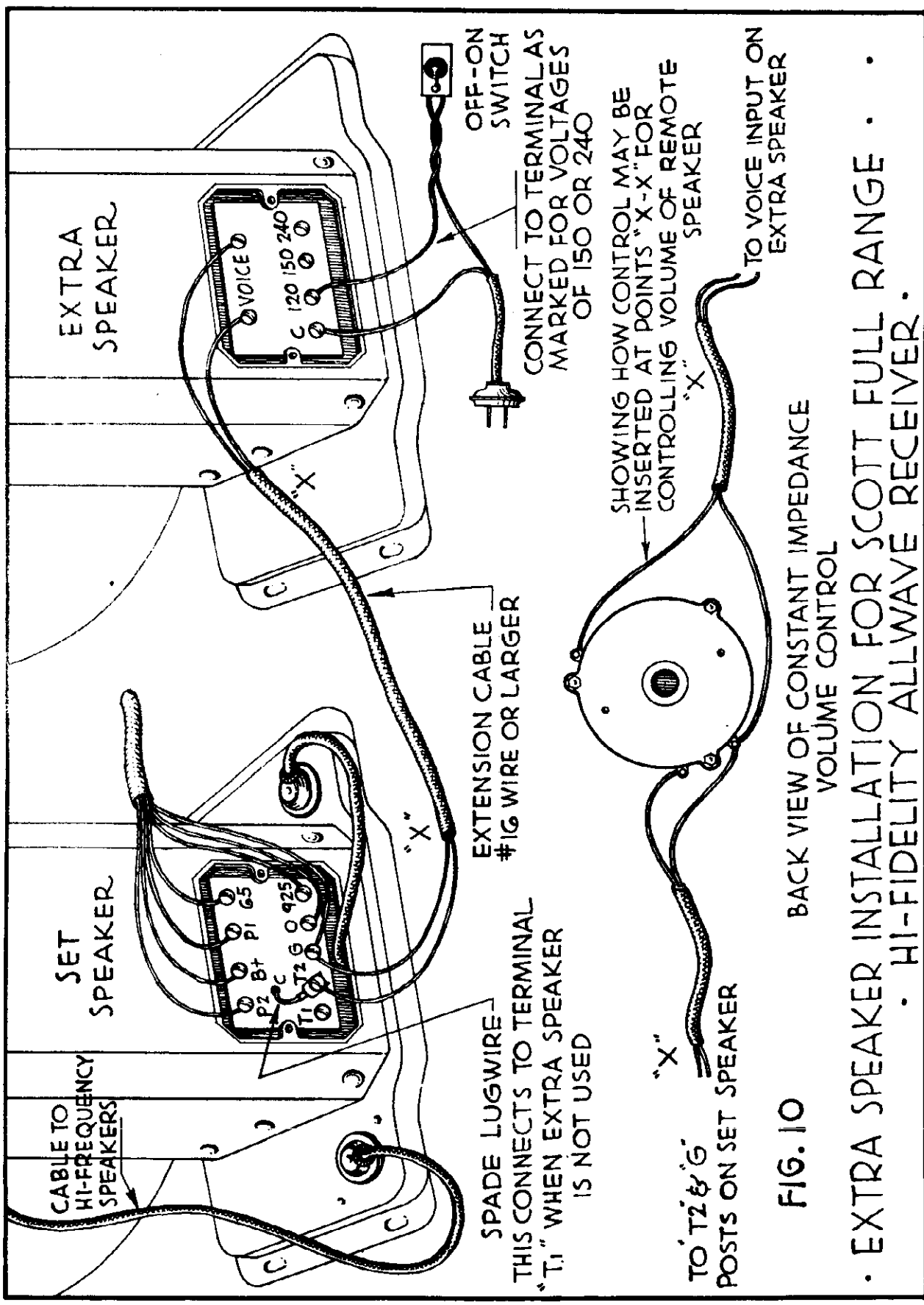


FIG. 10

BACK VIEW OF CONSTANT IMPEDANCE VOLUME CONTROL

EXTRA SPEAKER INSTALLATION FOR SCOTT FULL RANGE . . .  
 HI-FIDELITY ALLWAVE RECEIVER . . .

**MODEL Hi-Fidelity  
All Wave**

**E. H. SCOTT RADIO LABS., INC.**

TEST NO.	TEST POINT	A AMPLIFIER VOLTAGE READINGS		CORRECT VOLTAGE READING	PROBABLE CASE OF INCORRECT READING
		Line Voltage	112 volts		
1.	C. T. of 88-V Hi Voltage Wdg. to plates of 2A3's (2A3 Plate V.)			310	Defective 88-V shorted filter condenser Line voltage low, Shorted. 25 mfd. input Condenser. Defective 10 HEN. Choke shorted attenuator. Open M.H. coils. Open Primary on output transformer. Defective 2A3 tubes.
2.	C. T. 88-V Hi-Voltage Wdg. to Gnd. (2A3 - BIAS V)			68	3/4 Amp. fuse open. Bias filter condenser shorted. Open connections to fields in Hi-Frequency speaker, or to field resistor in low-frequency unit if used. Hi-frequency field open. Field resistor open. Defective 5Z3. Shorted 2 mfd. condenser.
3.	C. T. Pri. P.P. 2A3 Input Transformer to Gnd.			250	Defective 5Z3. Shorted .25 mfd. input condenser. Shorted filter condensers open or shorted fields. Defective 30 HEN. choke. Defective B-Stick in set Chassis. Shorted or grounded by-pass condensers or resistors in set.
4.	C. T. 5Z3 Hi Volt Wdg. to gnd. (Noise Suppression Bias)			20	Defective 5Z3. Shorted 100 mfd. dry electrolytic. Open or shorted 150 ohm resistor. Short in chassis divider network.
5.	Across 925 ohm speaker field.			185	Shorted .05 condenser across field Shorted or open field.
6.	Filaments			2.5 For 2A3 6.5 For set 5 on Rectifiers	Shorted wiring or windings. Defective hum control.

**SET CHASSIS VOLTAGE READINGS**

Volume control - Minimum; Sensitivity Control - Maximum; Fidelity Control - Minimum - Line Voltage 112 volts.

7.	Plates 6C6 Audio to Gnd.			235	Open Pri. on P.P. Input Trans. Same Tests as in No. 3
8.	Plates 6C6 1st Audio			230	Open Pri. on 1st Audio Trans.
9.	2nd Stage Audio Bias & 1st stage audio Bias. Measure from CT Secondary of 1st Audio Trans. to GND.			7 1/2	Defective Bias resistors. Defective 6C6 tubes. Shorted contacts on Condensers or open resistors in bass control. Open Audio Trans. winding.
10.	Plates 4th, 3rd, 2nd, 1st I. F. Tubes 3rd, 2nd, 1st, I. F. Screen			235 90	Open plate resistors or open I.F. primary coils. Open Screen Resistors. Shorted by-pass condenser.
11.	Cathode of Noise Suppressor to Gnd.			9 1/2	Open Resistors
12.	Tuning Meter Amplifier Plate V. Cathode to Gnd.			238 9 1/2	Same test as No. 3. Open cathode resistor or wrong 600 ohm resistor adjustment.
13.	Oscillator Plate			118	Shorted by-pass condenser. Open coil or 10,000 ohm resistor.
14.	4th IF Bias, measure from outside 1/4 meg. Grid coil Resistor. 4th IF Screen			4 1/2 95	Defective resistor, 6D6 tubes or shorted by-pass. Open screen Resistor
15.	Converter Plate			230	Open plate resistors or I.F. Primary
	Converter Screen Converter Bias at Resistance Network			70 3	Test as in No. 3. Defective Resistor, divider or by-pass
16.	RF (AVC) Plate Screen Bias (Cathode to Gnd.)			230 100 6	Open Coil of Resistor Test as in 3 Open Resistor in Plate Defective Resistors or by-pass.
17.	R. F. Plate R. F. Screen Bias Measure at network			225 92 3	Open Plate Primary Resistor Open Resistor, shorted .1 mfd.
18.	Beat oscillator Plate			225	Open coil - Poor Switch Contact
19.	Neon, Oscillator Side to ground per tube			120 60	Open 10,000 ohm resistor

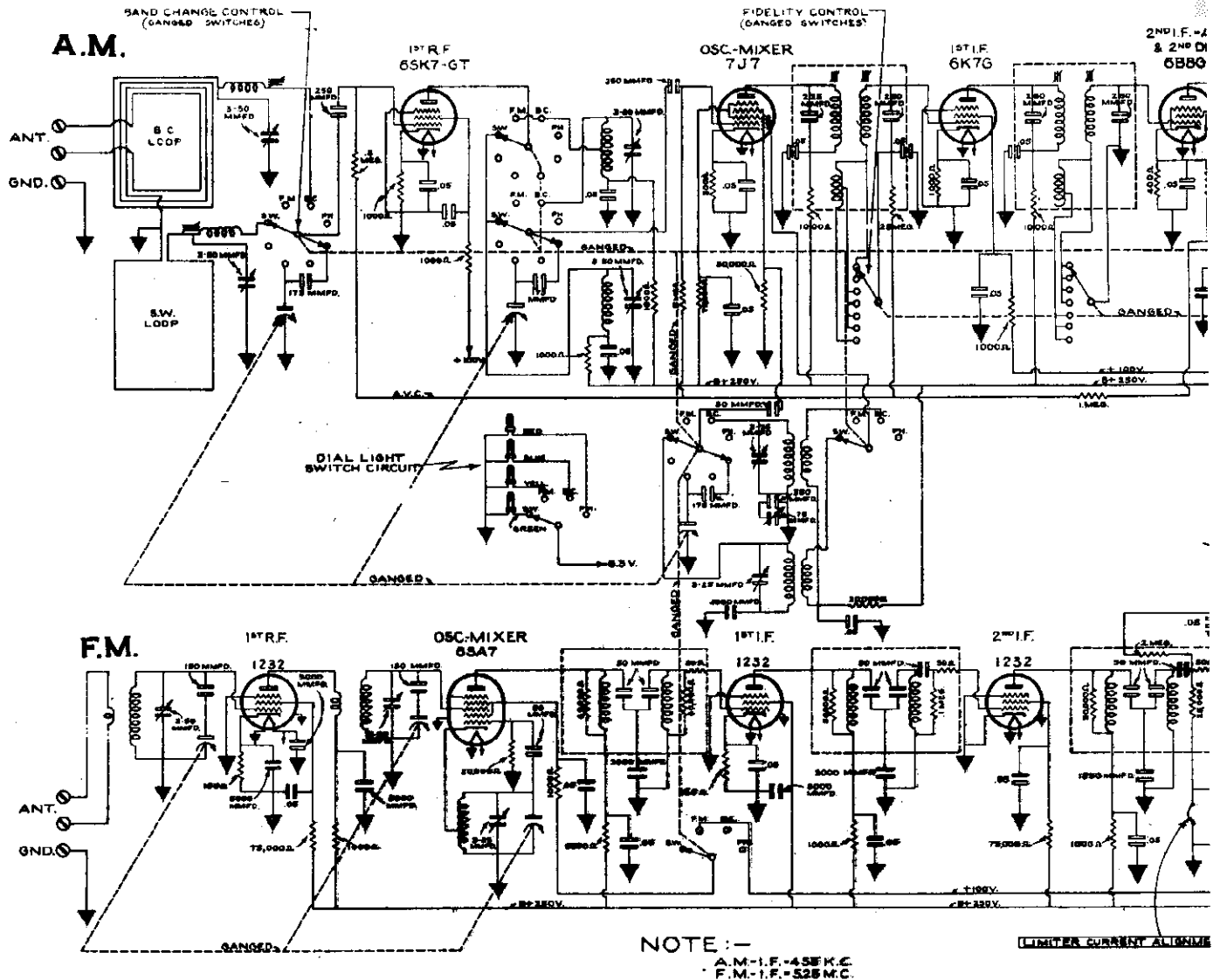


FIG. 1

ELECTRICAL SPECIFICATIONS

Voltage Rating . . . . 117 volts  
 Frequency Rating . . . . 60 cycles

NOTE: Power transformers can be furnished for any special frequency or voltage rating.

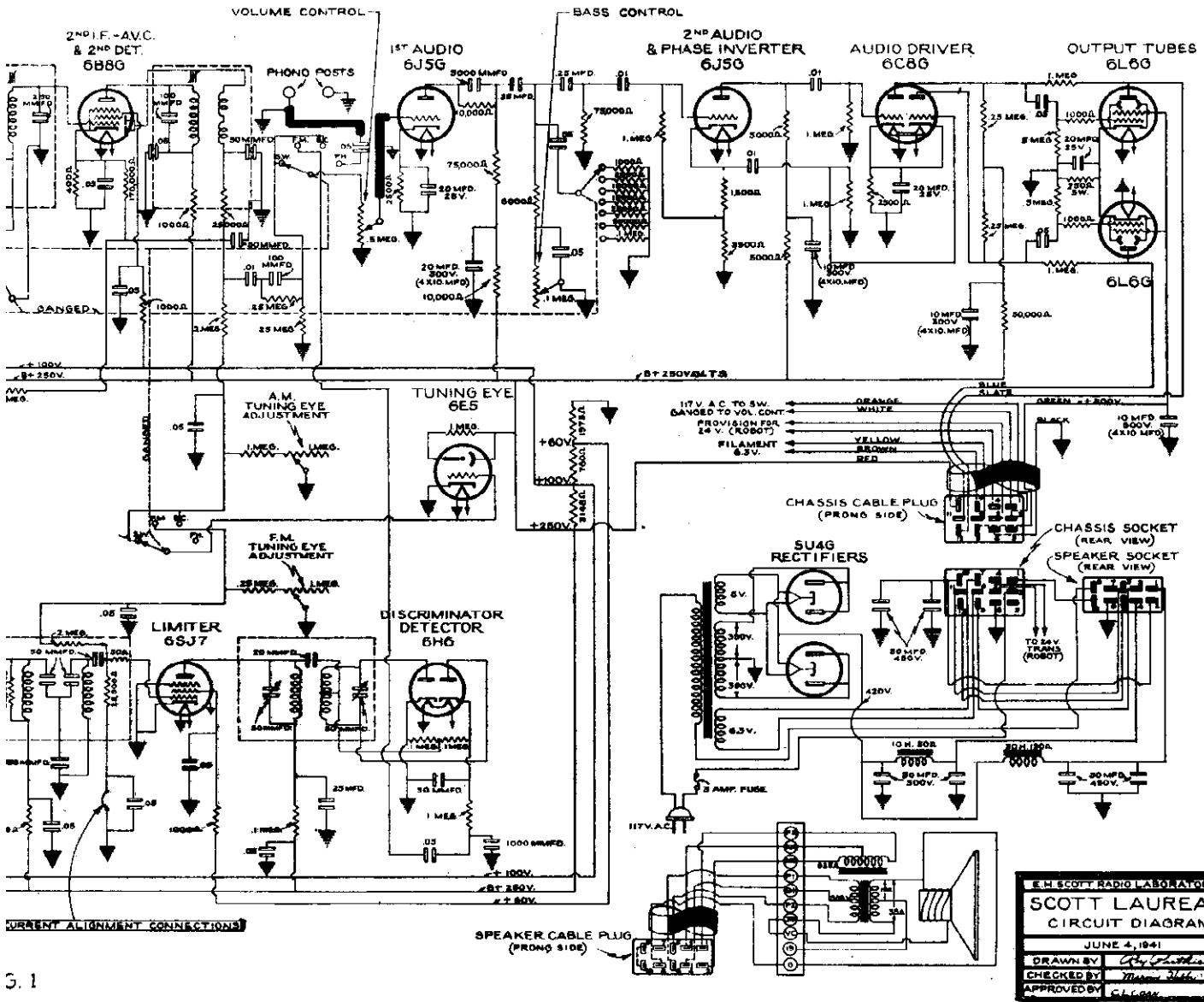
TYPE CIRCUIT

AM - Superheterodyne with built-in duplex antenna - 1 r-f stage  
 2 tuning ranges - 2 i-f stages with variable selectivity.

FM - Superheterodyne cover 50 mc range, having 1 r-f stage high-gain 5.25-mc i-f stage, including 1 limiter stage, balanced diode detector - 4 a-f amplifier with bass and treble controls - phase inverter, feedback - beam power output - RC tone compensation circuit.

TT RADIO LABS., INC.

MODEL Laureate



5.1

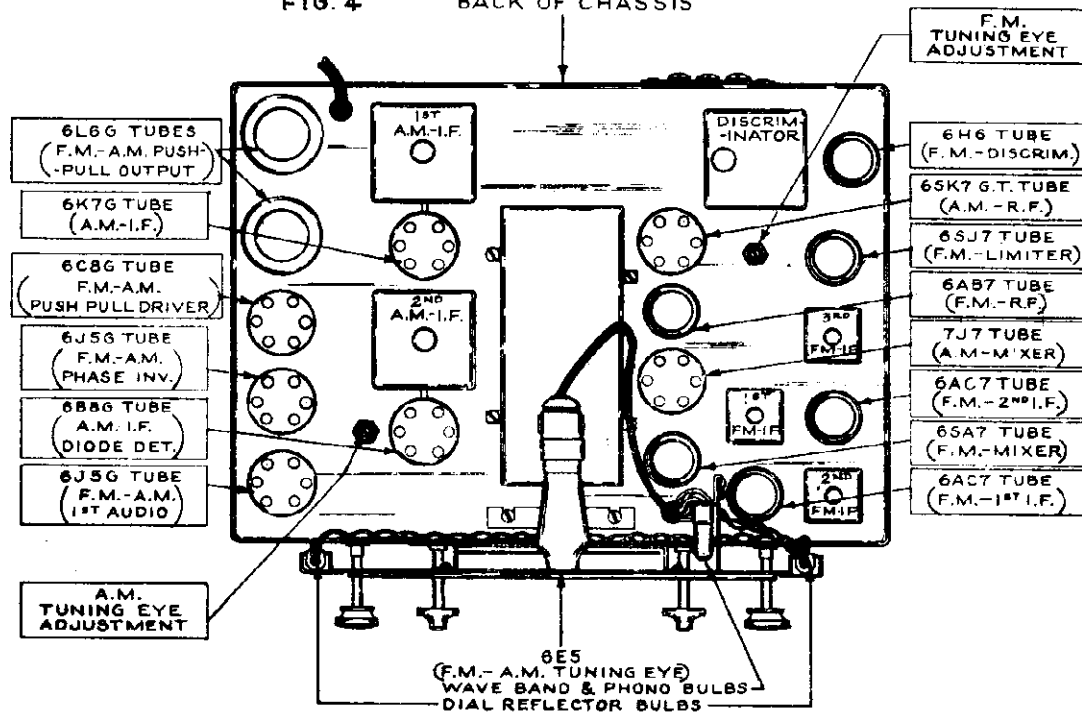
ne covering 42 to  
g 1 r-f stage - 3  
25-mc i-f amplif-  
limiter stage -  
ector - 4-stage  
bass and treble  
nverter, inverse  
wer output stage-  
on circuits.

- AM AUDIO-FREQUENCY RANGE . . . . . 30 - 9000 cycles
- FM AND PHONE FREQUENCY RANGE . . . . . 30 - 15,000 cycles
- RADIO-FREQUENCY COVERAGE . . . . . 540 - 1600 kc  
9.2 - 15.6 mc  
42 - 50 mc

T. H. SCOTT RADIO LABORATORIES, INC.	
SCOTT LAUREATE	
CIRCUIT DIAGRAM	
JUNE 4, 1941	
DRAWN BY	<i>W. J. ...</i>
CHECKED BY	<i>Wm. ...</i>
APPROVED BY	<i>G. L. ...</i>

LAUREATE TUBE LAYOUT

FIG. 4 TOP VIEW BACK OF CHASSIS

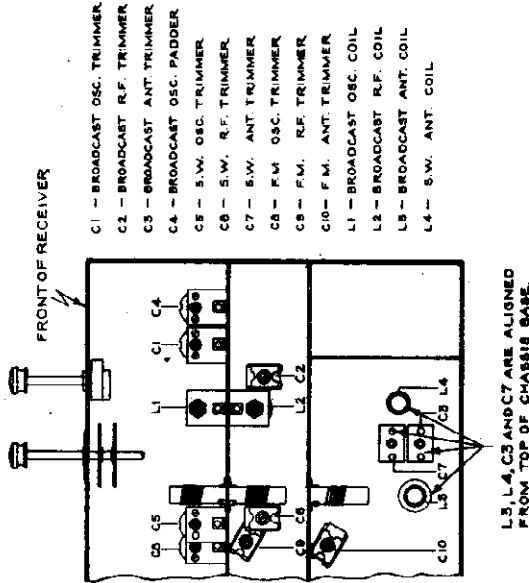


VOLTAGE MEASUREMENTS

Line Voltage... 117 volts, 60 cycles  
Voltage... 265 volts

SECTION	TUBE TYPE	FUNCTION	Ef	Ek	Eg	Esg	Eop	Ep
	6SK7GT	RF Amp.	6.1	7.5	+3.7	104	-	255
	7J7	Mixer-Osc.	6.1	3.0	+3.7	66	140	255
	6K7G	First IF Amp	6.1	6.3	+3.7	100	-	252
	6B8G	Second IF Amp AVC, Second Det.	6.1	3.7	0	100	-	252
<b>FM SECTION</b>	<b>TUBE TYPE</b>	<b>FUNCTION</b>	<b>Ef</b>	<b>Ek</b>	<b>Eg</b>	<b>Esg</b>	<b>Ep</b>	
	6AB7	RF Amp	6.1	1.3	-	110	252	
	6SA7	Mixer-Osc	6.1	0	0	100	250	
	6AC7	First IF Amp	6.1	3.0	0	146	255	
	6AC7	Second IF Amp.	6.1	0	0	76	250	
	6SJ7	Limiter	6.1	0	-	63	5	
	6H6	Frequency Det	6.1	0	0	0	-	
<b>AUDIO SECTION</b>	<b>TUBE TYPE</b>	<b>FUNCTION</b>	<b>Ef</b>	<b>Ek</b>	<b>Eg</b>	<b>Esg</b>	<b>Ep</b>	
	6J5G	First Audio	6.1	3.4	0	-	92	
	6J5G	Phase Inverter	6.1	6.7	15		210	
	6C8G	Push Pull Driver	6.1	3.0	0		102-102	
	6L6G	Push Pull Output	6.1	20.5	0	310	388	
	6L6G	" " "	6.1	20.5	0	310	388	
<b>COMMON FUNCTIONS</b>	<b>TUBE TYPE</b>	<b>FUNCTION</b>	<b>Ef</b>	<b>Ek</b>	<b>Ep</b>			
	6E5	A-FM Tuning Ind	6.1	0	265			
	5U4G	Power Supply	4.9	420				
	5U4G	" " "	4.9	420				

LAUREATE TRIMMER & COIL ARRANGEMENT



L3, L4, C3 AND C4 ARE ALIGNED FROM TOP OF CHASSIS BASE. FIG. 1

ALIGNMENT OF AF SECTION

ALIGNMENT OF IF SECTION

Turn the wave band switch to the broadcast band and set dial pointer to high frequency end of the dial. Ground the AVC line by connecting a jumper wire from it to chassis. Set the selectivity-treble switch to the sharpest position (extreme counter-clockwise position). Open the 170,000 ohms diode load resistor at the point where it connects to the cathode of the 6B8G and insert a 0-30 or 0-50 microammeter in series with this resistor.

Connect the output of a good signal generator through a .05 mfd. condenser to the grid of the 6B8G second IF Amplifier. Apply an unmodulated 455KC signal of sufficient strength to produce a diode meter reading of 20 microamperes. Adjust the diode transformer alignment screw for maximum diode current, retarding the signal generator input so that the tuning meter reading is kept on scale.

Connect the signal generator to the grid of the 6K7G tube and align the primary and secondary adjustment screws of second IF transformer for maximum diode current.

Reduce the signal generator input so that the diode current is held close to 20 microamperes.

Now connect the signal generator output to the signal control grid of the 7J7 tube and adjust the primary and secondary alignment screws of the first IF transformer.

The selectivity characteristics of the receiver may be checked to a certain degree by rotating the treble control in a clockwise direction and detuning the signal generator above and below 455 Kc. The four degrees of selectivity are arranged in the following order: (1-2) sharp; (3-4) medium sharp; (5-6) medium broad and (7) broad. In the last two positions double peaks about the 455 Kc. point should appear in the diode current as the generator is detuned.

ALIGNMENT OF RF SECTIONS

It will be noted that the antenna, RF and oscillator coils and trimmers are located in clusters around their respective wave change switch sections. This arrangement is most satisfactory from the standpoint of circuit efficiency and, although the application of a tuning wand to check alignment may not be particularly applicable, the broadcast band coils are equipped with moveable iron cores which allow their inductances to be varied readily. The short wave and FM coils can be adjusted only by sliding turns. However, little difficulty is likely to be encountered with this arrangement since suitably matched laboratory coils must be used for replacement purposes. The arrangement of R.F. trimmers and coils is shown in Fig. 2.

AM BROADCAST BAND ALIGNMENT

First turn the dial pointer completely to the low frequency end of the dial scale. In this position the pointer coincides with the heavy vertical mark which is located to the left of the marking "kilocycles" which is just above the regular dial calibration. Turn the wave band switch to the position in which the Blue dot on the dial, marked AM, lights; set the bass control at maximum, treble control to minimum and connect an output meter across the voice coil. Adjust oscillator trimmer C, until a 1400 kc signal as set on the dial is tuned in from the generator, whose output is being fed in at the 6SK7GT RF grid. Rotate the dial to 600 kc and tune in a 600 kc signal from the generator by adjusting the padding condenser C4. Check the dial at 1000 kc and if it tunes high in frequency turn the adjusting screw of L outward, to decrease it. If it is low in frequency turn the adjusting screw of L in to increase the inductance. Then readjust trimmer condenser C, and padder condenser C4, as before.

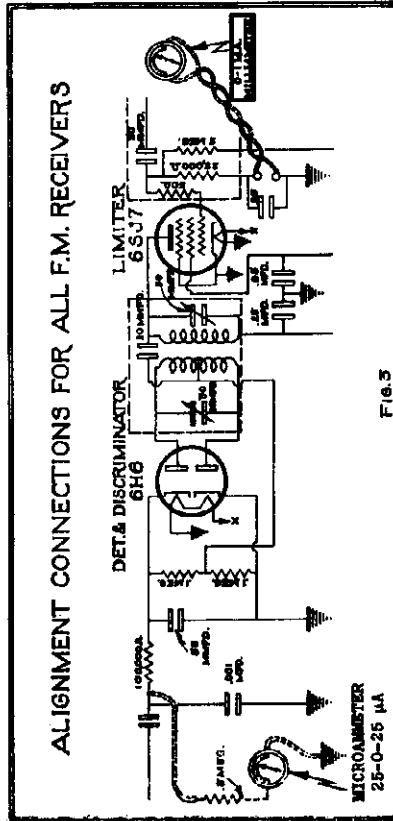
With the oscillator circuit correctly spotted, one can proceed to align the RF and Antenna circuits. With the signal generator input still connected to the RF grid, tune in a signal from the generator at 1400 kc and use the output meter to observe the alignment for maximum sensitivity. Have as weak a signal as possible and adjust C2 for maximum output. Turn the dial to 600 kc and check the alignment of the RF coil, by noting whether the sensitivity is normal. Decrease the inductance of L2 by the adjusting screw, where necessary, or increase it by means of the screw if more inductance is required. Readjust C2 for maximum at 1400 kc. Turn the dial to 1000 kc and check the alignment of the RF stage.

The alignment of the Loop Antenna Circuit is covered in a separate section at the end of this alignment procedure.

SHORT WAVE BAND ALIGNMENT

Set the wave change switch to the position in which the Green dot, marked SW, lights and turn the dial to 15 megacycles. Leave the signal generator connected to the RF grid, and adjust it to 15 megacycles. Tune the signal from generator by adjusting trimmer C5. Turn the dial to 10 megacycles and if necessary to correct the calibration do so by spreading or pushing turns on the coil. Readjust trimmer C5 at the 15 megacycles point and check the calibration at 12 megacycles.

With the oscillator correctly aligned tune in a signal at 15 megacycles and adjust trimmer C6 for maximum output. Check the alignment at 12 and 10 megacycles and make necessary corrections by pushing or spreading turns on the coils. Now re-adjust trimmer C6 at the 15 megacycle point.



should not be realigned except by the above procedure; that is, the IF adjustments should be made individually for each stage by the point-to-point method and no overall re-adjustments should be made.

Because of the high gain in each IF stage of the Scott Laureate it may be found when the IF alignment is completed that the overall selectivity peak does not occur at exactly 5.25 Mc. where the signal generator was set during the procedure. If this is the case, the signal generator should be tuned to the point where maximum output occurs, and the tester should go back to the secondary trimmer of the discriminator transformer and readjust it slightly so that the zero current point coincides exactly with the peak of limiter grid current. The IF signal should then be fed into the grid of the limiter and discriminator linearity should be rechecked and adjusted to equality by the primary tuning condenser if necessary. This readjustment of the discriminator to align its characteristic exactly with the wave shape of the IF selectivity curve is essential for optimum results and minimum distortion. However, in no case should the required readjustments be more than slight. If the discriminator zero and the selectivity peak are too far removed excessive regeneration is indicated.

The overall IF selectivity characteristic may be checked by detuning the signal at least + 75 kc or more from the frequency of maximum output and by observing the amount of attenuation. The characteristic should resemble that shown in Fig. 6 of the Scott Frequency Modulation Data Manual. As pointed out there, a small amount of dissymmetry can be tolerated, because of the limiter characteristic.

#### FM RF CIRCUIT ALIGNMENT

With the 0-1 Mc. meter in the limiter grid leak circuit, connect the Model 12 signal generator output through a .05 mfd. condenser to the grid terminal of the 6SA7 mixer tube.

Observe that the dial pointer still travels exactly to the low frequency end stop used for AM alignment. Turn the tuning knob to rotate the pointer to 50 Mc. and adjust the signal generator for a 50 Mc signal. With sufficient output from the generator to enable an easy location of the signal, rotate the oscillator trimmer C8 until a peak of limiter grid current is reached. Since the oscillator must be peaked on the low frequency side of the incoming signal, it should be observed that the trimmer C8 is set a about 50% of its total capacity.

Connect the signal generator output to the grid of the 6AB7 RF tube and align the trimmer C9 of the RF circuit for maximum limiter grid current.

Proceeding to the antenna terminals the output of the signal generator should be fed through a 100 ohms resistor. The receiver antenna terminal adjacent to the ground

#### ALIGNMENT OF FM SECTION

##### DISCRIMINATOR ALIGNMENT

A circuit diagram of the connections for this operation is shown in Fig. 3. Connect the zero center micrometer with series resistor as shown and connect the output terminal of the 6SJ7 generator (tuned to 5.25 Mc) through a .05 mfd. condenser to the grid of the 6SJ7 limiter. Increase output of the model 12 signal generator to its maximum output level. Rotate the plate trimmer condenser at the top of the discriminator transformer shield can until the zero center micrometer swings to a maximum deflection in either direction from zero. Then rotate the secondary trimmer condenser at the bottom of the discriminator transformer until the meter indicates swings through zero with increasing or decreasing current depending upon the direction of rotation of the trimmer adjustment. Adjust for zero meter indication under these conditions.

Detune the signal generator back and forth about + 200 kc. If the discriminator circuit will swing through a positive peak in one direction and through a negative peak in the other direction. However, these peaks may not be of equal amplitude at this stage of the alignment procedure. They can now be adjusted for equality by going back over the plate trimmer adjustment the serviceman will soon find that it is relatively simple to attain peak equality in the discriminator circuit.

The peaks should be about 300 kc apart or + 150 kc. from the resonance frequency, which is 5.25 Mc, and the variation of the zero center meter current should be linear on either side up to at least + 80 kc. The final goal of discriminator alignment is to attain this linearity over at least + 80 kc. and after obtaining linearity, the serviceman should finally readjust the plate trimmer slightly to obtain this result even at a sacrifice of peak equality. The linearity and equality of the + 80 kc. deviation characteristics are essential to distortionless audio reproduction for a wide-band FM receiver. If the characteristics is found to be linear out to + 100 kc. then finally adjusted, it is so much the better to allow for overmodulation at the transmitter.

When the adjustment of the discriminator transformer is completed, the zero center meter should indicate zero when the signal generator is tuned to 5.25 mc.

The diagram of the general shape of the discriminator characteristics will be found in Fig. 5 under model Philharmonic.

##### FM IF AMPLIFIER ALIGNMENT

The 0-1 mc. milliammeter should be inserted in the ground side of the 25,000 ohms grid leak in the input circuit of the 6SJ7 limiter tube. A jumper connection and bypass condenser have been provided under the chassis at this point in the receiver. The wire from the IF transformer is color-coded slate and white and is connected to a terminal strip near the 6SJ7.

After the meter is inserted the IF signal generator (tuned to 5.25 Mc) should be connected through a .05 mf. condenser to the grid terminal on the socket of the second 6AC7 IF amplifier and the primary and secondary alignment screws of the third IF transformer should be adjusted for maximum limiter grid leak current. The output of the signal generator should be adjusted so that the limiter current is about .2 milliamperes while the tuning adjustments are being made. Since it is possible to align the IF coils with cores either out or in, it is important to make sure that they are peaked with the adjustment screws in the outward position in order to insure proper coupling between the coils.

The second and first IF transformer should be aligned in this order by moving the signal generator input progressively forward to the first 6AC7 and the 6SA7 grid. All of these connections are on the respective sockets, because of the single ended construction of these tubes. Each transformer alignment screw should be adjusted for maximum limiter grid current, as the signal input is fed into the amplifying tube directly in front of it. After all of these adjustments have been made, the individual stages



## MODEL Laureate

## E. H. SCOTT RADIO LABS., INC.

## SYMPTOMS OF TROUBLE

If the set is tuned to a strong local station and the tuning meter moves back and forth as the sensitivity control is varied, this indicates that the I-F amplifier is weak or out of adjustment. The antenna should be disconnected and with volume and sensitivity full on and fidelity control one-third to the right, there should be a rushing noise over the whole of each band. If this does not happen, the I-F adjustment is off and this should be corrected as outlined.

If the sensitivity appears to drop off rapidly as selectivity is increased, it is also an indication of poor I-F adjustment or incorrect bias. This bias will vary from 3 volts for max. fidelity and selectivity to 9.5 for min. fidelity and max. sensitivity. Do not loosen any of the band-spread condensers on the common shaft, as the spacing of the plates has been set.

## RUN

If the set appears to have undue hum, it is probably due to an unbalanced condition of the 2A3 tubes. Adjust the hum control for min. output on an output meter and try all possible combinations of the 2A3's in their different sockets. Carefully avoid any possibility of inductive or stray pickup from cables, phonograph leads, and wiring. Tubes should also be checked.

## PHONOGRAPH OPERATION

On the older type 25-tube receivers, the phono input was of the low-impedance type and was connected in the cathode circuit. On the newer receivers, the input is of the ohm injection type or high-impedance input. On the new receivers, pickups from 4000 ohm impedance and up may be directly connected to the phono posts, while on the older receivers, matching transformers are required in most cases.

## OPERATION OF EXTRA SPEAKERS

The output transformer normally matches a 10-ohm voice coil, but it is arranged so that another 10-ohm voice coil may be connected in series with the set speaker and the total load connected to T1 with correct loading. T pads may be used for individual controls and a suggested arrangement is shown in Fig. 10. (Note the terminal C is not ground on this speaker, but is the ungrounded side of voice coil.)

The earlier type loud speaker was arranged with an output transformer with the following output impedances: 38 ohms; terminal G to T1 for one single Scott speaker (38-ohm voice coil) --- 19 ohms; terminal G to T2 for two Scott speakers (38-ohm voice coils) --- 4 ohms; terminals T1 to T2 for single low-impedance speaker. One side of the voice coil in the speaker is connected to the frame of the speaker, the other side is brought out to a spade lug so that it may be connected to either of two terminals. For a single speaker the flexible lead marked C is normally connected to T2. When an extra speaker is desired, the flexible wire with the spade lug is connected to T1. The voice coil leads of the extra speaker are then connected to terminals marked G to T2. This provides operation of two 30-ohm impedance voice coils in parallel.

## CAUTION

Never remove the 5Z5 tube from the amplifier when the set is on, as it will blow the fuses and may damage the receiver.

## TUNING METER

If the tuning meter cannot be made to respond by tapping it, it should be tested for continuity and, if found defective, should be replaced. Its removal will not affect general operation.

## ADJUSTING THE BLUE BAND OR LONG-WAVE BAND ON EXPORT RECEIVERS

Remove the antenna tuner cover and replace the coil wheel shield plate. Throw the wave-change switch lever to the long-wave band, sensitivity control to one-half max., selectivity to max., and bias control to min. Set the signal generator and the main dial to 170 kc and adjust the pointer at A until the oscillator signal is heard. Repeat at 350 kc and trim at B. With less generator input, spot 170 again and align. Repeat at 350 kc and adjust the R-F trimmer at C and antenna trimmer at E to max. output on the diode or output meter. This must all be done after the BC band has been aligned.

terminal should be connected to that point by a jumper wire. With the signal generator still set at 50 Mc., the antenna shunt trimmer C1C should be aligned for maximum limiter grid current.

After this alignment at the high frequency end of the band is completed the dial should be rotated to the low frequency end, about 43 Mc., and the sensitivity level at that point should be compared with that which was noted at 50 Mc. It should be substantially the same.

Since fixed padding condensers are used in the antenna and RF circuits, a lack of sensitivity would indicate that the value of one of these might have changed or that the inductance of the coils might have shifted. An examination of these parts and the replacements of any defective ones should restore the sensitivity to normal. If the RF or antenna secondary inductance is slightly off, this may be remedied by spreading or pushing end turns slightly to obtain maximum sensitivity.

## BUILT-IN ANTENNA ALIGNMENT

The use of a built-in loop antenna introduces a new alignment problem in the AM broadcast and short wave ranges. In checking a receiver on the bench it will be desirable to remove the loop from the cabinet and perform alignment operations on this circuit under conditions which may be slightly different than those in the cabinet. Also whenever a receiver is installed in the cabinet after servicing, it will be desirable to make the necessary slight readjustments to assure that the loop circuits are in resonance.

When alignments are made on the bench precautions should be taken to insure that the loop is remote from metal objects which may seriously affect its inductance. Also the signal pickup is quite high on the broadcast band loop and usually a large number of stations will be tuned in unless the receiver and the antenna are placed inside a screened room, from which all aerial lead-in wires are completely removed. However, it is possible to obtain satisfactory alignment even in the presence of considerable outside signal pickup, if the signal generator is set at such frequencies that its signal does not coincide with that of some of the local broadcast stations.

Connect the signal generator input through a 100 ohm resistor to the antenna terminals on the loop terminal board. The antenna terminal nearest to the ground terminal should be connected to that point. In the AM broadcast band align C3 for maximum tuning eye closure at a frequency around 1,400 kc. and adjust L5 for maximum closure at a frequency around 800 kc. In the short wave band align C7 for maximum closure at 15 megacycles and L4 for maximum closure at 10 megacycles. Correct alignment can also be detected by listening to inter-station noise provided the local noise level is not too high. If tuning eye indication is used, the eye can be snapped out of its holder and allowed to hang down in the rear of the chassis where it can be seen.

## CONNECTING EXTRA SPEAKER

Provision is made for connecting an extra speaker to either the single 15" speaker system or the co-axial high fidelity speaker. In the case of the former the extra speaker must either have a voice coil impedance of 38 ohms or must be matched to that value by a suitable transformer. In the latter case provision is made for plugging an extra speaker having an 8 ohm voice coil impedance into the dividing network.

In case the extension speaker is disconnected from the single speaker system the jumper must be changed to connect terminals "7C" and "38" together. In the case of the co-axial system a small plug which is furnished with the dividing network must be reinserted when the extra speaker plug is removed.

## WAVE CHANGE SWITCH TROUBLE

Poor contact in the wave change switch can generally be corrected by slightly bending the contacts involved. However, in case a switch section is accidentally damaged beyond repair, this section can be replaced by removing the two screws which support the wave change detent plate and very carefully pulling out the wave change switch shaft. The damaged section can then be unsoldered, removed and replaced with a new unit which should be obtained from the Scott Laboratories in Chicago before the change is made in order to assure exact duplication of switch position and connections. Note particularly that the small notch near the center of the switch rotor must be in the same position in each switch section.

## E. H. SCOTT RADIO LABS., INC.

MODEL Phantom

R.F. and I.F. AVC Systems

The Scott Phantom employs two separate AVC systems. In the R.F. AVC circuit the control grid of the 6B8G tube is capacitatively coupled to the plate of the 6L7G converter tube. I.F. and signal frequency are amplified and rectified by this tube and applied as control on the 1st R.F. grid and converter tube. This prevents overload in the R.F. stage and helps to reduce the effects of noise and distortion when tuned to powerful locals and also protects the first tube from these effects when the set is tuned to a weak distant station that is near in frequency to a powerful local. This AVC action operates only when the input signal exceeds about 1,000 microvolts.

In the I.F. AVC circuit the 6H6G tube acting as part of the noise limiter circuit and diode detector supplies AVC voltage for control on the 1st and 2nd I.F. tube grids and prevents overload and distortion in this part of the circuit.

Just below the volume control is the sensitivity switch which will decrease the maximum sensitivity of the receiver, when to the extreme left, by increasing the minimum bias of the I.F. AVC to approximately 30 volts. This provides silent tuning between stations but in no way affects the normal AVC action on the stations which are well above the noise level.

Detector

As mentioned above, the 6H6G tube acts as a second detector in addition to its other functions, and handles high percentage modulation signals with a minimum of distortion.

Record Scratch Suppression

The Scott Phantom employs the feature of automatic scratch suppression using a 6B8G and a 6J7G in a special circuit which attenuates the higher audio frequencies (corresponding to record scratch) when they are very weak, but passes unattenuated the stronger high frequencies (corresponding to useful high fidelity reproduction).

The 6B8G tube operates as an amplifier and diode to supply rectified bias voltage, (proportional to input signal amplitude for frequencies above 1,500 cycles) to the control grid of a 6J7G tube. The circuit is arranged so that the effective capacity of a 25 mfd. condenser, amplified to a maximum of approximately 5,000 mfd. by the gain of the 6J7G tube, is in shunt with the first A.F. 6K7U tube grid at audio frequencies.

When the higher audio frequencies are weak no rectified bias is developed by the 6B8G tube allowing the 6J7G tube to operate at maximum gain, shunting a high capacity from the grid of the first AF tube to ground, thus practically eliminating record scratch. However, when the higher audio frequencies are strong, considerable rectified bias is developed in the 6B8G tube and applied to greatly reduce the gain of the 6J7G tube, thus reducing the effective capacity, shunting the input to the first A.F. tube and allowing all frequencies to pass unattenuated.

Audio Amplifier

When the wave change switch is set to position "P" the input to the three stage audio system is automatically connected to the phonograph input terminals on the rear of the chassis. A volume control tapped for bass compensation is employed at the input circuit of the 6K7G first audio tube and in the plate circuit of this tube the variable bias and treble control circuits are connected. The bass circuit utilizes a high "Q" resonator choke system and provides a boost of about 15 db at 75 cycles in the maximum position.

The first audio tube is followed by the 6J5G phase inverter tube. This circuit is self-balancing and couples into the grids of the 6U6G pushpull 2nd audio

The Scott Phantom covers all frequencies from 550 Kc. to 22.2 Megacycles in four bands, taking full advantage of a high gain R.F. stage on all bands. The ported Scott Supershield Antenna Coupling System is employed to provide effective antenna lead-in noise reduction on the important shortwave bands, and broadcast bands. In addition, a new and advanced type of noise-reducing, double-doublet is employed on all bands.

Other circuit developments include a means for providing control of bias and treble frequencies - a highly stabilized electron coupled oscillator - silent tuning between stations - separate R.F. and I.F. AVC control systems - self-balancing phase inverter - cathode ray tuning indication - phonograph input - beam power output stage with inverse feedback - noise limiter circuit - automatic scratch suppression and an I.F. amplifier having variable selectivity.

ELECTRICAL DESCRIPTION OF THE CIRCUITR. F. Section

The antenna input circuit is arranged so that when operating on the two shortwave bands and broadcast band, the signal picked up on the flat top portion of the doublet antenna is transferred to the R.F. tube grid by means of the special shielded ring coupling system, achieving a high degree of noise reduction. Noise reduction is also achieved on all bands due to the use of a special filter at the antenna. On the police band the signal is fed directly into the primary coil shorted out to minimize circuit loss. The first tuned circuit resonates and amplifies the desired signal. On shortwave and police the second tuned circuit operates directly from the plate of the R.F. tube and feeds directly into the converter grid reducing losses to a minimum. A 6U7G tube, having high mutual conductance is used in the R.F. stage which gives high sensitivity on all bands.

Converter Section

The amplified signal from the R.F. amplifier is applied to the 6L7G converter control grid and the oscillator output is coupled to grid No. 3. These two input signals now both modulate the converter cathode emission and the result will be a difference in frequency component in the plate circuit of the converter which represents the I.F. frequency.

Oscillator Section

The proper combination of series paddlers, shunt trimmers, and coils in the oscillator circuit provide a signal frequency 455 Kc. higher than that to which the R.F. section is tuned. The efficient 6J5G type oscillator tube is used in an electron coupled circuit. Oscillator potentials are carefully by-passed and filtered, and the circuit is made extremely stable by the use of Silver Cap condensers and a special metallized grid resistor.

I.F. Section

The I.F. amplifier consists of three stages employing three 6K7G tubes. The I.F. transformers are wound in single pi sections in both primary and secondary coils, and are permanently tuned by a combination fixed and adjustable air condensers. In addition, each stage is arranged with resistance capacity filters for each circuit. The I.F. system is arranged for three degrees of selectivity by means of a small tapped coil connected to the grid return of the I.F. secondary and closely coupled to the primary in the 2nd and 3rd stage. The degree of coupling is then controlled by varying the selectivity switch. The signal developed in the converter plate circuit is highly amplified in the I.F. amplifier at 455 Kc. and is passed to the second detector.

## MODEL Phantom

## E. H. SCOTT RADIO LABS., INC.

AUDIO GAIN TEST

With an audio input signal of 0.5 volt at 400 cycles an output reading of between 18-20 volts should be obtained on the output meter which is connected across the voice coil. Make this test with volume full, bass control full, fidelity full and band switch in phono position. If the gain is low it may be due to defective tubes, wrong voltages, shorts or open circuits, either in the set or power amplifier. Both should be checked.

AUDIO FIDELITY TESTS

For correct high fidelity reproduction it is important that the electrical frequency response of the audio system, from the phono posts to a 38 or 40 ohm dummy voice coil resistor approximate 5 volts at 75 cycles and 6 volts at 6,280 cycles with the bass and fidelity controls on full, after the output has been carefully adjusted, by means of the volume control, to 1 volt at 400 cycles with an input of 0.1 volt at each frequency. Failure of the system to approximate this response (if you are certain that your meters are accurate and that no series meter condenser, which would "cut" low frequencies, is being used) should lead to analysis of the low or high frequency circuit involved to determine and eliminate the trouble.

HOW TO ADJUST THE AUTOMATIC RECORD SCRATCH SUPPRESSION CIRCUIT ON THE SCOTT PHANTOM

Connect an output meter across the voice coil circuit (V.C. to G.). Connect an audio oscillator and a sensitive output meter to the phono posts, and turn the wave switch to position "A" (all way to right). With the bass control set to minimum, treble control full on, and scratch suppressor switch off, (to left) apply 0.25 volt at 3,500 cycles to the phono posts. The scratch suppressor switch is on the back of the set. Set the volume control so that 1 volt is obtained on the output meter across the voice coil. Turn on (to right) the suppressor switch and the 1 volt reading should just start to drop (say to .9 v.). Now turn the suppressor switch off and reduce the audio oscillator input to 0.05 volts, reset the volume control to obtain a 1 volt reading again on the voice coil output meter and now turn on the suppressor switch. The 1 volt reading should now drop to a level of 0.2 of a volt or slightly under. This gives a reduction ratio of 5 to 1 and this is the proper ratio to maintain. If this 5 to 1 reduction is not obtained the 6 volt bias should be reduced slightly by varying the small slider arm in the C divider network, until the hiss is reduced slightly. It will have to be determined by substitution of various resistors. If too much control is obtained, the 6 volt bias may be raised by adjusting the slider arm.

The 6B8G tube determines the level at which the circuit starts to cut high frequencies and the 6J7G tube determines the amount of this cut.

Alignment of I.F. Section

Connect a good signal generator to the input of the I.F. system. Turn the wave band switch to the broadcast band; have sensitivity switch to maximum position (to right); turn tuning dial pointer to Hi-Freq. end of dial. Ground the I.F. AVC line by connecting a jumper wire from it to Gnd. Now set the selectivity switch in the sharp position (all the way to left).

Connect the negative terminal of a 20,000 ohm per volt DC voltmeter using the 25 volt scale, (or a sensitive microammeter with a 0.5 meg. resistor connected in series with its negative terminal) to the "I.F. Diode Output Point", and connect the positive terminal to the chassis.

Apply an unmodulated 455 Kc. signal of sufficient strength to produce a diode output voltage reading of approximately 10 v. (or 20 microamperes for the microammeter) and very carefully adjust the 1st, 2nd, 3rd, I.F. transformers and I.F.

tubes which operate into the balanced primary of a special driver transformer, the secondaries of which in turn apply the signal to the 6V6G beam power output stage.

The power output stage incorporates inverse feed-back which helps to flatten loudspeaker response and improves reproduction.

Noise Limiter Circuit

Part of the diode detector is utilized as a noise limiter device so that peaks of local electrical interference may be "chopped" off resulting in some reduction of noise when the receiver is tuned to a weak signal, particularly on shortwaves.

Power Supply

The power supply used is of the heavy duty type employing two of the new 5V4G heater type rectifier tubes. The primary of the power transformer is arranged for standard 115 volts on the domestic model. On the foreign model it is designed to accommodate either 115 volts or 230 volts AC by proper placement of the fuses. This is clearly shown on the schematic diagram. The rectified plate voltages are filtered by the use of three high capacity electrolytics, a choke and the speaker field employed as another choke. In addition, the bias voltage is further filtered by the use of a 50 mfd. condenser.

Loud Speaker

The loud speaker employed is arranged to provide connections for an external speaker. It is necessary only to remove the terminal cover, disconnect the jumper wire between terminals V.C. and 38, and connect it between V.C. and 19 instead. Now connect a 38 ohm speaker to the terminals marked 19 and G. "T" pads may be added by reference to the diagram showing these connections.

HUM TESTS ON RECEIVER

Make certain that there are no soldering irons near the chassis and that the power transformer end of the amplifier is as far away from the chassis as possible. Connect a good output meter, having a resistance of 3,000 ohms or more to the 6V6G plates (No. 3 prong) and have a 1 to 2 mfd. condenser in series with one lead to the meter.

With bass full on, treble full, and volume off, the hum should not exceed .2 of a volt. To make overall tests, remove the 2nd audio 6J5G tubes. The hum should now drop to less than 0.1 volt. If it does not, the amount of hum read on the meter is the hum in the amplifier itself. Leave the tubes just removed out and change the 6V6G tubes in the amplifier, at the same time adjusting the hum control on the amplifier until the hum is reduced to a minimum. There may be filament shorts also. Check the circuit and connections to get the hum out of the amplifier before proceeding with the rest of the test.

NOTE: It is highly important, in minimizing hum, to use the spiral heater type 6K7G and 6J5G tubes in the audio system since while considerably less hum is available, tubes are the sole source of hum, there being no hum pickup whatsoever in chokes, transformers, etc.

After the amplifier is found to be OK replace the 2nd audio tubes and remove the inverter and 1st audio, substituting a new tube for the 2nd audio tube until the hum is reduced to a minimum, allowing sufficient time in each case for the tubes to heat up properly. Next try the inverter tube in the same manner and follow with the 1st audio 6K7G. It may be necessary to push the filament wires nearer the base and away from the grid wiring on some of the tube sockets; also, the dial light circuit may be shorted against the dial frame. All these points should be checked along with the trying of new tubes.

diode trimmers for maximum meter reading, reducing the input, if necessary, to avoid exceeding the above figures.

Adjust the R.F. diode transformer for maximum output after the I.F. stages are aligned. Remove the 1 meg resistor from ground that is connected to the R.F. diode output point (10,000 ohm) and put the high resistance DC meter in series with the 1 meg resistor to ground, the positive side of the meter going to ground. If there is sufficient signal from the generator it will be OK to merely connect the negative terminal of the microammeter to the R.F. diode output point. Put in a strong signal until a variation is noted and adjust the R.F. diode for maximum output. Adjust the diode trimmers very carefully. Also shunt out the coil you are not adjusting, with a 10,000 ohm resistor while trimming the other circuit; namely, put 10,000 ohms from B4 to the 688G plate then trim the secondary. Shift the resistor to diode plates and 10,000 ohm diode output point and trim the primary.

Alignment of R.F. Sections

Before starting on this portion of the set, it is important to understand how the tuning wand tool works. One end of this device has a core of material such as Polytiron while the other end is brass. When the inductance of a coil is high, insertion of the brass end will decrease it to the proper resonant value; whereas, insertion of the other end will increase the effective inductance. This gives a very convenient means of determining whether or not it is necessary to add or remove turns from the coil. In the following instructions only a slight adjustment of trimmers and padders should be necessary where original coils are used. Full instructions, however, are given to cover the case where new coils are to be used.

Broadcast Band Alignment

First turn the dial pointer completely to the low frequency dial stop and see that the pointer reaches 1/16" beyond the lowest frequency mark. Turn the wave band switch to the "Broadcast A" position, set the bass control to minimum, treble control to maximum and sensitivity switch to minimum and connect an output meter across the voice coil. Adjust oscillator trimmer C1, until a 1,400 Kc. signal is set on the dial is tuned in from the generator. Rotate the dial to 800 Kc. and tune in a 600 Kc. signal from the generator by adjusting the padding condenser C3. Check the dial at 950 Kc. and if it tunes high in frequency spread turns on the oscillator secondary, if it is low in frequency push the turns together and then readjust trimmer condenser C1, and padder condenser C3, as before.

With the oscillator circuit correctly spotted, tune in a signal from the generator at 1,400 Kc. and use the output meter as indicated.

Have as weak a signal as possible and adjust trimmers C4 and C6 for maximum output. Turn the dial to 800 Kc. and check the alignment of the R.F. antenna and pre-selector stages with a tuning wand, spreading turns on the coil where less inductance is needed and pushing turns together if more inductance is required.

Readjust the trimmer condenser C4 and C6 for maximum at 1,400 Kc. Turn the dial to 950 Kc. and check the alignment of the R.F. and antenna stages.

Police Band

Set the wave band switch to the Police "B" band position and turn the dial to 3.7 megacycles. Tune in a signal from the generator by adjusting trimmer C2, then turn the dial to 1.8 megacycles and tune in a signal from the generator by adjusting the padder C10. Check the alignment at 2.5 megacycles and if off, either push together or spread turns on the oscillator secondary as described under "Broadcast Band Alignment". Readjust trimmer C2 and padder C10 until correctly aligned. Tune in a signal at 3.7 megacycles and adjust trimmers C5 and C7 to maximum output. Now check the alignment on 1.8 megacycles with a tuning wand and make any necessary corrections by pushing or spreading turns on the coils and readjusting trimmers C5 and C7. Recheck the alignment at 2.5 megacycles.

Foreign S.W. -C- (SW 1)

Set the wave band switch to the "C" position and tune in a signal at 9 megacycles by adjusting trimmer condenser C9. Turn the dial to 5 megacycles and if necessary to correct the calibration do so by spreading or pushing turns on the coil and readjusting the trimmer condenser C9. Check the calibration at 5.0 megacycles.

With the oscillator calibrated, tune in a signal at 9 megacycles and adjust trimmer condensers C12 and C14 for maximum output. Check the alignment at 5 and 9 megacycles and make any necessary corrections by pushing or spreading turns on the coils and readjusting trimmers C12 and C14.

Foreign S.W. -D- (SW 2)

Set the wave band switch to "D" position and tune in a signal at 20 megacycles by adjusting trimmer C8. Check and if necessary correct the calibration at 12 megacycles by pushing or spreading the turns on the oscillator coil. Check the calibration at 16 megacycles.

With the oscillator correctly aligned tune in a signal at 20 megacycles and adjust trimmers C11 and C13 for maximum output. Check the alignment at 12 and 16 megacycles and make necessary corrections by pushing or spreading turns on the coils. Now, readjust trimmers C11 and C13.

CONNECTING EXTRA SPEAKER

The new type High Fidelity Scott permanent magnet 38 ohm voice coil speaker may be readily connected to a Scott receiver with the optional "T" pad inserted in the voice coil leads where separate control of the extension speaker volume is desired. In case the extension speaker is disconnected the jumper might be changed to connect terminals "Y.C." and "38" together.

WAVE CHANGE SWITCH TROUBLE

Poor contact in the wave change switch can generally be corrected by slightly bending the contacts involved. However, in case a switch section is accidentally damaged beyond repair, this section can be replaced by first removing the dial face. Then removing the two screws which support the wave change detect plate and very carefully pulling out the wave change switch shaft. The damaged section can then be unsoldered, removed, and replaced with a new unit which should be obtained from the Scott Laboratories in Chicago before the change is made in order to assure exact duplication of switch position and connections. Note particularly that the small notch near the center of the switch rotor must be in the same position in each switch section.

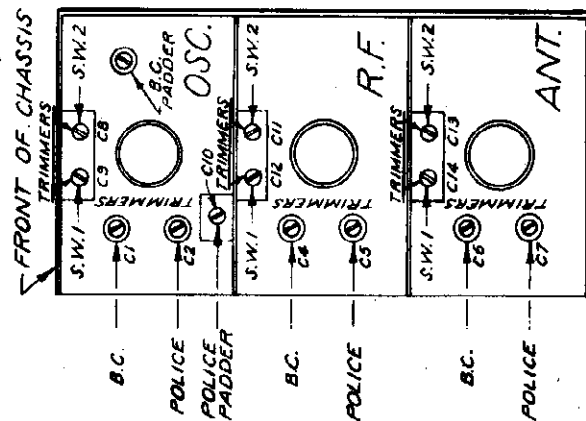
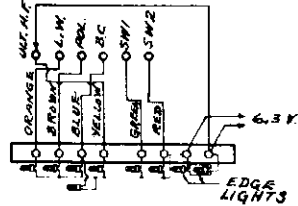
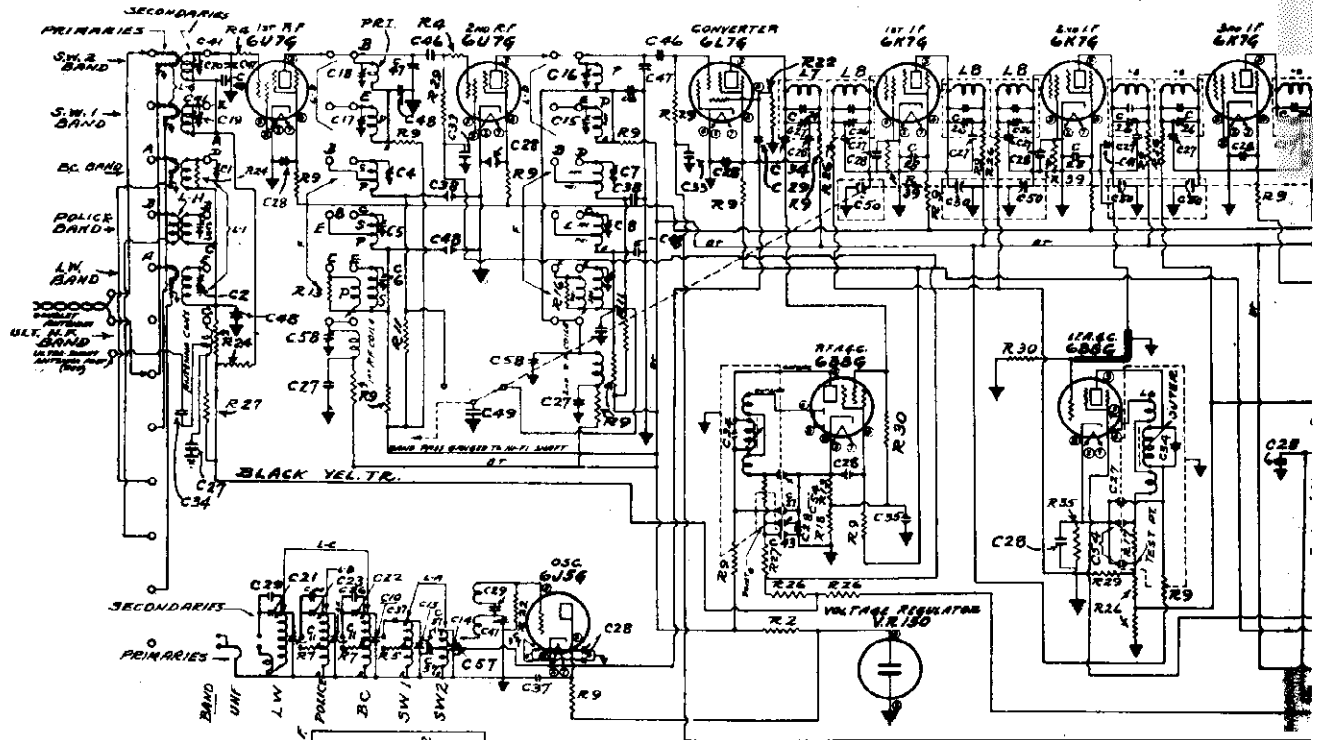


Fig. 2 - Location of Trimmers



TRUVE NUMBERS ON 200



**COLOR CODE**

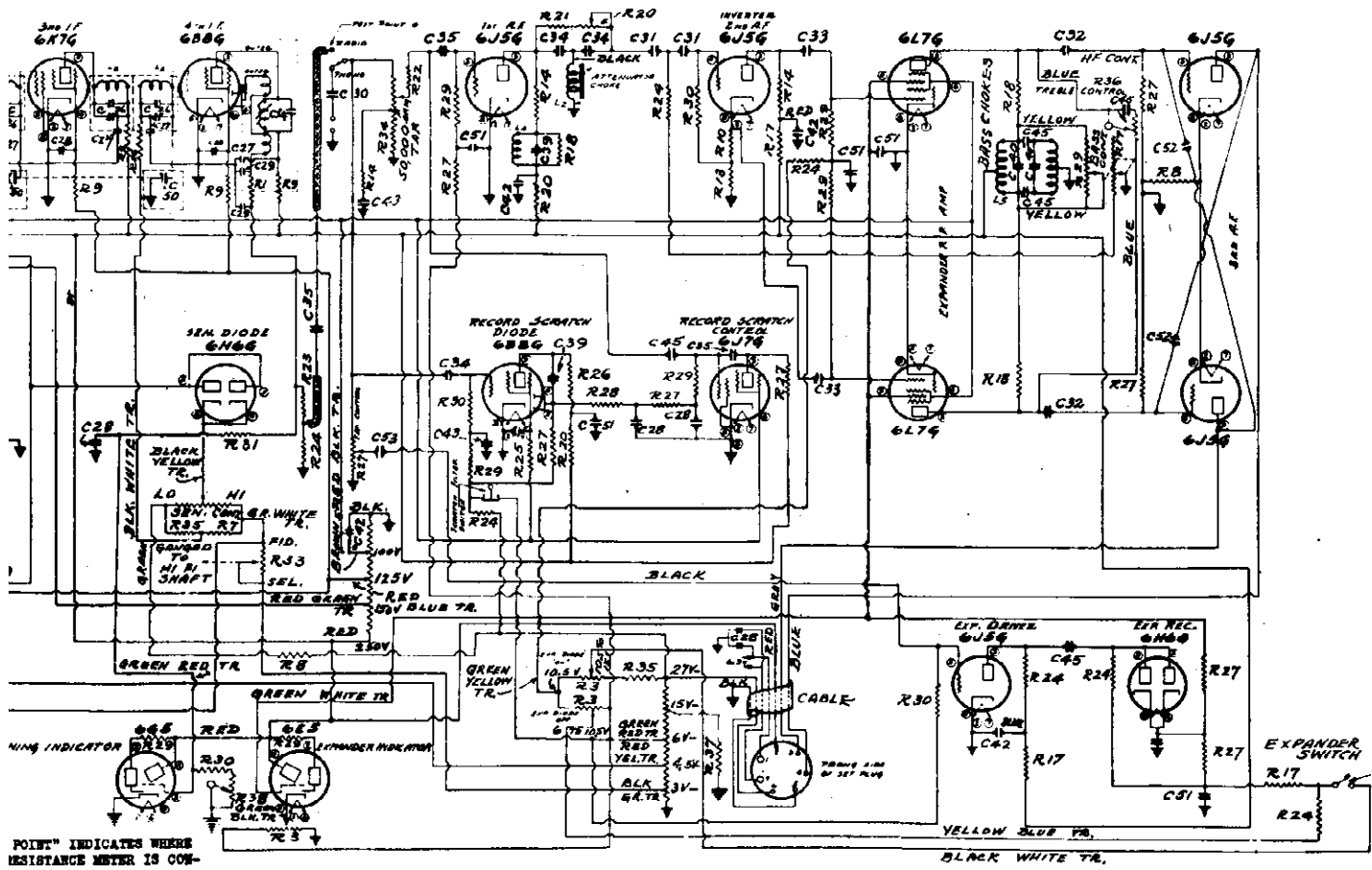
RED B+ 250 v	GREEN C- 29 v	TUNING INDICATOR
RED GREEN Tracer B+ 150 v	GREEN BLACK Tracer C- 15 v	
RED BLUE Tracer B+ 125 v	BLACK WHITE Tracer C- 13.5 v	
RED BLACK Tracer B+ 100 v	GREEN YELLOW Tracer C- 10.5 v	
BLACK Ground	GREEN RED Tracer C- 8 v	
YELLOW and BROWN Filaments	RED YELLOW Tracer C- 4.5 v	
BLUE Slate Plates 3rd AF	GREEN BLACK Tracer C- 3 v	
(6J6G tubes)	BLACK Expander Grids	

ALL RF AND IF GRID AND PLATE CIRCUITS SPECIAL RUBBER-COVERED LOW LOSS WIRE

"TEST POINT" INDICATED HIGH-RESISTANCE METS RECTIFIED FOR I-P ALIGN

C1 to C20 1-12	C41 25 mmf mica	R1 125 ohms 10 w	R21 40,000 ohm
C21 to C23 100 mmf air	C42 4 mf 300 v	R2 6500 ohms 2 w	R22 50,000 ohm
C24 85 mmf and 30 mmf	C43 .1 mf 200 v	R3 300 ohms(variable)	R23 75,000 ohm
C26 { 60 mmf air	C44 900 mmf mica	R4 25 ohms 1/4 w	R24 .1 megohm
30 mmf air	C45 .025 mf 400 v	R5 100 ohms 1/4 w	R25 .2 megohm
C27 .05 mf 400 v	C46 250 mmf mica	R6 150 ohms 1/4 w	R26 .25 megohm
C28 .05 mf 200 v	C47 320 mmf gang	R7 500 ohms 1/4 w	R27 .5 megohm
C29 50 mmf mica	C48 .1 mf 400 v	R8 800 ohms 1/4 w	R28 .75 megohm
C30 .1 mf 600 v	C49 .15 mf 400 v	R9 1000 ohms 1/4 w	R29 1 megohm 1
C31 6000 mmf mica	C50 HF Control	R10 1500 ohms 1/4 w	R30 2 megohms
C32 2500 mmf mica	C51 7 X .5{200v	R11 2500 ohms 1/4 w	R31 3 megohms
C33 .01 mf 400 v	400v	R12 3000 ohms 1/4 w	R32 75,000 ohm
C34 100 mmf mica	C52 5 mmf mica	R13 3500 ohms 1/4 w	R33 2000 ohms
C35 .01 mf 200 v	C53 1000 mmf mica	R14 5000 ohms 1/4 w	R34 .5 megohm
C36 300 mmf mica	C54 2 X .005 mf 200 v	R15 6000 ohms 1/4 w	R35 600 ohms
C37 5000 mmf mica	C55 35 mmf mica	R16 7500 ohms 1/4 w	R36 .1 megohm
C38 8000 mmf mica	C56 1 mf 200 v	R17 10,000 ohms 1/4 w	R37 300 ohms
C39 500 mmf mica	C57 20 mmf mica	R18 15,000 ohms 1/4 w	R38 1 megohm v
C40 .02 mf 400 v	C58 50 mmf mica	R19 20,000 ohms 1/4 w	R39 400 ohms 1
		R20 25,000 ohms 1/4 w	

WELDERS ON SOCKETS REFER TO BOTTOM VIEW



- ,000 ohms 1/4 w
- ,000 ohms 1/4 w
- ,000 ohms 1/4 w
- megohm 1/4 w
- megohm 1/4 w
- megohm 1/4 w
- megohm 1/4 w
- megohm 1/4 w
- megohms 1/4 w
- megohms 1/4 w
- ,000 ohms 1 w
- 10 ohms control
- megohm control
- ohms
- megohm control
- ohms
- megohm variable
- ohms 1/4 w

- L-A SW1 and SW2 Osc. coil
- L-B Police Osc. coil
- L-C LW and BC Osc. coil
- L-G SW1 and SW2 Ant. coil
- L-H Police Ant. coil
- L-I LW and BC Ant. coil
- L-D SW1 and SW2 RF1 and RF2 coils
- F LW and BC RF1 and RF2 coils
- E Police RF1 and RF2 coils
- L2 1 henry choke
- L3 24 mh choke
- L4 .7 henry
- L5 175 henrys
- L6 Diode coil
- L7 .8 mh
- L8 1.2 mh

Undistorted Output.....	40 Watts Class A
Audio Frequency Range.....	30 16,000 cycles.
Wave Length Range.....	3.75 to 2,000 meters.
Voltage Rating.....	100-180 volts
Frequency rating.....	60 cycles
NOTE: Designs are obtainable on special order for any commercial frequency or voltage	
Power Consumption.....	Average around 300 watts.

Revised

**E. H. SCOTT**  
RADIO LABORATORIES  
INC.

PHILHARMONIC  
RECEIVER DIAGRAM

DRAWN BY: *R.E.S.*

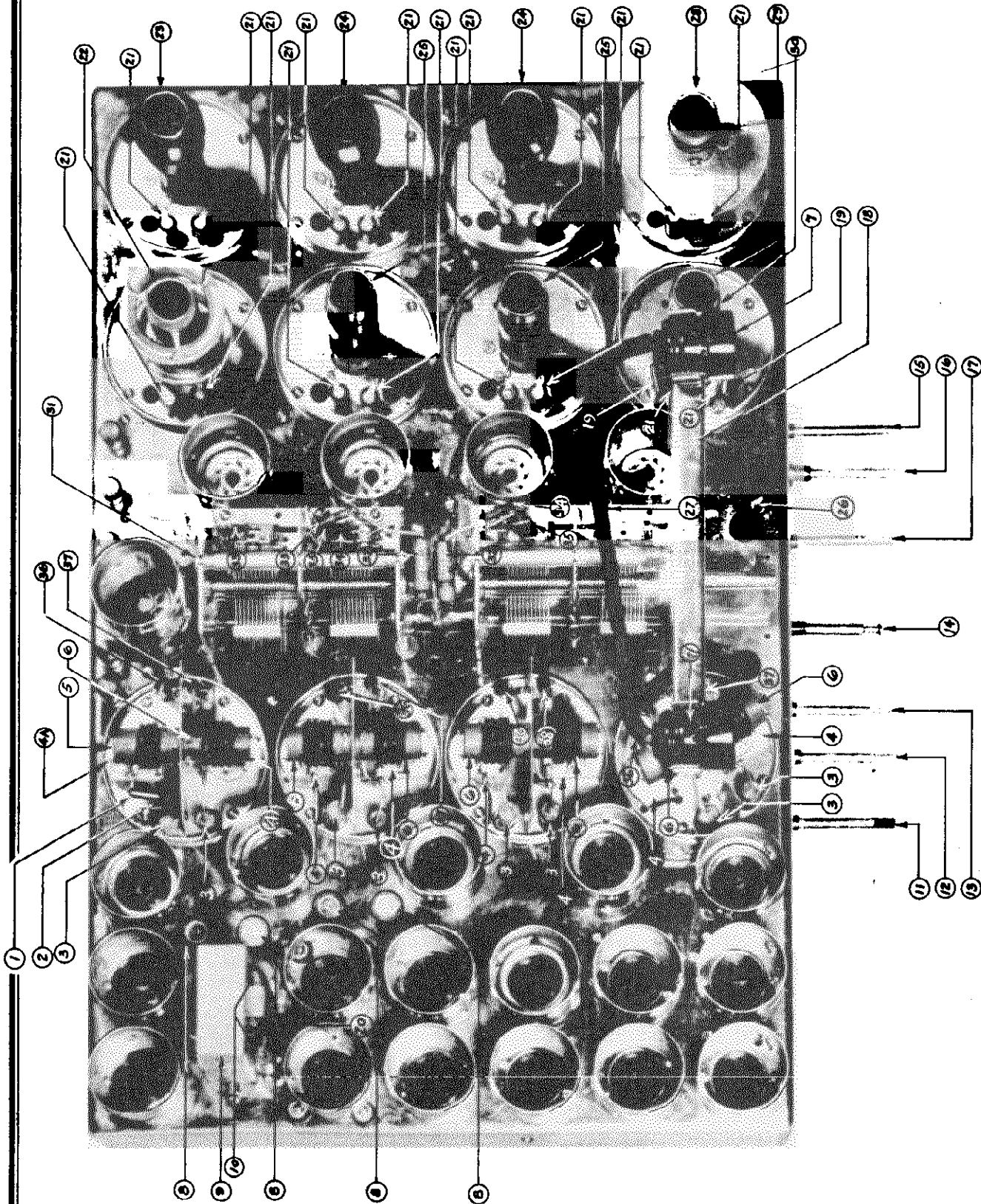
CHECKED BY: *[Signature]*

APPROVED BY: *[Signature]*

DATE: *April 4, 1933*

E. H. SCOTT RADIO LABS., INC.

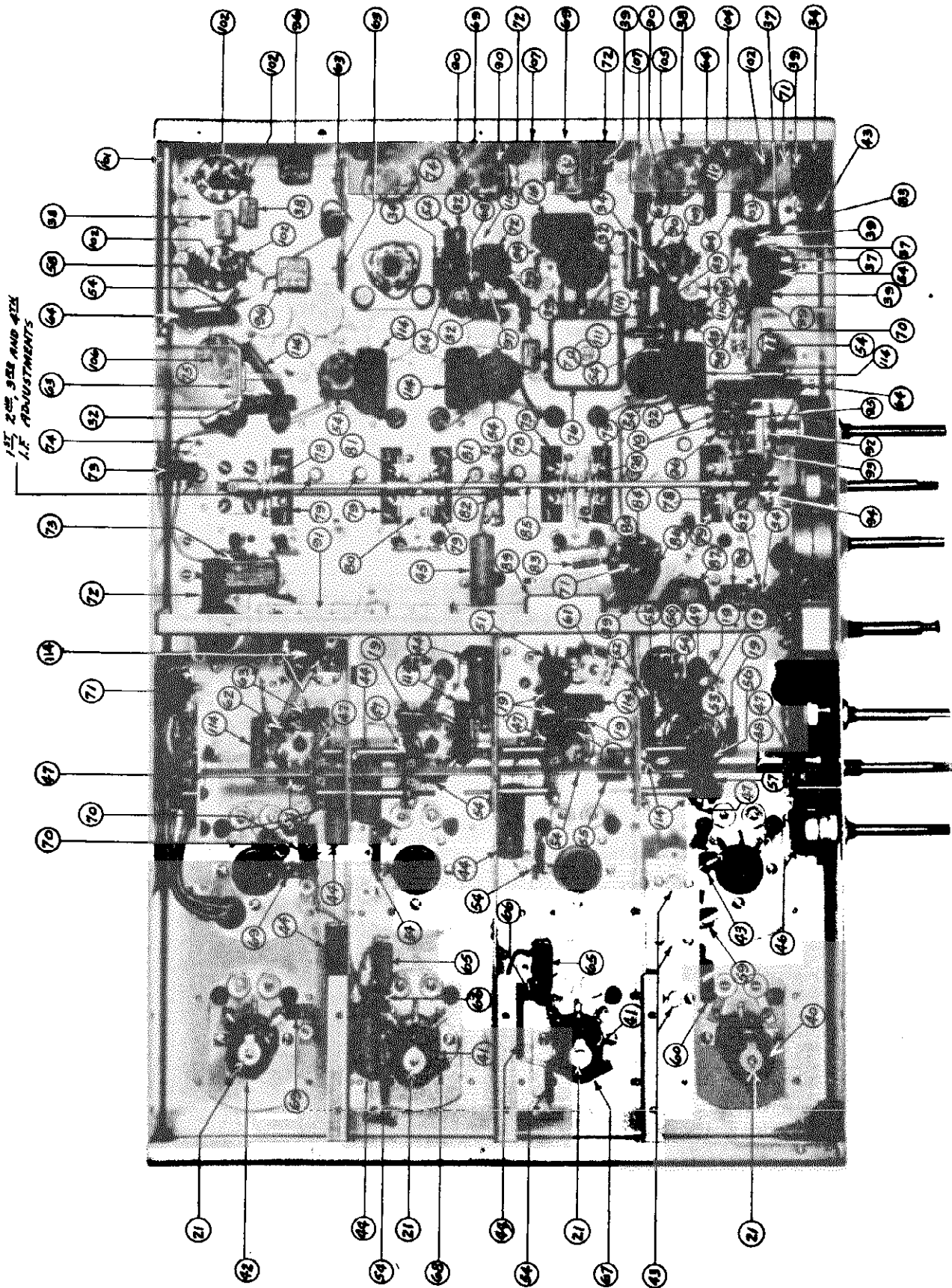
MODEL Philharmonic





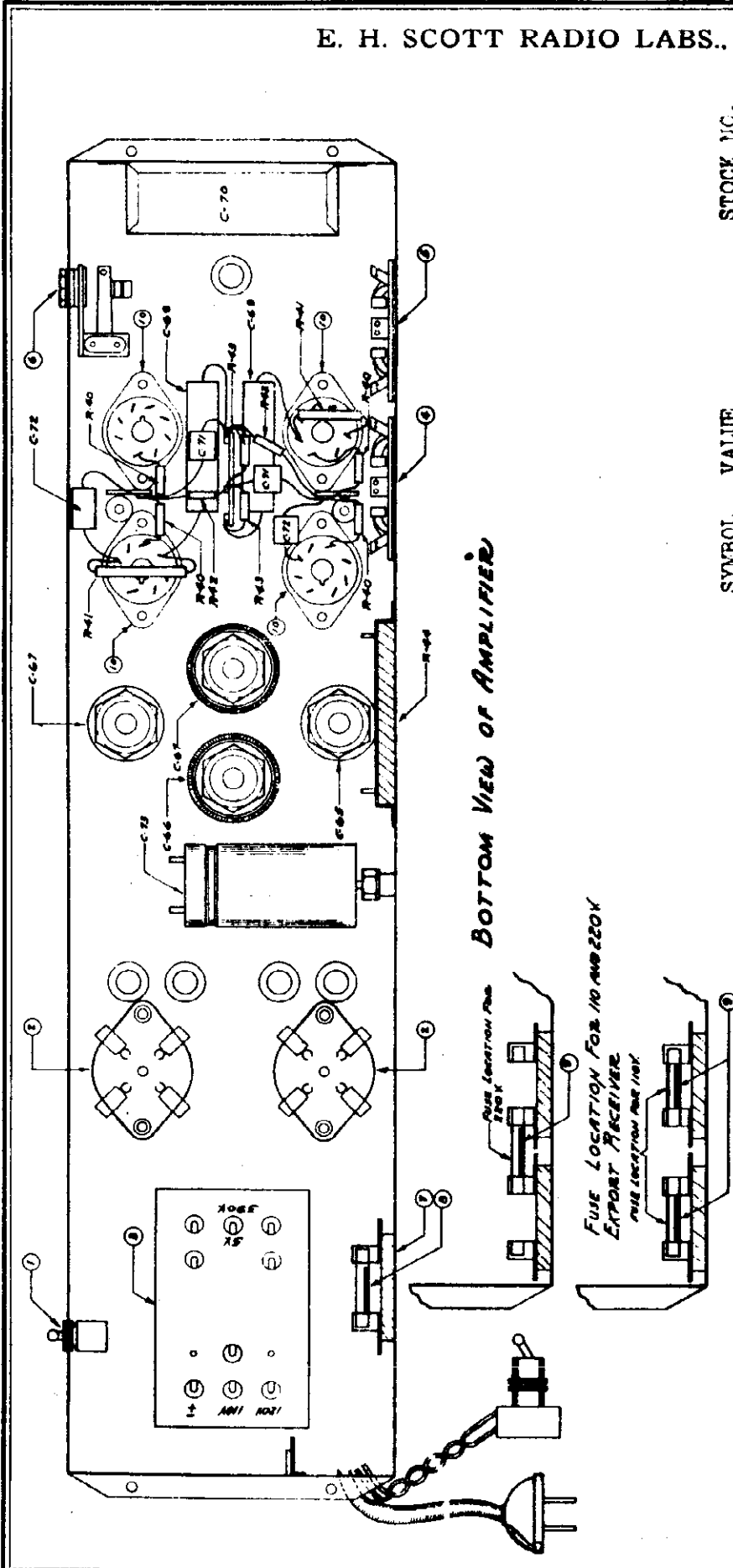
MODEL Philharmonic

E. H. SCOTT RADIO LABS., INC.



E. H. SCOTT RADIO LABS., INC.

MODEL Philharmonic

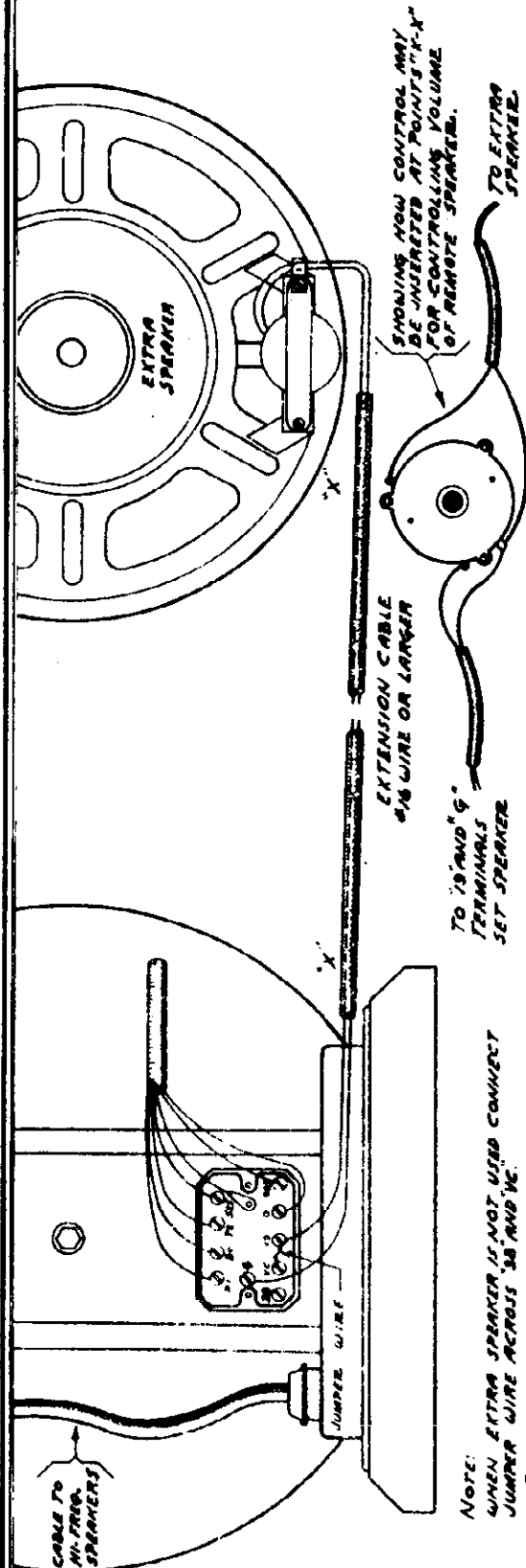


SYMBOL	VALUE	STOCK NO.	STOCK NO.	VALUE	STOCK NO.
R-40	150 ohms, 1/4 watt	193	R-40	150 ohms, 1/4 watt	427
R-41	75,000 ohms, 1 w.	651	R-41	75,000 ohms, 1 w.	564
R-42	.25 mE, 1/4 w.	652	R-42	.25 mE, 1/4 w.	319
R-43	6000 ohms, 1/4 w.	21	R-43	6000 ohms, 1/4 w.	438
R-44	125 ohms, 10 w.	376	R-44	125 ohms, 10 w.	544
C-65	60 mf, 300 v.		C-65	60 mf, 300 v.	803
C-66	40 mf, 450 v.		C-66	40 mf, 450 v.	802
C-67	30 mf, 475 v.		C-67	30 mf, 475 v.	660
C-68	60 mf, 300 v.		C-68	60 mf, 300 v.	803
C-69	.1 mf, 600 v.		C-69	.1 mf, 600 v.	1157
C-70	16 mf, 475 v.		C-70	16 mf, 475 v.	1244
C-71	500 mf,		C-71	500 mf,	526
C-72	50 mf,		C-72	50 mf,	45
C-73	100 mf, 50 v.		C-73	100 mf, 50 v.	661

SYMBOL	VALUE	STOCK NO.	PART
1	Hi-Lo Switch	679	Switch "Off-On"
2	83V Tube socket	677	Choke 30 h.
3	Power transformer	377	Choke 10 h.
4	Socket, speaker	1329	A-C Cable
5	Socket, set	676	Transformer, audio
6	Phone jack	1361	
7	Fuse base	10	
8	Fuse, 5 amp, 250 v.	1353	
9	Fuse, 3 amp (220 v. amp)	72	
10	6L6G tube socket	1163	

MODEL Philharmonic

E. H. SCOTT RADIO LABS., INC.



NOTE:  
WHEN EXTRA SPEAKER IS NOT USED CONNECT  
JUMPER WIRE ACROSS "9" AND "19"

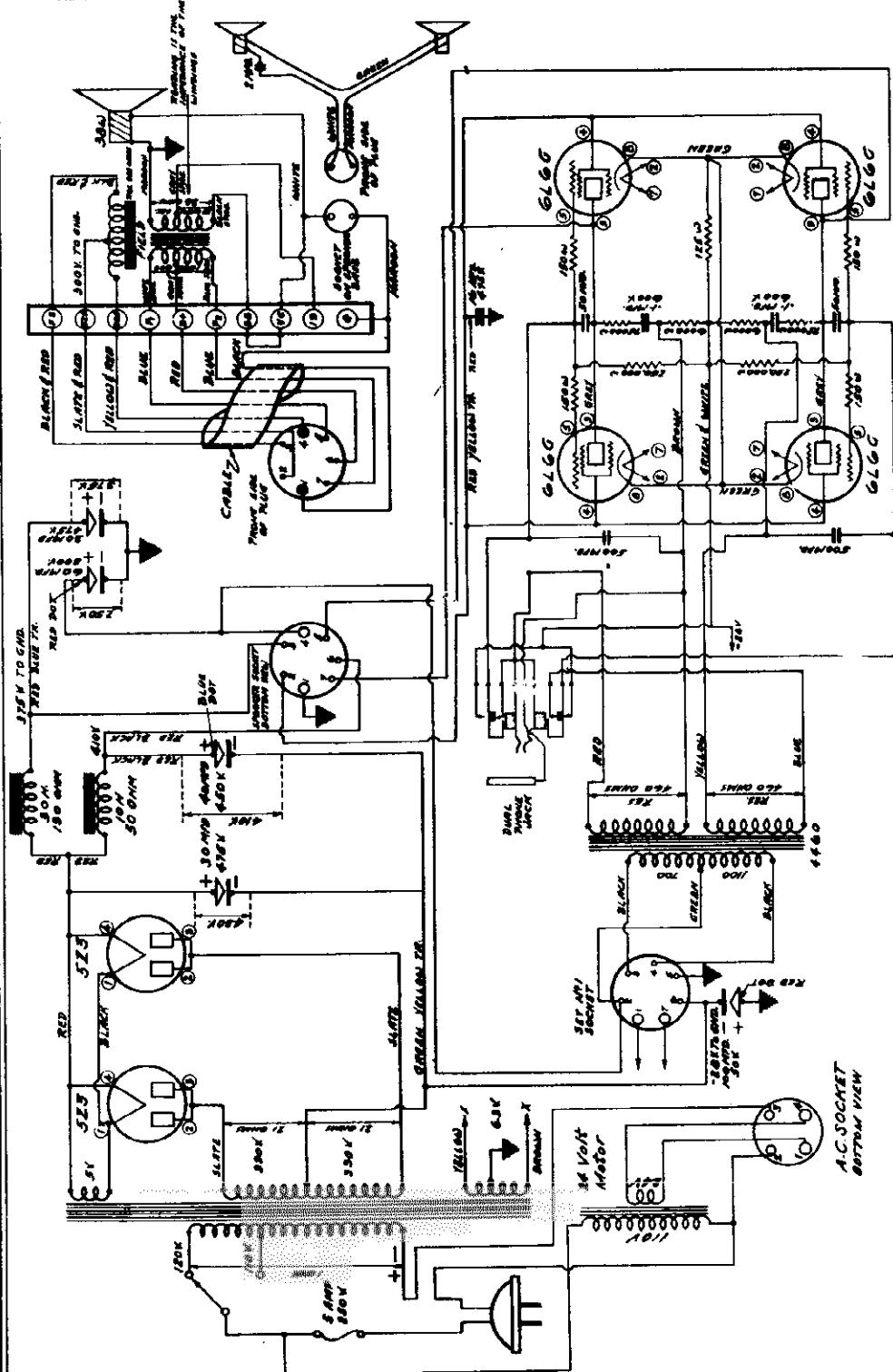
**EXTRA SPEAKER INSTALLATION FOR  
SCOTT PHILHARMONIC RECEIVER**

TEST NO.	VOLTAGE MEASURED, TEST POINTS	CORRECT VOLTAGE	POSSIBLE CAUSE OF WRONG READING
1	Rectifier d-c output voltage: C.T. 83-V high-voltage winding to FIL. prong of 83-V .....	450	Defective rect. tubes; shorted high-voltage sec. winding; shorted 1st filter condenser
2	6L6 Plate voltage: C.T. 83-V Hi-voltage winding to 6L6G plates .....	410	Defective filter condensers; open primary on output transf.; shorted 50-mmf neutralizing condensers; open 10-henry choke
3	Input spkr. field voltage: Output lead of 30-henry choke (red blue tr) to ground .....	375	Shorted filter cond.; open 30-h. choke
4	B voltage to set: C.T. (green wire) 6L6G input transf. to ground .....	250	Shorted filter condensers; Pri. of 6L6 input transf. grounded; spkr. field open or shorted; B-divider shorted in set.
5	Speaker field volts drop 0 to 925 terminals on speaker .....	125	Shorted or open field

(CONTINUED ON NEXT PAGE)

E. H. SCOTT RADIO LABS., INC.

E. H. SCOTT  
RADIO LABORATORIES  
INC.  
PHILHARMONIC  
POWER SUPPLY AND  
POWER AMPLIFIER  
DESIGNED BY R.E.S.  
CHECKED BY J.A.G.  
REVISION BY J.A.G.  
DATE: 8-7-38



AMPLIFIER VOLTAGE READINGS (Continued)	TEST NO.	VOLTAGE MEASURED, TEST POINTS	CORRECT VOLTAGE	POSSIBLE CAUSE OF WRONG READING
	6	Bias voltage supply C.T. high-volt. winding to ground .....	-28	Shorted 100-mf electrolytic; shorted C-divider in set
	7	Cathode 6L6G (Prong 8) to gnd.....	-3	Shorted 125-ohm cath. resistor
	8	Screens 6L6 (Prong 4) .....	300	Open field tap
	9	Filaments: 83-V (Prongs 1-4)..... To set (yellow and brown) 6.3	5	Shorted wiring or windings

MODEL Philharmonic

E. H. SCOTT RADIO LABS., INC.

## GENERAL

The Scott Philharmonic XXX is an advanced type of superheterodyne incorporating rather elaborate special features such as. Separate tuned R. F. stages for each band using two stages on all except the ultra high frequency section, separate 6J5G oscillator operated in a special electron coupled oscillator circuit arranged with an auxiliary VR150 voltage regulator tube for stabilizing the oscillator tube voltage; noise reducing shielded antenna input system for the wave lengths between 12.3 and 76 meters; continuously variable selectivity operating in conjunction with an R. F. band-pass system for high fidelity reception; four stage I. F. amplifier having electrostatic shield partitions between transformer primary and secondary coils; separate automatic gain control systems on the R. F. and I. F. amplifiers; continuously variable sensitivity control - dual bass boost and bass compensation for low volume - needle point 10,000 cycle attenuation system; push-pull expansion circuit; automatic phonograph needle scratch suppression circuit; 4 stage high gain audio amplifier with parallel push pull output stage; dual acoustical channel having one high fidelity 15" speaker and two high frequency units for extended range.

## ELECTRICAL DESCRIPTION OF THE CIRCUIT

The circuit of the Philharmonic XXX will appear rather complicated, however, it can be easily understood when "broken down" section by section. It is recommended that the circuit be carefully followed as its operation is explained in the following paragraphs.

## R. F. SECTION

The antenna input circuit is arranged so that a switch connects the antenna as a regular L-type to the primaries of the long wave, police, broadcast and ultra H. F. bands and as a doublet when on the short-wave 1 and shortwave 2 bands. When on the ultra H. F. band the signal is fed into its own R. F. circuit and the regular antenna and R. F. stage are not in the circuit. In SW<sub>1</sub> and SW<sub>2</sub> bands the signal picked up on the flat top portion of the antenna is transferred to the grid of the 1st R. F. tube by means of the shielded antenna coupling system giving a high efficiency of signal transfer and a high degree of noise reduction. On the other bands the signal is passed to the 1st R. F. grid in the usual manner and the band switch is so arranged that all coils not in use are shorted out, thus avoiding dead spots. When on the regular bands, the first tuned circuit resonates and amplifies the desired signal. The second and third tuned circuits operate in the plate output of the R. F. tubes rather than in the usual grid circuits and thus provide maximum R. F. gain. 6U7G type tubes, having a high mutual conductance are used in the R. F. stages and this factor makes for still higher gain on the higher frequencies.

A switch is ganged to the Fidelity Control so that as the I. F. System is band-passed to a certain point, the switch shunts a .15 condenser across a smaller value of condenser in the primary R. F. tuned circuit and thus broadens or band-passes this circuit for higher fidelity reception.

## CONVERTER SECTION

The emission from the 6L7-G converter cathode is modulated by the voltage from the 6J5-G oscillator tube, the output of which is connected to #3 grid of the converter. The amplified signal from the R. F. amplifier is applied to the control grid of the converter. This latter signal also modulates the converter cathode emission and the plate current of the tube will carry the difference frequency component which will be the I. F. frequency.

## OSCILLATOR SECTION

The 6J5-G oscillator tube is arranged (thru the use of series padder shunt trimmer condensers and correct coils) to operate at a frequency which is 465 kc. higher than the frequency of the R. F. section. The oscillator circuit has been carefully arranged for the best stability and its filament circuit is adequately by-passed; in addition the plate voltage supplied to the tube is kept constant by means of a special voltage regulator tube the VR-150. This latter tube is connected to B+ 250 V. through a series resistor of 6,500 ohms.

## I. F. SECTION

The I. F. system comprises 4 stages having 4 double tuned I. F. transformers plus a single tuned closely coupled diode transformer. Three 6K7G tubes are used in the first three stages and one dual purpose 6B8G in the fourth I. F. stage. This latter tube acts as a driver for the low impedance diode circuit. Both primary and secondary coils in each I. F. transformer, except the first I. F. primary, are wound in 4 pi sections on special low loss bakelite forms, and tuned by air condensers. The first I. F. coil is a 3 pi section coil. Electrostatic shields are provided between the primary and secondary coils of each I. F. transformer, to eliminate capacity coupling and in addition each stage is arranged with resistance capacity filters for each circuit. The design of this I. F. amplifier assures high gain and provides a large degree of usable sensitivity. Six of the double tuned transformer circuits are provided with small variable condensers which, operating in opposite directions as the control knob is turned, serve to vary the band width as desired. The remaining three tuned circuits maintain the sensitivity mid-band and thus avoid the usual center dip at full band width. Three other controls are ganged to the selectivity fidelity control. One of these is a variable which controls the bias on the I. F. amplifier tubes and keeps the sensitivity of the receiver nearly constant as the fidelity is varied, another control switch is an audio tone control and it cuts the audio response at about the same frequency as that at which the I. F. band width is set, this is useful on phonograph reproduction and certain types of shortwave reception. The other switch control band-passes the R. F. when the fidelity control is opened sufficiently.

## R. F. AND I. F. A. G. C. SYSTEMS

Two separate automatic gain control systems are employed in the Philharmonic XXX, the first controlling the R. F. amplifier, using a 6B8G tube and the second system controlling the I. F. amplifier, using one 6B8G tube. In the R. F. A. G. C. circuit the control grid of the 6B8G tube is capacitively coupled to the plate of the converter tube. I. F. and signal frequency are amplified in this tube and rectified in its diode circuit and applied as control on all bands, on the first R. F. tube. This arrangement prevents overload in the R. F. and converter tubes and further helps to eliminate noise and distortion, when tuned to a powerful local, or adjacent channel "slop over" from locals, when tuned to a distant station.

In the I. F. A. G. C. circuit the 6B8G control grid is capacitively coupled to the 2nd I. F. plate by means of a 25 mmf. condenser. The rectified diode out-put is applied as control on the first three stages of I. F. and is proportioned so that practically constant signal level is maintained at all times. In addition this system gives satisfactory tuning indication even when operated at high fidelity.

## E. H. SCOTT RADIO LABS., INC.

MODEL Philharmonic

## VARIABLE SENSITIVITY CIRCUIT

With the efficient AGC circuit of the **XXX** this means that when tuning between stations the AGC circuit will open up the full sensitivity of the receiver and bring up interstation noise if the location is not "quiet". With the variable sensitivity control, however, the degree of sensitivity may be set to any pre-determined level and thus "throttle" the A. G. C. voltage so that it does not drop below a set level. This action is accomplished in one half of the sensitivity diode 6H6G tube, the other half of this tube is used in a noise "limiter" circuit for reducing some types of noise and interference. This circuit is not shown on the diagram but it is very unlikely that any trouble will ever arise in it.

## AUDIO AMPLIFIER

Four stages of class A audio amplification are used giving adequate gain and over 40 watts output with less than 1% harmonic distortion. The first audio stage uses a 6J5G, the second uses another 6J5G as an inverter, the third stage uses two 6J5G tubes in push-pull to drive the 4th audio 6L6G power output stage. The output stage comprises four 6L6G beam power output tubes utilizing the inverse feed-back principle

Audio frequency voltage may be produced across the volume control either by diode rectification, when the radio phono switch is in the "radio" position, or, it may be introduced in the phono-posts by a microphone or phono-pickup and may be amplified in the four stages as outlined above. The volume control has a tap at 20,000 ohms from its ground end and this point is connected to ground through a choke, condenser and resistor combination, which provides balanced bass compensation at low volume. A special 10,000 cycle attenuator system is connected in the plate circuit of the first audio tube. It consists of a variable resistance, two fixed condensers and a choke having a movable core. This arrangement provides for infinite attenuation of the undesired 10,000 cycle adjacent channel whistle without affecting frequencies below 8,500 or above 11,000 cycles. The inverter stage out-put connects into the control grids of the 6L7G P.P. expander tubes and while they are primarily for the purpose of expansion, they also serve as a coupling stage between the 2nd and 3rd audio. The dual bass circuit is connected in the plate circuit of the 6L7G tubes and consists of two 175 henry chokes tuned by 0.02 mfd. shunting condensers and coupled by means of .025 mfd. condensers. Bass control is obtained by means of a dual potentiometer control, the one megohm section of which is shunted across the choke circuit and the 10,000 ohm section is connected back to the inverter grid input through a 100,000 ohm fixed resistor. This system provides a wide degree of bass variation and also gives a high boost "peak" at 70 and 45 cycles, but a decided dip at 60 cycles and it also falls rapidly at 120 cycles. This feature reduces 60 cycle power line hum and station hum that is often picked up.

## RECORD SCRATCH SUPPRESSION

The automatic Record Scratch Suppression System utilizes a 6B8G, the control grid of which is connected to the input to the main audio circuit through a 100 mmf. condenser. This tube operates as a diode to supply rectified voltage to another tube, a 6J7G, operating as a variable mu device so that its gain is a function of the applied bias, and this latter tube causes an effect upon the input to the first audio as though a variable condenser to ground were shunting it. This "condenser" effect at any instant will be determined by the level of signal acting upon the 6B8G grid. Any signal above 1500 cycles which causes 30 V. or more to be applied to the 6J5G grid will cause the tube to be "cut off" and no high frequencies will be lost. Lower level signals, however, in the scratch frequency range will cause the "condenser shunting" effect and therefore, eliminate undesirable needle scratch at low volume but will have no effect on full reproduction of the higher frequencies at normal or high volume.

## VOLUME RANGE EXPANSION

This circuit is connected to the audio input circuit by a 1000 mmf. condenser and a suitable means of control is provided. It consists of a 6J5G driver circuit, a 6H6 rectifier and a push-pull amplifier stage. The diode output of the 6H6 is connected to grid #3 of the 6L7-G tubes and this circuit is arranged with the necessary variable adjustments so that a very flexible system is thus provided. This circuit enables the volume as cut by the recording or monitoring engineer to be restored to the original volume range at which the program was played.

## POWER SUPPLY

The power supply is of the heavy duty type, the primary of the power transformer being tapped and the circuit is arranged with a hi-lo switch so that it may be operated on line voltages between 100-130 V. The secondary high voltage winding utilizes two 83V tubes in a full wave rectifier circuit. This circuit works into a condenser input filter and additional sections provide a high degree of filtration. Over 280 mfd. of capacity is used in this amplifier and any ripple voltage is smoothed out to a minimum. The field of the speaker is utilized as a filter choke and this also supplies field excitation for the speaker. Tapped bleeder resistors are mounted in the chassis and serve to divide the C and B voltages, to the desired values.

## LOUD SPEAKER SYSTEM

The power output transformer located in the base of the loud speaker is arranged to provide the following output impedance: 38 ohms from terminal marked 38 to G (ground) and 19 ohms from terminal marked 19 to G. When it is desired to use an extra speaker it must have a 38 ohm voice coil, then it is only necessary to change the jumper wire so that it is connected between terminals VC and 19 and the extra unit's voice coil is now connected in parallel with the main speaker from G to 19. We can supply output transformers on special order having the necessary taps or windings for any combination or arrangement of extra speakers. (See diagram)

## TUNING INDICATOR AND EXPANDER EYE

An amplifying type 6G5 cathode ray tube is used to indicate tuning resonance and its grid is tied to a suitable point at the audio diode output. The expander indicator grid is connected to grid #3 of the expander 6L7G tubes and serves to indicate the amount of expansion. The 6E5 amplifying type cathode ray tube is used to indicate exactly the amount of expansion on phonograph or radio reproduction.

## HEADPHONE JACK

A special jack is provided so that headphones may be plugged in to the first notch, and both speaker and phones will operate, while if pushed in all the way only the headphones will operate.

## PHONOGRAPH, MICROPHONE OPERATION AND RECORDING

The phono-input will take any type of high impedance phono-pickup device from 4000 ohms and upward. Matching transformers and arrangements for low impedance types are illustrated in the drawings relating to this. Any type microphone may be used but we recommend the new crystal type, and a pre-amplifier. A recording arrangement is available and a schematic diagram is shown.

\* The head phone jack is optional and is not supplied as standard equipment.

SET CHASSIS VOLTAGE READINGS.

VOLUME CONTROL MIN.    Sensitivity Control off - Record Scratch off - Expander off  
 Fidelity 3/4 on    Wave change switch in B C position.  
 Line Volts at 110 V - Hi Lo Switch down

TEST NO.	Voltage Being Measured & Test Pts. to Ground	Correct Voltage	Possible Cause of Incorrect Reading
1	3rd Audio P.P. 6J5G: Plates #3 prong ..... Bias #8 prong.....	240 8	Audio transformer open 800 ohm bias resistor open or shorted.
2	P. P. Expander Amp., 6L7-G Plates #3 .....	205	(Plate resistors defective. (Bass boost chokes shorted or open.
	Screen #4* .....	100	Open or shorted screen circ.
	Grid #1 Bias (green yellow wire @ 1 Meg.) .....	-10 5	Expander adjustments shorted.
	Grid #8 Bias .....		
	Expander-OFF adjustment C. T. ....	-(8-10)	" "
	Expander-ON adjustment C. T. ....	-(11-14)	" "
3	Exp. Driver, 6J5-G  Plate #3 .....	120	Open or shorted plate resis
	Grid bias, bias side 2 meg. grid res..	-6	Grid circuit open.
4	Inverter 6J5-G Plate #3 .....	175	Defective Plate Resistor or plate filter condensers.
	Cathode #8 .....	+17	Open or shorted cathode.
	Outside end 2 meg. grid resistors.	+10	
5	1st Audio, 6J5-G: Plate #3 .....	150	Defective plate resistors, plate filter condenser, or Hi Boost choke.
	Bias @ .5 Meg. end grid filter .....	-6	Defective components in grid circuit.
6	Record Scratch Control Tube 6J7-G:  Plate #3 .....	75	Plate feed resistor defective.
	Screen #4 .....	100	Shorted Screen.
7	Record Scratch Diode, 6B8-G. Plate #3 .....	110	Shorted plate filter condens. or resistors.
	Screen #6 .....	55	Open or shorted screen.
	Bias: R. S. off (outside end 1 meg going to Record Scratch Switch) .....	-28	Defective control switch or short circuit.
	R. S. on (inside end 1 meg. going to Record Scratch switch .....	-6	Shorted bias.
8	RF A.G.C. Tube 6B8-G: Plate #3 .....	235	Shorted on open diode coil pri. or plate circuit resistor.
	Screen #6 .....	150	Open screen.
	Grid Bias .....	+32	Short in cathode or grid circ.
	Junction of 3000 and 1500 ohm Cathode resistors.		
	Cathode #8 .....	+44	
	1st RF Min. Bias: Outside end 1 meg. res. to RF.		
	A.G.C. Line .....	44	
	Developed Diode V. depends on signal		
9	I.F. A.G.C. 6B7-G: Plate #3 .....	235	Same Test as #8
	Screen #6 .....	125	
	Bias, bias end 2 meg. grid resis tor. Diode V depends on signal	44	
10	1st - 2nd - 3rd I.F. 6K7G: Plates #3 .....	235	I.F. coils shorted to shield tube turned wrong in sockets.
	Screen #4, 1st and 2nd I.F. ....	100	I.F. trimmers grounding to shield
	Screen #4, 3rd I.F. ....	125	Fidelity condensers shorting.
	A.V.C. line voltage determined by signal.		

\*#4 E T C., refers to socket pin number except where reference is made to grid #1, Grid #3, etc.

(Continued on next page)

E. H. SCOTT RADIO LABS., INC.

MODEL Philharmonic

TEST NO.	Voltage Being Measured & Test Pts. To Ground	Correct Voltage	Possible Cause of Incorrect Reading
11	4th I. F. Audio Diode 6B9G: Plate #3 .....	235	As test #10 Diode Plate winding open or shorted to shield can. Screen circuit open or shorted.
	Screen #4 .....	125	
	Bias - measured at junction of 5 meg. and .05 meg. resistors shunting sensitivity control.....	-7	
12	Sensitivity Diode 6H6G: Cathode #8 .....	28	Defective sensitivity control or defective resistors shunting it.
	Sensitivity Min. .... Sensitivity Max. ....	7	
13	Oscillator 6J5-G: Plate #3 .....	140	Plate voltage dropping resistors defective.
14	Converter, 6L7-G: Plate #3 .....	235	Open I. F. Pri. coil, shorted .05 filter cond. or defective 1000 ohm res. to I. F. Pri. Open screens.
	Screen #4 .....	150	
	Bias..... (Measure at Hi-end sensitivity control) .....	-9	
15	1st and 2nd R. F. 6U7-G: Plate #3 .....	235	Shorted R. F. coil trimmer open primary coils or plate circuit resistors shorted plate filter condenser. Open or shorted secondaries or filter circuits.
	Screen #4 .....	100	
	Bias (2nd RF) Bias end 1 meg. grid res. (1st RF) See test #8 .....	-6	
16	Oscillator voltage regulator VR 150 Pin #2 .....	150	Grounded plate circuit. Open or shorted 6500 ohm resistor.

RESISTANCE MEASUREMENT IN POWER AMPLIFIER

TEST NO	Points Where Resistance is Measured in Circuit	Resistance ohms	Possible Reason for incorrect reading.
1	Primary of power transformer (across	1	Open, shorted turns
2	Power transformer High V. secondary CT to #90 each side .....	21	Shorted or open.
3	Audio interstage transformer Primary: C. T. to outside .....	(1100 ( 700	Shorted or open Pri.
	Secondary Junction of 150 ohm 6L6-G Grid resistor on 1 Pr. of tubes to brown sec. lead.....	475	
	Same measurement on other pair of tubes to yellow wire .....	475	
4	Chokes- Red lead to red with blue tracer... " " " " " black " .....	190 50	Open or shorted
	Output transformer: B+ to P1 .....	1000	
5	B+ to P2 .....	800	Shorts or open circuits.
	Secondary:- #8 to G .....	1.5	
	#8 to 19 .....	5	
	19 to G .....	1	
6	Voice Coil:- VC to G .....	26	Open voice coil
7	Field - 0 - 925 .....	910	Open winding
	0 - tap .....	525	



MODEL Philharmonic

E. H. SCOTT RADIO LABS., INC.

RESISTANCE TEST MEASUREMENTS OF CIRCUITS IN  
SCOTT PHILHARMONIC XXX

TEST NO.	Points Where Resistance is Measured in Circuit	Resistance Ohms	Possible reason for incorrect reading
1	B +250 V. tap on B-divider to ground *Later divider .....	4250* 4750	I. F. Pri-Coils shorted to shield. R. F. trimmers shorting. Wave band switch contacts shorting. R. F. - A. G. C. or converter screens shorted  I. F. - A. G. C. 3rd or 4th IF screens shorted.  Screen circuits shorted.
	150 V. tap on B-divider to ground...	3050	
	125 V. tap on B-divider to ground...	2680	
	100 V. tap on B-divider to ground...	2200	
	2	Expander and tuning eye adjustments approximately. Exp. Diode - OFF adj. C. T. to ground Exp. Diode - ON adj. " " "	
Exp. Eye " " " "	85		
Tuning Eye " " " "	100		
3	C-Bias Divider to ground 20 Volt tap .....	280	Shorted wiring and as in Test #2
	15 " " .....	148	
	6 " " .....	60	
	4 1/2 " " .....	50	
	3 " " .....	40	
4	Bass Boost choke B + to outside: (Bass full on) .....	2000) 2500)	Shorted choke or associated wiring and coupling condens.
5	Compensated bass choke - (across) .....	10	Shorted or open
6	Hi-Boost choke (across) .....	1100	As in 5
7	10,000 cycle adjustable choke (across)	250	As in 5
8	I. F. Coil circuits Primaries: Plates of Conv-1st IF -- 2nd and 3rd IF to B + .....	1100	Coils shorted to shield can. IF trimmers shorted. 1000 ohm resistors to pri. coils open or shorted.
	Secondaries: Grids of 1st and 2nd IF to AVC line .....	250,000	
	Grid of 3rd IF to outside end of grid resistor .....	1 meg.	
	Grid of 4th IF to Junction point of .5 and .05 megohm resistor across sensitivity control .....	250,000	
9	Diode coil circuits; - Outside end 10,000 ohm diode coil resistor to diode plates #4 and 5 on IF. A. G. C. RF-AGC, and 4th IF.	10,000	Open diode coil, open or shorted. 10,000 ohm resistor.
	B +250 V to plate on IF-AGC-RF-AGC; and 4th IF .....	1100	
10	Antenna coil circuits:- Primaries- Measure at outside ANT. post to GND.		Open coils or circuit shorts
	Position of Wave-Switch		
	UH .....	Open	
	LW .....	57	
	POL .....	4	
	BC .....	20	
	SW1 and SW2 .....	0	
	SECONDARIES:- 1st RF Grid to common Secondary terminal of SW ANT coil (A) SW1 and SW2 Pos. of Wave Switch .....	25	

E. H. SCOTT RADIO LABS., INC.

MODEL Philharmonic

TEST NO	Points Where Resistance is Measured in Circuit	Resistance Ohms	Possible reason for incorrect reading
11	1st RF Grid to common of LW-BC-POL		Open coils or shorts
	ANT (E) .....		
	Switch position		
	BC .....	35	
	POL .....	27	
	LW .....	50	
	UH .....	0	
	RF1 and RF2 circuits		
	Primaries		
	SW - Position and coil		
	BC .....		
to Point A .....	1		
POL RF Tube Plate to Point A .....	0		
LW... RF tube Plate to Point F .....	75		
UH... " " " " " " .....	0		
SECONDARIES:			
SW POSITION and COIL			
BC... Tuning Condenser Stator to A	7		
POL... " " " " " "	0		
LW... " " " " " F	20		
12	Oscillator Coil Circuits		Open coils, open resistors or shorts
	Switch Position for Primary Coils		
	SW2 .....	0	
	SW1 .....	100	
	BC .....	500	
	POL .....	500	
	LW .....	5	
	Sec. coils: Measure at coil points		
	SW2 .....	0	
	SW1 .....	0	
	BC .....	3	
	POL .....	0	
	LW .....	15	
	UH Spread out Grid 6J5 Osc. to		
	3G mmf. on stator .....	0	

INSTRUCTIONS FOR ADJUSTMENTS OF THE AUDIO CIRCUITS

With receiver cable not plugged into amplifier socket, test filaments to ground with the continuity meter. Turn Expander and eye adjustments near center and the resistance from center to ground should be above 75 ohms if not shorted. Connect the receiver to the a-c line through a voltage control device, such as the Variac and adjust the voltage to 112 volts with the Hi-Lo switch up. Where no such arrangement is available, allowance must be made for line voltage variation. Begin test by measuring voltages existing at the C and B dividers.

B - DIVIDER

	Volts	Res.to Gnd.*		Volts	Res.to Gnd.
Red .....	245	4250	Green .....	28	260
Red green tr .....	150	3050	Green black tr .....	15	148
Red blue tr .....	125	2630	Green red tr .....	6	60
Red green tr .....	100	2200	Red yellow tr .....	4.5	50
			Black green tr .....	3	40

\* With set plug not in amplifier

The set has the proper divider network in it, but if a new B-divider is installed, the C bias should be checked. Where the C bias is over 28 volts, it will be necessary to connect a resistor of about 2000 ohms from the 28-volt tap to ground. Use a decade resistance box to determine the correct resistor. Where the B voltage is much below 250 look for shorts in the plate circuits of the tubes.

MODEL Philharmonic

## E. H. SCOTT RADIO LABS., INC.

## EXPANDER ADJUSTMENT

With Fidelity Control  $\frac{3}{4}$  of the way on, Volume Off, expansion off, Bass minimum, and in phono position, connect an audio oscillator to the phono posts with suitable rectifier type A. C. meters across the input directly, and across a 40 ohm dummy voice resistor or voice coil itself if desired, (GND. to 88) Feed 1 volt into phono-posts, and turn volume control until 1 volt is read at the output. Turn the Expander control just on and the output reading should drop to .4 of a volt, if it does not, vary the exp. diode - on adjustment on top of chassis. These adjustment controls are between tube shields near expander tubes. The Exp-on adjustment is nearest front of chassis. Turn the Expansion control knob to full and it should read 1.25 V. on the output meter. If it is too high or too low, turn the control knob to "off" position and set the Exp. diode-off control, (the one next to Exp-diode adjustment) for a new level, reset the Volume Control for 1 volt reading, and repeat as before until the correct results are obtained. Change tubes if necessary

With the Expander adjusted, and a 1 volt signal into phono, turn the Expansion Control knob to "just on" and adjust the Expander eye until it closes, by means of the adjustment screw nearest back of chassis. The eye should open full when the Expansion knob is all the way on, and a strong signal is being received.

## RECORD SCRATCH SUPPRESSOR ADJUSTMENT

With expansion off and controls as above, feed 0.25 volts at 3500 cycles into the phono posts and adjust volume control for 1 volt output. Pull the Scratch Suppressor Switch "out" and the output reading should just start to drop. Now with Suppressor switch off, reduce the input to 0.05 volts, reset the volume control to obtain 1 volt again and turn the suppressor switch on. The output reading should drop to 0.2 giving a ratio of 5 to 1. If a 5 to 1 reduction ratio is not obtained the 6 volt bias applied to the 688G Record Scratch diode tube should be reduced by shunting this point to ground by a suitable resistor, using the decade resistance box method, or substituting various resistors until the correct results are obtained. If too much control is obtained it may be due to an abnormal 6J7G or the condenser across its grid and plate may be too high in value

## BASS CIRCUIT CHECK

Connect a jumper wire from the tap point on the volume control to ground. Have bass control on full and other controls as before. Feed a signal in the phono posts at 400 cycles and adjust the output voltage for 1 volt across the dummy load resistor. Maintain the input constant as the frequency is varied over the lower range. There should be a peak reading of about 6 volts at 70 cycles, a dip-reading of 2 volts at 80 cycles, and another peak of around 4 volts at 40 cycles. Remember to leave the volume control set as it was at 400 cycles and keep the input constant at some convenient reading, say 1 volt. Sixty cycles may be determined by noting the "beat". If there is a peak at points other than those mentioned, it indicates that the bass chokes are shunted by too high a value of condenser, these condensers should be .02 mfd. If the bass "peaks" are low in output voltage reading, it indicates that the gain is low and this should be checked.

\* Later divider measures 4750 ohms to ground on this tap, other taps remain as before.

## AUDIO GAIN TEST

With an audio input signal of 0.1 volt at 400 cycles an output of between 10 to 15 volts will be obtained across the dummy voice load. Make this test at full volume, minimum bass, fidelity  $\frac{3}{4}$  on, Expander and Record Scratch off. If an output of around 20 to 30 volts is obtained look for trouble in the 6J5 PP stage grid circuit. If the gain is low it may be due to tubes, wrong voltages, shorts or open circuits, either in the set or power amplifier. Both should be checked.

## 10,000 CYCLE ATTENUATOR ADJUSTMENT

Feed an accurately known frequency of 10,000 cycles into the phono-posts and obtain an output reading of about 2 volts in full fidelity position. Move the adjustable core on the attenuator choke until a dip in the output reading is obtained. Turn the small midget variable control, which is mounted over the 1st audio socket, until the dip point is lowest, now feed in more signal and repeat operations more carefully until a condition is obtained so that the output meter needle is just moving down to its minimum point. The needle should be moving down rather than at the minimum, and the core may now be sealed with coil "dope". In case it is necessary to push the core to the top of the choke, (gap end) the inductance is now minimum, which means that the two 100 mmf condensers are too high in value and will have to be replaced with condensers having closer tolerance. If it is necessary to push the core all the way to the bottom, the inductance will now be greater and it means that the condensers are below 100 mmf. and the higher values are required.

For 9,000 cycles the two condensers should have a value of 125 mmf. each and a 9 kc source of signal will be required, otherwise the same data applies

## HUM TESTS

Make certain that there are no soldering irons near the chassis and that the power transformer end of the amplifier is as far away from chassis as possible. Connect the output meter to the 6L6 plates. (Blue wires on P<sub>1</sub> and P<sub>2</sub> speaker terminal plate) having a 0.5 to 1 mfd condenser in series with one lead to the meter. With Bass control full on, volume off and fidelity  $\frac{3}{4}$  open, note hum. It should not be over 0.3 of a volt, overall, at full bass. To make overall tests, remove 3rd audio 6J5G tubes. The hum should be zero, and if not, it is in the amplifier. Leave the 3rd audio out and replace 6L6G tubes in the power amplifier until the hum is zero. Now replace the 3rd audio tubes and remove expander 6L7G tubes. The hum should not exceed 0.2 volts. Try new tubes if necessary and try pushing filament wires closer to base and away from grids. Now remove the 6J5G inverter and 1st audio tubes and insert one of the expander tubes. The hum should not rise above its previous value, if it goes up appreciably try another tube. After selecting one 6L7G leave it in the socket and match it up with another that does not raise the hum above that of the single tube. Next put in the inverter tube and select one that has minimum hum. The 1st audio tube may now be replaced, and this may require a trial of several tubes, if it appears impossible to get the overall hum down to 0.3 volts select other expander tubes and repeat as before. The set filament wiring should also be checked. See that the filament wire on the 3rd audio tubes, 6J5G, is pushed down closely to the base, also the filament wires from the "eyes" and dial lights should be clear of the hi-boost and bass compensator chokes. If it has slipped out of place, push it away from the chokes and over to the corner of the 4th Hi-Fidelity shield can.

## E. H. SCOTT RADIO LABS., INC.

MODEL Philharmonic

HOW TO ADJUST INTERMEDIATE FREQUENCIES IN THE  
SCOTT PHILHARMONIC XXX

To satisfactorily align the I. F. and R. F. circuits in Scott Receivers, a modern signal generator is a necessity. We recommend the use of an instrument such as the model 12 Monarch. The ordinary method of using an output meter for indicating alignment is not satisfactory. We recommend the use of a sensitive meter such as the Weston model 600 D C Microammeter. The meter should be shunted by a 10,000 ohm resistor and a 500,000 ohm resistor should be connected in series with the positive side. Set the controls so that the selectivity fidelity control is in the selective position, bass control minimum, sensitivity control maximum, expander control off, and volume just on. The signal generator output lead should be connected to the control grid of the 6L7 converter tube through a 5,000 mmf. condenser. The control grid should also be connected through a 1 megohm resistor to the grid lead which formerly connected to its grid cap so that it will be properly biased.

Connect the positive side of the microammeter to chassis ground and the negative terminal to the diode output celanese lead connected to the switch on the selectivity control. It is well to have a small 22 1/2 volt C. Battery with a number of taps. Connect the positive side of the C Battery to chassis ground and either the 10 or 15 volt tap to the A V C line on the I. F. A. G. C. diode and the -6 volt tap on the R. F. A. G. C. diode output. These two points are at the end of the 10,000 ohm diode resistor which projects through the diode shield can. Use the voltage taps on the C Divider if a C battery is not available.

Feed a 465 kc. signal\* from the generator sufficient to show indication on the microammeter and begin adjusting the first I. F. trimmers. Next adjust the 2nd, 3rd and 4th primary and secondary I. F. trimmers in turn, meanwhile reducing the signal generator input voltage. Repeat the above operations more carefully making certain that each I. F. stage has a double peak as indicated by rotating each trimmer until this is shown. Next adjust the audio diode adjustment for maximum output. Remove the negative 15 volts from the I. F. A. G. C. diode output point and replace it on the 2nd I. F. A. V. C. line. Connect the negative terminal of the microammeter to the output point of the I. F. A. G. C. diode. Increase the signal generator input to the converter until the microammeter reads about mid scale. Then adjust the variable control on the I. F. A. G. C. diode for maximum output. Put in more signal if necessary.

\* I. F. frequency is 465 kc. in most cases but may be 456, 472.5 or 475 for some special locations. In some cases it may be better to start at the 4th I. F. and work back to the 1st, especially if one of the stages is defective or weak. Also it may be desirable to "beat" generator with a signal at 930 kc. to determine if the generator calibration is correct.

Remove the -6 volt lead from the R. F. - A. G. C. diode output point and connect the negative terminal of the microammeter to this point. Put sufficient signal into the converter to get an indication on the meter and adjust the R. F. - A. G. C. diode for maximum output. It may be necessary to over-load this circuit in order to get sufficient indication. The system should now be correctly aligned.

Remove all tie down biases and with the microammeter connected to the celanese lead on the switch on back of sensitivity control, feed a signal of 2,000 microvolts into the converter grid. The microammeter should read between 16 and 18 volts which corresponds to the standards at our laboratory. There should be no wide deviation from this standard. The I. F. sensitivity of the set is dependent upon the I. F. coil position, the bias voltage, or screen voltage. The coils are mounted on the brass shield partitions so that in the 1st, 3rd and 4th I. F. stage the distance from the top of the shield to the coil form is 3/16 inch, while in the 2nd stage it is 3/8 of an inch. More sensitivity can of course, be gained by decreasing the distance, however, it should never be necessary to resort to this but the distance should be measured as a "check".

Another way to increase the sensitivity if found necessary, is to decrease the 28 volt bias voltage to about -27 volts by the shunting of the 28 volt tap on the divider, to ground by a suitable resistor. This assumes of course, a line voltage of 112 volts, sensitivity control full, fidelity control in the minimum position, and the hi-lo switch on the amplifier should be in the "up" position.

## R. F. ALIGNMENT ON PHILHARMONIC LONG WAVE BAND

In the following adjustments it should only be necessary to vary the trimmers and padders for the average case, however, full instructions are included to cover the case where new coils have been installed.

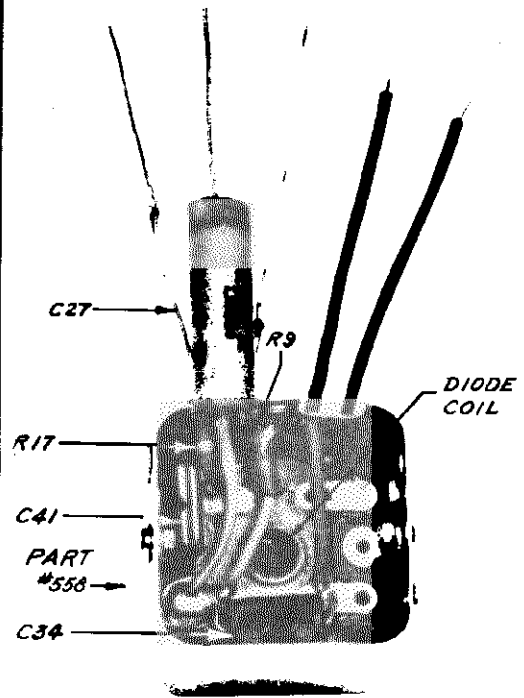
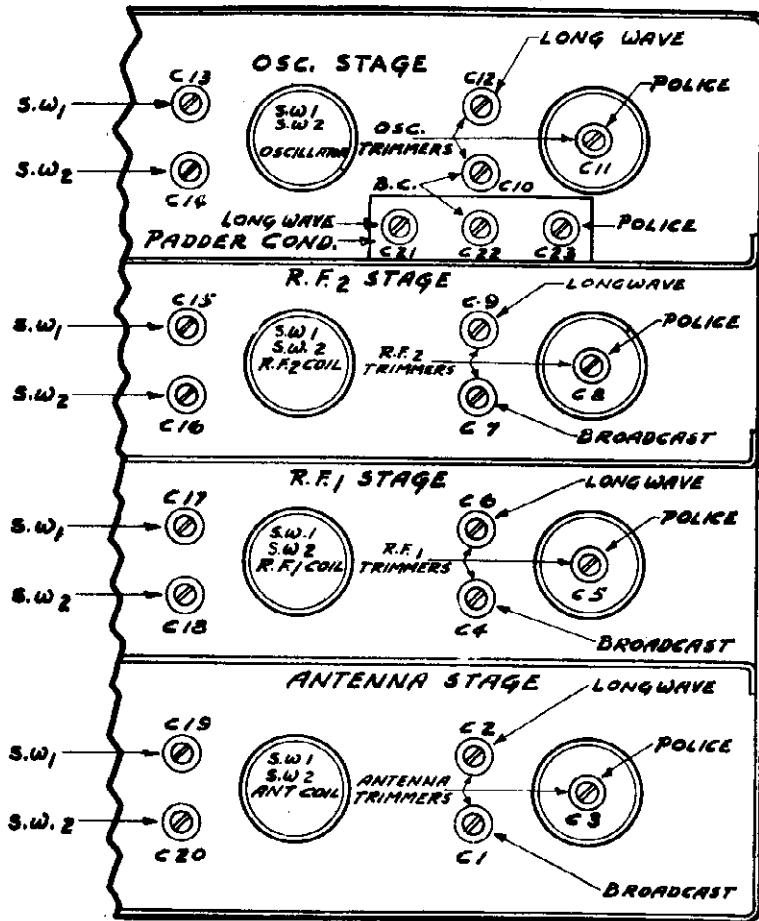
1. Check carefully and make sure that the horizontal line on the left side of the dial cuts through the tuning indicator spot. Connect a jumper wire from center Ant. Post to Gnd. and connect a signal generator to the outside Ant. post. An output meter may be used.
2. Turn the wave change switch to the long wave position and adjust the dial to the reading of 170 kc. Now with the signal generator set to 170 kc. adjust the long wave padding condenser  $C_{21}$  until proper resonance is indicated. Now turn the dial to the setting of 370 kc. and adjust the long wave oscillator trimmer condenser  $C_{10}$  until the 370 kc. signal from the generator is tuned in. Next turn the dial back to 170 kc. rechecking the adjustment and making any necessary changes in the setting on padding condenser  $C_{21}$ . Check the tracking in the center position at 250 kc. and if any correction is necessary at this setting, it will be necessary to add turns to the oscillator secondary to lower the frequency or on the other hand turns will have to be taken off to raise the frequency as well as to readjust padder condenser  $C_{21}$  and trimmer condenser  $C_{12}$ .
3. With the oscillator stage properly aligned turn the tuning dial to 370 kc. and tune in a signal from the signal generator and adjust trimmers  $C_2$ ,  $C_6$ ,  $C_9$  to give maximum output. Next turn the dial to 170 kc. and check the alignment by means of a tuning wand. We strongly urge the use of a tuning wand for proper alignment of the receiver. One end of this device is a core such as a polyiron and the other brass. When the inductance of the coil is high the insertion of the brass end will decrease it to the proper resonant value, whereas, insertion of the other end will increase it to the correct resonant value. This is a quick method of determining whether or not turns will have to be added or taken off. Add turns if the inductance is low and on the other hand remove turns if the inductance is high at the same time adjusting trimmer condensers  $C_2$ ,  $C_6$ ,  $C_9$  at 370 kc. Then recheck the alignment at 250 kc. which should be very close if the dial setting is correct.

## ALIGNMENT OF POLICE BAND

Turn the wave change switch to the police band making certain that the coil shield plate is securely fastened to the chassis and set the tuning dial to 1.8 meg. With the signal generator set at a

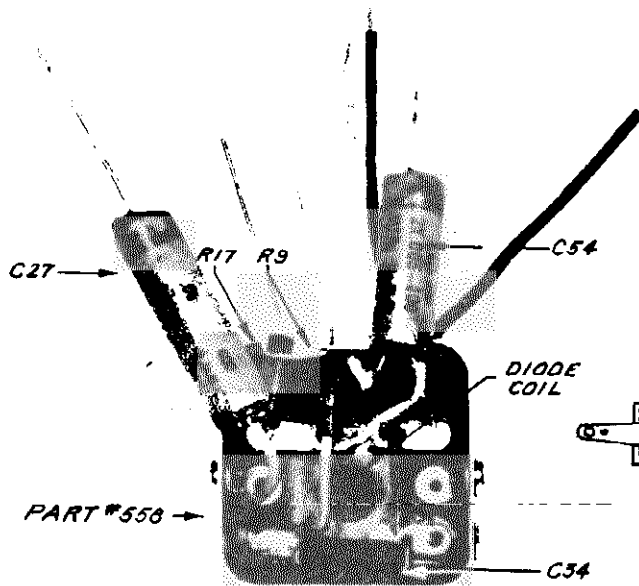
MODEL Philharmonic

E. H. SCOTT RADIO LABS., INC.



AUDIO DIODE

POSITION OF TRIMMER AND PADDING COND.



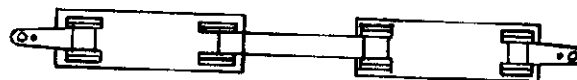
I.F. A.G.C. DIODE  
 R.F. A.G.C. DIODE

PHILHARMONIC

FOR  
 110 VOLT OPERATION  
 2-4 AMP. FUSES



FOR  
 220 VOLT OPERATION  
 1-2 AMP. FUSE



## E. H. SCOTT RADIO LABS., INC.

MODEL Philharmoni

frequency of 1.8 meg. adjust padding condenser  $C_{22}$  until resonance is indicated. Now adjust the tuning dial to 3.7 meg. and tune in generator signal by adjusting trimmer condenser  $C_{11}$ . Turn the dial back to 1.8 meg. and readjust padding condenser  $C_{22}$  if necessary. The middle tracking should be checked at 2.6 meg. making any necessary changes in calibration at this point, by pushing together or spreading the turns on the coil and then, of course, readjust the padding and trimming condensers.

2. After the oscillator stage has been correctly aligned set the tuning dial at 3.7 meg. and adjust the trimming condensers  $C_3$ ,  $C_5$ , and  $C_8$  to give maximum response. Check the alignment at 1.8 meg. making any required changes in inductance by pushing or spreading the turns on the coils and readjusting the trimmer condensers  $C_3$ ,  $C_5$ , and  $C_8$  at 3.7 meg. Finally check the alignment at 2.6 meg.

## ALIGNMENT ON BROADCAST BAND

1. For alignment on the broadcast band turn the wave change switch to the broadcast position and employ exactly the same procedure as you did for the police band. Padding condenser  $C_{22}$  should be adjusted at 650 kc. and trimming condenser  $C_{10}$  at 1420 kc. The middle tracking is checked at 970 kc. with any adjustment in inductance made by pushing together or spreading apart the turns on the coils and realigning the padding and trimmer condensers.
2. After proper alignment has been made on the oscillator stage adjust trimming condensers  $C_1$  -  $C_4$  - and  $C_7$  at 1420 kc. and check alignment with the tuning wand at 650 kc. and 970 kc.

## ALIGNMENT OF SHORTWAVE BAND NO. 1

1. First turn the wave change switch to shortwave band No. 1 and turn the tuning dial to 9 meg. By adjusting trimming condenser  $C_9$  tune in a signal from a signal generator. Check the alignment at 5 meg. and adjust the calibration by pushing together or spreading apart the turns on the coil. Middle tracking should be checked at 6.5 meg. and if it is necessary to adjust the calibration at this point either spread or push together the turns on the oscillator coil and change the fixed pad on the oscillator coil to correct the calibration at 5 meg.
2. With the oscillator stage properly aligned set the tuning dial to 9 meg. and adjust trimming condensers  $C_{16}$ ,  $C_{17}$  and  $C_{19}$  to maximum output. Alignment at 5 meg. should be checked with the tuning wand and any adjustments necessary made by pushing together or spreading turns on the coil. Then check the middle tracking point at 6.5 meg.

## ALIGNMENT OF SHORTWAVE BAND NO. 2

1. Place the wave change switch on shortwave band No. 2 and adjust the tuning dial at 22 meg. Tune in the signal from the generator by adjusting trimmer condenser  $C_{14}$ . Turn the tuning dial to 12 meg. and adjust the calibration by either pushing together or spreading apart the turns on the oscillator coil. The middle tracking point is checked at 16 meg. and if it is necessary to readjust the calibration at this point either push together or spread apart the turns on the oscillator coil and change the fixed padding condenser on the oscillator coil to correct the alignment at 12 meg.
2. When the oscillator stage has been properly aligned set the dial at 22 meg. and adjust trimmer condensers  $C_{16}$ ,  $C_{18}$ , and  $C_{20}$  to give maximum output. Check the alignment at 12 meg. by means of a tuning wand and make any required adjustments by either pushing together or spreading apart the turns on the coils. Check the middle tracking point alignment at 16 meg.

## ALIGNMENT OF THE ULTRA SHORTWAVE BAND

1. Set the tuning dial at 30 meg. with the high fidelity control advanced about 1/4 of the way on. Tune in the signal from the generator using a harmonic of 15 meg. and adjust the calibration by spreading or pushing together the turns on the ultra high frequency oscillator coil. Be sure to keep the small booster coil at the bottom of the oscillator coil closely coupled. Next adjust the dial to 60 meg. leaving the generator set at 15 meg. and check the calibration.
2. With the oscillator properly aligned and the receiver tuned to the generator signal at 60 meg. adjust the trimmer condenser on the ultra high frequency R F coil to maximum slowly rocking the tuning dial back and forth while making this adjustment. Check the alignment at 30 meg. and adjust to maximum by spreading or pushing together the turns on the R F coil and readjusting the trimmer at 60 meg.

## CONCLUSION

It will be recognized that it would be quite impossible to enumerate every symptom and its required remedy in a circuit and mechanism as elaborate and advanced as the Scott Philharmonic XXX. For this reason a rather detailed description of the functions and operation of practically all parts has been given. This information together with the circuit diagram should enable the experienced service engineer to remedy any trouble, however, there may be cases that are particularly baffling and in such events the Scott Radio Laboratories may always be relied upon to cooperate in every way possible.

MODEL Philharmonic

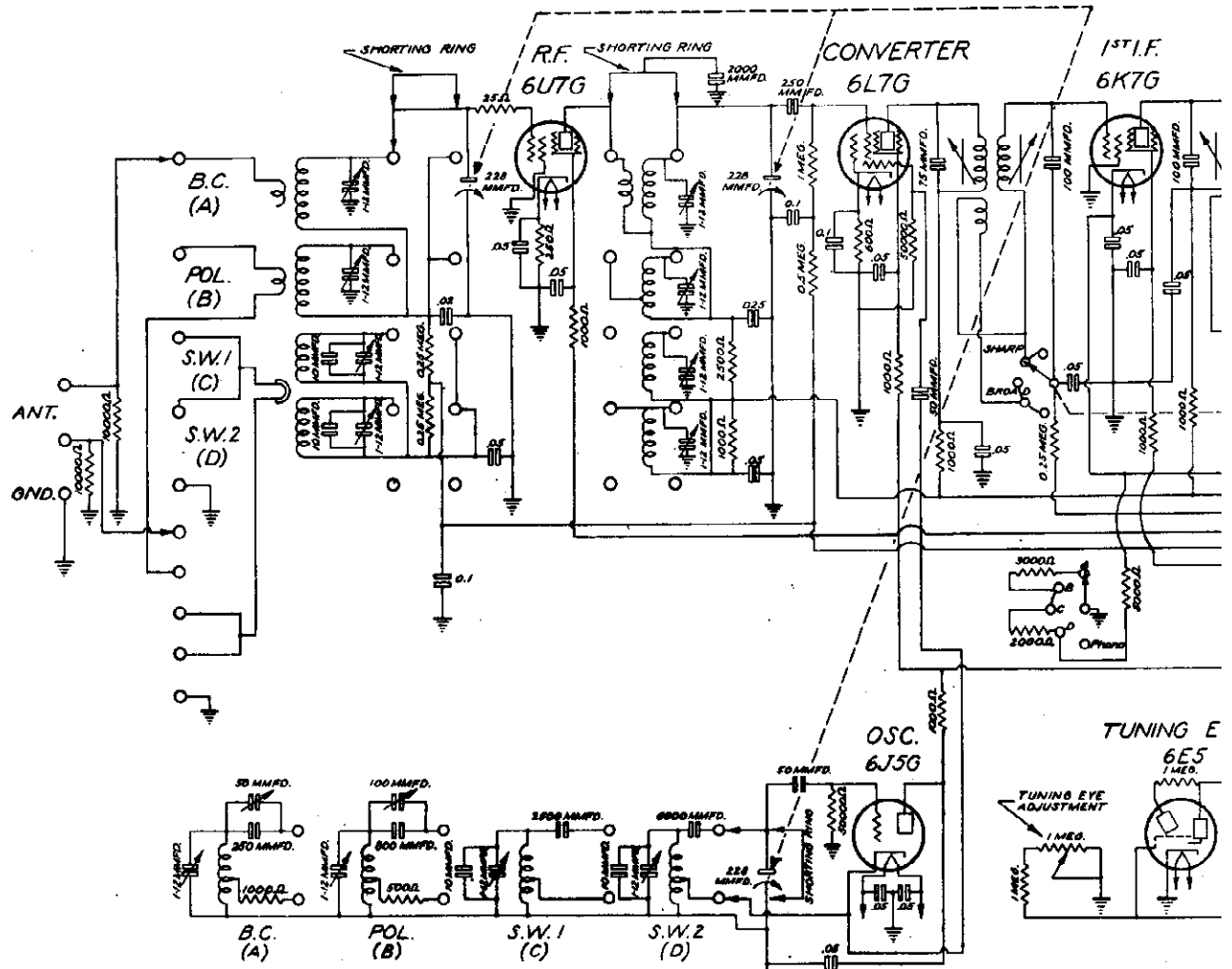
E. H. SCOTT RADIO LABS., INC.

WHEN REPLACEMENTS ARE REQUIRED  
BE SURE TO ORDER BY STOCK NUMBERS SHOWN BELOW

Symbol	Part	Stock Number	Part	Stock Number
1	100 mmfd. Cond.	45	I. F. - A. G. C. Diode (assembly)	1248
2	500 V. Cond.	331	I. F. - A. G. C. Diode	1248
3	150 mmfd. Air Cond.	1364	Audio Diode	289
	150 mmfd. Air Cond. Fixed		Blade Hi-Fi Cond. (L)	448
	150 mmfd. Air Cond. Variable	932	Blade Hi-Fi Cond. (H)	800
4A	185 mmfd. Air Cond. Fixed	932	Stator Plate	1314
5	300 mmfd. Air Cond. Variable	948	Screen Shield	974
6	3 pi L. F. Coil	375	Head Pass Switch	1398
7	4 pi L. F. Coil	1320	25,000 ohm 1/4 watt Res.	1370
8	885 Socket	3155	35,000 ohm 1/4 watt Res.	1872
9	200 ohm variable (eyes and esp. adj.)	1371	Hi-Fi Shaft	427
10	4870 Choke (Base)	1815	7 Henry High Boost Choke (L4) 4448	128
11	250-000 V Cond.	1816	Base Comp. Choke 24 H. E. (L-3) 4448	524
12	Selectivity Fidelity Control (2,000 ohms)	1843	1000 ohm 1/4 watt Res.	
13	Volume Control (Dual)	1843	500,000 ohm 1/4 watt Res.	
14	Scratch Suppressor Switch	1843	"C" bias Divider	
15	Wave Choke (Type M)	1843	Gear #1	
16	Wave Choke (Type N)	1843	Gear #2	
17	Sensitivity Control and Phono Switch (2000 ohms)	700	Hi-Fi Control Switch	
18	Indicator Eye Tube Bracket	1372	Hi-Fi Control Switch	
19	8000 mmfd. Mica Cond.	1372	2500 mmfd. Cond.	310
20	.02 mfd. 400 V Cond.	1372	1,800 ohm 1/4 watt Res.	318
21	1-12 Variable	1184	3 meg. 1/4 watt Res.	568
22	5V1 and 5V2 Int. Coils (L-G)	1339	75,000 ohm 1/4 watt Res.	1378
23	L. V. and H. C. Ant. Coils (L - H)	1400	Attenuator Choke 4446	1248
24	L. V. and H. C. P. Coils (P)	1400	1/2 Voltages Divider	588
25	5V1 and 5V2 P. F. Coils (L-D)	1402	750,000 ohm 1/4 watt Res.	1045
26	Diode Light Guide	1864	300,000 ohm 1/4 watt Res.	286
27	Timing and Exp. Eye Cable	1864	35 mmfd. Cond.	840
28	5V1 and 5V2 L. Res. Coil (L-C)	1888	3,000 ohm 1/4 watt Res.	1287
29	5V1 and 5V2 L. Res. Coil (L-A)	1946	.225 mfd. 400 V Cond.	1038
30	2-3 section rmg Cond. (front and rear)	525	35,000 ohm (Attenuator variable)	371
31	0.1-400 V Cond.	1242	40,000 ohm 1/4 watt Res.	1275
32	25 ohm 1/4 watt Res.	1381	5,900 ohm 1/4 watt Res.	1269
33	1 meg. 1/6 watt Res.	1381	.006 mfd. Cond.	1371
34	250 mmfd. Cond.	1381	4 x 4 mfd. 800 V.	1371
35	1000 ohm 1/4 watt Res.	47	175 Henry Choke	1371
36	1/4 meg. 1/4 watt Res.	319	.05 mfd. Cond. 100 V.	1284
37	5 mmfd. Cond.	1268		
38	2 meg. 1/4 watt Res.	321		
39	Police Osc. Coil (L-B)	1877		
40	Police R. F. Coil (B)	1404		
41	Police A. T. Coil (L-H)	1400		
42	100 mmfd. Cond.	45		
43	15 mmfd. Cond.	281		
44	15 mfd. 400 V.	799		
45	1000 mmfd.	1272		
46	Wave Switch Section	1272		
47	Wave Switch Shaft	1272		
48	U.I.T. High Freq. Gnd. Coil	1392		
49	" " " R. F. Coil	1394		
50	" " " R. F. Coil	1394		
51	" " " Booster Coil	1394		
52	20,000 ohm 1/4 watt Res.	1405		
53	50 mmfd. Cond.	367		
54	500 ohm 1/4 watt Res.	45		
55	500 ohm 1/4 watt Res.	414		
56	500 ohm 1/4 watt Res.	768		
57	500 ohm 1/4 watt Res.	1216		
58	500 ohm 1/4 watt Res.	48		
59	500 ohm 1/4 watt Res.	48		
60	50 mmfd. Cond. (Trimmers)	81		
61	50,000 ohm 1/4 watt	378		
62	18,000 ohm 1/4 watt	374		
63	.68 mfd. Cond. 400 V.	1284		
64	2690 ohms 1/4 watt Res.	1868		
65	7,500 ohms 1/4 watt Res.	390		
66	5,500 ohms 1/4 watt Res.	370		
67	100,000 1/4 watt Res.	286		
68	25 mmfd. Cond.	585		
69	500 mmfd. Cond.	817		
70	1 mfd. Cond.	281		
71	7 x 1.5 400 V.	1321		

During the early part of 1989 several improvements and changes were made in the Philharmonic receiver. These changes result in a number of parts being removed from the receiver and other parts added. These changes are not shown on the top and bottom view diagrams but are shown on the circuit diagram. These changes are as follows:

123	1 meg ohm 1/4 Watt Resistors	361	01 400 volt tubular condenser
1312	Compenator switch	456	"
1155	300 ohm variable resistor	476	"
1848	Volume Control	575	"
1842	Expander Control	378	"
1841	Scratch Suppressor Switch	413	"
386	100,000 mmfd. mica condenser	409	Expander control (linear taper) new
120	15,000 ohm 1/4 watt resistors	1473	Volume Control (topped at 40,000 Oh) new
199	1 mfd. 200 volt tubular condenser		
365	1840 ohm 1/4 watt capacitor in cat.		
1372	Volume compensation choke # 1448		
512	50,000 ohm 1/4 watt resistor		
310	Switch Section		
361	2500 mmfd. mica condenser		
285	25 mmfd. mica condenser		
317	10,000 ohm 1/4 watt resistor		
46	50 mmfd. mica condenser		
51	25,000 ohm 1/4 watt resistor		
1270	400 ohm 1/4 watt resistors		
1866	500 " " " " " " " " " "		
1216	15,000 ohm 1/4 watt resistors		
374	400 " " " " " " " " " "		
788	6,000 " " " " " " " " " "		
428	5,000 " " " " " " " " " "		
587	1,000 " " " " " " " " " "		
319	350,000 " " " " " " " " " "		



Voltage ..... 115 volts, 60 cycles  
 Power Consumption..... 85.watts  
 A-F Power Output..... 9 watts undistorted  
 13 watts peak

A-F Frequency Range... 30 - 85C  
 R-F Coverage..... 550 kc -

Audio Amplifier

When the wave change switch is set to position "P" the input to the three stage audio system is automatically connected to the phonograph input terminals on the rear of the chassis. A volume control tapped for bass compensation is employed at the input circuit of the 6K7G first audio tube and in the plate circuit of this tube five position treble control circuits are connected. The bass circuit utilizes a special bass boost system giving about 6 db boost at 100 cycles, and is connected in the plates of the 6F8.

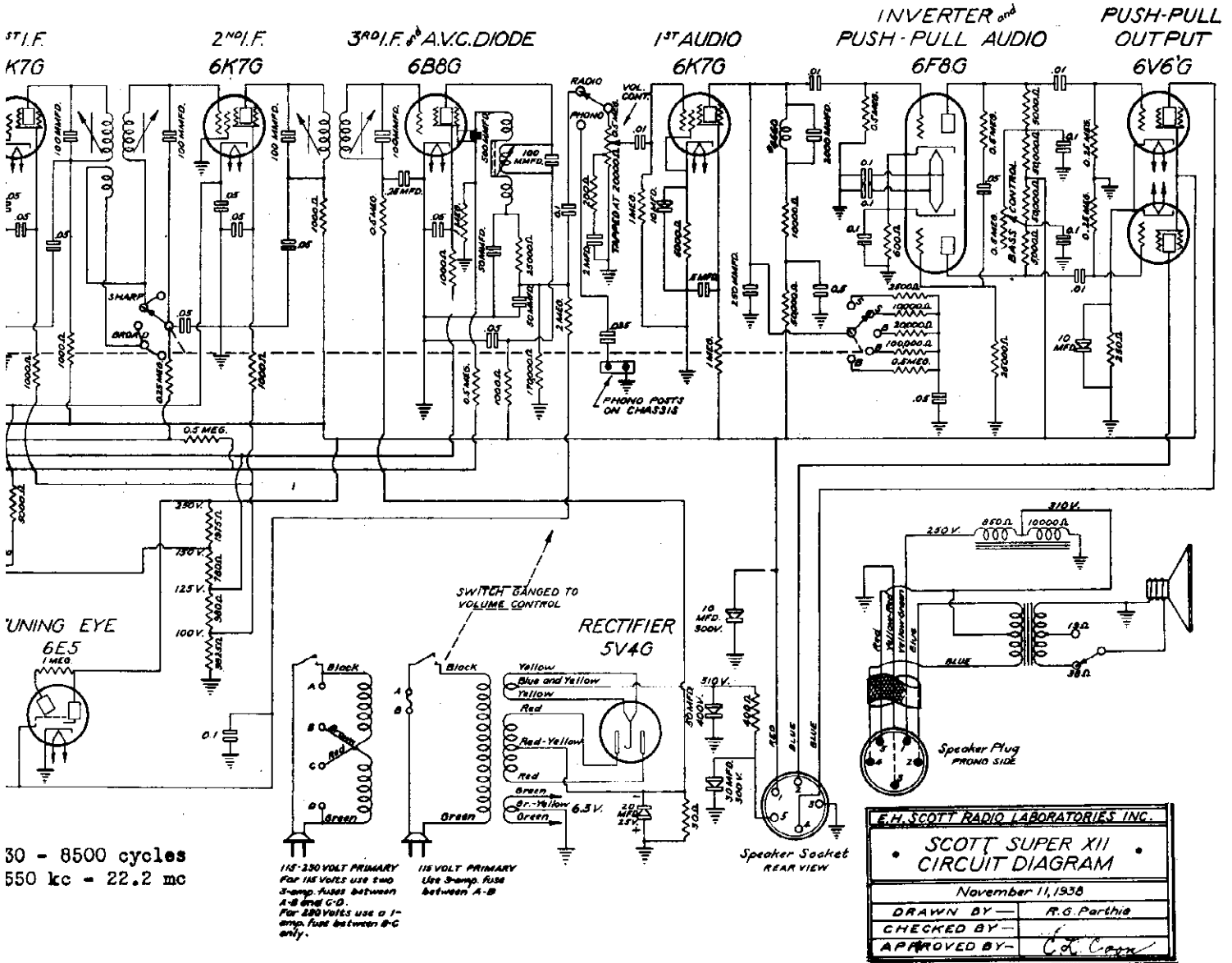
The first audio tube is followed by a 6F8 tube which has two functions, acting as a phase inverter and pushpull audio resistance coupled to pushpull 6V6's acting as pentode power tubes.

Power Supply

The power supply employs one of the new 5V4G heater type rectifier



TT RADIO LABS., INC.



tubes. The primary of the power transformer is arranged for standard 115 volts on the domestic model. On the foreign model it is designed to accommodate either 115 volts or 230 volts AC by proper placement of the fuses. This is clearly shown on the schematic diagram. The rectified plate voltages are filtered by the use of two special high capacity electrolytics, the speaker field being employed as a filter choke. In addition, the bias voltage is further filtered by the use of a 20 mfd. condenser.

Loud Speaker

The loud speaker employed is arranged to provide connections for an external speaker. It is necessary only to remove the terminal cover, disconnect the jumper wire between terminals V.C. and 38, and connect it between V.C. and 19 instead. Now connect a 38 ohm speaker to the terminals marked 19 and G. "T" pads may be added by reference to the diagram showing these connections.

# E. H. SCOTT RADIO LABS., INC.

## MODEL Super XII

Adjust the I.F. diode trimmers for maximum meter reading, reducing the input, if necessary, to avoid exceeding the above figures.

### Alignment of R.F. Sections

Before starting on this portion of the set, it is important to understand how the tuning wand tool works. One end of this device has a core of material such as Polytone while the other end is brass. When the inductance of a coil is high, insertion of the brass end will decrease it to the proper resonant value; whereas, insertion of the other end will increase the effective inductance. This gives a very convenient means of determining whether or not it is necessary to add or remove turns from the coil. In the following instructions only a slight adjustment of trimmers and padders should be necessary where original coils are used. Full instructions, however, are given to cover the case where new coils are to be used.

### Broadcast Band Alignment

First turn the dial pointer completely to the low frequency dial stop and center the pointer between the two heavy marks. Turn the wave band switch to the "Broadcast A" position, set the bass control to minimum, treble control to minimum and connect an output meter across the voice coil. Adjust oscillator trimmer C1, until a 1,400 Kc. signal as set on the dial is tuned in from the generator. Rotate the dial to 600 Kc. and tune in a 600 Kc. signal from the generator by adjusting the padding condenser C3. Check the dial at 950 Kc. and if it tunes high in frequency spread turns on the oscillator secondary. If it is low in frequency push the turns together and then readjust trimmer condenser C1, and padder condenser C3, as before.

With the oscillator circuit correctly spotted, tune in a signal from the generator at 1,400 Kc. and use the output meter as indicated.

Have as weak a signal as possible and adjust trimmers C4 and C5 for maximum output. Turn the dial to 600 Kc. and check the alignment of the R.F. and antenna stages with a tuning wand, spreading turns on the coil where less inductance is needed and pushing turns together if more inductance is required. Readjust the trimmer condenser C4 and C5 for maximum at 1,400 Kc. Turn the dial to 950 Kc. and check the alignment of the R.F. and antenna stages.

### Police Band

Set the wave band switch to the Police "B" band position and turn the dial to 3.7 megacycles. Tune in a signal from the generator by adjusting trimmer C2, then turn the dial to 1.8 megacycles and tune in a signal from the generator by adjusting the padder C10. Check the alignment at 2.6 megacycles and if off, either push together or spread turns on the oscillator secondary as described under "Broadcast Band Alignment". Readjust trimmer C2 and padder C10 until correctly aligned. Tune in a signal at

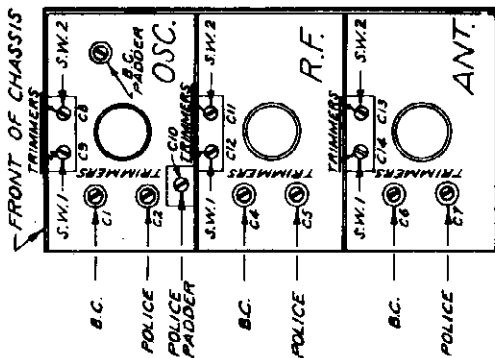


Fig. 2 - Location of Trimmers

### HUM TESTS ON RECEIVER

The hum is very low in the Scott Super XII. Under normal conditions the hum cannot be read on an output meter. In case of bad hum, replace the 5Y6's, or it may be due to the 6Y6 or 6K7. The 6K7 is the worst offender for causing hum.

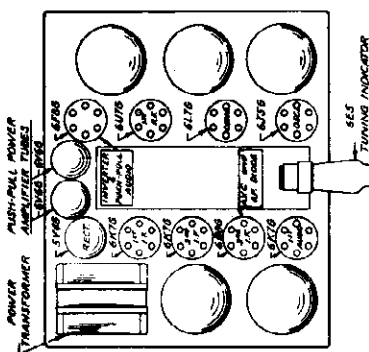


Fig. 1 - Location of Tubes

### AUDIO GAIN TEST

With an audio input signal of 0.6 volt at 400 cycles an output reading of 11 volts should be obtained on the output meter which is connected across the voice coil. Make this test with volume full, bass control full, fidelity full and band switch in phono position. If the gain is low it may be due to defective tubes, wrong voltages, shorts or open circuits, either in the set or power amplifier. Both should be checked.

### AUDIO FIDELITY TESTS

For correct high fidelity reproduction it is important that the electrical frequency response of the audio system for the phono posts to a 38 or 40 ohm dummy voice coil resistor be approximately 1 1/2 volts at 100 cycles and 4 volts at 6,000 cycles with the bass and fidelity controls on full, after the output has been carefully adjusted, by means of the volume control, to 1 volt at 400 cycles with an input of 0.1 volt at each frequency. Failure of the system to approximate this response (if you are certain that your meters are accurate and that no service meter condenser, which would cut out low frequencies, is being used) should lead to analysis of the low or high frequency circuit involved to determine and eliminate the trouble.

### Alignment of I.F. Section

Connect a good signal generator to the input of the I.F. system. Turn the wave band switch to the broadcast band; have selectivity switch to sharp position (to left); turn tuning dial pointer to Hi-Freq. end of dial.

Connect the negative terminal of a 20,000 ohm per volt DC voltmeter using the 25 volt scale, (or a sensitive micrometer with a 0.5 mg. resistor connected in series with its negative terminal) to the "I.F. Diode Output Point", and connect the positive terminal to the chassis.

Apply an unmodulated 455 Kc. signal of sufficient strength to produce a diode output voltage reading of approximately 10 v. (or 20 microamperes for the micrometer) and vary carefully adjust the 1st, 2nd, 3rd, I.F. transformers by removing two buttons from two large round cans. The top adjustment is primary and the adjustment under chassis is secondary.

## MODEL Super XII

## E. H. SCOTT RADIO LABS., INC.

3.7 megacycles and adjust trimmers C5 and C7 to maximum output. Now check the alignment on 1.8 megacycles with a tuning wand and make any necessary corrections by pushing or spreading turns on the coils and readjusting trimmers C5 and C7. Recheck the alignment at 2.5 megacycles.

Foreign S.W. -C- (SW1)

Set the wave band switch to the "C" position and tune in a signal at 9 megacycles by adjusting trimmer condenser C9. Turn the dial to 5 megacycles and if necessary to correct the calibration do so by spreading or pushing turns on the coil and readjusting the trimmer condenser C9. Check the calibration at 6.0 megacycles.

With the oscillator calibrated, tune in a signal at 9 megacycles and adjust trimmer condensers C12 and C14 for maximum output. Check the alignment at 5 and 9 megacycles and make any necessary corrections by pushing or spreading turns on the coils and readjusting trimmers C12 and C14.

Foreign S.W. -D- (SW2)

Set the wave band switch to "D" position and tune in a signal at 20 megacycles by adjusting trimmer C8. Check and if necessary correct the calibration at 12 megacycles by pushing or spreading the turns on the oscillator coil. Check the calibration at 15 megacycles.

With the oscillator correctly aligned tune in a signal at 20 megacycles and adjust trimmers C11 and C13 for maximum output. Check the alignment at 12 and 15 megacycles and make necessary corrections by pushing or spreading turns on the coils. Now, readjust trimmers C11 and C13.

CONNECTING EXTRA SPEAKER

The new type high-fidelity Scott permanent magnet 38-ohm voice coil speaker may be readily connected to a Scott receiver with the optional "T" pad inserted in the voice coil leads where separate control of the extension speaker volume is desired. In case the extension speaker is disconnected, the jumper might be changed to connect terminals "V.C." and "38" together.

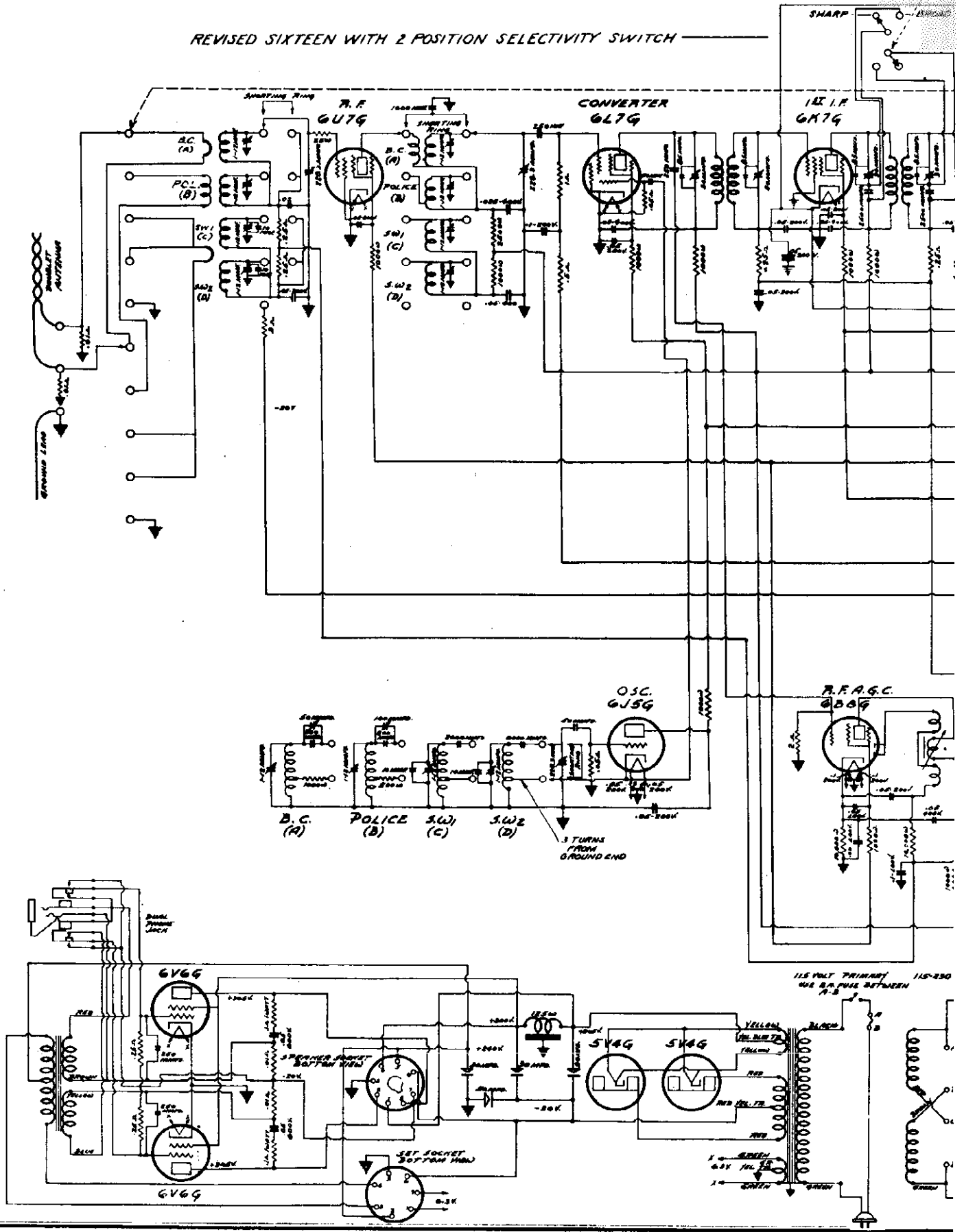
ELECTROLYTIC CONDENSERS

The electrolytic condensers are special and in case a replacement is necessary, it must be purchased from the Scott Laboratories.

WAVE CHANGE SWITCH TROUBLE

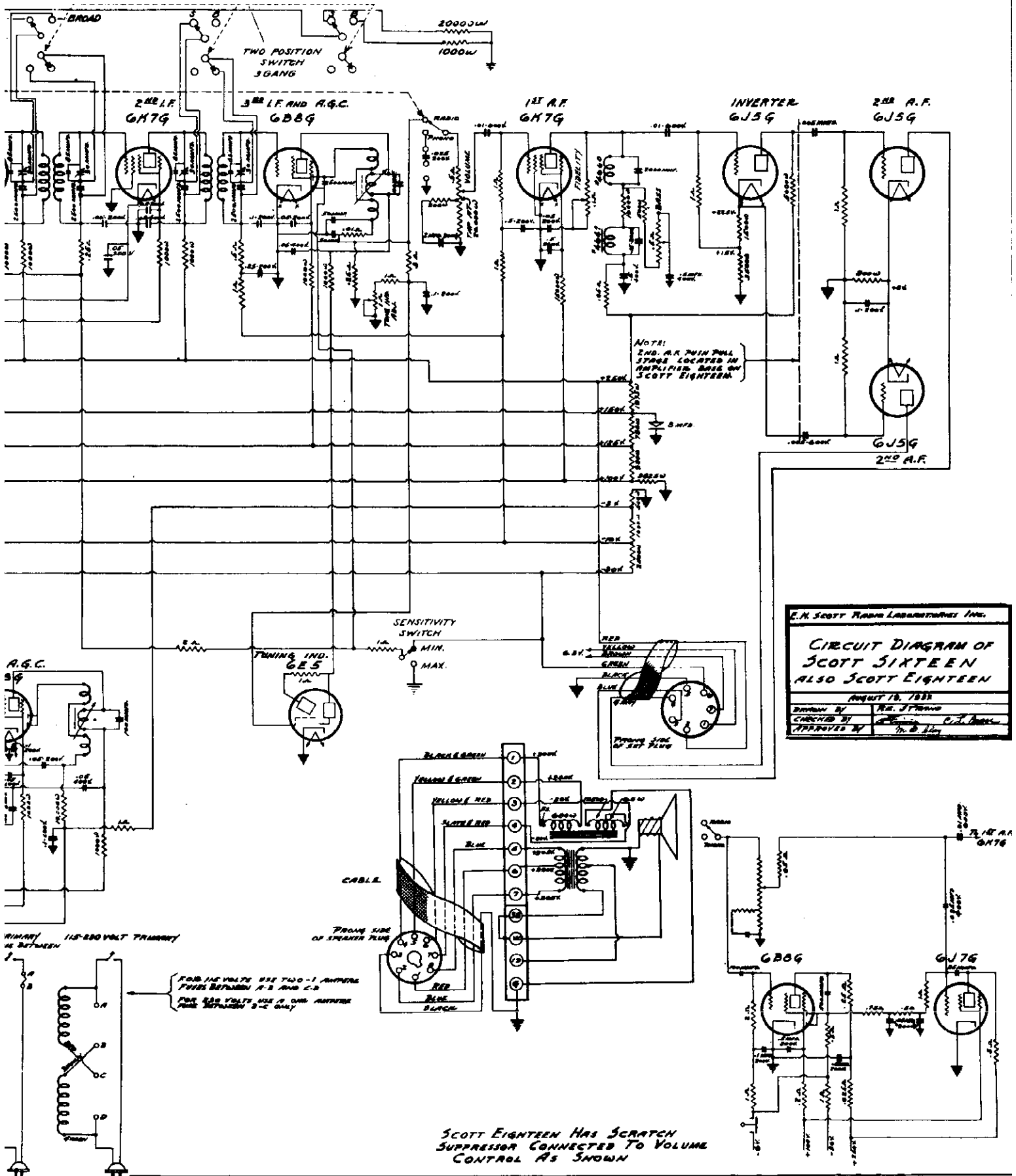
Poor contact in the wave-change switch can generally be corrected by slightly bending the contacts involved. However, in case a switch section is accidentally damaged beyond repair, this section can be replaced by first removing the dial face, then removing the two screws which support the wave change detent plate and very carefully pulling out the wave change switch shaft. The damaged section can then be unsoldered, removed, and replaced with a new unit, which should be obtained from the Scott Laboratories in Chicago before the change is made in order to insure exact duplication of switch position and connections. Note particularly that the small notch near the center of the switch rotor must be in the same position in each switch section.

REVISED SIXTEEN WITH 2 POSITION SELECTIVITY SWITCH



SCOTT RADIO LABS., INC.

MODELS 16,18



E. H. SCOTT RADIO LABS., INC.

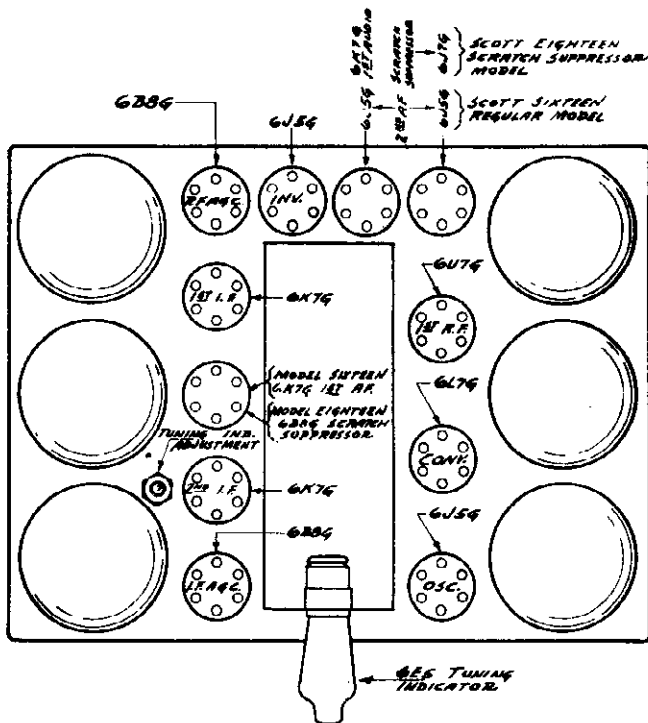


Fig. 1 Showing Tube Locations

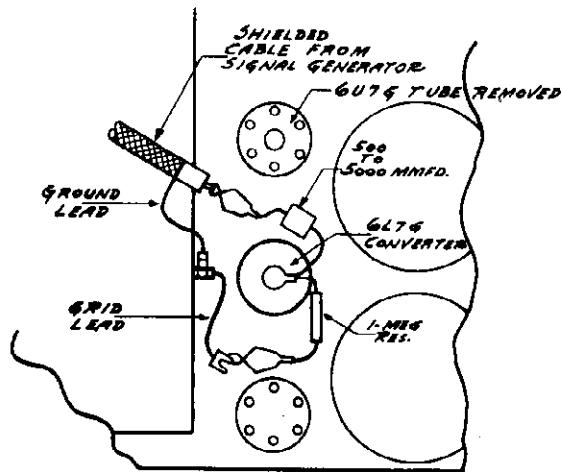


Fig. 2  
Signal Generator Connection  
For I.F. Alignment

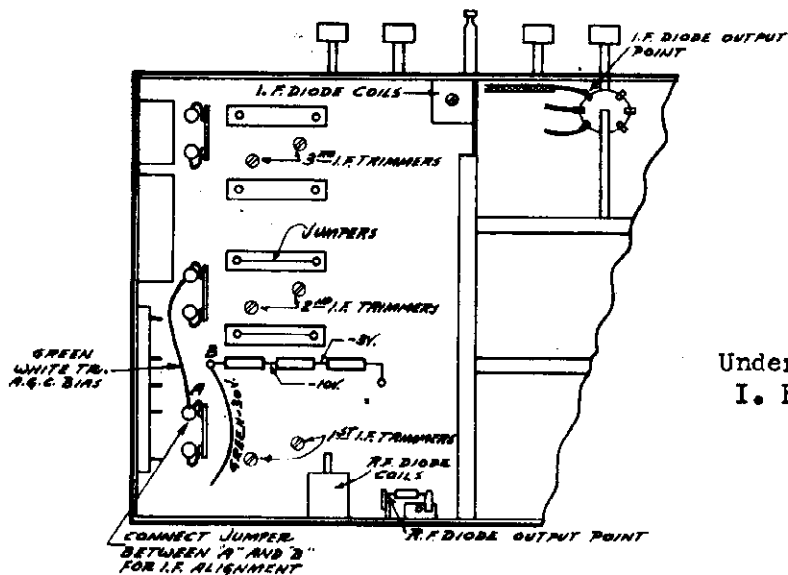


Fig. 3  
Under Chassis View Showing  
I. F. Adjustments, Etc.,

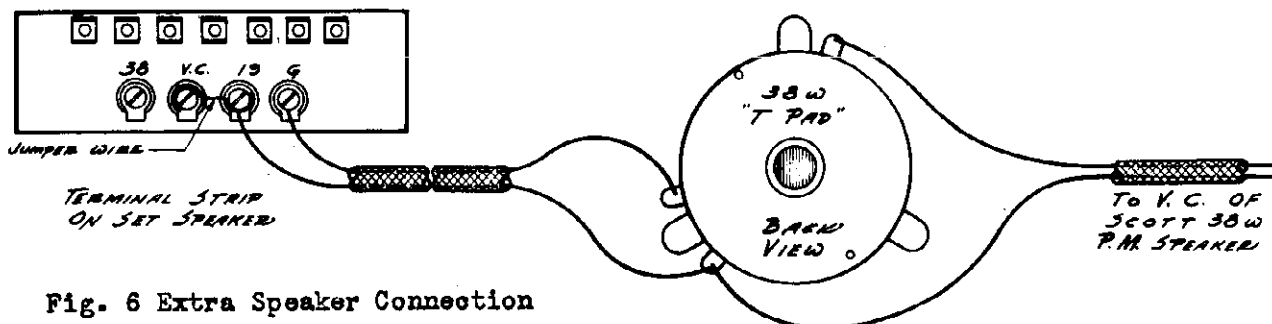


Fig. 6 Extra Speaker Connection

## MODELS 16,18

## E. H. SCOTT RADIO LABS., INC.

HOW TO ADJUST THE AUTOMATIC RECORD SCRATCH SUPPRESSION CIRCUIT  
ON THE SPECIAL SCOTT EIGHTEEN

This test refers only to the 18 tube model and can be ignored when checking the Sixteen. See Fig. 1 for tube locations in Scott Eighteen.

Connect an output meter across the Voice coil circuit (V.C. to G.) Connect an audio oscillator and a sensitive output meter to the phono-posts, and turn the Wave Switch to position "P" (allway to right). With the Bass Control set to minimum, treble control full on, and Scratch Suppressor switch pushed in, apply 0.25 volt at 3500 cycles to the phono posts. Set the volume control so that 1 volt is obtained on the output meter across the voice coil. Pull out the suppressor switch and the 1 volt reading should just start to drop (say to .9V.) Now push the suppressor switch in (off position) and reduce the audio oscillator input to 0.05 volts, reset the volume control to obtain a 1 volt reading again on the voice coil output meter and now pull out the suppressor switch ("on" position). The 1 volt reading should now drop to a level of 0.2 of a volt or slightly under. This gives a reduction ratio of 5 to 1 and this is the proper ratio to maintain. If this 5 to 1 reduction is not obtained the 6 volt bias should be reduced slightly by shunting it to ground by a suitable resistor. The value of this resistor will lie somewhere between 800 and 5000 ohms. It will have to be determined by substitution of various resistors. If too much control is obtained, it may be due to an abnormal 6U7G.

The 6B8G tube determines the level at which the circuit starts to cut high frequencies and the 6U7G tube determines the amount of this cut.

HOW TO ALIGN AND BAND PASS THE I. F. AMPLIFIER

While this operation is quite difficult in many receivers the Scott Sixteen and Eighteen incorporate a new development which greatly simplifies this adjustment if the following procedure is carefully followed. However, the I. F. adjustments should be changed only as a last resort on positive indication that the I. F. alignment has become impaired. A good signal generator should be connected to the input of the I. F. system at the grid of the 6U7G converter tube using the circuit shown in Fig. 2, in order to maintain normal operating bias. Turn the wave band switch to the Broadcast Band; turn the tuning pointer to the extreme high frequency end of the dial; push in the sensitivity switch; and remove the 6U7G R. F. tube.

Now referring to the underside view of the chassis, Fig. 2, connect a jumper wire between points "A" and "B". Remove the wire jumpers which shunt the terminals of the 2nd I. F. Transformer as shown in Fig. 3, leaving these terminals vacant, and connect two solid wire jumpers across the two terminal strips of the 3rd I. F. transformer. (In case resistors are found connected across any of the terminal strips their positions should be carefully noted on a piece of paper since they must be replaced exactly as found, when the operation is completed.) NOTE: Turn set off when changing jumpers to avoid shock from the plate voltage. Connect the negative terminal of a 20,000 ohm per volt D. C. voltmeter using the 25 volt scale, (or a sensitive microammeter with a 0.5 meg. resistor connected in series with its negative terminal) to the "I. F. Diode Output Point" shown in Fig. 3 and the positive terminal to the chassis.

Apply an unmodulated 465 K. C. signal of sufficient strength to produce a diode output voltage reading of approximately 10V (or 20 microamperes for the microammeter) and very carefully adjust the 1st, 2nd, 3rd I. F. and I. F. diode trimmers for maximum meter reading, reducing the input, if necessary, to avoid exceeding the above figures.

HUM TESTS ON RECEIVER

Makes certain that there are no soldering irons near the chassis and that the power transformer end of the amplifier is as far away from the chassis as possible. Connect a good output meter, having a resistance of 3000 ohms or more to the 6V6G plates (No. 3 prong) and have a 1 to 2 mfd. condenser in series with one lead to the meter.

With bass full on - treble full - and volume off the hum should not exceed .2 of a volt. To make overall tests, remove the 2nd audio 6J5G tubes. The hum should now drop to less than 0.1 volt. If it does not the amount of hum read on the meter is the hum in the amplifier itself. Leave the tubes out and change the 6V6G tubes in the amplifier until the hum is reduced to a minimum. The phone jack may be defective or there may be filament shorts, check the circuit and connections and get the hum out of the amplifier before proceeding with the rest of the test.

NOTE: It is highly important, in minimizing hum to use the spiral heater type 6K7G and 6J5G tubes in the audio system since, while considerable bass boost is available, tubes are the sole source of hum, there being no hum pickup whatsoever in chokes, transformers, etc.

After a very few of the first receivers were shipped out, a 250 mfd. mica condenser was added to the grid circuit of each 6V6G tube to eliminate high frequency parasitic oscillation which occurred with some tubes. If these two condensers are not present, they should be added, as shown on the circuit diagram, otherwise oscillation may occur when the 2nd A. F. 6J5G tubes are removed.

After the amplifier is found to be O. K. replace the 2nd audio tubes until hum is reduced to a minimum, allowing sufficient time in each case for the tubes to heat up properly. Next try the inverter tube in the same manner and follow with the 1st audio 6K7G. It may be necessary to push the filament wires nearer the base and away from grid wiring on some of the tube sockets, also the dial light circuit may be shorted against the dial frame. All these points should be checked along with the trying of new tubes.

AUDIO GAIN TEST

With an Audio input signal of 0.1 volt at 400 cycles an output reading of between 2 and 3 volts should be obtained on the output meter which is connected across the voice coil. Make this test with Volume full, Bass control 1/2 on, Fidelity full and Band Switch in Phono position. If the gain is low it may be due to defective tubes, wrong voltages, shorts or open circuits, either in the set or power amplifier. Both should be checked.

AUDIO FIDELITY TESTS

For correct high fidelity reproduction it is important that the electrical frequency response of the audio system, from the phono posts to a 38 (or 40) ohm dummy voice coil resistor, approximate 5 volts at 75 cycles and 6 volts at 6250 cycles with the bass and fidelity controls on full, after the output has been carefully adjusted, by means of the volume control, to 1 volt at 400 cycles with an input of 0.1 volt at each frequency. Failure of the system to approximate this response (if you are certain that your meters are accurate and that no series meter condenser, which would "cut" low frequencies, is being used) should lead to analysis of the low of high frequency circuit involved to determine and eliminate the trouble.

E. H. SCOTT RADIO LABS., INC.

The wire jumpers may now be removed from the 3rd I. F. transformer terminals and the wire jumpers (or the original resistors, if they were used) connected to the 2nd I. F. transformer terminals'. The bias jumper may now be removed from points "A" and "B" leaving the I. F. terminals connected as originally found and completing the alignment.

Alignment of R. F. sections:

Before starting on this portion of the set, it is important to understand how the tuning wand tool works. One end of this device has a core of material such as Polyiron while the other end is brass. When the inductance of a coil is high, insertion of the brass end will decrease it to the proper resonant value; whereas, insertion of the other end will increase the effective inductance. This gives a very convenient means of determining whether or not it is necessary to add or remove turns from the coil. In the following instructions only a slight adjustment of trimmers and padders should be necessary where original coils are used. Full instructions however, are given to cover the case where new coils are to be used.

Broadcast Band alignment:

First turn the dial pointer completely to the low frequency dial stop and center the pointer exactly between the two heavy horizontal lines which separate the "Broadcast A" position, set the Bass Control to minimum, Treble control to maximum and sensitivity switch to minimum (pulled out), and connect an output meter across the voice coil. Refer to Fig. 5, and adjust oscillator trimmer C1, until a

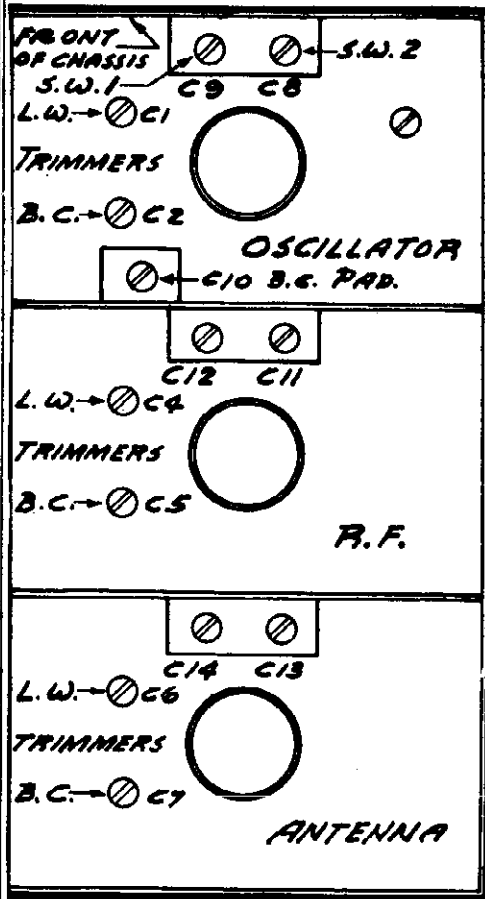


Fig. 4 Location of R.F. Trimmers and padders (Export Model.)

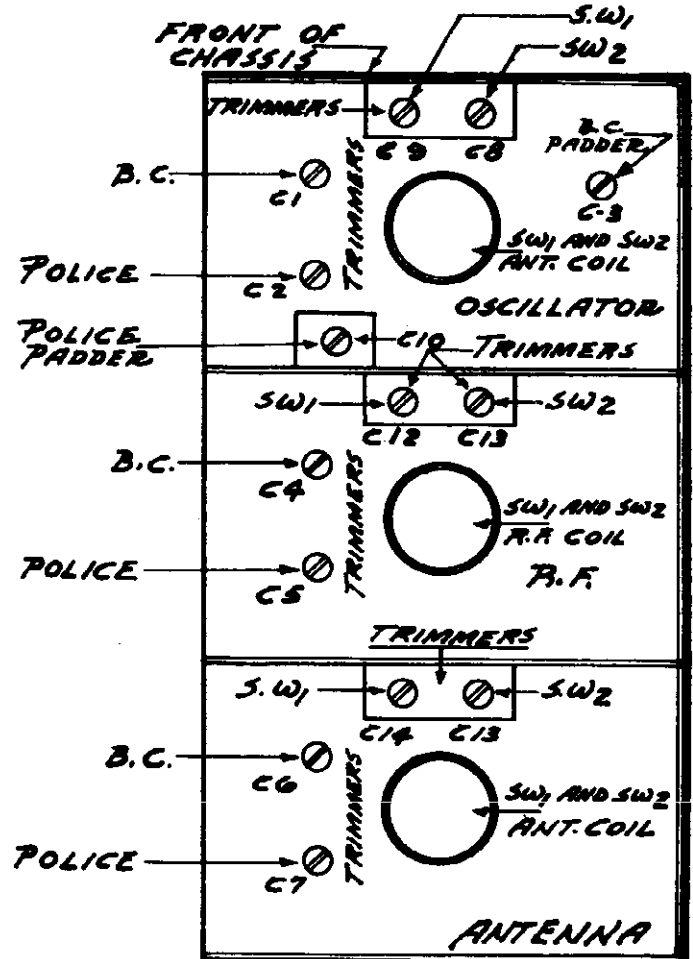


Fig. 5 Location of R.F. Trimmers and padders for Domestic Model.



MODELS 16,18

## E. H. SCOTT RADIO LABS., INC.

1400 KC signal as set on the dial is tuned in from the generator. Rotate the dial to 650 KC and tune in a 650 KC signal from the generator by adjusting the padding condenser C3. Check the dial at 970 KC and if it tunes high in frequency spread turns on the oscillator secondary, if it is low in frequency push the turns together and then readjust trimmer condenser C1, and Padder condenser C3, as before.

With the oscillator circuit correctly spotted tune in a signal from the generator at 1400 KC and use the output meter as indication. Have as weak a signal as possible and adjust trimmer C4 and C6 for maximum output. Turn the dial to 650 KC and check the alignment of the R. F. and antenna stages with a tuning wand, spreading turns on the coil where less inductance is needed and pushing turns together if more inductance is required. Readjust the trimmer condenser C4 and C6 for maximum at 1400 KC. Turn the dial to 970 KC and check the alignment of the R. F. and antenna stages.

Police Band:

Set the wave Band switch to the Police "B" Band, position and turn the dial to 3.7 megacycles. Tune in a signal from the generator by adjusting the Padder C10. Check the alignment at 2.6 megacycles, if off, either push together or spread turns on the oscillator secondary as described under "Broadcast Band Alignment". Readjust trimmer C2 and padder C10 until correctly aligned. Tune in a signal at 3.7 megacycles and adjust trimmers C1 and C3 to maximum output, now check the alignment of 1.8 megacycles with a tuning wand and make any necessary corrections by pushing or spreading turns on the coils and readjusting trimmers C5 and C7. Recheck the alignment at 2.6 megacycles.

Long Wave Band on Export Model.

On the Export model the Long Wave Band replaces the Police Band. To align this model set the wave change switch to L. W. position A and rotate the tuning dial on the set to 370 KC. Tune in a signal from the generator by adjusting trimmer condenser C1. Now turn the set dial to 170 KC and tune in a 170 KC signal from the generator by adjusting the oscillator padding condenser C3. Return to 370 KC and re-trim condenser C1. Check the calibration at 250 KC. Add or remove turns from the oscillator coil as required for perfect dial calibration at these three frequencies. Now turn the dial to 370 KC and tune in a weak signal from the generator and adjust trimmers C4 and C6 until maximum output is shown on the output meter. Now turn the dial to 170 KC and check the R. F. and Ant. alignment with a tuning wand. Make any necessary corrections on the coils (where new) by adding or removing turns. Then repeak the trimmers C4 and C6. Check the alignment at 250 KC.

Foreign S. W. - C - (SW1)

Set the wave band switch to the "C" position and tune in a signal at 9 megacycles by adjusting trimmer condenser C9. Turn the dial to 4.5 megacycles and if necessary to correct the calibration do so by spreading or pushing turns on the coil and readjusting the trimmer condenser C9. Check the calibration at 6.5 megacycles.

With the oscillator calibrated tune in a signal at 9 megacycles and adjust trimmer condensers C12 and C14 for maximum output. Check the alignment at 4.5 and 8.6 megacycles and make any necessary corrections by pushing or spreading turns on the coils and readjusting trimmers C12 and C14.

Foreign S. W. - D - (SW2)

Set the Wave Band Switch to D position and tune in a signal at 20 megacycles by adjusting trimmer C8, check and if necessary correct the calibration at 12 megacycles by pushing or spreading the turns on the oscillator coil. Check the calibration at 15 megacycles.

With the oscillator correctly aligned tune in a signal at 20 megacycles and adjust trimmers C11 and C13 to maximum output. Check the alignment at 12 and 15 megacycles and make necessary corrections by pushing or spreading turns on the coils, now readjust trimmer C11 and C13.

CONNECTING EXTRA SPEAKER

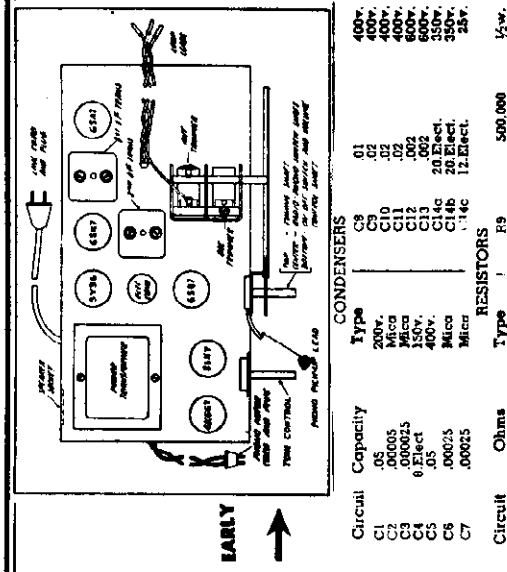
The New Type High Fidelity Scott Permanent Magnet 38 ohm voice coil speaker may be readily connected to a Scott receiver as shown in Fig. 6, with the optional "T Pad" inserted in the voice coil leads where separate control of the extension speaker volume is desired. In case the extension speaker is disconnected the jumper must be changed to connect terminals "V.C." and "38".

WAVE CHANGE SWITCH TROUBLE

Poor contact in the wave change switch can generally be corrected by slightly bending the contacts involved. However, in case a switch section is accidentally damaged beyond repair this section can be replaced by first removing the dial face then removing the two screws which support the wave change detent plate and very carefully pulling out the wave change switch shaft. The damaged section can then be unsoldered, removed, and replaced with a new unit which should be obtained from the Scott Chicago Laboratories before the change is made in order to assure exact duplication of switch position and connections. Note particularly that the small notch near the center of the switch rotor must be in the same position in each switch section.

SEARS ROEBUCK CO.

ISSUE B 1942



EARLY

**CONDENSERS**

Circuit	Capacity	Type
C1	.05	200V.
C2	.00005	Mica
C3	.00025	150V.
C4	6 ELECT.	400V.
C5	.05	Mica
C6	.00025	400V.
C7	.00025	25V.

**RESISTORS**

Circuit	Ohms	Type
R1	10,000,000	1/2W.
R2	30,000	1/2W.
R3	15,000	1/2W.
R4	150,000	1/2W.
R5	2,000,000	1/2W.
R6	250,000	1/2W.
R7	22	1/2W.
R8	250,000	1/2W.

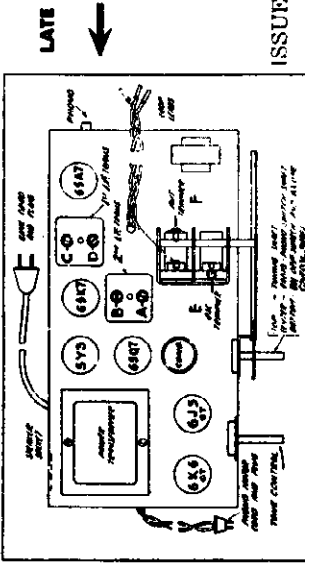
**CONDENSERS**

No.	Capacity (Mfd.)	Volts
C10	.05	400
C11	.00025	Mica
C12	.01	400
C13	.005	400
C14	.002	600
C15	.02	600
C16a	20	25
C16b	20	25
C16c	20	25

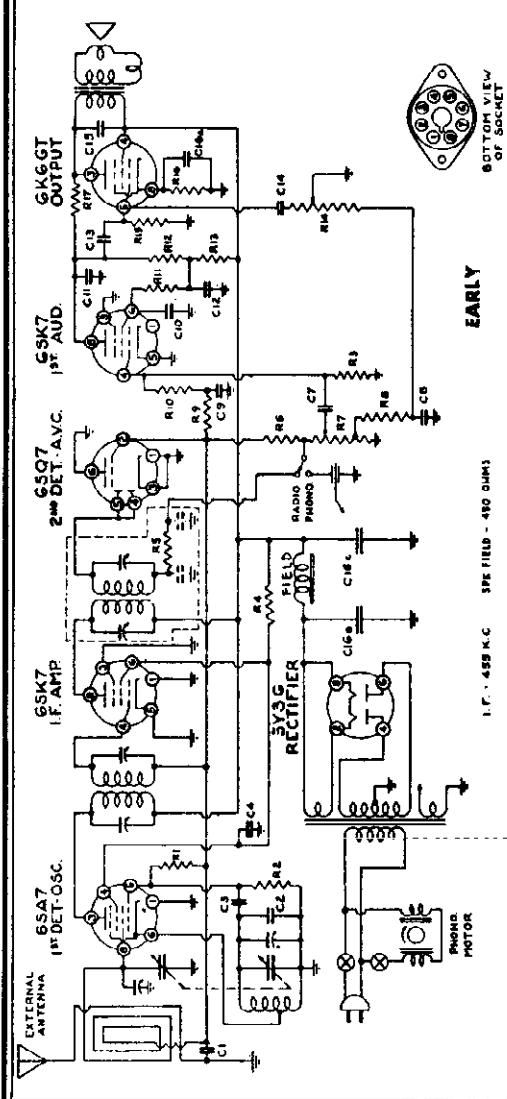
**RESISTORS**

No.	Ohms	Watts
R10	10,000,000	1/2
R11	20,000	1/2
R12	5,000,000	1/2
R13	15,000-10%	1/2
R14	70,000	1/2
R15	2,000,000	1/2
R16	500,000	1/2
R17	1,000,000	1/2
R18	1,000,000	1/2

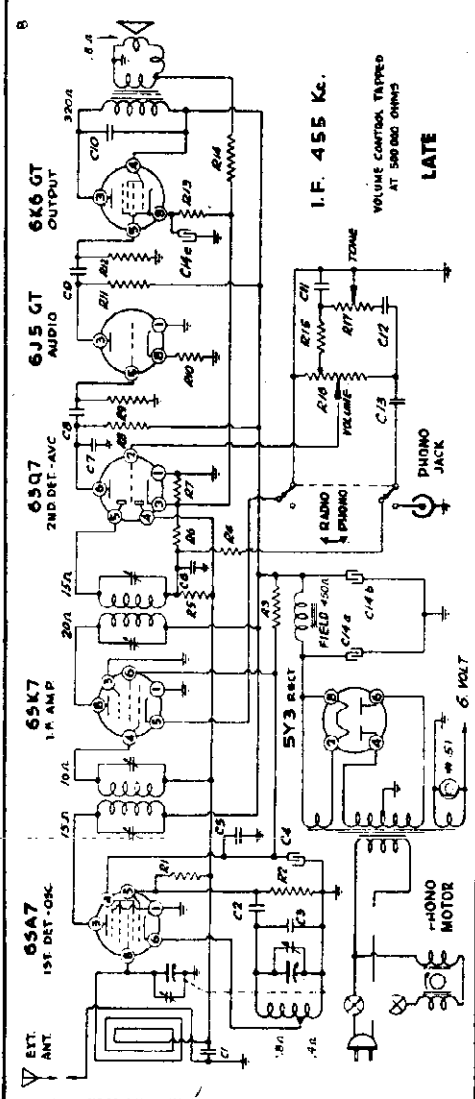
C5 and C6 are an integral part of P4859, the 2nd I.F. but are separate condensers when the P4105, 2nd I.F. transformer is used.



LATE



EARLY



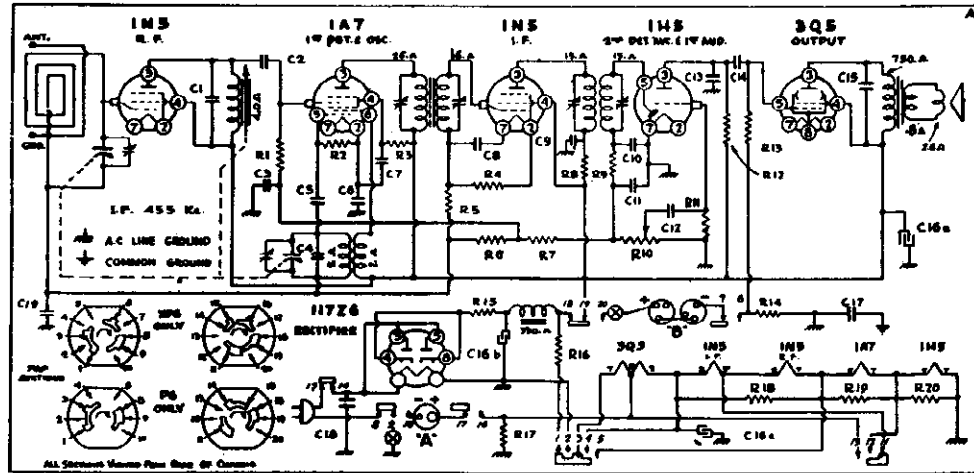
LATE

ALIGNMENT PROCEDURE

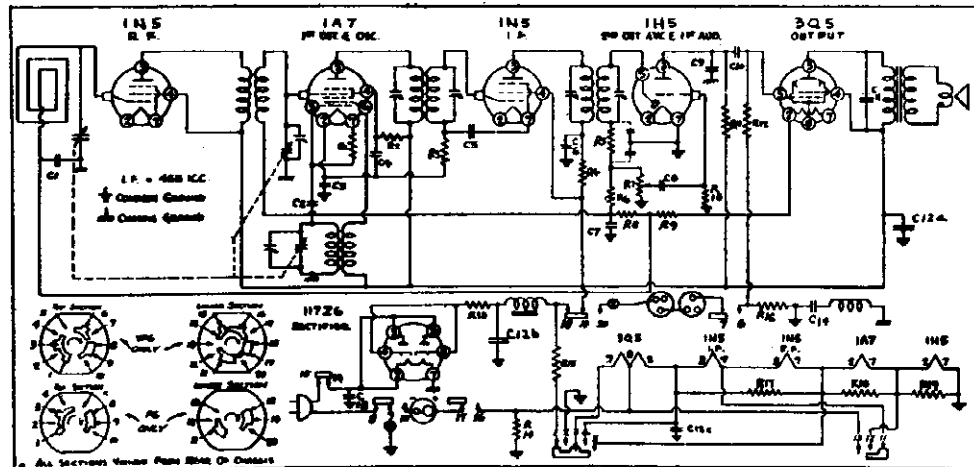
STEP	Correct Signal Generator to—	Radio and Generator Dummy Antenna Between	Set Generator Controls to—	Set Radio Controls to—	Adj. Following Trimmers to Max. Output
1	Tuning Cond. Ant. Stator	.1 mfd.	455 Kc.	1630 Kc.	A, B, C, D I. F.
2	Tuning Cond. Ant. Stator	.1 mfd.	1630 Kc.	1630 Kc.	E Osc.
3	Loop Radiator	Two feet from Radio No Connection	1400 Kc.	1400 Kc.	F. Ant. (Not used in some models)

MODEL P6-XP6

SEARS, ROEBUCK & CO.



Late Model. In model P6 only, switch points 6, 7, 16, and 17 are not used. Power switch in line position. Common ground is chassis ground.



Early Model. In Model P6 only, switch points 6, 7, 14, 15, 16 and 17 are not used.

No.	Ohms	Watts
R1	100,000	1/2
R2	200,000	1/2
R3	5,000,000	1/2
R4	4,000,000	1/2
R5	5,000,000	1/2
R6	3,000,000	1/2
R7	3,000,000	1/2
R8	5,000	1/2
R9	70,000	1/2
R10	1,000,000	V.C.

No.	Ohms	Watts
R11	15,000,000	1/2
R12	1,000,000	1/2
R13	7,000,000	1/2
R14	400	1/2
R15	22	1/2
R16	2,150	5
R17	3,000	1/2
R18	500	1/2
R19	200	1/2
R20	110	1/2

No.	Capacity (Mfd.)	Volts
C1	.000367	Silver Micro
C2	.00025	Micro
C3	.01	400
C4	.000015	Micro
C5	.00005	Micro
C6	.25	200
C7	.01	400
C8	.01	400
C9	.05	400
C10	.00005	In I.F. Can

No.	Capacity (Mfd.)	Volts
C11	.0001	Micro
C12	.01	400
C13	.00025	Micro
C14	.01	400
C15	.002	500
C16	40	150
C16a	25	150
C16b	25	150
C16c	100	25
C17	.1	400
C18	.05	400
C19	.05	200

No.	Capacity (Mfd.)	Volts
C1	.05	200
C2	.00005	Micro
C3	.25	200
C4	.01	400
C5	.001	600
C6	.05	400
C7	.05	200
C8	.001	500

No.	Capacity (Mfd.)	Volts
C9	.00005	Micro
C10	.001	600
C11	.002	500
C12	50	Elect.
C13	30	Elect.
C14	100	Elect.
C15	.05	400
C16	.1	500

No.	Ohms	Watts
R1	200,000	1/2
R2	50,000	1/2
R3	5,000,000	1/2
R4	5,000	1/2
R5	70,000	1/2
R6	3,000,000	1/2
R7	1,000,000	1/2
R8	5,000,000	1/2
R9	10,000,000	1/2
R10	15,000,000	1/2

No.	Ohms	Watts
R11	1,000,000	1/2
R12	1,000,000	1/2
R13	25-10%	1/2
R14	1,000	1/2
R15	2,150-10%	5
R16	40-10%	150
R17	500-10%	1/2
R18	200-10%	1/2
R19	200-10%	1/2
R20	110-10%	1/2

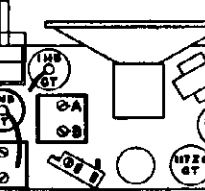


FIG. 1 TOP VIEW

STEP	Connect Signal Generator to—	Dummy Antenna Between Radio and Generator	Set Generator Controls to—	Set Radio Controls to—	Adj. Following Trimmers to Max. Output
1	Grid 1A7 GT	.1	455 Kc	1600 Kc.	A, B, C, D, I, F.
2	Grid 1N5 GT	.1	1600 Kc.	1600 Kc.	E
3	Grid 1A7 GT	.1	1400 Kc.	1400 Kc.	F—R.F. (Gang Early) on (Slug Late)
4	Loop Radiator	Two feet from Radio No Connection	1400 Kc.	1400 Kc.	G Ant.

Use Aerometer or three turn loop in series with 400 ohm resistor 10" diameter on Signal Generator in Step 4.

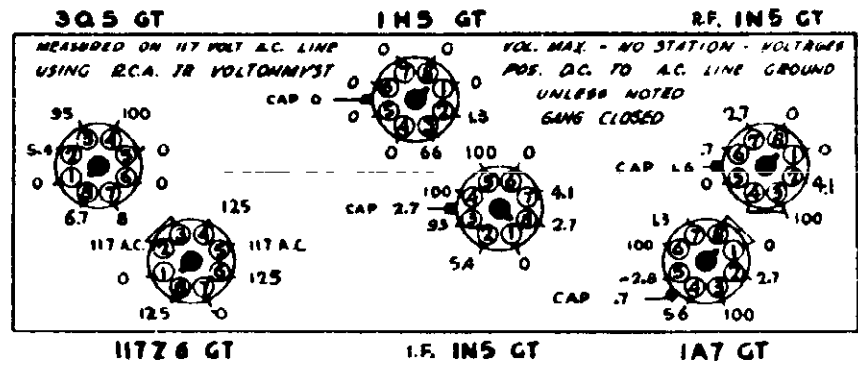
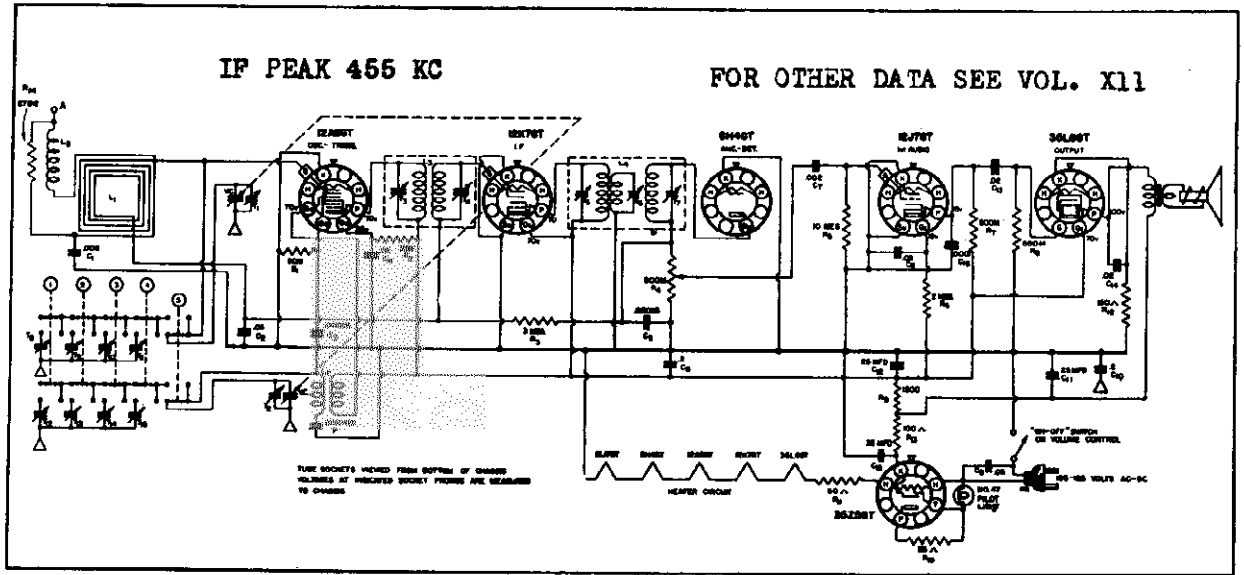


FIG. 2 VOLTAGE CHART

MODEL 2312  
Ch. 163.54

SEARS, ROEBUCK & CO.

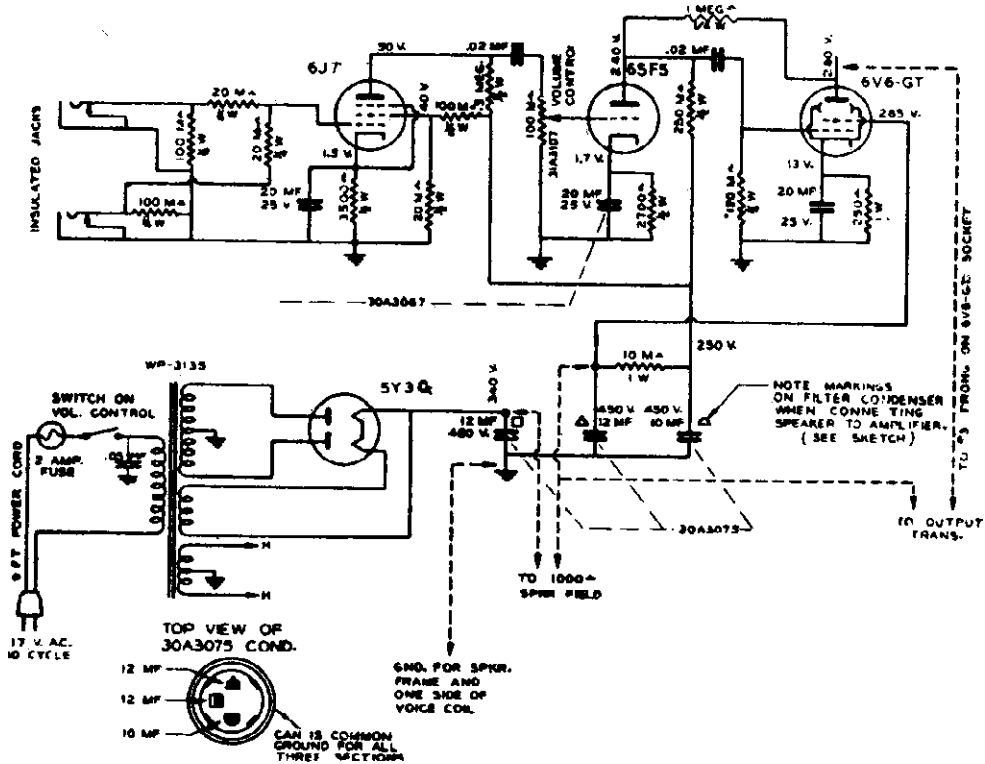
MODELS 1661, Ch.110.414-1  
1721, Ch. 110.415-1



CHASSIS IDENTIFIED BY NO. 110.415-1 NO. 110.414-1 HAVE PRIMARY LOOP CIRCUIT REFINEMENTS TO IMPROVE ANTENNA PERFORMANCE. THE CIRCUIT CHANGE CONSISTS OF:

- 1- Addition of an antenna loading inductance (L5)
- 2- Addition of a 2700 ohm resistor (R14)

DECEMBER 23, 1940



POWER OUTPUT

Type - Single Beam Power  
Max. - 8 Watts  
Undistorted - 5 Watts

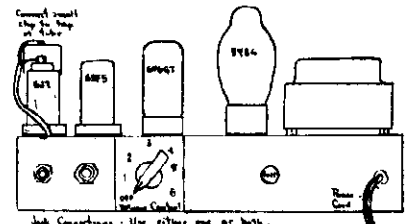
POWER SUPPLY

All Models - 105-125 Volts, 50-60 cycles - 50 Watts

MODEL 2312

A FOUR TUBE GUITAR AMPLIFIER

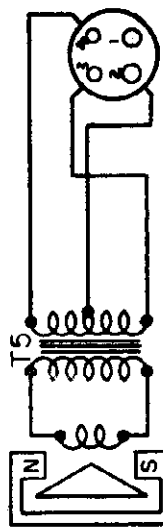
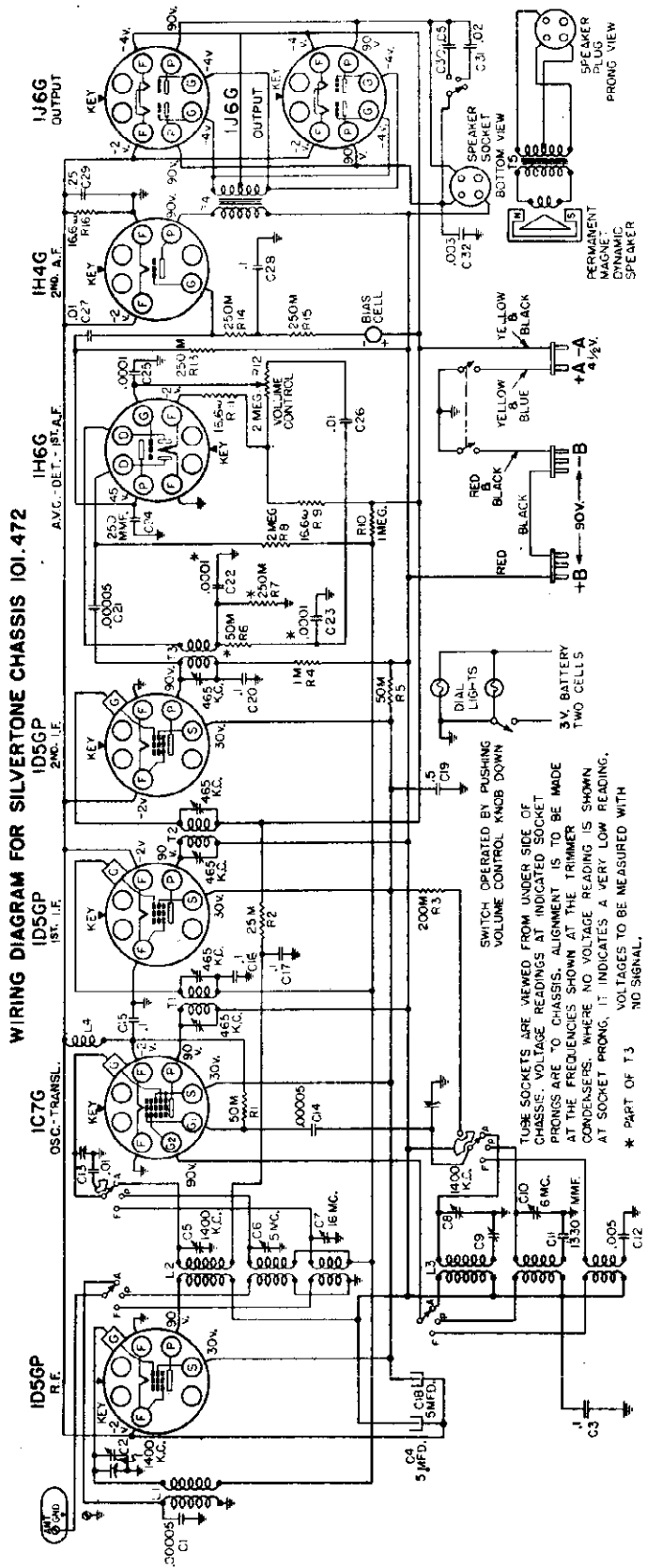
MARCH 17, 1943



See Connections - Use either end of both.

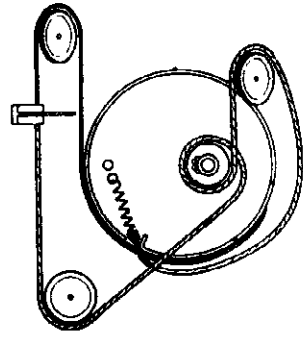
MODELS 4608-9, 4628-3,  
4638-9, 4648-9,  
4729, 4743  
Chassis 101.472

SEARS, ROEBUCK & CO.



PERMANENT  
MAGNET  
DYNAMIC  
SPEAKER

SPEAKER  
PLUG  
PRONG VIEW



PERMANENT  
MAGNET  
DYNAMIC  
SPEAKER  
PRONG VIEW  
BOTTOM VIEW

POWER SUPPLY:  
#A Battery (4 1/2 volt dry) 1 - #5033P  
#A Battery (4 volt storage) 1 - #5049  
#B Batteries 2 - #5131P

FREQUENCY RANGES:  
Band #A# 540-1780 kc  
Band #B# 1780-8200 kc  
Band #B# 5975-18500 kc

ALIGNMENT FREQUENCIES:  
Oscill. Ant.-Transl Padder  
Trimmer 600 kc  
1400 kc 1400 kc  
5 mc 5 mc  
15 mc 15 mc  
485 kc

INTERMEDIATE FREQUENCY  
POWER OUTPUT:  
Type . . . . . Class #B  
Undistorted . . . . . 0.5 watts  
Maximum . . . . . 1.25 watts

LOUD SPEAKER:  
Type . . . . . Permanent Magnet Dynamic  
Size . . . . . 8 and 8 inch

CONDENSER DRIVE HOOKUP

JUNE 23, 1937

SEARS, ROEBUCK & CO.

Chassis 101.472  
Chassis 101.472X

ALIGNMENT PROCEDURE

PRELIMINARY: CHASSIS 101.472 AND CHASSIS 101.472X

- Output meter connection . . . . . Across speaker voice coil
- Output meter reading to indicate 50 milliwatts . . . . . 0.4 volts
- Average sensitivity in microvolts for 50 milliwatts output . . . . . See chart below
- Dummy antenna value to be in series with generator output . . . . . See chart below
- Connection of generator output lead . . . . . See chart below
- Connection of generator ground lead . . . . . Receiver chassis
- Generator modulation . . . . . 30%, 400 cycles
- Position of Volume Control . . . . . Fully on
- Position of Tone Control . . . . . Fully clockwise
- Position of Dial Pointer . . . . . To fall on end line of scale (low frequency end). Loosen dial drum set screws and rotate drum if necessary. Tighten set screws after pointer is properly set.

WAVE BAND SWITCH POSITION	POSITION OF DIAL POINTER	GENERATOR FREQUENCY	DUMMY ANTENNA	GENERATOR CONNECTION	TRIMMERS ADJUSTED (IN ORDER SHOWN)	TRIMMER FUNCTION	APPROXIMATE MICROVOLTS
"P"	6 mc	465 kc	.1 mfd.	1C7G Grid	T3, T3, T1	IF	30
"A"	1400 kc	1400 kc	.0002 mfd.	Ant. Term.	C8, C5, C2	Osc., Transl., Antenna	7
"A"	800 kc (rock)	800 kc	.0002 mfd.	Ant. Term.	C9	Padder	7
"P"	5 mc	5 mc	400 ohms	Ant. Term.	C10, C6	Oscillator Translator	10
"P"	15 mc	15 mc	400 ohms	Ant. Term.	C7	Translator	15

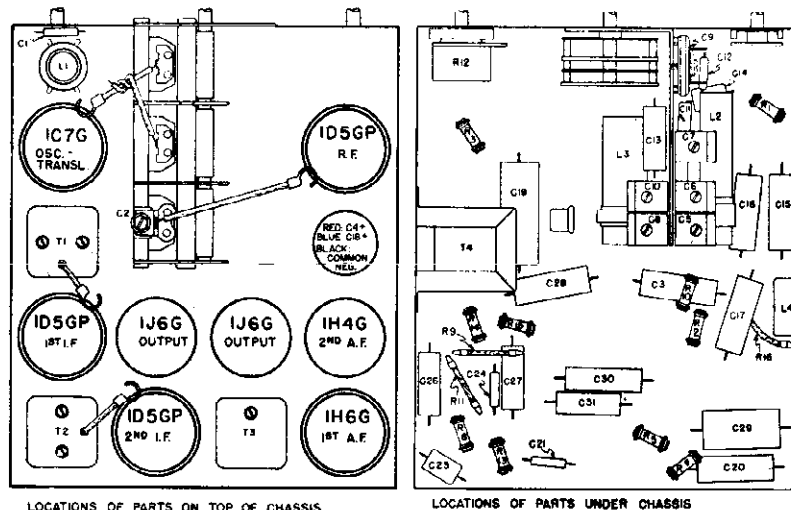
IMPORTANT ALIGNMENT NOTES

Note that the IF must be adjusted with the Wave Band Switch in the "P" position.

Where indicated by the word, "Rock", the variable should be rocked back and forth a degree or two while making the adjustment.

Always keep the output from the signal generator at its lowest possible value to prevent the AVC action of the receiver from interfering with accurate alignment. As the receiver sensitivity is increased through alignment, the output from the generator should be decreased to compensate.

SOCKET, TRIMMERS AND CHASSIS  
CHASSIS 101.472



LOCATIONS OF PARTS ON TOP OF CHASSIS

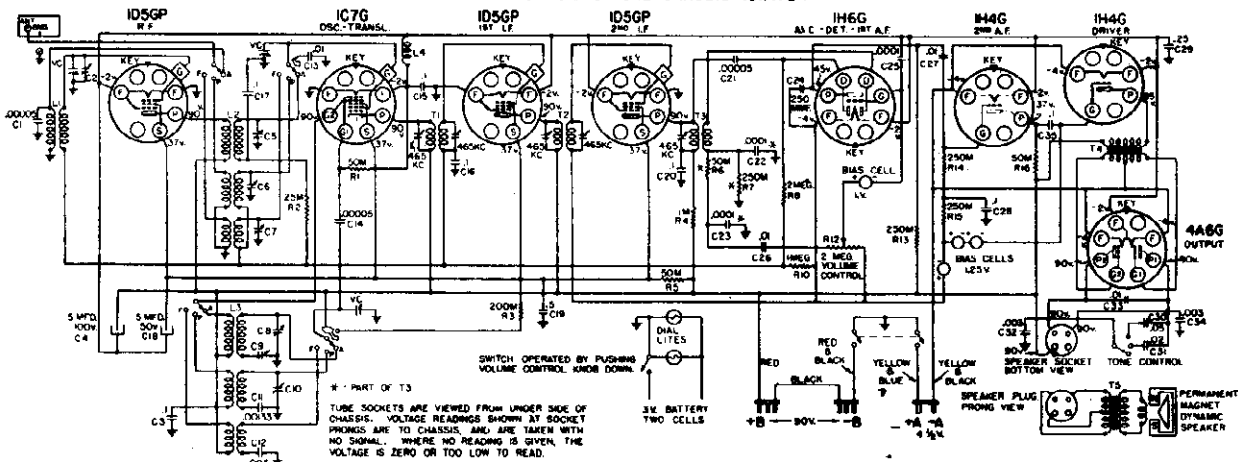
LOCATIONS OF PARTS UNDER CHASSIS

MODELS 4608A-9A, 4628A-9A,  
4638A-9A, 4648A-9A, SEARS, ROEBUCK & CO.  
4728A, 4748A  
Chassis 101.472X

**CIRCUIT REVISION TO REDUCE BATTERY DRAIN**

Later production of Chassis 101:472 is 101:472X. The revision consists of the two 1J6G output tubes being replaced by a 1H4G driver tube and a 4A6G output tube. These changes reduce the "A" battery drain from .5 amperes to .3 amperes, and reduce the "B" drain from 23 ma. to 15 ma.

WIRING DIAGRAM FOR SILVERTONE CHASSIS 101.472X

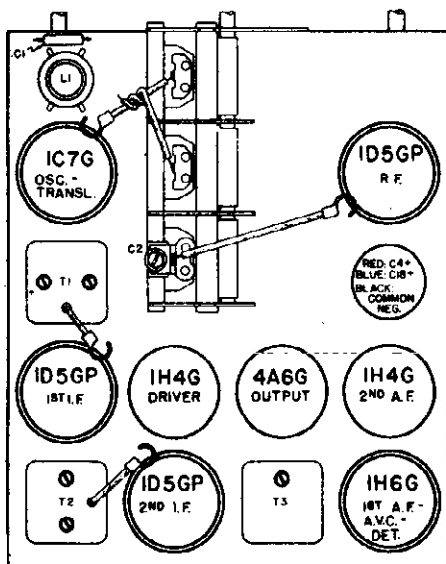


**ALIGNMENT FREQUENCIES:-**

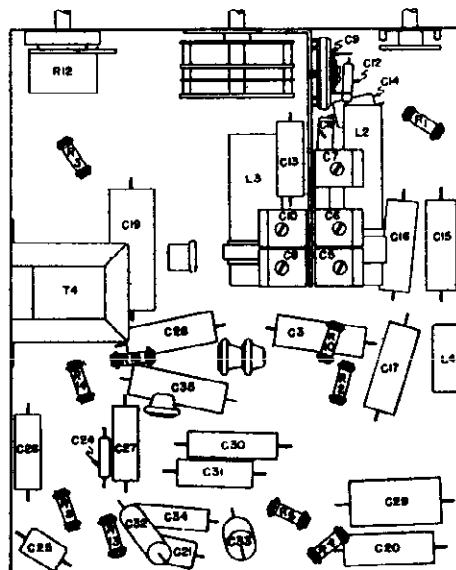
	OSCILLATOR TRIMMER	ANT.-TRANSL. TRIMMER	PADDER
Band "A"	1400 Kc	1400 KC	600 KC
Band "P"	5 MC	5 MC	Fixed
Band "F"	----	15 MC	Fixed

FOR ALIGNMENT SEE CHASSIS 101:472  
INTERMEDIATE FREQUENCY PEAK 465 KC

July 6, 1938



LOCATIONS OF PARTS ON TOP OF CHASSIS

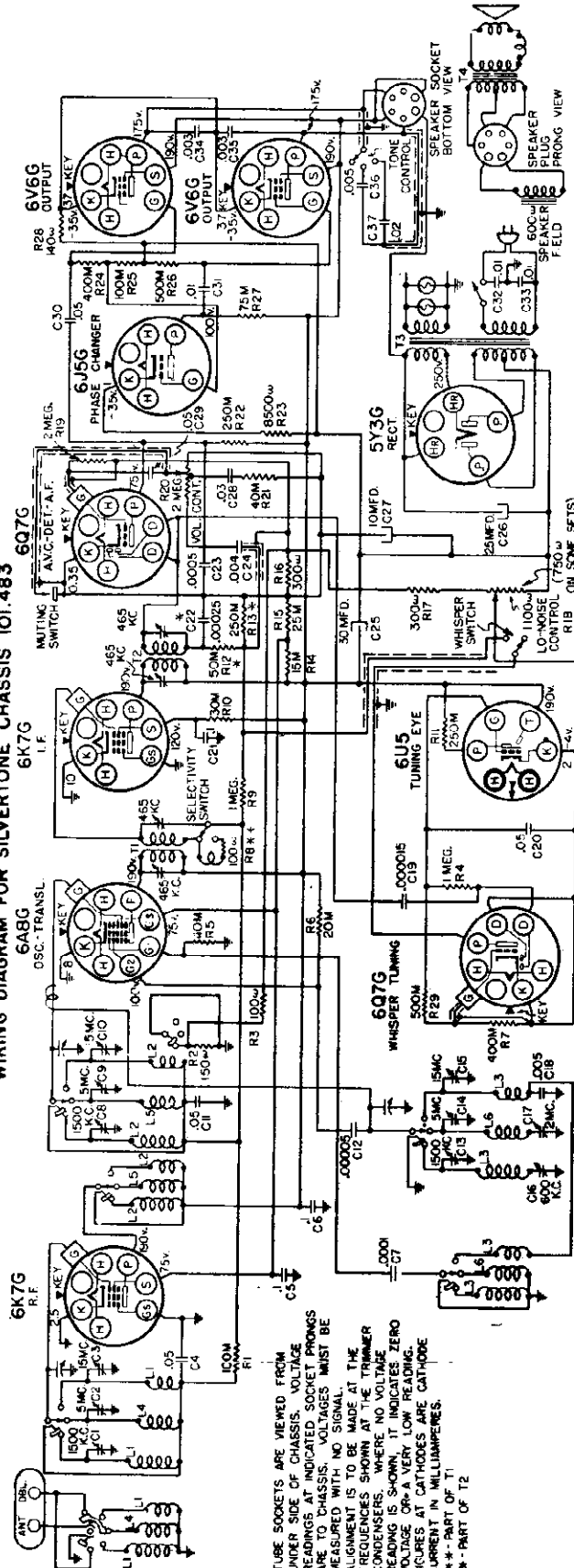


LOCATIONS OF PARTS UNDER CHASSIS

SEARS, ROEBUCK & CO.

MODELS 4666, 4686, 4766,  
4786, 4791, 4792  
Chassis 101.483

WIRING DIAGRAM FOR SILVERTONE CHASSIS 101.483 607G



TUBE SOCKETS ARE VIEWED FROM UNDER SIDE OF CHASSIS. VOLTAGE READINGS AT INDICATED SOCKET PRONGS ARE TO CHASSIS. VOLTAGES MUST BE MEASURED WITH NO SIGNAL. ALIGNMENT IS TO BE MADE AT THE FREQUENCIES SHOWN AT THE TRIMMER CAPACITORS. WHERE NO VOLTAGE READING IS SHOWN IT INDICATES ZERO VOLTAGE. CURRENTS AT CATHODES ARE CATHODE CURRENTS IN MILLIAMPERES. \*\* - PART OF T1

- OPERATING CONTROLS:**
1. Left knob . . . On-off switch and Volume
  2. Next to left knob . . . Wave Band Switch
  3. Center knob . . . Tuning
  4. Next to right knob . . . Selectivity Control
  5. Right knob . . . Tone Control

- CONTROL OPERATIONS:**
- Turning right: Power on; volume increase
  - Turning right: American, Intermediate, Foreign
  - Tuning ratio: 6:1; 30:1
  - Turning right, inner: Sharp, Broad.
  - Turning right, outer: Normal, Lo-Hi.
  - Turning right: "LO", "MEDIUM", "HI"

**VARIABLE RELATIVITY**

Variable Relativity is obtained by a two position switch. It changes the selectivity of the IF input circuit. This switch should be set between primary and secondary. The receiver is about three times more sensitive to signals in the "Broad" position. This difference in sensitivity will not result in a change of volume unless listening to a very weak station. The "Sharp" position should be used for short wave reception in order to obtain maximum sensitivity.

**ALIGNMENT FREQUENCIES:**

105-126 volts, 50-80 cycle, 85 watts	Oscill. Ant-Triple	465 kc
106-125 volts, 28 cycle, 90 watts	Padder	
	Trimmer	600 kc
	500K	2 mc
	150K	5 mc
	15 mc	15 mc

**LOUD SPEAKERS:**

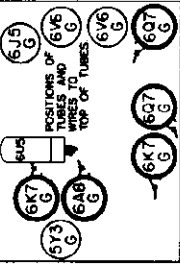
Type	Dynamic
Size	8", 8", 10", 12"
Field coil resistance	800 ohms
App. field coil voltage drop	60 volts

**POWER OUTPUT:**

Type	Push-Pull (Beam Tubes)
Undistorted	5 watts
Maximum	10 watts

**CRASSIS FEATURES:**

- Number RF stages . . . . . One
- Number IF stages . . . . . One
- Antenna . . . . . Double or Conventional
- Line Holes Filter Condensers
- Tuning Eye
- Provision for Phonograph Pick-Up Connections



**FOR AUTOMATIC TUNING DIAL**  
SEE VOL. X  
PAGES 10-25  
and 10-26

OCTOBER  
4th,  
1937



MODELS 4666, 4686, 4766,  
4786, 4791, 4792  
Chassis 101.483

SEARS, ROEBUCK & CO.

**SUBJECT: CAUSES AND POSSIBLE CURES FOR HUM WHEN KNOB IS TURNED TO LO-NOISE POSITION.**

**SUBJECT: OTHER TROUBLES THAT HAVE BEEN FOUND, TOGETHER WITH THEIR POSSIBLE CURES.**

**CAUSES AND REMEDIES FOR HUM:**

- CAUSE:** Defective 6Q7G control tube, having leaky heater.
- REMEDY:** Change tube. These tubes will probably operate satisfactorily when used as the 2nd detector and 1st AF amplifier.
- CAUSE:** Pickup of 60 cycle voltage from heater wiring passing close to socket terminals.
- REMEDY:** Move heater wires away from socket terminals.
- CAUSE:** Pickup of 120 cycle voltage in wires running to Lo-Noise control switch, because of their proximity to the rectifier tube socket.
- REMEDY:** Remove wires from vicinity of rectifier tube socket.
- CAUSE:** Pickup of spurious hum voltages by 6Q7G Lo-Noise control tube, from tuning eye cable.
- REMEDY:** Remove tuning eye cable from vicinity of 6Q7G Lo-Noise control tube.

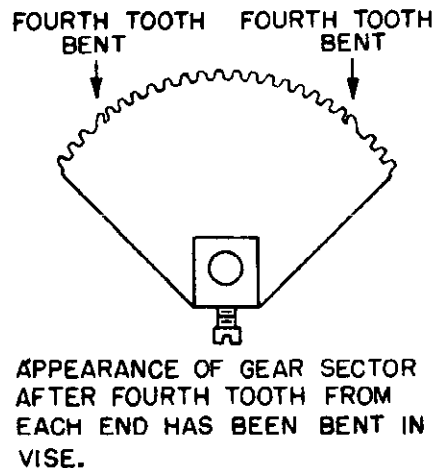
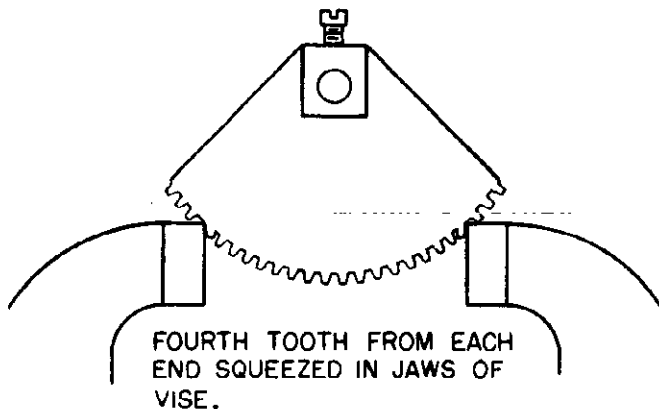
**OTHER TROUBLES AND THEIR REMEDIES:**

- CAUSE:** Audio distortion at medium to high volume output, when Raytheon 8V8 tubes are used in output stage.
- REMEDY:** Change tubes to National Union make. Pass 8V8 plate leads close to chassis mounting plate. This is a second choice.
- CAUSE:** Set noisy when tuning.
- REMEDY:** This is caused by the intermittent grounding of various parts of the tuning mechanism to the chassis plate through the various pulleys and gears of the tuning assembly. Remedied by locating the intermittent ground and cleaning parts so that steady connection is maintained.

**SUBJECT: BENDING WAVE SWITCH GEAR SECTOR TEETH TO PREVENT THE POSSIBILITY OF WAVE SWITCH BEING FORCED PAST ITS STOPS.**

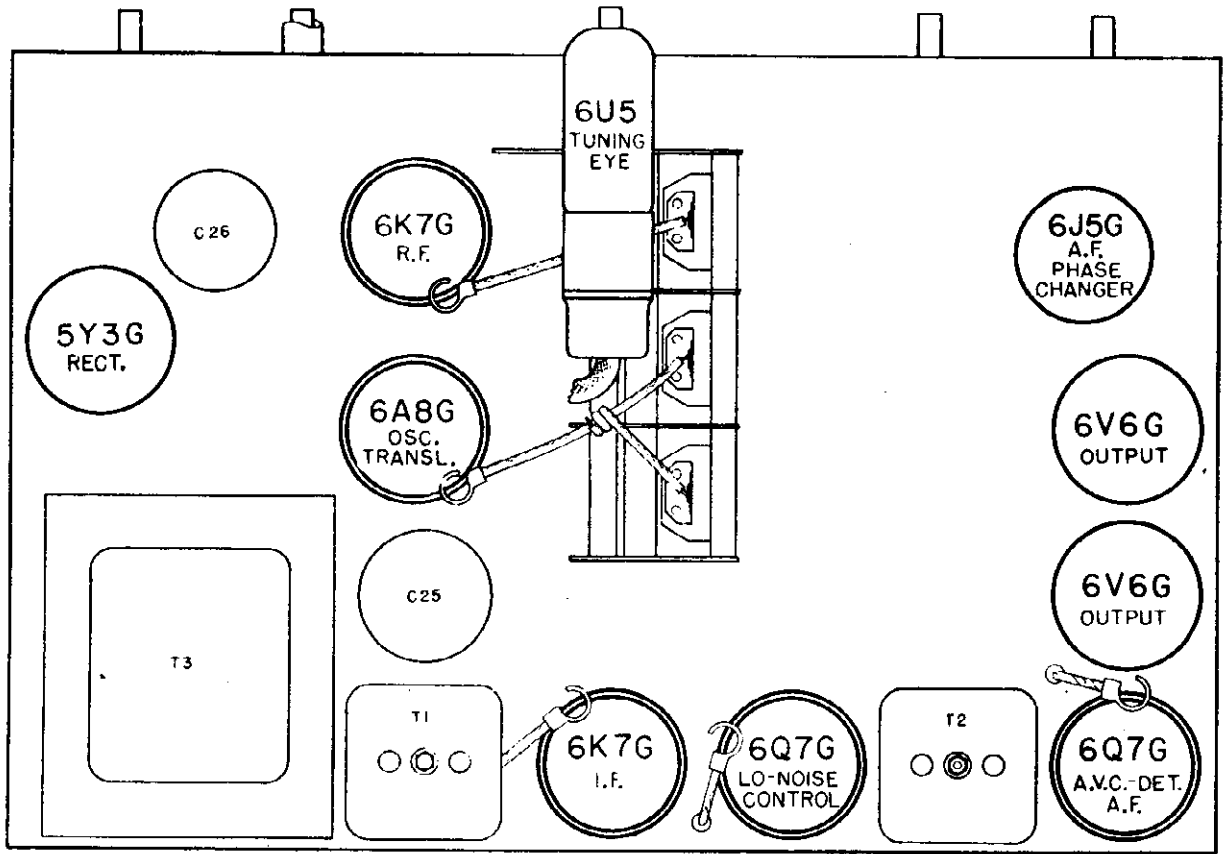
Any complaint that the Wave Switch goes beyond its proper stops can be taken care of as described below. This correction was incorporated early in production so that only a very few sets are in service about which there might be complaint. Also, the difficulty occurs only if someone forces the Wave Switch knob quite hard. To prevent the possibility, proceed as follows:

Remove the Wave Switch gear sector and place it in a vise so that the fourth tooth from each end will be bent toward the middle teeth as shown in the Illustration. This will act as a stop to prevent the switch from being turned too far. Then replace the gear sector.

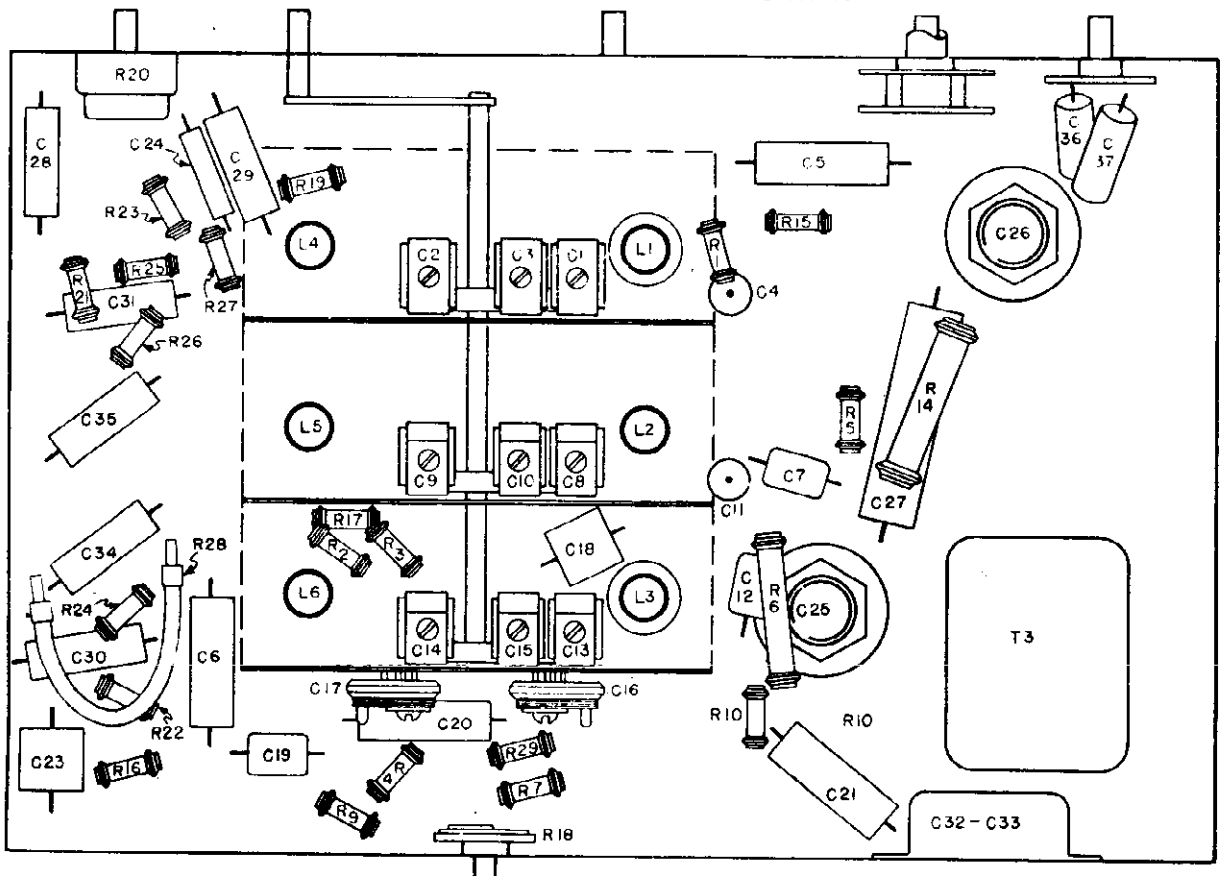


SEARS, ROEBUCK & CO.

Chassis 101.485



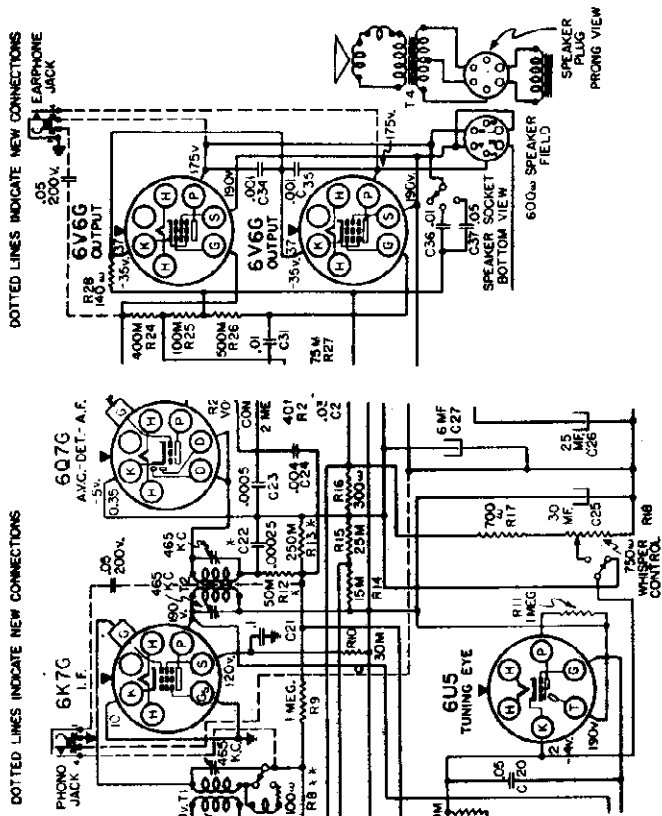
LOCATIONS OF PARTS ON TOP OF CHASSIS



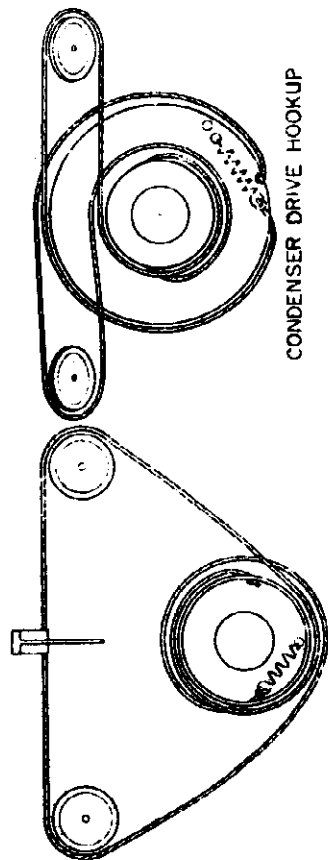
LOCATIONS OF PARTS UNDER CHASSIS

Chassis 101.483

SEARS, ROEBUCK & CO.



DIAL POINTER AND CONDENSER DRIVE HOOK-UP. The drive hook-up for the dial pointer and the variable condenser is shown in the illustration.



ALIGNMENT PROCEDURE

PRELIMINARY

- Output meter connections . . . . . Across speaker voice coil
- Output meter reading to indicate .5 watts output . . . . . 1.31 volts
- Approximate average sensitivity in microvolts for .5 watts output . . . . . See chart below
- Dummy antenna value to be in series with generator output . . . . . See chart below
- Connection of generator output lead . . . . . See chart below
- Connection of generator ground lead . . . . . To chassis
- Generator modulation . . . . . 30%, 400 cycles
- Position of volume control . . . . . Fully clockwise
- Position of tone control . . . . . Fully clockwise
- Position of selectivity control . . . . . Sharp
- Position of Lo-Noise control . . . . . Normal
- Position of dial pointer with variable fully closed . . . . . To fall on last calibration mark at 550 kc end of AMERICAN band.

WAVE BAND SWITCH POSITION	GENERATOR FREQUENCY	DUMMY ANTENNA	GENERATOR CONNECTION	TRIMMER (IN ORDER SHOWN)	TRIMMER FUNCTION	APPROXIMATE MICROVOLTS
'INT'	1.8 mc	.1 mfd.	6A80 Grid	G3, G4, G5, G6, G7, G8, G9, G10, G11, G12, G13, G14, G15, G16, G17, G18, G19, G20, G21, G22, G23, G24, G25, G26, G27	IF	5300
'AM'	1500 kc	.0003 mfd.	Ant. Term.	G1, G2, G3, G4, G5, G6, G7, G8, G9, G10, G11, G12, G13, G14, G15, G16, G17, G18, G19, G20, G21, G22, G23, G24, G25, G26, G27	Oscillator, Transl., RF	35
'AM'	600 kc (rock)	.0003 mfd.	Ant. Term.	G16	Padder	30
'INT'	5 mc	400 ohms	Ant. Term.	G14	Oscillator	-
'INT'	5 mc (rock)	400 ohms	Ant. Term.	G9, G8	Translator, RF	3
'INT'	2 mc (rock)	400 ohms	Ant. Term.	G17	Padder	6
'FOR'	15 mc	400 ohms	Ant. Term.	G15	Oscillator	-
'FOR'	15 mc (rock)	400 ohms	Ant. Term.	G10, G3	Translator, RF	10

IMPORTANT ALIGNMENT NOTES

Where indicated by the word, "rock", the variable should be rocked back and forth a degree or two while making the adjustment.

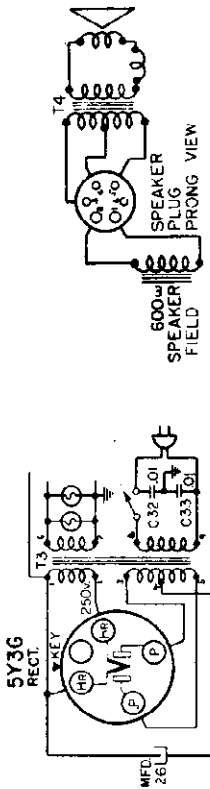
Each step of the alignment should be repeated in its original order for greater accuracy. Always keep the input from the generator at its lowest possible value, to prevent the AVC action of the set from interfering with accurate alignment.

The shield plate that covers the coil assembly should be left in place while making the alignment adjustments. The trimmer screws are accessible through the holes in the shield.

Only the dummy antenna indicated in the chart for any particular band should be used. Remove the dummy antenna used for alignment of any other band.

No connection should be made to the doublet terminal on the antenna connection block.

SEARS, ROEBUCK & CO.

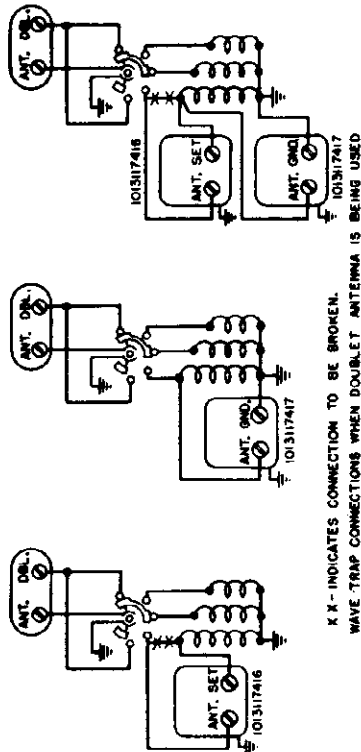


POWER TRANSFORMER COLOR CODE

- 1-Black
- 2-Yellow
- 3-Brown
- 4-Red
- 5-Green
- 6-Blank

SPEAKER FIELD COLOR CODE

- 1,2-Red
- 3-Red
- 4-Blate
- 5-Blue
- 6-Black
- 7,8-Black
- 9-Green

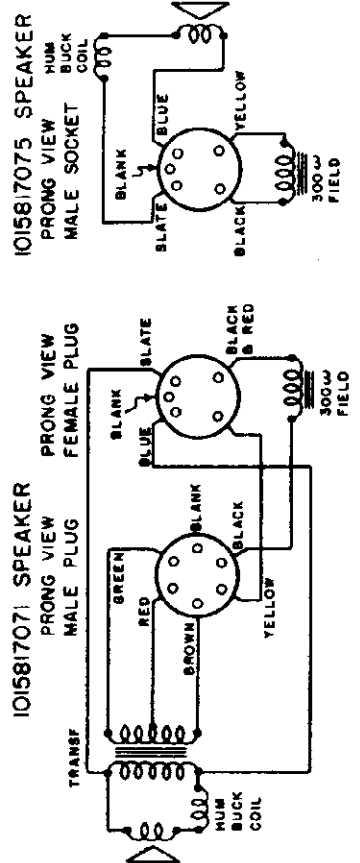


X X - INDICATES CONNECTION TO BE BROKEN.

WAVE TRAP CONNECTIONS WHEN DOUBLET ANTENNA IS BEING USED

CONNECTIONS OF TWIN SPEAKERS:

Some of these receivers use twin speakers; part #1015817071 (with transformer) and 1015817075 (without transformer). The connections are shown in the following illustration. 1015817075 speakers that have the letter 'D' stamped on them or in which the black field lead comes out nearest the plug have the field coil connections reversed at the plug as compared with the diagram.



WAVE TRAPS

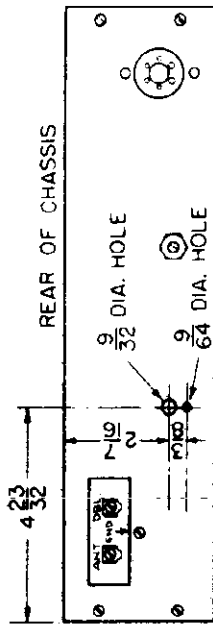
Two wave-traps are available and can be ordered directly from Colonial Radio Corporation, 254 Nano Street, Buffalo, N.Y., using Purchase Order Blank Form FC284. This retail selling price is \$1.20.

Part #101317417 wave-trap is designed to eliminate code interference from ship transmitters, airports or air beacon stations in locations where the receiver is near such transmitters. This trap operates in the vicinity of 465 kc.

Part #101317418 wave-trap is designed to eliminate whistles and cross modulation troubles that occur when the receiver is located comparatively near some powerful broadcast station.

It is possible to use both traps simultaneously if conditions make this necessary.

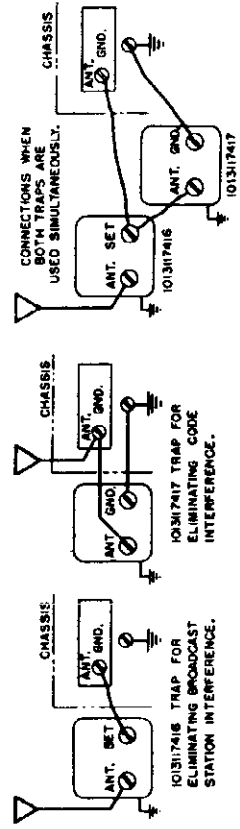
The trap can be mounted within the chassis by drilling the holes shown in the following illustration. It will be necessary to remove the bracket from the trap in order to mount it in the chassis. An alternative method of mounting is to screw the trap to the chassis mounting shelf by means of wood screws through the bracket. If the trap is not mounted on the chassis, it is important to connect a wire from under the head of one of the wood screws to the speaker so that the wave-trap shield becomes grounded to the chassis.



If a conventional antenna is being used with the receiver, the traps are to be connected as described in the next two paragraphs and the illustration that follows them.

The part #101317417 trap, for code interference elimination, has two terminals marked "ANT" and "GND". Connect a wire between the "ANT" terminal of the trap and the "ANT" terminal of the chassis. Connect a wire between the "GND" terminal of the trap and the "GND" terminal of the chassis. The antenna and ground connections to the receiver remain as they were, the trap being connected across them. The trap should be adjusted to minimum response from the interfering station.

Part #101317418 trap, for broadcast station interference elimination, has two terminals marked "ANT" and "BRT". Disconnect the antenna lead-in from the receiver and connect it to the "ANT" terminal of the trap. Connect a wire from the "BRT" terminal of the trap to the "ANT" terminal of the chassis. The ground connection to the chassis remains as it was. The trap then is in series between the antenna and the receiver. The trap should be tuned to eliminate the interfering station. The sensitivity of the receiver will be reduced in the region of the frequency to which the trap is tuned.

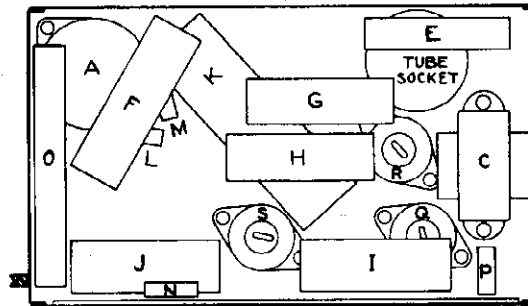
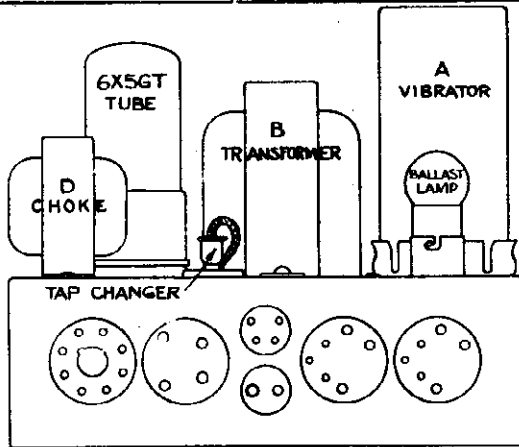
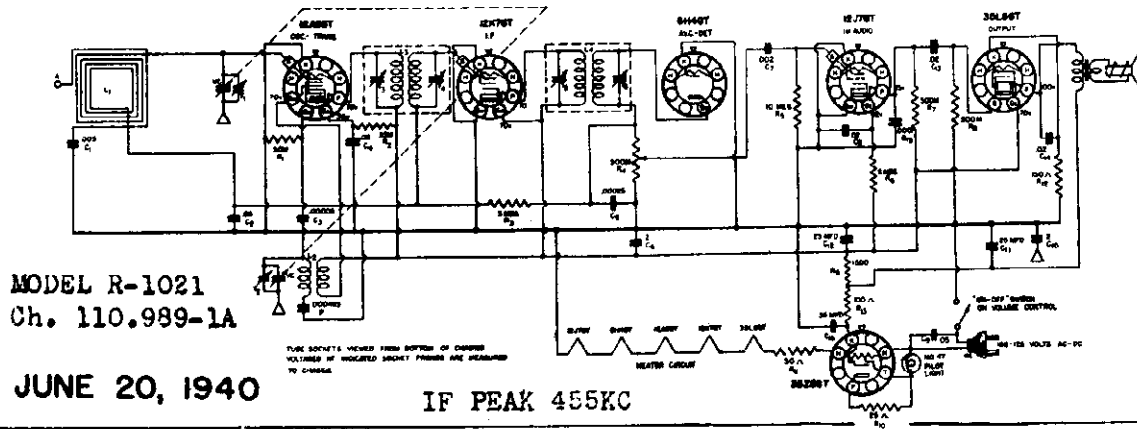


If a doublet antenna is installed with the receiver, the antenna terminal of the 101317417 trap must be connected to the antenna lug of the broadcast band antenna coil primary inside the chassis. The 101317418 trap must be connected between the antenna lug of the broadcast antenna coil primary and the chassis. Remove the lead between the antenna lug of the antenna coil primary and the chassis. Connect the antenna terminal of the trap to the antenna switch lug. Connect the set terminal of the trap to the antenna coil lug. See next illustration.

MODEL 4714 Power Shifter  
Chassis 139.156

SEARS, ROEBUCK & CO.

MODEL R-1021  
Ch. 110.989-1A



LOCATION OF PARTS IN CHASSIS

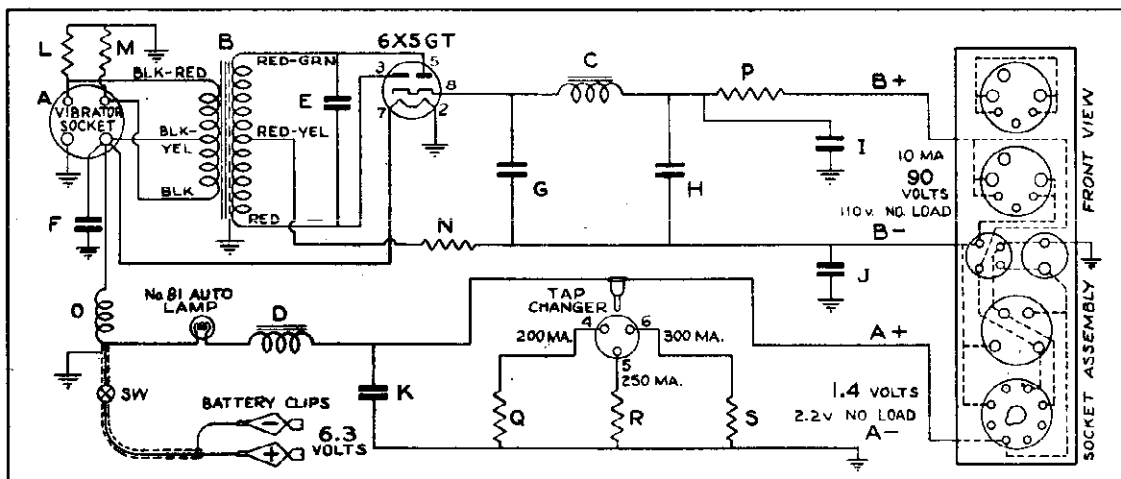
"A" SUPPLY FAILS

Low "A" voltage may be due to a few minor reasons. The storage battery should be checked first for a terminal voltage of 6 volts. The pin plug position of the tap changer on top the chassis must be in position 4 for a 4 tube radio, and likewise for position 5 and 6. The auto lamp acting as a voltage regulator ballast will burn dimly without a load on the Powr-Shifter, and the greater the load the brighter this lamp will be. Inside the chassis are three 5 ohm rheostats for factory adjusting the voltage with the correct load at each tap. Rheostat Q is set at 3.5 ohms, R at 4.0 ohms, and S at 4.67 ohms. A small screwdriver may be used for changing this calibration when desired.

MODEL 4714 Power Shifter  
Chassis 139.156  
February 9, 1942

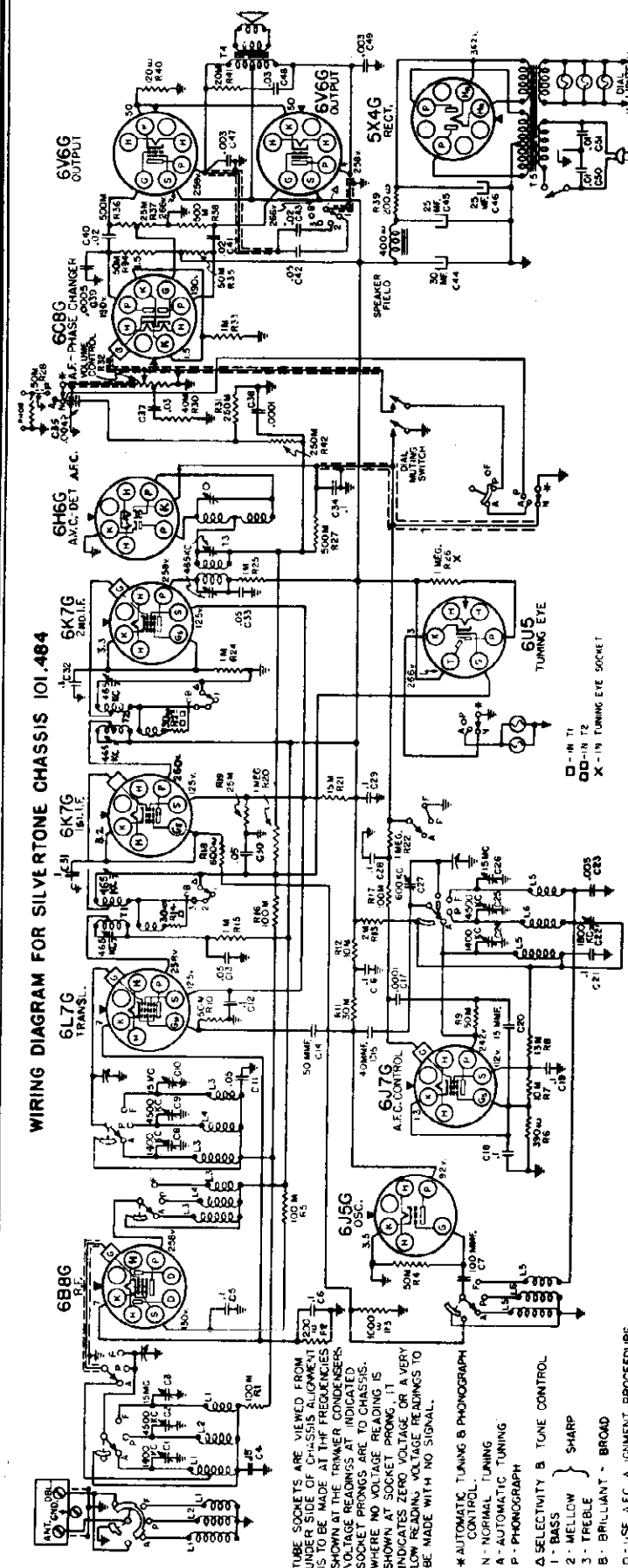
"B" SUPPLY FAILS

The vibrator of the "B" supply is loaded very lightly and pitting of the points will not occur over a long period of time. Testing for vibrator failure may be made simple by the substitution method. The 6X5GT tube should be checked in a standard tube tester. The transformer may be tested by measuring A. C. voltage across each side of the secondary by removing the tube. The bi-pass condensers should be tested for breakdown.



SEARS, ROEBUCK & CO.

WIRING DIAGRAM FOR SILVERTONE CHASSIS 101.484



TUBE SOCKETS ARE VIEWED FROM UNDER SIDE OF CHASSIS ALIGNMENT IS TO BE MADE AT THE FREQUENCIES SHOWN AT THE TRIMMER CONDENSERS VOLTAGE READINGS AT INDICATED SOCKET PRONGS ARE TO CHASSIS. THERE NO VOLTAGE READING IS INDICATED SOCKET PRONG, IT INDICATES ZERO VOLTAGE OR A VERY LOW READING. VOLTAGE READINGS TO BE MADE WITH NO SIGNAL.

\*AUTOMATIC TUNING B PHONOGRAPH CONTROL  
N-NORMAL TUNING  
A-AUTOMATIC TUNING  
P-PHONOGRAPH  
1-BASS } SHARP  
2-MELLOW }  
3-TREBLE }  
B-BRILLIANT - BROAD

D-USE A.F.C. ALIGNMENT PROCEDURE GIVEN IN SERVICE MANUAL.

F-FIGURES AT CAT-ODES ARE CATHODE CURRENT IN MILLIAMPERES.  
ALL VOLTAGES INDICATED ARE MEASURED WITH WAVE SWITCH IN AMERICAN POSITION.

**POWER SUPPLY:**  
All models available . 105-135 volts, 50-60 cycle, 150 watts  
All models available . . 105-135 volts, 35 cycle, 150 watts

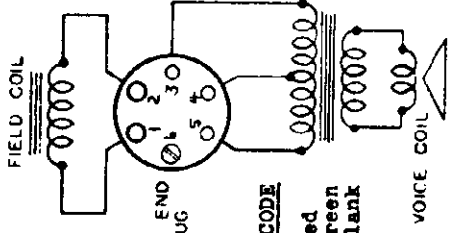
**LOUD SPEAKER:**  
Type . . . . . Dynamic  
Size . . . . . 12"  
Field coil resistance . . . . . 400 ohms  
App. field coil voltage drop . . . . . 85 volts

**FREQUENCY RANGES:**  
American Band . . . . . 540-1560 kc  
Intermediate Band . . . . . 1350-5800 kc  
Foreign Band . . . . . 5.4-19.2 mc

**POWER OUTPUT:**  
Type . . . . . Push-Pull (Beam Tubes)  
Undistorted . . . . . 8 watts  
Maximum . . . . . 12 watts

**ALIGNMENT FREQUENCIES:**  
Oscil. . . . . Ant-Transl. Oscil.  
Trimmer . . . . . Trimmer  
Band #AM# 1500 kc 600 kc  
Band #INT# 5 mc 5 mc  
Band #FMR# 1.8 mc 1.5 mc

INTERMEDIATE FREQUENCY . . . 465 kc

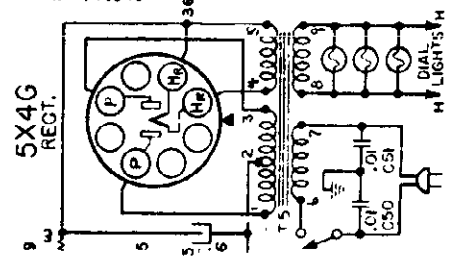


POWER TRANSFORMER COLOR CODE

- 1. Blue
  - 2. Slate
  - 3. Red
  - 4-5. Red
  - 6. Black
  - 7. Green
  - 8-9. Black
- PRONG END OF PLUG

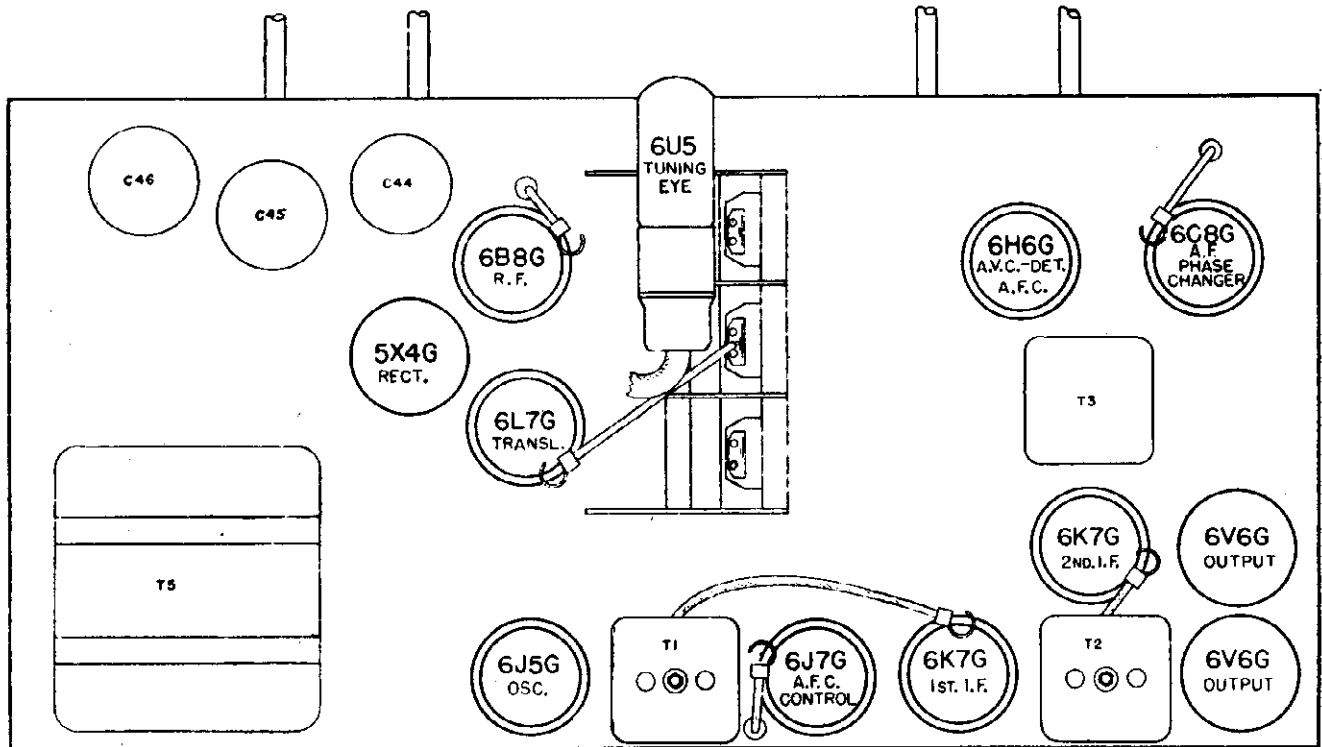
SPEAKER PLUG COLOR CODE

- 1. Black
- 2. Yellow
- 3. Brown
- 4. Red
- 5. Green
- 6. Blank

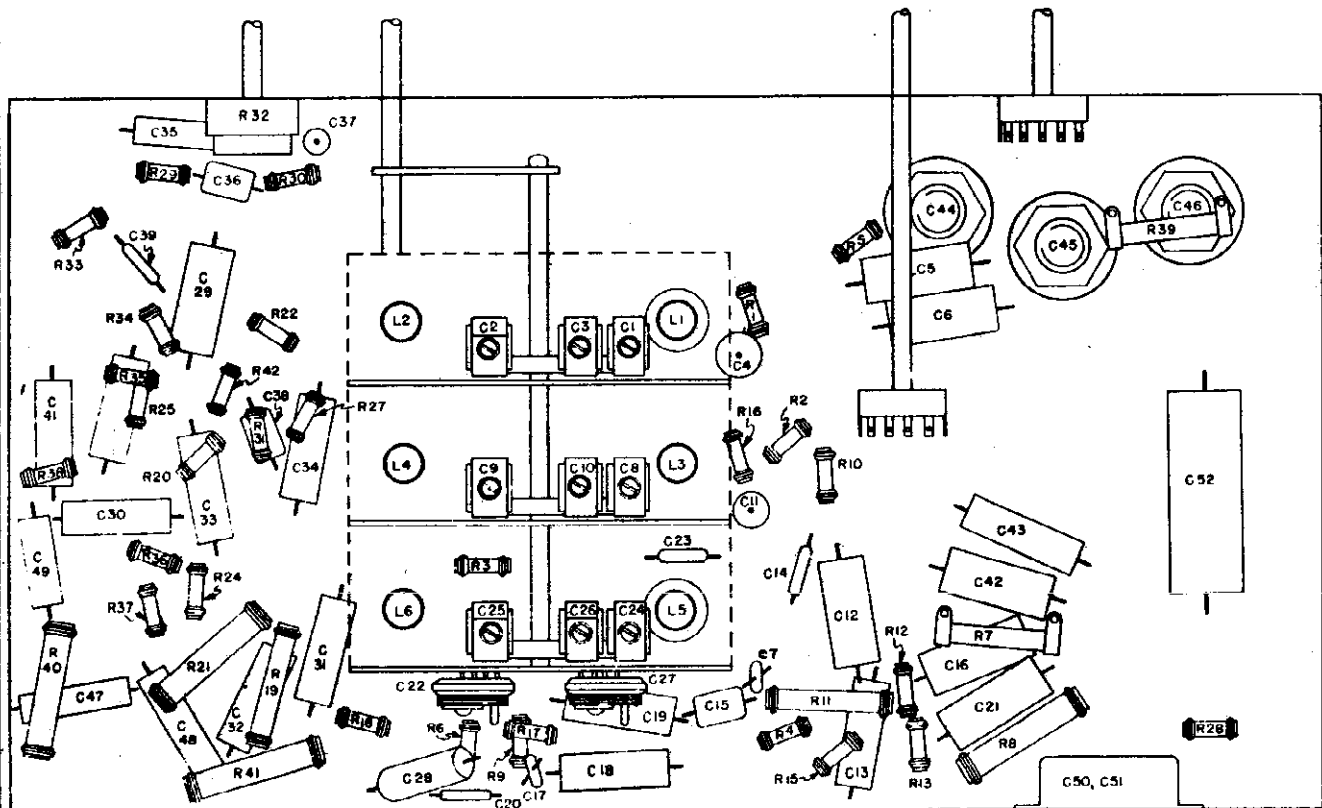


MODELS 4687, 4787  
Chassis 101.484

SEARS, ROEBUCK & CO.



LOCATIONS OF PARTS ON TOP OF CHASSIS



LOCATIONS OF PARTS UNDER CHASSIS

SEARS, ROEBUCK & CO.

MODELS 4657, 4787  
Chassis 101.464

Tone Control of the receiver must be in the "TREBLE" position and the Volume Control must be all the way on.

2. Connect a 465 kc unmodulated IF signal to the 6L7G transactor grid through a 15 muf. condenser.
3. Carefully turn the variable condenser until "zero beat" note is had. (Tone Control must be in "TREBLE" position.)
4. Turn the Tone Control knob to the "BRILLIANT" position and adjust the discriminator screw for "zero beat" note. The discriminator adjustment is the top screw of T3. The correct setting should be obtained at about the center of the trimmer range and the setting will be found to be quite critical.
5. Turn the Tone Control knob back to "TREBLE". The receiver should give "zero beat" note in both "TREBLE" and "BRILLIANT" positions if the discriminator adjustment is properly made. If it does not, carefully repeat the adjustments.
6. The AFC can be checked for "pull-in" in the following manner. Remove the signal generator connection from the 6L7G grid. Connect a 1000 kc generator (with modulation switched on) to the antenna terminal of the receiver. Turn the right hand knob of the receiver to give 5000 microvolts output and turn the right hand knob of the receiver to "DIAL". Reduce the Volume Control setting of the receiver to give 1-1/2 volts reading on the output meter. Note the exact frequency setting of the signal generator at this output meter reading. Increase the signal generator frequency until the output meter reads one volt and note the frequency setting of the signal generator. Then decrease the signal generator frequency below 1000 kc until the output meter again reads one volt and note the frequency of the generator at this reading of the output meter. If the AFC is operating properly, the signal generator can be shifted approximately 15 kc either side of 1000 kc before the output meter reading is reduced from 1.5 volts to 1 volt.

Generator connection from the 6L7G grid. Connect a 1000 kc generator (with modulation switched on) to the antenna terminal of the receiver. Turn the right hand knob of the receiver to give 5000 microvolts output and turn the right hand knob of the receiver to "DIAL". Reduce the Volume Control setting of the receiver to give 1-1/2 volts reading on the output meter. Note the exact frequency setting of the signal generator at this output meter reading. Increase the signal generator frequency until the output meter reads one volt and note the frequency setting of the signal generator. Then decrease the signal generator frequency below 1000 kc until the output meter again reads one volt and note the frequency of the generator at this reading of the output meter. If the AFC is operating properly, the signal generator can be shifted approximately 15 kc either side of 1000 kc before the output meter reading is reduced from 1.5 volts to 1 volt.

SUBJECT: REVISION OF "AUTOMATIC FREQUENCY CONTROL ADJUSTMENT"

1. Tune in a 1000 kc station to give maximum output meter reading. The station chosen must be of medium strength, one just capable of giving satisfactory reception without background noise. Do not use a strong station (one capable of giving satisfactory reception with 500 microvolts output and with its modulation switched off.) Connection of the signal is to be made to the antenna terminal of the receiver through a .0002 mfd. condenser. The Tone Control of the receiver must be in the "TREBLE" position, and the right hand knob in the "REGULAR" position.
2. Connect a 465 kc unmodulated IF signal to the 6L7G transactor grid through a 15 muf. condenser.
3. Carefully turn the variable condenser until "zero beat" note is had. (Tone Control must be in "TREBLE" position, and right hand knob in "REGULAR" position.)
4. Turn the right hand knob to the "DIAL" position and adjust the discriminator screw for "zero beat" note. (The discriminator adjustment is the top screw of T3.) The correct setting should be obtained at about the center of the trimmer range and the setting will be found to be quite critical.
5. Turn the right hand knob back to "REGULAR". The receiver should give "zero beat" note in both "REGULAR" and "DIAL" positions if the discriminator adjustment is properly made. If it does not, carefully repeat the adjustments.
6. The AFC can be checked for "pull-in" in the following manner. Remove the signal generator connection from the 6L7G grid. Connect a 1000 kc generator (with modulation switched on) to the antenna terminal of the receiver, through a .0002 mfd. condenser. Adjust the Volume Control microvolts output and turn the right hand knob of the receiver to "DIAL". Reduce the Volume Control setting of the signal generator at this output meter. Note the exact frequency setting of the signal generator. Increase the signal generator frequency until the output meter reads one volt and note the frequency of the generator at this reading of the output meter. If the AFC is operating properly, the signal generator can be shifted approximately 15 kc either side of 1000 kc before the output meter reading is reduced from 1.5 volts to 1 volt.

Each step of the alignment should be repeated in its original order for greater accuracy. Always keep the output from the generator at its lowest possible value, to prevent the AFC section of the set from interfering with accurate alignment.

The shield plate that covers the coil assembly should be left in place while making the alignment adjustment. The trimmer screws are accessible through the hole in the shield.

Only the dummy antenna indicated in the chart for any particular band should be used. Remove the dummy antenna used for alignment of any other band.

No connection should be made to the doublet terminal on the antenna connection block.

1. Tune in a 1000 kc station to give maximum output meter reading. The station chosen must be of medium strength, one just capable of giving satisfactory reception without background noise. Do not use a strong station (one capable of giving satisfactory reception with 500 microvolts output and with its modulation switched off.) Connection of the signal is to be made to the antenna terminal of the receiver through a .0002 mfd. condenser. The

ALIGNMENT PROCEDURE

WAVE BAND POSITION OF VARIABLE	GENERATOR FREQUENCY	ANTENNA CONNECTION	GENERATOR OUTPUT	TRIMMER POSITION (IN ORDER TO SHOW)	TRIMMER APPROXIMATE FUNCTION	MICROVOLTS
"IF"	1.7 mc	.1 mfd.	465 kc	6L7G Grid	T3, T2, T1 IF	20
"AF"	1500 kc	.0002 mfd.	1500 kc	Ant. Term.	C24, C8, C1	20
"AF"	800 kc (weak)	.0002 mfd.	.0002 mfd.	Ant. Term.	C27	40
"IF"	5 mc	400 ohms	5 mc	Ant. Term.	C25	-
"IF"	5 mc (weak)	5 mc	400 ohms	Ant. Term.	C2, C2	8
"IF"	2 mc (weak)	2 mc	400 ohms	Ant. Term.	C22	30
"FON"	18 mc	18 mc	400 ohms	Ant. Term.	C26	8
"FON"	15 mc (weak)	15 mc	400 ohms	Ant. Term.	C10, C3	10

IMPORTANT ALIGNMENT NOTES

\* Two bottom adjusting screws only. After this alignment has been made and with the IF signal sufficiently strong, turn the top trimmer screw to the point giving the least amount of the meter reading. This top screw is the AFC discriminator adjustment.

Where indicated by the word, "Rocks", the variable should be rotated back and forth a degree or two while making the adjustment.

Each step of the alignment should be repeated in its original order for greater accuracy. Always keep the output from the generator at its lowest possible value, to prevent the AFC section of the set from interfering with accurate alignment.

The shield plate that covers the coil assembly should be left in place while making the alignment adjustment. The trimmer screws are accessible through the hole in the shield.

Only the dummy antenna indicated in the chart for any particular band should be used. Remove the dummy antenna used for alignment of any other band.

No connection should be made to the doublet terminal on the antenna connection block.

1. Tune in a 1000 kc station to give maximum output meter reading. The station chosen must be of medium strength, one just capable of giving satisfactory reception without background noise. Do not use a strong station (one capable of giving satisfactory reception with 500 microvolts output and with its modulation switched off.) Connection of the signal is to be made to the antenna terminal of the receiver through a .0002 mfd. condenser. The

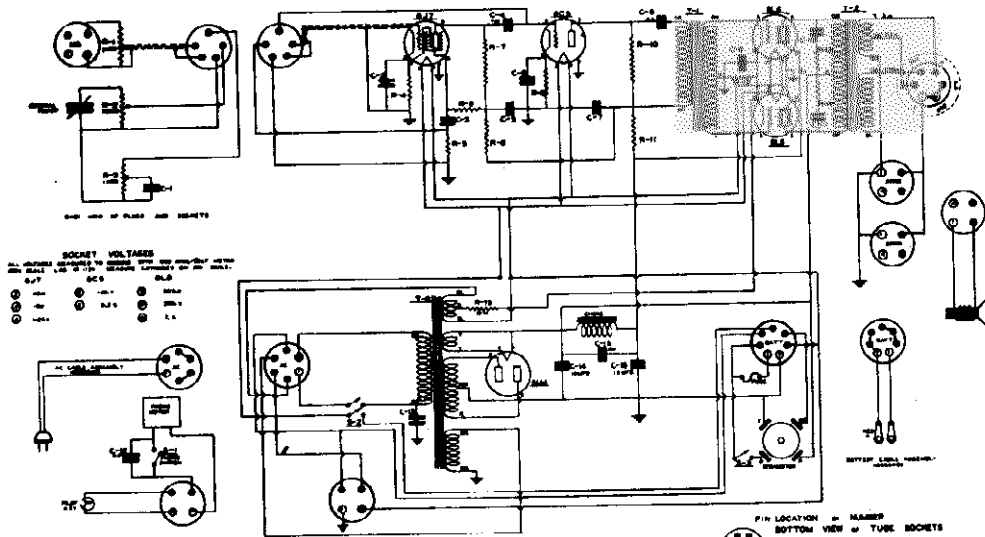
MAY 18, 1939



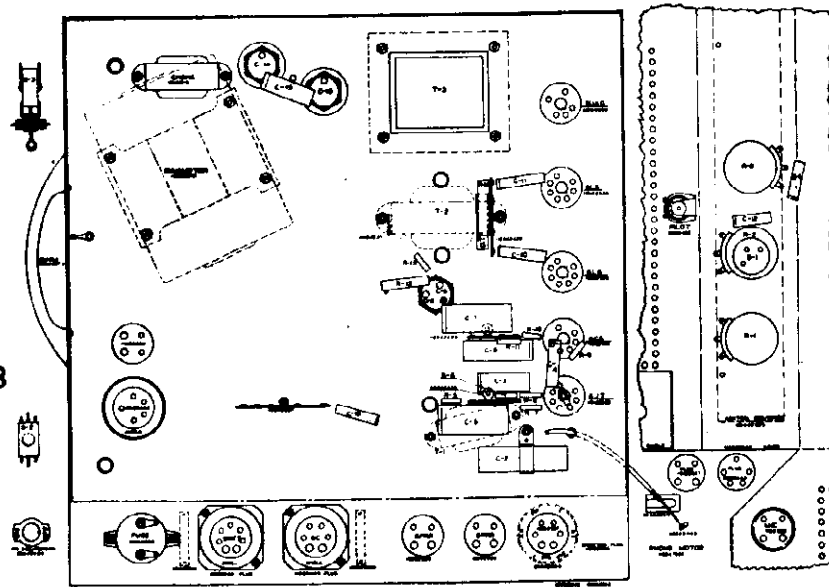
MODEL 5732  
Ch. 116.SA2232

SEARS, ROEBUCK & CO.

WIRING DIAGRAM - SILVERTONE MOBILE POWER AMPLIFIER NO. 116.SA2232



30 WATT MOBILE POWER AMPLIFIER



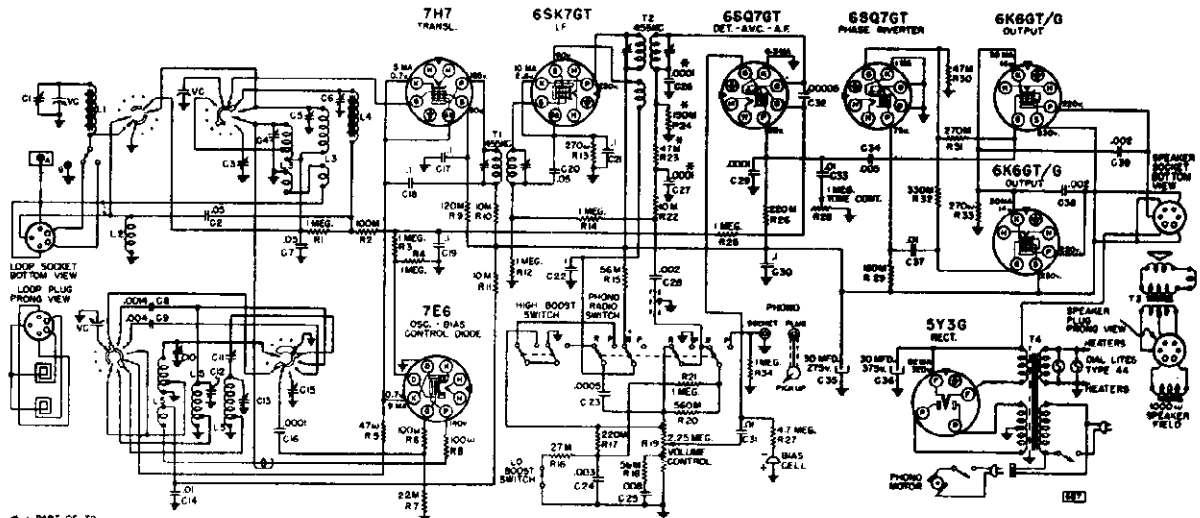
Parts Values

C5, C7 .....	.5MF	R6.....	2 Meg
C8 .....	.25MF	R7, R8 .....	300M ohm
C3 .....	.1MF	R5 .....	100M ohm
C15 .....	.06MF	R10, R11 .....	30M ohm
C4, C10, C11, C13 .....	.01MF	R4 .....	5000 ohm
C1 .....	.001MF	R9 .....	2500 ohm
C12 .....	.02MF	R15 .....	10M ohm
C2 .....	25MF	R13, R14 .....	15M ohm
C6, C9 .....	Dual 25MF each	R12 .....	125 ohm
C14, C16 .....	10MF	T1 .....	P.P. Input Transformer
R1 .....	Mike control	T2 .....	Output Transformer
R2 ...	Phono Control with Switch	T3 .....	Power Transformer
R3 .....	Tone Control		

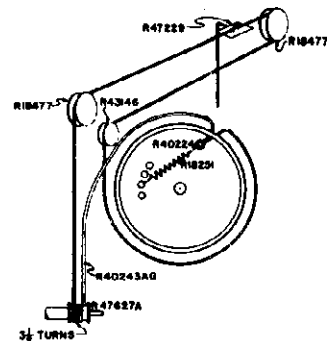
SEARS, ROEBUCK & CO.

MODEL 5502  
Ch. 101.687

WIRING DIAGRAM FOR SILVERTONE CHASSIS 101687



\* PART OF T2  
TUBE SOCKETS ARE VIEWED FROM UNDER SIDE OF CHASSIS.  
VOLTAGE READINGS SHOWN AT SOCKET PRONGS ARE TO CHASSIS,  
AND ARE TAKEN WITH NO SIGNAL; WAVE SWITCH IN BROADCAST  
POSITION, LINE VOLTAGE AT 117 VOLTS. WHERE NO READING IS  
GIVEN, THE VOLTAGE IS ZERO OR TOO LOW TO READ.



- OPERATING FEATURES:**
- Automatic Volume Control
  - Push Button Tuning (5 buttons)
  - Push Button and Continuously variable Tone Controls
  - Phono-Radio Push Button

APRIL 3, 1942

**POWER SUPPLY:**

All models available. . . . . 105-125 volt, 60 cycles AC: 100 watts  
All models available. . . . . 105-125 volt, 50 cycles AC: 100 watts

**ALIGNMENT FREQUENCIES:**

FREQUENCY RANGES:	Oscillator			Antenna-Transl.		
	Trimmer	Trimmer	Padder	Trimmer	Trimmer	Padder
Band "A" . . . . .	540-1700 kc	1750 kc	1410 kc	600 kc		
Band "B" Police . . . . .	1.75-5.5 mc	5900 kc	4500 kc	Fixed		
Band "C" . . . . .	6-18 mc	18.3 mc	15 mc	Fixed		
Band "D" . . . . .	9.4-9.8 mc	9.6 mc	9.6 mc	Fixed		

INTERMEDIATE FREQUENCY . . . . . 455 kc

**POWER OUTPUT:**

Type . . . . . Push Pull Pentode  
Undistorted . . . . . 3.5 watts  
Maximum . . . . . 7 watts

**LOUDSPEAKER:**

Type . . . . . Dynamic  
Size . . . . . 12 inch  
Field coil resistance . . . . . 1000 ohms  
Approx. field coil voltage drop. . 90 v.

**PUSH BUTTON TUNING MECHANISM:**

The adjustment for each push button is locked or unlocked by tightening or loosening the slotted screwhead made accessible when the push button knob is pulled off of its plunger. Stations are set up by unlocking the mechanism, tuning in the station, pushing in the plunger (being careful not to detune the station), and securely locking the adjustment.

MODEL 5502  
Ch. 101.687

SEARS ROEBUCK CO.

ALIGNMENT PROCEDURE

PRELIMINARY:

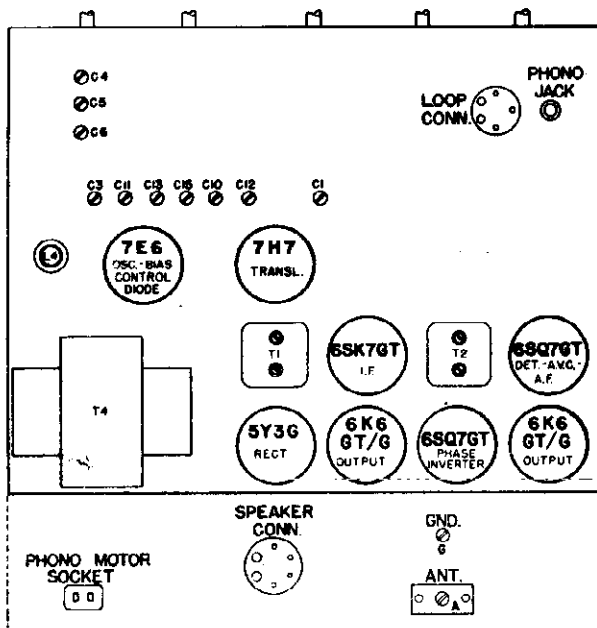
Output meter connections . . . . . Across loud speaker voice coil  
 Output meter reading to indicate 500 milliwatts . . . . . 1.5 volts  
 Approximate microvolts input to indicate 500 milliwatts output . . . . . See chart below  
 Generator ground lead connection . . . . . Receiver chassis  
 Dummy antenna value to be in series with generator output . . . . . See chart below  
 Connection of generator output lead . . . . . See chart below  
 Generator Modulation . . . . . 30%, 400 cycles  
 Position of Volume Control . . . . . Fully on  
 Position of Tone Control . . . . . HI  
 Position of pointer with tuner fully open. . . . . On mark below 540 kc calibration mark

BAND SWITCH POSITION	POSITION OF TUNER	GENERATOR FREQUENCY	DUMMY ANTENNA	GENERATOR CONNECTION	TRIMMERS ADJUSTED (IN ORDER SHOWN)	TRIMMER FUNCTION	APPROX. MICRO-VOLTS
A	Closed	455 kc	.1 mfd.	Trans.Grid	T2 - T1	IF	---
A	Open	1750 kc	.0002 mfd.	Ant.	C1	Osc.	---
A	1410 kc	1410 kc	.0002 mfd.	Ant.	C2	Ant.	25
A	1410 kc	1410 kc	.0002 mfd.	Ant.	C3	Trans.	---
A	600 (Rock)	600 kc	.0002 mfd.	Ant.	C4	Pad.	125
B	Open	5900 kc	400 ohms	Ant.	C5	Osc.	---
B	4500 kc	4500 kc	400 ohms	Ant.	C6	Trans.	35
C	Open	18.3 mc	400 ohms	Ant.	C7	Osc.	---
C	15 mc (Rock)	15.0 mc	400 ohms	Ant.	C8	Trans.	25
D	9.6 mc	9.6 mc	400 ohms	Ant.	C9	Osc.	---
D	9.6 mc (Rock)	9.6 mc	400 ohms	Ant.	C10	Trans.	30

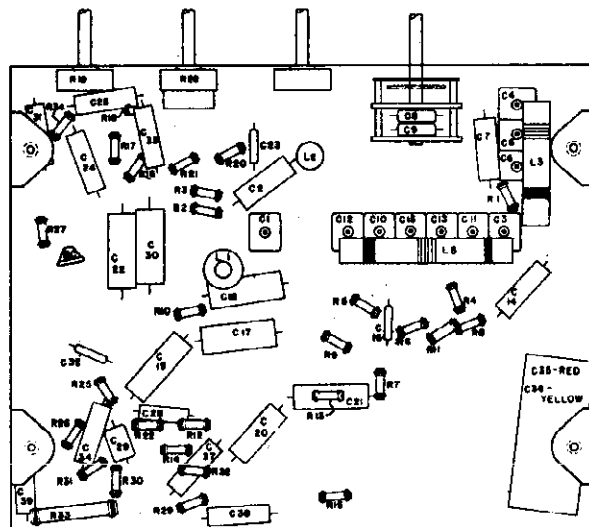
IMPORTANT ALIGNMENT NOTES

The alignment must be done in the order given.

Always keep the output power from the generator at its lowest possible value to prevent the AVC of the receiver from interfering with accurate alignment.



LOCATIONS OF PARTS ON TOP OF CHASSIS 101.687



LOCATIONS OF PARTS UNDER CHASSIS 101.687

SEARS, ROEBUCK &amp; CO.

MODELS 3211, 7000,  
7002  
Chassis 132.810-1

FOR ORIGINAL DATA SEE CHASSIS 132.810  
IN VOLUME XL11

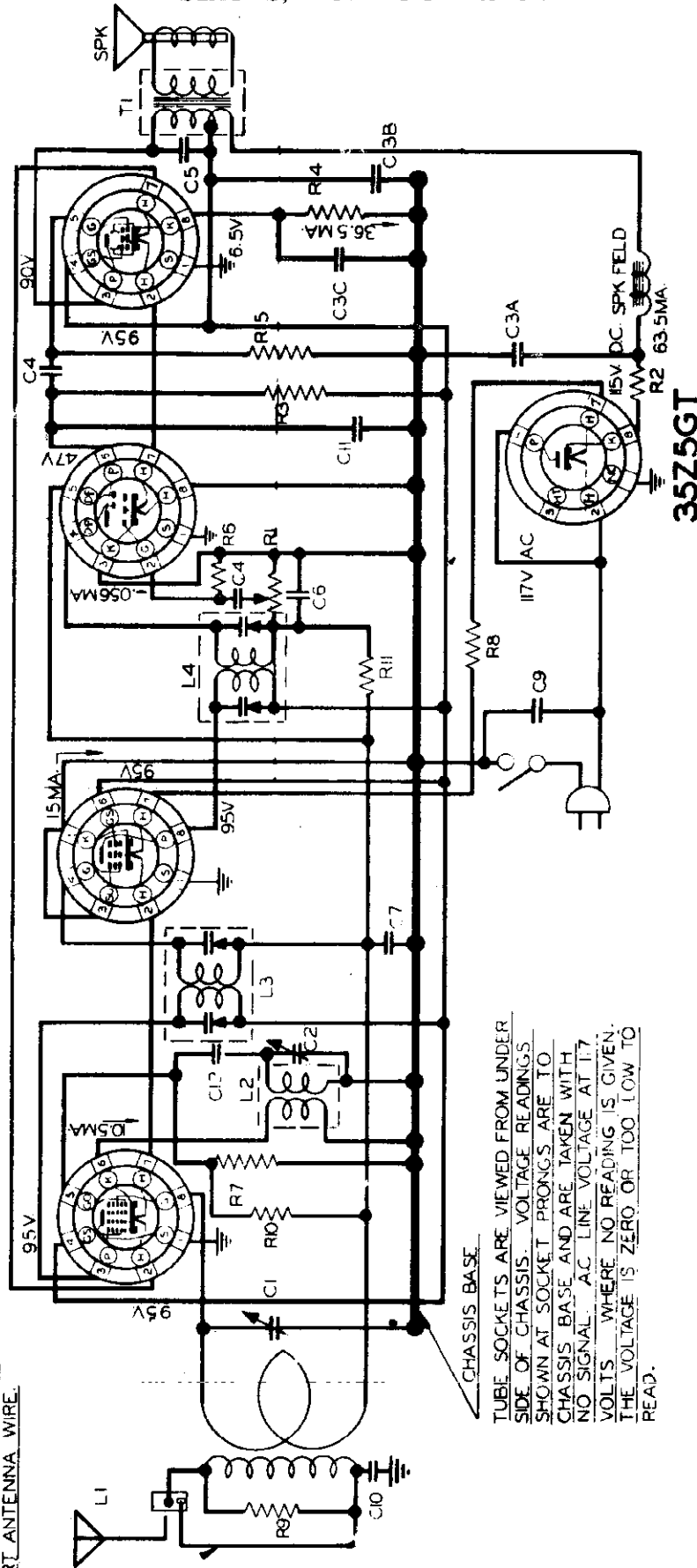
12SA7GT

12SK7GT

12SQ7GT

35L6GT

WHEN EXTERNAL ANTENNA  
IS USED, REMOVE THIS WIRE  
FROM ANTENNA CLIP AND  
INSERT ANTENNA WIRE.



TUBE SOCKETS ARE VIEWED FROM UNDER  
SIDE OF CHASSIS. VOLTAGE READINGS  
SHOWN AT SOCKET PRONGS ARE TO  
CHASSIS BASE AND ARE TAKEN WITH  
NO SIGNAL. AC LINE VOLTAGE AT I-7  
VOLTS. WHERE NO READING IS GIVEN,  
THE VOLTAGE IS ZERO OR TOO LOW TO  
READ.

SUBJECT: ADDITION OF SUFFIX "-1" TO CHASSIS IDENTIFICATION NUMBER 132.810. CIR-  
CUIT DIAGRAM & PARTS LIST CHANGES, FOR ALL MODELS.

The 1 megohm AVC isolating resistor was increased to 3 megohm (R11) to im-  
prove isolation. Certain constructional changes were made in the Oscillator Coil.  
The Electrolytic Condenser was changed from a 20-10 mfd. 150 V., 20 mfd. 25 V.,  
to a 40-20 mfd. 150 V., 20 mfd. 25 V.

The tube and component layout was changed somewhat to permit more uniform  
manufacturing. These changes are shown in Fig. 1 and Fig. 2. Figure 1 represents  
the original (132.810) layout. Fig. 2 represents the supplementary (132.810-1)  
layout.

The model numbers for the "Walnut" and "Onyx" models have been changed to  
"7000" and "7002" respectively.

FIVE TUBE, AC-DC, SUPERHETERODYNE

MODELS 7000, 3211, 7002

FACTORY IDENTIFICATION NO. 132.810-1

JUNE 2, 1941

MODELS 3211, 7000,  
7002  
Chassis 132.810-1

SEARS, ROEBUCK & CO.

MODELS 3711, 7001,  
7003  
Chassis 132.811-1

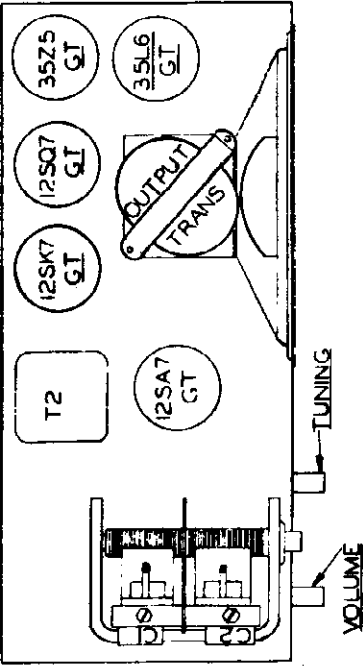


FIG. 1  
LOCATION OF PARTS ON TOP OF CHASSIS  
132.810

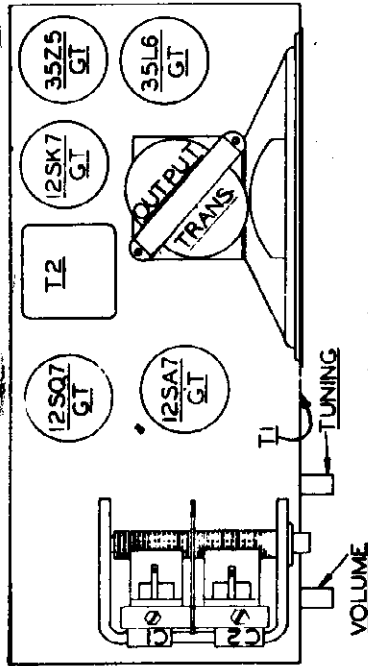


FIG. 2  
LOCATION OF PARTS ON TOP OF CHASSIS  
132.811

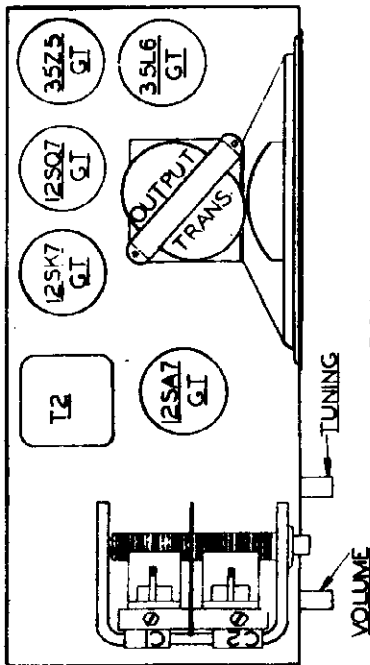


FIG. 1  
LOCATION OF PARTS ON TOP OF CHASSIS  
132.810

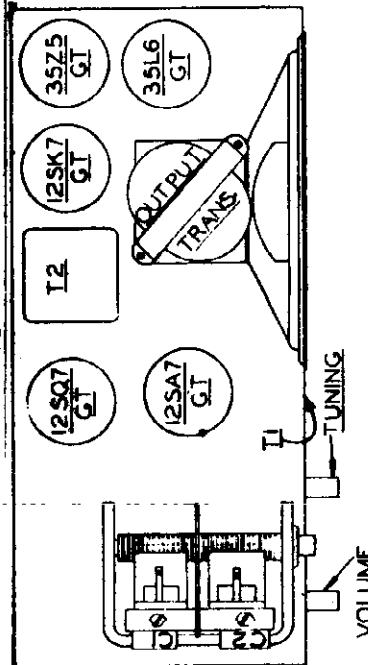


FIG. 2  
LOCATION OF PARTS ON TOP OF CHASSIS  
132.811

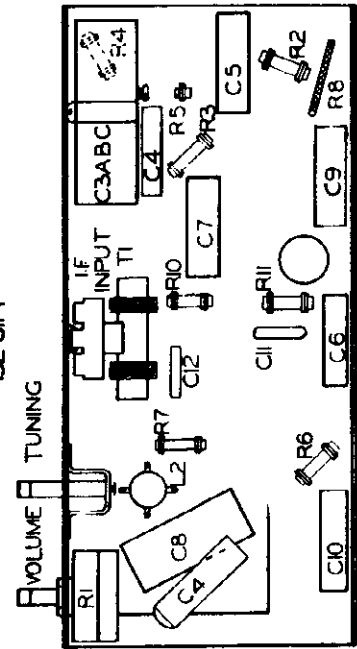


FIG. 3  
LOCATION OF PARTS UNDER CHASSIS  
132.811-1

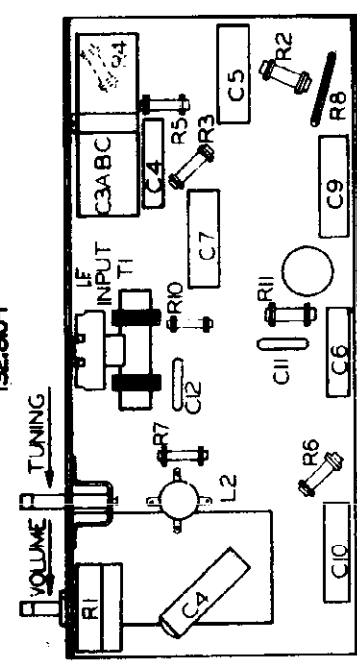
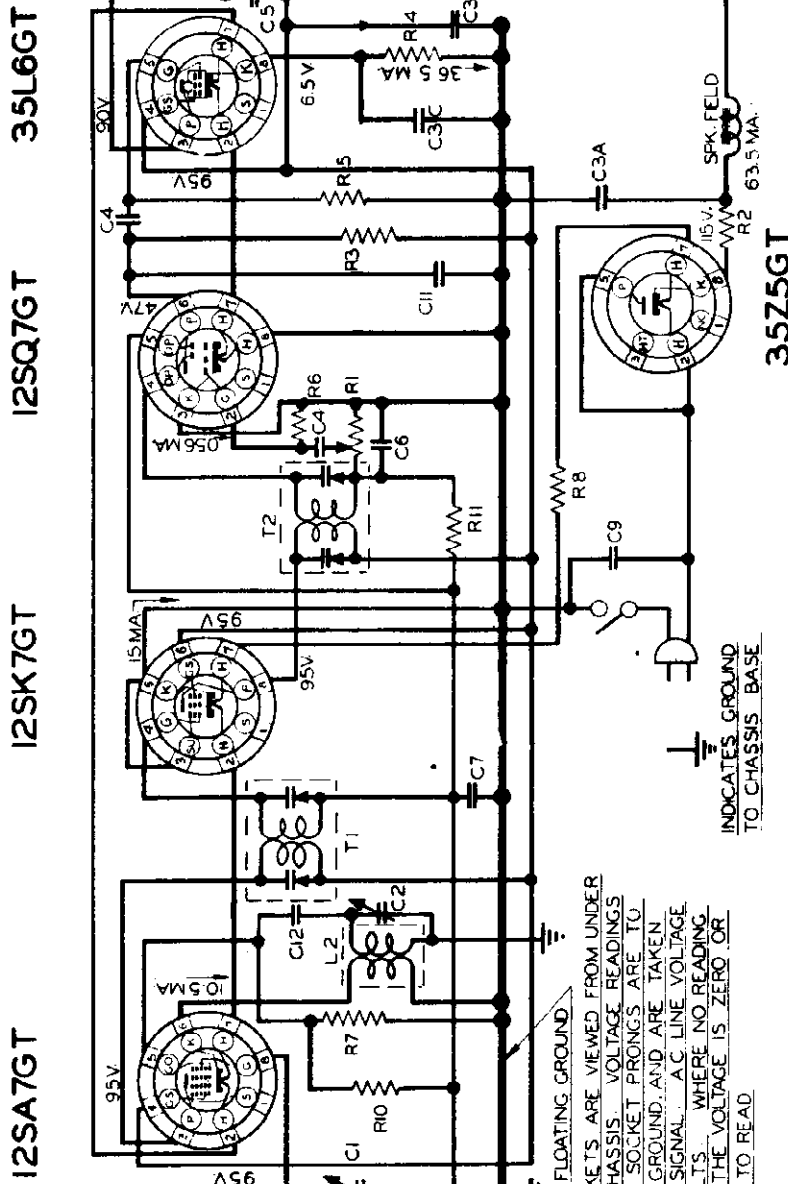


FIG. 3  
LOCATION OF PARTS UNDER CHASSIS  
132.810-1

SEARS, ROEBUCK & CO.

MODELS 3711, 7001,  
7003  
Chassis 132.811-1



WHEN EXTERNAL ANTENNA IS USED, REMOVE THIS WIRE FROM ANTENNA CLIP AND INSERT ANTENNA WIRE.

FLOATING GROUND  
TUBE SOCKETS ARE VIEWED FROM UNDER SIDE OF CHASSIS. VOLTAGE READINGS SHOWN AT SOCKET PRONGS ARE TO FLOATING GROUND, AND ARE TAKEN WITH NO SIGNAL. A.C. LINE VOLTAGE AT 117 VOLTS. WHERE NO READING IS GIVEN THE VOLTAGE IS ZERO OR TOO LOW TO READ

INDICATES GROUND TO CHASSIS BASE

FOR ORIGINAL DATA SEE CHASSIS 132.811 IN VOL. X111

JUNE 2, 1941

SUBJECT: ADDITION OF SUFFIX -1 TO CHASSIS IDENTIFICATION NUMBER 132.811. CIRCUIT DIAGRAM AND PARTS LIST CHANGES, FOR ALL MODELS.

The 1 megohm AVC isolating resistor was increased to 3 megohm to improve isolation. Certain constructional changes were made in the Oscillator Coil. The tube and component layout was changed somewhat to permit more uniform manufacturing. These changes are shown in Fig. 1, and Fig. 2. Figure 1 represents the original (132.811) layout. Figure 2 represents the supplementary (132.811-1) layout. The model numbers for the "Walnut" and "Onyx" models have been changed to "7001" and "7003" respectively.

FIVE TUBE, AC-DC, SUPERHETERODYNE  
MODELS 7001, 3711, 7003  
FACTORY IDENTIFICATION NO. 132.811-1

MODEL 7C49  
Ch. 101.672

SEARS, ROEBUCK & CO.

IMPORTANT ALIGNMENT NOTES

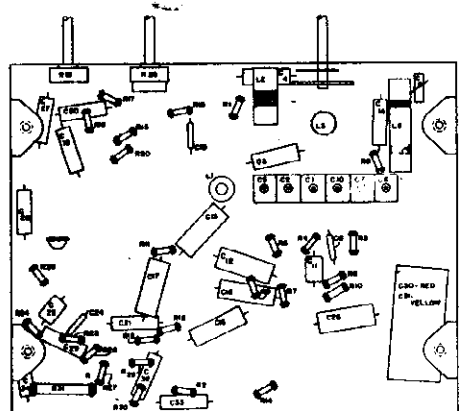
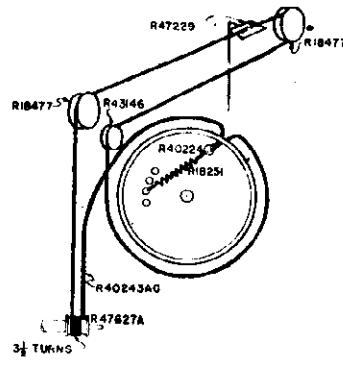
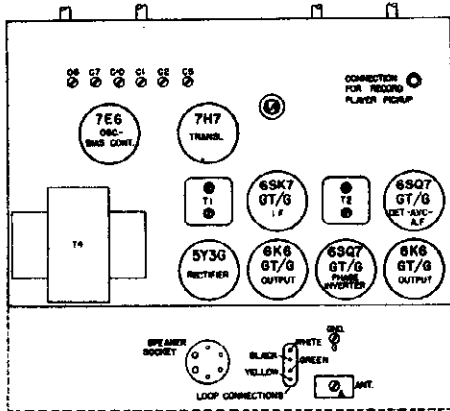
The Alignment must be done in the order given.

Always keep the output power from the generator at its lowest possible value to prevent the AVC of the receiver from interfering with accurate alignment.

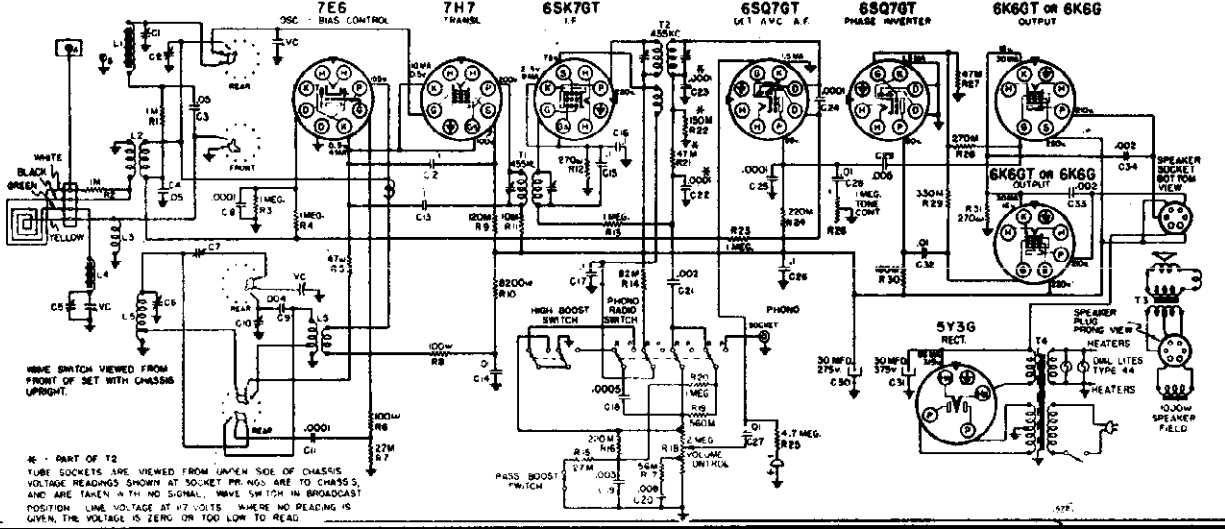
PRELIMINARY:

Output Meter Connections . . . . . Across loud speaker voice coil  
Output meter reading to indicate 500 milliwatts . . . . . 1.5 watts  
Approximate microvolts input to indicate 500 milliwatts output . . . . . See chart below  
Generator ground lead connection . . . . . Receiver chassis  
Dummy Antenna value to be in series with generator output . . . . . See chart below  
Connection of generator output lead . . . . . See chart below  
Generator Modulation . . . . . 30%, 400 cycles  
Position of Volume Control . . . . . Fully on  
Position of Tone Control . . . . . HI  
Position of pointer with tuner fully closed . . . . . Last line below 540 calibration mark

WAVE BAND SWITCH POSITION	POSITION OF TUNER	GENERATOR FREQUENCY	DUMMY ANTENNA	GENERATOR CONNECTION	TRIMMER ADJUSTMENTS (IN ORDER SHOWN)	TRIMMER FUNCTION	APPROXIMATE MICROVOLTS
A	Closed	455 KC	.1 mfd.	7H7 Transl. grid	T2, T1	IF	---
A	Open	1750 KC	.0002 mfd.	Ant. Terminal	C6	Oscillator	---
A	1410	1410 KC	.0002 mfd.	Ant. Terminal	C5, C2	Ant. Transl.	25
A	600 (rock)	600 KC	.0002 mfd.	Ant. Terminal	C7	Padder	100
B	Open	18.3 MC	400 ohms	Ant. Terminal	C10	SW Oscillator	---
B	15 (rock)	15 MC	400 ohms	Ant. Terminal	C1	Transl.	20

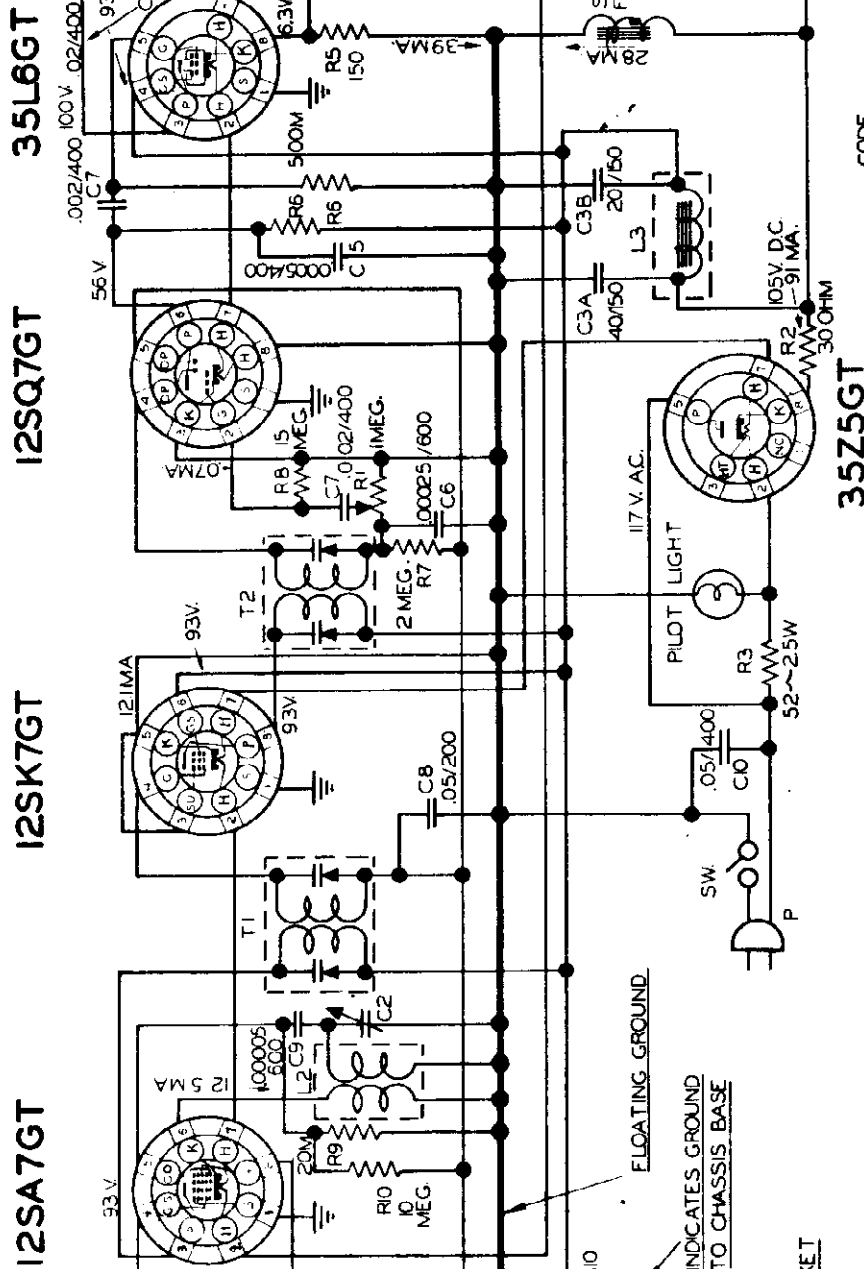


WIRING DIAGRAM FOR SILVERTONE CHASSIS 101.672



SEARS, ROEBUCK & CO.

MODELS 7020, 7022  
Chassis 132.814



CODE  
MEG = MEGOHM  
M = 1000 OHM

APRIL 30, 1942  
132.814

12SQ7GT

12SK7GT

12SA7GT

35L6GT

35Z5GT

WHEN EXTERNAL ANTENNA IS USED, REMOVE THIS WIRE FROM ANTENNA CLIP & INSERT ANTENNA WIRE.

TUBE SOCKETS ARE VIEWED FROM UNDER SIDE OF CHASSIS. VOLTAGE READINGS SHOWN AT SOCKET PRONGS ARE TO FLOATING GROUND AND ARE TAKEN WITH NO SIGNAL. A-C LINE VOLTAGE AT 117 VOLTS. WHERE NO READING IS GIVEN, THE VOLTAGE IS ZERO OR TOO LOW TO READ

POWER SUPPLY:  
All models available . . . . . 105-125 volts, AC-DC, 35 watts

FREQUENCY RANGE: 540-1600 kc. ALIGNMENT FREQUENCIES . . . Osc. - 1400 kc.  
Transl. - 1400 kc.

INTERMEDIATE FREQUENCY: . . . . . 455 kc.

POWER OUTPUT:  
Type: Beam tube  
Undistorted: 1.0 watts

LOUD SPEAKER:  
Type: 8 M  
Size: 4 inch



MODELS 7020, 7022  
Chassis 132.814

SEARS, ROEBUCK & CO.

FIVE TUBE, AC-DC, SUPERHETERODYNE

MODELS 7020, 7022

FACTORY IDENTIFICATION NO. 132.814

ALIGNMENT PROCEDURE

PRELIMINARY:

Output meter connection . . . . . Across loud speaker voice coil  
Output meter reading to indicate 50 milliwatts . . . . . 0.38 volts  
Dummy antenna value to be in series with generator output . . . . . See chart below  
Connection of generator output lead . . . . . See chart below  
Connection of generator ground lead . . . . . See chart below  
Generator Modulation . . . . . 30%, 400 cycles  
Position of Volume Control . . . . . Fully clockwise  
Position of Dial Pointer with Variable fully closed. . . . . See note below

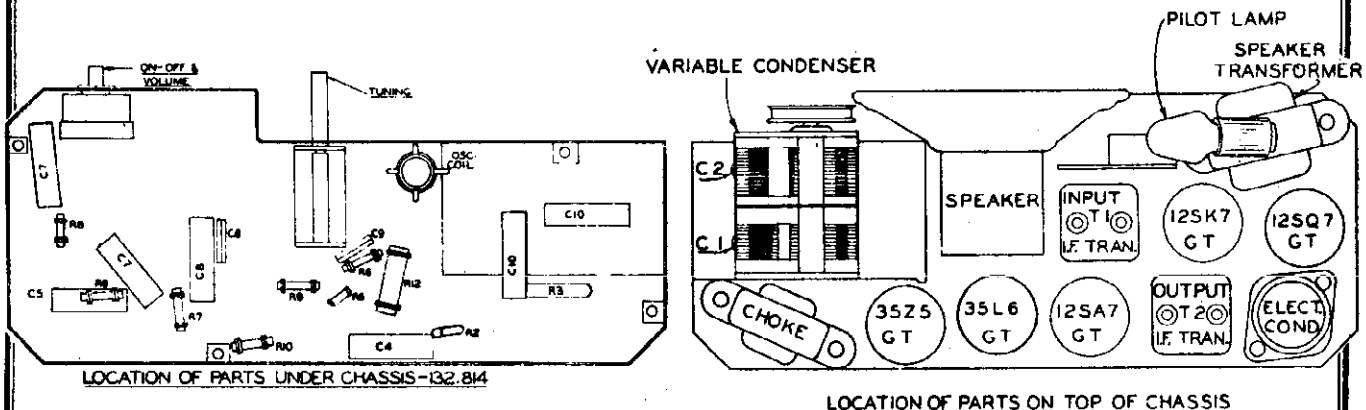
POSITION OF Variable	FREQUENCY GENERATOR	DUMMY ANTENNA	GENERATOR CONNECTION (high)	GENERATOR CONNECTION (low)	TRIMMERS ADJUSTED (In order shown)	TRIMMER FUNCTION	Vv. Input to Haz. Std. Loop to give 1/2 watt output.
Open	455 kc.	.1 mfd.	12SA7GT	grid Cond.	frame T2, T1	IF	-----
1400 kc.	1400 kc.	.00005 mfd.	Ant. clip	Chassis	C2, C1	Osc-Trans	1600 uv.
600 kc.	600 kc.	.00005 mfd.	Ant. clip	Chassis	Check Point	-----	1000 uv.

IMPORTANT ALIGNMENT NOTES

With the variable condenser closed the pointer should point vertically upward. When properly set with the variable condenser closed the pointer will point just to the right of the "54" calibration mark.  
The alignment procedure should be repeated stage by stage, in the original order for greatest accuracy. Always keep the output from the test oscillator at its lowest possible value to make the AVC action of the receiver ineffective.

THE LOOP ANTENNA:

The loop antenna is directional so that reception may be improved or interference lessened by turning the set to a particular position. In locations where the signal strength is too low to give satisfactory reception from the loop antenna, an outside antenna may be connected to the Fahnstock clip on the loop right hand side underneath the receiver. In order to attain maximum performance of the loop, the primary is shorted with a wire under the Fahnstock clip. When an outside antenna is used this wire must be removed from the clip before the antenna is connected.



LOCATION OF PARTS UNDER CHASSIS-132.814

LOCATION OF PARTS ON TOP OF CHASSIS

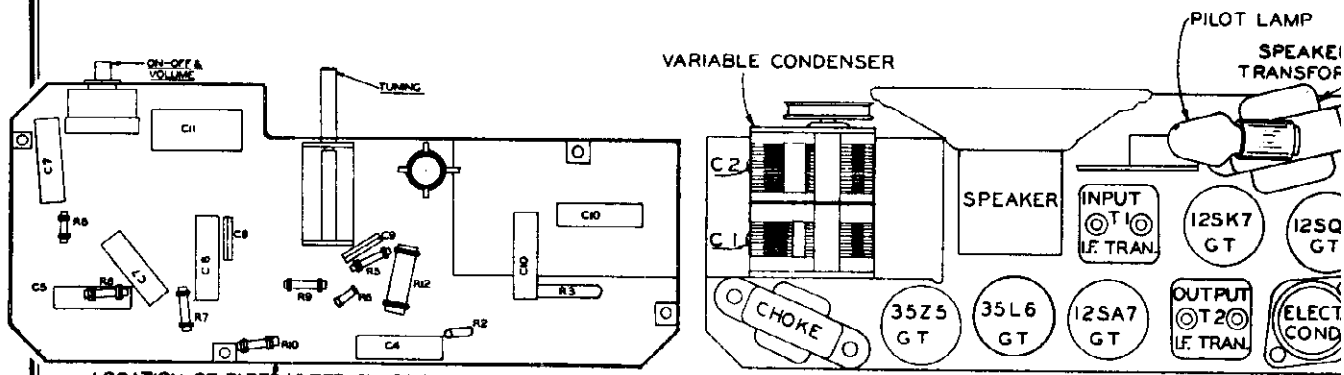
SEARS, ROEBUCK & CO.

MODELS 7021, 7023  
Chassis 132.815

FIVE TUBE, AC-DC, SUPERHETERODYNE

MODELS 7021, 7023

FACTORY IDENTIFICATION NO. 132.815



LOCATION OF PARTS UNDER CHASSIS-132.815

LOCATION OF PARTS ON TOP OF CHASSIS

ALIGNMENT PROCEDURE

PRELIMINARY:

- Output meter connection . . . . . Across loud speaker voice coil
- Output meter reading to indicate 50 milliwatts. . . . . .0.38 volts
- Dummy antenna value to be in series with generator output . . . . . See chart below
- Connection of generator output lead . . . . . See chart below
- Connection of generator ground lead . . . . . See chart below
- Generator Modulation . . . . . 30%, 400 cycles
- Position of Volume Control. . . . . Fully clockwise
- Position of Dial Pointer with Variable fully closed . . . . . See note below

POSITION OF Variable	FREQUENCY GENERATOR	DUMMY ANTENNA	GENERATOR CONNECTION (high)	GENERATOR CONNECTION (low)	TRIMMERS ADJUSTED (In order shown)	TRIMMER FUNCTION	Uv. Input to Haz. Std. Loop to give 1/2 watt Output.
Open	455 kc.	.1 mfd.	12SA7GT grid	Minus "B"	T2, T1	IF	-----
1400 kc.	1400 kc.	.00005 mfd.	Ant. clip	Chassis	C2, C1	Osc-Trans	1600 uv.
600 kc.	600 kc.	.00005 mfd.	Ant. clip	Chassis	Check point	----	1000 uv.

IMPORTANT ALIGNMENT NOTES

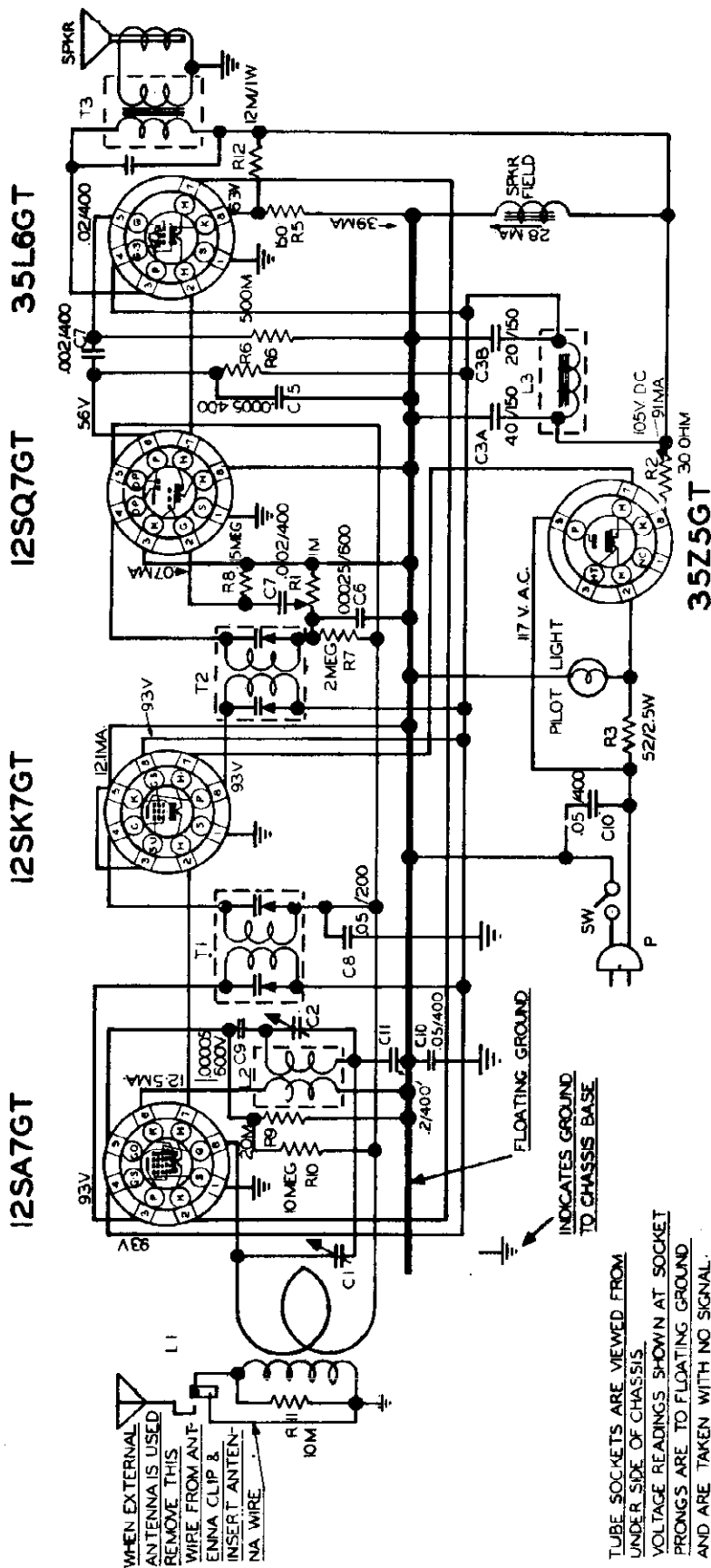
With the variable condenser closed the pointer should point vertically upward. When properly set with the variable condenser closed the pointer will point just to the right of the "54" calibration mark. The alignment procedure should be repeated stage by stage, in the original order for greatest accuracy. Always keep the output from the test oscillator at its lowest possible value to make the AVC action of the receiver ineffective.

THE LOOP ANTENNA:

The loop antenna is directional so that reception may be improved or interference lessened by turning the set to a particular position. In locations where the signal strength is too low to give satisfactory reception from the loop antenna, an outside antenna may be connected to the Fahstock clip on the loop right hand side underneath the receiver. In order to attain maximum performance of the loop, the primary is shorted with a wire under the Fahstock clip. When an outside antenna is used this wire must be removed from the clip before the antenna is connected.

MODELS 7021, 7023  
Chassis 132.815

SEARS, ROEBUCK & CO.



WHEN EXTERNAL ANTENNA IS USED REMOVE THIS WIRE FROM ANTENNA CLIP & INSERT ANTENNA WIRE.

TUBE SOCKETS ARE VIEWED FROM UNDER SIDE OF CHASSIS. VOLTAGE READINGS SHOWN AT SOCKET PRONGS ARE TO FLOATING GROUND AND ARE TAKEN WITH NO SIGNAL. A.C. LINE VOLTAGE AT 117 VOLTS. WHERE NO READING IS GIVEN, THE VOLTAGE IS ZERO OR TOO LOW TO READ.

ELECTRICAL SPECIFICATIONS

- TUBES AND FUNCTIONS:**  
 12SA7GT . . . Oscillator-Translator  
 12SK7GT . . . IF  
 12SQ7GT . . . Detector-AVC-AP  
 35L6GT . . . Rectifier  
 35Z5GT . . . Rectifier
- POWER SUPPLY:**  
 All models available . . . . . 105-125 volts, AC-DC, 35 watts
- FREQUENCY RANGE:** 540-1600 kc. ALIGNMENT FREQUENCIES: . Osc. - 1400 kc. Transl. - 1400 kc.
- INTERMEDIATE FREQUENCY:** . . . . . 455 kc.

**POWER OUTPUT:**  
 Type t Beam Tube  
 Undistorted: 1.0 watts  
 Maximum: 2.6 watts

**LOUD SPEAKER:**  
 Type t E.M.  
 Size: 4 inch

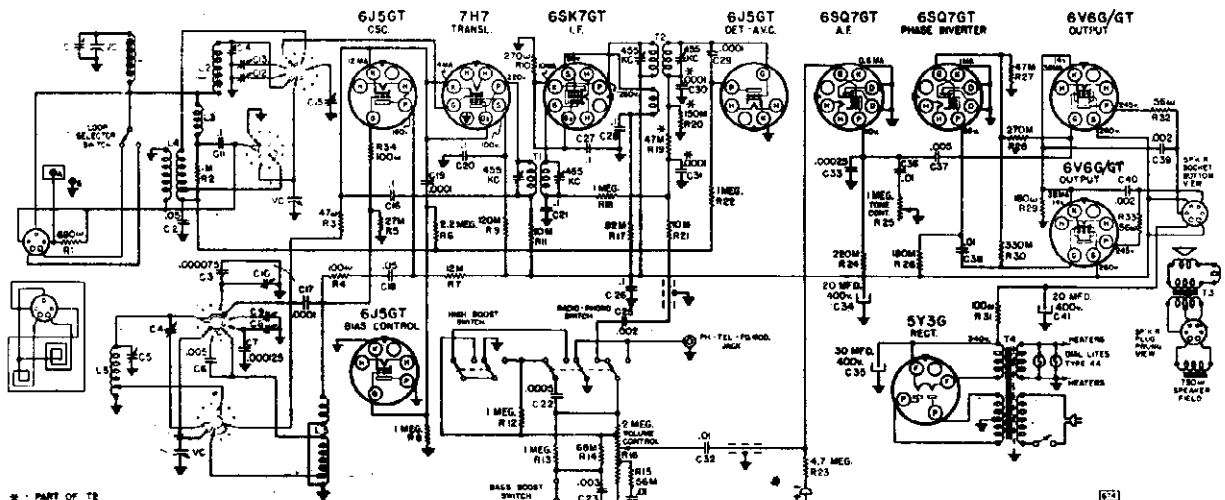
132.815

APRIL 30, 1942

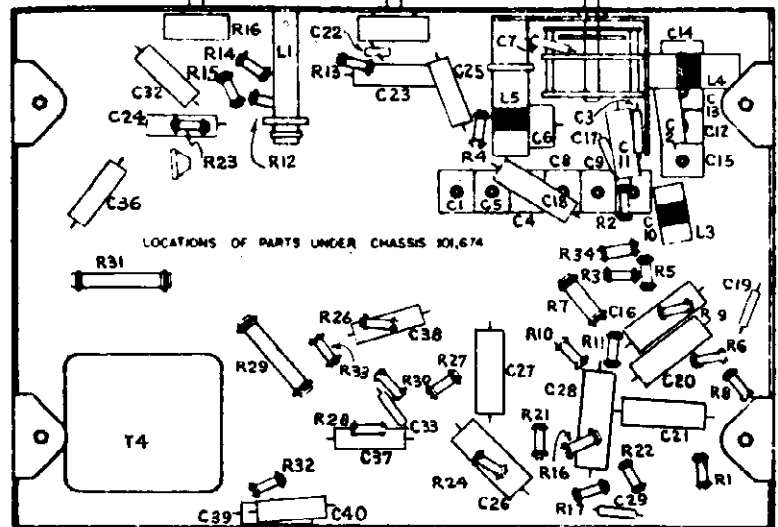
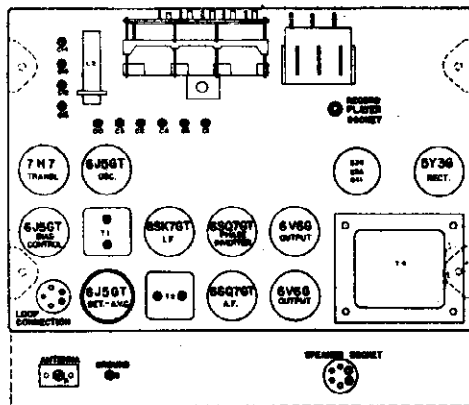
SEARS, ROEBUCK & CO.

MODELS 705  
Ch. 101.67

WIRING DIAGRAM FOR SILVERTONE CHASSIS 101.674



\* PART OF T2  
TUBE SOCKETS ARE VIEWED FROM UNDER SIDE OF CHASSIS. VOLTAGE READINGS SHOWN AT SOCKET PRONGS ARE TO CHASSIS AND ARE TAKEN WITH NO SIGNAL; WAVE SWITCH IN BROADCAST POSITION. LINE VOLTAGE AT 87 VOLTS. WHERE NO READING IS GIVEN, THE VOLTAGE IS ZERO OR TOO LOW TO READ.



WAVE BAND SWITCH POSITION	POSITION OF VARIABLE	GENERATOR FREQUENCY	DUMMY ANTENNA	GENERATOR CONNECTION	TRIMMERS ADJUSTED (IN ORDER SHOWN)	TRIMMER FUNCTION	APPROXIMATE MICROVOLTS
"A"	Closed	455 kc	.1 mfd.	7H7 Grid	T2, T1	IF	--
"A"	Fully Open	1720 kc	.00005 mfd.	Ant. Term.	C5	Oscillator	--
"A"	14.10 kc	1410 kc	.00005 mfd.	Ant. Term.	C1, C14	Loop, Transl	15
"A"	600 kc (rock)	600 kc	.00005 mfd.	Ant. Term.	C4	Padder	30
"B"	Fully Open	18.3 mc	400 ohms	Ant. Term.	C9*	Oscillator	--
"B"	16 mc (rock)	16 mc	400 ohms	Ant. Term.	C12	Translator	25
"C"	9.6 mc	9.6 mc	400 ohms	Ant. Term.	C8*	Oscillator	--
"C"	9.6 mc (rock)	9.6 mc	400 ohms	Ant. Term.	C13	Translator	25
"D"	11.7 mc	11.7 mc	400 ohms	Ant. Term.	C10*	Oscillator	--
"D"	11.7 mc (rock)	11.7 mc	400 ohms	Ant. Term.	C15	Translator	25

IMPORTANT ALIGNMENT NOTES

\* If two peaks can be had, the correct one is with the trimmer screw further out; the other peak is the image.

Where indicated by the word, "Rock", the variable should be rocked back and forth a degree or two while making the adjustment.

The alignment procedure should be repeated stage by stage, in the original order, for greatest accuracy. Always keep the output from the test oscillator at its lowest possible value to make the AVC action of the receiver ineffective.

When aligning the receiver be sure that the Loop Button is in the OUT position as this connects the loop which has the outside antenna coupling turn.

MODEL 7051  
Ch. 101.684

SEARS, ROEBUCK & CO.

ALIGNMENT PROCEDURE

PRELIMINARY:

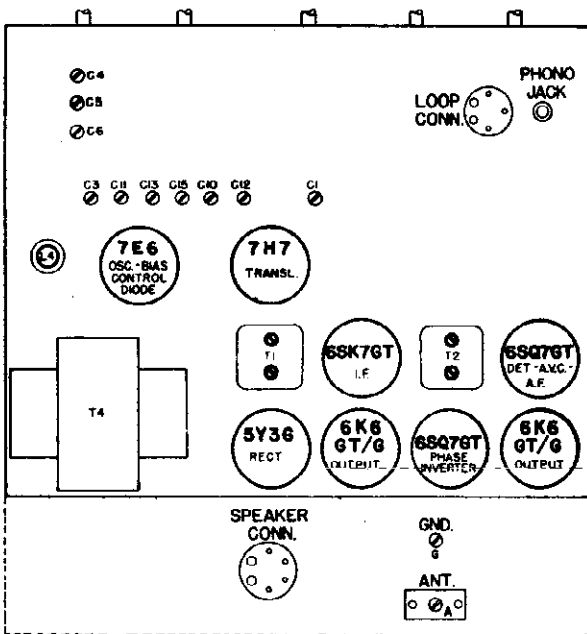
Output meter connections . . . . . Across loud speaker voice coil  
 Output meter reading to indicate 500 milliwatts. . . . . 1.5 volts  
 Approximate microvolts input to indicate 500 milliwatts output. . . . . See chart below  
 Generator ground lead connection . . . . . Receiver chassis  
 Dummy antenna value to be in series with generator output. . . . . See chart below  
 Connection of generator output lead . . . . . See chart below  
 Generator Modulation . . . . . 30%, 400 cycles  
 Position of Volume Control . . . . . Fully on  
 Position of Tone Control . . . . . HI  
 Position of pointer with tuner fully open. . . . . On mark below 540 kc calibration mark

BAND SWITCH POSITION	POSITION OF TUNER	GENERATOR FREQUENCY	DUMMY ANTENNA	GENERATOR CONNECTION	TRIMMERS ADJUSTED (IN ORDER SHOWN)	TRIMMER FUNCTION	APPROX. MICRO-VOLTS
A	Closed	455 kc	.1 mfd.	Trans. Grid	T2 - T1	IF	--
A	Open	1750 kc	.0002 mfd.	Ant.	C1	Osc.	--
A	1410 kc	1410 kc	.0002 mfd.	Ant.	C2	Ant.	25
A	1410 kc	1410 kc	.0002 mfd.	Ant.	C3	Trans.	--
A	600 (Rock)	600 kc	.0002 mfd.	Ant.	C4	Pad.	125
B	Open	5900 kc	400 ohms	Ant.	C5	Osc.	--
B	4500 kc	4500 kc	400 ohms	Ant.	C6	Trans.	35
C	open	18.3 mc	400 ohms	Ant.	C7	Osc.	--
C	15 mc (Rock)	15.0 mc	400 ohms	Ant.	C8	Trans.	25
D	9.6 mc	9.6 mc	400 ohms	Ant.	C9	Osc.	--
D	9.6 mc (Rock)	9.6 mc	400 ohms	Ant.	C10	Trans.	30

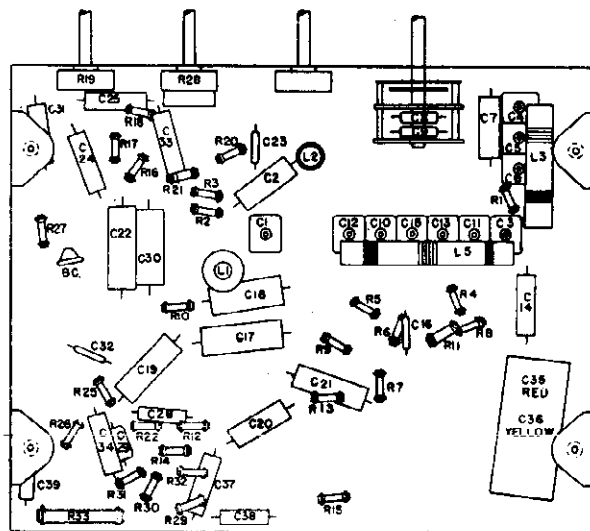
IMPORTANT ALIGNMENT NOTES

The alignment must be done in the order given.

Always keep the output power from the generator at its lowest possible value to prevent the AVC of the receiver from interfering with accurate alignment.



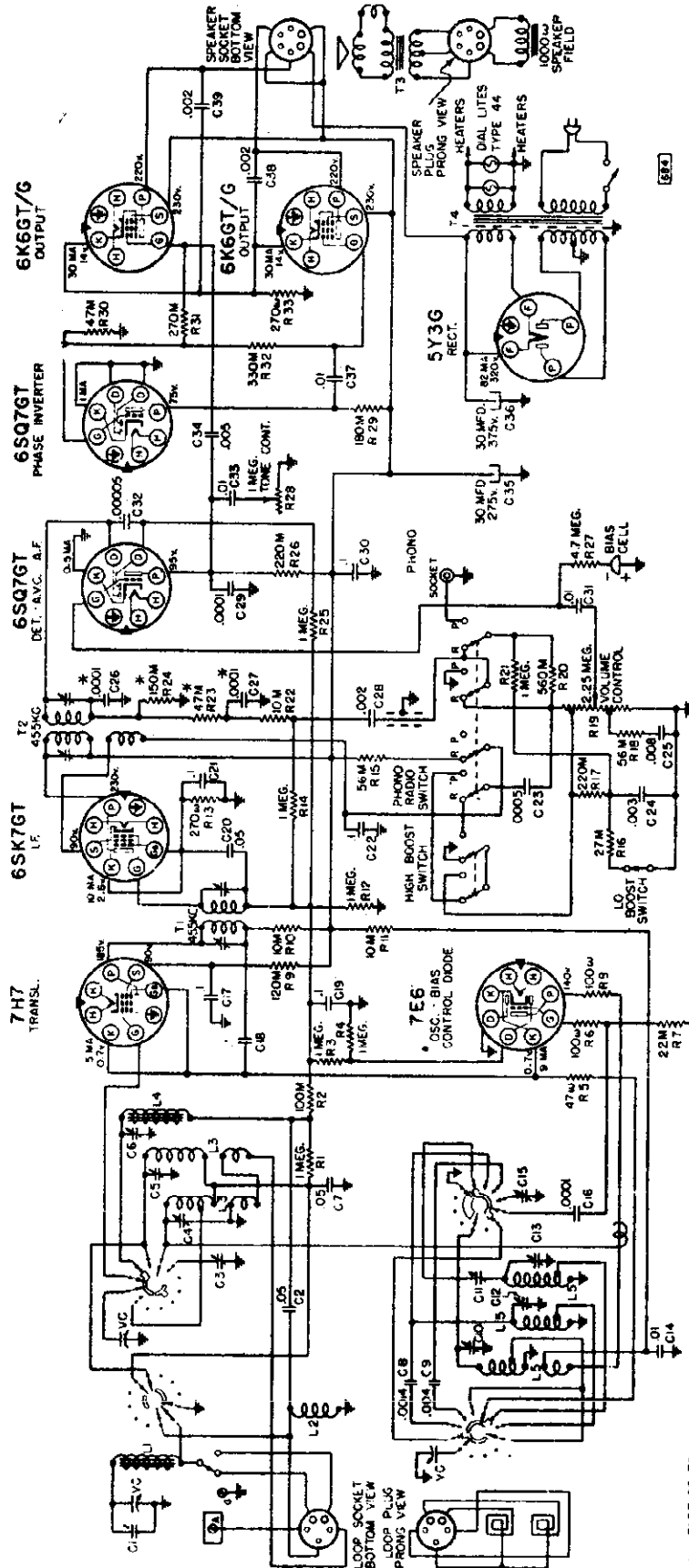
LOCATIONS OF PARTS ON TOP OF CHASSIS 101.684



LOCATIONS OF PARTS UNDER CHASSIS 101.684

SEARS, ROEBUCK & CO.

WIRING DIAGRAM FOR SILVERTONE CHASSIS 101.684



\* PART OF T2

TUBE SOCKETS ARE VIEWED FROM UNDER SIDE OF CHASSIS. VOLTAGE READINGS SHOWN AT SOCKET PHONES ARE TO CHASSIS. AND ARE TAKEN WITH NO SIGNAL. WAVE SWITCH IN BROADCAST POSITION. LINE VOLTAGE AT 117 VOLTS. WHERE NO READING IS GIVEN, THE VOLTAGE IS ZERO OR TOO LOW TO READ.

INTERMEDIATE FREQUENCY  
455 kc

LOUDSPEAKER:  
Type . . . . . Dynamic  
Size . . . . . 12 inch  
Field coil resistance . . . . . 1000 ohms

POWER OUTPUT:  
Type . . . . . Push Pull Pentode  
Undistorted . . . . . 3.5 watts  
Maximum . . . . . 7 watts

APR 11 3 1040

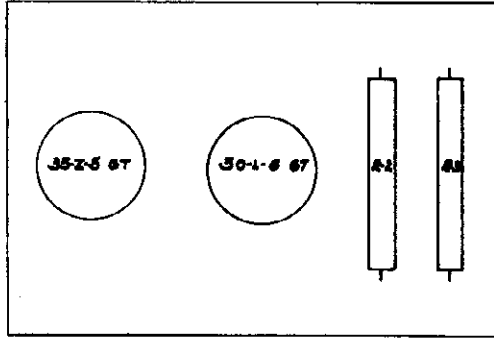
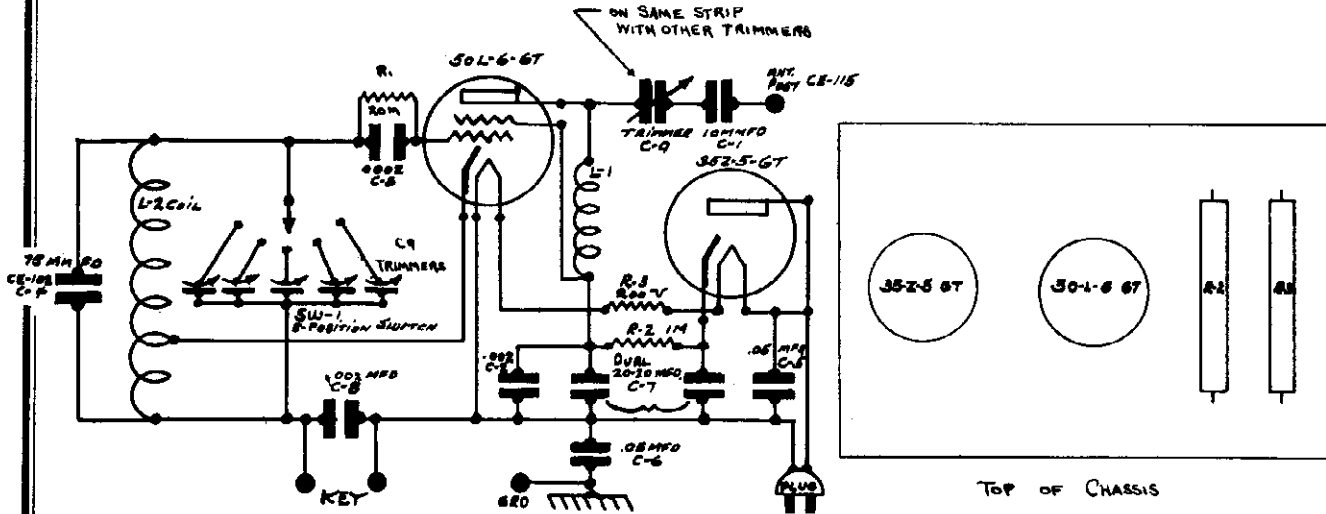
MODEL 100  
Ch. 152.100

SEARS, ROEBUCK & CO.

MODEL 7069  
Ch. 101.658-1

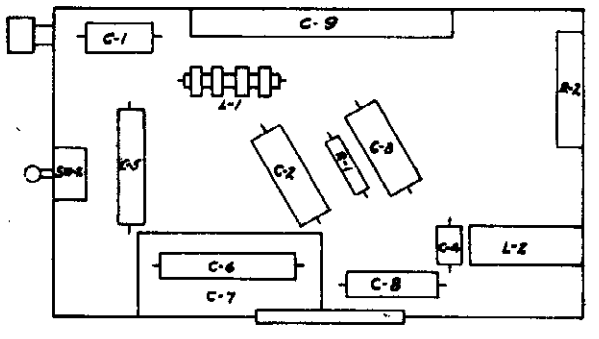
The Model 100 is a five channel miniature C.W. Transmitter enclosed in an enameled steel case and mounted on a wood base board with a Speed X 300 telegraph key. The unit was built to our specifications for code and operating procedure practice.

The unit uses a Electron coupled Hartley oscillator circuit with a five position switch for selecting one of the five tank trimmer condensers. The trimmer condenser adjusting screws are conveniently accessible thru five holes along the lower left hand side of the chassis. The antenna coupling condenser is similarly located and adjusted. A 75 umfd silver ceramic negative coefficient condenser is connected directly across the tuned tank circuit on all five channels to insure frequency stability. The output frequency channels are adjustable from 3.0 to 3.5 megacycles. Cathode circuit keying is employed.



TOP OF CHASSIS

C. W. CODE PRACTICE OSCILLATOR  
MODEL #100

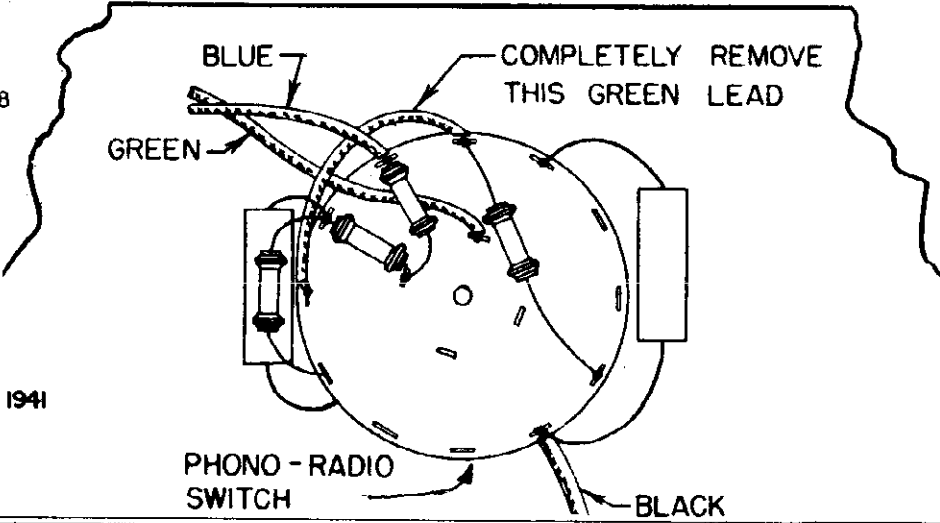


IMPROVEMENT OF PHONOGRAPH OPERATION:

Chassis identified by 101.658 can be improved with the respect to phonograph operation by cutting the green wire on the phono radio switch as shown in the illustration below. Chassis which have had this change made in production are identified by suffix number -1 or a subsequent number.

BOTTOM EDGE OF CHASSIS

FOR ORIGINAL  
DATA  
SEE  
CHASSIS 101.658  
IN VOL.X111

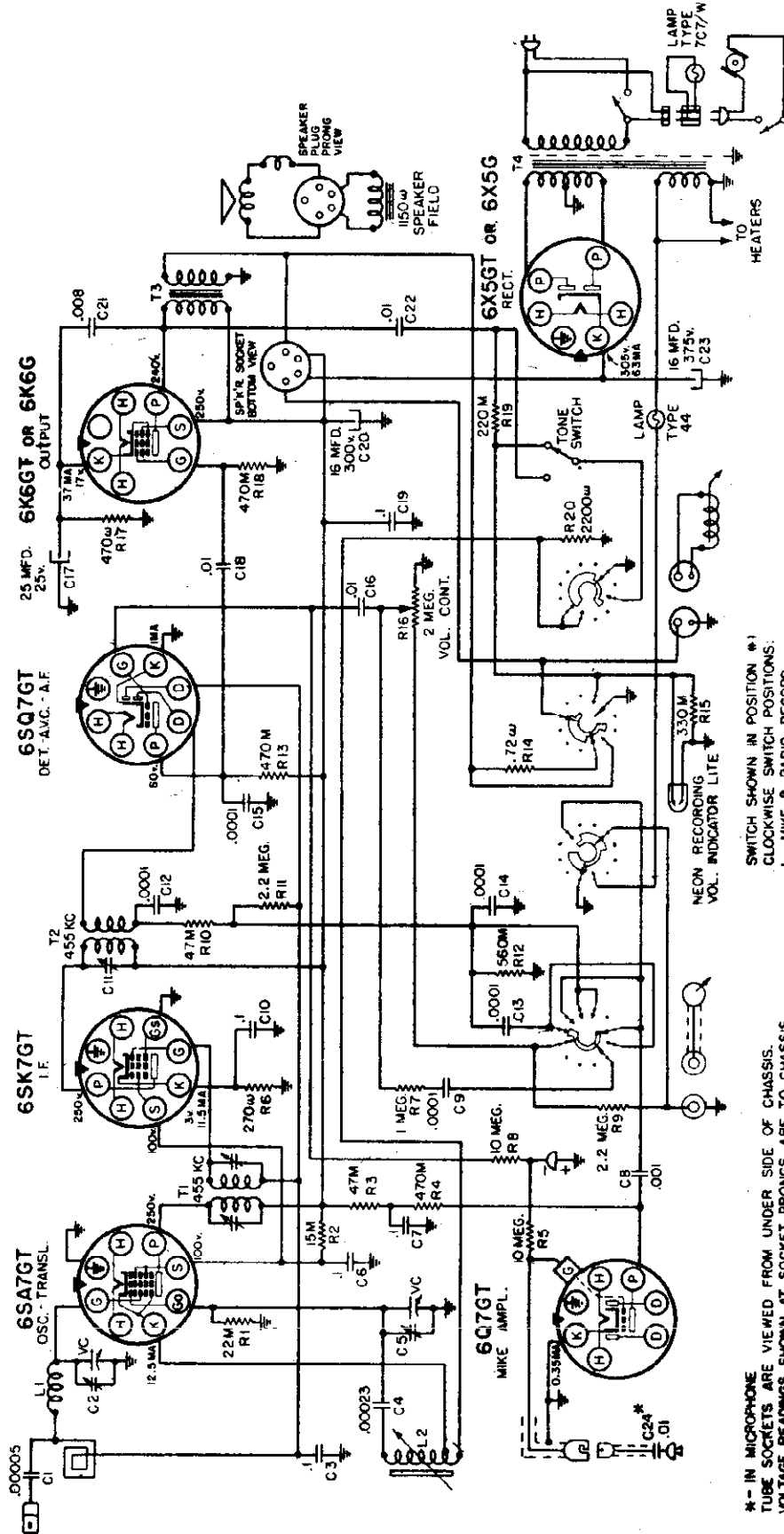


NOVEMBER 18, 1941

SEARS, ROEBUCK & CO.

MODEL 7066  
Ch. 101.68C

WIRING DIAGRAM FOR SILVERTONE CHASSIS 101.680



\*- IN MICROPHONE TUBE SOCKETS ARE VIEWED FROM UNDER SIDE OF CHASSIS. VOLTAGE READINGS SHOWN AT SOCKET PRONGS ARE TO CHASSIS, AND ARE TAKEN WITH NO SIGNAL. LINE VOLTAGE AT 117 VOLTS. WHERE NO READING IS GIVEN, THE VOLTAGE IS ZERO OR TOO LOW TO READ.

- SWITCH SHOWN IN POSITION #1  
CLOCKWISE SWITCH POSITIONS:
1. MIKE & RADIO RECORD
  2. MIKE RECORD
  3. RADIO RECORD
  4. RADIO PLAY
  5. PHONO PLAY
  6. MIKE
  7. MIKE & RADIO

INTERMEDIATE FREQUENCY . . . . .	455 kc
POWER OUTPUT:	
Type . . . . .	Pentode
Undistorted. . . . .	2.5 watts
Maximum. . . . .	5 watts
LOUDSPEAKER:	
Type. . . . .	Dynamic
Size. . . . .	8 inch
Field coil resistance . . . . .	1150 ohms
Approx. field coil voltage drop. . . . .	55 v.

APRIL 24, 1942



MODEL 7066  
Ch. 101.680

SEARS ROEBUCK CO.

ALIGNMENT PROCEDURE

PRELIMINARY:

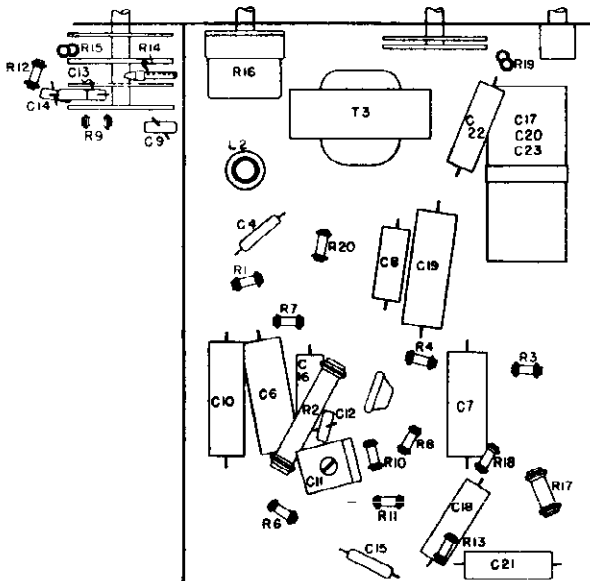
Output meter connection . . . . . Across loudspeaker voice coil  
 Output meter reading to indicate 500 milliwatts . . . . . 1.25 volts  
 Approximate microvolts input for 500 milliwatts output . . . . . See chart below  
 Dummy antenna value to be in series with generator output . . . . . See chart below  
 Connection of generator output lead . . . . . See chart below  
 Connection of generator ground lead . . . . . Receiver chassis  
 Generator modulation . . . . . 30%, 400 cycles  
 Position of Volume Control . . . . . Fully clockwise  
 Position of Tone Control . . . . . Counter-clockwise (HI)  
 Position of Dial Pointer with variable fully closed . . . . . On mark below 540 kc calibration mark

POSITION OF VARIABLE	GENERATOR FREQUENCY	DUMMY ANTENNA	GENERATOR CONNECTION	TRIMMERS ADJUSTED ( IN ORDER SHOWN )	TRIMMER FUNCTION	APPROXIMATE MICROVOLTS
Closed	455 kc	.1 mfd.	6SA7 Grid	C 11	IF	---
Fully open	1620 kc	.00005 mfd.	Ant. Clip	C 1	Oscillator	---
1410 kc	1410 kc	.00005 mfd.	Ant. Clip	C 2	Translator	125
600 kc (rock)	600 kc	.00005 mfd.	Ant. Clip	L 2	Padder	425

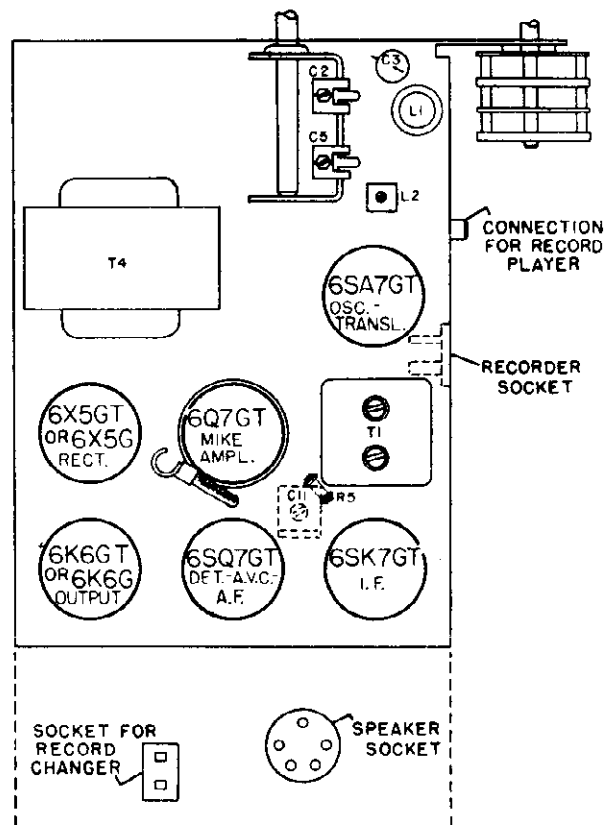
IMPORTANT ALIGNMENT NOTES

Where indicated by the word, "Rock", the variable should be rocked back and forth a degree or two while making the adjustment.

The alignment procedure should be repeated stage by stage, in the original order, for greatest accuracy. Always keep the output from the test oscillator at its lowest possible value to make the AVC action of the receiver ineffective.



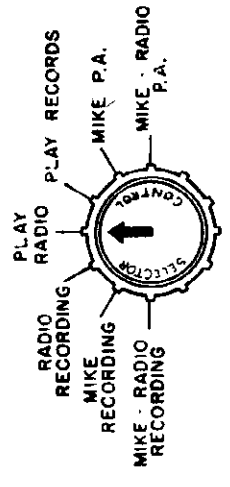
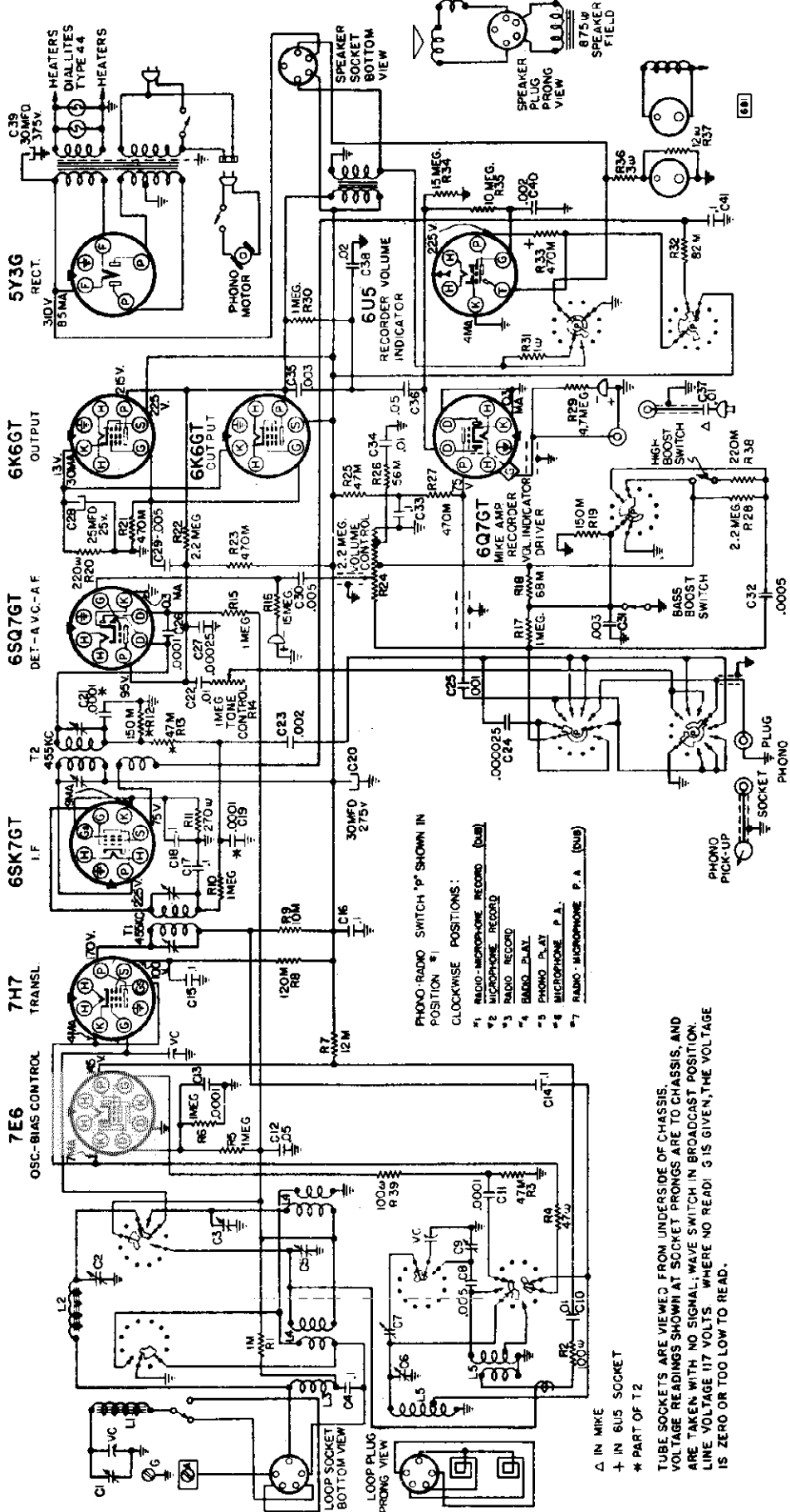
LOCATIONS OF PARTS UNDER CHASSIS 101.680



LOCATIONS OF PARTS ON TOP OF CHASSIS - 101.680

SEARS ROEBUCK CO.

WIRING DIAGRAM FOR SILVERTONE CHASSIS 101.681



PUSH BUTTON TUNING MECHANISM:

The adjustment for each push button is locked or unlocked by tightening or loosening the slotted screwhead made accessible when the push button knob is pulled off of its plunger. Stations are set up by unlocking the mechanism, tuning in the station, pushing in the plunger (being careful not to detune the station), and securely locking the adjustment.

APRIL 3, 1942

INTERMEDIATE FREQUENCY

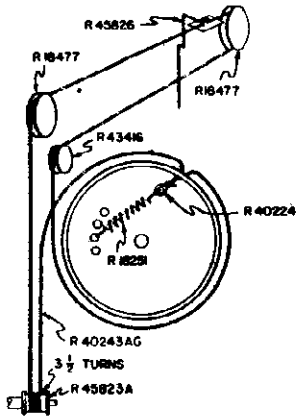
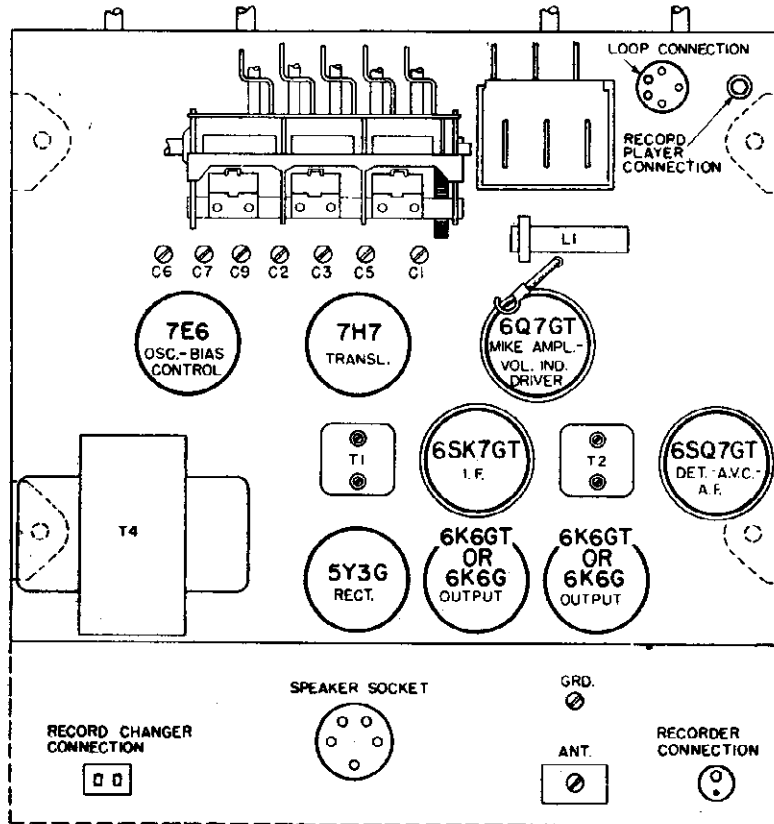
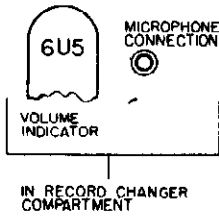
455 kc

△ IN MIKE  
+ IN 6U5 SOCKET  
\* PART OF T2  
TUBE SOCKETS ARE VIEWED FROM UNDERSIDE OF CHASSIS.  
VOLTAGE READINGS SHOWN AT SOCKET PRONGS ARE TO CHASSIS, AND ARE TAKEN WITH NO SIGNAL; WAVE SWITCH IN BROADCAST POSITION.  
LINE VOLTAGE 117 VOLTS. WHERE NO READ! G IS GIVEN, THE VOLTAGE IS ZERO OR TOO LOW TO READ.

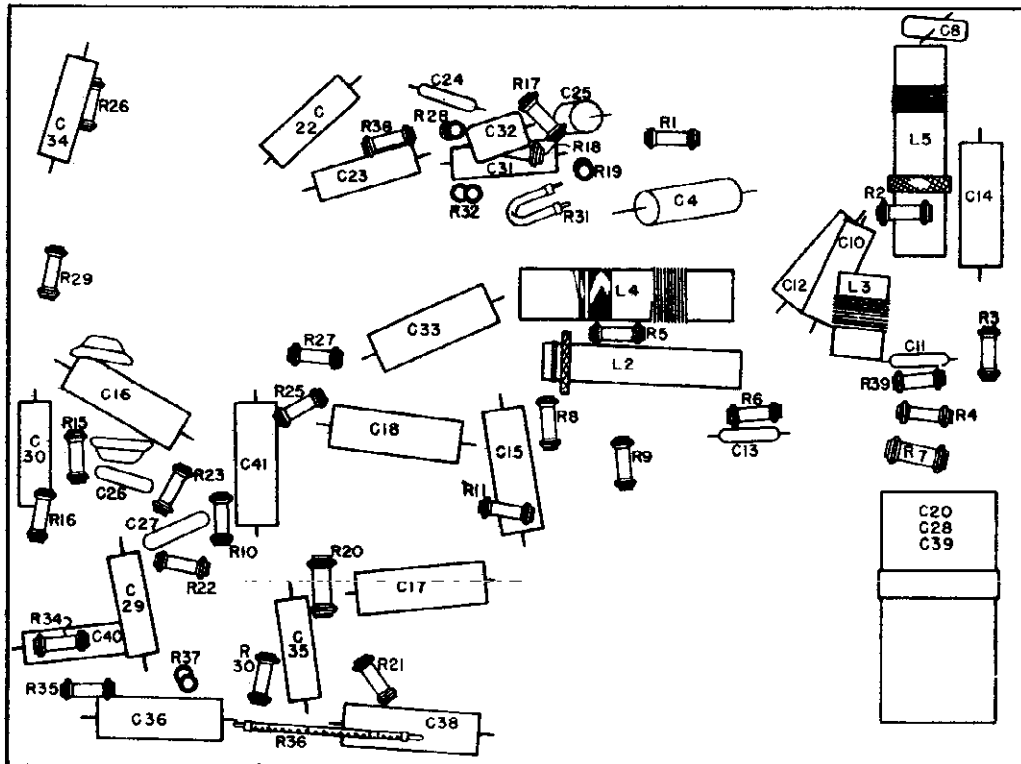
PHONO RADIO SWITCH 'P' SHOWN IN POSITION #1  
CLOCKWISE POSITIONS:  
#1 RADIO-MICROPHONE RECORD (DUB)  
#2 MICROPHONE RECORD  
#3 RADIO RECORD  
#4 RADIO PLAY  
#5 PHONO PLAY  
#6 MICROPHONE P.A.  
#7 RADIO-MICROPHONE P.A. (DUB)

MODELS 7068, 7168  
 Ch. 101.681,  
 Ch. 101.681-2

SEARS, ROEBUCK & CO.



LOCATIONS OF PARTS ON TOP OF CHASSIS 101.681, -2



LOCATION OF PARTS UNDER CHASSIS - 101.681

SEARS ROEBUCK CO.

ALIGNMENT PROCEDURE

MODELS 7068, 7151

Ch. 101.681,

Ch. 101.681-2

PRELIMINARY:

Output meter connection . . . . .	Across loudspeaker voice coil	1.8 volts
Output meter reading to indicate 500 milliwatts . . . . .		See chart below
Approximate microvolts input to indicate 500 milliwatts output . . . . .		Receiver chassis
Generator ground lead connection . . . . .		See chart below
Dummy antenna value to be in series with generator output . . . . .		See chart below
Connection of generator output lead . . . . .		30%, 400 cycles
Generator Modulation . . . . .		Fully on
Position of Volume Control . . . . .		HI
Position of Tone Control . . . . .		On scribed line on top of pointer guide rail
Position of pointer with tuner fully open . . . . .		

BAND SWITCH POSITION	POSITION OF TUNER	GENERATOR FREQUENCY	DUMMY ANTENNA	GENERATOR CONNECTION	TRIMMERS ADJUSTED (IN ORDER SHOWN)	TRIMMER FUNCTION	APPROXIMATE MICROVOLTS
A	Closed	455 Kc	.1 mfd.	7H7 Transl. grid	T2, T1	IF	--
A	Open	1720 Kc	.00005 mfd.	Ant. Terminal	C6	Oscillator	--
A	1410	1410 Kc	.00005 mfd.	Ant. Terminal	C1, C3	Ant. Transla.	30
A	600 (rock)	600 Kc	.00005 mfd.	Ant. Terminal	C7,	Padder	125
POL	2.4	2.4 Mc	400 ohms	Ant. Terminal	C2	Transla.	35
B	Open	18.3 Mc	400 ohms	Ant. Terminal	C9	Oscillator	--
B	15 (rock)	15 Mc	400 ohms	Ant. Terminal	C5	Transla.	20

IMPORTANT ALIGNMENT NOTES

\* If two peaks can be had, the correct one is with the trimmer screw further out; the other peak is the image.

Where indicated by the word, "Rock", the variable should be rocked back and forth a degree or two while making the adjustment.

The alignment procedure should be repeated stage by stage, in the original order, for greatest accuracy. Always keep the output from the test oscillator at its lowest possible value to make the AVC action of the receiver ineffective.

When aligning the receiver be sure that the Loop Button is in the OUT position as this connects the loop which has the outside antenna coupling turn.

WIRING DIAGRAM FOR SILVERTONE CHASSIS 101.681-1

LOUDSPEAKER:

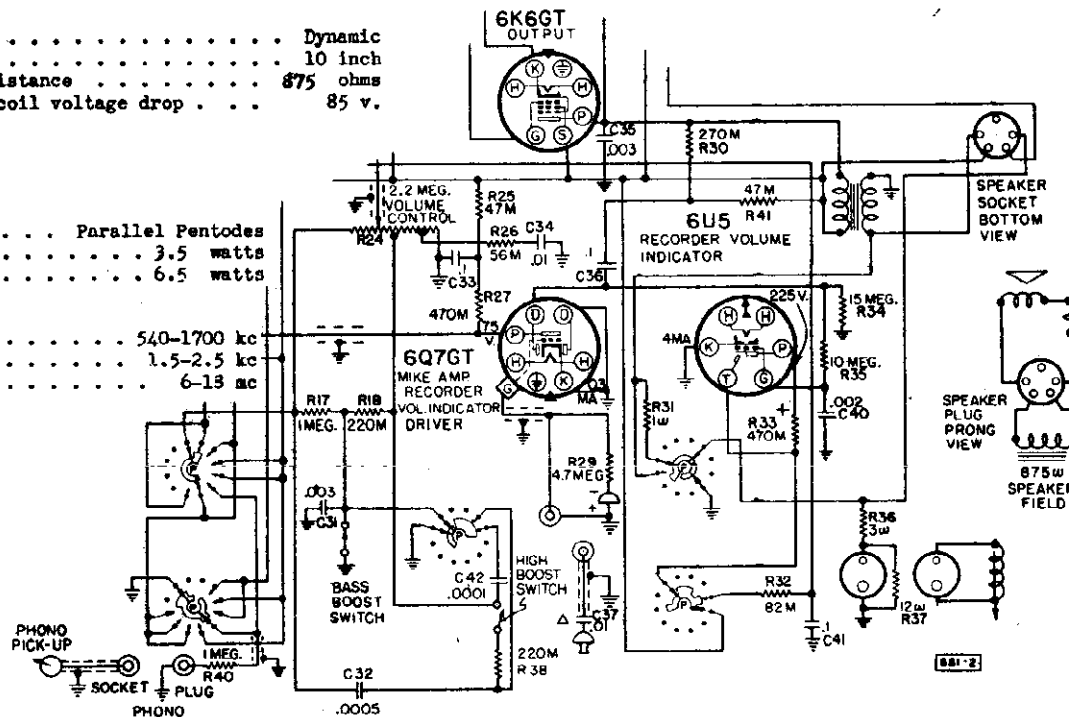
Type . . . . . Dynamic  
 Size . . . . . 10 inch  
 Field coil resistance . . . . . 875 ohms  
 Approx. field coil voltage drop . . . . . 85 v.

POWER OUTPUT:

Type . . . . . Parallel Pentodes  
 Undistorted . . . . . 3.5 watts  
 Maximum . . . . . 6.5 watts

FREQUENCY RANGES:

Band "A" . . . . . 540-1700 kc  
 Band "POLICE" . . . . . 1.5-2.5 kc  
 Band "B" . . . . . 6-13 mc



MODEL 7079  
Ch. 101.620-3

SEARS ROEBUCK CO.

MODEL 7081  
Ch. 101.636-1

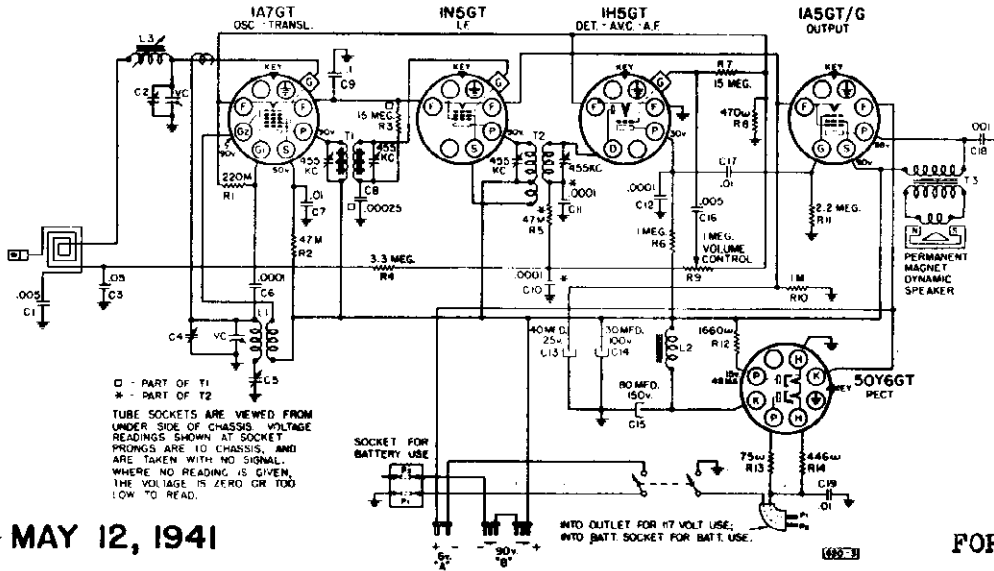
MODEL 7079

FIVE TUBE, BATTERY AC-DC POWERED PORTABLE SUPERHETERODYNE

SUBJECT: ADDITION OF SUFFIX NUMBER -3 TO CHASSIS IDENTIFICATION NUMBER 101.620:

Chassis identified as 101.620-3 are the same as 101.620-2 except that the loop is wound directly on the cabinet frame and covered by the cabinet covering. The loop is of low impedance requiring the addition of an antenna loading coil. Filament circuit revisions are also incorporated.

WIRING DIAGRAM FOR SILVERTONE CHASSIS 101.620-3



FOR ORIGINAL  
DATA  
SEE INDEX

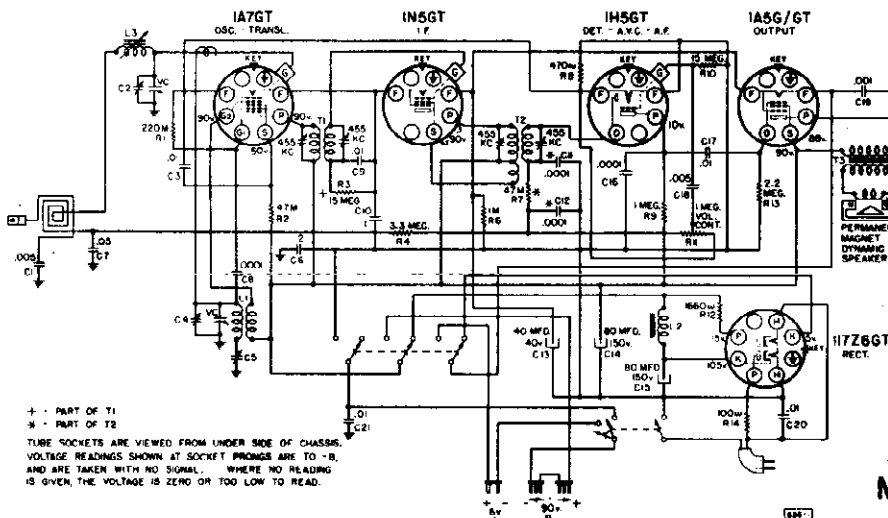
MODEL 7081

FIVE TUBE, BATTERY OR AC-DC POWERED PORTABLE SUPERHETERODYNE

SUBJECT: ADDITION OF SUFFIX NUMBER -1 TO CHASSIS IDENTIFICATION NUMBER 101.636:

Chassis identified as 101.636-1 are the same as 101.636 except that the loop is wound directly on the cabinet frame and covered by the cabinet covering. The loop is of low impedance requiring the addition of an antenna loading coil. The ranges has been extended to cover 540 Kc.

WIRING DIAGRAM FOR SILVERTONE CHASSIS 101.636-1



MAY 12, 1941

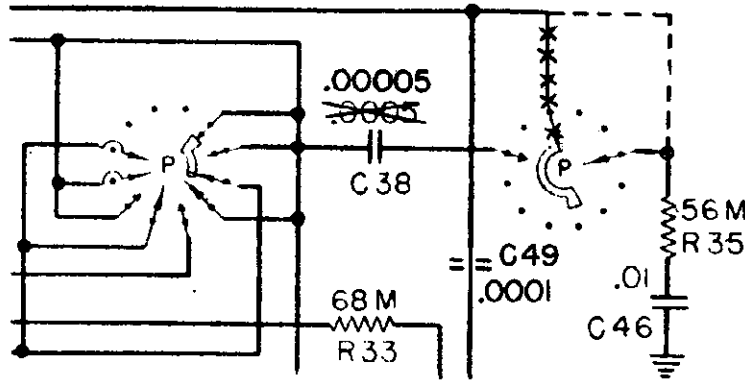


MODEL 7070  
Ch. 101.682,  
Ch. 101.682-1

SEARS ROEBUCK CO.

DIFFERENCE BETWEEN 101.682 AND 101.682-1;

Model 682-1 is the same as model 682 except for circuit changes made to improve the tone quality of home recordings. These changes involve the addition of a .0001 mfd. condenser C49, and a change in value for C38 from .0005 mfd. to .00005 mfd. Wiring changes, shown by dotted lines in the following schematic section, also have been made.



ALIGNMENT PROCEDURE

PRELIMINARY:

Output meter connection	.....	Across loudspeaker voice coil
Output meter reading to indicate 500 milliwatts	.....	1.8 volts
Approximate microvolts input for 500 milliwatts output	.....	See chart below
Generator ground lead connection	.....	Receiver chassis
Dummy antenna value to be in series with generator output	.....	See chart below
Connection of generator output lead	.....	See chart below
Position of Volume Control	.....	Fully clockwise
Position of Dial Pointer with variable fully opened	.....	On first mark to right of 1700 kc calibration mark

WAVE BAND SWITCH POSITION	POSITION OF VARIABLE	GENERATOR FREQUENCY	DUMMY ANTENNA	GENERATOR CONNECTION	TRIMMERS ADJUSTED (IN ORDER SHOWN)	TRIMMER FUNCTION	APPROXIMATE MICROVOLTS
"A"	Closed	455 kc	.1 mfd.	7H7 Grid	T2, T1	IF	--
"A"	Fully open	1720 kc	.00005 mfd.	Ant. Term.	C4	Oscillator	--
"A"	1410 kc	1410 kc	.00005 mfd.	Ant. Term.	C1, C10	Loop, Transl	25
"A"	600 kc (rock)	600 kc	.00005 mfd.	Ant. Term.	C5	Padder	100
"B"	Fully open	5.2 mc	400 ohms	Ant. Term.	C13*	Oscillator	--
"B"	4.5 mc (rock)	4.5 mc	400 ohms	Ant. Term.	C9	Translator	35
"C"	Fully open	18.3 mc	400 ohms	Ant. Term.	C15*	Oscillator	--
"C"	15 mc (rock)	15 mc	400 ohms	Ant. Term.	C8	Translator	15
"D"	9.6 mc	9.6 mc	400 ohms	Ant. Term.	C14*	Oscillator	--
"D"	9.6 mc (rock)	9.6 mc	400 ohms	Ant. Term.	C7	Translator	25

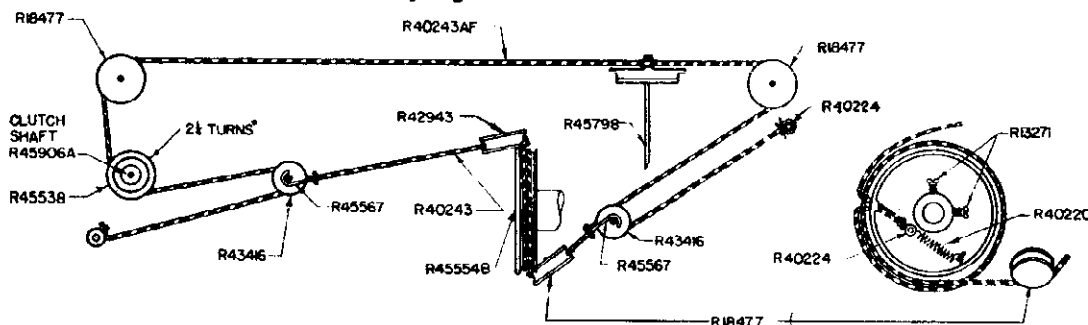
IMPORTANT ALIGNMENT NOTES

\* If two peaks can be had, the correct one is with the trimmer screw further out; the other peak is the image.

Where indicated by the word, "Rock", the variable should be rocked back and forth a degree or two while making the adjustment.

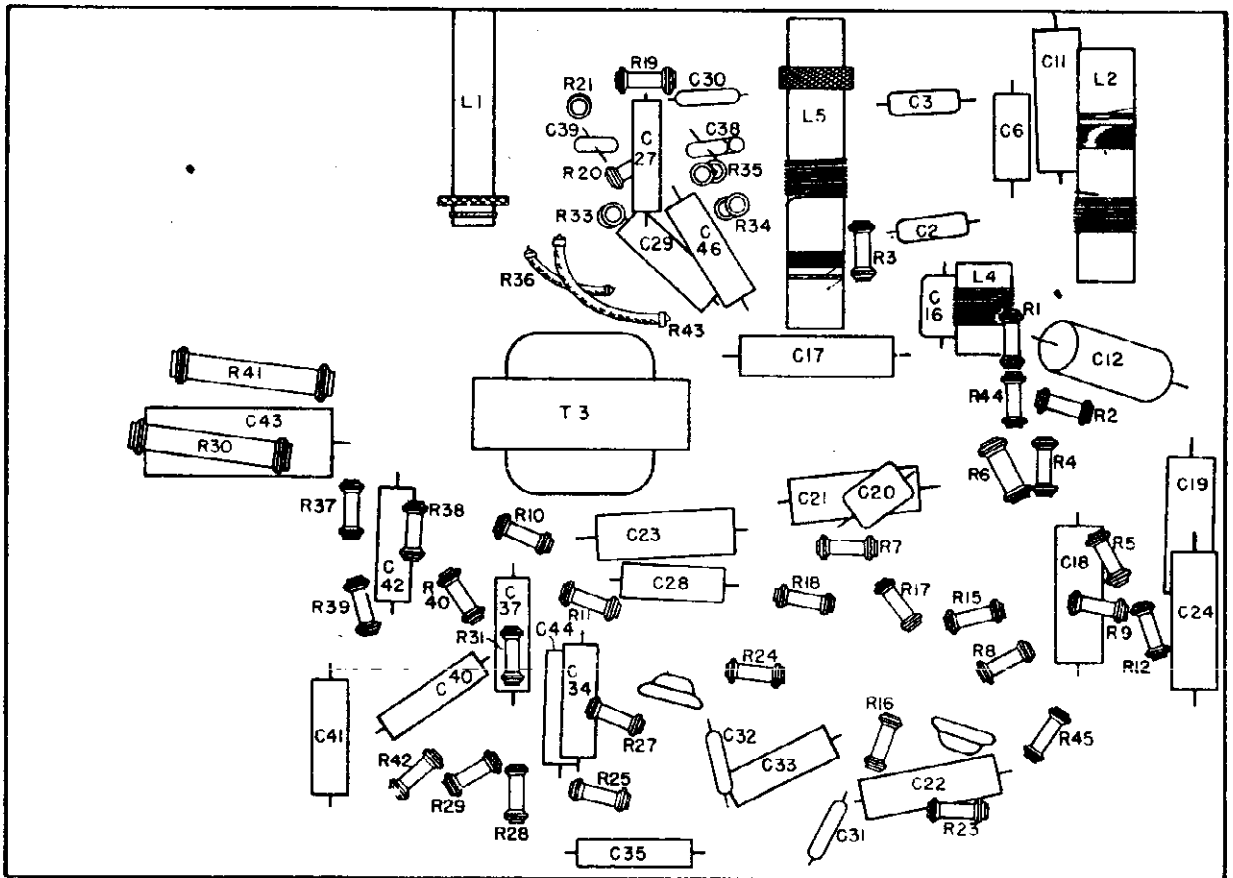
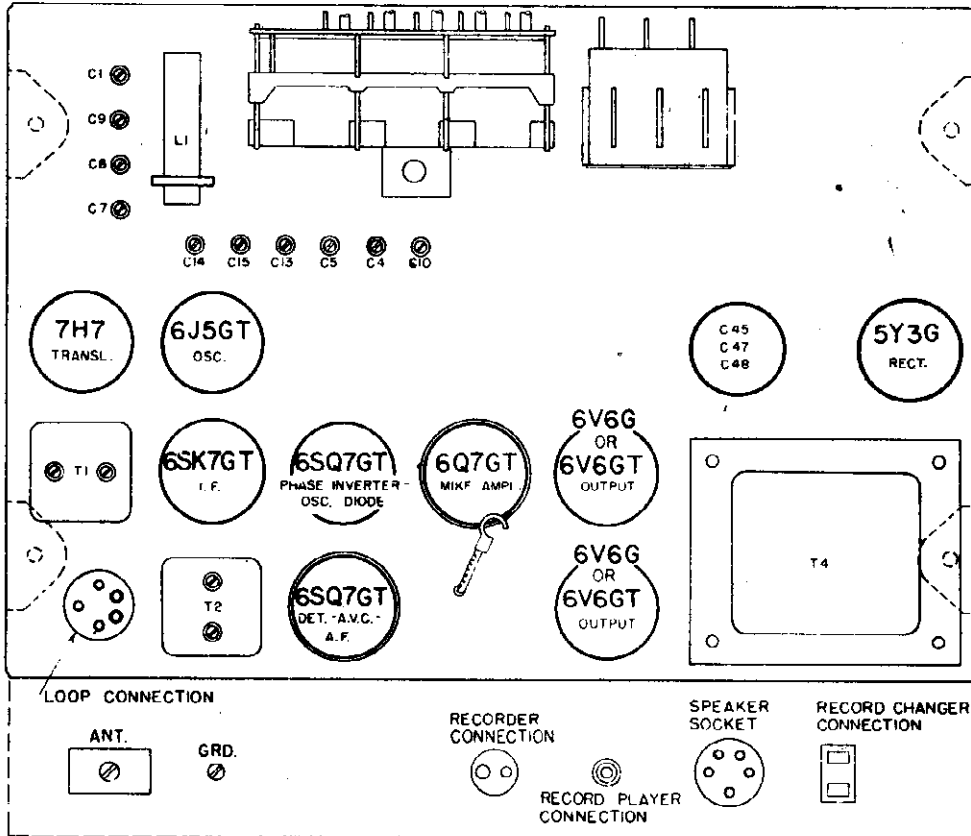
The alignment procedure should be repeated stage by stage, in the original order, for greatest accuracy. Always keep the output from the test oscillator at its lowest possible value to make the AVC action of the receiver ineffective.

When aligning the receiver be sure that the Loop Button is in the OUT position as this connects the loop which has the outside antenna coupling turn.



SEARS ROEBUCK CO.

MODEL 7070  
Ch. 101.682  
Ch. 101.682-1



LOCATION OF PARTS UNDER CHASSIS - 101.682



MODEL 7093  
Ch. 101.666

SEARS ROEBUCK CO.

ALIGNMENT PROCEDURE

PRELIMINARY:

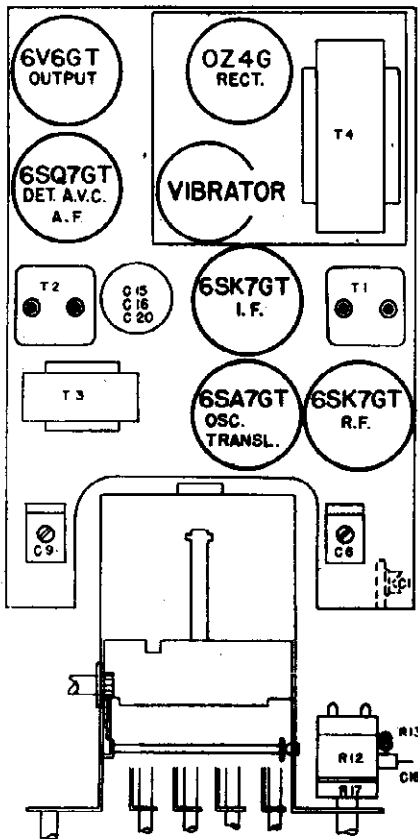
Output meter connections . . . . . Across loud speaker voice coil  
 Output meter reading to indicate 1 watt. . . . . 1.4 volts  
 Connection of signal generator ground lead . . . . . Receiver chassis  
 Connection of signal generator output lead . . . . . See chart below  
 Approximate microvolts input for 1 watt output . . . . . See chart below  
 Dummy antenna value to be in series with generator output. . . . . See chart below  
 Position of Volume Control . . . . . Fully on  
 Position of Tone Control . . . . . Brilliant

<u>POSITION OF TUNER</u>	<u>GENERATOR FREQUENCY</u>	<u>DUMMY ANTENNA</u>	<u>GENERATOR CONNECTION</u>	<u>TRIMMER ADJUSTMENTS (IN ORDER SHOWN)</u>	<u>TRIMMER FUNCTION</u>	<u>APPROXIMATE MICROVOLTS</u>
Low Freq.Limit	260 Kc	.1 mfd.	Transl.Grid	T2, T1	IF	-
Hi Freq.Limit	1610 Kc	.00005 mfd.	Ant. Conn.	C9,C6,C1	Osc.,RF.,Ant.	10

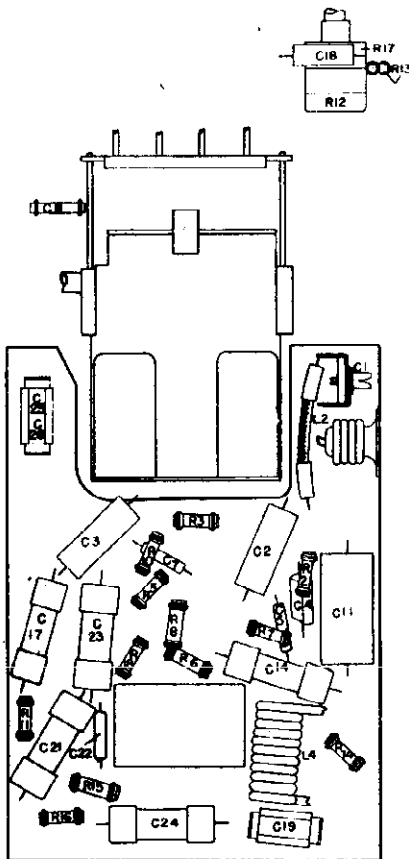
IMPORTANT ALIGNMENT NOTES

The receiver must be in its case during alignment.

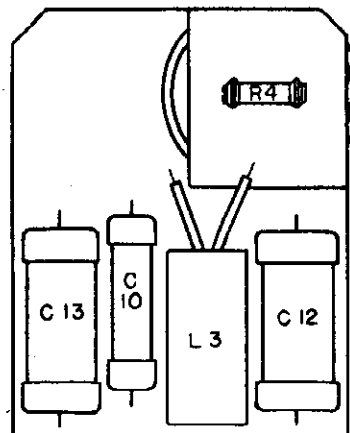
Always keep the output power from the generator at its lowest possible value to prevent the AVC of the receiver from interfering with accurate alignment.



LOCATION OF PARTS  
BOTTOM COVER REMOVED



LOCATION OF PARTS UNDER CHASSIS-101.666



LOCATION OF PARTS  
UNDER POWER SUPPLY  
101.666

SEARS ROEBUCK CO.

MODEL 7072  
Ch. 100.385

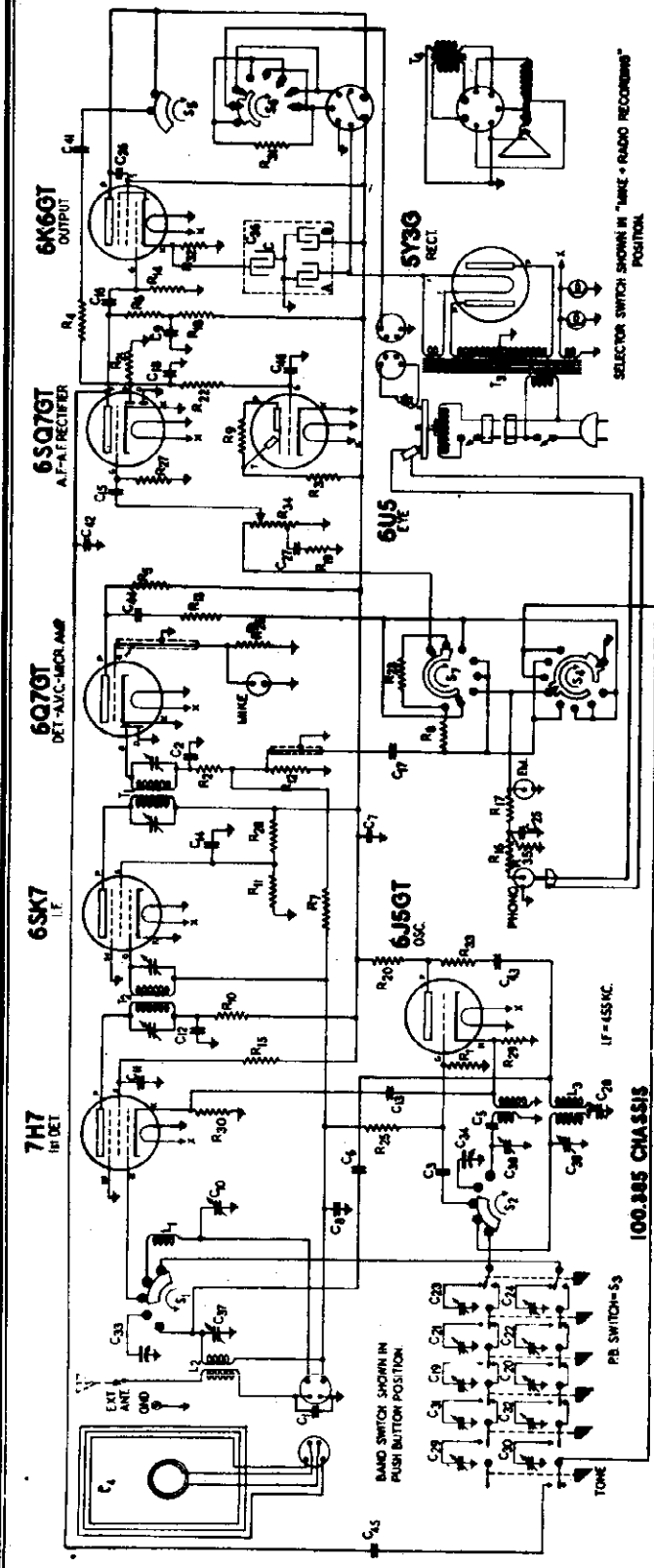


DIAGRAM NUMBER	DESCRIPTION
c1 - c2	Condenser, mica-110 mmfd.
c3	Condenser, mica-51 mmfd.
c5	Condenser, mica-.0042 mfd.
c6	Condenser, wire-5 mmfd.
c7	Condenser, .1 mfd. 600 V.
c8 - c9	Condenser, .05 mfd. 600 V.
c10	Condenser, loop trimmer.
c11 - c17	Condenser, .01 mfd. 600 V.
c18	Condenser, .008 mfd. 600 V.
c19 - c22	Condenser, push button trimmers (Med. Freq.)
c23 - c24	Condenser, push button trimmers (High Freq.)
c26	Condenser, .002 mfd. 600 V.
c27	Condenser, .04 mfd. 600 V.
c28	Condenser, push button trimmer (Low Freq.)
c29 - c32	Condenser, padders
c33 - c34	Condenser, electrolytic
c36	Condenser, variable tuning
c37-c38-c39	A= 20 mfd., 400 V. B= 15 mfd., 400 V. C= 20 mfd., 25 V.
c41	Condenser, 3 section trimmer
c42	Condenser, 105 mfd. 600 V.
c43	Condenser, mica 110 mmfd.
c44	Condenser, .01 mfd. 600 V.
c45	Condenser, .02 mfd. 600 V.
c46	Condenser, .004 mfd. 600 V.
c47	Condenser, .002 mfd. 600 V.

RECORD CHANGER	DESCRIPTION
R1 - R4	Resistor, carbon-47,000 ohms 1/4 watt
R5 - R6	Resistor, carbon-220,000 ohms 1/4 watt
R7-R8-R9	Resistor, carbon-1 megohm, 1/4 watt.
R10	Resistor, carbon-4700 ohms, 1/4 watt.
R11	Resistor, carbon-33,000 ohms, 1/2 watt
R12-R13-R14	Resistor, carbon-470,000 ohms, 1/4 watt
R15 - R18	Resistor, carbon-100,000 ohms, 1/4 watt
R19	Resistor, carbon-10,000 ohms, 1/4 watt.
R20	Resistor, carbon-2.2 megohm, 1/4 watt
R21 - R22	Resistor, carbon-5.5 megohm, 1/4 watt
R23	Resistor, carbon-180 ohms, 1/4 watt.
R24	Resistor, carbon-10 megohm, 1/4 watt.
R25-R26-R27	Resistor, carbon-22,000 ohms, 1/4 watt.
R28	Resistor, carbon-580 ohms, 1/4 watt.
R29	Resistor, carbon-680 ohms, 1/4 watt.
R30	Resistor, 20 ohms, 1 watt W.W.
R31	Resistor, 500 ohms, 1 watt W.W.
R32	Resistor, carbon-180 ohms, 1/4 watt.
R33	Volume control - 1 meg. with switch.
R34	Resistor, carbon-47,000 ohms, 1/4 watt

AUGUST 21 1942

SEE RIDER'S BOOK  
"AUTO. RECORD CHANGERS AND RECORDERS"

The service notes for the 100.201 record changer will apply to the record changing mechanism of the 100.202 record changer which is used on this receiver model

MODEL 7072  
Ch. 100.385

SEARS ROEBUCK CO.

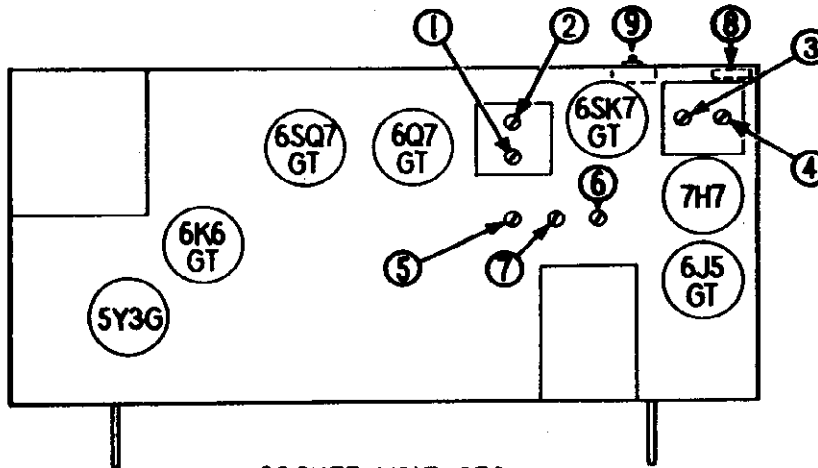
ALIGNMENT PROCEDURE

Before starting the alignment procedure check to see if the pointer is set to the last mark on the 550 KC. end of the dial scale with the gang condenser in full mesh.

Output meter connection-----Across speaker voice coil  
Output meter reading to indicate 500 milliwatts-----1.32 volts  
Dummy antenna value to be in series with generator output-----See chart below  
Connection of generator output lead-----See chart below  
Connection of generator ground lead-----To chassis  
Generator modulation-----30%, 400 cycles  
Approximate signal input to loop for standard output-----Fully clockwise  
Position of Volume Control-----"Out" position  
Position of Tone Button-----On mark to left of 550 KC. calibration mark  
Position of Dial Pointer with gang fully closed-----On mark to left of 550 KC. calibration mark

Dummy Ant. in Series with Sig. Gen.	Connection of Sig. Generator Output to Receiver	Signal Generator Frequency	Band Switch Position	Receiver Dial Setting	Trimmer Number	Trimmer Description	Type of Adjustment
.1 MFD. Condenser	Lug on Rear section of Gang Cond.	455 KC	Broadcast	Any Point where it does not affect the signal	1-2 3-4	2nd I.F. 1st. I.F.	Adjust for Maximum Output. Then repeat adjustment.
400 Ohm Carbon Resistor	Terminal marked "Antenna"	16 MC	Short Wave	16 MC	5	Short Wave Oscillator	Adjust for Maximum output. Check to see if proper Peak was obtained by tuning in image at approx. 15.1 MC. If image does not appear, re-align at 16 MC, with trimmer screw farther out. Recheck image.
400 Ohm Carbon Resistor	Terminal marked "Antenna"	16 MC	Short Wave	Tune to 16 MC Gen. Sig.	6	Short Wave Antenna	Adjust for Maximum Output. Try to increase output by detuning trimmer and returning receiver dial until Maximum Output is obtained.
Standard Loop placed 24" from Rec. Loop	Aligning Loop	1400 KC	Broadcast	1400 KC	7	Broadcast Oscilla*or	Adjust for maximum output.
Standard Loop placed 24" from Rec. Loop	Aligning Loop	1400 KC	Broadcast	Tune to 1400 KC Gen. Sig.	8*	Broadcast Antenna	Adjust for maximum output.
Standard Loop placed 24" from Rec. Loop	Aligning Loop	600 KC	Broadcast	Tune to 600 KC Gen. Sig.	9*	Broadcast Oscillator (Series)	Adjust for Maximum Output. Try to increase output by detuning trimmer and returning receiver dial until Maximum Output is obtained.

\*NOTE: ADJUSTMENTS NO. 6 AND NO. 9 SHOULD BE MADE WITH THE SET IN THE CABINET AND WITH LOOP LEADS AND LOOP IN FINAL POSITION. A 50 mfd. mica condenser in series to the antenna terminal may be used in place of the aligning loop.



SOCKET VOLTAGES

- VOLTAGES MEASURED WITH SELECTOR SWITCH IN THE POSITION SHOWN IN THE SCHEMATIC DIAGRAM - NO SIGNAL INPUT.
- VOLUME CONTROL ON FULL

TUBE	FUNCTION	H	K	G	B	SU	P	T	D <sub>1</sub>	D <sub>2</sub>
7H7	1st. Det.	6.3 A.C.	2.5	NOTE A	110	0	220			
6J5GT	Sec.	6.3	0	-5	-	-	150			
6SK7GT	I.F.	6.3	0	NOTE A	70	0	240			
6U7GT	2nd. Det. - A.V.C. Micr. Amp.	6.3	0	0	-	-	NOTE B	0	0	
6SQ7GT	A.F.-A.F. Rectifier	6.3	0	0	-	-	NOTE B		0	0
6K6GT	Output	6.3	16.5	0	240	-	225			
6U5	Eye	6.3	0	0	-	-	NOTE B	210		
5Y3G	Rectifier	5.0	-	-	-	-	350 A.C.			

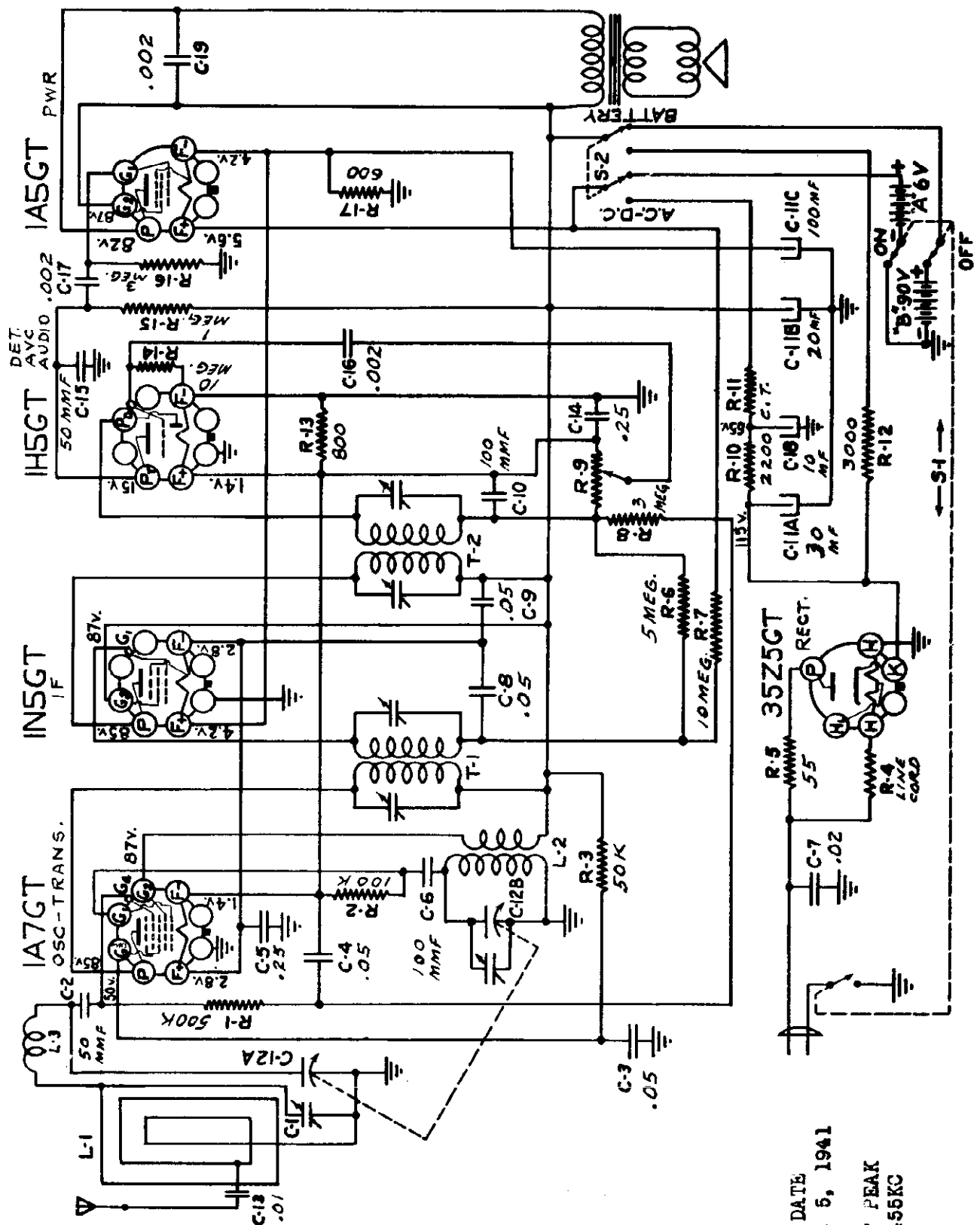
NOTE A: The bias on these grids is controlled by the oscillator grid voltage.

NOTE B: These voltages cannot be measured by means of ordinary meters because of the high circuit resistances involved.

USE A VOLTMETER OF 1000 OHMS PER VOLT.

SEARS ROEBUCK CO.

MODEL 7076  
Ch. 109.383



DATE  
AUG. 5, 1941

IF PEAK  
455KC

MODEL 7075,  
Ch. 109.383

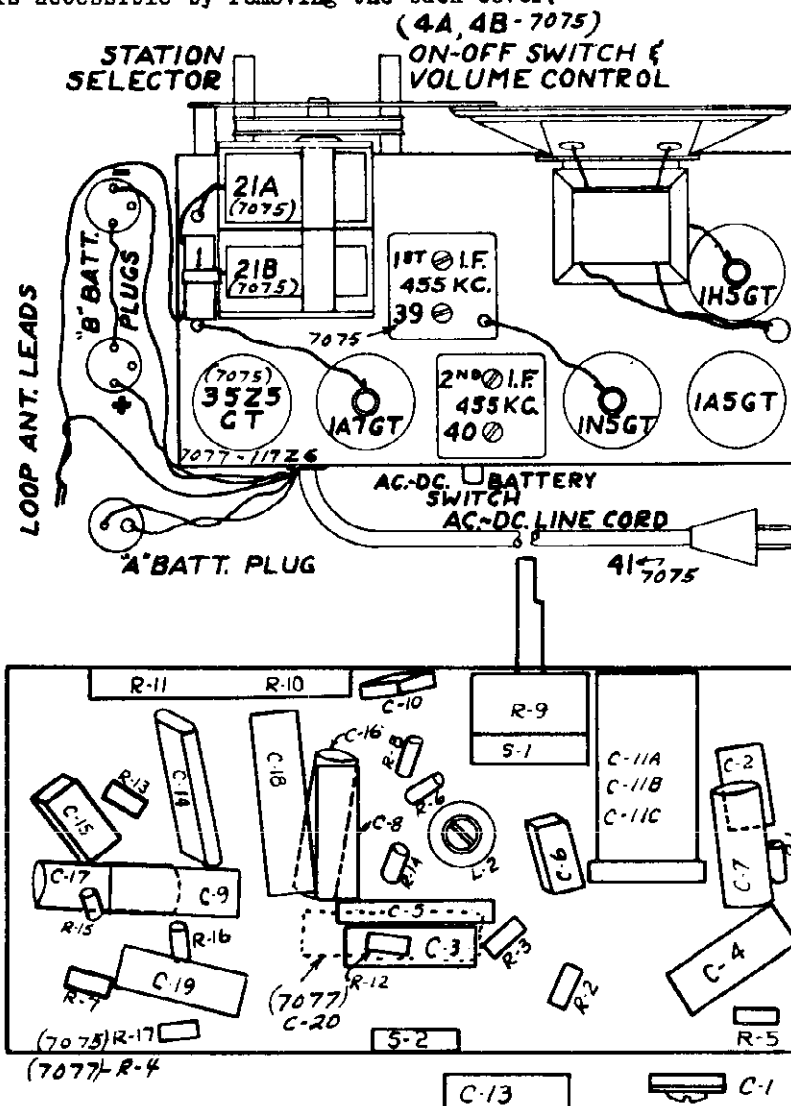
SEARS ROEBUCK CO.  
ALIGNMENT PROCEDURE

MODEL 7077,  
Ch. 109.409

Output meter connection.....Across loud speaker voice coil  
Output meter reading to indicate 50 milliwatts..... .42 volts  
Average sensitivity in microvolts for 50 milliwatts output.....See chart below  
Connection of generator output lead.....See chart below  
Connection of generator ground lead.....To chassis  
Dummy antenna value to be in series with generator output.....See chart below  
Generator modulation.....30%, 400 cycles  
Position of Volume Control.....Fully clockwise

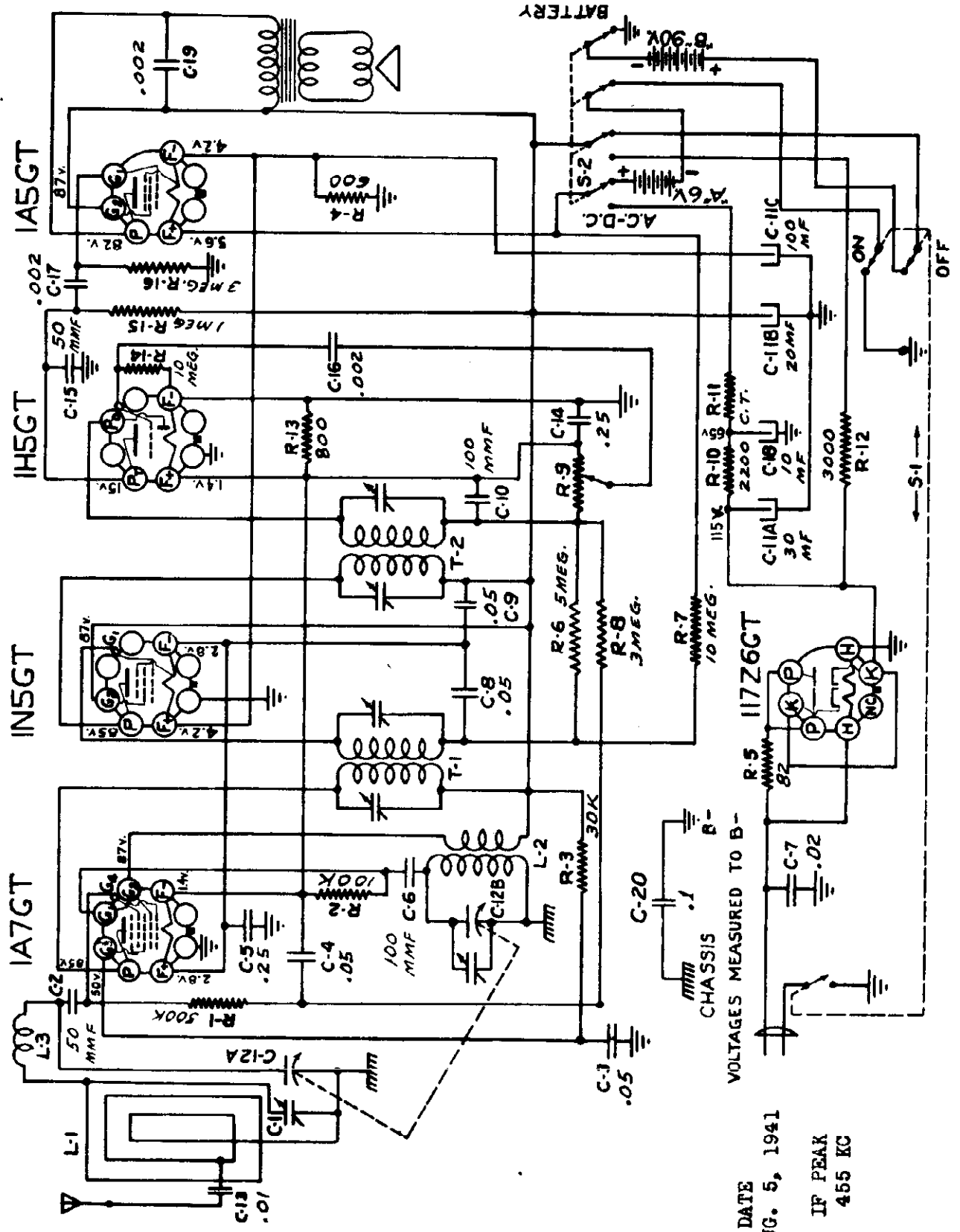
POSITION OF VARIABLE	GENERATOR FREQUENCY	DUMMY ANTENNA	GENERATOR CONNECTION	TRIMMERS ADJUSTED (IN ORDER SHOWN)	TRIMMER FUNCTION	APPROXIMATE MICROVOLTS	STANDARD HAZELTINE LOOP APPROX. MICROVOLTS PER METER
Open	455 kc	.1 mfd.	1A7GT Grid	T2 T1	I.F.	100	----
Open	1610	50 mmf.	Ant. Term.	C12b	Oscillator	---	----
1400	1400	50 mmf.	Ant. Term.	G1	Loop	120	300
1000	1000	50 mmf.	Ant. Term.	---	---	200	400
800	800	50 mmf.	Ant. Term.	---	---	600	600

The alignment procedure should be repeated stage by stage in the original order for greatest accuracy.  
Always keep the output from the generator at the lowest level possible so that the AVC action will be ineffective.  
The location of all the alignment adjustments is shown on the Top View of the chassis.  
The chassis is removed from the case in order to align the I.F. and oscillator, but the loop antenna must be left connected.  
The chassis and the batteries must be in place in the cabinet during loop alignment.  
The loop trimmer is accessible by removing the back cover.



SEARS ROEBUCK CO.

MODEL 7077  
Ch. 109.409



DATE  
AUG. 5, 1941  
IF PEAK  
455 KC

VOLTAGES MEASURED TO B-  
CHASSIS

MODEL 7091  
Ch. 101.665

SEARS, ROEBUCK & CO.

ALIGNMENT PROCEDURE

PRELIMINARY:

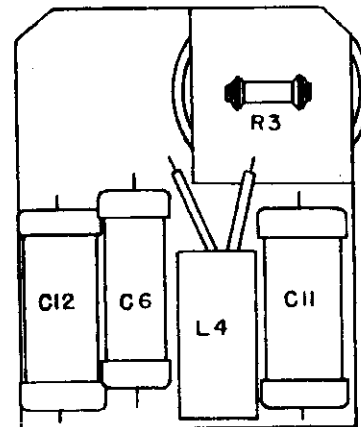
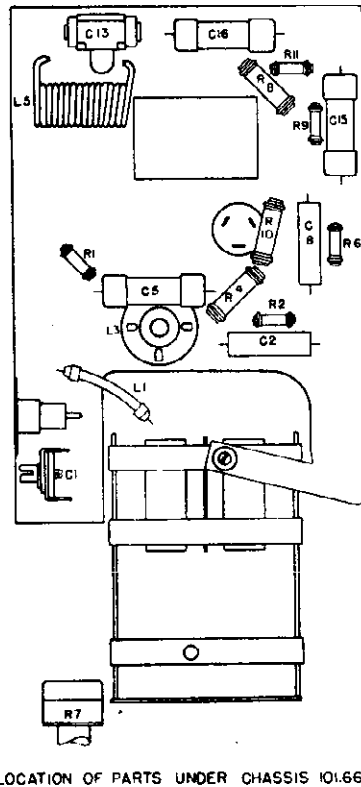
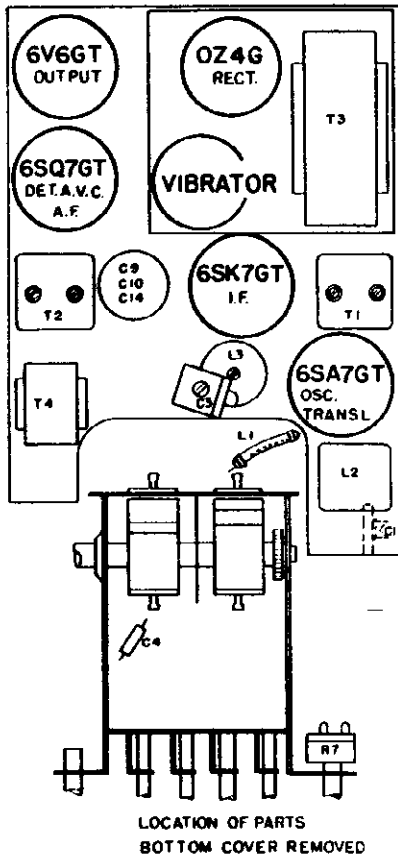
Output meter connections . . . . . Across loud speaker voice coil  
 Output meter reading to indicate 1 watt. . . . . 1.73 volts  
 Connection of signal generator ground lead . . . . . Receiver chassis  
 Connection of signal generator output lead . . . . . See chart below  
 Approximate microvolts input for 1 watt output . . . . . See chart below  
 Dummy antenna value to be in series with generator output. . . . . See chart below  
 Position of Volume Control . . . . . Fully on  
 Position of Dial Pointer with Tuner open . . . . . Last mark to right of 1,400 Kc calibration mark.

<u>POSITION OF TUNER</u>	<u>GENERATOR FREQUENCY</u>	<u>DUMMY ANTENNA</u>	<u>GENERATOR CONNECTION</u>	<u>TRIMMER ADJUSTMENTS (IN ORDER SHOWN)</u>	<u>TRIMMER FUNCTION</u>	<u>APPROXIMATE MICROVOLTS</u>
Low Freq. Limit	455 Kc	.1 mfd.	Transl. Grid	T2, T1	IF	-
Open	1610 Kc	.00005 mfd.	Antenna Conn.	C3	Oscillator	-
1410	1410 Kc	.00005 mfd.	Antenna Conn.	C1	Antenna	10
600 (rock)	600 Kc	.00005 mfd.	Antenna Conn.	L3	Padder	35

IMPORTANT ALIGNMENT NOTES

The receiver must be in its case during alignment.

Always keep the output power from the generator at its lowest possible value to prevent the AVC of the receiver from interfering with accurate alignment.



MODEL 7093  
Ch. 101.666

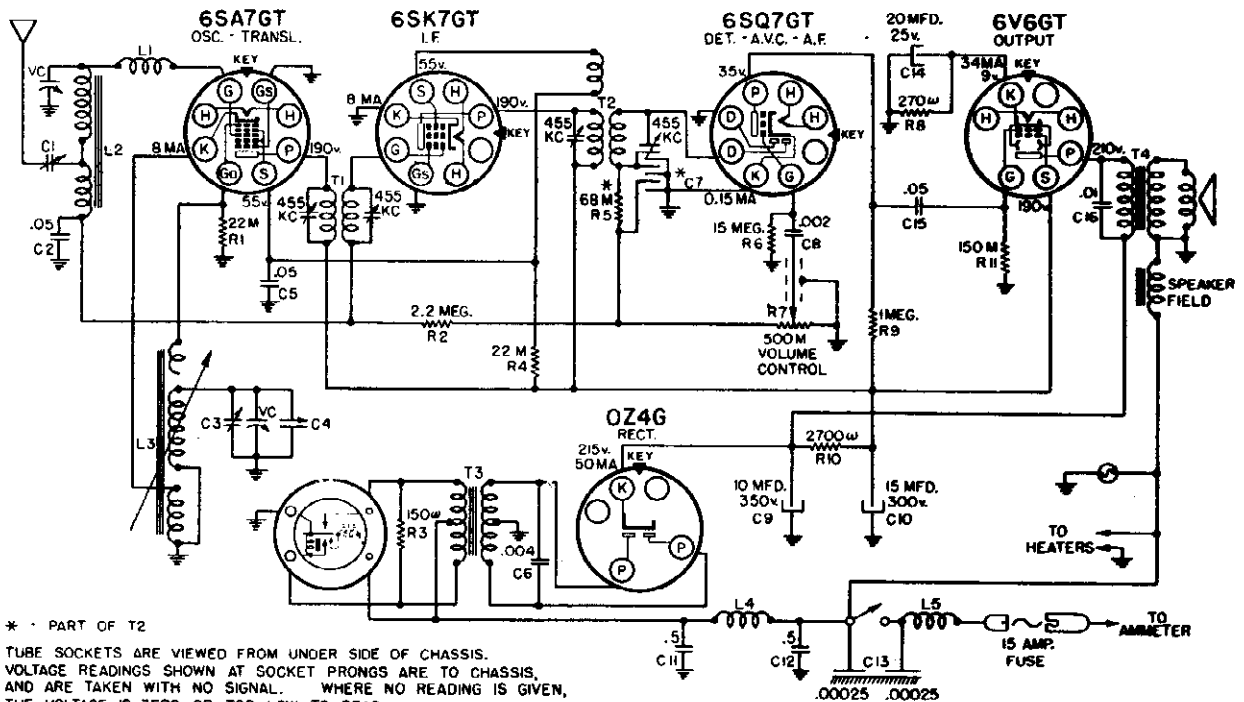
SEARS, ROEBUCK & CO.

MODEL 7091  
Ch. 101.665

Power Output:-  
Type..... Pentode  
Undistorted... 3 watts  
Maximum ..... 5 watts

Power Supply ... 6V; 6.2 amps.  
Date June 2, 1941  
IF Peak .... 455 KC

WIRING DIAGRAM FOR SILVERTONE CHASSIS 101.665



\* - PART OF T2

TUBE SOCKETS ARE VIEWED FROM UNDER SIDE OF CHASSIS.  
VOLTAGE READINGS SHOWN AT SOCKET PRONGS ARE TO CHASSIS,  
AND ARE TAKEN WITH NO SIGNAL. WHERE NO READING IS GIVEN,  
THE VOLTAGE IS ZERO OR TOO LOW TO READ.  
"A" BATTERY - 6. VOLTS CURRENT DRAIN - 6.2 AMPERES

665

MATCHING THE ANTENNA:-

An adjusting screw, accessible to a screw driver thru a hole in the left side of the case, is provided to match the receiver to the car antenna. Tune in a very weak station at about 1400 KC, with the volume control fully on. Then turn the adjusting screw to the point affording the maximum volume.

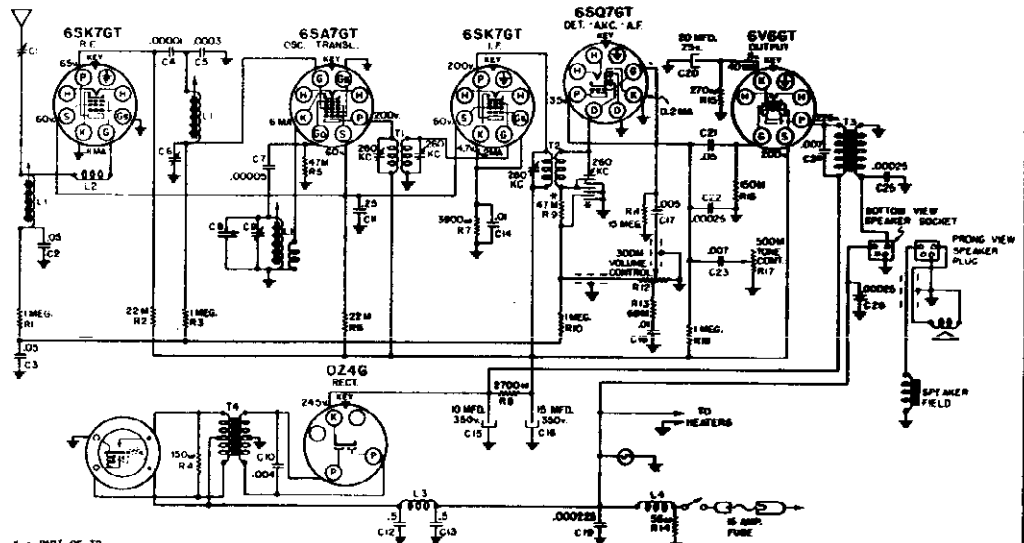
WIRING DIAGRAM FOR SILVERTONE CHASSIS 101.666

Power Output:-  
Type - Pentode  
Undistorted 3.5 W  
Maximum - 5 W

Power Supply:-  
6 V. - 6.5 amps.

IF Peak 260 KC

Date  
June 6, 1941



\* - PART OF T2

TUBE SOCKETS ARE VIEWED FROM UNDER SIDE OF CHASSIS. VOLTAGE READINGS SHOWN AT SOCKET PRONGS ARE TO CHASSIS, AND ARE TAKEN WITH NO SIGNAL. WHERE NO READING IS GIVEN, THE VOLTAGE IS ZERO OR TOO LOW TO READ.  
"A" BATTERY - 6. VOLTS CURRENT DRAIN - 6.5 AMPERES

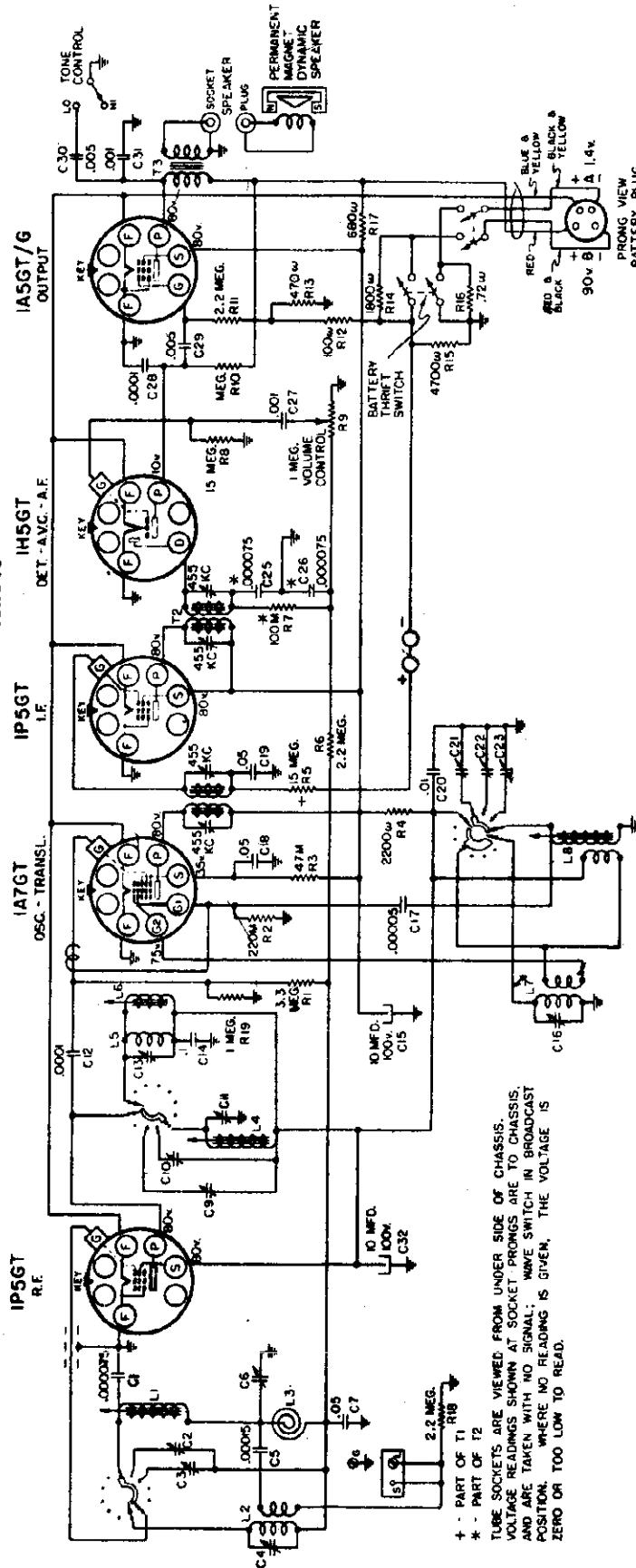
666



MODEL 7110  
Ch. 101.649

SEARS ROEBUCK CO.

WIRING DIAGRAM FOR SILVERTONE CHASSIS NO. 101.649



POWER SUPPLY:

- 5172 A-B block (1.5V. "A", 90V. "B")
- OR
- 5200 or 5202 ..... 2V. Storage "A"
- 2 - 5150 ..... 45V. "B" Battery
- 5305 . Adaptor necessary with 2 volt Storage "A"
- "A" Drain ..... 0.25 Amperes.
- "B" Drain ..... 0.0095 ma.

POWER OUTPUT:

- Type ..... Pentodes
- Undistorted 0.095 watts
- Maximum .. 0.195 watts

LOUDSPEAKER:

- Type ..... PM Dynamic.
- Size ..... 6 inch

INTERMEDIATE FREQUENCY

455 KC

DATE June 27. 1941

TUBE SOCKETS ARE VIEWED FROM UNDER SIDE OF CHASSIS. VOLTAGE READINGS SHOWN AT SOCKET PRONGS ARE TO CHASSIS, AND ARE TAKEN WITH NO SIGNAL; WAVE SWITCH IN BROADCAST POSITION. WHERE NO READING IS GIVEN, THE VOLTAGE IS ZERO OR TOO LOW TO READ.

+ - PART OF T1 RIB  
\* - PART OF T2

643

MODELS 7108,  
Ch. 101.648;  
7158, Ch. 101.648-1

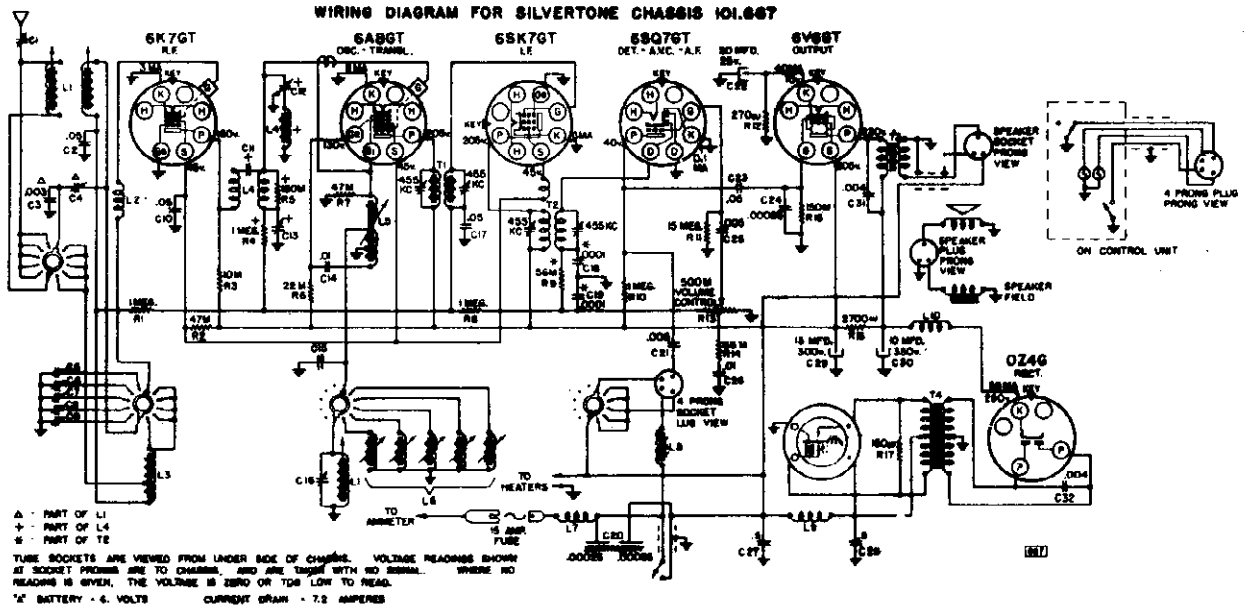
SEARS ROEBUCK CO.

MODELS 6306-3G,  
Ch.101.667-A;  
7094, Ch. 101.667

Power Supply:- Models 7094 and 6306-3G  
6 volt; 6.9 amps  
Loud Speaker - Dynamic 7"  
IF PEAK 455 KC

Power Output:-  
Type ..... Pentode  
Undistorted .....3.75 watts  
Maximum .....5.65 watts

Date June 6, 1941

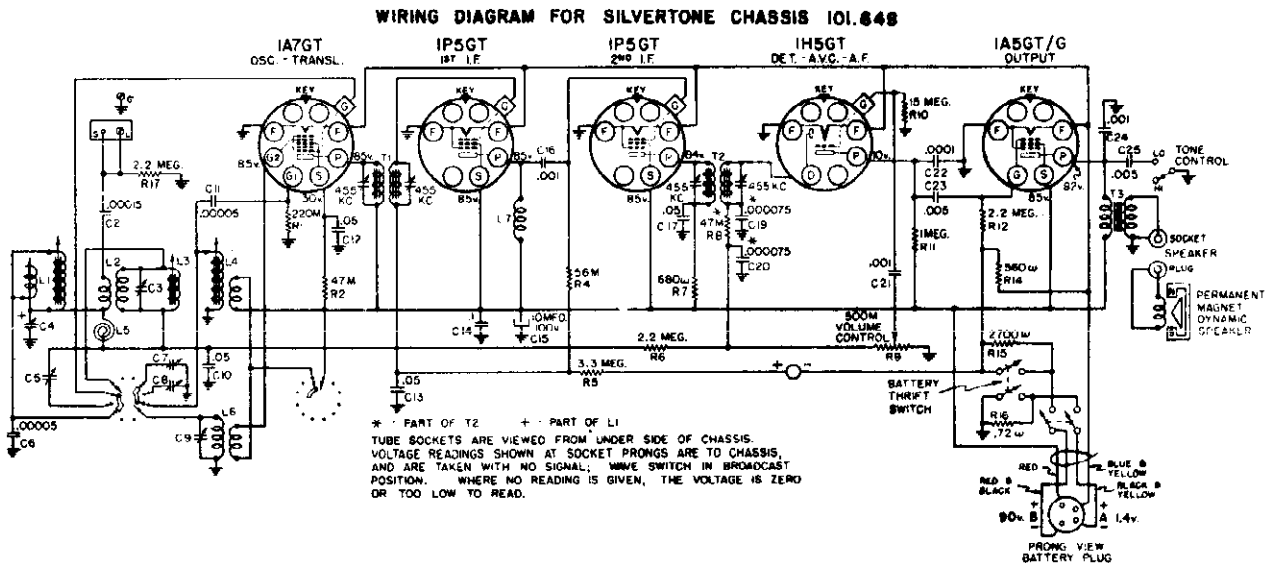


Models 7108 and 7158

Power Supply:-  
5176 .....A-B block (1.5V. "A", 90V. "B")  
or  
5200 or 5202 ..... 2V. Storage "A"  
2 - 5150 ..... 45V. "B" Battery  
5305 ..... adaptor necessary  
with 2V. Storage "A"  
IF PEAK 455 KC

"A" drain ..... .25 amps  
"B" drain ..... .0095 "  
Life ..... 7 to 8 months  
Power Output:-  
Type ..... Pentode  
Undistorted .085 watts  
Maximum .... .17 watts

Date June 2, 1941



MODELS 6306-3G,  
Ch. 101.667-A;  
7094, Ch. 101.667

SEARS, ROEBUCK & CO.

PUSH BUTTON TUNING MECHANISM

To set up the mechanism, insert the call letter tabs in their proper frequency order in the call letter drum. The drum is accessible by removing the snap-in button at the top of the push button unit before mounting the unit. One of the positions is for manual tuning. When this position is reached, the manual tuning dial will become illuminated and the receiver can be tuned manually.

Stations are set up by removing the front grille of the receiver, exposing the station tuning screws. The adjusting screws are labeled. The OSC. screw must be adjusted first; then the ANT. screw. Then repeat the two adjustments.

TO SYNCHRONIZE THE MECHANISM, PUSH THE TUNING BUTTON UNTIL THE MANUAL TUNING DIAL BECOMES ILLUMINATED. REMOVE THE PUSH BUTTON CABLE FROM ITS SOCKET IN THE SIDE OF THE RECEIVER CASE AND THEN PUSH THE BUTTON UNTIL THE "DIAL" TAB COMES INTO VIEW. THEN REINSERT THE CABLE PLUG.

Under certain conditions the mechanism may fall out of synchronism if the button is not pushed all the way in and completely released when operating it. The user should be instructed accordingly.

ALIGNMENT PROCEDURE

PRELIMINARY:

Output meter connections . . . . . Across loud speaker voice coil  
Output meter reading to indicate 1 watt. . . . . 1.4 volts  
Connection of signal generator ground lead . . . . . Receiver chassis  
Connection of signal generator output lead . . . . . See chart below  
Approximate microvolts input for 1 watt output . . . . . See chart below  
Dummy antenna value to be in series with generator output. . . . . See chart below  
Position of Volume Control. . . . . Fully on  
Position of Tone Control. . . . . Brilliant

POSITION OF TUNER	GENERATOR FREQUENCY	DUMMY ANTENNA	GENERATOR CONNECTION	TRIMMER ADJUSTMENTS (IN ORDER SHOWN)	TRIMMER FUNCTION	APPROXIMATE MICROVOLTS
Low Freq.Limit	455 Kc	.1 mfd.	Transl.Grid	T2, T1	IF	-
Low Freq.Limit	455 Kc	.1 mfd.	Transl.Grid	C12*	IF Wave Trap	-
Hi Freq.Limit	1610 Kc	.00005 mfd.	Ant. Conn.	C16	Oscillator	-
Hi Freq.Limit	2520 Kc.	.00005 mfd.	Ant. Conn.	C13*	Image Rejector	-
Hi Freq.Limit	1610 Kc.	.00005 mfd.	Ant. Conn.	C16	Oscillator	-
Hi Freq.Limit	1610 Kc.	.00005 mfd.	Ant. Conn.	C1	Antenna	-
Hi Freq.Limit	1610 Kc.	.00005 mfd.	Ant. Conn.	C4	R.F.	10
600 Kc (rock)	600 Kc.	.00005 mfd.	Ant. Conn.	L5	Padder	10

IMPORTANT ALIGNMENT NOTES

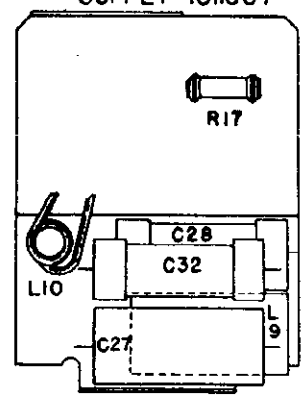
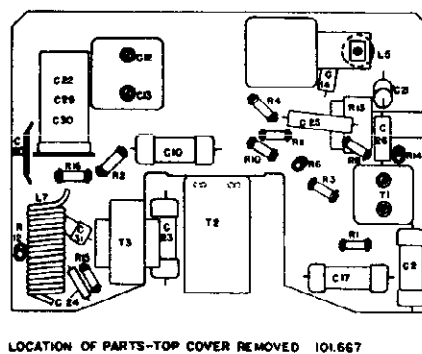
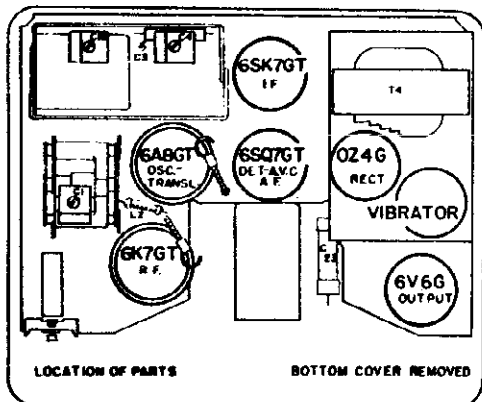
The receiver must be in its case during alignment.

\* The signal generator should be adjusted for high output and the trimmer should be adjusted for minimum response.

The alignment procedure should be repeated in the original order, step by step, to insure greater accuracy.

Always keep the output power from the generator at its lowest possible value to prevent the AVC of the receiver from interfering with accurate alignment, except as noted by (\*) above.

PARTS UNDER POWER  
SUPPLY 101.667



SEARS ROEBUCK CO.

MODELS 7108,  
Ch. 101.648;  
7158, Ch. 101.648-1

PRELIMINARY:

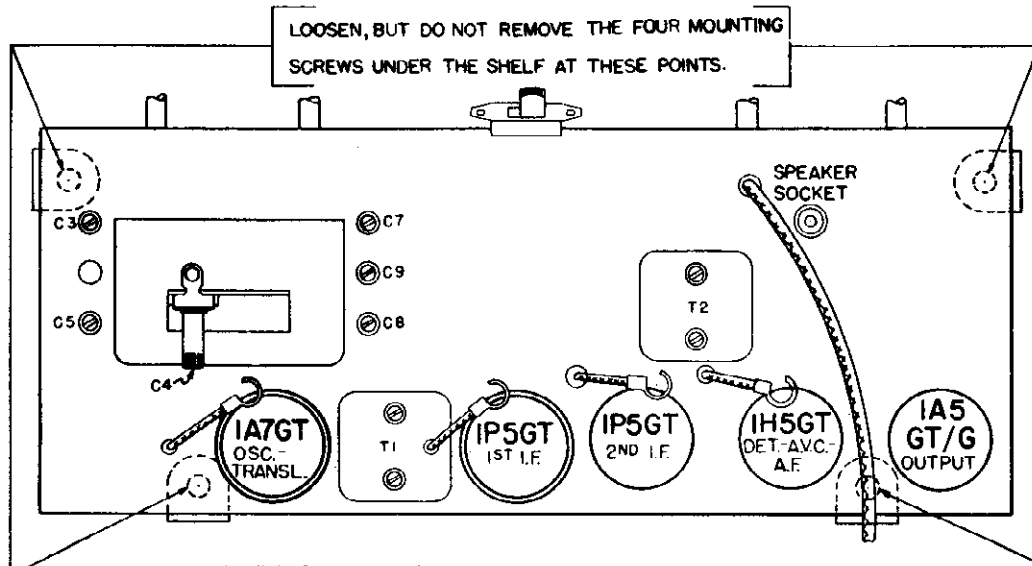
Output meter connection . . . . . Across loud speaker voice coil  
 Output meter reading to indicate 50 milliwatts. . . . . 0.3 volts  
 Approximate microvolts input for 50 milliwatts output . . . . . See chart below  
 Generator ground lead connection. . . . . Receiver chassis  
 Dummy antenna value to be in series with generator output . . . . . See chart below  
 Connection of generator output lead . . . . . See chart below  
 Generator modulation . . . . . 30%, 400 cycles  
 Position of Volume Control. . . . . Fully clockwise  
 Position of Tone Control. . . . . HI  
 Position of Dial Pointer with Tuner fully closed. . . . . To left of 540 Kc calibration mark .

POSITION OF TUNER	GENERATOR FREQUENCY	DUMMY ANTENNA	GENERATOR CONNECTION	TRIMMER ADJUSTMENTS (IN ORDER SHOWN)	TRIMMER FUNCTION	APPROXIMATE MICROVOLTS
Closed	455 Kc	.1 mfd.	1A7GT Translator Grid	T2, T1	IF	-
1700	1700 Kc	.00005 mfd.	Antenna Terminal	C7	Oscillator	-
1700	1700 Kc	.00005 mfd.	Antenna Terminal	C4	Translator	10
15.2	15.2 Mc	400 ohms	Antenna Terminal	C9,C3	Osc.-Trans.	10
11.8	11.8 Mc	400 ohms	Antenna Terminal	C8,C5	Osc.-Trans.	10

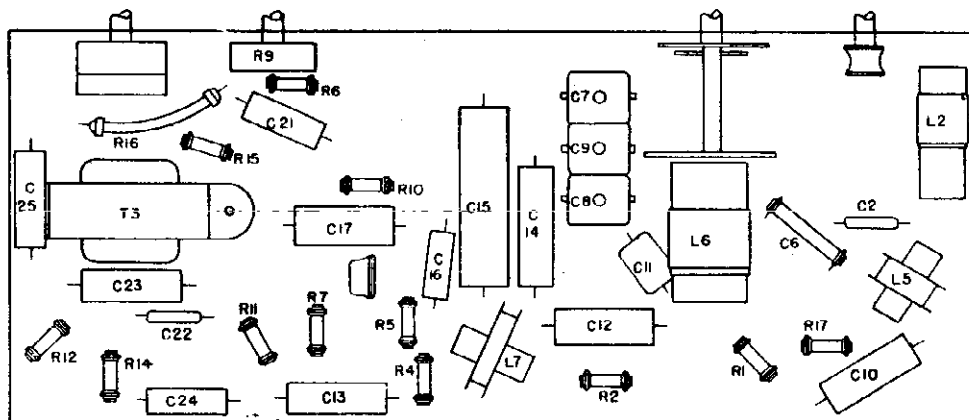
IMPORTANT ALIGNMENT NOTES

Make both the oscillator and translator antenna adjustment at 1700 KC on the BC band.

Always keep the output power from the generator at its lowest possible value to prevent the AVC of the receiver from interfering with accurate alignment.



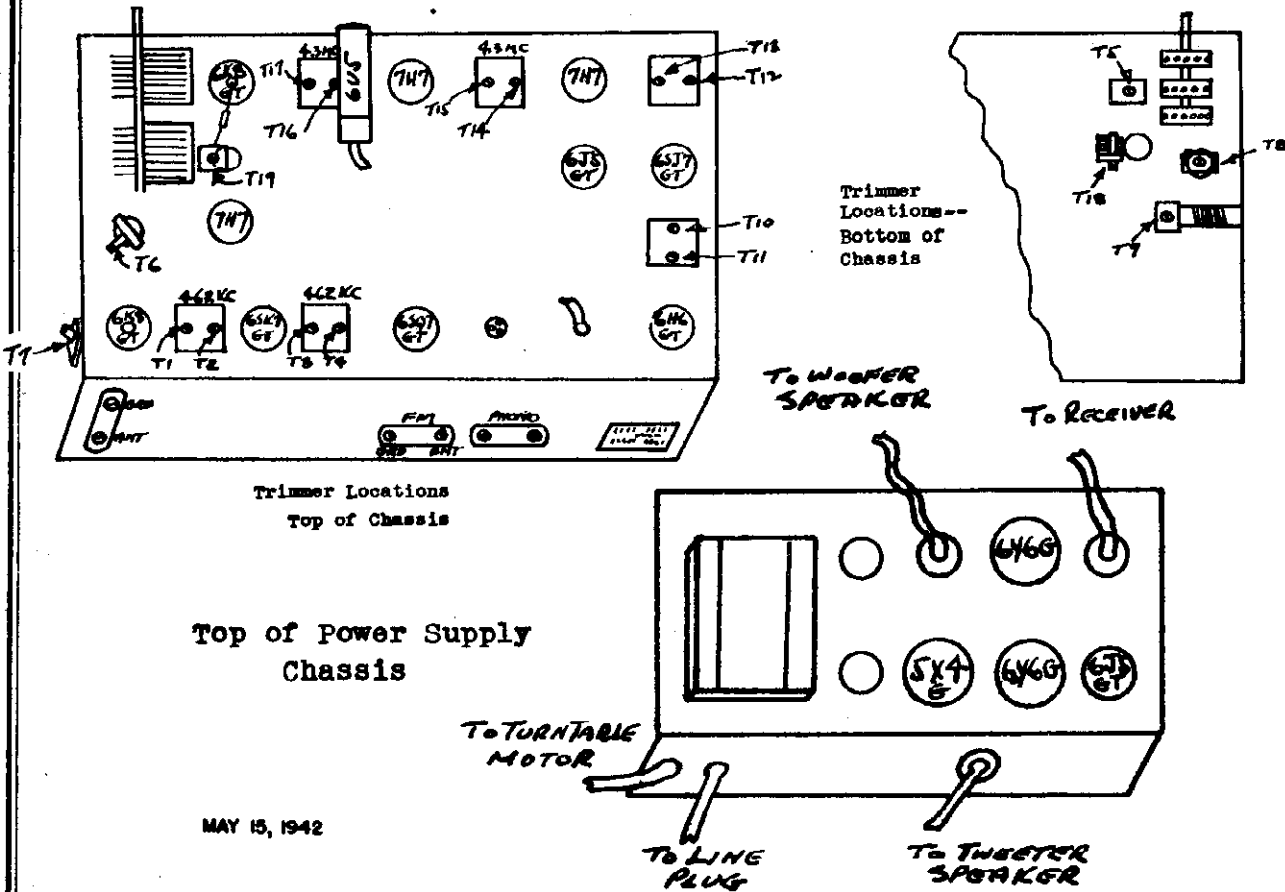
LOCATIONS OF PARTS ON TOP OF CHASSIS 101.648



LOCATION OF PARTS UNDER CHASSIS 101.648

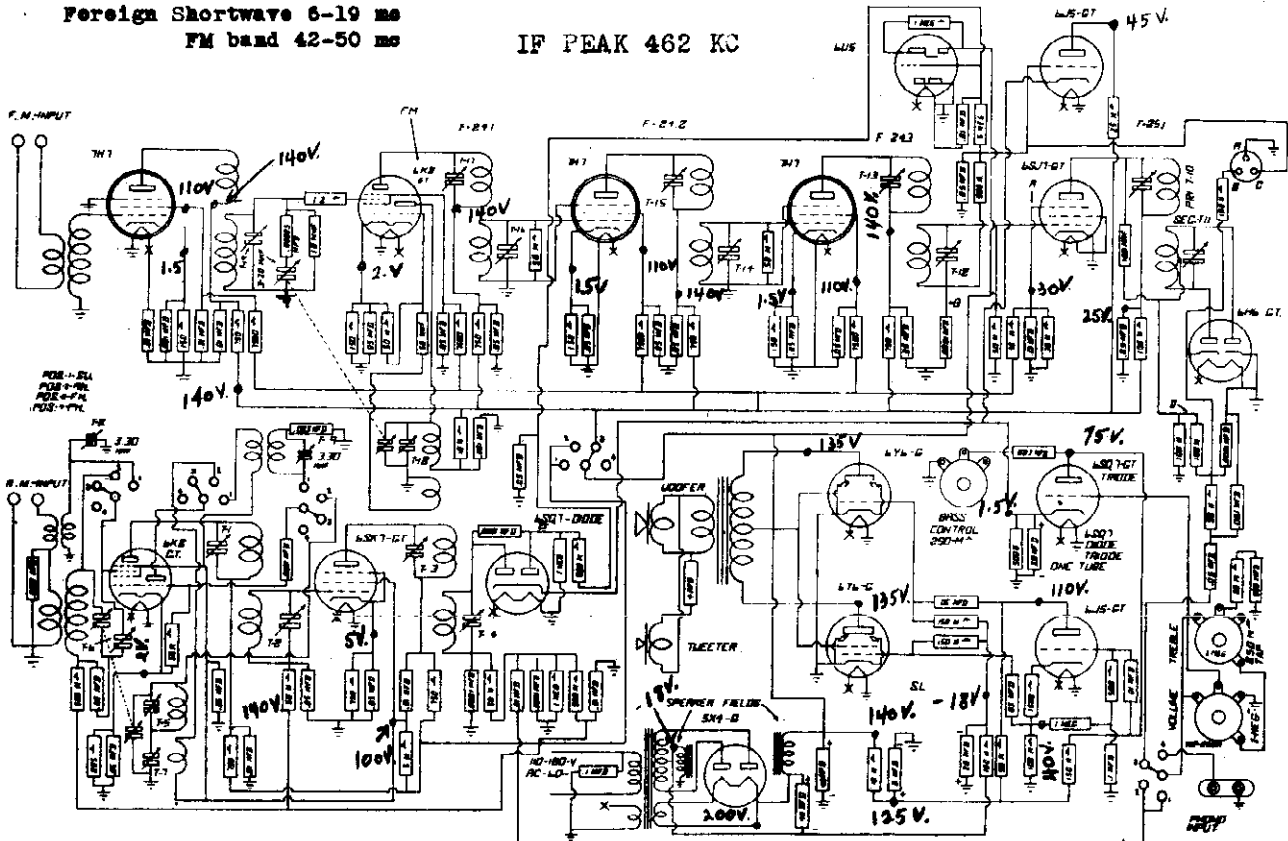
MODEL 7099  
Ch. 164.158

SEARS ROEBUCK CO.



Broadcast band 540-1600kc  
Foreign Shortwave 6-19 mc  
FM band 42-50 mc

IF PEAK 462 KC



All voltage readings taken from ground with 10,000 Ohms Per Volt Meter

SEARS ROEBUCK CO.

MODEL 7099  
Ch. 164.158

**TUBES AND FUNCTIONS:**

6K50T (for AM)	... Osc.-Transl.	6K50T	... FM Discriminator
6K50T (for FM)	... Osc.-Transl.	6J50T	... FM Squelcher
6S70T	... 1P Amp.	6V6	... Audio Inverter
6SQ7T	... Det.-AVC-Audio	2-5Y6G	... Push Pull Output
3-7B7	... RAIF FM Amp.	5X4G	... Rectifier
6S70T	... FM Limiter	6U5	... Tuning Indicator

**F.M. DISCRIMINATOR ALIGNMENT**  
(Method B)

Signal generator capable of supplying 1 volt output and a 10 to 20,000 ohm volt meter

Position of Variable	Generator Frequency	Dummy Antenna Connection	Trimmer Adjustment	Approximate Function
Closed	4.3 unmodulated	.1 mfd Grid of 6S77 limiter	T10 maximum deflection. Test meter connected to point D on circuit diagram thru inductor. 100,000 ohms.	Alignment of primary discriminator
Closed	4.5 unmodulated	.1 mfd Grid of 6S77 limiter	T11 align trimmer for Zero reading on meter with 10m to 20m ohms volt meter connected to point B on test socket	Alignment of secondary discriminator

To check discriminator alignment with generator still connected to grid of 6S77 limiter note readings on meter when generator is swung 100 kc above and below 4.3 megacycles. If readings are equal adjustments are perfect. If unequal, Trimmer 10 should be adjusted to give equal readings above and below 4.3 megacycles when generator is set above and below main IF frequencies.

**I.F. ALIGNMENT OF FM BAND**

Position of Variable	Generator Frequency	Dummy Antenna Connection	Trimmer Adjustment	Approximate Function
Closed	4.5 unmodulated	7% Grid of 6S70T FM	T12, T13, T14, T15, T16, T17. 10m to 20m ohms voltmeter to be connected to point C of test socket	Alignment of FM IFs

**R.F. ALIGNMENT OF FM BAND**

Position of Variable	Generator Frequency	Dummy Antenna Connection	Trimmer Adjustment	Approximate Function
Closed	48 mc	100 ohm FM input	T18, T19	Alignment of Input Oscillator & 200 mc RF stage.

To check alignment of RF FM section of receiver, set generator at 45 mc, maximum deflection indicator on tuning indicator of receiver. Connect meter to point B of test socket. This should give Zero Reading.

ALIGNMENT OF FM BAND MUST NOT BE MADE UNLESS A DEFECTIVE PART HAS BEEN REPLACED IN FM SECTION.

The alignment procedure should be repeated stage by stage in the original order for greatest accuracy.

On AM always keep the output from the generator at the lowest level possible so that the AVC section will be ineffective.

**POWER OUTPUT:**

Type	2 - 5Y6G Beam Power Output
Undistorted	... 8 watts
Maximum	... 15 watts

**SPARKER:**

Type	Fluore-Dynamic
Size	12 inch .250 ohm field
	5 inch .88 ohm field

**A.M. ALIGNMENT PROCEDURE**

AM Output meter connection. . . . . Across lead speaker voice coil

Output meter reading to indicate 500 milliwatts . . . . . 1.2 volts

Average sensitivity in microvolts for 500 milliwatts output . . . . . See chart below

Connection of generator output lead . . . . . See chart below

Connection of generator ground lead . . . . . To chassis

Dummy antenna value to be in series with generator output . . . . . See chart below

Generator modulation . . . . . 50%, 400 cycles

Position of Volume Control . . . . . Fully clockwise

**BROADCAST BAND ALIGNMENT**

Position of Variable	Generator Frequency	Dummy Antenna Connection	Trimmer Adjustment	Approximate Function
Closed	485 kc	.1 mfd Grid of 6K50T AM	T1, T2, T3, T4	I. F. 110

(Close the gang condenser and set the pointer at the end marker).

Pointer at 1400 kc	1400	250 mfd Ant. Term, AM T5, T6	Oscillator and R Y	25
Pointer at 600 kc	600 (Reck)	250 mfd " " T7	Pad the low frequency end of broadcast band	25
Pointer at 1400 kc	1400	250 mfd " " T5	Alignment of High frequency end of oscillator	25

**SHORTWAVE BAND ALIGNMENT**

Pointer at 18 mc	18 mc	400 ohm Ant. Term, IS- T8, T9	Shortwave alignment of oscillator & antenna input	40 W
Pointer at 7 mc	7 mc	400 ohm " " " " " " " "	" " " " " " " "	50 W

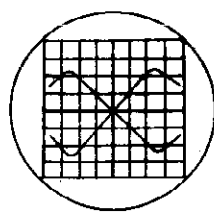
If calibrates checks SW side is aligned correctly

**F.M. DISCRIMINATOR ALIGNMENT**  
(Method A)

Frequency Modulated generator and an Oscilloscope are necessary equipment

Closed	4.5 mc	.1	7% Grid of limiter	There is a three prong socket located on the top of chassis, with Plug A is ground. Connect B to vertical input of Oscilloscope.
--------	--------	----	--------------------	--

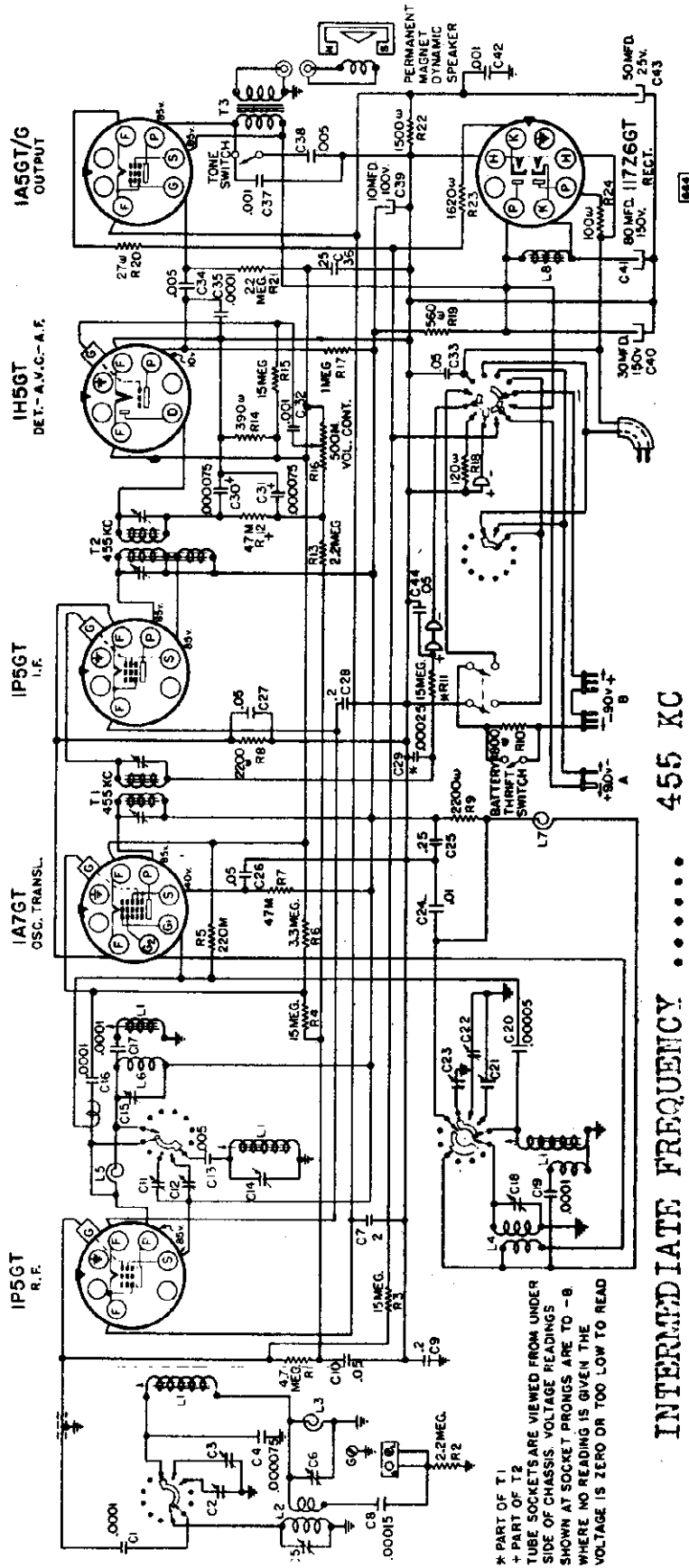
Horizontal input of Oscilloscope to be connected with tuning of FM Signal generator. Align Trimmer on coil P 2B1, T 10 is primary of discriminator and T 11 secondary, to form perfect synchronous crossover on Oscilloscope as diagrammed to left.



MODEL 7112  
Ch. 101.664

SEARS ROEBUCK CO.

WIRING DIAGRAM FOR SILVERTONE CHASSIS 101.664



INTERMEDIATE FREQUENCY ..... 455 KC

POWER SUPPLY:

- 5009 ..... A battery (9V.)
- 2 - 5150 ..... 45V. "B" Battery
- 105-125 V - AC or DC, 20 watts
- "A" Drain ..... 0.05 Amperes
- "B" Drain ..... 9.5 ma.

POWER OUTPUT

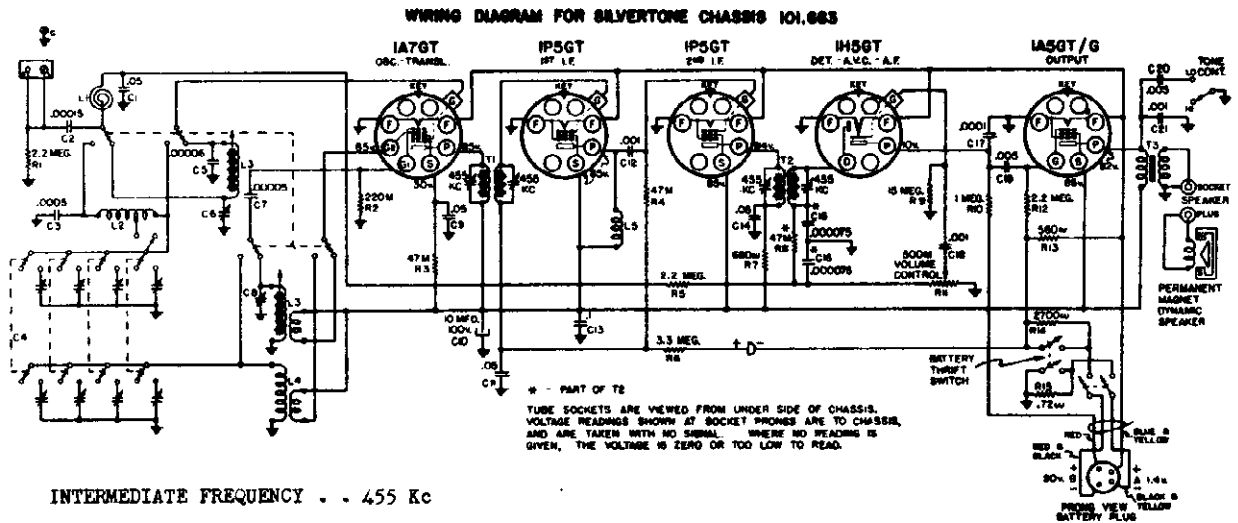
- Type ..... Pentode
- Undistorted .... 0.085 watts
- Maximum ..... 0.17 watts

FREQUENCY RANGES:

- Broadcast ..... 540-1700 KC
- 9 MC Spread Band .. 9.45-9.75 MC
- 11 MC Spread Band 11.62-11.95 MC
- 15 MC Spread Band 15.01-15.5 MC

\* PART OF T1  
+ PART OF T2  
TUBE SOCKETS ARE VIEWED FROM UNDER  
SIDE OF CHASSIS. VOLTAGE READINGS  
SHOWN AT SOCKET PRONGS ARE TO -B  
WHERE NO READING IS GIVEN THE  
VOLTAGE IS ZERO OR TOO LOW TO READ

SEARS ROEBUCK CO.

MODEL 7106  
Ch. 101.663**PUSH BUTTON ADJUSTMENT AND RESETTING**

Each of the push buttons should be set to the desired station in the following manner:

1. Push the manual button in and tune in the desired station manually.
2. Push the #1 button in. Turn the corresponding "ANT" screw all the way in and then unscrew it one-quarter turn.
3. Turn the "OSC" screw until the same station that was tuned in manually is heard with the least amount of background noise.
4. Readjust the "ANT" screw for greatest volume and clarity.
5. Repeat steps 1 to 4 for the remaining push buttons or when resetting for another station.

**ALIGNMENT PROCEDURE****PRELIMINARY:**

Output meter connections. . . . . Across loudspeaker voice coil,  
 Output meter reading to indicate 50 milliwatts . . . . . 0.37 volts  
 Approximate microvolts input to indicate 50 milliwatts output . . . . . See chart below  
 Generator ground lead connection . . . . . Receiver chassis  
 Dummy antenna value to be in series with generator output . . . . . See chart below  
 Connection of generator output lead. . . . . See chart below  
 Generator modulation. . . . . 30%, 400 cycles  
 Position of Volume Control. . . . . Fully on  
 Position of Tone Control. . . . . HI  
 Position of pointer with tuner fully closed . . . . . To left of 540 kc calibration mark

POSITION OF TUNER	GENERATOR FREQUENCY	DUMMY ANTENNA	GENERATOR CONNECTION	TRIMMER ADJUSTMENTS (IN ORDER SHOWN)	TRIMMER FUNCTION	APPROXIMATE MICROVOLTS
Closed	455 Kc	.1 mfd.	1A7GT Translator Grid	T2, T1	IF	-
1700	1700 Kc	.00005 mfd.	Antenna Terminal	C8	Oscillator	-
1725	1725 Kc	.00005 mfd.	Antenna Terminal	C6	Translator	15

**IMPORTANT ALIGNMENT NOTES**

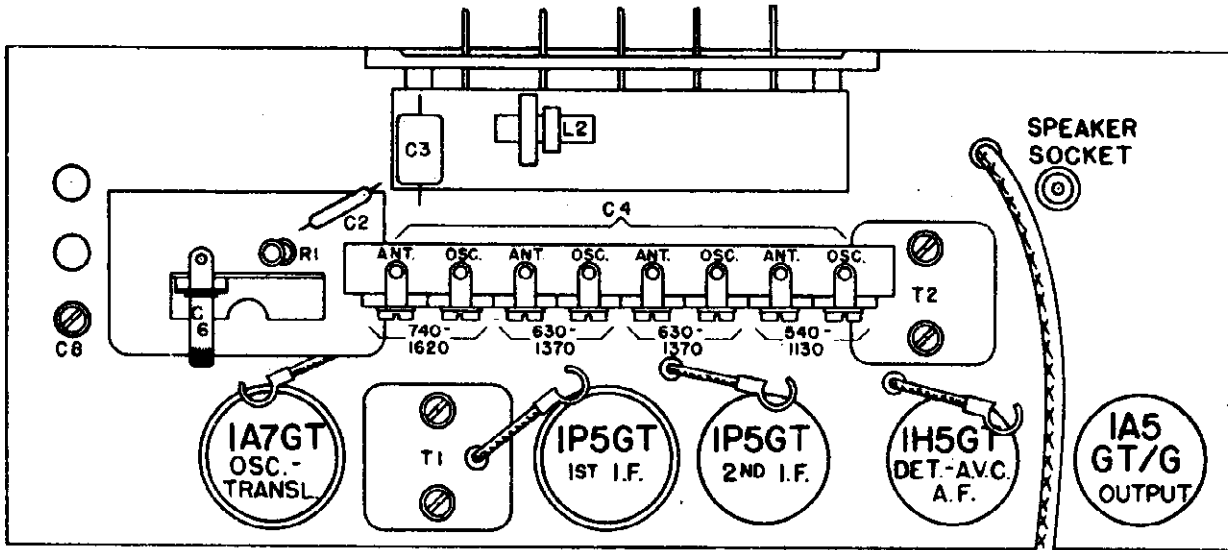
After setting the oscillator at 1700 kc do not change it when making the 1725 kc translator adjustment.

Always keep the output power from the generator at its lowest possible value to prevent the AVC of the receiver from interfering with accurate alignment.

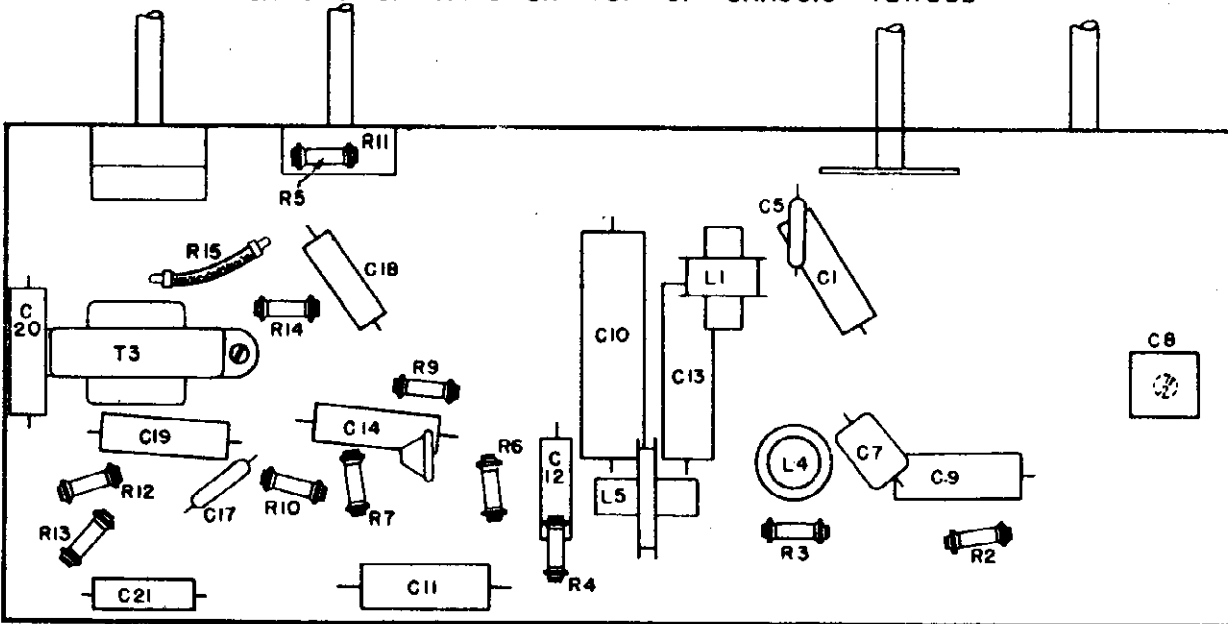


MODEL 7106  
Ch. 101.663

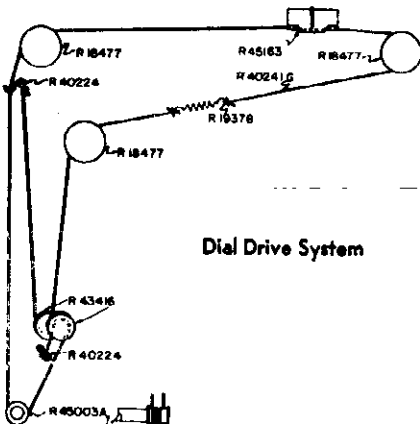
SEARS ROEBUCK CO.



LOCATIONS OF PARTS ON TOP OF CHASSIS 101.663



LOCATION OF PARTS UNDER CHASSIS - 101.663



Dial Drive System

FREQUENCY RANGE:

Broadcast . . . . . 540-1700 Kc

POWER OUTPUT:

Type . . . . . Pentode  
Undistorted . . . . . .085 watts  
Maximum . . . . . 0.17 watts

LOUD SPEAKER:

Type . . . . . PM Dynamic  
Size . . . . . 6 inch

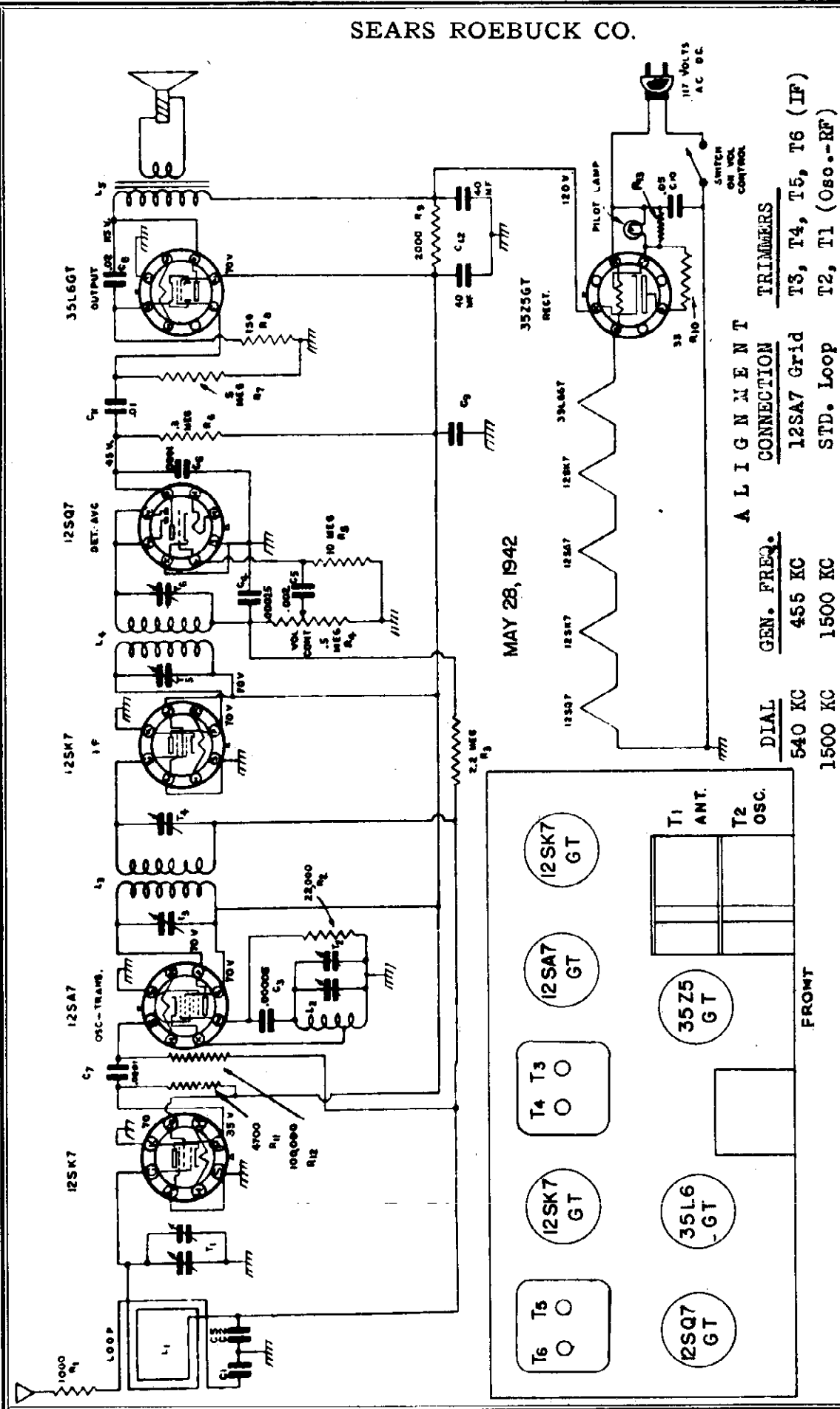
POWER SUPPLY:

"A" Drain . . . . . 0.25 amperes  
"B" Drain . . . . . 0.0095 amperes  
Life . . . . . 7 to 8 months

AUGUST 29, 1941

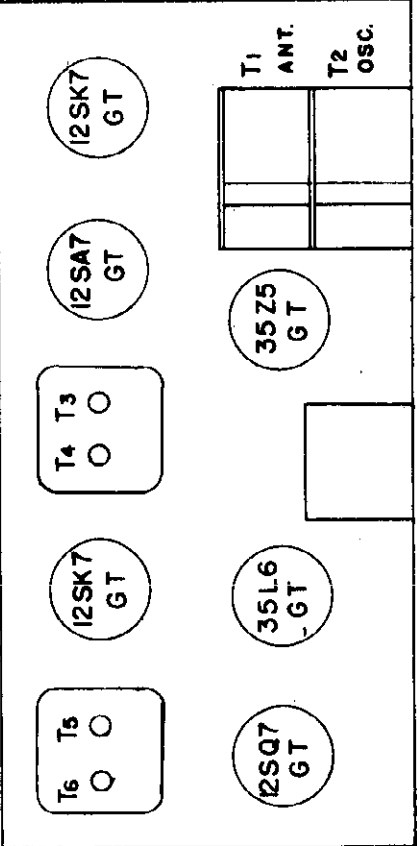
SEARS ROEBUCK CO.

MODEL 7134  
Ch. 110.448



ALIGNMENT CONNECTION TRIMMERS

DIAL	GEN. FREQ.	CONNECTION	TRIMMERS
540 KC	455 KC	12SA7 Grid	T3, T4, T5, T6 (IF)
1500 KC	1500 KC	STD. Loop	T2, T1 (Osc.-RF)



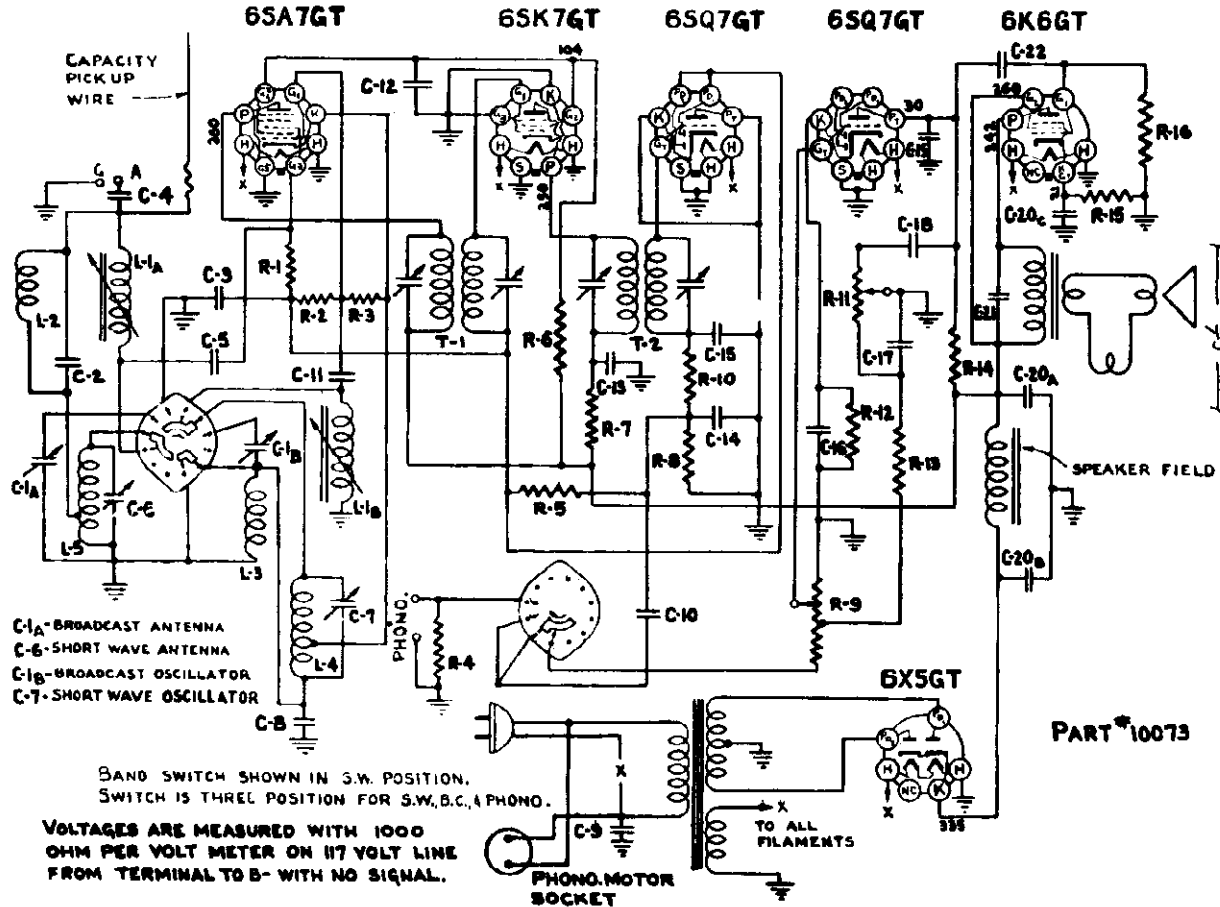
**FREQUENCY RANGE:**  
Broadcast . . . . . 530 - 1730 K. C.  
INTERMEDIATE FREQUENCY . . . . . 455 K. C.

**LOUD SPEAKER:**  
Type . . . . . Beam Tetrode  
Size . . . . . 5 inch  
Field . . . . . P. M.

**POWER OUTPUT:**  
Type . . . . . Beam Tetrode  
Undistorted . . . . . .8 Watts  
Maximum . . . . . 1.4 Watts

MODEL 7165  
Ch. 109.428

SEARS ROEBUCK CO.



PART #10073

BAND SWITCH SHOWN IN S.W. POSITION.  
SWITCH IS THREE POSITION FOR S.W., B.C., PHONO.

VOLTAGES ARE MEASURED WITH 1000 OHM PER VOLT METER ON 117 VOLT LINE FROM TERMINAL TO B- WITH NO SIGNAL.

SCHEMATIC LOCATION	PART NUMBER	DESCRIPTION CHASSIS PARTS	SELLING PRICE EACH
	D9662	Bracket--Indicator background	.20
L-2	D9818	Coil--Antenna Choke	.75
L-3	D9458	Coil--Cathode Choke	.75
L-5	D9653	Coil--Short Wave Antenna	1.15
L-4	D9654	Coil--Short Wave Oscillator	1.00
	D2163	Cable--Drive	.10
R-9	D9656	Control--Volume and Switch	1.25
R-11	D9656	Control--Tone	1.00
C-20a, b, c	D9657	Condenser--Elect. b(15mf.-400v.) a(10mf.-330v.) c(10mf.-50v.)	1.50
C-16	D6002	Condenser--Elect. 5 mfd.-25v.	.60
C-4	D5399	Condenser--Mica 20 mmf.	.25
C-5, 11, 14, 15	D1286	Condenser--Mica 100 mmf.	.25
C-2	D9627	Condenser--Mica 150 mmf.	.25
C-19	D1286	Condenser--Mica 250 mmf.	.25
C-1a, b	D9719	Condenser--Dual Trimmer	.60
C-6, 7	D9704	Condenser--Trimmer	.40
C-8	D9672	Condenser--Paper .0015 mfd.-400v.	.20
C-21	D824	Condenser--Paper .002 mfd.-600v.	.20
C-10, 17, 18	D2763	Condenser--Paper .005 mfd.-600v.	.20
C-22	D568	Condenser--Paper .01 mfd.-400v.	.20
C-3	D580	Condenser--Paper .05 mfd.-200v.	.20
C-9, 13	D563	Condenser--Paper .05 mfd.-400v.	.20
C-12	D575	Paper .1 mfd.-400v.	.20
R-15	D9661	Resistor--1w-500 ohm	.20
R-7	D8965	Resistor--1/3 w-1M.	.15
R-12	D7125	Resistor--1/3w-6M.	.15
R-6	D10066	Resistor--3w-12M.	.15
R-3	D7121	Resistor--1/3w-20K.	.15
R-10, 13	D8580	Resistor--1/3w-50W.	.15
R-4	D7123	Resistor--1/3w-400M.	.15
R-16, 8, 14	D6722	Resistor--1/3w-600M.	.15
R-1	D6723	Resistor--1/3w-1 meg.	.15
R-5	D7959	Resistor--1/3w-3 Meg.	.15
R-2	D8402	Resistor--1/3w-15 meg.	.15
L-1a, L-1b	D9663	Tuner--Permeability	2.50
	D9664	Transformer--Power	5.00
T-1	D9993	Transformer--1st I.F.	2.26
T-2	D9893	Transformer--2nd I.F.	2.25
T-3	D10055-1	Transformer--Output	2.00

IF PEAK  
455 KC

PRICES SUBJECT TO CHANGE WITHOUT NOTICE

SEARS ROEBUCK CO.

MODEL 7165  
Ch. 109.428

**POWER SUPPLY** 105-125 Volts AC  
60 cycle, 66 watts.

**SPEAKER**  
Type ..... Dynamic  
Size ..... 10 inch  
Field Resistance ..... 1200 Ohms

**TUBES AND FUNCTIONS**

6SA7GT ..... Oscillator Translator  
6SK7GT ..... IF Amplifier  
6SQ7GT ..... Detector-AVC  
6SQ7GT ..... Audio Amplifier  
6X6GT ..... Power Output  
6X6GT ..... Rectifier

MARCH 25, 1942

**ALIGNMENT PROCEDURE**

Output meter connection.....Across speaker voice coil  
Phono Radio Switch.....Radio Position  
Connection of generator ground lead.....To Chassis  
Connection of generator output lead.....See chart below  
Dummy antenna value to be used in series with generator.....See chart  
Position of volume control.....Full on (Clockwise)  
Position of Tone control.....In Brilliant Position

**TRIMMERS ADJUSTED**

**POSITION OF TUNING DIAL**      **GENERATOR FREQUENCY**      **DUMMY ANTENNA**      **GENERATOR CONNECTION**

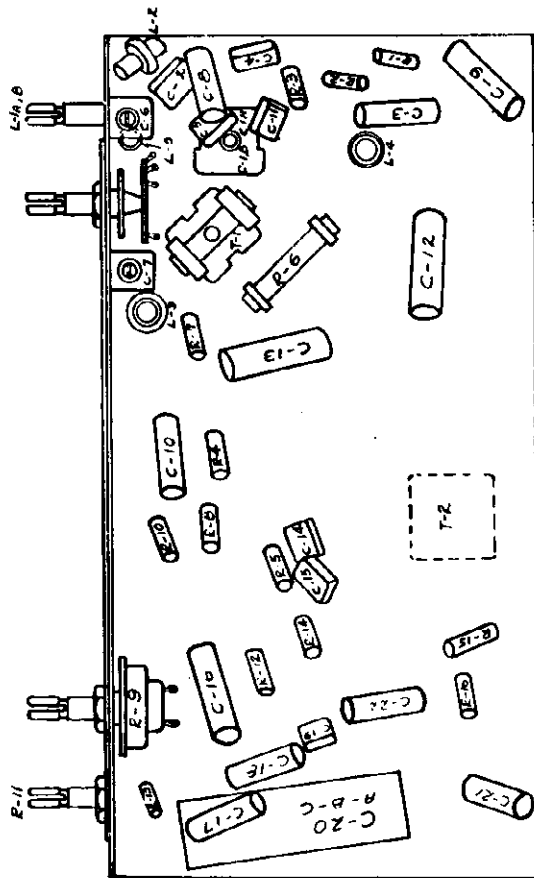
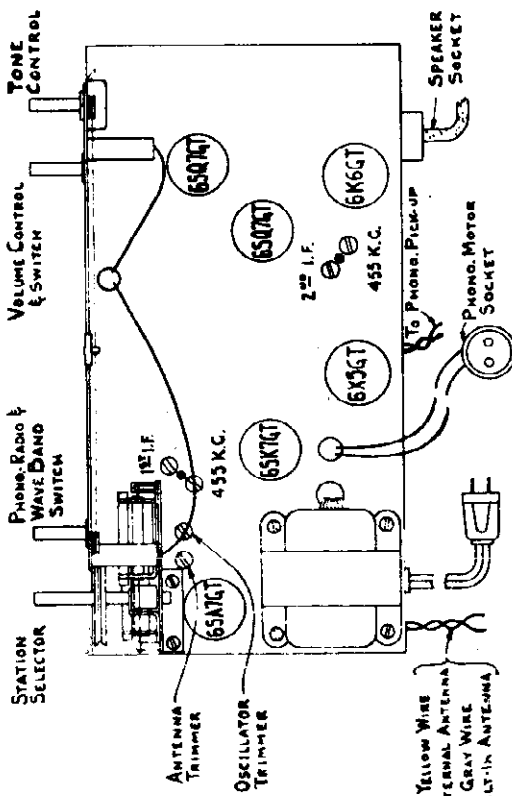
High Frequency end	455 kc.	.1 mfd.	6SA7 Grid
Low Frequency end	536 kc.	.1 mfd.	6SA7 Grid
1400 kc.	1400 kc.	200 mmf.	Antenna Lead-with built-in antenna connected
10 mc.	10 mc.	400 ohms	Antenna Lead-with built-in antenna connected
9.6 mc.	9.6 mc.	400 ohms	Antenna Lead-with built-in antenna connected

Align IF. Four Trimmers 6X6GT  
Oscillator Trimmer  
Set limit of Band  
Antenna Trimmer  
Tune to max.  
Short wave oscillator trimmer  
Set limit of band  
Short wave antenna trimmer  
Tune to max.

**POWER OUTPUT**

Type ..... Pentode  
Undistorted ..... 3.6 Watts  
Maximum ..... 4.7 Watts

REPEAT above Alignment Procedure at least once.



PART # 10074

MODEL 7167

Ch. 101.662-1A

SEARS ROEBUCK CO.

**PRELIMINARY:**

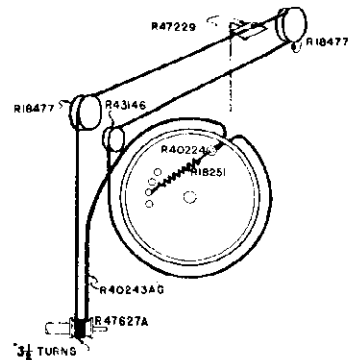
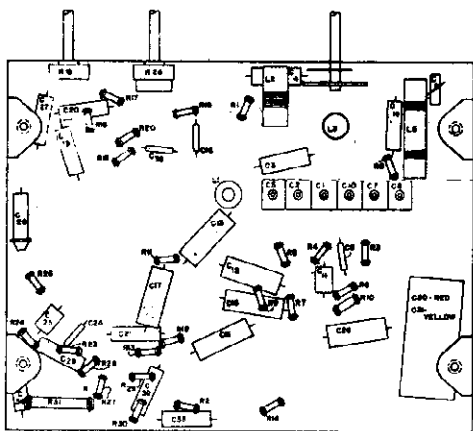
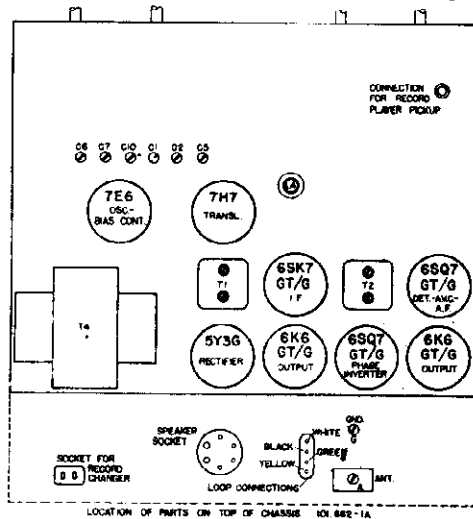
Output Meter Connections . . . . . Across loud speaker voice coil  
 Output meter reading to indicate 500 milliwatts . . . . . 1.5 volts  
 Approximate microvolts input to indicate 500 milliwatts output . . . . . See chart below  
 Generator ground lead connection . . . . . Receiver chassis  
 Dummy Antenna value to be in series with generator output . . . . . See chart below  
 Connection of generator output lead . . . . . See chart below  
 Generator Modulation. . . . . 30%, 400 cycles  
 Position of Volume Control. . . . . Fully on  
 Position of Tone Control . . . . . HI  
 Position of pointer with tuner fully closed . . . . . Last line below 540 calibration mark

BAND SWITCH POSITION	POSITION OF TUNER	GENERATOR FREQUENCY	DUMMY ANTENNA	GENERATOR CONNECTION	TRIMMER ADJUSTED (IN ORDER SHOWN)	TRIMMER FUNCTION	APPROXIMATE MICROVOLTS
A	Closed	455 KC	.1 mfd.	7H7 Transl. grid	T2, T1	IF	---
A	Open	1750 KC	.0002 mfd.	Ant. Terminal	C6	Oscillator	---
A	1410	1410 KC	.0002 mfd.	Ant. Terminal	C5, C2	Ant. Transl.	25
A	600 (rock)	600 KC	.0002 mfd.	Ant. Terminal	C7	Padder	100
B	Open	18.3 MC	400 ohms	Ant. Terminal	C10	Sw Oscillator	---
B	15 (rock)	15 MC	400 ohms	Ant. Terminal	C1	Transl.	20

**IMPORTANT ALIGNMENT NOTES**

The Alignment must be done in the order given.

Always keep the output power from the generator at its lowest possible value to prevent the AVC of the receiver from interfering with accurate alignment.



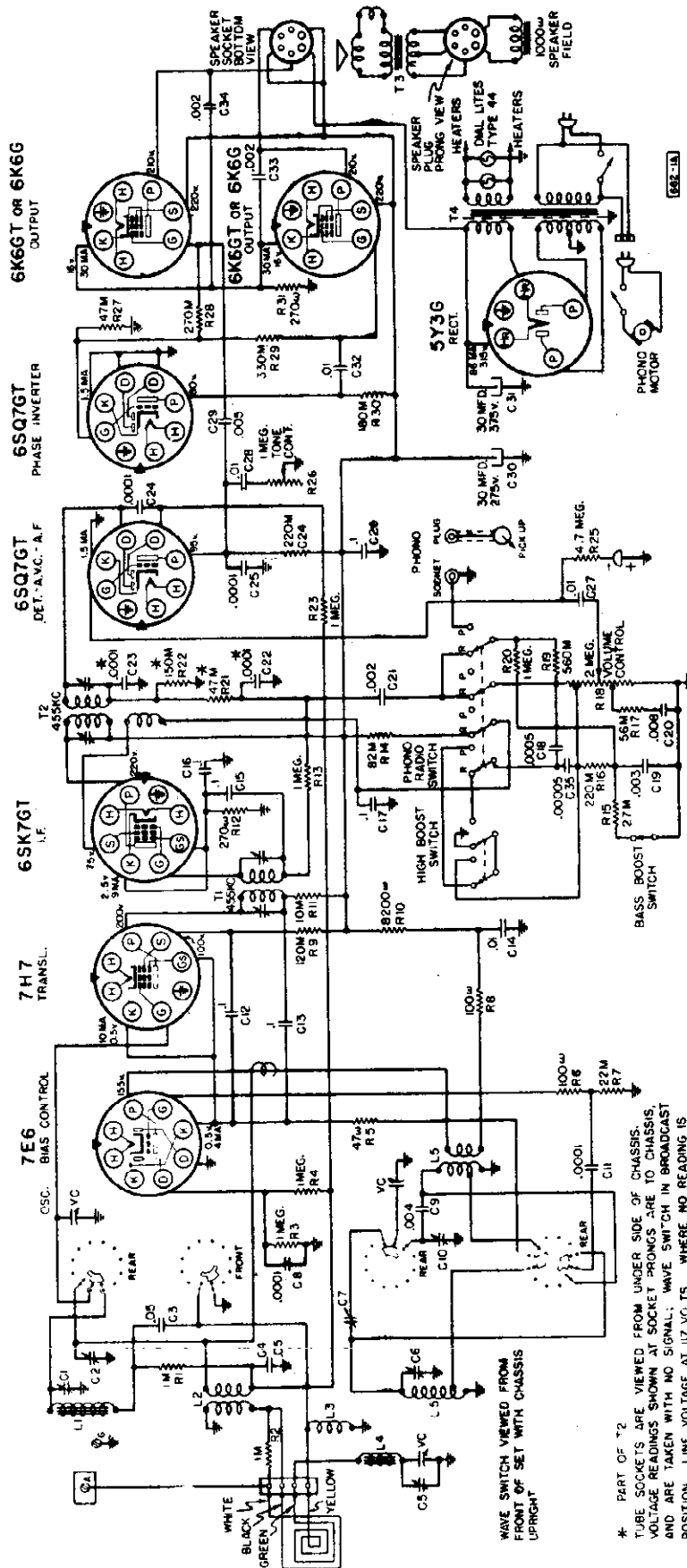
**Push Button Mechanism**

Adjustment for each push button is locked or unlocked by tightening or loosening the slotted screwhead made accessible when push button knob is pulled off of its plunger. Stations are set up by unlocking the mechanism, tuning in station, pushing in plunger (being careful not to detune station), and securely locking the adjustment.

SEARS ROEBUCK CO.

MODEL 7167  
Ch. 101.662-1A

WIRING DIAGRAM FOR SILVERTONE CHASSIS 101662-1A



**LOUDSPEAKER:**  
Type ..... Dynamic  
Size ..... 10 inch  
Field Coil Resistance 1000 ohms  
Approx. field coil voltage drop 95 V.

INTERMEDIATE FREQUENCY ..... 455 KC  
Date June 9, 1942  
FREQUENCY RANGES:  
Band "A" ..... 540-1700 KC  
Band "B" ..... 6-18 MC

**POWER OUTPUT:**  
Type ..... Push Pull Pentodes  
Undistorted ..... 3.5 watts  
Maximum ..... 7 watts

MODEL 7168  
Ch. 101.681-1A

SEARS ROEBUCK CO.

PRELIMINARY:

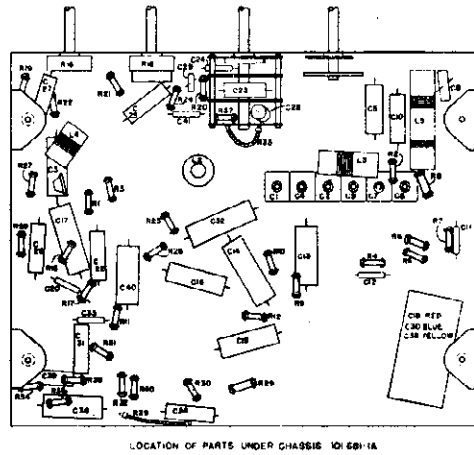
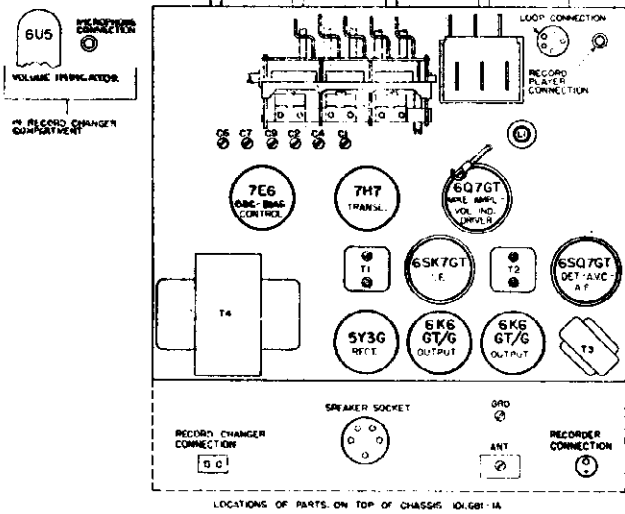
Output meter connections . . . . . Across loud speaker voice coil  
 Output meter reading to indicate 500 milliwatts . . . . . 1.3 volts  
 Approximate microvolts input to indicate 500 milliwatts output . . . . . See chart below  
 Generator ground lead connection . . . . . Receiver chassis  
 Dummy Antenna value to be in series with generator output . . . . . See chart below  
 Connection of generator output lead . . . . . See chart below  
 Generator Modulation . . . . . 30%, 400 cycles  
 Position of Volume Control . . . . . Fully on  
 Position of Tone Control . . . . . HI  
 Position of pointer with tuner fully closed . . . . . Last line below 540 calibration mark

BAND SWITCH POSITION	POSITION OF TUNER	GENERATOR FREQUENCY	DUMMY ANTENNA	GENERATOR CONNECTION	TRIMMER ADJUSTMENTS (IN ORDER SHOWN)	TRIMMER FUNCTION	APPROXIMATE MICROVOLTS
A	Closed	455 KC	.1 mfd.	7H7 Transl. grid	T2, T1	IP	---
A	Open	1750 KC	.0002 mfd.	Ant. Terminal	C6	Oscillator	---
A	1410 KC	1410 KC	.0002 mfd.	Ant. Terminal	C1, C2	Ant. Transl.	30
A	600 (rock)	600 KC	.0002 mfd.	Ant. Terminal	C7	Padder	125
B	Open	13.3 MC	400 ohms	Ant. Terminal	C9	SW Oscillator	---
B	15 (rock)	15 MC	400 ohms	Ant. Terminal	C4	SW Transl.	20

IMPORTANT ALIGNMENT NOTES

The Alignment must be done in the order given.

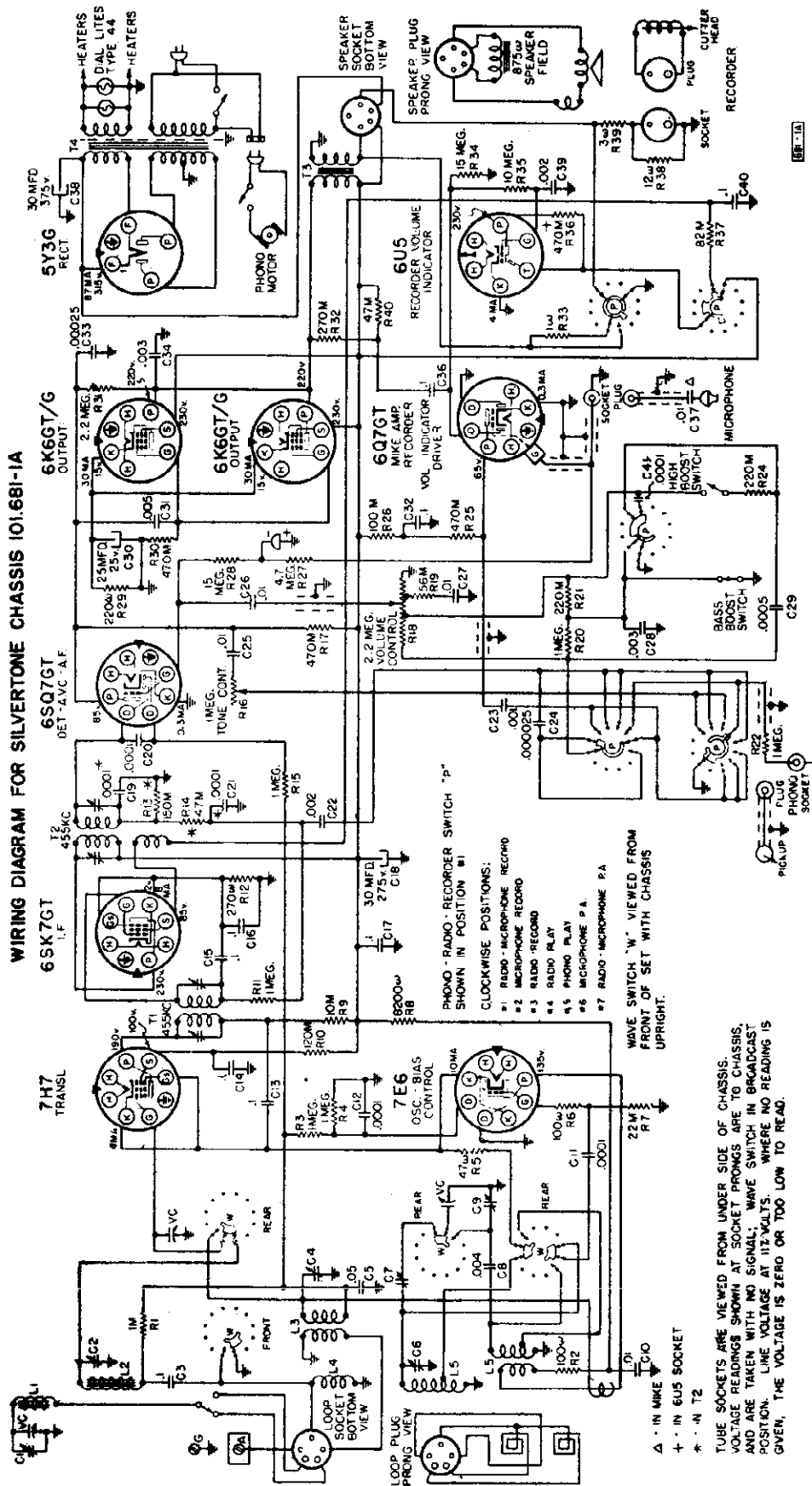
Always keep the output power from the generator at its lowest possible value to prevent the AVC of the receiver from interfering with accurate alignment.



SEARS ROERUCK CO.

MODEL 7168  
Ch. 101.681-1A

WIRING DIAGRAM FOR SILVERTONE CHASSIS 101.681-1A



Size ..... 10 inch  
Field coil resistance 875 ohms  
Approx. field coil voltage drop 95 V.

INTERMEDIATE FREQUENCY ... 455 KC  
Date June 9, 1942  
LOUDSPEAKER:  
Type ..... Dynamic

POWER OUTPUT:  
Type ..... Parallel Pentodes  
Undistorted ..... 3.5 watts  
Maximum ..... 7 watts

- PHONO - RADIO - RECORDER SWITCH "P" SHOWN IN POSITION "P"
- CLOCKWISE POSITIONS:
- #1 RADIO - MICROPHONE RECORD
  - #2 MICROPHONE RECORD
  - #3 RADIO RECORD
  - #4 RADIO PLAY
  - #5 PHONO PLAY
  - #6 MICROPHONE P.A.
  - #7 RADIO - MICROPHONE P.A.

WAVE SWITCH "W" VIEWED FROM FRONT OF SET WITH CHASSIS UPRIGHT.

TUBE SOCKETS ARE VIEWED FROM UNDER SIDE OF CHASSIS. VOLTAGE READINGS SHOWN AT SOCKET PRONGS ARE TO CHASSIS AND ARE TAKEN WITH NO SIGNAL. WAVE SWITCH IN BROADCAST POSITION. LINE VOLTAGE AT 117 VOLTS. WHERE NO READING IS GIVEN, THE VOLTAGE IS ZERO OR TOO LOW TO READ.

Δ - IN MIKE SOCKET  
\* - IN 6U5 SOCKET

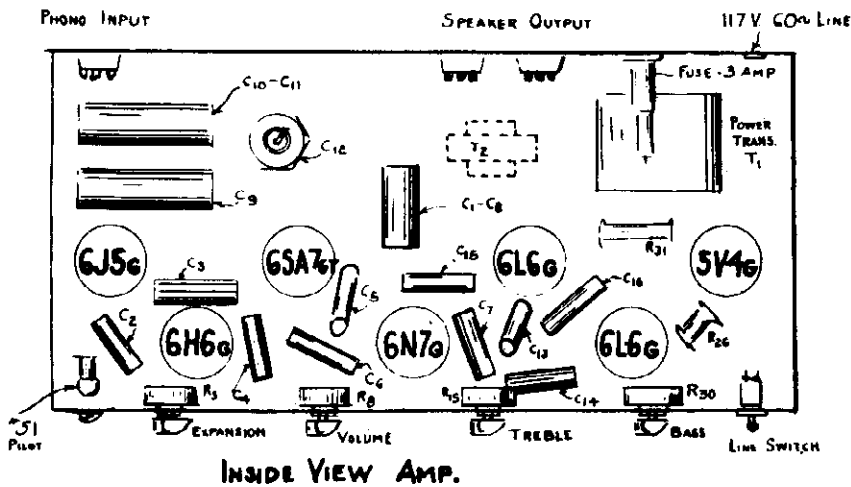
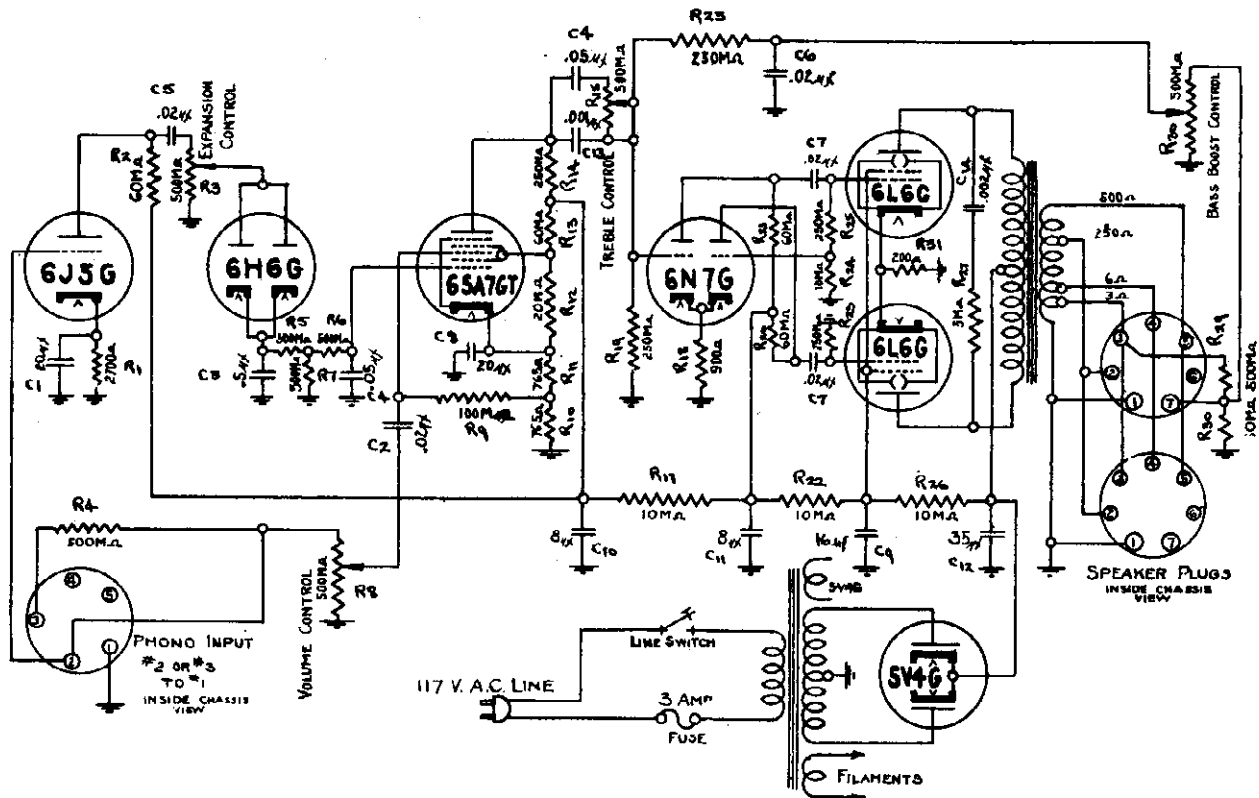
SEE 1A



MODELS 7356, 7984,  
12870  
Chassis 138.250

SEARS ROEBUCK CO.

18 WATT, 7 TUBE, 3 STAGE, PHONOGRAPH AMPLIFIER  
WITH VOLUME EXPANSION AND BASS BOOST



APRIL 19, 1943

TUBE COMPLEMENT

- |  |   |
|--|---|
| 1 6J5G . . . Voltage Amplifier<br>for volume expansion | 1 6H6G . . . Rectifier for volume expansion voltage |
| 1 6SA7GT . . . Input for pickup                        | 1 6N7G . . . Inverter-driver                        |
| 2 6L6G . . . Output                                    | 1 5V4G . . . Rectifier                              |

POWER SUPPLY

110-125 Volts, 50-60 cycle, A.C., 130 Watts

INPUT

Phonograph input for crystal or other high impedance pickups.

OUTPUT

3, 6, 250 and 500 ohms for P.M. speakers

# SEARS ROEBUCK CO.

MODEL 7188  
Ch. 109.417

AUTOMATIC RECORD CHANGER

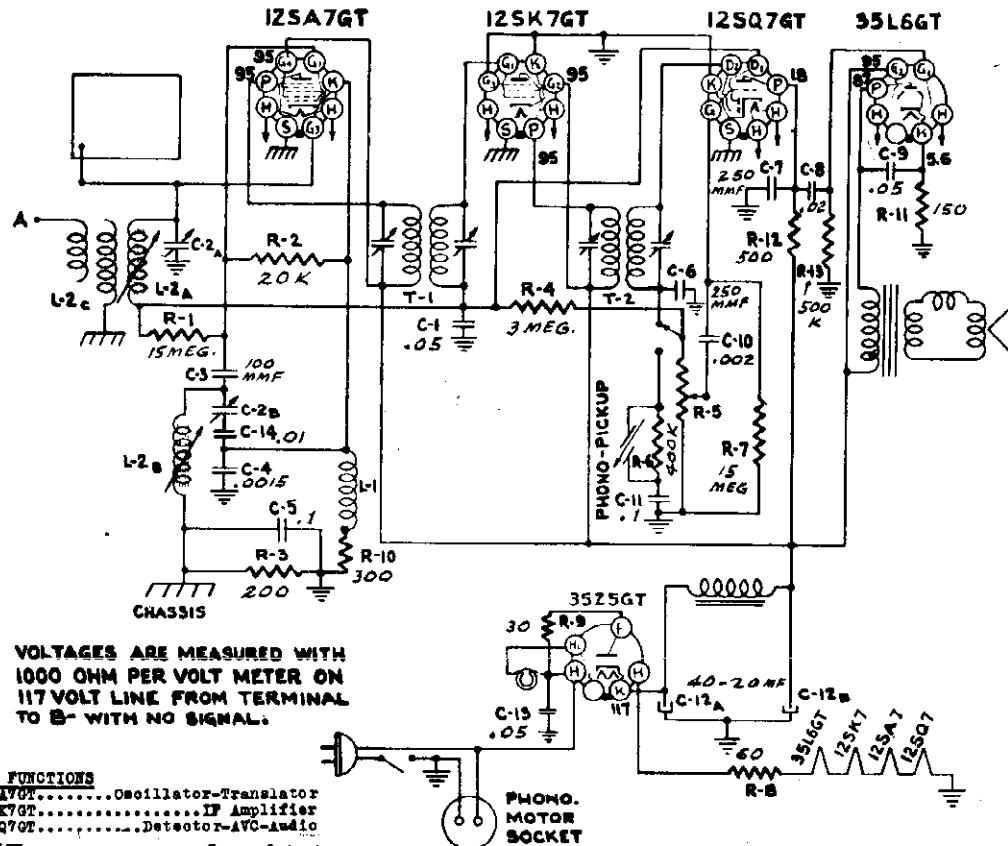
GENERAL SPECIFICATIONS

Motor.....	105-125 volts 60 cycles
Plays.....	Ten 12 inch records
Plays.....	Twelve 10 inch records
Plays.....	Home recordings

TECHNICAL SERVICE DATA

1. There is no strain on the mechanism when the tonearm is accidentally rotated during its cycle. Merely return the tonearm to engage its proper notch--"H" for playing home recording discs or "A" for standard records.
2. The height-gauge prevents vertical shocks from reaching the mechanism. Rotate the height-gauge until the needle is approximately 1/16 inch below the top surface of the turntable.
3. The set screws for adjusting the tonearm are above the motorboard. If it is necessary to loosen these screws while servicing, reset as follows: Tighten one set-screw, turn on the motor, allowing the changing cycle to proceed until the tonearm starts to drop, at which point turn off the motor, stop the turntable before the tonearm has completed its drop and loosen the set screw. Then, while holding the tonearm over the record so that the needle is midway between the outer edge of the record and the beginning of the recording, tighten the set screws.
4. The automatic record support can be turned in either direction when adjusting for 10-inch or 12-inch records. The record support post is gauged in production so that the distance from the edge of the automatic record support when adjusted for playing 10-inch records to the nearest edge of the center spindle is 4 27/32 inches.
5. The record changer is adjusted in production so that the automatic mechanism is tripped when the needle is between 1 21/32 and 1 1/4 inches from the edge of the center spindle. This adjustment away from the tonearm bearing will cause the automatic mechanism to be engaged when the needle is at a greater distance from the spindle and bending the bracket towards the tonearm bearing will cause the engagement to occur when the needle is at a lesser distance from the spindle.
6. When replacing the four speed nuts that fasten the bottom strap, drive the three small speed nuts up tight with a hammer, but replace the large speed nut on the center spindle firmly with the fingers.
7. The three main bearings are made of "Oilite" bronze. They contain an oil supply sufficient for the life of the machine. After two years of normal use, add three drops of oil to the two felt washer reservoirs on the main motor bearing, a drop on the rubber tired motor idler pulley bearing and two drops on the ball thrust bearing at the bottom of the center spindle. Operation of any record changer below normal room temperature will result in reduced turntable speed and consequently poor reproduction.

Keep the rubber belt and the rubber tire of the motor idler pulley free of grease, oil, and dirt. A cloth dampened with naphtha is recommended for cleaning these rubber parts.



VOLTAGES ARE MEASURED WITH 1000 OHM PER VOLT METER ON 117 VOLT LINE FROM TERMINAL TO B- WITH NO SIGNAL.

TUBES AND FUNCTIONS

12SA7GT.....	Oscillator-Translator
12SK7GT.....	IF Amplifier
12SQ7GT.....	Detector-ABC-Audio
35L6GT.....	Power Output
35Z5GT.....	Rectifier

POWER OUTPUT

Type.....	Beam Power
Undistorted.....	.70 Watts
Maximum.....	.85 Watts

MODEL 7188  
Ch. 109.417

SEARS ROEBUCK CO.

Output Meter Connection.....Across speaker voice coil  
 Connection of generator lead.....See chart below  
 Connection of generator ground lead.....Return of Phono Pickup  
 Dummy Antenna Value to be in series with generator output.....See chart below  
 Generator Modulation.....30%, 400 cycles  
 Position of Volume Control.....Fully clockwise  
 Phono-Radio Switch.....Radio position

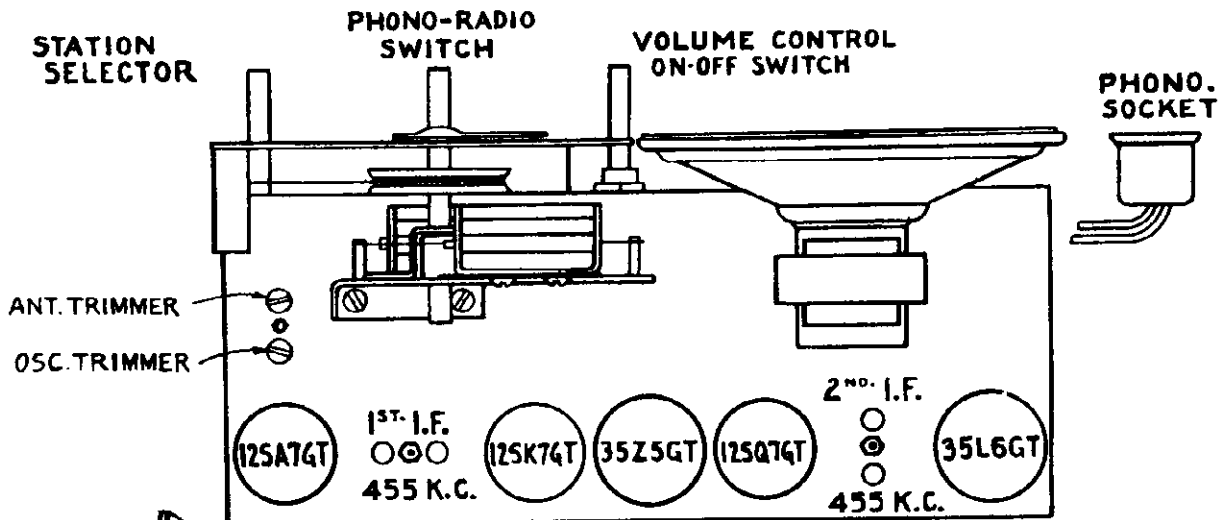
DIAL POSITION	GENERATOR FREQUENCY	DUMMY ANTENNA	GENERATOR CONNECTION	TRIMMERS ADJUSTED (In order shown)	REMARKS
H.F. End	I.F. 455 kc.	.1 mfd.	12SA7 Grid	T1, T2	Tune to max.
H.F. End (1720)	1720 kc.	200 mmf.	Antenna	Oscillator trimmer	Set limit of band
1400	1400 kc.	200 mmf.	Antenna	Antenna trimmer*	Tune to max.

\*Capacitor plate must be connected while adjusting this trimmer.  
 The alignment procedure should be repeated stage by stage in the original order for greatest accuracy. Always keep the output from the generator at the lowest possible level so that the AVC action of the receiver is ineffective.

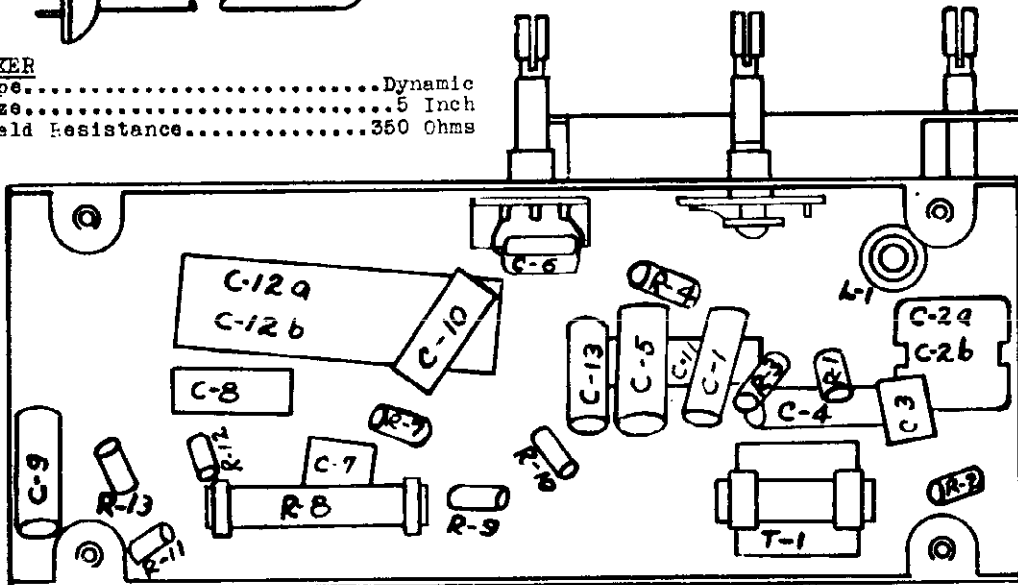
POWER SUPPLY.....105-125 volts AC 50 Watts  
 60 cycle only

FREQUENCY RANGE.....535 to 1720 kc.

ALIGNMENT FREQUENCIES.....Intermediate frequency 455 kc.,  
 Oscillator 1720 kc., Antenna 1400 kc.



SPEAKER  
 Type.....Dynamic  
 Size.....5 Inch  
 Field Resistance.....350 Ohms



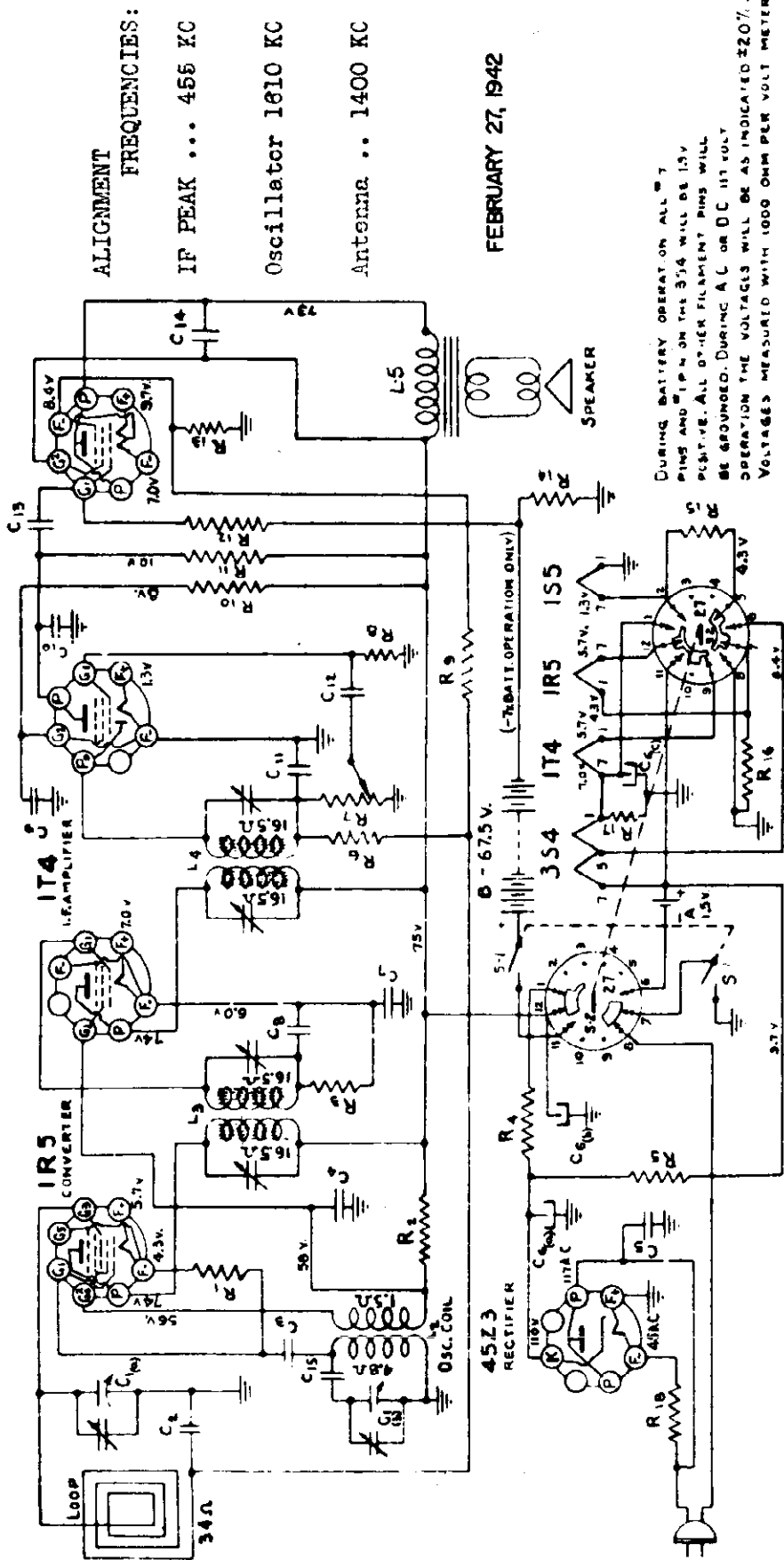
SEARS ROEBUCK CO.

MODEL 7189  
Ch. 109.378

SELLING PRICE EACH	DESCRIPTION CHASSIS PARTS
R15	Control-Volume 1 meg.
R14	Control-Variable
R5	Condenser-Elect 30 mfd.-150 V
R16	20 mfd.-150 V - 100 mfd.-12 V
R17	Condenser-Paper-.01-120 V
R13	Condenser-Paper-.25-.75 V
R4	Condenser-Paper-.006-600 V
R2	Condenser-Paper-.05-200 V
R1	Condenser-Paper-.01-400 V
R11	Condenser-Paper-.05-400 V
R12	Condenser-Paper-.001-600 V
R6, R10	Condenser-Mica 250 MMF
R3	Condenser-Mica 50 MMF
R8	Condenser-Mica 100 MMF
R9	Condenser-Mica 465±2% MMF
D8963	Resistor-55 ohm, 1/2 Watt
D8964	Resistor-700 ohm, 1/3 Watt
D9214	Resistor-2200 ohm, Wire Wound
D8965	Resistor-1M 1/3 Watt
D8966	Resistor-1700 ohm, 1/3 Watt
D8968	Resistor-3M 1/3 Watt
D9468	Resistor-5M 1/3 Watt
D7125	Resistor-100M 1/3 Watt
D7122	Resistor-1 Meg 1/3 Watt
D6723	Resistor-2 Meg 1/3 Watt
D8970	Resistor-4 Meg 1/3 Watt
D8847	Resistor-5 Meg 1/3 Watt
D6724	Resistor-10 Meg 1/3 Watt
D6562	Resistor-6 Meg 1/3 Watt
D635	

354 PRICES SUBJECT TO CHANGE WITHOUT NOTICE  
RETAIL SELLING PRICES PREPAID  
OUTPUT

SCHMATIC LOCATION	PART NO.	DESCRIPTION	PRICE EACH
R7	D8958	Control-Volume 1 meg.	1.25
C1	D9563	Control-Variable	2.25
C6, A, B, C	D8952	Condenser-Elect 30 mfd.-150 V	1.00
C4, C8	D8830	20 mfd.-150 V - 100 mfd.-12 V	.20
C7	D9136	Condenser-Paper-.01-120 V	.20
C13	D581	Condenser-Paper-.25-.75 V	.20
C2, C9	D680	Condenser-Paper-.006-600 V	.20
C14	D568	Condenser-Paper-.05-200 V	.20
C5	D563	Condenser-Paper-.01-400 V	.20
C12	D8640	Condenser-Paper-.05-400 V	.20
C11	D1286	Condenser-Paper-.001-600 V	.20
C10	D2780	Condenser-Mica 250 MMF	.20
C3	D1286	Condenser-Mica 50 MMF	.20
C15	D8959	Condenser-Mica 100 MMF	.20
		Condenser-Mica 465±2% MMF	.30



ALIGNMENT FREQUENCIES:  
IF PEAK ... 455 KC  
Oscillator 1610 KC  
Antenna .. 1400 KC

FEBRUARY 27, 1942

During BATTERY OPERATION ON ALL PINS AND PIPES ON THE 3S4 WILL BE 1.5V POSITIVE. ALL OTHER FILAMENT PINS WILL BE GROUNDED. DURING A.C. OR D.C. HT ONLY OPERATION THE VOLTAGES WILL BE AS INDICATED ±20%. VOLTAGES MEASURED WITH 1000 OHM PER VOLT METER.

MODEL 7189  
Ch. 109.378

SEARS ROEBUCK CO.

ALIGNMENT PROCEDURE

PRELIMINARY:

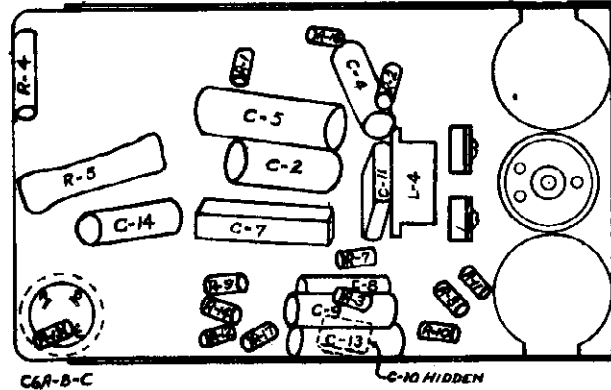
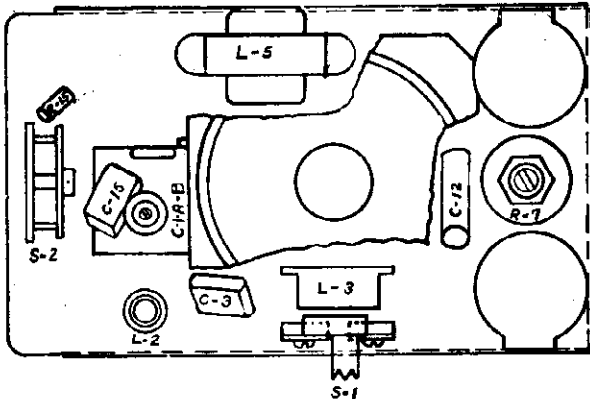
Output meter connection.....Across loudspeaker voice coil  
Output meter reading to indicate 50 milliwatts.....0.42 volts  
Generator ground lead connection.....To chassis through 0.1 mfd. cond.  
Connection of generator output lead.....See table below  
Generator modulation.....30%, 400 cycles  
Position of Volume Control.....Fully on  
Position of pointer with variable fully closed.....On 54° K. C.

<u>GENERATOR</u>	<u>CONNECTION AT RADIO</u>	<u>DUMMY ANTENNA</u>	<u>DIAL</u>	<u>TRIMMERS TO TUNE</u>	<u>REMARKS</u>
IP 455 K.C.	1B5 Grid	.1 Mfd.	H. F. End	IF Transformers 4 Trimmers	Tune to Max.
1600 K.C.	1B5 Grid	-----	H. F. End (1600)	Oscillator Trimmer	Set Limit of band
1400 K.C.	Standard loop or single turn from generator loosely coupled	-----	1400	Antenna Trimmer	Tune to Max.

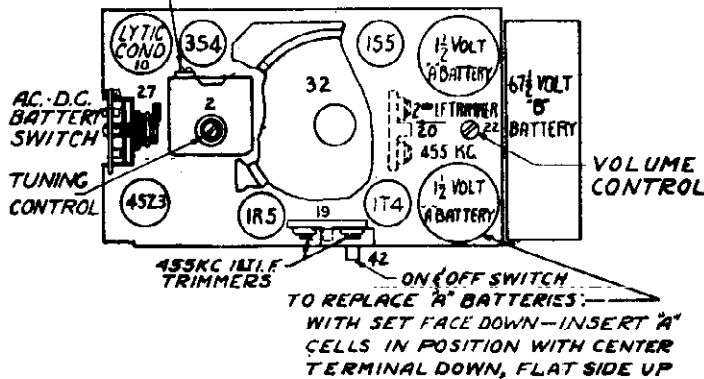
IMPORTANT ALIGNMENT NOTES:

The alignment procedure should be repeated in the original order, step by step, to insure greater accuracy.

Always keep the output power from the generator at its lowest possible value to prevent the AVC of the receiver from interfering with accurate alignment.  
The location of all the alignment adjustments is shown on the Top View of the chassis.  
The chassis is removed from the case in order to align the I.F. and oscillator, but the loop antenna must be left connected.  
The chassis and the batteries must be in place in the cabinet during loop alignment.  
The loop trimmer is accessible by removing the back cover.



1600 KC. OSC. TRIMMER  
BOTTOM SECTION  
1400 KC. ANT. TRIMMER  
TOP SECTION



TUBES AND FUNCTIONS

1B5.....Oscillator-Translator  
1T4.....IF Amplifier  
1B5.....Detector-AVC-Audio

5B4.....Power Output  
45Z3.....Rectifier

POWER OUTPUT

Type.....Pentode Tube  
Undistorted......095 Watts  
Maximum......125 Watts

SPEAKER

Type.....Permanent Magnet  
Size.....3 1/4 inch

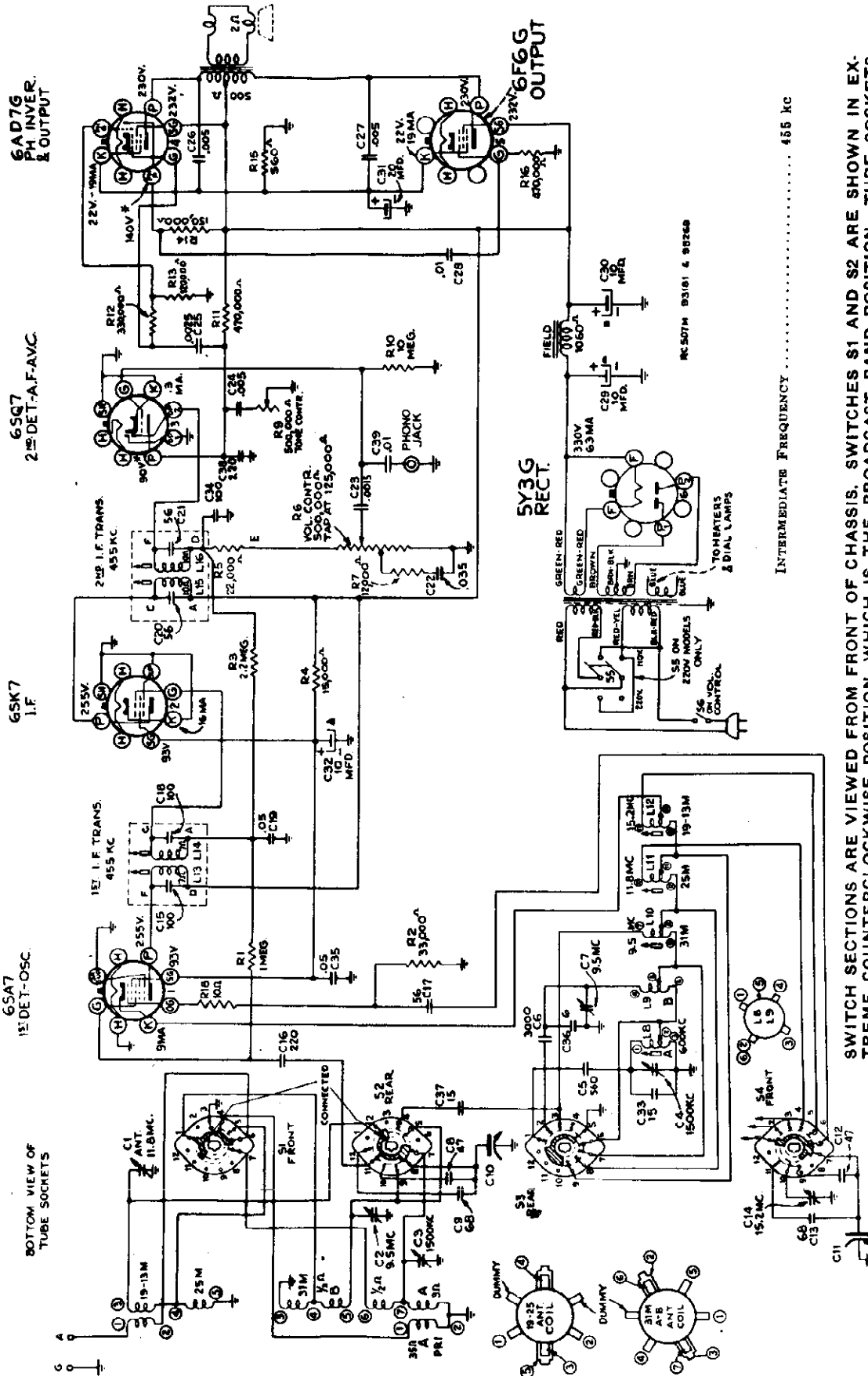
POWER SUPPLY.....105-125 volts AC or DC 20 Watts  
or batteries 1 "B" Battery #5071 and 2 "A" batteries #4650.

FREQUENCY RANGE.....540 to 1600 kc.

ALIGNMENT FREQUENCIES.....Intermediate frequency 455 kc.,  
Oscillator 1610 kc., Antenna 1400 kc.

SEARS ROEBUCK CO.

WIRING DIAGRAM FOR SILVERTONE CHASSIS—126.234



INTERMEDIATE FREQUENCY..... 455 KC

January 6, 1942

MODEL 7905 Export  
Chassis 126.234

SEARS ROEBUCK CO.

**Calibration Scale on Variable Condenser Drive Drum.**—The tuning dial is fastened in the cabinet and cannot be used for reference during alignment when chassis is out of cabinet; therefore, a calibration scale is attached to the rear of the drum which is mounted on the shaft of the gang condenser. The setting of the gang condenser is read on this scale, which is calibrated in degrees. The correct setting of the gang in degrees, for each alignment frequency, is given in the alignment table.

As the first step in r-f alignment, check the position of the drum. The 180° mark on the drum scale (see "Dial Drive Drawing") must be in a vertical position when the plates are fully meshed. The drum is held to the shaft by means of two set screws, which must be tightened securely when the drum is in the correct position.

**Pointer for Calibration Scale.**—Improvise a pointer for the calibration scale by fastening a piece of wire to the gang condenser frame, and bend the wire so that it points to the "180°" mark on the calibration scale when the plates are fully meshed.

**Dial - Indicator Adjustment.**—After fastening the chassis in the cabinet attach the dial pointer to the drive cable with variable condenser fully closed and pointer on last calibration mark at 550 kc end of Broadcast "A" band. The dial pointer has a spring clip for attachment to the cable.

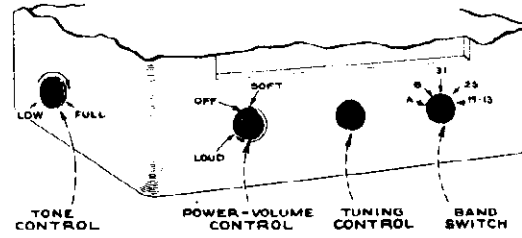
**Spread-Band Alignment.**—The most satisfactory method of aligning or checking the spread-band ranges is on actual reception of short-wave stations of known frequency, by adjusting the magnetite-core oscillator coil for each band so that these stations come in at the correct points on the dial.

In exceptional cases, when the set is being serviced in a location where the noise level is high enough to prevent reception of short-wave stations, a test-oscillator may be used for alignment, but an extremely high degree of accuracy is required in the frequency settings of the test-oscillator, as a slight error will produce considerable

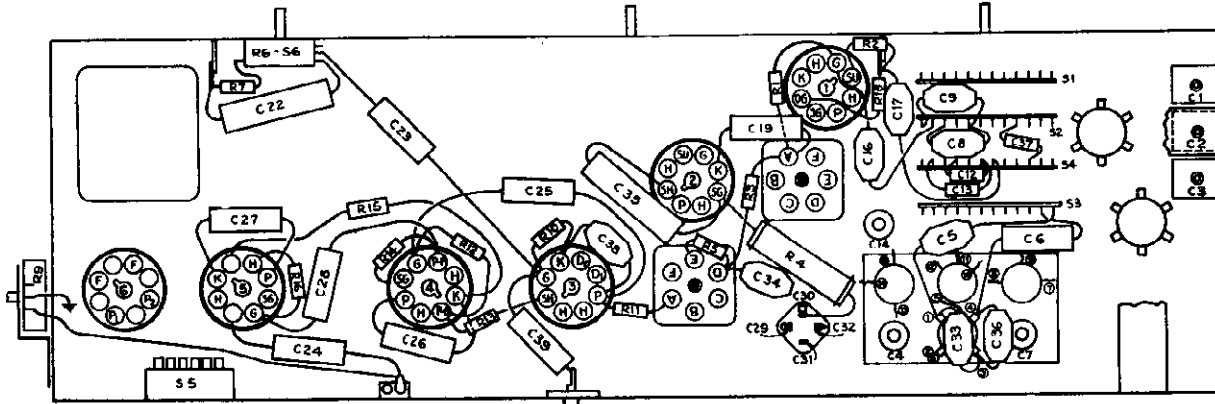
inaccuracy on the spread-band dials. The frequency settings of the test-oscillator may be checked by one or both of the following methods:

1. Determine the exact dial settings of the test-oscillator (for frequencies at or close to the specified alignment frequencies) by zero-beating the test-oscillator against short-wave stations of known frequency.
2. Use harmonics of the standard-broadcast range of a test-oscillator, or by zero-beating against standard broadcast stations.

When a test oscillator is employed for spread-band alignment, a final check should be made on actual reception of short-wave stations of known frequency, and the magnetite-core oscillator coil for each band should be re-adjusted so that the stations come in at the correct points on the dial.



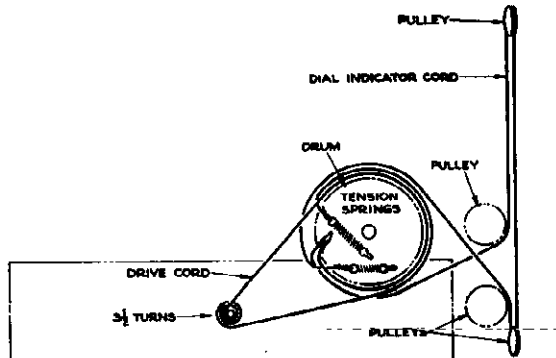
CONTROLS



TUBE, TRIMMER AND PARTS LOCATION—BOTTOM VIEW

**Tuning Dial:**

The tuning shaft is connected through a cord drive to a drum on the condenser shaft. A second cord drives the dial indicator by passing over a pulley on the chassis. "Condenser and Indicator Drive Cord" illustration shows the complete cord drive assembly and the correct number of turns which the cord should be wrapped around the drive shaft and condenser drum.



CONDENSER AND INDICATOR DRIVE CORD

**POWER OUTPUT:**  
Type ..... Pentode  
Undistorted ..... 8.0 watts  
Maximum ..... 8.5 watts

**POWER SUPPLY RATING:**  
105-120 volts, 25 cycle ..... 75 watts  
105-120 volts, 50-60 cycle ..... 75 watts  
105-130, 140-160, 200-250 volts, 50-60 cycle ..... 75 watts

**LOUDSPEAKER:**

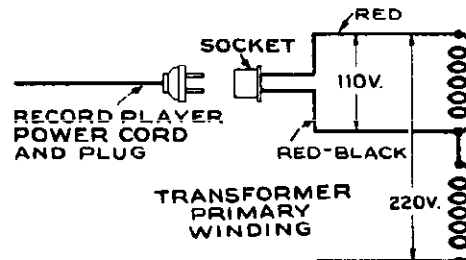
Type ..... 6-inch electrodynamic  
Voice Coil Impedance at 400 Cycles ..... 8.4 ohms  
Field Coil Resistance ..... 1,060 ohms

**FREQUENCY RANGES:**

Standard Broadcast (A) ..... 540-1,720 kc (555-174 m)  
Medium Wave (B) ..... 3,000-9,500 kc (100-31.5 m)  
31 Meter Spread Band ..... 9,500-12,500 kc (31.5-24.0 m)  
25 Meter Spread Band ..... 11,800-16,000 kc (25.5-18.8 m)  
19-16-13 Meter Spread Band ..... 15,500-22,500 kc (19.5-13.8 m)

**CHASSIS FEATURES:**

- Jack for Phonograph Attachment
- Magnetite-Core Adjusted I-F Transformers, and Oscillator Coils
- Automatic Volume Control
- High-Frequency Tone Control
- Aural-Compensated Volume Control
- Spread Bands for Short Wave Reception



RECORD PLAYER CONNECTIONS (220V—110V)

**ALIGNMENT PROCEDURE**

**PRELIMINARY:**

Output meter connections .....	Across speaker voice coil
Output meter reading to indicate 1.0 watt output .....	1.8 volts
Approximate average sensitivity in microvolts for 1.0 watt output .....	See chart below
Dummy antenna value to be inserted in series with generator output .....	See chart below
Connection of generator output lead .....	See chart below
Connection of generator ground lead .....	To chassis
Generator modulation .....	80%, 400 cycles
Position of Volume Control .....	Fully clockwise
Position of Tone Control .....	Fully clockwise

**LOCATION OF PARTS AND ALIGNMENT ADJUSTMENTS ON TOP OF CHASSIS**

Wave-Band Switch Position	Position of Dial Pointer	Generator Frequency	Dummy Antenna	Generator Connection	Trimmers Adjusted (In order shown)	Trimmer Function	Approximate Microvolts
"A"	Low End	455 kc	.001 mfd.	6SK7 I-F Grid	L15, L16	2nd I-F Trans.	4,000
"A"	Low End	455 kc	.001 mfd.	6SA7 Det.-Osc. Grid	L13, L14	1st I-F Trans.	70
"25 Meter"	11.8 mc (188.5°)	11.8 mc	300 ohms	Ant.	L11, C1	Osc.,* Ant.	23
"25 Meter"	15.2 mc (18.5°)	15.2 mc	300 ohms	Ant.	C14	Osc.*	
"19-13 Meter"	15.2 mc (150°)	15.2 mc	300 ohms	Ant.	L12	Osc.*	56
"31 Meter"	9.5 mc (154°)	9.5 mc	300 ohms	Ant.	L10, C2	Osc.,* Ant.	23
"Medium Band"	9.5 mc (11.5°)	9.5 mc	300 ohms	Ant.	C7, C2	Osc.,* Ant.	23
"Standard Band"	1,500 kc (27°)	1,500 kc	.0002 mfd.	Ant.	C4, C3	Osc., Ant.	16
"Standard Band"	600 kc (149.5°) (Rock)	600 kc	.0002 mfd.	Ant.	L8	Osc.	16

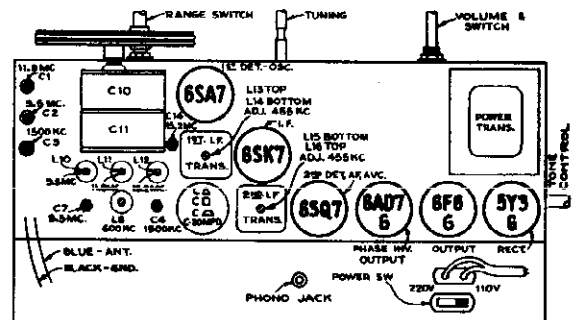
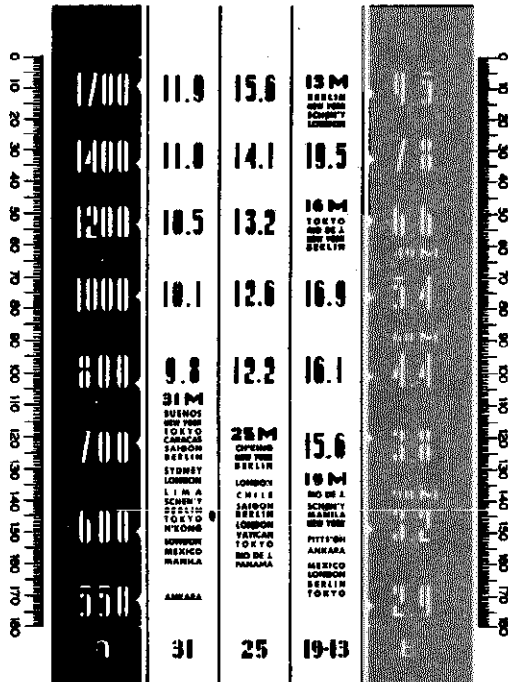
**IMPORTANT ALIGNMENT NOTES**

\* Use minimum capacity peaks if two peaks can be obtained.  
 Where indicated by the word "Rock," the variable tuning condenser should be rocked back and forth a degree or two while making this adjustment.  
 Each step of the alignment should be repeated in its original order for greater accuracy. Always keep the output from the generator at its lowest possible value to prevent the a-v-c action of the set interfering with accurate alignment.  
 Adjustment locations are shown on the top and bottom parts location views of chassis.  
 Only the dummy antenna indicated in the chart for any particular band should be used. Remove the dummy used for alignment in any other band.  
 Note.—Oscillator tracks 455 kc above signal on all bands.  
 Values shown under, "Microvolts," are only approximate.

**Calibration Scale**

*Reduced Reproduction of Receiver Dial, and Corresponding 180-0° Calibration Scales*

The corresponding position of the dial indicator for any setting of the calibration scale can be determined by drawing a line from this point on the bottom calibration scale to the same point on the top calibration scale. For example: 150° on the calibration scale corresponds to approximately 600 kc on "A" band, etc. Read instructions under "Alignment Procedure."



**TUBE, TRIMMER AND PARTS LOCATION**

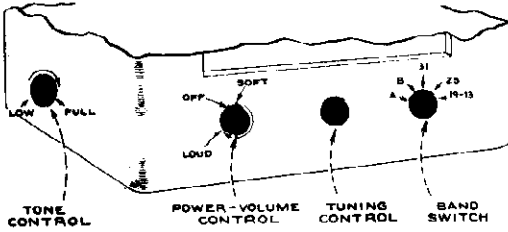


MODEL 7906 Export  
Chassis 126.235

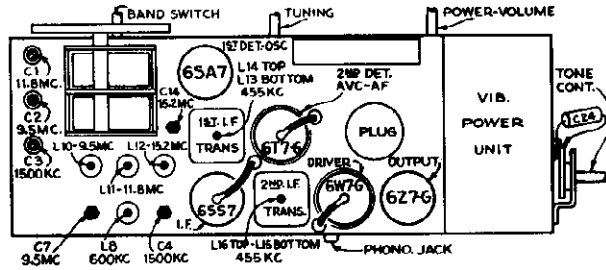
SEARS ROEBUCK CO.

**Calibration Scale on Variable Condenser Drive Drum.**—The tuning dial is fastened in the cabinet and cannot be used for reference during alignment when chassis is out of cabinet; therefore, a calibration scale is attached to the rear of the drum which is mounted on the shaft of the gang condenser. The setting of the gang condenser is read on this scale, which is calibrated in degrees. The correct setting of the gang in degrees, for each alignment frequency, is given in the alignment table.

As the first step in r-f alignment, check the position of the drum. The 180° mark on the drum scale (see "Dial Drive Drawing") must be in a vertical position when the plates are fully meshed. The drum is held to the shaft by means of two set screws, which must be tightened securely when the drum is in the correct position.



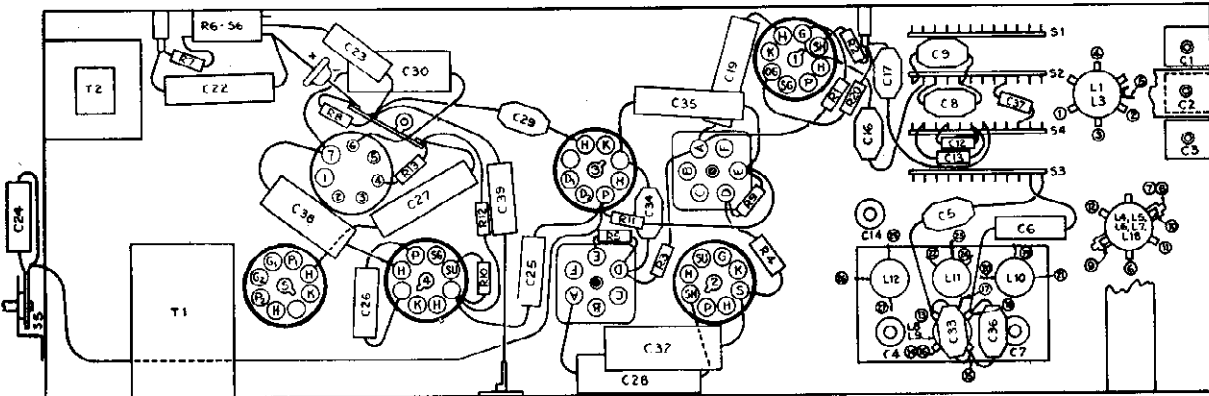
CONTROLS



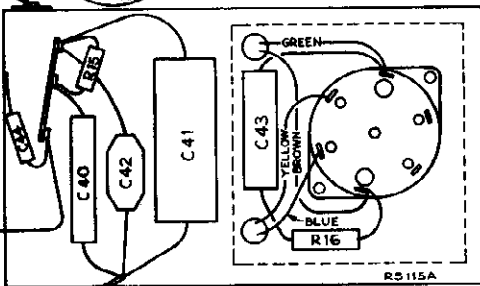
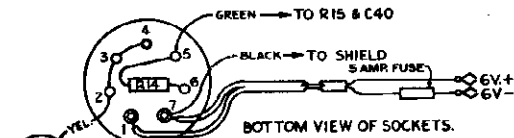
TUBE, TRIMMER AND PARTS LOCATION—TOP VIEW

**Pointer for Calibration Scale.**—Improvise a pointer for the calibration scale by fastening a piece of wire to the gang condenser frame, and bend the wire so that it points to the "180°" mark on the calibration scale when the plates are fully meshed.

**Dial-Indicator Adjustment.**—After fastening the chassis in the cabinet attach the dial pointer to the drive cable with variable condenser fully closed and pointer on last calibration mark at 550 kc end of Broadcast "A" band. The dial pointer has a spring clip for attachment to the cable.



TUBE, TRIMMER AND PARTS LOCATION—BOTTOM VIEW



VIBRATOR POWER SUPPLY—BOTTOM VIEW

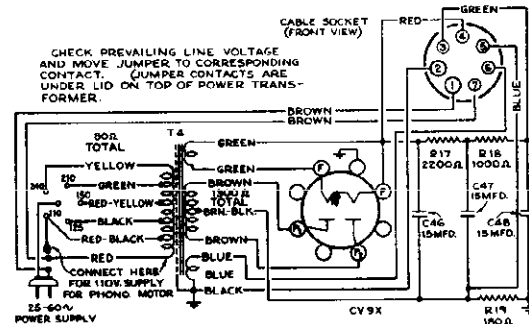
**Socket Voltages with the A-C Power Supply Unit**  
(LINE SUPPLY VOLTAGE, 110 VOLTS)

Tube	Filament Voltage	Plate Voltage	Screen Voltage	Plate Current	Cathode Current
6SA7	6.15	182	66	1.1	6.0
6SS7	6.15	182	66	8.3	10.1
6T7G	6.15	55*		.25	.25
6W7G	6.15	178	182	7.0	8.8
6Z7G	6.15	207		0.7	0.7
5Y8G	4.55	Rectifier voltage 210, "B" current 34.9			

**A-C Power Supply Unit**

An A-C Power Supply Unit is available for the Model 7906 receiver. The installation of this unit allows the receiver to be operated on 105-125, 200-250 volts, 25-60 cycle a-c power supply. Installation is as follows:

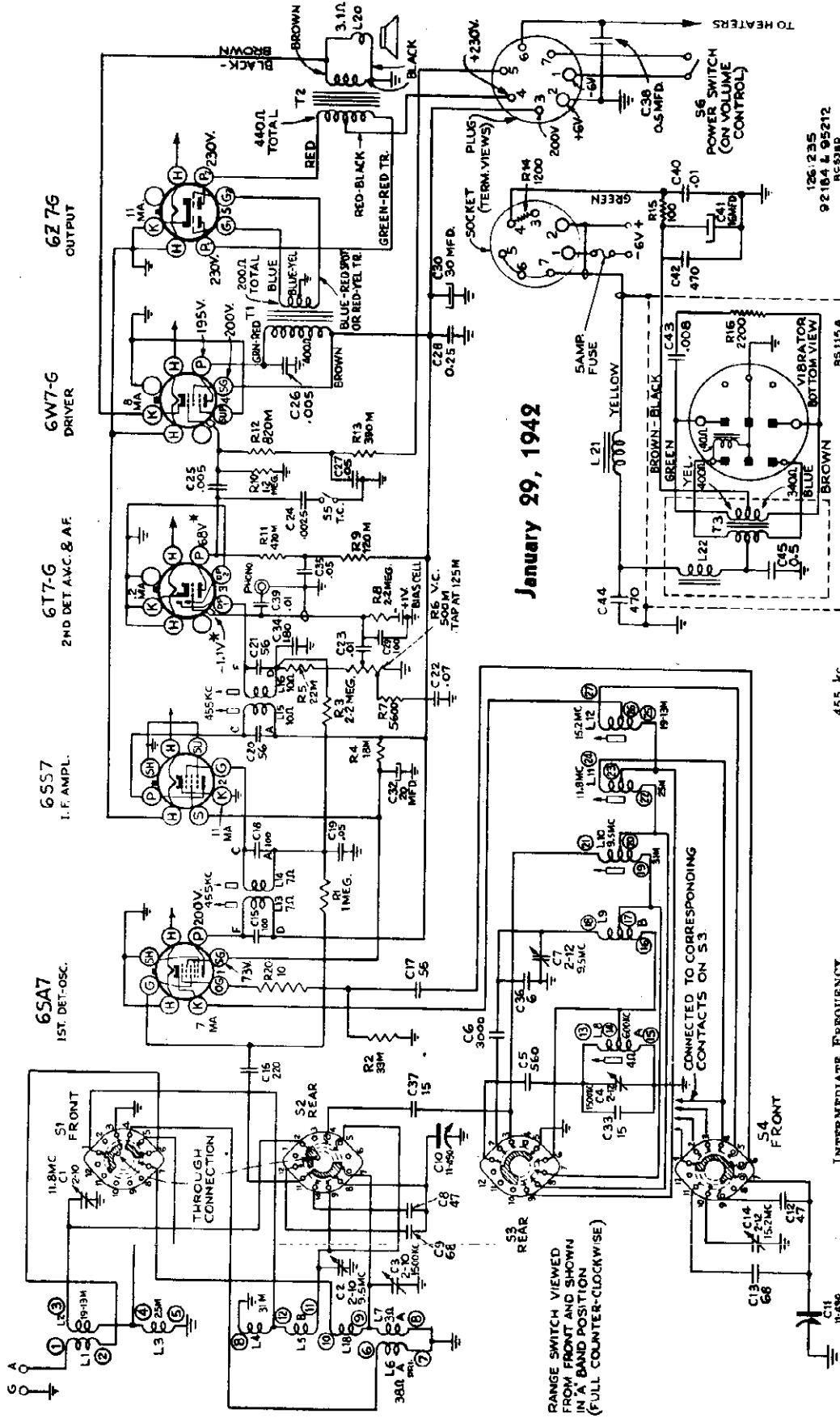
- Disconnect the battery leads. Detach the socket connecting the short cable from the Vibrator Power Unit to the Chassis.
- Set the switch on the A-C Power Unit for the voltage that is to be used, A-C 105 to 125 or 210 to 250 volts 25 to 60 cycles. Then attach the A-C Power Unit Cable to the chassis.
- If desired, the Vibrator Unit may be removed from the chassis by unfastening the two screws on the chassis apron.



A-C POWER UNIT WIRING DIAGRAM

SEARS, ROEBUCK & CO.

WIRING DIAGRAM FOR SILVERTONE CHASSIS—126.235



January 29, 1942

INTERMEDIATE FREQUENCY.....455 kc

126.235  
92184 L 95212  
RC638D

SWITCH SECTIONS ARE VIEWED FROM FRONT OF CHASSIS. SWITCHES S1 AND S2 ARE SHOWN IN EXTREME COUNTERCLOCKWISE POSITION, WHICH IS THE BROADCAST BAND POSITION. TUBE SOCKETS ARE VIEWED FROM UNDER SIDE OF CHASSIS. VOLTAGE READINGS AT INDICATED SOCKET PRONGS ARE TO CHASSIS. ALIGNMENT TO BE MADE AT THE FREQUENCIES SHOWN AT THE TRIMMING ADJUSTMENTS. WHERE NO VOLTAGE READING IS SHOWN, IT INDICATES ZERO VOLTAGE OR A VERY LOW READING. VOLTAGES TO BE MEASURED WITH NO SIGNAL. FIGURES AT CATHODES ARE CATHODE CURRENTS IN MILLIAMPERES. VOLTAGES WITH STAR (\*) ARE ACTUAL OPERATING VOLTAGES IN HIGH RESISTANCE CIRCUITS, MEASURED WITH ELECTRONIC VOLTMETER.

MODEL 7906 Export  
Chassis 126.235

SEARS ROEBUCK CO.

ALIGNMENT PROCEDURE

PRELIMINARY:

Output meter connections..... Across speaker voice coil  
Output meter reading to indicate 1.0 watt output..... 1.8 volts  
Approximate average sensitivity in microvolts for 1.0 watt output..... See chart below  
Dummy antenna value to be inserted in series with generator output..... See chart below  
Connection of generator output lead..... See chart below  
Connection of generator ground lead..... To chassis  
Generator modulation..... 30%, 400 cycles  
Position of Volume Control..... Fully clockwise  
Position of Tone Control..... Fully clockwise  
Position of Dial Pointer with variable tuning condenser fully closed..... To fall on last calibration mark at 540 KC end of "Broadcast" band

Wave-Band Switch Position	Position of Dial Pointer	Generator Frequency	Dummy Antenna	Generator Connection	Trimmers Adjusted (In order shown)	Trimmer Function	Approximate Microvolts
A Band	Low End	455 kc	.01 mfd.	6SS7 I-F Grid	L15, L16	2nd I-F Trans.	2,100
A Band	Low End	455 kc	.01 mfd.	6SA7 1st Det. Grid	L13, L14	1st I-F Trans.	68
25M Band	11.8 mc (138.5°)	11.8 mc	300 ohms	Ant.	L11, C1	osc., ant.	85
25M Band	15.2 mc (17.0°)	15.2 mc	300 ohms	Ant.	C14	osc.*	
19-19M Band	15.2 mc (156.0°)	15.2 mc	300 ohms	Ant.	L12	osc.*	42
31M Band	9.5 mc (156.0°)	9.5 mc	300 ohms	Ant.	L10, C3	osc., ant.	38
B Band	9.5 mc (11.5°)	9.5 mc	300 ohms	Ant.	C7, C2	osc.*	35
A Band	1,500 kc (26.0°)	1,500 kc	.0002 mfd.	Ant.	C4, C5	osc., ant.	14
A Band	600 kc (150.0°) (Rock)	600 kc	.0002 mfd.	Ant.	L8 (Rock)	osc.	14

IMPORTANT ALIGNMENT NOTES

\* Use minimum capacity peaks if two peaks can be obtained.  
Where indicated by the word "Rock," the variable tuning condenser should be rocked back and forth a degree or two while making this adjustment.  
Each step of the alignment should be repeated in its original order for greater accuracy. Always keep the output from the generator at its lowest possible value to prevent the a-v-c action of the set interfering with accurate alignment.  
Adjustment locations are shown on the top and bottom parts location views of chassis.  
Only the dummy antenna indicated in the chart for any particular band should be used. Remove the dummy used for alignment in any other band.  
Note.—Oscillator tracks 455 kc above signal on all bands.  
Values shown under, "Microvolts," are only approximate.

**Spread-Band Alignment.**—The most satisfactory method of aligning or checking the spread-band ranges is on actual reception of short-wave stations of known frequency, by adjusting the magnetite-core oscillator coil for each band so that these stations come in at the correct points on the dial.

In exceptional cases, when the set is being serviced in a location where the noise level is high enough to prevent reception of short-wave stations, a test-oscillator may be used for alignment, but an extremely high degree of accuracy is required in the frequency settings of the test-oscillator, as a slight error will produce considerable inaccuracy on the spread-band dials. The frequency settings of the test-oscillator may be checked by one or both of the following methods:

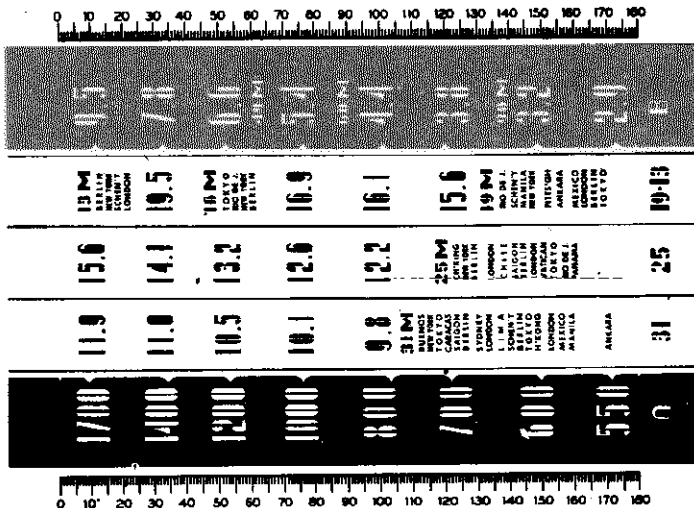
- Determine the exact dial settings of the test-oscillator (for frequencies at or close to the specified alignment frequencies) by zero-beating the test-oscillator against short-wave stations of known frequency.
- Use harmonics of the standard-broadcast range of a test-oscillator, or by zero-beating against standard broadcast stations.

When a test oscillator is employed for spread-band alignment, a final check should be made on actual reception of short-wave stations of known frequency, and the magnetite-core oscillator coil for each band should be re-adjusted so that the stations come in at the correct points on the dial.

Calibration Scale

Reduced Reproduction of Receiver Dial, and Corresponding 180-0° Calibration Scales

The corresponding position of the dial indicator for any setting of the calibration scale can be determined by drawing a line from this point on the bottom calibration scale to the same point on the top calibration scale. For example: 150° on the calibration scale corresponds to approximately 600 kc on "A" band, etc. Read instructions under "Alignment Procedure."

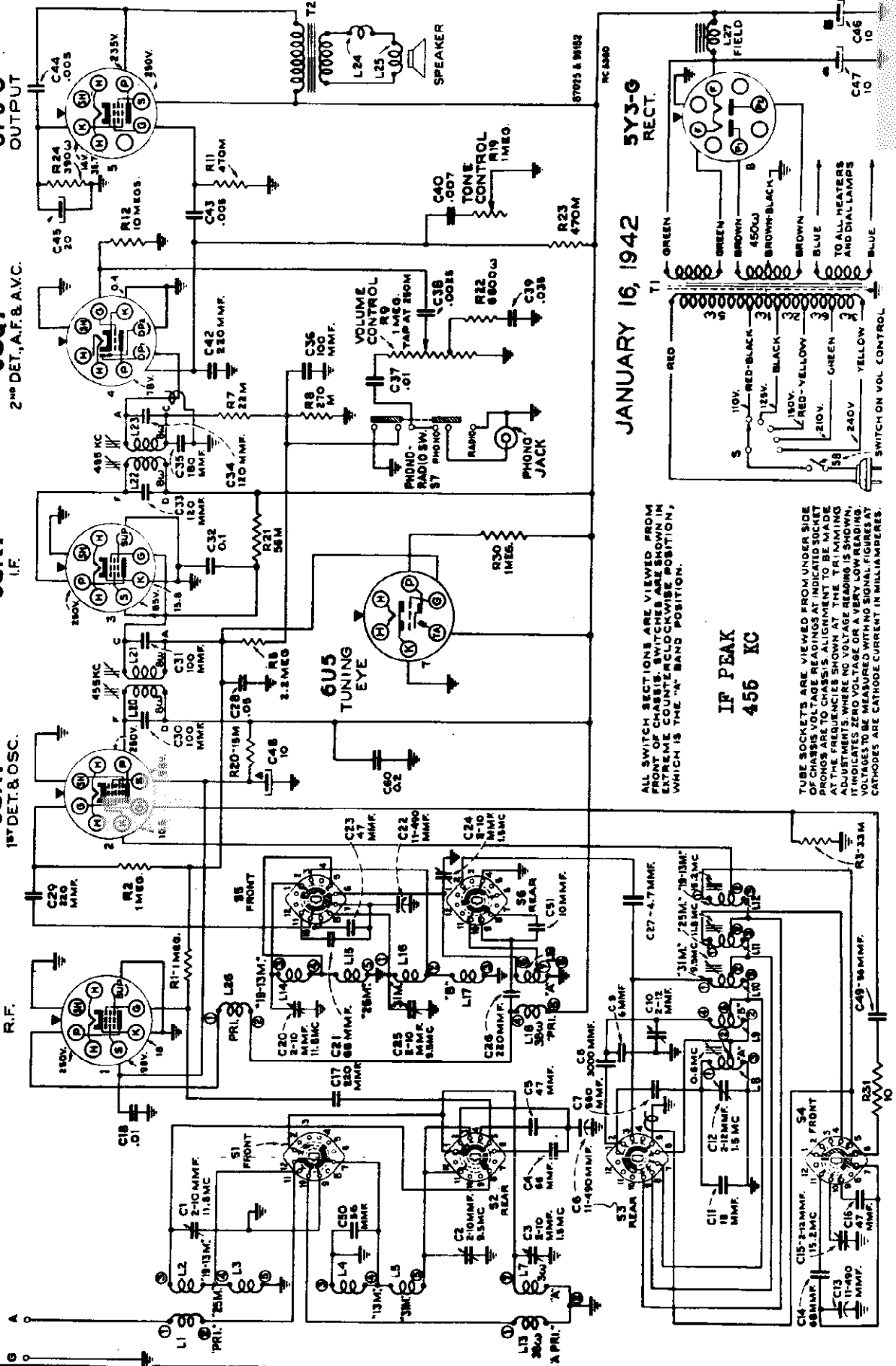


POWER OUTPUT	Battery Supply	A-C Supply
Undistorted.....	3.1 watts.....	3.0 watts
Maximum.....	4.5 watts.....	4.0 watts

**LOUDSPEAKER**  
Type..... 6-inch, permanent-magnet dynamic  
Voice-coil Impedance at 400 cycles..... 3.4 ohms

**POWER SUPPLY RATINGS:**  
With vibrator power supply unit:  
6.3 volts, total current drain..... 3.2 amperes  
With A-C power supply unit:  
100-130/140-160/185-250 volts, 25-60-cycles..... 28-watts

WIRING DIAGRAM FOR SILVERTONE CHASSIS — 126.237  
6SA7 1ST DET. & OSC. I.F.  
6SK7 I.F.  
6SK7 I.F.  
6SQ7 2ND DET., A.F. & A.V.C.  
6F6-G OUTPUT



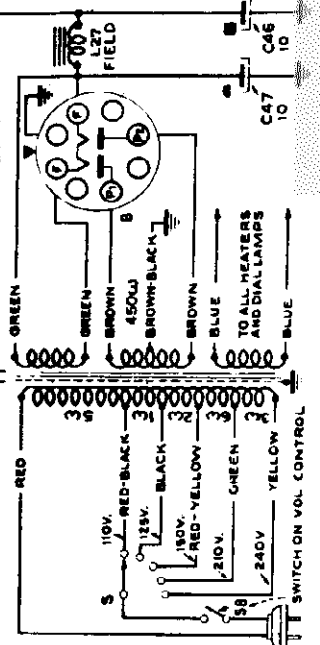
JANUARY 16, 1942

5Y3-G  
RECT.

ALL SWITCH SECTIONS ARE VIEWED FROM FRONT OF CHASSIS. TAP POSITIONS IN EXTREME COUNTERCLOCKWISE POSITION, WHICH IS THE "A" BAND POSITION.

IF PEAK  
455 KC

TUBE SOCKETS ARE VIEWED FROM UNDER SIDE OF CHASSIS. VOLTAGE READINGS AT INDICATED SOCKET PRONGS ARE TO CHASSIS. FREQUENCY IS SHOWN AT THE FREQUENCY CONTROL. WHERE NO VOLTAGE READING IS SHOWN, IT INDICATES ZERO VOLTAGE OR A VERY LOW READING. VOLTAGES TO BE MEASURED WITH NO SIGNAL. FIGURES AT CATHODES ARE CATHODE CURRENT IN MILLIAMPERES.



MODEL 7910 Export  
Chassis 126.237

SEARS ROEBUCK CO.

Chassis Features:

Jack and Switch for Phonograph Attachment  
Magnetite-Core Adjusted I.F. Transformers, and Oscillator Coils

Automatic Volume Control  
High-Frequency Tone Control  
Aural-Compensated Volume Control  
No. R-F Stages (all bands)..... one  
Spread Bands for Short Wave Reception

ALIGNMENT PROCEDURE

PRELIMINARY:

Output meter connections..... Across speaker voice coil  
Output meter reading to indicate 1.0 watt output..... 1.8 volts  
Approximate average sensitivity in microvolts for 1.0 watt output..... See chart below  
Dummy antenna value to be inserted in series with generator output..... See chart below  
Connection of generator output lead..... See chart below  
Connection of generator ground lead..... To chassis  
Generator modulation..... 30%, 400 cycles  
Position of Volume Control..... Fully clockwise  
Position of Tone Control..... Fully clockwise

LOCATION OF PARTS AND ALIGNMENT ADJUSTMENTS ON TOP OF CHASSIS

Wave-Band Switch Position	Position of Dial Pointer	Generator Frequency	Dummy Antenna	Generator Connection	Trimmers Adjusted (In order shown)	Trimmer Function	Approximate Microvolts
"A"	Low End	455 kc	.001 mfd.	6SK7 I-F Grid	L22, L23	2nd I-F Trans.	4,000
"A"	Low End	455 kc	.001 mfd.	6SA7 Det.-Osc. Grid	L20, L21	1st I-F Trans.	70
"25 Meter"	11.8 mc (138.5°)	11.8 mc	300 ohms	Ant.	L11, C1, C20	Osc., * Ant., Det.	7
"25 Meter"	15.2 mc (18.5°)	15.2 mc	300 ohms	Ant.	C15	Osc.*	8.5
"19-13 Meter"	15.2 mc (156°)	15.2 mc	300 ohms	Ant.	L12	Osc.*	7
"31 Meter"	9.5 mc (156°)	9.5 mc	300 ohms	Ant.	L10, C2, C25	Osc., * Ant., Det.	5.6
"Medium Band"	9.5 mc (11.5°)	9.5 mc	300 ohms	Ant.	C10	Osc.*	3
"Standard Band"	1,500 kc (27°)	1,500 kc	.0002 mfd.	Ant.	C12, C3, C24	Osc., Ant., Det.	2
"Standard Band"	600 kc (149.5°) (Rock)	600 kc	.0002 mfd.	Ant.	L8	Osc.	1.5

IMPORTANT ALIGNMENT NOTES

\* Use minimum capacity peaks if two peaks can be obtained.

Where indicated by the word "Rock," the variable tuning condenser should be rocked back and forth a degree or two while making this adjustment.

Each step of the alignment should be repeated in its original order for greater accuracy. Always keep the output from the generator at its lowest possible value to prevent the a-v-c action of the set interfering with accurate alignment.

Adjustment locations are shown on the top and bottom parts location views of chassis.

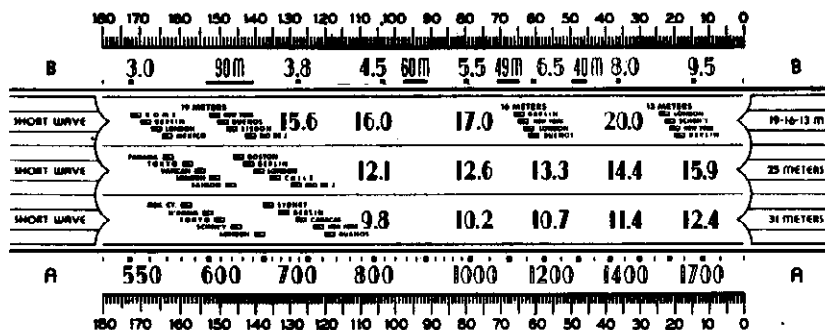
Only the dummy antenna indicated in the chart for any particular band should be used. Remove the dummy used for alignment in any other band.

Note.—Oscillator tracks 455 kc above signal on all bands.

Values shown under, "Microvolts," are only approx. uate.

Calibration Scale

Reduced Reproduction of Receiver Dial, and Corresponding 180-0° Calibration Scales



The corresponding position of the dial indicator for any setting of the calibration scale can be determined by drawing a line from this point on the bottom calibration scale to the same point on the top calibration scale. For example: 150° on the calibration scale corresponds to approximately 600 kc on "A" band, etc. Read instructions under "Alignment Procedure."

SEARS ROEBUCK CO.

MODEL 7910 Export  
Chassis 126.237

**Spread-Band Alignment.**—The most satisfactory method of aligning or checking the spread-band ranges is on actual reception of short-wave stations of known frequency, by adjusting the magnetite-core oscillator coil for each band so that these stations come in at the correct points on the dial.

In exceptional cases, when the set is being serviced in a location where the noise level is high enough to prevent reception of short-wave stations, a test-oscillator may be used for alignment, but an extremely high degree of accuracy is required in the frequency settings of the test-oscillator, as a slight error will produce considerable inaccuracy on the spread-band dials. The frequency settings of the test-oscillator may be checked by one or both of the following methods:

1. Determine the exact dial settings of the test-oscillator (for frequencies at or close to the specified alignment frequencies) by zero-beating the test-oscillator against short-wave stations of known frequency.
2. Use harmonics of the standard-broadcast range of a test-oscillator, or by zero-beating against standard broadcast stations.

When a test oscillator is employed for spread-band alignment, a final check should be made on actual reception of short-wave stations of known frequency, and the magnetite-core oscillator coil for each band should be re-adjusted so that the stations come in at the correct points on the dial.

**Calibration Scale on Variable Condenser Drive Drum.**—The tuning dial is fastened in the cabinet and cannot be used for reference during alignment when chassis is out of cabinet; therefore, a calibration scale is attached to the rear of the drum which is mounted on the shaft of the gang condenser. The setting of the gang condenser is read on this scale, which is calibrated in degrees. The correct setting of the gang in degrees, for each alignment frequency, is given in the alignment table.

As the first step in r-f alignment, check the position of the drum. The 180° mark on the drum scale (see "Dial Drive Drawing") must be in a vertical position when the plates are fully meshed. The drum is held to the shaft by means of two set screws, which must be tightened securely when the drum is in the correct position.

**Pointer for Calibration Scale.**—Improvise a pointer for the calibration scale by fastening a piece of wire to the gang-condenser frame, and bend the wire so that it points to the "180°" mark on the calibration scale when the plates are fully meshed.

**Dial-Indicator Adjustment.**—After fastening the chassis in the cabinet attach the dial pointer to the drive cable with variable condenser fully closed and pointer on last calibration mark at 550 kc end of Broadcast "A" band. The dial pointer has a spring clip for attachment to the cable.

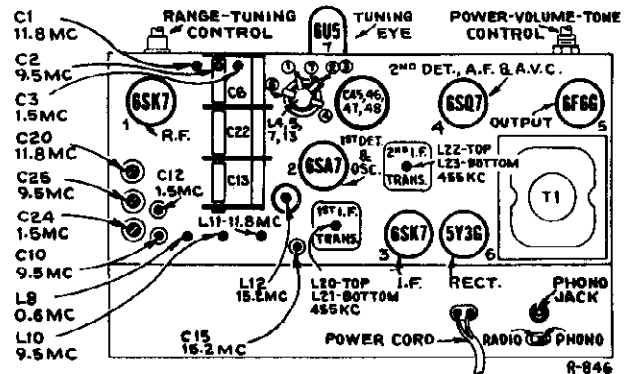


FIG. 3. TUBE, TRIMMER AND PARTS LOCATION

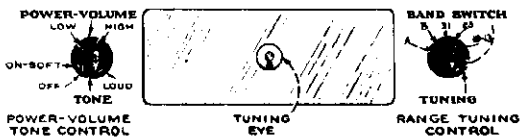


FIG. 4. CONTROLS

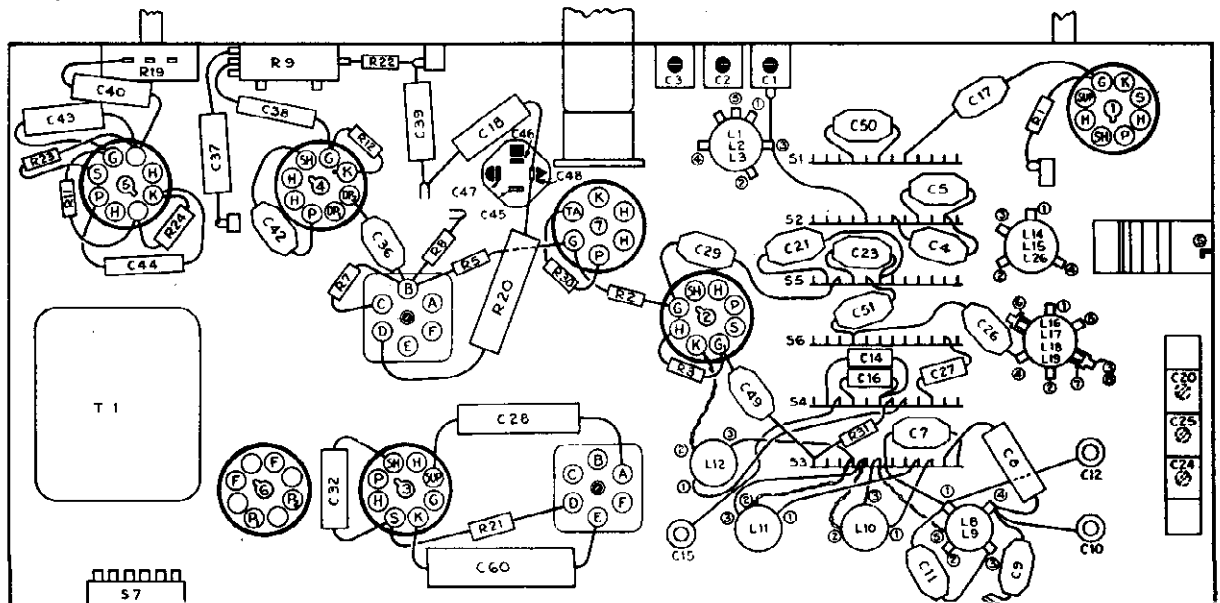


FIG. 5. TUBE, TRIMMER AND PARTS LOCATION—BOTTOM VIEW

**Loudspeaker:**  
Type..... 6-inch electrodynamic  
Voice Coil Impedance at 400 Cycles..... 3.4 ohms  
Field Coil Resistance..... 1,060 ohms

**Power Output:**  
Type..... Pentode  
Undistorted..... 2.5 watts  
Maximum..... 4.5 watts

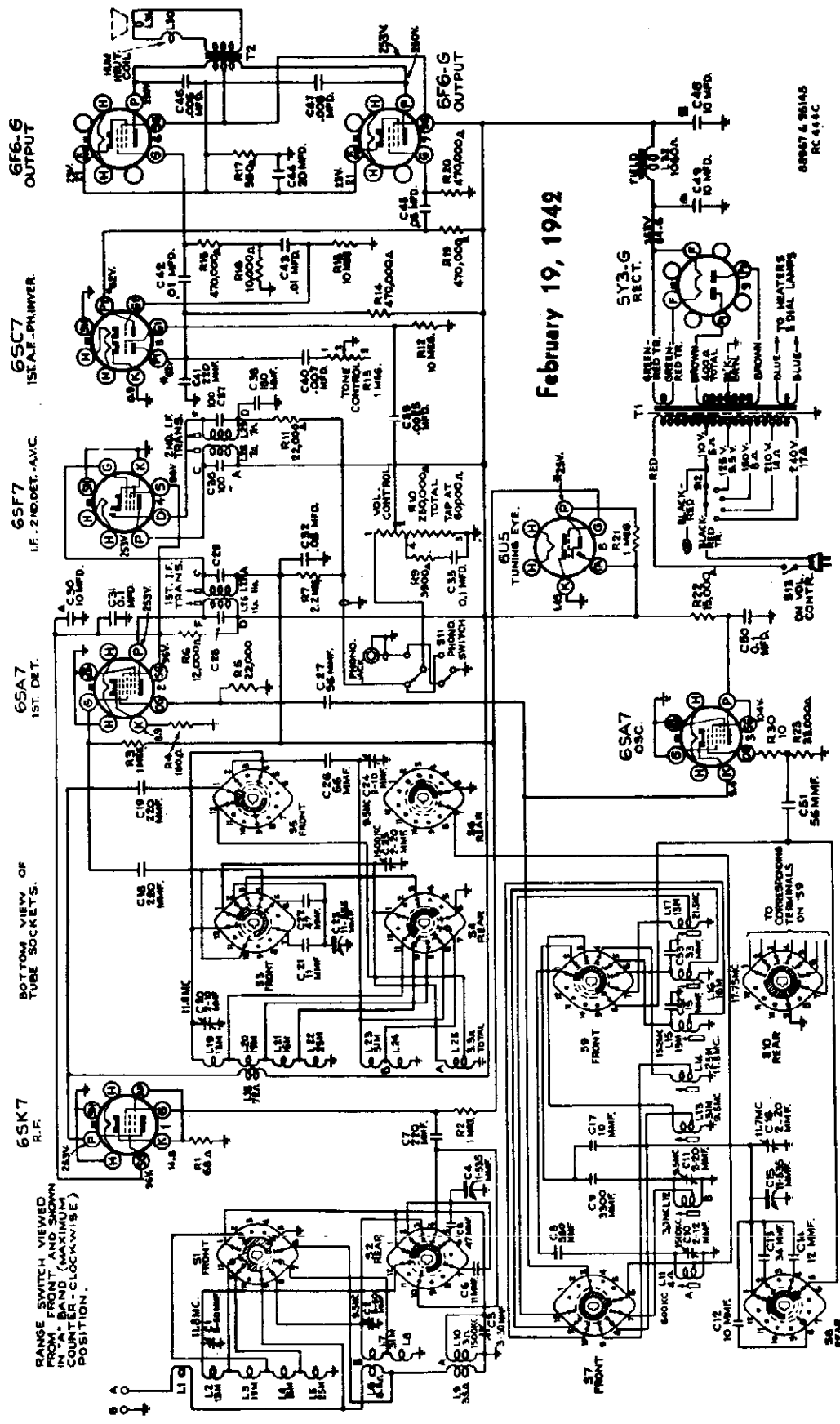
**Frequency Ranges:**  
Standard Broadcast..... 540-1,720 kc (555-174 m)  
Medium Wave..... 3,000-9,500 kc (100-31.5 m)  
31 Meter Spread Band..... 9,500-12,500 kc (31.5-24.0 m)  
25 Meter Spread Band..... 11,800-16,000 kc (25.5-18.8 m)  
19-16-13 Meter Spread Band. 15,500-22,500 kc (19.5-13.3 m)

**Power Supply Rating:**  
105-120 volts, 25 cycle..... 75 watts  
105-120 volts, 50-60 cycle..... 75 watts  
105-130, 140-160, 200-250 volts, 50-60 cycle..... 75 watts

MODEL 7915 Export  
Chassis 126.238

SEARS, ROEBUCK & CO.

WIRING DIAGRAM FOR SILVERTONE CHASSIS—126.238



Intermediate Frequency..... 455 kc

ALL SWITCH SECTIONS ARE VIEWED FROM FRONT OF CHASSIS. SWITCHES ARE SHOWN IN EXTREME COUNTERCLOCKWISE POSITION, WHICH IS THE "A" BAND POSITION. TUBE SOCKETS ARE VIEWED FROM UNDER SIDE OF CHASSIS. VOLTAGE READINGS AT INDICATED SOCKET PRONGS ARE TO CHASSIS. ALIGNMENT TO BE MADE AT THE FREQUENCIES SHOWN AT THE TRIMMING ADJUSTMENTS. WHERE NO VOLTAGE READING IS SHOWN, IT INDICATES ZERO VOLTAGE OR A VERY LOW READING IN MILLIAMPERES. VOLTAGES WITH NO SIGNAL, FIGURES AT CATHODES ARE CATHODE CURRENT IN MILLIAMPERES. VOLTAGES WITH STAR (★) ARE ACTUAL OPERATING VOLTAGES IN HIGH RESISTANCE CIRCUITS MEASURED WITH ELECTRONIC VOLTMETER.

## SEARS, ROEBUCK &amp; CO.

MODEL 7915 Export  
Chassis 126.238

## ALIGNMENT PROCEDURE

## PRELIMINARY:

Output meter connections.....	Across speaker voice coil
Output meter reading to indicate 1.0 watt output.....	1.5 volts
Approximate average sensitivity in microvolts for 1.0 watt output.....	See chart below
Dummy antenna value to be inserted in series with generator output.....	See chart below
Connection of generator output lead.....	See chart below
Connection of generator ground lead.....	To chassis
Generator modulation.....	30%, 400 cycles
Position of Volume Control.....	Fully Clockwise
Position of Tone Control.....	Fully Clockwise

Wave-Band Switch Position	Position of Dial Pointer	Generator Frequency	Dummy Antenna	Generator Connection	Trimmers Adjusted (in order shown)	Trimmer Function	Approximate Microvolts
A Band	Low End	455 kc	.01 mfd.	6SF7 I-F Grid	L26, L29	2nd I-F Trans.	8,400
A Band	Low End	455 kc	.01 mfd.	6SA7 1st Det. Grid	L26, L27	1st I-F Trans.	154
31M Band	9.5 mc (20°)	9.5 mc	300 ohms	Ant.	L13, C2, C24	Osc.** Ant., Det.**	8.4
31M Band	11.7 mc (171°)	11.7 mc	300 ohms	Ant.	C16	Osc.**	
B Band	9.5 mc (180°)	9.5 mc	300 ohms	Ant.	C11	Osc.**	
B Band	3.0 mc (0°) (Rock)	3.0 mc	300 ohms	Ant.	L12	Osc.**	11.0
A Band	1,500 kc (149°)	1,500 kc	.0002 mfd.	Ant.	C10, C3, C25	Osc., Ant., Det.	4.9
A Band	600 kc (27°) (Rock)	600 kc	.0002 mfd.	Ant.	L11	Osc.	3.5
25M Band	11.8 mc (33°)	11.8 mc	300 ohms	Ant.	L14, C20, C1	Osc.** Det.,* Ant.	8.4
19M Band	15.2 mc (37°)	15.2 mc	300 ohms	Ant.	L15	Osc.*	10.5
16M Band	17.7 mc (40°)	17.7 mc	300 ohms	Ant.	L16	Osc.***	9.8
13M Band	21.5 mc (55°)	21.5 mc	300 ohms	Ant.	L17	Osc.***	15.4

## IMPORTANT ALIGNMENT NOTES

\*Rock gang condenser slightly while peaking. Use maximum capacity peak if two peaks can be obtained.

\*\*Use peak with plunger out if two peaks can be obtained.

\*\*\*Use peak with plunger in if two peaks can be obtained.

Note.—Oscillator tracks above signal on "A," "B," "31M," "25M" and "19M" bands; below signal on "16M" and "13M" bands.

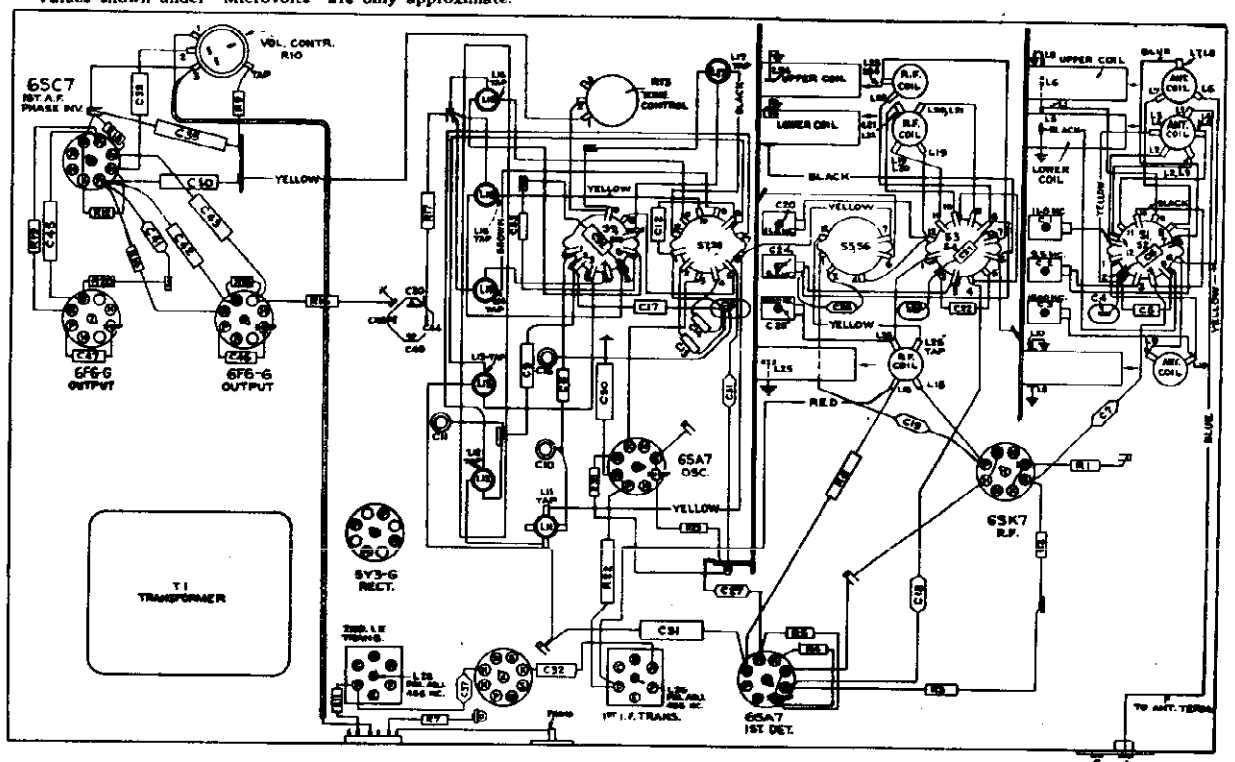
Where indicated by the word "Rock," the variable tuning condenser should be rocked back and forth a degree or two while making this adjustment.

Each step of the alignment should be repeated in its original order for greater accuracy. Always keep the output of the generator at its lowest possible value to prevent the AVC action of the set from interfering with accurate alignment.

Adjustment locations are shown on the top and bottom parts location views of chassis.

Only the dummy antenna indicated in the chart for any particular band should be used. Remove the dummy used for alignment in any other band.

Values shown under "Microvolts" are only approximate.



TUBE, TRIMMER AND PARTS LOCATION—BOTTOM VIEW



**MODEL 7915 Export**  
**Chassis 126.238**

**SEARS ROEBUCK CO.**

**Calibration Scale on Indicator-Drive-Cord Drum.**—The tuning dial is fastened in the cabinet and cannot be used for reference during alignment, therefore a calibration scale is attached to the indicator-drive-cord drum which is mounted on the shaft of the gang condenser. The setting of the gang condenser is read on this scale, which is calibrated in degrees. The correct setting of the gang in degrees, for each alignment frequency, is given in the alignment table.

As the first step in r-f alignment, check the position of the drum. The "0" mark on the drum scale must be vertical, and directly over the center of the gang-condenser shaft when the plates are fully meshed. The drum is held to the shaft by means of two set screws, which must be tightened securely when the drum is in the correct position.

To determine the corresponding frequency for any setting of the calibration scales, refer to the accompanying drawing which shows the dial with 0-180° calibration scales drawn at top and bottom.

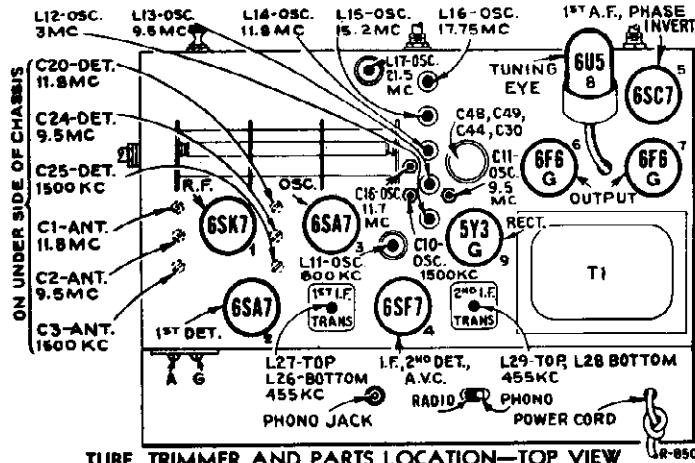
**Spread-Band Alignment.**—The most satisfactory method of aligning or checking the spread-band ranges is on actual reception of short-wave stations of known frequency, by adjusting the

magnetite-core oscillator coil for each band so that these stations come in at the correct points on the dial.

In exceptional cases, when the set is being serviced in a location where the noise level is high enough to prevent reception of short-wave stations, a test-oscillator may be used for alignment, but an extremely high degree of accuracy is required in the frequency settings of the test-oscillator, as a slight error will produce considerable inaccuracy on the spread-band dials. The frequency settings of the test-oscillator may be checked by one or both of the following methods:

1. Determine the exact dial settings of the test-oscillator (for frequencies at or close to the specified alignment frequencies) by zero-beating the test-oscillator against short-wave stations of known frequency.
2. Use harmonics of the standard-broadcast range of a test-oscillator, or by zero-beating against standard broadcast stations.

When a test oscillator is employed for spread-band alignment, a final check should be made on actual reception of short-wave stations of known frequency, and the magnetite-core oscillator coil for each band should be re-adjusted so that the stations come in at the correct points on the dial.



**TUBE, TRIMMER AND PARTS LOCATION—TOP VIEW**

0	10	20	30	40	50	60	70	80	90	100	110	120	130	140	150	160	170	180
550	600	700	800	1000	1200	1400	1700	A										
3-2	3-6	4-0	4-5	5-5	6-5	8-0	9-0	B										
TURKEY 9-5	CHINA 9-6	ENGLAND 9-6	UNITED STATES 9-8	JAPAN 10-1	INDIA 10-5	JAPAN 11-0	ITALY 11-5	31M										
UNITED STATES 11-7	CHINA 11-8	GERMANY 12-0	CANADA 12-5	AUSTRALIA 13-0	INDIA 13-5	QUATRALA 14-0	CHINA 14-5	25M										
JAPAN 15-1	ENGLAND 15-2	UNITED STATES 15-5	INDIA 16-0	ENGLAND 16-5	GERMANY 17-0	ITALY 17-5	19M											
17-75		ENGLAND 17-80	UNITED STATES 17-85	GERMANY 17-90	ITALY 18-00	16M												
21-45		UNITED STATES 21-50	ENGLAND 21-60	GERMANY 21-80	ITALY 22-00	13M												

**Calibration Scale**

*Reduced Reproduction of Receiver Dial, and Corresponding 0-180° Calibration Scales*

The corresponding position of the dial indicator for any setting of the calibration scale can be determined by drawing a line from this point on the bottom calibration scale to the same point on the top calibration scale. For example: 27° on the calibration scale corresponds to approximately 600 kc on "A" band, etc. Read instructions under "Alignment Procedure."



**Test-Oscillator.**—For all alignment operations, connect the low side of the test-oscillator to the receiver chassis, and keep the output as low as possible to avoid a-v-c action.

**Dial-Indicator Adjustment.**—After fastening the chassis in the cabinet, attach the dial indicator to the drive cable with indicator

at the 530 kc mark, and gang condenser fully meshed. The indicator has a spring clip for attachment to the cable.

**Pointer for Calibration Scale.**—Improvise a pointer for the calibration scale by fastening a piece of wire to the gang-condenser frame, and bend the wire so that it points to the "0" mark on the calibration scale when the plates are fully meshed.

**Tuning Dial:**

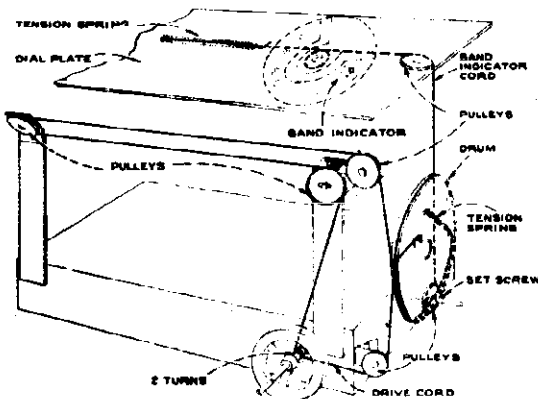
The tuning shaft is connected through a cord drive to a drum on the condenser shaft. A second cord drives the band indicator by passing over a pulley on the band switch shaft. The complete cord drive assembly and the correct number of turns which the cord should be wrapped around the drive shaft and condenser drum, is shown in "Condenser and Indicator Drive Cord" illustration.

**Loudspeaker:**  
Type (63K5)..... 8-inch Electrodynamic  
Voice Coil Impedance..... 2.2 ohms at 400 cycles

**Power Supply:**  
105-120 volts, 25 cycle..... 100 watts  
105-130, 140-160, 200-250 volts, 60 cycle..... 100 watts

**Chassis Features:**  
Jack and Switch for Phonograph Attachment.  
Magnetite-Core Adjusted I-F Transformers, and Oscillator Coils.  
Automatic Volume Control.  
High-Frequency Tone Control.  
Aural-Compensated Volume Control.  
R-F Stage on all Bands.  
Spread Bands for Short Wave Reception.  
Tuning Drive Ratio..... 25 to 1

**Power Output:**  
Type..... Push Pull Pentode  
Undistorted..... 4.5 watts  
Maximum..... 1 watts



**CONDENSER AND INDICATOR DRIVE CORD**

SEARS ROEBUCK CO.

MODELS 8915, 891  
8917, 891  
8919, 892  
Chassis 138, 120

TUBES AND FUNCTIONS:

1 6J7G	Input	1 6W5G	Rectifier
1 6N7G	Driver	1 6N7G	3rd Stage
2 6L6G	Output		

POWER SUPPLY: . . . . . 110-125 Volts, 50-60 cycle, AC only, 115 Watts or 6 volts DC

FREQUENCY CHARACTERISTICS. . . . . Curve-Substantially flat from 50 to 10,000 cycles

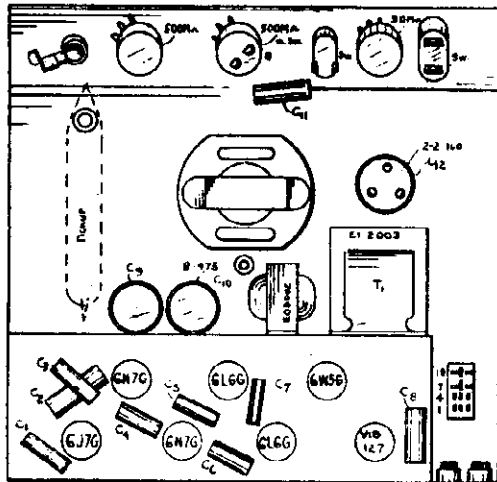
INPUTS:

1 input position to accommodate high impedance crystal, velocity, or no voltage velotron microphones, and one high impedance phono unit

PICKUP: - High impedance crystal type, 500M ohms

SPEAKERS: 12 inch permanent magnet type, 5 ohm voice coil. Standard equipment - Jensen type PM12C

GAIN . . . . . Approx. 124 DB

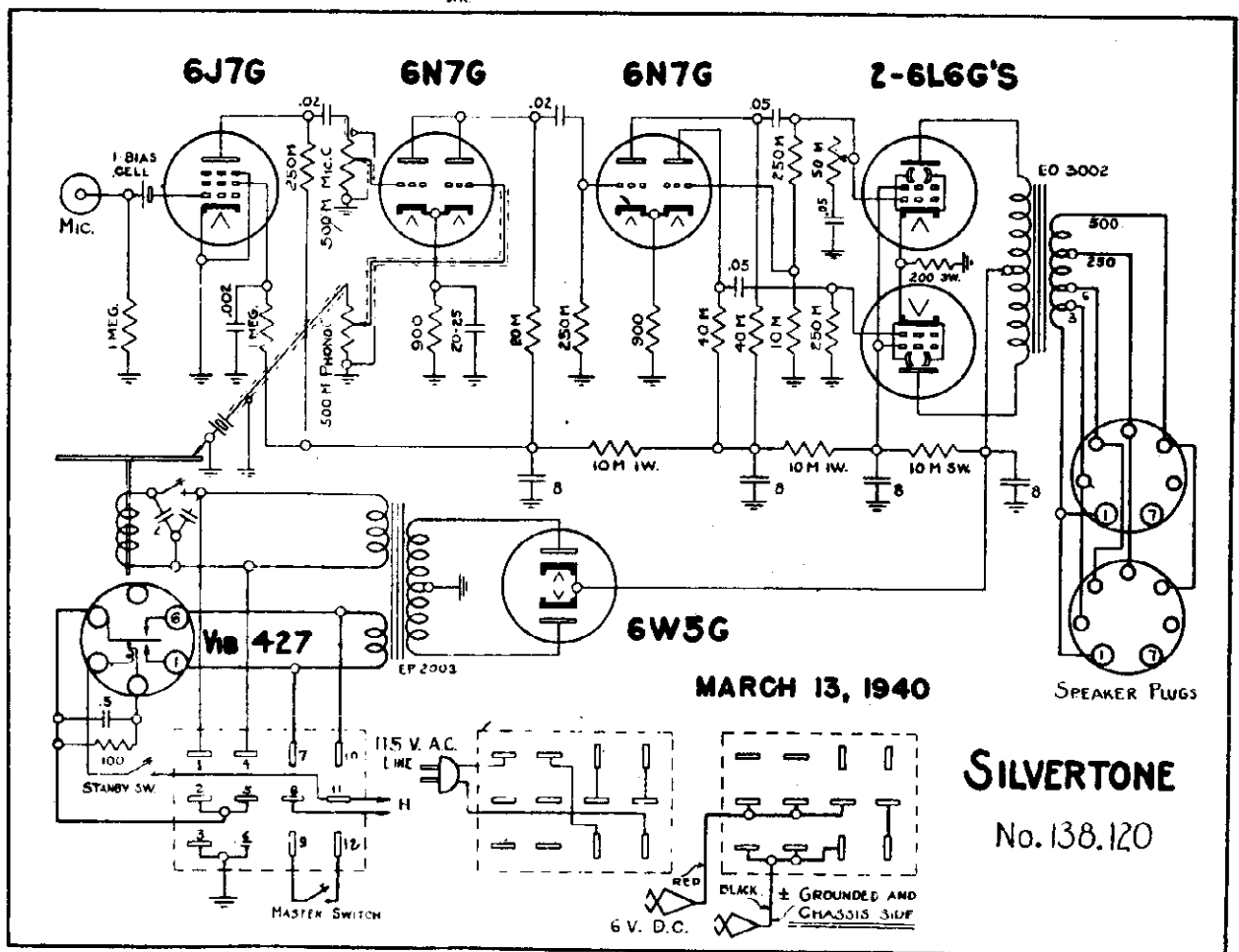


GENERAL INFORMATION AND SERVICE HINTS

This system is a combination 6 volt DC, 115 Vol 60 cycle AC system. Input is provided for one high impedance microphone. A self contained crystal pickup and rim drive phono motor permit reproduction of recorded music.

When operated on a 6 volt storage battery the DC power is transformed to AC by means of a vibrator AC operation is in the conventional manner.

To change from 6 volt operation it is only necessary to change from the 6 volt power cable to the AC cable. Each cable is equipped with a multi-point plug which makes proper connections when plugged into the amplifier. The 6 volt cable is equipped with two battery clips.



SILVERTONE  
No. 138.120

MODELS 8935, 8936,  
8937, 8938,  
8939, 8940,  
8941, 8942  
Chassis 138.180

SEARS, ROEBUCK & CO.

TUBE COMPLEMENT:

2 6J7G . . . . .Input	1 5V4G . . . . .Rectifier
1 6N7G . . . . .Driver	3 6C5G . . . . .2nd Stage
2 6L6G . . . . .Output	

POWER SUPPLY: . . . . .110-125 volts, 50-60 cycle, AC only, 135 watts

FREQUENCY CHARACTERISTICS. . .Curves-substantially flat from 50 to 10,000 cycles per second

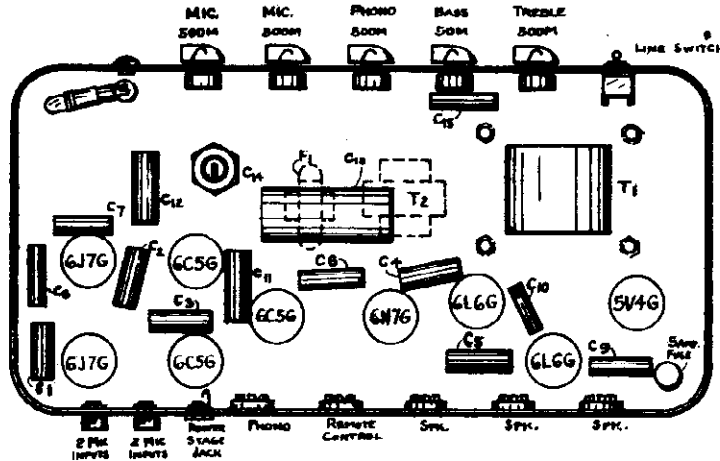
INPUTS:

4 input positions each to accommodate high impedance crystal velocity, or no voltage velotron microphones, and one high impedance phono unit.

PICKUP:- High impedance crystal type, 500M ohms

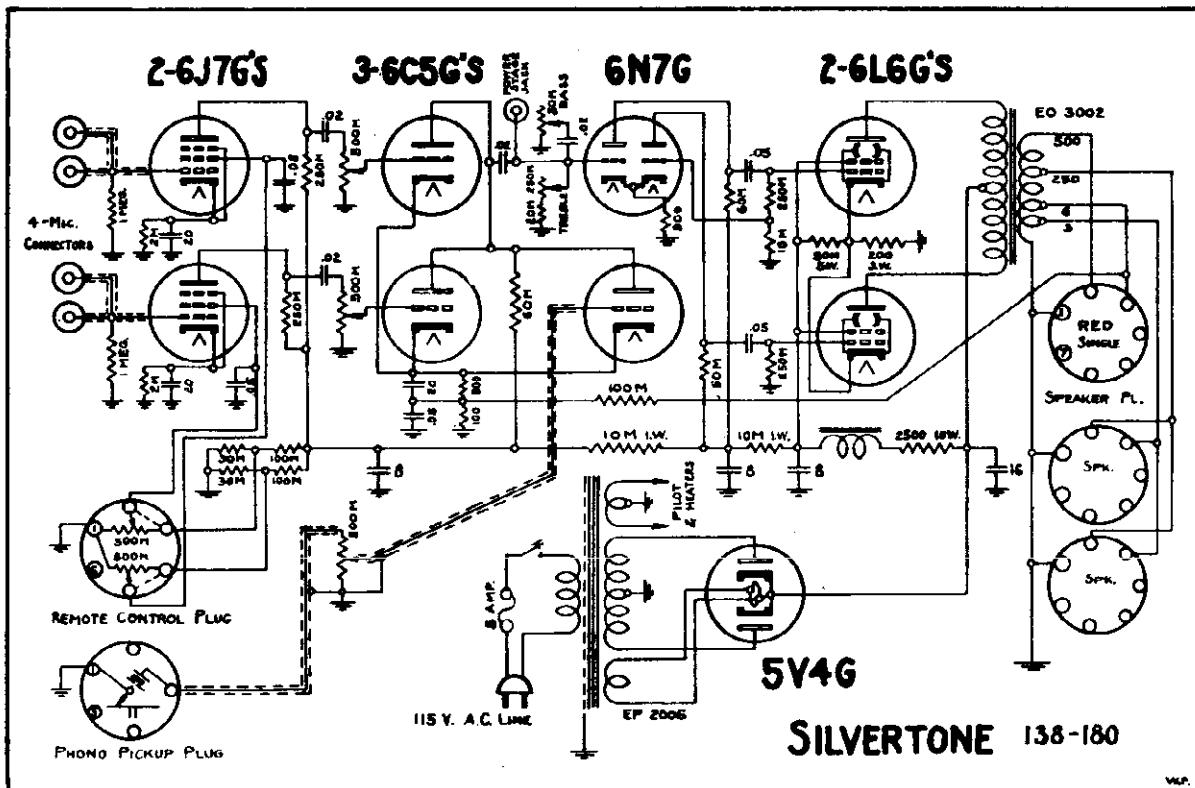
SPRAKERS: 12 inch permanent magnet type, 6 ohm voice coil. Standard equipment Jensen PM12H

GAIN: . . . . . Approximately 126 DB



MARCH 11, 1940

This unit contains a four stage amplifier having four high impedance microphone inputs feeding through 2 - 6J7G tubes which in turn feed two 6C5G's. The phono input feeds through a 6C5G, then both microphone and phono inputs feed into a 6N7G phase inverter which in turn feed 2 - 6L6G's. The rectifier is a 5V4G.



SILVERTONE 138-180

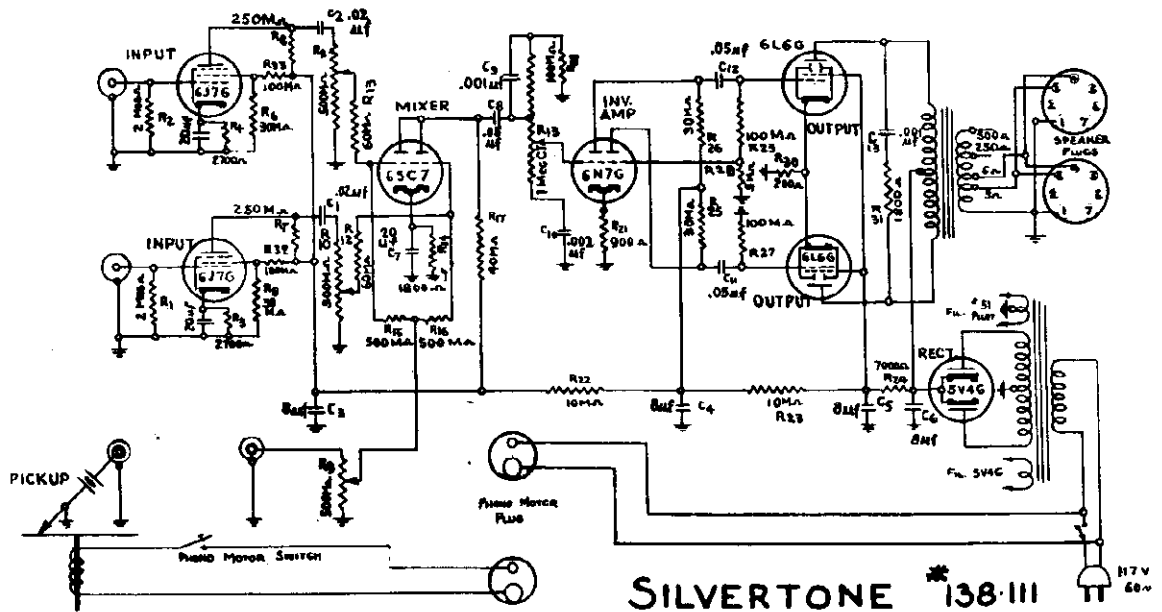
MODELS 12874, 12875  
Chassis 138.007

SEARS, ROEBUCK & CO.

MODELS 12865, 12866,  
12867  
Chassis 138.111

22 WATT, 7 TUBE, 4 STAGE HIGH GAIN AMPLIFIER

MODELS 12865, 12866, 12867



APRIL 19, 1943

GAIN

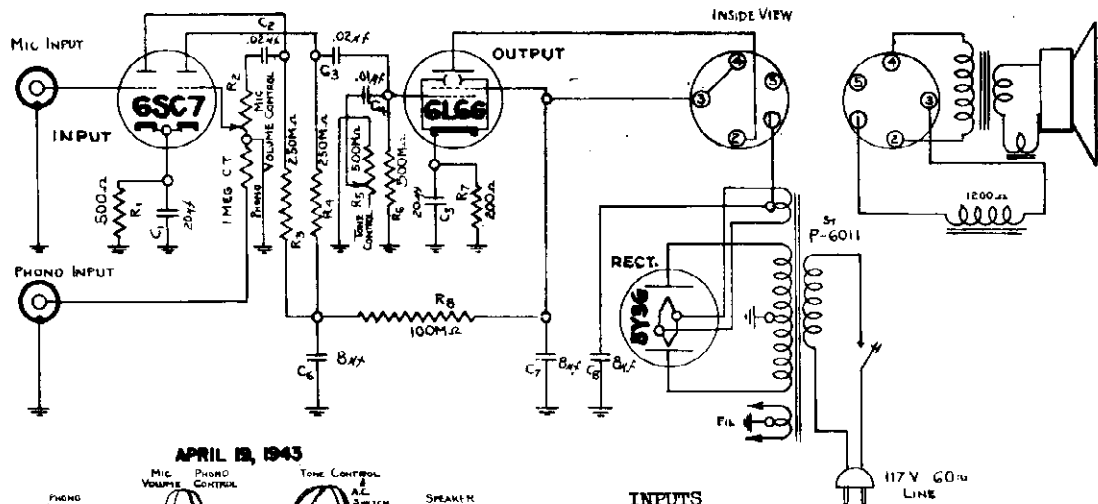
OUTPUT IMPEDANCE

3, 6, 250 and 500 ohms

Microphone - approx. 125 db  
Phonograph - approx. 80 db

7 WATT, 3 TUBE, 2 STAGE AMPLIFIER

MODELS 12874, 12875



APRIL 19, 1943

INPUTS

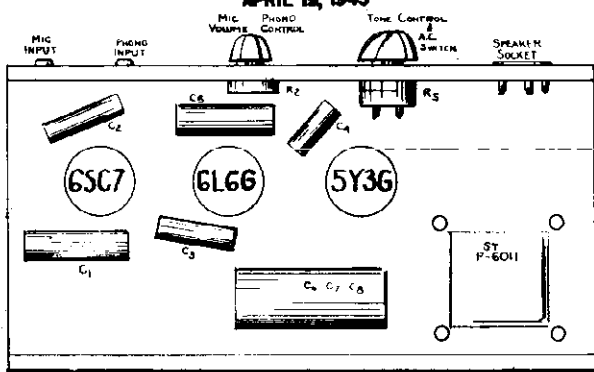
One input for crystal phono pick-up  
One input for crystal or other high impedance microphone

OUTPUT IMPEDANCE

4000 ohms directly from plate of 6L6G  
Field Supply for 1500 ohm speaker field

GAIN

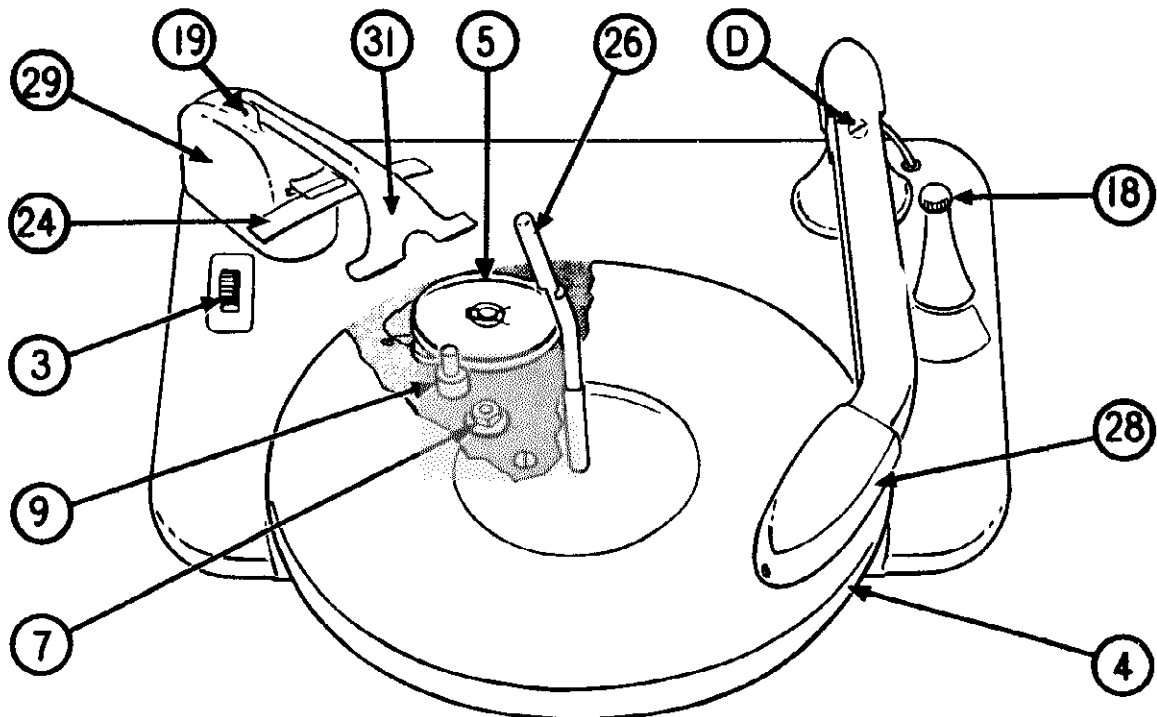
Microphone input-approximately 110 db  
Phono input-approximately 70 db



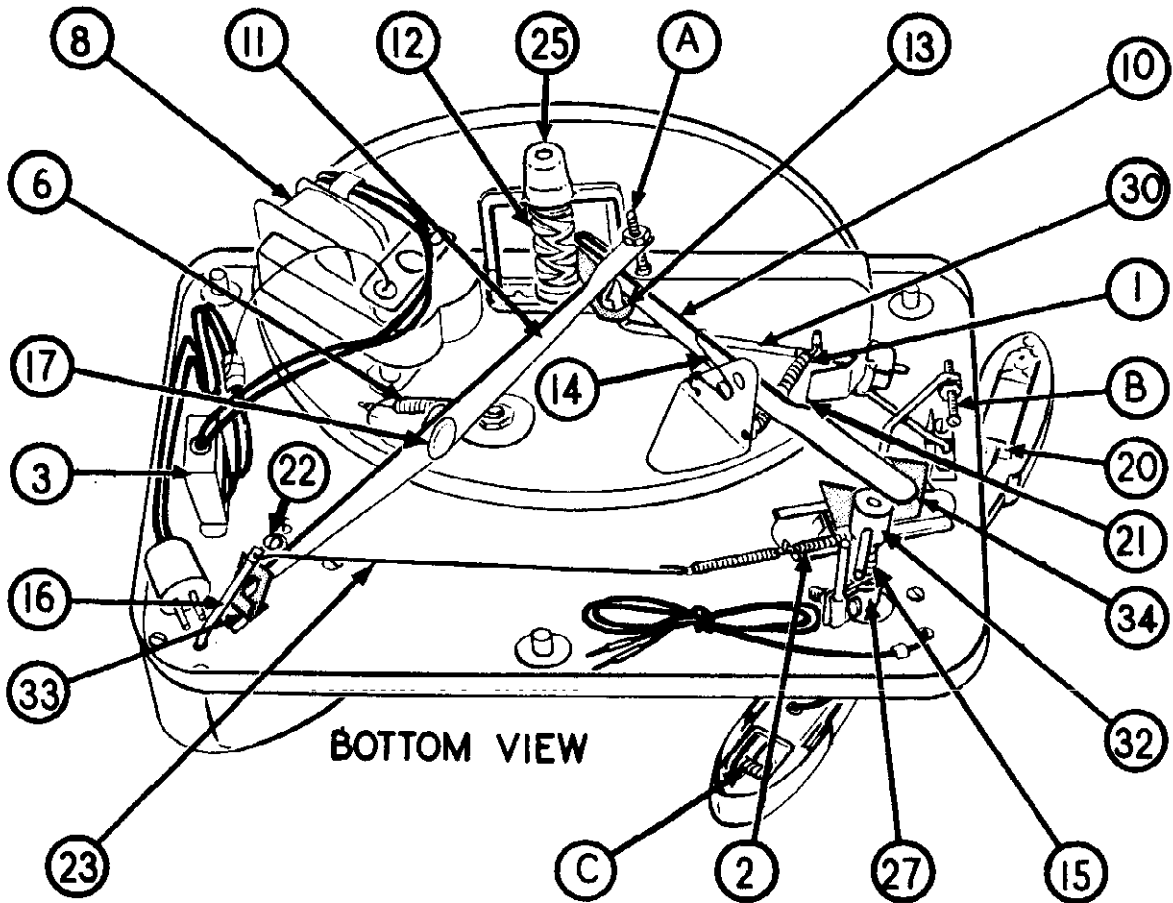
H7V A.C. LINE 60~

MODEL 100.301  
Record Changer

SEARS, ROEBUCK & CO.



TOP VIEW



BOTTOM VIEW

## SEARS ROEBUCK CO.

## DESCRIPTION OF CYCLE

To start the cycle on models with a switch on the base plate or on the radio control panel, turn on the switch and press down on the TONE ARM. This depresses the REJECT BUTTON (16 on Diagram) on top of the rest post, which in turn through TRIP LINK (30) engages the FOLLOWER (13), starting the cycle.

When FOLLOWER (13) engages in WORM (12), FOLLOWER ARM (10) is pivoted at the pivot lifting CRANK (32) which raises TONE ARM. CRANK (32) is restrained to the lift pin. As this rises and strikes the incline at the angular upper end of the INDEX PLATE (34), it causes a rotation of the CRANK (32) which in turn contacts the CRANK PIN (27) fastened to the TONE ARM shaft and swings the TONE ARM inward until the CRANK (32) strikes INDEX PLATE (34). Then as the FOLLOWER (13) returns to its starting position, the CRANK (32) drops, setting the TONE ARM on the record.

The set down position for 10" or 12" records is automatically controlled when the ejector is positioned so that the edge of the 10" or 12" records rest on the support bracket. The RECORD EJECTOR (24) can be set in the 10" or 12" position by merely slightly lifting it and pulling or pushing it in or out until the 10" or 12" numbers show at the edge of the opening in the housing.

## ADJUSTMENTS

All adjustments can be made with record changer disconnected from the power outlet.

**TONE ARM SET-DOWN POSITION ADJUSTMENT:** To adjust the set-down position of the tone arm, trip the reject button and turn the turntable by hand in a clockwise direction until the CRANK (Diagram No. 32) strikes the INDEX PLATE (Diagram No. 34) and the TONE ARM starts downward toward the record. Loosen the screw or #27 and, holding the CRANK in contact with the lower portion of the INDEX PLATE, move the TONE ARM until it is directly above a point 1/8" in from the outside of a record of the size indicated on the EJECTOR SLIDE (24). Retighten the screw and carry the mechanism through the remainder of the cycle.

**EJECTOR ARM SETTING (A):** The adjustment of screw "A" determines the point in the cycle in which the rest record falls. Turning the screw clockwise causes records falling to be delayed, while turning the screw counter-clockwise causes the records to fall earlier in the cycle. This screw should be adjusted using a 12 inch record in the 12 inch position. Adjust the screw so that the record falls when the tone arm has moved to its extreme outside position in the change cycle. Tighten the locking nut after the adjustment has been made.

**TONE ARM TRIP POSITION ADJUSTMENT (B):** The trip position is adjusted by screw "B". For proper operation the screw should be adjusted to trip the mechanism at the eccentric finishing groove on a record. This will assure satisfactory operation for the majority of records in use. Turning the screw clockwise will cause earlier tripping of the mechanism; turning counter-clockwise will delay the tripping. Tighten the locking nut on the screw when the correct adjustment has been obtained.

**NEEDLE PRESSURE ADJUSTMENT (C):** To increase the weight on the needle, should it jump grooves or slide across the grooves too easily, lift the tone arm, and relieve the spring tension by releasing the small sprocket wheel a quarter turn at a time. On the other hand, should the records and needle wear too fast, increase the spring tension with the sprocket to decrease the needle pressure.

**TONE ARM HEIGHT ADJUSTMENT (D):** The height to which the tone arm rises during the change cycle is governed by the adjustment of the screw under the tone arm on the top of the tone arm post. Turning this screw clockwise will lower the height to which the tone arm rises and vice versa. The proper adjustment may be made by placing 12 ten inch records on the turntable and adjusting the screw to the point where the tone arm clears the top record during the change cycle.

**EJECTOR SETTING:** The small screw (Diagram No. 22), makes two adjustments: It varies the tension of the spring used on the EJECTOR mechanism (24); and it also moves the stationary position of the EJECTOR with respect to the rest of the mechanism. To lower the spring tension on the EJECTOR, loosen the lock nut on the screw and turn the screw counter-clockwise. Turning the screw counter-clockwise also moves the EJECTOR farther away from the SPINDLE. Turning the screw clockwise increases the tension of the EJECTOR spring and also moves the EJECTOR closer to the SPINDLE.

The correct adjustment of the screw may be obtained as follows:

Set the EJECTOR for 12" records and place ten 12" records on the spindle. Turn the turntable by hand and observe record drooping. The screw should be adjusted so that the bottom record just falls. The screw is correctly set when almost entirely in the "out" position. The spring tension on the EJECTOR is then relatively small and stalling of the motor is less likely to occur.

**NOTE:** After adjusting this screw, check the adjustment of "A". Remember to tighten the locking nut after adjusting a screw.

AUTOMATIC RECORD CHANGER, USED IN CONJUNCTION WITH 100.364-1 CHASSIS

FACTORY IDENTIFICATION NO. 100.301

## TROUBLES &amp; THEIR REMEDIES

1. NOISE WHILE CYCLING  
This trouble is caused by the FOLLOWER ARM (10) being bent out of position. Straighten the arm.
2. TURNABLE RUBS  
Loosen set screw on WORM (12) with an Allen wrench and raise the spindle about 1/16".
3. DOES NOT CYCLE WITH REJECT BUTTON  
Check to see if TRIP LINK (30) is releasing FOLLOWER (13). If TRIP LINK releases FOLLOWER but will not center on threads of WORM, bend the FOLLOWER ARM (10).
4. MOTOR SLOWS DOWN DURING CYCLING  
Bend paddle end of FOLLOWER ARM (10) down slightly or loosen the EJECTOR SCREW (22) slightly.
5. RECORDS DO NOT DROP  
Tighten EJECTOR SCREW (22) slightly. Always check on full stack of 10-12" records. Set screw so that bottom record just falls.
6. RECORD DROPS ON TONE ARM  
Bend back end of FOLLOWER ARM (10) up slightly. Make sure EJECTOR SCREW (22) is adjusted properly.
7. MECHANISM KEEPS REPEATING ON TOP OF WORM  
Bend TRIP LINK (30) back slightly so as to loosen the TRIP SPRING (Diagram No. 1) tension on FOLLOWER (13). It may be necessary to first loosen the set screw on the TRIP. If this does not correct the trouble, check the FOLLOWER ARM (10) to make sure it is straight and bend slightly if necessary.
8. MECHANISM KEEPS REPEATING ON BOTTOM OF WORM  
This indicates a bent FOLLOWER ARM (10). Straighten arm.
9. FOLLOWER FLUTTERS WHILE PLAYING  
Check to see if FOLLOWER ARM (10) is all the way up to top of WORM (12). If not, bend arm slightly in toward WORM to stop binding.
10. FOLLOWER ARM BINDS  
Bend FOLLOWER ARM away from fulcrum at both sides of rivet.
11. FOLLOWER JAMS  
Bend FOLLOWER ARM to straighten.
12. TONE ARM DOES NOT LAND AT BEGINNING OF RECORD OR MISSES RECORD ENTIRELY  
Check EJECTOR to see if it is set for correct size of record. If EJECTOR is set for correct record size, the SET DOWN POSITION ADJUSTMENT should be loosened and the position of the TONE ARM adjusted as described under "TONE ARM SET-DOWN POSITION ADJUSTMENT".
13. TONE ARM DOES NOT GO INTO CYCLE AT END OF RECORD  
Check to see if record has spiral finishing groove. If it has not, reject record by means of REJECT BUTTON. If trouble lies with mechanism, adjust screw "B" as described under "TONE ARM TRIP POSITION ADJUSTMENT".
14. RECORDS WEAR EXCESSIVELY  
Check needle to see if worn out or defective. If needle is not cause of wear, lift the tone arm and increase the tension of the spring at the base as described under "NEEDLE PRESSURE ADJUSTMENT".
15. TONE ARM SLIDES OUT OF RECORD GROOVES OR SLIDES ACROSS RECORD  
This is usually due to insufficient needle pressure. The needle pressure may be increased by loosening the spring tension at the base of the tone arm as described under "NEEDLE PRESSURE ADJUSTMENT".
16. TONE ARM SLIDES ACROSS TOP RECORD OF STACK  
This is due to the tone arm having insufficient height to clear the top record on the turntable. This can be remedied by raising the tone arm height by means of the "TONE ARM HEIGHT ADJUSTMENT".
17. "WOM" IN RECORD REPRODUCTION  
This is usually due to worn rubber rim on the idler wheel. If this is the case, replace the idler wheel.

MODEL 101.202  
Record Changer

## SEARS ROEBUCK CO.

SILVERTONE

RADIO REPAIR PARTS PRICE LIST AND SERVICE INSTRUCTIONS

AUTOMATIC RECORD CHANGER AND HOME RECORDER UNIT

FACTORY IDENTIFICATION NO. 101.202

Authorized Replacement Parts for this model may be obtained from any Sears, Roebuck and Co. Retail Store or Mail Order branch. Always give part numbers and the chassis identification number.

The following description should help greatly in analyzing the cause of any mechanical trouble that may be encountered. The reference numbers serve to identify parts shown on the accompanying photographs.

AUTOMATIC CHANGING CYCLE

After the RECORDS have been arranged in the desired order, move the MOVABLE RECORD SUPPORT (24) to the proper position. The FRICTION SPRING (38) will hold it in position. Load the RECORDS on the SPINDLE (2) and bring the HOLD DOWN FINGER (26) to rest on the top RECORD. Move the CONTROL BUTTON (16) to the REJ position and release. It will be returned to the AUT position by the INDEX SPRING ASSEMBLY (39) acting against the CONTROL LEVER ASSEMBLY (15). These operations will have started the TURNTABLE (1) rotating and tripped MECHANISM. The STUD in the CONTROL LEVER (15) has contacted and rotated the AUTO TRIP LEVER (13) until the STUD in the AUTO TRIP LEVER (13) is released from the NOTCH in the AUTO TRIP CAM (31).

Then the DRIVE WHEEL CARRIER LEVER (12) rotates on STUD (40), being pulled by the SPRING (34) until the DRIVE WHEEL (27) contacts the inside of the RIM of the TURNTABLE (1). The SPRING (34) maintains this contact during the change cycle. The rotating TURNTABLE (1) now drives the DRIVE WHEEL (27) to which is attached at the lower end of the SMALL SHAFT the FRICTION DRIVE PULLEY (28). This rotary motion is transmitted through the INTERMEDIATE DRIVE WHEEL AND PINION ASSEMBLY (29) to the MAIN CAM ASSEMBLY (30) causing it to rotate. The TONE ARM (6) is first lifted vertically, through the LIFT PIN (8), then swings outward and is held there until after the RECORD has dropped onto the TURNTABLE (1).

The feeding of the RECORDS is as follows: The ROLLER mounted on the FEED LEVER (17) rides against the WALL on the BOTTOM SIDE of the MAIN CAM (30), pulled by the SPRING (36). This WALL RECESSES at the proper time and allows the SPRING (36) to rotate the FEED LEVER (17), which is pivoted on the ALIGNING BRACKET (20). The opposite end of the FEED LEVER (17) is connected to the INTERMEDIATE FEED LEVER (18), which pivots in the FEED SUPPORT (23).

The upper end of the INTERMEDIATE FEED LEVER (18) engages a ROUND HOLE in the FEED FINGER (19) so that the motion being transmitted can be effective for either 10 INCH or 12 INCH RECORDS. As this FEED FINGER (19) slides forward, it contacts the BOTTOM RECORD of the stack. Only the BOTTOM RECORD has clearance between the bottom of the CAP (3) and the LEDGE of the SPINDLE (2). It is carried forward until it drops from the LEDGE onto the TURNTABLE (1). Now, of course, the next RECORD comes down to rest on the SPINDLE (2).

The MAIN CAM (30) continues its rotation and resets the feed mechanism, pulling the FEED FINGER (19) back to its original position. Also the TONE ARM (6) is swung back to a position over the EDGE of the RECORD. This is done by the WALL on the TOP SIDE of the CAM (30) and later by the LEAF SPRING (41) working against the PIN in the SWEEP LEVER (9), which is clamped to the SLEEVE (7). This SLEEVE (7) extends up through the MOTORBOARD (42) to the TONE ARM (6).

The purpose of the LEAF SPRING (41) is to provide a FLEXIBLE MEMBER which will thrust the PIN in the SWEEP LEVER (9) against the STOP LEVER (11) but, nevertheless, allow PIN to stop against whichever STEP has been set up.

The SELECTION of the proper STEP on the STOP LEVER (11) is the means of automatically bringing the NEEDLE down on the EDGE of the RECORD to be played. The STOP LEVER (11) pivots on a stud attached to the MOTORBOARD (42). The opposite end of the STOP LEVER (11) rests against the STOP SELECTOR ROD (22) for 12 INCH RECORDS and against the STOP SELECTOR DOG (21), attached to the STOP SELECTOR ROD (22), for 10 INCH RECORDS.

The STOP SELECTOR ROD (22) extends upward through the MOTORBOARD (42) and FEEDER SUPPORT (23) to connect with a SWIVEL in the MOVABLE RECORD SUPPORT (24). Thus the DROP POINT for the NEEDLE is SET AUTOMATICALLY when the MOVABLE RECORD SUPPORT (24) IS POSITIONED, for the proper size RECORD.

APRIL 30, 1942

## SEARS ROEBUCK CO.

As the MAIN CAM (30) continues its rotation the PULL IN SPRING (33), attached to the SWEEP LEVER (9), holds the PIN against the STOP LEVER (11), while the LEAF SPRING (41) moves clear of the PIN. During this cam movement the TONE ARM (6) is lowered slowly until the NEEDLE rests on the EDGE of the RECORD.

As the MAIN CAM (30) nears HOME POSITION the ROLLER on the FEED LEVER (17) rolls over a PEAK on the CAM WALL and at this moment the NOTCH in the AUTO TRIP CAM (31) pulls against the STUD in the AUTO TRIP LEVER (13), rotating the DRIVE WHEEL CARRIER LEVER (12) and disengaging the DRIVE WHEEL (27) from the RIM of the TURNTABLE (1).

The engagement of the STUD in the AUTO TRIP LEVER (13) with the NOTCH in the AUTO TRIP CAM (31) is maintained by the TRIP LEVER SPRING (37).

At this time the SPRING (36) performs a HOMING function, that is, it pulls the ROLLER on the FEED LEVER (17) down the SLOPE on the CAM WALL into the HOMING NOTCH, holding, the MECHANISM in proper position and adding a little clearance between the DRIVE WHEEL (27) and the TURNTABLE (1). During the last movement of the CAM (30) the PROJECTION ON THE CAM (30) engages the bent down EAR on the STOP LEVER (11) rotating the STOP LEVER (11) out of range of the PIN in the SWEEP LEVER (9) allowing the TONE ARM (6) to move freely across the RECORD. If the EDGE of the RECORD has a STARTING SPIRAL the NEEDLE will be LEAD into the MUSIC GROOVES. If the EDGE of the RECORD is SMOOTH the PULL IN SPRING (33) will PULL the NEEDLE into the MUSIC GROOVE

The SLEEVE (4) on the SPINDLE (2) reduces to a MINIMUM the FRICTION of the RECORDS rubbing against the SPINDLE (2). The downward load of the TURNTABLE (1) and RECORDS is carried on the THRUST BEARING (5).

There are TWO AUTOMATIC means of TRIPPING the MECHANISM besides the REJ position of the CONTROL BUTTON (16) described previously.

The POSITIVE TRIP operates as follows: The TONE ARM (6) moving in toward the SPINDLE (2) carries with it the SWEEP LEVER (9), which contacts the HEAD of the POSITIVE TRIP SCREW (32) mounted in the AUTO TRIP LEVER (13). Thus the AUTO TRIP LEVER (13) is rotated until the STUD is released from the NOTCH in the AUTO TRIP CAM (31).

The RATCHET TRIP operates as follows: As the TONE ARM (6) moves across the RECORD the TOOTHED EDGE of the SWEEP LEVER (9) rides against the PAWL (14) mounted on the AUTO TRIP LEVER (13). When the NEEDLE follows into the ECCENTRIC GROOVE an OSCILLATING movement is imparted to the SWEEP LEVER (9). During the OUTWARD movement the TEETH in the EDGE of the SWEEP LEVER (9) catch on the PAWL (14), causing it to STAND UP, rotating the AUTO TRIP LEVER (13) and releasing the STUD from the NOTCH in the AUTO TRIP CAM (31).

THE AUTOMATIC LOCKOUT MECHANISM

When making a RECORDING or when playing RECORDS MANUALLY the AUTOMATIC LOCKOUT LEVER (44) when depressed at the end marked "R" interferes with the CONTROL LEVER (15) so that it cannot be moved into AUT or REJ position. Also an INTERFERENCE or LOCKED condition is maintained between the end of the CONTROL LEVER (15) and the STUD near the outer end of the DRIVE WHEEL CARRIER LEVER (12) so that the CARRIER LEVER (12) CANNOT ROTATE even though the STUD in the AUTO TRIP LEVER (13) is swung out of the NOTCH in the AUTO TRIP CAM (31).

THE AUTOMATIC FEED FOR THE CUTTER ARM

The TURNTABLE HUB (45) acting as a PULLEY drives the RUBBER TIRE WHEEL (46). To this WHEEL (46) is attached the PINION (47) which drives the GEAR (48). The Pinion (49) is attached to Gear (48) and drives the GEAR (50). Attached to the GEAR (50) is the DRIVE PULLEY (51) which drives the RUBBER COVERED SECTOR (52). As the CUTTER ARM (54) is brought into the EDGE of the RECORDING BLANK the SECTOR (52) engages the DRIVE PULLEY (51) and the STYLUS is then FED across the RECORD, cutting about 110 LINES PER INCH. The STYLUS will continue its inward travel until a distance from the SPINDLE (2) of about 1 5/8 inches is reached. The CUTTER ARM should then be lifted and can be pulled back toward its rest, overcoming the FRICTION of the SECTOR (52) against the DRIVE PULLEY (51) in doing this.

ADJUSTMENT OF THE RECORDER FEED MECHANISM

The positions of the three STUDS (55, 56 and 57) have been very carefully set at the factory and should not require any adjustment. However, if it is certain that the position of one or more of these studs has shifted, proceed as follows: Remove the TURNTABLE (1) and loosen the THREE NUTS (58) on the bottom of the MOTORBOARD (42). Remove the GEAR & PINION ASSEMBLY (48-49). Tighten the NUT (59) on STUD (55) very slightly until the STUD (55) will hold its position definitely, but can be shifted readily by light blows on the sides of the NUT (58).

HOLD THE TURNTABLE (1) LEVEL AND ROTATE TO AND FRO AS IT IS LOWERED. THIS WILL ALLOW THE HUB (45) TO ROLL INTO ENGAGEMENT WITH THE DRIVE WHEEL (46). Move the STUD (55) a little at a time until DEFINITE, but NOT EXCESSIVE FRICTION is established between the rubber tire of DRIVE WHEEL (46) and the TURNTABLE HUB (45).

The friction can be tested by taking a long pencil and holding the ERASER against the DRIVE WHEEL TIRE (46) while rotating the TURNTABLE (1) slowly by hand. The FORCE thus applied against the PENCIL ERASER should seem CONSIDERABLE although the friction should not be great enough to SLOW DOWN the TURNTA SPEED.



MODEL 101.202

## SEARS ROEBUCK CO.

The next step, with the TURNTABLE (1) removed, is to adjust the STUD (57). The NUT (58) on this STUD (57) should be tightened slightly as described before and the STUD (57) should be moved as previously mentioned, a little at a time, until a DEFINITE but NOT EXCESSIVE FRICTION is established between the DRIVE PULLEY (51) and the SECTOR (52). This adjustment can be tested as follows: By swinging the CUTTER ARM (54) to and fro the SECTOR (52) should SPIN the GEAR & DRIVE PULLEY (50-51) EASILY when they are not held. Now, when the GEAR (50) is held there should be CONSIDERABLE DRAG of the SECTOR (52) against the DRIVE PULLEY (51) when the CUTTER ARM (54) is swung to and fro as before.

The GEAR & PINION ASSEMBLY (48-49) should now be replaced on STUD (56). The STUD (56) should be shifted a little at a time, as before stated, until a fairly close mesh of the gear teeth is attained at all points (47-48) and (49-50). The GEARS AND PINIONS MUST NOT BIND AT ANY POINT however. After this setting has been established, carefully tighten all three NUTS (58).

A final check of these adjustments can be made with a testing recording, to see whether a proper spacing of the grooves is being maintained. Speed can be checked by means of a standard STROBOSCOPE disc for 78 RPM turntables. The speed check to be made while STYLUS IS CUTTING.

ELEVATION OF THE CUTTER ARM

The elevation of the CUTTER ARM (54) has been set at the factory and should not need any adjustment. The procedure is very simple in case it should become necessary, however. The ELEVATION ADJUSTING SCREW is turned COUNTER CLOCKWISE to RAISE and CLOCKWISE to LOWER the CUTTER ARM (54). (This screw can be seen in the CUTTER ARM BRACKET (53) when the CUTTER ARM (54) is raised). The NUT is used to lock the ELEVATION ADJUSTING SCREW in place after making adjustment. The LOWER EDGE of the CUTTER ARM (54) should be PARALLEL with the TOP SURFACE of a SINGLE RECORDING DISC laying on the TURNTABLE.

ADJUSTMENTS OF THE CHANGER MECHANISM

If the RUBBER DRIVE PULLEY (28) does not have enough friction against the INTERMEDIATE DRIVE WHEEL (29), the mechanism may not be driven through the complete cycle. Also, the slipping that will occur in this case will soon wear a groove in the RUBBER PULLEY (28) requiring early replacement of the part. The friction can be increased by loosening the BOTTOM of the two NUTS (43), running both NUTS (43) up a little tighter against the RUBBER PULLEY (28) and then locking the two NUTS (43). Too much friction of the PULLEY (28) against the INTER. DRIVE WHEEL (29) may cause the TRIPPING of the mechanism to be SLUGGISH. Also the MAIN CAM (30) may NOT pull HOME.

If the RECORD SUPPORTS (24-25) get damaged, the RECORDS MAY NOT REST EVENLY on all BUTTONS. In this case the RECORD SUPPORTS (24-25) should be straightened until the TOP SURFACES OF ALL BUTTONS are the same VERTICAL DISTANCE from the MOTORBOARD (42). Care must be taken to see that the BUTTONS on the MOVABLE RECORD SUPPORT (24) are correct for BOTH 10 INCH and 12 INCH positions.

If the TONE ARM (6) has been strained out of position, it can be reset as follows: Loosen the SCREW (10) in the SWEEP LEVER (9) just enough to allow a reasonable amount of friction between the SWEEP LEVER (9) and the SLEEVE (7). Then by holding the SWEEP LEVER (9) and moving the TONE ARM (6) the estimated correct amount, the new setting can be tested as follows: Trip the mechanism (WITH POWER OFF), by moving the CONTROL BUTTON (16) to REJ and release. Then rotate the TURNTABLE (1) by hand until the NEEDLE is coming down and is about 1/16 inch above the record. IF THE NEEDLE IS NOT ABOUT 1/8 INCH inside the EDGE of the RECORD, the correction can be made with the CAM (30) in this position. Very carefully, hold the PIN in the SWEEP LEVER (9) against the STOP LEVER (11) and move the TONE ARM (6) to the proper position (NEEDLE 1/8 INCH INSIDE EDGE OF RECORD). BE SURE THE MOVABLE RECORD SUPPORT (24) IS SET FOR THE SIZE RECORD THAT IS ON THE TURNTABLE (1). Make certain that about 1/64 INCH END PLAY IS MAINTAINED AT THE TONE ARM PIVOT SLEEVE (7) before tightening the CLAMP SCREW (10) on the SWEEP LEVER (9).

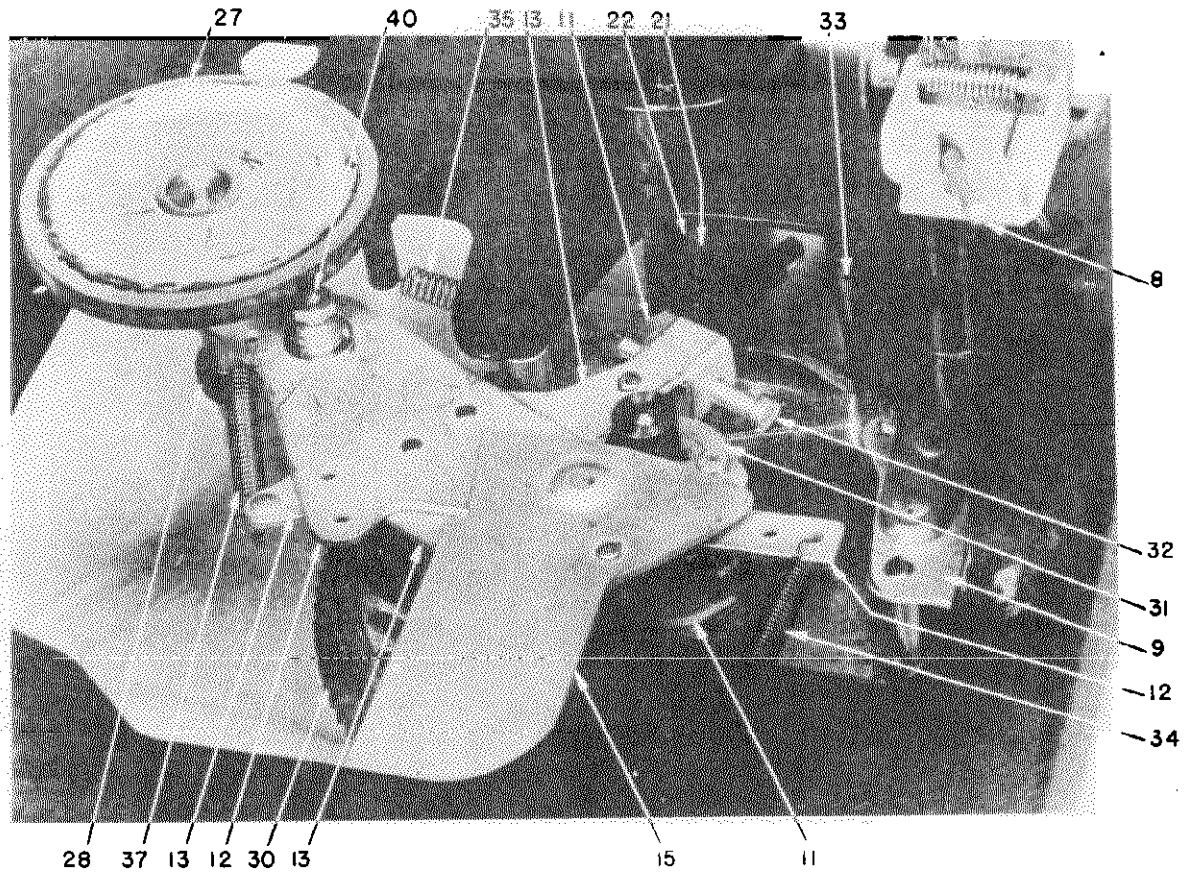
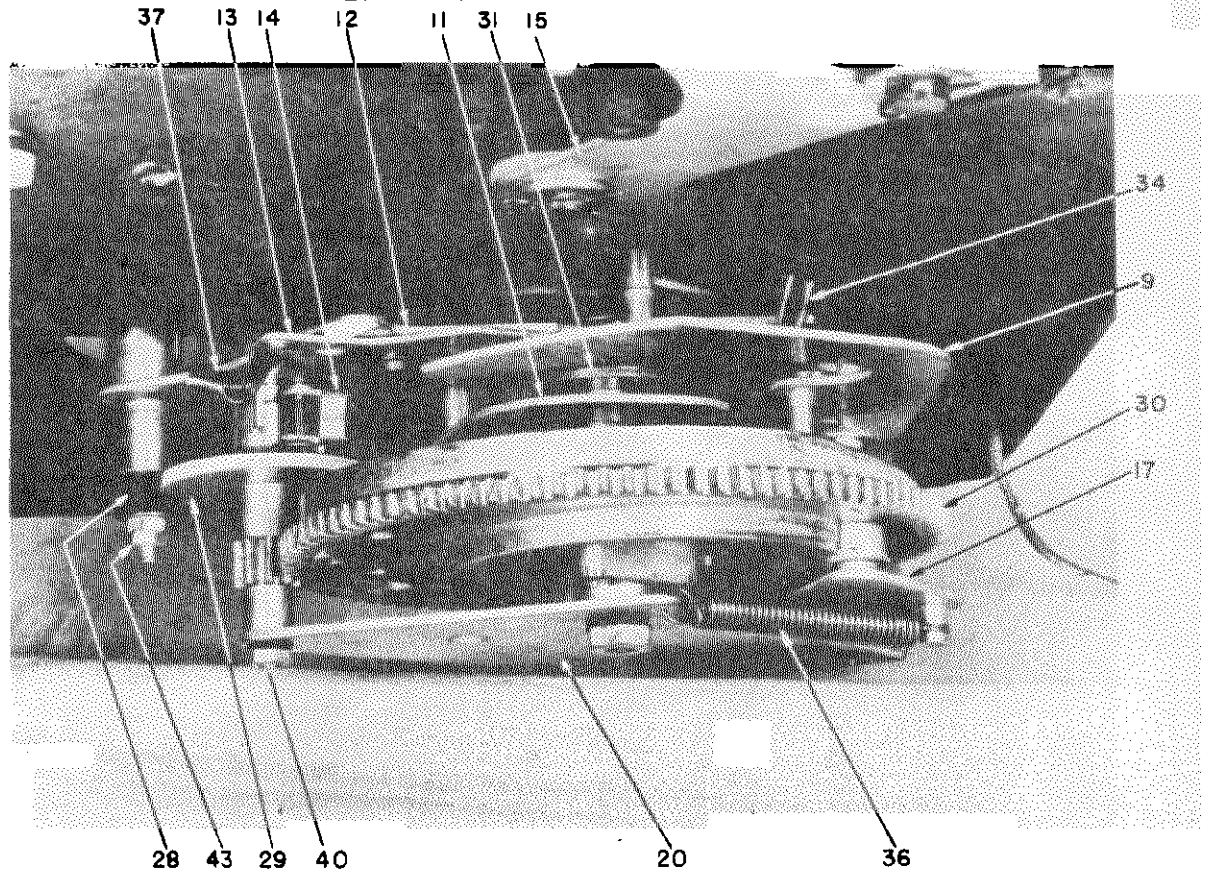
The ELEVATION of the TONE ARM (6) can be adjusted as follows: Remove the LIFT PIN (8) and STRAIGHTEN THE BEND of the PIN (8) slightly to RAISE the TONE ARM (6). To LOWER the TONE ARM (6) the LIFT PIN (8) should be BENT more nearly to the shape of a RIGHT ANGLE. The amount of bending to be slight until the PIN (8) is tried again. BE CAREFUL NOT TO KINK THE LONG LEG OF THE PIN (8). THERE IS DANGER OF CAUSING A BIND IN THE SLEEVE (7).

The POSITIVE TRIP SCREW (32) should be turned COUNTER-CLOCKWISE for an EARLIER TRIP and CLOCKWISE for a LATER TRIP.

LUBRICATION

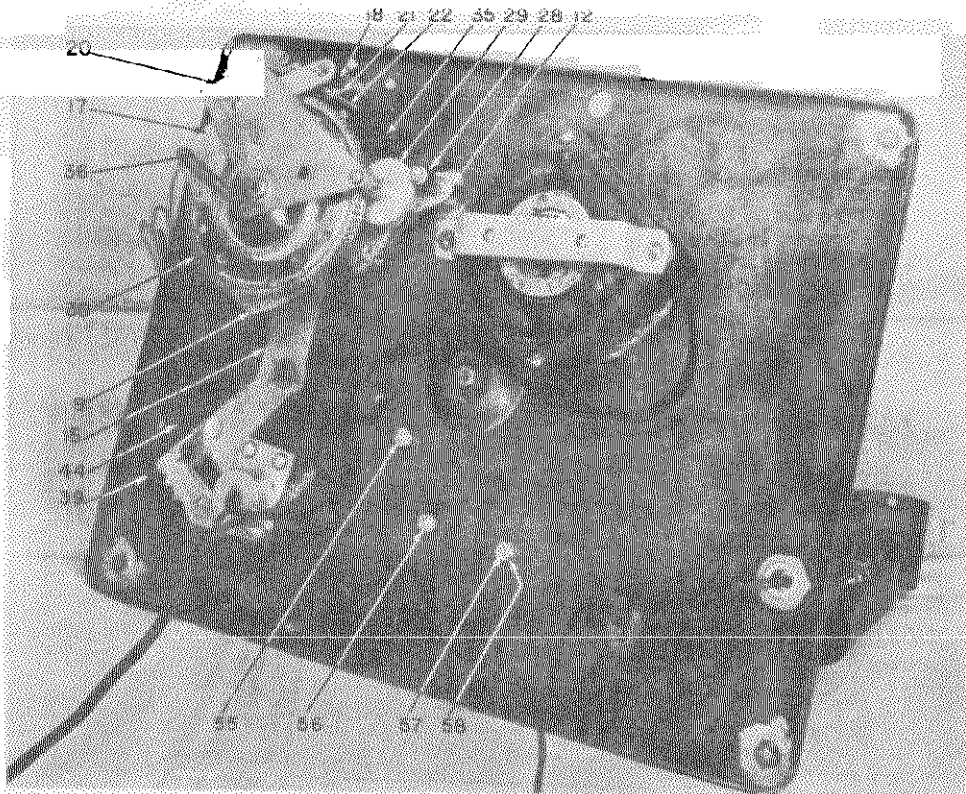
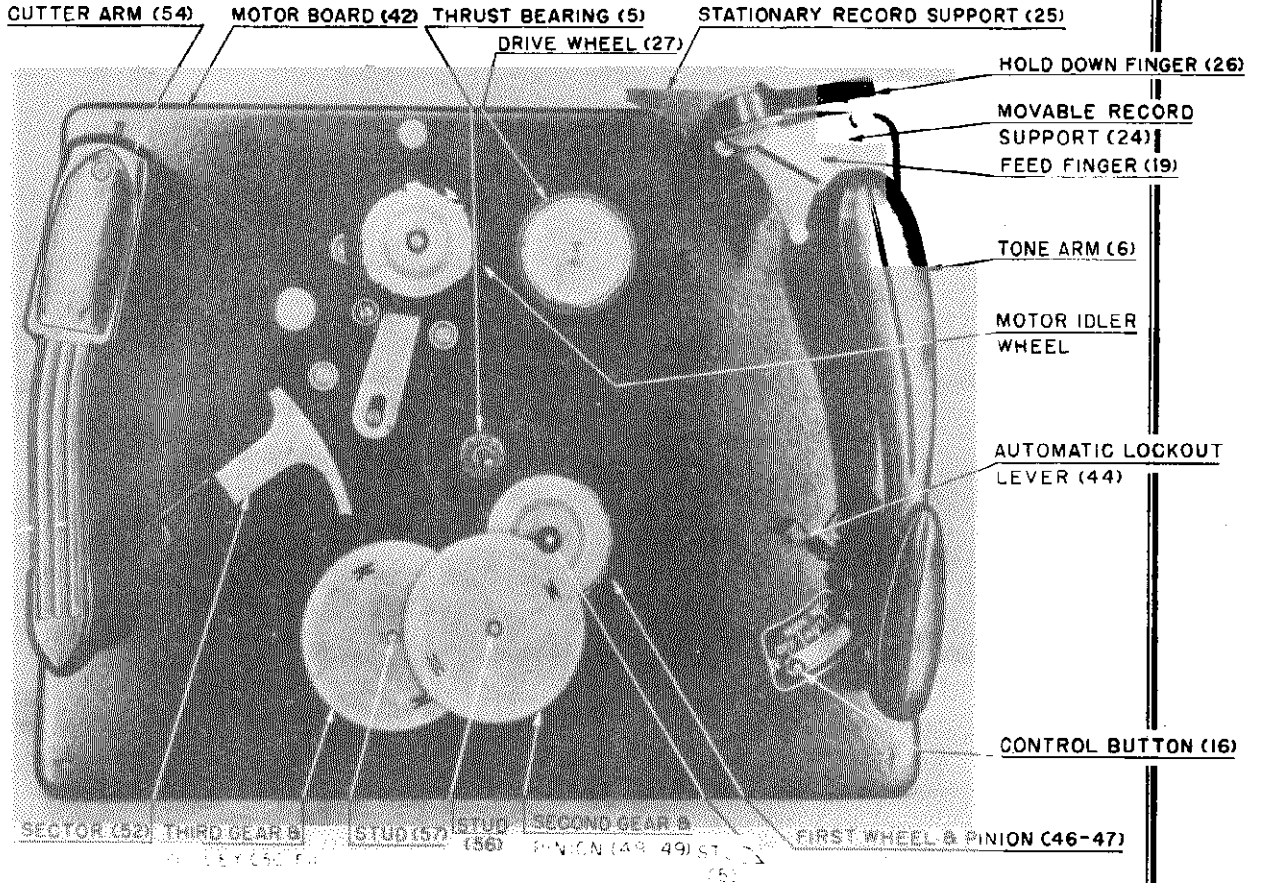
The THRUST BEARING (5) may be lubricated with a LIGHT GREASE. Any of the other bearings may be lubricated with a GOOD QUALITY LIGHT OIL. DO NOT ALLOW ANY LUBRICANT TO COME IN CONTACT WITH ANY RUBBER PART OR, WITH ANY FRICTION DRIVE PART EITHER RUBBER OR OTHER MATERIAL.

SEARS, ROEBUCK & CO.



MODEL 101.202

# SEARS, ROEBUCK & CO.



## SEARS ROEBUCK CO.

101.605 differs from 101.606 in the pickup cartridge used. 101.605 uses part No. R46346 cartridge. 101.606 uses part No. R47584 cartridge.

All of the recorder mechanism is above the base plate so that in most cases it is not necessary to remove the unit from the cabinet to make any operating adjustments required.

Alphabetically arranged index letters are used in the illustrations. Parts with prefixed letter "E" will be found in the illustration of the top of the unit. Parts with the prefix letter "F" will be found in the illustration of the bottom of the unit. Adjustments that may be required are described in the following paragraphs.

First remove the turntable and inspect gears and drive discs for imperfect mesh or worn gear teeth. It will be found desirable to use a gauge which just fits the turntable shaft and has a diameter of 1.000 to 0.995. This gauge should be placed in position, or the distance from the center of the shaft to the drive disc, EE, should be accurately measured to be .500 to .498.

Once this distance has been correctly determined, a light tap of a hammer on a block of wood placed at the base of the drive disc stud, EC, may be sufficient to relocate the stud. All the gear studs, EC, EB, EH, may be relocated this way if great care is observed.

If the distance is greater than a few thousandths of an inch, it may be advisable to loosen the lock nuts which hold the studs. These are below the base plate and may necessitate the removal of the unit from the cabinet.

When it is certain that the drive disc, EE, will contact the turntable hub with just enough force to assure positive drive, the gear and collar, EJ, should be inverted on its stud, EH, so that the contact between the sector, EI, and the collar may be observed. The adjustment of the stud, EH, is made in the same way as described previously. Again caution is required in striking the blow with a block of wood or similar cushioning material at the large base of the stud. Never strike the shank of the stud.

When the proper adjustment has been reached, the sector, EI, should drive the gear and collar assembly, EJ, positively, yet should be readily returned to rest position when the gear, EJ, is held solidly.

The intermediate gear assembly, EF, is moved in the manner described previously until a complete mesh is obtained with the other gears, without tight spots.

The gears are then reassembled in their original order, the locking pin, EA, and washer, ED, are replaced and the turntable is lightly set on the shaft. A slight spinning motion imparted to the table will aid in proper seating of the rim and the hub against the respective drive discs.

After the turntable is firmly seated on the shaft, with the drive pin, EG, in the slot of the hub, a few trials should be made to see if there is too much or too little traction against the sector, EI.

When lubricating the studs and gear hubs, use only fine light grease, using great care that none touches any of the rubber driving surfaces.

The arm, post and sector assembly may be removed by removing the fillister head lock screw in the post just below the arm. Be sure to rotate the assembly to clear the turntable or remove the table before lifting this assembly. Disconnect the cutter leads, FC, before removing this assembly. Use only fine light grease for post and bushing lubricant.

The lock, FH, which prevents the automatic operation of the changer should be adjusted so that the foot of the lock rod, FI, clears the follower when the cutter arm is in the rest position and just moves so as to be beneath the follower when the arm is removed from the rest.

Adjustment of the cutter arm, FB, is accomplished by turning the screw, FG, which is exposed when the arm is raised, until the head of the arm is just 1/4" above the surface of a record to be cut. Tighten the lock nut after adjusting.

Cutting stylus pressure is adjusted by means of the knurled, round nut, FF, in the body of the arm.

The cutting pressure should be 1-1/2 ounces or the width of the groove should be just as wide as the uncut surface, depending upon the method of observation.

If it is found necessary to replace the cutting head, FD, the stylus set screw, FA, is removed, then by applying a slight force with the thumb to the suspension spring, FE, the head may be easily grasped and dislodged from its seat. Unhook from the suspension spring and replace.

DECEMBER 21, 1942

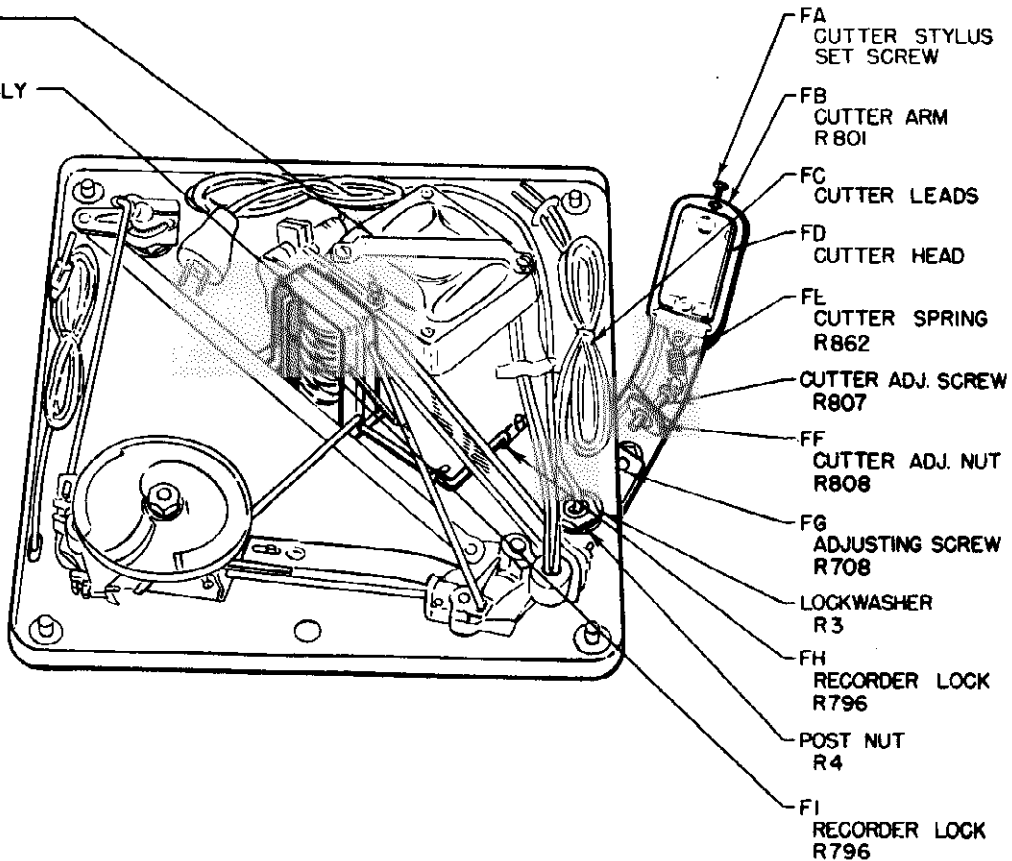
MODELS 101.605,  
101.606

SEARS ROEBUCK CO.

Recorder

MOTOR  
R252

SUB FRAME ASSEMBLY  
R893



FA CUTTER STYLUS  
SET SCREW

FB CUTTER ARM  
R801

FC CUTTER LEADS

FD CUTTER HEAD

FE CUTTER SPRING  
R862

CUTTER ADJ. SCREW  
R807

FF CUTTER ADJ. NUT  
R808

FG ADJUSTING SCREW  
R708

LOCKWASHER  
R3

FH RECORDER LOCK  
R796

POST NUT  
R4

FI RECORDER LOCK  
R796

TURNTABLE RECORD  
HOLD PIN R207

TURNTABLE  
R815

(IDLER WHEEL)  
R264  
IDLER WHEEL  
BRACKET SPRING  
R37 (UNDER WHEEL)

MOTOR PULLEY  
R369

POST SCREW  
R816

CUTTER ARM POST  
R817

HINGE PIN  
R802.

EE DRIVE DISC ASSEM.  
R822.

EC GEAR STUD R809

EF GEAR PINION ASSEM.  
R823

EA SPRING CLIP R130

EB GEAR STUD R809

ED WASHER R126A

EG DRIVE PIN, TURNTABLE  
SHAFT, & FRAME  
ASSEM. R893

EH GEAR STUD R809

EJ GEAR & DRIVE PINION  
ASSEM. R824

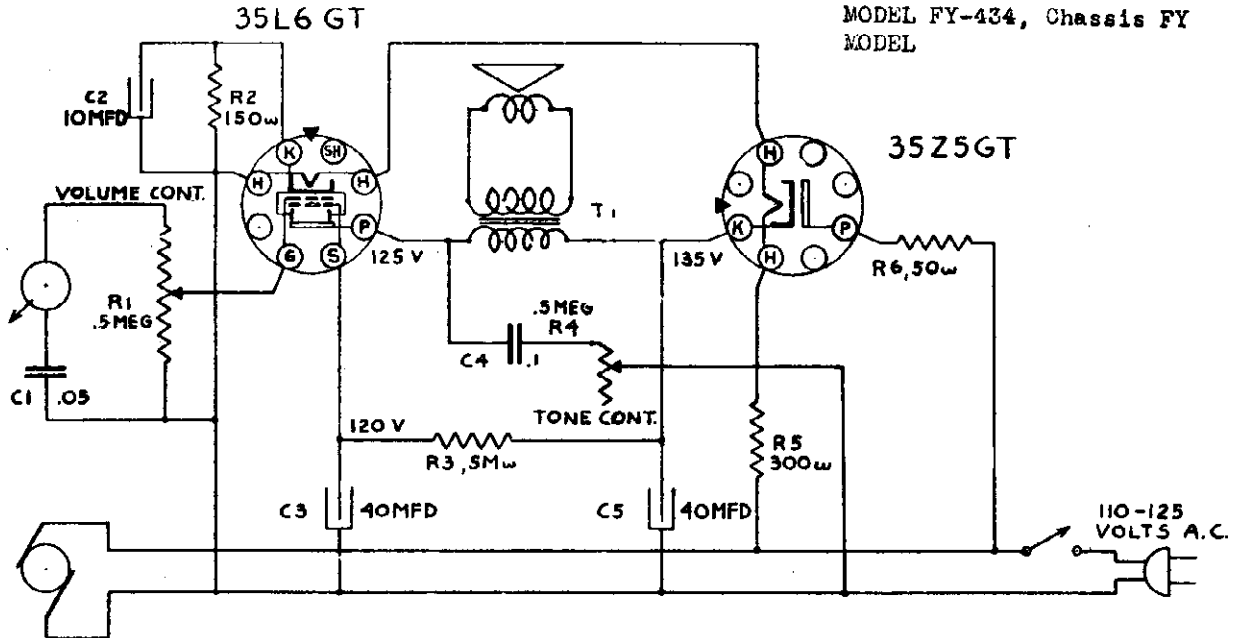
EI SECTOR & POST  
ASSEM. R847

RECORDER ARM  
BUSHING R803

THRUST WASHER  
R48

SEARS, ROEBUCK & CO.

MODEL 5818, Chassis 184.5818  
 MODEL 5819, Chassis 178.5819  
 MODEL FY-434, Chassis FY  
 MODEL

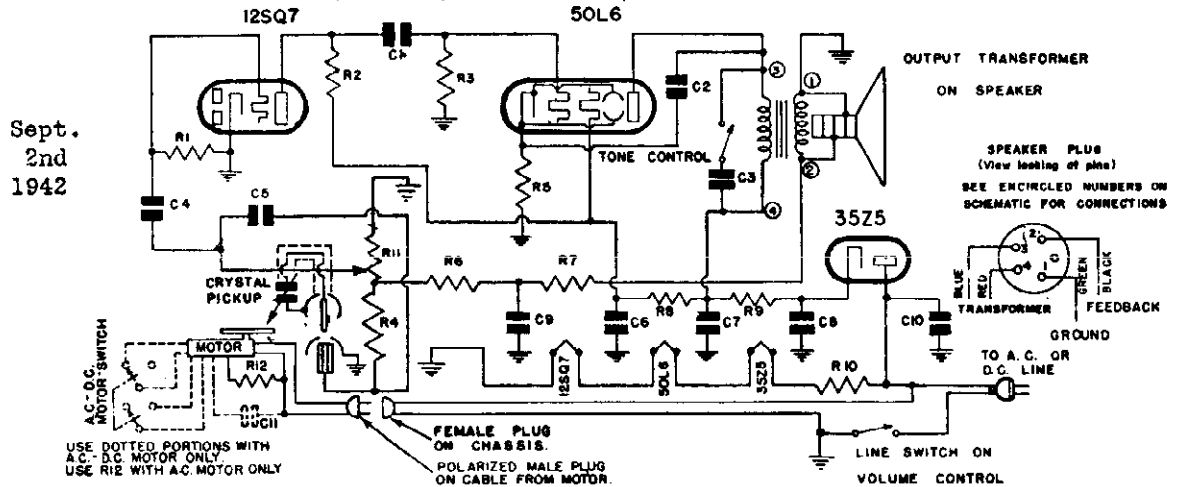


Model 5818 Chassis 184.5818 A. C. Record Player Amplifier January 4, 1943  
 " 5819 " 178.5819 Electric Phonograph November 25, 1942

Model FY - 434 Chassis FY Electric Amplified Portable Phonograph

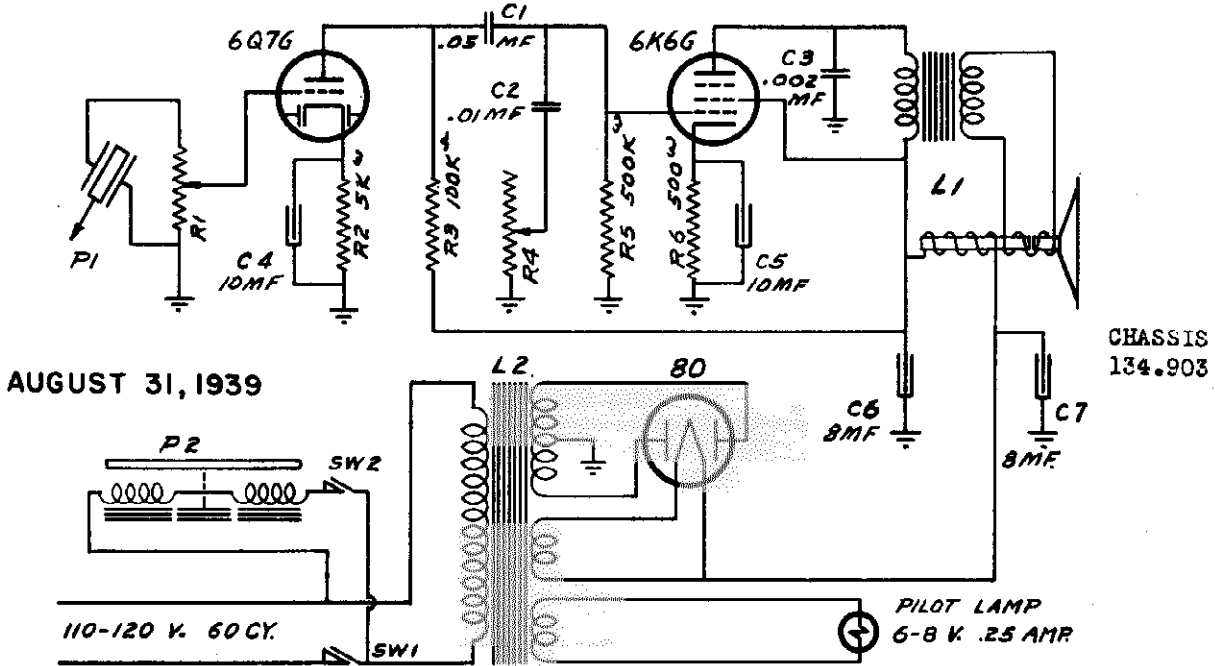
When ordering, specify part numbers. List price each effective as of Dec. 1, 1941. Subject to change without notice.

*Item	Part No.	DESCRIPTION	PRICE
R1	4XR-327	15 megohm 1/4 watt carbon resistor.....	\$.16
R2, R3	KR-56	500,000 ohm 1/4 watt carbon resistor.....	.16
R4, R6	KR-57	1 megohm 1/4 watt carbon resistor.....	.16
R7	KR-53	50,000 ohm 1/4 watt carbon resistor.....	.16
R8	KR-51	2,500 ohm 1/4 watt carbon resistor.....	.16
R9	9JR-450	175 ohm 1 watt carbon resistor.....	.16
R10	9YR-460	133 ohm 3 watt wire-wound resistor.....	.25
R11	9YR-459	Volume control 2.5 megohm.....	.80
R12	KR-55	250,000 ohm 1/4 watt carbon resistor.....	.16
C1, C2	LC-65	0.02 mf, 400 volt tubular condenser.....	.20
C3	BC-12	0.05 mf, 200 volt tubular condenser.....	.20
C4	3HC-274	0.002 mf, 600 volt tubular condenser.....	.20
C5	IC-51A	0.00001 mf, mica condenser.....	.20
C6, C7 C8	8JC-513B	Multiple dry electrolytic condenser, 150 volt; C6, C8—20 mf, C7—40 mf.....	.95
C9	FC-29	0.02 mf, 200 volt tubular condenser.....	.20
C11	9JC-534	0.05 mf, 200 volt tubular condenser.....	.20

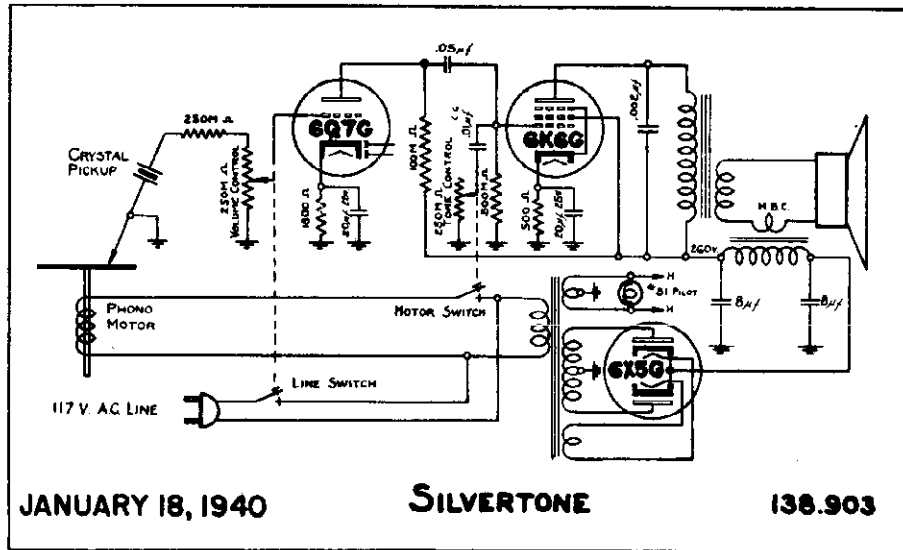
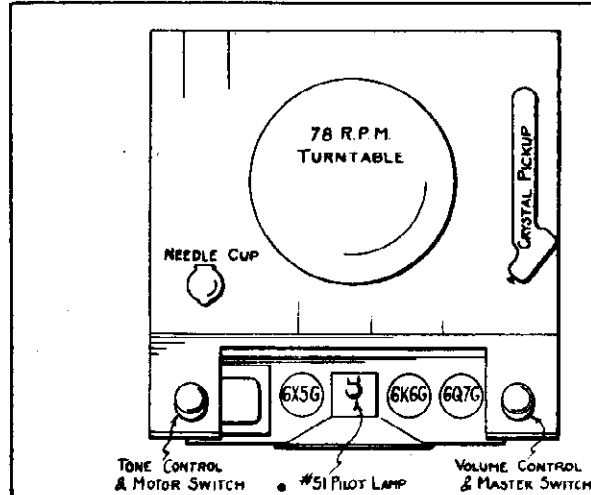
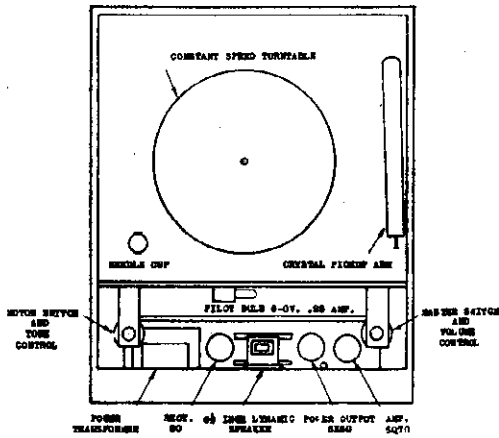


Sept.  
2nd  
1942

MODEL 5827, Chassis 134.903  
 MODEL 5827, Chassis 138.903 SEARS, ROEBUCK & CO.



COMPLETE PHONOGRAPH ASSEMBLY



Tube Complement

- 6Q7G Amplifier
- 6K6G FWR Output
- 6X5G Rectifier

Power Consumption  
50 Watts

Portable  
Electric  
Phonograph

JANUARY 18, 1940

SILVERTONE

138.903

SEARS ROEBUCK CO. MODEL 5828, Chassis 138.90  
MODEL 5829, Chassis 138.90

PORTABLE ELECTRIC PHONOGRAPH

TUBE COMPLEMENT

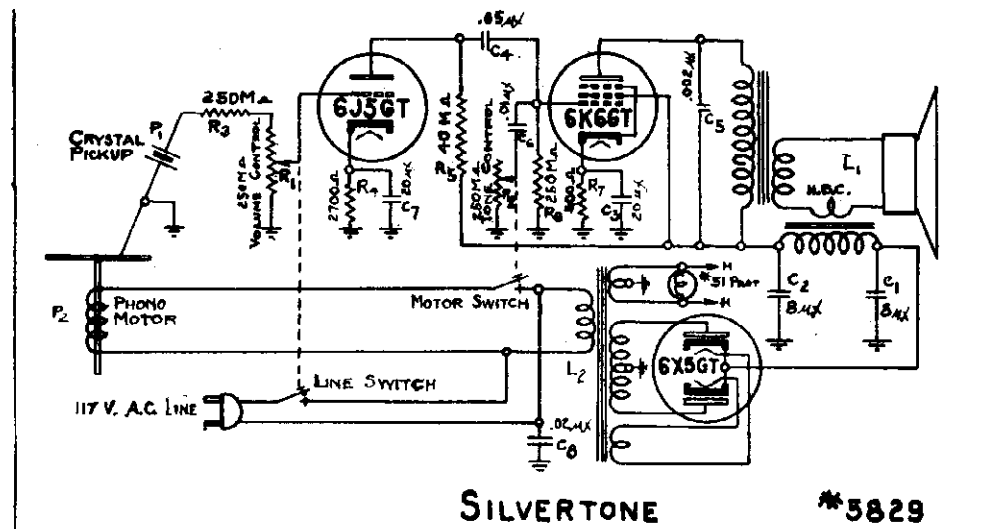
- 6J5GT . . . . . Amplifier
- 6K6GT . . . . . Power Output
- 6X5GT . . . . . Rectifier

JANUARY 4, 1943

POWER SUPPLY:

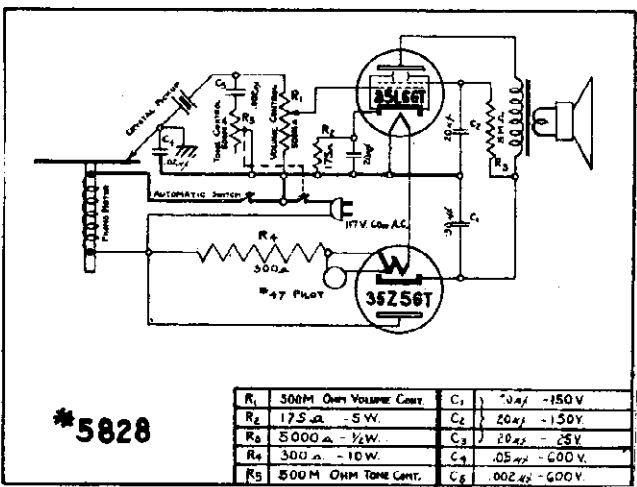
Model 5829 is supplied for operation from 105 to 125 volts, 60 cycles, AC only.

Power Consumption . . . . . 50 Watts



SILVERTONE #5829

R1 150MΩ VOLUME CONTROL	R5 40MΩ 1/2 WATT	C1 8Mμ - 450 V.	C5 .002Mμ - 400V.
R2 250MΩ TONE CONTROL	R6 250MΩ 1/2 WATT	C2 8Mμ - 450 V.	C6 .04Mμ - 400V.
R3 250MΩ 1/2 WATT	R7 300Ω 1 WATT	C3 20Mμ - 25 V.	C7 20Mμ - 25 V.
R4 2700Ω 1/2 WATT		C4 0.5Mμ - 400 V.	C8 .02Mμ - 400 V.



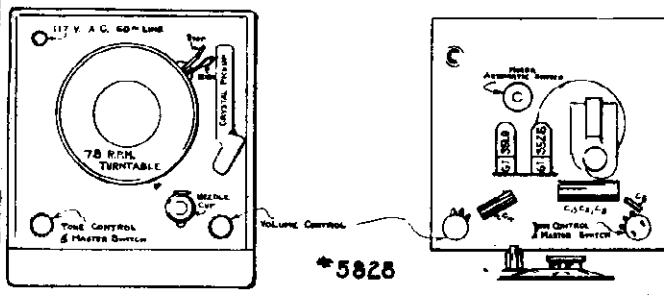
#5828

R1 500MΩ VOLUME CONT.	C1 .04μ - 150V
R2 17SΩ - 5W.	C2 20μ - 150V
R3 5000Ω - 1/2W.	C3 20μ - 25V
R4 300Ω - 10W.	C4 .05μ - 400V.
R5 500MΩ TONE CONT.	C5 .002μ - 400V.

ELECTRIC PHONOGRAPH

MODEL 5828

FACTORY IDENTIFICATION NO. 138.906



TUBE COMPLEMENT

- 35L6GT . . . . . Amplifier
- 35Z5GT . . . . . Rectifier

POWER SUPPLY

JANUARY 4, 1943

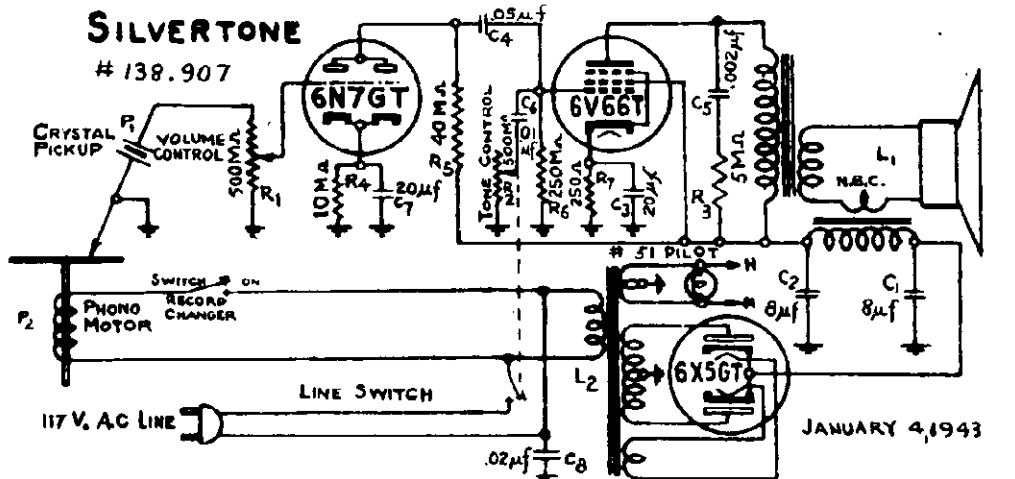
Model 5828 is supplied for operation from 105 to 125 volts, 60 cycles, A.C. only.

Power consumption . . . . . 40 Watts



MODEL 5833, Chassis 138.907

MODEL 6226, Chassis 134.802, -1 SEARS ROEBUCK CO.



- |                             |                     |                     |                      |
|-----------------------------|---------------------|---------------------|----------------------|
| R1 500M Ohms Volume Control | R5 40M Ohms 1/2 W.  | C1 8 Mf. - 450 V.   | C5 .002 Mf. - 400 V. |
| R2 500M Ohms Tone Control   | R6 250M Ohms 1/2 W. | C2 8 Mf. - 450 V.   | C6 .01 Mf. - 400 V.  |
| R3 5000 Ohms 1/2 W.         | R7 250 Ohms 1 W.    | C3 20 Mf. - 25 V.   | C7 20 Mf. - 25 V.    |
| R4 10M Ohms 1/2 W.          |                     | C4 .05 Mf. - 400 V. | C8 .02 Mf. - 400 V.  |

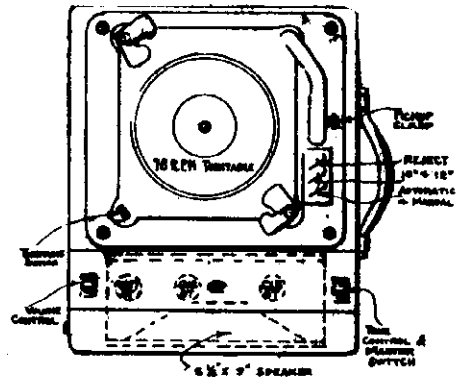
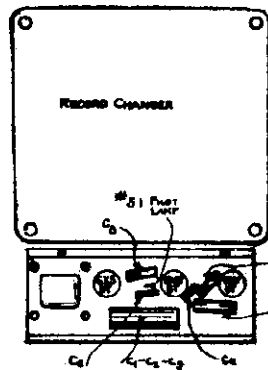
PORTABLE ELECTRIC PHONOGRAPH  
MODEL 5833

POWER SUPPLY

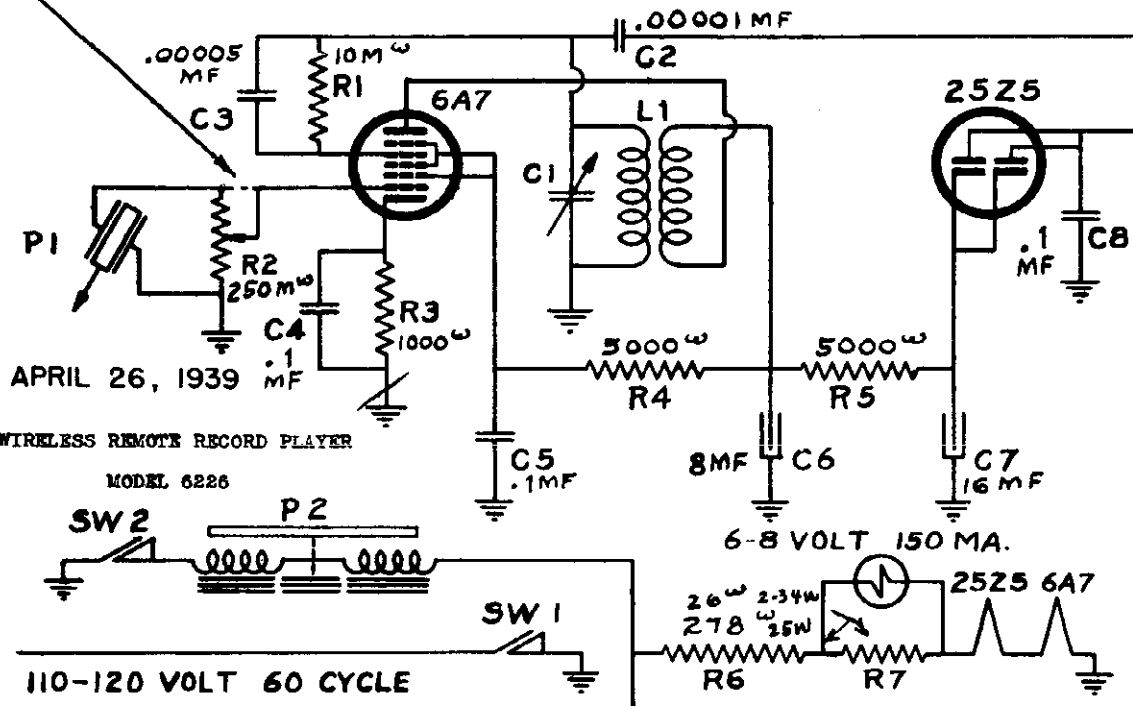
Model 5833 is supplied for operation from 105 to 125 Volts, 60 cycles AC  
Power Consumption - 50 Watt.

TUBE COMPLEMENT

- 6N7GT .. Amplifier
- 6V6GT .. Power Output
- 6X5GT .. Rectifier

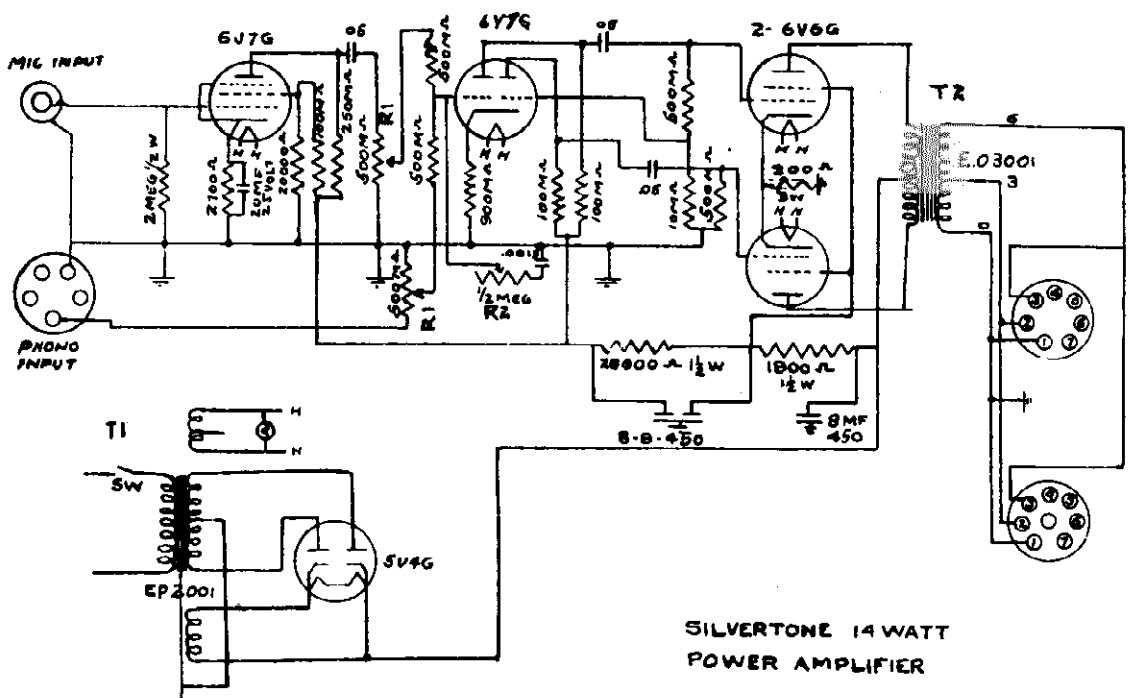
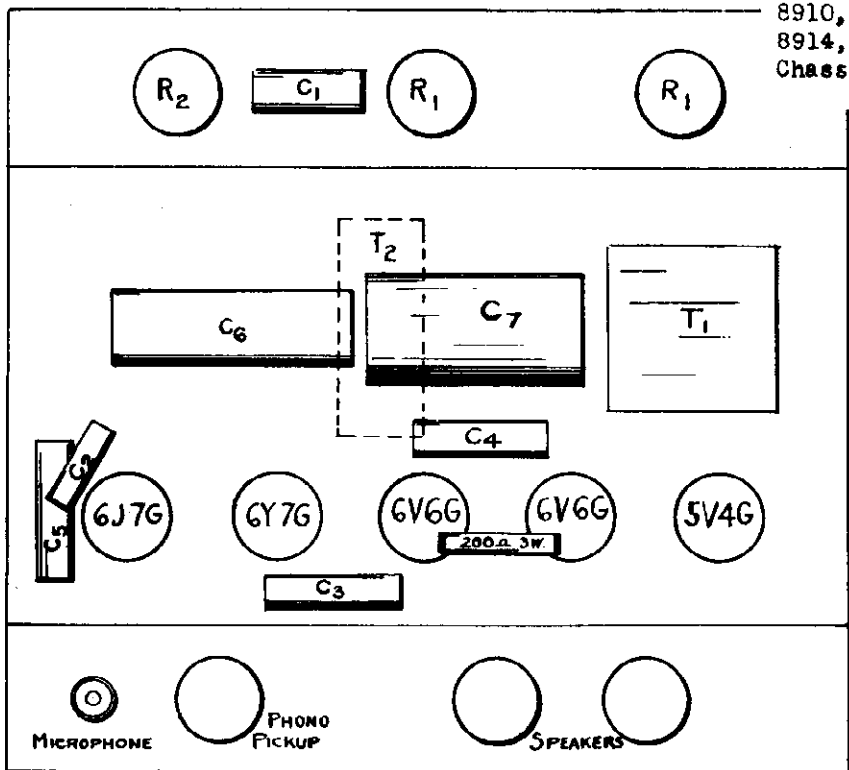


R2 is a plain resistor 250M ohms, on chassis 134.802 with connection as shown in dotted line.



WIRELESS REMOTE RECORD PLAYER  
MODEL 6226

SEARS, ROEBUCK & CO. MODELS 8906, 8907, 8908, 8909, 8910, 8911, 8912, 8913, 8914, Chassis 138.100



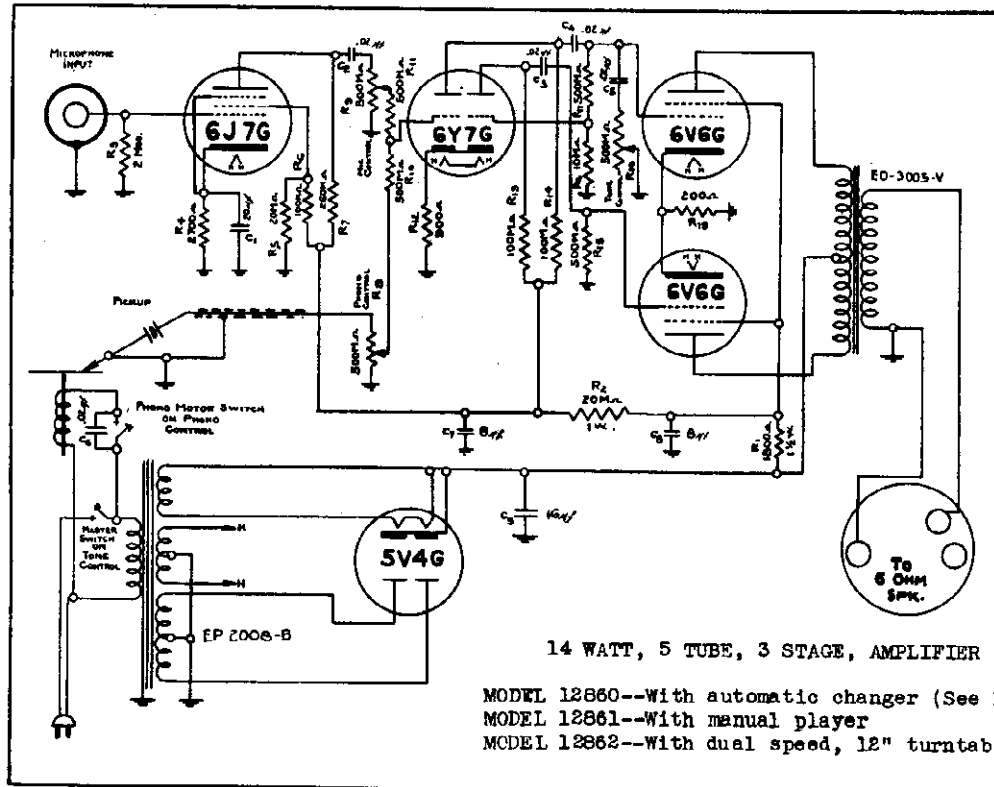
SILVERTONE 14 WATT POWER AMPLIFIER

ELECTRICAL SPECIFICATIONS      DECEMBER 5, 1939

- TUBE COMPLEMENT:
- |                  |                    |                  |           |
|------------------|--------------------|------------------|-----------|
| 1 6J7G . . . . . | Input              | 2 6V6G . . . . . | Output    |
| 1 6Y7G . . . . . | Inverter Amplifier | 1 5V4G . . . . . | Rectifier |
- POWER SUPPLY: . . . . . 110-125 volts, 60-60 cycle, AC 68 Watts
- FREQUENCY CHARACTERISTICS . . . . Curve - substantially flat from 50 to 10,000 cycles per second
- INPUTS:
- |   |   |
|---|---|
| 2 input positions each to accommodate high impedance crystal, velocity, or no voltage velotron microphones, and one high impedance phono unit | PICKUP: High impedance crystal type, 500M ohms  |
|   | SPEAKERS: 8 inch permanent magnet type, 6 ohm voice coil. Standard equipment - Jensen type PMSC |
- GAIN: . . . . . Approx. 118 DB      OUTPUT IMPEDANCE: . . . . . 3-4 and 6-8 ohms

MODELS 12860, 12861, 12862  
Chassis 138.150

SEARS, ROEBUCK & CO.



14 WATT, 5 TUBE, 3 STAGE, AMPLIFIER AND RECORD PLAYER

MODEL 12860--With automatic changer (See RL 277 ).

MODEL 12861--With manual player

MODEL 12862--With dual speed, 12" turntable and long tone arm

TUBE COMPLEMENT

1 6J7G . . . . . Input  
1 6Y7G . . . . . Inverter-Amplifier

2 6V6G . . . . . Output  
1 5V4G . . . . . Rectifier

INPUTS

One input position to accommodate crystal or other high impedance microphone, and one high impedance phono unit.

OUTPUT

6 ohm secondary for P.M. speaker

GAIN

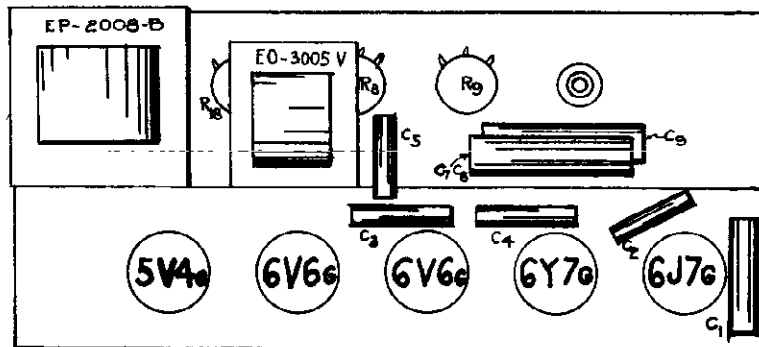
Approx: . . . . . 118 db.

MECHANICAL SPECIFICATIONS (Amplifier)

OPERATING CONTROLS (Amplifier)

1 Phono volume control  
1 microphone volume control

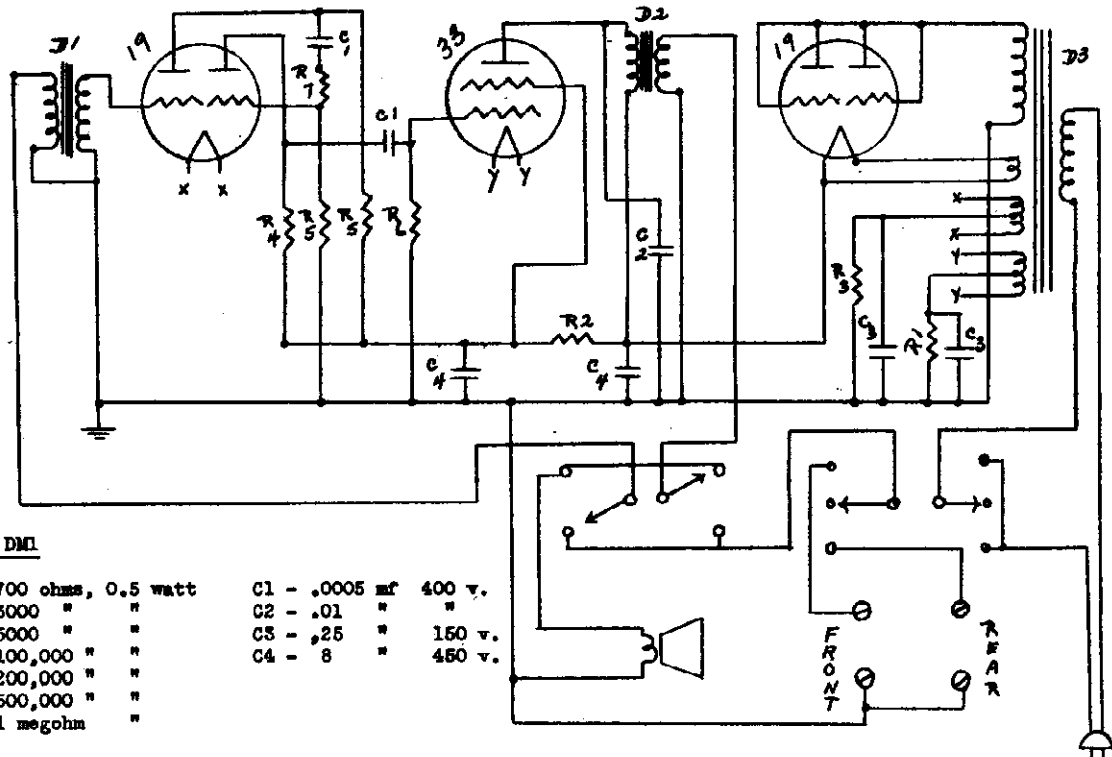
1 Tone control and A.C. switch



INSIDE VIEW

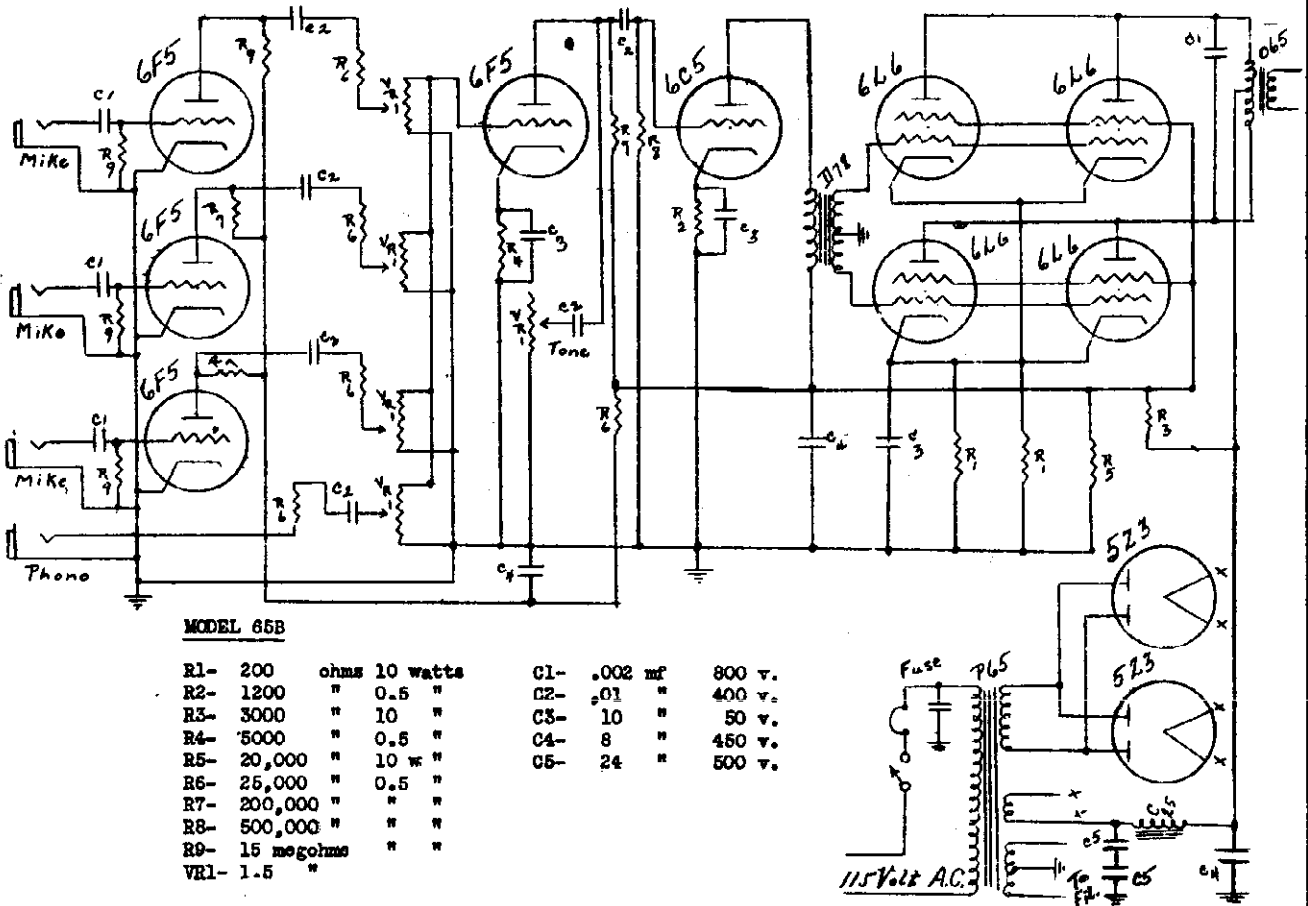
SETCHELL-CARLSON, INC.

MODEL DMI  
MODEL 65B



MODEL DMI

- |                         |                      |
|-------------------------|----------------------|
| R1 - 700 ohms, 0.5 watt | C1 - .0005 mf 400 v. |
| R2 - 3000 " "           | C2 - .01 " "         |
| R3 - 5000 " "           | C3 - .25 " 150 v.    |
| R4 - 100,000 " "        | C4 - 8 " 450 v.      |
| R5 - 200,000 " "        |                      |
| R6 - 500,000 " "        |                      |
| R7 - 1 megohm "         |                      |



MODEL 65B

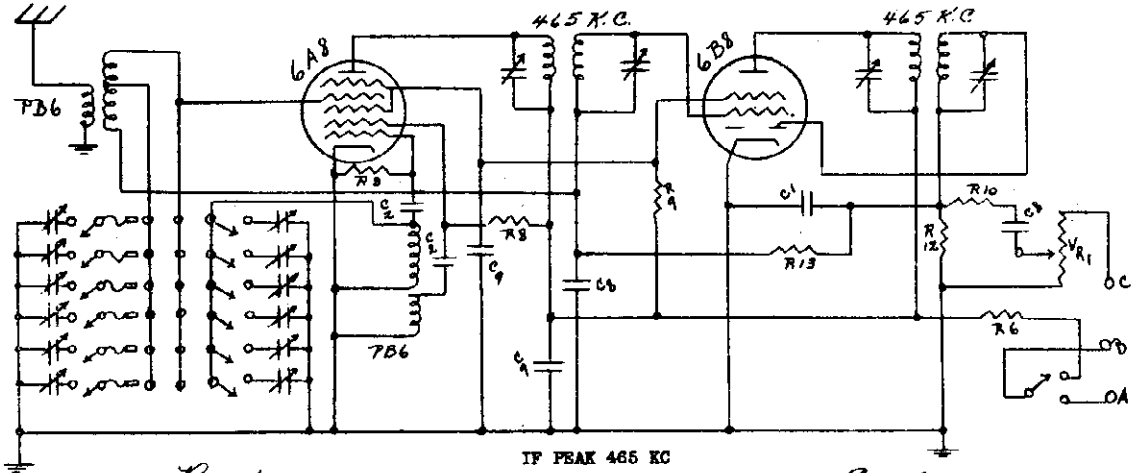
- |                       |                    |
|-----------------------|--------------------|
| R1- 200 ohms 10 watts | C1- .002 mf 800 v. |
| R2- 1200 " 0.5 "      | C2- .01 " 400 v.   |
| R3- 3000 " 10 "       | C3- 10 " 50 v.     |
| R4- 5000 " 0.5 "      | C4- 8 " 450 v.     |
| R5- 20,000 " 10 "     | C5- 24 " 500 v.    |
| R6- 25,000 " 0.5 "    |                    |
| R7- 200,000 " " "     |                    |
| R8- 500,000 " " "     |                    |
| R9- 15 megohms " "    |                    |
| VR1- 1.5 " "          |                    |

115 Volt AC

MODEL RA50

SETCHELL-CARLSON, INC.

Setchell-Carlson-Model R.A. 50



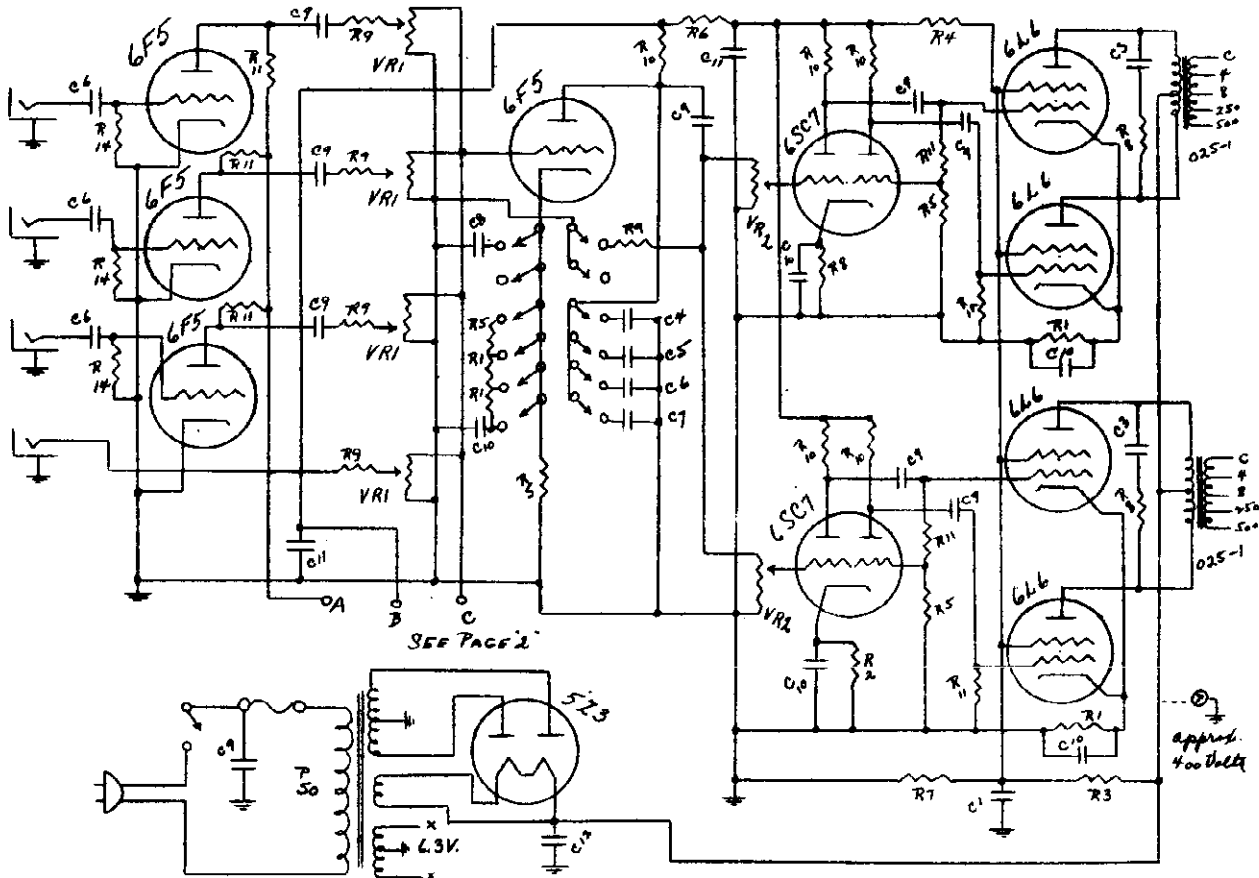
IF PEAK 465 KC

Resistors

- |                           |                              |
|---------------------------|------------------------------|
| R1- 700 $\Omega$ 5 Watt   | R8- 75,000 $\Omega$ 1/2 Watt |
| R2- 1700 $\Omega$ 1/2 "   | R9- 50,000 $\Omega$ " "      |
| R3- 7500 $\Omega$ 10 "    | R10- 100 M $\Omega$ " "      |
| R4- 3000 $\Omega$ 1/2 "   | R11- 700 M $\Omega$ " "      |
| R5- 5000 $\Omega$ 1/2 "   | R12- 500 M $\Omega$ " "      |
| R6- 10,000 $\Omega$ 1/2 " | R13- 1 Meg $\Omega$ " "      |
| R7- 70,000 $\Omega$ 10 "  | R14- 15 Meg $\Omega$ " "     |
| VR1- 5 Meg. Val. Control. | VR2- 1/2 Meg. Val. Control.  |

Condensers

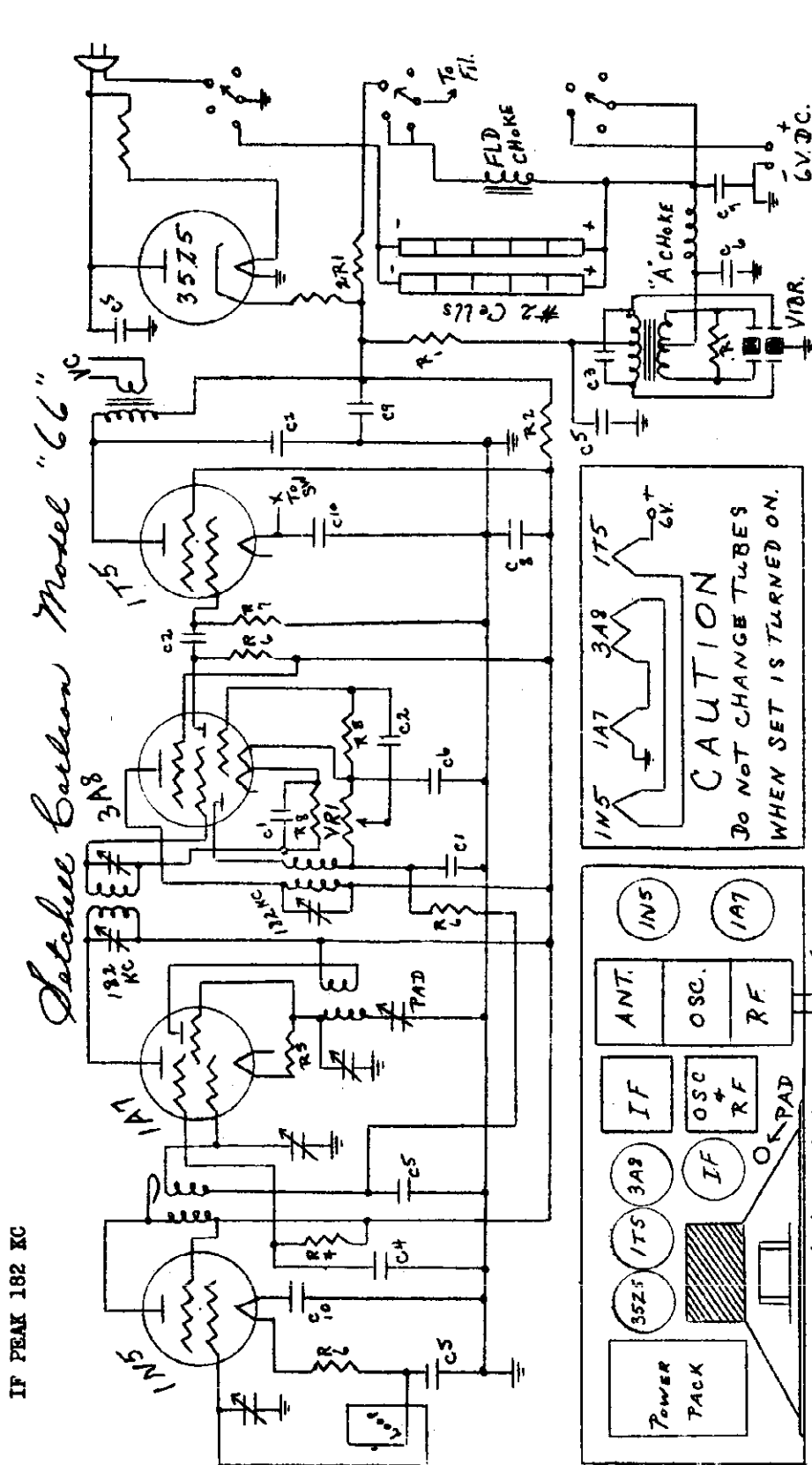
- |                              |
|------------------------------|
| C1- .0001 Mfd. Mica          |
| C2- .0005 " "                |
| C3- .001 " 600 V. paper      |
| C4- .0025 " 400 " "          |
| C5- .005 " " " "             |
| C6- .01 " " " "              |
| C7- .025 " " " "             |
| C8- .1 " 700 V. " "          |
| C9- .1 " 400 V. " "          |
| C10- 10 " 50 V. Electrolytic |
| C11- 10 " 450 V. " "         |
| C12- 25 " 500 V. " "         |



SEE PAGE 2

approx. 400 volts

SETCHELL-CARLSON, INC.



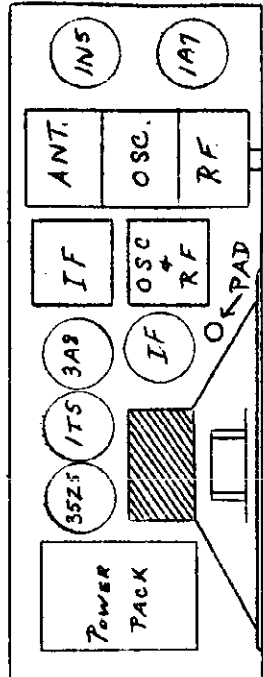
*Setchell Carlson Model "66"*

IF PEAK 182 KC

- Condensers
- C1 - 0.005-600V C6 - 44-100V
  - C2 - 0.01 - " C7 - 4 - "
  - C3 - 0.005 - " C8 - 20-150V
  - C4 - .01 - " C9 - 40 - "
  - C5 - .05 - " C10 - 50-75V

- Resistors
- R1 - 300  $\Omega$  R7 - 2 meg  $\Omega$
  - R2 - 3000  $\Omega$  R8 - 15 meg  $\Omega$
  - R4 - 50,000  $\Omega$  VR1 - 50,000- $\Omega$  VC
  - R5 - 100,000  $\Omega$  2R1 - 125 1000  $\Omega$
  - R6 - 1 meg  $\Omega$

**CAUTION**  
DO NOT CHANGE TUBES  
WHEN SET IS TURNED ON.

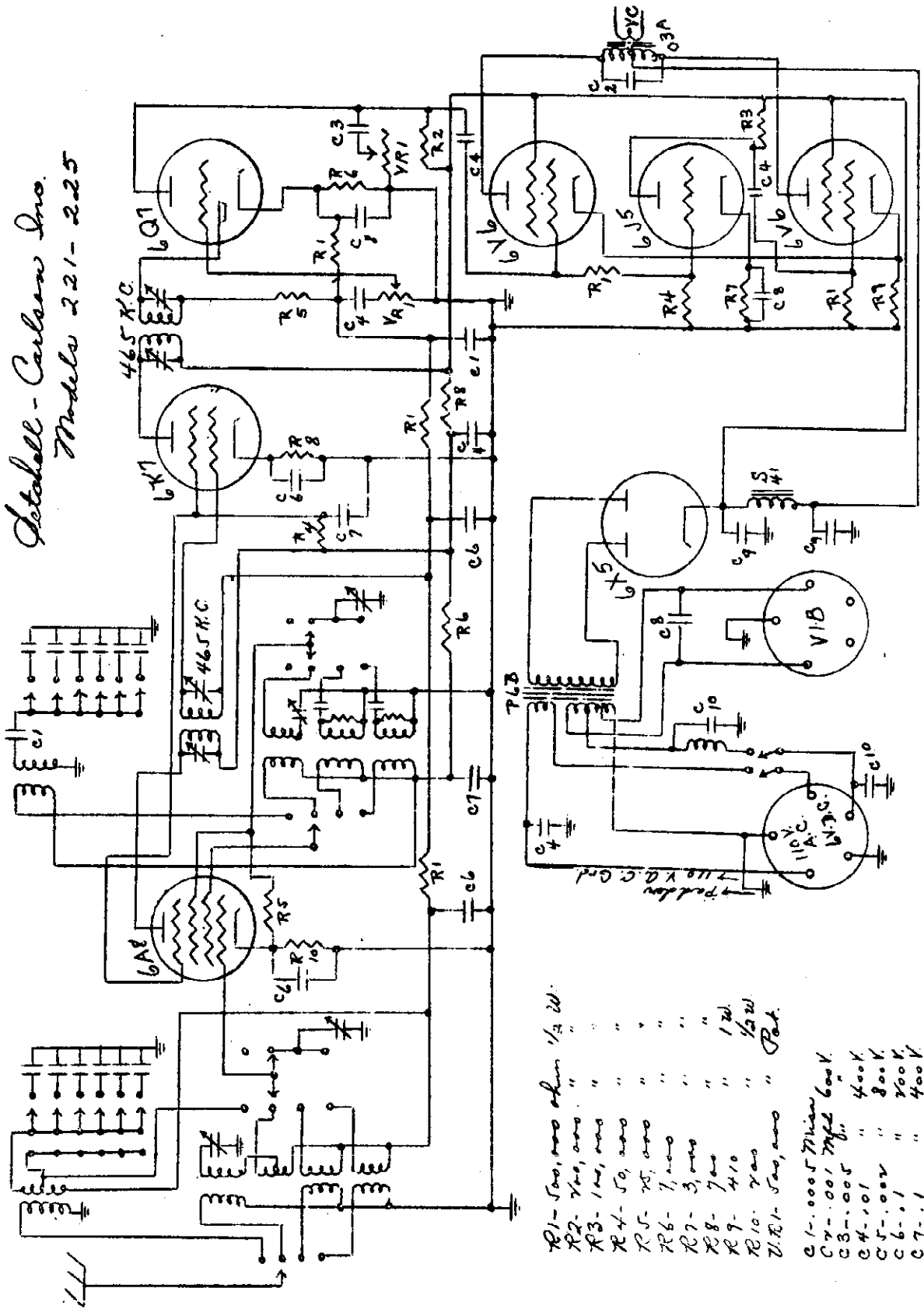


6 V. D.C. Operation (Car)  
Connect battery cable as furnished to 6V. Bat.  
"Red" to pos (+) "natural" to neg. (-). For Car -  
determine polarity, Connect to antenna and  
ground. "Motor noise elimination" - See Com-  
pander on generator and antenna. Distributor  
suppressor necessary for best reception.

MODELS 221, 225

SETCHELL-CARLSON, INC.

*Setchell-Carlson Inc.  
Models 221-225*



- R1- 500,000 ohm 1/2 W.
- R2- 200,000 " "
- R3- 100,000 " "
- R4- 50,000 " "
- R5- 25,000 " "
- R6- 1,000 " "
- R7- 3,000 " "
- R8- 700 " "
- R9- 410 " "
- R10- 200 " "
- V.R.1- 500,000 " Pot.
- C1- .0005 Mican 600V.
- C2- .001 Mica 600V.
- C3- .005 " 400V.
- C4- .101 " 800V.
- C5- .002 " 200V.
- C6- .1 " 400V.
- C7- .1 " 400V.
- C8- .10 " 50V.
- C9- .8 " 35V.
- C10- .25 " 200V.
- C11- .50 " 200V.

IF PEAK 465 KC

SETCHELL-CARLSON, INC.

MODEL 421RD  
Radio-Dor-A-Fone

MODEL 421 RD RADIO-DOR-A-FONE

ATTACH EXTERNAL SPEAKER to terminals in back of chassis marked "Ext. Spkr." Switch directly over these terminals is to turn radio reception "off or on" to the external speaker.

NOTE: If additional antenna is not used, ground wire should be connected to Ant. Post. (Eliminates dead spot.)

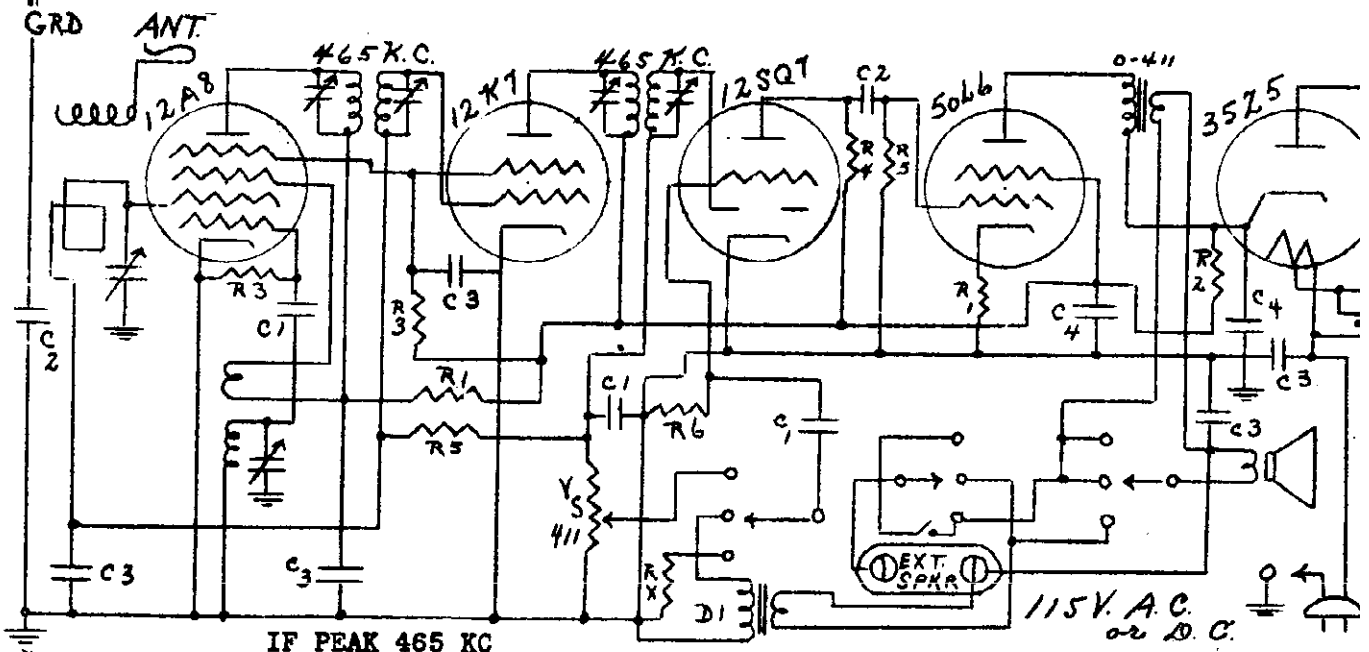
DIRECT CURRENT - When used on 110 volts D.C. reverse plug in wall socket if set is dead.

EXTERNAL SPEAKER connections are isolated and are free from ground except through an .05 by-pass condenser for RF purposes. Resistor marked RX can be raised or omitted to increase sensitivity on "Talk-Listen" positions, however, this will increase feed-back.

"OFF-ON" SWITCH is incorporated with the volume control, which is the small knob on the lower right side. Set the pointer knob to "Radio" for regular radio reception. Set the switch in rear of chassis to turn "off or on" radio reception to external speaker as desired. Position of this switch does not alter operation of Dor-A-fone "talk or listen" position. Volume control position does not alter operation of Dor-A-fone "talk or listen" position.

TO TALK through to the external speaker, turn pointer knob to "Talk" position

TO LISTEN from external speaker, turn pointer knob to "Listen" position.



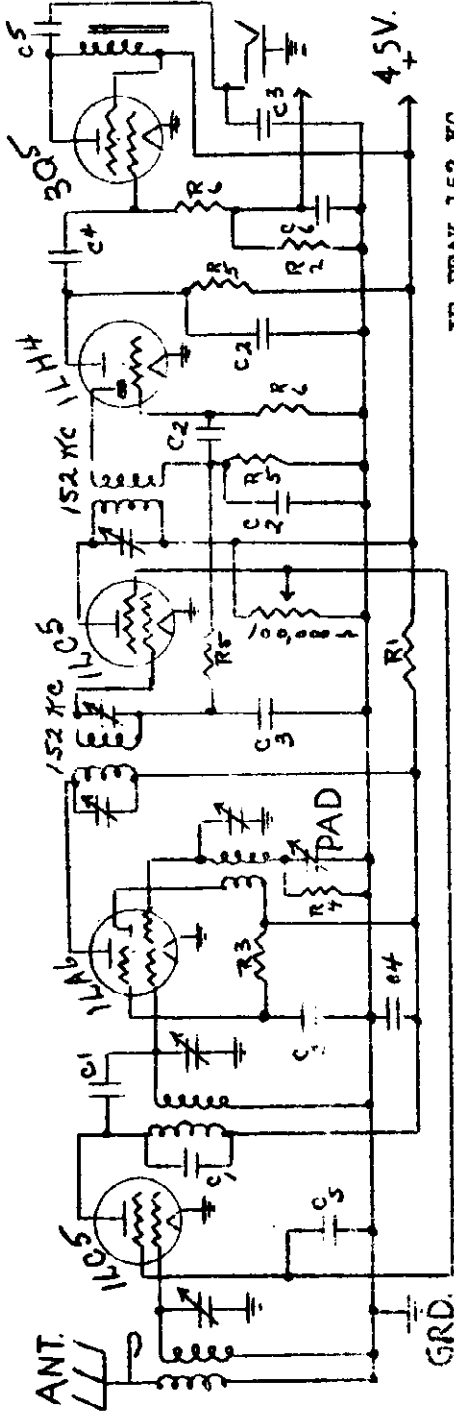
- |                     |                          |                   |                 |
|---------------------|--------------------------|-------------------|-----------------|
| R1- 200 ohms 0.5 w. | R5- 0.5 megohm 0.5w.     | C1- .0005 mf 600V | VS411-0.5 meg   |
| R2- 1200 " "        | R6- 15 " "               | C2- .01 " 400V    | Vol.Cont.       |
| R3- 50,000 " "      | RX- 100,000 ohms.        | C3- .05 " 200V    | D1-Input Trans. |
| R4- 200,000" "      | (Raise or omit for       | C4- 50-20 " 150V  | C411-Output "   |
|                     | higher gain talk-listen) |                   |                 |



MODEL 501

SETCHELL-CARLSON, INC.

SETCHELL - CARLSON MODEL 501



IF PEAK 152 KC

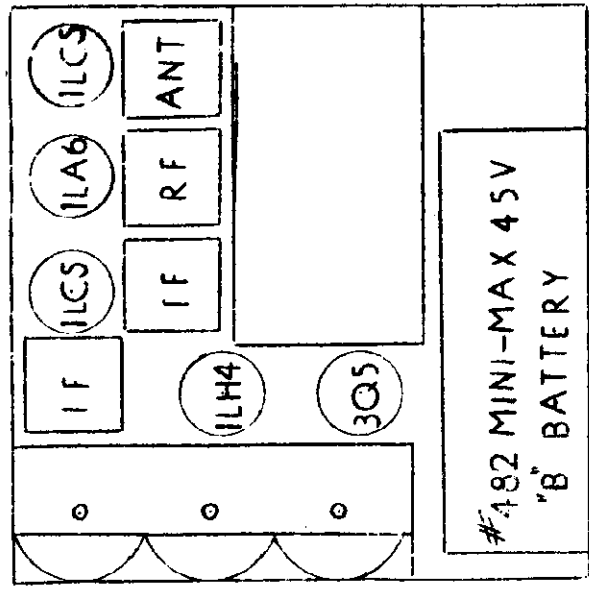
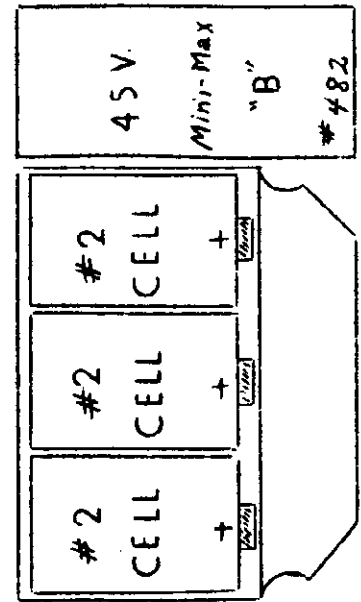
CONDENSERS

- C1-.00002 MICA
- C2-.00005 MICA
- C3-.0001 600 VOLT
- C4-.01 400 "
- C5-.05 200 "
- C6-10 50 "

RESISTORS

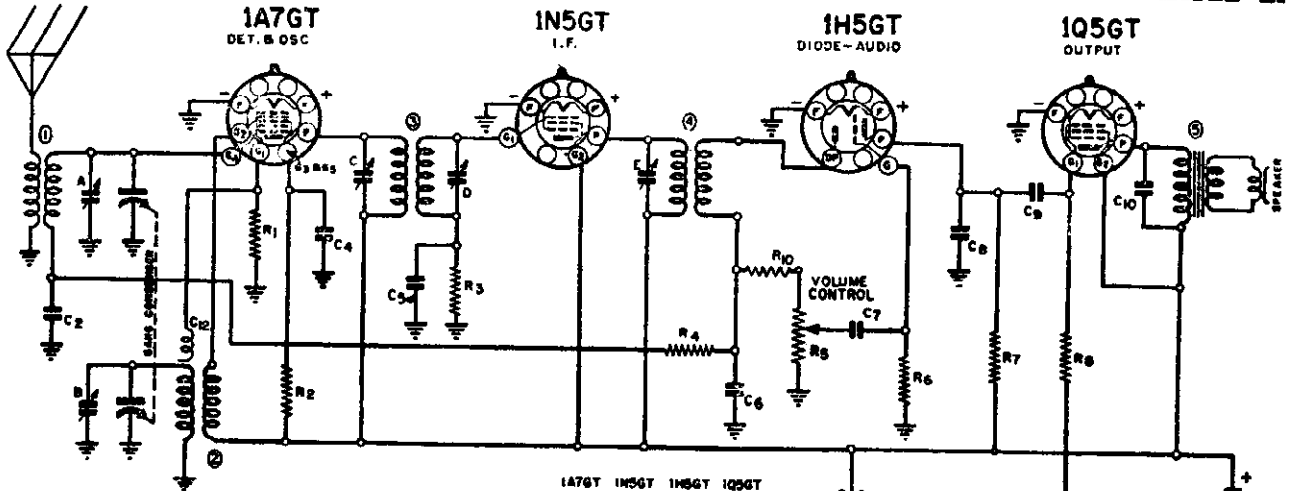
- R1-150 OHMS
- R2-600 "
- R3-25,000 "
- R4-200,000 "
- R5-1 MEG "
- R6-2 MEG "

REAR VIEW

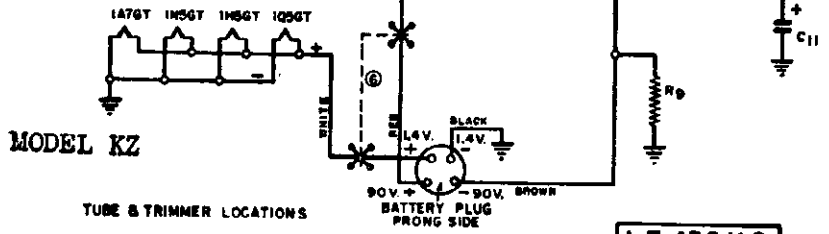


SONORA PRODUCTS, INC.

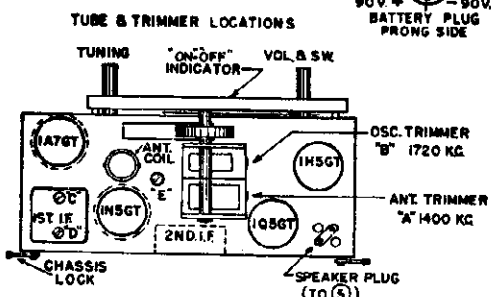
MODEL KZ  
MODEL LF



DIAG. NO.	PART NO.	DESCRIPTION	DIAG. NO.	PART NO.	DESCRIPTION
R1	N-377	200,000 OHM 20%	1	N-3406	ANTENNA COIL
R2	N-323	50,000 OHM 10%	2	N-3409	OSCILLATOR COIL
R3	N-1253	10 MEG OHM 20%	3	N-3410	1ST. I.F. TRANS.
R4	N-1378	2 MEG OHM 20%	4	N-2648	2ND. I.F. TRANS.
R5	N-3441	1 MEG. VOL. CONT.	5	N-3406	6" P.M. SPKR. B
R6	N-1578	2 MEG OHM 20%	6		OUTPUT TRANS.
R7	N-1262	1 MEG OHM 20%	6		BATTERY SW.
R8	N-1378	2 MEG OHM 20%			ON VOL. CONT.
R9	N-2590	420 OHM 10%			
R10	N-1280	50,000 OHM 20%			
		(all resistors are 5 watt min.)		N-3407	GANG CONDENSER
				N-1525	BATTERY CABLE



MODEL KZ



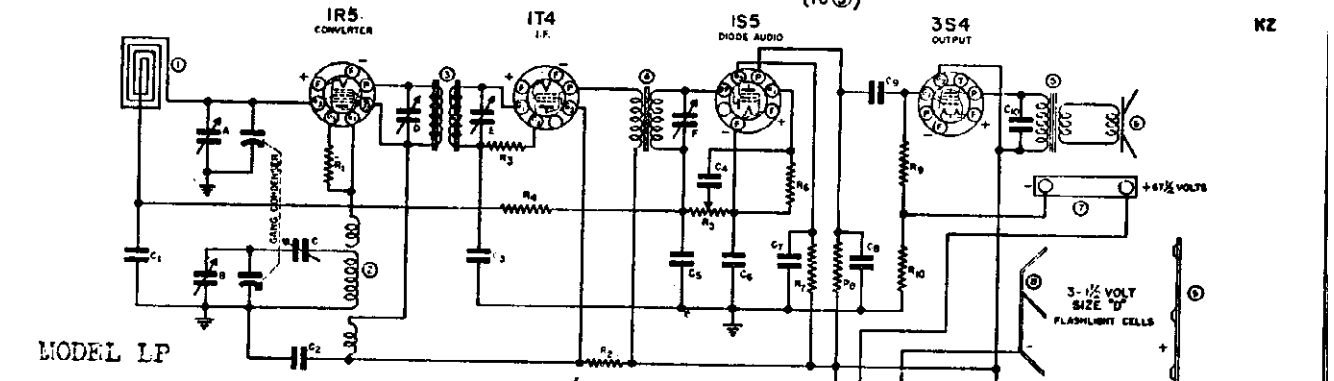
I.F. 456 K.C.

NOTE: TUBE SOCKETS SHOWN FROM WIRING SIDE.

4 TUBE - 1 1/2 VOLT  
SUPERMETERDYNE  
SINGLE BAND

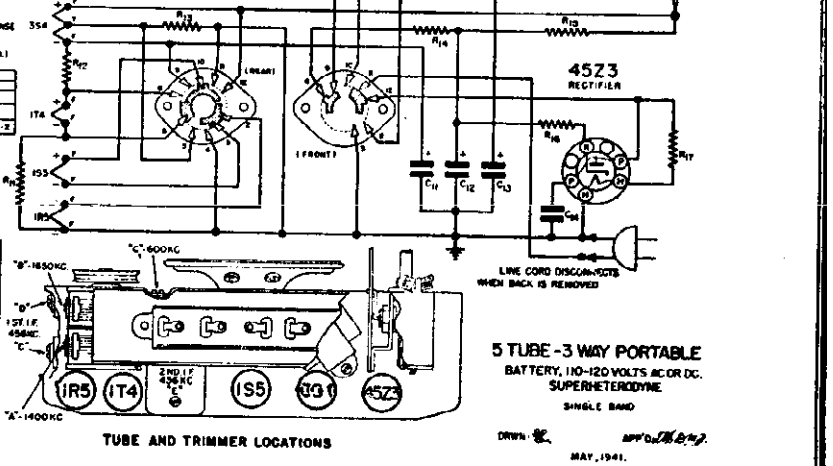
DRAWN V.J.F. APPROVED J.M.P.  
JULY 11, 1940.

CONVENTIONAL  
ALIGNMENT,  
SEE SPECIAL  
SECTION,  
VOL. VIII.



MODEL LP

DIAG. NO.	PART NO.	DESCRIPTION
R1	N-1778	100,000 OHM .5W 20%
R2	N-4228	4700 OHM .5W 10%
R3	N-1263	10 MEG OHM .5W 20%
R4	N-4277	2.2 MEG OHM .5W 20%
R5	N-4213	1 MEG OHM VOLUME CONTROL
R6	N-4028	0.8 MEG OHM .5W 20%
R7	N-4028	0.3 MEG OHM .5W 20%
R8	N-1262	1 MEG OHM .5W 20%
R9	N-4277	2.2 MEG OHM .5W 20%
R10	N-4278	820 OHM .5W 10%
R11	N-4228	880 OHM .5W 10%
R12	N-4230	56 OHM .5W 10%
R13	N-4281	1000 OHM .5W 10%
R14	N-4080	2200 OHM .5W 10%
R15	N-4228	1870 OHM 4.5W 5%
R16	N-4228	82 OHM 1.3W 10%
R17	N-4228	82 OHM 5.6W 10%



I.F. 456 KC

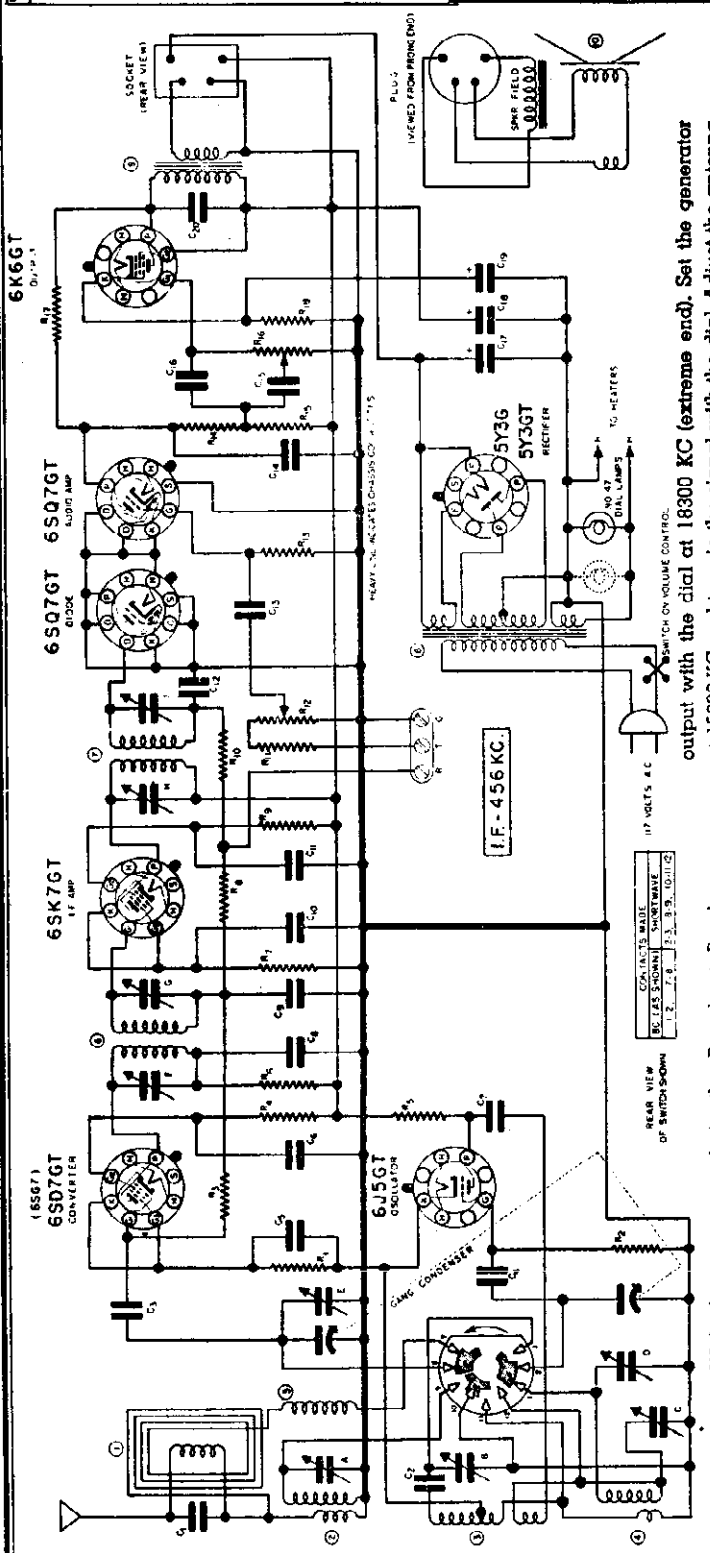
5 TUBE - 3 WAY PORTABLE  
BATTERY, 110-120 VOLTS AC OR DC.  
SUPERMETERDYNE  
SINGLE BAND

DRAWN J.M.P. APPROVED J.M.P.  
MAY, 1941.

MODELS LW, LWU

SONORA PRODUCTS, INC.

Q.C. NO.	DESCRIPTION
R1	1000 OHM 1/2 W. 10%
R2	47,000 OHM 1/2 W. 20%
R3	3.3 MEGOHM 5W 20%
R4	330,000 OHM 1/2 W. 20%
R5	47,000 OHM 1/2 W. 20%
R6	10,000 OHM 1/2 W. 20%
R7	270 OHM 1/2 W. 20%
R8	150 OHM 1/2 W. 20%
R9	100 OHM 1/2 W. 20%
R10	47,000 OHM 1/2 W. 20%
R11	33,000 OHM 1/2 W. 20%
R12	10 MEGOHM 5W 20%
R13	10 MEGOHM 5W 20%
R14	330,000 OHM 1/2 W. 20%
R15	47,000 OHM 1/2 W. 20%
R16	2.2 MEGOHM 1W 10%
R17	470 OHM 1/2 W. 20%
C1	0.005 MFD MICA 50V
C2	0.01 MFD MICA 50V
C3	0.0025 MFD MICA 50V
C4	0.0005 MFD MICA 50V
C5	20 MFD 400V 20%
C6	5 MFD 400V 20%
C7	50 MFD 500V 20%
C8	1 MFD 500V 20%
C9	0.01 MFD MICA 50V
C10	0.001 MFD MICA 50V
C11	0.001 MFD MICA 50V
C12	0.001 MFD MICA 50V
C13	0.001 MFD MICA 50V
C14	0.001 MFD MICA 50V
C15	0.001 MFD MICA 50V
C16	0.001 MFD MICA 50V
C17	0.001 MFD MICA 50V
C18	0.001 MFD MICA 50V
C19	0.001 MFD MICA 50V
C20	0.001 MFD MICA 50V
L1	1000 OHM 1/2 W. 20%
L2	1000 OHM 1/2 W. 20%
L3	1000 OHM 1/2 W. 20%
L4	1000 OHM 1/2 W. 20%
L5	1000 OHM 1/2 W. 20%
L6	1000 OHM 1/2 W. 20%
L7	1000 OHM 1/2 W. 20%
L8	1000 OHM 1/2 W. 20%
L9	1000 OHM 1/2 W. 20%
L10	1000 OHM 1/2 W. 20%
L11	1000 OHM 1/2 W. 20%
L12	1000 OHM 1/2 W. 20%
L13	1000 OHM 1/2 W. 20%
L14	1000 OHM 1/2 W. 20%
L15	1000 OHM 1/2 W. 20%
L16	1000 OHM 1/2 W. 20%
L17	1000 OHM 1/2 W. 20%
L18	1000 OHM 1/2 W. 20%
L19	1000 OHM 1/2 W. 20%
L20	1000 OHM 1/2 W. 20%
T1	6000:240 IF TRANSFORMER
T2	6000:240 IF TRANSFORMER
T3	6000:240 IF TRANSFORMER
T4	6000:240 IF TRANSFORMER
T5	6000:240 IF TRANSFORMER
T6	6000:240 IF TRANSFORMER
T7	6000:240 IF TRANSFORMER
T8	6000:240 IF TRANSFORMER
T9	6000:240 IF TRANSFORMER
T10	6000:240 IF TRANSFORMER

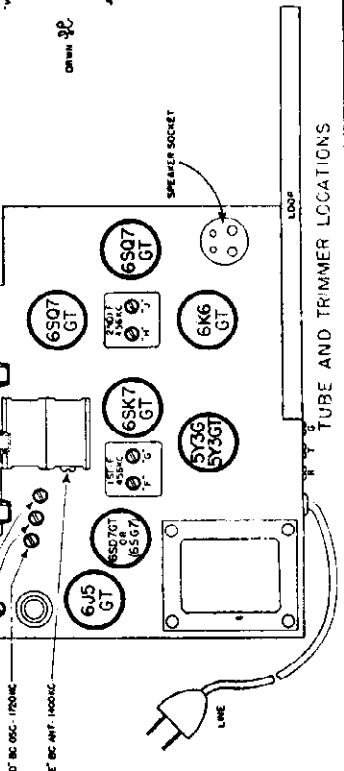


**I.F. ALIGNMENT.** With the wave switch in the Broadcast Band and the gang condenser set at minimum, adjust the test oscillator to 456 KC and connect the output to the grid of the first detector tube (6SG7 or 6SD7) through a .05 or .1 mfd. condenser. The ground on the test oscillator should be connected to the chassis base. Align all four I.F. trimmers to peak or maximum reading on the output meter.

**BROADCAST BAND ALIGNMENT.** With the switch turned to the broadcast position, connect the antenna to the generator through a .100 MMF dummy and the ground of the set (Black wire) to the generator ground. Set the dial and generator at 1720 KC. Align the BC oscillator trimmer for maximum output. Set the generator at 1400 KC and tune-in signal with the dial. Adjust antenna trimmer for maximum output. Next set the generator at 600 KC and tune in the signal with the dial. Adjust the BC pad by rocking the gang back and forth while adjusting the pad until maximum output is attained. Recheck the adjustment at 1400 KC as the pad adjustment may have caused misalignment.

**SHORT WAVE BAND ALIGNMENT.** With the band switch turned to the S.W. position, connect the generator to the antenna with a 400 ohm dummy and the ground of the set (Black wire) to the generator ground. Adjust the S.W. oscillator to give a maximum

7 TUBE A.C.  
SUPERMETERODYNE  
TWO BAND



TUBE AND TRIMMER LOCATIONS

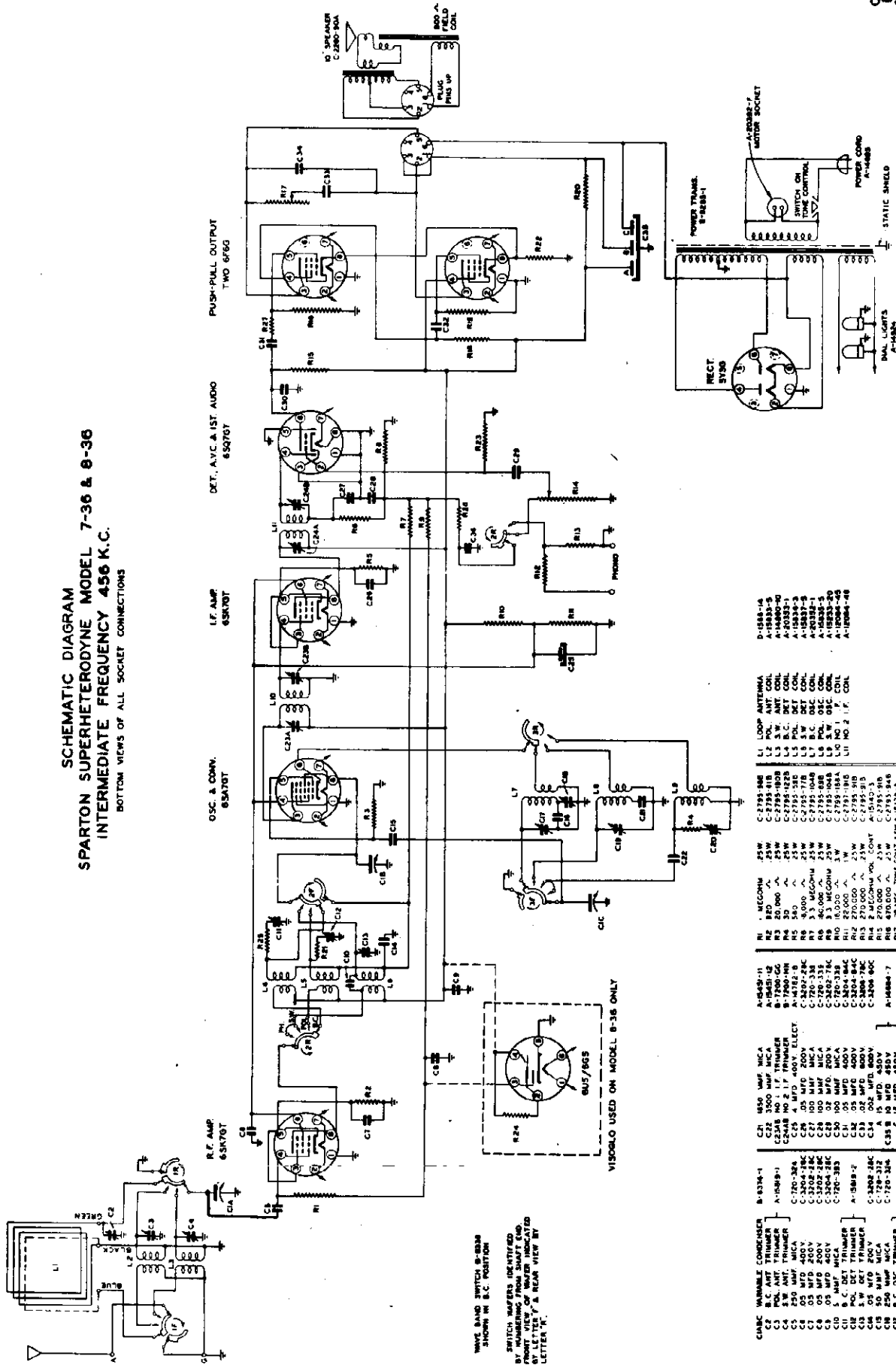
OWN 3C  
APP'D B...  
JUNE 1941

THE SPARKS-WITHINGTON CO.

MODELS 7EW36, 7-36, 8-36

SCHEMATIC DIAGRAM  
SPARTON SUPERHETERODYNE MODEL 7-36 & 8-36  
INTERMEDIATE FREQUENCY 456 K.C.

BOTTOM VIEWS OF ALL SOCKET CONNECTIONS



- 6SK70 6SK70T
- 6F6G 6F6G
- 6SA70T
- 6SQ70T
- 6Y5B
- B-1255-1
- 5Y5B
- A-1255-1
- A-1255-2
- A-1255-3
- A-1255-4
- A-1255-5
- A-1255-6
- A-1255-7
- A-1255-8
- A-1255-9
- A-1255-10
- A-1255-11
- A-1255-12
- A-1255-13
- A-1255-14
- A-1255-15
- A-1255-16
- A-1255-17
- A-1255-18
- A-1255-19
- A-1255-20
- A-1255-21
- A-1255-22
- A-1255-23
- A-1255-24
- A-1255-25
- A-1255-26
- A-1255-27
- A-1255-28
- A-1255-29
- A-1255-30
- A-1255-31
- A-1255-32
- A-1255-33
- A-1255-34
- A-1255-35
- A-1255-36
- A-1255-37
- A-1255-38
- A-1255-39
- A-1255-40
- A-1255-41
- A-1255-42
- A-1255-43
- A-1255-44
- A-1255-45
- A-1255-46
- A-1255-47
- A-1255-48
- A-1255-49
- A-1255-50
- A-1255-51
- A-1255-52
- A-1255-53
- A-1255-54
- A-1255-55
- A-1255-56
- A-1255-57
- A-1255-58
- A-1255-59
- A-1255-60
- A-1255-61
- A-1255-62
- A-1255-63
- A-1255-64
- A-1255-65
- A-1255-66
- A-1255-67
- A-1255-68
- A-1255-69
- A-1255-70
- A-1255-71
- A-1255-72
- A-1255-73
- A-1255-74
- A-1255-75
- A-1255-76
- A-1255-77
- A-1255-78
- A-1255-79
- A-1255-80
- A-1255-81
- A-1255-82
- A-1255-83
- A-1255-84
- A-1255-85
- A-1255-86
- A-1255-87
- A-1255-88
- A-1255-89
- A-1255-90
- A-1255-91
- A-1255-92
- A-1255-93
- A-1255-94
- A-1255-95
- A-1255-96
- A-1255-97
- A-1255-98
- A-1255-99
- A-1255-100

WAVE BAND SWITCH B-20A8 SHOWN IN B.C. POSITION

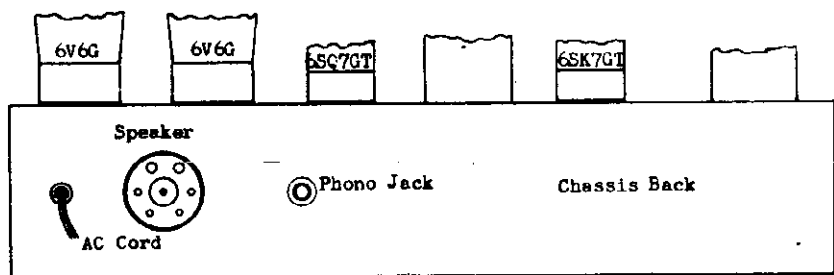
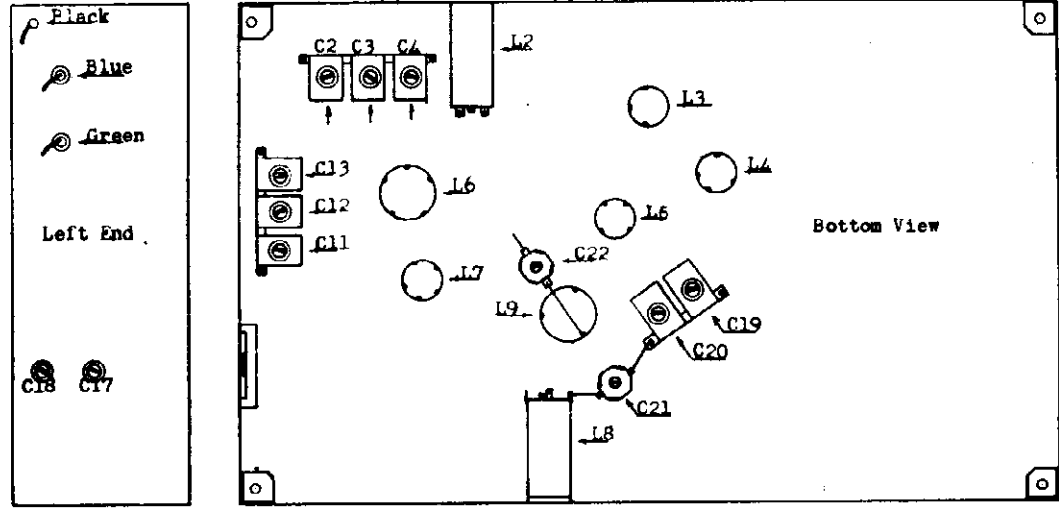
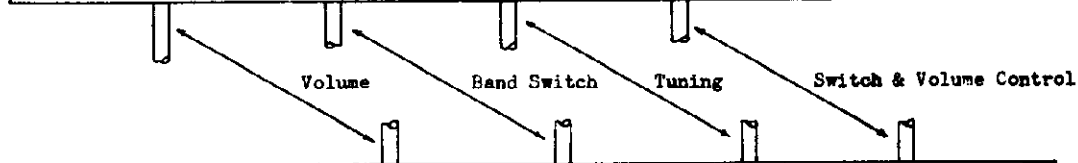
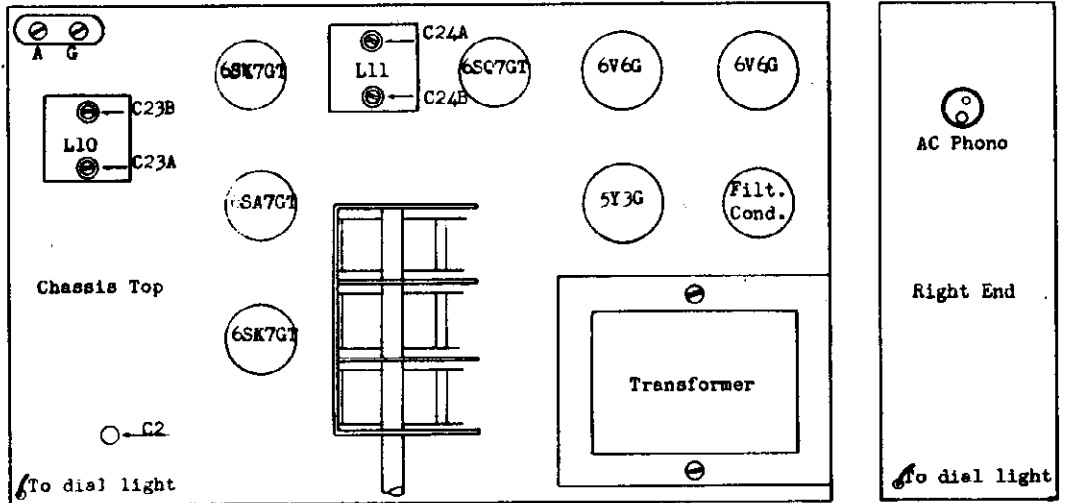
SWITCH MARKERS IDENTIFIED BY NUMBERING FROM SWAPT END BY LETTER 'A' REAR VIEW BY LETTER 'B'

VISCOLO USED ON MODEL 8-36 ONLY

MODELS 7EW36, 7-36,  
8-36

THE SPARKS-WITHINGTON CO.

CHASSIS DIAGRAM



THE SPARKS-WITHINGTON CO.

MODELS 7EW36,7-36,  
8-36

ALIGNMENT CHART

OPERATION	ALIGNMENT OF	GENERATOR CONNECTED TO	DUMMY ANTENNA	GENERATOR FREQUENCY	BAND SWITCH SETTING	TUNING CONDENSER SETTING	TRIMMERS	REMARKS
1	Set dial pointer even with stop line when condenser gang is fully meshed.							
2	I. F.	*	1.mf cond.	456KC	BC	Open	C24 A&B	Peak Accurately
							C23 A&B	" "
3	Broadcast Band	Ant.	See Note	1500 KC	BC	1500 KC	C17 osc.trim	" "
							C11 det.trim	" "
							C2 ant. trim	" "
4				600 KC	BC	600 KC	C18 osc.pad	Rock **
5	Repeat operation 3).							
6	Check Calibration & Sensitivity at 600 KC, 1000 KC & 1500 KC.							
7	Police Band	Ant.	See Note	5 MC	Police Band	5 MC	C19 osc.trim	Peak Accurately
							C12 det.trim	Rock **
							C3 ant.trim	Rock **
							C21 osc.trim	See operation #8
8	Oscillator Padder C21 is precision set at the factory and should not be readjusted in the field.							
9	(Repeat operation 7).							
10	Check Calibration & Sensitivity at 1.8 MC & 5 MC.							
11	SW Band	Ant.	See Note	18 MC	SW Band	18 MC	C20 osc.trim	Peak Accurately
							C13 det.trim	Rock **
							C4 ant. trim	Rock **
							C22 osc. pad	See operation #12
12	Oscillator Padder C22 is precision set at the factory and should not be readjusted in the field.							
13	(Repeat operation 10).							
14	Check Calibration & Sensitivity at 6 MC & 18 MC.							
15	Check operations 1 to 11 inclusive.							

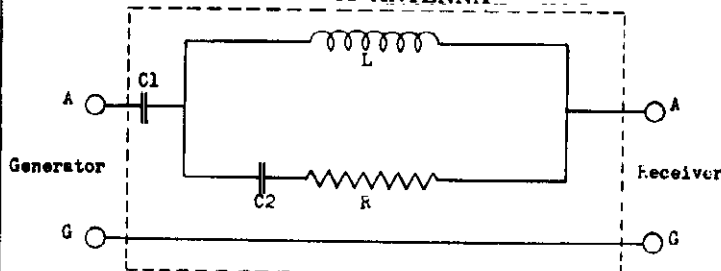
NOTES: Use Dummy Antenna as described on page No. 1 of this bulletin.  
\* Connect generator to pin #6 on 6SA7GT Osc-conv. tube.  
\*\* Rock dial while adjusting for maximum output.

VOLTAGE CHART  
Line Voltage: 117 Volts A.C. Position of Volume Control: Full with dial tuned to Quiet Channel  
Position of Band Switch: Broadcast

TUBE	FUNCTION	Voltage of socket prongs to Gnd, See prong on schematic dia.							
		No. 1	No. 2	No. 3	No. 4	No. 5	No. 6	No. 7	No. 8
6SK7GT	R. F. Amp.	0	0	3.5	0	3.5	75.1	6.3*	250
6SA7GT	Osc-conv.	0	0	250	75.1	-7	0	6.3*	-1.3
6SK7GT	I. F. Amp.	0	0	5.2	0	5.2	75	6.3*	250
6SC7GT	Det-AVC-1st Audio	0	-2	0	-2	0	103	6.3*	0
6E6G	Push Pull Output	0	0	265	240	0	0	6.3*	30
6F6G	Push Pull Output	0	0	265	250	0	-	6.3*	30
5Y3G	Rectifier	0	355	250	360*	0	360*	0	355

NOTES: Voltage readings are for schematic diagram in this bulletin. Allow 15% + or - on all measurements. Always use meter scale which will give greatest deflection within scale limits. All DC measurements made with 20,000 ohms per volt voltmeter. All AC voltages made with rectifier type voltmeter.  
\* AC Volts.

DUMMY ANTENNA



Note: When using this dummy antenna the generator output impedance should be 10 ohms or lower.

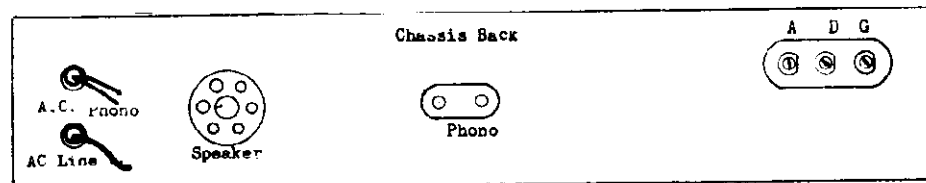
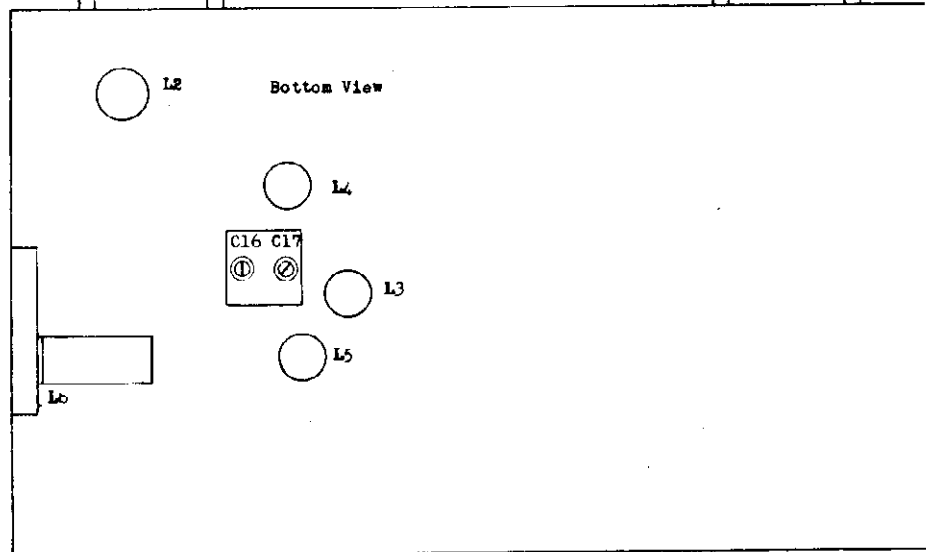
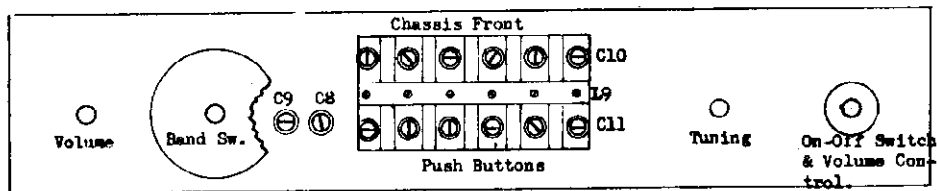
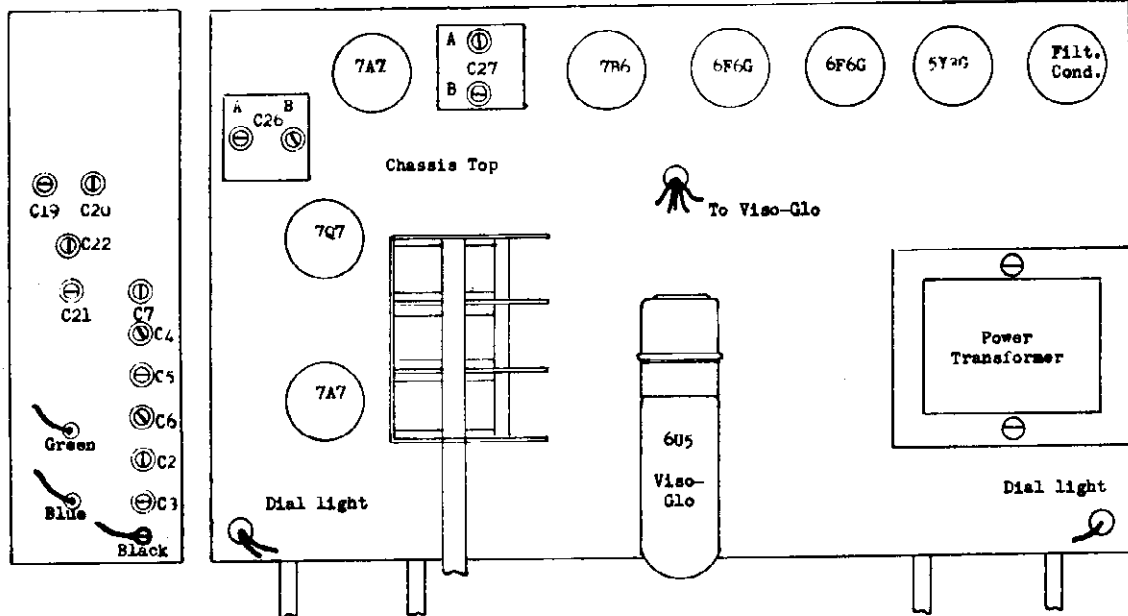
- C1 - 200 muf. Condenser
- C2 - 400 muf. Condenser
- R - 100 ohms Resistor
- L - 20 Microhenries Choke
- Case Shield

Choke Coil Specifications  
Tubing - 3/8" diameter bakelite  
Wire - No. 38 Enameled  
Turns - 59 closely wound (Impregnated)

MODELS 8W31, 8-61,  
8W61, 8W71

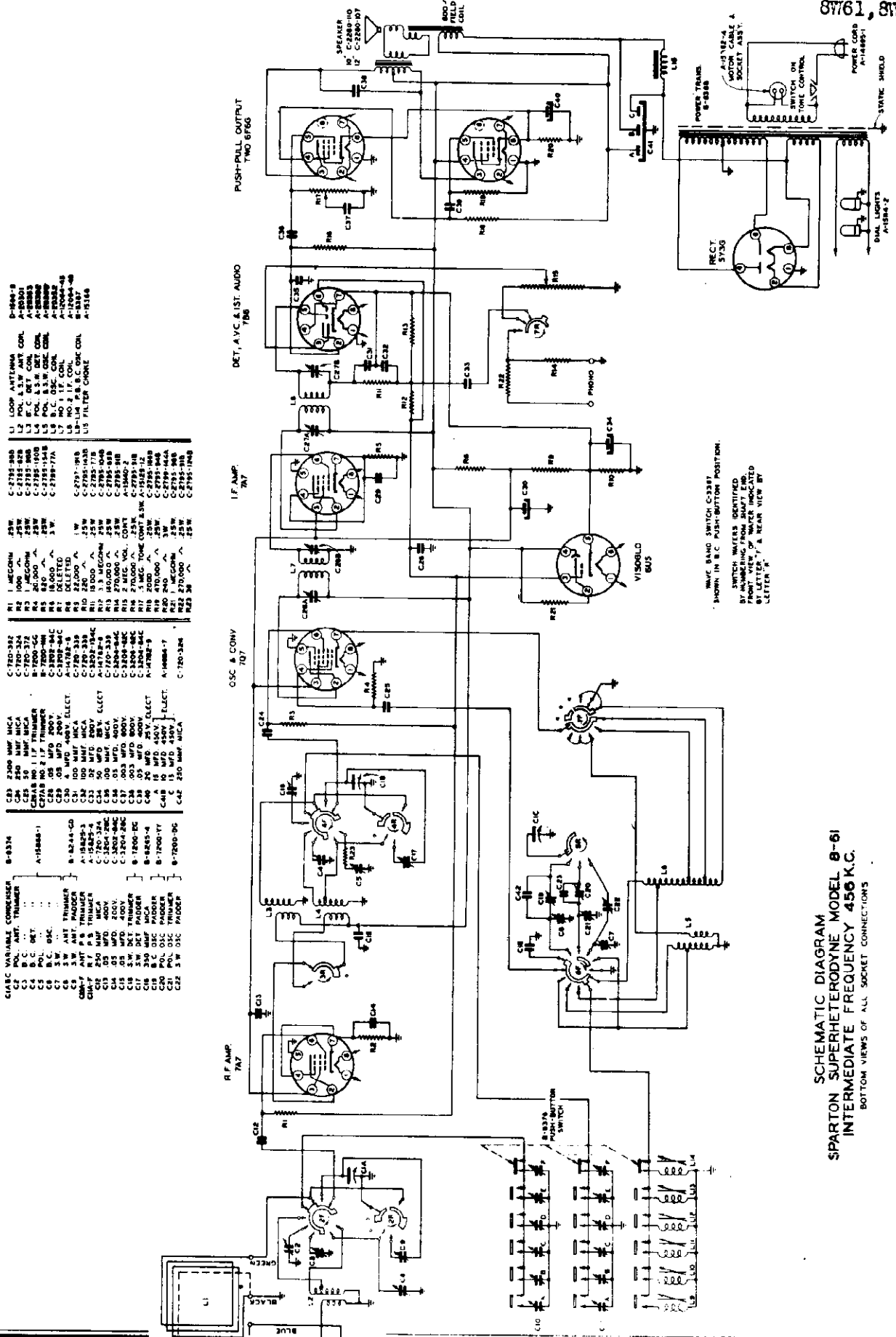
THE SPARKS-WITHINGTON CO.

CHASSIS DIAGRAM



THE SPARKS-WITHINGTON CO.

MODELS 8W31, 8-61, 8W71, 8W71



<b>CIAC</b>	VARIABLE CONDENSER	B-4374
C1	POL. ANT. TRIMMER	A-15886-1
C2	B.C. DET.	B-12444-0
C3	POL. OSC.	A-15825-4
C4	OSC. TRIMMER	C-1720-324
C5	POL. OSC. CON.	C-1720-324
C6	POL. OSC. CON.	C-1720-324
C7	OSC. TRIMMER	C-1720-324
C8	OSC. TRIMMER	C-1720-324
C9	OSC. TRIMMER	C-1720-324
C10	OSC. TRIMMER	C-1720-324
C11	OSC. TRIMMER	C-1720-324
C12	OSC. TRIMMER	C-1720-324
C13	OSC. TRIMMER	C-1720-324
C14	OSC. TRIMMER	C-1720-324
C15	OSC. TRIMMER	C-1720-324
C16	OSC. TRIMMER	C-1720-324
C17	OSC. TRIMMER	C-1720-324
C18	OSC. TRIMMER	C-1720-324
C19	OSC. TRIMMER	C-1720-324
C20	OSC. TRIMMER	C-1720-324
C21	OSC. TRIMMER	C-1720-324
C22	OSC. TRIMMER	C-1720-324

WAVE BAND SWITCH C-3387  
 SHOWN IN B.C. PUSH-BUTTON POSITION.  
 SWITCH WAFERS IDENTIFIED  
 BY NUMBERING FROM SHUNT END  
 FRONT VIEW OF WAFER INDICATED  
 BY LETTER 'A' & NEAR VIEW BY  
 LETTER 'B'

SCHEMATIC DIAGRAM  
 SPARTON SUPERHETERODYNE MODEL 8-61  
 INTERMEDIATE FREQUENCY 456 K.C.  
 BOTTOM VIEWS OF ALL SOCKET CONNECTIONS



MODELS 8W31, 8-61,  
8W61, 8W71

THE SPARKS-WITHINGTON CO.

Sparton Superheterodyne Model 8-Series

VOLTAGE CHART

Models 8W31, 8W71 and 8W61.

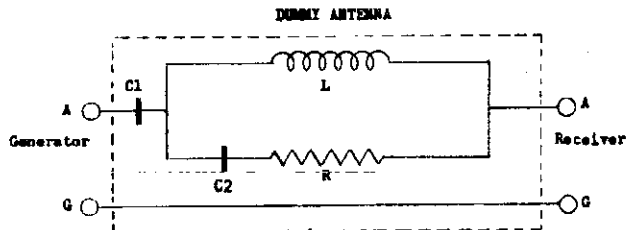
Line Voltage: 117 Volts A.C.		Position of Volume Control: Full with Antenna Disconnected Position of Band Switch: Broadcast								
TUBE	FUNCTION	Voltage of Socket Prongs to Gnd. See Prong Nos. on Schematic Diagram								
		No. 1	No. 2	No. 3	No. 4	No. 5	No. 6	No. 7	No. 8	No. 9
7A7	R-F Amplifier	0	260	65	3	0	0	3	6.2*	-
7A7	Osc - Converter	0	260	65	-4	0	0	0	6.2*	-
7A7	I-F Amplifier	0	245	70	2.5	0	0	2.3	6.2*	-
7B6	2nd Det - AVC - 1st Audio	0	180	0	.8	.4	0	.7	6.2*	-
6F6G	Power Amplifier	0	0	245	240	0	260	6.2*	18	-
6F6G	Power Amplifier	0	0	245	245	0	0	6.2*	18	-
6D5	Viso-Glo	6.2*	270	0	280	0	0	-	-	-
5Y3G	Rectifier	0	340	0	345*	0	345*	0	340	-

Notes: Voltage readings are for schematic diagram in this bulletin. Allow 15% + or - on all measurements. Always use meter scale which will give greatest deflection within scale limits. All DC measurements made with 20000 ohms per volt voltmeter.  
\*AC volts.

ALIGNMENT CHART

OPERATION	ALIGNMENT OF	GENERATOR CONNECTED TO	DUMMY ANTENNA	GENERATOR FREQUENCY	BAND SWITCH SETTING	TUNING COND SETTING	TRIMMERS	REMARKS	
1								Set dial pointer even with left hand stop line with condenser gang fully meshed.	
2	I.F.	*	.1 MFD	456 KC	B.C.	Open	C27 ABE	Peak Accurately	
3							C76 ABE	Peak Accurately	
4	Broadcast Band	Ant.	See Note	1500 KC	B.C.	1500 KC	C4 R.F.	" "	
5				600 KC		B.C.	600 KC	C2 Ant.	" "
6							C19 Pad	Rock **	
7								Repeat operation 4.	
8	Police Band	Ant.	See Note	7 MC	Police	7 MC	C21 Osc.	Peak Accurately	
9				2.5 MC		Police	2.5 MC	C5 F.F.	" "
10							C2 Ant.	" "	
11	Short Wave Band	Ant.	See Note	11.7	S.W.	11.7	C20 Pad	Rock **	
12				9.3		S.W.	9.3	C70 osc. trim	Peak Accurately
13									
14							C8 Ant. trim	" **	
15							C22 osc. pad	Peak Accurately	
16							C17 RF pad	Rock **	
17							C9 Ant. pad	Rock **	
18								Repeat operations 12 as many times as necessary until additional gain cannot be obtained.	
19								Check calibration and sensitivity at 600 KC, 1000 KC and 1500 KC.	
20								Check calibration and sensitivity at 7 MC, 4 MC and 2.5 MC.	
21								Check calibration and sensitivity at 11.7 and 9.3.	
22								Check operations 1 to 14.	

NOTE: Use dummy antenna as described on page 1.  
\*Connect generator to pin #6 on 707 osc. conv. tube.  
\*\*Rock dial while adjusting for maximum output.



C1 - 200 mfd. condenser  
C2 - 400 mfd. condenser  
R - 100 ohms  
L - Choke Coil  
---- Case Shield

Choke Coil Specification  
Tubing - 3/8" diameter bakelite  
Wire - No. 38 enameled.  
Turns - 59 closely wound (Impregnated)

Notes: When using this dummy antenna the generator output impedance should be 10 ohms or lower.

THE SPARKS-WITHINGTON CO.

MODEL 642-X

SCHEMATIC DIAGRAM  
SPARTON SUPERHETERODYNE MODEL 642-X  
INTERMEDIATE FREQUENCY 456 K.C.

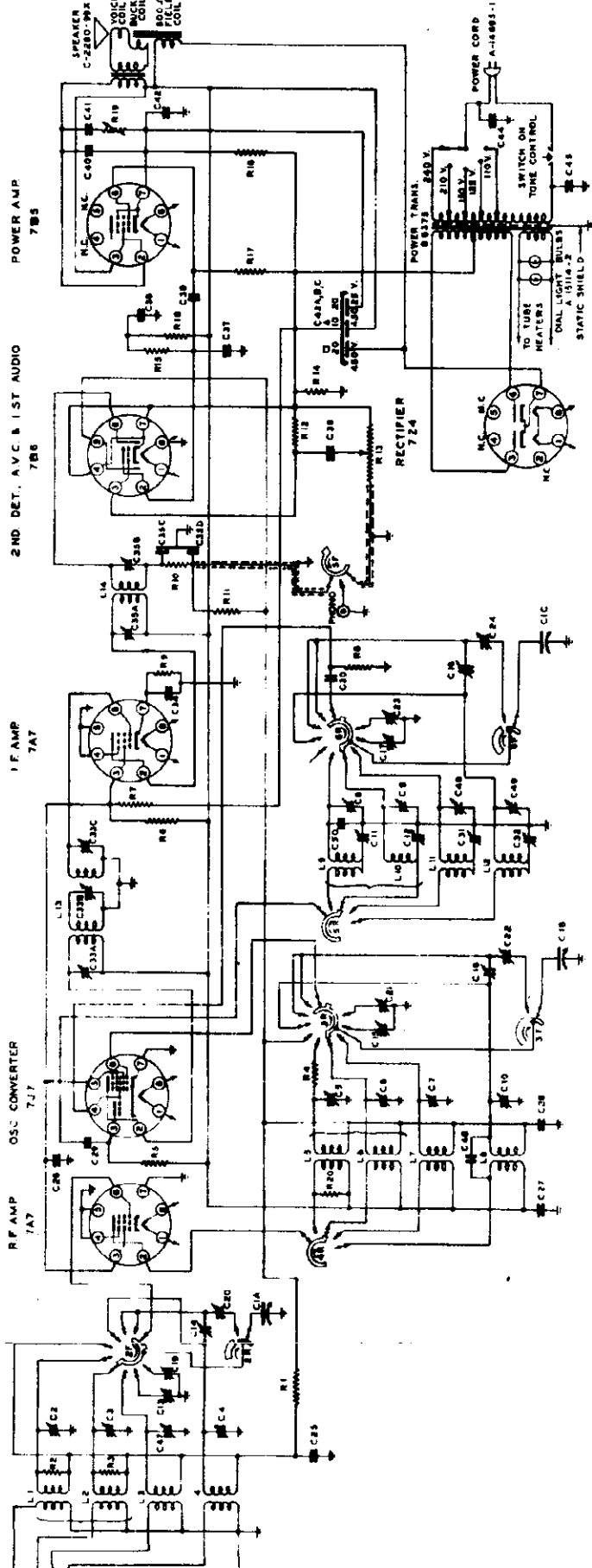
BOTTOM VIEWS OF ALL SOCKET CONNECTIONS

C1	3-GANG CONDENSER	B-3013
C2	200-750 M BAND ANT TRIMMER	A-14189-4
C3	565-175 M	A-14189-4
C4	18-13 M	A-14189-4
C5	200-750 M BAND TET TRIMMER	A-14189-4
C6	565-175 M	A-14189-4
C7	18-13 M	A-14189-4
C8	200-750 M BAND OSC TRIMMER	B-7199-DY
C9	565-175 M	A-20306
C10	18-13 M	A-20306
C11	200-750 M BAND ANT TRIMMER	A-20306
C12	565-175 M	A-20306
C13	18-13 M	A-20306
C14	200-750 M BAND OSC TRIMMER	A-20306
C15	565-175 M	A-20306
C16	18-13 M	A-20306
C17	200-750 M BAND ANT TRIMMER	A-20306
C18	565-175 M	A-20306
C19	18-13 M	A-20306
C20	200-750 M BAND OSC TRIMMER	A-20306
C21	565-175 M	A-20306
C22	18-13 M	A-20306
C23	200-750 M BAND ANT TRIMMER	A-20306
C24	565-175 M	A-20306
C25	18-13 M	A-20306
C26	200-750 M BAND OSC TRIMMER	A-20306
C27	565-175 M	A-20306
C28	18-13 M	A-20306
C29	200-750 M BAND ANT TRIMMER	A-20306
C30	565-175 M	A-20306
C31	18-13 M	A-20306
C32	200-750 M BAND OSC TRIMMER	A-20306
C33	565-175 M	A-20306
C34	18-13 M	A-20306
C35	200-750 M BAND ANT TRIMMER	A-20306
C36	565-175 M	A-20306
C37	18-13 M	A-20306
C38	200-750 M BAND OSC TRIMMER	A-20306
C39	565-175 M	A-20306
C40	18-13 M	A-20306
C41	200-750 M BAND ANT TRIMMER	A-20306
C42	565-175 M	A-20306
C43	18-13 M	A-20306
C44	200-750 M BAND OSC TRIMMER	A-20306
C45	565-175 M	A-20306
C46	18-13 M	A-20306
C47	200-750 M BAND ANT TRIMMER	A-20306
C48	565-175 M	A-20306
C49	18-13 M	A-20306
C50	200-750 M BAND OSC TRIMMER	A-20306
C51	565-175 M	A-20306
C52	18-13 M	A-20306
C53	200-750 M BAND ANT TRIMMER	A-20306
C54	565-175 M	A-20306
C55	18-13 M	A-20306
C56	200-750 M BAND OSC TRIMMER	A-20306
C57	565-175 M	A-20306
C58	18-13 M	A-20306
C59	200-750 M BAND ANT TRIMMER	A-20306
C60	565-175 M	A-20306
C61	18-13 M	A-20306
C62	200-750 M BAND OSC TRIMMER	A-20306
C63	565-175 M	A-20306
C64	18-13 M	A-20306
C65	200-750 M BAND ANT TRIMMER	A-20306
C66	565-175 M	A-20306
C67	18-13 M	A-20306
C68	200-750 M BAND OSC TRIMMER	A-20306
C69	565-175 M	A-20306
C70	18-13 M	A-20306
C71	200-750 M BAND ANT TRIMMER	A-20306
C72	565-175 M	A-20306
C73	18-13 M	A-20306
C74	200-750 M BAND OSC TRIMMER	A-20306
C75	565-175 M	A-20306
C76	18-13 M	A-20306
C77	200-750 M BAND ANT TRIMMER	A-20306
C78	565-175 M	A-20306
C79	18-13 M	A-20306
C80	200-750 M BAND OSC TRIMMER	A-20306
C81	565-175 M	A-20306
C82	18-13 M	A-20306
C83	200-750 M BAND ANT TRIMMER	A-20306
C84	565-175 M	A-20306
C85	18-13 M	A-20306
C86	200-750 M BAND OSC TRIMMER	A-20306
C87	565-175 M	A-20306
C88	18-13 M	A-20306
C89	200-750 M BAND ANT TRIMMER	A-20306
C90	565-175 M	A-20306
C91	18-13 M	A-20306
C92	200-750 M BAND OSC TRIMMER	A-20306
C93	565-175 M	A-20306
C94	18-13 M	A-20306
C95	200-750 M BAND ANT TRIMMER	A-20306
C96	565-175 M	A-20306
C97	18-13 M	A-20306
C98	200-750 M BAND OSC TRIMMER	A-20306
C99	565-175 M	A-20306
C100	18-13 M	A-20306

SWITCH WAFERS IDENTIFIED BY NUMBERING FROM SHAFY END  
SCHEMATIC OF FRONT OF WAFER INDICATED BY LETTER 'A'

B1	100 K.A. 25W	C-3785-808
B2	410 K.A. 25W	C-3785-808
B3	270 K.A. 25W	C-3785-808
B4	8200 A. 25W	C-3785-808
B5	22 K.A. 25W	C-3785-808
B6	10 K.A. 25W	C-3785-808
B7	30 K.A. 25W	C-3785-808
B8	50 K.A. 25W	C-3785-808
B9	20 K.A. 25W	C-3785-808
B10	10 K.A. 25W	C-3785-808
B11	5 K.A. 25W	C-3785-808
B12	2.5 K.A. 25W	C-3785-808
B13	1.25 K.A. 25W	C-3785-808
B14	600 K.A. 25W	C-3785-808
B15	300 K.A. 25W	C-3785-808
B16	150 K.A. 25W	C-3785-808
B17	75 K.A. 25W	C-3785-808
B18	37.5 K.A. 25W	C-3785-808
B19	18.75 K.A. 25W	C-3785-808
B20	9.375 K.A. 25W	C-3785-808

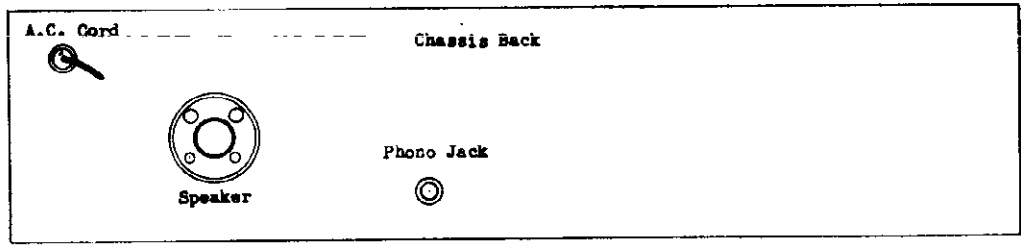
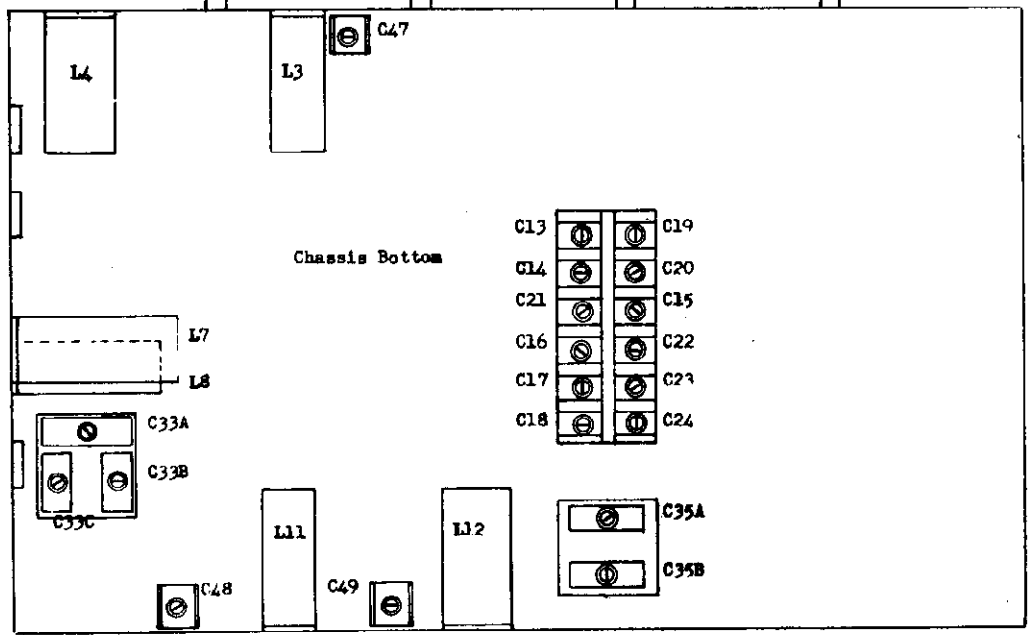
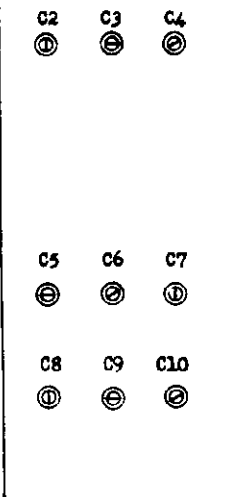
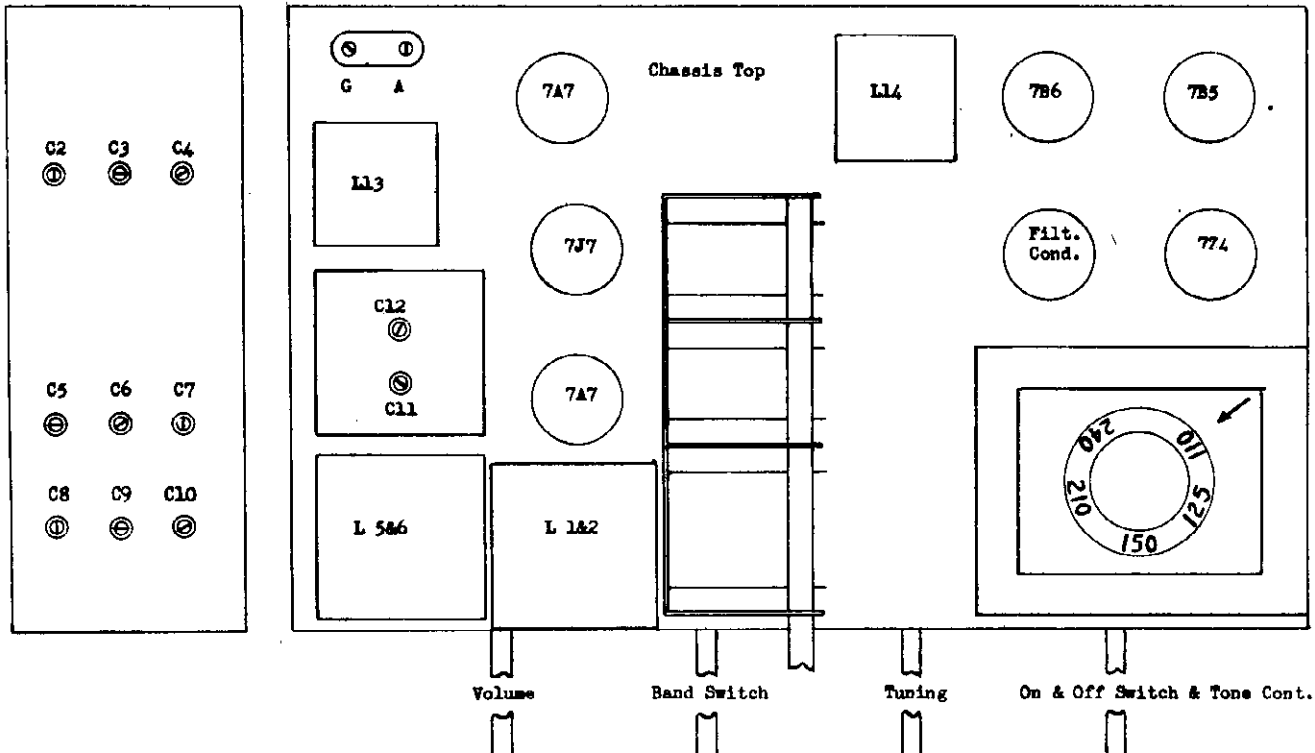
A-2014	3-SECTION ELECTROLYTIC
C-3004-283	250 MFD 50V
C-3200-318	100 MFD 50V
C-3200-325	50 MFD 50V
C-3200-332	25 MFD 50V
C-3200-339	12.5 MFD 50V
C-3200-346	6.25 MFD 50V
C-3200-353	3.125 MFD 50V
C-3200-360	1.5625 MFD 50V
C-3200-367	781.25 MFD 50V
C-3200-374	390.625 MFD 50V
C-3200-381	195.3125 MFD 50V
C-3200-388	97.65625 MFD 50V
C-3200-395	48.828125 MFD 50V
C-3200-402	24.4140625 MFD 50V
C-3200-409	12.20703125 MFD 50V
C-3200-416	6.103515625 MFD 50V
C-3200-423	3.0517578125 MFD 50V
C-3200-430	1.52587890625 MFD 50V
C-3200-437	762.9375 MFD 50V
C-3200-444	381.46875 MFD 50V
C-3200-451	190.734375 MFD 50V
C-3200-458	95.3671875 MFD 50V
C-3200-465	47.68359375 MFD 50V
C-3200-472	23.841796875 MFD 50V
C-3200-479	11.9208984375 MFD 50V
C-3200-486	5.96044921875 MFD 50V
C-3200-493	2.980224609375 MFD 50V
C-3200-500	1.4901123046875 MFD 50V
C-3200-507	745.05625 MFD 50V
C-3200-514	372.528125 MFD 50V
C-3200-521	186.2640625 MFD 50V
C-3200-528	93.13203125 MFD 50V
C-3200-535	46.566015625 MFD 50V
C-3200-542	23.2830078125 MFD 50V
C-3200-549	11.64150390625 MFD 50V
C-3200-556	5.820751953125 MFD 50V
C-3200-563	2.9103759765625 MFD 50V
C-3200-570	1.45518798828125 MFD 50V
C-3200-577	727.59375 MFD 50V
C-3200-584	363.796875 MFD 50V
C-3200-591	181.8984375 MFD 50V
C-3200-598	90.94921875 MFD 50V
C-3200-605	45.474609375 MFD 50V
C-3200-612	22.7373046875 MFD 50V
C-3200-619	11.36865234375 MFD 50V
C-3200-626	5.684326171875 MFD 50V
C-3200-633	2.8421630859375 MFD 50V
C-3200-640	1.42108154296875 MFD 50V
C-3200-647	710.540625 MFD 50V
C-3200-654	355.2703125 MFD 50V
C-3200-661	177.63515625 MFD 50V
C-3200-668	88.817578125 MFD 50V
C-3200-675	44.4087890625 MFD 50V
C-3200-682	22.20439453125 MFD 50V
C-3200-689	11.102197265625 MFD 50V
C-3200-696	5.5510986328125 MFD 50V
C-3200-703	2.77554931640625 MFD 50V
C-3200-710	1.387774658203125 MFD 50V
C-3200-717	693.88625 MFD 50V
C-3200-724	346.943125 MFD 50V
C-3200-731	173.4715625 MFD 50V
C-3200-738	86.73578125 MFD 50V
C-3200-745	43.367890625 MFD 50V
C-3200-752	21.6839453125 MFD 50V
C-3200-759	10.84197265625 MFD 50V
C-3200-766	5.420986328125 MFD 50V
C-3200-773	2.7104931640625 MFD 50V
C-3200-780	1.35524658203125 MFD 50V
C-3200-787	677.69375 MFD 50V
C-3200-794	338.846875 MFD 50V
C-3200-801	169.4234375 MFD 50V
C-3200-808	84.71171875 MFD 50V
C-3200-815	42.355859375 MFD 50V
C-3200-822	21.1779296875 MFD 50V
C-3200-829	10.58896484375 MFD 50V
C-3200-836	5.294482421875 MFD 50V
C-3200-843	2.6472412109375 MFD 50V
C-3200-850	1.32362060546875 MFD 50V
C-3200-857	661.8103125 MFD 50V
C-3200-864	330.90515625 MFD 50V
C-3200-871	165.452578125 MFD 50V
C-3200-878	82.7262890625 MFD 50V
C-3200-885	41.36314453125 MFD 50V
C-3200-892	20.681572265625 MFD 50V
C-3200-899	10.3407861328125 MFD 50V
C-3200-906	5.17039306640625 MFD 50V
C-3200-913	2.585196533203125 MFD 50V
C-3200-920	1.2925982666015625 MFD 50V
C-3200-927	646.29625 MFD 50V
C-3200-934	323.148125 MFD 50V
C-3200-941	161.5740625 MFD 50V
C-3200-948	80.78703125 MFD 50V
C-3200-955	40.393515625 MFD 50V
C-3200-962	20.1967578125 MFD 50V
C-3200-969	10.09837890625 MFD 50V
C-3200-976	5.049189453125 MFD 50V
C-3200-983	2.5245947265625 MFD 50V
C-3200-990	1.26229736328125 MFD 50V
C-3200-997	631.148625 MFD 50V
C-3201-004	315.5743125 MFD 50V
C-3201-011	157.78715625 MFD 50V
C-3201-018	78.893578125 MFD 50V
C-3201-025	39.4467890625 MFD 50V
C-3201-032	19.72339453125 MFD 50V
C-3201-039	9.861697265625 MFD 50V
C-3201-046	4.9308486328125 MFD 50V
C-3201-053	2.46542431640625 MFD 50V
C-3201-060	1.232712158203125 MFD 50V
C-3201-067	616.35625 MFD 50V
C-3201-074	308.178125 MFD 50V
C-3201-081	154.0890625 MFD 50V
C-3201-088	77.04453125 MFD 50V
C-3201-095	38.522265625 MFD 50V
C-3201-102	19.2611328125 MFD 50V
C-3201-109	9.63056640625 MFD 50V
C-3201-116	4.815283203125 MFD 50V
C-3201-123	2.4076416015625 MFD 50V
C-3201-130	1.20382080078125 MFD 50V
C-3201-137	601.90625 MFD 50V
C-3201-144	300.953125 MFD 50V
C-3201-151	150.4765625 MFD 50V
C-3201-158	75.23828125 MFD 50V
C-3201-165	37.619140625 MFD 50V
C-3201-172	18.8095703125 MFD 50V
C-3201-179	9.40478515625 MFD 50V
C-3201-186	4.702392578125 MFD 50V
C-3201-193	2.3511962890625 MFD 50V
C-3201-200	1.17559814453125 MFD 50V



MODEL 642-X

THE SPARKS-WITHINGTON CO.  
Sparton Superheterodyne Models 642-X

CHASSIS DIAGRAM



DATE  
JUNE 4th, 1941

I-F  
PEAK  
456 KC

THE SPARKS-WITHINGTON CO.

Sparton Superheterodyne Models 642-X

ALIGNMENT CHART

OPERATION	ALIGNMENT OF	GENERATOR CONNECTED TO	TRIMMABLE ANTENNA	BAND SWITCH SETTING	GENERATOR FREQUENCY	TUNING COND. SETTING	TRIMMER	REMARKS
1	Set dial pointer zero with left hand stop line with condenser gang fully meshed.							
2								
3	I. F.	***	.1 mf.	565 to 175 M	456	Open	C31 A-B Peak accurately C32 B C33 A-C Peak accurately C32 B	
4								
5								
6	CAUTION: Do not readjust trimmer C31 A-B and C32 A-C after C31 B has been peaked.							
7	565 to 175 M	AMT	See Note	565 to 175 M (5 Sec. Kc)	200 M	200 M	C31 Det. Peak accurately C32 Det. Peak accurately C33 Det. Peak accurately C32 Det. Peak accurately	
8								
9	Repeat operation 7.							
10	Check calibration and sensitivity at 200 M, 300 M and 500 M.							
11	200 to 790 M	AMT	See Note	200 to 790 M (375 Kc)	300 M	300 M	C8 Det. Peak accurately C9 Det. Peak accurately C10 Det. Peak accurately C11 Det. Peak accurately	
12								
13	Repeat operation 11.							
14	Check calibration and sensitivity at 800 M, 900 M.							
15	C31 B 200 M. Trimmers are precision set at the factory and should not be moved.							
16	119 to 36 M	AMT	See Note	119 to 36 M (8.35 Mc)	36 M	36 M	C48 Det. Peak accurately C47 Det. Peak accurately C7 Det. Peak accurately	
17								
18	Repeat operation 16.							
19	Check calibration and sensitivity at 30 and 110 M							
20	All trimmers should be adjusted to the fundamental of the test signal and not to the image.							
21	18 to 13 M	AMT	See Note	18 to 13 M (33.1 Mc)	13 M	13 M	C49 Det. Peak accurately C4 Det. Peak accurately C10 Det. Peak accurately	
22	See operation 21.							
23	31 to 18 M	AMT	See Note	30 to 18 M (16.2 Mc)	18.5 M	18.5 M	C23 Det. Peak accurately C24 Det. Peak accurately C21 Det. Peak accurately	
24	See operation 23.							
25	37 to 30 M	AMT	See Note	37 to 30 M (16.15 Mc)	29.5 M	29.5 M	C17 Det. Peak accurately C13 Det. Peak accurately C15 Det. Peak accurately C24 Det. Peak accurately C24 Det. Peak accurately	
26								
27	Note A: Do not change setting of trimmer C24, 26 and 27 after adjusting in operation 26.							
28	30 to 18 M	AMT	See Note	30 to 18 M (16.3 Mc)	18.3 M	18.3 M	C24 Det. Peak accurately C20 Det. Peak accurately C22 Det. Peak accurately C18 Det. Peak accurately C3 Det. Peak accurately C14 Det. Peak accurately C16 Det. Peak accurately	
29	See operation 28.							
30	18 to 13 M	AMT	See Note	18 to 13 M (16.3 Mc)	18.3 M	18.3 M	C3 Det. Peak accurately C18 Det. Peak accurately C14 Det. Peak accurately C16 Det. Peak accurately	
31	Repeat operations 21, 23, 25, 26, 28 and 30, as many times as necessary until additional gain cannot be obtained.							

Note: Use dummy antenna as described on page 1.  
 Adjust volume control trimmer screw.  
 Turn volume control screw all way down.  
 Set back dial with adjusting for maximum output.  
 Generator connected to pin #6 of 777 oscillator tube.

Sparton Superheterodyne Models 642-X

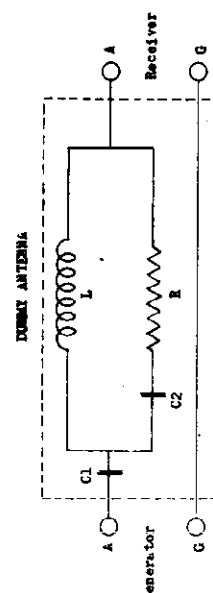
VOLTAGE CHART

Line Voltage: 117 Volts AC

Position of Volume Controls Full with Antenna Disconnected  
 Position of Band Switch Broadcast

TUBE	FUNCTION	Voltage of Socket Progs to Grid. See Prog Nos. on Schematic Dia.								
		No. 1	No. 2	No. 3	No. 4	No. 5	No. 6	No. 7	No. 8	No. 9
7A7	R-F Amplifier	6.2*	165	120	0	0	-1.8	0	0	-
7A5	Oscillator-Converter	6.2*	235	130	8.8	120	-2.2	0	0	-
7A7	I-F Amplifier	6.2*	235	120	0	0	0	2.8	0	-
7B6	2nd Det. - AVC - 1st Audio	6.2*	90	-2.2	-2.1	-2.2	-2.5	-2.1	0	-
7B5	Power Amplifier	0	225	235	0	185	-2	1.3	6.2*	-
7Z4	Rectifier	6.2*	50*	320*	0	0	320*	300	0	-

Notes: Voltage readings are for schematic diagram on back of sheet. Allow 15% + or - on all measurements. Always use meter scale which will give greatest deflection within scale limits. All DC measurements made with 20,000 ohms per volt voltmeter. All AC voltages made with rectifier type voltmeter. Unless designated otherwise, voltages in table are + DC voltages.  
 \*AC volts.



C1 - 200 mf. condenser  
 C2 - 400 mf. condenser  
 R - 100 ohms  
 L - Choke coil  
 ----- Case shield

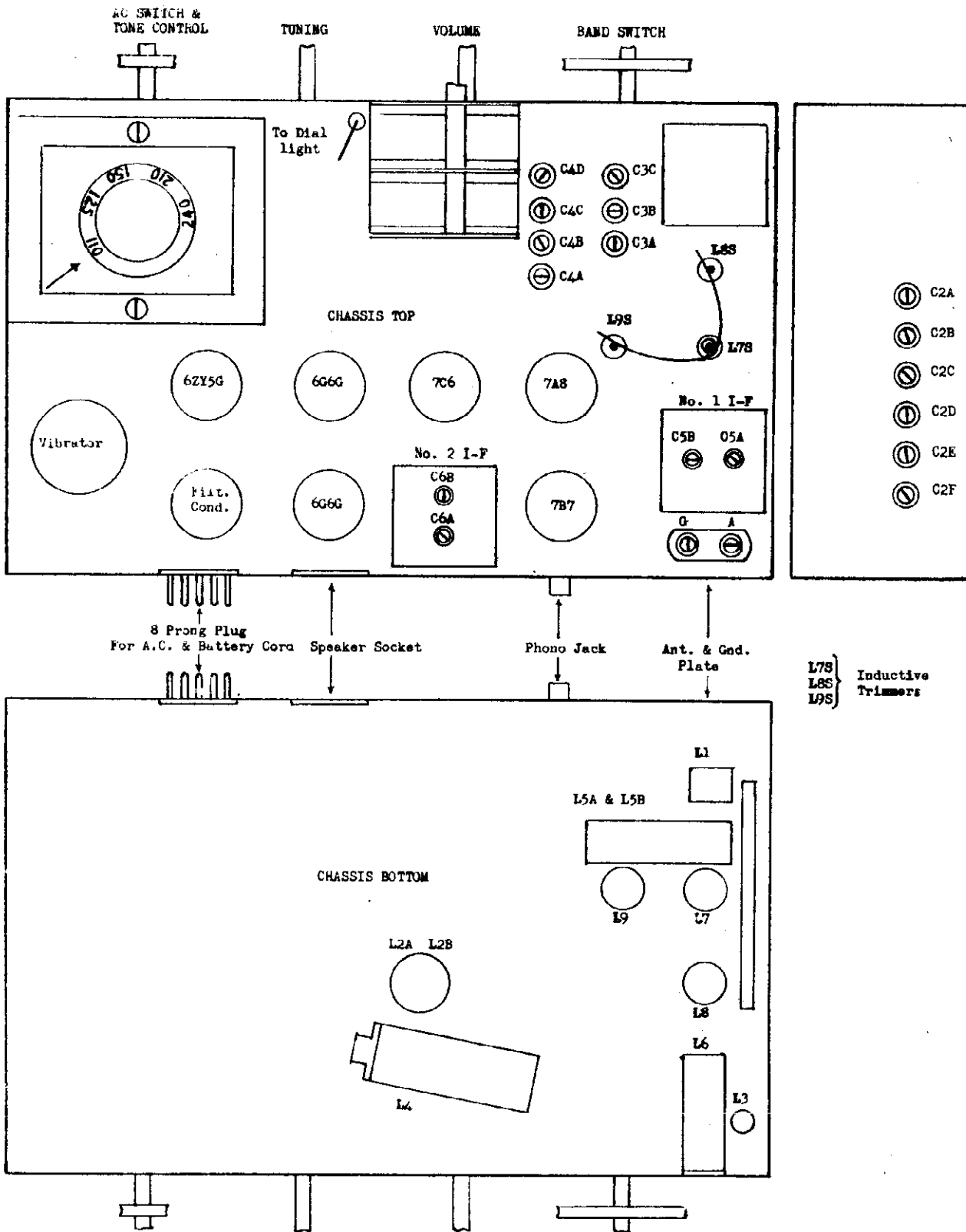
Choke Coil Specification  
 Tubing - 3/8" diameter bakelite  
 Wire - No. 38 enameled  
 Turns - 59 closely wound (Impregnated)

Note: When using this dummy antenna the generator output impedance should be 10 ohms or lower.

MODELS 672-6XA, 672-6XE

THE SPARKS-WITHINGTON CO.

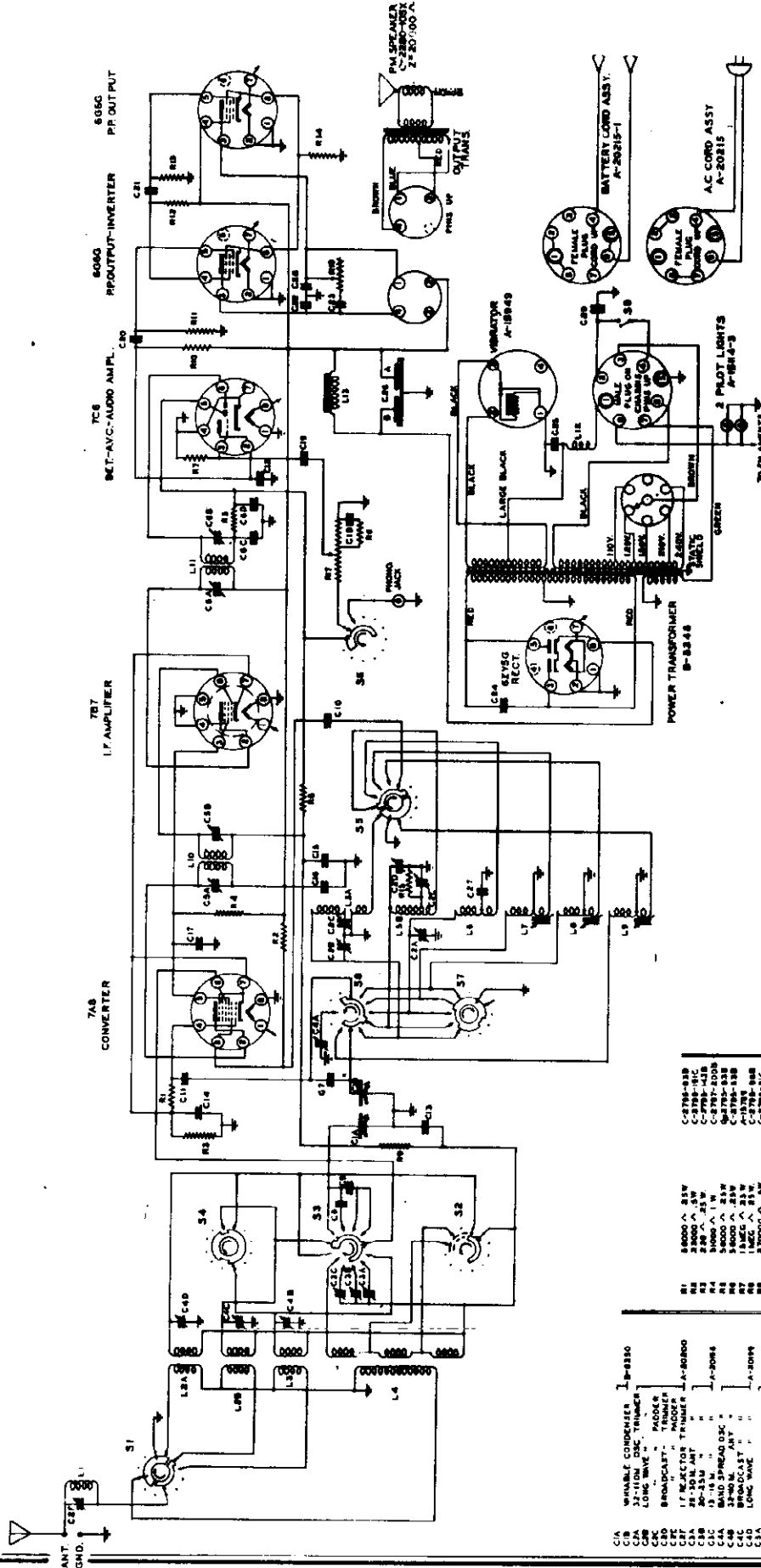
672-6XA and 672-6XE



THE SPARKS-WITHINGTON CO.

MODELS 672-6XA, 672-6XE

SCHMATIC DIAGRAM SPARTON SUPERHETERODYNE MODEL 672-6X



BOTTOM VIEW OF TUBE & VIBRATOR SOCKETS

INTERMEDIATE FREQUENCY 457 K.C. LONG WAVE BAND - 250-300 K.C. SHORT WAVE BAND - OSCILLATOR FREQUENCY ABOVE SIGNAL FREQ.

BAND SE. SHOWN IN B.C. POSITIONS. ARROWS POINT TO B.C. POSITIONS.

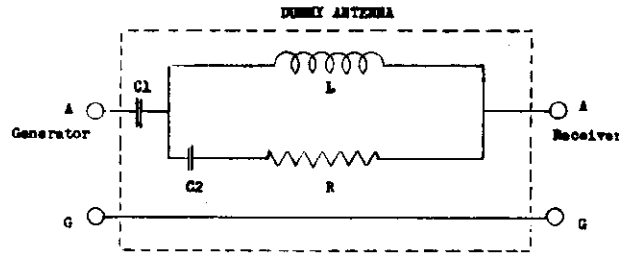
31	BAND SE. RECT. FRONT
32	BAND SE. RECT. REAR
33	BAND SE. RECT. FRONT
34	BAND SE. RECT. REAR
35	BAND SE. RECT. FRONT
36	BAND SE. RECT. REAR
37	BAND SE. RECT. FRONT
38	BAND SE. RECT. REAR
39	BAND SE. RECT. FRONT
40	BAND SE. RECT. REAR

- C18 VARIABLE CONDENSER P-3310
- C19 32-TURN DISC TRIMMER
- C20 COIL WAVE - PROOGE
- C21 BROADCAST - TRIMMER
- C22 INDUCTOR TRIMMER LA-20000
- C23 25-25M ANT
- C24 25-25M ANT
- C25 25-25M ANT
- C26 BAND SPREAD OSC
- C27 BAND SPREAD OSC
- C28 LONG WAVE
- C29 100MFD 50V
- C30 100MFD 50V
- C31 100MFD 50V
- C32 100MFD 50V
- C33 100MFD 50V
- C34 100MFD 50V
- C35 100MFD 50V
- C36 100MFD 50V
- C37 100MFD 50V
- C38 100MFD 50V
- C39 100MFD 50V
- C40 100MFD 50V
- C41 100MFD 50V
- C42 100MFD 50V
- C43 100MFD 50V
- C44 100MFD 50V
- C45 100MFD 50V
- C46 100MFD 50V
- C47 100MFD 50V
- C48 100MFD 50V
- C49 100MFD 50V
- C50 100MFD 50V
- C51 100MFD 50V
- C52 100MFD 50V
- C53 100MFD 50V
- C54 100MFD 50V
- C55 100MFD 50V
- C56 100MFD 50V
- C57 100MFD 50V
- C58 100MFD 50V
- C59 100MFD 50V
- C60 100MFD 50V
- C61 100MFD 50V
- C62 100MFD 50V
- C63 100MFD 50V
- C64 100MFD 50V
- C65 100MFD 50V
- C66 100MFD 50V
- C67 100MFD 50V
- C68 100MFD 50V
- C69 100MFD 50V
- C70 100MFD 50V
- C71 100MFD 50V
- C72 100MFD 50V
- C73 100MFD 50V
- C74 100MFD 50V
- C75 100MFD 50V
- C76 100MFD 50V
- C77 100MFD 50V
- C78 100MFD 50V
- C79 100MFD 50V
- C80 100MFD 50V
- C81 100MFD 50V
- C82 100MFD 50V
- C83 100MFD 50V
- C84 100MFD 50V
- C85 100MFD 50V
- C86 100MFD 50V
- C87 100MFD 50V
- C88 100MFD 50V
- C89 100MFD 50V
- C90 100MFD 50V
- C91 100MFD 50V
- C92 100MFD 50V
- C93 100MFD 50V
- C94 100MFD 50V
- C95 100MFD 50V
- C96 100MFD 50V
- C97 100MFD 50V
- C98 100MFD 50V
- C99 100MFD 50V
- C100 100MFD 50V

VOLTAGE CHART

Line Voltage: 117 Volts		Position of Volume Control: Full with Antenna Disconnected							
Position of Band Switch: Broadcast									
TUBE	FUNCTION	Voltage of Socket Prongs to Gnd. See Nos. on Schematic Dia.							
		No. 1	No. 2	No. 3	No. 4	No. 5	No. 6	No. 7	No. 8
7A8	Converter	6*	180	125	-1.2	55	0	1.75	0
7B7	I-F Amplifier	6*	180	55	0	0	0	1.75	0
7C6	2nd Detector-AVC-1st Audio	6*	100	0	0	0	0	-	0
6Q6G	Push-Pull Power Output	6*	0	175	180	0	-	0	10
6G6G	Push-Pull Power Output	6*	0	175	180	0	-	0	10
6Z5G	Rectifier	0	0	170*	-	170*	-	6*	185*

Notes: Voltage readings are for schematic diagram on back of sheet. Allow 15% + or - on all measurements. Always use meter scale which will give greatest deflection within scale limits. All DC measurements made with 20,000 ohms per volt voltmeter. All AC voltages made with rectifier type voltmeter. Unless designated otherwise, voltages in table are + DC voltages.  
\*AC volts.



Note: When using this dummy antenna the generator output impedance should be 10 ohms or lower.

- C1 - 200 muf. Condenser.
- C2 - 400 muf. Condenser.
- R - 100 ohms.
- Case Shield
- L - Choke Coil

Choke Coil Specification.  
Tubing - 3/8" Diameter Bakelite.  
Wire - No. 38 Emailed.  
Turns - 59 Closely wound (Impregnated.)

ALIGNMENT CHART

OPERATION	ALIGNMENT OF	GENERATOR CONNECTED TO	DUMMY ANTENNA	BAND SWITCH SETTING	GENERATOR FREQUENCY	TUNING COND. SETTING	TRIMMER	REMARKS
1	(Set dial pointer at extreme end of calibration scale with variable condenser fully closed.)							
2	I.F.	Converter Grid (#6)	.1 mf.	BC	456 KC	Open	C6 A&B C5 A&B	2nd I-F ** 1st I-F **
3	Rejector	ANT.	*	BC	456 KC	Closed	C2F	Adjust to minimum
4	Broadcast Band	ANT.	*	BC	1500 KC	1500 KC	C2D Osc. C4C Ant.	** **
5					600 KC	600 KC	C2E Pad.	**
6	(Repeat operation 4)							
7	(Check calibration and sensitivity at 1500 KC, 1000 KC, 750 KC and 600 KC)							
8	Long-Wave Band	ANT.	*	LW	400 KC	400 KC	C7B Osc. C4D Ant.	** **
9					150 KC	150 KC	C2C Pad.	**
10	(Repeat operation 8)							
11	(Check calibration and sensitivity at 400 KC, 250 KC and 150 KC)							
12	32-110 M Band	ANT.	*	32-110 M	9000 KC	9000 KC	C2A Osc. C4B Ant.	** **
13	(Check calibration and sensitivity at 9000 KC and 2500 KC)							
14	20-25 M Band	ANT.	*	20-25 M	17000 KC	17000 KC	C4A Osc. C3B Ant.	** **
15					11600 KC	11600 KC	L8S Osc.	**
16	(Repeat operation 14 and 15 until calibration is perfect)							
17	(Check calibration and sensitivity at 17000 KC and 11500 KC)							
18	25-30 M Band	ANT.	*	25-30 M	12000 KC	12000 KC	C3A Ant.	**
19					9500 KC	9500 KC	L7S Osc.	**
20	(Repeat operation 18)							
21	(Check calibration and sensitivity at 12000 KC and 9500 KC)							
22	13-16 M Band	ANT.	*	13-16 M	23000 KC	23000 KC	C3C Ant.	**
23					17500 KC	17500 KC	L9S Osc.	**
24	(Repeat operation 22)							
25	(Check calibration and sensitivity at 23000 KC and 17500 KC)							

Notes: \*Use standard dummy antenna. See Page ( ).  
\*\*Peak accurately. Make sure adjustments are made on fundamental of signal and not on image. See note at bottom of schematic diagram.

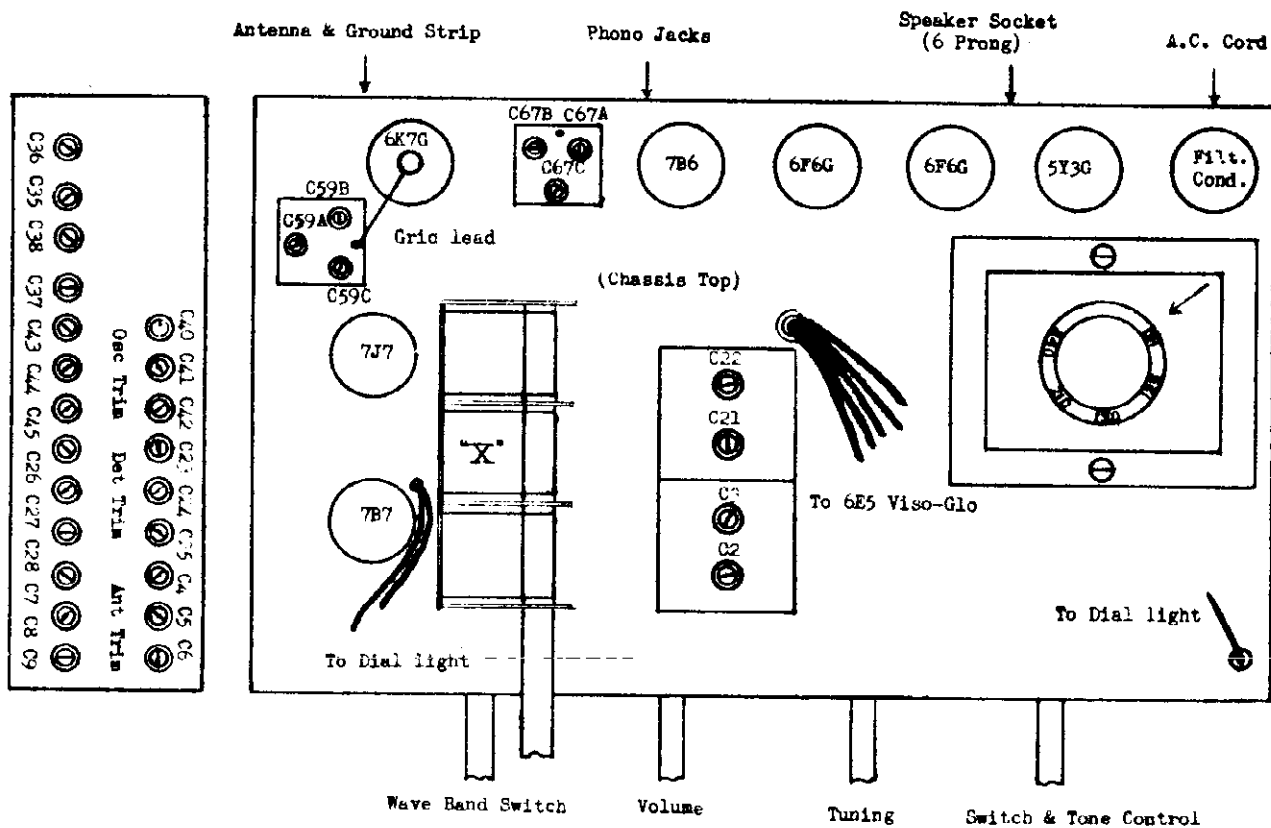
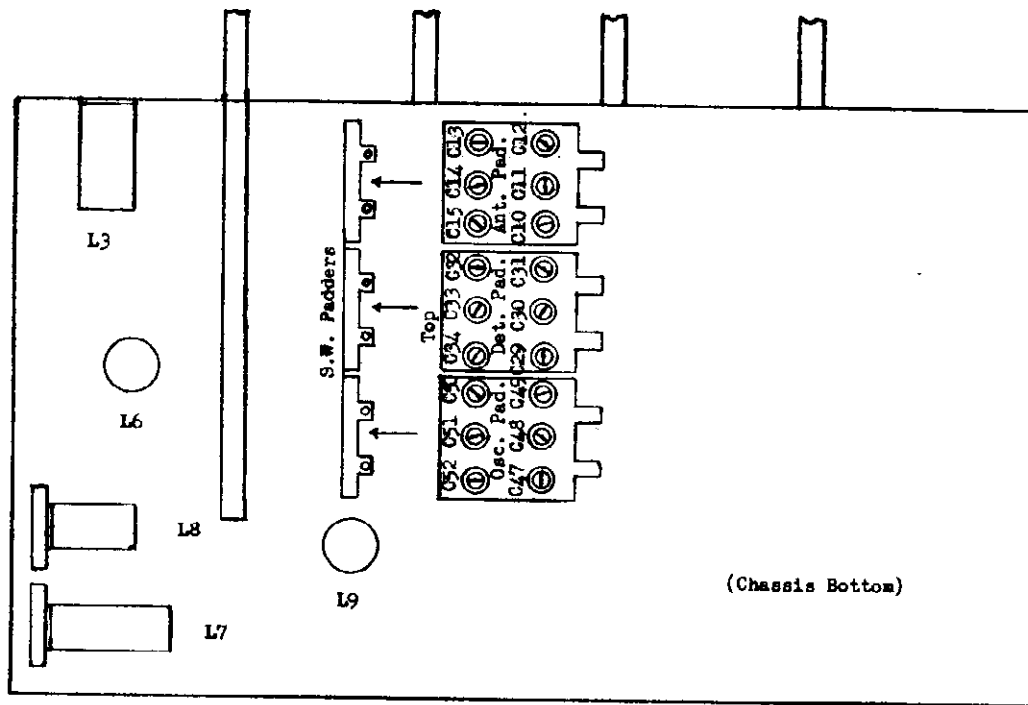




MODEL 842-SX

THE SPARKS WITHINGTON CO.

842-SX



## THE SPARKS WITHINGTON CO.

April 18, 1941

## ALIGNMENT CHART

## Sparton Superheterodyne Model 842 SX

(Important - Before any adjustments are made be sure to read the special note under Alignment Chart

OPER- ATION	ALIGNMENT OF	GENERATOR CONNECTED TO	DUMMY ANTENNA	BAND SWITCH SETTING	GENERATOR FREQUENCY	TUNING COND. SETTING	TRIMMER	REMARKS
1	(Set drive wheel so that pointer is at end of calibration scales with condenser gang fully meshed)							
2	I.F.	Connect to Stator of Detector Section of C1 (See Chassis Diagram)	.1 mf.	170- 560 Meters	(456 KC)	Open	C67B*	**
3							C67A	Peak accurately
4							C67C	Peak accurately
5							C67B*	Peak accurately
6							C59B*	**
7							C59A	Peak accurately
7							C59C	Peak accurately
7	C59B*	Peak accurately						
8	CAUTION: Do not readjust trimmers C67A & C and C59A & C after red spot trimmers C67B & C59B have been peaked)							
9	170-560 Meter Band	ANT	See Note	170-560 Meters	200 M (1500 KC)	200 M	C35 Osc. C21 Det.	Trim. Trim.
10					500 M	500 M	C2 ANT. C36 Osc.	Trim. Pad.
11	(Repeat operation 9) (600 KC)							
12	(Check calibration and sensitivity at 200 M, 300 M and 500 M)							
13	50-170 Meter Band	ANT	See Note	50- 170 Meters	55 M (5.46 MC)	55 M	C37 Osc. C22 Det.	Trim. Trim.
14					150 M	150 M	C3 ANT. C38 Osc.	Trim. Pad.
15	(Repeat operation 13) (2.0 MC)							
16	(Check calibration and sensitivity at 55M, 95M and 150M)							
17	49 Meter Band	ANT	See Note	49 Meters	35 M	35 M	C40 Osc.	Trim.
18					48 M	48 M	C47 Osc.	Pad.
19					35 M (8.55 MC)	35 M	C23 Det.	Trim.
20					48 M (6.27 MC)	48 M	C4 ANT.	Trim.
20								C29 Det.
21	(Check carefully all adjustments for 49 meter band. Be sure band limits are covered)							
22	30 Meter Band	ANT	See Note	30 Meters	27 M	27 M	C41 Osc.	Trim.
23					34.5 M	34.5 M	C48 Osc.	Pad.
24					27 M (11.2 MC)	27 M	C24 Det.	Trim.
25					34.5 M (8.69 MC)	34.5 M	C5 ANT.	Trim.
25								C30 Det.
26	(Check carefully all adjustments for 30 meter band. Be sure band limits are covered)							
27	25 Meter Band	ANT	See Note	25 Meters	22 M	22 M	C42 Osc.	Trim.
28					26 M	26 M	C49 Osc.	Pad.
29					22 M (13.6 MC)	22 M	C25 Det.	Trim.
30					26 M (11.5 MC)	26 M	C6 ANT.	Trim.
30								C31 Det.
31	(Check carefully all adjustments for 25 meter band. Be sure band limits are covered.)							

Continued

MODEL 842-SX

THE SPARKS WITHINGTON CO.

ALIGNMENT CHART

OPERATION	ALIGNMENT OF	GENERATOR CONNECTED TO	DUMMY ANTENNA	BAND SWITCH SETTING	GENERATOR FREQUENCY	TUNING COND. SETTING	TRIMMER	REMARKS
32	20 Meter Band	ANT	See Note	20 Meters	18.5 M	18.5 M	C43 Osc.	Trim.
33					21.1 M	21.1 M	C50 Osc.	Pad.
34					18.5 M (14.2 Mc)	18.5 M	C26 Det.	Trim.
35					C7 Ant.	Trim.		
					21.1 M (14.2 Mc)	21.1 M	C32 Det.	Pad.
						C13 Ant.	Pad.	
36	(Check carefully all adjustments for 20 meter band. Be sure band limits are covered.)							
37	16 Meter Band	ANT	See Note	16 Meters	15.7 M	15.7 M	C44 Osc.	Trim.
38					17.7 M	17.7 M	C51 Osc.	Pad.
39					15.7 M (19.1 Mc)	15.7 M	C27 Det.	Trim.
							C8 Ant.	Trim.
40					17.7 M (16.9 Mc)	17.7 M	C33 Det.	Pad.
						C16 Ant.	Pad.	
41	(Check carefully all adjustments for 16 meter band. Be sure band limits are covered.)							
42	13 Meter Band	ANT	See Note	13 Meters	13.8 M	13.8 M	C45 Osc.	Trim.
43					15.2 M	15.2 M	C52 Osc.	Pad.
44					13.8 M (21.7 Mc)	13.8 M	C28 Det.	Trim.
							C9 Ant.	Trim.
45					15.2 M (19.7 Mc)	15.2 M	C34 Det.	Pad.
						C15 Ant.	Pad.	
46	(Check carefully all adjustments for 13 meter band. Be sure band limits are covered.)							

\*Bronze color trimmer screw.

\*\*Turn trimmer screw all the way down.

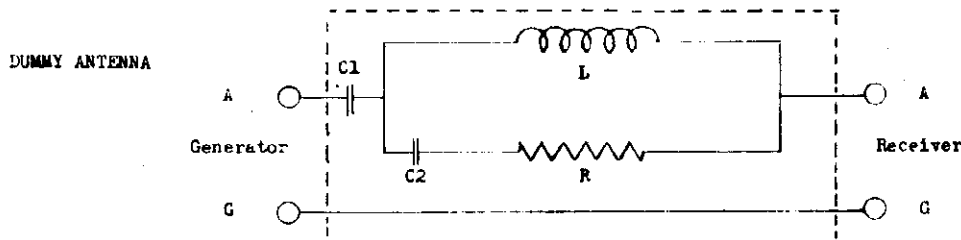
Note - Use dummy antenna described on page (1).

SPECIAL NOTE: All band trimmers should be adjusted to the fundamental of the test signal and not to the image.

VOLTAGE CHART

TUBE	FUNCTION	Voltage of Socket Prongs to Gnd. (See Prong Nos. on Schematic Dia.)								Grid Cap.
		No. 1	No. 2	No. 3	No. 4	No. 5	No. 6	No. 7	No. 8	
7B7	R.F. Amplifier	0	290	75	4.2	0	0	4.2	6.1*	-
7J7	Osc - Converter	0	290	100	-1	75	4.1	4.5	6.1*	-
6K7G	I-F Amplifier	0	0	290	120	0	-	6.1*	9	0
7B6	2nd Det - AVC - 1st Audio	0	150	0	1.2	.5	0	1.2	6.1*	-
6F6G	Push-Pull Power Output	0	0	290	285	0	295	6.1*	20	-
6F6G	Push-Pull Power Output	0	0	290	285	0	295	6.1*	20	-
5Y3G	Rectifier	0	375*	0	350*	0	375*	0	350*	-
6E5	Viso-Glo	0	250	0	295	0	6.1*	-	-	-

Notes: Voltage readings are for schematic diagram in this bulletin. Allow 15% + or - on all measurements. Always use meter scale which will give greatest deflection within scale limits. All DC measurements made with 20,000 ohms per volt voltmeter.  
\*AC volts.

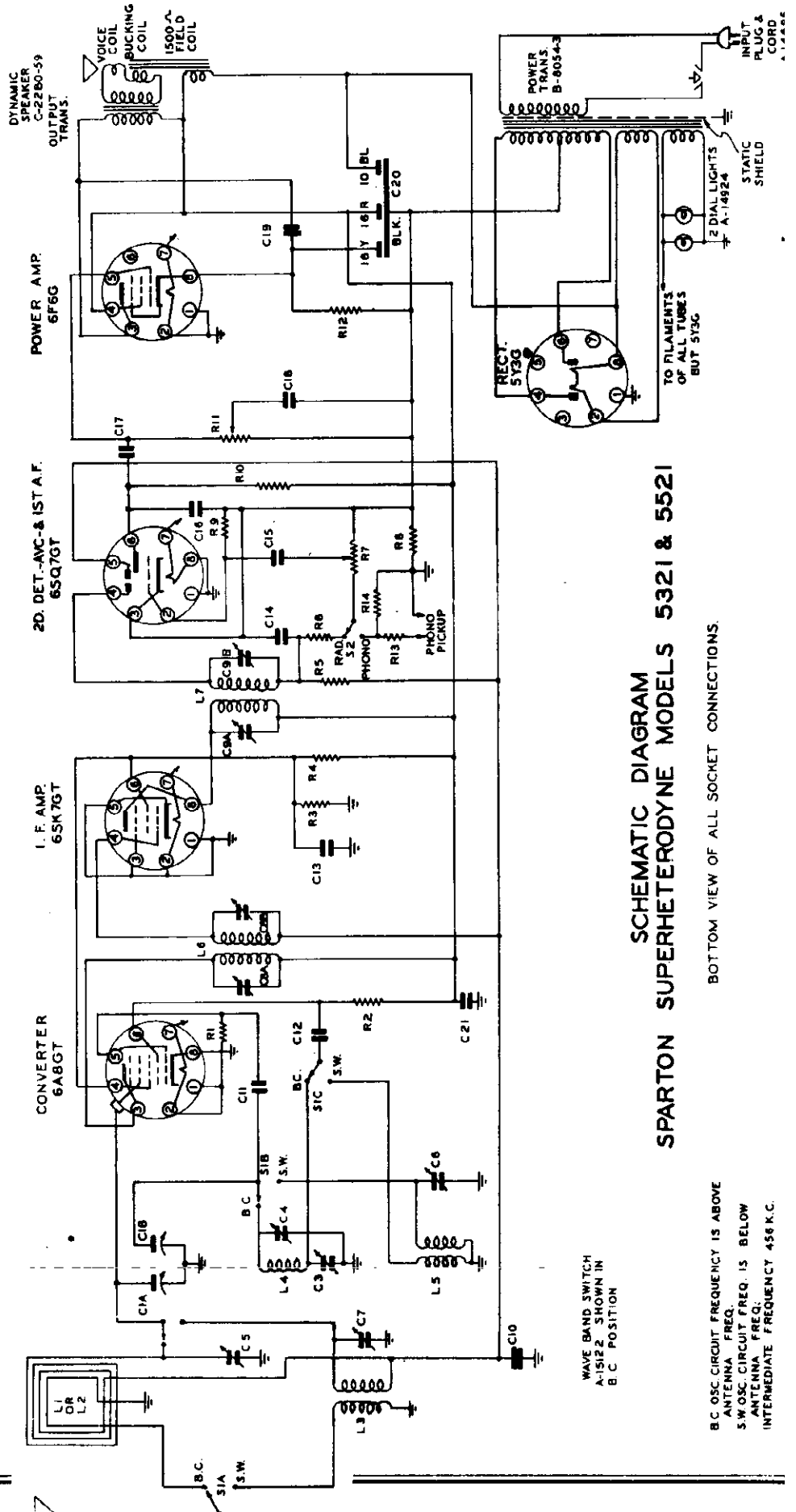


Note: When using this dummy antenna the generator output impedance should be 10 ohms or lower.

- C1 - 200 mmf. Condenser
- C2 - 400 mmf. Condenser
- R - 100 ohms Resistor
- L - 20 microhenryies Choke
- Case Shield

- Choke Coil Specifications
- Tubing - 3/8" diameter bakelite.
- Wire - No. 38 Enameled.
- Turns - 59 closely wound (Impregnated)

- |         |                                   |                   |
|---------|-----------------------------------|-------------------|
| C1A, B  | VARIABLE CONDENSER                | B-8235            |
| C-3     | B.C. OSC. PADDER                  |                   |
| C-4     | B.C. ANT. TRIMMER                 | A-1575B-1         |
| C-5     | B.C. ANT. TRIMMER                 |                   |
| C-6     | S.W. OSC. TRIMMER                 |                   |
| C-7     | S.W. ANT. TRIMMER                 |                   |
| CBAA, B | NO. 11 F. TRIMMER                 | A-1408A-5         |
| CBAB, B | NO. 2 I.F. TRIMMER                | B-7200-GN         |
| C10     | .05 MFD. 600V.                    | B-7200-NN         |
| C11     | .50 MFD. MOLDED                   | C-3208-28C        |
| C12     | .001 MFD. 600V.                   | C-720-372         |
| C13     | .1 MFD. 400V.                     | C-3204-38C        |
| C14     | .250 MFD. MOLDED                  | C-720-319         |
| C15     | .02 MFD. 400V.                    | C-3204-22C        |
| C16     | .100 MFD. MOLDED                  | C-720-319         |
| C17     | .02 MFD. 400V.                    | C-3208-22C        |
| C18     | .006 MFD. 400V.                   | C-3204-85C        |
| C19     | .006 MFD. 400V.                   | A-1700-1          |
| C20     | .16-10 MFD. ELECT.                | C-3208-38C        |
| C21     | .1 MFD. 600V.                     |                   |
| R1      | 33,000 $\Omega$ . 25W.            | C-2795-60B        |
| R2      | 2,200 $\Omega$ . 5W.              | C-2798-78C        |
| R3      | 47,000 $\Omega$ . 1W.             | C-2797-82B        |
| R4      | 2,200 $\Omega$ . 2W.              | C-2798-94A        |
| R5      | 3.3 MEG. 25W.                     | C-2795-60A        |
| R6      | 27,000 $\Omega$ . 25W.            | C-2795-79B        |
| R7      | 5 MEG. $\Omega$ . VOL. CONT.      | A-15130-5         |
| R8      | 58 $\Omega$ . 5W.                 | C-2798-47C        |
| R9      | 58 $\Omega$ . 5W.                 | C-2795-107B       |
| R10     | 270,000 $\Omega$ . 25W.           | C-2795-91B        |
| R11     | 5 MEG. TONE CONT. (S.W.A-15129-2) | C-2795-60B        |
| R12     | 680 $\Omega$ . 1W.                | C-2795-91B        |
| R13     | 270,000 $\Omega$ . 25W. 552       | C-2795-91B        |
| R14     | 270,000 $\Omega$ . 25W. 552       | ONLY [C-2795-91B] |
| L1      | B.C. ANT. COIL-5521-              | C-3290-6          |
| L2      | B.C. ANT. COIL-5321-              | C-3290-9          |
| L3      | S.W. ANT. COIL                    | A-14882-15        |
| L4      | B.C. OSC. COIL                    | A-1520-1          |
| L5      | S.W. OSC. COIL                    | A-15233-16        |
| L6      | NO. 1 I.F. COIL                   | A-12064-39        |
| L7      | NO. 2 I.F. COIL                   | A-12064-49        |
| S1A-B-C | WAVE BAND S.W.                    | A-15122           |
| S2      | PHONO-RADIO S.W.                  | A-15754-1         |



SCHEMATIC DIAGRAM  
SPARTON SUPERHETERODYNE MODELS 5321 & 5521

BOTTOM VIEW OF ALL SOCKET CONNECTIONS.

WAVE BAND SWITCH  
A-15122 SHOWN IN  
B.C. POSITION

B.C. OSC. CIRCUIT FREQUENCY IS ABOVE  
ANTENNA FREQ.  
S.W. OSC. CIRCUIT FREQ. IS BELOW  
ANTENNA FREQ.  
INTERMEDIATE FREQUENCY 456 K.C.

MODELS 5321, 5521

THE SPARKS WITHINGTON CO.

Sparton Superheterodyne Models 5321 & 5521

VOLTAGE CHART

Line Voltage: 117 Volts A.C.		Position of Volume Control: Full with Dial Turned to Quiet Channel								
		Position of Band Switch: Broadcast								
TUBE	FUNCTION	Voltage of Socket Prongs to Gnd. (See Schematic Diagram)								
		No. 1	No. 2	No. 3	No. 4	No. 5	No. 6	No. 7	No. 8	Grid Cap
6A8GT	Converter	0	6*	249	95	-8.2	162	0	0	-4.2
6SK7GT	I-F Amplifier	0	0	0	-2	0	95	6*	249	-
6SC7GT	2nd Det. & AVC	0	-1.4	-1.2	-1.6	-1.8	105	6*	0	-
6F6G	Power Amplifier	0	0	230	249	-4	-1.2	6*	96	-
5Y3G	Rectifier	0	310	0	300*	0	300*	0	310	-

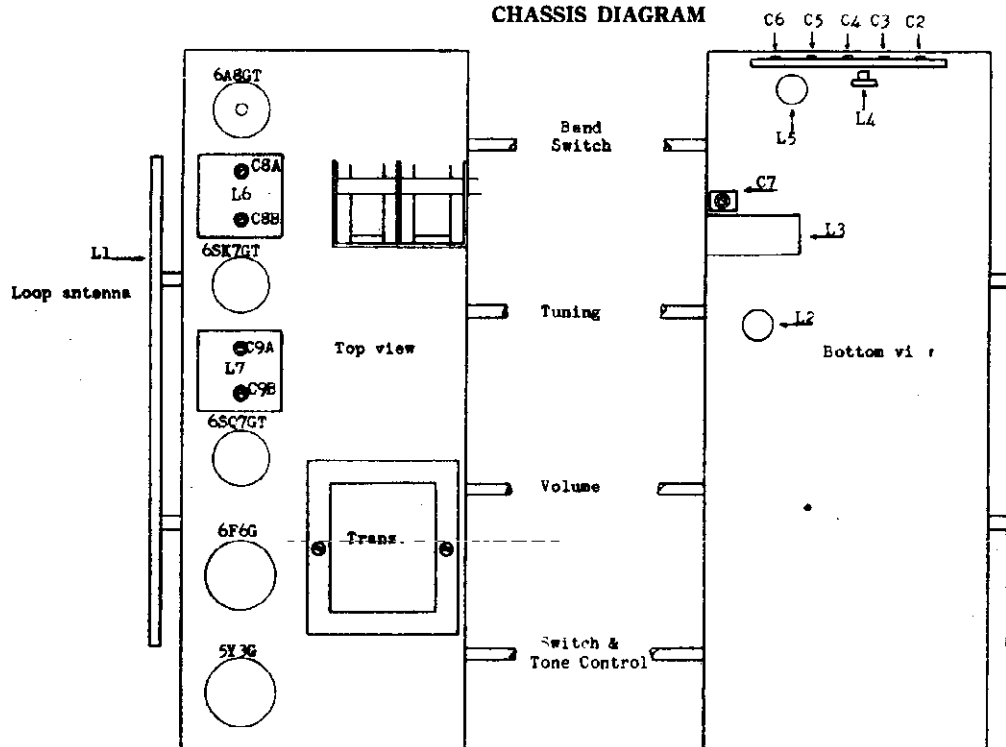
Notes: Voltage readings are for schematic in this Bulletin. Allow 15% + or - on all measurements. Always use meter scale which will give greatest deflection within scale limits. All DC measurements made with 20,000 ohms per volt voltmeter.  
\*AC volts.

ALIGNMENT CHART

OPERATION	ALIGNMENT OF	GENERATOR CONNECTED TO	DUMMY ANTENNA	GENERATOR FREQUENCY	BAND SWITCH SETTING	TUNING COND. SETTING	TRIMMER	REMARKS
1	Set dial pointer even with left hand stop line when condenser plates are fully meshed.							
2	I.F.	6A8GT Grid	Inf. Con.	456 KC	Broad cast	Open	C9 A&B	Peak accurately
							C8 A&B	Peak accurately
3	BC	Ant.	200 mf. Cond.	1600 KC	BC	1600 KC	C4 Osc. Trim	Peak accurately
4				600 KC	BC	1600 KC	C5 Ant. Trim	Peak accurately
5	Repeat operation 3.							
6	Check calibration and sensitivity at 600 KC, 900 KC and 1600 KC.							
7	SW	Ant.	*	18 MC	SW	18 MC	C6 Osc. Trim	**
							C7 Ant. Trim	**
8	Repeat operation 7.							
9	Check calibration and sensitivity at 7 MC.							

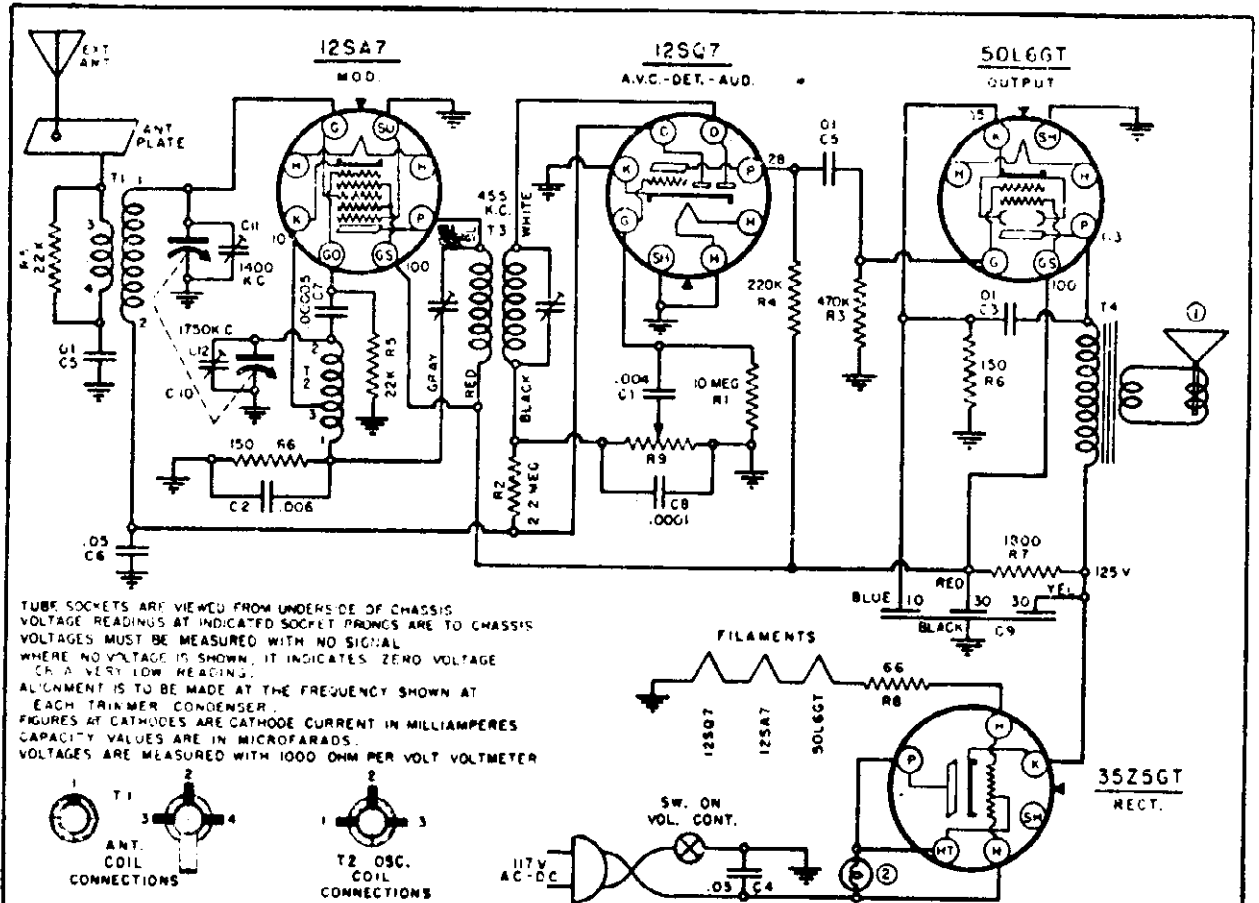
\*100 ohms and 200 mf. in series.  
\*\*Rock dial while adjusting for maximum output.

CHASSIS DIAGRAM

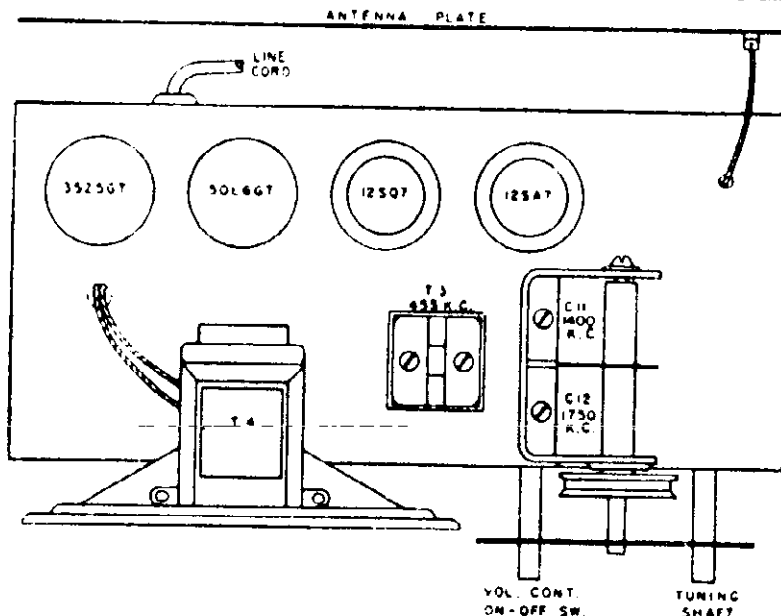


SPIEGEL, INC.

MODEL 1-4



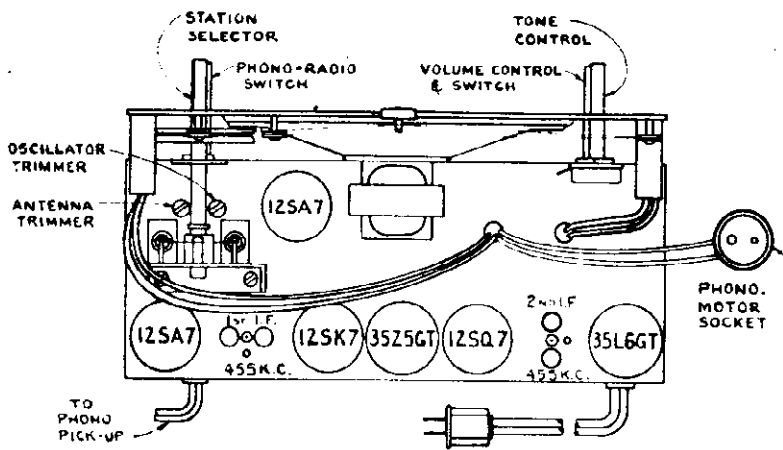
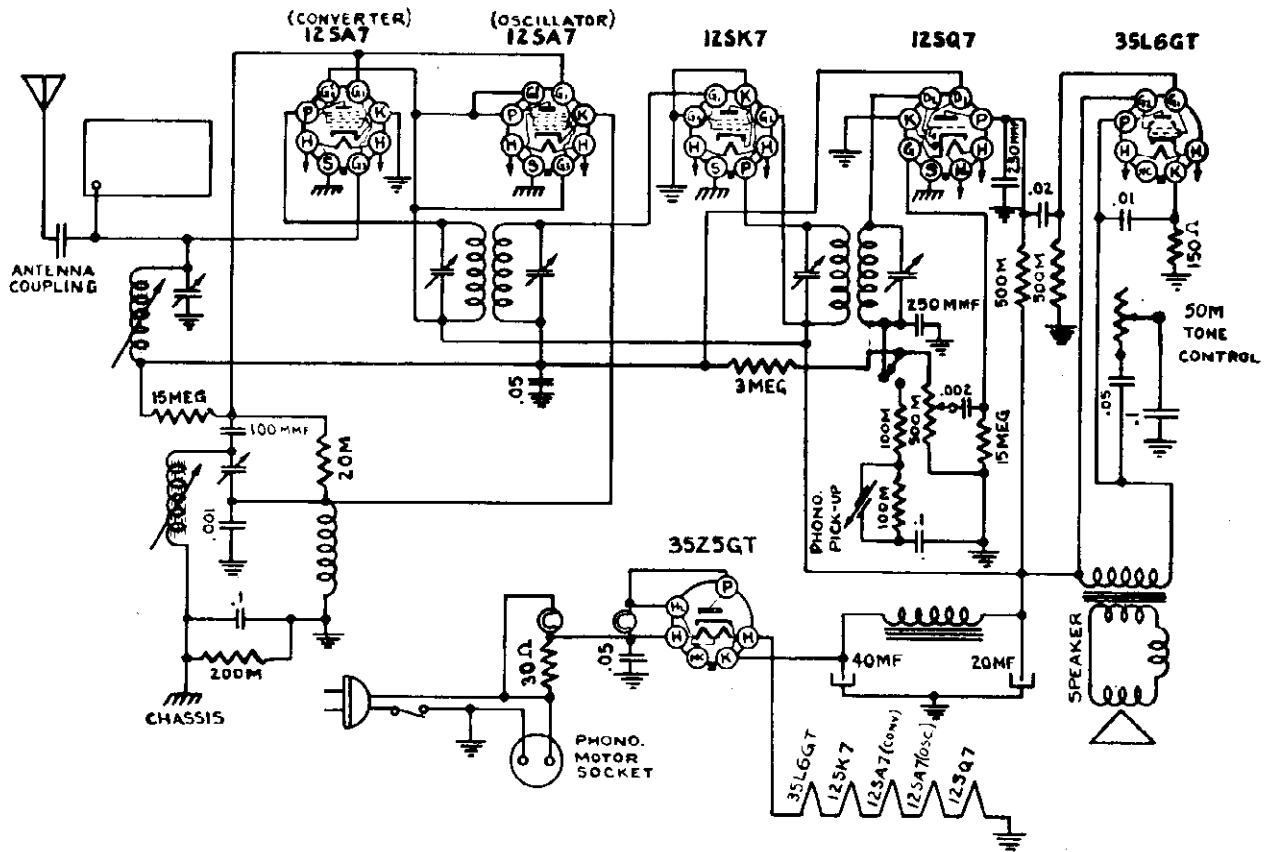
CODE	PART NO	DESCRIPTION	CODE	PART NO	DESCRIPTION	CODE	PART NO	DESCRIPTION	I-40
R 1	60-193	10 MEGOHM 1/4 W RESISTOR	C 1	16-125	.004 MFD. 400V TUBULAR COND.	T 1	10-367	ANTENNA COIL	
R 2	60-179	22	C 2	16-148	.006	T 2	10-366	OSCILLATOR COIL	
R 3	60-178	470K OHM	C 3	16-119	.01	T 3	10-368	I. F. TRANSFORMER	
R 4	60-180	220K	C 4	1607	.05	T 4	80-205	OUTPUT TRANS (ON SPKR)	
R 5	60-185	22K	C 5	16-121	.01 200V.				
R 6	60-184	150	C 6	1622	.05				
R 7	60-438	1800	C 7	1503	.00005 MFD. MICA COND.				
R 8	60-647	66	C 8	1501	.0001				
R 9	24-152	500K VOL. CONT. & SW.	C 9	18-265	30 X 30 AT 150V. & 10 AT 25V. ELECT.				
			C 10	19-169	2 GANG VAR. COND. ALSO C.11 & C.12				



LOCATION OF PARTS ON TOP OF CHASSIS

MODEL 512

SPIEGEL, INC.



GENERATOR	CONNECTION AT RADIO	DUMMY ANTENNA	DIAL	TRIMMER TO TUNE	REMARKS
I. F. 455 kc 1720 kc	12SA7 Grid Ext. Ant. Wire	.1 mfd 200 mmf	H. F. end H. F. end	I. F. Transformers Oscillator Trimmer	Tune to Max. Set Limit of band
1400 kc	Ext. Ant. Wire	200 mmf	1400	Antenna Trimmer	Tune to Max.

FOR DATA ON DETROLA MODEL N-100 RECORD CHANGER, SEE RIDER'S "AUTOMATIC RECORD CHANGERS AND RECORDERS".

SPIEGEL, INC.

MODEL 572-1M

VOLTAGE CHART

"A" Battery voltage: 1 1/2 volts  
 "B" Battery voltage: 90 volts

Position of Volume Control: Full with Antenna Disconnected  
 Position of Band Selector Switch: Broadcast

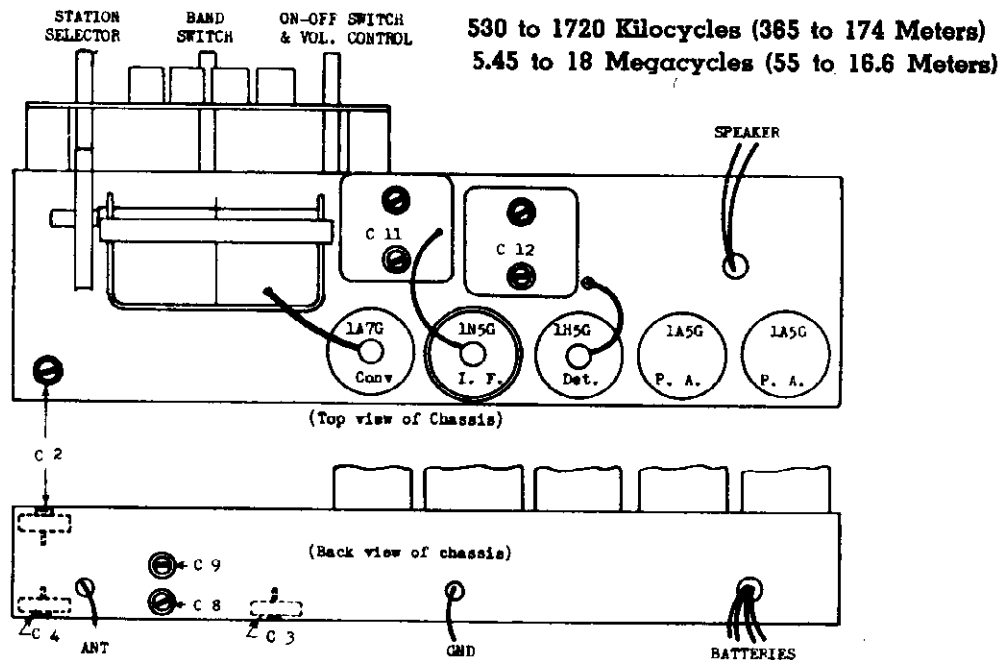
Tube	Function	Voltage of Socket Prongs to Gnd. (See Nos. on Schematic Diagram)									
		No. 1	No. 2	No. 3	No. 4	No. 5	No. 6	No. 7	No. 8	Grid Cap	
1A7C	Osc. - Converter	83	1.2	83	18	*	83	0	83	0	
1N5C	I.F. AMP.	0	1.2	83	83	-	-	0	0	0	
1H5G	Det. AVC-AF	-	1.2	*	-	-	0	0	-	0	
1A5G	P.A.	-	1.2	78	83	0	-	0	-	-	
1A5G	P.A.	-	1.2	78	82	0	-5	0	0	-	

Notes: Voltage readings are for schematic diagram on back of sheet. Allow 15% + or - on all measurements. Always use meter scale which will give greatest deflection within scale limits. All DC measurements made with 1000 ohms per volt voltmeter. \*Cannot be measured with 1000 ohms per volt voltmeter.

ALIGNMENT CHART

OPERATION	ALIGNMENT OF	GENERATOR CONNECTED TO	DUMMY ANTENNA	GENERATOR FREQUENCY	BAND SWITCH SETTING	TUNING COND. SETTING	TRIMMER	REMARKS
1	(Set pointer even with last calibration mark when condenser gang is closed)							
2	I.F.	1A7C Grid	.1 mf.	456 KC	BC	Open	C12 A&B C11 A&B	
3	I-F Repl.	Ant.	200 mf.	456 KC	BC	Closed	C2	Adjust to minimum
4	Broadcast Band	Ant.	200 mf.	1500 KC	BC	1500 KC	C8 (Osc.) C3 (Ant.)	
5				600 KC	BC	600 KC	C9 (Pad.)	**
6	(Repeat operation 4).							
7	(Check calibration and sensitivity at 1500 KC, 900 KC and 600 KC)							
8	SW Band	Ant.	*	18 MC	SW	18 MC	C4 (Ant.)	**
9	(Check calibration and sensitivity at 6. MC and 18. MC)							
10	(Check operations 1 to 9 inclusive.)							

\*100 ohm non-inductive resistor and 200 mmf. condenser in series.  
 \*\*Rock dial while making this adjustment. Make certain that adjustment is made on fundamental signal and not on image. Peak accurately.



ADJUSTING THE PUSH-BUTTON TUNER

Pull off push-button knobs so that slots in end of shafts are accessible.

Using a small screwdriver or other tool that will fit the slot in the end of the shaft, push the shaft in as far as it will go and turn to the right or left until the dial pointer has moved to the desired station frequency. Be sure the shaft is pushed all the way in and the station is tuned in accurately.

Repeat the procedure for each of the remaining three buttons.

Check all buttons by pushing them in, one at a time, to determine whether desired stations are tuned properly.

Insert proper tab in end of each button knob, and replace knob.

Any of the four stations to which the push-button tuner has been adjusted may now be received simply by pushing the button for the desired station.



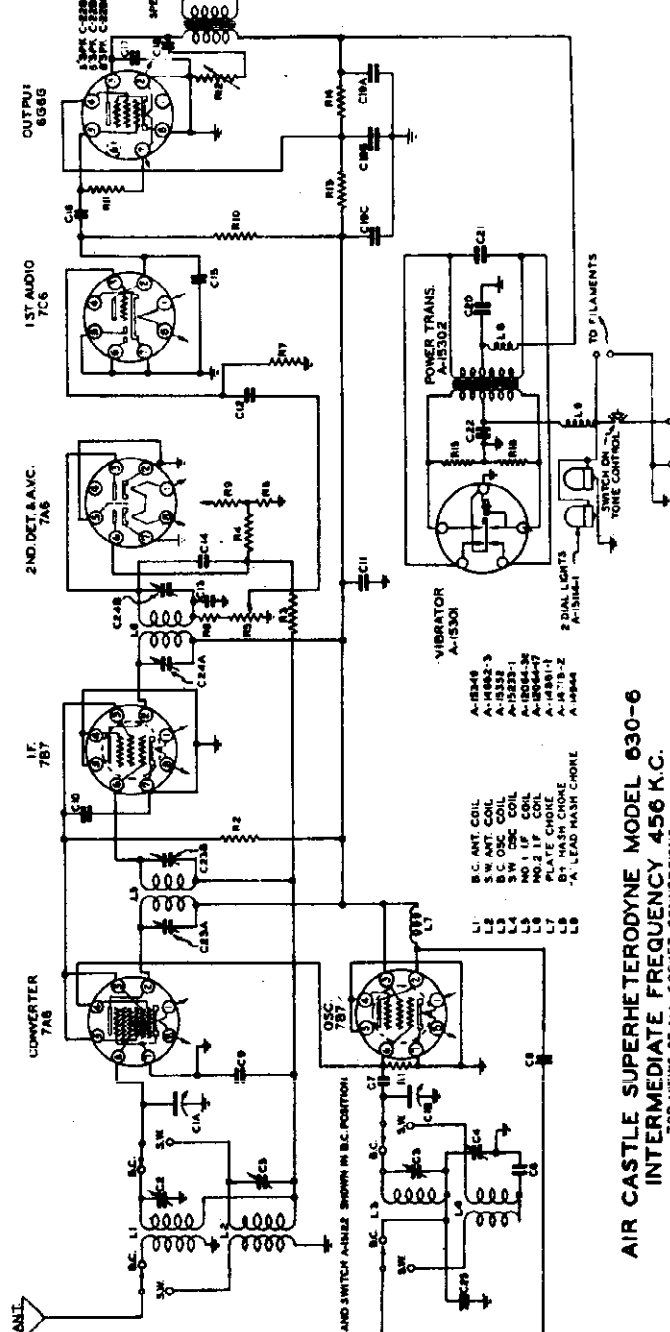
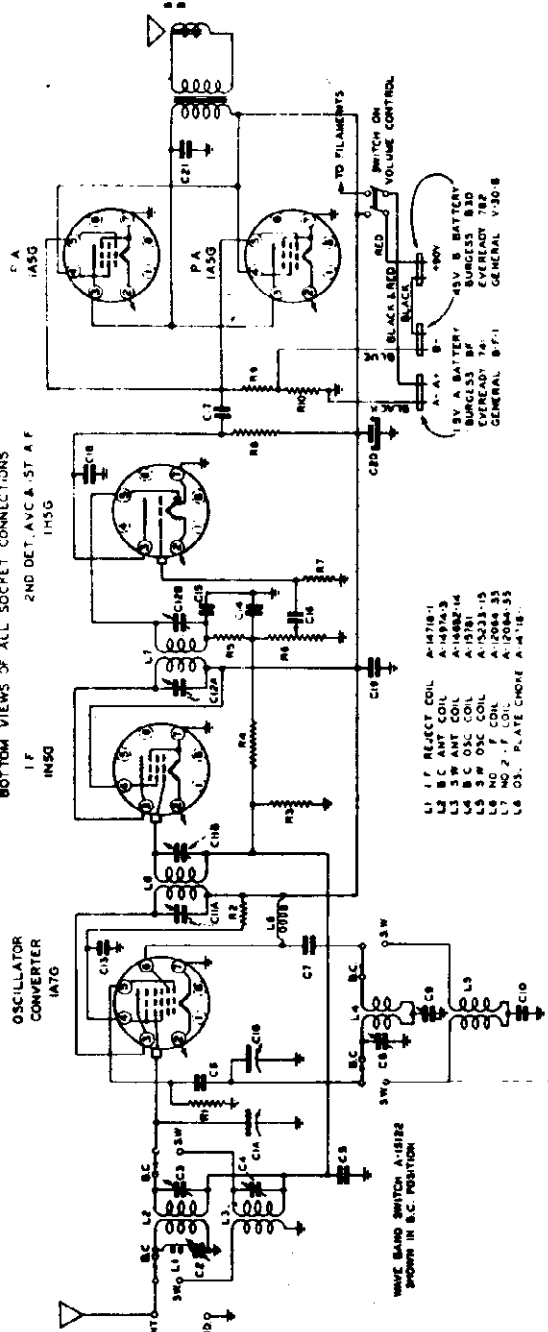
MODEL 572-1M  
MODEL 630-6

SPIEGEL, INC.

- |  |   |
|--|---|
| <p>8-BIS<br/>C21<br/>C22<br/>C23<br/>C24<br/>C25<br/>C26<br/>C27<br/>C28<br/>C29<br/>C30<br/>C31</p> <p>8-1000<br/>8-1000<br/>8-1000<br/>8-1000<br/>8-1000<br/>8-1000<br/>8-1000<br/>8-1000<br/>8-1000<br/>8-1000<br/>8-1000</p> <p>8-1000<br/>8-1000<br/>8-1000<br/>8-1000<br/>8-1000<br/>8-1000<br/>8-1000<br/>8-1000<br/>8-1000<br/>8-1000<br/>8-1000</p> | <p>8-1000<br/>8-1000<br/>8-1000<br/>8-1000<br/>8-1000<br/>8-1000<br/>8-1000<br/>8-1000<br/>8-1000<br/>8-1000<br/>8-1000</p> <p>8-1000<br/>8-1000<br/>8-1000<br/>8-1000<br/>8-1000<br/>8-1000<br/>8-1000<br/>8-1000<br/>8-1000<br/>8-1000<br/>8-1000</p> <p>8-1000<br/>8-1000<br/>8-1000<br/>8-1000<br/>8-1000<br/>8-1000<br/>8-1000<br/>8-1000<br/>8-1000<br/>8-1000<br/>8-1000</p> |
|--|---|

- |   |   |
|---|---|
| <p>8-1000<br/>8-1000<br/>8-1000<br/>8-1000<br/>8-1000<br/>8-1000<br/>8-1000<br/>8-1000<br/>8-1000<br/>8-1000<br/>8-1000</p> <p>8-1000<br/>8-1000<br/>8-1000<br/>8-1000<br/>8-1000<br/>8-1000<br/>8-1000<br/>8-1000<br/>8-1000<br/>8-1000<br/>8-1000</p> <p>8-1000<br/>8-1000<br/>8-1000<br/>8-1000<br/>8-1000<br/>8-1000<br/>8-1000<br/>8-1000<br/>8-1000<br/>8-1000<br/>8-1000</p> | <p>8-1000<br/>8-1000<br/>8-1000<br/>8-1000<br/>8-1000<br/>8-1000<br/>8-1000<br/>8-1000<br/>8-1000<br/>8-1000<br/>8-1000</p> <p>8-1000<br/>8-1000<br/>8-1000<br/>8-1000<br/>8-1000<br/>8-1000<br/>8-1000<br/>8-1000<br/>8-1000<br/>8-1000<br/>8-1000</p> <p>8-1000<br/>8-1000<br/>8-1000<br/>8-1000<br/>8-1000<br/>8-1000<br/>8-1000<br/>8-1000<br/>8-1000<br/>8-1000<br/>8-1000</p> |
|---|---|

AIR CASTLE SUPERHETERODYNE MODEL 572-1M  
INTERMEDIATE FREQUENCY 456 K.C.



AIR CASTLE SUPERHETERODYNE MODEL 630-6  
INTERMEDIATE FREQUENCY 456 K.C.

- |   |   |
|---|---|
| <p>8-1000<br/>8-1000<br/>8-1000<br/>8-1000<br/>8-1000<br/>8-1000<br/>8-1000<br/>8-1000<br/>8-1000<br/>8-1000<br/>8-1000</p> <p>8-1000<br/>8-1000<br/>8-1000<br/>8-1000<br/>8-1000<br/>8-1000<br/>8-1000<br/>8-1000<br/>8-1000<br/>8-1000<br/>8-1000</p> <p>8-1000<br/>8-1000<br/>8-1000<br/>8-1000<br/>8-1000<br/>8-1000<br/>8-1000<br/>8-1000<br/>8-1000<br/>8-1000<br/>8-1000</p> | <p>8-1000<br/>8-1000<br/>8-1000<br/>8-1000<br/>8-1000<br/>8-1000<br/>8-1000<br/>8-1000<br/>8-1000<br/>8-1000<br/>8-1000</p> <p>8-1000<br/>8-1000<br/>8-1000<br/>8-1000<br/>8-1000<br/>8-1000<br/>8-1000<br/>8-1000<br/>8-1000<br/>8-1000<br/>8-1000</p> <p>8-1000<br/>8-1000<br/>8-1000<br/>8-1000<br/>8-1000<br/>8-1000<br/>8-1000<br/>8-1000<br/>8-1000<br/>8-1000<br/>8-1000</p> |
|---|---|

- |   |   |
|---|---|
| <p>8-1000<br/>8-1000<br/>8-1000<br/>8-1000<br/>8-1000<br/>8-1000<br/>8-1000<br/>8-1000<br/>8-1000<br/>8-1000<br/>8-1000</p> <p>8-1000<br/>8-1000<br/>8-1000<br/>8-1000<br/>8-1000<br/>8-1000<br/>8-1000<br/>8-1000<br/>8-1000<br/>8-1000<br/>8-1000</p> <p>8-1000<br/>8-1000<br/>8-1000<br/>8-1000<br/>8-1000<br/>8-1000<br/>8-1000<br/>8-1000<br/>8-1000<br/>8-1000<br/>8-1000</p> | <p>8-1000<br/>8-1000<br/>8-1000<br/>8-1000<br/>8-1000<br/>8-1000<br/>8-1000<br/>8-1000<br/>8-1000<br/>8-1000<br/>8-1000</p> <p>8-1000<br/>8-1000<br/>8-1000<br/>8-1000<br/>8-1000<br/>8-1000<br/>8-1000<br/>8-1000<br/>8-1000<br/>8-1000<br/>8-1000</p> <p>8-1000<br/>8-1000<br/>8-1000<br/>8-1000<br/>8-1000<br/>8-1000<br/>8-1000<br/>8-1000<br/>8-1000<br/>8-1000<br/>8-1000</p> |
|---|---|

ANT.

AIR CASTLE SUPERHETERODYNE MODEL 630-6  
INTERMEDIATE FREQUENCY 456 K.C.

TOP VIEWS OF ALL SOCKET CONNECTIONS

SPIEGEL, INC.

MODEL 630-6

VOLTAGE CHART

Condition of Storage Battery - Good (6 Volts) Position of Volume Controls: Full with Antenna Disconnected  
Band Switch - Broadcast

Tube	Function	Voltage of Socket Prongs to Gnd. (See Nos. on Schematic Diagram)							
		No. 1	No. 2	No. 3	No. 4	No. 5	No. 6	No. 7	No. 8
7A8	Converter	6	110	45	-20	45	0	0	0
7B7	Oscillator	6	110	110	0	0	-20	0	0
7B7	I. F. AMP.	6	110	45	0	0	0	0	0
7A6	2 Det. AVC	6	0	0	0	0	0	0	0
7C6	1st Aud. AMP.	6	16	0	—	0	0	0	0
6G6G	Power Amp.	0	0	110	115	0	—	6	0

Notes: Voltage readings are for schematic diagram on back of sheet. Allow 1% - or - on all measurements. Always use meter scale which will give greatest deflection within scale limits. All DC measurements made with 1000 ohms per volt voltmeter.

ALIGNMENT CHART

OPERATION	ALIGNMENT OF	GENERATOR CONNECTED TO	DUMMY ANTENNA	GENERATOR FREQUENCY	BAND SWITCH SETTING	TUNING COND. SETTING	TRIMMER	REMARKS
1	Set dial pointer to last dial mark when condenser plates are flush							
2	I.F.	Ant.	.1	456	BC	Open	C-24 A & B	Peak Accurately
3	Broadcast Band	Ant.	200 muf.	1500	BC	1500	C-3 Osc.	Peak Accurately
				600	BC	600	C-2 Ant.	Peak Accurately
4							C-4 Pad.	Peak Accurately
5	(Repeat operation 3)							
6	(Check calibration and sensitivity at 600KC, 900 KC and 1500 KC)							
7	S.F. Band	Ant.	*	18MC	SF	18MC	C-5 Ant.	**
8	(Check calibration and sensitivity at 6.0 MC and 18.0 MC)							
9	(Check operation 1 to 8 inclusive)							

\*100 ohm non-inductive resistor and 200 muf. condenser in series.

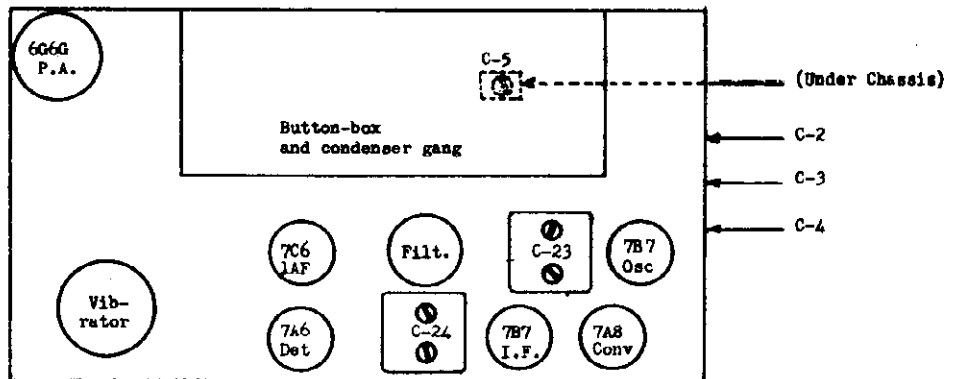
\*\*Rock dial while making this adjustment. Make certain that adjustment is made on fundamental signal and not on image. Peak accurately.

Selector Switch	Dial Scale	Meters	or	Kilocycles	or	Megacycles
"B" Broadcast	Upper .....	550 to 174		545 to 1725		.54 to 1.7
"S" Short-Wave	Lower .....	54 to 15		5600 to 20000		5.6 to 20.

(Front of Chassis)

MODEL 630-6

Battery Operated



ADJUSTING THE PUSH BUTTON TUNER

TO ADJUST BUTTONS, loosen selected button by turning one-half turn to the left (counter-clockwise). Push this loosened button in as far as it will go, and while in this position, tune in manually the station desired or indicated by tab in end of button.

Then, with the button still pushed in as far as it will go, tighten by turning button to the right (clockwise) until it can be tightened no more.

Be sure the station is tuned in accurately when pushed in button is tightened.

Repeat the procedure for each of the remaining three buttons and stations.

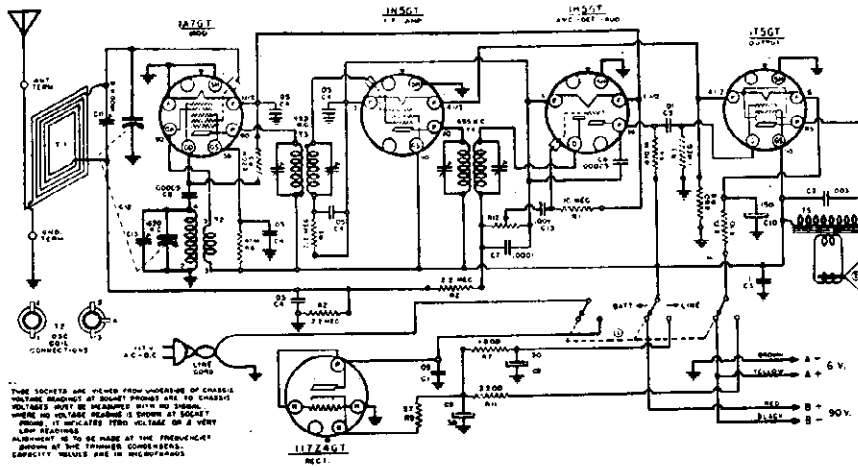
Be sure the buttons have been tightened firmly.

Check all buttons by pushing them in, one at a time, to determine whether desired stations are tuned in properly.

Any of the four stations to which the push button tuner has been adjusted may now be instantly received simply by pushing the button for the desired station.

MODEL EP-2121  
 MODELS DP-7450, EP-2450

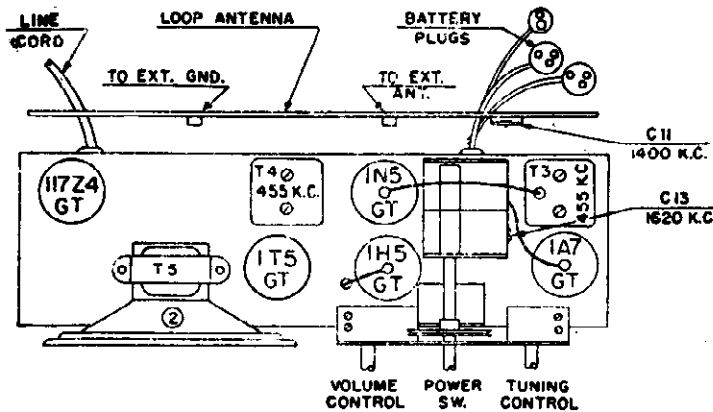
SPIEGEL, INC.



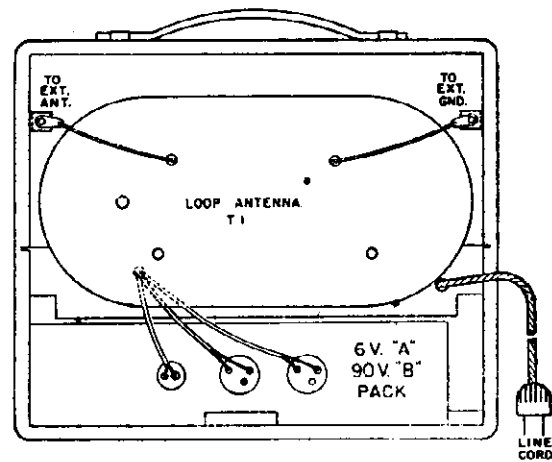
THE SOCKET ARE VOLTAGE FROM UNDERNEATH OF CHASSIS  
 VOLTAGE MEASURED AT SOCKET POINTS ARE TO CHASSIS  
 VOLTAGES MUST BE MEASURED WITH NO SIGNAL  
 WHERE NO VOLTAGE MEASURED IS SHOWN AT SOCKET  
 POINT, IT INDICATES ZERO VOLTAGE OR A VERY  
 LOW READING.  
 ALIGNMENT IS TO BE MADE AT THE FREQUENCY  
 SHOWN AT THE TRIMMER COMPONENTS.  
 CAPACITANCE VALUES ARE IN MICROFARADS

CODE	PART NO.	DESCRIPTION	CODE	PART NO.	DESCRIPTION	CODE	PART NO.	DESCRIPTION	Q-54
C1	607	500 P.F. TUBULAR COND.	R1	50-115	10 MEGOHM 1/4 W RESISTOR	T1	6A8GT	6A8GT	
C2	14-120	0.01	R2	50-116	10 MEGOHM 1/4 W RESISTOR	T2	6X4GT	6X4GT	
C3	14-115	0.01	R3	50-117	10 MEGOHM 1/4 W RESISTOR	T3	6AV6GT	6AV6GT	
C4	602	500 P.F. TUBULAR COND.	R4	50-118	10 MEGOHM 1/4 W RESISTOR	T4	6BE6GT	6BE6GT	
C5	14-171	0.01	R5	50-119	10 MEGOHM 1/4 W RESISTOR	T5	6BE7GT	6BE7GT	
C6	14-172	0.01	R6	50-120	10 MEGOHM 1/4 W RESISTOR	T6	6BE8GT	6BE8GT	
C7	14-173	0.01	R7	50-121	10 MEGOHM 1/4 W RESISTOR	T7	6BE9GT	6BE9GT	
C8	14-174	0.01	R8	50-122	10 MEGOHM 1/4 W RESISTOR	T8	6BE10GT	6BE10GT	
C9	14-175	0.01	R9	50-123	10 MEGOHM 1/4 W RESISTOR	T9	6BE11GT	6BE11GT	
C10	14-176	0.01	R10	50-124	10 MEGOHM 1/4 W RESISTOR	T10	6BE12GT	6BE12GT	
C11	14-177	0.01	R11	50-125	10 MEGOHM 1/4 W RESISTOR	T11	6BE13GT	6BE13GT	
C12	14-178	0.01	R12	50-126	10 MEGOHM 1/4 W RESISTOR	T12	6BE14GT	6BE14GT	
C13	14-179	0.01	R13	50-127	10 MEGOHM 1/4 W RESISTOR	T13	6BE15GT	6BE15GT	

MODEL EP-2121



LOCATION OF PARTS ON TOP OF CHASSIS



LOCATION OF PARTS IN CABINET

I. F. ALIGNMENT

Set the variable condenser at minimum capacity, (dial pointer at 1550 K. C.). Connect the two leads from a good, modulated signal generator, the ground lead to the radio chassis and the other lead through a .1 mfd. condenser, to the grid cap of the 6A8GT with the tube's grid lead still in place.

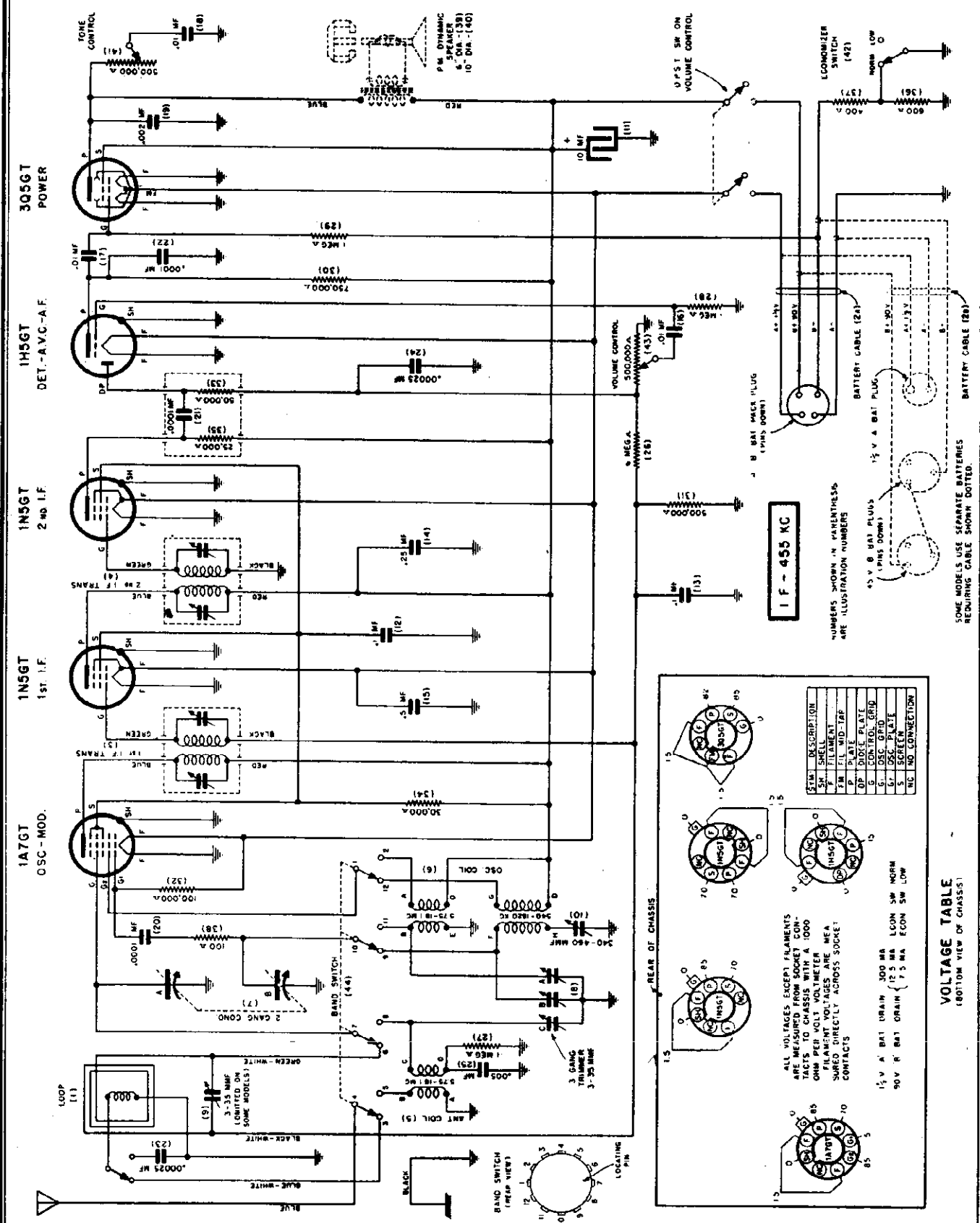
Connect the leads from a fully charged 6 volt storage battery to the receiver chassis and battery lead, the polarity being reversible.

With the set in operation and the volume control full on, set the signal generator to 456 K. C. and increase its output until the signal is heard in the set's speaker. Starting with the second I. F., adjust the I. F. trimmers for maximum output, decreasing the signal generator output as the receiver output increases.

The generator output in all the alignment adjustments should be adjusted so the meter will read approximately .4 volts continually.

MODELS  
 DP-7450  
 EP-2450  
 ALIGNMENT

SPIEGEL, INC.



IF - 455 KC

SOME MODELS USE SEPARATE BATTERIES REQUIRING CABLE SHOWN DOTTED.

**VOLTAGE TABLE**  
(BOTTOM VIEW OF CHASSIS)

ALL VOLTAGES EXCEPT FILAMENT ARE MEASURED TO CHASSIS WITH A 100 OHM PER VOLT VOLTMETER. FILAMENT VOLTAGES ARE MEASURED DIRECTLY ACROSS SOCKET CONTACTS.

1 1/2 V A BAT DRAIN 300 MA  
12.5 MA LCON SW NORM  
90 V B BAT DRAIN 7.5 MA ECON SW LOW

LETTER	DESCRIPTION
SH	SHELL
SA	SLIDING CONTACT
P	PLATE
DP	DIGGLE PLATE
G	CONTROL GRID
OG	OSC GRID
GA	SCREEN GRID
AG	NO CONNECTION

REAR OF CHASSIS

VOLTAGE TABLE (BOTTOM VIEW OF CHASSIS)

MODEL 604

SPIEGEL, INC.

575-18.1 M. C. -- 522-16.6 METER BAND  
 USE SECTION OF THE DIAL THAT IS CALIBRATED FROM  
 540-1620 K.C.--555-185 METERS.

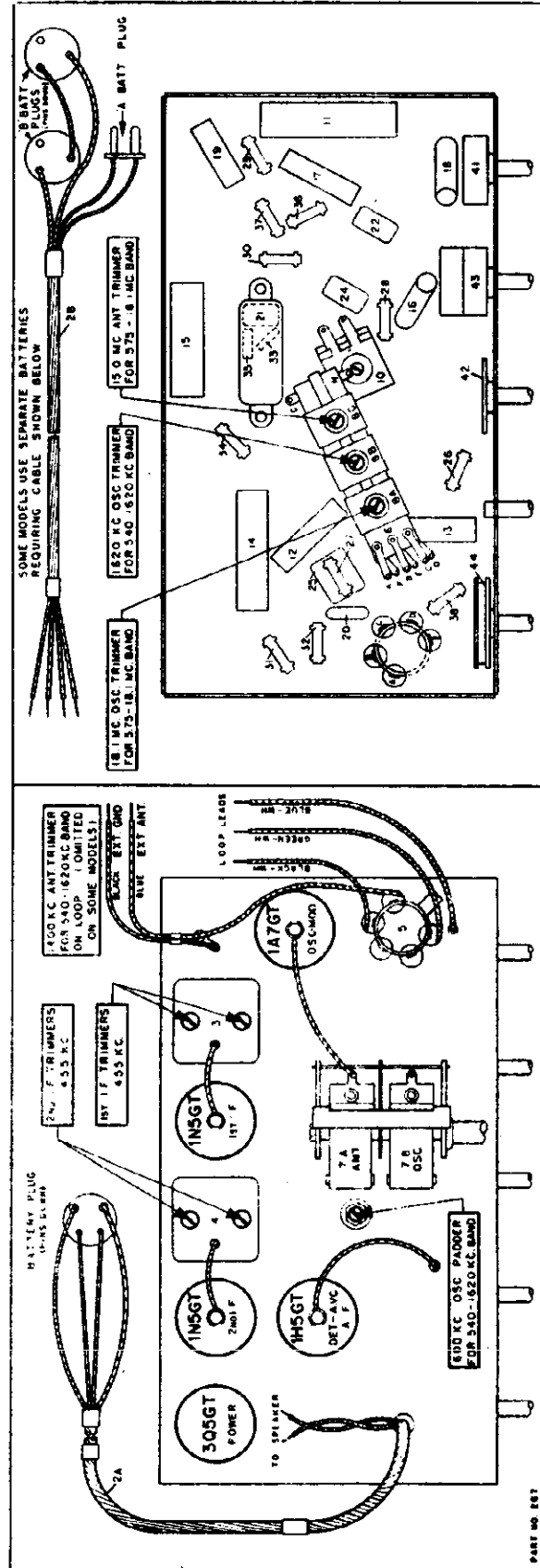
540-1620 K.C.--555-185 METER BAND  
 USE SECTION OF DIAL THAT IS CALIBRATED FROM  
 540-1620 K.C.--555-185 METERS.

**ALIGNMENT PROCEDURE**

For alignment procedure read tabulations from left to right. If more than one adjustment is required on any one band, make the adjustment marked (1) first, (2) next, (3) third. **IMPORTANT: BEFORE ALIGNING, PLACE LOOP ANTENNA IN THE SAME POSITION IT WILL BE IN WHEN THE SET IS IN THE CABINET.**

When adjusting 1620 kilocycle oscillator trimmer, 600 K.C. paddler, and 1400 kilocycle antenna trimmer, do not connect test oscillator to loop. Couple test oscillator to receiver loop by: (a) Make a loop consisting of five to ten turns of No. 20 to 30 size wire wound on a three inch form and attach across output of test oscillator. (b) Place test oscillator loop near set loop--Be SURE THAT NEITHER MOVES WHILE ALIGNING.

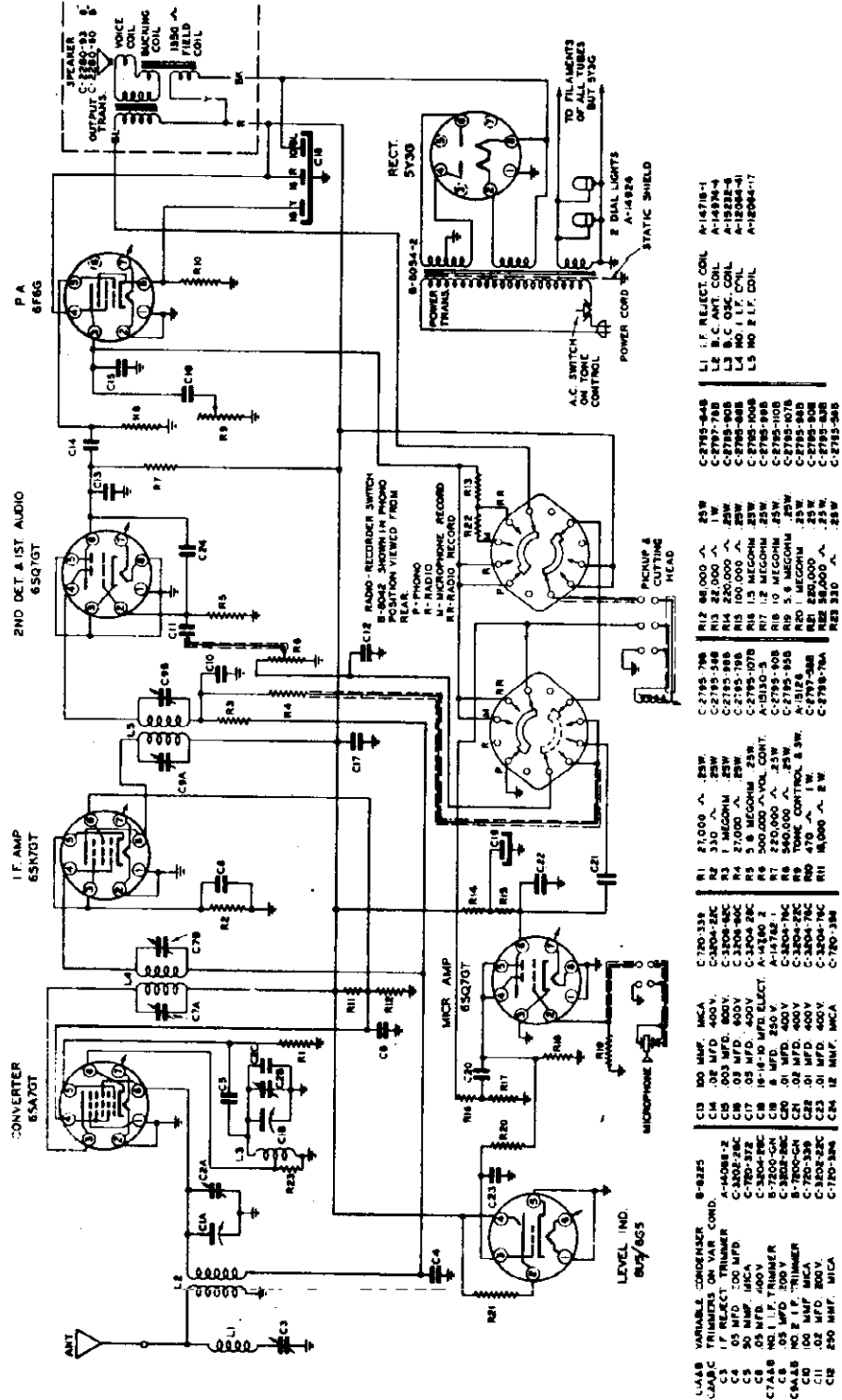
Place band switch for operation at:	Set receiver dial to:	Adjust test oscillator frequency to:	Use dummy antenna in series with output of test oscillator consisting of:	TEST OSCILLATOR	Attach output of test oscillator to:	Refer to parts layout diagram for location of trimmers mentioned below:
I. F. alignment use any band position.	Any point where a interfering signal is received.	Exactly 455 K.C.	0.2 Mfd. condenser	High side to grid cap. of 1A7GT tube Low side to frame of condenser through .01 Mfd. condenser.	High side to frame of condenser through .01 Mfd. condenser.	Adjust each of the second I.F. transformer trimmers for maximum output, then adjust each of the first I.F. transformer trimmers for maximum output.
1620 to 540 K.C. Band	1. Exactly 1620 K.C. 2. Approx. 1400 K.C. 3. Approx. 600 K.C.	Exactly 1620 K.C. Approx. 1400 K.C. Approx. 600 K.C.	None None None	Use Small Loop to couple test oscillator to receiver loop. Low side to frame of condenser through .01 Mfd. condenser. Use Small Loop to couple test oscillator to receiver loop. Low side to frame of condenser through .01 Mfd. condenser. Use Small Loop to couple test oscillator to receiver loop. Low side to frame of condenser through .01 Mfd. condenser.	Adjust 1600 K.C. oscillator trimmer for maximum output. While rocking gang condenser adjust 1400 K.C. loop trimmer for maximum output. While rocking gang condenser adjust 600 K.C. oscillator paddler for maximum output.	Adjust 1600 K.C. oscillator trimmer for maximum output. While rocking gang condenser adjust 1400 K.C. loop trimmer for maximum output. While rocking gang condenser adjust 600 K.C. oscillator paddler for maximum output.
575 to 18.1 M.C. Band	1. Exactly 18.1 M.C. 2. Approx. 15 M.C.	Exactly 18.1 M.C. Approx. 15 M.C.	400 Ohm carbon resistor 400 Ohm	High side to Blue Ant. Lead, Low side to black ground lead. High side to Blue Ant. Lead, Low side to black ground lead.	Adjust 18.1 M.C. oscillator trimmer for maximum output. While rocking gang condenser adjust 15 M.C. antenna trimmer for maximum output.	Adjust 18.1 M.C. oscillator trimmer for maximum output. While rocking gang condenser adjust 15 M.C. antenna trimmer for maximum output.



PART NO. 287

SPIEGEL, INC.

**SCHMATIC DIAGRAM**  
**AIR CASTLE SUPERHETERODYNE MODEL 661**  
**INTERMEDIATE FREQUENCY 456 K.C.**  
BOTTOM VIEWS OF ALL SOCKET CONNECTIONS



**BROADCAST BAND**  
**540 to 1700 Kilocycles**  
**555 to 176 Meters**

**DESCRIPTION:** Table Model Radio-Phonograph and Record Maker Combination featuring full vision, illuminated Dial for extended Broadcast Band; Automatic Volume Control; Interference Relector; Continuously Variable Tone Control; high quality Microphone; Selector Switch, enabling the user to make home recordings of radio programs or by means of the microphone, to play records and to use the set as a regular Radio Receiver; Level Indicator Tube ("Eye") for Recording; and six-inch Dynamic Speaker.

MODEL 661

SPIEGEL, INC.

Superheterodyne Model 661

VOLTAGE CHART

Line voltage: 117 volts  
Position of Volume Control; Full with Ant. disconnected  
Position of Band Switch: Broadcast

Tube	Function	Voltage of socket prongs to Gnd. (See prong no's. on diagram)							
		No 1	No 2	No 3	No 4	No 5	No 6	No 7	No 8
6SA7GT	Oscillator-Converter	0	0	220	77	-7.2	0	6.1*	0
6SK7GT	I-f Amplifier	0	0	2.7	0	2.7	77	6.1*	220
6SQ7GT	Det-AVC-1st Audio	0	**	0	0	0	58	6.1*	0
6F6G	Power Amplifier	0	0	200	220	0	57	6.1*	15
6SQ7GT	Microphone Amplifier	0	**	0	**	**	45	6.1*	0
6U5/6G5	Record. Level Indicator	6.1*	19	0	220	0	0	-	-
5Y3G	Rectifier	0	320*	-	280*	-	280*	-	320*

Notes: Voltage readings are for schematic diagram on back of sheet. Allow 15% + or - on all measurements. Always use meter scale which will give greatest deflection within scale limits. All DC measurements made with 1000 ohms per volt voltmeter. All AC voltages made with rectifier type voltmeter. Unless otherwise designated, voltages in table are + DC voltages.

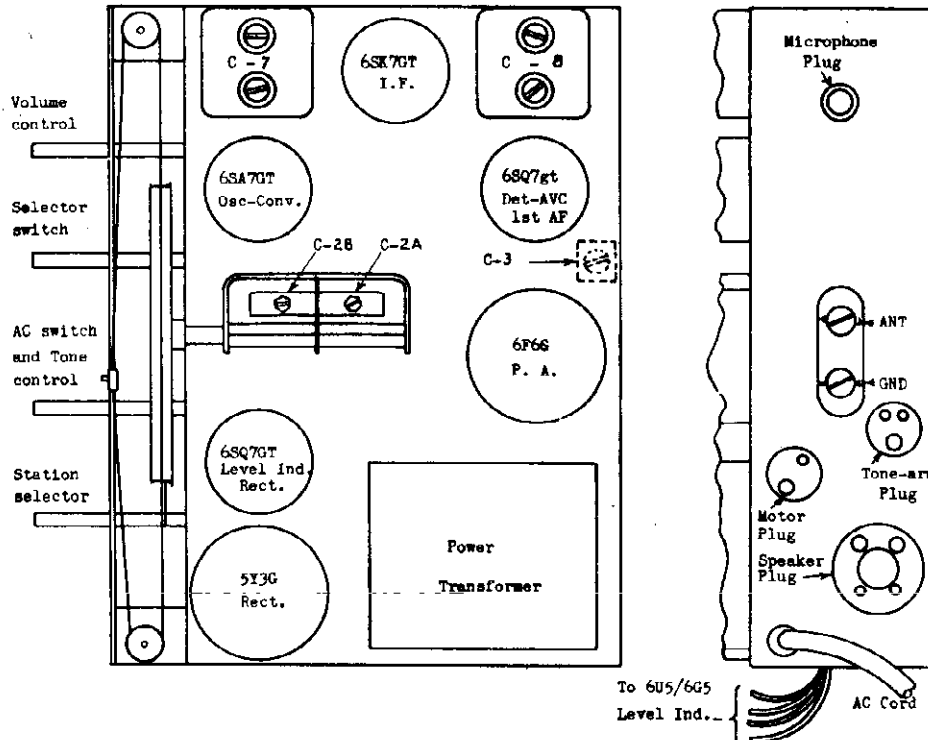
\* AC volts  
\*\* Cannot be measured with 1000 ohms/volt voltmeter.

Check cutting head voltage with cutting head connected using signal generator (1000 KC 30% modulated) connected to "Ant" and "Gnd". With Selector switch in "Record Radio" position, advance gain until Level Indicator (6U5/6G5 tube) closes without over-lapping. AC voltage as measured from 6F6G plate to ground (AC meter in series with .1 mf. 400 volt condenser) should be approximately 52 volts.

ALIGNMENT CHART

OPERATION	ALIGNMENT OF	GENERATOR CONNECTED TO	DUMMY ANTENNA	GENERATOR FREQUENCY	BAND SWITCH SETTING	TUNING COND. SETTING	TRIMMER	REMARKS
1	(Set pointer to last calibration mark at low end of dial with condenser gang fully closed)							
2	I. F.	Ant.	.1 mf.	456 kc	*	open	C8 A & B C7 A & B	2nd. I.F. 1st. I.F.
3	Reflector	Ant.	200 maf.	456 kc	*	closed	C3	Adjust to minimum
4	Broadcast Band	Ant.	200 maf.	1500 kc	*	1500 kc	C2B	oscillator antenna
5				1500 kc	*	1500 kc	C2A	
6	(Repeat operation 4)							
7	(Check calibration and sensitivity at 600 kc, 900 kc, and 1500 kc.)							
8	(Check operations 1 to 7 inclusive)							

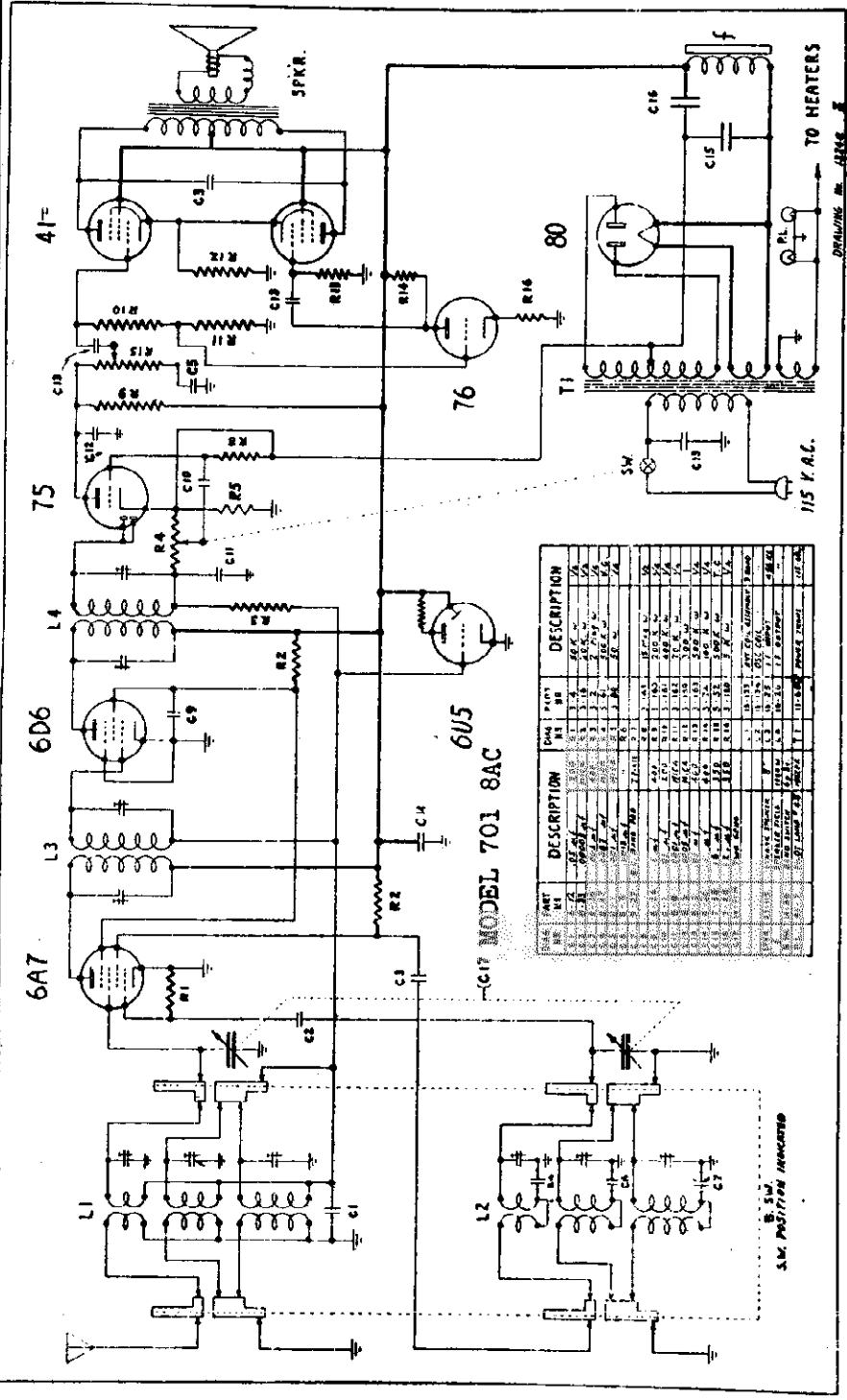
\* "RECEIVE RADIO"



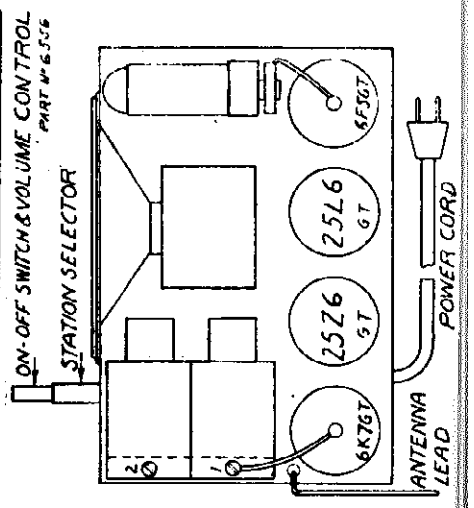
**WARNING:** Do not under any circumstances, connect this Combination to any other alternating current (a. c.) power supply source than as specified above, nor to a direct current (d. c.) power supply system, as it will be damaged

SPIEGEL, INC.

MODEL 701 8AC  
 MODELS ZP-7008,  
 ZP-7009

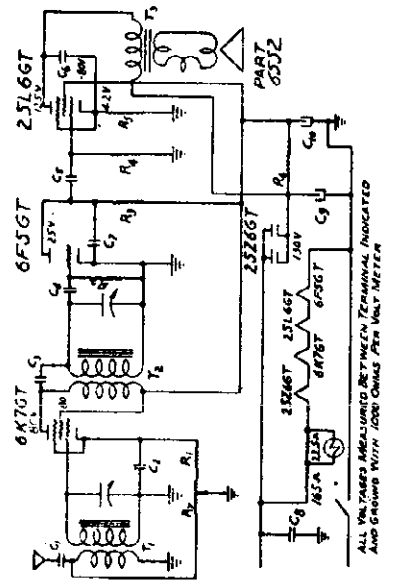


QTY	PART NO.	DESCRIPTION	QTY	DESCRIPTION
1	6A7	6A7	1	6A7
1	6D6	6D6	1	6D6
1	75	75	1	75
1	76	76	1	76
1	80	80	1	80
1	41	41	1	41
1	SPKR.	SPKR.	1	SPKR.
1	T1	T1	1	T1
1	SW	SW	1	SW
1	R1	100K	1	R1
1	R2	100K	1	R2
1	R3	100K	1	R3
1	R4	100K	1	R4
1	R5	100K	1	R5
1	R6	100K	1	R6
1	R7	100K	1	R7
1	R8	100K	1	R8
1	R9	100K	1	R9
1	R10	100K	1	R10
1	R11	100K	1	R11
1	R12	100K	1	R12
1	R13	100K	1	R13
1	R14	100K	1	R14
1	R15	100K	1	R15
1	R16	100K	1	R16
1	C1	100P	1	C1
1	C2	100P	1	C2
1	C3	100P	1	C3
1	C4	100P	1	C4
1	C5	100P	1	C5
1	C6	100P	1	C6
1	C7	100P	1	C7
1	C8	100P	1	C8
1	C9	100P	1	C9
1	C10	100P	1	C10
1	C11	100P	1	C11
1	C12	100P	1	C12
1	C13	100P	1	C13
1	C14	100P	1	C14
1	C15	100P	1	C15
1	C16	100P	1	C16
1	C17	100P	1	C17
1	C18	100P	1	C18
1	C19	100P	1	C19
1	L1	100UH	1	L1
1	L2	100UH	1	L2
1	L3	100UH	1	L3
1	L4	100UH	1	L4
1	T1	T1	1	T1
1	SW	SW	1	SW



MODELS ZP 7008  
 & ZP 7009

- 1-6K7GT R. F. Amplifier
- 1-6F5GT Detector
- 1-25L6GT Power Output
- 1-25Z6GT Rectifier

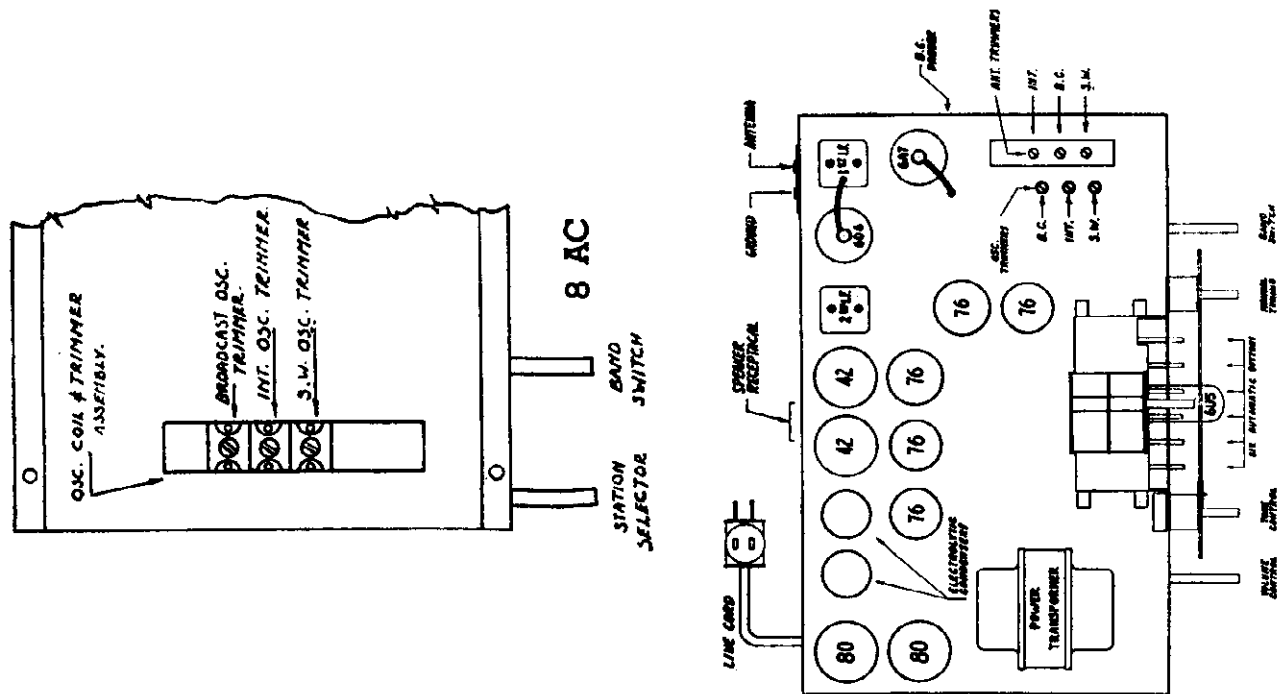


ALL VOLTAGES MEASURED BETWEEN TERMINAL INDICATED AND GROUND WITH 1000 OHMS PER VOLT METER



MODEL 701 8AC

SPIEGEL, INC.



**ALIGNMENT DATA**

**ALIGNMENT:** The alignment of this receiver requires the use of a test oscillator that will cover the following frequencies: 456, 1400, 600, 5100, 1800 and 15,000 KC, and an output meter which is to be connected across the output transformer on the speaker. All alignments should be made with the volume control set at maximum and the output of the test oscillator set as low as possible to prevent the automatic volume control from operating and thus giving incorrect reading during alignment.

**INTERMEDIATE FREQUENCY:** Set oscillator to 456 KC. Feed this to the grid of the (6A7) tube. Adjust trimmers on the intermediate frequency transformers for peak readings as indicated on the output meter which is to be placed across the output transformer.

**BROADCAST BAND:** Set the band switch for broadcast reception. Adjust oscillator to 1400 KC and connect the output of the generator to the antenna connection at the rear of the chassis through a .0002 mid. mica condenser. Set the pointer on the dial to 1400 KC making sure that the volume control is set at its maximum position. Adjust the broadcast antenna and broadcast oscillator trimmers for maximum signal (as indicated on the output meter). Re-set the dial pointer on the receiver and on the test oscillator to 600 KC. Slowly increase or decrease the broadcast padding condenser while tuning back and forth across the signal with the station selector knob until the maximum reading is obtained on the output meter. Re-check the 1400 KC alignment as the adjustment at 600 KC may have slightly disturbed the original 1400 KC setting.

**INTERMEDIATE BAND:** For a dummy antenna use a .0002 mid. mica condenser in series with a 400 ohm carbon resistor. Set band switch to the intermediate band position and feed a 5100 KC signal from the oscillator. Set dial pointer at 5100 KC. Adjust intermediate antenna and intermediate oscillator trimmers for maximum output.

No other adjustments are necessary for aligning this Band.

**SHORT WAVE:** Set band switch on short wave position. Connect the antenna of the radio receiver to the output of the test oscillator through a 400 ohm carbon resistor. Set oscillator and receiver dial at 15 megacycles. Adjust the short wave antenna and short wave oscillator trimming condensers for maximum output as indicated by readings on the output meter. No other adjustments are necessary for aligning this band.

It is advisable to check the sensitivity at 6000 KC to determine whether the circuits are properly aligned. Should the receiver lack sensitivity at this frequency check the .0087 mica condenser for short circuit.

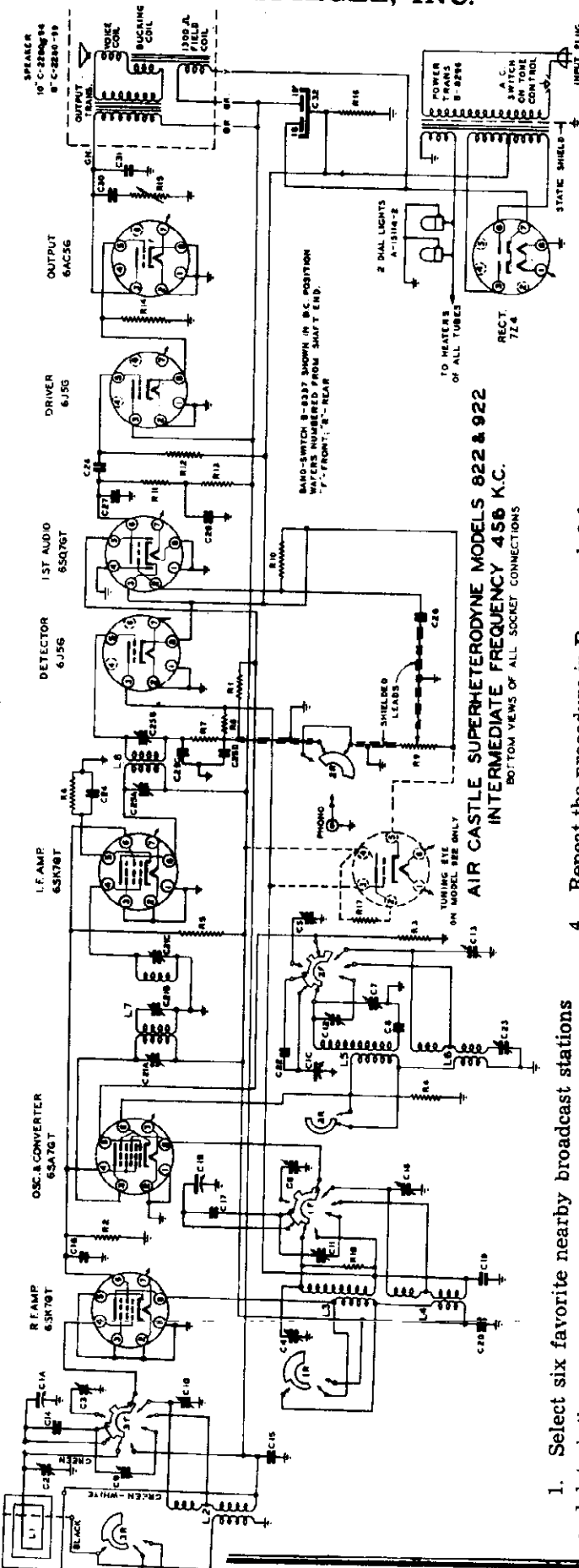
SWITCH POSITION	BAND	RANGE IN KILOCYCLES
Left	Broadcast	535—1620 KC
Center	Intermediate	1620—5350 KC
Right	Short Wave (foreign)	5200—16600 KC

The short wave range includes the five important short wave channels 19, 25, 31, 39 and 49 meters.

SPIEGEL, INC.

MODELS 822, 922

C1A, B, C 3-GANG VARIABLE CONDENSER	C-2785-1028
C2 B.C. ANT. TRIMMER C ANT. TRIMMER	C-2797-0938
C4 B.C. DET. TRIMMER	C-2795-1019
C5 57-78.75-100 MC OSC.	C-2793-1024
C6 57-78.75-100 MC DET.	C-2795-1046
C7 B.C. OSC. TRIMMER	C-2795-0235
C8 57-78.75-100 MC OSC.	C-2795-1028
C9 57-78.75-100 MC ANT. PADDER	C-2795-1048
C10 57-78.75-100 MC ANT. PADDER	C-2795-1048
C11 57-78.75-100 MC DET. PADDER	C-2795-1048
C12 57-78.75-100 MC OSC.	C-2795-1048
C13 57-78.75-100 MC ANT. PADDER	C-2795-1048
C14 57-78.75-100 MC ANT. PADDER	C-2795-1048
C15 57-78.75-100 MC ANT. PADDER	C-2795-1048
C16 57-78.75-100 MC ANT. PADDER	C-2795-1048
C17 57-78.75-100 MC ANT. PADDER	C-2795-1048
C18 57-78.75-100 MC ANT. PADDER	C-2795-1048
C19 57-78.75-100 MC ANT. PADDER	C-2795-1048
C20 57-78.75-100 MC ANT. PADDER	C-2795-1048
C21 57-78.75-100 MC ANT. PADDER	C-2795-1048
C22 57-78.75-100 MC ANT. PADDER	C-2795-1048
C23 57-78.75-100 MC ANT. PADDER	C-2795-1048
C24 57-78.75-100 MC ANT. PADDER	C-2795-1048
C25 57-78.75-100 MC ANT. PADDER	C-2795-1048
C26 57-78.75-100 MC ANT. PADDER	C-2795-1048
C27 57-78.75-100 MC ANT. PADDER	C-2795-1048
C28 57-78.75-100 MC ANT. PADDER	C-2795-1048
C29 57-78.75-100 MC ANT. PADDER	C-2795-1048
C30 57-78.75-100 MC ANT. PADDER	C-2795-1048
C31 57-78.75-100 MC ANT. PADDER	C-2795-1048
C32 57-78.75-100 MC ANT. PADDER	C-2795-1048
C33 57-78.75-100 MC ANT. PADDER	C-2795-1048
C34 57-78.75-100 MC ANT. PADDER	C-2795-1048
C35 57-78.75-100 MC ANT. PADDER	C-2795-1048
C36 57-78.75-100 MC ANT. PADDER	C-2795-1048
C37 57-78.75-100 MC ANT. PADDER	C-2795-1048
C38 57-78.75-100 MC ANT. PADDER	C-2795-1048
C39 57-78.75-100 MC ANT. PADDER	C-2795-1048
C40 57-78.75-100 MC ANT. PADDER	C-2795-1048
C41 57-78.75-100 MC ANT. PADDER	C-2795-1048
C42 57-78.75-100 MC ANT. PADDER	C-2795-1048
C43 57-78.75-100 MC ANT. PADDER	C-2795-1048
C44 57-78.75-100 MC ANT. PADDER	C-2795-1048
C45 57-78.75-100 MC ANT. PADDER	C-2795-1048
C46 57-78.75-100 MC ANT. PADDER	C-2795-1048
C47 57-78.75-100 MC ANT. PADDER	C-2795-1048
C48 57-78.75-100 MC ANT. PADDER	C-2795-1048
C49 57-78.75-100 MC ANT. PADDER	C-2795-1048
C50 57-78.75-100 MC ANT. PADDER	C-2795-1048
C51 57-78.75-100 MC ANT. PADDER	C-2795-1048
C52 57-78.75-100 MC ANT. PADDER	C-2795-1048
C53 57-78.75-100 MC ANT. PADDER	C-2795-1048
C54 57-78.75-100 MC ANT. PADDER	C-2795-1048
C55 57-78.75-100 MC ANT. PADDER	C-2795-1048
C56 57-78.75-100 MC ANT. PADDER	C-2795-1048
C57 57-78.75-100 MC ANT. PADDER	C-2795-1048
C58 57-78.75-100 MC ANT. PADDER	C-2795-1048
C59 57-78.75-100 MC ANT. PADDER	C-2795-1048
C60 57-78.75-100 MC ANT. PADDER	C-2795-1048
C61 57-78.75-100 MC ANT. PADDER	C-2795-1048
C62 57-78.75-100 MC ANT. PADDER	C-2795-1048
C63 57-78.75-100 MC ANT. PADDER	C-2795-1048
C64 57-78.75-100 MC ANT. PADDER	C-2795-1048
C65 57-78.75-100 MC ANT. PADDER	C-2795-1048
C66 57-78.75-100 MC ANT. PADDER	C-2795-1048
C67 57-78.75-100 MC ANT. PADDER	C-2795-1048
C68 57-78.75-100 MC ANT. PADDER	C-2795-1048
C69 57-78.75-100 MC ANT. PADDER	C-2795-1048
C70 57-78.75-100 MC ANT. PADDER	C-2795-1048
C71 57-78.75-100 MC ANT. PADDER	C-2795-1048
C72 57-78.75-100 MC ANT. PADDER	C-2795-1048
C73 57-78.75-100 MC ANT. PADDER	C-2795-1048
C74 57-78.75-100 MC ANT. PADDER	C-2795-1048
C75 57-78.75-100 MC ANT. PADDER	C-2795-1048
C76 57-78.75-100 MC ANT. PADDER	C-2795-1048
C77 57-78.75-100 MC ANT. PADDER	C-2795-1048
C78 57-78.75-100 MC ANT. PADDER	C-2795-1048
C79 57-78.75-100 MC ANT. PADDER	C-2795-1048
C80 57-78.75-100 MC ANT. PADDER	C-2795-1048
C81 57-78.75-100 MC ANT. PADDER	C-2795-1048
C82 57-78.75-100 MC ANT. PADDER	C-2795-1048
C83 57-78.75-100 MC ANT. PADDER	C-2795-1048
C84 57-78.75-100 MC ANT. PADDER	C-2795-1048
C85 57-78.75-100 MC ANT. PADDER	C-2795-1048
C86 57-78.75-100 MC ANT. PADDER	C-2795-1048
C87 57-78.75-100 MC ANT. PADDER	C-2795-1048
C88 57-78.75-100 MC ANT. PADDER	C-2795-1048
C89 57-78.75-100 MC ANT. PADDER	C-2795-1048
C90 57-78.75-100 MC ANT. PADDER	C-2795-1048
C91 57-78.75-100 MC ANT. PADDER	C-2795-1048
C92 57-78.75-100 MC ANT. PADDER	C-2795-1048
C93 57-78.75-100 MC ANT. PADDER	C-2795-1048
C94 57-78.75-100 MC ANT. PADDER	C-2795-1048
C95 57-78.75-100 MC ANT. PADDER	C-2795-1048
C96 57-78.75-100 MC ANT. PADDER	C-2795-1048
C97 57-78.75-100 MC ANT. PADDER	C-2795-1048
C98 57-78.75-100 MC ANT. PADDER	C-2795-1048
C99 57-78.75-100 MC ANT. PADDER	C-2795-1048
C100 57-78.75-100 MC ANT. PADDER	C-2795-1048



1. Select six favorite nearby broadcast stations and detach the corresponding call letter tabs from the station call letter tab sheets supplied.
2. Any tab may be used for any button.
3. Using a small screw driver furnished with radio, or other tool that will fit the screw in the end of the button, push the first button in as far as it will go, and turn to the right or left until the dial pointer has moved to the correct point on the dial for receiving that same station. Be sure the button is pushed all the way in and the station is tuned in accurately.
4. Repeat the procedure in Paragraph 3 for each of the remaining five buttons.
5. Check all six buttons by pushing them in, one at a time, to determine whether the desired stations are all tuned in properly.
6. Insert the proper station call letter tab in each button by pressing it in position.
7. Any of the six stations to which the automatic push button tuner has been adjusted may now be received simply by pushing the button all the way in for the desired station.

The tuning range of each band

Position of Switch	Meters	Kilocycles
1 Broadcast	548 to 186	547 to 1,610
2 Short-wave	18 to 24	16,800 to 12,600
3 Short-wave	22.5 to 30	13,400 to 9,900
4 Short-wave	30 to 40	10,000 to 7,400
5 Short-wave	40 to 53	7,600 to 5,700
6 Phone	Use Tip Jack at Back of Chassis.	

VOLTAGE CHART

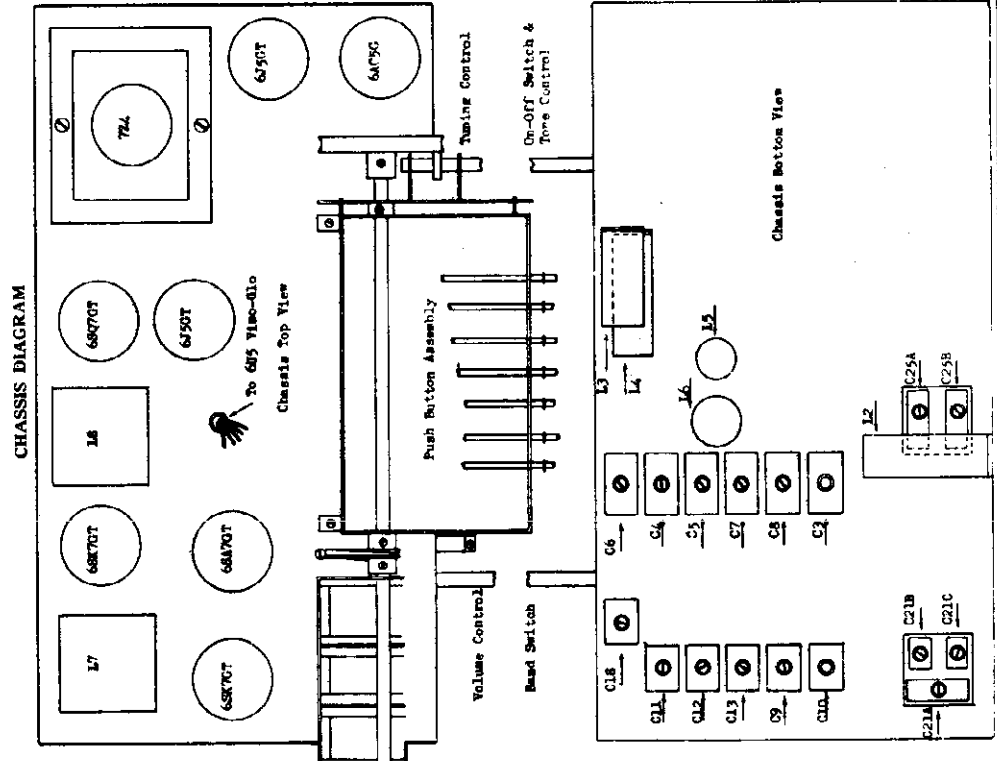
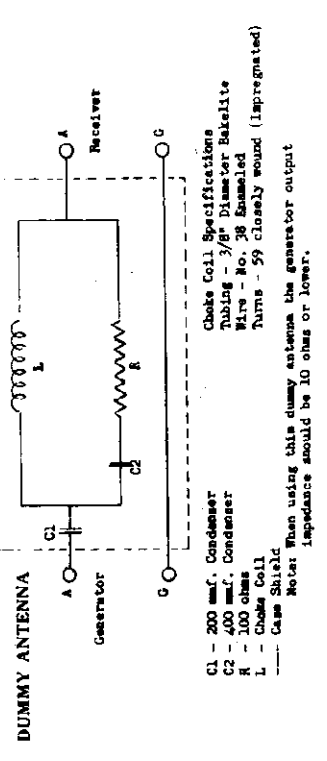
Line Voltage: 117 Volts A.C. Position of Volume Control: Full with dial turned to quiet channel. Position of Band Switch: Broadcast

TUBE	FUNCTION	Voltage of Socket Prongs to Grid. See Schematic Diagram							
		No. 1	No. 2	No. 3	No. 4	No. 5	No. 6	No. 7	No. 8
6SK7GT	R-F Amplifier	0	0	0	-2.3	0	45	6.2*	2.25
6SA7GT	Osc - Converter	0	0	225	85	-3.2	0	6.2*	-2.2
6SK7GT	I.F. Amplifier	0	0	0	0	3	85	6.2*	2.25
6J50	Detect/AF	0	0	-2.2	-2.1	-3	182	6.2*	-2.1
6SR7GT	1st Audio	0	-2.3	-2.1	0	-2.3	80	6.2*	0
6J56	Driver	0	0	220	85	0	0	6.2*	8.3
6AU6G	Power Amplifier	0	0	210	0	8.3	-2.1	6.2*	0
7Z4	Rectifier	6.2*	0	290*	0	0	290	0	0
6U5	View-Dio	6.2*	220	-3	225	-2.2	0	0	0

Notes: Voltage readings are for schematic diagram in this bulletin. Allow 15% - or - on all measurements. Always use meter scale which will give greatest deflection within scale limits. All DC measurements made with 20,000 ohms per volt voltmeter.  
\*AC volts.

ALIGNMENT CHART

OPERATION	ALIGNMENT OF	GENERATOR CONNECTED TO	DUMMY ANTENNA	GENERATOR FREQUENCY	BAND SWITCH SETTING	TUNING COORD. SETTING	TRIMMER	REMARKS
1								Set dial pointer even with left hand stop line when condenser gang is fully meshed.
2							C25 ADJ	Peak accurately
3							C21 B*	Peak accurately
4							C21 ADJ	Peak accurately
5							C21 B	Peak accurately
6							C7 Osc. Tr	Peak accurately
7							C2 Ant. *	Peak accurately
8							C4 Det. *	Peak accurately
9							C8 Osc. Pd	Peak accurately
10							C13 Osc. Tr	Peak accurately
11							C10 Ant. *	Peak accurately
12							C18 Det. *	Peak accurately
13							C12 Osc. Tr	Peak accurately
14							C9 Ant. Pd	Peak accurately
15							C11 Det. *	Peak accurately
16								Repeat operations 6 and 7.
17								Check calibration and sensitivity at 500 KC, 1000 KC and 1600 KC.
18								Check calibration and sensitivity at 16.5 MC, #5 Band, 12.6 MC, #4 Band, 9.75 MC, #3 Band, 7.6 MC, #2 Band, 7.6 MC, #1 Band.

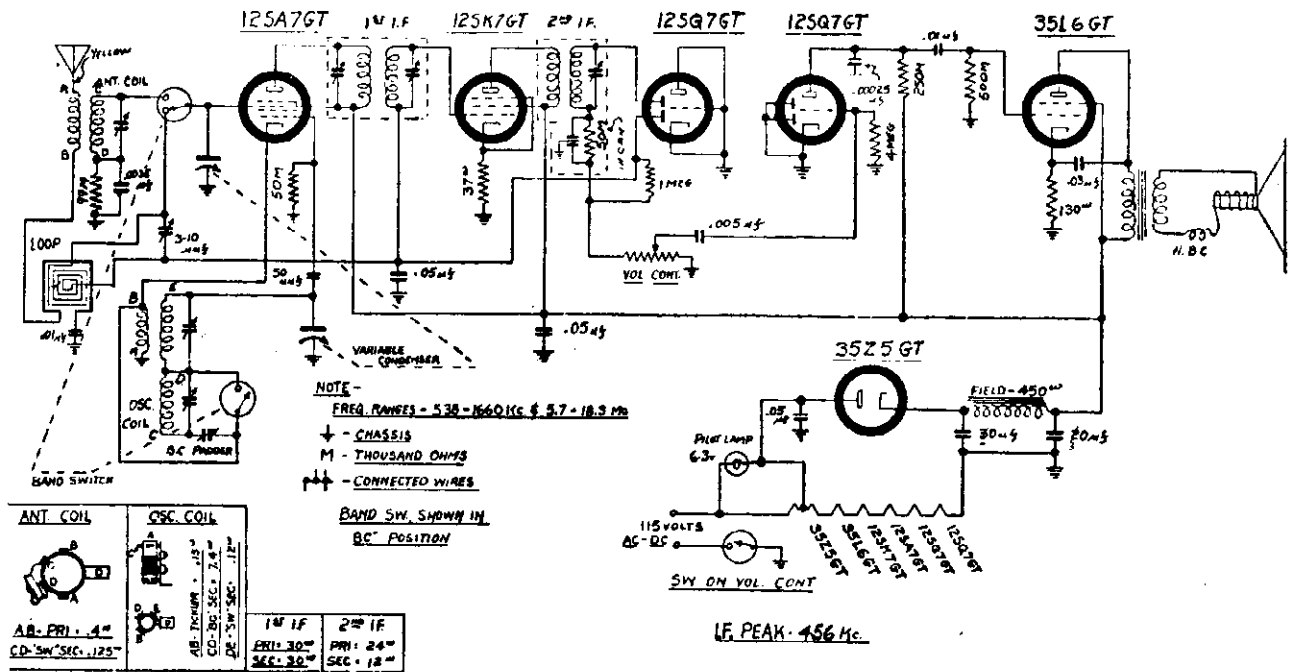


Repeat operations 10 and 11.  
 Check calibration and sensitivity at 12.6 MC and 16.5 MC.  
 Check calibration and sensitivity at #4 Band, #5 Band, #3 Band, #2 Band, #1 Band.  
 Repeat operations on bands #5, #4, #3 and #2 in this sequence as many times as necessary until additional gain can not be obtained.  
 \*Bronze color trimmer screw.  
 \*\*Turn trimmer screw all the way down.  
 \*\*\*Rock dial while adjusting for maximum output.  
 Note: Use Dummy Antenna as described on page 2.

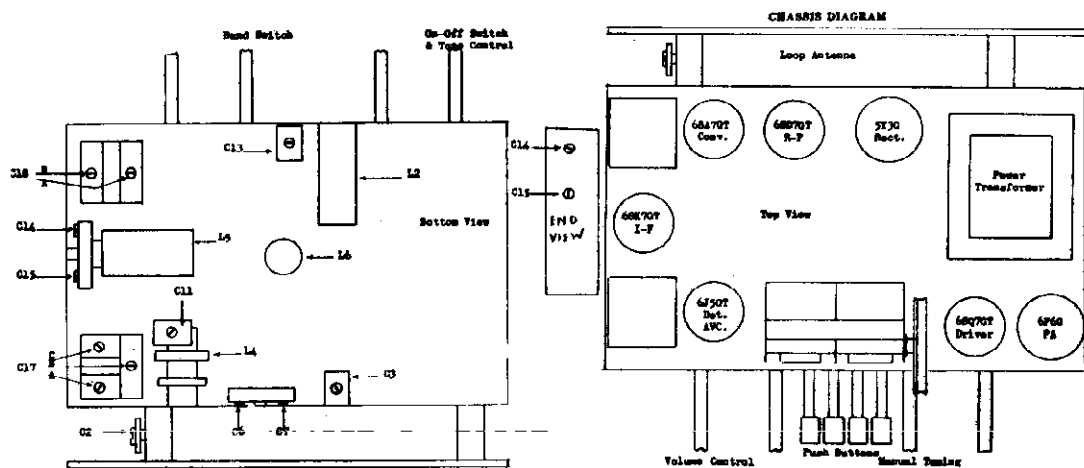
SPIEGEL, INC.

MODELS DP-7006, DP-7007  
 MODELS DP-7012-50-60  
 EP-2016

MODELS DP-7006, DP-7007

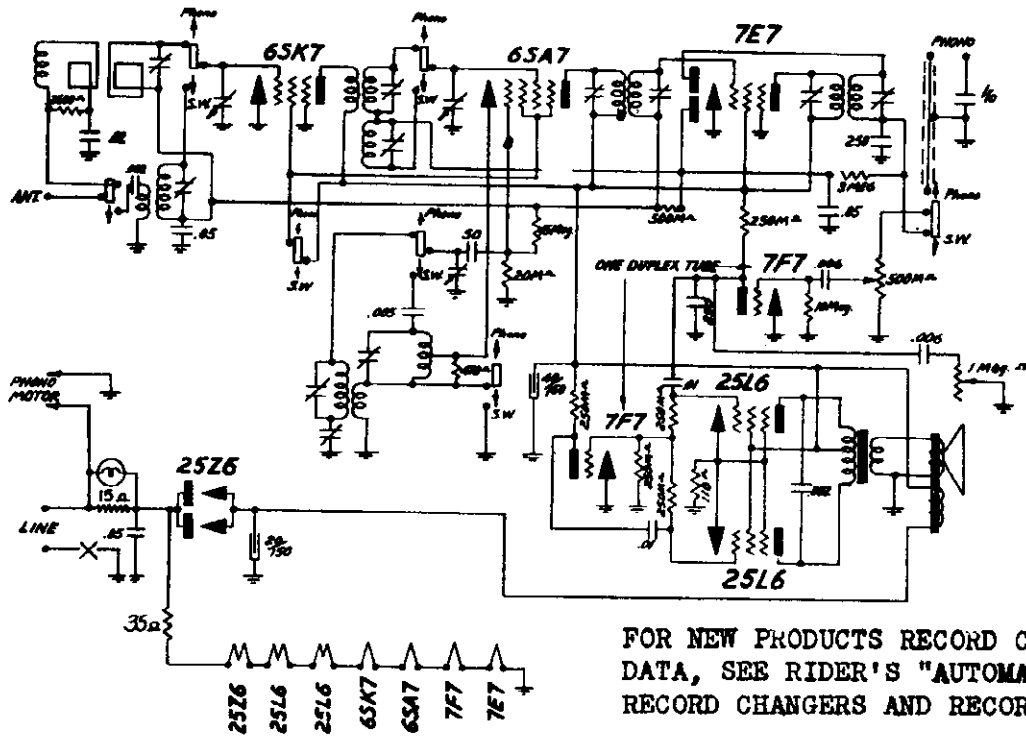


MODELS EP-2016, DP-7012-50-60



MODEL DP-7016

SPIEGEL, INC.



Band switch sections shown in Broadcast setting.

**POWER SUPPLY:**

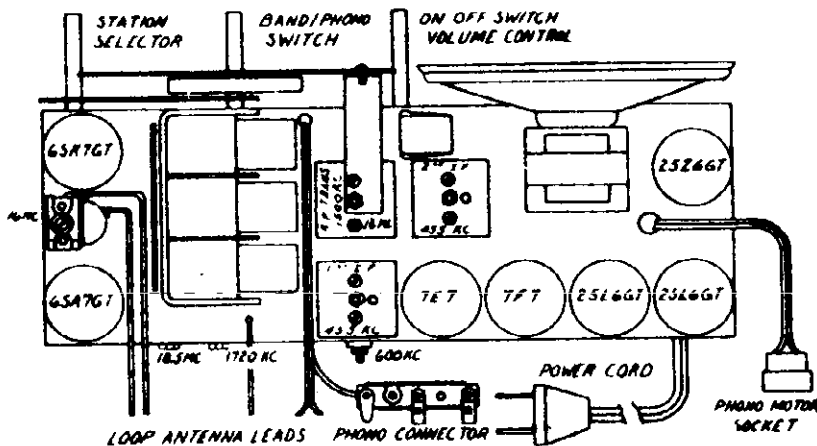
This radio receiver is to be used only with 105-125 volt alternating current (AC) 60 cycles supply, as printed on the red warning tag attached to the line cord. Use with 50 cycle alternating current is permissible only if specified on the line cord tag.

To prevent serious damage to the phonograph motor, do not operate this receiver from a direct current (DC) power supply. Your local power company representative, or engineer in charge of maintenance for your residence will provide information regarding the type of power used.

**TUBES:**

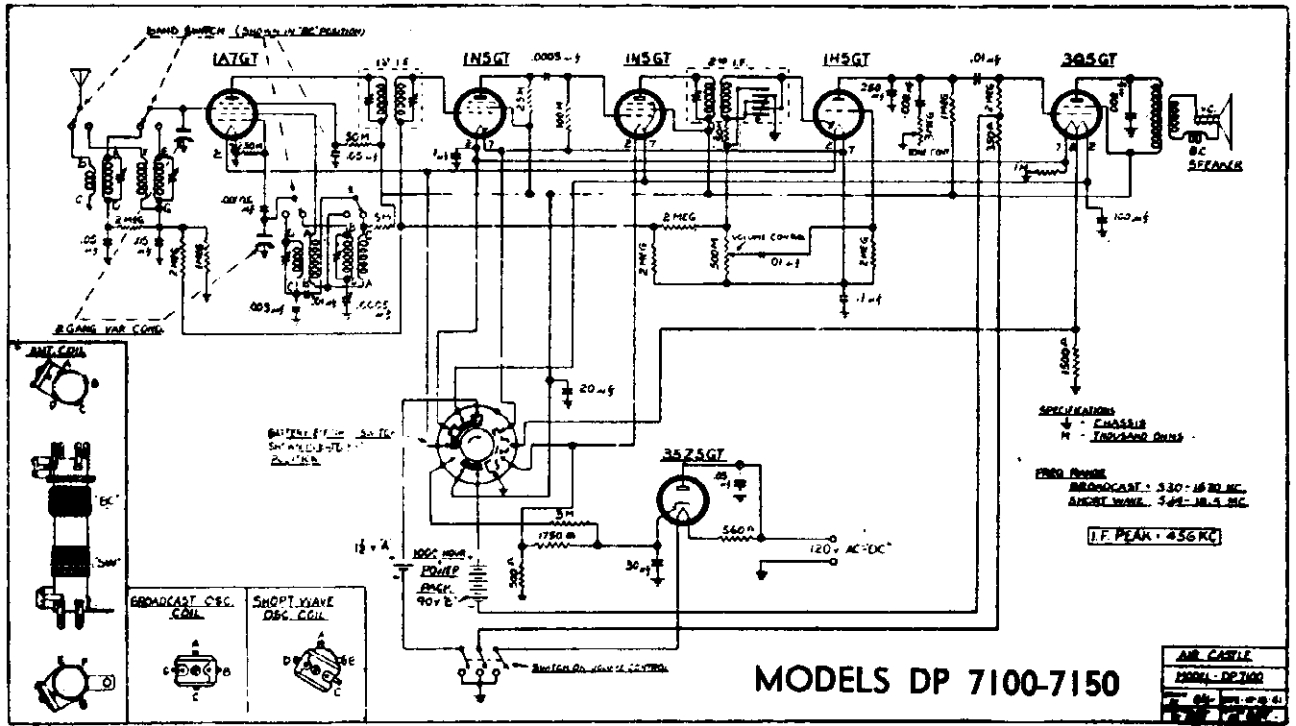
With the cabinet back removed, the receiver's tubes will also be visible. Be sure that each of the tubes is pushed all the way down in its proper socket, as indicated in the following illustration.

Replace the cabinet back.

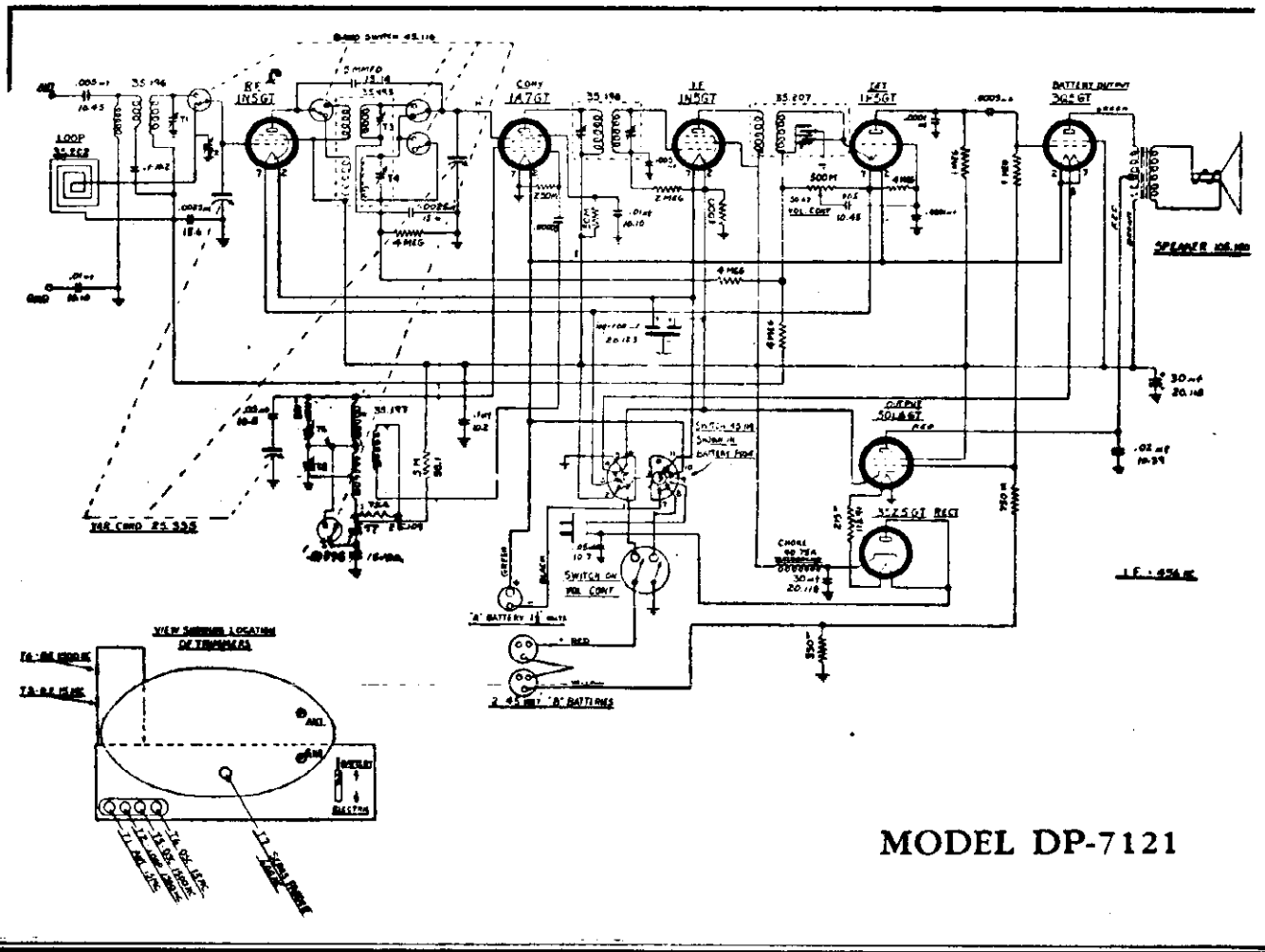


SPIEGEL, INC.

MODELS DP-7100, 7150  
MODEL DP-7121 Series



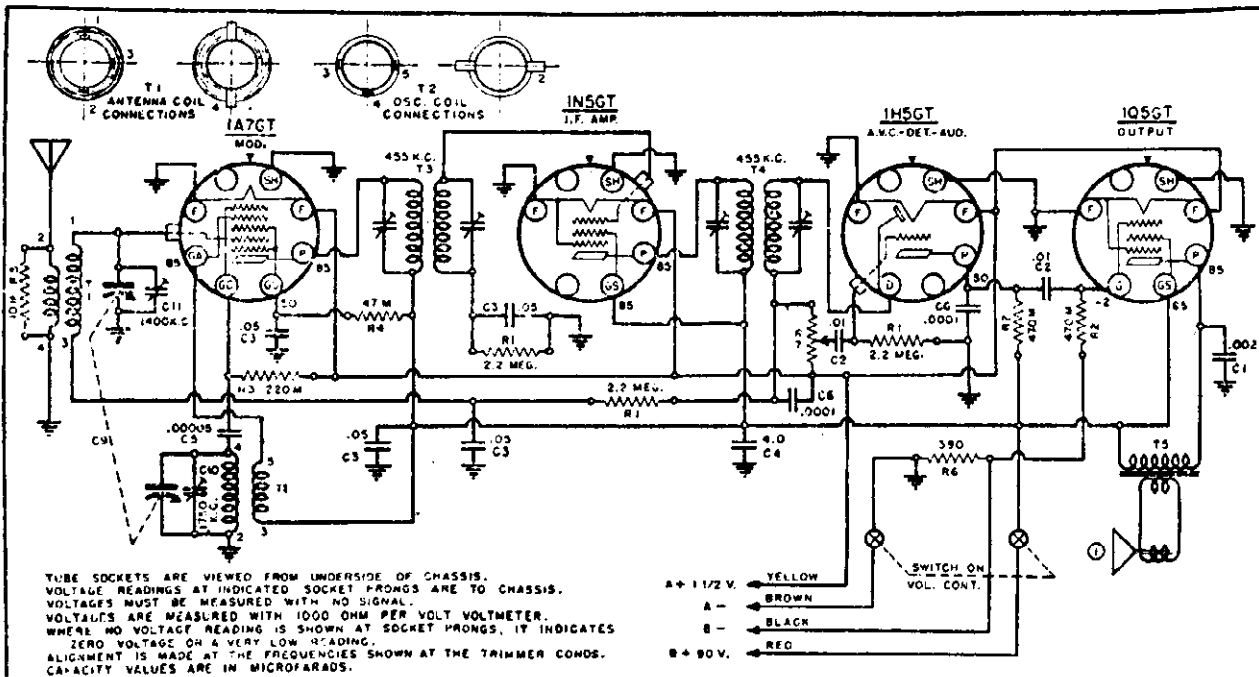
MODELS DP 7100-7150



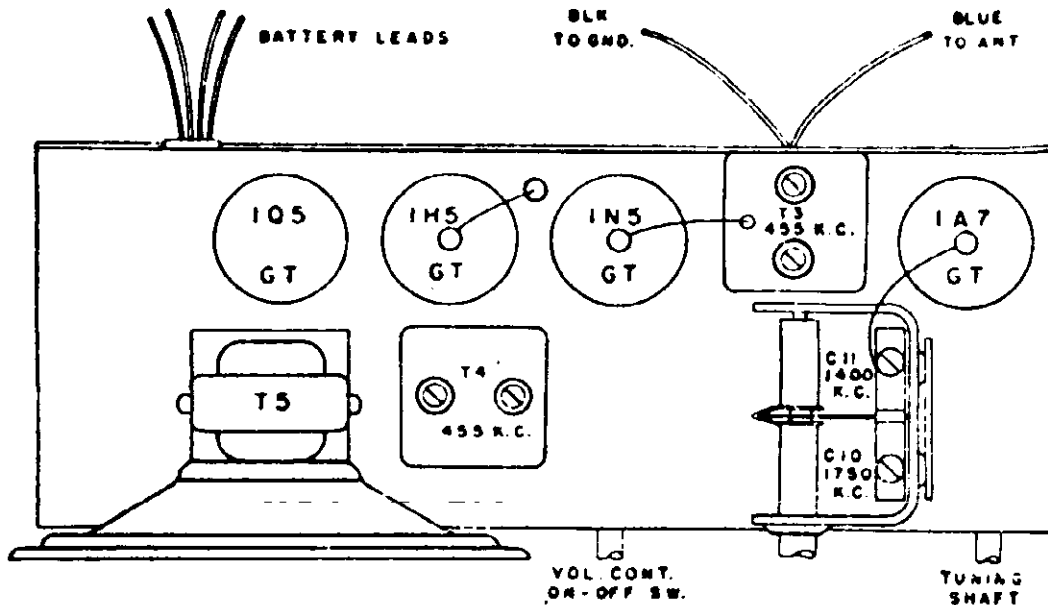
MODEL DP-7121

MODEL DP-7112(1-421)

SPIEGEL INC.



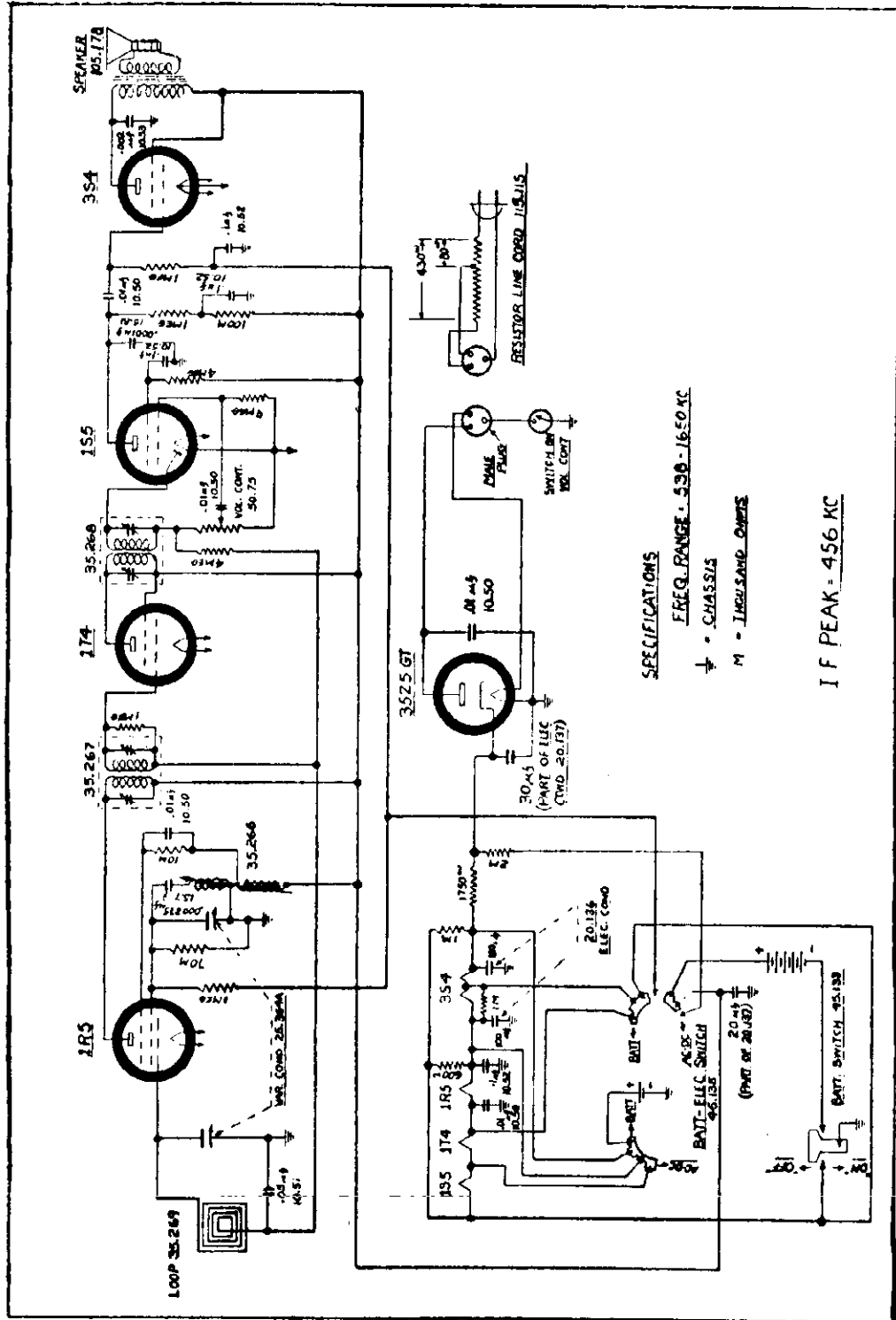
CODE	PART NO.	DESCRIPTION	CODE	PART NO.	DESCRIPTION	CODE	PART NO.	DESCRIPTION
R 1	50-179	2.2 MEGOHM 1/4 W. RESISTOR	C 1	18-138	.002 MFD. 400V. TUBULAR COND.	T 1	10-396	ANTENNA TRANSFORMER
R 2	60-178	47OHM OHM	C 2	16-121	.01 - 200V. -	T 2	10-395	OSCILLATOR
R 3	60-180	220M -	C 3	1628	.05 -	T 3	10-342	1 ST. I.F. -
R 4	60-177	47M -	C 4	18-230	4.0 - 150W.V. ELECTROLYTICS	T 4	10-343	2 ND. I.F. -
R 5	60-215	10M -	C 5	1503	.00005 MFD. MICA CONDENSER	T 5	-----	OUTPUT TRANS. (ON SPKR.)
R 6	60-221	350 -	C 6	1301	.0001 -			
R 7	24-154	1 MEGOHM VOLUME CONTROL	C 9	18-177	2 GANG VAR. COND. ALSO C10 & C11	1	79-322	P. M. SPEAKER



LOCATION OF PARTS ON TOP OF CHASSIS

SPIEGEL, INC.

SCHMATIC DIAGRAM MODEL DP7122



SPECIFICATIONS

FREQ. RANGE - 530 - 1650 KC

• - CHASSIS

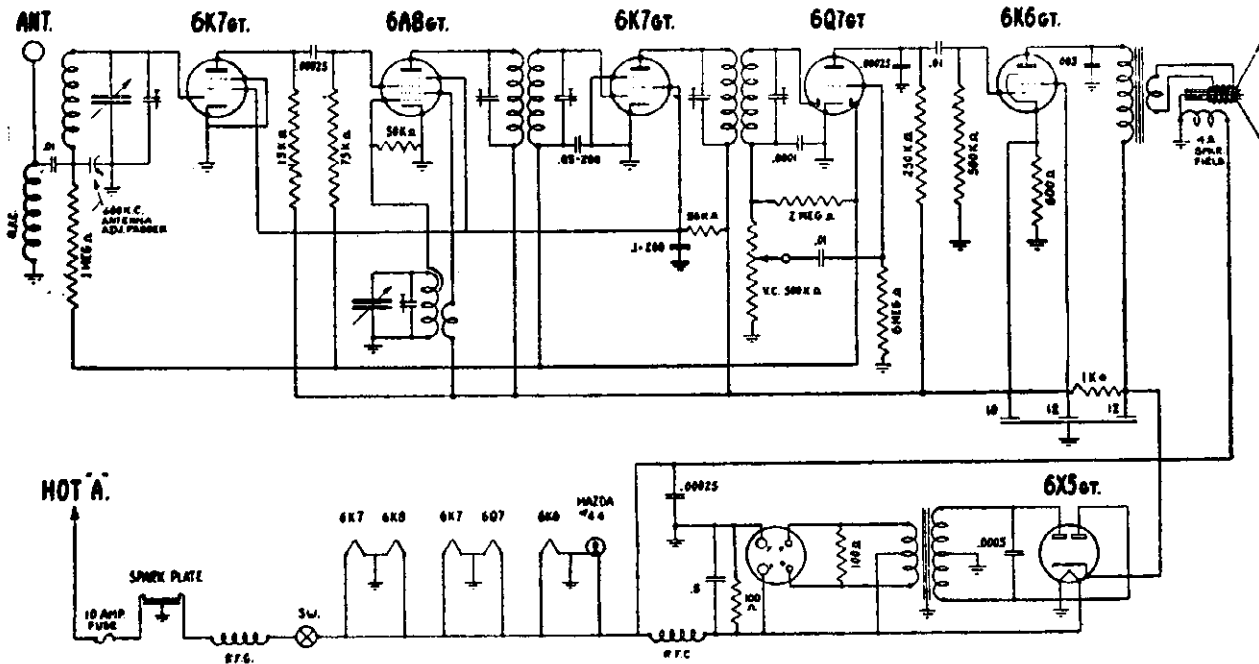
M - THIRTEEN QUINTS

I F PEAK - 456 KC

TUNING RANGE: 535 to 1650 KC (560 to 182 Meters) covers Standard American Broadcast and some State Police. The manufacturer assumes no liability for police call transmission which is intended for authorized police use only and is confidential.

This 5 tube Receiver is designed to operate on self-contained Battery Power Unit or 105-125 Volts, 40-60 Cycles Alternating Current (AC) or 105-125 Volts Direct Current. (DC).





**6-TUBE PUSH BUTTON SUPERHETERODYNE AUTO RADIO**

This radio is designed to operate on 6 volts D.C. *only*. A special model is built to operate on 12 volts D.C. and it will carry a tag plainly marked so. The tuning range covers the Standard Broadcast Band from 538 to 1550 kilocycles.

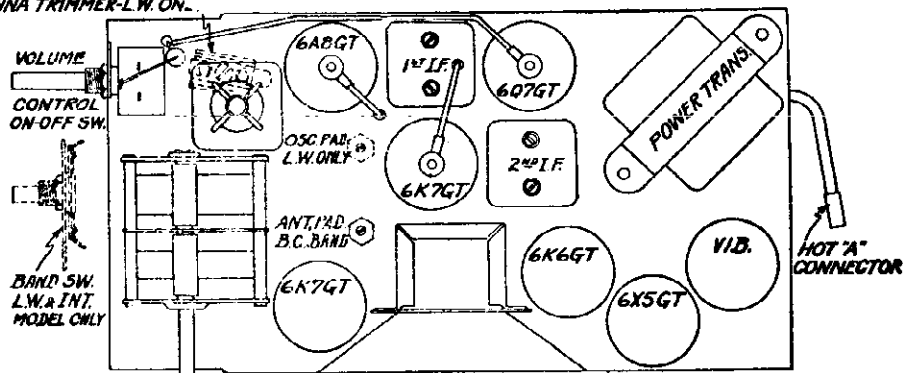
**R. F. ALIGNMENT**

With the variable condenser still full open, set the generator to 1550 K. C. Connect the generator lead to the antenna lead through a .0001 mfd. condenser as dummy antenna. Adjust the oscillator trimmer for maximum output. Set the receiver dial and the generator to 1400 K.C. so the signal comes through, and adjust the antenna trimmer for maximum output.

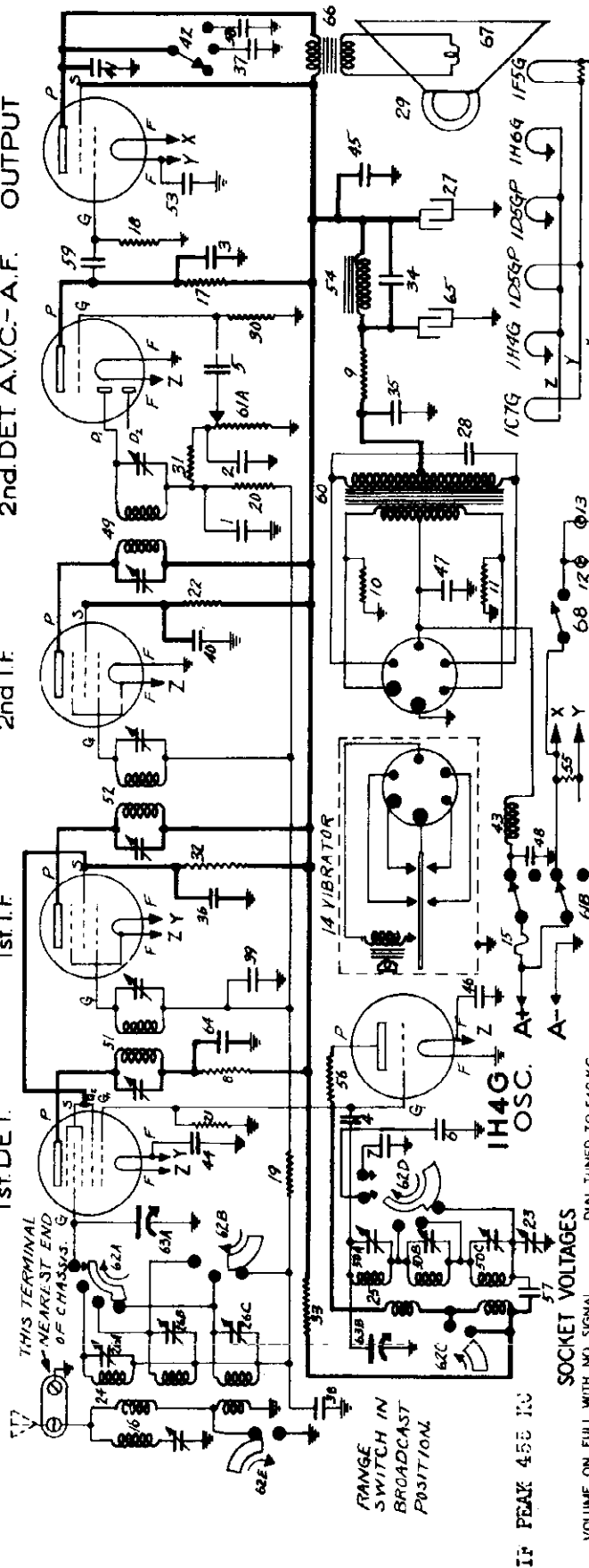
Set the receiver dial and generator to 600 K.C. and adjust the oscillator padder for maximum output by rocking the variable condenser (with the tuning knob) as the padder is adjusted.

Return the dial and generator setting to 1400 K.C. and check for alignment.

**ANTENNA TRIMMER-L.W. ON.**



**STEWART - WARNER 06-6H CHASSIS (MODEL 06-6HI)**  
 IC7G 1st I.F. ID5GP 2nd I.F. IH6G IF5G  
 ID5GP 1st I.F. IH6G IF5G  
 2nd DET. A.V.C.-A.F. OUTPUT

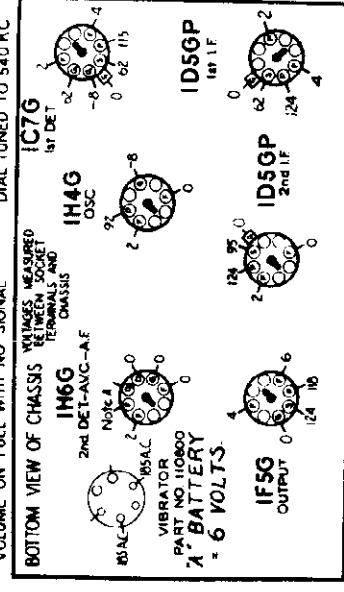


**FILAMENT CONNECTIONS**

DIAGRAM NUMBER	PART NUMBER	DESCRIPTION	LIST PRICE
23	116093	Resistor - insulated 27,000 ohms 1/4 watt	.12
24	116093	Resistor - insulated 27,000 ohms 1/4 watt	.12
25	116093	Resistor - carbon 10,000 ohms 1/4 watt	.25
26	116093	Resistor - carbon 10,000 ohms 1/4 watt	.25
27	116625	Condenser - .004 mfd. 600 volt	.15
28	116647	Condenser - .004 mfd. 600 volt	.15
29	116819	Condenser - .05 mfd. 600 volt	.20
30	117022	Condenser - .002 mfd. 600 volt	.15
31	117025	Switch - tone control	.80
32	118206	Choke coil in A.C. line	.30
33	118206	Condenser - .5 mfd. 50 volt	.35
34	118442	Transformer - 3rd 1.50 volt	1.00
35	118442	Transformer-trimmer (2 section) for oscillation	.42
36	118447	Transformer - 1st and 2nd I.F.	1.10
37	118452	Condenser - electrolytic 100 mfd. 8 volt	.55
38	118453	Filter choke	1.00
39	118457	Resistor - 30 ohms 1/2 watt M.M.	1.10
40	118907	Resistor - 30 ohms 1/2 watt M.M.	1.10
41	119133	Condenser - .01 mfd. 600 volt	.10
42	119235	Transformer - power 3 volt	1.40
43	119359	Volume control 1/4 meg. with switch	1.30
44	119359	Range switch	1.40
45	119359	Condenser - variable tuning	2.40
46	119414	Condenser - .02 mfd. 600 volt	.15
47	119414	Condenser - electrolytic 20 mfd. 200 volt	.80
48	119427	Speaker - 8 ohm 1/4 watt	1.80
49	M-119468	Conc A Voice coil for M-119522 speaker	1.80
50	M-119470	Switch for dial light	1.45

**ELECTRICAL PARTS**

DIAGRAM NUMBER	PART NUMBER	DESCRIPTION	LIST PRICE
1-2-3	85539	Condenser - mica 250 mmfd.	.20
4	85768	Condenser - mica 110 mmfd.	.20
5	86425	Condenser - ceramic 100 mfd. 600 volt	.25
6	86425	Condenser - ceramic 100 mfd. 600 volt	.25
7	86881	Condenser - mica .0025 mfd. (2)	.25
8	110557	Resistor - carbon 4700 ohms 1/4 watt	.12
8-10-11	110560	Resistor - carbon 100 ohms 1/4 watt	.12
12-13	110569	Resistor - 5.3 volt .25 amps	4.25
14	110603	Vibrator - synchronous	4.25
15	110758	Wave trap (with trimmer)	.12
16	112570	Resistor - insulated 470,000 ohms 1/4 watt	.50
17	112571	Resistor - insulated 470,000 ohms 1/4 watt	.50
18-19	112572	Resistor - insulated 1 megohm 1/4 watt	.15
20	112573	Resistor - insulated 1 megohm 1/4 watt	.15
21	112574	Resistor - insulated 68,000 ohms 1/4 watt	.12
22	112575	Resistor - 100,000 ohms 1/4 watt	.12
23	112576	Condenser - paper	.80
24	112577	Coil - antenna	.84
25	112578	Coil - antenna	.84
26	112579	Coil - antenna	.84
26A to 26C	112580	Condenser-trimmer (3 section) for antenna coil	1.40
27	112581	Resistor - 100,000 ohms 1/4 watt	.12
28	112582	Condenser - electrolytic 8 mfd. 200 volt	.14
29	112583	Condenser - oil filled .01 mfd. 2000 volts	.24
30	M-115022	Speaker - P.M. 6"	7.00
	115022	Resistor - insulated 10 meg. 1/4 watt	.12



PRICES SUBJECT TO CHANGE WITHOUT NOTICE

MODEL O6-6H1  
Chassis O6-6H

STEWART-WARNER CORP.

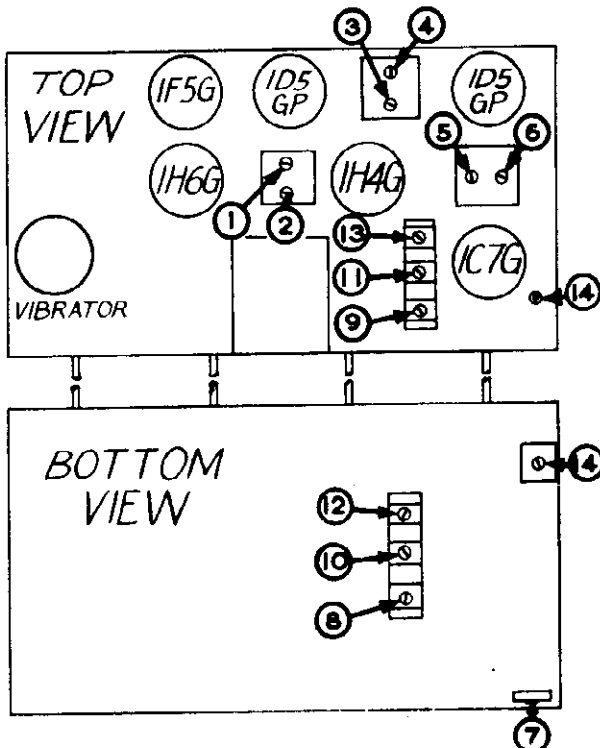
## O6-6H CHASSIS (RECEIVER MODEL O6-6H1) ALIGNMENT EQUIPMENT & PROCEDURE

For alignment, an output meter and an accurately calibrated signal generator with a tuning range from 455 KC to 20 MC are required.

- ① Connect the output meter across the voice coil or between the plate of the 1F5G tube and ground, depending on the type of meter. (The more sensitive type should be connected across the voice coil.)
- ② Connect the ground lead of the signal generator to the chassis of the receiver.
- ③ Turn the volume control to the maximum volume position and keep it in this position throughout the entire alignment procedure.
- ④ With the gang condenser in full mesh set the pointer  $1\frac{1}{2}$ " from left end of brown dial plate. This may be accomplished by releasing the clip on the pointer slider; where it attaches to the dial cord.

**IMPORTANT:**—THE BROADCAST BAND MUST BE ALIGNED AFTER THE SHORT-WAVE BAND AND POLICE BAND.

DUTY AMT. IN SERIES WITH SIG. GEN.	CONNECTION OF SIG. GENERATOR OUTPUT TO RECEIVER	SIGNAL GENERATOR FREQUENCY	RANGE SWITCH POSITION	RECEIVER DIAL SETTING	TRIMMER NUMBER	TRIMMER DESCRIPTION	TYPE OF ADJUSTMENT
.1 MFD CONDENSER	CONTROL GRID OF 1C7G TUBE	455 KC	BROADCAST (Clockwise)	ANY POINT WHERE IT DOES NOT AFFECT THE SIGNAL	1-2-3 4-5-6	I.F.	ADJUST FOR MAXIMUM OUTPUT. THEN REPEAT ADJUSTMENT.
400 OHM CARBON RESISTOR	ANTENNA TERMINAL	455 KC	BROADCAST (Clockwise)	ANY POINT WHERE IT DOES NOT AFFECT THE SIGNAL	7	WAVE TRAP	ADJUST FOR MINIMUM OUTPUT USING A STRONG GENERATOR SIGNAL.
400 OHM CARBON RESISTOR	ANTENNA TERMINAL	20 MC	SHORT-WAVE (Counter-clockwise)	20 MC FROM LFT END OF BROW. DIAL PLATE	8	SHORT-WAVE OSCILLATOR	ADJUST TO BRING IN SIGNAL. CHECK TO SEE IF PROPER PEAK WAS OBTAINED BY TUNING IN IMAGE AT APPROX. 19.1 MC. IF IMAGE DOES NOT APPEAR REALIGN AT 20 MC WITH TRIMMER SCREW FARTHER OUT. RECHECK IMAGE.
400 OHM CARBON RESISTOR	ANTENNA TERMINAL	20 MC	SHORT-WAVE (Counter-clockwise)	TUNE TO 20 MC GENERATOR SIGNAL	9	SHORT-WAVE ANTENNA	ADJUST FOR MAXIMUM OUTPUT. TRY TO INCREASE OUTPUT BY DETUNING TRIMMER AND RETUNING RECEIVER DIAL UNTIL MAXIMUM OUTPUT IS OBTAINED.
400 OHM CARBON RESISTOR	ANTENNA TERMINAL	6 MC	INTERMEDIATE (Center)	6 MC FROM LEFT END OF BROW. DIAL PLATE	10	INTERMEDIATE OSCILLATOR	ADJUST TO BRING IN SIGNAL. CHECK TO SEE IF PROPER PEAK WAS OBTAINED BY TUNING IN IMAGE AT APPROX. 5.1 MC. IF IMAGE DOES NOT APPEAR REALIGN AT 6 MC. WITH TRIMMER SCREW FARTHER OUT. RECHECK IMAGE.
400 OHM CARBON RESISTOR	ANTENNA TERMINAL	6 MC	INTERMEDIATE (Center)	TUNE TO 6 MC GENERATOR SIGNAL	11	INTERMEDIATE ANTENNA	ADJUST FOR MAXIMUM OUTPUT. TRY TO INCREASE OUTPUT BY DETUNING TRIMMER AND RETUNING RECEIVER DIAL UNTIL MAXIMUM OUTPUT IS OBTAINED.
200 MFD CONDENSER	ANTENNA TERMINAL	1600 KC.	BROADCAST (Clockwise)	7 1/8" FROM LEFT END OF BROW. DIAL PLATE	12	BROADCAST OSCILLATOR (Shunt)	ADJUST TRIMMER TO BRING IN SIGNAL.
200 MFD CONDENSER	ANTENNA TERMINAL	1600 KC.	BROADCAST (Clockwise)	TUNE TO 1600 KC. GEN. SIG.	13	BROADCAST ANTENNA	ADJUST FOR MAXIMUM OUTPUT.
200 MFD CONDENSER	ANTENNA TERMINAL	600 KC.	BROADCAST (Clockwise)	TUNE TO 600 KC. GENERATOR SIGNAL	14	BROADCAST OSCILLATOR (Series Pad)	ADJUST FOR MAXIMUM OUTPUT. TRY TO INCREASE OUTPUT BY DETUNING TRIMMER AND RETUNING RECEIVER DIAL UNTIL MAXIMUM OUTPUT IS OBTAINED.

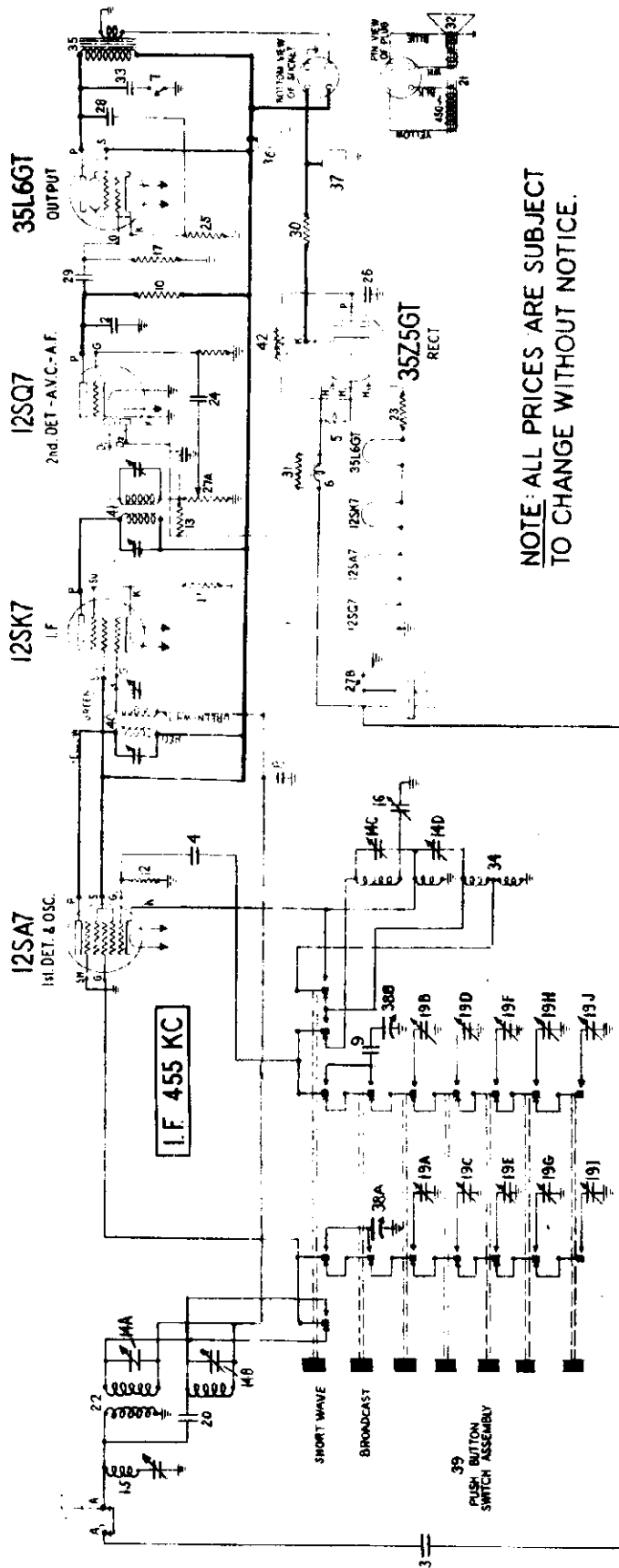


### MISCELLANEOUS PARTS

PART NUMBER	DESCRIPTION	LIST PRICE
113424	"A" Cable & Clip Assembly-----	1.45
114955	Clamp - for dial cord-----	.01
117057	Cord - drive supplied in 3 ft. lengths-----	.15
116948	Cord - pointer drive supplied in 6 ft. lengths-----	.18
117029	Drive drum & bushing-----	.50
119401	Escutcheon & dial assembly-----	1.80
119167	Knob - tuning or volume-----	.10
12349	Nut - 8-32 for speaker mounting-----Per C	.45
119434	Pointer-----	.30
117019	Reflector - for pilot light-----	.04
81145	Retaining ring - for drive shaft-----Per C	.50
83624	Screw - self tapping 8 X 1/4-----	.01
85827	Set Screw - 8-32 square head-----	.02
112874	Screw - #10 X 1 1/8 Chassis Mtg.-----	.01
119218	Screw - escutcheon mounting-----	.02
110794	Shield cup clips-for retaining vibrator shield-----	.20
112864	Shield - for tubes-----	.08
117832	Socket - dial lamp (with lamp) ungrounded-----	.15
119472	Socket - dial lamp (grounded)-----	.10
85427	Socket - octal base (standard)-----	.15
81834	Socket - 6 prong (for vibrator)-----	.10
113177	Spring - dial cord tension-----	.09
116981	Spring - for pointer-----	.02
117043	Tuning shaft-----	.12
111456	Washer - spring washer-----Per C	.50
110829	Washer - flat steel, for mtg. chassis-----	.01
116530	Washer (paper) for back of knobs-----	.005

**ALL PRICES SUBJECT TO CHANGE  
WITHOUT NOTICE**

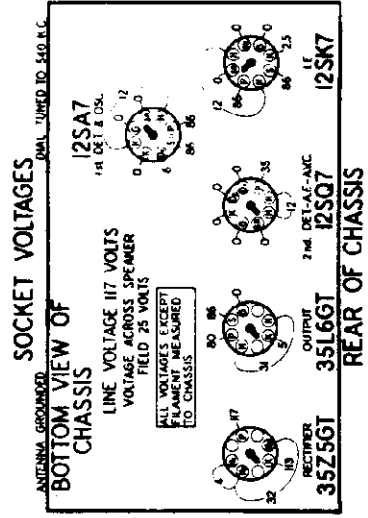
# STEWART-WARNER MODEL 07-5EX CHASSIS



NOTE: ALL PRICES ARE SUBJECT TO CHANGE WITHOUT NOTICE.

## ELECTRICAL PARTS

PART NUMBER	DESCRIPTION	LIST PRICE	DIAGRAM NUMBER	PART NUMBER	DESCRIPTION	LIST PRICE
12SA7	1st DET. & OSC.	1.20	23	116527	Resistor - 100 ohms 1/4 W. W.M.	.28
12SK7	2nd DET.-A.V.C.-A.F.	1.20	24	116528	Resistor - 100 ohms 1/4 W. W.M.	.28
35L6GT	35L6GT OUTPUT	1.20	25	116529	Resistor - 100 ohms 1/4 W. W.M.	.28
35Z5GT	RECT.	1.20	26	116530	Resistor - 100 ohms 1/4 W. W.M.	.28
39	PUSH BUTTON SWITCH ASSEMBLY	2.60	27A	116531	Resistor - 100 ohms 1/4 W. W.M.	.28
42	CHOKES	1.20	28-29	116532	Volume control - 1 meg. (with switch)	1.12
44	RESISTORS	1.20	30	116533	Resistor - 250K 1/2 W. W.M.	.55
45	RESISTORS	1.20	31	116534	Resistor - 500K 1/2 W. W.M.	.55
46	RESISTORS	1.20	32	116535	Resistor - 1M 1/2 W. W.M.	.55
47	RESISTORS	1.20	33	116536	Resistor - 2M 1/2 W. W.M.	.55
48	RESISTORS	1.20	34	116537	Resistor - 5M 1/2 W. W.M.	.55
49	RESISTORS	1.20	35	116538	Resistor - 10M 1/2 W. W.M.	.55
50	RESISTORS	1.20	36	116539	Resistor - 20M 1/2 W. W.M.	.55
51	RESISTORS	1.20	37	116540	Resistor - 50M 1/2 W. W.M.	.55
52	RESISTORS	1.20	38A	39B	Resistor - 100K 1/4 watt	.12
53	RESISTORS	1.20	39	39C	Resistor - 200K 1/4 watt	.12
54	RESISTORS	1.20	40	39D	Resistor - 500K 1/4 watt	.12
55	RESISTORS	1.20	41	39E	Resistor - 1M 1/4 watt	.12
56	RESISTORS	1.20	42	39F	Resistor - 2M 1/4 watt	.12
57	RESISTORS	1.20	43	39G	Resistor - 5M 1/4 watt	.12
58	RESISTORS	1.20	44	39H	Resistor - 10M 1/4 watt	.12
59	RESISTORS	1.20	45	39I	Resistor - 20M 1/4 watt	.12
60	RESISTORS	1.20	46	39J	Resistor - 50M 1/4 watt	.12
61	RESISTORS	1.20	47	39K	Resistor - 100M 1/4 watt	.12
62	RESISTORS	1.20	48	39L	Resistor - 200M 1/4 watt	.12
63	RESISTORS	1.20	49	39M	Resistor - 500M 1/4 watt	.12
64	RESISTORS	1.20	50	39N	Resistor - 1M 1/4 watt	.12
65	RESISTORS	1.20	51	39O	Resistor - 2M 1/4 watt	.12
66	RESISTORS	1.20	52	39P	Resistor - 5M 1/4 watt	.12
67	RESISTORS	1.20	53	39Q	Resistor - 10M 1/4 watt	.12
68	RESISTORS	1.20	54	39R	Resistor - 20M 1/4 watt	.12
69	RESISTORS	1.20	55	39S	Resistor - 50M 1/4 watt	.12
70	RESISTORS	1.20	56	39T	Resistor - 100M 1/4 watt	.12
71	RESISTORS	1.20	57	39U	Resistor - 200M 1/4 watt	.12
72	RESISTORS	1.20	58	39V	Resistor - 500M 1/4 watt	.12
73	RESISTORS	1.20	59	39W	Resistor - 1M 1/4 watt	.12
74	RESISTORS	1.20	60	39X	Resistor - 2M 1/4 watt	.12
75	RESISTORS	1.20	61	39Y	Resistor - 5M 1/4 watt	.12
76	RESISTORS	1.20	62	39Z	Resistor - 10M 1/4 watt	.12
77	RESISTORS	1.20	63	39AA	Resistor - 20M 1/4 watt	.12
78	RESISTORS	1.20	64	39AB	Resistor - 50M 1/4 watt	.12
79	RESISTORS	1.20	65	39AC	Resistor - 100M 1/4 watt	.12
80	RESISTORS	1.20	66	39AD	Resistor - 200M 1/4 watt	.12
81	RESISTORS	1.20	67	39AE	Resistor - 500M 1/4 watt	.12
82	RESISTORS	1.20	68	39AF	Resistor - 1M 1/4 watt	.12
83	RESISTORS	1.20	69	39AG	Resistor - 2M 1/4 watt	.12
84	RESISTORS	1.20	70	39AH	Resistor - 5M 1/4 watt	.12
85	RESISTORS	1.20	71	39AI	Resistor - 10M 1/4 watt	.12
86	RESISTORS	1.20	72	39AJ	Resistor - 20M 1/4 watt	.12
87	RESISTORS	1.20	73	39AK	Resistor - 50M 1/4 watt	.12
88	RESISTORS	1.20	74	39AL	Resistor - 100M 1/4 watt	.12
89	RESISTORS	1.20	75	39AM	Resistor - 200M 1/4 watt	.12
90	RESISTORS	1.20	76	39AN	Resistor - 500M 1/4 watt	.12
91	RESISTORS	1.20	77	39AO	Resistor - 1M 1/4 watt	.12
92	RESISTORS	1.20	78	39AP	Resistor - 2M 1/4 watt	.12
93	RESISTORS	1.20	79	39AQ	Resistor - 5M 1/4 watt	.12
94	RESISTORS	1.20	80	39AR	Resistor - 10M 1/4 watt	.12
95	RESISTORS	1.20	81	39AS	Resistor - 20M 1/4 watt	.12
96	RESISTORS	1.20	82	39AT	Resistor - 50M 1/4 watt	.12
97	RESISTORS	1.20	83	39AU	Resistor - 100M 1/4 watt	.12
98	RESISTORS	1.20	84	39AV	Resistor - 200M 1/4 watt	.12
99	RESISTORS	1.20	85	39AW	Resistor - 500M 1/4 watt	.12
100	RESISTORS	1.20	86	39AX	Resistor - 1M 1/4 watt	.12
101	RESISTORS	1.20	87	39AY	Resistor - 2M 1/4 watt	.12
102	RESISTORS	1.20	88	39AZ	Resistor - 5M 1/4 watt	.12
103	RESISTORS	1.20	89	39BA	Resistor - 10M 1/4 watt	.12
104	RESISTORS	1.20	90	39BB	Resistor - 20M 1/4 watt	.12
105	RESISTORS	1.20	91	39BC	Resistor - 50M 1/4 watt	.12
106	RESISTORS	1.20	92	39BD	Resistor - 100M 1/4 watt	.12
107	RESISTORS	1.20	93	39BE	Resistor - 200M 1/4 watt	.12
108	RESISTORS	1.20	94	39BF	Resistor - 500M 1/4 watt	.12
109	RESISTORS	1.20	95	39BG	Resistor - 1M 1/4 watt	.12
110	RESISTORS	1.20	96	39BH	Resistor - 2M 1/4 watt	.12
111	RESISTORS	1.20	97	39BI	Resistor - 5M 1/4 watt	.12
112	RESISTORS	1.20	98	39BJ	Resistor - 10M 1/4 watt	.12
113	RESISTORS	1.20	99	39BK	Resistor - 20M 1/4 watt	.12
114	RESISTORS	1.20	100	39BL	Resistor - 50M 1/4 watt	.12



Use a high resistance voltmeter of 1000 ohms per volt

MODEL 07-5EX  
MODEL 07-5NX

## STEWART-WARNER CORP. ALIGNMENT PROCEDURE

For alignment, an output meter and an accurately calibrated signal generator are required.

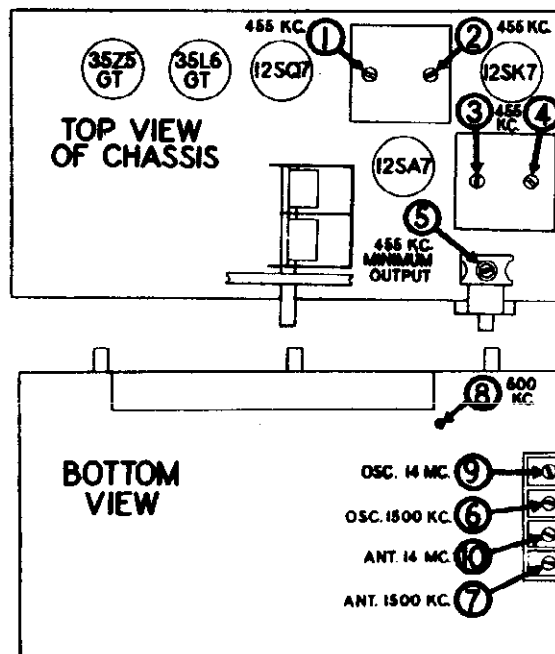
- 1- Connect the output meter across the voice coil or between the plate of the 35L6GT output tube and chassis through a .1 mfd. condenser, depending upon the type of meter. The more sensitive type should be connected across the voice coil.
- 2- Connect the ground lead of the signal generator to the chassis of the receiver through a .25 mfd. condenser and keep it connected in this manner throughout the entire alignment procedure. Failure to do this may have serious results as the signal generator may be connected to one side of the power line, or it may be grounded externally. A .1 mfd. non-inductive condenser, should be connected in series with the antenna lead from the signal generator and the dummy antenna given in the table.
- 3- Turn the volume control to the maximum volume position and keep it in this position throughout the entire alignment procedure.
- 4- The pointer should be in a horizontal position when the gang condenser is in full mesh. If it is not, it will be necessary to remove the dial window by pushing out the clips holding it in place and setting the pointer to the correct position. Be sure that the dial face is in the correct position when this is done.
- 5- Remove the connector from between the A and A<sub>1</sub> terminals.

DUMMY ANT. IN SERIES WITH SIG. GEN.	CONNECTION OF SIG. GENERATOR OUTPUT TO RECEIVER	SIGNAL GENERATOR FREQUENCY	PUSH BUTTON POSITION	RECEIVER DIAL SETTING	TRIMMER NUMBER	TRIMMER DESCRIPTION	TYPE OF ADJUSTMENT
.1 MFD. CONDENSER	FRONT LUG OF GANG CONDENSER	455 KC	"BROADCAST" PUSHED IN	ANY POINT WHERE IT DOES NOT AFFECT THE SIGNAL	1-2	2ND I.F.	ADJUST FOR MAXIMUM OUTPUT. THEN REPEAT ADJUSTMENT.
					3-4	1ST I.F.	
200 MMFD. MICA CONDENSER	"A" TERMINAL	455 KC	"BROADCAST" PUSHED IN	ANY POINT WHERE IT DOES NOT AFFECT THE SIGNAL	5	WAVE TRAP	ADJUST FOR MINIMUM OUTPUT USING A STRONG GENERATOR SIGNAL.
200 MMFD. MICA CONDENSER	"A" TERMINAL	1500 KC	"BROADCAST" PUSHED IN	1500 KC	6	BROADCAST OSCILLATOR (Shunt)	ADJUST TRIMMER TO BRING IN SIGNAL.
200 MMFD. MICA CONDENSER	"A" TERMINAL	1500 KC	"BROADCAST" PUSHED IN	TUNE TO 1500 KC GENERATOR SIGNAL	7	BROADCAST ANTENNA	ADJUST FOR MAXIMUM OUTPUT
200 MMFD. MICA CONDENSER	"A" TERMINAL	600 KC	"BROADCAST" PUSHED IN	TUNE TO 600 KC GENERATOR SIGNAL	8	BROADCAST OSCILLATOR (Series Pad)	ADJUST FOR MAXIMUM OUTPUT. TRY TO INCREASE OUTPUT BY DETUNING TRIMMER AND RETUNING RECEIVER DIAL UNTIL MAXIMUM OUTPUT IS OBTAINED.
400 OHM CARBON RESISTOR	"A" TERMINAL	14 MC	"SHORT WAVE" PUSHED IN	14 MC	9	SHORT WAVE OSCILLATOR (Shunt)	ADJUST TO BRING IN SIGNAL. CHECK TO SEE IF PROPER PEAK WAS OBTAINED BY TUNING IN IMAGE AT APPROX. 13.1 MC. IF IMAGE DOES NOT APPEAR REALIGN AT 14 MC. WITH TRIMMER SCREW FARTHER OUT. RECHECK IMAGE.
400 OHM CARBON RESISTOR	"A" TERMINAL	14 MC	"SHORT WAVE" PUSHED IN	14 MC	10	SHORT WAVE ANTENNA	ADJUST FOR MAXIMUM OUTPUT. TRY TO INCREASE OUTPUT BY DETUNING TRIMMER AND RETUNING RECEIVER DIAL UNTIL MAXIMUM OUTPUT IS OBTAINED.

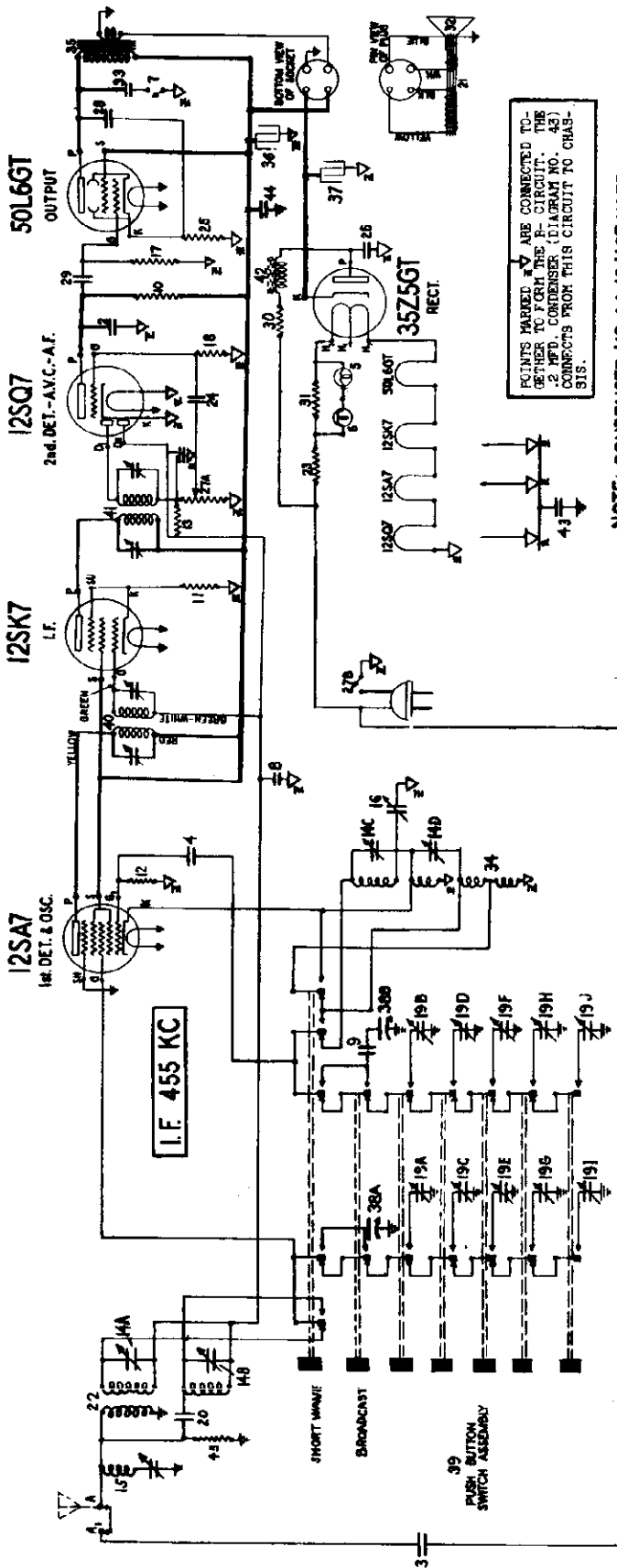
### DIAL & MISCELLANEOUS PARTS

PART NUMBER	DESCRIPTION	LIST PRICE
116940	--Back - cabinet-----	.22
83552	--Bolt - chassis mtg. (#10 X 7/8)-----	.03
116900	--Cabinet-----	6.55
117782	--Call tabs and instruction sheets-----	.48
114965	--Clamp - for dial cord-----	.01
112745	--Clip - coil mounting-----	.01
112784	--Clip - dial scale retaining-----	.01
112798	--Clip - for mtg. wave trap coil-----	.01
85321	--Connector - for internal antenna-----	.01
116948	--Cord-dial drive (supplied in 8 ft. lengths)-----	.18
116810	--Dial window-----	.35
117753	--Dial scale-----	.25
113589	--Felt Pad - (cabinet feet)-----	.08
116558	--Insulator Pilot Light-----	.10
116773	--Knob - tuning or volume-----	.10
116883	--Pointer-----	.16
113102	--Push Button - only-----	.08
81145	--Retaining ring - for drive shaft-----	.50
83824	--Screw - self tapping #8 X 1/4-----	.01
85040	--Screw - #6 Hex. Hd.-----Per C	.35
116831	--Shaft - tuning-----	.12
116793	--Socket - for pilot light-----	.40
85427	--Socket - octal base (standard)-----	.15
110501	--Socket - 4 prong (for speaker)-----	.16
111080	--Spacer - steel, mechanism mounting to chassis-----	.02
114968	--Spring - dial cord tension-----	.03
113189	--Tab - celluloid - for push button-----	.09
116223	--Terminal strip - for antenna (A-A <sub>1</sub> )-----	.12
111456	--Washer - spring washer-----	.50
116530	--Washer - (paper) for back of knobs-----	.005

PRICES SUBJECT TO CHANGE WITHOUT NOTICE



# STEWART-WARNER MODEL 07-5NX CHASSIS

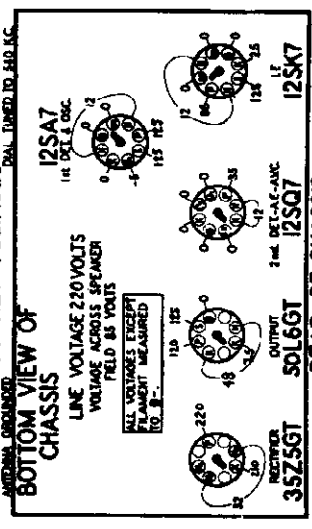


POINTS MARKED \* ARE CONNECTED TO THE REAR OF CHASSIS (PLATE NO. 43) CONTACTS FROM THIS CIRCUIT TO CHASSIS.

NOTE: CONDENSER NO. 44 IS NOT USED ON SOME SETS.

## ELECTRICAL PARTS

DIAGRAM NUMBER	PART NUMBER	DESCRIPTION	LIST PRICE
1-2-3	85339	Condenser - mica 250 mfd.	.20
4	85081	Condenser - mica 51 mfd.	.15
5-6	85284	Cap - dial 8 to 8 volt (Mazda 51)	.16
7	88064	Switch - tone control	.30
8	88188	Condenser - paper .05 mfd. 200 volt	.25
9	88587	Condenser - mica .0042 mfd.	.35
10	110591	Resistor - carb. 50,000 ohms 1/2 watt	.12
11	110590	Resistor - carb. 100,000 ohms 1/4 watt	.12
12	110596	Resistor - carb. 33,000 ohms 1/4 watt	.12
13	110590	Resistor - carb. 5.3 meg. 1/4 watt	.12
14 to 14b	112792	Condenser - trimmer 4 section	.80
15	112798	Coil - wave trap (with trimmer)	.50
16	112798	Condenser - paper (550 to 830 mfd)	.98
17	110564	Resistor - metal 70,000 ohm 1/2 watt	.15
18	110564	Resistor - carb. 3.5 meg. 1/4 watt	.12
19A to 19U	114984	Trimmer condenser strip - for push	2.25
20	114989	Condenser - mica 15 mfd.	3.50
21	R-115076	Speaker 5"	3.50
22	116421	Coil - antenna B.C. A.S.W.	3.90
23	118149	Power cord (with resistor)	1.00
24	116847	Condenser - .004 mfd. 600 volt	.15
25	116882	Resistor - 140 ohms 1 watt W.M.	.15
26	116811	Condenser - .05 mfd. 600 volt	.20
27	278	Volume Control - 1 meg. (with switch)	1.10
28-28	116882	Condenser - .02 mfd. 600 volt	.15
29	111514	Resistor - 30 ohms 2 watts W.M.	.12
30	R-116208	Coils & voice coil assembly for	.15
31	116954	Condenser - .04 600 volts	1.40
32	117517	Coil - oscillator	1.20
33	117621	Transformer - output	1.00
34	117622	Condenser - elec. 15 mfd. 150 volt	.55
35	118248	Condenser - elec. 33 mfd. 400 volts	1.00
36	36A	Push button switch - tuning with drum	3.00
37	117625	Push button switch	2.60
38	117674	Transformer - 2nd I.F.	1.20
39	116528	R. P. Choke	1.20
40	116528	Condenser - .25 mfd. 200 volt	.35
41	110575	Resistor - carb. 10,000 ohms 1/2 watt	.12



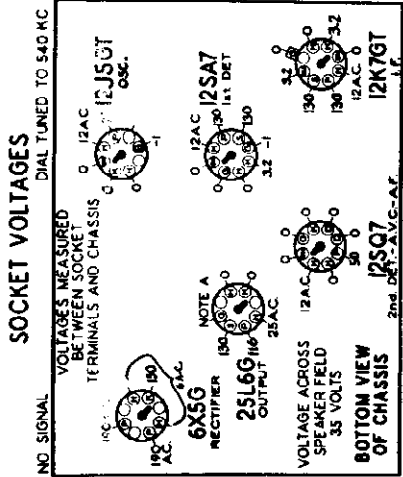
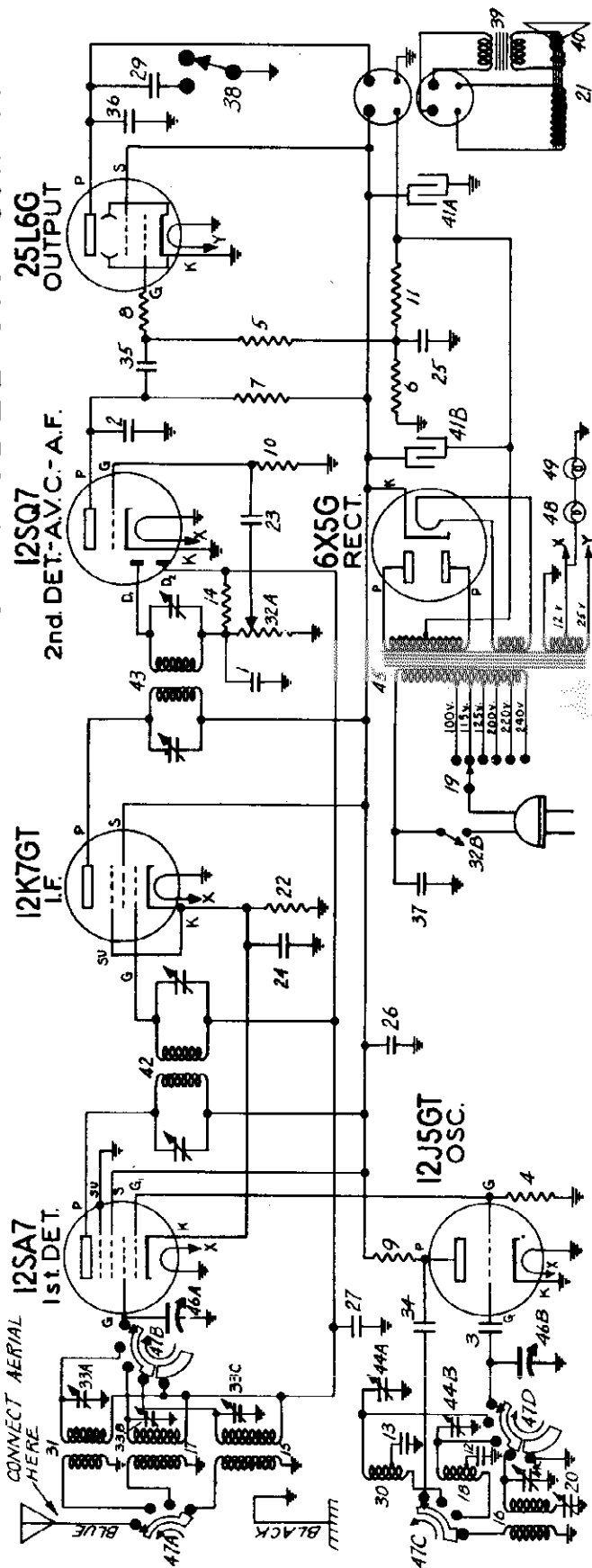
RETURN SIGNAL GENERATOR AND TRIMMER LOCATIONS FOR MODEL 07-5NX ARE THE SAME AS THOSE FOR MODEL 07-5EX

PRICES SUBJECT TO CHANGE WITHOUT NOTICE

MODEL C10-6K1-X  
Chassis 010-6KX

STEWART-WARNER CORP.

# STEWART WARNER 010-6KX CHASSIS (MODEL 010-6K1-X)



## SOCKET VOLTAGES

DIAL TUNED TO 540 KC

NO SIGNAL

VOLTAGES MEASURED BETWEEN SOCKET TERMINALS AND CHASSIS GND

NOTE A

VOLTAGE ACROSS SPEAKER FIELD 35 VOLTS

BOTTOM VIEW OF CHASSIS

REAR OF CHASSIS

Use a voltmeter of at least 1000 ohms per volt.

NOTE A: The bias on the grid of the 25L6G output tube is -6.5 volts but due to the high resistance of resistors 6 & 11 there will be only a small deflection on an ordinary meter.

## ELECTRICAL PARTS

IF FLAK 455 KC

QTY	PART NUMBER	DESCRIPTION	QTY	PART NUMBER	DESCRIPTION		
1-2	60539	Condenser - mica 250 mmfd.	20	23	1-6847	Condenser - .004 mfd. 600 volt.	
3	80173	Condenser - mica 50 mmfd.	15	24-25-26	11-19275	Condenser - .2 mfd. 600 volt.	
4	110582	Resistor - carbon 47,000 ohms 1/4 watt.	20	27-28	1-6819	Condenser - .06 mfd. 600 volt.	
5	110583	Resistor - carbon 470,000 ohms 1/4 watt.	20	29	1-7523	Condenser - .1 mfd. 600 volt.	
6	110584	Resistor - carbon 470,000 ohms 1/4 watt.	20	30	1-7523	Condenser - .1 mfd. 600 volt.	
7	110585	Resistor - carbon 100,000 ohms 1/4 watt.	20	31	1-7519	Volume control (short wave)	
8	110586	Resistor - carbon 100,000 ohms 1/4 watt.	20	32A	1-9486	Volume control - 1 meg. (with switch)	
9	110587	Resistor - carbon 100,000 ohms 1/4 watt.	20	32B	1-9486	Volume control - 1 meg. (with switch)	
10	110588	Resistor - carbon 3.3 meg. 1/4 watt.	12	33	1-9486	Volume control - 1 meg. (with switch)	
11	110589	Resistor - carbon 3.3 meg. 1/4 watt.	12	34	1-9486	Volume control - 1 meg. (with switch)	
12	110590	Resistor - carbon 3.3 meg. 1/4 watt.	12	35	1-9486	Volume control - 1 meg. (with switch)	
13	110591	Resistor - carbon 3.3 meg. 1/4 watt.	12	36	1-9486	Volume control - 1 meg. (with switch)	
14	110592	Resistor - carbon 3.3 meg. 1/4 watt.	12	37	1-9486	Volume control - 1 meg. (with switch)	
15	110593	Resistor - carbon 3.3 meg. 1/4 watt.	12	38	1-9486	Volume control - 1 meg. (with switch)	
16	110594	Resistor - carbon 3.3 meg. 1/4 watt.	12	39	1-9486	Volume control - 1 meg. (with switch)	
17	110595	Resistor - carbon 3.3 meg. 1/4 watt.	12	40	11-19229	Transformer-output for 115088 speaker.	
18	110596	Resistor - carbon 3.3 meg. 1/4 watt.	12	41A	41B	11-19245	Core & voice coil for 115088 speaker.
19	110597	Resistor - carbon 3.3 meg. 1/4 watt.	12	42	11-19245	Core & voice coil for 115088 speaker.	
20	110598	Resistor - carbon 3.3 meg. 1/4 watt.	12	43	11-19245	Core & voice coil for 115088 speaker.	
21	110599	Resistor - carbon 3.3 meg. 1/4 watt.	12	44	11-19245	Core & voice coil for 115088 speaker.	
22	110600	Resistor - carbon 3.3 meg. 1/4 watt.	12	45	11-19245	Core & voice coil for 115088 speaker.	
				46	11-19245	Core & voice coil for 115088 speaker.	
				47	11-19245	Core & voice coil for 115088 speaker.	
				48	11-19245	Core & voice coil for 115088 speaker.	
				49	11-19245	Core & voice coil for 115088 speaker.	
				50	11-19245	Core & voice coil for 115088 speaker.	
				51	11-19245	Core & voice coil for 115088 speaker.	
				52	11-19245	Core & voice coil for 115088 speaker.	
				53	11-19245	Core & voice coil for 115088 speaker.	
				54	11-19245	Core & voice coil for 115088 speaker.	
				55	11-19245	Core & voice coil for 115088 speaker.	
				56	11-19245	Core & voice coil for 115088 speaker.	
				57	11-19245	Core & voice coil for 115088 speaker.	
				58	11-19245	Core & voice coil for 115088 speaker.	
				59	11-19245	Core & voice coil for 115088 speaker.	
				60	11-19245	Core & voice coil for 115088 speaker.	
				61	11-19245	Core & voice coil for 115088 speaker.	
				62	11-19245	Core & voice coil for 115088 speaker.	
				63	11-19245	Core & voice coil for 115088 speaker.	
				64	11-19245	Core & voice coil for 115088 speaker.	
				65	11-19245	Core & voice coil for 115088 speaker.	
				66	11-19245	Core & voice coil for 115088 speaker.	
				67	11-19245	Core & voice coil for 115088 speaker.	
				68	11-19245	Core & voice coil for 115088 speaker.	
				69	11-19245	Core & voice coil for 115088 speaker.	
				70	11-19245	Core & voice coil for 115088 speaker.	
				71	11-19245	Core & voice coil for 115088 speaker.	
				72	11-19245	Core & voice coil for 115088 speaker.	
				73	11-19245	Core & voice coil for 115088 speaker.	
				74	11-19245	Core & voice coil for 115088 speaker.	
				75	11-19245	Core & voice coil for 115088 speaker.	
				76	11-19245	Core & voice coil for 115088 speaker.	
				77	11-19245	Core & voice coil for 115088 speaker.	
				78	11-19245	Core & voice coil for 115088 speaker.	
				79	11-19245	Core & voice coil for 115088 speaker.	
				80	11-19245	Core & voice coil for 115088 speaker.	
				81	11-19245	Core & voice coil for 115088 speaker.	
				82	11-19245	Core & voice coil for 115088 speaker.	
				83	11-19245	Core & voice coil for 115088 speaker.	
				84	11-19245	Core & voice coil for 115088 speaker.	
				85	11-19245	Core & voice coil for 115088 speaker.	
				86	11-19245	Core & voice coil for 115088 speaker.	
				87	11-19245	Core & voice coil for 115088 speaker.	
				88	11-19245	Core & voice coil for 115088 speaker.	
				89	11-19245	Core & voice coil for 115088 speaker.	
				90	11-19245	Core & voice coil for 115088 speaker.	
				91	11-19245	Core & voice coil for 115088 speaker.	
				92	11-19245	Core & voice coil for 115088 speaker.	
				93	11-19245	Core & voice coil for 115088 speaker.	
				94	11-19245	Core & voice coil for 115088 speaker.	
				95	11-19245	Core & voice coil for 115088 speaker.	
				96	11-19245	Core & voice coil for 115088 speaker.	
				97	11-19245	Core & voice coil for 115088 speaker.	
				98	11-19245	Core & voice coil for 115088 speaker.	
				99	11-19245	Core & voice coil for 115088 speaker.	
				100	11-19245	Core & voice coil for 115088 speaker.	

Prices subject to change without notice.

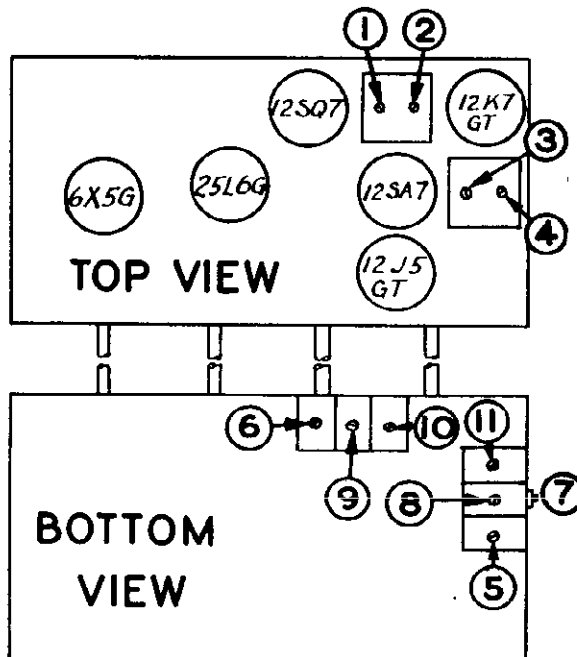
STEWART-WARNER CORP.

MODEL 010-6K1-X  
Chassis 010-6KX

# ALIGNMENT DATA FOR 010-6KX CHASSIS

1. Connect the output meter across the voice coil or from the plate of the 25L6G output tube to ground through a .1 mfd. condenser. (The more sensitive type should be connected across the voice coil.)
2. Connect the ground lead of the signal generator to the black wire coming from the chassis.
3. Turn the volume control to the maximum volume position and keep it in this position throughout the alignment procedure.
4. The pointer should be in a horizontal position with the gang condenser in full mesh.

DUMMY ANT. IN SERIES WITH SIG. GEN.	CONNECTION OF SIG. GENERATOR OUTPUT TO RECEIVER	SIGNAL GENERATOR FREQUENCY	BAND SWITCH POSITION	RECEIVER DIAL SETTING	TRIMMER NUMBER	TRIMMER DESCRIPTION	TYPE OF ADJUSTMENT
.1 MFD. CONDENSER	LUG ON REAR SECTION OF GANG COND.	455 KC	BROADCAST	ANY POINT WHERE IT DOES NOT AFFECT THE SIGNAL	1-2	2nd I.F.	ADJUST FOR MAXIMUM OUTPUT. THEN REPEAT ADJUSTMENT.
					3-4	1st I.F.	
200 MFD. MICA CONDENSER	BLUE WIRE COMING FROM CHASSIS	1500 KC	BROADCAST	1500 KC	5	BROADCAST OSCILLATOR (SHUNT)	ADJUST FOR MAXIMUM OUTPUT.
200 MFD. MICA CONDENSER	BLUE WIRE COMING FROM CHASSIS	1500 KC	BROADCAST	TUNE TO 1500 KC GENERATOR SIGNAL	6	BROADCAST DETECTOR	ADJUST FOR MAXIMUM OUTPUT
200 MFD. MICA CONDENSER	BLUE WIRE COMING FROM CHASSIS	800 KC	BROADCAST	TUNE TO 800 KC GENERATOR SIGNAL	7	BROADCAST OSCILLATOR (SERIES)	ADJUST FOR MAXIMUM OUTPUT. TRY TO INCREASE OUTPUT BY DETUNING TRIMMER AND RETUNING RECEIVER DIAL UNTIL MAXIMUM OUTPUT IS OBTAINED.
400 OHM CARBON RESISTOR	BLUE WIRE COMING FROM CHASSIS	5 MC	INTERMEDIATE	5 MC	8	INTERMEDIATE OSCILLATOR	ADJUST FOR MAXIMUM OUTPUT. CHECK TO SEE IF PROPER PEAK WAS OBTAINED BY TUNING IN IMAGE AT APPROX. 4.1 MC. IF IMAGE DOES NOT APPEAR REALIGN AT 5 MC WITH TRIMMER SCREW FARTHER OUT. RECHECK IMAGE.
400 OHM CARBON RESISTOR	BLUE WIRE COMING FROM CHASSIS	5 MC	INTERMEDIATE	TUNE TO 5 MC GENERATOR SIGNAL	9	INTERMEDIATE ANTENNA	ADJUST FOR MAXIMUM OUTPUT.
400 OHM CARBON RESISTOR	BLUE WIRE COMING FROM CHASSIS	20 MC	FOREIGN	20 MC	10	FOREIGN OSCILLATOR	ADJUST FOR MAXIMUM OUTPUT. CHECK TO SEE IF PROPER PEAK WAS OBTAINED BY TUNING IN IMAGE AT APPROX. 19.1 MC. IF IMAGE DOES NOT APPEAR REALIGN AT 20 MC WITH TRIMMER SCREW FARTHER OUT. RECHECK IMAGE.
400 OHM CARBON RESISTOR	BLUE WIRE COMING FROM CHASSIS	20 MC	FOREIGN	TUNE TO 20 MC GENERATOR SIGNAL	11	FOREIGN ANTENNA	ADJUST FOR MAXIMUM OUTPUT. TRY TO INCREASE OUTPUT BY DETUNING TRIMMER AND RETUNING RECEIVER DIAL UNTIL MAXIMUM OUTPUT IS OBTAINED.



## MISCELLANEOUS PARTS

PART NUMBER	DESCRIPTION	LIST PRICE
114955	Clamp - for dial cord.....	.01
112745	Clip - coil mounting.....	.01
118948	Cord - dial drive (supplied in 6 ft. lengths)...	.18
119494	Dial scale.....	.28
119208	Escutcheon - dial.....	.80
119167	Knob.....	.10
118883	Pointer.....	.16
81145	Retaining ring - for drive shaft.....Per C	.50
119218	Screw - escutcheon mounting.....	.02
112874	Screw - #10 X 1 1/8 chassis mtg.....	.01
119204	Shaft - tuning.....	.10
114968	Spring - dial cord tension.....	.03
113122	Socket - dial lamp (ungrounded).....	.12
111008	Socket - dial lamp (grounded).....	.12
85427	Socket - octal base (standard).....	.15
110501	Socket - 4 prong (for speaker).....	.14
110829	Washer - flat steel, for mtg. chassis.....	.01
116530	Washer (paper) for back of knobs.....	.005
111458	Washer - spring washer on tuning shaft.....Per C	.50

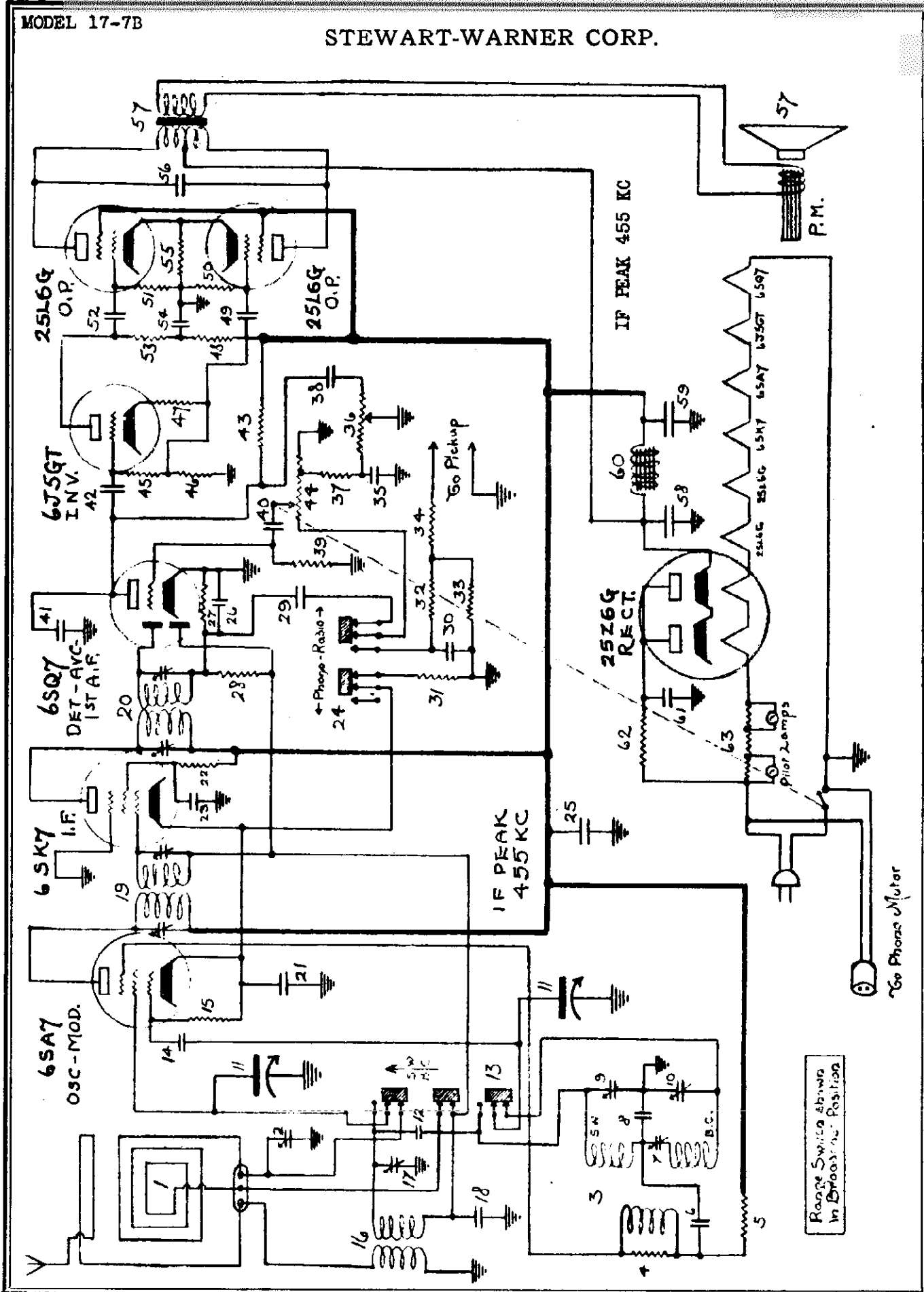
Prices subject to change without notice.

PRINTED IN UNITED STATES OF AMERICA



MODEL 17-7B

STEWART-WARNER CORP.



STEWART-WARNER CORP.

PARTS LIST(Continued)

Item	Part No.	Description
51	110559	Carbon resistor 470,000 ohms $\pm$ 20% 1/4 watt
52	119414	Paper condenser .02 mf 600 V.
53	110565	Carbon resistor 22,000 ohms $\pm$ 20% 1/4 watt
54	116706	Paper condenser .2 mf 600 V.
55	118810	Wire-wound resistor 110 ohms $\pm$ 10% 1 watt
56	119417	Paper condenser .006 mf 600 V.
57	115124	Speaker assembly
58	116470	Electrolytic condenser dual 20 mf 150 V.
59	113472	Electrolytic condenser 40 mf 150 V.
60	161266	Filter Choke
61	116819	Paper condenser .05 mf 600 V.
62	116752	Wire-wound resistor 33 ohms $\pm$ 10% 1 watt
63	161238	3 section wire-wound resistor 50-50-30 ohms

PARTS LIST

Item	Part No.	Description
1	160381	Loop antenna assembly
2	119345	Loop antenna trimmer
3	160128	Coil assembly
4	110573	Carbon resistor 2200 ohms $\pm$ 20% 1/4 watt
5	112864	Carbon resistor 1500 ohms $\pm$ 20% 1/4 watt
6	119193	Paper condenser .01 mf 600 V.
7	119334	Variable padding condenser
8	88587	Mica condenser .0042 mf $\pm$ 3%
9	160344	S-W. osc. trimmer condenser - 5-strip
10	160344	B-C. osc. trimmer condenser - 5-strip
11	160247	Variable tuning condenser, 2-gang
12	110850	Wire capacitor, 7 mfd
13	160334	Range Switch
14	85061	Mica condenser .000051 mf
15	110564	Carbon resistor 100,000 ohms $\pm$ 20% 1/4 watt
16	160227	S.W. antenna coil assembly
17	160344	S. W. antenna trimmer condenser, 3-strip
18	116819	Paper condenser .05 mf 600 V.
19	119758	1st I. F. coil assembly
20	119759	2nd I. F. coil assembly
21	116706	Paper condenser .2 mf 600 V.
22	110563	Carbon resistor 10,000 ohms $\pm$ 10% 1/4 watt
23	116819	Paper condenser .05 mf 600 V.
24	160237	Phono-Radio switch
25	116625	Paper condenser .1 mf 600 V.
26	83539	Mica condenser .00026 mf
27	110584	Carbon resistor 330,000 ohms $\pm$ 20% 1/4 watt
28	110570	Carbon resistor 2.2 megohms $\pm$ 20% 1/4 watt
29	119414	Paper condenser .02 mf 600 V.
30	83539	Mica condenser .00026 mf
31	110590	Carbon resistor 180 ohms $\pm$ 10% 1/4 watt
32	110553	Carbon resistor 220,000 ohms $\pm$ 20% 1/4 watt
33	110564	Carbon resistor 100,000 ohms $\pm$ 20% 1/4 watt
34	110564	Carbon resistor 100,000 ohms $\pm$ 20% 1/4 watt
35	119817	Paper condenser .004 mf 600 V.
36	119817	Tone control, 1 megohm
37	160351	Carbon resistor 47,000 ohms $\pm$ 20% 1/4 watt
38	110552	Paper condenser .006 mf 600 V.
39	112975	Carbon resistor 10 megohms $\pm$ 20% 1/4 watt
40	119817	Paper condenser .004 mf 600 V.
41	83539	Mica condenser .00026 mf
42	119414	Paper condenser .02 mf 600 V.
43	110553	Carbon resistor 220,000 ohms $\pm$ 20% 1/4 watt
44	160238	Volume control, 1 megohm
45	110559	Carbon resistor 470,000 ohms $\pm$ 20% 1/4 watt
46	110565	Carbon resistor 22,000 ohms $\pm$ 20% 1/4 watt
47	110573	Carbon resistor 2200 ohms $\pm$ 20% 1/4 watt
48	110565	Carbon resistor 22,000 ohms $\pm$ 20% 1/4 watt
49	119414	Paper condenser .02 mf 600 V.
50	110559	Carbon resistor 470,000 ohms $\pm$ 20% 1/4 watt

ALIGNMENT FREQUENCIES

1,2	- 2nd I-F trimmers	- 455 kc
3,4	- 1st I-F trimmers	- 455 kc
5	- Padder	- 600 kc
6	- S-W Osc. trimmer	- 1.6 mc
7	- BC Osc. trimmer	- 1500 kc
8	- S-W R-F trimmer	- 1.6 mc
9	- BC R-F(loop) "	- 1500 kc

VOLTAGES

Tube	E <sub>p</sub>	E <sub>g</sub>	E <sub>c</sub>	E <sub>g</sub>
6SA7	110	95	2.5	--
6SK7	110	85	2.5	--
6J5GT	65		1.7*	
25L6GT	110	110	8.0	

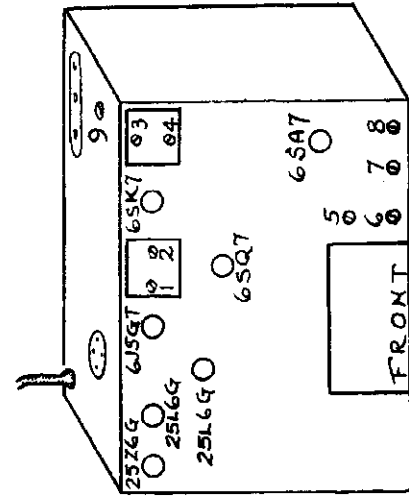
\* - Across 2200-ohm resistor

I-F ALIGNMENT: Connect 455-kc. signal to 6SA7 grid. Adjust trimmers 1,2,3, and 4 for maximum output.

R-F ALIGNMENT: BC- with loop antenna connected (or dummy coil simulating it), adjust trimmers 7 and 9 at 1500 kc and 5 at 600 kc. Check at 1000 kc.

S-W- Adjust trimmer 6 and 8 at 1.6 mc. Check at 6000 kc.

After complete cabinet installation, trimmer 9 should be re-adjusted for maximum output, using 1600 kc radiated signal.



MODEL 206HA

STEWART-WARNER CORP.

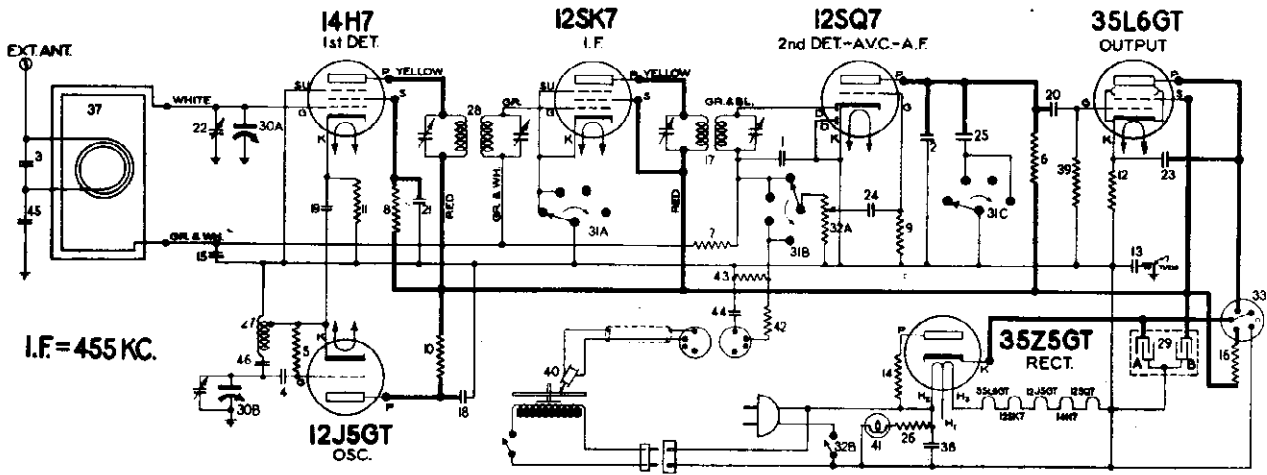


DIAGRAM NUMBER	PART NUMBER	DESCRIPTION
1-2	83539	Condenser, Mica. 260 mmfd.
3-4	83783	Condenser, Mica. 110 mmfd.
5	110552	Resistor, carbon, 47,000 ohms 1/2 watt
6	110553	Resistor, carbon, 220,000 ohms 1/2 watt
7	110570	Resistor, carbon, 2.2 meg. 1/2 watt
8	110578	Resistor, carbon, 68,000 ohms 1/2 watt
9	112975	Resistor, carbon, 10 meg. 1/2 watt
10	116068	Resistor, carbon 680 ohms 1/2 watt
11	116079	Resistor, insulated, 1200 ohms 1/2 watt
12	116092	Resistor, 140 ohms 1 watt, W.W.
13	116706	Condenser, .2 mfd. 600 V
14	116752	Resistor, 33 ohm, 1 watt, W.W.
15	116819	Condenser, .05 mfd. 600 volts
16	116835	Resistor, insulated, 1500 ohms 1 watt
17	119024	Transformer, 2nd I.F.
18 to 21	119193	Condenser, .01 mfd. 600 volts
22	119345	Condenser, trimmer (loop)
23	119414	Condenser, .02 mfd. 600 volt
24	119817	Condenser, .004 mfd. 600 volt
25	119875	Condenser, .002 mfd. 600 volt
26	180078	Resistor, carbon 220 ohms 1 watt
27	500408	Coil, oscillator
28	500801	Transformer, 1st I.F.
29	501213	Condenser, electrolytic - A - 40 Mfd. 150V B - 20 Mfd. 150V
30A-30B	501403	Condenser, tuning
31A-31B		
31C	501404	Switch - tone & phono
32A-32B	501405	Volume control, 1 meg. (with switch)
33	501448	Speaker cable & plug
34	U-501459	Transformer, output for U-501460 spkr.

DIAGRAM NUMBER	PART NUMBER	DESCRIPTION
35	U-501460	Speaker, dynamic (8")
36	U-501461	Cone & voice coil for U-501460 spkr.
37	501981	Loop antenna & cabinet back
38	116819	Condenser, .05 mfd. 600 volts
39	116559	Resistor, carbon, 470,000 ohms 1/2 watt
40	500725	Crystal cartridge
41	500897	Lamp - dial (Mazda C7)
42	112970	Resistor, carbon, 330,000 ohms 1/2 watt
43	110559	Resistor, carbon, 470,000 ohms 1/2 watt
44	116625	Condenser, .1 mfd. 600 volts
45	119193	Condenser, .01 mfd. 600 volts
46	116819	Condenser, .05 mfd. 600 volts

MISCELLANEOUS PARTS

PART NUMBER	DESCRIPTION
114955	Clamp, for dial cord
112745	Clip, coil mounting
117057	Cord, drive
501406	Dial scale
501462	Knob
501463	Knob (with marker)
81145	Retaining ring for tuning shaft
116690	Socket, octal base
160392	Socket, octal (rectifier)
160171	Socket, (4 prong)
160294	Socket, for 14H7 (8-prong)
600896	Socket, pilot lamp for Mazda C7
161327	Tuning shaft
111456	Washer, spring washer for tuning shaft Per C
501395	Window, dial

ALIGNMENT PROCEDURE

Connect the output meter across the voice coil or from the plate of the 35L6GT output tube to B - through a .25 mfd. condenser.

Connect the ground lead from signal generator to B - through a .25 mfd. condenser for all alignment steps.

Turn the center control on the receiver to a radio position and set the volume control to the maximum position.

Set dial pointer to last marking on dial with gang in full mesh.

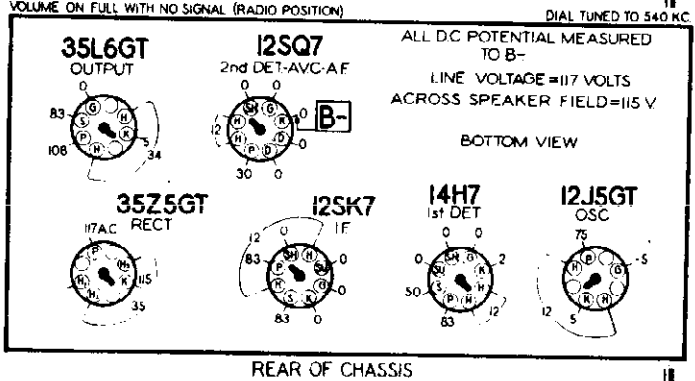
Connect hot lead from signal generator to stator on rear section of gang using 200 mmfd. in series as dummy.

Set generator to 455 KC. and adjust trimmer screws on top of I.F. transformer cans for maximum output.

Connect hot lead to antenna terminal on loop through a 200 mmfd. condenser as a dummy. Set dial to 1400 KC. and adjust trimmer on front section of gang for maximum output on a 1400 KC. generator signal.

Place chassis in cabinet and using connections in "7," place loop in position and adjust loop trimmer at rear of chassis for maximum output while tuning dial to maximum signal.

SOCKET VOLTAGES



ALL VOLTAGES MEASURED IN RADIO POSITION. USE A HIGH RESISTANCE VOLTMETER OF AT LEAST 1000 OHMS PER VOLT.

STEWART-WARNER CORP.

the outer edge of the panel in towards the edge of the record to be played, during an automatic change cycle.

An additional function of the TONE ARM RETARD LEVER is to prevent the BOOSTER SPRING (Fig. V, Item 11) until the needle has lowered onto the outer edge of the record to be played. Insufficient tension of the TONE ARM RETARD LEVER SPRING (Fig. V, Item 3) will permit action of the BOOSTER SPRING before the needle comes to rest on the record, giving the effect of incorrect tone arm indexing. EXCESSIVE pressure of the TONE ARM RETARD LEVER SPRING will cause rough, jerky action of the TONE ARM as it moves from the outer edge of the changer panel.

ACTION OF THE SWITCH KNOB

That there is a hooking action at this point in order to prevent the TONE ARM LOCATOR LEVER (Fig. IV, Item 25) and the TONE ARM from sweeping toward the center when the switch is moved out of the "Manual" position.

The SWITCH KNOB performs the additional function of preventing the trip mechanism from operating until the SWITCH KNOB is in the "Manual" position. The projection of the MAIN CONTROL SLIDE (Fig. V, Item 21) is transmitted through the CONNECTING LINK (Fig. V, Item 12) to the MANUAL AND PROJECT LEVER (Fig. IV, Item 17). The projection on this lever at point "a" (Fig. V) engages the upper end of the SWITCH EN- GAGEMENT LEVER (Fig. II, Item 8) at point "b" (Fig. IV) and so prevents the CLUTCH EN- GAGEMENT LEVER from engaging the lower pinion gear thus preventing the start of a change cycle.

"AUTOMATIC" POSITION

With the SWITCH KNOB in the "Automatic" position, the TONE ARM LOCATOR LEVER (Fig. IV, Item 1) will lock the TONE ARM LEVER at point "d" (Fig. IV) at any time when the TONE ARM is moved to the outside position. This tone arm latch is released during a change cycle through its engagement at point "g" (Fig. V) with the main drive gear. As moved above under section B, the TONE ARM LOCATOR (Fig. IV, Item 1) will hook the upper slide at point "h" (Fig. V) during "Manual" operation when the SWITCH KNOB is thrown into "Automatic" position. These two parts completely disengage during the next change drive due to the cam action of the main drive gear which forces the tone arm lever to the outer edge of the sub-panel and allows the upper slide (Fig. IV, point "p") to clear the TONE ARM LOCATOR LEVER at point "r".

The TONE ARM LOCATOR LEVER provides the 10 inch and 12 inch indexing for the TONE ARM during automatic operation. The TONE ARM is engaged with the 12 INCH RESET LEVER (Fig. IV, Item 18) and the 10 INCH RESET LEVER (Fig. IV, Item 16). The 12 INCH RESET LEVER must hook securely behind the projecting tip on the TONE ARM LOCATOR LEVER (as shown at point "r" on Fig. IV)

this spring should be just sufficient so that the needle will move across the margin of a record which contains no lead-in groove. After any adjustment of this booster spring, check its operation on both 10 inch and 12 inch records to make sure that it functions properly.

Do not increase the operating pressure of the booster spring to such a point that it tends to make the needle slide across the first few record grooves. Access to the TONE ARM is in the "rest" position, with the SWITCH KNOB turned "off", by moving the TONE ARM LOCATOR LEVER assembly out toward the edge of the changer sub-panel with the finger.

TONE ARM RETARD LEVER ADJUSTMENTS

The function of the TONE ARM RETARD LEVER (Fig. V, Item 4) is to provide a smooth motion of the tone arm as it moves from

"OFF" POSITION

With the SWITCH KNOB in the "off" position, the TONE ARM will lock at the outside edge of the changer panel. This locked position of the TONE ARM results from the engagement of the TONE ARM LATCH LEVER (Fig. IV, Item 1) with the projection on the TONE ARM LEVER (Fig. IV, Item 2), point d).

"MANUAL" POSITION

When the SWITCH KNOB is thrown to the "Manual" position, the electrical switch circuit is closed and the TONE ARM is freed from its locked position by the MAIN CONTROL SLIDE (Fig. V, Item 21) which partially disengages the TONE ARM LATCH LEVER by striking it on its projection at point "a" (Fig. V). At the same time the TONE ARM LOCATOR LEVER (Fig. IV, Item 25) is held at point "r" (Fig. V) by the upper slide. In this position, it is essential that the engagement between the upper slide and TONE ARM LOCATOR LEVER be positive as shown in Fig. V. The purpose of the spring (Fig. V, left, Item 9) attached to the upper slide is to provide a means whereby the engagement at point "h" (Fig. V) may be made should the SWITCH KNOB be thrown to the "Manual" position. The TONE ARM LEVER (Fig. IV, Item 2) which is not in the outward position (Such an action would occur when the SWITCH KNOB is moved from the "Automatic" position to the "Manual" position while a record is being played). The TONE ARM LOCATOR LEVER (Fig. IV, Item 25) would then be against either the 10 inch or 12 inch indexing stop, and as the TONE ARM is swung into the outside rest position, the TONE ARM LOCATOR LEVER (Fig. IV, Item 25) must be able to catch at point "r" (Fig. V).

C.

When the TONE ARM is in the "rest" position and the SWITCH KNOB is thrown to "Manual", it is essential that the sequence be carefully observed between the action of the LATCH LEVER (Fig. IV, Item 1) and the upper slide (Fig. V, point "h"). The upper slide is held in a position to provide a positive stop to the TONE ARM LOCATOR LEVER (Fig. IV, Item 25). REVERSE the LATCH LEVER (Fig. IV, Item 1) releases the tone arm lever (Fig. IV, Item 2); otherwise the TONE ARM will be jammed across the turntable. Also, it is es-

ADJUSTING TONE ARM INDEXING ON 10" & 12" RECORDS

When adjusting tone arm indexing, it is only necessary to make the adjustment for one size of record. Proceed as follows:

1. With the switch knob in the "off" position, move the TONE ARM to the "rest" position so that its outer edge is approximately lined up with the extreme outside edge of the record changer panel.
2. Loosen the two set screws on the under side of the record changer panel (see Fig. V, point "f").
3. Line up the outer edge of the TONE ARM with the outer edge of the record changer panel by eye.
4. Place a 12 inch record on the turntable, put the machine into automatic operation by pulling the SWITCH KNOB to the "Reject" position and releasing it. Note the point at which the needle FIRST strikes the margin of the 12 inch record. (The word "first" is used to indicate the fact that after the needle has touched the record, the booster spring will attempt to move the needle in toward the center. Proper

"AUTOMATIC" TRIP ADJUSTMENTS

This changer incorporates a dual trip to insure positive cut-off on various types of records.

- A. MINIMUM CIRCLE DIAMETER TRIP  
After the TONE ARM has played in far enough so that the distance of the needle from the center spindle is approximately 1-7/8 inches, the record changer will trip regardless of whether or not there is a cut-off or eccentric groove on the record. This type of trip is known as a minimum circle diameter trip.  
The diameter of this minimum circle is set at the factory to be approximately 3-3/4 inches.  
Variations in adjustment or readjustment of this operation can be obtained by moving the TRIP SHOE (see Fig. IV, Item 23) slightly. The TRIP SHOE is locked in position by means of a screw when the adjustment has been satisfactorily completed. This screw can be adjusted thru a hole cut in the main drive gear, when the machine is not in a change cycle.
- B. ECCENTRIC GROOVE TRIP  
A second tripping device has been included which operates due to any outward movement of the TONE ARM after it has played to within approximately 2-1/2 inches of the center spindle. This trip is actuated by the TRIP COIL (Fig. IV, point k) engaging the TRIP ARM (Fig. IV, point l) and is adjusted at the factory.

TONE ARM ADJUSTMENTS (OTHER THAN INDEXING)

- A. NEEDLE PRESSURE  
The needle pressure is controlled by means of the counter-balance spring (see Fig. II, Item 10) at the rear of the arm. The spring tension has been set to provide the needle pressure necessary for correct operation of the pickup. Do not change the tension of this spring unless record or needle wear is excessive.
- B. TONE ARM HEIGHT ADJUSTMENTS  
The TONE ARM HEIGHT ADJUSTMENT SCREW (Fig. II, Item 8) controls only the height (Fig. II, Item 8) controls only the height.
- C. BOOSTER SPRING SETTING  
The function of the booster spring (Fig. V, Item 11) is to move the needle from the margin of the record into the first groove automatically. This booster spring is built into the TONE ARM LOCATOR LEVER (see Fig. IV, Item 25) and consists of a single piece of light spring wire (see Fig. V, Item 11). The side pressure exerted by

MODEL 206HA

STEWART-WARNER CORP.

**INSUFFICIENT POWER TO COMPLETE A CHANGE CYCLE**

Inspect the bearing of the MAIN DRIVE GEAR (Fig. V, Item 2) for excessive friction or binding.

**JAMMING OF THE MECHANISM**

Should the changer jam at any time during a change cycle or for some reason other than jamming of the SELECTOR ARMS with the records or binding, remove the records and attempt to reverse the direction through a turntable. If the jam is apparently cleared by such action, the mechanism should be checked by operating it automatically several times, but with no records.

If the jam does not clear by rotating the turntable in a reverse direction, inspect the underside of the changer panel for damaged or missing parts.

Inspect the meshing of the DRIVE GEAR (Fig. V, Item 2) with the PINION GEAR on SPINDLE shaft. If the two gears do not mesh (that is, if they are not so timed as to fit together properly) it is probably due to the fact that the CLUTCH ENGAGEMENT LEVER (Fig. III, Item 8) has been damaged or bent. This CLUTCH ENGAGEMENT LEVER is intended to contact one of the lower projections on the PINION GEAR (on the SPINDLE) that the teeth of this PINION GEAR and the teeth of the MAIN DRIVE GEAR (Fig. V, Item 2) will be timed to fit together properly whenever the CLUTCH ENGAGEMENT LEVER (Fig. III, Item 8) is bent. If the two gears mesh properly when the changer is tripped, it is advisable that the changer mechanism be operated by hand so that this timing or meshing between the two gears can be more closely observed during any adjustments or inspection.

Repeated tripping may also be due to the fact that the SWITCH KNOB does not return to the "Automatic" position when released. This condition can result from insufficient tension in spring (Fig. V, Item 10), or excessive friction or binding in the motion of the MAIN CONTROL SLIDE (Fig. IV, Item 21).

**FAILURE TO TRIP**

Turn off the changer during a change cycle so that the CLUTCH ENGAGEMENT LEVER (Fig. III, Item 8) may be actuated with the finger while the trip lever is being held away, so that the CLUTCH ENGAGEMENT LEVER does not lock in the "up" position. The CLUTCH ENGAGEMENT LEVER must fall by gravity. CAUTION: It is not advisable to use any lubricant at the bearing point of the CLUTCH ENGAGEMENT LEVER (Fig. III, Item 8); this bearing is intended to be a loose fit, and must be checked for binds.

Excessive pressure on spring (Fig. IV, Item 11) could cause the spring leads to jump out of the cut-off groove of the record (see paragraph D-1 above) and prevent tripping.

The Shielded Pickup Lead Wire (Fig. II, Item 2) must have sufficient slack between the TONE ARM and the point where the tone arm lead enters the sub-panel to permit free sidewise movement of the tone arm. The Shielded Lead should be so positioned that it loosely rests near the tone arm post immediately below the point at which it leaves the tone arm bracket. Under no circumstances should the Shielded Wire be fastened in place, pulled taut, or restricted free tone arm movement. This is particularly important in machines which use extremely light pressure pickup cartridges.

Light pressure pickup cartridges.

Into the "Automatic" position, the right end of the SWITCH LEVER (Fig. IV, Item 1) will rest against the panel stud located just to the lower right of the A.C. SWITCH (Fig. IV, Item 22). The SWITCH LEVER (Fig. IV, Item 1) will then move the A.C. SWITCH to the "on" position.

Through its engagement with the projection on the MAIN CONTROL SLIDE (Fig. IV, Item 21), the DEFLECT KNOB (Fig. IV, Item 1) prevents the SWITCH SPRING (Fig. V, Item 10) tension from pulling the MAIN CONTROL SLIDE into the "off" position.

Further movement of the MAIN CONTROL SLIDE into the "Reject" position results in increased SWITCH SPRING (Fig. V, Item 10) tension which will return the slide to the "Automatic" position after the finger is removed from the SWITCH KNOB.

The Switch Knob is in the "Manual" position, with the A.C. SWITCH "on", in Figure V. The SWITCH LEVER (Fig. V, Item 1) is against the panel stud to the left of the A.C. SWITCH, near the edge of the panel. This position of the SWITCH LEVER corresponds to the "on" position of the SWITCH LEVER. Automatic operation except the tone arm is possible on the opposite side of the SWITCH LEVER, bearing in the opposite direction.

**"SELECTOR ARM" ADJUSTMENTS**

**ACTION OF SELECTOR ARMS**

The SELECTOR ARMS (Fig. I, Item 4) are tripped by the DRIVE LINK (Fig. IV, Item 4). The DRIVE LINK is moved by the CURVED LAR CAM (Fig. V, Item 5) on the MAIN DRIVE GEAR ASSEMBLY (Fig. V, Item 2). The motion of the DRIVE LINK (Fig. IV, Item 4) is communicated to the SELECTOR SHAF through the DRIVE CHAINS (Fig. IV, Item 6) and the DRIVE CHAIN PAM-SATCHER WASHER combination (Fig. IV, Item 9, 10). Failure of the DRIVE CHAIN PAM (Fig. IV, Item 9) to engage the SATCHER WASHER (Fig. IV, Item 10) will prevent the SELECTOR ARMS from synchronizing correctly and failure to select records may result. This condition may be caused by improper setting of the SELECTOR WASHER OVERTIGHTING, (see the parts operating instructions), a damaged or broken DRIVE CHAIN PAM SPRING (Fig. IV, Item 7) or a band in the DRIVE CRANK PAM (Fig. IV, Item 8) will result in improper record selection.

**MISCELLANEOUS MECHANICAL NOTES**

Is recommended that the entire SPINDLE & PINION GEAR ASSEMBLY (Fig. IV, Item 13, also Fig. V) be replaced instead of replacing only the SPINDLE ASSEMBLY. This SPINDLE & PINION GEAR ASSEMBLY (see Fig. V) is fitted with precision machines at the factory, thus insuring proper clearances and smooth operation.

**REPEATED TRIPPING**

Turn off the changer during a change cycle so that the CLUTCH ENGAGEMENT LEVER (Fig. III, Item 8) may be observed. This CLUTCH ENGAGEMENT LEVER should lock into the up position due to its engagement with the TRIP LEVER (Fig. IV, Item 14) at the point of contact (Fig. IV, Item 15). Engagement of the TRIP LEVER (Fig. IV, Item 15) for evidence of slip or binding. A more positive en-

when the 12 inch record is being played. This is to prevent the TONE ARM LOCATOR LEVER and the TONE ARM from sweeping toward the center should the 12 inch setting of the selector arms be changed to 10 inch while the TONE ARM is playing a 12 inch record. (See Section X also).

**D. "REJECT" POSITION**

When the SWITCH KNOB is pushed into the "Reject" position, the motion of the SWITCH KNOB is transmitted to the MANUAL AND REJECT LEVER (Fig. IV, Item 17) (as described under Section B). The projection at the end of the TRIP LEVER near point "a" (Fig. IV) engages the projecting stud on the CLUTCH ENGAGEMENT LEVER (Fig. III, Item 8) at point "b" (Fig. IV). The SWITCH KNOB should not remain in the "Reject" position. The SWITCH is returned to the "Automatic" position due to the tension in the SWITCH SPRING (Fig. V, Item 10) acting on the SWITCH LEVER (Fig. V, Item 1).

**E. "A.C." SWITCH OPERATION**

In Figure IV the SWITCH KNOB is in the "off" position. The electrical motor switch is open. If the switch knob and the MAIN CONTROL SLIDE (Fig. IV, Item 21) are moved downwards, referring to Fig. IV,

**SETTING OF SELECTOR ARMS**

The position of the SELECTOR ARMS (Fig. I, Item 4) determines the TONE ARM indexing for ten inch or twelve inch records, through the position of the 12 INCH SET CAM (Fig. IV, Item 20). The position of this cam determines the position of the 12 INCH SET LEVER (Fig. IV, Item 16) with the 12 INCH SET SLIDE (Fig. IV, Item 15). The 12 INCH SET SLIDE (Fig. IV, Item 15) serves as a stop for the TONE ARM LOCK WORM (Fig. IV, Item 25) at point "a" for 12 inch records, or point "b" for 10 inch records. The 12 INCH RESET LEVER SPRING (Fig. V, Item 11) is stronger than the 12 INCH RESET SLIDE SPRING (Fig. V, Item 10). When the TONE ARM LOCATOR LEVER should then hook securely with point "a" on the 12 INCH RESET SLIDE if the setting of the SELECTOR ARMS is changed to the ten inch setting while the changer is playing a twelve inch record automatically.

**"RUBBLE"**

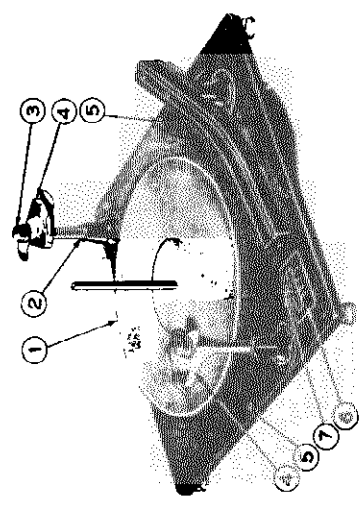
1. Remove the turntable and inspect the rubber lined MOTOR HELPER PULLEY (Fig. II, Item 14) for flat or worn spots which would tend to jar the turntable.

2. With the TURNABLE removed, rotate the TURNABLE SPINDLE to be sure that it turns smoothly.

**"WOM" OR SPEED VARIATION**

1. Remove the TURNABLE and rotate the TURNABLE SPINDLE (Fig. II, Item 1) with the fingers to determine whether it tends to bind. High friction at this point may be sufficient to cause the motor to slow down instantaneously. Apply only a drop or two of light oil to the two spindle bearings. If the turntable start is bent to such an extent that replacement is necessary, it

FIGURE I



ITEM	PART NO.	DESCRIPTION
1	C-29048	Turntable
2	J-72025	Thrust Washer
3	C-29135	Selecter Knob
4	C-29158-A	Record Support Arm, Blade and Shaft Assembly
6	B-27074	Control Escutcheon
7	C-29136	Switch Control Knob

STEWART-WARNER CORP.

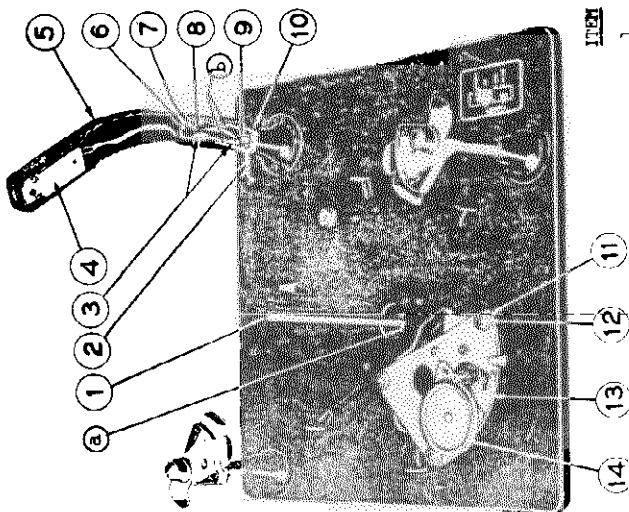


FIGURE II

ITEM	PART NO.	DESCRIPTION
1	C-29161-A	Spindle, Pin and Ball Assembly
2	C-29150-A	Tone Arm Shaft and Bracket Assembly
3	E00725	Tone Arm Cartridge
4	C-29153-A	Tone Arm
5	J-78008	Grommet
6	C-29128	Tone Arm Adjusting Lock Spring
7	J-71051	Tone Arm Height Adjusting Screw
8	C-29016	Tone Arm Lift Pin
9	C-29016	Tone Arm Counter Balance Spring
10	J-22144	Motor Mounting Grommet
11	J-22286	Motor Mounting Bushing
12	C-29028	Motor Assembly (60 Cycle)
13	(161104	Motor Pulley - 2" Dia.
14	(117806	Motor Pulley - 2 1/2" Dia.

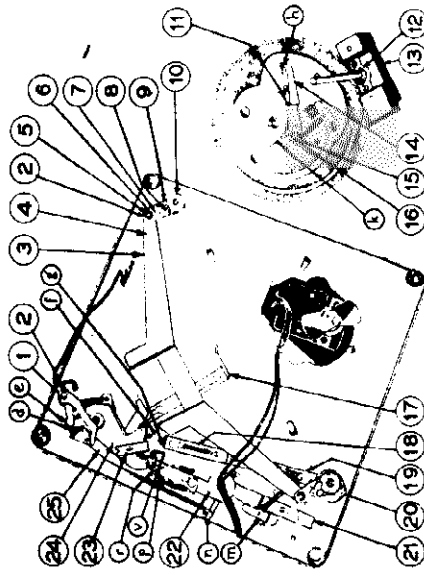
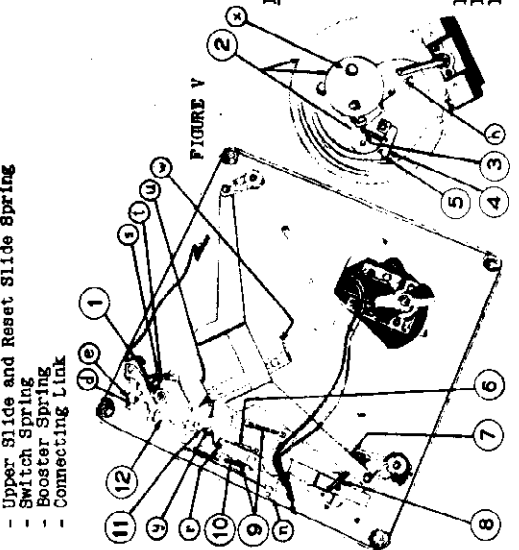


FIGURE IV

ITEM	PART NO.	DESCRIPTION
1	C-29018	Tone Arm Latch Lever
2	J-22021	"C" Washer and Crank Assembly
3	C-29155	Drive Link
4	C-29079	Drive Crank Shoulder Rivet
5	C-29083	Drive Crank
6	C-29105	Drive Pawl Spring
7	C-29129	Drive Pawl Shoulder Rivet
8	C-29118	Drive Crank Pawl
9	C-29112	Ratchet Washer
10	C-29036	Trip Lever Spring
11	B-27082	Spindle Bearing Retainer
12	C-29069	Spindle and Gear Bracket Assembly (Complete)
13	C-29158-A	Trip Lever Assembly
14	C-29162-A	Trip Lever Shoulder Screw
15	C-29100	Trip Dog Spring
16	B-27083	Manual and Reject Lever
17	C-29065	12" Set Slide
18	C-29069	12" Set Lever
19	C-29060	12" Set Cam
20	C-29113	Main Control Slide Assembly
21	C-29160-A	Trip Shoe
22	B-27026	Tone Arm Lever Assembly
23	C-29011	Tone Arm Locator
24	C-29151-A	12" Set Cam Pin (Not shown)
25	C-29019	used with Item 20

FIGURE V



ITEM	PART NO.	DESCRIPTION
1	C-29130	Tone Arm Locator and Latch Spring
2	C-29122-A	Drive Gear and Cam Assembly
3	B-27087	Retard Lever Spring
4	B-27085	Tone Arm Retard Lever
5	B-27088	Retard Lever Shoulder Screw
6	C-29133	Lower Slide Spring
7	C-29061	12" Reset Lever Spring
8	J-22094	Detent Arm Spring
9	J-22056	Upper Slide and Reset Slide Spring
10	C-29131	Switch Spring
11	H-20128	Booster Spring
12	B-27028	Connecting Link

FIGURE III

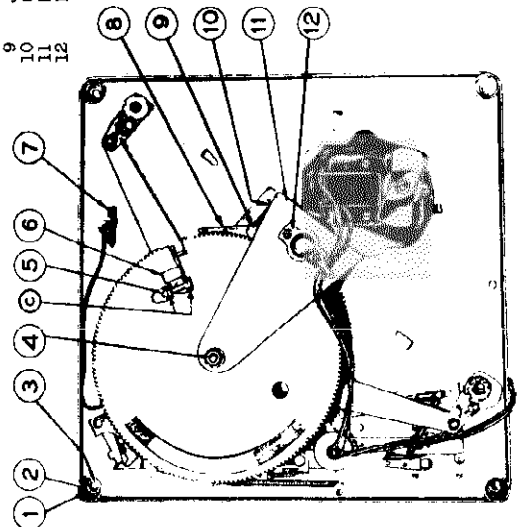
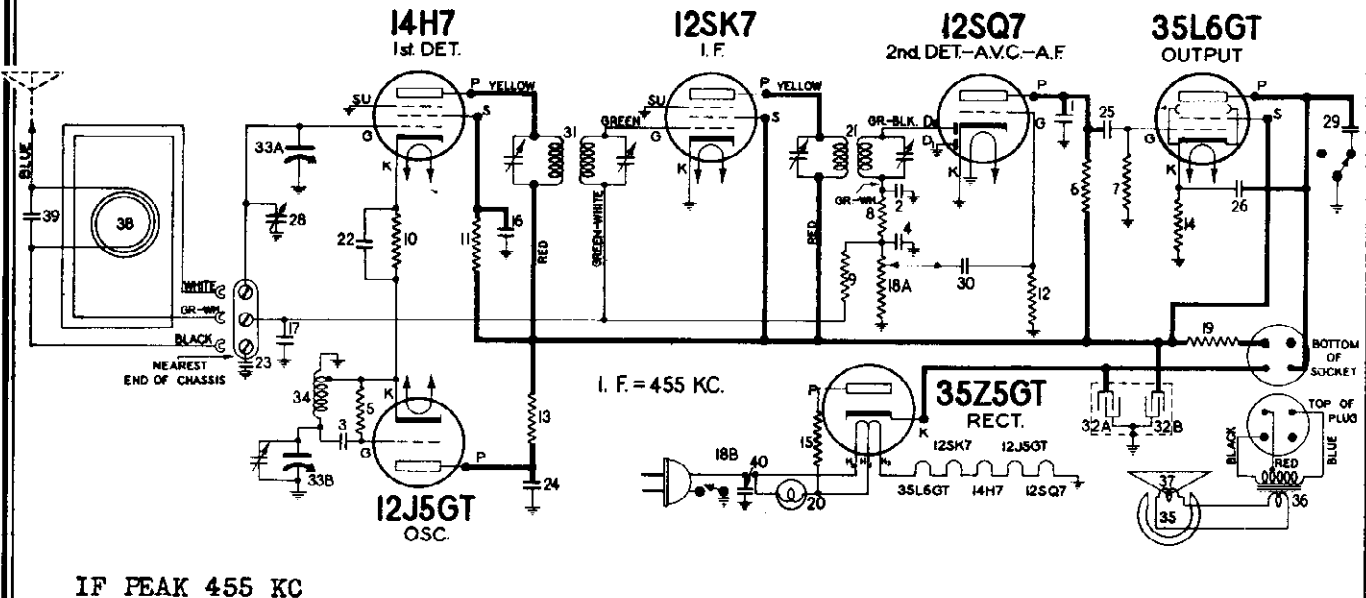


FIGURE VI

ITEM	PART NO.	DESCRIPTION
1	H-20198	Panel Mounting Spring
2	C-29114	Spring Retainer Cup
3	J-79024	Rivet
4	C-29074	Drive Gear Shaft
5	C-29088	Clutch Engagement Lever Pin
6	C-29087	Clutch Engagement Lever
7	C-29077	Terminal Strip
8	C-29067	Drive Gear Stop Lever
9	C-29067	Stop Lever Shoulder Rivet
10	C-29086	Stop Lever Spring
11	C-29125-A	Spindle Housing and Stop Lever Retainer
12	C-29080	Thrust End Spindle Bearing Retainer

CHASSIS 206F

STEWART-WARNER CORP.



IF PEAK 455 KC

ELECTRICAL PARTS

Diagram Number	Part Number	Description	List Price
1-2	83539	Condenser, Mica, 260 Mmfd.	.20
3-4	83783	Condenser, Mica, 110 Mmfd.	.20
5	110552	Resistor-Carbon, 47,000 Ohms 1/2 Watt	.12
6	110553	Resistor-Carbon, 220,000 Ohms 1/2 Watt	.12
7	110559	Resistor-Carbon, 470,000 Ohms 1/2 Watt	.12
8	110566	Resistor-Carbon, 33,000 Ohms 1/2 Watt	.12
9	110570	Resistor-Carbon, 2.2 Meg. 1/2 Watt	.15
10	110573	Resistor-Carbon, 2,200 Ohms 1/2 Watt	.12
11	110578	Resistor-Carbon, 69,000 Ohms 1/2 Watt	.12
12	110580	Resistor-Carbon, 3.3 Meg. 1/2 Watt	.12
13	116088	Resistor-680 Ohms 1/2 Watt	.12
14	118092	Resistor-140 Ohms 1 Watt, Wire Wound	.14
15	118752	Resistor-33 Ohms 1 Watt, Wire Wound	.15
16-17	118819	Condenser-.05 Mfd. 600 Volt	.20
18A-18B	118834	Volume Control- 1 Megohm with switch	1.10
19	118835	Resistor-Insulated, 1,500 Ohms 1 Watt	.15
20	118921	Lamp-Dial (Mazda #47)	.15
21	119024	Transformer-End I.F.	1.15
22 to 26	118193	Condenser-.01 Mfd. 600 Volt	.15
27	119214	Switch-Tone Control	.46
28	119345	Condenser-Trimmer	.20
29	118414	Condenser-.02 Mfd. 600 Volt	.15
30	118417	Condenser-.006 Mfd. 800 Volt	.15
31	500131	Transformer-1st I.F.	1.10
32A-32B	500256	Condenser-Electrolytic (A-40 Mfd. 150 V. B-20 Mfd. 150 V.)	1.00
33A-33B	500403	Gang Condenser & Drum (With Osc. Trimmer)	2.50
34	500408	Coil-Oscillator	.42
35	R-500423	Speaker-P.M. (5 inch)	4.50
38	R-500424	Transformer-Output, for R-500423 Spkr.	1.80

Diagram Number	Part Number	Description	List Price
37	R-500425	Cone & Voice Coil for R-500423 Spkr.	1.80
38	500465	Cabinet Back & Loop Assem.	1.70
39	86686	Condenser-Mica, 200 Mmfd.	.14
40	118819	Condenser-.05 Mfd. 600 Volt	.20

MISCELLANEOUS PARTS

Part Number	Description	List Price
500462	Cabinet	\$7.00
112745	Clip-coil mounting	.01
112764	Clip-dial scale retaining	.01
117057	Cord-drive supplied in 3' lengths	.15
500404	Dial scale	.35
118210	Dial window-acetate	.35
119167	Knob	.10
110496	Plug-Speaker (4 prong)	.12
118823	Pointer	.16
83552	Screw-Chassis Mtg.	.03
118831	Shaft-tuning	.12
110501	Socket-Speaker (4 prong)	.16
116793	Socket - for dial light	.40
180294	Socket - 8 prong for 14H7	.12
114276	Socket-Octal (rectifier)	.15
119791	Socket-Octal	.12
114968	Spring-Dial cord tension	.03

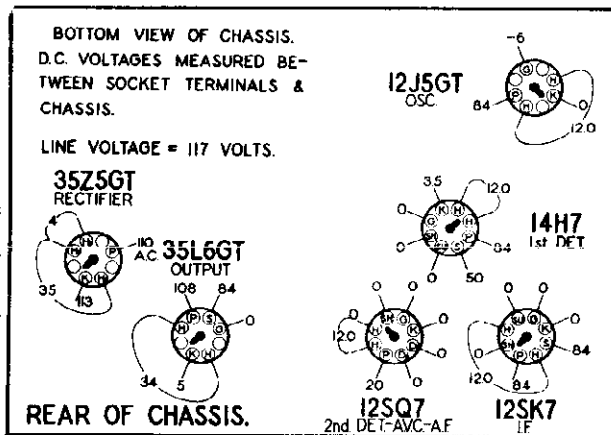
PRICES SUBJECT TO CHANGE WITHOUT NOTICE.

ALIGNMENT PROCEDURE

ALIGN THIS RECEIVER IN THE CABINET WITH LOOP CONNECTED

1. Connect output meter across the voice coil; or from 35L6GT plate to chassis.
2. Connect the ground lead of the signal generator to the chassis through a .25 mfd. condenser.
3. Set the volume control to the maximum volume position.
4. Set dial pointer in a horizontal position with gang condenser in full mesh.
5. Connect the antenna lead of the signal generator to the lug on the top of the rear section of the gang condenser, using a 200 mfd. mica condenser in series.
6. Set the signal generator to 455 KC. Set receiver dial to a point where it does not affect signal. Adjust the trimmer screws on the top of each I.F. transformer for maximum output.
7. Connect the output of the signal generator in series with a 200 mfd. mica condenser to the blue wire extending from the loop. Turn the receiver dial to 1500 KC.
8. Set the signal generator to 1500 KC. and adjust the trimmer on the front section of the receiver gang condenser for maximum output of the oscillator signal.
9. Place the loop antenna in its final position at the rear of the cabinet and adjust the trimmer screw on the back of the chassis for maximum output at 1500 KC.

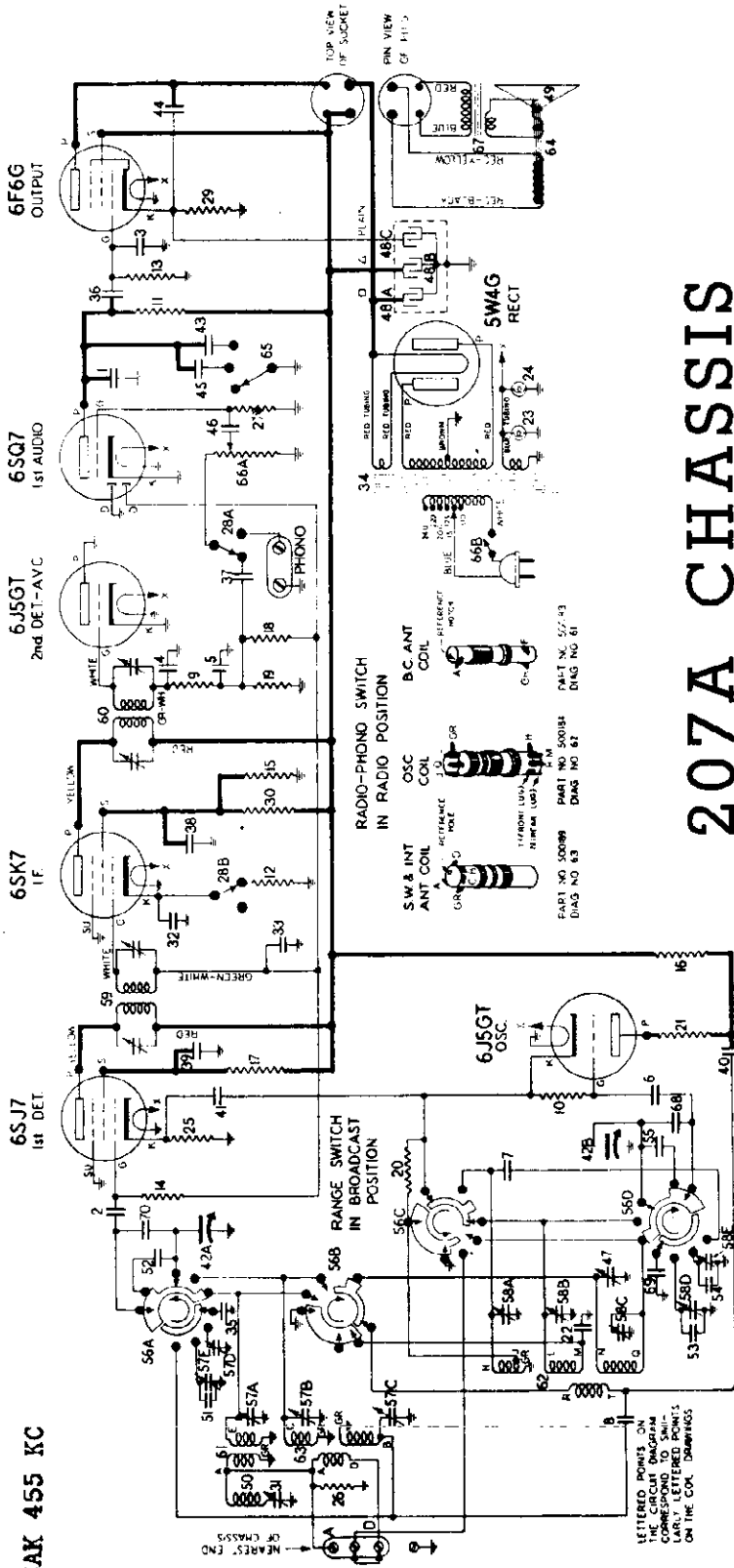
SOCKET VOLTAGES  
NO SIGNAL CONDITION DIAL TUNED TO 540 KC.



USE A VOLTMETER OF 1000 OHMS PER VOLT.

STEWART-WARNER CORP.

207A CHASSIS



SOCKET VOLTAGES  
DIAL TUNED TO 540 KC.

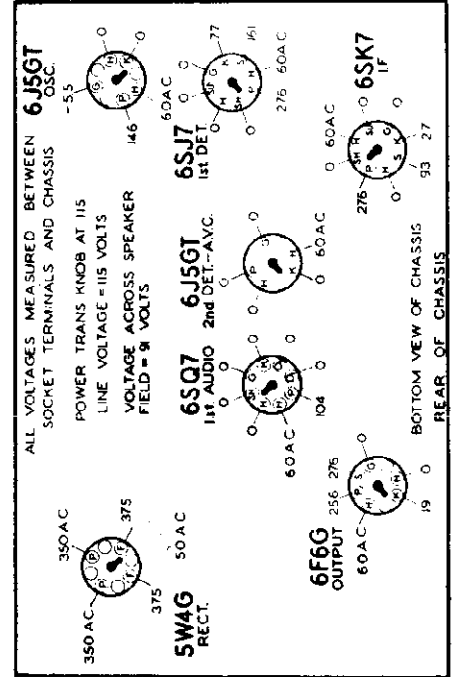


Diagram Number	Part Number	Description
1-2	83539	Condenser mica 250 mmfd.
3 to 5	83783	Condenser mica 110 mmfd.
6	85061	Condenser mica 51 mmfd.
7	88587	Condenser mica .0042 mfd.
8	110510	Condenser wire 3 mmfd.
9-10	110552	Resistor carbon 47,000 ohms 1/4 watt.
11	110553	Resistor carbon 270,000 ohms 1/4 watt.
12	110556	Resistor carbon 220,000 ohms 1/4 watt.
13-14	110559	Resistor carbon 470,000 ohms 1/4 watt.
15-16	110562	Resistor carbon 22,000 ohms 1/2 watt.
17	110564	Resistor carbon 100,000 ohms 1/4 watt.
18	110570	Resistor carbon 2.2 Meg. 1/4 watt.
19	110584	Resistor carbon 330,000 ohms 1/4 watt.
20-21	110590	Resistor carbon 180 ohms 1/4 watt.
22	110985	Condenser mica .00224 mfd.
23-24	112536	Lamp dial Mazda No. 44 (frosted).
25-26	112975	Resistor carbon 3300 ohm 1/4 watt.
27	114141	Resistor D.P.D.T. (Phono)
28A-28B	114141	Switch D.P.D.T. (Phono)
29	114335	Resistor wire wound 430 ohms 2 watt
30	116054	Resistor carbon 27000 ohm 1 watt
31	116589	Condenser trimmer for wave trap
32-33	116819	Condenser .05 mfd. 600 volt
34	117774	Transformer power 100-240 V. 40-133 cycles
35	118771	Condenser silver mica 300 mmfd.
36 to 41	119193	Condenser .01 mfd. 500 volt
42 & 43	119261	Condenser electrolytic
43	119417	Condenser .006 mfd. 600 volt.
44 to 46	119875	Condenser .002 mfd. 600 volts
47	119934	Condenser padder
48A-48B-48C	160174	Condenser electrolytic
49	M-160312	Section A—20 mfd. 400 volt
50	160606	Section B—15 mfd. 400 volt
51	160625	Section C—10 mfd. 25 volt
52	160625	Wave Trap Coil for M-500200 speaker
53-53	161011	Cone & Voice Coil for M-500200 speaker
54	161126	Condenser silver mica 60 mmfd.
55	161126	Condenser silver mica 75 mmfd.
56	500043	Condenser silver mica 21 mmfd.
57A to 57E	500164	Condenser silver mica 125 mmfd.
58A to 58E	500164	Band switch
59	500169	Condenser trimmer (5 section).
60	500171	Transformer 1st I.F.
61	500183	Transformer 2nd I.F.
62	500183	Coil broadcast antenna
63	500189	Coil oscillator
64	M-500200	Coil short wave antenna
65	500207	Speaker Dynamic (6")
66A-66B	500208	Switch tone
67	M-500210	Volume Control—1 Meg. (with switch)
68	500212	Transformer output for M-500200 speaker
69	500213	Condenser compensating 200 mmfd.
70	500259	Condenser silver mica 350 mmfd.

Use a voltmeter of 1000 ohms per volt.



CHASSIS 207A

STEWART-WARNER CORP.

**ALIGNMENT PROCEDURE FOR 207A CHASSIS**

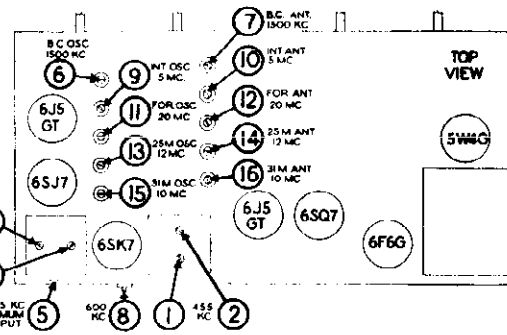
1. Connect the output meter across the voice coil or from the plate of the 6F6G output tube to ground through a .1 mfd. condenser.
2. Connect the ground lead of the signal generator to the chassis. Be sure the connector is between the center terminal and "D" on the antenna strip.
3. Keep the volume control in the maximum position throughout alignment.
4. THE ORDER OF ALIGNMENT STEPS SHOWN BELOW MUST BE FOLLOWED EXACTLY.

Dummy Ant. In Series with Sig. Gen.	Connection of Sig. Generator Output to Receiver	Signal Generator Frequency	Band Switch Position	Receiver Dial Setting	Trimmer Number	Trimmer Description	Type of Adjustment
.1 MFD. Condenser	Lug on Front Section of Gang Cond.	455 KC	Broadcast	Any Point Where It Does Not Affect the Signal	1-2	2nd I.F.	Adjust for Maximum Output. Then Repeat Adjustment.
					3-4	1st I.F.	
200 MMFD. Mica Condenser	"A" Terminal	455 KC	Broadcast	Any Point Where It Does Not Affect the Signal	5	Wave Trap	Adjust for Minimum Output, Using a Strong Generator Signal.
200 MMFD. Mica Condenser	"A" Terminal	1500 KC	Broadcast	1500 KC	6	Broadcast Oscillator (Shunt)	Adjust for Maximum Output.
200 MMFD. Mica Condenser	"A" Terminal	1500 KC	Broadcast	Tune to 1500 KC Generator Signal	7	Broadcast Antenna	Adjust for Maximum Output.
200 MMFD. Mica Condenser	"A" Terminal	600 KC	Broadcast	Tune to 600 KC Generator Signal	8	Broadcast Oscillator (Series)	Adjust for Maximum Output. Try to Increase Output by Detuning Trimmer and Retuning Receiver Dial until Maximum Output is Obtained.
400 OHM Carbon Resistor	"A" Terminal	5 MC	Intermediate	5 MC	9	Intermediate Oscillator	Adjust for Maximum Output. Check to see if Proper Peak was Obtained by Tuning in Image at Approx. 4.1 MC. If image does not appear, Realign at 5 MC, with Trimmer Screw farther out. Recheck Image.
400 OHM Carbon Resistor	"A" Terminal	5 MC	Intermediate	Tune to 5 MC Generator Signal	10	Intermediate Antenna	Adjust for Maximum Output.
400 OHM Carbon Resistor	"A" Terminal	20 MC	Foreign	20 MC	11	Foreign Oscillator	Adjust for Maximum Output. Check to see if Proper Peak was Obtained by Tuning in Image at Approx. 19.1 MC. If image does not appear, Realign at 20 MC, with Trimmer Screw farther out. Recheck Image.
400 OHM Carbon Resistor	"A" Terminal	20 MC	Foreign	Tune to 20 MC Generator Signal	12	Foreign Antenna	Adjust for Maximum Output. Try to Increase Output by Detuning Trimmer and Retuning Receiver Dial until Maximum Output is Obtained.
400 OHM Carbon Resistor	"A" Terminal	12 MC	1st Position	12 MC	13	25 Meter Oscillator	Adjust for maximum output. Use the signal encountered with the trimmer screw farthest in.
400 OHM Carbon Resistor	"A" Terminal	12 MC	1st Position	Tune to 12 MC Generator Signal	14	25 Meter Antenna	Adjust for Maximum Output.
400 OHM Carbon Resistor	"A" Terminal	10 MC	2nd Position	10 MC	15	31 Meter Oscillator	Adjust for maximum output. Use the signal encountered with the trimmer screw farthest in.
400 OHM Carbon Resistor	"A" Terminal	10 MC	2nd Position	Tune to 10 MC Generator Signal	16	31 Meter Antenna	Adjust for Maximum Output.

**MISCELLANEOUS PARTS**

Part Number	Description	List Price
114955	Clamp for dial cord	\$0.01
112745	Clip Coil Mounting (Small)	.01
112798	Clip for Mtg. Wave Trap Coil	.01
116009	Clip for Ant. Coil Mtg. (Large)	.01
117057	Cord drive supplied in 3' lengths	.15
500175	Dial Scale	.70
117029	Drive Drum & Bushing	.50
500188	Escutcheon dial (with glass)	1.68
160219	Knob	.06
119987	Pointer	.11
81145	Retaining Ring for Tuning Shaft	Per C .50
114148	Rotor Voltage Switch (on power transformer)	.50
85827	Set Screw 9-32 square head for drive drum	.02
110501	Socket 4 prong (for speaker)	.16
119791	Socket octal	.12
114876	Socket octal (rectifier)	.15
114878	Socket octal, with special ground	.15
160026	Socket condenser Mtg.	.04
113177	Spring dial cord tension	.09
119824	Terminal Strip with Connector for Antenna	.14
84607	Terminal Strip phone	.12
111456	Washer spring washer for tuning shaft	Per C .50

ALL PRICES SUBJECT TO CHANGE WITHOUT NOTICE



STEWART-WARNER CORP.

MODEL 207FK  
Chassis 207F

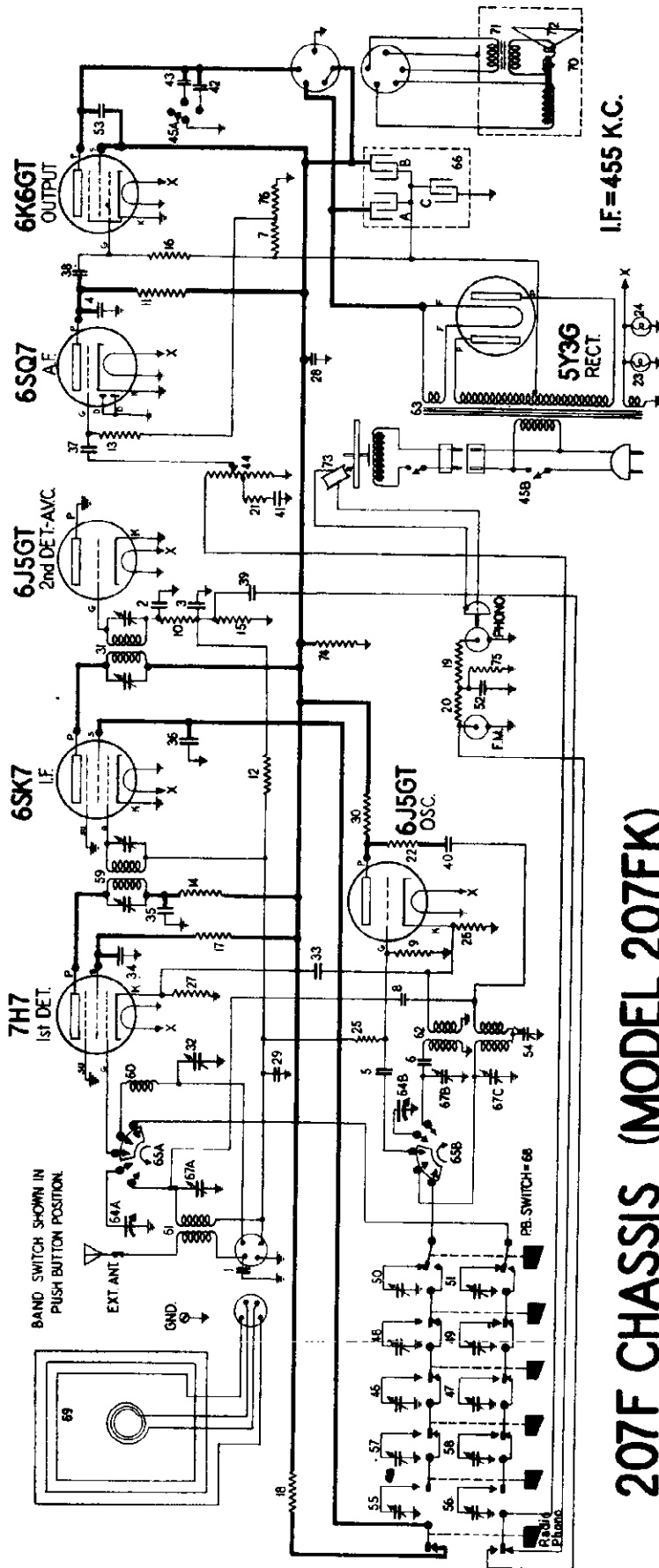
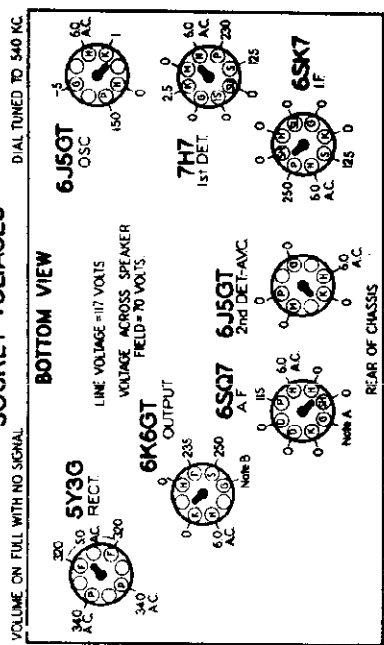


DIAGRAM NUMBER	PART NUMBER	DESCRIPTION
1 to 4	6576S	Condenser, mica, 110 Mfd.
5	F5081	Condenser, mica, 51 Mfd.
6	68577	Condenser, mica, .0042 Mfd.
7	F9782	Resistor, wire wound, 220 ohm 1 watt
8	10510	Con. resistor, wire, 3 Mfd.
9-10	110552	Resistor, carbon, 47,000 ohm 1/4 watt
11	110553	Resistor, carbon, 220,000 ohm 1/4 watt
12-13	110554	Resistor, carbon, 1 Megohm 1/4 watt
14	110557	Resistor, carbon, 4700 ohm 1/4 watt
15-16	110559	Resistor, carbon, 470,000 ohm, 1/4 watt
17 to 20	110564	Resistor, carbon, 100,000 ohm, 1/4 watt
21	110569	Resistor, carbon, 10,000 ohm, 1/4 watt
22	110550	Dial light bulb, 6.8 volt ( Mazda #44)
23-24	110552	Resistor, carbon, 180 ohm, 1/4 watt
25	110559	Resistor, carbon, 10 Meg. 1/4 watt
26	110578	Resistor, 380 ohm, 1/4 watt
27	110570	Resistor, insulated, 850 ohm, 1/4 watt
28	110525	Resistor, .65 Mfd, 600 volt
29	110519	Condenser, .65 Mfd, 600 volt
30	110524	Resistor, carbon, 10,000 ohm 1 watt
31	119024	Transformer, 2nd I.F.
32	119132	Transformer, trimmer
33 to 40	119133	Condenser, .01 Mfd, 600 volt
41 to 42	119414	Condenser, .02 Mfd, 600 volt
43	119417	Condenser, .006 Mfd, 600 volt
44	119634	Volume control, 1 Megohm
45A-45B	119640	Off-On switch & tone control
46 to 48	119683	Condenser, push button trimmer (750-1375 KC)
50-51	119684	Condenser, push button trimmer (980-1600 KC)
52-53	119675	Condenser, .002 Mfd, 600 volt
54	119624	Condenser, padding
55 to 58	500187	Transformer, push button trimmer (540-1000 KC)
59	500601	Transformer, 1st I.F.
60	500811	Coil, loading
61	501042	Coil, short wave antenna
62	501043	Coil, oscillator (B.F. & S.W.)
63	501044	Transformer, power 60 cycles
64A-64B	501087	Condenser, variable tuning
65A-65B	501059	Switch, band
66	501080	Con-tenna, Electrolytic A=20 Mfd, 400 volt B=15 Mfd, 400 volt C=20 Mfd, 25 volt
67A-67B-67C	501087	Condenser, 3 section trimmer
68	501089	Switch, push button
69	501150	Loop antenna
70	501184	Transformer, dynamic 10 inch 501170 spkr.
71	501184	Transformer, output for 501170 spkr.
72	501184	Common voice coil for 501170 spkr.
73	501258	Resistor, carbon, 33,000 ohms 2 watt
74	110578	Resistor, carbon, 530,000 ohms 1/4 watt
75	110584	Resistor, carbon, 20 ohms, 1/4 watt
76	501196	Resistor, carbon, 20 ohms, 1/4 watt

# 207F CHASSIS (MODEL 207FK)

## SOCKET VOLTAGES



VOLUME ON FULL WITH NO SIGNAL.  
DIAL TUNED TO 540 KC.

NOTE A: The bias voltage on this grid is -1 volt measured across resistor R-76.  
NOTE B: The bias voltage on this grid is -16 volts measured across resistors T-6, T-6.  
\*USE A HIGH RESISTANCE VOLTMETER OF 1000 OHM PER VOLT.

MODEL 207FK  
Chassis 207F

STEWART-WARNER CORP.

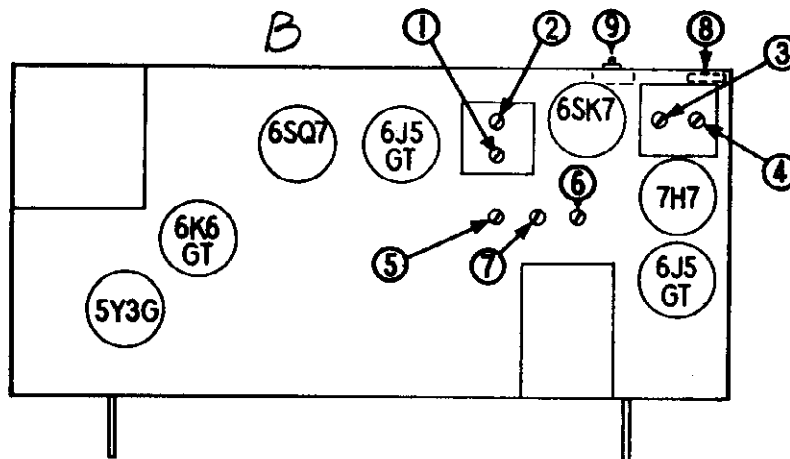
ALIGNMENT PROCEDURE

1. Connect the output meter across the voice coil or from plate of the 6K60 output tube to chassis through a .1 mfd. condenser. (The more sensitive type should be connected across the voice coil.)
2. Connect the ground lead of the signal generator to the receiver chassis.
3. Push the RADIO-PHONO SWITCH in.
4. Turn the volume control to the maximum position and keep it in this position throughout the alignment procedure.
5. Check the pointer to see that it is correctly set to low freq. end of dial scale with gang in full mesh.
6. The loop must be connected as indicated in circuit diagram at all times.

Dummy Ant. in Series with Sig. Gen.	Connection of Sig. Generator Output to Receiver	Signal Generator Frequency	Band Switch Position	Receiver Dial Setting	Trimmer Number	Trimmer Description	Type of Adjustment
.1 Mfd. Condenser	Lug on front section of Gang Condenser	455 KC	"A" Position	Any Point Where it does not affect the signal	1-2	2nd. I.F.	Adjust for Maximum Output. Then repeat adjustment.
					3-4	1st. I.F.	
400 Ohm Carbon Resistor	Antenna Terminal (Blue Wire)	16 MC	"B" Position	16 MC	5	Foreign Oscillator	Adjust for Maximum Output. Check to see if Proper Peak was Obtained by Tuning in Image at Approx. 15.1 MC. If Image does not appear, Realign at 16 MC. with Trimmer Screw farther out. Recheck Image.
400 Ohm Carbon Resistor	Antenna Terminal (Blue Wire)	16 MC	"B" Position	Tune to 16 MC Gen. Sig.	6	Foreign Antenna	Adjust for Maximum Output. Try to increase output by Detuning Trimmer and Retuning Receiver Dial until Maximum Output is Obtained.
200 Mmfd. Mica Condenser	Antenna Terminal (Blue Wire)	1500 KC	"A" Position	1500 KC	7	Broadcast Oscillator (Shunt)	Adjust for Maximum Output.

Now replace the chassis and loop antenna in the cabinet before proceeding further.

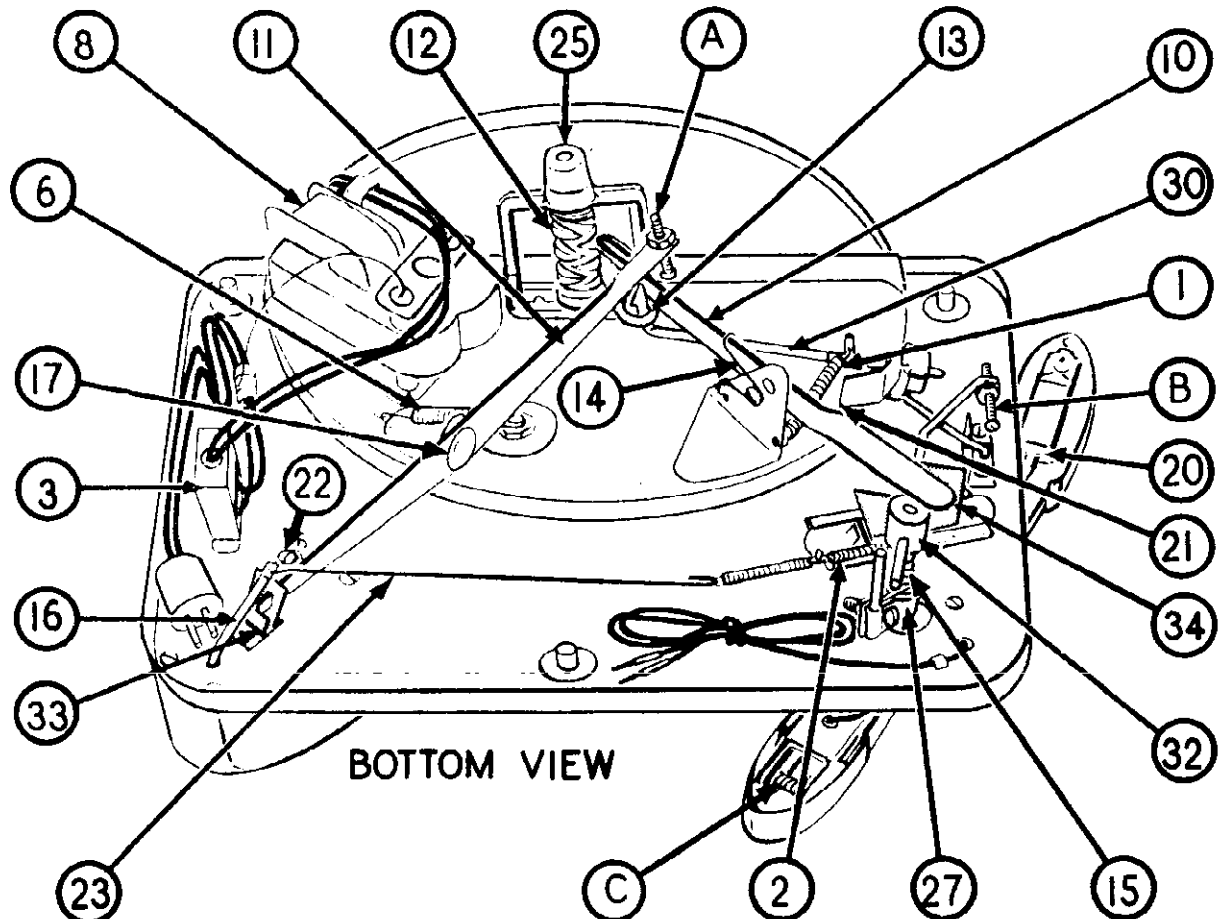
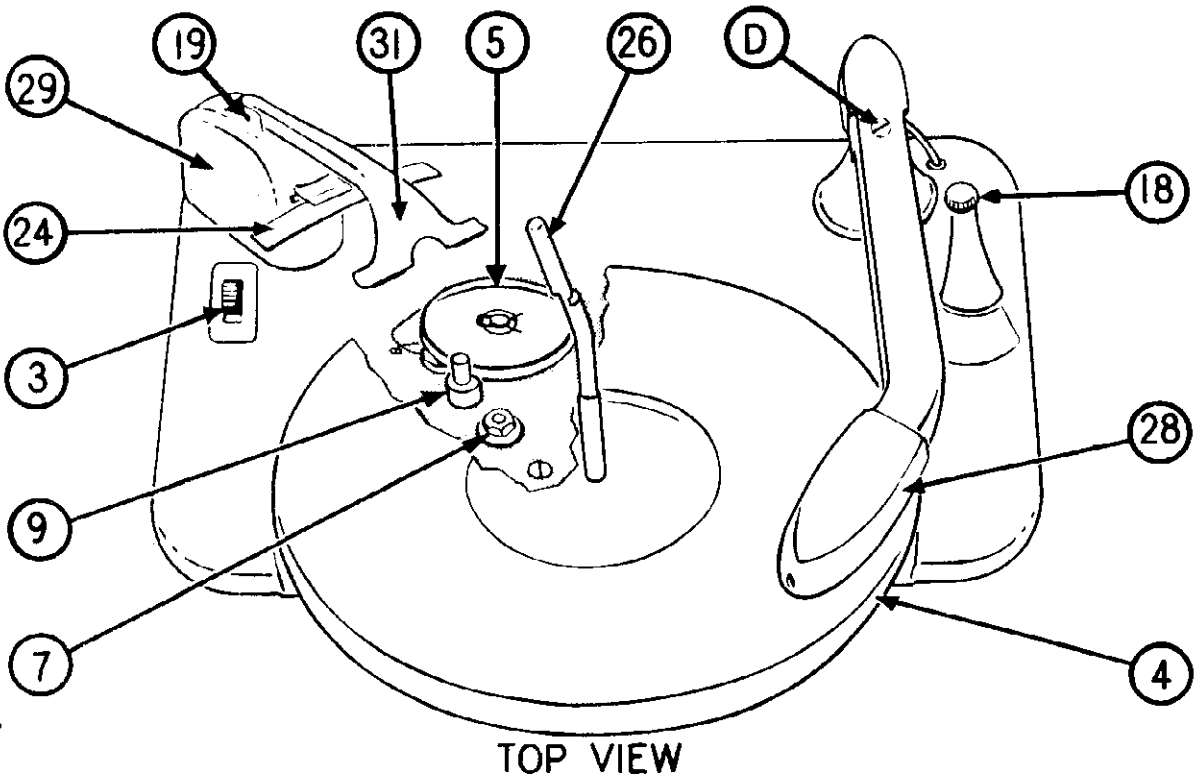
200 Mmfd. Mica Condenser	Antenna Terminal (Blue Wire)	1500 KC	"A" Position	Tune to 1500 KC Gen. Sig.	8	Broadcast Antenna	Adjust for Maximum Output.
200 Mmfd. Mica Condenser	Antenna Terminal (Blue Wire)	600 KC	"A" Position	Tune to 600 KC Gen. Sig.	9	Broadcast Oscillator (Series)	Adjust for Maximum Output. Try to increase output by Detuning Trimmer and Retuning Receiver Dial until Maximum Output is Obtained.



MISCELLANEOUS PARTS

PART NUMBER	DESCRIPTION	LIST PRICE	PART NUMBER	DESCRIPTION	LIST PRICE
110405	Cable-pickup	.50	85040	Screw, #6 Hex. Hd.	Per C .35
114955	Clamp, for dial cord	.01	112874	Screw, #10 X 1-1/8 chassis mounting	.01
112745	Clip, coil mounting	.01	114914	Screw, special head for mtg. escutcheon	Per Dz. .05
117057	Cord, drive (supplied in 3 ft. lengths)	.15	501041	Shaft, tuning	.10
500839	Dial background	.14	111090	Spacer, steel - Mtg. for gang	.02
501791	Dial scale		500051	Socket, for loop antenna	.15
501792	Dial escutcheon with glass		117704	Socket, for speaker, 5 prong	.13
501026	Knob "Band"	.16	160294	Socket, for 7H7 8 prong	.12
501035	Knob, "Tone"	.16	119791	Socket, octal	.12
119968	Knob, "Tune"	.16	114876	Socket, octal (Rectifier)	.15
119971	Knob, "Volume"	.16	114878	Socket, octal with special ground	.15
501968	Needle-phonograph		160039	Socket, phono	.08
160354	Pilot lamp socket	.10	151394	Spring, dial cord tension	.06
119987	Pointer	.11	160229	Station call letter tabs	.45
119953	Push button	.07	110829	Washer, flat steel, for mtg. chassis	.01
81145	Retaining ring for tuning shaft	Per C .50	111456	Washer, spring washer for tuning shaft	Per C .50
113463	Rubber bushing, chassis mtg.	.03			

STEWART-WARNER CORP.



CHASSIS 207DL, 207FK,  
208CK

STEWART-WARNER CORP.

## DESCRIPTION OF CYCLE

To start the cycle on models with a switch on the base plate or on the radio control panel, turn on the switch and press down on the TONE ARM. This depresses the REJECT BUTTON (21) on Diagram 1, starting the cycle.

When FOLLOWER (13) engages in WORK (12), FOLLOWER ARM (10) is pivoted at the pivot, lifting CHAMK (22) which raises TONE ARM. CHAMK (22) is fastened to the lift pin. As this rises and set free the tone arm. At the angular upper end of the INDEX PLATE (24), it causes a rotation of the CHAMK (22) which in turn contacts the CHAMK PIN (27) fastened to the TONE ARM shaft and swings the TONE ARM inward until the CHAMK (22) strikes INDEX PLATE (24). Then the FOLLOWER (13) returns to its starting position, the CHAMK (22) drops, setting the TONE ARM on the record.

The set down position for 10" or 12" records is automatically controlled when the ejector is activated so that the edge of the 10" or 12" records rest on the support bracket. The REJECT ELECTOR (24) can be set in the 10" or 12" position by merely slightly lifting it and pulling or pushing it in or out until the 10" or 12" numbers show at the edge of the opening in the housing.

## ADJUSTMENTS

All adjustments can be made with record changer disconnected from the power outlet.

**TONE ARM SET-DOWN POSITION ADJUSTMENT:** To adjust the set-down position of the tone arm, turn the reject button and turn the trimble by hand in a clockwise direction until the CHAMK (Diagram No. 22) strikes the INDEX PLATE (Diagram No. 24) and the TONE ARM starts downward toward the record. Loosen the screw in the CHAMK (22) and turn the CHAMK (22) with the lower portion of the INDEX PLATE (24) until the CHAMK (22) is in contact with the point 1/64" in from the outside of a record of the size indicated on the EJECTOR SLIDE (24). Retighten the screw and carry the mechanism through the remainder of the cycle.

**EJECTOR ARM SETTING (A):** The adjustment of screw "A" determines the point in the cycle in which the next record falls. Turning the screw clockwise causes records to fall to be delayed, while turning the screw counter-clockwise causes the records to fall earlier in the cycle. This screw should be adjusted using a 12 inch record in the 12 inch position. Adjust the screw so that the record falls when the tone arm has moved to its extreme outside position in the change cycle. Tighten the locking nut after the adjustment has been made.

**TONE ARM TRIP POSITION ADJUSTMENT (B):** The trip position is adjusted by screw "B". For proper operation the screw should be adjusted to trip the mechanism at the eccentric finishing groove on a record. This will assure satisfactory operation for the majority of records in use. Turning the screw clockwise will cause earlier tripping of the mechanism; turning counter-clockwise will delay the tripping. Tighten the locking nut on the screw when the correct adjustment has been obtained.

**NEEDLE PRESSURE ADJUSTMENT (C):** To increase the weight on the needle, should it jump grooves or slide across the grooves too easily, lift the tone arm and relieve the spring tension by releasing the small sprocket wheel a quarter turn at a time. On the other hand, should the records and needle wear too fast, increase the spring tension with the sprocket to decrease the needle's pressure.

**TONE ARM HEIGHT ADJUSTMENT (D):** The height to which the tone arm rises during the change cycle is governed by the adjustment of the screw under the tone arm on the top of the tone arm post. Turning this screw clockwise will lower the height to which the tone arm rises and vice versa. The proper adjustment may be made by placing 12 ten inch records on the turntable and adjusting the screw to the point where the tone arm clears the top record during the change cycle.

**EJECTOR SETTING:** The small screw, (Diagram No. 22), makes two adjustments: It varies the tension of the spring used on the EJECTOR mechanism (24) and it also moves the stationary position of the EJECTOR with respect to the rest of the mechanism. To lower the spring tension on the EJECTOR, loosen the lock nut on the screw and turn the screw counter-clockwise. Turning the screw counter-clockwise also moves the EJECTOR away from the SPINDLE, turning the screw clockwise increases the tension of the EJECTOR spring and also moves the EJECTOR closer to the SPINDLE.

The correct adjustment of the screw may be obtained as follows:

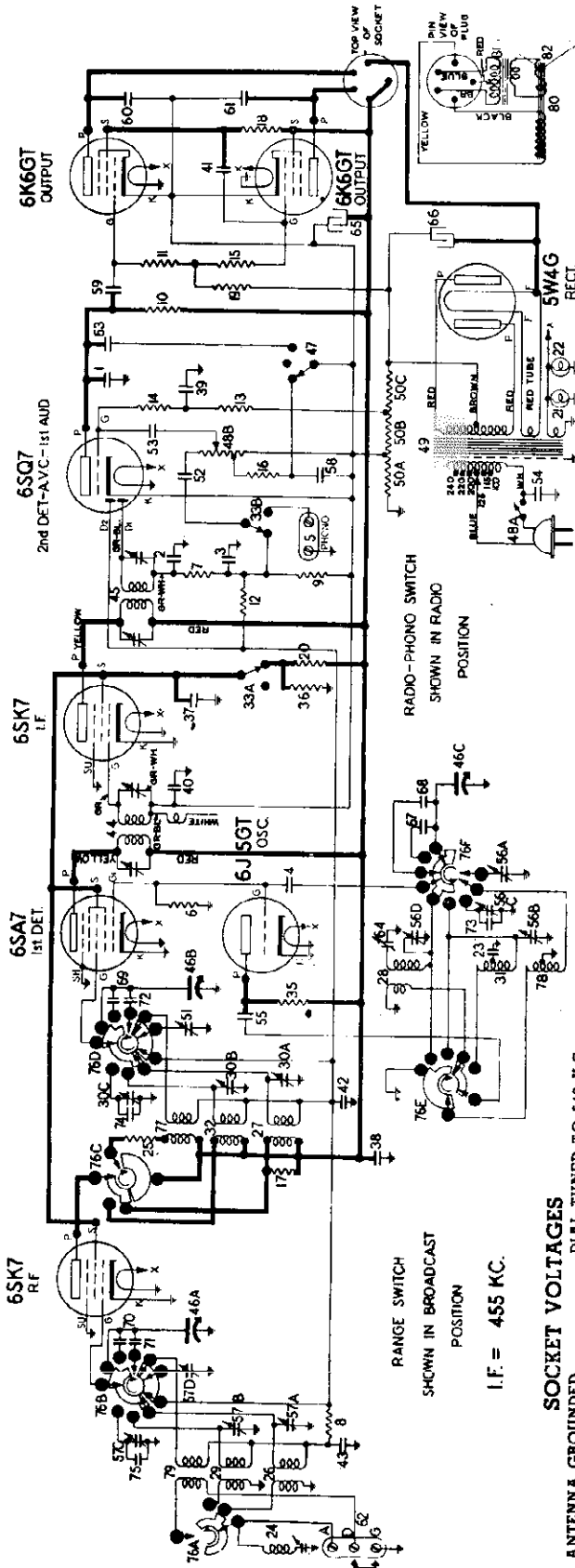
Set the EJECTOR for 12" records and place ten 12" records on the spindle. Turn the turntable by hand and observe record dropping. The screw should be adjusted so that the bottom record just falls. The screw is correctly set when almost entirely in the "out" position. The spring tension on the EJECTOR is then relatively small and stalling of the motor is less likely to occur.

**NOTE:** After adjusting this screw, check the adjustment of "A". Remember to tighten the locking nut after adjusting a screw.

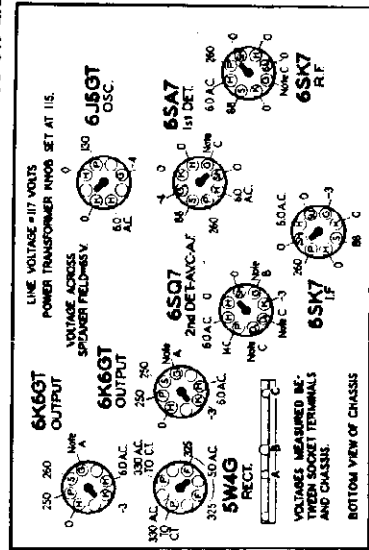
## TROUBLES &amp; THEIR REMEDIES

- NOISE WHILE CYCLING**  
This trouble is caused by the FOLLOWER ARM (10) being bent out of position. Straighten the arm.
- TURNTABLE RUMBS**  
Loosen set screw on WORK (12) with an Allen wrench and raise the spindle about 1/16".
- DOES NOT CYCLE WITH REJECT BUTTON**  
Check to see if TRIP LINK (30) is releasing FOLLOWER (13). If TRIP LINK releases FOLLOWER but will not center on threads of WORK, bend the FOLLOWER ARM (10).
- RECORD SLOWS DOWN DURING CYCLING**  
Bend paddle end of FOLLOWER ARM (10) down slightly or loosen the EJECTOR SCREW (22) slightly.
- RECORDS DO NOT DROP**  
Tighten EJECTOR SCREW (22) slightly. Always check on full stack of 10-12" records. Set screw so that bottom record just falls.
- RECORD DROPS ON TONE ARM**  
Bend back end of FOLLOWER ARM (10) up slightly. Make sure EJECTOR SCREW (22) is adjusted properly.
- MECHANISM KEEPS REPEATING ON TOP OF WORK**  
Bend TRIP LINK (30) back slightly so as to loosen the TRIP SPRING (Diagram No. 1) tension on FOLLOWER (13). It may be necessary to first loosen the set screw on the TRIP. If this does not correct the trouble, check the FOLLOWER ARM (10) to make sure it is straight and bend slightly if necessary.
- MECHANISM KEEPS REPEATING ON BOTTOM OF WORK**  
This indicates a bent FOLLOWER ARM (10). Straighten arm.
- FOLLOWER FLUTTERS WHILE PLAYING**  
Check to see if FOLLOWER ARM (10) is all the way up to top of WORK (12). If not, bend arm slightly in toward WORK to stop binding.
- FOLLOWER ARM BINDS**  
Bend FOLLOWER ARM away from fulcrum at both sides of rivet.
- FOLLOWER JAMS**  
Bend FOLLOWER ARM to straighten.
- TONE ARM DOES NOT LAND AT BEGINNING OF RECORD OR MISSES RECORD ENTIRELY**  
Check EJECTOR to see if it is set for correct size of record. If EJECTOR is set for correct record size, the SET DOWN POSITION ADJUSTMENT should be loosened and the position of the TONE ARM adjusted as described under "TONE ARM SET-DOWN POSITION ADJUSTMENT."
- TONE ARM DOES NOT GO INTO CYCLE AT END OF RECORD**  
Check to see if record has spiral finishing groove. If it has not, reject record by means of REJECT BUTTON. If trouble lies with mechanism, adjust screw "B" as described under "TONE ARM TRIP POSITION ADJUSTMENT."
- RECORDS WEAR EXCESSIVELY**  
Check needle to see if worn out or defective. If needle is not cause of wear, lift the tone arm and increase the tension of the spring at the base as described under "NEEDLE PRESSURE ADJUSTMENT."
- TONE ARM SLIPS OUT OF RECORD GROOVES OR SLIDES ACROSS RECORD**  
This is usually due to insufficient needle pressure. The needle pressure may be increased by loosening the spring tension at the base of the tone arm as described under "NEEDLE PRESSURE ADJUSTMENT."
- TONE ARM SLIDES ACROSS TOP RECORD OF STACK**  
This is due to the tone arm having insufficient height to clear the top record on the turntable. This can be remedied by raising the tone arm height by means of the "TONE ARM HEIGHT ADJUSTMENT 'D'".
- "WOM" IN RECORD REPRODUCTION**  
This is usually due to worn rubber rim on the idler wheel. If this is the case, replace the idler wheel.

# STEWART-WARNER MODEL 208A CHASSIS



**SOCKET VOLTAGES**  
DIAL TUNED TO 540 K.C.



All voltages measured in radio position. Use a high resistance voltmeter of at least 1000 ohms per volt.

**NOTE A:** The 6K6GT grid bias voltage is .24.5 volts measured between terminals A and C on the bias resistor.

**NOTE B:** The 6SQ7 grid bias voltage is -1.8 volts measured between terminals A and B on the bias resistor.

**NOTE C:** The voltage present at these elements is -3 volts measured between terminal A on the bias resistor and chassis.

## ELECTRICAL PARTS

Diagram Number	Part Number	Description	List Price
1	83539	Condenser—mica .250 mfd.	.20
2,3,4	83783	Condenser—mica 110 mfd.	.20
5	84407	Terminal strip—phono	.12
6,7	110552	Resistor—carbon 47,000 ohms 1/4 watt	.12
8 to 11	110553	Resistor—carbon 220,000 ohms 1/4 watt	.12
12,13,14	110554	Resistor—carbon 1 megohm 1/4 watt	.12
15	110565	Resistor—carbon 22,000 ohms 1/4 watt	.12
16	110566	Resistor—carbon 33,000 ohms 1/4 watt	.12
17,18	110578	Resistor—carbon 2,200 ohms 1/4 watt	.12
19	110578	Resistor—carbon 68,000 ohms 1/4 watt	.12
20	110629	Dial light bulb—6.5 volt (Mazda No. 44)	.20
21,22	112786	Resistor—mica .1650 mfd.	.30
23	112786	Resistor—mica .1650 mfd.	.30
24	112786	Resistor—mica .1650 mfd.	.30
25	112786	Resistor—mica .1650 mfd.	.30
26	113295	Coil—antenna (R.C.)	1.30
27	113296	Coil—antenna (I.B.C.)	1.30
28	113297	Coil—oscillator (I.B.C.)	1.28
29	113298	Coil—antenna (intermediate)	.50
30	30B-30C	Coil—oscillator (intermediate)	.54
31	113412	Coil—oscillator (intermediate)	1.20
32	113609	Coil—Det. (intermediate)	.50
33A,33B	114141	Switch—D.P.D.T.	.44
34	114148	Rotary-voltage switch (on power transformer)	.50
35	116035	Resistor—carbon 22,000 ohms 1/2 watt	.12
36	116086	Resistor—carbon 18,000 ohms 1 watt	.16
37,38,39	116925	Condenser—1 mfd. 600 volt	.25
40	116706	Condenser—2 mfd. 500 volt	.35
41 to 43	116819	Condenser—.05 mfd. 600 volt	.20
44	46A-46B-46C	Transformer—1st I.F.	1.60
45	117612	Transformer—2nd I.F.	1.60
46	117612	Transformer—2nd I.F.	1.60
47	117672	Condenser—variable tuning	5.00
48	48A-48B	Volume control amp. with switch	1.35
49	117774	Transformer—power 100-240 volt 40-133 cycle	1.00
50A-50B-50C	117786	Resistor—bias strip, A—85 ohms; B—20 ohms; C—270 ohms	7.60
51	119132	Condenser—trimmer	.42
52 to 55	119193	Condenser—.01 mfd. 600 volt	.15
56A to 56D	119283	Condenser—trimmer (4 sections)	.60
57	119415	Condenser—.015 mfd. 600 volt	.15
58	119417	Condenser—.005 mfd. 600 volt	.15
59	119417	Condenser—.005 mfd. 600 volt	.15
60,61	119817	Antenna terminal strip with connector	1.14
62	119824	Condenser—.002 mfd. 600 volt	.14
63	119834	Condenser—paper mica 16 mfd. 450 volts	.26
64	500026	Condenser—silver mica 150 mfd.	.26
65 to 69	500041	Condenser—silver mica 125 mfd.	.22
70 to 72	500042	Condenser—silver mica 150 mfd.	.22
73 to 75	500043	Condenser—silver mica 125 mfd.	.22
76A to 76F	500044	Switch—Band	2.50
77	500061	Coil—short wave Del.	.65
78	500062	Coil—short wave oscillator	.62
79	500063	Coil—short wave antenna	.64
80	M-500091	Speaker—dynamic (9 in. oval)	7.00
81	M-500090	Transformer—output for M-500090 speaker	1.75
82	M-500092	Cone & Voice coil for M-500090 speaker	1.75

Prices Subject to Change Without Notice

CHASSIS 208A

STEWART-WARNER CORP.

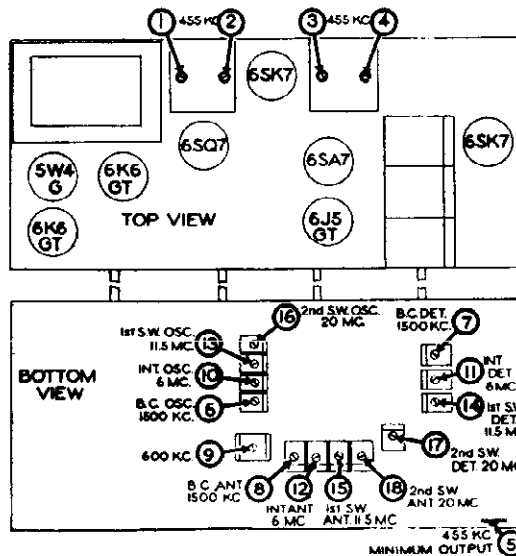
ALIGNMENT PROCEDURE FOR 208A CHASSIS

1. Connect the output meter across the voice coil or across the plates of the 6K6GT output tubes. (The more sensitive type should be connected across the voice coil.)
2. Connect the ground lead of the signal generator to the receiver chassis or to the "G" terminal at the back of the chassis.  
NOTE: The "G" and "D" terminals on this terminal strip must be connected together.
3. Turn the volume control to the maximum volume position and keep it in this position throughout the alignment procedure.
4. With the gang condenser in full mesh, set the pointer to the last mark on the left end of the dial scale. If the pointer is incorrectly set, it is only necessary to loosen the set screws on the dial cord drive drum and push the gang condenser to full mesh with the pointer properly set, then retighten the set screws.

Dummy Ant. in Series with Sig. Gen.	Connection of Sig. Generator Output to Receiver	Signal Generator Frequency	Band Switch Position	Receiver Dial Setting	Trimmer Number	Trimmer Description	Type of Adjustment
.1 MFD Condenser	Lug on Middle Section of Gang Cond.	455 KC	Broadcast	Any Point Where It Does Not Affect the Signal	1-2	2nd I.F.	Adjust for Maximum Output. Then Repeat Adjustment.
					3-4	1st I.F.	
200 MMFD. Mica Condenser	"A" Terminal	455 KC	Broadcast	Any Point Where It Does Not Affect the Signal	5	Wave Trap	Adjust for Minimum Output. Using a Strong Generator Signal.
200 MMFD. Mica Condenser	"A" Terminal	1500 KC	Broadcast	1500 KC	6	Broadcast Oscillator (Shunt)	Adjust for Maximum Output.
200 MMFD. Mica Condenser	"A" Terminal	1500 KC	Broadcast	Tune to 1500 KC Generator Signal	7	Broadcast Detector	Adjust for Maximum Output.
					8	Broadcast Antenna	
200 MMFD. Mica Condenser	"A" Terminal	600 KC	Broadcast	Tune to 600 KC Generator Signal	9	Broadcast Oscillator (Series)	Adjust for Maximum Output. Try to Increase Output by Detuning Trimmer and Retuning Receiver Dial until Maximum Output is Obtained.
400 OHM Carbon Resistor	"A" Terminal	6 MC	Intermediate	6 MC	10	Intermediate Oscillator	Adjust for Maximum Output. Check to see if Proper Peak was Obtained by Tuning in Image at Approx. 5.1 MC. If Image does not appear, Realign at 6 MC. with Trimmer Screw farther out. Recheck Image.
400 OHM Carbon Resistor	"A" Terminal	6 MC	Intermediate	Tune to 6 MC Generator Signal	11	Intermediate Detector	
400 OHM Carbon Resistor	"A" Terminal	6 MC	Intermediate	Tune to 6 MC Generator Signal	12	Intermediate Antenna	Adjust for Maximum Output.
					13	1st S.W. Oscillator	Adjust for Maximum Output. Check to see if Proper Peak was Obtained by Tuning in Image at Approx. 10.5 MC. If Image does not appear, Realign at 11.5 MC. with Trimmer Screw farther out. Recheck Image.
400 OHM Carbon Resistor	"A" Terminal	11.5 MC	1st S.W.	11.5 MC	14	1st S.W. Detector	
400 OHM Carbon Resistor	"A" Terminal	11.5 MC	1st S.W.	Tune to 11.5 MC Generator Signal	15	1st S.W. Antenna	
400 OHM Carbon Resistor	"A" Terminal	20 MC	2nd S.W.	20 MC	16	2nd S.W. Oscillator	Adjust for Maximum Output. Check to see if Proper Peak was Obtained by Tuning in Image at Approx. 19.1 MC. If Image does not appear, Realign at 20 MC. with Trimmer Screw farther out. Recheck Image.
400 OHM Carbon Resistor	"A" Terminal	20 MC	2nd S.W.	Tune to 20 MC Generator Signal	17	2nd S.W. Detector	
400 OHM Carbon Resistor	"A" Terminal	20 MC	2nd S.W.	Tune to 20 MC Generator Signal	18	2nd S.W. Antenna	Adjust for Maximum Output. Try to Increase Output by Detuning Trimmer and Retuning Receiver Dial until Maximum Output is Obtained.

MISCELLANEOUS PARTS

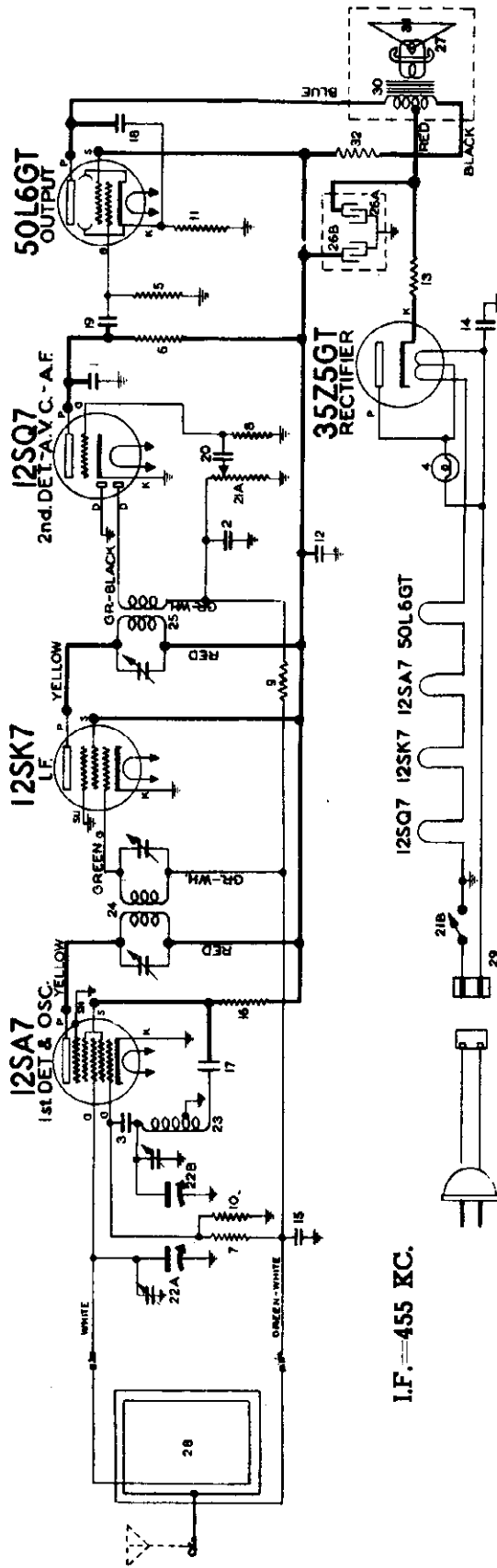
Part Number	Description	List Price
114032	Bracket and pulley assembly right hand	\$ .34
114034	Bracket and pulley assembly left hand	.34
112874	Chassis mtg. bolt No. 10 x 1 1/8	.01
114955	Clamp for dial cord	.01
112745	Clip coil mounting	.01
115948	Cord dial drive (supplied in 6 ft. lengths)	.18
117057	Cord drive (supplied in 3 ft. lengths)	.15
114815	Dial mtg. plate	.38
113338	Drum dial drive	.54
160182	Escutcheon dial	2.10
88348	Eyelet for dial cord	Per Dz. .05
160219	Knob push on	.06
117662	Pointer assembly	.32
112762	Pulley dial cord drive	.04
113463	Rubber bushing chassis mtg.	.03
83624	Screw self tapping No. 8 x 1/4	.15
114914	Screw special head for mtg. escutcheon	Per Dz. .02
111116	Screw No. 5 x 3/8 mechanism mtg.	.35
85040	Screw No. 6 Hex. Hd.	Per C .02
85827	Set Screw 8-32 Square Head for drive drum	.02
117704	Socket for speaker 5 prong	.19
114876	Socket octal (for rectifier)	.15
119791	Socket octal	.12
114878	Socket octal with special ground	.15
111090	Spacer steel mtg. for gang	.02
113177	Spring dial cord tension	.09
113205	Thrust plate for tuning shaft	.02
117664	Tuning shaft	.32
110829	Washer flat steel for mtg. chassis	.01



PRICES SUBJECT TO CHANGE WITHOUT NOTICE

# STEWART-WARNER R-358 CHASSIS

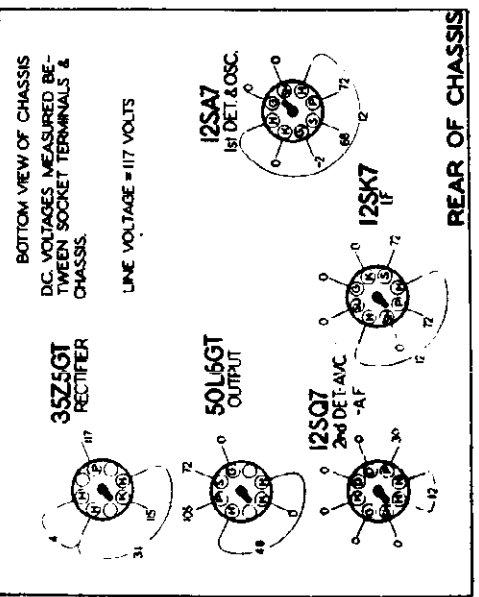
(RECEIVER MODELS R-3581 to R-3589)



I.F. = 455 KC.

### SOCKET VOLTAGES

Volume on full with no signal. Dial tuned to 540 KC



### ELECTRICAL PARTS

Diagram Number	Part Number	Description	Price	Diagram Number	Part Number	Description	List Price
1	83539	Condenser, Mica, 260 Mmfd.	.20	20	119875	Condenser—002 Mfd. 600 Volts.	.15
2-3	83783	Condenser, Mica, 110 Mmfd.	.20	21A-21B	500223	Volume Control—1 Meg. (With Switch)	.95
4	85286	Lamp-Dial 6 to 8 Volt (Mazda 51)	.16	22A-22B	500225	Condenser—Variable Tuning	3.00
5	112971	Resistor—Insulated, 470,000 Ohms 1/4 Watt.	.15	23	500232	Coil—Oscillator	.52
6	112987	Resistor—Insulated, 220,000 Ohms 1/4 Watt.	.15	24	500233	Transformer—1st I.F.	1.15
7-8	116050	Resistor—Insulated, 10 Meg. 1/4 Watt	.12	25	500236	Transformer—2nd I.F.	1.10
9	116058	Resistor—2.2 Megohms 1/4 Watt.	.10	26A-26B	500256	Condenser—Electrolytic, 1A—10 Mfd. 150 V., 1B—20 Mfd. 150 V.	1.00
10	116059	Resistor—Insulated, 22,000 Ohms 1/4 Watt	.12	27	C-500257	Speaker—P.M. Dynamic (4")	2.80
11	116082	Resistor—140 Ohms 1 Watt W.W.	.14	28	500288	Loop Antenna	.85
12	116625	Condenser—1 Mfd. 600 Volt.	.25	29	500281	Socket for power cord cable	.30
13	116752	Resistor—33 Ohms 1 Watt, Wire Wound	.15	30	C-500380	Transformer—Output for C-500257	1.95
14-15	116819	Condenser—.05 Mfd. 600 Volt.	.20	31	C-500361	Cone & Voice Coil for C-500257	1.85
16	118803	Resistor—(Insulated)—680 Ohms 1/4 Watt	.12	32	67986	Resistor—2,000 Ohms, 1 Watt	.25
17 to 19	119193	Condenser—.01 Mfd. 600 Volt.	.15				

ALL PRICES SUBJECT TO CHANGE WITHOUT NOTICE.



MODELS R-3581 to R-3589  
MODELS R-3861 to R-3869

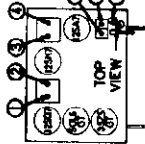
STEWART-WARNER CORP.

**CHASSIS R-366 ALIGNMENT PROCEDURE**

1. Connect output meter across voice coil or from 50L5RT plate through a .1 mfd. condenser to chassis.
2. Set Volume Control in maximum position.
3. Set generator frequency to 455 KC. Connect 1 mfd. condenser to chassis.
4. Set dial pointer to 1600 with slugs all the way out.

Dummy Ant. in Series with Sig. Gen.	Connection Sig. Gen. Output to Receiver	Sig. Gen. Freq.	Receiver Dial Setting	Trimmer No.	Trimmer Description	Type of Adjustment
200 Mfd. Mica Condenser	Grid of 188A7 Tube	455 KC	Any place does not affect signal	1-2 3-4	2nd I.F. 1st I.F.	Adjust screws on top of I.F. cans for maximum output
200 Mfd. Mica Condenser	Antenna Terminal	1600 KC	1600 KC	5	E.C. Osc.	Adjust for maximum output
200 Mfd. Mica Condenser	Antenna Terminal	1800 KC	Tune to 1800 KC Gen. Sig.	5	E.C. Amp.	Adjust for maximum output
200 Mfd. Mica Condenser	Antenna Terminal	1600 KC	Tune to 1600 KC Gen. Sig.	7	E.C. Ant. Coil	Adjust movable Antenna Coil for maximum output

**NOTE:** After completing adjustment No. 7 return slugs to maximum out position and check trimmer No. 6. If no appreciable change in output is obtained, it is necessary for maximum output, the antenna circuit adjustment. If necessary, repeat adjustment No. 7. The same adjustment (Nos. 6 & 7) should be made several times until no change in trimmer adjustment for maximum output is necessary at either point.

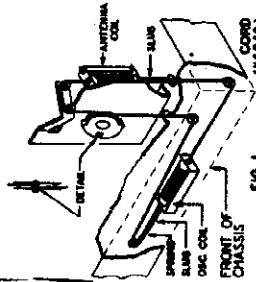


**TO RESTRICTION TUNING MECHANISM**

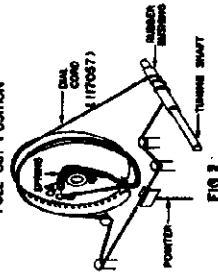
1. Form a loop in the end of the cord and attach it to the hook nearest the dot on the slug. The other end of the cord is attached to another loop through the hook farther from the dot on the slug with the white dot and adjust the length so that the distance from the iron end of the slug to the iron end of the other is 2 1/2 inches.
2. Attach another length of cord to the other end of the yellow dot slug and drop the assembly through the hole in the top of the antenna coil leaving the newly added length of cord on the top end.
3. Pass the lower slug through the hole in the chassis, around the coil and pass the cord through the oscillator coil.
4. Now pass the cord through the oscillator coil, pullers at the top of the mounting bracket, around the rear side of the small iron slug in the "metal" drawing and across the front down through the second hole in the chassis. Pass the cord under the upper pulley and around the bottom pulley. Pass the cord under the upper pulley to slug in oscillator coil and adjust loop in cord to give normal tension.
5. The iron slug in the oscillator coil should project 1/4" from the end of the chassis as shown in the "metal" drawing. In the maximum counter-clockwise position this may be achieved by sliding the cord in the slots shown in the "metal" drawing.
6. If the procedure outlined in the steps above has been carefully followed, the colored dot ends of the slugs will enter the coil. After restringing tuning mechanism in the coil.
7. After restringing tuning mechanism, perform the alignment indicated under "Alignment Procedure" above.

**TO RESTRICTION DIAL CORD**

1. Set drum to position shown in Figure 2 with slugs in full out position (shown in Fig. 1).
2. Pass the cord through the opening at the top of the drum, draw second end of the cord through the opening at the rear of the drum and around the rear of the left side over the top and under the right side around the rubber bushing on the tuning shaft as shown in Fig. 2.
3. Pass the cord around the guides in shown and over the front edge of the drum around and up through the opening at the bottom of the drum.
4. Attach spring to point A and bring it over hub of drum.
5. Form a loop in the cord and adjust for normal tension on the spring.
6. Set the pointer to 1600 KC on the dial scale with the drum in the maximum counter-clockwise position.



DRUM SHOWN WITH SLUGS IN FULL OUT POSITION



**(RECEIVER MODELS R-3581 to R-3589) ALIGNMENT PROCEDURE**

- FOR ALIGNMENT:** An output meter and an accurately calibrated signal generator are required.
1. Connect the output meter across the voice coil; or, using a condenser in series, connect between the plate of the 50L5GT output tube and chassis.
  2. Connect the ground lead of the signal generator to chassis through a .25 mfd. condenser and keep it connected in this manner throughout the entire alignment procedure. Failure to use the series condenser may have serious results, as one side of the power line may be grounded in the signal generator, or hum may be encountered.
  3. Turn the volume control to the maximum volume position and leave it in this position throughout the entire alignment procedure.
  4. Set the dial pointer to the last mark after 55 on the dial with the gang condenser in full mesh.
  5. The loop antenna must be connected and in the same relative position to the chassis as when in the cabinet.

Dummy Ant. in Series with Sig. Gen.	Connection of Sig. Generator To Receiver	Signal Generator Frequency	Receiver Dial Setting	Trimmer Number	Trimmer Description	Type of Adjustment
200 MFD. Mica Condenser	Tap On Rear Section Of Variable Condenser	455 KC	Any Place Where It Does Not Affect the Signal	1 2-3	2nd I.F. 1st I.F.	Adjust the screws on the top with output meter for maximum output. Then repeat output.
No Connection	Place Lead from Signal Generator Near Loop	1500 KC	1500 KC	4	Broadcast Oscillator (Shunt)	Adjust for Maximum Output.
No Connection	Place Lead from Signal Generator Near Loop	1500 KC	Tune to 1500 KC Generator Signal	5	Broadcast Antenna (Shunt)	Adjust for Maximum Output.

**MISCELLANEOUS PARTS**

Part Number	Description	List Price
114655	Clamp—for dial cord	\$.01
114745	Clip—Call Measuring	.01
117087	Cord—Drive, supplied in 3 lengths	.15
500259	Dial Scale	.12
500218	Knob—Tuning or Volume	.15
500218	Pointer	.08
81145	Retaining Ring for Tuning Shaft	Per C
180026	Socket—Condenser Mfg.	.50
118783	Socket—For Dial Light	.40
500281	Socket—For Power Cord Cable	.30
118690	Socket—Oscil Base	.12
181384	Spring—Dial cord tension	.06
111972	Washer—Extruded and tapped (for Mfg.)	.05
111349	Washer—Spring washer for tuning shaft	Per C
500219	Window—Dial	.50

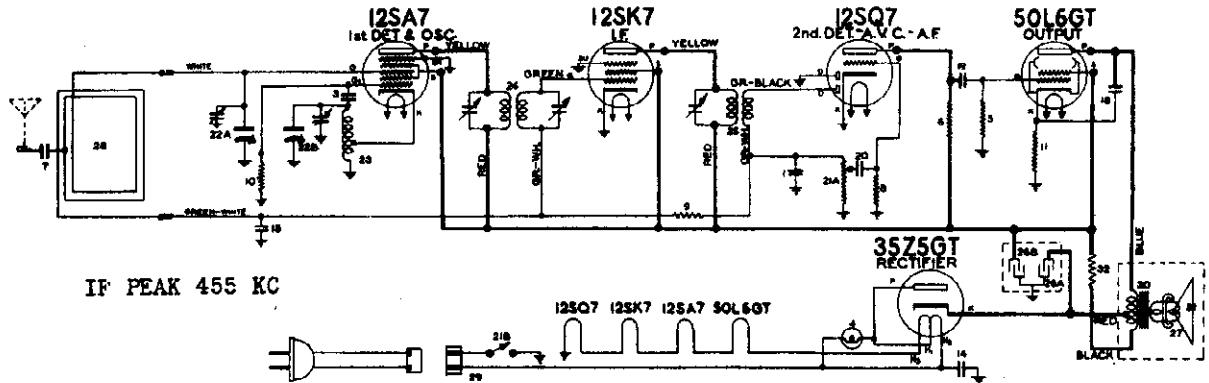
PRECISE SUBJECT TO CHANGE WITHOUT NOTICE

STEWART-WARNER CORP.

MODELS R-3581S to R-3589S  
Chassis R-358S

# STEWART-WARNER R-358S CHASSIS

(RECEIVER MODELS R-3581S TO R-3589S)



## ELECTRICAL PARTS

Diagram Number	Part Number	Description	List Price	Diagram Number	Part Number	Description	List Price
1-----	83539	Condenser, Mica. 280 Mafd.	\$.20	30-----	C-500360	Transformer, Output for C-500257 Speaker	1.85
3-----	83783	Condenser, Mica. 110 Mafd.	.20	31-----	C-500361	Cone & Voice Coil for C-500257 Speaker	1.85
4-----	85296	Lamp-Dial 6-8 Volt (Mazda 51)	.18	32-----	67988	Resistor-2,000 Ohms 1 Watt	.25
5-----	112971	Resistor-(Ins.) 470,000 Ohms 1/4 Watt	.15				
6-----	112987	Resistor-(Ins.) 220,000 Ohms 1/4 Watt	.15				
7-----	84883	Condenser, Mica. 70 Mafd.	.28				
8-----	118060	Resistor-(Ins.) 10 Meg. 1/4 Watt	.12				
9-----	118056	Resistor-2.2 Megohms 1/4 Watt	.10				
10-----	118069	Resistor-(Ins.) 22,000 Ohms 1/4 Watt	.12				
11-----	118092	Resistor-140 Ohms 1 Watt W.W.	.14				
12-----	118425	Condenser, .1 Mfd. 800 Volt--(Not used)	.25				
14-15--	118819	Condenser, .05 Mfd. 800 Volt	.20				
17 to 19	119193	Condenser, .01 Mfd. 800 Volt	.15				
20-----	119875	Condenser, .002 Mfd. 800 Volt	.15				
21A-21B-	500223	Volume Control, 1 Meg. (With Switch)	.95				
22A-22B-	500225	Condenser, Variable Tuning	3.00				
23-----	500655	Coil, Oscillator					
24-----	500233	Transformer, 1st I.F.	1.15				
25-----	500238	Transformer, 2nd I.F.	1.10				
26A-26B-	500256	Condenser, Electrolytic (A-40 Mfd. 150 V.) (B-20 Mfd. 150 V.)	1.00				
27-----	C-500257	Speaker, P.M. Dynamic (4")	2.80				
28-----	500288	Loop Antenna	.95				
29-----	500291	Socket for power cord cable	.30				

## MISCELLANEOUS PARTS

Part Number	Description	List Price
114955	Clamp, for dial cord	\$.01
112745	Clip, Coil Mounting	.01
117057	Cord, Drive, supplied in 3' lengths	.15
500258	Dial Scale	.12
500287	Knob (R-3581 & R3582)	.15
500639	Knob (R-3583)	.10
500218	Pointer	.08
81145	Retaining Ring for Tuning Shaft	Per C
160028	Socket, Condenser Mtg.	.40
118793	Socket, For Dial Light	.40
500291	Socket, For Power Cord Cable	.30
118690	Socket, Octal Base	.12
181284	Spring, Dial cord tension	.06
111972	Washer, Extruded and tapped (for Mtg.)	.05
111456	Washer, Spring washer for tuning shaft	Per C
500219	Window, Dial	.30

ALL PRICES SUBJECT TO CHANGE WITHOUT NOTICE.

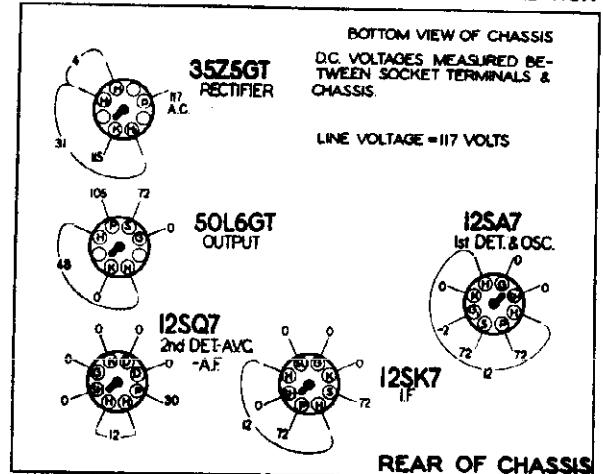
## ALIGNMENT PROCEDURE

ALIGN THIS RECEIVER WITH LOOP CONNECTED & IN SAME RELATIVE POSITION TO CHASSIS AS WHEN IN CABINET

1. Connect output meter across voice coil; or from 50L6GT plate to chassis.
2. Connect the ground lead of the signal generator to chassis through a .25 mfd. condenser.
3. Set the volume control to the maximum volume position.
4. Set dial pointer to last mark after 65 with gang in full mesh.
5. Connect the antenna lead of the signal generator to the lug on the side of the rear section of the gang condenser, using a 200 mafd. mica condenser in series.
6. Set the signal generator to 455 KC. Set receiver dial to a point where it does not affect signal. Adjust the trimmer screws on the top of each I.F. transformer for maximum output.
7. Disconnect signal generator lead from gang and place it near the loop. Turn the receiver dial to 1600 KC.
8. Set the signal generator to 1600 KC. and adjust the trimmer on front section of the receiver gang condenser for maximum output of the oscillator signal.
9. Adjust the trimmer on rear section of gang for maximum output at 1600 KC.

## SOCKET VOLTAGES

DIAL TUNED TO 540 KC. NO SIGNAL CONDITION



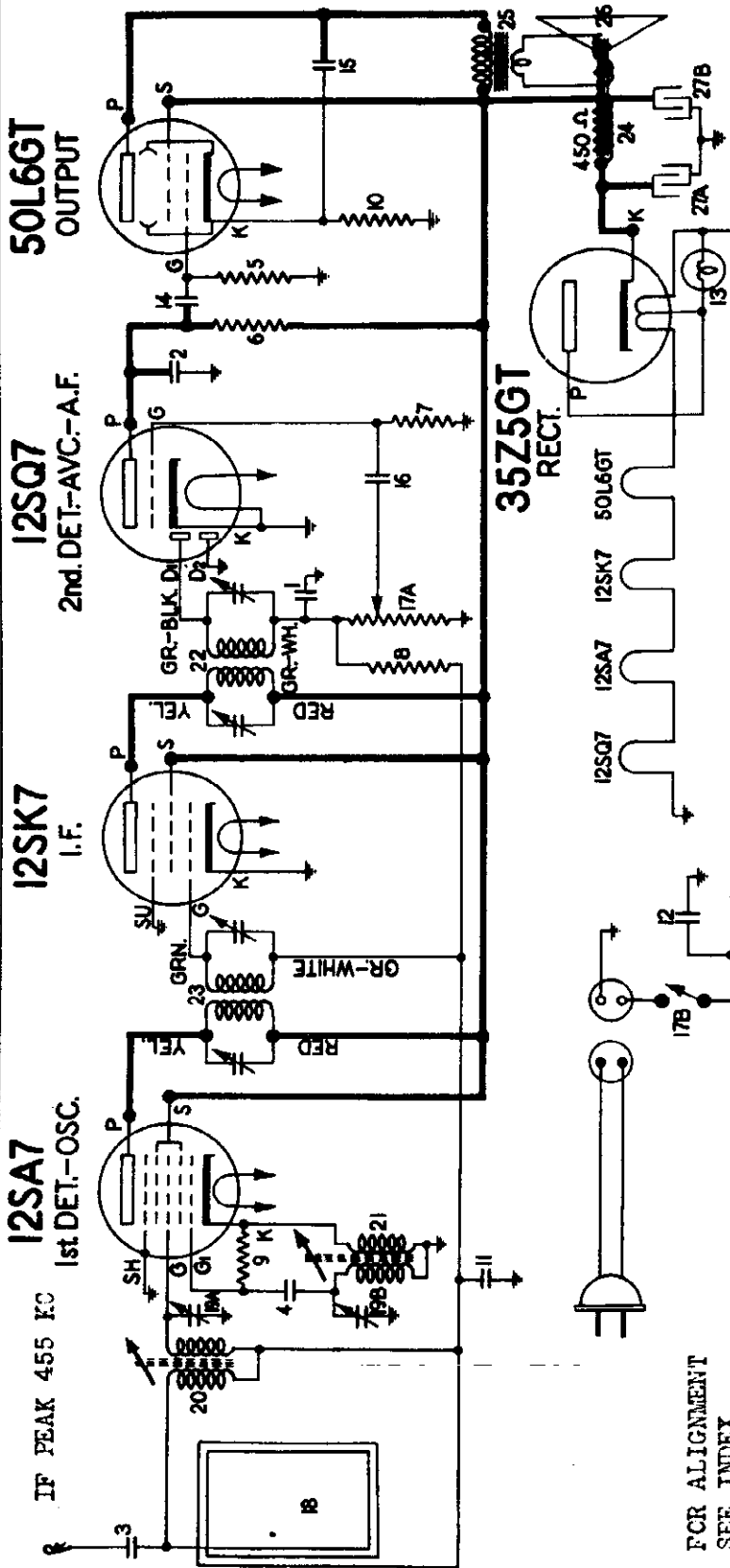
## CIRCUIT NOTES

THIS MANUAL APPLIES ONLY TO THE R-358S CHASSIS. SERVICE DATA FOR THE R-358 CHASSIS IS CONTAINED ON ANOTHER SHEET

The main difference between the two chassis is the method of obtaining feedback in the oscillator circuit. Please note that the two oscillator coils bear different part numbers.

MODELS R-3861 to R-3869  
Chassis R-386

STEWART-WARNER CORP.

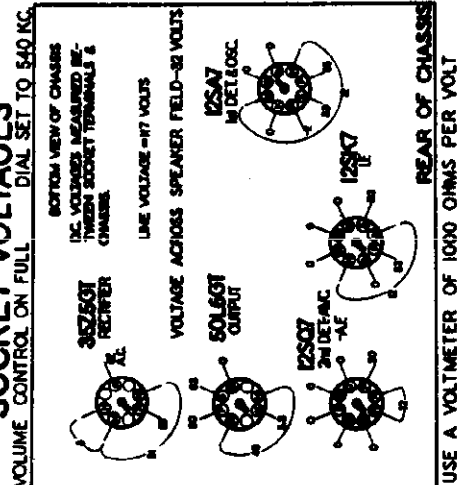


FOR ALIGNMENT  
SEE INDEX

MISCELLANEOUS PARTS

DIAGRAM NUMBER	PART NUMBER	DESCRIPTION
1-2	83539	Condenser - mica 280 mmfd.
3	85081	Condenser - mica 51 mmfd.
4	88886	Condenser - mica 200 mmfd.
5	112871	Resistor - insulated, 470,000 ohm 1/2 watt
6	112872	Resistor - insulated, 220,000 ohm 1/2 watt
7	116050	Resistor - insulated, 10 meg. 1/2 watt
8	116056	Resistor - 2.2 meg. 1/2 watt
9	116059	Resistor - insulated, 22,000 ohm 1/2 watt
10	116082	Resistor - 140 ohm, 1 watt-wire wound
11-12	118819	Condenser - .05 mfd., 600 volt
13	118921	Lamp-Dial ( Mazda #47 )
14-15	119193	Condenser - .01 mfd., 600 volt
16	119875	Condenser - .002 mfd., 600 volt
17A-17B	500223	Volume Control - 1 meg. (with switch)
18	501150	Loop Antenna
19A-19B	501283	Condenser - trimmer (2 sections) (A-.35 mmfd., B-.238 mmfd.)
20	501157	Coil - antenna (with slug)
21	501158	Coil - oscillator (with slug)
22	501166	Transformer - 2nd I.F.
23	501233	Transformer - 1st I.F.
24	R-500916	Speaker - dynamic (4")
25	R-501163	Transformer - output for R-500916 Spkr.
26	R-501164	Cone & Voice Coil for R-500916 Spkr.
27A-27B	501213	Electrolytic Capacitor (A-.40 mfd., B-.150 volt)
	500218	Pointer
	81145	Retaining ring - for tuning shaft
	180026	Socket - condenser mtg. (used with alum. can only)
	500281	Socket - power cord cable
	116880	Socket - octal base
	500489	Socket - pilot lamp (with leads)
	181384	Spring - dial cord tension
	501145	Spring - tension for tuning mech.
	500216	Tuning shaft
	111972	Washer - extruded & tapped (mg.)
	111455	Washer - spring washer for tuning shaft
	500219	Window - dial
	114955	Clamp - for drive cord
	112784	Clip - coil mounting
	113946	Cord - tuning mech. drive (6 ft. length)
	117057	Cord - dial drive (3 ft. length)
	501099	Dial Scale
	501140	Drive - drum & bushing
	501135	Drive - shaft & disc
	500639	Knob - gold
	500287	Knob - tuning or volume
	500218	Pointer
	81145	Retaining ring - for tuning shaft
	180026	Socket - condenser mtg. (used with alum. can only)
	500281	Socket - power cord cable
	116880	Socket - octal base
	500489	Socket - pilot lamp (with leads)
	181384	Spring - dial cord tension
	501145	Spring - tension for tuning mech.
	500216	Tuning shaft
	111972	Washer - extruded & tapped (mg.)
	111455	Washer - spring washer for tuning shaft
	500219	Window - dial

SOCKET VOLTAGES



REAR OF CHASSIS  
USE A VOLTMETER OF 1000 OHMS PER VOLT

TRAV-LER KARENOLA RADIO MODELS T-501L, T-530A-L, & TELEV. CORP. MODEL T-2625

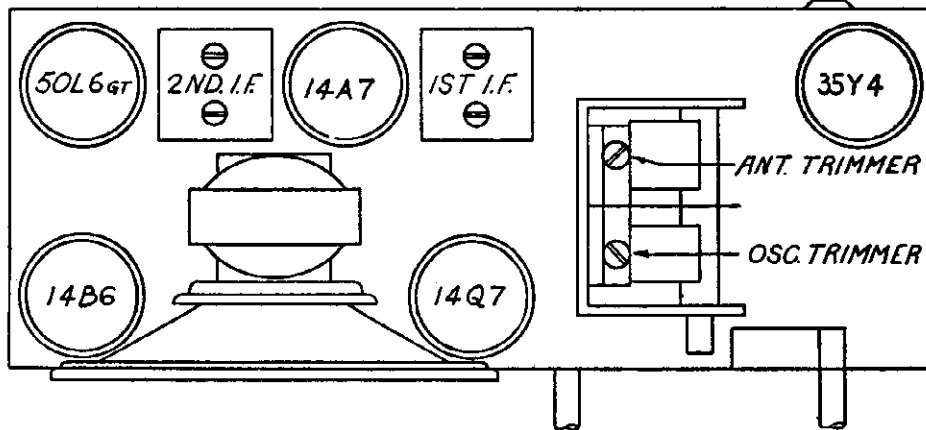
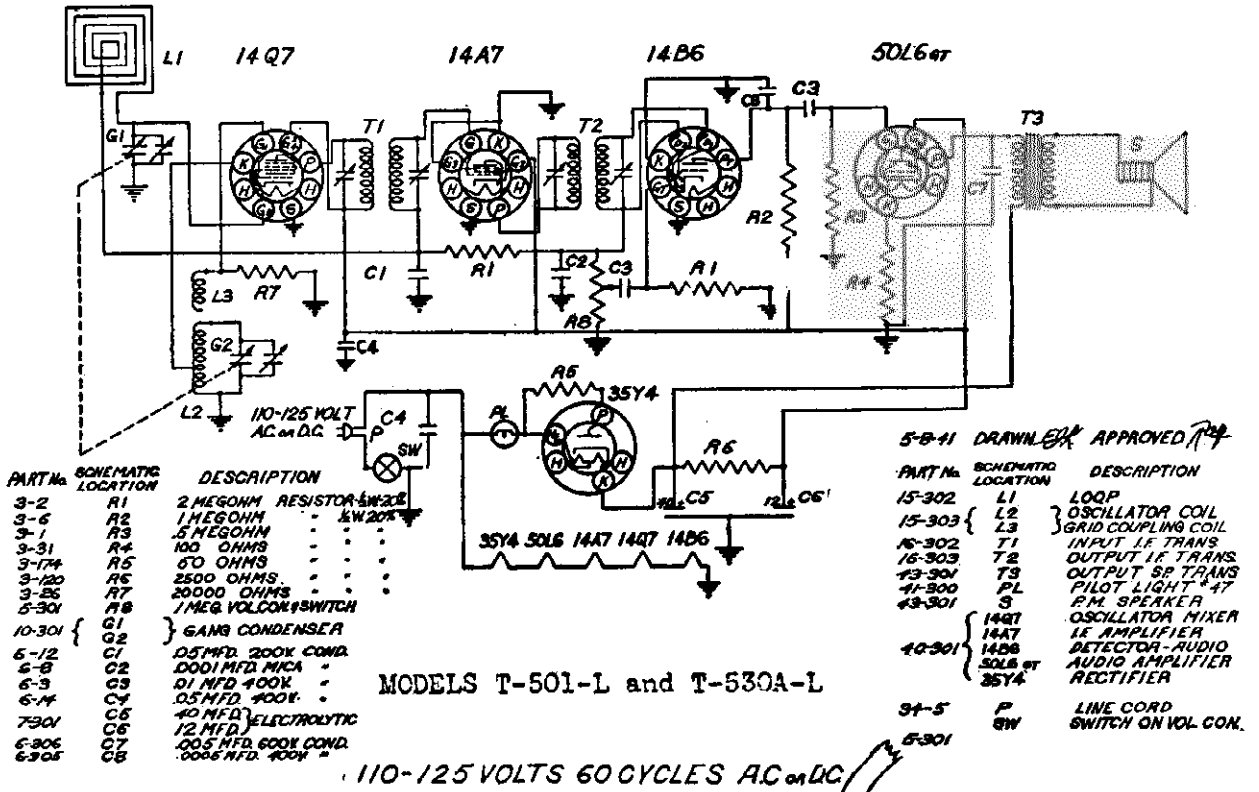
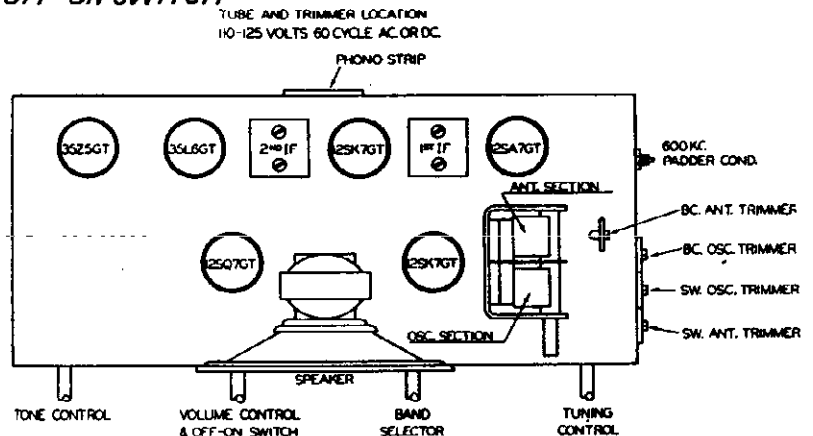


FIGURE-1

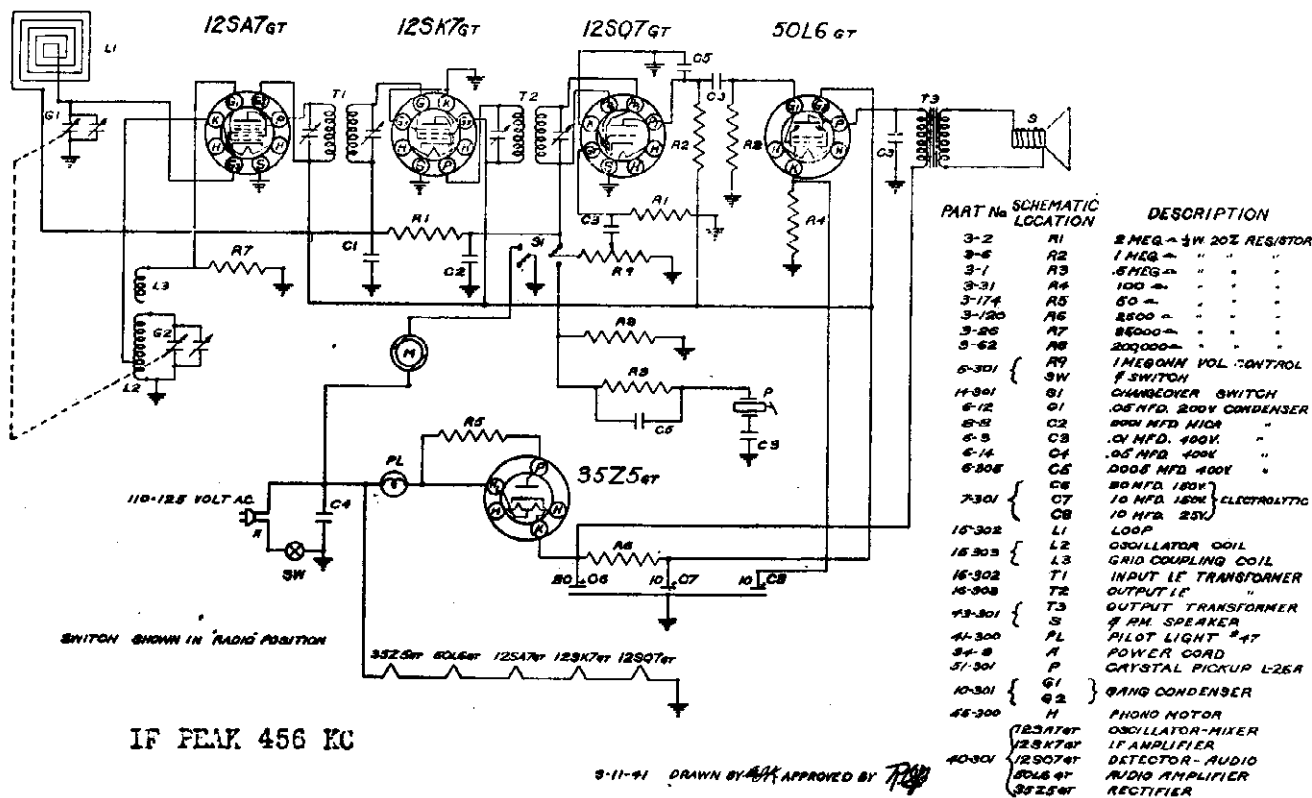
VOLUME CONTROL TUNING SHAFT 9 OFF-ON SWITCH

IF PEAK 456 KC

MODEL T-2625



MODELS TK-509, TK-510 TRAV-LER KARENOLA RADIO & TELEV. CORP.



IF PEAK 456 KC

3-11-41 DRAWN BY [Signature] APPROVED BY [Signature]

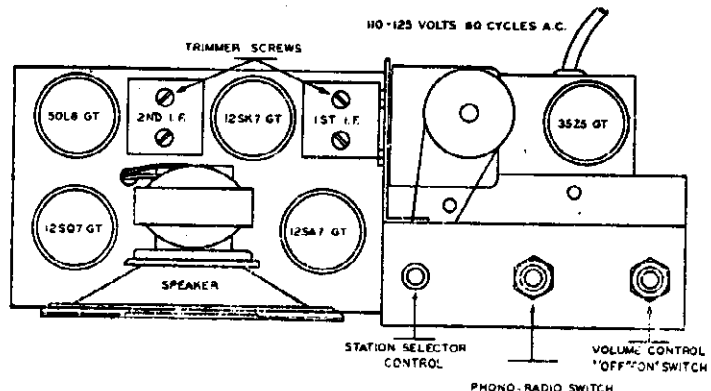


FIGURE -1

Remove chassis from cabinet for alignment.

A signal generator is required having the following frequencies: 456KC, 1400KC, 1720KC.

**First Step:** Connect the generator lead through a .1 mfd. condenser to the terminal lug next to the Antenna trimmer on top of the tuning condenser. The ground lead from the generator may be connected to any convenient spot on the metal chassis. Adjust generator to 456KC and adjust IF trimmer screws until a maximum reading is noted on the output meter which has been connected across the speaker. The tuning condenser should be turned out to complete minimum capacity when aligning the IF. With generator lead still connected to antenna trimmer terminal, adjust generator frequency to 1720KC, and with tuning condenser still at minimum, adjust oscillator trimmer till the 1720KC signal is tuned in. Next, remove generator leads from set and connect both to a transmitting loop. This loop can be made with 2 turns of wire about 6 inches in diameter. Adjust generator frequency to 1400KC. Turn tuning condenser until the signal is tuned in and adjust antenna trimmer until a maximum reading is noted. No further adjustment should be necessary, unless the set has been damaged, as the coils and condenser in this receiver have been specially handled at the factory so as to insure proper alignment at the lower frequency end of the dial.

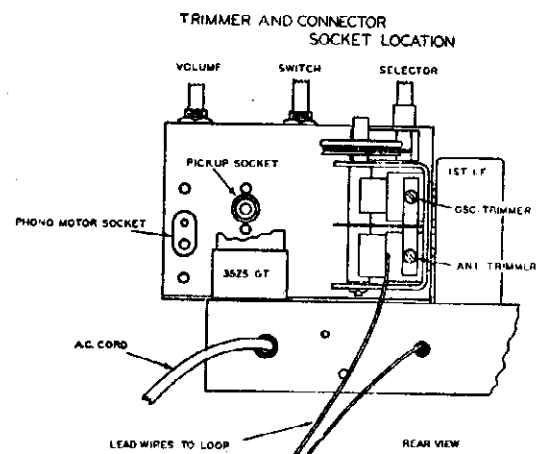
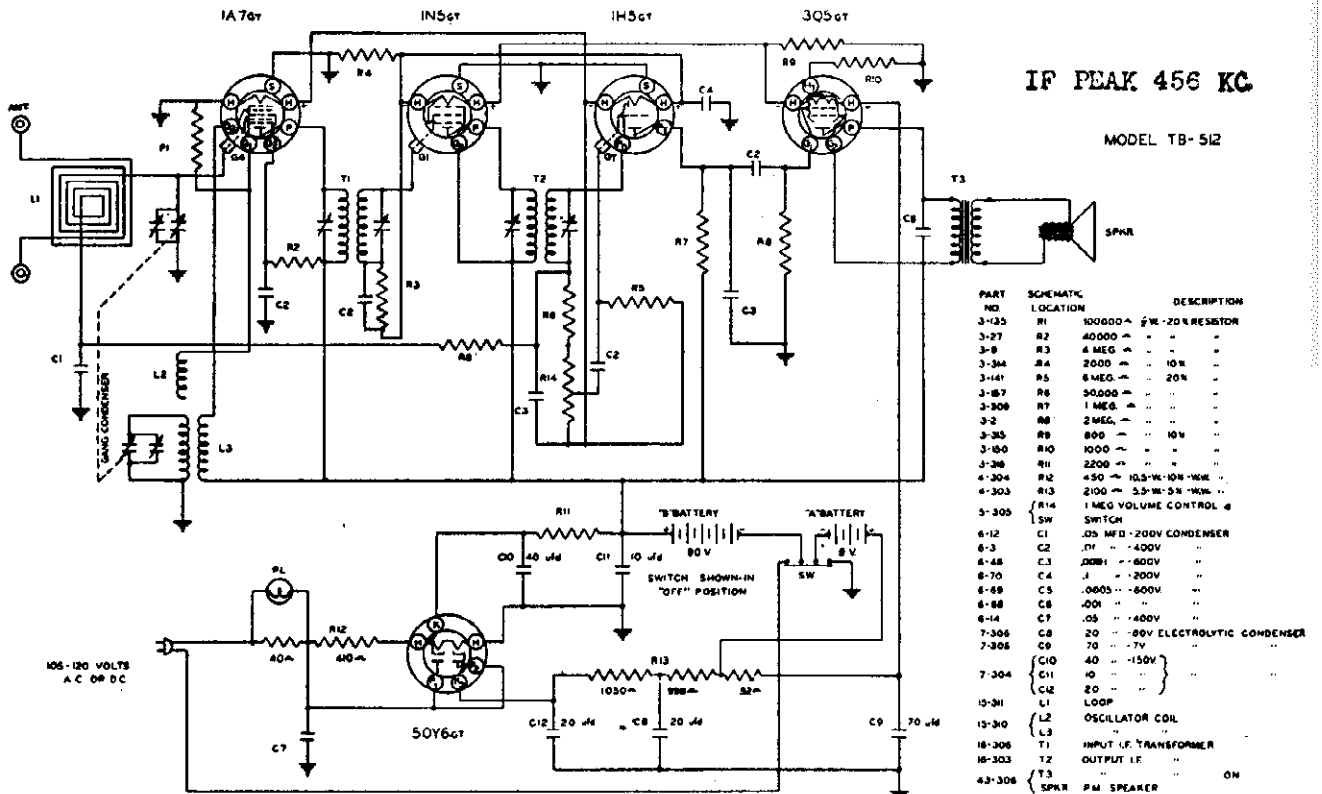


FIGURE-2

- ALIGNMENT FOR MODELS
- T-501-L
  - T-530A-L
  - TK-509
  - TK-510
  - TB-512

TRAV-LER KARENOLA RADIO & TELEV. CORP.

MODEL TB-512



The following is a table of manufacturers and their battery type number:

"B" BATTERIES (2 Required)		
Mfgr.	Volts	Type No.
Burgess	45 "B"	M30
General	45 "B"	W30B
Bright Star	45 "B"	3033
Usalite	45 "B"	640
Rayovac	45 "B"	P7830
Eveready	45 "B"	482

"A" BATTERIES (2 Required)		
Mfgr.	Volts	Type No.
Burgess	4 1/2 "A"	G3
General	4 1/2 "A"	3H3
Bright Star	4 1/2 "A"	361
Usalite	4 1/2 "A"	683
Rayovac	4 1/2 "A"	P83A
Eveready	4 1/2 "A"	746

TUBE AND TRIMMER LOCATION

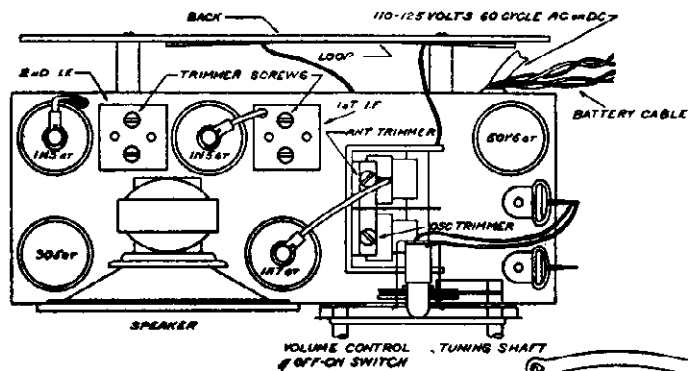
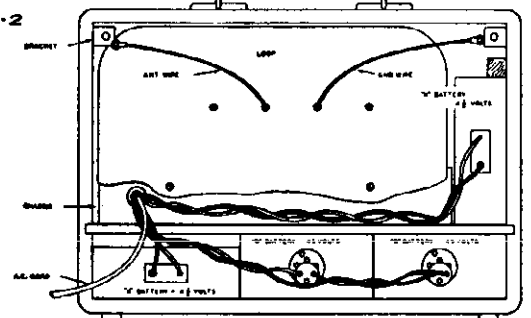


FIGURE-2



FOR ALIGNMENT, SEE INDEX

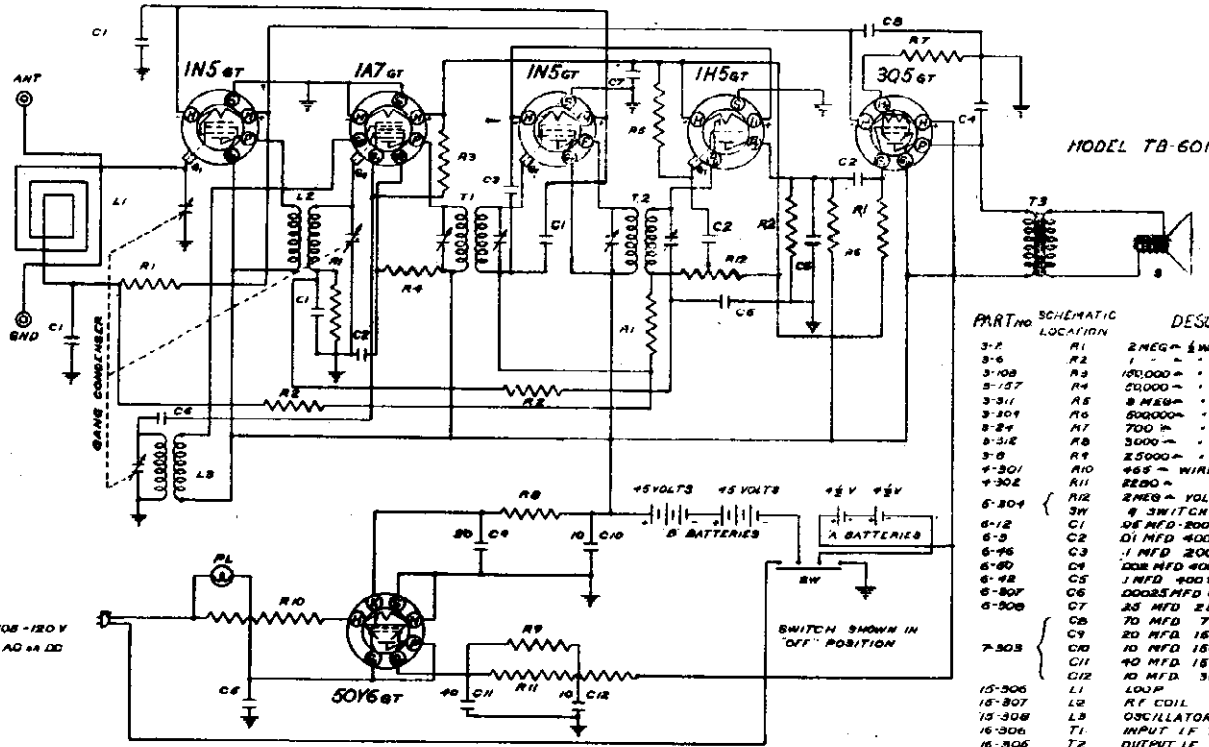
BATTERY SERVICING

(See Figure No. 1)

To replace batteries, loosen and remove the two screws at the upper left and right hand corners of the cabinet back. Remove the back and pull out the plug from each battery. Never pull on the wires connected to the plugs as they may break. Always grasp the plug form between the fingers, or use a flat blade to pry out the plug. Observe with care the position of the batteries and plugs when replacing. Be sure that batteries and plugs are replaced as shown in the "Battery Location" diagram. (Figure No. 1)

MODEL TB-601  
MODEL T-2625

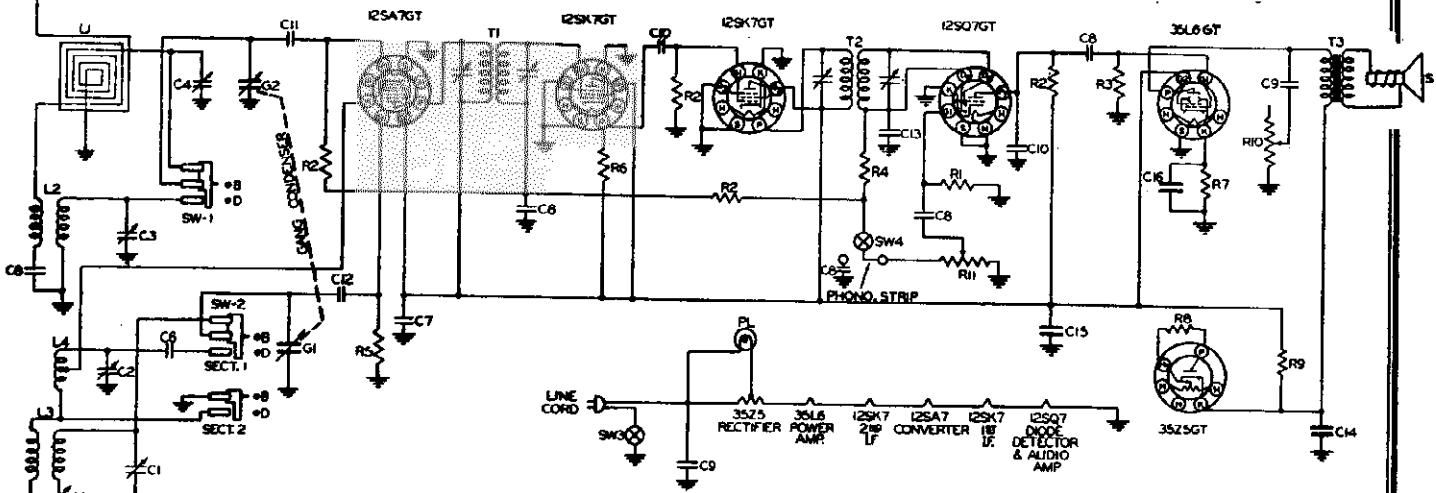
TRAV-LER KARENOLA RADIO  
& TELEV. CORP.



PART NO	SCHEMATIC LOCATION	DESCRIPTION
3-2	R1	2MEG-1W 20% RESISTOR
3-6	R2	1MEG-1W 20% RESISTOR
3-10B	R3	100,000-1W 20% RESISTOR
5-157	R4	50,000-1W 20% RESISTOR
3-31	R5	3MEG-1W 20% RESISTOR
3-301	R6	500,000-1W 20% RESISTOR
8-24	R7	700-1W 20% RESISTOR
8-5E	R8	3000-1W 20% RESISTOR
3-8	R9	2500-1W 20% RESISTOR
1-301	R10	465-TONE WIREWOUND
1-302	R11	2EBO-TONE WIREWOUND
6-304	SW	2MEG-VOLUME CONTROL
6-12	C1	25 MFD 200V CONDENSER
6-3	C2	01 MFD 450V CONDENSER
6-76	C3	1 MFD 200V CONDENSER
6-60	C4	200 MFD 400V CONDENSER
6-48	C5	1 MFD 400V CONDENSER
6-307	C6	200 MFD 400V CONDENSER
6-308	C7	25 MFD 25K CONDENSER
	C8	70 MFD 75V CONDENSER
	C9	20 MFD 150V CONDENSER
	C10	10 MFD 150V CONDENSER
	C11	40 MFD 150V CONDENSER
	C12	10 MFD 35V CONDENSER
15-306	L1	LOOP INDUCTOR
15-307	L2	RF COIL INDUCTOR
15-308	L3	OSCILLATOR COIL INDUCTOR
15-309	T1	INPUT IF TRANSFORMER
15-305	T2	OUTPUT IF TRANSFORMER
43-303	T3	OUTPUT TRANSFORMER
41-300	S	ON PM SPEAKER
41-300	PL	PILOT LIGHT #47
40-304	1N5GT	RF AMPLIFIER
40-304	1A7GT	OSCILLATOR-MIXER
40-304	1H5GT	IF AMPLIFIER
40-304	1H5GT	DETECTOR-AUDIO
40-304	3Q5GT	POWER AMPLIFIER
40-304	50Y6GT	RECTIFIER

DRAWN BY *EJK* APPROVED BY *714*

IF PEAK 456 KC



FOR ALIGNMENT AND CHASSIS LAYOUT, SEE INDEX

IF PEAK 456 KC

PART NO	SCHEMATIC LOCATION	DESCRIPTION
3-2	R1	2MEG-1W 20% RESISTOR
3-6	R2	1MEG-1W 20% RESISTOR
3-1	R3	500K-1W 20% RESISTOR
3-4	R4	50K-1W 20% RESISTOR
3-116	R5	30K-1W 20% RESISTOR
3-321	R6	1700-1W 20% RESISTOR
3-34	R7	100-1W 20% RESISTOR
3-174	R8	50-1W 20% RESISTOR
3-37	R9	2500-1W 20% RESISTOR
5-31	R10	25M-TONE CONTROL
5-30	R11	1MEG-VOLUME CONTROL
9-305	C1	BC. OSC. TRIMMER COND.
	C2	SW. OSC. TRIMMER COND.
	C3	SW. ANT. TRIMMER COND.
9-47	C4	BC. ANT. TRIMMER COND.
9-27	C5	BC. OSC. Padder COND.

PART NO	SCHEMATIC LOCATION	DESCRIPTION
9-28	C6	SW. OSC. Padder COND. 250V (ON COIL)
6-3	C7	01 MFD 400VDC PAPER COND.
6-14	C8	01 MFD.
6-14	C9	05 MFD.
8-10	C10	00025 MFD. 20% MICA COND.
8-43	C11	00025 MFD.
8-13	C12	00025 MFD.
8-8	C13	0001 MFD.
	C14	80 MFD. 150V ELECTROLYTIC COND.
A7-302	C15	10 MFD.
15-315	L1	BC. LOOP INDUCTOR
15-316	L2	BC. ANTENNA COIL INDUCTOR
15-317	L3	BC. OSCILLATOR COIL INDUCTOR
43-301	S	PM SPEAKER

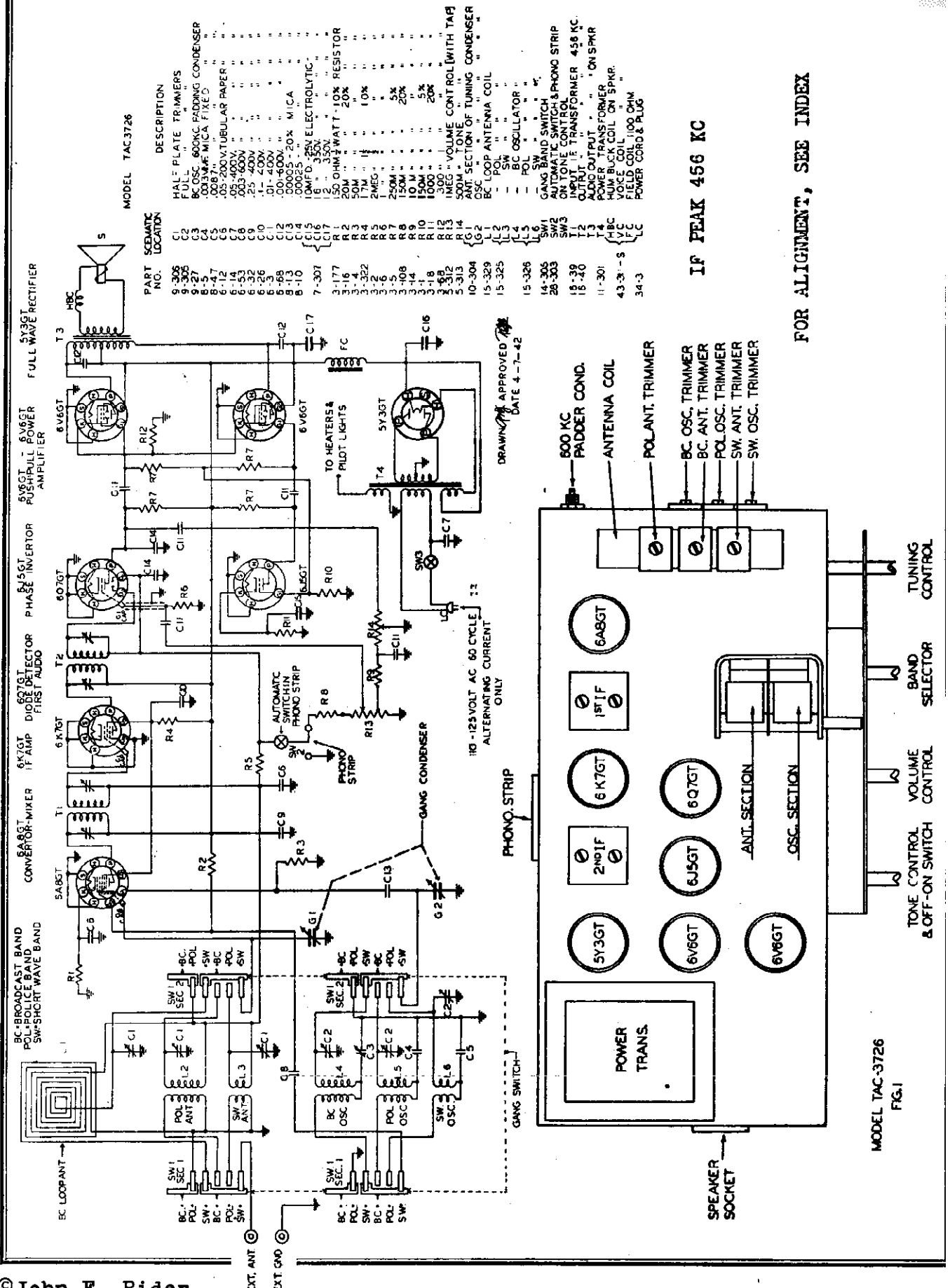
PART NO	SCHEMATIC LOCATION	DESCRIPTION
6-39	T1	INPUT IF TRANSFORMER
16-40	T2	OUTPUT IF TRANSFORMER
	T3	OUTPUT TRANSFORMER (ON SPKR)
14-307	SW1	BAND SWITCH
	SW2	ON-OFF SWITCH ON VOL. CONTROL
28-303	SW3	PHONO JACK & SWITCH
	SW4	PILOT LIGHT
47	PL	CONVERTER
40-308	12SA7GT	1B7 & 2B7 IF CONVERTER
40-308	12SK7GT	1B7 & 2B7 IF AMPLIFIER
40-308	35L6GT	POWER AMPLIFIER
40-308	35Z5GT	RECTIFIER
10-304	G1	OSCILLATOR TUNING COND.
10-304	G2	ANTENNA TUNING COND.

DRAWN BY *EJK* APPROVED BY *714*  
MARCH 2, 1942

MODEL T-2625

# TRAV-LER KARENOLA RADIO & TELEV. CORP.

MODEL TAC-3726



MODEL TAC-3726  
FIG. 1



MODEL T-2625  
MODEL TAC-3726

TRAV-LER KARENOLA RADIO  
& TELEV. CORP.

ALIGNMENT  
FOR  
MODEL  
2625

**I. F. Alignment:** Connect the generator lead through a .1MFD condenser to the terminal lug on the "Antenna" section of the gang condenser. The ground lead from the generator should be connected to the chassis base. Set the generator at 456KC. Adjust the trimmer screws in the 1st and 2nd I. F. cans (see Fig. No. 1) until a maximum reading is noted on the output meter.

The receiver volume control should be turned to maximum during the I F and all subsequent alignments, to keep the AVC from working and giving false readings. Keep the generator output as low as possible to prevent overloading.

**BC or Broadcast Alignment:** With the generator leads still connected as in I. F. Alignment, rotate the tuning condenser to complete minimum capacity. Set the generator to 1720KC. Adjust the BC oscillator trimmer until the signal is tuned in. Next, remove the generator leads and connect them to the antenna lead of the loop antenna, through a 100 MMFD condenser. Set the generator to 1400KC and rotate the tuning condenser until the signal is tuned in. Adjust the BC antenna trimmer until a maximum reading is noted on the output meter. Set the generator to 600KC and turn the tuning condenser until the signal is tuned in. Rock the tuning control back and forth slowly until a maximum reading is noted on the output meter. It is advisable to return to the 1720KC adjustment and recheck that setting to make sure it has not changed while padding at 600KC.

**SW or Short Wave Alignment:** Set the generator at 18.3MC. Turn the receiver band switch to short wave position. Turn the tuning condenser to complete minimum capacity. The generator leads should be connected to the antenna lead of the loop through a 400 Ohm resistor. Adjust the S. W. oscillator trimmer slowly until the 18.3MC signal is tuned in. At this point, it will be well to make sure that the fundamental signal is tuned in. Turn up the generator output and tune the receiver to approximately 17.3MC. At this point, the 18.3MC signal will be heard again but much weaker. This is the image frequency. If the image is not heard, then turn the tuning condenser back to complete minimum and readjust the SW oscillator trimmer. Remember the image must always be heard (at 2 times the IF frequency in KC) lower in frequency than the fundamental signal. After the oscillator has been properly set, tune the signal generator to 16MC and rotate the tuning control until the signal is tuned in. Adjust the SW antenna trimmer until a maximum reading is noted on the output meter. It is advisable to rock the gang slowly while adjusting the antenna trimmer. Set the generator to 6MC and tune the signal in on the receiver. Check the alignment at this frequency. No adjustment should be necessary, as the coils have been carefully checked before leaving the factory. A fixed oscillator padding condenser is used at 6MC.

ALIGNMENT FOR MODEL TAC-3726

**IF Alignment:** Connect the generator lead through a .1 mfd. condenser to the terminal lug on the "Antenna" section of the gang condenser. The ground lead from the generator should be connected to the chassis base. Set the generator at 456KC. Adjust the trimmer screws in the first and second IF cans (See Fig. No. 1) until a maximum reading is noted on the output meter.

The receiver volume control should be turned to maximum during the IF and all subsequent alignments to keep the AVC from working and giving false readings. Keep the generator output as low as possible to prevent overloading.

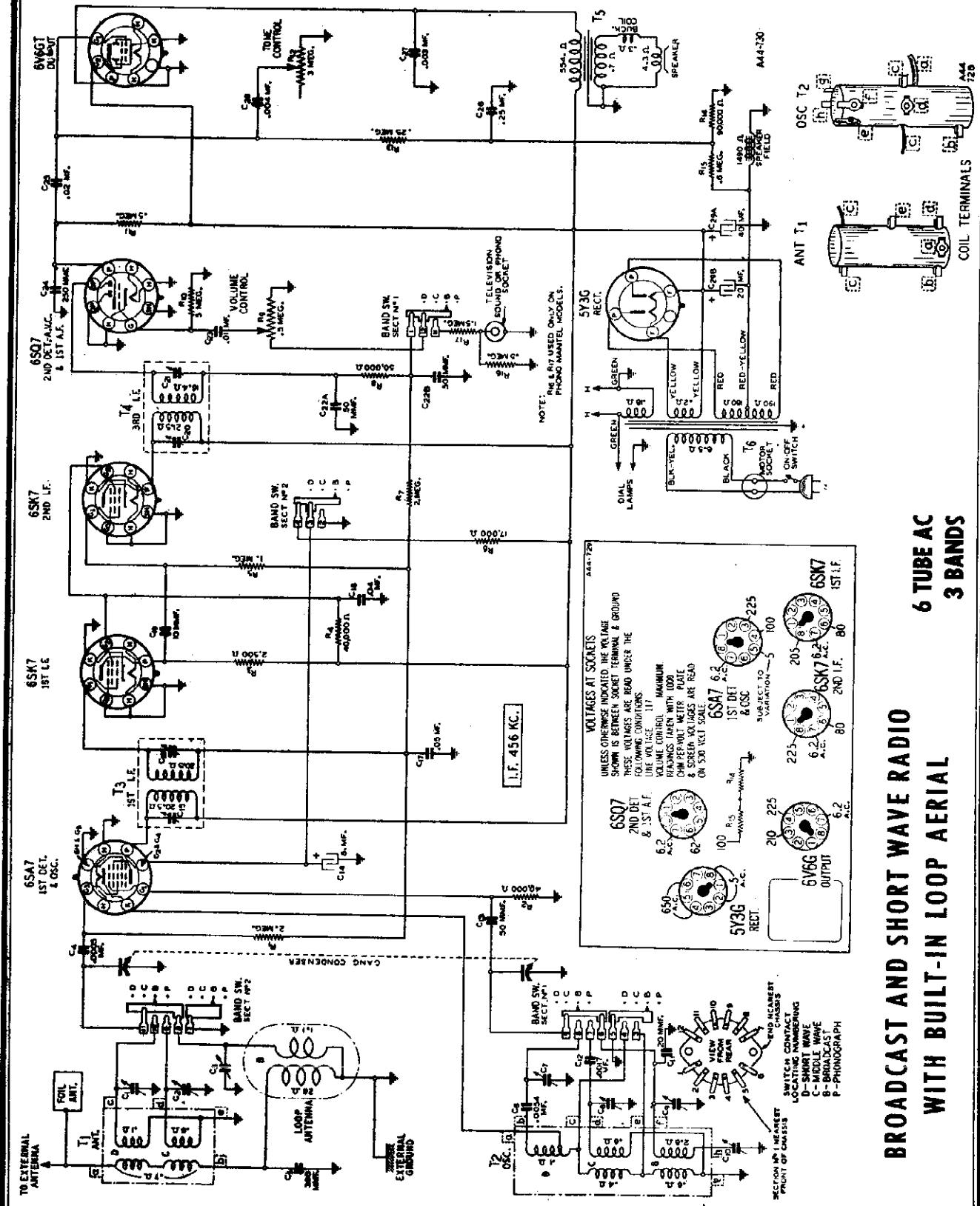
**BC OR BROADCAST ALIGNMENT:** With the generator leads still connected as in IF alignment, rotate the tuning condenser until the dial pointer comes to 1400KC. Set the signal generator at 1400KC and adjust the BC oscillator trimmer until the signal is tuned in. Remove the generator lead from the gang condenser and connect it to the yellow wire which protrudes from the back of the set through a 100 mmfd. condenser. Adjust the BC antenna trimmer until a maximum reading is noted on the output meter. Set the generator to 600KC and turn the tuning condenser until the signal is tuned in. Rock the tuning control back and forth slowly until a maximum reading is noted on the output meter. It is advisable to return to the 1400KC adjustment and recheck that setting to make sure it has not changed while padding at 600KC.

**INT. OR POLICE BAND ALIGNMENT:** The generator lead should now be connected to the antenna lead through a 400 ohm resistor. Rotate the tuning condenser until the dial pointer comes to 5MC. Turn the band switch to INT or Police position. Set the generator to 5MC and adjust the POL oscillator trimmer until the signal is tuned

in. Adjust the POL antenna trimmer until a maximum reading is noted on the output meter. Set the generator to 1.8MC and tune the receiver until the signal is tuned in. Check the alignment at this frequency. No adjustments should be necessary as a fixed oscillator pad is used at this frequency and the coils and condenser have been thoroughly checked at the factory.

**SW OR SHORT WAVE ALIGNMENT:** Set the generator at 18MC. Turn the receiver band switch to short wave position. Turn the tuning condenser until the dial pointer comes to 18MC. The generator lead should be connected to the antenna lead through a 400 ohm resistor. Adjust the S.W. oscillator trimmer slowly until the 18MC signal is tuned in. At this point, it will be well to make sure that the fundamental signal is tuned in. Turn up the generator output and tune the receiver to approximately 17MC. At this point, the 18MC signal will be heard again but much weaker. This is the image frequency. If the image is not heard, then turn the tuning condenser back to 18MC and readjust the SW oscillator trimmer. Remember the image must always be heard (at two times the IF frequency in KC) lower in frequency than the fundamental signal. After the oscillator has been properly set, tune the signal generator to 16MC and rotate the tuning control until the signal is tuned in. Adjust the SW antenna trimmer until a maximum reading is noted on the output meter. It is advisable to rock the gang slowly while adjusting the antenna trimmer. Set the generator to 6MC and tune the signal in on the receiver. Check the alignment at this frequency. No adjustment should be necessary as the coils have been carefully checked before leaving the factory. A fixed oscillator padding condenser is used at 6MC.

# WELLS-GARDNER & CO.



65O	65A7	65K7	65K7	65Q7	6V6	5Y3G	5V3B
AC	1ST DET. & OSC.	2ND L.F.	1ST L.F.	2ND DET.-A.F.C. & 1ST A.F.	OUTPUT	RECT.	RECT.
62	100	225	225	62	62	210	210
A.C.	A.C.	A.C.	A.C.	A.C.	A.C.	A.C.	A.C.

## BROADCAST AND SHORT WAVE RADIO WITH BUILT-IN LOOP AERIAL

**6 TUBE AC  
3 BANDS**

MODEL 6A44

WELLS-GARDNER & CO.

**SPECIFICATIONS**

Power Consumption 60 Watts (At 117 volts 60 cycles)  
 Power Output..... 2.5 Watts Undistorted  
                               3.5 Watts Maximum  
 Selectivity..... 40 KC Broad at 1000 times Signal  
 Intermediate Frequency..... 456 KC  
 Speaker..... 6" or 8" Electro-Dynamic

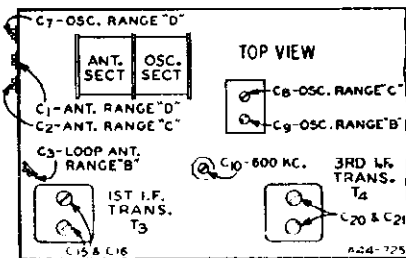
Tuning Frequency Range  
 B Range ..... 528 to 1600 KC  
 C Range ..... 2200 to 7000 KC  
 D Range ..... 7000 to 22000 KC  
 Sensitivity—External Antenna—(For 0.5 Watt output)  
 B Range ..... 7 Microvolts Average  
 C Range ..... 7 Microvolts Average  
 D Range ..... 15 Microvolts Average

**ALIGNMENT PROCEDURE**

Volume Control—Maximum All Adjustments.  
 Connect Radio Chassis to Ground Post of Signal Generator with a Short Heavy Lead.  
 Allow Chassis and Signal Generator to "Heat Up" for several minutes.

The following equipment is required for aligning:  
 An All Wave Signal Generator which will provide an accurately calibrated signal at the test frequencies as listed.  
 Output Indicating Meter—Non-Metallic Screwdriver.  
 Dummy Antennas—.1 mf., 100 mmf., and 400 ohms.

SIGNAL GENERATOR FREQUENCY SETTING	CONNECTION AT RADIO	DUMMY ANTENNA	BAND SWITCH SETTING	CONDENSER SETTING	ADJUST TRIMMERS TO MAXIMUM
<b>I.F.</b>					
456 KC	Grid Terminal No. 8 of 1st Det.	.1 mf.	B Range	Turn Rotor to Full Open	1st I.F. (C15) & (C16) 3rd I.F. (C20) & (C21)
<b>RANGE B</b>					
1600 KC	External Antenna Clip or Lead	100 mmf.	B Range	Turn Rotor to Full Open	Oscillator Range B (C9)
1400 KC	External Antenna Clip or Lead	100 mmf.	B Range	Turn Rotor to Max. Output Set Indicator to 1400 KC— See Note A	Ant. Range B (C3)
600 KC	External Antenna Clip or Lead See Note B	100 mmf.	B Range	Turn Rotor to Max. Output	600 KC (C10) Rock Rotor—See Note C
<b>RANGE C</b>					
7000 KC	External Antenna Clip or Lead	400 Ohm	C Range	Turn Rotor to Full Open	Oscillator Range C (C8)
6000 KC	External Antenna Clip or Lead	400 Ohm	C Range	Turn Rotor to Max. Output	Antenna Range C (C2)
<b>RANGE D</b>					
22,000 KC	External Antenna Clip or Lead	400 Ohm	D Range	Turn Rotor to Full Open	Oscillator Range D (C7)
21,000 KC	External Antenna Clip or Lead	400 Ohm	D Range	Turn Rotor to Max. Output	Ant. Range D (C1) Rock Rotor—See Note C
<b>LOOP RANGE B</b>					
1400 KC	External Antenna Clip or Lead See Note D	100 mmf.	B Range	Turn Rotor to Max. Output	Ant. Range B (C3)



Attenuate the signal from the signal generator to prevent the leveling-off action of the AVC.

After each range is completed, repeat the procedure as a final check.

**NOTE A**—If the pointer is not at 1400 KC on the dial, remove the pointer from drive cord. Set pointer at the 1400 KC mark on the dial scale. Attach pointer to drive cord.

**NOTE B**—(Table Model) By means of wooden blocks, stand the loop aerial assembly the same distance from the back of the chassis that it is normally when the chassis is assembled in the cabinet.

**NOTE C**—Turn the rotor back and forth and adjust the trimmer until the peak of greatest intensity is obtained.

**NOTE D**—Re-assemble chassis in cabinet. Replace back on cabinet (Table Model). Connect ground post of signal generator to external ground clip on loop antenna (Table

Model) or ground screw on chassis (Console Model).

**CAUTION**—When aligning the short wave bands, be sure NOT to adjust at the image frequency. This can be checked as follows: Let us say the signal generator is set for 15,000 KC. The signal will then be heard at 15,000 on the dial of the radio. The image signal, which is much weaker, will be heard at 15,000 less 912 KC, or 14,088 KC on the dial. It may be necessary to increase the input signal to hear the image.

**DRIVE CORD REPLACEMENT**

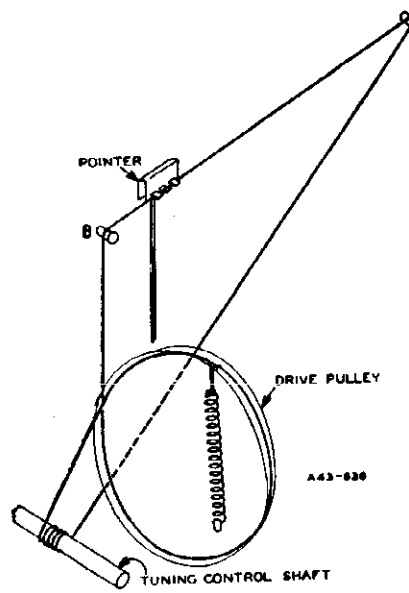
Turn gang condenser to full open position—See illustration. Use a new drive cord 42 inches in length.

Tie one end of cord to tension spring. Pass other end of cord up through hole in groove of drive pulley. Pull cord through hole until spring is flush against inside of pulley rim.

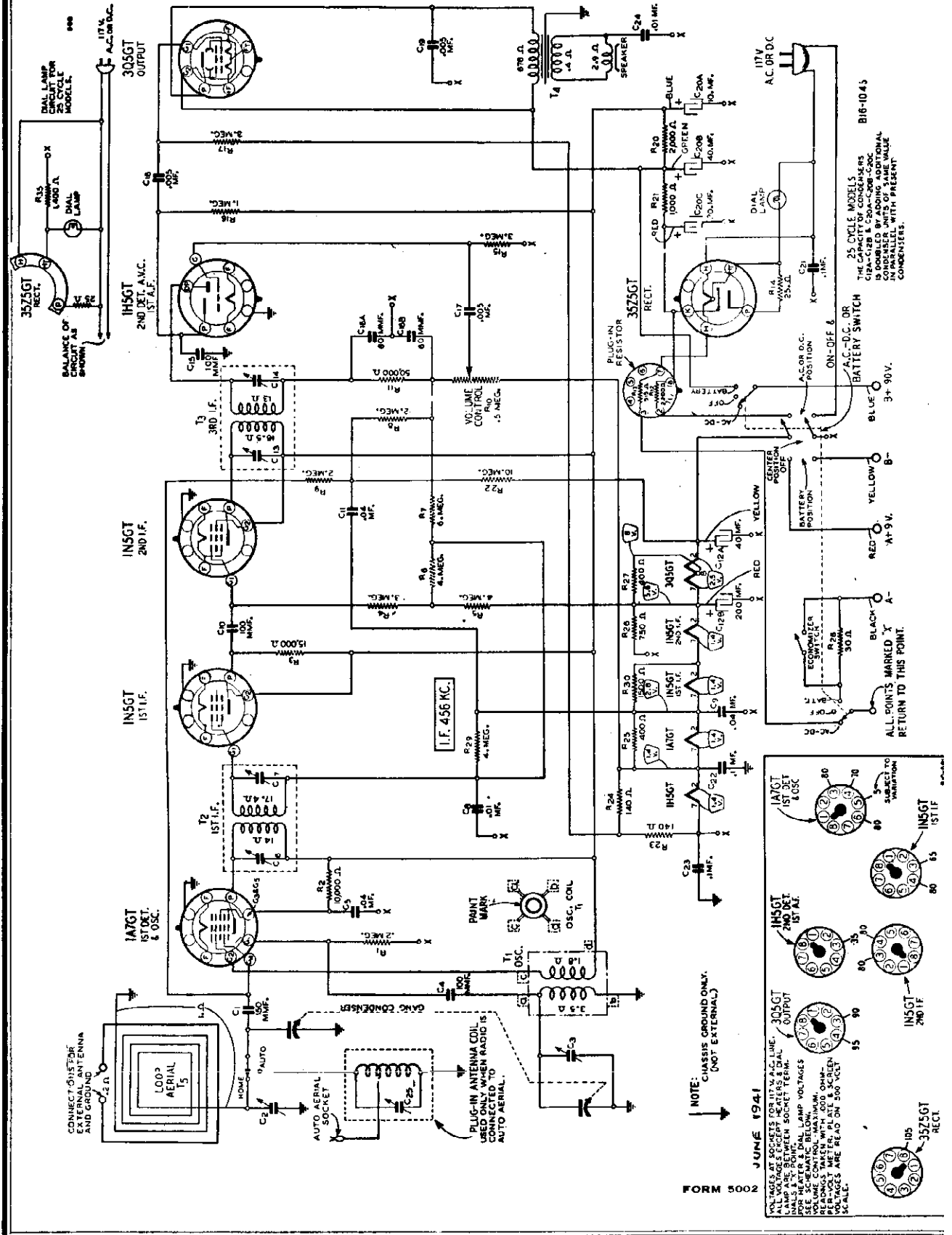
Wind cord 1/4 turn counter-clockwise (from pulley side of chassis) around drive pulley. Then wind 4 1/2 turns clockwise (from front of chassis) around tuning control shaft. These turns should progress toward chassis. Pass cord over idler studs A and B as shown, then wind cord 3/4 turn counter-clockwise (from pulley side of chassis) around drive pulley. This turn should be on left side (from front of chassis) of pulley groove.

Pass cord through hole in groove of drive pulley. Tie cord to tension spring. Fasten

other end of spring to hook on drive pulley.  
**DIAL POINTER ATTACHMENT**—Tune in a signal of known frequency. Set pointer at this frequency mark on dial scale. Fasten pointer to drive cord—See illustration.



WELLS-GARDNER & CO.



MODEL 6B16

WELLS-GARDNER & CO.

ALIGNMENT PROCEDURE

Volume Control—Maximum All Adjustments.  
 Allow Chassis and Signal Generator to "Heat Up" for several minutes.  
 The equipment in column at right is required for aligning:

A Signal Generator which will provide an accurately calibrated signal at the test frequencies as listed.  
 Output Indicating Meter—Non-Metallic Screw-driver.  
 Dummy Antennas—1 mf., 50 mmf.

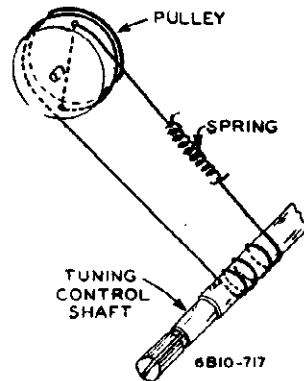
FREQUENCY SETTING	SIGNAL GENERATOR ANTENNA CONNECTION	GROUND CONNECTION	DUMMY ANTENNA	CONDENSER SETTING	ADJUST TRIMMERS TO MAXIMUM (See Trimmer Illustration below)
486 KC	External Antenna Clip on Loop	External Ground Clip on Loop	.1 mf.	Turn Rotor to full open	1st I.F. (C6) & (C7) 3rd I.F. (C13) & (C14)
1600 KC	External Antenna Clip	External Ground Clip	.1 mf.	Turn Rotor to full open	Oscillator (C3)
1400 KC	External Antenna Clip See Note A	External Ground Clip	50 mmf.	Turn Rotor to max. output	Antenna (C2)

If radio is equipped with special antenna coil for use in car, make the following additional adjustment after the radio is installed in the car and the car antenna is connected.

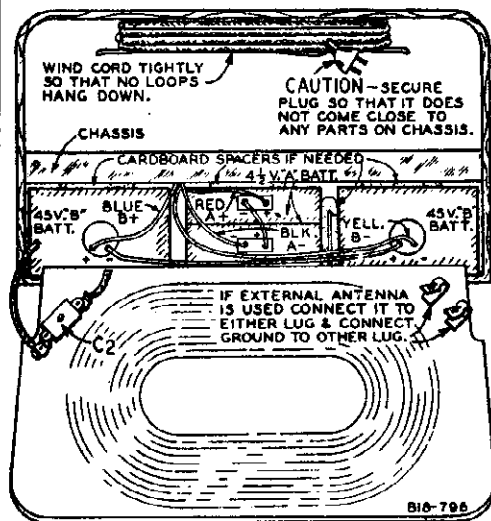
Car Antenna Adjustment—Tune in weak signal near 1400 KC—Adjust Car Antenna Trimmer C25 for maximum output. This trimmer is in special antenna coil can at left side of chassis (See illustration in Auto Installation Sheet).

SPECIFICATIONS

Input Voltages and Currents—Battery Operation  
 "A" Battery ..... 7 Volts—50 Ma.  
 "B" Battery ..... 90 Volts—11.5 Ma.  
 Power Consumption (At 117 volts AC Supply) ..... 28 Watts  
 Power Output  
 Battery Operation - - - 150 Mw. Undistorted  
 350 Mw. Maximum  
 AC Operation - - - 200 Mw. Undistorted  
 400 Mw. Maximum  
 Selectivity - 50 KC Broad at 1000 Times Signal  
 Intermediate Frequency - - - - - 486 KC  
 Speaker - - - - - 6" P.M. Dynamic  
 Tuning Frequency Range - - - 540 to 1600 KC  
 Sensitivity (For .05 Watt Output)  
 External Antenna - - - 10 Microvolts Average



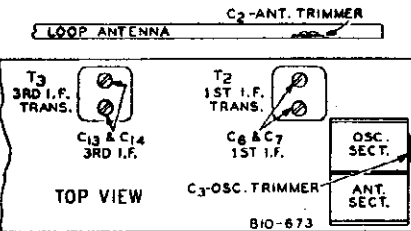
GANG CONDENSER IN CLOSED POSITION



NOTE A—Reassemble chassis in cabinet. Close back on cabinet.

CALIBRATION—To obtain dial scale calibration, tune in an 800 KC signal. The pointer should be at the 800 KC mark on the dial. If it is not, set the pointer at the 800 KC mark. Retighten set screw.

REMOVING CHASSIS FROM CABINET—Pull off the 3 control knobs. Take out the 4 screws, 2 at each side on the outside of the cabinet. Then pull the chassis out of the cabinet.



REPLACEMENT PARTS LIST

NOTICE: There is a chassis number label on the chassis. The chassis number identifies the radio as to chassis, dial, and issue letter. When ordering parts or writing, be sure to mention the chassis number.

No. 3 DIAL—Black Calibration Numbers on Gold Background  
 No. 4 DIAL—Blue Calibration Numbers on Gold Background

Part No.	Description	List Price
12A386	6" P.M. Dynamic Speaker complete with Output Transformer	\$6.10
14X285	Screen for above Speaker (Dial No. 3)	.25
14X287	Screen for above Speaker (Dial No. 4)	.40
14X286	Grille Cloth (Dial No. 3)	.10
14X288	Grille Cloth (Dial No. 4)	.10
10A421	Knob (Off Switch—A-D-C—Battery Switch)	.10
10A419	Knob (Tuning or Volume Control)	.10
3A503	Tuba or Resistor Sockets—Oct. (8 Prong)	.10
3A369	4 Prong Socket for Antenna Transformer Assembly	.10
30X44	Grid Clips	Doz.
32X174	Tube Shields	Doz.
13X418	"A" Battery Cable and Plug Assembly	.20
13X419	"B" Battery Cable and Plug Assembly	.20
13X420	Line Cord and Plug Assembly	.35
2A186	Off-Switch—A-D-C—Battery Switch	.65
26A284	Home-Auto Switch and Mounting Spring Assembly	.48
4X821	Escutcheon for Home-Auto Switch	.25
2A175	Economic	.15
26X285	Phosphor Bronze Ground Plate (For 3rd I.F. Can)	.18

TRANSFORMERS AND COILS

9A1386	T1 Oscillator Coil Assembly	\$1.25
9A1372	72 1st I.F. Transformer and Can Assembly	1.05
9A1373	T3 3rd I.F. Transformer and Can Assembly	1.00

T4 Output Transformer (See "Miscellaneous")  
 T5 Loop Aerial Assembly—less Trimmer  
 Condenser ..... 1.05  
 Antenna Transformer Assembly (See "Auto Installation Parts")

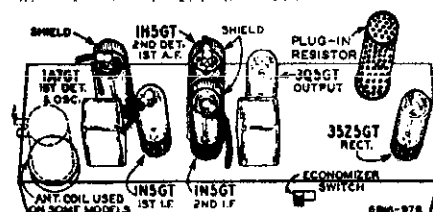
CONDENSERS	
47X142	C1 150 mmf. Mica ..... \$0.10
17A118	C2 2.5-25 mmf. Loop Aerial Trimmer. .10
47X57	C4 C10, C11 100 mmf. Mica ..... .10
850403	C5, C8, C11 .04 mf. 200 V. Tubular. .10
850168	(C6) Part of 1st I.F. Can Assembly
45X381	(C12A) .01 mf. 200 V. Tubular. .10
(C12B) .01 mf. 25 V. Electrolytic. .60	
(C13) Part of 3rd I.F. Can Assembly	
(C14) 60 mmf. Dual Mica ..... .15	
47X172	(C16) 60 mmf. Dual Mica ..... .15
850502	C17, C18 .005 mf. 200 V. Tubular. .10
D8502	C19 .005 mf. 400 V. Tubular. .10
(C20A) 10 mf. 150 V. Dry	
(C20B) 40 mf. 150 V. Electrolytic. .70	
(C20C) 20 mf. 150 V. Dry	
850164	C21 C22, C23 .15 mf. 400 V. Tubular. .15
D85163	C24 .01 mf. 400 V. Tubular. .10
17A115	C25 2.5-25 mmf. (See "Auto Installation Parts")
45X283	(40 mf. 150 V.) Dry Electrolytic. .75
(10 mf. 150 V.) Electrolytic. .10	
(20 mf. 150 V.) USED ON 25 CYCLE MODELS ONLY	
45X284	(80 mf. 35 V.) Dry Electrolytic. .60
(40 mf. 35 V.) Dry Electrolytic. .10	
14A154	2 Section Gang Condenser ..... 3.00

RESISTORS	
850304	R1 200,000 Ohm 0.5 W. Carbon ..... \$0.10
850183	R2 10,000 Ohm 0.5 W. Carbon ..... .10
850183	R3 15,000 Ohm 0.5 W. Carbon ..... .10
850303	R4, R15, R17 3.0 Megohm 0.5 W. Carbon ..... .10
850405	R5, R6, R29 4.0 Megohm 0.5 W. Carbon ..... .10
850505	R7 5.0 Megohm 0.5 W. Carbon ..... .10
850305	R8, R9 2.0 Megohm 0.5 W. Carbon ..... .10
85X289	R10 500,000 Ohm Volume Control ..... .50

850508	R11 50,000 Ohm 0.5 W. Carbon ..... .10
43X114	(R12) 2200 Ohm 8 W. Plug-in Resistor ..... 1.15
850250	R14 25 Ohm 0.5 W. Carbon ..... .10
850185	R16 1.0 Megohm 0.5 W. Carbon ..... .10
850302	R20 2000 Ohm 0.5 W. Carbon ..... .10
850102	R21 1000 Ohm 0.5 W. Carbon ..... .10
850106	R22 10.0 Megohm 0.5 W. Carbon ..... .10
850441	R23, R24 140 Ohm 0.5 W. Carbon ..... .15
850401	R25, R27 400 Ohm 0.5 W. Carbon ..... .15
850471	R26 750 Ohm 0.5 W. Carbon ..... .15
850490	R28 30 Ohm 0.5 W. Carbon ..... .15
850182	R30 1500 Ohm 0.5 W. Carbon ..... .15
43X184	R35 1400 Ohm 1/2 W. Wire Wound (USED ON 25 CYCLE MODELS ONLY) ..... .60

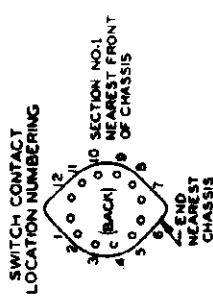
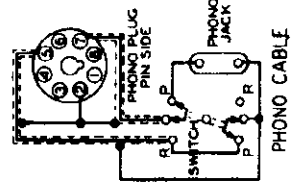
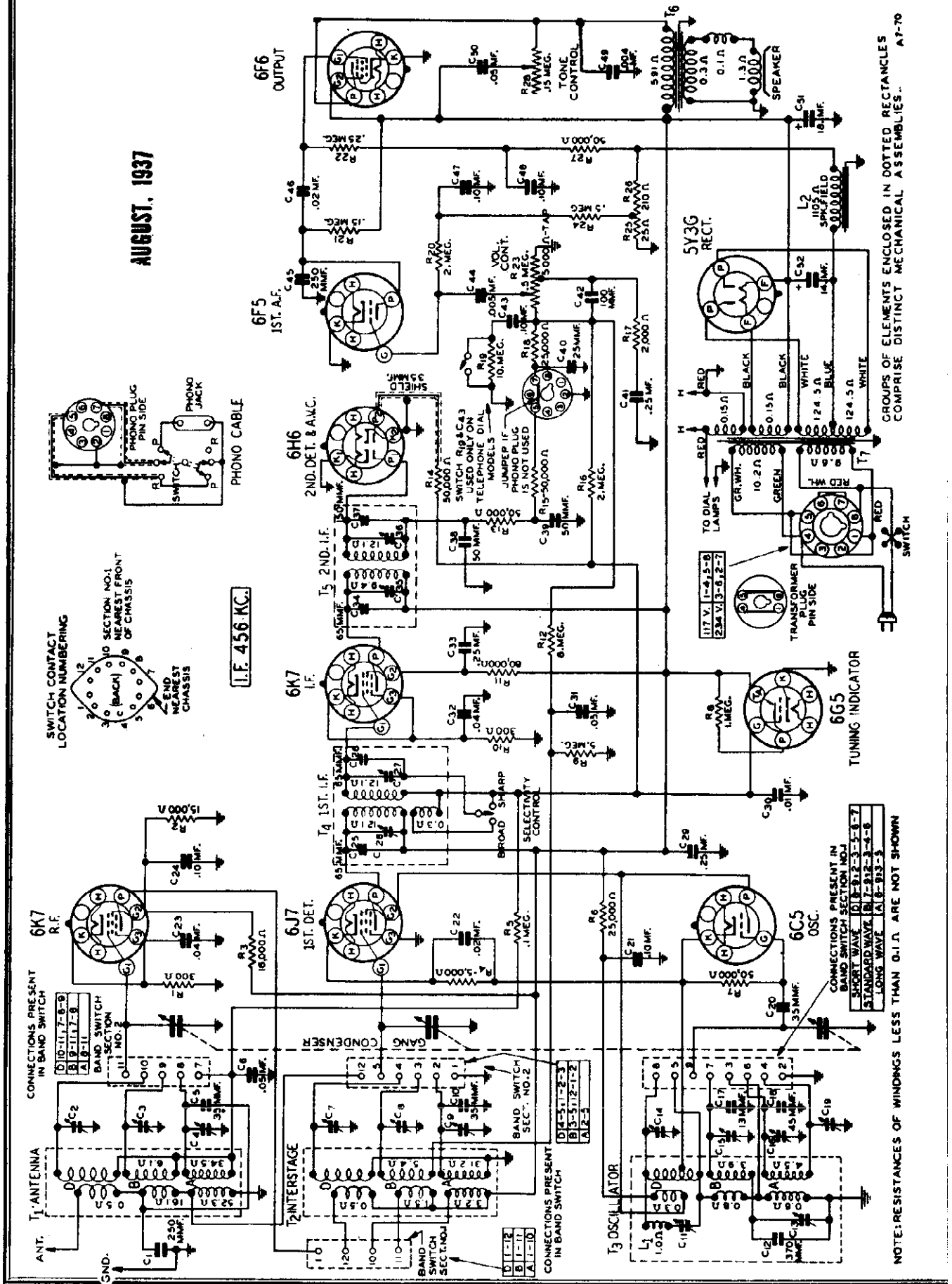
DIAL AND DRIVE ASSEMBLY

26A294	Dial Mounting Plate Assembly complete with Drive Cord Pulley and Bracket, less Dial Scale and Celluloid Crystal ..... \$0.40
17X66	Celluloid Crystal
	Dial Scale (Specify Name and Chassis Number of Radio) *
15X181	Pointer for Dial Scale—Black (No. 3 Dial) ..... .10
15X187	Pointer for Dial Scale—White (No. 4 Dial) ..... .10
26X86	Clamp Buttons (to hold Dial Scale and Celluloid Crystal to Mounting Plate) Doz. .60
	(4" Drive Cord (12 Lb. Test) ..... .10
26X206	Tension Spring for Drive Cord ..... Doz. .30

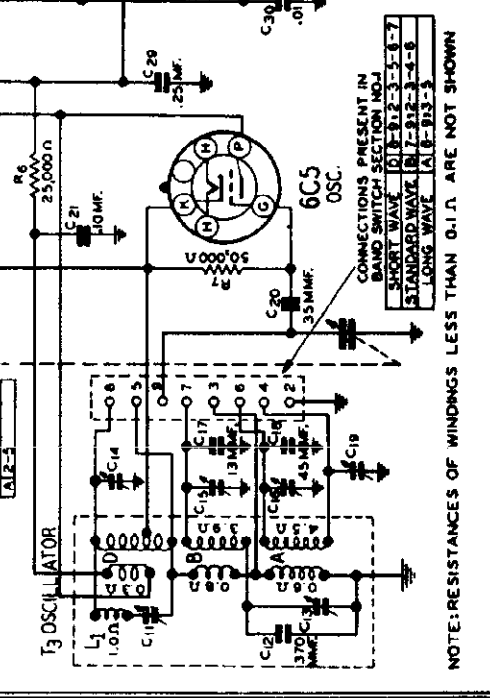
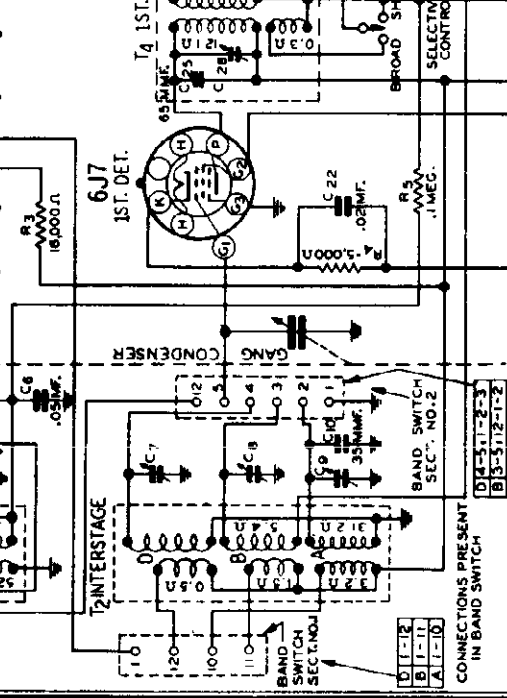
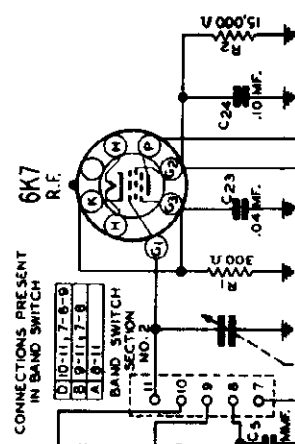


IMPORTANT—METAL BASE TUNES MUST BE USED IN THOSE SOCKETS AT WHICH SHIELDS ARE SHOWN.

AUGUST, 1937



I.F. 456 KC.



GROUPS OF ELEMENTS ENCLOSED IN DOTTED RECTANGLES COMPRISE DISTINCT MECHANICAL ASSEMBLIES. A7-70

MODEL A7

WELLS-GARDNER & CO.

### ALIGNMENT PROCEDURE

Volume Control—Maximum All Adjustments.  
 Selectivity Control—Sharp Position All Adjustments.  
 Connect Radio Chassis to Ground Post of Signal Generator With a Short Heavy Lead.  
 Allow Chassis and Signal Generator to "Heat Up" for Several Minutes.

The following equipment is required for aligning:  
 An All Wave Signal Generator which will provide an accurately calibrated signal at the test frequencies as listed.  
 Output Indicating Meter; Non-Metallic Screwdriver.  
 Dummy Antennas—.1 mf., 200 mmf., and 400 ohms.

STEP (Follow Order as Given)	BAND SWITCH SETTING	DUMMY ANTENNA	SIGNAL GENERATOR FREQUENCY SETTING	CONNECTION AT RADIO	TRIMMERS ADJUSTED See Illustration	INITIAL STEPS	PROCEDURE ADJUSTMENT
I.F.							
2nd I.F. Adj.	Range B	.1 mf.	456 KC	Grid of I.F. Tube	2nd I.F. (C35) & (C36)	Turn Rotor to Full Open	Adjust to Maximum Output
1st I.F. Adj.	Range B	.1 mf.	456 KC	Grid of 1st Det.	1st I.F. (C26) & (C27)	Turn Rotor to Full Open	Adjust to Maximum Output
<b>RANGE A</b>							
380 KC	Range A	200 mmf.	380 KC	Antenna Lead	Oscillator Range A (C16)	Turn Rotor to Full Open	Adjust to Maximum Output
350 KC	Range A	200 mmf.	350 KC	Antenna Lead	Int. Range A (C9)		
					Antenna Range A (C4)	Turn Rotor to Max. Output	Adjust to Maximum Output
<b>RANGE B</b>							
165 KC	Range A	200 mmf.	165 KC	Antenna Lead	165 KC (C19)	Turn Rotor to Max. Output	Adjust to Maximum Output Rock Rotor — See Note B
1830 KC	Range B	200 mmf.	1830 KC	Antenna Lead	Oscillator Range B (C15)	Turn Rotor to Full Open	Adjust to Maximum Output
1500 KC	Range B	200 mmf.	1500 KC	Antenna Lead	Ant. Range B (C3)	Turn Rotor to Max. Output	Adjust to Maximum Output
					Int. Range B (C8)	Turn Rotor to Max. Output	Adjust to Maximum Output
<b>RANGE D</b>							
600 KC	Range B	200 mmf.	600 KC	Antenna Lead	600 KC (C13)	Turn Rotor to Max. Output	Adjust to Maximum Output Rock Rotor — See Note B
19,800 KC	Range D	400 Ohm	19,800 KC	Antenna Lead	Oscillator Range D (C14)	Turn Rotor to Full Open	Adjust to Maximum Output
16,000 KC	Range D	400 Ohm	16,000 KC	Antenna Lead	Ant. Range D (C2)	Turn Rotor to Max. Output	Adjust to Maximum Output Rock Rotor — See Note B
6000 KC	Range D	400 Ohm	6000 KC	Antenna Lead	6000 KC (C11)	Turn Rotor to Max. Output	Adjust to Maximum Output Rock Rotor — See Note B

Attenuate the signal from the signal generator to prevent the leveling-off action of the AVC.

After each range is completed, repeat the procedure as a final check.

**NOTE A**—In sets using the telephone dial tuning, there will be seen inside the telephone dial button ring an escutcheon plate held in place by four screws. Loosen the 2 screws nearest the pointer. An extension of the pointer will be seen protruding over the edge of this escutcheon plate. Move the pointer to the 1500 KC mark on the dial and then tighten the 2 escutcheon screws. (Do not tighten these screws too much.)

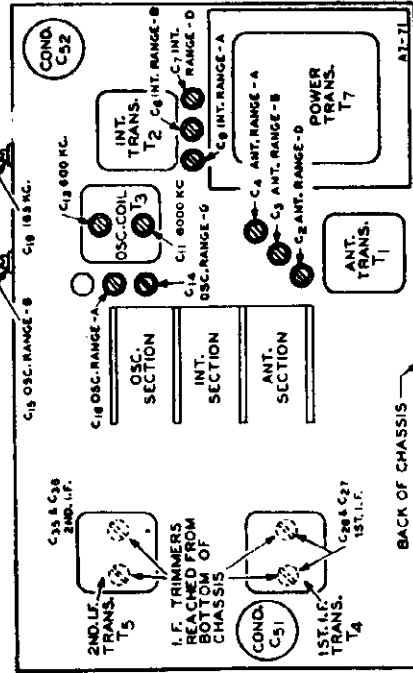
In sets using a pointer or any other type of dial

mechanism, it will be necessary to adjust the position of the indicator until it is at the 1500 KC mark.

**NOTE B**—Turn the rotor back and forth and adjust the trimmer until the peak of greatest intensity is obtained.

**CAUTION**—When aligning the short wave band be sure NOT to adjust at the image frequency. This can be checked as follows: Let us say the signal generator is set for 15,000 KC. The signal will then be heard at 15,000 on the dial of the radio. The image signal, which is much weaker will be heard at 15,000 less 912 KC, or 14,088 KC on the dial. It may be necessary to increase the input signal to hear the image.

**NOTICE**—Re-alignment is necessary if glass tubes are replaced by their equivalent in metal tubes, or vice versa, in the R.F. and I.F. stages.



WELLS-GARDNER & CO.

MODEL A7

CONDENSERS

Part No.	TUBULAR			MOLDED		
	Code	Capacitance	Voltage	Code	Capacitance	Voltage
46X80	C6	.05 mf.	180	C1	250 mmf.	17A73
46X105	C21	.10 mf.	360	C5	35 mmf.	17A69
46X187	C22	.02 mf.	180	C10	35 mmf.	17A76
46X211	C23	.04 mf.	180	C18	45 mmf.	17A48
46X181	C24	.10 mf.	360	C38	50 mmf.	17A44
46X121	C29	.25 mf.	360	C39	50 mmf.	17A70
46X124	C30	.01 mf.	180	C40	25 mmf.	17A70
46X80	C31	.05 mf.	180	C42	100 mmf.	17A70
46X211	C32	.04 mf.	180	C45	250 mmf.	17A70
46X121	C33	.25 mf.	360			
46X197	C41	.25 mf.	180			
46X98	C43	.10 mf.	180			
46X147	C44	.005 mf.	360			
46X202	C46	.02 mf.	360			
46X98	C47	.10 mf.	180			
46X98	C48	.10 mf.	180			
46X114	C49	.004 mf.	600			
46X108	C50	.05 mf.	600			

ELECTROLYTIC

C51	18 mf.	300
C52	14 mf.	400

TRIMMER

C2	2-25 mmf.	Antenna Range "D"
C3	2-25 mmf.	Antenna Range "B"
C4	2-25 mmf.	Antenna Range "A"
C7	2-25 mmf.	Interstage Range "D"
C8	2-25 mmf.	Interstage Range "B"
C9	2-25 mmf.	Interstage Range "A"
C11	40-100 mmf.	Oscillator 600 KC
C13	40-120 mmf.	Oscillator 600 KC
C14	2-25 mmf.	Oscillator Range "D"
C16	2-25 mmf.	Oscillator Range "A"
C15	1-12 mmf.	Oscillator Range "B"
C19	100-200 mmf.	165 KC Padder
C26	15-55 mmf.	1st I.F. Trimmers
C27	15-55 mmf.	
C35	15-55 mmf.	2nd I.F. Trimmers
C36	15-55 mmf.	

MISCELLANEOUS

C12	370 mmf.	Iron Clad
C17	13 mmf.	Compensating Capacitor
C20	35 mmf.	Iron Clad
C25	65 mmf.	Iron Clad
C28	65 mmf.	Iron Clad
C34	65 mmf.	Iron Clad
C37	150 mmf.	Iron Clad

3 Section Gang Condenser less Dial and Drive Assembly

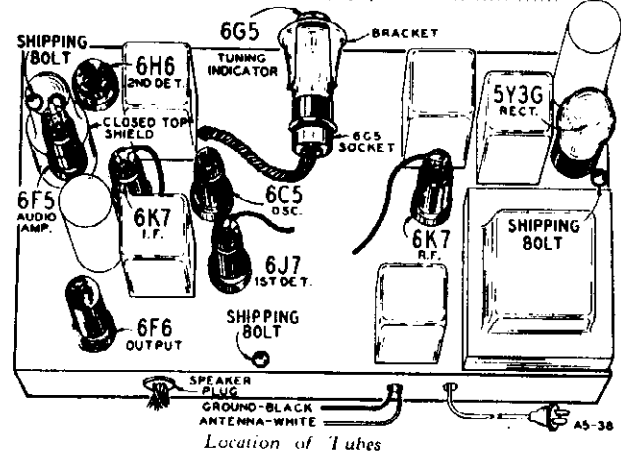
SPEAKERS

When ordering parts for speakers, specify part number of speaker, and letter preceding part number stamped on the speaker.

- 12A290 10" Dynamic Speaker Complete with Output Trans. (T6) Cone and Voice Coil for above Speaker Output Transformer only (T6)
- 12A285 8" Dynamic Speaker Complete with Output Trans. (T6) Cone and Voice Coil for above Speaker Output Transformer only (T6)

RESISTORS

CARBON			WIRE WOUND			
Part No.	Code	Resistance	Wattage	Part No.	Resistance	
A94805	R12	8 Megohm	0.2	A95503	R13	50,000 Ohm
A95503	R14	50,000 Ohm	0.2	A95503	R15	50,000 Ohm
A94301	R1	300 Ohm	0.2	A95205	R16	2 Megohm
C94153	R2	15,000 Ohm	1.0	A94202	R17	2,000 Ohm
D94163	R3	16,000 Ohm	2.0	A95253	R18	25,000 Ohm
A94502	R4	5,000 Ohm	0.2	A95106	R19	10 Megohm
A95104	R5	100,000 Ohm	0.2	A95154	R20	2 Megohm
C94253	R6	25,000 Ohm	1.0	A95254	R21	150,000 Ohm
A94503	R7	50,000 Ohm	0.2	A95504	R22	250,000 Ohm
A95105	R8	1 Megohm	0.2	A95503	R24	500,000 Ohm
A94505	R9	5 Megohm	0.2	A95503	R27	50,000 Ohm
A94301	R10	300 Ohm	0.2			
B95803	R11	80,000 Ohm	0.5			



WIRE WOUND

43X83	R25	25 Ohm	0.25
	R24	210 Ohm	2.0

VARIABLE

16X236	R23	.5 Megohm	Volume Control and On-Off Switch
40X223	R28	.15 Megohm	Tone Control

TRANSFORMERS AND COILS

Part No.	Code	Description
9A863	T1	Antenna Transformer and Can Assembly
9A864	T2	Interstage Transformer and Can Assembly
9A865	T3	Oscillator Transformer and Can Assembly
9A782	T4	1st I.F. Transformer and Can Assembly
9A777	T5	2nd I.F. Transformer and Can Assembly
	T6	Output Transformer only (See "Speakers")
33X161	T7	117-234 Volt, 40-60 Cycle, Universal Power Trans.
53X160	T7	117 Volt, 25 Cycle Power Transformer
53X159	T7	117 Volt, 40 Cycle Power Transformer

VOLTAGES AT SOCKETS

Line Voltage: 117—Volume Control: Maximum  
Readings taken with 1000 Ohm-per-volt meter

Antenna Shorted to Ground  
Position of Band Switch: Standard Wave

TUBE	FUNCTION	VOLTAGE BETWEEN SOCKET PRONG AND GROUND (Unless otherwise indicated)							
		Prong No. 1	Prong No. 2	Prong No. 3	Prong No. 4	Prong No. 5	Prong No. 6	Prong No. 7	Prong No. 8
6K7	R.F.	0	6.2(1)	245	110	2.5		6.2(1)	2.5
6J7	1st Det.	0	6.2(1)	245	114	0		6.2(1)	6.2
6C5	Osc.	0	6.2(1)	114				6.2(1)	0
6K7	I.F.	0	6.2(1)	245	118	2.5		6.2(1)	2.5
6H6	2nd Det.	0	6.2(1)		0			6.2(1)	0
6F5	1st A.F.	0	6.2(1)		155			6.2(1)	0(2)
6F6	Power	0	6.2(1)	230	245	16(3)		6.2(1)	0
5Y3G	Rectifier	0	5.0(4)		680(5)		680(5)		5.0(4)
6G5	Tuning Indicator	Plate to Ground 20		Target to Ground 245		Cathode to Ground 0		Across Heater 6.2	

(1) A.C. voltage as read across heater terminals 2 and 7.  
 (2) Bias (1.5 volts) as read across heater resistor R25.  
 (3) Bias (16 volts) as read across resistors R25 and 26.  
 (4) A.C. voltage as read across filament terminals 2 and 8.  
 (5) A.C. voltage as read across terminals 4 and 6.



MODEL 7P

WELLS-GARDNER & CO.

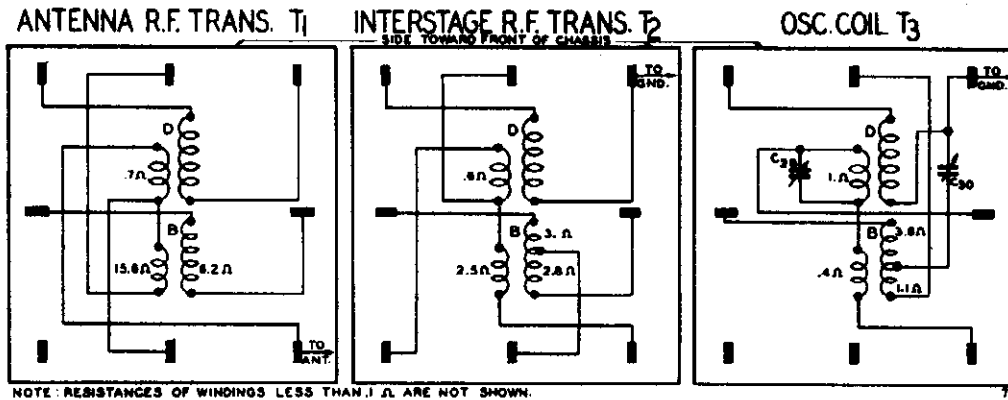


Fig. 4—R.F. and Oscillator Coil Base Terminal Arrangement and D.C. Resistance of Windings

### 32 Volt Power Supply

This radio is designed for use on farms and in those places where the power supply consists of a 32 volt direct current generating plant.

#### Polarity of Power Supply

There is a red mark on the plug at the end of the power supply cord of the radio. The prong of the plug at which the red mark is placed must be plugged into the positive side of the line.

Use a receptacle on the 32 volt line from which the plug will not have to be removed after it has once been inserted correctly.

If the polarity of the line is not known, that is, if it is not known which side of the line is positive, a meter may be used to indicate the polarity. A voltmeter of 50 volt range or up is used. Connect the meter across the line. If the pointer deflects correctly, then the positive post of the meter is connected to the positive side of the line.

If the polarity of the line is not known and there is no way of determining it, insert the power supply plug, turn on the set, advance the volume control and proceed to tune the radio. If no sounds are heard from the speaker after the plug has been in two minutes, withdraw the plug, turn it around and re-insert it. This time sounds should be heard after the tubes have been heated.

#### Caution

If used on any other type of power supply than 32 volt DC, severe damage may be done to the receiver.

Do not turn the radio on unless all of the tubes and the dial lamps are in the proper sockets. Use only No. 51 bayonet pin base lamps.

Do not leave the plug inserted for more than five minutes if it is found that the radio does not operate.

#### Line Voltage Range

The radio will operate satisfactorily within a line voltage range of 25 to 42 volts.

#### Series Resistor

If the line voltage is higher than 42, it will be necessary to use a series resistor to cut it down. If the voltage varies, a variable resistor may be required.

#### Starting Current

When first turned on, the drain for a few seconds is slightly higher than normal until the tubes heat up. Some automatic plants are adjusted to start under a load of 200 to 300 watts. If a number of devices such as lights or motors are being used and the radio set is turned on, the total drain may be sufficient to start the plant.

#### Dial Lamps

For the dial lamps, No. 51 bayonet pin base lamps must be used. These lamps are part of one section of the tube heater circuit (See Fig. 7) and any other lamps having a different current drain would upset the voltage system of this section.

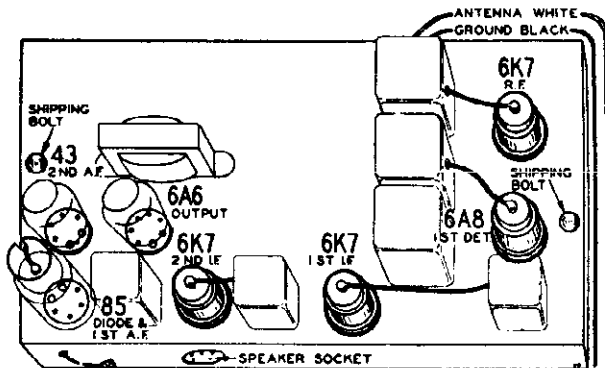


Fig. 6—Tube Arrangement

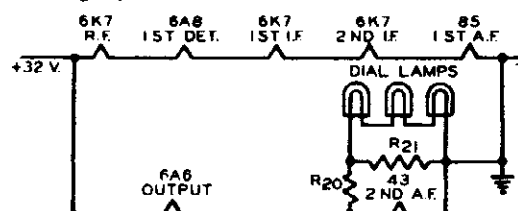
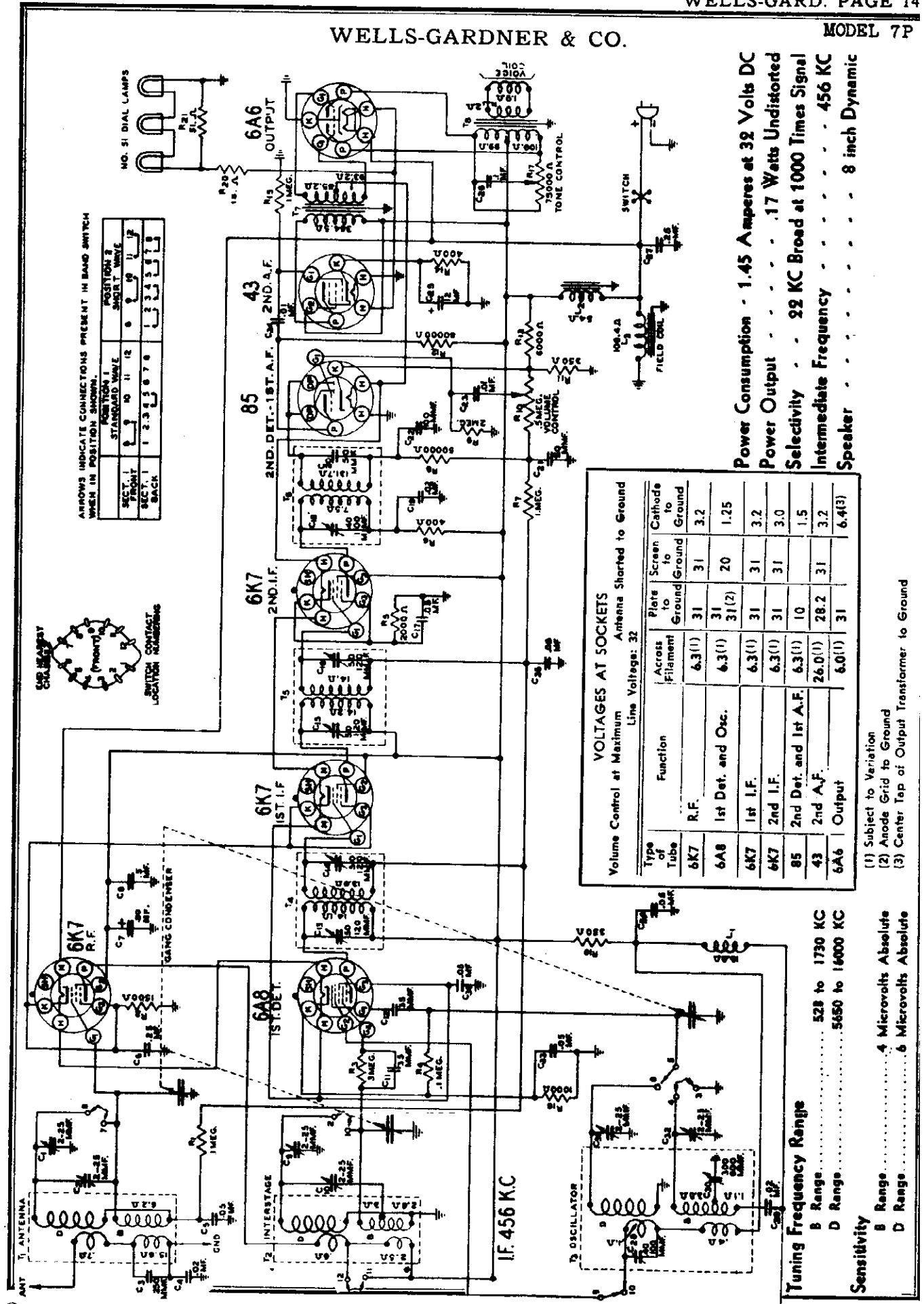


Fig. 7—Abridged Wiring Diagram Showing Tube Heater and Dial Lamp Wiring System

WELLS-GARDNER & CO.

MODEL 7P



ARROWS INDICATE CONNECTIONS PRESENT IN BAND SWITCH WHEN IN POSITION SHOWN.

POSITION	1	2	3	4	5	6	7	8	9	10
STANDARD WAVE	1	2	3	4	5	6	7	8	9	10
NO. 51 DIAL LAMPS	1	2	3	4	5	6	7	8	9	10



**VOLTAGES AT SOCKETS**  
Antenna Shorted to Ground  
Line Voltage: 32

Type of Tube	Function	Across Filament	Plates to Ground	Screen to Ground	Cathode to Ground
6K7	R.F.	6.3(1)	31	31	3.2
6A8	1st Det. and Osc.	6.3(1)	31	20	1.25
6K7	1st I.F.	6.3(1)	31(2)	31	3.2
6K7	2nd I.F.	6.3(1)	31	31	3.0
85	2nd Det. and 1st A.F.	6.3(1)	10		1.5
43	2nd A.F.	26.0(1)	28.2	31	3.2
6A6	Output	6.0(1)	31		6.4(3)

**Tuning Frequency Range**  
 B Range ..... 528 to 1730 KC  
 D Range ..... 5650 to 16000 KC

**Sensitivity**  
 B Range ..... 4 Microvolts Absolute  
 D Range ..... 6 Microvolts Absolute

Power Consumption - 1.45 Amperes at 32 Volts DC  
 Power Output - .17 Watts Undistorted  
 Selectivity - 92 KC Broad at 1000 Times Signal  
 Intermediate Frequency - 456 KC  
 Speaker - 8 inch Dynamic

## MODEL 7P

## WELLS-GARDNER &amp; CO.

**I. F. Adjustment**

Set the signal generator for a signal of 456 KC.

Connect the output of the signal generator through a .1 mf. condenser to the grid of the 1st detector ( $G_1$ ).

Connect the ground lead of the radio to the ground post of the signal generator.

Turn the band switch to the Range B position (standard wave band).

Turn the volume control to the maximum position.

Attenuate the signal from the signal generator to prevent the levelling-off action of the AVC.

Then adjust the five I.F. trimmers until maximum output is obtained. The adjusting screws for these condensers are reached from the top of the chassis, and the location is shown in Fig. 3.

**Range B Alignment**

After the procedure for the alignment of each range, as explained below, is completed, it is advisable to repeat the procedure as a final check.

**1730 KC Adjustment**

Set the signal generator for 1730 KC.

Turn the rotor of the tuning condenser to the full open position.

Keep the band switch in the standard wave position.

Connect the antenna lead of the radio through a 200 mmf. condenser to the output of the signal generator.

For this and all subsequent adjustments keep the volume control at the maximum position and attenuate the signal from the signal generator to prevent AVC action.

Adjust the oscillator Range B trimmer ( $C_{32}$ ) until maximum output is obtained. The location of this trimmer is shown in Fig. 3.

**1500 KC Adjustment**

Set the signal generator for 1500 KC.

Turn the rotor of the tuning condenser carefully until maximum output is obtained.

Loosen the pointer screw and set the pointer at the 1500 KC mark on the standard wave band scale. Retighten the screw.

Adjust the interstage Range B trimmer ( $C_{10}$ ) and antenna Range B trimmer ( $C_2$ ) to maximum.

Do not change the setting of the oscillator Range B trimmer.

**600 KC Adjustment**

Set the signal generator for 600 KC.

Turn the tuning condenser rotor until maximum output is obtained.

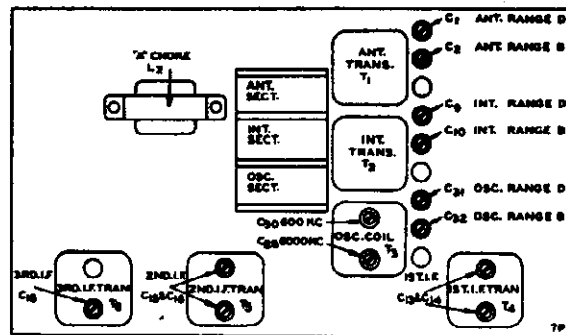


Fig. 3—Location of Trimmers

Turn the rotor slowly back and forth at the same time adjusting the 600 KC trimmer ( $C_{30}$ ) until the peak of greatest intensity is obtained. See Fig. 3 for location of this trimmer.

**Range D Alignment**

**CAUTION**—When aligning the short wave band be sure NOT to adjust at the image frequency. This can be checked as follows: Let us say the signal generator is set for 15,000 KC. The signal will then be heard at 15,000 on the dial of the radio. The image signal, which is much weaker, will be heard at 15,000 less 912 KC, or 14,088 KC. It may be necessary to increase the input signal to hear the image.

**16,000 KC Adjustment**

Set the signal generator for 16,000 KC.

Connect the antenna lead of the radio through a 400 ohm resistor to the output of the signal generator.

Turn the rotor of the tuning condenser to the full open position.

Turn the band switch to the Range D position (short wave band).

Adjust the oscillator Range D trimmer ( $C_{31}$ ) until maximum output is obtained. See Fig. 3 for location of this trimmer.

**15,000 KC Adjustment**

Set the signal generator for 15,000 KC.

Turn the rotor of the tuning condenser carefully until maximum output is obtained.

Adjust the interstage Range D trimmer ( $C_9$ ) and antenna Range D trimmer ( $C_1$ ) to maximum. When adjusting these trimmers, it will be necessary at the same time to turn the tuning condenser rotor slowly back and forth until the peak of greatest intensity is obtained.

Do not change the setting of the oscillator Range D trimmer.

**6000 KC Adjustment**

Set the signal generator for 6000 KC.

Turn the tuning condenser rotor until maximum output is obtained.

Turn the rotor slowly back and forth at the same time adjusting the 6000 KC ( $C_{28}$ ) trimmer until the peak of greatest intensity is obtained. See Fig. 3 for location of this trimmer.

WELLS-GARDNER & CO.

MODEL

ARROWS INDICATE CONNECTIONS PRESENT IN BAND SWITCH WHEN IN POSITION SHOWN.

	POSITION 1 STANDARD WAVE	POSITION 2 SHORT WAVE C	POSITION 3 SHORT WAVE D
FRONT SECT. 1	4 5 6 7 9	4 5 6 7 9	4 5 6 7 9
BACK SECT. 1	10 11 12 2	10 11 12 2	10 11 12 2
FRONT SECT. 2	6 9 10 11	6 9 10 11	6 9 10 11
BACK SECT. 2	11 12 13 4 5 6 7 8	11 12 13 4 5 6 7 8	11 12 13 4 5 6 7 8

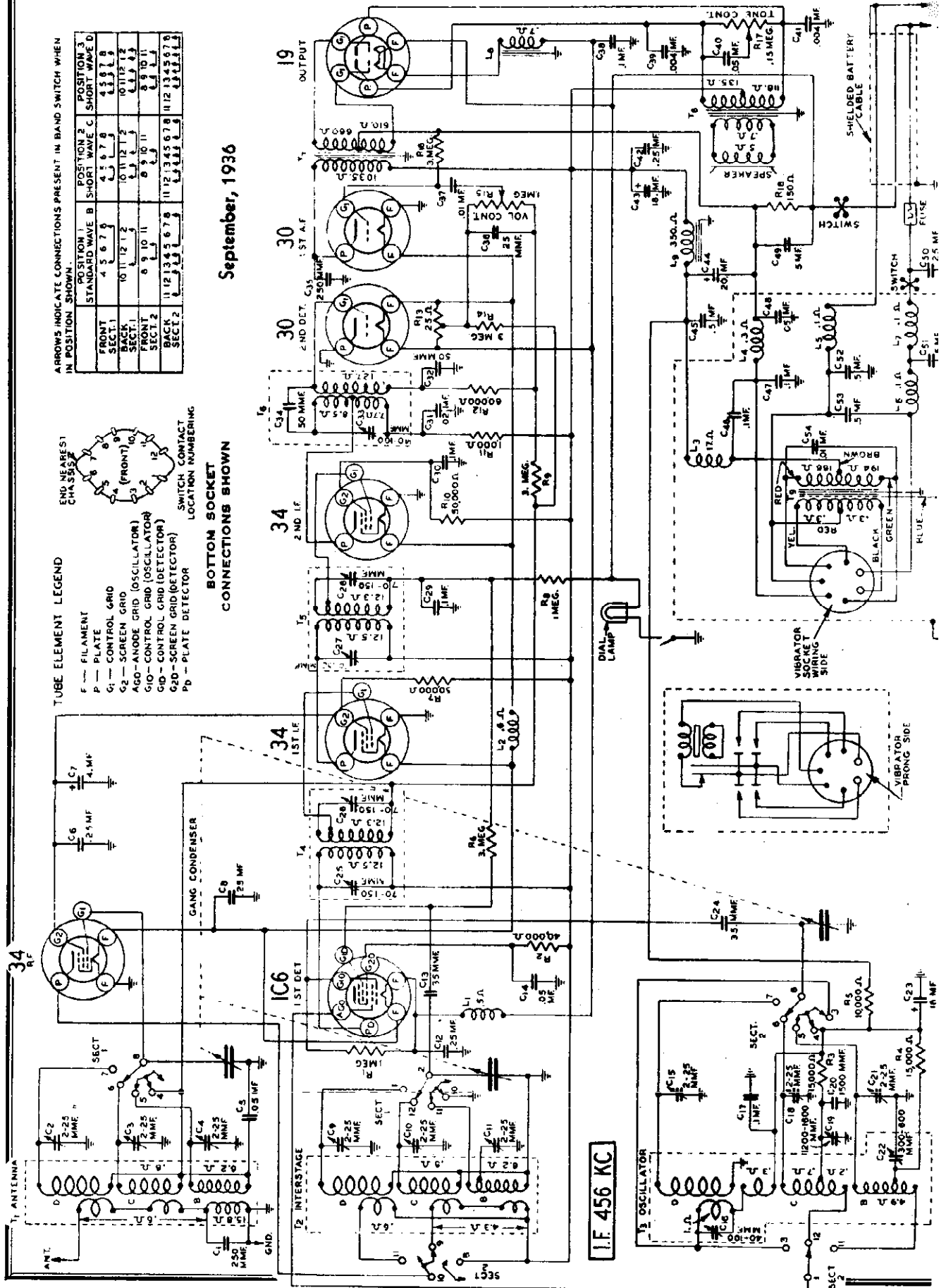
September, 1936



TUBE ELEMENT LEGEND

- F — FILAMENT
- P — PLATE
- G1 — CONTROL GRID
- G2 — SCREEN GRID (OSCILLATOR)
- A-GO — ANODE GRID (OSCILLATOR)
- G10 — CONTROL GRID (DETECTOR)
- G20 — SCREEN GRID (DETECTOR)
- P0 — PLATE DETECTOR

BOTTOM SOCKET CONNECTIONS SHOWN



MODEL 7Q

WELLS-GARDNER & CO.

**Voltages**

Check the voltages at the sockets to see if correct values are being delivered to the tubes. The antenna and ground should be disconnected and the antenna and ground leads from the set connected together. The volume control should be turned to the right or maximum position.

The voltage chart gives the voltages with all tubes in, the speaker connected and the set in operating condition. These voltages are typical of the sets but will vary slightly with variations in individual radios, tubes, test equipment used and battery voltage.

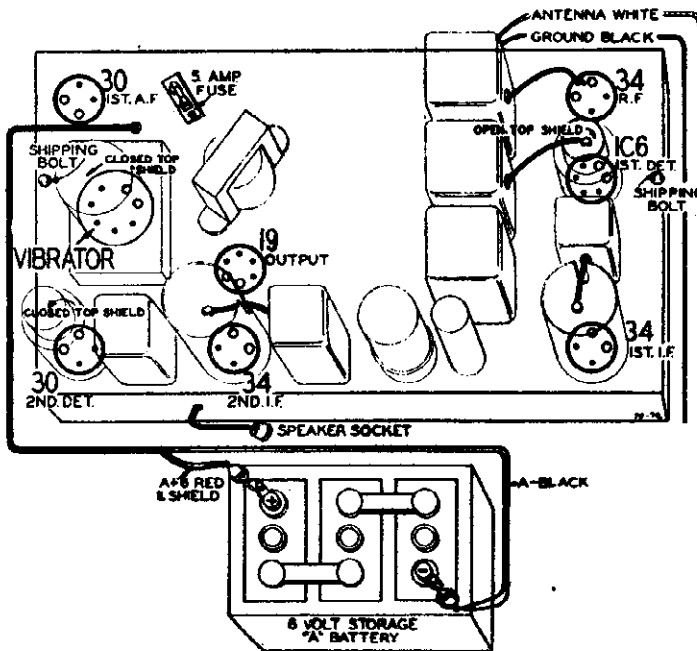


Fig. 4—Tube Arrangement and Battery Connections

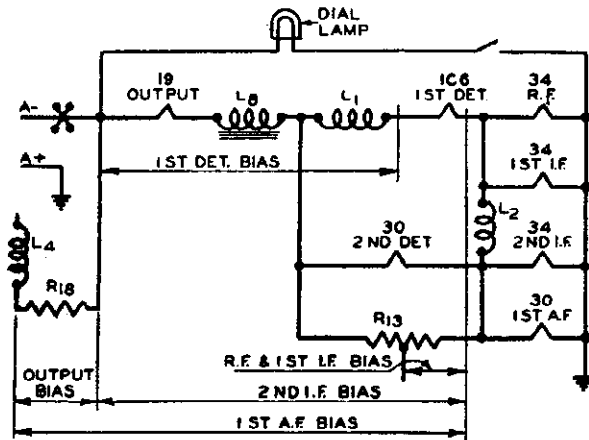


Fig. 5—Abridged wiring diagram showing filament wiring system and points at which no-signal bias voltages are obtained.

**Tubes**

The tubes used in this radio are of the 2 volt series. All of them are of the filament or directly heated types. The filaments are connected in the series-parallel arrangement shown in Fig. 5.

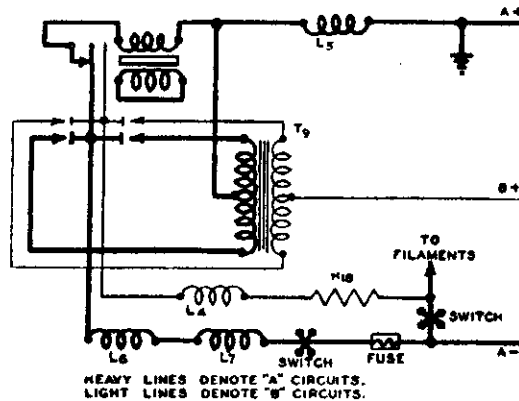
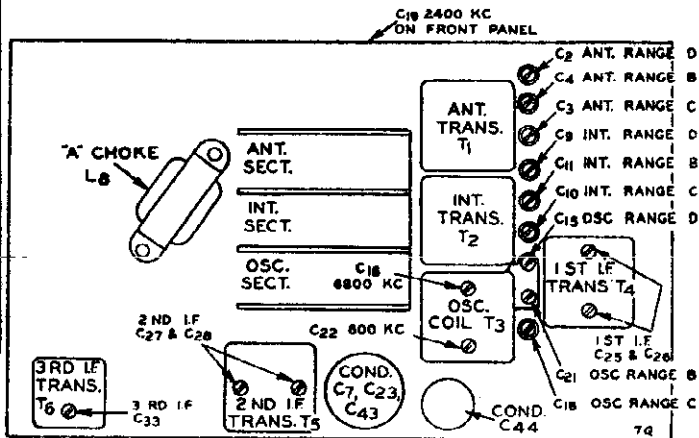


Fig. 6—Abridged wiring diagram showing action of synchronous vibrator

VOLTAGES AT SOCKETS					
Volume Control at Maximum			Antenna Shorted to Ground		
Battery - 6 Volts			Band Switch in Standard Wave Position		
Type of Tube	Function	Across Filament	Plate to Ground	Screen to Ground	Bias Voltage See Notes
34	R.F.	2.0	145	55	1.0(1)
IC6	1st Det.-Osc.	2.0	145 90(2)	60	2 (3)
34	1st I.F.	2.0	145	55	1.0(1)
34	2nd I.F.	2.0	140	90	4.0(3)
30	2nd Det.	2.0			9 (4)
30	1st A.F.	2.0	140		9 (4)
19	Power	2.0	140		8 (5)

- (1) As read from negative filament leg to tap of resistor R13.
- (2) Anode grid to ground.
- (3) As read from negative filament leg to A-.
- (4) Total voltage drop from negative filament leg to low potential end of resistor R18.
- (5) As read across resistor R18.



Location of Trimmers

## WELLS-GARDNER &amp; CO.

## Series 7Q

7 Tube - 3 Band

6 Volt Synchronous Vibrator Radio

## Alignment and Calibration

The radios are properly aligned at the factory with precision instruments and realignment should not be attempted unless all other possible causes of the faulty operation have first been investigated and unless the service technician has the proper equipment.

A signal generator that will provide an accurately calibrated signal at 456, 1730, 1500, 600, 6700, 6000, 2400, 18,400, 15,000 and 6800 KC and an output indicating meter are required. It will be practically impossible to align the receiver if unsatisfactory apparatus is used.

Use a non-metallic screwdriver for the adjustments. The complete procedure is as follows:

**I. F. Adjustment**

Set the signal generator for a signal of 456 KC. Connect the output of the signal generator through a .1 mf. condenser to the grid of the 1st detector G1D.

Connect the ground lead of the receiver to the ground post of the signal generator.

Turn the band switch to the Range B position (standard wave band).

Turn the volume control to the maximum position. Attenuate the signal from the signal generator to prevent the levelling-off action of the AVC.

Then adjust the five I.F. trimmers until maximum output is obtained. The adjusting screws for these condensers are reached from the top of the chassis and the location is shown in Fig. 3.

**Range B Alignment**

After the procedure for the alignment of each range, as explained below, is completed, it is advisable to repeat the procedure as a final check.

**1730 KC Adjustment**

Set the signal generator for 1730 KC. Turn the rotor of the tuning condenser to the full open position.

Keep the band switch in the standard wave position.

Connect the antenna lead of the receiver through a 200 mmf. condenser to the output of the signal generator.

For this and all subsequent adjustments keep the volume control at the maximum position and attenuate the signal from the signal generator to prevent the levelling-off action of the AVC.

## General Service Data

**Planetary Drive Assembly**

The planetary assembly is the unit that is integral with the tuning shaft.

If the nut on the back end of this assembly is too tight, the drive will be jerky and will turn hard in high speed. If this condition exists, back off this nut one or two turns and note the effect.

If this nut is too loose, the drive will slip in slow speed. The remedy in this case, of course, is to tighten the nut.

Should the condenser drive cord slip when the planetary pulley is turning, inspect the tuning condenser, drive drum and gears to see that they are turning properly and that they are not being obstructed in some way.

This radio is designed to operate from a 6 volt storage battery and uses a synchronous vibrator and a transformer to provide the required high voltage. The tubes used are of the 2 volt type and are connected in a series parallel arrangement across the 6 volt battery.

Three bands are covered with a tuning range in each band as shown in the specifications above. Three band coverage is accomplished by means of three sets of R.F. and oscillator coils and a two section triple throw switch.

Referring to the schematic circuit diagram, Fig. 2, T1 and T2 are the antenna and interstage R.F. transformer assemblies and T3 is the oscillator coil assembly. The standard wave, 1st and 2nd short wave coils in each assembly are indicated by the letters B, C and D respectively. The band switch sections are designated as section one and section two.

ate the signal from the signal generator to prevent AVC action.

Adjust the oscillator Range B trimmer (C11) until maximum output is obtained. The location of this trimmer is shown in Fig. 3.

**1500 KC Adjustment**

Set the signal generator for 1500 KC. Turn the rotor of the tuning condenser carefully until maximum output is obtained.

Loosen the pointer screw and set the pointer at the 1500 KC mark on the standard wave band scale. Retighten the screw.

Adjust the interstage Range B trimmer (C11) and antenna Range B trimmer (C4) to maximum.

Do not change the setting of the oscillator Range B trimmer.

**600 KC Adjustment**

Set the signal generator for 600 KC. Turn the tuning condenser rotor until maximum output is obtained.

Turn the rotor slowly back and forth at the same time adjusting the 600 KC trimmer until the peak of greatest intensity is obtained. See Fig. 3 for location of this trimmer.

**Range C Alignment**

**CAUTION**—When aligning the short wave bands be sure NOT to adjust at the image frequency. This can be checked as follows: Let us say the signal generator is set for 5000 KC. The signal will then be heard at 5000 KC on the dial of the radio. The image signal, which is much weaker, will be heard at 5000 less 912 KC, or 4088 KC. It may be necessary to increase the input signal to hear the image.

**6700 KC Adjustment**

Set the signal generator for 6700 KC. Connect the antenna lead of the receiver through a 400 ohm resistor to the output of the signal generator.

Turn the rotor of the tuning condenser to the full open position.

Turn the band switch to the Range C position (first short wave band).

Adjust the oscillator Range C trimmer (C18) until maximum output is obtained. See Fig. 3 for location of this trimmer.

If the drive turns unevenly (rough in spots), this may mean that the planetary assembly is defective or damaged internally and a new unit will be required.

**Trimmer Replacement**

If one trimmer of the gang trimmer strip should become defective, it is not necessary to replace the entire strip. A single trimmer P-17A36, as shown in the replacement parts list, may be used. Disconnect the lead from the coil side (side not grounded) of the defective trimmer in the strip. This connection is then made to the single trimmer. Connect it to the side of the trimmer not in contact with the adjusting screw. The other side of the single trimmer is then connected to a good ground, using a piece of heavy wire in order to support the trimmer adequately. In replacing a trimmer, be sure to keep both leads as short as possible and keep the ungrounded lead as far from ground as possible.

## Circuit

The band switch complexes connections to the coils to use. It short circuits the R.F. transformer secondaries and oscillator grid coils of lower frequency not in use. It also short circuits the interstage R.F. transformer Range B and C primaries when in the Range D position. The Range D oscillator plate coil is short circuited by the band switch when it is in Range B and C positions.

The antenna transformer with tuned secondary feeds into a type 34 R.F. amplifier tube. The output of this tube is fed through the interstage R.F. transformer with tuned secondary into the control grid circuit of a 1C6 pentagrid converter tube which functions as the oscillator and 1st detector.

The oscillator potential on the oscillator control grid of this tube modulates the electron stream from the cathode in such a manner as to impress on it the oscillator frequency which is always 456 KC above

**6000 KC Adjustment**

Set the signal generator for 6000 KC. Turn the rotor of the tuning condenser carefully until maximum output is obtained.

Adjust the interstage Range C trimmer (C10) and antenna Range C trimmer (C3) to maximum.

Do not change the setting of the oscillator Range C trimmer.

**2400 KC Adjustment**

Set the signal generator for 2400 KC. Turn the tuning condenser rotor until maximum output is obtained.

Turn the rotor slowly back and forth at the same time adjusting the 2400 KC trimmer until the peak of greatest intensity is obtained. See Fig. 3 for location of this trimmer.

**Range D Alignment****18,400 KC Adjustment**

Set the signal generator for 18,400 KC. Keep the antenna lead of the receiver connected through the 400 ohm resistor to the output of the signal generator.

Turn the rotor of the tuning condenser to the full open position.

Turn the band switch to the Range D position (second short wave band).

Adjust the oscillator Range D trimmer (C15) until maximum output is obtained. See Fig. 3 for location of this trimmer.

**15,000 KC Adjustment**

Set the signal generator for 15,000 KC. Turn the rotor of the tuning condenser carefully until maximum output is obtained.

Adjust the interstage Range D trimmer (C9) and antenna Range D trimmer (C2) to maximum.

When adjusting the interstage and antenna Range D trimmers, it will be necessary at the same time to turn the tuning condenser rotor slowly back and forth until the peak of greatest intensity is obtained.

Do not change the setting of the oscillator Range D trimmer.

**6800 KC Adjustment**

Set the signal generator for 6800 KC. Turn the tuning condenser rotor until maximum output is obtained.

Turn the rotor slowly back and forth at the same time adjusting the 6800 KC trimmer until the peak of greatest intensity is obtained. See Fig. 3 for location of this trimmer.

the frequency to which the R.F. amplifier is tuned. The electron stream is also modulated at the signal frequency by the detector control grid. As a result of the beating of the two frequencies, the intermediate or beat frequency of 456 KC is present in the plate circuit of this tube.

Two stages of I.F. amplification are employed using type 34 tubes. The primaries and secondaries of the first and second I.F. transformers and the primary of the 3rd I.F. transformer are tuned by small trimmer condensers.

A type 30 tube functions as a diode second detector and as the automatic volume control tube. AVC voltage is applied to the R.F. and 1st I.F. tubes.

The audio voltage developed across the volume control resistor R13 is applied to the control grid of the type 30 1st A.F. tube.

The output stage employs a type 19 tube. This tube is a Class "B" power amplifier and combines 2 triodes in one envelope. A P.M. dynamic reproducer is used.

**Filament Wiring**—Fig. 5 is an abridged wiring diagram which shows the tube filament and dial lamp wiring system and also indicates the points at which the no-signal bias voltages are obtained.

**Synchronous Vibrator**—The action of the synchronous vibrator used in the power unit is shown in the abridged wiring diagram Fig. 6. When the switch is closed, the armature is drawn over as a result of the current through the vibrator coil. When this occurs, the two contacts at the lower right side of the armature are closed and the circuit through the vibrator coil is broken. The spring action then causes the armature to spring back and the two contacts at the lower left side are closed. The circuit through the vibrator coil again is completed and the armature is drawn over to start the next cycle.

The "A" current (heavy lines, Fig. 6) flows first through one side of the power transformer primary and then through the other side in the opposite direction. An AC voltage is induced in the secondary as a result. That portion of the armature shown in light lines rectifies the current in the secondary circuit.

MODEL 7Q

WELLS-GARDNER & CO.

SPECIFICATIONS

Power Consumption - 1.4 Amperes at 6.3 Volts  
 Power Output - 1.1 Watt Undistorted  
 Selectivity - 24 KC Broad at 1000 times Signal  
 Intermediate Frequency - 456 KC.  
 Speaker - 6 inch P.M. Dynamic—Mantel Models  
 8 inch P.M. Dynamic—Console Models

Tuning Frequency Range  
 B Range ..... 528 to 1730 KC.  
 C Range ..... 2300 to 6700 KC.  
 D Range ..... 6500 to 18400 KC.  
 Sensitivity  
 B Range Average ..... 2.0 Microvolts Absolute  
 C Range Average ..... 4.0 Microvolts Absolute  
 D Range Average ..... 8.0 Microvolts Absolute

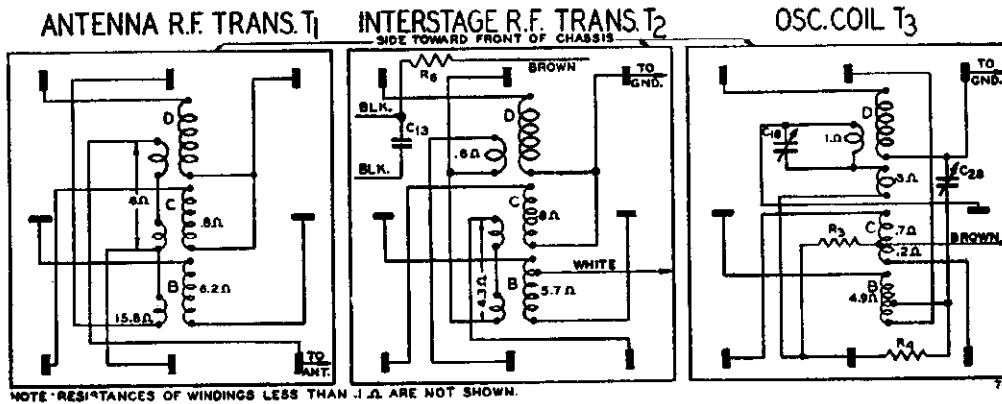


Fig. 7—R.F. and Oscillator Coil Base Terminal Arrangement and D. C. Resistance of Windings

Switch Contact Location Numbering

A standard arrangement for switch contact location numbering has been adopted. This numbering is illustrated in Fig. 2. In contact locations not used, the number applying to that particular location is not employed.

Servicing Power Unit

The power unit is that portion of the chassis assembly contained within the large rectangular shield can and the circuit for which is shown within the dotted lines at the lower right side of the schematic diagram, Fig. 2.

**Continuity Resistance Check**—The power transformer, choke coil circuits and condenser shorts may be checked by utilizing the vibrator socket terminals and various points on the "A" or "B" lines, without removal of the shield can. For example: when checking the continuity or resistance of the upper half of the transformer secondary, contact may be made with the test prods at the proper vibrator socket terminal, as shown on the circuit diagram, and at the positive terminal of the 20 mf. electrolytic condenser. C44.

**Removing Transformer and Vibrator Socket Assembly**—Take off the filter unit shield can by removing the four self tapping screws at the right side (from front) of the chassis base and the five hex nuts from the bolts at the top of the chassis.

Unsolder the ground connections from the two lugs on the inside of the chassis base (right side

from front). Unsolder the black and white coded wire from the terminal strip lug nearest the front of the chassis. This terminal strip is mounted on the transformer cover. Now unsolder the bracket holding the terminal strip to the transformer cover.

Remove the four nuts from the bolts holding the transformer assembly to the chassis. Do not remove these bolts from the transformer core. Then lift the assembly to free it from the chassis so that all parts of the assembly are readily accessible.

Proceed with replacement of the power transformer or with any other necessary service or replacements and then reassemble.

**Replacement of Buffer Condenser C54**—This condenser is located in the top of the transformer and vibrator assembly just underneath the vibrator socket. To replace, remove the assembly as explained in the preceding article.

In addition, the two screws holding the vibrator socket to the transformer cover assembly should be taken out. The condenser is then easily replaced.

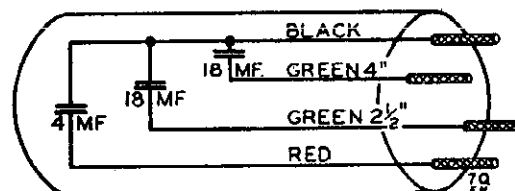


Fig. 8—Electrolytic Condenser Internal Connections

WELLS-GARDNER & CO.

MODEL Federal Recorder and Record Change

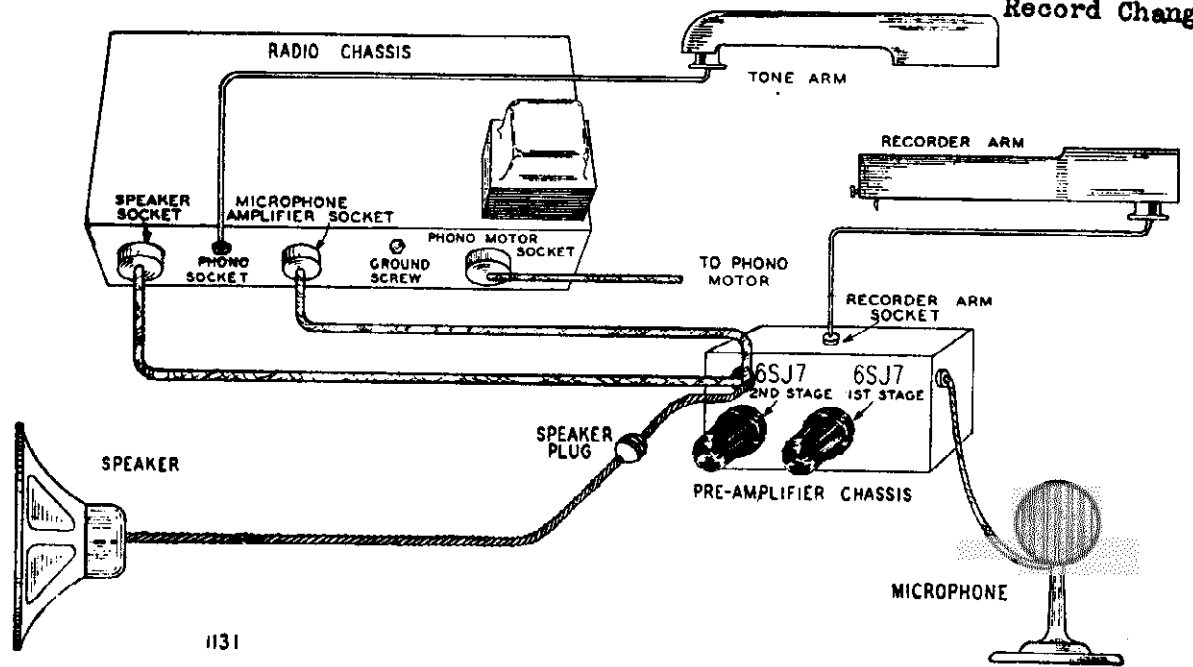


Fig. 4—Cable Connections

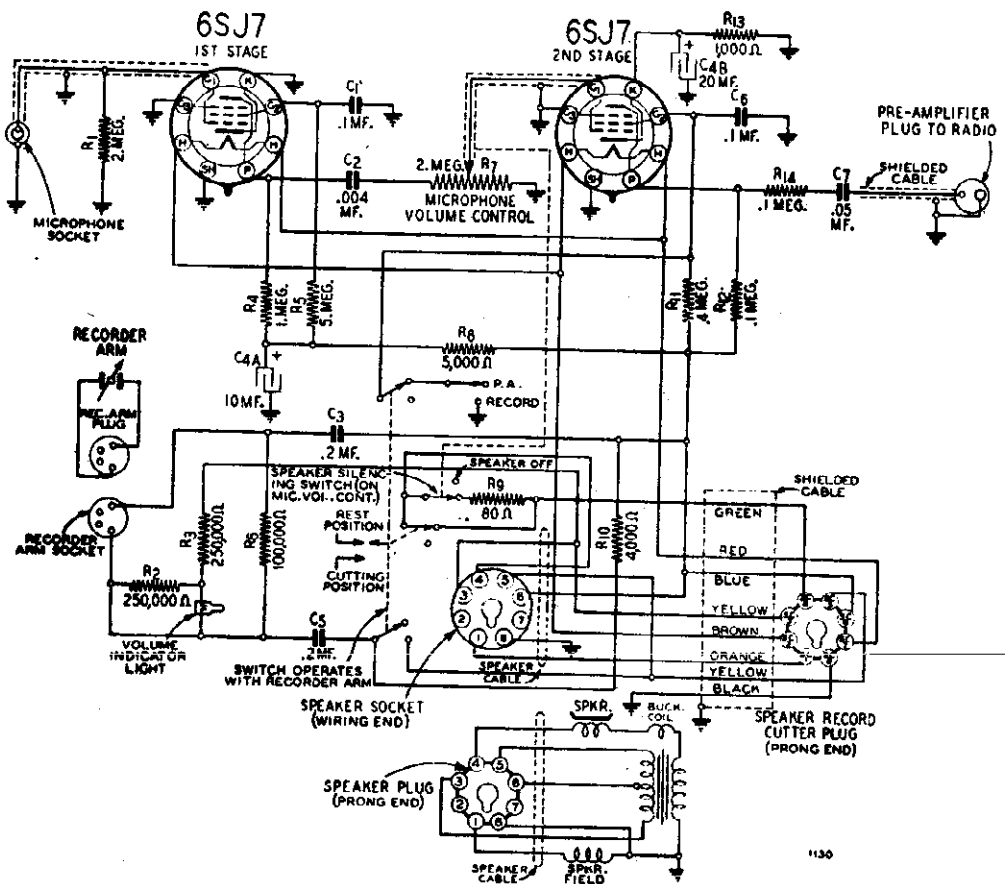


Fig. 5—Schematic Circuit Diagram



**MODEL Federal Recorder and Record Changer**

**WELLS-GARDNER & CO.**

- N—Rotate the recorder arm and carefully let it down with the needle point on the blank record about 1/4 inch from the outside edge of the blank record.
- O—After 1 or 2 blank grooves have been cut in the record, start the speech music, or sound into the microphone. Watch the volume indicator light as the recording is being made. If it is too bright, or continues to flicker, stop the recording. The Microphone Volume Control merely make sure that the red light does not flicker. A slight flicker on very long passages only will not be harmful.
- P—Remove thread as explained in Article 1. Step N.
- Q—The record can be cut until the cutting needle is about 1/2 inch from the center of the record or reached. Shortly before the needle reaches its final position, reduce the volume to zero with the Microphone Volume Control and cut 3 to 5 blank grooves on the record. Then return the recorder arm to the rest position by turning the Motor Switch to the OFF position by hitting to the ON position as far as it will go, and then let it down gently on the post. Push the Motor Switch to the OFF position.

Turn the Microphone Volume Control post to the point at which the speaker silencing switch is felt to operate. This switch is at about the halfway mark on the control. Speak or start the music or sound into the microphone.

After the Microphone Volume Control knob has been turned past the point at which the speaker is heard, the sound will be heard through the radio speaker but the sound intensity will be shown by the red indicator light. Turn the Microphone Volume Control until the speech or sound picked up by the microphone causes the red indicator light to flicker. Then turn the Microphone Volume Control down slowly until the red light just disappears. The Microphone Volume knob is in the position at which the speaker is heard to operate. The sound will again be heard through the radio speaker. The recording continues and no harm will result if the microphone is kept at least one yard from the radio speaker. If brought closer, a howl may occur.

M—Turn the Motor Switch to the ON position (Fig. 2) and allow the turntable to come up to full speed.

- D—Lift tone arm and set arm down gently with needle in outside groove of record.
- E—Adjust volume by means of Radio Volume Control to desired intensity.
- F—Adjust tone by means of Radio Tone Control to desired quality.
- G—Lift up tone arm at end of recording, set it in its rest position, and push Motor Switch to OFF position.

- A—Recorder arm in rest position.—See Fig. 1.
- B—Turn Phono-Radio Knob on radio panel to PHONO position.
- C—Push Motor Switch to ON position.

- I—Speak into the microphone and adjust the volume by means of the Microphone Volume Control to the proper intensity. If this control is turned too high, a howl may occur. The volume may be moved the lines closer to the microphone, and move the microphone farther away from the radio speaker.

- A—Recorder arm in rest position.—See Fig. 1.
- B—Tone arm in rest position.—See Fig. 1.
- C—Microphone Volume Control in OFF position.—See Fig. 2.
- D—P.A.—Record Switch in P.A. Position.
- E—Phono-Radio Knob (On radio panel) in PHONO position.
- F—Insert the plug on the end of the microphone cord in the microphone socket (Fig. 2) on the motor panel and push this plug all the way down.
- G—Turn the Phono-Off Switch (On the radio panel) to the ON position.
- H—Turn the Microphone Volume Control to about

- Reduce the radio or phonograph volume by means of the Radio Volume Control when making an announcement.

- Follow all the steps as given in Article 4 except that for radio reception the Phono-Radio Knob is in RADIO position.

- Article 1. Be sure P.A.—Record Switch is in RECORD position.
- B—Insert the plug on the end of the microphone cord in the microphone socket (Fig. 2) on the motor panel and push this plug all the way down.
- C—Keep the microphone at least one yard away from the radio speaker at all times. The microphone should be about 6 inches away from the microphone.

- The microphone can be used for superimposing an announcement on the record at any time when making a record of a radio program.
- A musical instrument or a singing voice may be used to accompany a radio program while recording it.
- A—Instructions for cutting the record are given in

**OPERATING THE RECORD MAKER**

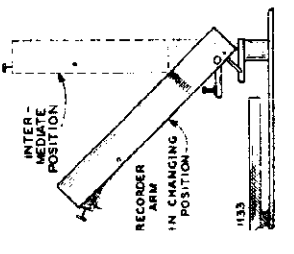
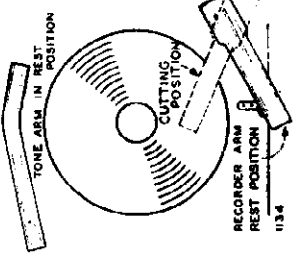


Fig. 1—Positions of Recorder Arm

- 1. TO MAKE A RECORD FROM A RADIO PROGRAM
  - A—Lift up hook on front support post and move in closer to Manual position.—See Fig. 2.
  - B—Recorder arm in rest position.—See Fig. 1.
  - C—Tone arm in rest position.—See Fig. 1.
  - D—Microphone Volume Control in OFF position.—See Fig. 2.
  - E—P.A.—Record Switch in RECORD position.—See Fig. 2.
  - F—Phono-Radio Knob (On radio panel) in RADIO position.
  - G—Turn in the desired radio program carefully to room volume.
  - H—Place a blank record disc on the turntable with the small pin in the turntable extending through the hole in the disc.
  - I—The Tone Control on the radio panel should, for most recordings, be in the TREBLE position.
  - J—Lift up the cutting end of the recorder arm at the same time turning in a clockwise direction about 1/2 inch, so vertical or intermediate position will be properly in place (See article "Recording Needles," page 5). The volume of the radio program will be reduced. Bring the volume up with the Radio Volume Control until the red indicator light, at left of Microphone Volume Control, just flashes on light passages. Then the red indicator light does not flicker.
  - K—Push the Motor Switch to the ON position (Fig. 2) and allow the turntable to come up to full speed.

**2. TO MAKE A RECORD USING THE MICROPHONE**

- 1—Place a blank record disc on the turntable with the small pin in the turntable extending through the hole in the disc.
- J—The Tone Control on the radio panel should, for most recordings, be in the TREBLE position.
- K—Keep the microphone at least one yard away from the radio loudspeaker at all times. The microphone should be about 6 inches away from the microphone. If the recording is to be music or other sound, place the microphone near the sound source, moving it closer or farther away as the volume requires.
- L—Lift up the cutting end of the recorder arm, at the same time turning in a clockwise direction about 1/2 inch, so vertical or intermediate position will be properly in place (See article "Recording Needles," page 5).

- L—Grasp and rotate recorder arm towards turntable and carefully let it down with the needle point on the blank record about 1/4 inch from the outside edge of the blank record.
- M—Watch the volume indicator light as the recording is being made. It is not necessary to continuously adjust the position of the Radio Volume Control. The Microphone Volume Control merely make sure that the red light does not flicker on very long passages only will not be harmful.
- N—The thread which forms at the cutting needle may be pushed gently toward the center with a soft brush while the record is being cut. Considerable care must be taken that the operator does not tamper this thread around the cutting needle or that it does not slow up the turntable by touching it with his hands. After the recording is completed, remove the thread from the record.
- O—The record can be cut until the cutting needle is about 1/2 inch from the center of the record or reached. Shortly before the needle reaches its final position, reduce the volume to zero with the Radio Volume Control (without turning the knob to the OFF position) and cut 3 to 5 blank grooves on the record. Then return the recorder arm to the rest position by hitting to the ON position as far as it will go, and then let it down gently on the post. Push the Motor Switch Knob to the OFF position.

- Place a blank record disc on the turntable with the small pin in the turntable extending through the hole in the disc.
- J—The Tone Control on the radio panel should, for most recordings, be in the TREBLE position.
- K—Keep the microphone at least one yard away from the radio loudspeaker at all times. The microphone should be about 6 inches away from the microphone. If the recording is to be music or other sound, place the microphone near the sound source, moving it closer or farther away as the volume requires.
- L—Lift up the cutting end of the recorder arm, at the same time turning in a clockwise direction about 1/2 inch, so vertical or intermediate position will be properly in place (See article "Recording Needles," page 5).

Fig. 2

- A—Set indicator to Manual position.
- B—Recorder arm in rest position.—See Fig. 1.
- C—Tone arm in rest position.—See Fig. 1.
- D—Microphone Volume Control in OFF position.—See Fig. 2.
- E—P.A.—Record Switch in RECORD position.—See Fig. 2.
- F—Phono-Radio Knob (On radio panel) in PHONO position.
- G—Insert the plug on the end of the microphone cord in the microphone socket (Fig. 2) on the motor panel and push this plug all the way down.
- H—Turn the Phono-Off Switch (On the radio panel) to the ON position.

WELLS-GARDNER & CO.

MODEL Federal Recorder and Record Change

ADDITIONAL INFORMATION

finished, do not lift the needle at once but allow it to cut several extra grooves while you remain silent.

**RECORDING NEEDLES**  
IMPORTANT—Use only long-shank recording needles.

Handle recording needles carefully. They are very sharp and can be easily damaged. Every precaution must be taken to protect the cutting point at all times; in cutting, the arm should be lowered gently on the blank with the turntable running.

Note that these needles have a hook-like end on the side of the shank. To insert in recording needles, first loosen the recording needle all the way in the hole on the underside of the recorder arm, with the flat portion of the needle shank toward the needle screw. Tighten the needle screw firmly. If the needle is in place at all, it will not cut properly and will damage the record and the needle.

A recording needle is considered worn when the becker end has become objectionable or when the thread becomes ragged. In general, the ordinary steel recording needle will have a satisfactory life of from 10 to 15 minutes depending on the original quality of the needle and the type of blank used.

Important: After recording is completed, the needle should be removed from the cutting head; if it may become loose in the cutting head; it is good practice to retighten after each recording.

**TIMING YOUR RECORDS**  
The following is the approximate maximum time for each record:  
6" size. Each side 1 1/2 min.  
8" size. Each side 3 min.  
10" size. Each side 4 1/2 min.

For best results, you should rehearse your selection and time it for recording. This will permit you to space your selection nicely on the record and also insure against using up the record before your selection is finished. After your selection is finished, you should re-adjustment.

To check for proper height, grasp the needle screw and lift it until the cartridge assembly is felt to touch the recorder arm. The needle point will then be approximately 1/8 inch above the record surface.

If, due to variations in recording needle length, the height must be adjusted, loosen the locking nut, adjust the screw to the proper height and retighten the nut.

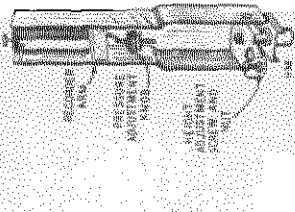


Fig. 1—Recorder Arm Adjustments

**MAINTENANCE**  
The Federal Record Maker normally requires little attention. However, after a number of records have been cut, the turntable should be removed and any cutting threads found wrapped around the shank of the rubber drive wheel and turntable must be cleared away. Both the shaft for the turntable and rubber drive wheel should be lubricated occasionally, depending on amount of use, with a good machine oil.

**CAUTION**—Do not allow oil to come in contact with rubber surface of drive wheel.

You can get a fairly good idea of the depth of the cut by examining the record with a magnifying glass. The width of the groove should be about equal to the space between grooves if the cutting needle is sharp and the cutting head is correctly adjusted.

The thickness of the thread is increased by rotating the pressure adjusting knob in a clockwise direction, while looking down on arm. See Fig. 3. Turning this counter-clockwise will decrease the thickness of the thread. Before making any pressure adjustment, be sure that a good cutting needle is used and that it is properly inserted.

REPLACEMENT PARTS LIST

Part	Quantity	Material	Notes
14115	1	Steel	See List for the Values Indicator
14116	1	Steel	See List for the Values Indicator
14117	1	Steel	See List for the Values Indicator
14118	1	Steel	See List for the Values Indicator
14119	1	Steel	See List for the Values Indicator
14120	1	Steel	See List for the Values Indicator
14121	1	Steel	See List for the Values Indicator
14122	1	Steel	See List for the Values Indicator
14123	1	Steel	See List for the Values Indicator
14124	1	Steel	See List for the Values Indicator
14125	1	Steel	See List for the Values Indicator
14126	1	Steel	See List for the Values Indicator
14127	1	Steel	See List for the Values Indicator
14128	1	Steel	See List for the Values Indicator
14129	1	Steel	See List for the Values Indicator
14130	1	Steel	See List for the Values Indicator
14131	1	Steel	See List for the Values Indicator
14132	1	Steel	See List for the Values Indicator
14133	1	Steel	See List for the Values Indicator
14134	1	Steel	See List for the Values Indicator
14135	1	Steel	See List for the Values Indicator
14136	1	Steel	See List for the Values Indicator
14137	1	Steel	See List for the Values Indicator
14138	1	Steel	See List for the Values Indicator
14139	1	Steel	See List for the Values Indicator
14140	1	Steel	See List for the Values Indicator
14141	1	Steel	See List for the Values Indicator
14142	1	Steel	See List for the Values Indicator
14143	1	Steel	See List for the Values Indicator
14144	1	Steel	See List for the Values Indicator
14145	1	Steel	See List for the Values Indicator
14146	1	Steel	See List for the Values Indicator
14147	1	Steel	See List for the Values Indicator
14148	1	Steel	See List for the Values Indicator
14149	1	Steel	See List for the Values Indicator
14150	1	Steel	See List for the Values Indicator
14151	1	Steel	See List for the Values Indicator
14152	1	Steel	See List for the Values Indicator
14153	1	Steel	See List for the Values Indicator
14154	1	Steel	See List for the Values Indicator
14155	1	Steel	See List for the Values Indicator
14156	1	Steel	See List for the Values Indicator
14157	1	Steel	See List for the Values Indicator
14158	1	Steel	See List for the Values Indicator
14159	1	Steel	See List for the Values Indicator
14160	1	Steel	See List for the Values Indicator
14161	1	Steel	See List for the Values Indicator
14162	1	Steel	See List for the Values Indicator
14163	1	Steel	See List for the Values Indicator
14164	1	Steel	See List for the Values Indicator
14165	1	Steel	See List for the Values Indicator
14166	1	Steel	See List for the Values Indicator
14167	1	Steel	See List for the Values Indicator
14168	1	Steel	See List for the Values Indicator
14169	1	Steel	See List for the Values Indicator
14170	1	Steel	See List for the Values Indicator
14171	1	Steel	See List for the Values Indicator
14172	1	Steel	See List for the Values Indicator
14173	1	Steel	See List for the Values Indicator
14174	1	Steel	See List for the Values Indicator
14175	1	Steel	See List for the Values Indicator
14176	1	Steel	See List for the Values Indicator
14177	1	Steel	See List for the Values Indicator
14178	1	Steel	See List for the Values Indicator
14179	1	Steel	See List for the Values Indicator
14180	1	Steel	See List for the Values Indicator
14181	1	Steel	See List for the Values Indicator
14182	1	Steel	See List for the Values Indicator
14183	1	Steel	See List for the Values Indicator
14184	1	Steel	See List for the Values Indicator
14185	1	Steel	See List for the Values Indicator
14186	1	Steel	See List for the Values Indicator
14187	1	Steel	See List for the Values Indicator
14188	1	Steel	See List for the Values Indicator
14189	1	Steel	See List for the Values Indicator
14190	1	Steel	See List for the Values Indicator
14191	1	Steel	See List for the Values Indicator
14192	1	Steel	See List for the Values Indicator
14193	1	Steel	See List for the Values Indicator
14194	1	Steel	See List for the Values Indicator
14195	1	Steel	See List for the Values Indicator
14196	1	Steel	See List for the Values Indicator
14197	1	Steel	See List for the Values Indicator
14198	1	Steel	See List for the Values Indicator
14199	1	Steel	See List for the Values Indicator
14200	1	Steel	See List for the Values Indicator

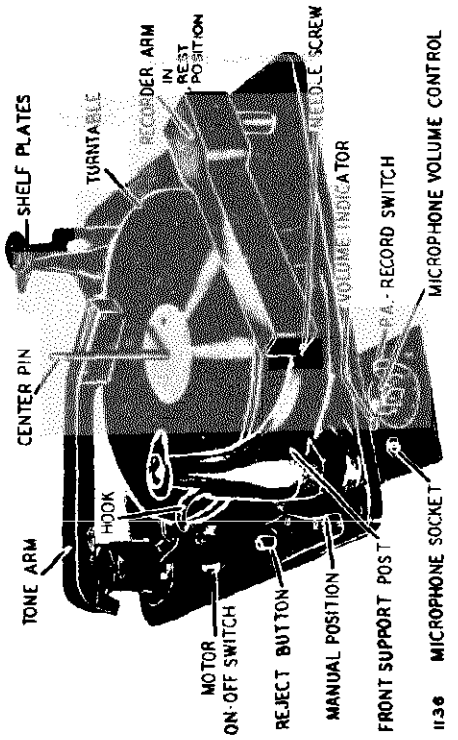


Fig. 2—Phonograph and Recorder Unit

**D**—If an announcement or title is to be inserted, reduce the volume of the radio program with the Radio Volume Control to any desired level, just before the announcement is to be made or the title is to be put in.

If a musical instrument or singing voice is to be recorded, turn down the Radio Volume Control or may be left at normal volume.

**E**—Turn the Microphone Volume Control up to just below the point at which the speaker silencing switch is felt to operate. This switch is at about the half-way mark on the control. (Continuing to turn this knob in a clockwise direction would throw the switch, and the sound could no longer be heard continue.

**F**—Speak or start the sound into the microphone and observe the indicator light. To increase volume, speak louder and get closer to the microphone. To decrease volume, of course, reverse these procedures. Turn down the Microphone Volume Control when the indicator light flickers.

**G**—When the arrangement or announcement is completed, turn the Microphone Volume Control to the OFF position and if additional radio program recording is wanted, turn up the Radio Volume Control to just below the point at which the red indicator light flickers.

7. TO MAKE A RECORD FROM ANOTHER RECORD WITH AN ELECTRIC RECORD PLAYER CONNECTED TO RADIO

If you have an electric record player, play the record to be copied on this record player, from the back of the radio chassis and insert plug from electric record player into phono socket. (See Fig. 4)

Follow all the instructions as given in Article 1, except that radio-phono switch on the radio should be in the PHONO position.

RECORDING TECHNIQUE

Making records has been likened to popular photography. It takes time to master the essentials of the art and learn how to do a real good job. The Federal Record-Maker has been so simplified that any one can start making satisfactory records right away, but to make the best, it is necessary to learn more of the technique of the art.

Follow the step-by-step instructions as given in this booklet slowly and carefully.

WITH A MICROPHONE AND SEPARATE ELECTRIC PHONOGRAPH

If you have a small phonograph of the electric type, play the record to be copied on this phonograph. Place the microphone in the usual position and proceed to make the new record in the usual manner with the microphone.—See Article 2.

This method, however, will result in poorer reproductions than those obtained using an electric record player connected to the radio.

MISCELLANEOUS

Part 14115 See List for the Values Indicator  
Part 14116 See List for the Values Indicator  
Part 14117 See List for the Values Indicator  
Part 14118 See List for the Values Indicator  
Part 14119 See List for the Values Indicator  
Part 14120 See List for the Values Indicator  
Part 14121 See List for the Values Indicator  
Part 14122 See List for the Values Indicator  
Part 14123 See List for the Values Indicator  
Part 14124 See List for the Values Indicator  
Part 14125 See List for the Values Indicator  
Part 14126 See List for the Values Indicator  
Part 14127 See List for the Values Indicator  
Part 14128 See List for the Values Indicator  
Part 14129 See List for the Values Indicator  
Part 14130 See List for the Values Indicator  
Part 14131 See List for the Values Indicator  
Part 14132 See List for the Values Indicator  
Part 14133 See List for the Values Indicator  
Part 14134 See List for the Values Indicator  
Part 14135 See List for the Values Indicator  
Part 14136 See List for the Values Indicator  
Part 14137 See List for the Values Indicator  
Part 14138 See List for the Values Indicator  
Part 14139 See List for the Values Indicator  
Part 14140 See List for the Values Indicator  
Part 14141 See List for the Values Indicator  
Part 14142 See List for the Values Indicator  
Part 14143 See List for the Values Indicator  
Part 14144 See List for the Values Indicator  
Part 14145 See List for the Values Indicator  
Part 14146 See List for the Values Indicator  
Part 14147 See List for the Values Indicator  
Part 14148 See List for the Values Indicator  
Part 14149 See List for the Values Indicator  
Part 14150 See List for the Values Indicator  
Part 14151 See List for the Values Indicator  
Part 14152 See List for the Values Indicator  
Part 14153 See List for the Values Indicator  
Part 14154 See List for the Values Indicator  
Part 14155 See List for the Values Indicator  
Part 14156 See List for the Values Indicator  
Part 14157 See List for the Values Indicator  
Part 14158 See List for the Values Indicator  
Part 14159 See List for the Values Indicator  
Part 14160 See List for the Values Indicator  
Part 14161 See List for the Values Indicator  
Part 14162 See List for the Values Indicator  
Part 14163 See List for the Values Indicator  
Part 14164 See List for the Values Indicator  
Part 14165 See List for the Values Indicator  
Part 14166 See List for the Values Indicator  
Part 14167 See List for the Values Indicator  
Part 14168 See List for the Values Indicator  
Part 14169 See List for the Values Indicator  
Part 14170 See List for the Values Indicator  
Part 14171 See List for the Values Indicator  
Part 14172 See List for the Values Indicator  
Part 14173 See List for the Values Indicator  
Part 14174 See List for the Values Indicator  
Part 14175 See List for the Values Indicator  
Part 14176 See List for the Values Indicator  
Part 14177 See List for the Values Indicator  
Part 14178 See List for the Values Indicator  
Part 14179 See List for the Values Indicator  
Part 14180 See List for the Values Indicator  
Part 14181 See List for the Values Indicator  
Part 14182 See List for the Values Indicator  
Part 14183 See List for the Values Indicator  
Part 14184 See List for the Values Indicator  
Part 14185 See List for the Values Indicator  
Part 14186 See List for the Values Indicator  
Part 14187 See List for the Values Indicator  
Part 14188 See List for the Values Indicator  
Part 14189 See List for the Values Indicator  
Part 14190 See List for the Values Indicator  
Part 14191 See List for the Values Indicator  
Part 14192 See List for the Values Indicator  
Part 14193 See List for the Values Indicator  
Part 14194 See List for the Values Indicator  
Part 14195 See List for the Values Indicator  
Part 14196 See List for the Values Indicator  
Part 14197 See List for the Values Indicator  
Part 14198 See List for the Values Indicator  
Part 14199 See List for the Values Indicator  
Part 14200 See List for the Values Indicator

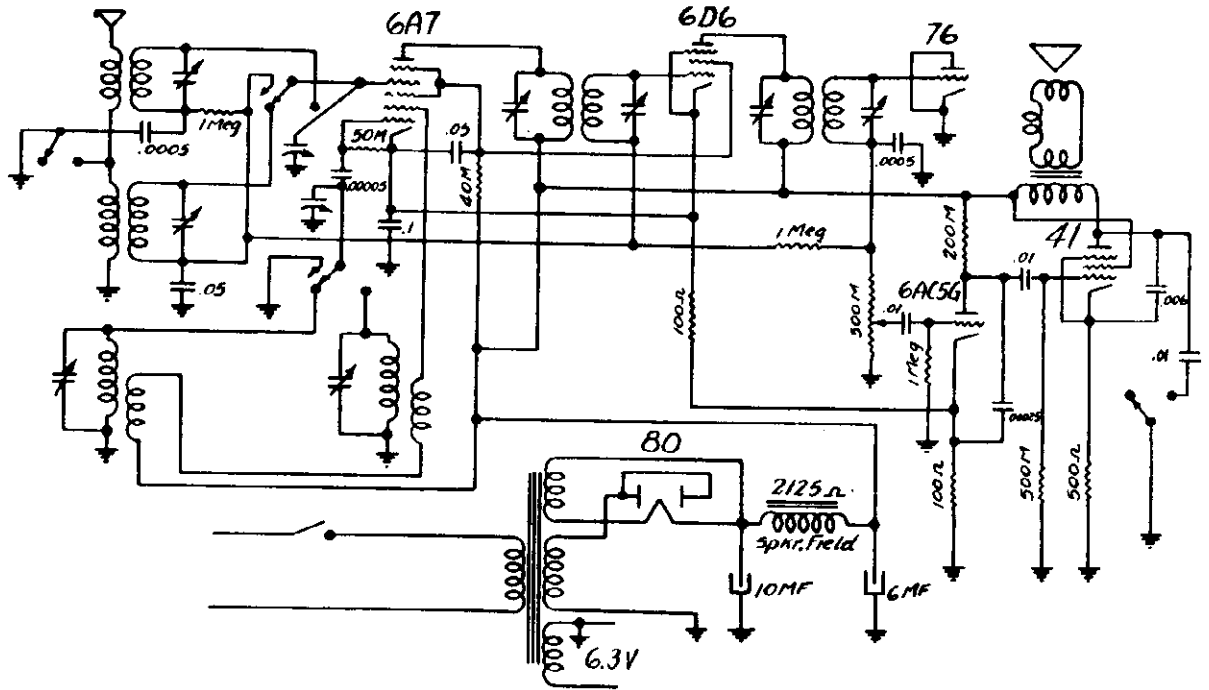
WESTERN AUTO SUPPLY CO.

MODEL D721 Early  
MODEL D909

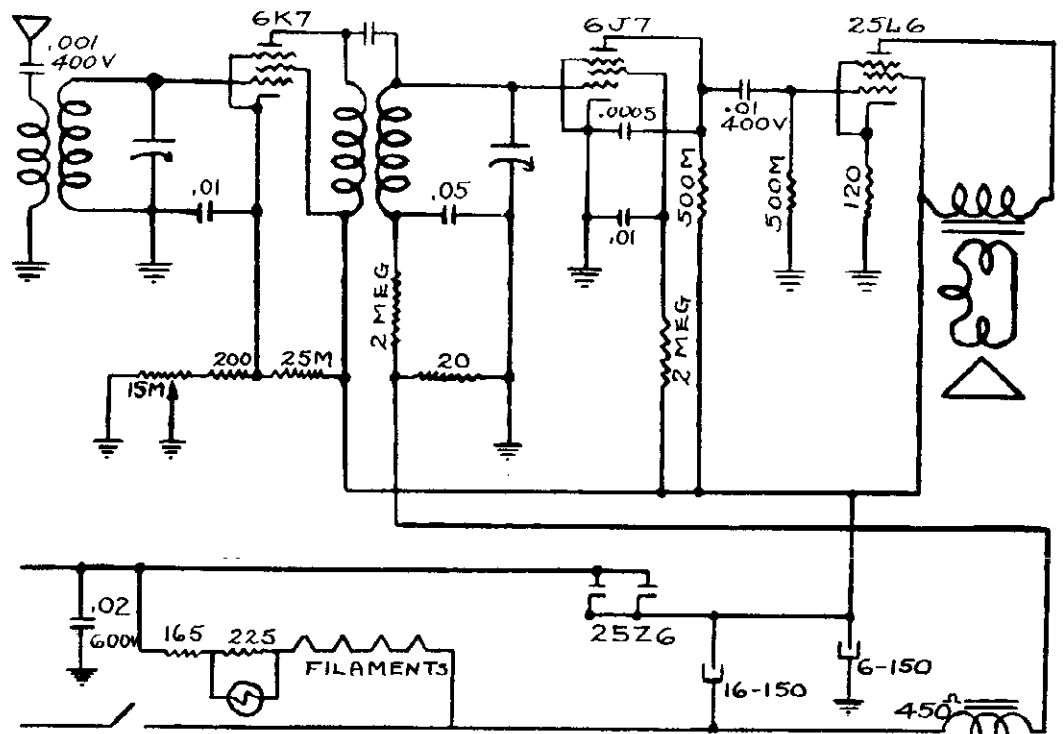
I.F. 456 KC.

FOR CONVENTIONAL ALIGNMENT SEE  
SPECIAL SECTION OF VOLUME VI11

MODEL D721



MODEL D909

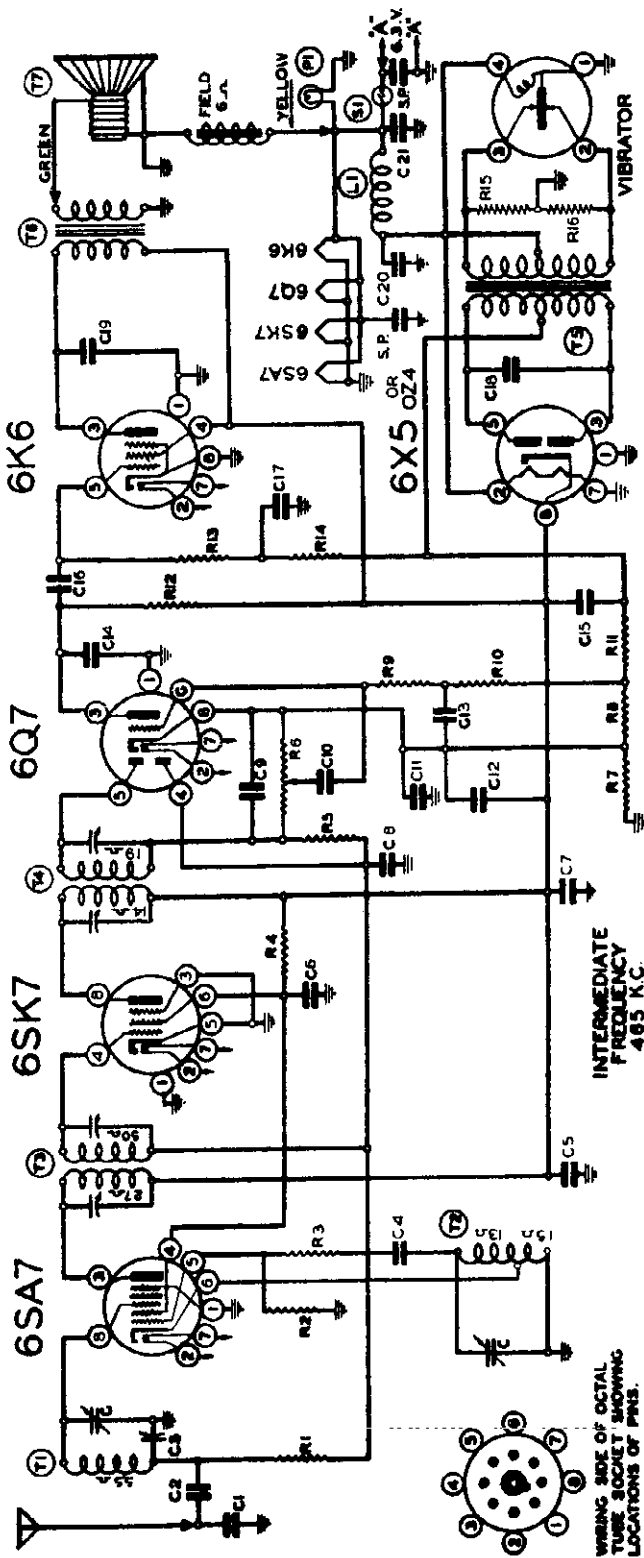


FOR CONVENTIONAL ALIGNMENT SEE  
SPECIAL SECTION OF VOLUME VI11

SPRIFIELD

MODEL D746  
3rd Production

WESTERN AUTO SUPPLY CO.



WRING SIDE OF OCTAL TUBE SOCKET SHOWING LOCATIONS OF PINS.

Code Part Description

C8	1009	.05 x 200 v. 25%
C9	1295	.0001 Mica 20%
C10	10078	.01 x 200 v. 25%
C11	10020	.1 x 200 v.
C12	11950	8 mid. lyric
C13	10078	.01 x 200 v.
C14	1292	.0005 Mica
C15	11950	8 mid. lyric
C16	10055	.01 x 400 v. 25%
C17	10019	.006 x 600 v.
C18	10034	.005 x 1200 v.
C19	10067	.01 x 600 v.
C20	10031	.5 x 120 v. + 50-10%
C21	10031	.5 x 120 v. + 50-10%

PARTS

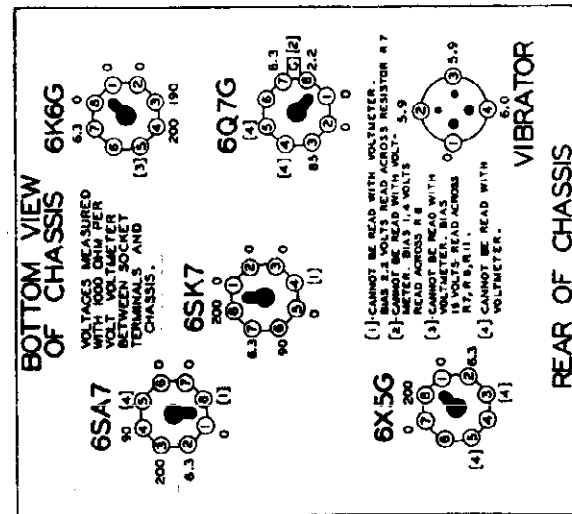
T1	11195B	Antenna coil complete
T2	11090	Oscillator coil complete
T3	10819	Input I.F. 465 kc. complete
T4	108121	Output I.F. 465 kc. complete
T5	104131	Power Transformer
T6	10667	Output Transformer
T7	114114	5" Dynamic Speaker
L1	10568	6.8 v. pilot light
P1	10977	Off-on Switch on Volume Control
S1		Spark Flashes

Code Part Description

R1	13011	250M ohm - 1/2 w. 20%
R2	13076	20M ohm - 1/2 w. 10%
R3	13072	10 ohm - 1/2 w. 10%
R4	130245	10M ohm - 1 w. 10%
R5	1304	3 megohm - 1/2 w. 20%
R6	10110	1 megohm volume control
R7	13074	50 ohm - 1/2 w. 10%
R8	130211	30 ohm - 1/2 w. 10%
R9	130399	2 megohm - 1/2 w. 20%
R10	130210	1 megohm - 1/2 w. 20%
R11	130212	250 ohm - 1 watt 10%
R12	13011	250M ohm - 1/2 w. 20%
R13	13011	250M ohm - 1/2 w. 20%
R14	13011	250M ohm - 1/2 w. 20%
R15	13060	100 ohm - 1/2 w. 10%
R16	13060	100 ohm - 1/2 w. 10%

CONDENSERS

C	10269	2 gang variable condenser
C1	1293	.00002 Mica 20%
C2	10065	.01 x 400 v. 25%
C3	12434	Antenna Trimmer
C4	12912	.00025 Mica 20%
C5	1001	.1 x 400 v. 25%
C6	10020	.1 x 200 v. 25%
C7	1295	.0001 Mica



BOTTOM VIEW OF CHASSIS

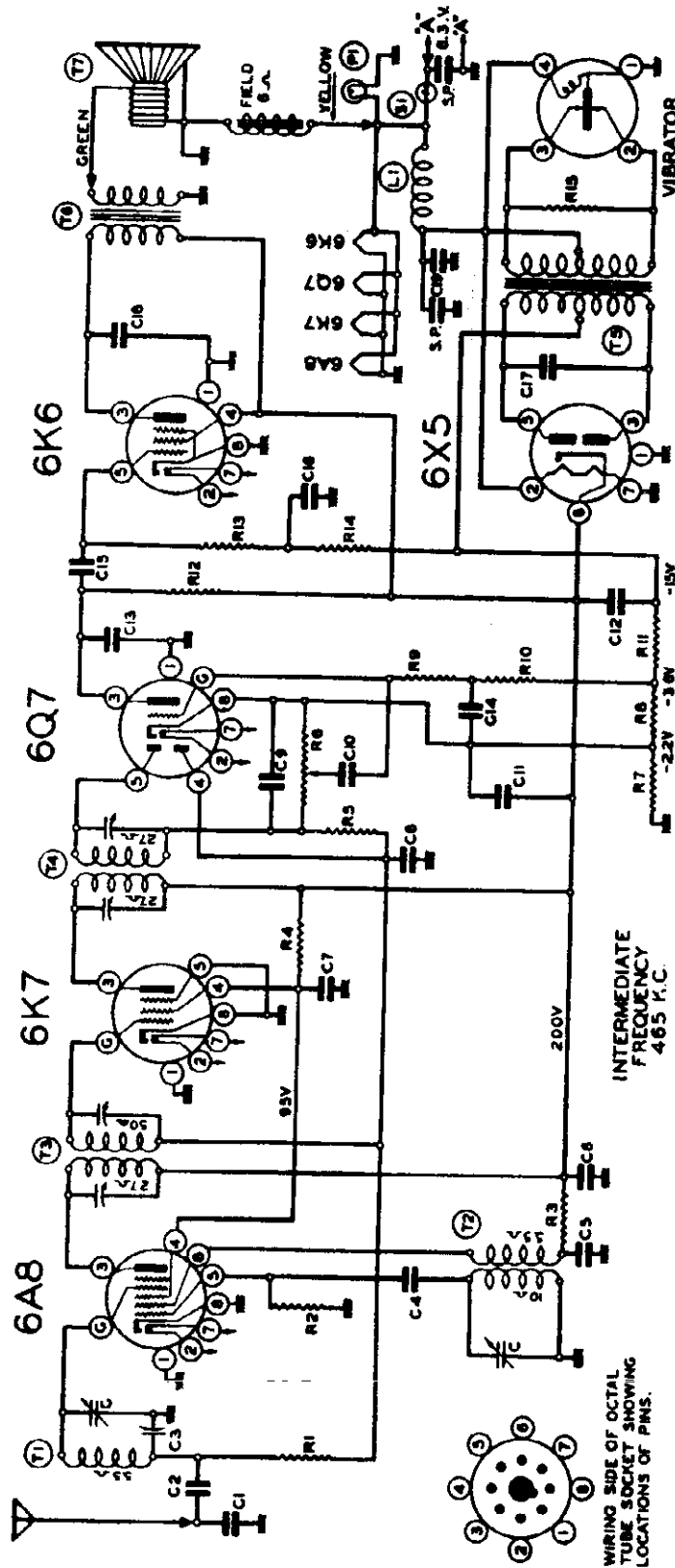
VOLTAGES MEASURED WITH 1000 OHM PER VOL METER BETWEEN POINTS AND TERMINALS SHOWN ON CHASSIS.

- (1) CANNOT BE READ WITH VOLTMETER.
- (2) 2.5 VOLTS READ ACROSS RESISTOR R7
- (3) 1.4 VOLTS READ ACROSS R8
- (4) 5.9 VOLTS READ ACROSS R9
- (5) CANNOT BE READ WITH VOLTMETER.
- (6) 15 VOLTS READ ACROSS R7, R8, R11.
- (7) CANNOT BE READ WITH VOLTMETER.

REAR OF CHASSIS

VIBRATOR

WESTERN AUTO SUPPLY CO.



CONDENSERS

C1	102-69	2 gang variable condenser
C2	129-3	.00012 Mica 20%
C3	100-55	.01 x 400 v. 25%
C4	124-34	Antenna Trimmer
C5	129-12	.00025 Mica 20%
C6	100-85	.05 x 400 v. 25%
C7	100-20	.1 x 200 v. 25%
C8	100-9	.05 x 200 v. 25%
C9	129-5	.0001 Mica 20%
C10	100-78	.01 x 200 v. 25%
C11	119-50	8. mid. lyric
C12	119-50	8. mid. lyric
C13	128-2	.0005 Mica 20%
C14	100-78	.01 x 200 v. 25%
C15	100-55	.01 x 400 v. 25%

RESISTORS

R1	130-186	250M ohm - 1/10 w. 20%
R2	130-117	50M ohm - 1/10 w. 20%
R3	130-164	30M ohm - 1/10 w. 20%
R4	130-213	25M ohm - 1 watt 10%
R5	130-126	3 megohm - 1/10 w. 20%
R6	101-110	1 megohm volume control
R7	130-174	50 ohm - 1/2 w. 10%
R8	130-211	30 ohm - 1/2 w. 10%
R9	130-209	2 megohm - 1/2 w. 20%
R10	130-210	1 megohm - 1/2 w. 20%
R11	130-212	250 ohm - 1 watt 10%
R12	130-186	250M ohm - 1/10 w. 20%
R13	130-186	250M ohm - 1/10 w. 20%
R14	130-186	250M ohm - 1/10 w. 20%
R15	130-84	210 ohm - 1/2 w. 20%

RESISTORS

R1	130-186	250M ohm - 1/10 w. 20%
R2	130-117	50M ohm - 1/10 w. 20%
R3	130-164	30M ohm - 1/10 w. 20%
R4	130-213	25M ohm - 1 watt 10%
R5	130-126	3 megohm - 1/10 w. 20%
R6	101-110	1 megohm volume control
R7	130-174	50 ohm - 1/2 w. 10%
R8	130-211	30 ohm - 1/2 w. 10%
R9	130-209	2 megohm - 1/2 w. 20%
R10	130-210	1 megohm - 1/2 w. 20%
R11	130-212	250 ohm - 1 watt 10%
R12	130-186	250M ohm - 1/10 w. 20%
R13	130-186	250M ohm - 1/10 w. 20%
R14	130-186	250M ohm - 1/10 w. 20%
R15	130-84	210 ohm - 1/2 w. 20%

PARTS

T1	111-55	Antenna coil complete
T2	110-76	Oscillator coil complete
T3	108-96D	Input I.F. 465 kc. - complete
T4	108-95C	Output I.F. 465 kc. - complete
T5	104-131	Power Transformer
T6	105-67	Output Transformer
T7	114-114	5" Dynamic Speaker
L1	105-19	"A" Filter Choke
P1	107-97	6.8 v. pilot light
S1		Off-on Switch on Volume Control
SP		Spark Plates

CONDENSERS

C1	102-69	2 gang variable condenser
C2	129-3	.00012 Mica 20%
C3	100-55	.01 x 400 v. 25%
C4	124-34	Antenna Trimmer
C5	129-12	.00025 Mica 20%
C6	100-85	.05 x 400 v. 25%
C7	100-20	.1 x 200 v. 25%
C8	100-9	.05 x 200 v. 25%
C9	129-5	.0001 Mica 20%
C10	100-78	.01 x 200 v. 25%
C11	119-50	8. mid. lyric
C12	119-50	8. mid. lyric
C13	128-2	.0005 Mica 20%
C14	100-78	.01 x 200 v. 25%
C15	100-55	.01 x 400 v. 25%

RESISTORS

R1	130-186	250M ohm - 1/10 w. 20%
R2	130-117	50M ohm - 1/10 w. 20%
R3	130-164	30M ohm - 1/10 w. 20%
R4	130-213	25M ohm - 1 watt 10%
R5	130-126	3 megohm - 1/10 w. 20%
R6	101-110	1 megohm volume control
R7	130-174	50 ohm - 1/2 w. 10%
R8	130-211	30 ohm - 1/2 w. 10%
R9	130-209	2 megohm - 1/2 w. 20%
R10	130-210	1 megohm - 1/2 w. 20%
R11	130-212	250 ohm - 1 watt 10%
R12	130-186	250M ohm - 1/10 w. 20%
R13	130-186	250M ohm - 1/10 w. 20%
R14	130-186	250M ohm - 1/10 w. 20%
R15	130-84	210 ohm - 1/2 w. 20%

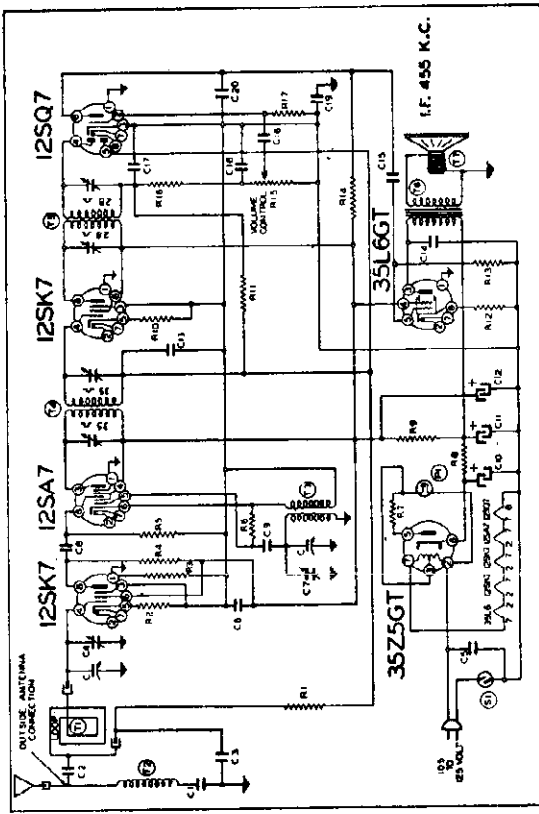
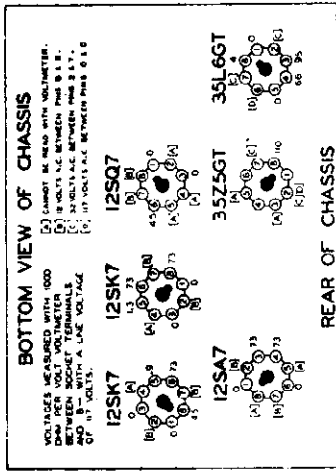
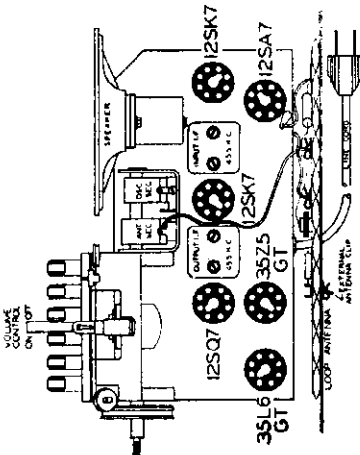
PARTS

T1	111-55	Antenna coil complete
T2	110-76	Oscillator coil complete
T3	108-96D	Input I.F. 465 kc. - complete
T4	108-95C	Output I.F. 465 kc. - complete
T5	104-131	Power Transformer
T6	105-67	Output Transformer
T7	114-114	5" Dynamic Speaker
L1	105-19	"A" Filter Choke
P1	107-97	6.8 v. pilot light
S1		Off-on Switch on Volume Control
SP		Spark Plates

MODELS D1011, D2015;  
D1012, D2016

WESTERN AUTO SUPPLY CO.

- R1 150K ohms—1/2 W.
- R2 150K ohms—1/2 W.
- R3 150K ohms—1/2 W.
- R4 150K ohms—1/2 W.
- R5 150K ohms—1/2 W.
- R6 150K ohms—1/2 W.
- R7 20 ohms—1/2 W.
- R8 20 ohms—1/2 W.
- R9 20 ohms—1/2 W.
- R10 20 ohms—1/2 W.
- R11 20 ohms—1/2 W.
- R12 20 ohms—1/2 W.
- R13 20 ohms—1/2 W.
- R14 20 ohms—1/2 W.
- R15 20 ohms—1/2 W.
- R16 20 ohms—1/2 W.
- R17 20 ohms—1/2 W.
- R18 20 ohms—1/2 W.
- R19 20 ohms—1/2 W.
- R20 20 ohms—1/2 W.
- R21 20 ohms—1/2 W.
- R22 20 ohms—1/2 W.
- R23 20 ohms—1/2 W.
- R24 20 ohms—1/2 W.
- R25 20 ohms—1/2 W.
- R26 20 ohms—1/2 W.
- R27 20 ohms—1/2 W.
- R28 20 ohms—1/2 W.
- R29 20 ohms—1/2 W.
- R30 20 ohms—1/2 W.
- R31 20 ohms—1/2 W.
- R32 20 ohms—1/2 W.
- R33 20 ohms—1/2 W.
- R34 20 ohms—1/2 W.
- R35 20 ohms—1/2 W.
- R36 20 ohms—1/2 W.
- R37 20 ohms—1/2 W.
- R38 20 ohms—1/2 W.
- R39 20 ohms—1/2 W.
- R40 20 ohms—1/2 W.
- R41 20 ohms—1/2 W.
- R42 20 ohms—1/2 W.
- R43 20 ohms—1/2 W.
- R44 20 ohms—1/2 W.
- R45 20 ohms—1/2 W.
- R46 20 ohms—1/2 W.
- R47 20 ohms—1/2 W.
- R48 20 ohms—1/2 W.
- R49 20 ohms—1/2 W.
- R50 20 ohms—1/2 W.
- R51 20 ohms—1/2 W.
- R52 20 ohms—1/2 W.
- R53 20 ohms—1/2 W.
- R54 20 ohms—1/2 W.
- R55 20 ohms—1/2 W.
- R56 20 ohms—1/2 W.
- R57 20 ohms—1/2 W.
- R58 20 ohms—1/2 W.
- R59 20 ohms—1/2 W.
- R60 20 ohms—1/2 W.
- R61 20 ohms—1/2 W.
- R62 20 ohms—1/2 W.
- R63 20 ohms—1/2 W.
- R64 20 ohms—1/2 W.
- R65 20 ohms—1/2 W.
- R66 20 ohms—1/2 W.
- R67 20 ohms—1/2 W.
- R68 20 ohms—1/2 W.
- R69 20 ohms—1/2 W.
- R70 20 ohms—1/2 W.
- R71 20 ohms—1/2 W.
- R72 20 ohms—1/2 W.
- R73 20 ohms—1/2 W.
- R74 20 ohms—1/2 W.
- R75 20 ohms—1/2 W.
- R76 20 ohms—1/2 W.
- R77 20 ohms—1/2 W.
- R78 20 ohms—1/2 W.
- R79 20 ohms—1/2 W.
- R80 20 ohms—1/2 W.
- R81 20 ohms—1/2 W.
- R82 20 ohms—1/2 W.
- R83 20 ohms—1/2 W.
- R84 20 ohms—1/2 W.
- R85 20 ohms—1/2 W.
- R86 20 ohms—1/2 W.
- R87 20 ohms—1/2 W.
- R88 20 ohms—1/2 W.
- R89 20 ohms—1/2 W.
- R90 20 ohms—1/2 W.
- R91 20 ohms—1/2 W.
- R92 20 ohms—1/2 W.
- R93 20 ohms—1/2 W.
- R94 20 ohms—1/2 W.
- R95 20 ohms—1/2 W.
- R96 20 ohms—1/2 W.
- R97 20 ohms—1/2 W.
- R98 20 ohms—1/2 W.
- R99 20 ohms—1/2 W.
- R100 20 ohms—1/2 W.
- C1 1000 pF
- C2 1000 pF
- C3 1000 pF
- C4 1000 pF
- C5 1000 pF
- C6 1000 pF
- C7 1000 pF
- C8 1000 pF
- C9 1000 pF
- C10 1000 pF
- C11 1000 pF
- C12 1000 pF
- C13 1000 pF
- C14 1000 pF
- C15 1000 pF
- C16 1000 pF
- C17 1000 pF
- C18 1000 pF
- C19 1000 pF
- C20 1000 pF
- C21 1000 pF
- C22 1000 pF
- C23 1000 pF
- C24 1000 pF
- C25 1000 pF
- C26 1000 pF
- C27 1000 pF
- C28 1000 pF
- C29 1000 pF
- C30 1000 pF
- C31 1000 pF
- C32 1000 pF
- C33 1000 pF
- C34 1000 pF
- C35 1000 pF
- C36 1000 pF
- C37 1000 pF
- C38 1000 pF
- C39 1000 pF
- C40 1000 pF
- C41 1000 pF
- C42 1000 pF
- C43 1000 pF
- C44 1000 pF
- C45 1000 pF
- C46 1000 pF
- C47 1000 pF
- C48 1000 pF
- C49 1000 pF
- C50 1000 pF
- C51 1000 pF
- C52 1000 pF
- C53 1000 pF
- C54 1000 pF
- C55 1000 pF
- C56 1000 pF
- C57 1000 pF
- C58 1000 pF
- C59 1000 pF
- C60 1000 pF
- C61 1000 pF
- C62 1000 pF
- C63 1000 pF
- C64 1000 pF
- C65 1000 pF
- C66 1000 pF
- C67 1000 pF
- C68 1000 pF
- C69 1000 pF
- C70 1000 pF
- C71 1000 pF
- C72 1000 pF
- C73 1000 pF
- C74 1000 pF
- C75 1000 pF
- C76 1000 pF
- C77 1000 pF
- C78 1000 pF
- C79 1000 pF
- C80 1000 pF
- C81 1000 pF
- C82 1000 pF
- C83 1000 pF
- C84 1000 pF
- C85 1000 pF
- C86 1000 pF
- C87 1000 pF
- C88 1000 pF
- C89 1000 pF
- C90 1000 pF
- C91 1000 pF
- C92 1000 pF
- C93 1000 pF
- C94 1000 pF
- C95 1000 pF
- C96 1000 pF
- C97 1000 pF
- C98 1000 pF
- C99 1000 pF
- C100 1000 pF
- L1 1000 pF
- L2 1000 pF
- L3 1000 pF
- L4 1000 pF
- L5 1000 pF
- L6 1000 pF
- L7 1000 pF
- L8 1000 pF
- L9 1000 pF
- L10 1000 pF
- L11 1000 pF
- L12 1000 pF
- L13 1000 pF
- L14 1000 pF
- L15 1000 pF
- L16 1000 pF
- L17 1000 pF
- L18 1000 pF
- L19 1000 pF
- L20 1000 pF
- L21 1000 pF
- L22 1000 pF
- L23 1000 pF
- L24 1000 pF
- L25 1000 pF
- L26 1000 pF
- L27 1000 pF
- L28 1000 pF
- L29 1000 pF
- L30 1000 pF
- L31 1000 pF
- L32 1000 pF
- L33 1000 pF
- L34 1000 pF
- L35 1000 pF
- L36 1000 pF
- L37 1000 pF
- L38 1000 pF
- L39 1000 pF
- L40 1000 pF
- L41 1000 pF
- L42 1000 pF
- L43 1000 pF
- L44 1000 pF
- L45 1000 pF
- L46 1000 pF
- L47 1000 pF
- L48 1000 pF
- L49 1000 pF
- L50 1000 pF
- L51 1000 pF
- L52 1000 pF
- L53 1000 pF
- L54 1000 pF
- L55 1000 pF
- L56 1000 pF
- L57 1000 pF
- L58 1000 pF
- L59 1000 pF
- L60 1000 pF
- L61 1000 pF
- L62 1000 pF
- L63 1000 pF
- L64 1000 pF
- L65 1000 pF
- L66 1000 pF
- L67 1000 pF
- L68 1000 pF
- L69 1000 pF
- L70 1000 pF
- L71 1000 pF
- L72 1000 pF
- L73 1000 pF
- L74 1000 pF
- L75 1000 pF
- L76 1000 pF
- L77 1000 pF
- L78 1000 pF
- L79 1000 pF
- L80 1000 pF
- L81 1000 pF
- L82 1000 pF
- L83 1000 pF
- L84 1000 pF
- L85 1000 pF
- L86 1000 pF
- L87 1000 pF
- L88 1000 pF
- L89 1000 pF
- L90 1000 pF
- L91 1000 pF
- L92 1000 pF
- L93 1000 pF
- L94 1000 pF
- L95 1000 pF
- L96 1000 pF
- L97 1000 pF
- L98 1000 pF
- L99 1000 pF
- L100 1000 pF



**ALIGNING INSTRUCTIONS:**

**CAUTION**—No aligning adjustments should be attempted without first thoroughly checking over all other possible causes of trouble, such as poor installations, open or grounded antenna systems, low line voltage, defective tubes, condensers and resistors. In order to properly align this radio, the chassis should be removed from the cabinet.

It is important during alignment that the same distance between the loop antenna and the chassis be maintained as when the chassis is installed in the cabinet. Slight adjustments to the oscillator and antenna circuits can be made without removing the chassis from the cabinet through two holes which are provided on the bottom of the cabinet.

The two adjustments on the variable gang condenser can be reached with a long insulated type screw driver through these two holes.

**ALIGNMENT PROCEDURE**

The following equipment is required for aligning:

- An all wave signal generator.
- Output indicating meter.
- Non-metallic screwdriver.
- Dummy antenna—1 Mfd.

BAND	SIGNAL GENERATOR Frequency Setting	Dummy Antenna	Connection to Radio	Variable Condenser Setting	Trimmer Adjusted (In Order Shown)	Adjustment
I. F.	45 Kc.	.1 MFD.	Grid of 12SA7	Rotate full open (Plates out of mesh)	Four Trimmers on Top	Adjust to maximum output
BROADCAST BAND	160 Kc.	.1 MFD.	Grid of 12SA7	Rotate full open (Plates out of mesh)	Trimmer bottom of rear section of gang (See bottom of mesh)	Adjust to maximum output
	1000 Kc.	.1 MFD.	Grid of 12SA7	Set dial at 160 Kc.	Trimmer bottom of front section of gang (See bottom of radio)	Adjust to maximum output
	1000 Kc.	See Note "A"				

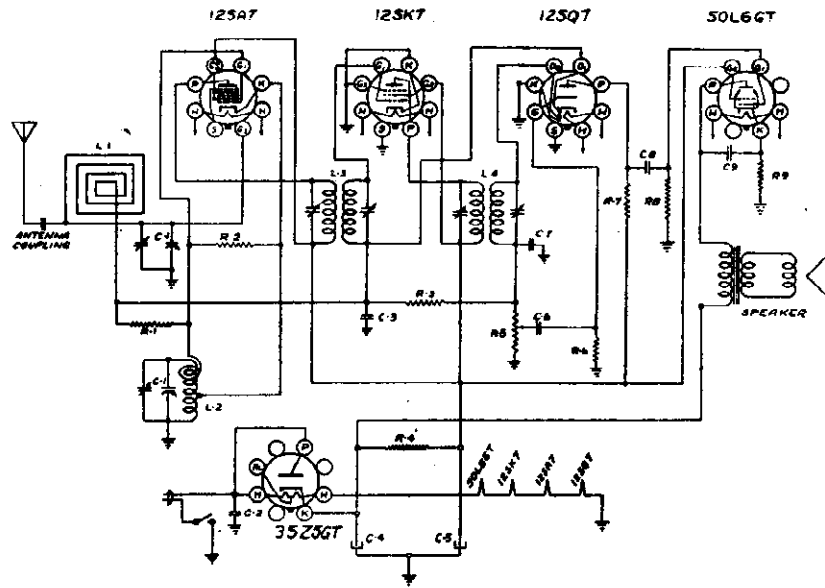
**FREQUENCY RANGE**  
530 to 1600 K.C.

Power Consumption.....35 Watts  
Power Output.....1 Watt Unloaded, 17 Watts Maximum  
Intermediate Frequency.....455 K.C.

**NOTE "A"** Lay the output lead from the generator in back of the loop antenna. Turn up the output of the generator, picking up the energy in the loop antenna without any electrical connection from the generator.

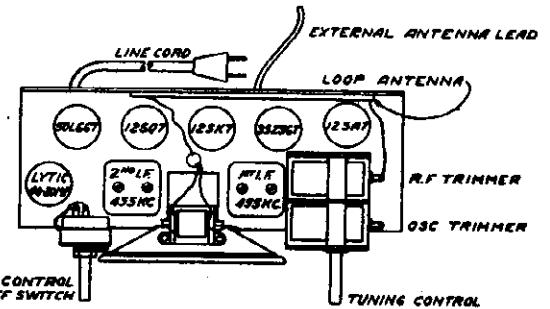
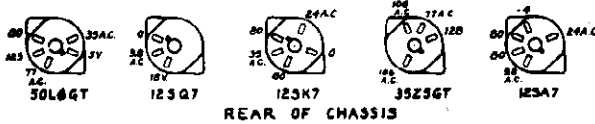
WESTERN AUTO SUPPLY CO.

MODELS D1109  
D2106



**BOTTOM VIEW OF CHASSIS**

VOLTAGES MARKED AT SOCKET TERMINALS ARE MEASURED WITH 1000 OHM PER VOLT METER, ON 117 VOLT LINE WITH NO SIGNAL (ANTENNA LEAD SHORTED TO CHASSIS)



GENERATOR	CONNECTION AT RADIO	DUMMY ANTENNA	DIAL	TRIMMERS TO TUNE	REMARKS
IP 455 KC	12SA7 GRID	.1 mfd.	H. F. End	IF Transformers	Tune to Max. Set Limit Of Band Tune to Max.
1620 KC	Antenna	200 mmf.	H. F. End	4 Trimmers	
1400 KC	"	"	1400	Oscillator Trimmer Antenna Trimmer	

Repeat above Alignment Procedure at least once more.

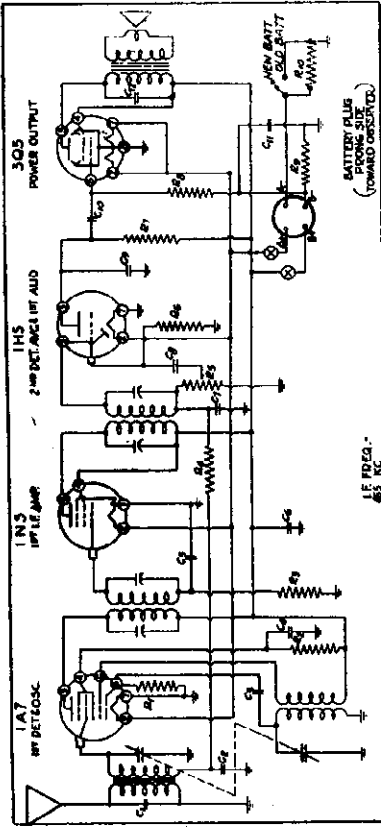
**PARTS LIST AND PRICES**

Part No.	Circuit Diagram Reference	Description	List Price Each	Part No.	Circuit Diagram Reference	Description	List Price Each
9019		Book—Instruction	\$0.20	9005		Indicator	.25
9003		Cabinet	2.50	9021		Knob	.15
2163		Cable—Drive	.10	9024		Pointer	.20
8013	L2	Coil—Oscillator	.80	8039	R1, R6	Resistor 1/2 W—15 Meg.	.15
9007	L1	Coil—Loop Antenna Assembly with Back	1.25	6997	R3	Resistor 1/2 W—2 Meg.	.15
9008	R5	Control—Volume and Switch	1.00	8080	R7, R8	Resistor 1/2 W—500 M.	.15
9009	C1	Condenser—Variable	2.00	8061	R2	Resistor 1/2 W—20 M.	.15
6948	C4, C5	Condenser—Elect. 40 mfd—20 mfd. 150V.	1.00	8326	R9	Resistor 1/2 W—150 M.	.20
824	C6	Condenser—Paper .002 mfd.—600V.	.20	8393	R4	Resistor—1 W—2 M.	.20
563	C2	Condenser—Paper .05 mfd.—400 V.	.20	2908		Spring—Pointer Drive	.10
576	C8, C9	Condenser—Paper .02 mfd.—400V.	.20	9015	L3	Transformer 1st I.F.	1.75
580	C3	Condenser—Paper .05 mfd.—200V.	.20	9016	L4	Transformer 2nd I.F.	1.75
1286	C7	Condenser—Mica 250 mmf.	.20	9017		Speaker—4" P. M.	2.50
8036		Cord—AC Line	.25	9018		Carton	.50
9020		Crystal—Dial	.20				

PRICES SUBJECT TO CHANGE WITHOUT NOTICE

MODELS D1120,  
D2163

WESTERN AUTO SUPPLY CO.



CONDENSERS

No.	Value	Capacity (Mfd.)	Volts	No.	Value	Capacity (Mfd.)	Volts
C1	500,000	0.0005	500	C10	500,000	0.0005	500
C2	500,000	0.0005	500	C11	500,000	0.0005	500
C3	500,000	0.0005	500	C12	500,000	0.0005	500
C4	500,000	0.0005	500	C13	500,000	0.0005	500
C5	500,000	0.0005	500	C14	500,000	0.0005	500
C6	500,000	0.0005	500	C15	500,000	0.0005	500
C7	500,000	0.0005	500	C16	500,000	0.0005	500
C8	500,000	0.0005	500	C17	500,000	0.0005	500
C9	500,000	0.0005	500	C18	500,000	0.0005	500

RESISTORS

No.	Value	Ohms	Watts	No.	Value	Ohms	Watts
R1	500,000	500,000	1/2	R10	500,000	500,000	1/2
R2	500,000	500,000	1/2	R11	500,000	500,000	1/2
R3	500,000	500,000	1/2	R12	500,000	500,000	1/2
R4	500,000	500,000	1/2	R13	500,000	500,000	1/2
R5	500,000	500,000	1/2	R14	500,000	500,000	1/2
R6	500,000	500,000	1/2	R15	500,000	500,000	1/2
R7	500,000	500,000	1/2	R16	500,000	500,000	1/2
R8	500,000	500,000	1/2	R17	500,000	500,000	1/2
R9	500,000	500,000	1/2	R18	500,000	500,000	1/2

LF PRZG.  
45 KC.

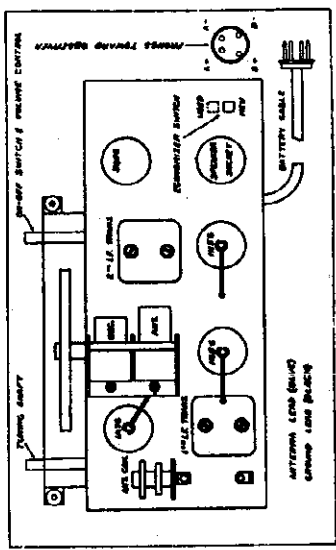


Fig. 1-Top View

VOLTAGE CHART

All voltages measured with a 1,000 ohm per volt meter on 150 volt scale. For the following voltages the "B" battery section of the power pack should read 94 1/2 volts under load

1A7 TUBE	Volts
Plate—P—to ground	86 1/2
Screen—G3 & G5—to ground	3P
Grid—G1—to ground	1
Grid—G2—to ground	86 1/2
1A5	
Plate—P—to ground	86 1/2
Screen—G2—to ground	86 1/2
1A7	
Plate—P—to ground	24
3Q5	
Plate—P—to ground	84
Screen—G2—to ground	86 1/2
Grid—G—to ground	2 1/2
Speaker (Part No. P4919) 5" PM Type.	
D.C. voice coil resistance	31 ohms
Voice coil impedance at 400 cycles	35 ohms
Antenna Coil (Part No. G-5724).	
Looking at the connection end starting at the chassis in a clockwise direction the terminals are: No. 1—A.V.C.—No. 2 grid; No. 3, Ant.; No. 4, ground; No. 4 is grounded to the mounting bracket.	
Primary—No. 3 and No. 4—Resistance 24.6 ohms.	
Secondary—No. 1 and No. 2—Resistance 22 ohms.	
A gimball coil of 5.5 mhd. connects to terminals No. 2 and No. 3.	

ALIGNMENT PROCEDURE

The following equipment is required for aligning:  
 • An all wave signal generator which will provide as accurately calibrated signals at the test frequencies as listed  
 • Output indicating meter.  
 • Non-metallic screwdriver.  
 • Dummy antennas—J mt., 200 mmf.

BAND	Frequency	Primary Antenna	Connection to Radio	Variable Condenser Setting	Trimmers Adjusted (in Order Shown)	Trimmer Function	Adjustment
I. F.	455 KC.	.1 MFD.	Grid of 1A5G tube	Rotor full open (Plates out of mesh)	Two trimmers on top front section of mesh (See Fig. 1)	Output I.F.	Adjust to maximum output
	455 KC.	.1 MFD.	Grid of 1A7G tube	Rotor full open (Plates out of mesh)	Two trimmers on top front section of mesh (See Fig. 1)	Input I.F.	Adjust to maximum output
BROAD.	1730 KC.	200 mmf.	Antenna lead	Rotor full open (Plates out of mesh)	Trimmer—Top of front section of gang (See Fig. 1)	Oscillator output	Adjust to maximum output
CAST	1400 KC.	200 mmf.	Antenna lead	Set dial at 1400 KC.	Trimmer—Top of rear section of gang (See Fig. 1)	Antenna output	Adjust to maximum output

This is all that is necessary for the alignment unless the plates of the gang have been bent out of shape. In case of bent plates, set the signal generator and receiver to 600KC and bend the plates into the position for maximum output. Attenuate the signal from the signal generator to prevent the leveling action of the AVC. After each band is completed, repeat the procedure as a final check.

Frequency Range  
535 to 1730 K.C.

Power output 35 watt undistorted—35 watt maximum  
Intermediate Frequency 455 K.C.

Oscillator Coil (Part No. 2412) (Red Dot)  
 Looking at the connection end (with dot) starting at the chassis in a clockwise direction the terminals are: No. 1, grid; ohms.  
 No. 2, plate; No. 3, B+; No. 4, ground.  
 Primary—No. 2 and No. 3—Resistance 2.2 ohms.  
 Secondary—No. 4 and No. 1—Resistance 5.3 ohms

First I.F. Transformer (Part No. P3048)  
 Primary—Blue white, plate; red white B+—Resistance 12.1 ohms.  
 Secondary—White, grid; black white, AVC—Resistance 24.9 ohms.

Second I.F. Transformer (Part No. P2066)  
 Primary—Blue white, plate; red white B+—Resistance 15.1 ohms.  
 Secondary—White, grid; black white, AVC—Resistance 11.8 ohms.



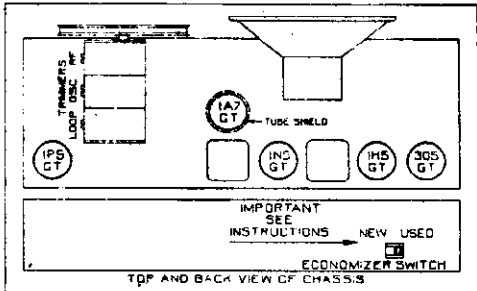
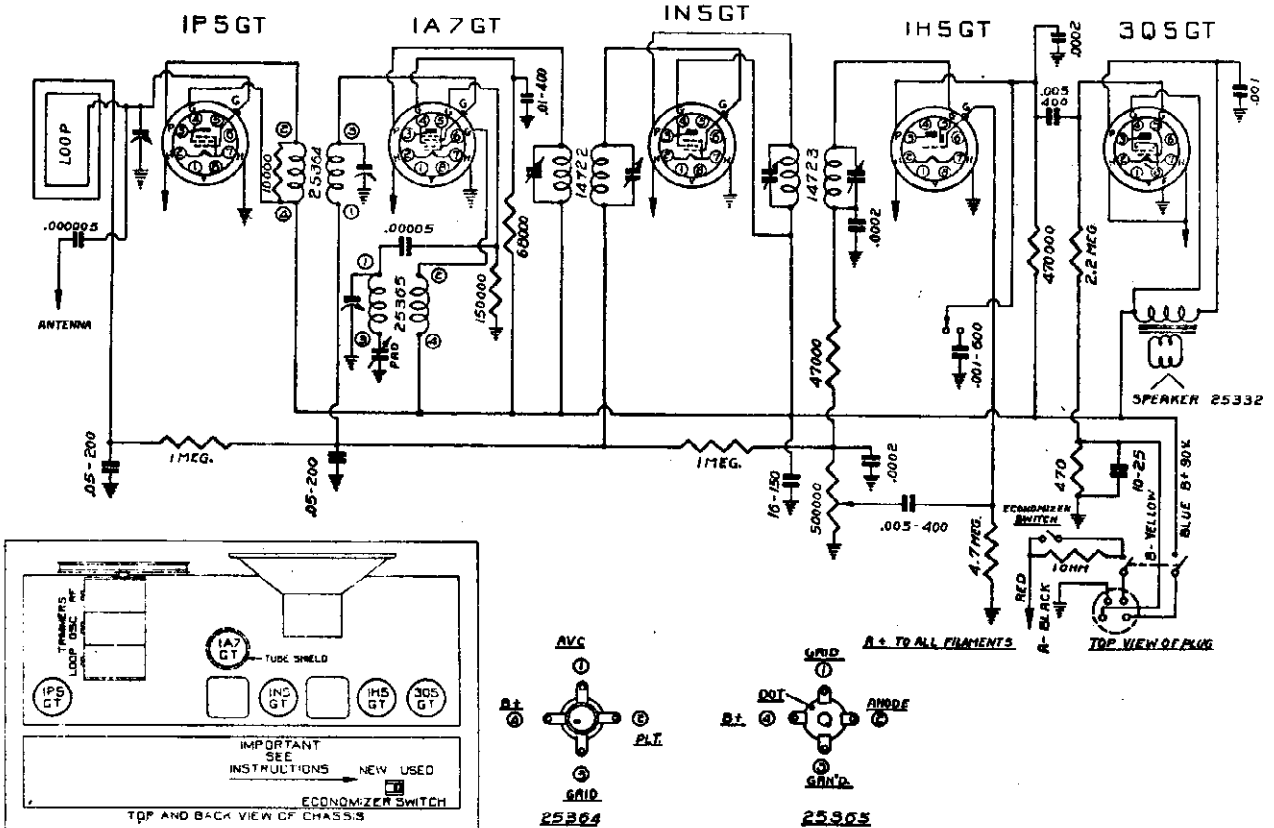
MODELS D1126,  
D1144

WESTERN AUTO SUPPLY CO.

MODELS D1125,  
D2121

**ALIGNMENT DATA**  
MODELS D-1125 and D-2121

To properly align, first align the I. F. transformers in the conventional manner applying a test oscillator adjusted to 456 kc through a .1 MFD condenser to the grid of 1A7 with tuning condenser at minimum capacity. For the balance of alignments it is advisable to remove chassis from cabinet and suspend the loop above the chassis by means of a cord maintaining same relative position it would normally occupy in the cabinet. The test oscillator is coupled very loosely to the loop, one means is to drape the lead from oscillator over the loop so that it is near the loop winding but not necessarily touching. The trimmer of oscillator (center section) is then adjusted to 1650 kc with the plates completely out of mesh. The antenna and R. F. sections are trimmed at 1500 kc. The padder is adjusted to 600 kc. The tuning condenser is rocked while the padder is being adjusted for maximum output.



**ALIGNMENT CHART FOR MODELS D1126 D1144**

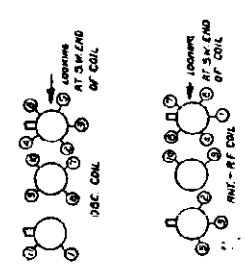
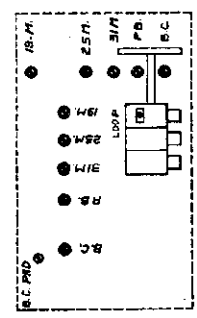
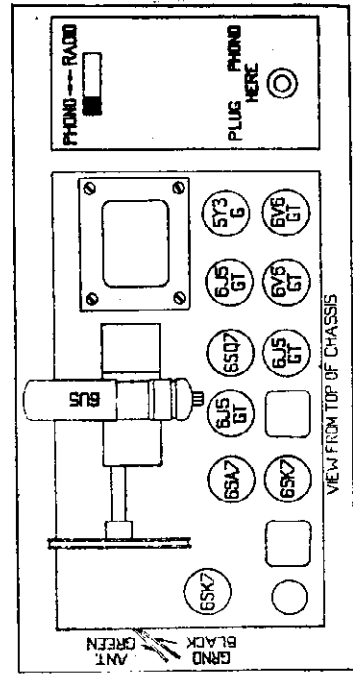
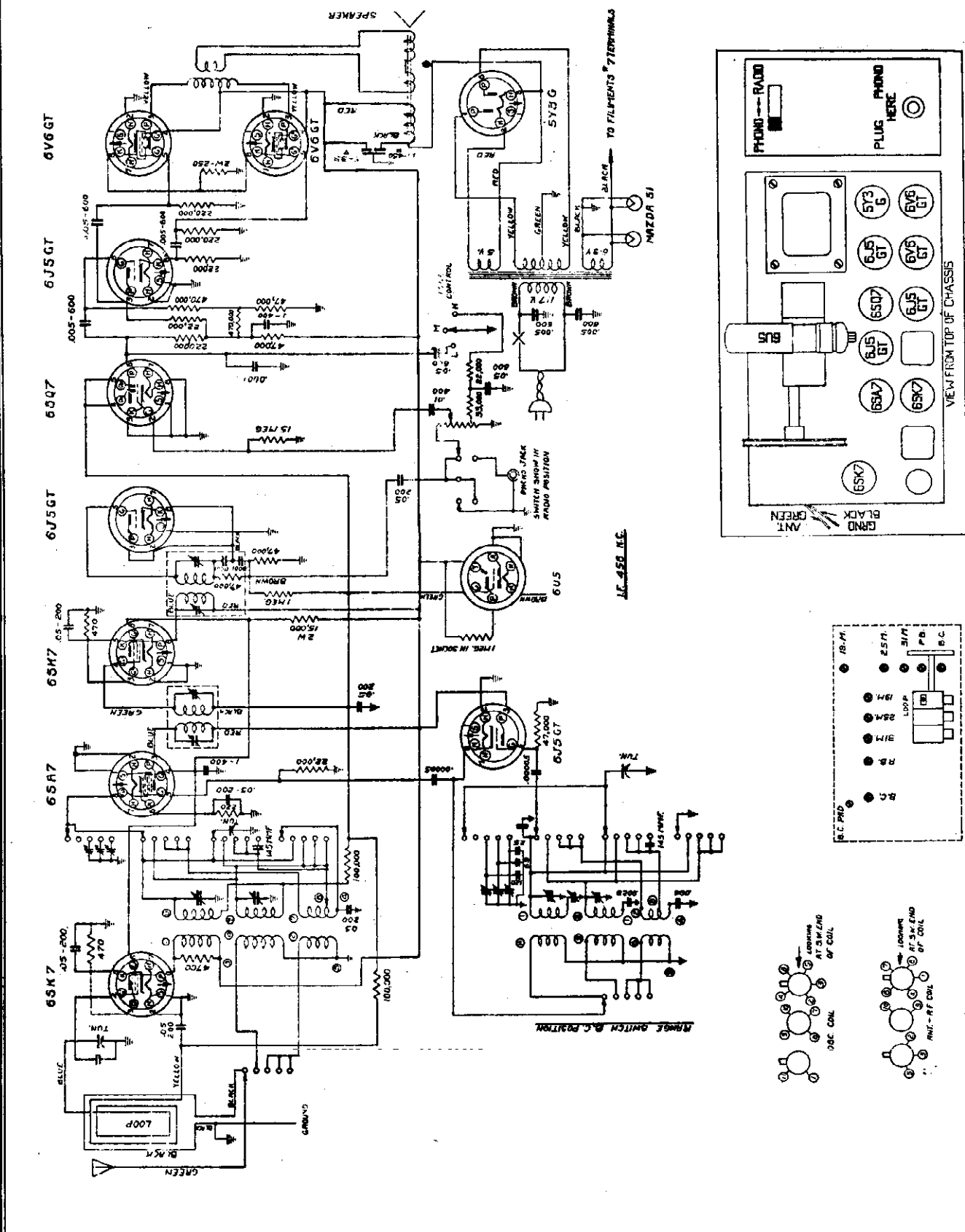
Generator	Connection at Radio	Dummy Antenna	Range Switch	Dial	Trimmers to Tune	Sensativity	Remarks
I. F. 456 K.C.	Center Stator of Variable	.1 MFD.	A	H. F. End	I. F. Transformers	65-70MV.	Tune to Max.
B. C. 1735 K.C.	Antenna	200 MMF.	A	H. F. Limit of Travel	B. C. Oscillator		Set Band Limit
1400 K. C.	Antenna	200 MMF.	A	1400	B. C. R. F. and Loop	1-5 MV.	See Note A
600 K. C.	Antenna	200 MMF.	A	Rock Rotor	Padder	1-5 MV.	
P. B. 6.0 M. C.	Antenna	400 Ohm	B	6.0 M. C.	P. B. Osc. P. B. Ant.	35 MV.	See Note B
2.2 M. C.	Antenna	400 Ohm	B	2.2 M. C.	Check	40 MV.	See Note B
51M. 9.6 M. C.	Antenna	400 Ohm	C	9.6 M. C.	51M. Ant. 51M. Osc.	35 MV.	See Note B
25M. 11.6 M. C.	Antenna	400 Ohm	D	11.6 M. C.	25M. Ant. 25M. Osc.	30 MV.	See Note B
19M. 15.3 M. C.	Antenna	400 Ohm	E	15.3 M. C.	19M. Ant. 19M. Osc.	40 MV.	See Note B

Note "A"—If the pointer is not at 1400 KC with a 1400 KC signal it may be loosened from the dial cord and moved to correct the calibration. This should be checked across the band to arrive at the optimum condition.

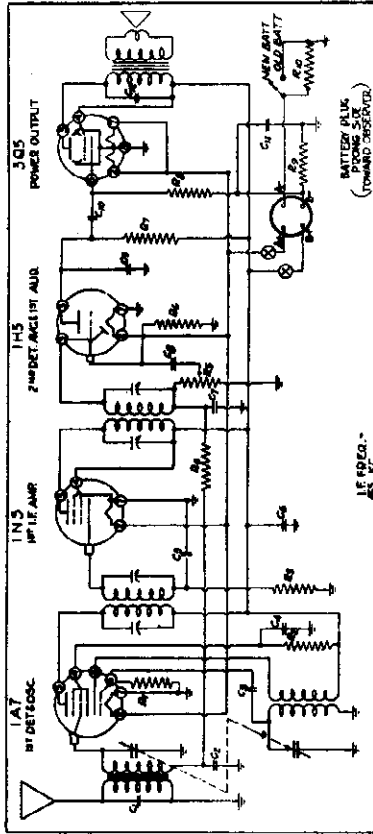
Note "B"—Care should be taken not to align on the image frequency. This may be checked by rotating the dial of the signal generator. Another signal should be heard at dial frequency plus 912 KC. This signal should be checked carefully on all short wave bands, making sure the lowest frequency signal agrees with the dial setting in frequency and that it is the strongest of the two.

MODELS D1126,  
D1144

WESTERN AUTO SUPPLY CO.



WESTERN AUTO SUPPLY CO.



RESISTORS		CAPACITORS	
No.	Value	No.	Value
R1	500K	C1	100
R2	100K	C2	100
R3	100K	C3	100
R4	100K	C4	100
R5	100K	C5	100
R6	100K	C6	100
R7	100K	C7	100
R8	100K	C8	100
R9	100K	C9	100
R10	100K	C10	100
R11	100K	C11	100

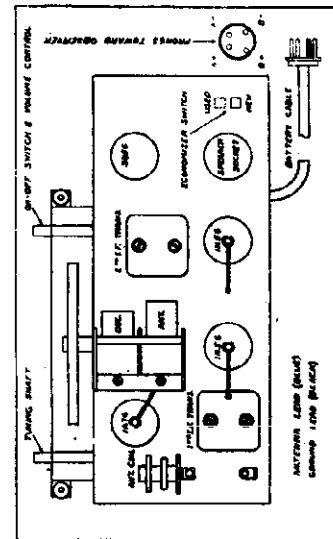


Fig. 1-Top View  
VOLTAGE CHART

All voltages measured with a 1,000 ohm per volt meter on 150 volt scale. For the following voltages the "B" battery section of the power pack should read 94 1/2 volts under load.

1A7 TUBE	Volts
Plate-P-to ground	86 1/2
Screen-G3 & G5-to ground	31
Grid-G1-to ground	3
Grid-G2-to ground	86 1/2
1H5G	
Plate-P-to ground	86 1/2
Screen-G3-to ground	86 1/2
1H6G	
Plate-P-to ground	24
1H6G	
Plate-P-to ground	84
Screen-G3-to ground	86 1/2
Grid-G2-to ground	2 1/2
Speaker (Part No. P4522) 6" PM Type.	
D.C. voice coil resistance	7.3 ohms
Voice coil impedance at 400 cycles	8.0 ohms

Antenna Coil (Part No. G-5724).  
Looking at the connection end starting at the chassis in a clockwise direction the terminals are: No. 1, A.V.C.; No. 2, grid; No. 3, Ant.; No. 4, ground. No. 4 is grounded to the mounting bracket.  
Primary—No. 3 and No. 4—Resistance 24.6 ohms  
Secondary—No. 1 and No. 2—Resistance 2.2 ohms  
A ground coil of 55 mmfd. connects to terminals No. 2 and No. 3.

ALIGNMENT PROCEDURE

- Volume control—Maximum all adjustments.
- Connect radio chassis to ground post of signal generator or with a short heavy lead.
- Connect dummy antenna valve in series with generator output lead.
- Connect output meter across primary of output transformer.
- Allow chassis and signal generator to "heat up" for several minutes.
- Non-metallic screwdriver.
- Dummy antenna—1 mf., 200 mmfd.

TRIMMER	Frequency	Primary Function	Variable Condenser Setting	Trimmer Adjusted In Order Shown	Trimmer Function	Adjustment
1. F.	435 KC.	1 MFD. Grid of 1H5G tube	Rotor full open (Plates out of mesh)	Two trimmers on top (See Fig. 1)	Output I.F.	Adjust to maximum output
	435 KC.	1 MFD. Grid of 1A7G tube	Rotor full open (Plates out of mesh)	Two trimmers on top (See Fig. 1)	Input I.F.	Adjust to maximum output
BROAD.	1730 KC.	200 mmfd. Antenna lead	Rotor full open (Plates out of mesh)	Trimmer—Top of front section of gang Oscillator (See Fig. 1)	Output	Adjust to maximum output
CASIT	1400 KC.	200 mmfd. Antenna lead	Set 451 at 1400 KC.	Trimmer—Top of rear section of gang Antenna (See Fig. 1)	Output	Adjust to maximum output

This is all that is necessary for the alignment unless the plates of the gang have been bent out of shape. In case of bent plates, set the signal generator and receiver to 600KC and bend the plates into the position for maximum output. Attenuate the signal from the signal generator to prevent the leveling off-action of the A.V.C. After each band is completed, repeat the procedure as a final check.

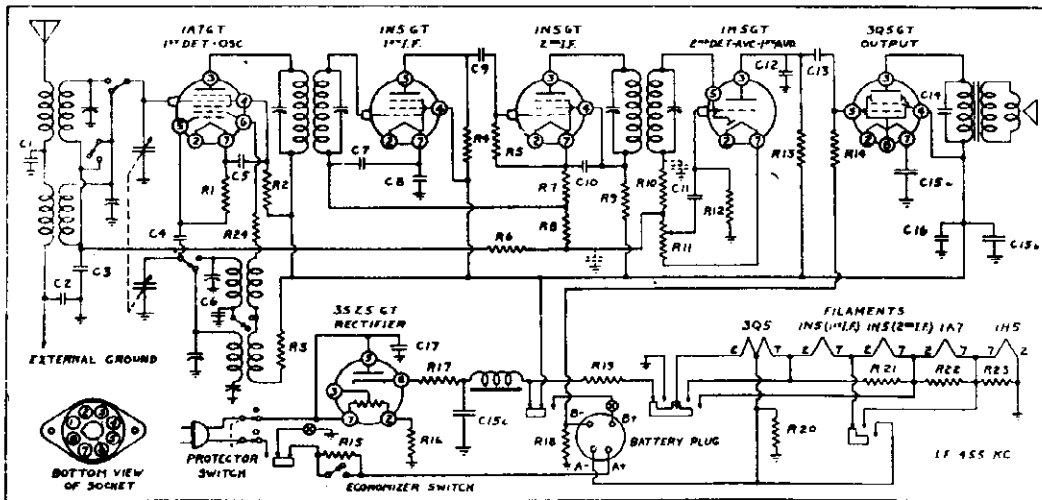
Oscillator Coil (Part No. 2412) (Red Dot).  
Looking at the connection end (with dot) starting at the chassis in a clockwise direction the terminals are: No. 1, grid; No. 2, plate; No. 3, B+; No. 4, ground.  
Primary—No. 2 and No. 3—Resistance 2.2 ohms  
Secondary—No. 4 and No. 1—Resistance 5.3 ohms

First LF Transformer (Part No. P3048)  
Primary—Blue white, plate; red white B+—Resistance 12.1 ohms.  
Secondary—White, grid; black white, AVC—Resistance 24.9 ohms.

Second LF Transformer (Part No. P2666)  
Primary—Blue white, plate; red white B+—Resistance 15.1 ohms.  
Secondary—White, grid; black white, AVC—Resistance 11.8 ohms.

MODELS D1136,  
D1169

WESTERN AUTO SUPPLY CO.



Band switch shown in broadcast position.

AC-DC-Battery switch shown in AC-DC position.

BAND	SIGNAL GENERATOR Frequency Setting	Dummy Antenna	Connection to Radio	Variable Condenser Setting	Trimmers Adjusted (In Order Shown)	Trimmer Function	Adjustment
I. F.	455 KC.	.1 Mfd.	Grid of 1NSGT I.F. tube	Rotor full open (Plates out of mesh)	Two trimmers on top (See Fig. 1)	Output I. F.	Adjust to maximum output
	455 KC.	.1 Mfd.	Grid of 1A7GT tube	Rotor full open (Plates out of mesh)	Two trimmers on top (See Fig. 1)	Input I. F.	Adjust to maximum output
SHORT WAVE	18,100 KC.	400 ohms	Antenna lead	Rotor full open (Plates out of mesh)	Trimmer—Upper left, front of chassis	Short Wave Oscillator	Adjust to receive signal
	16,100 KC.	400 ohms	Antenna lead	Tune Signal	Trimmer—Center, front of chassis	Short Wave Antenna	Adjust to maximum output
BROAD-CAST	1730 KC.	200 Mmf.	Antenna lead	Rotor full open (Plates out of mesh)	Trimmer—Lower left, front of chassis	Broadcast Oscillator	Adjust to maximum output
	1400 KC.	200 Mmf.	Antenna lead	Set dial at 1400 KC.	Trimmer—Right, front of chassis	Broadcast Antenna	Adjust to maximum output
	600 KC.	200 Mmf.	Antenna lead	Set dial at 600 KC.	Trimmer—Top of chassis (See Fig. 1)	Oscillator Series Pad	Adjust to maximum rock dial See Note 'A'

RESISTORS		Watts
No.	Ohms	
R1	200,000	1/2
R2	50,000	1/2
R3	150	1/2
R4	20,000	1/2
R5	1,000,000	1/2
R6	2,000,000	1/2
R7	5,000,000	1/2
R8	5,000,000	1/2
R9	5,000	1/2
R10	70,000	1/2
R11	1,000,000	1/2
R12	10,000,000	1/2
R13	1,000,000	1/2
R14	2,000,000	1/2
R15	0.5	1/2
R16	550	1/2
R17	30	1/2
R18	500	1/2
R19	1,850	1/2
R20	5,000	1/2
R21	500	1/2
R22	200	1/2
R23	110	1/2
R24	100	1/2

CONDENSERS		Volts
No.	Capacity (Mfd.)	
C1	.0001	Mica
C2	.01	400
C3	.05	200
C4	.0001	Mica
C5	.01	400
C6	.004	Mica
C7	.01	400
C8	.25	200
C9	.0001	Mica
C10	.01	400
C11	.01	400
C12	.0001	Mica
C13	.01	400
C14	.002	400
C15a	40.	25
C15b	90.	150
C15c	30.	150
C16	.05	400
C17	.05	400

When removing the chassis it is first necessary to remove the "Protector Switch" located on the left side of the cabinet. When checking the chassis on AC or DC it is necessary to insert a piece of metal, similar to the one on the cardboard back, into the "Protector Switch" to close the line circuit.

Speaker (Part No. P5001) 8" PM Type.

D.C. voice coil resistance.....5.3 ohms  
Voice coil impedance at 400 cycles.....6.0 ohms

B.C. and S.W. Oscillator Coil (Part No. P-4566)

In a clockwise direction starting at the mounting lug on same side as single lug on other end, the connections are: No. 1, plate; No. 2, grid; No. 3, S.W. pad; No. 4, B.C. pad; No. 5, grid; No. 6, switch; other end, No. 7, B+.

S.W. Primary—No. 1 and No. 6—Resistance......8 ohm  
B.C. Primary—No. 7 and No. 6—Resistance.....3.8 ohms  
S.W. Secondary—No. 2 and No. 3—Resistance......05 ohm  
B.C. Secondary—No. 5 and No. 4—Resistance.....4.5 ohms

First I.F. Transformer (Part No. P-4569)

Primary—Blue white, plate; red white B+—Resistance 12.1 ohms.  
Secondary—White, grid; black white, AVC—Resistance 24.9 ohms.

Second I.F. Transformer (Part No. P-4420)

Primary—Blue white, plate; red white B+—Resistance 15.1 ohms.  
Secondary—White, grid; black white, AVC—Resistance 11.8 ohms.

B.C. and S.W. Antenna Coil (Part No. P4582)

Starting with the lug that is connected to ground lead in a clockwise direction, the terminals are: No. 1, ground; No. 2, cond.; No. 3, pad; No. 4, grid; No. 5, grid; No. 6, ant.

S.W. Primary—No. 6 and No. 2—Resistance......35 ohm  
B.C. Primary—No. 1 and No. 2—Resistance.....24.1 ohms  
S.W. Secondary—No. 3 and No. 4—Resistance......07 ohm  
B.C. Secondary—No. 3 and No. 5—Resistance.....2.9 ohms

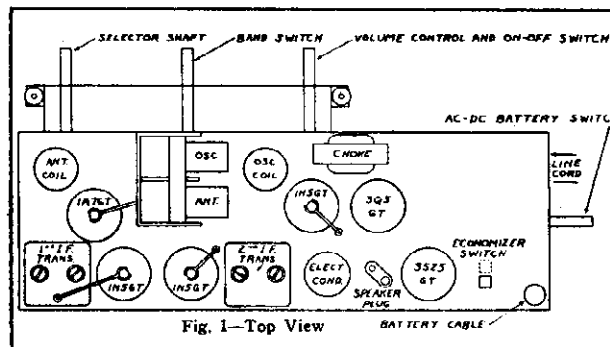


Fig. 1—Top View

VOLTAGE CHART

1A7GT TUBE	Volts
Plate (3) to ground.....	98
Screen (4) to ground.....	60
Grid (6) to ground.....	99

1NSGT (1st I.F.) TUBE	Volts
Plate (3) to ground.....	76
Screen (4) to ground.....	100

1NSGT (2nd I.F.) TUBE	Volts
Plate (3) to ground.....	91
Screen (4) to ground.....	93

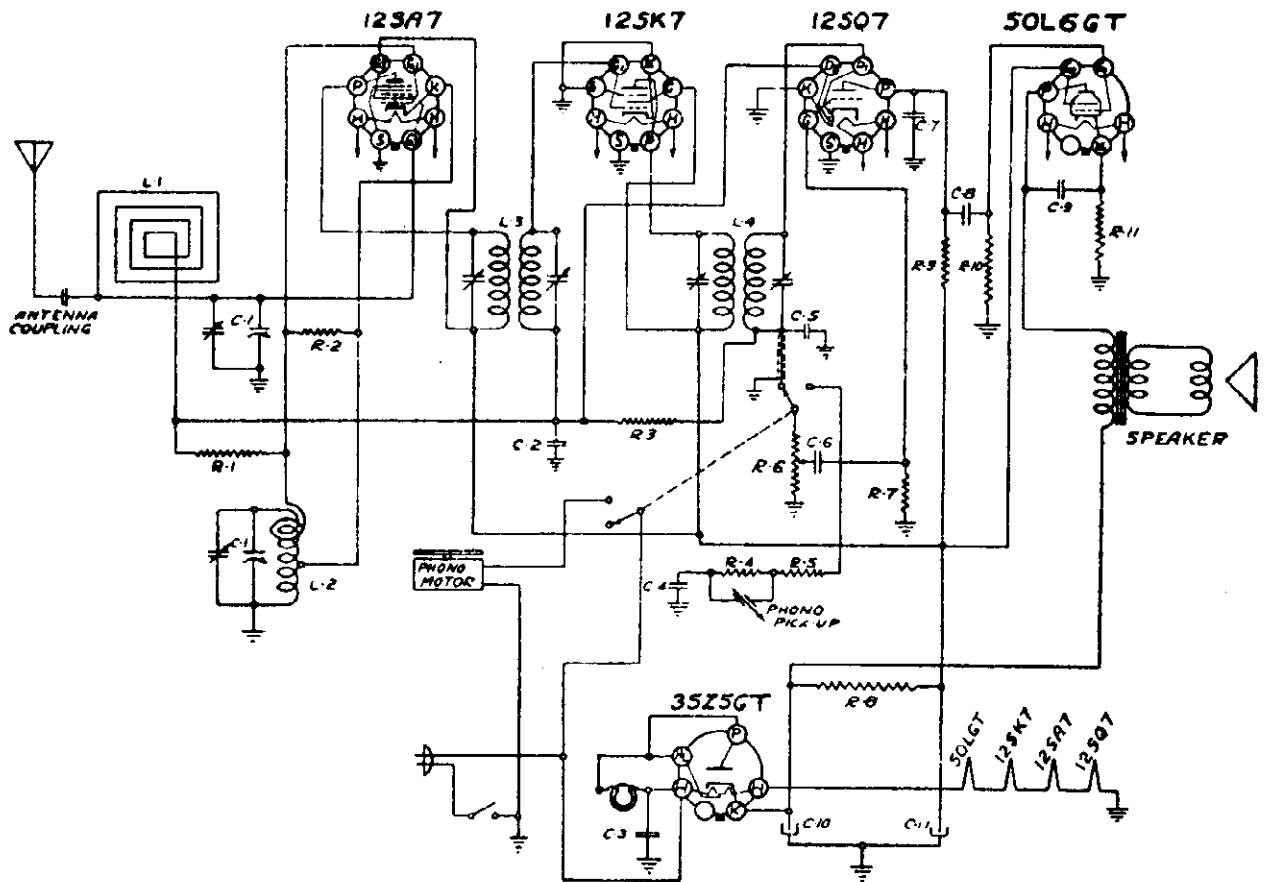
3Q5GT TUBE	Volts
Plate (3) to ground.....	97
Screen (4) to ground.....	100

3S25GT TUBE	Volts
Plate (5) to ground.....	117 (AC)
Cathode (8) to ground.....	120

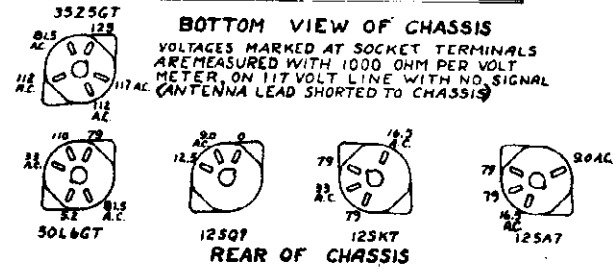
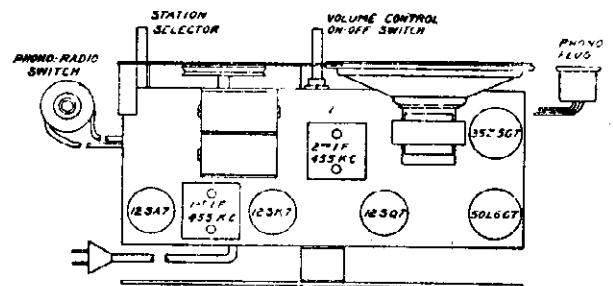
WESTERN AUTO SUPPLY CO.

MODELS D1170,  
D2142



PRICES SUBJECT TO CHANGE  
WITHOUT NOTICE

Part No.	Circuit Diagram Reference	Description	List Price Each
9032	L-1	Coil-Loop Antenna Assembly	1.00
8031	L-2	Coil-Oscillator	.80
9051	R-6	Control-Volume and Switch	1.00
9033	C-1	Condenser-Variable	2.00
8525	C10, C11	Condenser-Elect. - 40 mf. - 20 mf. - 150V.	1.00
824	C-6	Condenser-Paper .002 mfd.-500V.	.20
563	C-3	Condenser-Paper .05 mfd.-400V.	.20
576	C-8 C-9	Condenser-Paper .02 mfd.-400V.	.20
580	C-2	Condenser-Paper .05 mfd.-200V.	.20
572	C-4	Condenser-Paper .1 mfd.-200V.	.20
1286	C-5, C-7	Condenser-Mica 250 mml.	.20
8039	R-1, R-7	Resistor 1/3 W-15 Meg.	.15
8062	R-3	Resistor 1/3 W-3 Meg.	.15
6722	R-9, R-10	Resistor 1/3 W-1/2 Meg.	.15
7121	R12	Resistor 1/3 W-20M.	.15
8393	R-8	Resistor 1 W-2 M.	.20
7326	R-11	Resistor 1/2 W-158 ohm.	.15
6721	R-4, R-5	Resistor 1/3 W-200 M.	.15



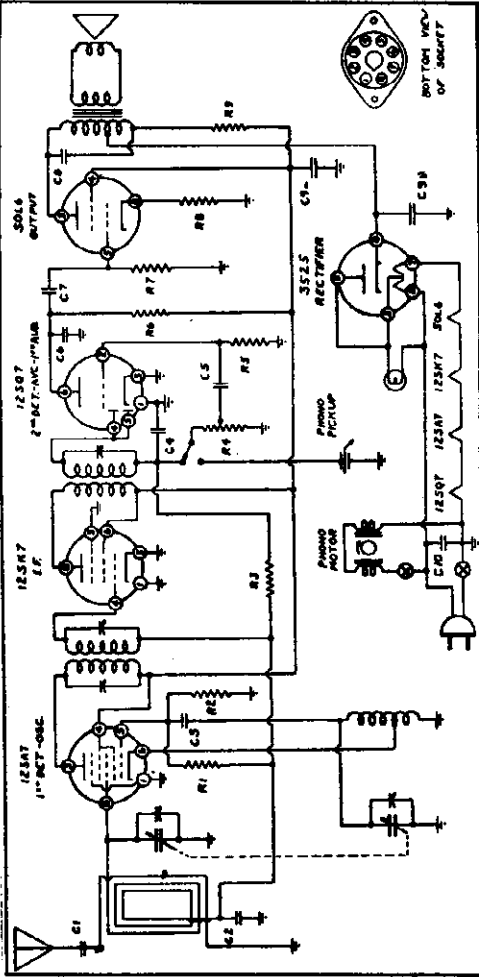
**BOTTOM VIEW OF CHASSIS**  
VOLTAGES MARKED AT SOCKET TERMINALS ARE MEASURED WITH 1000 OHM PER VOLT METER, ON 117 VOLT LINE WITH NO SIGNAL (ANTENNA LEAD SHORTED TO CHASSIS)

GENERATOR	CONNECTION AT RADIO	DUMMY ANTENNA	DIAL	TRIMMERS TO TUNE	REMARKS
IF 455 KC	12SA7 GRID	.1 mfd.	H. F. End	IF Transformers	Tune to Max. Set Limit Of Band Tune to Max.
1620 KC	Antenna	200 mml.	H. F. End	4 Trimmers	
1400 KC	"	"	1400	Oscillator Trimmer Antenna Trimmer	

Repeat above Alignment Procedure at least once more.

**MODELS D1171, D2144**  
**Early**

**WESTERN AUTO SUPPLY CO.**



RESISTORS		CAPACITORS	
No.	Ohms	Capacity (Mfd.)	Volts
R1	10,000,000	.001	600
R2	25,000	.05	300
R3	2,000,000	.00005	300
R4	500,000	.00015	300
R5	5,000,000	.005	300
R6	1,000	.0005	300
R7	150-15%	.00015	300
R8	1,000	.005	300
R9	1,000	.005	300
R10	1,000	.005	300

**VOLTAGE CHART**

All voltages measured with a 1,000 ohm per volt meter on the 150 volt scale. Line voltage 117 volts A.C. Volume control maximum and no signal tuned in. Power consumption 30 watts, radio only, with changer 48 watts.

12SK7 TUBE	Volts
Plate (3) to ground.....	93
Screen (4) to ground.....	95
12SK7 TUBE	Volts
Plate (3) to ground.....	93
Screen (6) to ground.....	95
35Z5 TUBE	Volts
Plate (3) to ground.....	118
Screen (4) to ground.....	95
Cathode (8) to ground.....	5.5
35Z5 TUBE	Volts
Filament (8) to ground.....	132
Speaker (Part No. P4792) 8" PM Type.	Volts
D.C. voice coil resistance.....	3.5 ohms
Volume coil impedance at 400 cycles.....	3.8 ohms
Oscillator Coil (Part No. P4790)	Volts
Looking at the connection end in a clockwise direction starting at the chassis the terminals are No. 1, end of winding; No. 2, start of winding; No. 3, top.	Volts
No. 1 and No. 1—Resistance 4.8 ohms.	Volts
No. 3 and No. 1—Resistance 4.3 ohms.	Volts
First L.F. Transformer (Part No. P3823)	Volts
Primary—Blue, plate; red, B+ Resistance.....	20.4 ohms
Secondary—White, grid; black, AVC Resistance.....	20.3 ohms
Second L.F. Transformer (Part No. P3824)	Volts
Primary—Blue, plate; red, B+ Resistance.....	21.3 ohms
Secondary—White, grid; black, AVC Resistance.....	21.1 ohms

**ALIGNMENT PROCEDURE**

- Volume control—Maximum all adjustments.
- Connect radio chassis to ground post of signal generator with a short heavy lead.
- Connect dummy antenna valve in series with generator output lead.
- Connect output meter across primary of output transformer.
- Allow chassis and signal generator to "heat up" for several minutes.

FREQUENCY	Signal Generator Frequency Setting	Capacitors in Radio	Variable Condenser Setting	Transformer Adjustments (in Order Shown)	Adjustment
L.F.	485 KC.	.1 Mfd.	Rotor full open (Plates out of mesh)	One trimmer on top (See Fig. 1)	Adjust to maximum output
	485 KC.	.1 Mfd.	Rotor full open (Plates out of mesh)	Two trimmers on top (See Fig. 1)	Adjust to maximum output
BROADCAST	1,400 KC.	200 Mfd.	Rotor full open (Plates out of mesh)	Trimmer—Top of gang	Adjust to maximum output
	1,400 KC.	200 Mfd.	Set dial at 1400 KC.	Trimmer—Top of gang	Adjust to maximum output

Frequency Range—335 to 1650 K.C.  
 Attenuate the signal from the signal generator to prevent the leveling-off action of the A.V.C.  
 Power output 1.3 watts unmodulated—3.0 watts maximum.  
 Intermediate Frequency 485 K.C.  
 Total Power Consumption—68 watts.

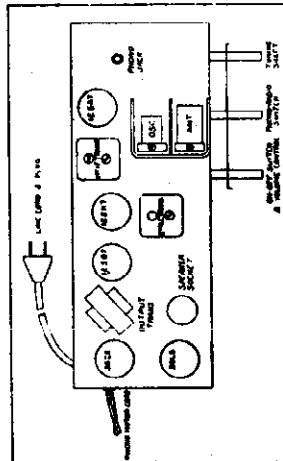
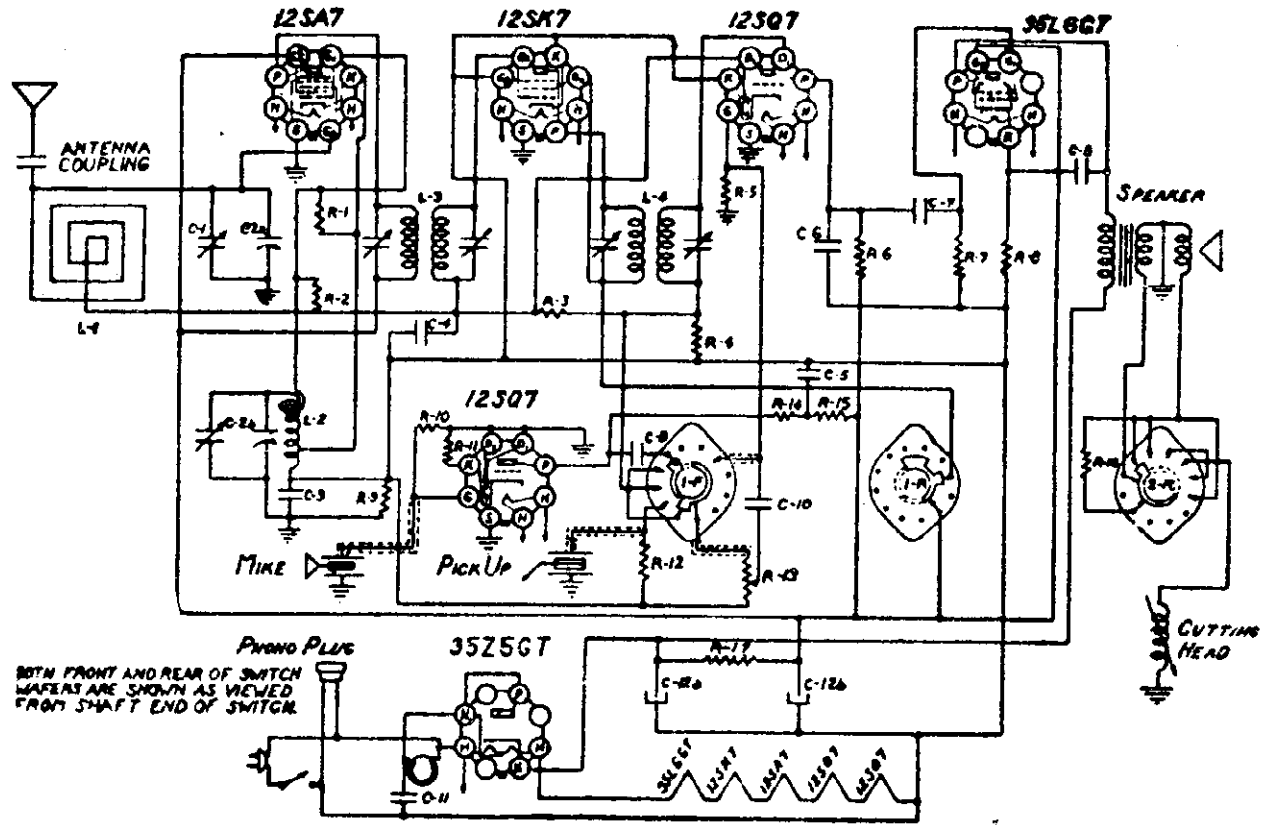


Fig. 1—Top View

**FOR RADIO PRODUCTS RC-50  
 RECORD CHANGER - SEE RIDER'S  
 BOOK, "AUTOMATIC RECORD CHANGERS  
 AND RECORDERS"**

WESTERN AUTO SUPPLY CO.

MODELS D1173  
D2155



BOTH FRONT AND REAR OF SWITCH WAFERS ARE SHOWN AS VIEWED FROM SHAFT END OF SWITCH.

FOR PARTS LIST SEE INDEX

**TUBES**

- 1-12SA7 CONVERTER (OSCILLATOR AND FIRST DETECTOR)
- 1-12SK7 I.F. AMPLIFIER
- 1-12SQ7 SECOND DETECTOR AND FIRST AUDIO
- 1-12SQ7 MICROPHONE PRE-AMPLIFIER
- 1-35L6GT POWER OUTPUT
- 1-35Z5GT RECTIFIER

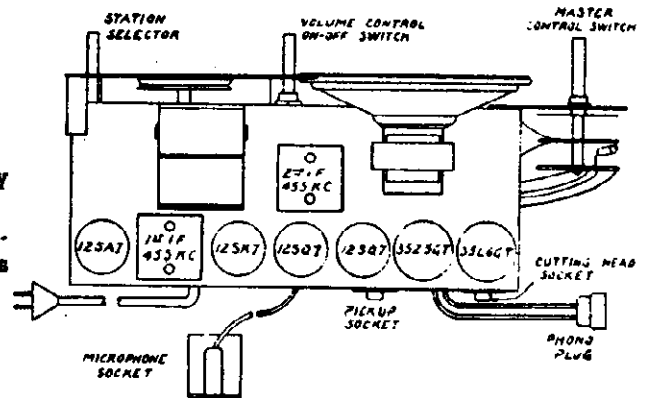
**BOTTOM VIEW OF CHASSIS**  
VOLTAGES MARKED AT SOCKET TERMINALS ARE MEASURED WITH 1000 OHM PER VOLT METER, ON A 117 VOLT LINE WITH NO SIGNAL. (ANTENNA LEAD IS SHORTEDED TO THE CHASSIS). VOLTAGES MEASURED FROM B- TO LUGS



**ALIGNMENT PROCEDURE**

The following equipment is necessary to properly align this chassis:

1. A signal generator which will provide an accurately calibrated signal at the frequencies listed.
2. An output Meter.
3. A non-metallic screw driver.
4. Dummy Antenna—.1 mfd., 200 mmf.



GENERATOR	CONNECTION AT RADIO	DUMMY ANTENNA	DIAL	TRIMMERS TO TUNE	REMARKS
IF 455 KC.	12SA7 Grid	.1 mfd.	H. F. End	IF Transformers 4 Trimmers Oscillator Trimmer Antenna Trimmer	Tune to Max.
1620 KC.	Antenna	200 mmf.	H. F. End		Set Limit of Bar
1400 KC.	Antenna	200 mmf.	1400		Tune to Max.

Repeat above Alignment Procedure at least once

MODELS D1173,  
D2155

WESTERN AUTO SUPPLY CO.

MODELS DW209C,  
DE3002

**TRUETONE MODEL DW2090**

FORMERLY MODEL DE3002

**TRUETONE MODEL D 2155**

FORMERLY MODEL D 1173

**PARTS LIST AND PRICES**

Circuit Diagram Reference	Part No.	Description	List Price Each	Part No.	Description	List Price Each	Circuit Diagram Reference	Part No.	Description	List Price Each
	9231	Book—Instruction	.20	9353	Arms—Tone with Crystal	25.00		9161	Grammet and Crystal	.80
	9232	Book—Instruction	.15		Battery Pack ("A" and "B")	6.00		7909	Indicator	.45
	9233	Book—Instruction	.15		Book—Instruction	20		9148	Knob	.15
	9234	Book—Instruction	.15	9159	Bracket—Chassis Mounting	.15		9149	Lamp—Dial G. E. 1/8" W. Neon	.15
	9235	Book—Instruction	.15	5344	Bracket—Condenser and Indicator Mounting	.45		9162	Turntable, Crank and Mounting Hardware	6.00
	9236	Book—Instruction	.15		Cabinet	12.00			Plug—Phono Pickup	.15
	9237	Book—Instruction	.15	9158	Cable—Battery Pack	.25			Painter	.20
	9238	Book—Instruction	.15	9282	Cable—Drive—30"	.15			Pulley—Idle	.10
	9239	Book—Instruction	.15	2163	Coil—Antenna	.90			Resistor—300 ohm, 1/3 W	.15
	9240	Book—Instruction	.15	4874	Coil—Oscillator	.80			Resistor—50M, 1/3 W	.15
	9241	Book—Instruction	.15	6256	Condenser—Variable—With Pulley	3.00			Resistor—100M, 1/3 W	.15
	9242	Book—Instruction	.15	9145	Condenser—Paper .001 mfd.—400 V	.20			Resistor—200M, 1/3 W	.15
	9243	Book—Instruction	.15		Condenser—Paper .01 mfd.—400 V	.20			Resistor—1 Meg, 1/3 W	.15
	9244	Book—Instruction	.15		Condenser—Paper .002 mfd.—400 V	.20			Resistor—3 Meg, 1/3 W	.15
	9245	Book—Instruction	.15		Condenser—Paper .05 mfd.—200 V	.20			Resistor—10 Meg, 1/3 W	.15
	9246	Book—Instruction	.15		Condenser—Mica 50 mm.	.20			Resistor—"C" Washer	.01
	9247	Book—Instruction	.15		Condenser—Mica 250 mm.	.20			Shaft—Drive	.20
	9248	Book—Instruction	.15		Condenser—Electrolytic 10 mfd.—150 V	.30			Speeder—6 1/2" P. M.	4.00
	9249	Book—Instruction	.15		Control—Volume and Switch	.30			Spring—Pointer Drive	.06
	9250	Book—Instruction	.15		Cup—Needle	.30			Switch—Phono—Radio	.75
	9251	Book—Instruction	.15		Dial Lamp Mounting Assembly	3.00			Switch—Tone Control	.70
	9252	Book—Instruction	.15						Transformer—1st I. F.	1.75
	9253	Book—Instruction	.15						Transformer—2nd I. F.	1.75
	9254	Book—Instruction	.15						Velum for Translucent Window	.02

**TUBES**

1-1A7 CONVERTER (OSCILLATOR AND FIRST DETECTOR)

1-1MS I.F. AMPLIFIER

1-BS SECOND DETECTOR AND FIRST AUDIO

2-3Q5 POWER OUTPUT

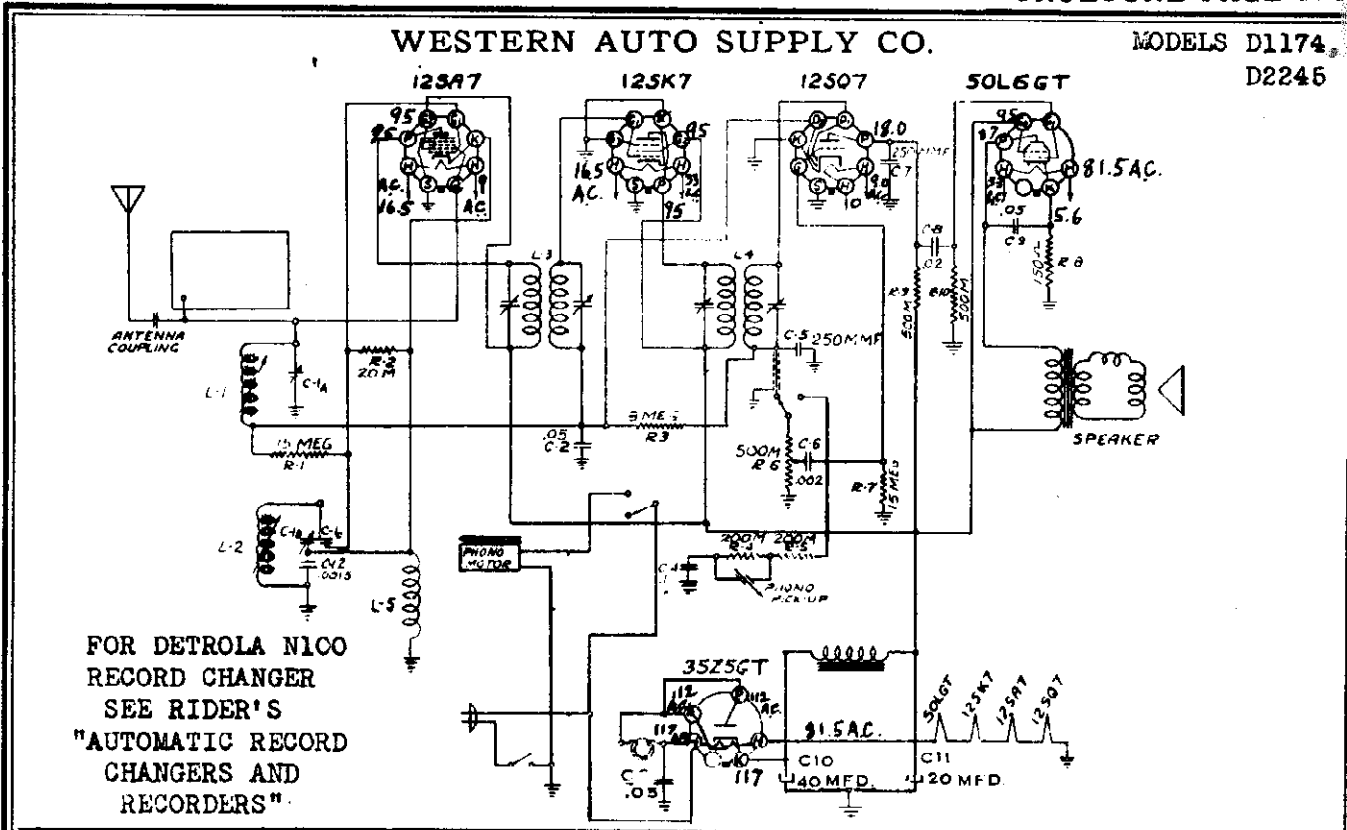
**RECORDER UNIT PARTS**

8943	Hex Nut for Pivot Post	.15	89463	Turntable Drive Disc Tension Spring	.06
8947	Motor Mounting Screw	.02	89464	Turntable Shaft	1.30
8948	Adjusting Screw (Follower Arm)	.02	89465	Auxiliary Shaft Housing, Complete	4.00
89413	Turntable Shaft Locking Screw	.02	89466	Turntable Drive Disc	1.00
89417	Recorder Arm Rest	.30	89467	Turntable Drive Disc Mounting Bracket Assembly	3.00
89418	Follower Arm Complete	1.00	89469	Retractable Pin Spring	.06
89424	Pickup Carriage	5.00	89470	Retractable Pin	.15
89426	Tone Arm, Complete	6.00	89471	Motor Shaft Pulley 3	.30
89428	Cutter, Head Tension Spring	.25	89472	Motor Shaft Pulley Set Screw	.05
89434	Recorder Arm, Complete	11.00	89474	Motor—50 Cycle	11.00
89438	Pivot Post Return Spring	.15	89481	Magnetic Cutter Head with Leads	2.00
89449	Tone Arm, Post	1.25	89482	Cutter Head Set Screw (Large)	.30
89450	10" One-Piece Turntable	2.00	89485	Turntable Drive Disc	3.00
89455	Turntable Drive Disc Stud Clip	.03	89486	Lead Screw & Flange Assembly	1.30
89458	Lead Screw & Flange Assembly	1.30			



WESTERN AUTO SUPPLY CO.

MODELS D1174,  
D2245

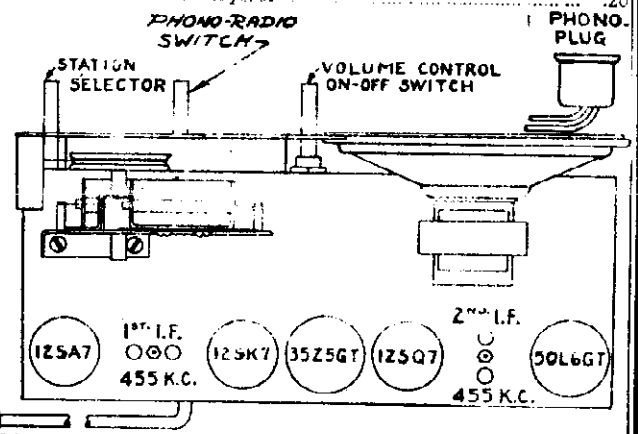


FOR DETROLA N100  
RECORD CHANGER  
SEE RIDER'S  
"AUTOMATIC RECORD  
CHANGERS AND  
RECORDERS"

GENERATOR	CONNECTION AT RADIO	DUMMY ANTENNA	DIAL	TRIMMERS TO TUNE	REMARKS
1F 455 KC	12SA7 GRID	.1 mfd.	H. F. End	IF Transformers	Tune to Max. Set Limit Of Band Tune to Max.
1720 KC	Antenna	200 mmf.	H. F. End	4 Trimmers	
1400 KC	"	"	1400	Oscillator Trimmer Antenna Trimmer	

**PARTS LIST AND PRICES**

Part No.	Circuit Diagram Reference	Description	List Price Each
N-200		Record Changer—Complete	.....
9575		Capacity Plate Assembly	.65
9736		Book—Instruction	.20
9031		Bracket-Indicator Back Plate	.30
9490	L1, L2	Tuner—Permeability with Pulley	2.20
9737		Cabinet	18.00
2163		Cable-Drive	.15
9722	L5	Coil—Cathode Choke	.40
9051	R6	Control—Volume and Switch	1.00
9510	C1a, b	Condenser—Dual Trimmer	.50
9363	C10, C11	Condenser—Elect.—40 mf.—20 mf.—150V	1.00
9672	C12	Condenser—Paper .0015 mfd.—400V	.20
824	C6	Condenser—Paper .002 mfd.—600V	.20
563	C3	Condenser—Paper .05 mfd.—400V	.20
576	C8, C9	Condenser—Paper .02 mfd.—400V	.20
580	C2	Condenser—Paper .05 mfd.—200V	.20
572	C4	Condenser—Paper .1 mfd.—200V	.20
1286	C5, C7	Condenser—Mica—250 mmf.	.20
1285	C1c	Condenser—Mica—100 mmf.	.20
8036		Cord—AC Line	.25
9732		Indicator	.40
9021		Knob	.15
6158		Lamp—Pilot—Mazda #47	.15
242		Plug—Phono Motr	.15
9150		Pointer	.20
9086		Pulley—Idler	.10
8039	R1, R7	Resistor 1/3 W—15 Meg.	.15
8062	R3	Resistor 1/3 W—3 Meg.	.15
6722	R9, R10	Resistor 1/2 W—1/2 Meg.	.15
7121	R2	Resistor 1/3 W—20 M.	.15
7326	R8	Resistor 1/2 W—150 ohm	.15
6721	R4, R5	Resistor 1/3 W—200 M.	.15
1207		Retainer—Shaft	.01
9734		Switch—Phono-Radio	.75
9038		Shaft—Drive	.20
7477		Spring—Pointer Drive	.08
9472	L3	Transformer—1st I.F.	1.75
9473	L4	Transformer—2nd I.F.	1.75
9594		Speaker—5" Dynamic	3.50
9739		Capacitor	1.20
9738		Local Crystal	.20



MODELS DW1177,  
DE3001

WESTERN AUTO SUPPLY CO.

Second LF Transformer (Part No. P-4244)  
Primary—Blue, plate; red, 3—Resistance 13.1 ohms.  
Secondary—White, grid; black, AVC—Resistance 11.9 ohms.

VOLTAGE CHART

All voltages measured with a 1000 ohm per volt meter on 500 volt scale. Volume control maximum and no signal tuned in.

80V0 TUBE HV.V.A.C. 6.1 V. Int.

Plate (3) to ground	160	146
Screen (4) to ground	82	76
Cathode (8) to ground	4.5	3.9

80V2 TUBE

Plate (3) to ground	160	146
Screen (4) to ground	82	76
Cathode (8) to ground	4.1	3.5

60V0 TUBE

Plate (3) to ground	132	126
Screen (4) to ground	160	146
Cathode (8) to ground	7.5	6.9

EXACT TUBE

Cathode (8) to ground	119	114
-----------------------	-----	-----

Speaker (Part No. P-4252) 8" PM Type.

D. C. voice coil resistance ..... 3.1 ohms  
Voice coil impedance at 400 cycles ..... 5.1 ohms

B.C. and S.W. Oscillator Coil (Part No. P-4228)

Leading at the mounting bracket and in a clockwise direction starting at the bottom, the connections are: No. 1, grid; No. 2, open. Leading at the other end in a clockwise direction starting at the bottom, the connections are: No. 3, plate; No. 4, plate; No. 5, grid; No. 6, grid; No. 7, grid.

S.W. Primary—No. 1 and No. 5—Resistance 45 ohms.  
B.C. Primary—No. 1 and No. 3—Resistance 1.5 ohms.  
S.W. Secondary—No. 5 and No. 2—Resistance .09 ohms.  
B.C. Secondary—No. 1 and No. 7—Resistance 5.8 ohms.

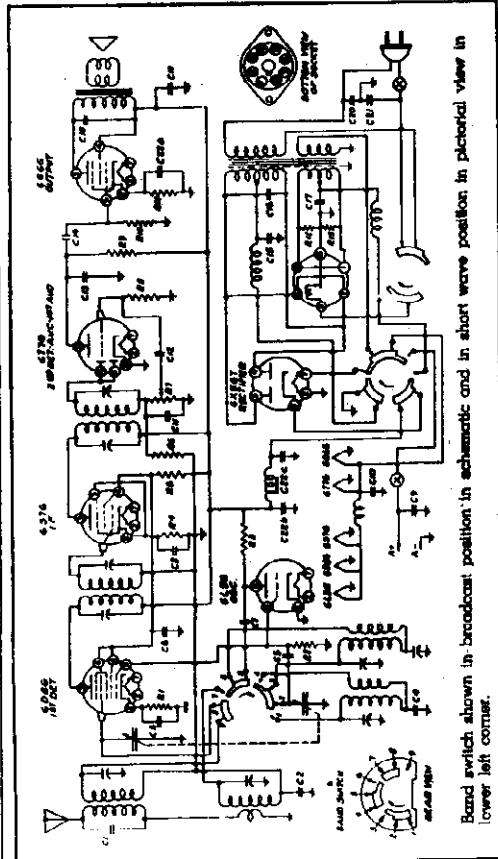
B.C. and S.W. Antenna Coil (Part No. P-4225)

Starting with the lug that is connected direct to ground in a clockwise direction, the terminals are: No. 1, ground; No. 2, open; No. 3, grid; No. 4, grid; No. 5, cat.

S.W. Primary—No. 1 and No. 2—Resistance 35 ohms.  
B.C. Primary—No. 1 and No. 3—Resistance 24.1 ohms.  
S.W. Secondary—No. 3 and No. 4—Resistance .07 ohms.  
B.C. Secondary—No. 3 and No. 5—Resistance 2.8 ohms.

First LF Transformer (Part No. P-4245)

Primary—Blue, plate; red, 3—Resistance 25.3 ohms  
Secondary—White, grid; black, AVC—Resistance 24.8 ohms



Band switch shown in broadcast position in schematic and in short wave position in pictorial view in lower left corner.

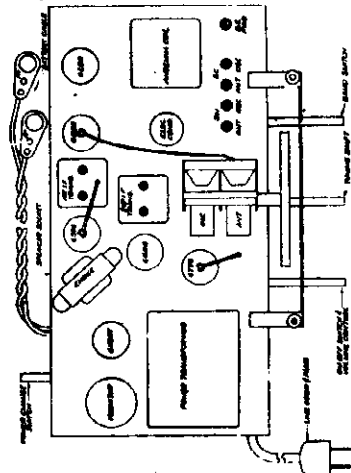


Fig. 1—Top View

Part No.	Description
P1225	C18 .025 mfd. 500 volt
P1244	C12, C14 .01 mfd. 400 volt
P1214	C18 .015 mfd. 1000 volt (oil filled)
P1245	C2, C3, C5 .05 mfd. 200 volt
P2204	C20, C21 .05 mfd. 400 volt
P2210	C8, C10, C11 .01 mfd. 400 volt
P2216	C6 .1 mfd. 15 volt
P2218	C17 .0001 mfd. 500 volt
P420	C1, C2, C11 .001 mfd.
P2117	C15 .0025 mfd.
P2208	C7, C19 .005 mfd.
P1205	C4 .04 mfd. 75 volt
P4222	C9
P2204	C2, C3, C5
P4218	C1
P4254	C22
	C23
	C24
	C25
	C26
	C27
	C28
	C29
	C30
	C31
	C32
	C33
	C34
	C35
	C36
	C37
	C38
	C39
	C40
	C41
	C42
	C43
	C44
	C45
	C46
	C47
	C48
	C49
	C50
	C51
	C52
	C53
	C54
	C55
	C56
	C57
	C58
	C59
	C60
	C61
	C62
	C63
	C64
	C65
	C66
	C67
	C68
	C69
	C70
	C71
	C72
	C73
	C74
	C75
	C76
	C77
	C78
	C79
	C80
	C81
	C82
	C83
	C84
	C85
	C86
	C87
	C88
	C89
	C90
	C91
	C92
	C93
	C94
	C95
	C96
	C97
	C98
	C99
	C100

Capacity (mfd.)	Value	Color	Watts
.001	1000	1000	1000
.002	2000	2000	2000
.005	5000	5000	5000
.01	10000	10000	10000
.02	20000	20000	20000
.05	50000	50000	50000
.1	100000	100000	100000
.2	200000	200000	200000
.5	500000	500000	500000
1	1000000	1000000	1000000
2	2000000	2000000	2000000
5	5000000	5000000	5000000
10	10000000	10000000	10000000
20	20000000	20000000	20000000
50	50000000	50000000	50000000
100	100000000	100000000	100000000
200	200000000	200000000	200000000
500	500000000	500000000	500000000
1000	1000000000	1000000000	1000000000

ALIGNMENT PROCEDURE

The following equipment is required for alignment:  
 • An all wave signal generator which will provide an accurately calibrated signal at the test frequencies on band.  
 • Output indicating meter.  
 • Non-inductive screwdriver.  
 • Dummy antenna—1 mfd., 300 ma. d., 400 ohms.

Volume control—Maximum all adjustments.  
 Connect variable condenser in ground post of signal generator with a short heavy lead.  
 Connect dummy antenna wires in series with generator output lead.  
 Connect output meter across primary of output transformer.  
 Allow chassis and signal generator to "heat up" for several minutes.

FREQ.	Primary	Secondary	Transformer	Adjustment
655 KC.	.1 Mfd.	60V0 LF.	Grid of 80V0 tube	Adjust to maximum output
655 KC.	.1 Mfd.	Grid of 80V0 tube	Grid of 80V0 tube	Adjust to maximum output
14,100 KC.	400 ohms	Antenna lead	Antenna lead	Adjust to maximum output
14,100 KC.	400 ohms	Antenna lead	Antenna lead	Adjust to maximum output
1770 KC.	500 Mfd.	Antenna lead	Antenna lead	Adjust to maximum output
1400 KC.	200 Mfd.	Antenna lead	Antenna lead	Adjust to maximum output
800 KC.	500 Mfd.	Antenna lead	Antenna lead	Adjust to maximum output

Note: 'A'—Turn the dial back and forth slightly (rock) and adjust transformer until the peak of secondary is obtained. A further adjustment of the signal generator is prevented by breaking off one of the A.V.C. terminals.  
 Do not bend variable condenser to correct tracking.  
 Frequency Range—655 to 1750 and 5750 to 18,100 K.C.  
 Power output 8 watt unmodulated—1 watt modulated.  
 Intermediate Frequency 485 K.C.

WESTERN AUTO SUPPLY CO.

MODELS D1181, D3130

Speaker (Part No. P4795) 5" PM Type  
 D.C. voice coil resistance..... 2.4 ohms  
 Voice coil impedance at 400 cycles..... 2.7 ohms

R. F. Coil (Part No. P4853)  
 Primary—Red; green—Resistance ..... 112.8 ohms  
 Secondary—Black; white—Resistance ..... 5.9 ohms

Oscillator Coil (Part No. P3967)  
 Looking at the connection end (with dot) in a clockwise direction starting at the chassis the terminals are No. 1 grid; No. 2, plate; No. 3, B+; No. 4, ground.  
 Primary—No. 2 and No. 3—Resistance 2.2 ohms.  
 Secondary—No. 4 and No. 1—Resistance 4.9 ohms.

First I.F. Transformer (Part No. P4818)  
 Primary—Red, B+; blue, plate—Resistance 11.8 ohms  
 Secondary—White, grid; black, AVC—Resistance 23.9 ohms

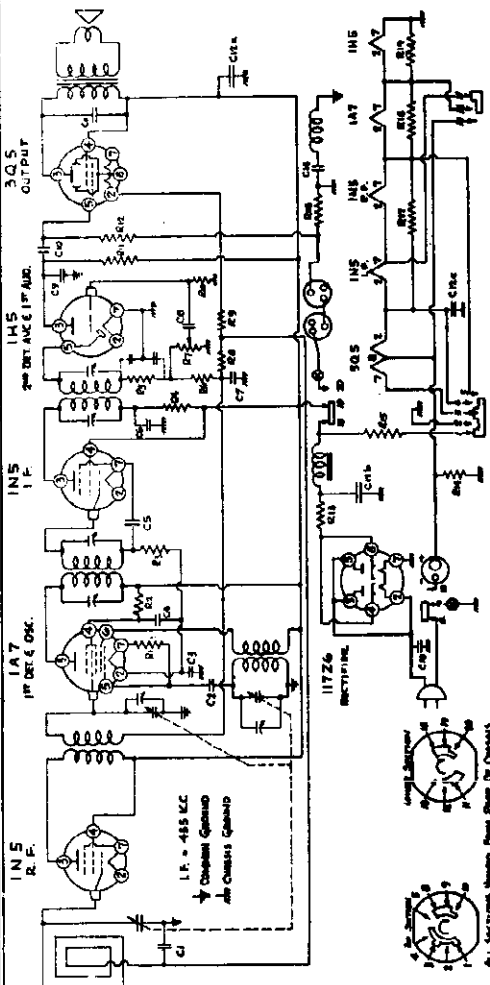
Second I.F. Transformer (Part No. P4819)  
 Primary—Blue, plate; red, B+—Resistance 15.1 ohms  
 Secondary—White, grid; other end inside can—Resistance 11.8 ohms

Power Change Switch  
 The power change switch connects the tube filaments in series (9 volt) on AC-DC operation and parallel (1 1/2 volt) on battery operation.

VOLTAGE CHART

All voltages measured with a 1,000 ohm per volt meter on the 150 volt scale. Line voltage 117 1/2 volts A.C. Volume control maximum and no signal tuned in.

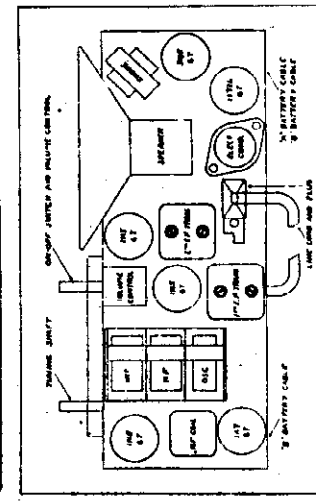
1N5 (RF) TUBE		1H5 TUBE	
Plate (3) to common ground.....	94	Plate (3) to common ground... ..	98
Screen (4) to common ground.....	102	Filament (2) to (7) .....	1.4
Filament (2) to (7) .....	1.4	3Q5 TUBE	
		Plate (3) to common ground... ..	98
		Screen (4) to common ground... ..	102
		Filament (2) to (7) .....	1.38
		Filament (2) to (8) .....	1.33
		Filament (2) to (9) .....	1.33
1A7 TUBE		1N5 (IF) TUBE	
Plate (3) to common ground.....	100	Plate (3) to common ground.....	85
Screen (4) to common ground.....	62	Screen (4) to common ground.....	102
Anode grid (6) to common ground.....	100	Filament (2) to (7) .....	1.38
Filament (2) to (7) .....	1.4	117Z8 TUBE	
		Plate (3) or (5) to common ground.....	117.5 (AC)
		Cathode (4) or (8) to common ground.....	128
		Filament (2) to (7) .....	117.5 (AC)



BAND	SIGNAL GENERATOR Frequency	Connection to Radio	Variable Condenser Setting	Trimmers Adjusted (See Order Sheets)	Tube Function	Adjustment
I.F.	455 KC. .1 MFD.	Grid of INSGT I.F. tube	Rotor full open (Plates out of mesh)	Two trimmers on top	Output I.F.	Adjust to maximum output
See Note "A"	455 KC. .1 MFD.	Grid of 1A7GT tube	Rotor full open (Plates out of mesh)	Two trimmers on top (See Fig. 1)	Input I.F.	Adjust to maximum output
BROAD-CAST	1600 KC. .05 MFD.	Grid of INSGT R.F. tube	Rotor full open (Plates out of mesh)	Trimmer—Side of gang-rear	Oscillator	Adjust to maximum output
See Note "B"	1400 KC. .05 MFD.	Grid of INSGT R.F. tube	Set dial at 1400 KC.	Trimmer—Side of gang-rear	R.F.	Adjust to maximum output

NOTE "B"—The oscillator trimmer is reached thru the bolts in the R.F. coil can.  
 Frequency Range 540 to 1600 K.C.  
 Power output (on batteries) 27 watt undistorted—.35 watt maximum.  
 Power output (AC-DC) 27 watt undistorted—.35 watt maximum.  
 Intermediate Frequency 455 K.C. Power consumption 25 watts.

RESISTORS		CONDENSERS	
No.	Ohms	Capacity (Mfd.)	Value
R1	200,000	.05	300
R2	50,000	.25	100
R3	5,000	.5	200
R4	1,000	1.0	400
R5	500	2.0	600
R6	300,000	.01	100
R7	100,000	.02	200
R8	50,000	.05	400
R9	10,000	.1	600
R10	1,000	.2	100
		.5	200
		1.0	400
		2.0	600
		5.0	100
		10.0	200
		20.0	400
		50.0	600
		100.0	100
		200.0	200
		500.0	400
		1,000.0	600



MODELS D1281, D3230  
MODEL D2269

WESTERN AUTO SUPPLY CO.

# MODEL D 2269

## ALIGNMENT PROCEDURE

- Volume control—Maximum all adjustments.
- Connect radio chassis to ground post of signal generator with a short heavy lead.
- Connect dummy antenna value in series with generator output lead.
- Connect output meter across primary of output transformer.
- Allow chassis and signal generator to "heat up" for sev-

eral minutes.

The following equipment is required for aligning:

- An all wave signal generator which will provide an accurately calibrated signal at the test frequencies as listed.
- Output indicating meter.
- Non-metallic screwdriver.
- Dummy antenna—1 mf., .05 mf., .200 mmfd.

BAND	SIGNAL GENERATOR Frequency Setting	Dummy Antenna	Connection to Radio	Variable Condenser Setting	Trimmers Adjusted (In Order Shown)	Trimmer Function	Adjustment
L.F.	455 KC.	.1 MFD.	Grid of INSGT I.F. tube	Rotor full open (Plates out of mesh)	<b>C, D</b> (See Fig. 1)	Output I.F.	Adjust to maximum output
See Note "A"	455 KC.	.1 MFD.	Grid of 1A7GT tube	Rotor full open (Plates out of mesh)	<b>A, B</b> (See Fig. 1)	Input I.F.	Adjust to maximum output
BROAD-CAST	1600 KC.	.05 MFD.	Grid of INSGT R.F. tube	Rotor full open (Plates out of mesh)	<b>E</b> gang-rear	Oscillator	Adjust to maximum output
	1400 KC.	.05 MFD.	Grid of INSGT R.F. tube	Set dial at 1400 KC.	<b>F</b>	R.F.	Adjust to maximum output
	1400 KC.	200 MMFD.	ANT. LEAD	Set dial at 1400 KC.	<b>G</b>	Antenna	Adjust to maximum output

This is all that is necessary for the alignment unless the plates of the gang have been bent out of shape. In case of bent plates, set the signal generator and receiver to 600 KC and bend the plates into the position for maximum output.

Attenuate the signal from the signal generator to prevent the leveling-off action of the AVC. After each band is completed, repeat the procedure as a final check.

NOTE "A"—Use battery operation for all adjustments.

Frequency Range 540 to 1600 K.C.

Power output (on batteries) .27 watt undistorted—.35 watt maximum.

Power output (AC-DC) .27 watt undistorted—.35 watt maximum.

Intermediate Frequency 455 K.C. Power consumption 25 watts.

# D 3230

FORMERLY MODEL D 1281

PLEASE NOTE THAT ALTHOUGH OUR D3230 (FORMERLY D1281) AND OUR D3130 (FORMERLY D1181) USE THE SAME FACTORY MODEL NUMBER THEY DIFFER IN THAT THE D3230 USES A PERMEABILITY TUNED R.F. COIL.

## ALIGNMENT PROCEDURE

- Volume control Maximum all adjustments.
- Connect radio chassis to ground post of signal generator with a short heavy lead.
- Connect dummy antenna value in series with generator output lead.
- Connect output meter across primary of output transformer.
- Allow chassis and signal generator to "heat up" for sev-

eral minutes.

The following equipment is required for aligning:

- An all wave signal generator which will provide an accurately calibrated signal at the test frequencies as listed.
- Output indicating meter.
- Non-metallic screwdriver.
- Dummy antennas—1 mf., .05 mf.

BAND	SIGNAL GENERATOR Frequency Setting	Dummy Antenna	Connection to Radio	Variable Condenser Setting	Trimmers Adjusted (In Order Shown)	Trimmer Function	Adjustment
L.F.	455 KC.	.1 MFD.	Grid of INSGT I.F. tube	Rotor full open (Plates out of mesh)	<b>C, D</b> (See Fig. 1)	Output I.F.	Adjust to maximum output
See Note "A"	455 KC.	.1 MFD.	Grid of 1A7GT tube	Rotor full open (Plates out of mesh)	<b>A, B</b> (See Fig. 1)	Input I.F.	Adjust to maximum output
BROAD-CAST	1600 KC.	.05 MFD.	Grid of INSGT R.F. tube	Rotor full open (Plates out of mesh)	<b>E</b> gang-rear	Oscillator	Adjust to maximum output
	1400 KC.	.05 MFD.	Grid of INSGT R.F. tube	Set dial at 1400 KC.	<b>F</b>	R.F.	Adjust to maximum output
See Note "B"	1400 KC.	Loop Radiator	No connection to radio	Set dial at 1400 KC.	<b>G</b>	Antenna	Adjust to maximum output

This is all that is necessary for the alignment unless the plates of the gang have been bent out of shape. In case of bent plates, set the signal generator and receiver to 600 KC and bend the plates into the position for maximum output.

Attenuate the signal from the signal generator to prevent the leveling-off action of the AVC. After each band is completed, repeat the procedure as a final check.

NOTE "A"—Use battery operation for all adjustments.

NOTE "B"—Use three turn loop, in series with 400 ohm resistor, connected to signal generator output.

Frequency Range 540 to 1600 K.C.

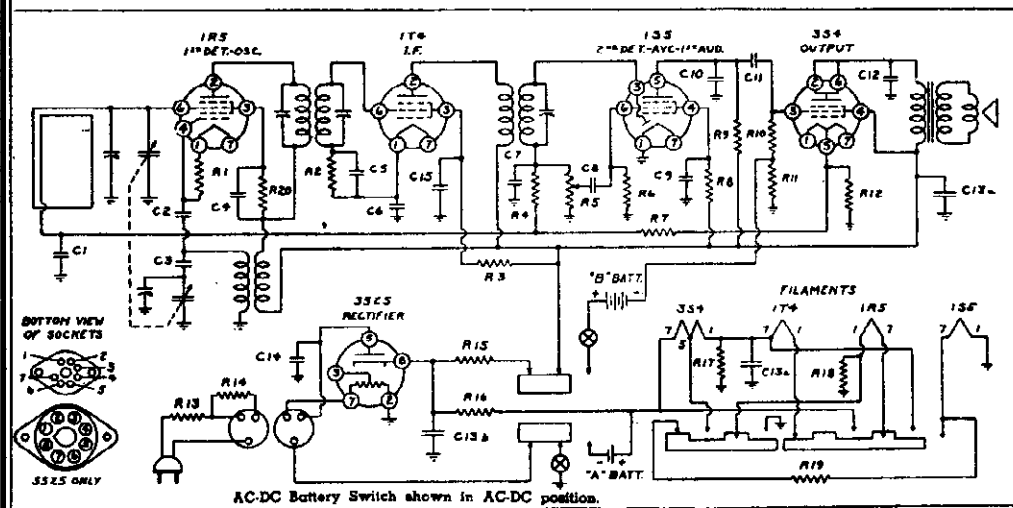
Power output (on batteries) .27 watt undistorted—.35 watt maximum.

Power output (AC-DC) .27 watt undistorted—.35 watt maximum.

Intermediate Frequency 455 K.C. Power consumption 25 watts.

MODELS D1183,  
D3123

WESTERN AUTO SUPPLY CO.



**RESISTORS**

No.	Ohms	Watts
R1	100,000	1/4
R2	5,000,000	1/4
R3	25,000-10%	1/4
R4	5,000,000-10%	1/4
R5	1,000,000	V.C.
R6	10,000,000	1/4
R7	10,000,000-10%	1/4
R8	4,000,000	1/4
R9	1,000,000	1/4
R10	2,000,000	1/4
R11	750-10%	1/4
R12	3,000-10%	1/4
R13	80 1 part of	1/4
R14	350 1 line cord	1/4
R15	2,000-10%	1/4
R16	1,750-10%	1/4
R17	1,700-10%	1/4
R18	1,800-10%	1/4
R19	55-10%	1/4
R20	(wire wound) 10,000	1/4

**CONDENSERS**

No.	Capacity (Mfd.)	Volts
C1	.05	200
C2	.0001	Mica
C3	.000410-2%	Mica
C4	.01	120
C5	.01	120
C6	.1	120
C7	.00025	Mica
C8	.01	200
C9	.05	200
C10	.00005	Mica
C11	.003	200
C12	.01	200
C13a	.20	150
C13b	.01	150
C13c	.05	150
C14	.05	400
C15	.01	150

BAND	SIGNAL GENERATOR Frequency Setting	Dummy Antenna	Connection to Radio	Variable Condenser Setting	Trimmers Adjusted (In Order Shown)	Trimmer Function	Adjustment
L.F.	455 KC.	.1 MFD.	Grid of 1T4 I.F. tube	Rotor full open (Plates out of mesh)	One Trimmer on End of Chassis	Output I.F.	Adjust to maximum output
	See Note "A"	455 KC.	.1 MFD.	Grid of 1R5 tube	Two Trimmers on Side of Chassis	Input I.F.	Adjust to maximum output
BROAD-CAST	1630 KC.		Inductive Coupled	Rotor full open (Plates out of mesh)	Upper Section, Side of Gang	Oscillator	Adjust to maximum output
	See Note "B"	1400 KC.	Inductive Coupled	Set dial at 1400 KC.	Lower Section, Side of Gang	Antenna	Adjust to maximum output

NOTE "A" -Use battery operation for all adjustments.

NOTE "B" -Align broadcast band with chassis in cabinet and loop antenna connected.

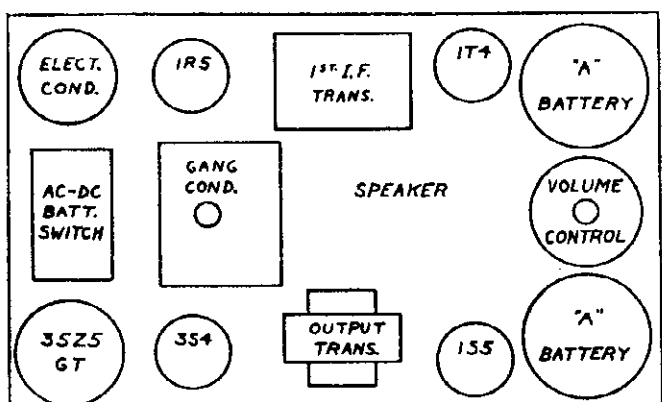


Fig. 1—Top View

**VOLTAGE CHART**

TUBE	Terminal	Volts
1R5 TUBE	Plate (2) to ground	66
	Screen (3) to ground	45
	Filament (7) to (1)	1.4
1T4 TUBE	Plate (2) to ground	66
	Screen (3) to ground	45
	Filament (7) to (1)	1.3

<b>1S5 TUBE</b>	Filament (7) to (1)	1.3
<b>3S4 TUBE</b>	Plate (2) or (6) to ground	66
	Screen (4) to ground	67.5
	Filament (1) to (5)	1.3
	Filament (7) to (5)	1.3
<b>3S2S TUBE</b>	Cathode (8) to ground	90
	Filament (7) to ground	37.5 (AC)

**SERVICE INFORMATION**

**Speaker (Part No. P4620A) 3" PM Type**  
 D.C. voice coil resistance..... 2.8 ohms  
 Voice coil impedance at 400 cycles..... 3.0 ohms

**Oscillator Coil (Part No. P4722)**  
 Looking at the connection end in a clockwise direction starting at the mounting bracket the terminals are: No. 1, ground (direct to mounting bracket); No. 2, plate; No. 3, B+; No. 4, grid.  
 Primary—No. 2 and No. 3—Resistance..... 3.4 ohms  
 Secondary—No. 1 and No. 4—Resistance.... 2.6 ohms

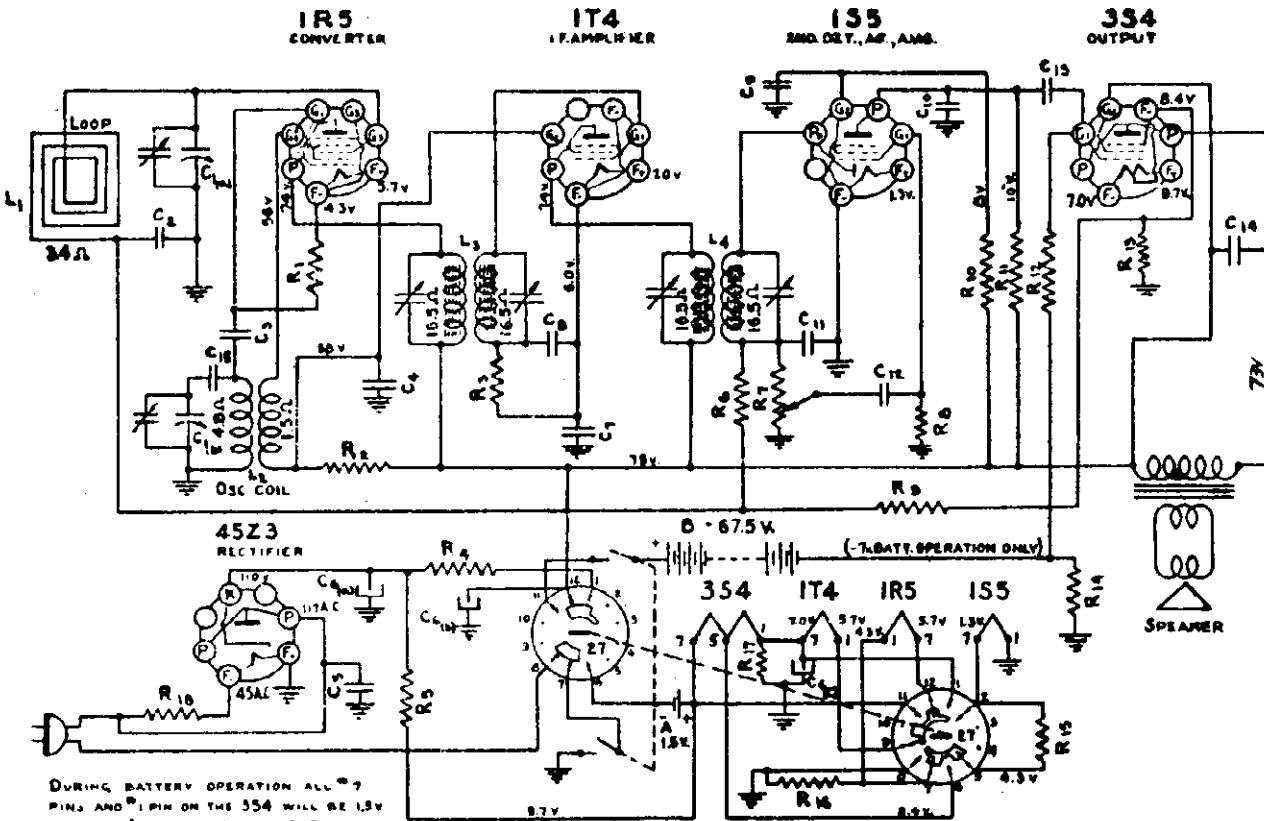
**First I.F. Transformer (Part No. P4610)**  
 The primary leads are on one end (opposite sides) and the secondary leads on the other end. The red dots indicate the end of the windings. The primary and 1 secondary windings are identical.  
 Resistance (primary or secondary)..... 16.7 ohms

**Second I.F. Transformer (Part No. P4712)**  
 Looking at the coil starting at the lug nearest the red dot in a clockwise direction, the terminals are: No. 1, start of pri.; No. 2, start of sec.; No. 3, end of sec.; No. 4, end of pri.  
 Primary—No. 1 and No. 4—Resistance..... 43.3 ohms  
 Secondary—No. 2 and No. 3—Resistance... 34.2 ohms

**Power Change Switch**  
 The power change switch connects the tube filaments in series (7½ volt) on AC-DC operation and parallel (1½ volt) on battery operation.

MODELS D1184,  
D3124

WESTERN AUTO SUPPLY CO.



DURING BATTERY OPERATION ALL 9 PINS AND 1 PIN ON THE 354 WILL BE 1.5V POSITIVE. ALL OTHER FILAMENT PINS WILL BE GROUNDED. DURING AC OR DC 117 VOLT OPERATION THE VOLTAGES WILL BE AS INDICATED 120%. VOLTAGES MEASURED WITH 1000 OHM PER VOLT METER.

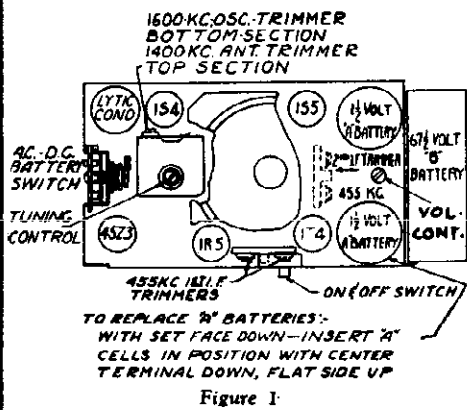
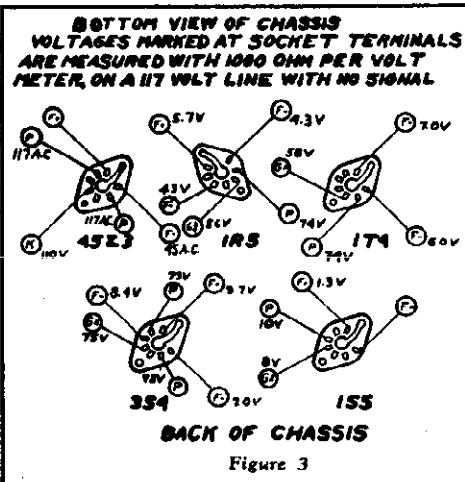
Chassis Parts

- L2 Coil, Oscillator.....
- R18 Cord Line with Plug, 960 OHM @ .075 AMP
- Cam-Latch.....
- R7 Control—Volume.....
- R1 Resistor—100M 1/3 Watt.....
- R11 Resistor—1 MEG 1/3 Watt.....
- R12 Resistor—2 MEG 1/3 Watt.....
- R6, R10 Resistor—4 MEG 1/3 Watt.....
- R3 Resistor—5 MEG 1/3 Watt.....
- R8 Resistor—10 MEG 1/3 Watt.....
- R9 Resistor—6 MEG 1/3 Watt.....
- R15 Resistor—55 Ohm 1/2 Watt.....
- R14 Resistor—700 Ohm, 1/3 Watt.....
- R5 Resistor—2200 Ohm, Wire Wound.....
- R16 Resistor—1M 1/3 Watt.....
- R17 Resistor—1700 Ohm, 1/3 Watt.....
- R13 Resistor—3M 1/3 Watt.....
- R4 Resistor—3M 1 Watt.....
- R2 Resistor—5M 1/3 Watt.....
- C1 Condenser—Variable.....
- C6, A, B, C Condenser—Elect 30 Mid-150V.....
- 20 Mid-150V.....
- C4, C8 Condenser—Paper—.01-120V.....
- C7 Condenser—Paper—.25-.75V.....
- C13 Condenser—Paper—.005-600V.....
- C2, C9 Condenser—Paper—.05-200V.....
- C14 Condenser—Paper—.01-400V.....
- C5 Condenser—Paper—.05-400V.....
- C12 Condenser—Paper—.001-600V.....
- C11 Condenser—Mica 250 MMF.....
- C10 Condenser—Mica 50 MMF.....
- C3 Condenser—Mica 100 MMF.....
- C15 Condenser—Mica 485 ± 2% MMF.....
- Insulation—Bottom Shield.....
- Insulation—I. F. Transformers.....
- Latch.....

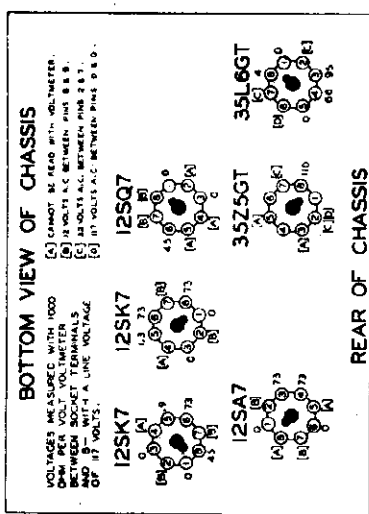
ALIGNMENT PROCEDURE

GENERATOR	CONNECTION AT RADIO	DUMMY ANTENNA	DIAL	TRIMMERS TO TUNE	REMARKS
IF 455 K. C.	IR 5 Grid	.1 Mid	H. F. End	IF Transformers 4 Trimmers	Tune to Max.
1800 KC	IR 5 Grid		H. F. End (1600)	Oscillator Trimmer	Set limit of band
1400 K. C.	Standard Loop or single turn from generator loosely coupled		1400	Antenna Trimmer	Tune to Max.

Repeat above Alignment Procedure at least once more.



WESTERN AUTO SUPPLY CO.



REAR OF CHASSIS

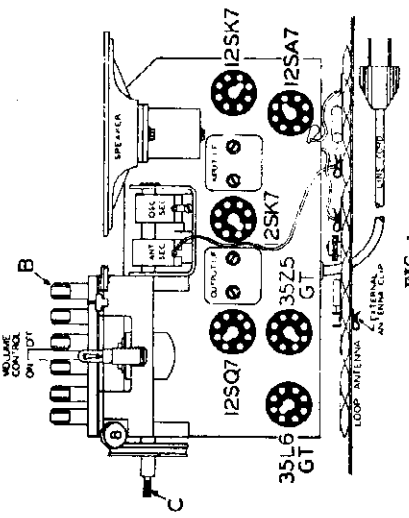
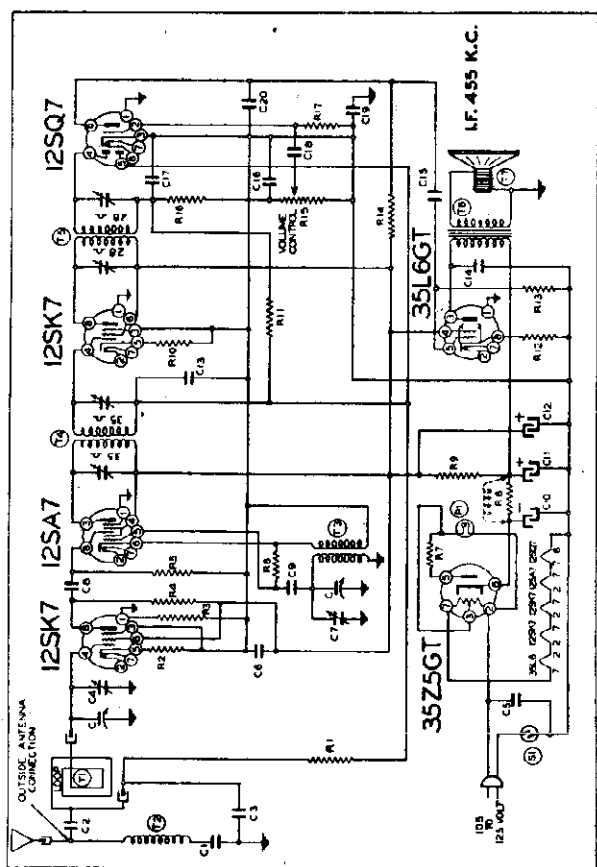


FIG. 1



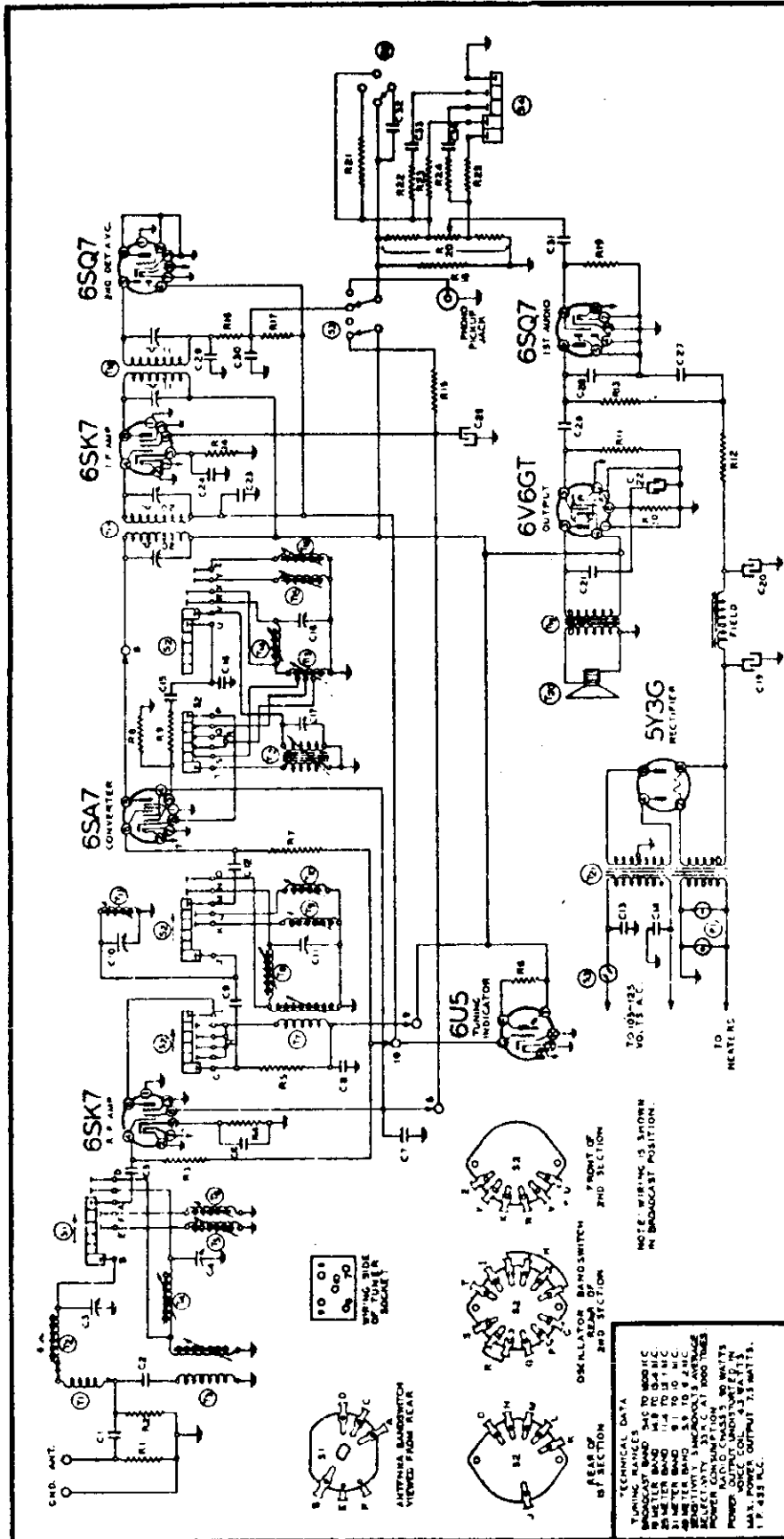
NOTE: On some sets R1 is replaced by a speaker field; R9 is also eliminated and C11 and C12 are connected in parallel.

Table with columns: Part No., Description, List Price Each. Includes sections for CONDENSERS and RESISTORS.

ALIGNMENT PROCEDURE table with columns: BAND, Frequency Setting, Primary Antenna, Variable Condenser Setting, Connection to Radio, Trimmers Adjusted, Trimmer Function, Adjustment.

MODEL D1210

WESTERN AUTO SUPPLY CO.



REAR OF 2ND SECTION

FRONT OF 2ND SECTION

OSKALLOMA 2ND SECTION

NOTE WIRING IS SHOWN IN BROADCAST POSITION.

TECHNICAL DATA  
 TUNING BAND 540 TO 600 K.C.  
 BROADCAST BAND 540 TO 600 K.C.  
 WAVELENGTH BAND 550 TO 500 M.C.  
 10 METER BAND 9.1 TO 10 M.C.  
 15 METER BAND 7.3 TO 8 M.C.  
 20 METER BAND 5.9 TO 6.5 M.C.  
 SENSITIVITY 1.5 MIC. VOLTS  
 POWER CONSUMPTION 40 WATTS  
 MAX. VOICE OUTPUT 1.5 WATTS  
 1.5 WATTS  
 1.5 WATTS



Part Schematic Diagram Reference Description No. Used In Set Selling Price Each

**MAIN CHASSIS PARTS LIST**

**CONDENSERS**

10019	C31	.006 x 600 V. Tubular Condenser	1	.25
10013	C26	.05 x 400 V. Tubular Condenser	1	.25
10065	C21	.015 x 600 V. Tubular Condenser	1	.25
10026	C23	.02 x 400 V. Tubular Condenser	1	.25
10020	C24	.1 x 200 V. Tubular Condenser	1	.25
10061	C13, C1	.02 x 600 V. Bakelite Condenser	2	.35
1002	C33	.0003 x 600 V. Tubular Condenser	1	.25
100139	C34	.0015 x 200 V. Tubular Condenser	1	.25
1001	C27	.1 x 400 V. Tubular Condenser	1	.25
11991B	C22	Electrolytic Filter Condenser—40 Mfd. x 25 Volts	1	.50
119109	C19, C20, C25	Electrolytic Filter Condenser—15 Mfd. x 450 V.; 15 Mfd. x 450 V.; 10 Mfd. x 350 V.	1	1.50
119109B	C19, C20, C25	Electrolytic Filter or Condenser—15 Mfd. x 450 V.; 15 Mfd. x 450 V.; 10 Mfd. x 350 V.	1	1.50
12951	C32	.000125 Mica Type Condenser	1	.25
1295	C28	.0001 Mica Type Condenser	1	.25
1292	C1	.0005 Mica Type Condenser	1	.25
129165	C29, C30	.00005 Dual Mica Condenser	1	.25

**RESISTORS**

101277	R20	Volume Control—Less Shaft—(2.8 Megohm)	1	1.00
115829		Shaft for Volume Control	1	.05
13070	R14	500 Ohm— $\frac{1}{2}$	1	.20
13012	R12, R16	50M Ohm— $\frac{1}{2}$	2	.20
1304	R17	3 Megohm— $\frac{1}{2}$	1	.20
130227	R10	250 Ohm—1	1	.20
1303	R11, R18, R25	500M Ohm— $\frac{1}{2}$	3	.20
13011	R13	250M Ohm— $\frac{1}{2}$	1	.20
130257	R19	5 Megohm— $\frac{1}{2}$	1	.20
130191	R21	1.5 Megohm— $\frac{1}{2}$	1	.20
130351	R22	80M Ohm— $\frac{1}{2}$	1	.20
1307	R24	40M Ohm— $\frac{1}{2}$	1	.20
130352	R23	150M Ohm— $\frac{1}{2}$	1	.20
1301	R1, R2	25M Ohm— $\frac{1}{2}$	2	.20
10662	R15	Resistor Strip, 12,500 Ohms—3 Watts	1	.35

**TUNER CHASSIS PARTS LIST**

**CONDENSERS**

10020	C6	.1 x 200 Volt Tubular Condenser	1	.25
10047	C2	.002 x 600 Volt Tubular Condenser	1	.25
10074	C7, C8	.1 x 400 Volt Tubular Condenser	2	.35
124138	C11	9 Mc., R.F. Adjustable Trimmer Condenser	1	.20
124139	C10	B.C., R.F. Adjustable Trimmer Condenser	1	.25
124143	C3, C4	B.C., and 9 Mc. Dual Adjustable Antenna Trimmer Condenser	1	.30
124144	C17	B.C. Oscillator Adjustable Trimmer Condenser	1	.20
124145	C18	9 Mc. Oscillator Adjustable Trimmer Condenser	1	.35
1292	C5, C12	.0005 Mica Type Condenser—20%	1	.25
12938	C15	.00005 Mica Type Condenser—10%	1	.25
129168	C9	.0001 Mica Type Condenser—20%	1	.25
129167	C16	.0002 Silver Mica Type Condenser—3%	1	.35

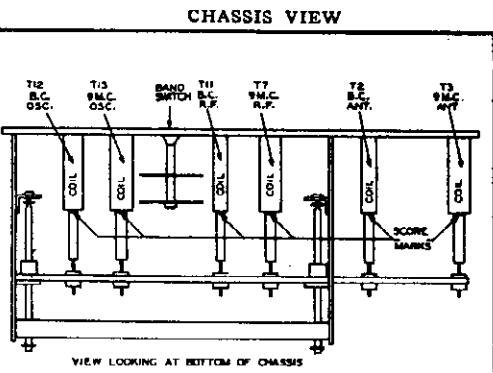
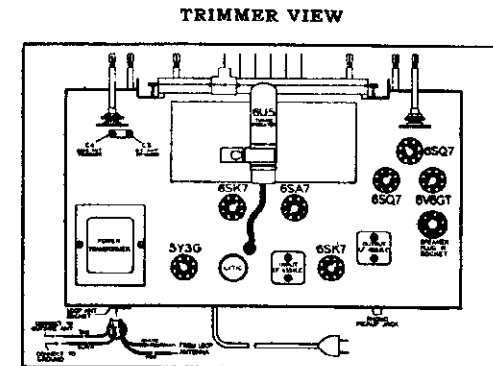
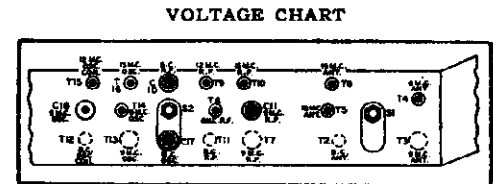
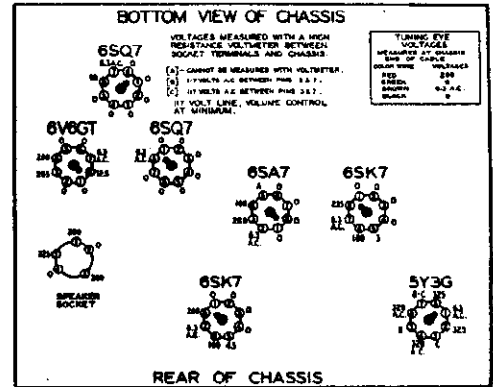
**RESISTORS**

13019	R3, R7	1 Megohm— $\frac{1}{2}$ Watt Resistor—20%	1	.20
130218	R5	5M Ohm— $\frac{1}{2}$ Watt Resistor—10%	1	.20
130232	R8	25M Ohm— $\frac{1}{2}$ Watt Resistor—10%	1	.20
130239	R4	250 Ohm— $\frac{1}{2}$ Watt Resistor—10%	1	.20
R6		1 Megohm—In Tuning Eye Cable	1	.20
130174	R9	50 Ohm— $\frac{1}{2}$ Watt Resistor	1	.20

**ALIGNMENT PROCEDURE**

- Tone control—Treble.
- Volume control—Maximum all adjustments.
- Use an all wave signal generator which will provide an accurately calibrated signal at the test frequencies as listed.

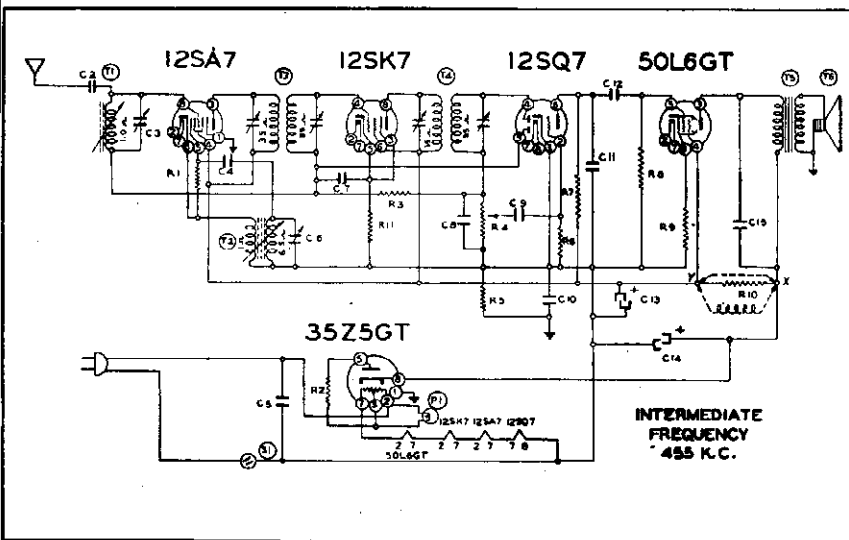
BAND	SIGNAL GENERATOR Frequency Setting	Dummy Antenna	Connection to Radio	Position of Band Switch	Dial Pointer Setting	Trimmers Adjusted To Maximum
L. F.	455 Kc.	.1 MFD.	Grid of 6SK7 (1F)	Broadcast	Set Dial at 1600 Kc.	On Top of Output I.F.
	455 Kc.	.1 MFD.	Grid of 6SA7	Broadcast	Set Dial at 1600 Kc.	On Top of Input I.F.
31 METER BAND	9.6 Mc.	400 ohms	Antenna lead	31M	Set Dial at 9.6 Mc.	(See Trimmer View) C18—Osc. (See Trimmer View) C11—R.F. (See Chassis View) C4—Ant.
49 METER BAND	6.1 Mc.	400 ohms	Antenna lead	49M	Set Dial at 6.1 Mc.	(See Trimmer View) T14—Osc. (See Trimmer View) T8—R.F. (See Trimmer View) T4—Ant.
25 METER BAND	11.8 Mc.	400 ohms	Antenna lead	25M	Set Dial at 11.8 Mc.	(See Trimmer View) T15—Osc. (See Trimmer View) T9—R.F. (See Trimmer View) T5—Ant.
19 METER BAND	15.2 Mc.	400 ohms	Antenna lead	19M	Set Dial at 15.2 Mc.	(See Trimmer View) T16—Osc. (See Trimmer View) T10—R.F. (See Trimmer View) T6—Ant.
BROAD-CAST BAND	1600 Kc.	200 mmf.	Antenna lead	Broadcast	Set Dial at 1600 Kc.	(See Trimmer View) C17—Osc. (See Trimmer View) C10—R.F. (See Chassis View) C3—Ant.
	1400 Kc.	200 mmf.	Antenna lead	Broadcast	Set Dial at 1400 Kc.	Rotate Core T11—R.F. Rotate Core T2—Ant. (See Iron Core Adjustment View)



**IRON CORE ADJUSTMENT VIEW**

MODELS D1215,  
D2210

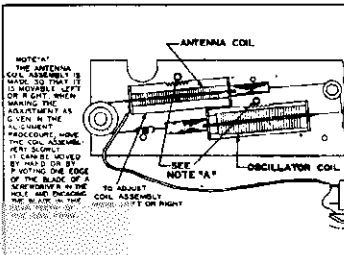
WESTERN AUTO SUPPLY CO.



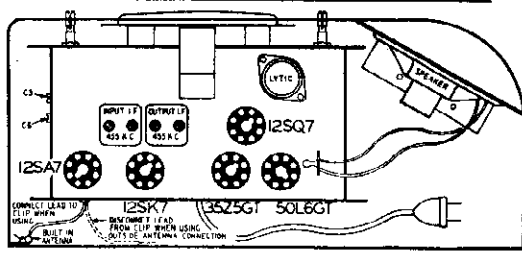
NOTE: On some sets R10 is replaced by a speaker field; also B+ lead of output transformer is moved from point "X" to point "Y".

Replacement Parts List

Part No.	Schematic Diagram Reference	Description	No. Used In Set	Selling Price
<b>CONDENSERS</b>				
1001	C3	.1 x 400 Volt Tubular Condenser	1	.25
1009	C7	.05 x 200 Volt Tubular Condenser	1	.25
10011	C15	.01 x 400 Volt Tubular Condenser	1	.25
10023	C9	.002 x 600 Volt Tubular Condenser	1	.25
10091	C10	.15 x 400 Volt Tubular Condenser	1	.25
10078	C12	.01 x 200 Volt Tubular Condenser	1	.25
11992	C13, C14	Electricity Filter Condenser, 20 Mfd. x 150 Volts; 40 Mfd. x 150 Volts	1	1.50
124136	CA, CB	Antenna and Oscillator Dual Trimmer Condenser	1	.25
12912	C8	.00025 Mica Type Condenser-20%	1	.25
12930	C4	.00025 Mica Type Condenser-10%	1	.25
129168	C11	.0004 Mica Type Condenser-20%	1	.25
129137	C2	.00025 Mica Type Condenser-20%	1	.25
<b>RESISTORS</b>				
1300	R8	300M Ohm-1/4 Watt Resistor-20%	1	.20
13000	R5, R7	150M Ohm-1/4 Watt Resistor-10%	2	.20
130066	R9	150 Ohm-1/4 Watt Resistor-10%	1	.20
130070	R9	3 Megohm-1/4 Watt Resistor-25%	1	.20
130089	R10	150 Ohm-1/4 Watt Resistor-10%	1	.20
130025	R1	25M Ohm-1/4 Watt Resistor-10%	1	.20
130057	R6	1 Megohm-1/4 Watt Resistor-25%	1	.20
130004	R2	5 Ohm-1/4 Watt Resistor-20%	1	.20
130168	R11	100 Ohm-1/4 Watt Resistor-20%	1	.20
<b>SOCKETS</b>				
121210		Eight Prong Molex Octal Socket	1	.15
121216		Sealed Socket Base for Filter Cond.	1	.10
<b>SPEAKER</b>				
114813	T6	Four Inch Permanent Magnet Dynamic Speaker (Less Output Transformer)	1	2.75
114265		Four Inch Electrodynamc Speaker. (Less Output Transformer)	1	2.75
100137	T3	Output Transformer for Speaker	1	1.00
<b>COILS</b>				
100137	T3	Input I. F. Coil Complete in Can	1	1.00
100137	T3	Output I. F. Coil Complete in Can	1	1.00
112827	T1, T2	Complete Tuning Assembly (Consisting of Antenna and Osc. Coils)	1	1.50
<b>MISCELLANEOUS</b>				
10790		Line Cord and Plug	1	.50
100120	RA, RI	Volume Control and Switch (500M Ohm)	1	1.00
107249	F1	6-8 Volt Pilot Lite Bulb-Type T-47	1	.10
107244		Socket Assembly for Pilot Lite	1	.10
107200		Insulating Shield for Pilot Lite Socket	1	.02
128523-4		Knob-Machony	2	1.00
<b>DIAL PARTS</b>				
112822		Dial Scale	1	1.00
112804		Crystal for Dial Scale	1	.30
121211		Snap-in Kivets	7	.01
112825		Pointer	1	.15
120194		Coiled Tension Spring for Dial String	1	.05
120014		Silk Line Dial String	15	Yd.
117309		Shaft for Pointer	1	.10
115647		Bracket for Dial	1	.20
115648		Support for Dial Bracket	1	.10
117308		Drive Shaft	1	.15
115204		Drive Bracket	1	.15

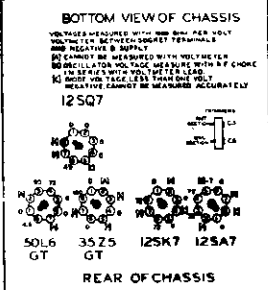


COIL ASSEMBLY VIEW



CHASSIS VIEW

Note: When using an outside aerial disconnect lead wire from clip and connect to outside aerial as shown above.



REAR OF CHASSIS

PRICES SUBJECT TO CHANGE  
WITHOUT NOTICE

ALIGNMENT PROCEDURE

- Volume control—Maximum all adjustments.
- Connect B+ of radio chassis to ground post of signal generator through .1 Mfd. condenser.
- Connect dummy antenna values in series with generator output lead.
- Connect output meter across primary of output transformer.
- Allow chassis and signal generator to "heat up" for several minutes.

- The following equipment is required for aligning.
- An all wave signal generator which will provide an accurately calibrated signal at the test frequencies as listed.
  - Output indicating meter.
  - Non-metallic screwdriver.
  - Dummy antennas—1 Mfd. and 200 Mfd.

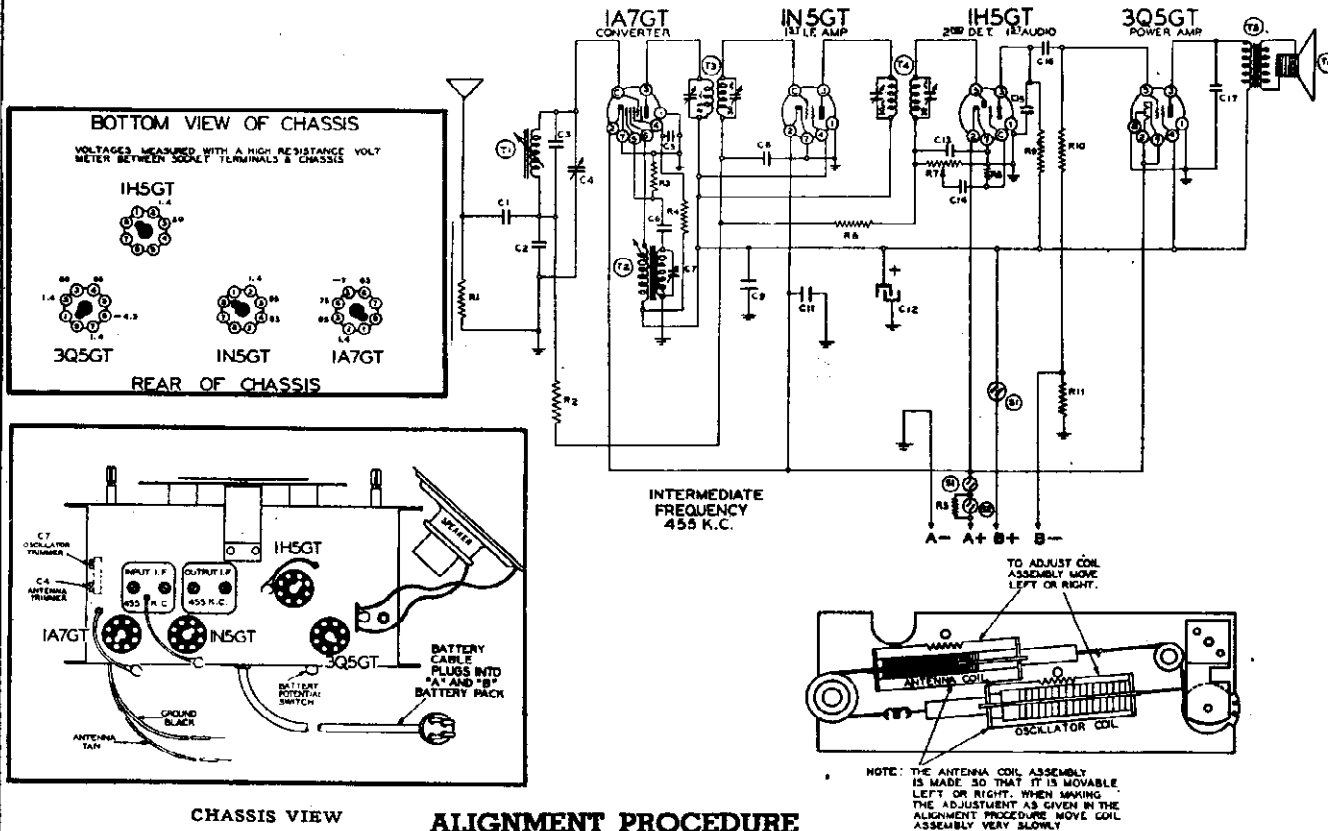
BAND	SIGNAL GENERATOR Frequency Setting	Dummy Antenna	Connection to Radio	Position of Iron Cores (Dial String)	Trimmers Adjusted (In Order Shown)	Trimmer Function	Adjustment
I. F.	455 Kc.	.1 MFD.	Connect to Grid of 12SA7	Iron Cores All the way out	Two trimmers on top of output I. F. can	Output	Adjust to maximum output
	455 Kc.	.1 MFD.	Connect to Grid of 12SA7	Iron Cores All the way out	Two trimmers on top of input I. F. can	Input I. F.	Adjust to maximum output
BROAD-CAST BAND	1720 Kc.	.1 MFD.	Connect to Grid of 12SA7	Iron Cores All the way out	Trimmer (C2) (See chassis view)	Oscillator	Adjust to maximum output
	1720 Kc.	200 MMF.	Connect to Outside Antenna Lead	Iron Cores All the way out	Trimmer (C3) (See chassis view)	Antenna	Adjust to maximum output
	1400 Kc.	20 MMF.	Connect to Outside Antenna Lead	Turn Dial to 1400 Kc.	Adjust position of antenna coil (See coil assembly view)	Antenna Coil Adjustment	Adjust to maximum output (See Note "A")
	1720 Kc.	200 MMF.	Connect to Outside Antenna Lead	Turn Dial to 1720 Kc.	Adjust trimmer (C3) (See chassis view)	Antenna	Check for tracking (See Note "B")

NOTE "A"—The antenna coil assembly is made so that it is movable. When making the adjustment as given in the alignment procedure move the coil assembly very slowly. It can be moved by hand or by pivoting one edge of the blade of a screwdriver in the hole and engaging the blade in the gear teeth of the coil form.

NOTE "B"—After the antenna coil has been tracked at 1400 Kc. it is necessary to check the antenna trimmer (C3) adjustment again at 1720 Kc. If no appreciable change in trimmer adjustment is made the coil is in track. If the trimmer requires considerable change it will be necessary to again adjust the position of the antenna coil at 1400 Kc. These two adjustments should be tried several times until no change of trimmer adjustment is required at 1720 Kc.

WESTERN AUTO SUPPLY CO.

MODELS D1224,  
D2261



The following equipment is required for aligning.

- Dummy antenna .1 mfd. and 200 mmf.
- Volume control—Maximum all adjustments.
- Connect ground lead of radio chassis to ground post of signal generator.

BAND	SIGNAL GENERATOR Frequency	Dummy Antenna	Connection to Radio	Position of Iron Cores (Dial Setting)	Trimmers Adjusted (in Order Shown)	Trimmer Function	Adjustment
455 Kc. I. F.	455 Kc.	.1 MFD.	Connect to Grid of 1A7	Iron Cores All the way out	Two trimmers on top of output I. F. can	Output I. F.	maximum output
	455 Kc.	.1 MFD.	Connect to Grid of 1A7	Iron Cores All the way out	Two trimmers on top of input I. F. can	Input I. F.	maximum output
BROADCAST BAND	1700 Kc.	.1 MFD.	Connect to Grid of 1A2	Iron Cores All the way out	Trimmer (C7) (See chassis view)	Oscillator	maximum output
	1700 Kc.	200 MMF.	Connect to Antenna	Iron Cores All the way out	Trimmer (C4) (See chassis view)	Antenna	maximum output
	1400 Kc.	200 MMF.	Connect to Antenna	Turn Dial to 1400 Kc.	Adjust position of antenna coil (See coil assembly view)	Antenna Coil Adjustment	maximum output (See Note "A")
	1700 Kc.	200 MMF.	Connect to Antenna	Turn Dial to 1700 Kc.	Adjust Trimmer (C4) (See chassis view)	Antenna	Check for tracking (See Note "B")

NOTE "A"—The antenna coil assembly is made so that it is movable. When making the adjustment as given in the alignment procedure move the coil assembly very slowly. It can be moved by hand or by pivoting one edge of the blade of a screwdriver in the hole and engaging the blade in the gear teeth of the coil form.

NOTE "B"—After the antenna coil has been tracked at 1400 Kc. it is necessary to check the antenna trimmer (C4) adjustment again at 1700 Kc. If no appreciable change in trimmer adjustment is made the coil is in track, if the trimmer requires considerable change it will be necessary to again adjust the position of the antenna coil at 1400 Kc. These two adjustments should be tried several times until no change of trimmer adjustment is required at 1700 Kc.

Part No.	Schematic Reference	Description	No. Used	Price Each
----------	---------------------	-------------	----------	------------

**CONDENSERS**

1007	C17	.005 Mfd. x 600 Volt Tubular Condenser	1	.25
1006	C9	.25 Mfd. x 200 Volt Tubular Condenser	1	.25
10012	C14	.005 Mfd. x 600 Volt Tubular Condenser	1	.25
10017	C11	3 Mfd. x 120 Volt Tubular Condenser	1	.35
10022	C8	.05 Mfd. x 200 Volt Tubular Condenser	1	.25
10036	C16	.02 Mfd. x 400 Volt Tubular Condenser	1	.25
10012	C3	.001 Mfd. x 200 Volt Tubular Condenser	1	.25
11917	C12	Electrolytic Filter Condenser—10 Mfd. x 150 Volts	1	.40
124165	C4, C7	Dual Trimmer Condenser. Ant. and Oscillator	1	.25
12912	C6	.00025 Mica Type Condenser—10%	1	.25
12908	C13, C15	1 Mica Type Condenser—10%	2	.25
129114	C1	.0003 Mica Type Condenser—20%	1	.25
129177	C5	.000045 Ceramic Condenser—5%	1	.35

**RESISTORS**

1304	R2, R6	3 Megohm—1/2 Watt Resistor—20%	2	.20
1305	R3	200M Ohm—1/2 Watt Resistor—20%	1	.20
13068	R9	1 Megohm—1/2 Watt Resistor—10%	1	.20
13079	R11	400 Ohm—1/2 Watt Resistor—10%	1	.20
13082	R1	10M Ohm—1/2 Watt Resistor—10%	1	.20
130194	R4	35M Ohm—1/2 Watt Resistor—10%	1	.20
130257	R8	5 Megohm—1/2 Watt Resistor—25%	1	.20
130346	R5	.56 Ohm—1/2 Watt Wire Wound Resistor—5%	1	.20
130146	R10	2 Megohm—1/2 Watt Resistor—10%	1	.20

121210	Eight Prong Molded Octal Socket	4	.15
--------	---------------------------------	---	-----

**SOCKETS**

**COILS**

12618	T1, T2	Permeability Tuning Unit Complete with Antenna and Oscillator Coils	1	3.50
102208	T3	Input I. F. Coil Complete in Can	1	1.25
101130	T4	Output I. F. Coil Complete in Can	1	1.25

**SPEAKER**

114213	T6	Four Inch P.M. Dynamic Speaker—Less Output Transformer	1	2.00
109110	T5	Output Transformer for Speaker	1	.75

**DIAL PARTS**

112924	Dial Scale	1	1.00
112924	Crystal for Dial	1	.30
131211	Snap-in Rivets for Dial	6	.01
112925	Pointer	1	.15
1209	Spring for Dial	1	Yd. 13
12084	Coiled Tension Spring for Dial String	1	.05
115647	Bracket and Support for Dial	1	.30

**MISCELLANEOUS**

102210	R7, S1	Volume Control and Switch	1	1.00
10736	S2	Battery Cable Assembly	1	.50
12388	B	Battery Potential Switch	1	.25
12875		Metal Cabinet (Walnut)	1	
128790		Back for Cabinet	1	
12832-14		Knob—Without Dot	1	.10
12832C-14		Knob—With Dot	1	.10



WESTERN AUTO SUPPLY CO.

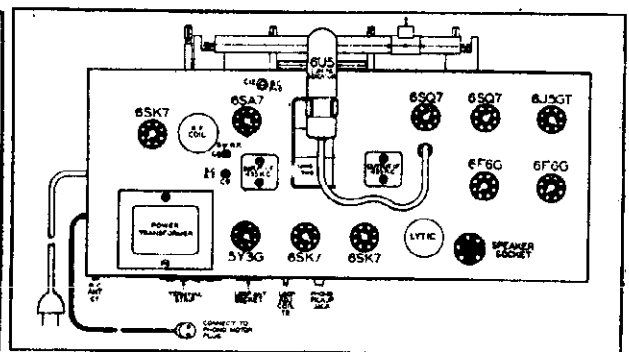
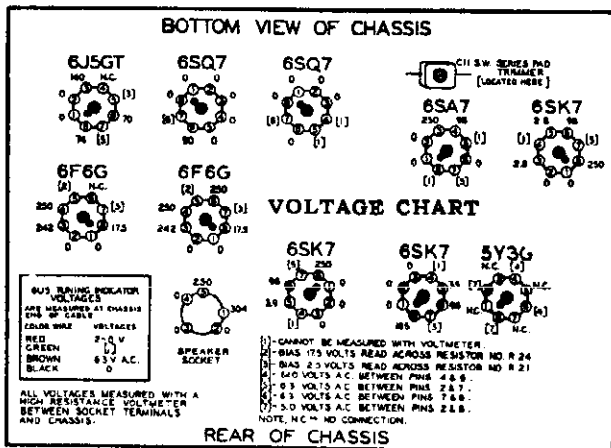
Part No.	Schematic Diagram Reference	Description	No. Used In Set	Price Each	Part No.	Schematic Diagram Reference	Description	No. Used In Set	Price Each
<b>CONDENSERS</b>									
102129B	C	Three Gang Variable Condenser	1	4.00					
10089	C4	.1 x 200 Volt Tubular Condenser	1	.25					
10026	C10, C16, C25	.02 x 400 Volt Tubular Condenser	3	.25					
10025	C3	.02 x 200 Volt Tubular Condenser	1	.25					
1009	C7	.05 x 200 Volt Tubular Condenser	1	.25					
10013	C26	.05 x 400 Volt Tubular Condenser	1	.25					
10011	C6	.01 x 400 Volt Tubular Condenser	1	.25					
10071	C9	.004 x 600 Volt Tubular Condenser	1	.25					
100117	C5, C17	.25 x 400 Volt Tubular Condenser	2	.35					
119124	C6, C19, C20	Electrolytic Filter Condenser—10 Mfd. x 350 V.; 25 Mfd. x 450 V.; 25 Mfd. x 450 V.	1	1.50					
124117	C2	S.W. Antenna Trimmer	1	.20					
124131	C8, C9	S.W. and B.C. R.F. Trimmer—Dual	1	.35					
124130	C13, C14	S.W. and B.C. Osc. Trimmer—Dual	1	.35					
124132	C1	B.C. Antenna Trimmer	1	.20					
129157	C12	.00525 Compression Cond.—B.C. Pad	1	.25					
1292	C3, C18	.0005 Mica Type Condenser—20%	2	.25					
129160	C7	.0004 Mica Type Condenser—20%	1	.35					
12939	C15	.00005 Mica Type Condenser—20%	1	.25					
1295	C21, C22	.0001 Mica Type Condenser—2%	2	.25					
129156	C11	.0024 Compression Mica Condenser	1	.50					
12912	C24	.00025 Mica Type Condenser—20%	1	.25					
<b>TRANSFORMERS</b>									
10554B	T1	Output Transformer for Speaker	1	1.50					
104202C	T10	Power Transformer, 50 to 60 Cycles 105-125 Volt Primary	1	4.50					
104203C		Power Transformer 25 to 60 Cycles 105-125 Volt Primary	1						
<b>RECORD CHANGER COMPARTMENT</b>									
104297	S2	Automatic Record Changer Complete (N-200) 115 Volts A.C. 60 Cycles L-26 Cartridge	1						
10794	P2	Indicator Light Bulb	1	.10					
107388		Socket Assembly for Pilot Lite	1	.35					
<b>SPEAKER</b>									
114275	T9	Ten Inch Electrodynamical Speaker (Less Output Transformer)	1	6.00					
<b>RESISTORS</b>									
101278	R13, S2	Volume Control and Switch (500M Ohms) Less Shaft	1	1.25					
101279	R17	Tone Control (1 Megohm) Less Shaft	1	.90					
115834	R4	Shaft Only For Volume and Tone Controls	2	.05					
13019	R2, R18	1 Megohm— $\frac{1}{4}$ Watt Resistor—20%	2	.20					
1305	R4	300M Ohm— $\frac{1}{4}$ Watt Resistor—20%	1	.20					
130208	R5	40M Ohm— $\frac{1}{4}$ Watt Resistor—20%	1	.20					
13054	R6, R11	500 Ohm— $\frac{1}{4}$ Watt Resistor—20%	2	.20					
130263	R8	12M Ohm— $\frac{1}{4}$ Watt Resistor—20%	1	.20					
13020	R9, R19, R22	100M Ohm— $\frac{1}{4}$ Watt Resistor—20%	3	.20					
130304	R7	50M Ohm— $\frac{1}{4}$ Watt Resistor—10%	1	.20					
13012	R15	50M Ohm— $\frac{1}{4}$ Watt Resistor—20%	1	.20					
130170	R12	3 Megohm— $\frac{1}{4}$ Watt Resistor—25%	1	.20					
130257	R14	5 Megohm— $\frac{1}{4}$ Watt Resistor—30%	1	.20					
13043	R21	2500 Ohm— $\frac{1}{4}$ Watt Resistor—20%	1	.20					
1303	R20, R23	500M Ohm— $\frac{1}{4}$ Watt Resistor—20%	2	.20					
13011	R16	250M Ohm— $\frac{1}{4}$ Watt Resistor—20%	1	.20					
130311	R24	300 Ohm—1 Watt Resistor—20%	1	.20					
13099	R3	300 Ohm— $\frac{1}{4}$ Watt Resistor—20%	1	.20					
13024	R10	400 Ohm— $\frac{1}{4}$ Watt Resistor—20%	1	.20					
		1 Megohm—In Eye Socket	1	.20					
<b>COILS</b>									
108169K	T6	Input I. F. Coil Complete in Can	1	1.00					
108130G	T7	Output I. F. Coil Complete in Can	1	1.25					
10957	T4	B.C.—S.W. R.F. Coil Complete in Can	1	1.25					
110199	T5	B.C.—S.W. Oscillator Coil	1	.75					
111176	T3	S.W. Antenna Coil	1	.50					
111153	T2	Loop Adjusting Coil With Iron Slug	1	.50					
111257B	T1	Loop Antenna Assembly	1	2.00					

PRICES SUBJECT TO CHANGE WITHOUT NOTICE

Alignment Procedure

BAND	SIGNAL GENERATOR		Connection to Radio	Position of Band Switch	Variable Condenser Setting	Trimmers Adjusted to Maximum (in Order Shown)
	Frequency Setting	Dummy Antenna				
I. F.	455 Kc.	.1 MFD.	Grid of 6SK7 I. F.	Broadcast	Rotor full open (Plates out of mesh)	Two trimmers on top Output I. F.
	155 Kc.	.1 MFD.	Grid of 6SA7 Mixer	Broadcast	Rotor full open (Plates out of mesh)	Two trimmers on top Input I. F.
SHORT WAVE BAND	17 Mc.	400 Ohms	External Antenna and Ground	Short Wave	Set Dial at 17 Mc.	C13, S.W. Osc.
	17 Mc.	400 Ohms	External Antenna and Ground	Short Wave	Set Dial at 17 Mc.	C8, S.W. R.F., C2 S.W. Antenna
	6 Mc.	400 Ohms	External Antenna and Ground	Short Wave	Set Dial at 6 Mc.	C11 S.W. Osc. Series Pad See Note "A"
BROADCAST BAND	1580 Kc.	200 mmf.	Grid of 6SK7 R. F. Tube	Broadcast	Rotor full open (Plates out of mesh)	C14 B.C. Osc.
	540 Kc.	200 mmf.	Grid of 6SK7 R. F. Tube	Broadcast	Set Dial at 540 Kc. (Plates in Mesh)	C12 B.C. Osc. Series Pad
	1400 Kc.	200 mmf.	Grid of 6SK7 R. F. Tube	Broadcast	Set Dial at 1400 Kc.	C9 B.C. R.F.
LOOP ALIGNMENT	1100 Kc.	200 mmf.	External Antenna and Ground	Broadcast	Set Dial at 1400 Kc.	C1 B.C. Ant.
	600 Kc.	200 mmf.	External Antenna and Ground	Broadcast	Set Dial at 600 Kc.	T2 Iron Core Tracking Coil

NOTE "A"—Turn the dial back and forth slightly (rock) and adjust trimmer until the peak of greatest intensity is obtained.

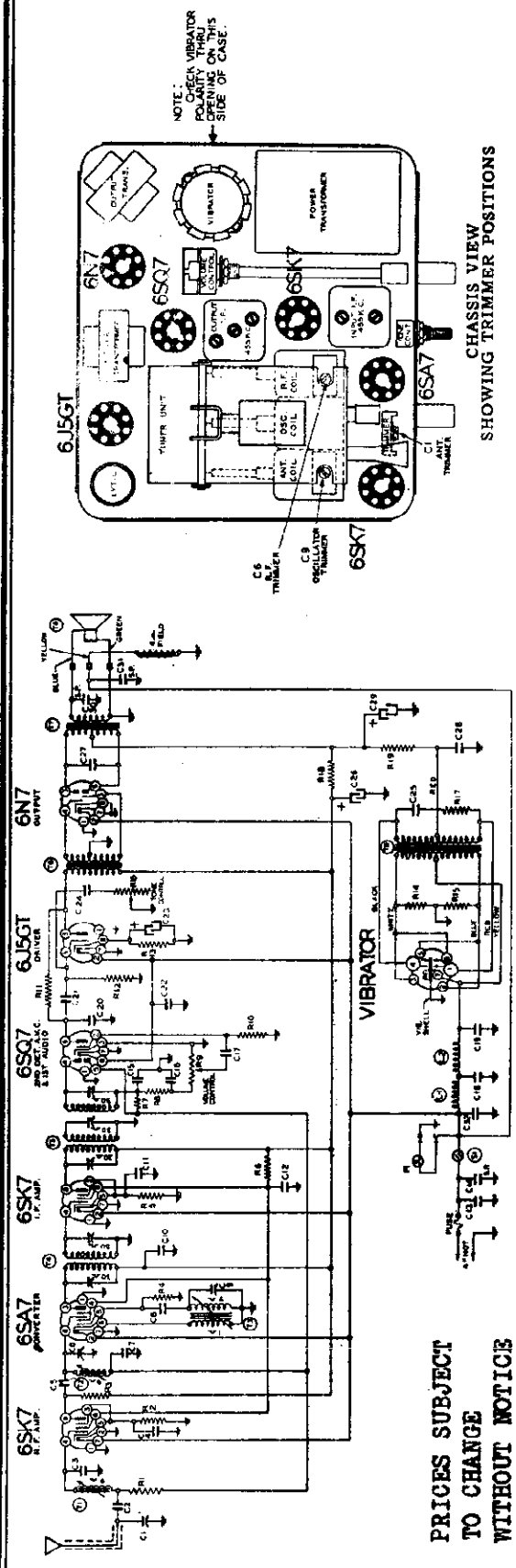


FOR RECORD CHANGER DATA, SEE RIDER'S "AUTOMATIC RECORD CHANGERS AND RECORDERS".



WESTERN AUTO SUPPLY CO.

MODELS D1294,  
D4255



ALIGNMENT PROCEDURE

The following equipment is required for aligning:  
 • All all wave signal generator which will provide an accurately calibrated signal at the test frequency.  
 • Output indicating meter.  
 • Non-metallic screwdriver.  
 • Dummy antenna, 1 ml. 3 mmf.

ALIGNMENT PROCEDURE

- Volume control—Maximum all adjustments.
- Connect radio chassis to ground post of signal generator with a short heavy lead.
- Connect dummy antenna in series with generator output lead.
- Connect output meter across primary of output transformer.
- Allow chassis and signal generator to "heat up" for several minutes.

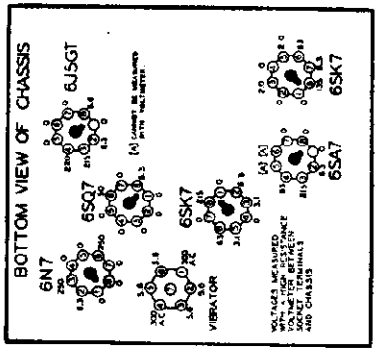
BAND	Signal Generator Frequency Setting	Dummy Antenna	Connection to Radio	Trimmer Adjusted (In Order Shown)	Trimmer Function	Adjustment
I. F.	45 Kc.	.1 MFD.	Grid of 6SK7 I. F. Tube	See Chassis View at 400 Kc.	Output	Adjust to maximum output
I. F.	45 Kc.	.1 MFD.	Grid of 6SA7 I. F. Tube	See Chassis View at 400 Kc.	I. F. F.	Adjust to maximum output
BROAD-CAST BAND	1600 Kc.	35 mmf.	Antenna lead	Trimmer C <sub>1</sub> , C <sub>2</sub> , C <sub>3</sub> Chassis View	Oscillator R. F. in antenna	Adjust to maximum output
BROAD-CAST BAND	1400 Kc.	35 mmf.	Antenna lead	Trimmer C <sub>1</sub> , C <sub>2</sub> , C <sub>3</sub> Chassis View	Antenna and R. F. coils	Adjust to maximum output

Part No.	Schematic Diagram Reference	Description	No. Used In Set	Selling Price Each
1004	C10, C28	1 x 400 Volt Tubular Capacitor	2	.25
10011	C24	.01 x 400 Volt Tubular Capacitor	1	.25
10053	C12	.25 x 400 Volt Tubular Capacitor	1	.45
10031	C13, C19	5 x 120 Volt Oval Type Capacitor	3	.40
100126	C17	.006 x 800 Volt Tubular Capacitor	2	.25
100127	C2, C11	.01 x 120 Volt Tubular Capacitor	2	.25
100128	C4, C11	.05 x 120 Volt Tubular Capacitor	2	.25
10098	C25	.005 x 1600 Volt Tubular Capacitor	1	.25
10026	C21	.02 x 400 Volt Capacitor	1	.40
10081	C26	.5 Mfd. Generator Capacitor	1	1.50
10082	C23, C26	Electrolytic Filter Capacitor 20 Mfd. x 25 V.; 20 Mfd. x 400 V.	1	.30
124157	C1	Antenna Trimmer Capacitor	1	.20
124158	C9	Oscillator Trimmer Capacitor	1	.20
124159	C6	R. F. Trimmer Capacitor	1	.20
1292	C22	.0005 Mica Type Capacitor—20%	1	.25
129145	C5	.00001 Ceramicon Zero Coefficient Capacitor—1%	1	.25

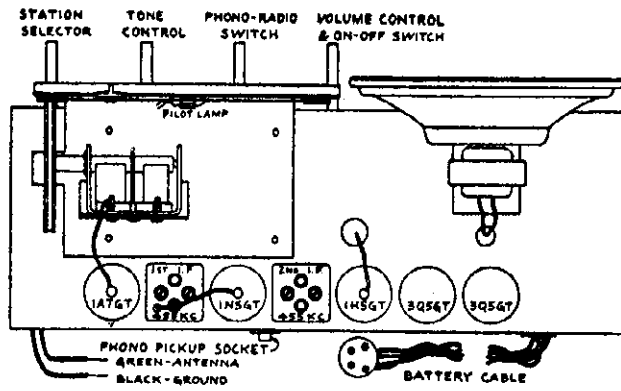
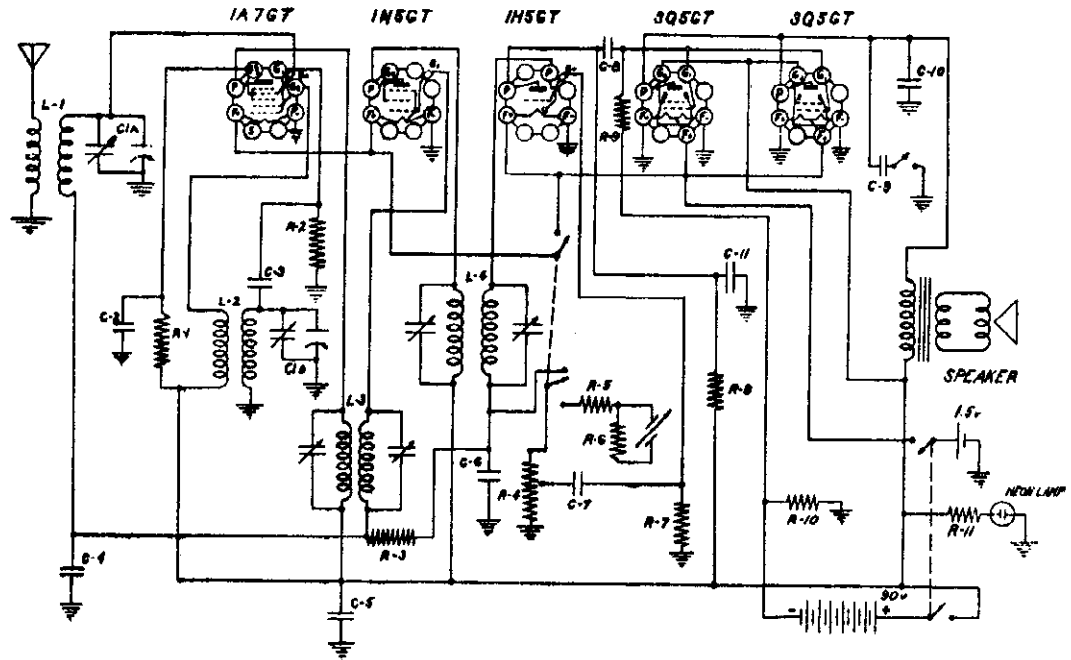
RESISTORS	Part No.	Description	No. Used In Set	Selling Price Each
	R5	900 Ohm—1/2 Watt Resistor—10%	1	.20
	R7	1 Megohm—1/2 Watt Resistor—20%	1	.20
	R13, R12	1000 Ohm—1/2 Watt Resistor—10%	2	.20
	R11, R15	500M Ohm—1/2 Watt Resistor—10%	2	.20
	R14	100 Ohm—1/2 Watt Resistor—10%	1	.20
	R6	30M Ohm—1/2 Watt Resistor—10%	1	.20
	R18	1500 Ohm—1/2 Watt Resistor—10%	1	.20
	R10	5 Megohm—1/2 Watt Resistor—25%	1	.20
	R19	75 Ohm—1/2 Watt Resistor—20%	1	.20
	R4, R8	47M Ohm—1/2 Watt Resistor—20%	2	.20
	R1	220M Ohm—1/2 Watt Resistor—20%	1	.20
	R3	15M Ohm—1/2 Watt Resistor—10%	1	.20
	R2	250 Ohm—1/2 Watt Resistor—10%	1	.20
		Distributor Suppressor	1	.30





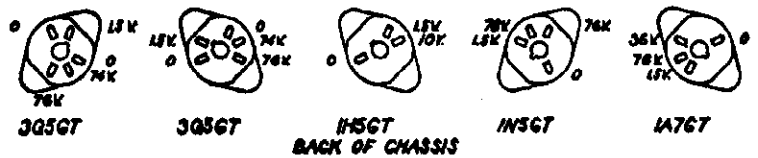


WESTERN AUTO SUPPLY CO.



SEE INDEX FOR  
PARTS LIST

**BOTTOM VIEW OF CHASSIS**  
VOLTAGES MARKED AT SOCKET TERMINALS  
ARE MEASURED WITH 1000 OHM PER VOLT  
METER, ON A 30VOLT BATTERY WITH NO SIGNAL.  
(ANTENNA LEAD IS SHORTED TO THE CHASSIS)  
VOLTAGE FROM CHASSIS TO B- OF BATTERY 14.4V



**ALIGNMENT PROCEDURE**

The following equipment is necessary to properly align this chassis:

1. A signal generator which will provide an accurately calibrated signal at the frequencies listed.
2. An output Meter.
3. A non-metallic screw driver.
4. Dummy antenna—.1 mfd., 200 mmf.

GENERATOR	CONNECTION AT RADIO	DUMMY ANTENNA	DIAL	TRIMMERS TO TUNE	REMARK
IF 455 KC.	1A7 GRID	.1 mfd.	H. F. End	IF Transformer	Tune to Max. Set Limit of Band Tune to Max.
1620 KC.	Antenna	200 mmf.	H. F. End	4 Trimmers	
1400 KC.	Antenna	200 mmf.	1400	Oscillator Trimmer Antenna Trimmer	

Repeat above Alignment Procedure at least once more.

MODEL D2206

WESTERN AUTO SUPPLY CO.

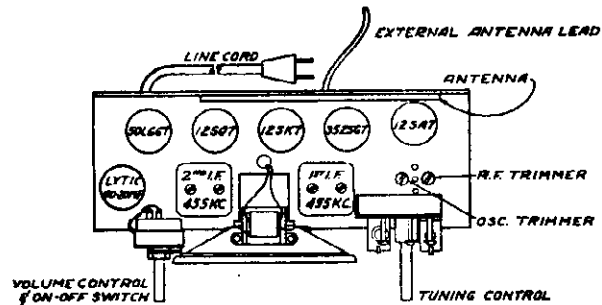
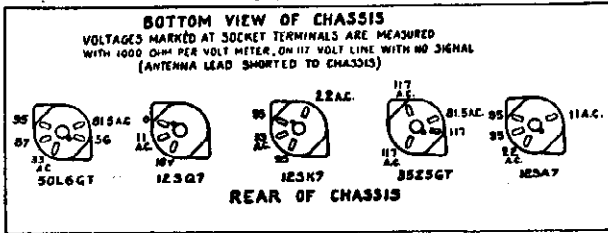
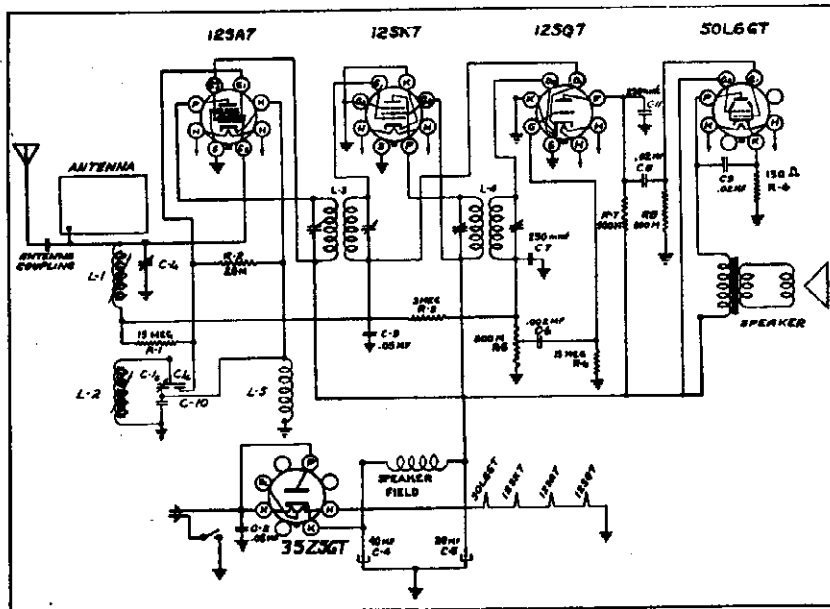


Figure 1

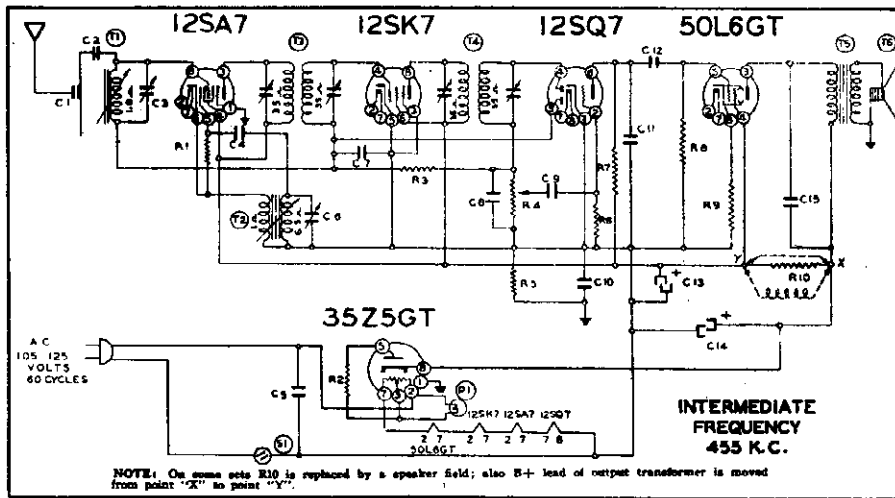
ALIGNMENT PROCEDURE					
GENERATOR	CONNECTION AT RADIO	DUMMY ANTENNA	DIAL	TRIMMERS TO TUNE	REMARKS
IF 455 KC	12SA7 GRID	.1 mid.	H. F. End	IF Transformers	Tune to Max. Set Limit Of Band Tune to Max.
1720 KC	Antenna	200 mmf.	H. F. End (1720)	4 Trimmers	
1400 KC	"	"	1400	Oscillator Trimmer Antenna Trimmer	

Repeat above Alignment Procedure at least once

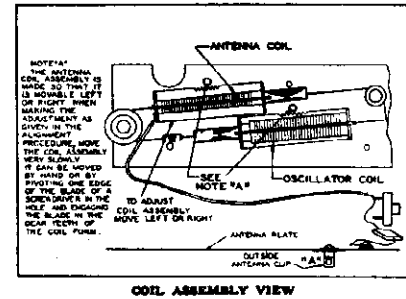
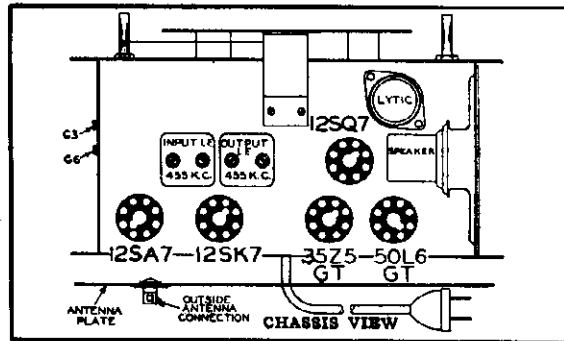
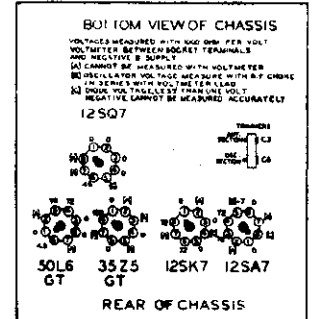
Part No.	Circuit Diagram Reference	Description	List Price Each	Part No.	Circuit Diagram Reference	Description	List Price Each
9914		Book—Instruction	.20	8036		Cord—AC Line	.25
9897		Cabinet	2.50	9899		Crystal—Dial	.20
2163		Cable—Drive	.10	9511-1		Indicator	.25
9458	L5	Coil—Cathode	.40	9021		Knob	.15
9513	L1, L2	Tuner-Permeability	2.00	9024		Pointer	.20
9813		Antenna Capacity Plate Assembly	.55	8039	R1, R6	Resistor 1/3 W—15 Meg.	.15
9008	R5	Control—Volume and Switch	1.00	6997	R3	Resistor 1/3 W—2 Meg.	.15
9510	C1a, b	Condenser—Trimmer	.40	8060	R7, R8	Resistor 1/3 W—500 M.	.15
1285	C1c	Condenser—Mica 100 mmf.	.30	8061	R2	Resistor 1/3 W—20 M.	.15
8948	C4, C5	Condenser—Elect. 40 mid.—20 mid. 150V...	1.00	7326	R4	Resistor 1/2 W—150 ohm	.20
824	C6	Condenser—Paper .002 mid.—500V	.20	8648		Spring—Pointer Drive	.10
563	C2	Condenser—Paper .05 mid.—400V	.20	9015	L3	Transformer 1st I.F.	1.75
576	C8, C9	Condenser—Paper .02 mid.—400V	.20	9016	L4	Transformer 2nd I.F.	1.75
580	C3	Condenser—Paper .05 mid.—200V	.20	9744		Speaker—4" Dynamic	3.50
1286	C7, C11	Condenser—Mica 250 mmf.	.20	9915		Carton	.80

PRICES SUBJECT TO CHANGE WITHOUT NOTICE

WESTERN AUTO SUPPLY CO.



NOTE: On some sets R10 is replaced by a speaker field; also B+ lead of output transformer is moved from point "X" to point "Y".



Part No.	Schematic Diagram Reference	Description	No. Using	Usual Price	In Set	Each
1305	R8	300M Ohm—1/4 Watt Resistor—20%.....	1	.20		
13080	R5	150M Ohm—1/4 Watt Resistor—10%.....	1	.20		
130166	R9	150 Ohm—1/4 Watt Resistor—10%.....	1	.20		
130170	R8	3 Megohm—1/4 Watt Resistor—25%.....	1	.20		
130199	R10	1500 Ohm—1 Watt Resistor—10%.....	1	.20		
130232	R1	25M Ohm—1/4 Watt Resistor—10%.....	1	.20		
130237	R6	5 Megohm—1/4 Watt Resistor—25%.....	1	.20		
130284	R2	25 Ohm—1/4 Watt Resistor—20%.....	1	.20		

RESISTORS

CONDENSERS

1001	C5	.1 x 400 Volt Tubular Condenser.....	1	.25
1009	C7	.05 x 200 Volt Tubular Condenser.....	1	.25
10011	C15	.01 x 400 Volt Tubular Condenser.....	1	.25
10025	C9	.002 x 600 Volt Tubular Condenser.....	1	.25
10091	C10	.15 x 400 Volt Tubular Condenser.....	1	.25
10078	C12	.01 x 200 Volt Tubular Condenser.....	1	.25
11992	C13, C14	Electrolytic Filter Condenser 20 Mfd. x 150 Volts; 40 Mfd. x 150 Volts.....	1	1.50
124150	C3, C6	Antenna and Oscillator Dual Trimmer Condenser.....	1	.35
12912	C2, C8	.00025 Mica Type Condenser—20%.....	2	.25
12936	C4	.00005 Mica Type Condenser—10%.....	1	.25
129160	C11	.0004 Mica Type Condenser—20%.....	1	.35

ALIGNMENT PROCEDURE

- Volume control—Maximum all adjustments.
- Connect B+ of radio chassis to ground post of signal generator through .1 MFD. condenser.
- Connect dummy antenna valve in series with generator output lead.
- Connect output meter across primary of output transformer.
- Allow chassis and signal generator to "heat up" for several minutes.

- The following equipment is required for aligning.
- An all wave signal generator which will provide an accurately calibrated signal at the test frequencies as listed.
- Output indicating meter.
- Non-ferrous screwdriver.
- Dummy antenna—1 MFD. and 200 Mfd.

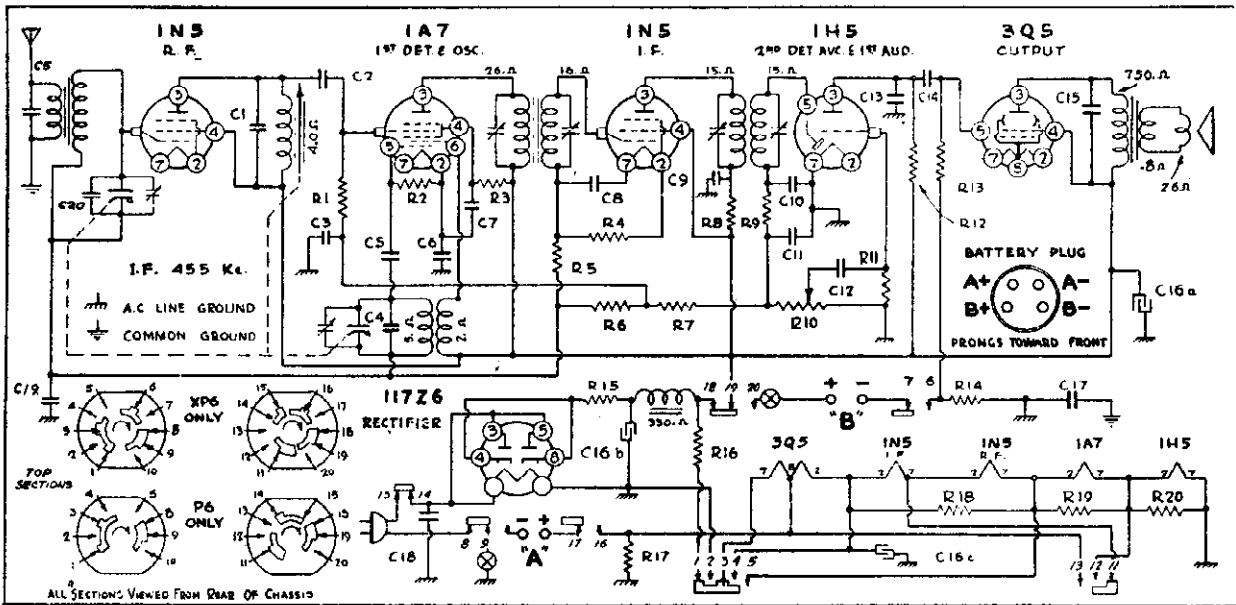
BAND	SIGNAL GENERATOR Frequency Setting	Dummy Antenna	Connections to Radio	Position of Iron Core (Dial Setting)	Trimmers Adjusted (in Order Shown)	Trimmer Function	Adjustment
I. F.	455 Kc.	.1 MFD.	Connect to Grid of 12SA7	Iron Core All the way out	Two trimmers on top of output I. F. can	Output I. F.	Adjust to maximum output
	455 Kc.	.1 MFD.	Connect to Grid of 12SA7	Iron Core All the way out	Two trimmers on top of input I. F. can	Input I. F.	Adjust to maximum output
BROAD-CAST BAND	1720 Kc.	.1 MFD.	Connect to Grid of 12SA7	Iron Core All the way out	Trimmer (C5) (See chassis view)	Oscillator	Adjust to maximum output
	1720 Kc.	200 MMF.	Connect to Outside Antenna Clip	Iron Core All the way out	Trimmer (C3) (See chassis view)	Antenna	Adjust to maximum output
	1400 Kc.	200 MMF.	Connect to Outside Antenna Clip	Turn Dial to 1400 Kc.	Adjust position of antenna coil (See coil assembly view)	Antenna Coil Adjustment	Adjust to maximum output (See Note "A")
	1720 Kc.	200 MMF.	Connect to Outside Antenna Clip	Turn Dial to 1720 Kc.	Adjust trimmer (C3) (See chassis view)	Antenna	Check for tracking (See Note "B")

NOTE "A"—The antenna coil assembly is made so that it is movable. When making the adjustment as given in the alignment procedure move the coil assembly very slowly. It can be moved by hand or by pivoting one edge of the blade of a screwdriver in the hole and engaging the blade in the gear teeth of the coil form.

NOTE "B"—After the antenna coil has been tracked at 1400 Kc. it is necessary to check the antenna trimmer (C3) adjustment again at 1720 Kc. If no appreciable change in trimmer adjustment is made the coil is in track. If the trimmer requires considerable change it will be necessary to again adjust the position of the antenna coil at 1400 Kc. These two adjustments should be tried several times until no change of trimmer adjustment is required at 1720 Kc.

MODEL D2269

WESTERN AUTO SUPPLY CO.



In model P6 only, switch points 6, 7, 16, and 17 are not used. Power switch in line position. Common ground is chassis ground.

RESISTORS

No.	Ohms	Watts
R1	100,000	1/2
R2	200,000	1/2
R3	50,000	1/2
R4	5,000,000	1/2
R5	5,000,000	1/2
R6	5,000,000	1/2
R7	5,000,000	1/2
R8	5,000	1/2
R9	70,000	1/2
R10	1,000,000	V.C.

No.	Ohms	Watts
R11	15,000,000	1/2
R12	1,000,000	1/2
R13	2,000,000	1/2
R14	400	1/2
R15	22	1/2
R16	2,150	1/2
R17	3,000	1/2
R18	500	1/2
R19	200	1/2
R20	110	1/2

CONDENSERS

No.	Capacity (Mfd.)	Volts
C1	.000367	Silver Mica
C2	.00025	Mica
C3	.01	400
C4	.000015	Mica
C5	.00005	Mica
C6	.25	200
C7	.01	400
C8	.01	400
C9	.05	400
C10	.00005	In I.F. Can
C11	.0001	Mica

No.	Capacity (Mfd.)	Volts
C12	.01	400
C13	.00025	Mica
C14	.01	400
C15	.002	400
C16a	40.	150
C16b	50.	150
C16c	100.	25
C17	.1	400
C18	.05	400
C19	.05	200
C20	.00002	Mica

IF PEAK 455 KC

SERVICE NOTES

Voltages taken from the different points of the circuit to chassis are measured with volume control in maximum position, all tubes in their sockets and with a volt meter having a resistance of 1000 ohms per volt. These voltages are clearly indicated on the voltage chart.

All voltages should be measured with 117.5 volts AC input to receiver. Resistance and actual connections of coils and transformers and speaker data are given under Service Information.

To check for open by-pass condensers, shunt each condenser with

another condenser of the same capacity and voltage rating, which is known to be good until the defective unit is located.

ALIGNING INSTRUCTIONS

All of the adjustments have been very carefully set with signal generators at the factory and require no further adjustment, unless it becomes necessary to replace a coil or transformer, or if the adjustments have been tampered with in the field. Under no circumstances attempt any adjustments without first making certain that adjustment is necessary and only after voltages, tubes and condensers have been checked and found to be normal. To properly re-align this receiver, a signal generator as well as an output meter, must be used.

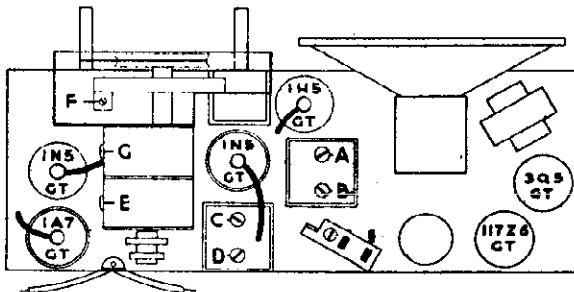


FIG. 1 TOP VIEW

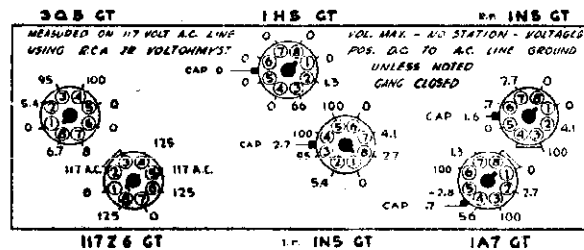


FIG. 2 VOLTAGE CHART

WESTINGHOUSE ELECTRIC SUPPLY CO.

Alignment Procedure

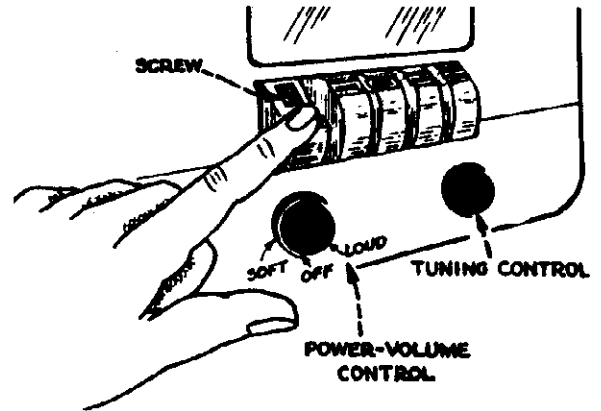
**Output Meter Alignment.**—Connect the meter across the voice coil, and turn the receiver volume control to maximum.

**Test-Oscillator.**—Connect the low side of the test-oscillator to the receiver chassis, through a .01 mfd. capacitor, and keep the output as low as possible.

Steps	Connect the high side of test-oscillator to—	Tune test-osc. to—	Turn radio dial to—	Adjust the following for max. peak output—
1	I-F grid in series with .01 mfd.	455 kc	Quiet point 1,700 kc end of dial	C8 and C9 2nd I-F Transformer
2	1st Det. grid in series with .01 mfd.			C6 and C7 1st I-F Transformer
3	Ant. terminal in series with 200 mmfd.	1,720 kc	Gang at minimum	C3 (osc.)
4	Radiation loop consisting of two turns of wire 18 inches in diameter located 4 to 6 feet from receiver	1,300 kc	Signal Frequency	C1 (ant.)
5	Repeat steps 3 and 4.			

1. Cut out the tabs for your five favorite stations and arrange them in order of frequency in the recesses on the push buttons.
2. Press down on the first push button and hold it down. The screw in back of the push button is now accessible and should be loosened one or two turns with a screwdriver.
3. While still holding down the push button, tune in the first station represented by the station tab with the tuning knob by Dial Tuning. When the station is heard at its best, tighten up the screw in back of the push button. Now let go of the push button, turn the tuning knob in order to detune and again press down the button and let go. The station should be heard again. If not, repeat the above adjustment process until reception is satisfactory.
4. Proceed to set up the other four push buttons in a similar manner.

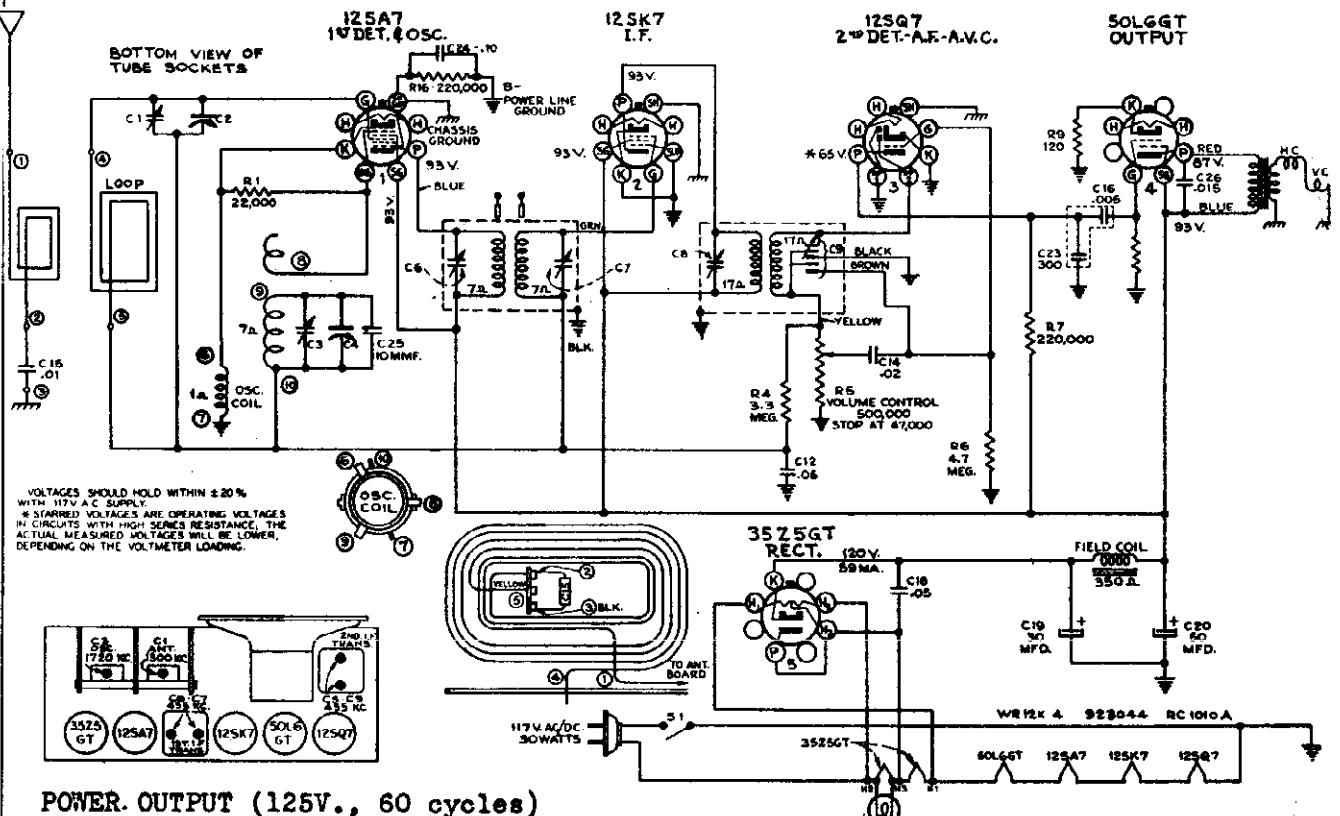
A station may be changed at any time by following the above information.



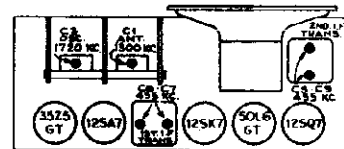
Push Button Adjustments

Adjustments for Push Button Tuning

The push buttons should be adjusted for five favorite stations after the receiver has been operating for a brief warm-up period. Each button may be set up to any standard broadcast station. The preferable arrangement is to adjust for stations in the order of frequency, from low to high. Proceed as follows:



VOLTAGES SHOULD HOLD WITHIN ±20% WITH 117V A.C. SUPPLY.  
 \* STATED VOLTAGES ARE OPERATING VOLTAGES IN CIRCUITS WITH HIGH SERIES RESISTANCE. THE ACTUAL MEASURED VOLTAGES WILL BE LOWER, DEPENDING ON THE VOLTMETER LOADING.



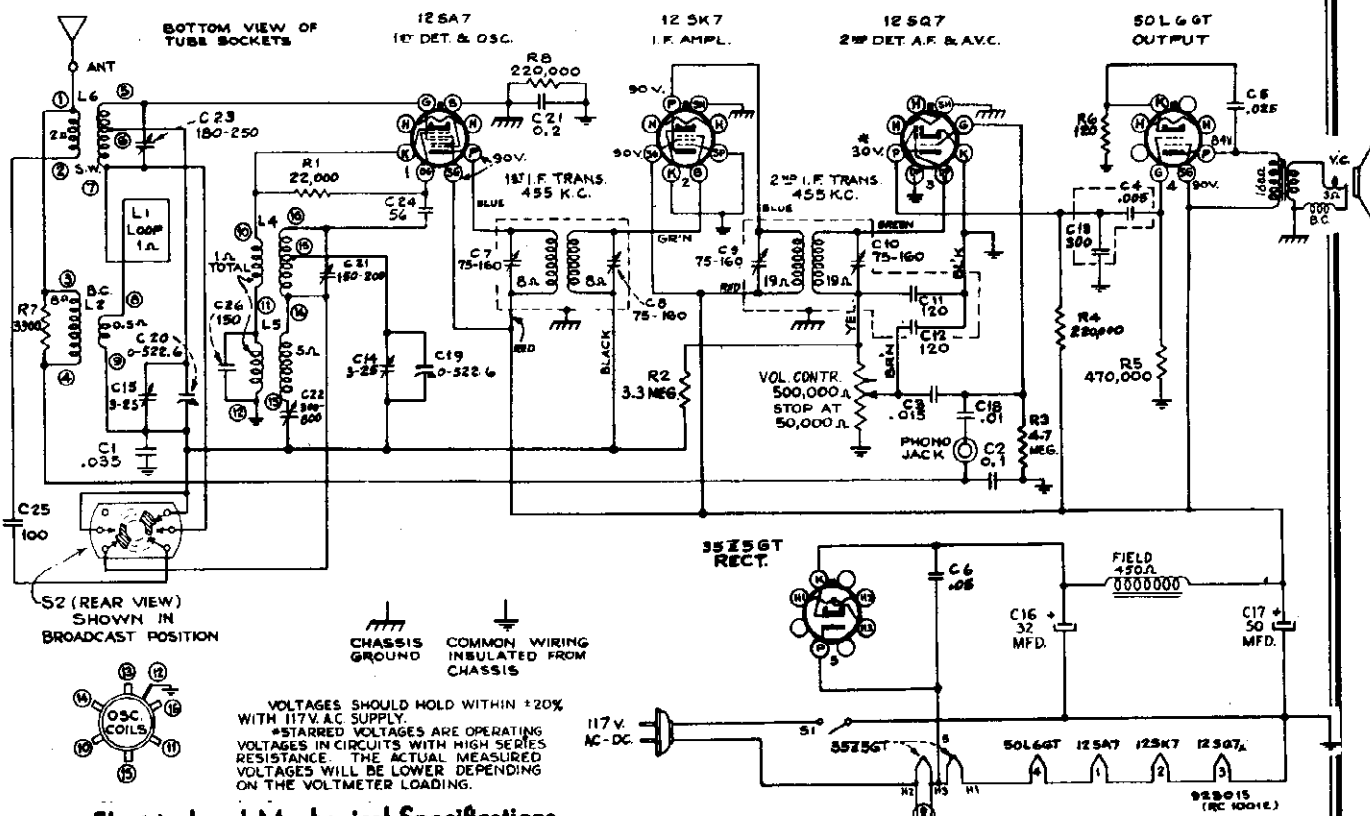
POWER OUTPUT (125V., 60 cycles)

Undistorted .09 watts  
 Maximum 1.4 watts

INTERMEDIATE FREQUENCY PEAK 455 KC

MODEL WR-13X8

WESTINGHOUSE ELECTRIC SUPPLY CO.



Electrical and Mechanical Specifications

- Frequency Range ..... 540-1,720 kc
- Broadcast Band ..... 9 mc to 12 mc.
- Short Wave Band .....
- Intermediate Frequency ..... 455 kc
- Pilot Lamp ..... Mazda No. 51, 6-8 volts, 0.2 amp.
- Power Output
- Undistorted ..... .9 watts
- Maximum ..... 1.3 watts
- Loospeaker
- Type ..... 6-inch Electrodynamic
- V.C. Impedance ..... 3.3 ohms at 400 cycles
- Power Supply Rating
- 105-125 volts, AC 50 or 60 cycles, or DC ..... 30 watts

Precautionary Load Dress.—

1. Dress the power cable to switch on the volume control close to the chassis and away from all grid and diode leads and condensers.
2. Dress capacitors in the 12SQ7 grid circuit away from all wiring.
3. Green and black phono wires should be twisted and dressed away from other parts and leads.
4. 50L6-GT filament wires should be dressed to rear of chassis and away from the second I-F transformer leads.
5. Dress brown lead from second I-F transformer to 12SQ7 away from power cable.
6. Dress wire to No. 1 grid of the 12SA7 away from pilot lamp leads.
7. Dress wire from loop to variable condenser away from chassis.
8. Dress all capacitors, leads, etc. which come close to oscillator coil rigidly and as far as possible from it.

Power-Supply Polarity.—For operation on d-c, the power plug must be inserted in the outlet for correct polarity. If the set does not function, reverse the plug. On a-c, reversal of the plug may reduce hum.

Alignment Procedure

Output Meter Alignment.—If this method is used connect the meter across the voice coil and turn the receiver volume control to maximum.

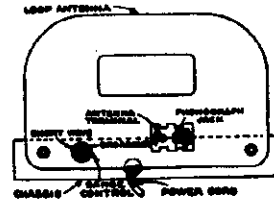
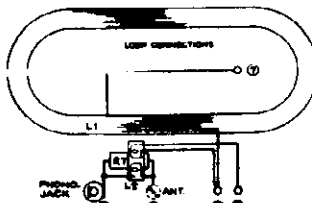
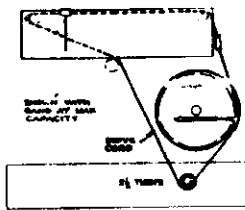
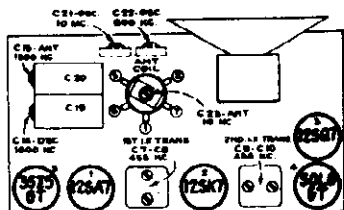
Test Oscillator.—Connect the low side of the test oscillator to the receiver chassis through a .01 mfd. capacitor. With the output meter alignment method the test oscillator output should be kept as low as possible.

Calibration Scale.—The glass tuning dial may be easily removed from the cabinet and temporarily attached to the dial backing plate for quick reference during alignment.

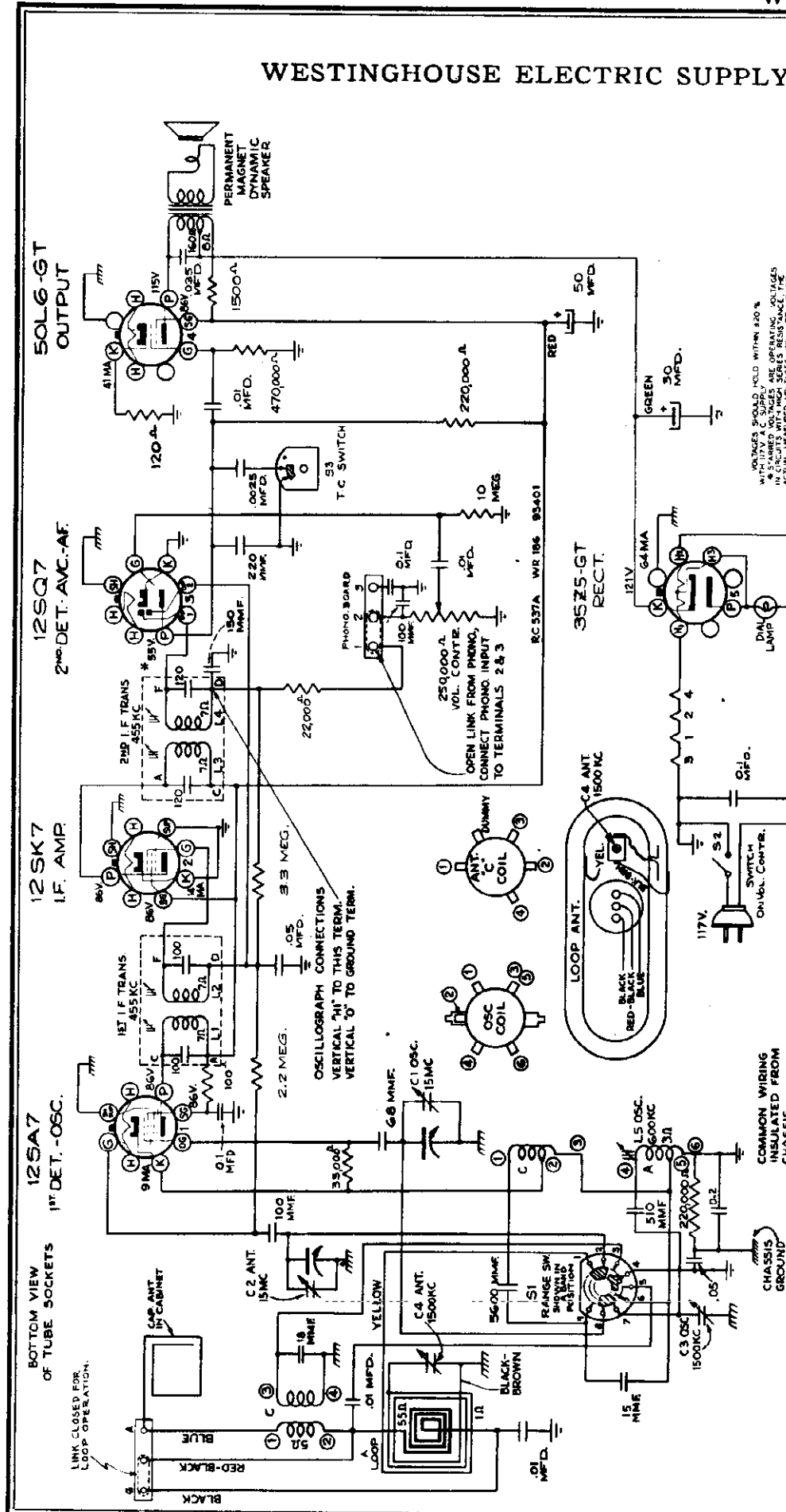
Steps	Connect the high side of test-oscillator to—	Tune test-osc. to—	Turn radio dial to—	Adjust the following for max. peak output—
1	12SK7 grid in series with 0.1 mfd.	455 kc	Quiet Point at 1,600 kc end of dial	C10, C9 2nd I-F Transformer
2	12SA7 grid in series with 0.1 mfd.			C6, C7 1st I-F Transformer
3	Antenna term. in series with 47 mmf.	10 mc*	10 mc	C21 (osc.)** C23 (ant.)
4	Antenna term. in series with 200 mmf.	1,600 kc	1,600 kc	C14 (osc.)
5	Radiation Loop	1,300 kc	Resonance on Signal	C15 (ant.)
6	Radiation Loop	600 kc	600 kc	C22 Osc. Rack in

\* It is recommended that this step be repeated using a received station of known frequency.

\*\* Use minimum capacity if two peaks can be obtained.



WESTINGHOUSE ELECTRIC SUPPLY CO.



ADJUSTMENTS FOR PUSH BUTTON TUNING.

1. Cut out tabs for six stations, arrange them in order of freq.
2. Press down on first P.B. and hold it down. The screw in back of P.B. is now accessible and should be loosened 1 or 2 turns.
3. While still holding down P.B., tune in first station represented by station tab with tuning knob, by Dial Tuning. When station is heard at its best, tighten screw in back of push button. Let go of P.B., turn tuning knob in order to detune and again press down button and let go. Station should be heard again. If not, repeat above adjustment until reception is satisfactory.
4. Proceed to set up other five push buttons in similar manner.

- POWER SUPPLY RATINGS**  
 A-C Rating.....105-125 V. 50-60 ~, 30 W.  
 D-C Rating .....105-125 V. d.c., 30 W.
- POWER OUTPUT**  
 Undistorted ..... 1.1 watts  
 Maximum ..... 1.4 watts
- LOUDSPEAKER (permanent-magnet dynamic)** 5"  
 V.C. Impedance at 400 cycles 3.4 ohms  
 INTERMEDIATE FREQUENCY 455 kc
- RANGE:** (A) 540-1,600kc; (C) 5.8 - 18 mc

MODELS WR-12X7, WR-186

WESTINGHOUSE ELECTRIC SUPPLY CO.

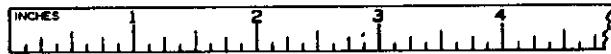
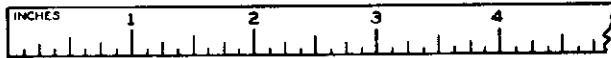
### Alignment Procedure

**Output Meter Alignment.**—Connect the meter across the voice coil, and turn the receiver volume control to maximum.

**Test-Oscillator.**—Connect the low side of the test-oscillator to the receiver ground, and keep the output as low as possible.

#### Precautionary Lead Dress

1. Dress 1st I-F plate and grid leads against chassis and away from each other. Dress plate lead from 12SK7 close to chassis.
2. Dress leads from terminal board on loop support away from loop.



Calibration Scale

**Calibration Scale.**—The glass tuning dial may be easily removed from the cabinet and temporarily attached to the chassis for quick reference during alignment. Or, if necessary, the calibration scale printed in this service note can be used in conjunction with an ordinary 12-inch ruler as an accurate and convenient substitute for the regular dial.

#### Using Calibration Scale.

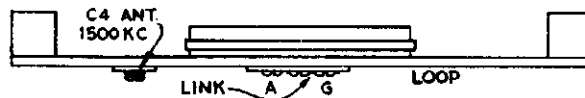
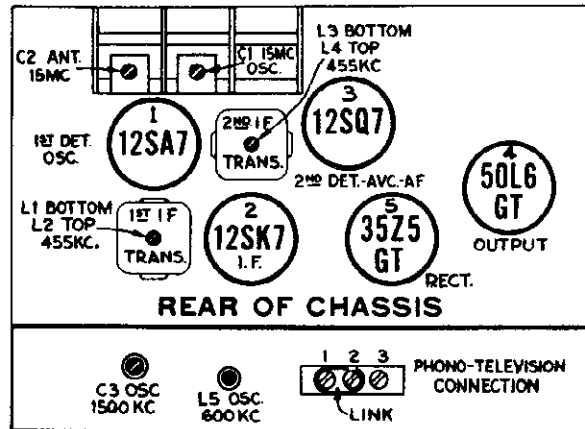
1. With gang in full mesh, move the dial pointer to the reference mark at the left-hand end of the dial backing plate.
2. Place a flat 6-inch ruler on the dial backing plate so the left-end of ruler is at the reference mark at left-end of backing plate. Temporarily fasten the ruler with scotch tape to the backing plate.
3. Refer to calibration scale printed in this service note. This is a reduced reproduction of the dial with an inch-scale drawn at the bottom. To find the correct pointer position in inches for any desired frequency, draw a vertical line through this frequency on the calibration scale. For example 1,500 kc is approximately  $3\frac{1}{4}$  inches from the reference mark.

**Dial-Pointer Adjustment.**—After the chassis is replaced in cabinet, move the dial pointer (if necessary) so that it is at the left-hand graduation on the dial with the gang in full mesh.

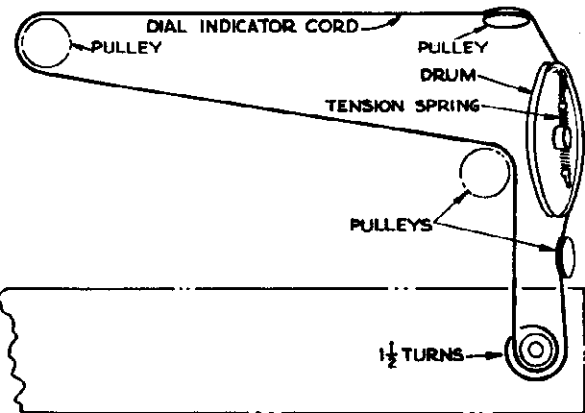
**Antenna.**—The set is equipped with a built-in loop antenna. If an outdoor antenna is used, it may be connected to the "ANT." terminal on rear of cabinet. It should not be longer than 100 feet, including lead-in. If it is longer, connect a 100 to 200 mmf. capacitor in series with the lead-in.

**Power-Supply Polarity.**—For operation on d-c, the power plug must be inserted in the outlet for correct polarity. If the set does not function, reverse the plug. On a-c, reversal of the plug may reduce hum.

**Loudspeaker.**—To center the loudspeaker voice coil, first remove the front dust cover, then loosen the screws, holding the spider assembly. Insert three narrow feelers into the air gap, and tighten the spider screws. Remove the feelers and fasten a dust cover in place with loudspeaker cement.



Tube and Trimmer Location



Dial-Indicator and Drive Mechanism

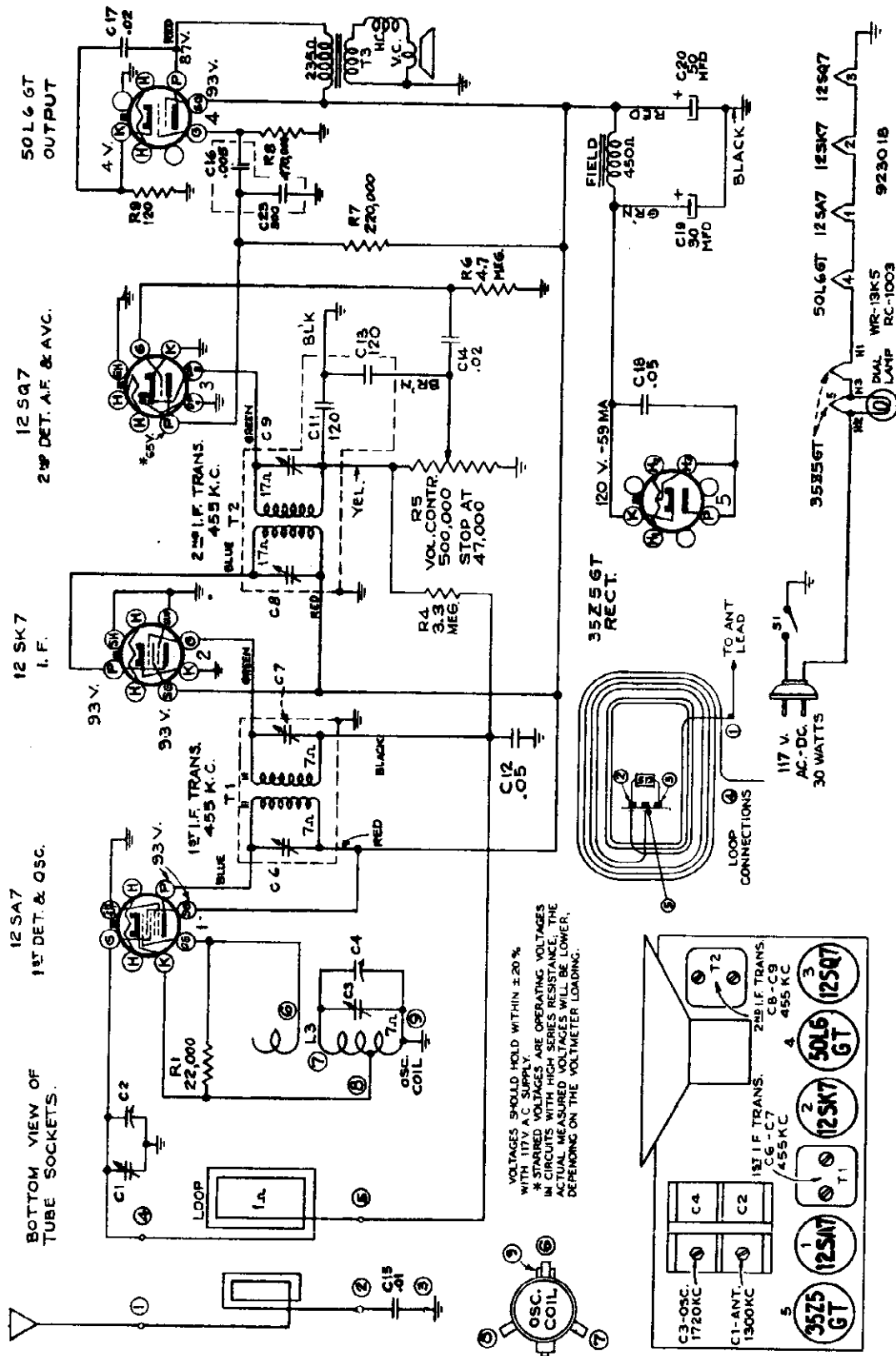
Steps	Connect test-osc. output to—	Tune test-osc. to—	Turn radio dial to—	Adjust the following for max. peak output—
1	I-F grid through 0.1 mfd. capacitor and ground	455 kc	Quiet point between 550-750 kc	L-3 and L-4 (2nd I-F trans.)
2	1st det. grid through 0.1 mfd. capacitor and ground	455 kc		L-1 and L-2 (1st I-F trans.)
3	Antenna terminal (open link between "A" and "G") in series with 47 mmfd.	15 mc	15 mc "C" band	C-1 oscillator*
4		15 mc	Rock at 15 mc	C-2 antenna† while rocking
5	Antenna terminal (open link between "A" and "G") in series with 200 mmfd.	1,500 kc	1,500 kc "A" band	C-3 oscillator C-4 antenna
6		600 kc	Rock at 600 kc "A" band	L-5 oscillator while rocking
7		1,500 kc	1,500 kc "A" band	C-3 oscillator C-4 antenna

\* Oscillator should track on high frequency side of signal. If two peaks are obtained use high frequency (minimum capacity) peak.

† If two peaks can be obtained use low frequency (maximum capacity) peak.



WESTINGHOUSE ELECTRIC SUPPLY CO.



Schematic Circuit Diagram

MODEL WR-13K5

MODELS WR-177, WR-179 WESTINGHOUSE ELECTRIC SUPPLY CO.

MODELS WR-178, WR-180

Model WR-13K5

**Electrical and Mechanical Specifications**

FREQUENCY RANGE ..... 540-1,720 kc

INTERMEDIATE FREQUENCY ..... 455 kc

**TUBE COMPLEMENT**

- (1) RCA-12SA7 ..... 1st-Detector—Oscillator
- (2) RCA-12SK7 ..... I-F Amplifier
- (3) RCA-12SQ1 ..... 2nd-Detector, 1st A-F, and A.V.C.
- (4) RCA-80L6GT ..... Power Output
- (5) RCA-80Z6GT ..... Half-Wave Rectifier

DIAL LAMP ..... Mazda 51, 7.5 volts, 0.2 amp.

**POWER SUPPLY RATINGS**

A-C Rating ..... 105-125 volts, 50-60 cycles, 30 watts

D-C Rating ..... 105-125 volts, direct current, 30 watts

**POWER OUTPUT (125 volts, 60 cycle supply)**

Undistorted ..... 0.8 watts

Maximum ..... 1.2 watts

**LOUDSPEAKER**

Type ..... 6-inch Electrodynamic

Over-all Dimensions ..... Height 7 1/2 inches Width 11 1/2 inches Depth 6 3/16 inches  
Weight ..... 10 pounds (shipping)

**Alignment Procedure**

**Output Meter Alignment.**—Connect the meter across the voice coil, and turn the receiver volume control to maximum.

**Test-Oscillator.**—Connect the low side of the test-oscillator to the receiver chassis, through a 0.1 mfd. capacitor, and keep the output as low as possible.

Steps	Connect the high side of test-oscillator to—	Tune test-osc. to—	Turn radio dial to—	Adjust the following for max. peak output—
1	1-F grid, in series with .01 mfd.	455 kc	Quiet point 1,700 kc end of dial	C8 and C9 2nd I-F Transformer
2	1st Det. grid in series with .01 mfd.			C6 and C7 1st I-F Transformer
3	Ant. terminal in series with 200 mmfd.	1,720 kc	Gang at minimum	C5 (osc.)
4	Radiation loop consisting of two turns of wire 18 inches in diameter located 4 to 8 feet from receiver	1,300 kc	Signal Frequency	C1 (ant.)
5	Repeat steps 3 and 4			

**Antenna.**—The set is equipped with a built-in loop antenna. If an outdoor antenna is used, it may be connected to the "ANT." (blue) lead on rear of cabinet. It should not be longer than 100 feet, including lead-in. If it is longer, connect a 100 to 200 mmf. capacitor in series with the lead-in.

**Power-Supply Polarity.**—For operation on d-c, the power plug must be inserted in the outlet for correct polarity. If the set does not function, reverse the plug. On a-c, reversal of the plug may reduce hum.

**Precautionary Lead Dress:**

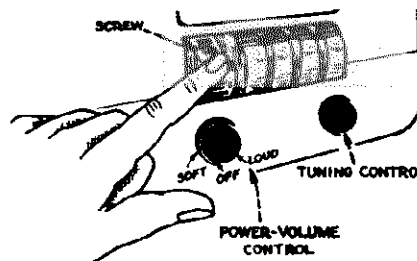
1. Dress 1st I-F plate and grid leads against chassis and away from each other. Dress plate lead from 12SK7 close to chassis.
2. Dress leads from terminal board on loop support away from loop.

**WR-177, WR-178, WR-179, WR-180 Adjustments for Push Button Tuning**

The push buttons should be adjusted for five favorite stations after the receiver has been operating for a brief warm-up period. Each button may be set up to any standard broadcast station. The preferable arrangement is to adjust for stations in the order of frequency, from low to high. Proceed as follows:

1. Cut out the tabs for your five favorite stations and arrange them in order of frequency in the recesses on the push buttons.
2. Press down on the first push button and hold it down. The screw in back of the push button is now accessible and should be loosened one or two turns with a screwdriver.
3. While still holding down the push button, tune in the first station represented by the station tab with the tuning knob, by Dial Tuning. When the station is heard at its best, tighten up the screw in back of the push button. Now let go of the push button, turn the tuning knob in order to detune and again press down the button and let go. The station should be heard again. If not, repeat the above adjustment process until reception is satisfactory.
4. Proceed to set up the other four push buttons in a similar manner.

A station may be changed at any time by following the above information.



Push Button Adjustments

**Antenna.**—The set is equipped with a built-in loop antenna. If an outdoor antenna is used, it may be connected to the "ANT." terminal on rear of cabinet. It should not be longer than 100 feet, including lead-in. If it is longer, connect a 100 to 200 mmf. capacitor in series with the lead-in.

**Power-Supply Polarity.**—For operation on d-c, the power plug must be inserted in the outlet for correct polarity. If the set does not function, reverse the plug. On a-c, reversal of the plug may reduce hum.

**Alignment Procedure WR-177, WR-178, WR-179, WR-180**

**Output Meter Alignment.**—Connect the meter across the voice coil, and turn the receiver volume control to maximum.

**Test-Oscillator.**—Connect the low side of the test-oscillator to the receiver chassis, through a .01 mfd capacitor, and keep the output as low as possible.

**Precautionary Lead Dress**

1. Dress 1st I-F plate and grid leads against chassis and away from each other. Dress plate lead from 12SK7 close to chassis.
2. Dress leads from terminal board on loop support away from loop.

Steps	Connect the high side of test-oscillator to—	Tune test-osc. to—	Turn radio dial to—	Adjust the following for max. peak output—
1	Tuning condenser (osc.) in series with .01 mfd.	455 kc	Quiet point at 1,600 kc end of dial	C1, C2, C3, C4 (1st and 2nd I-F transformers)
2	Antenna turns of ant. loop in series with 100 mmfd.	1,600 kc	Full clockwise (out of mesh)	C5 (oscillator)
3		1,500 kc	Resonance on 1,500 kc signal	C6 (antenna)

**Electrical and Mechanical Specifications**

Frequency Range ..... 540-1,600 kc

Intermediate Frequency ..... 455 kc

**Loudspeaker**

Type ..... 5-inch Electrodynamic

**Power Supply Ratings**

A-C Rating ..... 105-125 volts, 50-60 cycles, 30 watts

D-C Rating ..... 105-125 volts, direct current, 30 watts

**Power Output (125 volts, 60 cycle supply)**

Undistorted ..... 0.8 watts

Maximum ..... 1.2 watts

## WESTINGHOUSE ELECTRIC SUPPLY CO.

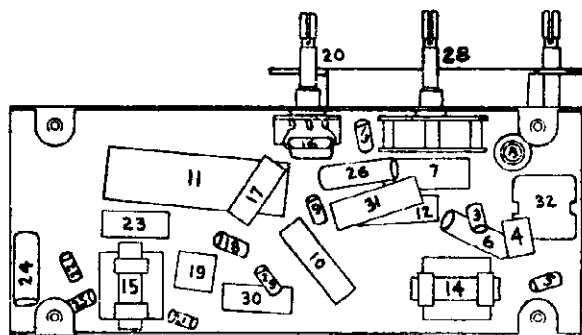
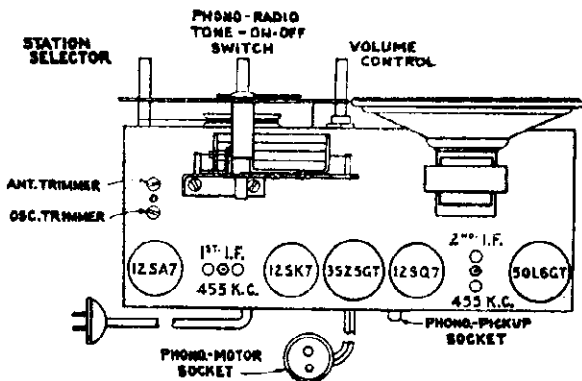
**WR 42K11**

### ALIGNMENT PROCEDURE

The following equipment is necessary to properly align this chassis:

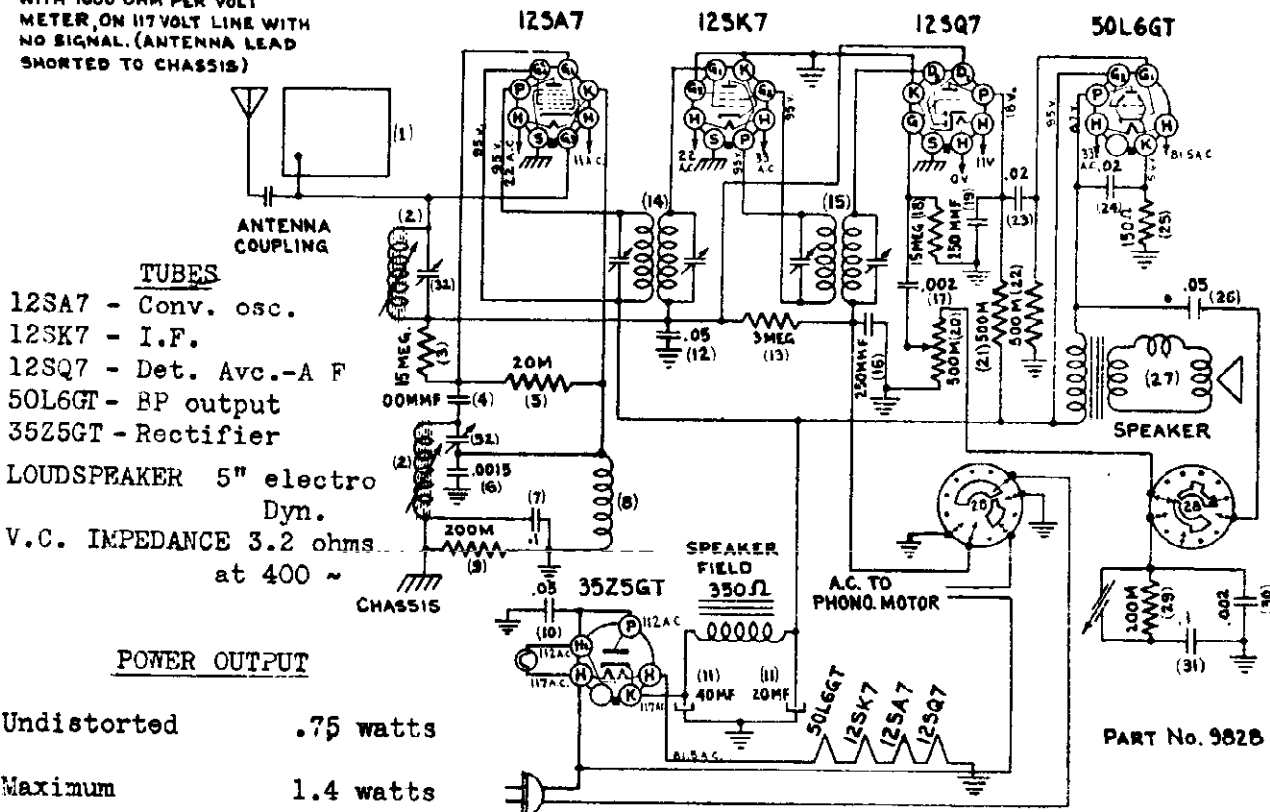
1. A signal generator which will provide an accurately calibrated signal at the frequencies listed.
2. An output meter.
3. A non-metallic screw driver
4. Dummy antennae—.1 mfd., 200 mmf.

GENERATOR	CONNECTION AT RADIO	DUMMY ANTENNA	DIAL	TRIMMER TO TUNE	REMARKS
I.F. 455 kc	12SA7 Grid	.1 mfd.	H.F. End	I.F. Transformers	Tune to Max.
1720 kc	Ext. Ant. Wire	200 mmf.	H.F. End	Oscillator Trimmer	Set limit of band
1400 kc	Ext. Ant. Wire	200 mmf.	1400	Antenna Trimmer	Tune to Max.



PART No. 9839

VOLTAGES ARE MEASURED WITH 1000 OHM PER VOLT METER, ON 117 VOLT LINE WITH NO SIGNAL. (ANTENNA LEAD SHORTED TO CHASSIS)



MODEL WR-42X2

WESTINGHOUSE ELECTRIC SUPPLY CO.

Alignment Procedure

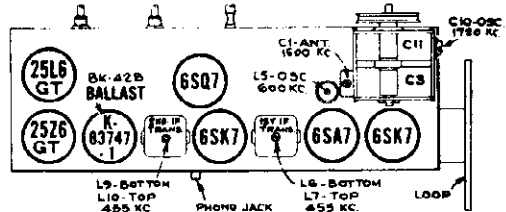
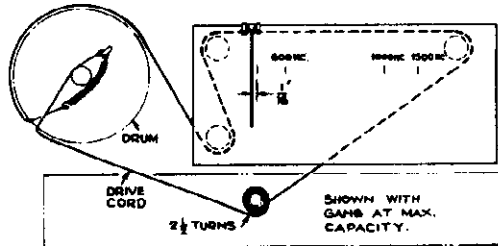
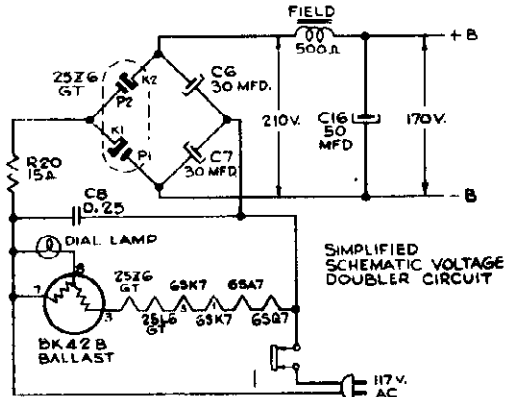
**Output Meter Alignment.**—If this method is used, connect the meter across the voice coil, and turn the receiver volume control to maximum.

**Test-Oscillator.**—For all alignment operations, connect the low side of the test-oscillator to the common negative, and keep the output as low as possible to avoid a-v-c action.

2. First audio grid coupling capacitor C23 and C24 to be dressed close to chassis and away from heater wiring. Prevents hum.

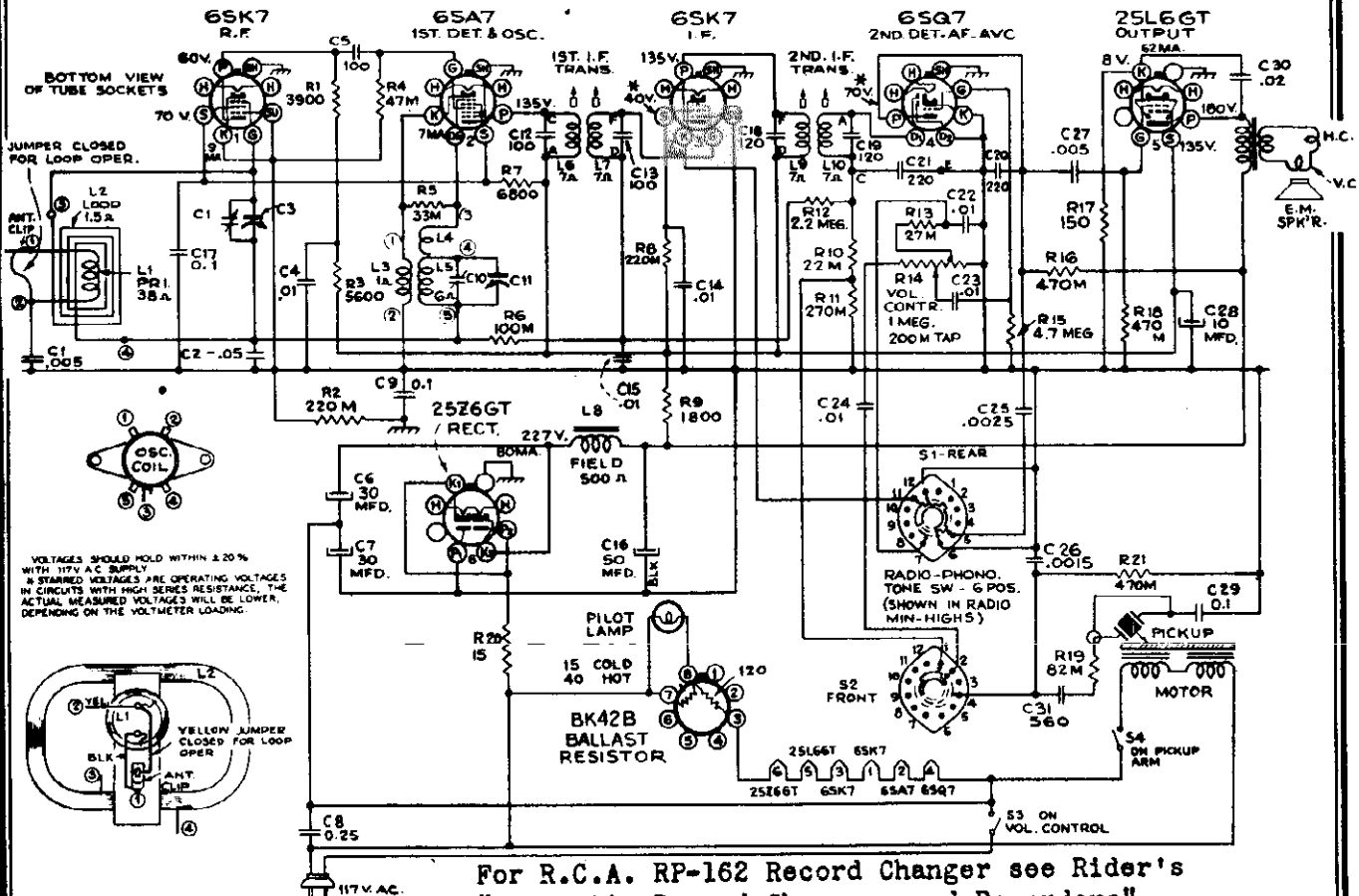
**Calibration Scale.**—The glass tuning dial may be easily removed from the cabinet and temporarily attached to the chassis for quick reference during alignment. In the event that only the chassis is returned for service, and the cabinet with its tuning dial is left in the customer's home, the scale printed in this service note can be used as an accurate and convenient substitute for the regular dial. With gang in full mesh, move the dial pointer to a point 1/16 inch to left of reference mark at left hand end of the dial backing plate. Place the dial under the pointer so that the extreme left scale graduation coincides with the pointer. Use scotch tape to hold the dial in place.

Steps	Connect the high side of test-oscillator to—	Tune test-osc. to—	Turn radio dial to—	Adjust the following for max. peak output
1	I-F grid, in series with .01 mfd.	455 kc	Quiet point 1,600 kc end of dial	L9 and L10 2nd I-F transformer
2	1st Det. grid in series with .01 mfd.			L6 and L7 1st I-F transformer
3	Ant. terminal in series with 200 mmfd.	1,720 kc	Gang at minimum	C10 (osc.)
4	Radiated signal 1,500 kc		Signal Frequency	C1 (ant.)
5	Radiated signal near 600 kc		Signal Frequency	L5 (osc.) (Rock gang)
6	Repeat steps 3, 4 and 5.			

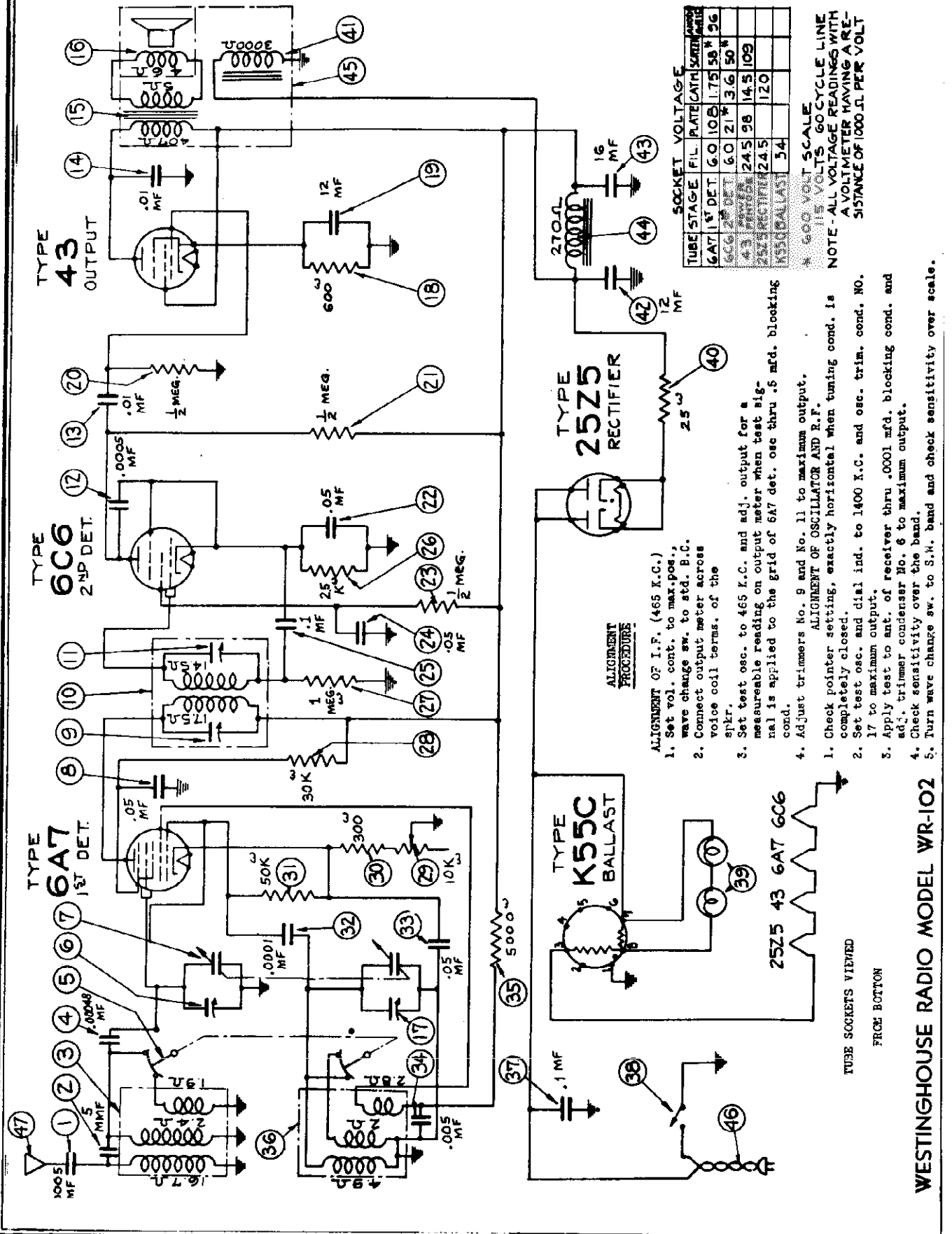


**Critical Lead Dress:**

1. Lead from 6SK7 i-f plate to last i-f transformer to be dressed close to chassis and under all other leads. Prevents i-f beats.



WESTINGHOUSE ELECTRIC SUPPLY CO.



TUBE	STAGE	FIL. RATE	CATH. MATERIAL	SOCKET
6A7	1ST DET.	6.0	10B	1.75 58 96
6C6	2ND DET.	6.0	21*	3.6 50
43	OUTPUT	24.5	9B	14.5 109
25Z5	RECTIFIER	24.5	120	
K55C	BALLAST		34	

600 VOLT SCALE  
 115 VOLTS 60 CYCLE LINE  
 NOTE - ALL VOLTAGE READINGS WITH A VOLT-METER HAVING A RESISTANCE OF 1000 Ω PER VOLT

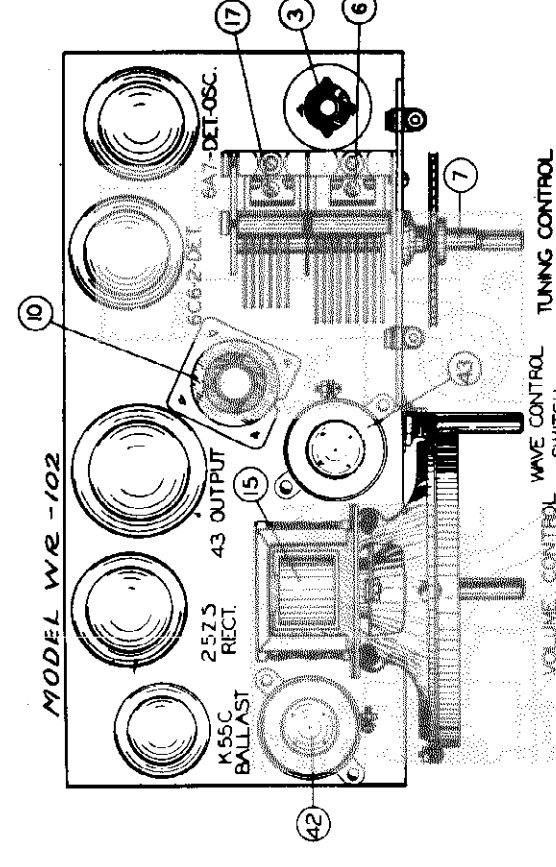
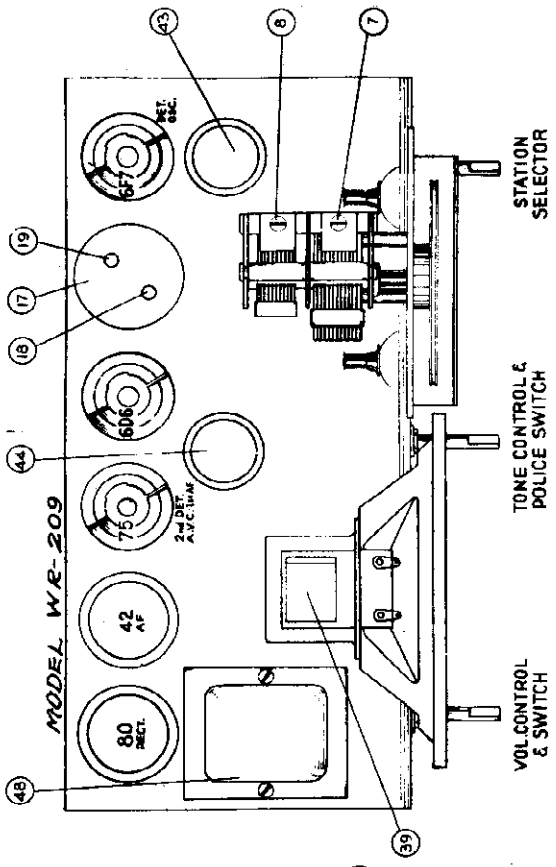
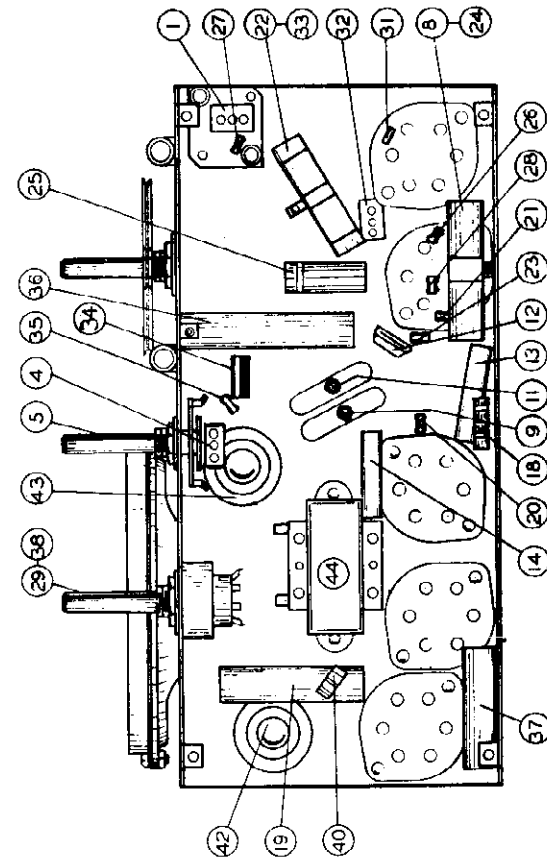
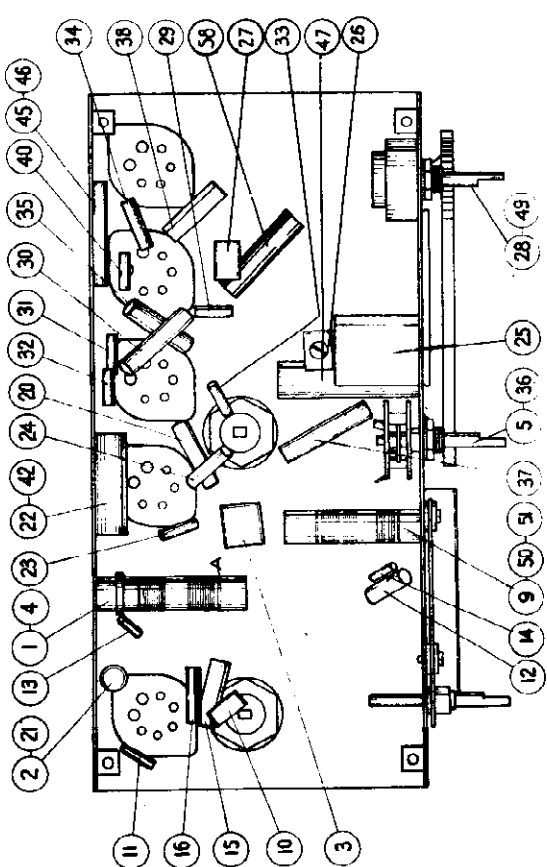
ALIGNMENT PROCEDURE

- ALIGNMENT OF I.F. (465 K.C.)  
 1. Set vol. cont. to max. pos., wave change sw. to std. B.C.  
 2. Connect output meter across voice coil terms. of the spkr.  
 3. Set test osc. to 465 K.C. and adj. output for a measurable reading on output meter when test signal is applied to the grid of 6A7 det. osc thru .5 mfd. blocking cond.  
 4. Adjust trimmers No. 9 and No. 11 to maximum output.
- ALIGNMENT OF OSCILLATOR AND P.F.  
 1. Check pointer setting, exactly horizontal when tuning cond. is completely closed.  
 2. Set test osc. and dial ind. to 1400 K.C. and osc. trim. cond. No. 17 to maximum output.  
 3. Apply test to ant. of receiver thru .0001 mfd. blocking cond. and adj. trimmer condenser No. 6 to maximum output.  
 4. Check sensitivity over the band.  
 5. Turn wave change sw. to S.W. band and check sensitivity over scale.

TUBE SOCKETS VIEWED FROM BOTTOM

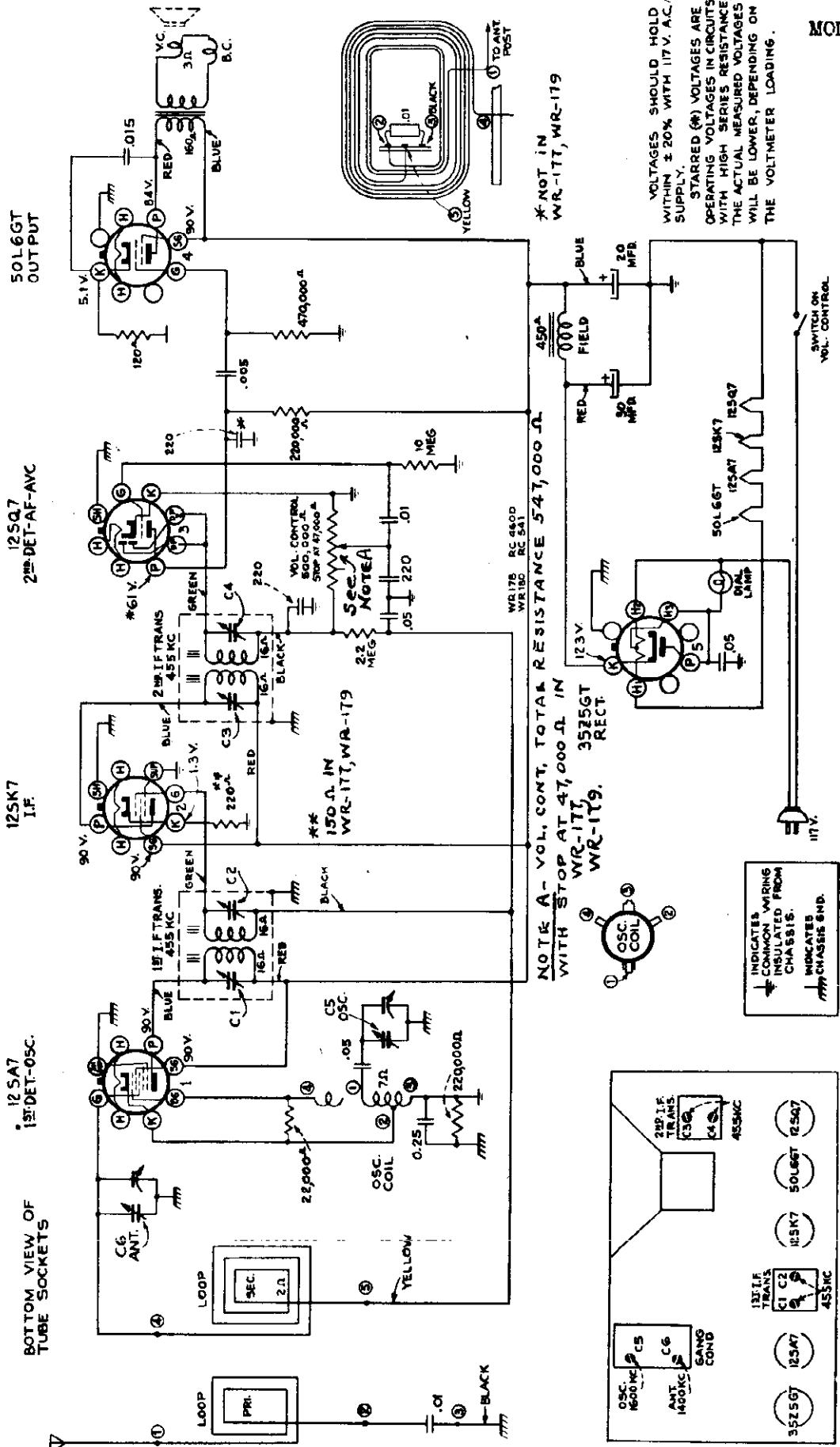
MODEL WR-102  
MODEL WR-209

WESTINGHOUSE ELECTRIC SUPPLY CO.



# WESTINGHOUSE ELECTRIC SUPPLY CO.

MODELS WR-178  
WR-180  
MODELS WR-177  
WR-179

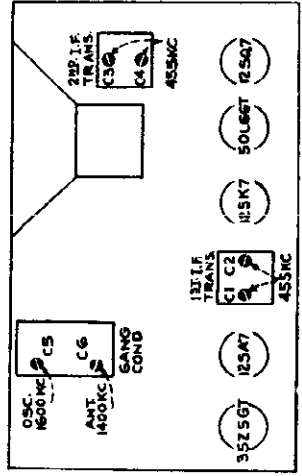


\* NOT IN WR-177, WR-179

VOLTAGES SHOULD HOLD WITHIN ± 20% WITH 117V. A.C. SUPPLY. STARRING (\*) VOLTAGES ARE OPERATING VOLTAGES IN CIRCUITS WITH HIGH SERIES RESISTANCE; THE ACTUAL MEASURED VOLTAGES WILL BE LOWER, DEPENDING ON THE VOLTMETER LOADING.

NOTE A - VOL. CONT. TOTAL RESISTANCE 547,000 OHMS WITH STOP AT 47,000 OHMS IN WR-177, WR-179.

INDICATES COMMON WIRING INSULATED FROM CHASSIS. INDICATES CHASSIS END.



TUBE & TRIMMER LOCATIONS

Schematic Circuit Diagram Models WR-178 and WR-180

MODEL WR-182  
MODEL WR-182A

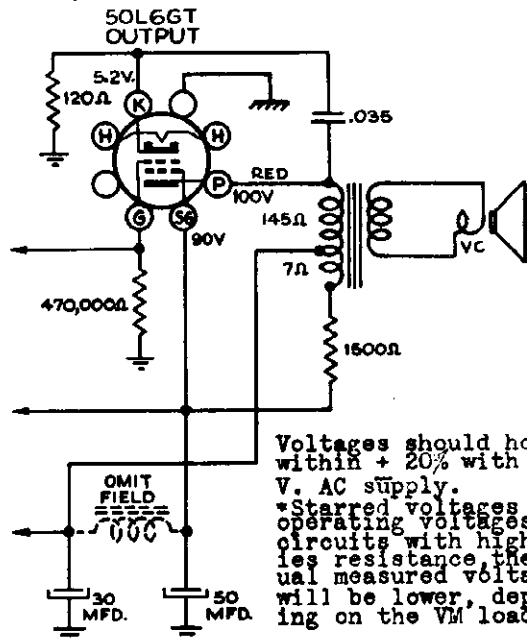
WESTINGHOUSE ELECTRIC SUPPLY CO.

Alignment Procedure

**Output Meter Alignment.**—Connect the meter across the voice coil, and turn the receiver volume control to maximum.

**Test-Oscillator.**—Connect the low side of test-oscillator to the receiver chassis through a .01 mfd. capacitor, and keep the output as low as possible.

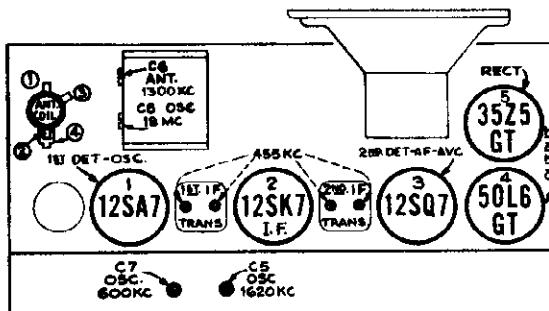
**Pre-Setting Pointer.**—With gang condenser in full mesh, the pointer should be adjusted to a horizontal position.



Voltages should hold within + 20% with 117 V. AC supply.  
\*Starred voltages are operating voltages in circuits with high series resistance, the actual measured voltages will be lower, depending on the VM loading.

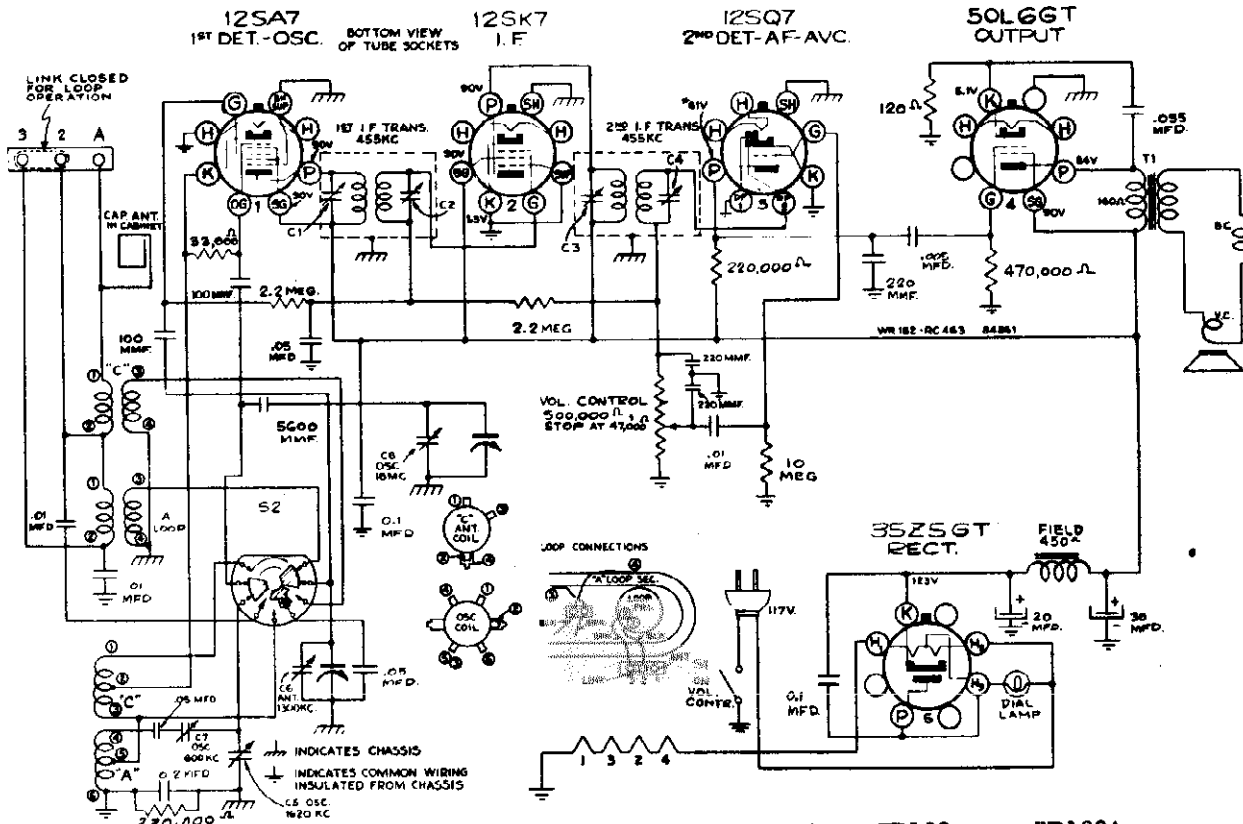
Step	Connect high side of test oscillator to—	Tune test oscillator to—	Turn radio dial to—	Adjust following for max. output—
1	Grid 12SK7 in series with 0.01 mfd.	455 kc	"A" Band Quiet Point at 1,550 kc end of dial	C3 and C4 (2nd I-F Trans.)
2	Grid 12SA7 in series with 0.01 mfd.			C1 and C2 (1st I-F Trans.)
3	Antenna in series with 300 ohms	18 mc	"C" Band 18 mc	C8 (osc.)*
4	Antenna in series with 200 mmfd.	600 kc	"A" Band 600 kc	C7 (osc.)
5		1,620 kc	"A" Band Full Clockwise	C5 (osc.)
6		1,300 kc	Resonance on 1,300 kc "A" Band	C6 (ant.)
7	Repeat steps 4 (rock in), 5 and 6.			

\* Use minimum capacity peak if two can be obtained.  
Note: Oscillator tracks above signal on both bands.



Tube and Trimmer Locations

Schematic Circuit Diagram for the Model WR182A is the same as that for WR182 except connections and parts as shown above



INTERMEDIATE FREQUENCY ..... 455 kc  
POWER OUTPUT(125 V., 60 ~ Supply)  
Undistorted ..... 0.65 watts  
Maximum ..... 1.23 watts

LOUDSPEAKER WR182 WR182A  
Type 5" Electro-dyn. 5"PM Dyn.  
POWER SUPPLY RATINGS  
A-C Rating 105-125V. 50-60~, 30 W.  
D-C Rating 105-125 V. d.c.30 W.



WESTINGHOUSE ELECTRIC SUPPLY CO.

Alignment Procedure

**Output Meter Alignment.**—Connect the meter across the voice coil, and turn the receiver volume control to maximum.

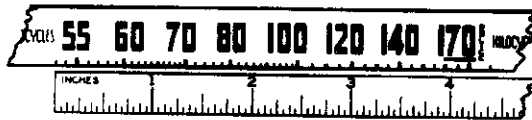
**Test-Oscillator.**—Connect the low side of the test oscillator to the receiver ground, and keep the output as low as possible.

Precautionary Lead Dress

1. Dress 1st I-F plate and grid leads against chassis and away from each other. Dress plate lead from 12SK7 close to chassis.
2. Dress leads from terminal board on loop support away from loop.

Steps	Connect the high side of test-oscillator to—	Tune test-osc. to—	Turn radio dial to—	Adjust the following for max. peak output—
1	Tuning condenser stator (osc.) in series with .01 mfd.	455 kc	Quiet point at 1,600 kc end of dial	L1, L2, L3, L4 (1st and 2nd I-F transformers)
2	Antenna term. of ant. loop in series with 100 mmfd.	1,500 kc	1,500 kc	C1 (oscillator) C2 (antenna)
3		600 kc	600 kc	L5 (oscillator)
4	Repeat steps 2 and 3.			

**Calibration Scale.**—The glass tuning dial may be easily removed from the cabinet and temporarily attached to the chassis for quick reference during alignment. Or, if necessary, the calibration scale printed in this service note can be used in conjunction with an ordinary 12-inch ruler as an accurate and convenient substitute for the regular dial.



Receiver Dial Scale and Corresponding Calibration Scale

Using Calibration Scale.—

1. With gang in full mesh, move the dial pointer to the reference mark at the left-hand end of the dial backing plate.
2. Place a flat 12-inch ruler on the dial backing plate so the left-end of ruler is at the reference mark at left-end of backing plate. Temporarily fasten the ruler with scotch tape to the backing plate.
3. Refer to calibration scale printed in this service note. This is a reduced reproduction of the dial with an inch-scale drawn at the bottom. To find the correct pointer position in inches for any desired frequency, draw a vertical line through this frequency on the calibration scale. For example 1,500 kc is approximately 3 3/4 inches from the reference mark.

Adjustments for Push Button Tuning

The push buttons should be adjusted for six favorite stations after the receiver has been operating for a brief warm-up period. Each button may be set up to any standard broadcast station. The preferable arrangement is to adjust for stations in the order of frequency, from low to high. Proceed as follows:

1. Cut out the tabs for your six favorite stations and arrange them in order of frequency in the recesses on the push buttons.
  2. Press down on the first push button and hold it down. The screw in back of the push button is now accessible and should be loosened one or two turns with a screwdriver.
  3. While still holding down the push button, tune in the first station represented by the station tab with the tuning knob, by Dial Tuning. When the station is heard at its best, tighten up the screw in back of the push button. Now let go of the push button, turn the tuning knob in order to detune and again press down the button and let go. The station should be heard again. If not, repeat the above adjustment process until reception is satisfactory.
  4. Proceed to set up the other five push buttons in a similar manner.
- A station may be changed at any time by following the above information.

**Dial-Pointer Adjustment.**—After the chassis is replaced in cabinet, move the dial pointer (if necessary) so that it is at the left-hand graduation on the dial with the gang in full mesh.

INTERMEDIATE FREQUENCY 455 kc

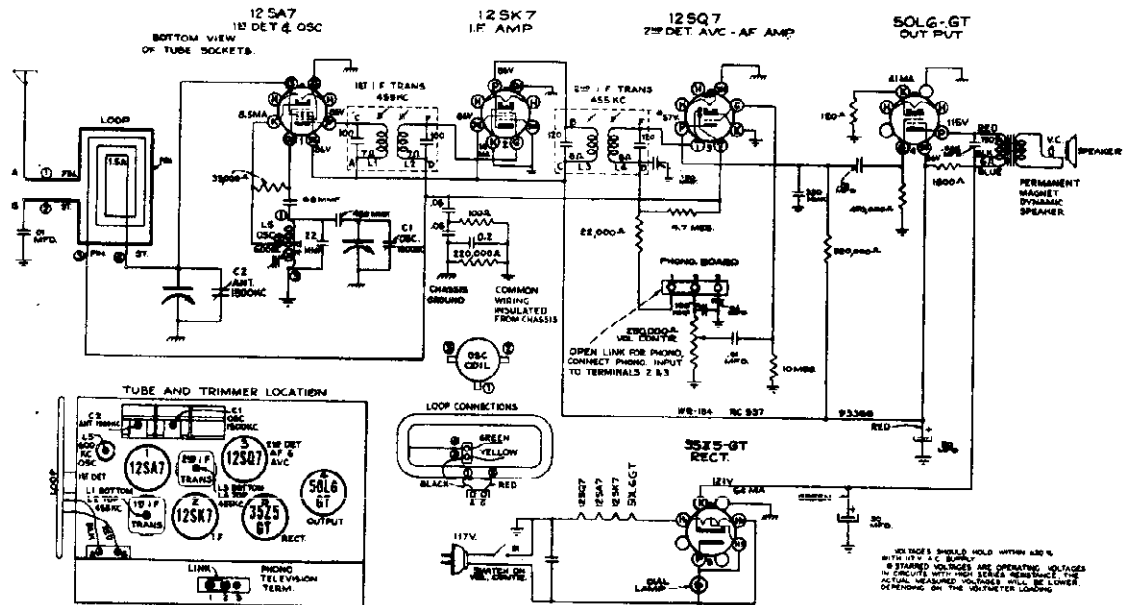
POWER SUPPLY RATINGS

A-C Rating .... 105-125 V. 50-60 ~, 30 W.  
D-C Rating ..... 105-125 V., d.c. 30 W.

POWER OUTPUT (125 Volts, 60 cycle supply)  
Undistorted 1.1 watts  
Maximum 1.4 watts

LOUDSPEAKER  
Type

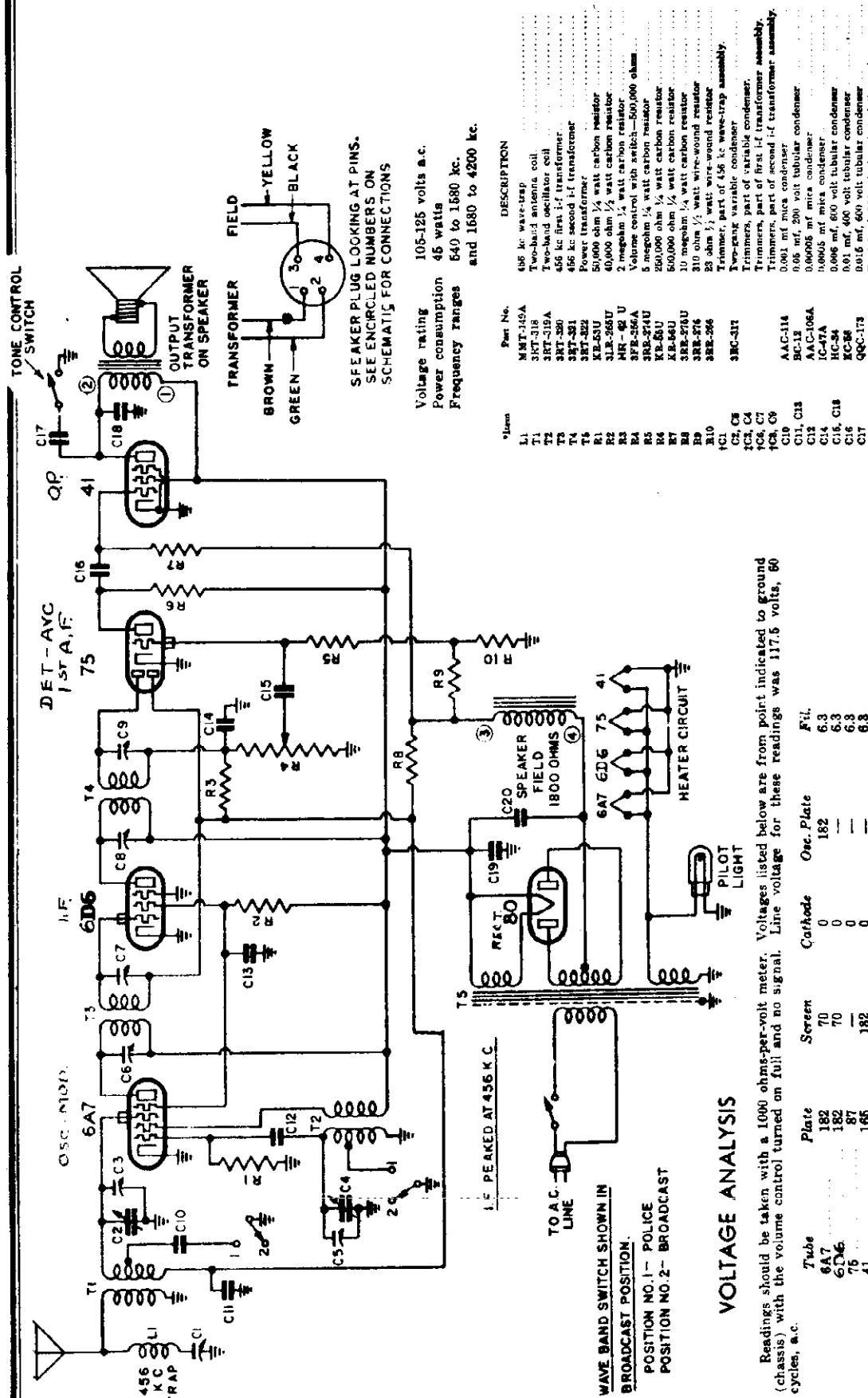
5-inch Permanent Magnet



Schematic Circuit Diagram

MODEL WR-217

WESTINGHOUSE ELECTRIC SUPPLY CO.



**VOLTAGE ANALYSIS**

Readings should be taken with a 1000 ohm-per-volt meter. Voltages listed below are from point indicated to ground (chassis) with the volume control turned on full and no signal. Line voltage for these readings was 117.6 volts, 60 cycles, a.c.

Tube	Plate	Screen	Grid	Oct. Plate	Fil.
6A7	182	70	0	182	6.3
6D6	182	70	0	—	6.3
76	187	—	0	—	6.3
41	185	182	0	—	6.3

Voltage across speaker field—70.  
Voltage from B minus to chassis—80. B plus at 80 filament—265.

**Location of Coils and Trimmer Adjustments**

The two i.f. transformer coils are located on top of the chassis deck. The first i.f. transformer is the one directly behind the 6A7 tube. The trimmers for the two i.f. transformers are available through holes in the tops of the cans.

The trimmers for the antenna and oscillator coils are located on the variable condenser. The trimmer on the front section is for the antenna coil.

The 456 kc. wave-trap is mounted on the rear chassis wall directly beneath the wave-band switch. The trimmers for the 456 kc. wave-trap is mounted on the coil but is accessible from the bottom of the chassis.

**I-f and Wave-Trip Alignment**

Rotate the wave-band switch (located on the rear wall of the chassis) to the broadcast position, clockwise, and swing the variable condenser to the maximum capacity position. Feed 455 kc to the grid-cap of the 6A7 tube and adjust the four i.f. trimmers for maximum response. Feed 456 kc through a dummy antenna (a 10000 pf condenser may be used as a substitute) to the antenna lead and adjust the wave-trip trimmer for minimum response. (See General Notes, paragraph No. 1.)

**Broadcast Alignment**

With the wave-band switch in the broadcast position, clockwise, set the dial pointer at 140. Feed 1400 kc. through a standard dummy antenna (a .0022 mf condenser may be used as a substitute) to the antenna lead and adjust first the oscillator trimmer (on rear section of variable condenser) then the antenna trimmer (on front section of variable condenser) for maximum response. The police band is self-tracking and does not require any adjustments.

**Part No. DESCRIPTION**

456 kc wave-trap	MMT-169A
Two-band antenna coil	3RT-318
Two-band oscillator coil	3RT-319A
456 kc first i.f. transformer	3RT-320
456 kc second i.f. transformer	3RT-321
Power transformer	3RT-322
50,000 ohm 1/4 watt carbon resistor	KL-55U
50,000 ohm 1/2 watt carbon resistor	KL-55U
2 megohm 1/4 watt carbon resistor	MR-42 U
1 megohm 1/4 watt carbon resistor	SR-350A
500,000 ohm 1/4 watt carbon resistor	3RT-274U
50,000 ohm 1/4 watt carbon resistor	KL-55U
50,000 ohm 1/4 watt carbon resistor	3RT-274U
20 ohm 1/4 watt wire-wound resistor	3RT-276
20 ohm 1/2 watt wire-wound resistor	3RT-276
Trimmer, part of 456 kc wave-trap assembly	3RT-317
Trimmer, variable condenser	3RT-317
Trimmer, part of first i.f. transformer	3RT-317
Trimmer, part of second i.f. transformer assembly	3RT-317
Trimmers, part of second i.f. transformer assembly	3RT-317
0.06 mf, 200 volt tubular condenser	AAC-114
0.001 mf mica condenser	RC-13
0.0005 mf mica condenser	AAC-106A
0.001 mf, 400 volt tubular condenser	IC-47A
0.01 mf, 400 volt tubular condenser	HC-34
0.016 mf, 400 volt tubular condenser	EC-36
Dual 6 mf, 300 volt dry electrolytic condenser	QCC-173
	3RC-318

**Part No. DESCRIPTION**

L1	456 kc wave-trap
T1	Two-band antenna coil
T2	Two-band oscillator coil
T3	456 kc first i.f. transformer
T4	456 kc second i.f. transformer
T5	Power transformer
R1	50,000 ohm 1/4 watt carbon resistor
R2	50,000 ohm 1/2 watt carbon resistor
R3	2 megohm 1/4 watt carbon resistor
R4	1 megohm 1/4 watt carbon resistor
R5	500,000 ohm 1/4 watt carbon resistor
R6	50,000 ohm 1/4 watt carbon resistor
R7	50,000 ohm 1/4 watt carbon resistor
R8	20 ohm 1/4 watt wire-wound resistor
R9	20 ohm 1/2 watt wire-wound resistor
C1	Trimmer, part of 456 kc wave-trap assembly
C2	Trimmer, variable condenser
C3	Trimmer, part of first i.f. transformer
C4	Trimmer, part of second i.f. transformer assembly
C5	Trimmers, part of second i.f. transformer assembly
C6	0.06 mf, 200 volt tubular condenser
C7	0.001 mf mica condenser
C8	0.0005 mf mica condenser
C9	0.001 mf, 400 volt tubular condenser
C10	0.01 mf, 400 volt tubular condenser
C11	0.016 mf, 400 volt tubular condenser
C12	Dual 6 mf, 300 volt dry electrolytic condenser
C13	
C14	
C15	
C16	
C17	
C18	
C19	
C20	

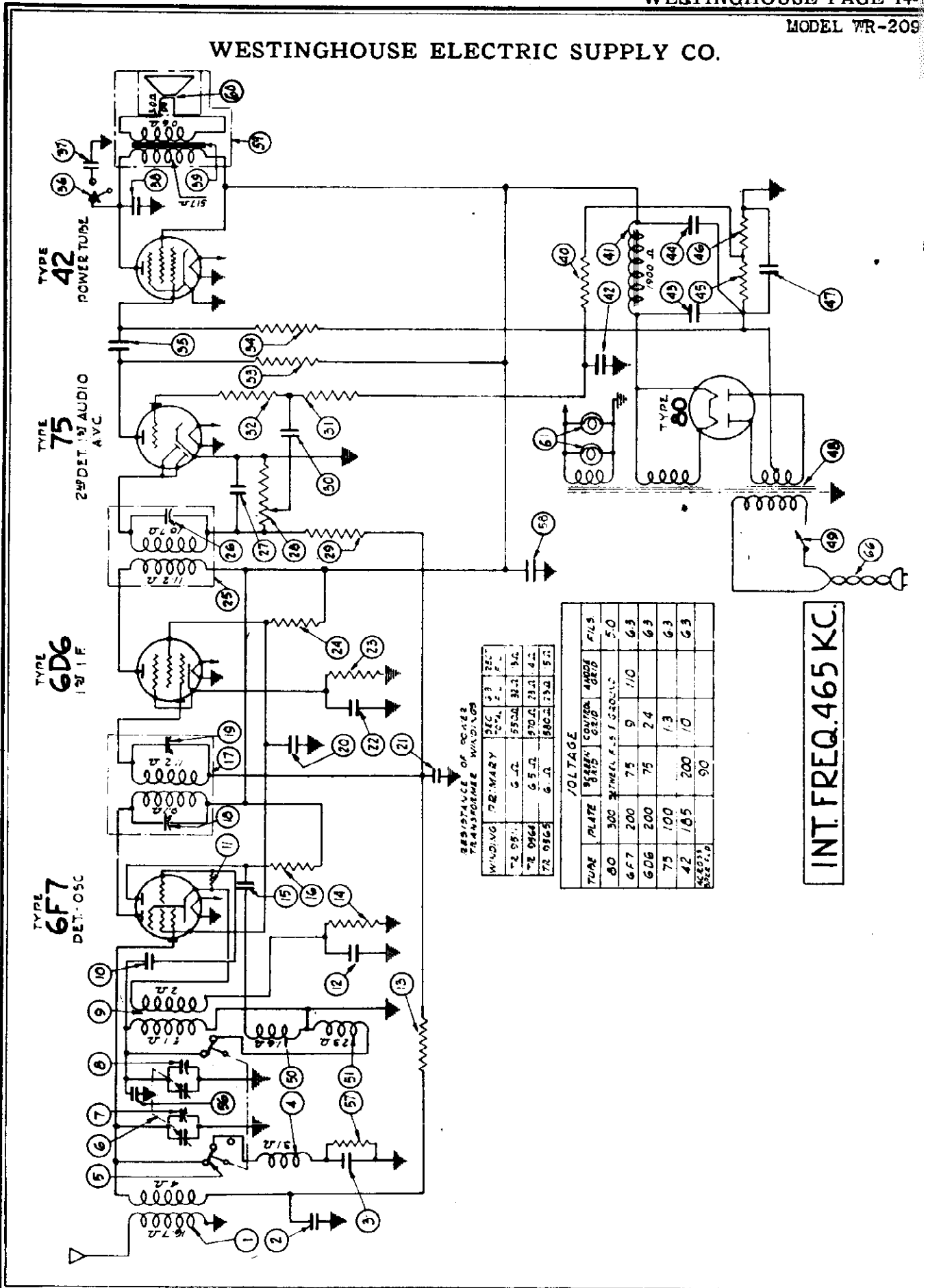
**Wave Band Switch Shown In Broadcast Position**

POSITION NO. 1 - POLICE  
POSITION NO. 2 - BROADCAST

**VOLTAGE ANALYSIS**

Readings should be taken with a 1000 ohm-per-volt meter. Voltages listed below are from point indicated to ground (chassis) with the volume control turned on full and no signal. Line voltage for these readings was 117.6 volts, 60 cycles, a.c.

WESTINGHOUSE ELECTRIC SUPPLY CO.



RESISTANCE OF COILS  
TRANSFORMER WINDINGS

WINDING	PRIMARY	SEC.	3	2	1	25
72 951	5.2	55.0	31.2	3.0		
72 9464	6.5	97.0	71.1	4.2		
72 9565	6.2	58.0	23.0	5.2		

VOLTAGE

TUBE	PLATE	SCREEN GRID	CONTROL GRID	ANODE GRID	FILES
6F7	200	75	9	110	5.0
6D6	200	75	2.4		6.3
75	100		1.3		6.3
42	165	200	10		6.3
5X227				90	

INT. FREQ. 465 KC.

MODEL WR-209

WESTINGHOUSE ELECTRIC SUPPLY CO.

WESTINGHOUSE RADIO MODEL WR-209

SERVICE PARTS LIST

Part #	Description of Parts	List Price
RC 9858	Antenna coil assembly	1.10
CH 856	.05 mfd., 200 V. condenser - part of SA 106327 (dual)	.30
SW 9519	400 mfd., mica condenser	.20
CG 9522	Police pre-selector coil - part of RC 9589	.85
RC 9589	Switch assembly	2.45
SA 106417	Variable gang condenser	.95
SA 106417	Trimmer condenser - part of CG 9522	.20
SA 106417	Oscillator coil assembly	.15
SA 106417	100 mfd., mica condenser	.15
SA 106417	50,000 ohm, 1/4 W. resistor	.15
SA 106417	250,000 ohm, 1/4 W. resistor	.15
SA 106417	1800,000 ohm, 1/4 W. resistor	.15
SA 106417	1800,000 ohm, 1/4 W. resistor	.15
SA 106417	50,000 ohm, 1/4 W. resistor	.15
SA 106417	250,000 ohm, 1/2 W. resistor	.15
SA 106417	1st I.F. transformer (465 KC.)	1.75
SA 106417	I.F. trimmer condenser - part of IC 9532	.15
SA 106417	I.F. trimmer condenser - part of IC 9532	.30
SA 106417	.05 mfd., 400 V. condenser	.30
SA 106417	.05 mfd., 200 V. condenser - part of SA 106327 (dual)	.30
SA 106417	500 ohm, 1/4 W. resistor	.15
SA 106417	75,000 ohm, 1/2 W. resistor	.15
SA 106417	End I.F. transformer (465 KC.)	1.10
SA 106417	I.F. trimmer condenser - part of IC 9533	.20
SA 106417	100 mfd., mica condenser	.15
SA 106417	Volume control and line switch - (500,000 ohm)	1.25
SA 106417	1 meg., 1/4 W. resistor	.15
SA 106417	.02 mfd., 400 V. condenser	.15
SA 106417	1 meg., 1/4 W. resistor	.15
SA 106417	100,000 ohm, 1/4 W. resistor	.15
SA 106417	250,000 ohm, 1/4 W. resistor	.15
SA 106417	250,000 ohm, 1/2 W. resistor	.15
SA 106417	.02 mfd., 400 V. condenser	.15
SA 106417	Tone control switch	.85
SA 106417	.005 mfd., 400 V. condenser	.15
SA 106417	Speaker output transformer	1.25
SA 106417	50,000 ohm, 1/4 W. resistor	.15
SA 106417	Speaker field coil - (1900 ohm)	1.75
SA 106417	.05 mfd., 200 V. condenser - part of 105327 (dual)	.30
SA 106417	8 mfd., electrolytic condenser (300 V.)	1.25
SA 106417	30 ohm resistor - part of RC 9513	.25
SA 106417	10 mfd., electrolytic condenser	.65
SA 106417	Power transformer 105-125 V., 30-60 cycles	3.80
SA 106417	Line switch - part of VR 937, 30-60 cycles	.20
SA 106417	Oscillator feed back coil - part of RC 9589	.15
SA 106417	Police oscillator coil - part of RC 9589	.15
SA 106417	.0001 mfd., mica condenser	6.00
SA 106417	10,000 ohm, 1/4 W. resistor	1.15
SA 106417	.05 mfd., 400 V. condenser	1.15
SA 106417	Speaker	1.15
SA 106417	Diaphragm and voice coil	.20
SA 106417	241 lamp	.50
SA 106417	Line cable and plug	.50

Diagram #	Part #
1	RC 9858
2	CH 856
3	SW 9519
4	CG 9522
5	RC 9589
6	SA 106417
7	SA 106417
8	SA 106417
9	SA 106417
10	SA 106417
11	SA 106417
12	SA 106417
13	SA 106417
14	SA 106417
15	SA 106417
16	SA 106417
17	SA 106417
18	SA 106417
19	SA 106417
20	SA 106417
21	SA 106417
22	SA 106417
23	SA 106417
24	SA 106417
25	SA 106417
26	SA 106417
27	SA 106417
28	SA 106417
29	SA 106417
30	SA 106417
31	SA 106417
32	SA 106417
33	SA 106417
34	SA 106417
35	SA 106417
36	SA 106417
37	SA 106417
38	SA 106417
39	SA 106417
40	SA 106417
41	SA 106417
42	SA 106417
43	SA 106417
44	SA 106417
45	SA 106417
46	SA 106417
47	SA 106417
48	SA 106417
49	SA 106417
50	SA 106417
51	SA 106417
52	SA 106417
53	SA 106417
54	SA 106417
55	SA 106417
56	SA 106417
57	SA 106417
58	SA 106417
59	SA 106417
60	SA 106417
61	SA 106417
62	SA 106417
63	SA 106417
64	SA 106417
65	SA 106417
66	SA 106417

**ELECTRICAL SPECIFICATIONS**

1 #6F7, 1 #6S6, 1 #75, 1 #42, 1 #80 - Total 5  
 Power Supply - 105 to 125 volts, 50 to 60 cycles A.C.  
 Power Consumption - 45 Watts  
 Tuning Range - 540 to 1600 K.C. and 1800 to 3200 K.C.  
 Maximum Undistorted Output - 1.5 Watts  
 Maximum Output - 2.8 Watts  
 Line-Up Frequencies - I.F. 465 K.C., 1400 K.C.

**GENERAL DESCRIPTION**

This model is a five-tube, A.C., two-band superheterodyne receiver whose circuit comprises a combined first detector-oscillator an intermediate frequency amplifier, a combined second detector, A.V.C. and I.F. audio amplifier, a power pentode output stage and a rectifier with its associated filter circuit and power transformer.

This model is designed to work over two bands, the broadcast band extending from 540 to 1600 K.C. and a police band which extends from 1400 to 3200 K.C.

**LINE-UP CAPACITOR ADJUSTMENTS**

To align the circuits of this receiver it is essential to use a high grade modulated test oscillator, the output of which can be continuously varied with absence from over-load when the individual circuits of the receiver are brought into alignment.

A conventional output meter can be connected across the terminals of the speaker voice coil to indicate when the circuits are aligned. The sensitivity of the output meter must be sufficient to give satisfactory reading with a low input signal.

Before attempting to align the receiver, the service man should familiarize himself with the general layout of the chassis, location of the tubes and various alignment condensers. Top and bottom views of the chassis are shown in Fig. #1 and #2 and should be carefully studied before the actual work is started.

**ADJUSTMENT OF I.F. (465 K.C.)**

1. Set volume control on full, turn tone control knob to the right hand position. Set wave-change switch on the broadcast position and the dial indicating

**ADJUSTMENT OF BROADCAST BAND**

1. Leave test signal on grid of 6F7 tube and set the test oscillator to 1400 K.C.

2. Turn the gang condenser to its maximum position. Adjust dial indicator until either end is directly over the long horizontal lines on the dial scale.

3. Then set dial indicator to 1400 K.C.

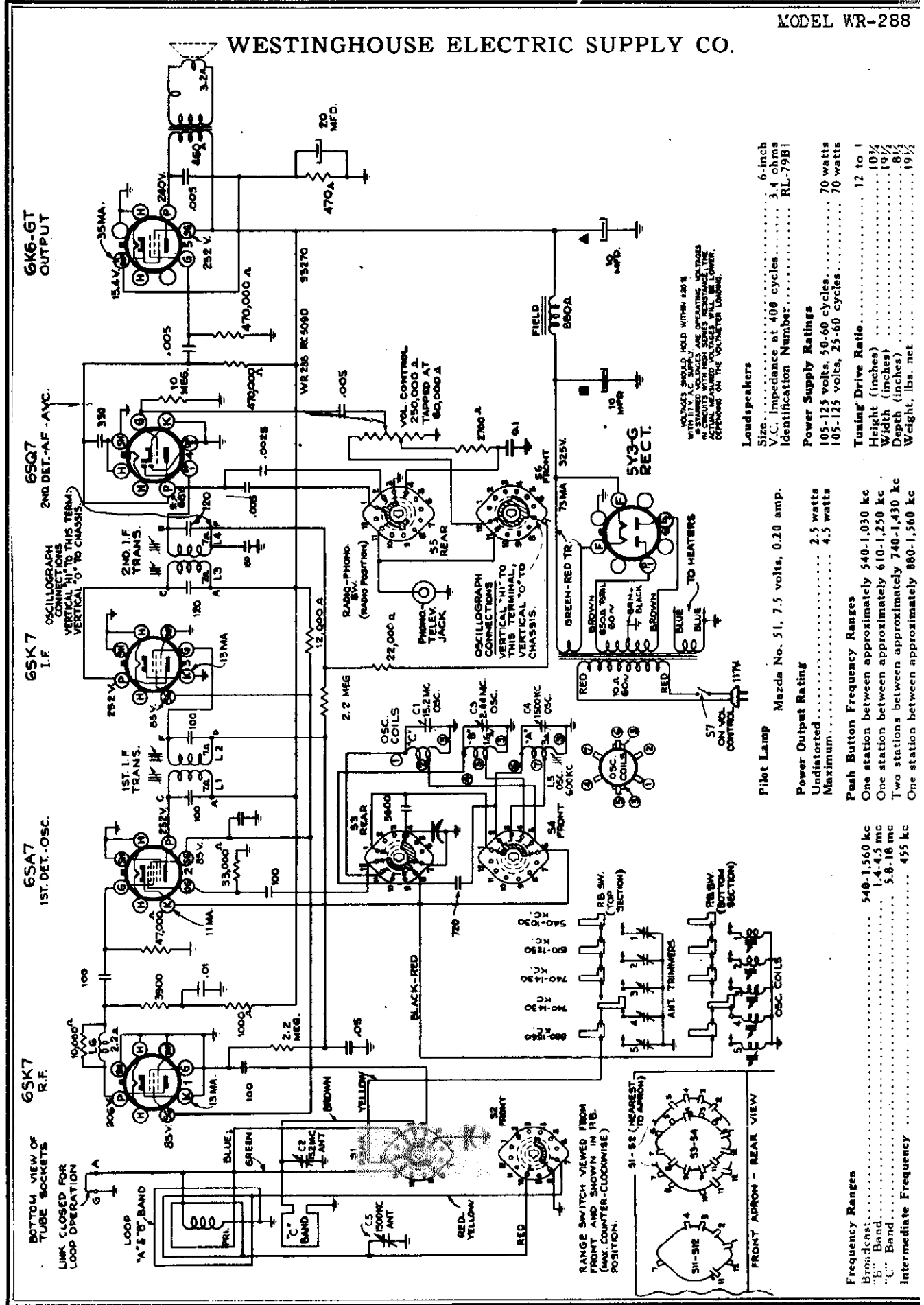
4. Adjust trimmer #8 to maximum output.

5. Apply test signal to antenna of set thru a .0002 mfd. condenser and adjust trimmer #7 to maximum output.

**ADJUSTMENT OF POLICE BAND**

When adjustments as outlined under the broadcast band are completed, the police band requires no adjustment unless the coil has been changed. In this event, set test oscillator and station indicator to 1700 K.C. and apply test signal to antenna by "A" in Fig. #2. Adjust the position of this winding by sliding it back and forth on the core until maximum output is indicated on the output meter. This winding should then be secured in place by applying a thin coat of coll cement.

WESTINGHOUSE ELECTRIC SUPPLY CO.



6K6-GT  
OUTPUT

6SQ7  
2ND DET.-AF.-AFC.

6SK7  
I.F.

6SA7  
1ST DET.-OSC.

6SK7  
R.F.

BOTTOM VIEW OF  
TUBE SOCKETS  
LINK CLOSED FOR  
LOOP OPERATION

OSCILLOGRAPH  
CONNECTIONS  
VERTICAL "H" TO THIS TERMINAL  
VERTICAL "O" TO CHASSIS.

OSCILLOGRAPH  
CONNECTIONS  
VERTICAL "H" TO THIS TERMINAL  
VERTICAL "O" TO CHASSIS.

OSCILLOGRAPH  
CONNECTIONS  
VERTICAL "H" TO THIS TERMINAL  
VERTICAL "O" TO CHASSIS.

OSCILLOGRAPH  
CONNECTIONS  
VERTICAL "H" TO THIS TERMINAL  
VERTICAL "O" TO CHASSIS.

OSCILLOGRAPH  
CONNECTIONS  
VERTICAL "H" TO THIS TERMINAL  
VERTICAL "O" TO CHASSIS.

OSCILLOGRAPH  
CONNECTIONS  
VERTICAL "H" TO THIS TERMINAL  
VERTICAL "O" TO CHASSIS.

2ND I.F. TRANS.

1ST I.F. TRANS.

OSC. COILS

OSC. COILS

OSC. COILS

VR 288 RE-5090

VR 288 RE-5090

VR 288 RE-5090

VR 288 RE-5090

VR 288 RE-5090

5Y3-G  
RECT.

5Y3-G  
RECT.

5Y3-G  
RECT.

5Y3-G  
RECT.

5Y3-G  
RECT.

5S REAR

5S REAR

5S REAR

5S REAR

5S REAR

5S FRONT

5S FRONT

5S FRONT

5S FRONT

5S FRONT

5S REAR

5S REAR

5S REAR

5S REAR

5S REAR

5S FRONT

5S FRONT

5S FRONT

5S FRONT

5S FRONT

5S REAR

5S REAR

5S REAR

5S REAR

5S REAR

5S FRONT

5S FRONT

5S FRONT

5S FRONT

5S FRONT

5S REAR

5S REAR

5S REAR

5S REAR

5S REAR

5S FRONT

5S FRONT

5S FRONT

5S FRONT

5S FRONT

5S REAR

5S REAR

5S REAR

5S REAR

5S REAR

5S FRONT

5S FRONT

5S FRONT

5S FRONT

5S FRONT

5S REAR

5S REAR

5S REAR

5S REAR

5S REAR

5S FRONT

5S FRONT

5S FRONT

5S FRONT

5S FRONT

5S REAR

5S REAR

5S REAR

5S REAR

5S REAR

5S FRONT

5S FRONT

5S FRONT

5S FRONT

5S FRONT

**Speakers**  
 Size..... 6-inch  
 V.C. Impedance at 400 cycles..... 3.4 ohms  
 Identification Number..... RL-79B1

**Power Supply Ratings**  
 105-125 volts, 50-60 cycles..... 70 watts  
 195-225 volts, 25-60 cycles..... 70 watts

**Tuning Drive Ratio**..... 12 to 1  
 Height (inches)..... 10 1/2  
 Width (inches)..... 19 1/2  
 Depth (inches)..... 8 1/2  
 Weight, lbs. net..... 19 1/2

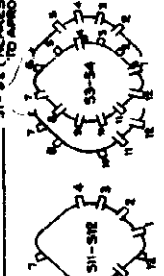
**Power Output Rating**  
 Mazda No. 51, 7.5 volts, 0.20 amp.  
 Undistorted..... 2.5 watts  
 Maximum..... 4.5 watts

**Push Button Frequency Ranges**  
 One station between approximately 540-1,030 kc  
 One station between approximately 610-1,250 kc  
 Two stations between approximately 740-1,430 kc  
 One station between approximately 880-1,560 kc

**Frequency Ranges**  
 Broadcast..... 540-1,560 kc  
 "B" Band..... 1.4-4.5 mc  
 "C" Band..... 5.8-16 mc  
 Intermediate Frequency..... 455 kc

VOLAGES SHOULD HOLD WITHIN 20%  
 OF NOMINAL VALUES ARE OPERATING VOLTAGES  
 IN CIRCUITS WITH HIGH SERIES RESISTANCE, LINE  
 DEPENDENT ON THE VOLTMETER LOADING.

RANGE SWITCH VIEWED FROM  
 FRONT AND SHOWN IN RB.  
 POSITION.



FRONT VIEW - REAR VIEW

MODEL WR-288

WESTINGHOUSE ELECTRIC SUPPLY CO.

Alignment Procedure

**Cathode-Ray Alignment** is the preferable method. Connections for the oscillograph are shown in the schematic diagrams.

**Output Meter Alignment.**—If this method is used, connect the meter across the voice coil, and turn the receiver volume control to maximum.

**Test-Oscillator.**—For all alignment operations, connect the low side of the test-oscillator to the receiver chassis, and keep the output as low as possible to avoid a-v-c action.

**Calibration Scale.**—The glass tuning dial may be easily removed from the cabinet and temporarily attached to the chassis for quick reference during alignment. Or, if necessary, the calibration scale printed in this service note can be used in conjunction with an ordinary 12-inch ruler as an accurate and convenient substitute for the regular dial.

Each method is described below.

**Using Tuning Dial.**—

- Slide out the flat spring clamp at each end of the dial, and remove the glass dial from the cabinet.
- With gang in full mesh, move the dial pointer to the reference mark at the left-hand end of the dial backing plate.
- Place the glass dial under the pointer so that the extreme left scale graduations coincide with the pointer. Use scotch tape to hold the glass dial in this position.
- After completion of the alignment, replace the glass dial in cabinet, taking care that the fibre light shields are in correct position at ends of dial.

**Using Calibration Scale.**—

- With gang in full mesh, move the dial pointer to the reference mark at the left-hand end of the dial backing plate.

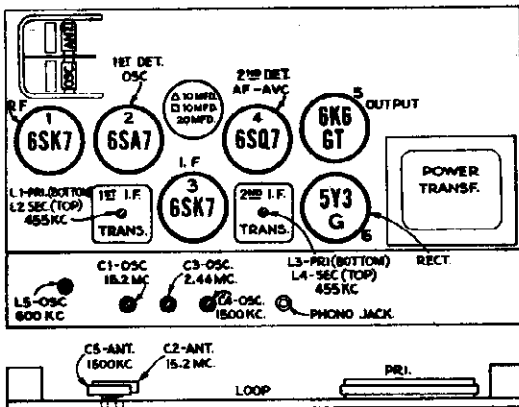
- Place a flat 12-inch ruler on the dial backing plate so the left-end of ruler is at the reference mark at left-end of backing plate. Temporarily fasten the ruler with scotch tape to the backing plate.

To find the correct pointer position in inches for any desired frequency, draw a vertical line through this frequency on the calibration scale. For example, 1,500 kc is approximately 4 inches from the reference mark.

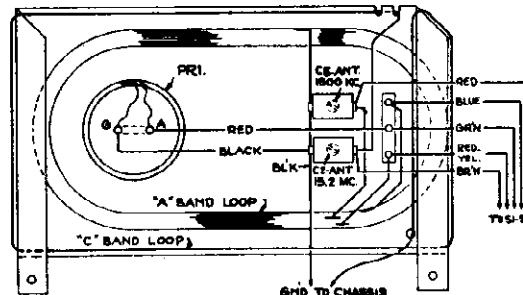
**Dial-Pointer Adjustment.**—After the chassis is replaced in cabinet, move the dial pointer (if necessary) so that it is at the left-hand graduation on the dial with the gang in full mesh.

Steps	Connect the high side of the test-osc. to—	Tune test-osc. to—	Turn radio dial to—	Adjust the following for maximum peak output—
1	L-F grid, in series with .01	455 kc	"A" band, Quiet point at 1,500 kc end of dial	L3 and L4 (2nd I.F. Trans.)
2	1st-Det. grid, in series with .01			L1 and L2 (1st I.F. Trans.)
3	Antenna terminal, in series with 300 ohms (link open)	15.2 mc	"15.2 mc "C" band	C1 (osc.) C2 (ant.)
4		2.44 mc	"2.44 mc "B" band	C3 (osc.) Rock in
5	Antenna terminal, in series with 200 mmfd. (link open)	1,500 kc	"1,500 kc "A" band	C4 (osc.) C5 (ant.)
6		600 kc	"600 kc "A" band	L5 Rock in
7	Repeat steps 5 and 6.			

\* Use minimum capacity peak if two peaks can be obtained. Check to determine that the correct peak has been used, by tuning receiver to 14.29 mc, where a weaker signal should be received.  
Note: Oscillator tracks above signal on all bands.



Tube and Trimmer Locations



Loop Connections

Push Button Adjustment

The push buttons connect to separate magnetite-core oscillator coils and separate antenna trimmers which must be adjusted for the desired stations. Use an insulated screwdriver or alignment tool. Allow at least five minutes warm-up period before making adjustments.

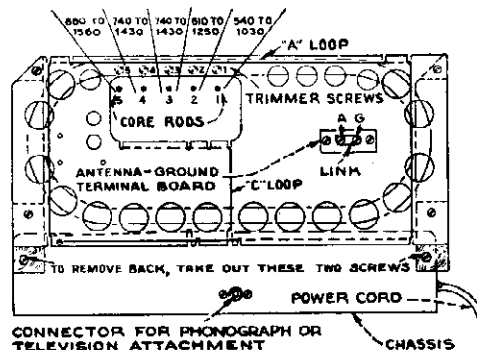
In the event that the receiver is to be used with an external antenna use one or two feet of wire (as an antenna) to ensure sharp peaking during the final adjustment procedure. For loop operation, the link should be strapped across "A" and "C" terminals on back of set. In either case the procedure is as follows:

- Make a list of the desired stations, arranged in order from low to high frequencies.
- Turn the range selector to "A" band, and manually tune in the first station on the list.
- Turn Range Control knob to "PB" and press push button No. 1 and adjust No. 1 oscillator core to receive this station. Screw the core all the way in, to lowest frequency, and then unscrew slowly until station is received.
- Adjust No. 1 antenna trimmer for maximum output on this station.

Owing to the relatively high R-F gain, it may be found that there are several settings of each push-button magnetite core that will bring in any particular station. In such cases it is advisable to unscrew the push button antenna trimmers to minimum capacity before adjusting the oscillator cores.

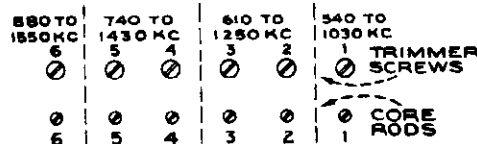
Clockwise adjustment of cores and trimmers tunes the circuits to lower frequencies.

- Adjust for each of the remaining stations in the same manner.
- After all stations are tuned-in on the buttons, make a final careful adjustment of all core rods until best reception is obtained for each. Outdoor antenna should now be reconnected if used.



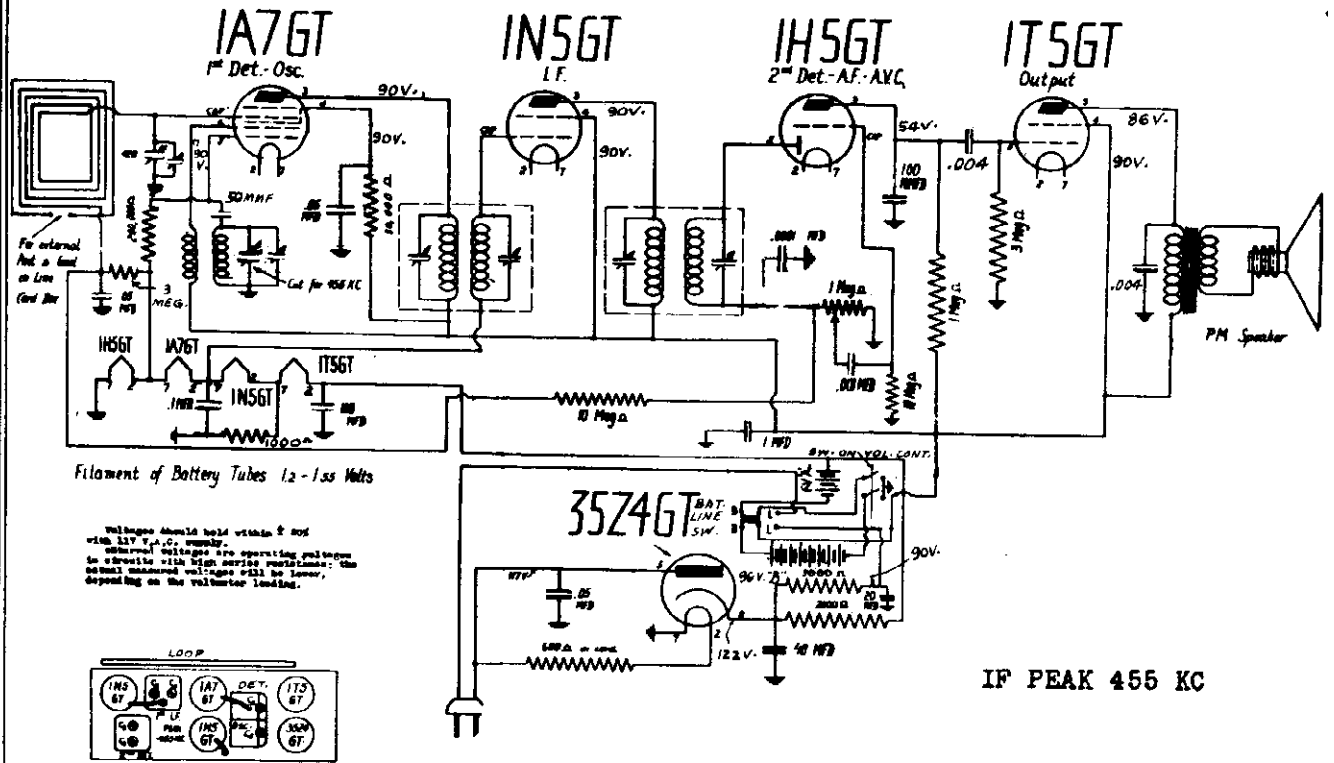
CONNECTOR FOR PHONOGRAPH OR TELEVISION ATTACHMENT

Back of Chassis



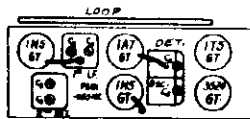
Push Button Adjustments

WESTINGHOUSE ELECTRIC SUPPLY CO.



Filament of Battery Tubes 1.2-1.5s Volts

Voltagess should be held within ± 5% of 117 V.A.C. supply. Observed voltages are operating voltages. In circuits with high series resistances, the actual measured voltages will be lower, depending on the voltmeter loading.

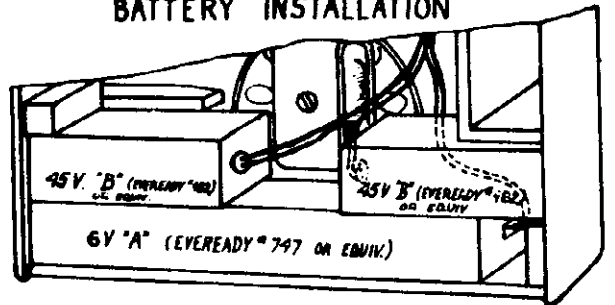


Alignment Procedure

Output Meter Alignment—If this method is used, connect the meter across the voice coil, and turn the receiver volume control to maximum.

Test-Oscillator—For all alignment operations, keep the output as low as possible to avoid a-v-c action. Connect the high side of the test-oscillator to one of the antenna loop primary leads. Connect the low side of the test-oscillator to the other antenna loop primary lead.

BATTERY INSTALLATION



Steps	Tune test-osc. to—	Turn Radio dial to—	Adjust the following for max. peak output—
1	455 kc	Quiet point at 1700 kc end of dial	C1, C2, C3, C4 (1st and 2nd I-F transformers)
2	1700 kc	1700 kc	C5 osc.
3	1500 kc	1500 kc	C6

Frequency Range .....540-1700 kc  
Intermediate Frequency .....455 kc

RCA TUBE COMPLEMENT

- (1) RCA-1A7-GT ..... 1st.-Det.—Osc.
- (2) RCA-1N5-GT ..... I-F Amplifier
- (3) RCA-1H5-GT ..... 2nd-Det., A-F, and A.V.C.
- (4) RCA-1T5-GT ..... output
- (5) RCA-35Z4-GT ..... Rectifier

LINE CURRENT SUPPLY

110 to 125 volts, AC 40 to 60 cycles, or DC .....20 watts

BATTERIES REQUIRED

- "A" one 6 volt dry plug-in type (Eveready No. 747 or equivalent)
- "B" two 45 volt dry plug-in type (Eveready No. 482 or equivalent)

CURRENT CONSUMPTION

"A," 0.05 ampere—"B," 10.5 milliamperes full power.

POWER OUTPUT

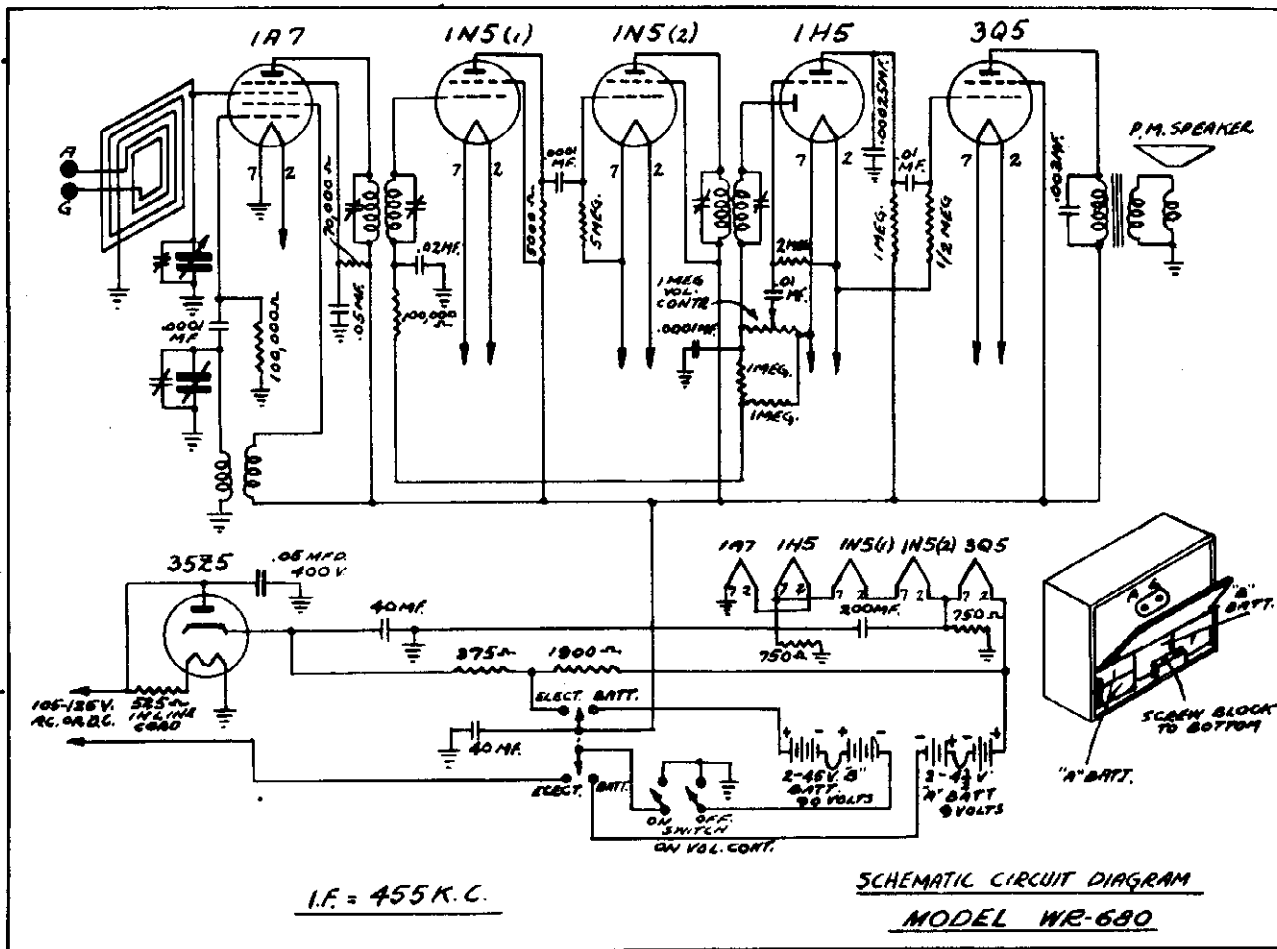
Undistorted .....0.10 watt  
Maximum .....0.19 watt

LOUDSPEAKER

Type .....3-inch permanent-magnet dynamic  
Voice-coil Impedance .....3.5 ohms at 400 cycles

MODEL WR-678  
WR-679

WESTINGHOUSE ELECTRIC SUPPLY CO.



ALIGNMENT PROCEDURE

A Signal Generator and Output Meter are necessary for proper alignment of this receiver.

Before proceeding with any re-alignment, see that the pointer is in a horizontal position when the plates are fully meshed. Be sure that the grid leads to the 1N5 tubes are not too close together, and move the lead from the loop antenna away from the LF grid.

THE INTERMEDIATE FREQUENCY is 455 KC. Connect the high side of the Signal Generator to the 1A7 grid with the grid cap removed and the low side to chassis. Set the Generator to this frequency. Adjust for maximum output as indicated on the output meter, which is connected across the Speaker Voice Coil. The I.F. trimmers are in the tops of the shield cans.

Replace the 1A7 grid cap. Couple the signal generator to the receiver by connecting to the A and G terminals on the back of the case. Turn the Signal Generator to 1400 KC, rotate the tuning knob to indicate this frequency and tune in the signal by means of the oscillator trimmer which is located on the right side (rear) of the variable condenser. Now adjust the antenna trimmer (front section of the variable condenser) for maximum output.

No further adjustments are required.

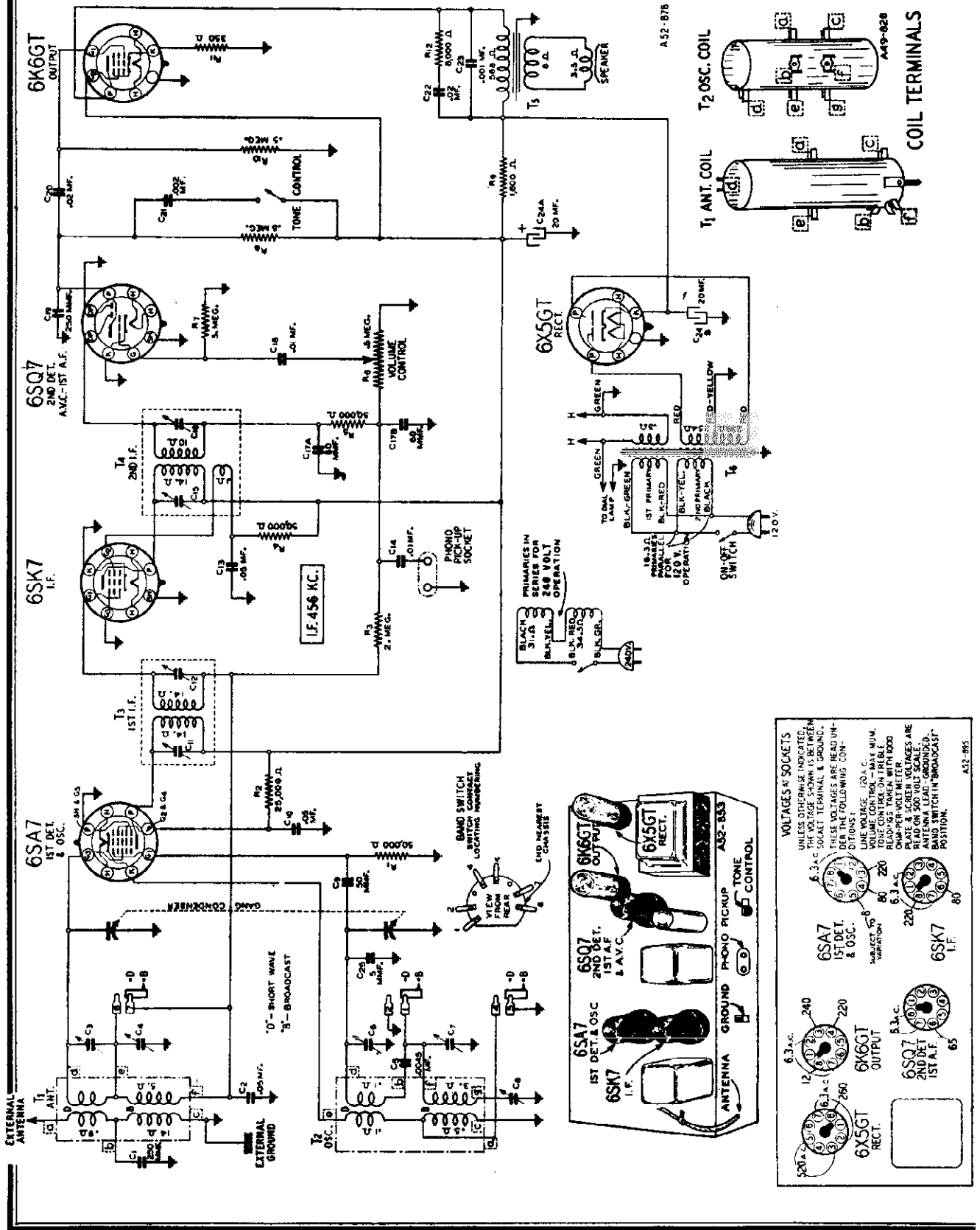
- TUBES: 1A7GT - Det.-Osc.  
 1N5GT - 1st I.F.  
 1N5GT - 2nd I.F.  
 1H5GT - Det. avc. and A.F.  
 3Q5GT - Output  
 35Z5GT - Rectifier

POWER OUTPUT:

Undistorted	.17 watt
Maximum	.250 watt



WESTINGHOUSE ELEC. INTERNATIONAL CO.



**VOLTAGES IN SOCKETS**  
UNLESS OTHERWISE INDICATED, ALL VOLTAGES ARE TO BE TAKEN FROM THE COMMON OR GROUND TERMINAL AND SHOULD BE READ UNDER THE FOLLOWING CONDITIONS:

- LINE VOLTAGE - 120 A.C.
- VOLUME CONTROL - MAXIMUM
- READINGS TAKEN WITH 500 OHM-PER-VOLT METER
- ANTENNA LEAD - GROUND
- BAND SWITCH IN "BROADCAST" POSITION.

6X5GT RECT.	520 A.C.	6SA7 1ST DET. & OSC.	120 A.C.	6K6GT OUTPUT	5.3 A.C.
6SA7 1ST DET. & OSC.	240	6SK7 I.F.	220	6SQ7 2ND DET. 1ST A.F.	65
6SA7 1ST DET. & OSC.	240	6SK7 I.F.	220	6SQ7 2ND DET. 1ST A.F.	65
6SA7 1ST DET. & OSC.	240	6SK7 I.F.	220	6SQ7 2ND DET. 1ST A.F.	65

MODEL M-102

WESTINGHOUSE ELEC. INTERNATIONAL CO.

### SPECIFICATIONS

Power Consumption 45 Watts (At 120 volts 60 cycles)  
 Power Output .....1.5 Watts Undistorted  
   3.0 Watts Maximum  
 Selectivity.....37 KC Broad at 1000 times Signal  
 Intermediate Frequency .....456 KC  
 Speaker Voice Coil Impedance at  
 400 cycles .....3 1/2 Ohms

Tuning Frequency Range  
 Broadcast Range ..... 540 to 1600 KC  
 Shortwave Range .....4700 to 18000 KC  
 Sensitivity—(For 0.5 Watt output)  
 Broadcast Range.....20 Microvolts Average  
 Shortwave Range.....60 Microvolts Average

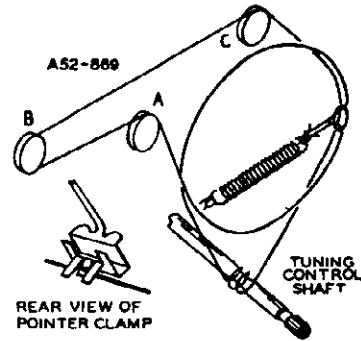
### 120 OR 240 VOLT POWER TRANSFORMER CONNECTIONS

All radios except those for use on 25 cycles are equipped with a dual voltage power transformer which may be connected for 120 volts or 240 volts operation on 50-60 cycles. See diagram on page 3.

### DRIVE CORD REPLACEMENT

Turn gang condenser to completely closed position. Using a new drive cord 45" in length, tie one end to tension spring. Pass other end through hole in rim of

drive pulley. Pull spring flush against inside of pulley rim. Wind cord around drive pulley and pass over idler pulleys "A," "B," and "C"—See illustration. Continue cord around drive pulley to tuning control shaft. Cord should be on right side of pulley groove (from gang condenser end of chassis). Wind drive cord 2 turns around section of tuning control shaft directly below drive pulley—See illustration. Continue cord around drive pulley. Pass cord through hole in pulley rim. Tie cord to tension spring. Stretch tension spring and secure free end to hook on pulley.



### ALIGNMENT PROCEDURE

Volume Control—Maximum All Adjustments.

Connect Radio Chassis to Ground Post of Signal Generator with a Short Heavy Lead.

Allow Chassis and Signal Generator to "Heat Up" for several minutes.

The following equipment is required for aligning:

An All Wave Signal Generator which will provide an accurately calibrated signal at the test frequencies as listed.

Output Indicating Meter—Small Screwdriver.

Dummy Antennas—.1 mf., 200 mmf., and 400 ohm carbon resistor.

SIGNAL GENERATOR			RANGE SWITCH SETTING	CONDENSER SETTING	ADJUST TRIMMERS TO MAXIMUM
FREQUENCY SETTING	CONNECTION AT RADIO	DUMMY ANTENNA			

It is not necessary to remove chassis from cabinet if a short screwdriver is used for the I.F. adjustments.

CAUTION—Align S.W. (Range D) before aligning Broadcast (Range B).

<b>I.F.</b>					
456 KC	Antenna Lead	.1 mf.	Broadcast (to left)	Turn Rotor to Full Open	1st I.F. (C11) & (C12) 2nd I.F. (C15) & (C16)
<b>S.W. (RANGE D)</b>					
18,000 KC	Antenna Lead	400 Ohm	Shortwave (to right)	Turn Rotor to Full Open	Oscillator Shortwave (C6)
17,000 KC	Antenna Lead	400 Ohm	Shortwave (to right)	Turn Rotor to Max. Output	Ant. Shortwave (C3) Rock Rotor—See Note B
<b>BROADCAST (RANGE B)</b>					
1600 KC	Antenna Lead	200 mmf.	Broadcast (to left)	Turn Rotor to Full Open	Oscillator Broadcast (C7)
1400 KC	Antenna Lead	200 mmf.	Broadcast (to left)	Turn Rotor to Max. Output Set Pointer to 1400 KC— See Note A	Ant. Broadcast (C4)
600 KC	Antenna Lead	200 mmf.	Broadcast (to left)	Turn Rotor to Max. Output	600 KC (C8) Rock Rotor—See Note B

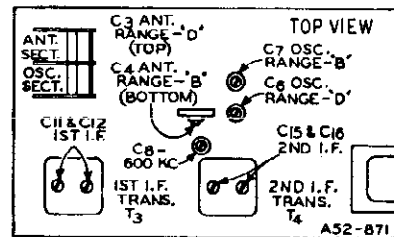
Attenuate the signal from the signal generator to prevent the leveling-off action of the AVC.

After each range is completed, repeat the procedure as a final check.

NOTE A—If the pointer is not at 1400 KC on the dial when maximum output is obtained, move the pointer to the 1400 KC mark on the dial scale.

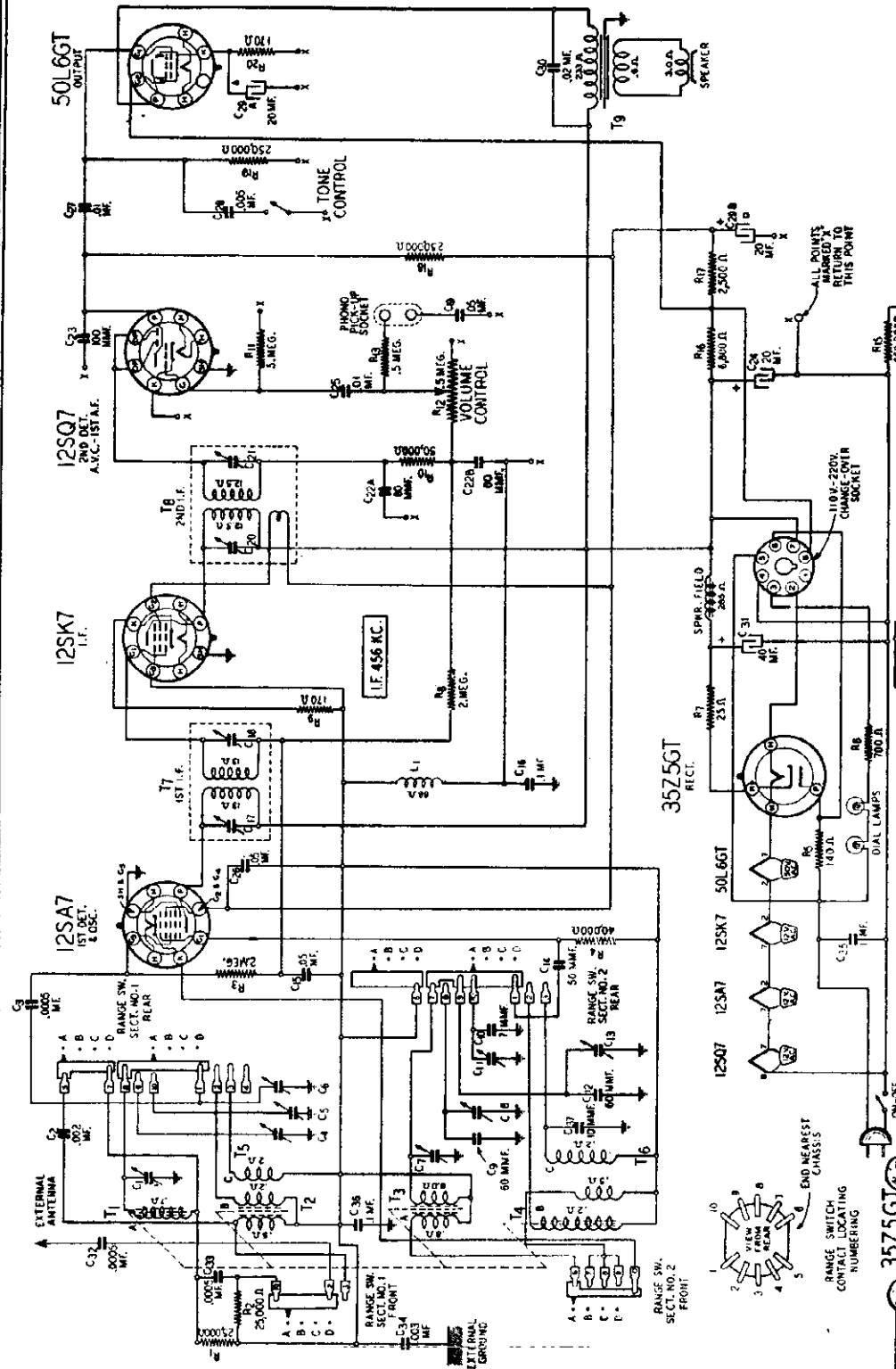
NOTE B—Turn the rotor back and forth and adjust the trimmer until the peak of greatest intensity is obtained.

CAUTION—When aligning the short wave bands, be sure NOT to adjust at the image frequency. This can be checked as follows: Let us say the signal generator is set for 15,000 KC. The signal will then be heard at 15,000 on the dial of the radio. The image signal should be heard at 15,000 less 912 KC, or 14,088 KC on the dial. It may be necessary to increase the input signal to hear the image.



WESTINGHOUSE ELEC. INTERNATIONAL CO.

MODELS M-104,  
N-204



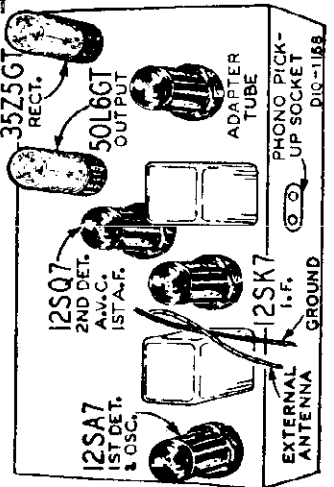
SHORT WAVE RANGES

- B Range 3.2 to 7.4 Megacycles
- C Range 8.3 to 12.0 Megacycles
- D Range 15.0 to 22.0 Megacycles

The Short Wave ranges are calibrated in megacycles and meters. Short Wave broadcasts will be heard best on the D range during the day and on the B and C ranges at night.

WAVE RANGES BROADCAST RANGE

A Range 535 to 1610 Kilocycles  
This range is calibrated in kilocycles and meters. Standard Broadcast stations are tuned in on this range.



MODELS M-104,  
N-204

WESTINGHOUSE ELEC. INTERNATIONAL CO.

**100-120 Volts DC or  
40-60 Cycle AC  
Operation**

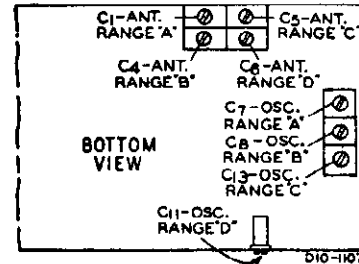
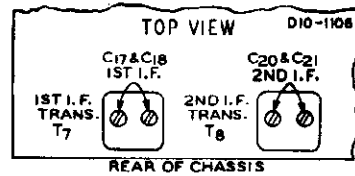
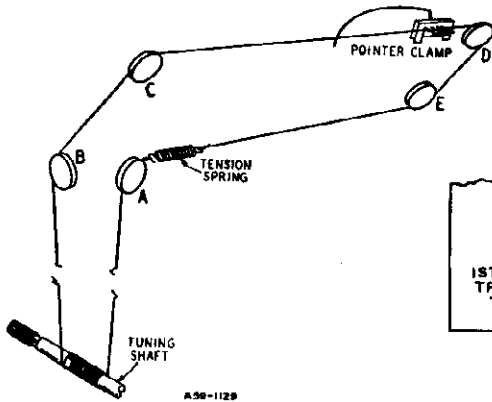
To adjust this receiver for operation on a 100-120 volt DC or 40-60 cycle power supply, the 220 volt Voltage Adapter tube (Part No. 6A250) must be replaced with a 110 volt Voltage Adapter tube (Part No. 6A251).

**SPECIFICATIONS**

	120 Volt Operation AC or DC	240 Volt Operation AC or DC
Power Consumption	45 Watts	60 Watts
Power Output	2 Watts Undistorted 3 Watts Maximum	4.5 Watts Undistorted 6 Watts Maximum
Sensitivity	(For .05 Watt Output) 20 Microvolts Av. All Ranges	(For 0.5 Watt Output) 20 Microvolts Av. All Ranges
Selectivity	37 KC Broad at 1000 Times Signal	
Intermediate Frequency	456 KC	
Speaker	6" Electro-Dynamic	

**Tuning Frequency Range**

A Range	535 to 1610 KC
B Range	3.2 to 7.4 MC
C Range	8.3 to 12.0 MC
D Range	15.0 to 22.0 MC



Attenuate the signal from the signal generator to prevent the leveling-off action of the AVC. After each range is completed, repeat the procedure as a final check.

**CAUTION**—When aligning the short wave ranges, be sure NOT to adjust at the image frequency. This can be checked as follows: let us say the signal generator is set for 15,000 KC. The signal will then be heard at 15,000 on the dial of the radio. The image signal, which is much weaker, will be heard at 15,000 less 912 KC, or 14,088 KC on the dial. It will be necessary to increase the input signal to hear the image. The image frequency must always be 912 KC LESS than the frequency at which the set is aligned. This is true of all the short wave ranges.

It is very important that the bandsread ranges (B, C and D) be aligned at the precise frequencies given. If the accuracy of the signal generator is not known, it is always best to first calibrate the signal generator by using a receiver that is in good condition. First tune in a station of known frequency close to 12.0 MC. Then tune the signal generator until it "beats" with the station, carefully marking the setting of the generator. Proceed in the same manner for all the other alignment frequencies.

**NOTE A**—Turn tuner back and forth and adjust trimmer until peak of greatest intensity is reached.

**PHONOGRAPH CONNECTIONS**

Phonograph records may be reproduced through this radio by using a record-player.

On the back of the chassis base is a double pin tip socket to which a phono pickup of the high-impedance type may be connected. Always try reversing the position of the pickup pin tips in the socket if excessive hum is noticed.

**ALIGNMENT PROCEDURE**

Before aligning make certain that dial pointer is adjusted properly as instructed under "Drive Cord Replacement" on page 5. Volume Control—Maximum All Adjustments. Connect Radio Ground Lead to Ground Post of Signal Generator with a Short Heavy Lead. Allow Chassis and Signal Generator to "Heat Up" for several minutes.

The following equipment is required for aligning: An All Wave Signal Generator which will provide an accurately calibrated signal at the test frequencies as listed. Output Indicating Meter — Non-Metallic Screw-driver. Dummy Antennas—1 mf., 200 mmf., and 400 ohms. (Connect in series with Antenna lead.)

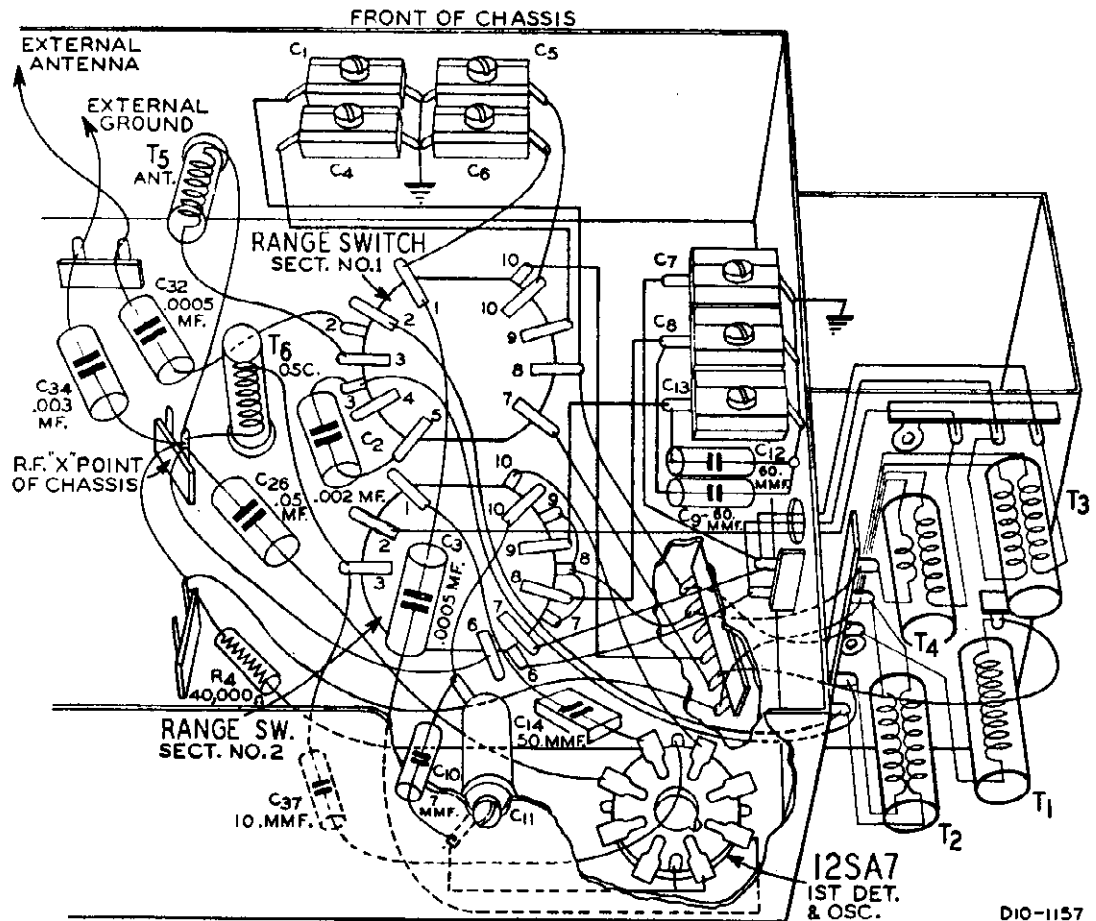
SIGNAL GENERATOR FREQUENCY CONNECTION SETTING	DUMMY ANTENNA	BAND SWITCH SETTING	POINTER SETTING	ADJUST TRIMMERS TO MAXIMUM
I.F. 456 KC	Antenna Lead	.1 mf.	A Range	Turn Tuning Knob until Extreme High Frequency Position is Reached 2nd I.F. (C20) & (C21) 1st I.F. (C17) & (C18)
<b>RANGE D</b> 21.9 MC	Antenna Lead	400 Ohm	D Range	Oscillator Range D (C11)
Reset to 20.0 MC	Antenna Lead	400 Ohm	D Range	Turn Tuner to Max. Output Antenna Range D (C6) Rock Tuner—See Note A
<b>RANGE C</b> 12.0 MC	Antenna Lead	400 Ohm	C Range	Extreme High Frequency Position Oscillator Range C (C13)
Reset to 11.5 MC	Antenna Lead	400 Ohm	C Range	Turn Tuner to Max. Output Antenna Range C (C8) Rock Tuner—See Note A
<b>RANGE B</b> 7.4 MC	Antenna Lead	400 Ohm	B Range	Extreme High Frequency Position Oscillator Range B (C8)
Reset to 7.8 MC	Antenna Lead	400 Ohm	B Range	Turn Tuner to Max. Output Antenna Range B (C4) Rock Tuner—See Note A
<b>RANGE A</b> 1410 KC	Antenna Lead	200 mmf.	A Range	Extreme High Frequency Position Oscillator Range A (C7) Antenna Range A (C1)

**POWER SUPPLY**

Radio shipped from factory for operation on a power supply of 200 to 240 volts D.C. or 40 to 60 cycles A.C. An adjustment can be made for operation on a line voltage of 100 to 120 volts D.C. or 40 to 60 cycles A.C.

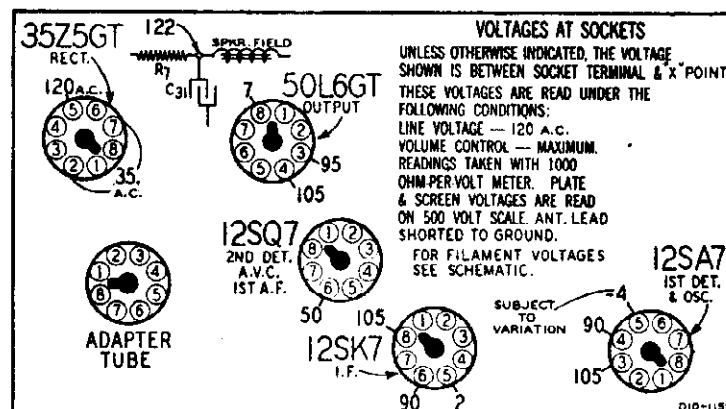
WESTINGHOUSE ELEC. INTERNATIONAL CO.

MODELS M-104  
N-204



D10-1157

Wiring Diagram for Coil System



D10-1157

DRIVE CORD REPLACEMENT

Turn drive shaft until cores are entirely within coil form. Pass cord through hole in tuning shaft and bring two ends together evenly. CAUTION—Cord must remain centered on shaft. Wind one part of cord two turns on tuning shaft in a counterclockwise direction (from front of chassis). These turns should progress away from chassis. Hold both parts of cord and withdraw cores from within coils slowly by turning the tuning shaft. One part of cord should progress towards chassis and the other away from the chassis. Unwind the inside cord from shaft. Then wind this cord two turns in a clockwise direction (from front of chassis). These turns should progress towards rear of chassis.

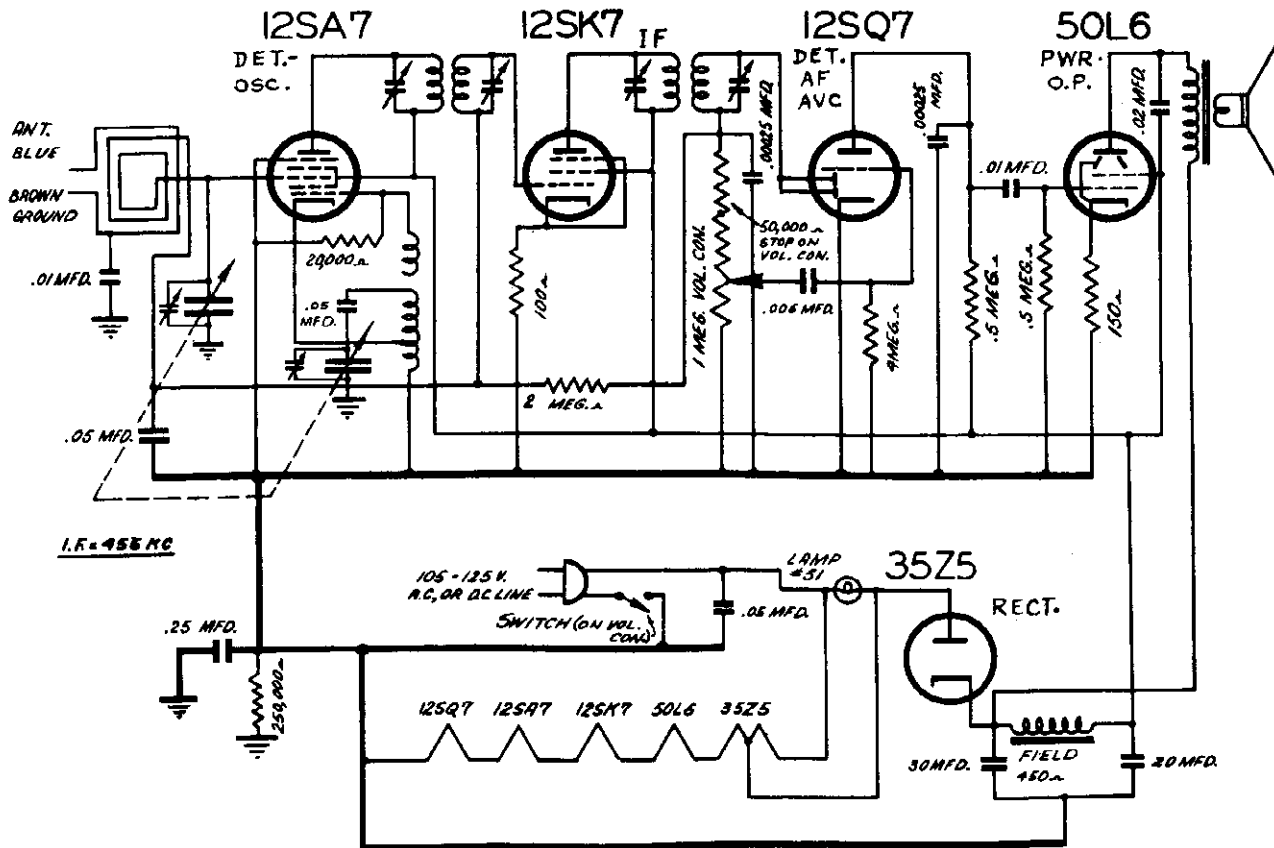
Pass this cord over idler pulley A—see illustration. Pass outer cord on tuning shaft over idler pulleys B, C, D and E, attaching it to tension spring. Secure other end of cord to opposite end of tension spring. This spring should be slightly stretched for tension.

ATTACHING DIAL POINTER

Turn tuning knob clockwise until extreme high frequency position is reached. (Cores completely out of coils.) Slip the pointer on the dial cord and move to high frequency end of dial scale. Carefully align pointer with end of printed scales and clamp securely into position.

MODEL M-115

WESTINGHOUSE ELEC. INTERNATIONAL CO.



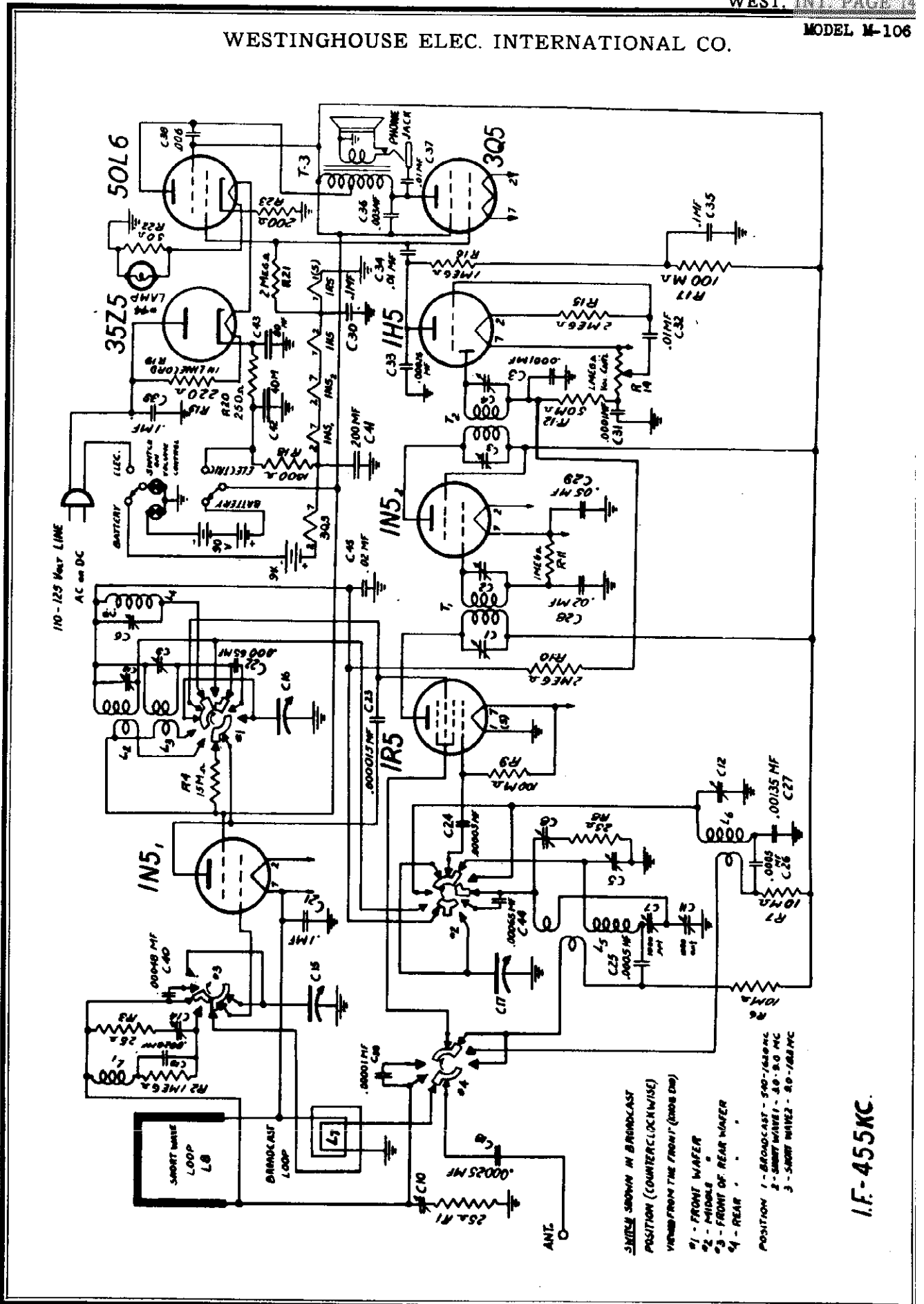
Frequency Range-----545 to 1630 K.C.  
 Intermediate Frequency-----455 K.C.  
 Power Supply Ratings  
 Alternating Current-----105-125 volts, 50-60 cycles, 30 watts  
 Direct Current-----105-125 volts-----30 watts

Alignment Procedure

A test oscillator or signal generator is required together with an output meter. Connect the output meter across the voice coil. For I.F. alignment connect the low side of the signal generator or test oscillator to the Negative bus. (This connection maybe made at the line switch) The high side is then connected to the stator of the antenna section (rear) thru a .01 mfd condenser. Then align the I.F. trimmers for maximum as indicated on the output meter. Should any station interfere while this adjustment is being made, turn the variable condenser to a quiet point on the dial.

Connect the test oscillator to antenna and ground leads of the receiver. Now open the variable condenser with the plates entirely out of mesh. Set the test oscillator to 1630 K.C. and adjust the oscillator trimmer (front section of the variable condenser) to this frequency. Now change to a clear spot on the dial at about 1400 K.C., set the test oscillator to this frequency and align the antenna trimmer (rear section) for maximum. No other adjustments are required.

WESTINGHOUSE ELEC. INTERNATIONAL CO.



SWITCH SHOWN IN BROADCAST POSITION (COUNTERCLOCKWISE) VIEW FROM THE FRONT (2000 Ohm)

1 - FRONT WAFER  
 2 - MIDDLE  
 3 - FRONT OF REAR WAFER  
 4 - REAR

POSITION 1 - BROADCAST - 540-1650 KC  
 2 - SHORT WAVE 1 - 30-50 MC  
 3 - SHORT WAVE 2 - 80-100 MC

I.F. 455KC.

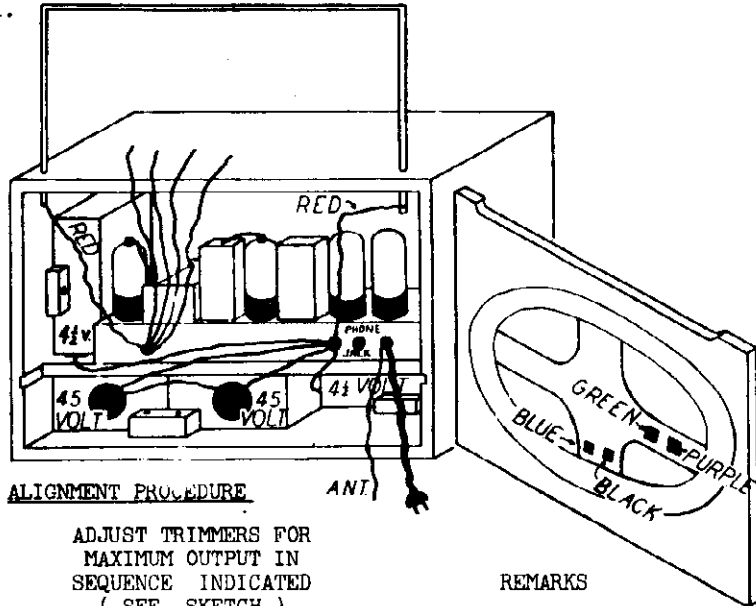
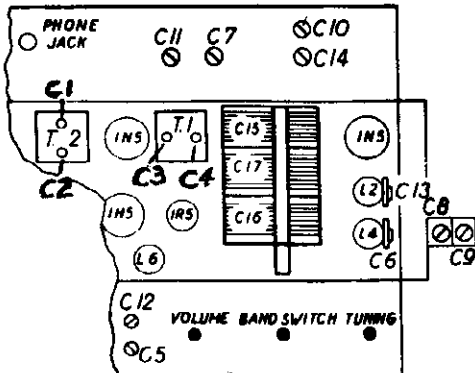
**MODEL M-106**

**WESTINGHOUSE ELEC. INTERNATIONAL CO.**

During the alignment procedure all adjustments should be made under the following conditions:

- (1) Line Voltage as indicated elsewhere in these instructions (or a fresh set of batteries)
- (2) Volume control at maximum.
- (3) Minimum input from the Signal Generator to give a good readable signal on the output meter.

If this procedure is not adhered to, all adjustments will appear very broad due to the action of the automatic volume control.



**ALIGNMENT PROCEDURE**

ADJUST TRIMMERS FOR MAXIMUM OUTPUT IN SEQUENCE INDICATED (SEE SKETCH)

	SIGNAL GENERATOR FREQUENCY		BAND	ADJUST TRIMMERS FOR MAXIMUM OUTPUT IN SEQUENCE INDICATED (SEE SKETCH)	REMARKS
A	455 MC		I.F.	1--2--3--4	I. F. Trimmers
B	1500 KC		B.C.	5--6	Set dial to 1500 KC
C	600 KC		B.C.	7	Recheck adjustment "B"
D	17 MC		S.W.2	8--9--10	Set dial to 17 MC (rock condenser slightly)
E	9.5 MC		S.W.2	11	Recheck adjustment "D"
F	8.5 MC		S.W.1	12--13--14	

**POWER CONSUMPTION** (On 117 Volts AC) 20 Watts

**BATTERIES** 2--45 Volt "B" and 2--4½ Volt "A"

**BATTERY DRAIN** "A"--300 Milliamperes  
"B"--12 Milliamperes

**POWER OUTPUT BATTERY OPERATION** - 100 Milliwatts undistorted  
200 Milliwatts maximum

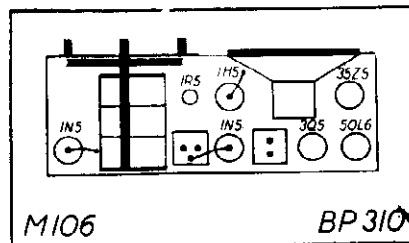
**A.C. OPERATION** - 500 Milliwatts undistorted  
1.5 Watts maximum

**INTERMEDIATE FREQUENCY** 455 KC

**SPEAKER** 5 inch P.M. dynamic

**FREQUENCY RANGE BROADCAST** 540--1830 KC  
SHORT WAVE #1 3--9 MC  
SHORT WAVE #2 9--18 MC

**SENSITIVITY** BROADCAST-LOOP OPERATION-75 MICROVOLTS PER METER (AVERAGE) FOR 50 MW OUTPUT  
ANTENNA - 5 MICROVOLTS (AVERAGE)  
SHORT WAVE-LOOP OPERATION 100 MICROVOLTS PER METER (AVERAGE)

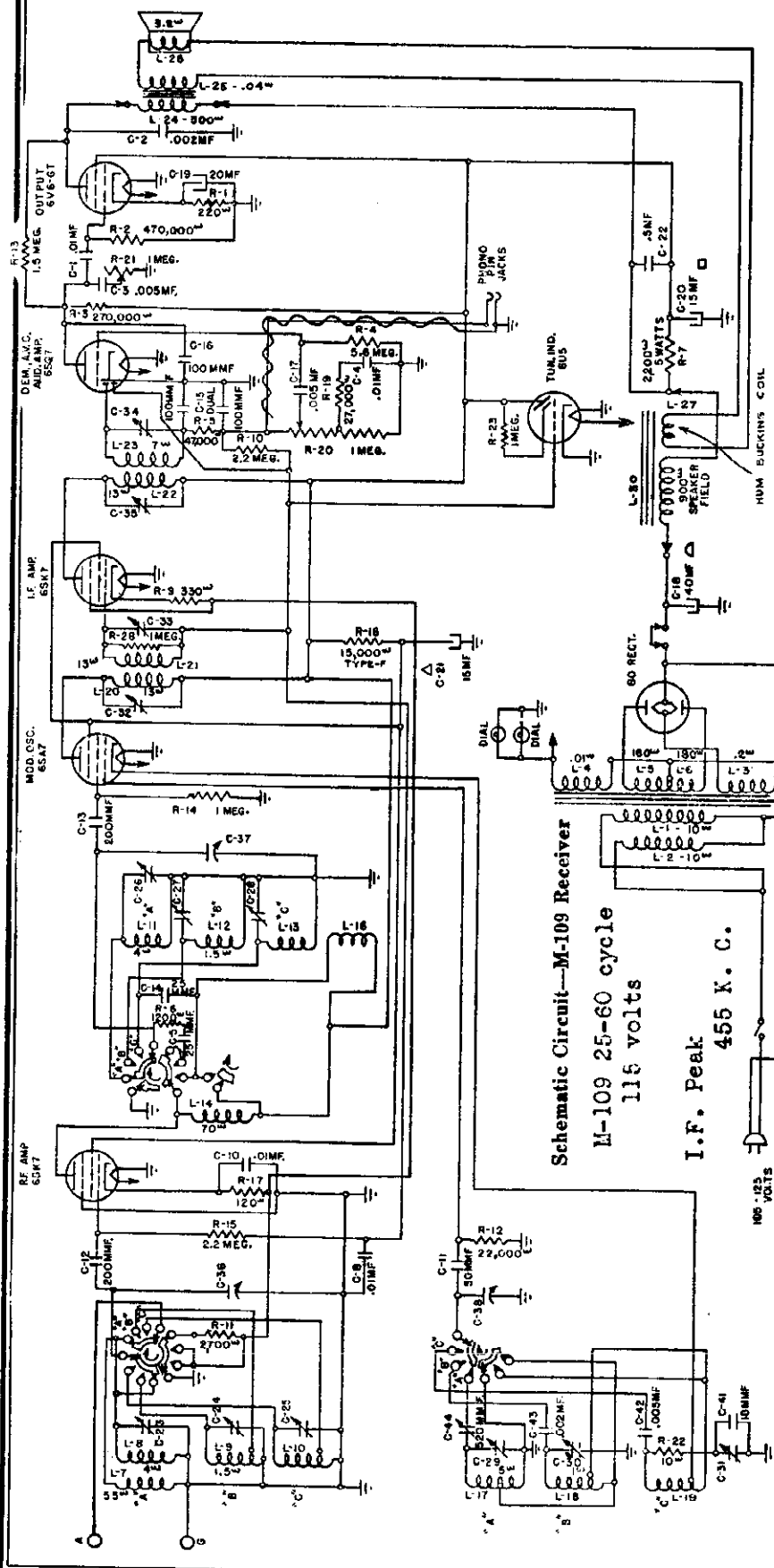


**TUBE COMPLEMENT**

- 1N5GT Tuned R.F. Amplifier
- 1R5 1st. detector and oscillator
- 1N5GT I.F. amplifier
- 1H5GT 2nd detector, A.V.C. and 1st Audio
- 3Q5GT Output (for Battery Operation)
- 50L6G7 Output (for Electric Operation)
- 35Z5GT Rectifier (for Electric Operation)



WESTINGHOUSE ELEC. INTERNATIONAL CO. MODELS M-109, M-109B, M-109C



Models M-109 and M-113 series  
**VOLTAGE NOTES:**

1. Take all readings with receiver operating and tuned to approx. 1000 Kc.-no Sig.
2. Use a line voltage of 120V. (240 V. for "C" models), or make or allow for any slight variation.
3. Use a good high res. voltmeter having a res. of at least 1000 ohms per volt.
4. Take all D.C. readings on the 500 V. scale except when an asterisk appears.
5. Read from indicated terminals
6. A.C. voltages are indicated by italics.

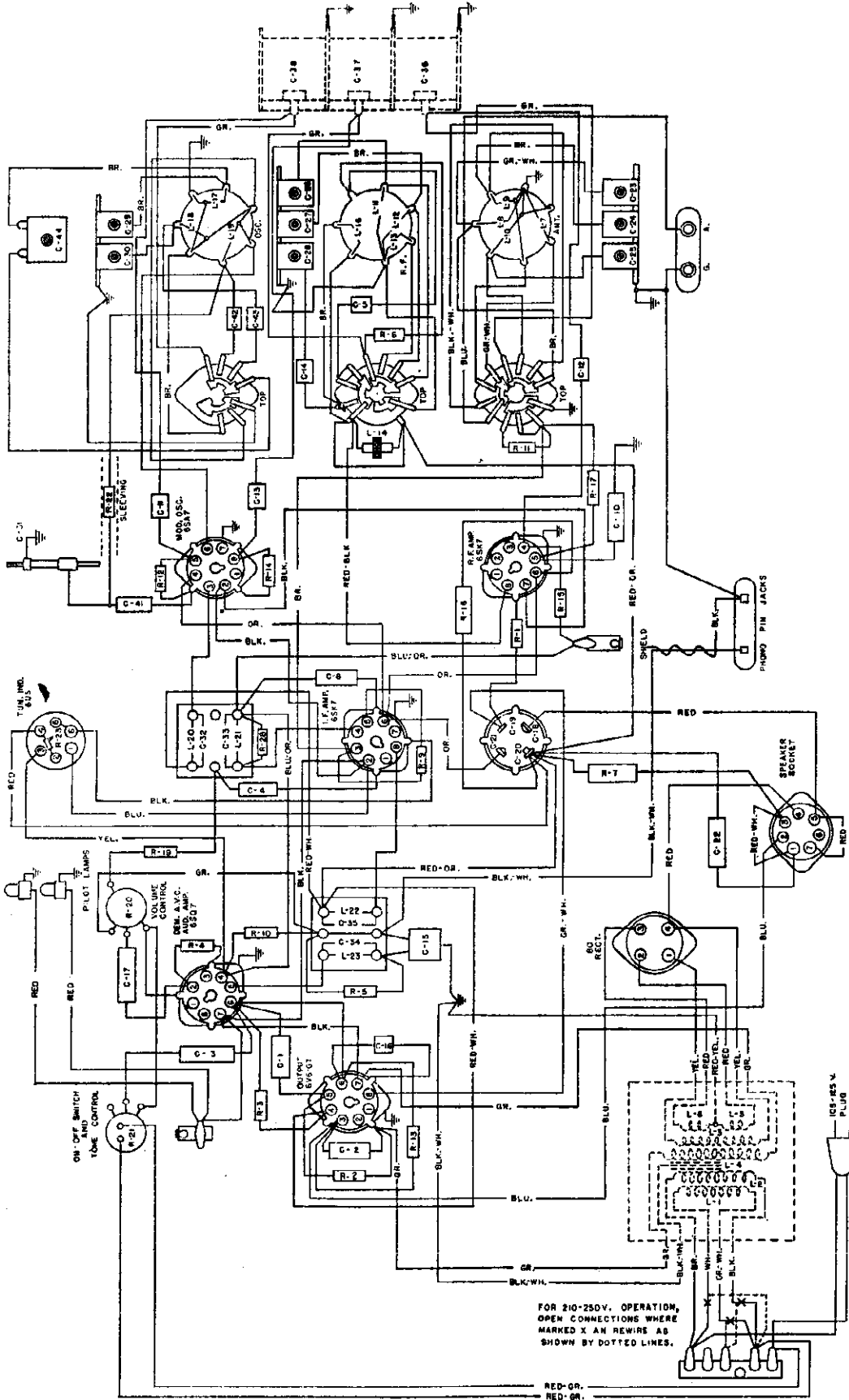
**NORMAL VOLTAGE READINGS**

Tube	Circuit	1	2	3	4	5	6	7	8
6SK7	R. F. Amp.	0	0	0	0	+9*	+110	6.0	+265
6SA7	Mod. and Osc.	0	6.0	+265	+110	-6*	0	0	0
6SK7	I. F. Amp.	0	6.0	+9*	0	+9*	+110	0	+265
6SQ7	Demod., A. V. C. Audio Ampl.	0	0	0	0	0	+100	6.0	0
6V6G*	Output	0	0	+310	+265	0	+100	6.0	+12*
80†	Rectifier	+410	590	590	+410	—	—	—	—
6U5	Tuning Indicator	0	+25	0	+265	0	6.0	—	—
	Speaker Socket	+320	+310	+320	+410	+410	0	+410	—

\*Read on lowest possible scale of voltmeter.  
 †Between terminals 1 and 4 of rectifier socket: 4.5 volts A. C.

MODELS M-109, M-109B,  
M-109C

WESTINGHOUSE ELEC. INTERNATIONAL CO.

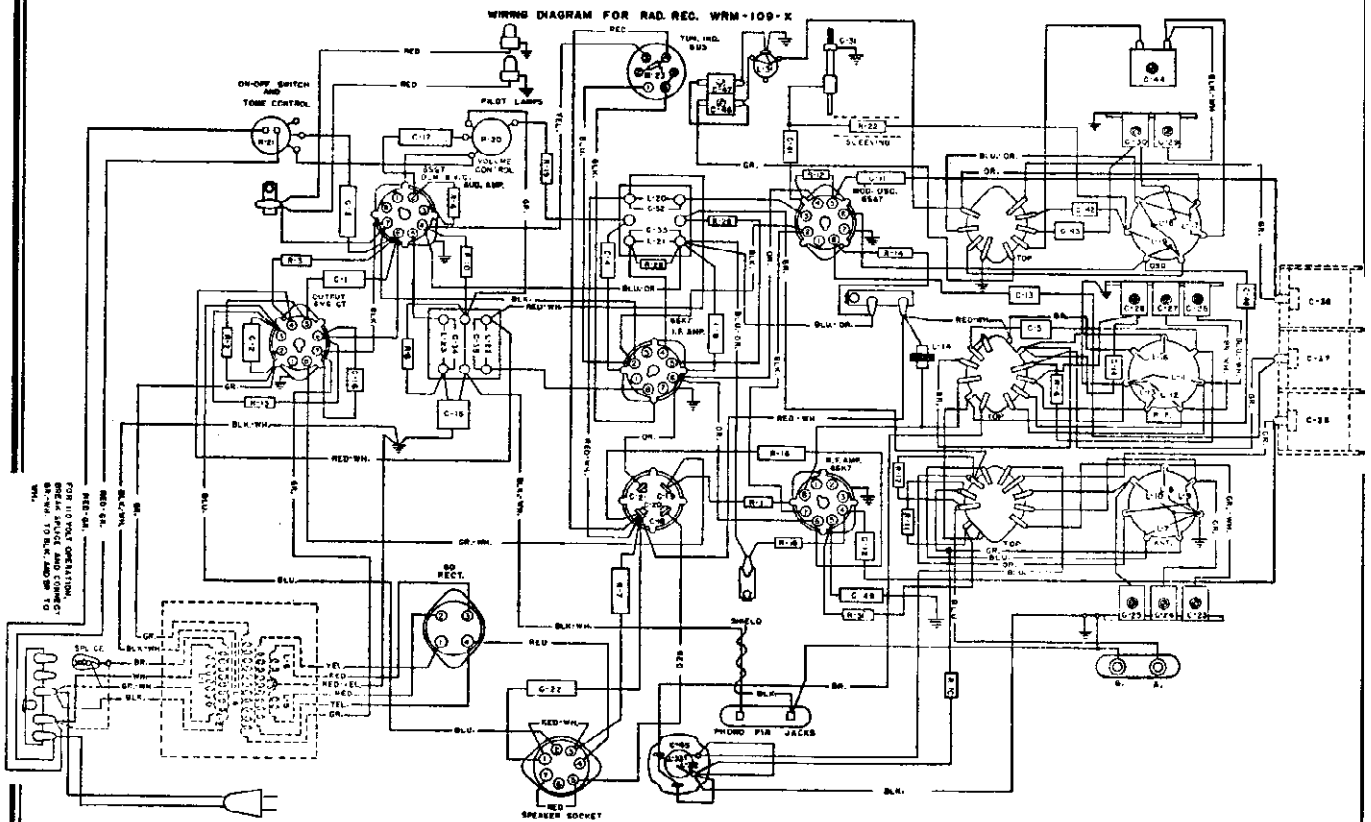


Wiring Diagram—M-109 Receiver

Tuning Range: A - .54 to 1.6 MC.; B - 2.3 to 7.6 MC.; C - 7.6 to 23 MC.  
 Input Power Rating..... 80 watts I. F. Peak ..... 455 KC.  
 Speaker Voice Coil Impedance at 400 cycles ..... Approximately 3.2 ohms  
 Speaker Field Coil Resistance ..... Approximately 900 ohms

# WESTINGHOUSE ELEC. INTERNATIONAL CO. MODEL M-109X

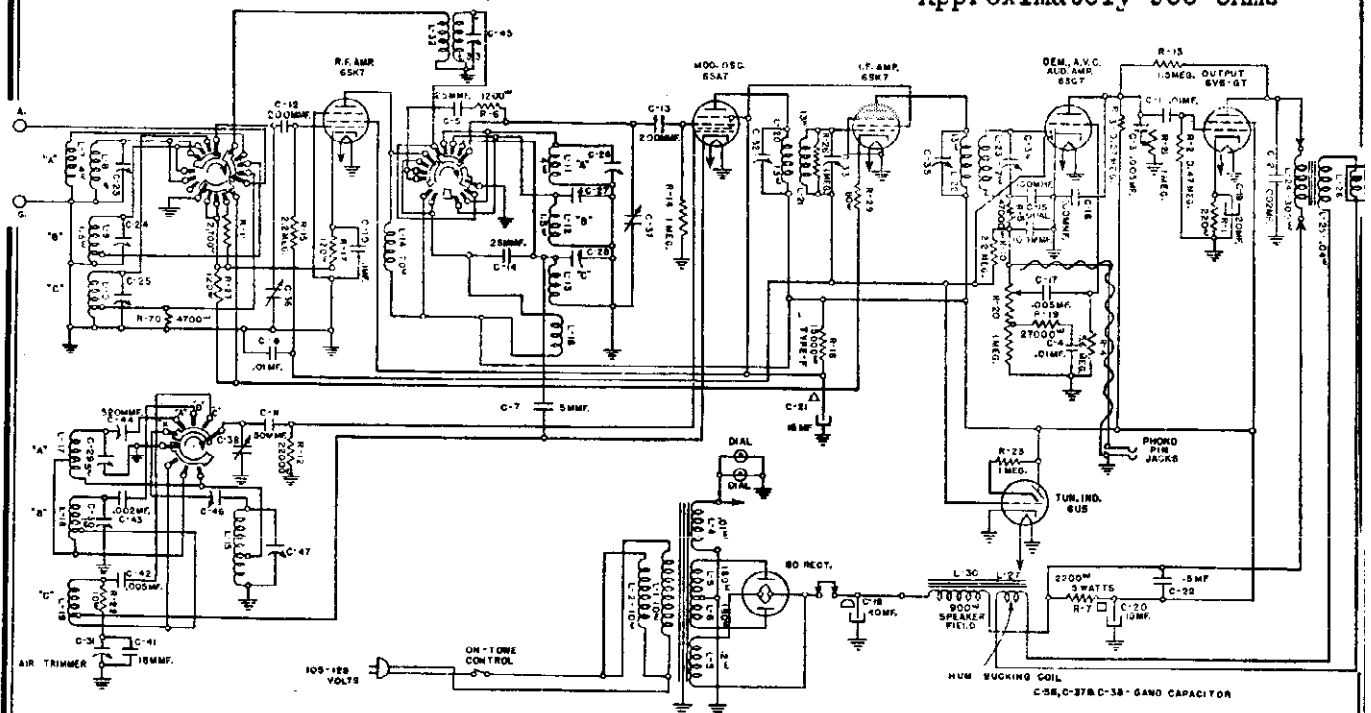
## Wiring Diagram—M-109-X Receiver



Tuning Ranges, Model M-109-X  
 X-150 to 400 Kc.; A-0.54 to 1.6 Mc.  
 B-2.3 to 7.6 Mc.; C-7.6 to 23 Mc.

Input Power Rating (M-109) 80 watts

Intermediate Frequency ..... 455 Kc.  
 Spkr. V.C. Impedance at 400 cycles  
 Approximately 3.2 ohms  
 Spkr. Field Coil Resistance  
 Approximately 900 ohms



Schematic Circuit—M-109-X Receiver

MODELS M-109, M-109B, M-109C, M-109X WESTINGHOUSE ELEC. INTERNATIONAL CO. MODELS M-113, M-113C

**ALIGNING INFORMATION**

Never Align Unless Absolutely Necessary

Use a good modulated signal generator (test oscillator) with variable output voltage and connect a sensitive output meter across the voice coil of the speaker.

Always align using the smallest possible signal from the signal generator. A strong signal makes adjustments inaccurate.

Always have receiver volume control full on.

See location chart for location of all the aligning adjustment screws.

Aligning procedure (follow this order exactly)

**I. Dial pointer adjustment.**

Make sure that the dial drive cord is in position on all pulleys, otherwise it will not be possible to correctly set the dial pointer. To correct the position of the dial pointer, first free the pointer ends from the drive cord, then with the gang capacitor fully engaged, set the pointer directly behind the horizontal line at the top of the dial. Carefully retighten the pointer ends to the drive cord.

**II. Intermediate frequency adjustments.**

1. Set the range switch to the medium wave position ("A").
2. Tune set to extreme low frequency end of the dial.
3. Connect the ground terminal of the signal generator to the ground terminal of the chassis.
4. Introduce a modulated signal of 455 Kilocycles to the stator terminal (top) of the center section of the gang capacitor, using a 0.1 microfarad capacitor in series with the output lead of the signal generator.
5. Adjust the I. F. Aligners for maximum signal in the following order:
  - A. Secondary of second I. F. transformer.
  - B. Primary of second I. F. transformer.
  - C. Secondary of first I. F. transformer.
  - D. Primary of first I. F. transformer.

**III. Radio frequency adjustments.**

**Short Wave Range, Scale "C".**

1. Replace the 0.1 microfarad capacitor in series with the output lead of the signal generator with a 400 ohm carbon type resistor, and connect it to the antenna terminal of the chassis.
2. Set the range switch to the "C" short-wave position.

3. Set the signal generator frequency and the receiver tuning dial to 20 megacycles.
4. Adjust the "OSC 20 MC." (air trimmer) aligner by loosening the lock nut and moving the plunger in or out until maximum signal is obtained. If two positions are found at which maximum signal occurs, always use the minimum capacitance position (most outward position of plunger). Always be sure to tighten the lock nut after the aligning adjustment has been completed. An S. D. 70 aligning tool is recommended for alignment of air trimmer capacitors of the plunger type.
5. Adjust the "20 MC." R. F. and ANTenna aligning capacitors for maximum signal.

**Short Wave Range, Scale "B".**

(Leave the receiver connected to the signal generator in the same manner as above.)

1. Set the range switch to the "B" short-wave position.
2. Set the signal generator frequency and the receiver tuning dial to 7 Mc.
3. Adjust the "7 MC." OSCillator aligning capacitor for maximum signal. If two positions are found at which maximum signal occurs, always use the minimum capacitance position (most counter-clockwise position).
4. Adjust the "7 MC." R. F. and ANTenna aligning capacitors for maximum signal.

**Medium Wave Range, Scale "A".**

1. Replace the 400 ohm carbon type resistor in series with the output lead from the signal generator with a 200 micro-microfarad capacitor.
2. Set the range switch to the medium wave position, "A".
3. Set the signal generator frequency and the receiver tuning dial to 1.5 Mc.
4. Adjust the "1.5 MC." OSCillator R. F. and ANTenna aligners (iron cores) for maximum signal.
5. Set the signal generator frequency and the receiver tuning dial to 0.6 Mc.
6. Adjust the "0.6 MC." OSCillator aligning capacitor for maximum signal.
7. Repeat operations 3 and 4.

**Alignment Procedure, WRM-109-X only**

**Long Wave Range, Scale "X".**

1. Connect signal generator to antenna connection of receiver with a 200 MSF Capacitor in series with the high side of the signal generator lead. Connect the ground side to the ground connection of the receiver.
2. Set signal generator and receiver dial to 800 meters (375 Kc.).
3. Turn range switch to "X" range position (extreme left).
4. With a screwdriver, adjust the long wave shunt aligner until the 800 meter signal is brought to exact resonance. (The series and shunt oscillator aligners are located on the front of the chassis directly under the dial. The aligners are accessible through

two holes side by side in which the left hand adjustment is the series aligner and the right, the shunt aligner.)

5. Adjust the antenna aligner for maximum output. (This aligner is located on the rear of the chassis, to the right of the antenna-ground terminal block, and is accessible through a hole provided.)
6. Turn the dial of the receiver to 3000 meters (150 Kc.).
7. Set the signal generator to 2000 meters (150 Kc.).
8. Rock tuning control, at the same time adjusting the oscillator series aligner (see paragraph 4 above for location) until maximum signal output is obtained.
9. Repeat operations 2, 4 and 5.
10. Repeat operations 7 and 8.

**POWER TRANSFORMER CONNECTIONS**

Models M-109, 109-C, 109-X, 113 and 113-C have a double primary power transformer which when connected in parallel will operate between 105 and 130 volts A. C. and when connected in series (M-109-C and M-113-C) will operate between 210 and 250 volts A. C. If it is desired to change the operating voltage of these sets, see the wiring diagrams on Pages 6, 8 or 9 for the correct connections. These connections are

located underneath the chassis and must be soldered. On Phonograph Models (M-113 and M-113-C) it is also necessary when changing the operating voltage to insert the proper plug on the phonograph motor. The plug having a double jumper wire is for 105 to 130 volts operation of the phonograph motor. The plug having a single jumper wire provides 200 to 250 volts A. C. operation of the phonograph motor.

**PHONO MOTOR CONNECTIONS**

The phonograph motor for the M-113-C should be inspected to see that the small plug having a single jumper wire is in place for operation on a line voltage of 200 to 250 volts A. C.

double jumper wire is in place for operation on a line voltage of 100 to 130 volts.

The phonograph motor for the M-113 should be inspected to see that the small plug having a

To obtain correct turntable speed when operating the phonograph on a 50 cycle power supply, remove the drive pulley from the motor shaft and replace it with the pulley enclosed in envelope stapled to cabinet.

**INSTRUCTIONS FOR ADJUSTING PHONOGRAPH MECHANISM USED IN M-113 RECEIVERS**

**A. Adjusting Landing Position of Needle on Record**

If needle comes down too far from the edge of the record so that record does not start at the beginning, turn adjusting screw "A" very slightly counter-clockwise.

If needle comes down too close to the edge of the record so that it slips off, turn adjusting screw clockwise.

**B. Adjusting Tripping Mechanism**

If trip mechanism fails to trip or operates during playing of record, adjust screw "B" to position where proper tripping is obtained. When this adjustment cannot be accomplished by means of screw "B" loosen adjusting nuts "D-D", make necessary adjustments with these nuts, then retighten.

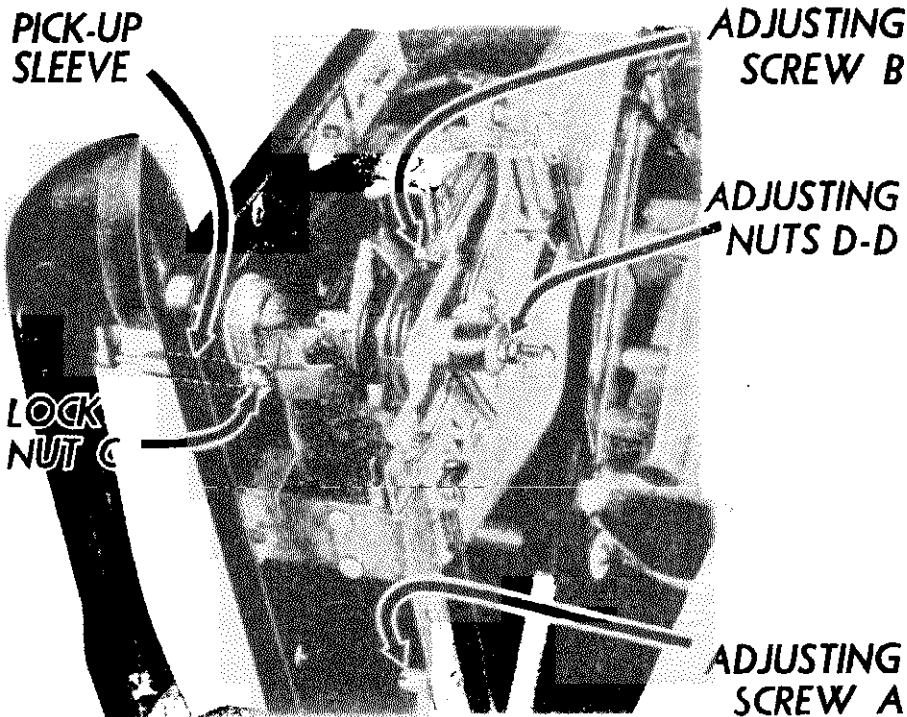
**C. Adjusting Height to Which Pick-up Arm Rises**

The arm should rise during the change cycle so that it clears the record above it by only 1/8". To make this adjustment, loosen the locknut "C" on pick-up sleeve and turn sleeve to lengthen or shorten the plunger. Be sure to tighten locknut again after adjustment.

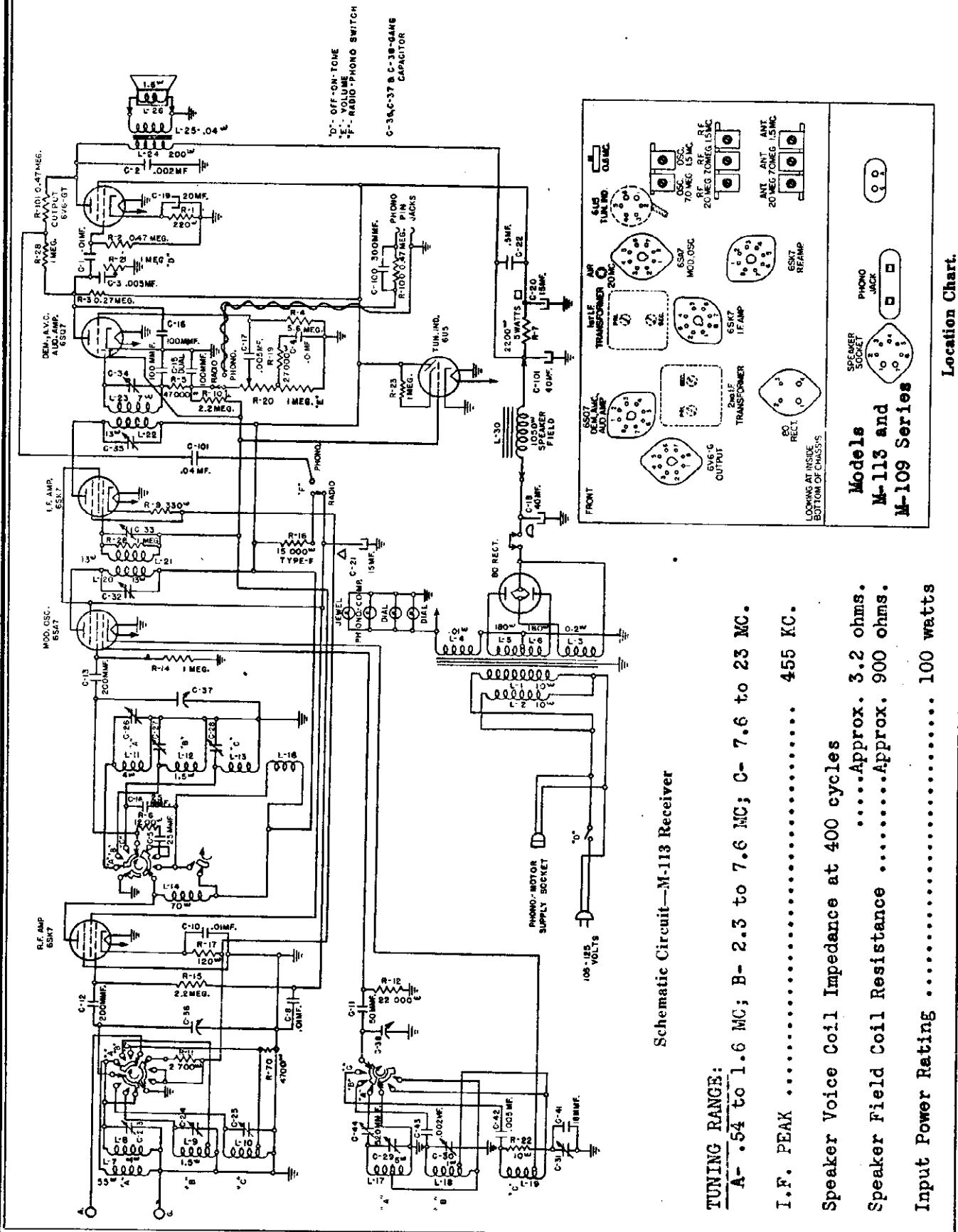
No adjustment of the record separating knives is required as they are arranged to compensate for slight differences in record thickness automatically.

Handle the mechanism with care.

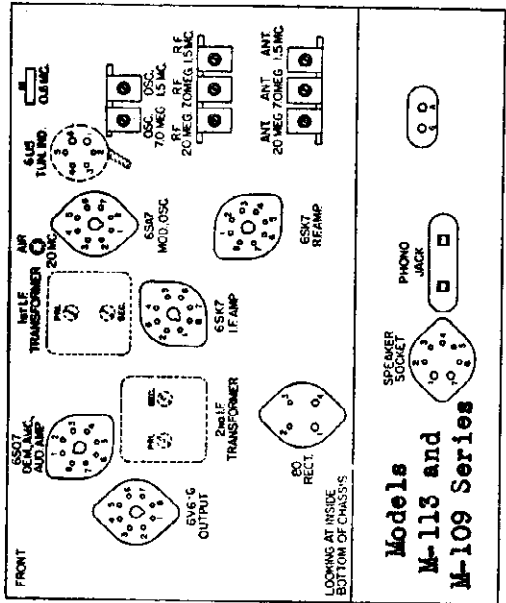
Do not lift it by the record holding knives.



WESTINGHOUSE ELEC. INTERNATIONAL CO.



D - OFF-ON-TONE  
 E - VOLUME CONTROL  
 F - RADIO-PHONO SWITCH  
 C-35A-C-37 & C-38-39-40A-41  
 CAPACITOR

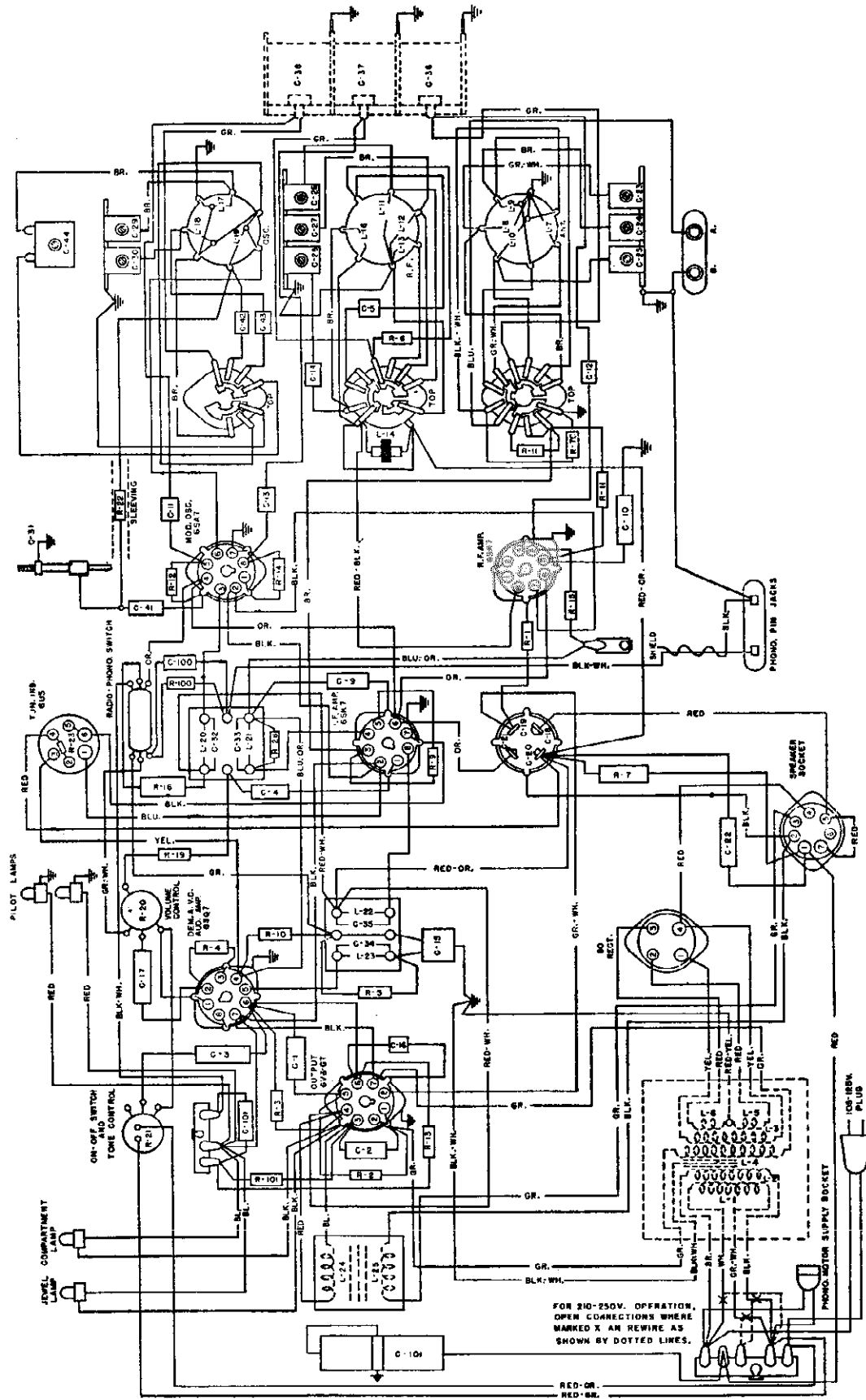


Location Chart.

Schematic Circuit—M-113 Receiver

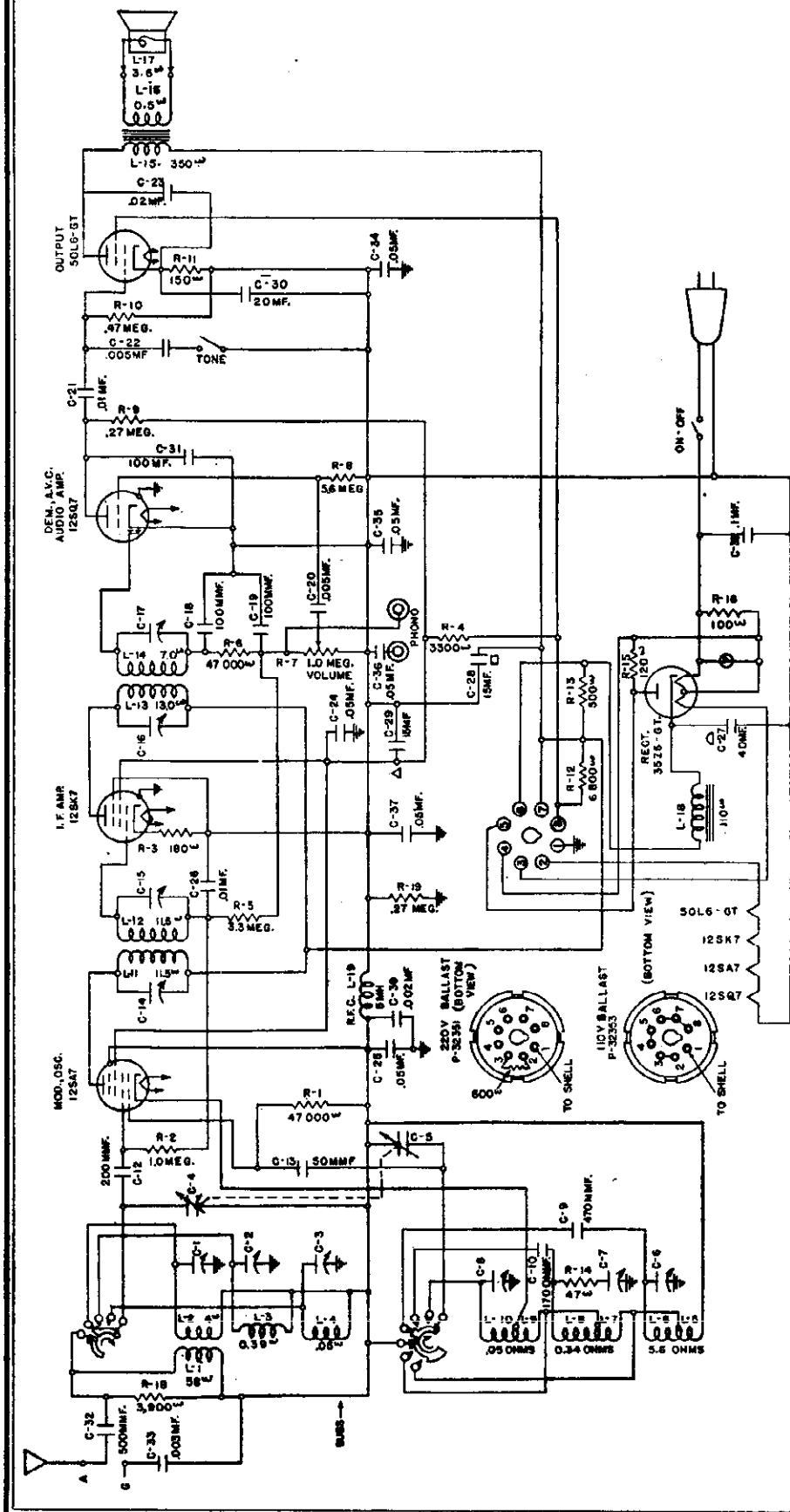
- TUNING RANGE:**  
**A-** .54 to 1.6 MC; **B-** 2.3 to 7.6 MC; **C-** 7.6 to 23 MC.  
**I.F. PEAK** ..... 455 KC.  
**Speaker Voice Coil Impedance at 400 cycles**  
 .....Approx. 3.2 ohms.  
**Speaker Field Coil Resistance** .....Approx. 900 ohms.  
**Input Power Rating** ..... 100 watts

MODELS M-113,  
M-113-C WESTINGHOUSE ELEC. INTERNATIONAL CO.



Wiring Diagram—M-113 Receiver

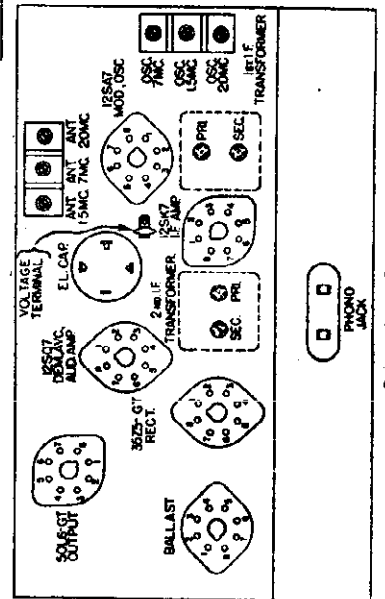
WESTINGHOUSE ELEC. INTERNATIONAL CO.



Schematic Diagram

Voltage Rating ..... { 105 to 125 Volts with W-32353 Ballast Resistor  
 200 to 240 Volts with W-32351 Ballast Resistor  
 Type of Circuit ..... Superheterodyne  
 Tuning Ranges ..... "A"—0.54 to 1.68 Mc.; "B"—2.3 to 7.6 Mc.; "C"—7.6 to 23 Mc.

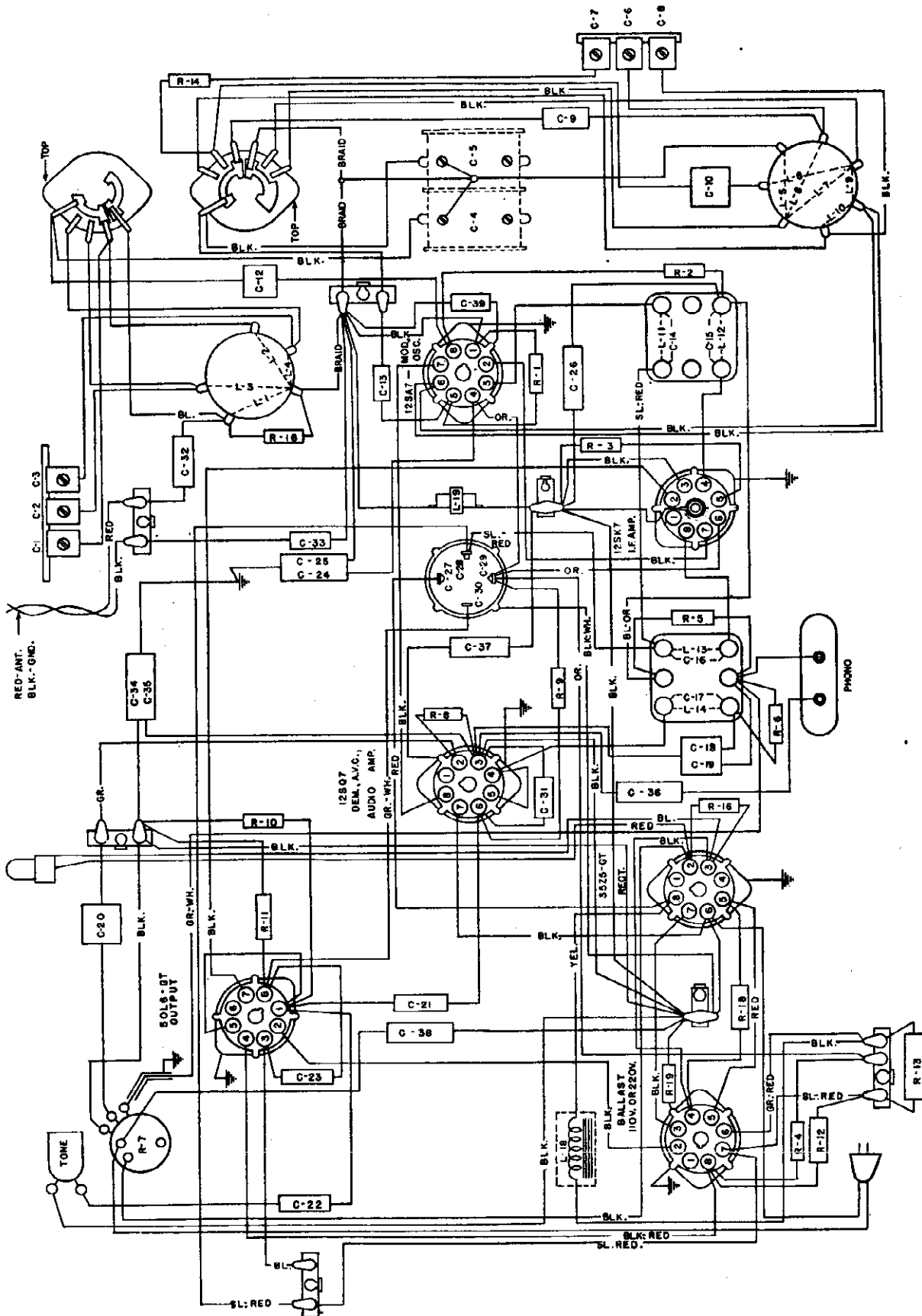
Input Power Rating ..... { 30 Watts with a line voltage of 110 Volts  
 Intermediate Frequency ..... { 60 Watts with a line voltage of 220 Volts  
 Speaker Voice Coil Impedance at 400 Cycles ..... 455 Kilocycles  
 ..... Approximately 3.5 Ohms



Location Chart

MODEL WRL-165

WESTINGHOUSE ELEC. INTERNATIONAL CO.



Wiring Diagram



# WESTINGHOUSE ELEC. INTERNATIONAL CO.

## NORMAL VOLTAGE READINGS FOR 120 VOLTS OPERATION

These voltage readings are obtained by measuring from the single terminal block (located between the 12SK7 I. F. tube and the electrolytic capacitor) and the various tube socket contacts with the tubes in their respective sockets. See Location Chart on Page 3. Voltages are given for a line voltage of 120 volts, using the W-32553 Ballast Resistor. Allowance should be made for the difference when the line voltage is slightly higher or lower.

Use a good high resistance voltmeter having a resistance of at least 1,000 ohms per volt. Take all D. C. readings on the 500 volt scale except when an asterisk appears.

Tube	Ground	1	2	3	4	5	6	7	8
12SA7	Mod. and Osc.	+0.5*	86	+107	+83	-1*	0	15	0
12SK7	I. F. Amp.	0	30	0	0	1.8*	+92	86	+107
12SQ7	Demod., A. V. C. and Audio	0	0	0	0	0	+42	0	25
50L6GT	Output	0	90	+103	+107	0	0	86	+8*
35Z5GT	Rectifier	-	180	715	-	715	0	90	+125
W32353	Ballast	-	90	715	715	+107	+107	+107	+107

\*Read on the lowest possible scale of voltmeter.

A. C. voltages are indicated by italics; when the receiver is operated from a D. C. power supply, D. C. voltages will be obtained in places of the A. C. voltages shown. Receiver tuned to 1000 K. C. no signal.

## NORMAL VOLTAGE READINGS FOR 240 VOLTS OPERATION

These readings are obtained by measuring from the single terminal block (located between the 12SK7 I. F. tube and the electrolytic capacitor) and the various tube socket contacts with the tubes in their respective sockets. See Location Chart on Page 3. Voltages are given for a line voltage of 240 volts, using the W-32351 Ballast Resistor. Allowance should be made for the difference when the line voltage is slightly lower.

Use a good high resistance voltmeter having a resistance of at least 1,000 ohms per volt. Take

Tube	Ground	1	2	3	4	5	6	7	8
12SA7	Mod. and Osc.	+0.5*	87	+105	+100	-1.5*	0	15.5	0
12SK7	I. F. Amp.	0	40	0	0	+2*	+100	87	+105
12SQ7	Demod., A. V. C. and Audio	0	0	0	0	0	+53	0	15.5
50L6GT	Output	0	100	+130	+130	0	0	40	+8.5*
35Z5GT	Rectifier	0	180	835	0	835	0	86	+240
W32351	Ballast	0	100	835	835	+230	+105	+105	+130

\*Read on the lowest possible scale of voltmeter.

A. C. voltages are indicated by italics; when the receiver is operated from a D. C. power supply, D. C. voltages will be obtained in places of the A. C. voltages shown. Receiver tuned to 1000 K. C. no signal.

## ALIGNING INFORMATION

### Never Align Unless Absolutely Necessary

Use a good modulated signal generator (test oscillator) with variable output voltage and connect a sensitive output meter across the voice coil of the speaker.

Always align using the smallest possible signal from the signal generator. A strong signal makes adjustments inaccurate.

Always have receiver volume control full on. See Location Chart above for location of all the aligning adjustment screws.

### Aligning procedure (follow this order exactly)

- Dial pointer adjustment.  
Make sure that the dial drive cord is in position on all pulleys, otherwise it will not be possible to correctly set the dial pointer. To correct the position of the dial pointer, first free the pointer ends from the drive cord, then, with the ganging capacitor fully engaged, set the pointer directly on the index marks nearest to the letters "A" and "C" on the dial. Carefully re-tighten the pointer ends to the drive cord.

### Intermediate frequency adjustments.

- Set the range switch to the medium wave position ("A").
- Tune set to extreme low frequency end of the dial.
- Connect the ground terminal of the signal generator to the ground lead of the chassis.
- Introduce a modulated signal of 455 Kilocycles to the grid of the 12SA7 Tube (Terminal No. 8), using a 0.1 microfarad capacitor in series with the output lead of the signal generator.
- Adjust the I. F. Aligners for maximum output in the following order:
  - Secondary of second I. F. transformer.
  - Primary of second I. F. transformer.
  - Secondary of first I. F. transformer.
  - Primary of first I. F. transformer.

### Radio frequency adjustments.

Short Wave Range, Scale "C".

- Replace the 0.1 microfarad capacitor in series with the output lead of the signal generator, with a 400 ohm carbon type resistor, and connect it to the antenna lead of the chassis.

- Set the range switch to the "C" short wave position.
- Set the signal generator frequency and the receiver tuning dial to 20 megacycles.
- Adjust the "OSC. 20 Mc." aligning capacitor for maximum signal. Two positions will be found at which maximum signal occurs. Always use the minimum capacitance (most counter-clockwise) position.
- Adjust the "ANT. 20 Mc." aligning capacitor for maximum signal. Two positions may be found at which maximum signal occurs. Always use the maximum capacitance (most clockwise) position.

### Short Wave Range, Scale "B".

(Leave the receiver connected to the signal generator in the same manner as above.)

- Set the range switch to the "B" short wave position.
- Set the signal generator frequency and the receiver tuning dial to 7 megacycles.
- Adjust the "OSC. 7 Mc." and the "ANT. 7 Mc." aligning capacitors for maximum signal.

### Medium Wave Range, Scale "A".

- Replace the 400 ohm carbon type resistor in series with the output lead from the signal generator with a 200 micro-microfarad capacitor.
- Set the range switch to the medium wave position ("A").
- Set the signal generator frequency and the receiver tuning dial to 1.5 Mc.
- Adjust the "OSC. 1.5 Mc." and the "ANT. 1.5 Mc." aligning capacitors for maximum signal.

Note: The calibration at the low frequency end of each range should be checked after the alignment of each range is completed. If the calibration is too inaccurate, repeat the aligning procedure, changing the dial setting slightly at the high-frequency end of the dial to compensate for the low frequency dial error.

MODEL WRL-217  
MODEL WRL-250

WESTINGHOUSE ELEC. INTERNATIONAL CO.

WRL-250 RADIO RECEIVER

II. Intermediate Frequency Adjustments.

1. Tune the set to the extreme low frequency position. (Variable capacitor plates fully engaged.)
2. Connect the ground terminal of the signal generator to the chassis base.
3. Introduce a modulated signal of 435 kilocycles using a .01 mf. capacitor in series with the lead from the signal generator to the rear slator (green wire) of the variable capacitor.
4. Adjust the I. F. aligners for maximum output in the following order:
  - A. Secondary of second I. F. Transformer.
  - B. Secondary of first I. F. Transformer.
  - C. Primary of first I. F. Transformer.

III. Radio Frequency Adjustments.

1. Replace the .01 mf. capacitor in series with the output lead of the signal generator with a 200 mf. capacitor and connect it to the antenna lead (blue) of the chassis.
2. Set the signal generator frequency and the receiver tuning dial to 1.4 megacycles.
3. Adjust the oscillator and antenna aligning capacitors for maximum signal.
4. Set both the signal generator frequency and the receiver tuning dial to 0.5 megacycles and check calibration.

NOTE: If the calibration is too far off at 0.5 megacycles, Oscillators 2 and 3 may be re-adjusted, varying the 1.4 Mc. dial setting slightly until the best results are obtained.

**FEATURES** This is a deep-bank superheterodyne receiver of standard construction on either a direct frequency or alternating current power supply. The set may be readily converted for operation on a power supply of 200 to 250 volts. Use below: An automatic volume control circuit is provided in this receiver and a 500 tone control is included.

**ADJUSTING DIAL LAMP** To adjust the dial lamp simply push the pilot lamp and socket forward until maximum illumination of the dial is obtained.

**ALIGNING INFORMATION. Never realign unless absolutely necessary.** Use a good modulated signal generator (test oscillator) with variable output voltage and a sensitive output meter across the voice coil of the speaker. Always adjust using the smallest possible input from the signal generator. A strong signal makes adjustments inaccurate.

Always have the volume control "full on". Important: Be sure the metal plate is fastened in place on the bottom of the chassis before alignment is attempted.

**ALIGNING PROCEDURE.** See location chart on page 2 and proceed as follows:

- I. Dial Pointer Adjustment. With the plates of the tuning capacitor fully engaged, set the dial pointer in a vertical position directly on the calibration marks located at the top and bottom of the dial scale.

REPLACEMENT PARTS

Part	Quantity	Price
150 Ohm Resistor	1	.10
4.700 Ohm Resistor (see note below)	10	.18
25,000 Ohm Resistor	1	.18
47,000 Ohm Resistor	1	.18
.1 Megohm Resistor	1	.16
1.0 Megohm Resistor	1	.16
250 Ohm Resistor, 1 Watt	1	.16
470 Ohm Resistor, 1 Watt	1	.16
640 Ohm Resistor (Used for adapting WRL-250 for 240-255 Volt Operation); 25 Watts	1	.55

Note: R-28 is not shown on diagrams but is connected in parallel with L-16.

Part	Quantity	Price
Screws for Cabinet Back Panel;		.15
Chassis Mounting Screws; per doz.		.25
Power Supply Cord		.15
Paint for Control Shafts; per doz.		.25
Pilot Lamp (Model No. 51)		.25
Speaker Assembly		.10
5-prong Tube Socket		.25
Dial Pointer		.25
Speaker Baffle		.25
Dial Lens		.25
Cabinet lens accessories		.40
Dial Assembly complete with Back Panel		.40
Back Panel for Cabinet		.15
Grille Cloth		.20
Aligning Tool		.20

**MODEL WR217**  
Listed by U.S. Government Laboratories

Voltage rating 100-120 volts, 60 cycles, a.c.  
Frequency ranges 540 to 1650 kc. and 1650 to 4200 kc.  
Power output . . . . . 2.25 watts undistorted, 3 watts total  
Power consumption . . . . . 1.5 watts

Tube Complement—One 6A7 pentagrid oscillator-modulator, one 6D6 1-f amplifier, one 75 diode detector, a-f amplifier, a.v.c., one 41 pentode power output, and one 94 full-wave rectifier.

GENERAL NOTES

1. The wave-trap in the receiver has been adjusted for maximum signal rejection at 456 kc. If, however, persistent interference is experienced from some particular telegraphic station, readjust the wave-trap trimmer until the response from the interfering station is at a minimum.
2. The receiver should never be turned on with either the speaker plug or the 41 tube out of their sockets, since the rapid rise in rectifier voltage would damage the electrolytic condensers.
3. The pilot light may be replaced by removing the snap-on socket from the dial and unscrewing the bulb. It is not necessary to remove either the dial or chassis from the cabinet.
4. The color coding of the leads of the I-f transformers, is as follows:  
Plate—blue  
Grid—green  
B plus—red  
Grid return—black
5. The color coding of the power transformer leads is as follows:  
Primary—two green leads  
High voltage sec.—two black leads  
High voltage sec. center tap—yellow
6. With a few exceptions, the color coding of the general wiring is as follows:  
A.v.c. and cathode—white or yellow  
Grid—green  
Filament and ground—black

VOLTAGE ANALYSIS

Readings should be taken with a 1000 ohm-per-volt meter. Voltages listed below are from point indicated to ground (chassis) with the volume control turned on full and no signal. Line voltage for these readings was 117.5 volts, 60 cycles, a.c.

Tube	Plates	Screen	Cathode	Oct. Plate	Fil.
6A7	182	70	0	182	6.2
6D6	182	70	0	—	6.3
75	87	—	0	—	6.3
41	165	182	0	—	6.3

Voltage across speaker field—70.  
Voltage from B minus to chassis—90.  
B plus at 80 tube filament—585.

ADJUSTMENTS

1. An oscillator with frequencies of 456 and 1400 kc is required.
  2. An output meter should be used across the voice coil or output transformer for observing maximum response.
  3. Always use as weak a test signal as possible when aligning the receiver.
- LOCATION OF COILS AND TRIMMER ADJUSTMENTS**
1. The two I-f transformers are located on top of the chassis deck. The first I-f transformer is the one directly behind the 6A7 tube. The trimmers for the two I-f transformers are available through holes in the tops of the cans.
  2. The trimmers for the antenna and osc. coils are located on the variable cond. The trimmer on the front section is for the antenna coil through the hole in the rear chassis wall directly beneath the wave-band switch. The trimmer for the 456 kc wave-trap is mounted on the coil and is accessible from the bottom of the chassis.

R-F ALIGNMENT

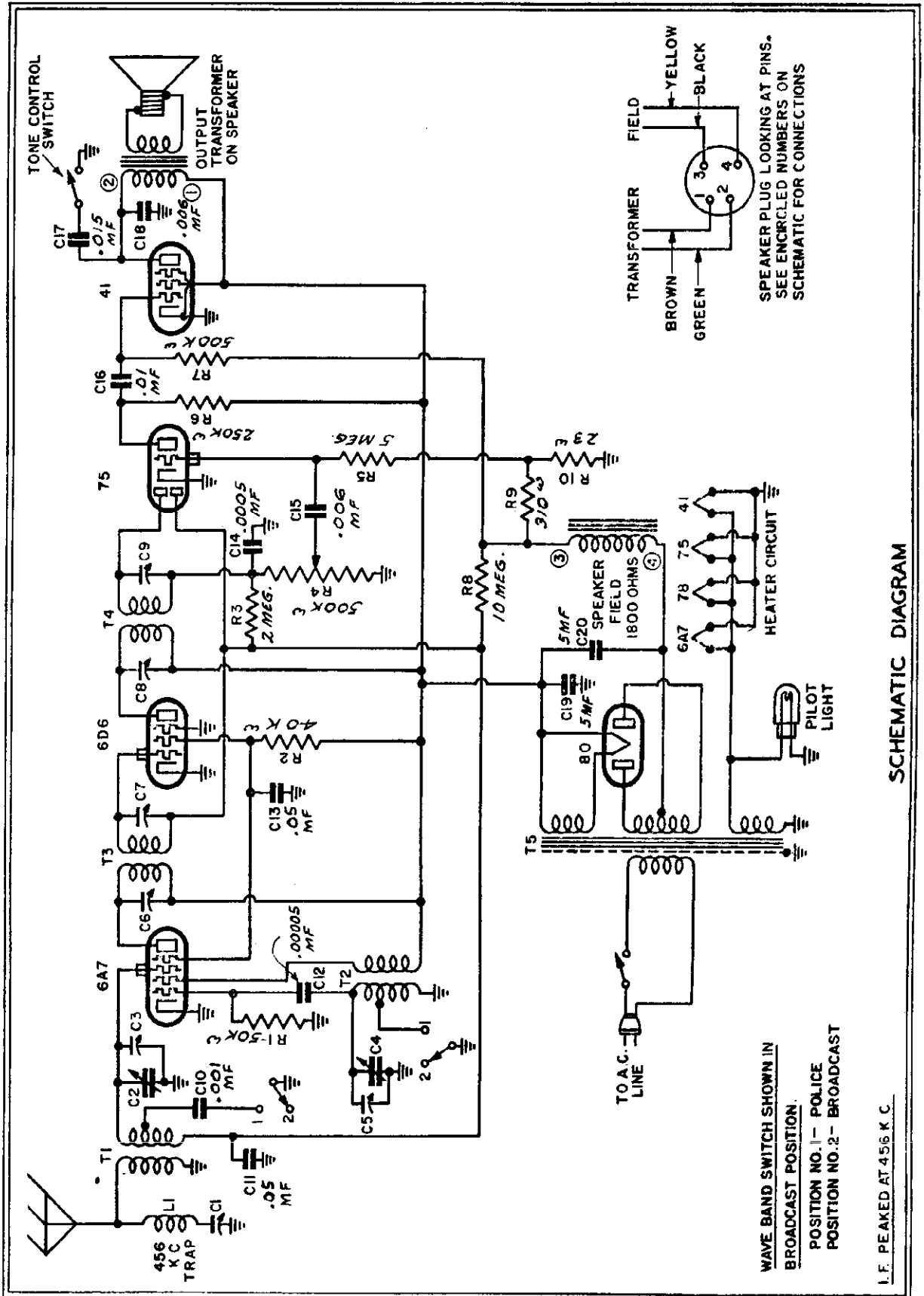
With the wave-band switch in the broadcast position, clockwise, set the dial pointer at 1400. Feed 1400 kc. through a standard dummy antenna (a .0002 mf condenser may be used as a substitute) to the antenna lead and adjust first the oscillator trimmer (on rear section of variable condenser) then the antenna trimmer (on front section of variable condenser) for maximum response. The police band is self-tracking and does not require any adjustment.

I-F AND WAVE-TRAP ALIGNMENT

Rotate the wave-band switch (located on the rear wall of the chassis) to the broadcast position, clockwise, and swing the variable cond. to the minimum capacity position. Feed 456 kc to the grid-cap of the 6A7 tube and adjust the four I-f trimmers for maximum response. Feed 456 kc through a dummy antenna (a .0002 mf condenser may be used as a substitute) to the antenna lead and adjust the wave-trap trimmer for minimum response.

WESTINGHOUSE ELEC. INTERNATIONAL CO.

MODEL WRL-217



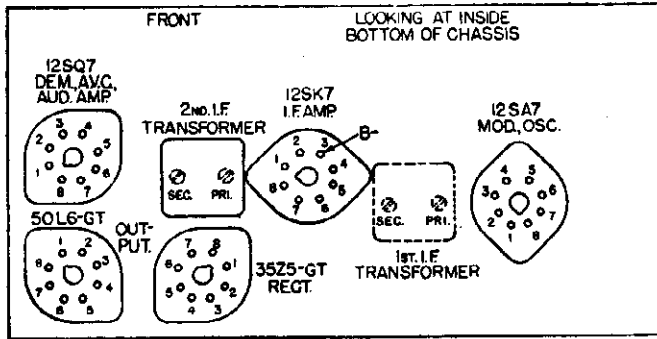
SCHEMATIC DIAGRAM

WAVE BAND SWITCH SHOWN IN  
 BROADCAST POSITION.  
 POSITION NO. 1 - POLICE  
 POSITION NO. 2 - BROADCAST

I.F. PEAKED AT 456 K C

MODEL WRL-250

WESTINGHOUSE ELEC. INTERNATIONAL CO.



Location Chart

**CONTINUITY TEST**

**Caution:** Disconnect the receiver from the power supply and remove all tubes before making continuity test.

Use a good ohmmeter capable of measuring accurately up to several megohms.

The resistances given are often approximate owing to

electrolytic capacitors in the circuit. When this is the case, be sure to reverse the test leads and read the highest resistance.

Read from indicated terminals to chassis base except when an asterisk appears. See location chart above for position and numbering of terminals.

**TERMINALS OF SOCKETS**

Tube	Circuit	1	2	3	4	5	6	7	8
12SA7	Mod. and Osc.	S	O	*690Ω	*650Ω	290000Ω	270000Ω	O	8M
12SK7	I. F. Amp.	S	O	270000Ω	7M	270000Ω	*650Ω	O	*690Ω
12SQ7	Demod.—A. V. C. Audio Amp.	S	10M	270000Ω	1.3M	1.3M	*270000Ω	O	270000Ω
50L6GT	Output	S	O	*450Ω	*650Ω	1.2M	O	O	270000Ω
35Z5GT	Rectifier	S	O	O	O	O	7M	O	400000Ω or Greater

Symbols used on chart are as follows: Ω—Ohms; M—Megohms; S—Short; O—Open.

\*These readings should be made from indicated terminals to Terminal No. 8 of the rectifier socket (Type 35Z5GT Tube).

Other tests not shown on chart:

- Antenna Terminal to Chassis Base—"Open"
- Ground Terminal to Chassis Base—"Open"
- Between Antenna and Ground Terminals—50 Ohms

Terminals of Power Cord Plug to Chassis Base:

- One Terminal should read 270,000 Ohms and the other Terminal should read "Open"
- Between Terminals of Power Cord Plug—"Open"

**NORMAL VOLTAGE READINGS**

These voltage readings are obtained by measuring between the various tube socket contacts and the negative "B" supply (Terminal No. 3 of the 12SK7 Socket) with the tubes in their respective sockets. The receiver is, therefore, in operation when the measurements are made. (See location chart above for the terminal layout of sockets with their proper terminal numbers.)

Voltages are given for a line voltage of 120 volts A. C. Allowance should be made when the line voltage is slightly higher or lower.

If the receiver is operated from a direct current power supply circuit, the various voltages measured will be slightly lower than those listed in the table.

Use a high resistance voltmeter having a resistance of at least 1000 ohms per volt. Take all D. C. readings on the 500 volt scale, except when an asterisk appears.

When the receiver is being operated from an alternating current power supply circuit, it will be necessary to have a high resistance A.C. voltmeter for checking the A.C. voltages.

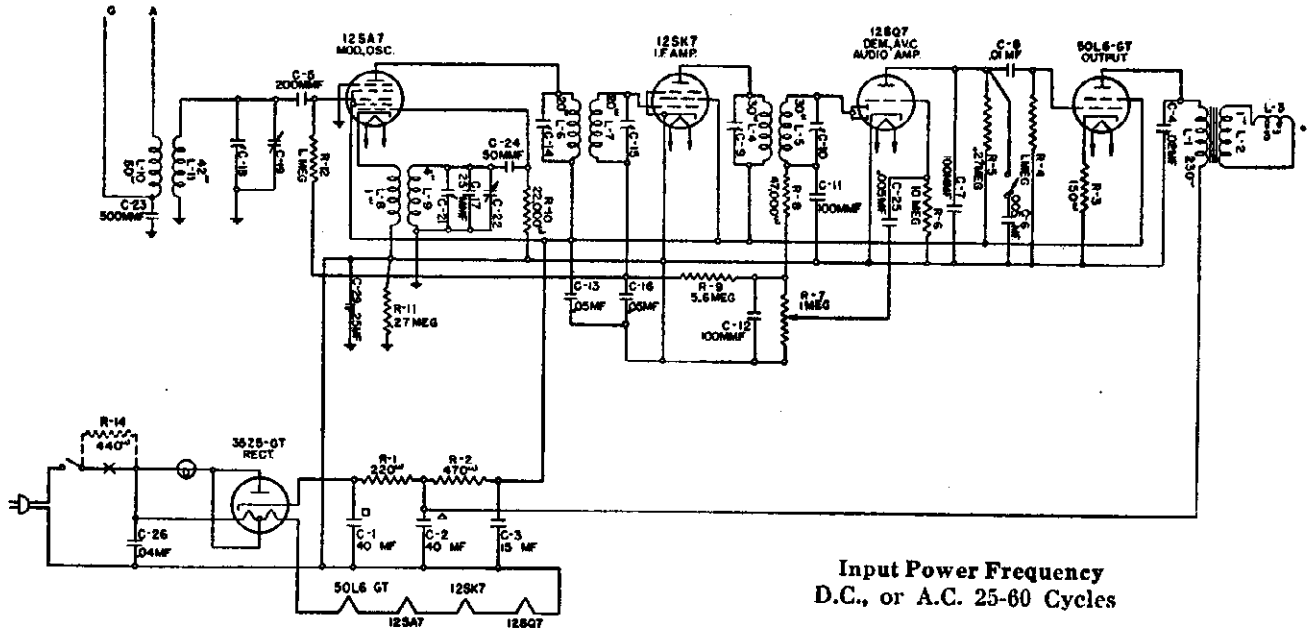
**TERMINALS OF SOCKETS**

Tube	Circuit	1	2	3	4	5	6	7	8
12SA7	Modulator and Oscillator	0	25	+95	+95	-10*	0	37	0
12SK7	I. F. Amp.	0	25	0	0	0	+95	12	+95
12SQ7	Demod., A. V. C., Audio Amp.	0	0	0	0	0	+50	12	0
50L6GT	Output	0	88	+105	+95	0	—	37	+6*
35Z5GT	Rectifier	0	120	115	—	115	0	88	+120

A.C. voltages are indicated by italics; when the receiver is operated from a D.C. power supply, all voltages will be D.C. Receiver tuned to 1000 kc., no signal.

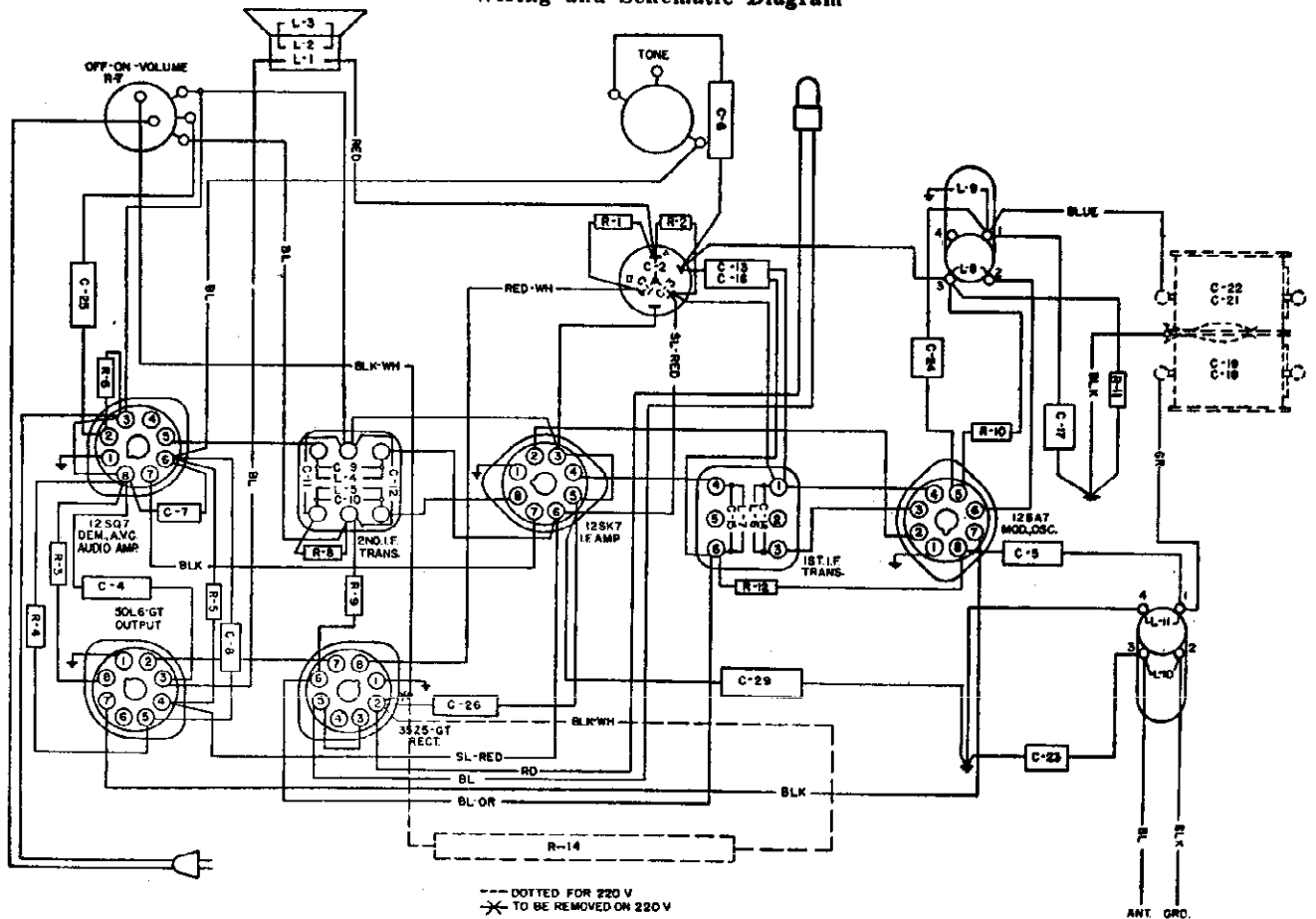
\*Read on lowest possible scale of Voltmeter.

# WESTINGHOUSE ELEC. INTERNATIONAL CO.

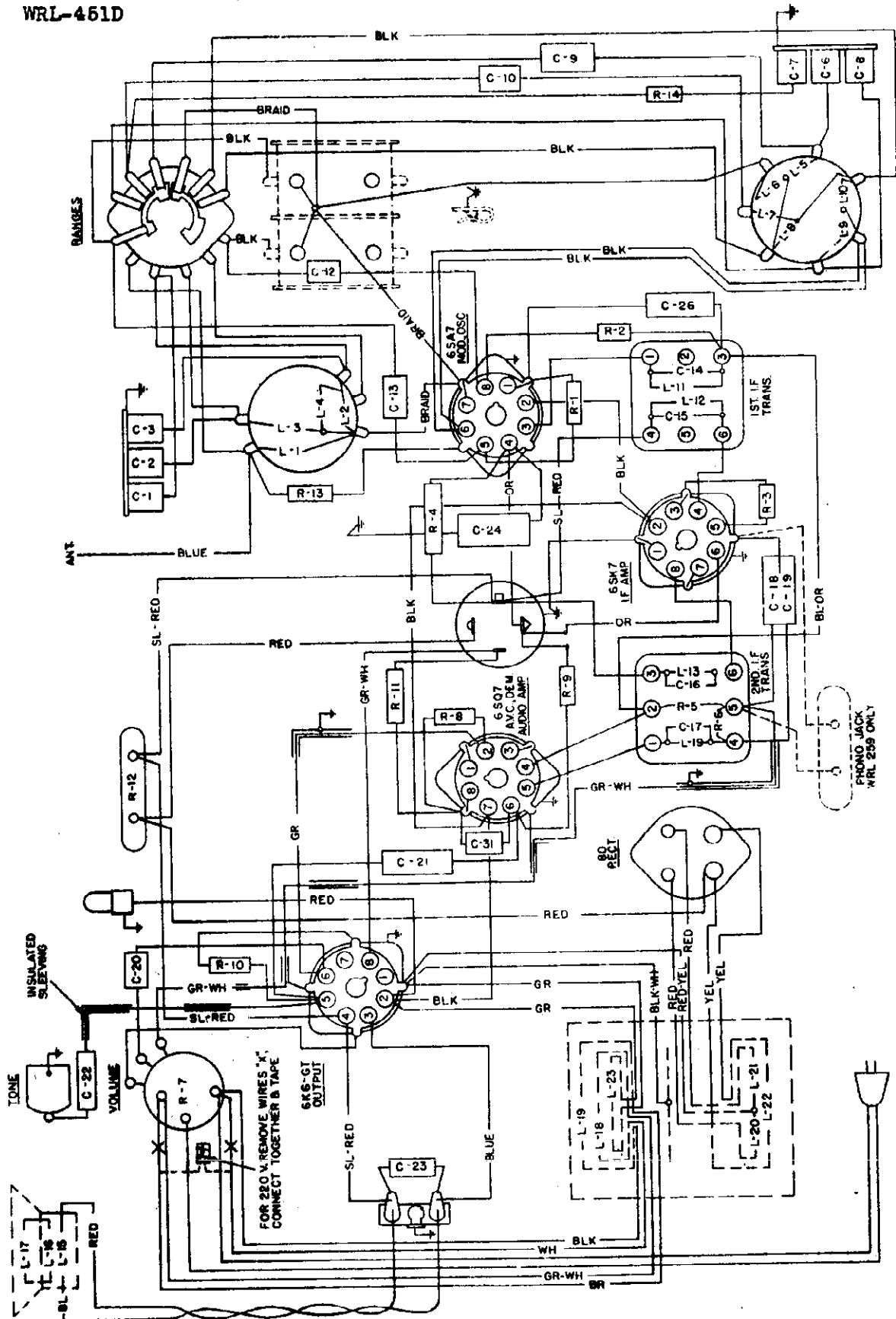


Voltage Rating ..... 105-130 Volts; (See Adapting Receiver to 200-225 Volts Operation)  
 Type of Circuit ..... Superheterodyne  
 Tuning Range ..... 0.54 to 1.65 Megacycles (182 to 550 Meters)  
 Input Power Rating at 130 Volts; 60 Cycles ..... 30 Watts  
 Intermediate Frequency ..... 455 Kilocycles  
 Speaker Voice Coil Impedance at 400 Cycles ..... Approximately 3.5 Ohms

## Wiring and Schematic Diagram

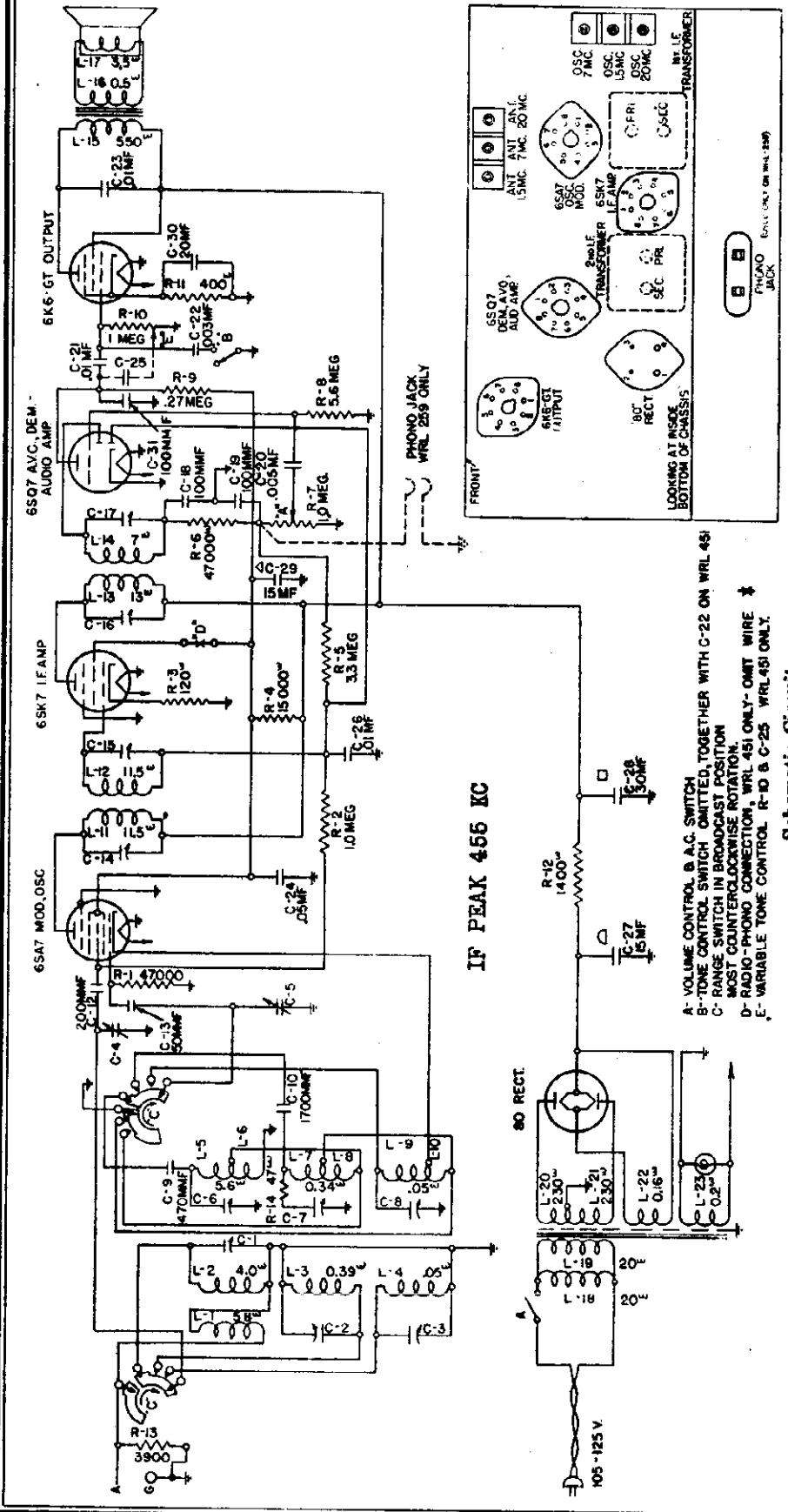


MODEL WRL-258, WRL-258C,  
 WRL-259, WRL-259C, WESTINGHOUSE ELEC. INTERNATIONAL CO.  
 WRL-451, WRL-451C,  
 WRL-451D



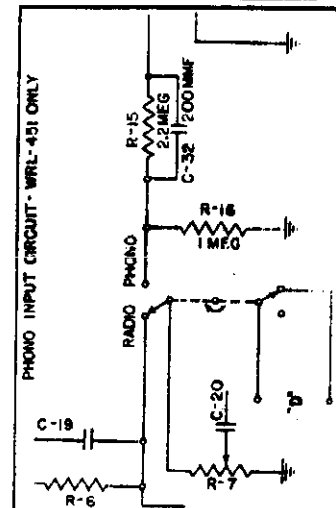
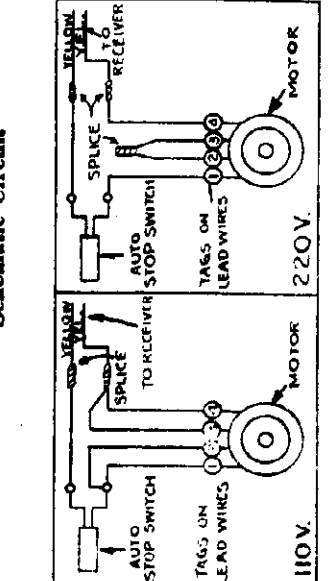
Wiring Diagram

WESTINGHOUSE ELEC. INTERNATIONAL CO. MODELS WRL-258, WRL-258C, WRL-259, WRL-259C, WRL-451, WRL-451C, WRL-451D



**Location Chart**

PHONO JACK	ONLY ON WRL-259
FRONT	
LOOKING AT INSIDE BOTTOM OF CHASSIS	
RECT	
80° RECT	
SELECT	
OUTPUT	
6SA7 DEN. AVO. MOD.	
6SK7 LE AMP	
6SK6-GT OUTPUT	
OSC. 7MC	
OSC. 15MC	
OSC. 20MC	
MT. LE. TRANSFORMER	



MODELS WRL-258, WRL-258C, WRL-259, WRL-259C, WESTINGHOUSE ELEC. INTERNATIONAL CO. WRL-451, WRL-451C, WRL-451D

2. Set the signal generator frequency and the receiver tuning dial to 7 megacycles.  
 3. Adjust the "OSC. 7 MC." and the "ANT. 7 MC." aligning capacitors for maximum signal.  
 Medium Wave Range, Scale "A".  
 1. Replace the 400 ohm carbon type resistor in series with the output lead from the signal generator with a 200 micro-microfarad capacitor.  
 2. Set the range switch to the medium wave position ("A").  
 3. Set the signal generator frequency

- and the receiver tuning dial to 1.5 MC.  
 4. Adjust the "OSC. 1.5 MC." and the "ANT. 1.5 MC." aligning capacitors for maximum signal.  
 Note: The calibration at the low frequency end of each range should be checked after the alignment of each range is completed. If the calibration is too inaccurate, repeat the aligning procedure, changing the dial setting slightly at the high-frequency end of the dial to compensate for the low frequency dial error.

- and the receiver tuning dial to 1.5 MC.  
 4. Adjust the "OSC. 1.5 MC." and the "ANT. 1.5 MC." aligning capacitors for maximum signal.  
 Note: The calibration at the low frequency end of each range should be checked after the alignment of each range is completed. If the calibration is too inaccurate, repeat the aligning procedure, changing the dial setting slightly at the high-frequency end of the dial to compensate for the low frequency dial error.

- and the receiver tuning dial to 1.5 MC.  
 4. Adjust the "OSC. 1.5 MC." and the "ANT. 1.5 MC." aligning capacitors for maximum signal.  
 Note: The calibration at the low frequency end of each range should be checked after the alignment of each range is completed. If the calibration is too inaccurate, repeat the aligning procedure, changing the dial setting slightly at the high-frequency end of the dial to compensate for the low frequency dial error.

**NORMAL VOLTAGE READINGS**  
 Take all readings with chassis operating and all D.C. readings on the 500 volt scale except tuned to approximately 1000 Kc.—no signal. Use a line voltage of 120 volts (240 volts for "C" models), or make allowance for any slight variation.  
 Use a good high resistance voltmeter having a resistance of at least 1000 ohms per volt. Take A.C. voltages as indicated by *italics*.

Tube	Control	1	2	3	4	5	6	7	8
6SA7	Mod. and Osc.	—	6.0	+250	+100	-5*	0	—	0
6SK7	I. F. Amp.	—	6.0	—	0	+7*	+100	—	+250
6SQ7	Demod., A. V. C., Audio Amp.	—	0	0	0	0	0	+60*	0.0
6X6G	Output	—	0.0	+240	+250	0	0	—	+15*
80*	Rectifier	+340	370	310	+340	—	—	—	—

**TERMINALS OF SOCKETS**  
 \*Read on lowest possible scale of voltmeter.  
 †Between terminals 1 and 4 of rectifier socket. 4.5 volts A. C.

**CONTINUITY TEST**  
 CAUTION: Remove all tubes and disconnect the receiver from the power supply before making continuity test. The speaker should remain connected.  
 Use a good ohmmeter capable of measuring accurately up to several megohms.  
 The resistances given are often approximate. Read from indicated terminals (see Location Chart, page 3) to chassis base unless otherwise specified.

Tube	Control	1	2	3	4	5	6	7	8
6SA7	Mod. and Osc.	S	S	*1400†	*1600†	47000†	R	S	5M
6SK7	I. F. Amp.	S	S	S	4M	120†	*16000†	S	*14000†
6SQ7	Demod., A. V. C., Audio Amp.	S	5.0M	S	4.3M	1M	260000†	S	S
6X6G	Output	100000†	S	*1950†	*1400†	100000†	5M	S	400†
80	Rectifier	Greater	240†	240†	Greater	—	—	—	—

**Other Tests Not Shown on Chart**  
 Antenna lead to Chassis Base:  
 Range switch in "A", medium wave position..... 60 Ohms  
 Range switch in "B", short wave position..... 4 Ohms  
 Range switch in "C", short wave position..... 0.5 Ohm  
 Between Terminals of A.C. Plug:  
 A.C. switch closed (WRL-258, WRL-259 and WRL-451)..... 10 Ohms  
 A.C. switch closed (WRL-258-C, WRL-259-C, and WRL-451-C)..... 40 Ohms  
 Terminals of A.C. plug to chassis base... "Open"

**POWER TRANSFORMER CONNECTIONS**  
 located underneath the chassis and must be soldered.  
 All WRL-451 Models can be changed from one voltage to another in the same manner as above, but it will also be necessary to change the phono-graph inductor connections as shown.  
 It should be remembered that the WRL-451 and WRL-451-D are for 60 cycles only, and a change in voltage connections does not change the frequency.

**ALIGNING INFORMATION**  
 Never Align Unless Absolutely Necessary  
 a. Secondary of second I. F. transformer.  
 b. Primary of second I. F. transformer.  
 c. Secondary of first I. F. transformer.  
 d. Primary of first I. F. transformer.  
 Radio frequency adjustments.  
 Short Wave Range, Scale "C".  
 1. Replace the 0.1 microfarad capacitor in series with the output lead of the signal generator with a 400 ohm carbon type resistor, and connect it to the antenna lead of the chassis.  
 2. Set the range switch to the "C" short wave position.  
 3. Set the signal generator frequency and the receiver tuning dial to 20 megacycles.  
 4. Adjust the "OSC. 20 Mc." aligning capacitor for maximum signal. Two positions will be found at which maximum signal occurs. Always use the minimum capacitance (most counter-clockwise) position.  
 5. Adjust the "ANT. 20 Mc." aligning capacitor for maximum signal. Two positions may be found at which maximum signal occurs. Always use the maximum capacitance (most clockwise) position.  
 Short Wave Range, Scale "B".  
 (Leave the receiver connected to the signal generator in the same manner as above.)  
 1. Set the range switch to the "B" short wave position.

**ALIGNING INFORMATION**  
 Never Align Unless Absolutely Necessary  
 Use a good modulated signal generator (test oscillator) with variable output voltage and connect a sensitive output meter across the voice coil of the speaker.  
 Always align using the smallest possible output from the signal generator. A strong signal makes adjustments inaccurate.  
 Always have receiver volume control full on. See Location Chart below for location of all the aligning adjustment screws.  
**Aligning procedure (follow this order exactly)**  
 I. Dial pointer adjustment.  
 Make sure that the dial drive cord is in position on all pulleys, otherwise it will not be possible to correctly set the dial pointer. To correct the position of the dial pointer, first free the pointer ends from the drive cord, then, with the gang capacitor fully engaged, set the pointer directly on the index marks nearest to the letters "A" and "C" on the dial. Carefully re-tighten the pointer ends to the drive cord.  
 II. Intermediate frequency adjustments.  
 1. Set the range switch to the medium wave position ("A").  
 2. Tune set to extreme low frequency end of the dial.  
 3. Connect the ground terminal of the signal generator to the ground terminal of the chassis.  
 4. Introduce a modulated signal of 455 Kilocycles to the grid of the 6SA7 Tube (Terminal No. 8), using a 0.1 microfarad capacitor in series with the output lead of the signal generator.  
 5. Adjust the I. F. Aligners for maximum output in the following order:

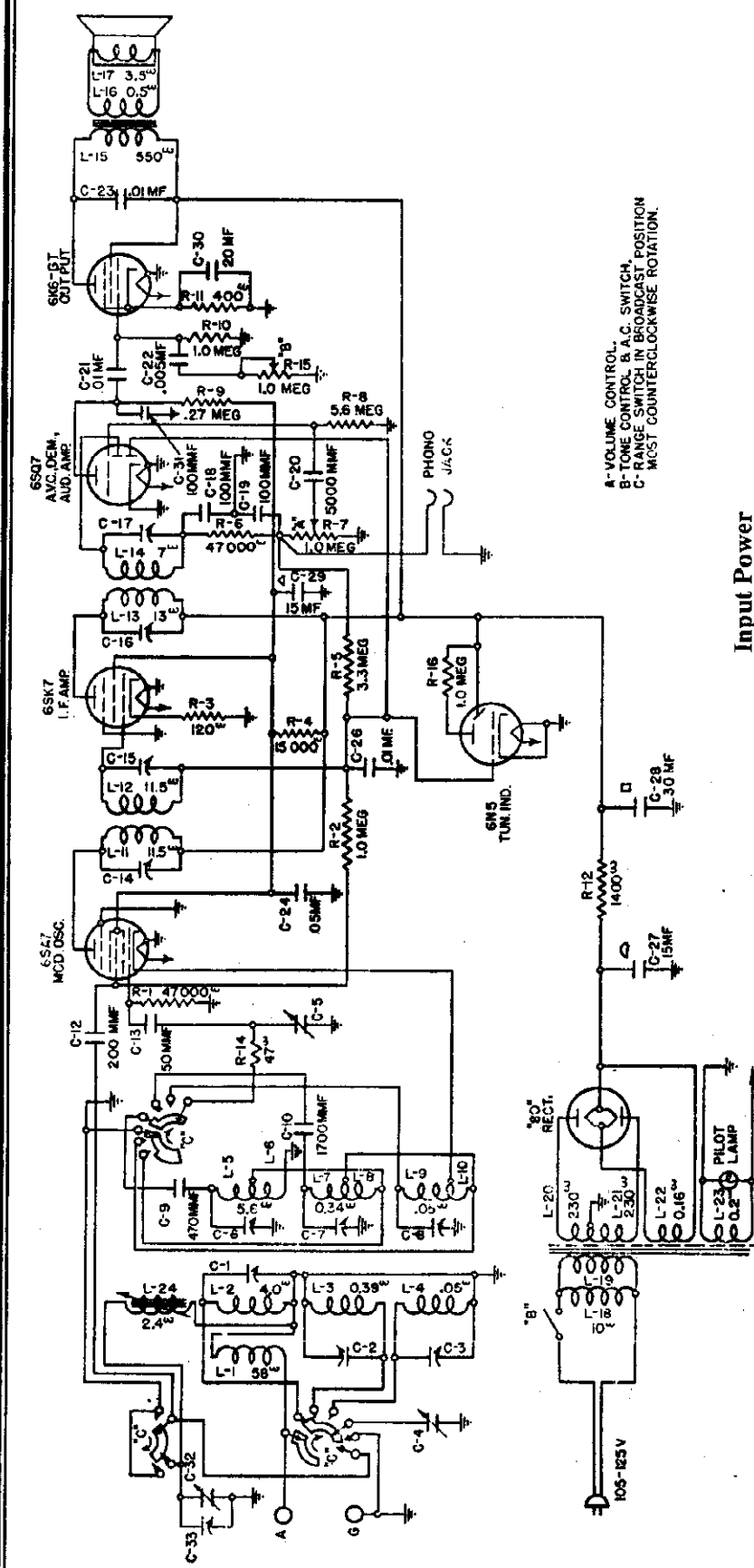
**ALIGNING INFORMATION**  
 Never Align Unless Absolutely Necessary  
 Use a good modulated signal generator (test oscillator) with variable output voltage and connect a sensitive output meter across the voice coil of the speaker.  
 Always align using the smallest possible output from the signal generator. A strong signal makes adjustments inaccurate.  
 Always have receiver volume control full on. See Location Chart below for location of all the aligning adjustment screws.  
**Aligning procedure (follow this order exactly)**  
 I. Dial pointer adjustment.  
 Make sure that the dial drive cord is in position on all pulleys, otherwise it will not be possible to correctly set the dial pointer. To correct the position of the dial pointer, first free the pointer ends from the drive cord, then, with the gang capacitor fully engaged, set the pointer directly on the index marks nearest to the letters "A" and "C" on the dial. Carefully re-tighten the pointer ends to the drive cord.  
 II. Intermediate frequency adjustments.  
 1. Set the range switch to the medium wave position ("A").  
 2. Tune set to extreme low frequency end of the dial.  
 3. Connect the ground terminal of the signal generator to the ground terminal of the chassis.  
 4. Introduce a modulated signal of 455 Kilocycles to the grid of the 6SA7 Tube (Terminal No. 8), using a 0.1 microfarad capacitor in series with the output lead of the signal generator.  
 5. Adjust the I. F. Aligners for maximum output in the following order:

**SPECIFICATIONS**  
 Tuning Ranges..... A—0.54 to 1.68 Mc; B—2.26 to 7.5 Mc; C—7.5 to 25 Mc  
 1—6SA7 Modulator and Oscillator  
 1—6SK7 I. F. Amplifier  
 1—6SQ7 Demodulator, A. V. C. and Audio Ampl.  
 1—6X6G Power Amplifier  
 1—80 Rectifier  
 Number of Tubes..... 5  
 Input Power Ratings { WRL-258, WRL-259..... 50 Watts  
 { WRL-451..... 70 Watts  
 Intermediate Frequency..... 455 Kilocycles  
 Speaker Voice-Coil Impedance at 400 Cycles..... Approximately 3.5 Ohms



WESTINGHOUSE ELEC. INTERNATIONAL CO.

MODELS WRL-263,  
WRL-263C

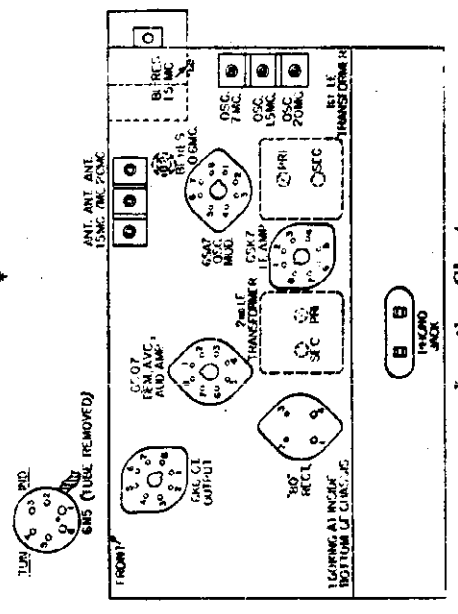


A-VOLUME CONTROL.  
B-TONE CONTROL B.A.C. SWITCH.  
C-RANGE SWITCH IN BROADCAST POSITION  
MOST COUNTERCLOCKWISE ROTATION.

Model	Input Frequency	Input Voltage
WRL-263	50-60 Cycles	105-130 Volts
WRL-263-C	50-60 Cycles	210-250 Volts

Models WRL-263 and WRL-263-C Receivers have a double primary power transformer which, when connected in parallel (WRL-263) will operate between 105 and 130 Volts A. C., and when connected in series (WRL-263-C) will operate between 210 and 250 volts A. C.

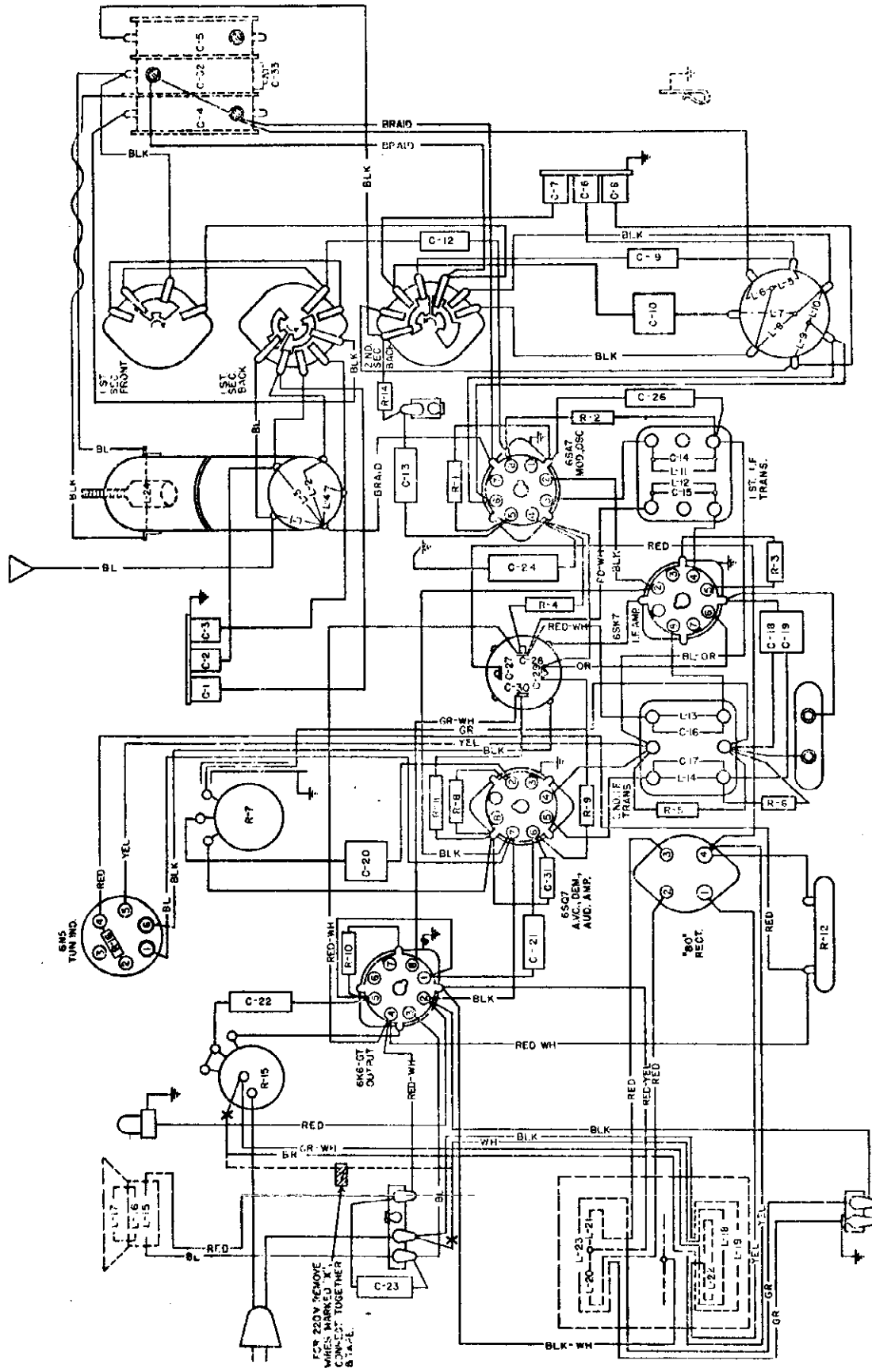
Tuning Ranges	..... A—0.54 to 1.68 Mc; B—2.25 to 7.5 Mc; C—7.5 to 23 Mc
Input Power Rating	..... 50 Watts
Intermediate Frequency	..... 455 Kilocycles
Speaker Voice-Coil Impedance at 400 Cycles	..... Approximately 3.5 Ohms



Location Chart

MODELS WRL-263,  
WRL-263C

WESTINGHOUSE ELEC. INTERNATIONAL CO.



Wiring Diagram

WESTINGHOUSE ELEC. INTERNATIONAL CO.

MODELS WRL-263,  
WRL-263C

ALIGNING INFORMATION

Never Align Unless Absolutely Necessary

- I. Dial pointer adjustment.  
Make sure that the dial drive cord is in position on all pulleys, otherwise it will not be possible to correctly set the dial pointer. To correct the position of the dial pointer, first free the pointer ends from the drive cord, then, with the gang capacitor fully engaged, set the pointer directly on the index marks nearest to the letters "A" and "C" on the dial. Carefully re-tighten the pointer ends to the drive cord.

II. Intermediate frequency adjustments.

1. Set the range switch to the medium wave position ("A").
2. Tune set to extreme low frequency end of the dial.
3. Connect the ground terminal of the signal generator to the ground terminal of the chassis.
4. Introduce a modulated signal of 455 Kilocycles to the stator terminal of the center section of the gang capacitor, using a 0.1 microfarad capacitor in series with the output lead of the signal generator.
5. Adjust the I. F. Aligners for maximum output in the following order:
  - a. Secondary of second I. F. transformer.
  - b. Primary of second I. F. transformer.
  - c. Secondary of first I. F. transformer.
  - d. Primary of first I. F. transformer.

III. Radio frequency adjustments.

Short Wave Range, Scale "C".

1. Replace the 0.1 microfarad capacitor in series with the output lead of the signal generator, with a 400 ohm carbon type resistor, and connect it to the antenna lead of the chassis.

2. Set the range switch to the "C" short wave position.

3. Set the signal generator frequency and the receiver tuning dial to 20 megacycles.
4. Adjust the "OSC. 20 Mc." aligning capacitor for maximum signal. Two positions will be found at which maximum signal occurs. Always use the minimum capacitance (most counter-clockwise) position.
5. Adjust the "ANT. 20 Mc." aligning capacitor for maximum signal. Two positions may be found at which maximum signal occurs. Always use the maximum capacitance (most clockwise) position.

Short Wave Range, Scale "B".

(Leave the receiver connected to the signal generator in the same manner as above.)

1. Set the range switch to the "B" short wave position.
2. Set the signal generator frequency and the receiver tuning dial to 7 megacycles.
3. Adjust the "OSC. 7 MC." and the "ANT. 7 MC." aligning capacitors for maximum signal.

Medium Wave Range, Scale "A".

1. Replace the 400 ohm carbon type resistor in series with the output lead from the signal generator with a

- 200 micro-microfarad capacitor.
2. Set the range switch to the medium wave position ("A").
3. Set the signal generator frequency and the receiver tuning dial to 1.5 MC.
4. Adjust the "OSC." "BI-RESONATOR" and "ANT." Aligning Capacitors for maximum signal (the "Bi-Resonator" Aligning Capacitor is located on the side of the variable gang capacitor).
5. Set the signal generator frequency and the receiver tuning dial to 0.6 megacycles.
6. Adjust the 0.6 megacycle "Bi-Resonator" (iron core) for maximum signal.
7. Repeat operations 3 and 4.

Note: The calibration at the low frequency end of each range should be checked after the alignment of each range is completed. If the calibration is too inaccurate, repeat the aligning procedure, changing the dial setting slightly at the high-frequency end of the dial to compensate for the low frequency dial error.

NORMAL VOLTAGE READINGS

Take all readings with chassis operating and tuned to approximately 1000 Kc. no signal. Use a good high resistance voltmeter having a resistance of at least 1000 ohms per volt. Take all D. C. readings on the 500 volt scale except when an asterisk appears.

TERMINALS OF SOCKETS

Tube	Circuit	1	2	3	4	5	6	7	8
6SA7	Mod. and Osc.	—	6.0	+250	+100	-5*	0	—	0
6SK7	I. F. Amp.	—	6.0	—	0	+2*	+100	—	+250
6SQ7	Demod., A. V. C., Audio Amp.	—	0	0	0	0	+60*	6.0	—
6K6G	Output	—	6.0	+240	+250	0	0	—	+15*
6N5	Tuning Ind.	6.0	+25	0	+250	0	0	—	—
80†	Rectifier	+340	510	510	+340	—	—	—	—

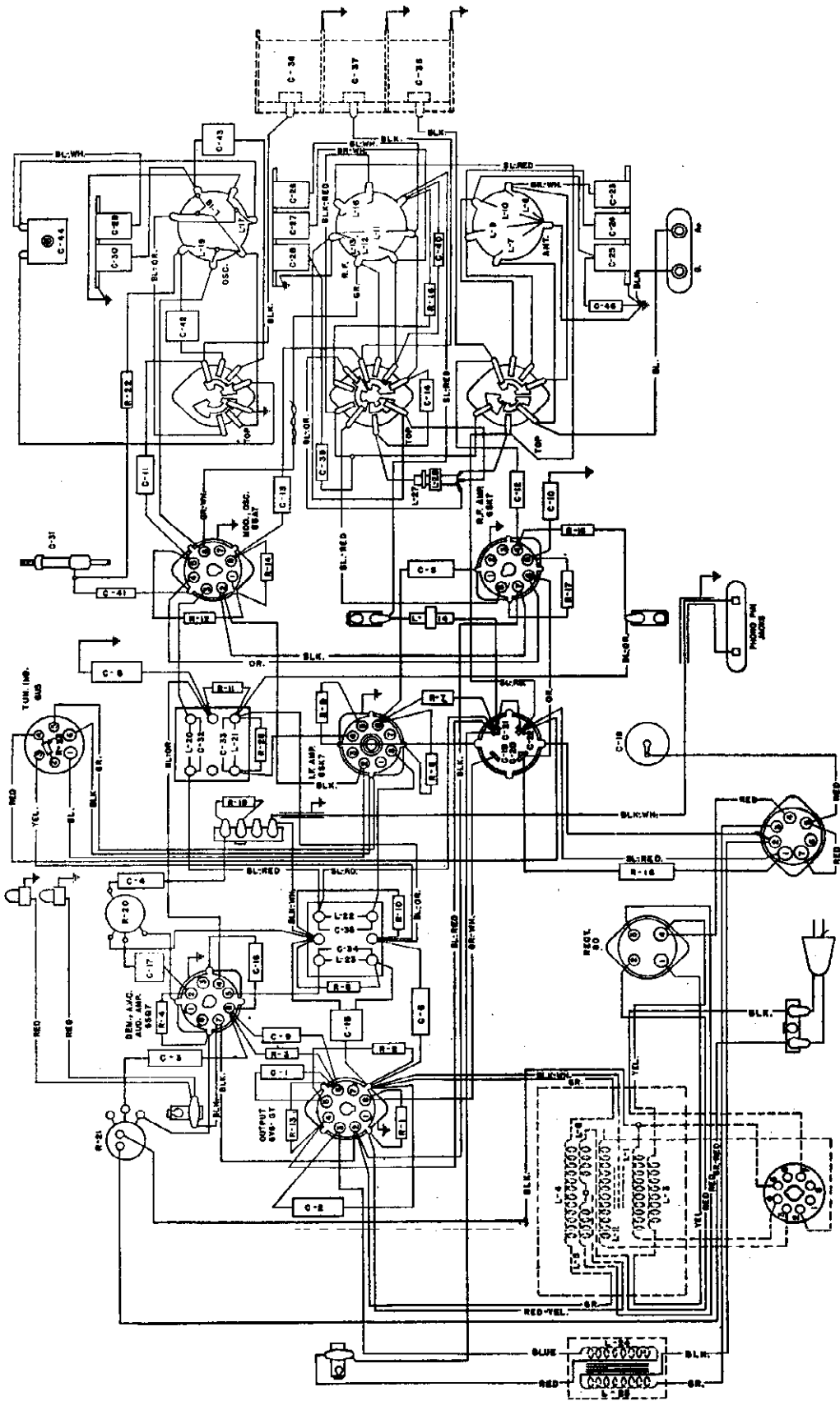
\*Read on lowest possible scale of voltmeter.

†Between terminals 1 and 4 of rectifier socket. 4.5 volts A. C.

A. C. voltages are indicated by italics.

MODELS WRL-277,  
WRL-277B

WESTINGHOUSE ELEC. INTERNATIONAL CO.



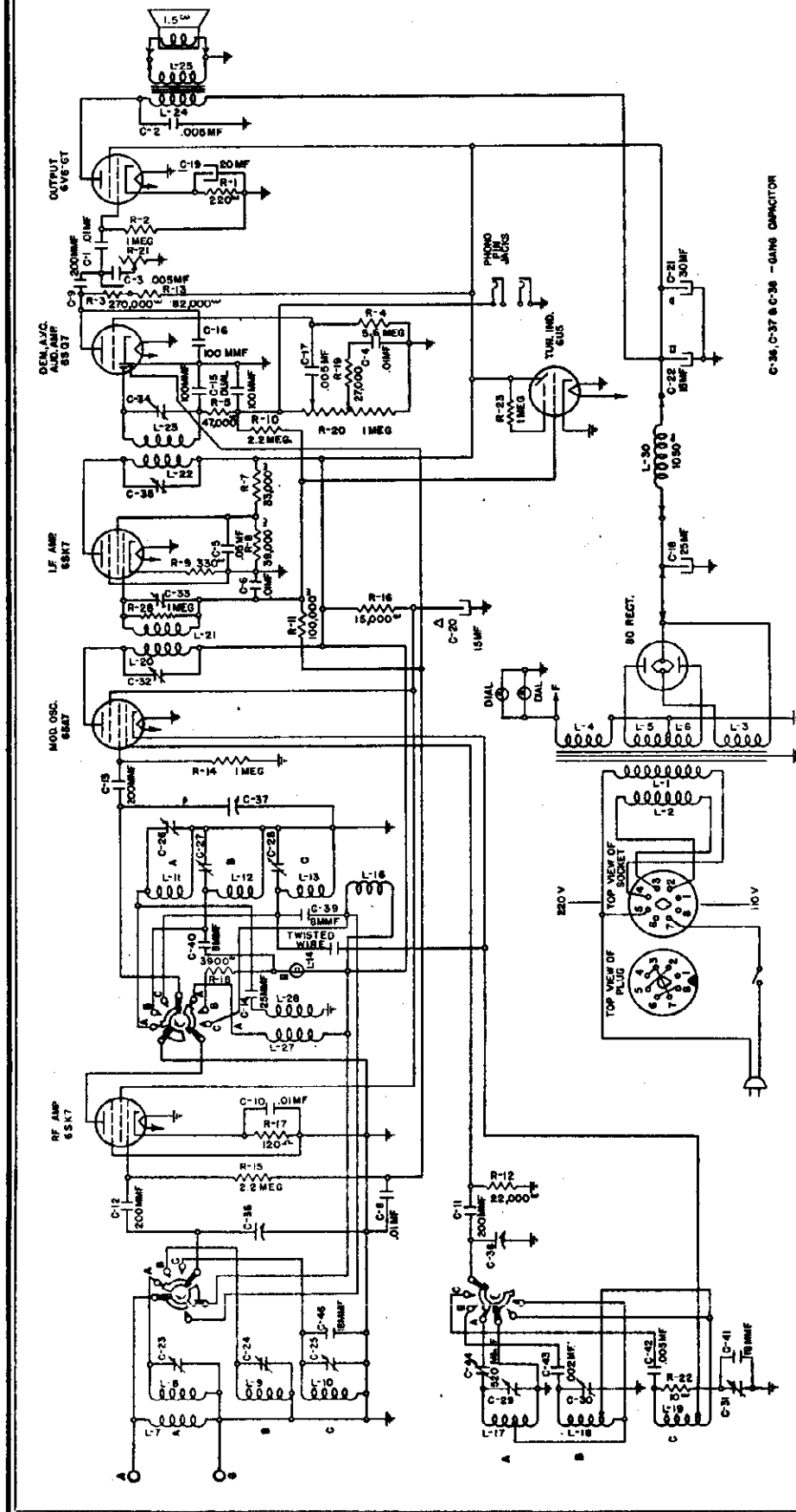
Wiring Diagram—WRL-277 Receiver

- 1—6SK7 R. F. Amplifier
- 1—6SA7 Modulator and Oscillator
- 1—6SK7 I. F. Amplifier
- 1—6SQ7 Demodulator, A. V. C. and Audio Amplifier
- 1—6V6G Output
- 1—80 Rectifier
- 1—6U5 Tuning Indicator

Number of Tubes..... 7

MODELS WRL-277,  
WRL-277B

WESTINGHOUSE ELEC. INTERNATIONAL CO.

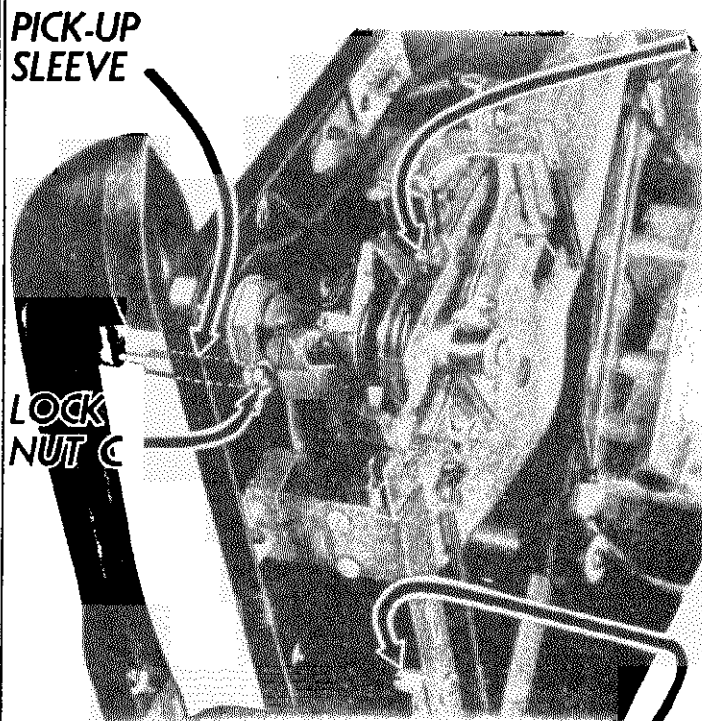


Schematic Circuit—WRL-277 Receiver

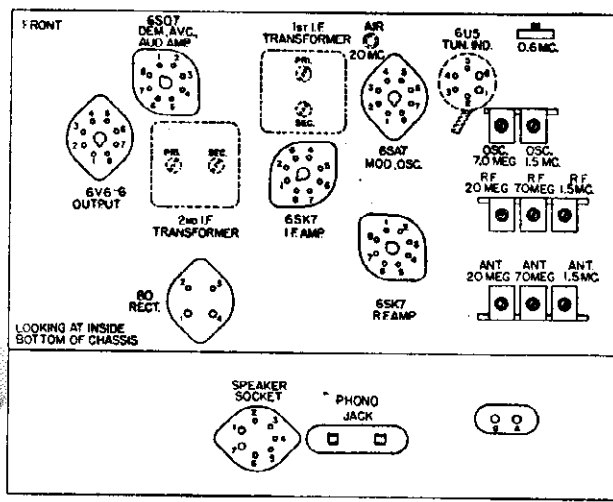
Voltage Rating ..... Adjustable for 100 to 120 or 200 to 240 Volts A. C.  
 Type of Circuit..... (See "Adjustment of Receiver to various line voltages")  
 Tuning Ranges ..... Superheterodyne  
 A—0.54 to 1.6 Mc.; B—2.3 to 7.6 Mc.; C—7.6 to 23 Mc.

Input Power Rating { WRL-277 and WRL-371 ..... 80 Watts  
 WRL-471 ..... 100 Watts  
 Intermediate Frequency..... 455 Kilocycles  
 Speaker Voice Coil Impedance at 400 cycles..... Approximately 1.5 Ohms  
 Speaker Field Coil Resistance..... Approximately 1050 Ohms

MODELS WRL-277, WRL-277B, WESTINGHOUSE ELEC. INTERNATIONAL CO.  
 WRL-371, WRL-471, WRL-471D



ADJUSTING SCREW B



Location Chart

ADJUSTING SCREW A

Model WRL-471 Receiver  
 Phonograph Mechanism

Model  
 WRL-277  
 WRL-277-B  
 WRL-371  
 WRL-471  
 WRL-471-D

Input Power Frequency  
 40-60 Cycles  
 25-60 Cycles (115 Volts only)  
 40-60 Cycles  
 60 Cycles only  
 50 Cycles only

**NORMAL VOLTAGE READINGS**

Take all readings with receiver operating and tuned to approximately 1000 Kc.—no signal.

Use a line voltage of 120 volts, or make allowance for any slight variation.

Use a good high resistance voltmeter having a resistance of at least 1000 ohms per volt.

Take all D. C. readings on the 500 volt scale except when an asterisk appears.

Read from indicated terminals to chassis base.

See location chart above for position of terminals.

A. C. voltages are indicated by *italics*.

**TERMINALS OF SOCKETS**

Tube	Circuit	1	2	3	4	5	6	7	8
6SK7	R. F. Amp.	0	0	0	0	+2*	+105	6.0	+265
6SA7	Mod. and Osc.	0	0	+265	+105	-5*	0	6.0	0
6SK7	I. F. Amp.	0	0	—	0	+3*	+105	6.0	+265
6SQ7	Demod., A. V. C., Audio Ampl.	0	0	0	0	0	+90	6.0	—
6V6G	Output	0	0	+250	+265	0	0	6.0	+12*
80†	Rectifier	+380	370	370	+380	—	—	—	—
6U5	Tuning Ind.	0	+25	0	+265	0	6.0	—	—
	Speaker Socket	+265	0	0	+380	+380	0	+380	—

\*Read on lowest possible scale of voltmeter.

†Between terminals 1 and 4 of rectifier socket: 4.5 volts A. C.

# WESTINGHOUSE ELEC. INTERNATIONAL CO. MODELS WRL-277, WRL-277B, WRL-371, WRL-471, WRL-471D

## SERVICE NOTES WESTINGHOUSE WRL-277, WRL-371 AND WRL-471 RADIO RECEIVERS

### ALIGNING INFORMATION

Never Align Unless Absolutely Necessary

Use a good modulated signal generator (test oscillator) with variable output voltage and connect a sensitive output meter across the voice coil of the speaker.

Always align using the smallest possible signal from the signal generator. A strong signal makes adjustments inaccurate.

Always have receiver volume control full on. See location chart on Page 4 for location of all the aligning adjustment screws.

**Aligning procedure (follow this order exactly)**

#### I. Dial pointer adjustment.

Make sure that the dial drive cord is in position on all pulleys, otherwise it will not be possible to correctly set the dial pointer. To correct the position of the dial pointer, first free the pointer ends from the drive cord, then with the gang capacitor fully engaged, set the pointer directly behind the horizontal line at the top of the dial. Carefully retighten the pointer ends to the drive cord.

#### II. Intermediate frequency adjustments.

1. Set the range switch to the medium wave position ("A").
2. Tune set to extreme low frequency end of the dial.
3. Connect the ground terminal of the signal generator to the ground terminal of the chassis.
4. Introduce a modulated signal of 455 Kilocycles to the stator terminal (top) of the center section of the gang capacitor, using a 0.1 microfarad capacitor in series with the output lead of the signal generator.
5. Adjust the I. F. Aligners for maximum signal in the following order:
  - A. Secondary of second I. F. transformer.
  - B. Primary of second I. F. transformer.
  - C. Secondary of first I. F. transformer.
  - D. Primary of first I. F. transformer.

#### III. Radio frequency adjustments.

Short Wave Range, Scale "C".

1. Replace the 0.1 microfarad capacitor in series with the output lead of the signal generator with a 400 ohm carbon type resistor, and connect it to the antenna terminal of the chassis.
2. Set the range switch to the "C" short-wave position.

The power transformer used in these receivers is adjustable for operation on 100 to 120 Volts, 40-60 Cycles, or 200 to 240 Volts, 40-60 Cycles. Provision is also made for operation on 120 to 130 Volts, 40-60 Cycles, or 130 to 150 Volts, 40-60 Cycles, by using the proper "Plug-in Resistor".

To correctly adjust the receiver to any of the line voltages given below, an accurate A. C. voltmeter should be used to measure the line voltage at the location where the receiver is to be installed.

**CAUTION:** Never make any adjustments of the power transformer without first removing the receiver's power supply cord from its power supply receptacle.

**Operation on Line Voltage of 200 to 240 Volts.**

When shipped from the factory, these receivers are adjusted for a line voltage of 200 to 240 volts.

Care should be taken to see that the white dot on the voltage changer plug indicates the "220 V" marking on top of the power transformer.

The phonograph motor of Model WRL-471 should also be inspected to see that the small plug having a single jumper wire is in place.

**To Adjust the Receiver for a Line Voltage of 100 to 120 Volts, 40-60 Cycles**

Loosen the screw and bracket so that the voltage changer plug may be removed from its socket on top of the power transformer.

Replace the voltage changer plug in its socket with the white dot set to the "110 V" marking. Screw the bracket in place.

With Model WRL-471 it is also necessary to remove the single jumper plug from the socket of the phonograph motor and insert the double jumper plug, which will be found attached to the inside of the cabinet.

**To Adjust the Receiver for a Line Voltage of 120 to 130 Volts, 40-60 Cycles**

Loosen the screw and bracket so that the voltage changer plug can be removed from its socket on top of the power transformer.

Remove the voltage changer plug and insert a W-32486 Plug-in Resistor into the socket on top of the power transformer.

With Model WRL-471 it is also necessary to remove the single jumper plug from the socket of the phonograph motor and insert the double jumper plug, which will be found attached to the inside of the cabinet.

### ADJUSTMENT OF RECEIVER TO VARIOUS LINE VOLTAGES

**To Adjust the Receiver for a Line Voltage of 130 to 150 Volts, 40-60 Cycles**

Loosen the screw and bracket so that the voltage changer plug can be removed from its socket on top of the power transformer.

Remove the voltage changer plug and insert a W-32487 Plug-in Resistor into the socket on top of the power transformer.

With Model WRL-471 it is also necessary to remove the single jumper plug from the socket of the phonograph motor and insert the double jumper plug, which will be found attached to the inside of the cabinet. In addition, a W-32485 Resistor must be inserted between the phonograph power cord and the radio chassis.

### Playing Records

Any record player equipped with a high impedance pick-up can be attached to the WRL-277 and WRL-371 receivers.

Connect the pick-up directly to the two receptacles (jacks) provided in the back of the chassis. When operating a record player with the WRL-277 Receiver tune the receiver to a quiet place on either of the short wave ranges and proceed to operate. Model WRL-371 has a phonograph position incorporated on the range switch; when operating a record player in conjunction with this receiver this control should be set so the arrow points to the star.

A shielded cable of the low-capacity type should be used to connect the pick-up to the receiver. The shield must be connected to the ground terminal of the receiver.

The volume may be controlled with the volume control at the receiver, or (if such is provided) with the volume control on the record player. A low impedance phonograph pick-up may also be used, but a matching transformer must be placed between the pick-up and the phonograph sockets (jacks) on the back of the chassis.

Model WRL-471 is equipped with an automatic record changer using a crystal pick-up. This record player shifts and plays the standard 10 or 12 inch records.

### Care of the Cabinet

The finish of Westinghouse Radio cabinets should be protected by using a good cabinet polish regularly. It is available in pint cans, designated as W-29840.

Nicks and scratches of most kinds can be repaired quickly and easily by proper use of the W-26962 Touch-up Kit. Complete instructions are provided with each kit.

### INSTRUCTIONS FOR ADJUSTING PHONOGRAPH MECHANISM USED IN WRL-471 RECEIVER

- A. Adjusting Landing Position of Needle on Record
- B. Adjusting Tripping Mechanism
- C. Adjusting Height to Which Pick-up Arm Rises

If needle comes down too far from the edge of the record so that record does not start at the beginning, turn adjusting screw "A" very slightly counter-clockwise.

If needle comes down too close to the edge of the record so that it slips off, turn adjusting screw clockwise.

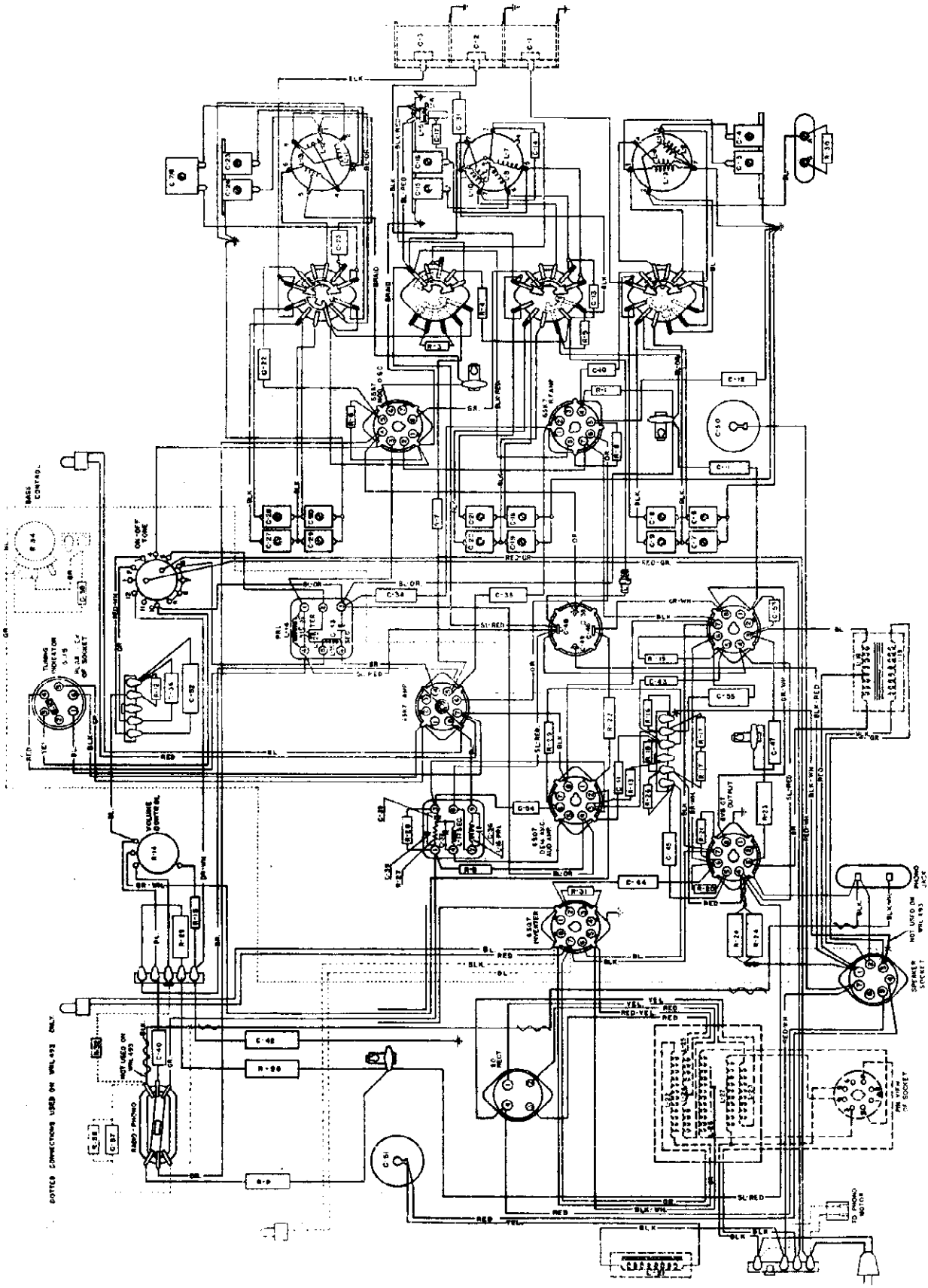
If trip mechanism fails to trip or operates during playing of record, adjust screw "B" to position where stronger tripping is obtained.

The arm should rise during the change cycle so that it clears the record above it by only  $\frac{1}{8}$ ". To make this adjustment, loosen the locknut "C" on pick up sleeve and turn sleeve to lengthen or shorten the plunger. Be sure to tighten locknut again after adjustment.

No adjustment of the record separating knives is required as they are arranged to compensate for slight differences in record thickness automatically.

Handle the mechanism with care. Do not lift it by the record holding knives.

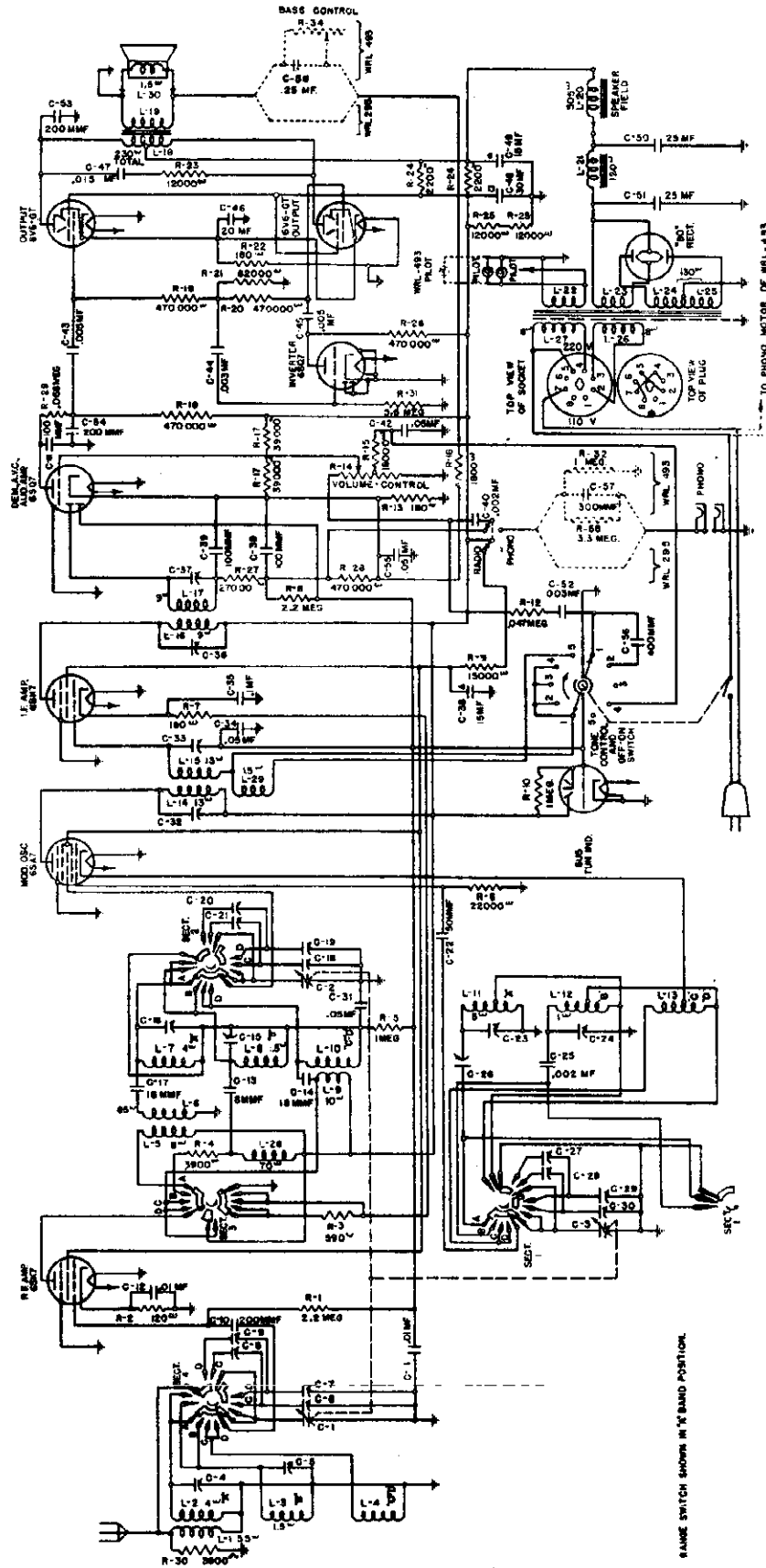
MODELS WRL-295, WRL-295B,  
WRL-493, WRL-493D WESTINGHOUSE ELEC. INTERNATIONAL CO.



Wiring Diagram



# WESTINGHOUSE ELEC. INTERNATIONAL CO. WRL-295, WRL-295B, WRL-493, WRL-493D



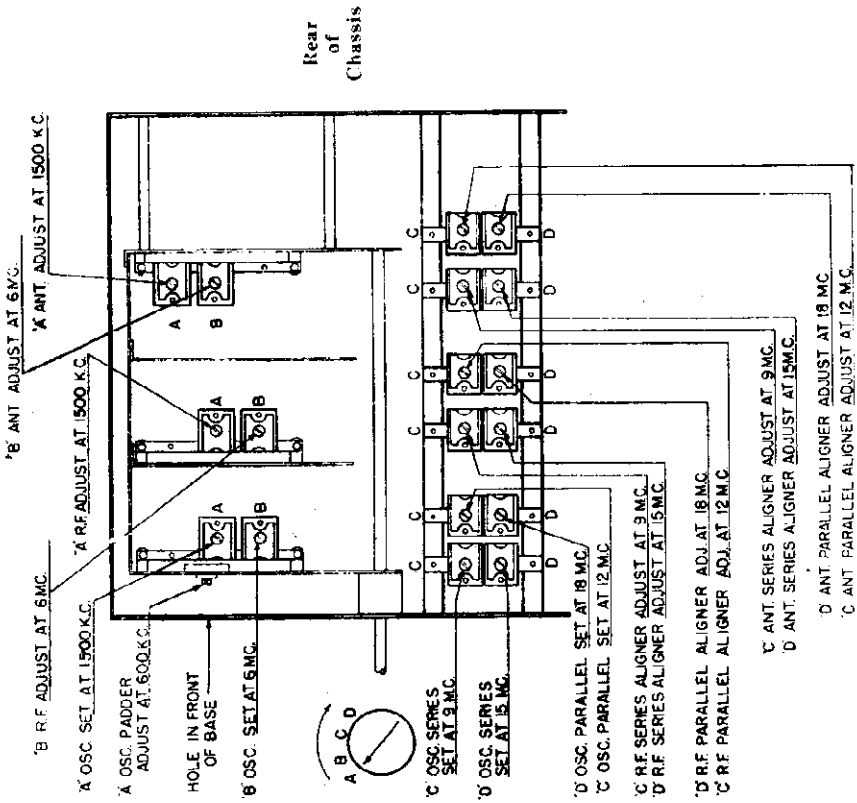
Schematic Circuit

## SPECIFICATIONS

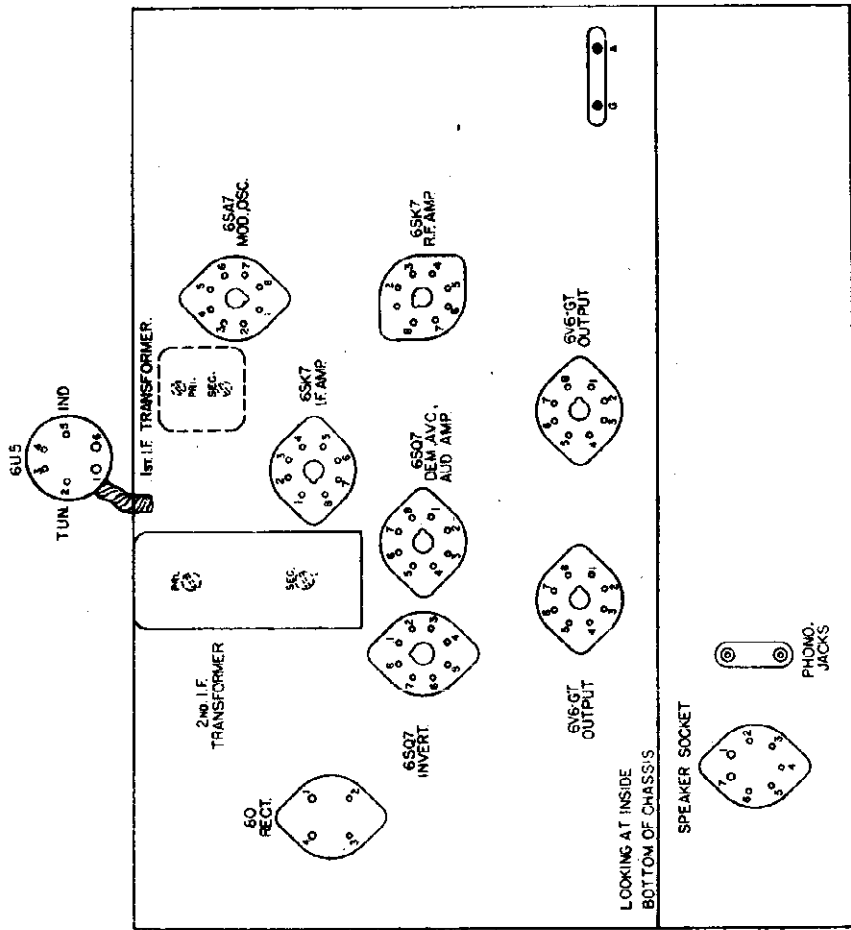
Voltage Rating ..... Adjustable for 100 to 240 Volts A. C.  
 Type of Circuit ..... See "Adjustment of Receiver to Various Line Voltages"  
 Tuning Ranges ..... A—0.54 to 1.62 Mc.; B—2.3 to 7.2 Mc.; C—8.6 to 12.1 Mc.; D—14.7 to 18.2 Mc. Superheterodyne

Input Power Rating ..... 105 Watts  
 Intermediate Frequency ..... 455 Kilocycles  
 Speaker Voice Coil Impedance at 400 cycles ..... Approximately 1.5 Ohms  
 Speaker Field Coil Resistance ..... Approximately 505 Ohms

MODELS WRL-295, WRL-295B, WESTINGHOUSE ELEC. INTERNATIONAL CO.  
WRL-493, WRL-493B



R. F. Aligning Chart



Location and I. F. Aligning Chart

Model	Input Power Frequency	Chassis	Cabinet	Speaker	Phono Equipment
WRL-295	40-60 Cycles	32922	33128	33135	—
WRL-295-B	25-60 Cycles (115 Volts only)	32856	33128	33135	—
WRL-493	60 Cycles only	33183	33185	27504	32777
WRL-493-D	50 Cycles only	33183	33185	27504	32834

MODELS WRL-295, WRL-295B  
WESTINGHOUSE ELEC. INTERNATIONAL CO. WRL-493, WRL-493B

ALIGNING INFORMATION—WRL-295  
Never Align Unless Absolutely Necessary

Use a good modulated signal generator (test oscillator) with variable output voltage and connect a sensitive output meter across the voice coil of the speaker.  
It is essential that the exact frequencies of 18, 15, 12 and 9 Mc. be obtained from the signal generator in order to insure proper calibration of the D and C scales. The accuracy of the signal generator may be checked by "beating" with known short-wave stations using any receiver that is in good operating condition.  
Always align the receiver with a possible signal from the signal generator. A strong signal makes adjustments inaccurate.  
Always have receiver volume control full on and the tone control must not be set to the high fidelity (most clockwise) position.  
See location chart on Page 3 for location of all the aligning adjustment screws.

Aligning procedure (follow this order exactly)

- Dial pointer adjustment.  
Make sure that the dial drive cord is in position on all pulleys. To correct the position of the dial pointer, first set the tuning capacitor so that it is fully engaged. Then, without disturbing the drive cord, move the dial cord so that the pointer is directly behind the low diamond-shaped index marks at the frequency end of the dial scales. Now fasten the dial cord and drive cord together at the extreme left (when viewed from the rear of the cabinet) by means of the two small clips.
- Intermediate frequency adjustments.
  - Set the range switch to the medium wave position ("A").
  - Turn the extreme low frequency end of the dial to the ground terminal of the chassis.
  - Connect the ground terminal of the signal generator to the ground terminal of the chassis.
  - Introduce a modulated signal of 455 Kilocycles to the stator terminal (top) of the center section of the gang capacitor, using a 0.1 microfarad capacitor in series with the output lead of the signal generator.
- Adjust the F<sub>1</sub> aligners for maximum signal in the following order:
  - Secondary of second I. F. transformer.
  - Primary of second I. F. transformer.
  - Secondary of first I. F. transformer.
  - Primary of first I. F. transformer.

Radio frequency adjustments. (See R. F. Aligning Chart for position of alignment adjusting screws.)  
Short Wave Range, Scale "D"

- Replace the 0.1 mc. capacitor in series with the output lead of the signal generator with a 400 ohm carbon type resistor and connect it to the antenna terminal of the chassis.
- Set the range switch to the "D" short-wave position.  
Set the signal generator frequency and the receiver tuning dial to 18 megacycles.
- Adjust the "D" OSC. PARALLEL 18 MC. aligner for maximum signal. Two positions will be found at which maximum signal occurs. Be sure to use the minimum capacitance position (most counter-clockwise of screw).
- Adjust the "C" R. F. SERIES 9 MC. and the "C" ANT. SERIES 9 MC. aligners for maximum signal. Two positions will be found at which maximum signal occurs. Be sure to use the maximum capacitance position (most clockwise of screw).
- Repeat operations 2, 3, 4, 5, 6 and 7 until no further improvement results.

Short Wave Range, Scale "B"

- Adjust the receiver connected to the signal generator in the same manner as above.)  
Set the range switch to the "B" short-wave position.

1. Set the signal generator frequency and the receiver tuning dial to 6 Mc. adjusting capacitor for maximum signal. If two positions are found at which maximum signal occurs, always use the minimum capacitance position (most counter-clockwise of screw).

- Adjust the "B" R. F. and ANTenna "1500 KC." aligners for maximum signal.
- Adjust the "B" OSC. SERIES 15 MC. aligner for maximum signal. Two positions will be found at which maximum signal occurs. Be sure to use the minimum capacitance position (most counter-clockwise of screw).
- Repeat operations 3, 4, 5, 6, 7 and 8 until no further improvement results.

Short Wave Range, Scale "C"

- Leave the receiver connected to the signal generator in the same manner as above.)  
Set the range switch to the "C" short-wave position.  
Set the signal generator frequency and the receiver tuning dial to 12 megacycles.  
Adjust the "C" OSC. PARALLEL 12 MC. aligner for maximum signal. Two positions will be found at which maximum signal occurs. Be sure to use the minimum capacitance position (most counter-clockwise of screw).
- Adjust the "C" R. F. PARALLEL 12 MC. and the "C" ANT. PARALLEL 12 MC. aligners for maximum signal. Two positions will be found at which maximum signal occurs. Be sure to use the maximum capacitance position (most clockwise of screw).
- Repeat operations 3, 4, 5, 6, 7 and 8 until no further improvement results.

Short Wave Range, Scale "A"

- Repeat operations 3, 4, 5, 6, 7 and 8 until no further improvement results.

- Set the signal generator frequency and the receiver tuning dial to 6 Mc. adjusting capacitor for maximum signal. If two positions are found at which maximum signal occurs, always use the minimum capacitance position (most counter-clockwise of screw).
- Adjust the "B" R. F. and ANTenna "1500 KC." aligners for maximum signal.
- Adjust the "B" OSC. SERIES 15 MC. aligner for maximum signal. Two positions will be found at which maximum signal occurs. Be sure to use the minimum capacitance position (most counter-clockwise of screw).

Medium Wave Range, Scale "A"

- Replace the 400 ohm carbon type resistor in series with the output lead

ALIGNING INFORMATION WRL-493

Alignment procedure is exactly the same as given for the WRL-295 except that the following positions in degrees must be used in place of the tuning dial settings.  
"D" range 18 Mc. use 166 degrees.  
"C" range 15 Mc. use 127 degrees.  
"C" range 12 Mc. use 132 degrees.  
"B" range 9 Mc. use 148.5 degrees.  
"A" range 6 Mc. use 157 degrees.  
"A" range 400 Kc. use 30 degrees.

ADJUSTMENT OF RECEIVER

The power transformer used in these receivers is adjustable for operation on 100 to 120 Volts, 40-60 Cycles, or 200 to 240 Volts, 40-60 Cycles. Provision is also made for operation on 120 to 130 Volts, 40-60 Cycles, or 130 to 150 Volts, 40-60 Cycles, by using the proper "Jumper" Resistor.

To correctly adjust the receiver to any of the line voltages given below, an accurate A. C. voltmeter should be used to measure the line voltage at the location where the receiver is to be installed.

CAUTION: Never make any adjustments of the power transformer without first removing the receiver's power supply cord from its power supply receptacle.

Operation on Line Voltage of 200 to 240 Volts  
When shipped from the factory, these receivers are adjusted for a line voltage of 200 to 240 volts.

Care should be taken to see that the white dot on the voltage changer plug indicates the "250 V" marking on top of the power transformer.

The phonograph motor of Model WRL-493 should also be inspected to see that the small plug having a single jumper wire is in place.

To Adjust the Receiver for a Line Voltage of 100 to 120 Volts  
Loosen the screw and bracket so that the voltage changer plug may be removed from its socket on top of the power transformer.

Replace the voltage changer plug with the white dot set to the "110 V" marking. Screw the bracket in place.

With Model WRL-493 it is also necessary to remove the single jumper plug from the socket of the phonograph motor and insert the double jumper plug, which will be found attached to the inside of the cabinet.

To Adjust the Receiver for a Line Voltage of 120 to 130 Volts  
Loosen the screw and bracket so that the voltage changer plug can be removed from its socket on top of the power transformer.

Remove the voltage changer plug and insert a W-90871 (32488) Plug-in Resistor into the socket on top of the power transformer.

With Model WRL-493 it is also necessary to remove the single jumper plug from the socket of

- from the signal generator with a 200 micro-microfarad capacitor.
- Set the range switch to the medium wave position, "A".
- Set the signal generator frequency and the receiver tuning dial to 1500 Kc.
- Adjust the "A" OSCillator, R. F. and ANTenna "1500 KC." aligners for maximum signal.
- Set the signal generator frequency and the receiver tuning dial to 600 Kc.
- Adjust the "A" OSCillator for padder "600" KC. aligner for maximum signal.
- Repeat operations 3 and 4.

Alignment procedure is exactly the same as given for the WRL-295 except that the following positions in degrees must be used in place of the tuning dial settings.

- "D" range 18 Mc. use 166 degrees.
- "C" range 15 Mc. use 127 degrees.
- "C" range 12 Mc. use 132 degrees.
- "B" range 9 Mc. use 148.5 degrees.
- "A" range 6 Mc. use 157 degrees.
- "A" range 600 Kc. use 30 degrees.

ADJUSTMENT OF RECEIVER

The power transformer used in these receivers is adjustable for operation on 100 to 120 Volts, 40-60 Cycles, or 200 to 240 Volts, 40-60 Cycles. Provision is also made for operation on 120 to 130 Volts, 40-60 Cycles, or 130 to 150 Volts, 40-60 Cycles, by using the proper "Jumper" Resistor.

ADJUSTMENT OF RECEIVER

To correctly adjust the receiver to any of the line voltages given below, an accurate A. C. voltmeter should be used to measure the line voltage at the location where the receiver is to be installed.

CAUTION: Never make any adjustments of the power transformer without first removing the receiver's power supply cord from its power supply receptacle.

Operation on Line Voltage of 200 to 240 Volts  
When shipped from the factory, these receivers are adjusted for a line voltage of 200 to 240 volts.

Care should be taken to see that the white dot on the voltage changer plug indicates the "250 V" marking on top of the power transformer.

The phonograph motor of Model WRL-493 should also be inspected to see that the small plug having a single jumper wire is in place.

To Adjust the Receiver for a Line Voltage of 100 to 120 Volts  
Loosen the screw and bracket so that the voltage changer plug may be removed from its socket on top of the power transformer.

Replace the voltage changer plug with the white dot set to the "110 V" marking. Screw the bracket in place.

With Model WRL-493 it is also necessary to remove the single jumper plug from the socket of the phonograph motor and insert the double jumper plug, which will be found attached to the inside of the cabinet.

To Adjust the Receiver for a Line Voltage of 120 to 130 Volts  
Loosen the screw and bracket so that the voltage changer plug can be removed from its socket on top of the power transformer.

Remove the voltage changer plug and insert a W-90871 (32488) Plug-in Resistor into the socket on top of the power transformer.

With Model WRL-493 it is also necessary to remove the single jumper plug from the socket of

- from the signal generator with a 200 micro-microfarad capacitor.
- Set the range switch to the medium wave position, "A".
- Set the signal generator frequency and the receiver tuning dial to 1500 Kc.
- Adjust the "A" OSCillator, R. F. and ANTenna "1500 KC." aligners for maximum signal.
- Set the signal generator frequency and the receiver tuning dial to 600 Kc.
- Adjust the "A" OSCillator for padder "600" KC. aligner for maximum signal.
- Repeat operations 3 and 4.

Alignment procedure is exactly the same as given for the WRL-295 except that the following positions in degrees must be used in place of the tuning dial settings.

- "D" range 18 Mc. use 166 degrees.
- "C" range 15 Mc. use 127 degrees.
- "C" range 12 Mc. use 132 degrees.
- "B" range 9 Mc. use 148.5 degrees.
- "A" range 6 Mc. use 157 degrees.
- "A" range 600 Kc. use 30 degrees.

ADJUSTMENT OF RECEIVER

The power transformer used in these receivers is adjustable for operation on 100 to 120 Volts, 40-60 Cycles, or 200 to 240 Volts, 40-60 Cycles. Provision is also made for operation on 120 to 130 Volts, 40-60 Cycles, or 130 to 150 Volts, 40-60 Cycles, by using the proper "Jumper" Resistor.

ADJUSTMENT OF RECEIVER

To correctly adjust the receiver to any of the line voltages given below, an accurate A. C. voltmeter should be used to measure the line voltage at the location where the receiver is to be installed.

CAUTION: Never make any adjustments of the power transformer without first removing the receiver's power supply cord from its power supply receptacle.

Operation on Line Voltage of 200 to 240 Volts  
When shipped from the factory, these receivers are adjusted for a line voltage of 200 to 240 volts.

Care should be taken to see that the white dot on the voltage changer plug indicates the "250 V" marking on top of the power transformer.

The phonograph motor of Model WRL-493 should also be inspected to see that the small plug having a single jumper wire is in place.

To Adjust the Receiver for a Line Voltage of 100 to 120 Volts  
Loosen the screw and bracket so that the voltage changer plug may be removed from its socket on top of the power transformer.

Replace the voltage changer plug with the white dot set to the "110 V" marking. Screw the bracket in place.

With Model WRL-493 it is also necessary to remove the single jumper plug from the socket of the phonograph motor and insert the double jumper plug, which will be found attached to the inside of the cabinet.

To Adjust the Receiver for a Line Voltage of 120 to 130 Volts  
Loosen the screw and bracket so that the voltage changer plug can be removed from its socket on top of the power transformer.

Remove the voltage changer plug and insert a W-90871 (32488) Plug-in Resistor into the socket on top of the power transformer.

With Model WRL-493 it is also necessary to remove the single jumper plug from the socket of

Care of the Cabinet  
The finish of Westinghouse Radio cabinets should be protected by using a good cabinet polish regularly. It is available in paint cans. Nicks and scratches of most kinds can be repaired quickly and easily by proper use of the W-25842 Touch-up Kit. Complete instructions are provided with each kit.

**MODELS WRL-295, WESTINGHOUSE ELEC. INTERNATIONAL CO.**  
**WRL-295B,**  
**WRL-493, INSTRUCTIONS FOR ADJUSTING PHONOGRAPH MECHANISM**  
**WRL-493B USED IN WRL-493 RECEIVER**

**A. Adjusting Landing Position of Needle on Record**

If needle comes down too far from the edge of the record so that record does not start at the beginning, turn adjusting screw "A" very slightly counter-clockwise.

If needle comes down too close to the edge of the record so that it slips off, turn adjusting screw clockwise.

**B. Adjusting Tripping Mechanism**

If trip mechanism fails to trip or operates during playing of record, adjust screw "B" to position where proper tripping is obtained.

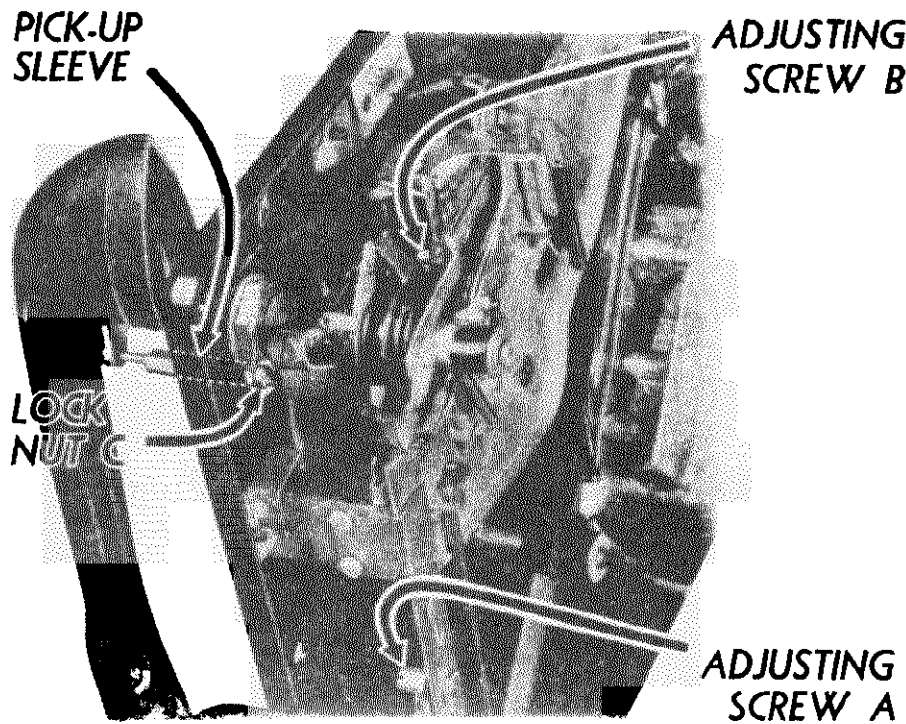
**C. Adjusting Height to Which Pick-up Arm Rises**

The arm should rise during the change cycle so that it clears the record above it by only 1/8". To make this adjustment, loosen the locknut "C" on pick-up sleeve and turn sleeve to lengthen or shorten the plunger. Be sure to tighten locknut again after adjustment.

No adjustment of the record separating knives is required as they are arranged to compensate for slight differences in record thickness automatically.

Handle the mechanism with care.

Do not lift it by the record holding knives.



**NORMAL VOLTAGE READINGS**

Take all readings with receiver operating and tuned to approximately 1000 Kc.—no signal. Use a line voltage of 120 volts, or make allowance for any slight variation. Use a good high resistance voltmeter having a resistance of at least 1000 ohms per volt.

Take all D. C. readings on the 500 volt scale except when an asterisk appears. Read from indicated terminals to chassis base. See location chart on Page 3 for position of terminals. A. C. voltages are indicated by *italics*.

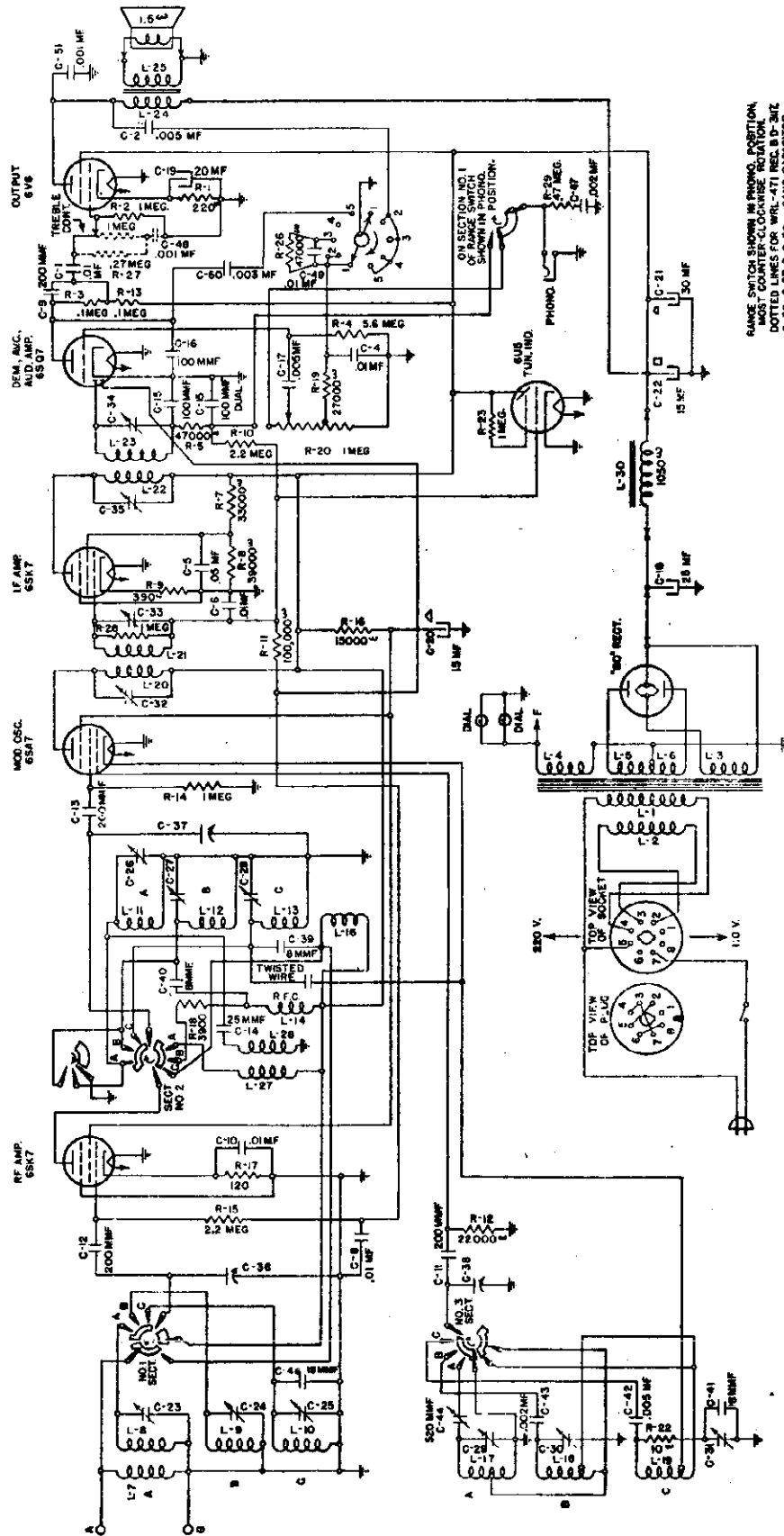
Tube	Circuit	TERMINALS OF SOCKETS							
		1	2	3	4	5	6	7	8
6SK7	R. F. Amp.	0	0	0	0	+1.5*	+100	0.0	+270
6SA7	Mod. and Osc.	0	0.0	+270	+100	-4*	0	0	0
6SK7	I. F. Amp.	0	0	0	0	+8*	+100	0.0	+270
6SQ7	Demod., A. V. C. Audio Ampl.	0	0	0	0	0	+60	0	0.0
6SQ7	Inverter	0	0	0	0	0	+70	0.0	0
6V6GT (both)	Output	0	0	+315	+270	0	0	0.0	+15*
80†	Rectifier	+390	380	380	+390	—	—	—	—
8U5	Tuning Ind.	0.0	+25	0	+270	0	0	—	—
—	Speaker Socket	+330	0	0	+380	+390	0	+380	—

\* Read on lowest possible scale of voltmeter.

† Between terminals 1 and 4 of rectifier socket: 5 volts A. C.

MODELS WRL-371, WRL-471,

WESTINGHOUSE ELEC. INTERNATIONAL CO. WRL-471-D

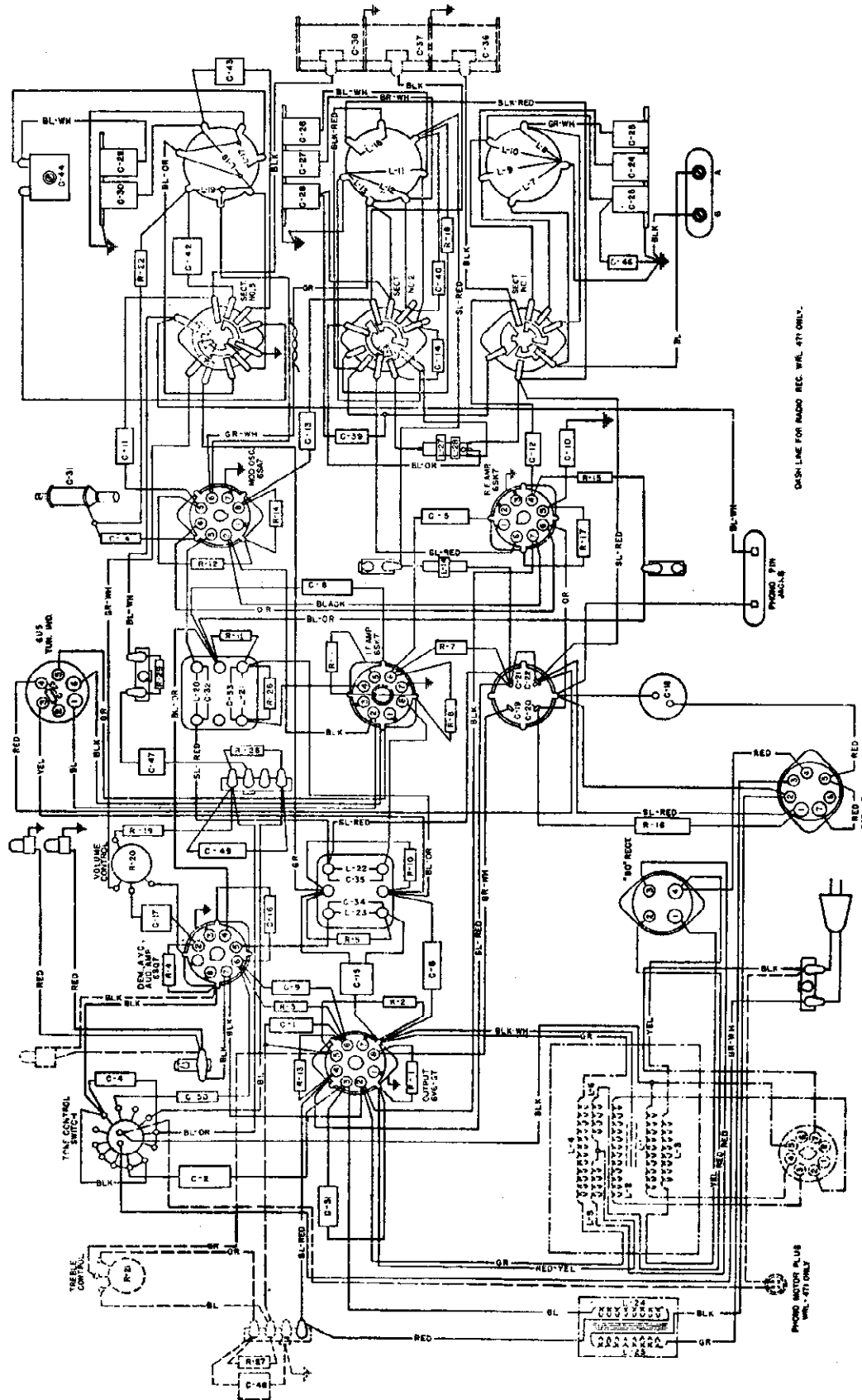


Schematic Circuit—WRL-371 and WRL-471 Receivers

Voltage Rating .....	Adjustable for 100 to 120 or 200 to 240 Volts A. C.
Type of Circuit.....	(See "Adjustment of Receiver to various line voltages") Superheterodyne
Tuning Ranges .....	A-0.54 to 1.6 Mc.; B-2.3 to 7.6.; C-7.6 to 23 Mc.
Input Power Rating	WRL-277 and WRL-371 ..... 80 Watts
	WRL-471..... 100 Watts
Intermediate Frequency .....	455 Kilocycles
Speaker Voice Coil Impedance at 400 cycles.....	Approximately 1.5 ohms
Speaker Field Coil Resistance.....	Approximately 1050 ohms

MODELS WRL-371, WRL-471,  
WRL-471D

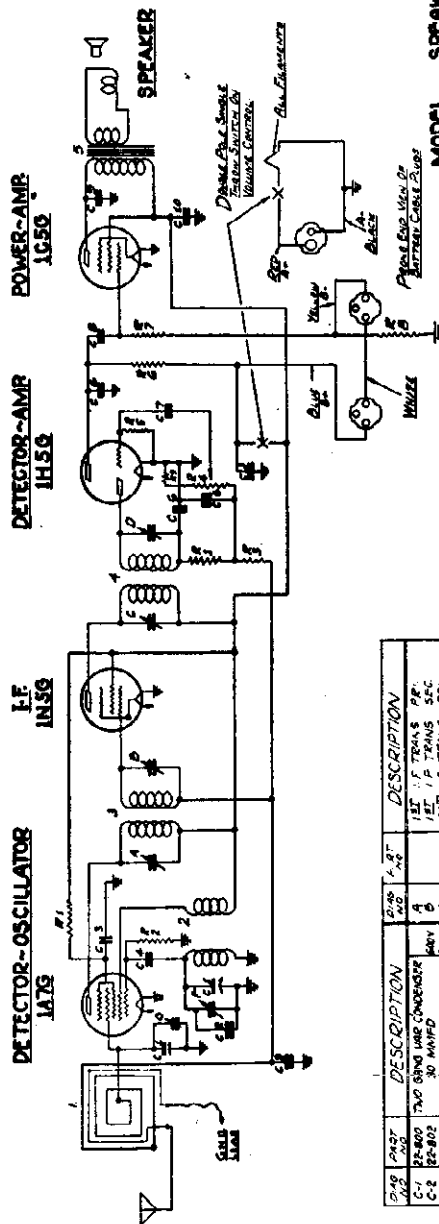
WESTINGHOUSE ELEC. INTERNATIONAL CO.



Wiring Diagram—WRL-371 and WRL-471 Receivers

ZENITH RADIO CORP.

MODELS 4K40CD, 4K40CL,  
4K40OM, 4K40OS  
Chassis 5416



COMP. NO.	DESCRIPTION	VAL.	DESCRIPTION
C-1	200 MFD 50V	200	1ST I.F. TRANS. PF.
C-2	22-400	220	1ST I.F. TRANS. SEC.
C-3	22-820	220	2ND I.F. TRANS. SEC.
C-4	22-160	220	3RD I.F. TRANS. SEC.
C-5	22-320	220	BROADCAST OSC. (ON GAIN)
C-6	22-640	220	ANTENNA BROADCAST (ON GAIN)
C-7	22-1280	220	
C-8	22-2560	220	
C-9	22-5120	220	
C-10	22-10240	220	
R-1	47K OHMS	47K	LOOP ASSEMBLY
R-2	80K OHMS	80K	OSCILLATOR COIL ASYM.
R-3	100K OHMS	100K	1ST I.F. TRANSFORMER
R-4	150K OHMS	150K	2ND I.F. TRANSFORMER
R-5	200K OHMS	200K	SPEAKER TRANSFORMER
R-6	500K OHMS	500K	
R-7	1M OHMS	1M	
R-8	2M OHMS	2M	
R-9	5M OHMS	5M	
R-10	10M OHMS	10M	

**NOTE:**

All measurements with 1000 ohms per voltmeter—loop antenna not connected—volume at minimum—All readings made with fresh Zenith (part No. Z-59) battery pack with speaker in circuit.

NOTE: "A"

Bias for 1C5 measured across 1000 ohm resistor at points marked X—X.

Bias is neg. 10 volts.

**LEGEND**

- F—FILAMENT
- P—PLATE
- S—SCREEN
- G—GRID
- D—DIODE
- NC—NO CONNECTION

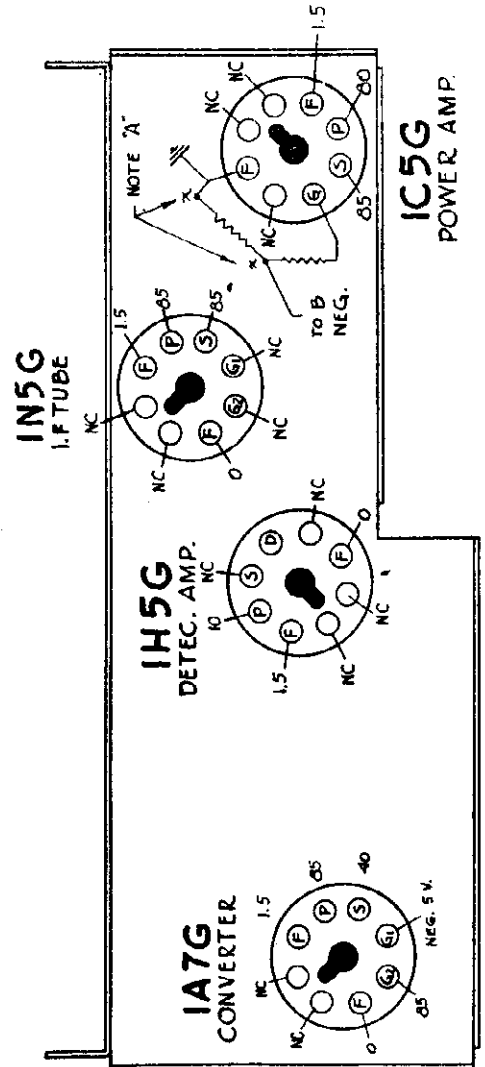
**SPEAKER**

**MODEL**

- 4K-400 D
- 4K-400 L
- 4K-400 M
- 4K-400 S

I.F. FREQUENCY 455 K.C.  
4 TUBE BATTERY SUPERHETERODYNE  
CHASSIS NO. 5416

ZENITH RADIO CORPORATION  
CHICAGO, ILLINOIS

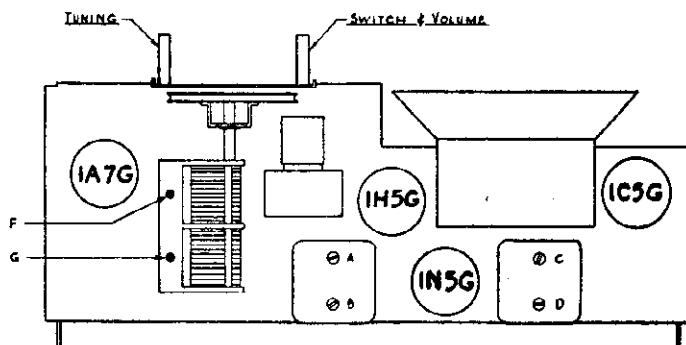


FRONT OF CHASSIS

MODELS 4K40D, 4K40L,  
4K40M, 4K40S  
Chassis 5416

ZENITH RADIO CORP.

MODELS 4K40D, 4K40S, 4K40L, 4K40M  
Chassis 5416



ALIGNMENT PROCEDURE

Operation	Connect Test Oscillator to	Dummy Antenna	Set Test Osc. to	Band	Set Dial At	Adjust Trimmers	Purpose
1	1st Det. Grid	1/2 Mfd.	455	Br'dc't	600	ABCD	I. F. Alignment
2	Separate 3 foot antenna		1500	"	1500	F	Set Osc. to Scale
3	Separate 3 foot antenna		1500	"	1500	G	Al'gment of Ant.

PARTS LIST

Chassis 5416

MODELS 4K40D, 4K40S, 4K40L, 4K40M

Dial Assembly

26-220	Dial scale	\$ .20
59-75	Dial pointer	.10
76-278	Dial drive shaft	.10
80-69	Dial cord tension spring	.02
93-371	Dial spacer bakelite washer	.25
192-38	Dial crystal	.15
MS-418	Pulley and bracket assembly	.10
S-6870	Indicator disc and bushing	.15
S-6893	Dial cord and eyelet assembly	.15

Coils

95-593	1st I. F. Transformer	1.00
95-594	2nd I. F. Transformer	1.00
S-6869	Oscillator coil assembly	.60
S-6888	Loop antenna assembly	1.35

Condensers

22-162	.0001 mfd. ... 600 volt	.15
22-182	.00025 mfd. ... 600 volt	.15
22-243	.01 mfd. ... 400 volt	.15
22-448	.004 mfd. ... 600 volt	.18
22-684	8. mfd. ... 150 volt Dry Electrolytic	.45
22-800	Two gang variable	2.00
22-802	30 mmfd. ... 600 volt	1.00
22-826	.01 mfd. ... 200 volt	.12

22-828	.05 mfd. .... 400 volt	.15
22-829	.05 mfd. .... 200 volt	.12

Resistors

63-238	1000 ohm .... 1/4 watt	.07
63-271	1 megohm .... 1/4 watt	.07
63-593	47 M ohm .... 1/4 watt	.07
63-600	2.2 megohm .. 1/4 watt	.07
63-604	10 megohm ... 1/4 watt	.07
63-654	180 M ohm ... 1/4 watt	.07
63-669	3.9 megohm .. 1/4 watt	.07
63-1026	Volume control and switch	1.50

Miscellaneous

46-273	Tuning control knob	.10
49-294	Speaker—5 1/2" PM—all models	6.25
	208-294 cone and voice coil	1.50
	206-294 output transformer	1.25
78-208	Speaker plug socket	.10
78-246	Socket 1A7G tube	.10
78-247	Socket 1N5G tube	.10
78-248	Socket 1H5G tube	.10
78-249	Socket 1C5G tube	.10
83-658	Pin jack terminal strip	.06
126-297	Tube shield	.10
S-6872	Battery cable and plugs	.45

ALL PRICES LIST SUBJECT TO REGULAR PARTS DISCOUNT  
AND CHANGE WITHOUT NOTICE

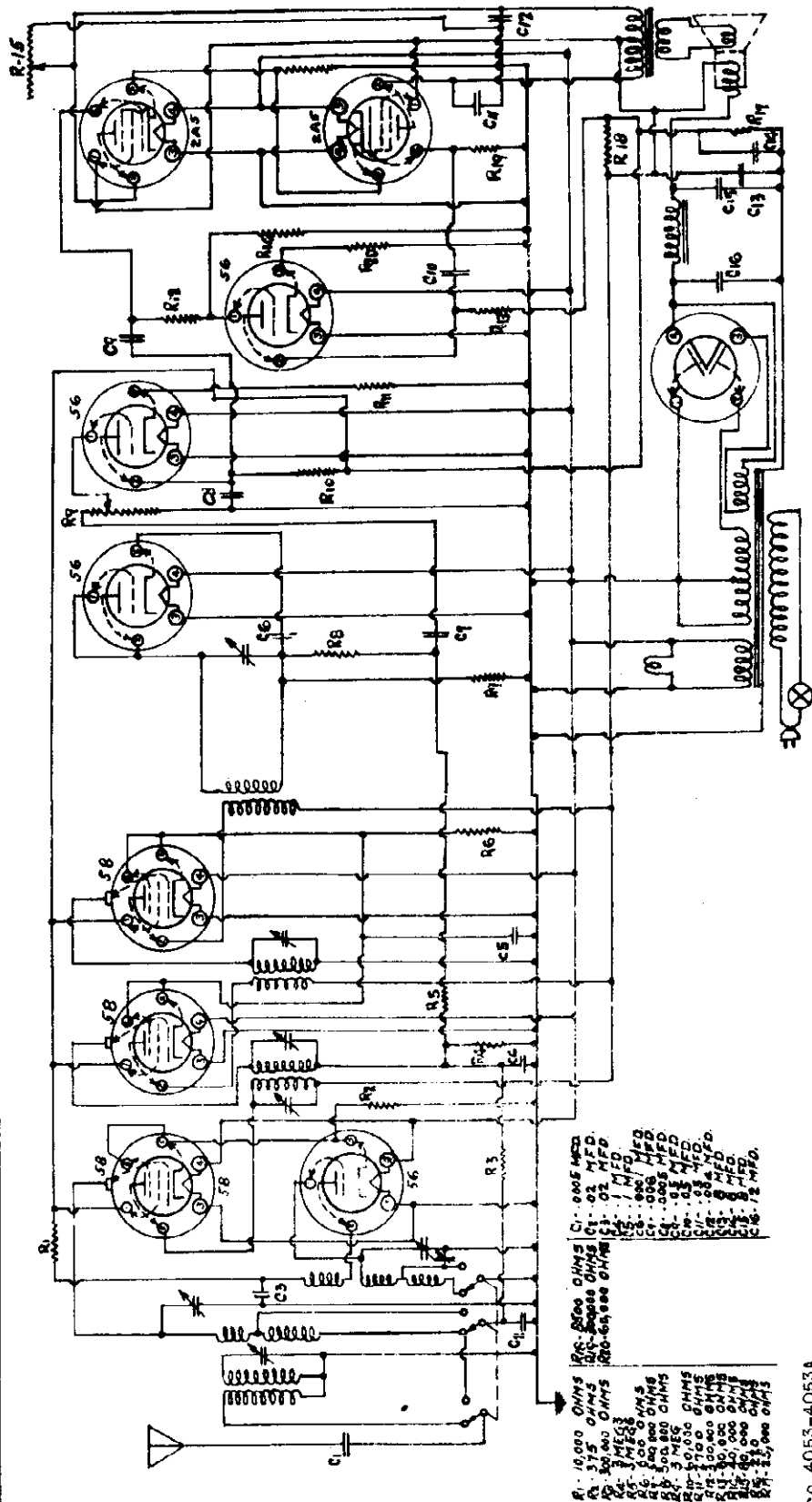
APRIL 4, 1939





MODELS 4053,  
4053-A

DELCO



- |                    |                    |               |
|--------------------|--------------------|---------------|
| R1 - 10,000 OHMS   | R10 - 2000 OHMS    | C1 - .005 MFD |
| R2 - 25,000 OHMS   | R11 - 2000 OHMS    | C2 - .02 MFD  |
| R3 - 100,000 OHMS  | R12 - 2000 OHMS    | C3 - .02 MFD  |
| R4 - 100,000 OHMS  | R13 - 100,000 OHMS | C4 - .01 MFD  |
| R5 - 100,000 OHMS  | R14 - 100,000 OHMS | C5 - .01 MFD  |
| R6 - 100,000 OHMS  | R15 - 100,000 OHMS | C6 - .01 MFD  |
| R7 - 100,000 OHMS  | R16 - 100,000 OHMS | C7 - .01 MFD  |
| R8 - 100,000 OHMS  | R17 - 100,000 OHMS | C8 - .01 MFD  |
| R9 - 100,000 OHMS  | R18 - 100,000 OHMS | C9 - .01 MFD  |
| R10 - 100,000 OHMS |                    | C10 - .01 MFD |
| R11 - 100,000 OHMS |                    | C11 - .01 MFD |
| R12 - 100,000 OHMS |                    | C12 - .01 MFD |
| R13 - 100,000 OHMS |                    | C13 - .01 MFD |
| R14 - 100,000 OHMS |                    | C14 - .01 MFD |
| R15 - 100,000 OHMS |                    | C15 - .01 MFD |
| R16 - 100,000 OHMS |                    | C16 - .01 MFD |

ALIGNMENT

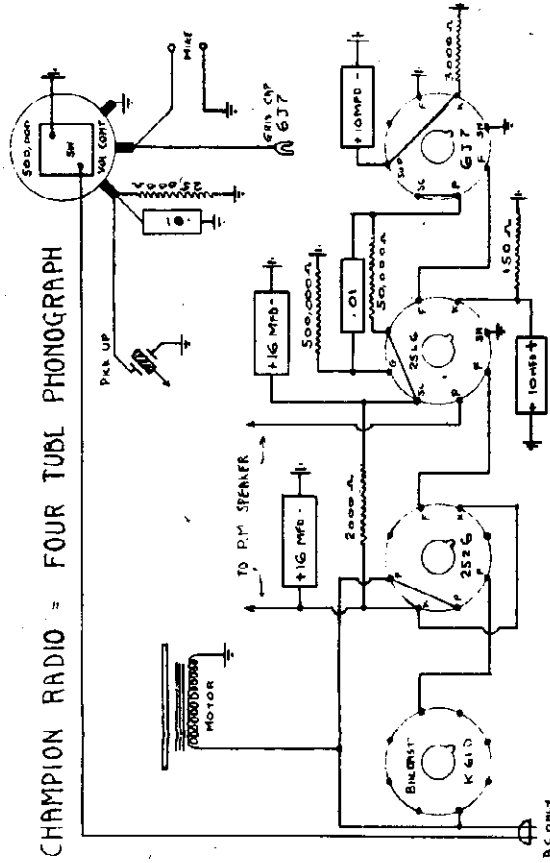
1. Intermediate Frequency 181.5 K.C.  
Connect signal generator to grid of 58 detector tube through a .1 mfd. condenser. Adjust I-F trimmers.
2. 1400 K.C. Alignment  
Connect signal generator to antenna connector through a .001 mfd. condenser. Tune receiver to 1400 K.C. Adjust oscillator, R.F. and antenna trimmers.

Delco 4053-4053A  
Date: 12-1-41

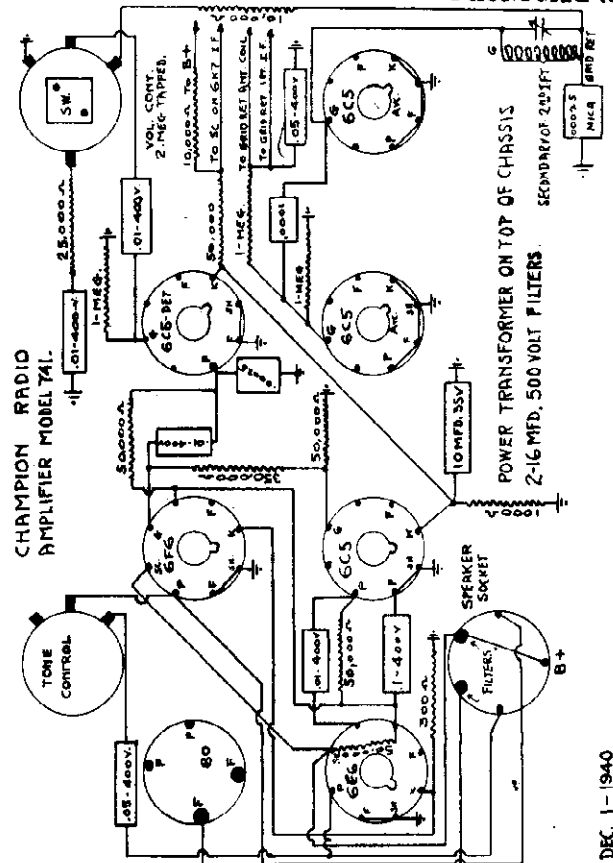
FERGUSON RADIO, INC.

MODELS 1 TUBE, 2 TUBE,  
4 TUBE  
PHONOGRAPHS

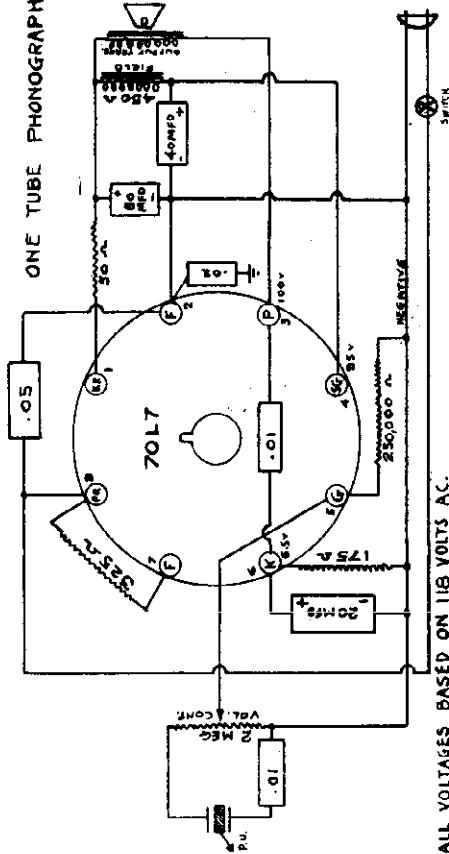
CHAMPION RADIO - FOUR TUBE PHONOGRAPH



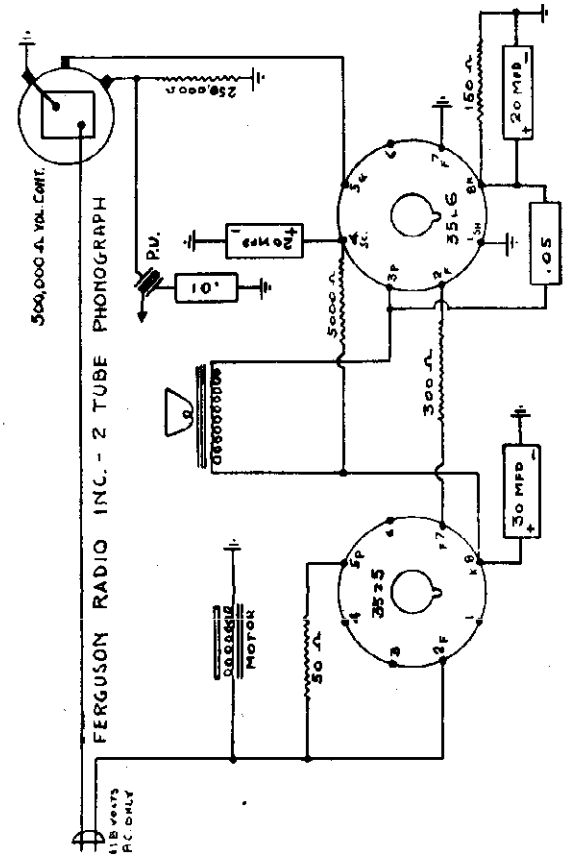
CHAMPION RADIO  
AMPLIFIER MODEL TAI.



ONE TUBE PHONOGRAPH



FERGUSON RADIO INC. - 2 TUBE PHONOGRAPH

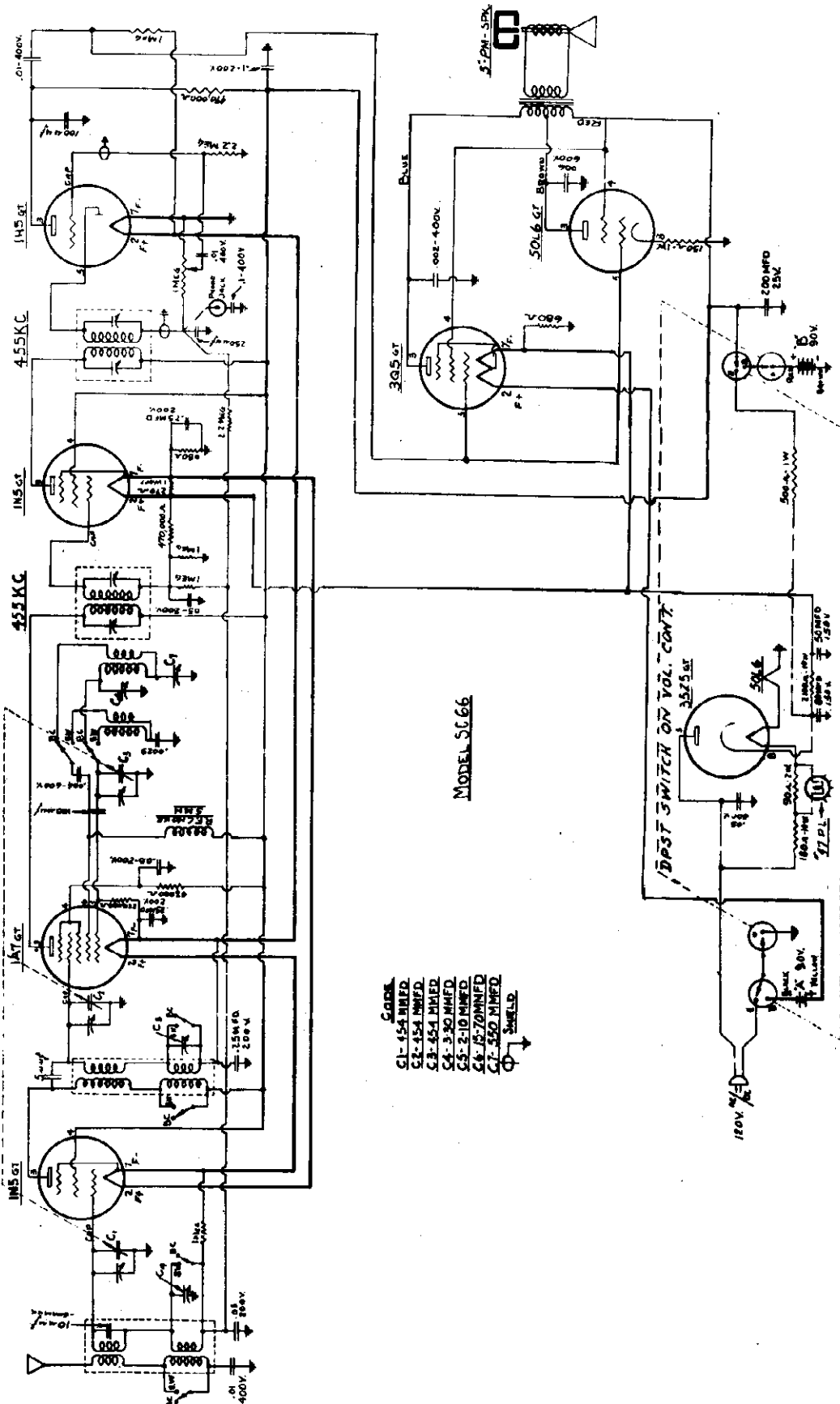


POWER TRANSFORMER ON TOP OF CHASSIS  
2-16 MFD. 500 VOLT FILTERS  
SECONDARY OF 250V RT.

DEC. 1-1940

MODEL SC66

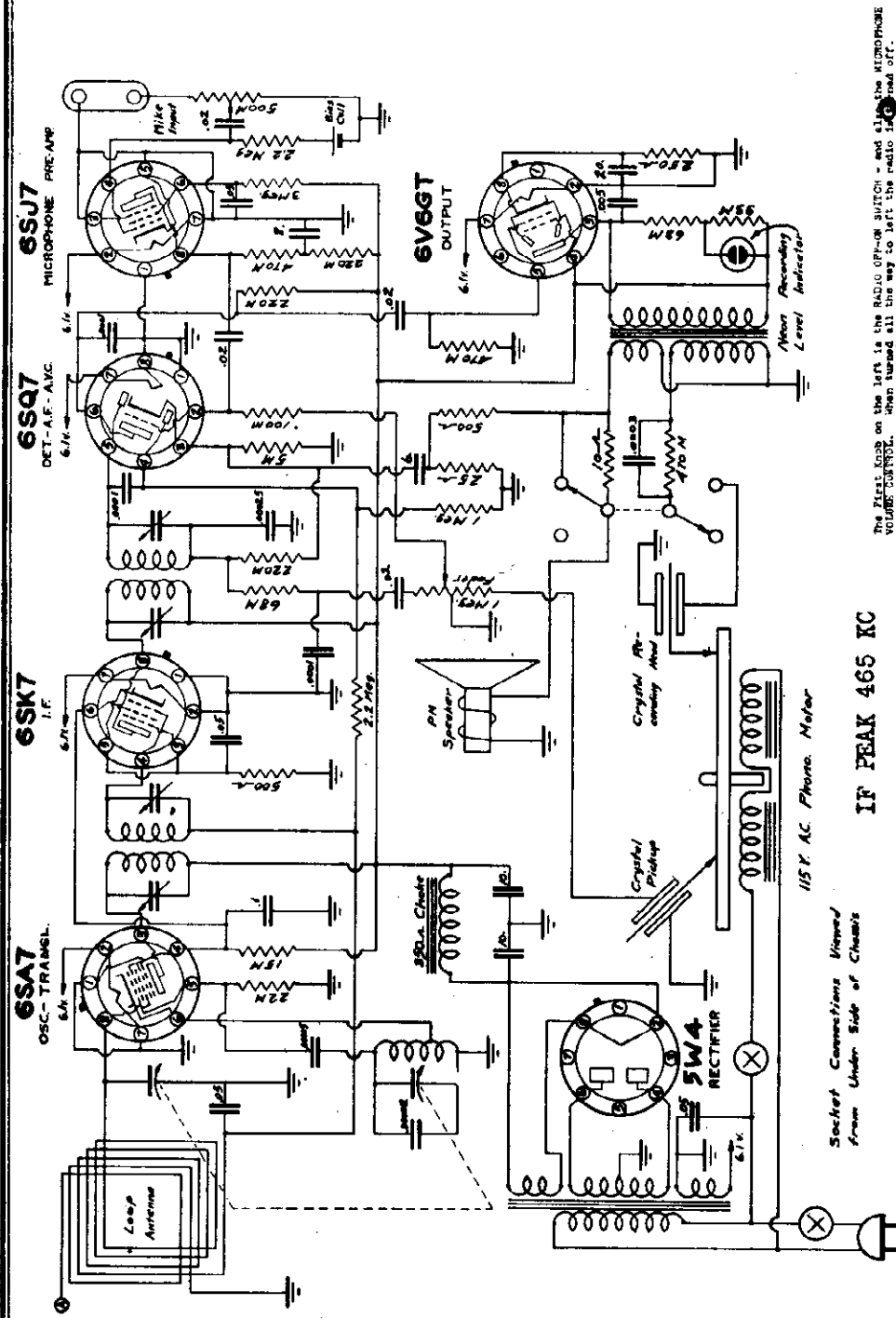
HAMILTON RADIO CORP.



- CODES**
- C1- 454 MMFD.
  - C2- 154 MMFD.
  - C3- 454 MMFD.
  - C4- 3-30 MMFD.
  - C5- 2-10 MMFD.
  - C6- 15-20 MMFD.
  - C7- 350 MMFD.
- SHIELD

BATTERY ELECTRIC SWITCH - SUBSTITUTED IN ELECTRIC SECTION

MISSION BELL RADIO MFG. CO., INC.



MODEL 423 PORTABLE RECORDER.

IF PEAK 465 KC CONVENTIONAL ALIGNMENT-SEE SPECIAL SECTION VOL. VIII

Socket Connections Viewed from Under Side of Chassis

The First knob on the left is the RADIO OFF-ON SWITCH - and also the MICROPHONE VOLUME CONTROL. When turned all the way to the left the radio is read off. Turn to right to increase volume of microphone when used. This volume control knob is also used to control the volume of the radio when used for recording or playback; and when desiring to use MICROPHONE, plug the two tip-jacks on the end of microphone cord into the holes marked "Microphone". The tip-jack attached to the microphone is plugged into the top hole. If microphone is used for recording, the other tip-jack is plugged into the bottom hole. To the extreme left is FULL volume for playing phonograph records. To the extreme right is full volume for radio reception and the recording of program. Half way between radio, left or right on this knob is zero volume on either phonograph or radio.

The third knob from left is the SPANION SELECTOR for tuning in the radio stations. This knob from left is RECORDING and PLAYBACK SWITCH. When knob is turned to "LEFT" on the record position, all recordings from radio or microphone may be made. When in this position, the program may still be heard from the loud speaker, but at reduced volume. This makes it possible to hear what is being recorded while recording. When knob is turned to "RIGHT" on the playback position, the program recorded is played back. The volume control knob is used to control the volume of radio reception, or from the base of the phonograph and recording motor.

The small brass knob on motor base is the off-on switch for the phonograph and recording motor. The method "Monitor" on extreme right of instrument panel is for plugging in the two tip-jacks attached to the end of speaker cord. There is no polarity on this connection - the speaker should be plugged in before operating the instrument on this connection. The round hole to the left of the instrument is turned on. The round hole to the right contains a neon lamp to indicate the correct volume to be used in recording.

NOTES

Place blank disc on turntable, making certain that the disc, ph pickup, and a recording stylus in the recording head, which is mounted on the right side of the motor base. Make certain that the flat side of the stylus abut against the disc. If a radio program is to be recorded, first select the desired station. When the program is properly tuned in, place the RECORD-PLAYBACK SWITCH in the "RECORD" position, and adjust the volume control to the point where the program is heard clearly on loud speaker. Do not attempt to estimate the proper recording level. The recording level is determined by the level indicator lamp when using the unit as a conventional radio receiver. The level indicator is also used in the same manner when recording with the microphone.

Start the motor by turning motor switch to left. Carefully place the cutting head on the disc, and do not let it go until the disc is rotated a second or two. The recording head should be held against the disc until the recording arm is in the cutting position. After the recording is completed, replace the recording head on its rest. When noting the recording arm to or from the recording head mechanism. This is necessary to disengage the recording head.

Do not be discouraged if your first recording is not perfect. A little practice is necessary to become accustomed to proper operation of the instrument. The record out from most acetate and micro-cellulose discs is very faint, and care should be taken to keep it away from each tray and open flanges. Read the instructions furnished by the disc manufacturer.